

## PIC16CR62 Rev. A Silicon Errata Sheet

The PIC16CR62 (Rev. A) parts you have received conform functionally to the Device Data Sheet (DS30234D), except for the anomalies described below.

All the problems listed here will be addressed in future revisions of the PIC16CR62 silicon.

### 1. Module: CCP (Compare Mode)

The Compare mode may not operate as expected when configuring the compare match to drive the I/O pin low (CCPxM<3:0> = 1001).

When the CCP module is changed to compare output low (CCPxM<3:0> = 1001) from any other non-compare CCP mode, the I/O pin will immediately be driven low regardless of the state of the I/O data latch. The pin will remain low when the compare match occurs (see Table 1).

However, when the CCP module is changed to compare output high (CCPxM<3:0> = 1000) from any other CCP mode, the I/O pin will immediately be driven low regardless of the state of the I/O data latch. The pin will be driven high when the compare match occurs.

**TABLE 1: Compare Output Low Switching**

CCP Mode CCPxM<3:0> =	I/O pin State	Change CCP to CCPxM<3:0> =	
		1001	1000
0xxx	H	L	L
	L	L	L
1000	H	H	—
	L	L	—
1001	H	—	L
	L	—	L
101x	H	L	L
	L	L	L
11xx	H	L	L
	L	L	L

### Work Around

To have the I/O pin high until the compare match low occurs, force a compare match high to get the I/O pin into the high state, then reconfigure the compare match to force the I/O low, when the compare condition occurs.

### 2. Module: CCP (Compare Mode)

The special event trigger of the Compare mode may not occur if both of the following conditions exist:

- An instruction one cycle (TCY) prior to a Timer1/Compare register match has literal data equal to the address of a CCP register being used.<sup>(1)</sup>
- An instruction in the same cycle as a Timer1/Compare register match has an MSb of '0'.

The interrupt for the compare event will still be generated, but no special event trigger will occur.

**Note 1:** 15h(CCPR1L), 16h(CCPR1H) or 17h(CCP1CON) for CCP1.

### Work Around

Use the interrupt service routine instead of using the special event trigger to reset Timer1 (and start an A/D conversion, if applicable).

### 3. Module: SSP Module (I<sup>2</sup>C™ mode)

If the bus is active when the I<sup>2</sup>C mode is enabled, and the next 8-bits of data on the bus match the address of the device, then the SSP module will generate an acknowledge pulse.

### Work Around

Before enabling the I<sup>2</sup>C mode, ensure that the bus is not active.

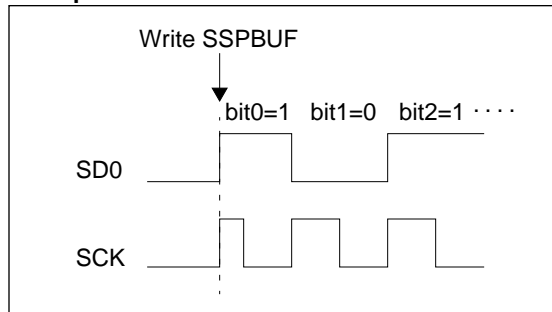
**Note:** As with any windowed EPROM device, please cover the window at all times, except when erasing.

# PIC16CR62

## 4. Module: SSP (SPI Mode)

When the SPI is using Timer2/2 as the clock source, a shorter-than-expected SCK pulse may occur on the first bit of the transmitted/received data.

### Example:



### Work Around

To avoid producing the short pulse, turn off Timer2 and clear the TMR2 register, load the SSPBUF with the data to transmit, and then turn Timer2 back on.

### Example Code:

```
BSF STATUS, RP0 ;Bank 1
LOOP BTFSS SSPSTAT, BF ;Data received?
; (Xmit complete?)

GOTO LOOP ;No
BCF STATUS, RP0 ;Bank 0
MOVF SSPBUF, W ;W = SSPBUF
MOVWF RXDATA ;Save in user RAM
MOVF TXDATA, W ;W = TXDATA
BCF T2CON, TMR2ON ;Timer2 off
CLR TMR2 ;Clear Timer2
MOVWF SSPBUF ;Xmit New data
BSF T2CON, TMR2ON ;Timer2 on
```

## 5. Module: Timer0

The TMR0 register may increment when the WDT postscaler is switched to the Timer0 prescaler. If TMR0 = FFh, this will cause TMR0 to overflow (setting TOIF).

### Work Around

Follow the following sequence:

- Read the 8-bit TMR0 register into the W register
- Clear the TMR0 register
- Assign WDT postscaler to Timer0
- Write W register to TMR0

## 6. Module: Timer1

The Timer1 value may unexpectedly increment if either the TMR1H or the TMR1L register is written. If Timer1 is ON, then turned OFF, performing any write instruction with TMR1H as the destination may cause TMR1L to increment.

### Example 1:

```
BSF T1CON, TMR1ON
:
BCF T1CON, TMR1ON
MOVF TMR1H, 1
```

TMR1 value before MOVF instruction:

TMR1H:TMR1L = 3F:00

TMR1 value after MOVF instruction:

TMR1H:TMR1L = 3F:01

### Example 2:

```
BSF T1CON, TMR1ON
:
BCF T1CON, TMR1ON
MOVF TMR1H, 1
```

TMR1 value before MOVF instruction:

TMR1H:TMR1L = FF:FF

TMR1 value after MOVF instruction:

TMR1H:TMR1L = FF:00

If Timer1 is ON, then turned OFF when TMR1H:TMR1L = xx:FF, performing any write instruction with TMR1L as the destination may cause TMR1H to increment.

### Example 1:

```
BSF T1CON, TMR1ON
:
BCF T1CON, TMR1ON
CLRF TMR1L
```

TMR1 value before CLRF instruction:

TMR1H:TMR1L = FF:FF

TMR1 value after CLRF instruction:

TMR1H:TMR1L = 00:00

(TMR1IF is **not** set.)

### Work Around

To preserve Timer1 register values:

Read Timer1 register values into "shadow" registers. Perform any write instruction(s) on the shadow registers. Write the shadow register values back into the Timer1 registers.

## Clarifications/Corrections to the Data Sheet:

In the Device Data Sheet (DS30234D), the following clarifications and corrections should be noted.

### 1. Module: I/O Ports

The specification for the High Voltage Open Drain I/O (The RA4 pin on most devices) cannot be met without possible long term reliability issues on that I/O pin. If a high voltage drive is required, use an external transistor that can support the required voltage.

**TABLE 2: DC SPECIFICATION CHANGES FROM DATA SHEET**

Param No.	Sym.	Characteristic	New Specification			Data Sheet Specification			Units
			Min	Typ	Max	Min	Typ	Max	
D150	VOD	Open-drain High Voltage	—	—	<b>10</b>	—	—	14	V

### 2. Module: SSP (SPI Mode Timing Specifications)

- a) The SPI interface timings have been modified to the values shown in Table 3.

**TABLE 3: DC SPECIFICATION CHANGES FROM DATA SHEET**

Parm No.	Sym.	Characteristic	New Specification			Data Sheet Specification			Units	
			Min	Typ	Max	Min	Typ	Max		
71	TsCH	SCK input high time (slave mode)	Continuous	$1.25 T_{CY} + 30 \text{ ns}$	—	—	$T_{CY} + 20 \text{ ns}$	—	—	ns
71A			Single Byte <sup>(1)</sup>	40	—	—	N.A.			ns
72	TsCL	SCK input low time (slave mode)	Continuous	$1.25 T_{CY} + 30 \text{ ns}$	—	—	$T_{CY} + 20 \text{ ns}$	—	—	ns
72A			Single Byte <sup>(1)</sup>	40	—	—	N.A.			ns
73A	T <sub>B2B</sub>	Last clock edge of the Byte1 to 1st clock edge of the Byte2 <sup>(1)</sup>		$1.5 T_{CY} + 40 \text{ ns}$	—	—	N.A.			ns

\* This parameter is characterized but not tested

**Note 1:** Specification 73A is only required if specifications 71A and 72A are used.

### 3. Module: Timer1

- a) The operation of Timer1 needs some clarification when the timer registers are written when the TMR1ON bit is set.

The internal clock signal that is the input to the TMR1 prescaler affects the incrementing of Timer1 (TMR1H:TMR1L registers and the Timer1 prescaler). When the Timer1 registers are NOT written, the Timer1 will increment on the rising edge of the TMR1 increment clock.

When the TMR1H and/or TMR1L registers are written while this clock is high, TMR1 will increment on the next rising edge of this clock.

When the TMR1H and/or TMR1L registers are written while this clock is low, TMR1 will not increment on the next rising edge of this clock, but must first have a falling clock and then the rising clock for TMR1 to increment.

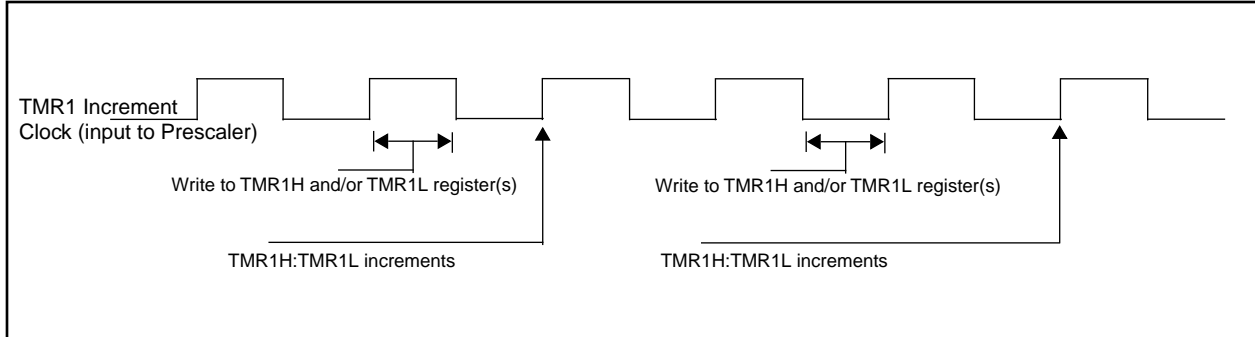
Figure 1 shows the two cases of writes to the TMR1H and/or TMR1L registers. Due to the  $V_{IH}$  and  $V_{IL}$  thresholds on the oscillator/clock pins, external

# PIC16CR62

Timer1 oscillator components, and external clock frequency, the Timer1 increment clock may not be of a 50% duty cycle.

The TMR1 increment clock is out of phase of the T1OSO/T1CKI pin by a small propagation delay.

**FIGURE 1: WRITES TO TIMER1 (EXTERNAL CLOCK / OSCILLATOR MODE)**



#### 4. Module: RC Oscillator

The table for RC Oscillator Frequencies in the Device Characterization section of the Data Sheet is incorrect. The correct characterization information is shown in Table 4.

**TABLE 4: RC OSCILLATOR FREQUENCIES CHARACTERIZATION CHANGES FROM DATA SHEET**

Cext	Rext	Correct Characterization Data		Current Data Sheet Values	
		Average	% Variation	Average	% Variation
22 pF	5.1 K	3.55 MHz	± 9.63%	4.12 MHz	± 1.4%
	10 K	1.99 MHz	± 10.53%	2.35 MHz	± 1.4%
	100 K	221.9 KHz	± 12.10%	268 KHz	± 1.1%
100 pF	3.3 K	1.77 MHz	± 10.67%	1.80 MHz	± 1.0%
	5.1 K	1.22 MHz	± 10.41%	1.27 MHz	± 1.0%
	10 K	669.4 KHz	± 10.92%	688 KHz	± 1.2%
	100 K	71.5 KHz	± 11.21%	77.2 KHz	± 1.0%
330 pF	3.3 K	625.1 KHz	± 10.68%	707 KHz	± 1.4%
	5.1 K	428.5 KHz	± 10.96%	501 KHz	± 1.2%
	10 K	231.9 KHz	± 11.32%	269 KHz	± 1.6%
	100 K	24.4 KHz	± 12.93%	28.3 KHz	± 1.1%

The percentage variation indicated here is part to part variation due to normal process distribution. The variation indicated is ±3 standard deviation from the average value for Vdd = 5V



## WORLDWIDE SALES AND SERVICE

### AMERICAS

#### Corporate Office

Microchip Technology Inc.  
2355 West Chandler Blvd.  
Chandler, AZ 85224-6199  
Tel: 480-786-7200 Fax: 480-786-7277  
Technical Support: 480-786-7627  
Web Address: <http://www.microchip.com>

#### Atlanta

Microchip Technology Inc.  
500 Sugar Mill Road, Suite 200B  
Atlanta, GA 30350  
Tel: 770-640-0034 Fax: 770-640-0307

#### Boston

Microchip Technology Inc.  
5 Mount Royal Avenue  
Marlborough, MA 01752  
Tel: 508-480-9990 Fax: 508-480-8575

#### Chicago

Microchip Technology Inc.  
333 Pierce Road, Suite 180  
Itasca, IL 60143  
Tel: 630-285-0071 Fax: 630-285-0075

#### Dallas

Microchip Technology Inc.  
4570 Westgrove Drive, Suite 160  
Addison, TX 75248  
Tel: 972-818-7423 Fax: 972-818-2924

#### Dayton

Microchip Technology Inc.  
Two Prestige Place, Suite 150  
Miamisburg, OH 45342  
Tel: 937-291-1654 Fax: 937-291-9175

#### Detroit

Microchip Technology Inc.  
Tri-Atria Office Building  
32255 Northwestern Highway, Suite 190  
Farmington Hills, MI 48334  
Tel: 248-538-2250 Fax: 248-538-2260

#### Los Angeles

Microchip Technology Inc.  
18201 Von Karman, Suite 1090  
Irvine, CA 92612  
Tel: 949-263-1888 Fax: 949-263-1338

#### New York

Microchip Technology Inc.  
150 Motor Parkway, Suite 202  
Hauppauge, NY 11788  
Tel: 631-273-5305 Fax: 631-273-5335

#### San Jose

Microchip Technology Inc.  
2107 North First Street, Suite 590  
San Jose, CA 95131  
Tel: 408-436-7950 Fax: 408-436-7955

### AMERICAS (continued)

#### Toronto

Microchip Technology Inc.  
5925 Airport Road, Suite 200  
Mississauga, Ontario L4V 1W1, Canada  
Tel: 905-405-6279 Fax: 905-405-6253

### ASIA/PACIFIC

#### Hong Kong

Microchip Asia Pacific  
Unit 2101, Tower 2  
Metroplaza  
223 Hing Fong Road  
Kwai Fong, N.T., Hong Kong  
Tel: 852-2-401-1200 Fax: 852-2-401-3431

#### Beijing

Microchip Technology, Beijing  
Unit 915, 6 Chaoyangmen Bei Dajie  
Dong Erhuan Road, Dongcheng District  
New China Hong Kong Manhattan Building  
Beijing 100027 PRC  
Tel: 86-10-85282100 Fax: 86-10-85282104

#### India

Microchip Technology Inc.  
India Liaison Office  
No. 6, Legacy, Convent Road  
Bangalore 560 025, India  
Tel: 91-80-229-0061 Fax: 91-80-229-0062

#### Japan

Microchip Technology Intl. Inc.  
Benex S-1 6F  
3-18-20, Shinyokohama  
Kohoku-Ku, Yokohama-shi  
Kanagawa 222-0033 Japan  
Tel: 81-45-471-6166 Fax: 81-45-471-6122

#### Korea

Microchip Technology Korea  
168-1, Youngbo Bldg. 3 Floor  
Samsung-Dong, Kangnam-Ku  
Seoul, Korea  
Tel: 82-2-554-7200 Fax: 82-2-558-5934

#### Shanghai

Microchip Technology  
RM 406 Shanghai Golden Bridge Bldg.  
2077 Yan'an Road West, Hong Qiao District  
Shanghai, PRC 200335  
Tel: 86-21-6275-5700 Fax: 86 21-6275-5060

### ASIA/PACIFIC (continued)

#### Singapore

Microchip Technology Singapore Pte Ltd.  
200 Middle Road  
#07-02 Prime Centre  
Singapore 188980  
Tel: 65-334-8870 Fax: 65-334-8850

#### Taiwan, R.O.C

Microchip Technology Taiwan  
10F-1C 207  
Tung Hua North Road  
Taipei, Taiwan, ROC  
Tel: 886-2-2717-7175 Fax: 886-2-2545-0139

### EUROPE

#### United Kingdom

Arizona Microchip Technology Ltd.  
505 Eskdale Road  
Wokingham  
Berkshire, England RG41 5TU  
Tel: 44 118 921 5858 Fax: 44-118 921-5835

#### Denmark

Microchip Technology Denmark ApS  
Regus Business Centre  
Lautrup hof 1-3  
Ballerup DK-2750 Denmark  
Tel: 45 4420 9895 Fax: 45 4420 9910

#### France

Arizona Microchip Technology SARL  
Parc d'Activite du Moulin de Massy  
43 Rue du Saule Trapu  
Batiment A - 1er Etage  
91300 Massy, France  
Tel: 33-1-69-53-63-20 Fax: 33-1-69-30-90-79

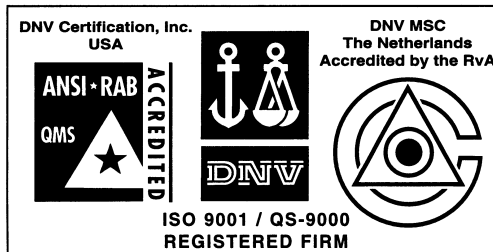
#### Germany

Arizona Microchip Technology GmbH  
Gustav-Heinemann-Ring 125  
D-81739 München, Germany  
Tel: 49-89-627-144 0 Fax: 49-89-627-144-44

#### Italy

Arizona Microchip Technology SRL  
Centro Direzionale Colleoni  
Palazzo Taurus 1 V. Le Colleoni 1  
20041 Agrate Brianza  
Milan, Italy  
Tel: 39-039-65791-1 Fax: 39-039-6899883

11/15/99



Microchip received QS-9000 quality system certification for its worldwide headquarters, design and water fabrication facilities in Chandler and Tempe, Arizona in July 1999. The Company's quality system processes and procedures are QS-9000 compliant for its PICmicro® 8-bit MCUs, KEELOC® code hopping devices, Serial EEPROMs and microperipheral products. In addition, Microchip's quality system for the design and manufacture of development systems is ISO 9001 certified.

All rights reserved. © 1999 Microchip Technology Incorporated. Printed in the USA. 11/99 Printed on recycled paper.

Information contained in this publication regarding device applications and the like is intended for suggestion only and may be superseded by updates. No representation or warranty is given and no liability is assumed by Microchip Technology Incorporated with respect to the accuracy or use of such information, or infringement of patents or other intellectual property rights arising from such use or otherwise. Use of Microchip's products as critical components in life support systems is not authorized except with express written approval by Microchip. No licenses are conveyed, implicitly or otherwise, under any intellectual property rights. The Microchip logo and name are registered trademarks of Microchip Technology Inc. in the U.S.A. and other countries. All rights reserved. All other trademarks mentioned herein are the property of their respective companies.