

EEPROM Memory Programming Specification

This document includes the programming specifications for the following devices:

- PIC16C84

1.0 PROGRAMMING THE PIC16C84

The PIC16C84 is programmed using the serial method. The serial mode will allow the PIC16C84 to be programmed while in the users system. This allows for increased design flexibility.

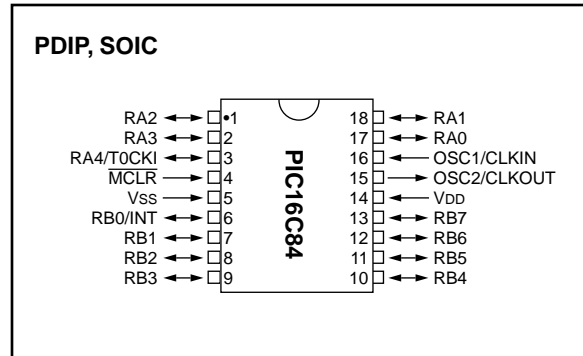
1.1 Hardware Requirements

The PIC16C84 requires one programmable power supply for VDD (4.5V to 5.5V) and a VPP of 12V to 14V. Both supplies should have a minimum resolution of 0.25V.

1.2 Programming Mode

The programming mode for the PIC16C84 allows programming of user program memory, data memory, special locations used for ID, and the configuration word.

Pin Diagram



PIN DESCRIPTIONS (DURING PROGRAMMING): PIC16C84

Pin Name	During Programming		
	Pin Name	Pin Type	Pin Description
RB6	CLOCK	I	Clock input
RB7	DATA	I/O	Data input/output
$\overline{\text{MCLR}}$	VTEST MODE	P*	Program Mode Select
VDD	VDD	P	Power Supply
VSS	VSS	P	Ground

Legend: I =Input, O = Output, P = Power

*In PIC16C84, programming high voltage is internally generated. To activate the programming mode, high voltage needs to be applied to $\overline{\text{MCLR}}$ input. This means that $\overline{\text{MCLR}}$ does not draw any significant current.

2.0 PROGRAM MODE ENTRY

2.1 User Program Memory Map

The user memory space extends from 0x0000 to 0x1FFF (8K), of which 1K (0x0000 - 0x03FF) is physically implemented. In actual implementation the on-chip user program memory is accessed by the lower 10-bits of the PC, with the upper 3-bits of the PC ignored. Therefore if the PC is greater than 0x3FF, it will wrap around and address a location within the physically implemented memory. (See Figure 2-1).

In programming mode the program memory space extends from 0x0000 to 0x3FFF, with the first half (0x0000-0x1FFF) being user program memory and the second half (0x2000-0x3FFF) being configuration memory. The PC will increment from 0x0000 to 0x1FFF to 0x2000 to 0x3FFF and wrap around to 0x2000 (not to 0x0000). Once in configuration memory, the highest bit of the PC stays a '1', thus always pointing to the configuration memory. The only way to point to user program memory is to reset the part and reenter program/verify mode as described in Section 2.3.

In the configuration memory space, 0x2000-0x200F are physically implemented. Locations beyond 0x200F will physically access user memory. (See Figure 2-1).

2.2 ID Locations

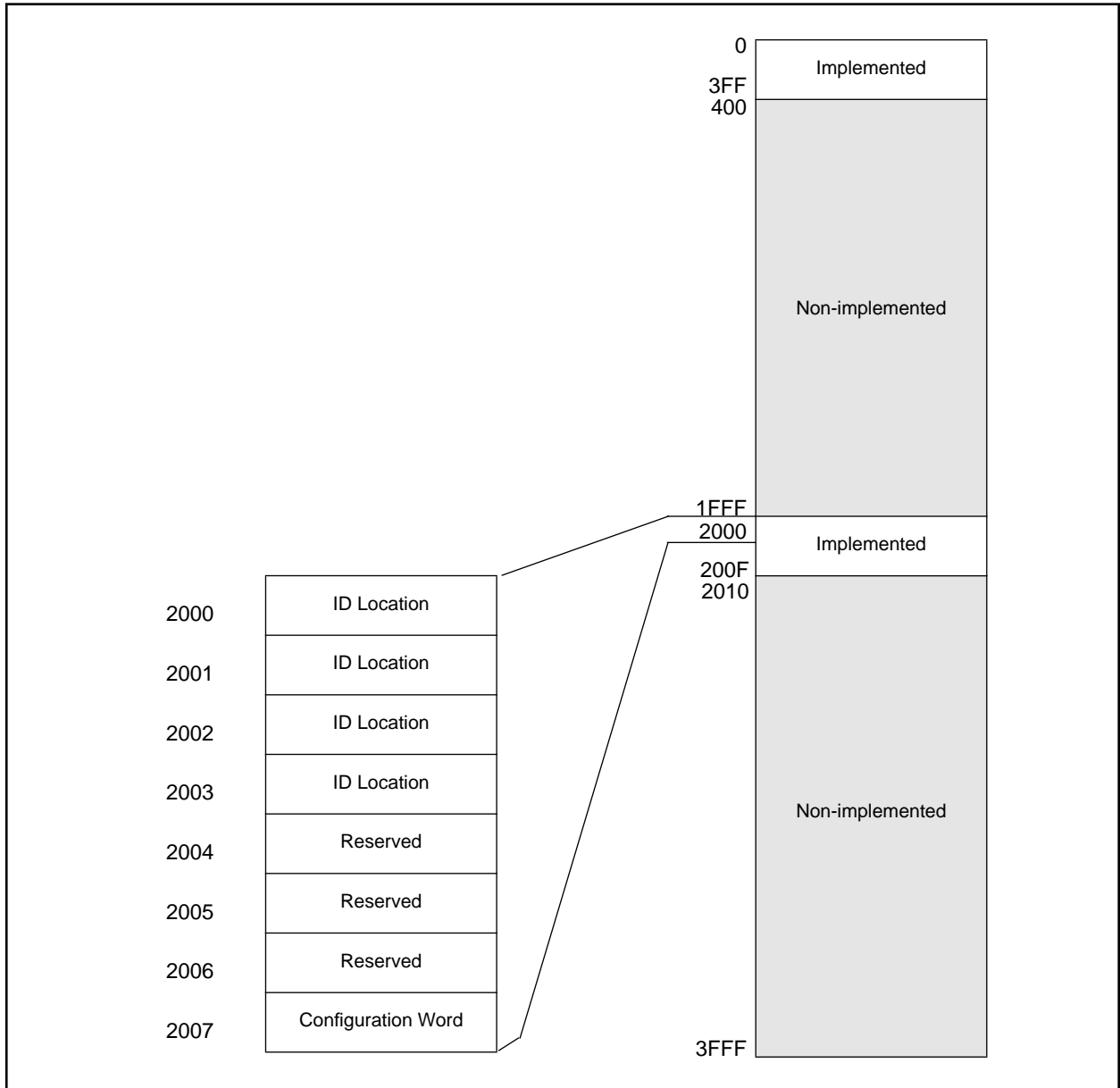
A user may store identification information (ID) in four ID locations. The ID locations are mapped in [0x2000 : 0x2003]. It is recommended that the user use only the four least significant bits of each ID location. In some devices, the ID locations read-out in a scrambled fashion after code protection is enabled. For these devices, it is recommended that ID location is written as "11 1111 1000 bbbb" where 'bbbb' is ID information.

In other devices, the ID locations read out normally, even after code protection. To understand how the devices behave, refer to Table 4.3.

To understand the scrambling mechanism after code protection, refer to Section 4.0.

EEPROM Memory Programming Specification

FIGURE 2-1: PROGRAM MEMORY MAPPING



2.3 Program/Verify Mode

The program/verify mode is entered by holding pins RB6 and RB7 low while raising $\overline{\text{MCLR}}$ pin from V_{IL} to V_{IH} (high voltage). Once in this mode the user program memory and the configuration memory can be accessed and programmed in serial fashion. The mode of operation is serial, and the memory that is accessed is the user program memory. RB6 and RB7 are Schmitt Trigger Inputs in this mode.

The sequence that enters the device into the programming/verify mode places all other logic into the reset state (the $\overline{\text{MCLR}}$ pin was initially at V_{IL}). This means that all I/O are in the reset state (High impedance inputs).

2.3.1 SERIAL PROGRAM/VERIFY OPERATION

The RB6 pin is used as a clock input pin, and the RB7 pin is used for entering command bits and data input/output during serial operation. To input a command, the clock pin (RB6) is cycled six times. Each command bit is latched on the falling edge of the clock with the least significant bit (lsb) of the command being input first. The data on pin RB7 is required to have a minimum setup and hold time (see AC/DC specifications) with respect to the falling edge of the clock. Commands that have data associated with them (read and load) are specified to have a minimum delay of 1 μs between the command and the data. After this delay, the clock pin is cycled 16 times with the first cycle being a start bit and the last cycle being a stop bit. Data is also input and output lsb first.

Therefore, during a read operation the lsb will be transmitted onto pin RB7 on the rising edge of the second cycle, and during a load operation the lsb will be latched on the falling edge of the second cycle. A minimum 1 μs delay is also specified between consecutive commands.

All commands are transmitted lsb first. Data words are also transmitted lsb first. The data is transmitted on the rising edge and latched on the falling edge of the clock. To allow for decoding of commands and reversal of data pin configuration, a time separation of at least 1 μs is required between a command and a data word (or another command).

The commands that are available are:

2.3.1.1 LOAD CONFIGURATION

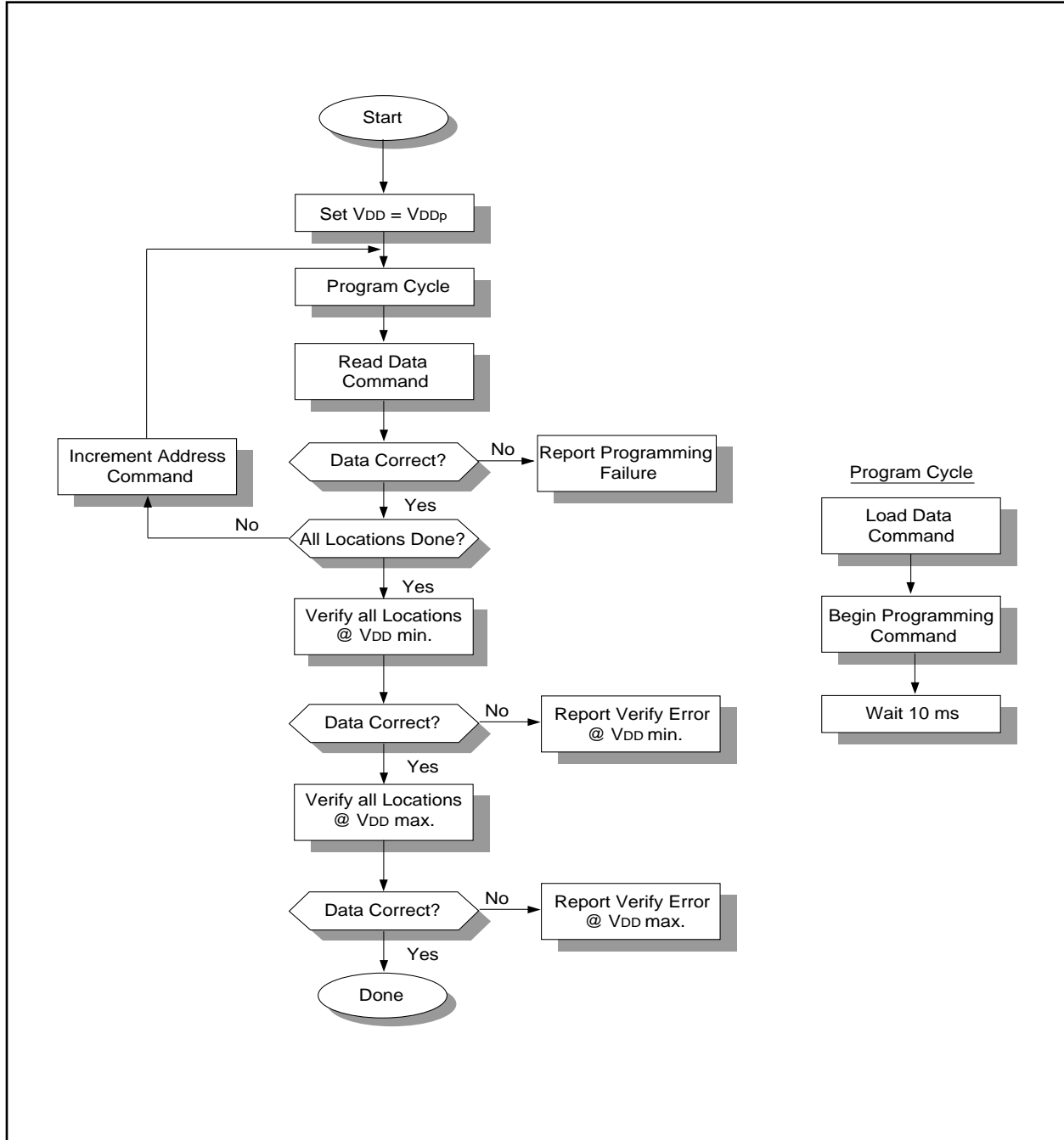
After receiving this command, the program counter (PC) will be set to 0x2000. By then applying 16 cycles to the clock pin, the chip will load 14-bits in a "data word", as described above, to be programmed into the configuration memory. A description of the memory mapping schemes of the program memory for normal operation and configuration mode operation is shown in Figure 2-1. After the configuration memory is entered, the only way to get back to the user program memory is to exit the program/verify test mode by taking $\overline{\text{MCLR}}$ low (V_{IL}).

TABLE 2-1: COMMAND MAPPING (SERIAL OPERATION)

Command	Mapping (MSB ... LSB)						Data
Load Configuration	0	0	0	0	0	0	0, data (14), 0
Load Data for Program Memory	0	0	0	0	1	0	0, data (14), 0
Read Data from Program Memory	0	0	0	1	0	0	0, data (14), 0
Increment Address	0	0	0	1	1	0	
Begin Programming	0	0	1	0	0	0	
Load Data for Data Memory	0	0	0	0	1	1	0, data (14), 0
Read Data from Data Memory	0	0	0	1	0	1	0, data (14), 0
Bulk Erase Program Memory	0	0	1	0	0	1	
Bulk Erase Data Memory	0	0	1	0	1	1	

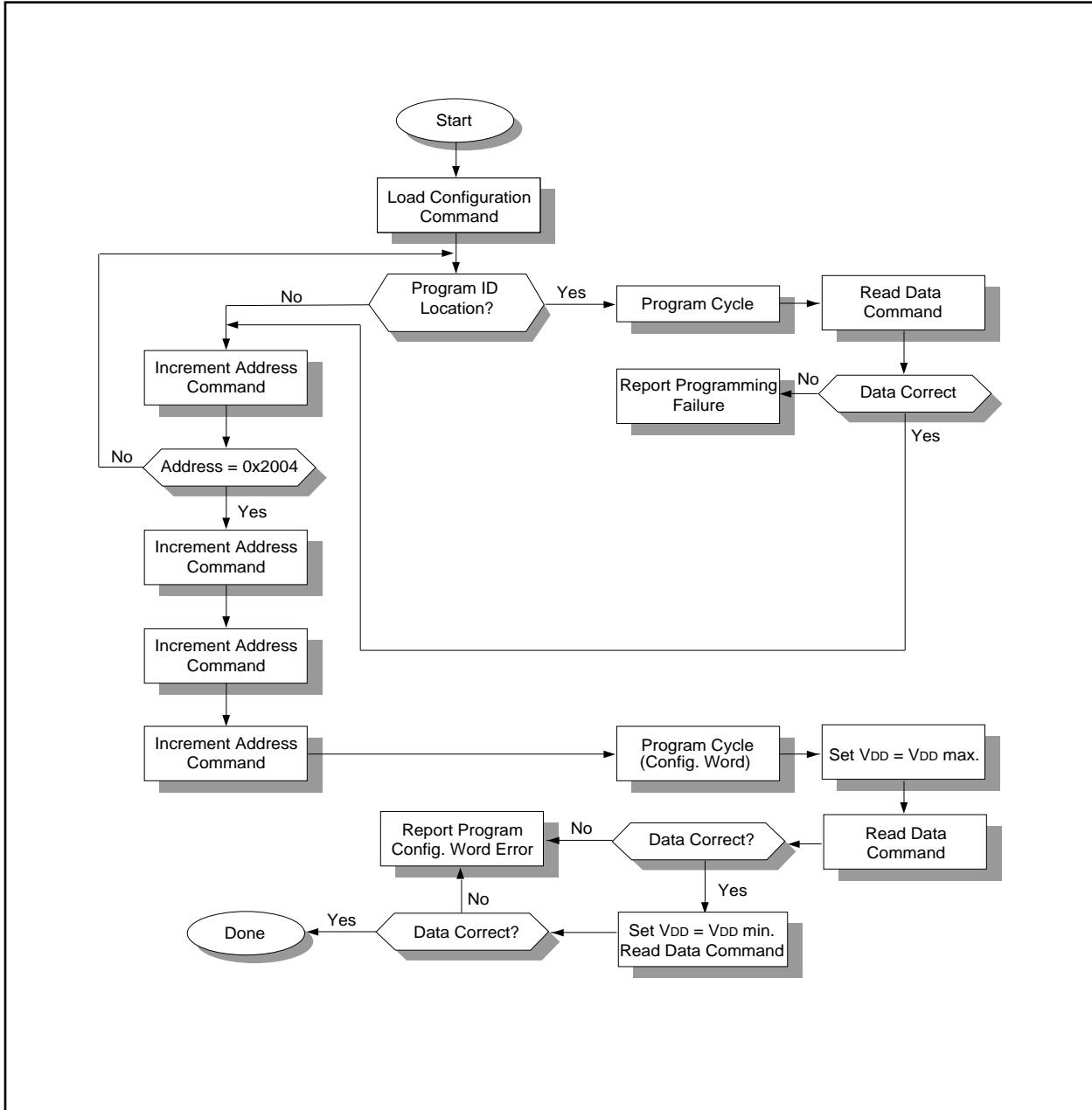
EEPROM Memory Programming Specification

FIGURE 2-2: PROGRAM FLOW CHART - PIC16C84 PROGRAM MEMORY



PIC16C84

FIGURE 2-3: PROGRAM FLOW CHART - PIC16C84 CONFIGURATION MEMORY



EEPROM Memory Programming Specification

2.3.1.2 LOAD DATA FOR PROGRAM MEMORY

After receiving this command, the chip will load in a 14-bit "data word" when 16 cycles are applied, as described previously. A timing diagram for the load data command is shown in Figure 5-1.

2.3.1.3 LOAD DATA FOR DATA MEMORY

After receiving this command, the chip will load in a 14-bit "data word" when 16 cycles are applied. However, the data memory is only 8-bits wide, and thus only the first 8-bits of data after the start bit will be programmed into the data memory. It is still necessary to cycle the clock the full 16 cycles in order to allow the internal circuitry to reset properly. The data memory contains 64 words. Only the lower 8-bits of the PC are decoded by the data memory, and therefore if the PC is greater than 0x3F, it will wrap around and address a location within the physically implemented memory.

2.3.1.4 READ DATA FROM PROGRAM MEMORY

After receiving this command, the chip will transmit data bits out of the program memory (user or configuration) currently accessed starting with the second rising edge of the clock input. The RB7 pin will go into output mode on the second rising clock edge, and it will revert back to input mode (hi-impedance) after the 16th rising edge. A timing diagram of this command is shown in Figure 5-2.

2.3.1.5 READ DATA FROM DATA MEMORY

After receiving this command, the chip will transmit data bits out of the data memory starting with the second rising edge of the clock input. The RB7 pin will go into output mode on the second rising edge, and it will revert back to input mode (hi-impedance) after the 16th rising edge. As previously stated, the data memory is 8-bits wide, and therefore, only the first 8-bits that are output are actual data.

2.3.1.6 INCREMENT ADDRESS

The PC is incremented when this command is received. A timing diagram of this command is shown in Figure 5-3.

2.3.1.7 BEGIN PROGRAMMING

A load command must be given before every begin programming command. Programming of the appropriate memory (test program memory, user program memory or data memory) will begin after this command is received and decoded. An internal timing mechanism executes an erase before write. The user must allow 10ms for programming to complete. No "end programming" command is required.

2.3.1.8 BULK ERASE PROGRAM MEMORY

To perform a bulk erase of the program memory, the following sequence must be performed.

1. Do a "Load Data All 1's" command.
2. Do a "Bulk Erase User Memory" command.
3. Do a "Begin Programming" command.
4. Wait 10 ms to complete bulk erase.

If the address is pointing to the test program memory (0x2000 - 0x200F), then both the user memory and the test memory will be erased. The configuration word will not be erased, even if the address is pointing to location 0x2007.

If the address is pointing to the test program memory (0x2000 - 0x200F), then both the user memory and the test memory will be erased. The configuration word will not be erased, even if the address is pointing to location 0x2007.

2.3.1.9 BULK ERASE DATA MEMORY

To perform a bulk erase of the data memory, the following sequence must be performed.

1. Do a "Load Data All 1's" command.
2. Do a "Bulk Erase Data Memory" command.
3. Do a "Begin Programming" command.
4. Wait 10 ms to complete bulk erase.

2.4 Programming Algorithm Requires Variable VDD

The PIC16C84 uses an intelligent algorithm. The algorithm calls for program verification at VDD (min.) as well as VDD (max.). Verification at VDD (min.) guarantees good "erase margin". Verification at VDD (max) guarantees good "program margin".

The actual programming must be done with VDD in the VDDP range (4.5 - 5.5V).

VDDP = VCC range required during programming.

VDD min. = minimum operating VDD spec for the part.

VDD max.= maximum operating VDD spec for the part.

Programmers must verify the PIC16C84 at its specified VDD max. and VDD min. levels. Since Microchip may introduce future versions of the PIC16C84 with a broader VDD range, it is best that these levels are user selectable (defaults are ok).

Note: Any programmer not meeting these requirements may only be classified as "prototype" or "development" programmer but not a "production" quality programmer.

PIC16C84

3.0 CONFIGURATION WORD

The PIC16C84 has five configuration bits. These bits can be set (reads '0') or left unchanged (reads '1') to select various device configurations.

FIGURE 3-1: CONFIGURATION WORD BIT MAP

Bit Number:	13	12	11	10	9	8	7	6	5	4	3	2	1	0
	—	—	—	—	—	—	—	—	—	CP	PWRTE	WDTE	FOSC1	FOSC0

bit 4: **CP**, Code Protection Configuration Bit
1 = code protection off
0 = code protection on

bit 3: **PWRTE**, Power Up Timer Enable Configuration Bit
1 = Power up timer enabled
0 = Power up timer disabled

bit 3-2: **WDTE**, WDT Enable Configuration Bits
1 = WDT enabled
0 = WDT disabled

bit 1-0 **FOSC<1:0>**, Oscillator Selection Configuration Bits
11: RC oscillator
10: HS oscillator
01: XT oscillator
00: LP oscillator

EEPROM Memory Programming Specification

4.0 CODE PROTECTION

For PIC16C84 devices, once code protection is enabled, all program memory locations read out in a scrambled fashion. The ID locations and the configuration word also read out in a scrambled fashion. Further programming is disabled for the entire program memory as well as data memory. It is possible to program the ID locations and the configuration word.

4.1 Disabling Code-Protection

It is recommended that the following procedure be performed before any other programming is attempted. It is also possible to turn code protection off (code protect bit = 1) using this procedure; however, ***all data within the program memory and the data memory will be erased when this procedure is executed, and thus, the security of the data or code is not compromised.***

Procedure to disable code protect:

- a) Execute load configuration (with a '1' in bit 4, code protect).
- b) Increment to configuration word location (0x2007)
- c) Execute command (000001)
- d) Execute command (000111)
- e) Execute 'Begin Programming' (001000)
- f) Wait 10ms
- g) Execute command (000001)
- h) Execute command (000111)

4.2 Embedding Configuration Word and ID Information in the Hex File

To allow portability of code, the programmer is required to read the configuration word and ID locations from the hex file when loading the hex file. If configuration word information was not present in the hex file then a simple warning message may be issued. Similarly, while saving a hex file, all configuration word and ID information must be included. An option to not include this information may be provided.

Specifically for the PIC16C84, the EEPROM data memory should also be embedded in the hex file (see Section 5.1).

Microchip Technology Inc. feels strongly that this feature is important for the benefit of the end customer.

TABLE 4-1: CONFIGURATION WORD

PIC16C84

To code protect: `XXXXXXXX0XXX`

Program Memory Segment	R/W in Protected Mode	R/W in Unprotected Mode
Configuration Word (0x2007)	Read Scrambled, Write Enabled	Read Unscrambled, Write Enabled
All memory.	Read Scrambled, Write Disabled	Read Unscrambled, Write Enabled
ID Locations [0x2000 : 0x2003]	Read Scrambled, Write Enabled	Read Unscrambled, Write Enabled

Legend: X = Don't care

PIC16C84

4.3 Checksum

4.3.1 CHECKSUM CALCULATIONS

The checksum is calculated by summing the following:

- The contents of all program memory locations
- The configuration word, appropriately masked
- Masked ID locations (when applicable)

The least significant 16 bits of this sum is the checksum.

The following table describes how to calculate the checksum for each device. Note that the checksum calculation differs depending on the code protect setting. Since the program memory locations read out differently depending on the code protect setting, the table describes how to manipulate the actual program memory values to simulate the values that would be read from a protected device. When calculating a checksum by reading a device, the entire program memory can simply be read and summed. The configuration word and ID locations can always be read.

Note that some older devices have an additional value added in the checksum. This is to maintain compatibility with older device programmer checksums.

TABLE 4-2: CHECKSUM COMPUTATION

Device	Code Protect	Checksum*	Blank Value	0x25E6 at 0 and max address
PIC16C84	OFF	SUM[0x000:0x3FF] + CFGW & 0x1F + 0x3FE0	0x3BFF	0x07CD
	ON	SUM_XNOR7[0x000:0x3FF] + (CFGW & 0x1F 0x60)	0xFC6F	0xFC15

Legend: CFGW = Configuration Word

SUM[a:b] = [Sum of locations a to b inclusive]

SUM_XNOR7[a:b] = XNOR of the seven high order bits of memory location with the seven low order bits summed over locations a through b inclusive. For example, location_a = 0x123 and location_b = 0x456, then SUM_XNOR7 [location_a : location_b] = 0x001F.

*Checksum = [Sum of all the individual expressions] **MODULO** [0xFFFF]

EEPROM Memory Programming Specification

5.0 PROGRAM/VERIFY MODE ELECTRICAL CHARACTERISTICS

5.1 Embedding Data EEPROM Contents in Hex File

The programmer should be able to read data EEPROM information from a hex file and conversely (as an option) write data EEPROM contents to a hex file along with program memory information and fuse information.

The 64 data memory locations are logically mapped starting at address 0x2100. The format for data memory storage is one data byte per address location, lsb aligned.

**TABLE 5-1: AC/DC CHARACTERISTICS
TIMING REQUIREMENTS FOR PROGRAM/VERIFY TEST MODE**

Standard Operating Conditions						
Operating Temperature	+10°C ≤ TA ≤ +40°C, unless otherwise stated, (25°C is recommended)					
Operating Voltage	4.5V ≤ VDD ≤ 5.5V, unless otherwise stated.					
Characteristic	Sym.	Min.	Typ.	Max.	Units	Conditions/Comments
Supply voltage during programming	VDDP	4.5	5.0	5.5	V	
Supply voltage during verify	VDDV	VDD min.		VDD max.	V	Note 1
High voltage on $\overline{\text{MCLR}}$ for test mode entry	VIHH	12		14.0	V	Note 2
Supply current (from VDD) during program/verify	IDDP			50	mA	
Supply current from VIHH (on $\overline{\text{MCLR}}$)	IHH			200	μA	
$\overline{\text{MCLR}}$ rise time (VSS to VHH) for test mode entry	tvHHR			1.0	μs	
(RB6, RB7) input high level	VIH1	0.8 VDD			V	Schmitt Trigger input
(RB6, RB7) input low level $\overline{\text{MCLR}}$ (test mode selection)	VIL1	0.2 VDD			V	Schmitt Trigger input
RB6, RB7 setup time (before pattern setup time)	tset0	100			ns	
Data in setup time before clock ↓	tset1	100			ns	
Data in hold time after clock ↓	thld1	100			ns	
Data input not driven to next clock input (delay required between command/data or command/command)	tdly1	1.0			μs	
Delay between clock ↓ to clock ↑ of next command or data	tdly2	1.0			μs	
Clock to data out valid (during read data)	tdly3	80			ns	

Note 1: Program must be verified at the minimum and maximum VDD limits for the part.

Note 2: VIHH must be higher than VDD + 4.5V to stay in programming/verify mode.

PIC16C84

FIGURE 5-1: LOAD DATA FOR PROGRAM MEMORY COMMAND (SERIAL PROGRAM/VERIFY)

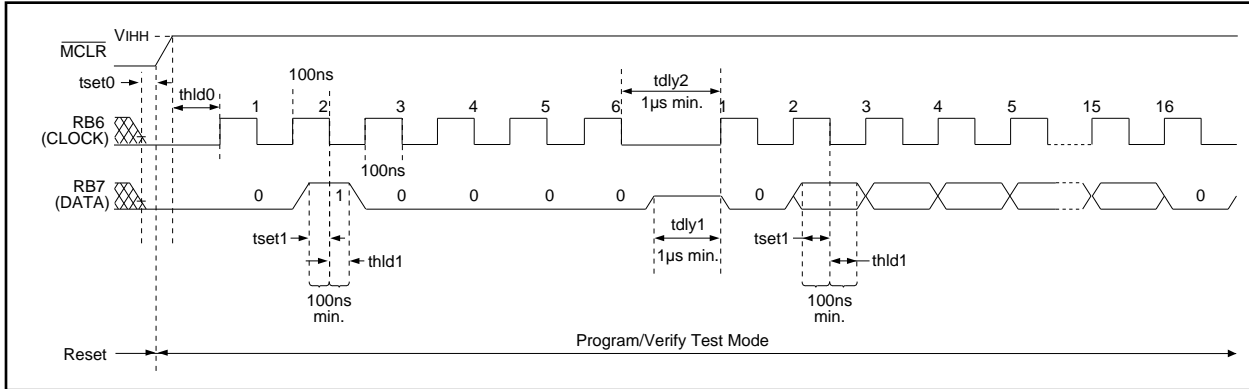


FIGURE 5-2: READ DATA FROM PROGRAM MEMORY COMMAND (SERIAL PROGRAM/VERIFY)

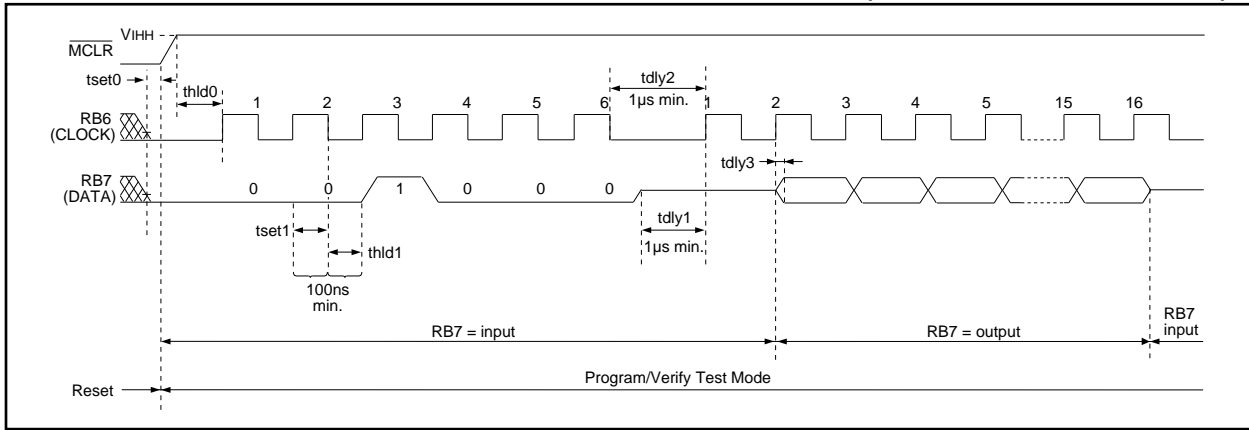
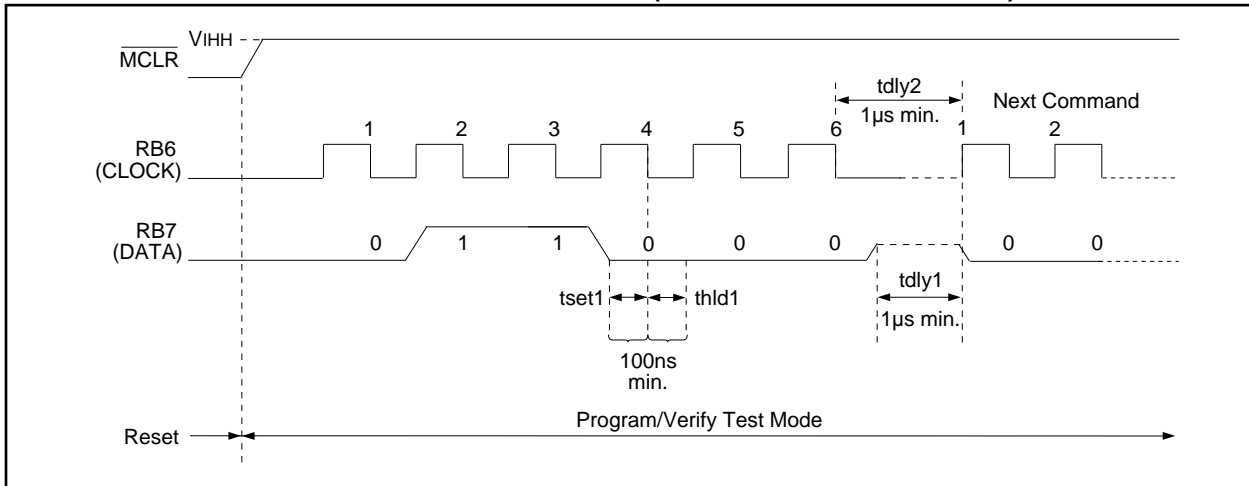


FIGURE 5-3: INCREMENT ADDRESS COMMAND (SERIAL PROGRAM/VERIFY)



EEPROM Memory Programming Specification

NOTES:



WORLDWIDE SALES AND SERVICE

AMERICAS

Corporate Office

Microchip Technology Inc.
2355 West Chandler Blvd.
Chandler, AZ 85224-6199
Tel: 480-786-7200 Fax: 480-786-7277
Technical Support: 480-786-7627
Web Address: <http://www.microchip.com>

Atlanta

Microchip Technology Inc.
500 Sugar Mill Road, Suite 200B
Atlanta, GA 30350
Tel: 770-640-0034 Fax: 770-640-0307

Boston

Microchip Technology Inc.
5 Mount Royal Avenue
Marlborough, MA 01752
Tel: 508-480-9990 Fax: 508-480-8575

Chicago

Microchip Technology Inc.
333 Pierce Road, Suite 180
Itasca, IL 60143
Tel: 630-285-0071 Fax: 630-285-0075

Dallas

Microchip Technology Inc.
4570 Westgrove Drive, Suite 160
Addison, TX 75248
Tel: 972-818-7423 Fax: 972-818-2924

Dayton

Microchip Technology Inc.
Two Prestige Place, Suite 150
Miamisburg, OH 45342
Tel: 937-291-1654 Fax: 937-291-9175

Detroit

Microchip Technology Inc.
Tri-Atria Office Building
32255 Northwestern Highway, Suite 190
Farmington Hills, MI 48334
Tel: 248-538-2250 Fax: 248-538-2260

Los Angeles

Microchip Technology Inc.
18201 Von Karman, Suite 1090
Irvine, CA 92612
Tel: 949-263-1888 Fax: 949-263-1338

New York

Microchip Technology Inc.
150 Motor Parkway, Suite 202
Hauppauge, NY 11788
Tel: 631-273-5305 Fax: 631-273-5335

San Jose

Microchip Technology Inc.
2107 North First Street, Suite 590
San Jose, CA 95131
Tel: 408-436-7950 Fax: 408-436-7955

AMERICAS (continued)

Toronto

Microchip Technology Inc.
5925 Airport Road, Suite 200
Mississauga, Ontario L4V 1W1, Canada
Tel: 905-405-6279 Fax: 905-405-6253

ASIA/PACIFIC

Hong Kong

Microchip Asia Pacific
Unit 2101, Tower 2
Metroplaza
223 Hing Fong Road
Kwai Fong, N.T., Hong Kong
Tel: 852-2-401-1200 Fax: 852-2-401-3431

Beijing

Microchip Technology, Beijing
Unit 915, 6 Chaoyangmen Bei Dajie
Dong Erhuan Road, Dongcheng District
New China Hong Kong Manhattan Building
Beijing 100027 PRC
Tel: 86-10-85282100 Fax: 86-10-85282104

India

Microchip Technology Inc.
India Liaison Office
No. 6, Legacy, Convent Road
Bangalore 560 025, India
Tel: 91-80-229-0061 Fax: 91-80-229-0062

Japan

Microchip Technology Intl. Inc.
Benex S-1 6F
3-18-20, Shinyokohama
Kohoku-Ku, Yokohama-shi
Kanagawa 222-0033 Japan
Tel: 81-45-471-6166 Fax: 81-45-471-6122

Korea

Microchip Technology Korea
168-1, Youngbo Bldg. 3 Floor
Samsung-Dong, Kangnam-Ku
Seoul, Korea
Tel: 82-2-554-7200 Fax: 82-2-558-5934

Shanghai

Microchip Technology
RM 406 Shanghai Golden Bridge Bldg.
2077 Yan'an Road West, Hong Qiao District
Shanghai, PRC 200335
Tel: 86-21-6275-5700 Fax: 86 21-6275-5060

ASIA/PACIFIC (continued)

Singapore

Microchip Technology Singapore Pte Ltd.
200 Middle Road
#07-02 Prime Centre
Singapore 188980
Tel: 65-334-8870 Fax: 65-334-8850

Taiwan, R.O.C

Microchip Technology Taiwan
10F-1C 207
Tung Hua North Road
Taipei, Taiwan, ROC
Tel: 886-2-2717-7175 Fax: 886-2-2545-0139

EUROPE

United Kingdom

Arizona Microchip Technology Ltd.
505 Eskdale Road
Wokingham
Berkshire, England RG41 5TU
Tel: 44 118 921 5858 Fax: 44-118 921-5835

Denmark

Microchip Technology Denmark ApS
Regus Business Centre
Lautrup hof 1-3
Ballerup DK-2750 Denmark
Tel: 45 4420 9895 Fax: 45 4420 9910

France

Arizona Microchip Technology SARL
Parc d'Activite du Moulin de Massy
43 Rue du Saule Trapu
Batiment A - 1er Etage
91300 Massy, France
Tel: 33-1-69-53-63-20 Fax: 33-1-69-30-90-79

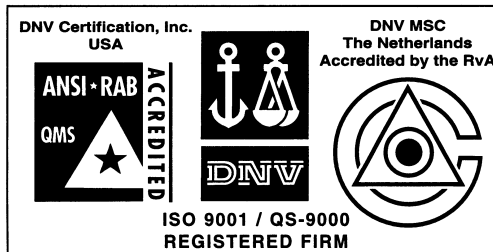
Germany

Arizona Microchip Technology GmbH
Gustav-Heinemann-Ring 125
D-81739 München, Germany
Tel: 49-89-627-144 0 Fax: 49-89-627-144-44

Italy

Arizona Microchip Technology SRL
Centro Direzionale Colleoni
Palazzo Taurus 1 V. Le Colleoni 1
20041 Agrate Brianza
Milan, Italy
Tel: 39-039-65791-1 Fax: 39-039-6899883

11/15/99



Microchip received QS-9000 quality system certification for its worldwide headquarters, design and water fabrication facilities in Chandler and Tempe, Arizona in July 1999. The Company's quality system processes and procedures are QS-9000 compliant for its PICmicro® 8-bit MCUs, KEELOC® code hopping devices, Serial EEPROMs and microperipheral products. In addition, Microchip's quality system for the design and manufacture of development systems is ISO 9001 certified.

All rights reserved. © 1999 Microchip Technology Incorporated. Printed in the USA. 11/99 Printed on recycled paper.

Information contained in this publication regarding device applications and the like is intended for suggestion only and may be superseded by updates. No representation or warranty is given and no liability is assumed by Microchip Technology Incorporated with respect to the accuracy or use of such information, or infringement of patents or other intellectual property rights arising from such use or otherwise. Use of Microchip's products as critical components in life support systems is not authorized except with express written approval by Microchip. No licenses are conveyed, implicitly or otherwise, under any intellectual property rights. The Microchip logo and name are registered trademarks of Microchip Technology Inc. in the U.S.A. and other countries. All rights reserved. All other trademarks mentioned herein are the property of their respective companies.