



MICROCHIP

PIC12C67X AND PIC12CE67X

In-Circuit Serial Programming™ for PIC12C67X and PIC12CE67X OTP MCUs

This document includes the programming specifications for the following devices:

- PIC12C671
- PIC12C672
- PIC12CE673
- PIC12CE674

1.0 PROGRAMMING THE PIC12C67X AND PIC12CE67X

The PIC12C67X and PIC12CE67X can be programmed using a serial method. In Serial mode, the PIC12C67X and PIC12CE67X can be programmed while in the users system. This allows for increased design flexibility.

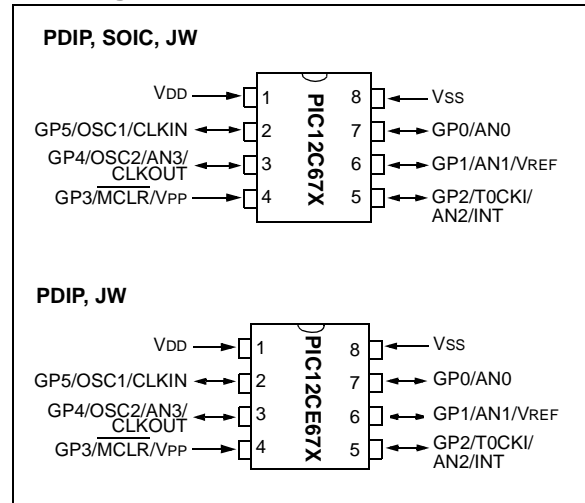
1.1 Hardware Requirements

The PIC12C67X and PIC12CE67X require two programmable power supplies, one for VDD (2.0V to 6.0V recommended) and one for VPP (12V to 14V). Both supplies should have a minimum resolution of 0.25V.

1.2 Programming Mode

The Programming mode for the PIC12C67X and PIC12CE67X allows programming of user program memory, special locations used for ID, and the configuration word for the PIC12C67X and PIC12CE67X.

Pin Diagrams:



PIC12C67X AND PIC12CE67X

2.0 PROGRAM MODE ENTRY

2.1 User Program Memory Map

The user memory space extends from 0x0000 to 0x1FFF (8K). Table 2-1 shows actual implementation of program memory in the PIC12C67X family.

TABLE 2-1: IMPLEMENTATION OF PROGRAM MEMORY IN THE PIC12C67X

Device	Program Memory Size
PIC12C671/ PIC12CE673	0x000 - 0x3FF (1K)
PIC12C672/ PIC12CE674	0x000 - 0x7FF (2K)

When the PC reaches the last location of the implemented program memory, it will wrap around and address a location within the physically implemented memory (see Figure 2-1).

In Programming mode, the program memory space extends from 0x0000 to 0x3FFF, with the first half (0x0000-0x1FFF) being user program memory and the second half (0x2000-0x3FFF) being configuration memory. The PC will increment from 0x0000 to 0x1FFF and wrap to 0x000 or 0x2000 to 0x3FFF and wrap around to 0x2000 (not to 0x0000). Once in configuration memory, the highest bit of the PC stays a '1', thus always pointing to the configuration memory. The only way to point to user program memory is to reset the part and reenter Program/Verify mode, as described in Section 2.2.

The last location of the program memory space holds the factory programmed oscillator calibration value. This location should not be programmed, except when blank (a non-blank value should not cause the device to fail a blank check). If blank, the programmer should program it to a `RETLW XX` statement where "XX" is the calibration value.

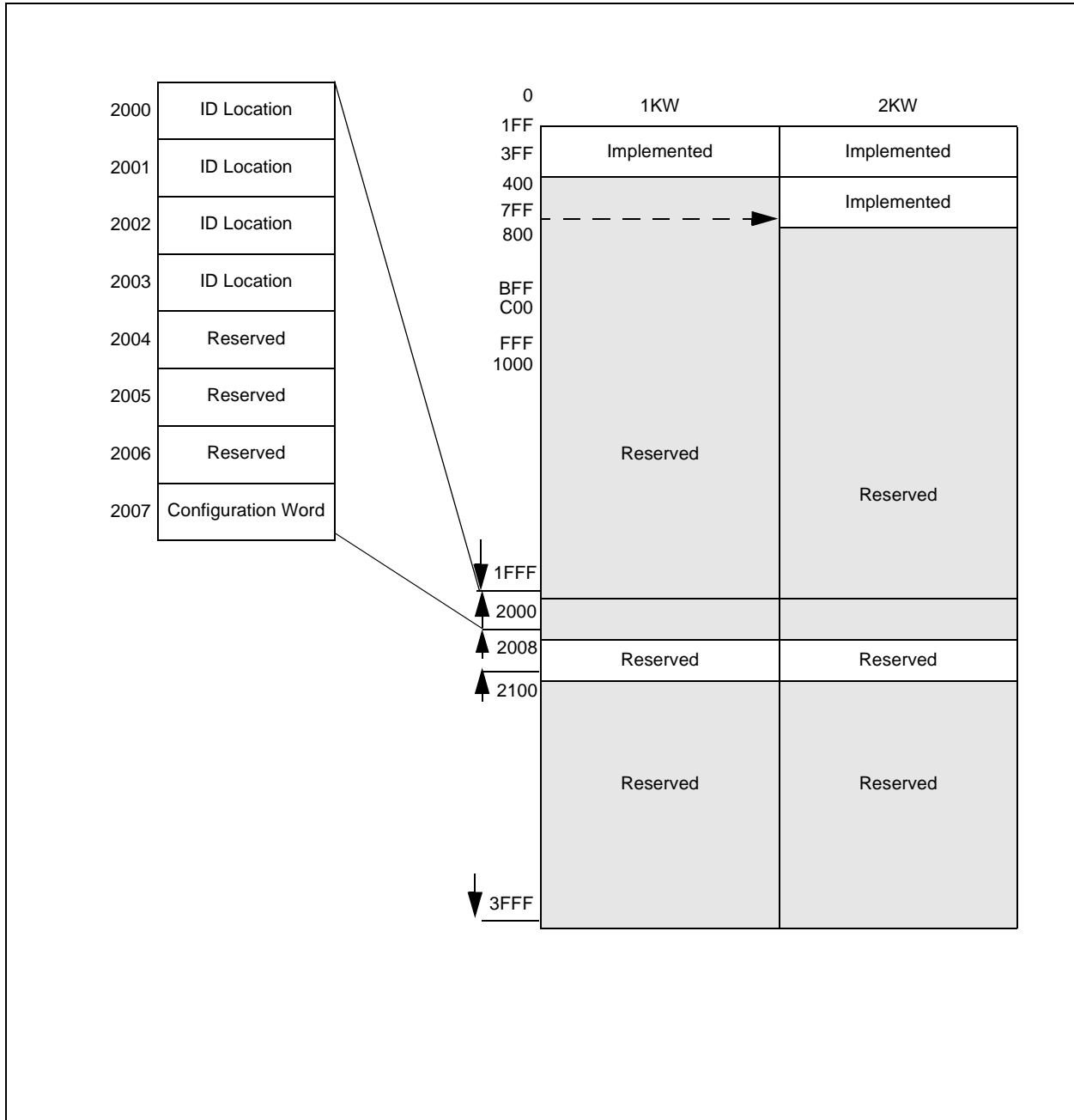
In the configuration memory space, 0x2000-0x20FF are utilized. When in configuration memory, as in the user memory, the 0x2000-0x2XFF segment is repeatedly accessed as the PC exceeds 0x2XFF (see Figure 2-1).

A user may store identification information (ID) in four ID locations. The ID locations are mapped in [0x2000:0x2003].

- Note 1:** All other locations in PICmicro® MCU configuration memory are reserved and should not be programmed.
- 2:** Due to the secure nature of the on-board EEPROM memory in the PIC12CE673/674, it can be accessed only by the user program.

PIC12C67X and PIC12CE67X

FIGURE 2-1: PROGRAM MEMORY MAPPING



PIC12C67X AND PIC12CE67X

2.2 Program/Verify Mode

The Program/Verify mode is entered by holding pins GP1 and GP0 low, while raising $\overline{\text{MCLR}}$ pin from V_{IL} to V_{IH} (high voltage). V_{DD} is then raised from V_{IL} to V_{IH} . Once in this mode, the user program memory and the configuration memory can be accessed and programmed in serial fashion. The mode of operation is serial, and the memory that is accessed is the user program memory. GP1 is a Schmitt Trigger input in this mode.

The sequence that enters the device into the Programming/Verify mode places all other logic into the RESET state (the $\overline{\text{MCLR}}$ pin was initially at V_{IL}). This means that all I/O are in the RESET state (High impedance inputs).

Note 1: The $\overline{\text{MCLR}}$ pin must be raised from V_{IL} to V_{IH} before V_{DD} is applied. This is to ensure that the device does not have the PC incremented while in valid operation range.

2: Do not power GP2, GP4 or GP5 before V_{DD} is applied.

2.2.1 PROGRAM/VERIFY OPERATION

The GP1 pin is used as a clock input pin, and the GP0 pin is used for entering command bits and data input/output during serial operation. To input a command, the clock pin (GP1) is cycled six times. Each command bit is latched on the falling edge of the clock with the least significant bit (LSb) of the command being input first. The data on pin GP0 is required to have a minimum setup and hold time (see AC/DC specs), with respect to the falling edge of the clock. Commands that have data associated with them (read and load) are specified to have a minimum delay of $1\mu\text{s}$ between the command and the data. After this delay, the clock pin is cycled 16 times with the first cycle being a START bit and the last cycle being a STOP bit. Data is also input and output LSb first. Therefore, during a read operation, the LSb will be transmitted onto pin GP0 on the rising edge of the second cycle, and during a load operation, the LSb will be latched on the falling edge of the second cycle. A minimum $1\mu\text{s}$ delay is also specified between consecutive commands.

All commands are transmitted LSb first. Data words are also transmitted LSb first. The data is transmitted on the rising edge and latched on the falling edge of the clock. To allow for decoding of commands and reversal of data pin configuration, a time separation of at least $1\mu\text{s}$ is required between a command and a data word (or another command).

The commands that are available are listed in Table 2-2.

2.2.1.1 Load Configuration

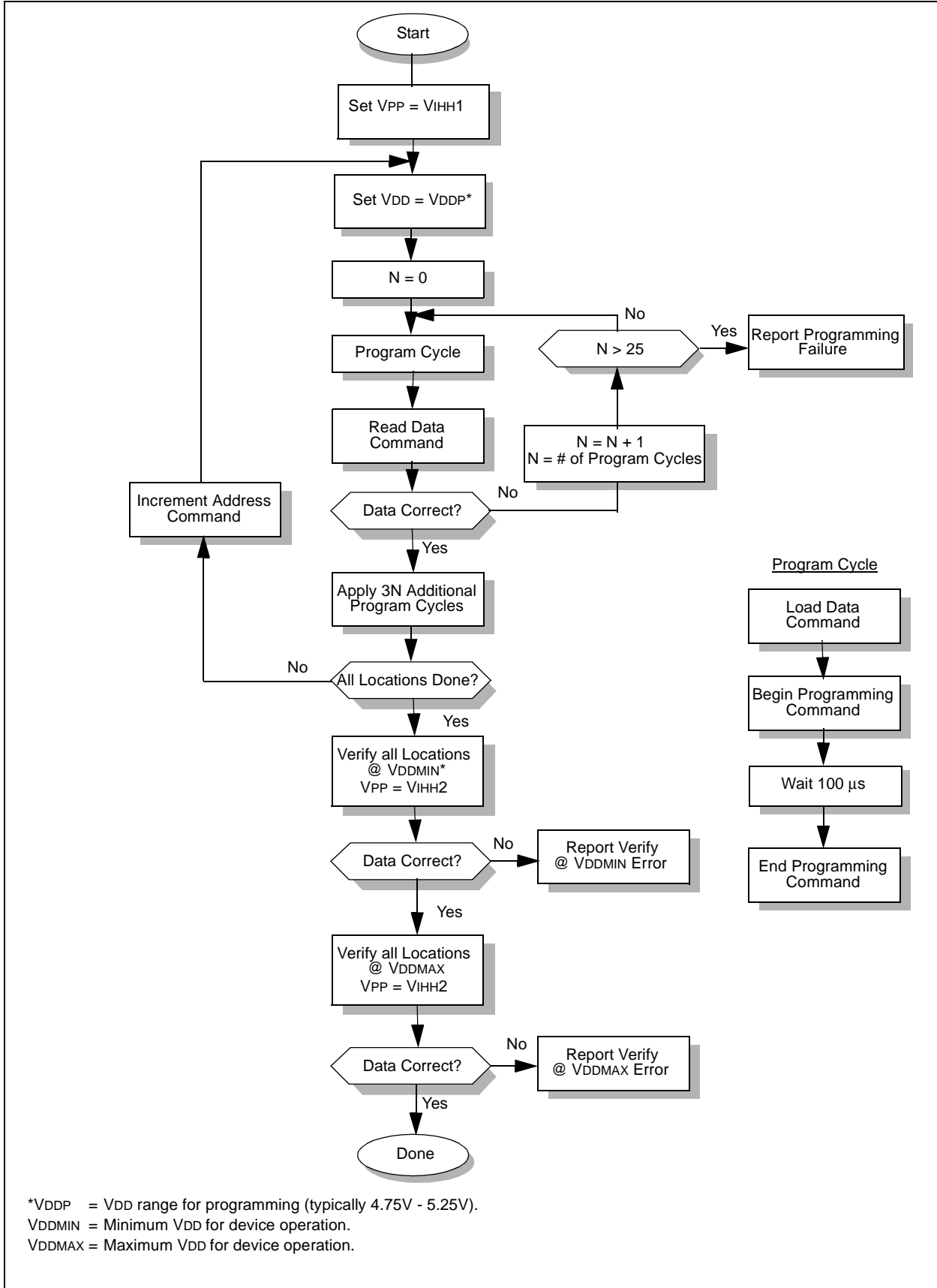
After receiving this command, the program counter (PC) will be set to $0x2000$. By then applying 16 cycles to the clock pin, the chip will load 14-bits, a "data word" as described above, to be programmed into the configuration memory. A description of the memory mapping schemes for normal operation and Configuration mode operation is shown in Figure 2-1. After the configuration memory is entered, the only way to get back to the user program memory is to exit the Program/Verify Test mode by taking $\overline{\text{MCLR}}$ low (V_{IL}).

TABLE 2-2: COMMAND MAPPING

Command	Mapping (MSb ... LSb)						Data
Load Configuration	0	0	0	0	0	0	0, data(14), 0
Load Data	0	0	0	0	1	0	0, data(14), 0
Read Data	0	0	0	1	0	0	0, data(14), 0
Increment Address	0	0	0	1	1	0	
Begin programming	0	0	1	0	0	0	
End Programming	0	0	1	1	1	0	

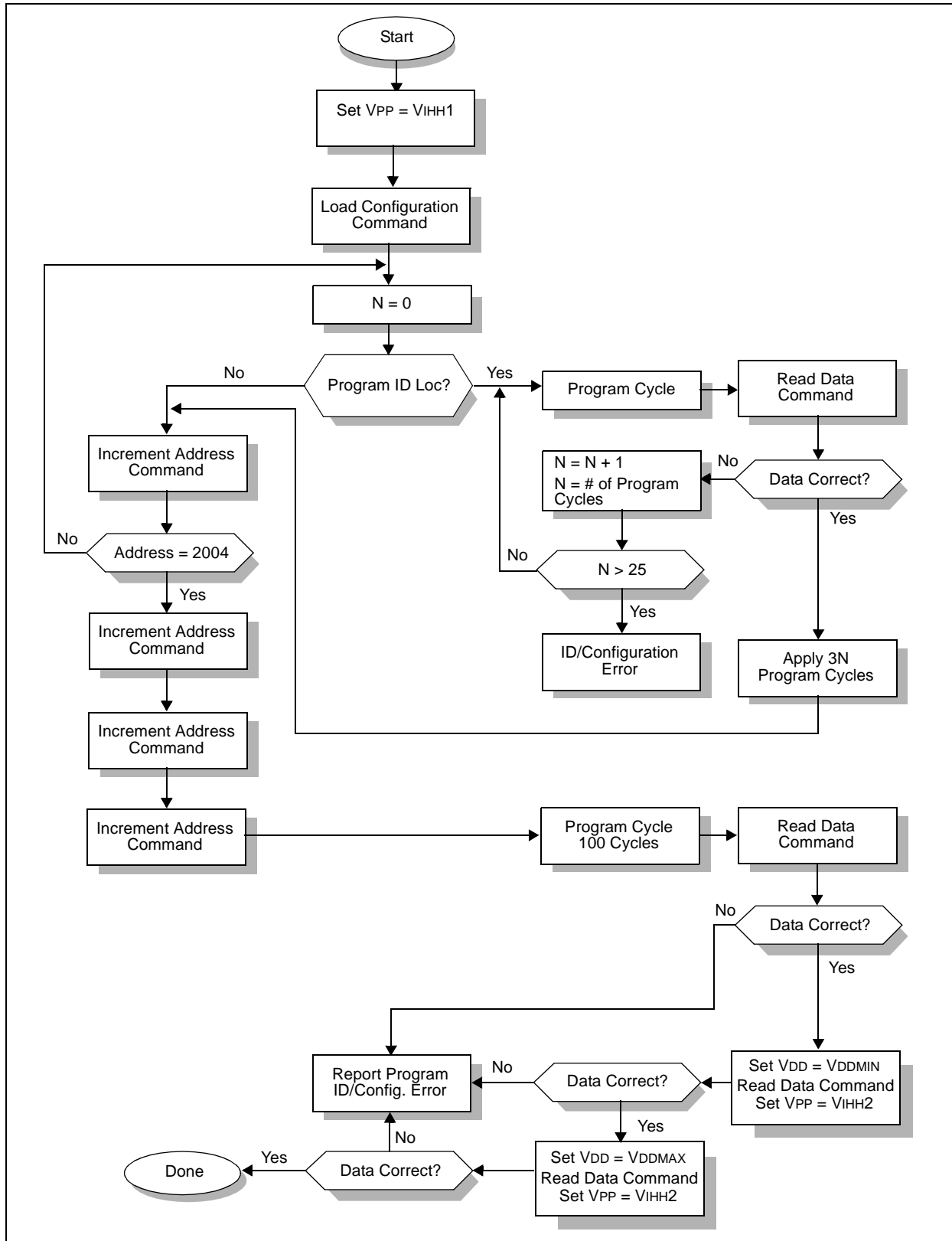
PIC12C67X and PIC12CE67X

FIGURE 2-2: PROGRAM FLOW CHART - PIC12C67X AND PIC12CE67X PROGRAM MEMORY



PIC12C67X AND PIC12CE67X

FIGURE 2-3: PROGRAM FLOW CHART - PIC12C67X AND PIC12CE67X CONFIGURATION WORD & ID LOCATIONS



PIC12C67X and PIC12CE67X

2.2.1.2 Load Data

After receiving this command, the chip will load in a 14-bit “data word” when 16 cycles are applied, as described previously. A timing diagram for the load data command is shown in Figure 5-1.

2.2.1.3 Read Data

After receiving this command, the chip will transmit data bits out of the memory currently accessed starting with the second rising edge of the clock input. The GP0 pin will go into Output mode on the second rising clock edge, and it will revert back to Input mode (hi-impedance) after the 16th rising edge. A timing diagram of this command is shown in Figure 5-2.

2.2.1.4 Increment Address

The PC is incremented when this command is received. A timing diagram of this command is shown in Figure 5-3.

2.2.1.5 Begin Programming

A load command (load configuration or load data) must be given before every begin programming command. Programming of the appropriate memory (test program memory or user program memory) will begin after this command is received and decoded. Programming should be performed with a series of 100 μ s programming pulses. A programming pulse is defined as the time between the begin programming command and the end programming command.

2.2.1.6 End Programming

After receiving this command, the chip stops programming the memory (configuration program memory or user program memory) that it was programming at the time.

2.3 Programming Algorithm Requires Variable VDD

The PIC12C67X and PIC12CE67X uses an intelligent algorithm. The algorithm calls for program verification at VDDMIN as well as VDDMAX. Verification at VDDMIN guarantees good “erase margin”. Verification at VDDMAX guarantees good “program margin”.

The actual programming must be done with VDD in the VDDP range (4.75 - 5.25V).

VDDP = VCC range required during programming.

VDDMIN = minimum operating VDD spec for the part.

VDDMAX = maximum operating VDD spec for the part.

Programmers must verify the PIC12C67X and PIC12CE67X at its specified VDDmax and VDDmin levels. Since Microchip may introduce future versions of the PIC12C67X and PIC12CE67X with a broader VDD range, it is best that these levels are user selectable (defaults are ok).

Note: Any programmer not meeting these requirements may only be classified as “prototype” or “development” programmer, but not a “production” quality programmer.

PIC12C67X AND PIC12CE67X

3.0 CONFIGURATION WORD

The PIC12C67X and PIC12CE67X family members have several configuration bits. These bits can be programmed (reads '0'), or left unprogrammed (reads '1'), to select various device configurations. Figure 3-1 provides an overview of configuration bits.

FIGURE 3-1: CONFIGURATION WORD

Bit Number:														
13	12	11	10	9	8	7	6	5	4	3	2	1	0	
CP1	CP0	CP1	CP0	CP1	CP0	MCLRE	CP1	CP0	PWRTE	WDTE	FOSC2	FOSC1	FOSC0	Register: CONFIG Address: 2007h
<p>bits13-8, CP1:CP0: Code Protection bits⁽¹⁾⁽²⁾</p> <p>6-5 11 = Code protection off 10 = 0400h-07FFh code protected 01 = 0200h-07FFh code protected 00 = 0000h-07FFh code protected</p> <p>bit 7 MCLRE: GP3/$\overline{\text{MCLR}}$ Pin Function Select 1 = GP3/$\overline{\text{MCLR}}$ pin function is $\overline{\text{MCLR}}$ 0 = GP3/$\overline{\text{MCLR}}$ pin function is digital I/O, $\overline{\text{MCLR}}$ internally tied to VDD</p> <p>bit 4 PWRTE: Power-up Timer Enable bit⁽¹⁾ 1 = PWRT disabled 0 = PWRT enabled</p> <p>bit 3 WDTE: Watchdog Timer Enable bit 1 = WDT enabled 0 = WDT disabled</p> <p>bit 2-0 FOSC2:FOSC0: Oscillator Selection bits 111 = EXTRC oscillator/CLKOUT function on GP4/OSC2/CLKOUT pin 110 = EXTRC oscillator/GP4 function on GP4/OSC2/CLKOUT pin 101 = INTRC oscillator/CLKOUT function on GP4/OSC2/CLKOUT pin 100 = INTRC oscillator/GP4 function on GP4/OSC2/CLKOUT pin 011 = invalid selection 010 = HS oscillator 001 = XT oscillator 000 = LP oscillator</p> <p>Note 1: All of the CP1:CP0 pairs have to be given the same value to enable the code protection scheme listed.</p> <p>Note 2: 07FFh is always uncode protected on the PIC12C672 and 03FFh is always uncode protected on the PIC12C671. This location contains the RETLW xx calibration instruction for the INTRC.</p>														

PIC12C67X and PIC12CE67X

4.0 CODE PROTECTION

The program code written into the EPROM can be protected by writing to the CP0 and CP1 bits of the configuration word.

For PIC12C67X and PIC12CE67X devices, once code protection is enabled, all protected segments read '0's (or "garbage values") and are prevented from further programming. All unprotected segments, including ID and configuration word locations, and calibration word location read normally and can be programmed.

4.1 Embedding Configuration Word and ID Information in the HEX File

To allow portability of code, the programmer is required to read the configuration word and ID locations from the HEX file when loading the HEX file. If configuration word information was not present in the HEX file then a simple warning message may be issued. Similarly, while saving a HEX file, configuration word and ID information must be included. An option to not include this information may be provided.

Microchip Technology Inc. feels strongly that this feature is important for the benefit of the end customer.

TABLE 4-1: CONFIGURATION WORD

PIC12C671, PIC12CE673

To code protect:

- Protect all memory 00 0000 X00X XXXX
- Protect 0200h-07FFh 01 0101 X01X XXXX
- No code protection 11 1111 X11X XXXX

Program Memory Segment	R/W in Protected Mode	R/W in Unprotected Mode
Configuration Word (0x2007)	Read Unscrambled, Write Enabled	Read Unscrambled, Write Enabled
Unprotected Memory Segment	Read Unscrambled, Write Enabled	Read Unscrambled, Write Enabled
Protected Memory Segment	Read All 0's, Write Disabled	Read Unscrambled, Write Enabled
ID Locations (0x2000 : 0x2003)	Read Unscrambled, Write Enabled	Read Unscrambled, Write Enabled
INTRC Calibration Word (0X3FF)	Read Unscrambled, Write Enabled	Read Unscrambled, Write Enabled

PIC12C672, PIC12CE674

To code protect:

- Protect all memory 00 0000 X00X XXXX
- Protect 0200h-07FFh 01 0101 X01X XXXX
- Protect 0400h-07FFh 10 1010 X10X XXXX
- No code protection 11 1111 X11X XXXX

Program Memory Segment	R/W in Protected Mode	R/W in Unprotected Mode
Configuration Word (0x2007)	Read Unscrambled, Write Enabled	Read Unscrambled, Write Enabled
Unprotected Memory Segment	Read Unscrambled, Write Enabled	Read Unscrambled, Write Enabled
Protected Memory Segment	Read All 0's, Write Disabled	Read Unscrambled, Write Enabled
ID Locations (0x2000 : 0x2003)	Read Unscrambled, Write Enabled	Read Unscrambled, Write Enabled
INTRC Calibration Word (0X7FF)	Read Unscrambled, Write Enabled	Read Unscrambled, Write Enabled

PIC12C67X AND PIC12CE67X

4.2 Checksum

4.2.1 CHECKSUM CALCULATIONS

Checksum is calculated by reading the contents of the PIC12C67X and PIC12CE67X memory locations and adding the opcodes up to the maximum user addressable location, excluding the oscillator calibration location in the last address, e.g., 0x3FE for the PIC12C671/CE673. Any carry bits exceeding 16-bits are neglected. Finally, the configuration word (appropriately masked) is added to the checksum. Checksum computation for each member of the PIC12C67X and PIC12CE67X devices is shown in Table 4-2.

The checksum is calculated by summing the following:

- The contents of all program memory locations
- The configuration word, appropriately masked

- Masked ID locations (when applicable)

The least significant 16 bits of this sum is the checksum.

The following table describes how to calculate the checksum for each device. Note that the checksum calculation differs depending on the code protect setting. Since the program memory locations read out differently depending on the code protect setting, the table describes how to manipulate the actual program memory values to simulate the values that would be read from a protected device. When calculating a checksum by reading a device, the entire program memory can simply be read and summed. The configuration word and ID locations can always be read.

Note that some older devices have an additional value added in the checksum. This is to maintain compatibility with older device programmer checksums.

TABLE 4-2: CHECKSUM COMPUTATION

Device	Code Protect	Checksum*	Blank Value	0x25E6 at 0 and max address
PIC12C671 PIC12CE673	OFF 1/2 ALL	SUM[0x000:0x3FE] + CFGW & 0x3FFF SUM[0x000:0x1FF] + CFGW & 0x3FFF + SUM_ID CFGW & 0x3FFF + SUM_ID	FC00 0FBF FC9F	C7CE C174 C86D
PIC12C672 PIC12CE674	OFF 1/2 3/4 ALL	SUM[0x000:0x7FE] + CFGW & 0x3FFF SUM[0x000:0x3FF] + CFGW & 0x3FFF + SUM_ID SUM[0x000:0x1FF] + CFGW & 0x3FFF + SUM_ID CFGW & 0x3FFF + SUM_ID	F800 1EDF 0BBF F89F	C3CE D094 BD74 C46D

Legend: CFGW = Configuration Word

SUM[a:b] = [Sum of locations a through b inclusive]

SUM_ID = ID locations masked by 0xF then made into a 16-bit value with ID0 as the most significant nibble.

For example,

ID0 = 0x12, ID1 = 0x37, ID2 = 0x4, ID3 = 0x26, then SUM_ID = 0x2746.

*Checksum = [Sum of all the individual expressions] **MODULO** [0xFFFF]

+ = Addition

& = Bitwise AND

PIC12C67X and PIC12CE67X

5.0 PROGRAM/VERIFY MODE ELECTRICAL CHARACTERISTICS

**TABLE 5-1: AC/DC CHARACTERISTICS
TIMING REQUIREMENTS FOR PROGRAM/VERIFY TEST MODE**

Standard Operating Conditions							
Operating Temperature: $+10^{\circ}\text{C} \leq T_A \leq +40^{\circ}\text{C}$, unless otherwise stated, (25°C is recommended)							
Operating Voltage: $4.5\text{V} \leq V_{DD} \leq 5.5\text{V}$, unless otherwise stated.							
Parameter No.	Sym.	Characteristic	Min.	Typ.	Max.	Units	Conditions
General							
PD1	VDDP	Supply voltage during programming	4.75	5.0	5.25	V	
PD2	IDDP	Supply current (from VDD) during programming			20	mA	
PD3	VDDV	Supply voltage during verify	VDDMIN		VDDMAX	V	(Note 1)
PD4	VIHH1	Voltage on MCLR/VPP during programming	12.75		13.25	V	(Note 2)
PD5	VIHH2	Voltage on MCLR/VPP during verify	VDD + 4.0		13.5		
PD6	I _{PP}	Programming supply current (from VPP)			50	mA	
PD9	VIH1	(GP0, GP1) input high level	0.8 VDD			V	Schmitt Trigger input
PD8	VIL1	(GP0, GP1) input low level	0.2 VDD			V	Schmitt Trigger input

Serial Program Verify							
P1	T _R	MCLR/VPP rise time (V _{SS} to V _{IHH}) for Test mode entry			8.0	μs	
P2	T _f	MCLR Fall time			8.0	μs	
P3	T _{set1}	Data in setup time before clock ↓	100			ns	
P4	T _{hd1}	Data in hold time after clock ↓	100			ns	
P5	T _{dly1}	Data input not driven to next clock input (delay required between command/data or command/command)	1.0			μs	
P6	T _{dly2}	Delay between clock ↓ to clock ↑ of next command or data	1.0			μs	
P7	T _{dly3}	Clock ↑ to data out valid (during read data)	200			ns	
P8	T _{hd0}	Hold time after VDD↑	2			μs	
P9	T _{PPDP}	Hold time after VPP↑	5			μs	

Note 1: Program must be verified at the minimum and maximum VDD limits for the part.

2: V_{IHH} must be greater than VDD + 4.5V to stay in Programming/Verify mode.

PIC12C67X AND PIC12CE67X

FIGURE 5-1: LOAD DATA COMMAND (PROGRAM/VERIFY)

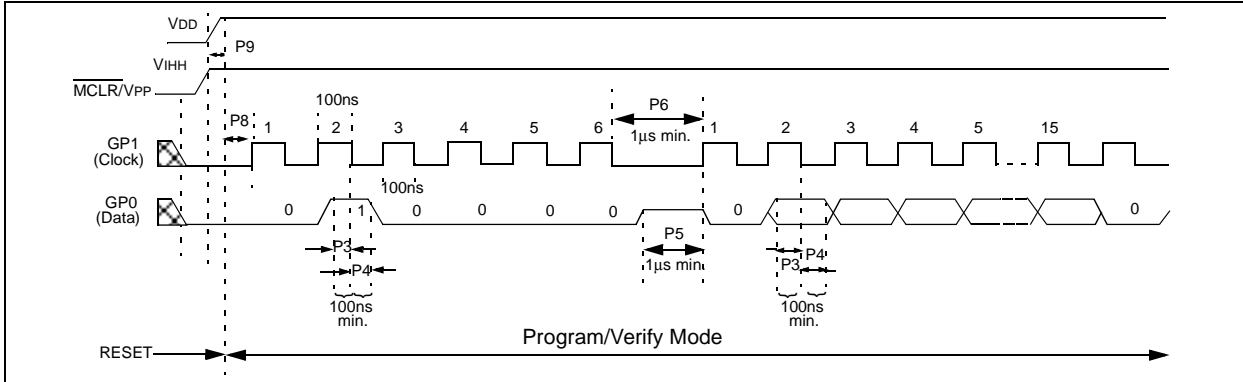


FIGURE 5-2: READ DATA COMMAND (PROGRAM/VERIFY)

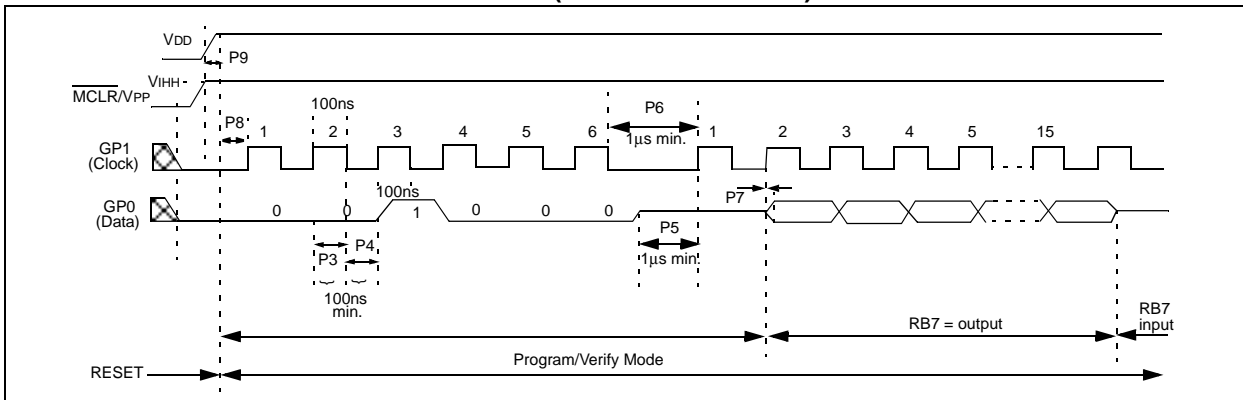
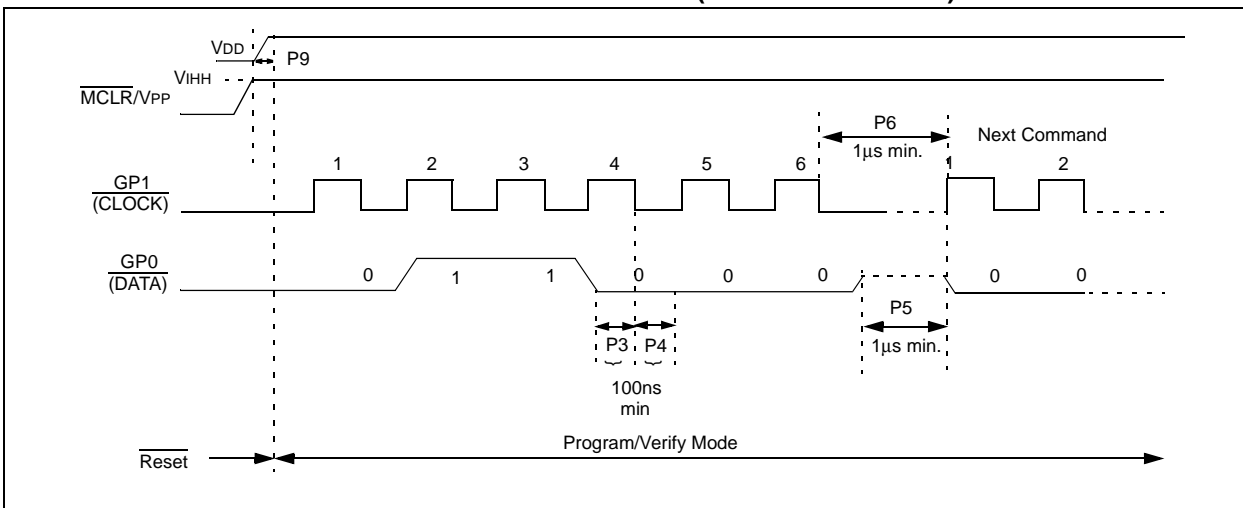


FIGURE 5-3: INCREMENT ADDRESS COMMAND (PROGRAM/VERIFY)



"All rights reserved. Copyright © 2001, Microchip Technology Incorporated, USA. Information contained in this publication regarding device applications and the like is intended through suggestion only and may be superseded by updates. No representation or warranty is given and no liability is assumed by Microchip Technology Incorporated with respect to the accuracy or use of such information, or infringement of patents or other intellectual property rights arising from such use or otherwise. Use of Microchip's products as critical components in life support systems is not authorized except with express written approval by Microchip. No licenses are conveyed, implicitly or otherwise, under any intellectual property rights. The Microchip logo and name are registered trademarks of Microchip Technology Inc. in the U.S.A. and other countries. All rights reserved. All other trademarks mentioned herein are the property of their respective companies. No licenses are conveyed, implicitly or otherwise, under any intellectual property rights."

Trademarks

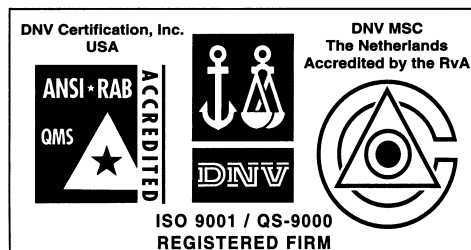
The Microchip name, logo, PIC, PICmicro, PICMASTER, PICSTART, PRO MATE, KEELOQ, SEEVAL, MPLAB and The Embedded Control Solutions Company are registered trademarks of Microchip Technology Incorporated in the U.S.A. and other countries.

Total Endurance, ICSP, In-Circuit Serial Programming, Filter-Lab, MXDEV, microID, FlexROM, fuzzyLAB, MPASM, MPLINK, MPLIB, PICDEM, ICEPIC, Migratable Memory, FanSense, ECONOMONITOR and SelectMode are trademarks of Microchip Technology Incorporated in the U.S.A.

Serialized Quick Term Programming (SQTP) is a service mark of Microchip Technology Incorporated in the U.S.A.

All other trademarks mentioned herein are property of their respective companies.

© 2001, Microchip Technology Incorporated, Printed in the U.S.A., All Rights Reserved.



Microchip received QS-9000 quality system certification for its worldwide headquarters, design and wafer fabrication facilities in Chandler and Tempe, Arizona in July 1999. The Company's quality system processes and procedures are QS-9000 compliant for its PICmicro® 8-bit MCUs, KEELOQ® code hopping devices, Serial EEPROMs and microperipheral products. In addition, Microchip's quality system for the design and manufacture of development systems is ISO 9001 certified.



WORLDWIDE SALES AND SERVICE

AMERICAS

Corporate Office

2355 West Chandler Blvd.
Chandler, AZ 85224-6199
Tel: 480-792-7200 Fax: 480-792-7277
Technical Support: 480-792-7627
Web Address: <http://www.microchip.com>

Rocky Mountain

2355 West Chandler Blvd.
Chandler, AZ 85224-6199
Tel: 480-792-7966 Fax: 480-792-7456

Atlanta

500 Sugar Mill Road, Suite 200B
Atlanta, GA 30350
Tel: 770-640-0034 Fax: 770-640-0307

Austin

Analog Product Sales
8303 MoPac Expressway North
Suite A-201
Austin, TX 78759
Tel: 512-345-2030 Fax: 512-345-6085

Boston

2 Lan Drive, Suite 120
Westford, MA 01886
Tel: 978-692-3848 Fax: 978-692-3821

Boston

Analog Product Sales
Unit A-8-1 Millbrook Tarry Condominium
97 Lowell Road
Concord, MA 01742
Tel: 978-371-6400 Fax: 978-371-0050

Chicago

333 Pierce Road, Suite 180
Itasca, IL 60143
Tel: 630-285-0071 Fax: 630-285-0075

Dallas

4570 Westgrove Drive, Suite 160
Addison, TX 75001
Tel: 972-818-7423 Fax: 972-818-2924

Dayton

Two Prestige Place, Suite 130
Miamisburg, OH 45342
Tel: 937-291-1654 Fax: 937-291-9175

Detroit

Tri-Atria Office Building
3225 Northwestern Highway, Suite 190
Farmington Hills, MI 48334
Tel: 248-538-2250 Fax: 248-538-2260

Los Angeles

18201 Von Karman, Suite 1090
Irvine, CA 92612
Tel: 949-263-1888 Fax: 949-263-1338

Mountain View

Analog Product Sales
1300 Terra Bella Avenue
Mountain View, CA 94043-1836
Tel: 650-968-9241 Fax: 650-967-1590

New York

150 Motor Parkway, Suite 202
Hauppauge, NY 11788
Tel: 631-273-5305 Fax: 631-273-5335

San Jose

Microchip Technology Inc.
2107 North First Street, Suite 590
San Jose, CA 95131
Tel: 408-436-7950 Fax: 408-436-7955

Toronto

6285 Northam Drive, Suite 108
Mississauga, Ontario L4V 1X5, Canada
Tel: 905-673-0699 Fax: 905-673-6509

ASIA/PACIFIC

Australia

Microchip Technology Australia Pty Ltd
Suite 22, 41 Rawson Street
Epping 2121, NSW
Australia
Tel: 61-2-9868-6733 Fax: 61-2-9868-6755

China - Beijing

Microchip Technology Beijing Office
Unit 915
New China Hong Kong Manhattan Bldg.
No. 6 Chaoyangmen Beidajie
Beijing, 100027, No. China
Tel: 86-10-85282100 Fax: 86-10-85282104

China - Shanghai

Microchip Technology Shanghai Office
Room 701, Bldg. B
Far East International Plaza
No. 317 Xian Xia Road
Shanghai, 200051
Tel: 86-21-6275-5700 Fax: 86-21-6275-5060

Hong Kong

Microchip Asia Pacific
RM 2101, Tower 2, Metroplaza
223 Hing Fong Road
Kwai Fong, N.T., Hong Kong
Tel: 852-2401-1200 Fax: 852-2401-3431

India

Microchip Technology Inc.
India Liaison Office
Divyasree Chambers
1 Floor, Wing A (A3/A4)
No. 11, O'Shaughnessey Road
Bangalore, 560 025, India
Tel: 91-80-2290061 Fax: 91-80-2290062

Japan

Microchip Technology Intl. Inc.
Benex S-1 6F
3-18-20, Shinyokohama
Kohoku-Ku, Yokohama-shi
Kanagawa, 222-0033, Japan
Tel: 81-45-471-6166 Fax: 81-45-471-6122

ASIA/PACIFIC (continued)

Korea

Microchip Technology Korea
168-1, Youngbo Bldg. 3 Floor
Samsung-Dong, Kangnam-Ku
Seoul, Korea
Tel: 82-2-554-7200 Fax: 82-2-558-5934

Singapore

Microchip Technology Singapore Pte Ltd.
200 Middle Road
#07-02 Prime Centre
Singapore, 188980
Tel: 65-334-8870 Fax: 65-334-8850

Taiwan

Microchip Technology Taiwan
11F-3, No. 207
Tung Hua North Road
Taipei, 105, Taiwan
Tel: 886-2-2717-7175 Fax: 886-2-2545-0139

EUROPE

Denmark

Microchip Technology Denmark ApS
Regus Business Centre
Lautrup høj 1-3
Ballerup DK-2750 Denmark
Tel: 45 4420 9895 Fax: 45 4420 9910

France

Arizona Microchip Technology SARL
Parc d'Activite du Moulin de Massy
43 Rue du Saule Trapu
Batiment A - 1er Etage
91300 Massy, France
Tel: 33-1-69-53-63-20 Fax: 33-1-69-30-90-79

Germany

Arizona Microchip Technology GmbH
Gustav-Heinemann Ring 125
D-81739 Munich, Germany
Tel: 49-89-627-144 0 Fax: 49-89-627-144-44

Germany

Analog Product Sales
Lochhamer Strasse 13
D-82152 Martinsried, Germany
Tel: 49-89-895650-0 Fax: 49-89-895650-22

Italy

Arizona Microchip Technology SRL
Centro Direzionale Colleoni
Palazzo Taurus 1 V. Le Colleoni 1
20041 Agrate Brianza
Milan, Italy
Tel: 39-039-65791-1 Fax: 39-039-6899883

United Kingdom

Arizona Microchip Technology Ltd.
505 Eskdale Road
Winnersh Triangle
Wokingham
Berkshire, England RG41 5TU
Tel: 44 118 921 5869 Fax: 44-118 921-5820

01/30/01

All rights reserved. © 2001 Microchip Technology Incorporated. Printed in the USA. 2/01  Printed on recycled paper.

Information contained in this publication regarding device applications and the like is intended through suggestion only and may be superseded by updates. It is your responsibility to ensure that your application meets with your specifications. No representation or warranty is given and no liability is assumed by Microchip Technology Incorporated with respect to the accuracy or use of such information, or infringement of patents or other intellectual property rights arising from such use or otherwise. Use of Microchip's products as critical components in life support systems is not authorized except with express written approval by Microchip. No licenses are conveyed, implicitly or otherwise, except as maybe explicitly expressed herein, under any intellectual property rights. The Microchip logo and name are registered trademarks of Microchip Technology Inc. in the U.S.A. and other countries. All rights reserved. All other trademarks mentioned herein are the property of their respective companies.