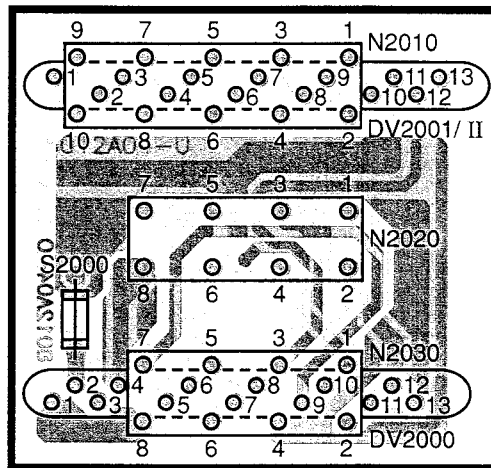


Schaltbild • Circuit diagram • Schema du poste • Esquema del aparato

**Anschlußplatte
Connector board**
PL 8012 A04



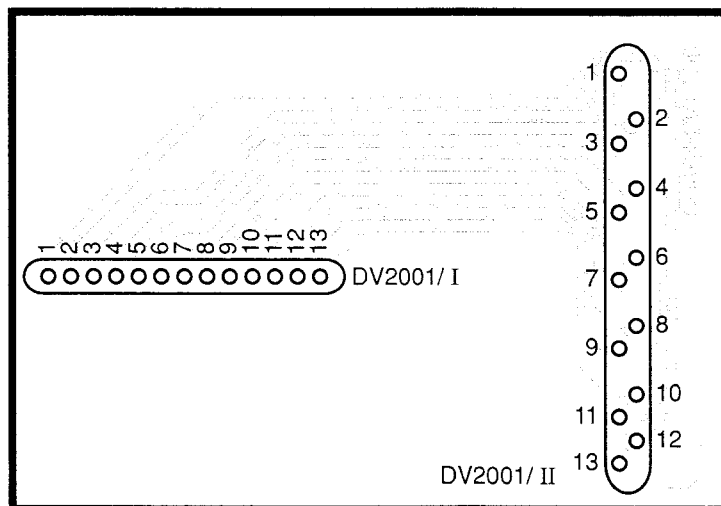
DV2001 / II	
1 = LR - PREAMP	
2 = LF - PREAMP	
3 = RR - PREAMP	
4 = RF - PREAMP	
5 = NF - GND	
6 = U14 - CHANGER	
7 = TEL MUTE	
8 = NF - AUX	
9 = L - IN	
10 = R - IN	
11 = DIG - GND	
12 = SCI - TXD	
13 = SCI - RXD	

DV2000	
1 = GND	8 = U - ANT
2 = UD	9 = U - ZÜND
3 = LR - OUT +	10 = RF - OUT -
4 = LR - OUT -	11 = RF - OUT +
5 = LF - OUT +	12 = RR - OUT -
6 = LF - OUT -	13 = RR - OUT +
7 = U - DIM	

**Kontaktplatte
Connector board**
PL 8011 A04



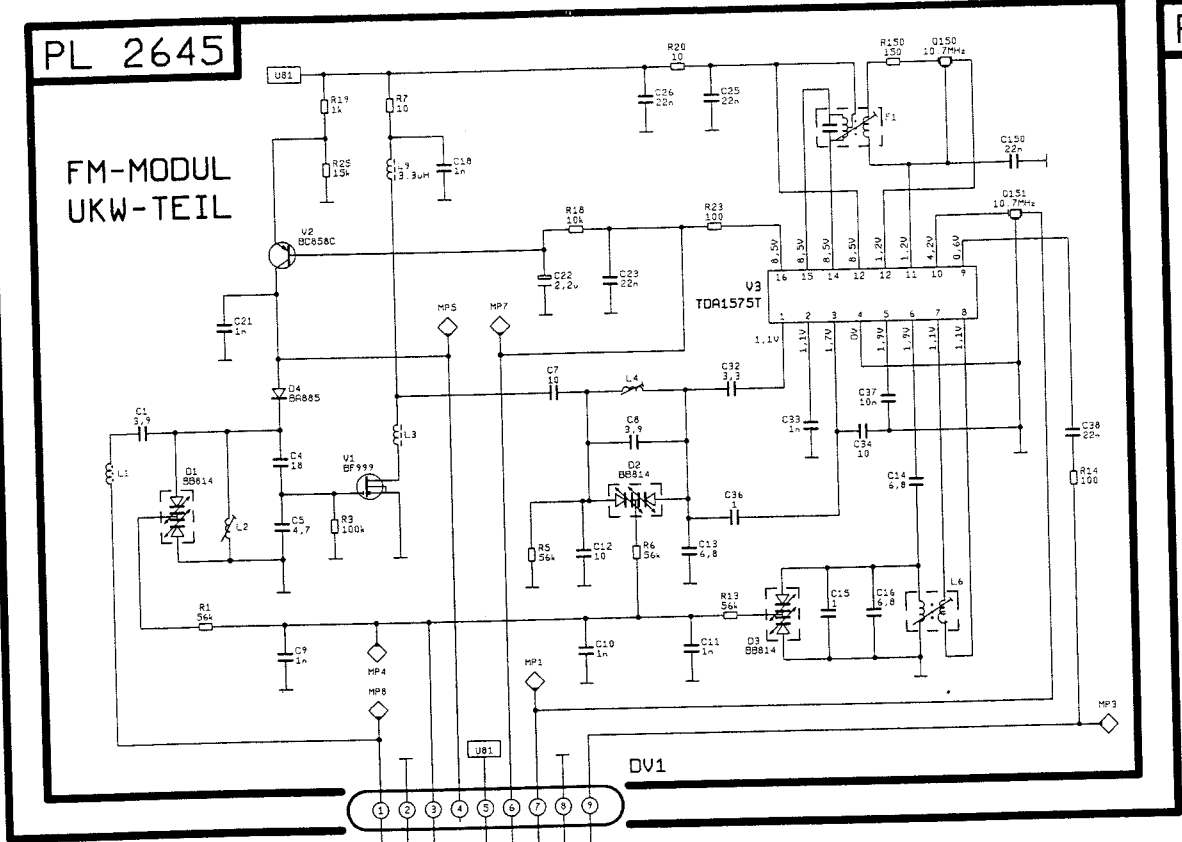
DV2001 / I	
1 = SCI - RXD	
2 = SCI - TXD	
3 = GND	
4 = LR - PREAMP	
5 = LF - PREAMP	
6 = RR - PREAMP	
7 = RF - PREAMP	
8 = GND	
9 = U14 - CHANGER	
10 = TEL MUTE	
11 = NF - AUX	
12 = L - IN	
13 = R - IN	



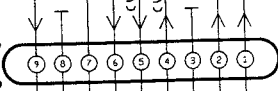
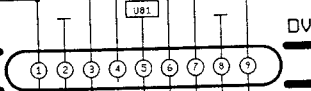
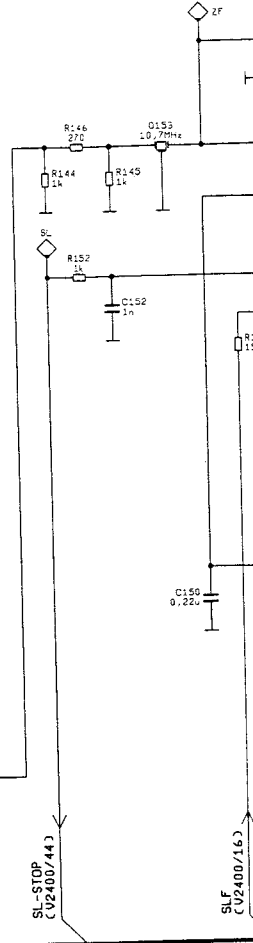
DV2001 / II	
1 = LR - PREAMP	
2 = LF - PREAMP	
3 = RR - PREAMP	
4 = RF - PREAMP	
5 = NF - GND	
6 = U14 - CHANGER	
7 = TEL MUTE	
8 = NF - AUX	
9 = L - IN	
10 = R - IN	
11 = DIG - GND	
12 = SCI - TXD	
13 = SCI - RXD	

PL 2645

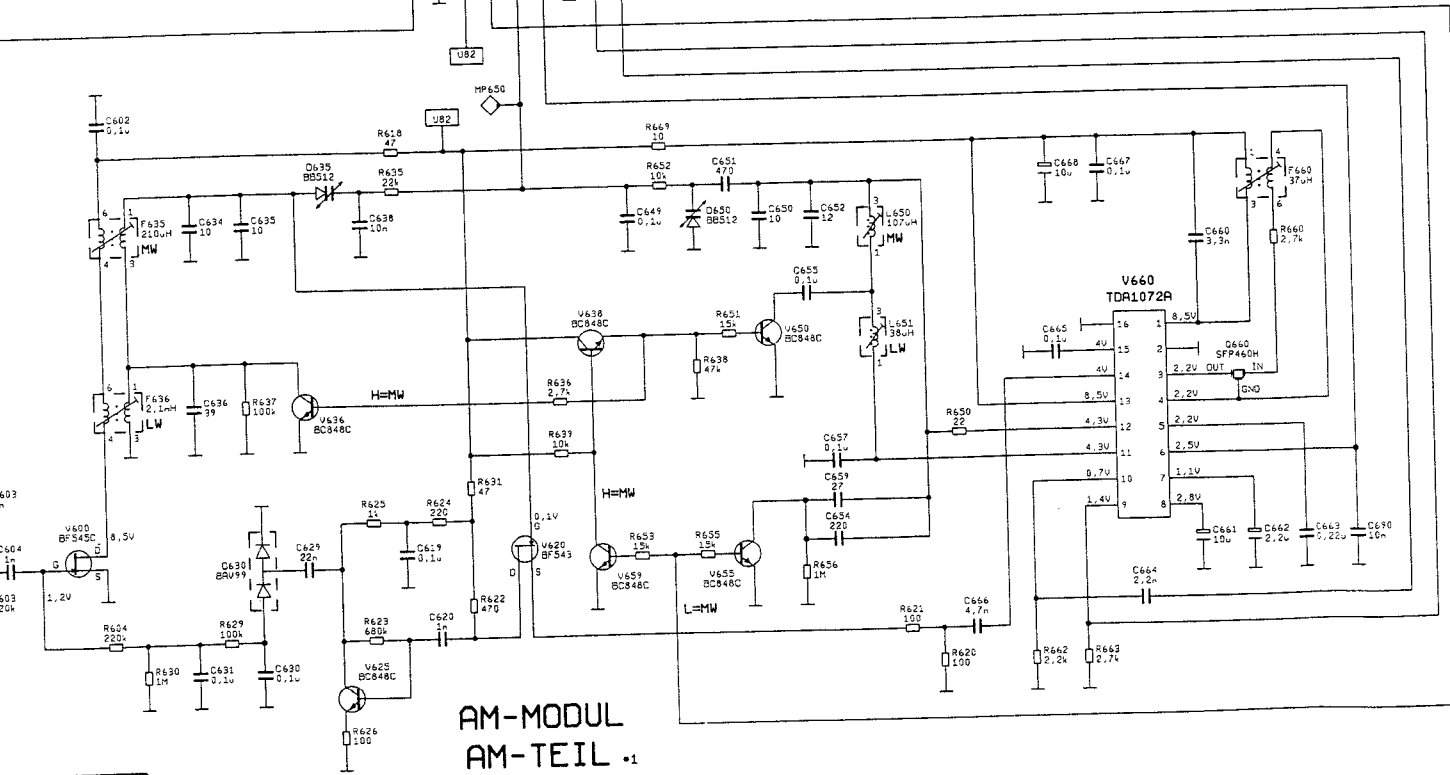
FM-MODUL
UKW-TEIL



PL 8289



AM-MODUL
AM-TEIL

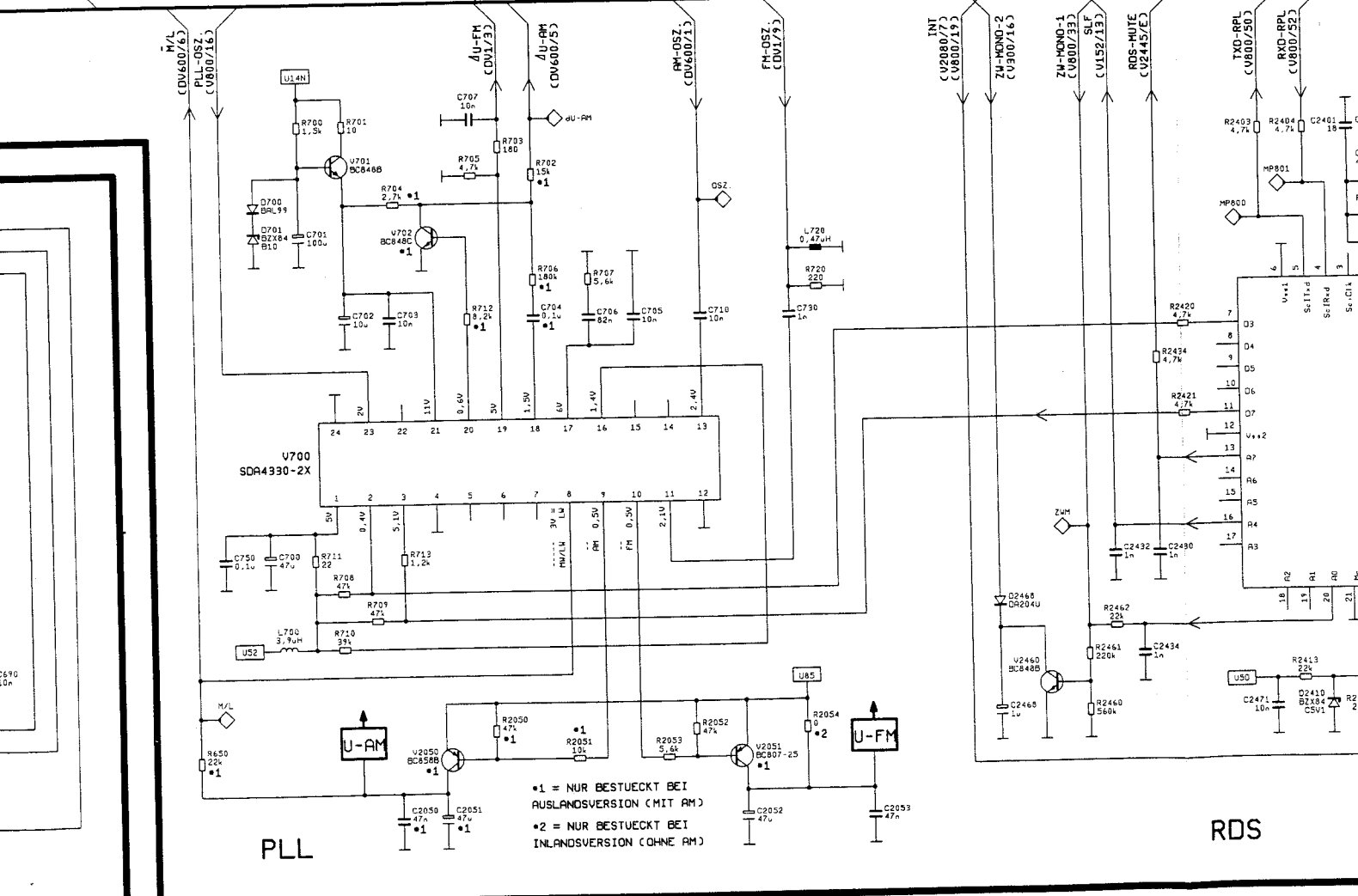
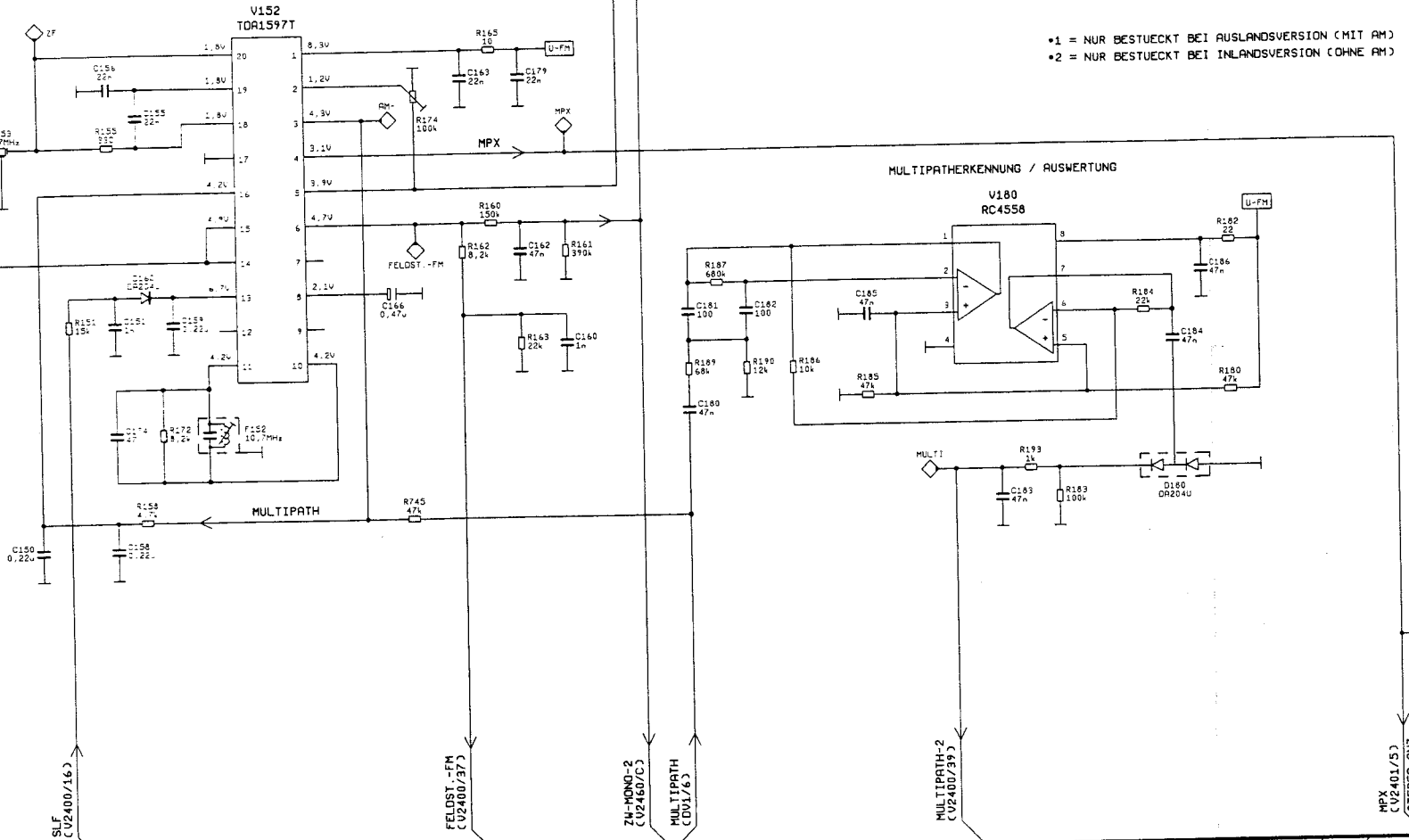


PL 2981

FM-ZF
FM-IF

MULTIPATH

*1 = NUR BESTUECKT BEI AUSLANDSVERSION (MIT AM)
*2 = NUR BESTUECKT BEI INLANDSVERSION (OHNE AM)



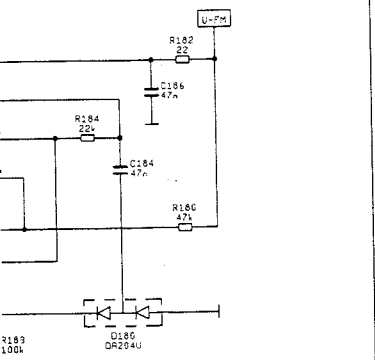
*1 = NUR BESTUECKT BEI AUSLANDSVERSION (MIT AM)
*2 = NUR BESTUECKT BEI INLANDSVERSION (OHNE AM)

RDS

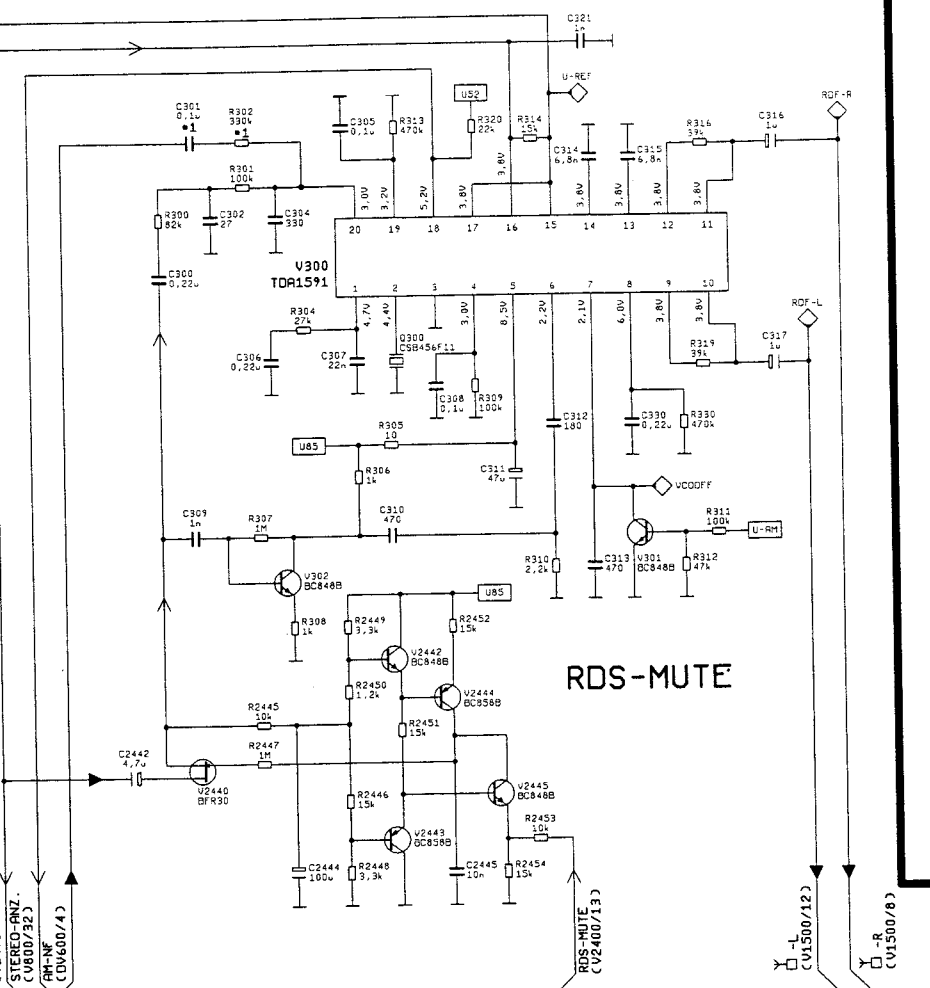
○ - DECODER/ASU

= NUR BESTUECKT BEI AUSLANDSVERSION (MIT AM)
 = NUR BESTUECKT BEI INLANDSVERSION (OHNE AM)

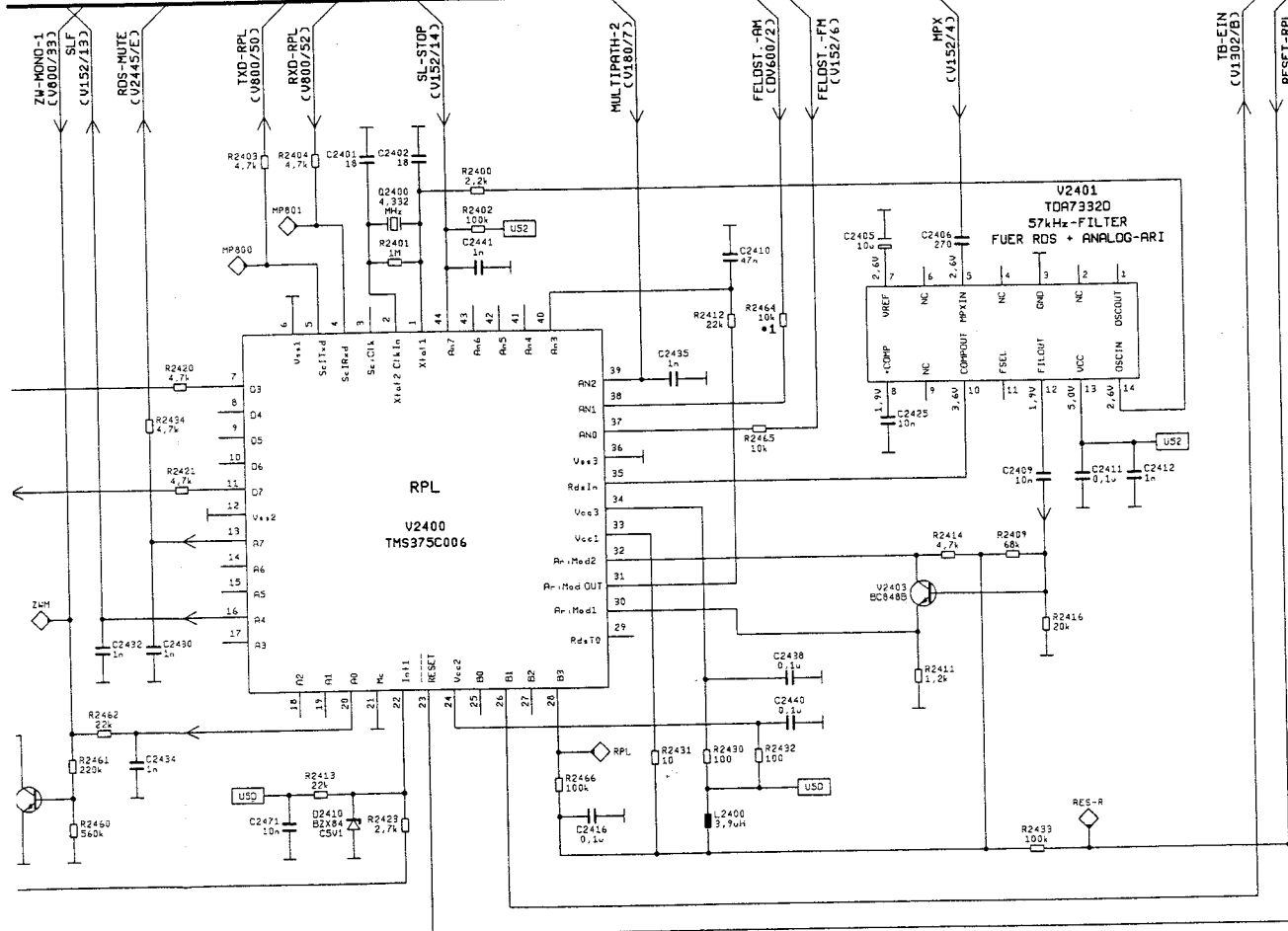
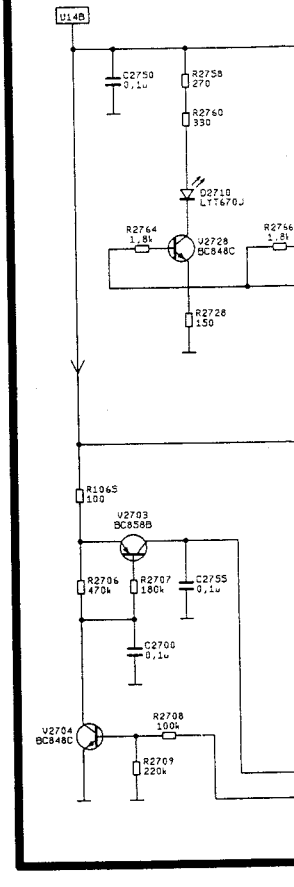
WERTUNG



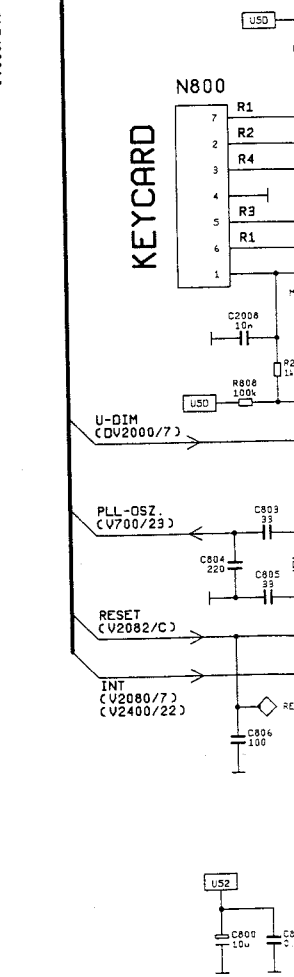
R183
100k



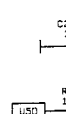
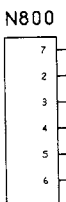
RDS-MUTE



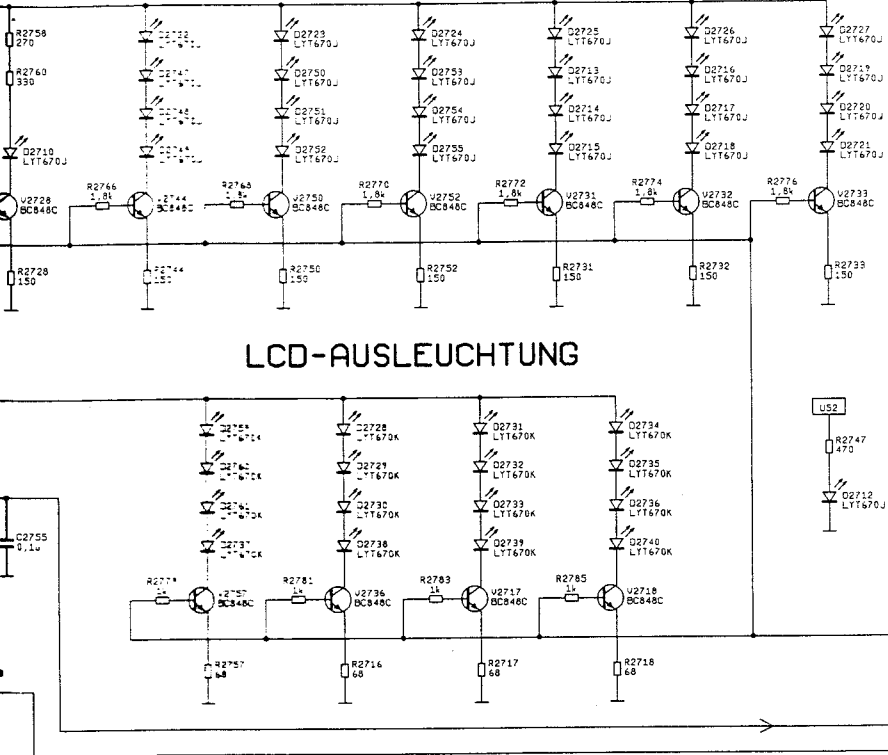
RDS



KEYCARD



TASTATUR-AUSLEUCHTUNG

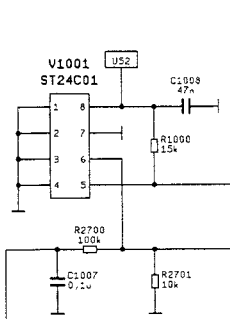


LCD

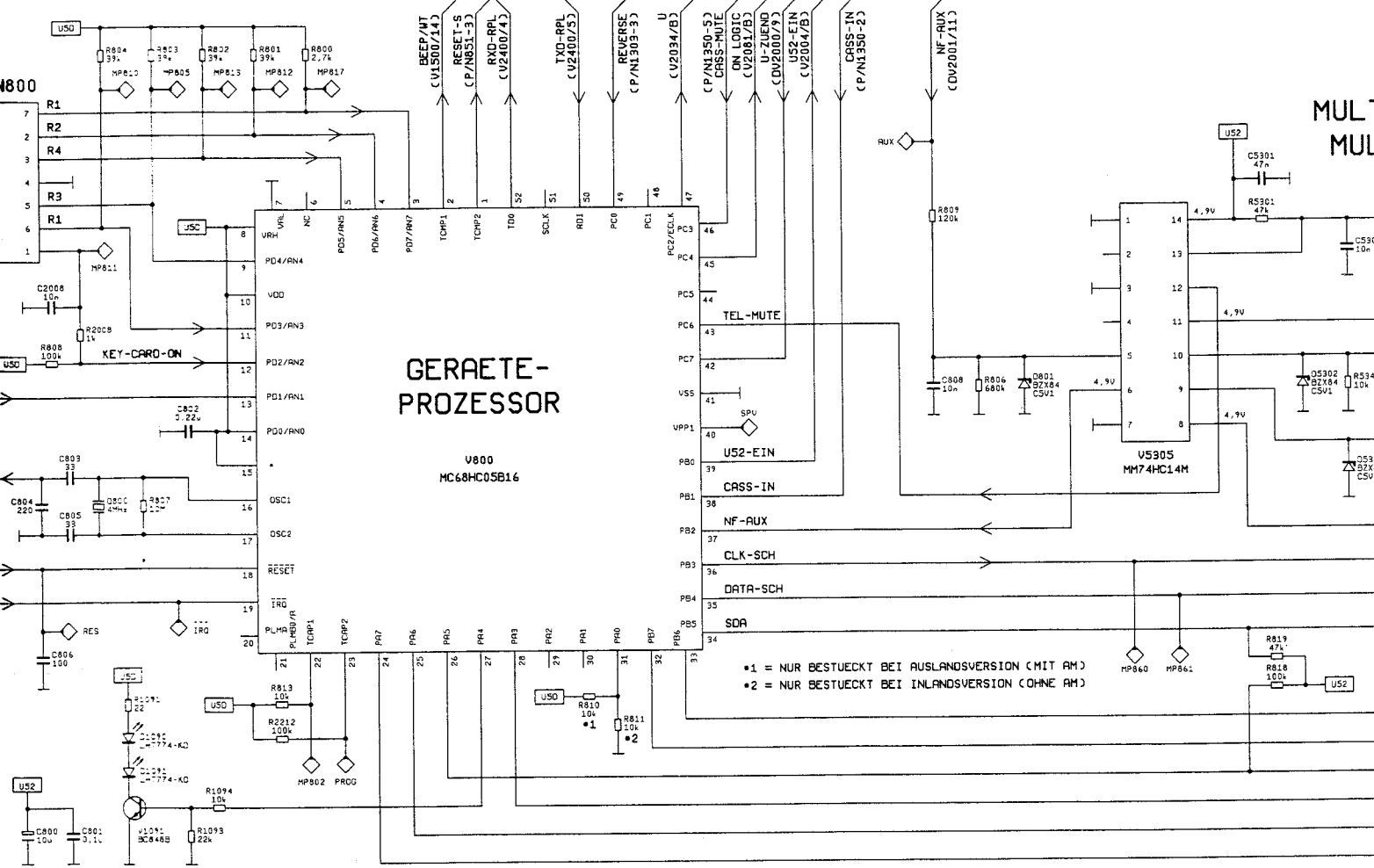
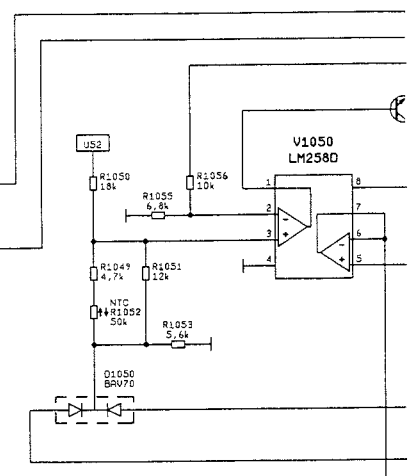
N1050

1	2	3	4	5	6	7	8	9	10	11	12	13	14	15	16	17	18	19	20	21	22	23	24	25	26	27	28
R0	R1	R2	R3	C5	C6	C7	C8	C9	C10	C11	C12	C13	C14	C15	C16	C17	C18	C19	C20	C21	C22	C23	C24	C25	C26	C27	C28

EEPROM

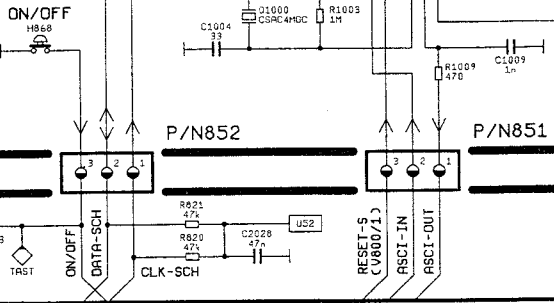
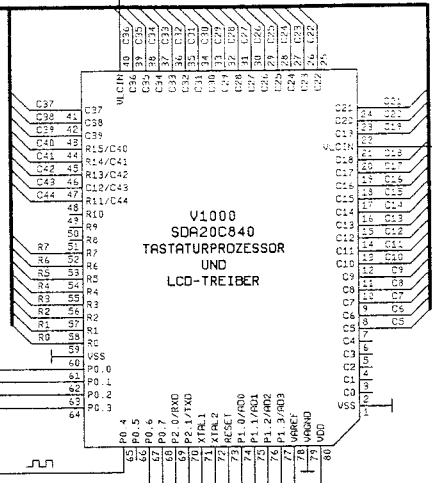
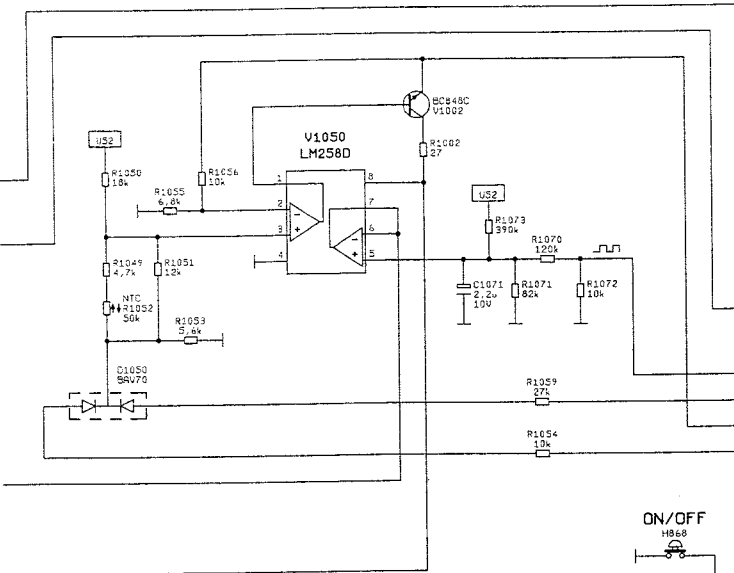


BLICKWINKELEINS

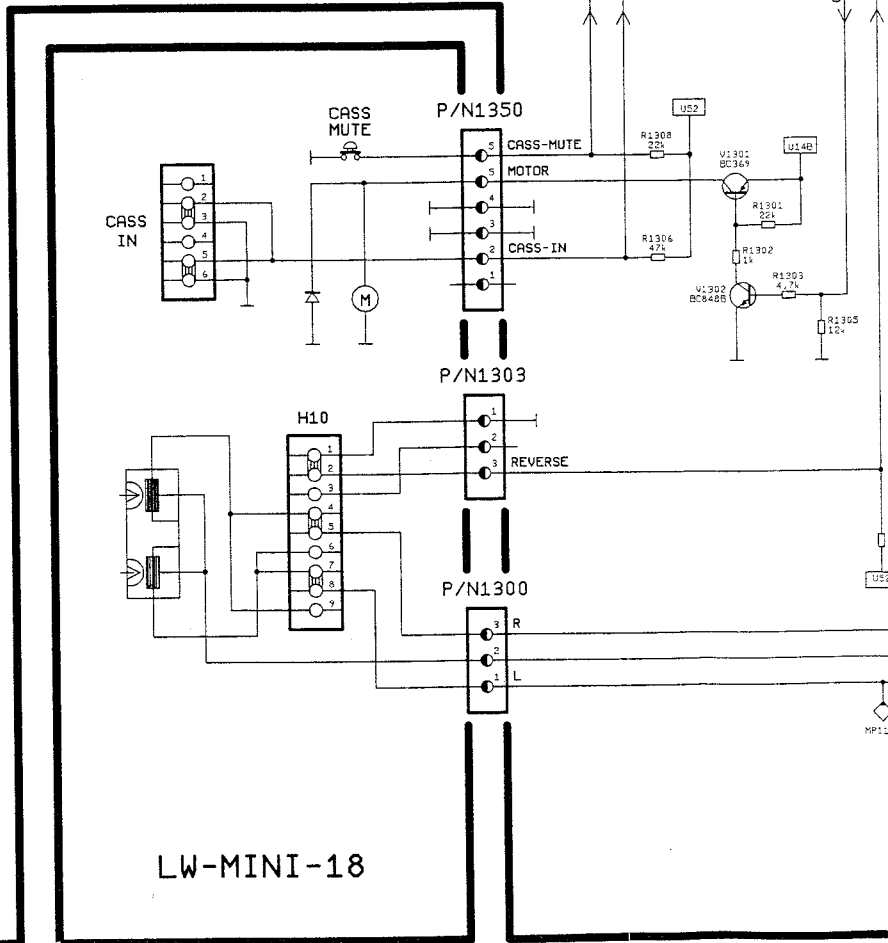
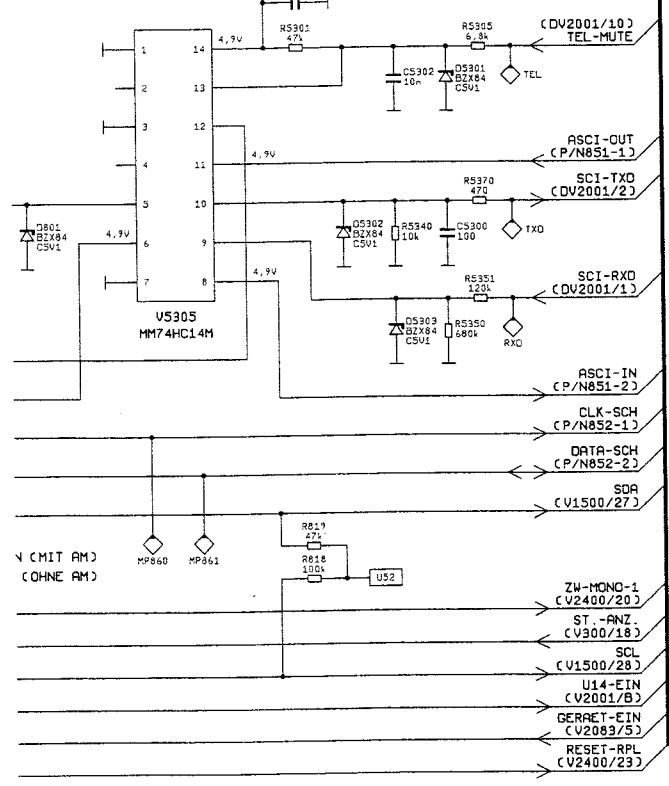


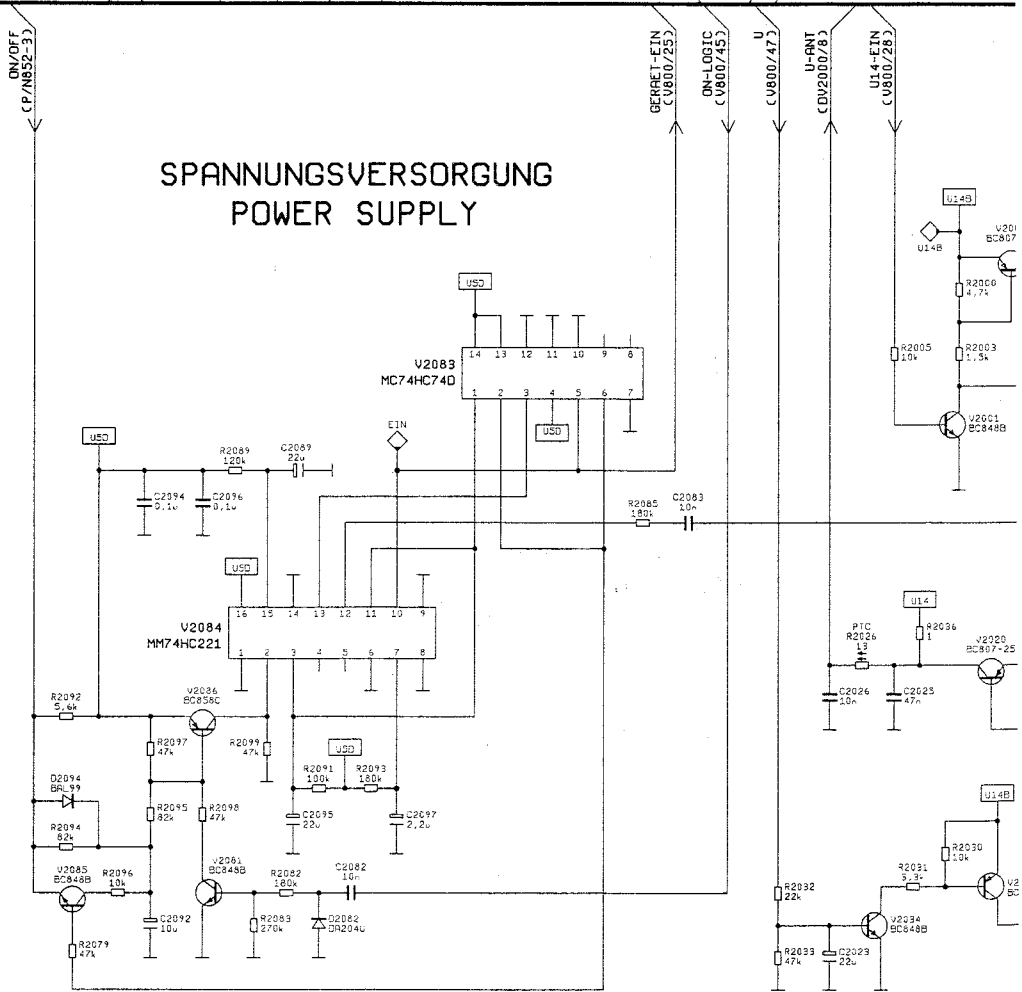
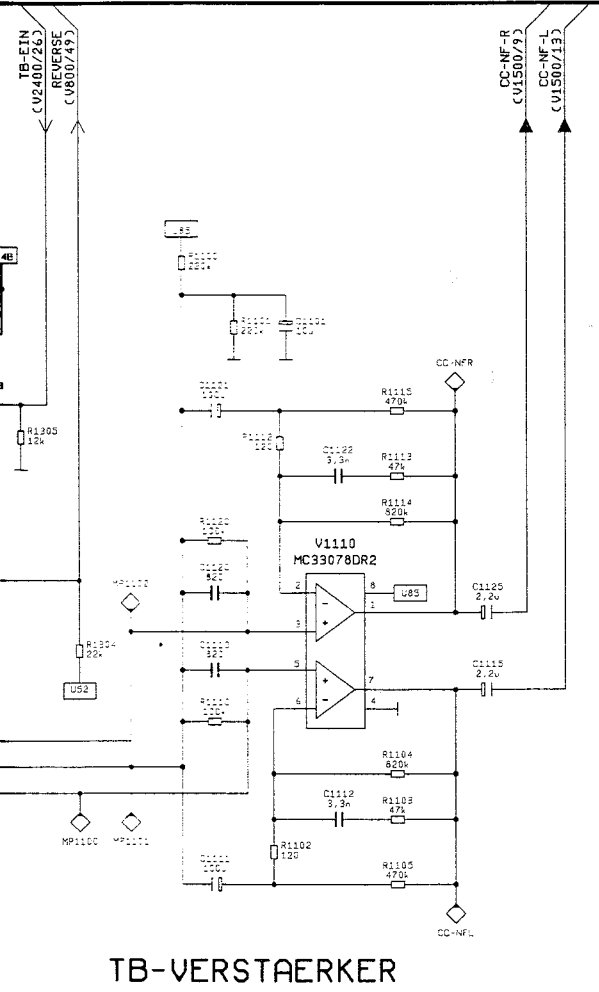
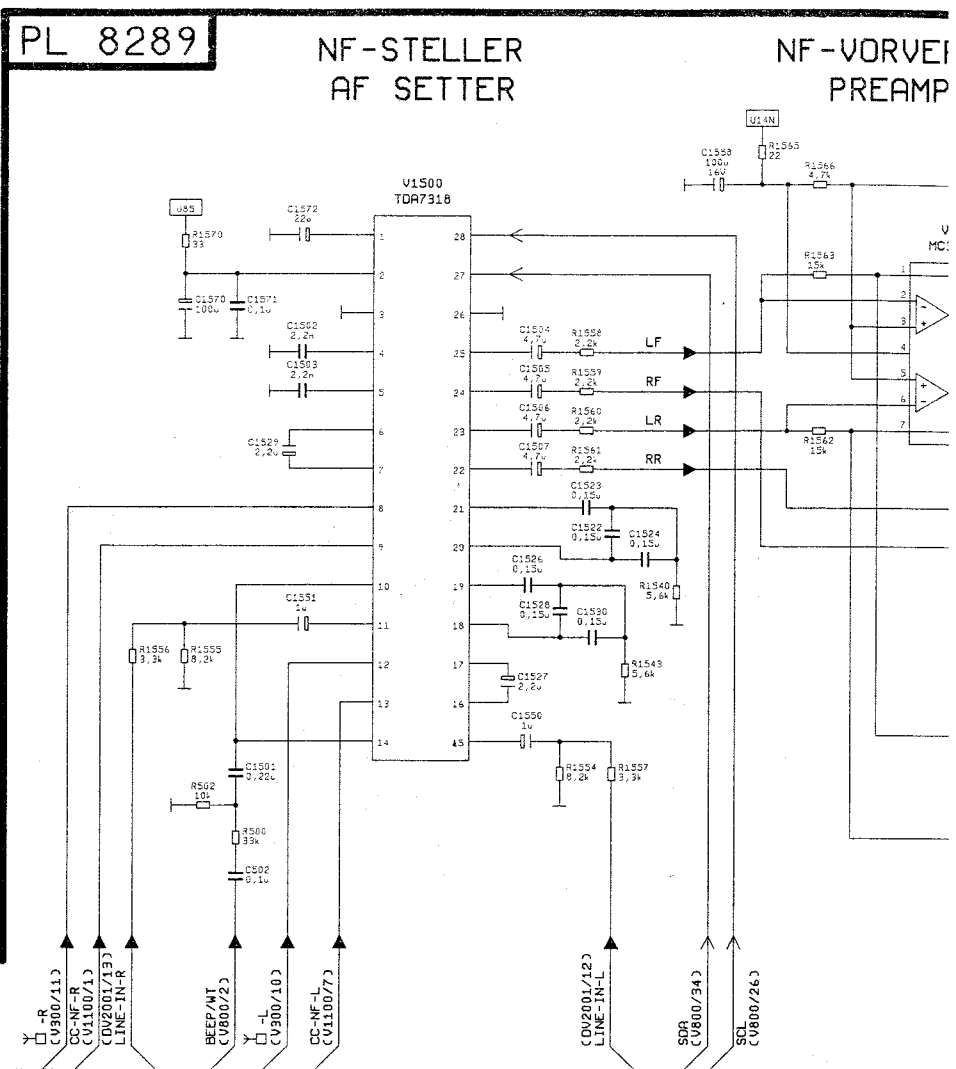
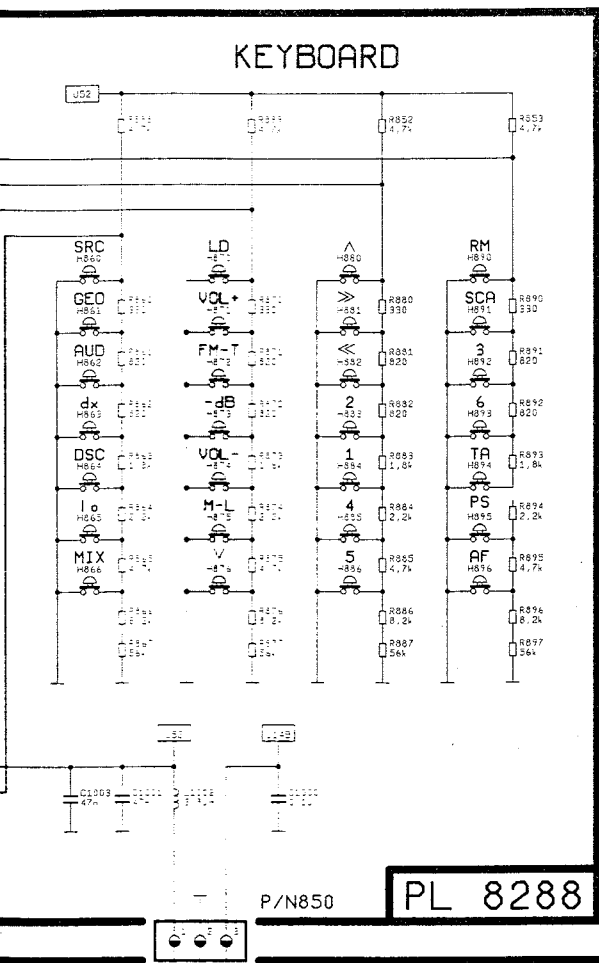
C8	9	10	11	12	13	14	15	16	17	18	19	20	21	22	23	24	25	26	27	28	29	30	31	32	33	34	35	36	37	38	39	40	41	42	43	44	45	46	47	48
----	---	----	----	----	----	----	----	----	----	----	----	----	----	----	----	----	----	----	----	----	----	----	----	----	----	----	----	----	----	----	----	----	----	----	----	----	----	----	----	----

BLICKWINKELEINSTELLUNG



MULTISCHALTER MULTISWITCH

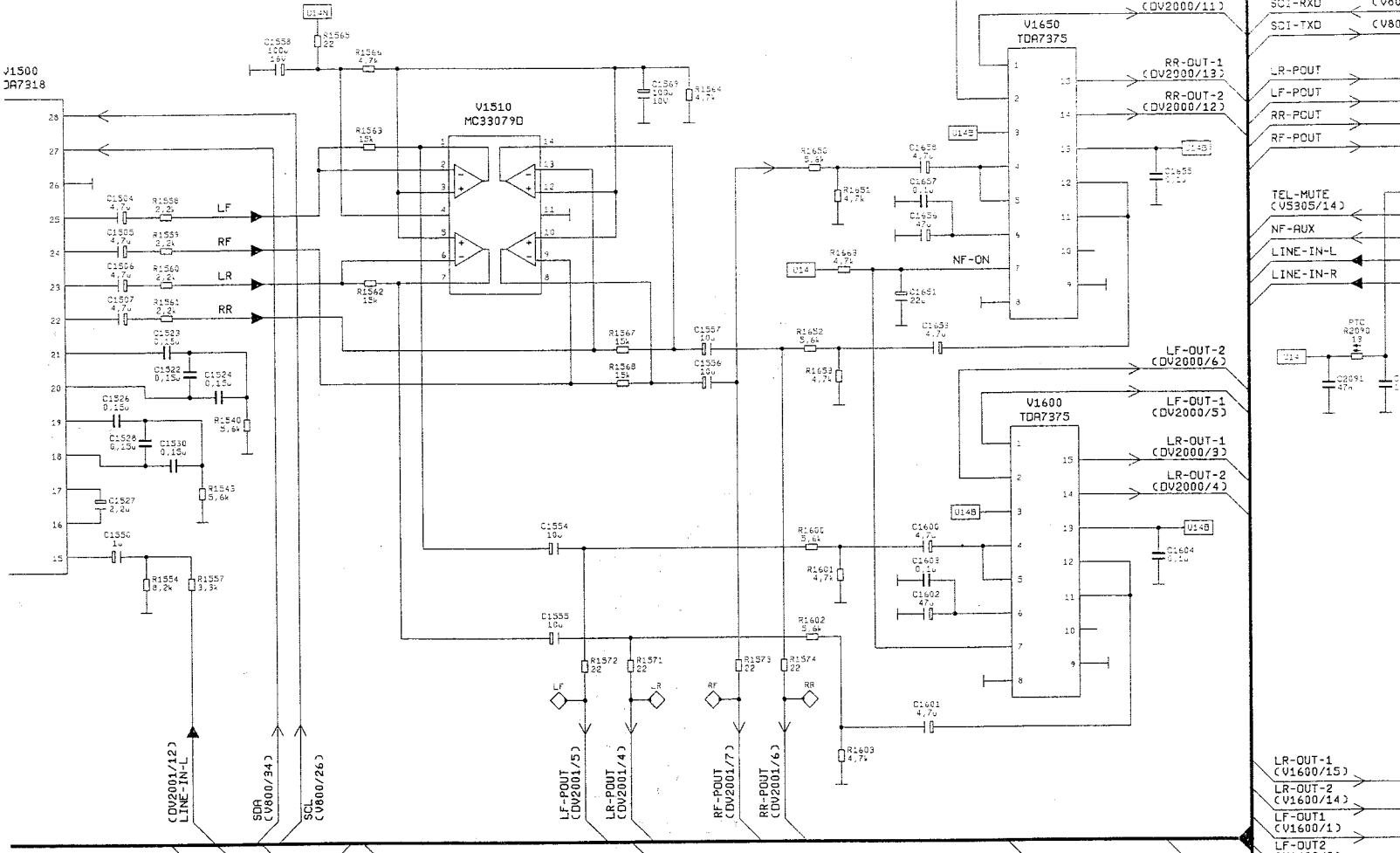




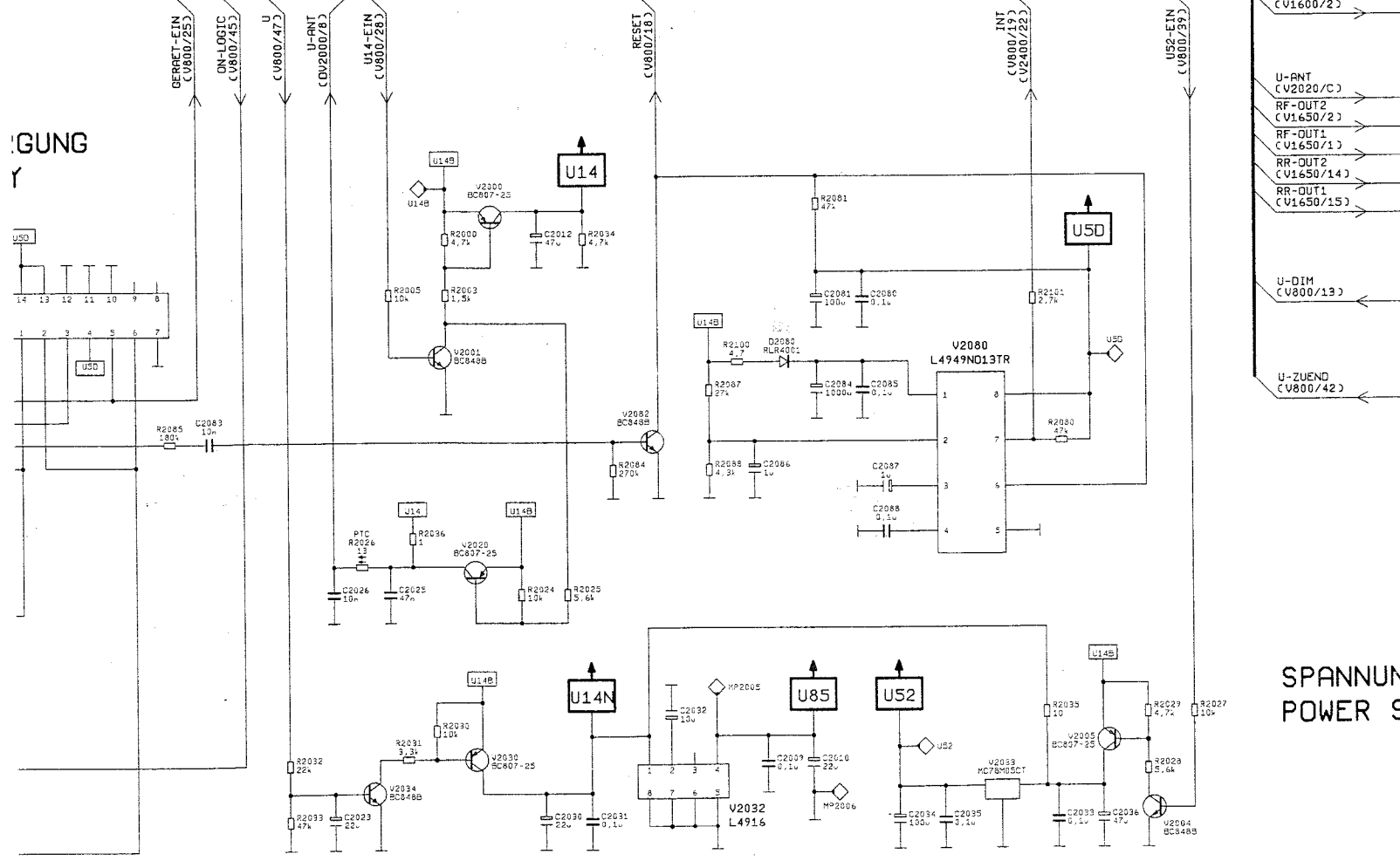
TELLER
SETTER

NF-VORVERSTÄRKER PREAMPLIFIER

NF-ENDSTUFE AF AMPLIFIER

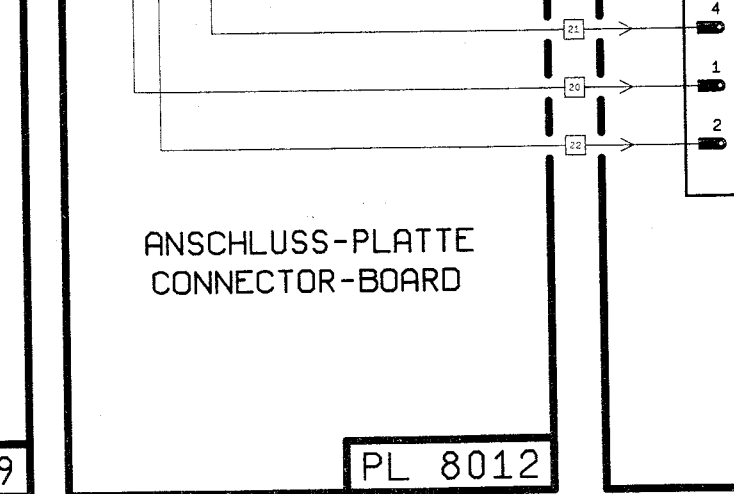
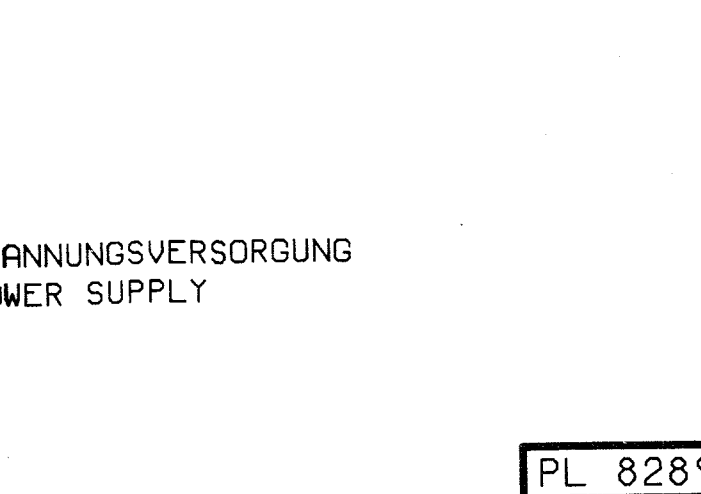
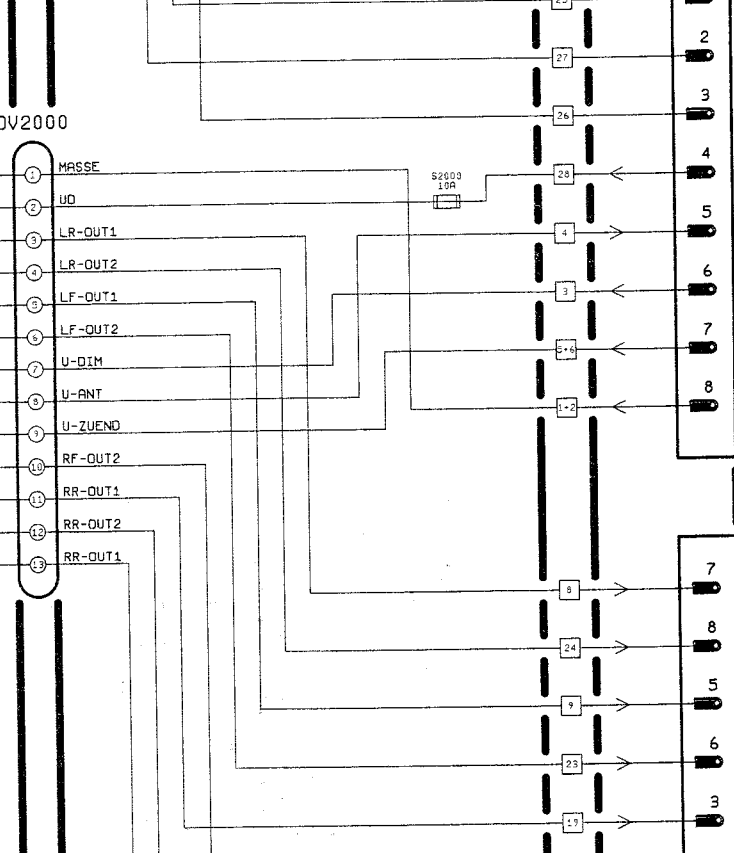
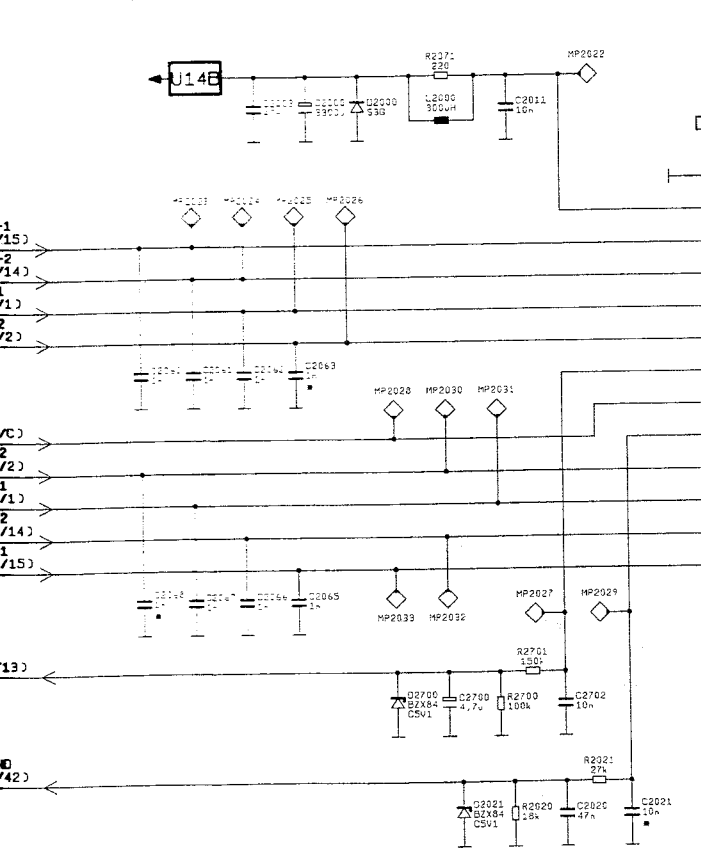
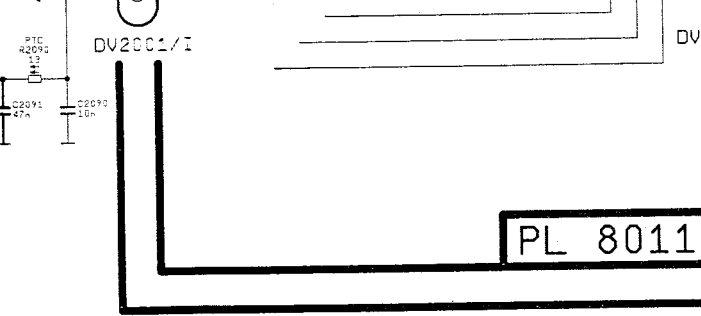
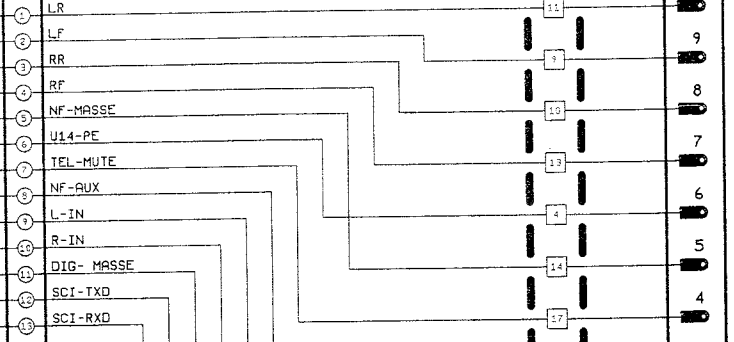
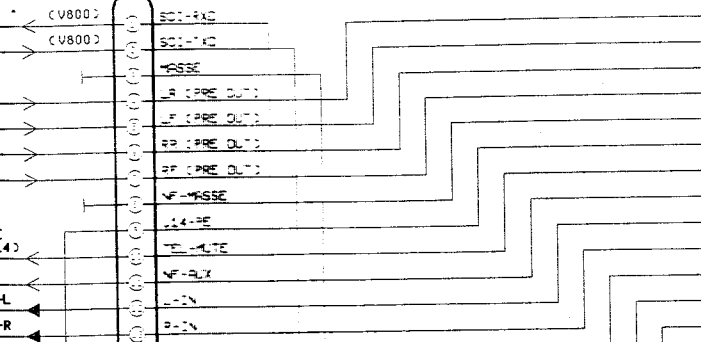


ÜBERGANG
Y



SPANNUNG
POWER S

VERBINDUNGSPLATTE ADAPTER BOARD



PL 8289

PL 8012