

## EXTERIOR PLACARDS AND MARKINGS

HAP  
OCT 10/06

11-20-00  
SECTION TITLE  
PAGE 1

NON-ILLUSTRATED FIGURE

THE ITEMS REFLECTED IN THIS FIGURE ARE INTENTIONALLY  
NON-ILLUSTRATED. THEY ARE REFERENCED TO EITHER A  
NEXT HIGHER OR NEXT LOWER ASSEMBLY/INSTALLATION FIGURE.

FUNCTIONAL COLLECTOR CUSTOMER UNIQUE 737-X (EXTERIOR MARKINGS ONLY)

FIGURE 1

**11-20-00-01**

HAP  
OCT 15/08

11-20-00-01  
PAGE 0

 **BOEING**  
737-600/700/800/900  
**PARTS CATALOG (MAINTENANCE)**

FIG ITEM	PART NUMBER	1 2 3 4 5 6 7	NOMENCLATURE	EFFECT FROM TO	UNITS PER ASSY
1			FUNCTIONAL COLLECTOR CUSTOMER UNIQUE 737-X (EXTERIOR MARKINGS ONLY)	201967	
- 6	414A4000-2610		FUNCTIONAL COLLECTOR- CUSTOMER UNIQUE PAYLOADS FOR NHA SEE: 11-00-00-01A	201967	RF
- 265	414A4142-1		.MARKING INSTL-DECORATIVE EXT FOR DETAILS SEE: 11-20-51-32	201967	1
- 285	414A4910-7		.MARKING INSTL-EXT MAINT FOR DETAILS SEE: 11-21-13-01	201967	1
- 400	414A4960-1		.MARKING INSTL-EXT MAINT POSITION DATA: LH WING FOR DETAILS SEE: 11-24-01-05	201967	1
- 405	414A4960-2		.MARKING INSTL-EXT MAINT POSITION DATA: RH WING FOR DETAILS SEE: 11-24-01-05	201967	1
- 410	414A4970-1		.MARKING INSTL-EXT MAINT POSITION DATA: LH ENG 1 AND 2 FOR DETAILS SEE: 11-25-03-02	201967	1

MISSING ITEM NUMBERS NOT APPLICABLE

- ITEM NOT ILLUSTRATED

HAP

# 11-20-00-01

BOEING PROPRIETARY - Copyright © - Unpublished Work - See title page for details.

11-20-00  
FIG. 01  
PAGE 1  
OCT 15/08

NON-ILLUSTRATED FIGURE

THE ITEMS REFLECTED IN THIS FIGURE ARE INTENTIONALLY  
NON-ILLUSTRATED. THEY ARE REFERENCED TO EITHER A  
NEXT HIGHER OR NEXT LOWER ASSEMBLY/INSTALLATION FIGURE.

E 11200001C REV 053

FUNCTIONAL COLLECTOR CUSTOMER UNIQUE PAYLOADS EXTERIOR MARKINGS  
FIGURE 1C

HAP  
OCT 10/06

**11-20-00-01C**

11-20-00-01C  
PAGE 0

**BOEING**  
737-600/700/800/900  
PARTS CATALOG (MAINTENANCE)

FIG ITEM	PART NUMBER	1 2 3 4 5 6 7	NOMENCLATURE	EFFECT FROM TO	UNITS PER ASSY
1C			FUNCTIONAL COLLECTOR CUSTOMER UNIQUE PAYLOADS EXTERIOR MARKINGS	001030	
- 1	414A4000-3001		FUNCTIONAL COLLECTOR- CUSTOMER UNIQUE PAYLOADS EXTERIOR MARKINGS FOR NHA SEE: 11-00-00-01B	001030	RF
- 50	414A4104-2		.MARKING INSTL-DECORATIVE EXT, (HAP) FOR DETAILS SEE: 11-20-51-25	001007	1
- 50	414A4104-3		.MARKING INSTL-DECORATIVE EXT, (HAP) FOR DETAILS SEE: 11-20-51-25	008011	1
- 50	414A4104-4		.MARKING INSTL-DECORATIVE EXT, (HAP) FOR DETAILS SEE: 11-20-51-25	012027	1
- 50	414A4104-5		.MARKING INSTL-DECORATIVE EXT, (HAP) FOR DETAILS SEE: 11-21-18-12 11-25-03-14	028030	1
- 95	414A4118-2		.MARKING INSTL-EMER EXT WITH DUAL OVERWING HATCH FOR DETAILS SEE: 11-22-02-03	001027	1
- 95	414A4118-27		.MARKING INSTL-EMER EXT WITH DUAL OVERWING HATCH FOR DETAILS SEE: 11-22-02-08	028030	1
- 275	414A4960-1		.MARKING INSTL-EXT MAINT POSITION DATA: LH WING FOR DETAILS SEE: 11-24-01-05	001027	1
- 275	414A4960-15		.MARKING INSTL-EXT MAINT POSITION DATA: LH WING FOR DETAILS SEE: 11-24-01-05	028030	1
- 285	414A4960-16		.MARKING INSTL-EXT MAINT POSITION DATA: RH WING FOR DETAILS SEE: 11-24-01-05	028030	1

MISSING ITEM NUMBERS NOT APPLICABLE

- ITEM NOT ILLUSTRATED

HAP

# 11-20-00-01C

BOEING PROPRIETARY - Copyright © - Unpublished Work - See title page for details.

11-20-00  
FIG. 01C  
PAGE 1  
OCT 10/06


**BOEING**  
 737-600/700/800/900  
**PARTS CATALOG (MAINTENANCE)**

FIG ITEM	PART NUMBER	1 2 3 4 5 6 7	NOMENCLATURE	EFFECT FROM TO	UNITS PER ASSY
1C - 285	414A4960-2		.MARKING INSTL-EXT MAINT POSITION DATA: RH WING FOR DETAILS SEE: 11-24-01-05	001027	1
- 287	414A4970-1		.MARKING INSTL-EXT MAINT POSITION DATA: LH ENG 1 AND 2 FOR DETAILS SEE: 11-25-03-02	001030	1

MISSING ITEM NUMBERS NOT APPLICABLE

- ITEM NOT ILLUSTRATED

HAP

# 11-20-00-01C

BOEING PROPRIETARY - Copyright © - Unpublished Work - See title page for details.

11-20-00  
 FIG. 01C  
 PAGE 2  
 OCT 10/06

NON-ILLUSTRATED FIGURE

THE ITEMS REFLECTED IN THIS FIGURE ARE INTENTIONALLY  
NON-ILLUSTRATED. THEY ARE REFERENCED TO EITHER A  
NEXT HIGHER OR NEXT LOWER ASSEMBLY/INSTALLATION FIGURE.

E 1120001K REV 054

FUNCTIONAL COLLECTOR-MAJOR MODEL BASIC AND STABLE FUEL SYS (EXTERIOR PLACARDS AND MARKINGS ONLY)  
FIGURE 1K

HAP  
OCT 10/06

**11-20-00-01K**

11-20-00-01K  
PAGE 0

**BOEING**  
737-600/700/800/900  
PARTS CATALOG (MAINTENANCE)

FIG ITEM	PART NUMBER	1 2 3 4 5 6 7	NOMENCLATURE	EFFECT FROM TO	UNITS PER ASSY
1K			FUNCTIONAL COLLECTOR-MAJOR MODEL BASIC AND STABLE FUEL SYS (EXTERIOR PLACARDS AND MARKINGS ONLY)	001030 201967	
- 1	340A0111-678		FUNCTIONAL COLLECTOR-MAJOR MODEL BASIC AND STABLE POSITION DATA: L FOR NHA SEE: 11-00-00-13	001030 201967	RF
- 5	340A0421-1		.MARKING INSTL-FUEL SYS POSITION DATA: SECT. 12 FOR DETAILS SEE: 11-24-01-01	001030 201967	1
- 200	340A0112-678		FUNCTIONAL COLLECTOR-MAJOR MODEL BASIC AND STABLE POSITION DATA: R FOR NHA SEE: 11-00-00-13A	001030 201967	RF
- 205	340A0421-8		.MARKING INSTL-FUEL SYS POSITION DATA: SECT. 12 FOR DETAILS SEE: 11-24-01-02	001030 201967	1

MISSING ITEM NUMBERS NOT APPLICABLE

- ITEM NOT ILLUSTRATED

HAP

# 11-20-00-01K

BOEING PROPRIETARY - Copyright © - Unpublished Work - See title page for details.

11-20-00  
FIG. 01K  
PAGE 1  
OCT 15/08



NON-ILLUSTRATED FIGURE

THE ITEMS REFLECTED IN THIS FIGURE ARE INTENTIONALLY  
NON-ILLUSTRATED. THEY ARE REFERENCED TO EITHER A  
NEXT HIGHER OR NEXT LOWER ASSEMBLY/INSTALLATION FIGURE.

E 11200006 REV 053

FUNCTIONAL COLLECTOR-MAJOR MODEL BASIC AND STABLE (EXTERIOR PLACARDS AND MARKINGS ONLY)

FIGURE 6

**11-20-00-06**

HAP  
OCT 10/06

11-20-00-06  
PAGE 0

**BOEING**  
737-600/700/800/900  
PARTS CATALOG (MAINTENANCE)

FIG ITEM	PART NUMBER	1 2 3 4 5 6 7	NOMENCLATURE	EFFECT FROM TO	UNITS PER ASSY
6			FUNCTIONAL COLLECTOR-MAJOR MODEL BASIC AND STABLE (EXTERIOR PLACARDS AND MARKINGS ONLY)	001030 201967	
- 1	400A9101-678		FUNCTIONAL COLLECTOR-MAJOR MODEL BASIC AND STABLE FOR NHA/OTHER SYS DET SEE: 11-00-00-11	001017 019019 201967	RF
- 5	400A0000-678		FUNCTIONAL COLLECTOR-MAJOR MODEL BASIC AND STABLE FOR NHA/OTHER SYS DET SEE: 11-00-00-11	018018 020030	RF
- 20	414A5200-1		.NAMEPLATE INSTL- FOR DETAILS SEE: 11-23-01-05	001011 201967	1
- 20	414A5200-2		.NAMEPLATE INSTL- FOR DETAILS SEE: 11-23-01-05	012030	1
- 50	417A2450-1		.MARKER INSTL-WATER SVCE PANEL FOR DETAILS SEE: 11-20-51-06	001030 201967	1

MISSING ITEM NUMBERS NOT APPLICABLE

- ITEM NOT ILLUSTRATED

HAP

# 11-20-00-06

BOEING PROPRIETARY - Copyright © - Unpublished Work - See title page for details.

11-20-00  
FIG. 06  
PAGE 1  
OCT 15/08

NON-ILLUSTRATED FIGURE

THE ITEMS REFLECTED IN THIS FIGURE ARE INTENTIONALLY  
NON-ILLUSTRATED. THEY ARE REFERENCED TO EITHER A  
NEXT HIGHER OR NEXT LOWER ASSEMBLY/INSTALLATION FIGURE.

E 1120007 REV 053

FUNCTIONAL COLLECTOR-MAJOR MODEL BASIC AND STABLE (EXTERIOR PLACARDS AND MARKINGS ONLY)

FIGURE 7

**11-20-00-07**

HAP  
OCT 10/06

11-20-00-07  
PAGE 0

**BOEING**  
737-600/700/800/900  
PARTS CATALOG (MAINTENANCE)

FIG ITEM	PART NUMBER	1 2 3 4 5 6 7	NOMENCLATURE	EFFECT FROM TO	UNITS PER ASSY
7			FUNCTIONAL COLLECTOR-MAJOR MODEL BASIC AND STABLE (EXTERIOR PLACARDS AND MARKINGS ONLY)	001030 201967	
- 1	400A9301-678		FUNCTIONAL COLLECTOR-MAJOR MODEL BASIC AND STABLE FOR NHA SEE: 11-00-00-10	001030 201967	RF
- 20	417A8615-1		.MARKER INSTL-BAROMETRIC PRESSURE SWITCH FOR DETAILS SEE: 11-20-51-07	001030 201967	1
- 25	417A8615-2		.MARKER INSTL-VAC WASTE SYS CRADLE FOR DETAILS SEE: 11-20-51-08	001027 201967	1
- 25	417A8615-8		.MARKER INSTL-VAC WASTE SYS CRADLE FOR DETAILS SEE: 11-20-51-08	028030	1
- 30	417A8615-3		.MARKER INSTL-VAC WASTE SYS SVCE PNL ASSY FOR DETAILS SEE: 11-20-51-09	001030 201967	1

MISSING ITEM NUMBERS NOT APPLICABLE

- ITEM NOT ILLUSTRATED

HAP

# 11-20-00-07

BOEING PROPRIETARY - Copyright © - Unpublished Work - See title page for details.

11-20-00  
FIG. 07  
PAGE 1  
OCT 15/08

NON-ILLUSTRATED FIGURE

THE ITEMS REFLECTED IN THIS FIGURE ARE INTENTIONALLY  
NON-ILLUSTRATED. THEY ARE REFERENCED TO EITHER A  
NEXT HIGHER OR NEXT LOWER ASSEMBLY/INSTALLATION FIGURE.

E 11200008 REV 054

MANAGEMENT COLLECTOR-CFM56-7SYS INTEGRATION BASIC AND STABLE (EXTERIOR PLACARDS AND MARKINGS ONLY)

FIGURE 8

HAP  
OCT 10/06

**11-20-00-08**

11-20-00-08  
PAGE 0

**BOEING**  
737-600/700/800/900  
PARTS CATALOG (MAINTENANCE)

FIG ITEM	PART NUMBER	1 2 3 4 5 6 7	NOMENCLATURE	EFFECT FROM TO	UNITS PER ASSY
8			MANAGEMENT COLLECTOR- CFM56-7SYS INTEGRATION BASIC AND STABLE (EXTERIOR PLACARDS AND MARKINGS ONLY)	001030 201967	
- 1	301A2090-300		MANAGEMENT COLLECTOR- CFM56-7 SYS INTEGRATION BASIC AND STABLE FOR NHA SEE: 11-00-00-12	001030 201967	RF
- 5	301A2090-1		.MANAGEMENT COLLECTOR- POSITION DATA: ENG POSITION 1	001007	1
- 10	301A2090-2		.MANAGEMENT COLLECTOR- POSITION DATA: ENG POSITION 2	001007	1
- 15	330A2010-7		..OIL AND MARKER INSTL- FOR DETAILS SEE: 11-20-51-04	001007	1
- 20	330A2010-8		.OIL AND MARKER INSTL- FOR DETAILS SEE: 11-20-51-04A	008030 201967	1

MISSING ITEM NUMBERS NOT APPLICABLE

- ITEM NOT ILLUSTRATED

HAP

# 11-20-00-08

BOEING PROPRIETARY - Copyright © - Unpublished Work - See title page for details.

11-20-00  
FIG. 08  
PAGE 1  
OCT 15/08

NON-ILLUSTRATED FIGURE

THE ITEMS REFLECTED IN THIS FIGURE ARE INTENTIONALLY  
NON-ILLUSTRATED. THEY ARE REFERENCED TO EITHER A  
NEXT HIGHER OR NEXT LOWER ASSEMBLY/INSTALLATION FIGURE.

E 11200012 REV 054

FUNCTIONAL COLLECTOR-OPT FEATURE  
FIGURE 12

**11-20-00-12**

HAP  
OCT 10/06

11-20-00-12  
PAGE 0

**BOEING**  
737-600/700/800/900  
PARTS CATALOG (MAINTENANCE)

FIG ITEM	PART NUMBER	1 2 3 4 5 6 7	NOMENCLATURE	EFFECT FROM TO	UNITS PER ASSY
12			FUNCTIONAL COLLECTOR-OPT FEATURE	001030 201967	
- 1	330A2011-6339		FUNCTIONAL COLLECTOR-OPT FEATURE MOBILE JET II LUBRICATION OIL FOR NHA SEE: 11-00-00-03	001030 201967	RF
- 10	330A2011-102		.OIL OPTION- ENG POSITION 1	001007	1
- 15	330A2011-202		.OIL OPTION- ENG POSITION 2	001007	1
- 30	330A2010-1		..OIL AND MARKER INSTL- ENGINE LUBRICATING OIL MOBIL JET II POSITION DATA: ENG POSITION 1 AND 2 FOR DETAILS SEE: 11-25-01-02	001007	1
- 40	330A2010-5		..OIL AND MARKER INSTL- INTEGRATED DRIVE GENERATOR MOBIL JET II OIL FOR DETAILS SEE: 11-25-01-04	001007	1
- 50	330A2010-3		.OIL AND MARKER INSTL- APU LUBRICATING OIL MOBIL JET II FOR DETAILS SEE: 11-25-01-03	001030 201967	1
- 60	330A2010-9		.OIL AND MARKER INSTL- LUBRICATING OIL MOBIL JET II POSITION DATA: ENG POSITION 1 AND 2 FOR DETAILS SEE: 11-25-01-02A	008030 201967	1
- 70	330A2010-14		.OIL AND MARKER INSTL- INTEGRATED DRIVE GENERATOR LUBRICATING MOBILE JET II POSITION DATA: IDG POSITION 1 AND 2 FOR DETAILS SEE: 11-25-01-04A	008030 201967	1

MISSING ITEM NUMBERS NOT APPLICABLE

- ITEM NOT ILLUSTRATED

HAP

# 11-20-00-12

11-20-00  
FIG. 12  
PAGE 1  
OCT 15/08



NON-ILLUSTRATED FIGURE

THE ITEMS REFLECTED IN THIS FIGURE ARE INTENTIONALLY  
NON-ILLUSTRATED. THEY ARE REFERENCED TO EITHER A  
NEXT HIGHER OR NEXT LOWER ASSEMBLY/INSTALLATION FIGURE.

E 11200018 REV 054

FUNCTIONAL COLLECTOR-OPT FEATURE FUEL SYSTEM  
FIGURE 18

**11-20-00-18**

HAP  
OCT 10/06

11-20-00-18  
PAGE 0

**BOEING**  
737-600/700/800/900  
PARTS CATALOG (MAINTENANCE)

FIG ITEM	PART NUMBER	1 2 3 4 5 6 7	NOMENCLATURE	EFFECT FROM TO	UNITS PER ASSY
18			FUNCTIONAL COLLECTOR-OPT FEATURE FUEL SYSTEM	001030 201967	
- 1	340A0101-6360		FUNCTIONAL COLLECTOR-OPT FEATURE STD IND	001030 201967	RF
- 15	340A0421-3		FOR NHA SEE: 11-00-00-03 MARKING INSTL-REFUELING INSTRUCTIONS FOR DETAILS SEE: 11-23-04-01	001030 201967	1

MISSING ITEM NUMBERS NOT APPLICABLE

- ITEM NOT ILLUSTRATED

HAP

# 11-20-00-18

BOEING PROPRIETARY - Copyright © - Unpublished Work - See title page for details.

11-20-00  
FIG. 18  
PAGE 1  
OCT 15/08

NON-ILLUSTRATED FIGURE

THE ITEMS REFLECTED IN THIS FIGURE ARE INTENTIONALLY  
NON-ILLUSTRATED. THEY ARE REFERENCED TO EITHER A  
NEXT HIGHER OR NEXT LOWER ASSEMBLY/INSTALLATION FIGURE.

E 11200019 REV 057

FUNCTIONAL COLLECTOR-MAJOR MODEL BASIC AND STABLE (EXTERIOR PLACARDS AND MARKINGS ONLY)  
FIGURE 19

HAP  
OCT 10/06

**11-20-00-19**

11-20-00-19  
PAGE 0

**BOEING**  
737-600/700/800/900  
PARTS CATALOG (MAINTENANCE)

FIG ITEM	PART NUMBER	1 2 3 4 5 6 7	NOMENCLATURE	EFFECT FROM TO	UNITS PER ASSY
19			FUNCTIONAL COLLECTOR-MAJOR MODEL BASIC AND STABLE (EXTERIOR PLACARDS AND MARKINGS ONLY)	001030 201967	
- 1	270A0141-678		FUNCTIONAL COLLECTOR-MAJOR MODEL BASIC AND STABLE (EXTERIOR PLACARDS AND MARKINGS ONLY)	001030 201967	RF
- 5	270A0441-3		FOR NHA/OTHER SYS DET SEE: 11-00-00-10 .MARKER INSTL-MAIN WHL WELL POSITION DATA: REAR SPAR FOR DETAILS SEE: 11-22-06-01	001020 201967	1
- 5	270A0441-11		.MARKER INSTL-MAIN WHL WELL POSITION DATA: REAR SPAR FOR DETAILS SEE: 11-22-06-01	021030	1
- 10	270A0441-4		.MARKER INSTL-PRESSURE DECK MAIN WHL WELL FOR DETAILS SEE: 11-22-06-02	001020 201967	1
- 10	270A0441-12		.MARKER INSTL-PRESSURE DECK MAIN WHL WELL FOR DETAILS SEE: 11-22-06-02	021028	1
- 10	270A0441-13		.MARKER INSTL-PRESSURE DECK MAIN WHL WELL FOR DETAILS SEE: 11-22-06-02	029030	1
- 15	270A0441-5		.MARKER INSTL-BHD AND KEEL BEAM MAIN WHL WELL POSITION DATA: STA 727 FOR DETAILS SEE: 11-22-06-03	001016 201967	1
- 15	270A0441-8		.MARKER INSTL-BHD AND KEEL BEAM MAIN WHL WELL POSITION DATA: STA 727 FOR DETAILS SEE: 11-22-06-03	017028	1

MISSING ITEM NUMBERS NOT APPLICABLE

- ITEM NOT ILLUSTRATED

HAP

# 11-20-00-19

11-20-00  
FIG. 19  
PAGE 1  
OCT 15/08


**BOEING**  
 737-600/700/800/900  
**PARTS CATALOG (MAINTENANCE)**

FIG ITEM	PART NUMBER	1 2 3 4 5 6 7	NOMENCLATURE	EFFECT FROM TO	UNITS PER ASSY
19					
- 15	270A0441-14		.MARKER INSTL-BHD AND KEEL BEAM MAIN WHL WELL POSITION DATA: STA 727 FOR DETAILS SEE: 11-22-06-03	029030	1
- 50	270A0240-678		FUNCTIONAL COLLECTOR-MAJOR MODEL BASIC AND STABLE FOR NHA SEE: 11-00-00-10	001030 201967	RF
- 55	270A0442-1		.MARKER INSTL-BODY AND LDG SYS POSITION DATA: SECT. 41 AND 44 FOR DETAILS SEE: 11-20-51-10 11-20-51-10A	001027 201967	1
- 55	270A0442-2		.MARKER INSTL-BODY AND LDG SYS POSITION DATA: SECT. 41 AND 44 FOR DETAILS SEE: 11-20-51-10A	028030	1

MISSING ITEM NUMBERS NOT APPLICABLE

- ITEM NOT ILLUSTRATED

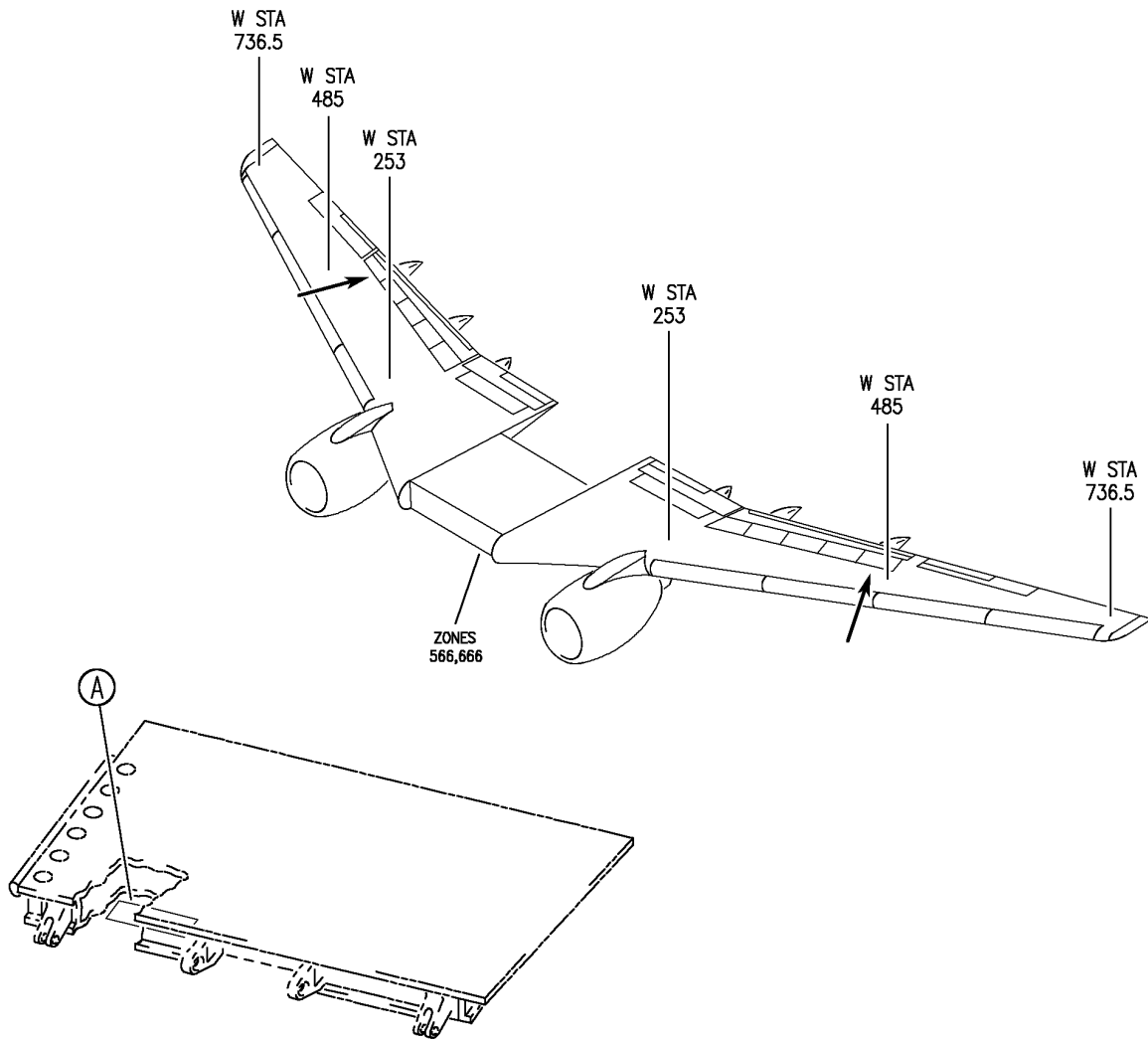
HAP

# 11-20-00-19

BOEING PROPRIETARY - Copyright © - Unpublished Work - See title page for details.

11-20-00  
 FIG. 19  
 PAGE 2  
 OCT 15/08

**BOEING**  
 737-600/700/800/900  
 PARTS CATALOG (MAINTENANCE)



E 11200021 REV 083

10

	<b>WARNING</b>
	<b>HAZARDOUS AREA.</b> DO NOT GO INTO THIS AREA UNLESS THE TOOLING THAT LOCKS THE SPOILER ACTUATOR IN AN EXTENDED POSITION IS INSTALLED. (REFER TO AIRPLANE MAINTENANCE MANUAL 27-61-00.) RETRACTION OF A SPOILER PANEL WITH A PERSON IN THIS AREA CAN KILL OR CAUSE SERIOUS INJURY.

(A)

SPOILER ASSY-NO. 1 AND NO. 12 OUTBD GND (PLACARDS AND MARKINGS ONLY)  
 FIGURE 21

**11-20-00-21**

HAP  
 OCT 10/06

11-20-00-21  
 PAGE 0

**BOEING**  
737-600/700/800/900  
PARTS CATALOG (MAINTENANCE)

FIG ITEM	PART NUMBER	1 2 3 4 5 6 7	NOMENCLATURE	EFFECT FROM TO	UNITS PER ASSY
21			SPOILER ASSY-NO. 1 AND NO. 12 OUTBD GND (PLACARDS AND MARKINGS ONLY)	031200 968999	
- 1	113A4100-1		SPOILER ASSY-NO. 1 GND (PLACARDS AND MARKINGS ONLY) POSITION DATA: OUTBD LH COMPONENT MAINT MANUAL REF: 57-56-63 FOR NHA/OTHER SYS DET SEE: 57-70-00-10	031046 054106 968999	RF
- 1	113A4100-3		SPOILER ASSY-NO. 1 GND (PLACARDS AND MARKINGS ONLY) POSITION DATA: OUTBD LH FOR NHA/OTHER SYS DET SEE: 57-70-00-10	031200 968999	RF
- 5	113A4100-2		SPOILER ASSY-NO. 12 GND (PLACARDS AND MARKINGS ONLY) POSITION DATA: OUTBD RH COMPONENT MAINT MANUAL REF: 57-56-63 FOR NHA/OTHER SYS DET SEE: 57-70-00-10	031046 054106 968999	RF
- 5	113A4100-4		SPOILER ASSY-NO. 12 GND (PLACARDS AND MARKINGS ONLY) POSITION DATA: OUTBD RH FOR NHA/OTHER SYS DET SEE: 57-70-00-10	031200 968999	RF
10	BAC27NCT0217		.MARKER-ALUMINUM FOIL	031200 968999	1

MISSING ITEM NUMBERS NOT APPLICABLE

- ITEM NOT ILLUSTRATED

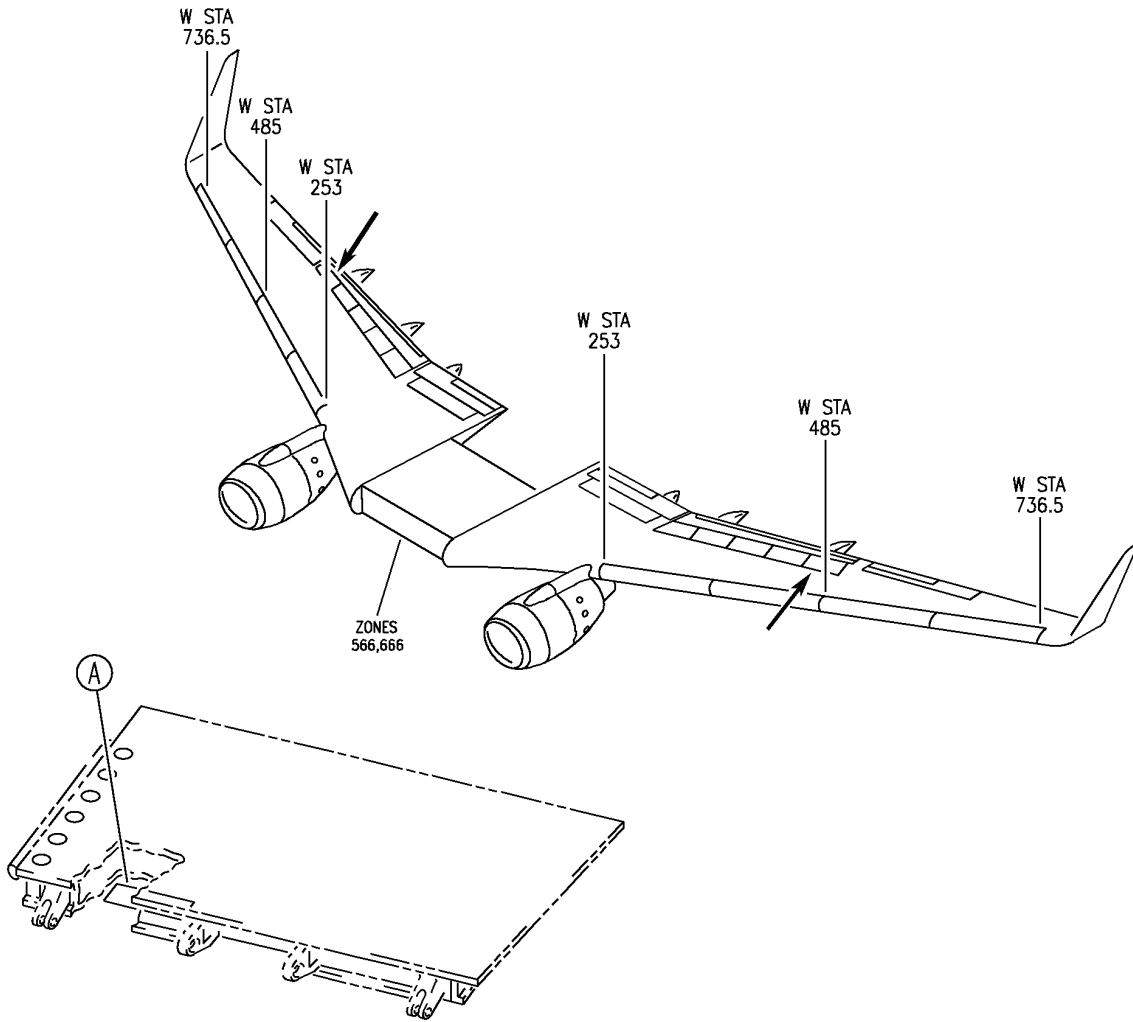
HAP

# 11-20-00-21

BOEING PROPRIETARY - Copyright © - Unpublished Work - See title page for details.

11-20-00  
FIG. 21  
PAGE 1  
FEB 15/09

**BOEING**  
 737-600/700/800/900  
 PARTS CATALOG (MAINTENANCE)



10

	<b>WARNING</b>
	<p>HAZARDOUS AREA.          DO NOT GO INTO THIS AREA UNLESS THE TOOLING THAT LOCKS THE SPOILER ACTUATOR IN AN EXTENDED POSITION IS INSTALLED. (REFER TO AIRPLANE MAINTENANCE MANUAL 27-61-00.)          RETRACTION OF A SPOILER PANEL WITH A PERSON IN THIS AREA CAN KILL OR CAUSE SERIOUS INJURY.</p>

(A)

E 11200021A REV 12Z

SPOILER ASSY-NO. 1 AND NO. 12 OUTBD GND (PLACARDS AND MARKINGS ONLY)  
 FIGURE 21A

11-20-00-21A

HAP  
 OCT 10/06

11-20-00-21A  
 PAGE 0



**BOEING**  
737-600/700/800/900  
PARTS CATALOG (MAINTENANCE)

FIG ITEM	PART NUMBER	1 2 3 4 5 6 7	NOMENCLATURE	EFFECT FROM TO	UNITS PER ASSY
21A			SPOILER ASSY-NO. 1 AND NO. 12 OUTBD GND (PLACARDS AND MARKINGS ONLY)	001030 201967	
- 1	113A4100-1		SPOILER ASSY-NO. 1 GND (PLACARDS AND MARKINGS ONLY) POSITION DATA: OUTBD LH COMPONENT MAINT MANUAL REF: 57-56-63 FOR NHA/OTHER SYS DET SEE: 57-70-00-10C	001030 201967	RF
- 1	113A4100-3		SPOILER ASSY-NO. 1 GND (PLACARDS AND MARKINGS ONLY) POSITION DATA: OUTBD LH FOR NHA/OTHER SYS DET SEE: 57-70-00-10C	001030 201967	RF
- 5	113A4100-2		SPOILER ASSY-NO. 12 GND (PLACARDS AND MARKINGS ONLY) POSITION DATA: OUTBD RH COMPONENT MAINT MANUAL REF: 57-56-63 FOR NHA/OTHER SYS DET SEE: 57-70-00-10C	001030 201967	RF
- 5	113A4100-4		SPOILER ASSY-NO. 12 GND (PLACARDS AND MARKINGS ONLY) POSITION DATA: OUTBD RH FOR NHA/OTHER SYS DET SEE: 57-70-00-10C	001030 201967	RF
10	BAC27NCT0217		.MARKER-ALUMINUM FOIL	001030 201967	1

MISSING ITEM NUMBERS NOT APPLICABLE

- ITEM NOT ILLUSTRATED

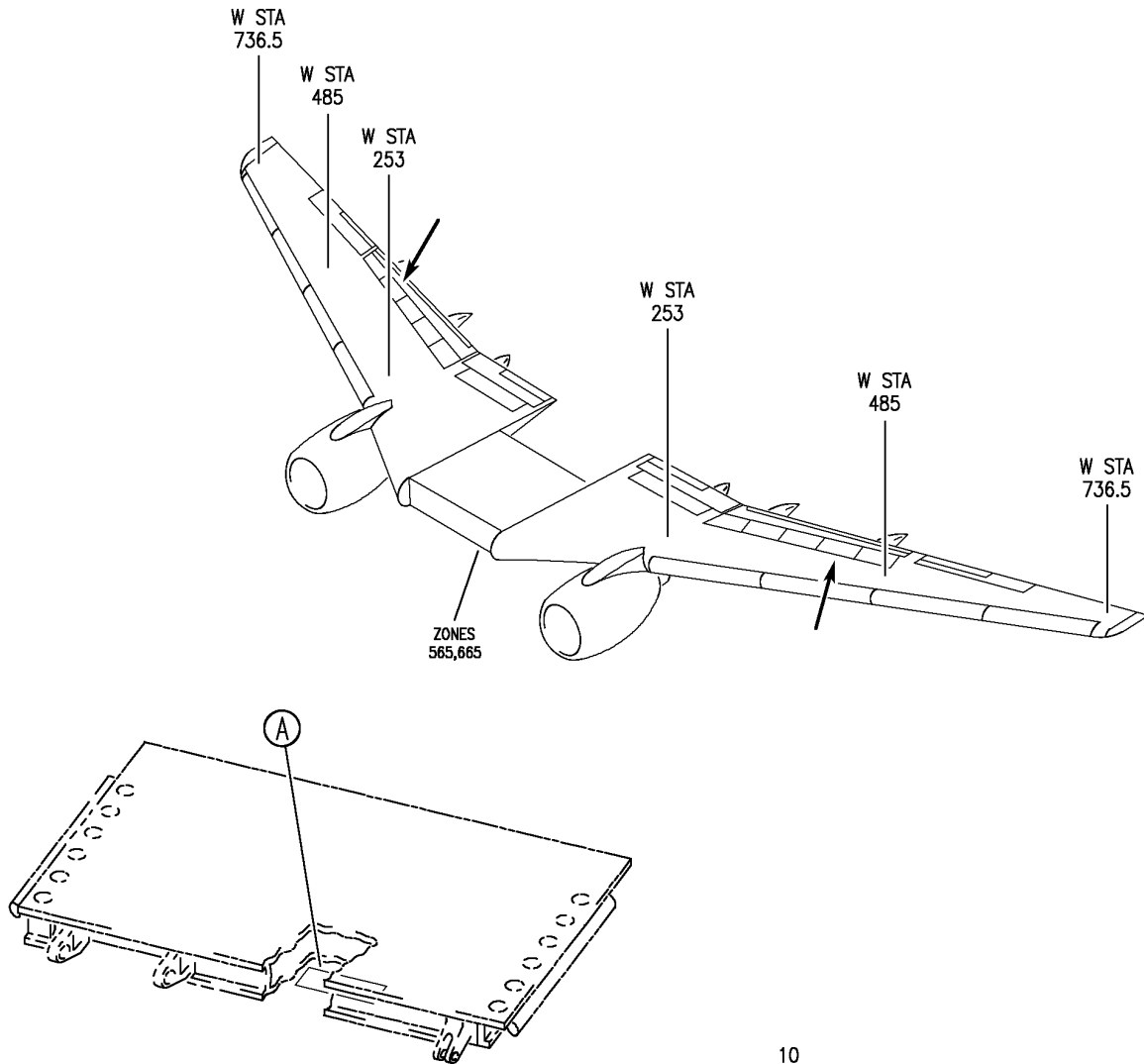
HAP

# 11-20-00-21A

BOEING PROPRIETARY - Copyright © - Unpublished Work - See title page for details.

11-20-00  
FIG. 21A  
PAGE 1  
OCT 15/08

**BOEING**  
 737-600/700/800/900  
 PARTS CATALOG (MAINTENANCE)



E 11200022 REV 063

		<b>WARNING</b>
	<p>HAZARDOUS AREA.          DO NOT GO INTO THIS AREA UNLESS THE TOOLING THAT LOCKS THE SPOILER ACTUATOR IN AN EXTENDED POSITION IS INSTALLED. (REFER TO AIRPLANE MAINTENANCE MANUAL 27-61-00.)          RETRACTION OF A SPOILER PANEL WITH A PERSON IN THIS AREA CAN KILL OR CAUSE SERIOUS INJURY.</p>	

A

SPOILER ASSY-NO. 2 AND NO. 11 FLIGHT (PLACARDS AND MARKINGS ONLY)  
 FIGURE 22

11-20-00-22

HAP  
 OCT 10/06

11-20-00-22  
 PAGE 0

**BOEING**  
737-600/700/800/900  
PARTS CATALOG (MAINTENANCE)

FIG ITEM	PART NUMBER	1 2 3 4 5 6 7	NOMENCLATURE	EFFECT FROM TO	UNITS PER ASSY
22			SPOILER ASSY-NO. 2 AND NO. 11 FLIGHT (PLACARDS AND MARKINGS ONLY)	031200 968999	
- 1	113A4200-1		SPOILER ASSY-NO. 2 FLIGHT (PLACARDS AND MARKINGS ONLY) POSITION DATA: LH COMPONENT MAINT MANUAL REF: 57-56-53 FOR NHA/OTHER SYS DET SEE: 57-70-00-10	031046 054106 968999	RF
- 1	113A4200-3		SPOILER ASSY-NO. 2 FLIGHT (PLACARDS AND MARKINGS ONLY) POSITION DATA: LH FOR NHA/OTHER SYS DET SEE: 57-70-00-10	031200 968999	RF
- 5	113A4200-2		SPOILER ASSY-NO. 11 FLIGHT (PLACARDS AND MARKINGS ONLY) POSITION DATA: RH COMPONENT MAINT MANUAL REF: 57-56-53 FOR NHA/OTHER SYS DET SEE: 57-70-00-10	031046 054106 968999	RF
- 5	113A4200-4		SPOILER ASSY-NO. 11 FLIGHT (PLACARDS AND MARKINGS ONLY) POSITION DATA: RH FOR NHA/OTHER SYS DET SEE: 57-70-00-10	031200 968999	RF
10	BAC27NCT0217		.MARKER-ALUMINUM FOIL	031200 968999	1

MISSING ITEM NUMBERS NOT APPLICABLE

- ITEM NOT ILLUSTRATED

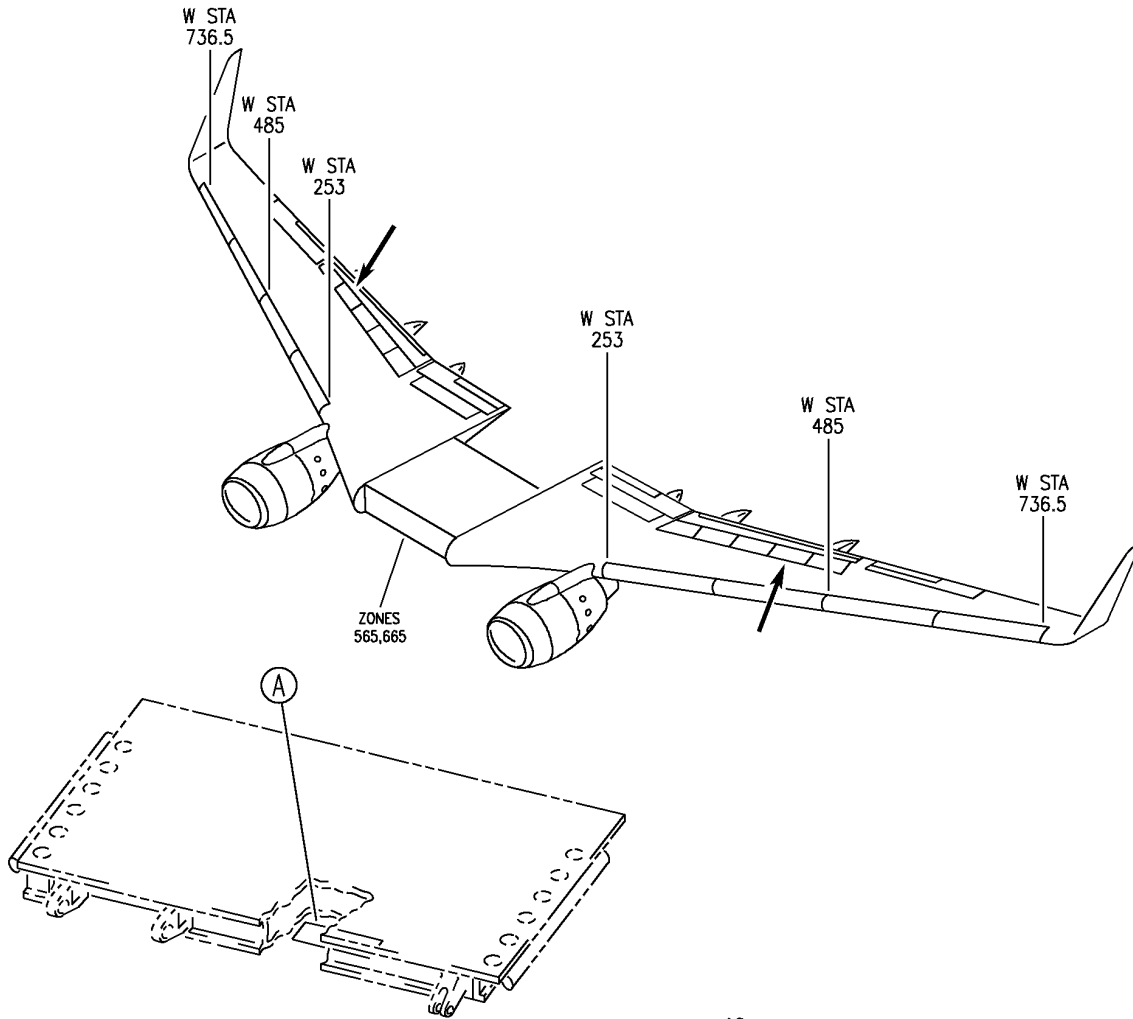
HAP

# 11-20-00-22



BOEING PROPRIETARY - Copyright © - Unpublished Work - See title page for details.

11-20-00  
FIG. 22  
PAGE 1  
FEB 15/09

**BOEING**  
 737-600/700/800/900  
 PARTS CATALOG (MAINTENANCE)



10

	 <b>WARNING</b>
	<p>HAZARDOUS AREA.          DO NOT GO INTO THIS AREA UNLESS THE TOOLING THAT LOCKS THE SPOILER ACTUATOR IN AN EXTENDED POSITION IS INSTALLED. (REFER TO AIRPLANE MAINTENANCE MANUAL 27-61-00.)          RETRACTION OF A SPOILER PANEL WITH A PERSON IN THIS AREA CAN KILL OR CAUSE SERIOUS INJURY.</p>

A

E 11200022A REV 122

SPOILER ASSY-NO. 2 AND NO. 11 FLIGHT (PLACARDS AND MARKINGS ONLY)  
 FIGURE 22A

# 11-20-00-22A

HAP  
 OCT 10/06

11-20-00-22A  
 PAGE 0

**BOEING**  
737-600/700/800/900  
PARTS CATALOG (MAINTENANCE)

FIG ITEM	PART NUMBER	1 2 3 4 5 6 7	NOMENCLATURE	EFFECT FROM TO	UNITS PER ASSY
22A			SPOILER ASSY-NO. 2 AND NO. 11 FLIGHT (PLACARDS AND MARKINGS ONLY)	001030 201967	
- 1	113A4200-1		SPOILER ASSY-NO. 2 FLIGHT (PLACARDS AND MARKINGS ONLY) POSITION DATA: LH COMPONENT MAINT MANUAL REF: 57-56-53 FOR NHA/OTHER SYS DET SEE: 57-70-00-10C	001030 201967	RF
- 1	113A4200-3		SPOILER ASSY-NO. 2 FLIGHT (PLACARDS AND MARKINGS ONLY) POSITION DATA: LH FOR NHA/OTHER SYS DET SEE: 57-70-00-10C	001030 201967	RF
- 5	113A4200-2		SPOILER ASSY-NO. 11 FLIGHT (PLACARDS AND MARKINGS ONLY) POSITION DATA: RH COMPONENT MAINT MANUAL REF: 57-56-53 FOR NHA/OTHER SYS DET SEE: 57-70-00-10C	001030 201967	RF
- 5	113A4200-4		SPOILER ASSY-NO. 11 FLIGHT (PLACARDS AND MARKINGS ONLY) POSITION DATA: RH FOR NHA/OTHER SYS DET SEE: 57-70-00-10C	001030 201967	RF
10	BAC27NCT0217		.MARKER-ALUMINUM FOIL	001030 201967	1

MISSING ITEM NUMBERS NOT APPLICABLE

- ITEM NOT ILLUSTRATED

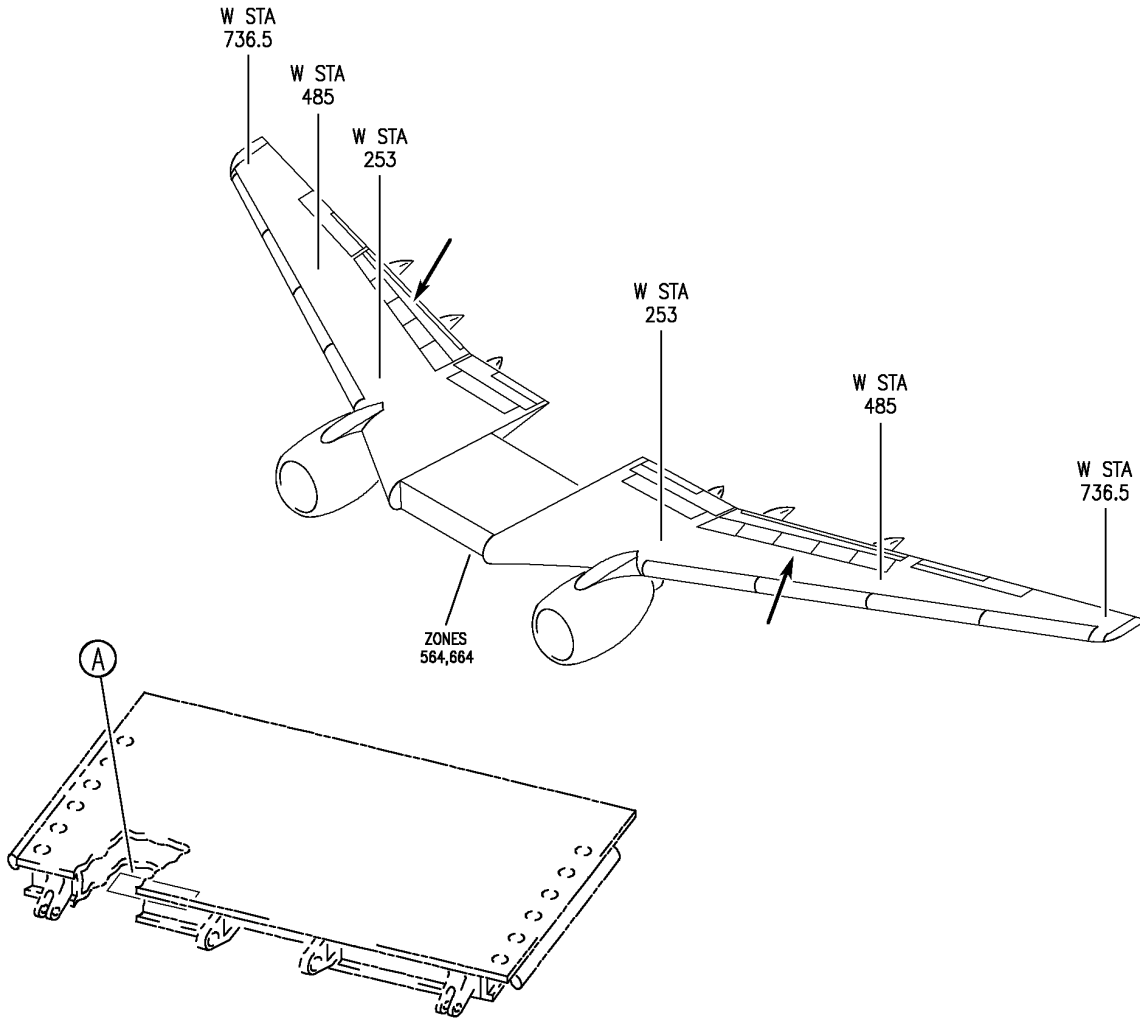
HAP

# 11-20-00-22A

BOEING PROPRIETARY - Copyright © - Unpublished Work - See title page for details.

11-20-00  
FIG. 22A  
PAGE 1  
OCT 15/08

**BOEING**  
 737-600/700/800/900  
 PARTS CATALOG (MAINTENANCE)



10

	<b>WARNING</b>
	<p>HAZARDOUS AREA.          DO NOT GO INTO THIS AREA UNLESS THE TOOLING THAT LOCKS THE SPOILER ACTUATOR IN AN EXTENDED POSITION IS INSTALLED. (REFER TO AIRPLANE MAINTENANCE MANUAL 27-61-00.)          RETRACTION OF A SPOILER PANEL WITH A PERSON IN THIS AREA CAN KILL OR CAUSE SERIOUS INJURY.</p>

A

E 11200023 REV 083

SPOILER ASSY-NO. 3 AND NO. 10 FLIGHT (PLACARDS AND MARKINGS ONLY)  
 FIGURE 23

**11-20-00-23**

HAP  
 OCT 10/06

11-20-00-23  
 PAGE 0

 **BOEING**  
737-600/700/800/900  
**PARTS CATALOG (MAINTENANCE)**

FIG ITEM	PART NUMBER	1 2 3 4 5 6 7	NOMENCLATURE	EFFECT FROM TO	UNITS PER ASSY
23			SPOILER ASSY-NO. 3 AND NO. 10 FLIGHT (PLACARDS AND MARKINGS ONLY)	031200 968999	
- 1	113A4300-1		SPOILER ASSY-NO. 3 FLIGHT (PLACARDS AND MARKINGS ONLY) POSITION DATA: LH COMPONENT MAINT MANUAL REF: 57-56-54 FOR NHA/OTHER SYS DET SEE: 57-70-00-10	031046 054106 968999	RF
- 1	113A4300-3		SPOILER ASSY-NO. 3 FLIGHT (PLACARDS AND MARKINGS ONLY) POSITION DATA: LH FOR NHA/OTHER SYS DET SEE: 57-70-00-10	031200 968999	RF
- 5	113A4300-2		SPOILER ASSY-NO. 10 FLIGHT (PLACARDS AND MARKINGS ONLY) POSITION DATA: RH COMPONENT MAINT MANUAL REF: 57-56-54 FOR NHA/OTHER SYS DET SEE: 57-70-00-10	031046 054106 968999	RF
- 5	113A4300-4		SPOILER ASSY-NO. 10 FLIGHT (PLACARDS AND MARKINGS ONLY) POSITION DATA: RH FOR NHA/OTHER SYS DET SEE: 57-70-00-10	031200 968999	RF
10	BAC27NCT0217		.MARKER-ALUMINUM FOIL	031200 968999	1

MISSING ITEM NUMBERS NOT APPLICABLE

- ITEM NOT ILLUSTRATED

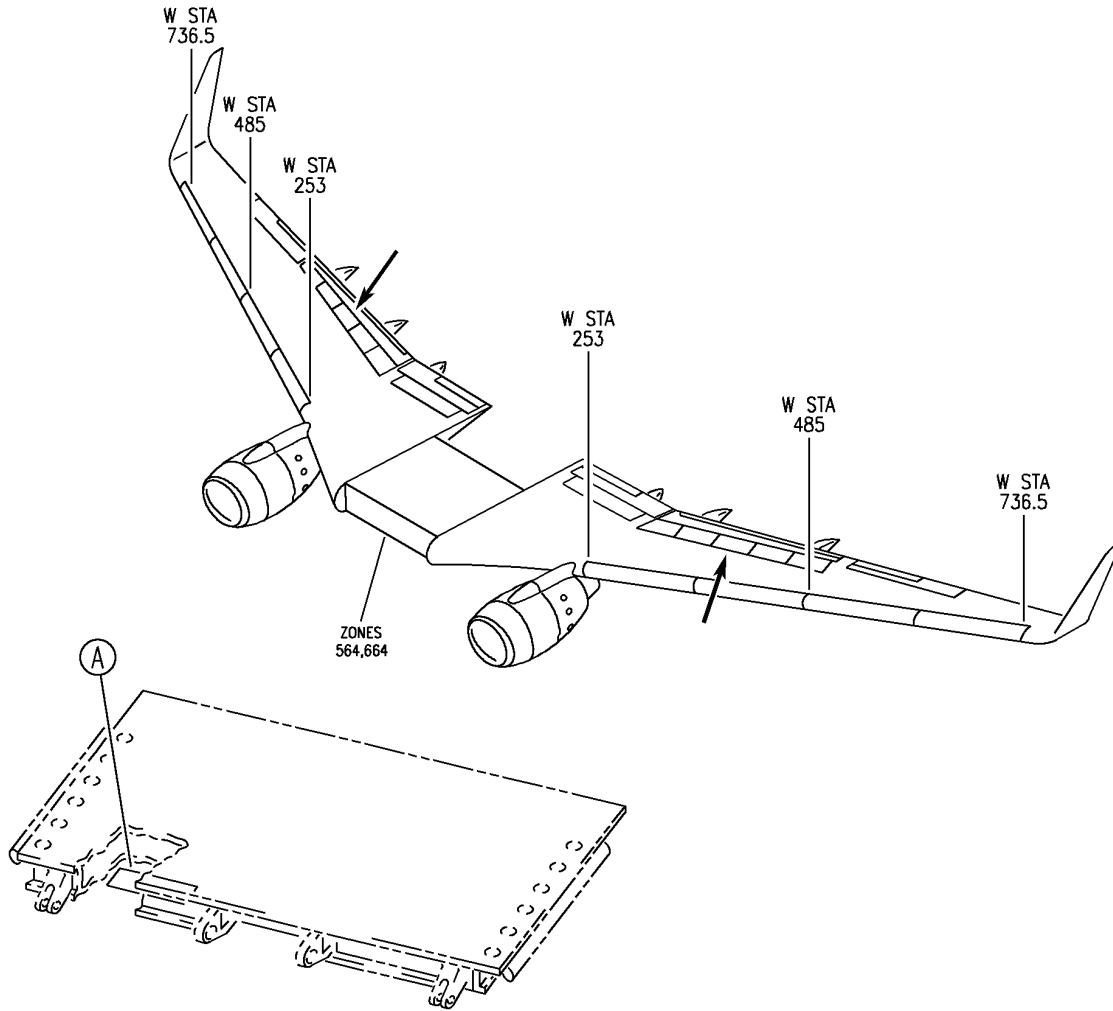
HAP

# 11-20-00-23

BOEING PROPRIETARY - Copyright © - Unpublished Work - See title page for details.

11-20-00  
FIG. 23  
PAGE 1  
FEB 15/09

**BOEING**  
 737-600/700/800/900  
 PARTS CATALOG (MAINTENANCE)



10

		<b>WARNING</b>
	<p>HAZARDOUS AREA.          DO NOT GO INTO THIS AREA UNLESS THE TOOLING THAT LOCKS THE SPOILER ACTUATOR IN AN EXTENDED POSITION IS INSTALLED. (REFER TO AIRPLANE MAINTENANCE MANUAL 27-61-00.)          RETRACTION OF A SPOILER PANEL WITH A PERSON IN THIS AREA CAN KILL OR CAUSE SERIOUS INJURY.</p>	

(A)

E 11200023A REV 122

SPOILER ASSY-NO. 3 AND NO. 10 FLIGHT (PLACARDS AND MARKINGS ONLY)  
 FIGURE 23A

# 11-20-00-23A

HAP  
 OCT 10/06

11-20-00-23A  
 PAGE 0



**BOEING**  
737-600/700/800/900  
PARTS CATALOG (MAINTENANCE)

FIG ITEM	PART NUMBER	1 2 3 4 5 6 7	NOMENCLATURE	EFFECT FROM TO	UNITS PER ASSY
23A					
- 1	113A4300-1		SPOILER ASSY-NO. 3 AND NO. 10 FLIGHT (PLACARDS AND MARKINGS ONLY)	001030 201967	
- 1	113A4300-3		SPOILER ASSY-NO. 3 FLIGHT (PLACARDS AND MARKINGS ONLY) POSITION DATA: LH COMPONENT MAINT MANUAL REF: 57-56-54 FOR NHA/OTHER SYS DET SEE: 57-70-00-10C	001030 201967	RF
- 5	113A4300-2		SPOILER ASSY-NO. 3 FLIGHT (PLACARDS AND MARKINGS ONLY) POSITION DATA: LH FOR NHA/OTHER SYS DET SEE: 57-70-00-10C	001030 201967	RF
- 5	113A4300-4		SPOILER ASSY-NO. 10 FLIGHT (PLACARDS AND MARKINGS ONLY) POSITION DATA: RH COMPONENT MAINT MANUAL REF: 57-56-54 FOR NHA/OTHER SYS DET SEE: 57-70-00-10C	001030 201967	RF
10	BAC27NCT0217		.MARKER-ALUMINUM FOIL	001030 201967	1

MISSING ITEM NUMBERS NOT APPLICABLE

- ITEM NOT ILLUSTRATED

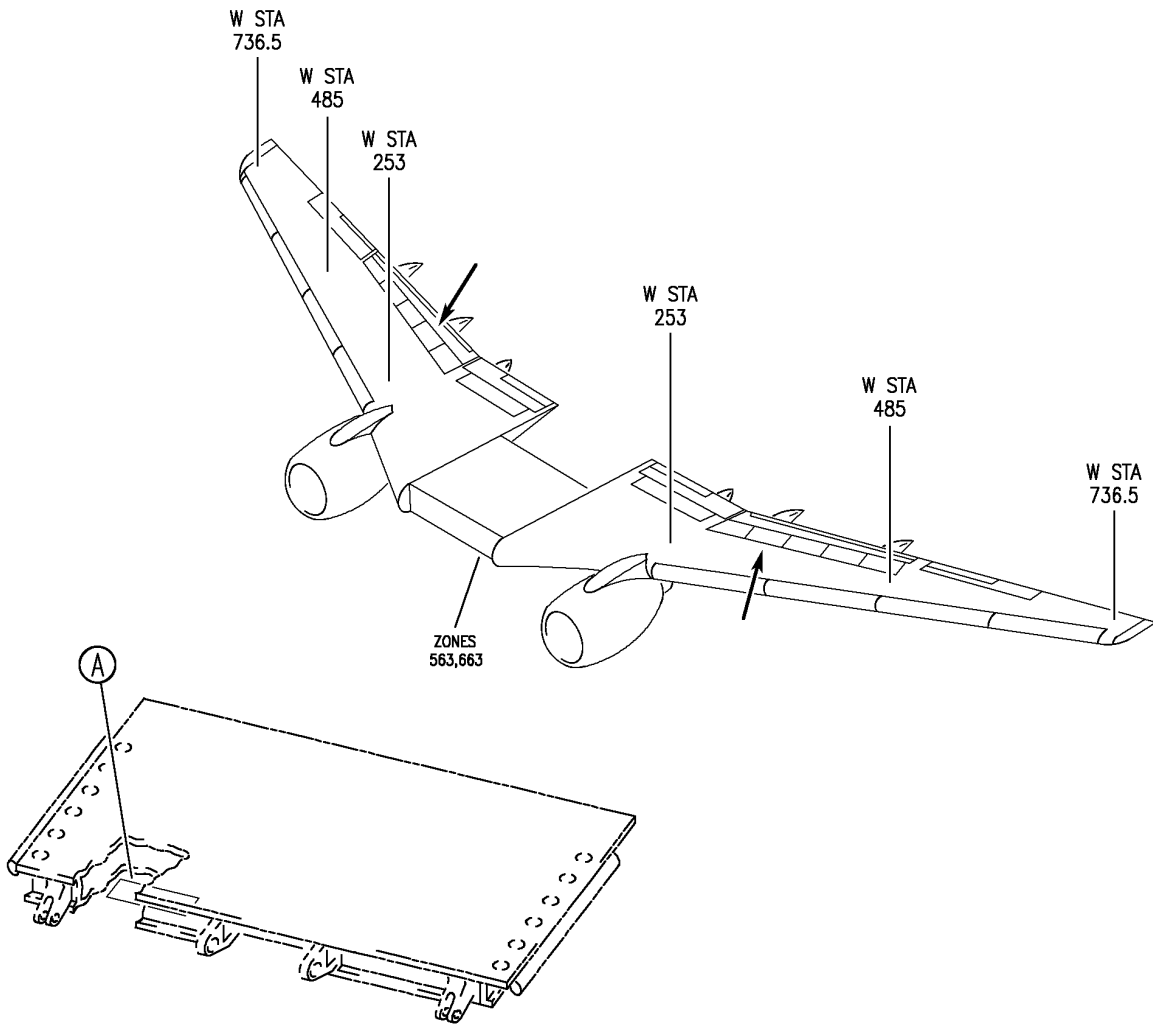
HAP

# 11-20-00-23A

BOEING PROPRIETARY - Copyright © - Unpublished Work - See title page for details.

11-20-00  
FIG. 23A  
PAGE 1  
OCT 15/08

**BOEING**  
**737-600/700/800/900**  
**PARTS CATALOG (MAINTENANCE)**



E 11200024 REV 083

10

	<b>WARNING</b>
	<p>HAZARDOUS AREA.  DO NOT GO INTO THIS AREA UNLESS THE TOOLING THAT LOCKS THE SPOILER ACTUATOR IN AN EXTENDED POSITION IS INSTALLED. (REFER TO AIRPLANE MAINTENANCE MANUAL 27-61-00.)  RETRACTION OF A SPOILER PANEL WITH A PERSON IN THIS AREA CAN KILL OR CAUSE SERIOUS INJURY.</p>

A

SPOILER ASSY-NO. 4 AND NO. 9 FLIGHT (PLACARDS AND MARKINGS ONLY)  
FIGURE 24

HAP  
OCT 10/06

**11-20-00-24**

11-20-00-24  
PAGE 0

**BOEING**  
737-600/700/800/900  
PARTS CATALOG (MAINTENANCE)

FIG ITEM	PART NUMBER	1 2 3 4 5 6 7	NOMENCLATURE	EFFECT FROM TO	UNITS PER ASSY
24			SPOILER ASSY-NO. 4 AND NO. 9 FLIGHT (PLACARDS AND MARKINGS ONLY)	031200 968999	
- 1	113A4400-1		SPOILER ASSY-NO. 4 FLIGHT (PLACARDS AND MARKINGS ONLY) POSITION DATA: LH COMPONENT MAINT MANUAL REF: 57-56-55 FOR NHA/OTHER SYS DET SEE: 57-70-00-10	031046 054106 968999	RF
- 1	113A4400-3		SPOILER ASSY-NO. 4 FLIGHT (PLACARDS AND MARKINGS ONLY) POSITION DATA: LH FOR NHA/OTHER SYS DET SEE: 57-70-00-10	031200 968999	RF
- 5	113A4400-2		SPOILER ASSY-NO. 9 FLIGHT (PLACARDS AND MARKINGS ONLY) POSITION DATA: RH COMPONENT MAINT MANUAL REF: 57-56-55 FOR NHA/OTHER SYS DET SEE: 57-70-00-10	031046 054106 968999	RF
- 5	113A4400-4		SPOILER ASSY-NO. 9 FLIGHT (PLACARDS AND MARKINGS ONLY) POSITION DATA: RH FOR NHA/OTHER SYS DET SEE: 57-70-00-10	031200 968999	RF
10	BAC27NCT0217		.MARKER-ALUMINUM FOIL	031200 968999	1

MISSING ITEM NUMBERS NOT APPLICABLE

- ITEM NOT ILLUSTRATED

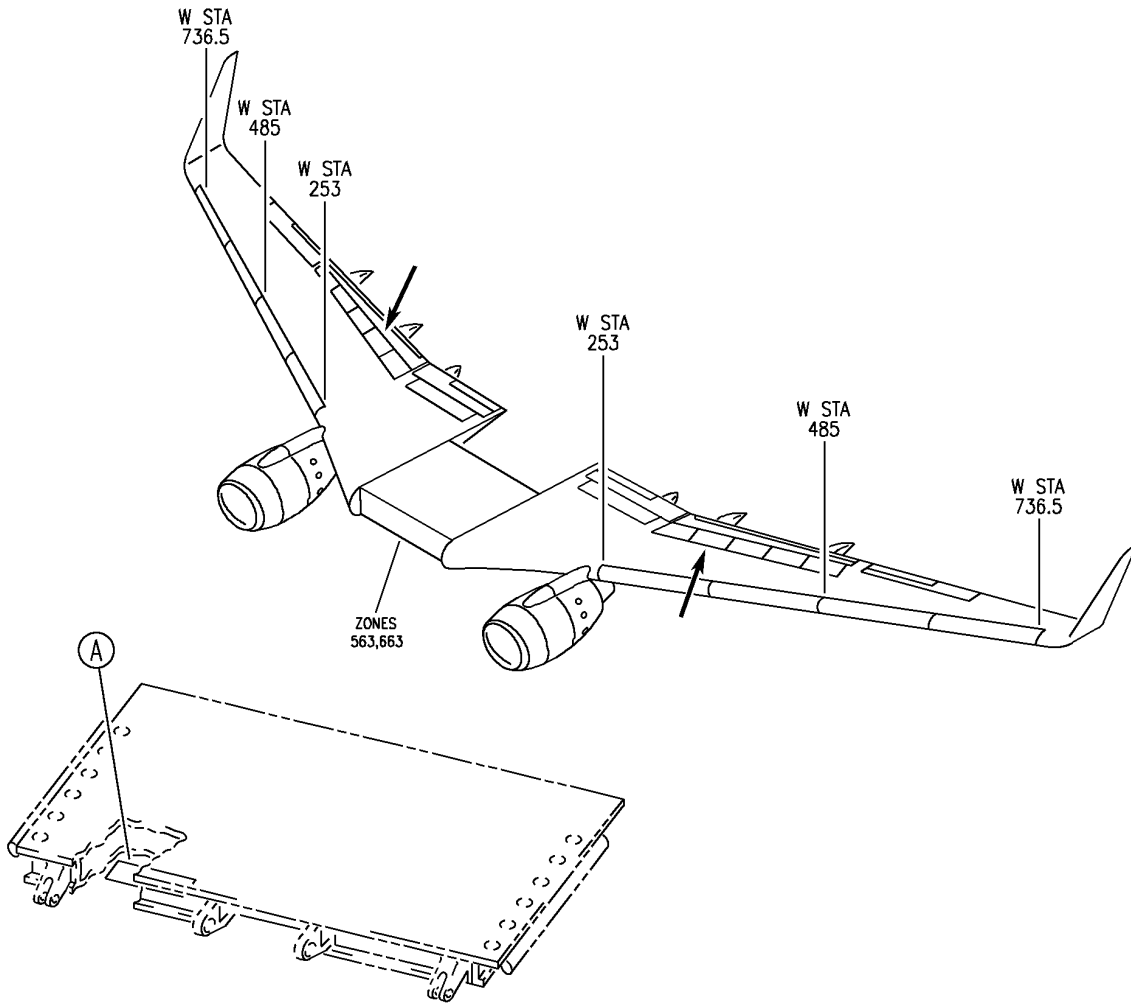
HAP

# 11-20-00-24

BOEING PROPRIETARY - Copyright © - Unpublished Work - See title page for details.

11-20-00  
FIG. 24  
PAGE 1  
FEB 15/09

**BOEING**  
 737-600/700/800/900  
 PARTS CATALOG (MAINTENANCE)



10

		<b>WARNING</b>
	<p>HAZARDOUS AREA.          DO NOT GO INTO THIS AREA UNLESS THE TOOLING THAT LOCKS THE SPOILER ACTUATOR IN AN EXTENDED POSITION IS INSTALLED. (REFER TO AIRPLANE MAINTENANCE MANUAL 27-61-00.)          RETRACTION OF A SPOILER PANEL WITH A PERSON IN THIS AREA CAN KILL OR CAUSE SERIOUS INJURY.</p>	

(A)

E 11200024A REV 12Z

SPOILER ASSY-NO. 4 AND NO. 9 FLIGHT (PLACARDS AND MARKINGS ONLY)  
 FIGURE 24A

# 11-20-00-24A

HAP  
 OCT 10/06

11-20-00-24A  
 PAGE 0

**BOEING**  
737-600/700/800/900  
PARTS CATALOG (MAINTENANCE)

FIG ITEM	PART NUMBER	1 2 3 4 5 6 7	NOMENCLATURE	EFFECT FROM TO	UNITS PER ASSY
24A					
- 1	113A4400-1		SPOILER ASSY-NO. 4 AND NO. 9 FLIGHT (PLACARDS AND MARKINGS ONLY)	001030 201967	
- 1	113A4400-3		SPOILER ASSY-NO. 4 FLIGHT (PLACARDS AND MARKINGS ONLY) POSITION DATA: LH COMPONENT MAINT MANUAL REF: 57-56-55 FOR NHA/OTHER SYS DET SEE: 57-70-00-10C	001030 201967	RF
- 5	113A4400-2		SPOILER ASSY-NO. 4 FLIGHT (PLACARDS AND MARKINGS ONLY) POSITION DATA: LH FOR NHA/OTHER SYS DET SEE: 57-70-00-10C	001030 201967	RF
- 5	113A4400-4		SPOILER ASSY-NO. 9 FLIGHT (PLACARDS AND MARKINGS ONLY) POSITION DATA: RH COMPONENT MAINT MANUAL REF: 57-56-55 FOR NHA/OTHER SYS DET SEE: 57-70-00-10C	001030 201967	RF
10	BAC27NCT0217		.MARKER-ALUMINUM FOIL	001030 201967	1

MISSING ITEM NUMBERS NOT APPLICABLE

- ITEM NOT ILLUSTRATED

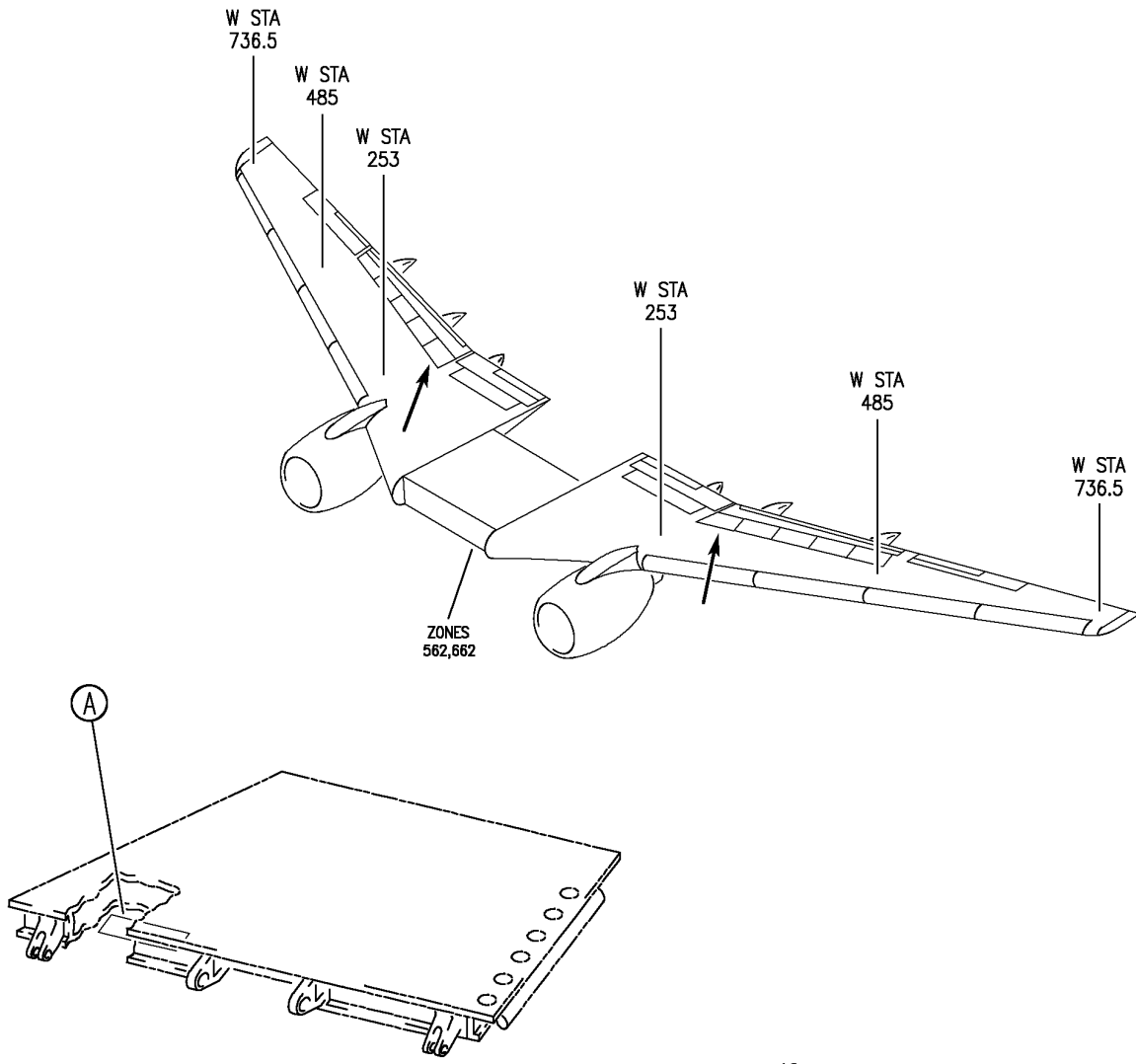
HAP

# 11-20-00-24A

BOEING PROPRIETARY - Copyright © - Unpublished Work - See title page for details.

11-20-00  
FIG. 24A  
PAGE 1  
OCT 15/08

**BOEING**  
 737-600/700/800/900  
 PARTS CATALOG (MAINTENANCE)



E 11200025 REV 083

10

		<b>WARNING</b>
	<p>HAZARDOUS AREA.          DO NOT GO INTO THIS AREA UNLESS THE TOOLING THAT LOCKS THE SPOILER ACTUATOR IN AN EXTENDED POSITION IS INSTALLED. (REFER TO AIRPLANE MAINTENANCE MANUAL 27-61-00.)          RETRACTION OF A SPOILER PANEL WITH A PERSON IN THIS AREA CAN KILL OR CAUSE SERIOUS INJURY.</p>	

(A)

SPOILER ASSY-NO. 5 AND NO. 8 FLIGHT (PLACARDS AND MARKINGS ONLY)  
 FIGURE 25

**11-20-00-25**

HAP  
 OCT 10/06

11-20-00-25  
 PAGE 0

**BOEING**  
737-600/700/800/900  
PARTS CATALOG (MAINTENANCE)

FIG ITEM	PART NUMBER	1 2 3 4 5 6 7	NOMENCLATURE	EFFECT FROM TO	UNITS PER ASSY
25			SPOILER ASSY-NO. 5 AND NO. 8 FLIGHT (PLACARDS AND MARKINGS ONLY)	031200 968999	
- 1	113A4500-1		SPOILER ASSY-NO. 5 FLIGHT (PLACARDS AND MARKINGS ONLY) POSITION DATA: LH COMPONENT MAINT MANUAL REF: 57-56-56 FOR NHA/OTHER SYS DET SEE: 57-70-00-10	031046 054106 968999	RF
- 1	113A4500-3		SPOILER ASSY-NO. 5 FLIGHT (PLACARDS AND MARKINGS ONLY) POSITION DATA: LH FOR NHA/OTHER SYS DET SEE: 57-70-00-10	031200 968999	RF
- 5	113A4500-2		SPOILER ASSY-NO. 8 FLIGHT (PLACARDS AND MARKINGS ONLY) POSITION DATA: RH COMPONENT MAINT MANUAL REF: 57-56-56 FOR NHA/OTHER SYS DET SEE: 57-70-00-10	031046 054106 968999	RF
- 5	113A4500-4		SPOILER ASSY-NO. 8 FLIGHT (PLACARDS AND MARKINGS ONLY) POSITION DATA: RH FOR NHA/OTHER SYS DET SEE: 57-70-00-10	031200 968999	RF
10	BAC27NCT0217		.MARKER-ALUMINUM FOIL	031200 968999	1

MISSING ITEM NUMBERS NOT APPLICABLE

- ITEM NOT ILLUSTRATED

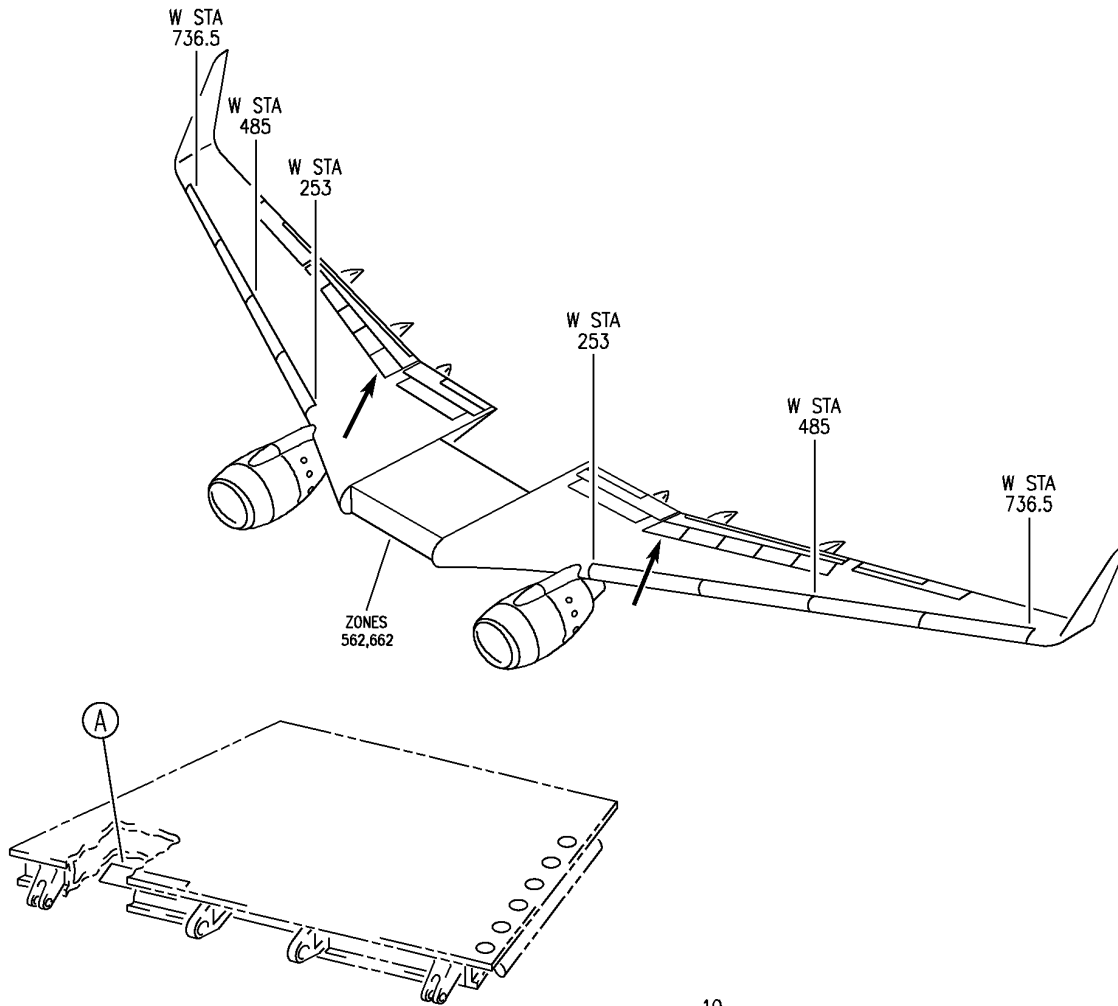
HAP

# 11-20-00-25

BOEING PROPRIETARY - Copyright © - Unpublished Work - See title page for details.

11-20-00  
FIG. 25  
PAGE 1  
FEB 15/09

**BOEING**  
 737-600/700/800/900  
 PARTS CATALOG (MAINTENANCE)



10

	<b>WARNING</b>
<p><b>HAZARDOUS AREA.</b>          DO NOT GO INTO THIS AREA UNLESS THE TOOLING THAT LOCKS THE SPOILER ACTUATOR IN AN EXTENDED POSITION IS INSTALLED. (REFER TO AIRPLANE MAINTENANCE MANUAL 27-61-00.)          RETRACTION OF A SPOILER PANEL WITH A PERSON IN THIS AREA CAN KILL OR CAUSE SERIOUS INJURY.</p>	

A

E 11200025A REV 122

SPOILER ASSY-NO. 5 AND NO. 8 FLIGHT (PLACARDS AND MARKINGS ONLY)  
 FIGURE 25A

HAP  
 OCT 10/06

# 11-20-00-25A

11-20-00-25A  
 PAGE 0



**BOEING**  
737-600/700/800/900  
PARTS CATALOG (MAINTENANCE)

FIG ITEM	PART NUMBER	1 2 3 4 5 6 7	NOMENCLATURE	EFFECT FROM TO	UNITS PER ASSY
25A					
- 1	113A4500-1		SPOILER ASSY-NO. 5 AND NO. 8 FLIGHT (PLACARDS AND MARKINGS ONLY)	001030 201967	
- 1	113A4500-3		SPOILER ASSY-NO. 5 FLIGHT (PLACARDS AND MARKINGS ONLY) POSITION DATA: LH COMPONENT MAINT MANUAL REF: 57-56-56 FOR NHA/OTHER SYS DET SEE: 57-70-00-10C	001030 201967	RF
- 5	113A4500-2		SPOILER ASSY-NO. 5 FLIGHT (PLACARDS AND MARKINGS ONLY) POSITION DATA: LH FOR NHA/OTHER SYS DET SEE: 57-70-00-10C	001030 201967	RF
- 5	113A4500-4		SPOILER ASSY-NO. 8 FLIGHT (PLACARDS AND MARKINGS ONLY) POSITION DATA: RH COMPONENT MAINT MANUAL REF: 57-56-56 FOR NHA/OTHER SYS DET SEE: 57-70-00-10C	001030 201967	RF
10	BAC27NCT0217		.MARKER-ALUMINUM FOIL	001030 201967	1

MISSING ITEM NUMBERS NOT APPLICABLE

- ITEM NOT ILLUSTRATED

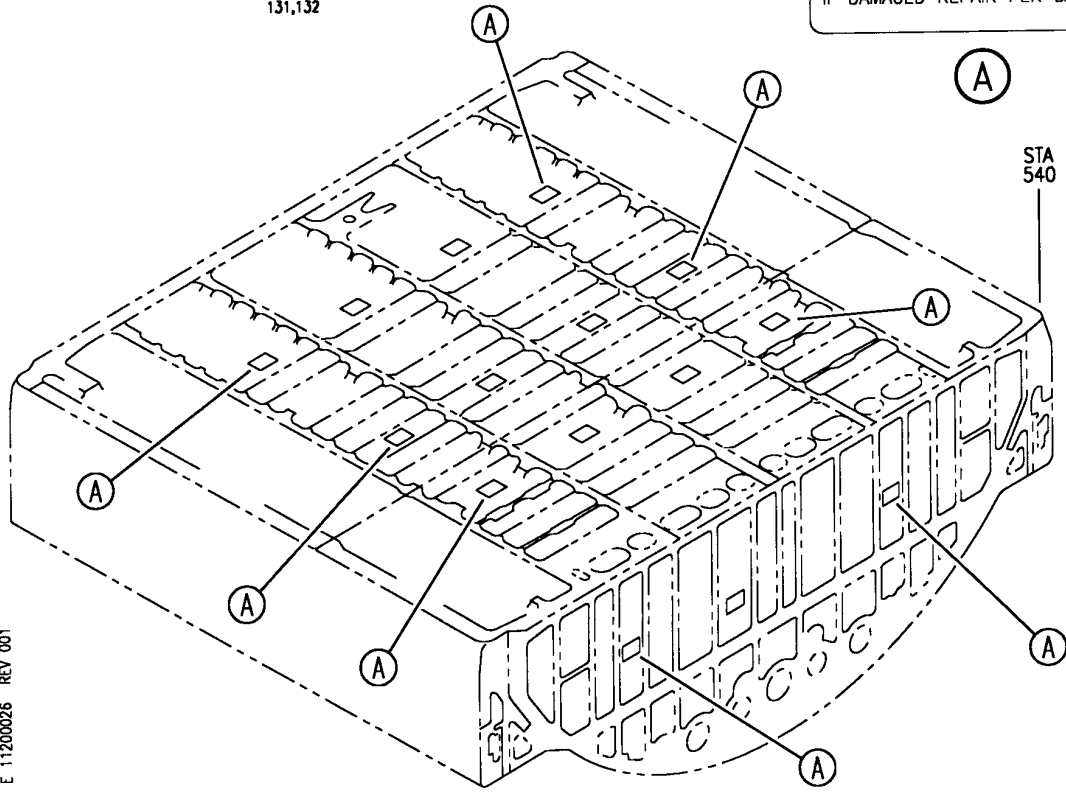
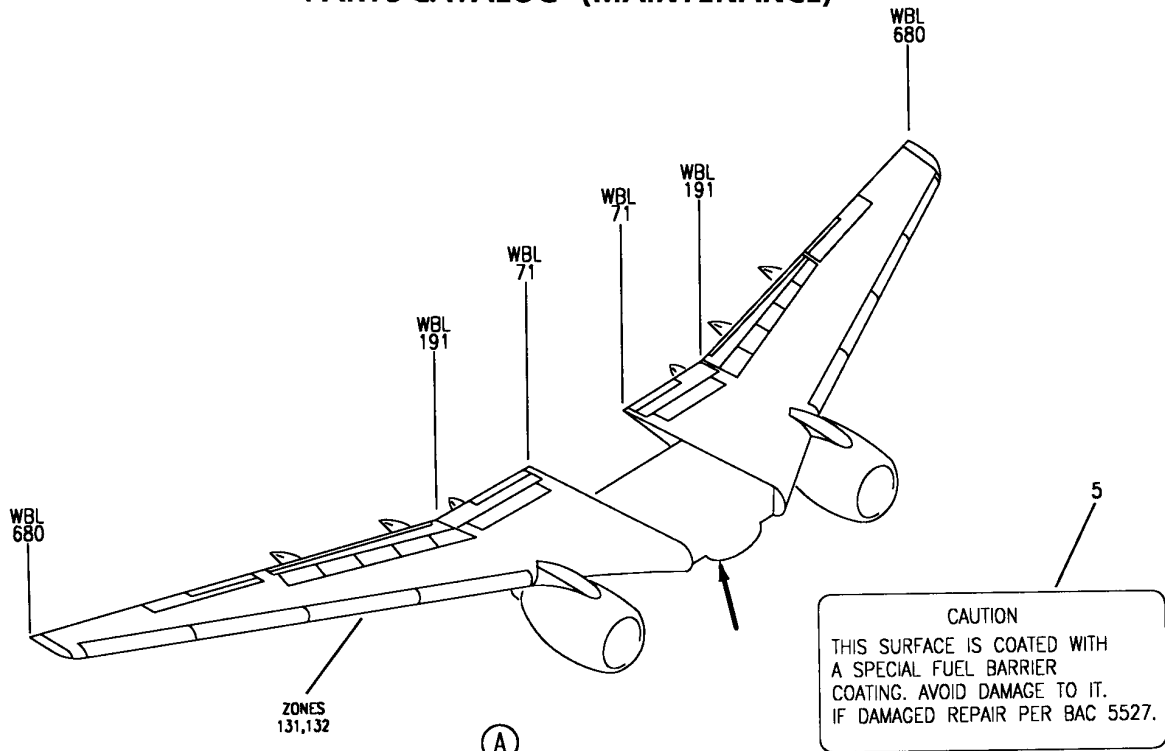
HAP

# 11-20-00-25A

BOEING PROPRIETARY - Copyright © - Unpublished Work - See title page for details.

11-20-00  
FIG. 25A  
PAGE 1  
OCT 15/08

**BOEING**  
 737-600/700/800/900  
 PARTS CATALOG (MAINTENANCE)



E 11200026 REV 001

MARKING INSTL-WING SECT.11 CTR MAINT  
 FIGURE 26

**11-20-00-26**

HAP  
 OCT 10/06

11-20-00-26  
 PAGE 0


**BOEING**  
 737-600/700/800/900  
**PARTS CATALOG (MAINTENANCE)**

FIG ITEM	PART NUMBER	1 2 3 4 5 6 7	NOMENCLATURE	EFFECT FROM TO	UNITS PER ASSY
26			MARKING INSTL-WING SECT.11 CTR MAINT	001030 201967	
- 1	111A0042-1		MARKING INSTL-WING MAINT	001030 201967	RF
5	BAC27DWG14		POSITION DATA: SECT. 11 CTR FOR NHA SEE: 11-20-00-33 .DECAL	001030 201967	15

MISSING ITEM NUMBERS NOT APPLICABLE

- ITEM NOT ILLUSTRATED

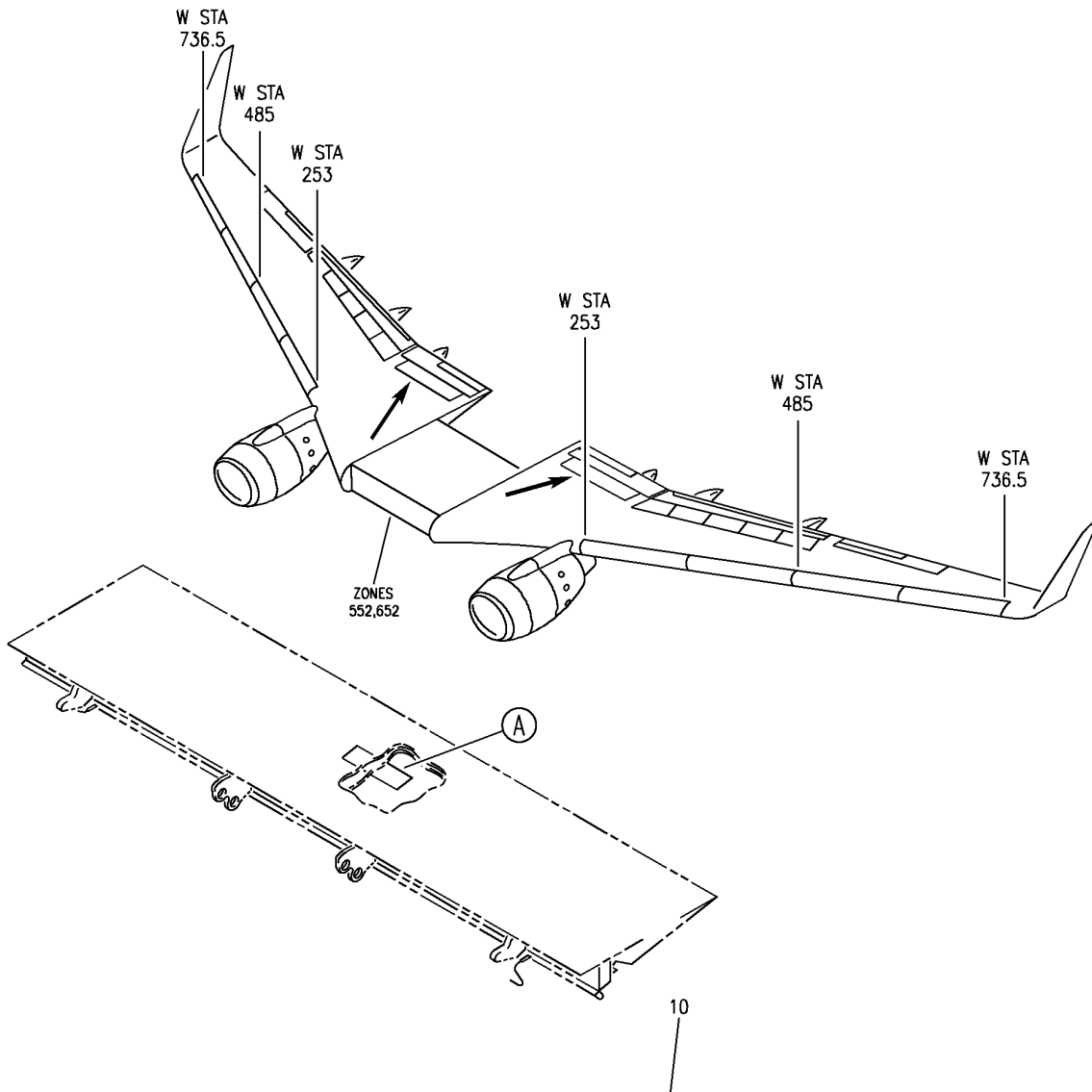
HAP

# 11-20-00-26

BOEING PROPRIETARY - Copyright © - Unpublished Work - See title page for details.

11-20-00  
 FIG. 26  
 PAGE 1  
 OCT 15/08

**BOEING**  
**737-600/700/800/900**  
**PARTS CATALOG (MAINTENANCE)**



		<b>WARNING</b>
	<p>HAZARDOUS AREA.  DO NOT GO INTO THIS AREA UNLESS THE TOOLING THAT LOCKS THE SPOILER ACTUATOR IN AN EXTENDED POSITION IS INSTALLED. (REFER TO AIRPLANE MAINTENANCE MANUAL 27-61-00.)  RETRACTION OF A SPOILER PANEL WITH A PERSON IN THIS AREA CAN KILL OR CAUSE SERIOUS INJURY.</p>	

A

E 11200026A REV 122

SPOILER ASSY-NO. 6 AND NO. 7 GND (PLACARDS AND MARKINGS ONLY)  
**FIGURE 26A**

# 11-20-00-26A

HAP  
OCT 10/06

11-20-00-26A  
PAGE 0

**BOEING**  
737-600/700/800/900  
PARTS CATALOG (MAINTENANCE)

FIG ITEM	PART NUMBER	1 2 3 4 5 6 7	NOMENCLATURE	EFFECT FROM TO	UNITS PER ASSY
26A			SPOILER ASSY-NO. 6 AND NO. 7 GND (PLACARDS AND MARKINGS ONLY)	031200 968999	
- 1	113A4600-1		SPOILER ASSY-NO. 6 GND (PLACARDS AND MARKINGS ONLY) POSITION DATA: INBD LH COMPONENT MAINT MANUAL REF: 57-56-64 FOR NHA/OTHER SYS DET SEE: 57-70-00-10	031036	RF
- 1	113A4600-3		SPOILER ASSY-NO. 6 GND (PLACARDS AND MARKINGS ONLY) POSITION DATA: INBD LH COMPONENT MAINT MANUAL REF: 57-56-64 FOR NHA/OTHER SYS DET SEE: 57-70-00-10	031200 968999	RF
- 5	113A4600-2		SPOILER ASSY-NO. 7 GND (PLACARDS AND MARKINGS ONLY) POSITION DATA: INBD RH COMPONENT MAINT MANUAL REF: 57-56-64 FOR NHA/OTHER SYS DET SEE: 57-70-00-10	031036	RF
- 5	113A4600-4		SPOILER ASSY-NO. 7 GND (PLACARDS AND MARKINGS ONLY) POSITION DATA: INBD RH COMPONENT MAINT MANUAL REF: 57-56-64 FOR NHA/OTHER SYS DET SEE: 57-70-00-10	031200 968999	RF
10	BAC27NCT0217		.MARKER-ALUMINUM FOIL	031200 968999	1

MISSING ITEM NUMBERS NOT APPLICABLE

- ITEM NOT ILLUSTRATED

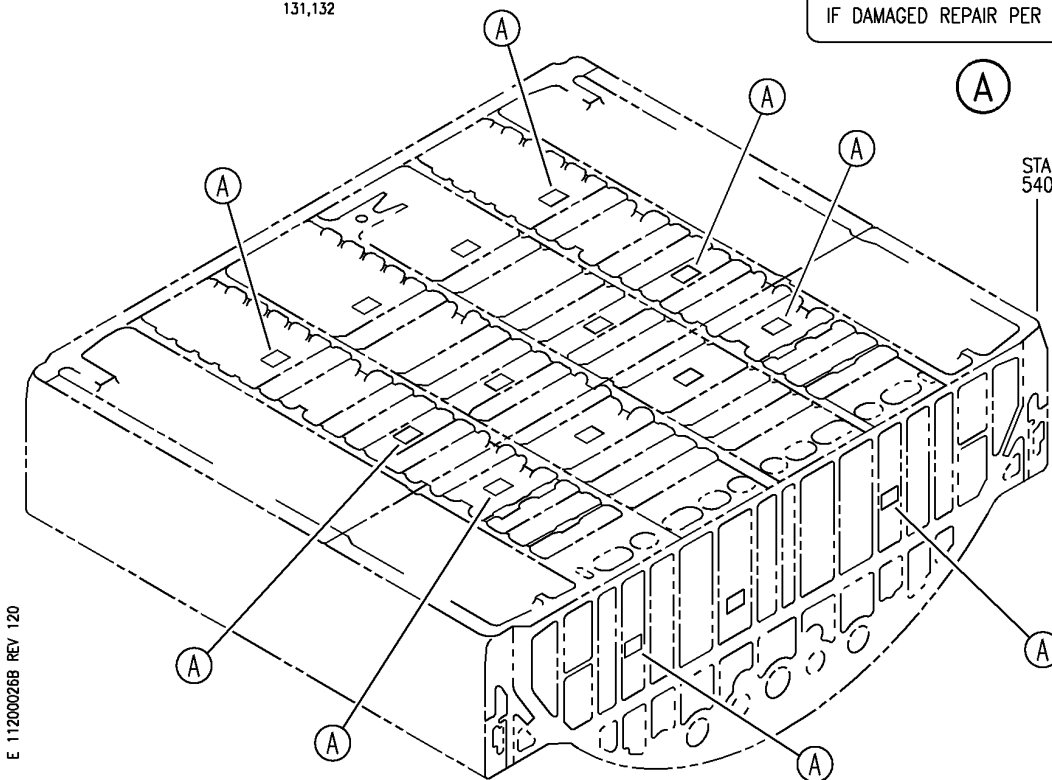
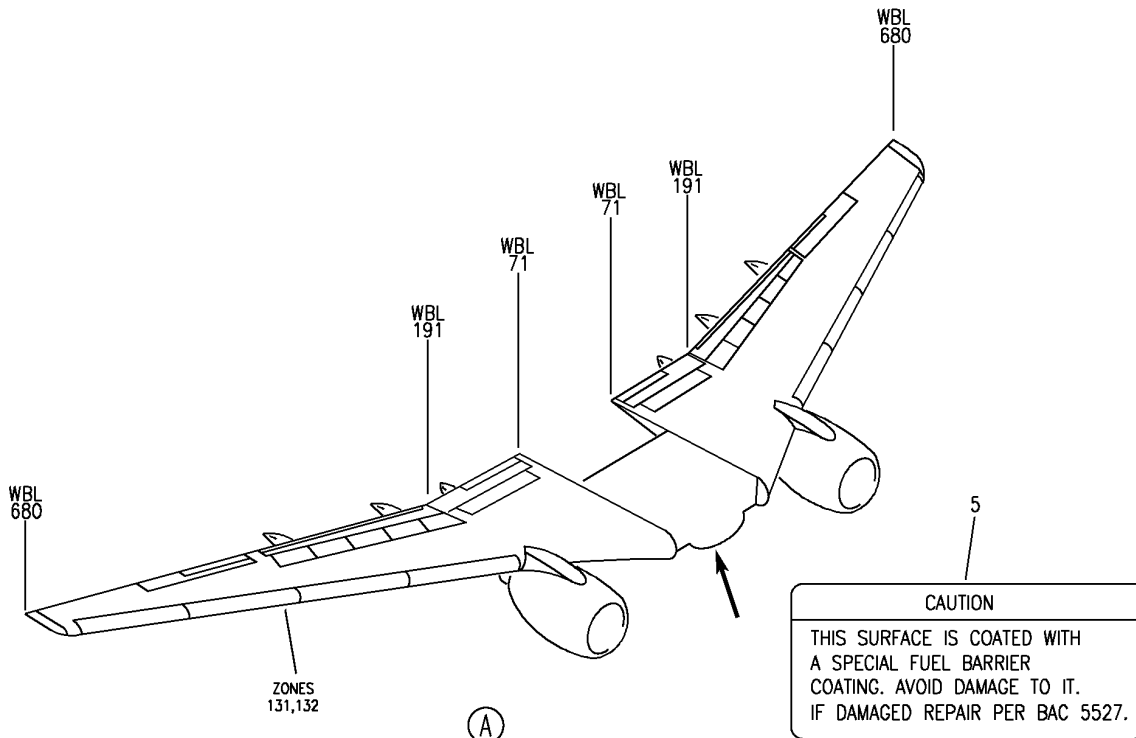
HAP

# 11-20-00-26A

BOEING PROPRIETARY - Copyright © - Unpublished Work - See title page for details.

11-20-00  
FIG. 26A  
PAGE 1  
OCT 15/08

**BOEING**  
 737-600/700/800/900  
 PARTS CATALOG (MAINTENANCE)



E 11200026B REV 120

MARKING INSTL-WING SECT.11 CTR MAINT  
 FIGURE 26B

**11-20-00-26B**

HAP  
 OCT 10/06

11-20-00-26B  
 PAGE 0

**BOEING**  
737-600/700/800/900  
PARTS CATALOG (MAINTENANCE)

FIG ITEM	PART NUMBER	1 2 3 4 5 6 7	NOMENCLATURE	EFFECT FROM TO	UNITS PER ASSY
26B			MARKING INSTL-WING SECT.11 CTR MAINT	031200 968999	
- 1	MODREF76147		MARKING INSTL-WING MAINT	031200 968999	1
5	BAC27DWG14		MODULE NUMBER: 111A0042-1 REV A POSITION DATA: SECT. 11 CTR .DECAL	031200 968999	15

MISSING ITEM NUMBERS NOT APPLICABLE

- ITEM NOT ILLUSTRATED

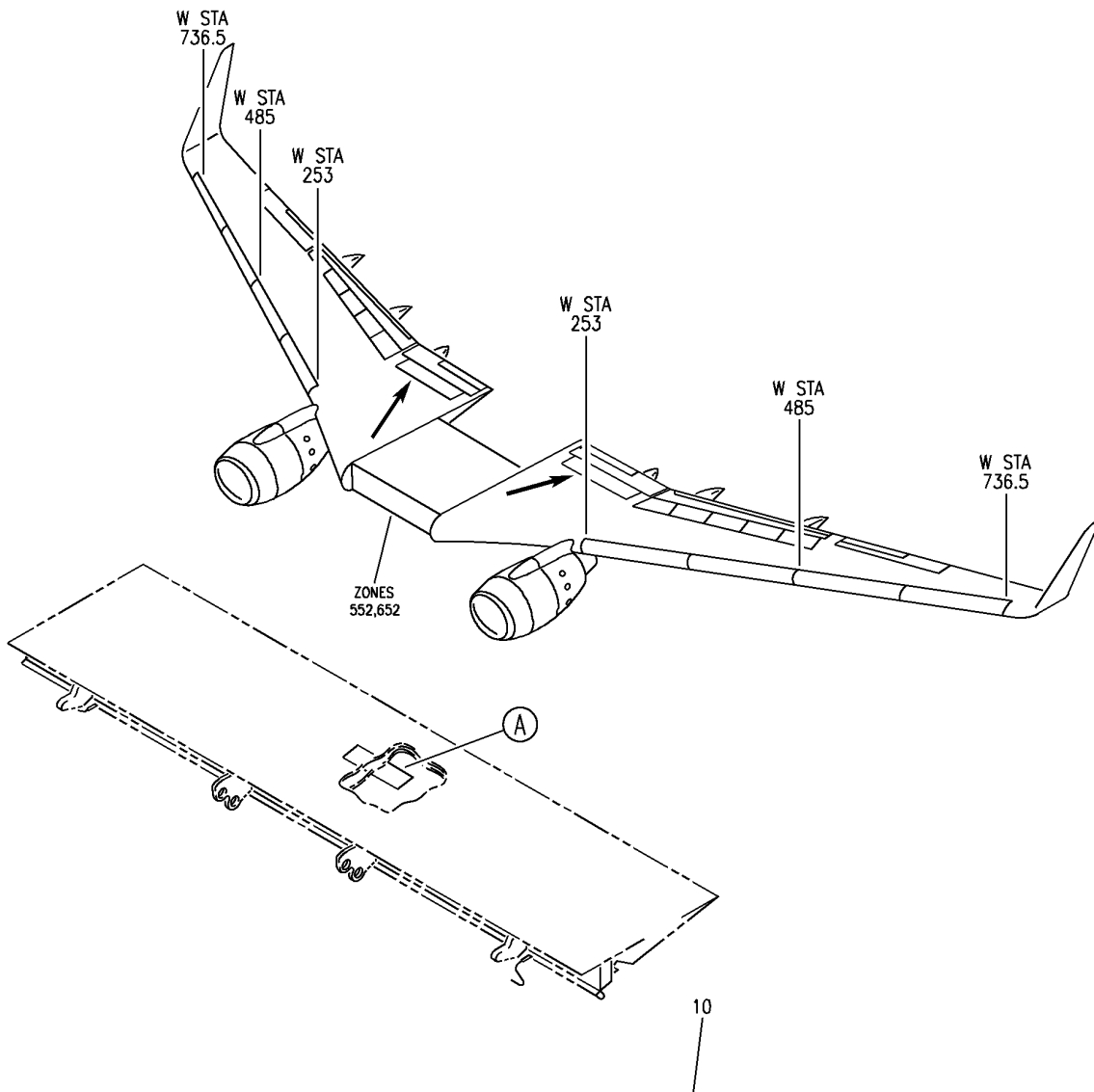
HAP

# 11-20-00-26B

BOEING PROPRIETARY - Copyright © - Unpublished Work - See title page for details.

11-20-00  
FIG. 26B  
PAGE 1  
OCT 15/08

**BOEING**  
 737-600/700/800/900  
 PARTS CATALOG (MAINTENANCE)



		<b>WARNING</b>
	<p>HAZARDOUS AREA.          DO NOT GO INTO THIS AREA UNLESS THE TOOLING THAT LOCKS THE SPOILER ACTUATOR IN AN EXTENDED POSITION IS INSTALLED. (REFER TO AIRPLANE MAINTENANCE MANUAL 27-61-00.)          RETRACTION OF A SPOILER PANEL WITH A PERSON IN THIS AREA CAN KILL OR CAUSE SERIOUS INJURY.</p>	

(A)

E 11200026C REV 12Z

SPOILER ASSY-NO. 6 AND NO. 7 GND (PLACARDS AND MARKINGS ONLY)  
 FIGURE 26C

# 11-20-00-26C

HAP  
 OCT 10/06

11-20-00-26C  
 PAGE 0



**BOEING**  
737-600/700/800/900  
PARTS CATALOG (MAINTENANCE)

FIG ITEM	PART NUMBER	1 2 3 4 5 6 7	NOMENCLATURE	EFFECT FROM TO	UNITS PER ASSY
26C			SPOILER ASSY-NO. 6 AND NO. 7 GND (PLACARDS AND MARKINGS ONLY)	001030 201967	
- 1	113A4600-1		SPOILER ASSY-NO. 6 GND (PLACARDS AND MARKINGS ONLY) POSITION DATA: INBD LH COMPONENT MAINT MANUAL REF: 57-56-64 FOR NHA/OTHER SYS DET SEE: 57-70-00-10C	001030 201967	RF
- 1	113A4600-3		SPOILER ASSY-NO. 6 GND (PLACARDS AND MARKINGS ONLY) POSITION DATA: INBD LH COMPONENT MAINT MANUAL REF: 57-56-64 FOR NHA/OTHER SYS DET SEE: 57-70-00-10C	001030 201967	RF
- 5	113A4600-2		SPOILER ASSY-NO. 7 GND (PLACARDS AND MARKINGS ONLY) POSITION DATA: INBD RH COMPONENT MAINT MANUAL REF: 57-56-64 FOR NHA/OTHER SYS DET SEE: 57-70-00-10C	001030 201967	RF
- 5	113A4600-4		SPOILER ASSY-NO. 7 GND (PLACARDS AND MARKINGS ONLY) POSITION DATA: INBD RH COMPONENT MAINT MANUAL REF: 57-56-64 FOR NHA/OTHER SYS DET SEE: 57-70-00-10C	001030 201967	RF
10	BAC27NCT0217		.MARKER-ALUMINUM FOIL	001030 201967	1

MISSING ITEM NUMBERS NOT APPLICABLE

- ITEM NOT ILLUSTRATED

HAP

# 11-20-00-26C

BOEING PROPRIETARY - Copyright © - Unpublished Work - See title page for details.

11-20-00  
FIG. 26C  
PAGE 1  
OCT 15/08

NON-ILLUSTRATED FIGURE

THE ITEMS REFLECTED IN THIS FIGURE ARE INTENTIONALLY  
NON-ILLUSTRATED. THEY ARE REFERENCED TO EITHER A  
NEXT HIGHER OR NEXT LOWER ASSEMBLY/INSTALLATION FIGURE.

E 1120030 REV 055

FUNCTIONAL COLLECTOR-MAJOR MODEL BASIC AND STABLE (EXTERIOR PLACARDS AND MARKINGS ONLY)  
FIGURE 30

HAP  
OCT 10/06

**11-20-00-30**

11-20-00-30  
PAGE 0

**BOEING**  
737-600/700/800/900  
PARTS CATALOG (MAINTENANCE)

FIG ITEM	PART NUMBER	1 2 3 4 5 6 7	NOMENCLATURE	EFFECT FROM TO	UNITS PER ASSY
30			FUNCTIONAL COLLECTOR-MAJOR MODEL BASIC AND STABLE (EXTERIOR PLACARDS AND MARKINGS ONLY)	001030 201967	
- 1	111A0000-678		FUNCTIONAL COLLECTOR-MAJOR MODEL BASIC AND STABLE FOR NHA SEE: 11-00-00-10	001030 201967	RF
- 5	111A0043-1		.MARKING INSTL-WING MAINT POSITION DATA: SECT. 11 CTR FOR DETAILS SEE: 11-21-14-11	001030 201967	1

MISSING ITEM NUMBERS NOT APPLICABLE

- ITEM NOT ILLUSTRATED

HAP

# 11-20-00-30

BOEING PROPRIETARY - Copyright © - Unpublished Work - See title page for details.

11-20-00  
FIG. 30  
PAGE 1  
OCT 15/08

NON-ILLUSTRATED FIGURE

THE ITEMS REFLECTED IN THIS FIGURE ARE INTENTIONALLY  
NON-ILLUSTRATED. THEY ARE REFERENCED TO EITHER A  
NEXT HIGHER OR NEXT LOWER ASSEMBLY/INSTALLATION FIGURE.

E 11200031 REV 057

FUNCTIONAL COLLECTOR-MAJOR MODEL BASIC AND STABLE (PLACARDS AND MARKINGS ONLY)  
FIGURE 31

HAP  
OCT 10/06

**11-20-00-31**

11-20-00-31  
PAGE 0

**BOEING**  
737-600/700/800/900  
PARTS CATALOG (MAINTENANCE)

FIG ITEM	PART NUMBER	1 2 3 4 5 6 7	NOMENCLATURE	EFFECT FROM TO	UNITS PER ASSY
31			FUNCTIONAL COLLECTOR-MAJOR MODEL BASIC AND STABLE (PLACARDS AND MARKINGS ONLY)	001030 201967	
- 1	340A0141-678		FUNCTIONAL COLLECTOR-MAJOR MODEL BASIC AND STABLE (PLACARDS AND MARKINGS ONLY)	001030 201967	RF
- 5	340A0421-4		FOR NHA/OTHER SYS DET SEE: 11-00-00-10 .MARKING INSTL-FUEL SYS POSITION DATA: SECT. 11 REAR SPAR FOR DETAILS SEE: 11-24-01-03	001030 201967	1
- 10	340A0421-5		.MARKING INSTL-727 BHD FUEL SYS POSITION DATA: SECT. 44 FOR DETAILS SEE: 11-24-01-04	001030 201967	1

MISSING ITEM NUMBERS NOT APPLICABLE

- ITEM NOT ILLUSTRATED

HAP

# 11-20-00-31

BOEING PROPRIETARY - Copyright © - Unpublished Work - See title page for details.

11-20-00  
FIG. 31  
PAGE 1  
OCT 15/08

NON-ILLUSTRATED FIGURE

THE ITEMS REFLECTED IN THIS FIGURE ARE INTENTIONALLY  
NON-ILLUSTRATED. THEY ARE REFERENCED TO EITHER A  
NEXT HIGHER OR NEXT LOWER ASSEMBLY/INSTALLATION FIGURE.

COLLECTOR INSTL-FUNCTIONAL  
FIGURE 33

**11-20-00-33**

HAP  
OCT 10/06

11-20-00-33  
PAGE 0

**BOEING**  
737-600/700/800/900  
PARTS CATALOG (MAINTENANCE)

FIG ITEM	PART NUMBER	1 2 3 4 5 6 7	NOMENCLATURE	EFFECT FROM TO	UNITS PER ASSY
33			COLLECTOR INSTL-FUNCTIONAL	001030 201967	
- 5	140A0940-678		FUNCTIONAL COLLECTOR- FRAME AND MAINT FRAME MARKINGS FOR NHA SEE: 11-00-00-10	001030 201967	RF
- 10	111A0042-1		.MARKING INSTL-WING MAINT POSITION DATA: SECT. 11 CTR FOR DETAILS SEE: 11-20-00-26	001030 201967	1

MISSING ITEM NUMBERS NOT APPLICABLE

- ITEM NOT ILLUSTRATED

HAP

# 11-20-00-33

BOEING PROPRIETARY - Copyright © - Unpublished Work - See title page for details.

11-20-00  
FIG. 33  
PAGE 1  
OCT 15/08

NON-ILLUSTRATED FIGURE

THE ITEMS REFLECTED IN THIS FIGURE ARE INTENTIONALLY  
NON-ILLUSTRATED. THEY ARE REFERENCED TO EITHER A  
NEXT HIGHER OR NEXT LOWER ASSEMBLY/INSTALLATION FIGURE.

E 11200035 REV 060

FUNCTIONAL COLLECTOR-MAJOR MODEL BASIC AND STABLE (EXTERIOR PLACARDS AND MARKINGS ONLY)  
FIGURE 35

HAP  
OCT 10/06

**11-20-00-35**

11-20-00-35  
PAGE 0



**BOEING**  
737-600/700/800/900  
PARTS CATALOG (MAINTENANCE)

FIG ITEM	PART NUMBER	1 2 3 4 5 6 7	NOMENCLATURE	EFFECT FROM TO	UNITS PER ASSY
35			FUNCTIONAL COLLECTOR-MAJOR MODEL BASIC AND STABLE (EXTERIOR PLACARDS AND MARKINGS ONLY)	001030 201967	
- 1	160A0100-678		FUNCTIONAL COLLECTOR-MAJOR MODEL BASIC AND STABLE FOR NHA SEE: 11-00-00-11	001030 201967	RF
- 5	161A0001-3		.MAIN LANDING GEAR INSTL- FOR DETAILS SEE: 11-22-04-01	001007	1
- 5	161A0001-9		.MAIN LANDING GEAR INSTL- FOR DETAILS SEE: 11-22-04-01	008027 201967	1
- 5	161A0001-10		.MAIN LANDING GEAR INSTL- FOR DETAILS SEE: 11-22-04-01	028030	1
- 10	162A0001-2		.NOSE LANDING GEAR INSTL- FOR DETAILS SEE: 11-22-01-01	001027 201967	1
- 10	162A0001-3		.NOSE LANDING GEAR INSTL- FOR DETAILS SEE: 11-22-01-01	028030	1

MISSING ITEM NUMBERS NOT APPLICABLE

- ITEM NOT ILLUSTRATED

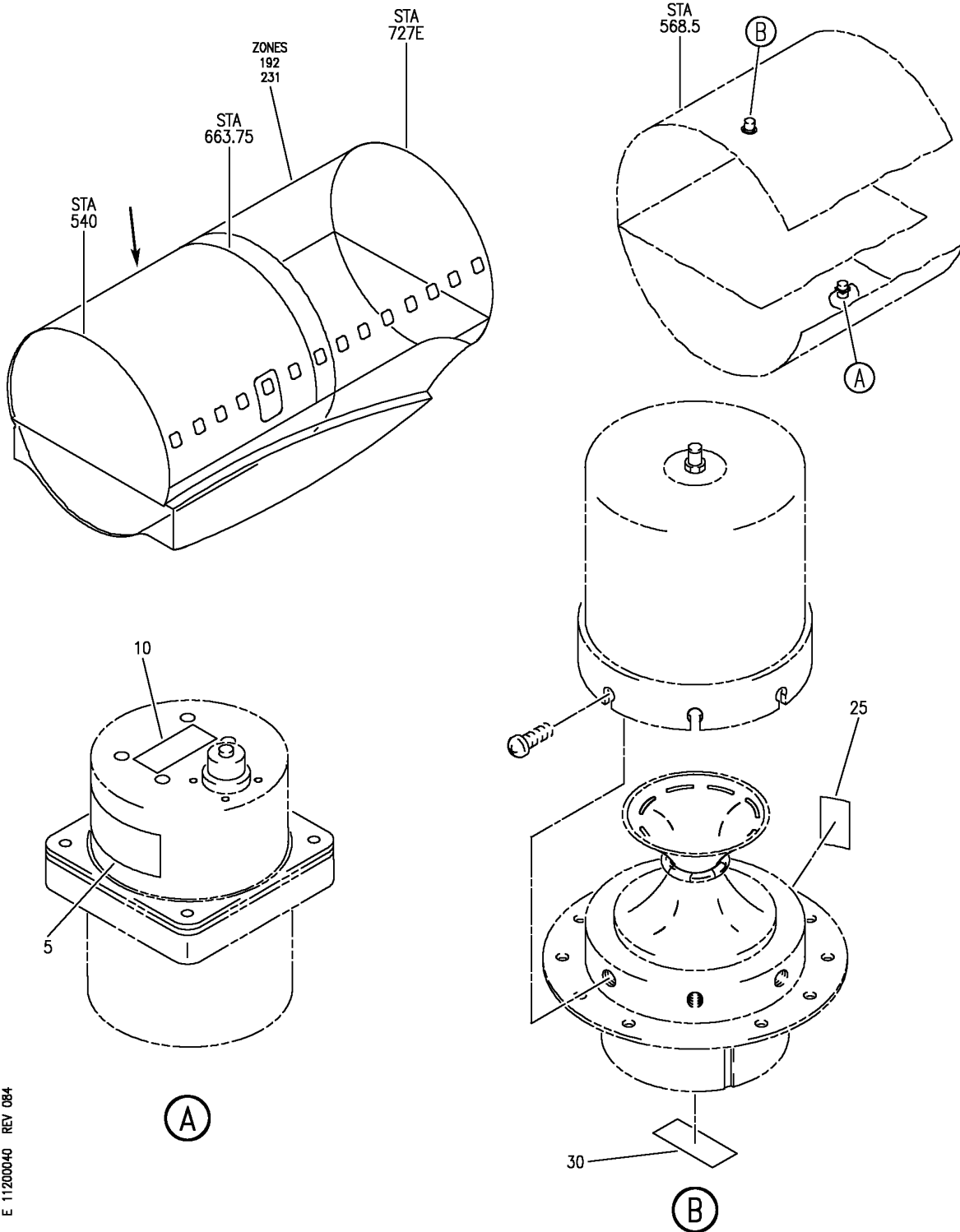
HAP

# 11-20-00-35

BOEING PROPRIETARY - Copyright © - Unpublished Work - See title page for details.

11-20-00  
FIG. 35  
PAGE 1  
OCT 15/08

**BOEING**  
 737-600/700/800/900  
 PARTS CATALOG (MAINTENANCE)



E 11200040 REV 084

LIGHT ASSY-ANTI-COLLISION UPR AND LWR (PLACARDS AND MARKINGS ONLY)  
 FIGURE 40

**11-20-00-40**

HAP  
 OCT 10/06

11-20-00-40  
 PAGE 0

**BOEING**  
737-600/700/800/900  
PARTS CATALOG (MAINTENANCE)

FIG ITEM	PART NUMBER	1 2 3 4 5 6 7	NOMENCLATURE	EFFECT FROM TO	UNITS PER ASSY
40			LIGHT ASSY-ANTI-COLLISION UPR AND LWR (PLACARDS AND MARKINGS ONLY)	001030 201967	
- 1	30-2506-3		LIGHT ASSY-ANTI-COLLISION LWR (PLACARDS AND MARKINGS ONLY) SUPPLIER CODE: V72914 FUNCTIONAL DESCRIPTION: PROVIDES HIGH INTENSITY STROBE LIGHTING FOR AIRCRAFT RECOGNITION AND COLLISION AVOIDANCE. SPECIFICATION NUMBER: S283A305-2 ELECTRICAL EQUIP NUMBER: L00037 COMPONENT MAINT MANUAL REF: 33-42-04 FOR NHA/OTHER SYS DET SEE: 33-44-02-01	001030 201967	RF
5	31-8270-1		.PLATE-INSTRUCTION SUPPLIER CODE: V72914 PLACARD CONTENT: WIRING SCHEMATIC	001030 201967	1
10	61-2508-11		.PLATE-INSTRUCTION SUPPLIER CODE: V72914 PLACARD CONTENT: WARNING HIGH VOLTAGE WAIT 10 MN AFTER POWER HAS BEEN REMOVED BEFORE DISCONNECTING CABLE	001030 201967	1

MISSING ITEM NUMBERS NOT APPLICABLE

- ITEM NOT ILLUSTRATED

HAP

# 11-20-00-40

BOEING PROPRIETARY - Copyright © - Unpublished Work - See title page for details.

11-20-00  
FIG. 40  
PAGE 1  
OCT 15/08

**BOEING**  
737-600/700/800/900  
PARTS CATALOG (MAINTENANCE)

FIG ITEM	PART NUMBER	1 2 3 4 5 6 7	NOMENCLATURE	EFFECT FROM TO	UNITS PER ASSY
40 - 20	30-2505-3		LIGHT ASSY-ANTI-COLLISION UPR (PLACARDS AND MARKINGS ONLY) SUPPLIER CODE: V72914 FUNCTIONAL DESCRIPTION: PROVIDES HIGH INTENSITY STROBE LIGHTING FOR AIRCRAFT RECOGNITION AND COLLISION AVOIDANCE. SPECIFICATION NUMBER: S283A305-1 ELECTRICAL EQUIP NUMBER: L00036 COMPONENT MAINT MANUAL REF: 33-42-03 FOR NHA/OTHER SYS DET SEE: 33-44-01-01	001030 201967	RF
25	31-8270-1		.PLATE-INSTRUCTION SUPPLIER CODE: V72914	001030 201967	1
30	61-2508-11		.PLATE-INSTRUCTION SUPPLIER CODE: V72914	001030 201967	1

MISSING ITEM NUMBERS NOT APPLICABLE

- ITEM NOT ILLUSTRATED

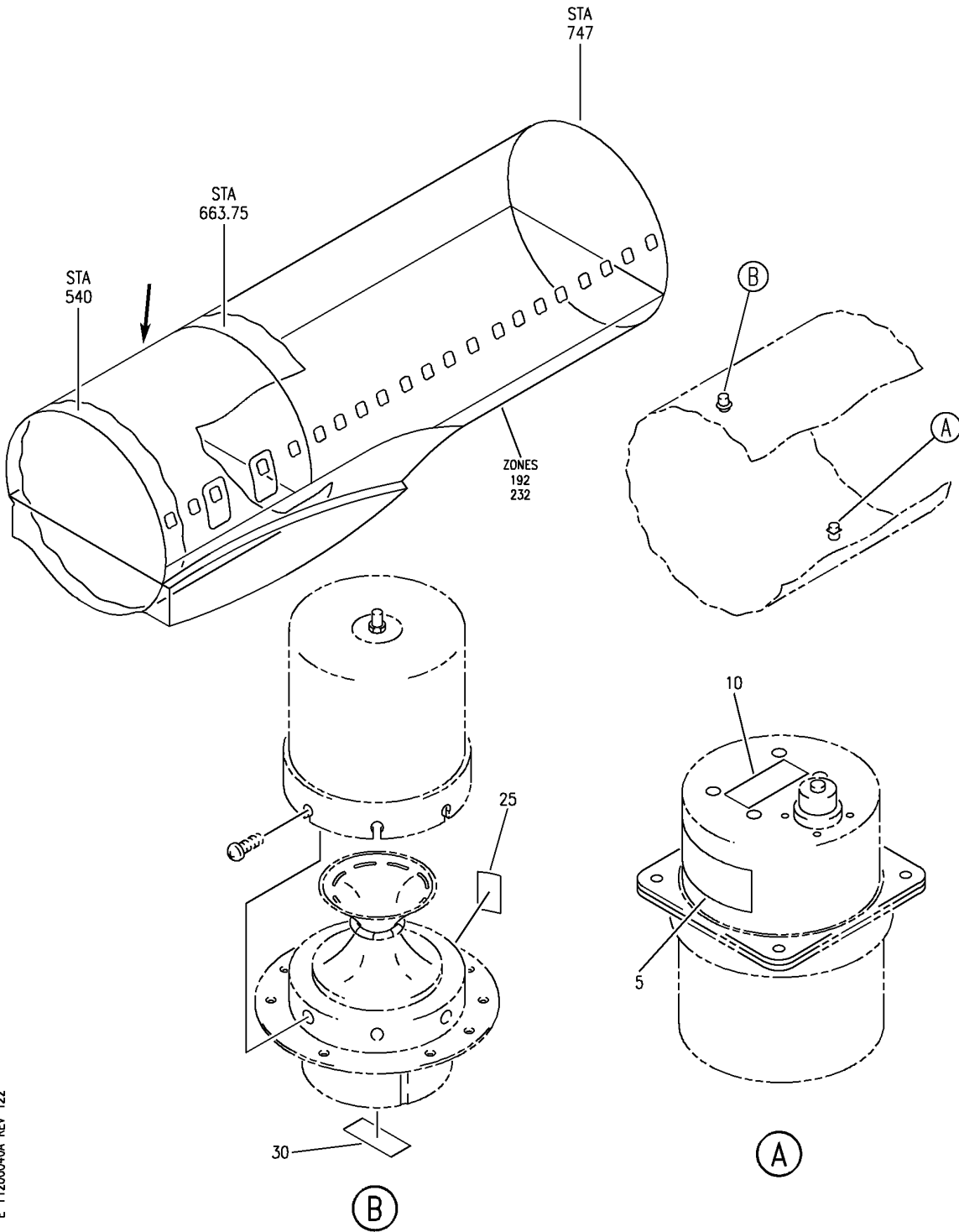
HAP

# 11-20-00-40

BOEING PROPRIETARY - Copyright © - Unpublished Work - See title page for details.

11-20-00  
FIG. 40  
PAGE 2  
OCT 15/08

**BOEING**  
 737-600/700/800/900  
 PARTS CATALOG (MAINTENANCE)



E 11200040A REV 122

LIGHT ASSY-ANTI-COLLISION UPR AND LWR (PLACARDS AND MARKINGS ONLY)  
 FIGURE 40A

**11-20-00-40A**

HAP  
 OCT 10/06

11-20-00-40A  
 PAGE 0

**BOEING**  
737-600/700/800/900  
PARTS CATALOG (MAINTENANCE)

FIG ITEM	PART NUMBER	1 2 3 4 5 6 7	NOMENCLATURE	EFFECT FROM TO	UNITS PER ASSY
40A			LIGHT ASSY-ANTI-COLLISION UPR AND LWR (PLACARDS AND MARKINGS ONLY)	031200 968999	
- 1	30-2506-3		LIGHT ASSY-ANTI-COLLISION LWR (PLACARDS AND MARKINGS ONLY) SUPPLIER CODE: V72914 FUNCTIONAL DESCRIPTION: PROVIDES HIGH INTENSITY STROBE LIGHTING FOR AIRCRAFT RECOGNITION AND COLLISION AVOIDANCE. SPECIFICATION NUMBER: S283A305-2 ELECTRICAL EQUIP NUMBER: L00037 COMPONENT MAINT MANUAL REF: 33-42-04 FOR NHA/OTHER SYS DET SEE: 33-44-02-01A	031200 968999	RF
5	31-8270-1		.PLATE-INSTRUCTION SUPPLIER CODE: V72914 PLACARD CONTENT: WIRING SCHEMATIC	031200 968999	1
10	61-2508-11		.PLATE-INSTRUCTION SUPPLIER CODE: V72914 PLACARD CONTENT: WARNING HIGH VOLTAGE WAIT 10 MN AFTER POWER HAS BEEN REMOVED BEFORE DISCONNECTING CABLE	031200 968999	1

MISSING ITEM NUMBERS NOT APPLICABLE

- ITEM NOT ILLUSTRATED

HAP

# 11-20-00-40A

BOEING PROPRIETARY - Copyright © - Unpublished Work - See title page for details.

11-20-00  
FIG. 40A  
PAGE 1  
OCT 15/08

**BOEING**  
737-600/700/800/900  
PARTS CATALOG (MAINTENANCE)

FIG ITEM	PART NUMBER	1 2 3 4 5 6 7	NOMENCLATURE	EFFECT FROM TO	UNITS PER ASSY
40A - 20	30-2505-3		LIGHT ASSY-ANTI-COLLISION UPR (PLACARDS AND MARKINGS ONLY) SUPPLIER CODE: V72914 FUNCTIONAL DESCRIPTION: PROVIDES HIGH INTENSITY STROBE LIGHTING FOR AIRCRAFT RECOGNITION AND COLLISION AVOIDANCE. SPECIFICATION NUMBER: S283A305-1 ELECTRICAL EQUIP NUMBER: L00036 COMPONENT MAINT MANUAL REF: 33-42-03 FOR NHA/OTHER SYS DET SEE: 33-44-01-01A	031050 054200 968999	RF
25	31-8270-1		.PLATE-INSTRUCTION SUPPLIER CODE: V72914	031050 054200 968999	1
30	61-2508-11		.PLATE-INSTRUCTION SUPPLIER CODE: V72914	031050 054200 968999	1

MISSING ITEM NUMBERS NOT APPLICABLE

- ITEM NOT ILLUSTRATED

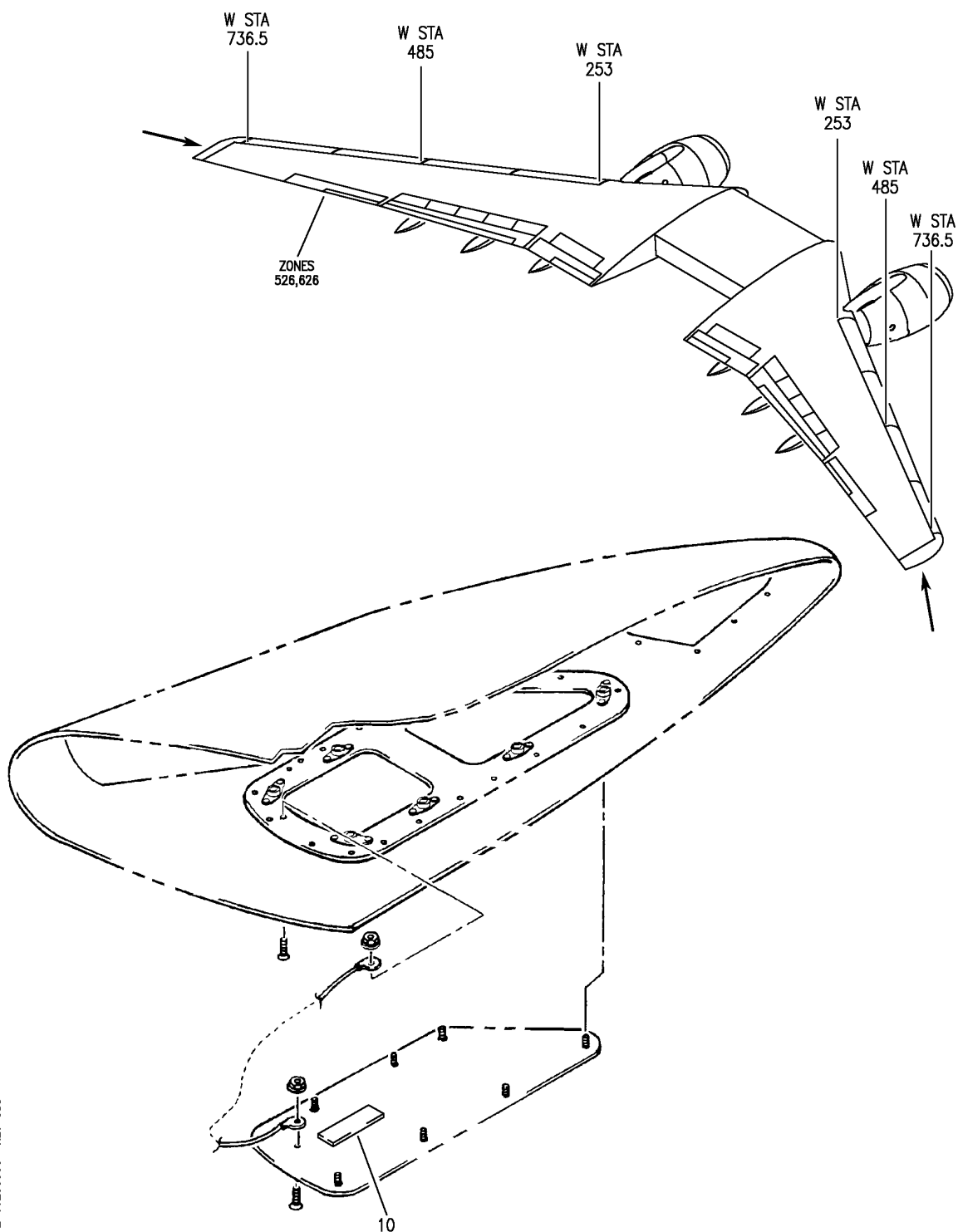
HAP

# 11-20-00-40A

BOEING PROPRIETARY - Copyright © - Unpublished Work - See title page for details.

11-20-00  
FIG. 40A  
PAGE 2  
FEB 15/09

**BOEING**  
737-600/700/800/900  
PARTS CATALOG (MAINTENANCE)



E 11200066 REV 085

LIGHT ASSY-WINGTIP NAVIGATIONAL AND ANTI COLLISION (PLACARDS AND MARKINGS ONLY)  
FIGURE 66

**11-20-00-66**

HAP  
OCT 10/07

11-20-00-66  
PAGE 0



**BOEING**  
737-600/700/800/900  
PARTS CATALOG (MAINTENANCE)

FIG ITEM	PART NUMBER	1 2 3 4 5 6 7	NOMENCLATURE	EFFECT FROM TO	UNITS PER ASSY
66			LIGHT ASSY-WINGTIP NAVIGATIONAL AND ANTI COLLISION (PLACARDS AND MARKINGS ONLY)	001030 201967	
- 1	30-2392-3		LIGHT ASSY-WINGTIP NAVIGATIONAL AND ANTI-COLLISION (PLACARDS AND MARKINGS ONLY) SUPPLIER CODE: V72914 POSITION DATA: LH SIDE FUNCTIONAL DESCRIPTION: COMBINATION FORWARD POSITION AND ANTI COLLISION LIGHT. ANTI COLLISION LIGHT IS HIGH INTENSITY STROBE, WHILE POSITION LIGHT IS COLOR CODED-RED ON LEFT WING TIP GREEN ON RIGHT WING TIP SPECIFICATION NUMBER: S283A313-1 MISCELLANEOUS DATA: LENSES ARE NOT CONSIDERED LINE REPLACABLE ITEMS ELECTRICAL EQUIP NUMBER: L00040 COMPONENT MAINT MANUAL REF: 33-42-05 PRE AIRLINE MOD: E.O.APB737-8007 VHAP FOR NHA/OTHER SYS DET SEE: 33-43-01-05	001023	RF

MISSING ITEM NUMBERS NOT APPLICABLE

- ITEM NOT ILLUSTRATED

HAP

# 11-20-00-66

BOEING PROPRIETARY - Copyright © - Unpublished Work - See title page for details.

11-20-00  
FIG. 66  
PAGE 1  
FEB 15/09

**BOEING**  
737-600/700/800/900  
PARTS CATALOG (MAINTENANCE)

FIG ITEM	PART NUMBER	1 2 3 4 5 6 7	NOMENCLATURE	EFFECT FROM TO	UNITS PER ASSY
66 - 1	30-2392-3		LIGHT ASSY-WINGTIP NAVIGATIONAL AND ANTI-COLLISION (PLACARDS AND MARKINGS ONLY) SUPPLIER CODE: V72914 POSITION DATA: LH SIDE FUNCTIONAL DESCRIPTION: COMBINATION FORWARD POSITION AND ANTI COLLISION LIGHT. ANTI COLLISION LIGHT IS HIGH INTENSITY STROBE, WHILE POSITION LIGHT IS COLOR CODED-RED ON LEFT WING TIP GREEN ON RIGHT WING TIP SPECIFICATION NUMBER: S283A313-1 MISCELLANEOUS DATA: LENSES ARE NOT CONSIDERED LINE REPLACABLE ITEMS ELECTRICAL EQUIP NUMBER: L00040 COMPONENT MAINT MANUAL REF: 33-42-05 PRE AIRLINE MOD: E.O.APB737-8009 VHAP FOR NHA/OTHER SYS DET SEE: 33-43-01-05	024030	RF

MISSING ITEM NUMBERS NOT APPLICABLE

- ITEM NOT ILLUSTRATED

HAP

# 11-20-00-66

BOEING PROPRIETARY - Copyright © - Unpublished Work - See title page for details.

11-20-00  
FIG. 66  
PAGE 2  
OCT 10/07

**BOEING**  
737-600/700/800/900  
PARTS CATALOG (MAINTENANCE)

FIG ITEM	PART NUMBER	1 2 3 4 5 6 7	NOMENCLATURE	EFFECT FROM TO	UNITS PER ASSY
66 - 1	30-2392-3		LIGHT ASSY-WINGTIP NAVIGATIONAL AND ANTI-COLLISION (PLACARDS AND MARKINGS ONLY) SUPPLIER CODE: V72914 POSITION DATA: LH SIDE FUNCTIONAL DESCRIPTION: COMBINATION FORWARD POSITION AND ANTI COLLISION LIGHT. ANTI COLLISION LIGHT IS HIGH INTENSITY STROBE, WHILE POSITION LIGHT IS COLOR CODED-RED ON LEFT WING TIP GREEN ON RIGHT WING TIP SPECIFICATION NUMBER: S283A313-1 MISCELLANEOUS DATA: LENSES ARE NOT CONSIDERED LINE REPLACABLE ITEMS ELECTRICAL EQUIP NUMBER: L00040 COMPONENT MAINT MANUAL REF: 33-42-05 FOR NHA/OTHER SYS DET SEE: 33-43-01-05	201967	RF

MISSING ITEM NUMBERS NOT APPLICABLE

- ITEM NOT ILLUSTRATED

HAP

# 11-20-00-66

BOEING PROPRIETARY - Copyright © - Unpublished Work - See title page for details.

11-20-00  
FIG. 66  
PAGE 3  
FEB 15/09

**BOEING**  
737-600/700/800/900  
PARTS CATALOG (MAINTENANCE)

FIG ITEM	PART NUMBER	1 2 3 4 5 6 7	NOMENCLATURE	EFFECT FROM TO	UNITS PER ASSY
66 - 5	30-2392-4		LIGHT ASSY-WINGTIP NAVIGATIONAL AND ANTI-COLLISION (PLACARDS AND MARKINGS ONLY) SUPPLIER CODE: V72914 POSITION DATA: RH SIDE FUNCTIONAL DESCRIPTION: COMBINATION FORWARD POSITION AND ANTI COLLISION LIGHT. ANTI COLLISION LIGHT IS HIGH INTENSITY STROBE, WHILE POSITION LIGHT IS COLOR CODED-RED ON LEFT WING TIP GREEN ON RIGHT WING TIP SPECIFICATION NUMBER: S283A313-2 MISCELLANEOUS DATA: LENSES ARE NOT CONSIDERED LINE REPLACABLE ITEMS ELECTRICAL EQUIP NUMBER: L00038 COMPONENT MAINT MANUAL REF: 33-42-05 PRE AIRLINE MOD: E.O.APB737-8007 VHAP FOR NHA/OTHER SYS DET SEE: 33-43-01-05	001023	RF

MISSING ITEM NUMBERS NOT APPLICABLE

- ITEM NOT ILLUSTRATED

HAP

# 11-20-00-66

BOEING PROPRIETARY - Copyright © - Unpublished Work - See title page for details.

11-20-00  
FIG. 66  
PAGE 4  
FEB 15/09

**BOEING**  
737-600/700/800/900  
PARTS CATALOG (MAINTENANCE)

FIG ITEM	PART NUMBER	1 2 3 4 5 6 7	NOMENCLATURE	EFFECT FROM TO	UNITS PER ASSY
66 - 5	30-2392-4		LIGHT ASSY-WINGTIP NAVIGATIONAL AND ANTI-COLLISION (PLACARDS AND MARKINGS ONLY) SUPPLIER CODE: V72914 POSITION DATA: RH SIDE FUNCTIONAL DESCRIPTION: COMBINATION FORWARD POSITION AND ANTI COLLISION LIGHT. ANTI COLLISION LIGHT IS HIGH INTENSITY STROBE, WHILE POSITION LIGHT IS COLOR CODED-RED ON LEFT WING TIP GREEN ON RIGHT WING TIP SPECIFICATION NUMBER: S283A313-2 MISCELLANEOUS DATA: LENSES ARE NOT CONSIDERED LINE REPLACABLE ITEMS ELECTRICAL EQUIP NUMBER: L00038 COMPONENT MAINT MANUAL REF: 33-42-05 PRE AIRLINE MOD: E.O.APB737-8009 VHAP FOR NHA/OTHER SYS DET SEE: 33-43-01-05	024030	RF

MISSING ITEM NUMBERS NOT APPLICABLE

- ITEM NOT ILLUSTRATED

HAP

# 11-20-00-66

BOEING PROPRIETARY - Copyright © - Unpublished Work - See title page for details.

11-20-00  
FIG. 66  
PAGE 5  
FEB 15/08

**BOEING**  
737-600/700/800/900  
PARTS CATALOG (MAINTENANCE)

FIG ITEM	PART NUMBER	1 2 3 4 5 6 7	NOMENCLATURE	EFFECT FROM TO	UNITS PER ASSY
66 - 5	30-2392-4		LIGHT ASSY-WINGTIP NAVIGATIONAL AND ANTI-COLLISION (PLACARDS AND MARKINGS ONLY) SUPPLIER CODE: V72914 POSITION DATA: RH SIDE FUNCTIONAL DESCRIPTION: COMBINATION FORWARD POSITION AND ANTI COLLISION LIGHT. ANTI COLLISION LIGHT IS HIGH INTENSITY STROBE, WHILE POSITION LIGHT IS COLOR CODED-RED ON LEFT WING TIP GREEN ON RIGHT WING TIP SPECIFICATION NUMBER: S283A313-2 MISCELLANEOUS DATA: LENSES ARE NOT CONSIDERED LINE REPLACABLE ITEMS ELECTRICAL EQUIP NUMBER: L00038 COMPONENT MAINT MANUAL REF: 33-42-05 FOR NHA/OTHER SYS DET SEE: 33-43-01-05	201967	RF
10	61-2508-11		.PLATE-INSTRUCTION SUPPLIER CODE: V72914	001030 201967	1

MISSING ITEM NUMBERS NOT APPLICABLE

- ITEM NOT ILLUSTRATED

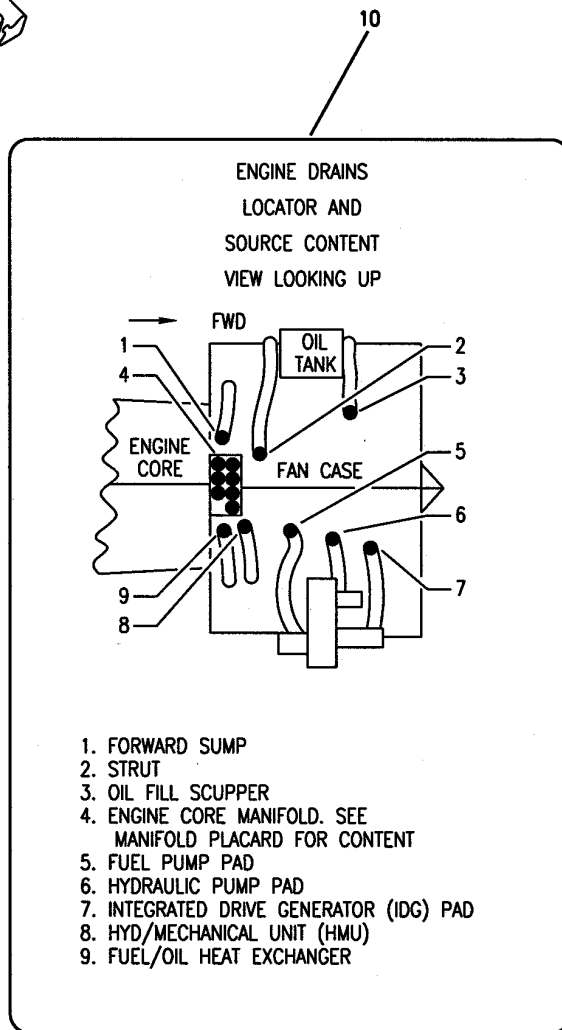
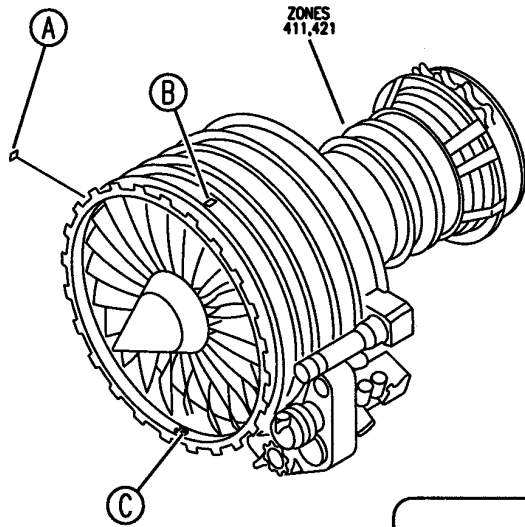
HAP

# 11-20-00-66

BOEING PROPRIETARY - Copyright © - Unpublished Work - See title page for details.

11-20-00  
FIG. 66  
PAGE 6  
FEB 15/09

**BOEING**  
737-600/700/800/900  
PARTS CATALOG (MAINTENANCE)



(A)

E 11205104 SHT 1 REV 031

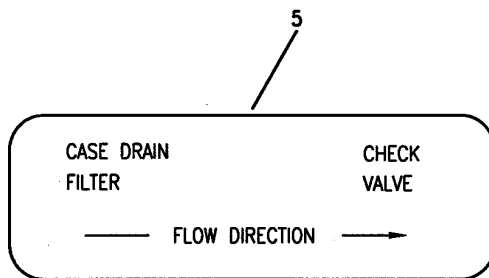
OIL AND MARKER INSTL  
FIGURE 4 (SHEET 1)

**11-20-51-04**

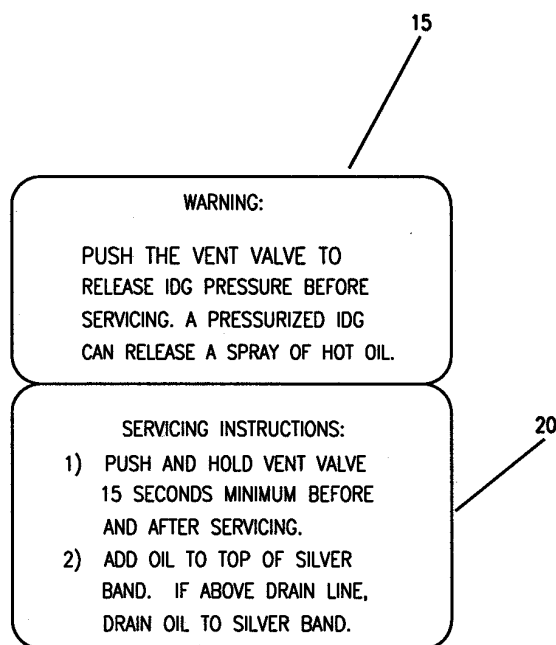
HAP  
OCT 10/06

11-20-51-04  
PAGE 0

**BOEING**  
737-600/700/800/900  
PARTS CATALOG (MAINTENANCE)



(B)



(C)

E 11205104 SHT 2 REV 031

OIL AND MARKER INSTL  
FIGURE 4 (SHEET 2)

**11-20-51-04**

HAP  
OCT 10/06

11-20-51-04  
PAGE 0A




**BOEING**  
 737-600/700/800/900  
**PARTS CATALOG (MAINTENANCE)**

FIG ITEM	PART NUMBER	1 2 3 4 5 6 7	NOMENCLATURE	EFFECT FROM TO	UNITS PER ASSY
4					
- 1	330A2010-7		OIL AND MARKER INSTL OIL AND MARKER INSTL- FOR NHA SEE: 11-20-00-08	001007 001007	RF
5	BAC27DHY0337		.MARKER-ALUMINUM FOIL	001007	1
10	BAC27DPP466		.MARKER-ALUMINUM FOIL	001007	1
15	BAC27DPP467		.MARKER-ALUMINUM FOIL	001007	1
20	BAC27DPP468		.MARKER-ALUMINUM FOIL	001007	1

MISSING ITEM NUMBERS NOT APPLICABLE

- ITEM NOT ILLUSTRATED

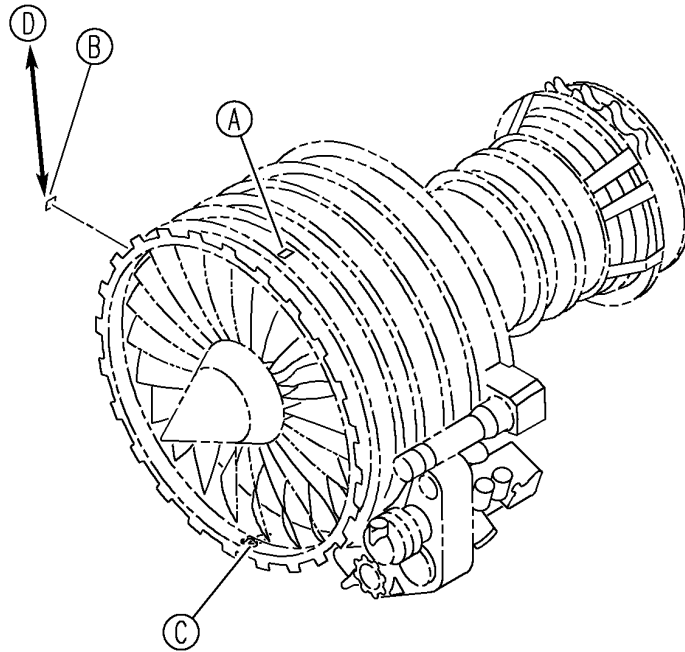
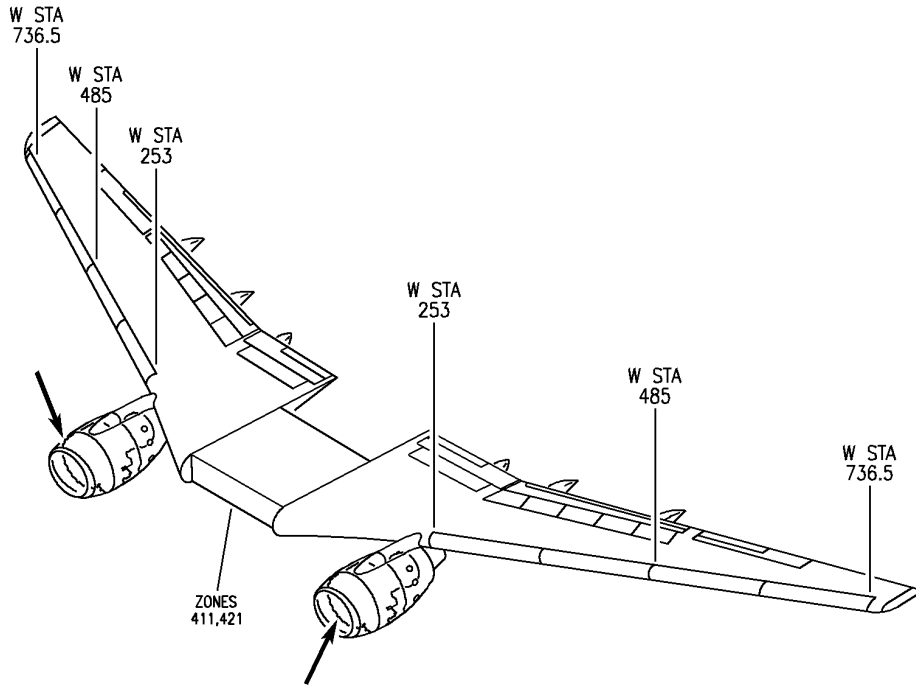
HAP

# 11-20-51-04

BOEING PROPRIETARY - Copyright © - Unpublished Work - See title page for details.

11-20-51  
 FIG. 04  
 PAGE 1  
 OCT 10/06

**BOEING**  
 737-600/700/800/900  
 PARTS CATALOG (MAINTENANCE)



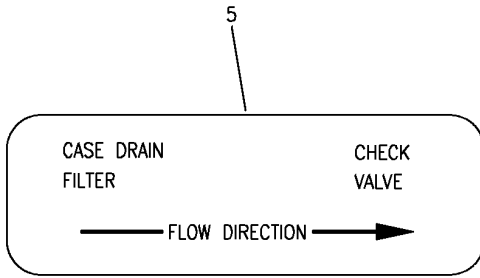
E 11205104A SHT 1 REV 117

OIL AND MARKER INSTL  
 FIGURE 4A (SHEET 1)

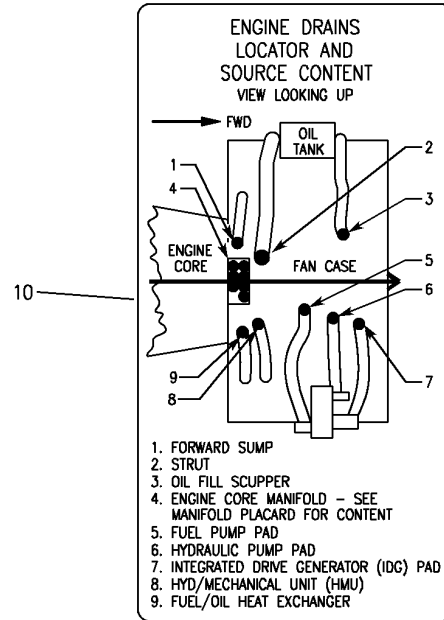
**11-20-51-04A**

HAP  
 OCT 10/06

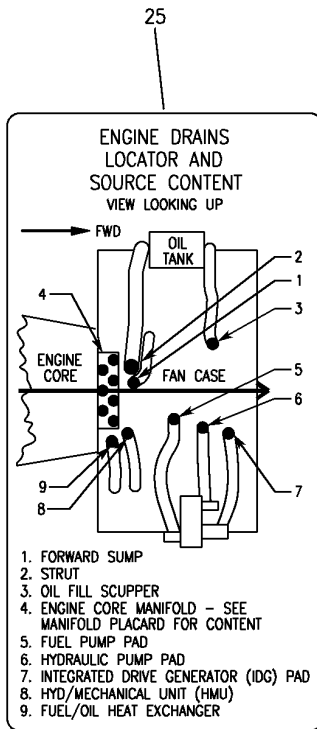
11-20-51-04A  
 PAGE 0



A



B



D

15

**WARNING:**

PUSH THE VENT VALVE TO RELEASE IDG PRESSURE BEFORE SERVICING. A PRESSURIZED IDG CAN RELEASE A SPRAY OF HOT OIL.

**SERVICING INSTRUCTIONS:**

- 1) PUSH AND HOLD VENT VALVE 15 SECONDS MINIMUM BEFORE AND AFTER SERVICING.
- 2) ADD OIL TO TOP OF SILVER BAND. IF ABOVE DRAIN LINE, DRAIN OIL TO SILVER BAND.

C

E 11205104A SHT 2 REV 117

OIL AND MARKER INSTL  
FIGURE 4A (SHEET 2)

**11-20-51-04A**

**BOEING**  
737-600/700/800/900  
PARTS CATALOG (MAINTENANCE)

FIG ITEM	PART NUMBER	1 2 3 4 5 6 7	NOMENCLATURE	EFFECT FROM TO	UNITS PER ASSY
4 A					
- 1	330A2010-8		OIL AND MARKER INSTL OIL AND MARKER INSTL- FOR NHA SEE: 11-20-00-08	008999 008030 201967	RF
- 1	MODREF89257		OIL AND MARKER INSTL- MODULE NUMBER: 330A2010-8 REV A	031036	1
- 1	MODREF289120		OIL AND MARKER INSTL- MODULE NUMBER: 330A2010-8 REV C	037200 968999	1
5	BAC27DHY0337		.MARKER-ALUMINUM FOIL	008999	2
10	BAC27DPP466		.MARKER-ALUMINUM FOIL	008036 201967	2
15	BAC27DPP467		.MARKER-ALUMINUM FOIL	008999	2
20	BAC27DPP468		.MARKER-ALUMINUM FOIL	008999	2
25	BAC27DPP470		.MARKER-ALUMINUM FOIL	037200 968999	2

MISSING ITEM NUMBERS NOT APPLICABLE

- ITEM NOT ILLUSTRATED

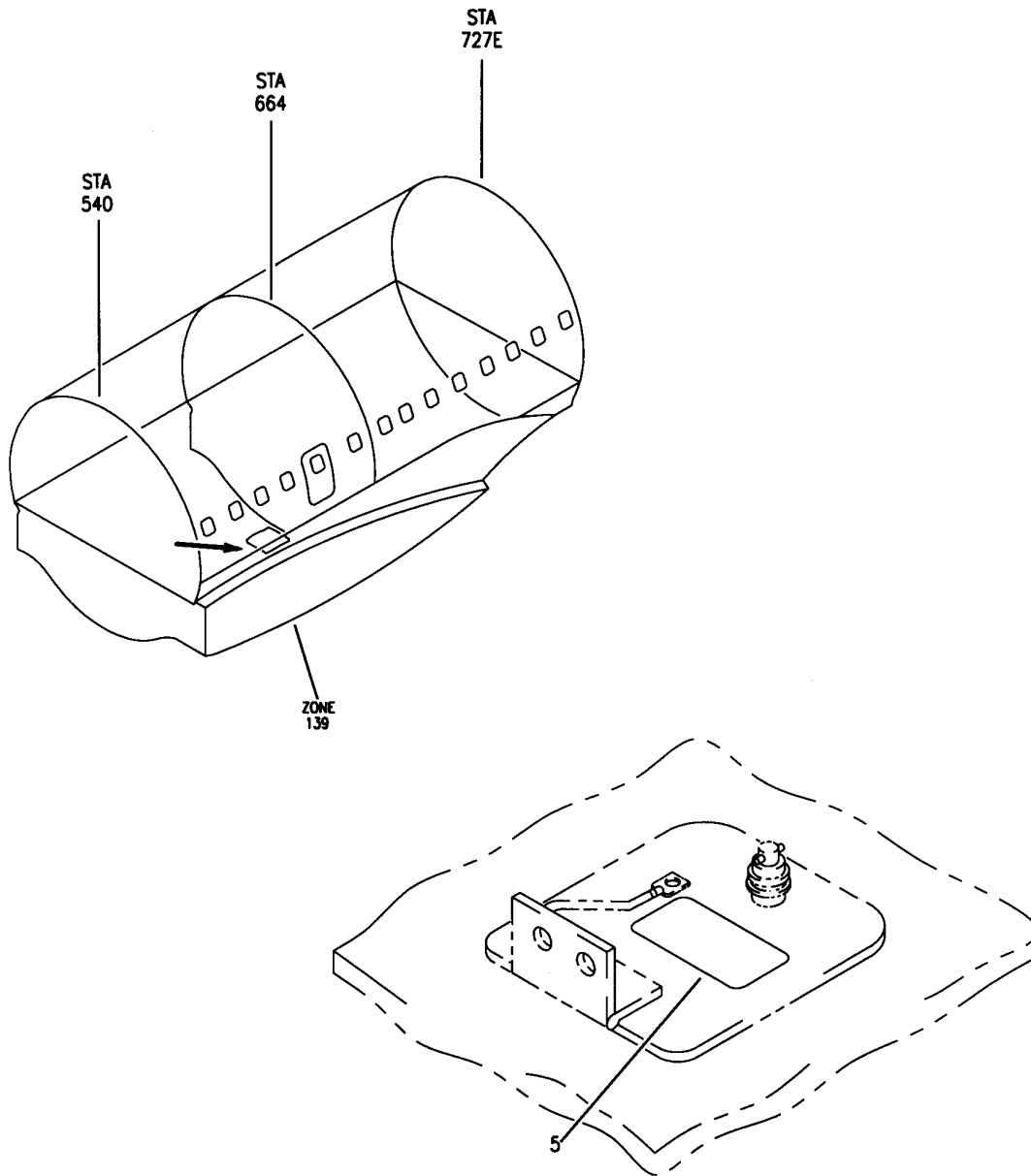
HAP

# 11-20-51-04A

BOEING PROPRIETARY - Copyright © - Unpublished Work - See title page for details.

11-20-51  
FIG. 04A  
PAGE 1  
OCT 15/08

**BOEING**  
737-600/700/800/900  
PARTS CATALOG (MAINTENANCE)



E 11205105 REV 008

DOOR ASSY-UNDER KEEL SUMP DRAIN (PLACARDS AND MARKINGS ONLY)  
FIGURE 5

HAP  
OCT 10/06

**11-20-51-05**

11-20-51-05  
PAGE 0

**BOEING**  
737-600/700/800/900  
PARTS CATALOG (MAINTENANCE)

FIG ITEM	PART NUMBER	1 2 3 4 5 6 7	NOMENCLATURE	EFFECT FROM TO	UNITS PER ASSY
5			DOOR ASSY-UNDER KEEL SUMP DRAIN (PLACARDS AND MARKINGS ONLY)	001030 037100 201967	
- 1	149A7715-1		DOOR ASSY-UNDER KEEL SUMP DRAIN (PLACARDS AND MARKINGS ONLY)	001030 037100 201967	RF
5	BAC27DFS0196		FOR NHA/OTHER SYS DET SEE: 53-12-11-01 .MARKER-ALUMINUM FOIL PLACARD CONTENT: SUMP DRAIN-PULL TO DRAIN RELEASE TO CLOSE.VERIFY THAT HANDLE RETURNS TO CLOSED POSITION.	001030 037100 201967	1

MISSING ITEM NUMBERS NOT APPLICABLE

- ITEM NOT ILLUSTRATED

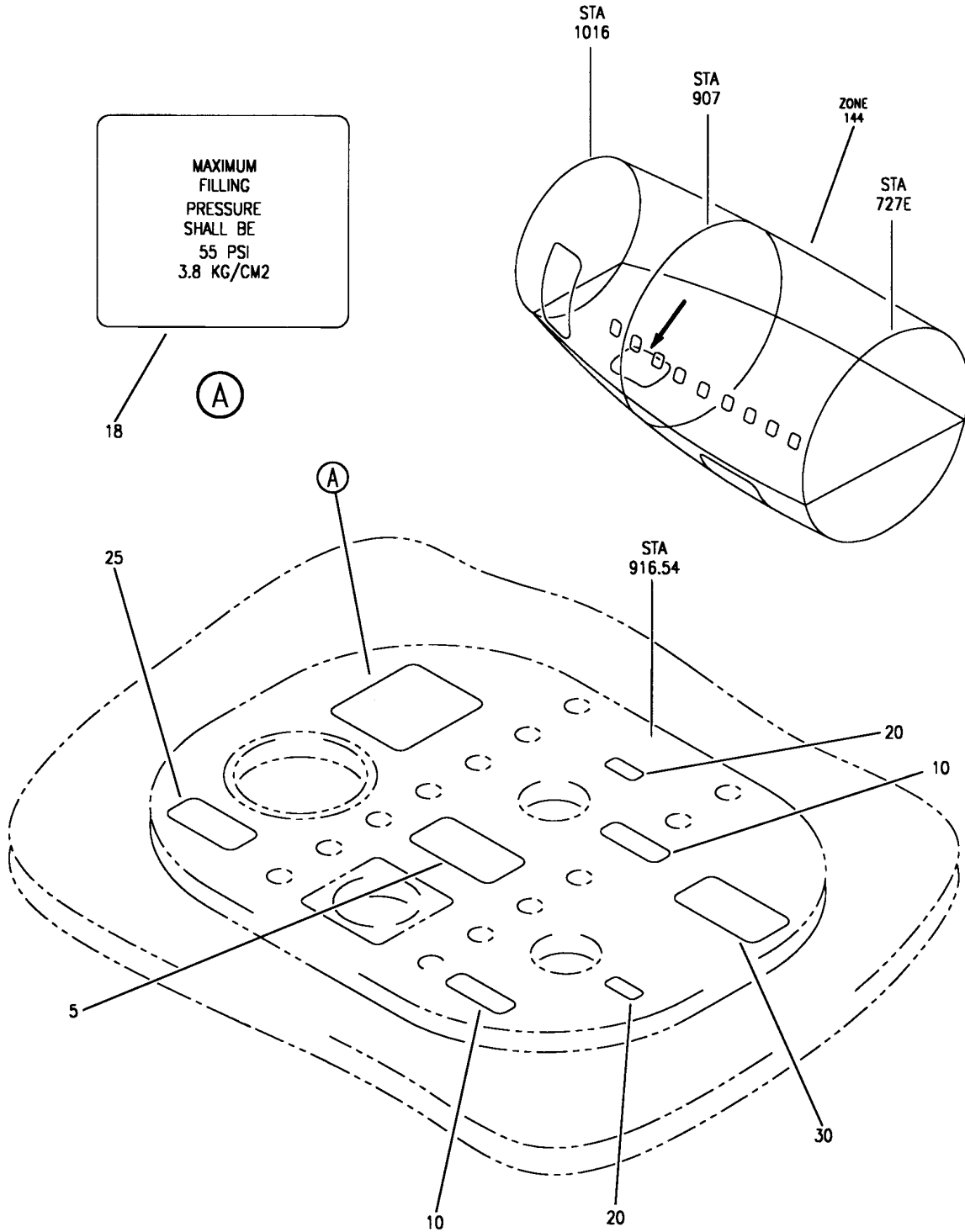
HAP

# 11-20-51-05

BOEING PROPRIETARY - Copyright © - Unpublished Work - See title page for details.

11-20-51  
FIG. 05  
PAGE 1  
OCT 15/08

**BOEING**  
 737-600/700/800/900  
 PARTS CATALOG (MAINTENANCE)



E 11205106 REV 010

MARKER INSTL-WATER SVCE PANEL  
 FIGURE 6

**11-20-51-06**

HAP  
 OCT 10/06

11-20-51-06  
 PAGE 0

**BOEING**  
737-600/700/800/900  
PARTS CATALOG (MAINTENANCE)

FIG ITEM	PART NUMBER	1 2 3 4 5 6 7	NOMENCLATURE	EFFECT FROM TO	UNITS PER ASSY
6			MARKER INSTL-WATER SVCE PANEL		
- 1	417A2450-1		MARKER INSTL-WATER SVCE PANEL FOR NHA SEE: 11-20-00-06	001030 201967	RF
- 1	MODREF205581		MARKER INSTL-WATER SVCE PANEL MODULE NUMBER: 417A2450-3 REV B	031200 968999	1
5	BAC27NPA1389		.MARKER- PLACARD CONTENT: WATER TANK FILL VALVE. VALVE MUST BE CLOSED IN FLIGHT		1
10	BAC27NPA1388		.MARKER- PLACARD CONTENT: CLOSED		2
18	BAC27DPA5129		.MARKER-		1
20	BAC27NPA1387		.MARKER- PLACARD CONTENT: OPEN		2
25	BAC27NPA1391		.MARKER- PLACARD CONTENT: WATER FILL CONNECTION		1
30	BAC27NPA1386		.MARKER- PLACARD CONTENT: WATER TANK DRAIN VALVE. VALVE MUST BE CLOSED FLIGHT		1

MISSING ITEM NUMBERS NOT APPLICABLE

- ITEM NOT ILLUSTRATED

HAP

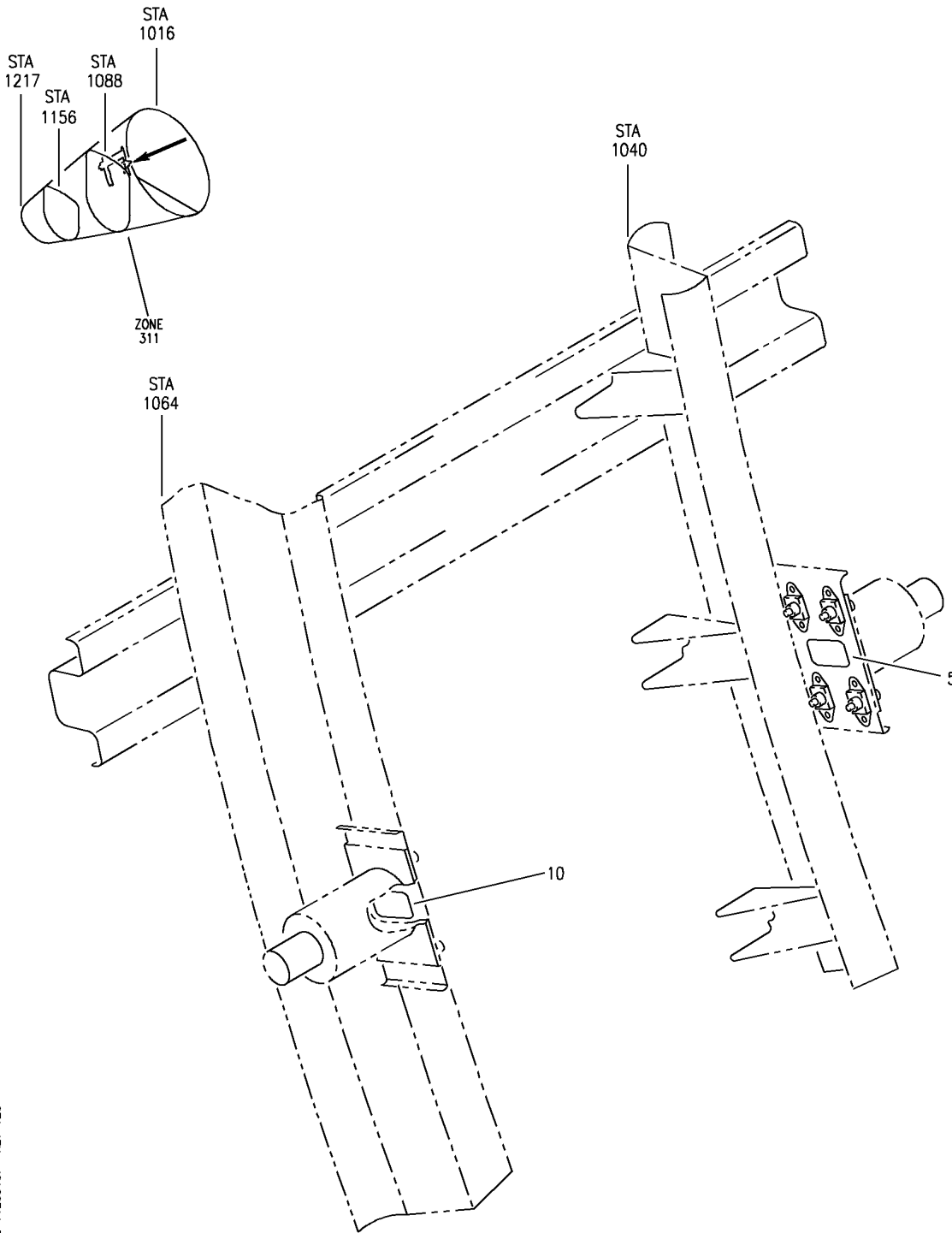
# 11-20-51-06

BOEING PROPRIETARY - Copyright © - Unpublished Work - See title page for details.

11-20-51  
FIG. 06  
PAGE 1  
OCT 15/08



**BOEING**  
737-600/700/800/900  
PARTS CATALOG (MAINTENANCE)



E 11205107 REV 120

MARKER INSTL-BAROMETRIC PRESSURE SWITCH  
FIGURE 7

**11-20-51-07**

HAP  
OCT 10/06

11-20-51-07  
PAGE 0

**BOEING**  
737-600/700/800/900  
PARTS CATALOG (MAINTENANCE)

FIG ITEM	PART NUMBER	1 2 3 4 5 6 7	NOMENCLATURE	EFFECT FROM TO	UNITS PER ASSY
7			MARKER INSTL-BAROMETRIC PRESSURE SWITCH		
- 1	417A8615-1		MARKER INSTL-BAROMETRIC PRESSURE SWITCH FOR NHA SEE: 11-20-00-07	001030 201967	RF
- 1	MODREF97214		MARKER INSTL-BAROMETRIC PRESSURE SWITCH MODULE NUMBER: 417A8615-1 REV A	031200 968999	1
5	BAC27DEL1287		.MARKER- PLACARD CONTENT: S1033		1

MISSING ITEM NUMBERS NOT APPLICABLE

- ITEM NOT ILLUSTRATED

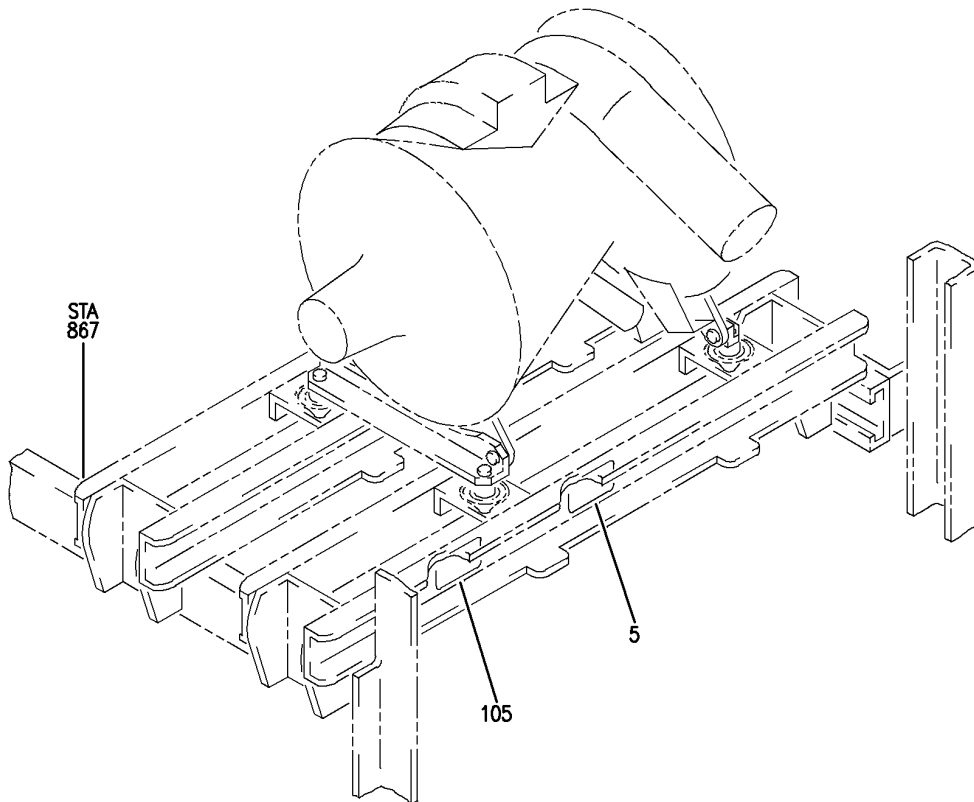
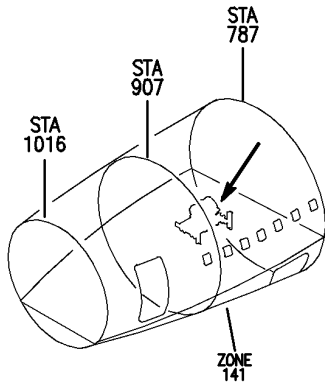
HAP

# 11-20-51-07

BOEING PROPRIETARY - Copyright © - Unpublished Work - See title page for details.

11-20-51  
FIG. 07  
PAGE 1  
OCT 15/08

**BOEING**  
737-600/700/800/900  
PARTS CATALOG (MAINTENANCE)



E 11205108 REV 065

MARKER INSTL-VAC WASTE SYS CRADLE  
FIGURE 8

HAP  
OCT 10/06

**11-20-51-08**

11-20-51-08  
PAGE 0

 **BOEING**  
737-600/700/800/900  
PARTS CATALOG (MAINTENANCE)

FIG ITEM	PART NUMBER	1 2 3 4 5 6 7	NOMENCLATURE	EFFECT FROM TO	UNITS PER ASSY
8			MARKER INSTL-VAC WASTE SYS CRADLE		
- 1	417A8615-2		MARKER INSTL-VAC WASTE SYS CRADLE FOR NHA SEE: 11-20-00-07	001027 201967	RF
- 1	417A8615-8		MARKER INSTL-VAC WASTE SYS CRADLE FOR NHA SEE: 11-20-00-07	028030	RF
- 1	MODREF97220		MARKER INSTL-VAC WASTE SYS CRADLE MODULE NUMBER: 417A8615-8 REV A	031200 968999	1
5	BAC27DEL1288		.MARKER- PLACARD CONTENT: M1721	001027 201967	1
10	BAC27DEL1436		.MARKER	028200 968999	1

MISSING ITEM NUMBERS NOT APPLICABLE

- ITEM NOT ILLUSTRATED

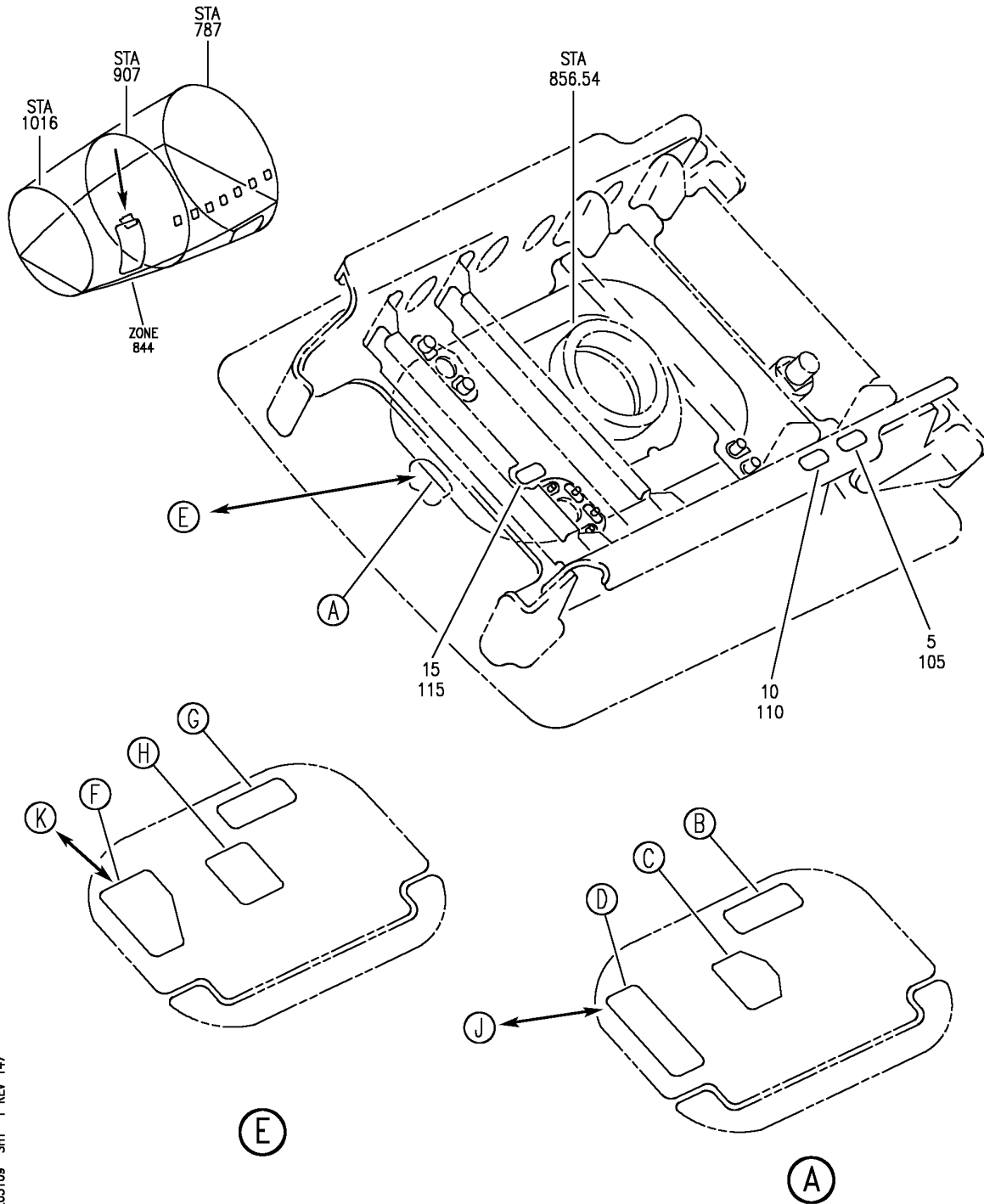
HAP

# 11-20-51-08

BOEING PROPRIETARY - Copyright © - Unpublished Work - See title page for details.

11-20-51  
FIG. 08  
PAGE 1  
OCT 15/08

**BOEING**  
 737-600/700/800/900  
 PARTS CATALOG (MAINTENANCE)



E 11205109 SHT 1 REV 147

MARKER INSTL-VAC WASTE SYS SVCE PNL ASSY  
 FIGURE 9 (SHEET 1)

**11-20-51-09**

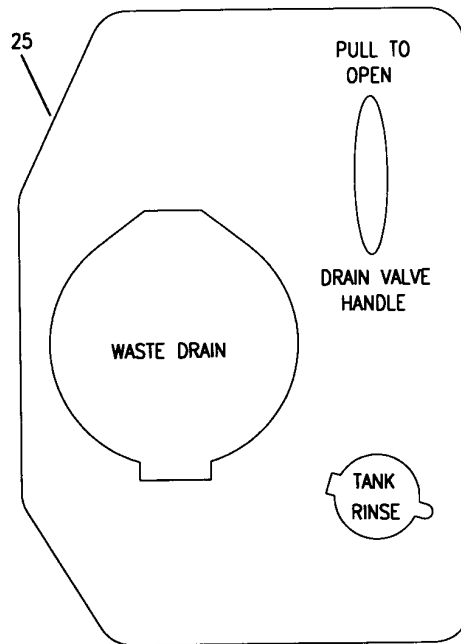
HAP  
 OCT 15/08

11-20-51-09  
 PAGE 0

20

**CAUTION**  
EXCESSIVE FORCE USED ON HANDLE TO CLOSE VALVE MAY CAUSE DAMAGE. IF HANDLE DOES NOT SEAT CORRECTLY, RINSE TANK WITH MINIMUM 10 GALLONS WATER AGAIN AND CLOSE DRAIN VALVE. CONTACT MAINTENANCE IF JAMMING CONDITION STILL OCCURS.

(B)



(C)

E 11205109 SH1 2 REV 003

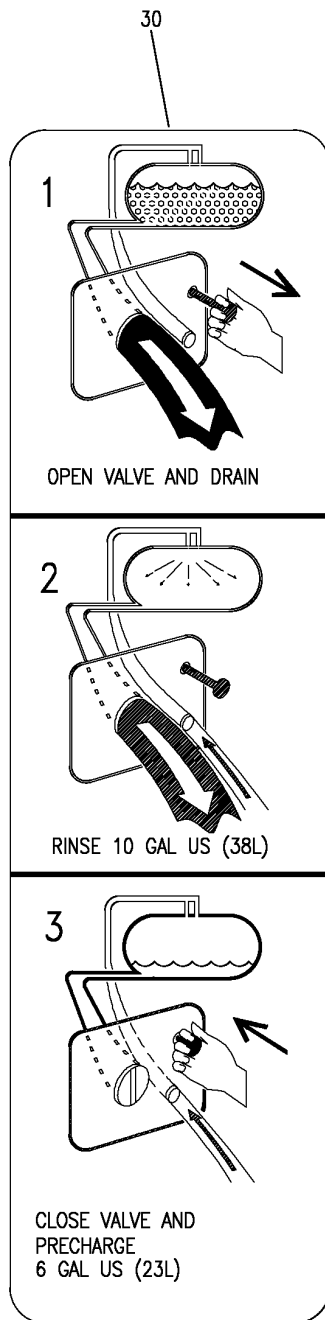
MARKER INSTL-VAC WASTE SYS SVCE PNL ASSY  
FIGURE 9 (SHEET 2)

**11-20-51-09**

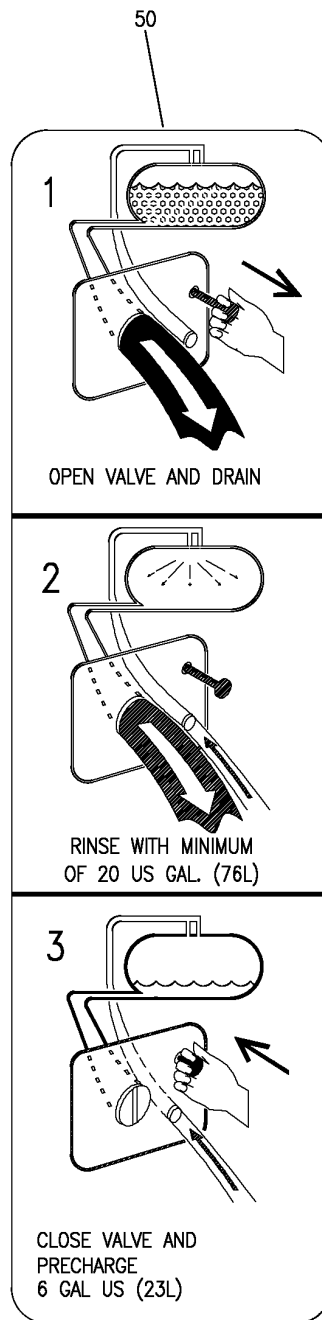
HAP  
OCT 10/06

11-20-51-09  
PAGE 0A

**BOEING**  
 737-600/700/800/900  
 PARTS CATALOG (MAINTENANCE)



(D)



(J)

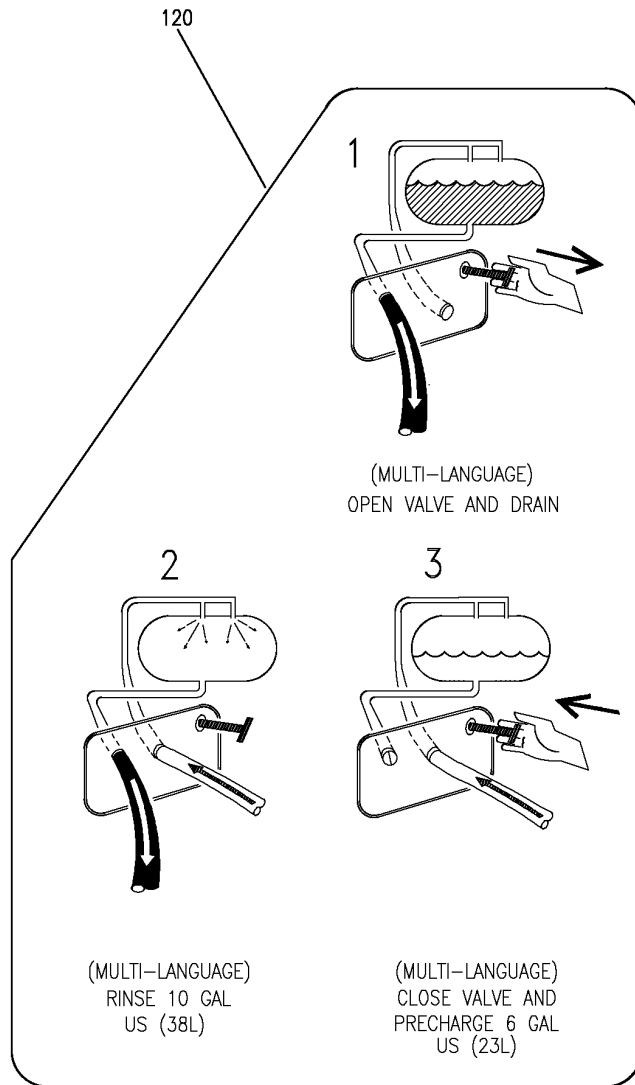
E 11205109 SHT 3 REV 066

MARKER INSTL-VAC WASTE SYS SVCE PNL ASSY  
 FIGURE 9 (SHEET 3)

**11-20-51-09**

HAP  
 OCT 10/06

11-20-51-09  
 PAGE 0B



(F)

E 11205109 SH1 4 REV 067

MARKER INSTL-VAC WASTE SYS SVCE PNL ASSY  
 FIGURE 9 (SHEET 4)

**11-20-51-09**

HAP  
 OCT 10/06

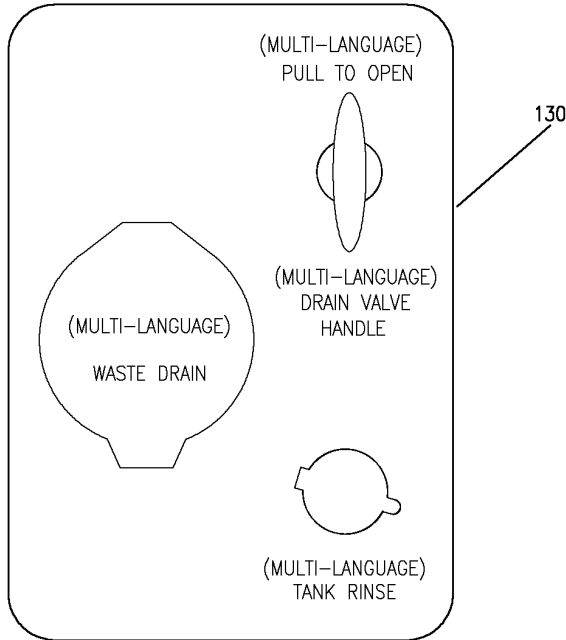
11-20-51-09  
 PAGE 0C



125

(MULTI-LANGUAGE)  
**CAUTION**  
 EXCESSIVE FORCE USED ON HANDLE TO CLOSE VALVE MAY CAUSE DAMAGE, IF HANDLE DOES NOT SEAT CORRECTLY, RINSE TANK WITH MINIMUM 10 GALLONS WATER AGAIN AND CLOSE DRAIN VALVE. CONTACT MAINTENANCE IF JAMMING CONDITION STILL OCCURS

(G)



(H)

E 11205109 SH1 5 REV 067

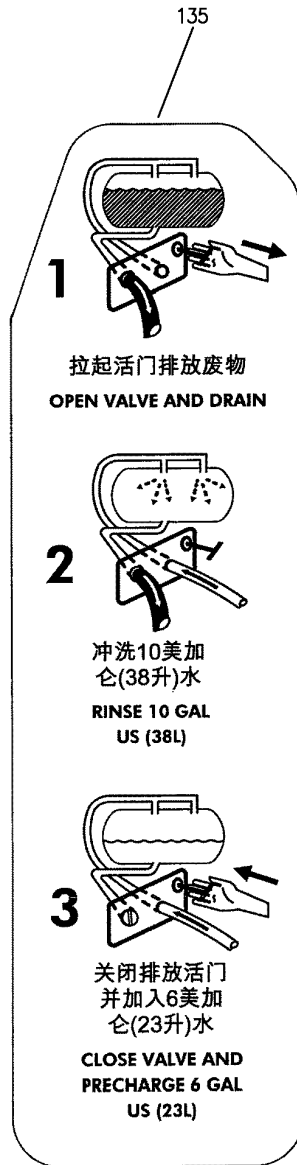
MARKER INSTL-VAC WASTE SYS SVCE PNL ASSY  
 FIGURE 9 (SHEET 5)

**11-20-51-09**

HAP  
 OCT 10/06

11-20-51-09  
 PAGE 0D

**BOEING**  
 737-600/700/800/900  
 PARTS CATALOG (MAINTENANCE)



(K)

E 11205109 SH1 6 REV 147

MARKER INSTL-VAC WASTE SYS SVCE PNL ASSY  
 FIGURE 9 (SHEET 6)

**11-20-51-09**

HAP  
 OCT 15/08

11-20-51-09  
 PAGE 0E

 **BOEING**  
737-600/700/800/900  
**PARTS CATALOG (MAINTENANCE)**

FIG ITEM	PART NUMBER	1 2 3 4 5 6 7	NOMENCLATURE	EFFECT FROM TO	UNITS PER ASSY
9			MARKER INSTL-VAC WASTE SYS SVCE PNL ASSY		
- 1	417A8615-3		MARKER INSTL-VAC WASTE SYS SVCE PNL ASSY FOR NHA SEE: 11-20-00-07	001030 201967	RF
- 1	MODREF97215		MARKER INSTL-VAC WASTE SYS SVCE PNL ASSY MODULE NUMBER: 417A8615-3 REV A	031200 968999	1
5	BAC27DEL1286		.MARKER- PLACARD CONTENT: S1034		1
10	BAC27DEL1289		.MARKER- PLACARD CONTENT: M1848		1
15	BAC27DEL1292		.MARKER- PLACARD CONTENT: M1922		1
20	BAC27DPA5115		.MARKER		1
25	BAC27DPA5116		.MARKER		1
30	BAC27DPA5117		.MARKER		1

MISSING ITEM NUMBERS NOT APPLICABLE

- ITEM NOT ILLUSTRATED

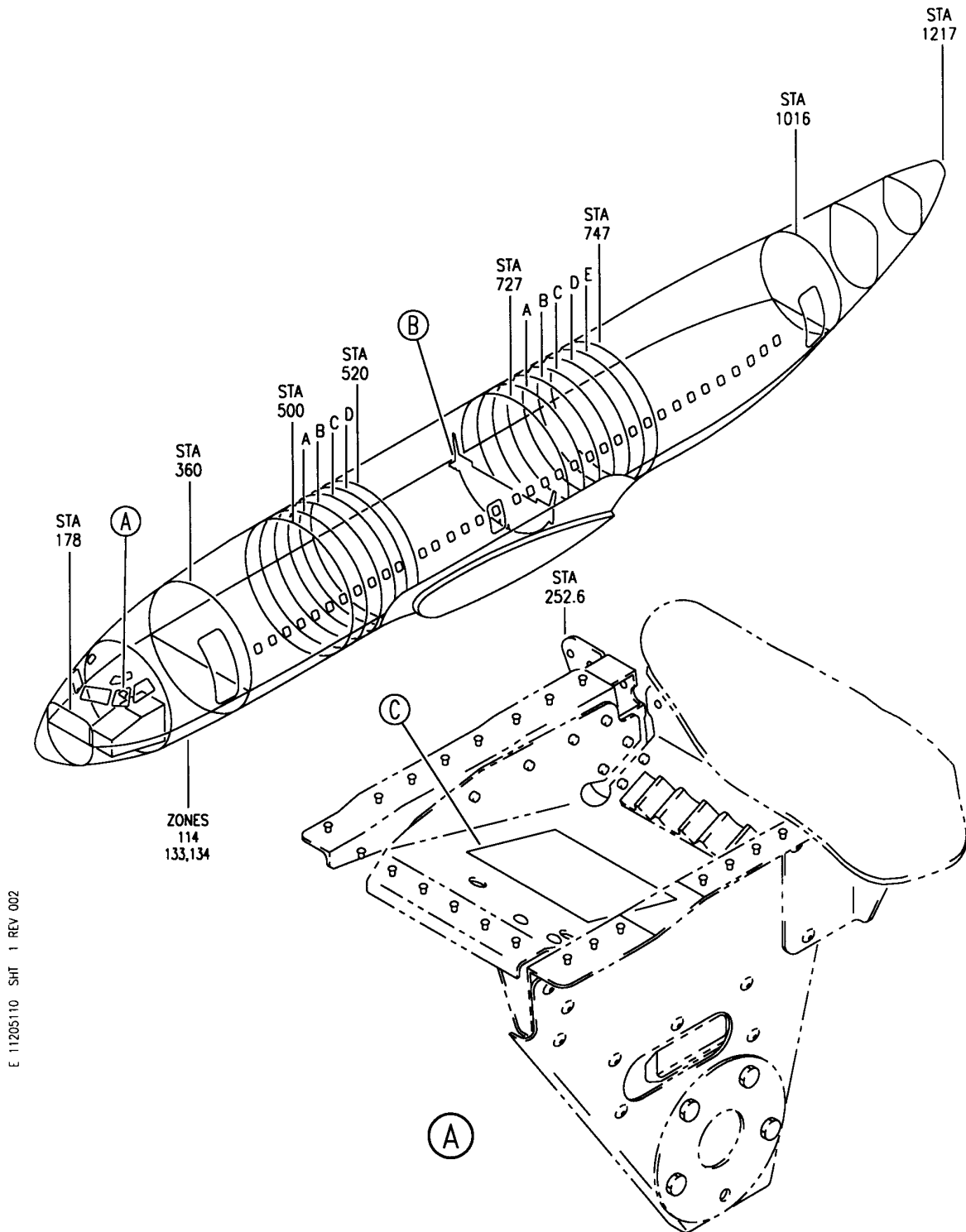
HAP

# 11-20-51-09

BOEING PROPRIETARY - Copyright © - Unpublished Work - See title page for details.

11-20-51  
FIG. 09  
PAGE 1  
OCT 15/08

**BOEING**  
 737-600/700/800/900  
 PARTS CATALOG (MAINTENANCE)



E 11205110 SHT 1 REV 002

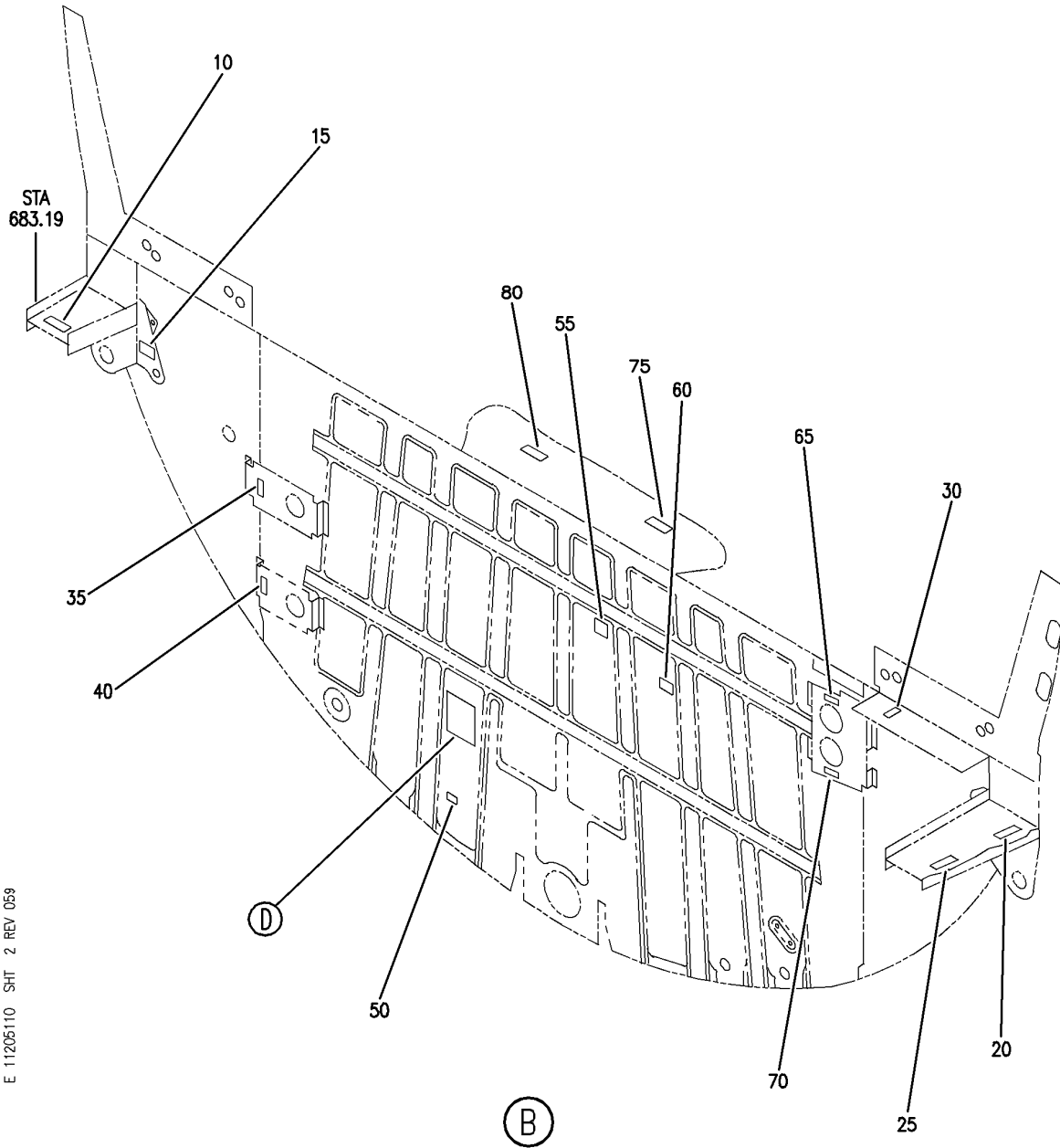
MARKER INSTL-SECT. 41 AND 44 BODY AND LG SYS  
 FIGURE 10 (SHEET 1)

**11-20-51-10**

HAP  
 OCT 15/08

11-20-51-10  
 PAGE 0

**BOEING**  
 737-600/700/800/900  
 PARTS CATALOG (MAINTENANCE)



E 11205110 SHT 2 REV 059

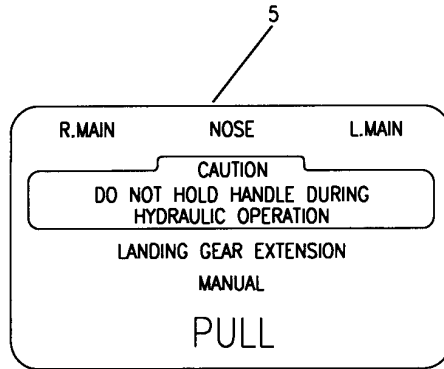
MARKER INSTL-SECT. 41 AND 44 BODY AND LG SYS  
 FIGURE 10 (SHEET 2)

**11-20-51-10**

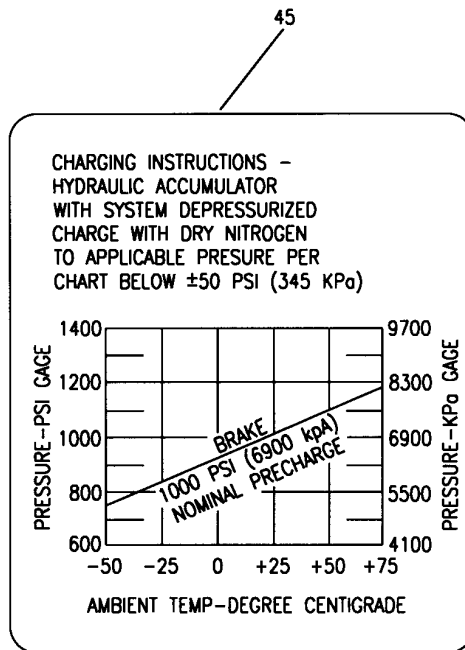
HAP  
 OCT 15/08

11-20-51-10  
 PAGE 0A

**BOEING**  
 737-600/700/800/900  
 PARTS CATALOG (MAINTENANCE)



(C)



(D)

E 11205110 SH1 3 REV 002

MARKER INSTL-SECT. 41 AND 44 BODY AND LG SYS  
 FIGURE 10 (SHEET 3)

**11-20-51-10**

HAP  
 OCT 15/08

11-20-51-10  
 PAGE 0B

 **BOEING**  
737-600/700/800/900  
**PARTS CATALOG (MAINTENANCE)**

FIG ITEM	PART NUMBER	1 2 3 4 5 6 7	NOMENCLATURE	EFFECT FROM TO	UNITS PER ASSY
10			MARKER INSTL-SECT. 41 AND 44 BODY AND LG SYS	201967	
- 1	270A0442-1		MARKER INSTL-BODY AND LG SYS POSITION DATA: SECT. 41 AND 44 FOR NHA SEE: 11-20-00-19	201967	RF
5	BAC27DCT168		.MARKER-ALUMINUM FOIL	201967	1
10	BAC27DHY0316		.MARKER-ALUMINUM FOIL PLACARD CONTENT: RIGHT ALT ANTISKID VALVE V124-D2872	201967	1
15	BAC27DHY0352		.MARKER-ALUMINUM FOIL PLACARD CONTENT: PRESSURE XMTR R ALT BRAKE D2915 T495	201967	1
20	BAC27DHY0315		.MARKER-ALUMINUM FOIL PLACARD CONTENT: LEFT ALT ANTISKID VALVE V125-D2874	201967	1
25	BAC27DHY0350		.MARKER-ALUMINUM FOIL PLACARD CONTENT: PRESSURE XMTR L ALT BRAKE D2913 T494	201967	1
30	BACM10V20-2AEC		.MARKER-ALUMINUM FOIL PLACARD CONTENT: LANDING GEAR CONTROL VALVE	201967	1
35	BAC27DHY0317		.MARKER-ALUMINUM FOIL PLACARD CONTENT: RIGHT INBD ANTISKID VALVE V8-D930	201967	1
40	BAC27DHY0314		.MARKER-ALUMINUM FOIL PLACARD CONTENT: RIGHT OUTBD ANTISKID VALVE V10-D932	201967	1
45	BAC27DHY377		.MARKER-ALUMINUM FOIL	201967	1
50	BAC27DHY0292		.MARKER-ALUMINUM FOIL PLACARD CONTENT: ACCUMULATOR PRESSURE BRAKE SYSTEM	201967	1
55	BAC27DHY0353		.MARKER-ALUMINUM FOIL PLACARD CONTENT: PRESSURE XMTR R NORM BRAKE D2911 T493	201967	1

MISSING ITEM NUMBERS NOT APPLICABLE

- ITEM NOT ILLUSTRATED

HAP

# 11-20-51-10

11-20-51  
FIG. 10  
PAGE 1  
OCT 15/08

**BOEING**  
737-600/700/800/900  
PARTS CATALOG (MAINTENANCE)

FIG ITEM	PART NUMBER	1 2 3 4 5 6 7	NOMENCLATURE	EFFECT FROM TO	UNITS PER ASSY
10					
60	BAC27DHY0351		.MARKER-ALUMINUM FOIL PLACARD CONTENT: PRESSURE XMTR L NORM BRAKE D2909 T492	201967	1
65	BAC27DHY0318		.MARKER-ALUMINUM FOIL PLACARD CONTENT: LEFT INBD ANTISKID VALVE V7-D924	201967	1
70	BAC27DHY0319		.MARKER-ALUMINUM FOIL PLACARD CONTENT: LEFT OUTBD ANTISKID VALVE V9-D926	201967	1

MISSING ITEM NUMBERS NOT APPLICABLE

— ITEM NOT ILLUSTRATED

HAP

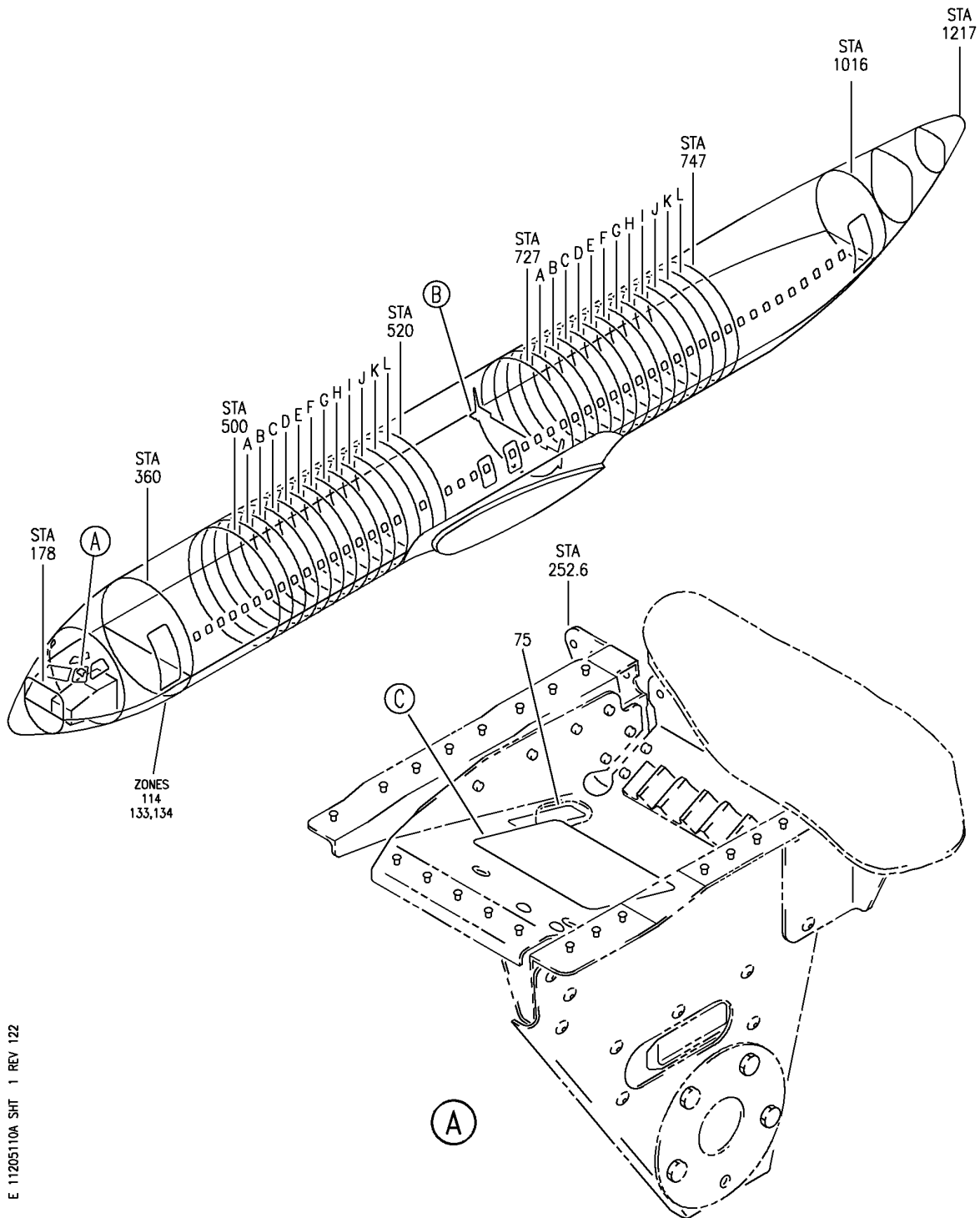
# 11-20-51-10

BOEING PROPRIETARY - Copyright © - Unpublished Work - See title page for details.

11-20-51  
FIG. 10  
PAGE 2  
OCT 15/08



**BOEING**  
 737-600/700/800/900  
 PARTS CATALOG (MAINTENANCE)



E 11205110A SHT 1 REV 122

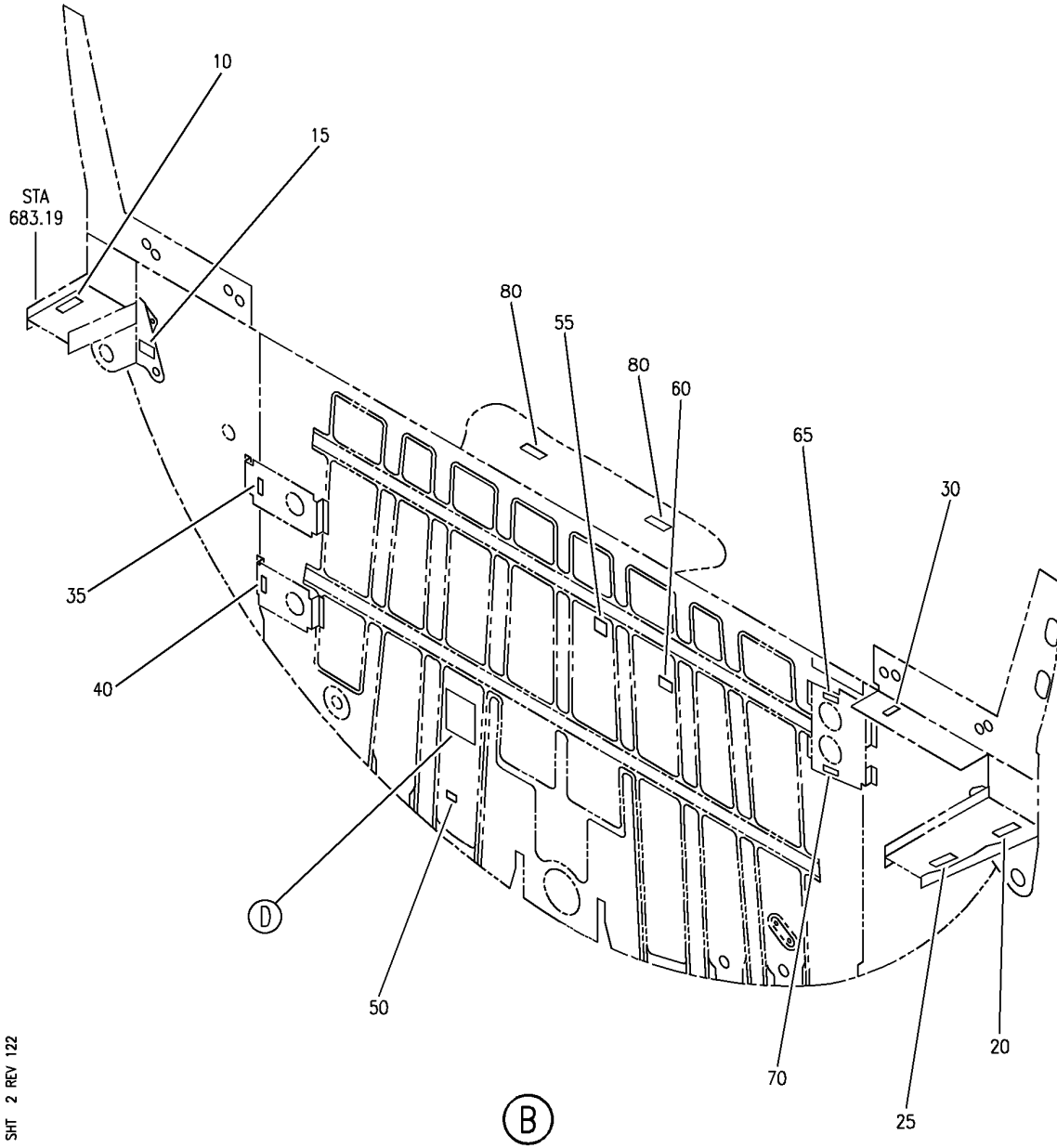
MARKER INSTL-SECT. 41 AND 44 BODY AND LG SYS  
 FIGURE 10A (SHEET 1)

**11-20-51-10A**

HAP  
 OCT 10/06

11-20-51-10A  
 PAGE 0

**BOEING**  
 737-600/700/800/900  
 PARTS CATALOG (MAINTENANCE)



E 11205110A SHT 2 REV 122

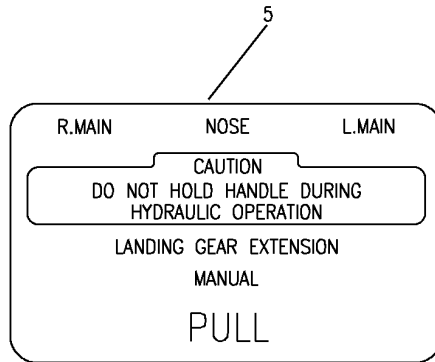
MARKER INSTL-SECT. 41 AND 44 BODY AND LG SYS  
 FIGURE 10A (SHEET 2)

**11-20-51-10A**

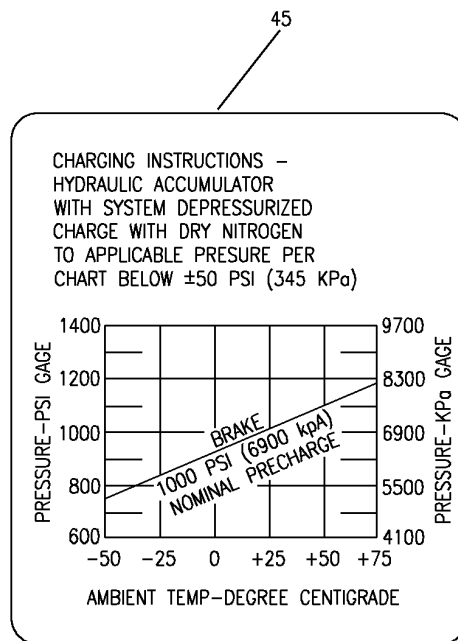
HAP  
 OCT 10/06

11-20-51-10A  
 PAGE 0A

**BOEING**  
**737-600/700/800/900**  
**PARTS CATALOG (MAINTENANCE)**



(C)



(D)

E 11205110A SHT 3 REV 122

MARKER INSTL-SECT. 41 AND 44 BODY AND LG SYS  
FIGURE 10A (SHEET 3)

**11-20-51-10A**

HAP  
OCT 10/06

11-20-51-10A  
PAGE 0B

**BOEING**  
737-600/700/800/900  
PARTS CATALOG (MAINTENANCE)

FIG ITEM	PART NUMBER	1 2 3 4 5 6 7	NOMENCLATURE	EFFECT FROM TO	UNITS PER ASSY
10A			MARKER INSTL-SECT. 41 AND 44 BODY AND LG SYS	001030	
- 1	270A0442-1		MARKER INSTL-BODY AND LG SYS POSITION DATA: SECT. 41 AND 44 FOR NHA SEE: 11-20-00-19	001027	RF
- 1	270A0442-2		MARKER INSTL-BODY AND LG SYS POSITION DATA: SECT. 41 AND 44 FOR NHA SEE: 11-20-00-19	028030	RF
5	BAC27DCT168		.MARKER-ALUMINUM FOIL	001030	1
10	BAC27DHY0316		.MARKER-ALUMINUM FOIL PLACARD CONTENT: RIGHT ALT ANTISKID VALVE V124-D2872	001030	1
15	BAC27DHY0352		.MARKER-ALUMINUM FOIL PLACARD CONTENT: PRESSURE XMTR R ALT BRAKE D2915 T495	001030	1
20	BAC27DHY0315		.MARKER-ALUMINUM FOIL PLACARD CONTENT: LEFT ALT ANTISKID VALVE V125-D2874	001030	1
25	BAC27DHY0350		.MARKER-ALUMINUM FOIL PLACARD CONTENT: PRESSURE XMTR L ALT BRAKE D2913 T494	001030	1
30	BACM10V20-2AEC		.MARKER-ALUMINUM FOIL PLACARD CONTENT: LANDING GEAR CONTROL VALVE	001030	1
35	BAC27DHY0317		.MARKER-ALUMINUM FOIL PLACARD CONTENT: RIGHT INBD ANTISKID VALVE V8-D930	001030	1
40	BAC27DHY0314		.MARKER-ALUMINUM FOIL PLACARD CONTENT: RIGHT OUTBD ANTISKID VALVE V10-D932	001030	1
45	BAC27DHY377		.MARKER-ALUMINUM FOIL	001030	1

MISSING ITEM NUMBERS NOT APPLICABLE

- ITEM NOT ILLUSTRATED

HAP

# 11-20-51-10A

BOEING PROPRIETARY - Copyright © - Unpublished Work - See title page for details.

11-20-51  
FIG. 10A  
PAGE 1  
JUN 10/07

**BOEING**  
737-600/700/800/900  
PARTS CATALOG (MAINTENANCE)

FIG ITEM	PART NUMBER	1 2 3 4 5 6 7	NOMENCLATURE	EFFECT FROM TO	UNITS PER ASSY
10A					
50	BAC27DHY0292		.MARKER-ALUMINUM FOIL PLACARD CONTENT: ACCUMULATOR PRESSURE BRAKE SYSTEM	001030	1
55	BAC27DHY0353		.MARKER-ALUMINUM FOIL PLACARD CONTENT: PRESSURE XMTR R NORM BRAKE D2911 T493	001030	1
60	BAC27DHY0351		.MARKER-ALUMINUM FOIL PLACARD CONTENT: PRESSURE XMTR L NORM BRAKE D2909 T492	001030	1
65	BAC27DHY0318		.MARKER-ALUMINUM FOIL PLACARD CONTENT: LEFT INBD ANTISKID VALVE V7-D924	001030	1
70	BAC27DHY0319		.MARKER-ALUMINUM FOIL PLACARD CONTENT: LEFT OUTBD ANTISKID VALVE V9-D926	001030	1
75	BAC27DHY412		.MARKER-ALUMINUM FOIL PLACARD CONTENT: S01060 LG MANUAL EXTENSION SWITCH	028030	1
80	BAC27NCT0180		.MARKER-ALUMINUM FOIL PLACARD CONTENT: BRAKE METERING VALVE	028030	2

MISSING ITEM NUMBERS NOT APPLICABLE

— ITEM NOT ILLUSTRATED

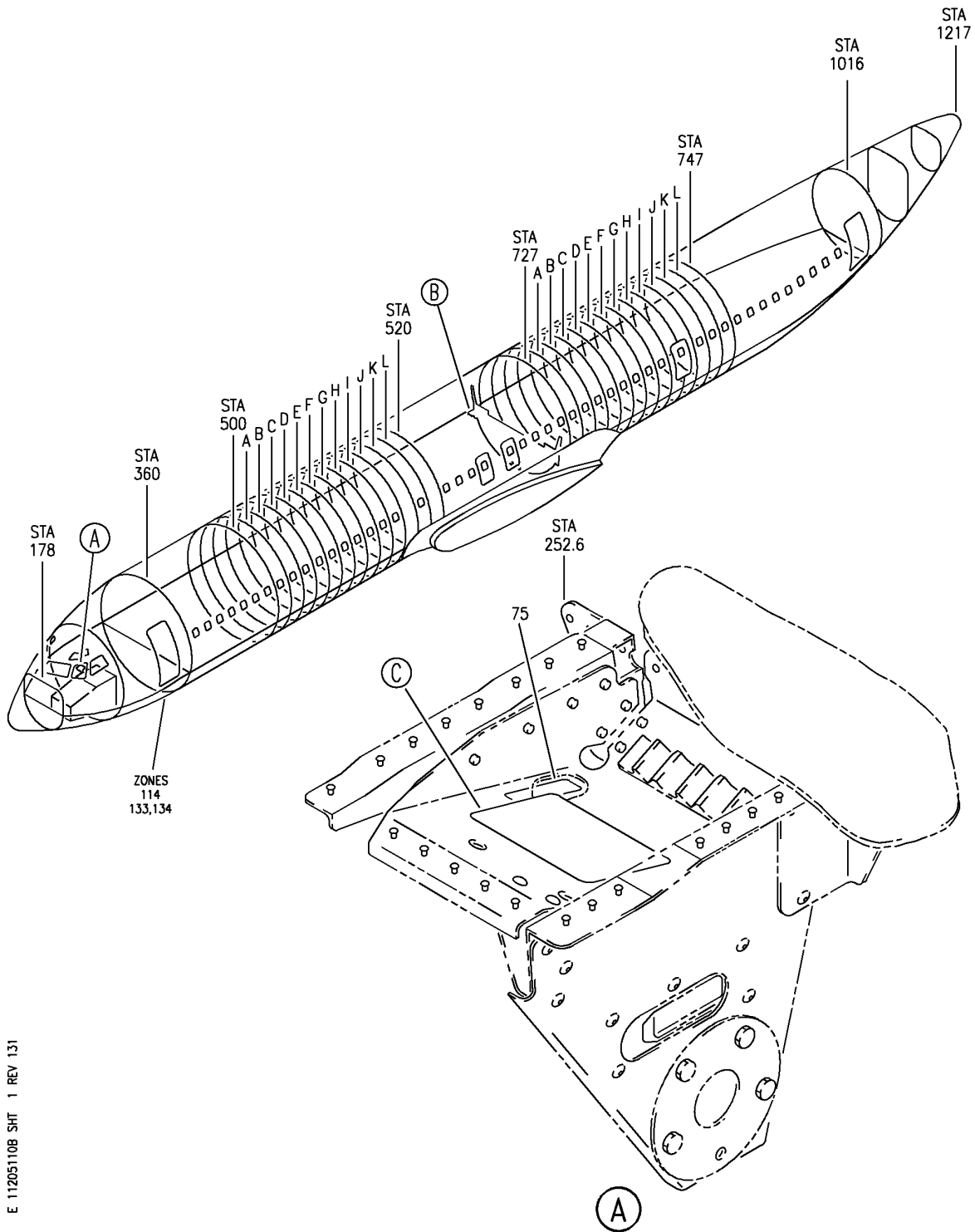
HAP

# 11-20-51-10A

BOEING PROPRIETARY - Copyright © - Unpublished Work - See title page for details.

11-20-51  
FIG. 10A  
PAGE 2  
JUN 10/07

**BOEING**  
 737-600/700/800/900  
 PARTS CATALOG (MAINTENANCE)



E 11205110B SHT 1 REV 131

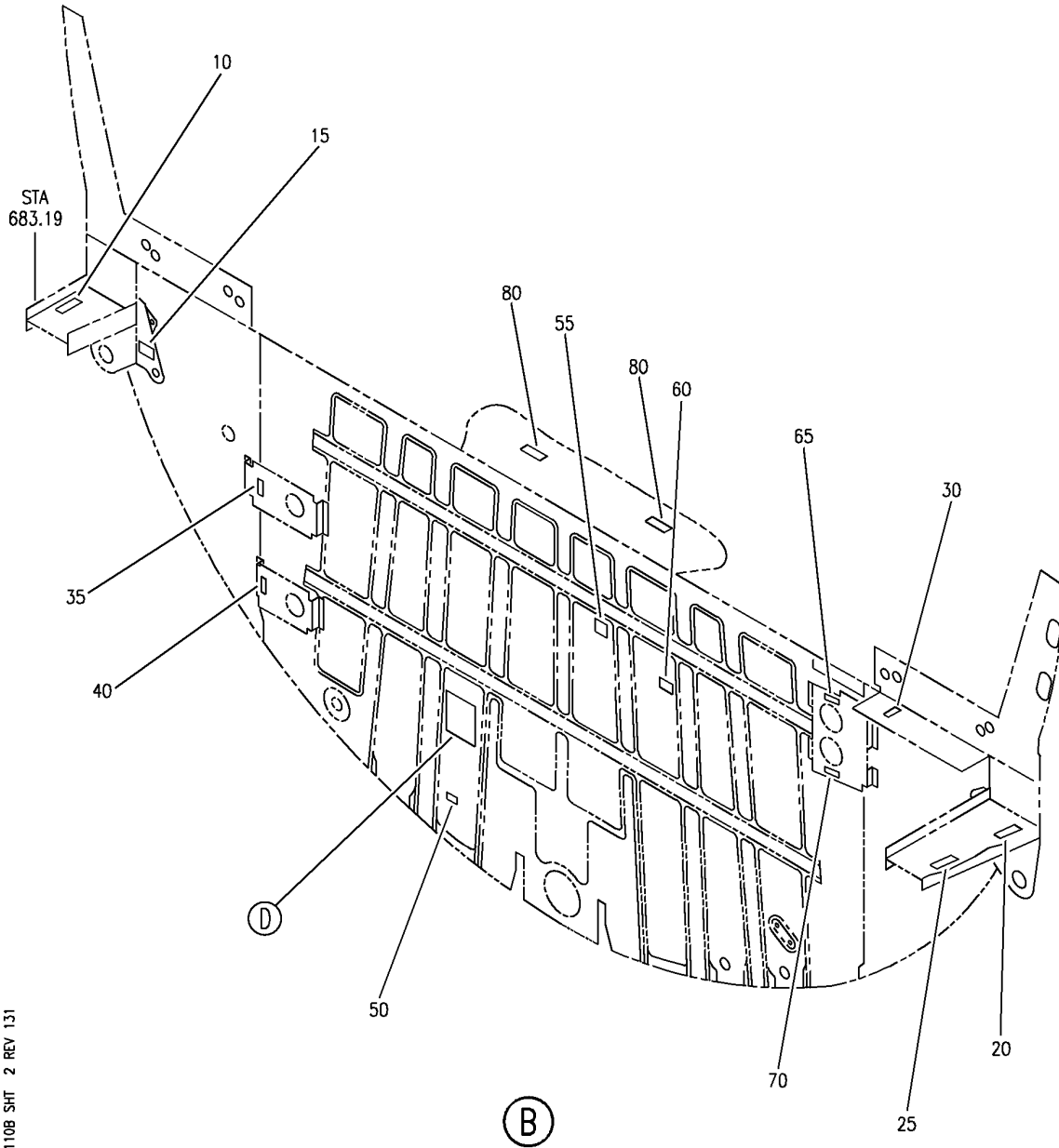
MARKER INSTL-SECT. 41 AND 44 BODY AND LG SYS  
 FIGURE 10B (SHEET 1)

**11-20-51-10B**

HAP  
 JUN 10/07

11-20-51-10B  
 PAGE 0

**BOEING**  
737-600/700/800/900  
PARTS CATALOG (MAINTENANCE)



E 11205110B SHT 2 REV 131

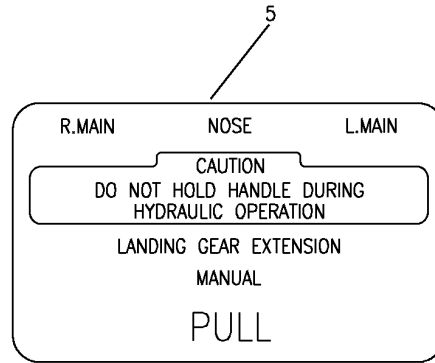
MARKER INSTL-SECT. 41 AND 44 BODY AND LG SYS  
FIGURE 10B (SHEET 2)

HAP  
JUN 10/07

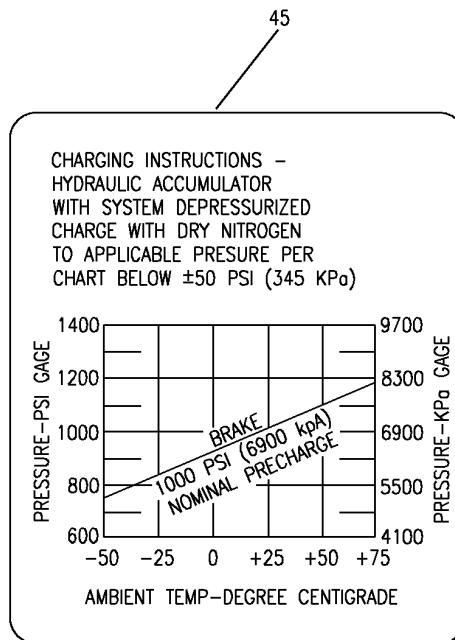
**11-20-51-10B**

11-20-51-10B  
PAGE 0A

**BOEING**  
 737-600/700/800/900  
 PARTS CATALOG (MAINTENANCE)



(C)



(D)

E 11205110B SHT 3 REV 131

MARKER INSTL-SECT. 41 AND 44 BODY AND LG SYS  
 FIGURE 10B (SHEET 3)

**11-20-51-10B**

HAP  
 JUN 10/07

11-20-51-10B  
 PAGE 0B



**BOEING**  
737-600/700/800/900  
PARTS CATALOG (MAINTENANCE)

FIG ITEM	PART NUMBER	1 2 3 4 5 6 7	NOMENCLATURE	EFFECT FROM TO	UNITS PER ASSY
10B			MARKER INSTL-SECT. 41 AND 44 BODY AND LG SYS	031200 968999	
- 1	MODREF84278		MARKER INSTL-BODY AND LG SYS MODULE NUMBER: 270A0442-2 REV A POSITION DATA: SECT. 41 AND 44	031036	1
- 1	MODREF287718		MARKER INSTL-BODY AND LG SYS MODULE NUMBER: 270A0442-2 REV B POSITION DATA: SECT. 41 AND 44	037200 968999	1
5	BAC27DCT168		.MARKER-ALUMINUM FOIL	031200 968999	1
10	BAC27DHY0316		.MARKER-ALUMINUM FOIL PLACARD CONTENT: RIGHT ALT ANTISKID VALVE V124-D2872	031200 968999	1
15	BAC27DHY0352		.MARKER-ALUMINUM FOIL PLACARD CONTENT: PRESSURE XMTR R ALT BRAKE D2915 T495	031200 968999	1
20	BAC27DHY0315		.MARKER-ALUMINUM FOIL PLACARD CONTENT: LEFT ALT ANTISKID VALVE V125-D2874	031200 968999	1
25	BAC27DHY0350		.MARKER-ALUMINUM FOIL PLACARD CONTENT: PRESSURE XMTR L ALT BRAKE D2913 T494	031200 968999	1
30	BACM10V20-2AEC		.MARKER-ALUMINUM FOIL PLACARD CONTENT: LANDING GEAR CONTROL VALVE	031200 968999	1
35	BAC27DHY0317		.MARKER-ALUMINUM FOIL PLACARD CONTENT: RIGHT INBD ANTISKID VALVE V8-D930	031200 968999	1
40	BAC27DHY0314		.MARKER-ALUMINUM FOIL PLACARD CONTENT: RIGHT OUTBD ANTISKID VALVE V10-D932	031200 968999	1
45	BAC27DHY377		.MARKER-ALUMINUM FOIL	031200 968999	1

MISSING ITEM NUMBERS NOT APPLICABLE

- ITEM NOT ILLUSTRATED

HAP

# 11-20-51-10B

BOEING PROPRIETARY - Copyright © - Unpublished Work - See title page for details.

11-20-51  
FIG. 10B  
PAGE 1  
OCT 15/08

**BOEING**  
737-600/700/800/900  
PARTS CATALOG (MAINTENANCE)

FIG ITEM	PART NUMBER	1 2 3 4 5 6 7	NOMENCLATURE	EFFECT FROM TO	UNITS PER ASSY
10B					
50	BAC27DHY0292		.MARKER-ALUMINUM FOIL PLACARD CONTENT: ACCUMULATOR PRESSURE BRAKE SYSTEM	031200 968999	1
55	BAC27DHY0353		.MARKER-ALUMINUM FOIL PLACARD CONTENT: PRESSURE XMTR R NORM BRAKE D2911 T493	031200 968999	1
60	BAC27DHY0351		.MARKER-ALUMINUM FOIL PLACARD CONTENT: PRESSURE XMTR L NORM BRAKE D2909 T492	031200 968999	1
65	BAC27DHY0318		.MARKER-ALUMINUM FOIL PLACARD CONTENT: LEFT INBD ANTISKID VALVE V7-D924	031200 968999	1
70	BAC27DHY0319		.MARKER-ALUMINUM FOIL PLACARD CONTENT: LEFT OUTBD ANTISKID VALVE V9-D926	031200 968999	1
75	BAC27DHY412		.MARKER-ALUMINUM FOIL PLACARD CONTENT: S01060 LG MANUAL EXTENSION SWITCH	031200 968999	1
80	BAC27NCT0180		.MARKER-ALUMINUM FOIL PLACARD CONTENT: BRAKE METERING VALVE	031200 968999	2

MISSING ITEM NUMBERS NOT APPLICABLE

— ITEM NOT ILLUSTRATED

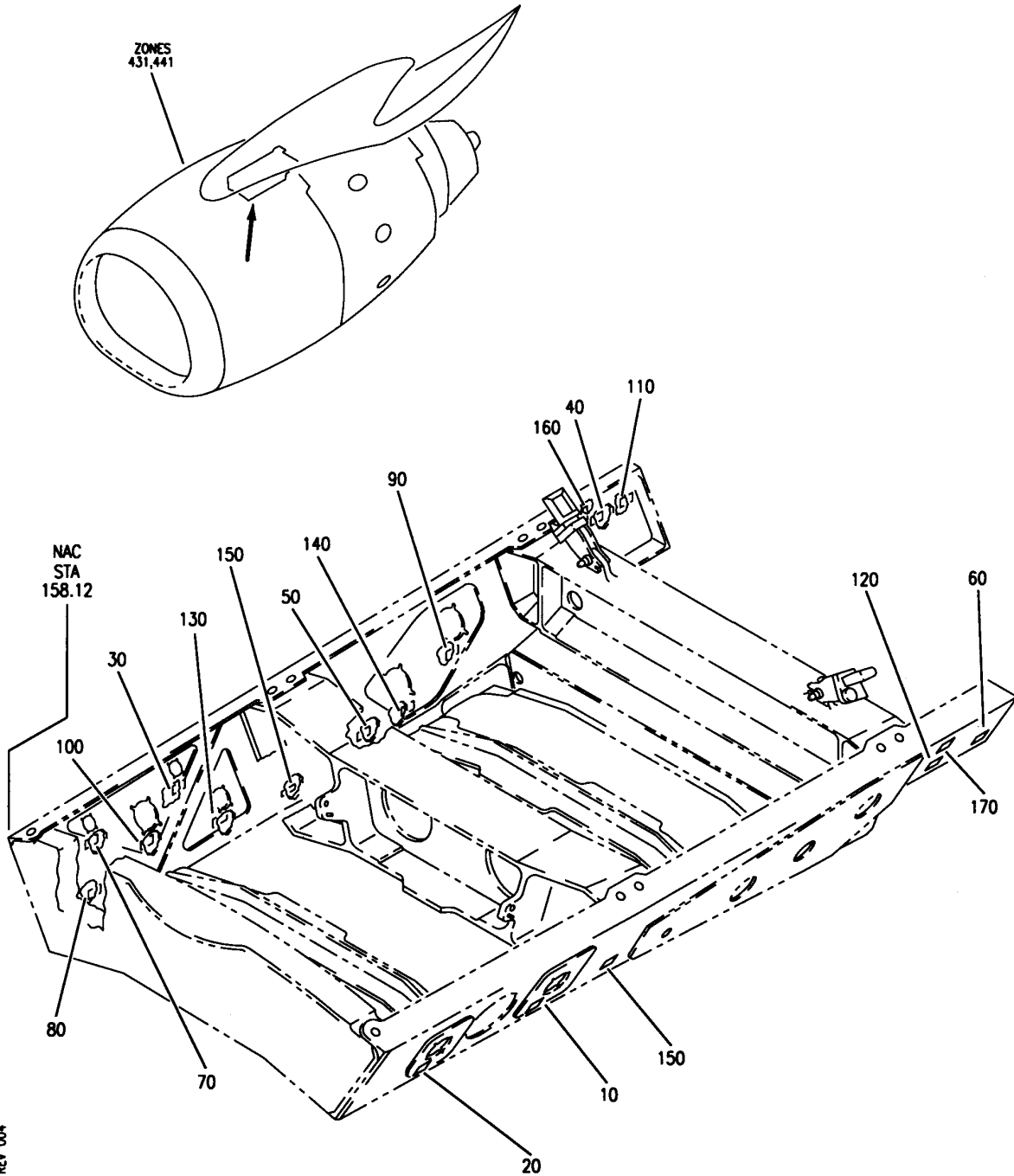
HAP

# 11-20-51-10B

BOEING PROPRIETARY - Copyright © - Unpublished Work - See title page for details.

11-20-51  
FIG. 10B  
PAGE 2  
OCT 15/08

**BOEING**  
737-600/700/800/900  
PARTS CATALOG (MAINTENANCE)



E 11205111 REV 004

MARKER INSTL-STRUT  
FIGURE 11

**11-20-51-11**

HAP  
OCT 10/06

11-20-51-11  
PAGE 0

**BOEING**  
737-600/700/800/900  
PARTS CATALOG (MAINTENANCE)

FIG ITEM	PART NUMBER	1 2 3 4 5 6 7	NOMENCLATURE	EFFECT FROM TO	UNITS PER ASSY
11					
- 1	312A2200-3		MARKER INSTL-STRUT MARKER INSTL-STRUT POSITION DATA: LH FOR NHA SEE: 54-51-01-01	001030 201967	RF
- 1	MODREF101820		MARKER INSTL-STRUT MODULE NUMBER: 312A2200-3 REV B POSITION DATA: LH FOR NHA SEE: 54-51-01-01	031200 968999	1
- 5	312A2200-4		MARKER INSTL-STRUT POSITION DATA: RH FOR NHA SEE: 54-51-01-01	001030 201967	RF
- 5	MODREF89080		MARKER INSTL-STRUT MODULE NUMBER: 312A2200-4 REV A POSITION DATA: RH FOR NHA SEE: 54-51-01-01	031200 968999	1
10	BAC27DEL1217		.MARKER- POSITION DATA: LH SIDE PLACARD CONTENT: D30238 POS 10		1
- 15	BAC27DEL1203		.MARKER- POSITION DATA: RH SIDE PLACARD CONTENT: D30438 POS 10		1
20	BAC27DEL1218		.MARKER- POSITION DATA: LH SIDE PLACARD CONTENT: D30234 POS 9		1
- 25	BAC27DEL1204		.MARKER- POSITION DATA: RH SIDE PLACARD CONTENT: D30434 POS 9		1

MISSING ITEM NUMBERS NOT APPLICABLE

- ITEM NOT ILLUSTRATED

HAP

# 11-20-51-11

11-20-51  
FIG. 11  
PAGE 1  
OCT 15/08

**BOEING**  
737-600/700/800/900  
PARTS CATALOG (MAINTENANCE)

FIG ITEM	PART NUMBER	1 2 3 4 5 6 7	NOMENCLATURE	EFFECT FROM TO	UNITS PER ASSY
11					
30	BAC27DEL1219		.MARKER- POSITION DATA: LH SIDE PLACARD CONTENT: D30220 POS 5		1
- 35	BAC27DEL1205		.MARKER- POSITION DATA: RH SIDE PLACARD CONTENT: D30420 POS 5		1
40	BAC27DEL1220		.MARKER- POSITION DATA: LH SIDE PLACARD CONTENT: D30210 POS 1		1
- 45	BAC27DEL1206		.MARKER- POSITION DATA: RH SIDE PLACARD CONTENT: D30410 POS 1		1
50	BAC27DEL1221		.MARKER- POSITION DATA: LH SIDE PLACARD CONTENT: D30212 POS 3		1
- 55	BAC27DEL1207		.MARKER- POSITION DATA: RH SIDE PLACARD CONTENT: D30412 POS 3		1
60	BAC27DEL1222		.MARKER- POSITION DATA: LH SIDE PLACARD CONTENT: D30202 POS 2		1
- 65	BAC27DEL1208		.MARKER- POSITION DATA: RH SIDE PLACARD CONTENT: D30402 POS 2		1
70	BAC27DEL1223		.MARKER- POSITION DATA: LH SIDE PLACARD CONTENT: D30256 POS 7		1

MISSING ITEM NUMBERS NOT APPLICABLE

- ITEM NOT ILLUSTRATED

HAP

# 11-20-51-11

BOEING PROPRIETARY - Copyright © - Unpublished Work - See title page for details.

11-20-51  
FIG. 11  
PAGE 2  
OCT 10/06

**BOEING**  
737-600/700/800/900  
PARTS CATALOG (MAINTENANCE)

FIG ITEM	PART NUMBER	1 2 3 4 5 6 7	NOMENCLATURE	EFFECT FROM TO	UNITS PER ASSY
11					
- 75	BAC27DEL1209		.MARKER- POSITION DATA: RH SIDE PLACARD CONTENT: D30456 POS 7		1
80	BAC27DEL1224		.MARKER- POSITION DATA: LH SIDE PLACARD CONTENT: D30204 POS 8		1
- 85	BAC27DEL1210		.MARKER- POSITION DATA: RH SIDE PLACARD CONTENT: D30404 POS 8		1
90	BAC27DEL1225		.MARKER- POSITION DATA: LH SIDE PLACARD CONTENT: D30260 POS 1		1
- 95	BAC27DEL1211		.MARKER- POSITION DATA: RH SIDE PLACARD CONTENT: D30460 POS 1		1
100	BAC27DEL1226		.MARKER- POSITION DATA: LH SIDE PLACARD CONTENT: D30228 POS 6		1
- 105	BAC27DEL1212		.MARKER- POSITION DATA: RH SIDE PLACARD CONTENT: D30428 POS 6		1
110	BAC27DEL1227		.MARKER- POSITION DATA: LH SIDE PLACARD CONTENT: D30206 POS 2		1
- 115	BAC27DEL1213		.MARKER- POSITION DATA: RH SIDE PLACARD CONTENT: D30406 POS 2		1

MISSING ITEM NUMBERS NOT APPLICABLE

- ITEM NOT ILLUSTRATED

HAP

# 11-20-51-11

BOEING PROPRIETARY - Copyright © - Unpublished Work - See title page for details.

11-20-51  
FIG. 11  
PAGE 3  
OCT 10/06

**BOEING**  
737-600/700/800/900  
PARTS CATALOG (MAINTENANCE)

FIG ITEM	PART NUMBER	1 2 3 4 5 6 7	NOMENCLATURE	EFFECT FROM TO	UNITS PER ASSY
11					
120	BAC27DEL1229		.MARKER- POSITION DATA: LH SIDE PLACARD CONTENT: D30208 POS 1		1
- 125	BAC27DEL1214		.MARKER- POSITION DATA: RH SIDE PLACARD CONTENT: D30408 POS 1		1
130	BAC27DEL1230		.MARKER- POSITION DATA: LH SIDE PLACARD CONTENT: D30252 POS 4		1
- 135	BAC27DEL1215		.MARKER- POSITION DATA: RH SIDE PLACARD CONTENT: D30452 POS 4		1
140	BAC27DEL1231		.MARKER- POSITION DATA: LH SIDE PLACARD CONTENT: D30224 POS 2		1
- 145	BAC27DEL1216		.MARKER- POSITION DATA: RH SIDE PLACARD CONTENT: D30424 POS 2		1
150	BAC27DEL1247		.MARKER- POSITION DATA: LH SIDE PLACARD CONTENT: AS0001L		2
- 155	BAC27DEL1248		.MARKER- POSITION DATA: RH SIDE PLACARD CONTENT: AS0001R		2
160	BAC27DEL1249		.MARKER- POSITION DATA: LH SIDE PLACARD CONTENT: AS0003L		1

MISSING ITEM NUMBERS NOT APPLICABLE

- ITEM NOT ILLUSTRATED

HAP

# 11-20-51-11

BOEING PROPRIETARY - Copyright © - Unpublished Work - See title page for details.

11-20-51  
FIG. 11  
PAGE 4  
OCT 10/06


**BOEING**  
 737-600/700/800/900  
**PARTS CATALOG (MAINTENANCE)**

FIG ITEM	PART NUMBER	1 2 3 4 5 6 7	NOMENCLATURE	EFFECT FROM TO	UNITS PER ASSY
11 - 165	BAC27DEL1252		.MARKER- POSITION DATA: RH SIDE PLACARD CONTENT: AS0003R		1
170	BAC27DEL1250		.MARKER- POSITION DATA: LH SIDE PLACARD CONTENT: AS0002L		1
- 175	BAC27DEL1251		.MARKER- POSITION DATA: RH SIDE PLACARD CONTENT: AS0002R		1

MISSING ITEM NUMBERS NOT APPLICABLE

- ITEM NOT ILLUSTRATED

HAP

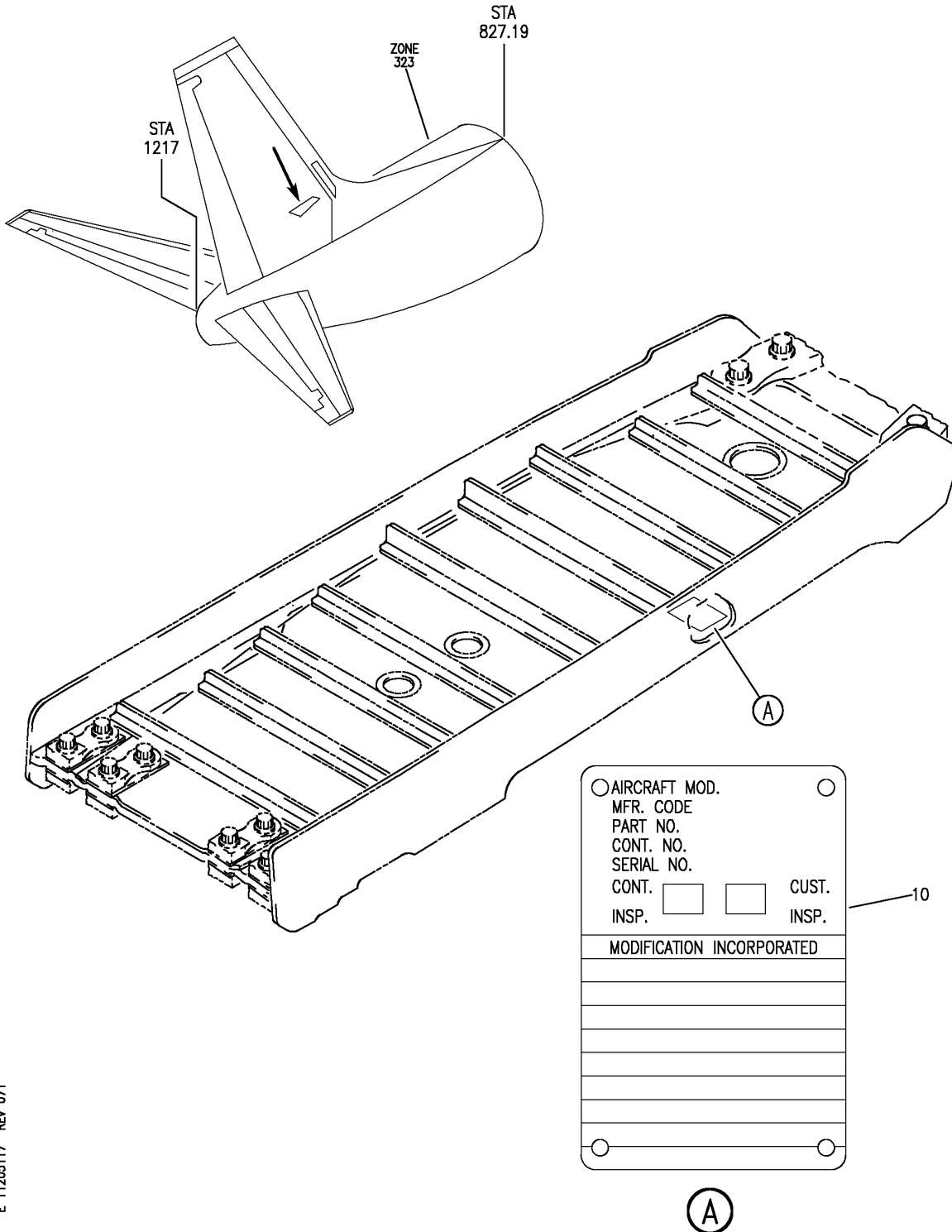
# 11-20-51-11

BOEING PROPRIETARY - Copyright © - Unpublished Work - See title page for details.

11-20-51  
 FIG. 11  
 PAGE 5  
 OCT 10/06



**BOEING**  
 737-600/700/800/900  
 PARTS CATALOG (MAINTENANCE)



E 11205117 REV 071

FIN ASSY-VERT. (PLACARDS AND MARKINGS ONLY)  
 FIGURE 17

**11-20-51-17**

HAP  
 OCT 10/06

11-20-51-17  
 PAGE 0

**BOEING**  
737-600/700/800/900  
PARTS CATALOG (MAINTENANCE)

FIG ITEM	PART NUMBER	1 2 3 4 5 6 7	NOMENCLATURE	EFFECT FROM TO	UNITS PER ASSY
17			FIN ASSY-VERT. (PLACARDS AND MARKINGS ONLY)	028029	
- 1	176A1000-41		FIN ASSY-REWORK VERT (PLACARDS AND MARKINGS ONLY)	028029	RF
10	MS27253F1		FOR NHA/OTHER SYS DET SEE: 55-30-00-29A .PLATE-IDENT	028029	1

MISSING ITEM NUMBERS NOT APPLICABLE

- ITEM NOT ILLUSTRATED

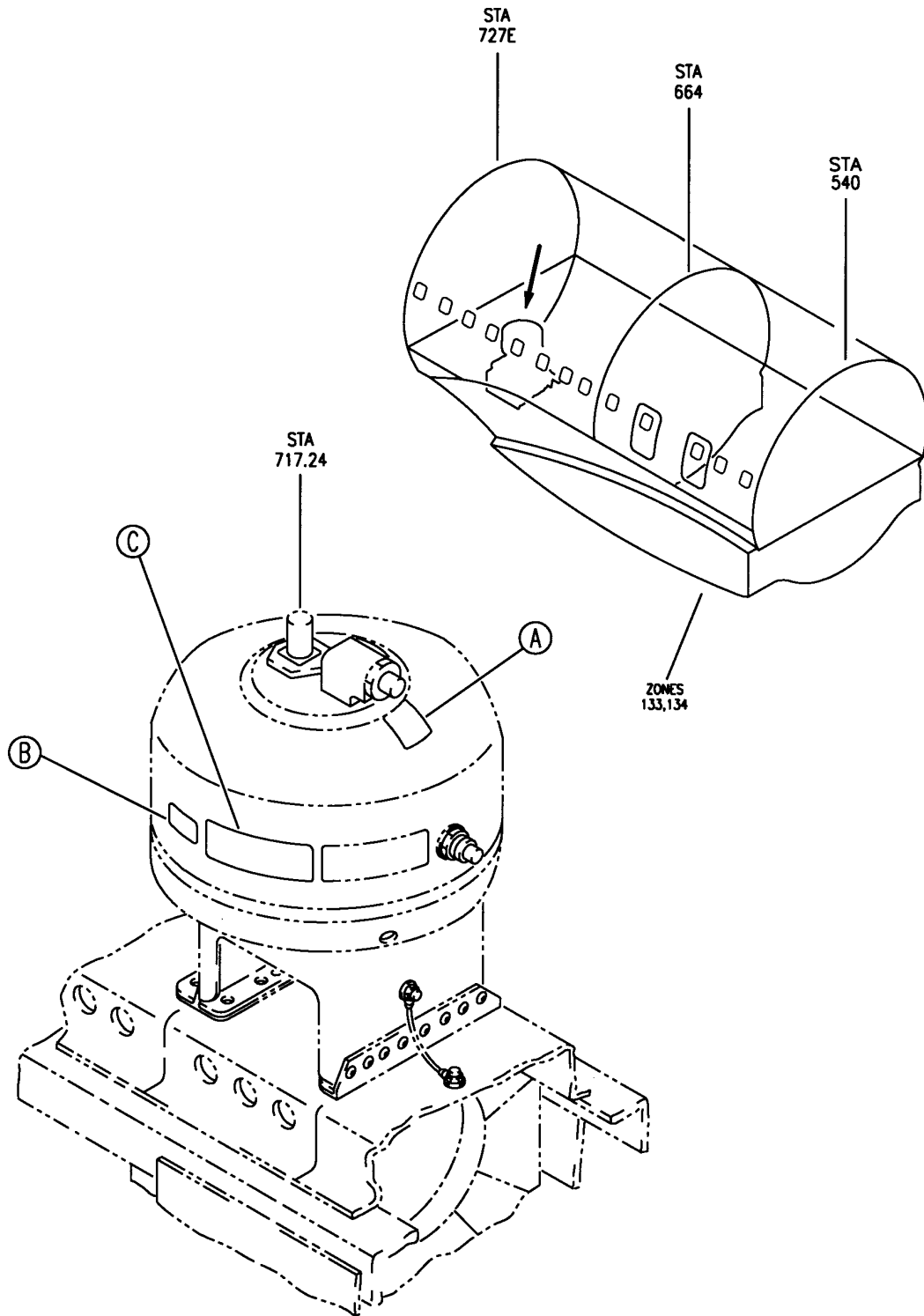
HAP

# 11-20-51-17

BOEING PROPRIETARY - Copyright © - Unpublished Work - See title page for details.

11-20-51  
FIG. 17  
PAGE 1  
OCT 10/06

**BOEING**  
737-600/700/800/900  
PARTS CATALOG (MAINTENANCE)



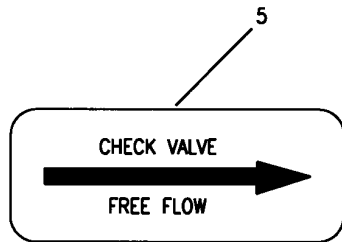
E 11205118 SHT 1 REV 008

RESERVOIR ASSY-STBY SYS HYDR (PLACARDS AND MARKINGS ONLY)  
FIGURE 18 (SHEET 1)

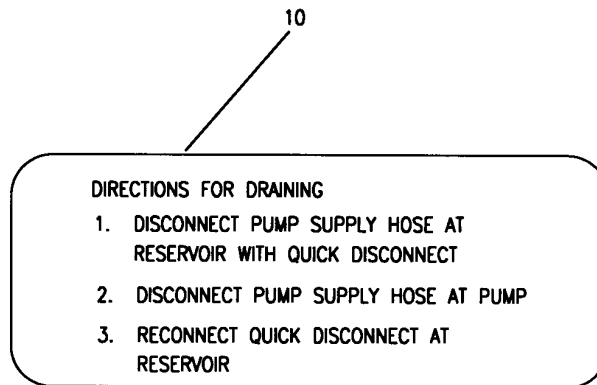
**11-20-51-18**

HAP  
OCT 10/06

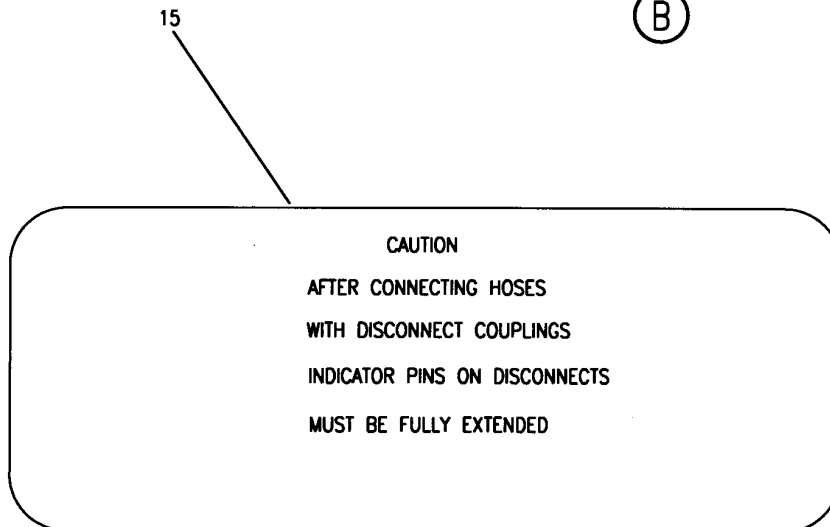
11-20-51-18  
PAGE 0



(A)



(B)



(C)

E 11205118 SHT 2 REV 008

RESERVOIR ASSY-STBY SYS HYDR (PLACARDS AND MARKINGS ONLY)  
FIGURE 18 (SHEET 2)

**11-20-51-18**

HAP  
OCT 10/06

11-20-51-18  
PAGE 0A

**BOEING**  
737-600/700/800/900  
PARTS CATALOG (MAINTENANCE)

FIG ITEM	PART NUMBER	1 2 3 4 5 6 7	NOMENCLATURE	EFFECT FROM TO	UNITS PER ASSY
18			RESERVOIR ASSY-STBY SYS HYDR (PLACARDS AND MARKINGS ONLY)		
- 1	276A3100-7		RESERVOIR ASSY-STBY SYS HYDR (PLACARDS AND MARKINGS ONLY) COMPONENT MAINT MANUAL REF: 29-15-01 FOR NHA/OTHER SYS DET SEE: 29-21-31-03		RF
5	BACM10V21-2JG		.MARKER-ALUMINUM FOIL		1
10	BAC27DHY1		.MARKER-ALUMINUM FOIL		1
15	BAC27DHY17		.MARKER-ALUMINUM FOIL		1

MISSING ITEM NUMBERS NOT APPLICABLE

- ITEM NOT ILLUSTRATED

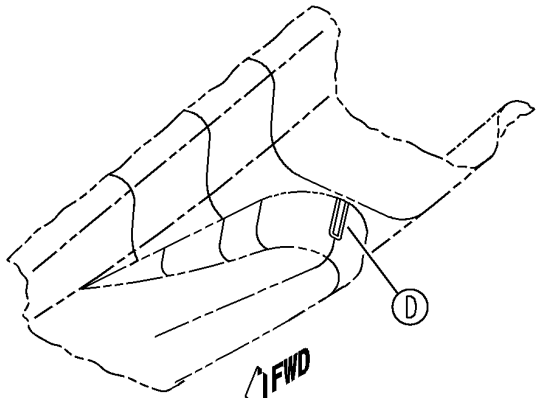
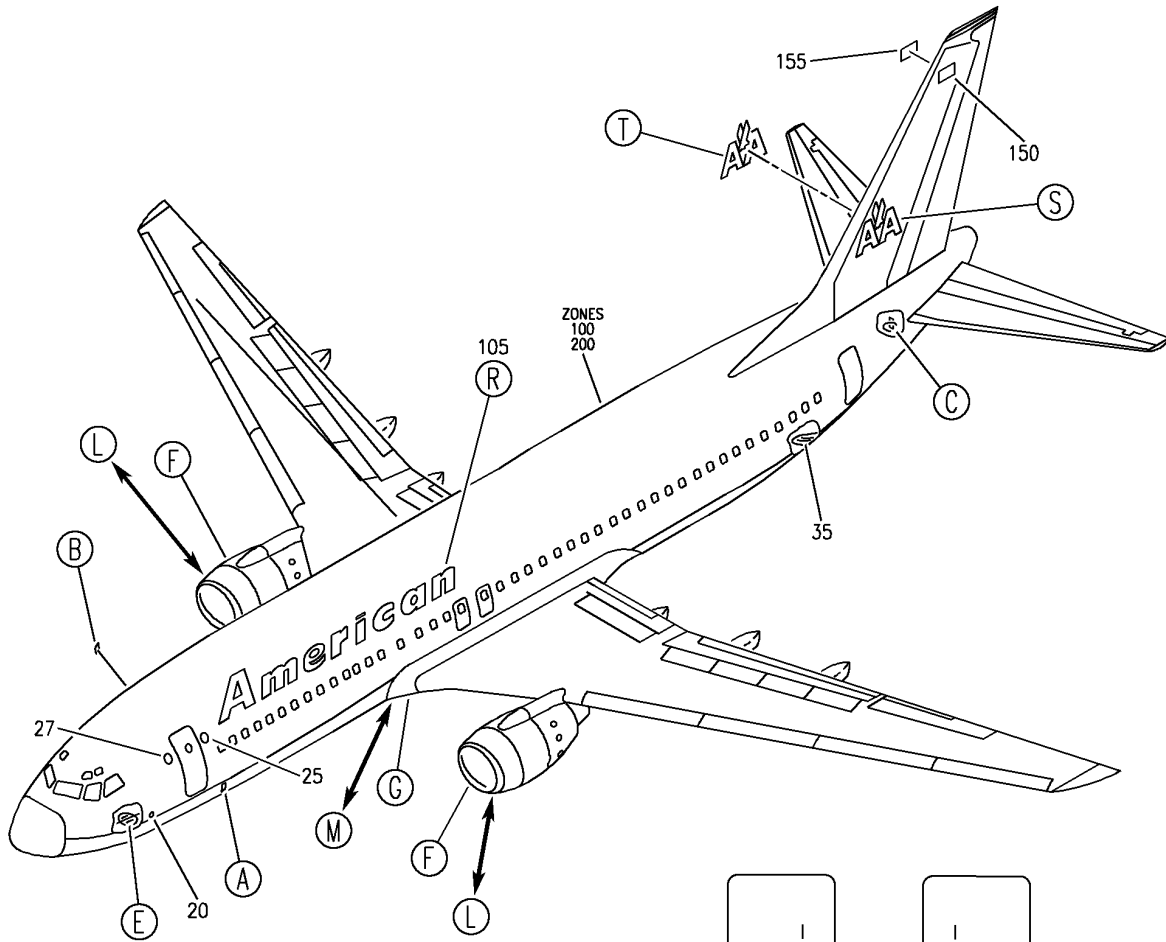
HAP

# 11-20-51-18

BOEING PROPRIETARY - Copyright © - Unpublished Work - See title page for details.

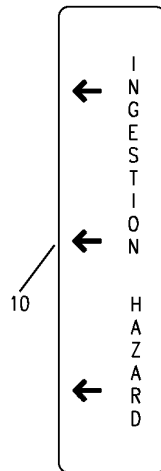
11-20-51  
FIG. 18  
PAGE 1  
JUN 15/08

**BOEING**  
 737-600/700/800/900  
 PARTS CATALOG (MAINTENANCE)

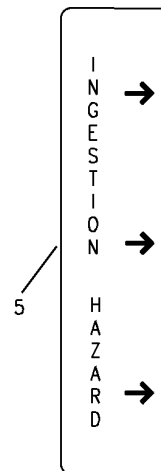


VIEW LOOKING UP  
 FWD

(C)



(B)



(A)

E 11205125 SHT 1 REV 126

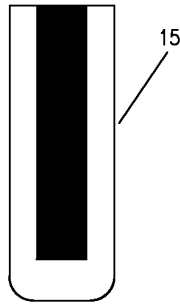
MARKING INSTL-DECORATIVE EXT  
 FIGURE 25 (SHEET 1)

**11-20-51-25**

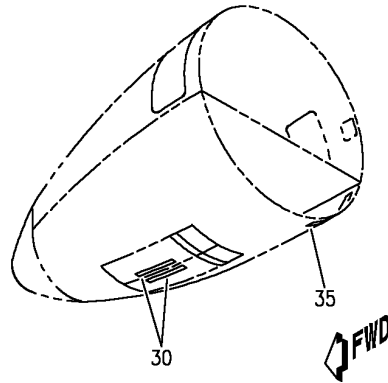
HAP  
 FEB 10/07

11-20-51-25  
 PAGE 0

**BOEING**  
 737-600/700/800/900  
 PARTS CATALOG (MAINTENANCE)

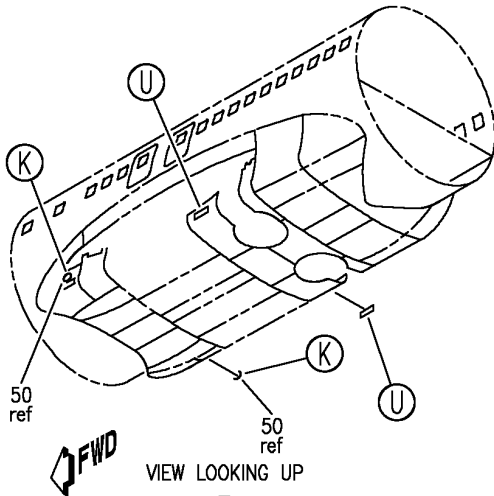


(D)



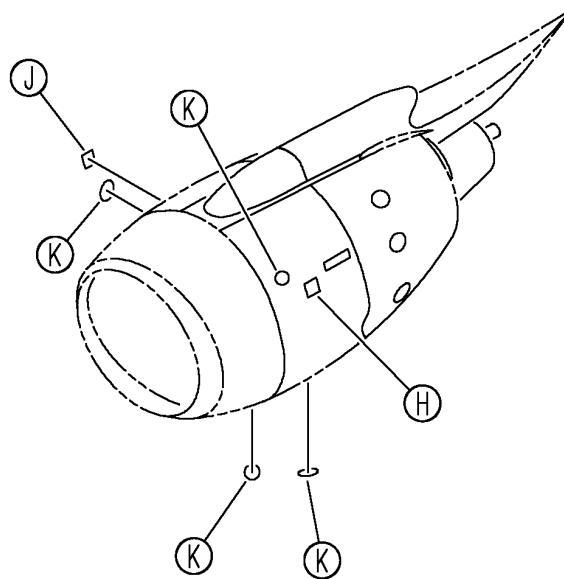
VIEW LOOKING UP

(E)

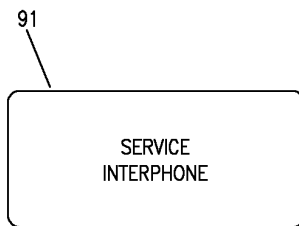


VIEW LOOKING UP

(G)



(F)



(U)

E 11205125 SH1 2 REV 143

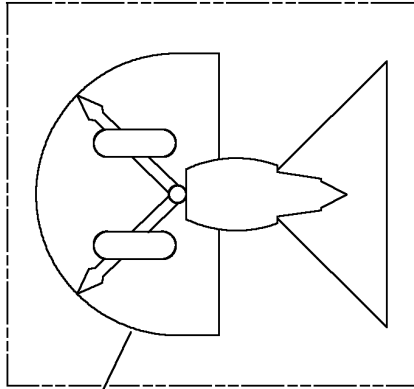
MARKING INSTL-DECORATIVE EXT  
 FIGURE 25 (SHEET 2)

**11-20-51-25**

HAP  
 JUN 15/08

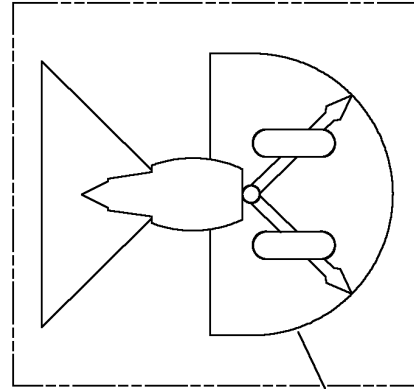
11-20-51-25  
 PAGE 0A

**BOEING**  
 737-600/700/800/900  
 PARTS CATALOG (MAINTENANCE)



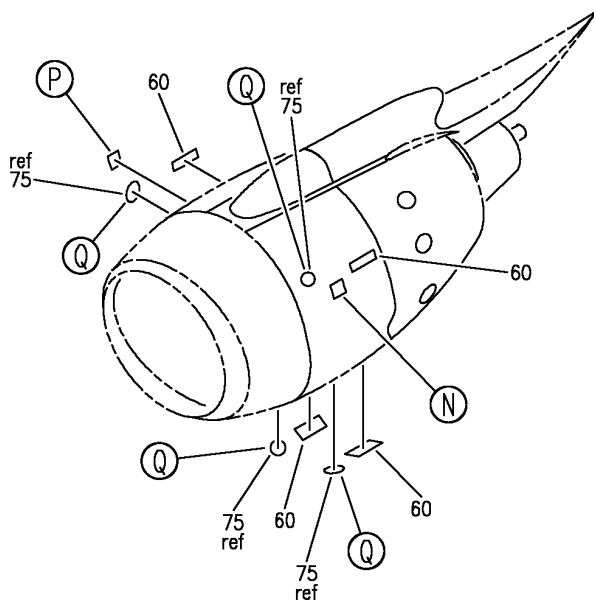
40

(H)

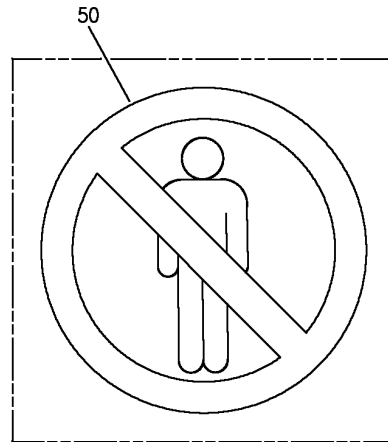


45

(J)



(L)



50

(K)

E 11205125 SHT 3 REV 143

MARKING INSTL-DECORATIVE EXT  
 FIGURE 25 (SHEET 3)

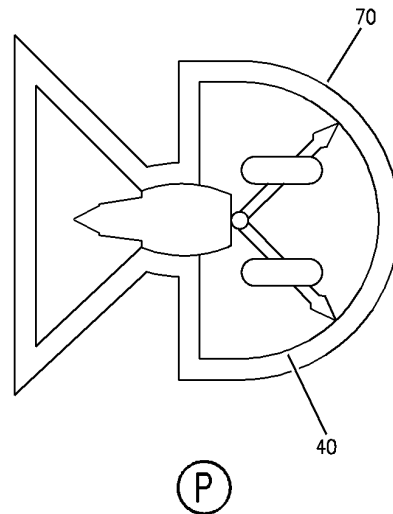
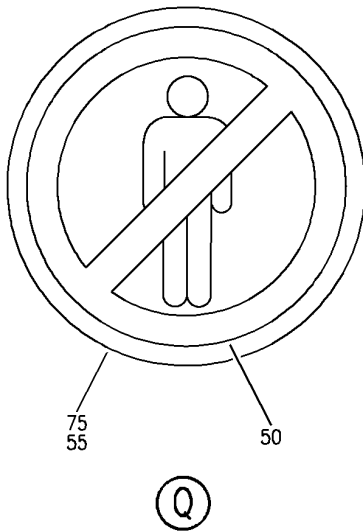
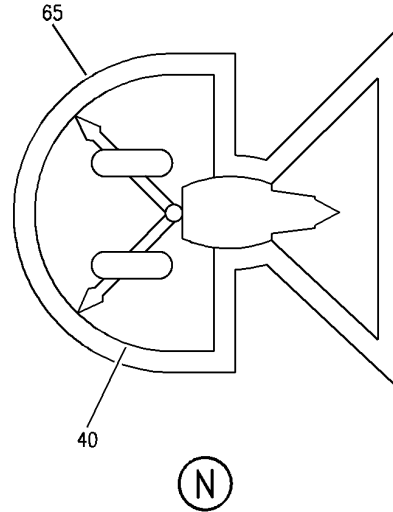
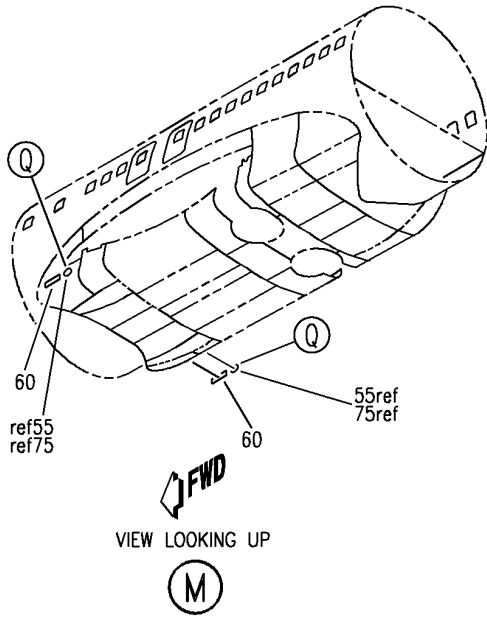
**11-20-51-25**

HAP  
 JUN 15/08

11-20-51-25  
 PAGE 0B



**BOEING**  
 737-600/700/800/900  
 PARTS CATALOG (MAINTENANCE)



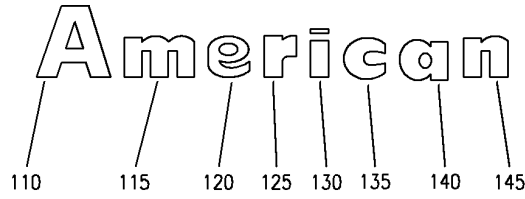
E 11205125 SH1 4 REV 126

MARKING INSTL-DECORATIVE EXT  
 FIGURE 25 (SHEET 4)

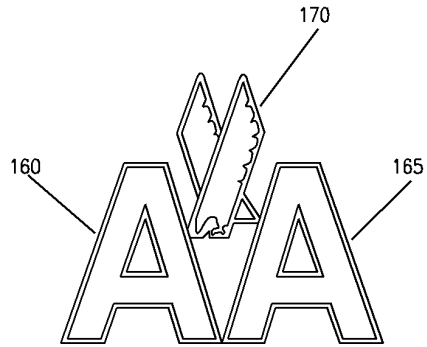
**11-20-51-25**

HAP  
 FEB 10/07

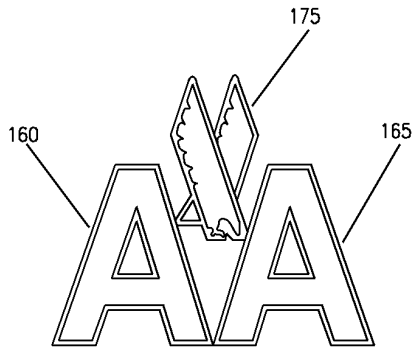
11-20-51-25  
 PAGE 0C



Ⓡ



Ⓢ



Ⓣ

E 11205125 SH 5 REV 126

MARKING INSTL-DECORATIVE EXT  
 FIGURE 25 (SHEET 5)

**11-20-51-25**

HAP  
 FEB 10/07

11-20-51-25  
 PAGE 0D

**BOEING**  
737-600/700/800/900  
PARTS CATALOG (MAINTENANCE)

FIG ITEM	PART NUMBER	1 2 3 4 5 6 7	NOMENCLATURE	EFFECT FROM TO	UNITS PER ASSY
25			MARKING INSTL-DECORATIVE EXT	001027	
- 1	414A4104-2		MARKING INSTL-DECORATIVE EXT, (HAP) FOR NHA SEE: 11-20-00-01C	001007	RF
- 1	414A4104-3		MARKING INSTL-DECORATIVE EXT, (HAP) FOR NHA SEE: 11-20-00-01C	008011	RF
- 1	414A4104-4		MARKING INSTL-DECORATIVE EXT, (HAP) FOR NHA SEE: 11-20-00-01C	012027	RF
5	BAC27DPA5009		.MARKER- POSITION DATA: LH SIDE	001027	1
10	BAC27DPA5010		.MARKER- POSITION DATA: RH SIDE	001027	1
15	BAC27DPA5134		.DECAL-	001027	1
40	414A4801-1		.MARKING-NAC ENG WARNING POSITION DATA: LH	001027	2
45	414A4801-2		.MARKING-NAC ENG WARNING POSITION DATA: RH	001027	2
50	414A4801-3		.MARKING-NO PEOPLE SYMBOL	001027	10
- 85	BAC27XSTN968		.STENCIL- PLACARD CONTENT: WARNING: STAND CLEAR OF HAZARD AREAS WHILE ENGINE IS RUNNING	008027	10

MISSING ITEM NUMBERS NOT APPLICABLE

- ITEM NOT ILLUSTRATED

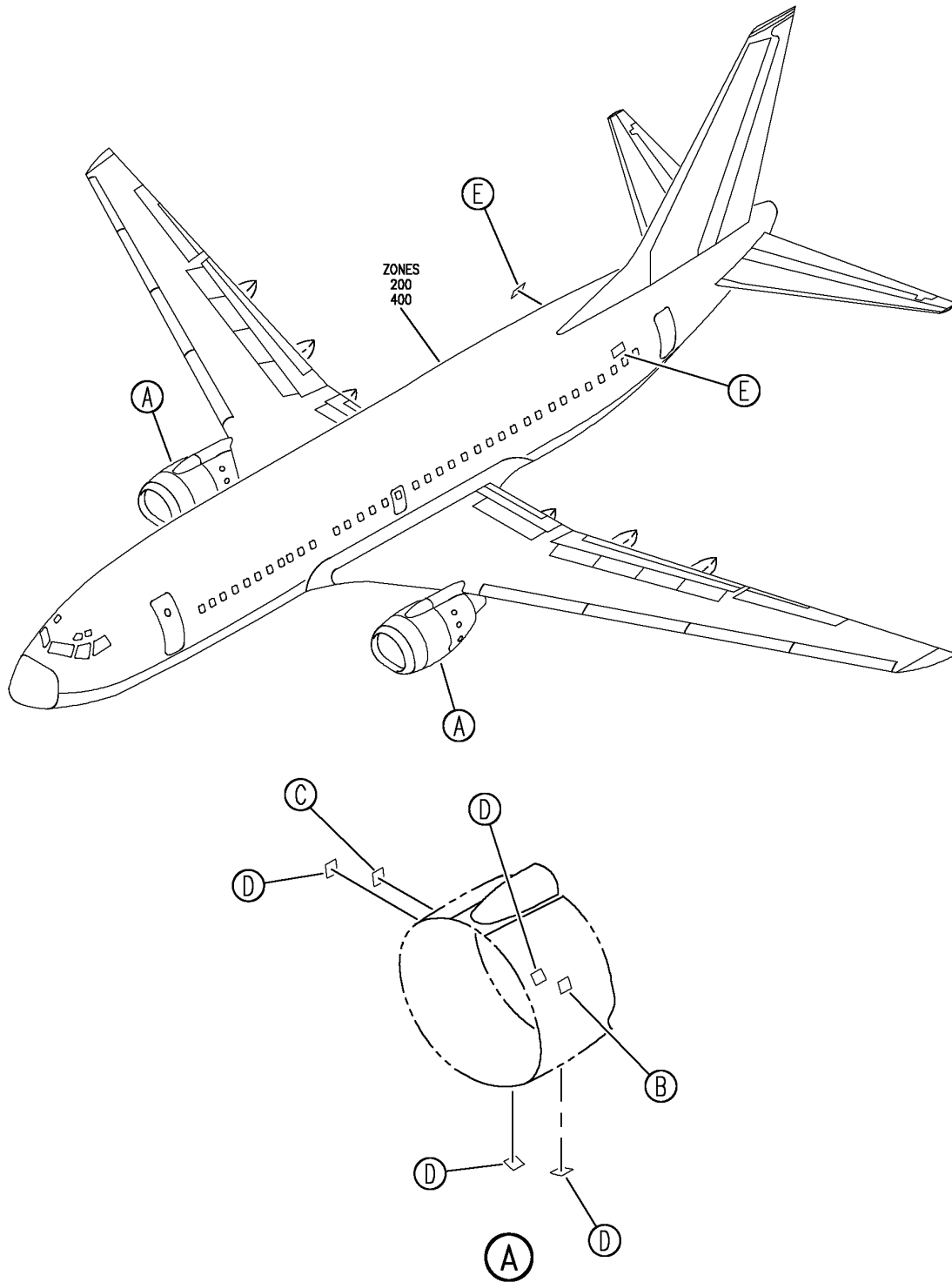
HAP

# 11-20-51-25

BOEING PROPRIETARY - Copyright © - Unpublished Work - See title page for details.

11-20-51  
FIG. 25  
PAGE 1  
OCT 10/07

**BOEING**  
 737-600/700/800/900  
 PARTS CATALOG (MAINTENANCE)



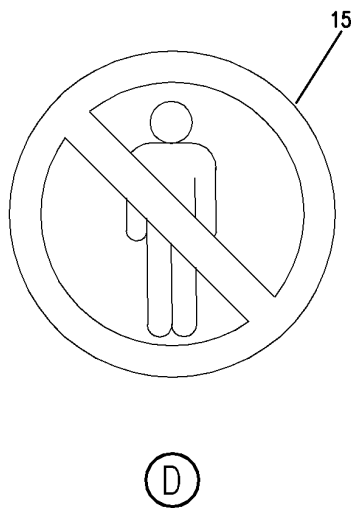
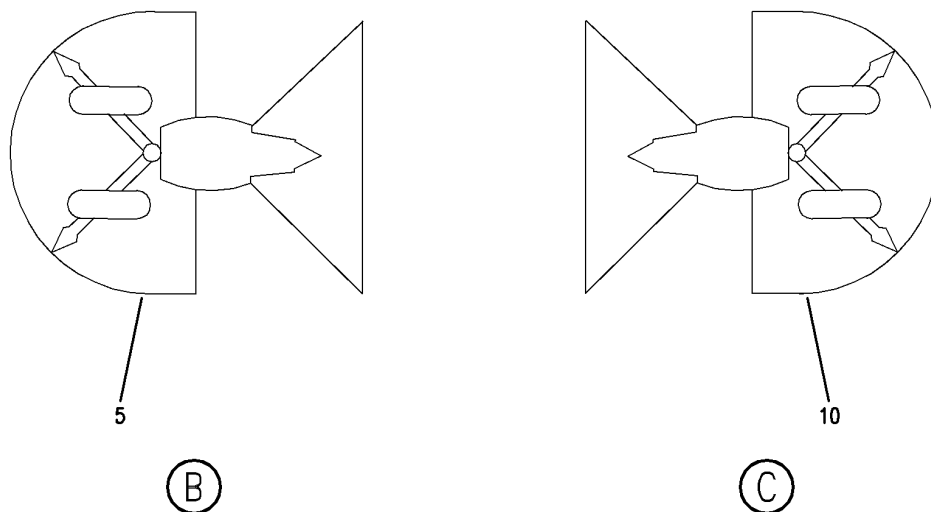
E 11205132 SHT 1 REV 065

MARKING INSTL- DECORATIVE EXT  
 FIGURE 32 (SHEET 1)

**11-20-51-32**

HAP  
 OCT 15/08

11-20-51-32  
 PAGE 0



E 11205132 SHT 2 REV 054

MARKING INSTL- DECORATIVE EXT  
FIGURE 32 (SHEET 2)

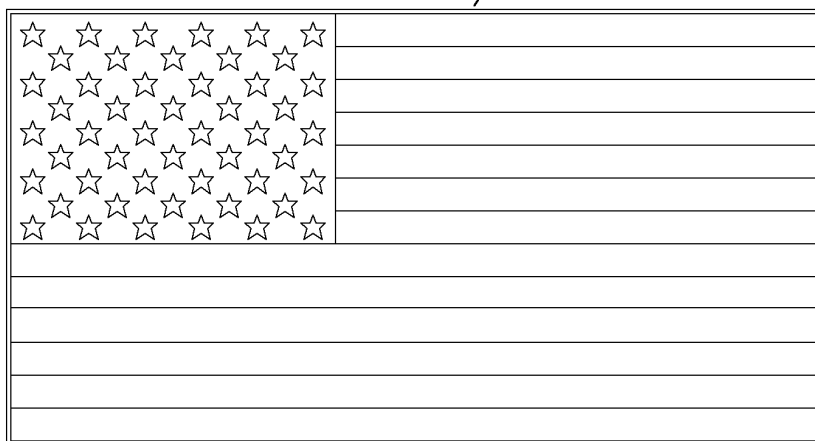
HAP  
OCT 15/08

**11-20-51-32**

11-20-51-32  
PAGE 0A

**BOEING**  
737-600/700/800/900  
PARTS CATALOG (MAINTENANCE)

20  
25



Ⓔ

E 11205132 SHT 3 REV 065

MARKING INSTL- DECORATIVE EXT  
FIGURE 32 (SHEET 3)

**11-20-51-32**

HAP  
OCT 15/08

11-20-51-32  
PAGE 0B

**BOEING**  
737-600/700/800/900  
PARTS CATALOG (MAINTENANCE)

FIG ITEM	PART NUMBER	1 2 3 4 5 6 7	NOMENCLATURE	EFFECT FROM TO	UNITS PER ASSY
32			MARKING INSTL- DECORATIVE EXT	201967	
- 1	414A4142-1		MARKING INSTL-DECORATIVE EXT	201967	RF
			FOR NHA SEE: 11-20-00-01		
	5 414A4801-1		.MARKING-ENG WARNING POSITION DATA: LH NACELLE	201967	2
	10 414A4801-2		.MARKING-ENG WARNING POSITION DATA: RH NACELLE	201967	2
	15 414A4801-3		.MARKING-NO PEOPLE SYMBOL	201967	8
- 30	BAC27XSTN968		.STENCIL- PLACARD CONTENT: WARNING: STAND CLEAR OF HAZARD AREAS WHILE ENGINE IS RUNNING	201967	8
- 35	BAC27DPA5009		.MARKER- POST RAPID REVISION: RR97183-16RC	201201	1
- 40	BAC27DPA5010		.MARKER- POST RAPID REVISION: RR97183-16RC	201201	1

MISSING ITEM NUMBERS NOT APPLICABLE

- ITEM NOT ILLUSTRATED

HAP

# 11-20-51-32

BOEING PROPRIETARY - Copyright © - Unpublished Work - See title page for details.

11-20-51  
FIG. 32  
PAGE 1  
OCT 15/08