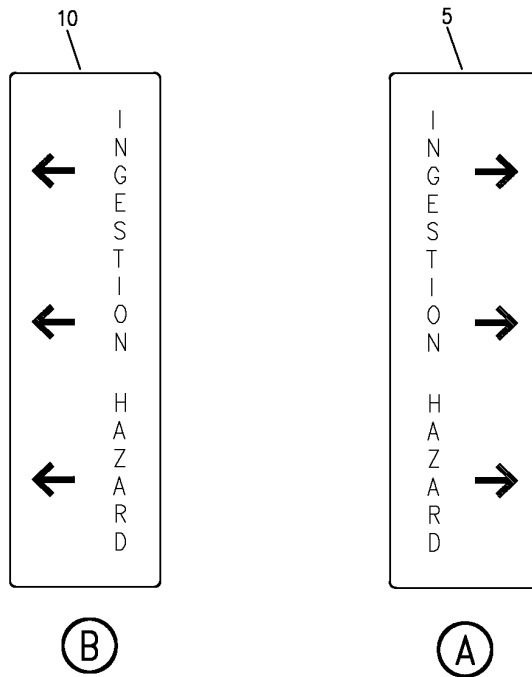
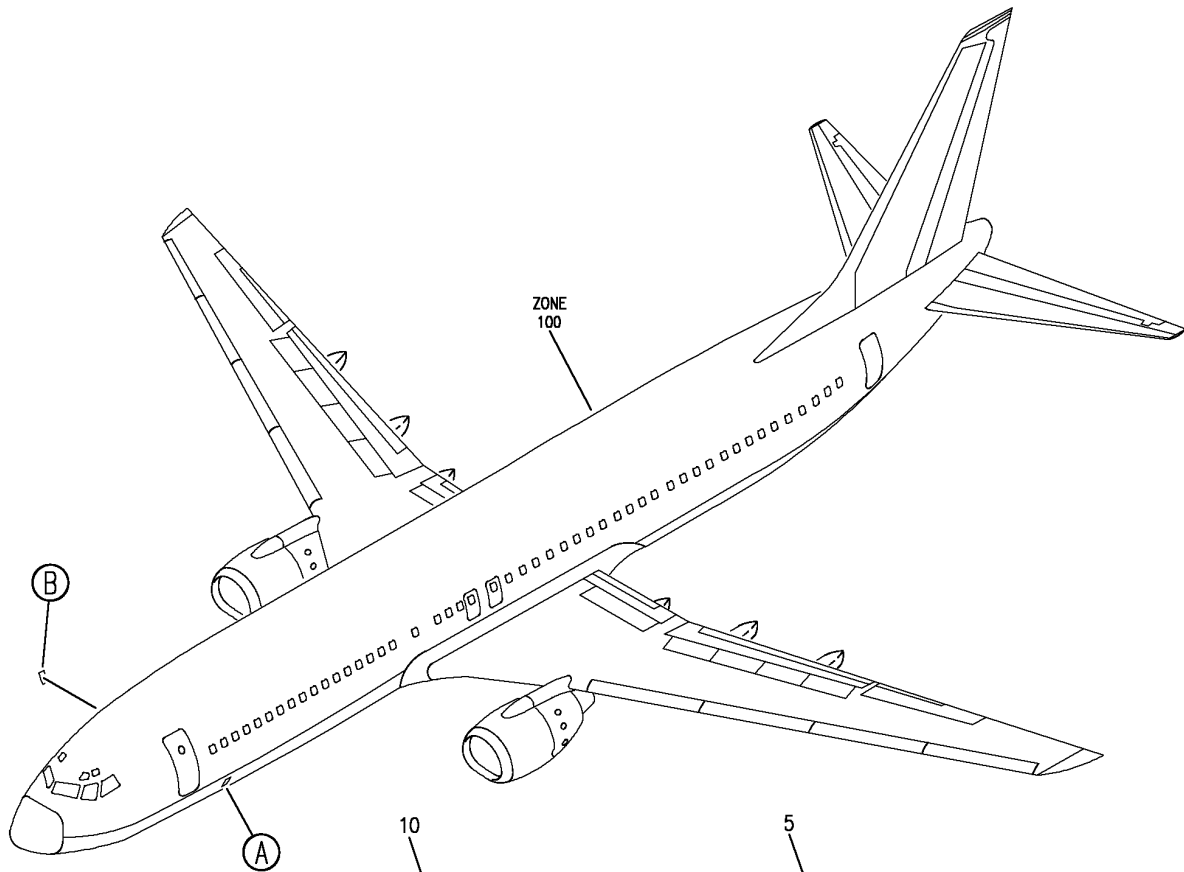


EXTERIOR PLACARDS AND MARKINGS

HAP
OCT 10/06

11-21-00
SECTION TITLE
PAGE 1

BOEING
 737-600/700/800/900
 PARTS CATALOG (MAINTENANCE)



E 1121103 REV 074

MARKING INSTL-DECORATIVE EXT (SECTION 41 ONLY)
 FIGURE 3

11-21-11-03

HAP
 OCT 10/06

11-21-11-03
 PAGE 0

BOEING
737-600/700/800/900
PARTS CATALOG (MAINTENANCE)

FIG ITEM	PART NUMBER	1 2 3 4 5 6 7	NOMENCLATURE	EFFECT FROM TO	UNITS PER ASSY
R R R R R	3		MARKING INSTL-DECORATIVE EXT (SECTION 41 ONLY)	031037 039040 048048 102106 970999	
	- 3	MODREF274769	MARKING INSTL-DECORATIVE EXT (SECTION 41 ONLY) MODULE NUMBER: 414A4104-7 REV B FOR OTHER SYS DETAILS SEE: 11-25-03-14 FOR ADDITIONAL DETAILS SEE: 11-21-13-14A 11-21-18-12	031037 039040	1
R R R R R R R	- 3	MODREF340340	MARKING INSTL-DECORATIVE EXT (SECTION 41 ONLY) MODULE NUMBER: 414A4104-8 REV A FOR OTHER SYS DETAILS SEE: 11-25-03-14A FOR ADDITIONAL DETAILS SEE: 11-21-13-12	102106 970999	1
	- 3	MODREF392332	MARKING INSTL-DECORATIVE EXT (SECTION 41 ONLY) MODULE NUMBER: 414A4104-281 REV B FOR OTHER SYS DETAILS SEE: 11-25-03-14 FOR ADDITIONAL DETAILS SEE: 11-21-13-14A 11-21-18-12	048048	1
R R R R R R R	5	BAC27DPA5009	.MARKER	031037 039040 048048 102106 970999	1
	10	BAC27DPA5010	.MARKER	031037 039040 048048 102106 970999	1

MISSING ITEM NUMBERS NOT APPLICABLE

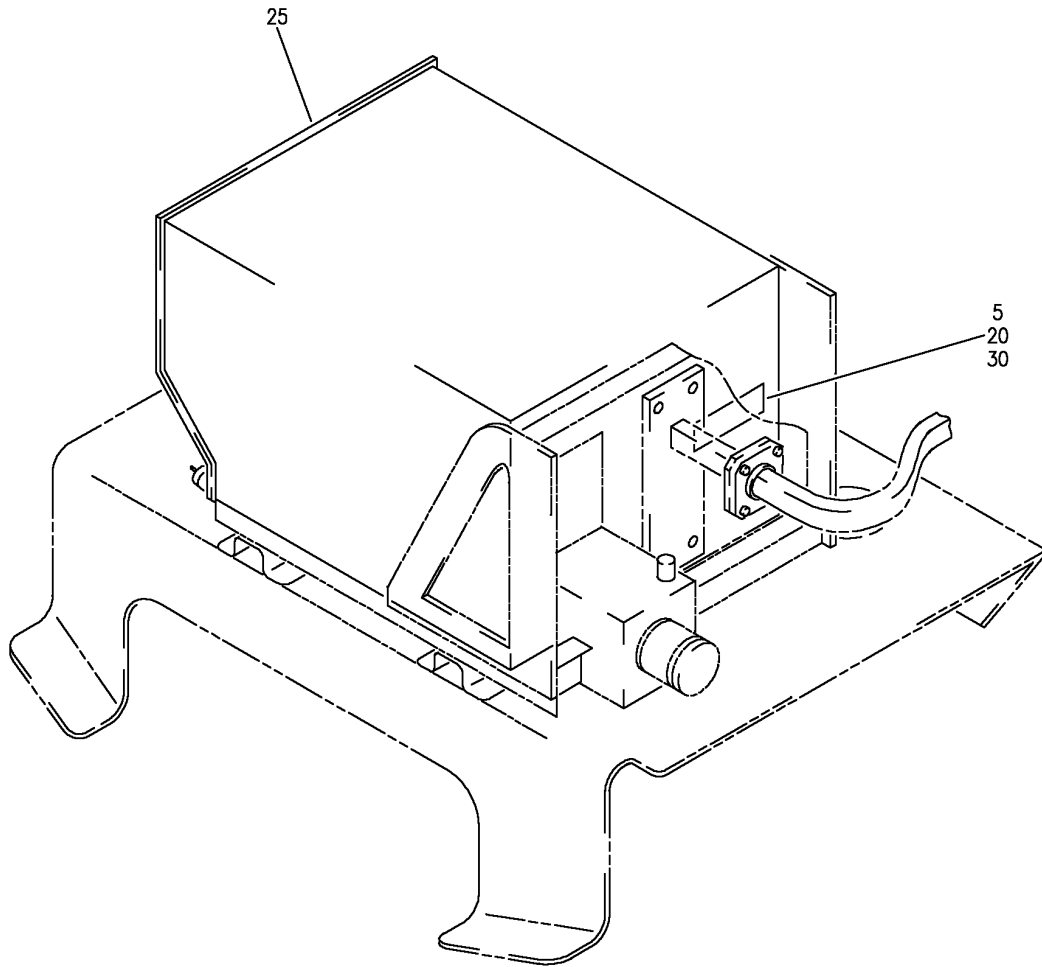
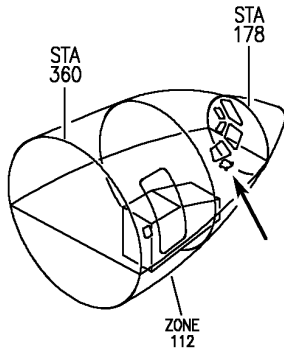
- ITEM NOT ILLUSTRATED

HAP

11-21-11-03

11-21-11
FIG. 03
PAGE 1
JUN 15/09

BOEING
737-600/700/800/900
PARTS CATALOG (MAINTENANCE)



E 1121116 REV 083

TRANSCEIVER ASSY-WEATHER RDR ANT. WRT-701X (PLACARDS AND MARKINGS ONLY)
FIGURE 16

HAP
OCT 15/08

11-21-11-16

11-21-11-16
PAGE 0

BOEING
737-600/700/800/900
PARTS CATALOG (MAINTENANCE)

FIG ITEM	PART NUMBER	1 2 3 4 5 6 7	NOMENCLATURE	EFFECT FROM TO	UNITS PER ASSY
16			TRANSCEIVER ASSY-WEATHER RDR ANT. WRT-701X (PLACARDS AND MARKINGS ONLY)	201967	
- 10	622-5132-632		TRANSCEIVER ASSY-WEATHER RDR ANT. (PLACARDS AND MARKINGS ONLY) SUPPLIER CODE: V4V792 FUNCTIONAL DESCRIPTION: PERFORMS THE TRANSMITTING, RECEIVING, VIDEO PROCESSING, ANTENNA STABILIZATION, SYSTEM TIMING AND MONITORING FOR THE AIRBORNE WEATHER RADAR SYSTEM. ELECTRICAL EQUIP NUMBER: M00101 FOR NHA/OTHER SYS DET SEE: 34-43-41-01	201967	RF

MISSING ITEM NUMBERS NOT APPLICABLE

- ITEM NOT ILLUSTRATED

HAP

11-21-11-16

BOEING PROPRIETARY - Copyright © - Unpublished Work - See title page for details.

11-21-11
FIG. 16
PAGE 1
OCT 15/08

BOEING
737-600/700/800/900
PARTS CATALOG (MAINTENANCE)

FIG ITEM	PART NUMBER	1 2 3 4 5 6 7	NOMENCLATURE	EFFECT FROM TO	UNITS PER ASSY
16 - 10	622-5132-633		TRANSCEIVER ASSY-WEATHER RDR ANT. (PLACARDS AND MARKINGS ONLY) SUPPLIER CODE: V4V792 FUNCTIONAL DESCRIPTION: PERFORMS THE TRANSMITTING, RECEIVING, VIDEO PROCESSING, ANTENNA STABILIZATION, SYSTEM TIMING AND MONITORING FOR THE AIRBORNE WEATHER RADAR SYSTEM. ELECTRICAL EQUIP NUMBER: M00101 QUALIFIED I/W DATA: 822-1710-001 MAY REPLACE 622-5132-633 ONE-WAY INTERCHANGEABLE. INSTALLATION OF 822-1710-001 IN PLACE OF 622-5132-633 REQUIRES INSTALLATION OF 622-5135-8XX ANTENNA DRIVE UNIT. FOR NHA/OTHER SYS DET SEE: 34-43-41-01	201967	RF
R R	- 10	622-5132-634	TRANSCEIVER ASSY-WEATHER RDR ANT. (PLACARDS AND MARKINGS ONLY) SUPPLIER CODE: V4V792 FUNCTIONAL DESCRIPTION: PERFORMS THE TRANSMITTING, RECEIVING, VIDEO PROCESSING, ANTENNA STABILIZATION, SYSTEM TIMING AND MONITORING FOR THE AIRBORNE WEATHER RADAR SYSTEM. ELECTRICAL EQUIP NUMBER: M00101 FOR NHA/OTHER SYS DET SEE: 34-43-41-01	201967	RF

MISSING ITEM NUMBERS NOT APPLICABLE

- ITEM NOT ILLUSTRATED

HAP

11-21-11-16

11-21-11
FIG. 16
PAGE 2
JUN 15/09

BOEING
737-600/700/800/900
PARTS CATALOG (MAINTENANCE)

FIG ITEM	PART NUMBER	1 2 3 4 5 6 7	NOMENCLATURE	EFFECT FROM TO	UNITS PER ASSY
16				201967	
			TEMPORARY BREAKDOWN FOR: 622-5132-631 622-5132-632 622-5132-633		
20	280-2745-120	.	LABEL-ESDS WARNING SUPPLIER CODE: V12998	201967	1
25	827-3300-001	.	TRANSCEIVER ASSY- SUPPLIER CODE: V4V792	201967	RF
30	280-2745-010	..	LABEL-ESDS WARNING SUPPLIER CODE: V12998	201967	1

MISSING ITEM NUMBERS NOT APPLICABLE

— ITEM NOT ILLUSTRATED

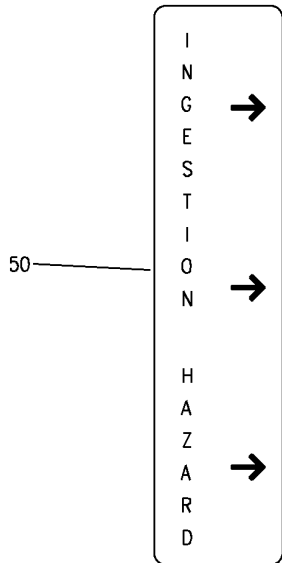
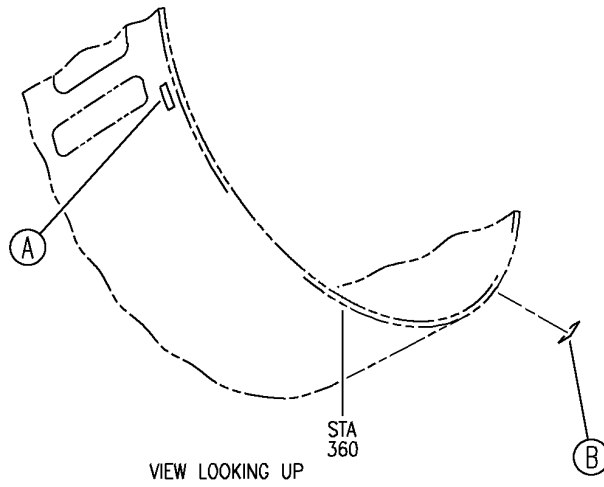
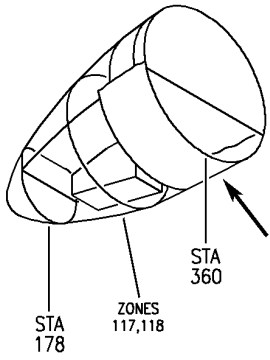
HAP

11-21-11-16

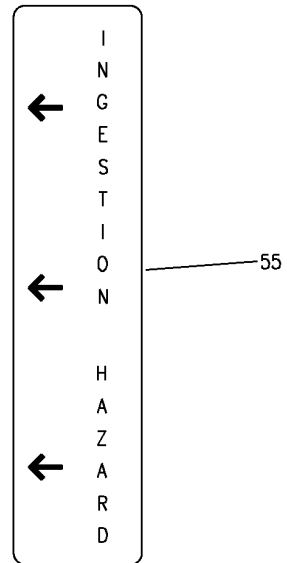
BOEING PROPRIETARY - Copyright © - Unpublished Work - See title page for details.

11-21-11
FIG. 16
PAGE 3
JUN 15/09

BOEING
 737-600/700/800/900
 PARTS CATALOG (MAINTENANCE)



(A)



(B)

E 1121134 REV 135

MARKING INSTL-DECORATIVE EXT (SECTION 41 ONLY)
 FIGURE 34

11-21-11-34

HAP
 OCT 10/07

11-21-11-34
 PAGE 0

BOEING
737-600/700/800/900
PARTS CATALOG (MAINTENANCE)

FIG ITEM	PART NUMBER	1 2 3 4 5 6 7	NOMENCLATURE	EFFECT FROM TO	UNITS PER ASSY	
R R	34		MARKING INSTL-DECORATIVE EXT (SECTION 41 ONLY)	038038 042046 051052		
	- 2	MODREF323200	MARKING INSTL-DECORATIVE EXT (SECTION 41 ONLY) MODULE NUMBER: 414A4132-4 REV B FOR OTHER SYS DETAILS SEE: 11-25-03-37 FOR ADDITIONAL DETAILS SEE: 11-21-13-34 11-21-18-34	038038 042046	1	
	- 2	MODREF415584	MARKING INSTL-DECORATIVE EXT (SECTION 41 ONLY) MODULE NUMBER: 414A4132-5 REV A FOR OTHER SYS DETAILS SEE: 11-25-03-37 FOR ADDITIONAL DETAILS SEE: 11-21-13-34 11-21-18-34	051052	1	
	50	BAC27DPA5009	.MARKER-	038038 042046 051052	1	
	55	BAC27DPA5010	.MARKER-	038038 042046 051052	1	

MISSING ITEM NUMBERS NOT APPLICABLE

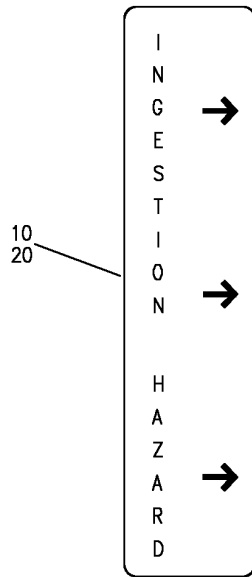
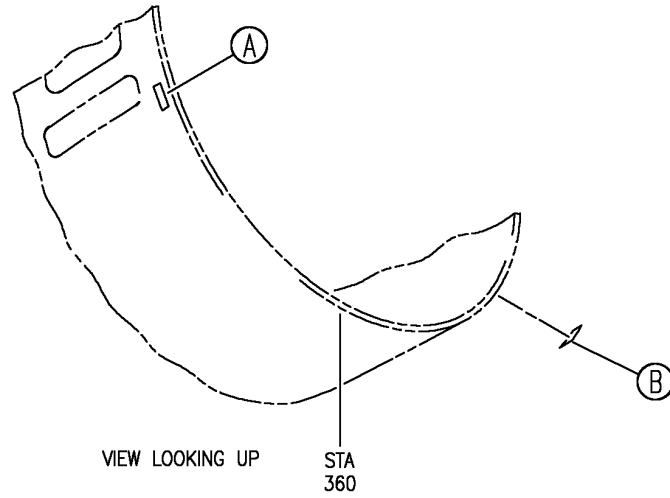
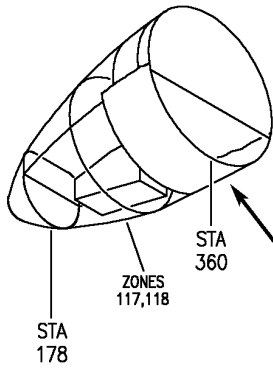
- ITEM NOT ILLUSTRATED

HAP

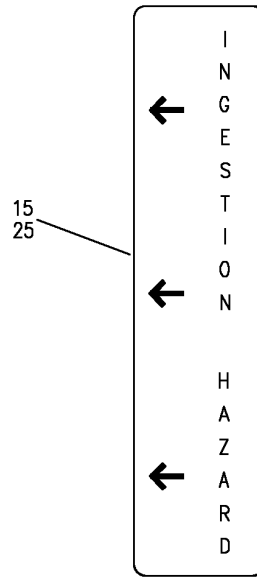
11-21-11-34

11-21-11
FIG. 34
PAGE 1
JUN 15/09

BOEING
 737-600/700/800/900
 PARTS CATALOG (MAINTENANCE)



(A)



(B)

E 1121136 REV 143

MARKING INSTL-DECORATIVE EXT (SECTION 41 ONLY)
 FIGURE 36

11-21-11-36

HAP
 JUN 15/08

11-21-11-36
 PAGE 0

BOEING
737-600/700/800/900
PARTS CATALOG (MAINTENANCE)

FIG ITEM	PART NUMBER	1 2 3 4 5 6 7	NOMENCLATURE	EFFECT FROM TO	UNITS PER ASSY
36			MARKING INSTL-DECORATIVE EXT (SECTION 41 ONLY)	101101 968969	
- 3	MODREF323884		MARKING INSTL-DECORATIVE EXT (SECTION 41 ONLY) MODULE NUMBER: 414A4226-1 REV A FOR OTHER SYS DETAILS SEE: 11-25-03-36B FOR ADDITIONAL DETAILS SEE: 11-21-13-36	101101 968969	1
10	BAC27DPA5009		.MARKER-	101101 968969	1
15	BAC27DPA5010		.MARKER-	101101 968969	1

MISSING ITEM NUMBERS NOT APPLICABLE

- ITEM NOT ILLUSTRATED

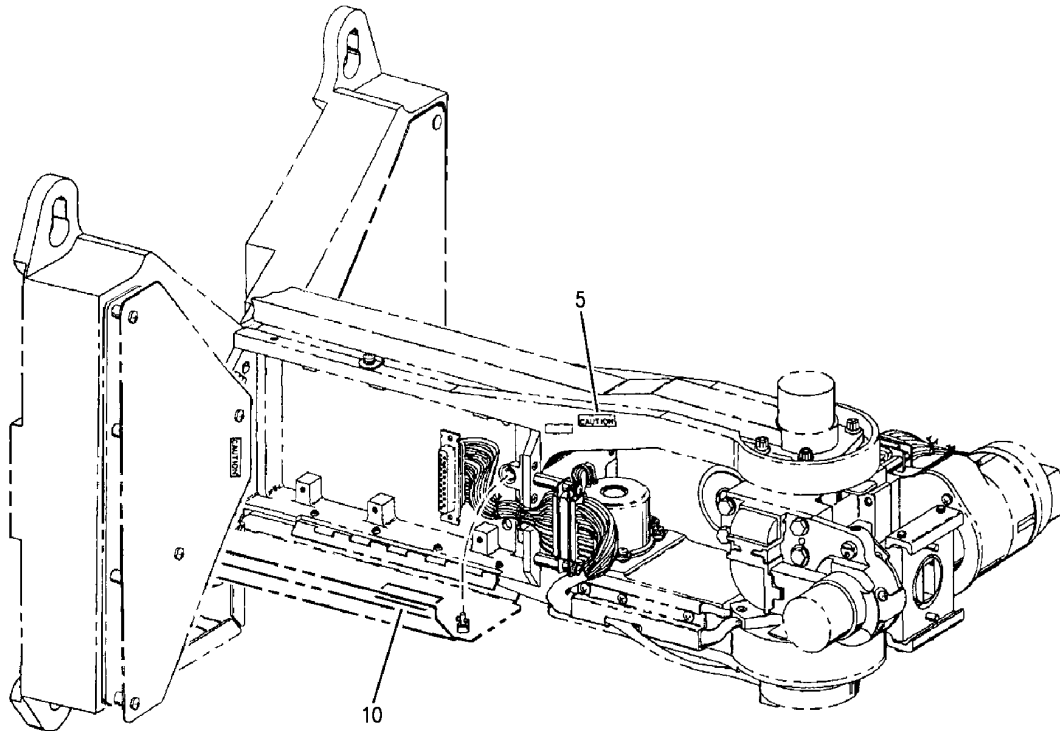
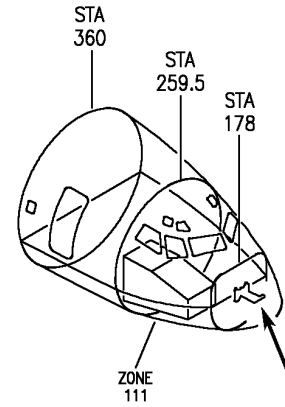
HAP

11-21-11-36

BOEING PROPRIETARY - Copyright © - Unpublished Work - See title page for details.

11-21-11
FIG. 36
PAGE 1
FEB 15/08

BOEING
737-600/700/800/900
PARTS CATALOG (MAINTENANCE)



E 11211142 REV 124

DRIVE UNIT ASSY-WMA-701X (PLACARDS AND MARKINGS ONLY)
FIGURE 42

11-21-11-42

HAP
OCT 15/08

11-21-11-42
PAGE 0

BOEING
737-600/700/800/900
PARTS CATALOG (MAINTENANCE)

FIG ITEM	PART NUMBER	1 2 3 4 5 6 7	NOMENCLATURE	EFFECT FROM TO	UNITS PER ASSY
42			DRIVE UNIT ASSY-WMA-701X (PLACARDS AND MARKINGS ONLY)	201967	
- 1	622-5135-002		DRIVE UNIT ASSY-WMA-701X (PLACARDS AND MARKINGS ONLY) SUPPLIER CODE: V4V792 FUNCTIONAL DESCRIPTION: PROVIDES WR FLAT PLATE MOUNTING AND THE DRIVE ASSEMBLY FOR SCAN, ELEVATION ANGLE, AND PITCH AND ROLL STABILIZATION. ELECTRICAL EQUIP NUMBER: M01209 COMPONENT MAINT MANUAL REF: 34-45-22 FOR NHA/OTHER SYS DET SEE: 34-43-11-01	201967	RF
- 1	622-5135-202		DRIVE UNIT ASSY-WMA-701X (PLACARDS AND MARKINGS ONLY) SUPPLIER CODE: V4V792 FUNCTIONAL DESCRIPTION: PROVIDES WR FLAT PLATE MOUNTING AND THE DRIVE ASSEMBLY FOR SCAN, ELEVATION ANGLE, AND PITCH AND ROLL STABILIZATION. ELECTRICAL EQUIP NUMBER: M01209 COMPONENT MAINT MANUAL REF: 34-45-22 FOR NHA/OTHER SYS DET SEE: 34-43-11-01	201967	RF

MISSING ITEM NUMBERS NOT APPLICABLE

- ITEM NOT ILLUSTRATED

HAP

11-21-11-42

BOEING PROPRIETARY - Copyright © - Unpublished Work - See title page for details.

11-21-11
FIG. 42
PAGE 1
OCT 15/08

BOEING
737-600/700/800/900
PARTS CATALOG (MAINTENANCE)

FIG ITEM	PART NUMBER	1 2 3 4 5 6 7	NOMENCLATURE	EFFECT FROM TO	UNITS PER ASSY
42 - 1	622-5135-802		DRIVE UNIT ASSY-WMA-701X (PLACARDS AND MARKINGS ONLY) SUPPLIER CODE: V4V792 FUNCTIONAL DESCRIPTION: PROVIDES WR FLAT PLATE MOUNTING AND THE DRIVE ASSEMBLY FOR SCAN, ELEVATION ANGLE, AND PITCH AND ROLL STABILIZATION. ELECTRICAL EQUIP NUMBER: M01209 COMPONENT MAINT MANUAL REF: 34-40-59 FOR NHA/OTHER SYS DET SEE: 34-43-11-01	201967	RF
5	280-2745-120		. LABEL-ESDS WARNING SUPPLIER CODE: V4V792 USED ON: 622-5135-002 622-5135-202	201967	1
10	280-2745-120		. LABEL-ESDS WARNING SUPPLIER CODE: V4V792	201967	1

MISSING ITEM NUMBERS NOT APPLICABLE

- ITEM NOT ILLUSTRATED

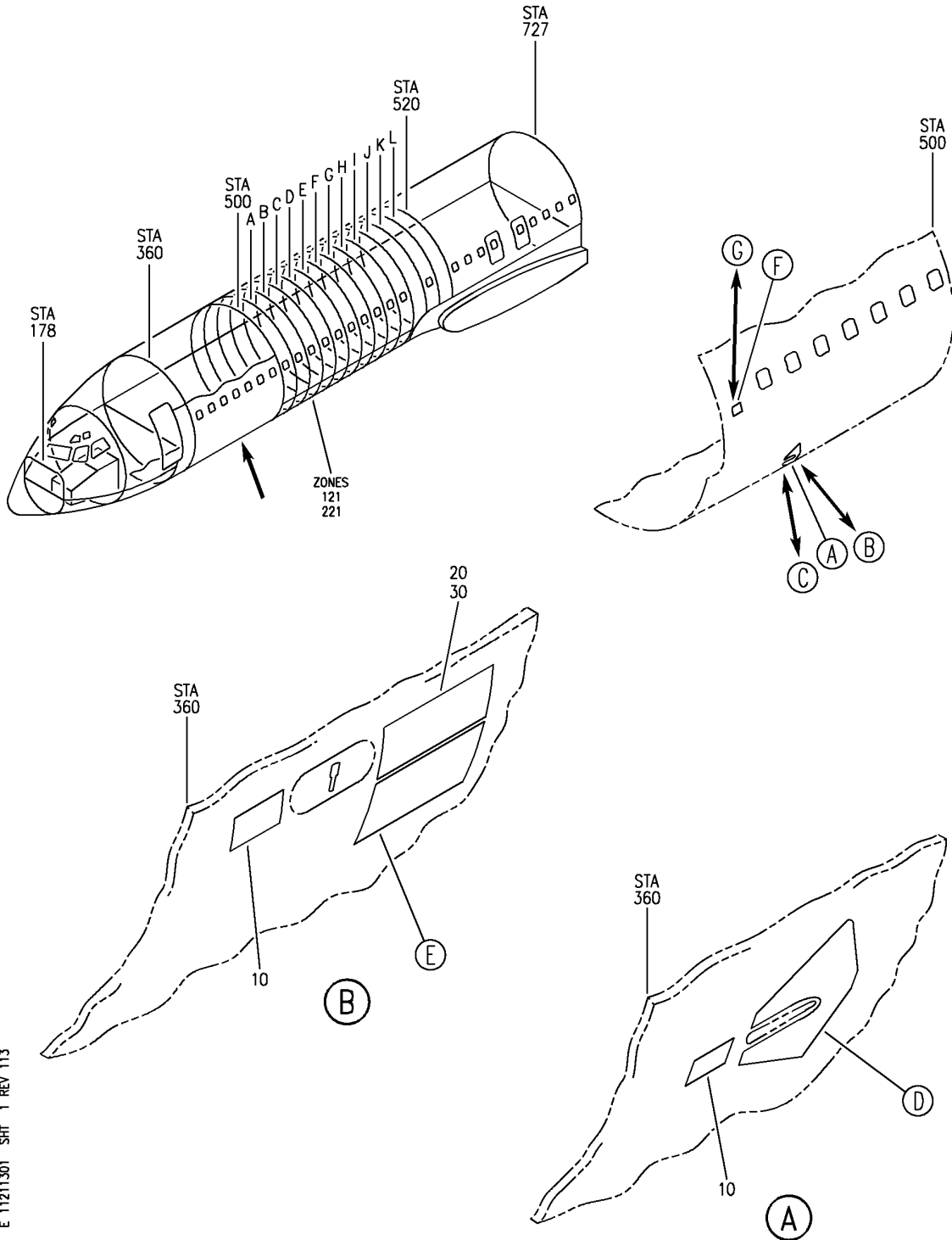
HAP

11-21-11-42

BOEING PROPRIETARY - Copyright © - Unpublished Work - See title page for details.

11-21-11
FIG. 42
PAGE 2
OCT 15/08

BOEING
 737-600/700/800/900
 PARTS CATALOG (MAINTENANCE)



E 11211301 SHT 1 REV 113

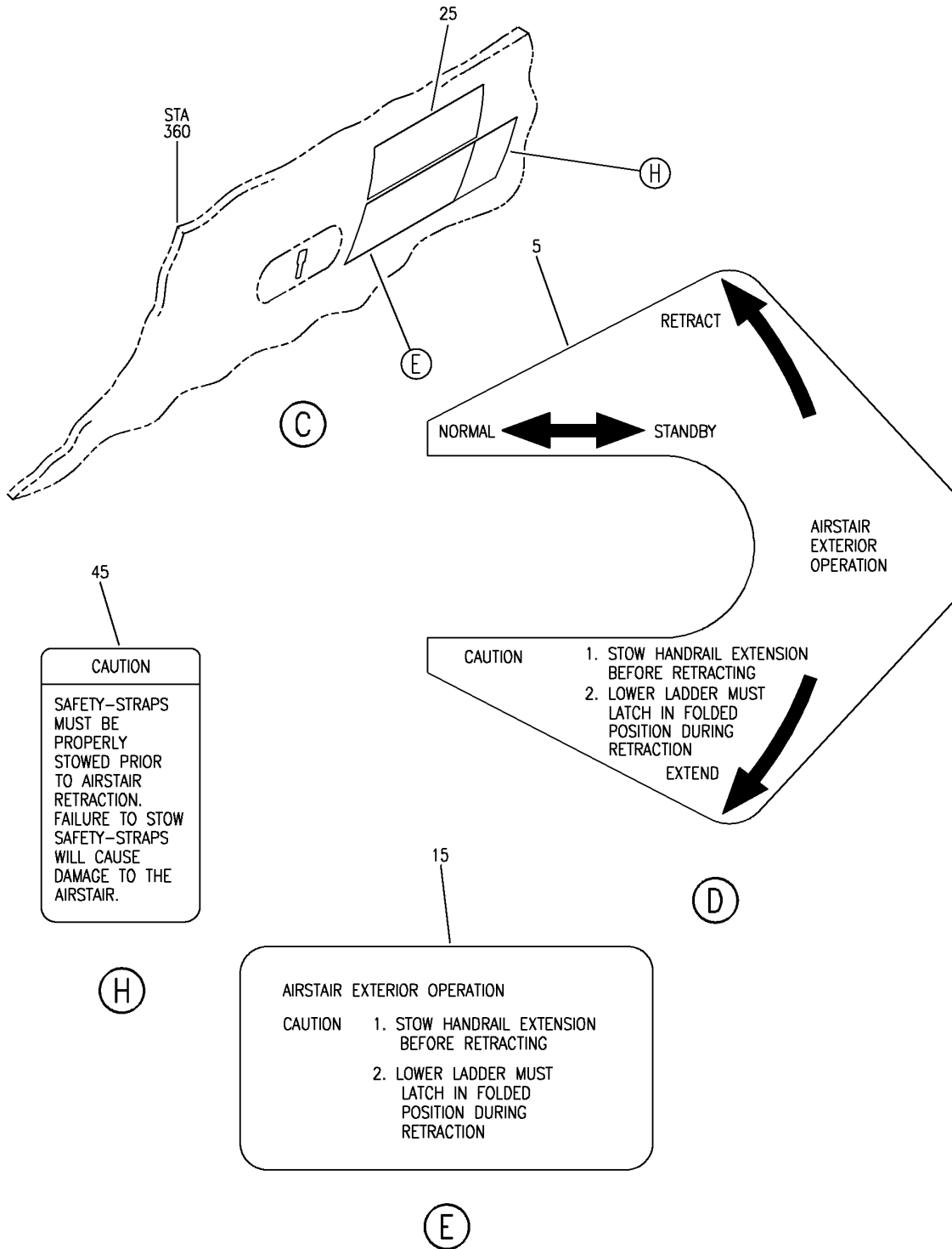
MARKING INSTL-EXT MAINT (SECTION 43 ONLY)
 FIGURE 1 (SHEET 1)

11-21-13-01

HAP
 OCT 15/08

11-21-13-01
 PAGE 0

BOEING
 737-600/700/800/900
 PARTS CATALOG (MAINTENANCE)





E 11211301 SH1 2 REV 126

MARKING INSTL-EXT MAINT (SECTION 43 ONLY)
 FIGURE 1 (SHEET 2)

11-21-13-01

HAP
 OCT 15/08



11-21-13-01
 PAGE 0A

 WARNING	
USE CARE WHEN OPERATING DOOR. FALLING FROM STAIR CAN CAUSE SERIOUS INJURY.	
	<p>TO OPEN DOOR:</p> <ol style="list-style-type: none"> 1. MAKE SURE AUTOMATIC ESCAPE SLIDE IS NOT ARMED 2. TURN HANDLE 180 DEGREES CLOCKWISE TO RELEASE DOOR 3. OPEN DOOR TO A POSITION THAT PROVIDES SPACE TO LIFT AND ATTACH AFT HANDRAIL 4. OPEN DOOR TO ITS FULL POSITION, LIFT AND ATTACH FORWARD HANDRAIL
	<p>TO CLOSE DOOR</p> <ol style="list-style-type: none"> 1. DISCONNECT, STOW AND LOCK THE FORWARD HANDRAIL 2. STAY IN THE DOOR OPENING TO RELEASE THE GUST LOCK 3. PULL THE DOOR NOT FULLY TO THE DOOR OPENING 4. STEP DOWN ONTO AIRSTAIRS 5. MOVE THE DOOR INTO THE DOOR OPENING 6. DISCONNECT, STOW AND LOCK THE AFT HANDRAIL 7. PULL DOOR AND TURN DOOR HANDLE 180 DEGREES COUNTERCLOCKWISE TO CLOSE DOOR

35

F

40

 (CHINESE LANGUAGE)	
(CHINESE LANGUAGE)	
	(CHINESE LANGUAGE)
	(CHINESE LANGUAGE)

G

E 11211301 SH1 3 REV 113

MARKING INSTL-EXT MAINT (SECTION 43 ONLY)
 FIGURE 1 (SHEET 3)

11-21-13-01

HAP
 OCT 15/08

11-21-13-01
 PAGE 0B

BOEING
737-600/700/800/900
PARTS CATALOG (MAINTENANCE)

FIG ITEM	PART NUMBER	1 2 3 4 5 6 7	NOMENCLATURE	EFFECT FROM TO	UNITS PER ASSY
1			MARKING INSTL-EXT MAINT (SECTION 43 ONLY)	201967	
- 1	414A4910-7		MARKING INSTL-EXT MAINT POSITION DATA: SECT. 43 FOR NHA SEE: 11-20-00-01	201967	RF
10	BAC27DPA5130		.DECAL-AIRSTAIR OPERATING INSTRUCTION PLACARD CONTENT: INOP	201967	1
15	BAC27DPA5174		.DECAL-AIRSTAIR OPERATING INSTRUCTION	201967	1

MISSING ITEM NUMBERS NOT APPLICABLE

- ITEM NOT ILLUSTRATED

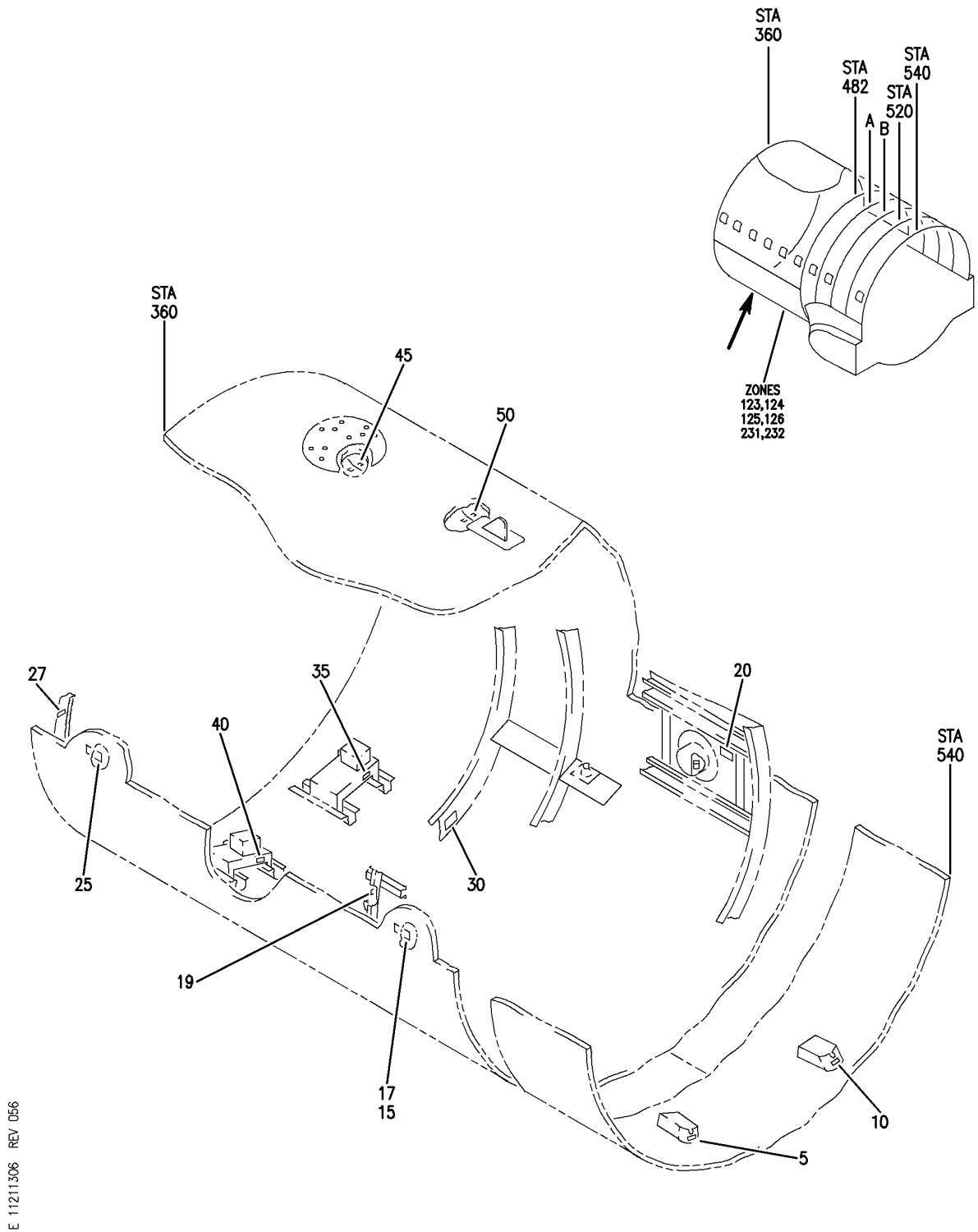
HAP

11-21-13-01

BOEING PROPRIETARY - Copyright © - Unpublished Work - See title page for details.

11-21-13
FIG. 01
PAGE 1
OCT 15/08

BOEING
 737-600/700/800/900
 PARTS CATALOG (MAINTENANCE)



E 11211306 REV D56

DECAL INSTL-BODY, E/E EQPT
 FIGURE 6

11-21-13-06

HAP
 FEB 10/07

11-21-13-06
 PAGE 0

BOEING
737-600/700/800/900
PARTS CATALOG (MAINTENANCE)

FIG ITEM	PART NUMBER	1 2 3 4 5 6 7	NOMENCLATURE	EFFECT FROM TO	UNITS PER ASSY
6					
- 1	284A0835-2		DECAL INSTL-BODY, E/E EQPT DECAL INSTL-BODY, E/E EQPT POSITION DATA: SECT. 43 FOR NHA SEE: 25-00-00-17A	101999 201967	RF
- 1	MODREF287731		DECAL INSTL-BODY, E/E EQPT MODULE NUMBER: 284A0835-26 REV B POSITION DATA: SECT. 43	101200 968999	1
5	BAC27DEX6631		.MARKER-ALUMINUM FOIL POSITION DATA: LS PLACARD CONTENT: L322 RETRACTABLE LANDING LT	101999	1
10	BAC27DEX6632		.MARKER-ALUMINUM FOIL POSITION DATA: RS PLACARD CONTENT: L323 RETRACTABLE LANDING LT	101999	1
15	BAC27DEX6617		.MARKER-ALUMINUM FOIL POSITION DATA: LS PLACARD CONTENT: L00034 WING ILLUMINATION LIGHT - LH	101999	1
20	BAC27DEX6618		.MARKER-ALUMINUM FOIL POSITION DATA: RS PLACARD CONTENT: L00035 WING ILLUMINATION LIGHT - RH	101999	1
25	BAC27DEX875		.DECAL- PLACARD CONTENT: L731 ESCAPE SLIDE LIGHT - FWD ENTRY	101999	1
30	BACM10L20-4NE		.MARKER-ALUMINUM FOIL PLACARD CONTENT: CARGO LIGHTS PUSH ON PUSH OFF	101999	1
35	BAC27DEX6533		.DECAL-ALUMINUM FOIL PLACARD CONTENT: T6 GROUND SERVICE XFMR	101999	1
40	BAC27DEX6534		.DECAL-ALUMINUM FOIL PLACARD CONTENT: T10 GROUND SERVICE XFMR	101999	1

MISSING ITEM NUMBERS NOT APPLICABLE

- ITEM NOT ILLUSTRATED

HAP

11-21-13-06

BOEING PROPRIETARY - Copyright © - Unpublished Work - See title page for details.

11-21-13
FIG. 06
PAGE 1
OCT 15/08


BOEING
 737-600/700/800/900
PARTS CATALOG (MAINTENANCE)

FIG ITEM	PART NUMBER	1 2 3 4 5 6 7	NOMENCLATURE	EFFECT FROM TO	UNITS PER ASSY
6	45 BAC27DEX6912	.DECAL-	PLACARD CONTENT: M01486 TCAS ANTENNA TOP	101200 968999	1
	50 BAC27DEX6913	.DECAL-	PLACARD CONTENT: M01406 ATC ANTENNA TOP	101200 968999	1

MISSING ITEM NUMBERS NOT APPLICABLE

— ITEM NOT ILLUSTRATED

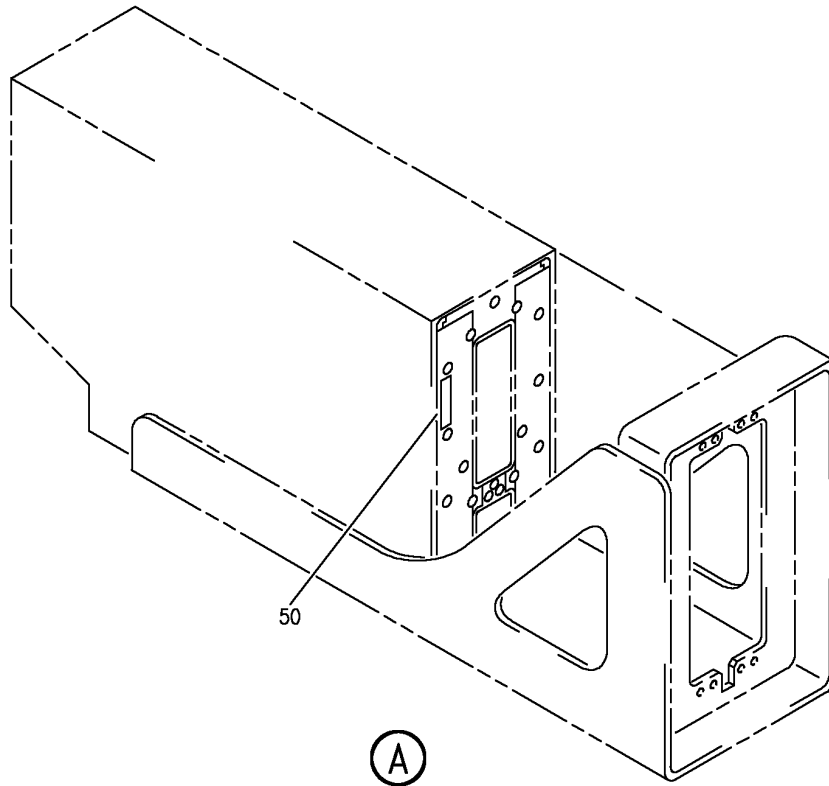
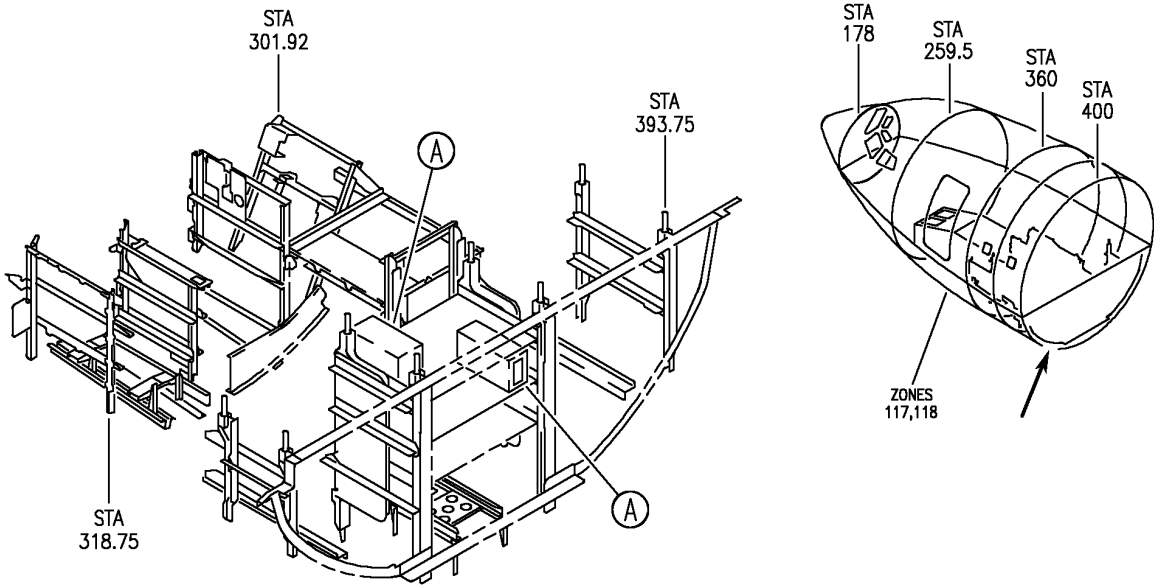
HAP

11-21-13-06

BOEING PROPRIETARY - Copyright © - Unpublished Work - See title page for details.

11-21-13
 FIG. 06
 PAGE 2
 OCT 15/08

BOEING
 737-600/700/800/900
 PARTS CATALOG (MAINTENANCE)



E 11211308 REV 091

TRANSCEIVER ASSY-LOW RANGE RADIO 900 ALTIMETER (PLACARDS AND MARKINGS ONLY)
 FIGURE 8

11-21-13-08

HAP
 OCT 15/08

11-21-13-08
 PAGE 0

BOEING
737-600/700/800/900
PARTS CATALOG (MAINTENANCE)

FIG ITEM	PART NUMBER	1 2 3 4 5 6 7	NOMENCLATURE	EFFECT FROM TO	UNITS PER ASSY
8			TRANSCEIVER ASSY-LOW RANGE RADIO 900 ALTIMETER (PLACARDS AND MARKINGS ONLY)	201967	
- 1	822-0334-002		TRANSCEIVER ASSY-LOW RANGE RADIO 900 ALTIMETER (PLACARDS AND MARKINGS ONLY) SUPPLIER CODE: V4V792 FUNCTIONAL DESCRIPTION: COMPUTES AND VERIFIES ALTITUDE INFORMATION FOR USE BY FLIGHT AND WARNING SYSTEMS UTILIZING TRANSMITTED RADIO SIGNALS WHICH ARE REFLECTED BY TERRAIN. ELECTRICAL EQUIP NUMBER: M01735 M01736 COMPONENT MAINT MANUAL REF: 34-47-91 QUALIFIED I/W DATA: 822-0334-003 MAY REPLACE 822-0334-002 IN SHIPSETS ONLY. FOR NHA/OTHER SYS DET SEE: 34-33-21-02	201967	RF
50	280-2745-130		.LABEL-ESDS WARNING SUPPLIER CODE: VOBU16	201967	1
- 55	838-7020-020		.LABEL-CAUTION ADDED SUPPLIER CODE: V12998	201967	1

MISSING ITEM NUMBERS NOT APPLICABLE

- ITEM NOT ILLUSTRATED

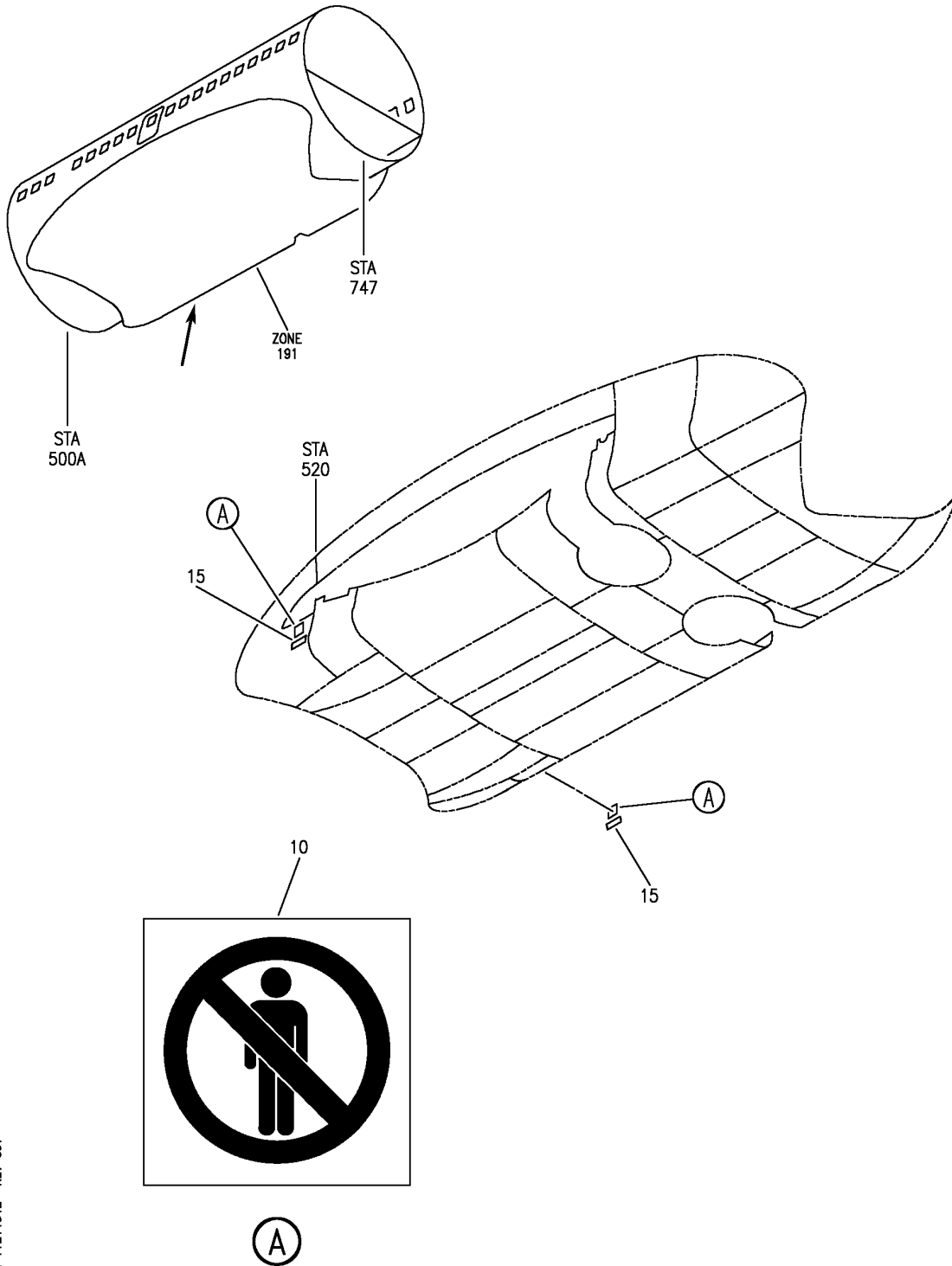
HAP

11-21-13-08

BOEING PROPRIETARY - Copyright © - Unpublished Work - See title page for details.

11-21-13
FIG. 08
PAGE 1
OCT 15/08

BOEING
 737-600/700/800/900
 PARTS CATALOG (MAINTENANCE)



E 11211312 REV 087

MARKING INSTL-DECORATIVE EXT (SECTION 43 ONLY)
 FIGURE 12

11-21-13-12

HAP
 OCT 10/07

11-21-13-12
 PAGE 0

BOEING
737-600/700/800/900
PARTS CATALOG (MAINTENANCE)

FIG ITEM	PART NUMBER	1 2 3 4 5 6 7	NOMENCLATURE	EFFECT FROM TO	UNITS PER ASSY
R R R - R R R R R R R R R R R R	12				
	6	MODREF340340	MARKING INSTL-DECORATIVE EXT (SECTION 43 ONLY)	102106 970999	1
			MARKING INSTL-DECORATIVE EXT (SECTION 43 ONLY)	102106 970999	
			MODULE NUMBER: 414A4104-8 REV A		
			FOR OTHER SYS DETAILS SEE: 11-25-03-14A		
			FOR ADDITIONAL DETAILS SEE: 11-21-11-03		
	10	414A4801-3	.MARKING	102106 970999	2
	15	BAC27XSTN968	.STENCIL-	102106 970999	2
			PLACARD CONTENT: WARNING: STAND CLEAR OF HAZARD AREAS WHILE ENGINE IS RUNNING		

MISSING ITEM NUMBERS NOT APPLICABLE

- ITEM NOT ILLUSTRATED

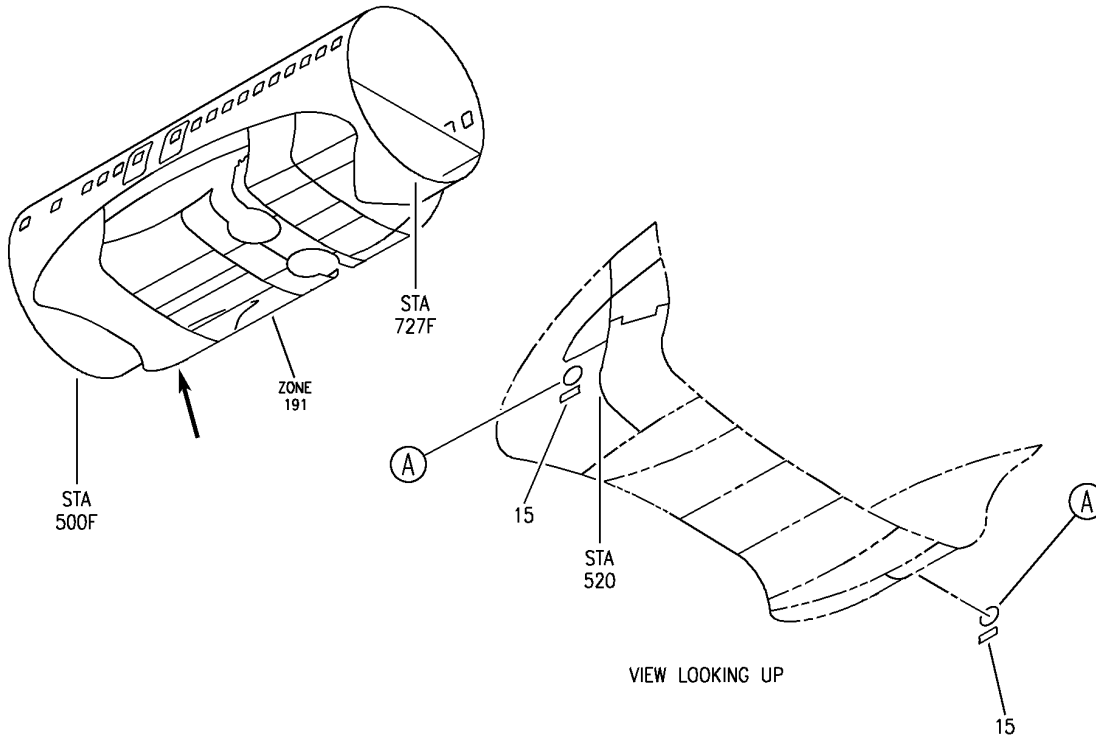
HAP

11-21-13-12

BOEING PROPRIETARY - Copyright © - Unpublished Work - See title page for details.

11-21-13
FIG. 12
PAGE 1
JUN 15/09

BOEING
 737-600/700/800/900
 PARTS CATALOG (MAINTENANCE)



E 11211314A REV 107

MARKING INSTL-DECORATIVE EXT (SECTION 43 ONLY)
 FIGURE 14A

11-21-13-14A

HAP
 OCT 10/06

11-21-13-14A
 PAGE 0

 **BOEING**
737-600/700/800/900
PARTS CATALOG (MAINTENANCE)

FIG ITEM	PART NUMBER	1 2 3 4 5 6 7	NOMENCLATURE	EFFECT FROM TO	UNITS PER ASSY
14A			MARKING INSTL-DECORATIVE EXT (SECTION 43 ONLY)	031037 039040 048048	
- 5	MODREF274769		MARKING INSTL-DECORATIVE EXT (SECTION 43 ONLY) MODULE NUMBER: 414A4104-7 REV B FOR OTHER SYS DETAILS SEE: 11-25-03-14 FOR ADDITIONAL DETAILS SEE: 11-21-11-03 11-21-18-12	031037 039040	1
- 5	MODREF392332		MARKING INSTL-DECORATIVE EXT (SECTION 43 ONLY) MODULE NUMBER: 414A4104-281 REV B FOR OTHER SYS DETAILS SEE: 11-25-03-14 FOR ADDITIONAL DETAILS SEE: 11-21-11-03 11-21-18-12	048048	1
10	414A4801-3		.MARKING-NO PEOPLE	031037 039040 048048	2
15	BAC27XSTN968		.STENCIL- PLACARD CONTENT: WARNING: STAND CLEAR OF HAZARD AREAS WHILE ENGINE IS RUNNING	031037 039040 048048	2

MISSING ITEM NUMBERS NOT APPLICABLE

- ITEM NOT ILLUSTRATED

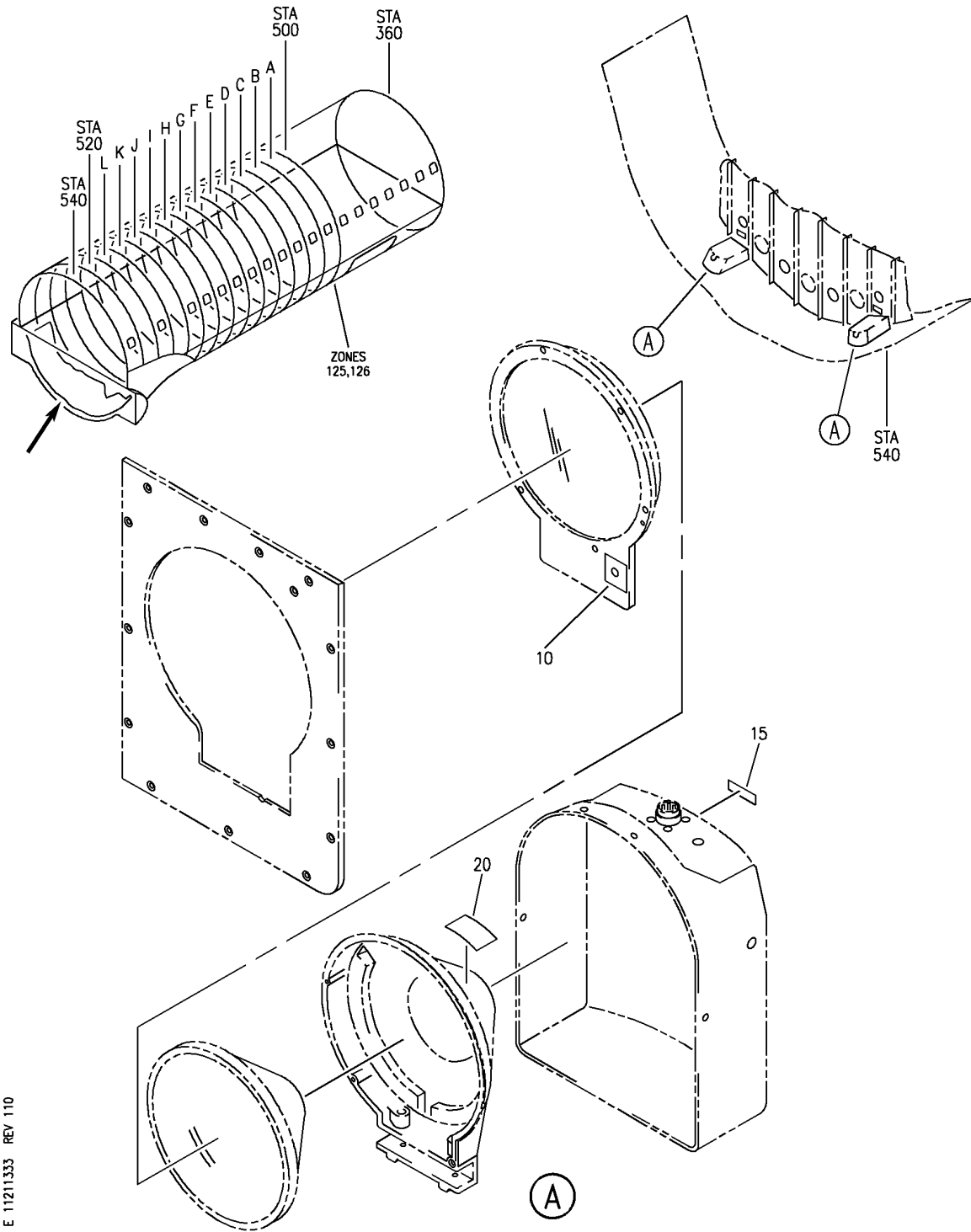
HAP

11-21-13-14A

BOEING PROPRIETARY - Copyright © - Unpublished Work - See title page for details.

11-21-13
FIG. 14A
PAGE 1
OCT 15/08

BOEING
 737-600/700/800/900
 PARTS CATALOG (MAINTENANCE)



E 11211333 REV 110

LIGHT ASSY-RETR LDG (PLACARDS AND MARKINGS ONLY)
 FIGURE 33

11-21-13-33

HAP
 OCT 10/06

11-21-13-33
 PAGE 0

BOEING
737-600/700/800/900
PARTS CATALOG (MAINTENANCE)

FIG ITEM	PART NUMBER	1 2 3 4 5 6 7	NOMENCLATURE	EFFECT FROM TO	UNITS PER ASSY
33					
- 1	45-0351-1		LIGHT ASSY-RETR LDG (PLACARDS AND MARKINGS ONLY) LIGHT ASSY-RETR LDG (PLACARDS AND MARKINGS ONLY) SUPPLIER CODE: V72914 POSITION DATA: LH SIDE FUNCTIONAL DESCRIPTION: ILLUMINATES THE RUNWAY DURING LANDING APPROACH AND TAXI SPECIFICATION NUMBER: S283A321-1 ELECTRICAL EQUIP NUMBER: L00322 COMPONENT MAINT MANUAL REF: 33-42-07 FOR NHA/OTHER SYS DET SEE: 33-42-02-01		RF
- 1	45-0351-3		LIGHT ASSY-RETR LDG (PLACARDS AND MARKINGS ONLY) SUPPLIER CODE: V72914 POSITION DATA: LH SIDE FUNCTIONAL DESCRIPTION: ILLUMINATES THE RUNWAY DURING LANDING APPROACH AND TAXI SPECIFICATION NUMBER: S283A321-3 ELECTRICAL EQUIP NUMBER: L00322 COMPONENT MAINT MANUAL REF: 33-42-07 FOR NHA/OTHER SYS DET SEE: 33-42-02-01		RF

MISSING ITEM NUMBERS NOT APPLICABLE

- ITEM NOT ILLUSTRATED

HAP

11-21-13-33

BOEING PROPRIETARY - Copyright © - Unpublished Work - See title page for details.

11-21-13
FIG. 33
PAGE 1
OCT 10/06

BOEING
737-600/700/800/900
PARTS CATALOG (MAINTENANCE)

FIG ITEM	PART NUMBER	1 2 3 4 5 6 7	NOMENCLATURE	EFFECT FROM TO	UNITS PER ASSY
33 - 5	45-0351-2		LIGHT ASSY-RETR LDG (PLACARDS AND MARKINGS ONLY) SUPPLIER CODE: V72914 POSITION DATA: RH SIDE FUNCTIONAL DESCRIPTION: ILLUMINATES THE RUNWAY DURING LANDING APPROACH AND TAXI SPECIFICATION NUMBER: S283A321-2 ELECTRICAL EQUIP NUMBER: L00323 COMPONENT MAINT MANUAL REF: 33-42-07 FOR NHA/OTHER SYS DET SEE: 33-42-02-01		RF
- 5	45-0351-4		LIGHT ASSY-RETR LDG (PLACARDS AND MARKINGS ONLY) SUPPLIER CODE: V72914 POSITION DATA: RH SIDE FUNCTIONAL DESCRIPTION: ILLUMINATES THE RUNWAY DURING LANDING APPROACH AND TAXI SPECIFICATION NUMBER: S283A321-4 ELECTRICAL EQUIP NUMBER: L00323 COMPONENT MAINT MANUAL REF: 33-42-07 FOR NHA/OTHER SYS DET SEE: 33-42-02-01		RF
10	46-2826-3		. LABEL-INSTRUCTION SUPPLIER CODE: V72914		1
15	46-2781-1		. PLATE-INSTRUCTION SUPPLIER CODE: V72914		1
20	46-2782-1		. PLATE-INSTRUCTION SUPPLIER CODE: V72914		1

MISSING ITEM NUMBERS NOT APPLICABLE

- ITEM NOT ILLUSTRATED

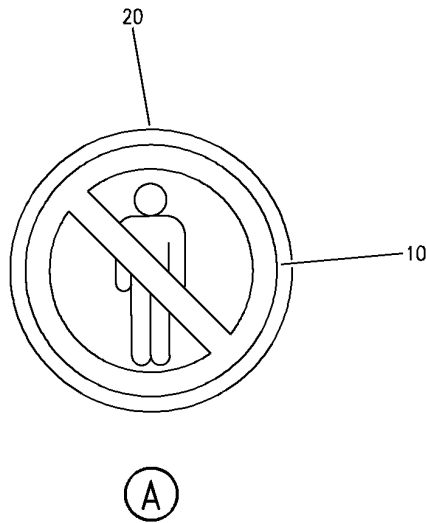
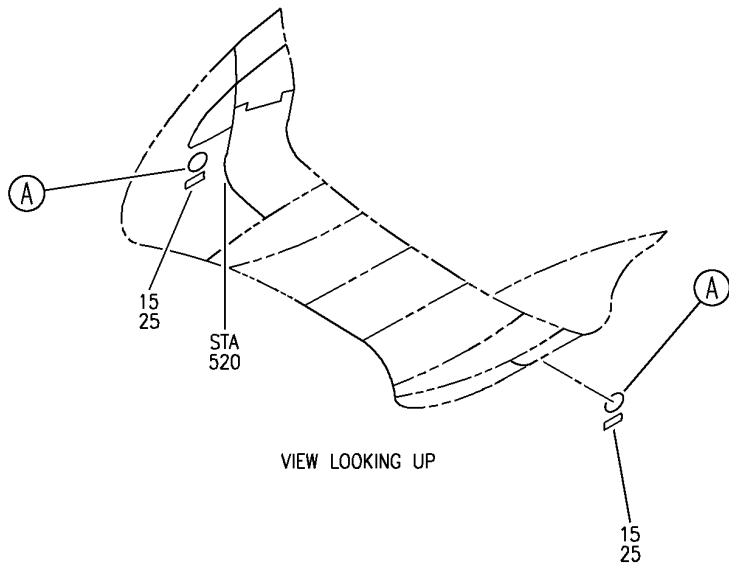
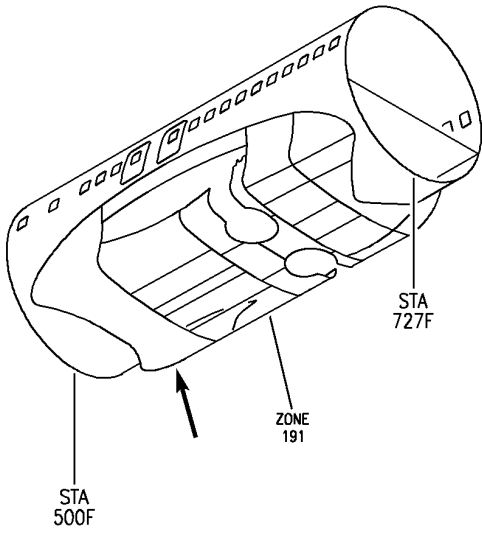
HAP

11-21-13-33

BOEING PROPRIETARY - Copyright © - Unpublished Work - See title page for details.

11-21-13
FIG. 33
PAGE 2
OCT 10/06

BOEING
 737-600/700/800/900
 PARTS CATALOG (MAINTENANCE)



E 11211334 REV 118

MARKING INSTL-DECORATIVE EXT (SECTION 43 ONLY)
 FIGURE 34

11-21-13-34

HAP
 JUN 10/07

11-21-13-34
 PAGE 0

BOEING
737-600/700/800/900
PARTS CATALOG (MAINTENANCE)

FIG ITEM	PART NUMBER	1 2 3 4 5 6 7	NOMENCLATURE	EFFECT FROM TO	UNITS PER ASSY
R R R R R R R R R R R R R R R R	34		MARKING INSTL-DECORATIVE EXT (SECTION 43 ONLY)	038038 042046 051052	
	- 1	MODREF323200	MARKING INSTL-DECORATIVE EXT (SECTION 43 ONLY) MODULE NUMBER: 414A4132-4 REV B FOR OTHER SYS DETAILS SEE: 11-25-03-37 FOR ADDITIONAL DETAILS SEE: 11-21-11-34 11-21-18-34	038038 042046	1
	- 1	MODREF415584	MARKING INSTL-DECORATIVE EXT (SECTION 43 ONLY) MODULE NUMBER: 414A4132-5 REV A FOR OTHER SYS DETAILS SEE: 11-25-03-37 FOR ADDITIONAL DETAILS SEE: 11-21-11-34 11-21-18-34	051052	1
	10	414A4801-3	.MARKING-NO PEOPLE	038038 042046 051052	2
	25	BAC27XSTN968	.STENCIL- PLACARD CONTENT: WARNING: STAND CLEAR OF HAZARD AREAS WHILE ENGINE IS RUNNING	038038 042046 051052	2

MISSING ITEM NUMBERS NOT APPLICABLE

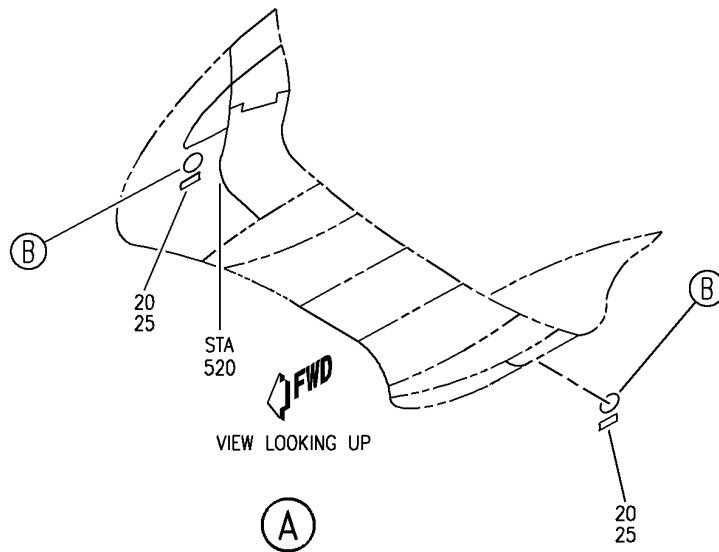
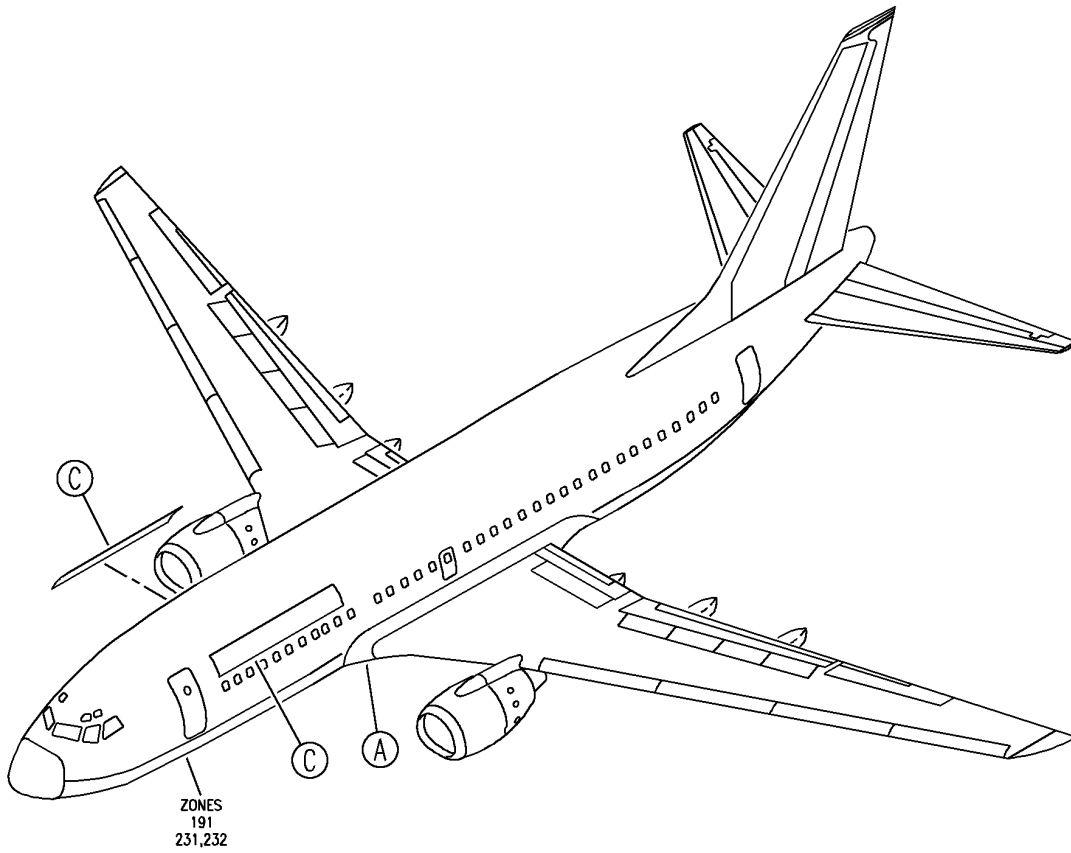
- ITEM NOT ILLUSTRATED

HAP

11-21-13-34

11-21-13
FIG. 34
PAGE 1
JUN 15/09

BOEING
 737-600/700/800/900
 PARTS CATALOG (MAINTENANCE)



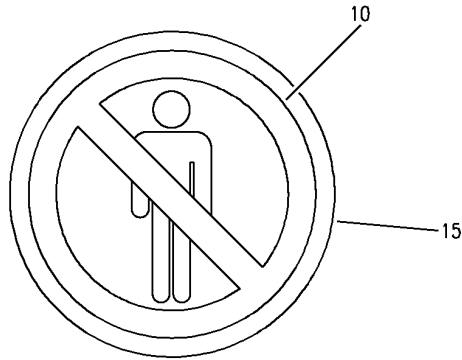
E 11211336 SH1 1 REV 133

MARKING INSTL-DECORATIVE EXT (SECTION 43 ONLY)
 FIGURE 36

11-21-13-36

HAP
 OCT 10/07

11-21-13-36
 PAGE 0



(B)

Scandinavian

30

35

40

45

(C)

E 11211336 SH1 2 REV 133

MARKING INSTL-DECORATIVE EXT (SECTION 43 ONLY)
FIGURE 36

11-21-13-36

HAP
OCT 10/07

11-21-13-36
PAGE 0A

BOEING
737-600/700/800/900
PARTS CATALOG (MAINTENANCE)

FIG ITEM	PART NUMBER	1 2 3 4 5 6 7	NOMENCLATURE	EFFECT FROM TO	UNITS PER ASSY
36			MARKING INSTL-DECORATIVE EXT (SECTION 43 ONLY)	101101 968969	
- 3	MODREF323884		MARKING INSTL-DECORATIVE EXT (SECTION 43 ONLY) MODULE NUMBER: 414A4226-1 REV A FOR OTHER SYS DETAILS SEE: 11-25-03-36B FOR ADDITIONAL DETAILS SEE: 11-21-11-36	101101 968969	1
10	414A4801-3		.MARKING-NO PEOPLE	101101 968969	2
25	BAC27XSTN968		.STENCIL- PLACARD CONTENT: WARNING: STAND CLEAR OF HAZARD AREAS WHILE ENGINE IS RUNNING	101101 968969	2

MISSING ITEM NUMBERS NOT APPLICABLE

- ITEM NOT ILLUSTRATED

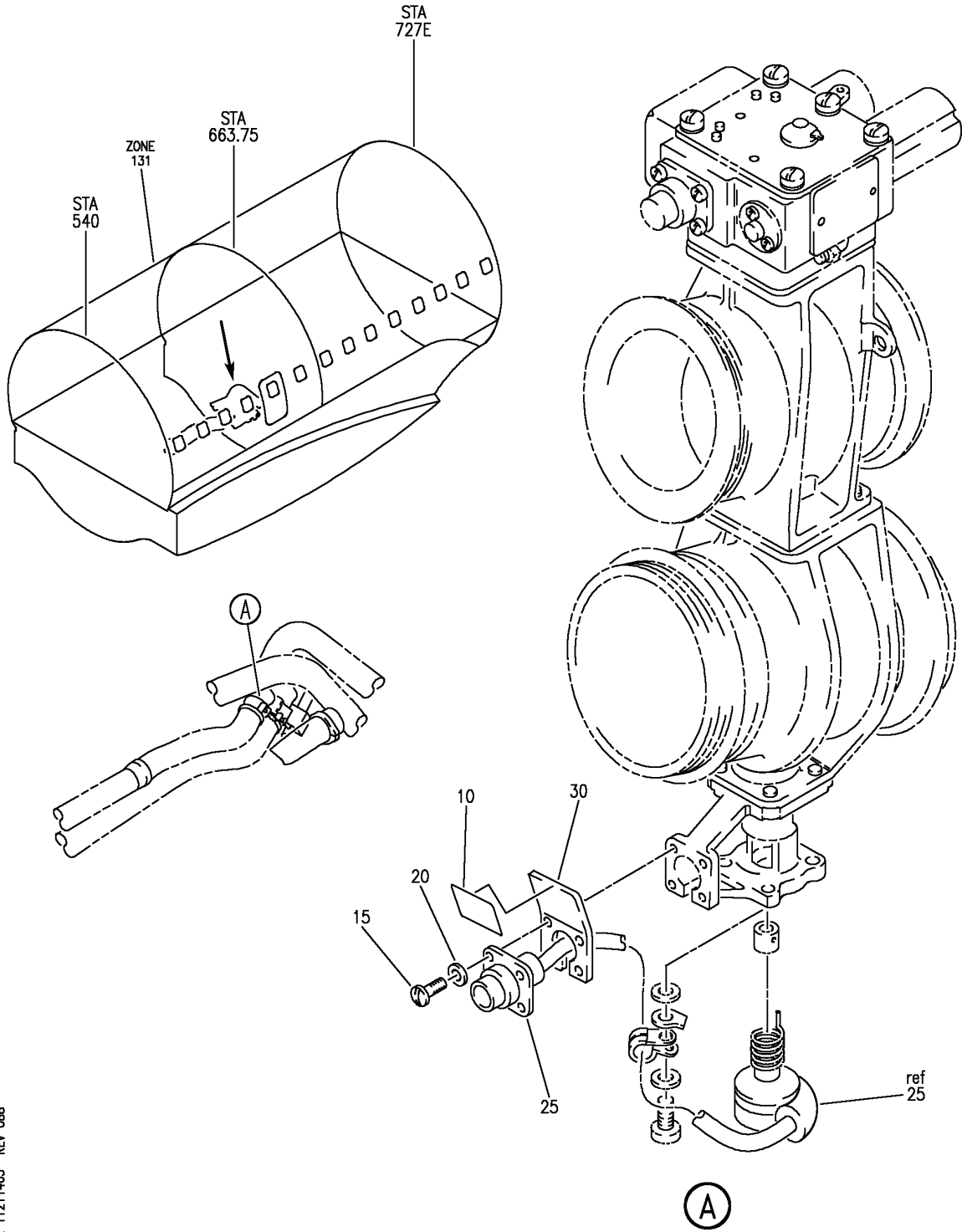
HAP

11-21-13-36

BOEING PROPRIETARY - Copyright © - Unpublished Work - See title page for details.

11-21-13
FIG. 36
PAGE 1
FEB 15/08

BOEING
737-600/700/800/900
PARTS CATALOG (MAINTENANCE)



E 11211403 REV 068

VALVE ASSY-TEMP CONT (PLACARDS AND MARKINGS ONLY)
FIGURE 3

11-21-14-03

HAP
FEB 10/07

11-21-14-03
PAGE 0

BOEING
737-600/700/800/900
PARTS CATALOG (MAINTENANCE)

FIG ITEM	PART NUMBER	1 2 3 4 5 6 7	NOMENCLATURE	EFFECT FROM TO	UNITS PER ASSY
3			VALVE ASSY-TEMP CONT (PLACARDS AND MARKINGS ONLY)	101999	
- 1	398116-1-1		VALVE ASSY-TEMP CONT THREE AND ONE-HALF INCH DIAMETER ELECTRIC DUAL MODULATING AND SHUTOFF BUTTERFLY SUPPLIER CODE: V59364 FUNCTIONAL DESCRIPTION: REGULATES HOT AIR BYPASSING AND GOING THROUGH THE AIR CYCLE SYSTEM ELECTRICAL EQUIP NUMBER: T00407 V00022 V00023 COMPONENT MAINT MANUAL REF: 21-61-49 FOR NHA/OTHER SYS DET SEE: 21-61-02-01 21-61-02-02 21-61-02-03 21-61-02-04	101999	RF
10	S9002A1J		.DECAL-CAUTION SUPPLIER CODE: V59364	101999	1
15	NAS1352C04-6		.SCREW- CONFIG CHG DATA FROM A CMM: POST SB 21 1555	101999	RF
20	S8157N8-016		.WASHER- 0.016 IN.(0,4064 MM) THK SUPPLIER CODE: V59364	101999	RF
25	882527-7		.RESISTOR-VAR SUPPLIER CODE: V59364	101999	RF
30	859689-1		.PLATE-INSTRUCTION SUPPLIER CODE: V59364	101999	1

MISSING ITEM NUMBERS NOT APPLICABLE

- ITEM NOT ILLUSTRATED

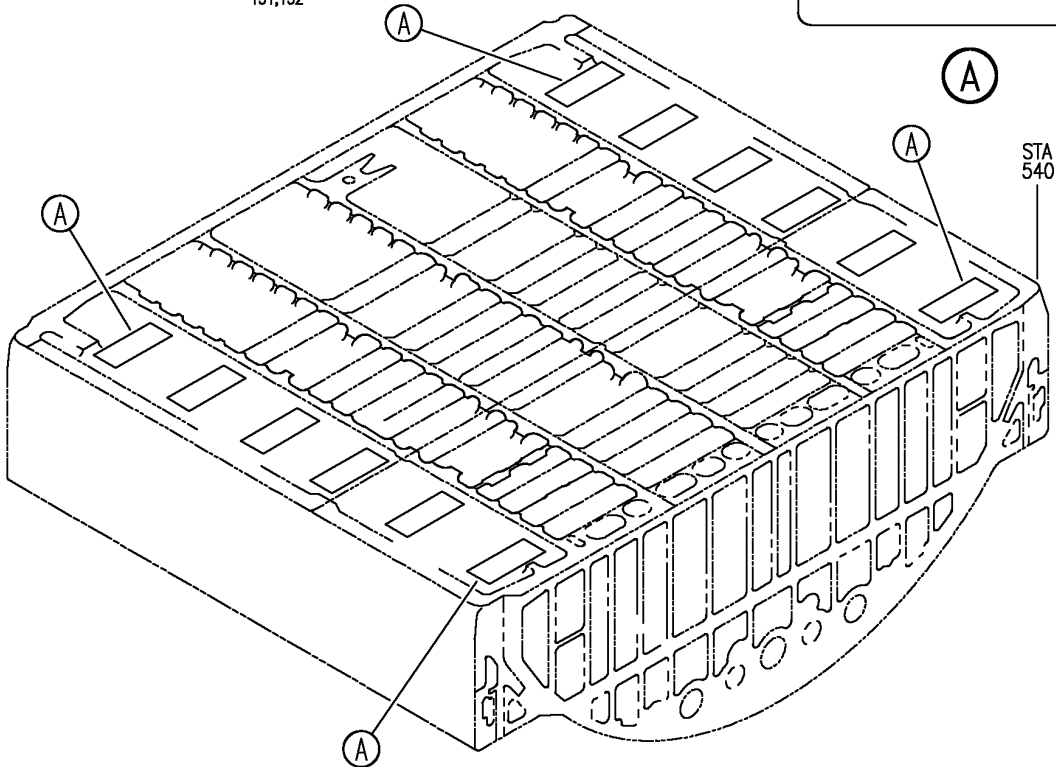
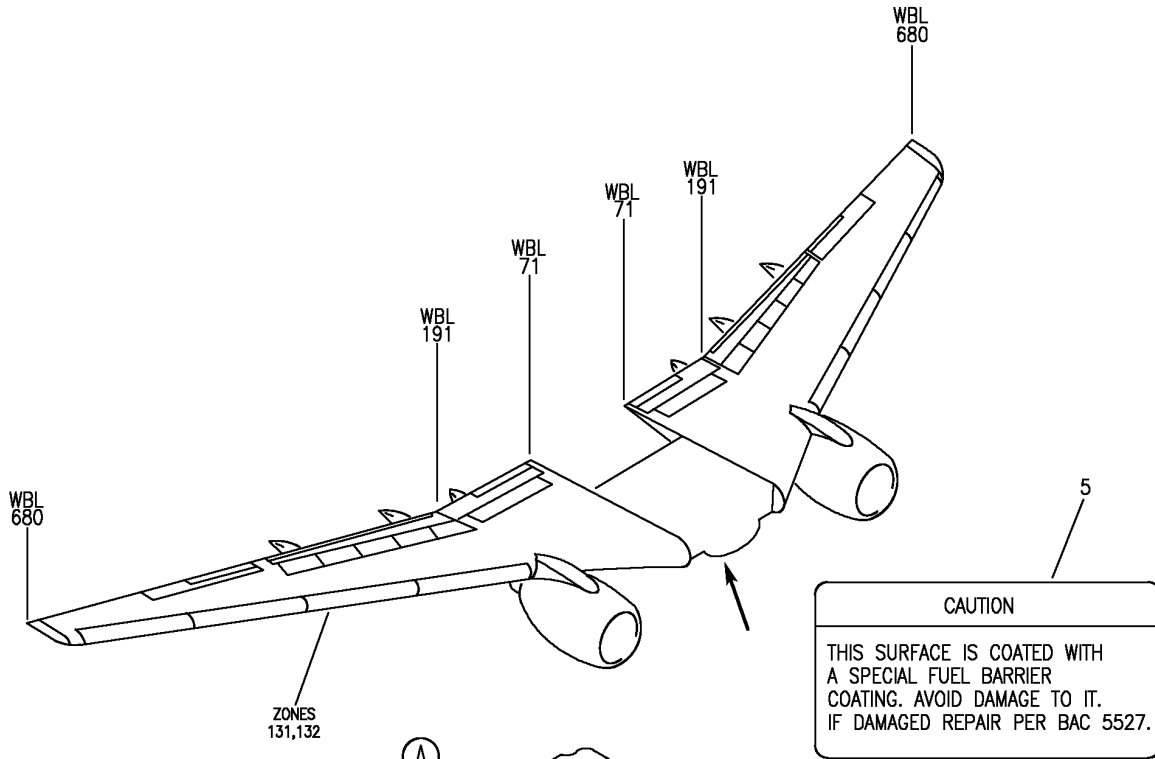
HAP

11-21-14-03

BOEING PROPRIETARY - Copyright © - Unpublished Work - See title page for details.

11-21-14
FIG. 03
PAGE 1
OCT 15/08

BOEING
 737-600/700/800/900
 PARTS CATALOG (MAINTENANCE)



E 11211411 REV 083

MARKING INSTL-WING SECT. 11 CTR MAINT
 FIGURE 11

11-21-14-11

HAP
 OCT 10/06

11-21-14-11
 PAGE 0

BOEING
737-600/700/800/900
PARTS CATALOG (MAINTENANCE)

FIG ITEM	PART NUMBER	1 2 3 4 5 6 7	NOMENCLATURE	EFFECT FROM TO	UNITS PER ASSY
11			MARKING INSTL-WING SECT. 11 CTR MAINT		
- 1	111A0043-1		MARKING INSTL-WING MAINT POSITION DATA: SECT. 11 CTR FOR NHA SEE: 11-20-00-30	001030 201967	RF
- 1	MODREF76148		MARKING INSTL-WING MAINT MODULE NUMBER: 111A0043-1 REV A POSITION DATA: SECT. 11 CTR	031200 968999	1
5	BAC27DWG14		.DECAL		12

MISSING ITEM NUMBERS NOT APPLICABLE

- ITEM NOT ILLUSTRATED

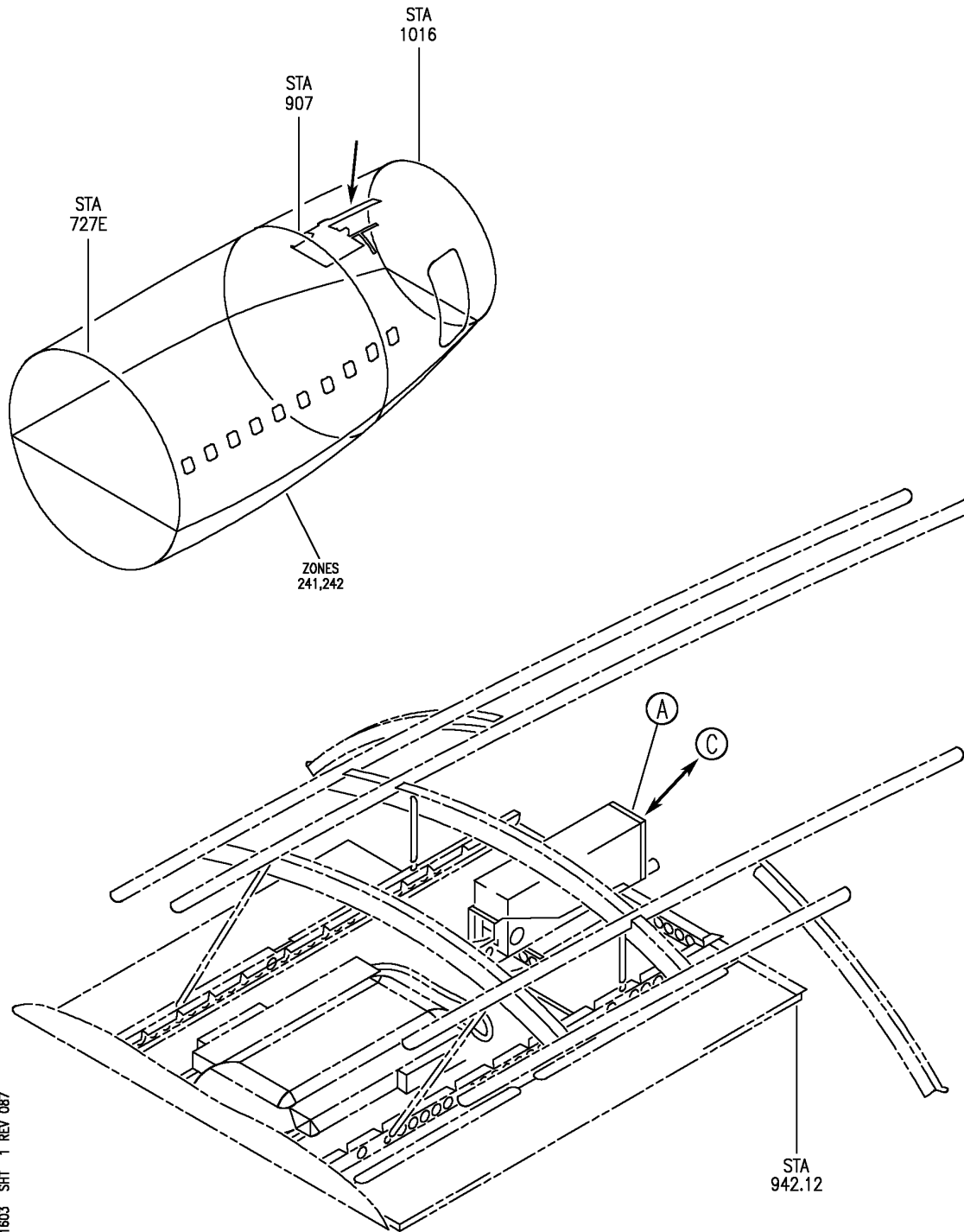
HAP

11-21-14-11

BOEING PROPRIETARY - Copyright © - Unpublished Work - See title page for details.

11-21-14
FIG. 11
PAGE 1
OCT 15/08

BOEING
 737-600/700/800/900
 PARTS CATALOG (MAINTENANCE)



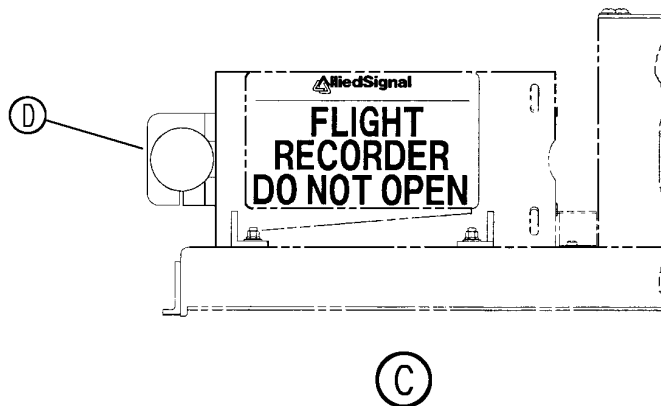
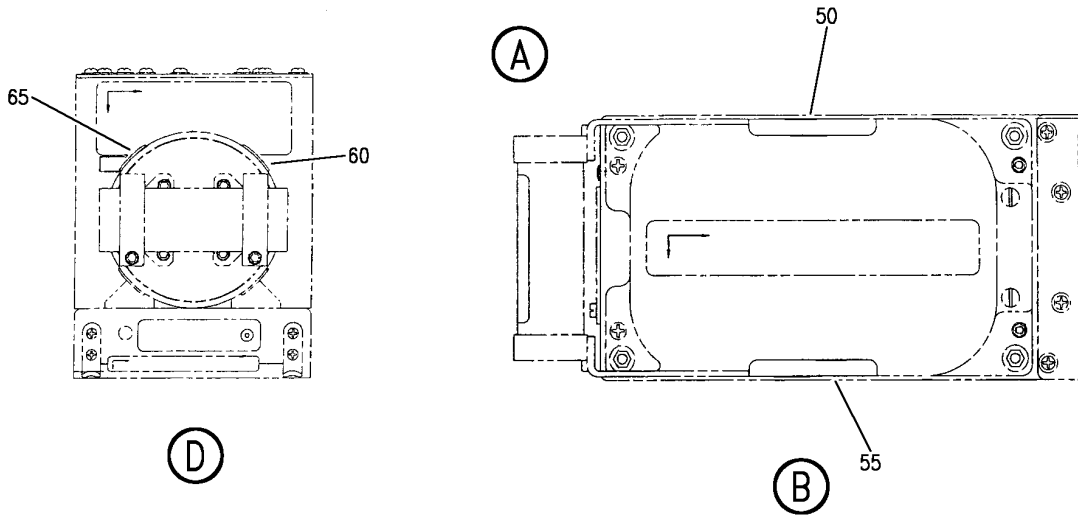
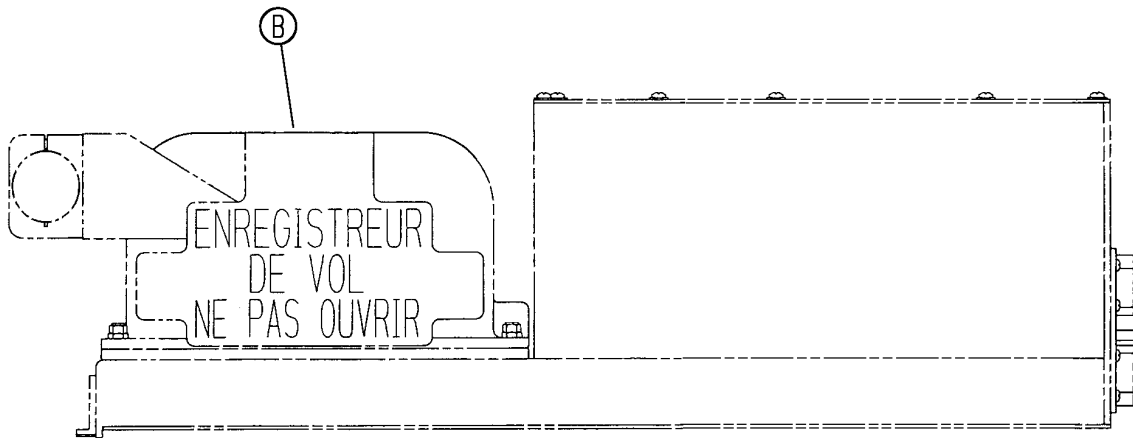
E 11211603 SHT 1 REV 087

RECORDER ASSY-FLIGHT DATA DIGITAL (PLACARDS AND MARKINGS ONLY)
 FIGURE 3 (SHEET 1)

HAP
 OCT 10/06

11-21-16-03

11-21-16-03
 PAGE 0



E 11211603 SHT 2 REV 137

RECORDER ASSY-FLIGHT DATA DIGITAL (PLACARDS AND MARKINGS ONLY)
 FIGURE 3 (SHEET 2)

HAP
 FEB 15/08

11-21-16-03

11-21-16-03
 PAGE 0A

BOEING
737-600/700/800/900
PARTS CATALOG (MAINTENANCE)

FIG ITEM	PART NUMBER	1 2 3 4 5 6 7	NOMENCLATURE	EFFECT FROM TO	UNITS PER ASSY
3			RECORDER ASSY-FLIGHT DATA DIGITAL (PLACARDS AND MARKINGS ONLY)		
- 1	980-4700-042		RECORDER ASSY-FLIGHT DATA DIGITAL (PLACARDS AND MARKINGS ONLY) SUPPLIER CODE: V97896 FUNCTIONAL DESCRIPTION: RECORDS SELECTED PARAMETERS FROM VARIOUS AIRPLANE SYSTEMS AND SENSORS USING SOLID STATE MEMORY ELECTRICAL EQUIP NUMBER: M00096 WIRING DIAGRAM REF: 313111 COMPONENT MAINT MANUAL REF: 31-30-40 FOR NHA/OTHER SYS DET SEE: 31-31-11-01 31-31-11-05 31-31-11-06		RF
50	402-6061-001		. LABEL-WARNING SUPPLIER CODE: V97896		1
55	402-6061-002		. LABEL-WARNING SUPPLIER CODE: V97896		1
60	402-6061-004		. LABEL-WARNING SUPPLIER CODE: V97896		1
65	402-6061-005		. LABEL-WARNING SUPPLIER CODE: V97896		1

MISSING ITEM NUMBERS NOT APPLICABLE

- ITEM NOT ILLUSTRATED

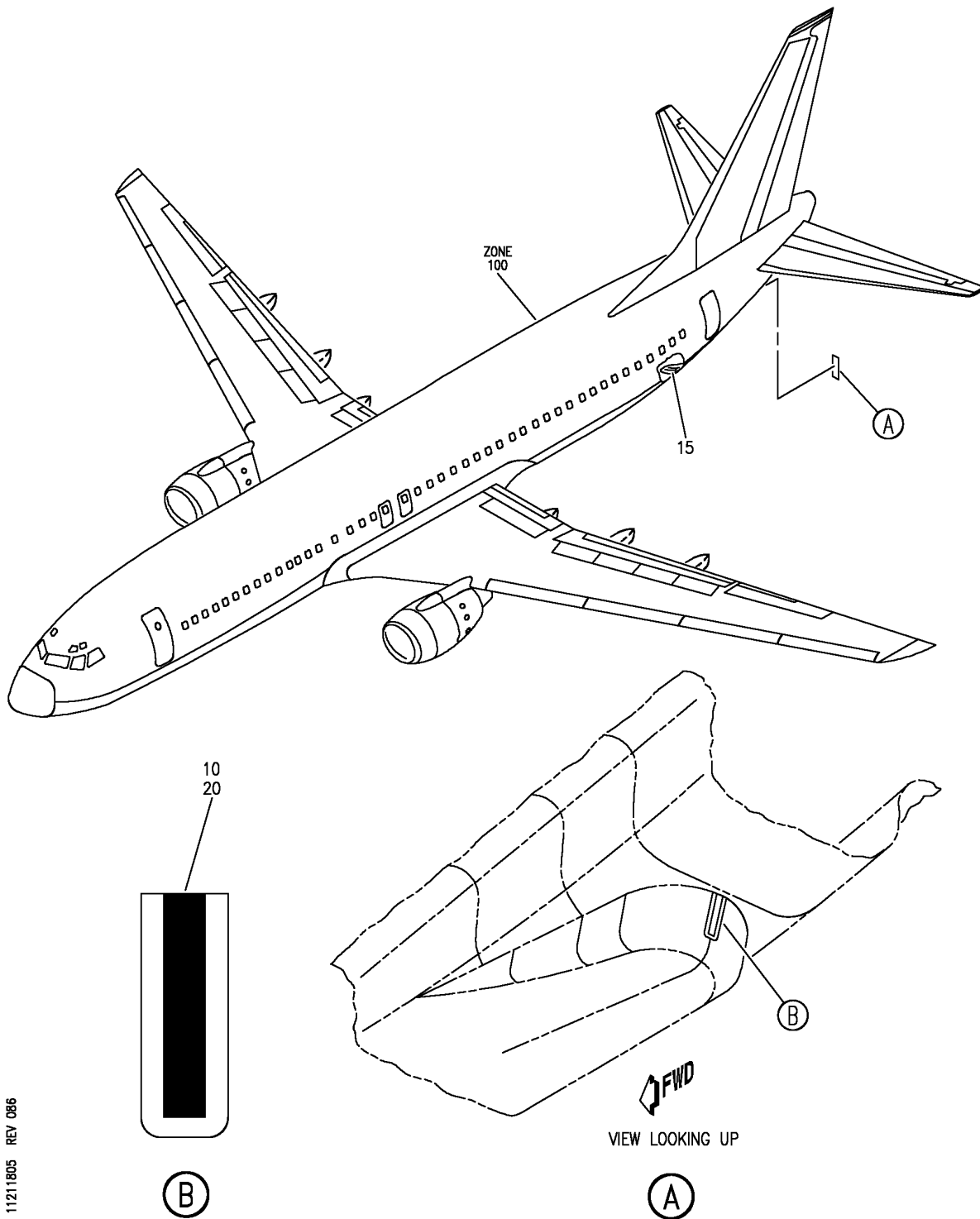
HAP

11-21-16-03

BOEING PROPRIETARY - Copyright © - Unpublished Work - See title page for details.

11-21-16
FIG. 03
PAGE 1
JUN 15/08

BOEING
 737-600/700/800/900
 PARTS CATALOG (MAINTENANCE)



E 11211805 REV 086

MARKING INSTL-DECORATIVE EXT (SECTION 48 ONLY)
 FIGURE 5

11-21-18-05

HAP
 JUN 10/07

11-21-18-05
 PAGE 0

 **BOEING**
737-600/700/800/900
PARTS CATALOG (MAINTENANCE)

FIG ITEM	PART NUMBER	1 2 3 4 5 6 7	NOMENCLATURE	EFFECT FROM TO	UNITS PER ASSY
5			MARKING INSTL-DECORATIVE EXT (SECTION 48 ONLY)	041041 047047 049049	
R R R R R R	- 6 MODREF376283		MARKING INSTL-DECORATIVE EXT (SECTION 48 ONLY) MODULE NUMBER: 414A4116-3 REV A FOR OTHER SYS DETAILS SEE: 11-25-03-31D	047047	1
	- 6 MODREF333291		MARKING INSTL-DECORATIVE EXT (SECTION 48 ONLY) MODULE NUMBER: 414A4116-2 REV A FOR OTHER SYS DETAILS SEE: 11-25-03-31D	041041	1
R R R R R	- 7 MODREF412627		MARKING INSTL-DECORATIVE EXT (SECTION 48 ONLY) MODULE NUMBER: 414A4116-4 REV A FOR OTHER SYS DETAILS SEE: 11-25-03-31D	049049	1
	20 BAC27DPA5134		.DECAL	041041 047047 049049	1

MISSING ITEM NUMBERS NOT APPLICABLE

- ITEM NOT ILLUSTRATED

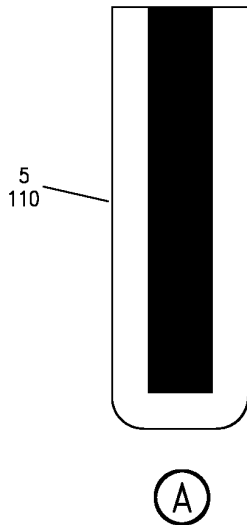
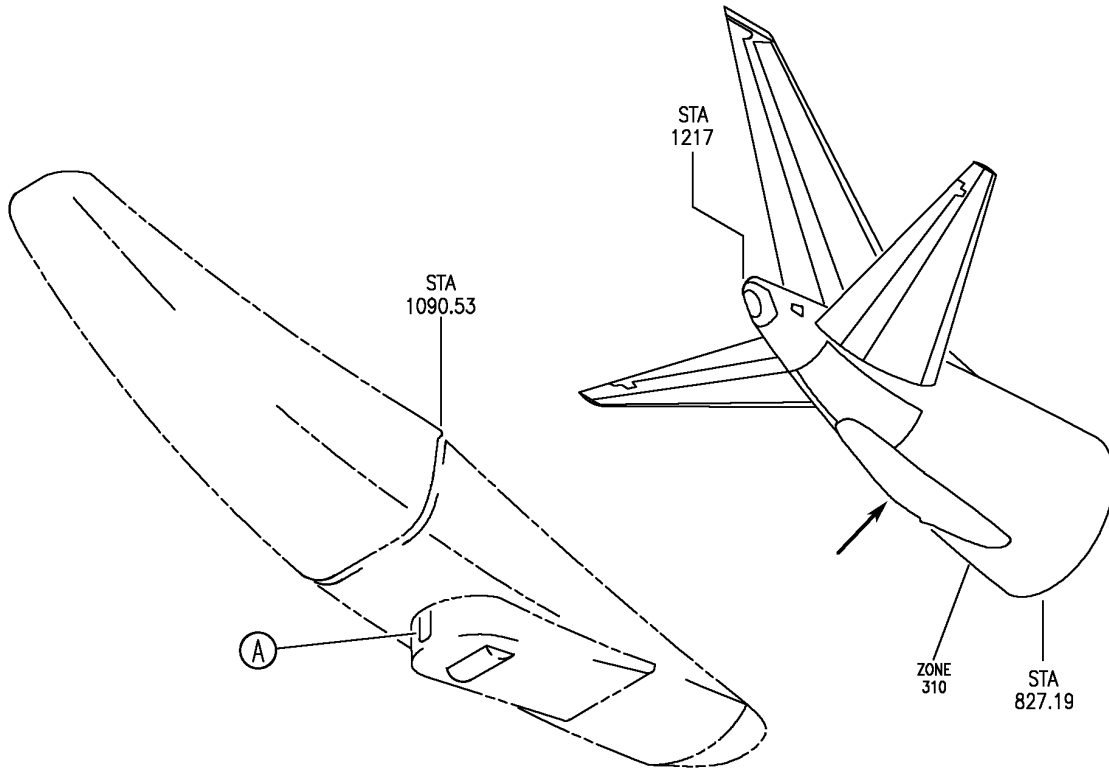
HAP

11-21-18-05

BOEING PROPRIETARY - Copyright © - Unpublished Work - See title page for details.

11-21-18
FIG. 05
PAGE 1
JUN 15/09

BOEING
737-600/700/800/900
PARTS CATALOG (MAINTENANCE)



E 11211812 REV 098

MARKING INSTL-DECORATIVE EXT (SECTION 48 ONLY)
FIGURE 12

11-21-18-12

HAP
OCT 10/06

11-21-18-12
PAGE 0

 **BOEING**
737-600/700/800/900
PARTS CATALOG (MAINTENANCE)

FIG ITEM	PART NUMBER	1 2 3 4 5 6 7	NOMENCLATURE	EFFECT FROM TO	UNITS PER ASSY
12			MARKING INSTL-DECORATIVE EXT (SECTION 48 ONLY)	028037 039040 048048	
- 1	414A4104-5		MARKING INSTL-DECORATIVE EXT (SECTION 48 ONLY) FOR NHA/OTHER SYS DET SEE: 11-20-00-01C	028030	RF
- 1	MODREF274769		MARKING INSTL-DECORATIVE EXT (SECTION 48 ONLY) MODULE NUMBER: 414A4104-7 REV B FOR OTHER SYS DETAILS SEE: 11-25-03-14 FOR ADDITIONAL DETAILS SEE: 11-21-11-03 11-21-13-14A	031037 039040	1
- 1	MODREF392332		MARKING INSTL-DECORATIVE EXT (SECTION 48 ONLY) MODULE NUMBER: 414A4104-281 REV B FOR OTHER SYS DETAILS SEE: 11-25-03-14 FOR ADDITIONAL DETAILS SEE: 11-21-11-03 11-21-13-14A	048048	1
5	BAC27DPA5134		.DECAL	028037 039040 048048	1

MISSING ITEM NUMBERS NOT APPLICABLE

- ITEM NOT ILLUSTRATED

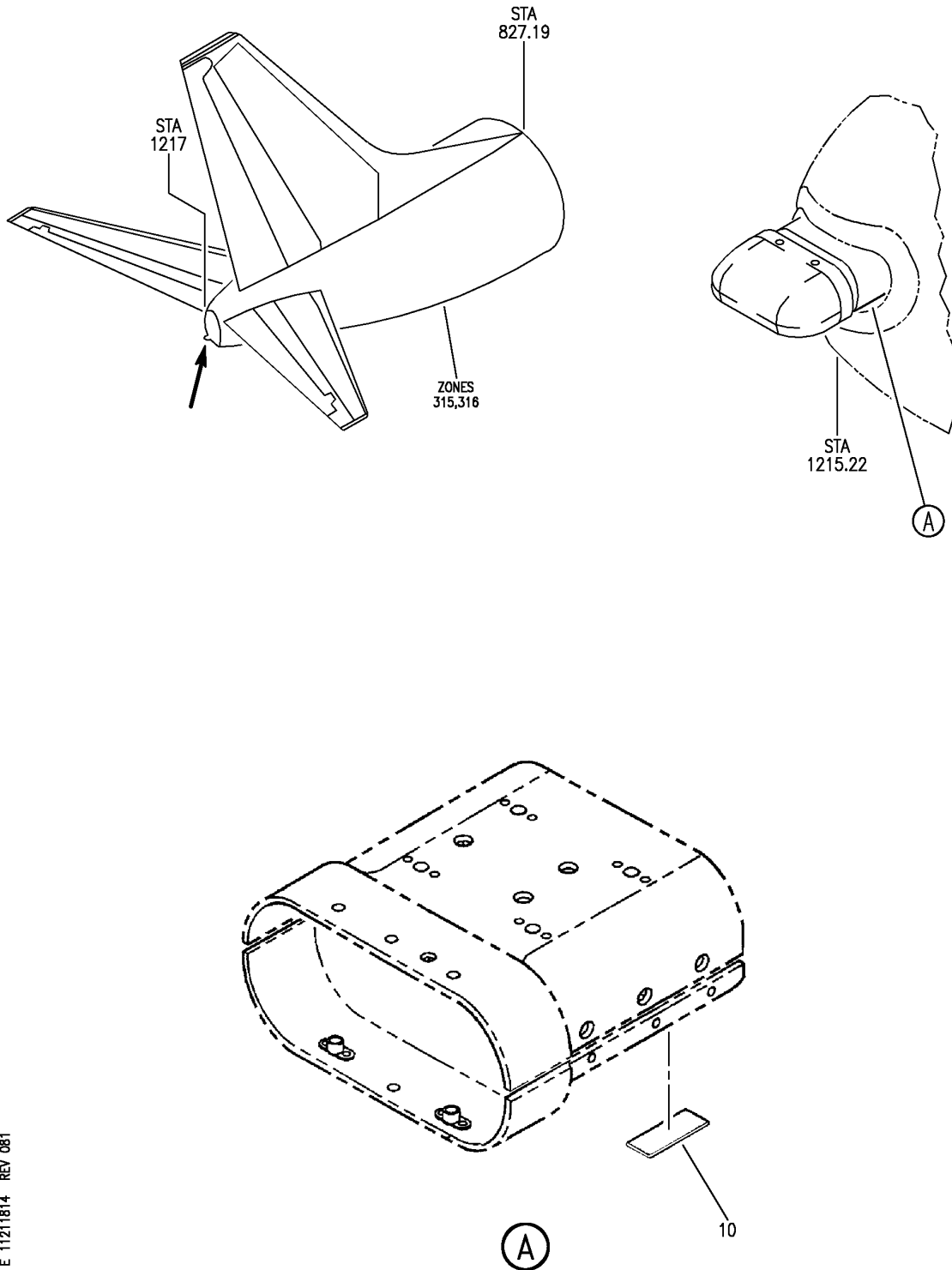
HAP

11-21-18-12

BOEING PROPRIETARY - Copyright © - Unpublished Work - See title page for details.

11-21-18
FIG. 12
PAGE 1
OCT 15/08

BOEING
 737-600/700/800/900
 PARTS CATALOG (MAINTENANCE)



E 11211814 REV 081

LIGHT ASSY-TAILCONE ANTI COLLISION (PLACARDS AND MARKINGS ONLY)
 FIGURE 14

11-21-18-14

HAP
 OCT 10/06

11-21-18-14
 PAGE 0

BOEING
737-600/700/800/900
PARTS CATALOG (MAINTENANCE)

FIG ITEM	PART NUMBER	1 2 3 4 5 6 7	NOMENCLATURE	EFFECT FROM TO	UNITS PER ASSY
14			LIGHT ASSY-TAILCONE ANTI COLLISION (PLACARDS AND MARKINGS ONLY)	031200 968999	
- 1	30-0909-201		LIGHT ASSY-TAILCONE ANTI COLLISION (PLACARDS AND MARKINGS ONLY) SUPPLIER CODE: V72914 ELECTRICAL EQUIP NUMBER: L00046 COMPONENT MAINT MANUAL REF: 33-40-38 FOR NHA/OTHER SYS DET SEE: 33-44-04-01 INTER/ACROSS MODEL I/W P/N: 30-0909-101 V72914 30-0909-1 V72914	031200 968999	RF
- 5	31-2988-9		.LIGHT SUBASSEMBLY- SUPPLIER CODE: V72914	031200 968999	RF
10	60-3926-1		..PLATE-INSTRUCTION ESDS SUPPLIER CODE: V72914	031200 968999	1

MISSING ITEM NUMBERS NOT APPLICABLE

- ITEM NOT ILLUSTRATED

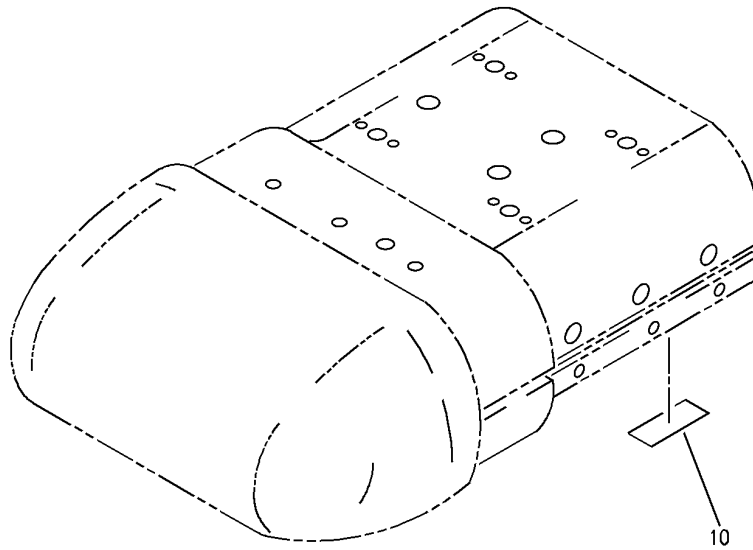
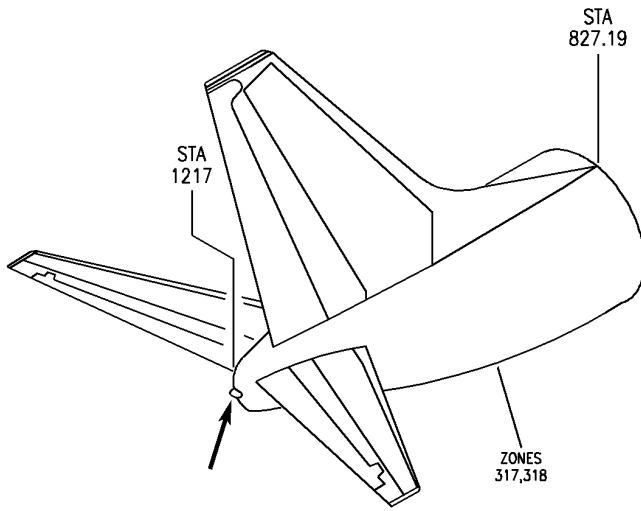
HAP

11-21-18-14

BOEING PROPRIETARY - Copyright © - Unpublished Work - See title page for details.

11-21-18
FIG. 14
PAGE 1
OCT 15/08

BOEING
737-600/700/800/900
PARTS CATALOG (MAINTENANCE)



E 11211814A REV 125

LIGHT ASSY-TAILCONE ANTI COLLISION (PLACARDS AND MARKINGS ONLY)
FIGURE 14A

HAP
FEB 10/07

11-21-18-14A

11-21-18-14A
PAGE 0

BOEING
737-600/700/800/900
PARTS CATALOG (MAINTENANCE)

FIG ITEM	PART NUMBER	1 2 3 4 5 6 7	NOMENCLATURE	EFFECT FROM TO	UNITS PER ASSY
14A			LIGHT ASSY-TAILCONE ANTI COLLISION (PLACARDS AND MARKINGS ONLY)	001030 201967	
- 1	30-0909-201		LIGHT ASSY-TAILCONE ANTI COLLISION (PLACARDS AND MARKINGS ONLY) SUPPLIER CODE: V72914 ELECTRICAL EQUIP NUMBER: L00046 COMPONENT MAINT MANUAL REF: 33-40-38 FOR NHA/OTHER SYS DET SEE: 33-44-04-02 INTER/ACROSS MODEL I/W P/N: 30-0909-101 V72914 30-0909-1 V72914	001030 201967	RF
- 5	31-2988-9		.LIGHT SUBASSEMBLY- SUPPLIER CODE: V72914	001030 201967	RF
10	60-3926-1		..PLATE-INSTRUCTION ESDS SUPPLIER CODE: V72914	001030 201967	1

MISSING ITEM NUMBERS NOT APPLICABLE

- ITEM NOT ILLUSTRATED

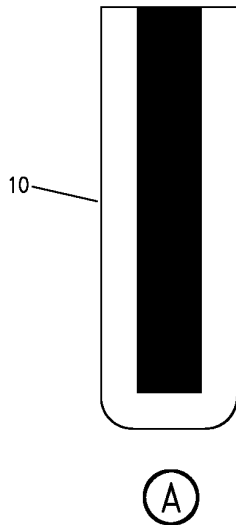
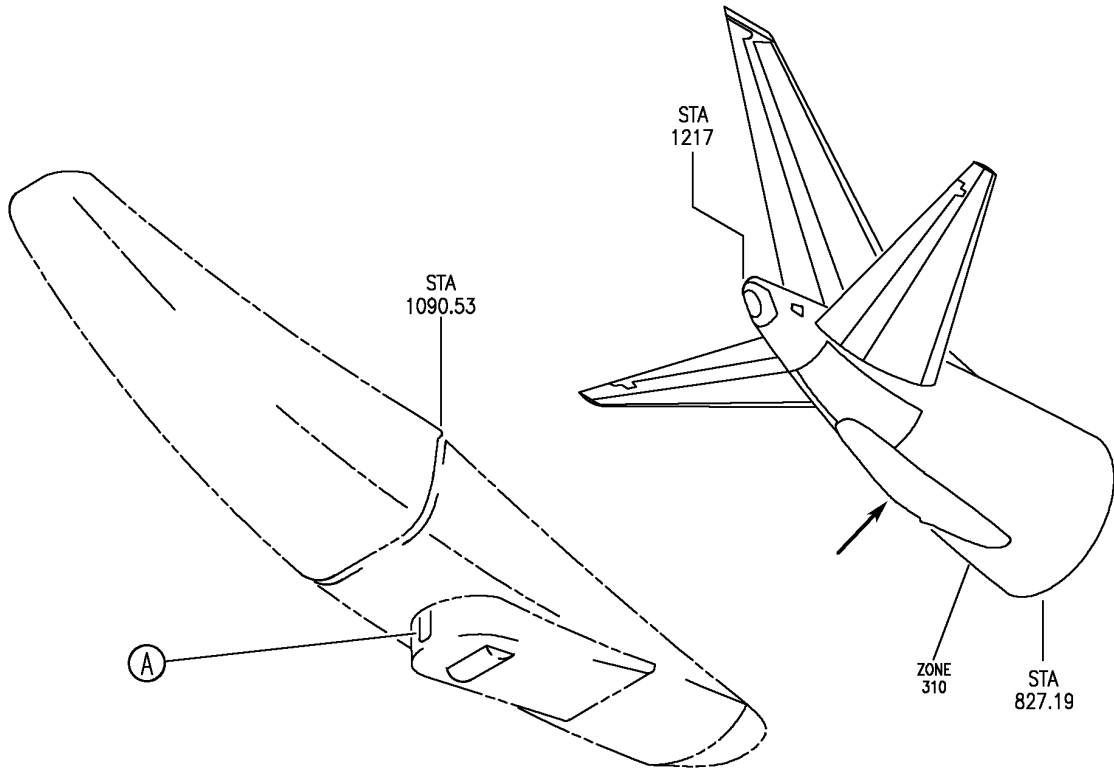
HAP

11-21-18-14A

BOEING PROPRIETARY - Copyright © - Unpublished Work - See title page for details.

11-21-18
FIG. 14A
PAGE 1
OCT 15/08

BOEING
737-600/700/800/900
PARTS CATALOG (MAINTENANCE)



E 11211820 REV 057

MARKING INSTL-DECORATIVE EXT (SECTION 48 ONLY)
FIGURE 20

11-21-18-20

HAP
OCT 15/08

11-21-18-20
PAGE 0

BOEING
737-600/700/800/900
PARTS CATALOG (MAINTENANCE)

FIG ITEM	PART NUMBER	1 2 3 4 5 6 7	NOMENCLATURE	EFFECT FROM TO	UNITS PER ASSY
20					
- 3	MODREF348086		MARKING INSTL-DECORATIVE EXT (SECTION 48 ONLY)	050050 053100	1
- 3	MODREF407326		MARKING INSTL-DECORATIVE EXT (SECTION 48 ONLY) MODULE NUMBER: 414A4242-1 REV B FOR OTHER SYS DETAILS SEE: 11-25-03-20	054100 050050 053053	
10	BAC27DPA5134		.DECAL	050050 054100	1

MISSING ITEM NUMBERS NOT APPLICABLE

- ITEM NOT ILLUSTRATED

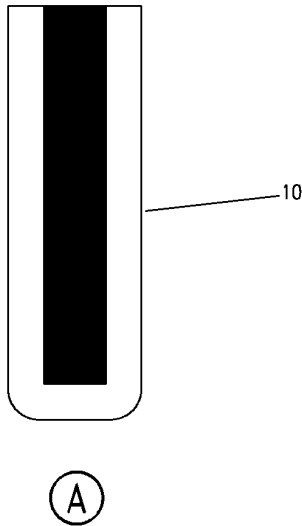
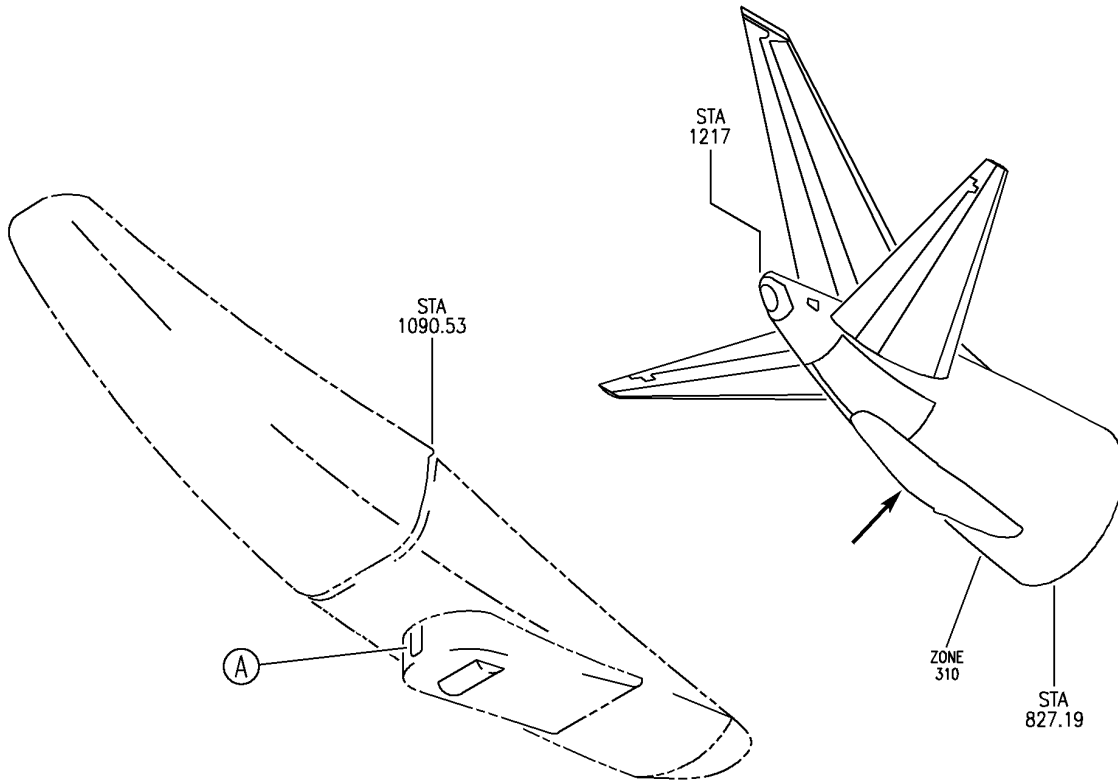
HAP

11-21-18-20

BOEING PROPRIETARY - Copyright © - Unpublished Work - See title page for details.

11-21-18
FIG. 20
PAGE 1
FEB 15/09

BOEING
737-600/700/800/900
PARTS CATALOG (MAINTENANCE)



E 11211834 REV 118

MARKING INSTL-DECORATIVE EXT (SECTION 48 ONLY)
FIGURE 34

11-21-18-34

HAP
JUN 10/07

11-21-18-34
PAGE 0

BOEING
737-600/700/800/900
PARTS CATALOG (MAINTENANCE)

FIG ITEM	PART NUMBER	1 2 3 4 5 6 7	NOMENCLATURE	EFFECT FROM TO	UNITS PER ASSY
R R	34		MARKING INSTL-DECORATIVE EXT (SECTION 48 ONLY)	038038 042046 051052	
	- 2	MODREF323200	MARKING INSTL-DECORATIVE EXT (SECTION 48 ONLY) MODULE NUMBER: 414A4132-4 REV B FOR OTHER SYS DETAILS SEE: 11-25-03-37 FOR ADDITIONAL DETAILS SEE: 11-21-11-34 11-21-13-34	038038 042046	1
	- 2	MODREF415584	MARKING INSTL-DECORATIVE EXT (SECTION 48 ONLY) MODULE NUMBER: 414A4132-5 REV A FOR OTHER SYS DETAILS SEE: 11-25-03-37 FOR ADDITIONAL DETAILS SEE: 11-21-11-34 11-21-13-34	051052	1
	10	BAC27DPA5134	.DECAL	038038 042046 051052	1

MISSING ITEM NUMBERS NOT APPLICABLE

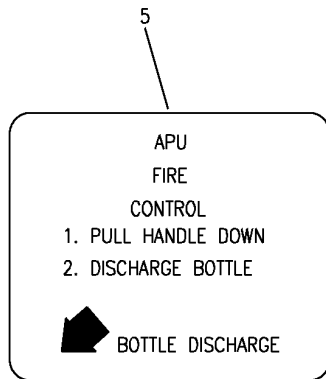
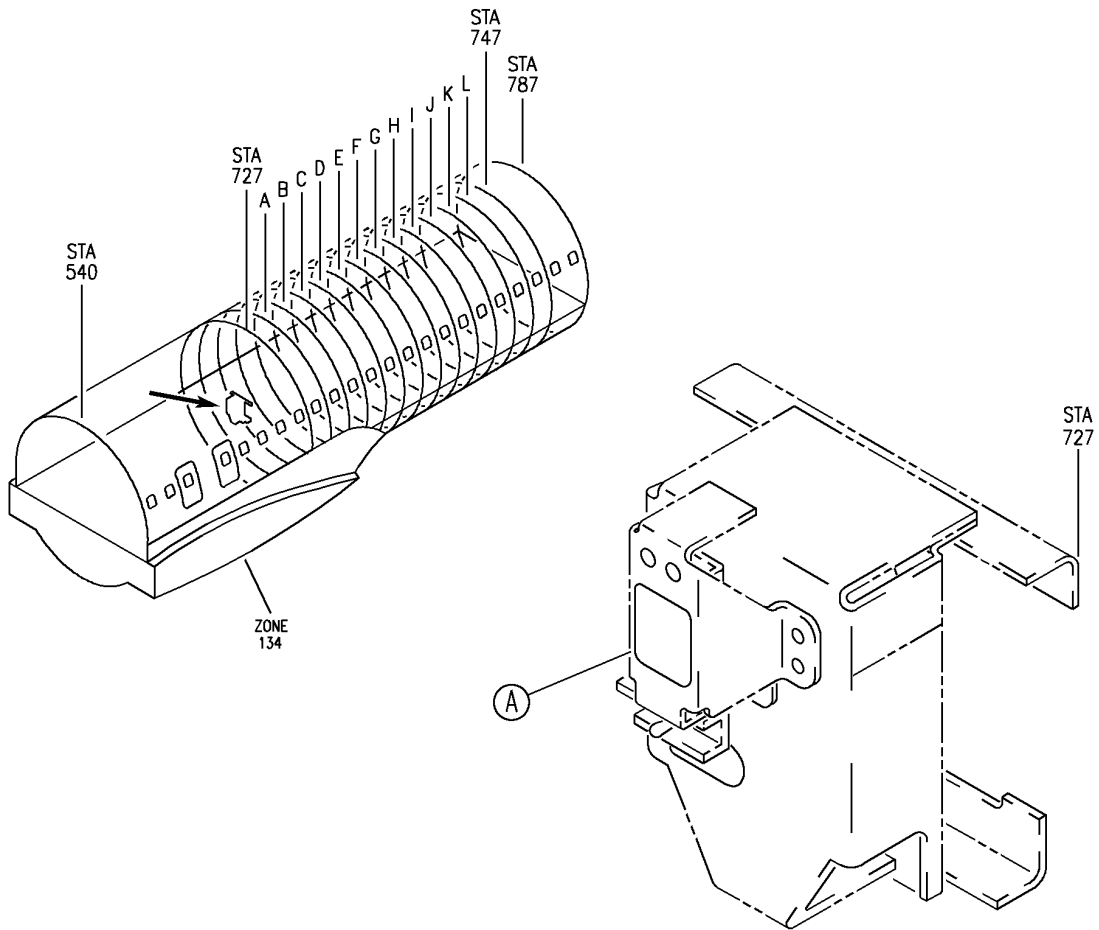
- ITEM NOT ILLUSTRATED

HAP

11-21-18-34

11-21-18
FIG. 34
PAGE 1
JUN 15/09

BOEING
 737-600/700/800/900
 PARTS CATALOG (MAINTENANCE)



E 11212009 REV 122

PANEL ASSY-(PLACARDS AND MARKINGS ONLY)
 FIGURE 9

11-21-20-09

HAP
 OCT 10/06

11-21-20-09
 PAGE 0

BOEING
737-600/700/800/900
PARTS CATALOG (MAINTENANCE)

FIG ITEM	PART NUMBER	1 2 3 4 5 6 7	NOMENCLATURE	EFFECT FROM TO	UNITS PER ASSY
9			PANEL ASSY-(PLACARDS AND MARKINGS ONLY)	031200 968999	
- 1	355A5340-2		PANEL ASSY-(PLACARDS AND MARKINGS ONLY) SUPPLIER CODE: V89954 FOR NHA/OTHER SYS DET SEE: 26-22-03-02	031200 968999	RF
- 1	355A5340-4		PANEL ASSY-(PLACARDS AND MARKINGS ONLY) SUPPLIER CODE: V89954 FOR NHA/OTHER SYS DET SEE: 26-22-03-02	031200 968999	RF
- 1	355A5340-6		PANEL ASSY-(PLACARDS AND MARKINGS ONLY) SUPPLIER CODE: V89954 FOR NHA/OTHER SYS DET SEE: 26-22-03-02	031200 968999	RF
5	BAC27DAP9		.MARKER-ALUMINUM FOIL	031200 968999	1

MISSING ITEM NUMBERS NOT APPLICABLE

- ITEM NOT ILLUSTRATED

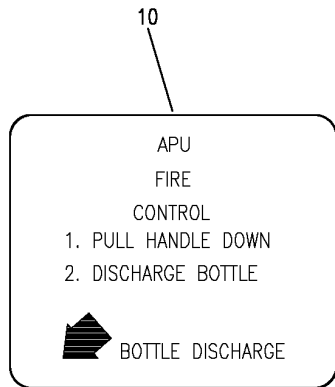
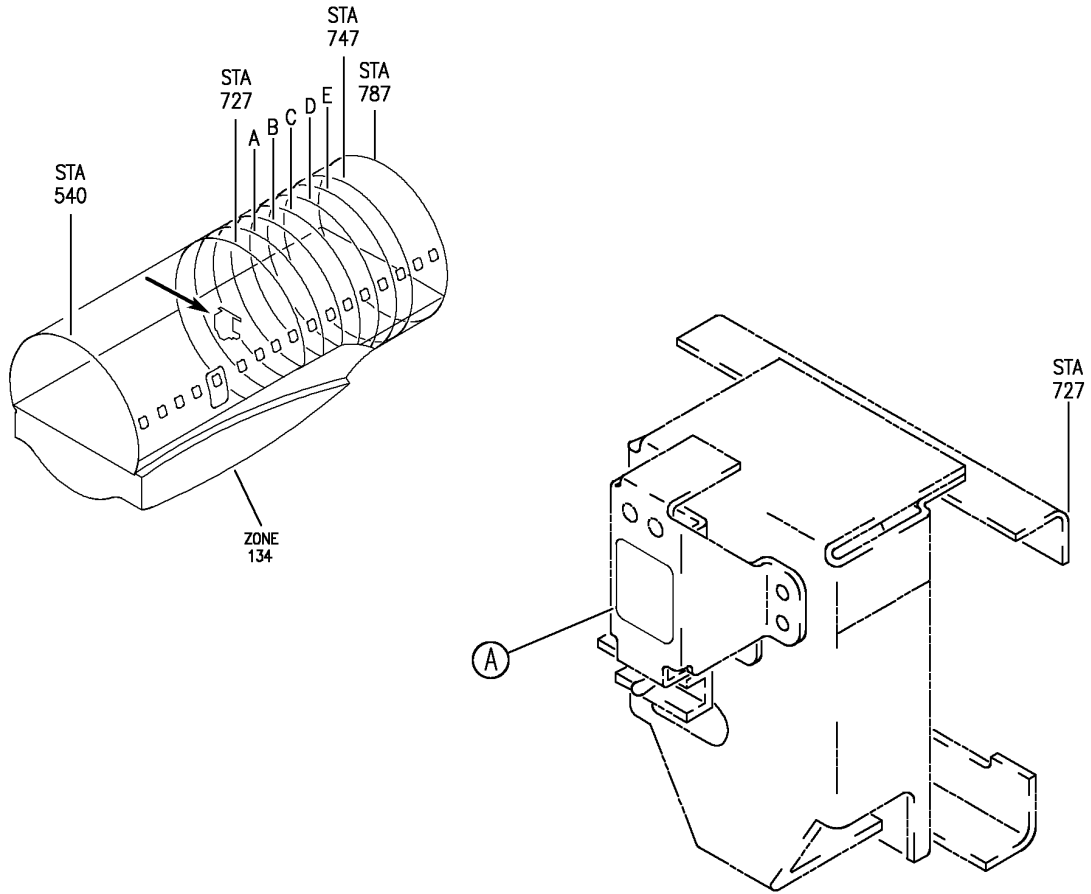
HAP

11-21-20-09

BOEING PROPRIETARY - Copyright © - Unpublished Work - See title page for details.

11-21-20
FIG. 09
PAGE 1
OCT 15/08

BOEING
 737-600/700/800/900
 PARTS CATALOG (MAINTENANCE)



(A)

E 11212010 REV 083

PANEL ASSY-(PLACARDS AND MARKINGS ONLY)
 FIGURE 10

11-21-20-10

HAP
 OCT 10/06

11-21-20-10
 PAGE 0

BOEING
737-600/700/800/900
PARTS CATALOG (MAINTENANCE)

FIG ITEM	PART NUMBER	1 2 3 4 5 6 7	NOMENCLATURE	EFFECT FROM TO	UNITS PER ASSY
10			PANEL ASSY-(PLACARDS AND MARKINGS ONLY)	001030 201967	
- 5	355A5340-2		PANEL ASSY-(PLACARDS AND MARKINGS ONLY) SUPPLIER CODE: V89954 FOR NHA/OTHER SYS DET SEE: 26-22-03-01	001030 201967	RF
- 5	355A5340-4		PANEL ASSY-(PLACARDS AND MARKINGS ONLY) SUPPLIER CODE: V89954 FOR NHA/OTHER SYS DET SEE: 26-22-03-01	001030 201967	RF
- 5	355A5340-6		PANEL ASSY-(PLACARDS AND MARKINGS ONLY) SUPPLIER CODE: V89954 FOR NHA/OTHER SYS DET SEE: 26-22-03-01	001030 201967	RF
10	BAC27DAP9		.MARKER-ALUMINUM FOIL	001030 201967	1

MISSING ITEM NUMBERS NOT APPLICABLE

- ITEM NOT ILLUSTRATED

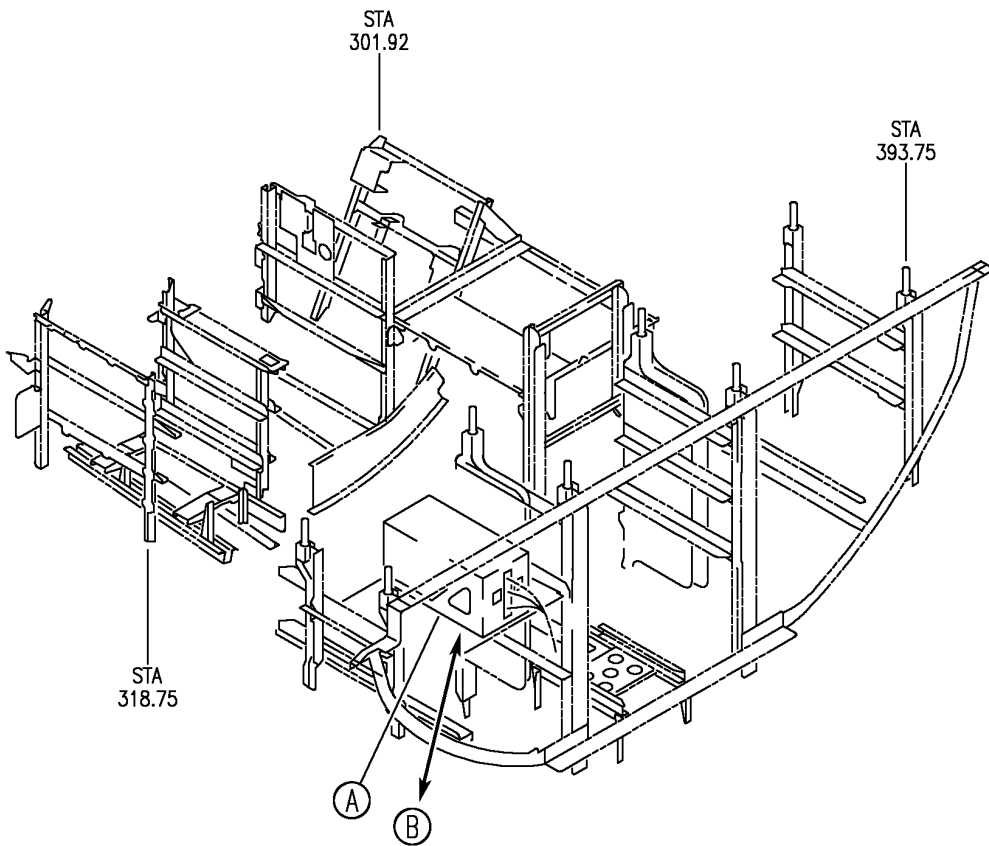
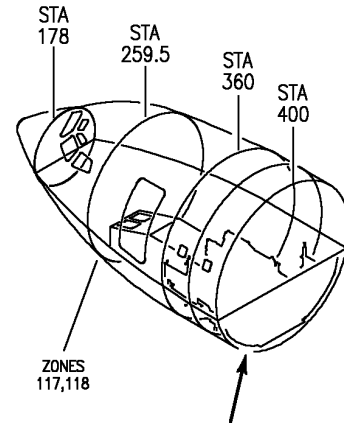
HAP

11-21-20-10

BOEING PROPRIETARY - Copyright © - Unpublished Work - See title page for details.

11-21-20
FIG. 10
PAGE 1
OCT 15/08

BOEING
 737-600/700/800/900
 PARTS CATALOG (MAINTENANCE)



E 11212011 SHT 1 REV 085

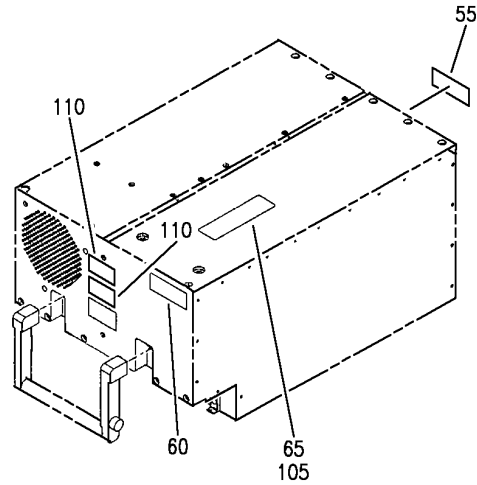
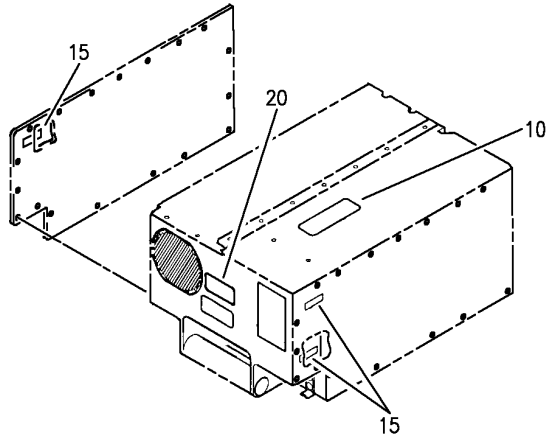
UNIT ASSY-APU START CONVERTER E/E BAY E2 RACK (PLACARDS AND MARKINGS ONLY)
 FIGURE 11 (SHEET 1)

11-21-20-11

HAP
 OCT 10/06

11-21-20-11
 PAGE 0

BOEING
 737-600/700/800/900
 PARTS CATALOG (MAINTENANCE)



E 11212011 SHT 2 REV 099

UNIT ASSY-APU START CONVERTER E/E BAY E2 RACK (PLACARDS AND MARKINGS ONLY)
 FIGURE 11 (SHEET 2)

HAP
 OCT 10/06

11-21-20-11

11-21-20-11
 PAGE 0A

BOEING
737-600/700/800/900
PARTS CATALOG (MAINTENANCE)

FIG ITEM	PART NUMBER	1 2 3 4 5 6 7	NOMENCLATURE	EFFECT FROM TO	UNITS PER ASSY
11			UNIT ASSY-APU START CONVERTER E/E BAY E2 RACK (PLACARDS AND MARKINGS ONLY)		
- 1	1152466-250		UNIT ASSY-APU START CONVERTER E/E BAY E2 RACK (PLACARDS AND MARKINGS ONLY) SUPPLIER CODE: V07217 FUNCTIONAL DESCRIPTION: CONVERTS ELECTRICAL POWER FOR THE APU START POWER UNIT SPECIFICATION NUMBER: S351A401-250 ELECTRICAL EQUIP NUMBER: M01710 COMPONENT MAINT MANUAL REF: 49-40-10 FOR NHA/OTHER SYS DET SEE: 49-41-61-01		RF
10	1032061-1		. LABEL-WARNING ESD SUPPLIER CODE: V07217		1
15	1032426-1		. LABEL-HIGH VOLTAGE SUPPLIER CODE: V07217		4
- 100	1152426-245		UNIT ASSY-SERIES 7 AND 8 APU START CONVERTER (PLACARDS AND MARKINGS ONLY) SUPPLIER CODE: V07217 FUNCTIONAL DESCRIPTION: CONVERTS ELECTRICAL POWER FOR THE APU START POWER UNIT SPECIFICATION NUMBER: S351A401-245 ELECTRICAL EQUIP NUMBER: M01710 COMPONENT MAINT MANUAL REF: 49-40-07 POST SERVICE BULLETIN: 1152426-49-08 V07217 FOR NHA/OTHER SYS DET SEE: 49-41-61-01		RF

MISSING ITEM NUMBERS NOT APPLICABLE

- ITEM NOT ILLUSTRATED

HAP

11-21-20-11

BOEING PROPRIETARY - Copyright © - Unpublished Work - See title page for details.

11-21-20
FIG. 11
PAGE 1
OCT 10/06


BOEING
 737-600/700/800/900
PARTS CATALOG (MAINTENANCE)

FIG ITEM	PART NUMBER	1 2 3 4 5 6 7 NOMENCLATURE	EFFECT FROM TO	UNITS PER ASSY
11 105	1032061-1	. LABEL-CAUTION SUPPLIER CODE: V07217		1

MISSING ITEM NUMBERS NOT APPLICABLE

— ITEM NOT ILLUSTRATED

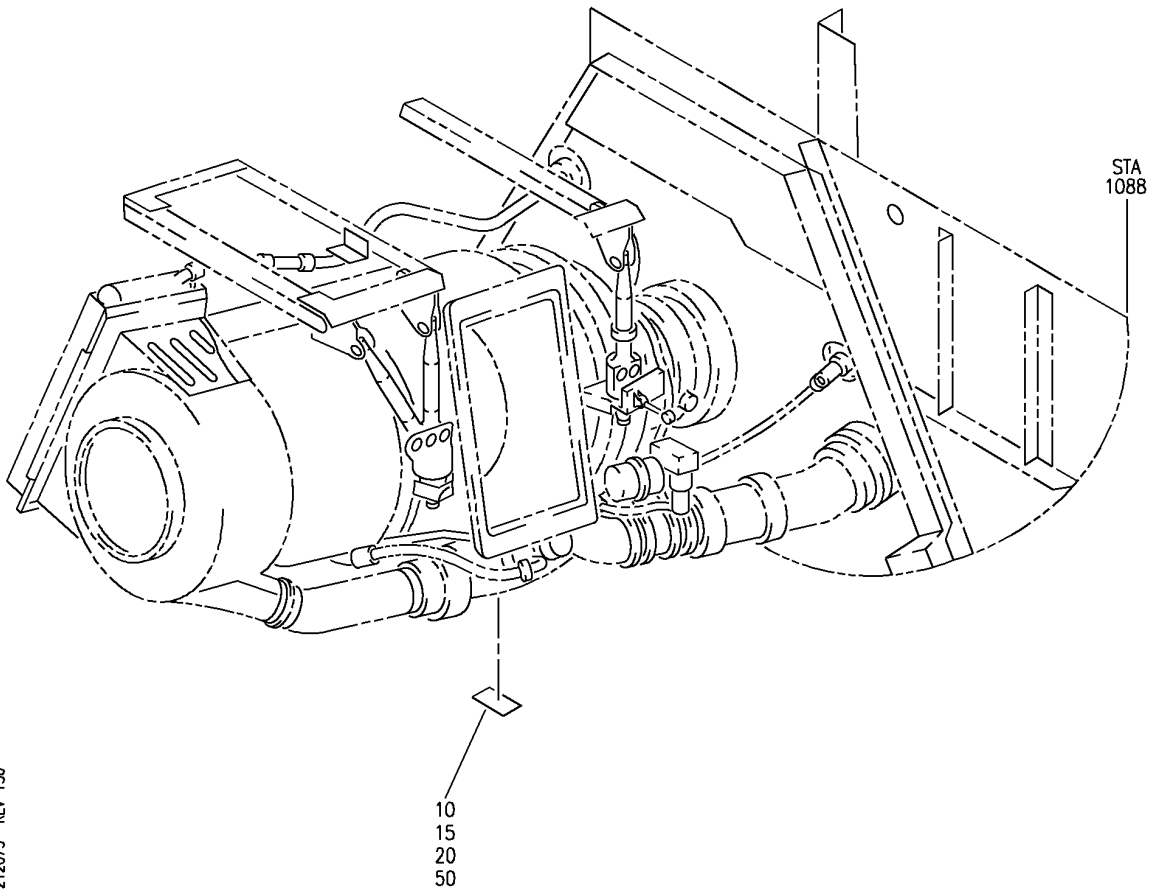
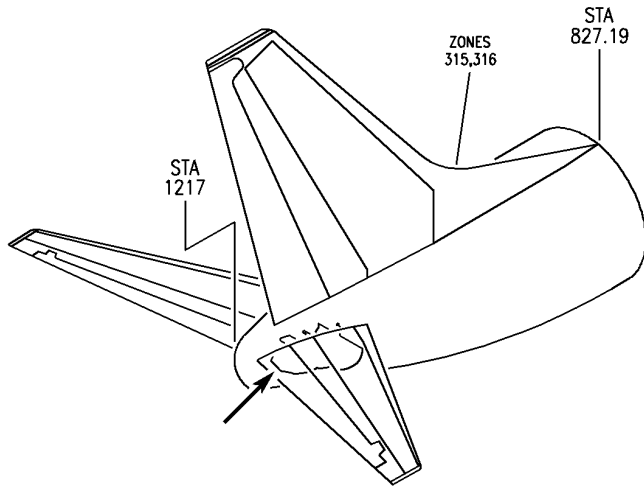
HAP

11-21-20-11

BOEING PROPRIETARY - Copyright © - Unpublished Work - See title page for details.

11-21-20
 FIG. 11
 PAGE 2
 OCT 10/06

BOEING
737-600/700/800/900
PARTS CATALOG (MAINTENANCE)



E 11212073 REV 130

NAMEPLATE INSTL-OWNERSHIP (AUXILIARY POWER SYSTEM ONLY)
FIGURE 73

11-21-20-73

HAP
JUN 10/07

11-21-20-73
PAGE 0

BOEING
737-600/700/800/900
PARTS CATALOG (MAINTENANCE)

FIG ITEM	PART NUMBER	1 2 3 4 5 6 7	NOMENCLATURE	EFFECT FROM TO	UNITS PER ASSY
73			NAMEPLATE INSTL-OWNERSHIP (AUXILIARY POWER SYSTEM ONLY)	968999	
- 1	MODREF331988		NAMEPLATE INSTL-OWNERSHIP (AUXILIARY POWER SYSTEM ONLY) MODULE NUMBER: 414A5203-521 REV A FOR OTHER SYS DETAILS SEE: 11-25-03-73 11-32-02-73 11-32-51-73A	968968	1
- 1	MODREF335518		NAMEPLATE INSTL-OWNERSHIP (AUXILIARY POWER SYSTEM ONLY) MODULE NUMBER: 414A5203-540 REV A FOR OTHER SYS DETAILS SEE: 11-25-03-73 11-32-02-73 11-32-51-73A	969969	1
- 1	MODREF343596		NAMEPLATE INSTL-OWNERSHIP (AUXILIARY POWER SYSTEM ONLY) MODULE NUMBER: 414A5203-588 REV A FOR OTHER SYS DETAILS SEE: 11-25-03-73 11-32-02-73 11-32-51-73A	970971	1
- 1	MODREF380237		NAMEPLATE INSTL-OWNERSHIP (AUXILIARY POWER SYSTEM ONLY) MODULE NUMBER: 414A5203-768 REV A FOR OTHER SYS DETAILS SEE: 11-25-03-73A 11-32-02-73A 11-32-51-73B	972972	1
- 1	MODREF384622		NAMEPLATE INSTL-OWNERSHIP (AUXILIARY POWER SYSTEM ONLY) MODULE NUMBER: 414A5203-782 REV B FOR OTHER SYS DETAILS SEE: 11-25-03-73A 11-32-02-73A 11-32-51-73B	973999	1

MISSING ITEM NUMBERS NOT APPLICABLE

- ITEM NOT ILLUSTRATED

HAP

11-21-20-73

11-21-20
FIG. 73
PAGE 1
OCT 15/08


BOEING
 737-600/700/800/900
PARTS CATALOG (MAINTENANCE)

FIG ITEM	PART NUMBER	1 2 3 4 5 6 7 NOMENCLATURE	EFFECT FROM TO	UNITS PER ASSY
73 20	BAC29PPS53966	.PLACARD- PLACARD CONTENT: THIS APU IS OWNED BY INTERNATIONAL LEASE FINANCE CORPORATION LOS ANGELES, CALIFORNIA, USA	968999	1

MISSING ITEM NUMBERS NOT APPLICABLE

— ITEM NOT ILLUSTRATED

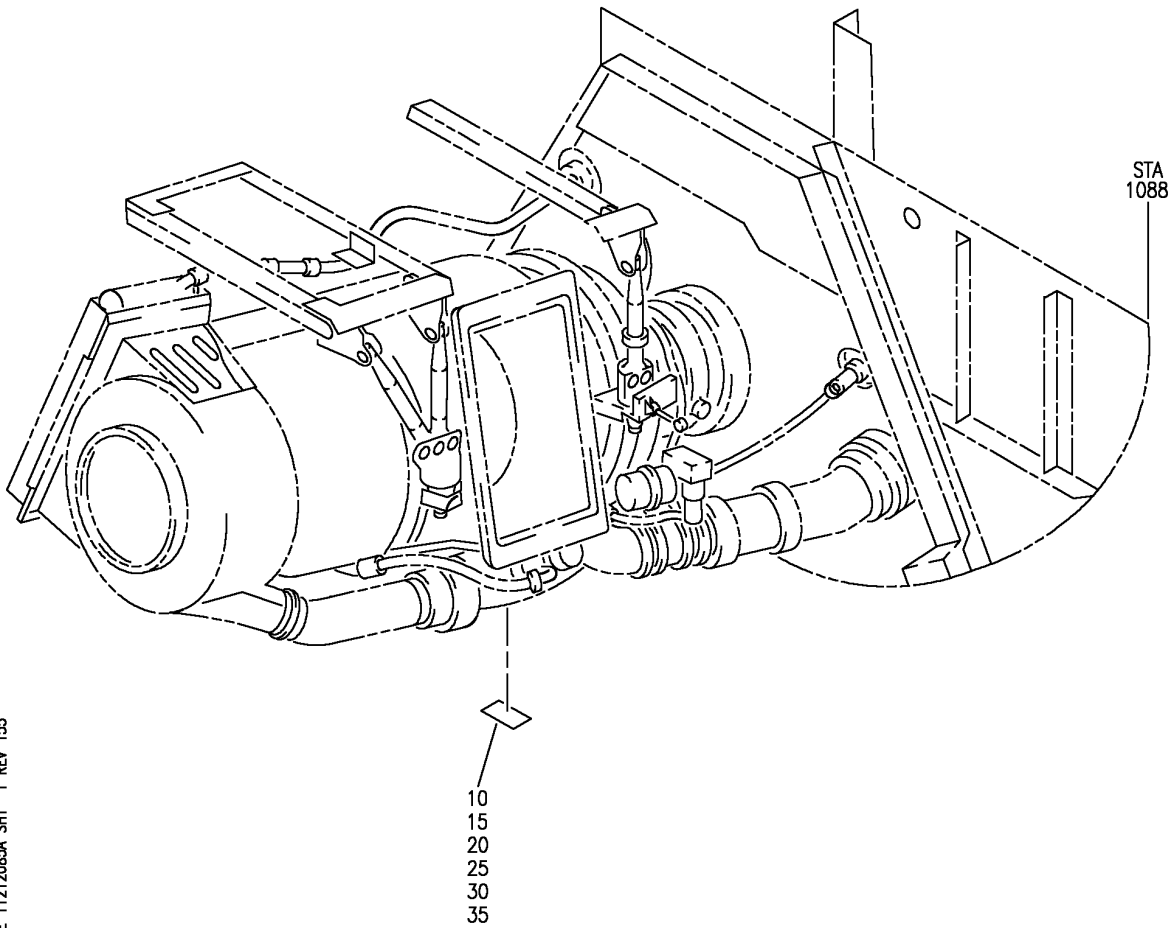
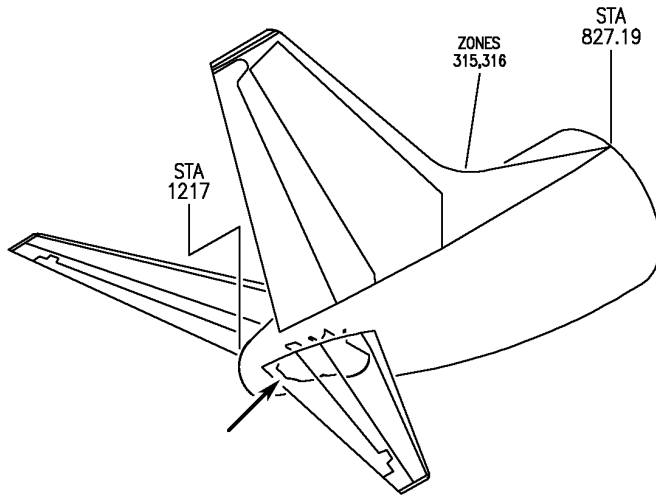
HAP

11-21-20-73

BOEING PROPRIETARY - Copyright © - Unpublished Work - See title page for details.

11-21-20
 FIG. 73
 PAGE 2
 JUN 15/08

BOEING
 737-600/700/800/900
 PARTS CATALOG (MAINTENANCE)



E 11212085A SHT 1 REV 155

NAMEPLATE INSTL-OWNERSHIP (AUXILIARY POWER SYSTEM ONLY)
 FIGURE 85A

11-21-20-85A

HAP
 JUN 15/09

11-21-20-85A
 PAGE 0

 **BOEING**
737-600/700/800/900
PARTS CATALOG (MAINTENANCE)

20

THIS AIRCRAFT IS OWNED BY YAMASA
AIRCRAFT CA4 KUMIAI AS LESSOR
REPRESENTED BY ITS MANAGING
PARTNER YAMASA CO., LTD. AND IS
SUBJECT TO A FIRST PRIORITY MORTGAGE
IN FAVOUR OF BNP PARIBAS (TOKYO
BRANCH) AS SECURITY AGENT AND
LEASED TO AIR CHINA LIMITED.

35

THIS AIRCRAFT IS OWNED BY SAS
2009 KOALA FINANCE-MSN 36742
AND IS MORTGAGED TO BNP
PARIBAS AS SECURITY TRUSTEE
AND LEASED TO AIR CHINA
LIMITED

E 11212085A SHT 2 REV 155

NAMEPLATE INSTL-OWNERSHIP (AUXILIARY POWER SYSTEM ONLY)
FIGURE 85A

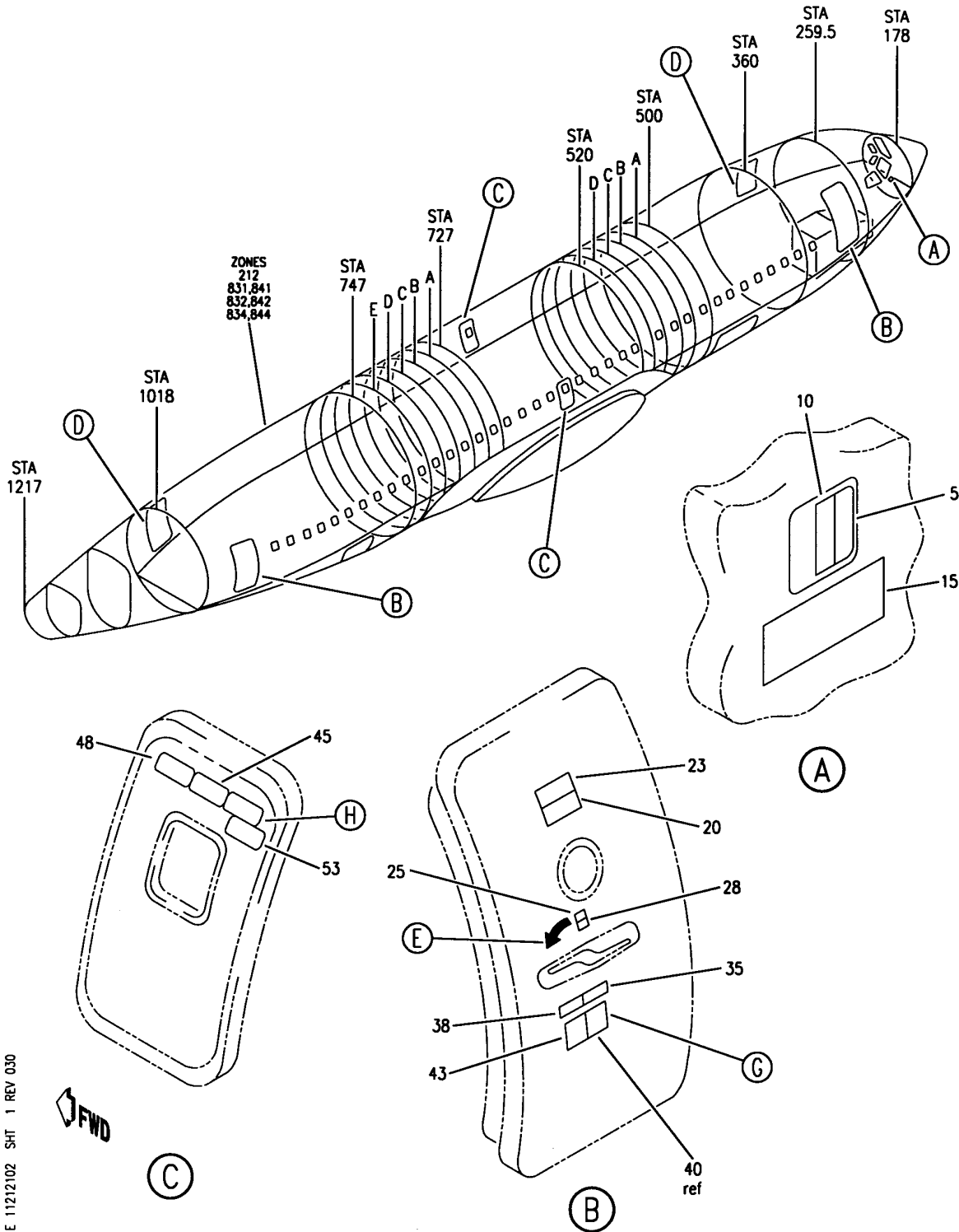
11-21-20-85A

HAP
JUN 15/09

11-21-20-85A
PAGE 0A

BOEING PROPRIETARY - Copyright © - Unpublished Work - See title page for details.

BOEING
 737-600/700/800/900
 PARTS CATALOG (MAINTENANCE)



E 1121202 SHT 1 REV 030

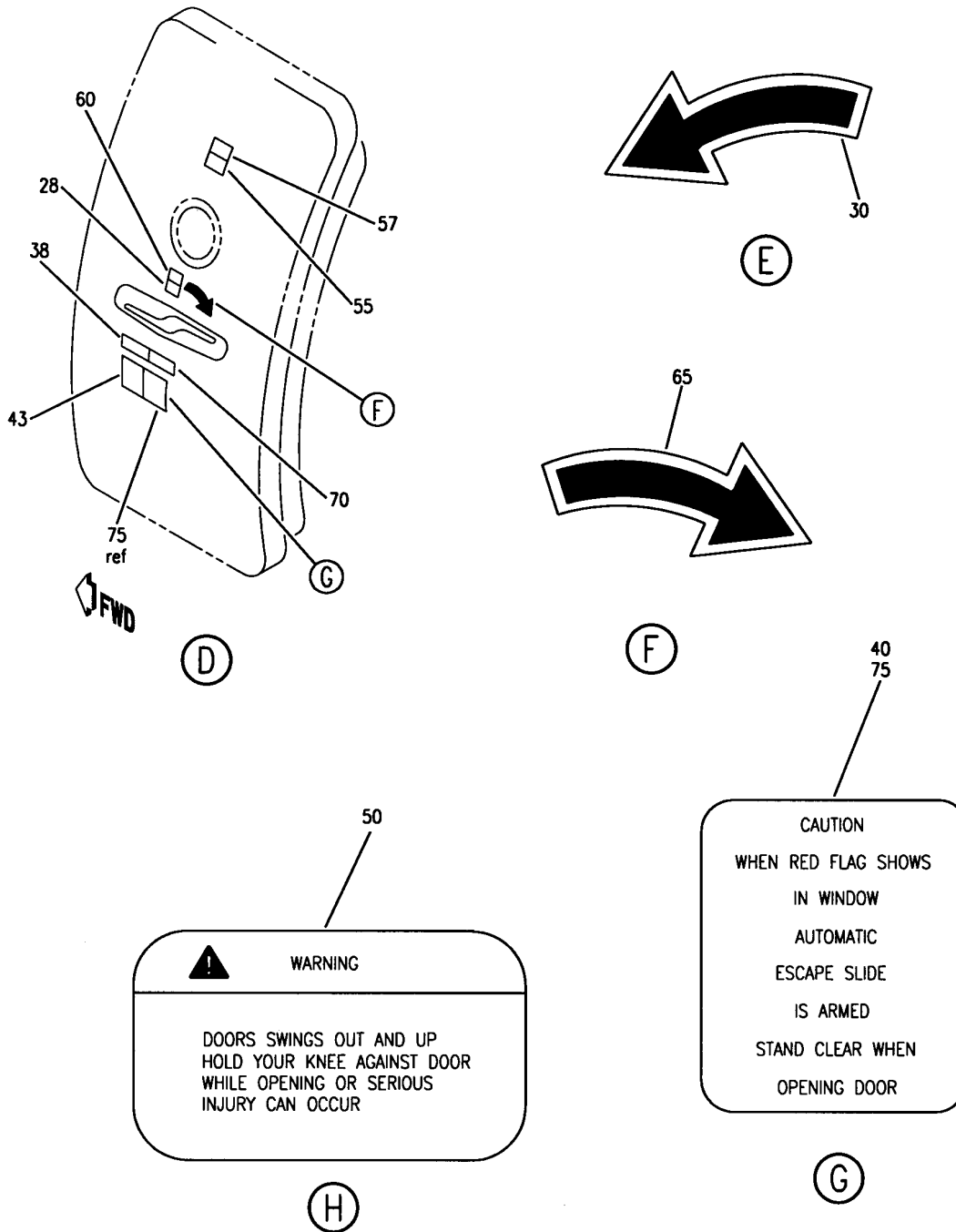
MARKING INSTL-EMER EXIT
 FIGURE 2 (SHEET 1)

11-21-21-02

HAP
 OCT 15/08

11-21-21-02
 PAGE 0

BOEING
 737-600/700/800/900
 PARTS CATALOG (MAINTENANCE)



E 11212102 SH1 2 REV 030

MARKING INSTL-EMER EXIT
 FIGURE 2 (SHEET 2)

11-21-21-02

HAP
 OCT 15/08

11-21-21-02
 PAGE 0A

 **BOEING**
737-600/700/800/900
PARTS CATALOG (MAINTENANCE)

FIG ITEM	PART NUMBER	1 2 3 4 5 6 7	NOMENCLATURE	EFFECT FROM TO	UNITS PER ASSY
2			MARKING INSTL-EMER EXIT	201967	
- 1	414A4118-1		MARKING INSTL-EMER EXIT	201967	RF
5	BAC27DPA3686		.DECAL- PLACARD CONTENT: PULL	201967	1
10	BAC27DPA3687		.DECAL- PLACARD CONTENT: PUSH	201967	1
15	BACM9E2AJ		.DECAL- PLACARD CONTENT: EMERGENCY EXIT PUSH WINDOW AND PULL RELEASE	201967	1
20	BACM9E2AA		.DECAL- PLACARD CONTENT: EMERGENCY EXIT	201967	2
25	BACM9L2AZ		.DECAL- PLACARD CONTENT: OPEN	201967	2
30	BACM9S1AR		.DECAL-	201967	2
35	BACM9L10AA Y		.DECAL- PLACARD CONTENT: PULL OUT TO ENGAGE HANDLE ROTATE AS SHOWN ABOVE PULL DOOR OUTWARD	201967	2
40	BAC27DPA4958		.DECAL	201967	2
45	BAC27DPA5140		.DECAL- PLACARD CONTENT: EMERGENCY EXIT ONLY PUSH TO OPEN DOOR OPENS OUT AND UP AUTOMATICALLY	201967	2
50	BAC27DPA5139		.DECAL-	201967	2
55	BACM9L2BN		.DECAL- PLACARD CONTENT: EXIT	201967	2
60	BACM9L2AZ		.DECAL- PLACARD CONTENT: OPEN	201967	2
65	BACM9S1AU		.DECAL-	201967	2
70	BACM9L10AA Y		.DECAL- PLACARD CONTENT: PULL OUT TO ENGAGE HANDLE ROTATE AS SHOWN ABOVE PULL DOOR OUTWARD	201967	2
75	BAC27DPA4958		.DECAL	201967	2

MISSING ITEM NUMBERS NOT APPLICABLE

- ITEM NOT ILLUSTRATED

HAP

11-21-21-02

BOEING PROPRIETARY - Copyright © - Unpublished Work - See title page for details.

11-21-21
FIG. 02
PAGE 1
OCT 15/08