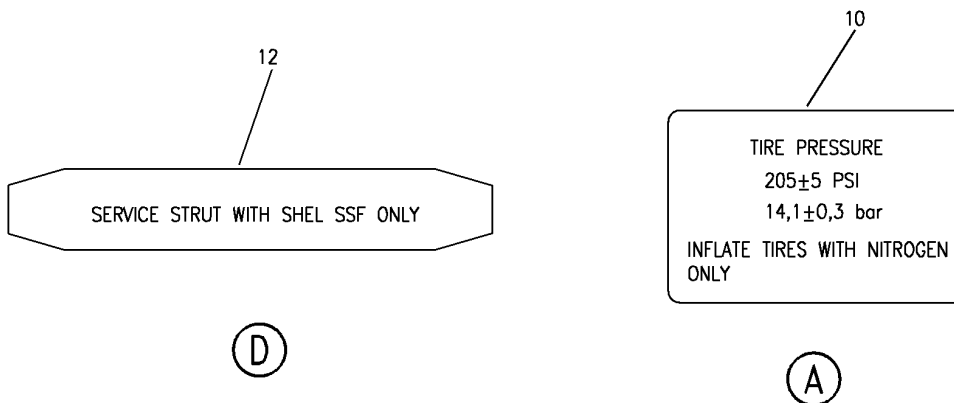
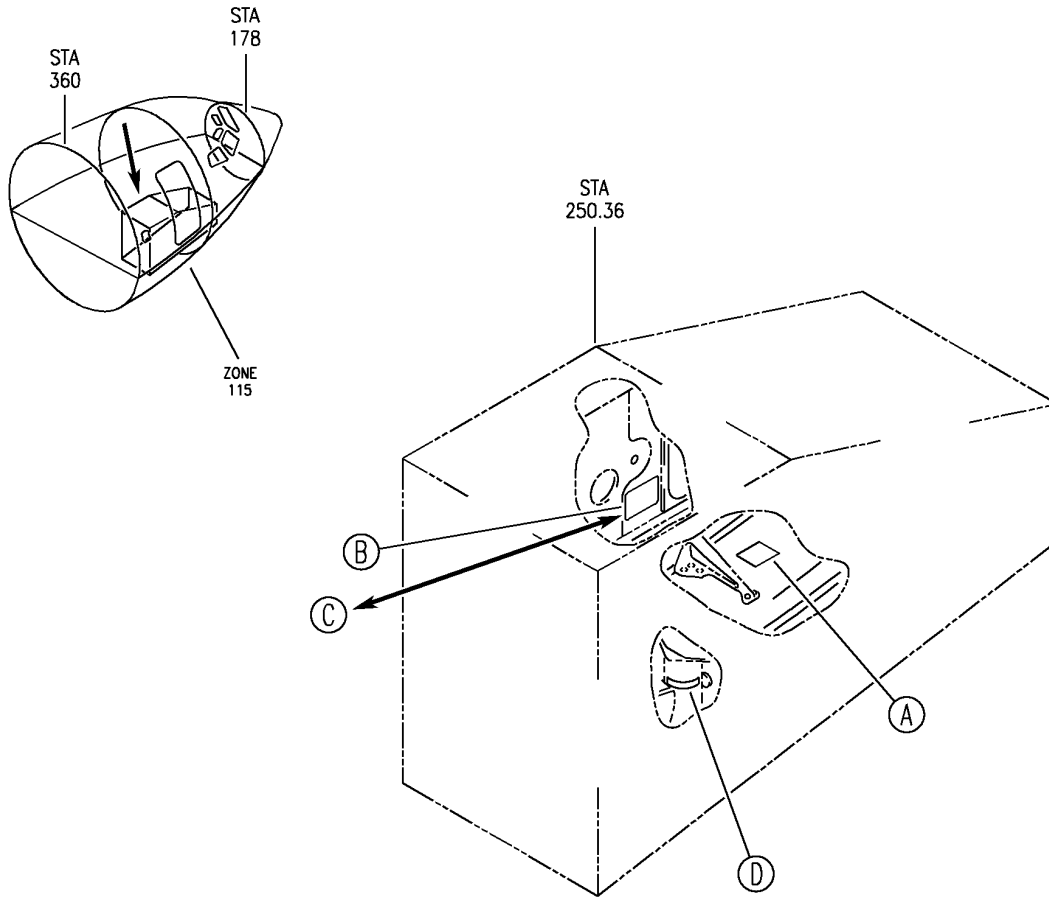


EXTERIOR PLACARDS AND MARKINGS

HAP
OCT 10/06

11-22-00
SECTION TITLE
PAGE 1

BOEING
 737-600/700/800/900
 PARTS CATALOG (MAINTENANCE)



E 11220101 SHT 1 REV 123

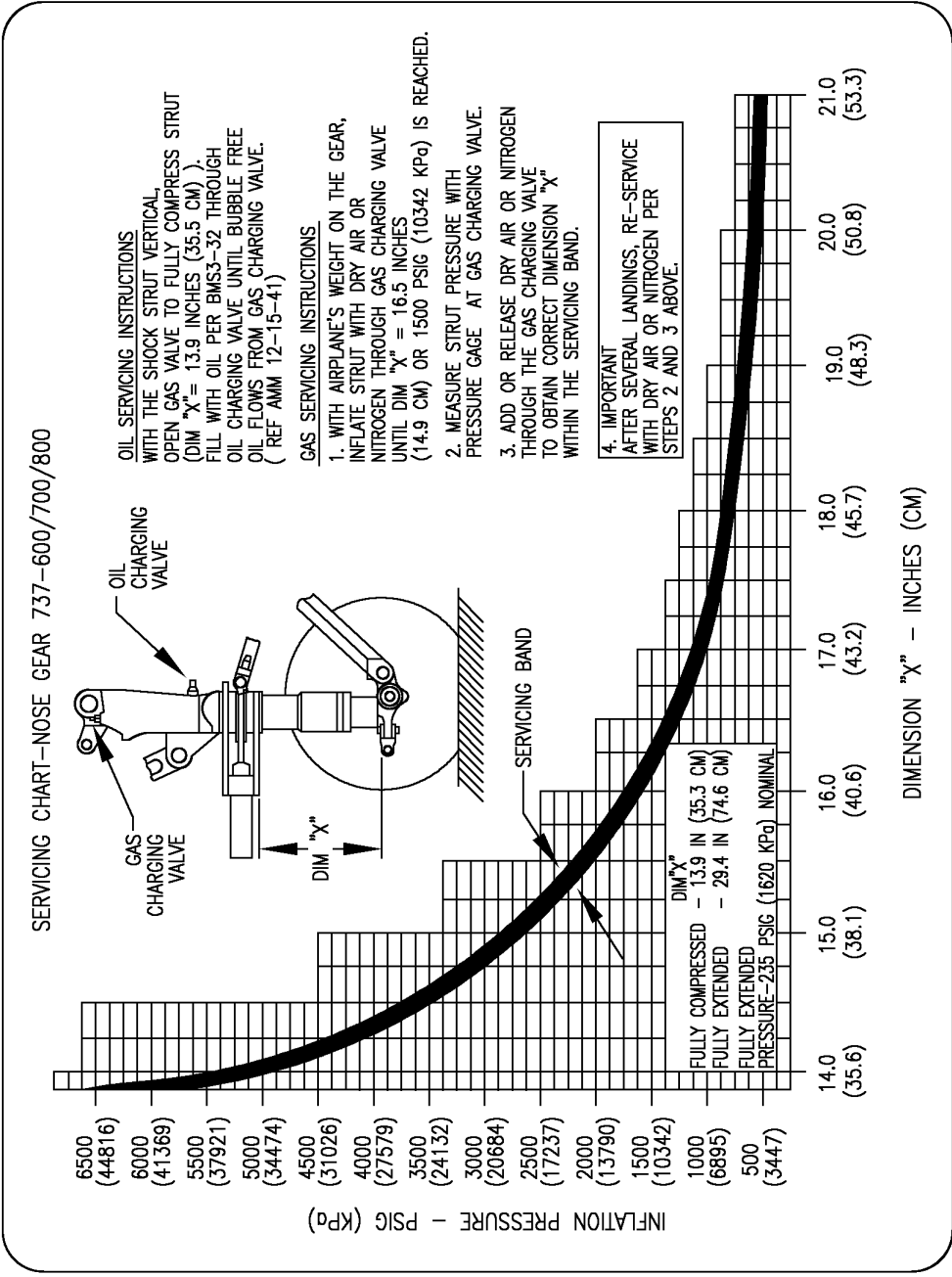
NOSE LANDING GEAR INSTL
 FIGURE 1 (SHEET 1)

11-22-01-01

HAP
 OCT 10/06

11-22-01-01
 PAGE 0

E 11220101 SHT 2 REV 084



B

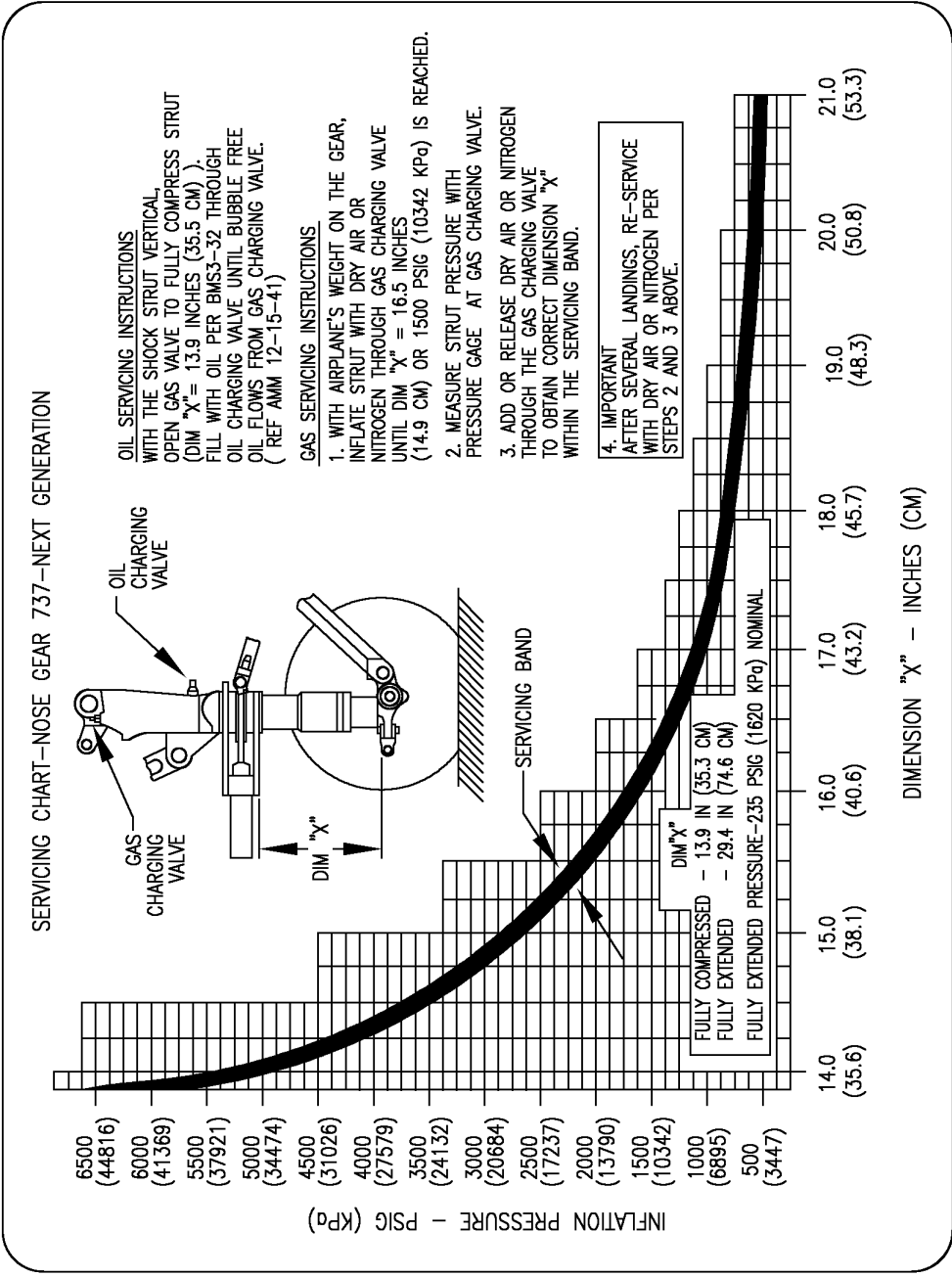
NOSE LANDING GEAR INSTL
FIGURE 1 (SHEET 2)

11-22-01-01

HAP
OCT 10/06

11-22-01-01
PAGE 0A

E 11220101 SHT 3 REV 084



C

NOSE LANDING GEAR INSTL
FIGURE 1 (SHEET 3)

11-22-01-01

HAP
OCT 10/06

11-22-01-01
PAGE 0B

BOEING
737-600/700/800/900
PARTS CATALOG (MAINTENANCE)

FIG ITEM	PART NUMBER	1 2 3 4 5 6 7	NOMENCLATURE	EFFECT FROM TO	UNITS PER ASSY
1					
- 1	162A0001-2		NOSE LANDING GEAR INSTL NOSE LANDING GEAR INSTL- FOR NHA SEE: 11-20-00-35	001027 201967	RF
- 1	162A0001-3		NOSE LANDING GEAR INSTL- FOR NHA SEE: 11-20-00-35	028030	RF
- 1	MODREF80884		NOSE LANDING GEAR INSTL- MODULE NUMBER: 162A0001-3 REV A	031200 968999	1
5	BAC27DLG165		.CHART	001027 201967	1
7	BAC27DLG170		.CHART	028200 968999	1

MISSING ITEM NUMBERS NOT APPLICABLE

- ITEM NOT ILLUSTRATED

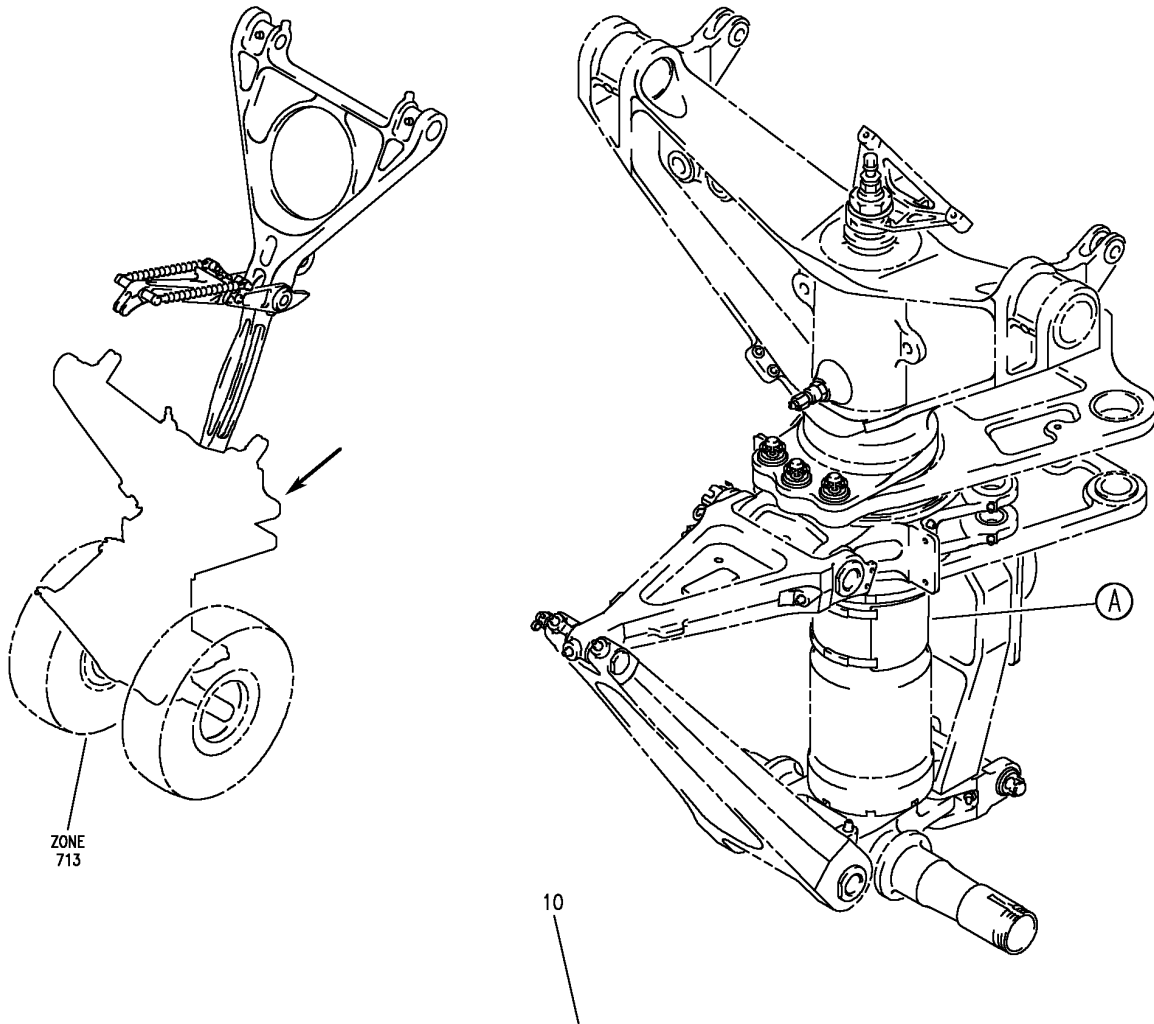
HAP

11-22-01-01

BOEING PROPRIETARY - Copyright © - Unpublished Work - See title page for details.

11-22-01
FIG. 01
PAGE 1
OCT 15/08

BOEING
737-600/700/800/900
PARTS CATALOG (MAINTENANCE)



<p>WARNING BEFORE DISASSEMBLY RELEASE AIR IN STRUT. SEALS INSTALLED. GLAND NOT ADJUSTABLE. SPARE SEALS STORED IN LOWER BEARING. SEE MAINTENANCE MANUAL FOR INSTALLATION.</p>	<p align="center">BOEING COMPANY SEATTLE, WA, U.S.A.</p> <p>SERIAL NO <input type="text"/> 737 BOEING <input type="text"/> PART NO. <input type="text"/> MFG. BY <input type="text"/></p>	<p>INSTRUCTIONS FOR SERVICING IN COMPRESSED POSITION. SHOCK STRUT SHOULD BE FILLED WITH BMS 3-32 TYPE I FLUID. AFTER FILLING ADJUST AIR PRESSURE TO AGREE WITH INFLATION CHART IN LANDING GEAR WHEEL WELL.</p>
---	---	--

E 11220102 REV 086

A

COMPONENT INSTL-NLG (PLACARDS AND MARKINGS ONLY)
FIGURE 2

11-22-01-02

HAP
OCT 10/06

11-22-01-02
PAGE 0

BOEING
737-600/700/800/900
PARTS CATALOG (MAINTENANCE)

FIG ITEM	PART NUMBER	1 2 3 4 5 6 7	NOMENCLATURE	EFFECT FROM TO	UNITS PER ASSY
2			COMPONENT INSTL-NLG (PLACARDS AND MARKINGS ONLY)	031200 968999	
- 1	MODREF275343		COMPONENT INSTL-NLG (PLACARDS AND MARKINGS ONLY) MODULE NUMBER: 162A1100-9 REV B FOR OTHER SYS DETAILS SEE: 32-21-00-01A 32-21-31-03A 32-51-61-01A	031038	1
- 1	MODREF303072		COMPONENT INSTL-NLG (PLACARDS AND MARKINGS ONLY) MODULE NUMBER: 162A1100-11 REV A FOR OTHER SYS DETAILS SEE: 32-21-00-01A 32-21-31-03A 32-51-61-01A	039043 101101 968971	1
- 1	MODREF325159		COMPONENT INSTL-NLG (PLACARDS AND MARKINGS ONLY) MODULE NUMBER: 162A1100-11 REV B FOR OTHER SYS DETAILS SEE: 32-21-00-01A 32-21-31-03A 32-51-61-01A	054100	1
- 1	MODREF342347		COMPONENT INSTL-NLG (PLACARDS AND MARKINGS ONLY) MODULE NUMBER: 162A1100-13 REV A FOR OTHER SYS DETAILS SEE: 32-21-00-01A 32-21-31-03A 32-51-61-01A	044047 102106 972999	1
- 1	MODREF384089		COMPONENT INSTL-NLG (PLACARDS AND MARKINGS ONLY) MODULE NUMBER: 162A1100-13 REV B FOR OTHER SYS DETAILS SEE: 32-21-00-01A 32-21-31-03A 32-51-61-01A	048053 107200	1

MISSING ITEM NUMBERS NOT APPLICABLE

- ITEM NOT ILLUSTRATED

HAP

11-22-01-02

BOEING PROPRIETARY - Copyright © - Unpublished Work - See title page for details.

11-22-01
FIG. 02
PAGE 1
FEB 15/09


BOEING
 737-600/700/800/900
PARTS CATALOG (MAINTENANCE)

FIG ITEM	PART NUMBER	1 2 3 4 5 6 7 NOMENCLATURE	EFFECT FROM TO	UNITS PER ASSY
2 10	162A1518-2	.NAMEPLATE-ALUMINIUM FOIL	031200 968999	RF

MISSING ITEM NUMBERS NOT APPLICABLE

— ITEM NOT ILLUSTRATED

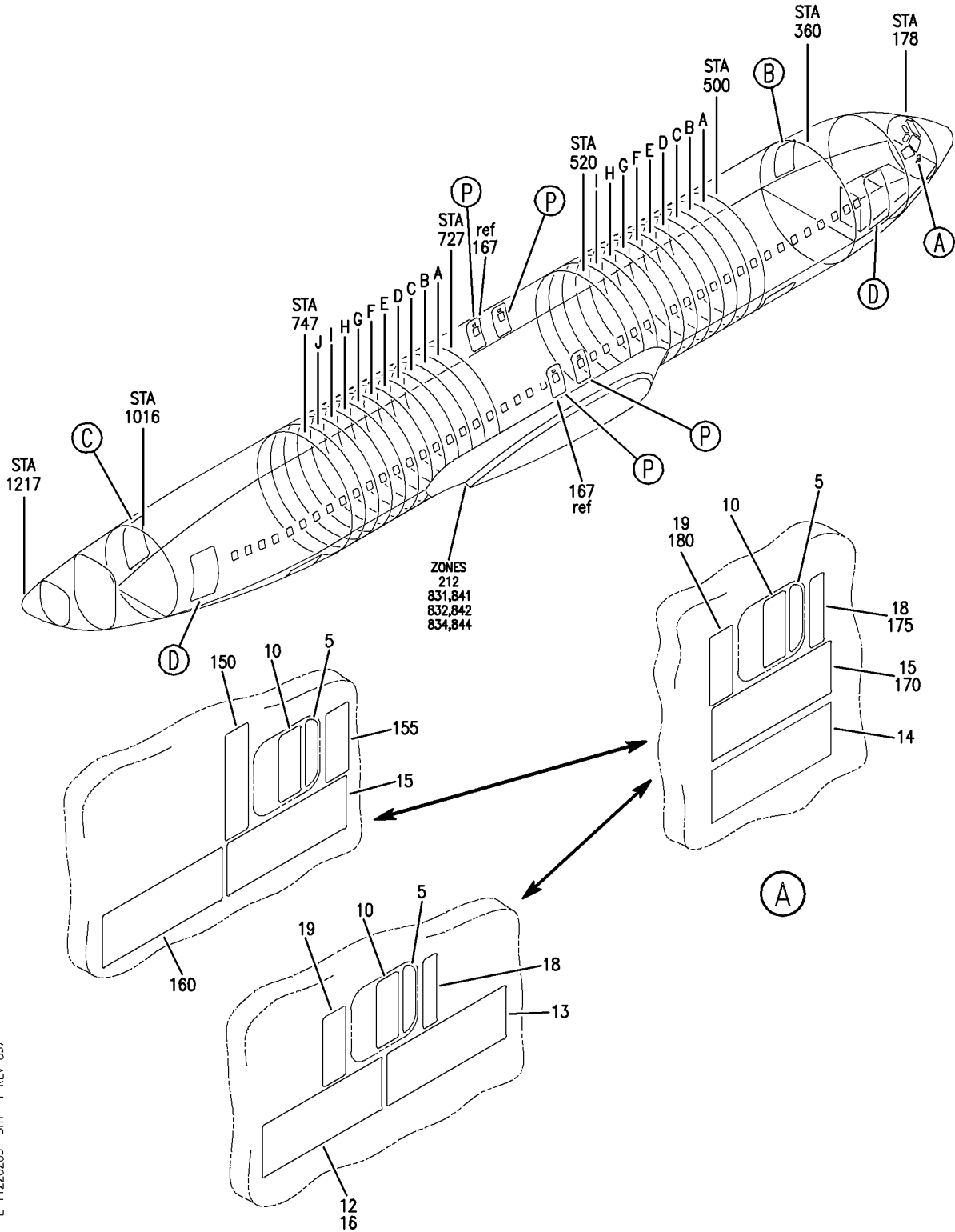
HAP

11-22-01-02

BOEING PROPRIETARY - Copyright © - Unpublished Work - See title page for details.

11-22-01
 FIG. 02
 PAGE 2
 FEB 15/09

BOEING
 737-600/700/800/900
 PARTS CATALOG (MAINTENANCE)



E 11220203 SH1 1 REV 057

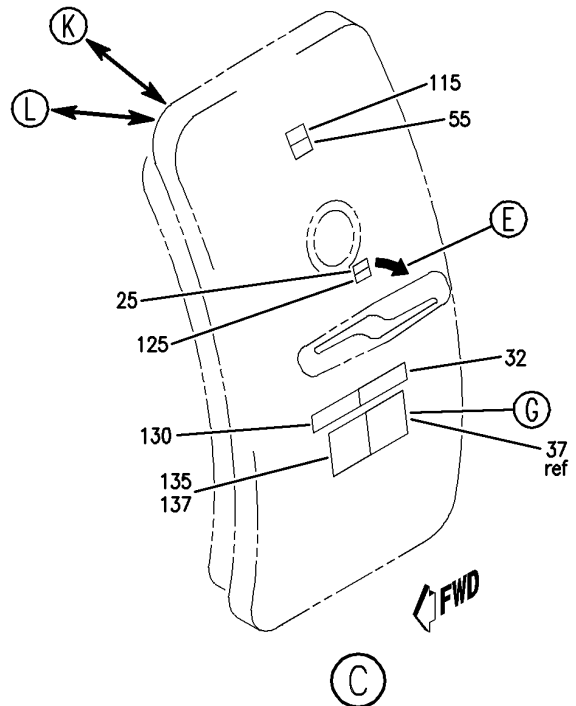
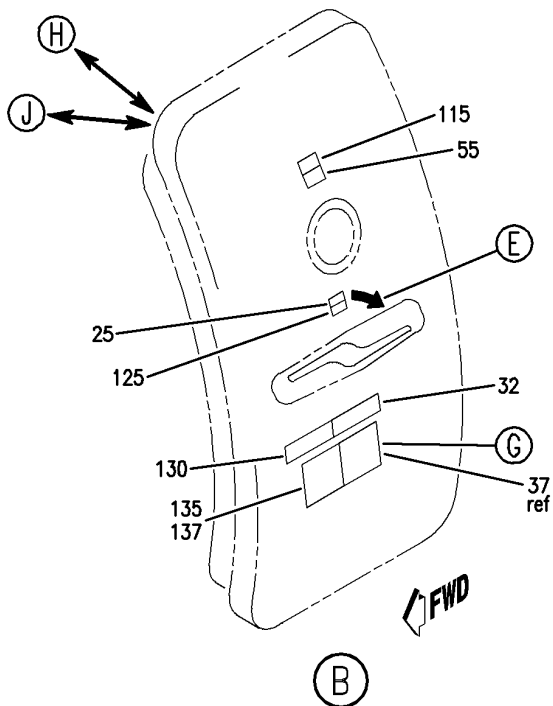
MARKING INSTL-EMER EXT
 FIGURE 3 (SHEET 1)

11-22-02-03

HAP
 OCT 10/06

11-22-02-03
 PAGE 0

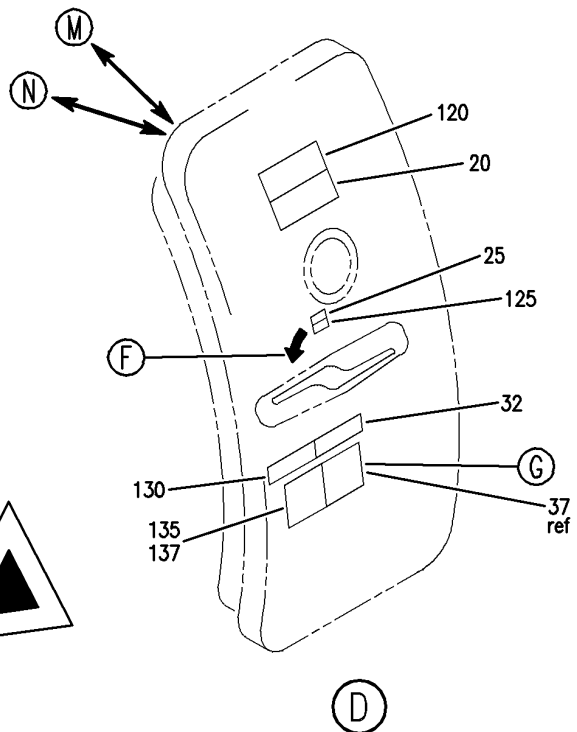
BOEING
737-600/700/800/900
PARTS CATALOG (MAINTENANCE)



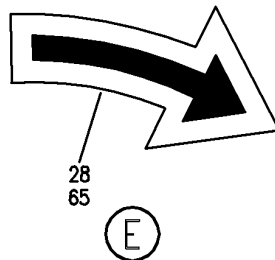
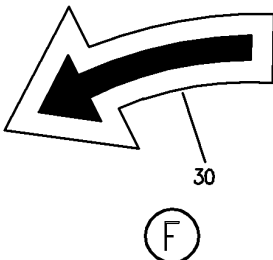
37
38
40

CAUTION
WHEN RED FLAG SHOWS
IN WINDOW
AUTOMATIC
ESCAPE SLIDE
IS ARMED
STAND CLEAR WHEN
OPENING DOOR

G



E 11220203 SHT 2 REV 060



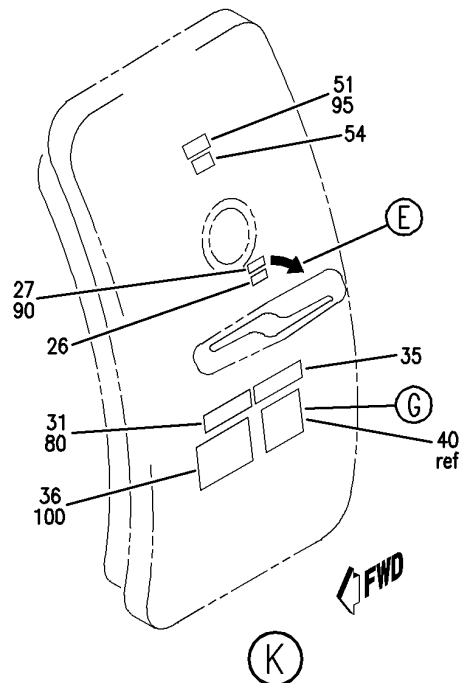
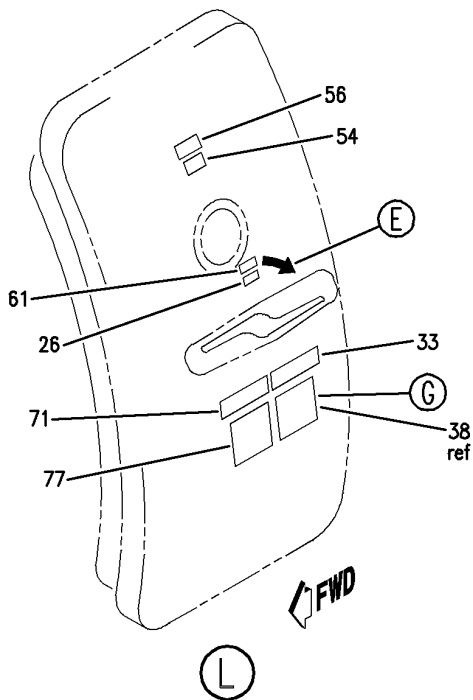
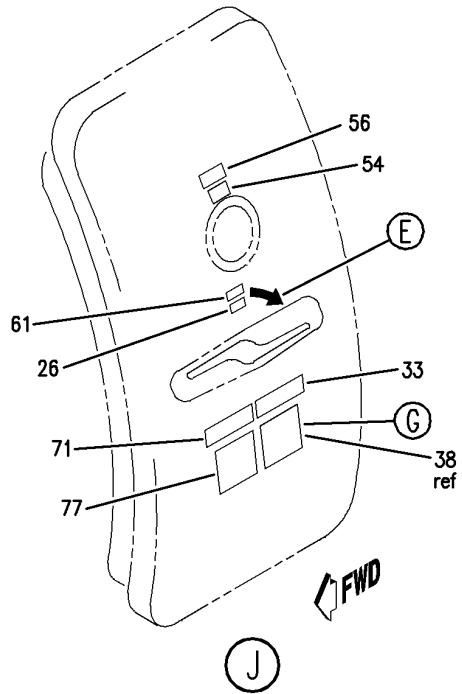
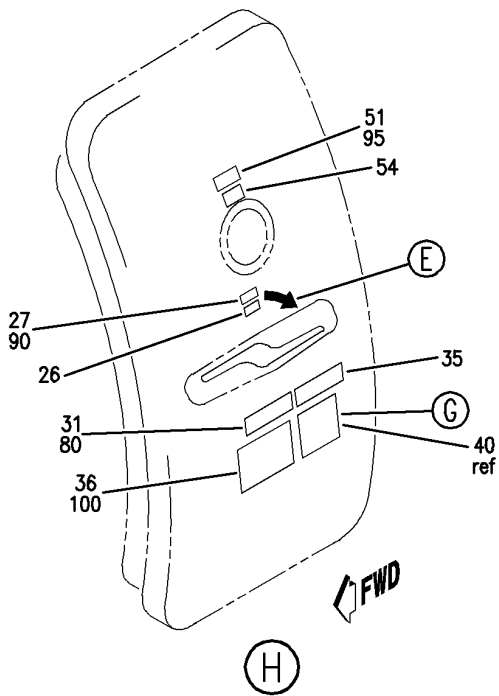
MARKING INSTL-EMER EXT
FIGURE 3 (SHEET 2)

11-22-02-03

HAP
OCT 10/06

11-22-02-03
PAGE 0A

BOEING
 737-600/700/800/900
 PARTS CATALOG (MAINTENANCE)



E 11220203 SHT 3 REV 054

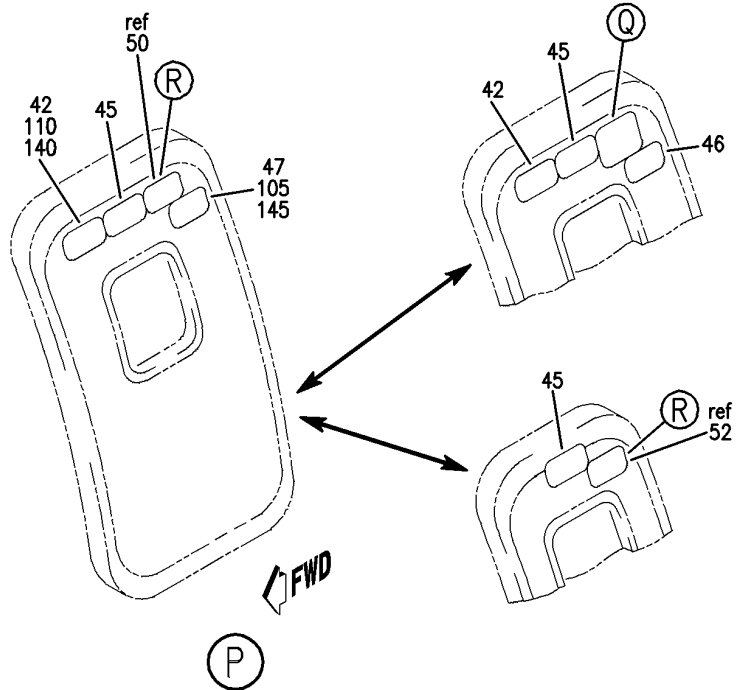
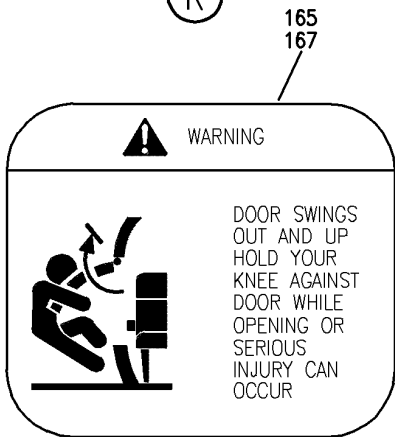
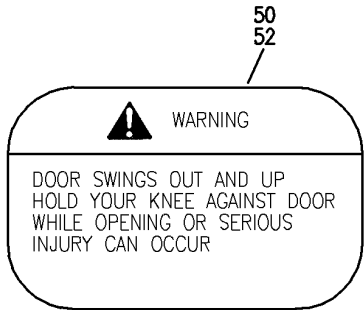
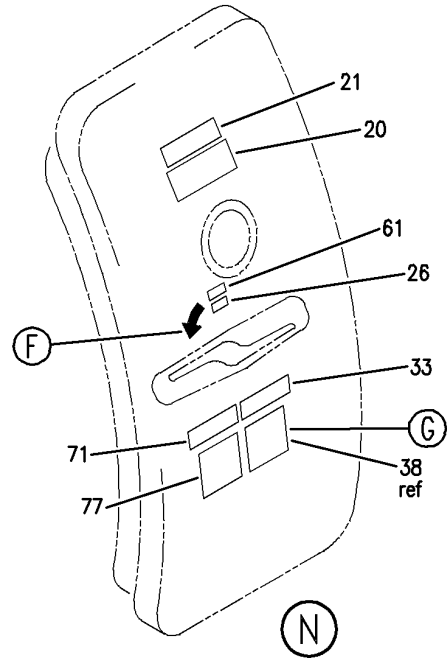
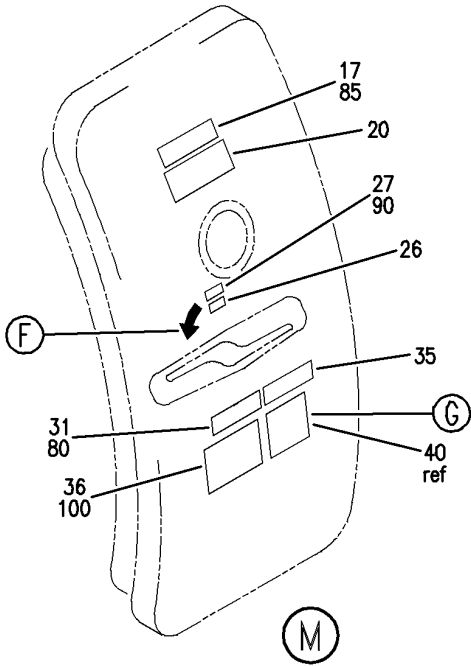
MARKING INSTL-EMER EXT
 FIGURE 3 (SHEET 3)

11-22-02-03

HAP
 OCT 10/06

11-22-02-03
 PAGE 0B

BOEING
737-600/700/800/900
PARTS CATALOG (MAINTENANCE)



E 11220203 SH1 4 REV 057

MARKING INSTL-EMER EXT
FIGURE 3 (SHEET 4)

11-22-02-03

HAP
OCT 10/06

11-22-02-03
PAGE 0C

BOEING
737-600/700/800/900
PARTS CATALOG (MAINTENANCE)

FIG ITEM	PART NUMBER	1 2 3 4 5 6 7	NOMENCLATURE	EFFECT FROM TO	UNITS PER ASSY
3			MARKING INSTL-EMER EXT	001027	
- 1	414A4118-2		MARKING INSTL-EMER EXT FOR NHA SEE: 11-20-00-01C	001027	RF
5	BAC27DPA3686		.DECAL- PLACARD CONTENT: PULL	001027	1
10	BAC27DPA3687		.DECAL- PLACARD CONTENT: PUSH	001027	1
15	BACM9E2AJ		.DECAL- PLACARD CONTENT: EMERGENCY EXIT PUSH WINDOW AND PULL RELEASE	001027	1
20	BACM9E2AA		.DECAL- PLACARD CONTENT: EMERGENCY EXIT	001027	2
25	BACM9L2AZ		.DECAL- PLACARD CONTENT: OPEN	001027	4
30	BACM9S1AR		.DECAL-	001027	2
32	BACM9L10AA Y		.DECAL- PLACARD CONTENT: PULL OUT TO ENGAGE HANDLE ROTATE AS SHOWN ABOVE PULL DOOR OUTWARD	001027	4
37	BAC27DPA4958		.DECAL	001027	4
45	BAC27DPA5140		.DECAL- PLACARD CONTENT: EMERGENCY EXIT ONLY PUSH TO OPEN DOOR OPENS OUT AND UP AUTOMATICALLY	001027	4
50	BAC27DPA5139		.DECAL-	001027	4
55	BACM9L2BN		.DECAL- PLACARD CONTENT: EXIT	001027	2
65	BACM9S1AU		.DECAL-	001027	2

MISSING ITEM NUMBERS NOT APPLICABLE

- ITEM NOT ILLUSTRATED

HAP

11-22-02-03

BOEING PROPRIETARY - Copyright © - Unpublished Work - See title page for details.

11-22-02
FIG. 03
PAGE 1
OCT 10/06

BOEING
737-600/700/800/900
PARTS CATALOG (MAINTENANCE)

FIG ITEM	PART NUMBER	1 2 3 4 5 6 7	NOMENCLATURE	EFFECT FROM TO	UNITS PER ASSY
4			DOOR ASSY-AUTO OVERWING EXIT (PLACARDS AND MARKINGS ONLY)	101999	
- 1	144A6505-2		DOOR ASSY-AUTO. OVERWING EXIT WITH HEAVIER ARMREST SUPPORT TO ATTACH BIGGER ARMREST. (PLACARDS AND MARKINGS ONLY) COMPONENT MAINT MANUAL REF: 52-26-07 FOR NHA/OTHER SYS DET SEE: 52-20-00-06	101106 201999	RF
- 1	144A6505-4		DOOR ASSY-AUTO. OVERWING EXIT WITH HEAVIER ARMREST SUPPORT AND SOUND DAMPENING (PLACARDS AND MARKINGS ONLY) COMPONENT MAINT MANUAL REF: 52-26-07 OPTIONAL PART: 144A6505-5 FOR NHA/OTHER SYS DET SEE: 52-20-00-06	101106 201999	RF
- 1	144A6505-5		DOOR ASSY-AUTO. OVERWING EXIT WITH HEAVIER ARMREST SUPPORT AND SOUND DAMPENING (PLACARDS AND MARKINGS ONLY) COMPONENT MAINT MANUAL REF: 52-26-07 OPTIONAL PART: 144A6505-4 FOR NHA/OTHER SYS DET SEE: 52-20-00-06	101106 201999	RF
- 1	144A6505-6		DOOR ASSY-AUTO. OVERWING EXIT (PLACARDS AND MARKINGS ONLY) COMPONENT MAINT MANUAL REF: 52-26-07 FOR NHA/OTHER SYS DET SEE: 52-20-00-06	101106 201999	RF
- 1	144A6505-7		DOOR ASSY-AUTO. OVERWING EXIT (PLACARDS AND MARKINGS ONLY) COMPONENT MAINT MANUAL REF: 52-26-07 FOR NHA/OTHER SYS DET SEE: 52-20-00-06	101106 201999	RF

MISSING ITEM NUMBERS NOT APPLICABLE

- ITEM NOT ILLUSTRATED

HAP

11-22-02-04

BOEING PROPRIETARY - Copyright © - Unpublished Work - See title page for details.

11-22-02
FIG. 04
PAGE 1
OCT 15/08

BOEING
737-600/700/800/900
PARTS CATALOG (MAINTENANCE)

FIG ITEM	PART NUMBER	1 2 3 4 5 6 7	NOMENCLATURE	EFFECT FROM TO	UNITS PER ASSY
4					
- 1	144A6505-8		DOOR ASSY-AUTO. OVERWING EXIT (PLACARDS AND MARKINGS ONLY) COMPONENT MAINT MANUAL REF: 52-26-07 FOR NHA/OTHER SYS DET SEE: 52-20-00-06	101106 201999	RF
- 1	144A6505-9		DOOR ASSY-AUTO. OVERWING EXIT (PLACARDS AND MARKINGS ONLY) COMPONENT MAINT MANUAL REF: 52-26-07 FOR NHA/OTHER SYS DET SEE: 52-20-00-06	101106 201999	RF
R R R R R R R	- 1	144A6505-10	DOOR ASSY-AUTO. OVERWING EXIT (PLACARDS AND MARKINGS ONLY) COMPONENT MAINT MANUAL REF: 52-26-07 FOR NHA/OTHER SYS DET SEE: 52-20-00-06	101999	RF
	5	BAC27DBY191	.MARKER-ALUMINUM FOIL	101999	1
	10	BACM10A11-48J	.MARKER-ALUMINUM FOIL	101999	1
	15	MS27253F1	.PLATE-IDENT	101999	1

MISSING ITEM NUMBERS NOT APPLICABLE

- ITEM NOT ILLUSTRATED

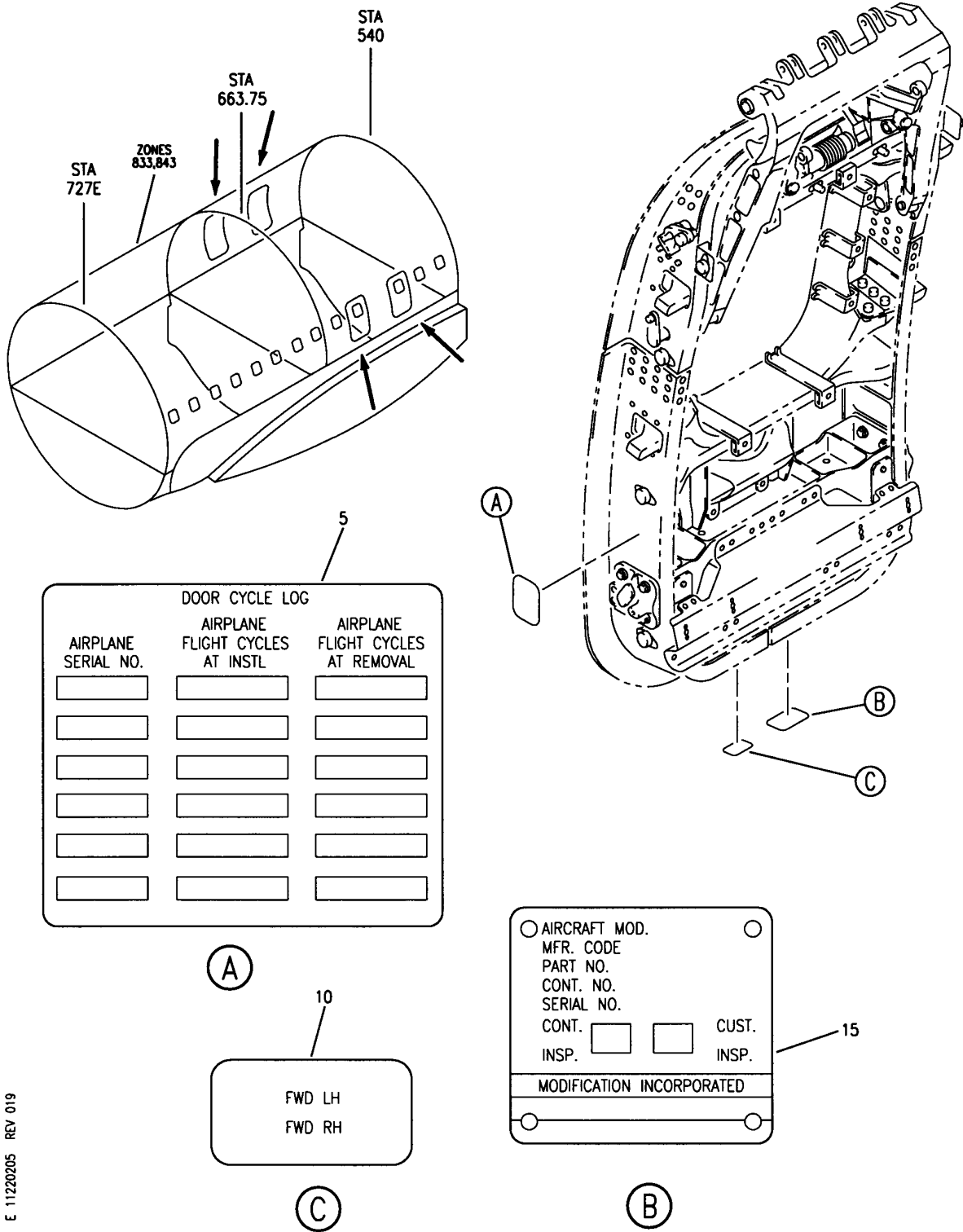
HAP

11-22-02-04

BOEING PROPRIETARY - Copyright © - Unpublished Work - See title page for details.

11-22-02
FIG. 04
PAGE 2
JUN 15/09

BOEING
737-600/700/800/900
PARTS CATALOG (MAINTENANCE)



E 11220205 REV 019

DOOR ASSY-AUTO. OVERWING EXIT (PLACARDS AND MARKINGS ONLY)
FIGURE 5

11-22-02-05

HAP
OCT 10/06

11-22-02-05
PAGE 0

BOEING
737-600/700/800/900
PARTS CATALOG (MAINTENANCE)

FIG ITEM	PART NUMBER	1 2 3 4 5 6 7	NOMENCLATURE	EFFECT FROM TO	UNITS PER ASSY
5			DOOR ASSY-AUTO. OVERWING EXIT (PLACARDS AND MARKINGS ONLY)	001100	
- 1	144A6505-1		DOOR ASSY-AUTO. OVERWING EXIT (PLACARDS AND MARKINGS ONLY) COMPONENT MAINT MANUAL REF: 52-26-07 FOR NHA/OTHER SYS DET SEE: 52-20-00-07 52-20-00-18	001007	RF
- 1	144A6505-2		DOOR ASSY-AUTO. OVERWING EXIT (PLACARDS AND MARKINGS ONLY) COMPONENT MAINT MANUAL REF: 52-26-07 FOR NHA/OTHER SYS DET SEE: 52-20-00-07 52-20-00-18	008047 054100	RF
- 1	144A6505-4		DOOR ASSY-AUTO. OVERWING EXIT (PLACARDS AND MARKINGS ONLY) COMPONENT MAINT MANUAL REF: 52-26-07 OPTIONAL PART: 144A6505-5 FOR NHA/OTHER SYS DET SEE: 52-20-00-07 52-20-00-18	008047 054100	RF
- 1	144A6505-5		DOOR ASSY-AUTO. OVERWING EXIT (PLACARDS AND MARKINGS ONLY) COMPONENT MAINT MANUAL REF: 52-26-07 OPTIONAL PART: 144A6505-4 FOR NHA/OTHER SYS DET SEE: 52-20-00-07 52-20-00-18	008047 054100	RF
- 1	144A6505-6		DOOR ASSY-AUTO. OVERWING EXIT (PLACARDS AND MARKINGS ONLY) COMPONENT MAINT MANUAL REF: 52-26-07 FOR NHA/OTHER SYS DET SEE: 52-20-00-07 52-20-00-18	008047 054100	RF

MISSING ITEM NUMBERS NOT APPLICABLE

- ITEM NOT ILLUSTRATED

HAP

11-22-02-05

11-22-02
FIG. 05
PAGE 1
FEB 15/09

BOEING
737-600/700/800/900
PARTS CATALOG (MAINTENANCE)

FIG ITEM	PART NUMBER	1 2 3 4 5 6 7	NOMENCLATURE	EFFECT FROM TO	UNITS PER ASSY
5 -	1 144A6505-7		DOOR ASSY-AUTO. OVERWING EXIT (PLACARDS AND MARKINGS ONLY) COMPONENT MAINT MANUAL REF: 52-26-07 FOR NHA/OTHER SYS DET SEE: 52-20-00-07 52-20-00-18	008047 054100	RF
-	1 144A6505-3		DOOR ASSY-AUTO. OVERWING EXIT(PLACARDS AND MARKINGS ONLY) COMPONENT MAINT MANUAL REF: 52-26-07 FOR NHA/OTHER SYS DET SEE: 52-20-00-07 52-20-00-18	001007	RF
-	1 144A6505-8		DOOR ASSY-AUTO. OVERWING EXIT (PLACARDS AND MARKINGS ONLY) COMPONENT MAINT MANUAL REF: 52-26-07 FOR NHA/OTHER SYS DET SEE: 52-20-00-07 52-20-00-18	008047 054100	RF
-	2 144A6505-9		DOOR ASSY-AUTO. OVERWING EXIT (PLACARDS AND MARKINGS ONLY) COMPONENT MAINT MANUAL REF: 52-26-07 FOR NHA/OTHER SYS DET SEE: 52-20-00-07 52-20-00-18	008047 054100	RF
-	2 144A6505-10		DOOR ASSY-AUTO. OVERWING EXIT (PLACARDS AND MARKINGS ONLY) FOR NHA/OTHER SYS DET SEE: 52-20-00-07 52-20-00-18	001100	RF
	5 BAC27DBY191		.MARKER-ALUMINUM FOIL	001100	1
	10 BACM10A11-48J		.MARKER-ALUMINUM FOIL	001100	1
	15 MS27253F1		.PLATE	001100	1

MISSING ITEM NUMBERS NOT APPLICABLE

- ITEM NOT ILLUSTRATED

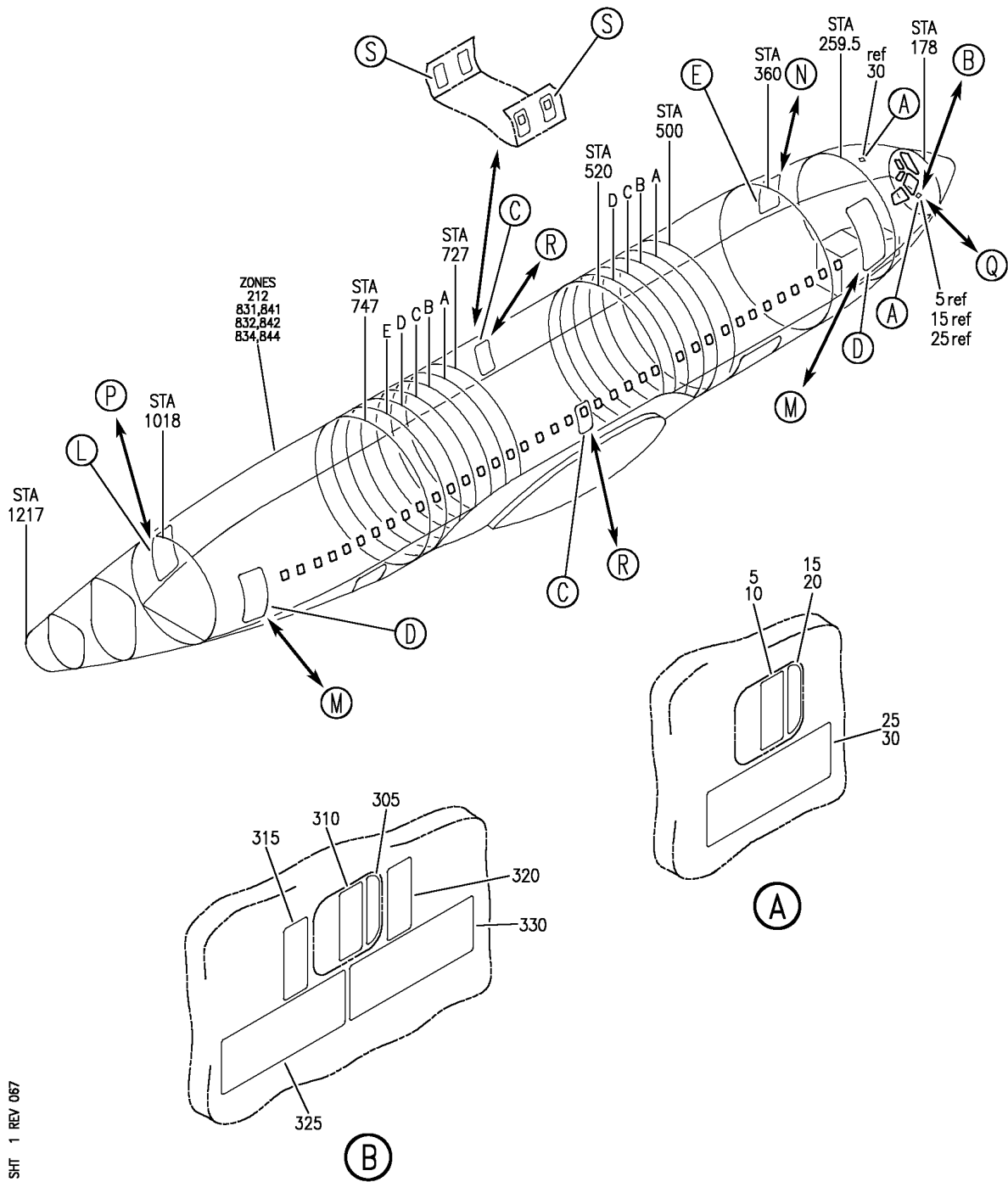
HAP

11-22-02-05

BOEING PROPRIETARY - Copyright © - Unpublished Work - See title page for details.

11-22-02
FIG. 05
PAGE 2
FEB 15/09

BOEING
 737-600/700/800/900
 PARTS CATALOG (MAINTENANCE)



E 11220207 SHT 1 REV 067

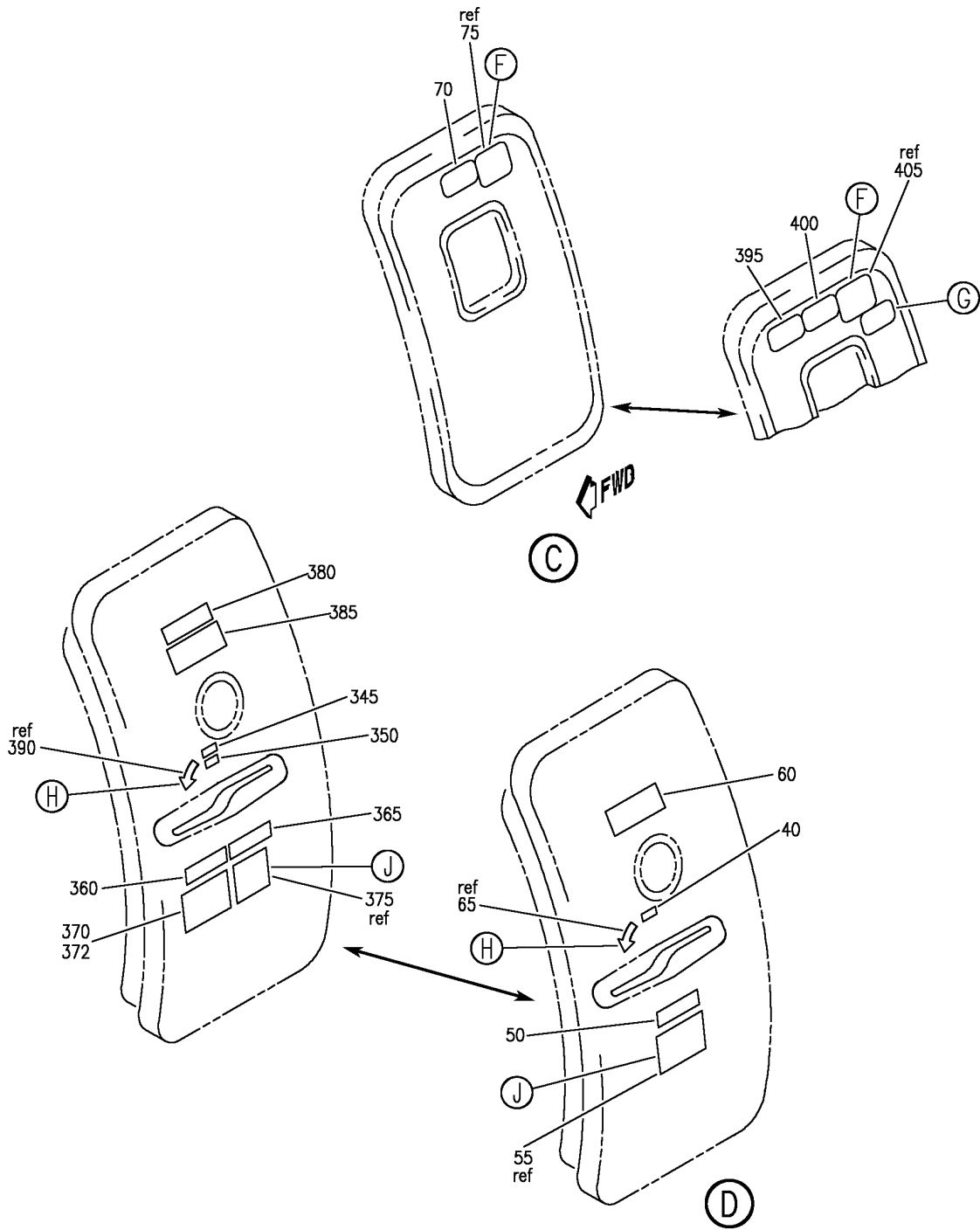
MARKING INSTL-EMER EXT
 FIGURE 7 (SHEET 1)

11-22-02-07

HAP
 JUN 10/07

11-22-02-07
 PAGE 0

BOEING
 737-600/700/800/900
 PARTS CATALOG (MAINTENANCE)



E 11220207 SH1 2 REV 144

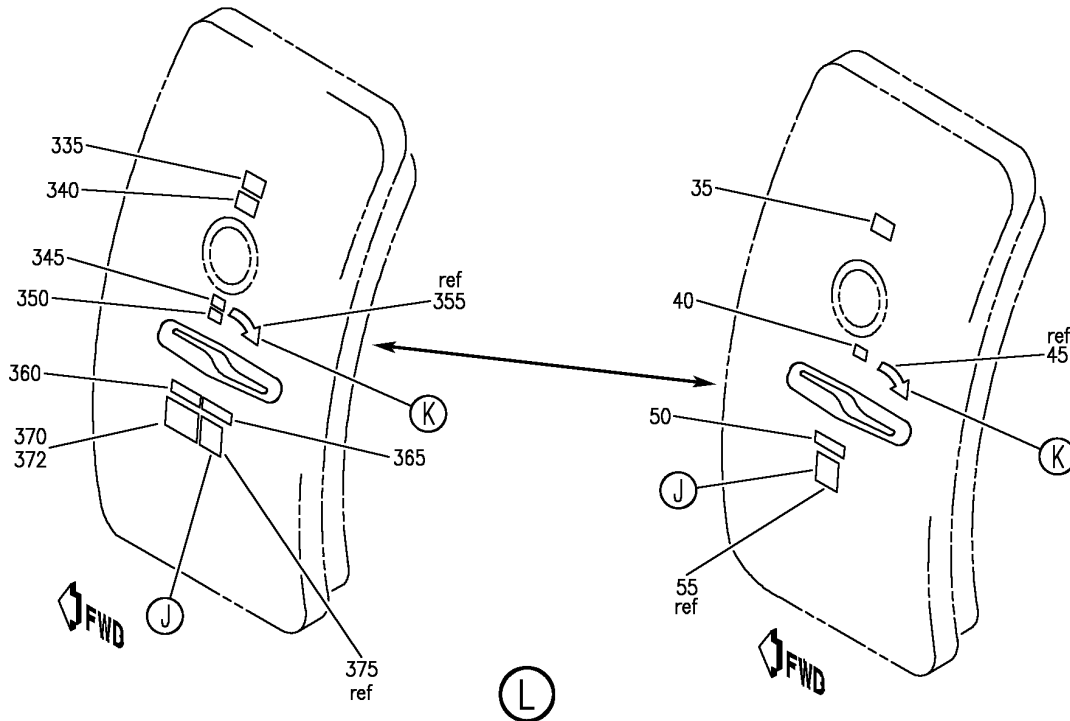
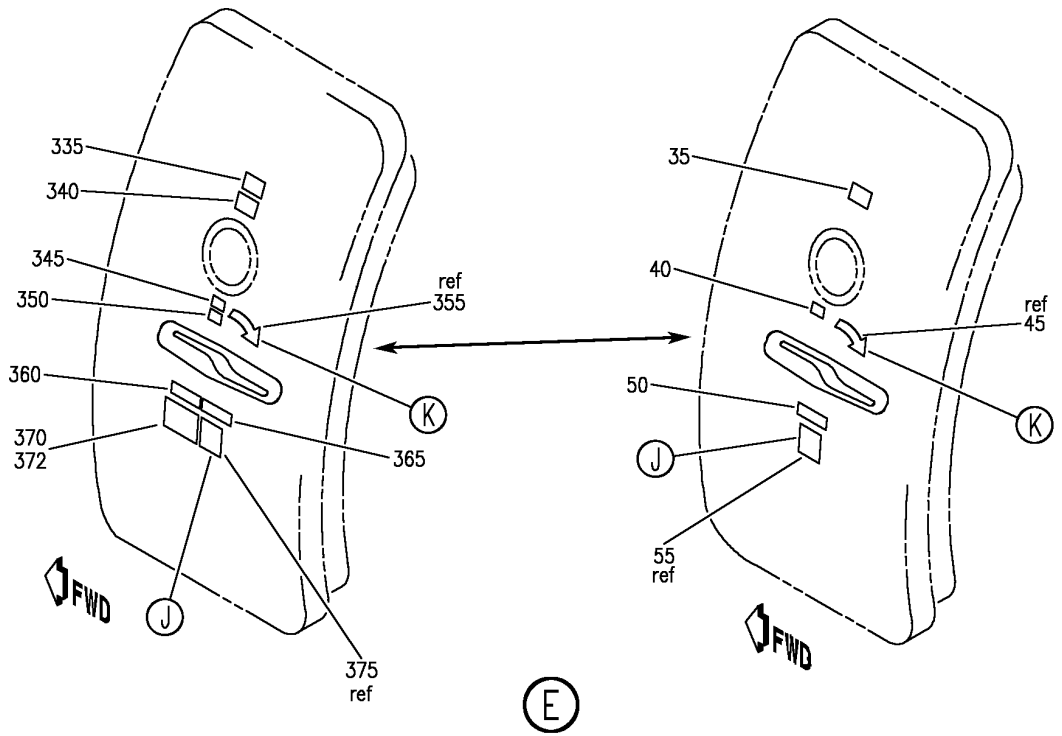
MARKING INSTL-EMER EXT
 FIGURE 7 (SHEET 2)

11-22-02-07

HAP
 OCT 15/08

11-22-02-07
 PAGE 0A

BOEING
 737-600/700/800/900
 PARTS CATALOG (MAINTENANCE)



E 11220207 SHT 3 REV 144

MARKING INSTL-EMER EXT
 FIGURE 7 (SHEET 3)

11-22-02-07

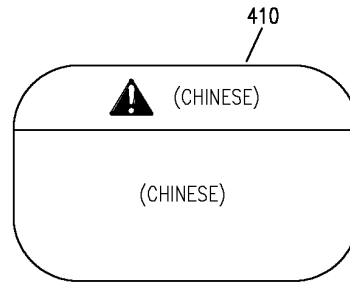
HAP
 OCT 15/08

11-22-02-07
 PAGE 0B

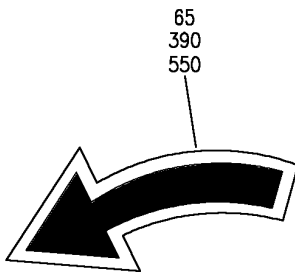
BOEING
 737-600/700/800/900
 PARTS CATALOG (MAINTENANCE)



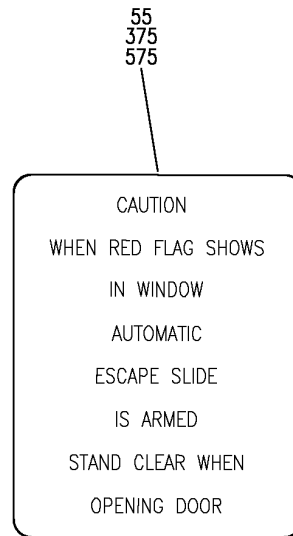
(F)



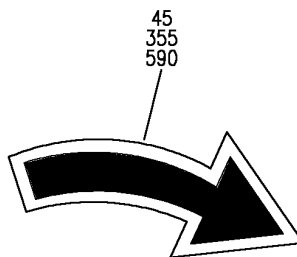
(G)



(H)



(J)



(K)

E 11220207 SH 4 REV 067

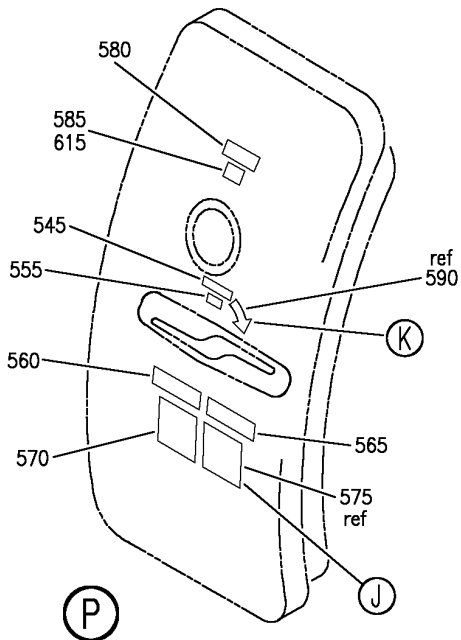
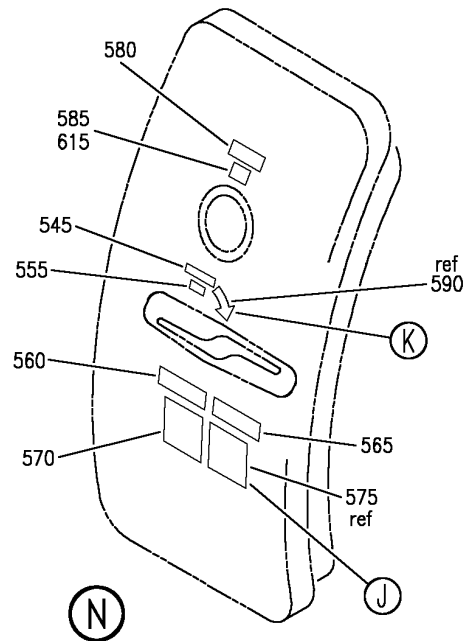
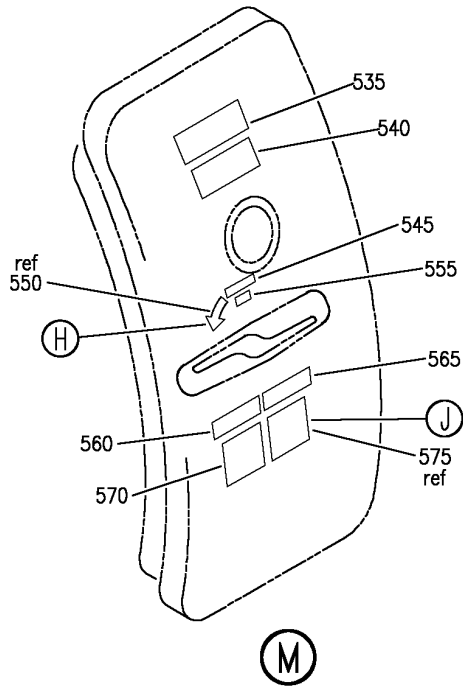
MARKING INSTL-EMER EXT
 FIGURE 7 (SHEET 4)

11-22-02-07

HAP
 JUN 10/07

11-22-02-07
 PAGE 0C

BOEING
 737-600/700/800/900
 PARTS CATALOG (MAINTENANCE)



E 11220207 SHT 5 REV 067

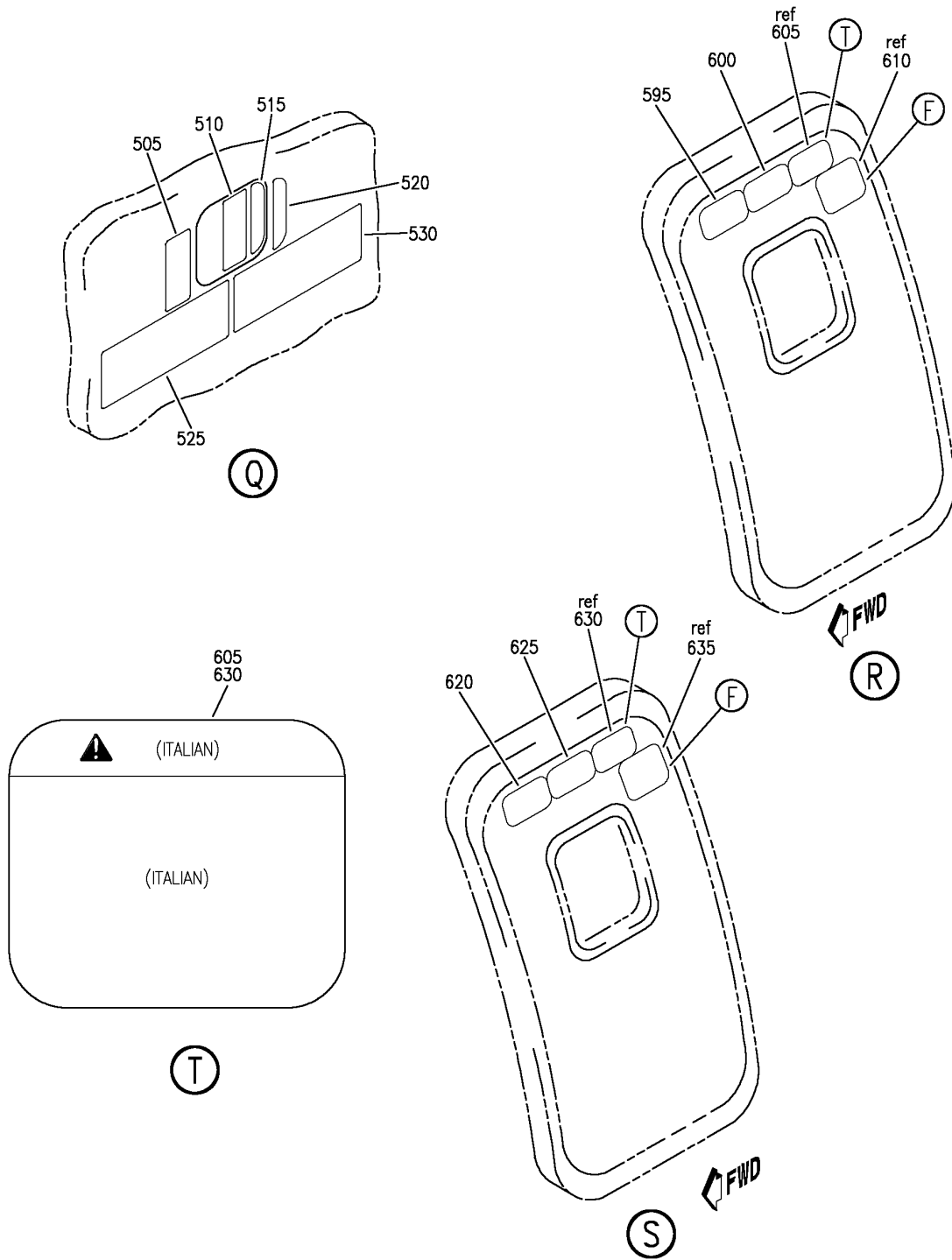
MARKING INSTL-EMER EXT
 FIGURE 7 (SHEET 5)

11-22-02-07

HAP
 JUN 10/07

11-22-02-07
 PAGE 0D

BOEING
 737-600/700/800/900
 PARTS CATALOG (MAINTENANCE)



E 11220207 SH1 6 REV 069

MARKING INSTL-EMER EXT
 FIGURE 7 (SHEET 6)

11-22-02-07

HAP
 JUN 10/07

11-22-02-07
 PAGE 0E

BOEING
737-600/700/800/900
PARTS CATALOG (MAINTENANCE)

FIG ITEM	PART NUMBER	1 2 3 4 5 6 7	NOMENCLATURE	EFFECT FROM TO	UNITS PER ASSY
7			MARKING INSTL-EMER EXT	101200 968999	
- 1	MODREF93229		MARKING INSTL-EMER EXT MODULE NUMBER: 414A4118-22 REV A	101200 968999	1
5	BAC27DPA3687		.DECAL- PLACARD CONTENT: PUSH	101200 968999	1
15	BAC27DPA3686		.DECAL- PLACARD CONTENT: PULL	101200 968999	1
25	BAC27DPA5264		.DECAL- PLACARD CONTENT: EMERGENCY EXIT PUSH WINDOW AND PULL RELEASE	101200 968999	1
35	BAC27DPA5267		.DECAL- PLACARD CONTENT: EXIT	101200 968999	2
40	BAC27DPA5266		.DECAL- PLACARD CONTENT: OPEN	101200 968999	4
45	BAC27DPA5269		.DECAL	101200 968999	2
50	BAC27DPA5265		.DECAL- PLACARD CONTENT: PULL OUT TO ENGAGE HANDLE ROTATE AS SHOWN ABOVE PULL DOOR OUTWARD	101200 968999	4
55	BAC27DPA4958		.DECAL	101200 968999	4
60	BAC27DPA5263		.DECAL- PLACARD CONTENT: EMERGENCY EXIT	101200 968999	2
65	BAC27DPA5268		.DECAL	101200 968999	2
70	BAC27DPA5271		.DECAL- PLACARD CONTENT: EMERGENCY EXIT ONLY PUSH TO OPEN DOOR OPENS OUT AND UP AUTOMATICALLY	101200 968999	2
75	BAC27DPA5245		.DECAL	101200 968999	2

MISSING ITEM NUMBERS NOT APPLICABLE

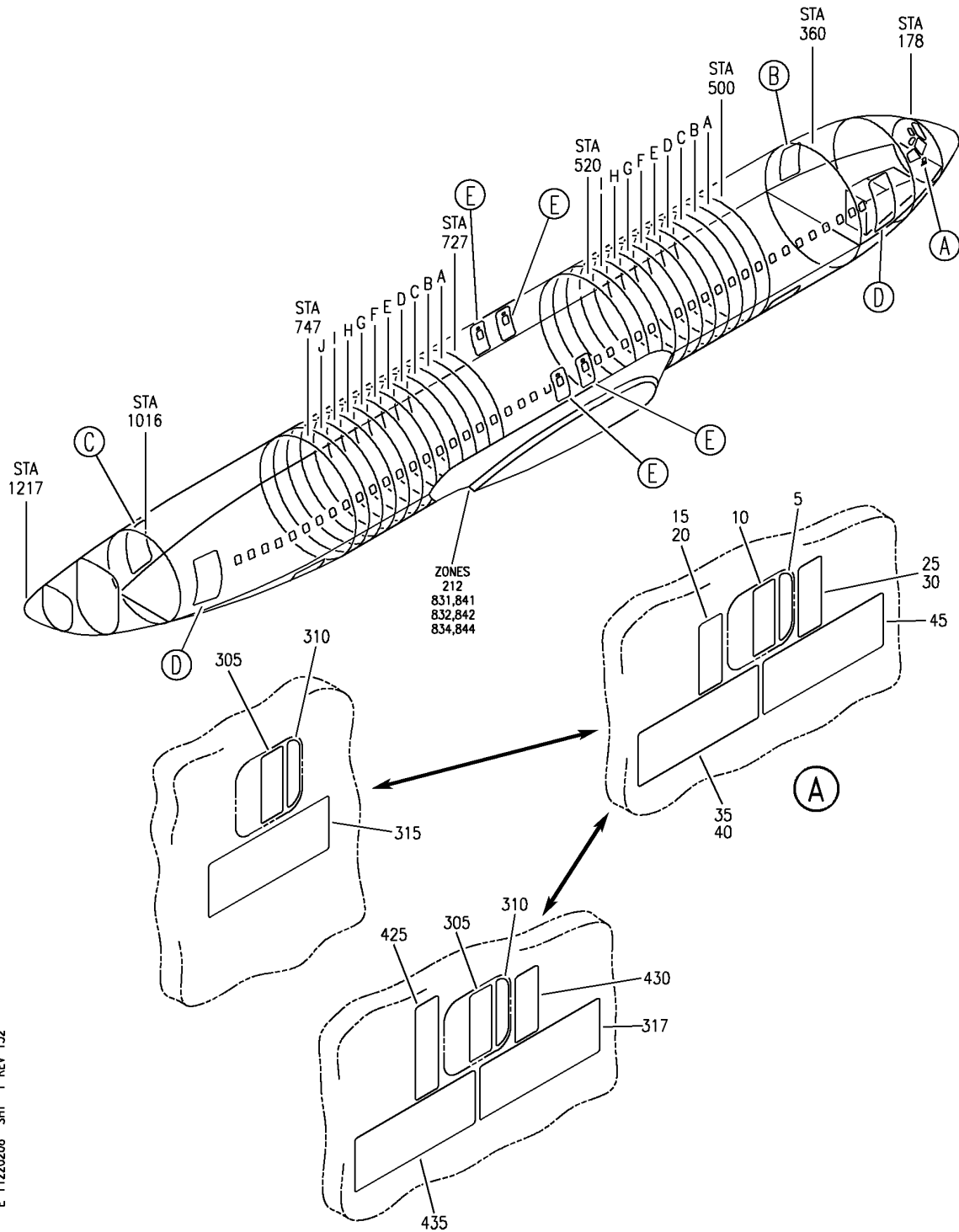
- ITEM NOT ILLUSTRATED

HAP

11-22-02-07

11-22-02
FIG. 07
PAGE 1
FEB 15/09

BOEING
 737-600/700/800/900
 PARTS CATALOG (MAINTENANCE)



E 11220208 SHT 1 REV 132

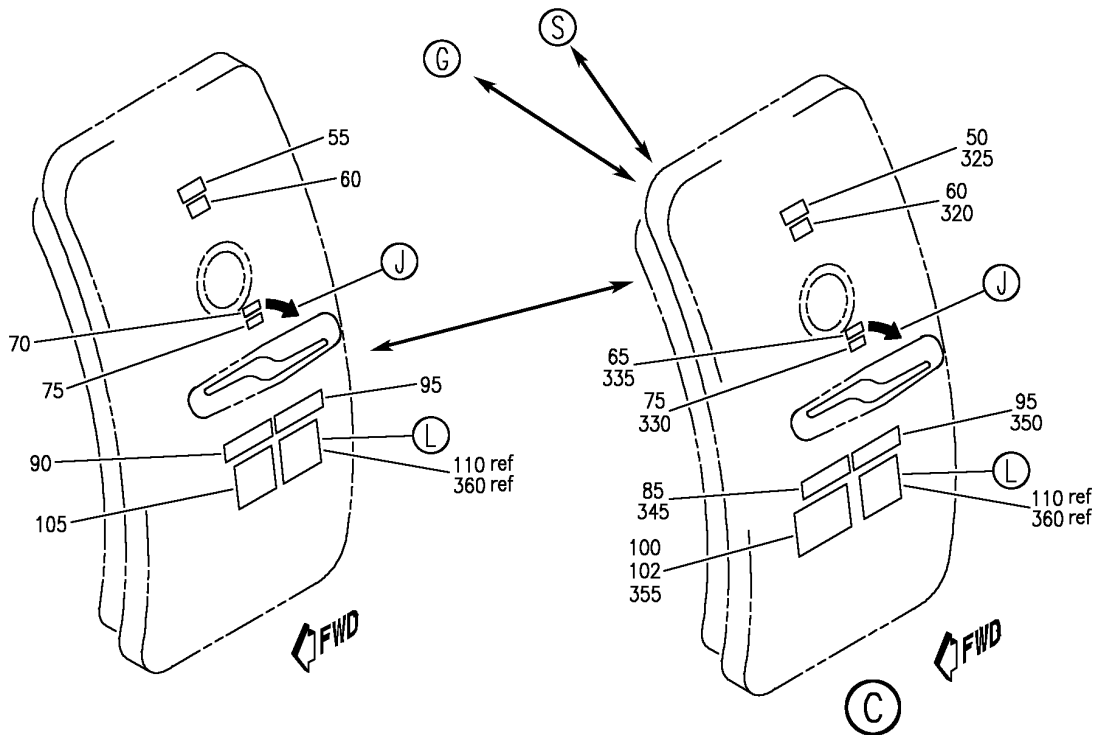
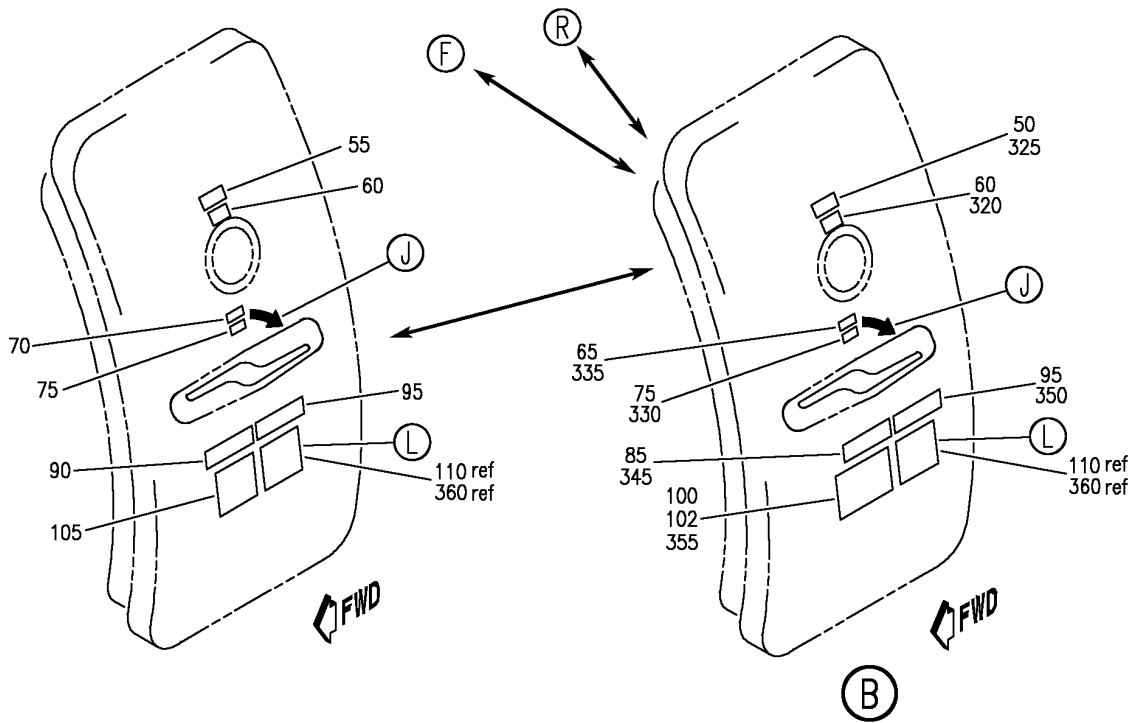
MARKING INSTL-EMER EXT
 FIGURE 8 (SHEET 1)

11-22-02-08

HAP
 OCT 10/07

11-22-02-08
 PAGE 0


BOEING
 737-600/700/800/900
PARTS CATALOG (MAINTENANCE)



E 11220208 SH1 2 REV 144

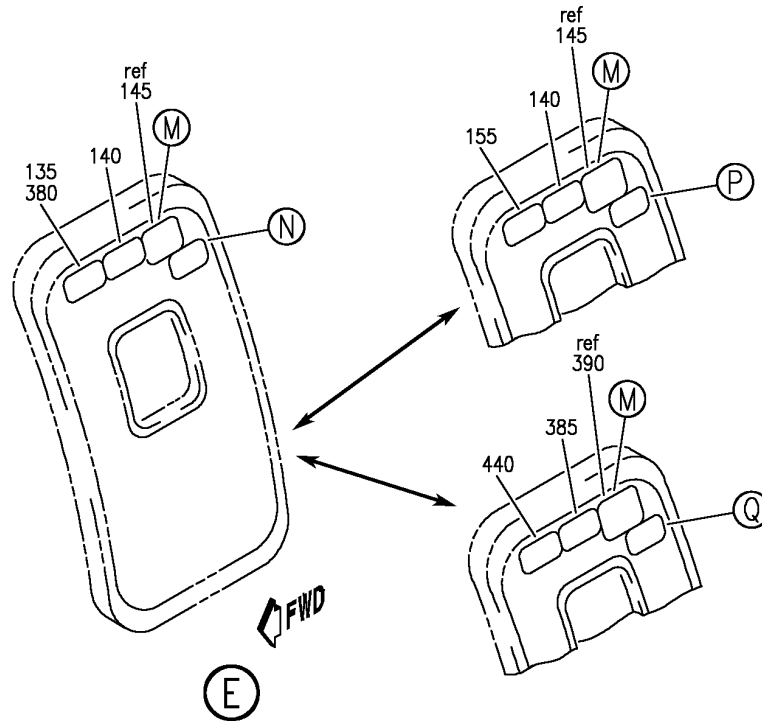
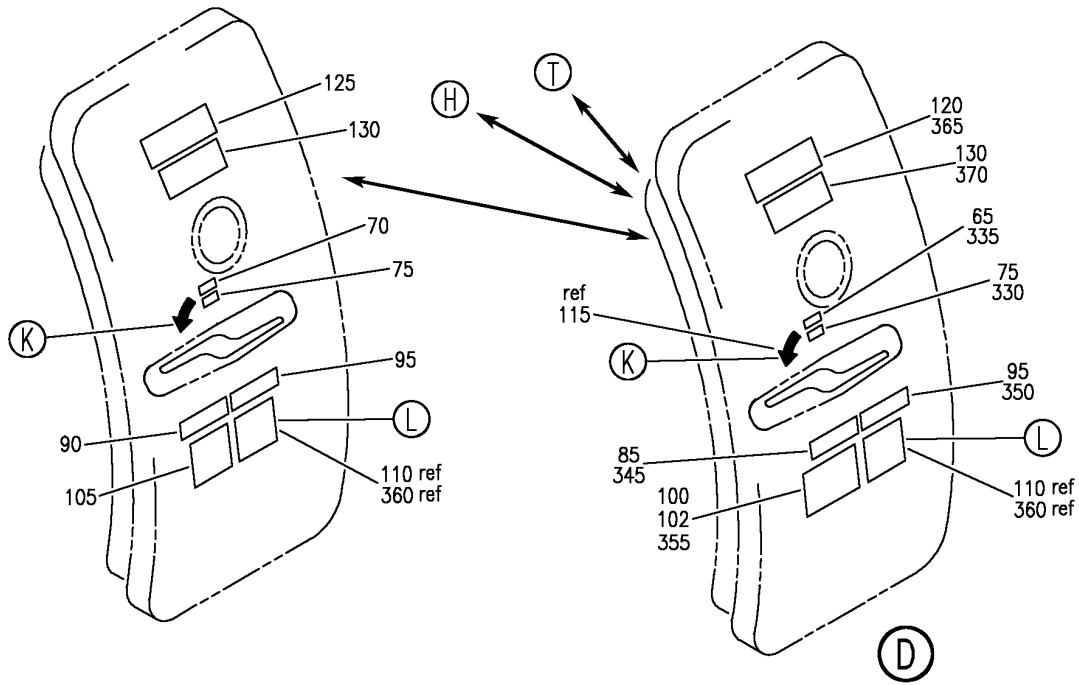
MARKING INSTL-EMER EXT
FIGURE 8 (SHEET 2)

11-22-02-08

HAP
OCT 15/08

11-22-02-08
PAGE 0A

BOEING
 737-600/700/800/900
 PARTS CATALOG (MAINTENANCE)



E 11220208 SH1 3 REV 144

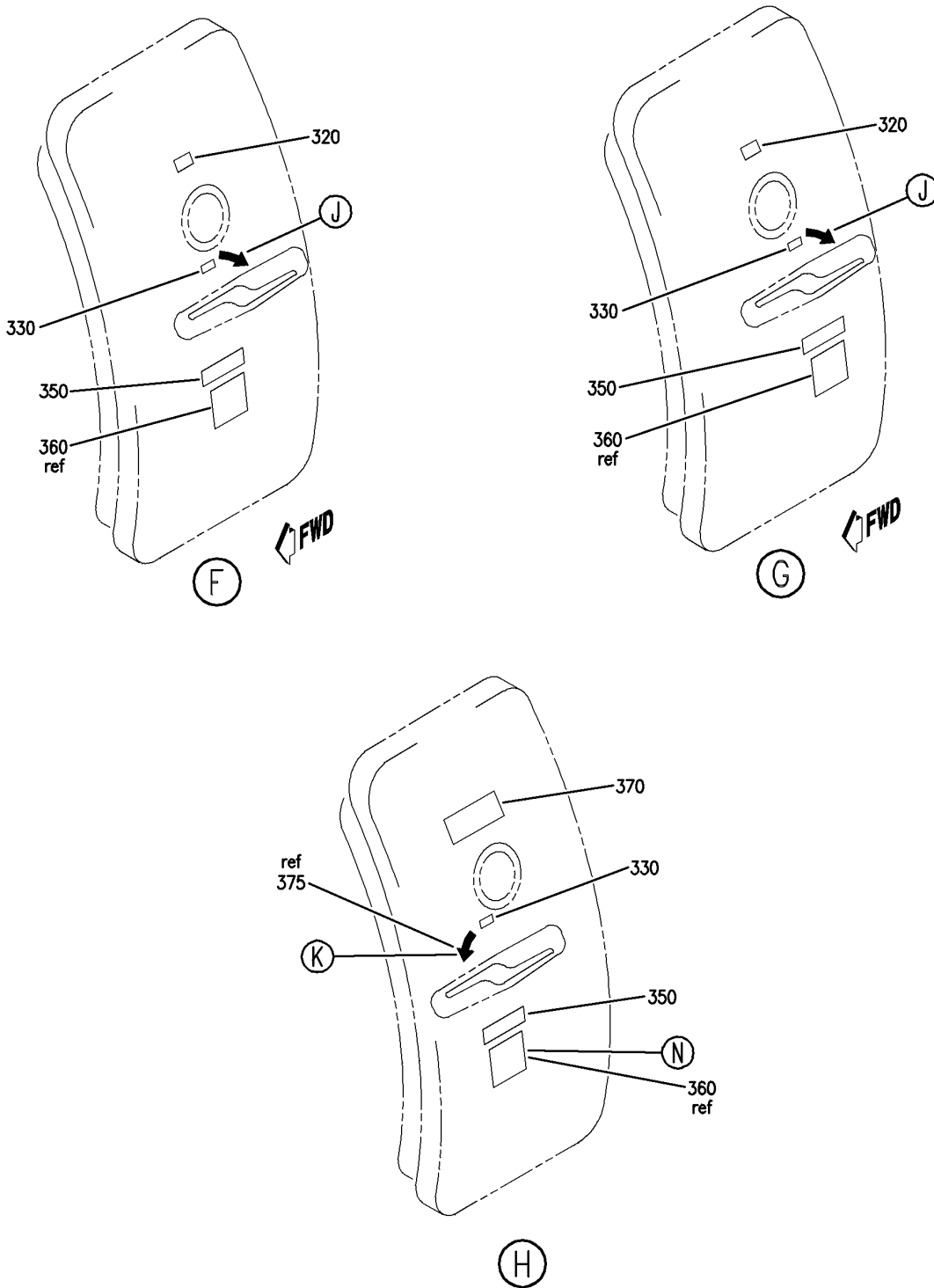
MARKING INSTL-EMER EXT
 FIGURE 8 (SHEET 3)

11-22-02-08

HAP
 OCT 15/08

11-22-02-08
 PAGE 08

BOEING
 737-600/700/800/900
 PARTS CATALOG (MAINTENANCE)



E 11220208 SHT 4 REV 059

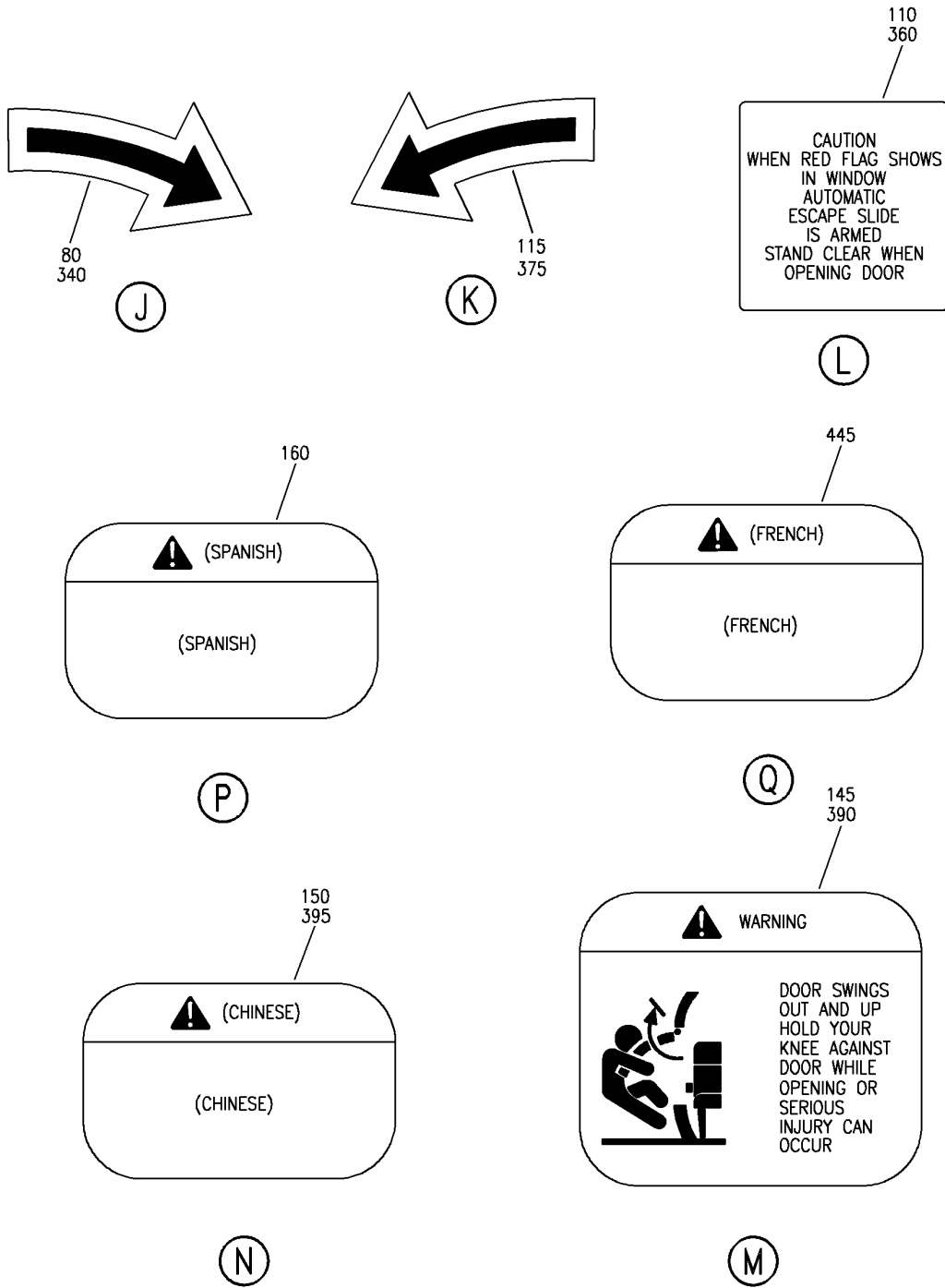
MARKING INSTL-EMER EXT
 FIGURE 8 (SHEET 4)

11-22-02-08

HAP
 OCT 10/06

11-22-02-08
 PAGE 0C

BOEING
 737-600/700/800/900
 PARTS CATALOG (MAINTENANCE)

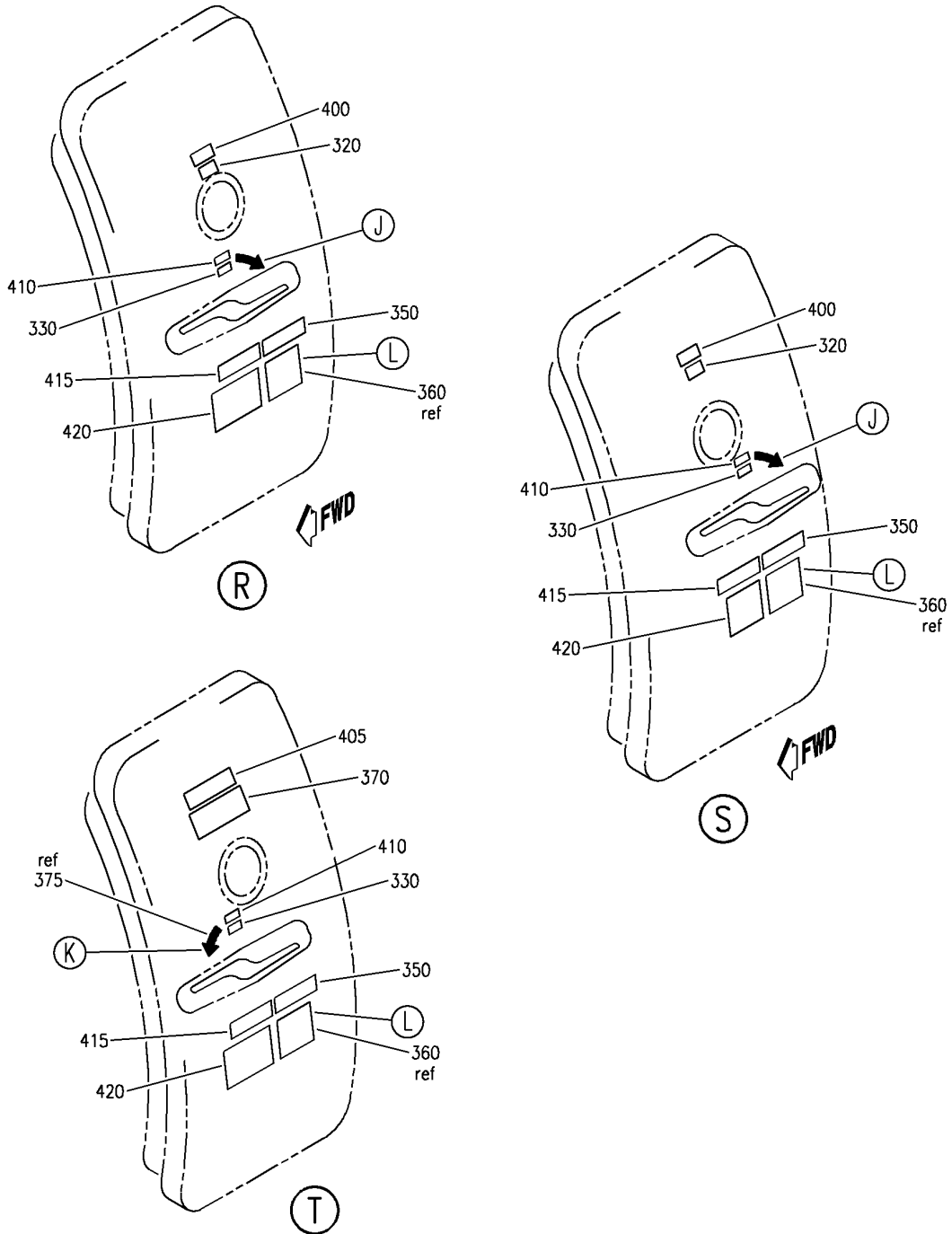


E 11220208 SH1 5 REV 132

MARKING INSTL-EMER EXT
 FIGURE 8 (SHEET 5)

11-22-02-08

BOEING
 737-600/700/800/900
 PARTS CATALOG (MAINTENANCE)



E 11220208 SH 6 REV 132

MARKING INSTL-EMER EXT
 FIGURE 8 (SHEET 6)

11-22-02-08

HAP
 OCT 10/07

11-22-02-08
 PAGE 0E

 **BOEING**
737-600/700/800/900
PARTS CATALOG (MAINTENANCE)

FIG ITEM	PART NUMBER	1 2 3 4 5 6 7	NOMENCLATURE	EFFECT FROM TO	UNITS PER ASSY
8					
- 300	414A4118-27		MARKING INSTL-EMER EXT MARKING INSTL-EMER EXT FOR NHA SEE: 11-20-00-01C	028100 028030	RF
- 300	MODREF93233		MARKING INSTL-EMER EXT MODULE NUMBER: 414A4118-27 REV A	031100	1
305	BAC27DPA3687		.DECAL- PLACARD CONTENT: PUSH	028100	1
310	BAC27DPA3686		.DECAL- PLACARD CONTENT: PULL	028100	1
315	BAC27DPA5264		.DECAL- PLACARD CONTENT: EMERGENCY EXIT PUSH WINDOW AND PULL RELEASE	028100	1
317	BAC27DPA5264		.DECAL- PLACARD CONTENT: EMERGENCY EXIT PUSH WINDOW AND PULL RELEASE	031100	1
320	BAC27DPA5267		.DECAL- PLACARD CONTENT: EXIT	028100	2
330	BAC27DPA5266		.DECAL- PLACARD CONTENT: OPEN	028100	4
340	BAC27DPA5269		.DECAL	028100	2
350	BAC27DPA5265		.DECAL- PLACARD CONTENT: PULL OUT TO ENGAGE HANDLE ROTATE AS SHOWN ABOVE PULL DOOR OUTWARD	028100	4
360	BAC27DPA4958		.DECAL	028100	4
370	BAC27DPA5263		.DECAL- PLACARD CONTENT: EMERGENCY EXIT	028100	2
375	BAC27DPA5268		.DECAL	028100	2
385	BAC27DPA5271		.DECAL- PLACARD CONTENT: EMERGENCY EXIT ONLY PUSH TO OPEN DOOR OPENS OUT AND UP AUTOMATICALLY	028100	4
390	BAC27DPA5245		.DECAL	028100	4
400	BAC27DPA5041		.DECAL-(FRENCH)	031100	2
405	BAC27DPA5042		.DECAL-(FRENCH)	031100	2

MISSING ITEM NUMBERS NOT APPLICABLE

- ITEM NOT ILLUSTRATED

HAP

11-22-02-08

11-22-02
FIG. 08
PAGE 1
JUN 15/08

BOEING
737-600/700/800/900
PARTS CATALOG (MAINTENANCE)

FIG ITEM	PART NUMBER	1 2 3 4 5 6 7	NOMENCLATURE	EFFECT FROM TO	UNITS PER ASSY
8					
410	BAC27DPA5043	.	DECAL-(FRENCH)	031100	4
415	BAC27DPA5044	.	DECAL-(FRENCH)	031100	4
420	BAC27DPA5045	.	DECAL-(FRENCH)	031100	4
425	BAC27DPA5047	.	DECAL-(FRENCH)	031100	1
430	BAC27DPA5048	.	DECAL-(FRENCH)	031100	1
435	BAC27DPA5049	.	DECAL-(FRENCH)	031100	1
440	BAC27DPA5211	.	DECAL-(FRENCH)	031100	4
445	BAC27DPA5212	.	DECAL-(FRENCH)	031100	4
MISSING ITEM NUMBERS NOT APPLICABLE					

— ITEM NOT ILLUSTRATED

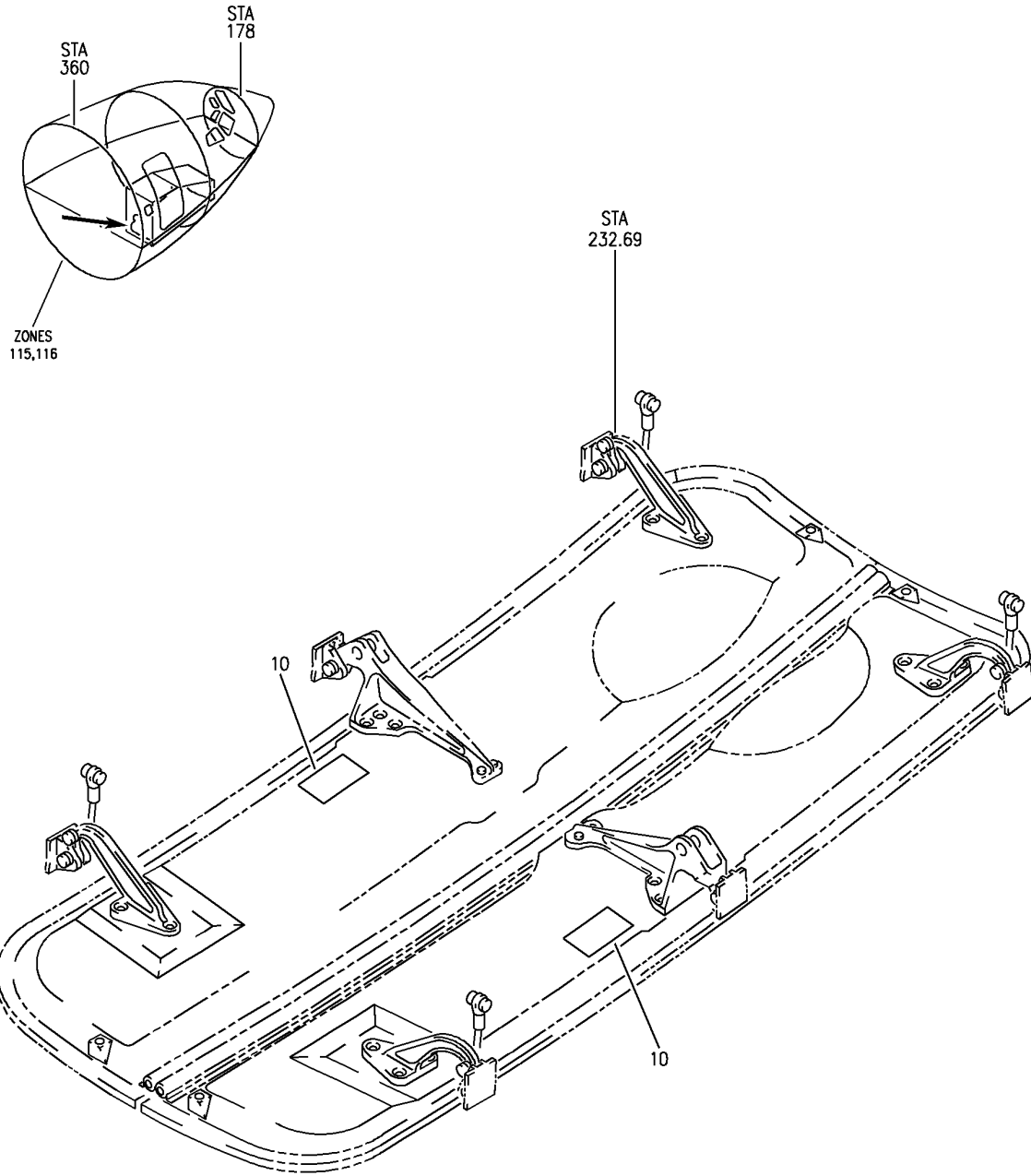
HAP

11-22-02-08

BOEING PROPRIETARY - Copyright © - Unpublished Work - See title page for details.

11-22-02
FIG. 08
PAGE 2
JUN 15/08

BOEING
737-600/700/800/900
PARTS CATALOG (MAINTENANCE)



E 11220222 REV 124

DOOR ASSY-NOSE WHL WELL (PLACARDS AND MARKINGS ONLY)
FIGURE 22

11-22-02-22

HAP
FEB 10/07

11-22-02-22
PAGE 0

BOEING
737-600/700/800/900
PARTS CATALOG (MAINTENANCE)

FIG ITEM	PART NUMBER	1 2 3 4 5 6 7	NOMENCLATURE	EFFECT FROM TO	UNITS PER ASSY
22			DOOR ASSY-NOSE WHL WELL (PLACARDS AND MARKINGS ONLY)	008030 201967	
- 1	141A6902-11		DOOR ASSY-NOSE WHL WELL (PLACARDS AND MARKINGS ONLY) POSITION DATA: LH COMPONENT MAINT MANUAL REF: 32-22-37 FOR NHA/OTHER SYS DET SEE: 32-22-11-04	008020 201967	RF
- 1	141A6902-15		DOOR ASSY-NOSE WHL WELL (PLACARDS AND MARKINGS ONLY) POSITION DATA: LH COMPONENT MAINT MANUAL REF: 32-22-37 FOR NHA/OTHER SYS DET SEE: 32-22-11-04	021027	RF
- 1	141A6902-19		DOOR ASSY-NOSE WHL WELL (PLACARDS AND MARKINGS ONLY) POSITION DATA: LH MISCELLANEOUS DATA: NOT A RECOMMENDED PROV- ISIONING SPARE COMPONENT MAINT MANUAL REF: 32-22-37 FOR NHA/OTHER SYS DET SEE: 32-22-11-04	028030	RF
- 5	141A6902-12		DOOR ASSY-NOSE WHL WELL (PLACARDS AND MARKINGS ONLY) POSITION DATA: RH COMPONENT MAINT MANUAL REF: 32-22-37 FOR NHA/OTHER SYS DET SEE: 32-22-11-04	008020 201967	RF

MISSING ITEM NUMBERS NOT APPLICABLE

- ITEM NOT ILLUSTRATED

HAP

11-22-02-22

BOEING PROPRIETARY - Copyright © - Unpublished Work - See title page for details.

11-22-02
FIG. 22
PAGE 1
OCT 15/08

 **BOEING**
737-600/700/800/900
PARTS CATALOG (MAINTENANCE)

FIG ITEM	PART NUMBER	1 2 3 4 5 6 7	NOMENCLATURE	EFFECT FROM TO	UNITS PER ASSY
22 - 5	141A6902-16		DOOR ASSY-NOSE WHL WELL (PLACARDS AND MARKINGS ONLY) POSITION DATA: RH COMPONENT MAINT MANUAL REF: 32-22-37 FOR NHA/OTHER SYS DET SEE: 32-22-11-04	021027	RF
- 5	141A6902-20		DOOR ASSY-NOSE WHL WELL (PLACARDS AND MARKINGS ONLY) POSITION DATA: RH COMPONENT MAINT MANUAL REF: 32-22-37 FOR NHA/OTHER SYS DET SEE: 32-22-11-04	028030	RF
10	MS27253F1		.PLATE	008030 201967	1

MISSING ITEM NUMBERS NOT APPLICABLE

- ITEM NOT ILLUSTRATED

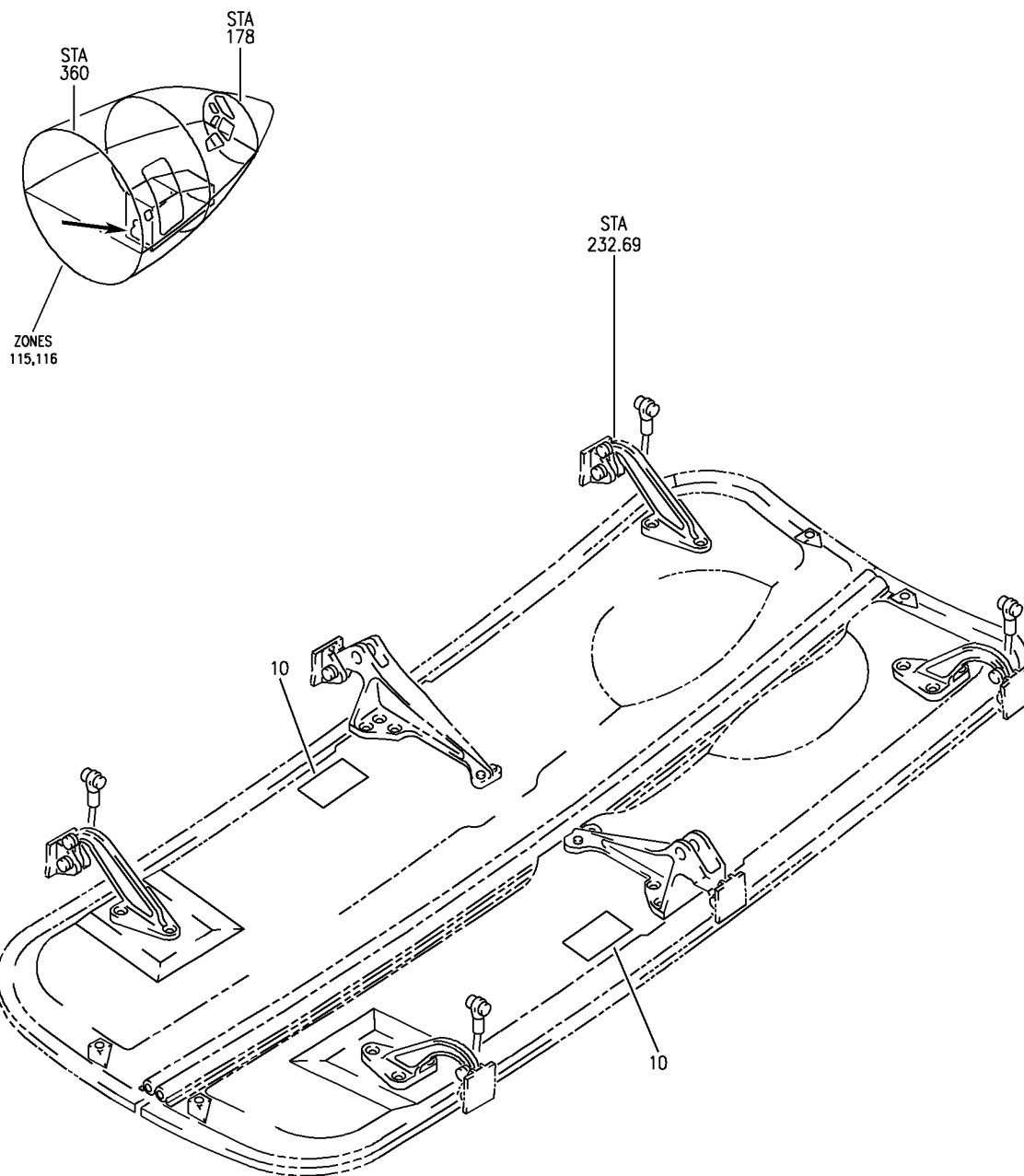
HAP

11-22-02-22

BOEING PROPRIETARY - Copyright © - Unpublished Work - See title page for details.

11-22-02
FIG. 22
PAGE 2
OCT 15/08

BOEING
737-600/700/800/900
PARTS CATALOG (MAINTENANCE)



E 11220222A REV 124

DOOR ASSY-NOSE WHL WELL (PLACARDS AND MARKINGS ONLY)
FIGURE 22A

HAP
FEB 10/07

11-22-02-22A

11-22-02-22A
PAGE 0

BOEING
737-600/700/800/900
PARTS CATALOG (MAINTENANCE)

FIG ITEM	PART NUMBER	1 2 3 4 5 6 7	NOMENCLATURE	EFFECT FROM TO	UNITS PER ASSY
22A					
- 1	141A6902-19		DOOR ASSY-NOSE WHL WELL (PLACARDS AND MARKINGS ONLY)	031200 968999	
- 1	141A6902-21		DOOR ASSY-NOSE WHL WELL (PLACARDS AND MARKINGS ONLY) POSITION DATA: LH MISCELLANEOUS DATA: NOT A RECOMMENDED PROVISIONING SPARE COMPONENT MAINT MANUAL REF: 32-22-37 FOR NHA/OTHER SYS DET SEE: 32-22-11-05	031036 038038	RF
- 1	141A6902-23		DOOR ASSY-NOSE WHL WELL (PLACARDS AND MARKINGS ONLY) POSITION DATA: LH MISCELLANEOUS DATA: NOT A RECOMMENDED PROVISIONING SPARE OPTIONAL PART: 141A6902-23 FOR NHA/OTHER SYS DET SEE: 32-22-11-05	031049 054106 968999	RF
- 1	141A6902-25		DOOR ASSY-NOSE WHL WELL (PLACARDS AND MARKINGS ONLY) POSITION DATA: LH FOR NHA/OTHER SYS DET SEE: 32-22-11-05	037037 039049 054106 968999	RF
- 1	141A6902-25		DOOR ASSY-NOSE WHL WELL (PLACARDS AND MARKINGS ONLY) POSITION DATA: LH FOR NHA/OTHER SYS DET SEE: 32-22-11-05	050053 107200	RF

MISSING ITEM NUMBERS NOT APPLICABLE

- ITEM NOT ILLUSTRATED

HAP

11-22-02-22A

BOEING PROPRIETARY - Copyright © - Unpublished Work - See title page for details.

11-22-02
FIG. 22A
PAGE 1
FEB 15/09

BOEING
737-600/700/800/900
PARTS CATALOG (MAINTENANCE)

FIG ITEM	PART NUMBER	1 2 3 4 5 6 7	NOMENCLATURE	EFFECT FROM TO	UNITS PER ASSY
22A - 1	141A6902-15		DOOR ASSY-NOSE WHL WELL (PLACARDS AND MARKINGS ONLY) POSITION DATA: LH MISCELLANEOUS DATA: NOT A RECOMMENDED PROVISIONING SPARE COMPONENT MAINT MANUAL REF: 32-22-37 FOR NHA/OTHER SYS DET SEE: 32-22-11-05	031036 038038	RF
- 5	141A6902-20		DOOR ASSY-NOSE WHL WELL (PLACARDS AND MARKINGS ONLY) POSITION DATA: RH MISCELLANEOUS DATA: NOT A RECOMMENDED PROVISIONING SPARE FOR NHA/OTHER SYS DET SEE: 32-22-11-05	031036 038038	RF
- 5	141A6902-22		DOOR ASSY-NOSE WHL WELL (PLACARDS AND MARKINGS ONLY) POSITION DATA: RH MISCELLANEOUS DATA: NOT A RECOMMENDED PROVISIONING SPARE OPTIONAL PART: 141A6902-24 FOR NHA/OTHER SYS DET SEE: 32-22-11-05	031049 054106 968999	RF
- 5	141A6902-24		DOOR ASSY-NOSE WHL WELL (PLACARDS AND MARKINGS ONLY) POSITION DATA: RH OPTIONAL PART: 141A6902-22 FOR NHA/OTHER SYS DET SEE: 32-22-11-05	037037 039049 054106 968999	RF

MISSING ITEM NUMBERS NOT APPLICABLE

- ITEM NOT ILLUSTRATED

HAP

11-22-02-22A

BOEING PROPRIETARY - Copyright © - Unpublished Work - See title page for details.

11-22-02
FIG. 22A
PAGE 2
FEB 15/09

BOEING
737-600/700/800/900
PARTS CATALOG (MAINTENANCE)

FIG ITEM	PART NUMBER	1 2 3 4 5 6 7	NOMENCLATURE	EFFECT FROM TO	UNITS PER ASSY
22A - 5	141A6902-26		DOOR ASSY-NOSE WHL WELL (PLACARDS AND MARKINGS ONLY) POSITION DATA: RH FOR NHA/OTHER SYS DET SEE: 32-22-11-05	050053 107200	RF
- 5	141A6902-16		DOOR ASSY-NOSE WHL WELL (PLACARDS AND MARKINGS ONLY) POSITION DATA: RH MISCELLANEOUS DATA: NOT A RECOMMENDED PROVISIONING SPARE FOR NHA/OTHER SYS DET SEE: 32-22-11-05	031036 038038	RF
10	MS27253F1		.PLATE	031200 968999	1

MISSING ITEM NUMBERS NOT APPLICABLE

- ITEM NOT ILLUSTRATED

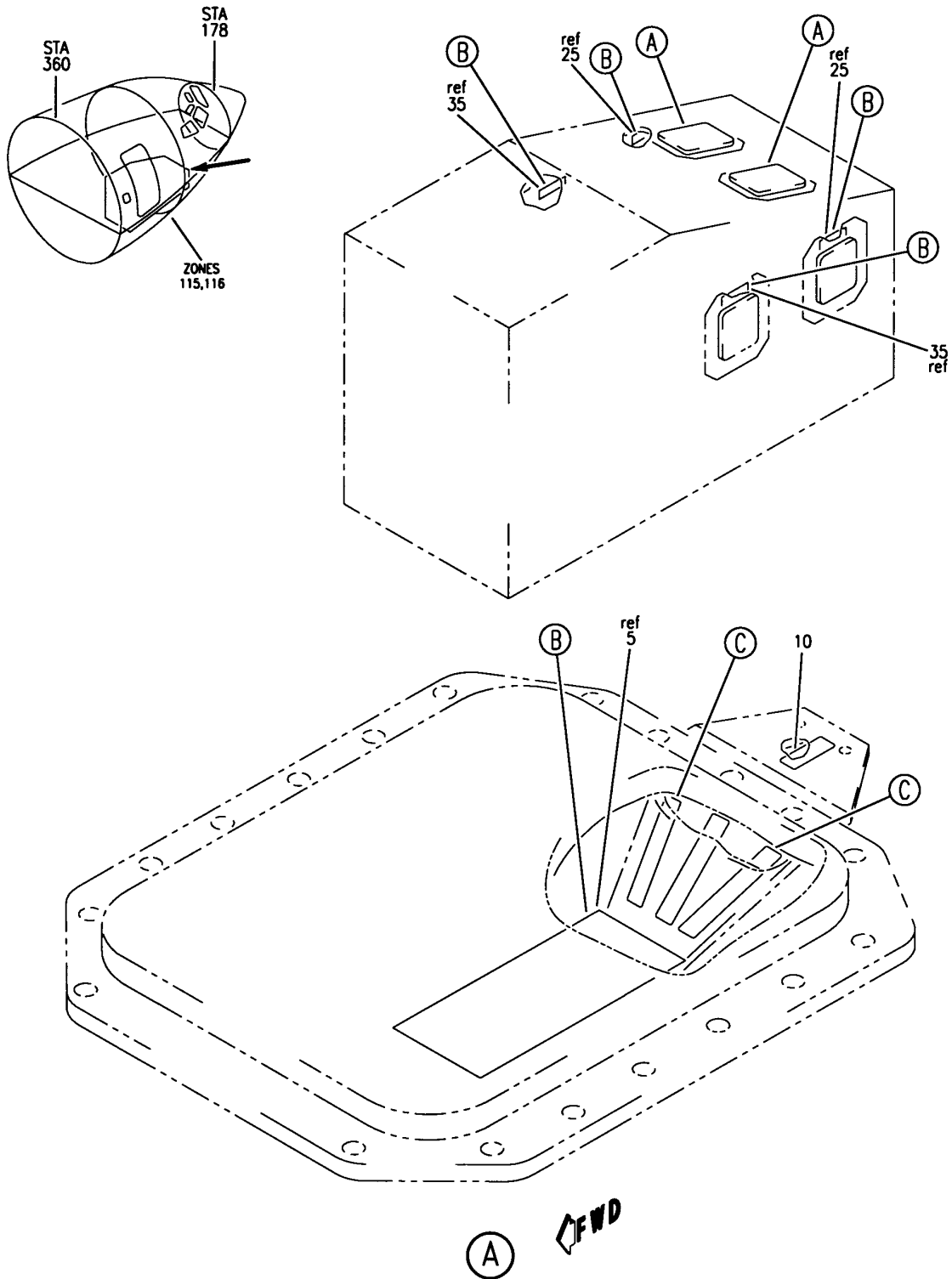
HAP

11-22-02-22A

BOEING PROPRIETARY - Copyright © - Unpublished Work - See title page for details.

11-22-02
FIG. 22A
PAGE 3
FEB 15/09

BOEING
 737-600/700/800/900
 PARTS CATALOG (MAINTENANCE)



E 11220302 SH1 1 REV 020

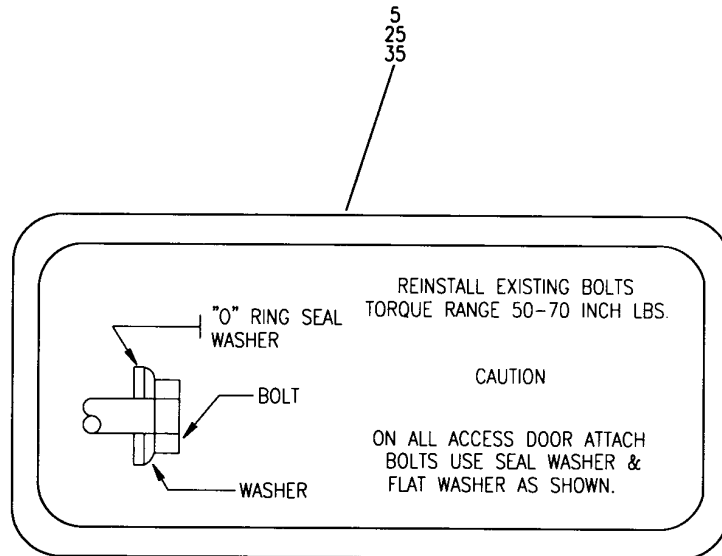
DOOR ASSY-NOSE WHEEL WELL ACCESS (PLACARDS AND MARKINGS ONLY)
 FIGURE 2 (SHEET 1)

11-22-03-02

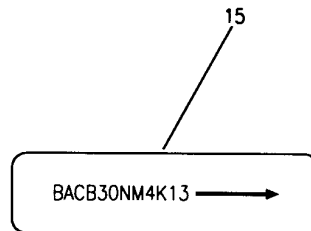
HAP
 OCT 10/06

11-22-03-02
 PAGE 0

BOEING
737-600/700/800/900
PARTS CATALOG (MAINTENANCE)



(B)



(C)

E 11220302 SH1 2 REV 020

DOOR ASSY-NOSE WHEEL WELL ACCESS (PLACARDS AND MARKINGS ONLY)
FIGURE 2 (SHEET 2)

11-22-03-02

HAP
OCT 10/06

11-22-03-02
PAGE 0A

BOEING
737-600/700/800/900
PARTS CATALOG (MAINTENANCE)

FIG ITEM	PART NUMBER	1 2 3 4 5 6 7	NOMENCLATURE	EFFECT FROM TO	UNITS PER ASSY
2			DOOR ASSY-NOSE WHEEL WELL ACCESS (PLACARDS AND MARKINGS ONLY)		
- 1	141A7900-6		DOOR AND SPRING ASSY- (PLACARDS AND MARKINGS ONLY) FOR NHA/OTHER SYS DET SEE: 32-22-11-02		RF
5	BAC27DBY0170		.MARKER-ALUMINUM FOIL		1
10	BAC27DBY194		.MARKER-ALUMINUM FOIL PLACARD CONTENT: BACB30NM4K16		1
15	BAC27DBY195		.MARKER-ALUMINUM FOIL PLACARD CONTENT: BACB30NM4K13		3
- 20	141A7900-3		DOOR ASSY- (PLACARDS AND MARKINGS ONLY) FOR NHA/OTHER SYS DET SEE: 32-22-11-02		RF
25	BAC27DBY0170		.MARKER-ALUMINUM FOIL		1
- 30	141A7900-4		DOOR ASSY- (PLACARDS AND MARKINGS ONLY) FOR NHA/OTHER SYS DET SEE: 32-22-11-02		RF
35	BAC27DBY0170		.MARKER-ALUMINUM FOIL		1

MISSING ITEM NUMBERS NOT APPLICABLE

- ITEM NOT ILLUSTRATED

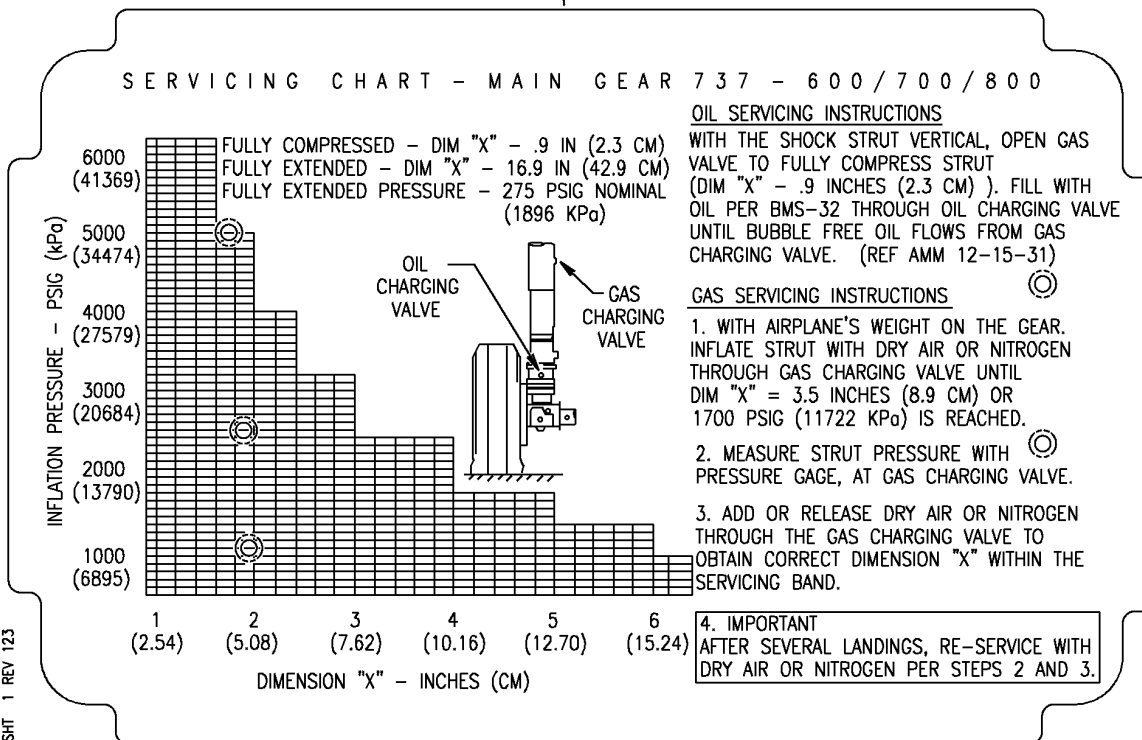
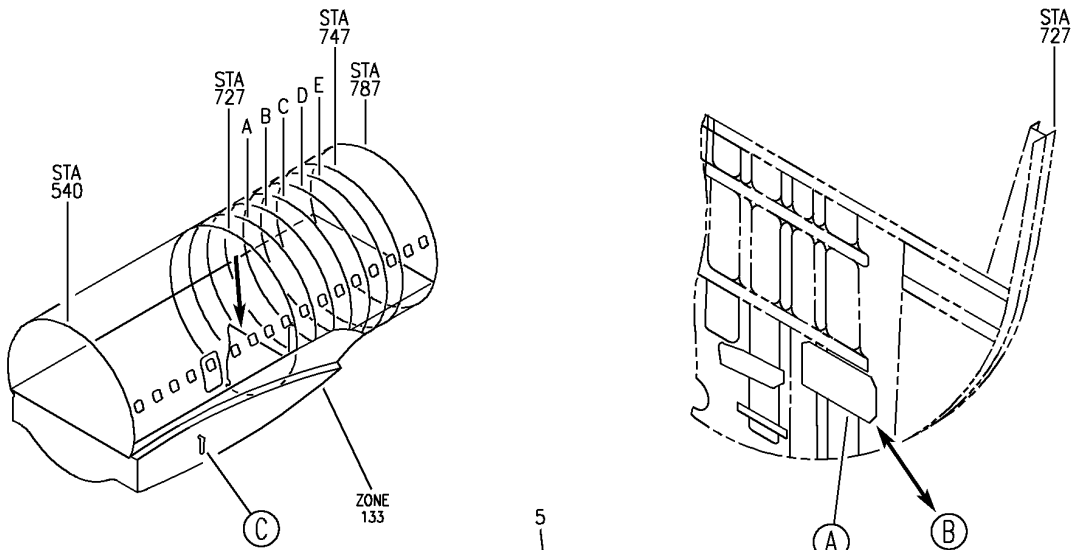
HAP

11-22-03-02

BOEING PROPRIETARY - Copyright © - Unpublished Work - See title page for details.

11-22-03
FIG. 02
PAGE 1
OCT 10/06

BOEING
737-600/700/800/900
PARTS CATALOG (MAINTENANCE)



E 11220401 SHT 1 REV 123

A

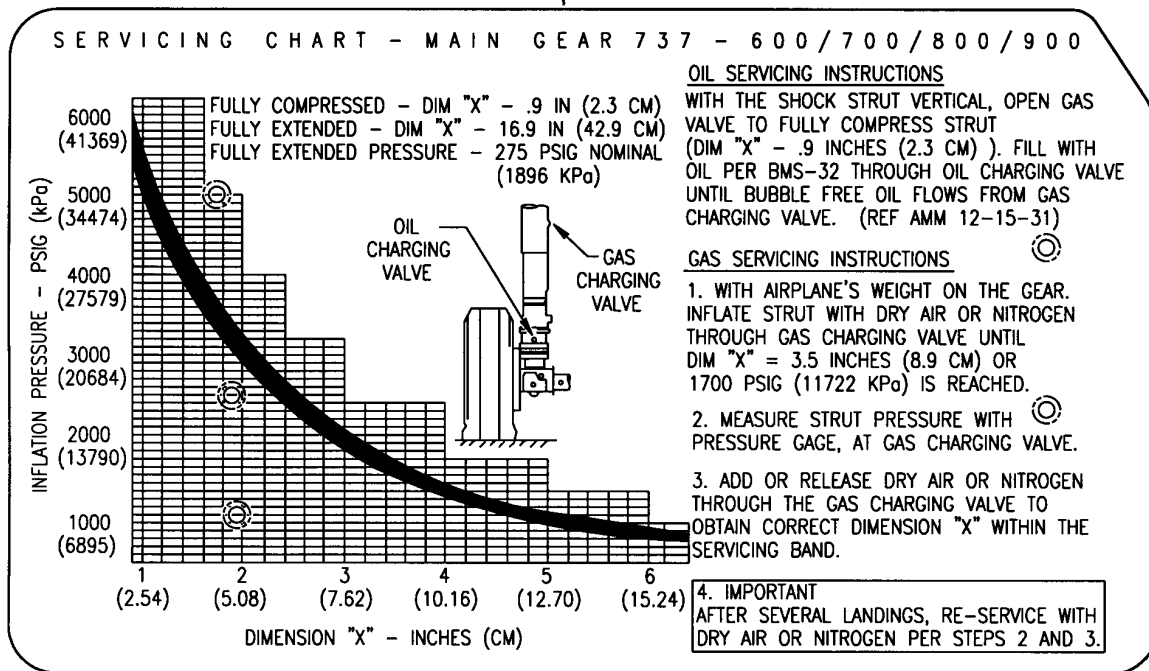
MAIN LANDING GEAR INSTL
FIGURE 1 (SHEET 1)

11-22-04-01

HAP
OCT 10/06

11-22-04-01
PAGE 0

7



(B)

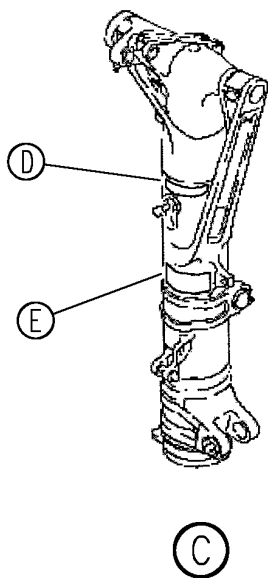
E 11220401 SH 2 REV 030

MAIN LANDING GEAR INSTL
FIGURE 1 (SHEET 2)

11-22-04-01

HAP
OCT 10/06

11-22-04-01
PAGE 0A



9

SERVICE STRUT WITH SHEL SSF ONLY

D

12

SERVICE TIRES
WITH
NITROGEN
ONLY

E

E 11220401 SHT 3 REV 123

MAIN LANDING GEAR INSTL
FIGURE 1 (SHEET 3)

11-22-04-01

HAP
OCT 10/06

11-22-04-01
PAGE 0B

BOEING
737-600/700/800/900
PARTS CATALOG (MAINTENANCE)

FIG ITEM	PART NUMBER	1 2 3 4 5 6 7	NOMENCLATURE	EFFECT FROM TO	UNITS PER ASSY
1			MAIN LANDING GEAR INSTL		
- 1	161A0001-3		MAIN LANDING GEAR INSTL- FOR NHA SEE: 11-20-00-35	001007	RF
- 1	161A0001-9		MAIN LANDING GEAR INSTL- FOR NHA SEE: 11-20-00-35	008027 201967	RF
- 1	161A0001-10		MAIN LANDING GEAR INSTL- FOR NHA SEE: 11-20-00-35	028030	RF
- 1	MODREF80855		MAIN LANDING GEAR INSTL- MODULE NUMBER: 161A0001-10 REV A	031200 968999	1
5	BAC27DLG164		.CHART-	001007	1
7	161A0010-1		.CHART- OPTIONAL PART: 161A0010-2	008027 201967	1
7	161A0010-2		.CHART- OPTIONAL PART: 161A0010-1	008027 201967	1
7	161A0010-3		.CHART-	028200 968999	1
- 14	NAS1398D6A2		ATTACHING PARTS .RIVET-	001007	5
- 15	HST10AG6-2		.BOLT- SUPPLIER CODE: VOPTK6 SPECIFICATION NUMBER: BACB30VT6K2 OPTIONAL PART: HST10AG6-2 V06725 HST10AG6-2 V56878 HST10AG6-2 V73197 WC10K6-2 V60516	008999	5
- 20	BACC30BL6		.COLLAR- -----*-----	008999	5

MISSING ITEM NUMBERS NOT APPLICABLE

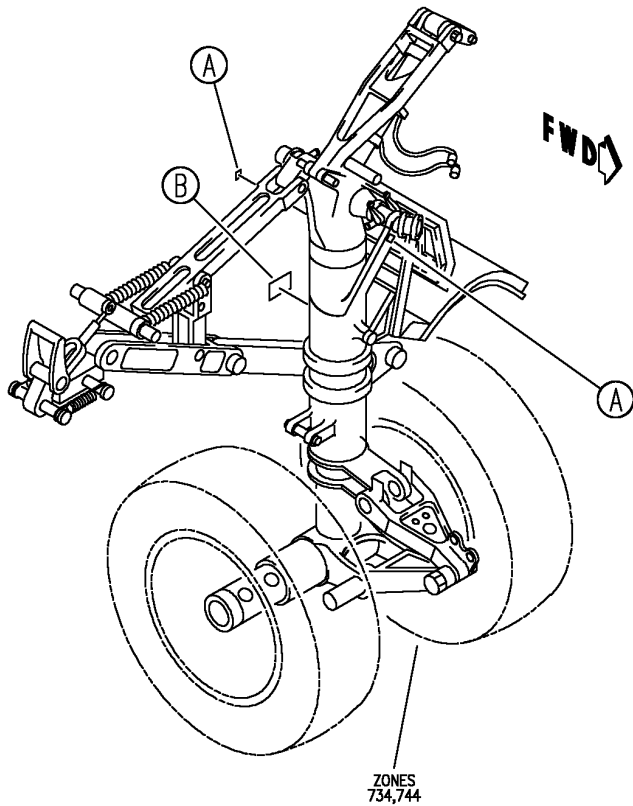
- ITEM NOT ILLUSTRATED

HAP

11-22-04-01

11-22-04
FIG. 01
PAGE 1
FEB 15/09

BOEING
 737-600/700/800/900
 PARTS CATALOG (MAINTENANCE)



15

TIRE PRESSURE
 200±5 PSI
 13,8±0,3 BAR
 INFLATE TIRES WITH NITROGEN
 ONLY

10

↑

SERVICE
 WITH
 BMS 3-27
 ONLY

(B)

(A)

E 11220402 REV 083

CYLINDER ASSY-SHOCK STRUT MLG OUTER (PLACARDS AND MARKINGS ONLY)
 FIGURE 2

11-22-04-02

HAP
 OCT 10/06

11-22-04-02
 PAGE 0

BOEING
737-600/700/800/900
PARTS CATALOG (MAINTENANCE)

FIG ITEM	PART NUMBER	1 2 3 4 5 6 7	NOMENCLATURE	EFFECT FROM TO	UNITS PER ASSY
2			CYLINDER ASSY-SHOCK STRUT MLG OUTER (PLACARDS AND MARKINGS ONLY)	001004 006007	
- 1	161A1118-1		CYLINDER ASSY-SHOCK STRUT MLG (PLACARDS AND MARKINGS ONLY) POSITION DATA: LH OUTER QUALIFIED I/W DATA: 161A1118-6 OR -9 T/W 1C3976 I/W 161A1118-2 2C9342 FOR NHA SEE: 32-11-21-03	001004 006007	RF
- 5	161A1118-2		CYLINDER ASSY-SHOCK STRUT MLG (PLACARDS AND MARKINGS ONLY) POSITION DATA: RH OUTER FOR NHA SEE: 32-11-21-03	001004 006007	RF
10	BAC27WLG41		.DECAL	001004 006007	2

MISSING ITEM NUMBERS NOT APPLICABLE

- ITEM NOT ILLUSTRATED

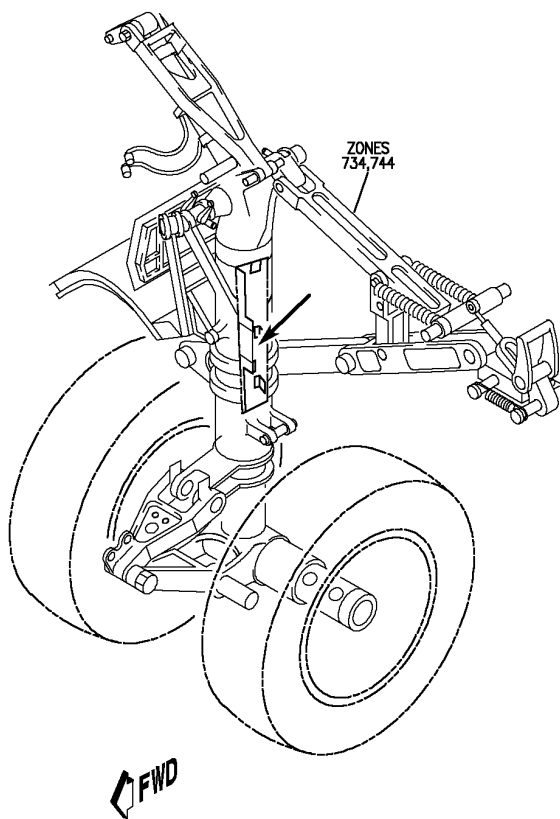
HAP

11-22-04-02

BOEING PROPRIETARY - Copyright © - Unpublished Work - See title page for details.

11-22-04
FIG. 02
PAGE 1
FEB 15/09

BOEING
 737-600/700/800/900
 PARTS CATALOG (MAINTENANCE)



10

BOEING
 COMPANY
 SEATTLE, WA
 U. S. A.

MODEL 737

BOEING
 PART NO.

SERIAL NO.

MFG. BY

WARNING

BEFORE DISASSEMBLY,
 RELEASE AIR IN STRUT.
 SEALS INSTALLED.
 GLAND NOT ADJUSTABLE.
 SPARE SEALS IN
 LOWER BEARING.
 SEE MAINTENANCE MANUAL
 FOR INSTALLATION.

SERVICING
 INSTRUCTIONS
 SEE SERVICING CHART
 IN WHEEL WELL.

E 11220403 REV 085

COMPONENT INSTL-MLG (PLACARDS AND MARKINGS ONLY)
 FIGURE 3

11-22-04-03

HAP
 OCT 10/06

11-22-04-03
 PAGE 0


BOEING
 737-600/700/800/900
PARTS CATALOG (MAINTENANCE)

FIG ITEM	PART NUMBER	1 2 3 4 5 6 7	NOMENCLATURE	EFFECT FROM TO	UNITS PER ASSY
3			COMPONENT INSTL-MLG (PLACARDS AND MARKINGS ONLY)	031200 968999	
- 1	MODREF102032		COMPONENT INSTL-MLG (PLACARDS AND MARKINGS ONLY) MODULE NUMBER: 161A1100-31 REV B POSITION DATA: LH COMPONENT MAINT MANUAL REF: 32-11-12 FOR OTHER SYS DETAILS SEE: 32-11-00-01A 32-11-21-03A 32-11-51-04A	968969	1
- 1	MODREF102030		COMPONENT INSTL-MLG (PLACARDS AND MARKINGS ONLY) MODULE NUMBER: 161A1100-39 REV B POSITION DATA: LH COMPONENT MAINT MANUAL REF: 32-11-12 FOR OTHER SYS DETAILS SEE: 32-11-00-01A 32-11-21-03A 32-11-51-04A	031040 042042	1
- 1	MODREF293909		COMPONENT INSTL-MLG (PLACARDS AND MARKINGS ONLY) MODULE NUMBER: 161A1100-53 REV A POSITION DATA: LH COMPONENT MAINT MANUAL REF: 32-11-12 FOR OTHER SYS DETAILS SEE: 32-11-00-01A 32-11-21-03A 32-11-51-04A	041041 043100	1

MISSING ITEM NUMBERS NOT APPLICABLE

- ITEM NOT ILLUSTRATED

HAP

11-22-04-03

BOEING PROPRIETARY - Copyright © - Unpublished Work - See title page for details.

11-22-04
 FIG. 03
 PAGE 1
 OCT 15/08

BOEING
737-600/700/800/900
PARTS CATALOG (MAINTENANCE)

FIG ITEM	PART NUMBER	1 2 3 4 5 6 7	NOMENCLATURE	EFFECT FROM TO	UNITS PER ASSY
3 -	1 MODREF293907		COMPONENT INSTL-MLG (PLACARDS AND MARKINGS ONLY) MODULE NUMBER: 161A1100-49 REV A POSITION DATA: LH COMPONENT MAINT MANUAL REF: 32-11-12 FOR OTHER SYS DETAILS SEE: 32-11-00-01A 32-11-21-03A 32-11-51-04A	101200 970999	1
-	5 MODREF102031		COMPONENT INSTL-MLG (PLACARDS AND MARKINGS ONLY) MODULE NUMBER: 161A1100-32 REV B POSITION DATA: RH COMPONENT MAINT MANUAL REF: 32-11-12 FOR OTHER SYS DETAILS SEE: 32-11-00-01A 32-11-21-03A 32-11-51-04A	968969	1
-	5 MODREF102029		COMPONENT INSTL-MLG (PLACARDS AND MARKINGS ONLY) MODULE NUMBER: 161A1100-40 REV B POSITION DATA: RH COMPONENT MAINT MANUAL REF: 32-11-12 FOR OTHER SYS DETAILS SEE: 32-11-00-01A 32-11-21-03A 32-11-51-04A	031040 042042	1

MISSING ITEM NUMBERS NOT APPLICABLE

- ITEM NOT ILLUSTRATED

HAP

11-22-04-03

BOEING PROPRIETARY - Copyright © - Unpublished Work - See title page for details.

11-22-04
FIG. 03
PAGE 2
FEB 15/09

BOEING
737-600/700/800/900
PARTS CATALOG (MAINTENANCE)

FIG ITEM	PART NUMBER	1 2 3 4 5 6 7	NOMENCLATURE	EFFECT FROM TO	UNITS PER ASSY
3 -	5 MODREF293910		COMPONENT INSTL-MLG (PLACARDS AND MARKINGS ONLY) MODULE NUMBER: 161A1100-54 REV A POSITION DATA: RH COMPONENT MAINT MANUAL REF: 32-11-12 FOR OTHER SYS DETAILS SEE: 32-11-00-01A 32-11-21-03A 32-11-51-04A	041041 043100	1
-	5 MODREF293908		COMPONENT INSTL-MLG (PLACARDS AND MARKINGS ONLY) MODULE NUMBER: 161A1100-50 REV A POSITION DATA: RH COMPONENT MAINT MANUAL REF: 32-11-12 FOR OTHER SYS DETAILS SEE: 32-11-00-01A 32-11-21-03A 32-11-51-04A	101200 970999	1
10	161A1180-1		.NAMEPLATE	031200 968999	RF

MISSING ITEM NUMBERS NOT APPLICABLE

- ITEM NOT ILLUSTRATED

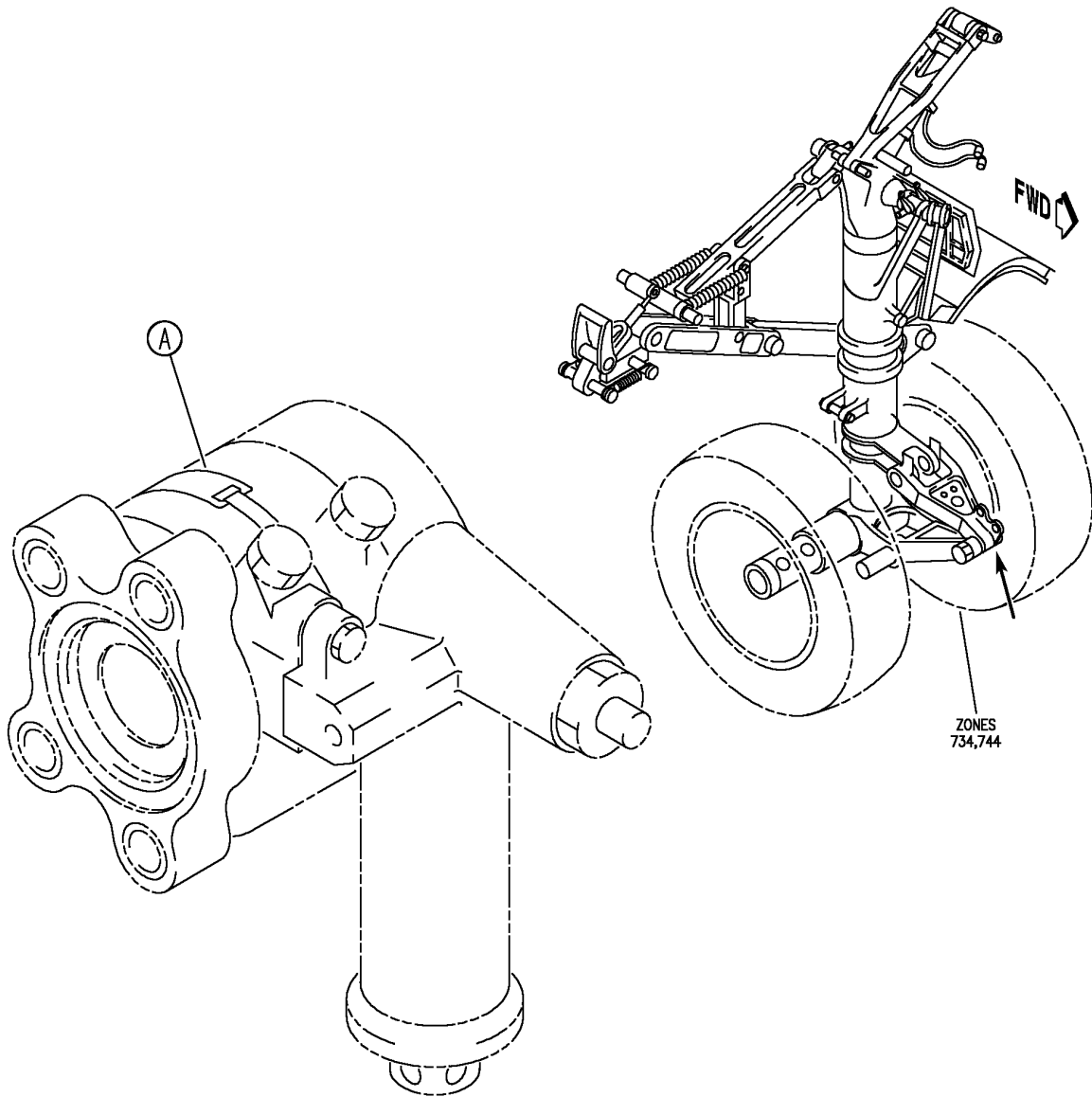
HAP

11-22-04-03

BOEING PROPRIETARY - Copyright © - Unpublished Work - See title page for details.

11-22-04
FIG. 03
PAGE 3
FEB 15/09

BOEING
 737-600/700/800/900
 PARTS CATALOG (MAINTENANCE)



THE BOEING COMPANY SHIMMY DAMPER - MLG			
P/N 273A3610-	S/N	MFG DATE	
MFG BY	BMS 3-11 FLUID ONLY		

(A)

E 11220404 REV 087

DAMPER ASSY-(PLACARDS AND MARKINGS ONLY)
 FIGURE 4

11-22-04-04

HAP
 OCT 10/06

11-22-04-04
 PAGE 0

BOEING
737-600/700/800/900
PARTS CATALOG (MAINTENANCE)

FIG ITEM	PART NUMBER	1 2 3 4 5 6 7	NOMENCLATURE	EFFECT FROM TO	UNITS PER ASSY
4			DAMPER ASSY-(PLACARDS AND MARKINGS ONLY)	012200 968999	
- 1	273A3610-2		DAMPER ASSY-(PLACARDS AND MARKINGS ONLY) COMPONENT MAINT MANUAL REF: 32-30-62 FOR NHA/OTHER SYS DET SEE: 32-11-81-01	012200 968999	RF
- 1	273A3610-4		DAMPER ASSY-(PLACARDS AND MARKINGS ONLY) COMPONENT MAINT MANUAL REF: 32-30-62 FOR NHA/OTHER SYS DET SEE: 32-11-81-01	012200 968999	RF
- 1	273A3610-5		DAMPER ASSY-(PLACARDS AND MARKINGS ONLY) COMPONENT MAINT MANUAL REF: 32-30-62 FOR NHA/OTHER SYS DET SEE: 32-11-81-01	012200 968999	RF
10	273A2508-14		.NAMEPLATE	012200 968999	RF

MISSING ITEM NUMBERS NOT APPLICABLE

- ITEM NOT ILLUSTRATED

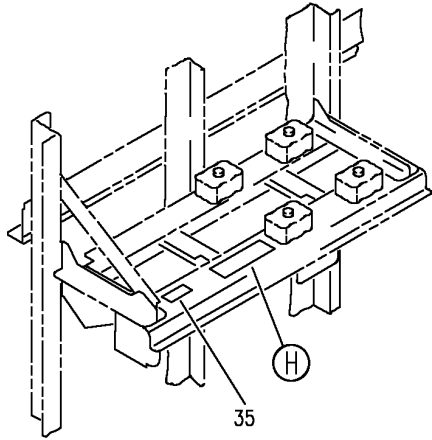
HAP

11-22-04-04

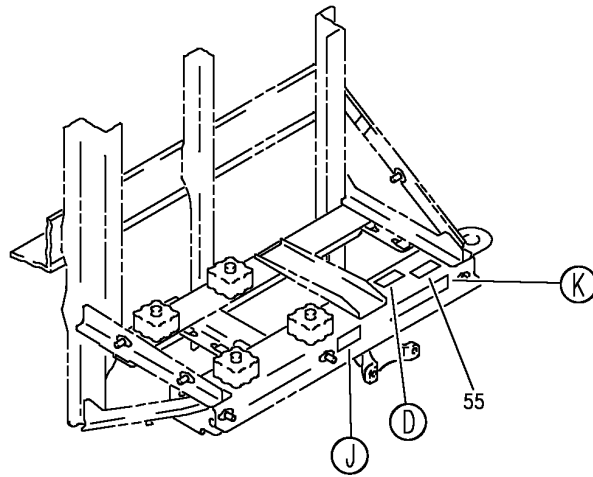
BOEING PROPRIETARY - Copyright © - Unpublished Work - See title page for details.

11-22-04
FIG. 04
PAGE 1
FEB 15/09

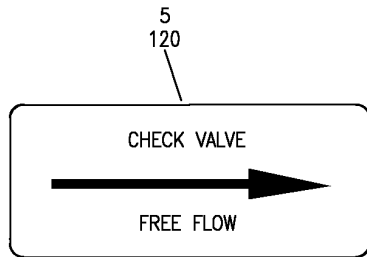
BOEING
 737-600/700/800/900
 PARTS CATALOG (MAINTENANCE)



(B)



(C)



(D)

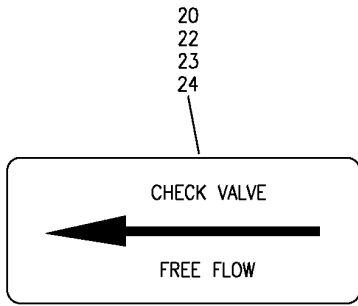
E 11220601 SH1 2 REV 086

MARKER INSTL-MAIN WHL WELL REAR SPAR AND AC PACK BAY
 FIGURE 1 (SHEET 2)

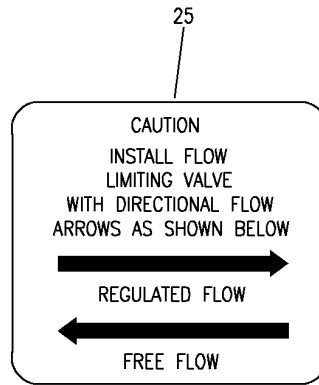
11-22-06-01

HAP
 OCT 10/06

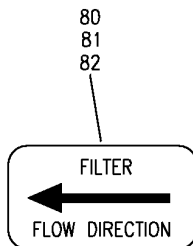
11-22-06-01
 PAGE 0A



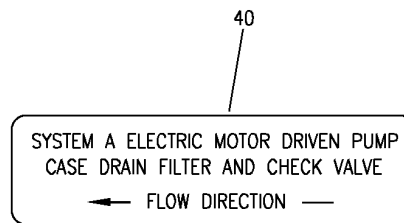
(F)



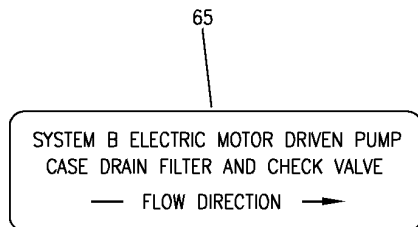
(G)



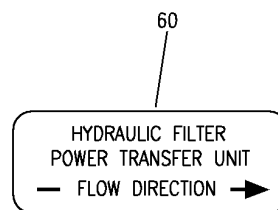
(L)



(H)



(K)



(J)

E 11220601 SHT 3 REV 115

MARKER INSTL-MAIN WHL WELL REAR SPAR AND AC PACK BAY
 FIGURE 1 (SHEET 3)

11-22-06-01

HAP
 OCT 10/06

11-22-06-01
 PAGE 08

BOEING
737-600/700/800/900
PARTS CATALOG (MAINTENANCE)

FIG ITEM	PART NUMBER	1 2 3 4 5 6 7	NOMENCLATURE	EFFECT FROM TO	UNITS PER ASSY
1			MARKER INSTL-MAIN WHL WELL REAR SPAR AND AC PACK BAY		
- 1	270A0441-3		MARKER INSTL-MAIN WHL WELL POSITION DATA: REAR SPAR FOR NHA SEE: 11-20-00-19	001020 201967	RF
- 1	270A0441-11		MARKER INSTL-MAIN WHL WELL POSITION DATA: REAR SPAR FOR NHA SEE: 11-20-00-19	021030	RF
- 1	MODREF227014		MARKER INSTL-MAIN WHL WELL AND AC PACK BAY MODULE NUMBER: 270A0441-16 REV B POSITION DATA: REAR SPAR	031043 101101 968971	1
- 1	MODREF347016		MARKER INSTL-MAIN WHL WELL MODULE NUMBER: 270A0441-16 REV C POSITION DATA: REAR SPAR	044100 102200 972999	1
5	BACM10V21-2JG		.MARKER-ALUMINUM FOIL		4
10	BAC27DHY0286		.MARKER-ALUMINUM FOIL PLACARD CONTENT: HYDRAULIC SYSTEM A GROUND SERVICE DISCONNECT MODULE USE BMS 3-11 FLUID ONLY		1
15	BACM10F8DB		.MARKER-ALUMINUM FOIL		1
18	BACM10F8DB		.MARKER-ALUMINUM FOIL POST SERVICE BULLETIN: 32-1332R2	001019 201967	1
20	BACM10V21-2JH		.MARKER-ALUMINUM FOIL	001020 201967	6
22	BACM10V21-2JH		.MARKER-ALUMINUM FOIL POST SERVICE BULLETIN: 29-1106R4 29-1106R5 29-1106R6	001030 037040 042043 054100	2
23	BACM10V21-2JH		.MARKER-ALUMINUM FOIL	021030	5
24	BACM10V21-2JH		.MARKER-ALUMINUM FOIL	031200 968999	7
25	BACM10V32-2RJ		.MARKER-ALUMINUM FOIL		1
30	BAC27DHY0311		.MARKER-ALUMINUM FOIL PLACARD CONTENT: HYDRAULIC PTU CONTROL VALVE		1

MISSING ITEM NUMBERS NOT APPLICABLE

- ITEM NOT ILLUSTRATED

HAP

11-22-06-01

11-22-06
FIG. 01
PAGE 1
JUN 15/09

BOEING
737-600/700/800/900
PARTS CATALOG (MAINTENANCE)

FIG ITEM	PART NUMBER	1 2 3 4 5 6 7	NOMENCLATURE	EFFECT FROM TO	UNITS PER ASSY
1					
35	BAC27DHY0290		.MARKER-ALUMINUM FOIL PLACARD CONTENT: SYSTEM A ELECTRIC MOTOR PUMP		1
40	BAC27DHY0288		.MARKER-ALUMINUM FOIL		1
45	BAC27DHY0284		.MARKER-ALUMINUM FOIL PLACARD CONTENT: A RESVR PRESS PRE SERVICE BULLETIN: 29-1106	001030 201967	1
45	BAC27DHY414		.MARKER-ALUMINUM FOIL PLACARD CONTENT: A RESVR PRESS POST SERVICE BULLETIN: 29-1106		1
50	BAC27NHY0048		.MARKER-ALUMINUM FOIL PLACARD CONTENT: RESERVOIR PRESS MODULE PRE SERVICE BULLETIN: 29-1106	001030 201967	1
55	BAC27DHY0291		.MARKER-ALUMINUM FOIL PLACARD CONTENT: SYSTEM B ELECTRIC MOTOR PUMP		1
60	BAC27DHY0306		.MARKER-ALUMINUM FOIL		1
65	BAC27DHY0289		.MARKER-ALUMINUM FOIL		1
70	BAC27DHY0285		.MARKER-ALUMINUM FOIL PLACARD CONTENT: B RESVR PRESS PRE SERVICE BULLETIN: 29-1106	001030 201967	1
75	BAC27DHY0299		.MARKER-ALUMINUM FOIL PLACARD CONTENT: SELECTOR VALVE RESERVOIR FILL		1
80	BACM10F11-3AH		.MARKER-ALUMINUM FOIL	001030 201967	1
81	BACM10F11-3AH		.MARKER-ALUMINUM FOIL POST SERVICE BULLETIN: 29-1106	001030 201967	2
82	BACM10F11-3AH		.MARKER-ALUMINUM FOIL	031200 968999	3
85	BAC27DHY0309		.MARKER-ALUMINUM FOIL PLACARD CONTENT: CAUTION: BEFORE OPERATING HAND PUMP, SEE FILLING INSTRUCTIONS ON 'B' SYSTEM RESERVOIR.		1

MISSING ITEM NUMBERS NOT APPLICABLE

— ITEM NOT ILLUSTRATED

HAP

11-22-06-01

11-22-06
FIG. 01
PAGE 2
OCT 15/08

BOEING
737-600/700/800/900
PARTS CATALOG (MAINTENANCE)

FIG ITEM	PART NUMBER	1 2 3 4 5 6 7	NOMENCLATURE	EFFECT FROM TO	UNITS PER ASSY
1	90 BAC27NHY0270		.MARKER-ALUMINUM FOIL PLACARD CONTENT: CAUTION DO NOT EXCEED 75 PSI/ 517 KPA WHEN PRESSURE FILLING		1
	95 BAC27DHY233		.MARKER-ALUMINUM FOIL PLACARD CONTENT: GROUND SERVICE CONNECTION HYDRAULIC RESERVOIR USE BMS3-11 HYDRAULIC FLUID ONLY		1
	100 BAC27DHY0287		.MARKER-ALUMINUM FOIL PLACARD CONTENT: HYDRAULIC SYSTEM B GROUND SERVICE DISCONNECT MODULE USE BMS3-11 FLUID ONLY		1
	105 BAC27DCT649		.MARKER-ALUMINUM FOIL PLACARD CONTENT: V162 LE UCM SHUTOFF VALVE CAUTION: DO NOT OPERATE HANDLE		1
	110 BACM10F31-8H		.MARKER-ALUMINUM FOIL POST SERVICE BULLETIN: 32-1332R1 PRE SERVICE BULLETIN: 32-1332R2	001201 968999	1
	115 BACM10V41-2ACY		.MARKER- POST SERVICE BULLETIN: 32-1332R1 32-1332R2		1
	120 BACM10V21-2JG		.MARKER-ALUMINUM FOIL POST SERVICE BULLETIN: 29-1084	001011 201967	1

MISSING ITEM NUMBERS NOT APPLICABLE

— ITEM NOT ILLUSTRATED

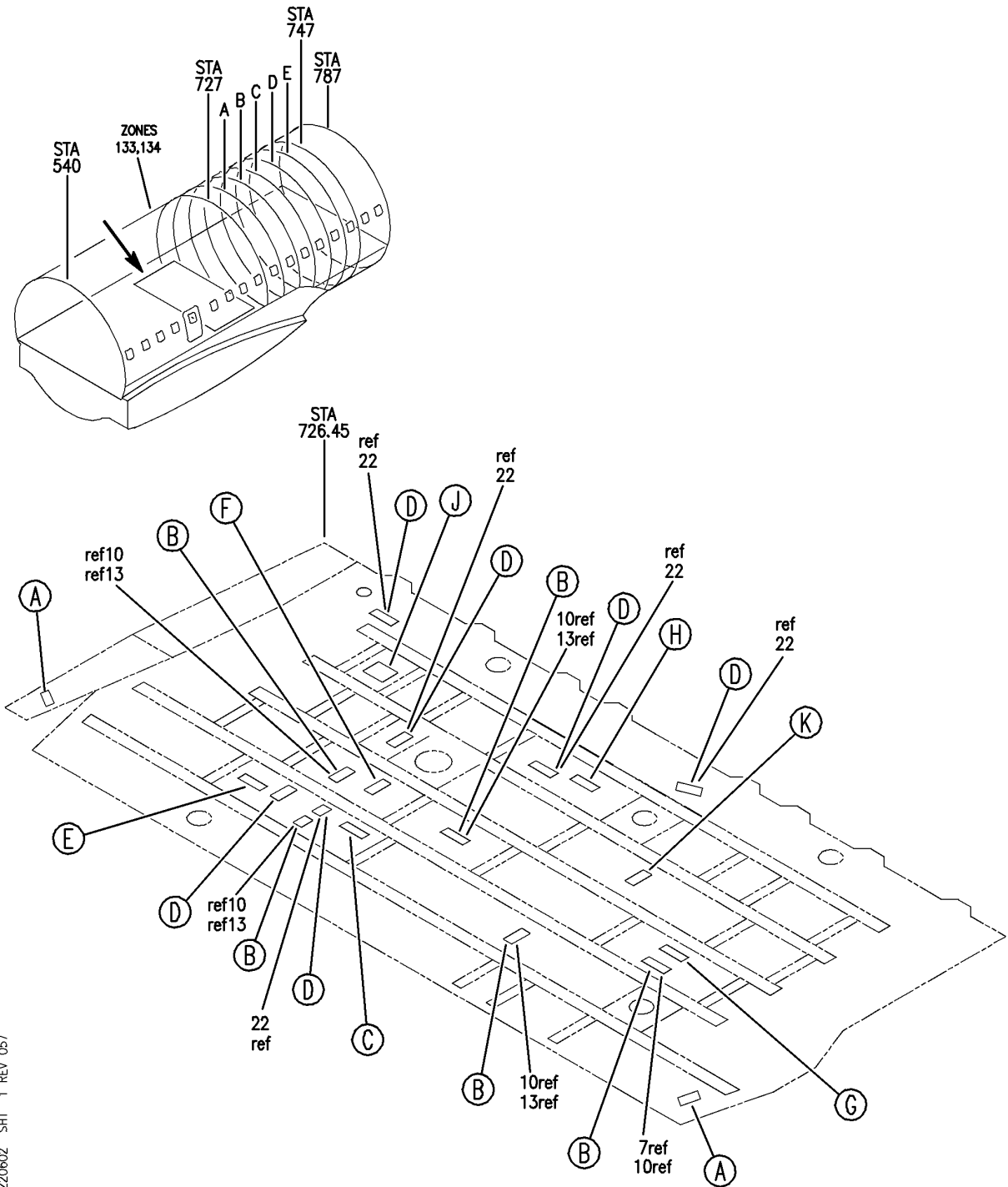
HAP

11-22-06-01

BOEING PROPRIETARY - Copyright © - Unpublished Work - See title page for details.

11-22-06
FIG. 01
PAGE 3
OCT 15/08

BOEING
 737-600/700/800/900
 PARTS CATALOG (MAINTENANCE)



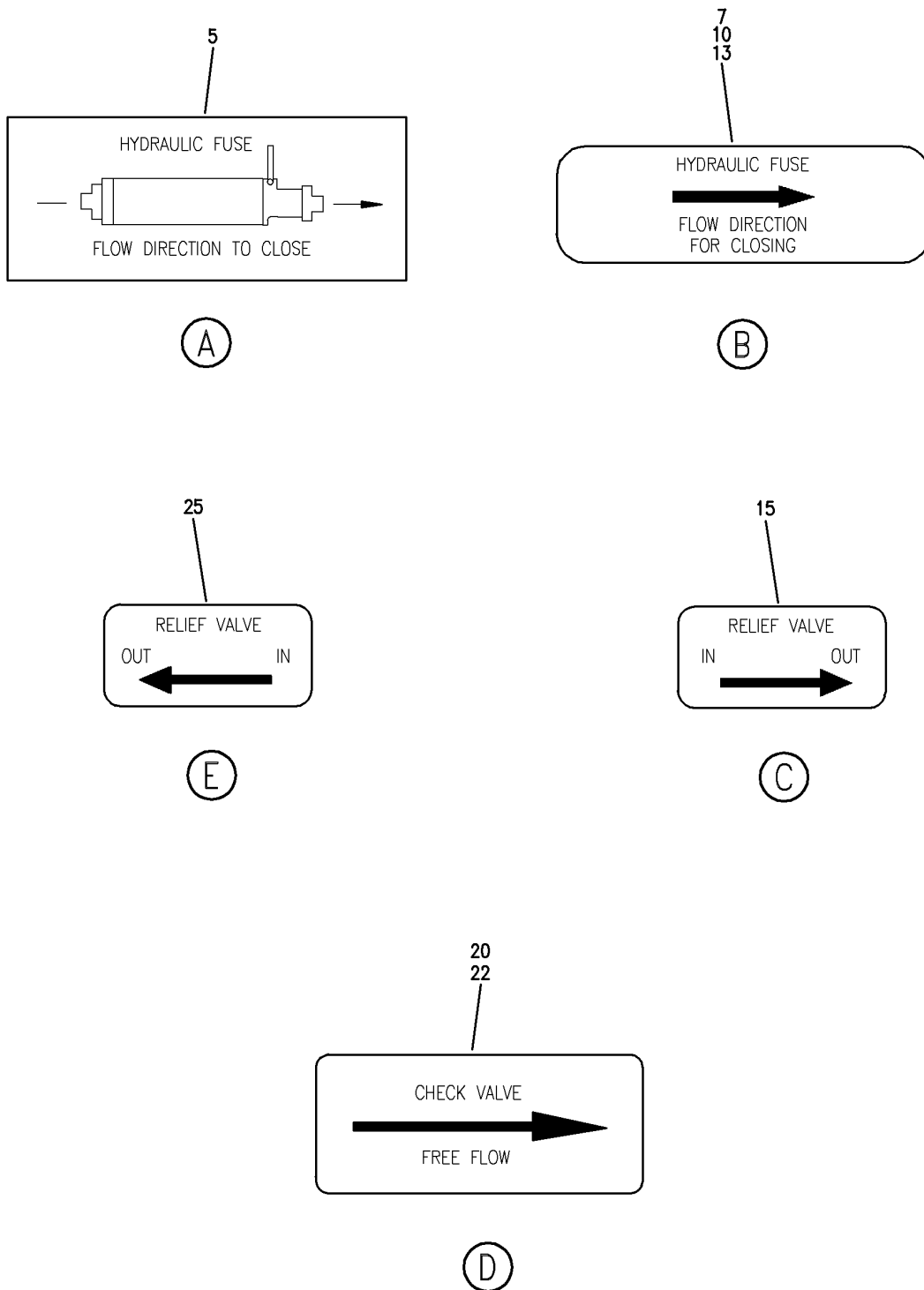
E 11220602 SH1 1 REV 057

MARKER INSTL-MAIN WHL WELL PRESSURE DECK
 FIGURE 2 (SHEET 1)

11-22-06-02

HAP
 OCT 10/06

11-22-06-02
 PAGE 0



E 11220602 SHT 2 REV 057

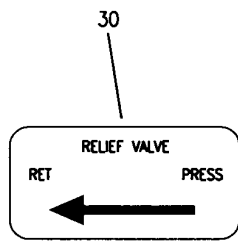
MARKER INSTL-MAIN WHL WELL PRESSURE DECK
 FIGURE 2 (SHEET 2)

11-22-06-02

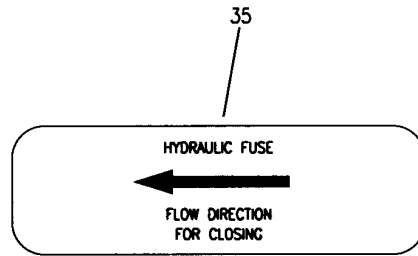
HAP
 OCT 10/06

11-22-06-02
 PAGE 0A

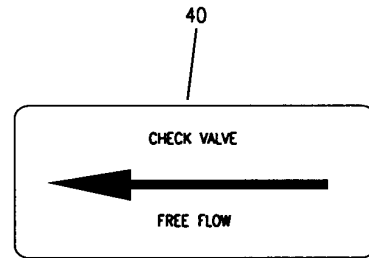
BOEING
 737-600/700/800/900
 PARTS CATALOG (MAINTENANCE)



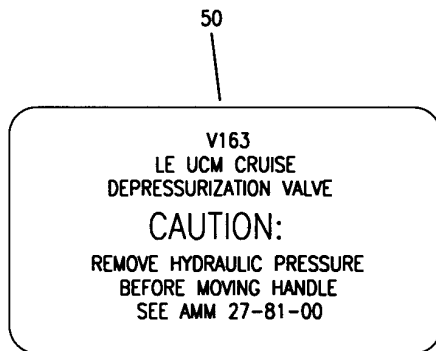
(F)



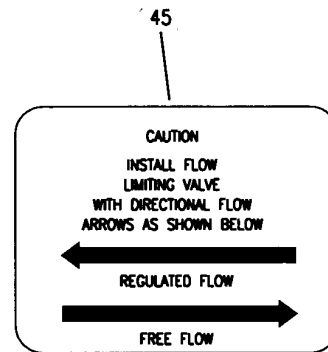
(G)



(H)



(K)



(J)

E 11220602 SH1 3 REV 015

MARKER INSTL-MAIN WHL WELL PRESSURE DECK
 FIGURE 2 (SHEET 3)

11-22-06-02

HAP
 OCT 10/06

11-22-06-02
 PAGE 08

BOEING
737-600/700/800/900
PARTS CATALOG (MAINTENANCE)

FIG ITEM	PART NUMBER	1 2 3 4 5 6 7	NOMENCLATURE	EFFECT FROM TO	UNITS PER ASSY
2			MARKER INSTL-MAIN WHL WELL PRESSURE DECK		
- 1	270A0441-4		MARKER INSTL-MAIN WHL WELL PRESSURE DECK FOR NHA SEE: 11-20-00-19	001020 201967	RF
- 1	270A0441-12		MARKER INSTL-MAIN WHL WELL PRESSURE DECK FOR NHA SEE: 11-20-00-19	021028	RF
- 1	270A0441-13		MARKER INSTL-MAIN WHL WELL PRESSURE DECK FOR NHA SEE: 11-20-00-19	029030	RF
- 1	MODREF84273		MARKER INSTL-MAIN WHL WELL PRESSURE DECK MODULE NUMBER: 270A0441-13 REV A	031200 968999	1
5	BAC27DHY362		.MARKER-ALUMINUM FOIL		2
7	BACM10F8DB		.MARKER-ALUMINUM FOIL PRE SERVICE BULLETIN: 32-1332R1 32-1332R2	001020 202967	1
13	BACM10F8DB		.MARKER-ALUMINUM FOIL		4
15	BAC27DHY0339		.MARKER-ALUMINUM FOIL		1
20	BACM10V21-2JG		.MARKER-ALUMINUM FOIL	001028 201967	6
22	BACM10V21-2JG		.MARKER-ALUMINUM FOIL	029200 968999	5
25	BAC27DHY0340		.MARKER-ALUMINUM FOIL		1
30	BACM10V21-2AGT		.MARKER-ALUMINUM FOIL		1
35	BACM10F31-8H		.MARKER-ALUMINUM FOIL		1
40	BACM10V21-2JH		.MARKER-ALUMINUM FOIL		1
45	BACM10V32-2FC		.MARKER-ALUMINUM FOIL		1
50	BAC27DCT674		.MARKER-ALUMINUM FOIL PLACARD CONTENT: V163 LE UCM CRUISE DEPRESSURIZATION VALVE CAUTION:REMOVE HYDRAULIC PRESSURE BEFORE MOVING HANDLE SEE AMM 27-81-00		1

MISSING ITEM NUMBERS NOT APPLICABLE

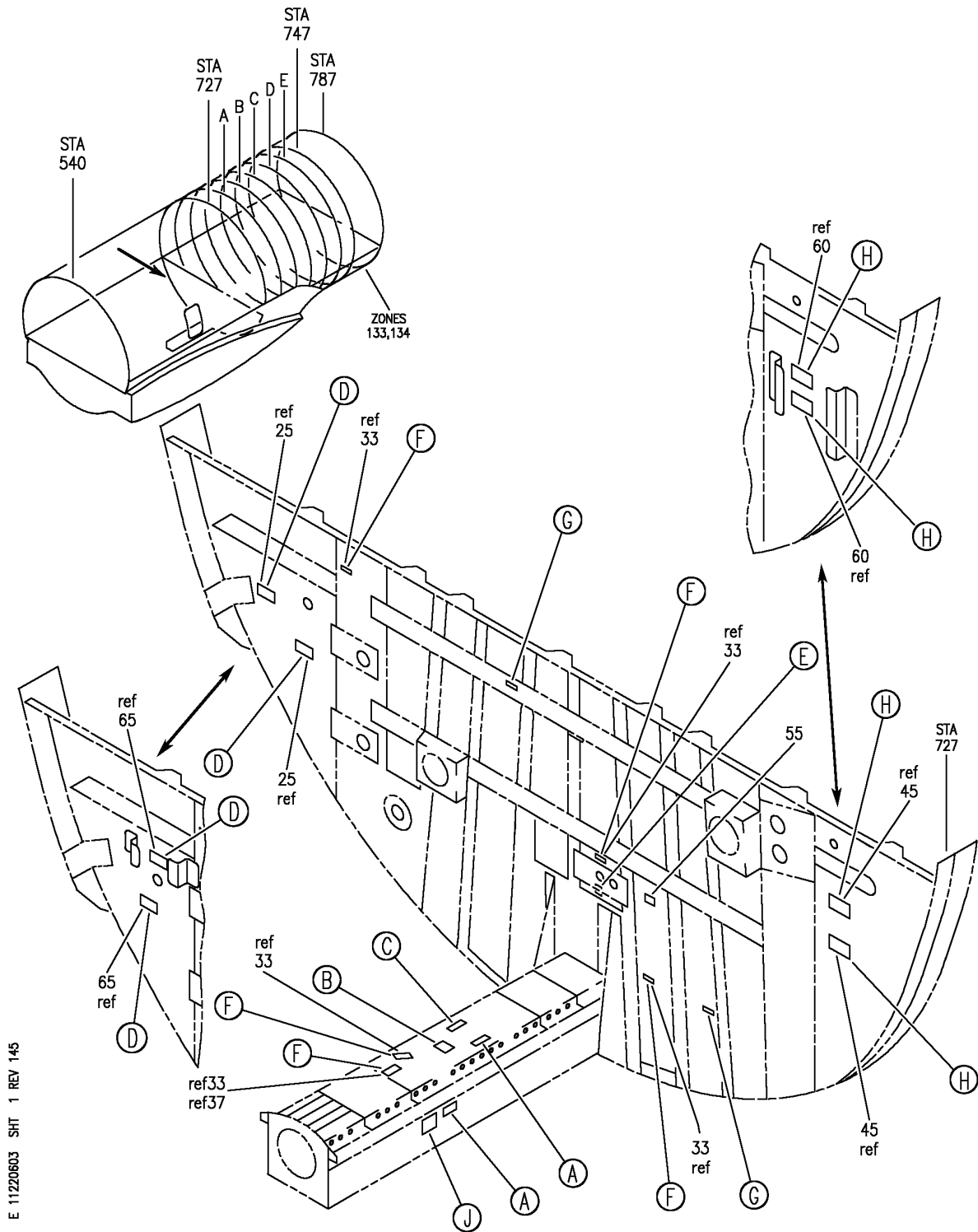
- ITEM NOT ILLUSTRATED

HAP

11-22-06-02

11-22-06
FIG. 02
PAGE 1
OCT 15/08

BOEING
737-600/700/800/900
PARTS CATALOG (MAINTENANCE)



E 11220603 SHT 1 REV 145

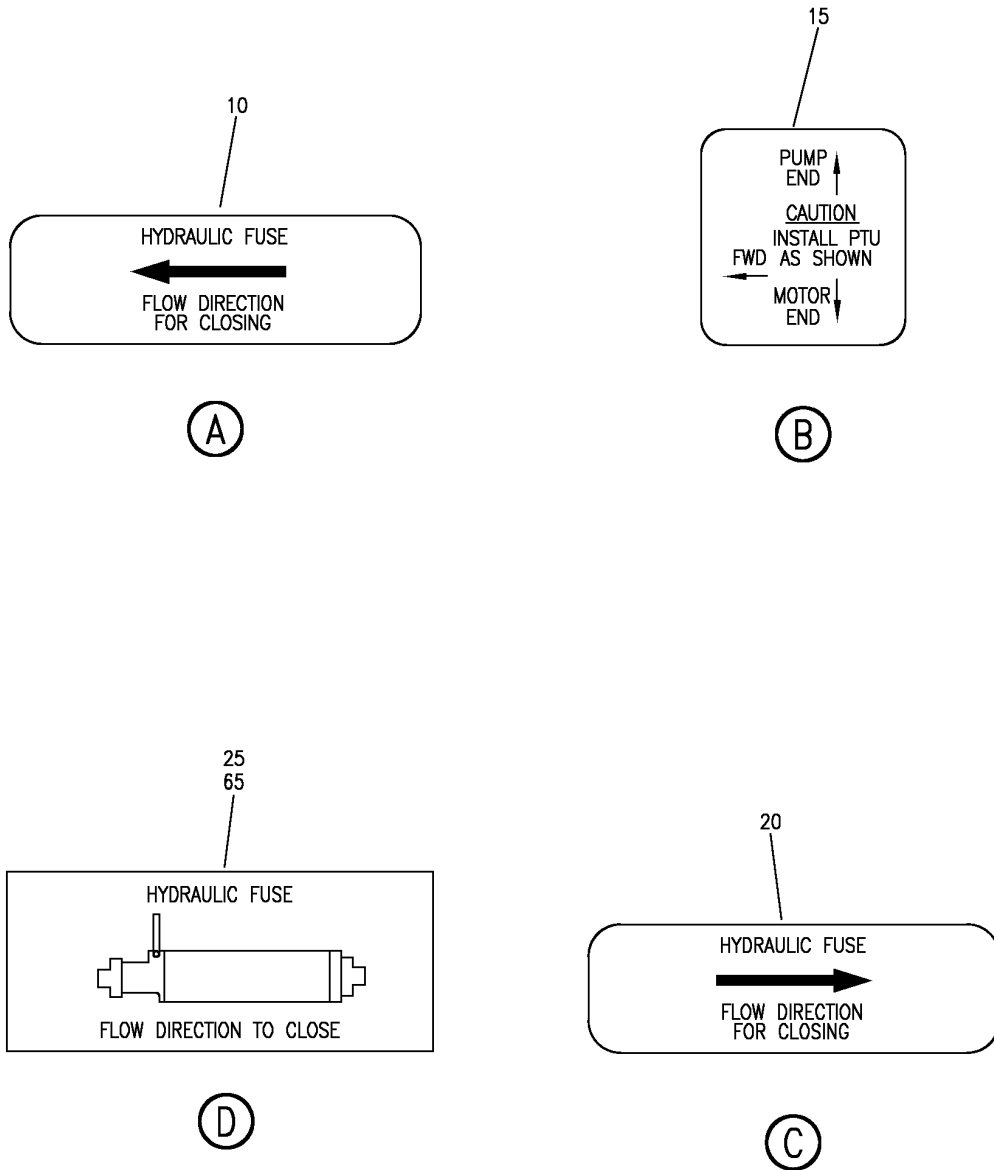
MARKER INSTL-MAIN WHL WELL STA 727 BHD AND KEEL BEAM
FIGURE 3 (SHEET 1)

11-22-06-03

HAP
OCT 15/08

11-22-06-03
PAGE 0

BOEING
 737-600/700/800/900
 PARTS CATALOG (MAINTENANCE)



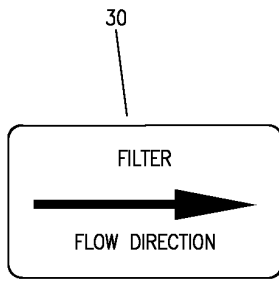
E 11220603 SH1 2 REV 145

MARKER INSTL-MAIN WHL WELL STA 727 BHD AND KEEL BEAM
 FIGURE 3 (SHEET 2)

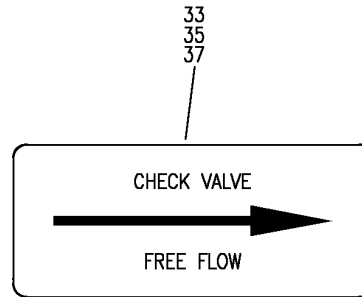
11-22-06-03

HAP
 OCT 15/08

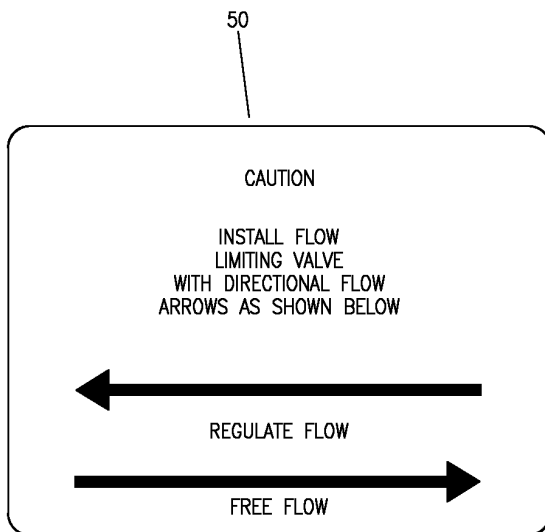
11-22-06-03
 PAGE 0A



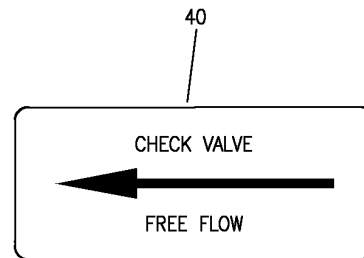
E



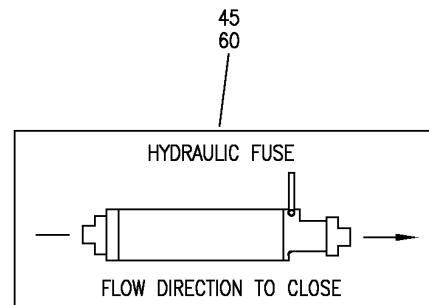
F



J



G



H

E 11220603 SHT 3 REV 145

MARKER INSTL-MAIN WHL WELL STA 727 BHD AND KEEL BEAM
 FIGURE 3 (SHEET 3)

11-22-06-03

HAP
OCT 15/08

11-22-06-03
PAGE 0B

BOEING
737-600/700/800/900
PARTS CATALOG (MAINTENANCE)

FIG ITEM	PART NUMBER	1 2 3 4 5 6 7	NOMENCLATURE	EFFECT FROM TO	UNITS PER ASSY
3			MARKER INSTL-MAIN WHL WELL STA 727 BHD AND KEEL BEAM		
- 1	270A0441-5		MARKER INSTL-BHD AND KEEL BEAM MAIN WHL WELL POSITION DATA: STA 727 FOR NHA SEE: 11-20-00-19	001016 201967	RF
- 1	270A0441-8		MARKER INSTL-BHD AND KEEL BEAM MAIN WHL WELL POSITION DATA: STA 727 FOR NHA SEE: 11-20-00-19	017028	RF
- 1	270A0441-14		MARKER INSTL-BHD AND KEEL BEAM MAIN WHL WELL POSITION DATA: STA 727 FOR NHA SEE: 11-20-00-19	029030	RF
- 1	MODREF84274		MARKER INSTL-BHD AND KEEL BEAM MAIN WHL WELL MODULE NUMBER: 270A0441-15 REV A POSITION DATA: STA 727	031049 054106 968999	1
- 1	MODREF388318		MARKER INSTL-BHD AND KEEL BEAM MAIN WHL WELL MODULE NUMBER: 270A0441-15 REV B POSITION DATA: STA 727	050053 107200	1
10	BACM10F31-8H		.MARKER-ALUMINUM FOIL		2
15	BAC27DHY0307		.MARKER-ALUMINUM FOIL		1
20	BACM10F8DB		.MARKER-ALUMINUM FOIL		1
25	BAC27DHY361		.MARKER-ALUMINUM FOIL	001049 054106 201999	2
30	BACM10F11-3AG		.MARKER-ALUMINUM FOIL		1
33	BACM10V21-2JG		.MARKER-ALUMINUM FOIL	029200 968999	5
35	BACM10V21-2JG		.MARKER-ALUMINUM FOIL	001016 201967	3
37	BACM10V21-2JG		.MARKER-ALUMINUM FOIL	017028	4
40	BACM10V21-2JH		.MARKER-ALUMINUM FOIL		2
45	BAC27DHY362		.MARKER-ALUMINUM FOIL	001049 054106 201999	2
50	BACM10V32-2FC		.MARKER-ALUMINUM FOIL		1

MISSING ITEM NUMBERS NOT APPLICABLE

- ITEM NOT ILLUSTRATED

HAP

11-22-06-03

11-22-06
FIG. 03
PAGE 1
FEB 15/09

BOEING
737-600/700/800/900
PARTS CATALOG (MAINTENANCE)

FIG ITEM	PART NUMBER	1 2 3 4 5 6 7	NOMENCLATURE	EFFECT FROM TO	UNITS PER ASSY
3	55	BAC27DHY410	.MARKER-ALUMINUM FOIL PLACARD CONTENT: PRESSURE XMTR STBY SYSTEM	031200 968999	1
	60	BAC27DHY362	.MARKER-ALUMINUM FOIL	050053 107200	2
	65	BAC27DHY361	.MARKER-ALUMINUM FOIL	050053 107200	2
MISSING ITEM NUMBERS NOT APPLICABLE					

— ITEM NOT ILLUSTRATED

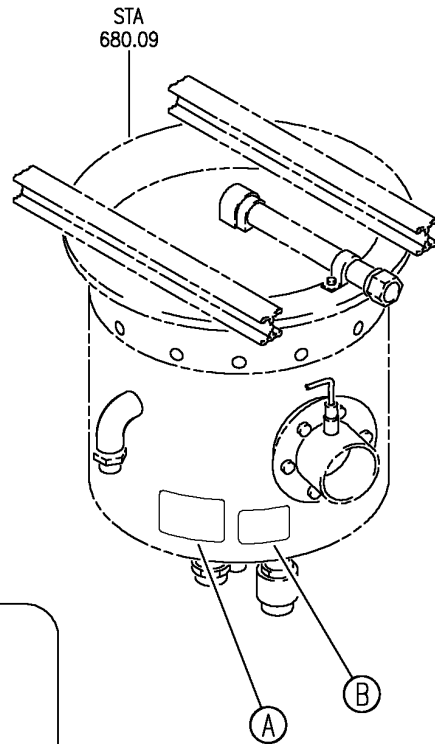
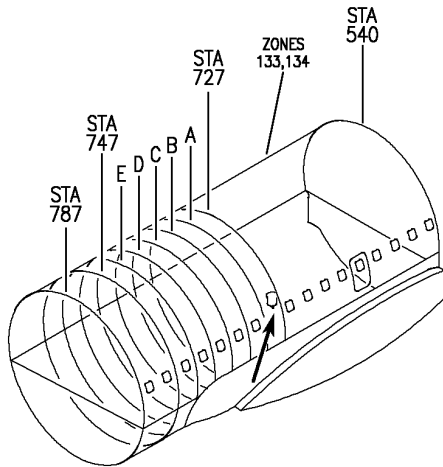
HAP

11-22-06-03

BOEING PROPRIETARY - Copyright © - Unpublished Work - See title page for details.

11-22-06
FIG. 03
PAGE 2
FEB 15/09

BOEING
737-600/700/800/900
PARTS CATALOG (MAINTENANCE)



HYDRAULIC RESERVOIR ASSY—
 SYSTEM "A"
 BOEING ASSY NO. 276A3100—
 NORMAL FLUID CAPACITY:
 6.0 GALLONS/21.7 LITERS
 TOTAL VOLUME:
 6.8 GALLONS/25.8 LITERS
 SERVICE WITH BMS 3-11
 FLUID ONLY

5 (A)

CAUTION
 DURING INSTALLATION OR
 REMOVAL OF TRANSMITTER,
 FLOAT CAN BE DAMAGED
 IF IT CONTACTS AN INTERNAL
 STANDPIPE.

10 (B)

E 11225101 REV 072

RESERVOIR ASSY-SYS A HYDR (PLACARDS AND MARKINGS ONLY)
 FIGURE 1

11-22-51-01

HAP
 OCT 10/06

11-22-51-01
 PAGE 0

BOEING
737-600/700/800/900
PARTS CATALOG (MAINTENANCE)

FIG ITEM	PART NUMBER	1 2 3 4 5 6 7	NOMENCLATURE	EFFECT FROM TO	UNITS PER ASSY
1			RESERVOIR ASSY-SYS A HYDR (PLACARDS AND MARKINGS ONLY)		
- 1	276A3100-9		RESERVOIR ASSY-SYS A HYDR (PLACARDS AND MARKINGS ONLY) FOR NHA/OTHER SYS DET SEE: 29-11-31-01		RF
5	BAC27DHY386		.MARKER-ALUMINUM FOIL		1
10	BAC27DHY0304		.MARKER-ALUMINUM FOIL		1

MISSING ITEM NUMBERS NOT APPLICABLE

- ITEM NOT ILLUSTRATED

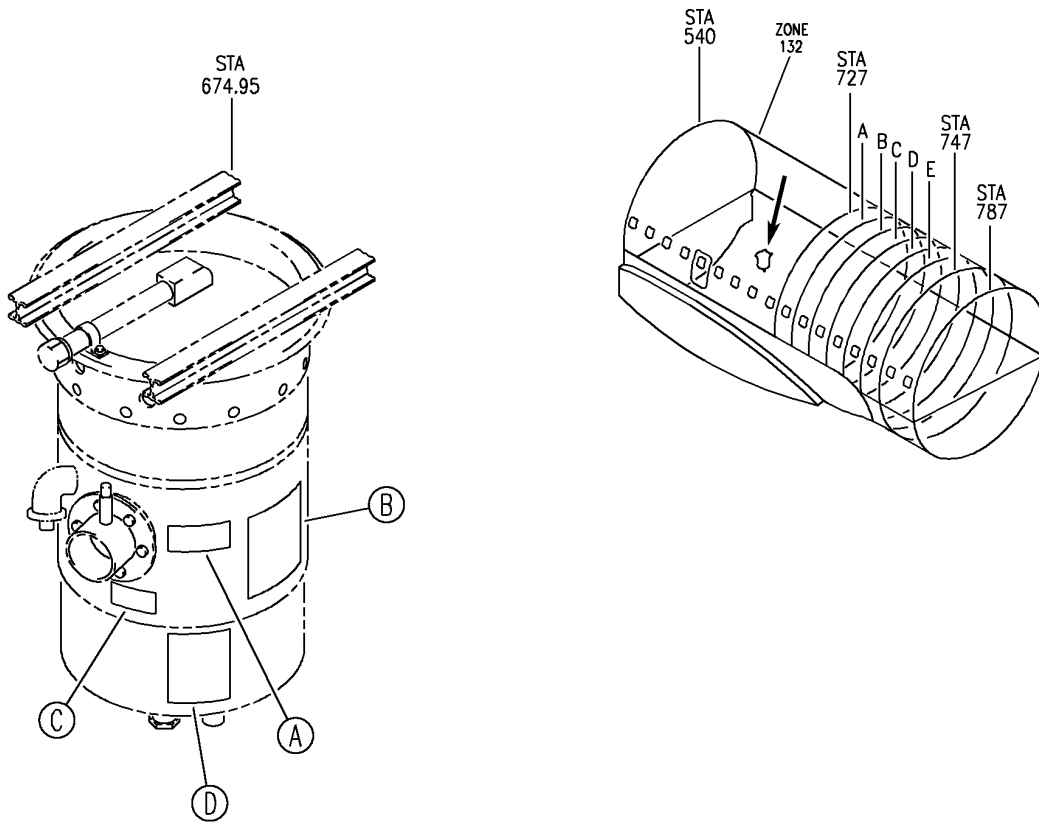
HAP

11-22-51-01

BOEING PROPRIETARY - Copyright © - Unpublished Work - See title page for details.

11-22-51
FIG. 01
PAGE 1
JUN 10/07

BOEING
 737-600/700/800/900
 PARTS CATALOG (MAINTENANCE)



5

HYDRAULIC RESERVOIR ASSY-
 SYSTEM "B"
 BOEING ASSY NO. 276A3100-
 NORMAL FLUID CAPACITY:
 8.2 GALLONS/31.0 LITERS
 TOTAL VOLUME:
 10.7 GALLONS/40.6 LITERS
 SERVICE WITH BMS 3-11
 FLUID ONLY

(A)

E 11225102 SH1 1 REV 137

RESERVOIR ASSY-SYS B HYDR (EXTERIOR PLACARDS AND MARKINGS ONLY)
 FIGURE 2 (SHEET 1)

11-22-51-02

HAP
 JUN 15/08

11-22-51-02
 PAGE 0

10

HYDRAULIC RESERVOIR FILLING INSTRUCTIONS
 ('A' OR 'B' SYSTEM)

CAUTION: (A) DO NOT OPERATE HANDPUMP OR PRESSURE FILLING SYSTEM WITH SELECTOR VALVE IN "CLOSED" POSITION. MAXIMUM FILLING PRESSURE 75 PSI.

(B) WHEN SERVICING AFTER MAINTENANCE INVOLVING FLUID LOSS, FILL RESERVOIR TO FULL LEVEL, CYCLE FLIGHT CONTROLS AS REQUIRED TO FILL SYSTEM VOIDS, CHECK AND RESERVICE RESERVOIR TO FULL LEVEL.

(C) ENSURE THAT THE BRAKE ACCUMULATOR IS CHARGED WHEN CHECKING 'B' SYSTEM QUANTITY INDICATION.

1. OPERATE SELECTOR VALVE LEVER TO 'A' OR 'B' SYSTEM
2. FOR MANUAL PUMPING:
 REMOVE SUCTION HOSE FROM STOWED POSITION. ENSURE HOSE NOZZLE IS CLEAN BEFORE PLACING IN FLUID CONTAINER.
3. FOR PRESSURE FILLING:
 CONNECT GROUND SERVICE HOSE TO "PRESSURE FILL" PORT.
4. AFTER CHECKING SYSTEM:
 ENSURE THAT SELECTOR VALVE LEVER IS IN "CLOSED" POSITION, DISCONNECT GROUND SERVICE HOSE AND REPLACE FILLING PORT CAP. STOW HAND PUMP HANDLE, DRAIN SUCTION HOSE AND WIPE OFF NOZZLE BEFORE STOWING.

(B)

20

ATTENTION

DO NOT OVERFILL THE RESERVOIR. OVERFILL CAN CAUSE HYDRAULIC FUMES TO ENTER THE FLIGHT DECK AND PASSENGER CABIN.

BEFORE SERVICING THE RESERVOIRS MAKE SURE THAT THE FLAPS ARE RETRACTED TO ZERO AND BRAKE ACCUMULATOR PRESSURE IS 2800 PSIG MINIMUM.
 (REFERENCE: AMM 12-12-00)

(D)

15

CAUTION

DURING INSTALLATION OR REMOVAL OF TRANSMITTER, FLOAT CAN BE DAMAGED IF IT CONTACTS AN INTERNAL STANDPIPE.

(C)

E 11225102 SH1 2 REV 137

RESERVOIR ASSY-SYS B HYDR (EXTERIOR PLACARDS AND MARKINGS ONLY)
 FIGURE 2 (SHEET 2)

11-22-51-02

HAP
 JUN 15/08

11-22-51-02
 PAGE 0A

BOEING
737-600/700/800/900
PARTS CATALOG (MAINTENANCE)

FIG ITEM	PART NUMBER	1 2 3 4 5 6 7	NOMENCLATURE	EFFECT FROM TO	UNITS PER ASSY
2			RESERVOIR ASSY-SYS B HYDR (EXTERIOR PLACARDS AND MARKINGS ONLY)		
- 1	276A3100-8		RESERVOIR ASSY-SYS B HYDR (EXTERIOR PLACARDS AND MARKINGS ONLY) COMPONENT MAINT MANUAL REF: 29-11-19 PRE SERVICE BULLETIN: 29-1110 FOR NHA/OTHER SYS DET SEE: 29-11-31-02		RF
- 1	276A3100-11		RESERVOIR ASSY-SYS B HYDR (EXTERIOR PLACARDS AND MARKINGS ONLY) COMPONENT MAINT MANUAL REF: 29-11-19 POST SERVICE BULLETIN: 29-1110 FOR NHA/OTHER SYS DET SEE: 29-11-31-02		RF
5	BAC27DHY385		.MARKER-ALUMINUM FOIL		1
10	BAC27DHY387		.MARKER-ALUMINUM FOIL		1
15	BAC27DHY0304		.MARKER-ALUMINUM FOIL		1
20	BAC27DHY415		.MARKER-ALUMINUM FOIL POST SERVICE BULLETIN: 29-1110		1

MISSING ITEM NUMBERS NOT APPLICABLE

- ITEM NOT ILLUSTRATED

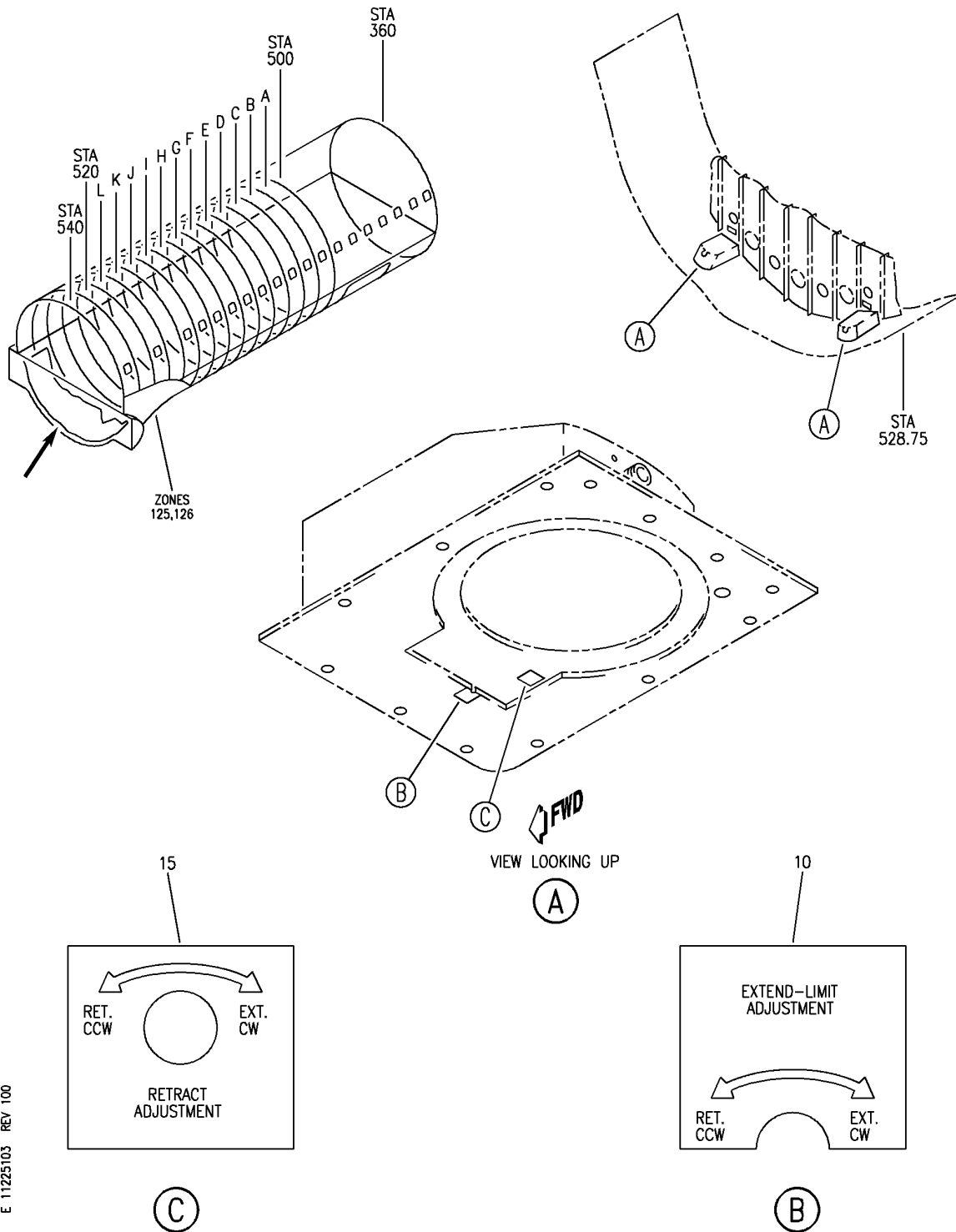
HAP

11-22-51-02

BOEING PROPRIETARY - Copyright © - Unpublished Work - See title page for details.

11-22-51
FIG. 02
PAGE 1
FEB 15/09

BOEING
 737-600/700/800/900
 PARTS CATALOG (MAINTENANCE)



E 11225103 REV 100

LIGHT INSTL-RETR LDG (PLACARDS AND MARKINGS ONLY)
 FIGURE 3

11-22-51-03

HAP
 OCT 10/06

11-22-51-03
 PAGE 0

BOEING
737-600/700/800/900
PARTS CATALOG (MAINTENANCE)

FIG ITEM	PART NUMBER	1 2 3 4 5 6 7	NOMENCLATURE	EFFECT FROM TO	UNITS PER ASSY
3			LIGHT INSTL-RETR LDG (PLACARDS AND MARKINGS ONLY)	031200 968999	
- 1	MODREF228314		LIGHT INSTL-RETR LDG (PLACARDS AND MARKINGS ONLY) MODULE NUMBER: 284A0171-9 REV B POSITION DATA: LH FOR OTHER SYS DETAILS SEE: 33-42-02-01	101200 968999	1
- 1	MODREF228308		LIGHT INSTL-RETR LDG (PLACARDS AND MARKINGS ONLY) MODULE NUMBER: 284A0171-11 REV B POSITION DATA: LH FOR OTHER SYS DETAILS SEE: 33-42-02-01	031100	1
- 5	MODREF228307		LIGHT INSTL-RETR LDG (PLACARDS AND MARKINGS ONLY) MODULE NUMBER: 284A0171-10 REV B POSITION DATA: RH FOR OTHER SYS DETAILS SEE: 33-42-02-01	101200 968999	1
- 5	MODREF228309		LIGHT INSTL-RETR LDG (PLACARDS AND MARKINGS ONLY) MODULE NUMBER: 284A0171-12 REV B POSITION DATA: RH FOR OTHER SYS DETAILS SEE: 33-42-02-01	031100	1
10	46-2826-1		.LABEL- SUPPLIER CODE: V72914	031200 968999	1
15	46-2826-3		.LABEL- SUPPLIER CODE: V72914	031200 968999	1

MISSING ITEM NUMBERS NOT APPLICABLE

- ITEM NOT ILLUSTRATED

HAP

11-22-51-03

BOEING PROPRIETARY - Copyright © - Unpublished Work - See title page for details.

11-22-51
FIG. 03
PAGE 1
OCT 15/08