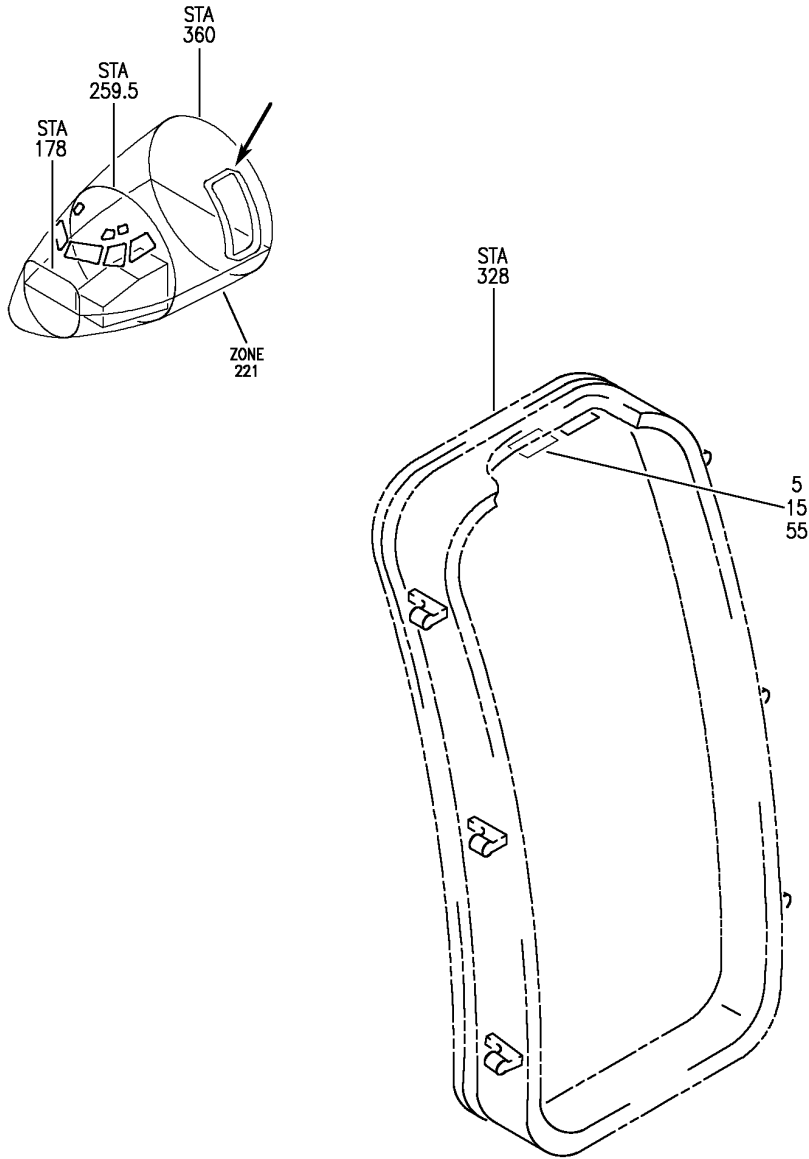


## EXTERIOR PLACARDS AND MARKINGS

HAP  
OCT 10/06

11-23-00  
SECTION TITLE  
PAGE 1

**BOEING**  
737-600/700/800/900  
PARTS CATALOG (MAINTENANCE)



For Details See Subsequent Pages

E 11230105 SHT 1 REV 083

NAMEPLATE INSTL  
FIGURE 5 (SHEET 1)

**11-23-01-05**

HAP  
OCT 10/06


11-23-01-05  
PAGE 0

 **BOEING**  
**737-600/700/800/900**  
**PARTS CATALOG (MAINTENANCE)**

5  
15

THE BOEING COMPANY	
COMMERCIAL AIRPLANE DIVISION	
RENTON, WASHINGTON, U.S.A.	
MANUFACTURERS MODEL NO.	MANUFACTURERS SERIAL NO.
<input type="text"/>	<input type="text"/>
TYPE CERT NO.	PRODUCTION CERT NO.
<input type="text"/>	<input type="text"/>

55

 BOEING	
SEATTLE, WASHINGTON, U.S.A.	
MANUFACTURERS MODEL NO.	MANUFACTURERS SERIAL NO.
<input type="text"/>	<input type="text"/>
TYPE CERT NO.	PRODUCTION CERT NO.
<input type="text"/>	<input type="text"/>

E 11230105 SH1 2 REV 083

NAMEPLATE INSTL  
FIGURE 5 (SHEET 2)

**11-23-01-05**

HAP  
OCT 10/06

11-23-01-05  
PAGE 0A

**BOEING**  
737-600/700/800/900  
PARTS CATALOG (MAINTENANCE)

FIG ITEM	PART NUMBER	1 2 3 4 5 6 7	NOMENCLATURE	EFFECT FROM TO	UNITS PER ASSY
5			NAMEPLATE INSTL	001030 201967	
- 1	414A5200-1		NAMEPLATE INSTL- FOR NHA SEE: 11-20-00-06	001011 201967	RF
	5 414T5103-1		.NAMEPLATE	001011 201967	1
- 10	AF5140-3C2		ATTACHING PARTS .RIVET SUPPLIER CODE: V53551 SPECIFICATION NUMBER: BACR15DR3PAC2 OPTIONAL PART: CCR274CS3-2IT V11815 RV540A3C2 V98996	001011 201967	4
- 50	414A5200-2		-----*----- NAMEPLATE INSTL- FOR NHA SEE: 11-20-00-06	012030	RF
	55 BAC27TPPS6474		.NAMEPLATE	012030	1
- 60	AF5140-3C2		ATTACHING PARTS .RIVET SUPPLIER CODE: V53551 SPECIFICATION NUMBER: BACR15DR3PAC2 OPTIONAL PART: CCR274CS3-2IT V11815 RV540A3C2 V98996 -----*-----	012030	4

MISSING ITEM NUMBERS NOT APPLICABLE

- ITEM NOT ILLUSTRATED

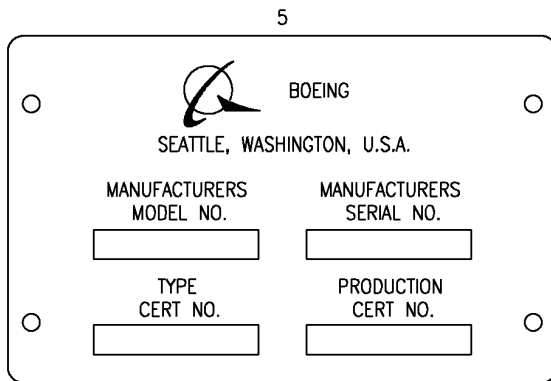
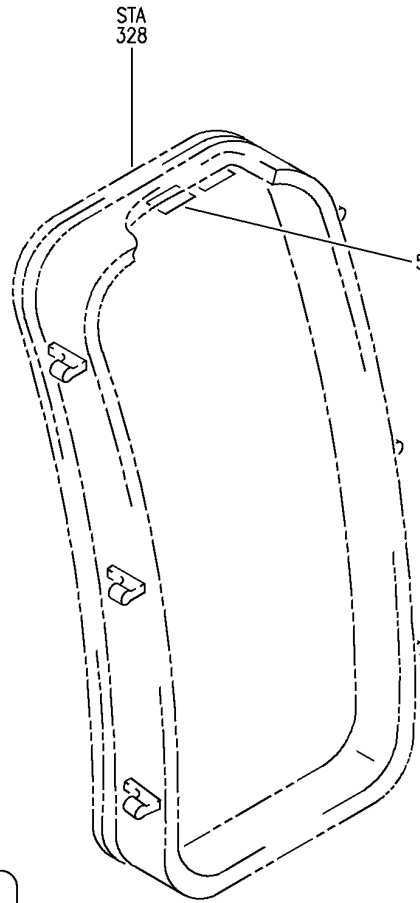
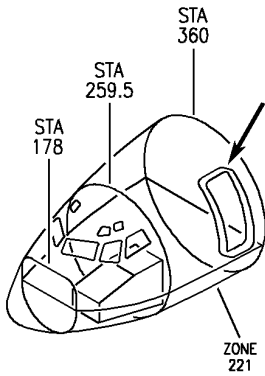
HAP

# 11-23-01-05

BOEING PROPRIETARY - Copyright © - Unpublished Work - See title page for details.

11-23-01  
FIG. 05  
PAGE 1  
OCT 15/08

**BOEING**  
 737-600/700/800/900  
 PARTS CATALOG (MAINTENANCE)



E 11230106 REV 123

NAMEPLATE INSTL  
 FIGURE 6

**11-23-01-06**

HAP  
 FEB 10/07

11-23-01-06  
 PAGE 0

**BOEING**  
737-600/700/800/900  
PARTS CATALOG (MAINTENANCE)

FIG ITEM	PART NUMBER	1 2 3 4 5 6 7	NOMENCLATURE	EFFECT FROM TO	UNITS PER ASSY
6			NAMEPLATE INSTL	031200 968999	
- 1	MODREF232405		NAMEPLATE INSTL- MODULE NUMBER: 414A5200-2 REV B	031200 968999	1
5	BAC27TPPS6474		.NAMEPLATE	031200 968999	1
- 10	AF5140-3C2		ATTACHING PARTS .RIVET SUPPLIER CODE: V53551 SPECIFICATION NUMBER: BACR15DR3PAC2 OPTIONAL PART: CCR274CS3-2IT V11815 RV540A3C2 V98996 -----*-----	031200 968999	4

MISSING ITEM NUMBERS NOT APPLICABLE

- ITEM NOT ILLUSTRATED

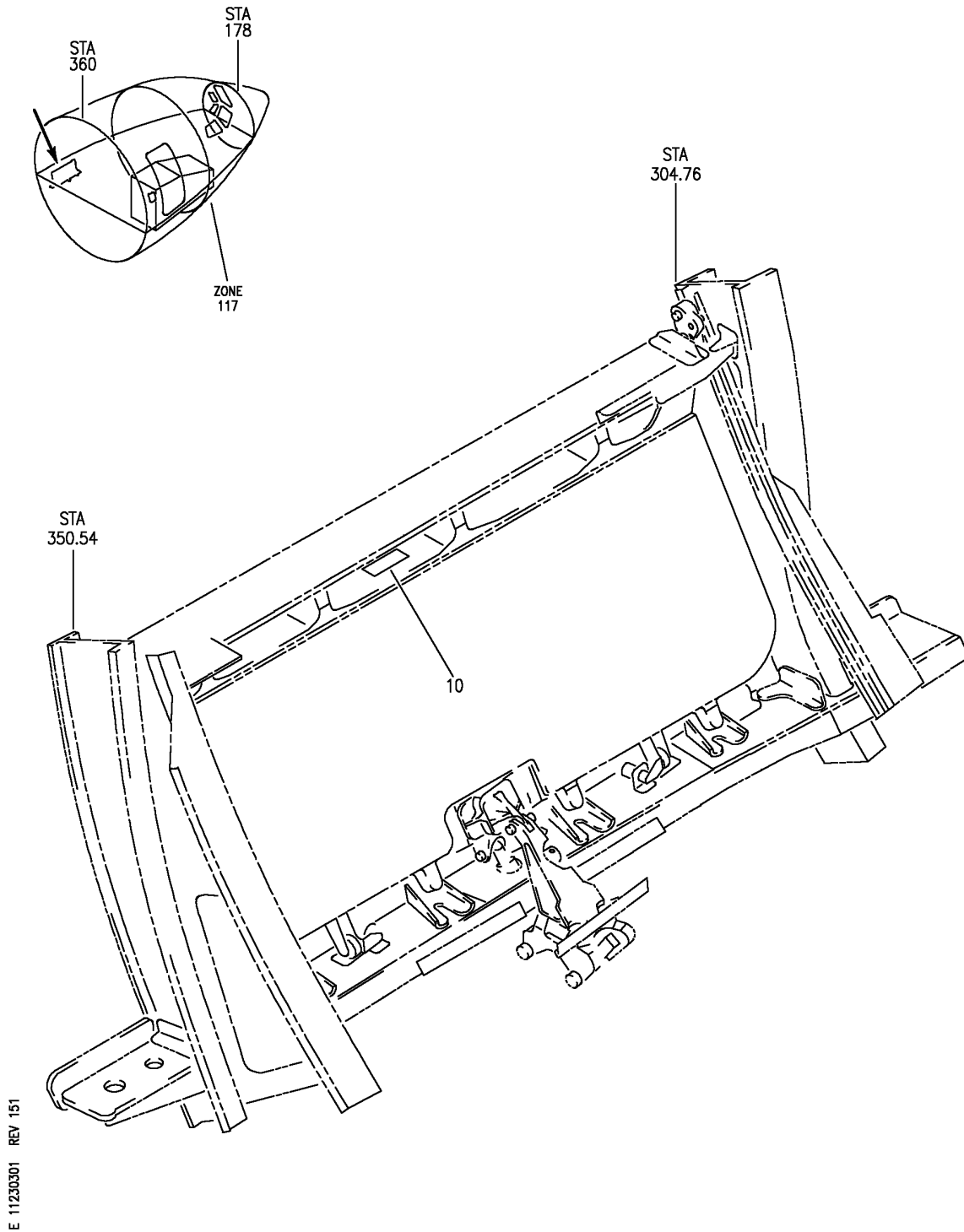
HAP

# 11-23-01-06

BOEING PROPRIETARY - Copyright © - Unpublished Work - See title page for details.

11-23-01  
FIG. 06  
PAGE 1  
OCT 15/08

**BOEING**  
737-600/700/800/900  
PARTS CATALOG (MAINTENANCE)



DOOR ASSY-FWD AIRSTAIR (PLACARDS AND MARKINGS ONLY)  
FIGURE 1

**11-23-03-01**

HAP  
FEB 15/09

11-23-03-01  
PAGE 0

**BOEING**  
737-600/700/800/900  
PARTS CATALOG (MAINTENANCE)

FIG ITEM	PART NUMBER	1 2 3 4 5 6 7	NOMENCLATURE	EFFECT FROM TO	UNITS PER ASSY
1			DOOR ASSY-FWD AIRSTAIR (PLACARDS AND MARKINGS ONLY)	201967	
- 1	141A6402-2		DOOR ASSY-AIRSTAIR (PLACARDS AND MARKINGS ONLY) POSITION DATA: FWD COMPONENT MAINT MANUAL REF: 52-61-02 FOR NHA/OTHER SYS DET SEE: 52-61-50-02	201967	RF
- 1	141A6402-3		DOOR ASSY-AIRSTAIR (PLACARDS AND MARKINGS ONLY) POSITION DATA: FWD FOR NHA/OTHER SYS DET SEE: 52-61-50-02	201967	RF
- 1	141A6402-4		DOOR ASSY-AIRSTAIR (PLACARDS AND MARKINGS ONLY) POSITION DATA: FWD FOR NHA/OTHER SYS DET SEE: 52-61-50-02	201967	RF
10	MS27253F1		.PLATE-IDENT	201967	1

R  
R  
R  
R  
R  
R

MISSING ITEM NUMBERS NOT APPLICABLE

- ITEM NOT ILLUSTRATED

HAP

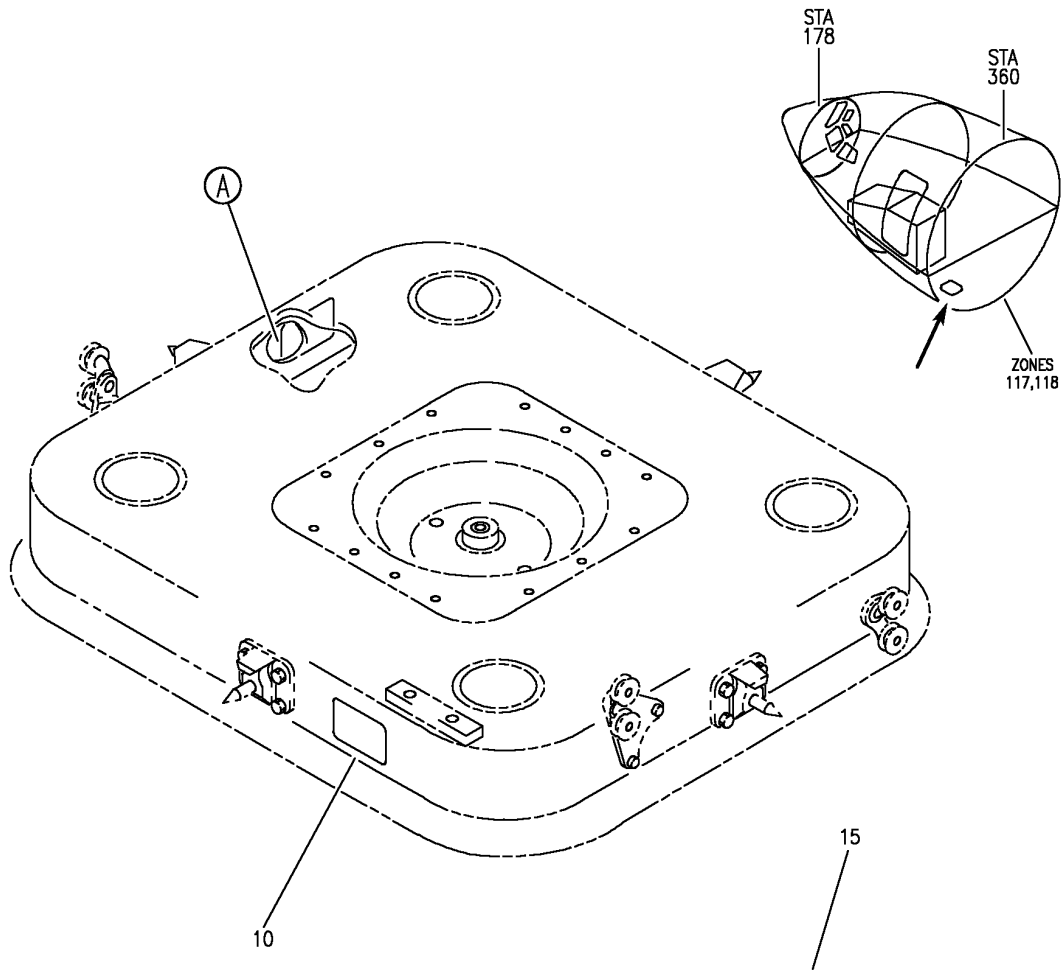
# 11-23-03-01

BOEING PROPRIETARY - Copyright © - Unpublished Work - See title page for details.

11-23-03  
FIG. 01  
PAGE 1  
JUN 15/09



**BOEING**  
 737-600/700/800/900  
 PARTS CATALOG (MAINTENANCE)



DOOR CYCLE LOG		
AIRPLANE SERIAL NO.	AIRPLANE FLIGHT CYCLES AT INSTL	AIRPLANE FLIGHT CYCLES AT REMOVAL
<input type="text"/>	<input type="text"/>	<input type="text"/>
<input type="text"/>	<input type="text"/>	<input type="text"/>
<input type="text"/>	<input type="text"/>	<input type="text"/>
<input type="text"/>	<input type="text"/>	<input type="text"/>
<input type="text"/>	<input type="text"/>	<input type="text"/>
<input type="text"/>	<input type="text"/>	<input type="text"/>

(A)

E 11230305 REV 142

DOOR ASSY-EQPT ACCESS (PLACARDS AND MARKINGS ONLY)  
 FIGURE 5

**11-23-03-05**

HAP  
 OCT 15/08

11-23-03-05  
 PAGE 0

**BOEING**  
737-600/700/800/900  
PARTS CATALOG (MAINTENANCE)

FIG ITEM	PART NUMBER	1 2 3 4 5 6 7	NOMENCLATURE	EFFECT FROM TO	UNITS PER ASSY
5			DOOR ASSY-EQPT ACCESS (PLACARDS AND MARKINGS ONLY)	201967	
- 1	141A6710-9		DOOR ASSY-EQPT ACCESS (PLACARDS AND MARKINGS ONLY) COMPONENT MAINT MANUAL REF: 52-48-13 FOR NHA/OTHER SYS DET SEE: 52-48-41-01	201967	RF
- 1	141A6710-13		DOOR ASSY-EQPT ACCESS (PLACARDS AND MARKINGS ONLY) COMPONENT MAINT MANUAL REF: 52-48-13 FOR NHA/OTHER SYS DET SEE: 52-48-41-01	201967	RF
- 1	141A6710-15		DOOR ASSY-EQPT ACCESS (PLACARDS AND MARKINGS ONLY) COMPONENT MAINT MANUAL REF: 52-48-13 FOR NHA/OTHER SYS DET SEE: 52-48-41-01	201967	RF
- 1	141A6710-11		DOOR ASSY-EQPT ACCESS (PLACARDS AND MARKINGS ONLY) COMPONENT MAINT MANUAL REF: 52-48-13 FOR NHA/OTHER SYS DET SEE: 52-48-41-01	201967	RF
10	BAC27DBY187		.MARKER-ALUMINUM FOIL PLACARD CONTENT: CAUTION RESTRAIN DOOR WITH ONE HAND DURING DOOR CLOSURE	201967	1
15	BAC27DBY191		.MARKER-ALUMINUM FOIL	201967	1

MISSING ITEM NUMBERS NOT APPLICABLE

- ITEM NOT ILLUSTRATED

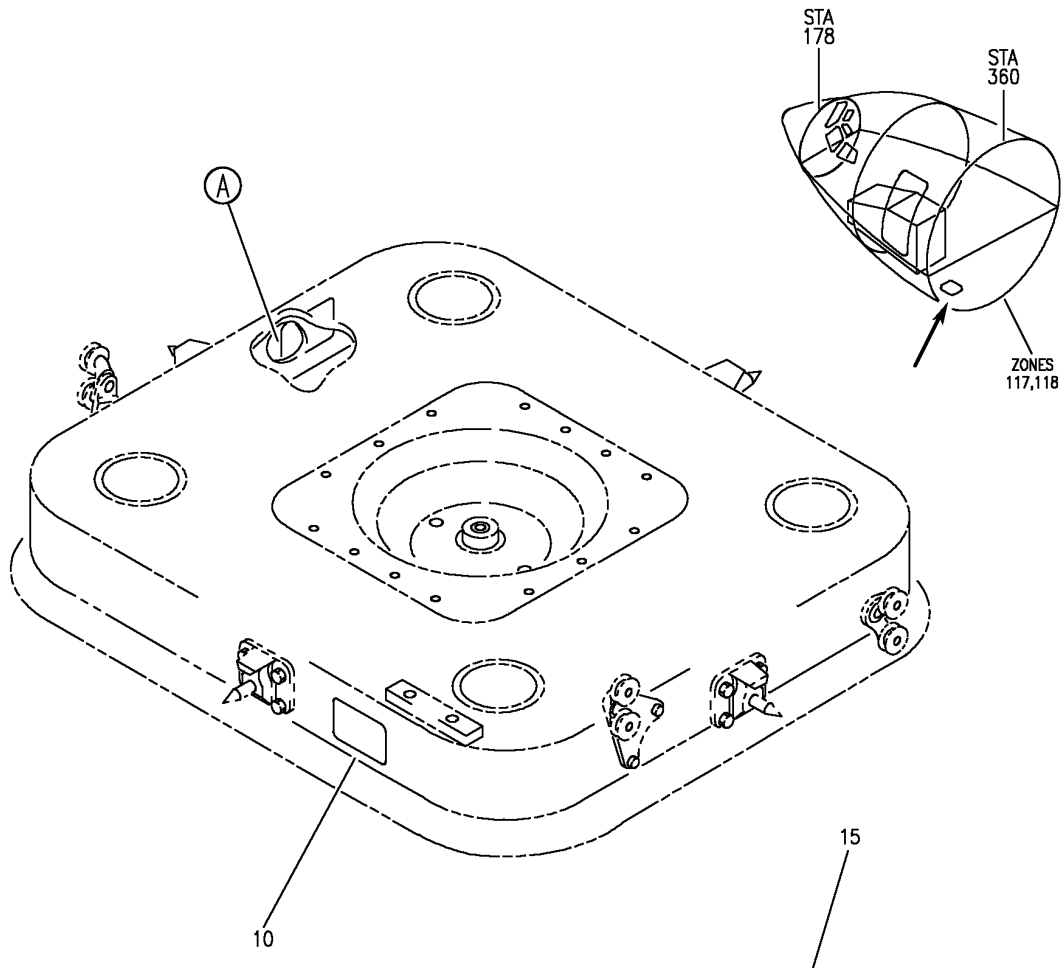
HAP

**11-23-03-05**

BOEING PROPRIETARY - Copyright © - Unpublished Work - See title page for details.

11-23-03  
FIG. 05  
PAGE 1  
OCT 15/08

**BOEING**  
 737-600/700/800/900  
 PARTS CATALOG (MAINTENANCE)



DOOR CYCLE LOG		
AIRPLANE SERIAL NO.	AIRPLANE FLIGHT CYCLES AT INSTL	AIRPLANE FLIGHT CYCLES AT REMOVAL

(A)

E 11230306 REV 142

DOOR ASSY-EQPT ACCESS (PLACARDS AND MARKINGS ONLY)  
 FIGURE 6

**11-23-03-06**

HAP  
 JUN 15/08

11-23-03-06  
 PAGE 0

**BOEING**  
737-600/700/800/900  
PARTS CATALOG (MAINTENANCE)

FIG ITEM	PART NUMBER	1 2 3 4 5 6 7	NOMENCLATURE	EFFECT FROM TO	UNITS PER ASSY
6			DOOR ASSY-EQPT ACCESS (PLACARDS AND MARKINGS ONLY)	001030	
- 1	141A6710-9		DOOR ASSY-EQPT ACCESS (PLACARDS AND MARKINGS ONLY) COMPONENT MAINT MANUAL REF: 52-48-13 FOR NHA/OTHER SYS DET SEE: 52-48-41-02	001030	RF
- 1	141A6710-13		DOOR ASSY-EQPT ACCESS (PLACARDS AND MARKINGS ONLY) COMPONENT MAINT MANUAL REF: 52-48-13 OPTIONAL PART: 141A6710-11 FOR NHA/OTHER SYS DET SEE: 52-48-41-02	001030	RF
- 1	141A6710-15		DOOR ASSY-EQPT ACCESS (PLACARDS AND MARKINGS ONLY) COMPONENT MAINT MANUAL REF: 52-48-13 FOR NHA/OTHER SYS DET SEE: 52-48-41-02	001030	RF
- 1	141A6710-11		DOOR ASSY-EQPT ACCESS (PLACARDS AND MARKINGS ONLY) COMPONENT MAINT MANUAL REF: 52-48-13 OPTIONAL PART: 141A6710-13 FOR NHA/OTHER SYS DET SEE: 52-48-41-02	001030	RF
10	BAC27DBY187		.MARKER-ALUMINUM FOIL PLACARD CONTENT: CAUTION RESTRAIN DOOR WITH ONE HAND DURING DOOR CLOSURE	001030	1
15	BAC27DBY191		.MARKER-ALUMINUM FOIL	001030	1

MISSING ITEM NUMBERS NOT APPLICABLE

- ITEM NOT ILLUSTRATED

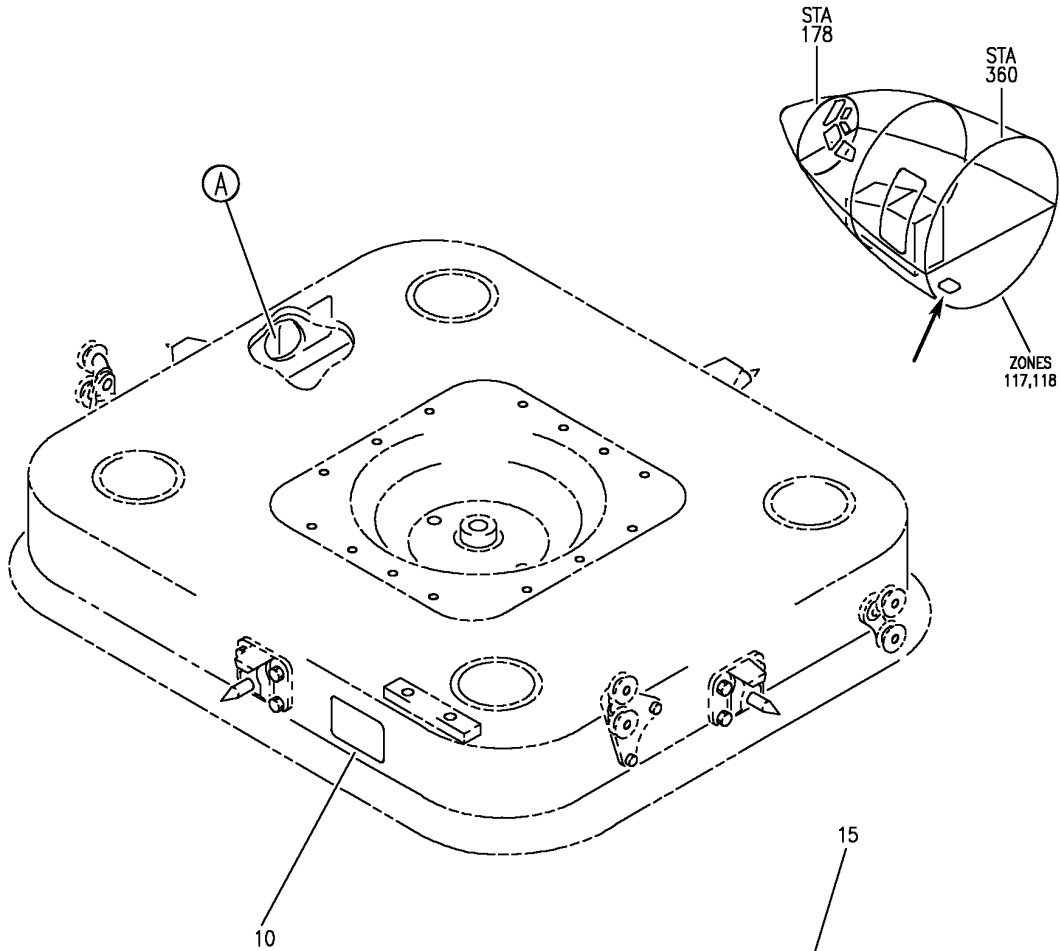
HAP

# 11-23-03-06

BOEING PROPRIETARY - Copyright © - Unpublished Work - See title page for details.

11-23-03  
FIG. 06  
PAGE 1  
JUN 15/08

**BOEING**  
 737-600/700/800/900  
 PARTS CATALOG (MAINTENANCE)



DOOR CYCLE LOG

AIRPLANE SERIAL NO.	AIRPLANE FLIGHT CYCLES AT INSTL	AIRPLANE FLIGHT CYCLES AT REMOVAL

(A)

E 11230307 REV 142

DOOR ASSY-EQPT ACCESS (PLACARDS AND MARKINGS ONLY)  
 FIGURE 7

**11-23-03-07**

HAP  
 JUN 15/08

11-23-03-07  
 PAGE 0

**BOEING**  
737-600/700/800/900  
PARTS CATALOG (MAINTENANCE)

FIG ITEM	PART NUMBER	1 2 3 4 5 6 7	NOMENCLATURE	EFFECT FROM TO	UNITS PER ASSY
7			DOOR ASSY-EQPT ACCESS (PLACARDS AND MARKINGS ONLY)	031200 968999	
- 1	141A6710-13		DOOR ASSY-EQPT ACCESS (PLACARDS AND MARKINGS ONLY) COMPONENT MAINT MANUAL REF: 52-48-13 OPTIONAL PART: 141A6710-11 FOR NHA/OTHER SYS DET SEE: 52-48-41-03	031200 968999	RF
- 1	141A6710-15		DOOR ASSY-EQPT ACCESS (PLACARDS AND MARKINGS ONLY) COMPONENT MAINT MANUAL REF: 52-48-13 FOR NHA/OTHER SYS DET SEE: 52-48-41-03	031200 968999	RF
- 1	141A6710-9		DOOR ASSY-EQPT ACCESS (PLACARDS AND MARKINGS ONLY) COMPONENT MAINT MANUAL REF: 52-48-13 FOR NHA/OTHER SYS DET SEE: 52-48-41-03	031200 968999	RF
- 1	141A6710-11		DOOR ASSY-EQPT ACCESS (PLACARDS AND MARKINGS ONLY) COMPONENT MAINT MANUAL REF: 52-48-13 OPTIONAL PART: 141A6710-13 FOR NHA/OTHER SYS DET SEE: 52-48-41-03	031200 968999	RF
10	BAC27DBY187		.MARKER-ALUMINUM FOIL PLACARD CONTENT: CAUTION RESTRAIN DOOR WITH ONE HAND DURING DOOR CLOSURE	031200 968999	1
15	BAC27DBY191		.MARKER-ALUMINUM FOIL	031200 968999	1

MISSING ITEM NUMBERS NOT APPLICABLE

- ITEM NOT ILLUSTRATED

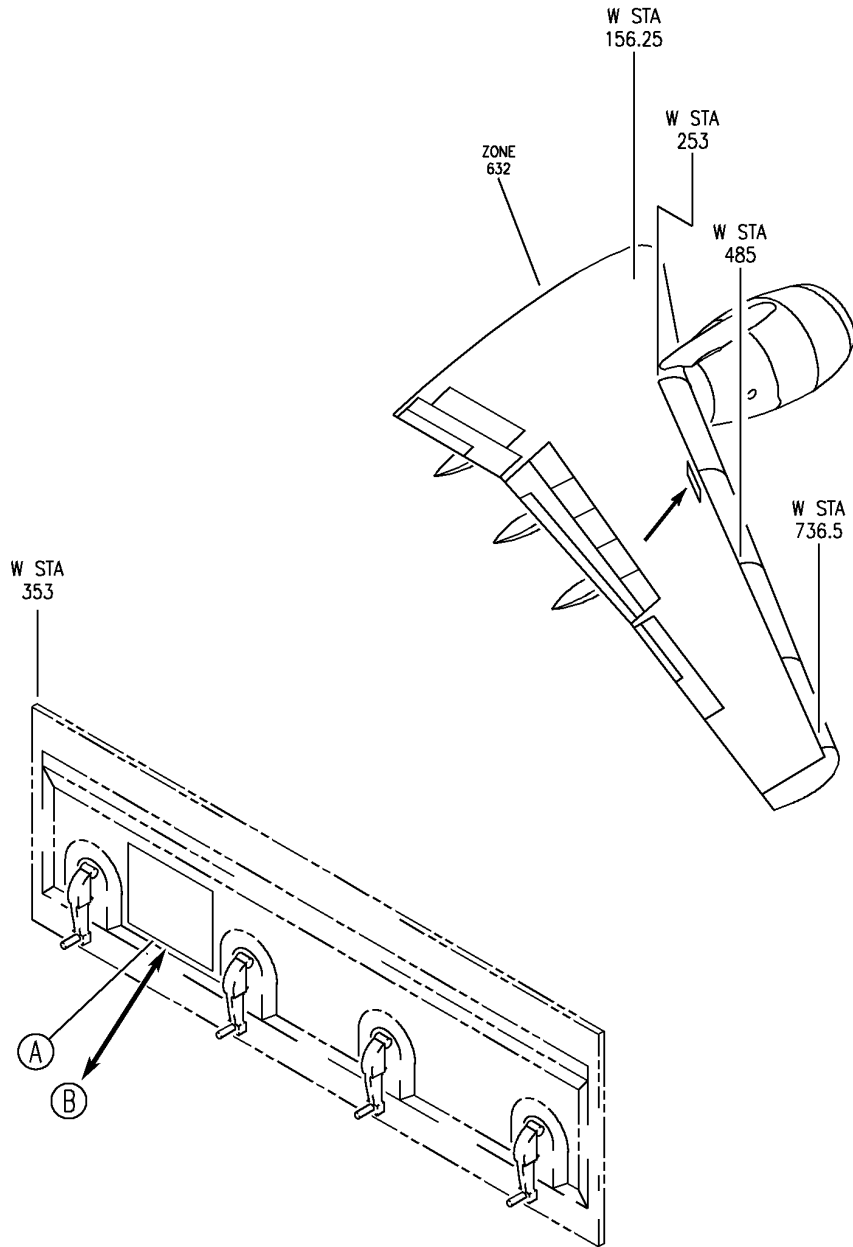
HAP

# 11-23-03-07

BOEING PROPRIETARY - Copyright © - Unpublished Work - See title page for details.

11-23-03  
FIG. 07  
PAGE 1  
OCT 15/08

**BOEING**  
737-600/700/800/900  
PARTS CATALOG (MAINTENANCE)



E 11230401 SHT 1 REV 122

MARKING INSTL-WING REFUEL PNL INSTRUCTIONS-STD  
FIGURE 1 (SHEET 1)

**11-23-04-01**

HAP  
OCT 10/06

11-23-04-01  
PAGE 0

**BOEING**  
**737-600/700/800/900**  
**PARTS CATALOG (MAINTENANCE)**

FUELING INSTRUCTIONS

1. INSTALL GROUNDING JACKS AND COUPLE FUELING NOZZLE.
2. TOGGLE SWITCH TO "TEST GAGES" POSITION-VERIFY ALL UPPER AND LOWER DISPLAYS READ 88888.
3. PRESS BLUE "VALVE POSITION LIGHTS"-VERIFY LIGHTS ILLUMINATE.
4. OPEN CONTROL SWITCHES FOR TANKS TO BE SERVICED. BEGIN FUEL FLOW.

CAUTION-FLASHING UPPER GAGE INDICATES MAXIMUM TANK CAPACITY HAS BEEN EXCEEDED. STOP FUELING AT TRUCK.

5. CLOSE CONTROL SWITCHES WHEN FUELING STOPS AT FULL TANK OR DESIRED QUANTITY IS REACHED.
6. UNCOUPLE NOZZLE AND REMOVE JACKS.
7. VERIFY ALL CONTROL SWITCHES ARE RETURNED TO THE OFF POSITION AND BLUE "VALVE POSITION LIGHTS" ARE OFF.

NOTE: BLUE LIGHT INDICATES VALVE ENERGIZED OPEN FOR FUELING OPERATION.

5

(A)

FUELING INSTRUCTIONS

1. INSTALL GROUNDING JACKS AND COUPLE FUELING NOZZLE.
2. TOGGLE SWITCH TO "TEST GAGES" POSITION-VERIFY ALL UPPER AND LOWER DISPLAYS READ 88888.
3. PREE BLUE "VALVE POSITION LIGHTS"-VERIFY LIGHTS ILLUMINATE.
4. OPEN CONTROL SWITCHES FOR TANKS TO BE SERVICED. BEGIN FUEL FLOW. CAUTION-FLASHING UPPER GAGE INDICATES MAXIMUM TANK CAPACITY HAS BEEN EXCEEDED. STOP FUELING AT TRUCK.
5. CLOSE CONTROL SWITCHES WHEN FUELING STOPS AT FULL TANK OR DESIRED QUANTITY IS REACHED.
6. UNCOUPLE NOZZLE AND REMOVE JACKS.
7. VERIFY ALL CONTROL SWITCHES ARE RETURNED TO THE OFF POSITION AND BLUE "VALVE POSITION LIGHTS" ARE OFF.

NOTE: BLUE LIGHT INDICATES VALVE ENERGIZED OPEN FOR FUELING OPERATION.

(MULTI-LANGUAGE)

10

(B)

E 11230401 SH1 2 REV 122

MARKING INSTL-WING REFUEL PNL INSTRUCTIONS-STD  
 FIGURE 1 (SHEET 2)

**11-23-04-01**

HAP  
 OCT 10/06

11-23-04-01  
 PAGE 0A



**BOEING**  
737-600/700/800/900  
PARTS CATALOG (MAINTENANCE)

FIG ITEM	PART NUMBER	1 2 3 4 5 6 7	NOMENCLATURE	EFFECT FROM TO	UNITS PER ASSY
1			MARKING INSTL-WING REFUEL PNL INSTRUCTIONS-STD		
- 1	340A0421-3		MARKING INSTL-WING REFUEL PNL INSTRUCTIONS-STD FOR NHA SEE: 11-20-00-18	001030 201967	RF
- 1	MODREF89326		MARKING INSTL-WING REFUEL PNL INSTRUCTIONS-STD MODULE NUMBER: 340A0421-3 REV A	031200 968999	1
5	BAC27DFS248		.MARKER-ALUMINUM FOIL		1
10	BAC27DFS361		.MARKER-ALUMINUM FOIL (MULTI-LANGUAGE)	031200 968999	1

MISSING ITEM NUMBERS NOT APPLICABLE

- ITEM NOT ILLUSTRATED

HAP

# 11-23-04-01

BOEING PROPRIETARY - Copyright © - Unpublished Work - See title page for details.

11-23-04  
FIG. 01  
PAGE 1  
FEB 15/09