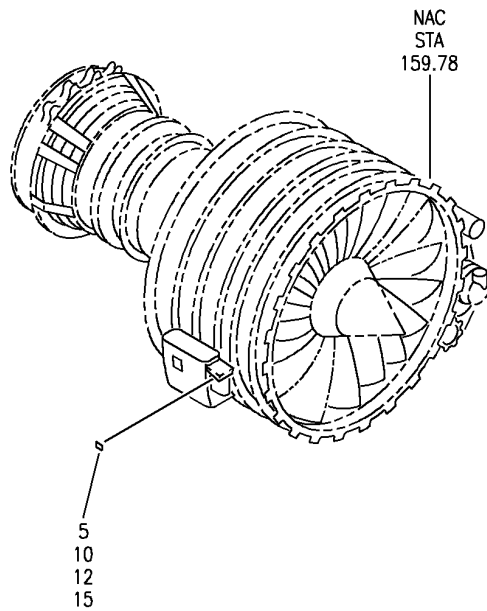
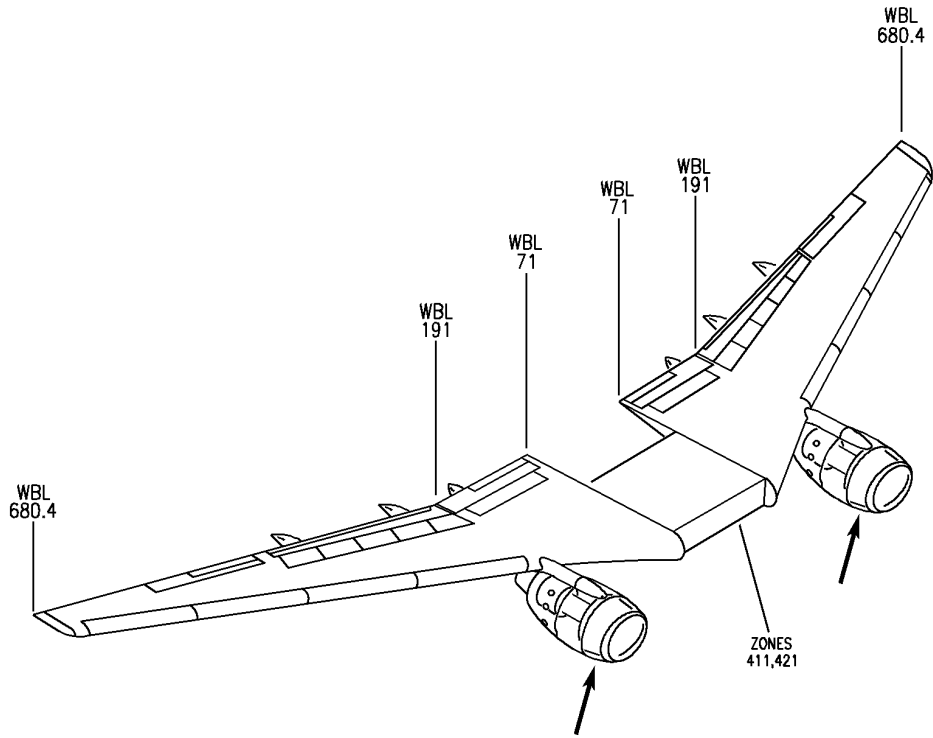


EXTERIOR PLACARDS AND MARKINGS

HAP
OCT 10/06

11-25-00
SECTION TITLE
PAGE 1

BOEING
 737-600/700/800/900
 PARTS CATALOG (MAINTENANCE)



E 11250102 REV 125

OIL AND MARKER INSTL ENGINE LUBRICATING OIL
 FIGURE 2

11-25-01-02

HAP
 FEB 10/07

11-25-01-02
 PAGE 0

BOEING
737-600/700/800/900
PARTS CATALOG (MAINTENANCE)

FIG ITEM	PART NUMBER	1 2 3 4 5 6 7	NOMENCLATURE	EFFECT FROM TO	UNITS PER ASSY
2			OIL AND MARKER INSTL ENGINE LUBRICATING OIL	001007	
- 1	330A2010-1		OIL AND MARKER INSTL- ENGINE LUBRICATING OIL MOBIL JET II POSITION DATA: ENG POSITION 1 AND 2 FOR NHA SEE: 11-20-00-12	001007	RF
5	BACM10L1EBZ		.MARKER-ALUMINUM FOIL MOBIL OIL JET II	001007	1

MISSING ITEM NUMBERS NOT APPLICABLE

- ITEM NOT ILLUSTRATED

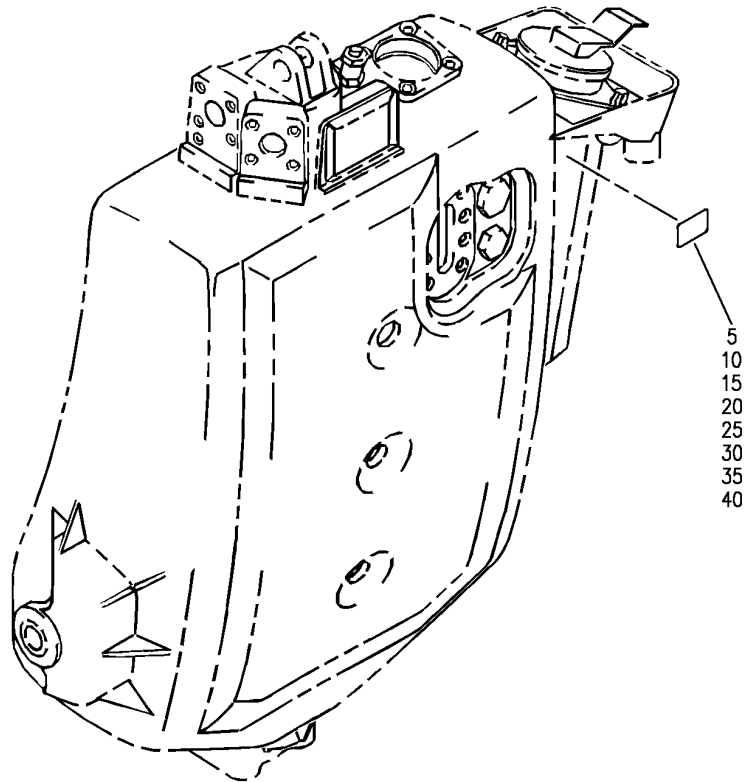
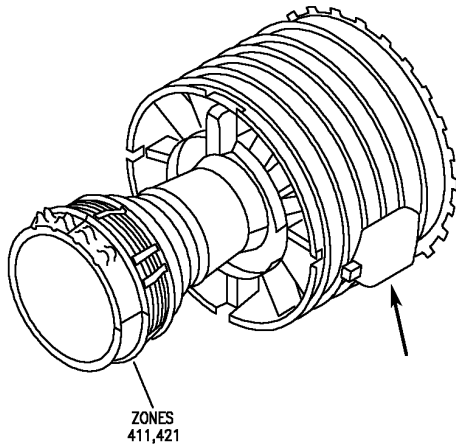
HAP

11-25-01-02

BOEING PROPRIETARY - Copyright © - Unpublished Work - See title page for details.

11-25-01
FIG. 02
PAGE 1
OCT 10/06

BOEING
737-600/700/800/900
PARTS CATALOG (MAINTENANCE)



E 11250102A REV 068

OIL AND MARKER INSTL-ENG LUBRICATING OIL
FIGURE 2A

HAP
OCT 10/06

11-25-01-02A

11-25-01-02A
PAGE 0

BOEING
737-600/700/800/900
PARTS CATALOG (MAINTENANCE)

FIG ITEM	PART NUMBER	1 2 3 4 5 6 7	NOMENCLATURE	EFFECT FROM TO	UNITS PER ASSY
2A			OIL AND MARKER INSTL-ENG LUBRICATING OIL	008999	
- 1	330A2010-9		OIL AND MARKER INSTL-ENG LUBRICATING OIL MOBILJET II OIL POSITION DATA: ENG POSITION 1 AND 2 FOR NHA SEE: 11-20-00-12	008030 201967	RF
- 1	MODREF89258		OIL AND MARKER INSTL-ENG LUBRICATING OIL MOBILJET II OIL MODULE NUMBER: 330A2010-9 REV A POSITION DATA: ENG POSITION 1 AND 2	031200 968999	1
15	BACM10L1EBZ		.MARKER-ALUMINUM FOIL PLACARD CONTENT: MOBIL JET OIL II	008999	2

MISSING ITEM NUMBERS NOT APPLICABLE

- ITEM NOT ILLUSTRATED

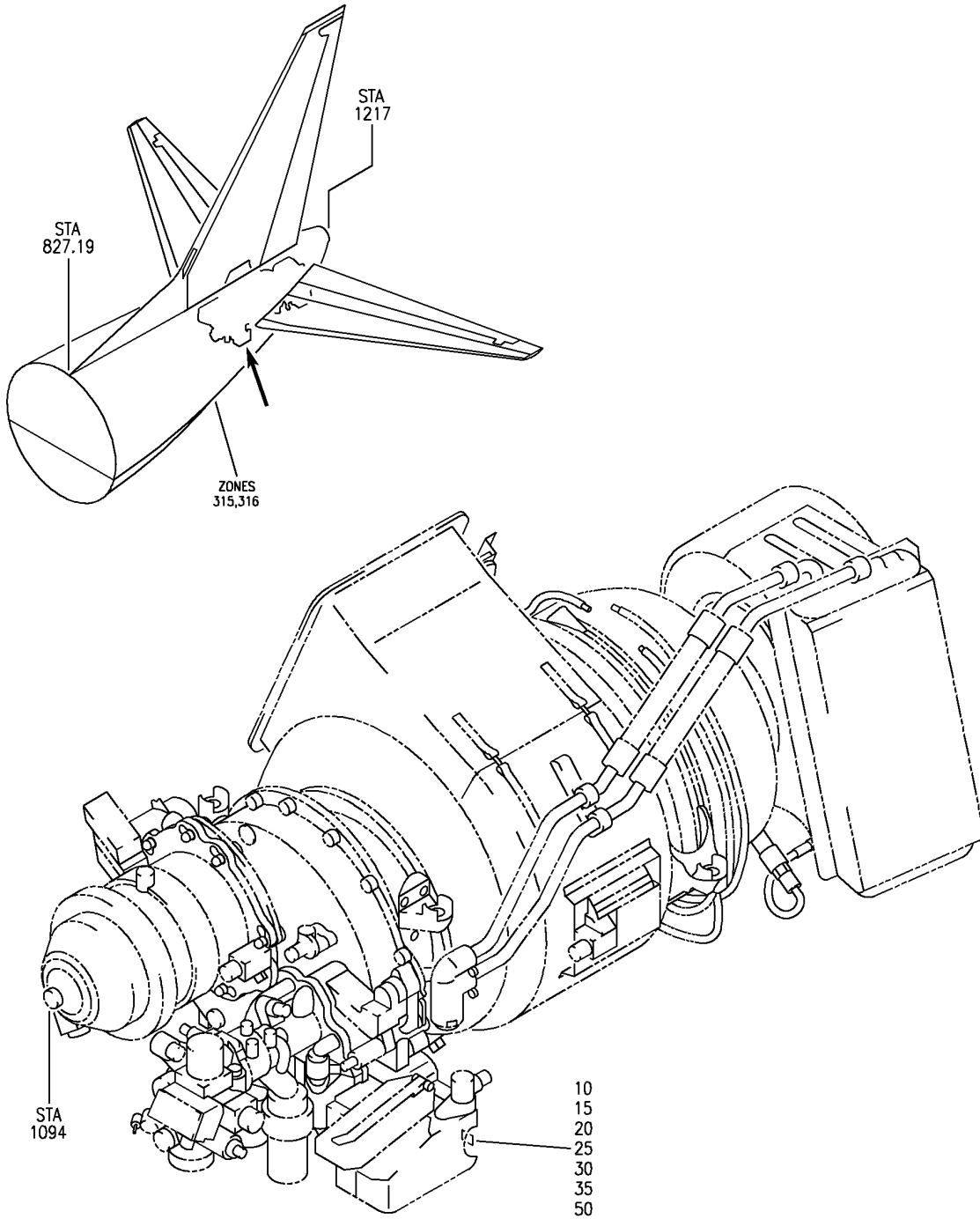
HAP

11-25-01-02A

BOEING PROPRIETARY - Copyright © - Unpublished Work - See title page for details.

11-25-01
FIG. 02A
PAGE 1
OCT 15/08

BOEING
737-600/700/800/900
PARTS CATALOG (MAINTENANCE)



E 11250103 REV 123

OIL AND MARKER INSTL-APU
FIGURE 3

11-25-01-03

HAP
OCT 10/06

11-25-01-03
PAGE 0

BOEING
737-600/700/800/900
PARTS CATALOG (MAINTENANCE)

FIG ITEM	PART NUMBER	1 2 3 4 5 6 7	NOMENCLATURE	EFFECT FROM TO	UNITS PER ASSY
3			OIL AND MARKER INSTL-APU	001030 201967	
- 1	330A2010-3		OIL AND MARKER INSTL-APU LUBRICATING OIL MOBIL JET II FOR NHA SEE: 11-20-00-12	001030 201967	RF
10	BACM10L1EBZ		.MARKER-ALUMINUM FOIL PLACARD CONTENT: MOBIL JET OIL II	001030 201967	1

MISSING ITEM NUMBERS NOT APPLICABLE

- ITEM NOT ILLUSTRATED

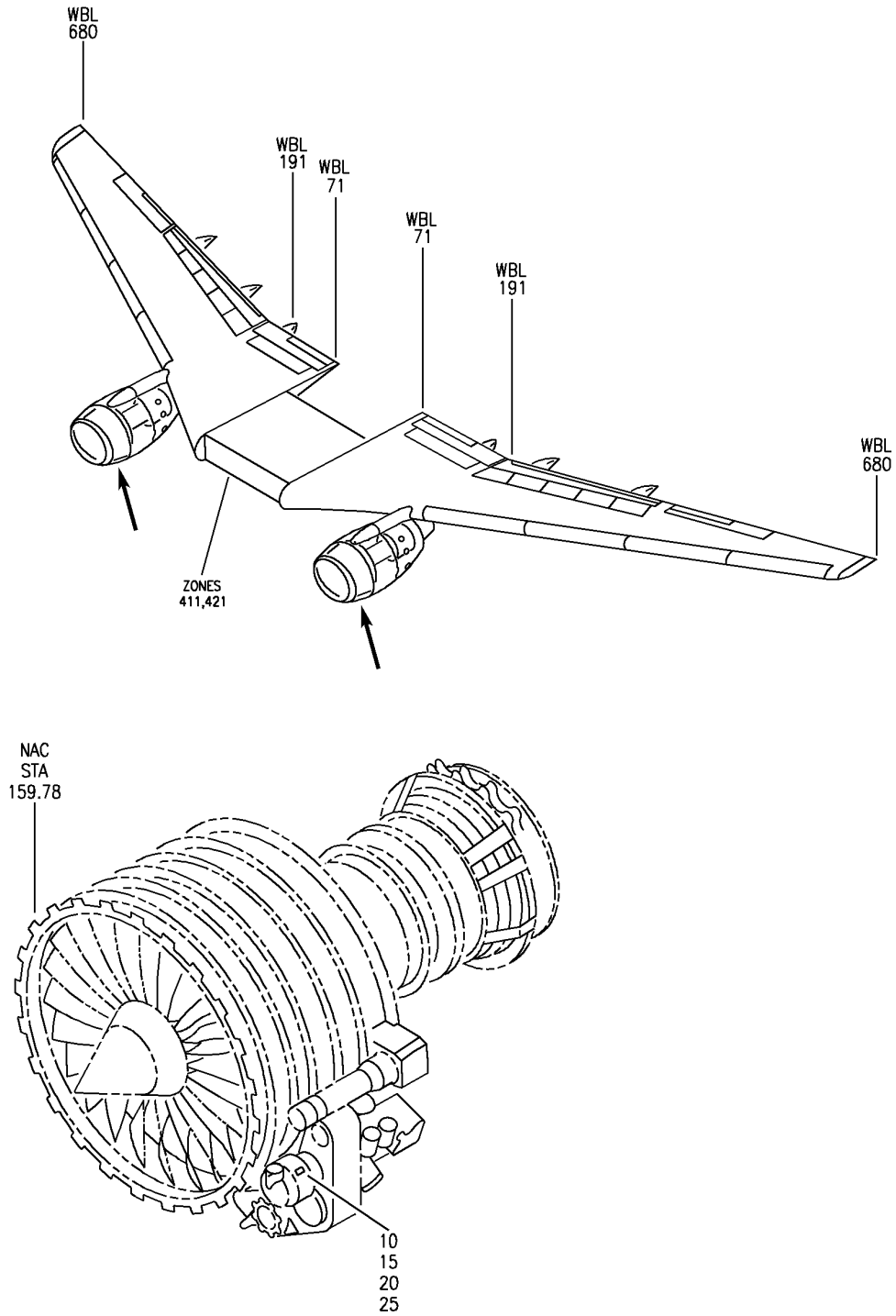
HAP

11-25-01-03

BOEING PROPRIETARY - Copyright © - Unpublished Work - See title page for details.

11-25-01
FIG. 03
PAGE 1
OCT 15/08

BOEING
 737-600/700/800/900
 PARTS CATALOG (MAINTENANCE)



E 11250104 REV 125

OIL AND MARKER INSTL INTERGRATED DRIVE GENERATOR
 FIGURE 4

11-25-01-04

HAP
 FEB 10/07

11-25-01-04
 PAGE 0


BOEING
 737-600/700/800/900
PARTS CATALOG (MAINTENANCE)

FIG ITEM	PART NUMBER	1 2 3 4 5 6 7	NOMENCLATURE	EFFECT FROM TO	UNITS PER ASSY
4			OIL AND MARKER INSTL INTERGRATED DRIVE GENERATOR	001007	
- 1	330A2010-5		OIL AND MARKER INSTL- INTERGRATED DRIVE GENERATOR MOBILJET II OIL	001007	RF
10	BACM10L1EBZ		FOR NHA SEE: 11-20-00-12 .MARKER-ALUMINUM FOIL MOBIL JET II	001007	1

MISSING ITEM NUMBERS NOT APPLICABLE

- ITEM NOT ILLUSTRATED

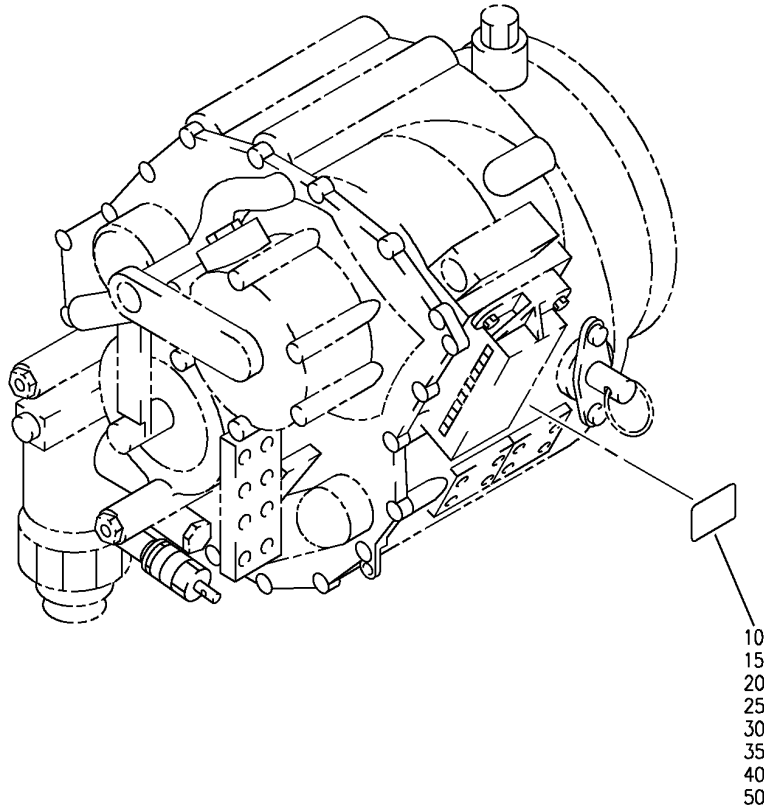
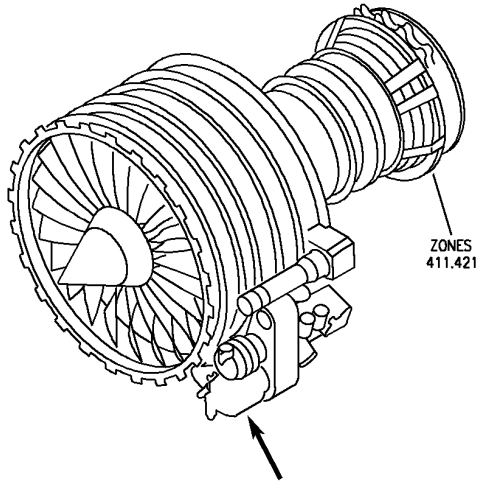
HAP

11-25-01-04

BOEING PROPRIETARY - Copyright © - Unpublished Work - See title page for details.

11-25-01
 FIG. 04
 PAGE 1
 OCT 10/06

BOEING
737-600/700/800/900
PARTS CATALOG (MAINTENANCE)



E 11250104A REV 105

OIL AND MARKER INSTL
FIGURE 4A

HAP
OCT 10/06

11-25-01-04A

11-25-01-04A
PAGE 0

BOEING
737-600/700/800/900
PARTS CATALOG (MAINTENANCE)

FIG ITEM	PART NUMBER	1 2 3 4 5 6 7	NOMENCLATURE	EFFECT FROM TO	UNITS PER ASSY
4 A					
- 1	330A2010-14		OIL AND MARKER INSTL OIL AND MARKER INSTL- INTEGRATED DRIVE GENERATOR LUBRICATING OIL MOBILE JET II POSITION DATA: ENG POSITION 1 AND 2 FOR NHA SEE: 11-20-00-12	008999 008030 201967	RF
- 1	MODREF89246		OIL AND MARKER INSTL- INTEGRATED DRIVE GENERATOR LUBRICATING OIL MOBILE JET II MODULE NUMBER: 330A2010-14 REV A POSITION DATA: ENG POSITION 1 AND 2	031200 968999	1
10	BACM10L1EBZ		.MARKER-ALUMINUM FOIL PLACARD CONTENT: OIL MOBIL JET II	008999	2

MISSING ITEM NUMBERS NOT APPLICABLE

- ITEM NOT ILLUSTRATED

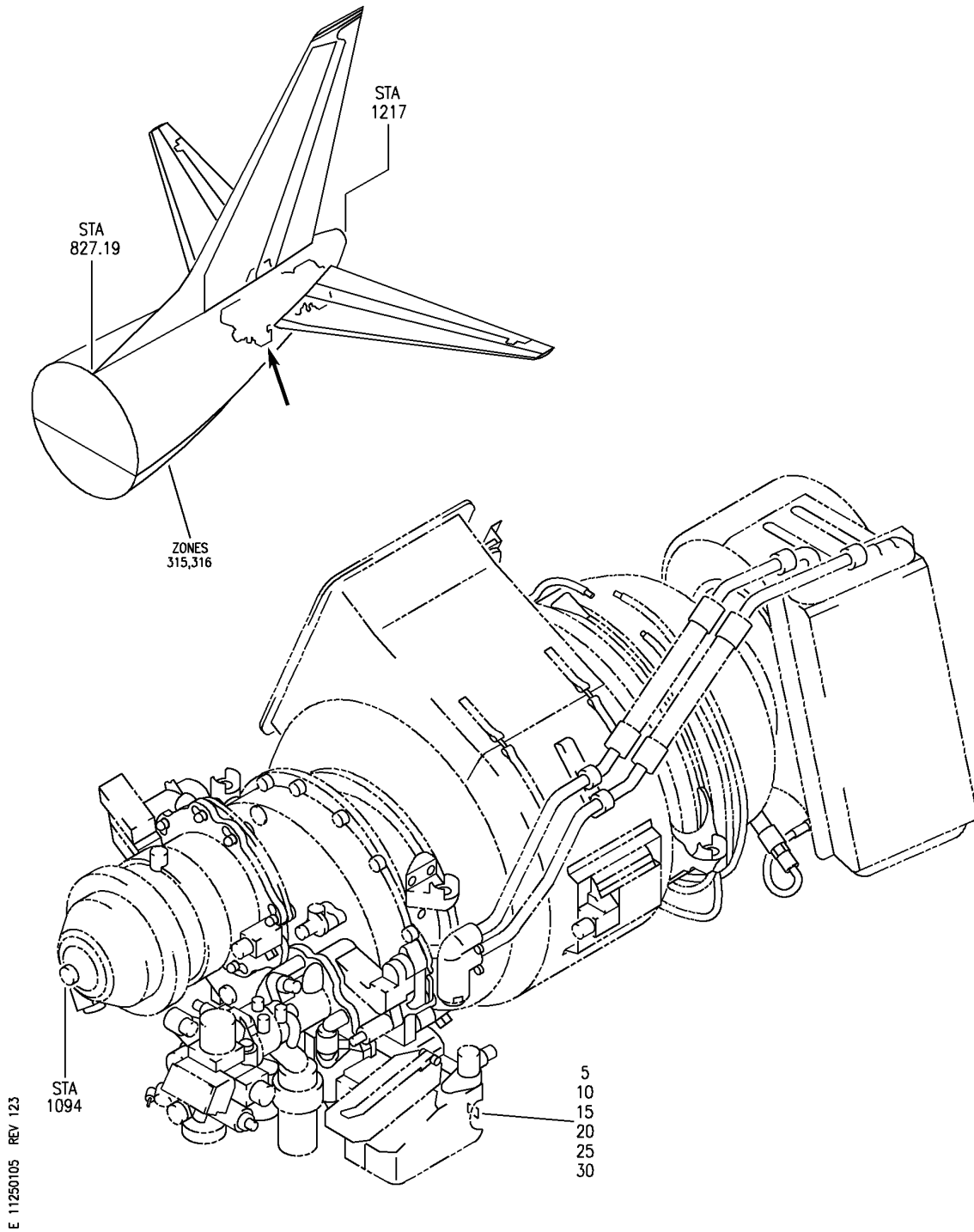
HAP

11-25-01-04A

BOEING PROPRIETARY - Copyright © - Unpublished Work - See title page for details.

11-25-01
FIG. 04A
PAGE 1
OCT 15/08

BOEING
737-600/700/800/900
PARTS CATALOG (MAINTENANCE)



OIL AND MARKER INSTL
FIGURE 5

11-25-01-05

HAP
OCT 10/06

11-25-01-05
PAGE 0

BOEING
737-600/700/800/900
PARTS CATALOG (MAINTENANCE)

FIG ITEM	PART NUMBER	1 2 3 4 5 6 7	NOMENCLATURE	EFFECT FROM TO	UNITS PER ASSY
5			OIL AND MARKER INSTL	031200 968999	
- 1	MODREF89255		OIL AND MARKER INSTL- MODULE NUMBER: 330A2010-3 REV A	031200 968999	1
5	BACM10L1EBZ		.MARKER-ALUMINUM FOIL	031200 968999	1

MISSING ITEM NUMBERS NOT APPLICABLE

- ITEM NOT ILLUSTRATED

HAP

11-25-01-05

BOEING PROPRIETARY - Copyright © - Unpublished Work - See title page for details.

11-25-01
FIG. 05
PAGE 1
OCT 15/08

NON-ILLUSTRATED FIGURE

THE ITEMS REFLECTED IN THIS FIGURE ARE INTENTIONALLY
NON-ILLUSTRATED. THEY ARE REFERENCED TO EITHER A
NEXT HIGHER OR NEXT LOWER ASSEMBLY/INSTALLATION FIGURE.

E 11250302 REV 066

MARKING INSTL-MAINT EXT ENG 1 AND 2 (ENGINE FAN COWL ONLY)
FIGURE 2

11-25-03-02

HAP
OCT 10/06

11-25-03-02
PAGE 0

BOEING
737-600/700/800/900
PARTS CATALOG (MAINTENANCE)

FIG ITEM	PART NUMBER	1 2 3 4 5 6 7	NOMENCLATURE	EFFECT FROM TO	UNITS PER ASSY
2			MARKING INSTL-MAINT EXT ENG 1 AND 2 (ENGINE FAN COWL ONLY)	001030 201967	
- 1	414A4970-1		MARKING INSTL-MAINT EXT POSITION DATA: LH ENG 1 AND 2 FOR NHA SEE: 11-20-00-01 11-20-00-01C	001030 201967	1
- 5	BAC27XSTN3025		.STENCIL- PLACARD CONTENT: CAUTION: DO NOT OPEN INBOARD FAN COWL UNTIL LEADING EDGE SLATS ARE RETRACTED AND DEACTIVATED	001030 201967	2
- 10	BAC27XSTN3026		.STENCIL- PLACARD CONTENT: CAUTION: DO NOT OPEN C-DUCT UNTIL LEADING EDGE SLATS ARE RETRACTED AND DEACTIVATED	001030 201967	2

MISSING ITEM NUMBERS NOT APPLICABLE

- ITEM NOT ILLUSTRATED

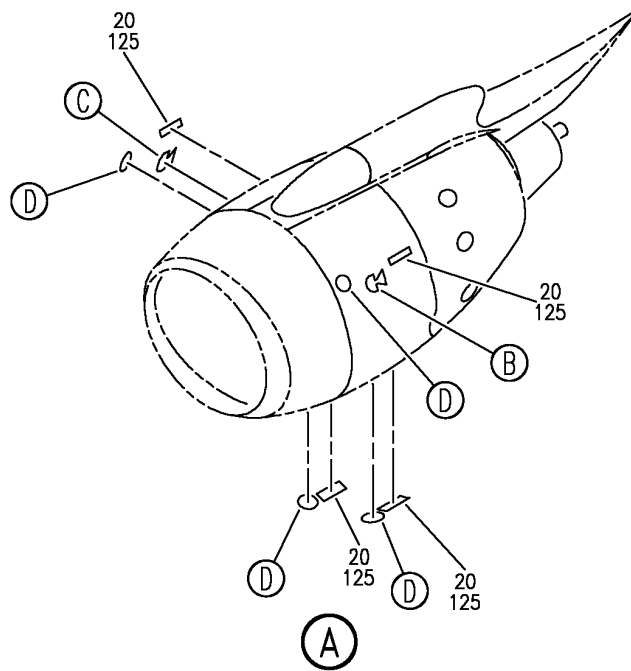
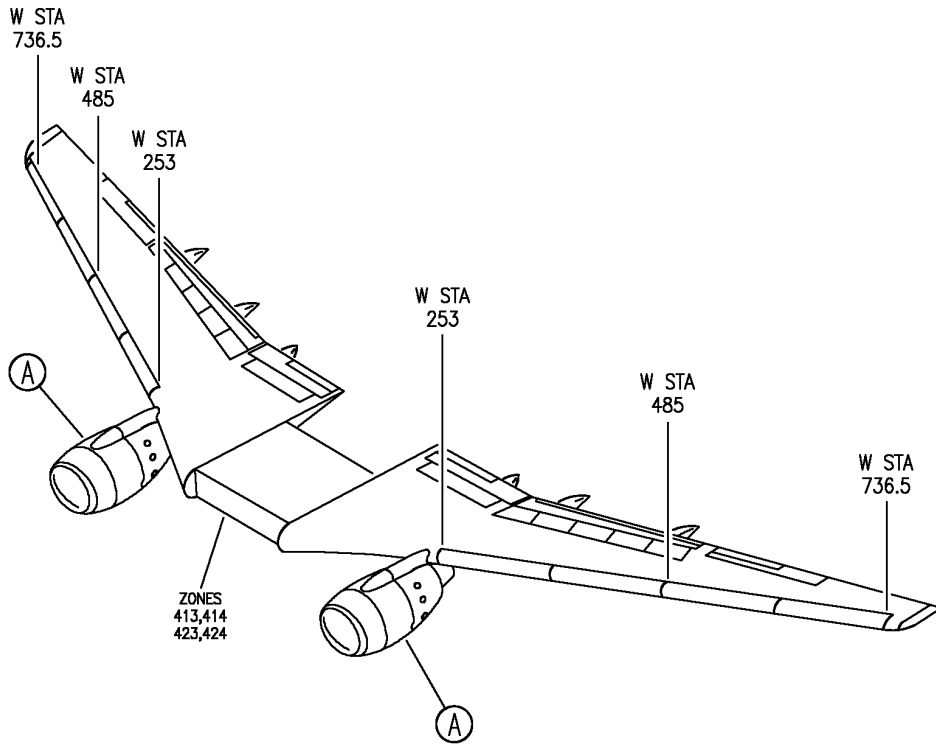
HAP

11-25-03-02

BOEING PROPRIETARY - Copyright © - Unpublished Work - See title page for details.

11-25-03
FIG. 02
PAGE 1
OCT 15/08

BOEING
737-600/700/800/900
PARTS CATALOG (MAINTENANCE)



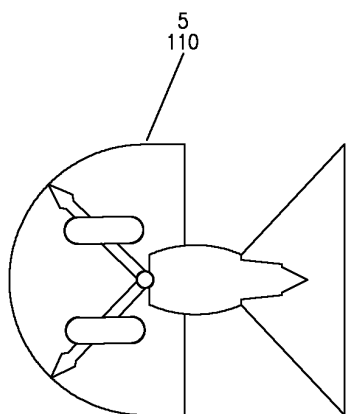
E 11250314 SHT 1 REV 088

MARKING INSTL-DECORATIVE EXT (ENGINE FAN COWL ONLY)
FIGURE 14 (SHEET 1)

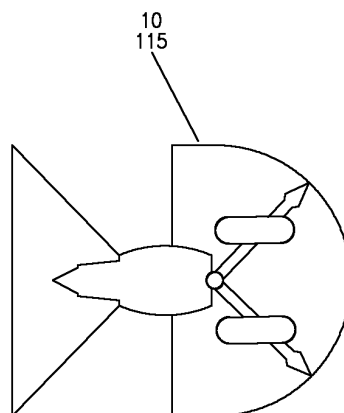
11-25-03-14

HAP
OCT 10/06

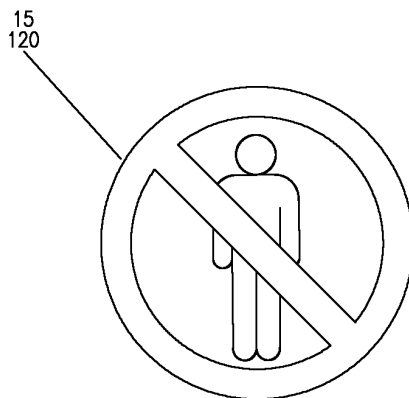
11-25-03-14
PAGE 0



(B)



(C)



(D)

E 11250314 SH1 2 REV 098

MARKING INSTL-DECORATIVE EXT (ENGINE FAN COWL ONLY)
FIGURE 14 (SHEET 2)

11-25-03-14

HAP
OCT 10/06

11-25-03-14
PAGE 0A

BOEING
737-600/700/800/900
PARTS CATALOG (MAINTENANCE)

FIG ITEM	PART NUMBER	1 2 3 4 5 6 7	NOMENCLATURE	EFFECT FROM TO	UNITS PER ASSY
14			MARKING INSTL-DECORATIVE EXT (ENGINE FAN COWL ONLY)	028037 039040 048048	
- 1	414A4104-5		MARKING INSTL-DECORATIVE EXT (ENGINE FAN COWL ONLY) FOR NHA/OTHER SYS DET SEE: 11-20-00-01C	028030	RF
- 1	MODREF274769		MARKING INSTL-DECORATIVE EXT (ENGINE FAN COWL ONLY) MODULE NUMBER: 414A4104-7 REV B FOR OTHER SYS DETAILS SEE: 11-21-11-03 11-21-13-14A 11-21-18-12	031037 039040	1
- 1	MODREF392332		MARKING INSTL-DECORATIVE EXT (ENGINE FAN COWL ONLY) MODULE NUMBER: 414A4104-281 REV B FOR OTHER SYS DETAILS SEE: 11-21-11-03 11-21-13-14A 11-21-18-12	048048	1
5	414A4801-1		.MARKING-NAC ENG WARNING POSITION DATA: LH	028037 039040 048048	2
10	414A4801-2		.MARKING-NAC ENG WARNING POSITION DATA: RH	028037 039040 048048	2
15	414A4801-3		.MARKING-NO PEOPLE SYMBOL	028037 039040 048048	8
20	BAC27XSTN968		.STENCIL- PLACARD CONTENT: WARNING: STAND CLEAR OF HAZARD AREAS WHILE ENGINE IS RUNNING	028037 039040 048048	8

MISSING ITEM NUMBERS NOT APPLICABLE

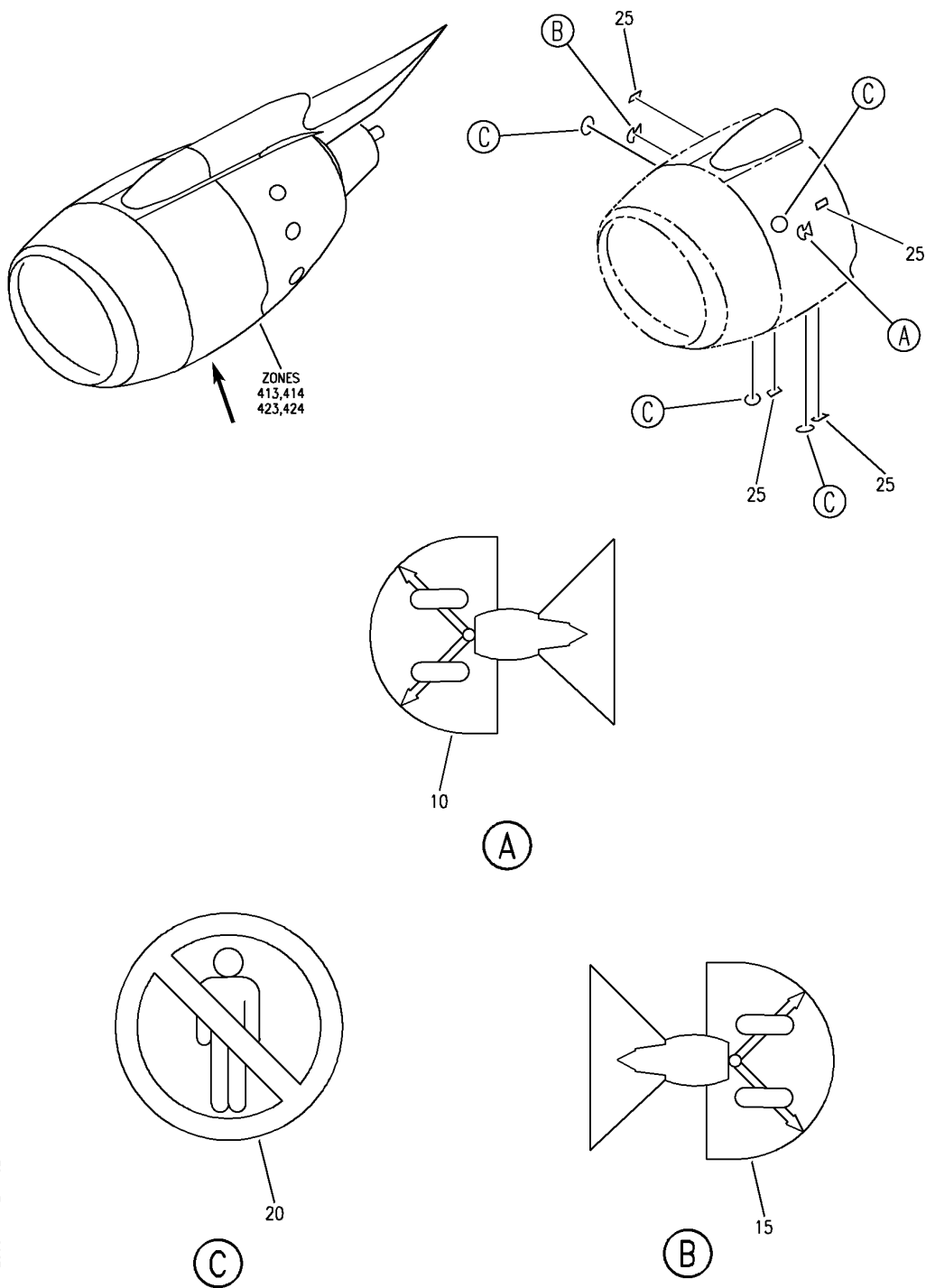
- ITEM NOT ILLUSTRATED

HAP

11-25-03-14

11-25-03
FIG. 14
PAGE 1
OCT 15/08

BOEING
 737-600/700/800/900
 PARTS CATALOG (MAINTENANCE)



E 11250314A REV 132

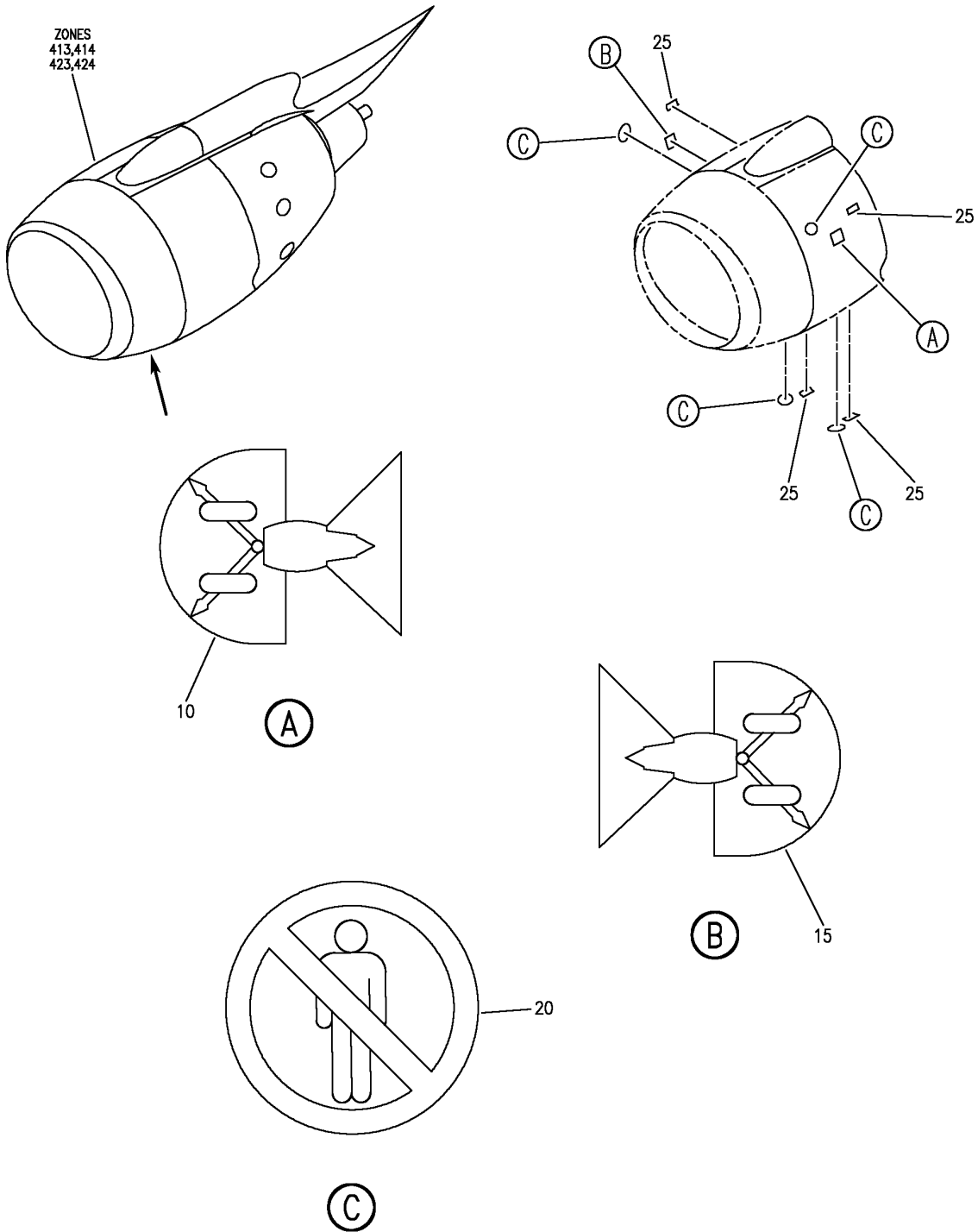
MARKING INSTL-DECORATIVE EXT (ENGINE FAN COWL ONLY)
 FIGURE 14A

11-25-03-14A

HAP
 OCT 10/07

11-25-03-14A
 PAGE 0

BOEING
 737-600/700/800/900
 PARTS CATALOG (MAINTENANCE)



E 11250320 REV 152

MARKING INSTL-DECORATIVE EXT (ENGINE FAN COWL ONLY)
 FIGURE 20 (SHEET 1)

11-25-03-20

HAP
 JUN 15/09

11-25-03-20
 PAGE 0

BOEING
737-600/700/800/900
PARTS CATALOG (MAINTENANCE)

FIG ITEM	PART NUMBER	1 2 3 4 5 6 7	NOMENCLATURE	EFFECT FROM TO	UNITS PER ASSY
20			MARKING INSTL-DECORATIVE EXT (ENGINE FAN COWL ONLY)	050050 053100	
- 3	MODREF348086		MARKING INSTL-DECORATIVE EXT (ENGINE FAN COWL ONLY)	054100	1
- 3	MODREF407326		MODULE NUMBER: 414A4242-1 REV B FOR OTHER SYS DETAILS SEE: 11-21-18-20		
			MARKING INSTL-DECORATIVE EXT (ENGINE FAN COWL ONLY)	050050 053053	1
			MODULE NUMBER: 414A4242-2 REV B FOR OTHER SYS DETAILS SEE: 11-21-18-20		
R 10	414A4801-1		.MARKING	050050 053100	2
R 15	414A4801-2		.MARKING	050050 053100	2
R 20	414A4801-3		.MARKING	050050 053100	8
R 25	BAC27XSTN968		.STENCIL- PLACARD CONTENT: WARNING: STAND CLEAR OF HAZARD AREAS WHILE ENGINE IS RUNNING	050050 053100	8

MISSING ITEM NUMBERS NOT APPLICABLE

- ITEM NOT ILLUSTRATED

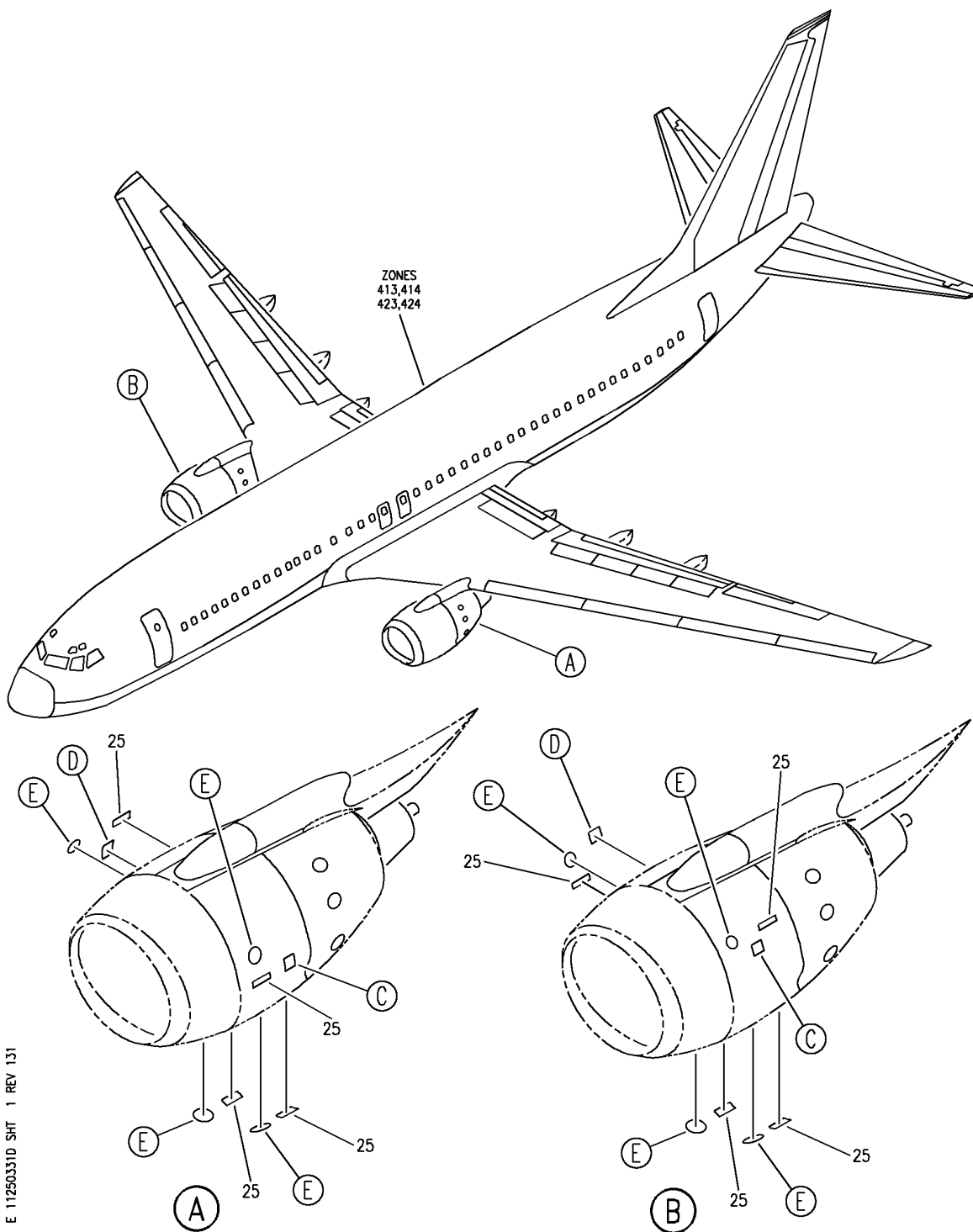
HAP

11-25-03-20

BOEING PROPRIETARY - Copyright © - Unpublished Work - See title page for details.

11-25-03
FIG. 20
PAGE 1
JUN 15/09

BOEING
 737-600/700/800/900
 PARTS CATALOG (MAINTENANCE)

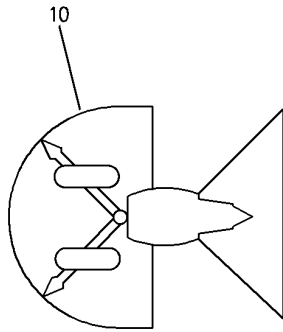


MARKING INSTL-DECORATIVE EXT (ENGINE FAN COWL ONLY)
 FIGURE 31D (SHEET 1)

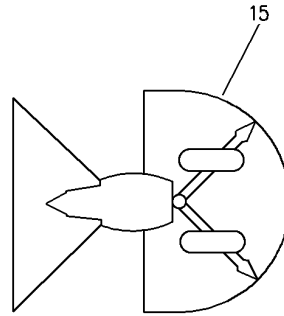
11-25-03-31D

HAP
 JUN 10/07

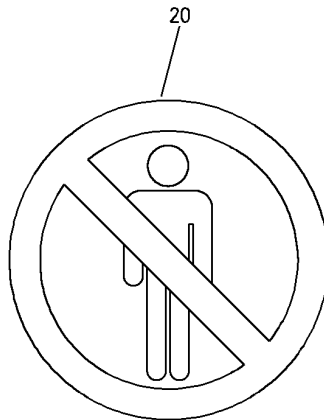
11-25-03-31D
 PAGE 0



(C)



(D)



(E)

E 11250331D SHT 2 REV 131

MARKING INSTL-DECORATIVE EXT (ENGINE FAN COWL ONLY)
FIGURE 31D (SHEET 2)

11-25-03-31D

HAP
JUN 10/07

11-25-03-31D
PAGE 0A

BOEING
737-600/700/800/900
PARTS CATALOG (MAINTENANCE)

FIG ITEM	PART NUMBER	1 2 3 4 5 6 7	NOMENCLATURE	EFFECT FROM TO	UNITS PER ASSY
R R R R R R R R R R	31D		MARKING INSTL-DECORATIVE EXT (ENGINE FAN COWL ONLY)	041041 047047 049049 107200	
	- 1	MODREF333291	MARKING INSTL-DECORATIVE EXT (ENGINE FAN COWL ONLY) MODULE NUMBER: 414A4116-2 REV A FOR OTHER SYS DETAILS SEE: 11-21-18-05	041041	1
	- 1	MODREF376283	MARKING INSTL-DECORATIVE EXT (ENGINE FAN COWL ONLY) MODULE NUMBER: 414A4116-3 REV A FOR OTHER SYS DETAILS SEE: 11-21-18-05	047047	1
	- 1	MODREF412627	MARKING INSTL-DECORATIVE EXT (ENGINE FAN COWL ONLY) MODULE NUMBER: 414A4116-4 REV A FOR OTHER SYS DETAILS SEE: 11-21-18-05	049049	1
	- 1	MODREF413119	MARKING INSTL-DECORATIVE EXT MODULE NUMBER: 414A4116-5 REV A FOR OTHER SYS DETAILS SEE: 11-21-18-05	107200	1
	10	414A4801-1	.MARKING-ENG WARNING POSITION DATA: LH	041041 047047 049049 107200	2
	15	414A4801-2	.MARKING-ENG WARNING POSITION DATA: RH	041041 047047 049049 107200	2
	20	414A4801-3	.MARKING-NO PEOPLE	041041 047047 049049 107200	8
	25	BAC27XSTN968	.STENCIL- PLACARD CONTENT: WARNING: STAND CLEAR OF HAZARD AREAS WHILE ENGINE IS RUNNING	041041 047047 049049 107200	8

MISSING ITEM NUMBERS NOT APPLICABLE

- ITEM NOT ILLUSTRATED

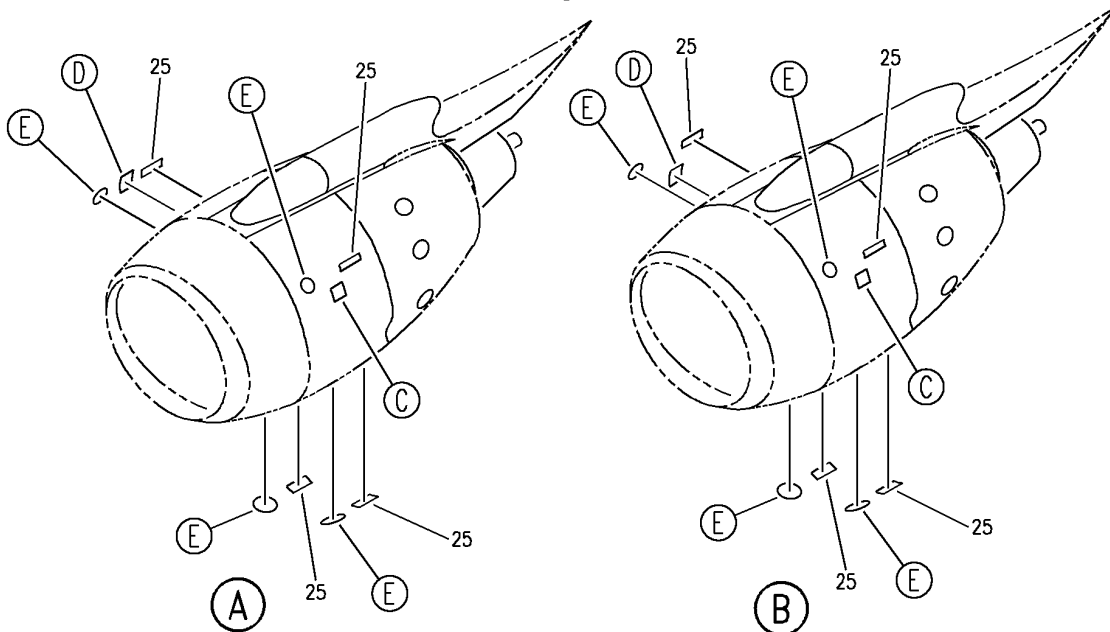
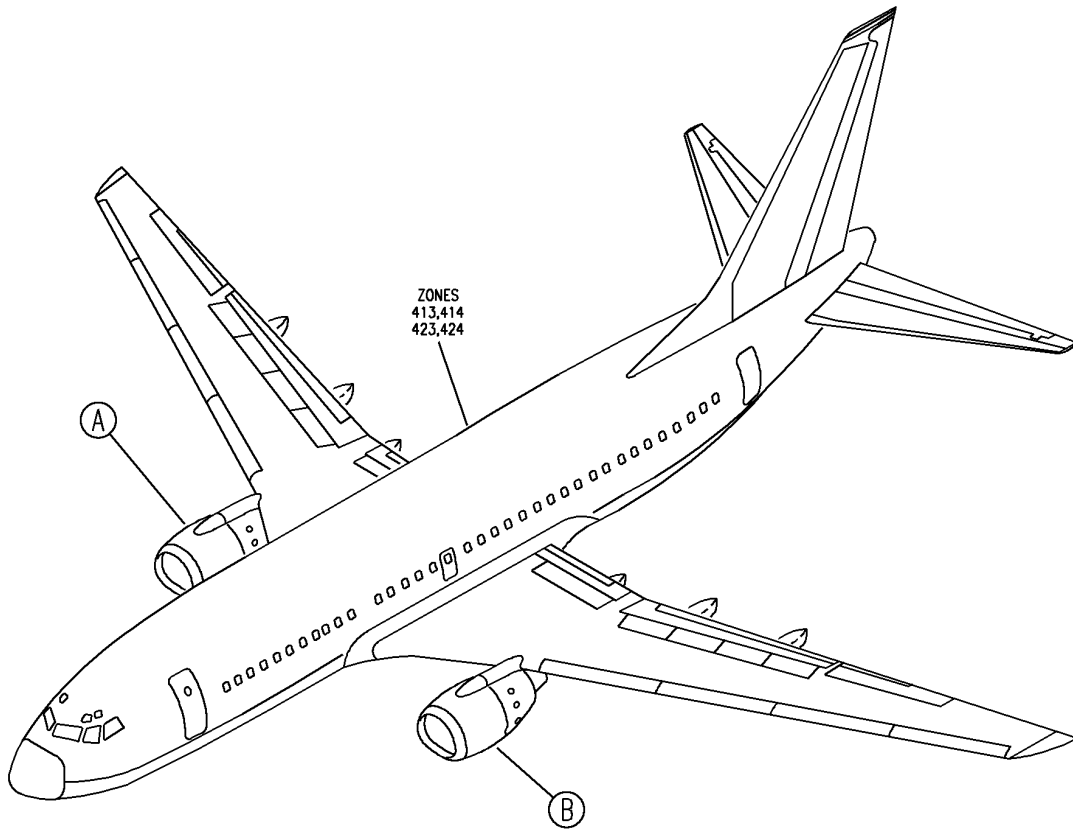
HAP

11-25-03-31D

BOEING PROPRIETARY - Copyright © - Unpublished Work - See title page for details.

11-25-03
FIG. 31D
PAGE 1
JUN 15/09

BOEING
 737-600/700/800/900
 PARTS CATALOG (MAINTENANCE)



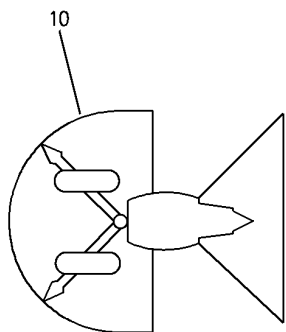
E 11250336B SHT 1 REV 130

MARKING INSTL-DECORATIVE EXT (ENGINE FAN COWL ONLY)
 FIGURE 36B (SHEET 1)

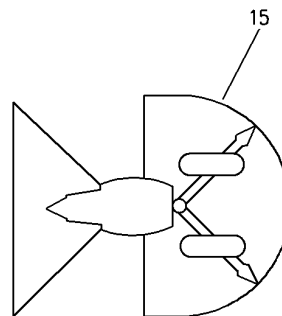
11-25-03-36B

HAP
 JUN 10/07

11-25-03-36B
 PAGE 0



(C)



(D)



(E)

E 11250336B SHT 2 REV 130

MARKING INSTL-DECORATIVE EXT (ENGINE FAN COWL ONLY)
FIGURE 36B (SHEET 2)

11-25-03-36B

HAP
JUN 10/07

11-25-03-36B
PAGE 0A

BOEING
737-600/700/800/900
PARTS CATALOG (MAINTENANCE)

FIG ITEM	PART NUMBER	1 2 3 4 5 6 7	NOMENCLATURE	EFFECT FROM TO	UNITS PER ASSY
36B			MARKING INSTL-DECORATIVE EXT (ENGINE FAN COWL ONLY)	101101 968969	
- 1	MODREF323884		MARKING INSTL-DECORATIVE EXT (ENGINE FAN COWL ONLY) MODULE NUMBER: 414A4226-1 REV A FOR OTHER SYS DETAILS SEE: 11-21-11-36 11-21-13-36	101101 968969	1
10	414A4801-1		.MARKING-ENG WARNING POSITION DATA: LH	101101 968969	2
15	414A4801-2		.MARKING-ENG WARNING POSITION DATA: RH	101101 968969	2
20	414A4801-3		.MARKING-NO PEOPLE	101101 968969	8
25	BAC27XSTN968		.STENCIL- PLACARD CONTENT: WARNING: STAND CLEAR OF HAZARD AREAS WHILE ENGINE IS RUNNING	101101 968969	8

MISSING ITEM NUMBERS NOT APPLICABLE

- ITEM NOT ILLUSTRATED

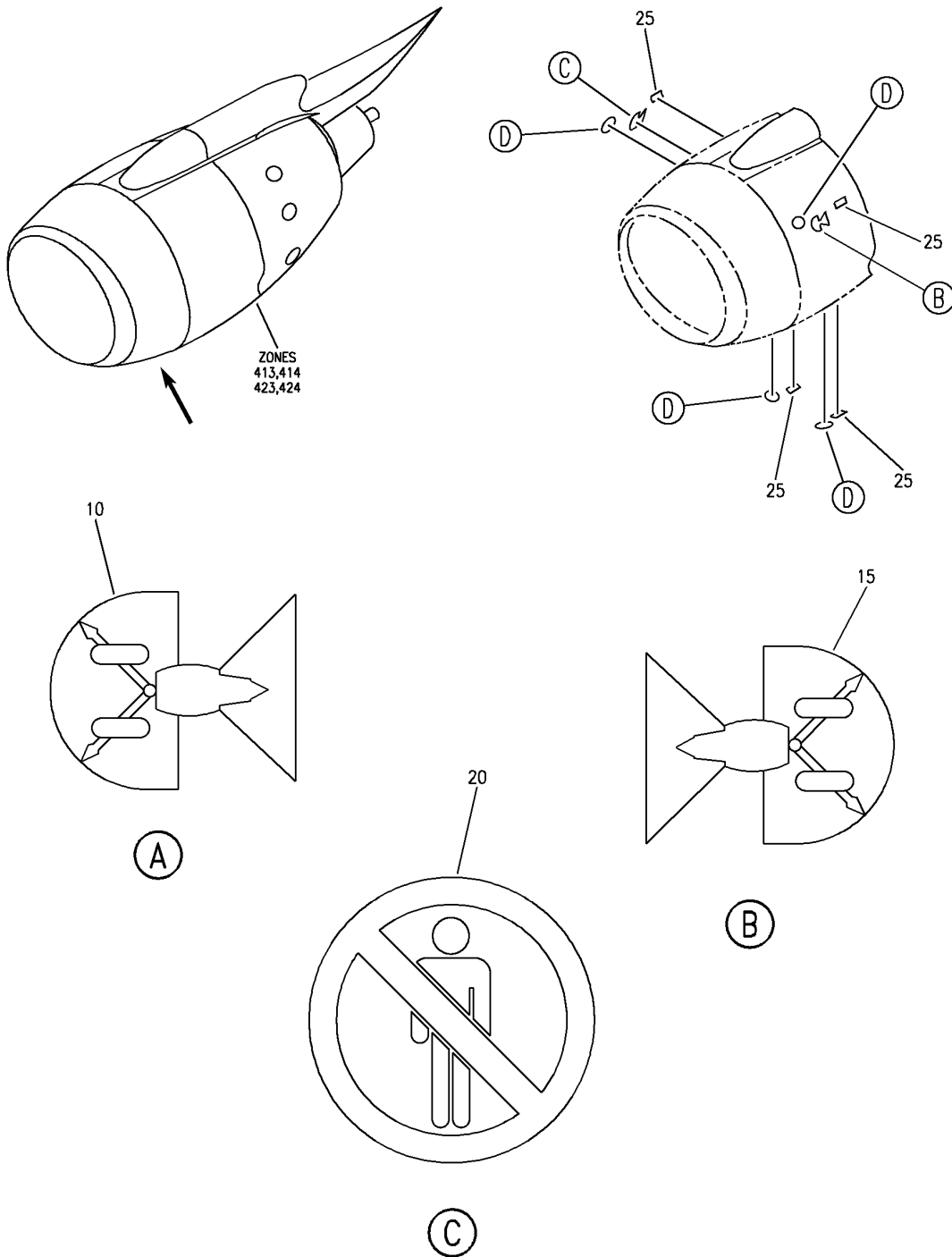
HAP

11-25-03-36B

BOEING PROPRIETARY - Copyright © - Unpublished Work - See title page for details.

11-25-03
FIG. 36B
PAGE 1
FEB 15/08

BOEING
 737-600/700/800/900
 PARTS CATALOG (MAINTENANCE)



E 11250337 REV 123

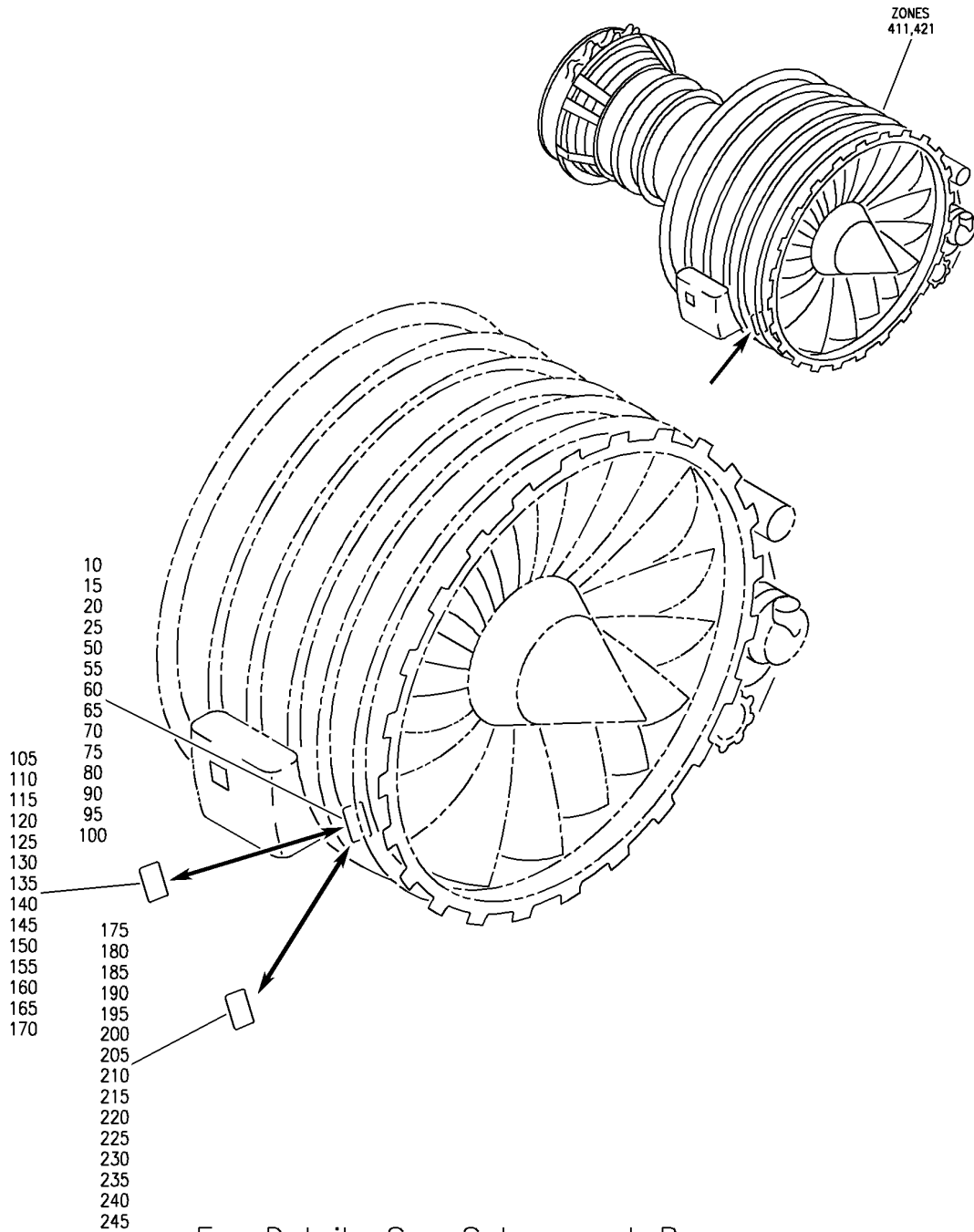
MARKING INSTL-DECORATIVE EXT (ENGINE FAN COWL ONLY)
 FIGURE 37

11-25-03-37

HAP
 JUN 10/07

11-25-03-37
 PAGE 0

BOEING
 737-600/700/800/900
 PARTS CATALOG (MAINTENANCE)



For Details See Subsequent Pages

E 11250373 SHT 1 REV 138

NAMEPLATE INSTL-OWNERSHIP (ENGINE FAN COWL ONLY)
 FIGURE 73 (SHEET 1)

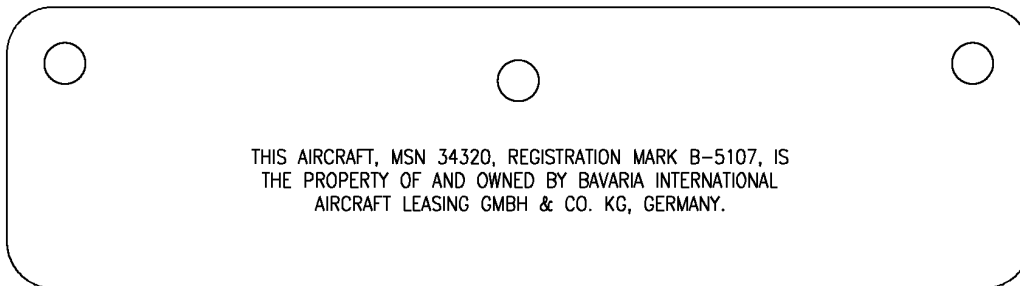
11-25-03-73

HAP
 FEB 15/08

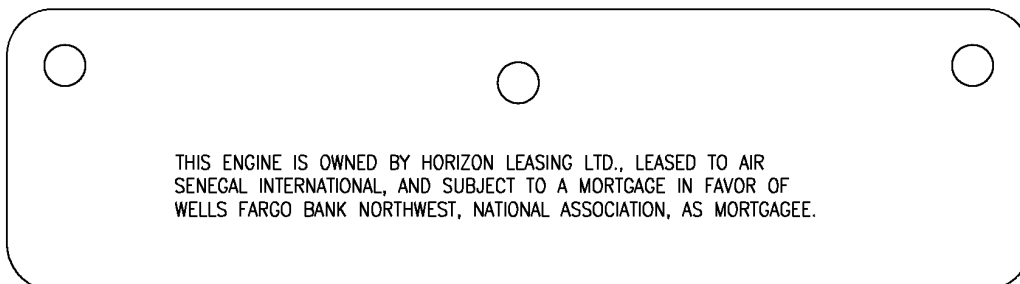
11-25-03-73
 PAGE 0

 **BOEING**
737-600/700/800/900
PARTS CATALOG (MAINTENANCE)

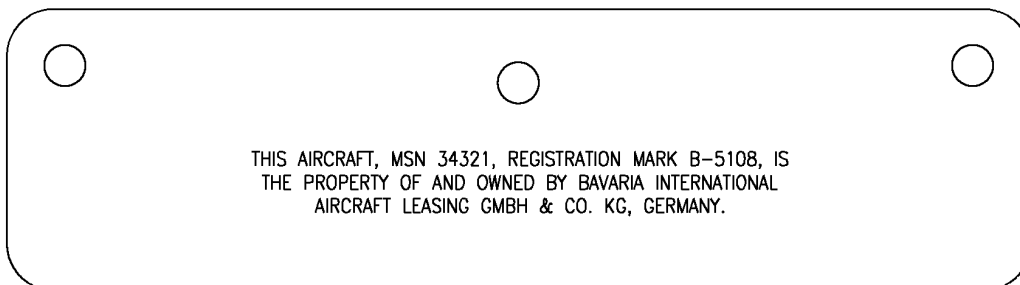
25



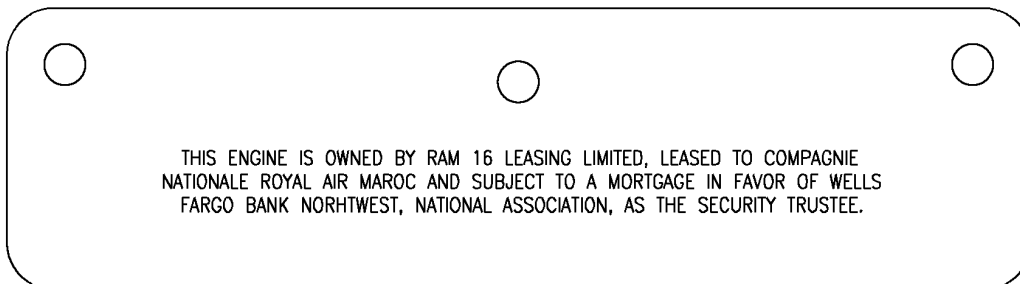
55



70



75



E 11250373 SH1 2 REV 118

NAMEPLATE INSTL-OWNERSHIP (ENGINE FAN COWL ONLY)
FIGURE 73 (SHEET 2)

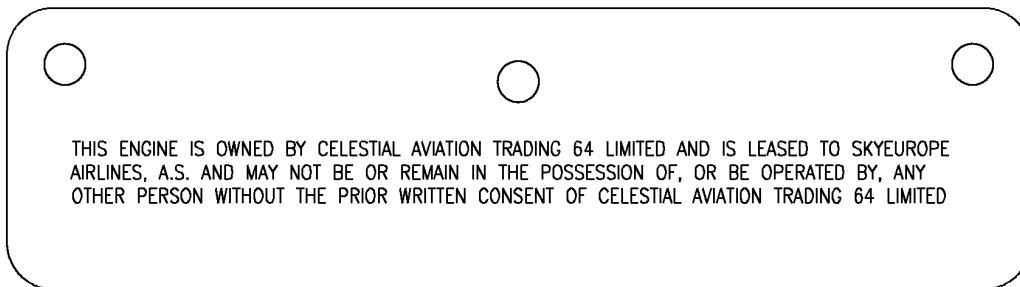
11-25-03-73

HAP
JUN 10/07

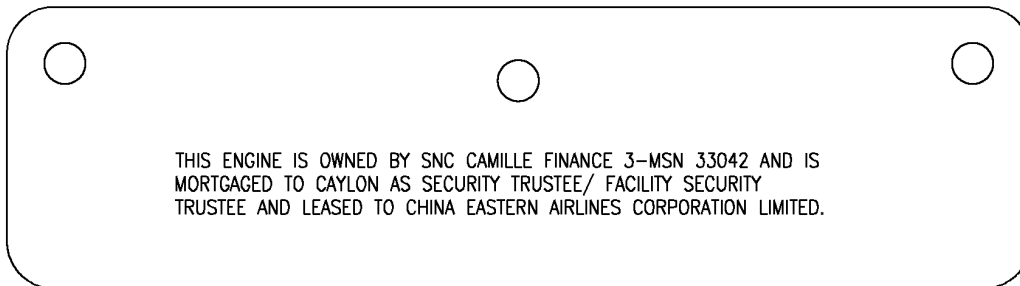
11-25-03-73
PAGE 0A

 **BOEING**
737-600/700/800/900
PARTS CATALOG (MAINTENANCE)

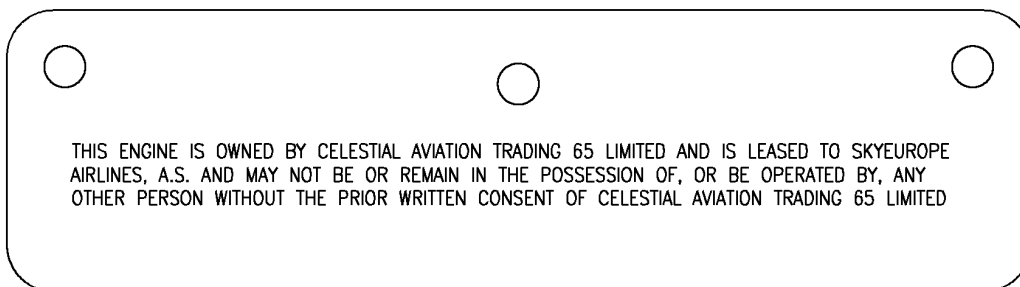
80



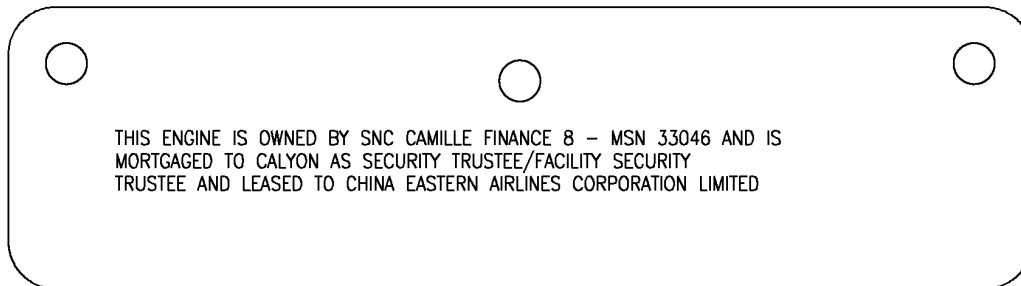
90



95



105



E 11250373 SH1 3 REV 137

NAMEPLATE INSTL-OWNERSHIP (ENGINE FAN COWL ONLY)
FIGURE 73 (SHEET 3)

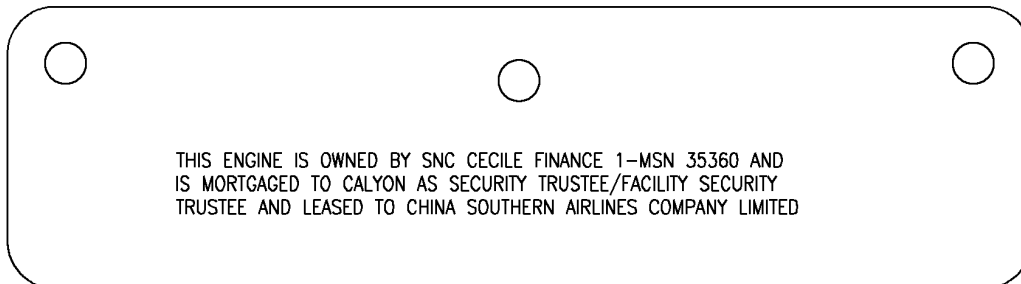
11-25-03-73

HAP
FEB 15/08

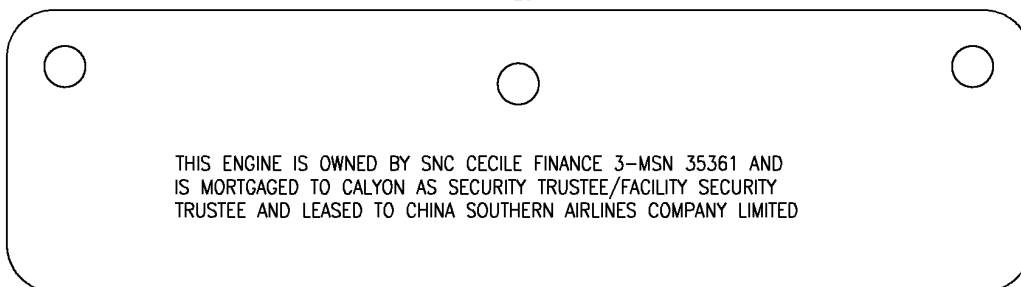
11-25-03-73
PAGE 0B

 **BOEING**
737-600/700/800/900
PARTS CATALOG (MAINTENANCE)

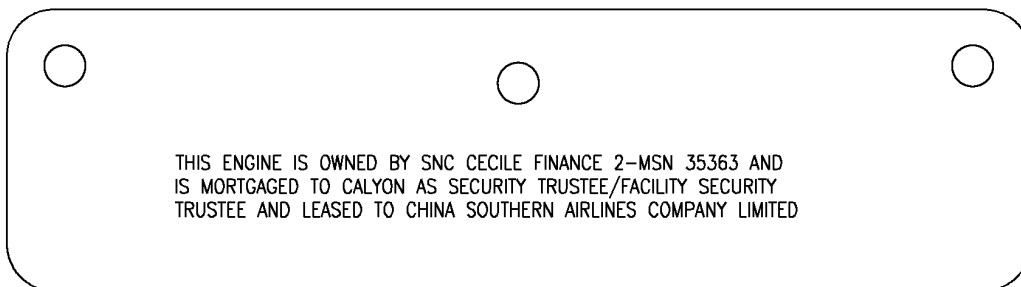
115



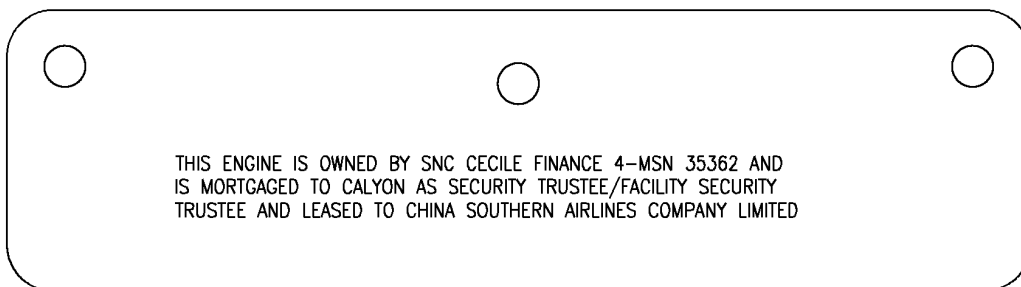
120



125



130



E 11250373 SH1 4 REV 137

NAMEPLATE INSTL-OWNERSHIP (ENGINE FAN COWL ONLY)
FIGURE 73 (SHEET 4)

11-25-03-73

HAP
FEB 15/08

11-25-03-73
PAGE 0C

 **BOEING**
737-600/700/800/900
PARTS CATALOG (MAINTENANCE)

135

THIS ENGINE IS OWNED BY YAMASA AIRCRAFT CZI KUMIAI AS LESSOR REPRESENTED BY ITS MANAGING PARTNER YAMASA CO., LTD. AND IS SUBJECT TO A FIRST PRIORITY MORTGAGE IN FAVOUR OF BNP PARIBAS (TOKYO BRANCH) (AS SECURITY AGENT)

140

THIS ENGINE IS OWNED BY CELESTIAL AVIATION TRADING 66 LIMITED AND IS LEASED TO SKYEUROPE AIRLINES, A.S. AND MAY NOT BE OR REMAIN IN THE POSSESSION OF, OR BE OPERATED BY, ANY OTHER PERSON WITHOUT THE PRIOR WRITTEN CONSENT OF CELESTIAL AVIATION TRADING 66 LIMITED

150

SUBJECT TO A SECURITY INTEREST IN FAVOR OF BNP PARIBAS S.A. (ACTING THROUGH ITS NEW YORK BRANCH), AS MORTGAGEE.

160

THIS ENGINE, MSN 894530, IS OWNED BY BAVARIA CAYMAN I LTD., SUBJECT TO A MORTGAGE IN FAVOR OF WELLS FARGO BANK NORTHWEST, N.A., SECURITY TRUSTEE, LEASED TO BAVARIA INTERNATIONAL AIRCRAFT LEASING GMBH & CO. KG, SUB-LEASED TO AND OPERATED BY STERLING AIRLINES A/S

E 11250373 SH1 5 REV 137

NAMEPLATE INSTL-OWNERSHIP (ENGINE FAN COWL ONLY)
FIGURE 73 (SHEET 5)

11-25-03-73

HAP
FEB 15/08

11-25-03-73
PAGE 00

 **BOEING**
737-600/700/800/900
PARTS CATALOG (MAINTENANCE)

165

THIS ENGINE, MSN 895577, IS OWNED BY BAVARIA CAYMAN I LTD., SUBJECT TO A MORTGAGE IN FAVOR OF WELLS FARGO BANK NORTHWEST, N.A., SECURITY TRUSTEE, LEASED TO BAVARIA INTERNATIONAL AIRCRAFT LEASING GMBH & CO. KG, SUB-LEASED TO AND OPERATED BY STERLING AIRLINES A/S

170

THIS ENGINE IS OWNED BY NBB URUMQI LEASE CO., LTD. AS LESSOR AND IS SUBJECT TO A FIRST PRIORITY MORTGAGE IN FAVOR OF DBS BANK LTD (AS SECURITY TRUSTEE)

175

THIS ENGINE, MSN 894642 IS OWNED BY BAVARIA CAYMAN 1 LTD., SUBJECT TO A MORTGAGE IN FAVOR OF WELLS FARGO BANK NORTHWEST, N.A., SECURITY TRUSTEE, LEASED TO BAVARIA INTERNATIONAL AIRCRAFT LEASING GMBH & CO. KG, SUB-LEASED TO AND OPERATED BY STERLING AIRLINES A/S

185

THIS ENGINE IS OWNED BY WELLS FARGO BANK NORTHWEST, NATIONAL ASSOCIATION, AS MORTGAGEE

E 11250373 SH1 6 REV 138

NAMEPLATE INSTL-OWNERSHIP (ENGINE FAN COWL ONLY)
FIGURE 73 (SHEET 6)

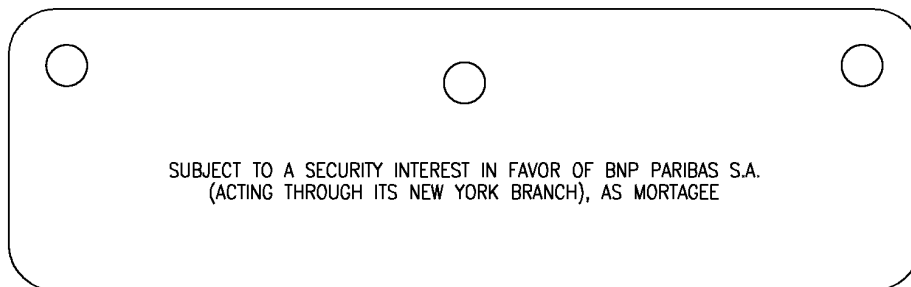
11-25-03-73

HAP
FEB 15/08

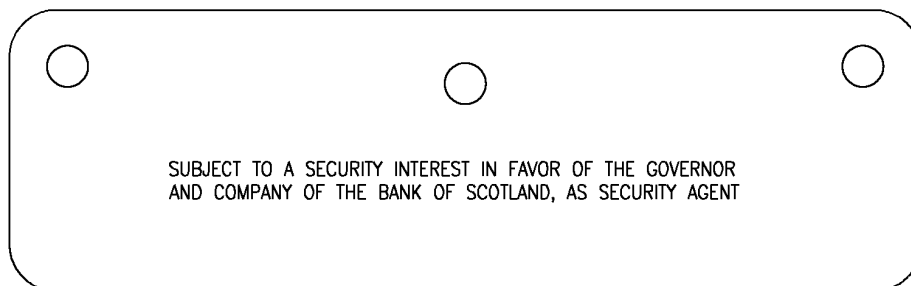
11-25-03-73
PAGE 0E

 **BOEING**
737-600/700/800/900
PARTS CATALOG (MAINTENANCE)

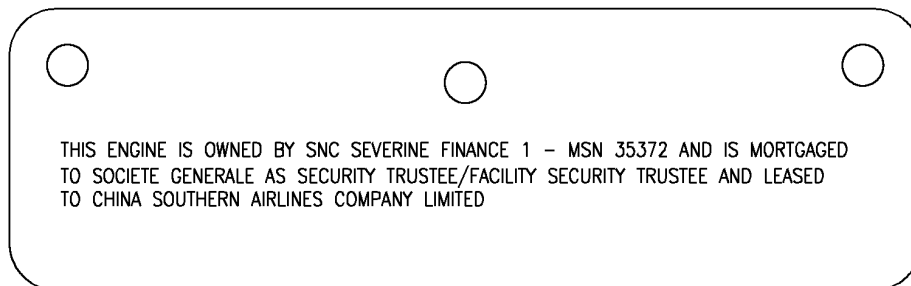
190



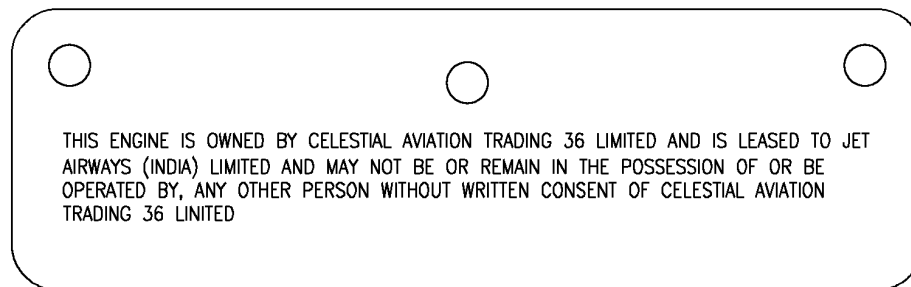
195



200



205



E 11250373 SH7 7 REV 137

NAMEPLATE INSTL-OWNERSHIP (ENGINE FAN COWL ONLY)
FIGURE 73 (SHEET 7)

11-25-03-73

HAP
FEB 15/08

11-25-03-73
PAGE OF

 **BOEING**
737-600/700/800/900
PARTS CATALOG (MAINTENANCE)

210

THIS ENGINE IS OWNED BY SNC SEVERINE FINANCE 3 MSN 3537B AND IS MORTGAGED TO SOCIETE GENERALE AS SECURITY TRUSTEE/FACILITY SECURITY TRUSTEE AND LEASED TO CHINA SOUTHERN AIRLINES COMPANY LIMITED

215

THIS ENGINE IS OWNED BY SNC VALENTINE FINANCE 7 - MSN 36269 AND IS SUBJECT TO A FIRST PRIORITY MORTGAGE IN FAVOUR OF SOCIETE GENERALE AS SECURITY TRUSTEE FOR ITSELF AND CERTAIN OTHER PARTIES AND A SECOND PRIORITY MORTGAGE IN FAVOUR OF CAYLON AS FACILITY SECURITY TRUSTEE FOR ITSELF AND CERTAIN OTHER PARTIES AND LEASE TO CHINA EASTERN AIRLINES CORPORATION LIMITED.

220

THIS ENGINE IS OWNED BY SKYEUROPE ASSET MANAGEMENT (IRELAND) AND IS SUBJECT TO MORTGAGES IN FAVOUR OF THE GOVERNOR AND COMPANY OF THE BANK OF SCOTLAND AS SECURITY TRUSTEE.

225

THIS ENGINE IS OWNED BY SKYEUROPE ASSET MANAGEMENT (IRELAND) AND IS SUBJECT TO MORTGAGES IN FAVOUR OF THE GOVERNOR AND COMPANY OF THE BANK OF SCOTLAND AS SECURITY TRUSTEE

E 11250373 SH1 8 REV 137

NAMEPLATE INSTL-OWNERSHIP (ENGINE FAN COWL ONLY)
FIGURE 73 (SHEET 8)

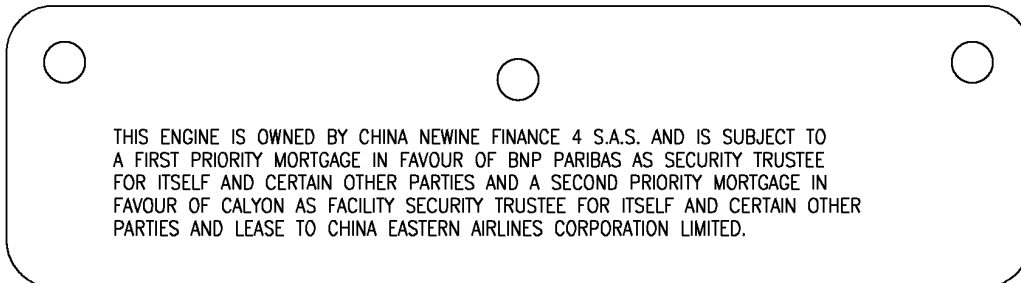
11-25-03-73

HAP
FEB 15/08

11-25-03-73
PAGE 0G

 **BOEING**
737-600/700/800/900
PARTS CATALOG (MAINTENANCE)

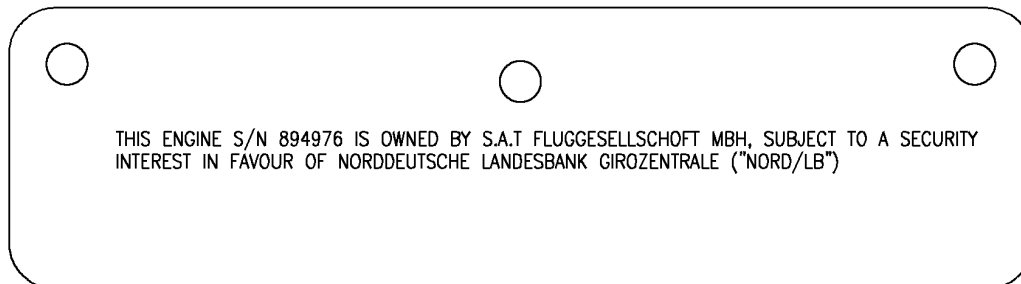
230



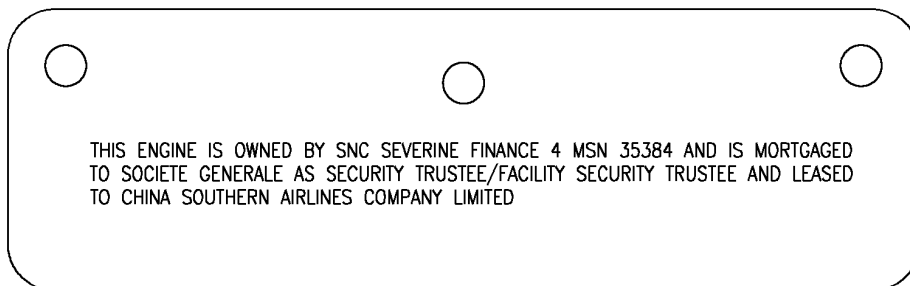
235



240



245



E 11250373 SH1 9 REV 138

NAMEPLATE INSTL-OWNERSHIP (ENGINE FAN COWL ONLY)
FIGURE 73 (SHEET 9)

11-25-03-73

HAP
FEB 15/08

11-25-03-73
PAGE 0H

BOEING
737-600/700/800/900
PARTS CATALOG (MAINTENANCE)

FIG ITEM	PART NUMBER	1 2 3 4 5 6 7	NOMENCLATURE	EFFECT FROM TO	UNITS PER ASSY
73			NAMEPLATE INSTL-OWNERSHIP (ENGINE FAN COWL ONLY)	968971	
- 2	MODREF331988		NAMEPLATE INSTL-OWNERSHIP (ENGINE FAN COWL ONLY) MODULE NUMBER: 414A5203-521 REV A FOR OTHER SYS DETAILS SEE: 11-21-20-73 11-32-02-73 11-32-51-73A	968968	1
- 2	MODREF335518		NAMEPLATE INSTL-OWNERSHIP (ENGINE FAN COWL ONLY) MODULE NUMBER: 414A5203-540 REV A FOR OTHER SYS DETAILS SEE: 11-21-20-73 11-32-02-73 11-32-51-73A	969969	1
- 3	MODREF343596		NAMEPLATE INSTL-OWNERSHIP (ENGINE FAN COWL ONLY) MODULE NUMBER: 414A5203-588 REV A FOR OTHER SYS DETAILS SEE: 11-21-20-73 11-32-02-73 11-32-51-73A	970971	1
145	BAC29PPS48688		.PLACARD- PLACARD CONTENT: THIS ENGINE IS OWNED BY INTERNATIONAL LEASE FINANCE CORPORATION, LOS ANGELES, CALIFORNIA, USA ATTACHING PARTS	968971	2
- 300	BACB30ZF4-10		.BOLT	968971	4
- 305	NAS1149C0432R		.WASHER	968971	4
- 310	AS3485-10		.NUT	968971	4
			-----*-----		

MISSING ITEM NUMBERS NOT APPLICABLE

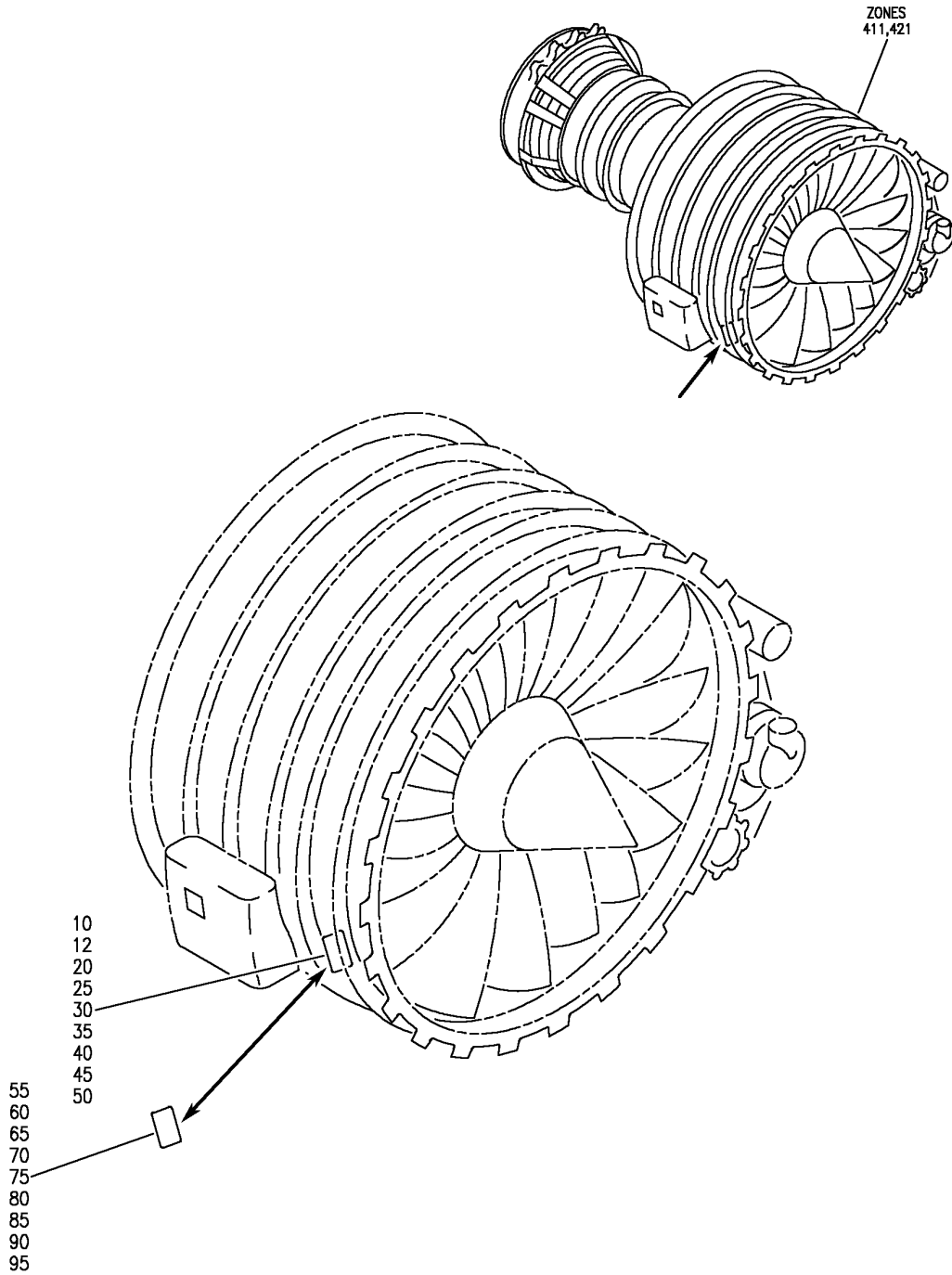
- ITEM NOT ILLUSTRATED

HAP

11-25-03-73

11-25-03
FIG. 73
PAGE 1
FEB 15/08

BOEING
 737-600/700/800/900
 PARTS CATALOG (MAINTENANCE)



For Details See Subsequent Pages

E 11250373A SHT 1 REV 155

NAMEPLATE INSTL-OWNERSHIP (ENGINE FAN COWL ONLY)
 FIGURE 73A

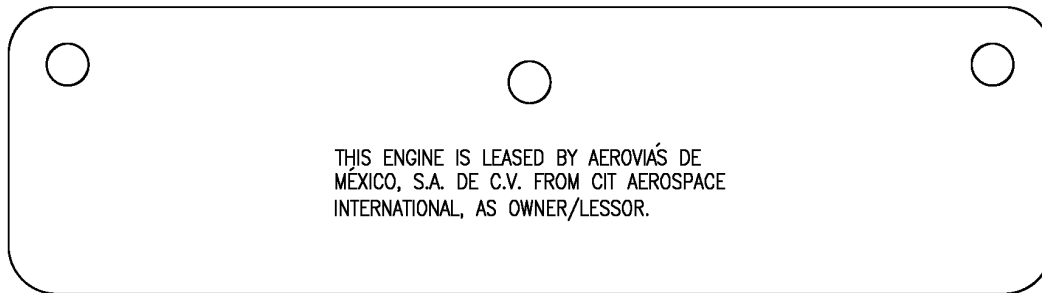
11-25-03-73A

HAP
 JUN 15/09

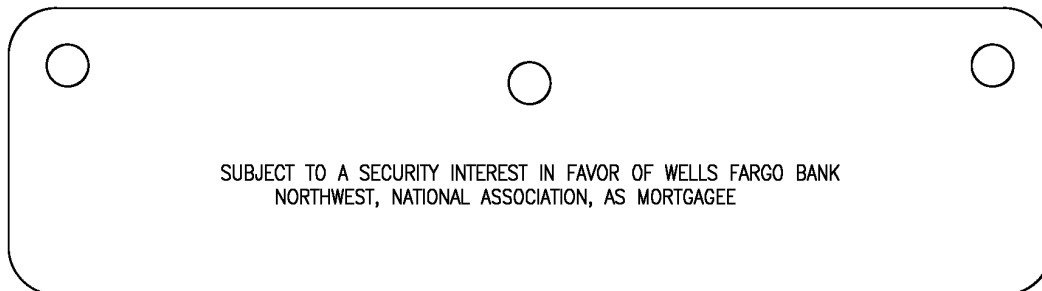
11-25-03-73A
 PAGE 0

BOEING
737-600/700/800/900
PARTS CATALOG (MAINTENANCE)

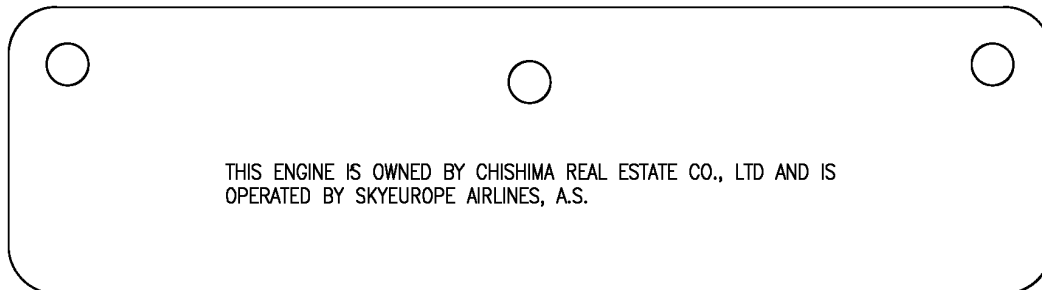
10



15



20



25



E 11250373A SHIT 2 REV 145

NAMEPLATE INSTL-OWNERSHIP (ENGINE FAN COWL ONLY)
FIGURE 73A

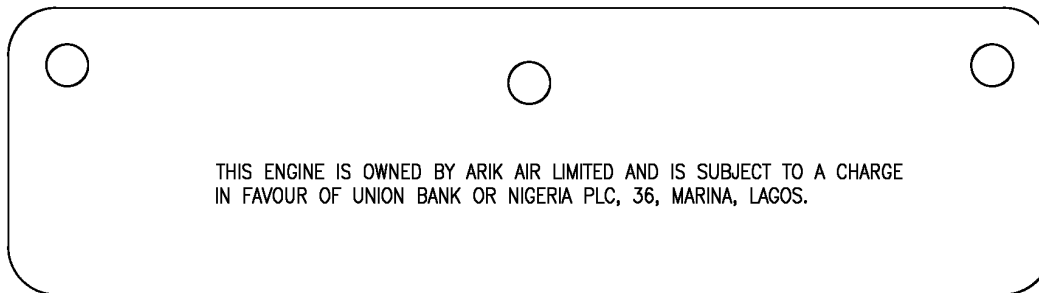
11-25-03-73A

HAP
OCT 15/08

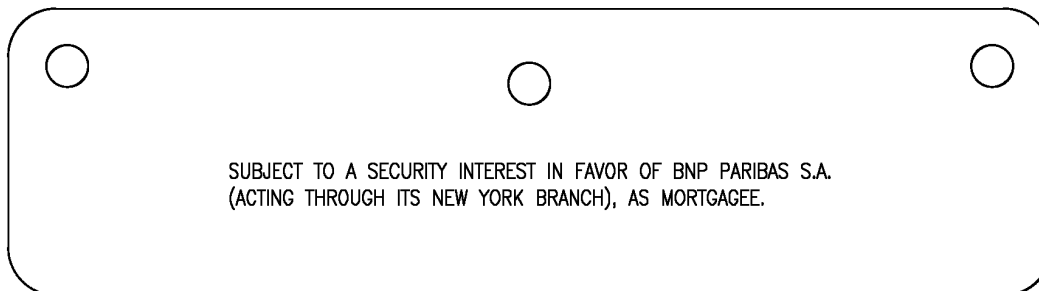
11-25-03-73A
PAGE 0A

 **BOEING**
737-600/700/800/900
PARTS CATALOG (MAINTENANCE)

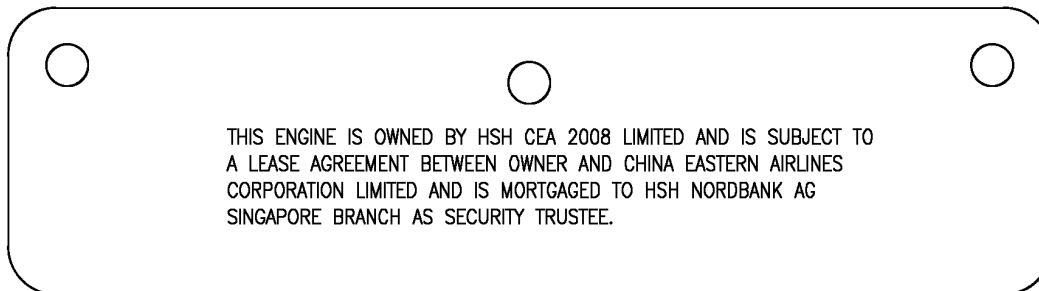
30



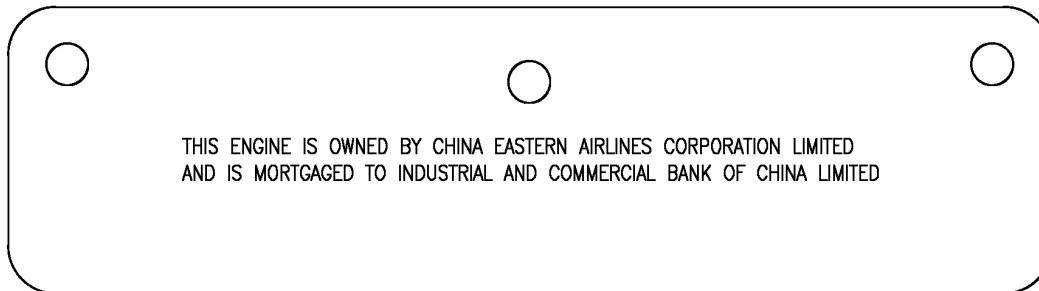
35



40



95



E 11250373A SHIT 3 REV 155

NAMEPLATE INSTL-OWNERSHIP (ENGINE FAN COWL ONLY)
FIGURE 73A

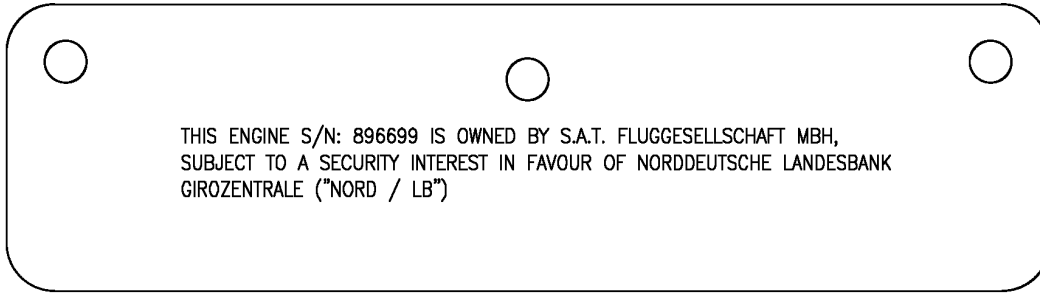
11-25-03-73A

HAP
JUN 15/09

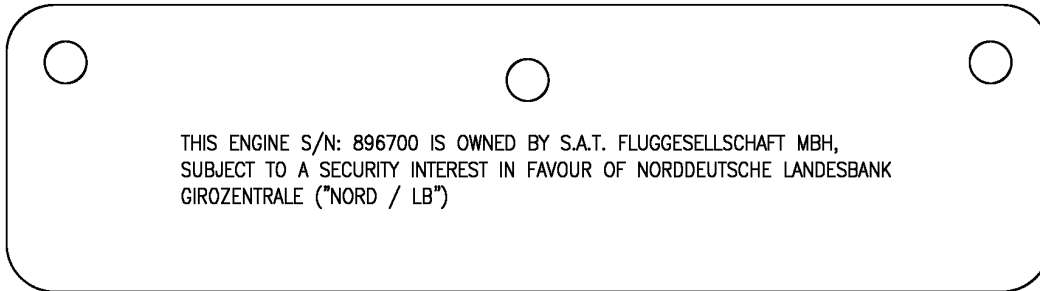
11-25-03-73A
PAGE 0B

 **BOEING**
737-600/700/800/900
PARTS CATALOG (MAINTENANCE)

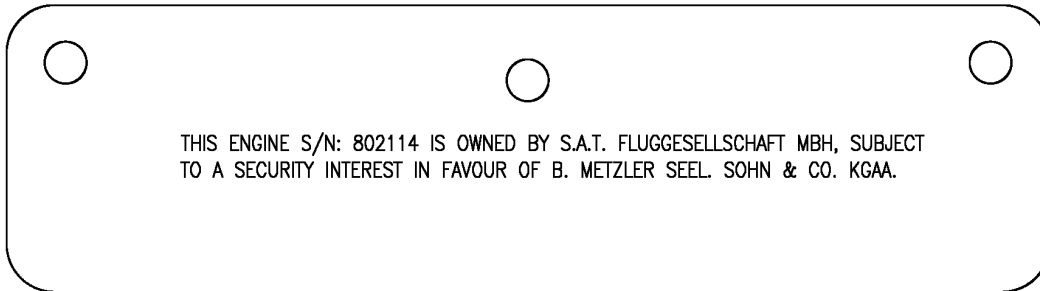
45



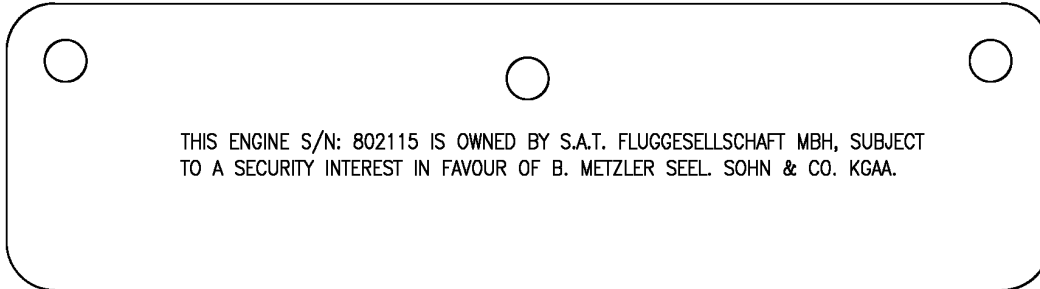
50



80



85



E 11250373A SH1 4 REV 154

NAMEPLATE INSTL-OWNERSHIP (ENGINE FAN COWL ONLY)
FIGURE 73A

11-25-03-73A

HAP
JUN 15/09

11-25-03-73A
PAGE 0C

 **BOEING**
737-600/700/800/900
PARTS CATALOG (MAINTENANCE)

55



THIS ENGINE S/N 896775 IS OWNED BY RBS AEROSPACE LIMITED AND IS LEASED TO AIR BERLIN PLC & CO. LUFTVERKEHRS KG AND MAY NOT BE OR REMAIN IN THE POSSESSION OF, OR OPERATED BY, ANY OTHER PERSON WITHOUT THE PRIOR WRITTEN CONSENT OF RBS AEROSPACE LIMITED

60



THIS ENGINE S/N 896777 IS OWNED BY RBS AEROSPACE LIMITED AND IS LEASED TO AIR BERLIN PLC & CO. LUFTVERKEHRS KG AND MAY NOT BE OR REMAIN IN THE POSSESSION OF, OR OPERATED BY, ANY OTHER PERSON WITHOUT THE PRIOR WRITTEN CONSENT OF RBS AEROSPACE LIMITED

65



THIS ENGINE S/N 896970 IS OWNED BY RBS AEROSPACE LIMITED AND IS LEASED TO AIR BERLIN PLC & CO. LUFTVERKEHRS KG AND MAY NOT BE OR REMAIN IN THE POSSESSION OF, OR OPERATED BY, ANY OTHER PERSON WITHOUT THE PRIOR WRITTEN CONSENT OF RBS AEROSPACE LIMITED

70



THIS ENGINE S/N 896971 IS OWNED BY RBS AEROSPACE LIMITED AND IS LEASED TO AIR BERLIN PLC & CO. LUFTVERKEHRS KG AND MAY NOT BE OR REMAIN IN THE POSSESSION OF, OR OPERATED BY, ANY OTHER PERSON WITHOUT THE PRIOR WRITTEN CONSENT OF RBS AEROSPACE LIMITED

E 11250373A SHT 5 REV 152

NAMEPLATE INSTL-OWNERSHIP (ENGINE FAN COWL ONLY)
FIGURE 73A

11-25-03-73A

HAP
JUN 15/09

11-25-03-73A
PAGE 0D

BOEING
737-600/700/800/900
PARTS CATALOG (MAINTENANCE)

FIG ITEM	PART NUMBER	1 2 3 4 5 6 7	NOMENCLATURE	EFFECT FROM TO	UNITS PER ASSY
73A			NAMEPLATE INSTL-OWNERSHIP (ENGINE FAN COWL ONLY)	972999	
- 1	MODREF380237		NAMEPLATE INSTL-OWNERSHIP (ENGINE FAN COWL ONLY) MODULE NUMBER: 414A5203-768 REV A FOR OTHER SYS DETAILS SEE: 11-21-20-73 11-32-02-73A 11-32-51-73B	972972	1
- 1	MODREF384622		NAMEPLATE INSTL-OWNERSHIP (ENGINE FAN COWL ONLY) MODULE NUMBER: 414A5203-782 REV B FOR OTHER SYS DETAILS SEE: 11-21-20-73 11-32-02-73A 11-32-51-73B	973999	1
25	BAC29PPS48688		.PLACARD ATTACHING PARTS	972999	2
- 300	BACB30ZF4-10		.BOLT	972999	4
- 305	NAS1149C0432R		.WASHER	972999	4
- 310	AS3485-10		.NUT -----*-----	972999	4

MISSING ITEM NUMBERS NOT APPLICABLE

- ITEM NOT ILLUSTRATED

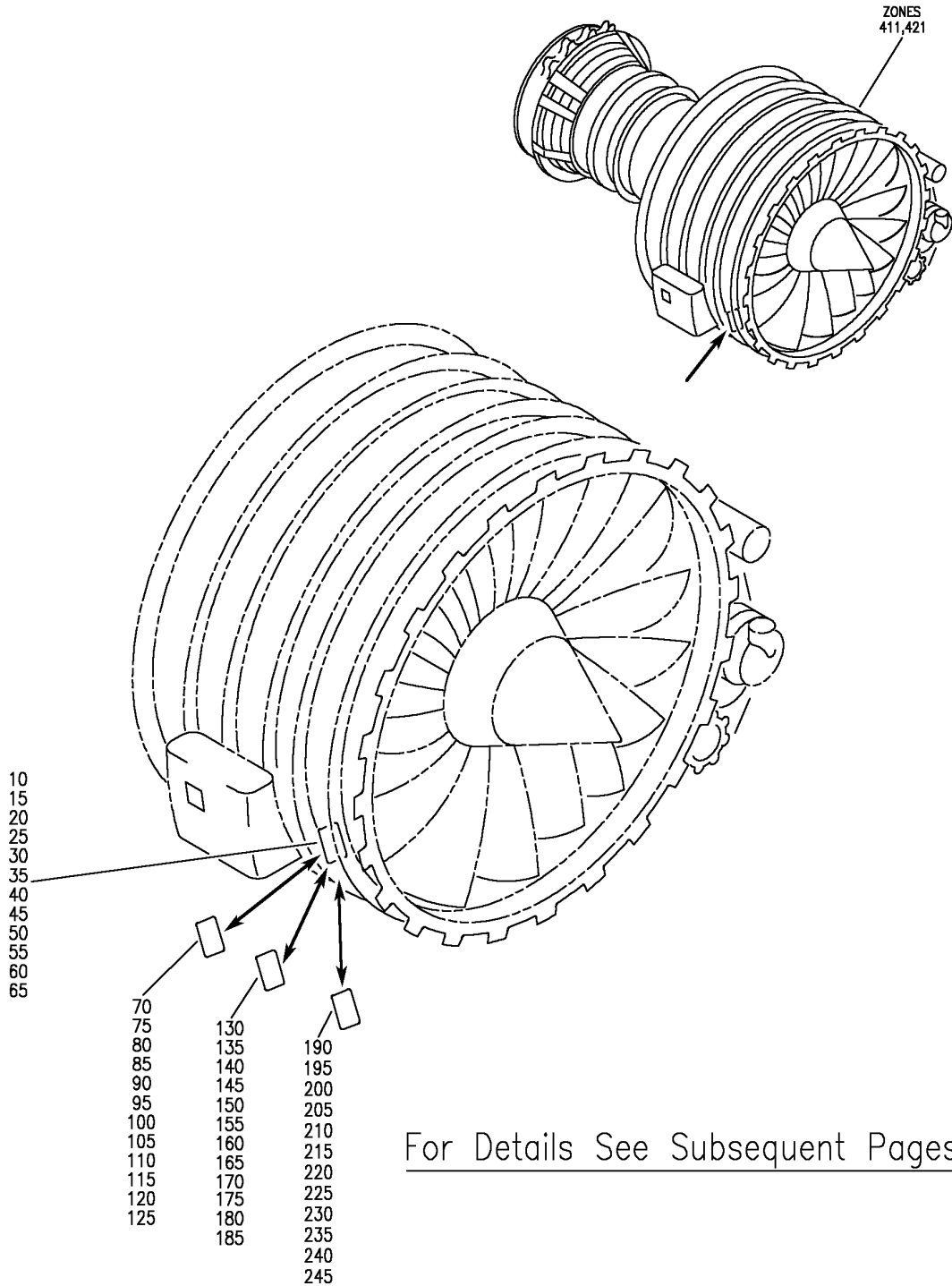
HAP

11-25-03-73A

BOEING PROPRIETARY - Copyright © - Unpublished Work - See title page for details.

11-25-03
FIG. 73A
PAGE 1
OCT 15/08

BOEING
 737-600/700/800/900
 PARTS CATALOG (MAINTENANCE)



E 11250385C SHT 1 REV 141

NAMEPLATE INSTL-OWNERSHIP (ENGINE FAN COWL ONLY)
 FIGURE 85C (SHEET 1)

11-25-03-85C

HAP
 JUN 15/08

11-25-03-85C
 PAGE 0

 **BOEING**
737-600/700/800/900
PARTS CATALOG (MAINTENANCE)

10

THIS ENGINE IS OWNED BY CELESTIAL AVIATION TRADING 71 LIMITED AND IS LEASED TO SPICEJET LIMITED AND MAY NOT BE OR REMAIN IN THE POSSESSION OF, OR BE OPERATED BY, ANY OTHER PERSON WITHOUT THE PRIOR WRITTEN CONSENT OF CELESTIAL AVIATION TRADING 71 UNITED

20

THIS ENGINE IS OWNED BY SFL-4 LIMITED, MORTGAGED TO CHINA DEVELOPMENT BANK AS SECURITY TRUSTEE FOR ITSELF AND OTHER BANKS AND LEASED TO CHINA SOUTHERN AIRLINES COMPANY LIMITED.

25

THIS ENGINE IS OWNED BY NBB FRANKFURT LEASE CO., LTD AND IS LEASED TO TUI AG AND IS SUBJECT TO AN AIRCRAFT PLEDGE AND AN AIRCRAFT MORTGAGE IN FAVOUR OF NATIXIS AS SECURITY AGENT FOR AND BEHALF OF CERTAIN BANKS AND FINANCIAL INSTITUTIONS.

30

THIS ENGINE IS (ESN 894-759) IS OWNED BY HFLP FINANCE V LIMITED, SUBJECT TO A CONDITION SALE AGREEMENT TO WESTJET, AND IS SUBJECT TO A MORTGAGE IN FAVOR OF WELLS FARGO BANK NORTHWEST, NATIONAL ASSOCIATION, AS SECURITY TRUSTEE ACTING ON BEHALF OF CERTAIN SECURED PARTIES.

E 11250385C SHT 2 REV 134

NAMEPLATE INSTL-OWNERSHIP (ENGINE FAN COWL ONLY)
FIGURE 85C (SHEET 2)

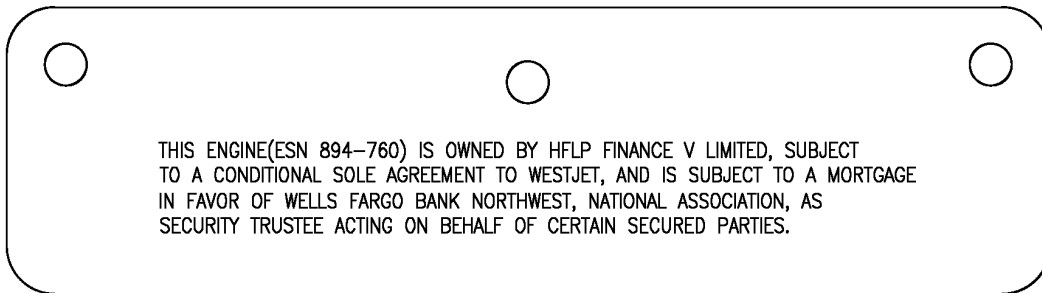
11-25-03-85C

HAP
OCT 10/07

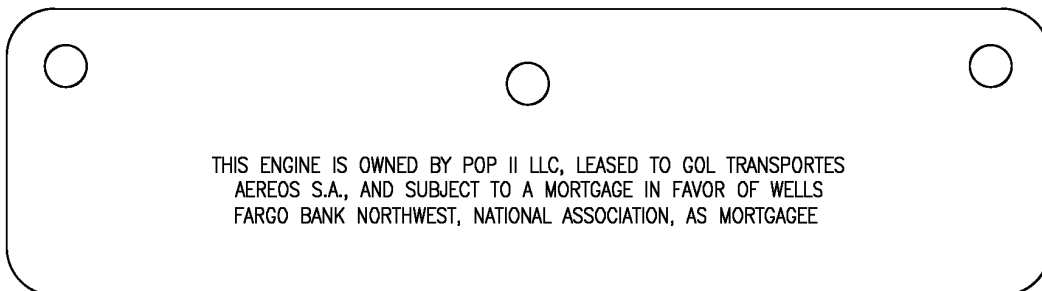
11-25-03-85C
PAGE 0A

 **BOEING**
737-600/700/800/900
PARTS CATALOG (MAINTENANCE)

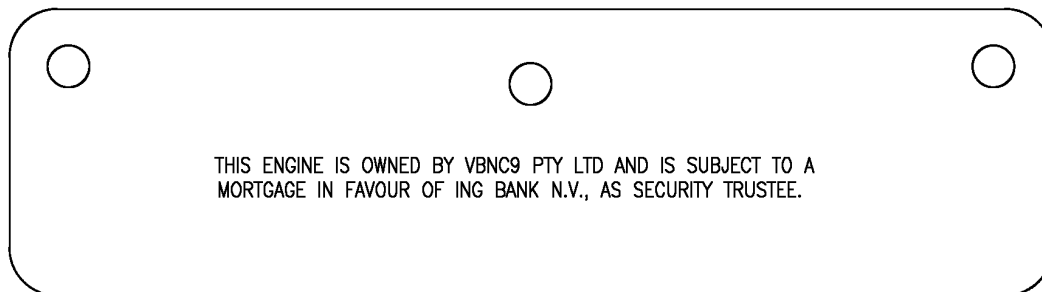
35



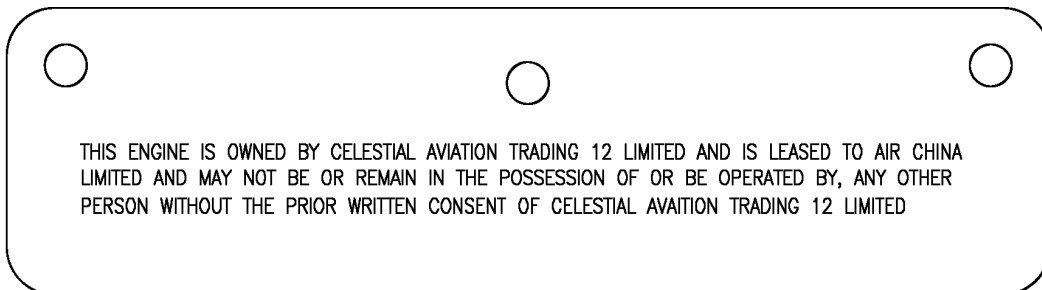
45



55



65



E 11250385C SHT 3 REV 136

NAMEPLATE INSTL-OWNERSHIP (ENGINE FAN COWL ONLY)
FIGURE 85C (SHEET 3)

11-25-03-85C

HAP
FEB 15/08

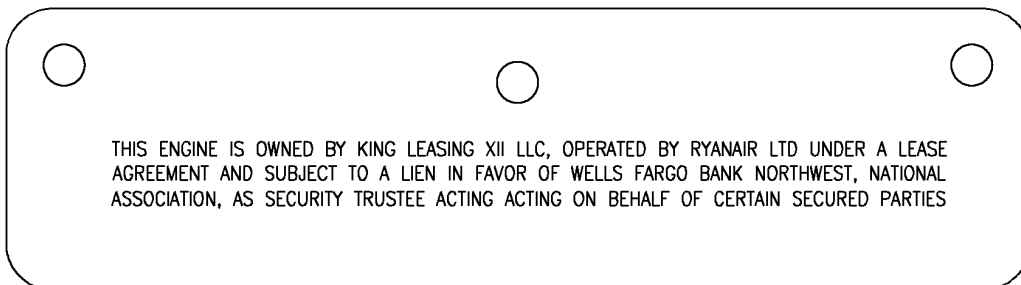
11-25-03-85C
PAGE 0B

 **BOEING**
737-600/700/800/900
PARTS CATALOG (MAINTENANCE)

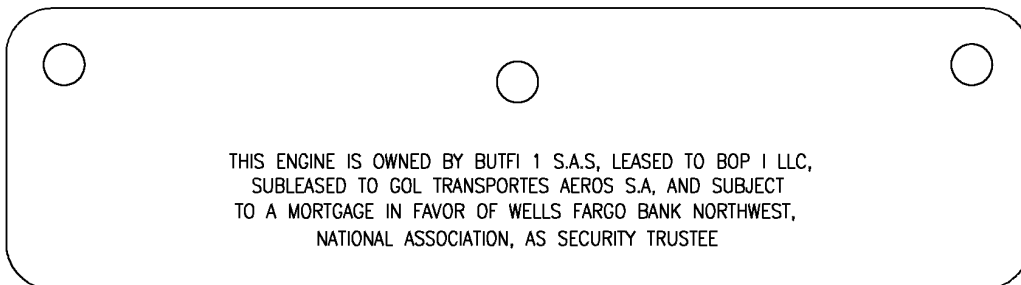
70



75



80



E 11250385C SHT 4 REV 135

NAMEPLATE INSTL-OWNERSHIP (ENGINE FAN COWL ONLY)
FIGURE 85C (SHEET 4)

11-25-03-85C

HAP
OCT 10/07

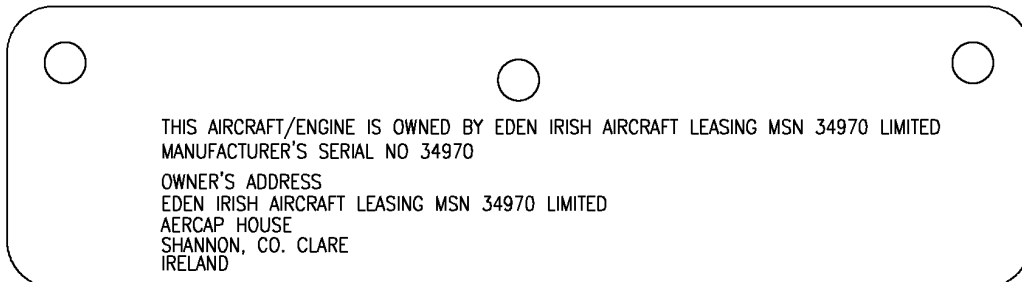
11-25-03-85C
PAGE 0C

BOEING
737-600/700/800/900
PARTS CATALOG (MAINTENANCE)

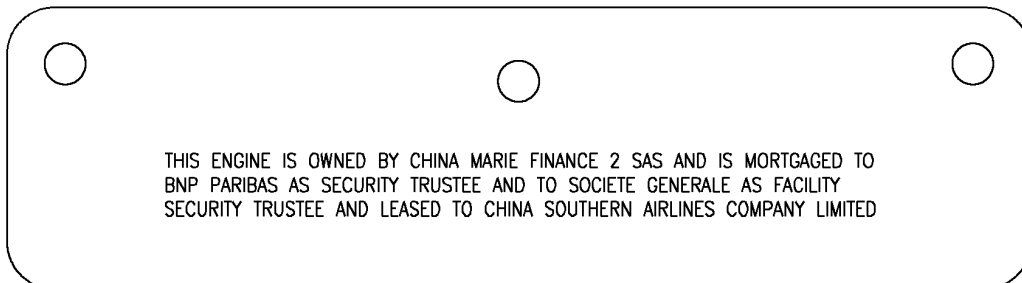
85



90



100



E 11250385C SHT 5 REV 137

NAMEPLATE INSTL-OWNERSHIP (ENGINE FAN COWL ONLY)
FIGURE 85C (SHEET 5)

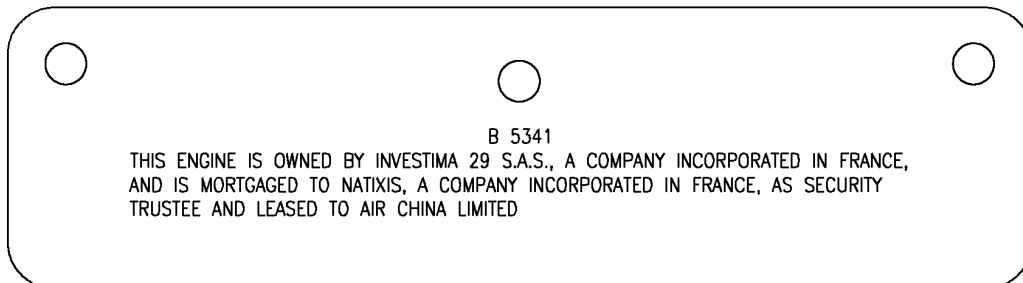
11-25-03-85C

HAP
FEB 15/08

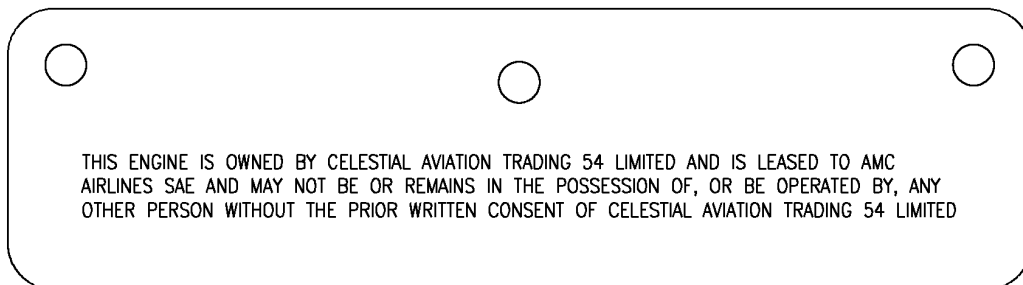
11-25-03-85C
PAGE 0D

 **BOEING**
737-600/700/800/900
PARTS CATALOG (MAINTENANCE)

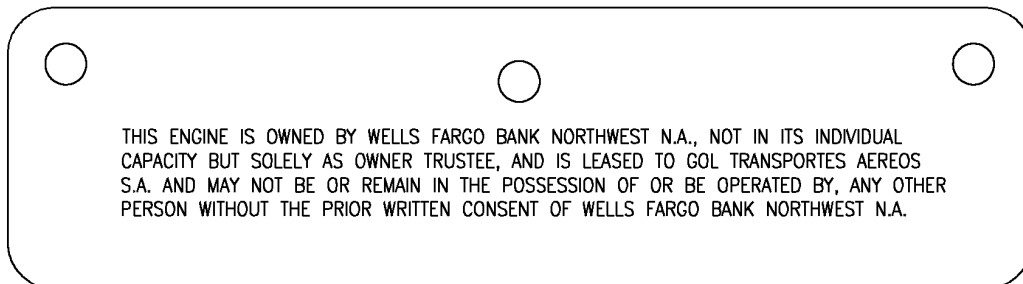
105



110



115



E 11250385C SHT 6 REV 137

NAMEPLATE INSTL-OWNERSHIP (ENGINE FAN COWL ONLY)
FIGURE 85C (SHEET 6)

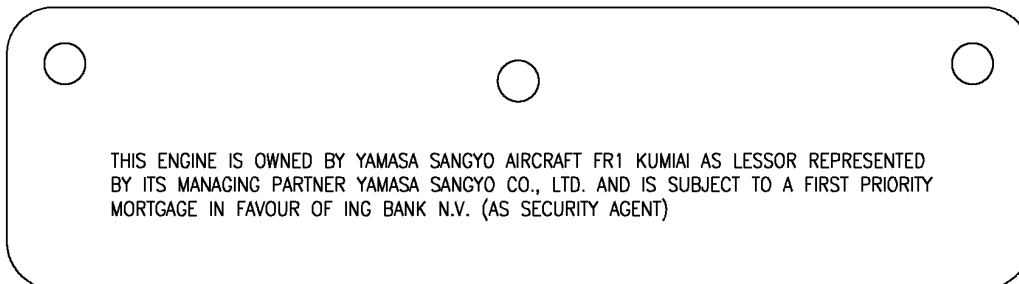
11-25-03-85C

HAP
FEB 15/08

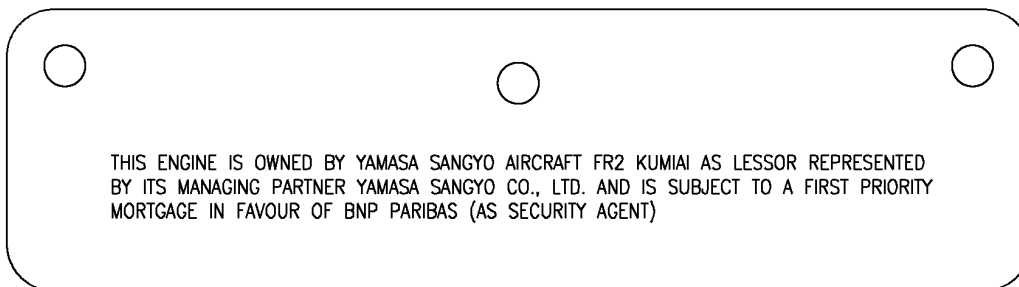
11-25-03-85C
PAGE 0E

 **BOEING**
737-600/700/800/900
PARTS CATALOG (MAINTENANCE)

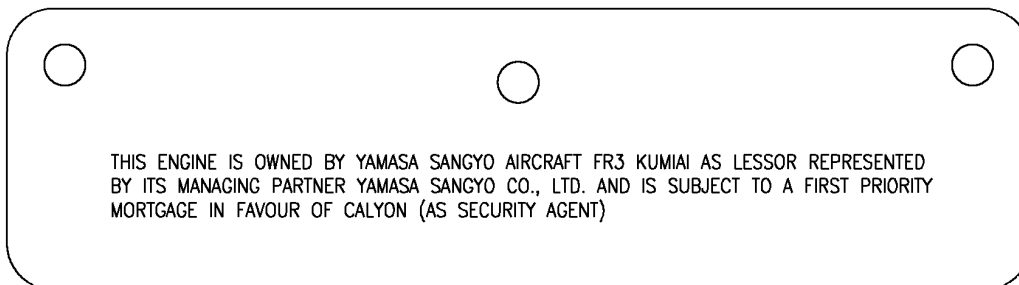
120



125



135



E 11250385C SHT 7 REV 137

NAMEPLATE INSTL-OWNERSHIP (ENGINE FAN COWL ONLY)
FIGURE 85C (SHEET 7)

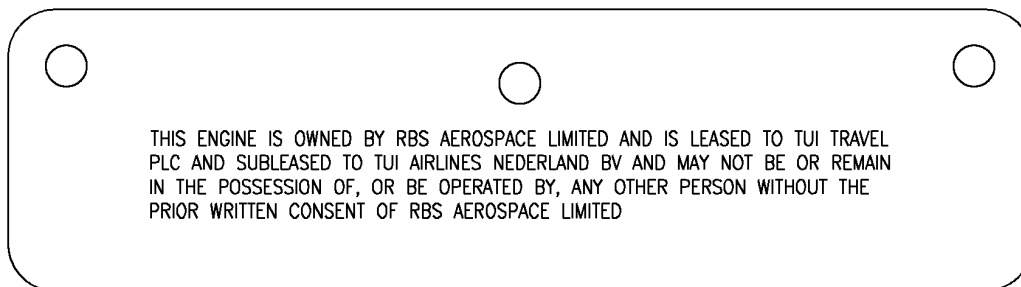
11-25-03-85C

HAP
FEB 15/08

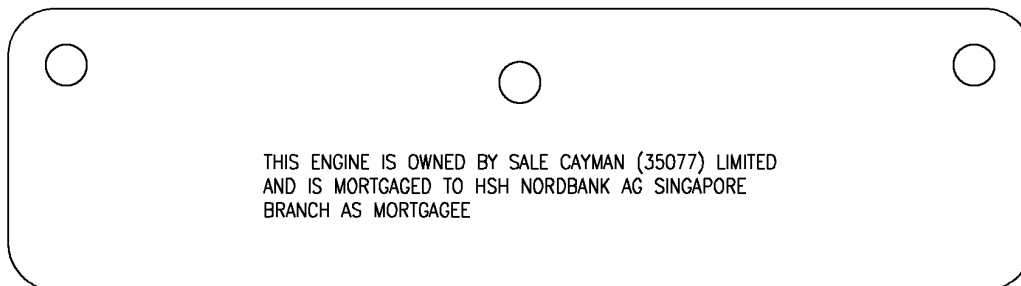
11-25-03-85C
PAGE OF

 **BOEING**
737-600/700/800/900
PARTS CATALOG (MAINTENANCE)

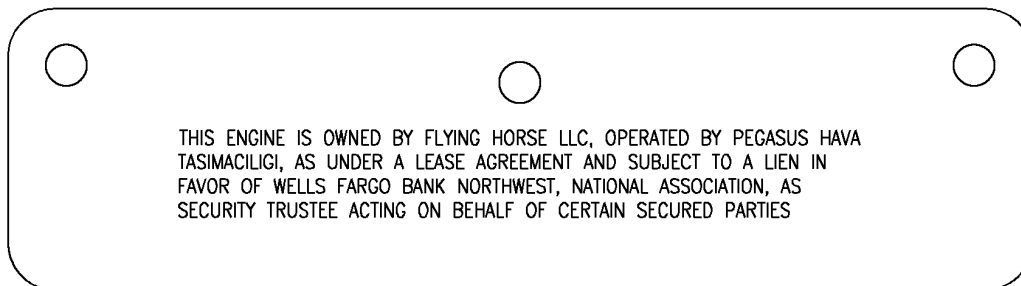
140



145



150



E 11250385C SHT 8 REV 137

NAMEPLATE INSTL-OWNERSHIP (ENGINE FAN COWL ONLY)
FIGURE 85C (SHEET 8)

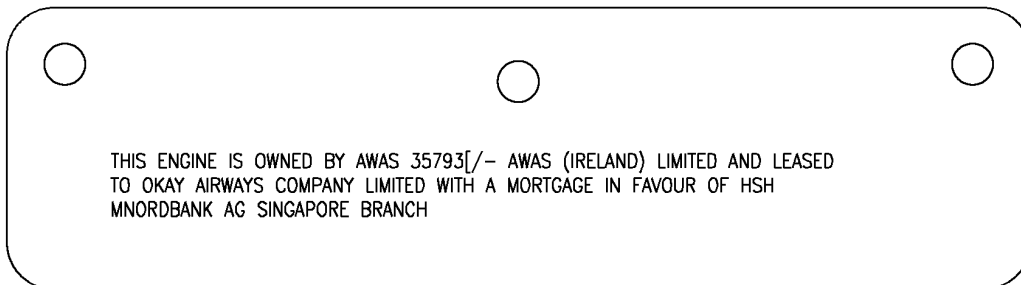
11-25-03-85C

HAP
FEB 15/08

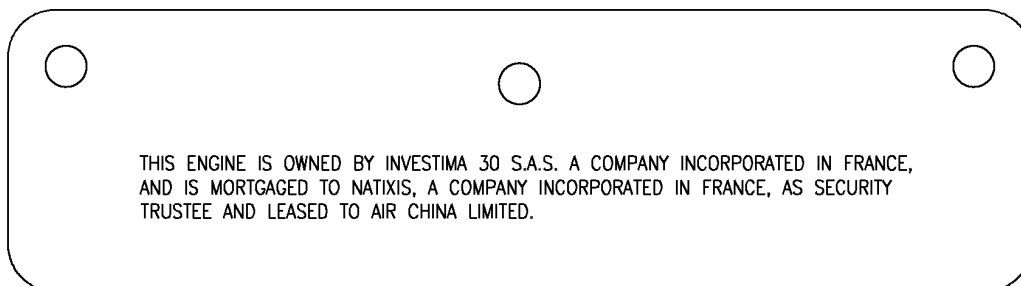
11-25-03-85C
PAGE 06

BOEING
737-600/700/800/900
PARTS CATALOG (MAINTENANCE)

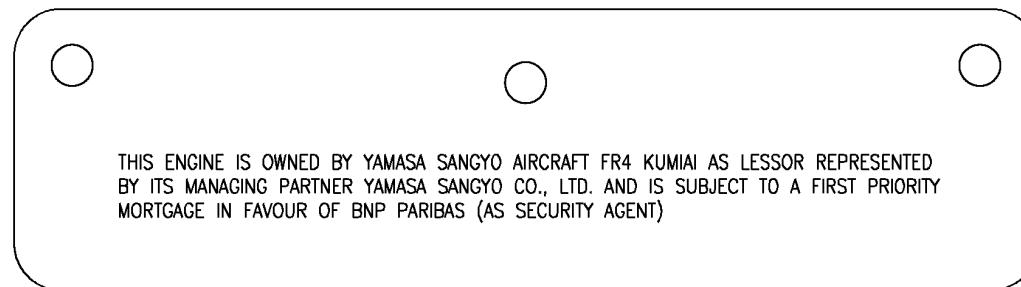
155



160



165



E 11250385C SHT 9 REV 139

NAMEPLATE INSTL-OWNERSHIP (ENGINE FAN COWL ONLY)
FIGURE 85C (SHEET 9)

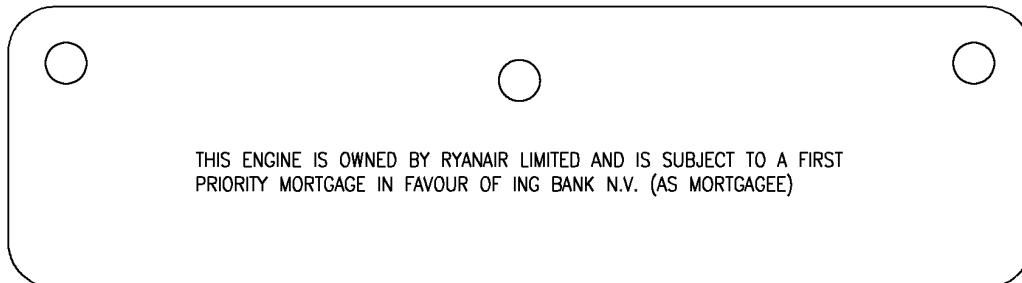
11-25-03-85C

HAP
FEB 15/08

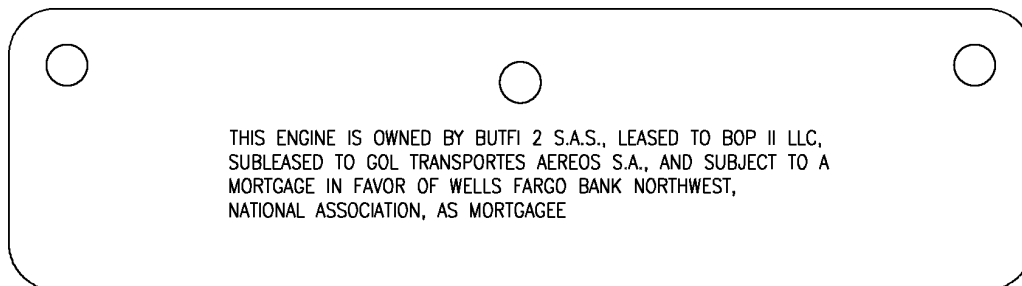
11-25-03-85C
PAGE 0H

 **BOEING**
737-600/700/800/900
PARTS CATALOG (MAINTENANCE)

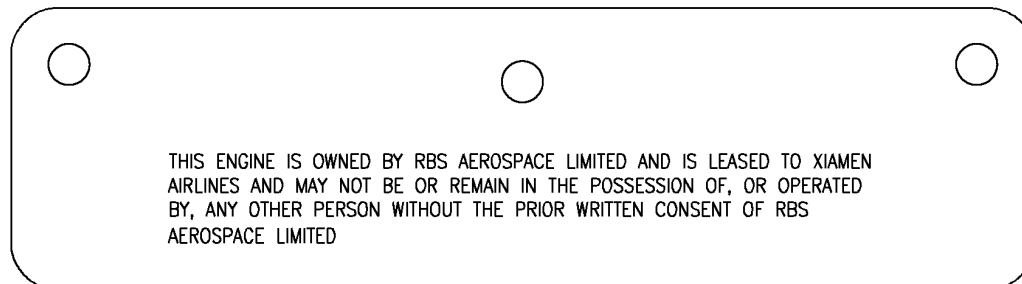
170



175



180



E 11250385C SHT 10 REV 139

NAMEPLATE INSTL-OWNERSHIP (ENGINE FAN COWL ONLY)
FIGURE 85C (SHEET 10)

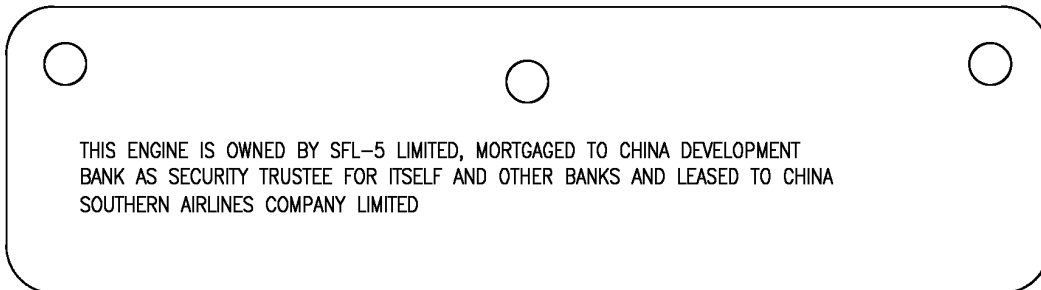
11-25-03-85C

HAP
FEB 15/08

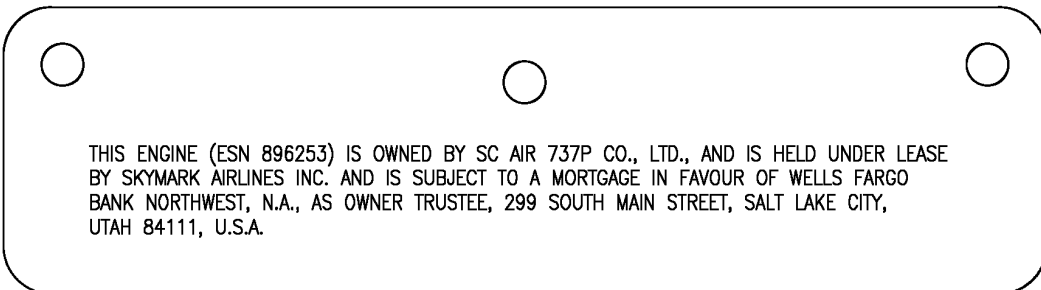
11-25-03-85C
PAGE 01

 **BOEING**
737-600/700/800/900
PARTS CATALOG (MAINTENANCE)

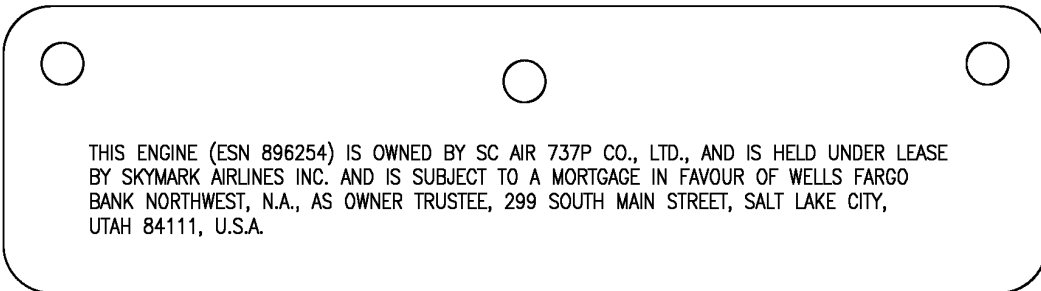
185



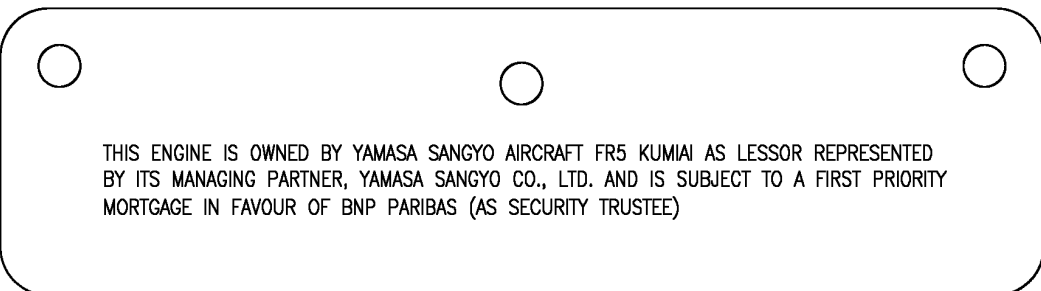
190



195



200



E 11250385C SHT 11 REV 140

NAMEPLATE INSTL-OWNERSHIP (ENGINE FAN COWL ONLY)
FIGURE 85C (SHEET 11)

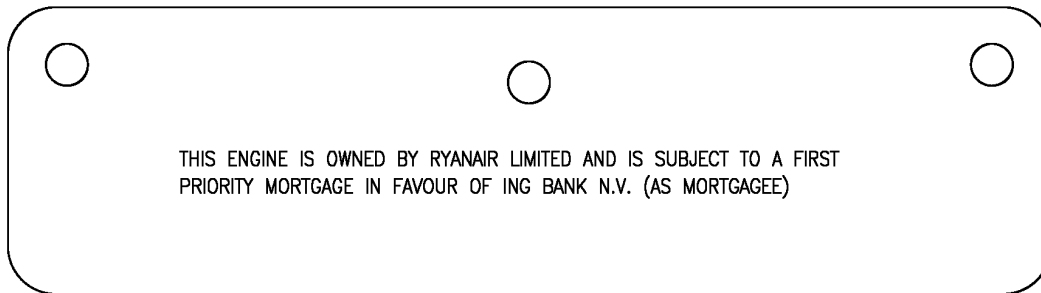
11-25-03-85C

HAP
JUN 15/08

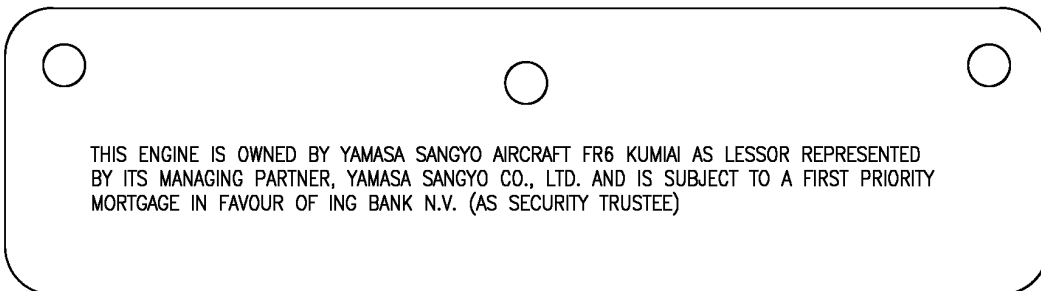
11-25-03-85C
PAGE 0J

 **BOEING**
737-600/700/800/900
PARTS CATALOG (MAINTENANCE)

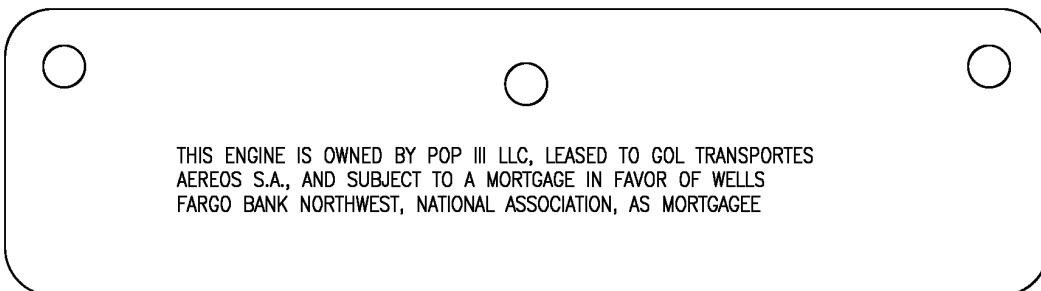
205



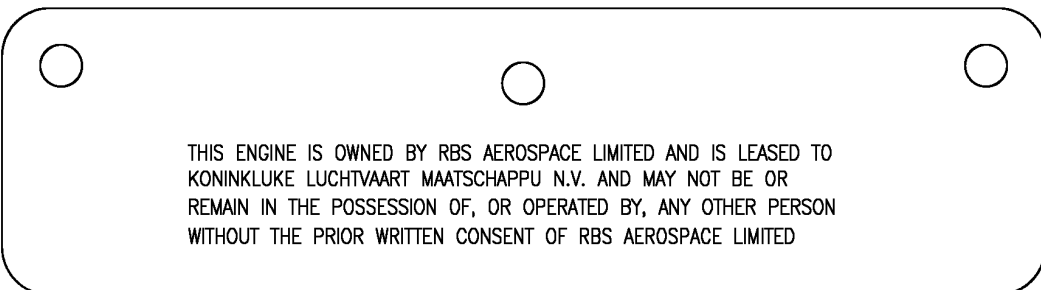
210



215



220



E 11250385C SHT 12 REV 140

NAMEPLATE INSTL-OWNERSHIP (ENGINE FAN COWL ONLY)
FIGURE 85C (SHEET 12)

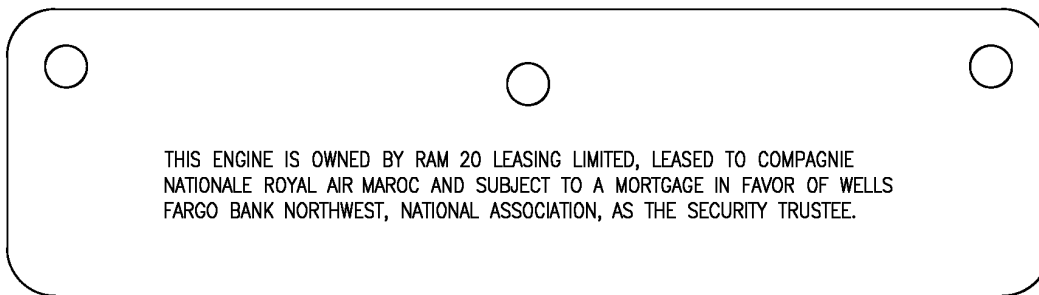
11-25-03-85C

HAP
JUN 15/08

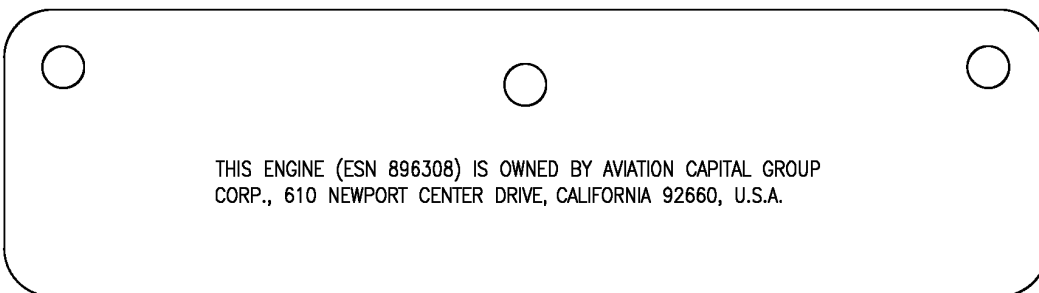
11-25-03-85C
PAGE OK

BOEING
737-600/700/800/900
PARTS CATALOG (MAINTENANCE)

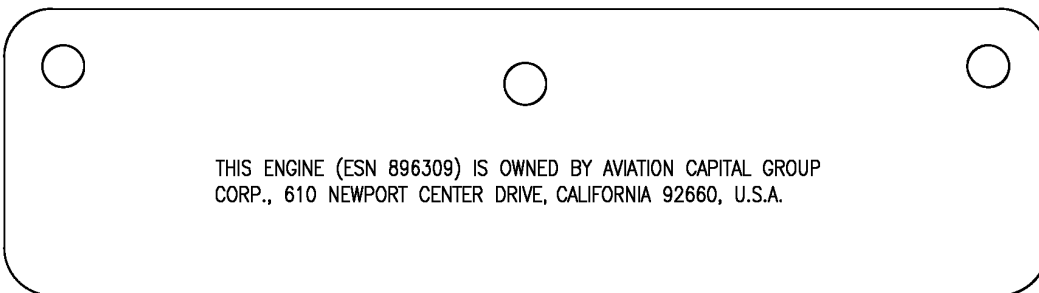
225



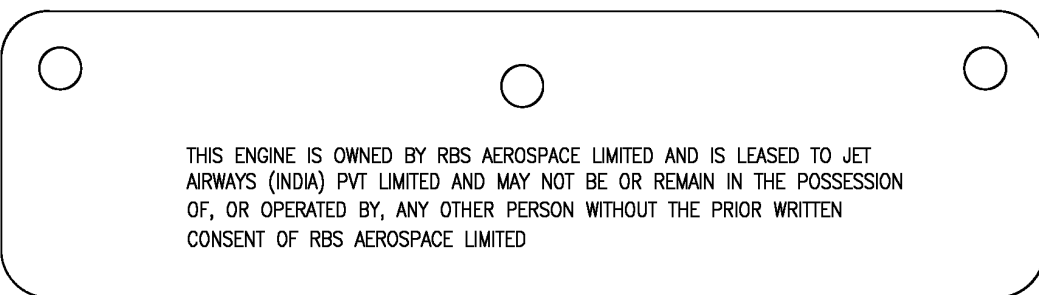
230



235



245



E 11250385C SHT 13 REV 141

NAMEPLATE INSTL-OWNERSHIP (ENGINE FAN COWL ONLY)
FIGURE 85C (SHEET 13)

11-25-03-85C

HAP
JUN 15/08

11-25-03-85C
PAGE 01

BOEING
737-600/700/800/900
PARTS CATALOG (MAINTENANCE)

FIG ITEM	PART NUMBER	1 2 3 4 5 6 7	NOMENCLATURE	EFFECT FROM TO	UNITS PER ASSY
85C					
- 1	MODREF347942		NAMEPLATE INSTL-OWNERSHIP (ENGINE FAN COWL ONLY)	041041 054100	1
- 3	MODREF360236		NAMEPLATE INSTL-OWNERSHIP (ENGINE FAN COWL ONLY) MODULE NUMBER: 414A5203-609 REV A FOR OTHER SYS DETAILS SEE: 11-32-52-85E	054100	1
25	BAC29PPS61790		.MARKER	041041	2
140	BAC29PPS62410		.MARKER	054100	2
- 400	BACB30ZF4-10		ATTACHING PARTS .BOLT	041041 054100	4
- 405	NAS1149C0432R		.WASHER	041041 054100	4
- 410	AS3485-10		.NUT	041041 054100	4
			-----*-----		

MISSING ITEM NUMBERS NOT APPLICABLE

- ITEM NOT ILLUSTRATED

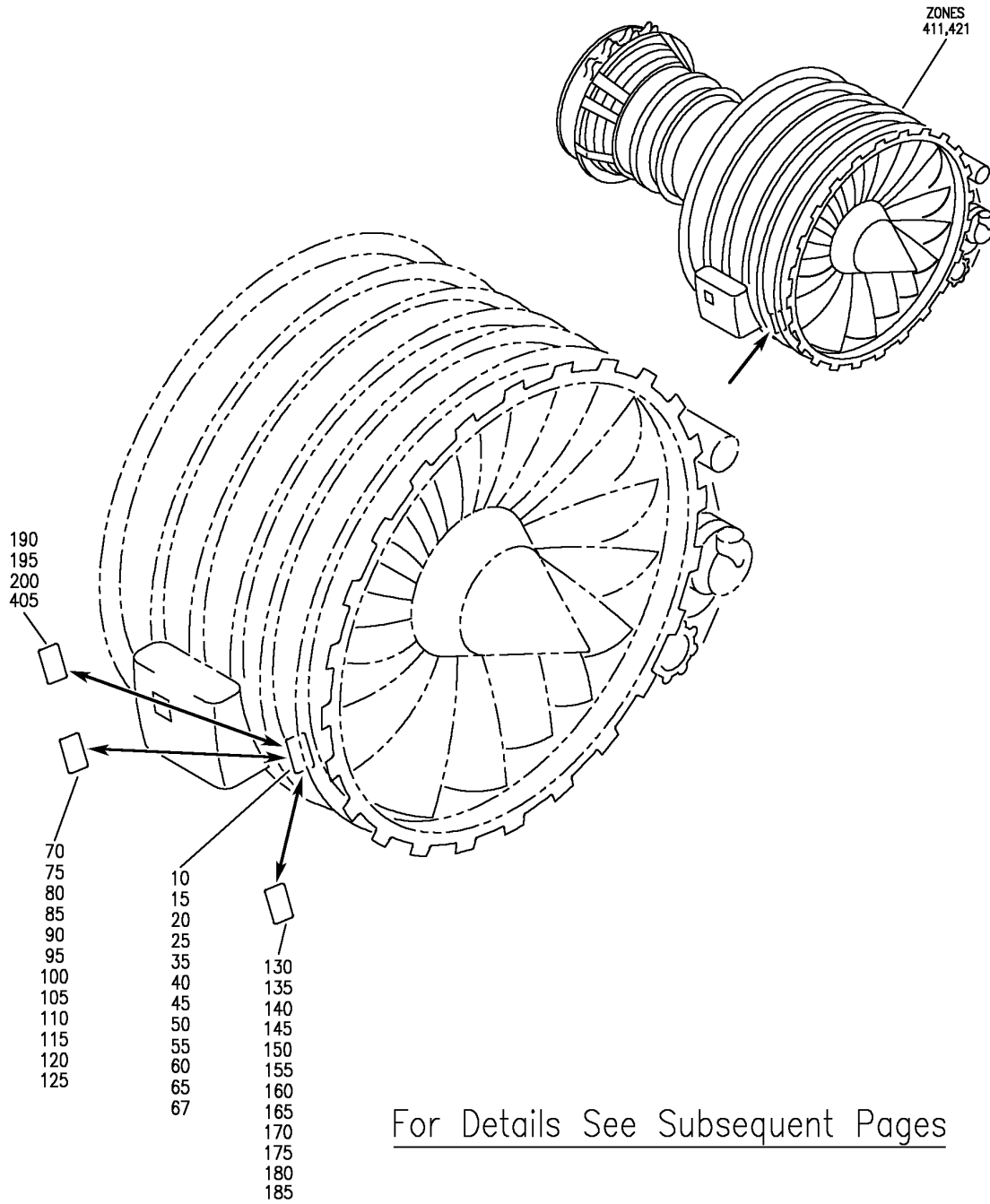
HAP

11-25-03-85C

BOEING PROPRIETARY - Copyright © - Unpublished Work - See title page for details.

11-25-03
FIG. 85C
PAGE 1
FEB 15/09

BOEING
 737-600/700/800/900
 PARTS CATALOG (MAINTENANCE)



For Details See Subsequent Pages

E 11250385E REV 155

NAMEPLATE INSTL-OWNERSHIP (ENGINE FAN COWL ONLY)
 FIGURE 85E (SHEET 1)

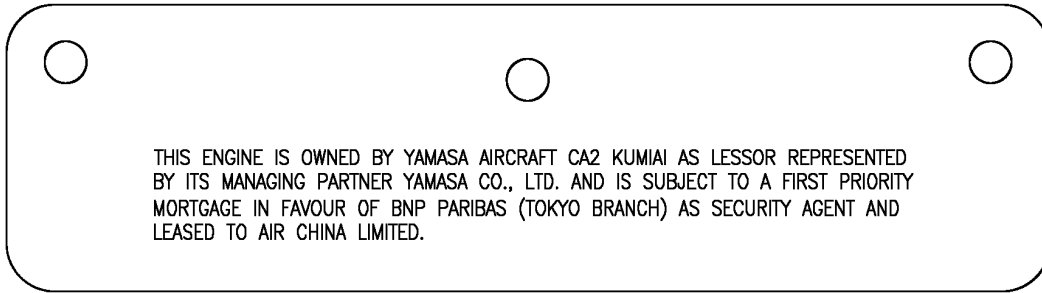
11-25-03-85E

HAP
 JUN 15/09

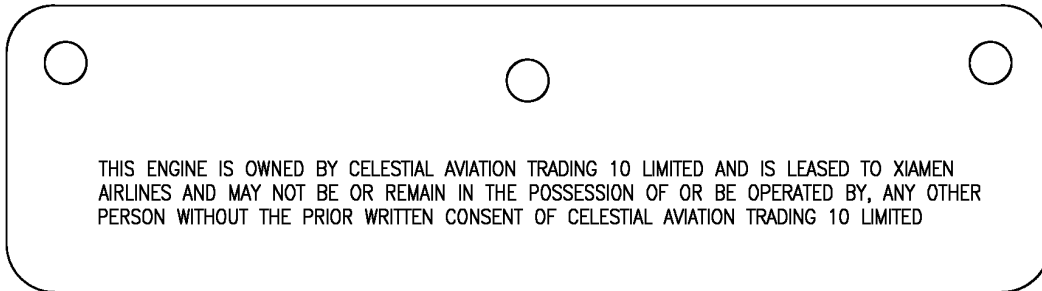
11-25-03-85E
 PAGE 0

 **BOEING**
737-600/700/800/900
PARTS CATALOG (MAINTENANCE)

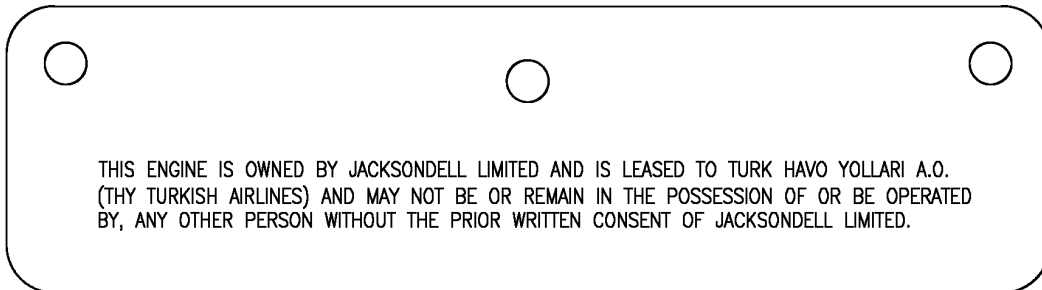
10



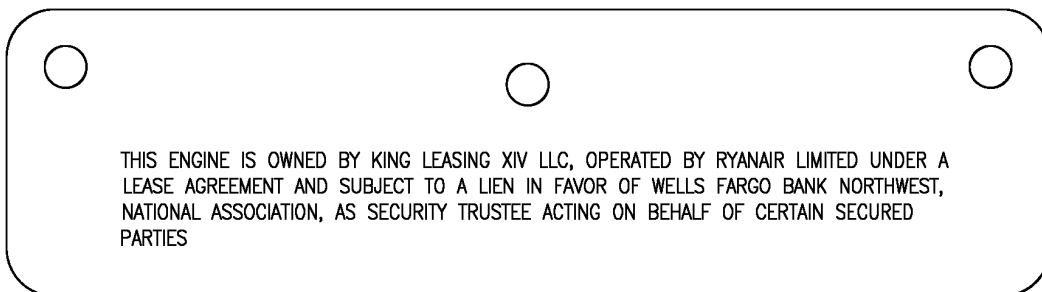
20



35



40



E 11250385E SHT 2 REV 148

NAMEPLATE INSTL-OWNERSHIP (ENGINE FAN COWL ONLY)
FIGURE 85E (SHEET 2)

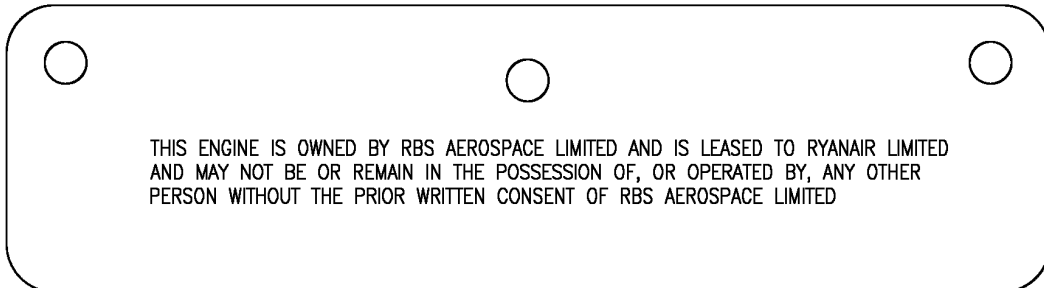
11-25-03-85E

HAP
JUN 15/09

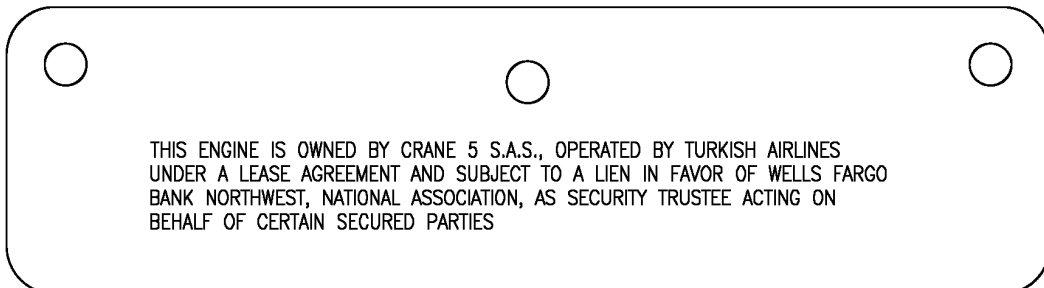
11-25-03-85E
PAGE 0A

 **BOEING**
737-600/700/800/900
PARTS CATALOG (MAINTENANCE)

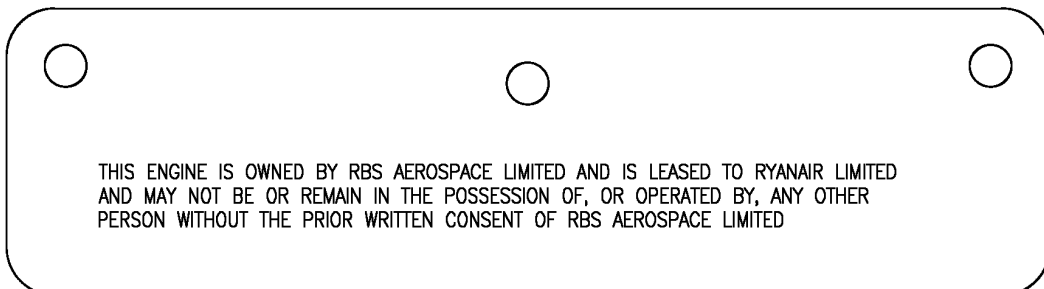
45



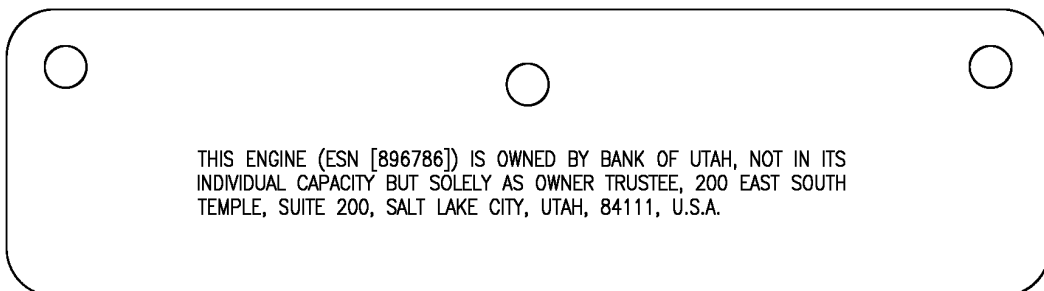
50



60



65



E 11250385E SHT 3 REV 148

NAMEPLATE INSTL-OWNERSHIP (ENGINE FAN COWL ONLY)
FIGURE 85E (SHEET 3)

11-25-03-85E

HAP
JUN 15/09

11-25-03-85E
PAGE 0B

 **BOEING**
737-600/700/800/900
PARTS CATALOG (MAINTENANCE)

67

THIS ENGINE (ESN [897655]) IS OWNED BY BANK OF UTAH, NOT IN ITS INDIVIDUAL CAPACITY BUT SOLELY AS OWNER TRUSTEE, 200 EAST SOUTH TEMPLE, SUITE 200, SALT LAKE CITY, UTAH, 84111, U.S.A.

70

THIS ENGINE IS OWNED BY SWAN 3 S.A.S., OPERATED BY TURKISH AIRLINES UNDER A LEASE AGREEMENT AND SUBJECT TO A LIEN IN FAVOR OF WELLS FARGO BANK NORTHWEST, NATIONAL ASSOCIATION, AS SECURITY TRUSTEE ACTING ON BEHALF OF CERTAIN SECURED PARTIES

75

THIS ENGINE IS OWNED BY YAMASA AIRCRAFT RYANAIR 1 KUMIAI AS LESSOR REPRESENTED BY ITS MANAGING PARTNER, YAMASA CO., LTD. AND IS SUBJECT TO A FIRST PRIORITY MORTGAGE IN FAVOUR OF ING BANK N.V. (AS SECURITY TRUSTEE)

80

THIS ENGINE IS OWNED BY YAMASA AIRCRAFT RYANAIR 2 KUMIAI AS LESSOR REPRESENTED BY ITS MANAGING PARTNER, YAMASA CO., LTD. AND IS SUBJECT TO A FIRST PRIORITY MORTGAGE IN FAVOUR OF BNP PARIBAS (AS SECURITY TRUSTEE)

E 11250385E SHT 4 REV 148

NAMEPLATE INSTL-OWNERSHIP (ENGINE FAN COWL ONLY)
FIGURE 85E (SHEET 4)

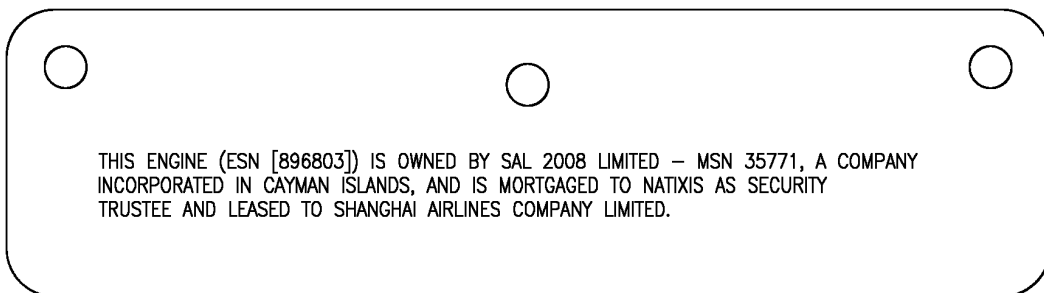
11-25-03-85E

HAP
JUN 15/09

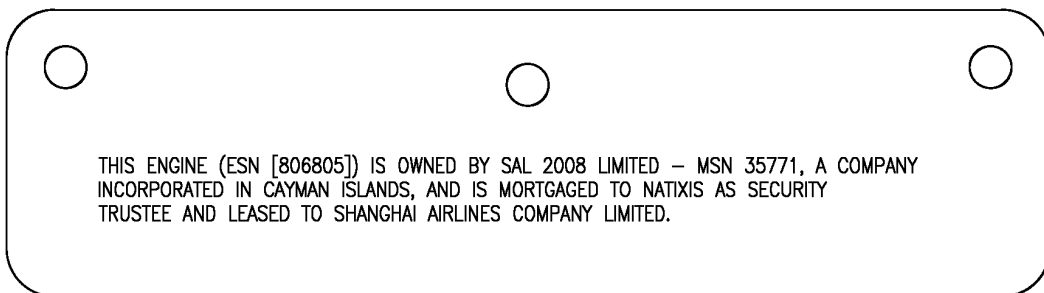
11-25-03-85E
PAGE 0C

 **BOEING**
737-600/700/800/900
PARTS CATALOG (MAINTENANCE)

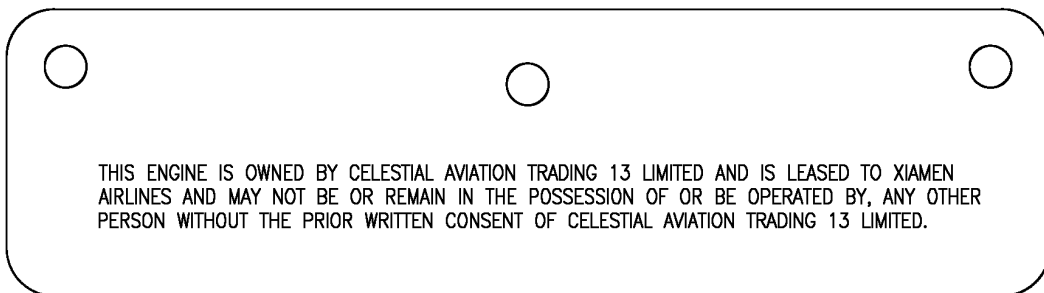
85



90



95



E 11250385E SHT 5 REV 148

NAMEPLATE INSTL-OWNERSHIP (ENGINE FAN COWL ONLY)
FIGURE 85E (SHEET 5)

11-25-03-85E

HAP
JUN 15/09

11-25-03-85E
PAGE 00

 **BOEING**
737-600/700/800/900
PARTS CATALOG (MAINTENANCE)

100

THIS ENGINE IS OWNED BY YAMASA AIRCRAFT CA3 KUMIAI AS LESSOR REPRESENTED BY ITS MANAGING PARTNER YAMASA CO., LTD. AND IS SUBJECT TO A FIRST PRIORITY MORTGAGE IN FAVOUR OF BNP PARIBAS (TOKYO BRANCH) AS SECURITY AGENT AND LEASED TO AIR CHINA LIMITED.

105

This Engine is owned by Celestial Aviation Trading 20 Limited and is leased to Hainan Airlines Company Limited and may not be or remain in the possession of, or be operated by, any other person without the prior written consent of Celestial Aviation Trading 20 Limited

115

This Engine is owned by Celestial Aviation Trading 30 Limited, and is leased to GOL Transportes Aéreos S.A. and may not be or remain in the possession of or be operated by, any other person without the prior written consent of GECAS Sverige Aircraft Leasing Worldwide AB

120

THIS ENGINE IS OWNED BY SINGAPORE AIRCRAFT LEASING ENTERPRISE PTE. LTD. AND IS MORTGAGED TO STANDARD CHARTERED BANK AS SECURITY TRUSTEE.

E 11250385E SH1 6 REV 151

NAMEPLATE INSTL-OWNERSHIP (ENGINE FAN COWL ONLY)
FIGURE 85E (SHEET 6)

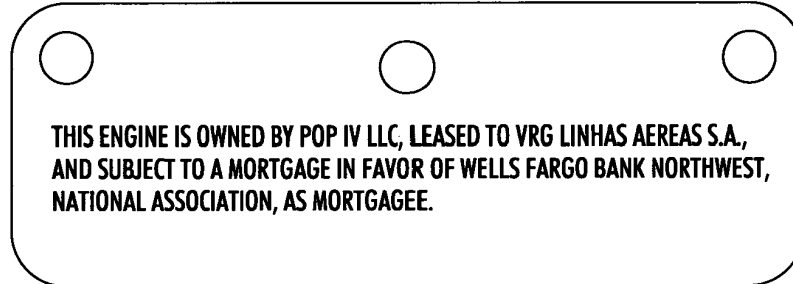
11-25-03-85E

HAP
JUN 15/09

11-25-03-85E
PAGE 0E

 **BOEING**
737-600/700/800/900
PARTS CATALOG (MAINTENANCE)

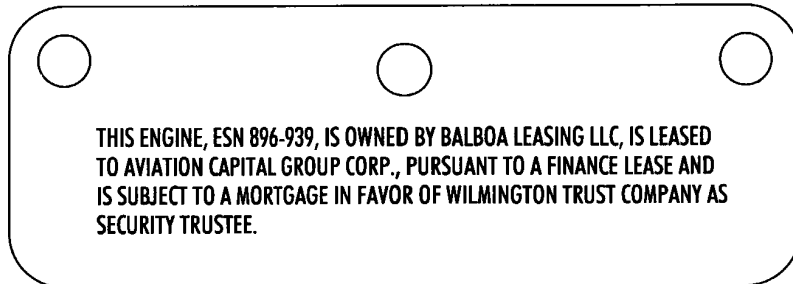
125



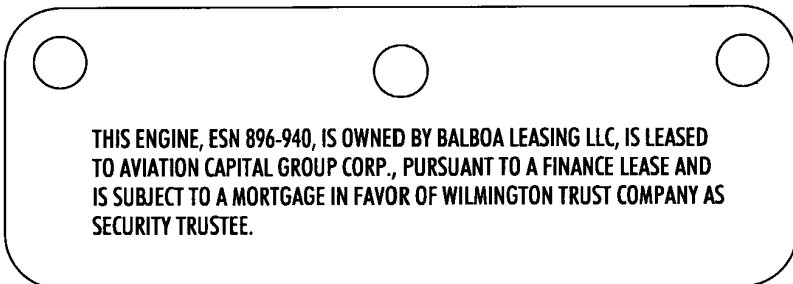
130



135



140



E 11250385E SH7 7 REV 153

NAMEPLATE INSTL-OWNERSHIP (ENGINE FAN COWL ONLY)
FIGURE 85E (SHEET 7)

11-25-03-85E

HAP
JUN 15/09

11-25-03-85E
PAGE OF

BOEING
737-600/700/800/900
PARTS CATALOG (MAINTENANCE)

145

THIS ENGINE IS OWNED BY 2008 NEWINE FINANCE 6 SAS AND IS MORTGAGED TO BNP PARIBAS AS SECURITY TRUSTEE/CALYON AS FACILITY SECURITY TRUSTEE AND LEASED TO CHINA EASTERN AIRLINES CORPORATION LIMITED

150

THIS ENGINE IS OWNED BY RAM 20 LEASING LIMITED, LEASED TO COMPAGNIE NATIONALE ROYAL AIR MAROC AND SUBJECT TO MORTGAGE IN FAVOR OF WELLS

160

THIS ENGINE IS OWNED BY CELESTIAL AVIATION TRADING 12 LIMITED AND IS LEASED TO KENYA AIRWAYS LIMITED AND MAY NOT BE OR REMAIN IN THE POSSESSION OF OR BE OPERATED BY, ANY OTHER PERSON WITHOUT THE PRIOR WRITTEN CONSENT OF CELESTIAL AVIATION TRADING 12 LIMITED

165

THIS ENGINE IS OWNED BY CELESTIAL AVIATION TRADING 20 LIMITED AND IS LEASED TO HAINAN AIRLINES COMPANY LIMITED AND MAY NOT BE OR REMAIN IN THE POSSESSION OF, OR BE OPERATED BY, ANY OTHER PERSON WITHOUT THE PRIOR WRITTEN CONSENT OF CELESTIAL AVIATION TRADING 20 LIMITED

E 11250385E SHT 8 REV 153

NAMEPLATE INSTL-OWNERSHIP (ENGINE FAN COWL ONLY)
FIGURE 85E (SHEET 8)

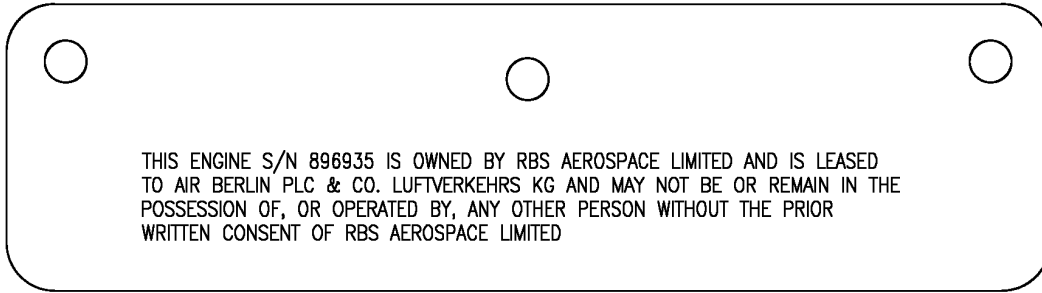
11-25-03-85E

HAP
JUN 15/09

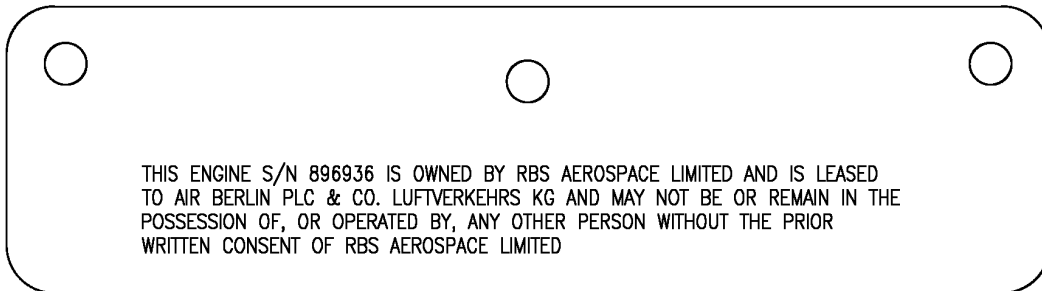
11-25-03-85E
PAGE 06

 **BOEING**
737-600/700/800/900
PARTS CATALOG (MAINTENANCE)

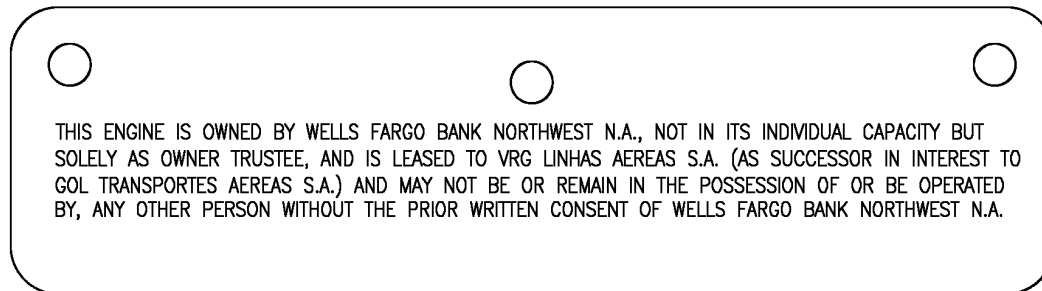
170



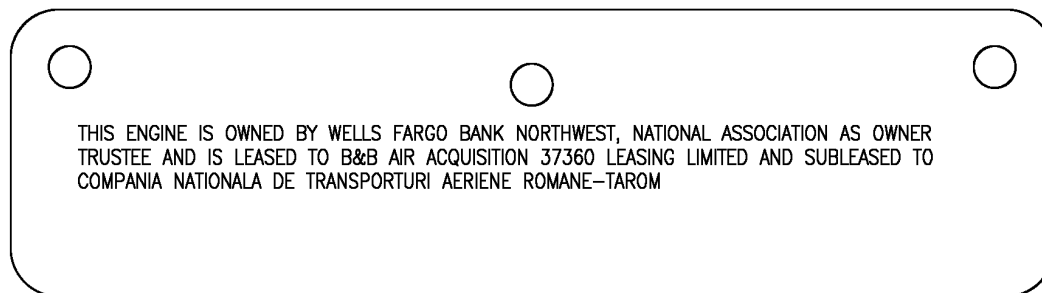
175



180



405



E 11250385E SH1 9 REV 153

NAMEPLATE INSTL-OWNERSHIP (ENGINE FAN COWL ONLY)
FIGURE 85E (SHEET 9)

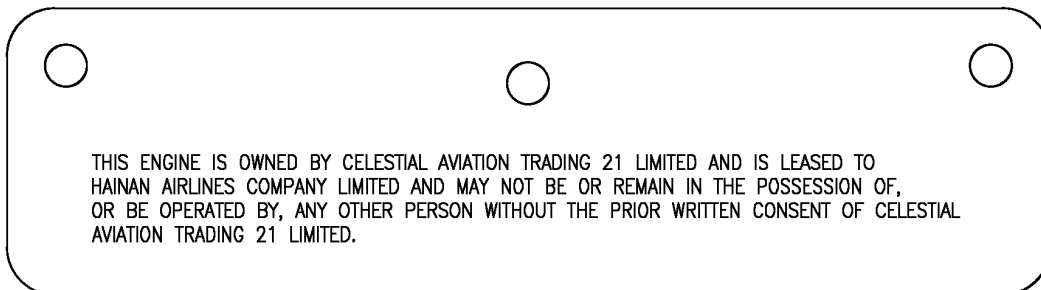
11-25-03-85E

HAP
JUN 15/09

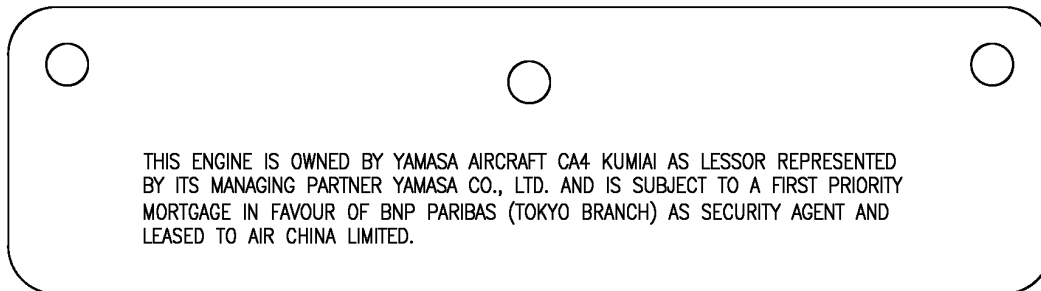
11-25-03-85E
PAGE 0H

BOEING
737-600/700/800/900
PARTS CATALOG (MAINTENANCE)

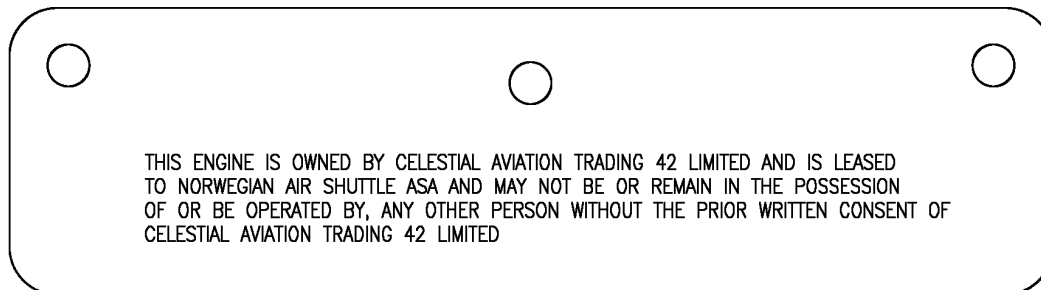
190



195



200



E 11250385E SHT 10 REV 155

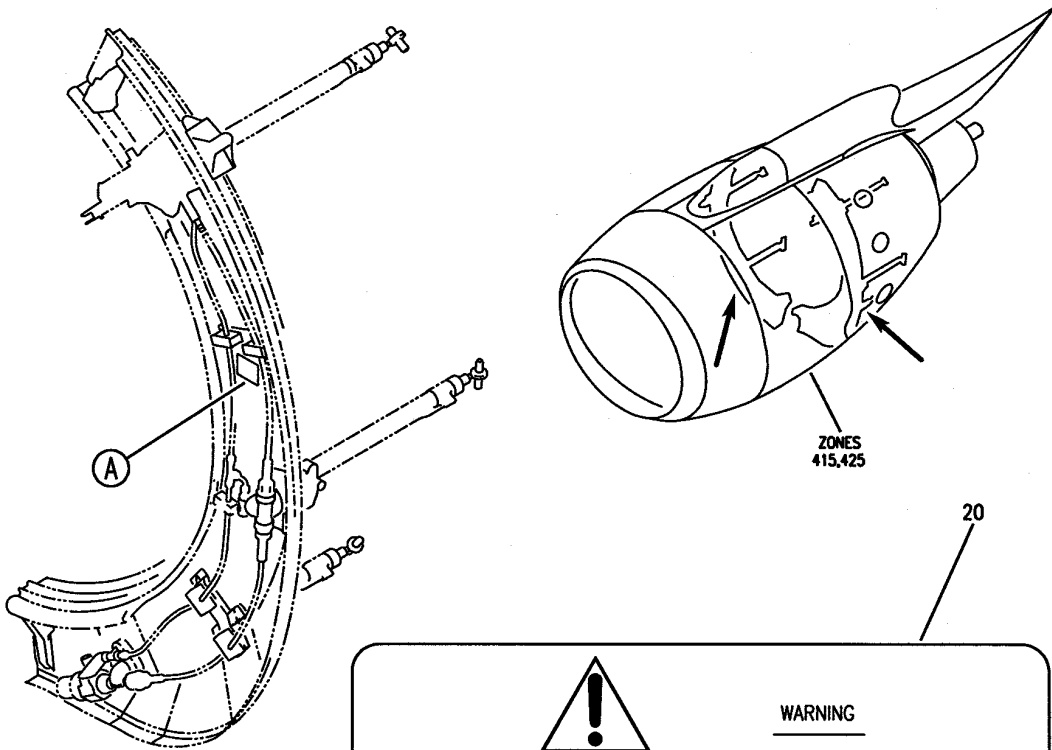
NAMEPLATE INSTL-OWNERSHIP (ENGINE FAN COWL ONLY)
FIGURE 85E (SHEET 10)


11-25-03-85E

HAP
JUN 15/09

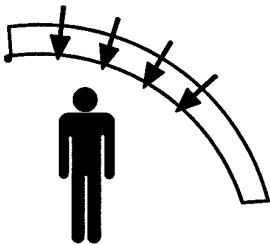
11-25-03-85E
PAGE 01

BOEING
 737-600/700/800/900
 PARTS CATALOG (MAINTENANCE)





WARNING



NO PERSON SHOULD ENTER OR PLACE ANY PART OF THE BODY UNDER THE THRUST REVERSER COWL WITHOUT THE ACTUATOR SAFETY LOCK TOOL INSTALLED.

NO PERSON SHOULD BE IN THE PATH OF THE COWL DURING THE OPENING OR CLOSING PROCEDURES. DEATH OR SERIOUS INJURY COULD RESULT IF THE COWL DOOR CLOSES WITH PERSONNEL IN ITS PATH.

IF THE COWL DOOR CLOSES WITHOUT RATE CONTROL, YOU MUST PERFORM THE FILLING AND BLEEDING PROCEDURE PER AMM ATA 78.

(A)

E 11250401 REV 041

ACTUATOR AND TUBING INSTL (PLACARDS AND MARKINGS ONLY)
 FIGURE 1

11-25-04-01

HAP
 OCT 10/06

11-25-04-01
 PAGE 0

BOEING
737-600/700/800/900
PARTS CATALOG (MAINTENANCE)

FIG ITEM	PART NUMBER	1 2 3 4 5 6 7	NOMENCLATURE	EFFECT FROM TO	UNITS PER ASSY
1			ACTUATOR AND TUBING INSTL (PLACARDS AND MARKINGS ONLY)		
- 1	315A2600-11		ACTUATOR AND TUBING INSTL- (PLACARDS AND MARKINGS ONLY) POSITION DATA: ENG POSITION 1 LH FOR NHA/OTHER SYS DET SEE: 78-31-01-40A	001030 201967	RF
- 1	MODREF89232		ACTUATOR AND TUBING INSTL- (PLACARDS AND MARKINGS ONLY) MODULE NUMBER: 315A2600-11 REV A POSITION DATA: ENG POSITION 1 LH FOR NHA/OTHER SYS DET SEE: 78-31-01-40A	001038 201969	1
- 1	MODREF271751		ACTUATOR AND TUBING INSTL- (PLACARDS AND MARKINGS ONLY) MODULE NUMBER: 315A2600-11 REV B1 POSITION DATA: ENG POSITION 1 LH FOR NHA/OTHER SYS DET SEE: 78-31-01-40A	001038 201969	1
- 1	MODREF271752		ACTUATOR AND TUBING INSTL- (PLACARDS AND MARKINGS ONLY) MODULE NUMBER: 315A2600-11 REV D POSITION DATA: ENG POSITION 1 LH FOR NHA/OTHER SYS DET SEE: 78-31-01-40A	001038 201969	1
- 1	MODREF281558		ACTUATOR AND TUBING INSTL- (PLACARDS AND MARKINGS ONLY) MODULE NUMBER: 315A2600-11 REV E POSITION DATA: ENG POSITION 1 LH FOR NHA/OTHER SYS DET SEE: 78-31-01-40A	001038 201969	1

MISSING ITEM NUMBERS NOT APPLICABLE

- ITEM NOT ILLUSTRATED

HAP

11-25-04-01

11-25-04
FIG. 01
PAGE 1
OCT 15/08

BOEING
737-600/700/800/900
PARTS CATALOG (MAINTENANCE)

FIG ITEM	PART NUMBER	1 2 3 4 5 6 7	NOMENCLATURE	EFFECT FROM TO	UNITS PER ASSY
1					
- 1	MODREF296448		ACTUATOR AND TUBING INSTL- (PLACARDS AND MARKINGS ONLY) MODULE NUMBER: 315A2600-11 REV F POSITION DATA: ENG POSITION 1 LH FOR NHA/OTHER SYS DET SEE: 78-31-01-40A	008999	1
- 5	315A2600-13		ACTUATOR AND TUBING INSTL- (PLACARDS AND MARKINGS ONLY) POSITION DATA: ENG POSITION 2 LH FOR NHA/OTHER SYS DET SEE: 78-31-01-40A	001030 201967	RF
- 5	MODREF89234		ACTUATOR AND TUBING INSTL- (PLACARDS AND MARKINGS ONLY) MODULE NUMBER: 315A2600-13 REV A POSITION DATA: ENG POSITION 2 LH FOR NHA/OTHER SYS DET SEE: 78-31-01-40A	001038 201969	1
- 5	MODREF246229		ACTUATOR AND TUBING INSTL- (PLACARDS AND MARKINGS ONLY) MODULE NUMBER: 315A2600-13 REV B POSITION DATA: ENG POSITION 2 LH FOR NHA/OTHER SYS DET SEE: 78-31-01-40A	001038 201969	1
- 5	MODREF264122		ACTUATOR AND TUBING INSTL- (PLACARDS AND MARKINGS ONLY) MODULE NUMBER: 315A2600-13 REV C POSITION DATA: ENG POSITION 2 LH FOR NHA/OTHER SYS DET SEE: 78-31-01-40A	001038 201969	1

MISSING ITEM NUMBERS NOT APPLICABLE

- ITEM NOT ILLUSTRATED

HAP

11-25-04-01

BOEING PROPRIETARY - Copyright © - Unpublished Work - See title page for details.

11-25-04
FIG. 01
PAGE 2
OCT 15/08

 **BOEING**
737-600/700/800/900
PARTS CATALOG (MAINTENANCE)

FIG ITEM	PART NUMBER	1 2 3 4 5 6 7	NOMENCLATURE	EFFECT FROM TO	UNITS PER ASSY
1					
- 5	MODREF296450		ACTUATOR AND TUBING INSTL- (PLACARDS AND MARKINGS ONLY) MODULE NUMBER: 315A2600-13 REV D POSITION DATA: ENG POSITION 2 LH FOR NHA/OTHER SYS DET SEE: 78-31-01-40A	008999	1
- 10	315A2600-12		ACTUATOR AND TUBING INSTL- (PLACARDS AND MARKINGS ONLY) POSITION DATA: ENG POSITION 1 RH FOR NHA/OTHER SYS DET SEE: 78-31-01-40A	001030 201967	RF
- 10	MODREF89233		ACTUATOR AND TUBING INSTL- (PLACARDS AND MARKINGS ONLY) MODULE NUMBER: 315A2600-12 REV A POSITION DATA: ENG POSITION 1 RH FOR NHA/OTHER SYS DET SEE: 78-31-01-40A	001038 201969	1
- 10	MODREF246228		ACTUATOR AND TUBING INSTL- (PLACARDS AND MARKINGS ONLY) MODULE NUMBER: 315A2600-12 REV B POSITION DATA: ENG POSITION 1 RH FOR NHA/OTHER SYS DET SEE: 78-31-01-40A	001038 201969	1
- 10	MODREF264121		ACTUATOR AND TUBING INSTL- (PLACARDS AND MARKINGS ONLY) MODULE NUMBER: 315A2600-12 REV C POSITION DATA: ENG POSITION 1 RH FOR NHA/OTHER SYS DET SEE: 78-31-01-40A	001038 201969	1

MISSING ITEM NUMBERS NOT APPLICABLE

- ITEM NOT ILLUSTRATED

HAP

11-25-04-01

BOEING PROPRIETARY - Copyright © - Unpublished Work - See title page for details.

11-25-04
FIG. 01
PAGE 3
OCT 15/08

 **BOEING**
737-600/700/800/900
PARTS CATALOG (MAINTENANCE)

FIG ITEM	PART NUMBER	1 2 3 4 5 6 7	NOMENCLATURE	EFFECT FROM TO	UNITS PER ASSY
1					
- 10	MODREF296625		ACTUATOR AND TUBING INSTL- (PLACARDS AND MARKINGS ONLY) MODULE NUMBER: 315A2600-12 REV E POSITION DATA: ENG POSITION 1 RH FOR NHA/OTHER SYS DET SEE: 78-31-01-40A	008999	1
- 15	315A2600-14		ACTUATOR AND TUBING INSTL- (PLACARDS AND MARKINGS ONLY) POSITION DATA: ENG POSITION 2 RH FOR NHA/OTHER SYS DET SEE: 78-31-01-40A	001030 201967	RF
- 15	MODREF89235		ACTUATOR AND TUBING INSTL- (PLACARDS AND MARKINGS ONLY) MODULE NUMBER: 315A2600-14 REV A POSITION DATA: ENG POSITION 2 RH FOR NHA/OTHER SYS DET SEE: 78-31-01-40A	001038 201969	1
- 15	MODREF246230		ACTUATOR AND TUBING INSTL- (PLACARDS AND MARKINGS ONLY) MODULE NUMBER: 315A2600-14 REV B POSITION DATA: ENG POSITION 2 RH FOR NHA/OTHER SYS DET SEE: 78-31-01-40A	001038 201969	1
- 15	MODREF264123		ACTUATOR AND TUBING INSTL- (PLACARDS AND MARKINGS ONLY) MODULE NUMBER: 315A2600-14 REV C POSITION DATA: ENG POSITION 2 RH FOR NHA/OTHER SYS DET SEE: 78-31-01-40A	001038 201969	1

MISSING ITEM NUMBERS NOT APPLICABLE

- ITEM NOT ILLUSTRATED

HAP

11-25-04-01

BOEING PROPRIETARY - Copyright © - Unpublished Work - See title page for details.

11-25-04
FIG. 01
PAGE 4
OCT 15/08

BOEING
737-600/700/800/900
PARTS CATALOG (MAINTENANCE)

FIG ITEM	PART NUMBER	1 2 3 4 5 6 7	NOMENCLATURE	EFFECT FROM TO	UNITS PER ASSY
1					
- 15	MODREF296626		ACTUATOR AND TUBING INSTL- (PLACARDS AND MARKINGS ONLY) MODULE NUMBER: 315A2600-14 REV E POSITION DATA: ENG POSITION 2 RH FOR NHA/OTHER SYS DET SEE: 78-31-01-40A	008999	1
20	BAC27DPP469		.MARKER- POST SERVICE BULLETIN: 11-1076		1

MISSING ITEM NUMBERS NOT APPLICABLE

- ITEM NOT ILLUSTRATED

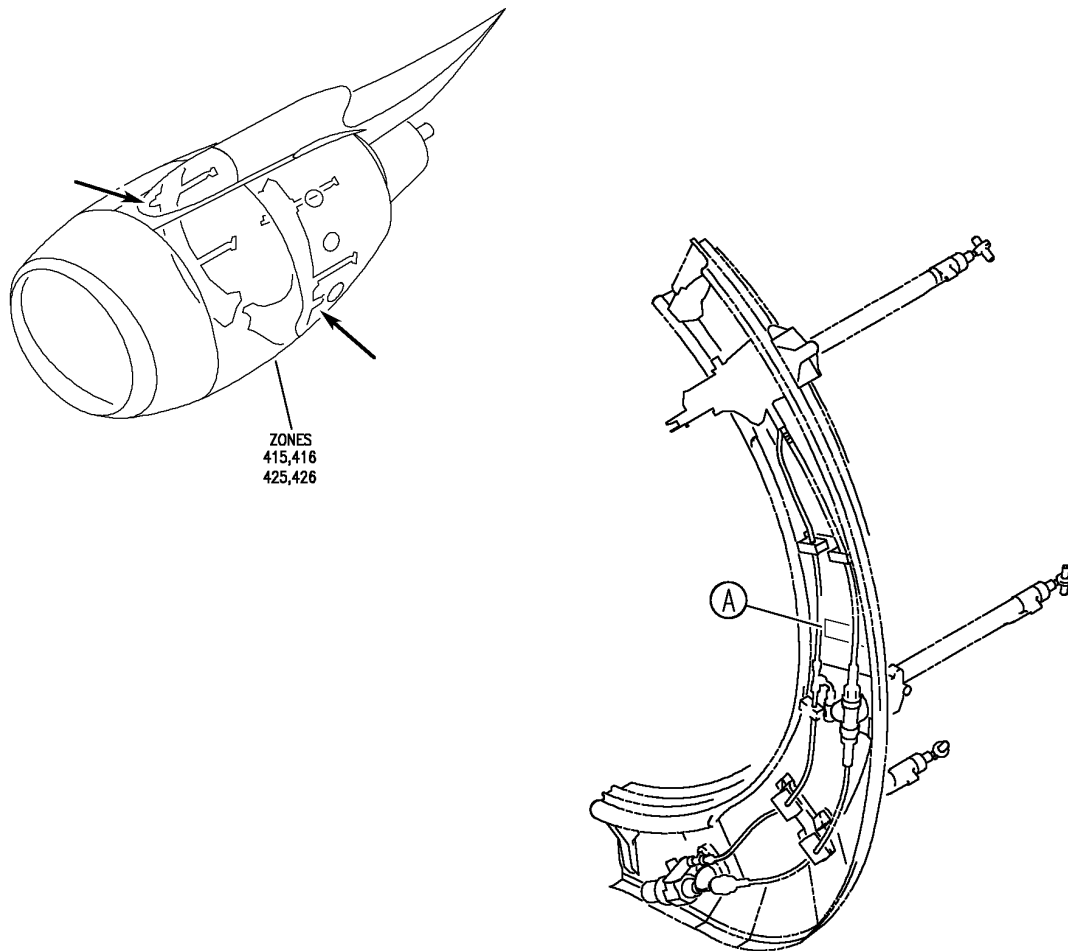
HAP

11-25-04-01

BOEING PROPRIETARY - Copyright © - Unpublished Work - See title page for details.

11-25-04
FIG. 01
PAGE 5
OCT 15/08


BOEING
 737-600/700/800/900
 PARTS CATALOG (MAINTENANCE)



ZONES
 415,416
 425,426

(A)

30

 NOTE:
 SHIELDED WIRE, CONNECTORS, BONDING STRAPS AND ALUMINUM FOIL IN THIS AREA PROVIDE PROTECTION FROM THE EFFECTS OF LIGHTNING. SEE WIRING DIAGRAM MANUAL CHAPTER 20 FOR SPECIAL PRECAUTIONS IN HANDLING THESE COMPONENTS.

(A)

E 11250405 REV 082

WIRING INSTL-THRUST REVERSER (PLACARDS AND MARKINGS ONLY)
 FIGURE 5

11-25-04-05

HAP
 OCT 10/06

11-25-04-05
 PAGE 0

BOEING
737-600/700/800/900
PARTS CATALOG (MAINTENANCE)

FIG ITEM	PART NUMBER	1 2 3 4 5 6 7	NOMENCLATURE	EFFECT FROM TO	UNITS PER ASSY
5			WIRING INSTL-THRUST REVERSER (PLACARDS AND MARKINGS ONLY)		
- 1	315A2707-1		WIRING INSTL-THRUST REVERSER (PLACARDS AND MARKINGS ONLY) POSITION DATA: ENG POSITION 1 AND 2 LH FOR NHA/OTHER SYS DET SEE: 78-31-01-40A	001001 006007	RF
- 1	315A2707-3		WIRING INSTL-THRUST REVERSER (PLACARDS AND MARKINGS ONLY) POSITION DATA: ENG POSITION 1 AND 2 LH FOR NHA/OTHER SYS DET SEE: 78-31-01-40A	001007	RF
- 2	315A2707-15		WIRING INSTL-THRUST REVERSER (PLACARDS AND MARKINGS ONLY) POSITION DATA: ENG POSITION 1 LH FOR NHA/OTHER SYS DET SEE: 78-31-01-40A	001030 201967	RF
- 2	315A2707-19		WIRING INSTL-THRUST REVERSER (PLACARDS AND MARKINGS ONLY) (REWORK INSTL) POSITION DATA: ENG POSITION 1 LH REWORK DRAWING REF: 315A2707-5 FOR NHA/OTHER SYS DET SEE: 78-31-01-40A	001030 201967	RF
- 2	315A2707-23		WIRING INSTL-THRUST REVERSER (PLACARDS AND MARKINGS ONLY) POSITION DATA: ENG POSITION 1 LH FOR NHA/OTHER SYS DET SEE: 78-31-01-40A	001030 201967	RF

MISSING ITEM NUMBERS NOT APPLICABLE

- ITEM NOT ILLUSTRATED

HAP

11-25-04-05

BOEING PROPRIETARY - Copyright © - Unpublished Work - See title page for details.

11-25-04
FIG. 05
PAGE 1
OCT 15/08

BOEING
737-600/700/800/900
PARTS CATALOG (MAINTENANCE)

FIG ITEM	PART NUMBER	1 2 3 4 5 6 7	NOMENCLATURE	EFFECT FROM TO	UNITS PER ASSY
5					
- 2	MODREF100588		WIRING INSTL-THRUST REVERSER (PLACARDS AND MARKINGS ONLY) MODULE NUMBER: 315A2707-23 REV B POSITION DATA: ENG POSITION 1 LH FOR NHA/OTHER SYS DET SEE: 78-31-01-40A	001038 201967 969969	1
- 2	MODREF209062		WIRING INSTL-THRUST REVERSER (PLACARDS AND MARKINGS ONLY) MODULE NUMBER: 315A2707-27 REV A POSITION DATA: ENG POSITION 1 LH FOR NHA/OTHER SYS DET SEE: 78-31-01-40A		1
- 3	315A2707-17		WIRING INSTL-THRUST REVERSER (PLACARDS AND MARKINGS ONLY) POSITION DATA: ENG POSITION 2 LH FOR NHA/OTHER SYS DET SEE: 78-31-01-40A	001030 201967	RF
- 3	315A2707-21		WIRING INSTL-THRUST REVERSER (PLACARDS AND MARKINGS ONLY) (REWORK INSTL) POSITION DATA: ENG POSITION 2 LH REWORK DRAWING REF: 315A2707-5 FOR NHA/OTHER SYS DET SEE: 78-31-01-40A	001030 201967	RF
- 3	315A2707-25		WIRING INSTL-THRUST REVERSER (PLACARDS AND MARKINGS ONLY) POSITION DATA: ENG POSITION 2 LH FOR NHA/OTHER SYS DET SEE: 78-31-01-40A	001030 201967	RF

MISSING ITEM NUMBERS NOT APPLICABLE

- ITEM NOT ILLUSTRATED

HAP

11-25-04-05

11-25-04
FIG. 05
PAGE 2
OCT 15/08

BOEING
737-600/700/800/900
PARTS CATALOG (MAINTENANCE)

FIG ITEM	PART NUMBER	1 2 3 4 5 6 7	NOMENCLATURE	EFFECT FROM TO	UNITS PER ASSY
5 -	3 MODREF100586		WIRING INSTL-THRUST REVERSER (PLACARDS AND MARKINGS ONLY) MODULE NUMBER: 315A2707-25 REV B POSITION DATA: ENG POSITION 2 LH FOR NHA/OTHER SYS DET SEE: 78-31-01-40A	001038 201967 969969	1
-	3 MODREF209064		WIRING INSTL-THRUST REVERSER (PLACARDS AND MARKINGS ONLY) MODULE NUMBER: 315A2707-29 REV A POSITION DATA: ENG POSITION 2 LH FOR NHA/OTHER SYS DET SEE: 78-31-01-40A		1
-	5 315A2707-2		WIRING INSTL-THRUST REVERSER (PLACARDS AND MARKINGS ONLY) POSITION DATA: ENG POSITION 1 AND 2 RH FOR NHA/OTHER SYS DET SEE: 78-31-01-40A	001001 006007	RF
-	5 315A2707-4		WIRING INSTL-THRUST REVERSER (PLACARDS AND MARKINGS ONLY) POSITION DATA: ENG POSITION 1 AND 2 RH FOR NHA/OTHER SYS DET SEE: 78-31-01-40A	001007	RF
-	6 315A2707-16		WIRING INSTL-THRUST REVERSER (PLACARDS AND MARKINGS ONLY) POSITION DATA: ENG POSITION 1 RH FOR NHA/OTHER SYS DET SEE: 78-31-01-40A	001030 201967	RF
-	6 315A2707-20		WIRING INSTL-THRUST REVERSER (PLACARDS AND MARKINGS ONLY) (REWORK INSTL) POSITION DATA: ENG POSITION 1 RH REWORK DRAWING REF: 315A2707-6 FOR NHA/OTHER SYS DET SEE: 78-31-01-40A	001030 201967	RF

MISSING ITEM NUMBERS NOT APPLICABLE

- ITEM NOT ILLUSTRATED

HAP

11-25-04-05

11-25-04
FIG. 05
PAGE 3
OCT 15/08

BOEING
737-600/700/800/900
PARTS CATALOG (MAINTENANCE)

FIG ITEM	PART NUMBER	1 2 3 4 5 6 7	NOMENCLATURE	EFFECT FROM TO	UNITS PER ASSY
5					
- 6	315A2707-24		WIRING INSTL-THRUST REVERSER (PLACARDS AND MARKINGS ONLY) POSITION DATA: ENG POSITION 1 RH FOR NHA/OTHER SYS DET SEE: 78-31-01-40A	001030 201967	RF
- 6	MODREF100587		WIRING INSTL-THRUST REVERSER (PLACARDS AND MARKINGS ONLY) MODULE NUMBER: 315A2707-24 REV B POSITION DATA: ENG POSITION 1 RH FOR NHA/OTHER SYS DET SEE: 78-31-01-40A	001038 201967 969969	1
- 6	MODREF209063		WIRING INSTL-THRUST REVERSER (PLACARDS AND MARKINGS ONLY) MODULE NUMBER: 315A2707-28 REV A POSITION DATA: ENG POSITION 1 RH FOR NHA/OTHER SYS DET SEE: 78-31-01-40A		1
- 7	315A2707-18		WIRING INSTL-THRUST REVERSER (PLACARDS AND MARKINGS ONLY) POSITION DATA: ENG POSITION 2 RH FOR NHA/OTHER SYS DET SEE: 78-31-01-40A	001030 201967	RF
- 7	315A2707-22		WIRING INSTL-THRUST REVERSER (PLACARDS AND MARKINGS ONLY) (REWORK INSTL) POSITION DATA: ENG POSITION 2 RH REWORK DRAWING REF: 315A2707-6 FOR NHA/OTHER SYS DET SEE: 78-31-01-40A	001030 201967	RF
- 7	315A2707-26		WIRING INSTL-THRUST REVERSER (PLACARDS AND MARKINGS ONLY) POSITION DATA: ENG POSITION 2 RH FOR NHA/OTHER SYS DET SEE: 78-31-01-40A	001030 201967	RF

MISSING ITEM NUMBERS NOT APPLICABLE

- ITEM NOT ILLUSTRATED

HAP

11-25-04-05

BOEING PROPRIETARY - Copyright © - Unpublished Work - See title page for details.

11-25-04
FIG. 05
PAGE 4
OCT 15/08

BOEING
737-600/700/800/900
PARTS CATALOG (MAINTENANCE)

FIG ITEM	PART NUMBER	1 2 3 4 5 6 7	NOMENCLATURE	EFFECT FROM TO	UNITS PER ASSY
5					
- 7	MODREF100585		WIRING INSTL-THRUST REVERSER (PLACARDS AND MARKINGS ONLY) MODULE NUMBER: 315A2707-26 REV B POSITION DATA: ENG POSITION 2 RH FOR NHA/OTHER SYS DET SEE: 78-31-01-40A	001038 201967 969969	1
- 7	MODREF209065		WIRING INSTL-THRUST REVERSER (PLACARDS AND MARKINGS ONLY) MODULE NUMBER: 315A2707-30 REV A POSITION DATA: ENG POSITION 2 RH FOR NHA/OTHER SYS DET SEE: 78-31-01-40A		1
30	BAC27WEL325		.MARKER-ALUMINUM FOIL		1

MISSING ITEM NUMBERS NOT APPLICABLE

- ITEM NOT ILLUSTRATED

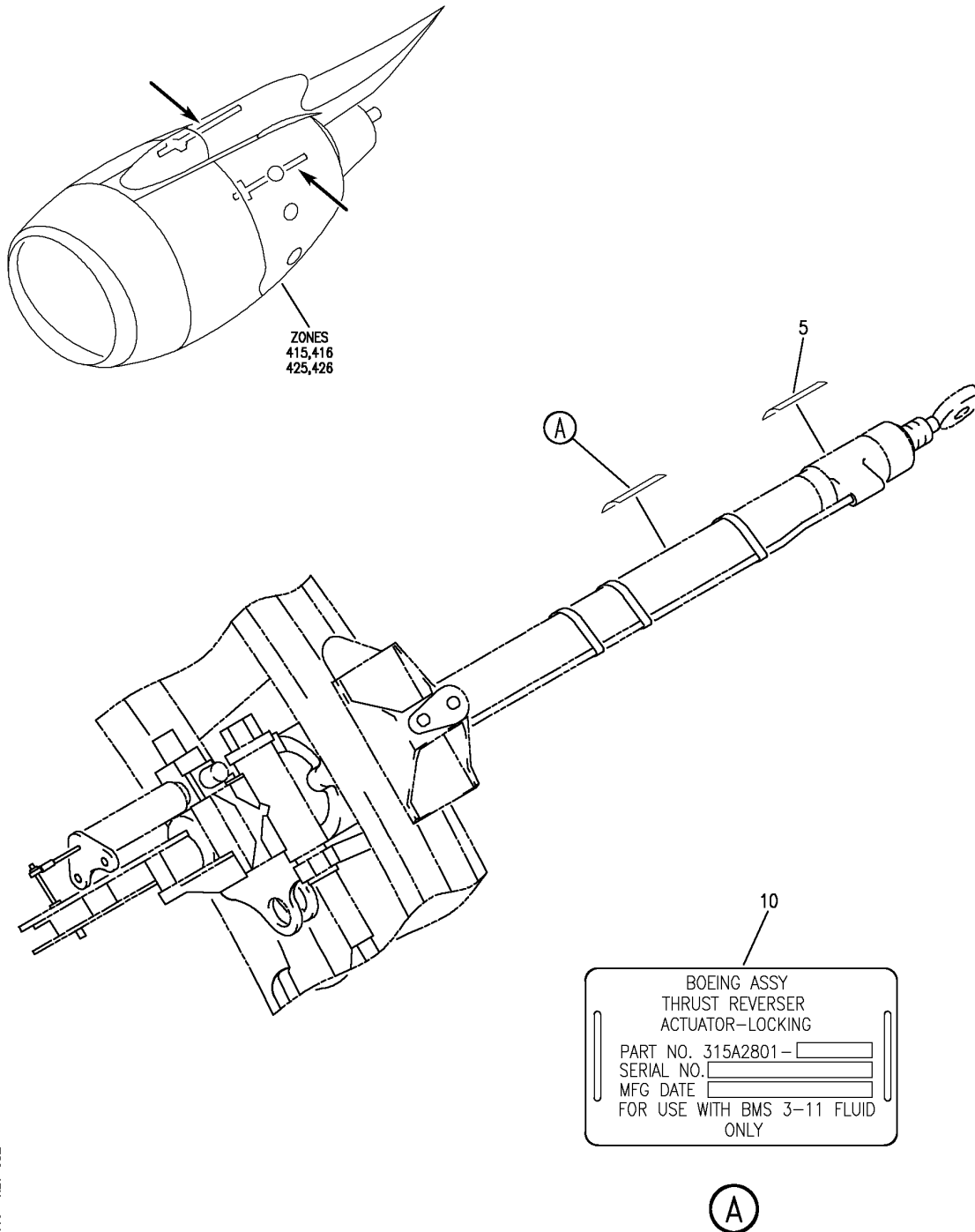
HAP

11-25-04-05

BOEING PROPRIETARY - Copyright © - Unpublished Work - See title page for details.

11-25-04
FIG. 05
PAGE 5
OCT 15/08

BOEING
 737-600/700/800/900
 PARTS CATALOG (MAINTENANCE)



E 11250410 REV 082

ACTUATOR ASSY-LOCKING UPR (PLACARDS AND MARKINGS ONLY)
 FIGURE 10

11-25-04-10

HAP
 OCT 10/06

11-25-04-10
 PAGE 0

BOEING
737-600/700/800/900
PARTS CATALOG (MAINTENANCE)

FIG ITEM	PART NUMBER	1 2 3 4 5 6 7	NOMENCLATURE	EFFECT FROM TO	UNITS PER ASSY
10			ACTUATOR ASSY-LOCKING UPR (PLACARDS AND MARKINGS ONLY)		
- 1	315A2801-1		ACTUATOR ASSY-LOCKING (PLACARDS AND MARKINGS ONLY) POSITION DATA: UPR COMPONENT MAINT MANUAL REF: 78-31-19 FOR NHA SEE: 78-31-03-01		RF
5	BAC27DTR0013		.MARKER-ALUMINUM FOIL PLACARD CONTENT: CAUTION DO NOT ROTATE ROD END		1
10	BAC27DTR31		.MARKER-ALUMINUM FOIL		1

MISSING ITEM NUMBERS NOT APPLICABLE

- ITEM NOT ILLUSTRATED

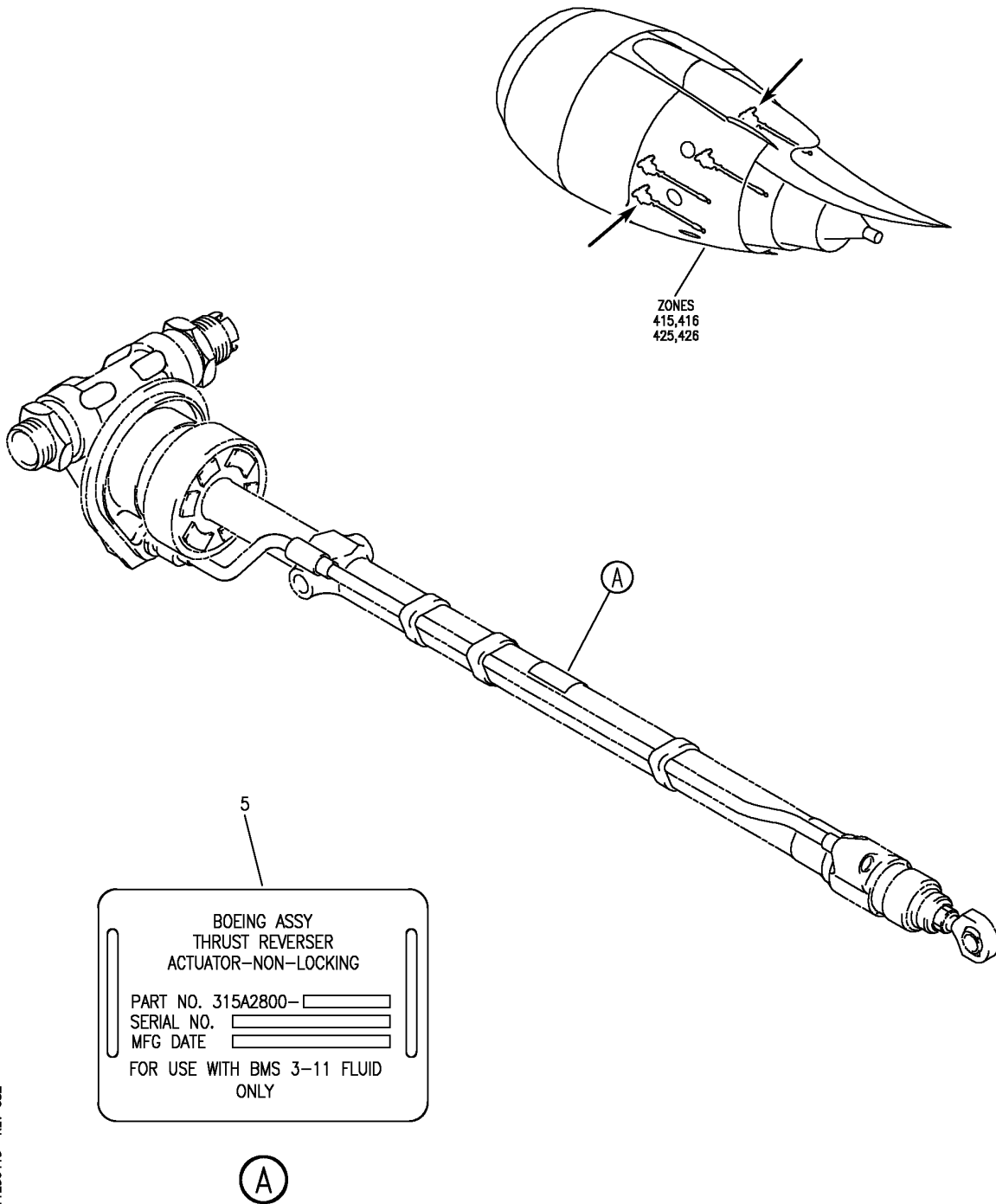
HAP

11-25-04-10

BOEING PROPRIETARY - Copyright © - Unpublished Work - See title page for details.

11-25-04
FIG. 10
PAGE 1
JUN 10/07

BOEING
 737-600/700/800/900
 PARTS CATALOG (MAINTENANCE)



E 11250415 REV 082

ACTUATOR ASSY-NON LOCKING MID AND LWR (PLACARDS AND MARKINGS ONLY)
 FIGURE 15

HAP
 OCT 10/06

11-25-04-15

11-25-04-15
 PAGE 0

BOEING
737-600/700/800/900
PARTS CATALOG (MAINTENANCE)

FIG ITEM	PART NUMBER	1 2 3 4 5 6 7	NOMENCLATURE	EFFECT FROM TO	UNITS PER ASSY
15			ACTUATOR ASSY-NON LOCKING MID AND LWR (PLACARDS AND MARKINGS ONLY)		
- 1	315A2800-1		ACTUATOR ASSY-NON LOCKING (PLACARDS AND MARKINGS ONLY) POSITION DATA: MID & LWR COMPONENT MAINT MANUAL REF: 78-31-18 FOR NHA SEE: 78-31-03-01		RF
- 1	315A2800-2		ACTUATOR ASSY-NON LOCKING (PLACARDS AND MARKINGS ONLY) POSITION DATA: MID & LWR FOR NHA SEE: 78-31-03-01		RF
5	BAC27DTR32		.MARKER-ALUMINUM FOIL		1

MISSING ITEM NUMBERS NOT APPLICABLE

- ITEM NOT ILLUSTRATED

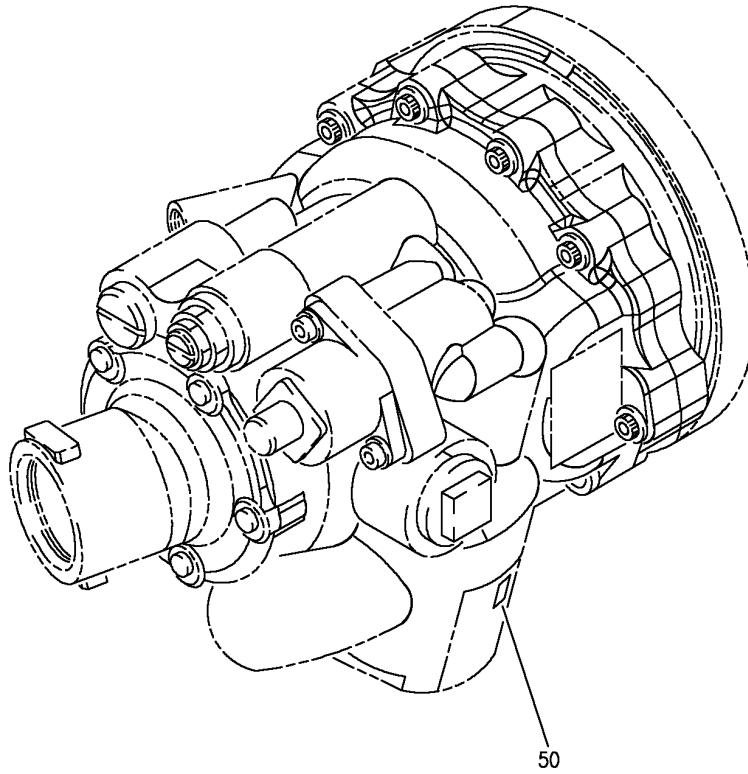
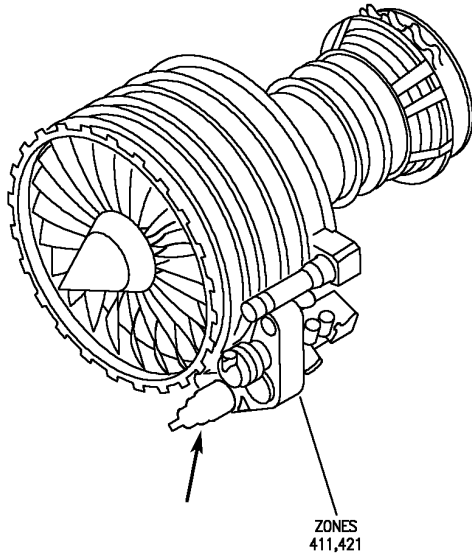
HAP

11-25-04-15

BOEING PROPRIETARY - Copyright © - Unpublished Work - See title page for details.

11-25-04
FIG. 15
PAGE 1
JUN 10/07

BOEING
737-600/700/800/900
PARTS CATALOG (MAINTENANCE)



E 11250601 REV 085

PUMP ASSY-HYDR VICKERS (PLACARDS AND MARKINGS ONLY)
FIGURE 1

11-25-06-01

HAP
OCT 10/06

11-25-06-01
PAGE 0

BOEING
737-600/700/800/900
PARTS CATALOG (MAINTENANCE)

FIG ITEM	PART NUMBER	1 2 3 4 5 6 7	NOMENCLATURE	EFFECT FROM TO	UNITS PER ASSY
1			PUMP ASSY-HYDR VICKERS (PLACARDS AND MARKINGS ONLY)	001200 968999	
- 1	849589		PUMP ASSY-HYDR VICKERS (PLACARDS AND MARKINGS ONLY) SUPPLIER CODE: V62983 FUNCTIONAL DESCRIPTION: PRIMARY SOURCE OF HYDRAULIC PRESSURE FOR THE "A" AND "B" HYDRAULIC SYSTEM SPECIFICATION NUMBER: 10-62167-3 COMPONENT MAINT MANUAL REF: 29-10-61 FOR NHA/OTHER SYS DET SEE: 29-11-11-01 29-11-11-01A	001200 968999	RF
50	344952		.PLATE-INSTRUCTION SUPPLIER CODE: V62983	001200 968999	1

MISSING ITEM NUMBERS NOT APPLICABLE

- ITEM NOT ILLUSTRATED

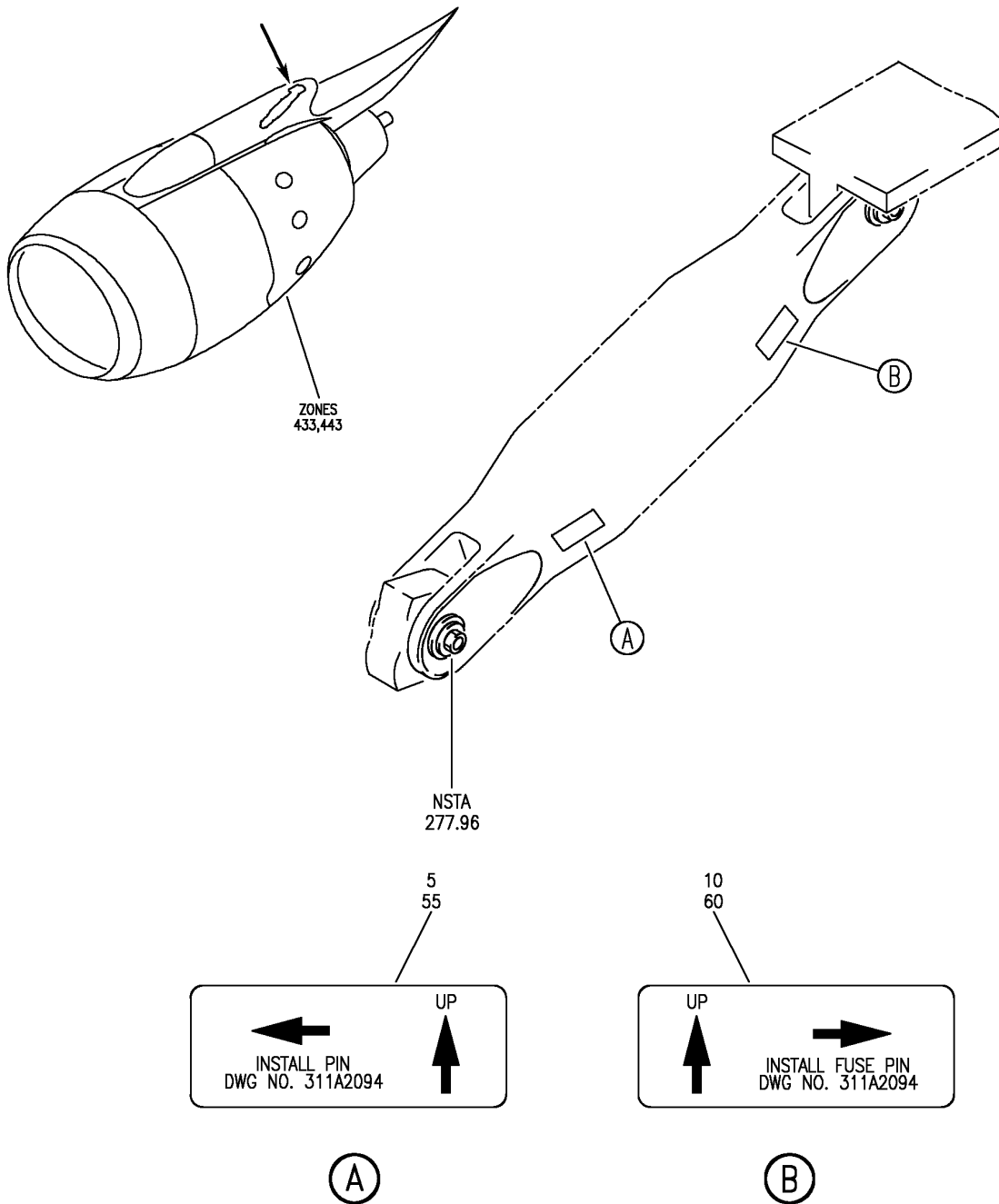
HAP

11-25-06-01

BOEING PROPRIETARY - Copyright © - Unpublished Work - See title page for details.

11-25-06
FIG. 01
PAGE 1
OCT 15/08

BOEING
 737-600/700/800/900
 PARTS CATALOG (MAINTENANCE)



E 11250805 REV 082

BRACE ASSY-(PLACARDS AND MARKINGS ONLY)
 FIGURE 5

11-25-08-05

HAP
 OCT 10/06

11-25-08-05
 PAGE 0

BOEING
737-600/700/800/900
PARTS CATALOG (MAINTENANCE)

FIG ITEM	PART NUMBER	1 2 3 4 5 6 7	NOMENCLATURE	EFFECT FROM TO	UNITS PER ASSY
5			BRACE ASSY-(PLACARDS AND MARKINGS ONLY)		
- 1	311A2730-1		BRACE ASSY-(PLACARDS AND MARKINGS ONLY) COMPONENT MAINT MANUAL REF: 54-50-02 FOR SPARES PROCURE: 311A2730-7 FOR NHA/OTHER SYS DET SEE: 54-51-04-01	001030 201967	RF
- 1	311A2730-10		BRACE ASSY-(PLACARDS AND MARKINGS ONLY) FOR SPARES PROCURE: 311A2730-7 FOR NHA/OTHER SYS DET SEE: 54-51-04-01	001030 201967	RF
- 1	311A2730-12		BRACE ASSY-(PLACARDS AND MARKINGS ONLY) FOR NHA/OTHER SYS DET SEE: 54-51-04-01		RF
5	BAC27DPP438		.MARKER-ALUMINUM FOIL		1
10	BAC27DPP439		.MARKER-ALUMINUM FOIL		1
- 50	311A2730-8		BRACE ASSY-(PLACARDS AND MARKINGS ONLY) FOR NHA/OTHER SYS DET SEE: 54-51-04-01	001030 201967	RF
55	BAC27DPP438		.MARKER-ALUMINUM FOIL	001030 201967	1
60	BAC27DPP439		.MARKER-ALUMINUM FOIL	001030 201967	1

MISSING ITEM NUMBERS NOT APPLICABLE

- ITEM NOT ILLUSTRATED

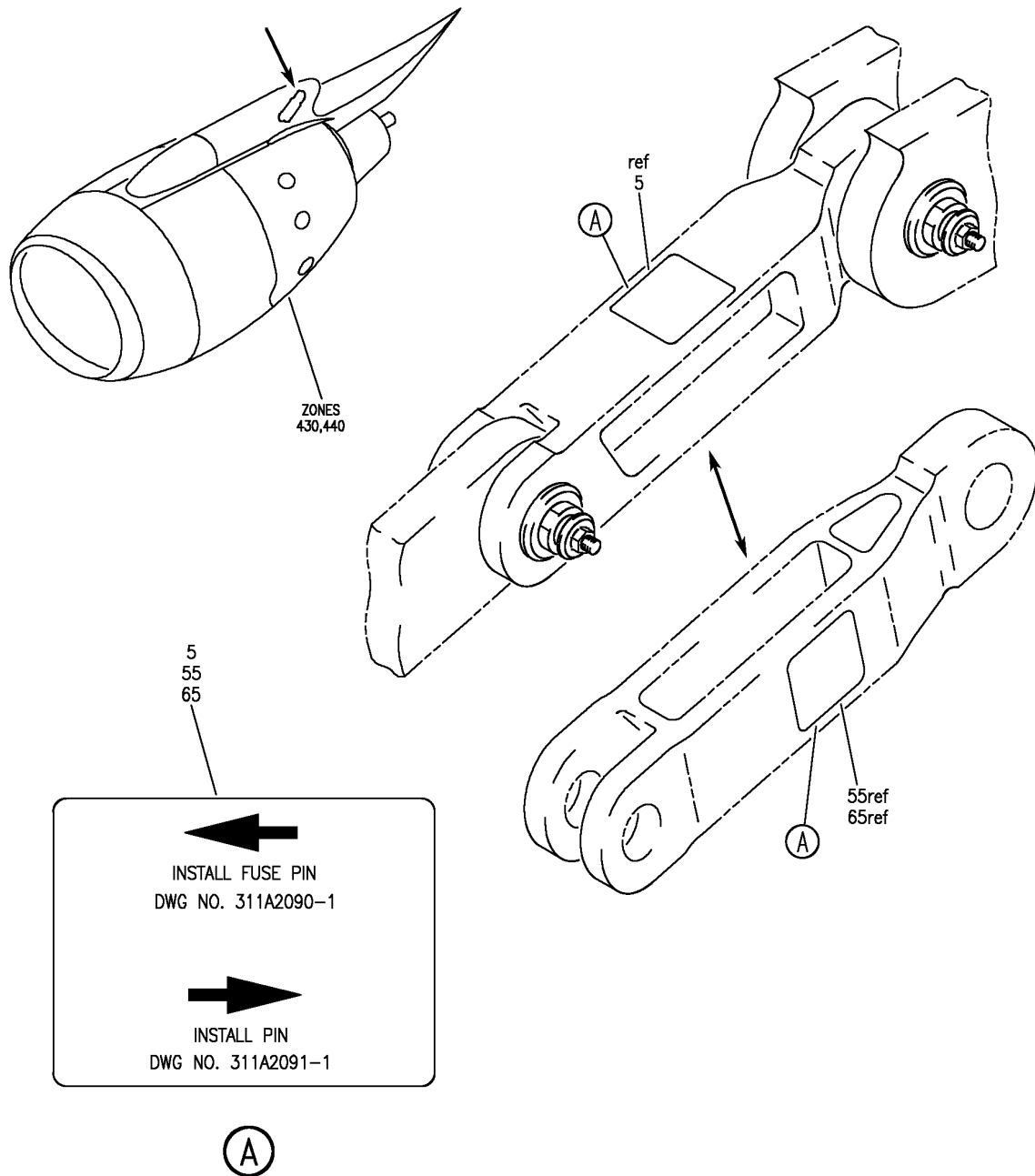
HAP

11-25-08-05

BOEING PROPRIETARY - Copyright © - Unpublished Work - See title page for details.

11-25-08
FIG. 05
PAGE 1
OCT 15/08

BOEING
 737-600/700/800/900
 PARTS CATALOG (MAINTENANCE)



E 11250806 REV 154

LINK ASSY-UPR (PLACARDS AND MARKINGS ONLY)
 FIGURE 6

11-25-08-06

HAP
 JUN 15/09

11-25-08-06
 PAGE 0


BOEING
 737-600/700/800/900
PARTS CATALOG (MAINTENANCE)

FIG ITEM	PART NUMBER	1 2 3 4 5 6 7	NOMENCLATURE	EFFECT FROM TO	UNITS PER ASSY
6			LINK ASSY-UPR (PLACARDS AND MARKINGS ONLY)		
- 50	311A2710-6		LINK ASSY-(PLACARDS AND MARKINGS ONLY)		RF
			POSITION DATA: UPR		
			COMPONENT MAINT MANUAL REF: 54-50-02		
			FOR NHA/OTHER SYS DET SEE: 54-51-03-01		
55	BAC27DPP437		.MARKER-ALUMINUM FOIL		1

MISSING ITEM NUMBERS NOT APPLICABLE

- ITEM NOT ILLUSTRATED

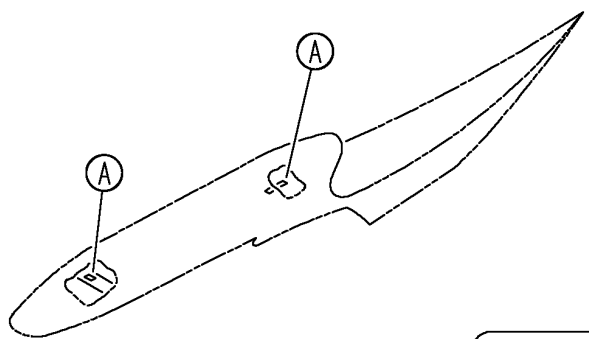
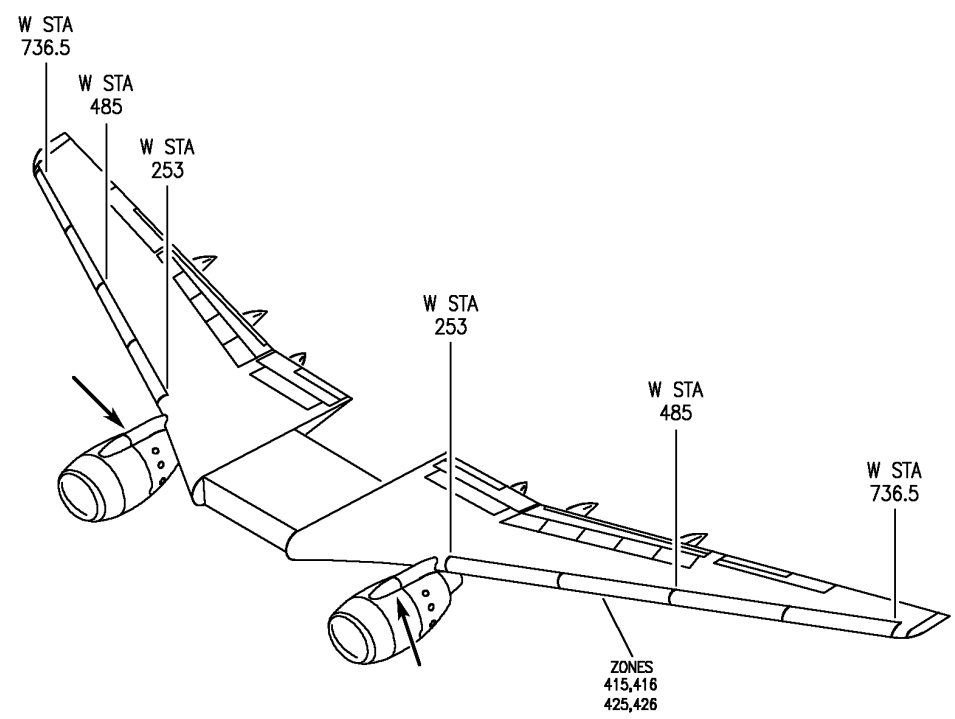
HAP

11-25-08-06

BOEING PROPRIETARY - Copyright © - Unpublished Work - See title page for details.


11-25-08
 FIG. 06
 PAGE 1
 OCT 10/06

BOEING
 737-600/700/800/900
 PARTS CATALOG (MAINTENANCE)



10

NOTE:



SHIELDED WIRE, CONNECTORS, BONDING STRAPS AND ALUMINUM FOIL IN THIS AREA PROVIDE PROTECTION FROM THE EFFECTS OF LIGHTNING. SEE WIRING DIAGRAM MANUAL CHAPTER 20 FOR SPECIAL PRECAUTIONS IN HANDLING THESE COMPONENTS.

(A)

E 11250810 REV 082

WIRE BUNDLE INSTL-STRUT (PLACARDS AND MARKINGS ONLY)
 FIGURE 10

11-25-08-10

HAP
 OCT 10/06

11-25-08-10
 PAGE 0

 **BOEING**
737-600/700/800/900
PARTS CATALOG (MAINTENANCE)

FIG ITEM	PART NUMBER	1 2 3 4 5 6 7	NOMENCLATURE	EFFECT FROM TO	UNITS PER ASSY
10			WIRE BUNDLE INSTL-STRUT (PLACARDS AND MARKINGS ONLY)	001007	
- 1	312A2200-11		WIRE BUNDLE INSTL-STRUT (PLACARDS AND MARKINGS ONLY) POSITION DATA: LH ENG POSITION NO. 1 FOR NHA/OTHER SYS DET SEE: 54-51-01-01	001007	RF
- 5	312A2200-12		WIRE BUNDLE INSTL-STRUT (PLACARDS AND MARKINGS ONLY) POSITION DATA: RH ENG POSITION NO. 2 FOR NHA/OTHER SYS DET SEE: 54-51-01-01	001007	RF
10	BAC27WEL325		.MARKER-ALUMINUM FOIL	001007	2

MISSING ITEM NUMBERS NOT APPLICABLE

- ITEM NOT ILLUSTRATED

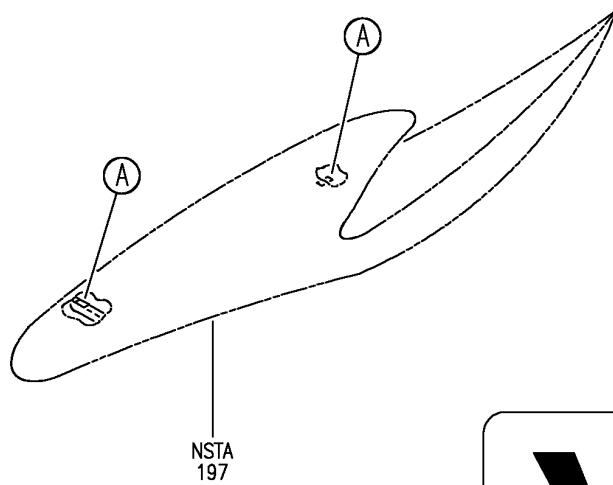
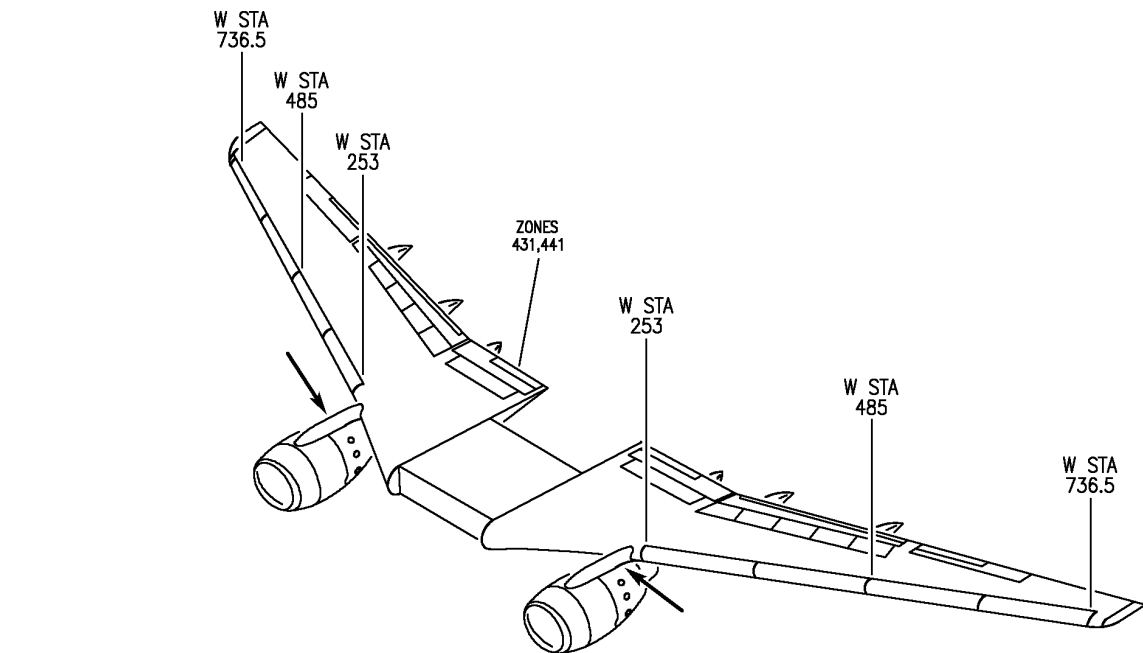
HAP

11-25-08-10

BOEING PROPRIETARY - Copyright © - Unpublished Work - See title page for details.


11-25-08
FIG. 10
PAGE 1
OCT 10/06

BOEING
737-600/700/800/900
PARTS CATALOG (MAINTENANCE)



10

NOTE:



SHIELDED WIRE, CONNECTORS, BONDING STRAPS AND ALUMINUM FOIL IN THIS AREA PROVIDE PROTECTION FROM THE EFFECTS OF LIGHTNING. SEE WIRING DIAGRAM MANUAL CHAPTER 20 FOR SPECIAL PRECAUTIONS IN HANDLING THESE COMPONENTS.

A

E 11250811 REV 082

WIRE BUNDLE INSTL-STRT (PLACARDS AND MARKINGS ONLY)
FIGURE 11

11-25-08-11

HAP
OCT 10/06

11-25-08-11
PAGE 0

BOEING
737-600/700/800/900
PARTS CATALOG (MAINTENANCE)

FIG ITEM	PART NUMBER	1 2 3 4 5 6 7	NOMENCLATURE	EFFECT FROM TO	UNITS PER ASSY
11			WIRE BUNDLE INSTL-STRUT (PLACARDS AND MARKINGS ONLY)	008030 201967	
- 1	312A2200-15		WIRE BUNDLE INSTL-(PLACARDS AND MARKINGS ONLY) POSITION DATA: ENG POSITION 1 L STRUT FOR NHA/OTHER SYS DET SEE: 54-50-00-02A	201967	RF
- 1	312A2200-17		WIRE BUNDLE INSTL-(PLACARDS AND MARKINGS ONLY) POSITION DATA: ENG POSITION 1 L STRUT FOR NHA/OTHER SYS DET SEE: 54-50-00-02B	008011	RF
- 1	312A2200-37		WIRE BUNDLE INSTL-(PLACARDS AND MARKINGS ONLY) POSITION DATA: ENG POSITION 1 L STRUT FOR NHA/OTHER SYS DET SEE: 54-50-00-02B	012030	RF
- 10	312A2200-16		WIRE BUNDLE INSTL-(PLACARDS AND MARKINGS ONLY) POSITION DATA: ENG POSITION 2 R STRUT FOR NHA/OTHER SYS DET SEE: 54-50-00-02A	201967	RF
- 10	312A2200-18		WIRE BUNDLE INSTL-(PLACARDS AND MARKINGS ONLY) POSITION DATA: ENG POSITION 2 R STRUT FOR NHA/OTHER SYS DET SEE: 54-50-00-02B	008011	RF
- 10	312A2200-38		WIRE BUNDLE INSTL-(PLACARDS AND MARKINGS ONLY) POSITION DATA: ENG POSITION 2 R STRUT FOR NHA/OTHER SYS DET SEE: 54-50-00-02B	012030	RF
20	BAC27WEL325		.MARKER-ALUMINUM FOIL	008030 201967	2

MISSING ITEM NUMBERS NOT APPLICABLE

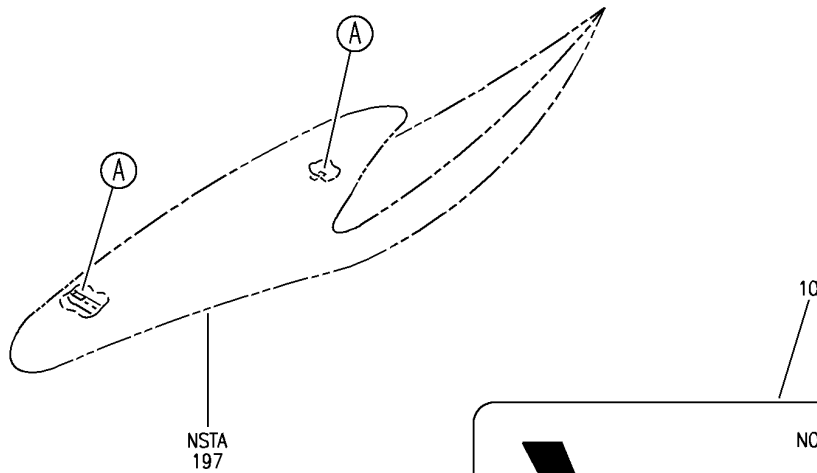
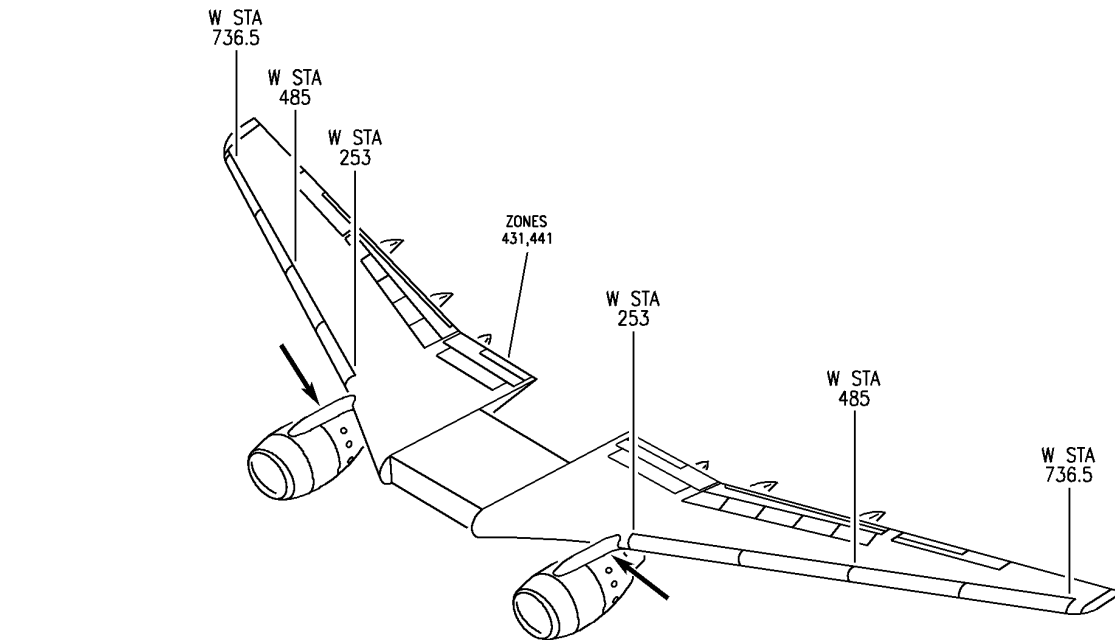
- ITEM NOT ILLUSTRATED

HAP

11-25-08-11

11-25-08
FIG. 11
PAGE 1
OCT 15/08

BOEING
 737-600/700/800/900
 PARTS CATALOG (MAINTENANCE)



NOTE:
 SHIELDED WIRE, CONNECTORS, BONDING STRAPS AND ALUMINUM FOIL IN THIS AREA PROVIDE PROTECTION FROM THE EFFECTS OF LIGHTNING. SEE WIRING DIAGRAM MANUAL CHAPTER 20 FOR SPECIAL PRECAUTIONS IN HANDLING THESE COMPONENTS.

A

E 11250812 REV 123

WIRE BUNDLE INSTL-STRUT (PLACARDS AND MARKINGS ONLY)
 FIGURE 12

11-25-08-12

HAP
 OCT 10/06

11-25-08-12
 PAGE 0

BOEING
737-600/700/800/900
PARTS CATALOG (MAINTENANCE)

FIG ITEM	PART NUMBER	1 2 3 4 5 6 7	NOMENCLATURE	EFFECT FROM TO	UNITS PER ASSY
12			WIRE BUNDLE INSTL-STRUT (PLACARDS AND MARKINGS ONLY)	031200 968999	
- 1	MODREF101817		WIRE BUNDLE INSTL-(PLACARDS AND MARKINGS ONLY) MODULE NUMBER: 312A2200-37 REV B POSITION DATA: ENG POSITION 1 L STRUT FOR OTHER SYS DETAILS SEE: 54-51-51-27 26-18-02-15	031045 054100	1
- 1	MODREF101818		WIRE BUNDLE INSTL-(PLACARDS AND MARKINGS ONLY) MODULE NUMBER: 312A2200-35 REV B POSITION DATA: ENG POSITION 1 L STRUT FOR OTHER SYS DETAILS SEE: 54-51-51-27 26-18-02-15	101103 968971	1
- 1	MODREF354787		WIRE BUNDLE INSTL-(PLACARDS AND MARKINGS ONLY) MODULE NUMBER: 312A2200-35 REV C POSITION DATA: ENG POSITION 1 L STRUT FOR OTHER SYS DETAILS SEE: 54-51-51-27 26-18-02-15	104200 972999	1
- 1	MODREF354789		WIRE BUNDLE INSTL-(PLACARDS AND MARKINGS ONLY) MODULE NUMBER: 312A2200-37 REV C POSITION DATA: ENG POSITION 1 L STRUT FOR OTHER SYS DETAILS SEE: 26-18-02-15 54-51-51-27	046053	1
- 5	MODREF89076		WIRE BUNDLE INSTL-(PLACARDS AND MARKINGS ONLY) MODULE NUMBER: 312A2200-36 REV A POSITION DATA: ENG POSITION 2 R STRUT FOR OTHER SYS DETAILS SEE: 54-51-51-28 26-18-02-15	101103 968971	1

MISSING ITEM NUMBERS NOT APPLICABLE

- ITEM NOT ILLUSTRATED

HAP

11-25-08-12

BOEING PROPRIETARY - Copyright © - Unpublished Work - See title page for details.

11-25-08
FIG. 12
PAGE 1
FEB 15/09

BOEING
737-600/700/800/900
PARTS CATALOG (MAINTENANCE)

FIG ITEM	PART NUMBER	1 2 3 4 5 6 7	NOMENCLATURE	EFFECT FROM TO	UNITS PER ASSY
12 -	5 MODREF89078		WIRE BUNDLE INSTL-(PLACARDS AND MARKINGS ONLY) MODULE NUMBER: 312A2200-38 REV A POSITION DATA: ENG POSITION 2 R STRUT FOR OTHER SYS DETAILS SEE: 54-51-51-28 26-18-02-15	031045 054100	1
-	5 MODREF354788		WIRE BUNDLE INSTL-(PLACARDS AND MARKINGS ONLY) MODULE NUMBER: 312A2200-36 REV B POSITION DATA: ENG POSITION 2 R STRUT FOR OTHER SYS DETAILS SEE: 54-51-51-28 26-18-02-15	104200 972999	1
-	5 MODREF354790		WIRE BUNDLE INSTL-(PLACARDS AND MARKINGS ONLY) MODULE NUMBER: 312A2200-38 REV B POSITION DATA: ENG POSITION 2 R STRUT FOR OTHER SYS DETAILS SEE: 26-18-02-15 54-51-51-28	046053	1
	10 BAC27WEL325		.MARKER-ALUMINUM FOIL	031200 968999	2

MISSING ITEM NUMBERS NOT APPLICABLE

- ITEM NOT ILLUSTRATED

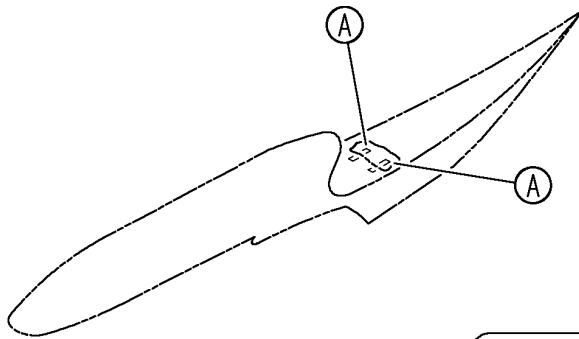
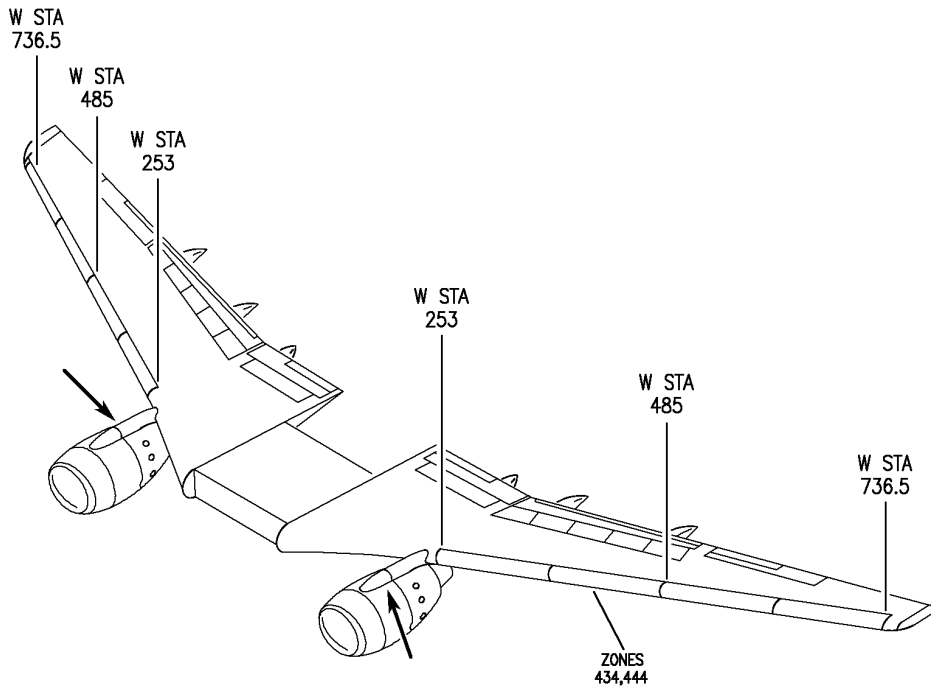
HAP


11-25-08-12

BOEING PROPRIETARY - Copyright © - Unpublished Work - See title page for details.

11-25-08
FIG. 12
PAGE 2
FEB 15/09

BOEING
737-600/700/800/900
PARTS CATALOG (MAINTENANCE)



NOTE:
 SHIELDED WIRE, CONNECTORS, BONDING STRAPS AND ALUMINUM FOIL IN THIS AREA PROVIDE PROTECTION FROM THE EFFECTS OF LIGHTNING. SEE WIRING DIAGRAM MANUAL CHAPTER 20 FOR SPECIAL PRECAUTIONS IN HANDLING THESE COMPONENTS.

A

E 11250815 REV 082

MARKING INSTL-STRUT (PLACARDS AND MARKINGS ONLY)
FIGURE 15

11-25-08-15

HAP
OCT 10/06

11-25-08-15
PAGE 0

BOEING
737-600/700/800/900
PARTS CATALOG (MAINTENANCE)

FIG ITEM	PART NUMBER	1 2 3 4 5 6 7	NOMENCLATURE	EFFECT FROM TO	UNITS PER ASSY
15			MARKING INSTL-STRUT (PLACARDS AND MARKINGS ONLY)		
- 1	311A2020-1		MARKING INSTL-STRUT (PLACARDS AND MARKINGS ONLY) POSITION DATA: LH ENG POSITION NO. 1 FOR NHA/OTHER SYS DET SEE: 54-51-01-01	001022 201967	RF
- 1	311A2020-3		MARKING INSTL-STRUT (PLACARDS AND MARKINGS ONLY) POSITION DATA: LH ENG POSITION NO. 1 FOR NHA/OTHER SYS DET SEE: 54-51-01-01	023027	RF
- 1	311A2020-5		MARKING INSTL-STRUT (PLACARDS AND MARKINGS ONLY) POSITION DATA: LH ENG POSITION NO. 1 FOR NHA/OTHER SYS DET SEE: 54-51-01-01	028030	RF
- 1	MODREF89030		MARKING INSTL-STRUT (PLACARDS AND MARKINGS ONLY) MODULE NUMBER: 311A2020-7 REV A POSITION DATA: LH ENG POSITION NO. 1 FOR NHA/OTHER SYS DET SEE: 54-51-01-01	031200 968999	1
- 5	311A2020-2		MARKING INSTL-STRUT (PLACARDS AND MARKINGS ONLY) POSITION DATA: RH ENG POSITION NO. 2 FOR NHA/OTHER SYS DET SEE: 54-51-01-01	001022 201967	RF
- 5	311A2020-4		MARKING INSTL-STRUT (PLACARDS AND MARKINGS ONLY) POSITION DATA: RH ENG POSITION NO. 2 FOR NHA/OTHER SYS DET SEE: 54-51-01-01	023027	RF

MISSING ITEM NUMBERS NOT APPLICABLE

- ITEM NOT ILLUSTRATED

HAP

11-25-08-15

BOEING PROPRIETARY - Copyright © - Unpublished Work - See title page for details.

11-25-08
FIG. 15
PAGE 1
OCT 15/08

BOEING
737-600/700/800/900
PARTS CATALOG (MAINTENANCE)

FIG ITEM	PART NUMBER	1 2 3 4 5 6 7	NOMENCLATURE	EFFECT FROM TO	UNITS PER ASSY
15 -	5 311A2020-6		MARKING INSTL-STRUT (PLACARDS AND MARKINGS ONLY) POSITION DATA: RH ENG POSITION NO. 2 FOR NHA/OTHER SYS DET SEE: 54-51-01-01	028030	RF
-	5 MODREF89031		MARKING INSTL-STRUT (PLACARDS AND MARKINGS ONLY) MODULE NUMBER: 311A2020-8 REV A POSITION DATA: RH ENG POSITION NO. 2 FOR NHA/OTHER SYS DET SEE: 54-51-01-01	031200 968999	1
10	BAC27WEL325		.MARKER-ALUMINIUM FOIL		2

MISSING ITEM NUMBERS NOT APPLICABLE

- ITEM NOT ILLUSTRATED

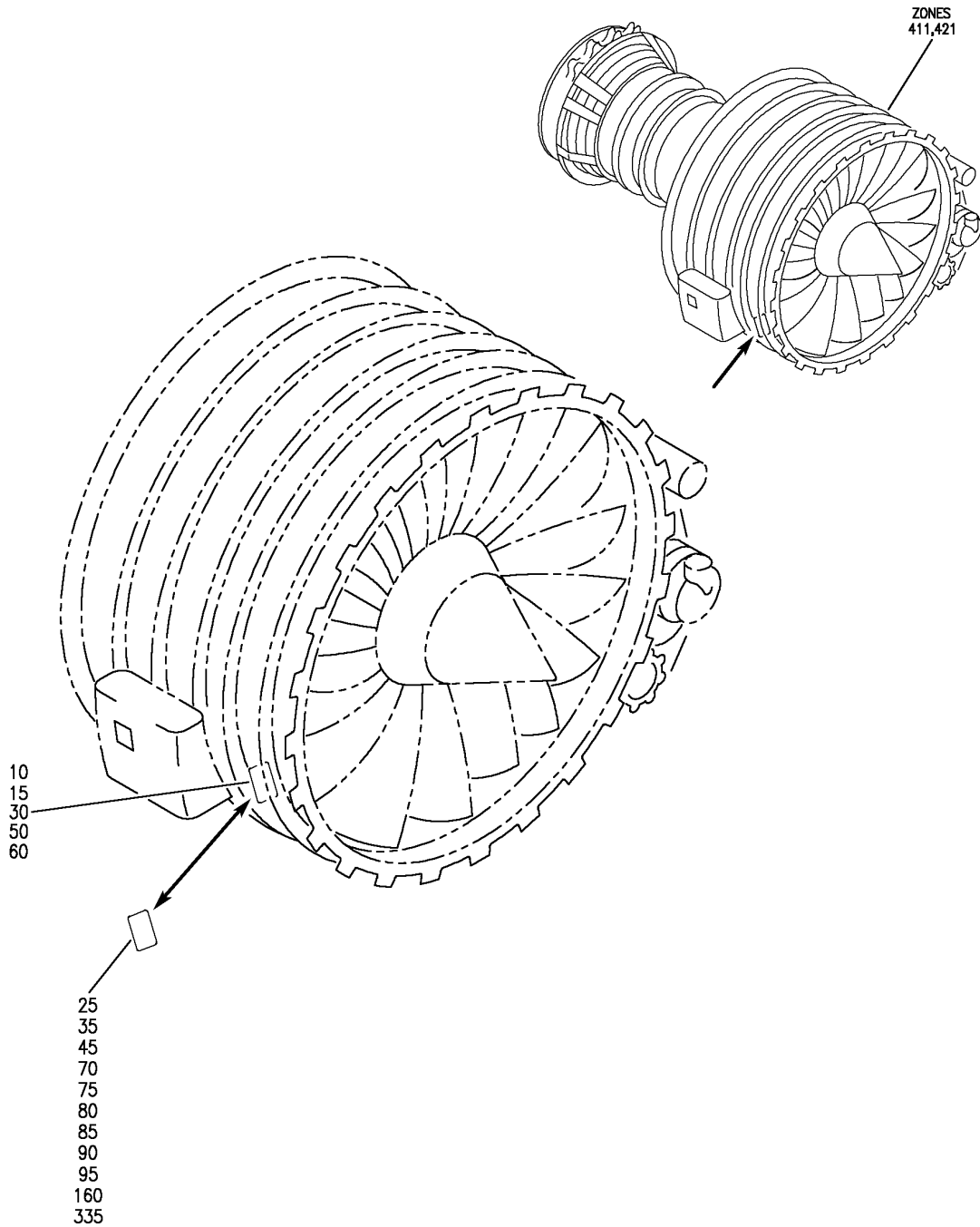
HAP

11-25-08-15

BOEING PROPRIETARY - Copyright © - Unpublished Work - See title page for details.

11-25-08
FIG. 15
PAGE 2
OCT 15/08

BOEING
 737-600/700/800/900
 PARTS CATALOG (MAINTENANCE)



For Details See Subsequent Pages

E 11255102 SHT 1 REV 070

NAMEPLATE INSTL-OWNERSHIP ENG PLACARDS, FOR 737-800 LIMITED
 FIGURE 2 (SHEET 1)

11-25-51-02

HAP
 OCT 10/06

11-25-51-02
 PAGE 0

BOEING PROPRIETARY - Copyright © - Unpublished Work - See title page for details.

 **BOEING**
737-600/700/800/900
PARTS CATALOG (MAINTENANCE)

10



Leased from First Security Bank, National Association, not in its individual capacity but solely as Owner Trustee, Owner and Lessor, and Mortgaged to Wilmington Trust Company, not in its individual capacity but solely as Mortgagee

15
35



THIS ENGINE IS OWNED BY INTERNATIONAL LEASE FINANCE CORPORATION,
LOS ANGELES, CALIFORNIA USA AS LESSOR (UNDER A LEASE OF BOEING 737-8Q8)
CFM INTERNATIONAL, CFM56-7

45



THIS ENGINE IS OWNED BY RAM 7 LEASING LTD., LEASED TO
COMPAGNIE NATIONALE ROYAL AIR MAROC AND SUBJECT TO
A MORTGAGE IN FAVOR OF FIRST SECURITY BANK, NATIONAL
ASSOCIATION, AS THE SECURITY TRUSTEE.

70



Subject to a Security interest in favor of Wilmington Trust Company,
not in it's individual capacity but solely as Mortgagee.

E 11255102 SH1 2 REV 065

NAMEPLATE INSTL-OWNERSHIP ENG PLACARDS, FOR 737-800 LIMITED
FIGURE 2 (SHEET 2)

11-25-51-02

HAP
OCT 10/06

11-25-51-02
PAGE 0A

 **BOEING**
737-600/700/800/900
PARTS CATALOG (MAINTENANCE)

25



THIS ENGINE IS OWNED BY INTERNATIONAL LEASE FINANCE CORPORATION,
LOS ANGELES, CALIFORNIA USA

75



THIS ENGINE IS OWNED BY TOMBO AVIATION NETHERLANDS B.V., LEASED TO HOPAG-LLOYD FLUG
GMBH AND MAY NOT BE OPERATED BY ANY OTHER PERSON WITHOUT THE PRIOR WRITTEN CONSENT OF
TOMBO AVIATION NETHERLANDS B.V.

160



THIS ENGINE IS OWNED BY PGT FINANCE (1999) LTD., IS OPERATED BY PEGASUS HAVA
TASIMACILIGI, A.S. UNDER A LEASE AGREEMENT AND SUBJECT TO A LIEN IN FAVOR OF
FIRST SECURITY BANK NATIONAL ASSOCIATION, AS SECURITY TRUSTEE ACTING ON BEHALF
OF THE SECURED PARTIES.

335



THIS ENGINE IS OWNED BY INTERNATIONAL LEASE FINANCE CORPORATION,
LOS ANGELES, CALIFORNIA USA AS LESSOR (UNDER A LEASE OF BOEING 737-8K5)
CFM INTERNATIONAL, CFM56-7

E 11255102 SHT 3 REV 059

NAMEPLATE INSTL-OWNERSHIP ENG PLACARDS, FOR 737-800 LIMITED
FIGURE 2 (SHEET 3)

11-25-51-02

HAP
OCT 10/06

11-25-51-02
PAGE 08

 **BOEING**
737-600/700/800/900
PARTS CATALOG (MAINTENANCE)

80



THIS ENGINE IS OWNED BY RAM 12 LEASING LIMITED, LEASED TO COMPAGNIE NATIONALE ROYAL AIR MAROC AND SUBJECT TO A MORTGAGE IN FAVOR OF WELLS FARGO BANK NORTHWEST, NATIONAL ASSOCIATION, AS THE SECURITY TRUSTEE

85



This CFM56-7B27 Engine, Manufacturer's Serial No. 888423, is owned by GATX 737-800 PARTNERS III, B.V. and is leased to AIR BERLIN GMBH & CO. LUFTVERKEHRS KG

90



This CFM56-7B27 Engine, Manufacturer's Serial No. 888424, is owned by GATX 737-800 PARTNERS III, B.V. and is leased to AIR BERLIN GMBH & CO. LUFTVERKEHRS KG

E 11255102 SHT 4 REV 07Z

NAMEPLATE INSTL-OWNERSHIP ENG PLACARDS, FOR 737-800 LIMITED
FIGURE 2 (SHEET 4)

11-25-51-02

HAP
OCT 10/06

11-25-51-02
PAGE 0C

BOEING
737-600/700/800/900
PARTS CATALOG (MAINTENANCE)

FIG ITEM	PART NUMBER	1 2 3 4 5 6 7	NOMENCLATURE	EFFECT FROM TO	UNITS PER ASSY
2			NAMEPLATE INSTL-OWNERSHIP ENG PLACARDS, FOR 737-800 LIMITED	014014	
- 1	65C34299-2		NAMEPLATE INSTL-OWNERSHIP ENG PLACARDS, 737-800 VARIABLE DRAWING REF: 65C34299-5011	014014	RF
335	BAC29PPS46436		.PLACARD	014014	2
- 340	BAC29PPS46436		.PLACARD	014014	1
- 600	AS3237-10		ATTACHING PARTS .BOLT	014014	4
- 615	NAS1149C0432R		.WASHER	014014	4
- 630	AS3485-10		.NUT	014014	4
			-----*-----		

MISSING ITEM NUMBERS NOT APPLICABLE

- ITEM NOT ILLUSTRATED

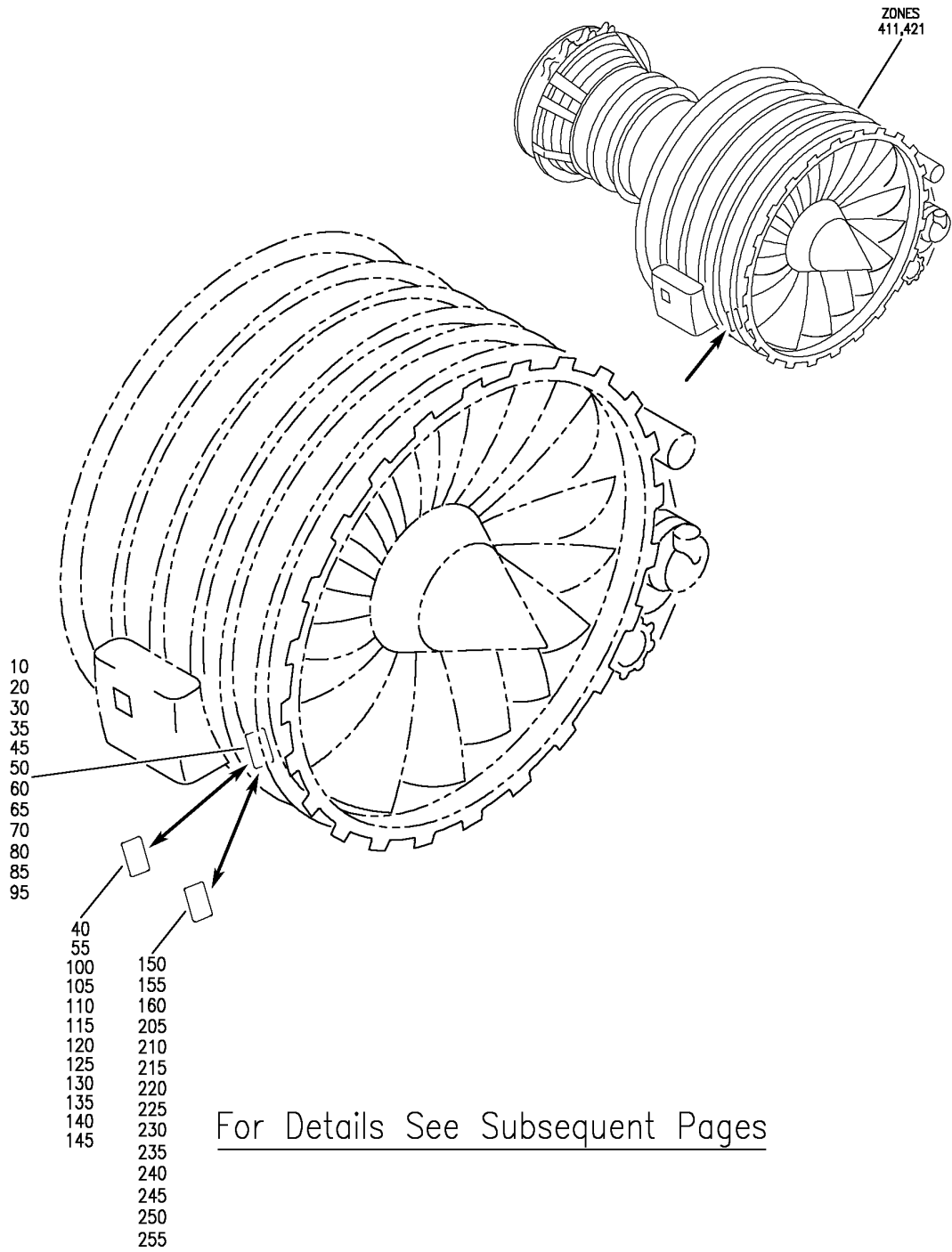
HAP

11-25-51-02

BOEING PROPRIETARY - Copyright © - Unpublished Work - See title page for details.

11-25-51
FIG. 02
PAGE 1
OCT 10/07

BOEING
 737-600/700/800/900
 PARTS CATALOG (MAINTENANCE)



For Details See Subsequent Pages

E 11255102A SHT 1 REV 072

NAMEPLATE INSTL-OWNERSHIP ENG PLACARDS, 737-700 ONLY
 FIGURE 2A (SHEET 1)

11-25-51-02A

HAP
 OCT 15/08

11-25-51-02A
 PAGE 0

BOEING PROPRIETARY - Copyright © - Unpublished Work - See title page for details.

 **BOEING**
737-600/700/800/900
PARTS CATALOG (MAINTENANCE)

10



THIS ENGINE IS OWNED BY INTERNATIONAL LEASE FINANCE CORPORATION,
LOS ANGELES, CALIFORNIA USA AS LESSOR (UNDER A LEASE OF BOEING 737-7Q8)
CFM INTERNATIONAL, CFM56-7

20



Leased from First Security Bank, National Association, not in its individual capacity but solely
as Owner Trustee, Owner and Lessor, and Mortgaged to Wilmington Trust Company, not in its
individual capacity but solely as Mortgagee

30



THIS ENGINE, SERIAL NUMBER 875152, IS OWNED BY BAVARIA
FLUGGESELLSCHAFT M.B.H.U.CO. AND IS LEASED TO TRANSAERO AIRLINES.

35



THIS ENGINE, SERIAL NUMBER 875154, IS OWNED BY BAVARIA
FLUGGESELLSCHAFT M.B.H.U.CO. AND IS LEASED TO TRANSAERO AIRLINES.

E 11255102A SHT 2 REV 054

NAMEPLATE INSTL-OWNERSHIP ENG PLACARDS, 737-700 ONLY
FIGURE 2A (SHEET 2)

11-25-51-02A

HAP
OCT 15/08

11-25-51-02A
PAGE 0A

 **BOEING**
737-600/700/800/900
PARTS CATALOG (MAINTENANCE)

50



This engine is owned by APL Finance Limited., operated by Air Pacific Ltd. Under a Lease Agreement and subject to a lien in favour of Wilmington Trust Company, as Security Trustee, acting on behalf of the secured parties.

60



This Engine is owned by Alcyone FSC Corporation, and is leased to VARIG S.A. (Viacao Aerea Rio-Grandense) and may not be or remain in the possession of, or be operated by, any other person without the prior written consent of Alcyone FSC Corporation.

65



This Engine is owned by Alcyone FSC Corporation and is leased to LINEAS AEREAS PRIVADAS ARGENTINAS (LAPA), S.A. and may not be operated by any other person without prior written consent of Alcyone FSC Corporation.

70



THIS ENGINE IS OWNED BY INTERNATIONAL LEASE FINANCE CORPORATION,
LOS ANGELES, CALIFORNIA USA AS LESSOR (UNDER A LEASE OF BOEING 737-705)
CFM INTERNATIONAL, CFM56-7

E 11255102A SHT 3 REV 054

NAMEPLATE INSTL-OWNERSHIP ENG PLACARDS, 737-700 ONLY
FIGURE 2A (SHEET 3)

11-25-51-02A

HAP
OCT 15/08

11-25-51-02A
PAGE 0B

BOEING PROPRIETARY - Copyright © - Unpublished Work - See title page for details.

 **BOEING**
737-600/700/800/900
PARTS CATALOG (MAINTENANCE)

80



THIS ENGINE IS OWNED BY CASTLE HARBOUR LEASING INC, IS LEASED TO GECAS TECHNICAL SERVICES LIMITED, AND IS SUBLEASED TO KOREAN AIR LINES CO., AND MAY NOT BE OR REMAIN IN THE POSSESSION OF,OR BE OPERATED BY,ANY OTHER PERSON WITHOUT THE PRIOR WRITTEN CONSENT OF GECAS TECHNICAL SERVICES LIMITED.

85



Subject to a Security interest in favor of Wilmington Trust Company, not in its individual capacity but solely as Mortgagee.

95



THIS ENGINE IS OWNED BY PEMBROKE B737-7004 LIMITED, IS OPERATED BY ISRAIR, IS SUBJECT TO A MORTGAGE IN FAVOUR OF BANKERS TRUSTEE COMPANY LIMITED AND MAY NOT BE OPERATED BY ANY OTHER PERSON WITHOUT THE PRIOR WRITTEN CONSENT OF BANKERS TRUSTEE COMPANY LIMITED.

100



THIS ENGINE, SERIAL NUMBER 874553, IS OWNED BY BAVARIA INTERNATIONAL AIRCRAFT LEASING GMBH & CO. KG, DENNINGER STRASSE 165, 81925 MUNICH, GERMANY.

105



THIS ENGINE, SERIAL NUMBER 874554, IS OWNED BY BAVARIA INTERNATIONAL AIRCRAFT LEASING GMBH & CO. KG, DENNINGER STRASSE 165, 81925 MUNICH, GERMANY.

E 11255102A SHT 4 REV 059

NAMEPLATE INSTL-OWNERSHIP ENG PLACARDS, 737-700 ONLY
FIGURE 2A (SHEET 4)

11-25-51-02A

HAP
OCT 15/08

11-25-51-02A
PAGE 0C

BOEING PROPRIETARY - Copyright © - Unpublished Work - See title page for details.

 **BOEING**
737-600/700/800/900
PARTS CATALOG (MAINTENANCE)

115



THIS ENGINE, SERIAL NUMBER 874609, IS OWNED BY BAVARIA INTERNATIONAL AIRCRAFT LEASING GMBH & CO. KG, DENNINGER STRASSE 165, 81925 MUNICH, GERMANY

120



THIS ENGINE, SERIAL NUMBER 875594, IS OWNED BY BAVARIA INTERNATIONAL AIRCRAFT LEASING GMBH & CO. KG, DENNINGER STRASSE 165, 81925 MUNICH, GERMANY

125



"THIS ENGINE IS OWNED BY PEMBROKE B737-7005 LIMITED, IS SUBJECT TO A MORTGAGE IN FAVOUR OF THE BANKERSTRUSTEE COMPANY LIMITED, IS LEASED TO HI HAMBURG INTERNATIONAL LUFTVERKEHRSGESELLSCHAFT MBH AND MAY NOT BE OPERATED BY ANY OTHER PERSON WITHOUT THE PRIOR WRITTEN CONSENT OF PEMBROKE B737-7005 LIMITED."

130



THIS ENGINE, MANUFACTURER'S SERIAL NUMBER 888530, IS OWNED BY BAVARIA INTERNATIONAL AIRCRAFT LEASING GMBH.
OWNER'S ADDRESS:
BAVARIA INTERNATIONAL AIRCRAFT LEASING GMBH
DENNINGER STRASSE 165
D-81925 MUNICH, GERMANY

E 11255102A SH1 5 REV 064

NAMEPLATE INSTL-OWNERSHIP ENG PLACARDS, 737-700 ONLY
FIGURE 2A (SHEET 5)

11-25-51-02A

HAP
OCT 15/08

11-25-51-02A
PAGE 00

 **BOEING**
737-600/700/800/900
PARTS CATALOG (MAINTENANCE)

135



THIS ENGINE, MANUFACTURER'S SERIAL NUMBER 888540, IS OWNED BY BAVARIA INTERNATIONAL AIRCRAFT LEASING GMBH.
OWNER'S ADDRESS:
BAVARIA INTERNATIONAL AIRCRAFT LEASING GMBH
DENNINGER STRASSE 165
D-81925 MUNICH, GERMANY

140



This Engine is owned by Alcyone FSC Corporation and is leased to LINEAS AEREAS PRIVADAS ARGENTINAS (LAPA), S.A. and may not be operated by any other person without the prior written consent of Alcyone FSC Corporation, and is subject to a security interest in favor of the Mortgagee.

145



This engine is owned by Pembroke B737-7005 Limited, is subject to a mortgage in favour of Bankers Trustee Company Limited, is leased to HI Hamburg International Luftverkehrsgesellschaft mbh & Co. Betriebs-KG and may not be operated by any other person without the prior written consent of Pembroke B737-7005 Limited

160



This Engine is owned by General Electric Capital Corporation and is leased to Midway Airlines Corporation and may not be operated by any other person without the prior written consent of General Electric Capital Corporation.

E 11255102A SHT 6 REV 064

NAMEPLATE INSTL-OWNERSHIP ENG PLACARDS, 737-700 ONLY
FIGURE 2A (SHEET 6)

11-25-51-02A

HAP
OCT 15/08

11-25-51-02A
PAGE 0E

BOEING
737-600/700/800/900
PARTS CATALOG (MAINTENANCE)

55
205



This Engine is owned by Alcyone FSC Corporation, and is leased to Jet Airways (India) Limited and may not be or remain in the possession of, or be operated by, any other person without the prior written consent of Alcyone FSC Corporation.

210



This Engine is owned by CASTLE HARBOUR LEASING INC. and is leased to ALOHA AIRLINES, INC. and may not be or remain in the possession of, or operated by, any other person without the prior written consent of CASTLE HARBOUR LEASING INC.

215



This Engine is owned by Alcyone FSC Corporation, and is leased to Kenya Airways Limited and may not be or remain in the possession of, or be operated by, any other person without the prior written consent of Alcyone FSC Corporation.

45
220



THIS ENGINE IS OWNED BY AVIATION FINANCIAL SERVICES INC, AND IS LEASED TO MIDWAY AIRLINES CORPORATION AND MAY NOT BE OR REMAIN IN THE POSSESSION OF, OR BE OPERATED BY, ANY OTHER PERSON WITHOUT THE PRIOR WRITTEN CONCENT OF AVIATION FINANCIAL SERVICES INC.

E 11255102A SHT 7 REV 064

NAMEPLATE INSTL-OWNERSHIP ENG PLACARDS, 737-700 ONLY
FIGURE 2A (SHEET 7)

11-25-51-02A

HAP
OCT 15/08

11-25-51-02A
PAGE OF

BOEING
737-600/700/800/900
PARTS CATALOG (MAINTENANCE)

155



THIS ENGINE IS OWNED BY ALCYONE FSC CORPORATION AND IS LEASED TO CHINA XINJIANG AIRLINES AND MAY NOT BE OR REMAIN IN THE POSSESSION OF OR BE OPERATED BY, ANY OTHER PERSON WITHOUT THE PRIOR WRITTEN CONSENT OF AVIATION FINANCIAL SERVICES INC. ("LESSOR")

230



THIS ENGINE IS OWNED BY ALCYONE FSC CORPORATION AND IS LEASED TO GOL TRANSPORTES AEREOS LTDA. BY AVIATION FINANCIAL SERVICES INC. AND MAY NOT BE OR REMAIN IN THE POSSESSION OF OR BE OPERATED BY, ANY OTHER PERSON WITHOUT THE PRIOR WRITTEN CONSENT OF AVIATION FINANCIAL SERVICES INC.

250



THIS ENGINE IS OWNED BY AFS INVESTMENTS XVIII LLC, AND IS LEASED TO AZZURRAAIR S.P.A. AND MAY NOT BE OR REMAIN IN THE POSSESSION OF, OR BE OPERATED BY, ANY OTHER PERSON WITHOUT THE PRIOR WRITTEN CONSENT OF AFS INVESTMENTS XVIII LLC.

255



THIS ENGINE IS OWNED BY AFS INVESTMENTS XVII LLC, AND IS LEASED TO AZZURRAAIR S.P.A. AND MAY NOT BE OR REMAIN IN THE POSSESSION OF, OR BE OPERATED BY, ANY OTHER PERSON WITHOUT THE PRIOR WRITTEN CONSENT OF AFS INVESTMENTS XVII LLC.

E 11255102A SH1 8 REV 072

NAMEPLATE INSTL-OWNERSHIP ENG PLACARDS, 737-700 ONLY
FIGURE 2A (SHEET 8)

11-25-51-02A

HAP
OCT 15/08

11-25-51-02A
PAGE 06

BOEING PROPRIETARY - Copyright © - Unpublished Work - See title page for details.

BOEING
737-600/700/800/900
PARTS CATALOG (MAINTENANCE)

FIG ITEM	PART NUMBER	1 2 3 4 5 6 7	NOMENCLATURE	EFFECT FROM TO	UNITS PER ASSY
2A			NAMEPLATE INSTL-OWNERSHIP ENG PLACARDS, 737-700 ONLY	201201	
- 1	65C34299-2		NAMEPLATE INSTL-OWNERSHIP ENG PLACARD, 737-700 VARIABLE DRAWING REF: 65C34299-5011	201201	RF
125	BAC29PPS43255		.PLACARD ATTACHING PARTS	201201	1
- 305	AS3237-10		.BOLT	201201	4
- 330	NAS1149C0432R		.WASHER	201201	4
- 350	AS3485-10		.NUT	201201	4
			-----*		

MISSING ITEM NUMBERS NOT APPLICABLE

- ITEM NOT ILLUSTRATED

HAP

11-25-51-02A

BOEING PROPRIETARY - Copyright © - Unpublished Work - See title page for details.

11-25-51
FIG. 02A
PAGE 1
OCT 15/08