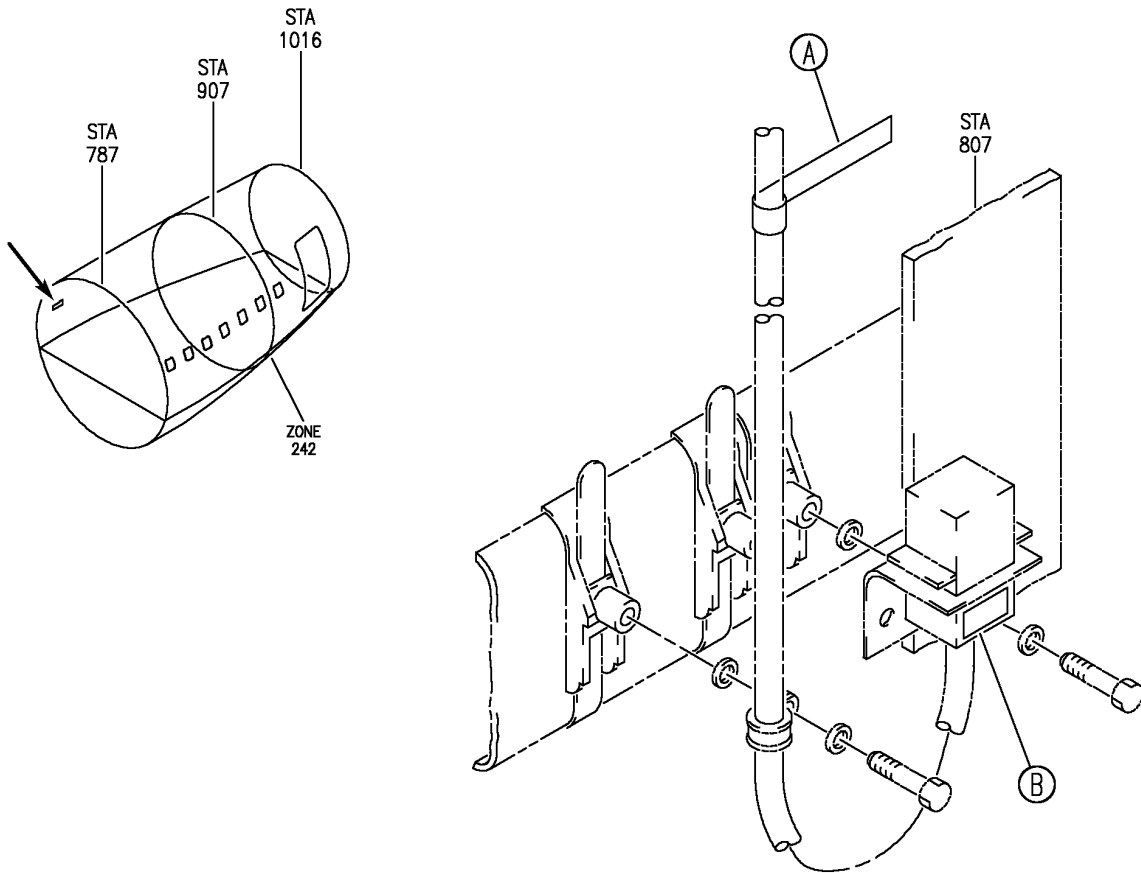


## EXTERIOR PLACARDS AND MARKINGS

HAP  
OCT 10/06

11-26-00  
SECTION TITLE  
PAGE 1

**BOEING**  
 737-600/700/800/900  
 PARTS CATALOG (MAINTENANCE)



5

DO NOT INSTALL RELAY UNDER BLANKET	DO NOT INSTALL RELAY UNDER BLANKET
------------------------------------	------------------------------------

(A)

10

INSTALL WIRES DOWN
--------------------------

(B)

E 11260101 REV 082

RELAY INSTL-STAB. TRIM ARM PLACARDS AND MARKINGS ONLY  
 FIGURE 1

**11-26-01-01**

HAP  
 OCT 10/06

11-26-01-01  
 PAGE 0

**BOEING**  
737-600/700/800/900  
PARTS CATALOG (MAINTENANCE)

FIG ITEM	PART NUMBER	1 2 3 4 5 6 7	NOMENCLATURE	EFFECT FROM TO	UNITS PER ASSY
1			RELAY INSTL-STAB. TRIM ARM PLACARDS AND MARKINGS ONLY	001011 201967	
- 1	27A1228-1		RELAY INSTL-STAB TRIM ARM POST ALERT SB: 27A1228R1 27A1228	001011 201967	1
5	BAC27DEX6821		FOR OTHER SYS DETAILS SEE: 27-41-94-03 .MARKER- POST ALERT SB: 27A1228 27A1228R1	001011 201967	1
10	BAC27DEX6820		.MARKER- POST ALERT SB: 27A1228 27A1228R1	001011 201967	1

MISSING ITEM NUMBERS NOT APPLICABLE

- ITEM NOT ILLUSTRATED

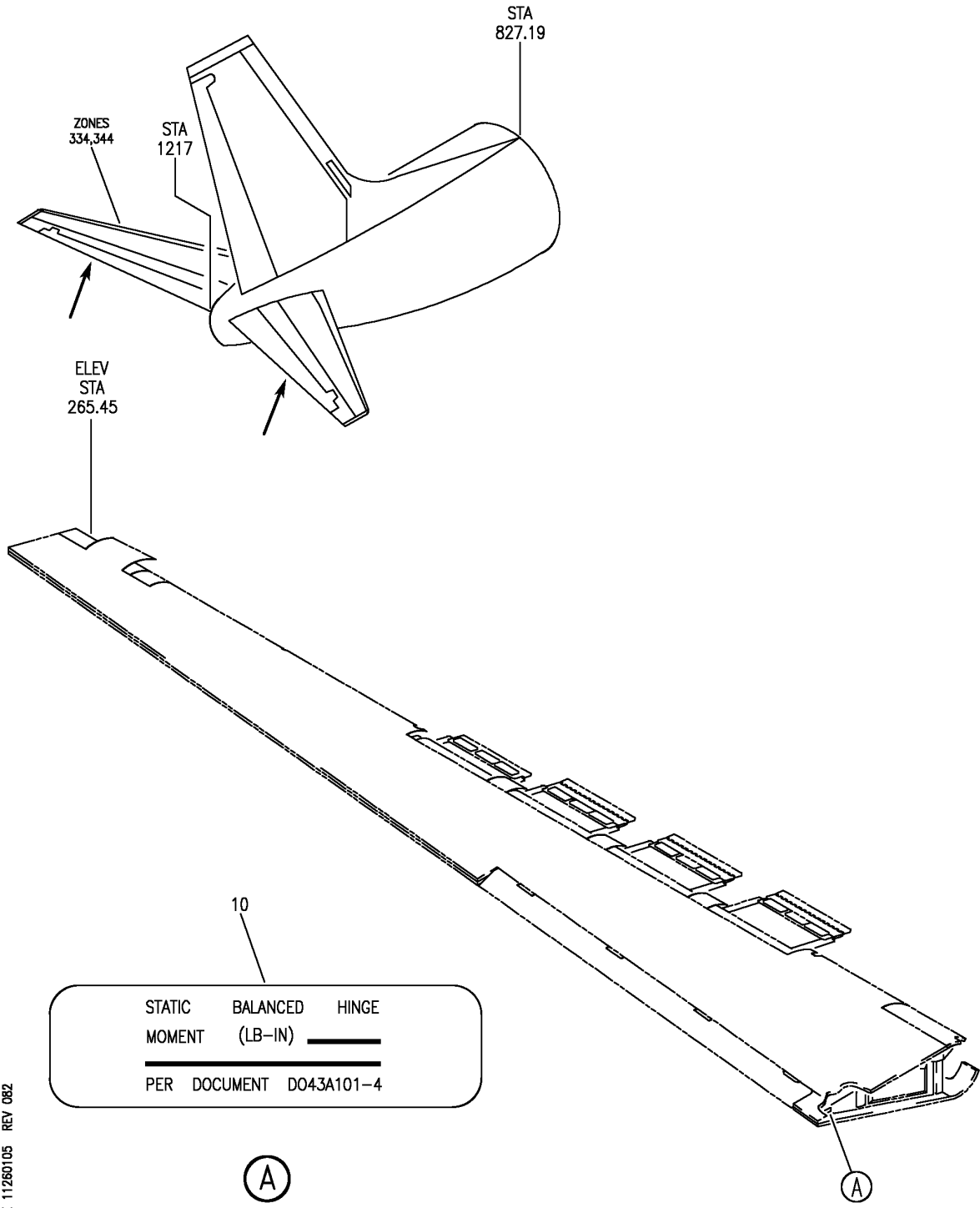
HAP

# 11-26-01-01

BOEING PROPRIETARY - Copyright © - Unpublished Work - See title page for details.

11-26-01  
FIG. 01  
PAGE 1  
OCT 15/08

**BOEING**  
 737-600/700/800/900  
 PARTS CATALOG (MAINTENANCE)



E 11260105 REV 082

RIB INSTL-INBD CLOSURE ELEV (PLACARDS AND MARKINGS ONLY)  
 FIGURE 5

**11-26-01-05**

HAP  
 OCT 10/06

11-26-01-05  
 PAGE 0

**BOEING**  
737-600/700/800/900  
PARTS CATALOG (MAINTENANCE)

FIG ITEM	PART NUMBER	1 2 3 4 5 6 7	NOMENCLATURE	EFFECT FROM TO	UNITS PER ASSY
5			RIB INSTL-INBD CLOSURE ELEV (PLACARDS AND MARKINGS ONLY)		
- 1	183A5040-1		RIB INSTL-INBD CLOSURE ELEV (PLACARDS AND MARKINGS ONLY) POSITION DATA: LH FOR NHA/OTHER SYS DET SEE: 55-20-00-06 55-20-00-16		RF
- 5	183A5040-2		RIB INSTL-INBD CLOSURE ELEV (PLACARDS AND MARKINGS ONLY) POSITION DATA: RH FOR NHA/OTHER SYS DET SEE: 55-20-00-06 55-20-00-16		RF
10	BAC27DWG32		.MARKER		1

MISSING ITEM NUMBERS NOT APPLICABLE

- ITEM NOT ILLUSTRATED

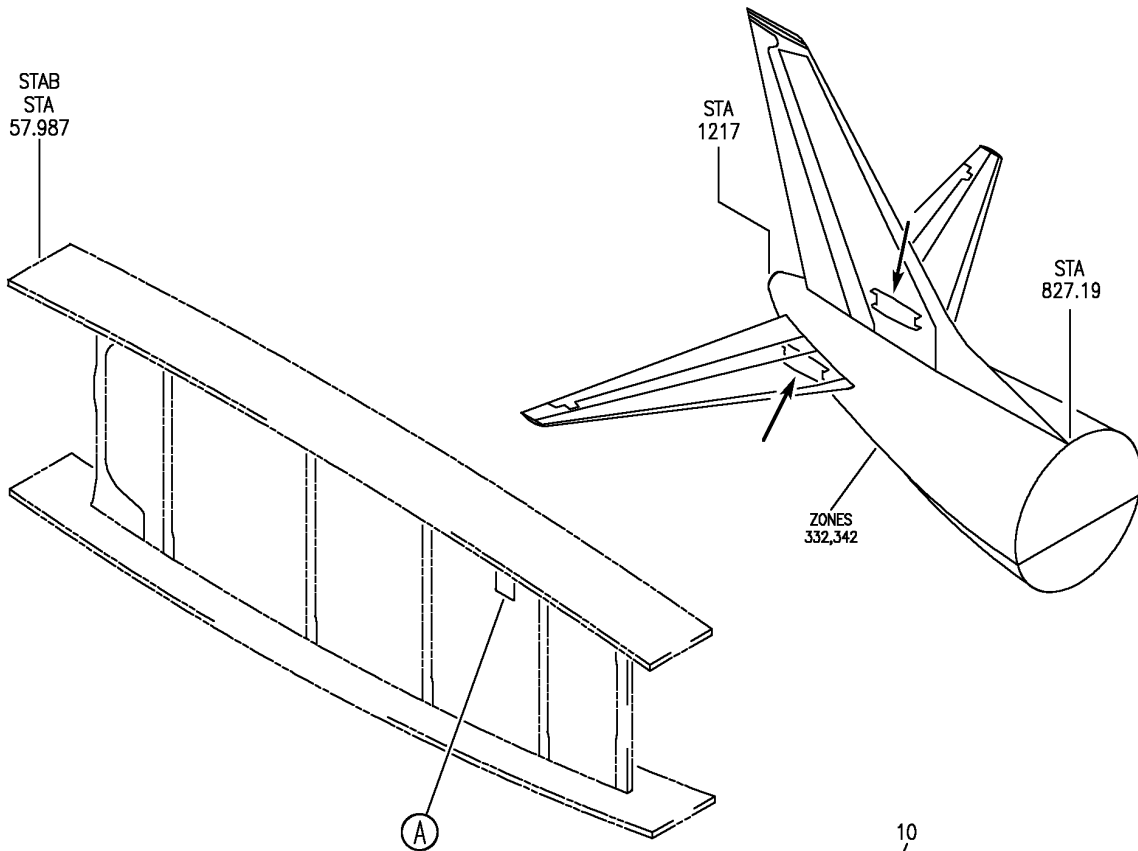
HAP

# 11-26-01-05

BOEING PROPRIETARY - Copyright © - Unpublished Work - See title page for details.

11-26-01  
FIG. 05  
PAGE 1  
OCT 10/06

**BOEING**  
 737-600/700/800/900  
 PARTS CATALOG (MAINTENANCE)



10

<input type="checkbox"/>	AIRCRAFT MOD.	<input type="checkbox"/>
	MFR. CODE	
	PART NO.	
	CONT NO.	
	SERIAL NO.	
	CONT.	<input type="checkbox"/>
	INSP.	<input type="checkbox"/>
		CUST. INSP.
MODIFICATION INCORPORATED		

(A)

E 11260110 REV 063

RIB INSTL-INBD CLOSURE HORIZ STAB. (PLACARDS AND MARKINGS ONLY)  
 FIGURE 10

**11-26-01-10**

HAP  
 OCT 10/06

11-26-01-10  
 PAGE 0

**BOEING**  
737-600/700/800/900  
PARTS CATALOG (MAINTENANCE)

FIG ITEM	PART NUMBER	1 2 3 4 5 6 7	NOMENCLATURE	EFFECT FROM TO	UNITS PER ASSY
10			RIB INSTL-INBD CLOSURE HORIZ STAB. (PLACARDS AND MARKINGS ONLY)	001030 201967	
- 1	182A5001-65		RIB INSTL-INBD CLOSURE HORIZ STAB. (PLACARDS AND MARKINGS ONLY) POSITION DATA: LH FOR NHA/OTHER SYS DET SEE: 55-10-00-23	008014 201201	RF
- 1	182A5001-29		RIB INSTL-INBD CLOSURE HORIZ STAB. (PLACARDS AND MARKINGS ONLY) POSITION DATA: LH FOR NHA/OTHER SYS DET SEE: 55-10-00-06	003005	RF
- 1	182A5001-71		RIB INSTL-INBD CLOSURE HORIZ STAB. (PLACARDS AND MARKINGS ONLY) POSITION DATA: LH FOR NHA/OTHER SYS DET SEE: 55-10-00-23	015030	RF
- 1	182A5001-75		RIB INSTL-INBD CLOSURE HORIZ STAB. (PLACARDS AND MARKINGS ONLY) POSITION DATA: LH FOR NHA/OTHER SYS DET SEE: 55-10-00-06	028030	RF
- 1	182A5001-49		RIB INSTL-INBD CLOSURE HORIZ STAB. (PLACARDS AND MARKINGS ONLY) POSITION DATA: LH FOR NHA/OTHER SYS DET SEE: 55-10-00-23	006007	RF
- 1	182A5001-51		RIB INSTL-INBD CLOSURE HORIZ STAB. (PLACARDS AND MARKINGS ONLY) POSITION DATA: LH FOR NHA/OTHER SYS DET SEE: 55-10-00-06	001001	RF

MISSING ITEM NUMBERS NOT APPLICABLE

- ITEM NOT ILLUSTRATED

HAP

# 11-26-01-10

11-26-01  
FIG. 10  
PAGE 1  
OCT 15/08

**BOEING**  
737-600/700/800/900  
PARTS CATALOG (MAINTENANCE)

FIG ITEM	PART NUMBER	1 2 3 4 5 6 7	NOMENCLATURE	EFFECT FROM TO	UNITS PER ASSY
10					
- 1	182A5001-53		RIB INSTL-INBD CLOSURE HORIZ STAB. (PLACARDS AND MARKINGS ONLY) POSITION DATA: LH FOR NHA/OTHER SYS DET SEE: 55-10-00-06	002002	RF
- 1	182A5001-63		RIB INSTL-INBD CLOSURE HORIZ STAB. (PLACARDS AND MARKINGS ONLY) POSITION DATA: LH FOR NHA/OTHER SYS DET SEE: 55-10-00-06	202967	RF
- 5	182A5001-66		RIB INSTL-INBD CLOSURE HORIZ STAB. (PLACARDS AND MARKINGS ONLY) POSITION DATA: RH FOR NHA/OTHER SYS DET SEE: 55-10-00-23	008014 201201	RF
- 5	182A5001-30		RIB INSTL-INBD CLOSURE HORIZ STAB. (PLACARDS AND MARKINGS ONLY) POSITION DATA: RH FOR NHA/OTHER SYS DET SEE: 55-10-00-22	003005	RF
- 5	182A5001-72		RIB INSTL-INBD CLOSURE HORIZ STAB. (PLACARDS AND MARKINGS ONLY) POSITION DATA: RH FOR NHA/OTHER SYS DET SEE: 55-10-00-06	015030	RF
- 5	182A5001-76		RIB INSTL-INBD CLOSURE HORIZ STAB. (PLACARDS AND MARKINGS ONLY) POSITION DATA: RH FOR NHA/OTHER SYS DET SEE: 55-10-00-22	028030	RF
- 5	182A5001-50		RIB INSTL-INBD CLOSURE HORIZ STAB. (PLACARDS AND MARKINGS ONLY) POSITION DATA: RH FOR NHA/OTHER SYS DET SEE: 55-10-00-06	006007	RF

MISSING ITEM NUMBERS NOT APPLICABLE

- ITEM NOT ILLUSTRATED

HAP

# 11-26-01-10

BOEING PROPRIETARY - Copyright © - Unpublished Work - See title page for details.

11-26-01  
FIG. 10  
PAGE 2  
OCT 15/08



**BOEING**  
737-600/700/800/900  
PARTS CATALOG (MAINTENANCE)

FIG ITEM	PART NUMBER	1 2 3 4 5 6 7	NOMENCLATURE	EFFECT FROM TO	UNITS PER ASSY
10 -	5 182A5001-52		RIB INSTL-INBD CLOSURE HORIZ STAB. (PLACARDS AND MARKINGS ONLY) POSITION DATA: RH FOR NHA/OTHER SYS DET SEE: 55-10-00-06	001001	RF
-	5 182A5001-54		RIB INSTL-INBD CLOSURE HORIZ STAB. (PLACARDS AND MARKINGS ONLY) POSITION DATA: RH FOR NHA/OTHER SYS DET SEE: 55-10-00-06	002002	RF
-	5 182A5001-64		RIB INSTL-INBD CLOSURE HORIZ STAB. (PLACARDS AND MARKINGS ONLY) POSITION DATA: RH FOR NHA/OTHER SYS DET SEE: 55-10-00-22	202967	RF
10	MS27253F1		.PLATE-IDENT	001030 201967	1

MISSING ITEM NUMBERS NOT APPLICABLE

- ITEM NOT ILLUSTRATED

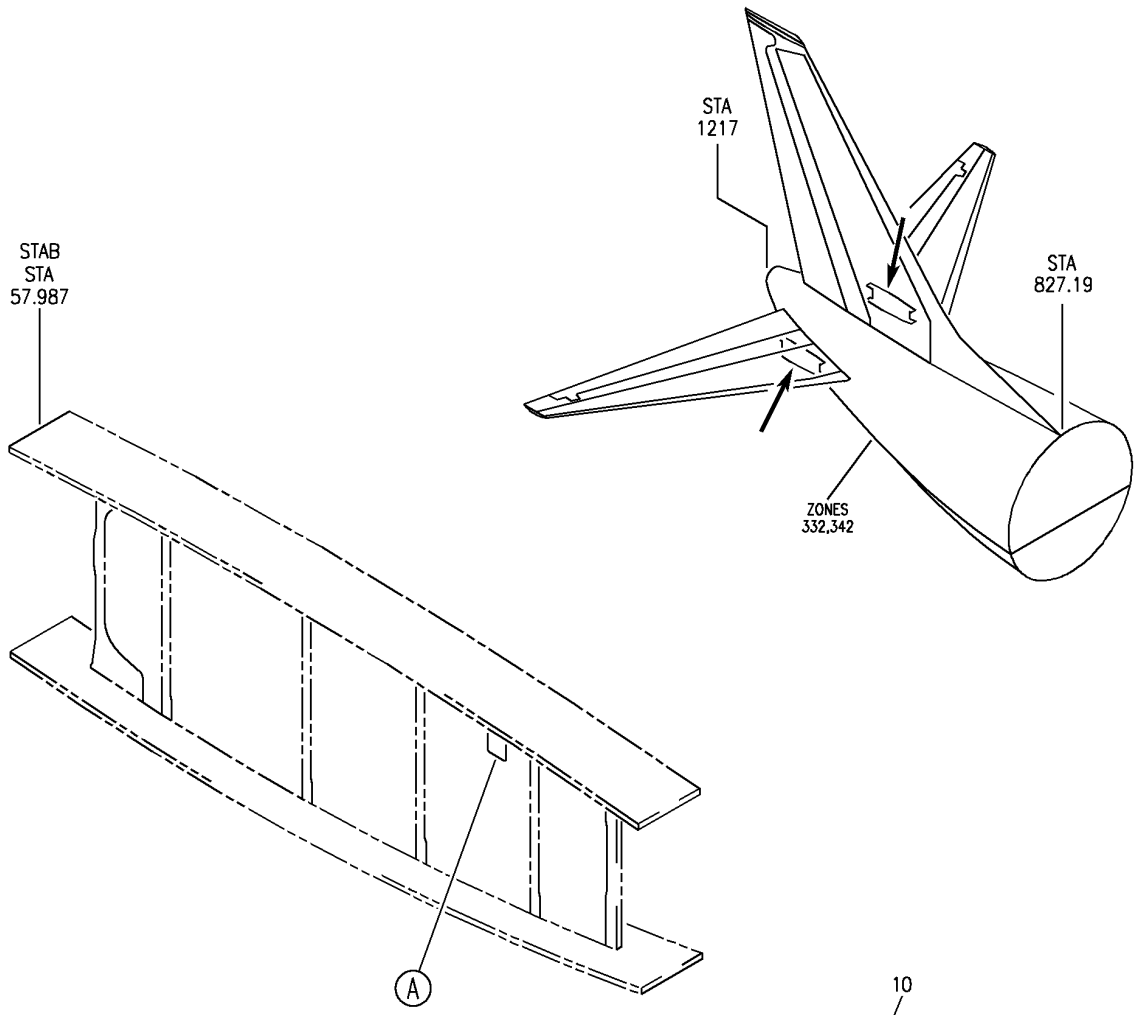
HAP

# 11-26-01-10

BOEING PROPRIETARY - Copyright © - Unpublished Work - See title page for details.

11-26-01  
FIG. 10  
PAGE 3  
OCT 15/08

**BOEING**  
 737-600/700/800/900  
 PARTS CATALOG (MAINTENANCE)



10

AIRCRAFT MOD.	_____
MFR. CODE	_____
PART NO.	_____
CONT NO.	_____
SERIAL NO.	_____
CONT <input type="checkbox"/>	CUST <input type="checkbox"/>
INSP <input type="checkbox"/>	INSP <input type="checkbox"/>
MODIFICATION INCORPORATED	
_____	

(A)

E 11260110A REV 127

RIB INSTL-INBD CLOSURE HORIZ STAB. (PLACARDS AND MARKINGS ONLY)  
 FIGURE 10A

**11-26-01-10A**

HAP  
 FEB 10/07

11-26-01-10A  
 PAGE 0

**BOEING**  
737-600/700/800/900  
PARTS CATALOG (MAINTENANCE)

FIG ITEM	PART NUMBER	1 2 3 4 5 6 7	NOMENCLATURE	EFFECT FROM TO	UNITS PER ASSY
10A			RIB INSTL-INBD CLOSURE HORIZ STAB. (PLACARDS AND MARKINGS ONLY)	031036	
- 1	MODREF183796		RIB INSTL-INBD CLOSURE HORIZ STAB. (PLACARDS AND MARKINGS ONLY) MODULE NUMBER: 182A5001-75 REV B POSITION DATA: LH FOR NHA/OTHER SYS DET SEE: 55-10-00-23A	031036	1
- 5	MODREF183797		RIB INSTL-INDB CLOSURE HORIZ STAB. (PLACARDS AND MARKINGS ONLY) MODULE NUMBER: 182A5001-76 REV B POSITION DATA: RH FOR NHA/OTHER SYS DET SEE: 55-10-00-22A	031036	1
10	MS27253F1		.PLATE-IDENT	031036	1

MISSING ITEM NUMBERS NOT APPLICABLE

- ITEM NOT ILLUSTRATED

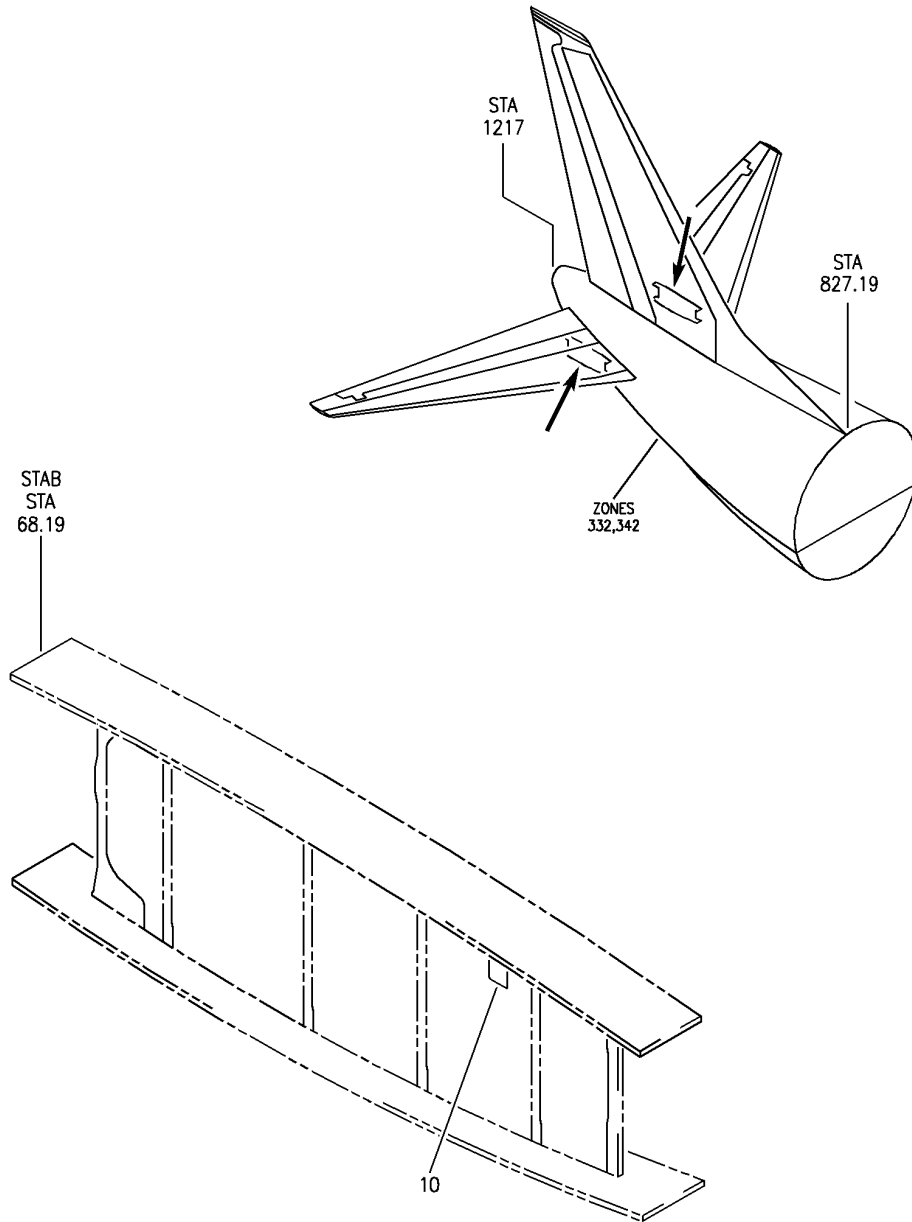
HAP

# 11-26-01-10A

BOEING PROPRIETARY - Copyright © - Unpublished Work - See title page for details.

11-26-01  
FIG. 10A  
PAGE 1  
FEB 10/07

**BOEING**  
737-600/700/800/900  
PARTS CATALOG (MAINTENANCE)



E 11260111 REV 118

RIB INSTL-HORIZ STAB. INBD CLOSURE (PLACARDS AND MARKINGS ONLY)  
FIGURE 11

**11-26-01-11**

HAP  
FEB 10/07

11-26-01-11  
PAGE 0

 **BOEING**  
737-600/700/800/900  
**PARTS CATALOG (MAINTENANCE)**

FIG ITEM	PART NUMBER	1 2 3 4 5 6 7	NOMENCLATURE	EFFECT FROM TO	UNITS PER ASSY
11			RIB INSTL-HORIZ STAB. INBD CLOSURE (PLACARDS AND MARKINGS ONLY)	037200 968999	
- 1	MODREF283994		RIB INSTL-HORIZ STAB. INBD CLOSURE (PLACARDS AND MARKINGS ONLY) MODULE NUMBER: 182A5001-75 REV C POSITION DATA: LH FOR NHA/OTHER SYS DET SEE: 55-10-00-23A	037040 042043 101101 968969	1
- 1	MODREF310679		RIB INSTL-HORIZ STAB. INBD CLOSURE (PLACARDS AND MARKINGS ONLY) MODULE NUMBER: 182A5001-75 REV D POSITION DATA: LH FOR NHA/OTHER SYS DET SEE: 55-10-00-23A	041041 044046 054100 102103 970971	1
- 1	MODREF348771		RIB INSTL-HORIZ STAB. INBD CLOSURE (PLACARDS AND MARKINGS ONLY) MODULE NUMBER: 182A5001-75 REV E POSITION DATA: LH FOR NHA/OTHER SYS DET SEE: 55-10-00-23A	047053 104200 972999	1
- 5	MODREF283995		RIB INSTL-HORIZ STAB. INBD CLOSURE (PLACARDS AND MARKINGS ONLY) MODULE NUMBER: 182A5001-76 REV C POSITION DATA: RH FOR NHA/OTHER SYS DET SEE: 55-10-00-22A	037040 042043 101101 968969	1
- 5	MODREF310680		RIB INSTL-HORIZ STAB. INBD CLOSURE (PLACARDS AND MARKINGS ONLY) MODULE NUMBER: 182A5001-76 REV D POSITION DATA: RH FOR NHA/OTHER SYS DET SEE: 55-10-00-22A	041041 044046 054100 102103 970971	1

MISSING ITEM NUMBERS NOT APPLICABLE

- ITEM NOT ILLUSTRATED

HAP

# 11-26-01-11

11-26-01  
FIG. 11  
PAGE 1  
FEB 15/09

**BOEING**  
737-600/700/800/900  
PARTS CATALOG (MAINTENANCE)

FIG ITEM	PART NUMBER	1 2 3 4 5 6 7	NOMENCLATURE	EFFECT FROM TO	UNITS PER ASSY
11 -	5 MODREF348770		RIB INSTL-HORIZ STAB. INBD CLOSURE (PLACARDS AND MARKINGS ONLY) MODULE NUMBER: 182A5001-76 REV E POSITION DATA: RH FOR NHA/OTHER SYS DET SEE: 55-10-00-22A	047053 104200 972999	1
10	MS27253F1		.PLATE-IDENT	037200 968999	1

MISSING ITEM NUMBERS NOT APPLICABLE

- ITEM NOT ILLUSTRATED

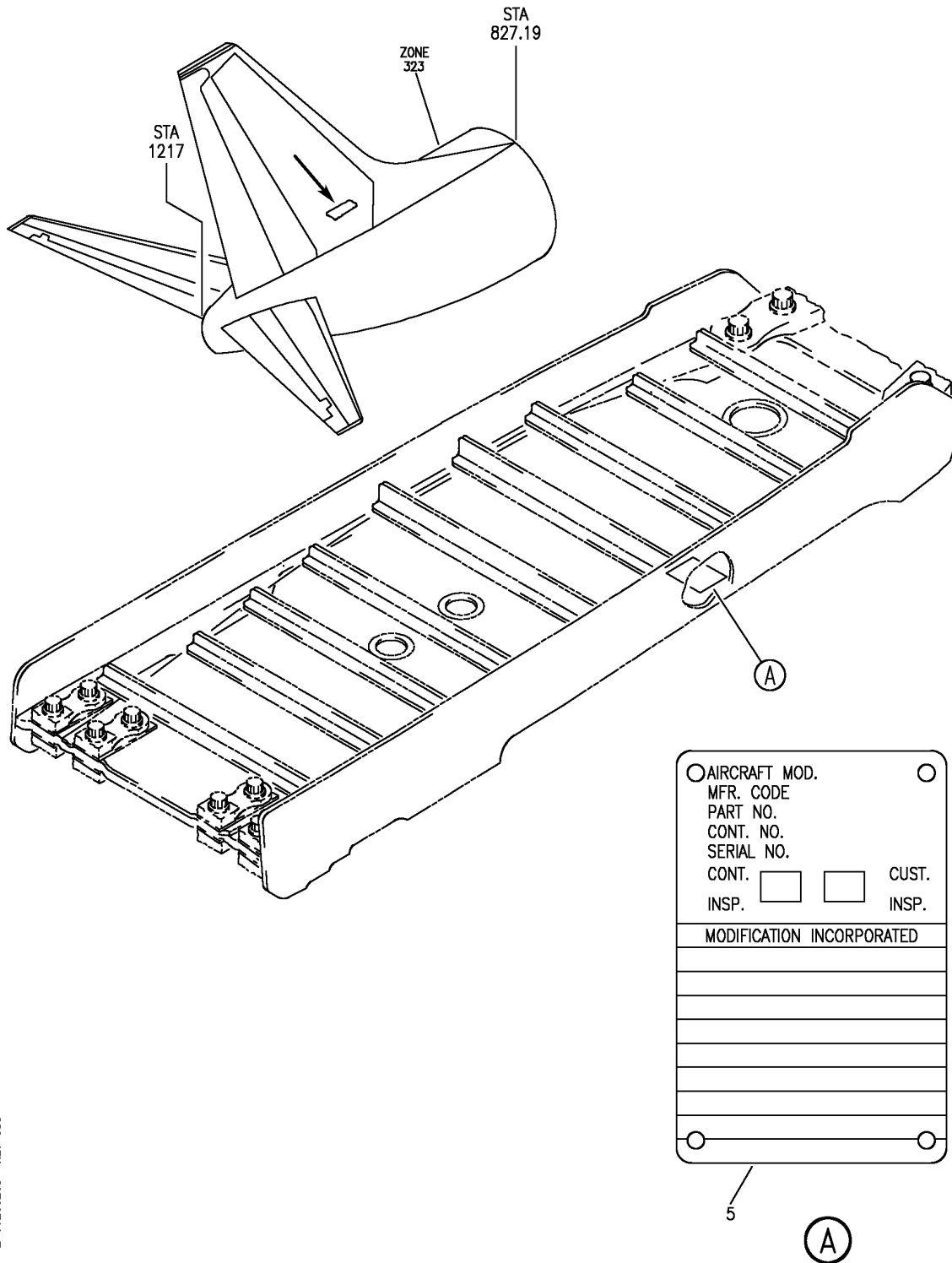
HAP

# 11-26-01-11

BOEING PROPRIETARY - Copyright © - Unpublished Work - See title page for details.

11-26-01  
FIG. 11  
PAGE 2  
FEB 15/09


**BOEING**  
 737-600/700/800/900  
 PARTS CATALOG (MAINTENANCE)



E 11260205 REV 063

RIB INSTL-VERT FIN LWR CLOSURE (PLACARDS AND MARKINGS ONLY)  
 FIGURE 5

# 11-26-02-05

HAP  
 OCT 10/06

11-26-02-05  
 PAGE 0

**BOEING**  
737-600/700/800/900  
PARTS CATALOG (MAINTENANCE)

FIG ITEM	PART NUMBER	1 2 3 4 5 6 7	NOMENCLATURE	EFFECT FROM TO	UNITS PER ASSY
5			RIB INSTL-VERT FIN LWR CLOSURE (PLACARDS AND MARKINGS ONLY)		
- 1	172A3101-1		RIB INSTL-VERT FIN CLOSURE (PLACARDS AND MARKINGS ONLY) POSITION DATA: LWR FOR NHA/OTHER SYS DET SEE: 55-30-00-29 55-30-00-38	001011 201967	RF
- 1	172A3101-15		RIB INSTL-VERT FIN CLOSURE (PLACARDS AND MARKINGS ONLY) POSITION DATA: LWR FOR NHA/OTHER SYS DET SEE: 55-30-00-29	012015	RF
- 1	172A3101-17		RIB INSTL-VERT FIN CLOSURE (PLACARDS AND MARKINGS ONLY) POSITION DATA: LWR FOR NHA/OTHER SYS DET SEE: 55-30-00-29	016027	RF
- 1	172A3101-19		RIB INSTL-VERT FIN CLOSURE (PLACARDS AND MARKINGS ONLY) POSITION DATA: LWR FOR NHA/OTHER SYS DET SEE: 55-30-00-29 55-30-00-29A	028030	RF
- 1	MODREF80902		RIB INSTL-VERT FIN CLOSURE (PLACARDS AND MARKINGS ONLY) MODULE NUMBER: 172A3101-21 REV A POSITION DATA: LWR FOR NHA/OTHER SYS DET SEE: 55-30-00-29	031036	1

MISSING ITEM NUMBERS NOT APPLICABLE

- ITEM NOT ILLUSTRATED

HAP

# 11-26-02-05

BOEING PROPRIETARY - Copyright © - Unpublished Work - See title page for details.

11-26-02  
FIG. 05  
PAGE 1  
OCT 15/08



**BOEING**  
737-600/700/800/900  
PARTS CATALOG (MAINTENANCE)

FIG ITEM	PART NUMBER	1 2 3 4 5 6 7	NOMENCLATURE	EFFECT FROM TO	UNITS PER ASSY
5 -	1 MODREF271750		RIB INSTL-VERT FIN CLOSURE (PLACARDS AND MARKINGS ONLY) MODULE NUMBER: 172A3101-21 REV B POSITION DATA: LWR FOR NHA/OTHER SYS DET SEE: 55-30-00-29	037200 968999	1
	5 MS27253F1		.PLATE-IDENT		1

MISSING ITEM NUMBERS NOT APPLICABLE

- ITEM NOT ILLUSTRATED

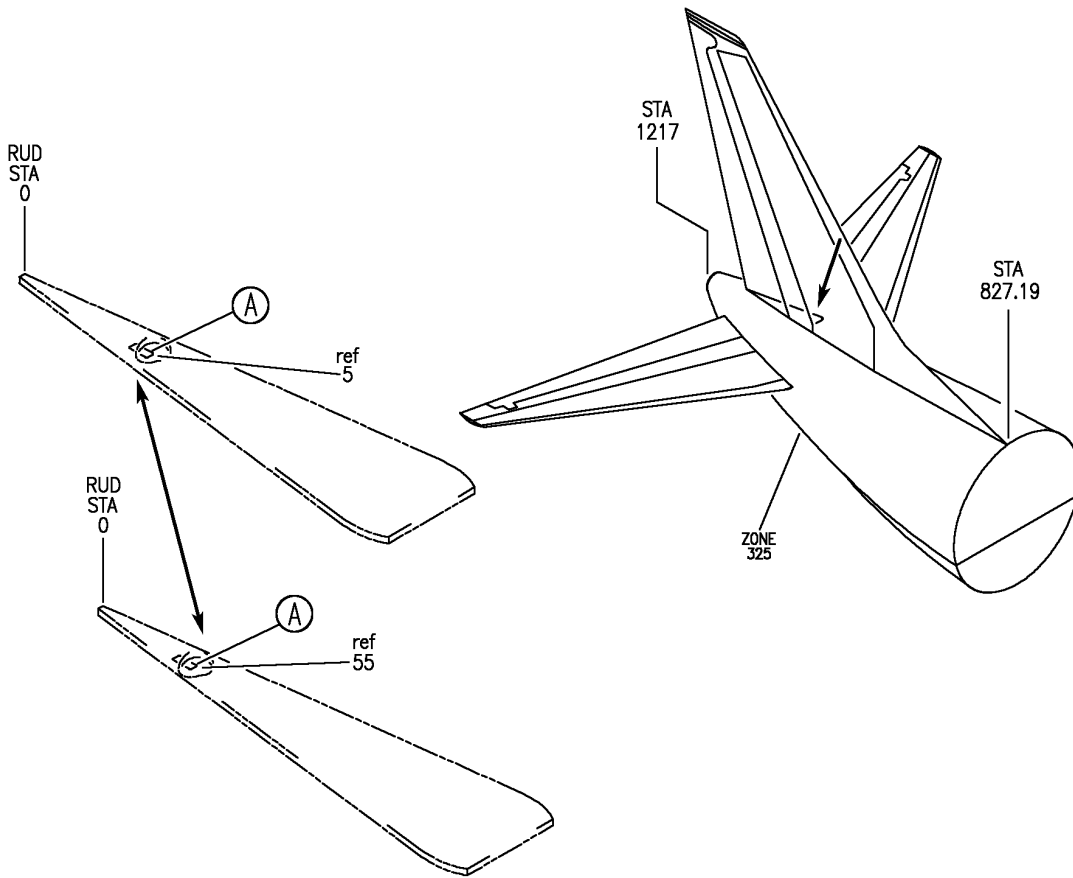
HAP

# 11-26-02-05

BOEING PROPRIETARY - Copyright © - Unpublished Work - See title page for details.

11-26-02  
FIG. 05  
PAGE 2  
OCT 15/08

**BOEING**  
 737-600/700/800/900  
 PARTS CATALOG (MAINTENANCE)



5  
55

STATIC	BALANCED	HINGE
○	(LB-IN) _____	○
MOMENT		
_____		
PER DOCUMENT D043A101-4		

(A)

E 11260206 REV 083

WEIGHT INSTL-RUD ADJUST (PLACARDS AND MARKINGS ONLY)  
 FIGURE 6

# 11-26-02-06

HAP  
 JUN 10/07

11-26-02-06  
 PAGE 0

**BOEING**  
737-600/700/800/900  
PARTS CATALOG (MAINTENANCE)

FIG ITEM	PART NUMBER	1 2 3 4 5 6 7	NOMENCLATURE	EFFECT FROM TO	UNITS PER ASSY
6			WEIGHT INSTL-RUD ADJUST (PLACARDS AND MARKINGS ONLY)		
- 1	173A0002-1		WEIGHT INSTL-RUD ADJUST (PLACARDS AND MARKINGS ONLY) FOR NHA/OTHER SYS DET SEE: 55-40-00-21	001017 019019 201967	RF
	5 BAC27DWG32		.MARKER	001017 019019 201967	1
- 50	173A0002-3		WEIGHT INSTL-RUD ADJUST (PLACARDS AND MARKINGS ONLY) FOR NHA/OTHER SYS DET SEE: 55-40-00-21	018018 020030	RF
- 50	MODREF80943		WEIGHT INSTL-RUD ADJUST (PLACARDS AND MARKINGS ONLY) MODULE NUMBER: 173A0002-3 REV A FOR OTHER SYS DETAILS SEE: 55-40-00-19	031200 968999	1
	55 BAC27DWG32		.MARKER-	018018 020200 968999	1
- 60	AF5140-3-3		ATTACHING PARTS .RIVET- SUPPLIER CODE: V53551 SPECIFICATION NUMBER: BACR15DR3PA3 OPTIONAL PART: RV540A3-3 V98996 CCR274CS3-3TT V11815 SIZE DETERMINED ON INSTL. -----*-----	018018 020200 968999	2

MISSING ITEM NUMBERS NOT APPLICABLE

- ITEM NOT ILLUSTRATED

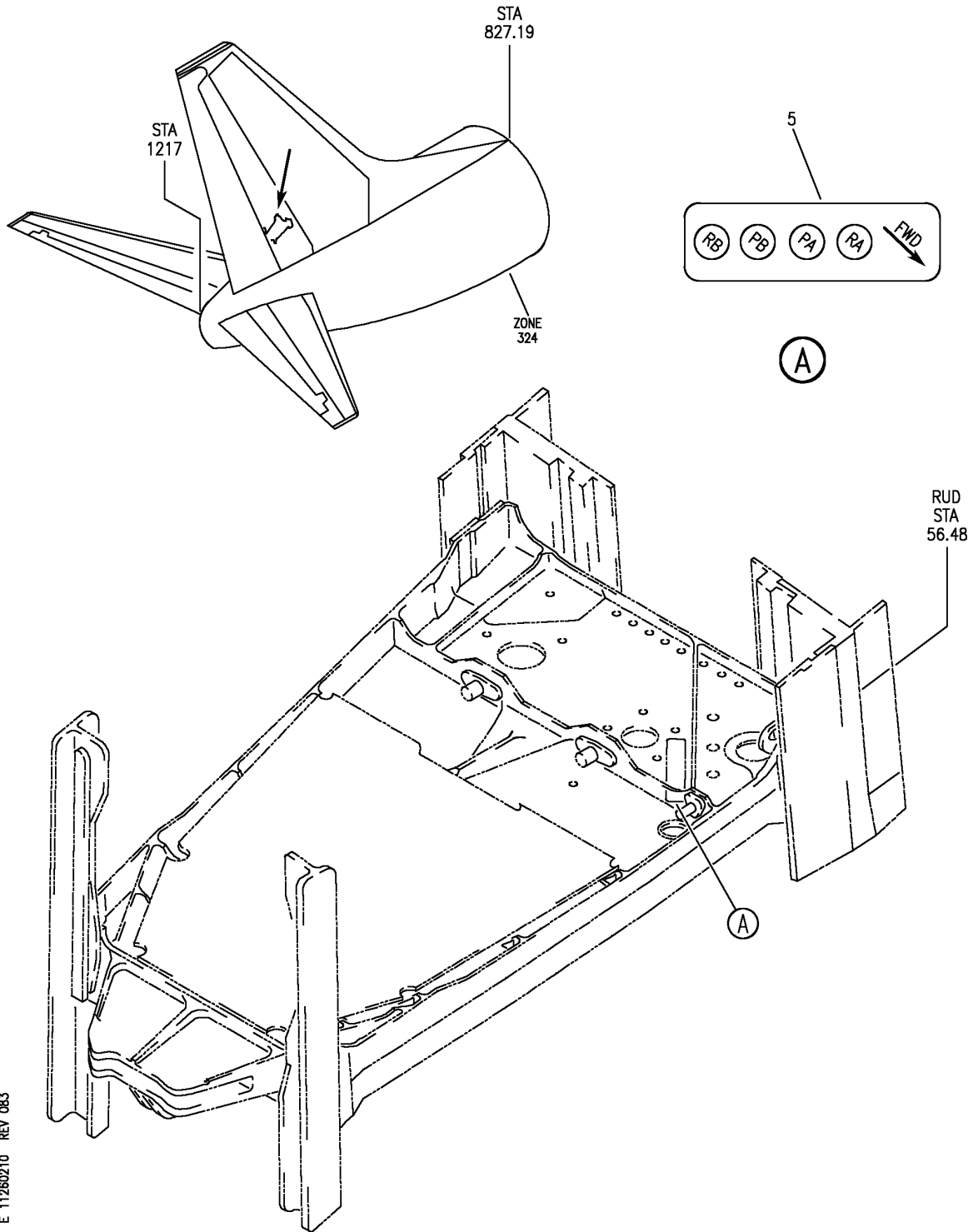
HAP

# 11-26-02-06

BOEING PROPRIETARY - Copyright © - Unpublished Work - See title page for details.

11-26-02  
FIG. 06  
PAGE 1  
OCT 15/08

**BOEING**  
 737-600/700/800/900  
 PARTS CATALOG (MAINTENANCE)



MARKER INSTL-MECHANICAL FLIGHT SYS MAINT  
 FIGURE 10

**11-26-02-10**

HAP  
 OCT 10/06

11-26-02-10  
 PAGE 0

**BOEING**  
737-600/700/800/900  
PARTS CATALOG (MAINTENANCE)

FIG ITEM	PART NUMBER	1 2 3 4 5 6 7	NOMENCLATURE	EFFECT FROM TO	UNITS PER ASSY
10			MARKER INSTL-MECHANICAL FLIGHT SYS MAINT		
- 1	250A0422-2		MARKER INSTL-MECHANICAL FLIGHT SYS MAINT FOR NHA SEE: 27-20-00-04	001030 201967	RF
- 1	MODREF83874		MARKER INSTL-MECHANICAL FLIGHT SYS MAINT MODULE NUMBER: 250A0422-2 REV A	031200 968999	1
5	BAC27DCT647		.MARKER-ALUMINUM FOIL		1

MISSING ITEM NUMBERS NOT APPLICABLE

- ITEM NOT ILLUSTRATED

HAP

# 11-26-02-10

BOEING PROPRIETARY - Copyright © - Unpublished Work - See title page for details.

11-26-02  
FIG. 10  
PAGE 1  
OCT 15/08