

INTERIOR PLACARDS

HAP
OCT 10/06

11-30-00
SECTION TITLE
PAGE 1

NON-ILLUSTRATED FIGURE

THE ITEMS REFLECTED IN THIS FIGURE ARE INTENTIONALLY
NON-ILLUSTRATED. THEY ARE REFERENCED TO EITHER A
NEXT HIGHER OR NEXT LOWER ASSEMBLY/INSTALLATION FIGURE.

E 11300001 REV 057

FUNCTIONAL COLLECTOR-MAJOR MODEL BASIC AND STABLE (INTERIOR PLACARDS ONLY)

FIGURE 1

11-30-00-01

HAP
OCT 10/06

11-30-00-01
PAGE 0

BOEING
737-600/700/800/900
PARTS CATALOG (MAINTENANCE)

FIG ITEM	PART NUMBER	1 2 3 4 5 6 7	NOMENCLATURE	EFFECT FROM TO	UNITS PER ASSY
1			FUNCTIONAL COLLECTOR-MAJOR MODEL BASIC AND STABLE (INTERIOR PLACARDS ONLY)	001030 201967	
- 1	270A0141-678		FUNCTIONAL COLLECTOR-MAJOR MODEL BASIC AND STABLE (INTERIOR PLACARDS ONLY) FOR NHA/OTHER SYS DET SEE: 11-00-00-10	001030 201967	RF
- 5	270A0441-1		.MARKER INSTL-FUSLG HYDR POSITION DATA: SECT. 41 FOR DETAILS SEE: 11-30-51-48	001030 201967	1
- 10	270A0441-2		.MARKER INSTL-FUSLG HYDR POSITION DATA: SECT. 48 FOR DETAILS SEE: 11-30-51-49	001030 201967	1

MISSING ITEM NUMBERS NOT APPLICABLE

- ITEM NOT ILLUSTRATED

HAP

11-30-00-01

BOEING PROPRIETARY - Copyright © - Unpublished Work - See title page for details.

11-30-00
FIG. 01
PAGE 1
OCT 15/08

NON-ILLUSTRATED FIGURE

THE ITEMS REFLECTED IN THIS FIGURE ARE INTENTIONALLY
NON-ILLUSTRATED. THEY ARE REFERENCED TO EITHER A
NEXT HIGHER OR NEXT LOWER ASSEMBLY/INSTALLATION FIGURE.

FUNCTIONAL COLLECTOR CUSTOMER UNIQUE (INTERIOR PLACARDS ONLY)
FIGURE 1B

11-30-00-01B

HAP
OCT 15/08

11-30-00-01B
PAGE 0

 **BOEING**
737-600/700/800/900
PARTS CATALOG (MAINTENANCE)

FIG ITEM	PART NUMBER	1 2 3 4 5 6 7	NOMENCLATURE	EFFECT FROM TO	UNITS PER ASSY
1B			FUNCTIONAL COLLECTOR CUSTOMER UNIQUE (INTERIOR PLACARDS ONLY)	201967	
- 1	400A9101-2610		FUNCTIONAL COLLECTOR- CUSTOMER UNIQUE FOR NHA SEE: 11-00-00-01A	201967	RF
- 107	414A5106-1		.PLACARD INSTL- FOR DETAILS SEE: 11-32-03-44	201967	1
- 109	414A5107-1		.PLACARD INSTL- FOR DETAILS SEE: 11-30-51-72	201967	1
- 111	414A5108-1		.PLACARD INSTL- FOR DETAILS SEE: 11-30-51-73	201967	1
- 113	414A5109-1		.PLACARD INSTL- FOR DETAILS SEE: 11-32-01-37	201967	1
- 115	414A5110-1		.PLACARD INSTL- FOR DETAILS SEE: 11-32-05-29	201967	1
- 117	414A5111-1		.PLACARD INSTL- FOR DETAILS SEE: 11-32-05-30	201967	1
- 119	414A5112-1		.PLACARD INSTL- FOR DETAILS SEE: 11-32-05-31	201967	1
- 125	414A5120-1		.PLACARD INSTL-CAB. INTR FOR DETAILS SEE: 11-32-03-43	201967	1
- 127	414A5121-1		.PLACARD INSTL- FOR DETAILS SEE: 11-32-03-41	201967	1
- 129	414A5122-1		.PLACARD INSTL- FOR DETAILS SEE: 11-32-04-70	201967	1
- 135	414A5150-1		.PLACARD INSTL- FOR DETAILS SEE: 11-32-03-42 11-32-04-53	201967	1
- 250	417A6100-1		.PLACARD INSTL- FOR DETAILS SEE: 11-30-51-80	201967	1
- 300	453A3700-16		.MARKER INSTL-CARGO COMPT LOADING 737-700 FOR DETAILS SEE: 11-37-02-04	201967	1

MISSING ITEM NUMBERS NOT APPLICABLE

- ITEM NOT ILLUSTRATED

HAP

11-30-00-01B

11-30-00
FIG. 01B
PAGE 1
OCT 15/08

NON-ILLUSTRATED FIGURE

THE ITEMS REFLECTED IN THIS FIGURE ARE INTENTIONALLY
NON-ILLUSTRATED. THEY ARE REFERENCED TO EITHER A
NEXT HIGHER OR NEXT LOWER ASSEMBLY/INSTALLATION FIGURE.

FUNCTIONAL COLLECTOR CUSTOMER UNIQUE (INTERIOR PLACARDS ONLY)
FIGURE 1C

11-30-00-01C

HAP
OCT 10/06

11-30-00-01C
PAGE 0

BOEING
737-600/700/800/900
PARTS CATALOG (MAINTENANCE)

FIG ITEM	PART NUMBER	1 2 3 4 5 6 7	NOMENCLATURE	EFFECT FROM TO	UNITS PER ASSY
1C			FUNCTIONAL COLLECTOR CUSTOMER UNIQUE (INTERIOR PLACARDS ONLY)	001030	
- 1	400A9101-3001		FUNCTIONAL COLLECTOR- CUSTOMER UNIQUE FOR NHA SEE: 11-00-00-01B	001017 019019	RF
- 52	400A0028-3001		FUNCTIONAL COLLECTOR- CUSTOMER UNIQUE FOR NHA SEE: 11-00-00-01B	018018 020030	RF
- 118	414A5102-4		.MARKER INSTL-SEAT ROW FOR DETAILS SEE: 11-32-04-58	001030	1
- 121	414A5103-27		.PLACARD INSTL-CAB. INTR FOR DETAILS SEE: 11-30-51-41 11-32-01-08 11-32-03-05 11-32-04-03 11-32-05-03	008009	1
- 121	414A5103-1		.PLACARD INSTL-CAB. INTR FOR DETAILS SEE: 11-30-51-41 11-32-01-08 11-32-03-05 11-32-04-03 11-32-05-03	001007	1
- 122	414A5103-39		.PLACARD INSTL-CAB. INTR FOR DETAILS SEE: 11-30-51-41 11-32-01-08 11-32-03-05 11-32-04-03 11-32-05-03	010011	1
- 123	414A5103-52		.PLACARD INSTL-CAB. INTR FOR DETAILS SEE: 11-30-51-41 11-32-01-08 11-32-03-05 11-32-04-03 11-32-05-03	012019	1
- 123	414A5103-74		.PLACARD INSTL-CAB. INTR FOR DETAILS SEE: 11-30-51-41 11-32-01-08 11-32-03-05 11-32-04-03 11-32-05-03	020030	1

MISSING ITEM NUMBERS NOT APPLICABLE

- ITEM NOT ILLUSTRATED

HAP

11-30-00-01C

BOEING PROPRIETARY - Copyright © - Unpublished Work - See title page for details.

11-30-00
FIG. 01C
PAGE 1
OCT 10/06

 **BOEING**
737-600/700/800/900
PARTS CATALOG (MAINTENANCE)

FIG ITEM	PART NUMBER	1 2 3 4 5 6 7	NOMENCLATURE	EFFECT FROM TO	UNITS PER ASSY
1C					
- 340	453A3700-21		.MARKER INSTL-CARGO COMPT LOADING 737-800 FOR DETAILS SEE: 11-37-02-06	005011	1
- 340	453A3700-4		.MARKER INSTL-CARGO COMPT LOADING 737-800 FOR DETAILS SEE: 11-37-02-06	001004	1
- 340	453A3700-41		.MARKER INSTL-CARGO COMPT LOADING 737-800 FOR DETAILS SEE: 11-37-02-06	012030	1
- 370	417A6100-6		.PLACARD INSTL- FOR DETAILS SEE: 11-30-51-80	001030	1

MISSING ITEM NUMBERS NOT APPLICABLE

- ITEM NOT ILLUSTRATED

HAP

11-30-00-01C

BOEING PROPRIETARY - Copyright © - Unpublished Work - See title page for details.

11-30-00
FIG. 01C
PAGE 2
OCT 10/06

NON-ILLUSTRATED FIGURE

THE ITEMS REFLECTED IN THIS FIGURE ARE INTENTIONALLY
NON-ILLUSTRATED. THEY ARE REFERENCED TO EITHER A
NEXT HIGHER OR NEXT LOWER ASSEMBLY/INSTALLATION FIGURE.

E 11300001F REV 055

FUNCTIONAL COLLECTOR-MAJOR MODEL BASIC AND STABLE (INTERIOR PLACARDS ONLY)
FIGURE 1F

HAP
OCT 10/06

11-30-00-01F

11-30-00-01F
PAGE 0

BOEING
737-600/700/800/900
PARTS CATALOG (MAINTENANCE)

FIG ITEM	PART NUMBER	1 2 3 4 5 6 7	NOMENCLATURE	EFFECT FROM TO	UNITS PER ASSY
1 F			FUNCTIONAL COLLECTOR-MAJOR MODEL BASIC AND STABLE (INTERIOR PLACARDS ONLY)	001007	
- 1	141A6100-678		FUNCTIONAL COLLECTOR-MAJOR MODEL BASIC AND STABLE FOR NHA SEE: 11-00-00-11	001007	RF
- 30	141A6111-1		.MARKER INSTL-ENTRY DOOR POSITION DATA: FWD FOR DETAILS SEE: 11-32-01-12	001007	1

MISSING ITEM NUMBERS NOT APPLICABLE

- ITEM NOT ILLUSTRATED

HAP

11-30-00-01F

BOEING PROPRIETARY - Copyright © - Unpublished Work - See title page for details.

11-30-00
FIG. 01F
PAGE 1
OCT 10/06

NON-ILLUSTRATED FIGURE

THE ITEMS REFLECTED IN THIS FIGURE ARE INTENTIONALLY
NON-ILLUSTRATED. THEY ARE REFERENCED TO EITHER A
NEXT HIGHER OR NEXT LOWER ASSEMBLY/INSTALLATION FIGURE.

E 11300002A REV 053

FUNCTIONAL COLLECTOR-MINOR MODEL BASIC AND STABLE (PLACARDS AND MARKINGS ONLY)
FIGURE 2A

HAP
OCT 15/08

11-30-00-02A

11-30-00-02A
PAGE 0

 **BOEING**
737-600/700/800/900
PARTS CATALOG (MAINTENANCE)

FIG ITEM	PART NUMBER	1 2 3 4 5 6 7	NOMENCLATURE	EFFECT FROM TO	UNITS PER ASSY
2A			FUNCTIONAL COLLECTOR-MINOR MODEL BASIC AND STABLE (PLACARDS AND MARKINGS ONLY)	201967	
- 1	400A9101-700		FUNCTIONAL COLLECTOR-MINOR MODEL BASIC AND STABLE FOR NHA SEE: 11-00-00-07A	201967	RF
- 30	453A1700-5		.MARKER INSTL-CARGO COMPT POSITION DATA: FWD FOR DETAILS SEE: 11-37-01-02	201967	1
- 35	453A1700-7		.MARKER INSTL-CARGO COMPT POSITION DATA: FWD FOR DETAILS SEE: 11-37-01-03	201967	1

MISSING ITEM NUMBERS NOT APPLICABLE

- ITEM NOT ILLUSTRATED

HAP

11-30-00-02A

BOEING PROPRIETARY - Copyright © - Unpublished Work - See title page for details.

11-30-00
FIG. 02A
PAGE 1
OCT 15/08

NON-ILLUSTRATED FIGURE

THE ITEMS REFLECTED IN THIS FIGURE ARE INTENTIONALLY
NON-ILLUSTRATED. THEY ARE REFERENCED TO EITHER A
NEXT HIGHER OR NEXT LOWER ASSEMBLY/INSTALLATION FIGURE.

E 1130002B REV 053

FUNCTIONAL COLLECTOR-MINOR MODEL BASIC AND STABLE (INTERIOR PLACARDS ONLY)
FIGURE 2B

HAP
OCT 10/06

11-30-00-02B

11-30-00-02B
PAGE 0

BOEING
737-600/700/800/900
PARTS CATALOG (MAINTENANCE)

FIG ITEM	PART NUMBER	1 2 3 4 5 6 7	NOMENCLATURE	EFFECT FROM TO	UNITS PER ASSY
2B			FUNCTIONAL COLLECTOR-MINOR MODEL BASIC AND STABLE (INTERIOR PLACARDS ONLY)	001030	
- 1	400A9101-800		FUNCTIONAL COLLECTOR-MINOR MODEL BASIC AND STABLE FOR NHA SEE: 11-00-00-07B	001017 019019	RF
- 10	400A0000-800		FUNCTIONAL COLLECTOR-MINOR MODEL BASIC AND STABLE FOR NHA SEE: 11-00-00-07B	018018 020030	RF
- 30	453A1700-5		.MARKER INSTL-CARGO COMPT POSITION DATA: FWD FOR DETAILS SEE: 11-37-01-02	001030	1
- 35	453A1700-8		.MARKER INSTL-CARGO COMPT POSITION DATA: FWD FOR DETAILS SEE: 11-37-01-04	001030	1

MISSING ITEM NUMBERS NOT APPLICABLE

- ITEM NOT ILLUSTRATED

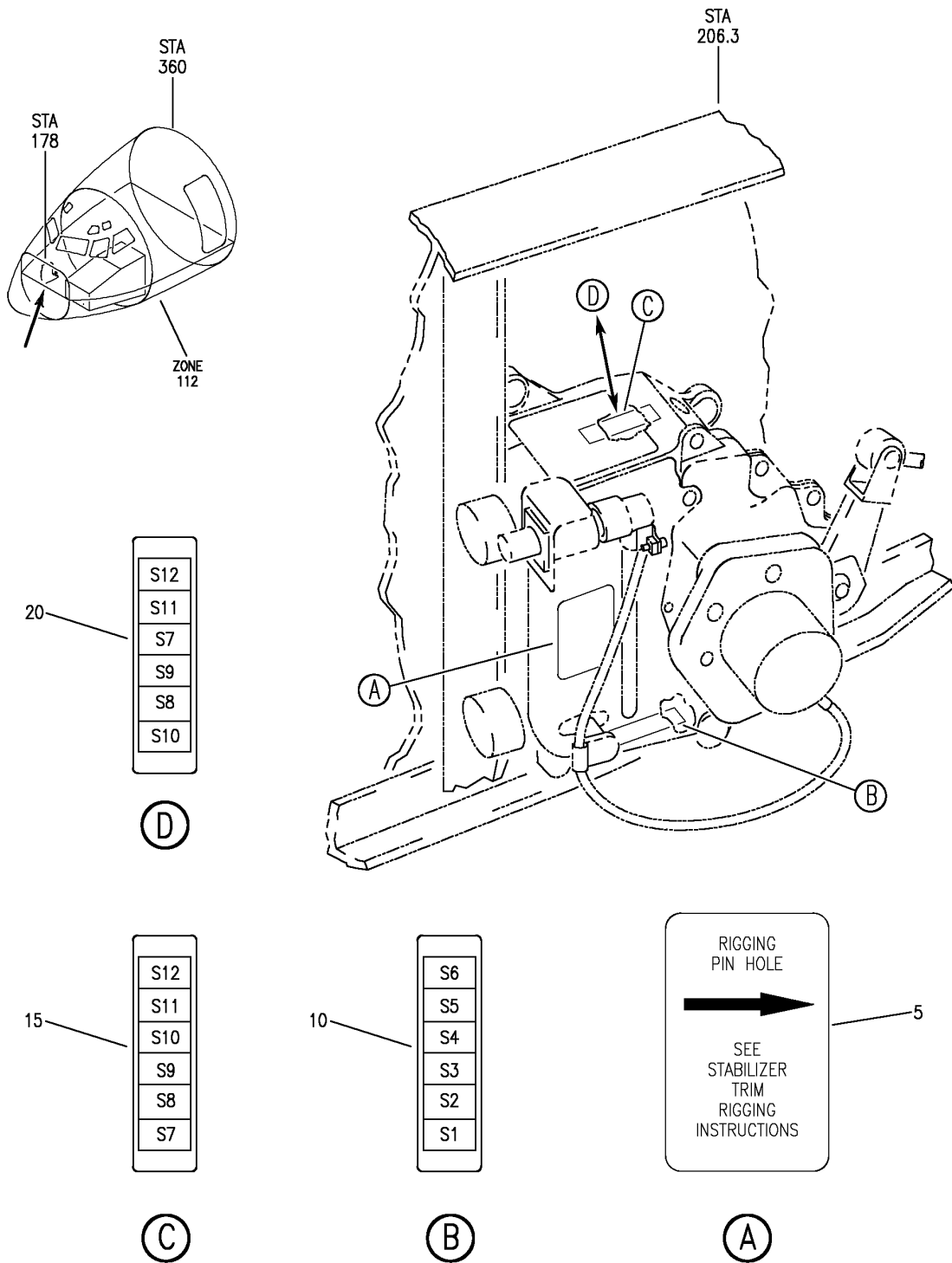
HAP

11-30-00-02B

BOEING PROPRIETARY - Copyright © - Unpublished Work - See title page for details.

11-30-00
FIG. 02B
PAGE 1
OCT 10/06

BOEING
 737-600/700/800/900
 PARTS CATALOG (MAINTENANCE)



E 11300003 REV 073

SWITCH INSTL-CUTOUT (PLACARDS AND MARKINGS ONLY)
 FIGURE 3

11-30-00-03

HAP
 OCT 10/06

11-30-00-03
 PAGE 0

BOEING
737-600/700/800/900
PARTS CATALOG (MAINTENANCE)

FIG ITEM	PART NUMBER	1 2 3 4 5 6 7	NOMENCLATURE	EFFECT FROM TO	UNITS PER ASSY
3			SWITCH INSTL-CUTOUT (PLACARDS AND MARKINGS ONLY)		
- 1	251A4430-4		SWITCH ASSY- (PLACARDS AND MARKINGS ONLY) COMPONENT MAINT MANUAL REF: 27-41-95 FOR NHA/OTHER SYS DET SEE: 27-41-51-01		RF
- 1	251A4430-1		SWITCH ASSY- (PLACARDS AND MARKINGS ONLY) COMPONENT MAINT MANUAL REF: 27-41-95 PRE SERVICE BULLETIN: 27-1220 FOR NHA/OTHER SYS DET SEE: 27-41-51-01	001007	RF
- 1	251A4430-2		SWITCH ASSY- (PLACARDS AND MARKINGS ONLY) COMPONENT MAINT MANUAL REF: 27-41-95 POST SERVICE BULLETIN: 27-1220 FOR NHA/OTHER SYS DET SEE: 27-41-51-01	001020 201967	RF
5	BAC27DCT0355		.MARKER-ALUMINUM FOIL		1
10	BAC27DCT0351		.DECAL		1
15	BAC27DCT0352		.DECAL- PRE SERVICE BULLETIN: 27-1220	001007	1
20	BAC27DCT558		.DECAL- POST SERVICE BULLETIN: 27-1220		1

MISSING ITEM NUMBERS NOT APPLICABLE

- ITEM NOT ILLUSTRATED

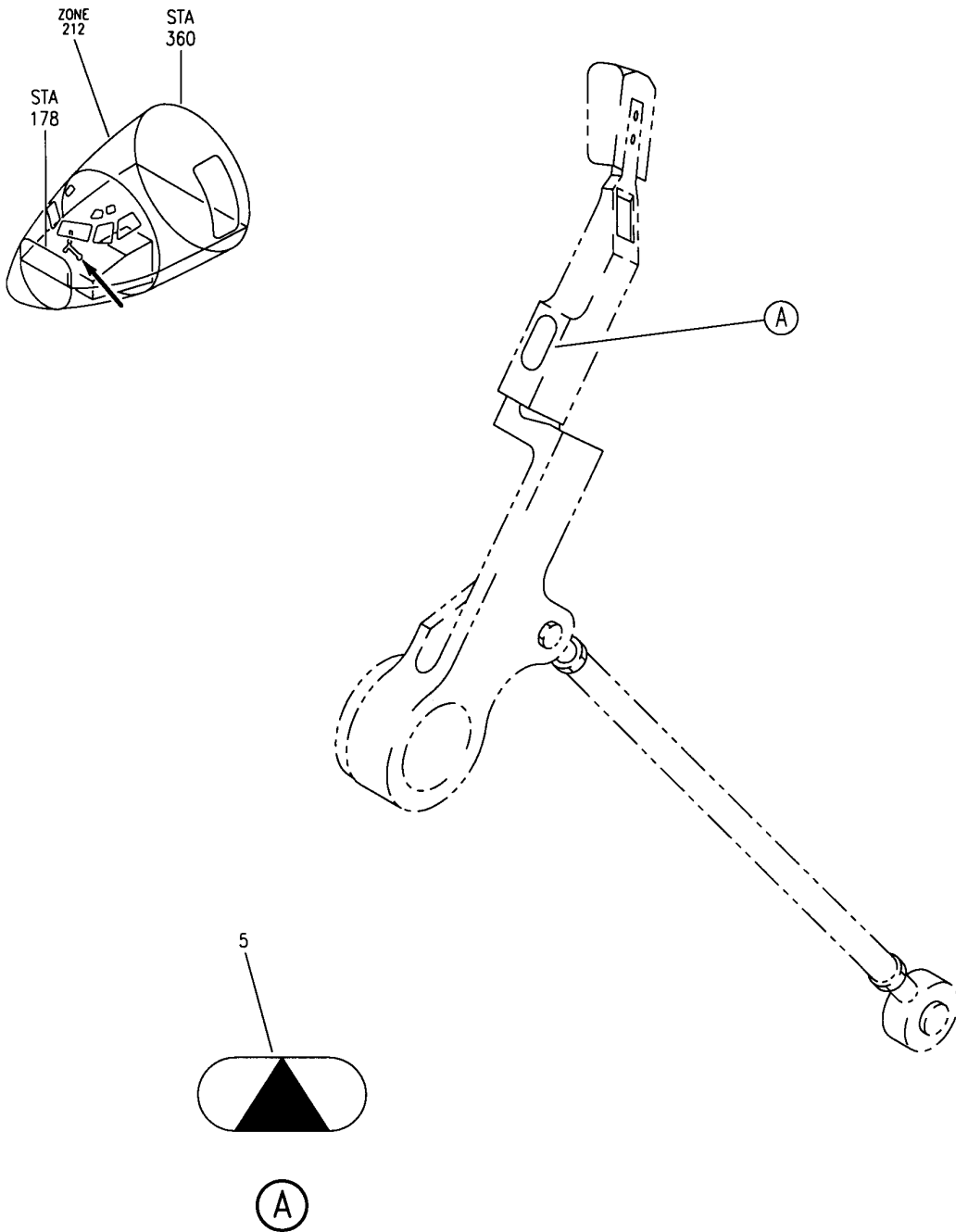
HAP

11-30-00-03

BOEING PROPRIETARY - Copyright © - Unpublished Work - See title page for details.

11-30-00
FIG. 03
PAGE 1
OCT 15/08

BOEING
737-600/700/800/900
PARTS CATALOG (MAINTENANCE)



E 11300004 REV 003

HANDLE ASSY (PLACARDS AND MARKINGS ONLY)

FIGURE 4

11-30-00-04

HAP
OCT 10/06

11-30-00-04
PAGE 0


BOEING
 737-600/700/800/900
PARTS CATALOG (MAINTENANCE)

FIG ITEM	PART NUMBER	1 2 3 4 5 6 7	NOMENCLATURE	EFFECT FROM TO	UNITS PER ASSY
4			HANDLE ASSY (PLACARDS AND MARKINGS ONLY)		
- 1	254A1250-1		HANDLE ASSY- (PLACARDS AND MARKINGS ONLY) FOR NHA/OTHER SYS DET SEE: 25-11-00-50 25-11-00-53		R F
5	BACM10L00-1BJV		.MARKER		1

MISSING ITEM NUMBERS NOT APPLICABLE

- ITEM NOT ILLUSTRATED

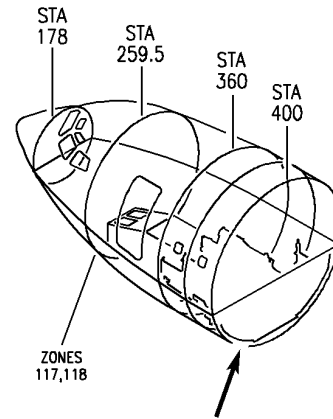
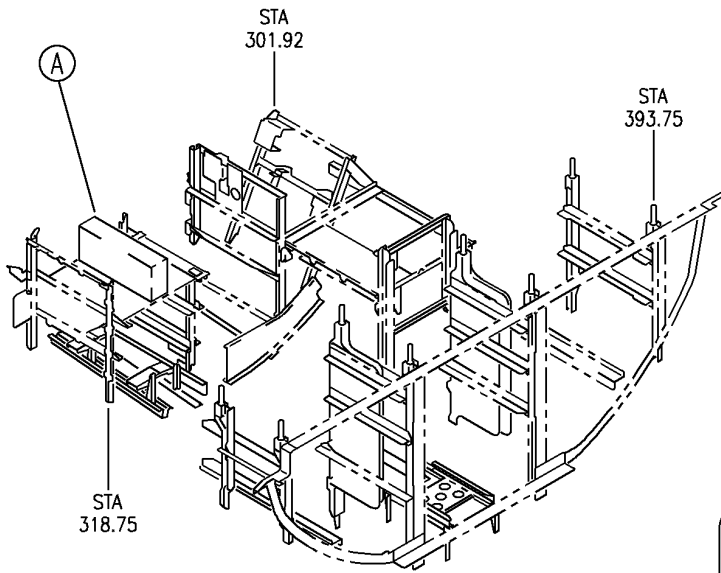
HAP

11-30-00-04

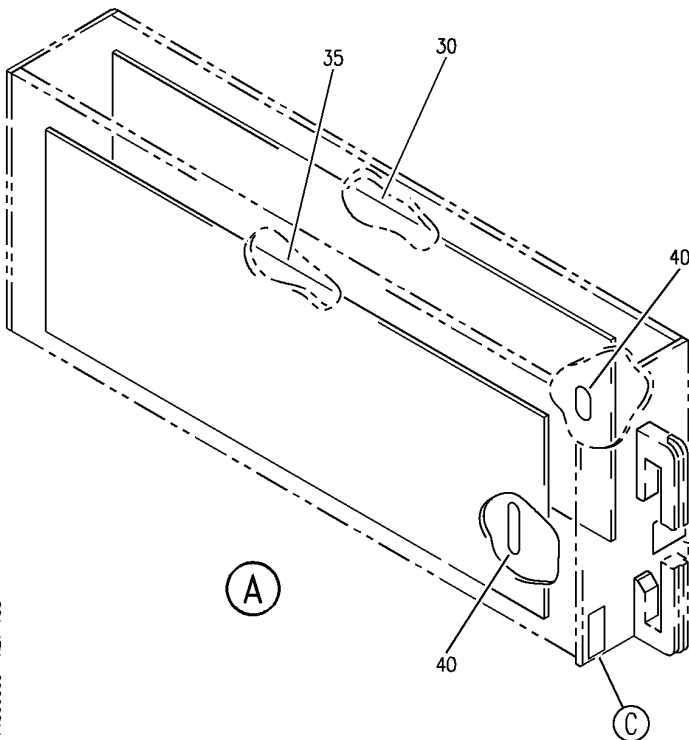
BOEING PROPRIETARY - Copyright © - Unpublished Work - See title page for details.

11-30-00
 FIG. 04
 PAGE 1
 OCT 15/08

BOEING
737-600/700/800/900
PARTS CATALOG (MAINTENANCE)



CAUTION
OBSERVE PRECAUTIONS
FOR HANDLING
ELECTROSTATIC
SENSITIVE
DEVICES



DANGER

High Voltage—115V AC
Do Not Touch. It Will Kill
or Cause Serious Injury.

E 11300005 REV 138

MODULE ASSY-IFSAU (PLACARDS AND MARKINGS ONLY)
FIGURE 5

11-30-00-05

HAP
FEB 15/08

11-30-00-05
PAGE 0

BOEING
737-600/700/800/900
PARTS CATALOG (MAINTENANCE)

FIG ITEM	PART NUMBER	1 2 3 4 5 6 7	NOMENCLATURE	EFFECT FROM TO	UNITS PER ASSY
5			MODULE ASSY-IFSAU (PLACARDS AND MARKINGS ONLY)		
- 1	65-52820-2		MODULE ASSY-IFSAU (PLACARDS AND MARKINGS ONLY) SUPPLIER CODE: V89954 COMPONENT MAINT MANUAL REF: 22-10-40 FOR NHA/OTHER SYS DET SEE: 22-11-37-01		RF
5	BAC27TEX1		.DECAL		1
20	BAC27TEX3200		.DECAL- SUPPLIER CODE: V89954		1
30	69-73645-5		.PRINTED CIRCUIT ASSY- SUPPLIER CODE: V89954 OPTIONAL PART: 69-73645-6 V89954 69-73645-7 V89954		RF
30	69-73645-6		.PRINTED CIRCUIT ASSY- SUPPLIER CODE: V89954 OPTIONAL PART: 69-73645-5 V89954 69-73645-7 V89954		RF
30	69-73645-7		.PRINTED CIRCUIT ASSY- SUPPLIER CODE: V89954 OPTIONAL PART: 69-73645-5 V89954 69-73645-6 V89954		RF
35	69-73644-6		.PRINTED CIRCUIT ASSY- FLIGHT SUPPLIER CODE: V89954 OPTIONAL PART: 69-73644-7 V89954		RF

MISSING ITEM NUMBERS NOT APPLICABLE

- ITEM NOT ILLUSTRATED

HAP

11-30-00-05

BOEING PROPRIETARY - Copyright © - Unpublished Work - See title page for details.

11-30-00
FIG. 05
PAGE 1
FEB 15/08


BOEING
 737-600/700/800/900
PARTS CATALOG (MAINTENANCE)

FIG ITEM	PART NUMBER	1 2 3 4 5 6 7	NOMENCLATURE	EFFECT FROM TO	UNITS PER ASSY
5	35 69-73644-7		.PRINTED CIRCUIT ASSY- FLIGHT SUPPLIER CODE: V89954 OPTIONAL PART: 69-73644-6 V89954		RF
40	BAC27TEX1486		..DECAL- PLACARD CONTENT: STATIC SENSITIVE		1

MISSING ITEM NUMBERS NOT APPLICABLE

— ITEM NOT ILLUSTRATED

HAP

11-30-00-05

BOEING PROPRIETARY - Copyright © - Unpublished Work - See title page for details.

11-30-00
 FIG. 05
 PAGE 2
 FEB 15/08

NON-ILLUSTRATED FIGURE

THE ITEMS REFLECTED IN THIS FIGURE ARE INTENTIONALLY
NON-ILLUSTRATED. THEY ARE REFERENCED TO EITHER A
NEXT HIGHER OR NEXT LOWER ASSEMBLY/INSTALLATION FIGURE.

FUNCTIONAL COLLECTOR-MAJOR MODEL BASIC AND STABLE (INTERIOR PLACARDS ONLY)
FIGURE 6

HAP
OCT 10/06

11-30-00-06

11-30-00-06
PAGE 0

BOEING
737-600/700/800/900
PARTS CATALOG (MAINTENANCE)

FIG ITEM	PART NUMBER	1 2 3 4 5 6 7	NOMENCLATURE	EFFECT FROM TO	UNITS PER ASSY
6			FUNCTIONAL COLLECTOR-MAJOR MODEL BASIC AND STABLE (INTERIOR PLACARDS ONLY)	001030 201967	
- 2	400A0000-678		FUNCTIONAL COLLECTOR-MAJOR MODEL BASIC AND STABLE FOR NHA/OTHER SYS DET SEE: 11-00-00-11	018018 020030	RF
- 3	400A9101-678		FUNCTIONAL COLLECTOR-MAJOR MODEL BASIC AND STABLE FOR NHA/OTHER SYS DET SEE: 11-00-00-11	001017 019019 201967	RF
- 5	414A5201-1		.PLACARD INSTL- EMER EXITS FOR DETAILS SEE: 11-32-01-34	201967	1
- 100	414A5202-1		.PLACARD INSTL- BATTERY LOCATOR FOR DETAILS SEE: 11-32-04-27	201967	1
- 150	453A2700-5		.MARKER INSTL-CARGO COMPT POSITION DATA: AFT FOR DETAILS SEE: 11-37-02-03	001004 006007	1
- 150	453A2700-6		.MARKER INSTL-CARGO COMPT POSITION DATA: AFT FOR DETAILS SEE: 11-37-02-03	005005 008030 201967	1

MISSING ITEM NUMBERS NOT APPLICABLE

- ITEM NOT ILLUSTRATED

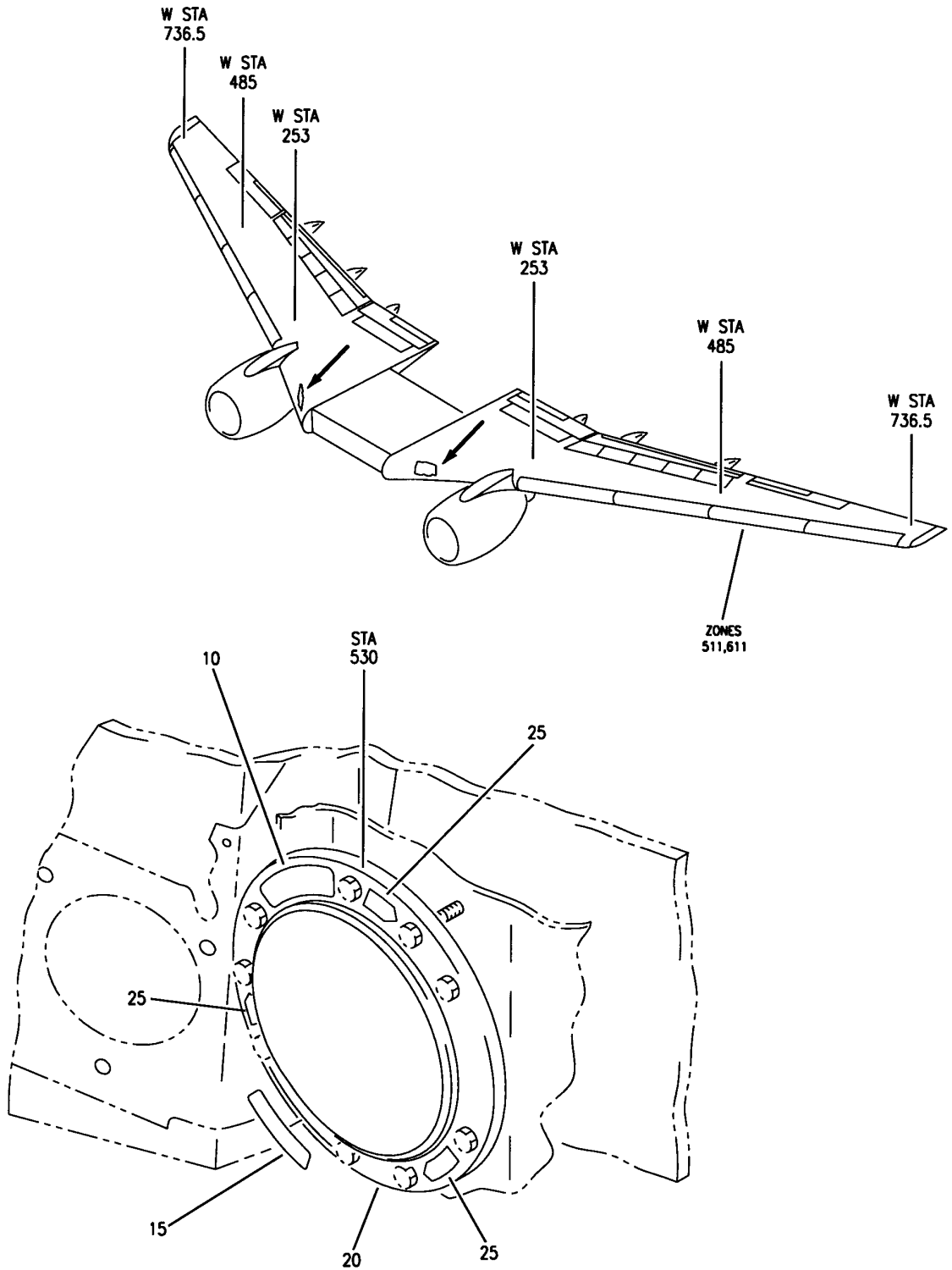
HAP

11-30-00-06

BOEING PROPRIETARY - Copyright © - Unpublished Work - See title page for details.

11-30-00
FIG. 06
PAGE 1
OCT 15/08

BOEING
 737-600/700/800/900
 PARTS CATALOG (MAINTENANCE)



E 11300007 REV 005

LIGHT INSTL-LDG AND RUNWAY TURNOFF (PLACARDS AND MARKINGS ONLY)
 FIGURE 7

11-30-00-07

HAP
 OCT 10/06

11-30-00-07
 PAGE 0

BOEING
737-600/700/800/900
PARTS CATALOG (MAINTENANCE)

FIG ITEM	PART NUMBER	1 2 3 4 5 6 7	NOMENCLATURE	EFFECT FROM TO	UNITS PER ASSY
7			LIGHT INSTL-LDG AND RUNWAY TURNOFF (PLACARDS AND MARKINGS ONLY)	001030 201967	
- 1	284A0173-1		LIGHT INSTL-LDG AND RUNWAY TURNOFF (PLACARDS AND MARKINGS ONLY) POSITION DATA: LH FOR NHA/OTHER SYS DET SEE: 33-40-00-06	201967	RF
- 1	284A0173-7		LIGHT INSTL-LDG AND RUNWAY TURNOFF (PLACARDS AND MARKINGS ONLY) POSITION DATA: LH FOR NHA/OTHER SYS DET SEE: 33-40-00-06	001030	RF
- 5	284A0173-2		LIGHT INSTL-LDG AND RUNWAY TURNOFF (PLACARDS AND MARKINGS ONLY) POSITION DATA: RH FOR NHA/OTHER SYS DET SEE: 33-40-00-07	201967	RF
- 5	284A0173-8		LIGHT INSTL-LDG AND RUNWAY TURNOFF (PLACARDS AND MARKINGS ONLY) POSITION DATA: RH FOR NHA/OTHER SYS DET SEE: 33-40-00-07	001030	RF
10	BAC27DEX963		.MARKER-ALUMINUM FOIL PLACARD CONTENT: WHEN #4559 LAMP IS USED INSTALL WITH FILAMENT SHIELD INBOARD	001030 201967	1
15	BAC27DEX964		.MARKER-ALUMINUM FOIL PLACARD CONTENT: WHEN #Q4559 LAMP IS USED INSTALL WITH FILAMENT HORIZONTAL	001030 201967	1
20	9-64386-6		.RETAINER ASSY	001030 201967	RF
25	BACM10S10-15AG		..MARKER-ALUMINUM FOIL PLACARD CONTENT: ADJUSTMENT SCREW DO NOT TURN WHEN REMOVING LAMP	001030 201967	3

MISSING ITEM NUMBERS NOT APPLICABLE

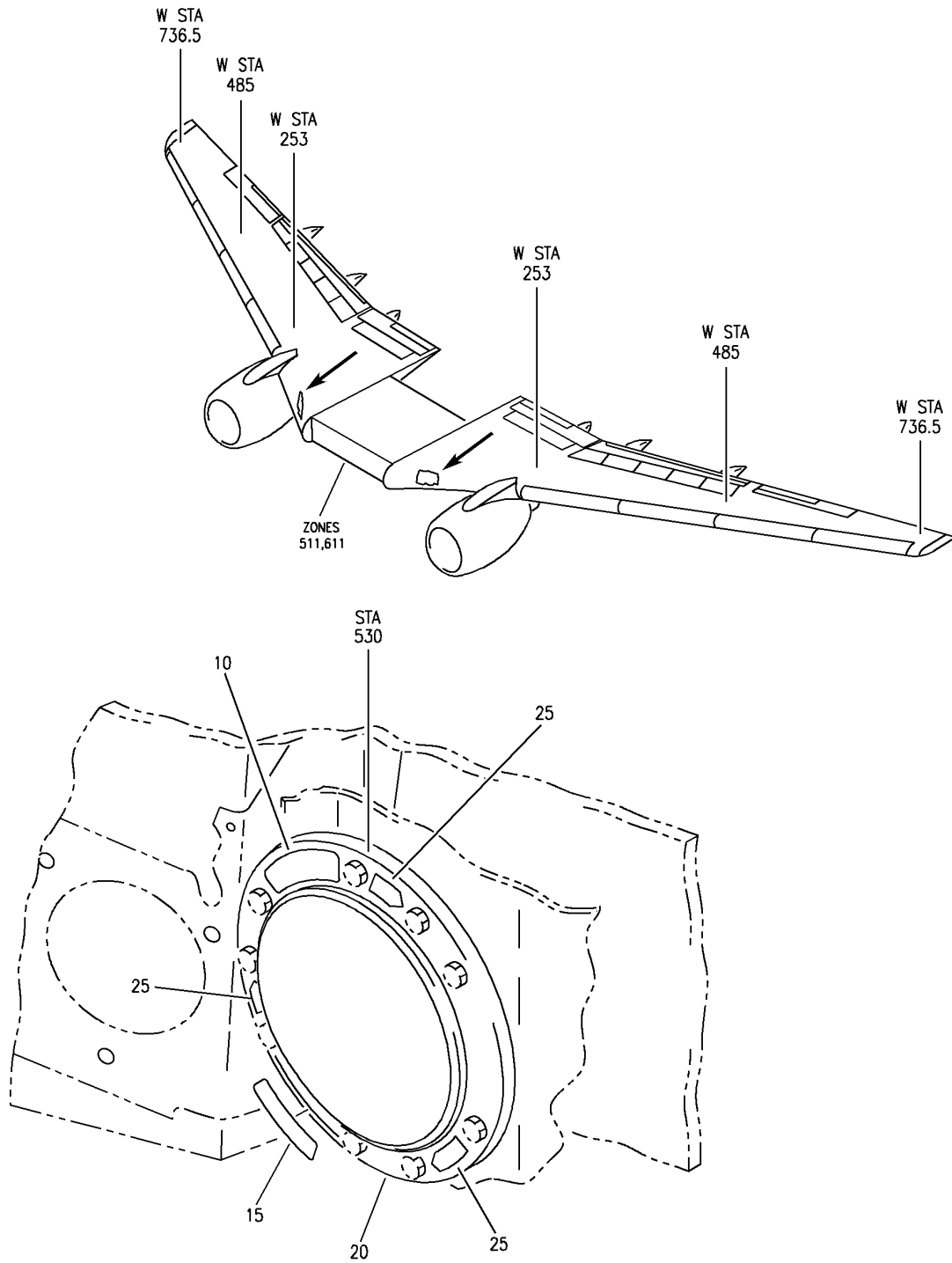
- ITEM NOT ILLUSTRATED

HAP

11-30-00-07

11-30-00
FIG. 07
PAGE 1
OCT 15/08

BOEING
 737-600/700/800/900
 PARTS CATALOG (MAINTENANCE)



E 11300007A REV 123

LIGHT INSTL-LDG AND RUNWAY TURNOFF (PLACARDS AND MARKINGS ONLY)
 FIGURE 7A

HAP
 OCT 10/06

11-30-00-07A

11-30-00-07A
 PAGE 0

BOEING
737-600/700/800/900
PARTS CATALOG (MAINTENANCE)

FIG ITEM	PART NUMBER	1 2 3 4 5 6 7	NOMENCLATURE	EFFECT FROM TO	UNITS PER ASSY
7A			LIGHT INSTL-LDG AND RUNWAY TURNOFF (PLACARDS AND MARKINGS ONLY)	031200 968999	
- 1	MODREF385813		LIGHT INSTL-LDG AND RUNWAY TURNOFF (PLACARDS AND MARKINGS ONLY) MODULE NUMBER: 284A0173-1 REV F POSITION DATA: LH FOR OTHER SYS DETAILS SEE: 33-42-01-01A	106106	1
- 1	MODREF284326		LIGHT INSTL-LDG AND RUNWAY TURNOFF (PLACARDS AND MARKINGS ONLY) MODULE NUMBER: 284A0173-1 REV B POSITION DATA: LH FOR OTHER SYS DETAILS SEE: 33-42-01-01A	101101 968971	1
- 1	MODREF284331		LIGHT INSTL-LDG AND RUNWAY TURNOFF (PLACARDS AND MARKINGS ONLY) MODULE NUMBER: 284A0173-7 REV B POSITION DATA: LH FOR OTHER SYS DETAILS SEE: 33-42-01-01A	031043	1
- 1	MODREF349515		LIGHT INSTL-LDG AND RUNWAY TURNOFF (PLACARDS AND MARKINGS ONLY) MODULE NUMBER: 284A0173-1 REV C POSITION DATA: LH FOR OTHER SYS DETAILS SEE: 33-42-01-01A	102105 972999	1
- 1	MODREF349520		LIGHT INSTL-LDG AND RUNWAY TURNOFF (PLACARDS AND MARKINGS ONLY) MODULE NUMBER: 284A0173-7 REV C POSITION DATA: LH FOR OTHER SYS DETAILS SEE: 33-42-01-01A	044046 054100	1

MISSING ITEM NUMBERS NOT APPLICABLE

- ITEM NOT ILLUSTRATED

HAP

11-30-00-07A

BOEING PROPRIETARY - Copyright © - Unpublished Work - See title page for details.

11-30-00
FIG. 07A
PAGE 1
FEB 15/09

 **BOEING**
737-600/700/800/900
PARTS CATALOG (MAINTENANCE)

FIG ITEM	PART NUMBER	1 2 3 4 5 6 7	NOMENCLATURE	EFFECT FROM TO	UNITS PER ASSY
7A -	2	MODREF389905	LIGHT INSTL-LDG AND RUNWAY TURNOFF (PLACARDS AND MARKINGS ONLY) MODULE NUMBER: 284A0173-7 REV F POSITION DATA: LH FOR OTHER SYS DETAILS SEE: 33-42-01-01A	047047	1
-	2	MODREF396783	LIGHT INSTL-LDG AND RUNWAY TURNOFF (PLACARDS AND MARKINGS ONLY) MODULE NUMBER: 284A0173-1 REV H POSITION DATA: LH FOR OTHER SYS DETAILS SEE: 33-42-01-01A	107200	1
-	2	MODREF396789	LIGHT INSTL-LDG AND RUNWAY TURNOFF (PLACARDS AND MARKINGS ONLY) MODULE NUMBER: 284A0173-7 REV G POSITION DATA: LH FOR OTHER SYS DETAILS SEE: 33-42-01-01A	048053	1
-	5	MODREF284328	LIGHT INSTL-LDG AND RUNWAY TURNOFF (PLACARDS AND MARKINGS ONLY) MODULE NUMBER: 284A0173-2 REV B POSITION DATA: RH FOR OTHER SYS DETAILS SEE: 33-42-01-01A	101101 968971	1
-	5	MODREF284332	LIGHT INSTL-LDG AND RUNWAY TURNOFF (PLACARDS AND MARKINGS ONLY) MODULE NUMBER: 284A0173-8 REV B POSITION DATA: RH FOR OTHER SYS DETAILS SEE: 33-42-01-01A	031043	1

MISSING ITEM NUMBERS NOT APPLICABLE

- ITEM NOT ILLUSTRATED

HAP

11-30-00-07A

BOEING PROPRIETARY - Copyright © - Unpublished Work - See title page for details.

11-30-00
FIG. 07A
PAGE 2
FEB 15/09

BOEING
737-600/700/800/900
PARTS CATALOG (MAINTENANCE)

FIG ITEM	PART NUMBER	1 2 3 4 5 6 7	NOMENCLATURE	EFFECT FROM TO	UNITS PER ASSY
7A - 5	MODREF349517		LIGHT INSTL-LDG AND RUNWAY TURNOFF (PLACARDS AND MARKINGS ONLY) MODULE NUMBER: 284A0173-2 REV C POSITION DATA: RH FOR OTHER SYS DETAILS SEE: 33-42-01-01A	102105 972999	1
- 5	MODREF349521		LIGHT INSTL-LDG AND RUNWAY TURNOFF (PLACARDS AND MARKINGS ONLY) MODULE NUMBER: 284A0173-8 REV C POSITION DATA: RH FOR OTHER SYS DETAILS SEE: 33-42-01-01A	044046 054100	1
- 5	MODREF385815		LIGHT INSTL-LDG AND RUNWAY TURNOFF (PLACARDS AND MARKINGS ONLY) MODULE NUMBER: 284A0173-2 REV E POSITION DATA: RH FOR OTHER SYS DETAILS SEE: 33-42-01-01A	106106	1
- 5	MODREF389907		LIGHT INSTL-LDG AND RUNWAY TURNOFF (PLACARDS AND MARKINGS ONLY) MODULE NUMBER: 284A0173-8 REV F POSITION DATA: RH FOR OTHER SYS DETAILS SEE: 33-42-01-01A	047047	1
- 6	MODREF396788		LIGHT INSTL-LDG AND RUNWAY TURNOFF (PLACARDS AND MARKINGS ONLY) MODULE NUMBER: 284A0173-2 REV G POSITION DATA: RH FOR OTHER SYS DETAILS SEE: 33-42-01-01A	107200	1

MISSING ITEM NUMBERS NOT APPLICABLE

- ITEM NOT ILLUSTRATED

HAP

11-30-00-07A

BOEING PROPRIETARY - Copyright © - Unpublished Work - See title page for details.

11-30-00
FIG. 07A
PAGE 3
FEB 15/09

BOEING
737-600/700/800/900
PARTS CATALOG (MAINTENANCE)

FIG ITEM	PART NUMBER	1 2 3 4 5 6 7	NOMENCLATURE	EFFECT FROM TO	UNITS PER ASSY
7A -	6 MODREF396790		LIGHT INSTL-LDG AND RUNWAY TURNOFF (PLACARDS AND MARKINGS ONLY) MODULE NUMBER: 284A0173-8 REV G POSITION DATA: RH FOR OTHER SYS DETAILS SEE: 33-42-01-01A	048053	1
	10 BAC27DEX963		.MARKER-ALUMINUM FOIL PLACARD CONTENT: WHEN #4559 LAMP IS USED INSTALL WITH FILAMENT SHIELD INBOARD	031200 968999	1
	15 BAC27DEX964		.MARKER-ALUMINUM FOIL PLACARD CONTENT: WHEN #Q4559 LAMP IS USED INSTALL WITH FILAMENT HORIZONTAL	031200 968999	1
	20 9-64386-6		.RETAINER ASSY	031200 968999	RF
	25 BACM10S10-15AG		..MARKER-ALUMINUM FOIL PLACARD CONTENT: ADJUSTMENT SCREW DO NOT TURN WHEN REMOVING LAMP	031200 968999	3

MISSING ITEM NUMBERS NOT APPLICABLE

- ITEM NOT ILLUSTRATED

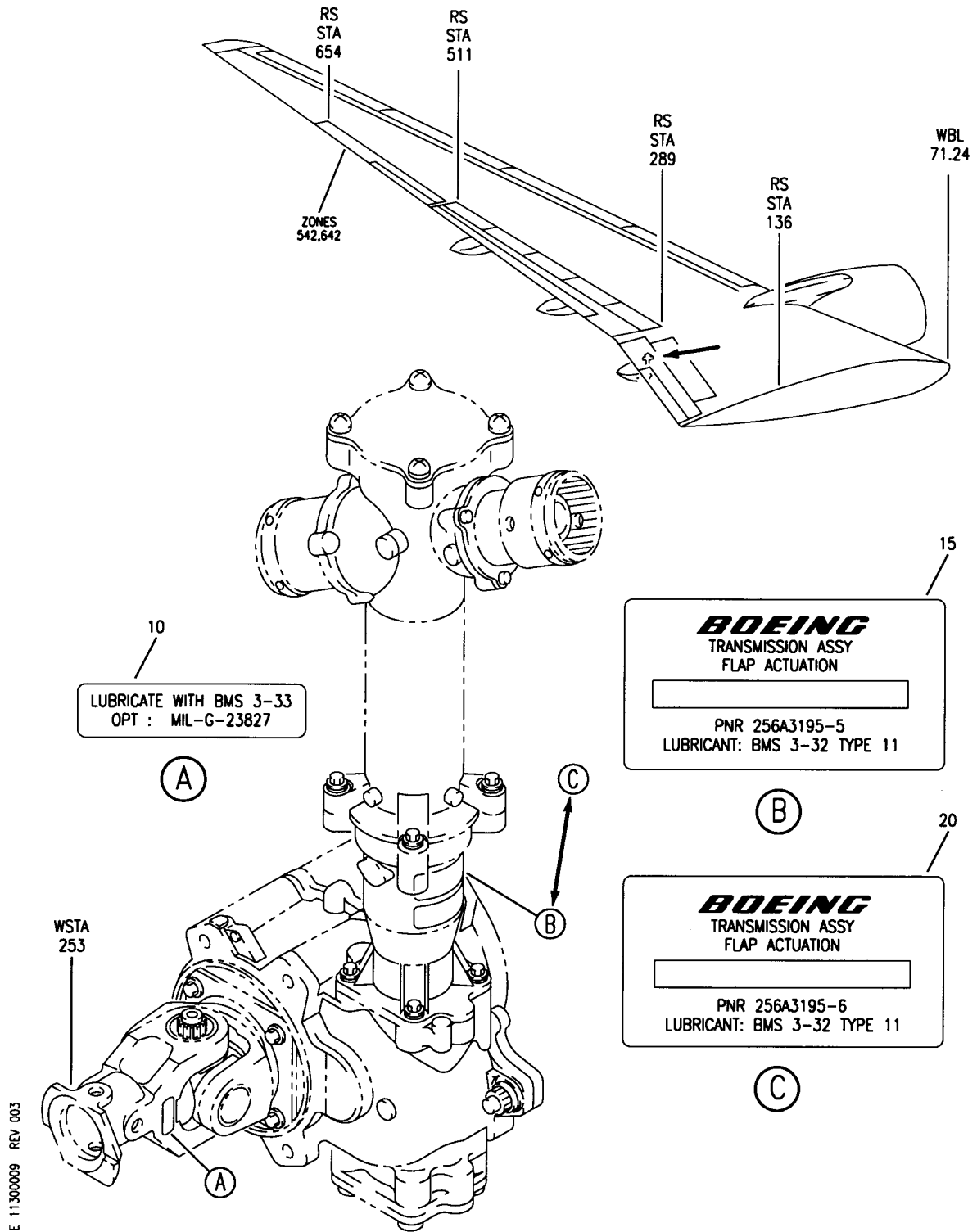
HAP

11-30-00-07A

BOEING PROPRIETARY - Copyright © - Unpublished Work - See title page for details.

11-30-00
FIG. 07A
PAGE 4
FEB 15/09

BOEING
737-600/700/800/900
PARTS CATALOG (MAINTENANCE)



TRANSMISSION ASSY-POSITION 3 AND 6 FLAP ACTUATION (PLACARDS AND MARKINGS ONLY)
FIGURE 9

HAP
OCT 10/06

11-30-00-09

11-30-00-09
PAGE 0

BOEING
737-600/700/800/900
PARTS CATALOG (MAINTENANCE)

FIG ITEM	PART NUMBER	1 2 3 4 5 6 7	NOMENCLATURE	EFFECT FROM TO	UNITS PER ASSY
9			TRANSMISSION ASSY-POSITION 3 AND 6 FLAP ACTUATION (PLACARDS AND MARKINGS ONLY)	001030 201967	
- 1	256A3310-3		TRANSMISSION ASSY-FLAP ACTUATION (PLACARDS AND MARKINGS ONLY) POSITION DATA: POSITION 3 COMPONENT MAINT MANUAL REF: 27-55-80 OPTIONAL PART: 256A3310-5 FOR NHA/OTHER SYS DET SEE: 27-51-31-10	001030 201967	RF
- 1	256A3310-5		TRANSMISSION ASSY-FLAP ACTUATION (PLACARDS AND MARKINGS ONLY) POSITION DATA: POSITION 3 COMPONENT MAINT MANUAL REF: 27-55-80 OPTIONAL PART: 256A3310-3 FOR NHA/OTHER SYS DET SEE: 27-51-31-10	001030 201967	RF
- 1	256A3310-7		TRANSMISSION ASSY-FLAP ACTUATION (PLACARDS AND MARKINGS ONLY) POSITION DATA: POSITION 3 COMPONENT MAINT MANUAL REF: 27-55-80 FOR NHA/OTHER SYS DET SEE: 27-51-31-10	001030 201967	RF
- 5	256A3310-4		TRANSMISSION ASSY-FLAP ACTUATION (PLACARDS AND MARKINGS ONLY) POSITION DATA: POSITION 6 COMPONENT MAINT MANUAL REF: 27-55-80 OPTIONAL PART: 256A3310-6 FOR NHA/OTHER SYS DET SEE: 27-51-31-10	001030 201967	RF

MISSING ITEM NUMBERS NOT APPLICABLE

- ITEM NOT ILLUSTRATED

HAP

11-30-00-09

BOEING PROPRIETARY - Copyright © - Unpublished Work - See title page for details.

11-30-00
FIG. 09
PAGE 1
OCT 15/08

BOEING
737-600/700/800/900
PARTS CATALOG (MAINTENANCE)

FIG ITEM	PART NUMBER	1 2 3 4 5 6 7	NOMENCLATURE	EFFECT FROM TO	UNITS PER ASSY
9 -	5 256A3310-6		TRANSMISSION ASSY-FLAP ACTUATION (PLACARDS AND MARKINGS ONLY) POSITION DATA: POSITION 6 COMPONENT MAINT MANUAL REF: 27-55-80 OPTIONAL PART: 256A3310-4 FOR NHA/OTHER SYS DET SEE: 27-51-31-10	001030 201967	RF
-	5 256A3310-8		TRANSMISSION ASSY-FLAP ACTUATION (PLACARDS AND MARKINGS ONLY) POSITION DATA: POSITION 3 COMPONENT MAINT MANUAL REF: 27-55-80 FOR NHA/OTHER SYS DET SEE: 27-51-31-10	001030 201967	RF
	10 256A3195-13		.MARKER-	001030 201967	1
	15 256A3195-35		.MARKER-NAMEPLATE POSITION DATA: POSITION 3 USED ON: 256A3310-3	001030 201967	1
	15 256A3195-43		.MARKER-NAMEPLATE POSITION DATA: POSITION 3 USED ON: 256A3310-5	001030 201967	1
	15 256A3195-53		.MARKER-NAMEPLATE POSITION DATA: POSITION 3 USED ON: 256A3310-7	001030 201967	1
	20 256A3195-36		.MARKER-NAMEPLATE POSITION DATA: POSITION 6 USED ON: 256A3310-4	001030 201967	1
	20 256A3195-44		.MARKER-NAMEPLATE POSITION DATA: POSITION 6 USED ON: 256A3310-6	001030 201967	1

MISSING ITEM NUMBERS NOT APPLICABLE

- ITEM NOT ILLUSTRATED

HAP

11-30-00-09

BOEING PROPRIETARY - Copyright © - Unpublished Work - See title page for details.

11-30-00
FIG. 09
PAGE 2
OCT 15/08


BOEING
 737-600/700/800/900
PARTS CATALOG (MAINTENANCE)

FIG ITEM	PART NUMBER	1 2 3 4 5 6 7 NOMENCLATURE	EFFECT FROM TO	UNITS PER ASSY
9 20	256A3195-54	.MARKER-NAMEPLATE POSITION DATA: POSITION 6 USED ON: 256A3310-8	001030 201967	1

MISSING ITEM NUMBERS NOT APPLICABLE

— ITEM NOT ILLUSTRATED

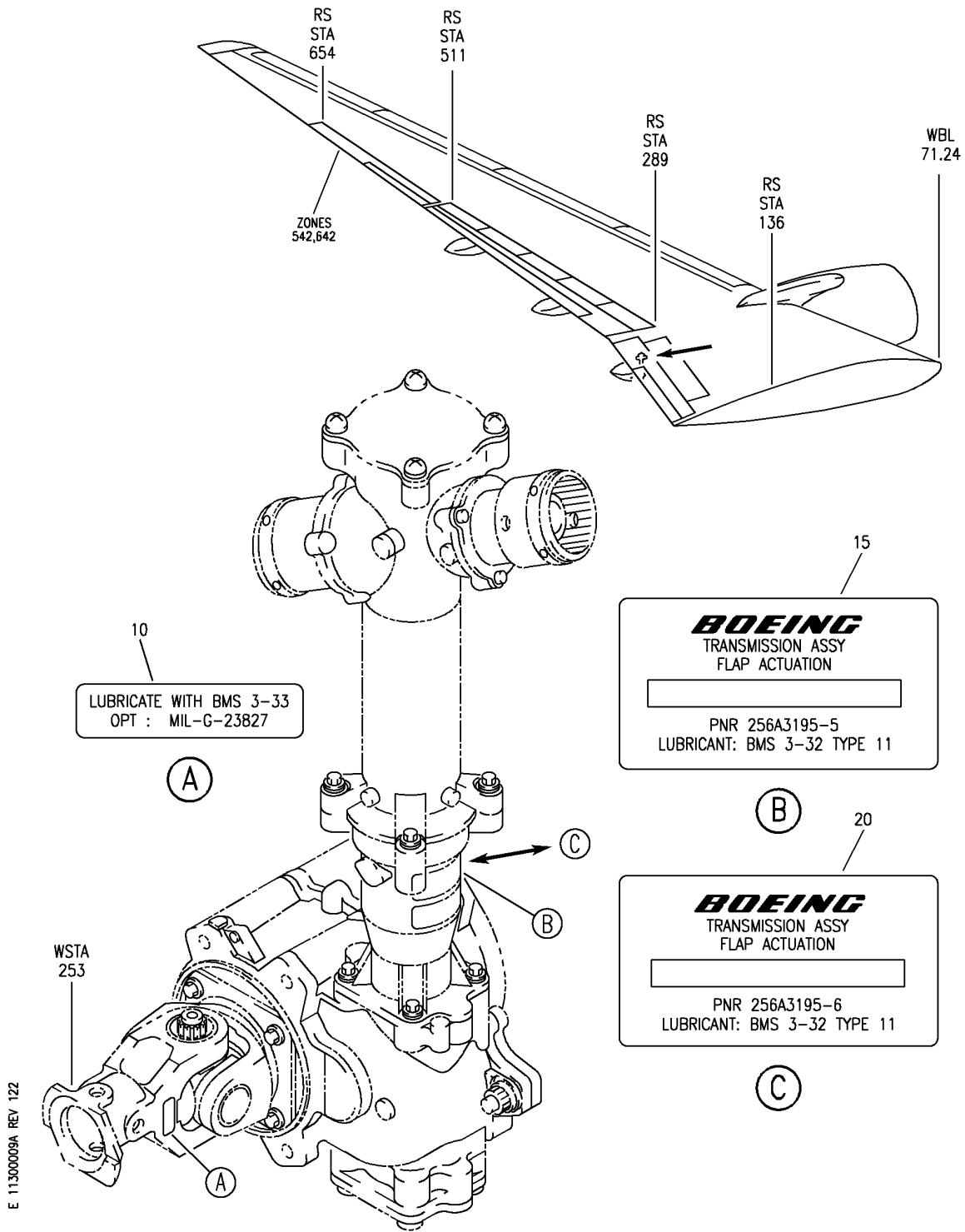
HAP

11-30-00-09

BOEING PROPRIETARY - Copyright © - Unpublished Work - See title page for details.

11-30-00
 FIG. 09
 PAGE 3
 OCT 15/08

BOEING
737-600/700/800/900
PARTS CATALOG (MAINTENANCE)



TRANSMISSION ASSY-POSITION 3 AND 6 FLAP ACTUATION (PLACARDS AND MARKINGS ONLY)
FIGURE 9A

HAP
OCT 10/06

11-30-00-09A

11-30-00-09A
PAGE 0

BOEING
737-600/700/800/900
PARTS CATALOG (MAINTENANCE)

FIG ITEM	PART NUMBER	1 2 3 4 5 6 7	NOMENCLATURE	EFFECT FROM TO	UNITS PER ASSY
9A			TRANSMISSION ASSY-POSITION 3 AND 6 FLAP ACTUATION (PLACARDS AND MARKINGS ONLY)	031200 968999	
- 1	256A3310-7		TRANSMISSION ASSY-FLAP ACTUATION (PLACARDS AND MARKINGS ONLY) POSITION 3 COMPONENT MAINT MANUAL REF: 27-55-80 FOR NHA/OTHER SYS DET SEE: 27-51-31-12	031200 968999	RF
- 1	256A3310-3		TRANSMISSION ASSY-FLAP ACTUATION (PLACARDS AND MARKINGS ONLY) POSITION 3 COMPONENT MAINT MANUAL REF: 27-55-80 FOR NHA/OTHER SYS DET SEE: 27-51-31-12	031200 968999	RF
- 1	256A3310-5		TRANSMISSION ASSY-FLAP ACTUATION (PLACARDS AND MARKINGS ONLY) POSITION 3 COMPONENT MAINT MANUAL REF: 27-55-80 FOR NHA/OTHER SYS DET SEE: 27-51-31-12	031200 968999	RF
- 5	256A3310-8		TRANSMISSION ASSY-FLAP ACTUATION (PLACARDS AND MARKINGS ONLY) POSITION 3 COMPONENT MAINT MANUAL REF: 27-55-80 FOR NHA/OTHER SYS DET SEE: 27-51-31-12	031200 968999	RF
- 5	256A3310-4		TRANSMISSION ASSY-FLAP ACTUATION (PLACARDS AND MARKINGS ONLY) POSITION 6 COMPONENT MAINT MANUAL REF: 27-55-80 FOR NHA/OTHER SYS DET SEE: 27-51-31-12	031200 968999	RF

MISSING ITEM NUMBERS NOT APPLICABLE

- ITEM NOT ILLUSTRATED

HAP

11-30-00-09A

BOEING PROPRIETARY - Copyright © - Unpublished Work - See title page for details.

11-30-00
FIG. 09A
PAGE 1
OCT 15/08

BOEING
737-600/700/800/900
PARTS CATALOG (MAINTENANCE)

FIG ITEM	PART NUMBER	1 2 3 4 5 6 7	NOMENCLATURE	EFFECT FROM TO	UNITS PER ASSY
9A - 5	256A3310-6		TRANSMISSION ASSY-FLAP ACTUATION (PLACARDS AND MARKINGS ONLY) POSITION 6 COMPONENT MAINT MANUAL REF: 27-55-80 FOR NHA/OTHER SYS DET SEE: 27-51-31-12	031200 968999	RF
10	256A3195-13		.MARKER-	031200 968999	1
15	256A3195-53		.MARKER-NAMEPLATE USED ON: 256A3310-3 256A3310-5 256A3310-7	031200 968999	1
15	256A3195-35		.MARKER-NAMEPLATE USED ON: 256A3310-3 256A3310-5 256A3310-7	031200 968999	1
15	256A3195-43		.MARKER-NAMEPLATE USED ON: 256A3310-3 256A3310-5 256A3310-7	031200 968999	1
20	256A3195-54		.MARKER-NAMEPLATE USED ON: 256A3310-4 256A3310-6 256A3310-8	031200 968999	1
20	256A3195-36		.MARKER-NAMEPLATE USED ON: 256A3310-4 256A3310-6 256A3310-8	031200 968999	1
20	256A3195-44		.MARKER-NAMEPLATE USED ON: 256A3310-4 256A3310-6 256A3310-8	031200 968999	1

MISSING ITEM NUMBERS NOT APPLICABLE

- ITEM NOT ILLUSTRATED

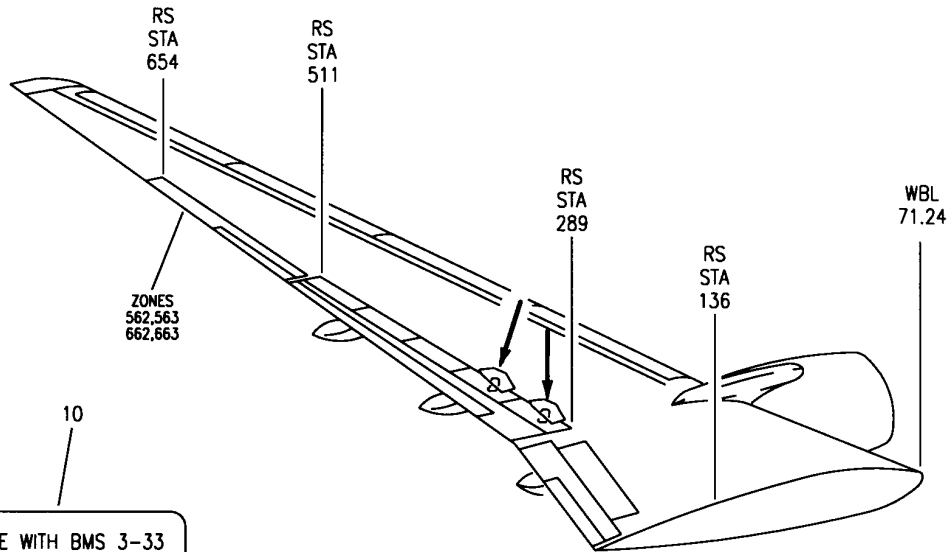
HAP

11-30-00-09A

BOEING PROPRIETARY - Copyright © - Unpublished Work - See title page for details.

11-30-00
FIG. 09A
PAGE 2
OCT 15/08

BOEING
 737-600/700/800/900
 PARTS CATALOG (MAINTENANCE)

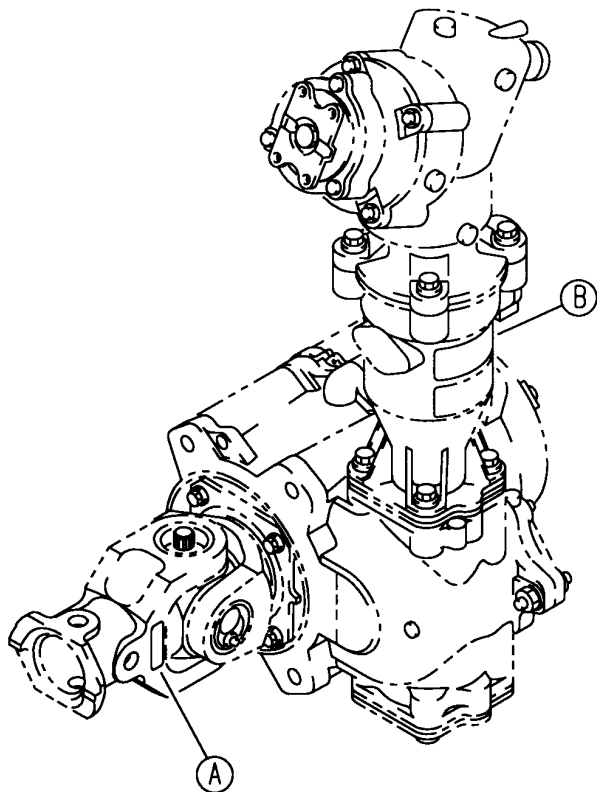


10
 LUBRICATE WITH BMS 3-33
 OPT : MIL-G 23827

(A)

15
 20
BOEING
 TRANSMISSION ASSY
 FLAP ACTUATION
 PNR 256A3210-1
 LUBRICANT: BMS 3-32 TYPE 11

(B)



E 11300010 REV 003

TRANSMISSION ASSY-POSITION 4 AND 5 FLAP ACTUATION (PLACARDS AND MARKINGS ONLY)
 FIGURE 10

11-30-00-10

HAP
 OCT 10/06

11-30-00-10
 PAGE 0

BOEING
737-600/700/800/900
PARTS CATALOG (MAINTENANCE)

FIG ITEM	PART NUMBER	1 2 3 4 5 6 7	NOMENCLATURE	EFFECT FROM TO	UNITS PER ASSY
10			TRANSMISSION ASSY-POSITION 4 AND 5 FLAP ACTUATION (PLACARDS AND MARKINGS ONLY)	001030 201967	
- 1	256A3410-3		TRANSMISSION ASSY-FLAP ACTUATION (PLACARDS AND MARKINGS ONLY) POSITION DATA: POSITION 4 COMPONENT MAINT MANUAL REF: 27-55-70 OPTIONAL PART: 256A3410-5 FOR NHA/OTHER SYS DET SEE: 27-51-31-11	001030 201967	RF
- 1	256A3410-5		TRANSMISSION ASSY-FLAP ACTUATION (PLACARDS AND MARKINGS ONLY) POSITION DATA: POSITION 4 COMPONENT MAINT MANUAL REF: 27-55-70 OPTIONAL PART: 256A3410-3 FOR NHA/OTHER SYS DET SEE: 27-51-31-11	001030 201967	RF
- 1	256A3410-7		TRANSMISSION ASSY-FLAP ACTUATION (PLACARDS AND MARKINGS ONLY) POSITION DATA: POSITION 4 COMPONENT MAINT MANUAL REF: 27-55-70 FOR NHA/OTHER SYS DET SEE: 27-51-31-11	001030 201967	RF
- 5	256A3410-4		TRANSMISSION ASSY-FLAP ACTUATION (PLACARDS AND MARKINGS ONLY) POSITION DATA: POSITION 5 COMPONENT MAINT MANUAL REF: 27-55-70 OPTIONAL PART: 256A3410-6 FOR NHA/OTHER SYS DET SEE: 27-51-31-11	001030 201967	RF

MISSING ITEM NUMBERS NOT APPLICABLE

- ITEM NOT ILLUSTRATED

HAP

11-30-00-10

BOEING PROPRIETARY - Copyright © - Unpublished Work - See title page for details.

11-30-00
FIG. 10
PAGE 1
OCT 15/08

BOEING
737-600/700/800/900
PARTS CATALOG (MAINTENANCE)

FIG ITEM	PART NUMBER	1 2 3 4 5 6 7	NOMENCLATURE	EFFECT FROM TO	UNITS PER ASSY
10 - 5	256A3410-6		TRANSMISSION ASSY-FLAP ACTUATION (PLACARDS AND MARKINGS ONLY) POSITION DATA: POSITION 5 COMPONENT MAINT MANUAL REF: 27-55-70 OPTIONAL PART: 256A3410-4 FOR NHA/OTHER SYS DET SEE: 27-51-31-11	001030 201967	RF
- 5	256A3410-8		TRANSMISSION ASSY-FLAP ACTUATION (PLACARDS AND MARKINGS ONLY) POSITION DATA: POSITION 5 COMPONENT MAINT MANUAL REF: 27-55-70 FOR NHA/OTHER SYS DET SEE: 27-51-31-11	001030 201967	RF
10	256A3195-13		.MARKER-NAMEPLATE	001030 201967	1
15	256A3195-37		.MARKER-NAMEPLATE POSITION DATA: POSITION 4 USED ON: 256A3410-3	001030 201967	1
15	256A3195-45		.MARKER-NAMEPLATE POSITION DATA: POSITION 4 USED ON: 256A3410-5	001030 201967	1
15	256A3195-55		.MARKER-NAMEPLATE POSITION DATA: POSITION 4 USED ON: 256A3410-7	001030 201967	1
20	256A3195-38		.MARKER-NAMEPLATE POSITION DATA: POSITION 5 USED ON: 256A3410-4	001030 201967	1
20	256A3195-46		.MARKER-NAMEPLATE POSITION DATA: POSITION 5 USED ON: 256A3410-6	001030 201967	1

MISSING ITEM NUMBERS NOT APPLICABLE

- ITEM NOT ILLUSTRATED

HAP

11-30-00-10

BOEING PROPRIETARY - Copyright © - Unpublished Work - See title page for details.

11-30-00
FIG. 10
PAGE 2
OCT 15/08


BOEING
 737-600/700/800/900
PARTS CATALOG (MAINTENANCE)

FIG ITEM	PART NUMBER	1 2 3 4 5 6 7 NOMENCLATURE	EFFECT FROM TO	UNITS PER ASSY
10 20	256A3195-56	.MARKER-NAMEPLATE POSITION DATA: POSITION 5 USED ON: 256A3410-8	001030 201967	1

MISSING ITEM NUMBERS NOT APPLICABLE

— ITEM NOT ILLUSTRATED

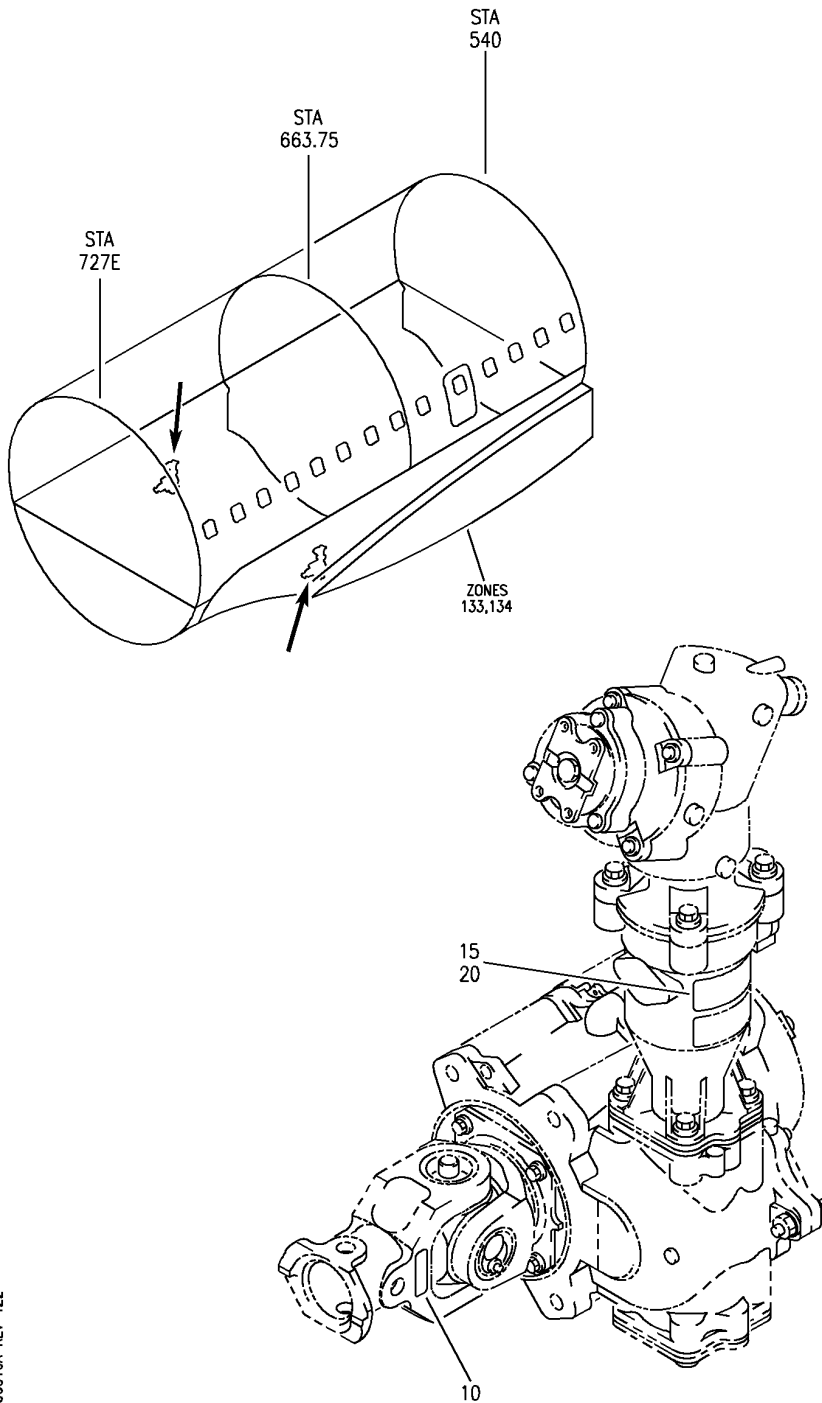
HAP

11-30-00-10

BOEING PROPRIETARY - Copyright © - Unpublished Work - See title page for details.

11-30-00
 FIG. 10
 PAGE 3
 OCT 15/08

BOEING
737-600/700/800/900
PARTS CATALOG (MAINTENANCE)



E 11300010A REV 122

TRANSMISSION ASSY-POSITION 4 AND 5 FLAP ACTUATION (PLACARDS AND MARKINGS ONLY)
FIGURE 10A

HAP
OCT 10/06

11-30-00-10A

11-30-00-10A
PAGE 0

BOEING
737-600/700/800/900
PARTS CATALOG (MAINTENANCE)

FIG ITEM	PART NUMBER	1 2 3 4 5 6 7	NOMENCLATURE	EFFECT FROM TO	UNITS PER ASSY
10A			TRANSMISSION ASSY-POSITION 4 AND 5 FLAP ACTUATION (PLACARDS AND MARKINGS ONLY)	031200 968999	
- 1	256A3410-7		TRANSMISSION ASSY-FLAP ACTUATION (PLACARDS AND MARKINGS ONLY) POSITION 4 COMPONENT MAINT MANUAL REF: 27-55-70 FOR NHA/OTHER SYS DET SEE: 27-51-31-14	031200 968999	RF
- 1	256A3410-3		TRANSMISSION ASSY-FLAP ACTUATION (PLACARDS AND MARKINGS ONLY) POSITION 4 COMPONENT MAINT MANUAL REF: 27-55-70 FOR NHA/OTHER SYS DET SEE: 27-51-31-14	031200 968999	RF
- 1	256A3410-5		TRANSMISSION ASSY-FLAP ACTUATION (PLACARDS AND MARKINGS ONLY) POSITION 4 COMPONENT MAINT MANUAL REF: 27-55-70 FOR NHA/OTHER SYS DET SEE: 27-51-31-14	031200 968999	RF
- 5	256A3410-8		TRANSMISSION ASSY-FLAP ACTUATION (PLACARDS AND MARKINGS ONLY) POSITION 5 COMPONENT MAINT MANUAL REF: 27-55-70 FOR NHA/OTHER SYS DET SEE: 27-51-31-14	031200 968999	RF
- 5	256A3410-4		TRANSMISSION ASSY-FLAP ACTUATION (PLACARDS AND MARKINGS ONLY) POSITION 5 COMPONENT MAINT MANUAL REF: 27-55-70 FOR NHA/OTHER SYS DET SEE: 27-51-31-14	031200 968999	RF

MISSING ITEM NUMBERS NOT APPLICABLE

- ITEM NOT ILLUSTRATED

HAP

11-30-00-10A

BOEING PROPRIETARY - Copyright © - Unpublished Work - See title page for details.

11-30-00
FIG. 10A
PAGE 1
OCT 15/08

BOEING
737-600/700/800/900
PARTS CATALOG (MAINTENANCE)

FIG ITEM	PART NUMBER	1 2 3 4 5 6 7	NOMENCLATURE	EFFECT FROM TO	UNITS PER ASSY
10A - 5	256A3410-6		TRANSMISSION ASSY-FLAP ACTUATION (PLACARDS AND MARKINGS ONLY) POSITION 5 COMPONENT MAINT MANUAL REF: 27-55-70 FOR NHA/OTHER SYS DET SEE: 27-51-31-14	031200 968999	RF
10	256A3195-13		.MARKER-NAMEPLATE	031200 968999	1
15	256A3195-55		.MARKER-NAMEPLATE USED ON: 256A3410-7	031200 968999	1
15	256A3195-37		.MARKER-NAMEPLATE USED ON: 256A3410-3	031200 968999	1
15	256A3195-45		.MARKER-NAMEPLATE USED ON: 256A3410-5	031200 968999	1
20	256A3195-56		.MARKER-NAMEPLATE USED ON: 256A3410-8	031200 968999	1
20	256A3195-38		.MARKER-NAMEPLATE USED ON: 256A3410-4	031200 968999	1
20	256A3195-46		.MARKER-NAMEPLATE USED ON: 256A3410-6	031200 968999	1

MISSING ITEM NUMBERS NOT APPLICABLE

- ITEM NOT ILLUSTRATED

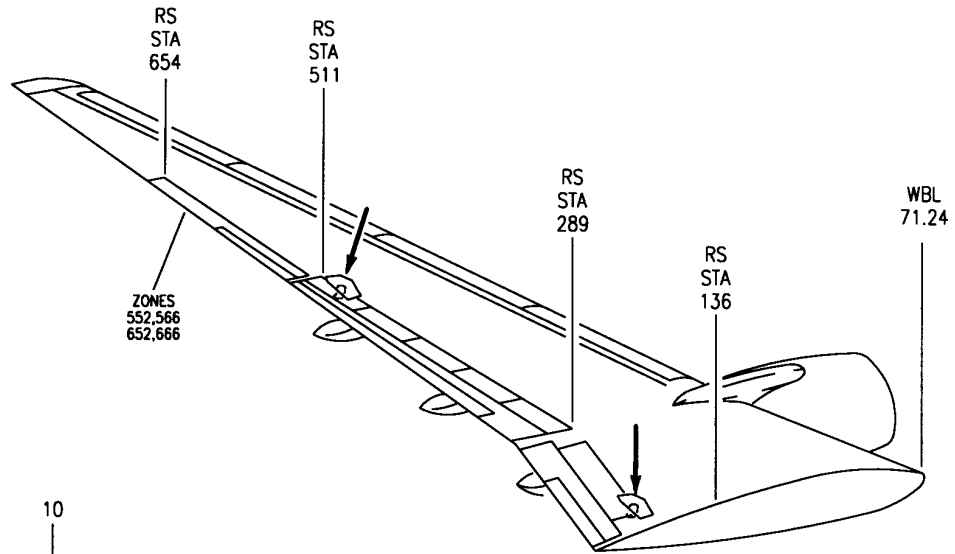
HAP

11-30-00-10A

BOEING PROPRIETARY - Copyright © - Unpublished Work - See title page for details.

11-30-00
FIG. 10A
PAGE 2
OCT 15/08

BOEING
 737-600/700/800/900
 PARTS CATALOG (MAINTENANCE)

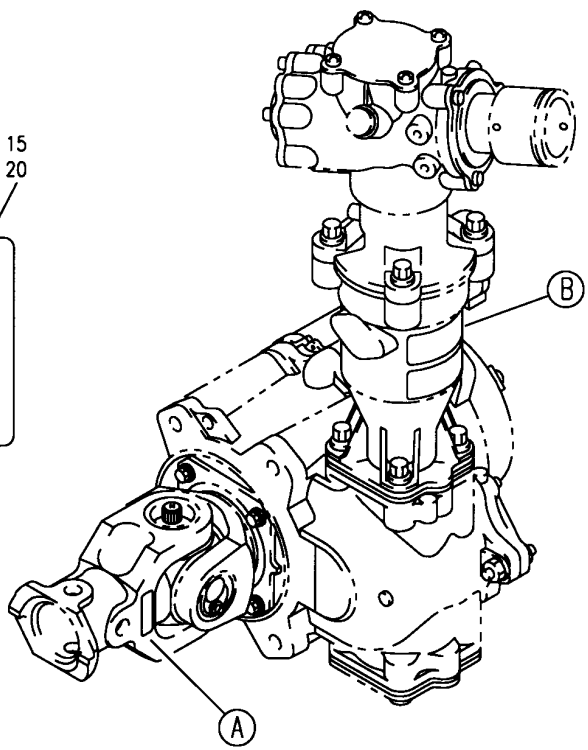


10
 LUBRICATE WITH BMS 3-33
 OPT: MIL-G-23827

(A)

15
 20
BOEING
 TRANSMISSION ASSY
 FLAP ACTUATION
 PNR 256A3210-1
 LUBRICANT: BMS 3-32 TYPE 11

(B)



E 11-300011 REV 003

TRANSMISSION ASSY-POSITION 1 AND 8 FLAP ACTUATION (PLACARDS AND MARKINGS ONLY)
 FIGURE 11

11-30-00-11

HAP
 OCT 10/06

11-30-00-11
 PAGE 0

BOEING
737-600/700/800/900
PARTS CATALOG (MAINTENANCE)

FIG ITEM	PART NUMBER	1 2 3 4 5 6 7	NOMENCLATURE	EFFECT FROM TO	UNITS PER ASSY
11			TRANSMISSION ASSY-POSITION 1 AND 8 FLAP ACTUATION (PLACARDS AND MARKINGS ONLY)	001030 201967	
- 1	256A3110-3		TRANSMISSION ASSY-FLAP ACTUATION (PLACARDS AND MARKINGS ONLY) POSITION DATA: POSITION 1 COMPONENT MAINT MANUAL REF: 27-55-67 FOR NHA/OTHER SYS DET SEE: 27-51-41-10	001030 201967	RF
- 1	256A3110-5		TRANSMISSION ASSY-FLAP ACTUATION (PLACARDS AND MARKINGS ONLY) POSITION DATA: POSITION 1 COMPONENT MAINT MANUAL REF: 27-55-67 FOR NHA/OTHER SYS DET SEE: 27-51-41-10	001030 201967	RF
- 1	256A3110-7		TRANSMISSION ASSY-FLAP ACTUATION (PLACARDS AND MARKINGS ONLY) POSITION DATA: POSITION 1 COMPONENT MAINT MANUAL REF: 27-55-67 FOR NHA/OTHER SYS DET SEE: 27-51-41-10	001030 201967	RF
- 5	256A3110-4		TRANSMISSION ASSY-FLAP ACTUATION (PLACARDS AND MARKINGS ONLY) POSITION DATA: POSITION 8 COMPONENT MAINT MANUAL REF: 27-55-67 FOR NHA/OTHER SYS DET SEE: 27-51-41-10	001030 201967	RF
- 5	256A3110-6		TRANSMISSION ASSY-FLAP ACTUATION (PLACARDS AND MARKINGS ONLY) POSITION DATA: POSITION 8 COMPONENT MAINT MANUAL REF: 27-55-67 FOR NHA/OTHER SYS DET SEE: 27-51-41-10	001030 201967	RF

MISSING ITEM NUMBERS NOT APPLICABLE

- ITEM NOT ILLUSTRATED

HAP

11-30-00-11

11-30-00
FIG. 11
PAGE 1
FEB 15/09

BOEING
737-600/700/800/900
PARTS CATALOG (MAINTENANCE)

FIG ITEM	PART NUMBER	1 2 3 4 5 6 7	NOMENCLATURE	EFFECT FROM TO	UNITS PER ASSY
11 - 5	256A3110-8		TRANSMISSION ASSY-FLAP ACTUATION (PLACARDS AND MARKINGS ONLY) POSITION DATA: POSITION 8 COMPONENT MAINT MANUAL REF: 27-55-67 FOR NHA/OTHER SYS DET SEE: 27-51-41-10	001030 201967	RF
10	256A3195-13		.MARKER-	001030 201967	1
15	256A3195-31		.MARKER-NAMEPLATE USED ON: 256A3110-3	001030 201967	1
15	256A3195-39		.MARKER-NAMEPLATE USED ON: 256A3110-5	001030 201967	1
15	256A3195-49		.MARKER-NAMEPLATE USED ON: 256A3110-7	001030 201967	1
20	256A3195-32		.MARKER-NAMEPLATE USED ON: 256A3110-4	001030 201967	1
20	256A3195-40		.MARKER-NAMEPLATE USED ON: 256A3110-6	001030 201967	1
20	256A3195-50		.MARKER-NAMEPLATE USED ON: 256A3110-8	001030 201967	1

MISSING ITEM NUMBERS NOT APPLICABLE

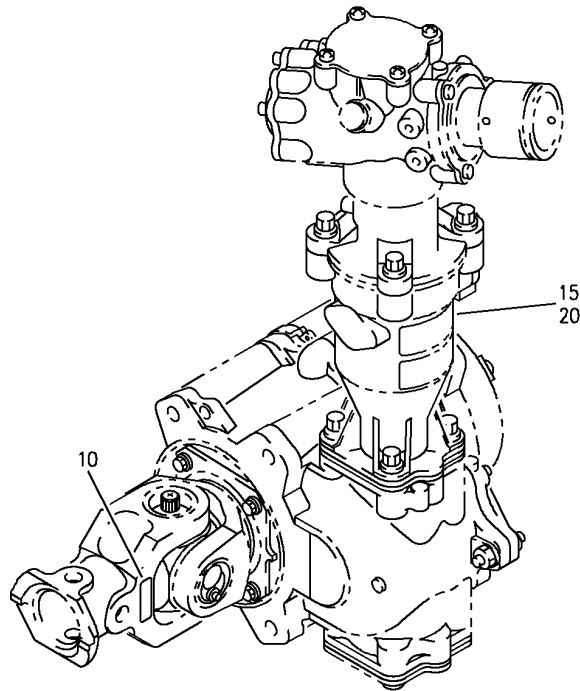
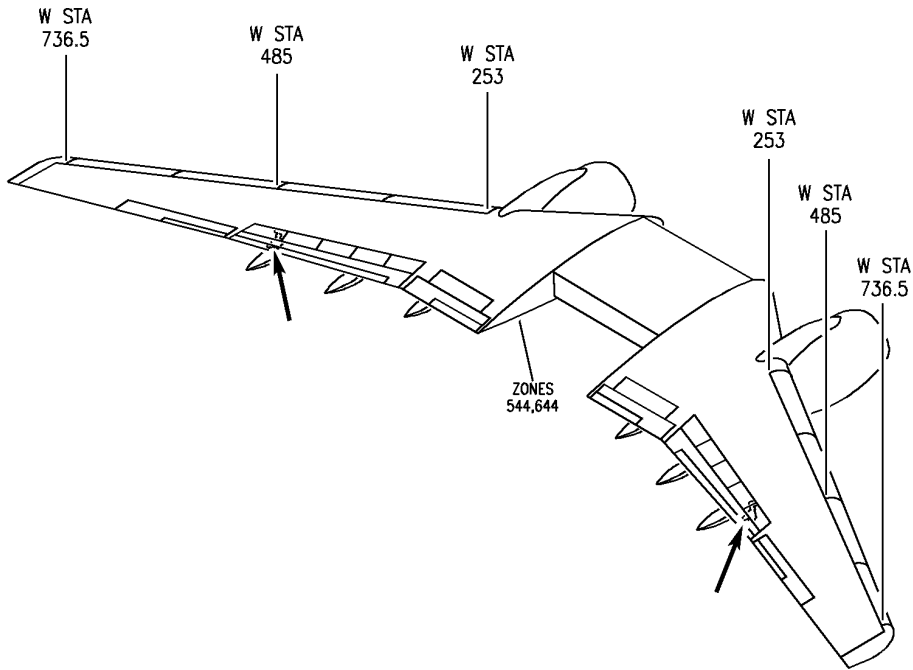
- ITEM NOT ILLUSTRATED

HAP

11-30-00-11

11-30-00
FIG. 11
PAGE 2
FEB 15/09

BOEING
 737-600/700/800/900
 PARTS CATALOG (MAINTENANCE)



E 11300011A REV 122

TRANSMISSION ASSY-POSITION 1 AND 8 FLAP ACTUATION (PLACARDS AND MARKINGS ONLY)
 FIGURE 11A

HAP
 OCT 10/06

11-30-00-11A

11-30-00-11A
 PAGE 0

BOEING
737-600/700/800/900
PARTS CATALOG (MAINTENANCE)

FIG ITEM	PART NUMBER	1 2 3 4 5 6 7	NOMENCLATURE	EFFECT FROM TO	UNITS PER ASSY
11A			TRANSMISSION ASSY-POSITION 1 AND 8 FLAP ACTUATION (PLACARDS AND MARKINGS ONLY)	031200 968999	
- 1	256A3110-7		TRANSMISSION ASSY-FLAP ACTUATION (PLACARDS AND MARKINGS ONLY) POSITION 1 COMPONENT MAINT MANUAL REF: 27-55-67 FOR NHA/OTHER SYS DET SEE: 27-51-41-12	031200 968999	RF
- 1	256A3110-3		TRANSMISSION ASSY-FLAP ACTUATION (PLACARDS AND MARKINGS ONLY) POSITION 1 COMPONENT MAINT MANUAL REF: 27-55-67 FOR NHA/OTHER SYS DET SEE: 27-51-41-12	031200 968999	RF
- 1	256A3110-5		TRANSMISSION ASSY-FLAP ACTUATION (PLACARDS AND MARKINGS ONLY) POSITION 1 COMPONENT MAINT MANUAL REF: 27-55-67 FOR NHA/OTHER SYS DET SEE: 27-51-41-12	031200 968999	RF
- 5	256A3110-8		TRANSMISSION ASSY-FLAP ACTUATION (PLACARDS AND MARKINGS ONLY) POSITION 8 COMPONENT MAINT MANUAL REF: 27-55-67 FOR NHA/OTHER SYS DET SEE: 27-51-41-12	031200 968999	RF
- 5	256A3110-4		TRANSMISSION ASSY-FLAP ACTUATION (PLACARDS AND MARKINGS ONLY) POSITION 8 COMPONENT MAINT MANUAL REF: 27-55-67 FOR NHA/OTHER SYS DET SEE: 27-51-41-12	031200 968999	RF

MISSING ITEM NUMBERS NOT APPLICABLE

- ITEM NOT ILLUSTRATED

HAP

11-30-00-11A

BOEING PROPRIETARY - Copyright © - Unpublished Work - See title page for details.

11-30-00
FIG. 11A
PAGE 1
OCT 15/08

BOEING
737-600/700/800/900
PARTS CATALOG (MAINTENANCE)

FIG ITEM	PART NUMBER	1 2 3 4 5 6 7	NOMENCLATURE	EFFECT FROM TO	UNITS PER ASSY
11A - 5	256A3110-6		TRANSMISSION ASSY-FLAP ACTUATION (PLACARDS AND MARKINGS ONLY) POSITION 8 COMPONENT MAINT MANUAL REF: 27-55-67 FOR NHA/OTHER SYS DET SEE: 27-51-41-12	031200 968999	RF
10	256A3195-13		.MARKER-	031200 968999	1
15	256A3195-49		.MARKER-NAMEPLATE USED ON: 256A3110-7	031200 968999	1
15	256A3195-31		.MARKER-NAMEPLATE USED ON: 256A3110-3	031200 968999	1
15	256A3195-39		.MARKER-NAMEPLATE USED ON: 256A3110-5	031200 968999	1
20	256A3195-50		.MARKER-NAMEPLATE USED ON: 256A3110-8	031200 968999	1
20	256A3195-32		.MARKER-NAMEPLATE USED ON: 256A3110-4	031200 968999	1
20	256A3195-40		.MARKER-NAMEPLATE USED ON: 256A3110-6	031200 968999	1

MISSING ITEM NUMBERS NOT APPLICABLE

- ITEM NOT ILLUSTRATED

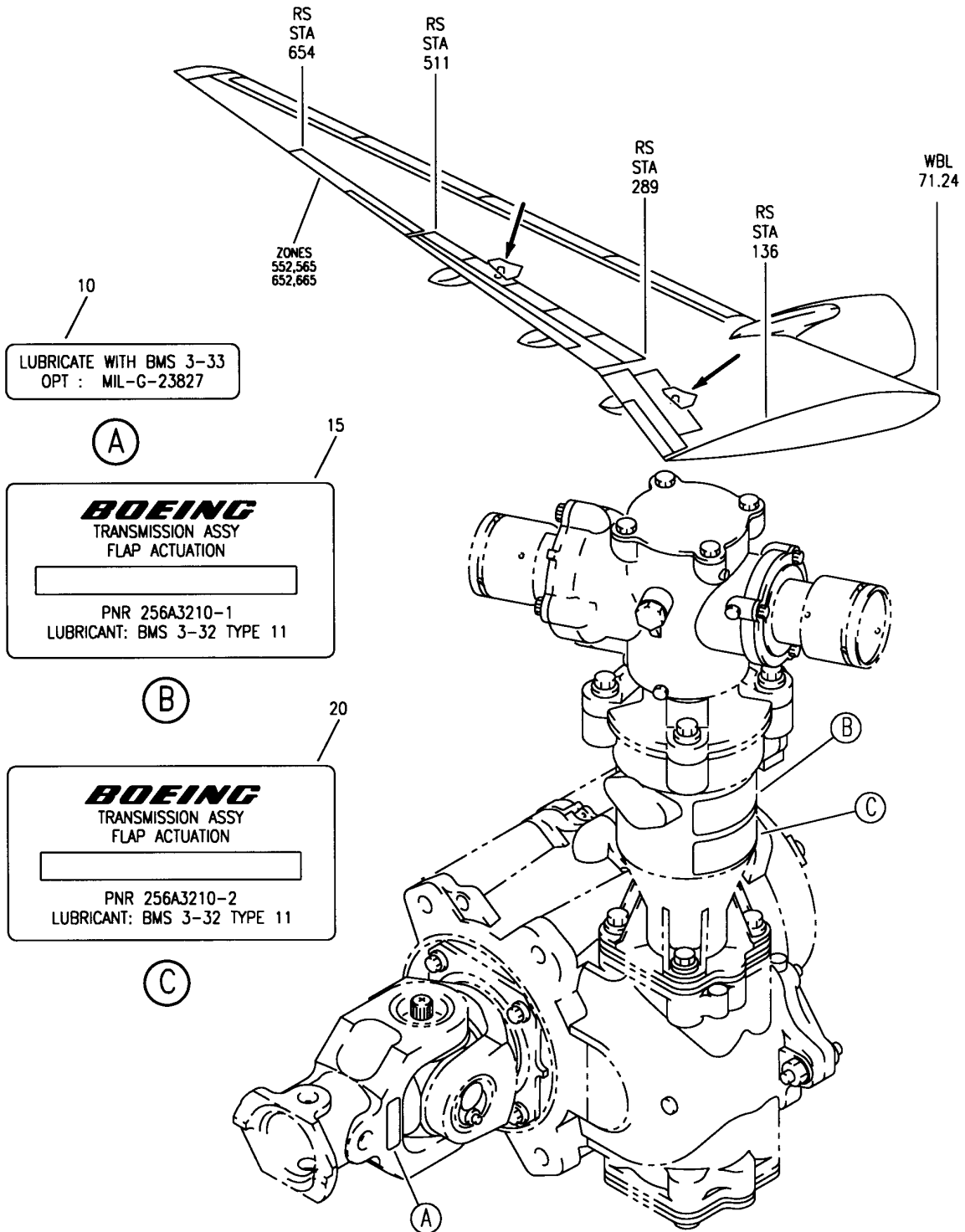
HAP

11-30-00-11A

BOEING PROPRIETARY - Copyright © - Unpublished Work - See title page for details.

11-30-00
FIG. 11A
PAGE 2
OCT 15/08

BOEING
737-600/700/800/900
PARTS CATALOG (MAINTENANCE)



E 11300012 REV 003

TRANSMISSION ASSY-POSITION 2 AND 7 FLAP ACTUATION (PLACARDS AND MARKINGS ONLY)
FIGURE 12

HAP
OCT 10/06

11-30-00-12

11-30-00-12
PAGE 0

BOEING
737-600/700/800/900
PARTS CATALOG (MAINTENANCE)

FIG ITEM	PART NUMBER	1 2 3 4 5 6 7	NOMENCLATURE	EFFECT FROM TO	UNITS PER ASSY
12			TRANSMISSION ASSY-POSITION 2 AND 7 FLAP ACTUATION (PLACARDS AND MARKINGS ONLY)	001030 201967	
- 1	256A3210-3		TRANSMISSION ASSY-FLAP ACTUATION (PLACARDS AND MARKINGS ONLY) POSITION DATA: POSITION 2 COMPONENT MAINT MANUAL REF: 27-55-68 OPTIONAL PART: 256A3210-5 FOR NHA/OTHER SYS DET SEE: 27-51-41-11	001030 201967	RF
- 1	256A3210-5		TRANSMISSION ASSY-FLAP ACTUATION (PLACARDS AND MARKINGS ONLY) POSITION DATA: POSITION 2 COMPONENT MAINT MANUAL REF: 27-55-68 OPTIONAL PART: 256A3210-3 FOR NHA/OTHER SYS DET SEE: 27-51-41-11	001030 201967	RF
- 1	256A3210-7		TRANSMISSION ASSY-FLAP ACTUATION (PLACARDS AND MARKINGS ONLY) POSITION DATA: POSITION 2 COMPONENT MAINT MANUAL REF: 27-55-68 FOR NHA/OTHER SYS DET SEE: 27-51-41-11	001030 201967	RF
- 5	256A3210-4		TRANSMISSION ASSY-FLAP ACTUATION (PLACARDS AND MARKINGS ONLY) POSITION DATA: POSITION 7 COMPONENT MAINT MANUAL REF: 27-55-68 OPTIONAL PART: 256A3210-6 FOR NHA/OTHER SYS DET SEE: 27-51-41-11	001030 201967	RF

MISSING ITEM NUMBERS NOT APPLICABLE

- ITEM NOT ILLUSTRATED

HAP

11-30-00-12

11-30-00
FIG. 12
PAGE 1
OCT 15/08

BOEING
737-600/700/800/900
PARTS CATALOG (MAINTENANCE)

FIG ITEM	PART NUMBER	1 2 3 4 5 6 7	NOMENCLATURE	EFFECT FROM TO	UNITS PER ASSY
12 - 5	256A3210-6		TRANSMISSION ASSY-FLAP ACTUATION (PLACARDS AND MARKINGS ONLY) POSITION DATA: POSITION 7 COMPONENT MAINT MANUAL REF: 27-55-68 OPTIONAL PART: 256A3210-4 FOR NHA/OTHER SYS DET SEE: 27-51-41-11	001030 201967	RF
- 5	256A3210-8		TRANSMISSION ASSY-FLAP ACTUATION (PLACARDS AND MARKINGS ONLY) POSITION DATA: POSITION 7 COMPONENT MAINT MANUAL REF: 27-55-68 FOR NHA/OTHER SYS DET SEE: 27-51-41-11	001030 201967	RF
- 5	256A3210-10		TRANSMISSION ASSY-FLAP ACTUATION (PLACARDS AND MARKINGS ONLY) POSITION DATA: POSITION 7 COMPONENT MAINT MANUAL REF: 27-55-68	001030 201967	RF
10	256A3195-13		.MARKER	001030 201967	1
15	256A3195-51		.MARKER-NAMEPLATE USED ON: 256A3210-7	001030 201967	1
15	256A3195-33		.MARKER-NAMEPLATE USED ON: 256A3210-3	001030 201967	1
15	256A3195-41		.MARKER-NAMEPLATE USED ON: 256A3210-5	001030 201967	1
20	256A3195-52		.MARKER-NAMEPLATE USED ON: 256A3210-8	001030 201967	1
20	256A3195-34		.MARKER-NAMEPLATE USED ON: 256A3210-4	001030 201967	1
20	256A3195-42		.MARKER-NAMEPLATE USED ON: 256A3210-6	001030 201967	1

MISSING ITEM NUMBERS NOT APPLICABLE

- ITEM NOT ILLUSTRATED

HAP

11-30-00-12

11-30-00
FIG. 12
PAGE 2
OCT 15/08


BOEING
 737-600/700/800/900
PARTS CATALOG (MAINTENANCE)

FIG ITEM	PART NUMBER	1 2 3 4 5 6 7 NOMENCLATURE	EFFECT FROM TO	UNITS PER ASSY
12 20	256A3195-58	.MARKER-NAMEPLATE USED ON: 256A3210-10	001030 201967	1

MISSING ITEM NUMBERS NOT APPLICABLE

— ITEM NOT ILLUSTRATED

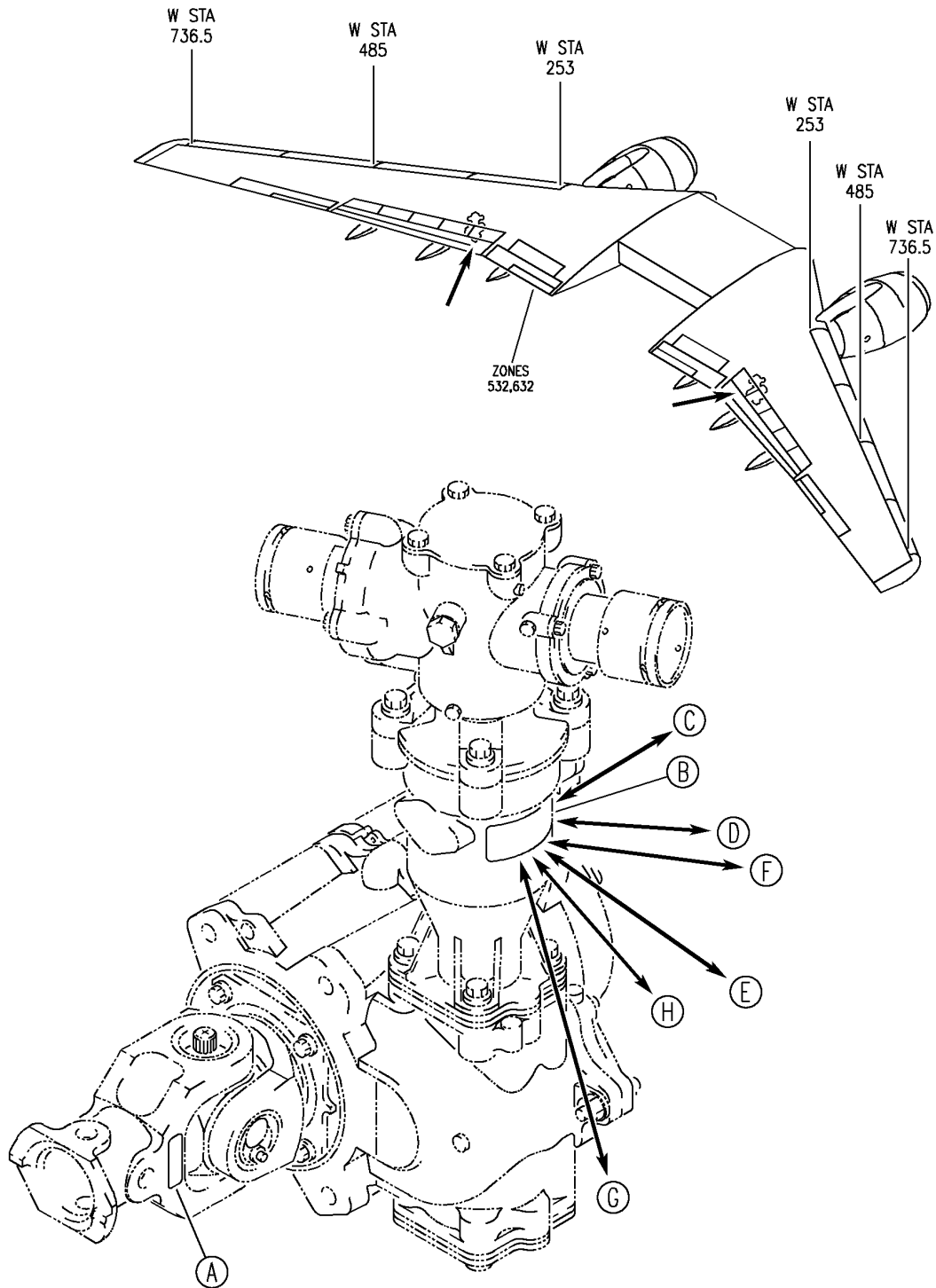
HAP

11-30-00-12

BOEING PROPRIETARY - Copyright © - Unpublished Work - See title page for details.

11-30-00
 FIG. 12
 PAGE 3
 OCT 15/08

BOEING
 737-600/700/800/900
 PARTS CATALOG (MAINTENANCE)



E 11300012A SHT 1 REV 122

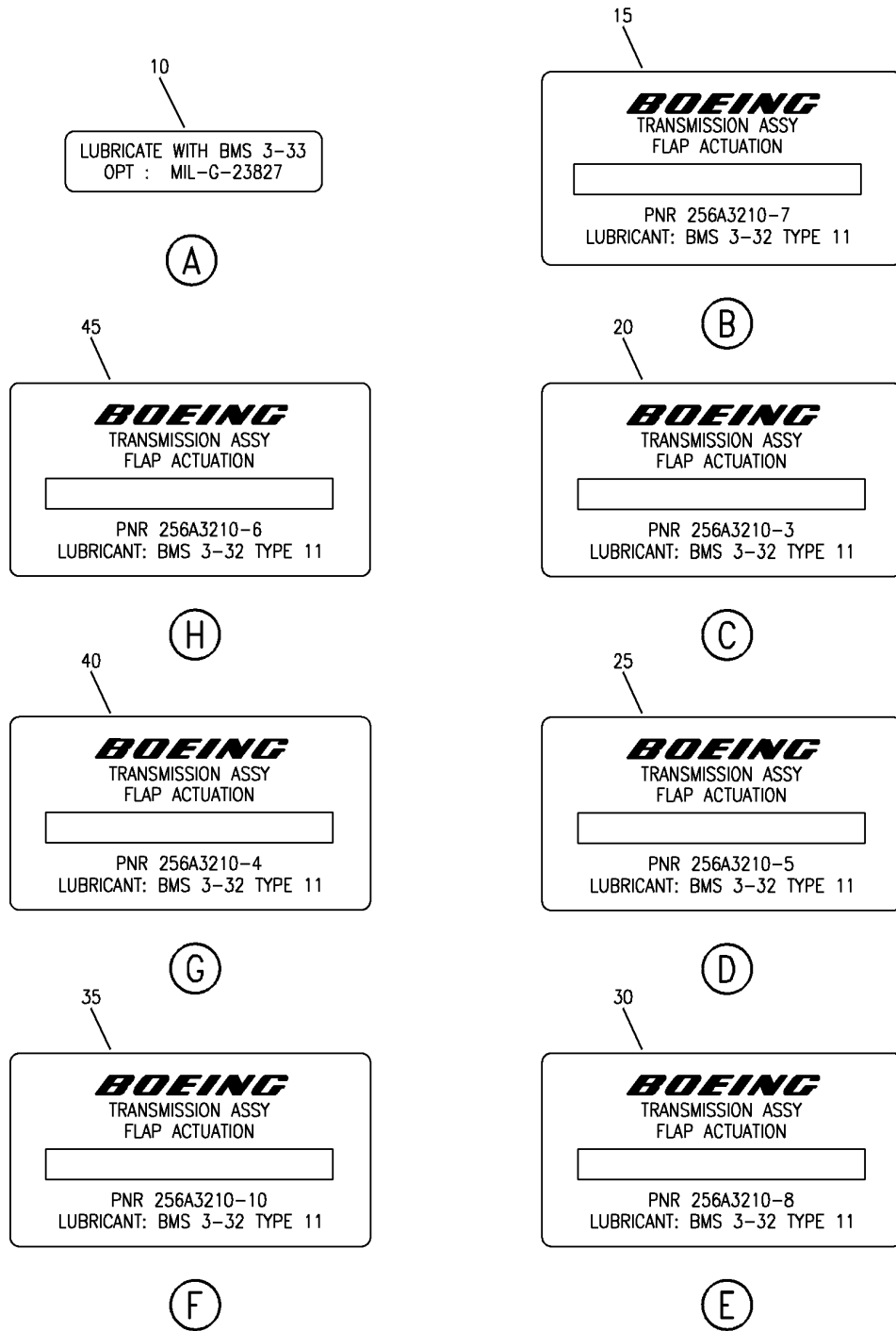
TRANSMISSION ASSY-POSITION 2 AND 7 FLAP ACTUATION (PLACARDS AND MARKINGS ONLY)
 FIGURE 12A (SHEET 1)

HAP
 OCT 10/06

11-30-00-12A

11-30-00-12A
 PAGE 0


BOEING
 737-600/700/800/900
 PARTS CATALOG (MAINTENANCE)



E 11300012A SHT 2 REV 122

TRANSMISSION ASSY-POSITION 2 AND 7 FLAP ACTUATION (PLACARDS AND MARKINGS ONLY)
FIGURE 12A (SHEET 2)

HAP
OCT 10/06

11-30-00-12A

11-30-00-12A
PAGE 0A

BOEING
737-600/700/800/900
PARTS CATALOG (MAINTENANCE)

FIG ITEM	PART NUMBER	1 2 3 4 5 6 7	NOMENCLATURE	EFFECT FROM TO	UNITS PER ASSY
12A			TRANSMISSION ASSY-POSITION 2 AND 7 FLAP ACTUATION (PLACARDS AND MARKINGS ONLY)	031200 968999	
- 1	256A3210-7		TRANSMISSION ASSY-FLAP ACTUATION (PLACARDS AND MARKINGS ONLY) POSITION 2 COMPONENT MAINT MANUAL REF: 27-55-68 FOR NHA/OTHER SYS DET SEE: 27-51-41-13	031200 968999	RF
- 1	256A3210-3		TRANSMISSION ASSY-FLAP ACTUATION (PLACARDS AND MARKINGS ONLY) POSITION 2 COMPONENT MAINT MANUAL REF: 27-55-68 FOR NHA/OTHER SYS DET SEE: 27-51-41-13	031200 968999	RF
- 1	256A3210-5		TRANSMISSION ASSY-FLAP ACTUATION (PLACARDS AND MARKINGS ONLY) POSITION 2 COMPONENT MAINT MANUAL REF: 27-55-68 FOR NHA/OTHER SYS DET SEE: 27-51-41-13	031200 968999	RF
- 5	256A3210-8		TRANSMISSION ASSY-FLAP ACTUATION (PLACARDS AND MARKINGS ONLY) POSITION 7 COMPONENT MAINT MANUAL REF: 27-55-68 FOR NHA/OTHER SYS DET SEE: 27-51-41-13	031200 968999	RF
- 5	256A3210-10		TRANSMISSION ASSY-FLAP ACTUATION (PLACARDS AND MARKINGS ONLY) POSITION 7 COMPONENT MAINT MANUAL REF: 27-55-68 FOR NHA/OTHER SYS DET SEE: 27-51-41-13	031200 968999	RF

MISSING ITEM NUMBERS NOT APPLICABLE

- ITEM NOT ILLUSTRATED

HAP

11-30-00-12A

BOEING PROPRIETARY - Copyright © - Unpublished Work - See title page for details.

11-30-00
FIG. 12A
PAGE 1
OCT 15/08

BOEING
737-600/700/800/900
PARTS CATALOG (MAINTENANCE)

FIG ITEM	PART NUMBER	1 2 3 4 5 6 7	NOMENCLATURE	EFFECT FROM TO	UNITS PER ASSY
12A - 5	256A3210-4		TRANSMISSION ASSY-FLAP ACTUATION (PLACARDS AND MARKINGS ONLY) POSITION 7 COMPONENT MAINT MANUAL REF: 27-55-68 FOR NHA/OTHER SYS DET SEE: 27-51-41-13	031200 968999	RF
- 5	256A3210-6		TRANSMISSION ASSY-FLAP ACTUATION (PLACARDS AND MARKINGS ONLY) POSITION 7 COMPONENT MAINT MANUAL REF: 27-55-68 FOR NHA/OTHER SYS DET SEE: 27-51-41-13	031200 968999	RF
10	256A3195-13		.MARKER-	031200 968999	1
15	256A3195-51		.MARKER-NAMEPLATE USED ON: 256A3210-7	031200 968999	1
20	256A3195-33		.MARKER-NAMEPLATE USED ON: 256A3210-3	031200 968999	1
25	256A3195-41		.MARKER-NAMEPLATE USED ON: 256A3210-5	031200 968999	1
30	256A3195-52		.MARKER-NAMEPLATE USED ON: 256A3210-8	031200 968999	1
35	256A3195-58		.MARKER-NAMEPLATE USED ON: 256A3210-10	031200 968999	1
40	256A3195-34		.MARKER-NAMEPLATE USED ON: 256A3210-4	031200 968999	1
45	256A3195-42		.MARKER-NAMEPLATE USED ON: 256A3210-6	031200 968999	1

MISSING ITEM NUMBERS NOT APPLICABLE

- ITEM NOT ILLUSTRATED

HAP

11-30-00-12A

BOEING PROPRIETARY - Copyright © - Unpublished Work - See title page for details.

11-30-00
FIG. 12A
PAGE 2
OCT 15/08

NON-ILLUSTRATED FIGURE

THE ITEMS REFLECTED IN THIS FIGURE ARE INTENTIONALLY
NON-ILLUSTRATED. THEY ARE REFERENCED TO EITHER A
NEXT HIGHER OR NEXT LOWER ASSEMBLY/INSTALLATION FIGURE.

E 11300013 REV 057

FUNCTIONAL COLLECTOR-MAJOR MODEL BASIC AND STABLE E/E EQPT INSTL
FIGURE 13

11-30-00-13

HAP
OCT 10/06

11-30-00-13
PAGE 0

BOEING
737-600/700/800/900
PARTS CATALOG (MAINTENANCE)

FIG ITEM	PART NUMBER	1 2 3 4 5 6 7	NOMENCLATURE	EFFECT FROM TO	UNITS PER ASSY
13			FUNCTIONAL COLLECTOR-MAJOR MODEL BASIC AND STABLE E/E EQPT INSTL	001030 201967	
- 1	284A0001-678		FUNCTIONAL COLLECTOR-MAJOR MODEL BASIC AND STABLE E/E EQPT INSTL FOR NHA SEE: 11-00-00-10	001030 201967	RF
- 5	284A0835-1		.DECAL INSTL-BODY E/E EQPT POSITION DATA: SECT. 41 FOR DETAILS SEE: 11-30-00-65	001019 201967	1
- 5	284A0835-21		.DECAL INSTL-BODY E/E EQPT POSITION DATA: SECT. 41 FOR DETAILS SEE: 11-30-00-65	020020	1
- 5	284A0835-24		.DECAL INSTL-BODY E/E EQPT POSITION DATA: SECT. 41 FOR DETAILS SEE: 11-30-00-65	021027	1
- 5	284A0835-25		.DECAL INSTL-BODY E/E EQPT POSITION DATA: SECT. 41 FOR DETAILS SEE: 11-30-00-65	028029	1
- 5	284A0835-34		.DECAL INSTL-BODY E/E EQPT POSITION DATA: SECT. 41 FOR DETAILS SEE: 11-30-00-65	030030	1
- 10	284A0835-7		.DECAL INSTL-BODY E/E EQPT POSITION DATA: SECT. 48 FOR DETAILS SEE: 11-30-00-71	001030 201967	1

MISSING ITEM NUMBERS NOT APPLICABLE

- ITEM NOT ILLUSTRATED

HAP

11-30-00-13

11-30-00
FIG. 13
PAGE 1
OCT 15/08


BOEING
 737-600/700/800/900
PARTS CATALOG (MAINTENANCE)

FIG ITEM	PART NUMBER	1 2 3 4 5 6 7 NOMENCLATURE	EFFECT FROM TO	UNITS PER ASSY
13 - 15	284A0835-8	.DECAL INSTL-BODY E/E EQPT POSITION DATA: SECT. 82 FOR DETAILS SEE: 11-30-00-72	001030 201967	1

MISSING ITEM NUMBERS NOT APPLICABLE

- ITEM NOT ILLUSTRATED

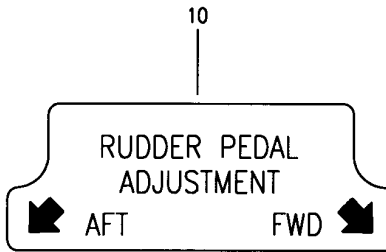
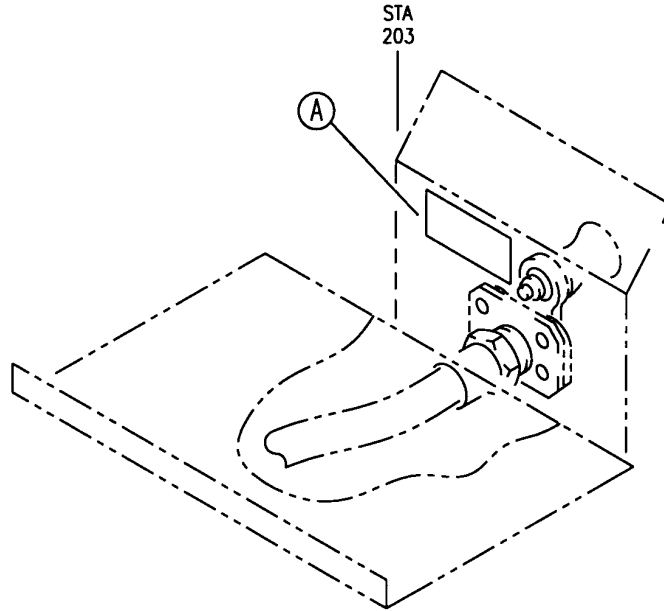
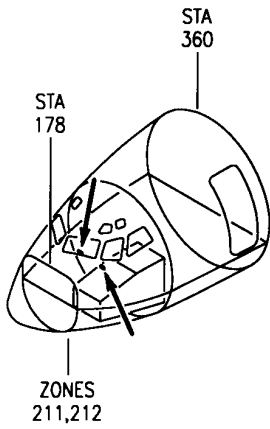
HAP

11-30-00-13

BOEING PROPRIETARY - Copyright © - Unpublished Work - See title page for details.

11-30-00
 FIG. 13
 PAGE 2
 OCT 15/08

BOEING
737-600/700/800/900
PARTS CATALOG (MAINTENANCE)



E 11300015 REV 003

CRANK INSTL-RUDDER, PEDAL ADJUSTMENT (PLACARDS AND MARKINGS ONLY)
FIGURE 15

HAP
OCT 10/06

11-30-00-15

11-30-00-15
PAGE 0

BOEING
737-600/700/800/900
PARTS CATALOG (MAINTENANCE)

FIG ITEM	PART NUMBER	1 2 3 4 5 6 7	NOMENCLATURE	EFFECT FROM TO	UNITS PER ASSY
15			CRANK INSTL-RUDDER, PEDAL ADJUSTMENT (PLACARDS AND MARKINGS ONLY)		
- 1	251A3110-5		CRANK INSTL-RUDDER, PEDAL ADJUSTMENT (PLACARDS AND MARKINGS ONLY) POSITION DATA: LH FOR NHA/OTHER SYS DET SEE: 27-20-00-04	001030 201967	RF
- 1	MODREF84123		CRANK INSTL-RUDDER, PEDAL ADJUSTMENT (PLACARDS AND MARKINGS ONLY) MODULE NUMBER: 251A3110-5 REV A POSITION DATA: LH	031046 054104 968972	1
- 1	MODREF346670		CRANK INSTL-RUDDER, PEDAL ADJUSTMENT (PLACARDS AND MARKINGS ONLY) MODULE NUMBER: 251A3110-5 REV C POSITION DATA: LH FOR ADDITIONAL DETAILS SEE: 27-21-41-01	047053 105200 973999	1
- 5	251A3110-6		CRANK INSTL-RUDDER, PEDAL ADJUSTMENT (PLACARDS AND MARKINGS ONLY) POSITION DATA: RH FOR NHA/OTHER SYS DET SEE: 27-20-00-04	001030 201967	RF
- 5	MODREF84124		CRANK INSTL-RUDDER, PEDAL ADJUSTMENT (PLACARDS AND MARKINGS ONLY) MODULE NUMBER: 251A3110-6 REV A POSITION DATA: RH	031046 054104 968972	1
- 5	MODREF346671		CRANK INSTL-RUDDER, PEDAL ADJUSTMENT (PLACARDS AND MARKINGS ONLY) MODULE NUMBER: 251A3110-6 REV C POSITION DATA: RH FOR ADDITIONAL DETAILS SEE: 27-21-41-01	047053 105200 973999	1

MISSING ITEM NUMBERS NOT APPLICABLE

- ITEM NOT ILLUSTRATED

HAP

11-30-00-15

11-30-00
FIG. 15
PAGE 1
FEB 15/09


BOEING
 737-600/700/800/900
PARTS CATALOG (MAINTENANCE)

FIG ITEM	PART NUMBER	1 2 3 4 5 6 7 NOMENCLATURE	EFFECT FROM TO	UNITS PER ASSY
15 10	BACM10R1AS	.MARKER-ALUMINUM FOIL		1

MISSING ITEM NUMBERS NOT APPLICABLE

— ITEM NOT ILLUSTRATED

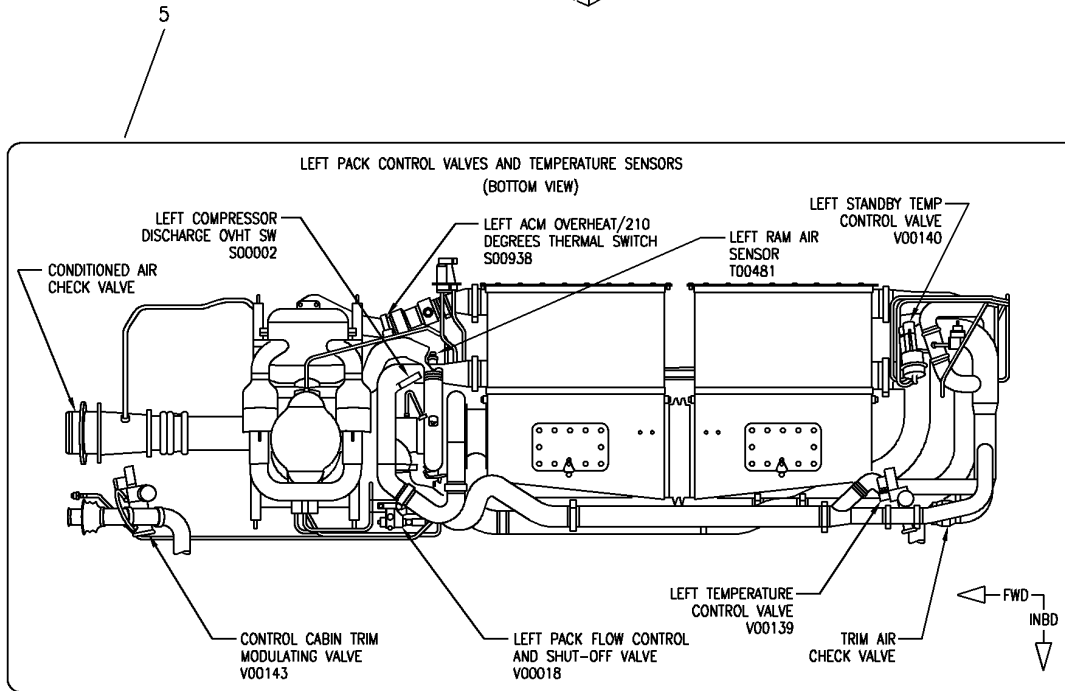
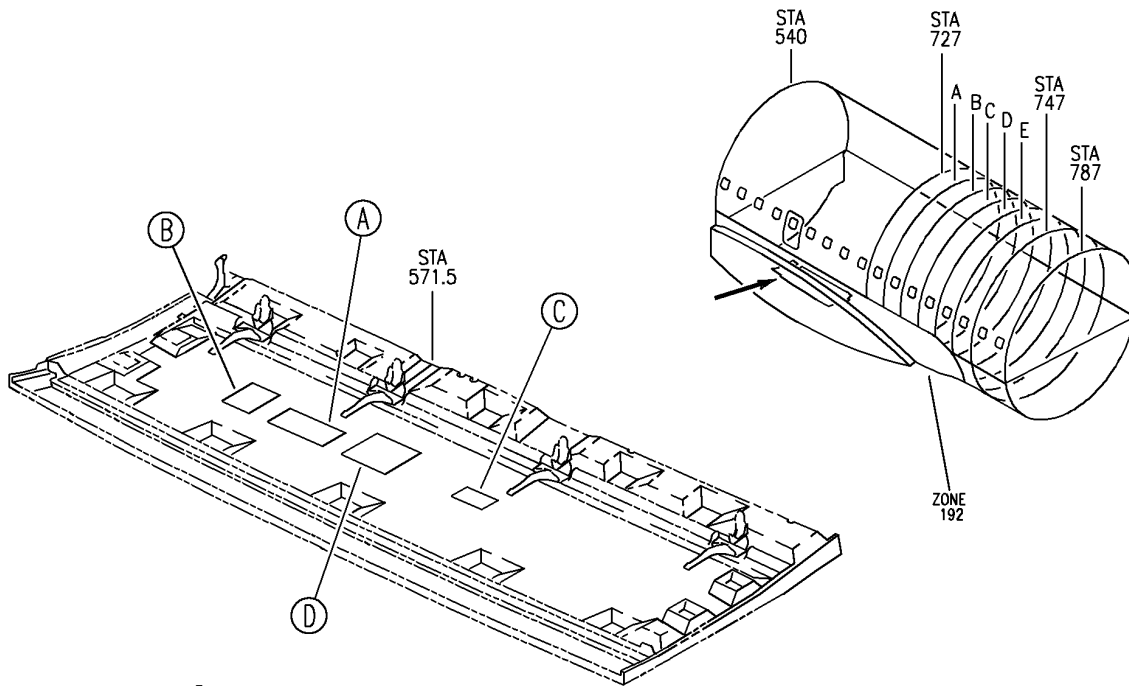
HAP

11-30-00-15

BOEING PROPRIETARY - Copyright © - Unpublished Work - See title page for details.

11-30-00
 FIG. 15
 PAGE 2
 FEB 15/08

BOEING
 737-600/700/800/900
 PARTS CATALOG (MAINTENANCE)



(A)

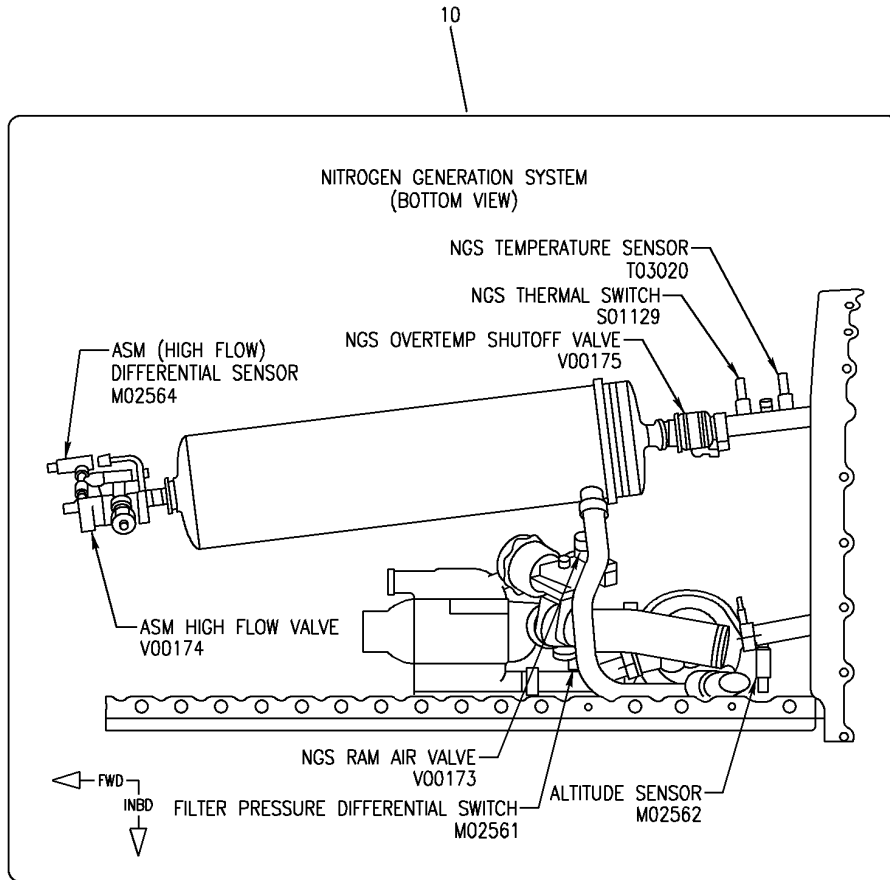
E 11300016 SH1 1 REV 115

DOOR ASSY-ECS ACCESS (PLACARDS AND MARKINGS ONLY)
 FIGURE 16 (SHEET 1)


11-30-00-16

HAP
 OCT 10/06

11-30-00-16
 PAGE 0



(B)

 CAUTION

Low Oxygen Content Possible
 During Nitrogen Generation
 System Operation.
 Obey Employer Safety Procedures.
 Failure to Obey May Cause Injury.

20

(C)

E 11300016 SHT 2 REV 115

DOOR ASSY-ECS ACCESS (PLACARDS AND MARKINGS ONLY)
 FIGURE 16 (SHEET 2)

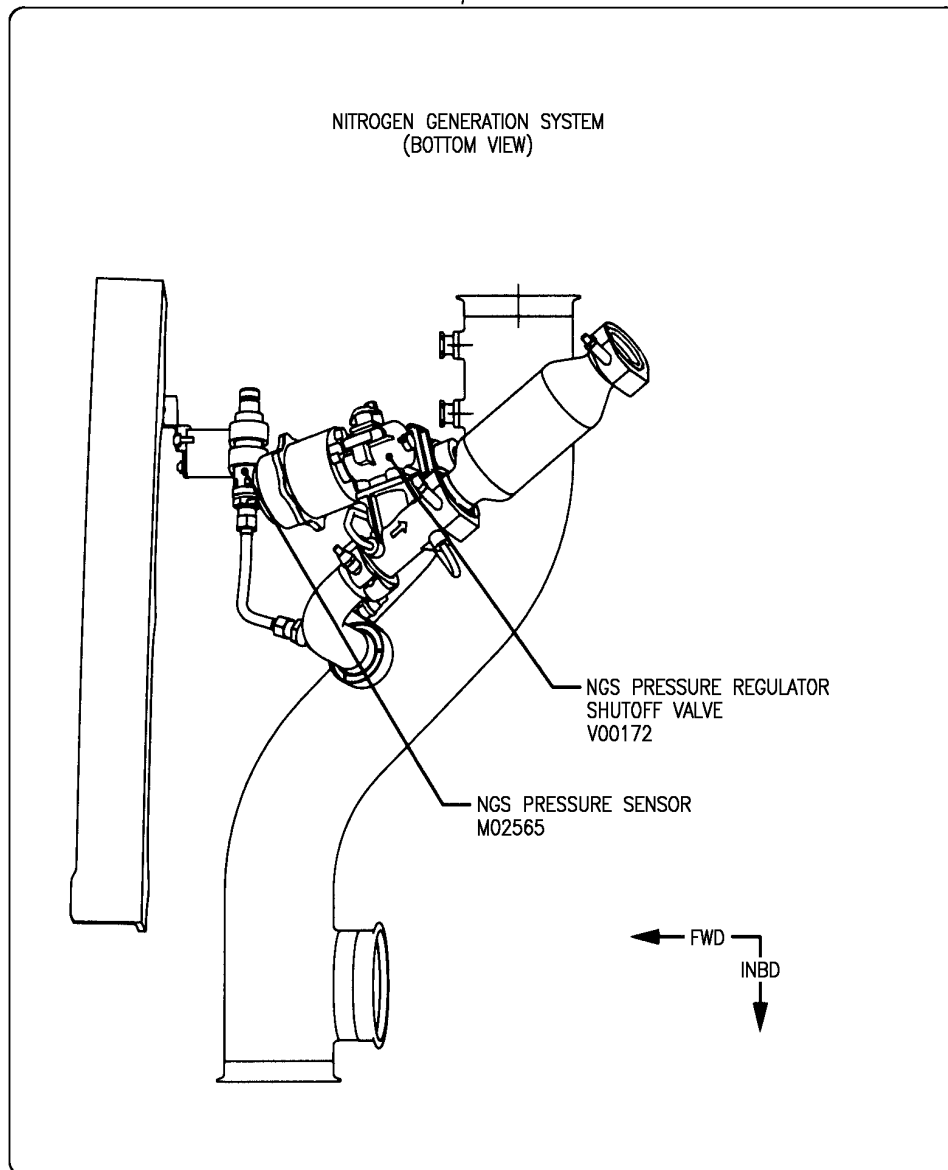
11-30-00-16

HAP
 OCT 10/06

11-30-00-16
 PAGE 0A

BOEING
737-600/700/800/900
PARTS CATALOG (MAINTENANCE)

15



E 11300016 SH1 3 REV 115

(D)

DOOR ASSY-ECS ACCESS (PLACARDS AND MARKINGS ONLY)
FIGURE 16 (SHEET 3)

11-30-00-16

HAP
OCT 10/06

11-30-00-16
PAGE 0B

 **BOEING**
737-600/700/800/900
PARTS CATALOG (MAINTENANCE)

FIG ITEM	PART NUMBER	1 2 3 4 5 6 7	NOMENCLATURE	EFFECT FROM TO	UNITS PER ASSY
16			DOOR ASSY-ECS ACCESS (PLACARDS AND MARKINGS ONLY)	001100	
- 1	149A7231-3		DOOR ASSY-ECS ACCESS (PLACARDS AND MARKINGS ONLY) FOR NHA/OTHER SYS DET SEE: 52-48-11-04	001001 006007	RF
- 1	149A7231-7		DOOR ASSY-ECS ACCESS (PLACARDS AND MARKINGS ONLY) FOR NHA/OTHER SYS DET SEE: 52-48-11-04	002005 008011	RF
- 1	149A7231-11		DOOR ASSY-ECS ACCESS (PLACARDS AND MARKINGS ONLY) FOR NHA/OTHER SYS DET SEE: 52-48-11-04	012020	RF
- 1	149A7231-15		DOOR ASSY-ECS ACCESS (PLACARDS AND MARKINGS ONLY) FOR NHA/OTHER SYS DET SEE: 52-48-11-04	021043	RF
- 1	149A7231-23		DOOR ASSY-ECS ACCESS (PLACARDS AND MARKINGS ONLY) FOR NHA/OTHER SYS DET SEE: 52-48-11-04	021043	RF
- 1	149A7231-26		DOOR ASSY-ECS ACCESS (PLACARDS AND MARKINGS ONLY) FOR NHA/OTHER SYS DET SEE: 52-48-11-04	021043	RF
- 1	149A7231-29		DOOR ASSY-ECS ACCESS (PLACARDS AND MARKINGS ONLY) FOR NHA/OTHER SYS DET SEE: 52-48-11-04	021046 054100	RF
- 1	149A7231-33		DOOR ASSY-ECS ACCESS (PLACARDS AND MARKINGS ONLY) FOR NHA/OTHER SYS DET SEE: 52-48-11-04	021100	RF
5	BAC27DAC101		.MARKER-ALUMINUM FOIL	001100	1
10	BAC27DAC132		.MARKER-ALUMINUM FOIL	021100	1
15	BAC27DAC133		.MARKER-ALUMINUM FOIL	021100	1
20	BAC27EAC759		.MARKER-ALUMINUM FOIL	021100	1

MISSING ITEM NUMBERS NOT APPLICABLE

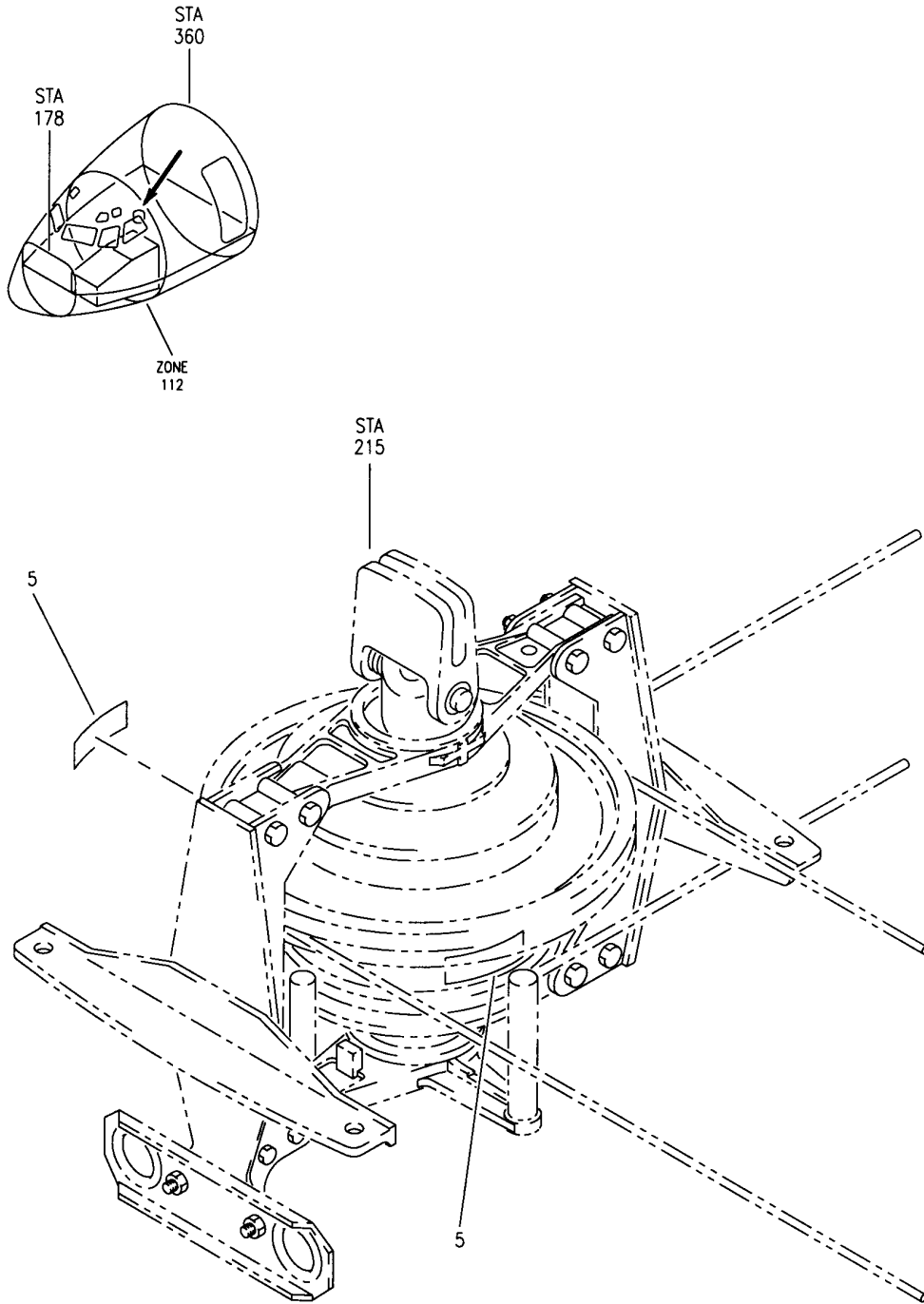
- ITEM NOT ILLUSTRATED

HAP

11-30-00-16

11-30-00
FIG. 16
PAGE 1
FEB 15/09

BOEING
737-600/700/800/900
PARTS CATALOG (MAINTENANCE)



E 11300018 REV 004

TRANSFER MECHANISM ASSY-AIL. CONT (PLACARDS AND MARKINGS ONLY)
FIGURE 18

11-30-00-18

HAP
OCT 10/06

11-30-00-18
PAGE 0

BOEING
737-600/700/800/900
PARTS CATALOG (MAINTENANCE)

FIG ITEM	PART NUMBER	1 2 3 4 5 6 7	NOMENCLATURE	EFFECT FROM TO	UNITS PER ASSY
18			TRANSFER MECHANISM ASSY- AIL. CONT (PLACARDS AND MARKINGS ONLY)		
- 1	251A1817-1		TRANSFER MECHANISM ASSY- AIL. CONT (PLACARDS AND MARKINGS ONLY) FOR NHA/OTHER SYS DET SEE: 27-11-61-01	001007	RF
- 1	251A1817-2		TRANSFER MECHANISM ASSY- AIL. CONT (PLACARDS AND MARKINGS ONLY) COMPONENT MAINT MANUAL REF: 27-16-08 FOR NHA/OTHER SYS DET SEE: 27-11-61-01		RF
- 1	251A1817-3		TRANSFER MECHANISM ASSY- AIL. CONT (PLACARDS AND MARKINGS ONLY) COMPONENT MAINT MANUAL REF: 27-16-08 FOR NHA/OTHER SYS DET SEE: 27-11-61-01		RF
5	BACM10S28M		.MARKER-ALUMINUM FOIL PLACARD CONTENT: CAUTION PRELOADED SPRING SEE OVERHAUL MANUAL		2

MISSING ITEM NUMBERS NOT APPLICABLE

- ITEM NOT ILLUSTRATED

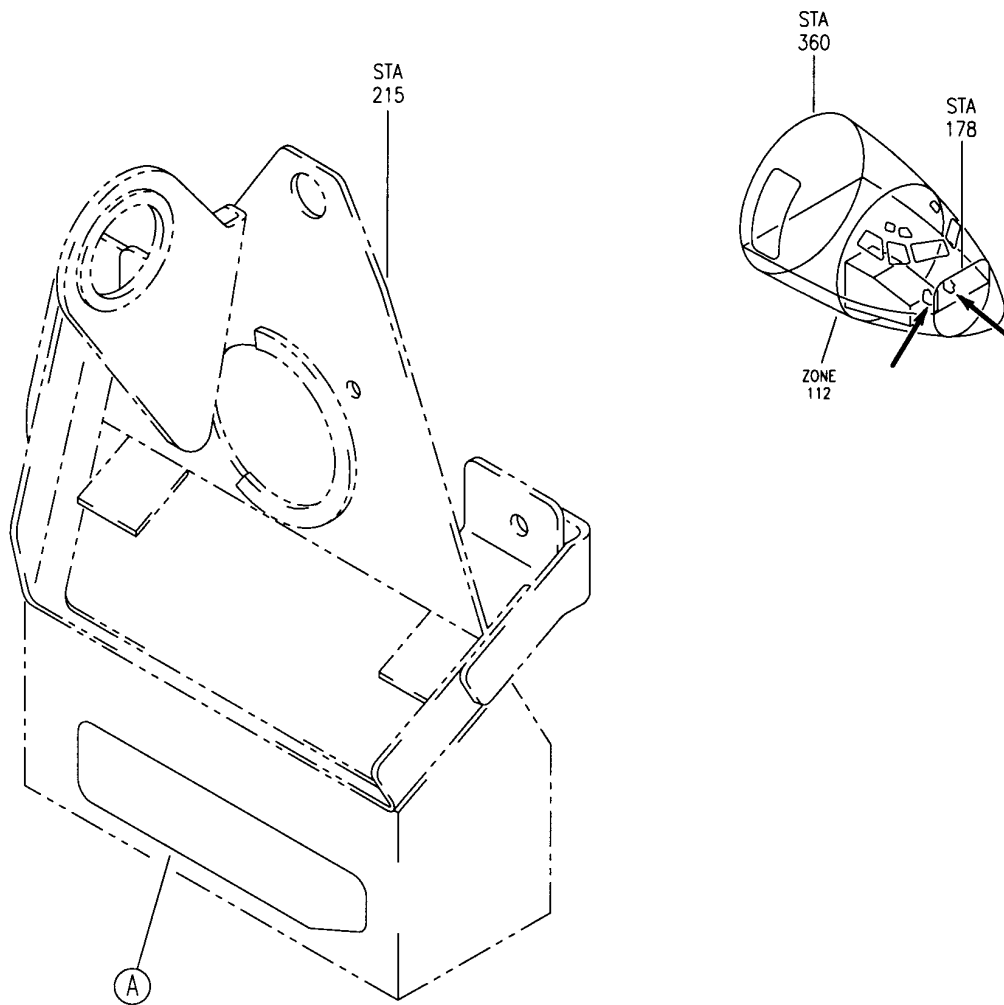
HAP


11-30-00-18

BOEING PROPRIETARY - Copyright © - Unpublished Work - See title page for details.

11-30-00
FIG. 18
PAGE 1
OCT 10/06

BOEING
 737-600/700/800/900
 PARTS CATALOG (MAINTENANCE)



10
 PITCH FORCE TRANSDUCER RIG
 PIN LOC (SEE MAINT MAN-
 CHAPTER 22-AUTO FLIGHT) 

(A)

E 11.300019 REV 003

COUNTERWEIGHT ASSY (PLACARDS AND MARKINGS ONLY)
 FIGURE 19

11-30-00-19

HAP
 OCT 10/06

11-30-00-19
 PAGE 0


BOEING
 737-600/700/800/900
PARTS CATALOG (MAINTENANCE)

FIG ITEM	PART NUMBER	1 2 3 4 5 6 7	NOMENCLATURE	EFFECT FROM TO	UNITS PER ASSY
19			COUNTERWEIGHT ASSY (PLACARDS AND MARKINGS ONLY)		
- 1	251A2109-5		COUNTERWEIGHT ASSY- (PLACARDS AND MARKINGS ONLY) POSITION DATA: LH FOR NHA SEE: 27-31-61-01		RF
- 5	251A2109-4		COUNTERWEIGHT ASSY- (PLACARDS AND MARKINGS ONLY) POSITION DATA: RH FOR NHA SEE: 27-31-61-01		RF
10	BAC27DCT135		.MARKER-ALUMINUM FOIL		1

MISSING ITEM NUMBERS NOT APPLICABLE

- ITEM NOT ILLUSTRATED

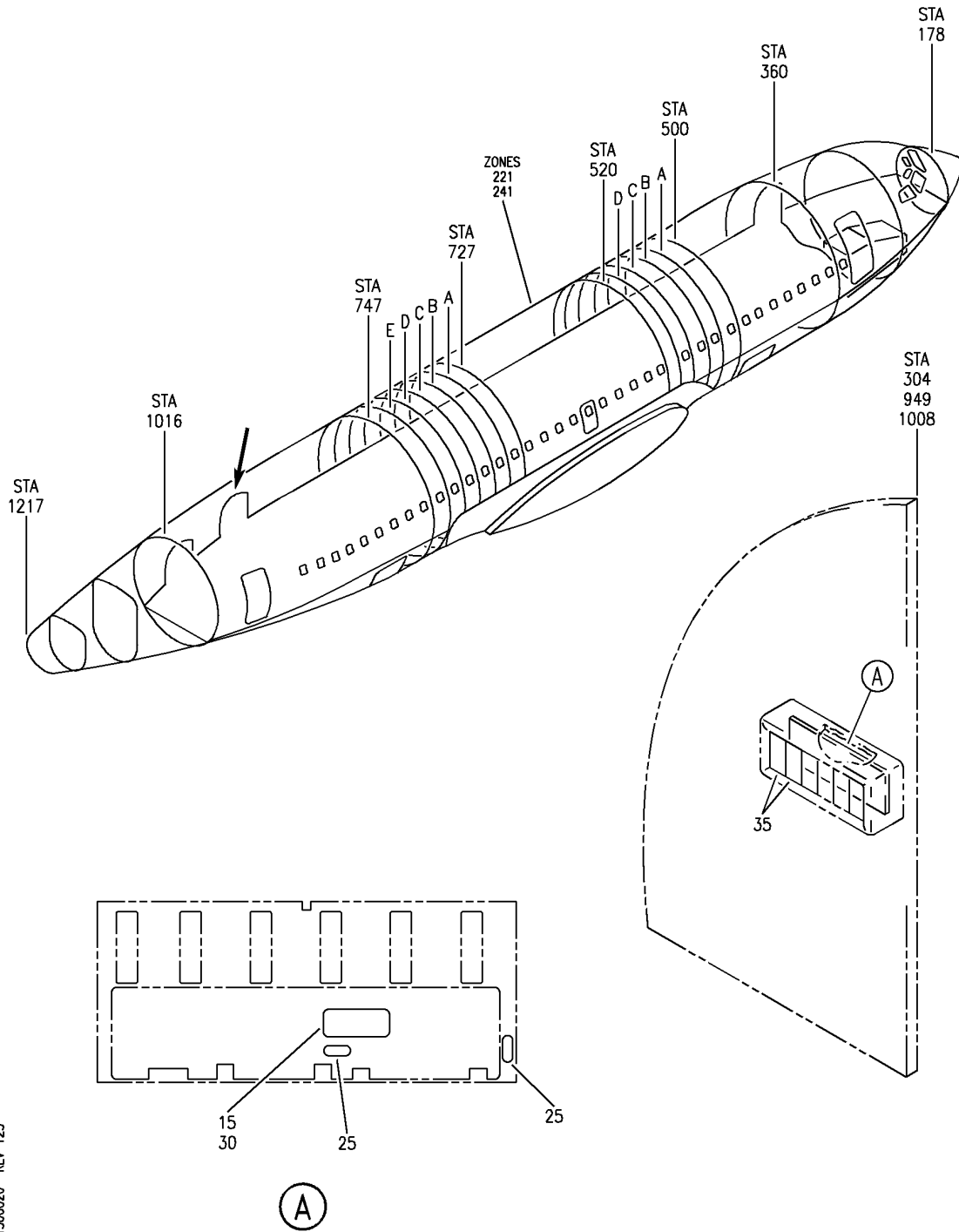
HAP

11-30-00-19

BOEING PROPRIETARY - Copyright © - Unpublished Work - See title page for details.

11-30-00
 FIG. 19
 PAGE 1
 OCT 10/06

BOEING
 737-600/700/800/900
 PARTS CATALOG (MAINTENANCE)



E 11300020 REV 125

PANEL ASSY-ATTENDANT (PLACARDS AND MARKINGS ONLY)
 FIGURE 20

11-30-00-20

HAP
 FEB 10/07

11-30-00-20
 PAGE 0

BOEING
737-600/700/800/900
PARTS CATALOG (MAINTENANCE)

FIG ITEM	PART NUMBER	1 2 3 4 5 6 7	NOMENCLATURE	EFFECT FROM TO	UNITS PER ASSY
20			PANEL ASSY-ATTENDANT (PLACARDS AND MARKINGS ONLY)		
- 1	417A6110-103		PANEL ASSY-ATTENDANT (PLACARDS AND MARKINGS ONLY) SUPPLIER CODE: V89954 FOR NHA/OTHER SYS DET SEE: 31-15-11-07 31-15-21-03	001013	RF
- 2	417A6110-101		PANEL ASSY-ATTENDANT (PLACARDS AND MARKINGS ONLY) SUPPLIER CODE: V89954 FOR NHA/OTHER SYS DET SEE: 31-15-11-13 31-15-21-03	201967	RF
- 2	417A6110-102		PANEL ASSY-ATTENDANT (PLACARDS AND MARKINGS ONLY) SUPPLIER CODE: V89954 FOR NHA/OTHER SYS DET SEE: 31-15-11-07 31-15-11-18 31-15-21-03	014200 968999	RF
15	BAC27WEX1066		.MARKER- SUPPLIER CODE: V89954 PLACARD CONTENT: CAUTION-115 VOLTS	031999	1
15	BAC27WEX1066		.MARKER- SUPPLIER CODE: V89954 PLACARD CONTENT: CAUTION-115 VOLTS	001030	1
- 20	285A1780-10		.WIRE ASSY-PRINTED IHC BACKPLANE SUPPLIER CODE: V89954 COMPONENT MAINT MANUAL REF: 23-42-10 USED ON: 417A6110-102	031200 968999	RF

MISSING ITEM NUMBERS NOT APPLICABLE

- ITEM NOT ILLUSTRATED

HAP

11-30-00-20

BOEING PROPRIETARY - Copyright © - Unpublished Work - See title page for details.

11-30-00
FIG. 20
PAGE 1
OCT 15/08

BOEING
737-600/700/800/900
PARTS CATALOG (MAINTENANCE)

FIG ITEM	PART NUMBER	1 2 3 4 5 6 7	NOMENCLATURE	EFFECT FROM TO	UNITS PER ASSY
20					
- 20	285A1780-5		.WIRE ASSY-PRINTED IHC BACKPLANE SUPPLIER CODE: V89954 COMPONENT MAINT MANUAL REF: 23-42-10	001013	RF
- 20	285A1780-6		.WIRE ASSY-PRINTED IHC BACKPLANE SUPPLIER CODE: V89954 COMPONENT MAINT MANUAL REF: 23-42-10 OPTIONAL PART: 285A1780-8 V89954	201967	RF
- 20	285A1780-8		.WIRE ASSY-PRINTED IHC BACKPLANE SUPPLIER CODE: V89954 COMPONENT MAINT MANUAL REF: 23-42-10 OPTIONAL PART: 285A1780-6 V89954	001013 201967	RF
- 20	285A1780-10		.WIRE ASSY-PRINTED IHC BACKPLANE SUPPLIER CODE: V89954 COMPONENT MAINT MANUAL REF: 23-42-10	014030	RF
25	BAC27TEX1486		..DECAL- PLACARD CONTENT: STATIC SENSITIVE	031999	2
25	BAC27TEX1486		..DECAL- PLACARD CONTENT: STATIC SENSITIVE	001030	2
30	BAC27WEX1066		..MARKER- SUPPLIER CODE: V89954 PLACARD CONTENT: CAUTION-115 VOLTS	031999	1
30	BAC27WEX1066		..MARKER- SUPPLIER CODE: V89954 PLACARD CONTENT: CAUTION-115 VOLTS	001030	1

MISSING ITEM NUMBERS NOT APPLICABLE

- ITEM NOT ILLUSTRATED

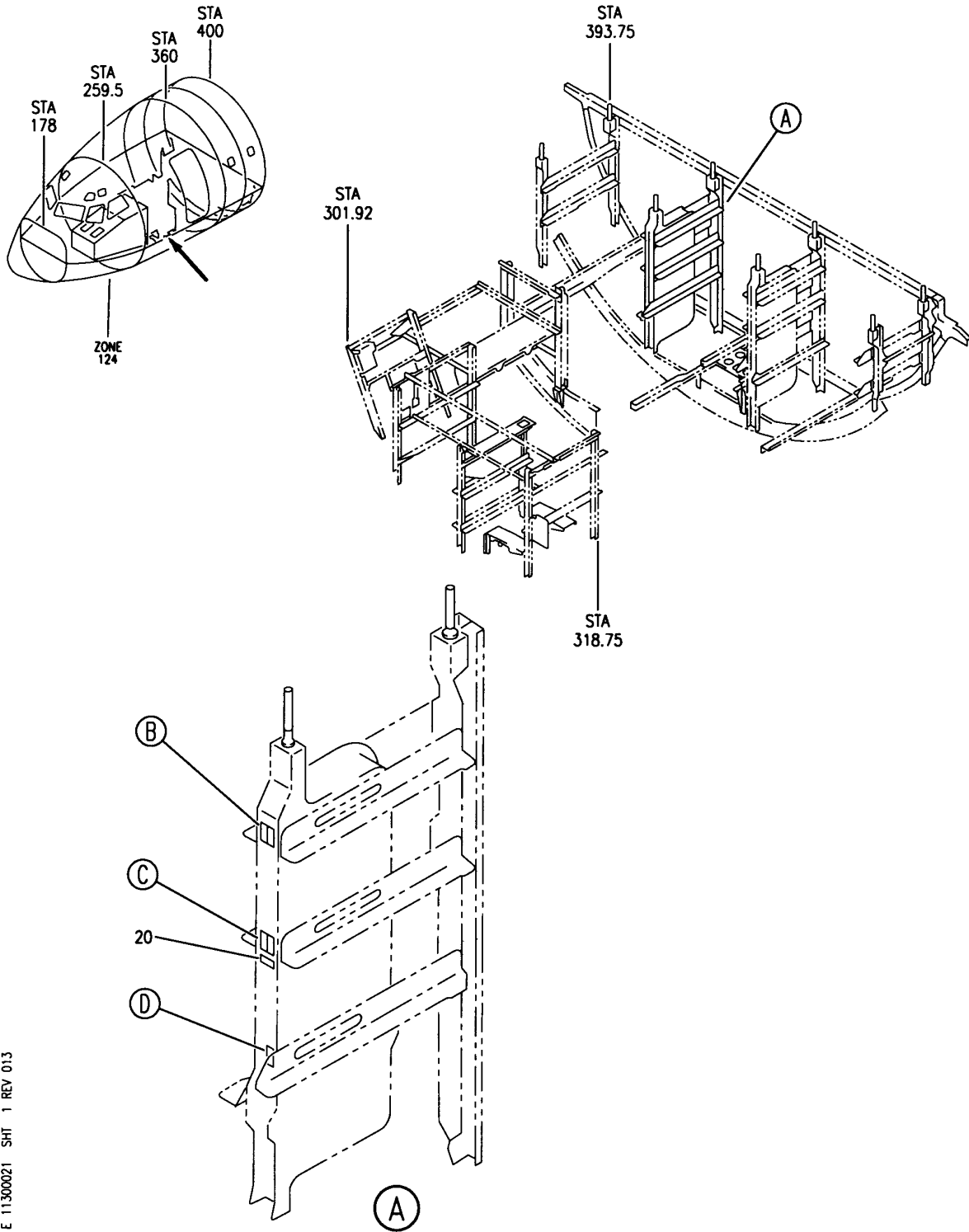
HAP

11-30-00-20

BOEING PROPRIETARY - Copyright © - Unpublished Work - See title page for details.

11-30-00
FIG. 20
PAGE 2
OCT 15/08

BOEING
 737-600/700/800/900
 PARTS CATALOG (MAINTENANCE)



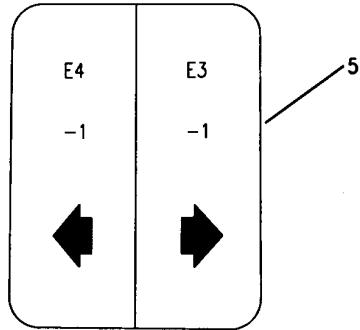
E 11300021 SHT 1 REV 013

STANCHION ASSY-E2/E3/E4 RACK (PLACARDS AND MARKINGS ONLY)
 FIGURE 21 (SHEET 1)

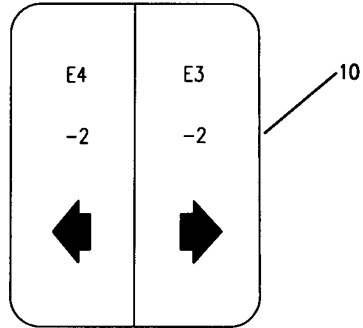
11-30-00-21

HAP
 OCT 10/06

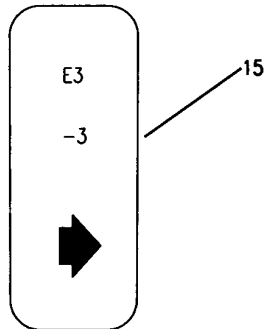
11-30-00-21
 PAGE 0



(B)



(C)



(D)

E 11300021 SH1 2 REV 003

STANCHION ASSY-E2/E3/E4 RACK (PLACARDS AND MARKINGS ONLY)
 FIGURE 21 (SHEET 2)

11-30-00-21

HAP
 OCT 10/06

11-30-00-21
 PAGE 0A

BOEING
737-600/700/800/900
PARTS CATALOG (MAINTENANCE)

FIG ITEM	PART NUMBER	1 2 3 4 5 6 7	NOMENCLATURE	EFFECT FROM TO	UNITS PER ASSY
21			STANCHION ASSY-E2/E3/E4 RACK (PLACARDS AND MARKINGS ONLY)	001030 041041 044999	
- 1	284A1603-8		STANCHION ASSY- (PLACARDS AND MARKINGS ONLY)	001011 201967	RF
- 1	284A1603-17		POSITION DATA: E2/E3/E4 RACK FOR NHA/OTHER SYS DET SEE: 25-50-52-80 STANCHION ASSY- (PLACARDS AND MARKINGS ONLY)	012030 041041 044200 968999	RF
	5 BAC27DEX6237		.DECAL	001030 041041 044999	1
	10 BAC27DEX6238		.DECAL	001030 041041 044999	1
	15 BAC27DEX6239		.DECAL	001030 041041 044999	1
	20 BAC27DEX6258		.DECAL- PLACARD CONTENT: E4-2 TEST PORT IS LOCATED ON BOTTOM OF SHELF	001030 041041 044999	1

MISSING ITEM NUMBERS NOT APPLICABLE

- ITEM NOT ILLUSTRATED

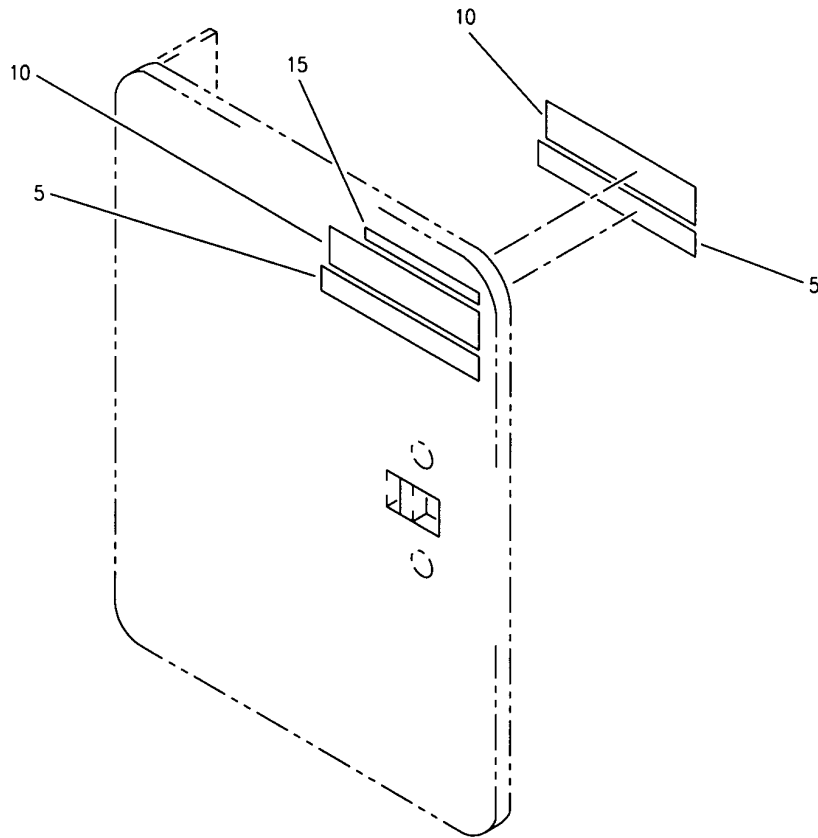
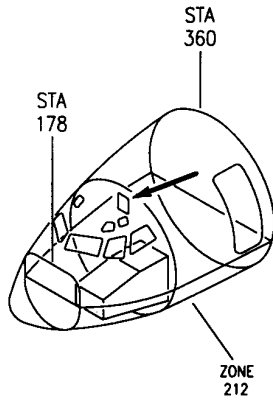
HAP

11-30-00-21

BOEING PROPRIETARY - Copyright © - Unpublished Work - See title page for details.

11-30-00
FIG. 21
PAGE 1
FEB 15/09

BOEING
737-600/700/800/900
PARTS CATALOG (MAINTENANCE)



E 11300022 REV 007

DOOR ASSY-BOOK STOWAGE (PLACARDS AND MARKINGS ONLY)
FIGURE 22

11-30-00-22

HAP
OCT 10/06

11-30-00-22
PAGE 0

BOEING
737-600/700/800/900
PARTS CATALOG (MAINTENANCE)

FIG ITEM	PART NUMBER	1 2 3 4 5 6 7	NOMENCLATURE	EFFECT FROM TO	UNITS PER ASSY
22			DOOR ASSY-BOOK STOWAGE (PLACARDS AND MARKINGS ONLY)	031200 968999	
- 1	232A4351-2		DOOR ASSY-BOOK STOWAGE (PLACARDS AND MARKINGS ONLY)	031200 968999	RF
			FOR NHA/OTHER SYS DET SEE: 25-11-00-11		
5	BAC27DCC2703		.MARKER-ALUMINUM FOIL POSITION DATA: NEAR SIDE AND FAR SIDE PLACARD CONTENT: LATCH DOOR CLOSED	031200 968999	2
10	BAC27DCC2704		.MARKER-ALUMINUM FOIL POSITION DATA: NEAR SIDE AND FAR SIDE PLACARD CONTENT: LATCH AND TIGHTEN STRAPS FOR PROPER RETENTION OF CONTENTS AFTER STOWING	031200 968999	2
15	BAC27DCC2705		.MARKER-ALUMINUM FOIL POSITION DATA: NEAR SIDE PLACARD CONTENT: LOAD LIMIT 18 LBS/8.2 KGS	031200 968999	1

MISSING ITEM NUMBERS NOT APPLICABLE

- ITEM NOT ILLUSTRATED

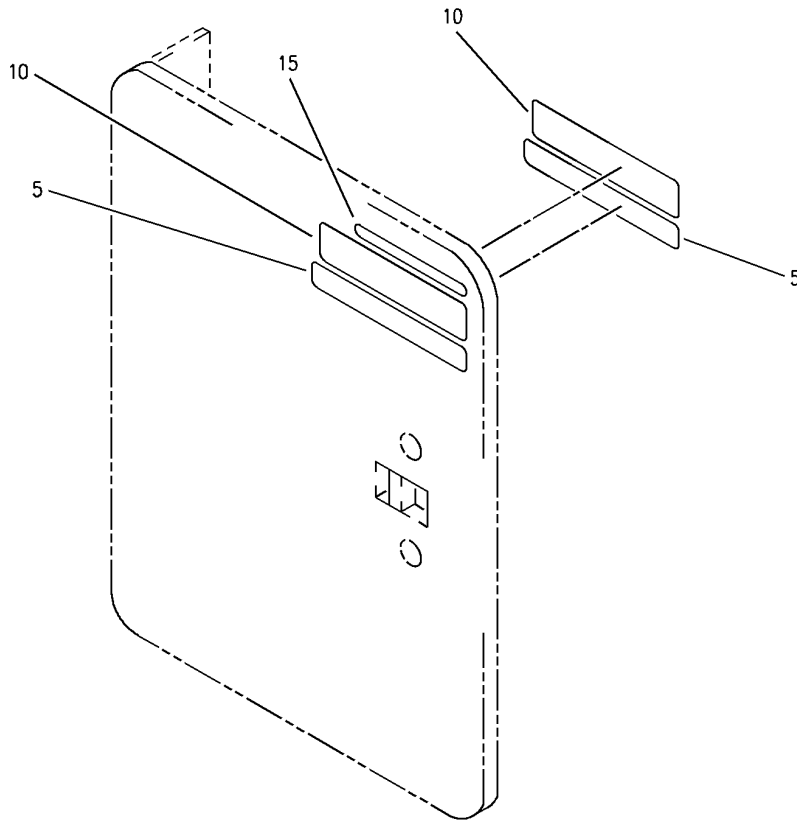
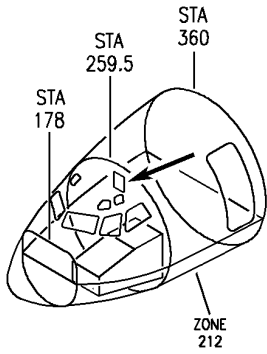
HAP

11-30-00-22

BOEING PROPRIETARY - Copyright © - Unpublished Work - See title page for details.

11-30-00
FIG. 22
PAGE 1
OCT 15/08

BOEING
737-600/700/800/900
PARTS CATALOG (MAINTENANCE)



E 11300022A REV 123

DOOR ASSY-BOOK STOWAGE (PLACARDS AND MARKINGS ONLY)
FIGURE 22A

HAP
OCT 10/06

11-30-00-22A

11-30-00-22A
PAGE 0

BOEING
737-600/700/800/900
PARTS CATALOG (MAINTENANCE)

FIG ITEM	PART NUMBER	1 2 3 4 5 6 7	NOMENCLATURE	EFFECT FROM TO	UNITS PER ASSY
22A			DOOR ASSY-BOOK STOWAGE (PLACARDS AND MARKINGS ONLY)	001030 201967	
- 1	232A4351-2		DOOR ASSY-BOOK STOWAGE (PLACARDS AND MARKINGS ONLY) FOR NHA/OTHER SYS DET SEE: 25-11-00-11A	001030 201967	RF
5	BAC27DCC2703		.MARKER-ALUMINUM FOIL POSITION DATA: NEAR SIDE AND FAR SIDE PLACARD CONTENT: LATCH DOOR CLOSED	001030 201967	2
10	BAC27DCC2704		.MARKER-ALUMINUM FOIL POSITION DATA: NEAR SIDE AND FAR SIDE PLACARD CONTENT: LATCH AND TIGHTEN STRAPS FOR PROPER RETENTION OF CONTENTS AFTER STOWING	001030 201967	2
15	BAC27DCC2705		.MARKER-ALUMINUM FOIL POSITION DATA: NEAR SIDE PLACARD CONTENT: LOAD LIMIT 18 LBS/8.2 KGS	001030 201967	1

MISSING ITEM NUMBERS NOT APPLICABLE

- ITEM NOT ILLUSTRATED

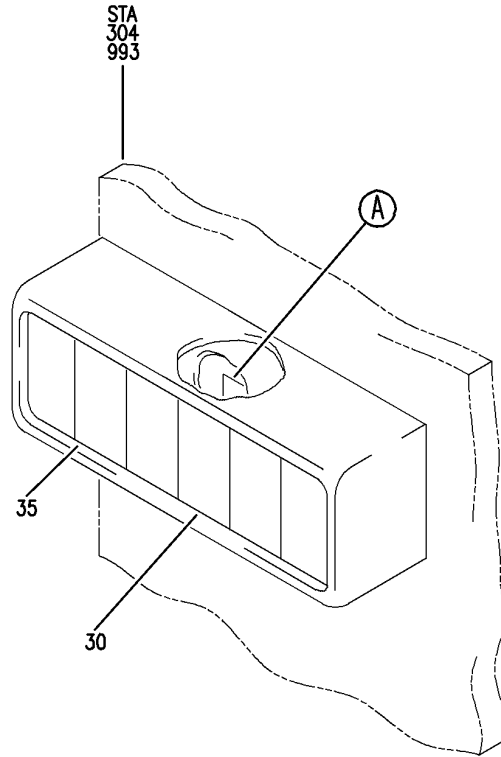
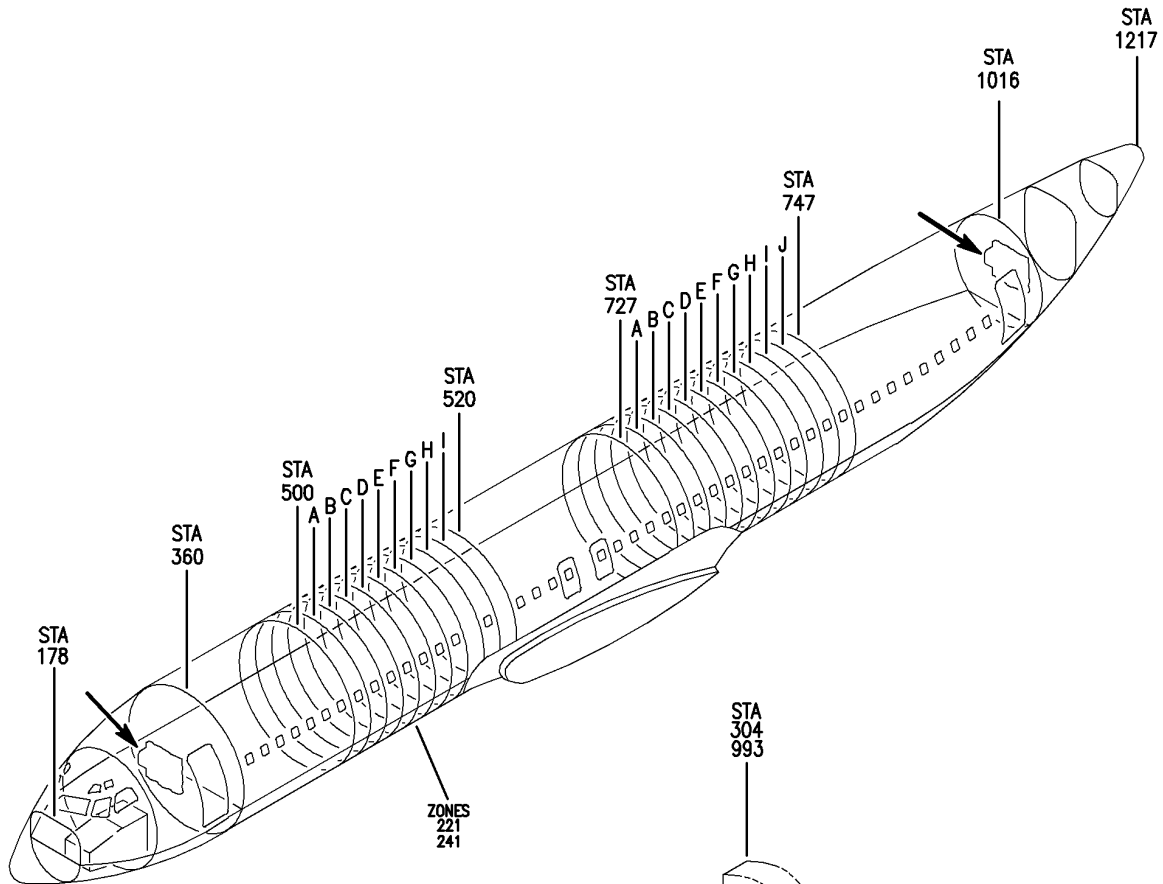
HAP

11-30-00-22A

BOEING PROPRIETARY - Copyright © - Unpublished Work - See title page for details.

11-30-00
FIG. 22A
PAGE 1
OCT 15/08

BOEING
 737-600/700/800/900
 PARTS CATALOG (MAINTENANCE)



25

CAUTION
 DAMAGE FROM ELECTROSTATIC DISCHARGE AS AN ASSEMBLY. HOWEVER, IT CONTAINS PARTS OR SUB-ASSEMBLIES THAT ARE SENSITIVE TO ELECTROSTATIC DISCHARGE. CONDUCTIVE CONNECTOR COVERS REQUIRED.

(A)

E 11300023 REV 050

PANEL ASSY-ATTENDANT (PLACARDS AND MARKINGS ONLY)
 FIGURE 23

11-30-00-23

HAP
 OCT 10/06

11-30-00-23
 PAGE 0


BOEING
 737-600/700/800/900
PARTS CATALOG (MAINTENANCE)

FIG ITEM	PART NUMBER	1 2 3 4 5 6 7	NOMENCLATURE	EFFECT FROM TO	UNITS PER ASSY
23			PANEL ASSY-ATTENDANT (PLACARDS AND MARKINGS ONLY)	001013 201967	
R R R R R R R R R R	- 2 417A6110-28A		PANEL ASSY-ATTENDANT (PLACARDS AND MARKINGS ONLY) SUPPLIER CODE: V89954 FOR NHA/OTHER SYS DET SEE: 31-15-11-07	001013	RF
	- 7 417A6110-39B		PANEL ASSY-ATTENDANT (PLACARDS AND MARKINGS ONLY) SUPPLIER CODE: V89954 FOR NHA/OTHER SYS DET SEE: 31-15-11-13	201967	RF
	25 BAC27DEX6075		.MARKER	001013 201967	1

MISSING ITEM NUMBERS NOT APPLICABLE

- ITEM NOT ILLUSTRATED

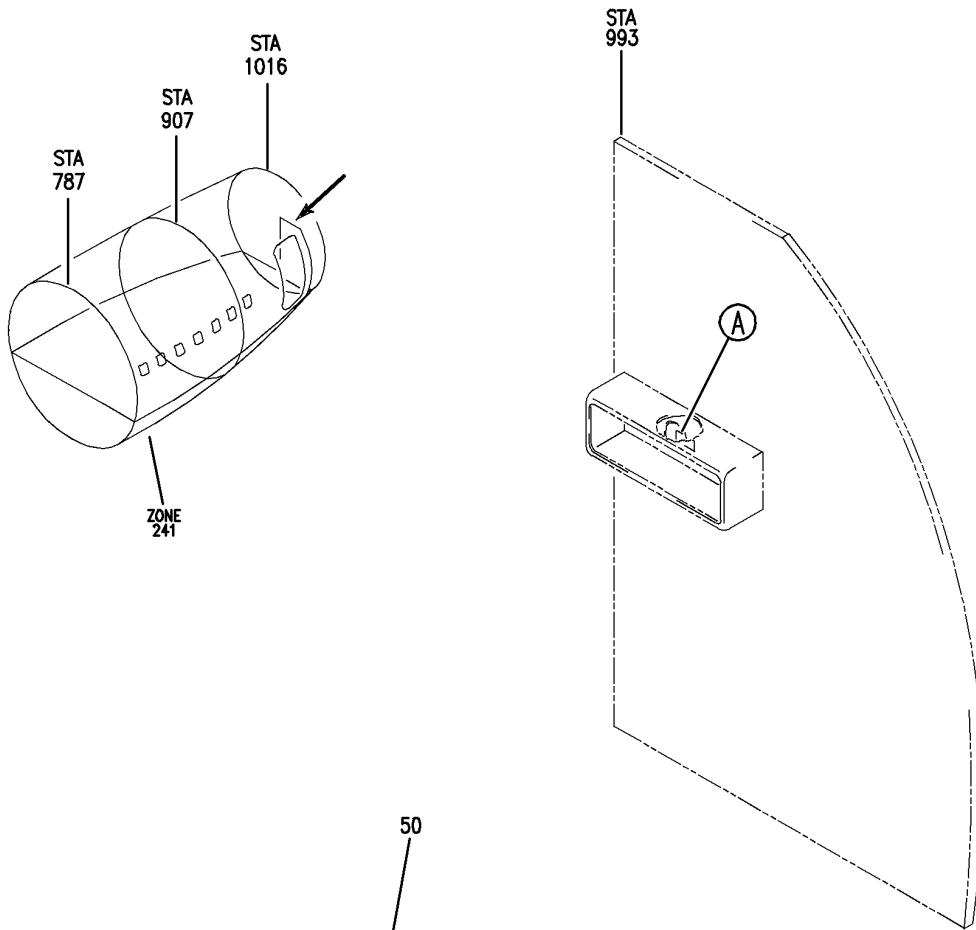
HAP

11-30-00-23

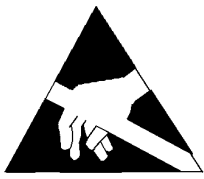
BOEING PROPRIETARY - Copyright © - Unpublished Work - See title page for details.

11-30-00
 FIG. 23
 PAGE 1
 JUN 15/09

BOEING
 737-600/700/800/900
 PARTS CATALOG (MAINTENANCE)



50



CAUTION

THIS UNIT IS NOT SUBJECT TO
 DAMAGE FROM ELECTROSTATIC
 DISCHARGE AS AN ASSEMBLY.
 HOWEVER, IT CONTAINS
 PARTS OR SUB-ASSEMBLIES
 THAT ARE SENSITIVE TO
 ELECTROSTATIC DISCHARGE.
 CONDUCTIVE CONNECTOR
 COVERS REQUIRED.

A

E 11300023A REV 049

PANEL ASSY-ATTENDANT (PLACARDS AND MARKINGS ONLY)
 FIGURE 23A

11-30-00-23A

HAP
 OCT 10/06

11-30-00-23A
 PAGE 0

BOEING
737-600/700/800/900
PARTS CATALOG (MAINTENANCE)

FIG ITEM	PART NUMBER	1 2 3 4 5 6 7	NOMENCLATURE	EFFECT FROM TO	UNITS PER ASSY
23A			PANEL ASSY-ATTENDANT (PLACARDS AND MARKINGS ONLY)	001013 201967	
R R R R R R R R R R	- 1 417A6110-19B		PANEL ASSY-ATTENDANT (PLACARDS AND MARKINGS ONLY) SUPPLIER CODE: V89954 FOR NHA/OTHER SYS DET SEE: 31-15-21-03	001013	RF
	- 1 417A6110-34C		PANEL ASSY-ATTENDANT (PLACARDS AND MARKINGS ONLY) SUPPLIER CODE: V89954 FOR NHA/OTHER SYS DET SEE: 31-15-21-03	201967	RF
	50 BAC27DEX6075		.MARKER	001013 201967	1

MISSING ITEM NUMBERS NOT APPLICABLE

- ITEM NOT ILLUSTRATED

HAP

11-30-00-23A

BOEING PROPRIETARY - Copyright © - Unpublished Work - See title page for details.

11-30-00
FIG. 23A
PAGE 1
JUN 15/09

NON-ILLUSTRATED FIGURE

THE ITEMS REFLECTED IN THIS FIGURE ARE INTENTIONALLY
NON-ILLUSTRATED. THEY ARE REFERENCED TO EITHER A
NEXT HIGHER OR NEXT LOWER ASSEMBLY/INSTALLATION FIGURE.

E 11300024 REV 057

FUNCTIONAL COLLECTOR-MAJOR MODEL BASIC AND STABLE (PLACARDS AND MARKINGS ONLY)
FIGURE 24

HAP
OCT 10/06

11-30-00-24

11-30-00-24
PAGE 0

BOEING
737-600/700/800/900
PARTS CATALOG (MAINTENANCE)

FIG ITEM	PART NUMBER	1 2 3 4 5 6 7	NOMENCLATURE	EFFECT FROM TO	UNITS PER ASSY
24			FUNCTIONAL COLLECTOR-MAJOR MODEL BASIC AND STABLE (PLACARDS AND MARKINGS ONLY)	001030 201967	
- 1	251A2004-678		FUNCTIONAL COLLECTOR-MAJOR MODEL BASIC AND STABLE (PLACARDS AND MARKINGS ONLY)	001030 201967	RF
- 5	250A0421-2		FOR NHA SEE: 11-00-00-10 .MARKER INSTL-CABLE RUN POSITION DATA: STA 259.50 FOR DETAILS SEE: 11-30-51-32	001020 201967	1
- 10	250A0421-3		.MARKER INSTL-CABLE RUN POSITION DATA: STA 259.50 FOR DETAILS SEE: 11-30-51-32	001020 201967	1
- 15	250A0421-8		.MARKER INSTL-CABLE RUN POSITION DATA: STA 559 FOR DETAILS SEE: 11-30-51-32	001020 201967	1
- 20	250A0421-9		.MARKER INSTL-CABLE RUN POSITION DATA: STA 616 FOR DETAILS SEE: 11-30-51-32	001020 201967	1
- 25	250A0421-11		.MARKER INSTL-CABLE RUN POSITION DATA: STA 807 FOR DETAILS SEE: 11-30-51-32	001030 201967	1
- 30	250A0421-12		.MARKER INSTL-CABLE RUN POSITION DATA: STA 907 FOR DETAILS SEE: 11-30-51-32	001030 201967	1
- 35	250A0421-13		.MARKER INSTL-CABLE RUN POSITION DATA: STA 1016 FOR DETAILS SEE: 11-30-51-32	001030 201967	1

MISSING ITEM NUMBERS NOT APPLICABLE

- ITEM NOT ILLUSTRATED

HAP

11-30-00-24

11-30-00
FIG. 24
PAGE 1
OCT 15/08

BOEING
737-600/700/800/900
PARTS CATALOG (MAINTENANCE)

FIG ITEM	PART NUMBER	1 2 3 4 5 6 7	NOMENCLATURE	EFFECT FROM TO	UNITS PER ASSY
24					
- 40	250A0421-15		.MARKER INSTL-RUDDER POSITION DATA: STA 74.84 FOR DETAILS SEE: 11-30-51-32	001030 201967	1
- 45	250A0421-16		.MARKER INSTL-PARKING BRAKE POSITION DATA: STA 207 FOR DETAILS SEE: 11-30-51-32	001020 201967	1
- 50	250A0421-19		.MARKER INSTL-STAB TRIM LIMIT SWITCHES POSITION DATA: STA 1088 FOR DETAILS SEE: 11-30-51-32	001030 201967	1
- 55	250A0421-23		.MARKER INSTL-CABLE RUN POSITION DATA: STA 294.5 FOR DETAILS SEE: 11-30-51-32	002005 008020 201967	1
- 60	250A0421-24		.MARKER INSTL-CABLE RUN POSITION DATA: STA 312 FOR DETAILS SEE: 11-30-51-32	002005 008020 201967	1
- 65	250A0421-25		.MARKER INSTL-CABLE RUN POSITION DATA: STA 328 FOR DETAILS SEE: 11-30-51-32	002005 008020 201967	1
- 70	250A0421-26		.MARKER INSTL-CABLE RUN POSITION DATA: STA 344 FOR DETAILS SEE: 11-30-51-32	002005 008020 201967	1
- 75	250A0421-27		.MARKER INSTL-CABLE RUN POSITION DATA: STA 360 FOR DETAILS SEE: 11-30-51-32	002005 008020 201967	1
- 75	250A0421-32		.MARKER INSTL-CABLE RUN POSITION DATA: STA 207, 259.5, 294.5, 312, 328, 344, 360, 559, 616 FOR DETAILS SEE: 11-30-51-32	021030	1

MISSING ITEM NUMBERS NOT APPLICABLE

- ITEM NOT ILLUSTRATED

HAP

11-30-00-24

BOEING PROPRIETARY - Copyright © - Unpublished Work - See title page for details.

11-30-00
FIG. 24
PAGE 2
OCT 15/08

NON-ILLUSTRATED FIGURE

THE ITEMS REFLECTED IN THIS FIGURE ARE INTENTIONALLY
NON-ILLUSTRATED. THEY ARE REFERENCED TO EITHER A
NEXT HIGHER OR NEXT LOWER ASSEMBLY/INSTALLATION FIGURE.

E 11300025A REV 072

FUNCTIONAL COLLECTOR-MINOR MODEL ELEV CONT SYS
FIGURE 25A

11-30-00-25A

HAP
OCT 15/08

11-30-00-25A
PAGE 0

BOEING
737-600/700/800/900
PARTS CATALOG (MAINTENANCE)

FIG ITEM	PART NUMBER	1 2 3 4 5 6 7	NOMENCLATURE	EFFECT FROM TO	UNITS PER ASSY
25A			FUNCTIONAL COLLECTOR-MINOR MODEL ELEV CONT SYS	201967	
- 1	251A2004-700		FUNCTIONAL COLLECTOR-MINOR MODEL ELEV CONT SYS	201967	RF
- 5	250A0421-10		FOR NHA SEE: 11-00-00-06 .MARKER INSTL-CABLE RUN POSITION DATA: STA 727D FOR DETAILS SEE: 11-30-51-04	201967	1
- 10	250A0421-28		.MARKER INSTL-CABLE RUN POSITION DATA: STA 380 FOR DETAILS SEE: 11-30-51-04	201967	1
- 25	250A0421-5		.MARKER INSTL-CABLE RUN POSITION DATA: STA 420 FOR DETAILS SEE: 11-30-51-04	201967	1
- 30	250A0421-6		.MARKER INSTL-CABLE RUN POSITION DATA: STA 500 FOR DETAILS SEE: 11-30-51-04	201967	1
- 35	250A0421-7		.MARKER INSTL-CABLE RUN POSITION DATA: STA 500D FOR DETAILS SEE: 11-30-51-04	201967	1

MISSING ITEM NUMBERS NOT APPLICABLE

- ITEM NOT ILLUSTRATED

HAP

11-30-00-25A

BOEING PROPRIETARY - Copyright © - Unpublished Work - See title page for details.

11-30-00
FIG. 25A
PAGE 1
OCT 15/08

NON-ILLUSTRATED FIGURE

THE ITEMS REFLECTED IN THIS FIGURE ARE INTENTIONALLY
NON-ILLUSTRATED. THEY ARE REFERENCED TO EITHER A
NEXT HIGHER OR NEXT LOWER ASSEMBLY/INSTALLATION FIGURE.

E 11300026 REV 072

FUNCTIONAL COLLECTOR-MAJOR MODEL BASIC AND STABLE ELEV CONT SYS
FIGURE 26

11-30-00-26

HAP
OCT 10/06

11-30-00-26
PAGE 0

BOEING
737-600/700/800/900
PARTS CATALOG (MAINTENANCE)

FIG ITEM	PART NUMBER	1 2 3 4 5 6 7	NOMENCLATURE	EFFECT FROM TO	UNITS PER ASSY
26			FUNCTIONAL COLLECTOR-MAJOR MODEL BASIC AND STABLE ELEV CONT SYS	001030 201967	
- 1	251A2100-678		FUNCTIONAL COLLECTOR-MAJOR MODEL BASIC AND STABLE ELEV CONT SYS FOR NHA SEE: 11-00-00-11	001030 201967	RF
- 5	250A0422-1		.MARKER INSTL-MECHANICAL FLIGHT SYS MAINT FOR DETAILS SEE: 11-30-51-15	001017 019019 201967	1
- 5	250A0422-3		.MARKER INSTL-MECHANICAL FLIGHT SYS MAINT FOR DETAILS SEE: 11-30-51-15	018018	1
- 5	250A0422-4		.MARKER INSTL-MECHANICAL FLIGHT SYS MAINT FOR DETAILS SEE: 11-30-51-15	020030	1

MISSING ITEM NUMBERS NOT APPLICABLE

- ITEM NOT ILLUSTRATED

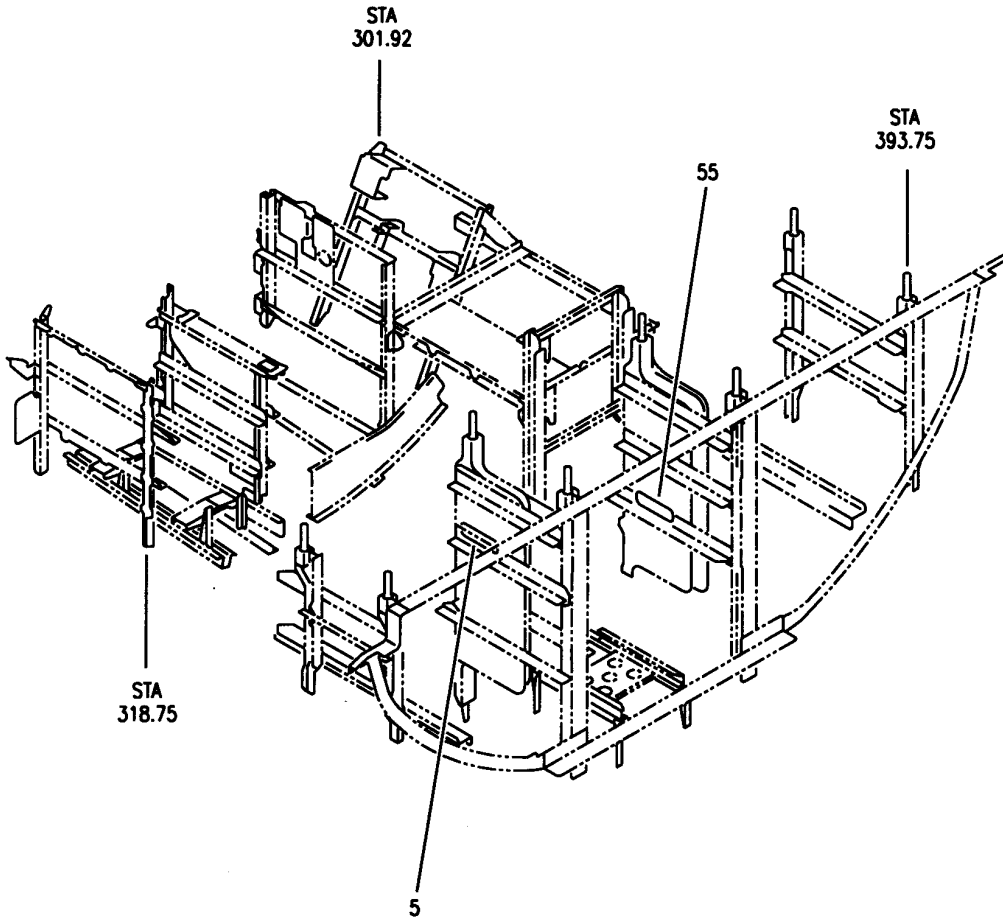
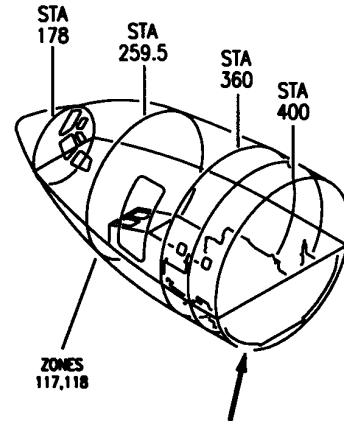
HAP

11-30-00-26

BOEING PROPRIETARY - Copyright © - Unpublished Work - See title page for details.

11-30-00
FIG. 26
PAGE 1
OCT 15/08

BOEING
737-600/700/800/900
PARTS CATALOG (MAINTENANCE)



E 11300055 REV 001

COVER ASSY-RACK (PLACARDS AND MARKINGS ONLY)
FIGURE 55

11-30-00-55

HAP
OCT 10/06

11-30-00-55
PAGE 0

BOEING
737-600/700/800/900
PARTS CATALOG (MAINTENANCE)

FIG ITEM	PART NUMBER	1 2 3 4 5 6 7	NOMENCLATURE	EFFECT FROM TO	UNITS PER ASSY
55					
- 1	284A2614-1		COVER ASSY-RACK (PLACARDS AND MARKINGS ONLY)		RF
			COVER ASSY-E3-2 RACK (PLACARDS AND MARKINGS ONLY)		
			POSITION DATA: LH		
			FOR NHA/OTHER SYS DET SEE: 25-50-52-12		
5	BAC27DEX6261		.DECAL-		1
			PLACARD CONTENT: WARNING DO NOT REMOVE THIS COVER UNLESS INSTALLING SUPPLY COOLED E3-2 SHELF		

MISSING ITEM NUMBERS NOT APPLICABLE

- ITEM NOT ILLUSTRATED

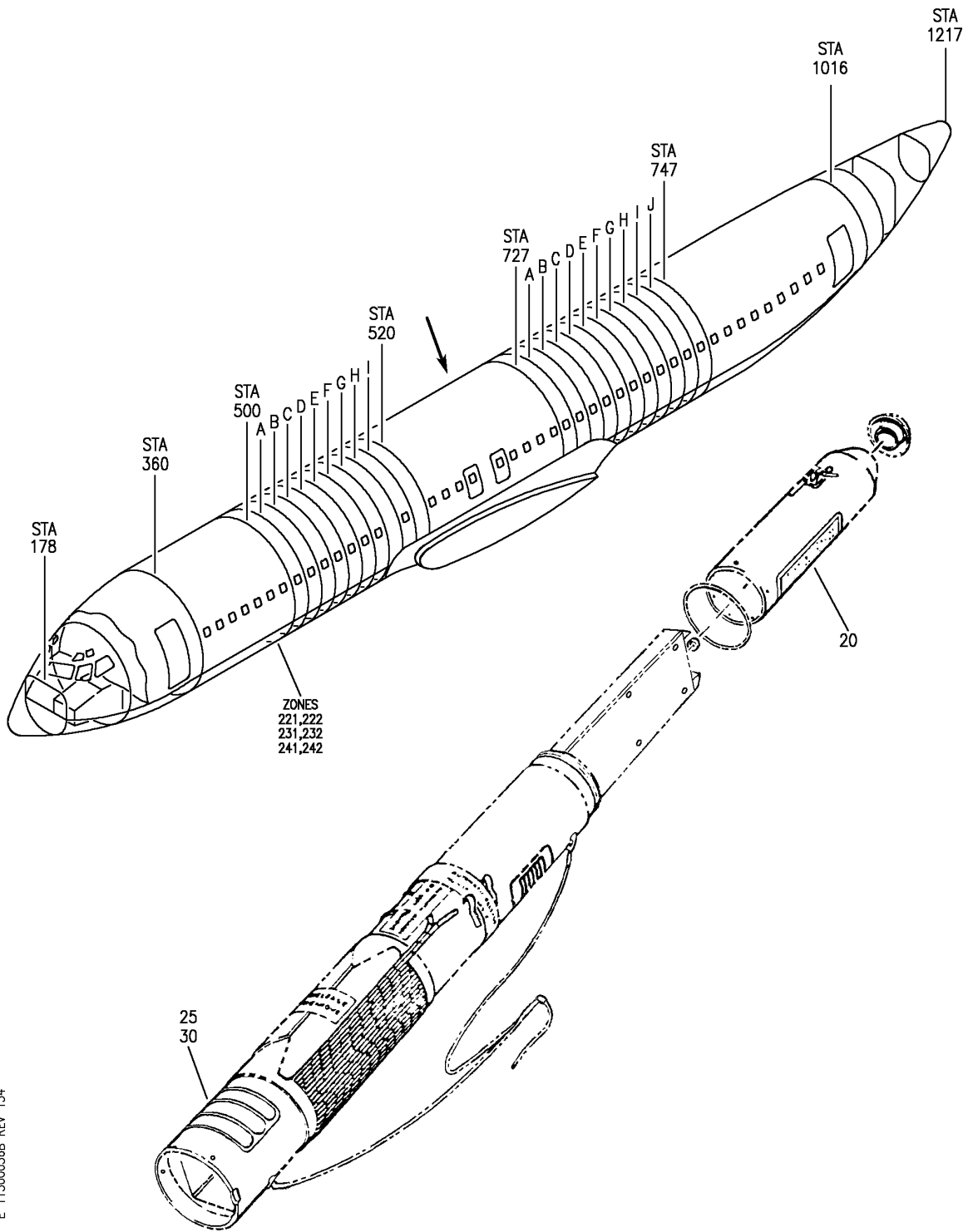
HAP

11-30-00-55

BOEING PROPRIETARY - Copyright © - Unpublished Work - See title page for details.

11-30-00
FIG. 55
PAGE 1
OCT 10/06

BOEING
 737-600/700/800/900
 PARTS CATALOG (MAINTENANCE)



E 11300056B REV 134

TRANSMITTER ASSY-EMER LOCATOR (PLACARDS AND MARKINGS ONLY)
 FIGURE 56B

11-30-00-56B

HAP
 OCT 15/08

11-30-00-56B
 PAGE 0

BOEING
737-600/700/800/900
PARTS CATALOG (MAINTENANCE)

FIG ITEM	PART NUMBER	1 2 3 4 5 6 7	NOMENCLATURE	EFFECT FROM TO	UNITS PER ASSY
56B			TRANSMITTER ASSY-EMER LOCATOR (PLACARDS AND MARKINGS ONLY)	201967	
- 1	1151324-1		TRANSMITTER ASSY-EMER LOCATOR (PLACARDS AND MARKINGS ONLY) SUPPLIER CODE: V07217 FUNCTIONAL DESCRIPTION: TRANSMITS RADIO BEACON FOR EMERGENCY LOCATION MISCELLANEOUS DATA: ELT P/N 1151324-1 (CONTAINS THE UNITED STATES COUNTRY CODE) MAY BE INTERCHANGED WITH A 1151324-1MXXX SERIES (CONTAINS AN ALTERNATE UNIQUE COUNTRY CODE) SUBJECT TO CUSTOMER'S PREFERENCE AND OPERATIONAL REQUIREMENTS. COMPONENT MAINT MANUAL REF: 25-60-10 FOR NHA/OTHER SYS DET SEE: 23-24-00-38	201967	RF
20	1031407-1		.PLATE-INSTRUCTION SUPPLIER CODE: V07217	201967	1
25	1031408-1		.LABEL-BATTERY MAINT SUPPLIER CODE: V07217	201967	1

MISSING ITEM NUMBERS NOT APPLICABLE

- ITEM NOT ILLUSTRATED

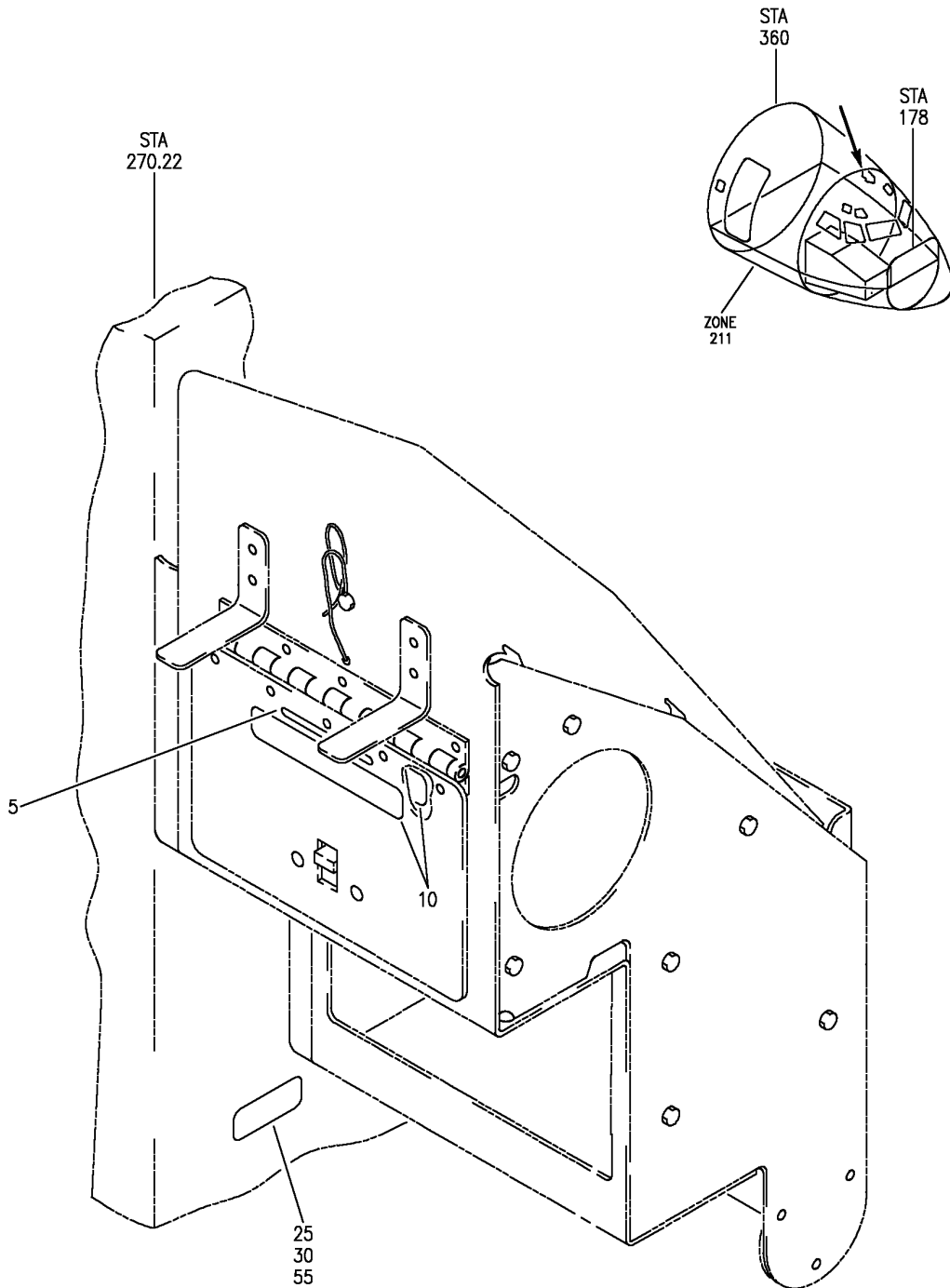
HAP

11-30-00-56B

BOEING PROPRIETARY - Copyright © - Unpublished Work - See title page for details.

11-30-00
FIG. 56B
PAGE 1
OCT 15/08

BOEING
737-600/700/800/900
PARTS CATALOG (MAINTENANCE)



E 11300057 REV 142

MODULE INSTL AND DOOR ASSY-(PLACARDS AND MARKINGS ONLY)
FIGURE 57

11-30-00-57

HAP
JUN 15/08

11-30-00-57
PAGE 0

BOEING
737-600/700/800/900
PARTS CATALOG (MAINTENANCE)

FIG ITEM	PART NUMBER	1 2 3 4 5 6 7	NOMENCLATURE	EFFECT FROM TO	UNITS PER ASSY
57			MODULE INSTL AND DOOR ASSY- (PLACARDS AND MARKINGS ONLY)	031200 968999	
- 1	232A1705-5		DOOR ASSY-(PLACARDS AND MARKINGS ONLY) FOR NHA/OTHER SYS DET SEE: 25-11-00-16	031047 054106 968999	RF
- 1	232A1705-3		DOOR ASSY-(PLACARDS AND MARKINGS ONLY) FOR NHA/OTHER SYS DET SEE: 25-11-00-16	031047 054106 968999	RF
- 1	MODREF374903		MODULE INSTL-STOWAGE MARKERS MODULE NUMBER: 232A1700-8 REV A	048053 107200	1
5	BAC27DCC2706		.MARKER-ALUMINUM FOIL PLACARD CONTENT: LOAD LIMIT 4 LBS/1.8 KGS	031200 968999	1
10	BAC27DCC2703		.MARKER-ALUMINUM FOIL PLACARD CONTENT: LATCH DOOR CLOSED MISCELLANEOUS DATA: NEAR SIDE AND FAR SIDE	031047 054106 968999	2
- 20	MODREF81768		MODULE INSTL- MODULE NUMBER: 232A1700-3 REV A POSITION DATA: SECOND OBSERVER FOR OTHER SYS DETAILS SEE: 25-11-00-16	032036	1
25	BAC29PPS14611		.MARKER- PLACARD CONTENT: ROD LOAD LIMIT 25 LB/11 KG	032036	1
30	BAC29PPS18963		.MARKER- PLACARD CONTENT: NO STOWAGE	032036	1
- 50	MODREF374900		MODULE INSTL-STOWAGE MARKERS MODULE NUMBER: 232A1700-10 REV A	048053 107200	1
- 50	MODREF264299		MODULE INSTL- MODULE NUMBER: 232A1700-4 REV A POSITION DATA: SECOND OBSERVER FOR OTHER SYS DETAILS SEE: 25-11-00-16	031031 037047 054106 968999	1

MISSING ITEM NUMBERS NOT APPLICABLE

- ITEM NOT ILLUSTRATED

HAP

11-30-00-57

BOEING PROPRIETARY - Copyright © - Unpublished Work - See title page for details.

11-30-00
FIG. 57
PAGE 1
FEB 15/09


BOEING
 737-600/700/800/900
PARTS CATALOG (MAINTENANCE)

FIG ITEM	PART NUMBER	1 2 3 4 5 6 7 NOMENCLATURE	EFFECT FROM TO	UNITS PER ASSY
57 55	BAC29PPS18963	. MARKER- PLACARD CONTENT: NO STOWAGE	031031 037200 968999	1

MISSING ITEM NUMBERS NOT APPLICABLE

— ITEM NOT ILLUSTRATED

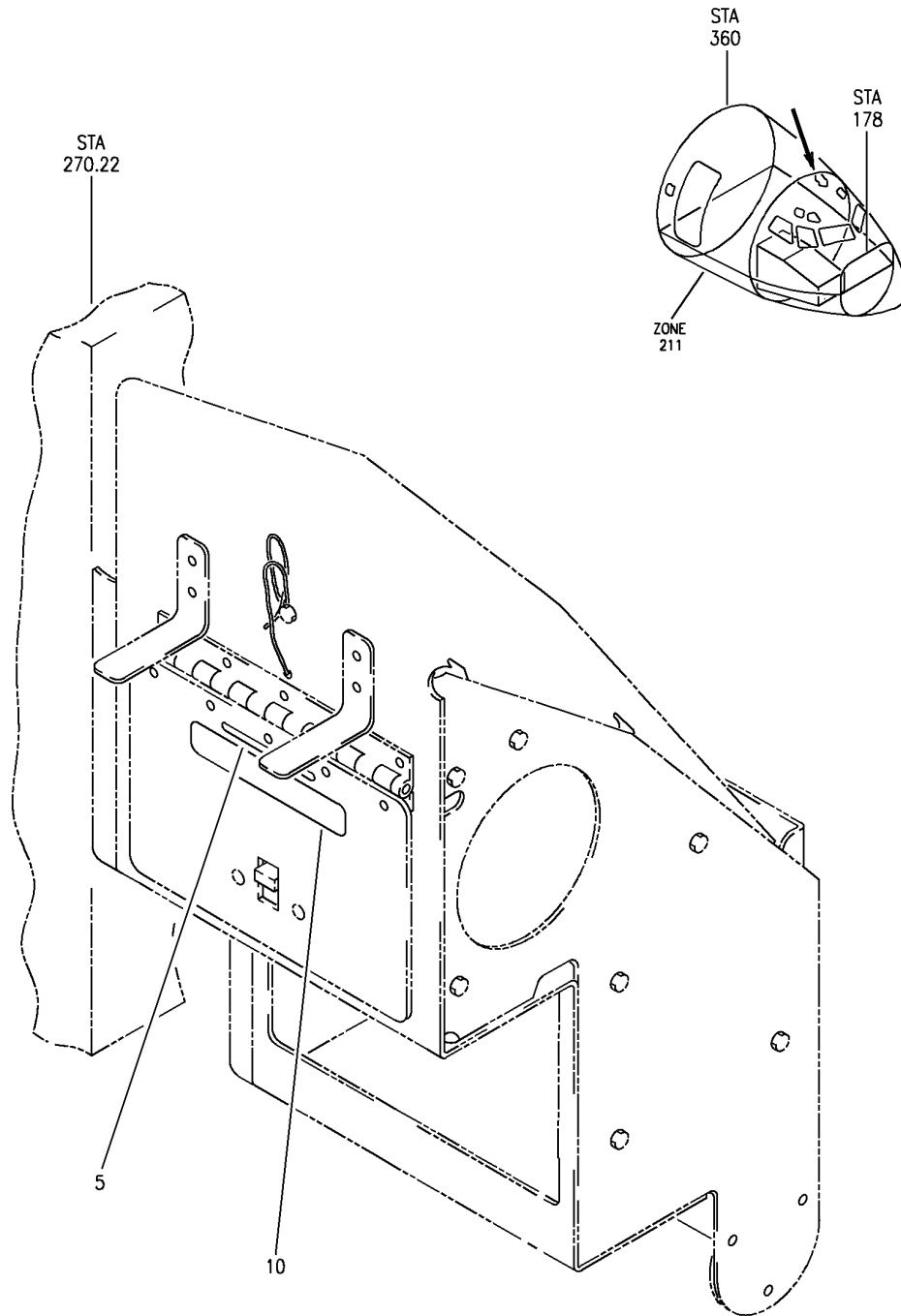
HAP

11-30-00-57

BOEING PROPRIETARY - Copyright © - Unpublished Work - See title page for details.

11-30-00
 FIG. 57
 PAGE 2
 OCT 15/08

BOEING
737-600/700/800/900
PARTS CATALOG (MAINTENANCE)



E 11300057A REV 123

DOOR ASSY-(PLACARDS AND MARKINGS ONLY)
FIGURE 57A

11-30-00-57A

HAP
FEB 10/07

11-30-00-57A
PAGE 0

BOEING
737-600/700/800/900
PARTS CATALOG (MAINTENANCE)

FIG ITEM	PART NUMBER	1 2 3 4 5 6 7	NOMENCLATURE	EFFECT FROM TO	UNITS PER ASSY
57A					
- 1	232A1705-5		DOOR ASSY-(PLACARDS AND MARKINGS ONLY)	001030 201967	RF
- 1	232A1705-3		DOOR ASSY-(PLACARDS AND MARKINGS ONLY) FOR NHA/OTHER SYS DET SEE: 25-11-00-16A	001030 201967	RF
5	BAC27DCC2706		.MARKER-ALUMINUM FOIL PLACARD CONTENT: LOAD LIMIT 4 LBS/1.8 KGS	001030 201967	1

MISSING ITEM NUMBERS NOT APPLICABLE

- ITEM NOT ILLUSTRATED

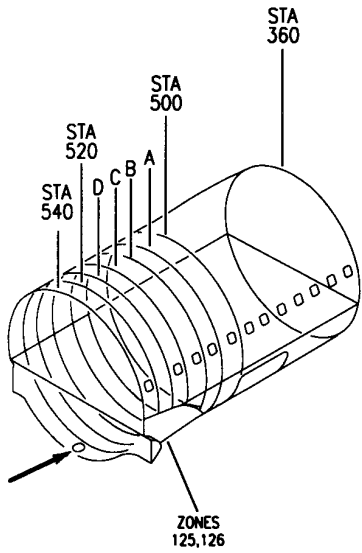
HAP

11-30-00-57A

BOEING PROPRIETARY - Copyright © - Unpublished Work - See title page for details.

11-30-00
FIG. 57A
PAGE 1
OCT 15/08

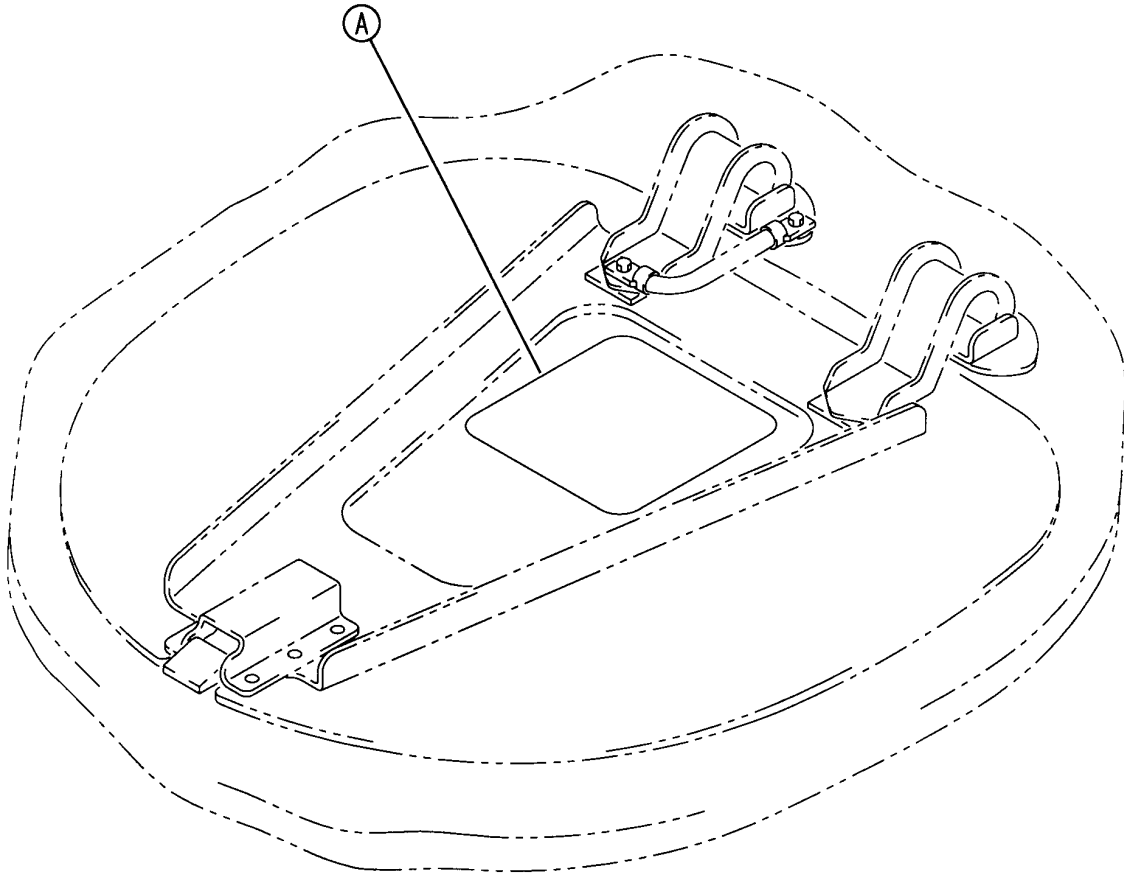
BOEING
 737-600/700/800/900
 PARTS CATALOG (MAINTENANCE)



CAUTION

DO NOT EXCEED
 15 IN. H₂O (.54 PSI)
 GAUGE PRESSURE
 AND/OR 71°C (160°F)
 TEMPERATURE

(A)



E 11300058 REV 001

DOOR ASSY-FWD FAIRING ACCESS (PLACARDS AND MARKINGS ONLY)
 FIGURE 58

11-30-00-58

HAP
 OCT 10/06

11-30-00-58
 PAGE 0

BOEING
737-600/700/800/900
PARTS CATALOG (MAINTENANCE)

FIG ITEM	PART NUMBER	1 2 3 4 5 6 7	NOMENCLATURE	EFFECT FROM TO	UNITS PER ASSY
58			DOOR ASSY-FWD FAIRING ACCESS (PLACARDS AND MARKINGS ONLY)		
- 1	149A7148-7		DOOR ASSY-FAIRING ACCESS (PLACARDS AND MARKINGS ONLY)		RF
5	BAC27DAC78		POSITION DATA: FWD FOR NHA/OTHER SYS DET SEE: 53-51-51-08 53-51-51-09 .DECAL		1

MISSING ITEM NUMBERS NOT APPLICABLE

- ITEM NOT ILLUSTRATED

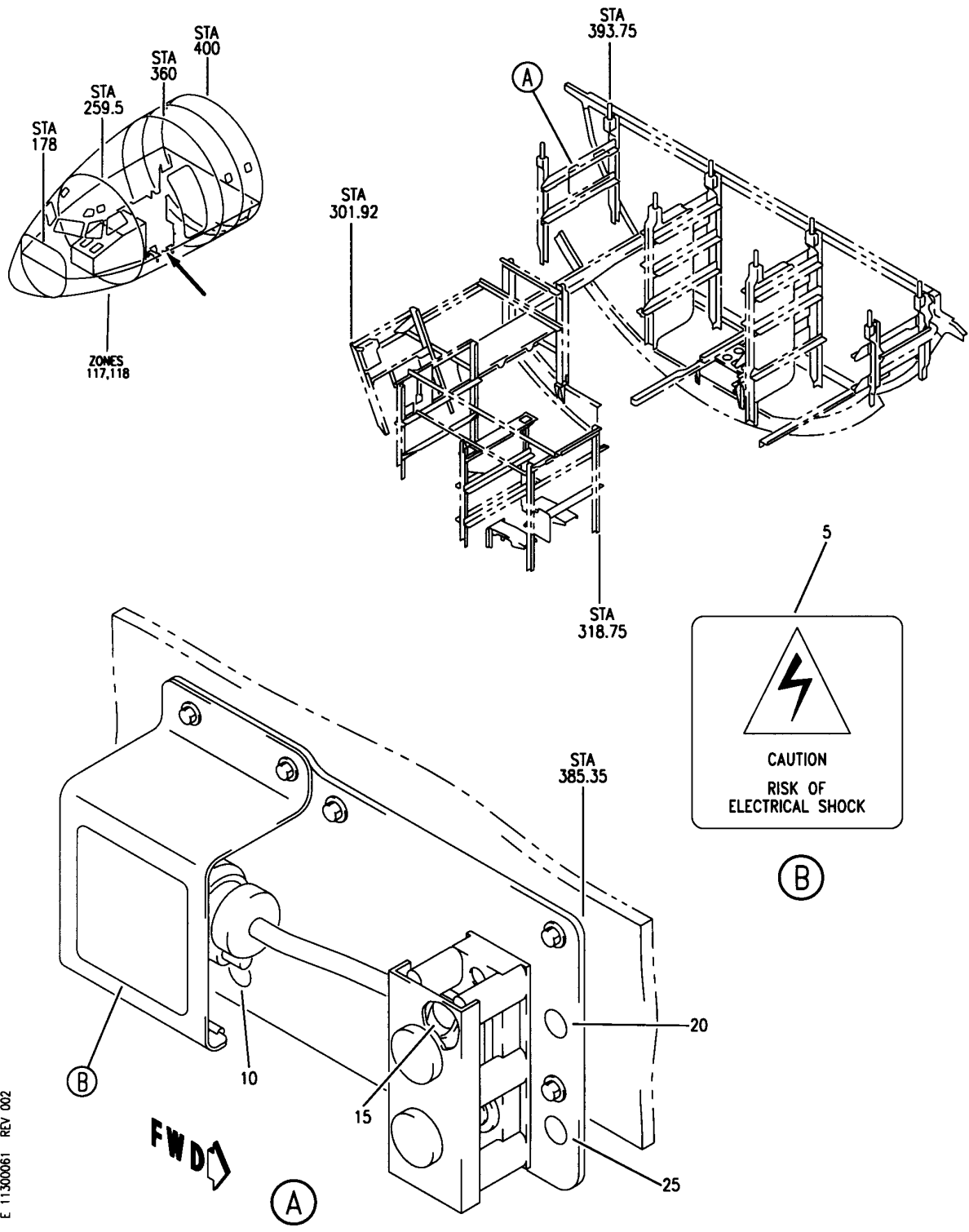
HAP

11-30-00-58

BOEING PROPRIETARY - Copyright © - Unpublished Work - See title page for details.

11-30-00
FIG. 58
PAGE 1
FEB 10/07

BOEING
 737-600/700/800/900
 PARTS CATALOG (MAINTENANCE)



E 11300061 REV 002

SUPPORT ASSY-POWER RECTIFIER DIODE (PLACARDS AND MARKINGS ONLY)
 FIGURE 61

11-30-00-61

HAP
 OCT 10/06

11-30-00-61
 PAGE 0

BOEING
737-600/700/800/900
PARTS CATALOG (MAINTENANCE)

FIG ITEM	PART NUMBER	1 2 3 4 5 6 7	NOMENCLATURE	EFFECT FROM TO	UNITS PER ASSY
61			SUPPORT ASSY-POWER RECTIFIER DIODE (PLACARDS AND MARKINGS ONLY)		
- 1	284A1844-1		SUPPORT ASSY-PWR RECTIFIER DIODE (PLACARDS AND MARKINGS ONLY) PRE SERVICE BULLETIN: 24-1132 FOR NHA/OTHER SYS DET SEE: 25-50-51-79	001011 202967	RF
- 1	284A1844-2		SUPPORT ASSY-PWR RECTIFIER DIODE (PLACARDS AND MARKINGS ONLY) POST SERVICE BULLETIN: 24-1132 FOR NHA/OTHER SYS DET SEE: 25-50-51-79		RF
- 1	284A1844-3		SUPPORT ASSY-PWR RECTIFIER DIODE (PLACARDS AND MARKINGS ONLY) FOR NHA/OTHER SYS DET SEE: 25-50-51-79		RF
5	BAC27DEX6438		.DECAL		1
10	BAC27DEX6589		.DECAL- PLACARD CONTENT: C		1
15	BAC27NEL0249		.DECAL- PLACARD CONTENT: A		1
20	BAC27NEL0187		.DECAL- PLACARD CONTENT: 1		1
25	BAC27NEL0188		.DECAL- PLACARD CONTENT: 2		1

MISSING ITEM NUMBERS NOT APPLICABLE

- ITEM NOT ILLUSTRATED

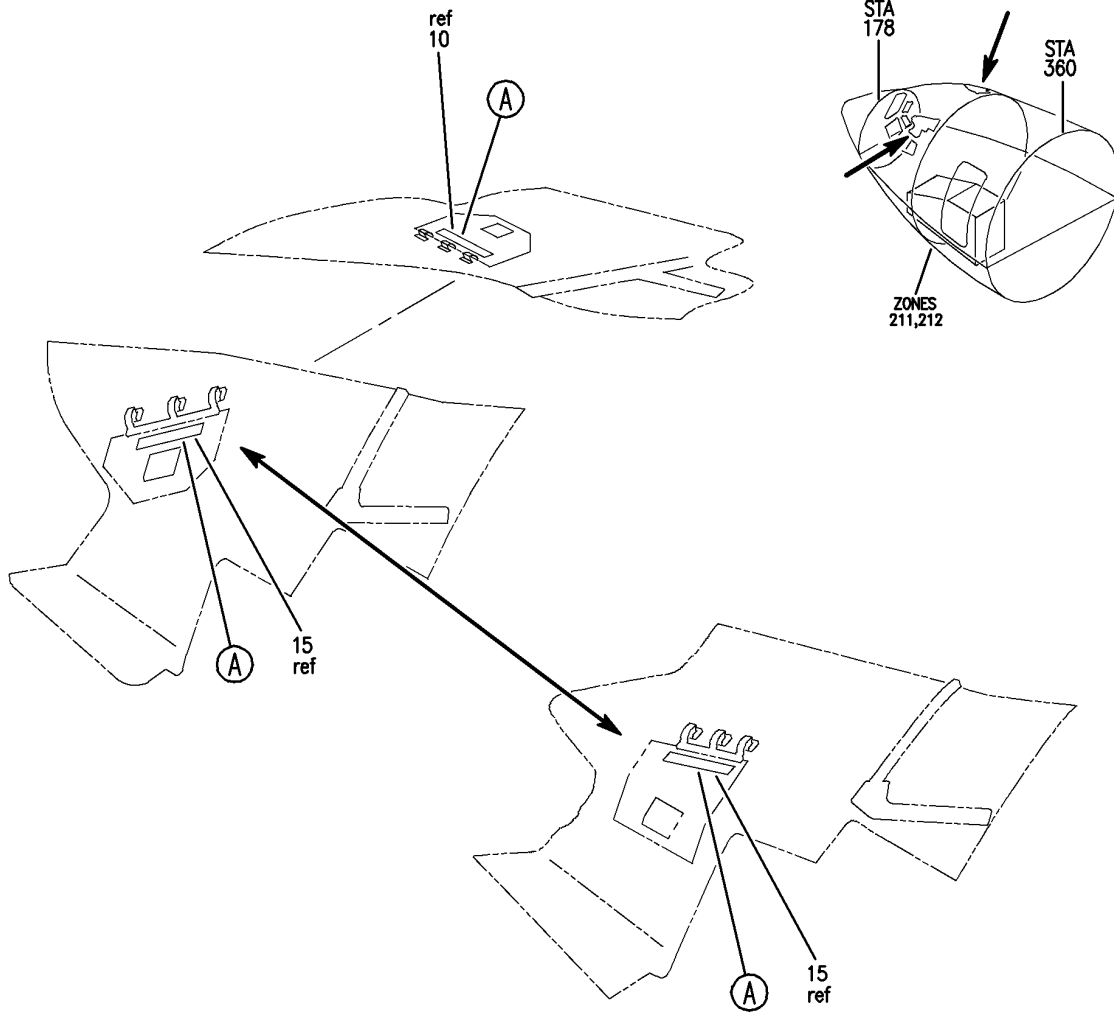
HAP

11-30-00-61

BOEING PROPRIETARY - Copyright © - Unpublished Work - See title page for details.

11-30-00
FIG. 61
PAGE 1
OCT 15/08

BOEING
 737-600/700/800/900
 PARTS CATALOG (MAINTENANCE)



10
15

ON INSPECTION OF THE EMERGENCY ESCAPE ROPE, PHYSICALLY VERIFY FITTING IS SECURELY LOCKED IN DETENT OF ANCHOR PLATE

(A)

E 11300063 REV 067

DOOR ASSY-ESCAPE (PLACARDS AND MARKINGS ONLY)
 FIGURE 63

11-30-00-63

HAP
 OCT 10/06

11-30-00-63
 PAGE 0

BOEING
737-600/700/800/900
PARTS CATALOG (MAINTENANCE)

FIG ITEM	PART NUMBER	1 2 3 4 5 6 7	NOMENCLATURE	EFFECT FROM TO	UNITS PER ASSY
63			DOOR ASSY-ESCAPE (PLACARDS AND MARKINGS ONLY)	028200 968999	
- 1	232A1415-8		DOOR ASSY-ESCAPE (PLACARDS AND MARKINGS ONLY) POSITION DATA: LH FOR NHA/OTHER SYS DET SEE: 25-11-21-05A 25-11-21-05B	028200 968999	RF
- 5	232A1415-2		DOOR ASSY-ESCAPE (PLACARDS AND MARKINGS ONLY) POSITION DATA: RH FOR NHA/OTHER SYS DET SEE: 25-11-21-06	031200 968999	RF
10	BAC27DCC2419		.DECAL- POSITION DATA: RH SIDE	031200 968999	1
15	BAC27DCC2419		.DECAL- POSITION DATA: LH SIDE	028200 968999	1

MISSING ITEM NUMBERS NOT APPLICABLE

- ITEM NOT ILLUSTRATED

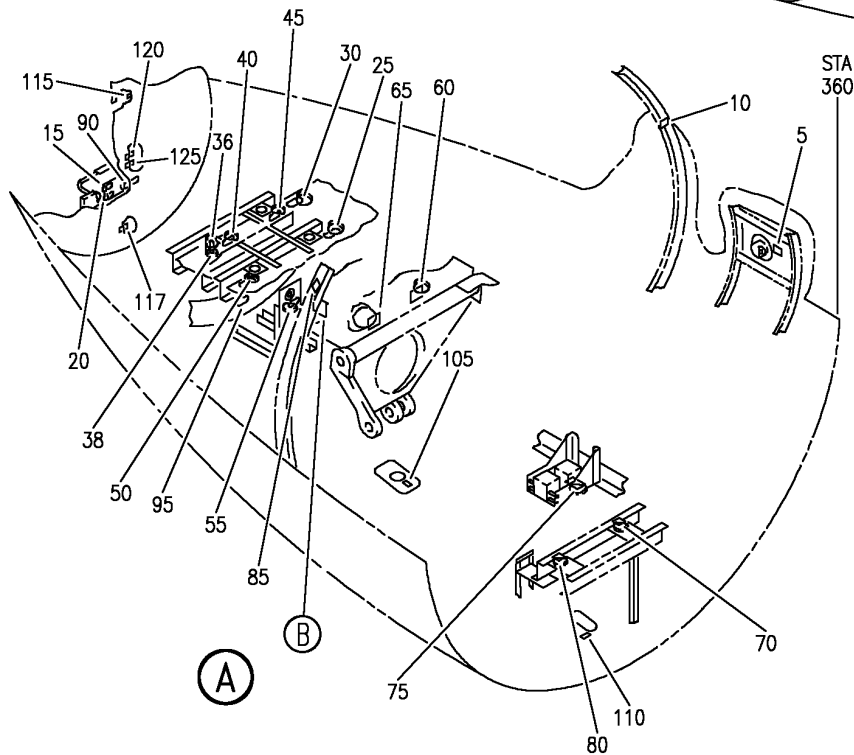
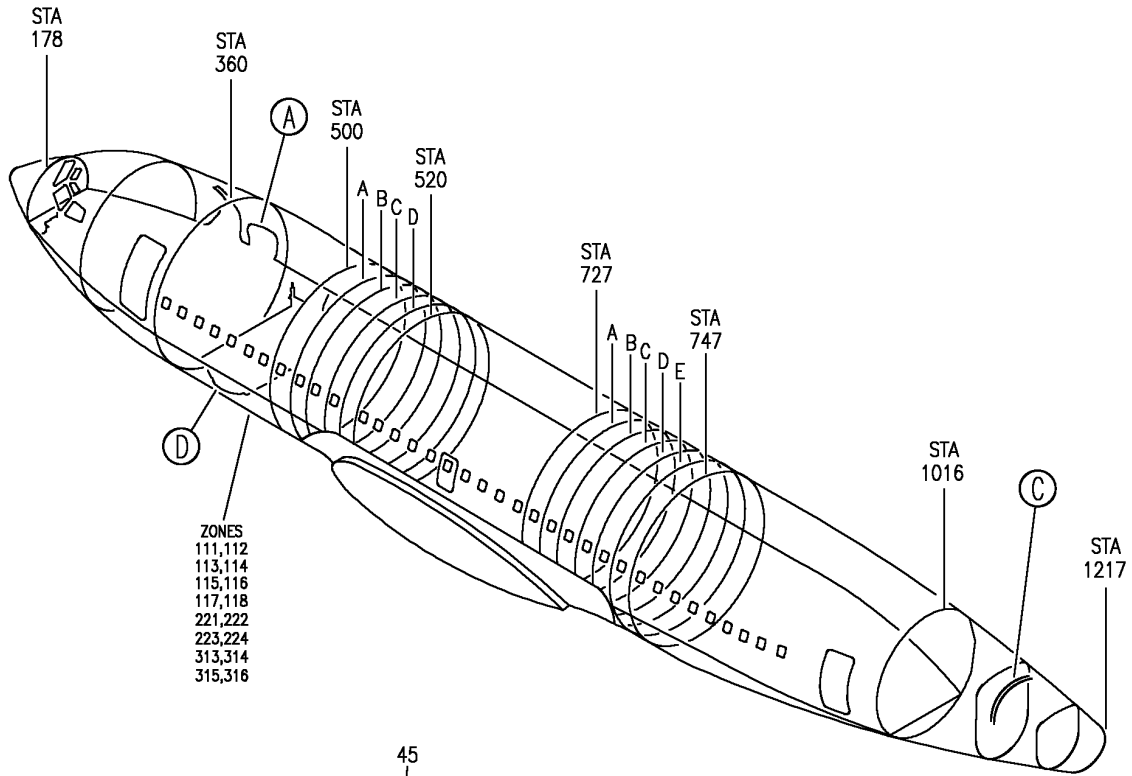
HAP

11-30-00-63

BOEING PROPRIETARY - Copyright © - Unpublished Work - See title page for details.

11-30-00
FIG. 63
PAGE 1
OCT 15/08

BOEING
737-600/700/800/900
PARTS CATALOG (MAINTENANCE)



E 11300065 SHT 1 REV 142

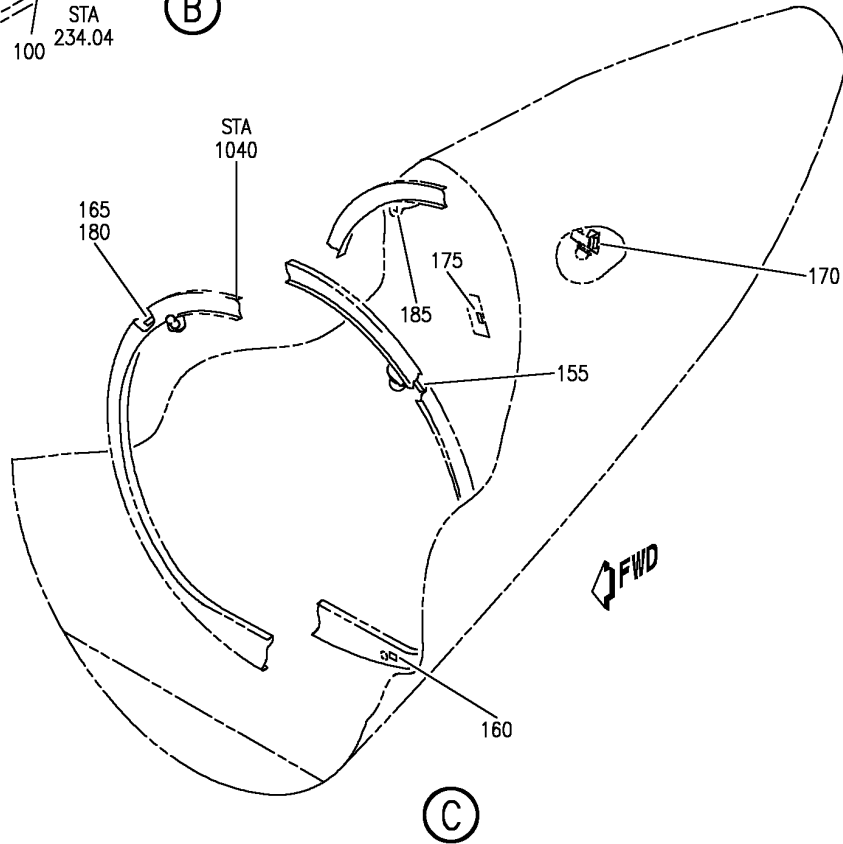
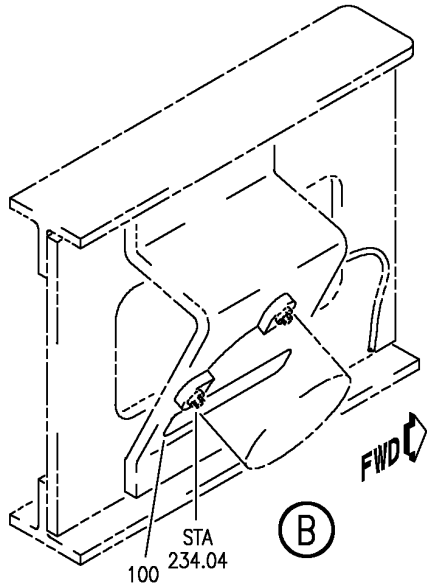
DECAL INSTL-BODY, E/E EQPT
 FIGURE 65 (SHEET 1)

11-30-00-65

HAP
 JUN 15/08

11-30-00-65
 PAGE 0

BOEING
737-600/700/800/900
PARTS CATALOG (MAINTENANCE)



E 11300065 SHT 2 REV 154

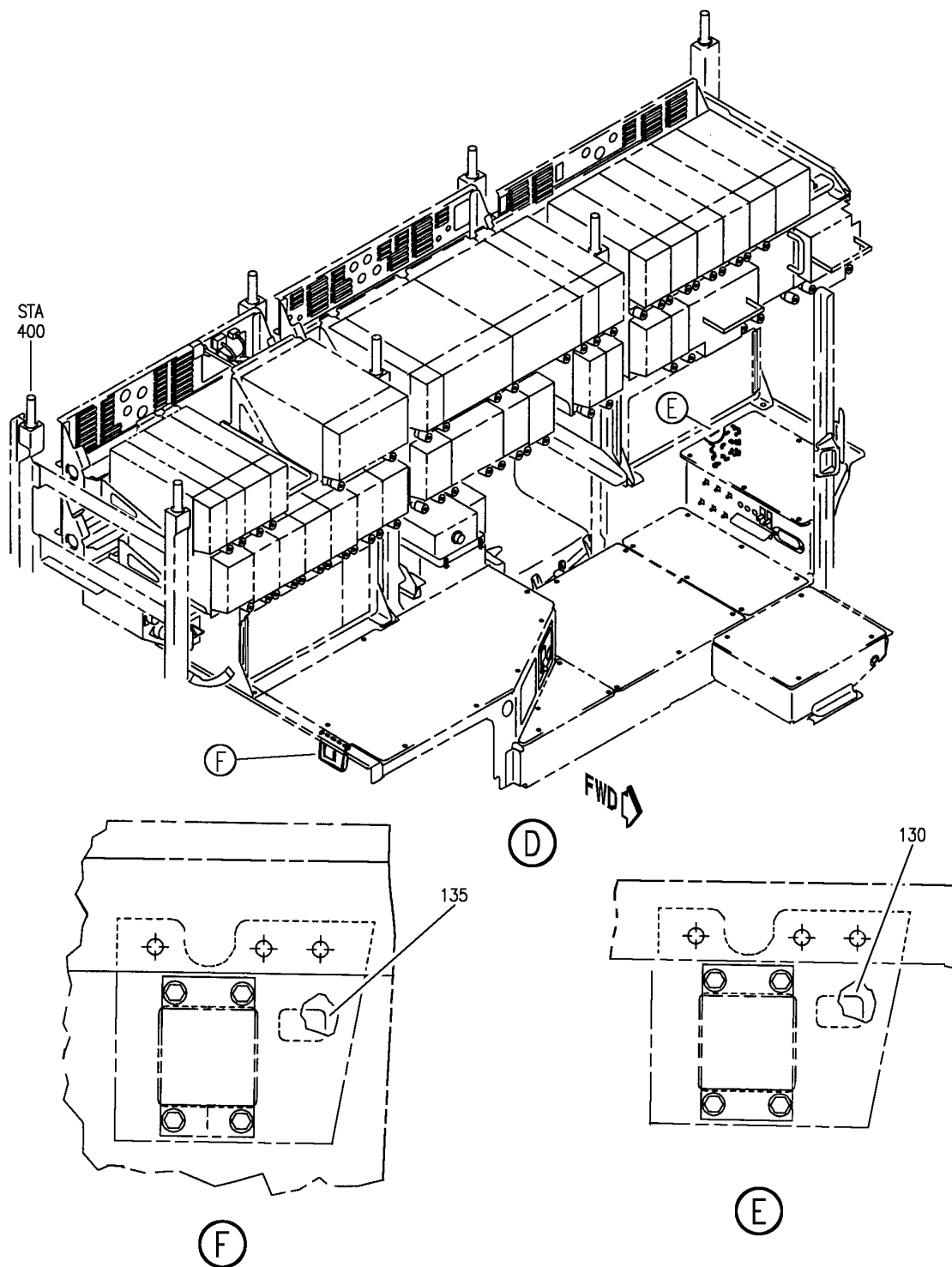
DECAL INSTL-BODY, E/E EQPT
FIGURE 65 (SHEET 2)

HAP
JUN 15/09

11-30-00-65

11-30-00-65
PAGE 0A

BOEING
 737-600/700/800/900
 PARTS CATALOG (MAINTENANCE)



E 11300065 SHT 3 REV 137

DECAL INSTL-BODY, E/E EQPT
 FIGURE 65 (SHEET 3)

11-30-00-65

HAP
 FEB 15/08

11-30-00-65
 PAGE 0B

BOEING
737-600/700/800/900
PARTS CATALOG (MAINTENANCE)

FIG ITEM	PART NUMBER	1 2 3 4 5 6 7	NOMENCLATURE	EFFECT FROM TO	UNITS PER ASSY
65			DECAL INSTL-BODY, E/E EQPT	001030 201967	
- 1	284A0835-1		DECAL INSTL-BODY, E/E EQPT FOR NHA SEE: 11-30-00-13	001019 201967	RF
- 1	284A0835-21		DECAL INSTL-BODY, E/E EQPT FOR NHA SEE: 11-30-00-13	020020	RF
- 1	284A0835-24		DECAL INSTL-BODY, E/E EQPT FOR NHA SEE: 11-30-00-13	021027	RF
- 1	284A0835-25		DECAL INSTL-BODY, E/E EQPT FOR NHA SEE: 11-30-00-13	028029	RF
- 1	284A0835-34		DECAL INSTL-BODY, E/E EQPT FOR NHA SEE: 11-30-00-13	030030	RF
5	BAC27DEX876		.DECAL- PLACARD CONTENT: L730 ESCAPE SLIDE LIGHT FWD GALLEY	001030 201967	1
10	BACM10W2ACB		.DECAL- PLACARD CONTENT: S194 SERVICE DOOR WARNING	001030 201967	1
15	BAC27DEX4890		.DECAL- PLACARD CONTENT: D2129	001030 201967	1
20	BAC27DEX4891		.DECAL- PLACARD CONTENT: D2131	001030 201967	1
25	BAC27DEX6602		.DECAL- PLACARD CONTENT: L200 ELEX COMPT LIGHT	001030 201967	1
30	BAC27DEX6603		.DECAL- PLACARD CONTENT: L201 ELEX COMPT LIGHT	001030 201967	1
36	BAC27DEX6419		.DECAL- PLACARD CONTENT: DOME ON	001030 201967	1
38	BAC27DEX6420		.DECAL- PLACARD CONTENT: OFF LAMP	001030 201967	1
40	BAC27DEX5780		.DECAL- PLACARD CONTENT: S84 DOME LIGHTS SWITCH	001030 201967	1
45	BAC27DEX1780		.DECAL- PLACARD CONTENT: WEATHER RDR RCVR-XMTR	001030 201967	1

MISSING ITEM NUMBERS NOT APPLICABLE

- ITEM NOT ILLUSTRATED

HAP

11-30-00-65

11-30-00
FIG. 65
PAGE 1
OCT 15/08

BOEING
737-600/700/800/900
PARTS CATALOG (MAINTENANCE)

FIG ITEM	PART NUMBER	1 2 3 4 5 6 7	NOMENCLATURE	EFFECT FROM TO	UNITS PER ASSY
65					
50	BAC27DEX6601	.DECAL-	PLACARD CONTENT: L199 ELEX COMPT LIGHT	001030 201967	1
55	BAC27DEX801	.DECAL-	PLACARD CONTENT: L171 NOSE WHEEL WELL FLOOD LIGHT	001030 201967	1
60	BAC27DEX5189	.MARKER-ALUMINUM FOIL	PLACARD CONTENT: S853 POSITION SENSOR	001030 201967	1
65	BAC27DEX5416	.DECAL-	PLACARD CONTENT: S845 POSITION SENSOR	001030 201967	1
70	BAC27DEX6605	.DECAL-	PLACARD CONTENT: L203 ELEX COMPT LIGHT	001030 201967	1
75	BAC27DEX330	.DECAL-	PLACARD CONTENT: S197 ELECT ACCESS DOOR WARNING	001030 201967	1
80	BAC27DEX6604	.DECAL-	PLACARD CONTENT: L202 ELEX COMPT LIGHT	001030 201967	1
85	BACM10W2ACG	.DECAL-	PLACARD CONTENT: S199 FWD ENTRY DOOR WARNING	001030 201967	1
90	BAC27DEX5232	.MARKER-ALUMINUM FOIL	PLACARD CONTENT: M1102 DUAL LOCALIZER ANTENNA	001030 201967	1
95	BAC27DEX331	.MARKER-ALUMINUM FOIL	PLACARD CONTENT: S196 FWD. ACCESS DOOR WARN	020030	1
100	BACM9L10APD	.MARKER		021030	1
105	BAC27DEX6911	.DECAL-	PLACARD CONTENT: M01487 TCAS ANTENNA BOTTOM	028030	1
110	BAC27DEX6914	.DECAL-	PLACARD CONTENT: M00044 ATC ANTENNA BOTTOM	028030	1
115	BAC27DEX6917	.MARKER-ALUMINUM FOIL	PLACARD CONTENT: M00040 GLIDE SLOPE	028030	1

MISSING ITEM NUMBERS NOT APPLICABLE

— ITEM NOT ILLUSTRATED

HAP

11-30-00-65

11-30-00
FIG. 65
PAGE 2
OCT 15/08

BOEING PROPRIETARY - Copyright © - Unpublished Work - See title page for details.

BOEING
737-600/700/800/900
PARTS CATALOG (MAINTENANCE)

FIG ITEM	PART NUMBER	1 2 3 4 5 6 7	NOMENCLATURE	EFFECT FROM TO	UNITS PER ASSY
65 120	BAC27DEX6918		.MARKER-ALUMINUM FOIL PLACARD CONTENT: M00062 WEATHER RADAR ANTENNA	028030	1
125	BAC27DEX6919		.MARKER-ALUMINUM FOIL PLACARD CONTENT: M01209 WEATHER RADAR DRIVE UNIT	028030	1
130	BAC27DEX7194		.DECAL- PLACARD CONTENT: R962 115V AC POST ALERT SB: 28A1248R1	001030 201967	1
135	BAC27DEX7195		.DECAL- PLACARD CONTENT: R963 115V AC POST ALERT SB: 28A1248R1	001030 201967	1

MISSING ITEM NUMBERS NOT APPLICABLE

— ITEM NOT ILLUSTRATED

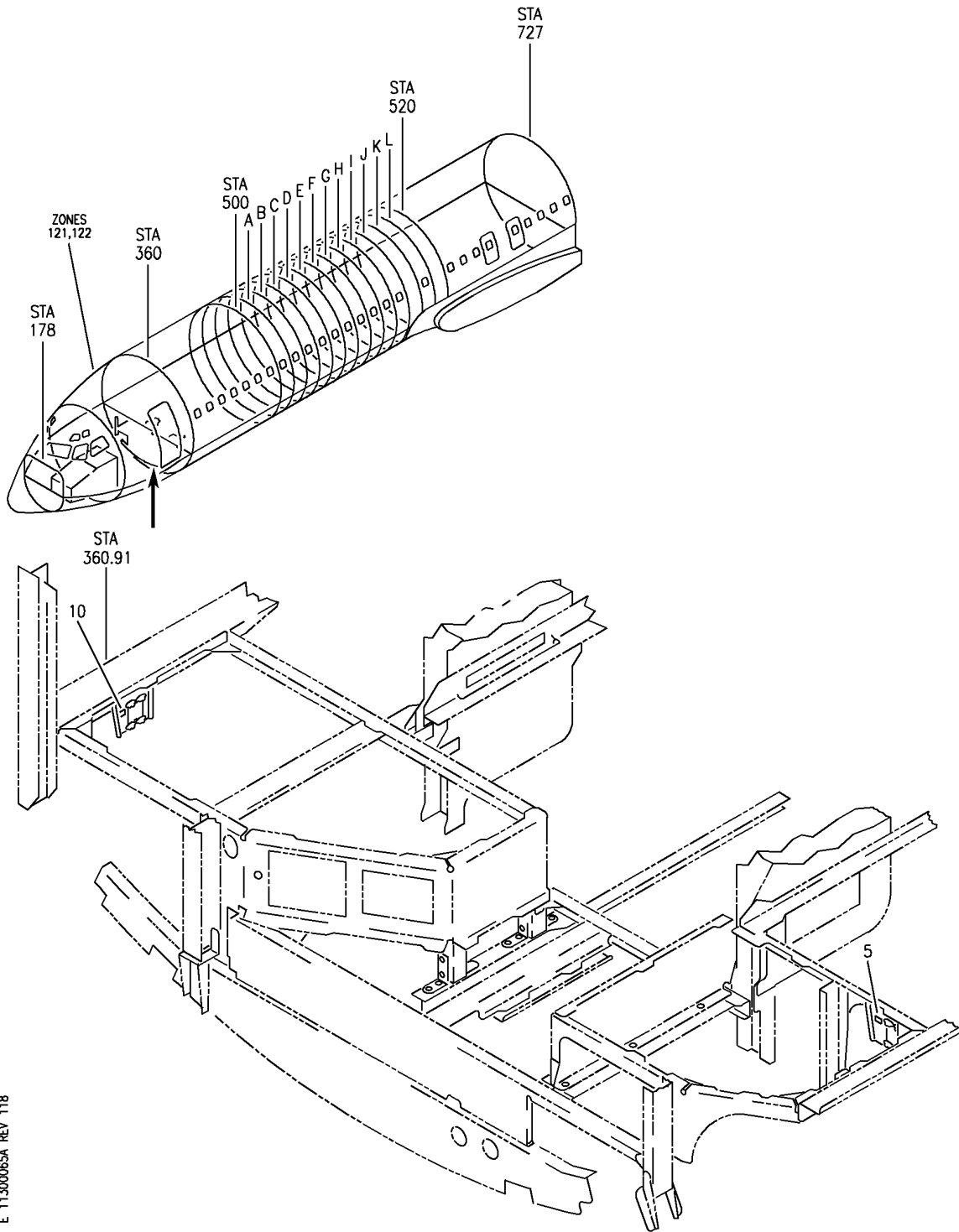
HAP

11-30-00-65

BOEING PROPRIETARY - Copyright © - Unpublished Work - See title page for details.

11-30-00
FIG. 65
PAGE 3
OCT 15/08

BOEING
 737-600/700/800/900
 PARTS CATALOG (MAINTENANCE)



E 11300065A REV 118

DECAL INSTL-SECT.43
 FIGURE 65A

HAP
 OCT 10/06

11-30-00-65A

11-30-00-65A
 PAGE 0

BOEING
737-600/700/800/900
PARTS CATALOG (MAINTENANCE)

FIG ITEM	PART NUMBER	1 2 3 4 5 6 7	NOMENCLATURE	EFFECT FROM TO	UNITS PER ASSY
65A			DECAL INSTL-SECT.43	037200 968999	
- 1	MODREF293023		DECAL INSTL-SECT. 43 MODULE NUMBER: 284A0835-37 REV A	037200 968999	1
5	BAC27DEX7194		.DECAL- PLACARD CONTENT: R962 115V AC	037048 054106 968999	1
10	BAC27DEX7195		.DECAL- PLACARD CONTENT: R963 115V AC	037048 054106 968999	1

MISSING ITEM NUMBERS NOT APPLICABLE

- ITEM NOT ILLUSTRATED

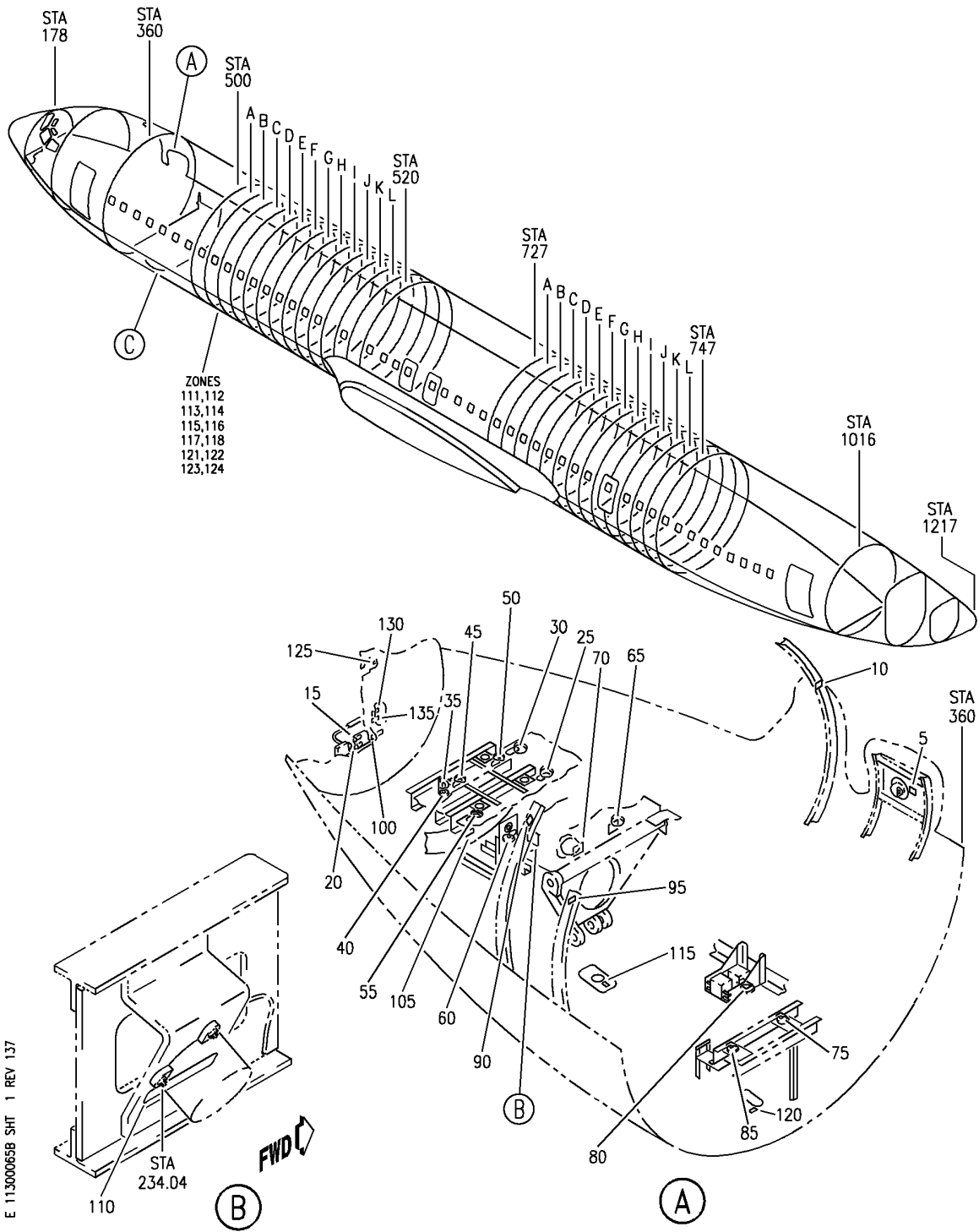
HAP

11-30-00-65A

BOEING PROPRIETARY - Copyright © - Unpublished Work - See title page for details.

11-30-00
FIG. 65A
PAGE 1
FEB 15/09

BOEING
 737-600/700/800/900
 PARTS CATALOG (MAINTENANCE)



E 11300065B SHT 1 REV 137

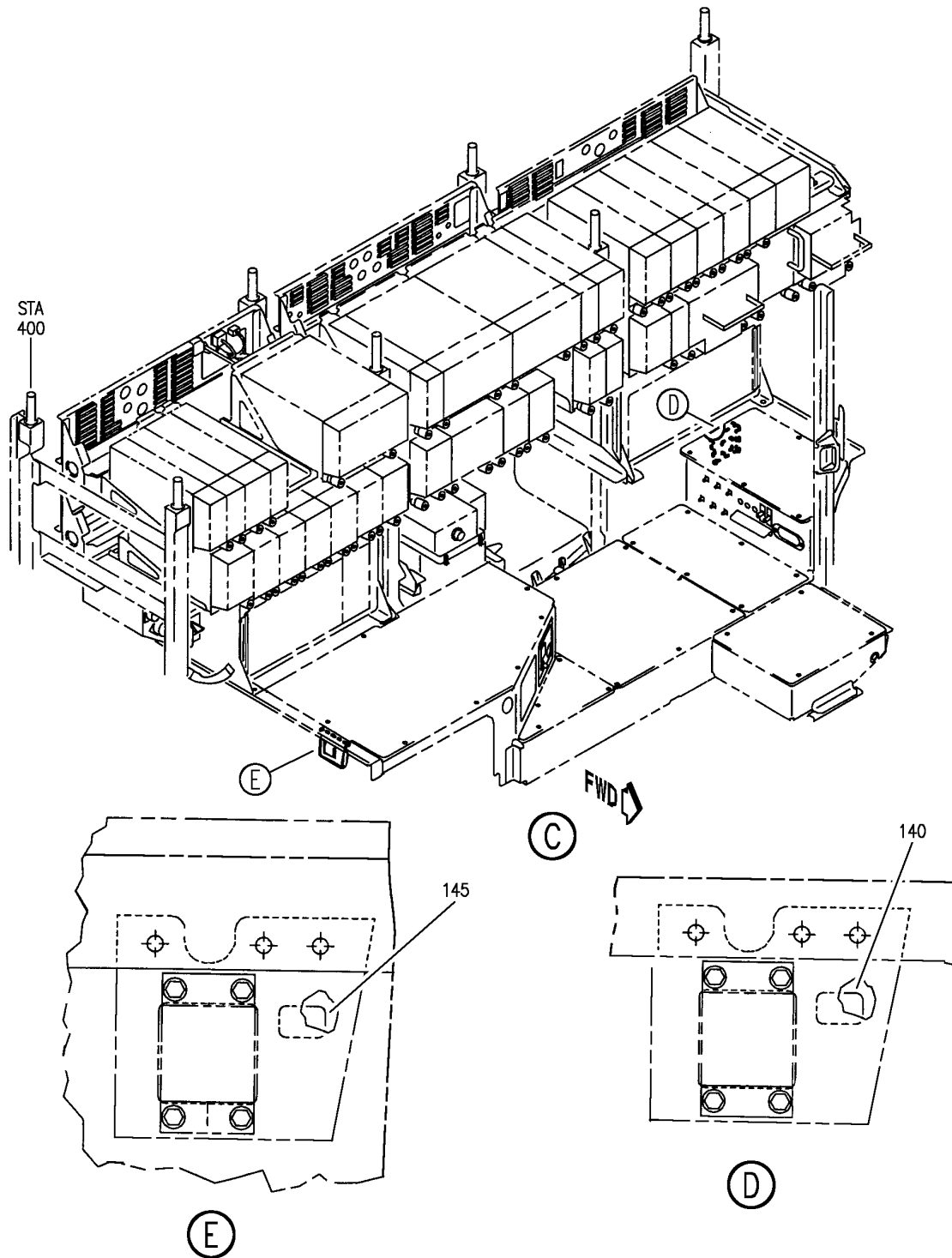
DECAL INSTL-BODY, E/E EQPT
 FIGURE 65B

11-30-00-65B

HAP
 FEB 15/08

11-30-00-65B
 PAGE 0

BOEING
 737-600/700/800/900
 PARTS CATALOG (MAINTENANCE)



E 11300065B SHT 2 REV 137

DECAL INSTL-BODY, E/E EQPT
 FIGURE 65B

11-30-00-65B

HAP
 FEB 15/08

11-30-00-65B
 PAGE 0A

BOEING
737-600/700/800/900
PARTS CATALOG (MAINTENANCE)

FIG ITEM	PART NUMBER	1 2 3 4 5 6 7	NOMENCLATURE	EFFECT FROM TO	UNITS PER ASSY
65B			DECAL INSTL-BODY, E/E EQPT	031200 968999	
- 1	MODREF86162		DECAL INSTL-BODY, E/E EQPT MODULE NUMBER: 284A0835-34 REV A	031036	1
- 1	MODREF305478		DECAL INSTL-BODY, E/E EQPT MODULE NUMBER: 284A0835-34 REV D	037200 968999	1
5	BAC27DEX876		.DECAL- PLACARD CONTENT: L730 ESCAPE SLIDE LIGHT FWD GALLEY	031200 968999	1
10	BACM10W2ACB		.DECAL-ALUMINUM FOIL	031200 968999	1
15	BAC27DEX4890		.DECAL- PLACARD CONTENT: D2129	031200 968999	1
20	BAC27DEX4891		.DECAL- PLACARD CONTENT: D2131	031200 968999	1
25	BAC27DEX6602		.DECAL- PLACARD CONTENT: L200 ELEX COMPT LIGHT	031200 968999	1
30	BAC27DEX6603		.DECAL- PLACARD CONTENT: L201 ELEX COMPT LIGHT	031200 968999	1
35	BAC27DEX6419		.DECAL- PLACARD CONTENT: DOME ON	031200 968999	1
40	BAC27DEX6420		.DECAL- PLACARD CONTENT: OFF LAMP	031200 968999	1
45	BAC27DEX5780		.DECAL- PLACARD CONTENT: S84 DOME LIGHTS SWITCH	031200 968999	1
50	BAC27DEX1780		.DECAL	031200 968999	1
55	BAC27DEX6601		.DECAL- PLACARD CONTENT: L199 ELEX COMPT LIGHT	031200 968999	1
60	BAC27DEX801		.DECAL	031200 968999	1
65	BAC27DEX5189		.MARKER-ALUMINUM FOIL PLACARD CONTENT: S853 POSITION SENSOR	031200 968999	1
70	BAC27DEX5416		.DECAL-ALUMINUM FOIL PLACARD CONTENT: S845 POSITION SENSOR	031200 968999	1

MISSING ITEM NUMBERS NOT APPLICABLE

- ITEM NOT ILLUSTRATED

HAP

11-30-00-65B

BOEING PROPRIETARY - Copyright © - Unpublished Work - See title page for details.

11-30-00
FIG. 65B
PAGE 1
OCT 15/08

BOEING
737-600/700/800/900
PARTS CATALOG (MAINTENANCE)

FIG ITEM	PART NUMBER	1 2 3 4 5 6 7	NOMENCLATURE	EFFECT FROM TO	UNITS PER ASSY
65B					
75	BAC27DEX6605	.DECAL-	PLACARD CONTENT: L203 ELEX COMPT LIGHT	031200 968999	1
80	BAC27DEX330	.DECAL-ALUMINUM FOIL	PLACARD CONTENT: S197 ELECT ACCESS DOOR WARN	031200 968999	1
85	BAC27DEX6604	.DECAL-	PLACARD CONTENT: L202 ELEX COMPT LIGHT	031200 968999	1
90	BACM10W2ACG	.DECAL-ALUMINUM FOIL		031200 968999	1
95	BAC27DEX7177	.DECAL-	PLACARD CONTENT: S1147 FWD ENTRY DOOR SWITCH	037200 968999	1
100	BAC27DEX5232	.MARKER-ALUMINUM FOIL	PLACARD CONTENT: M1102 DUAL LOCALIZER ANTENNA	031200 968999	1
105	BAC27DEX331	.MARKER-ALUMINUM FOIL	PLACARD CONTENT: S196 FWD. ACCESS DOOR WARN	031200 968999	1
110	BACM9L10APD	.MARKER		031200 968999	1
115	BAC27DEX6911	.DECAL-	PLACARD CONTENT: M01487 TCAS ANTENNA BOTTOM	031200 968999	1
120	BAC27DEX6914	.DECAL-	PLACARD CONTENT: M00044 ATC ANTENNA BOTTOM	031200 968999	1
125	BAC27DEX6917	.MARKER-ALUMINUM FOIL	PLACARD CONTENT: M00040 GLIDE SLOPE	031200 968999	1
130	BAC27DEX6918	.MARKER-ALUMINUM FOIL	PLACARD CONTENT: M00062 WEATHER RADAR ANTENNA	031200 968999	1
135	BAC27DEX6919	.MARKER-ALUMINUM FOIL	PLACARD CONTENT: M01209 WEATHER RADAR DRIVE UNIT	031200 968999	1

MISSING ITEM NUMBERS NOT APPLICABLE

— ITEM NOT ILLUSTRATED

HAP

11-30-00-65B

BOEING PROPRIETARY - Copyright © - Unpublished Work - See title page for details.

11-30-00
FIG. 65B
PAGE 2
OCT 15/08


BOEING
 737-600/700/800/900
PARTS CATALOG (MAINTENANCE)

FIG ITEM	PART NUMBER	1 2 3 4 5 6 7	NOMENCLATURE	EFFECT FROM TO	UNITS PER ASSY
65B 140	BAC27DEX7194		.DECAL- PLACARD CONTENT: R962 115V AC POST ALERT SB: 28A1248R1	031036	1
145	BAC27DEX7195		.DECAL- PLACARD CONTENT: R963 115V AC POST ALERT SB: 28A1248R1	031036	1

MISSING ITEM NUMBERS NOT APPLICABLE

— ITEM NOT ILLUSTRATED

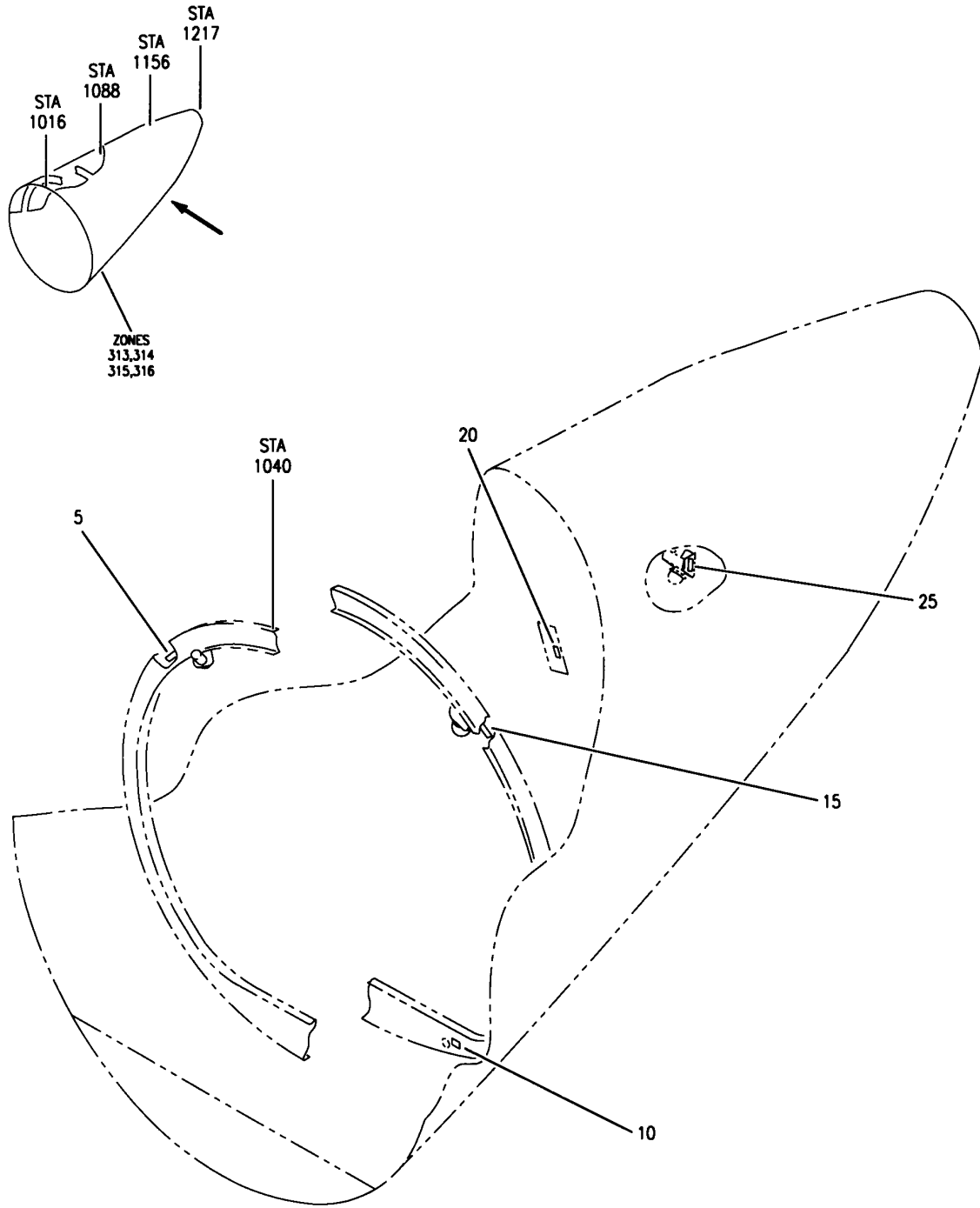
HAP

11-30-00-65B

BOEING PROPRIETARY - Copyright © - Unpublished Work - See title page for details.

11-30-00
 FIG. 65B
 PAGE 3
 OCT 15/08

BOEING
737-600/700/800/900
PARTS CATALOG (MAINTENANCE)



E. 11.300071 REV 002

DECAL INSTL-BODY,E/E EQPT
FIGURE 71

11-30-00-71

HAP
OCT 10/06

11-30-00-71
PAGE 0

BOEING
737-600/700/800/900
PARTS CATALOG (MAINTENANCE)

FIG ITEM	PART NUMBER	1 2 3 4 5 6 7	NOMENCLATURE	EFFECT FROM TO	UNITS PER ASSY
71			DECAL INSTL-BODY,E/E EQPT	001030 201967	
- 1	284A0835-7		DECAL INSTL-BODY,E/E EQPT FOR NHA SEE: 11-30-00-13	001030 201967	RF
5	BAC27DEX355		.MARKER-ALUMINUM FOIL	001030 201967	1
10	BAC27DEX356		.MARKER-ALUMINUM FOIL	001030 201967	1
15	BAC27DEX354		.MARKER-ALUMINUM FOIL	001030 201967	1
20	BAC27DEX6289		.MARKER-ALUMINUM FOIL PLACARD CONTENT: S99 SWITCH TAIL CONE LT	001030 201967	1
25	BAC27DEX358		.MARKER-ALUMINUM FOIL PLACARD CONTENT: L278 LIGHT TAIL CONE	001030 201967	1

MISSING ITEM NUMBERS NOT APPLICABLE

- ITEM NOT ILLUSTRATED

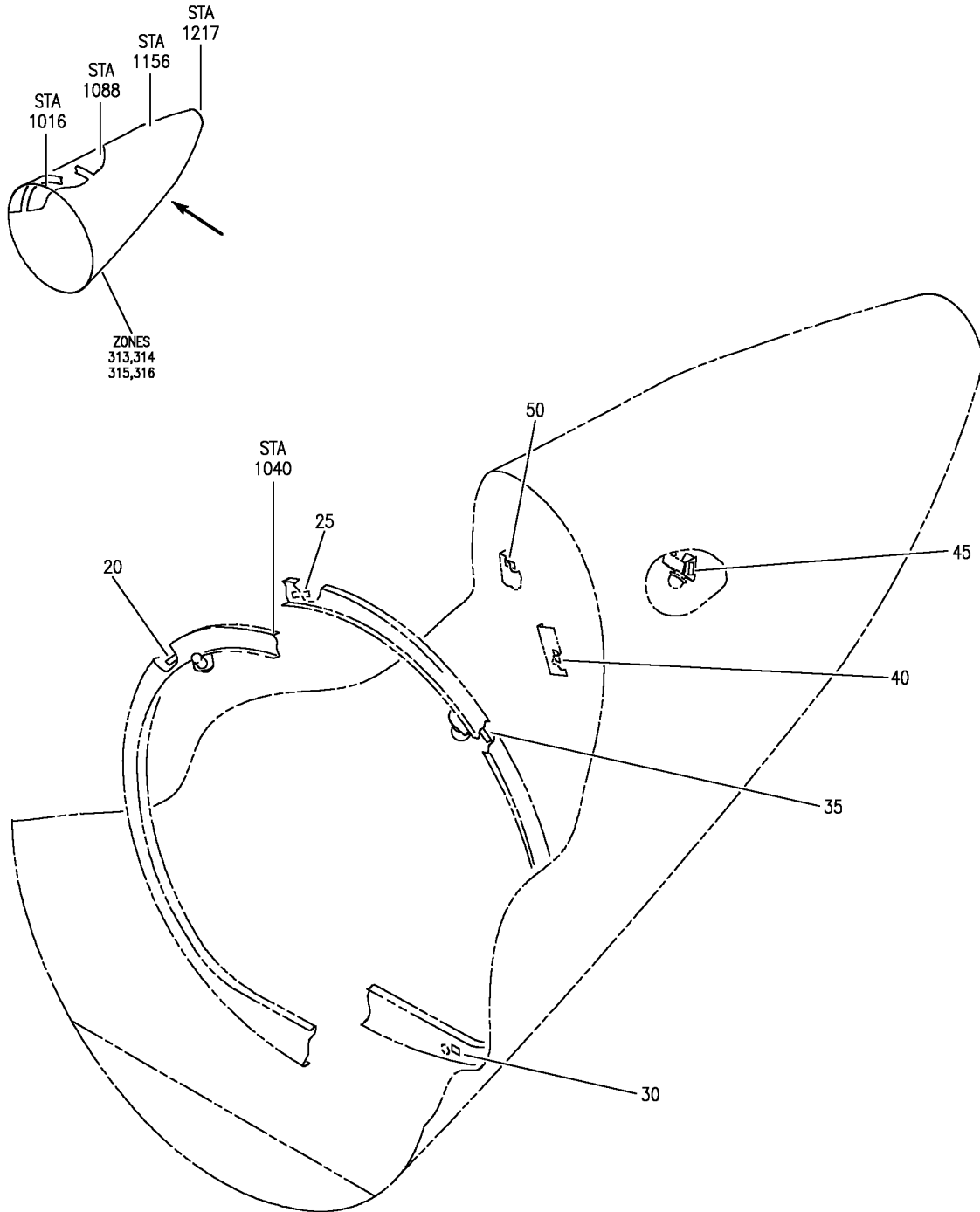
HAP

11-30-00-71

BOEING PROPRIETARY - Copyright © - Unpublished Work - See title page for details.

11-30-00
FIG. 71
PAGE 1
OCT 15/08

BOEING
737-600/700/800/900
PARTS CATALOG (MAINTENANCE)



E 11300071A REV 154

DECAL INSTL-BODY, E/E EQPT
FIGURE 71A

HAP
JUN 15/09

11-30-00-71A

11-30-00-71A
PAGE 0

BOEING
737-600/700/800/900
PARTS CATALOG (MAINTENANCE)

FIG ITEM	PART NUMBER	1 2 3 4 5 6 7	NOMENCLATURE	EFFECT FROM TO	UNITS PER ASSY
71A			DECAL INSTL-BODY, E/E EQPT	031200 968999	
- 1	MODREF86165		DECAL INSTL-BODY, E/E EQPT MODULE NUMBER: 284A0835-7 REV A	031036	1
- 1	MODREF287740		DECAL INSTL-BODY, E/E EQPT MODULE NUMBER: 284A0835-7 REV B	037200 968999	1
20	BAC27DEX355		.MARKER-ALUMINUM FOIL	031200 968999	1
30	BAC27DEX356		.MARKER-ALUMINUM FOIL	031200 968999	1
35	BAC27DEX354		.MARKER-ALUMINUM FOIL	031200 968999	1
40	BAC27DEX6289		.MARKER-ALUMINUM FOIL PLACARD CONTENT: S99 SWITCH TAIL CONE LT	031200 968999	1
45	BAC27DEX358		.MARKER-ALUMINUM FOIL PLACARD CONTENT: L278 LIGHT TAIL CONE	031200 968999	1

MISSING ITEM NUMBERS NOT APPLICABLE

- ITEM NOT ILLUSTRATED

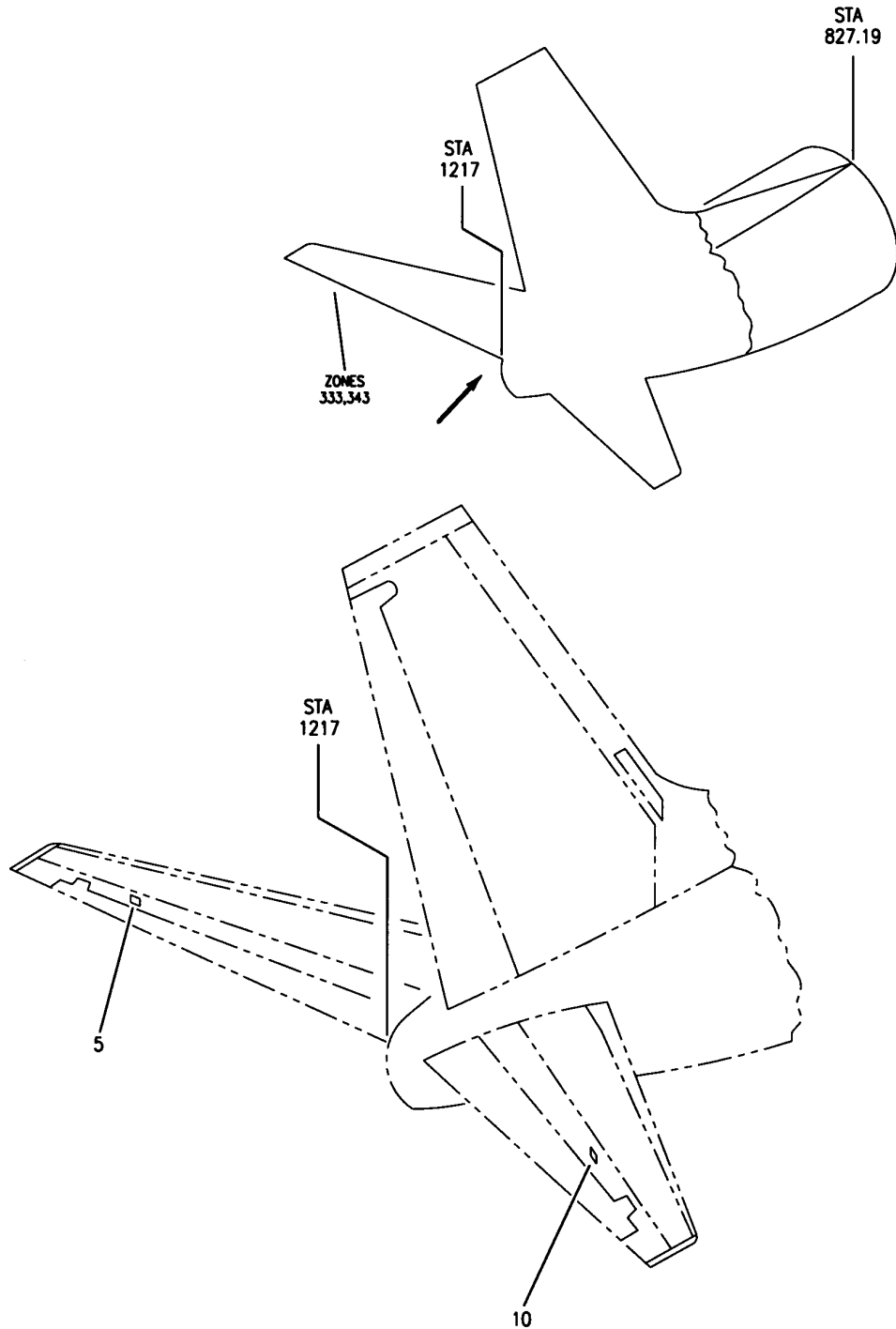
HAP

11-30-00-71A

BOEING PROPRIETARY - Copyright © - Unpublished Work - See title page for details.

11-30-00
FIG. 71A
PAGE 1
OCT 15/08

BOEING
737-600/700/800/900
PARTS CATALOG (MAINTENANCE)



E 11300072 REV 005

DECAL INSTL-BODY E/E EQPT
FIGURE 72

11-30-00-72

HAP
OCT 10/06

11-30-00-72
PAGE 0

BOEING
737-600/700/800/900
PARTS CATALOG (MAINTENANCE)

FIG ITEM	PART NUMBER	1 2 3 4 5 6 7	NOMENCLATURE	EFFECT FROM TO	UNITS PER ASSY
72					
- 1	284A0835-8		DECAL INSTL-BODY E/E EQPT DECAL INSTL-BODY, E/E EQPT FOR NHA SEE: 11-30-00-13	001030 201967	RF
- 1	MODREF86166		DECAL INSTL-BODY, E/E EQPT MODULE NUMBER: 284A0835-8 REV A	031200 968999	1
5	BAC27DEX6633		.DECAL- PLACARD CONTENT: L818 LOGO LT LH		1
10	BAC27DEX6634		.DECAL- PLACARD CONTENT: L819 LOGO LT RH		1

MISSING ITEM NUMBERS NOT APPLICABLE

- ITEM NOT ILLUSTRATED

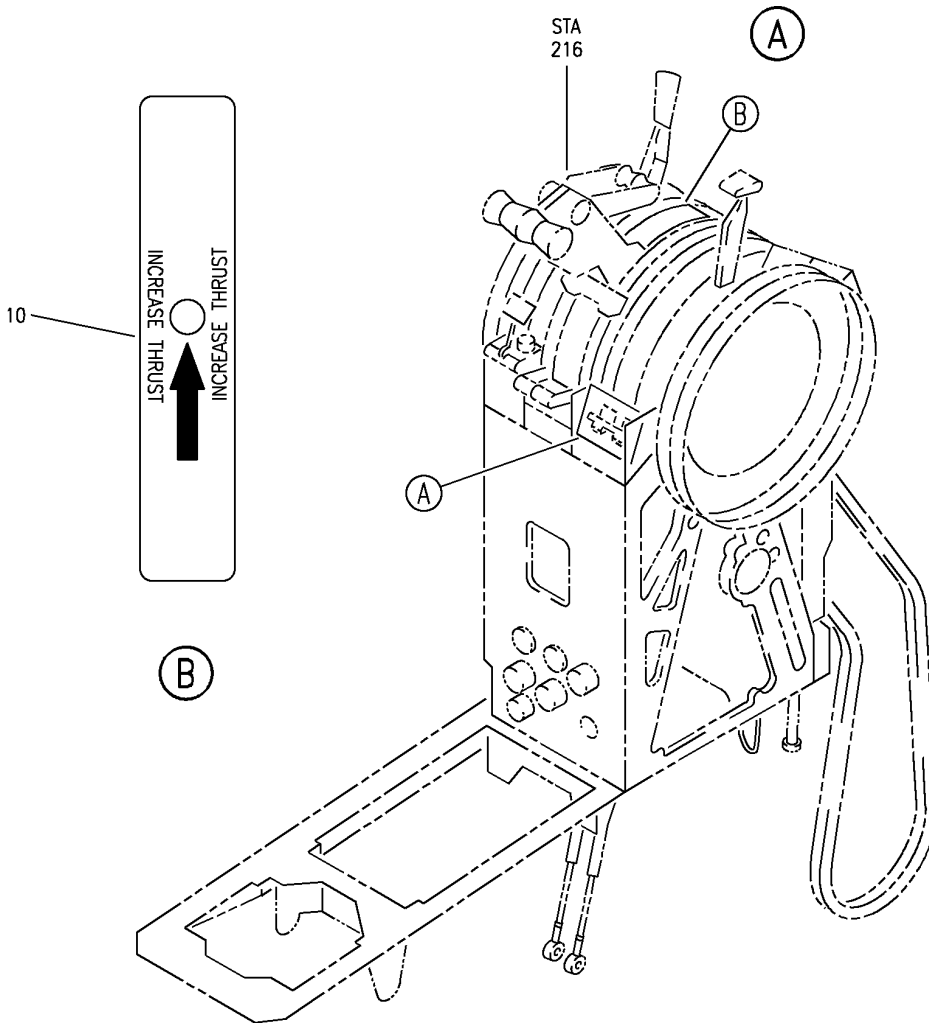
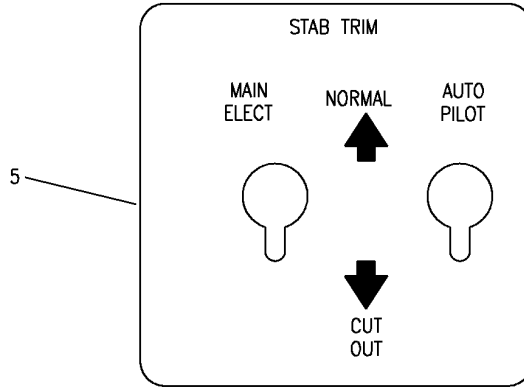
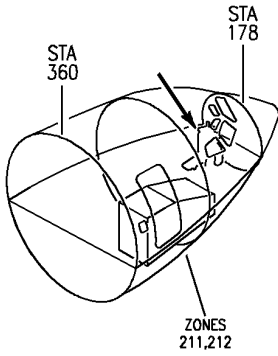
HAP

11-30-00-72

BOEING PROPRIETARY - Copyright © - Unpublished Work - See title page for details.

11-30-00
FIG. 72
PAGE 1
OCT 15/08

BOEING
 737-600/700/800/900
 PARTS CATALOG (MAINTENANCE)



E 11300075 REV 130

STAND ASSY-CAPT AND FIRST OFFICER CONT (PLACARDS AND MARKINGS ONLY)
 FIGURE 75

11-30-00-75

HAP
 JUN 10/07

11-30-00-75
 PAGE 0

BOEING
737-600/700/800/900
PARTS CATALOG (MAINTENANCE)

FIG ITEM	PART NUMBER	1 2 3 4 5 6 7	NOMENCLATURE	EFFECT FROM TO	UNITS PER ASSY
75			STAND ASSY-CAPT AND FIRST OFFICER CONT (PLACARDS AND MARKINGS ONLY)		
- 1	254A1220-5		CONTROL STAND ASSY-CAPT AND FIRST OFFICER (PLACARDS AND MARKINGS ONLY) COMPONENT MAINT MANUAL REF: 25-11-13 MODIFICATION DRAWING REF: 737-8904-1 737-8904-5 737-8961-1 737-8961-5 REFERENCE AIRLINE MOD: E.O.APB737-8009 VHAP E.O.APB737-8007 VHAP FOR NHA/OTHER SYS DET SEE: 25-11-00-40	001030	RF
- 1	254A1220-8		CONTROL STAND ASSY-CAPT AND FIRST OFFICER (PLACARDS AND MARKINGS ONLY) COMPONENT MAINT MANUAL REF: 25-11-13 MODIFICATION DRAWING REF: 737-8904-1 737-8904-5 737-8961-1 REFERENCE AIRLINE MOD: E.O.APB737-8007 VHAP FOR NHA/OTHER SYS DET SEE: 25-11-00-40	001001	RF
- 2	254A1220-106		CONTROL STAND ASSY-CAPT AND FIRST OFFICER (PLACARDS AND MARKINGS ONLY) COMPONENT MAINT MANUAL REF: 25-11-13 FOR NHA/OTHER SYS DET SEE: 25-11-00-40	031036 201967	RF
- 2	254A1220-123		CONTROL STAND ASSY-CAPT AND FIRST OFFICER (PLACARDS AND MARKINGS ONLY) COMPONENT MAINT MANUAL REF: 25-11-13 FOR NHA/OTHER SYS DET SEE: 25-11-00-40	037051 054100	RF

MISSING ITEM NUMBERS NOT APPLICABLE

- ITEM NOT ILLUSTRATED

HAP

11-30-00-75

11-30-00
FIG. 75
PAGE 1
FEB 15/09

BOEING
737-600/700/800/900
PARTS CATALOG (MAINTENANCE)

FIG ITEM	PART NUMBER	1 2 3 4 5 6 7	NOMENCLATURE	EFFECT FROM TO	UNITS PER ASSY
75 -	3 254A1220-114		CONTROL STAND ASSY-CAPT AND FIRST OFFICER (PLACARDS AND MARKINGS ONLY) COMPONENT MAINT MANUAL REF: 25-11-13 FOR NHA/OTHER SYS DET SEE: 25-11-00-52	101106 968999	RF
-	3 254A1220-206		CONTROL STAND ASSY-CAPT AND FIRST OFFICER (PLACARDS AND MARKINGS ONLY) COMPONENT MAINT MANUAL REF: 25-11-13 FOR NHA/OTHER SYS DET SEE: 25-11-00-52	031036 201967	RF
-	3 254A1220-212		CONTROL STAND ASSY-CAPT AND FIRST OFFICER (PLACARDS AND MARKINGS ONLY) COMPONENT MAINT MANUAL REF: 25-11-13 FOR NHA/OTHER SYS DET SEE: 25-11-00-40	107200	RF
-	3 254A1220-6		CONTROL STAND ASSY-CAPT AND FIRST OFFICER (PLACARDS AND MARKING ONLY) COMPONENT MAINT MANUAL REF: 25-11-13 FOR NHA/OTHER SYS DET SEE: 25-11-00-40	031036 201967	RF
-	3 254A1220-223		CONTROL STAND ASSY-CAPT AND FIRST OFFICER (PLACARDS AND MARKINGS ONLY) COMPONENT MAINT MANUAL REF: 25-11-13 FOR NHA/OTHER SYS DET SEE: 25-11-00-40	052053	RF
5 10	BAC27DCT0461 65-54222-4		.MARKER .MARKER-		RF 1

MISSING ITEM NUMBERS NOT APPLICABLE

- ITEM NOT ILLUSTRATED

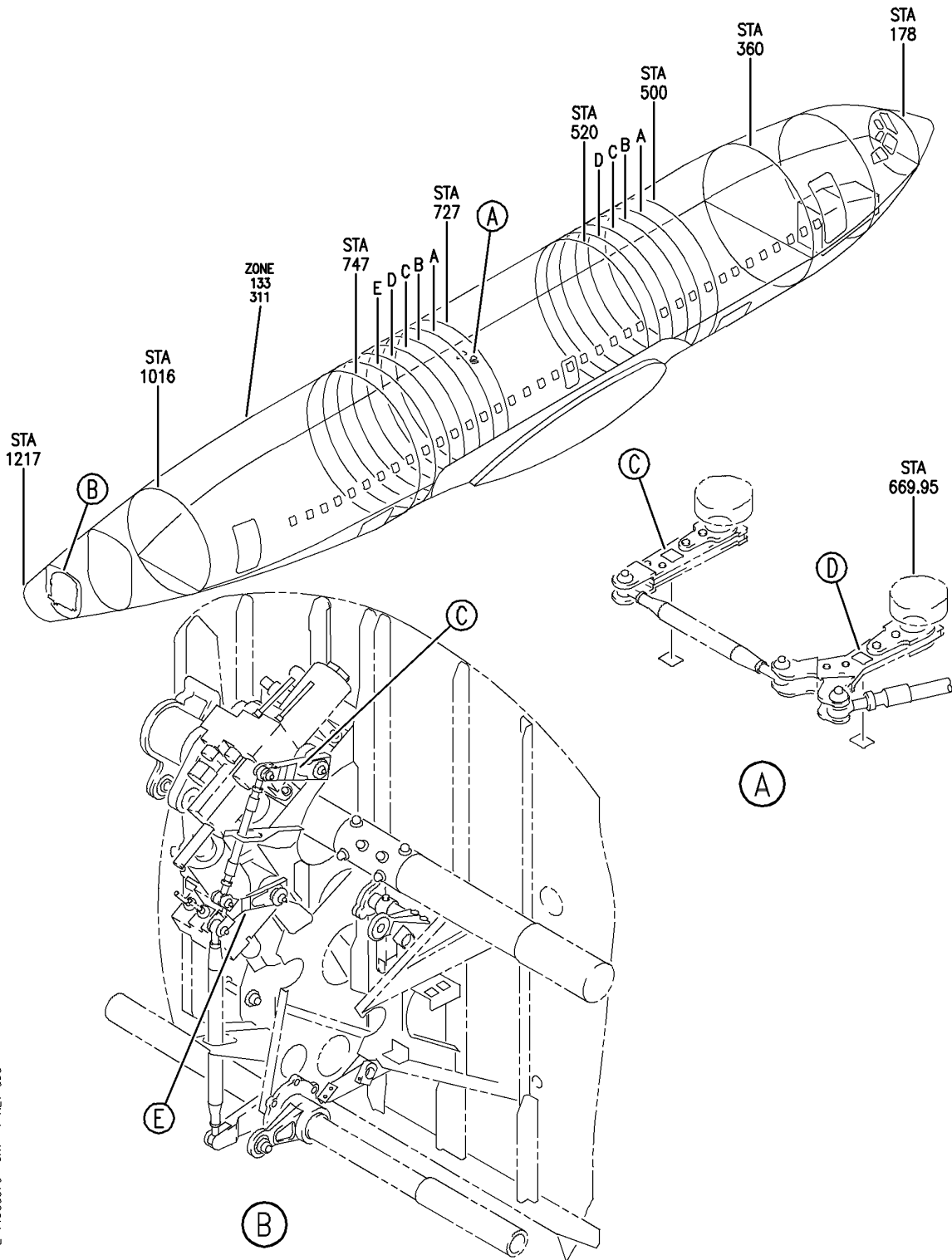
HAP

11-30-00-75

BOEING PROPRIETARY - Copyright © - Unpublished Work - See title page for details.

11-30-00
FIG. 75
PAGE 2
JUN 15/09

BOEING
 737-600/700/800/900
 PARTS CATALOG (MAINTENANCE)



E 11.300076 SHT 1 REV 056

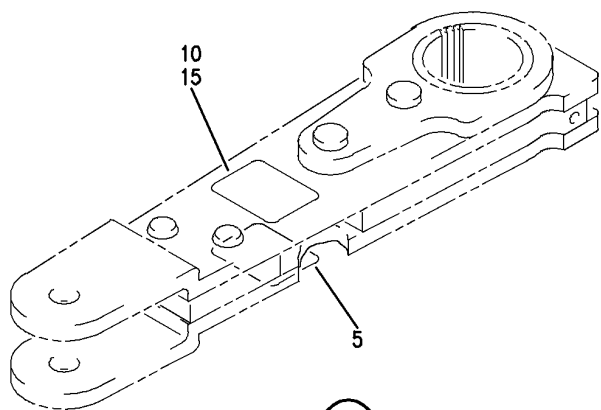
LEVER ASSY-AUTOPILOT ACTUATOR
 FIGURE 76 (SHEET 1)

11-30-00-76

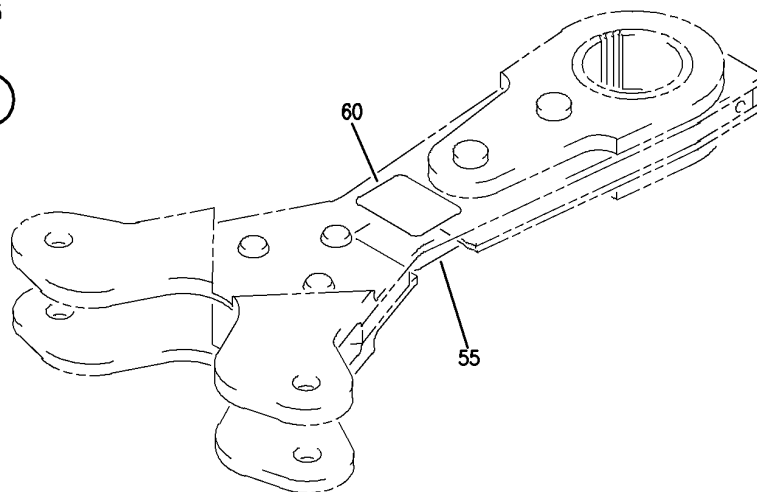
HAP
 OCT 10/06

11-30-00-76
 PAGE 0

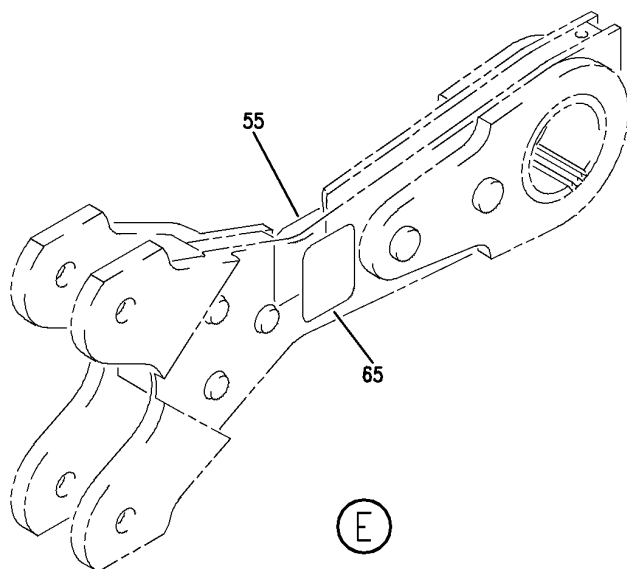
BOEING
737-600/700/800/900
PARTS CATALOG (MAINTENANCE)



(C)



(D)



(E)

E 11300076 SHT 2 REV 056

LEVER ASSY-AUTOPILOT ACTUATOR
FIGURE 76 (SHEET 2)

11-30-00-76

HAP
OCT 10/06

11-30-00-76
PAGE 0A

BOEING
737-600/700/800/900
PARTS CATALOG (MAINTENANCE)

FIG ITEM	PART NUMBER	1 2 3 4 5 6 7	NOMENCLATURE	EFFECT FROM TO	UNITS PER ASSY
76			LEVER ASSY-AUTOPILOT ACTUATOR		
- 1	69-70991-11		LEVER ASSY-AUTOPILOT ACTUATOR (PLACARDS AND MARKINGS ONLY) COMPONENT MAINT MANUAL REF: 27-09-05 OVERHAUL MANUAL REF: 27-09-05 FOR NHA/OTHER SYS DET SEE: 22-11-25-01		RF
- 1	69-70991-9		LEVER ASSY-AUTOPILOT ACTUATOR (PLACARDS AND AND MARKINGS ONLY) FOR NHA/OTHER SYS DET SEE: 22-11-25-01		RF
- 3	69-70991-10		LEVER ASSY-AUTOPILOT ACTUATOR COMPONENT MAINT MANUAL REF: 27-09-05 OPTIONAL PART: 69-70991-12 FOR NHA SEE: 22-11-26-01		RF
- 3	69-70991-12		LEVER ASSY-AUTOPILOT ACTUATOR COMPONENT MAINT MANUAL REF: 27-09-05 OPTIONAL PART: 69-70991-10 FOR NHA SEE: 22-11-26-01 INTER/ACROSS MODEL I/W P/N: 69-70991-8		RF
- 3	69-70991-8		LEVER ASSY-AUTOPILOT ACTUATOR FOR NHA SEE: 22-11-26-01		RF
5	BAC27DCT0490		.MARKER- PLACARD CONTENT: CONTROLLED SHEAR OUT INSP. HOLE MUST ACCEPT #62 OR .90MM DRILL ROD SEE OPPOSITE SIDE USED ON: 69-70991-10 69-70991-12		1

MISSING ITEM NUMBERS NOT APPLICABLE

- ITEM NOT ILLUSTRATED

HAP

11-30-00-76

BOEING PROPRIETARY - Copyright © - Unpublished Work - See title page for details.

11-30-00
FIG. 76
PAGE 1
OCT 15/08

BOEING
737-600/700/800/900
PARTS CATALOG (MAINTENANCE)

FIG ITEM	PART NUMBER	1 2 3 4 5 6 7	NOMENCLATURE	EFFECT FROM TO	UNITS PER ASSY
76					
5	BAC27DCT0366		.MARKER- PLACARD CONTENT: SHEAROUT RIVETS 66-26121-3 HAVE INSPECTION HOLE USED ON: 69-70991-8		1
10	BAC27DCT0491		.MARKER- PLACARD CONTENT: CONTROLLED SHEAR OUT USE 66-26121-4 RIVET ONLY. SEE MAINT MANUAL SECTION 22-11 OPTIONAL PART: BAC27DCT728		1
15	BAC27DCT728		.MARKER- PLACARD CONTENT: CONTROLLED SHEAR OUT USE 66-26121-3 RIVET ONLY. SEE MAINT. MANUAL SECTION 22-11 OPTIONAL PART: BAC27DCT0491		1
- 50	69-71002-11		LEVER ASSY-AUTOPILOT ACTUATOR (PLACARDS AND MARKINGS ONLY) COMPONENT MAINT MANUAL REF: 27-09-05 OVERHAUL MANUAL REF: 27-09-05 FOR NHA/OTHER SYS DET SEE: 22-11-25-01		RF
- 53	69-71002-10		LEVER ASSY-AUTOPILOT ACTUATOR COMPONENT MAINT MANUAL REF: 27-09-05 OPTIONAL PART: 69-71002-12 FOR NHA SEE: 22-11-26-01		RF
- 53	69-71002-12		LEVER ASSY-AUTOPILOT ACTUATOR COMPONENT MAINT MANUAL REF: 27-09-05 OPTIONAL PART: 69-71002-10 FOR NHA SEE: 22-11-26-01		RF

MISSING ITEM NUMBERS NOT APPLICABLE

- ITEM NOT ILLUSTRATED

HAP

11-30-00-76

BOEING PROPRIETARY - Copyright © - Unpublished Work - See title page for details.

11-30-00
FIG. 76
PAGE 2
OCT 15/08

 **BOEING**
737-600/700/800/900
PARTS CATALOG (MAINTENANCE)

FIG ITEM	PART NUMBER	1 2 3 4 5 6 7	NOMENCLATURE	EFFECT FROM TO	UNITS PER ASSY
76 - 53	69-71002-8		LEVER ASSY-AUTOPILOT ACTUATOR COMPONENT MAINT MANUAL REF: 27-09-05 FOR NHA SEE: 22-11-26-01		RF
- 53	69-71002-6		LEVER ASSY-AUTOPILOT ACTUATOR COMPONENT MAINT MANUAL REF: 27-09-05 FOR NHA SEE: 22-11-26-01		RF
55	BAC27DCT0490		.MARKER- PLACARD CONTENT: CONTROLLED SHEAR OUT INSP. HOLE MUST ACCEPT #62 OR .90MM DRILL ROD SEE OPPOSITE SIDE		1
60	BAC27DCT0491		.MARKER- PLACARD CONTENT: CONTROLLED SHEAR OUT USE 66-26121-4 RIVET ONLY. SEE MAINT. MANUAL SECTION 22-11 OPTIONAL PART: BAC27DCT728		1
65	BAC27DCT728		.MARKER- PLACARD CONTENT: CONTROLLED SHEAR OUT USE 66-26121-3 RIVET ONLY. SEE MAINT. MANUAL SECTION 22-11 OPTIONAL PART: BAC27DCT0491		1

MISSING ITEM NUMBERS NOT APPLICABLE

- ITEM NOT ILLUSTRATED

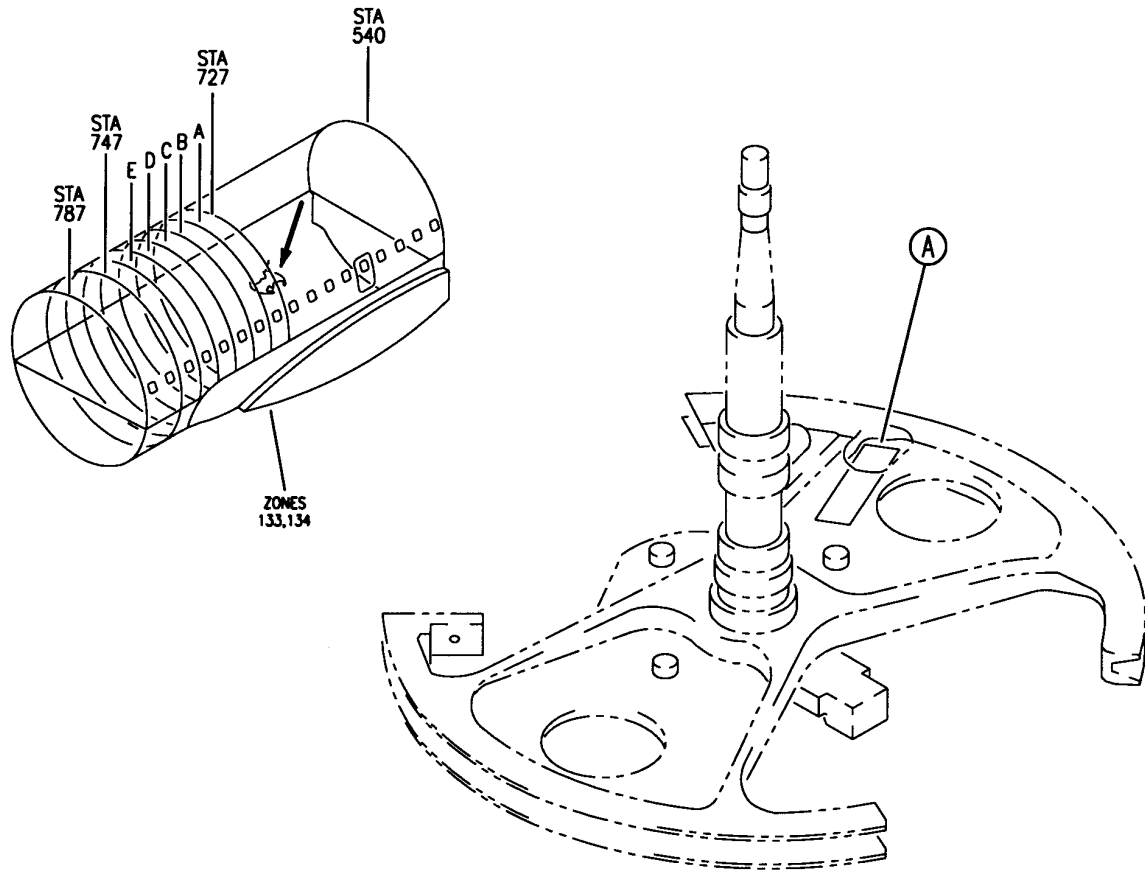
HAP

11-30-00-76

BOEING PROPRIETARY - Copyright © - Unpublished Work - See title page for details.

11-30-00
FIG. 76
PAGE 3
OCT 15/08

BOEING
 737-600/700/800/900
 PARTS CATALOG (MAINTENANCE)



5

CONTROLLED SHEAR OUT
 USE BACR15FT6KE12C RIVET ONLY.
 SEE MAINTENANCE MANUAL
 SECT. 27-11. INSPECTION HOLE MUST
 ACCEPT 1/16 IN. OR 1.55mm DIA.
 ROD CLEAR THROUGH.

(A)

E 11300077 REV 003

QUADRANT ASSY-LATERAL SYS AIL. PWR CONT (PLACARDS AND MARKINGS ONLY)
 FIGURE 77

11-30-00-77

HAP
 OCT 10/06

11-30-00-77
 PAGE 0

BOEING
737-600/700/800/900
PARTS CATALOG (MAINTENANCE)

FIG ITEM	PART NUMBER	1 2 3 4 5 6 7	NOMENCLATURE	EFFECT FROM TO	UNITS PER ASSY
77			QUADRANT ASSY-LATERAL SYS AIL. PWR CONT (PLACARDS AND MARKINGS ONLY)		
- 1	251A1666-2		QUADRANT ASSY-LATERAL SYS AIL. PWR CONT (PLACARDS AND MARKINGS ONLY)	001001 006007	RF
- 1	251A1666-4		FOR NHA/OTHER SYS DET SEE: 27-11-14-02 QUADRANT ASSY-LATERAL SYS AIL. PWR CONT (PLACARDS AND MARKINGS ONLY)	001030 201967	RF
- 1	251A1666-6		QUALIFIED I/W DATA: 251A1666-6 CAN REPLACE 251A1666-4, AND -4 CAN REPLACE -6 HOWEVER, THE CADMIUM PLATING ON THE -4 IS SUSCEPTIBLE TO CORROSION DUE TO EXPOSURE TO POTASSIUM FORMATE AND POTASSIUM ACETATE BASED DEICING FLUIDS. FOR NHA/OTHER SYS DET SEE: 27-11-14-02 QUADRANT ASSY-LATERAL SYS AIL. PWR CONT (PLACARDS AND MARKINGS ONLY)	001001 006007 031200 968999	RF
5	BAC27DCT520		QUALIFIED I/W DATA: 251A1666-6 CAN REPLACE 251A1666-4, AND -4 CAN REPLACE -6 HOWEVER, THE CADMIUM PLATING ON THE -4 IS SUSCEPTIBLE TO CORROSION DUE TO EXPOSURE TO POTASSIUM FORMATE AND POTASSIUM ACETATE BASED DEICING FLUIDS. FOR NHA/OTHER SYS DET SEE: 27-11-14-02 .MARKER-ALUMINUM FOIL		1

MISSING ITEM NUMBERS NOT APPLICABLE

- ITEM NOT ILLUSTRATED

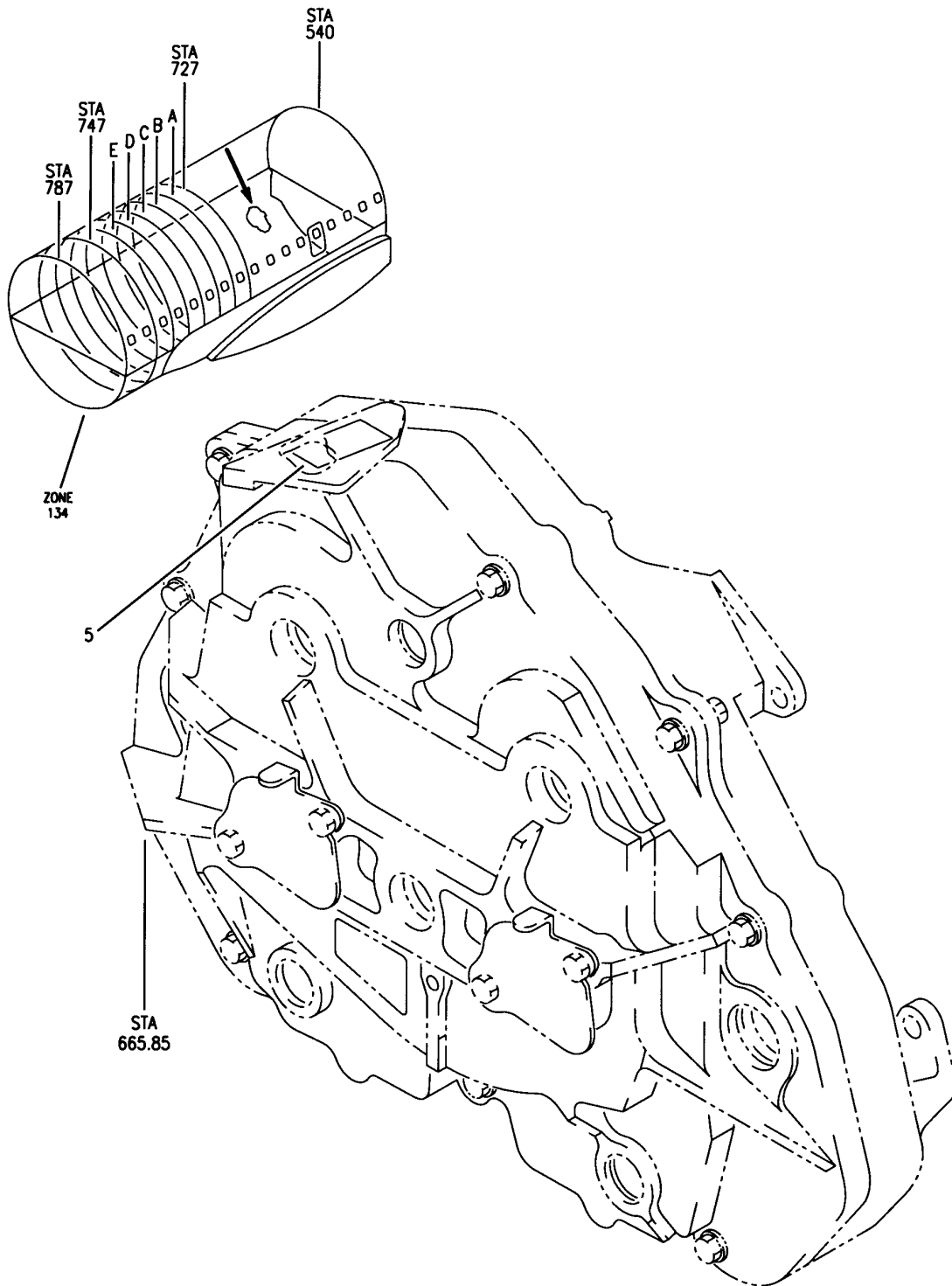
HAP

11-30-00-77

BOEING PROPRIETARY - Copyright © - Unpublished Work - See title page for details.

11-30-00
FIG. 77
PAGE 1
OCT 15/08

BOEING
737-600/700/800/900
PARTS CATALOG (MAINTENANCE)



E 11300085 REV 003

TAB ASSY-SPOILER MIXER INTERFERENCE
FIGURE 85

HAP
OCT 10/06

11-30-00-85

11-30-00-85
PAGE 0

BOEING
737-600/700/800/900
PARTS CATALOG (MAINTENANCE)

FIG ITEM	PART NUMBER	1 2 3 4 5 6 7	NOMENCLATURE	EFFECT FROM TO	UNITS PER ASSY
85			TAB ASSY-SPOILER MIXER INTERFERENCE		
- 1	251A1748-1		TAB ASSY-SPOILER MIXER INTERFERENCE FOR NHA SEE: 27-61-21-02		RF
5	BAC27DCT624		.MARKER-ALUMINUM FOIL PLACARD CONTENT: DO NOT REMOVE OR ALTER THIS PART (PREVENTS INSTALLATION OF INCORRECT SPOILER MIXER CONFIGURATION)		1

MISSING ITEM NUMBERS NOT APPLICABLE

- ITEM NOT ILLUSTRATED

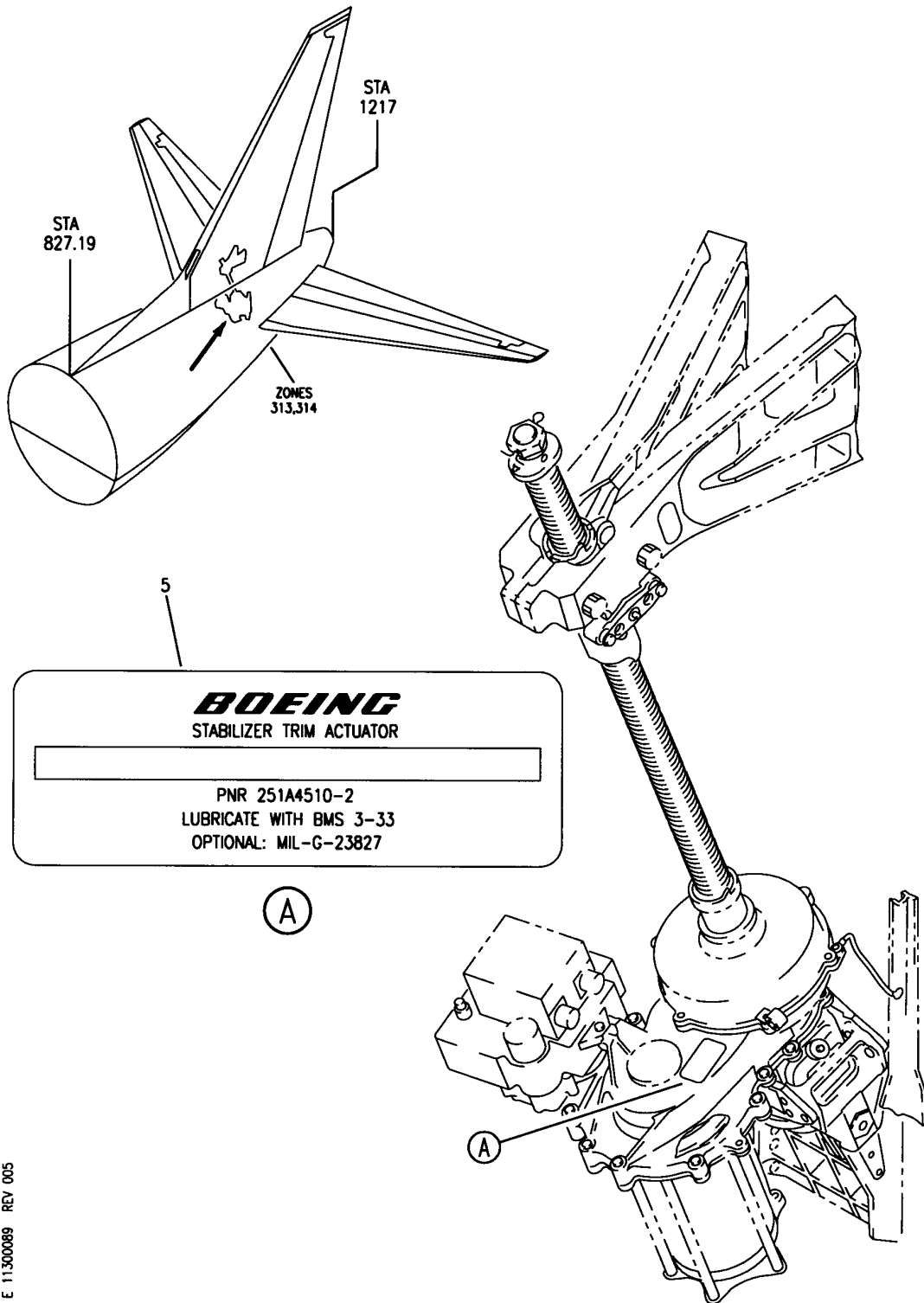
HAP

11-30-00-85

BOEING PROPRIETARY - Copyright © - Unpublished Work - See title page for details.

11-30-00
FIG. 85
PAGE 1
OCT 10/06

BOEING
 737-600/700/800/900
 PARTS CATALOG (MAINTENANCE)



E 11300089 REV 005

ACTUATOR ASSY-STAB. TRIM (PLACARDS AND MARKINGS ONLY)
 FIGURE 89

11-30-00-89

HAP
 OCT 10/06

11-30-00-89
 PAGE 0

BOEING
737-600/700/800/900
PARTS CATALOG (MAINTENANCE)

FIG ITEM	PART NUMBER	1 2 3 4 5 6 7	NOMENCLATURE	EFFECT FROM TO	UNITS PER ASSY
89			ACTUATOR ASSY-STAB. TRIM (PLACARDS AND MARKINGS ONLY)		
R -	1 251A4510-6		ACTUATOR ASSY-STAB. TRIM (PLACARDS AND MARKINGS ONLY) COMPONENT MAINT MANUAL REF: 27-45-12 POST SERVICE BULLETIN: 27-1210 27-1210R1 POST SERVICE LETTER: 27-130A FOR NHA/OTHER SYS DET SEE: 27-41-71-01	001030 201967 970971	RF
R					
R					
R					
R					
R					
R					
R					
R					
-	1 251A4510-9		ACTUATOR ASSY-STAB. TRIM (PLACARDS AND MARKINGS ONLY) COMPONENT MAINT MANUAL REF: 27-45-12 FOR NHA/OTHER SYS DET SEE: 27-41-71-01	001030 201967 970971	RF
-	1 251A4510-10		ACTUATOR ASSY-STAB. TRIM (PLACARDS AND MARKINGS ONLY) COMPONENT MAINT MANUAL REF: 27-45-12 FOR NHA/OTHER SYS DET SEE: 27-41-71-01		RF
R -	1 251A4510-11		ACTUATOR ASSY-STAB. TRIM (PLACARDS AND MARKINGS ONLY) COMPONENT MAINT MANUAL REF: 27-45-12 FOR NHA/OTHER SYS DET SEE: 27-41-71-01		RF
R					
R					
R					
R					
R					
-	1 251A4510-12		ACTUATOR ASSY-STAB. TRIM (PLACARDS AND MARKINGS ONLY) COMPONENT MAINT MANUAL REF: 27-45-12 FOR NHA/OTHER SYS DET SEE: 27-41-71-01		RF
	5 251A4590-6		.NAMEPLATE- USED ON: 251A4510-6 251A4510-12	001030 201967 970971	1

MISSING ITEM NUMBERS NOT APPLICABLE

- ITEM NOT ILLUSTRATED

HAP

11-30-00-89

11-30-00
FIG. 89
PAGE 1
JUN 15/09

BOEING
737-600/700/800/900
PARTS CATALOG (MAINTENANCE)

FIG ITEM	PART NUMBER	1 2 3 4 5 6 7	NOMENCLATURE	EFFECT FROM TO	UNITS PER ASSY
89	5 251A4590-7		.NAMEPLATE- USED ON: 251A4510-9	001030 201967 970971	1
	5 251A4590-9		.NAMEPLATE- USED ON: 251A4510-10		
	5 251A4590-10		.NAMEPLATE- OPTIONAL PART: 251A4590-11 USED ON: 251A4510-11		
	5 251A4590-11		.NAMEPLATE- OPTIONAL PART: 251A4590-11 USED ON: 251A4510-11		

MISSING ITEM NUMBERS NOT APPLICABLE

— ITEM NOT ILLUSTRATED

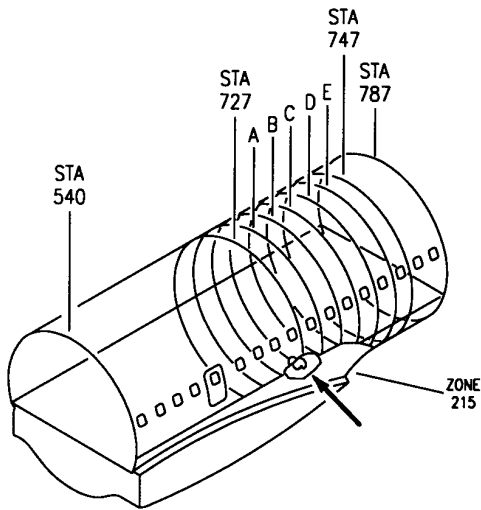
HAP

11-30-00-89

BOEING PROPRIETARY - Copyright © - Unpublished Work - See title page for details.

11-30-00
FIG. 89
PAGE 2
JUN 15/09

BOEING
 737-600/700/800/900
 PARTS CATALOG (MAINTENANCE)

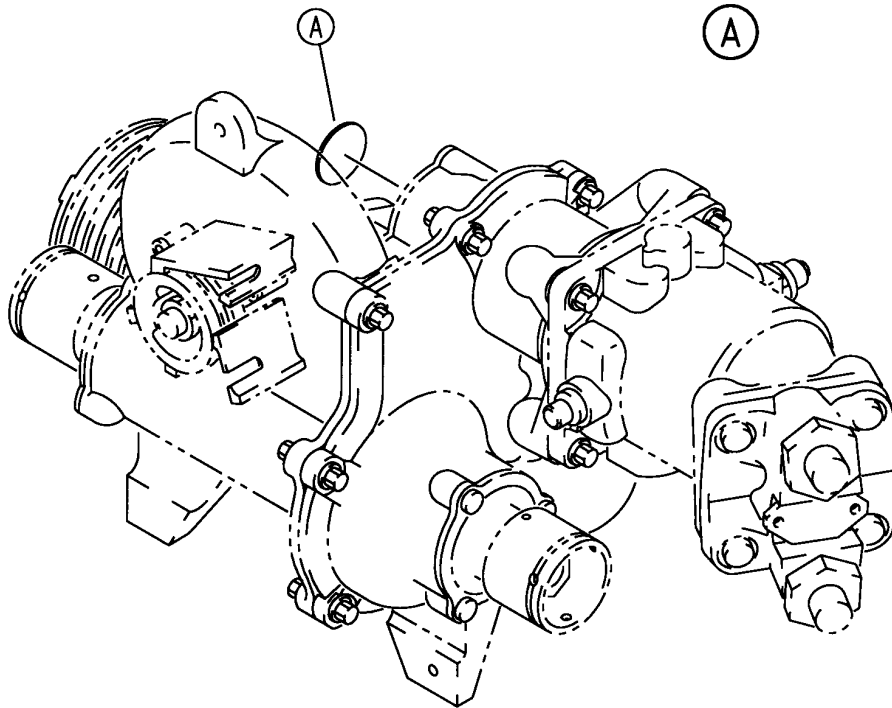


5

FLAPS
MANUAL DRIVE
 Caution-Shearout
 Do not exceed:
 350 in-lbs, 1000 RPM

EXTEND

BAC270C1344



E 11300091 REV 003

GEARBOX ASSY FLAP ACTUATION (PLACARDS AND MARKINGS ONLY)
 FIGURE 91

11-30-00-91

HAP
 OCT 10/06

11-30-00-91
 PAGE 0

BOEING
737-600/700/800/900
PARTS CATALOG (MAINTENANCE)

FIG ITEM	PART NUMBER	1 2 3 4 5 6 7	NOMENCLATURE	EFFECT FROM TO	UNITS PER ASSY
91			GEARBOX ASSY FLAP ACTUATION (PLACARDS AND MARKINGS ONLY)		
- 1	256A3515-1		GEARBOX ASSY-FLAP ACTUATION (PLACARDS AND MARKINGS ONLY) FOR NHA/OTHER SYS DET SEE: 27-51-51-01		RF
- 1	256A3515-2		GEARBOX ASSY-FLAP ACTUATION (PLACARDS AND MARKINGS ONLY) OPTIONAL PART: 256A3515-3 FOR NHA/OTHER SYS DET SEE: 27-51-51-01		RF
- 1	256A3515-3		GEARBOX ASSY-FLAP ACTUATION (PLACARDS AND MARKINGS ONLY) OPTIONAL PART: 256A3515-2 FOR NHA/OTHER SYS DET SEE: 27-51-51-01		RF
- 1	256A3515-4		GEARBOX ASSY-FLAP ACTUATION (PLACARDS AND MARKINGS ONLY) FOR NHA/OTHER SYS DET SEE: 27-51-51-01		RF
	5 BAC27DCT544		.MARKER		1

MISSING ITEM NUMBERS NOT APPLICABLE

- ITEM NOT ILLUSTRATED

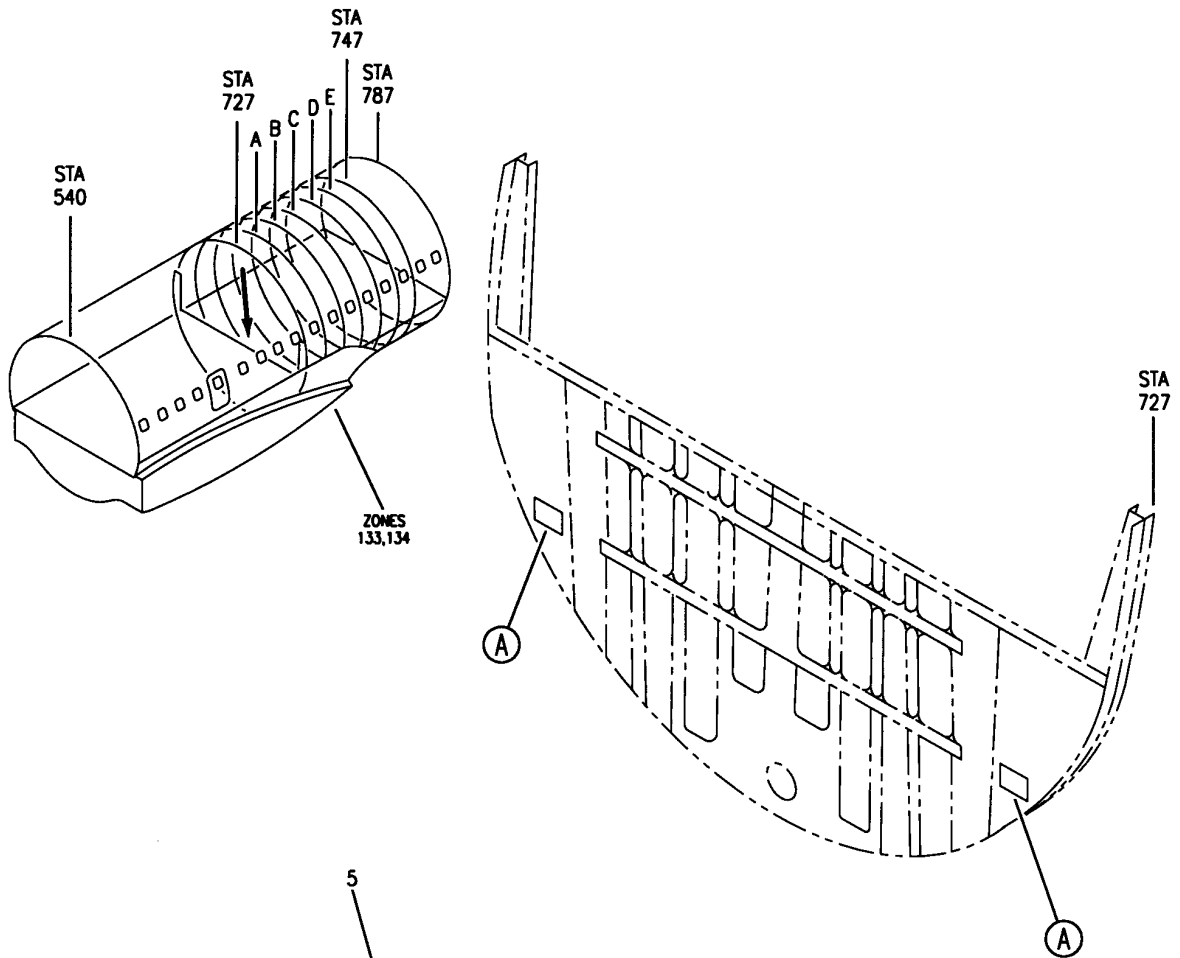
HAP

11-30-00-91



BOEING PROPRIETARY - Copyright © - Unpublished Work - See title page for details.

11-30-00
FIG. 91
PAGE 1
OCT 10/06

BOEING
 737-600/700/800/900
 PARTS CATALOG (MAINTENANCE)



5

 WARNING
<p>STAY CLEAR.</p> <p>TORQUE TUBES CAN TURN WITHOUT WARNING AND CAUSE SERIOUS INJURY OR DEATH.</p>

<p>(TUBES MARKED AS SHOWN)</p>

(A)

E 11300112 REV 004

MARKER INSTL-HIGH LIFT SYS
 FIGURE 12

11-30-01-12

HAP
 OCT 10/06

11-30-01-12
 PAGE 0

BOEING
737-600/700/800/900
PARTS CATALOG (MAINTENANCE)

FIG ITEM	PART NUMBER	1 2 3 4 5 6 7	NOMENCLATURE	EFFECT FROM TO	UNITS PER ASSY
12					
- 1	256A3706-1		MARKER INSTL-HIGH LIFT SYS MARKER INSTL-HIGH LIFT SYS FOR NHA SEE: 27-00-00-25B 27-00-00-26B	001030 201967	RF
- 1	MODREF84233		MARKER INSTL-HIGH LIFT SYS MODULE NUMBER: 256A3706-1 REV A	031200 968999	1
5	BAC27DCT629		.MARKER		2

MISSING ITEM NUMBERS NOT APPLICABLE

- ITEM NOT ILLUSTRATED

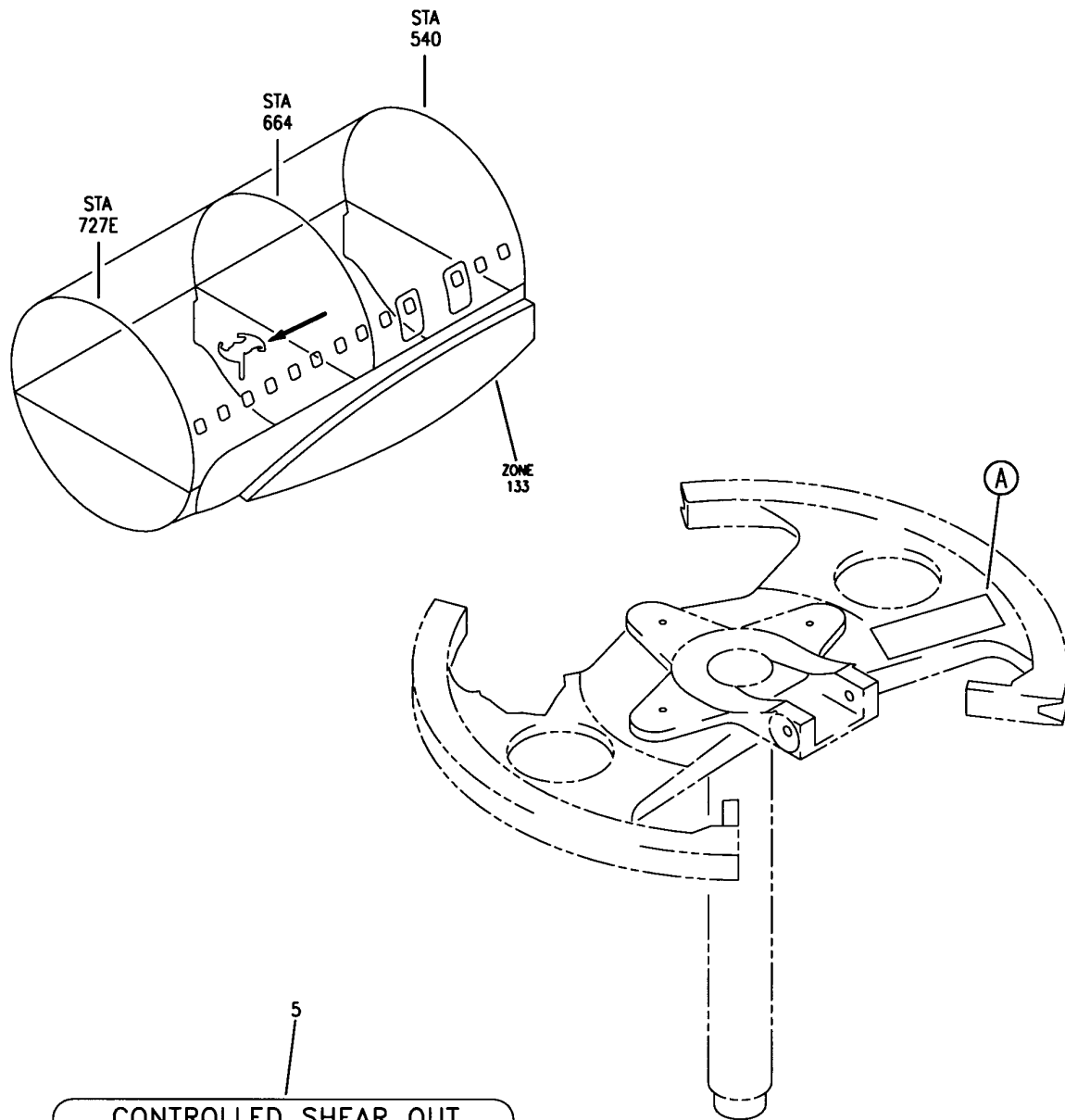
HAP

11-30-01-12

BOEING PROPRIETARY - Copyright © - Unpublished Work - See title page for details.

11-30-01
FIG. 12
PAGE 1
OCT 15/08

BOEING
 737-600/700/800/900
 PARTS CATALOG (MAINTENANCE)



5

CONTROLLED SHEAR OUT
 USE BACR15FT6KE12C RIVET ONLY.
 SEE MAINTENANCE MANUAL
 SECT. 27-11. INSPECTION HOLE MUST
 ACCEPT 1/16 IN. OR 1.55mm DIA.
 ROD CLEAR THROUGH.

E 11300117 REV 005

(A)

QUADRANT ASSY-PWR CONT
 FIGURE 17

11-30-01-17

HAP
 OCT 10/06

11-30-01-17
 PAGE 0

BOEING
737-600/700/800/900
PARTS CATALOG (MAINTENANCE)

FIG ITEM	PART NUMBER	1 2 3 4 5 6 7	NOMENCLATURE	EFFECT FROM TO	UNITS PER ASSY
17					
- 1	251A1666-1		QUADRANT ASSY-PWR CONT QUADRANT ASSY-PWR CONT QUALIFIED I/W DATA: 251A1666-5 CAN REPLACE 251A1666-1, AND -1 CAN REPLACE -5 HOWEVER, THE CADMIUM PLATING ON THE -1 IS SUSCEPTIBLE TO CORROSION DUE TO EXPOSURE TO POTASSIUM FORMATE AND POTASSIUM ACETATE BASED DEICING FLUIDS. FOR NHA SEE: 27-11-14-01	001030 201967	RF
- 1	251A1666-5		QUADRANT ASSY-PWR CONT QUALIFIED I/W DATA: 251A1666-5 CAN REPLACE 251A1666-1, AND -1 CAN REPLACE -5 HOWEVER, THE CADMIUM PLATING ON THE -1 IS SUSCEPTIBLE TO CORROSION DUE TO EXPOSURE TO POTASSIUM FORMATE AND POTASSIUM ACETATE BASED DEICING FLUIDS. FOR NHA SEE: 27-11-14-01	031200 968999	RF
5	BAC27DCT520		.MARKER-ALUMINUM FOIL		1

MISSING ITEM NUMBERS NOT APPLICABLE

- ITEM NOT ILLUSTRATED

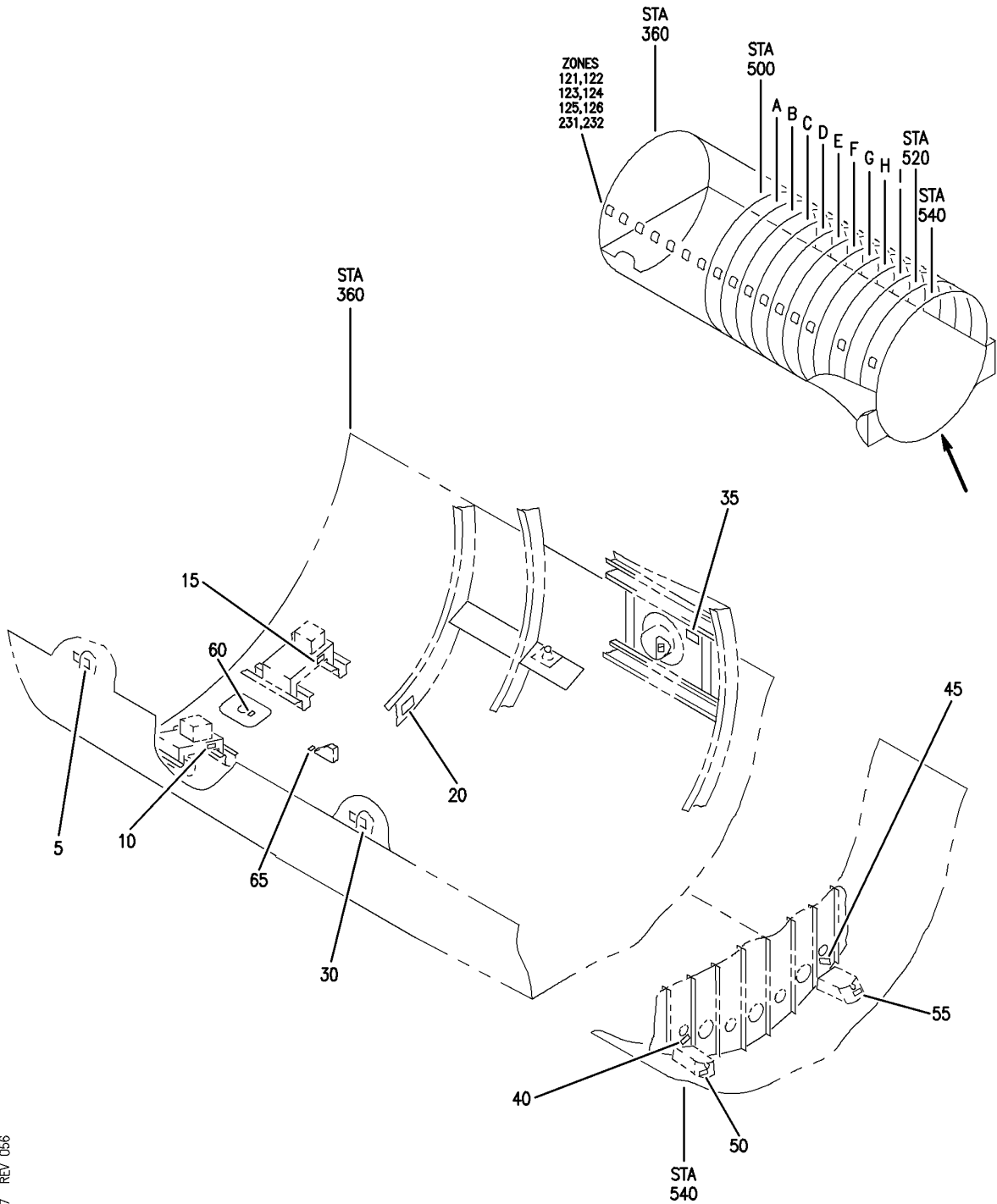
HAP

11-30-01-17

BOEING PROPRIETARY - Copyright © - Unpublished Work - See title page for details.

11-30-01
FIG. 17
PAGE 1
OCT 15/08

BOEING
 737-600/700/800/900
 PARTS CATALOG (MAINTENANCE)



E 11300137 REV 0566

DECAL INSTL-BODY, E/E EQPT
 FIGURE 37

11-30-01-37

HAP
 OCT 10/06

11-30-01-37
 PAGE 0

BOEING
737-600/700/800/900
PARTS CATALOG (MAINTENANCE)

FIG ITEM	PART NUMBER	1 2 3 4 5 6 7	NOMENCLATURE	EFFECT FROM TO	UNITS PER ASSY
37					
- 1	284A0835-9		DECAL INSTL-BODY, E/E EQPT DECAL INSTL-BODY, E/E EQPT FOR NHA SEE: 25-00-00-17A	001100 001027	RF
- 1	284A0835-27		DECAL INSTL-BODY, E/E EQPT FOR NHA SEE: 25-00-00-17A	028030	RF
- 1	MODREF86155		DECAL INSTL-BODY, E/E EQPT MODULE NUMBER: 284A0835-27 REV A	031036	1
- 1	MODREF287732		DECAL INSTL-BODY, E/E EQPT MODULE NUMBER: 284A0835-27 REV B	037100	1
5	BAC27DEX875		.DECAL- PLACARD CONTENT: L731 ESCAPE SLIDE LIGHT- FWD ENTRY	001100	1
10	BAC27DEX6534		.DECAL- PLACARD CONTENT: T10 GROUND SERVICE XFMR	001100	1
15	BAC27DEX6533		.DECAL- PLACARD CONTENT: T6 GROUND SERVICE XFMR	001100	1
20	BACM10L20-4NE		.MARKER-ALUMINUM FOIL PLACARD CONTENT: CARGO LIGHTS PUSH ON PUSH OFF	001100	1
30	BAC27DEX6617		.MARKER-ALUMINUM FOIL PLACARD CONTENT: L00034 WING ILLUMINATION LIGHT- LH	001100	1
35	BAC27DEX6618		.MARKER-ALUMINUM FOIL PLACARD CONTENT: L00035 WING ILLUMINATION LIGHT- RH	001100	1
50	BAC27DEX6631		.MARKER-ALUMINUM FOIL POSITION DATA: LS PLACARD CONTENT: L322 RETRACTABLE LANDING LT	001100	1
55	BAC27DEX6632		.MARKER-ALUMINUM FOIL POSITION DATA: RS PLACARD CONTENT: L323 RETRACTABL R LANDING LT	001100	1

MISSING ITEM NUMBERS NOT APPLICABLE

- ITEM NOT ILLUSTRATED

HAP

11-30-01-37

11-30-01
FIG. 37
PAGE 1
OCT 10/07

BOEING
737-600/700/800/900
PARTS CATALOG (MAINTENANCE)

FIG ITEM	PART NUMBER	1 2 3 4 5 6 7	NOMENCLATURE	EFFECT FROM TO	UNITS PER ASSY
37					
60	BAC27DEX6912	.DECAL-	PLACARD CONTENT: M01486 TCAS ANTENNA TOP	028100	1
65	BAC27DEX6913	.DECAL-	PLACARD CONTENT: M01406 ATC ANTENNA TOP	028100	1
MISSING ITEM NUMBERS NOT APPLICABLE					

- ITEM NOT ILLUSTRATED

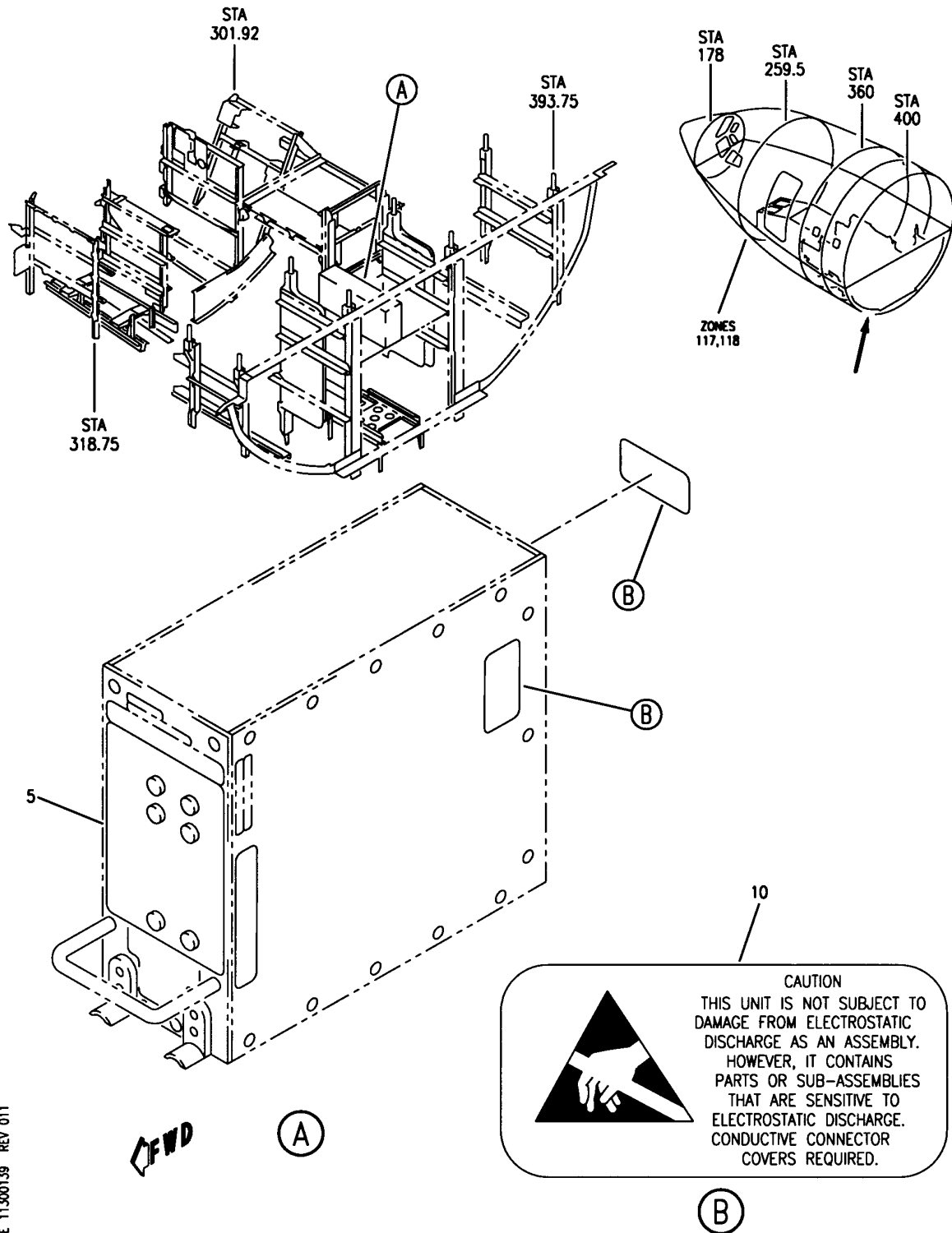
HAP

11-30-01-37

BOEING PROPRIETARY - Copyright © - Unpublished Work - See title page for details.

11-30-01
FIG. 37
PAGE 2
OCT 10/07

BOEING
 737-600/700/800/900
 PARTS CATALOG (MAINTENANCE)



E 11300139 REV 011

ACCESS UNIT-ENGINE (PLACARDS AND MARKINGS ONLY)
 FIGURE 39

11-30-01-39

HAP
 OCT 10/06

11-30-01-39
 PAGE 0

BOEING
737-600/700/800/900
PARTS CATALOG (MAINTENANCE)

FIG ITEM	PART NUMBER	1 2 3 4 5 6 7	NOMENCLATURE	EFFECT FROM TO	UNITS PER ASSY
R R R R R R R R R R	39		ACCESS UNIT-ENGINE (PLACARDS AND MARKINGS ONLY)		
	- 1	285A1300-1	UNIT ASSY-ENG (PLACARDS AND MARKINGS ONLY) SUPPLIER CODE: V89954 ELECTRICAL EQUIP NUMBER: M00528 COMPONENT MAINT MANUAL REF: 77-09-11 FOR NHA/OTHER SYS DET SEE: 78-34-06-01 78-34-06-02		RF
	5	GM359847	.DECAL- SUPPLIER CODE: V22670		1
	10	BAC27DEX6075	.MARKER		2

MISSING ITEM NUMBERS NOT APPLICABLE

- ITEM NOT ILLUSTRATED

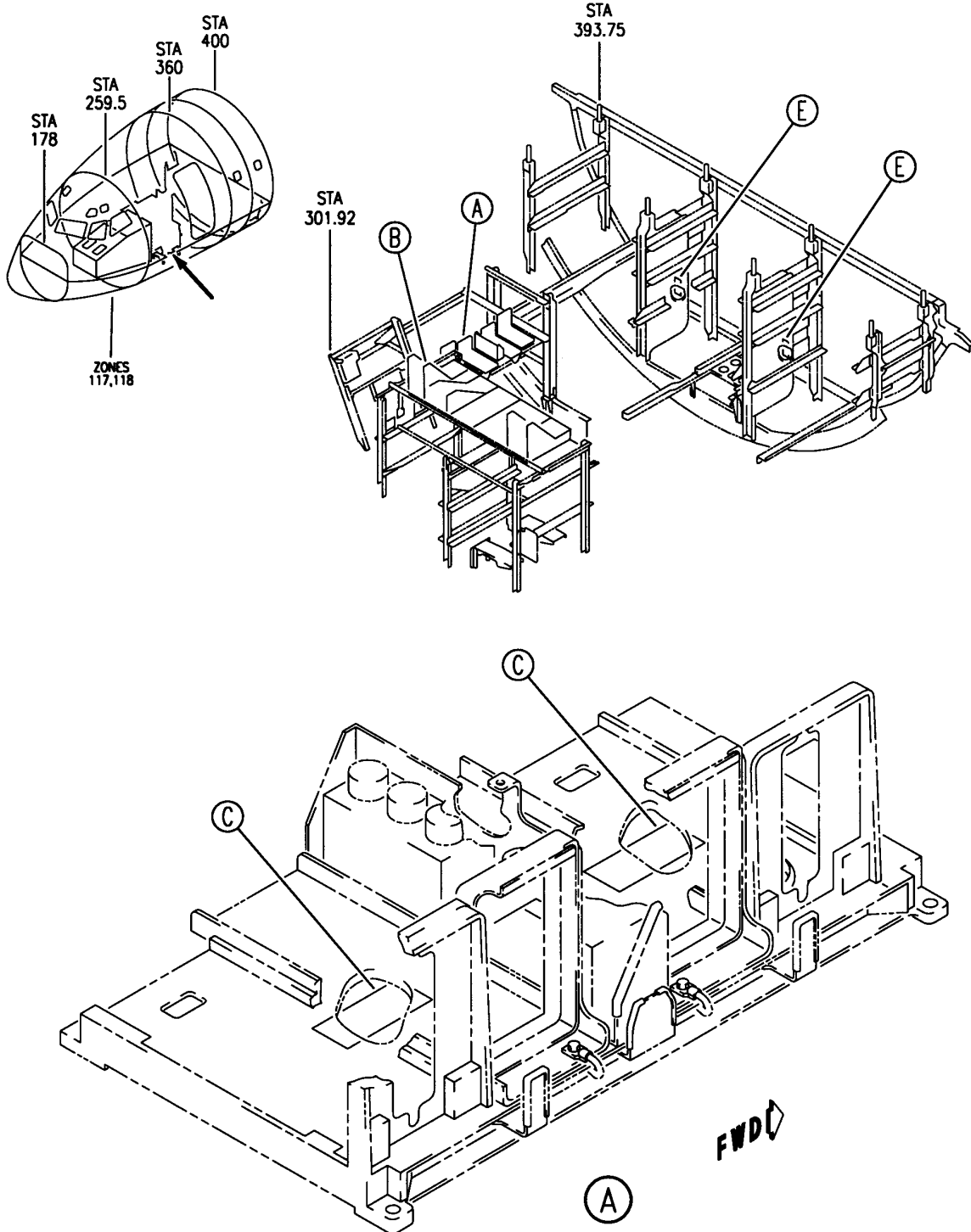
HAP

11-30-01-39

BOEING PROPRIETARY - Copyright © - Unpublished Work - See title page for details.

11-30-01
FIG. 39
PAGE 1
JUN 15/09

BOEING
 737-600/700/800/900
 PARTS CATALOG (MAINTENANCE)



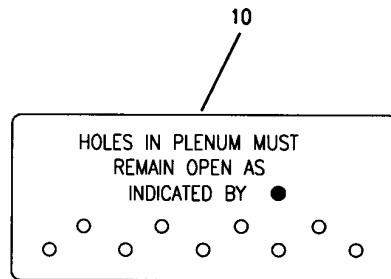
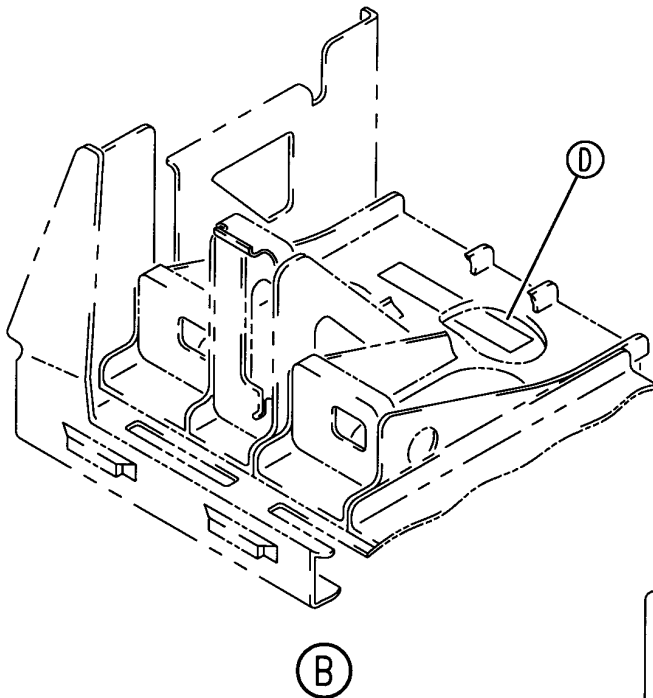
E 11-300147 SH1 1 REV 012

PLUG INSTL-FWD E/E COOLING SECT. 41
 FIGURE 47 (SHEET 1)

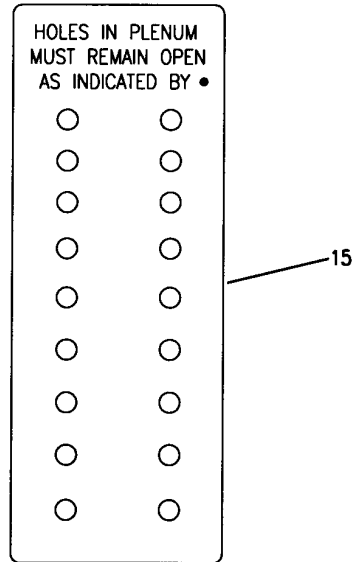
11-30-01-47

HAP
 OCT 10/06

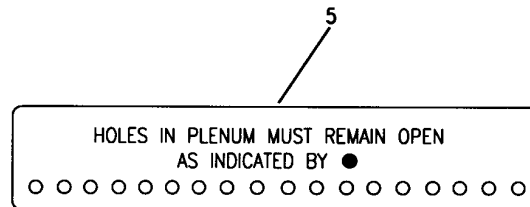
11-30-01-47
 PAGE 0



(C)



(E)



(D)

E 11300147 SHT 2 REV 012

PLUG INSTL-FWD E/E COOLING SECT. 41
 FIGURE 47 (SHEET 2)

11-30-01-47

BOEING
737-600/700/800/900
PARTS CATALOG (MAINTENANCE)

FIG ITEM	PART NUMBER	1 2 3 4 5 6 7	NOMENCLATURE	EFFECT FROM TO	UNITS PER ASSY
47			PLUG INSTL-FWD E/E COOLING SECT. 41	001011 201967	
- 1	217A1005-1		PLUG INSTL-E/E COOLING POSITION DATA: SECT. 41 FWD FOR NHA SEE: 21-20-00-04B	201967	RF
- 1	217A1005-2		PLUG INSTL-E/E COOLING FOR NHA SEE: 21-20-00-09C	001011	RF
5	BAC27DEX6682		.DECAL	001011	1
10	BAC27DEX6683		.DECAL	001011 201967	2
15	BAC27DEX6255		.DECAL	001011 201967	2

MISSING ITEM NUMBERS NOT APPLICABLE

- ITEM NOT ILLUSTRATED

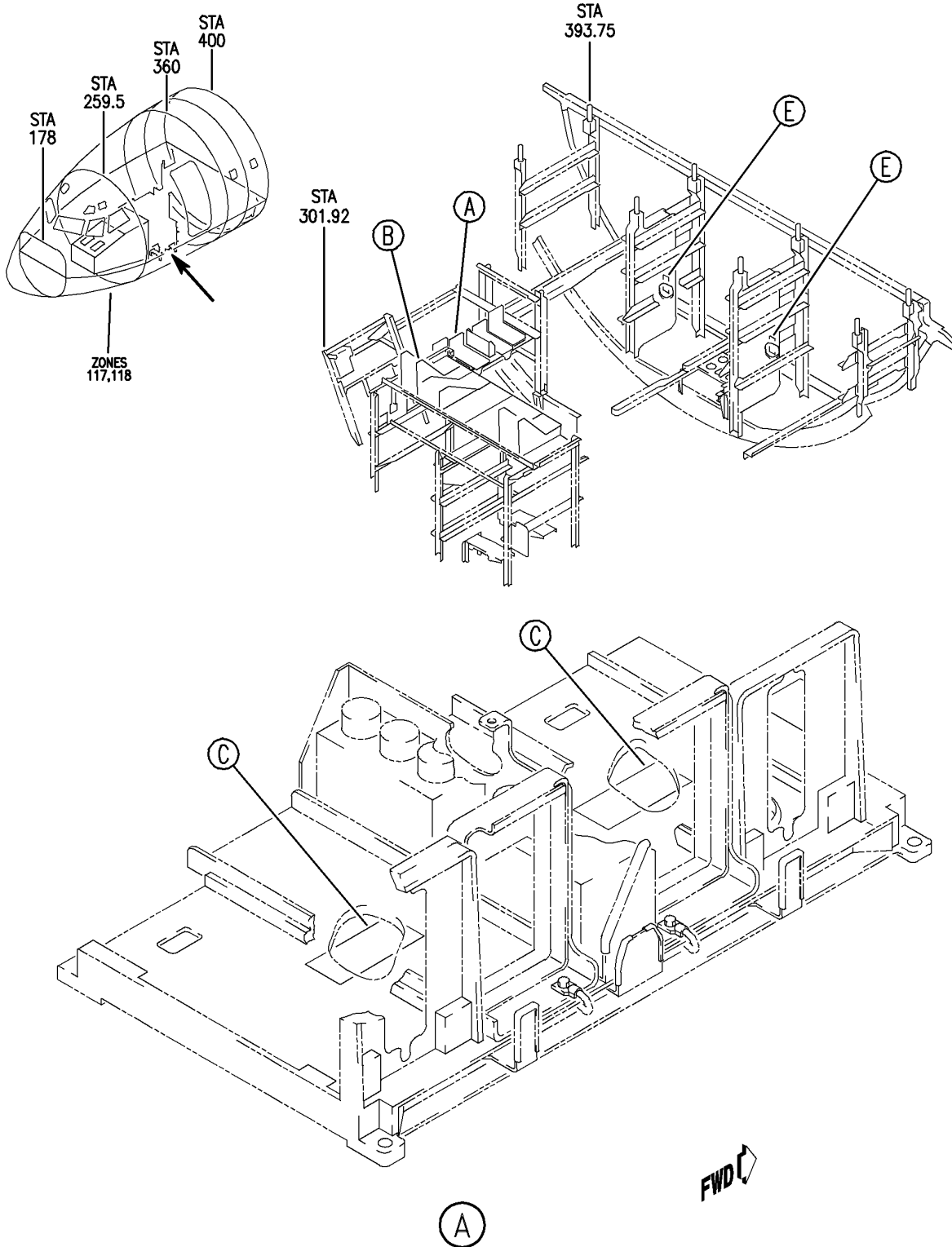
HAP

11-30-01-47

BOEING PROPRIETARY - Copyright © - Unpublished Work - See title page for details.

11-30-01
FIG. 47
PAGE 1
OCT 15/08

BOEING
 737-600/700/800/900
 PARTS CATALOG (MAINTENANCE)



E 11300147B SHT 1 REV 045

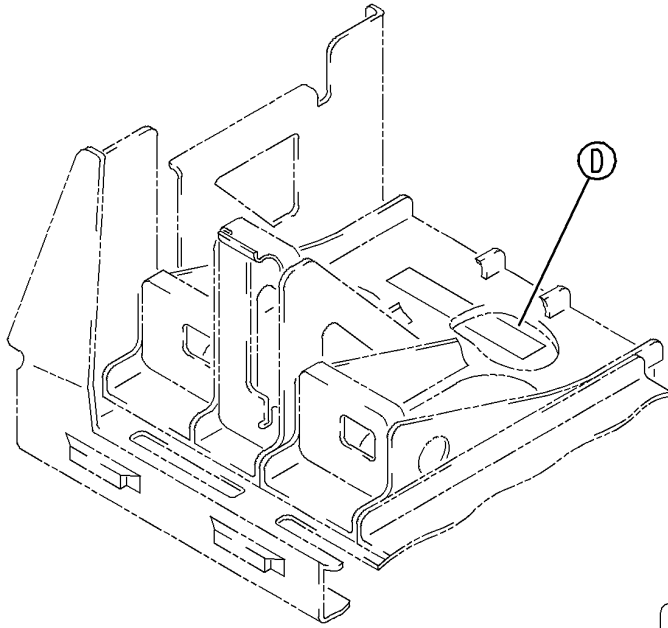
PLUG INSTL-FWD E/E COOLING SECT. 41
 FIGURE 47B (SHEET 1)

11-30-01-47B

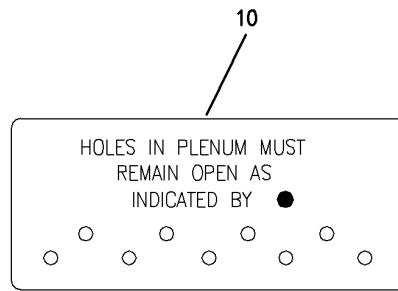
HAP
 OCT 10/06

11-30-01-47B
 PAGE 0

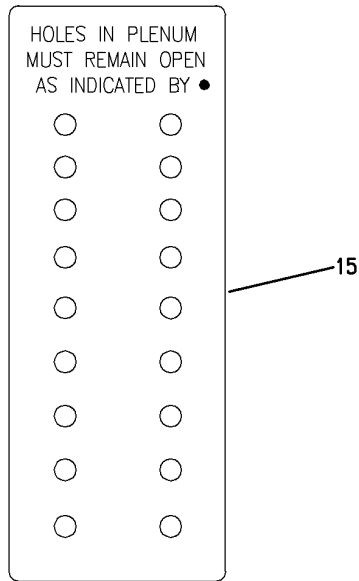
BOEING
 737-600/700/800/900
 PARTS CATALOG (MAINTENANCE)



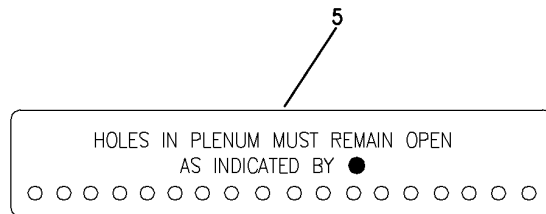
(B)



(C)



(E)



(D)

E 11300147B SHT 2 REV 045

PLUG INSTL-FWD E/E COOLING SECT. 41
 FIGURE 47B (SHEET 2)

11-30-01-47B

HAP
 OCT 10/06

11-30-01-47B
 PAGE 0A

BOEING
737-600/700/800/900
PARTS CATALOG (MAINTENANCE)

FIG ITEM	PART NUMBER	1 2 3 4 5 6 7	NOMENCLATURE	EFFECT FROM TO	UNITS PER ASSY
47B			PLUG INSTL-FWD E/E COOLING SECT. 41	012200 968999	
- 1	217A1005-6		PLUG INSTL-E/E COOLING POSITION DATA: SECT. 41 FWD FOR NHA SEE: 21-20-00-09C	012030	RF
- 1	MODREF81512		PLUG INSTL-E/E COOLING MODULE NUMBER: 217A1005-6 REV A POSITION DATA: SECT. 41 FWD	031200 968999	1
5	BAC27DEX6682		.DECAL	012200 968999	1
10	BAC27DEX6683		.DECAL	012200 968999	2
15	BAC27DEX6255		.DECAL	012200 968999	2

MISSING ITEM NUMBERS NOT APPLICABLE

- ITEM NOT ILLUSTRATED

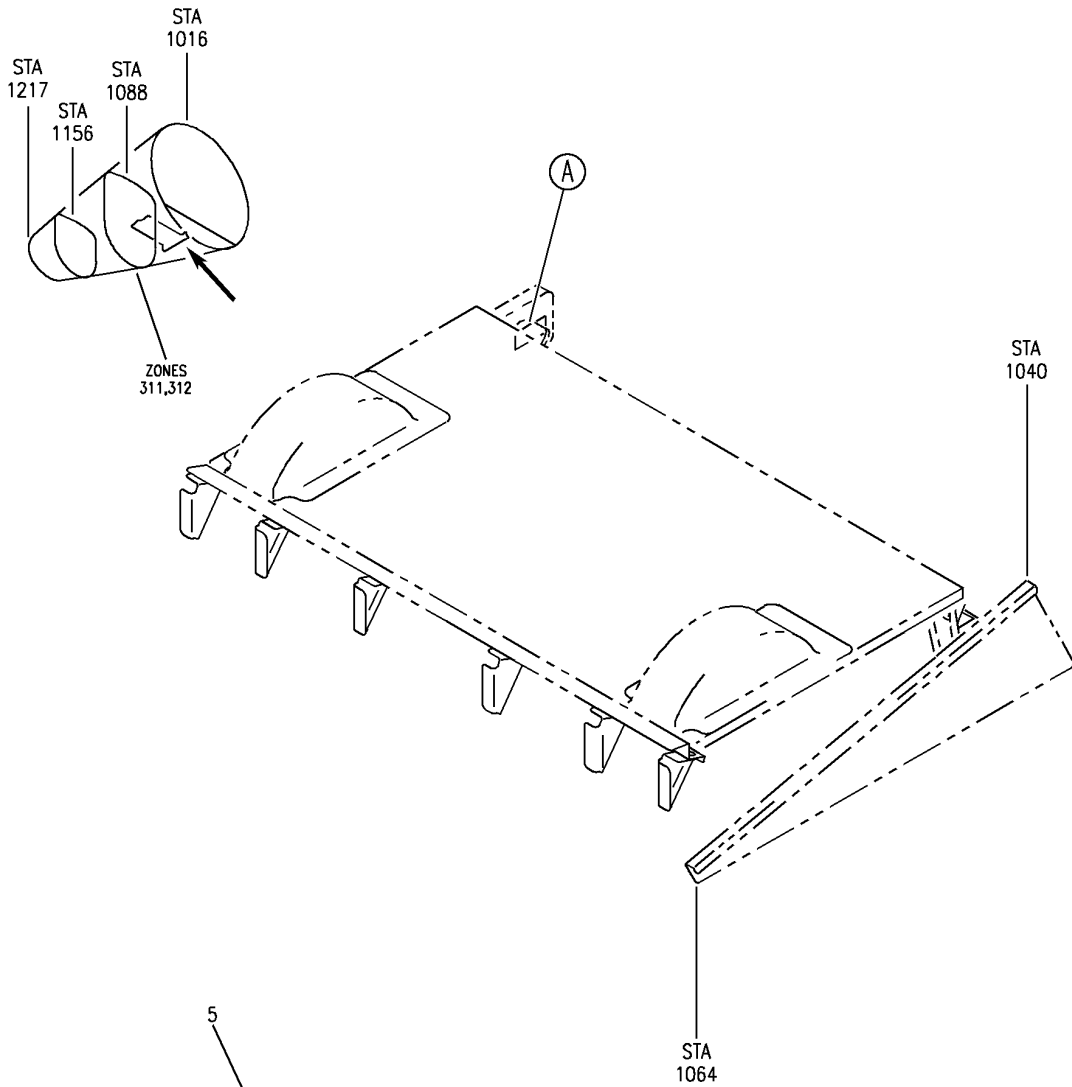
HAP

11-30-01-47B

BOEING PROPRIETARY - Copyright © - Unpublished Work - See title page for details.

11-30-01
FIG. 47B
PAGE 1
OCT 15/08

BOEING
 737-600/700/800/900
 PARTS CATALOG (MAINTENANCE)



5

NO STEP
 DO NOT STEP ON
 SURROUNDING SKIN LIP

A

E 11305101 REV 128

FLOOR INSTL-STA 1040 TO STA 1064 (PLACARDS AND MARKINGS ONLY)
 FIGURE 1

11-30-51-01

HAP
 JUN 10/07

11-30-51-01
 PAGE 0

 **BOEING**
737-600/700/800/900
PARTS CATALOG (MAINTENANCE)

FIG ITEM	PART NUMBER	1 2 3 4 5 6 7	NOMENCLATURE	EFFECT FROM TO	UNITS PER ASSY
1			FLOOR INSTL-STA 1040 TO STA 1064 (PLACARDS AND MARKINGS ONLY)	001027 037999	
- 1	148A8100-2		FLOOR INSTL-(PLACARDS AND MARKINGS ONLY) POSITION DATA: STA 1040 TO STA 1064 FOR NHA/OTHER SYS DET SEE: 53-21-00-01N	001001 006007	RF
- 1	148A8100-3		FLOOR INSTL-(PLACARDS AND MARKINGS ONLY) POSITION DATA: STA 1040 TO STA 1064 FOR NHA/OTHER SYS DET SEE: 53-21-00-01L	201967	RF
- 1	148A8100-4		FLOOR INSTL-(PLACARDS AND MARKINGS ONLY) POSITION DATA: STA 1040 TO STA 1064 FOR NHA/OTHER SYS DET SEE: 53-21-00-01N	008027	RF
- 1	148A8100-6		FLOOR INSTL-(PLACARDS AND MARKINGS ONLY) POSITION DATA: STA 1040 TO STA 1064 FOR NHA/OTHER SYS DET SEE: 53-21-00-01N	002005	RF
- 1	MODREF310027		FLOOR INSTL-(PLACARDS AND MARKINGS ONLY) MODULE NUMBER: 148A8100-9 REV C POSITION DATA: STA 1040 TO STA 1064 FOR OTHER SYS DETAILS SEE: 53-21-51-02D	101200 968999	1
- 1	MODREF310025		FLOOR INSTL-(PLACARDS AND MARKINGS ONLY) MODULE NUMBER: 148A8100-10 REV C POSITION DATA: STA 1040 TO STA 1064 FOR OTHER SYS DETAILS SEE: 53-21-51-02D	037100	1
5	BAC27DBY94		.DECAL	001027 037999	1

MISSING ITEM NUMBERS NOT APPLICABLE

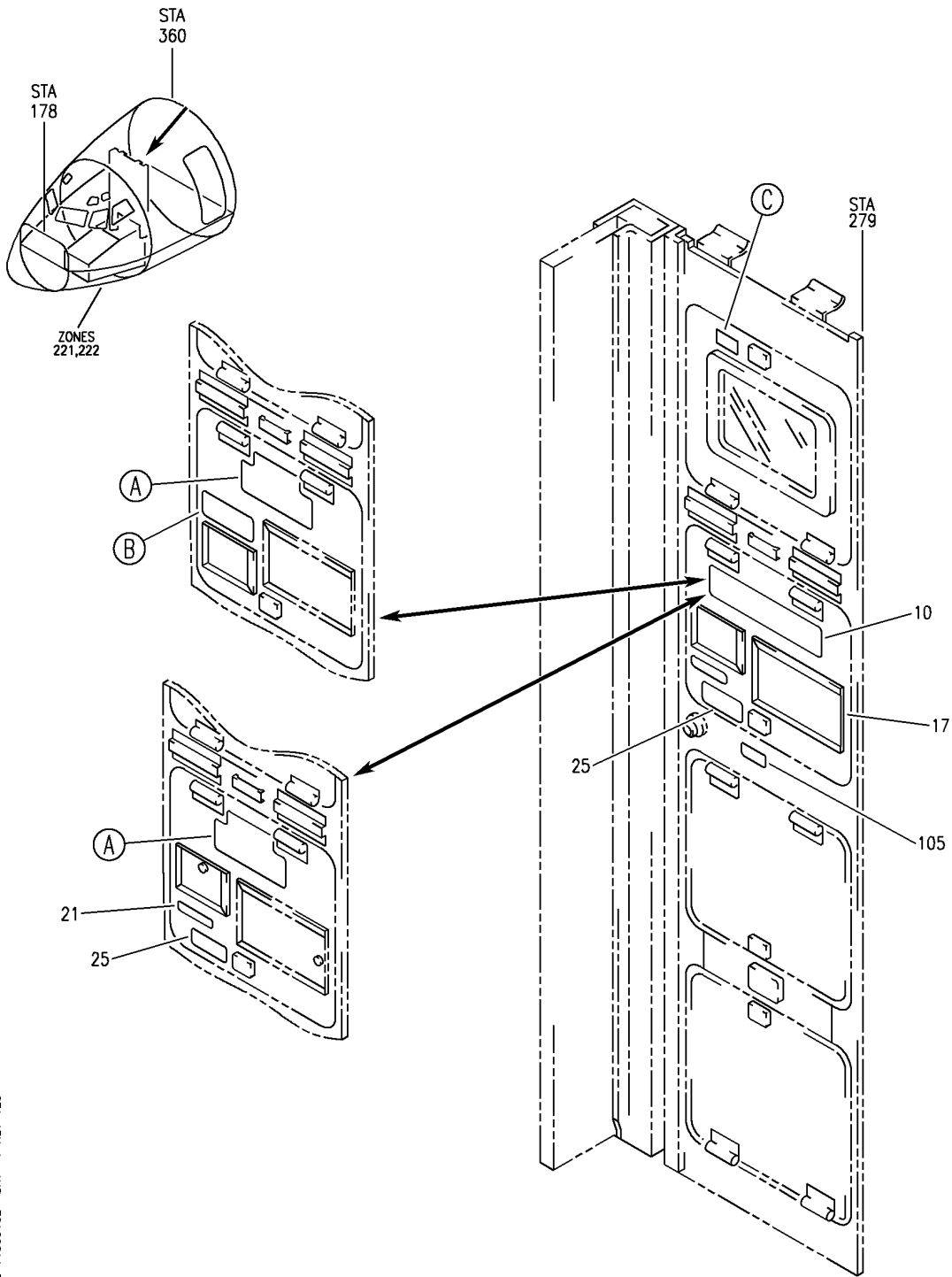
- ITEM NOT ILLUSTRATED

HAP

11-30-51-01

11-30-51
FIG. 01
PAGE 1
OCT 15/08

BOEING
 737-600/700/800/900
 PARTS CATALOG (MAINTENANCE)



E 11305102 SHT 1 REV 123

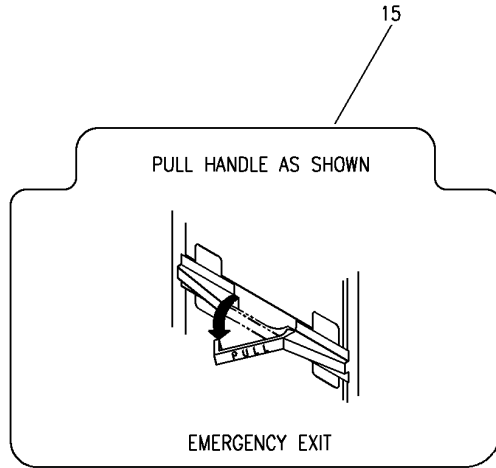
DOOR ASSY-CREW (PLACARDS AND MARKINGS ONLY)
 FIGURE 2 (SHEET 1)

11-30-51-02

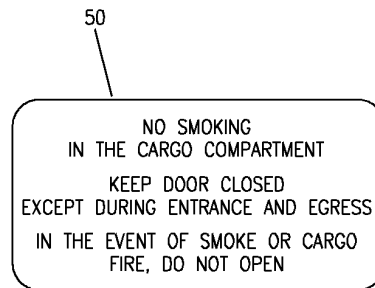
HAP
 OCT 15/08

11-30-51-02
 PAGE 0

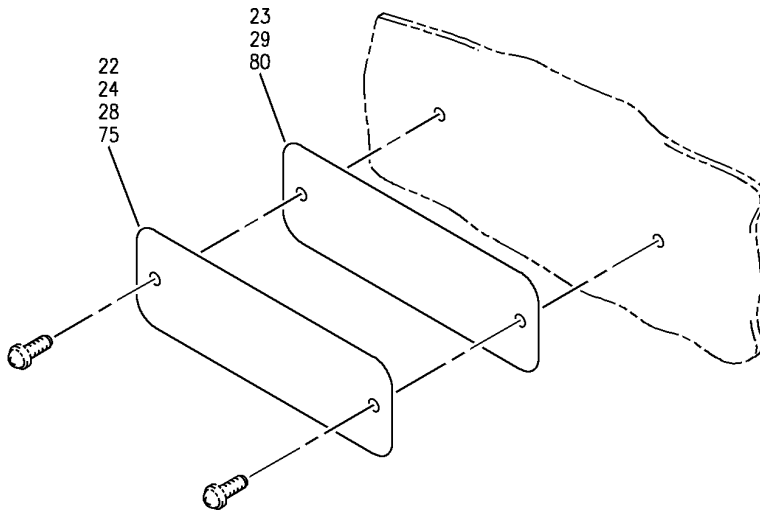
BOEING
 737-600/700/800/900
 PARTS CATALOG (MAINTENANCE)



(A)



(B)



(C)

E 11305102 SH1 2 REV 102

DOOR ASSY-CREW (PLACARDS AND MARKINGS ONLY)
 FIGURE 2 (SHEET 2)

11-30-51-02

HAP
 OCT 15/08

11-30-51-02
 PAGE 0A

BOEING
737-600/700/800/900
PARTS CATALOG (MAINTENANCE)

FIG ITEM	PART NUMBER	1 2 3 4 5 6 7	NOMENCLATURE	EFFECT FROM TO	UNITS PER ASSY
2			DOOR ASSY-CREW (PLACARDS AND MARKINGS ONLY)	201967	
- 2	65C36806-13T		DOOR ASSY-CREW (PLACARDS AND MARKINGS ONLY) FOR NHA/OTHER SYS DET SEE: 52-51-00-01	201967	RF
10	BAC27DEX156		.DECAL	201967	1

MISSING ITEM NUMBERS NOT APPLICABLE

- ITEM NOT ILLUSTRATED

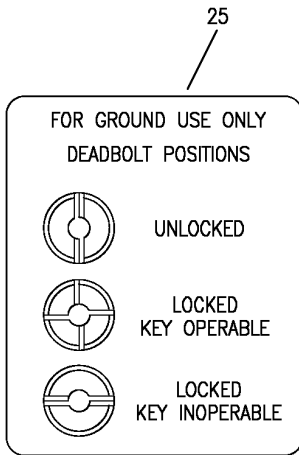
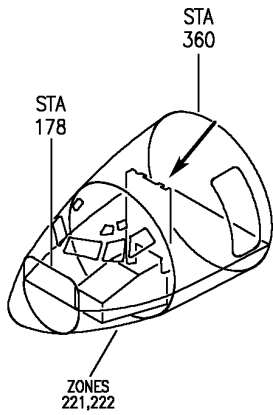
HAP

11-30-51-02

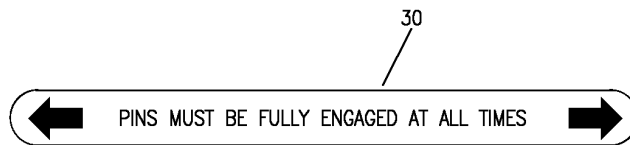
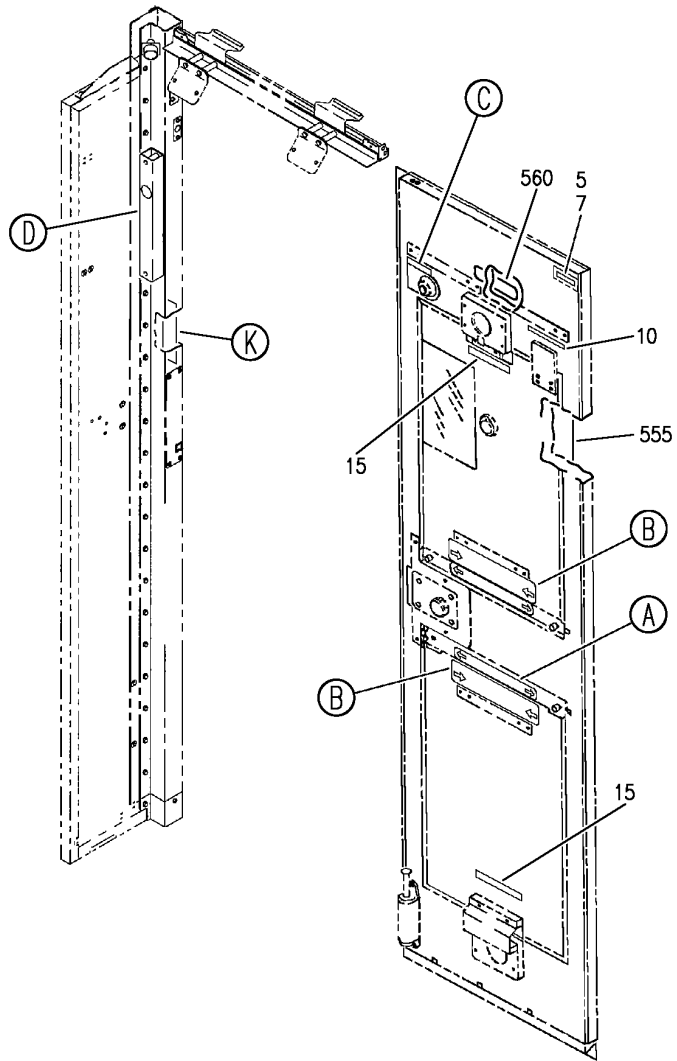
BOEING PROPRIETARY - Copyright © - Unpublished Work - See title page for details.

11-30-51
FIG. 02
PAGE 1
OCT 15/08

BOEING
 737-600/700/800/900
 PARTS CATALOG (MAINTENANCE)

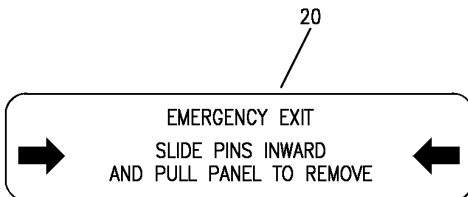


(C)



(A)

E 11305102C SHT 1 REV 099



(B)

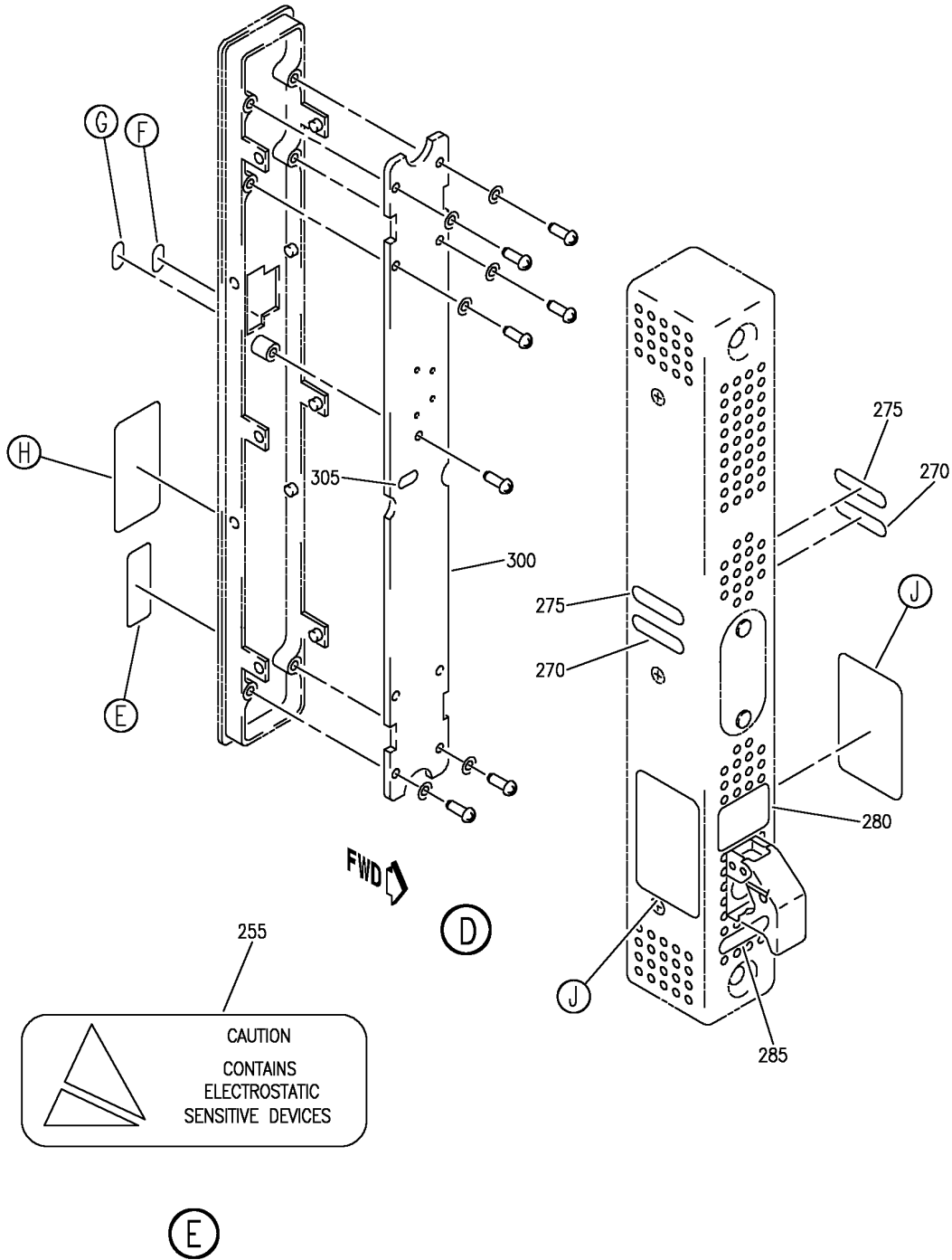
DOOR INSTL, DOOR, KEY PAD AND MODULE ASSY-CREW (PLACARDS AND MARKINGS ONLY)
 FIGURE 2C (SHEET 1)

HAP
 OCT 10/06

11-30-51-02C

11-30-51-02C
 PAGE 0

BOEING
 737-600/700/800/900
 PARTS CATALOG (MAINTENANCE)



E 11305102C SHT 2 REV 084

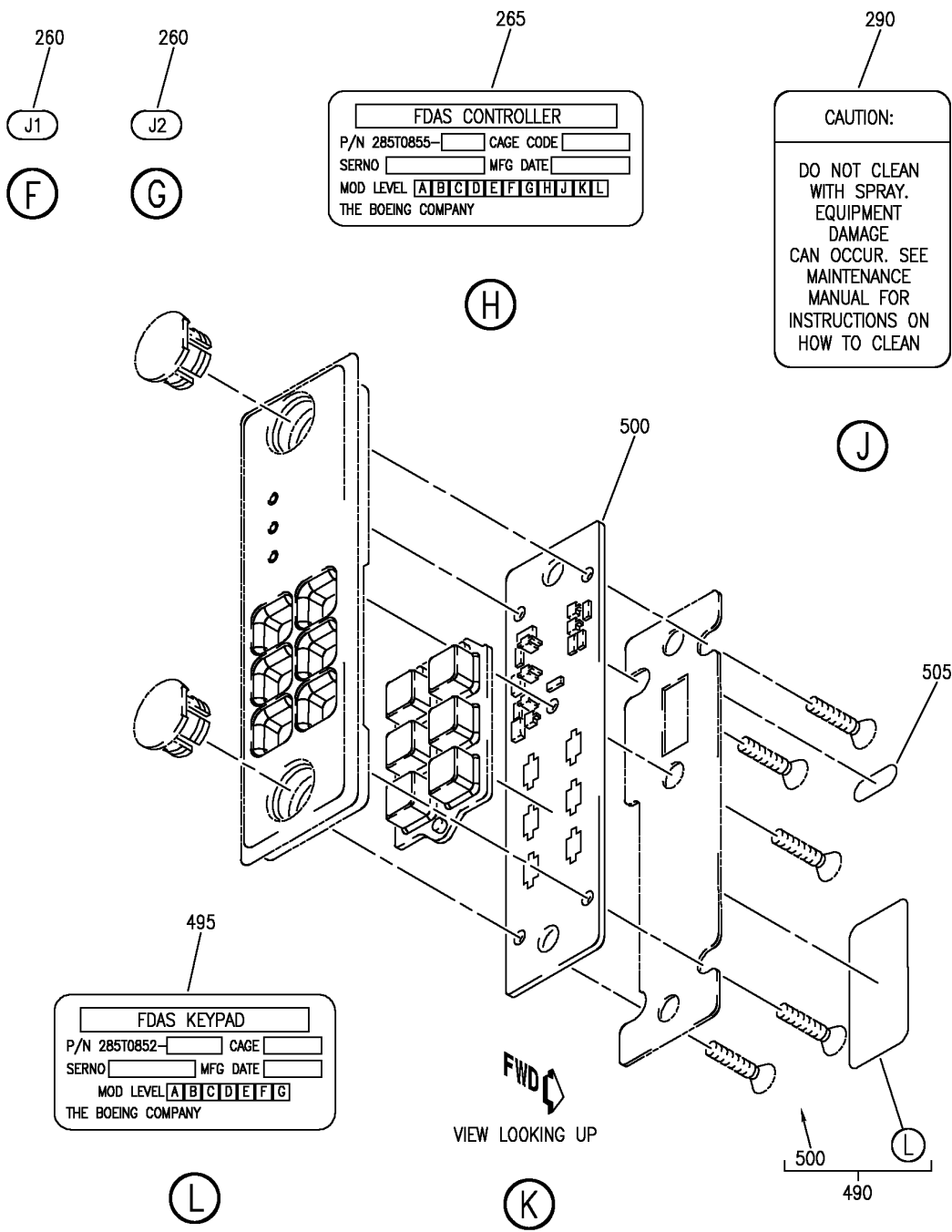
DOOR INSTL, DOOR, KEY PAD AND MODULE ASSY-CREW (PLACARDS AND MARKINGS ONLY)
 FIGURE 2C (SHEET 2)

HAP
 OCT 10/06

11-30-51-02C

11-30-51-02C
 PAGE 0A

BOEING
737-600/700/800/900
PARTS CATALOG (MAINTENANCE)



E 11305102C SHT 3 REV 084

DOOR INSTL, DOOR, KEY PAD AND MODULE ASSY-CREW (PLACARDS AND MARKINGS ONLY)
FIGURE 2C (SHEET 3)

HAP
OCT 10/06

11-30-51-02C

11-30-51-02C
PAGE 0B

BOEING PROPRIETARY - Copyright © - Unpublished Work - See title page for details.

BOEING
737-600/700/800/900
PARTS CATALOG (MAINTENANCE)

FIG ITEM	PART NUMBER	1 2 3 4 5 6 7	NOMENCLATURE	EFFECT FROM TO	UNITS PER ASSY
2C			DOOR INSTL, DOOR, KEY PAD AND MODULE ASSY-CREW (PLACARDS AND MARKINGS ONLY)	001030	
- 1	B221200-611		DOOR ASSY-CREW (PLACARDS AND MARKINGS ONLY) SUPPLIER CODE: V56135 POST SERVICE BULLETIN: 25-1496 POST SERVICE BULLETIN: STC1335LA V56135 FOR NHA/OTHER SYS DET SEE: 52-51-00-02A	001030	RF
5	CD1054-5		.PLACARD-ID SUPPLIER CODE: V56135 CONFIG CHG DATA FROM A CMM: SUPERSEDES BY CD1211	001030	1
5	CD1211		.PLACARD-ID SUPPLIER CODE: V56135 CONFIG CHG DATA FROM A CMM: SUPERSEDES CD1054-5	001030	1
7	AD32B2BS		ATTACHING PARTS .RIVET- SUPPLIER CODE: V70494	001030	4
10	CDPL630		-----*----- .PLACARD- SUPPLIER CODE: V56135 PLACARD CONTENT: PIN MUST BE INSERTED IN BRACKET AT ALL TIMES SB DATA FROM A CMM: ADDED BY SB B221001-52-03	001030	1
15	CDPL599		.PLACARD- SUPPLIER CODE: V56135	001030	2
20	CDPL587		.PLACARD- SUPPLIER CODE: V56135 PLACARD CONTENT: EMERG EXIT...	001030	2

MISSING ITEM NUMBERS NOT APPLICABLE

- ITEM NOT ILLUSTRATED

HAP

11-30-51-02C

BOEING PROPRIETARY - Copyright © - Unpublished Work - See title page for details.

11-30-51
FIG. 02C
PAGE 1
OCT 10/06

BOEING
 737-600/700/800/900
PARTS CATALOG (MAINTENANCE)

FIG ITEM	PART NUMBER	1 2 3 4 5 6 7	NOMENCLATURE	EFFECT FROM TO	UNITS PER ASSY
2C					
25	CDPL591		.PLACARD- SUPPLIER CODE: V56135 PLACARD CONTENT: DEAD BOLT LATCH CONFIG CHG DATA FROM A CMM: REPLACED BY CDPL600	001030	1
25	CDPL600		.PLACARD- SUPPLIER CODE: V56135 PLACARD CONTENT: DEAD BOLT LATCH CONFIG CHG DATA FROM A CMM: REPLACES BY CDPL591	001030	1
30	CDPL595		.PLACARD- SUPPLIER CODE: V56135 PLACARD CONTENT: PIN MUST BE...	001030	1
R R R R R R R R R R R R R R R R	- 250	285T0855-1	MODULE ASSY-DOOR ACCESS CHIME, FDAS (PLACARDS AND MARKINGS ONLY) SUPPLIER CODE: V89954 OPTIONAL PART: 285T0855-5 V89954 POST SERVICE BULLETIN: 25-1496 POST SERVICE BULLETIN: STC1335LA V56135 FOR NHA/OTHER SYS DET SEE: 52-51-51-15	001030	RF
R R R R R R R R R R R R R R R R	- 250	285T0855-5	MODULE ASSY-DOOR ACCESS CHIME, FDAS (PLACARDS AND MARKINGS ONLY) SUPPLIER CODE: V89954 OPTIONAL PART: 285T0855-1 V89954 POST SERVICE BULLETIN: 25-1496R1 POST SERVICE BULLETIN: STC1335LA V56135 FOR NHA/OTHER SYS DET SEE: 52-51-51-15	001030	RF

MISSING ITEM NUMBERS NOT APPLICABLE

- ITEM NOT ILLUSTRATED

HAP

11-30-51-02C

11-30-51
FIG. 02C
PAGE 2
JUN 15/09

 **BOEING**
737-600/700/800/900
PARTS CATALOG (MAINTENANCE)

FIG ITEM	PART NUMBER	1 2 3 4 5 6 7	NOMENCLATURE	EFFECT FROM TO	UNITS PER ASSY
2C					
255	BAC27DEX5936		.DECAL- SUPPLIER CODE: V89954	001030	1
260	BAC27TEX3349		.DECALSET-(INCLUDES DECALS IDENTIFIED ON THE ILLUSTRATION)	001030	1
265	BAC27TEX6853		.MARKER-FDAS CONTROLLER SUPPLIER CODE: V89954	001030	1
270	BAC27TEX6872		.MARKER- SUPPLIER CODE: V89954 PLACARD CONTENT: ACCESS	001030	2
275	BAC27TEX6873		.MARKER- SUPPLIER CODE: V89954 PLACARD CONTENT: TIMERS	001030	2
280	BAC27TEX6886		.MARKER- SUPPLIER CODE: V89954 PLACARD CONTENT: FLIGHT DECK ACCESS SYSTEM OFF	001030	1
285	BAC27TEX6887		.MARKER- SUPPLIER CODE: V89954 PLACARD CONTENT: NORM	001030	1
290	BAC27TEX6888		.MARKER- SUPPLIER CODE: V89954	001030	2
300	285T0857-2		.PW ASSY- SUPPLIER CODE: V89954 OPTIONAL PART: 285T0857-1 V89954 USED ON: 285T0855-1	001030	RF
300	285T0857-1		.PW ASSY- SUPPLIER CODE: V89954 OPTIONAL PART: 285T0857-2 V89954 USED ON: 285T0855-1	001030	RF

MISSING ITEM NUMBERS NOT APPLICABLE

— ITEM NOT ILLUSTRATED

HAP

11-30-51-02C

BOEING PROPRIETARY - Copyright © - Unpublished Work - See title page for details.

11-30-51
FIG. 02C
PAGE 3
JUN 15/09

BOEING
737-600/700/800/900
PARTS CATALOG (MAINTENANCE)

FIG ITEM	PART NUMBER	1 2 3 4 5 6 7	NOMENCLATURE	EFFECT FROM TO	UNITS PER ASSY
2C 300	285T0857-5		.PW ASSY- SUPPLIER CODE: V89954 USED ON: 285T0855-5	001030	RF
305	BAC27TEX1486		..DECAL- PLACARD CONTENT: STATIC SENSITIVE	001030	1
R R R R R R R R R R	485	285T0852-1	KEYPAD ASSY-(PLACARDS AND MARKINGS ONLY) SUPPLIER CODE: V89954 POST SERVICE BULLETIN: 25-1496 POST SERVICE BULLETIN: STC1335LA V56135 FOR NHA/OTHER SYS DET SEE: 52-51-51-15	001030	RF
	490	285T0852-5001	.KIT- SUPPLIER CODE: V89954 OPTIONAL PART: 285T0852-5002 V89954	001030	RF
	490	285T0852-5002	.KIT- SUPPLIER CODE: V89954 OPTIONAL PART: 285T0852-5001 V89954	001030	RF
	495	BAC27TEX6852	..MARKER- SUPPLIER CODE: V89954	001030	1
	500	285T0853-1	..PW ASSY-DOOR ACCESS CHIME, FDAS SUPPLIER CODE: V89954	001030	RF
	505	BAC27TEX1486	...DECAL- PLACARD CONTENT: STATIC SENSITIVE	001030	1

MISSING ITEM NUMBERS NOT APPLICABLE

— ITEM NOT ILLUSTRATED

HAP

11-30-51-02C

BOEING PROPRIETARY - Copyright © - Unpublished Work - See title page for details.

11-30-51
FIG. 02C
PAGE 4
JUN 15/09

BOEING
737-600/700/800/900
PARTS CATALOG (MAINTENANCE)

FIG ITEM	PART NUMBER	1 2 3 4 5 6 7	NOMENCLATURE	EFFECT FROM TO	UNITS PER ASSY
2C - 550	B221210-511		DOOR INSTL-KIT (PLACARDS AND MARKINGS ONLY) SUPPLIER CODE: V56135 POST SERVICE BULLETIN: 25-1496 POST SERVICE BULLETIN: STC1335LA V56135 FOR NHA/OTHER SYS DET SEE: 52-51-00-01	001030	RF
555	CDPL598		. PLACARD- SUPPLIER CODE: V56135 PLACARD CONTENT: CLOSE DOOR IMMEDIATELY WHEN NOT IN USE	001030	1

MISSING ITEM NUMBERS NOT APPLICABLE

- ITEM NOT ILLUSTRATED

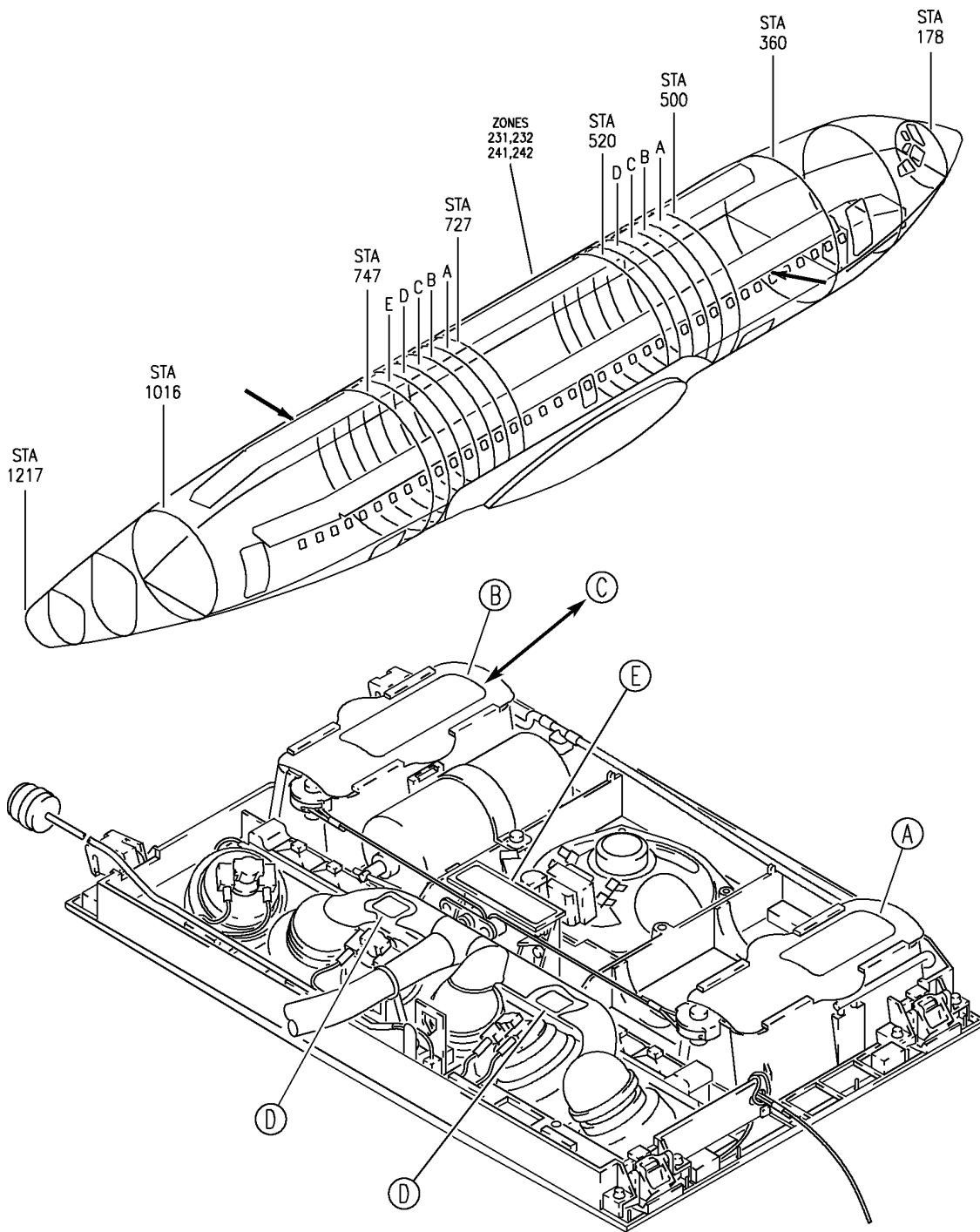
HAP

11-30-51-02C

BOEING PROPRIETARY - Copyright © - Unpublished Work - See title page for details.

11-30-51
FIG. 02C
PAGE 5
JUN 15/09

BOEING
 737-600/700/800/900
 PARTS CATALOG (MAINTENANCE)



E 11305103 SHT 1 REV 131

SERVICE UNIT ASSY-PASS. WITH SPKR AND GASPER (PLACARDS AND MARKINGS ONLY)
 FIGURE 3 (SHEET 1)

11-30-51-03

HAP
 OCT 15/08

11-30-51-03
 PAGE 0

BOEING
737-600/700/800/900
PARTS CATALOG (MAINTENANCE)

ATTENTION

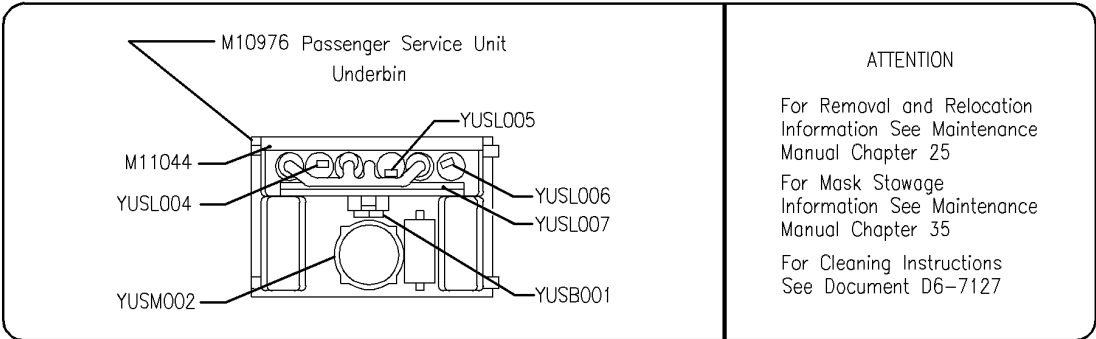
FOR REMOVAL AND RELOCATION INFORMATION SEE
 MAINTENANCE MANUAL CHAPTER 25

FOR MASK STOWAGE INSTRUCTIONS SEE MAINTENANCE
 MANUAL CHAPTER 35

FOR CLEANING INSTRUCTIONS SEE DOCUMENT D6-7127

(A)

25
26



ATTENTION

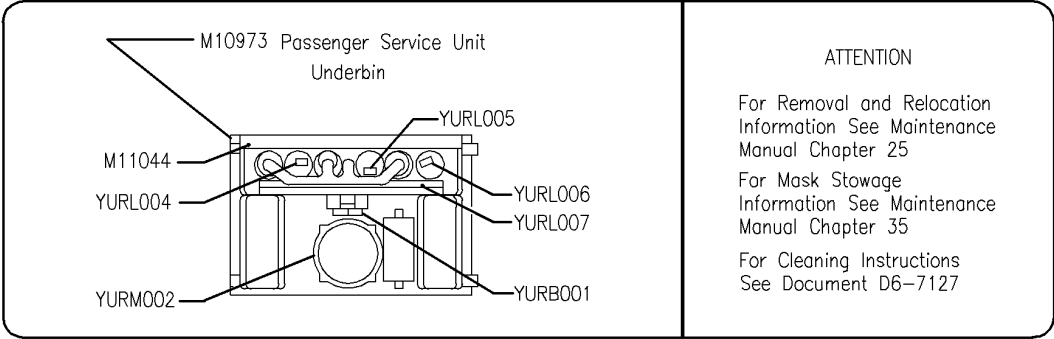
For Removal and Relocation
 Information See Maintenance
 Manual Chapter 25

For Mask Stowage
 Information See Maintenance
 Manual Chapter 35

For Cleaning Instructions
 See Document D6-7127

(B)

30



ATTENTION

For Removal and Relocation
 Information See Maintenance
 Manual Chapter 25

For Mask Stowage
 Information See Maintenance
 Manual Chapter 35

For Cleaning Instructions
 See Document D6-7127

(C)

35
36
37

E 11305103 SHT 2 REV 059

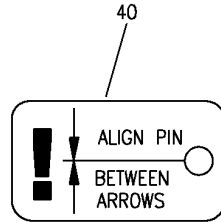
SERVICE UNIT ASSY-PASS. WITH SPKR AND GASPER (PLACARDS AND MARKINGS ONLY)
 FIGURE 3 (SHEET 2)

11-30-51-03

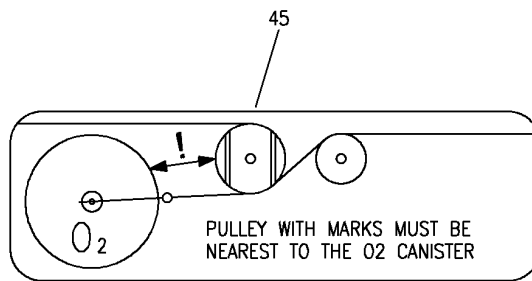
HAP
 OCT 15/08

11-30-51-03
 PAGE 0A

BOEING
737-600/700/800/900
PARTS CATALOG (MAINTENANCE)



(D)



(E)

E 11305103 SH1 3 REV 131

SERVICE UNIT ASSY-PASS. WITH SPKR AND GASPER (PLACARDS AND MARKINGS ONLY)
FIGURE 3 (SHEET 3)

HAP
OCT 15/08

11-30-51-03

11-30-51-03
PAGE 0B

BOEING
737-600/700/800/900
PARTS CATALOG (MAINTENANCE)

FIG ITEM	PART NUMBER	1 2 3 4 5 6 7	NOMENCLATURE	EFFECT FROM TO	UNITS PER ASSY
3			SERVICE UNIT ASSY-PASS. WITH SPKR AND GASPER (PLACARDS AND MARKINGS ONLY)	201967	
- 5	417N3011-201A		SERVICE UNIT ASSY-PASS. WITH SPKR AND GASPER (PLACARDS AND MARKINGS ONLY) POSITION DATA: LH ELECTRICAL EQUIP NUMBER: M10973 COMPONENT MAINT MANUAL REF: 25-23-38 FOR NHA/OTHER SYS DET SEE: 25-23-61-29	201967	RF
- 5	417N3011-401B		SERVICE UNIT ASSY-PASS. WITH 2K SPKR AND GASPER (PLACARDS AND MARKINGS ONLY) POSITION DATA: LH ELECTRICAL EQUIP NUMBER: M10973 COMPONENT MAINT MANUAL REF: 25-23-38 FOR NHA/OTHER SYS DET SEE: 25-23-61-29	201967	RF
- 12	417N3011-402SP		SERVICE UNIT ASSY-PASS. WITH 2K SPKR AND GASPER (PLACARDS AND MARKINGS ONLY) POSITION DATA: RH ELECTRICAL EQUIP NUMBER: M10973 COMPONENT MAINT MANUAL REF: 25-23-38 QUALIFIED I/W DATA: COLOR SUBJECT TO CUSTOMER PREFERENCE	201967	RF

MISSING ITEM NUMBERS NOT APPLICABLE

- ITEM NOT ILLUSTRATED

HAP

11-30-51-03

BOEING PROPRIETARY - Copyright © - Unpublished Work - See title page for details.

11-30-51
FIG. 03
PAGE 1
OCT 15/08

BOEING
737-600/700/800/900
PARTS CATALOG (MAINTENANCE)

FIG ITEM	PART NUMBER	1 2 3 4 5 6 7	NOMENCLATURE	EFFECT FROM TO	UNITS PER ASSY
3 - 12	417N3011-202SP		SERVICE UNIT ASSY-PASS. WITH SPKR AND GASPER (PLACARDS AND MARKINGS ONLY) POSITION DATA: RH ELECTRICAL EQUIP NUMBER: M10973 COMPONENT MAINT MANUAL REF: 25-23-38 QUALIFIED I/W DATA: COLOR SUBJECT TO CUSTOMER PREFERENCE FOR NHA/OTHER SYS DET SEE: 25-23-61-29	201967	RF
26	BAC27DPA2272		.DECAL	201967	1
35	BAC27NPA1361		.DECAL	201967	1

MISSING ITEM NUMBERS NOT APPLICABLE

- ITEM NOT ILLUSTRATED

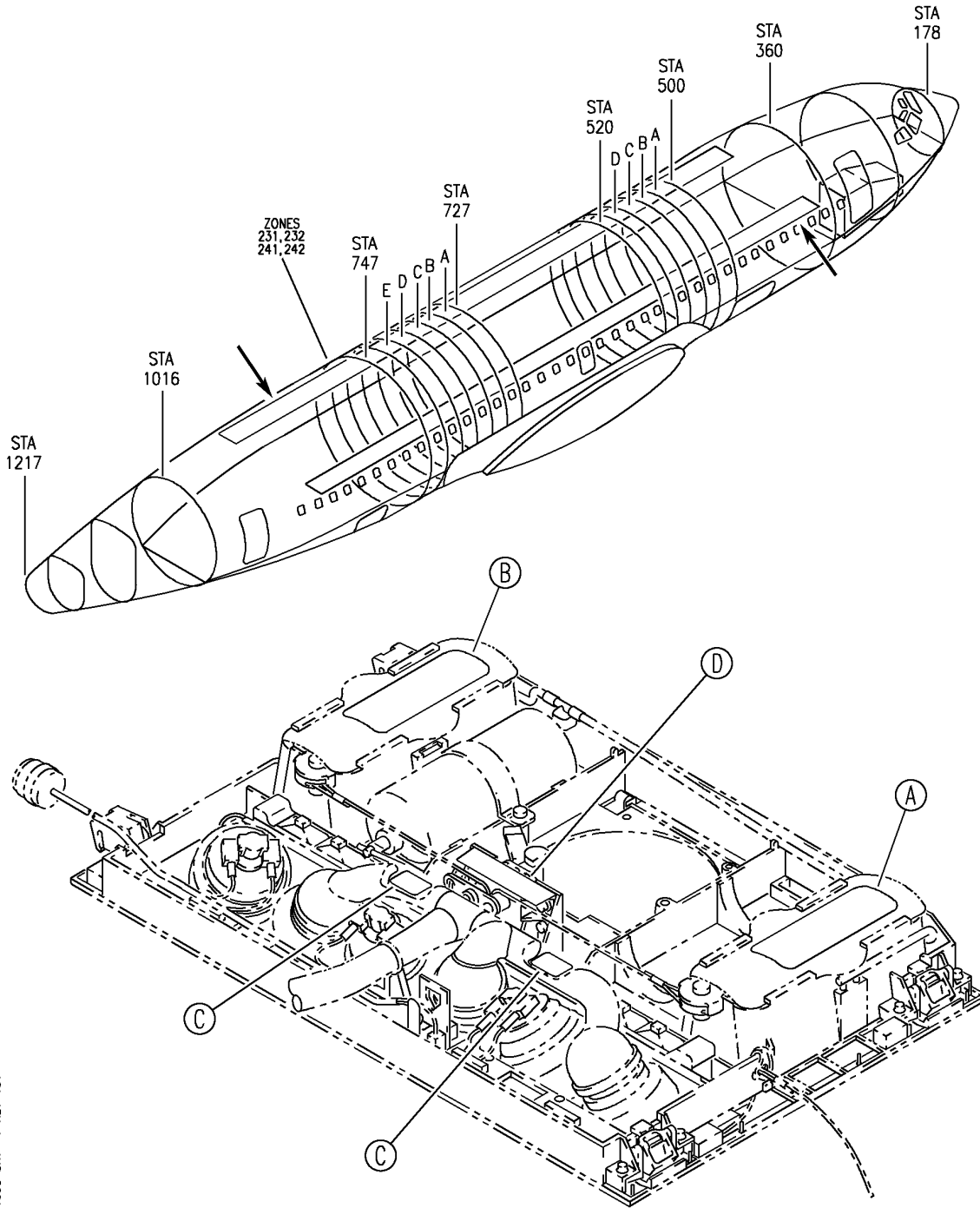
HAP

11-30-51-03

BOEING PROPRIETARY - Copyright © - Unpublished Work - See title page for details.

11-30-51
FIG. 03
PAGE 2
OCT 15/08

BOEING
737-600/700/800/900
PARTS CATALOG (MAINTENANCE)



E 11305103C SHT 1 REV 131

SERVICE UNIT ASSY-PASS. NO SPKR WITH GASPER (PLACARDS AND MARKINGS ONLY)
 FIGURE 3C (SHEET 1)

HAP
 OCT 15/08

11-30-51-03C

11-30-51-03C
 PAGE 0

BOEING
 737-600/700/800/900
 PARTS CATALOG (MAINTENANCE)

25

ATTENTION

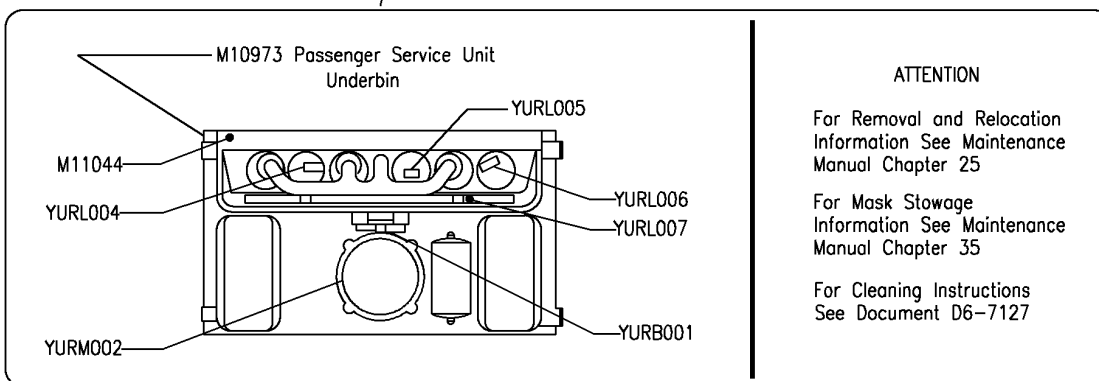
FOR REMOVAL AND RELOCATION INFORMATION SEE
 MAINTENANCE MANUAL CHAPTER 25

FOR MASK STOWAGE INSTRUCTIONS SEE MAINTENANCE
 MANUAL CHAPTER 35

FOR CLEANING INSTRUCTIONS SEE DOCUMENT D6-7127

35

(A)



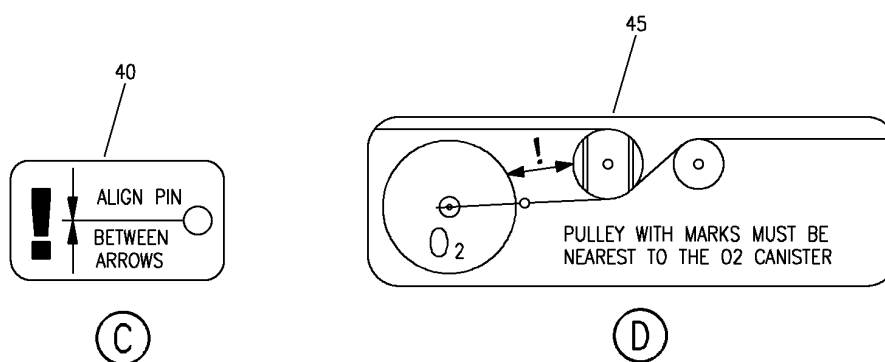
ATTENTION

For Removal and Relocation
 Information See Maintenance
 Manual Chapter 25

For Mask Stowage
 Information See Maintenance
 Manual Chapter 35

For Cleaning Instructions
 See Document D6-7127

(B)



E 11305103C SHT 2 REV 131

SERVICE UNIT ASSY-PASS. NO SPKR WITH GASPER (PLACARDS AND MARKINGS ONLY)
 FIGURE 3C (SHEET 2)

HAP
 OCT 15/08

11-30-51-03C

11-30-51-03C
 PAGE 0A

BOEING
737-600/700/800/900
PARTS CATALOG (MAINTENANCE)

FIG ITEM	PART NUMBER	1 2 3 4 5 6 7	NOMENCLATURE	EFFECT FROM TO	UNITS PER ASSY
3C			SERVICE UNIT ASSY-PASS. NO SPKR WITH GASPER (PLACARDS AND MARKINGS ONLY)	201967	
- 1	417N3011-213SP		SERVICE UNIT ASSY-PASS. NO SPKR, WITH GASPER (PLACARDS AND MARKINGS ONLY) POSITION DATA: LH MISCELLANEOUS DATA: REMOVED FOR 132 MC CONFIGURATION ELECTRICAL EQUIP NUMBER: M10973 COMPONENT MAINT MANUAL REF: 25-23-38 QUALIFIED I/W DATA: COLOR SUBJECT TO CUSTOMER PREFERENCE REFERENCE AIRLINE MOD: EOC 124591-03 VDLH FOR NHA/OTHER SYS DET SEE: 25-23-61-29	201967	RF
- 1	417N3011-413SP		SERVICE UNIT ASSY-PASS. NO SPKR WITH GASPER (PLACARDS AND MARKINGS ONLY) POSITION DATA: LH ELECTRICAL EQUIP NUMBER: M10973 COMPONENT MAINT MANUAL REF: 25-23-38 QUALIFIED I/W DATA: COLOR SUBJECT TO CUSTOMER PREFERENCE	201967	RF

MISSING ITEM NUMBERS NOT APPLICABLE

- ITEM NOT ILLUSTRATED

HAP

11-30-51-03C

BOEING PROPRIETARY - Copyright © - Unpublished Work - See title page for details.

11-30-51
FIG. 03C
PAGE 1
OCT 15/08

 **BOEING**
737-600/700/800/900
PARTS CATALOG (MAINTENANCE)

FIG ITEM	PART NUMBER	1 2 3 4 5 6 7	NOMENCLATURE	EFFECT FROM TO	UNITS PER ASSY
3C - 10	417N3011-214SP		SERVICE UNIT ASSY-PASS. NO SPKR, WITH GASPER (PLACARDS AND MARKINGS ONLY) POSITION DATA: RH MISCELLANEOUS DATA: REMOVED FOR 132 MC CONFIGURATION ELECTRICAL EQUIP NUMBER: M10973 COMPONENT MAINT MANUAL REF: 25-23-38 REFERENCE AIRLINE MOD: EOC 124591-03 VDLH FOR NHA/OTHER SYS DET SEE: 25-23-61-29	201967	RF
- 10	417N3011-314SP		SERVICE UNIT ASSY-PASS. NO SPKR, WITH GASPER (PLACARDS AND MARKINGS ONLY) POSITION DATA: RH ELECTRICAL EQUIP NUMBER: M10973 COMPONENT MAINT MANUAL REF: 25-23-38 FOR NHA/OTHER SYS DET SEE: 25-23-61-29	201967	RF
- 10	417N3011-414SP		SERVICE UNIT ASSY-PASS. NO SPKR WITH GASPER (PLACARDS AND MARKINGS ONLY) POSITION DATA: RH ELECTRICAL EQUIP NUMBER: M10973 COMPONENT MAINT MANUAL REF: 25-23-38	201967	RF
25	BAC27DPA2272	.DECAL		201967	1
35	BAC27NPA1361	.DECAL		201967	1

MISSING ITEM NUMBERS NOT APPLICABLE

- ITEM NOT ILLUSTRATED

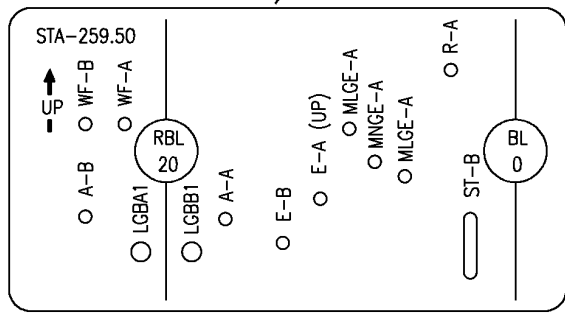
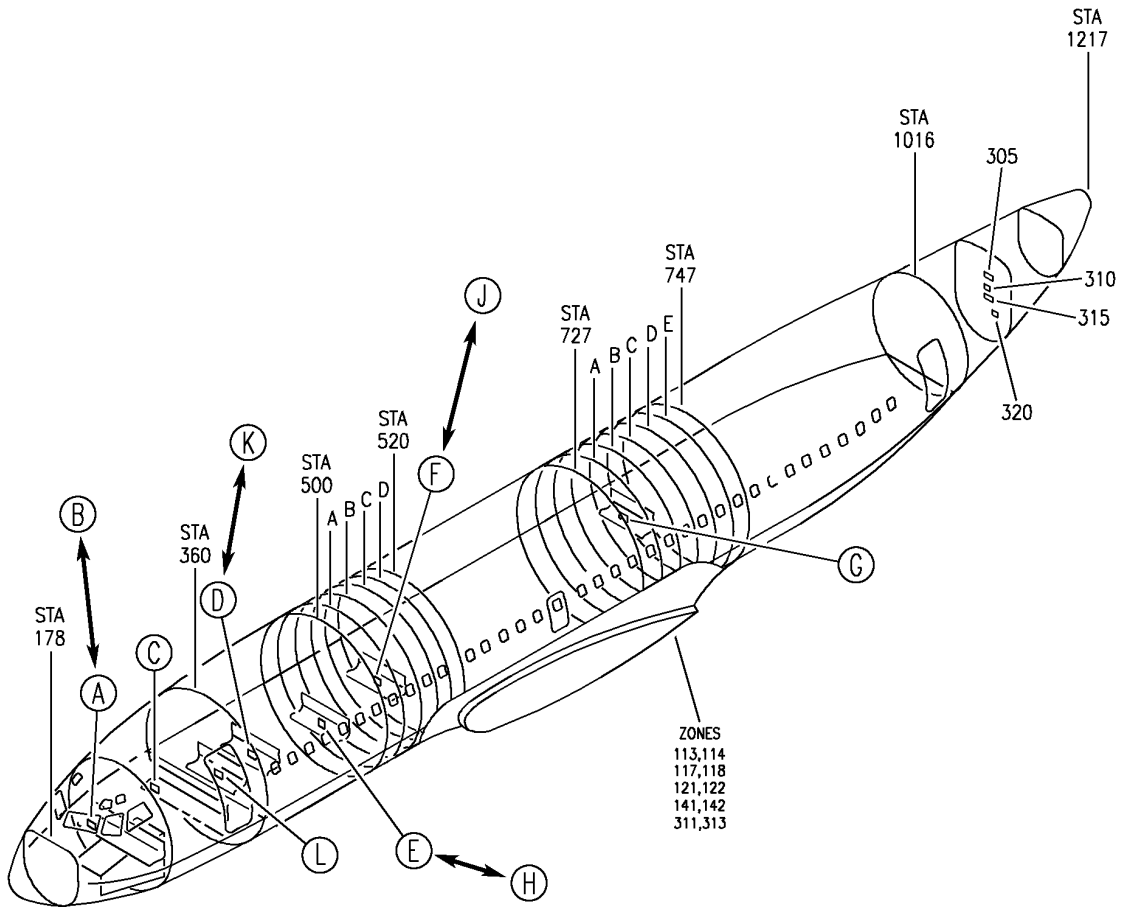
HAP

11-30-51-03C

BOEING PROPRIETARY - Copyright © - Unpublished Work - See title page for details.

11-30-51
FIG. 03C
PAGE 2
OCT 15/08


BOEING
 737-600/700/800/900
PARTS CATALOG (MAINTENANCE)



A

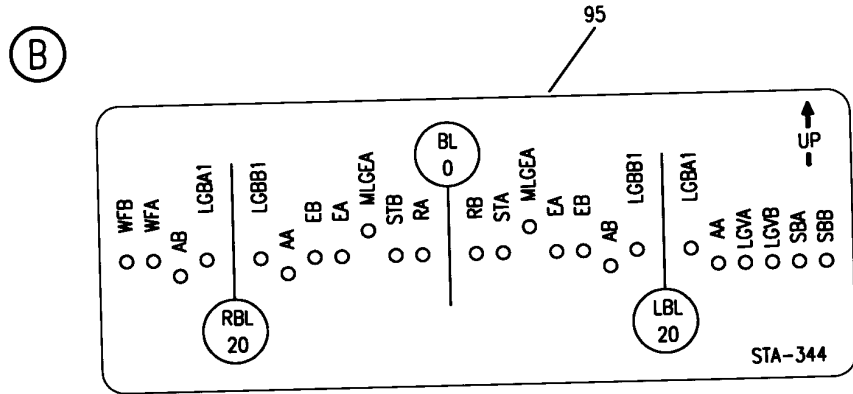
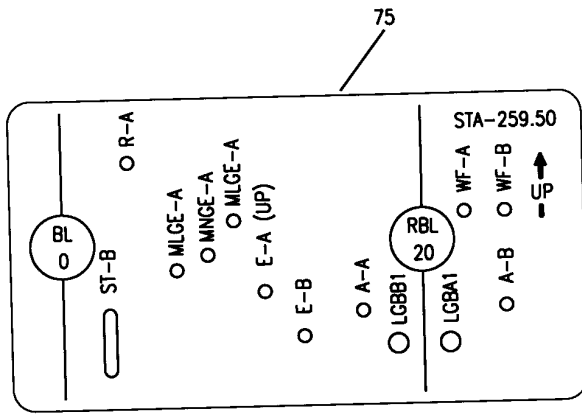
E 11305104 SHT 1 REV 138

MARKER INSTL-CABLE RUN
 FIGURE 4 (SHEET 1)

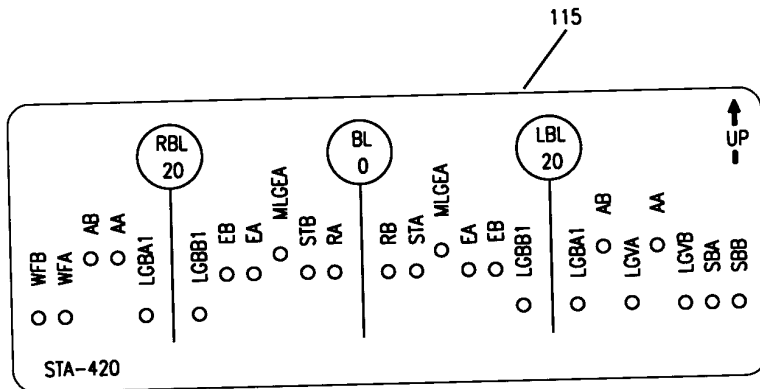
11-30-51-04

HAP
OCT 15/08

11-30-51-04
PAGE 0



(C)



(D)

E 11305104 SHT 2 REV 012

MARKER INSTL-CABLE RUN
 FIGURE 4 (SHEET 2)

11-30-51-04

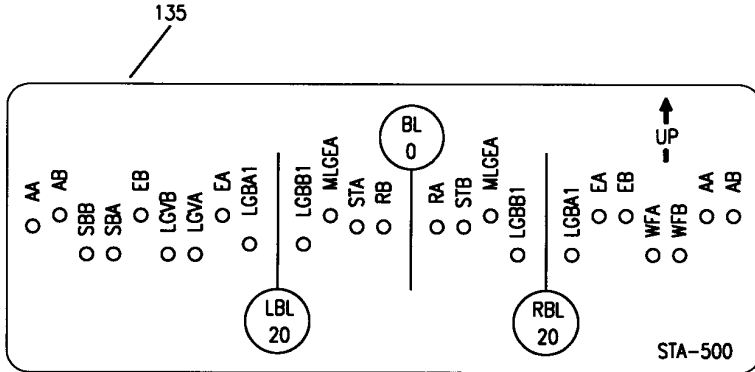
HAP
OCT 15/08

11-30-51-04
 PAGE 0A

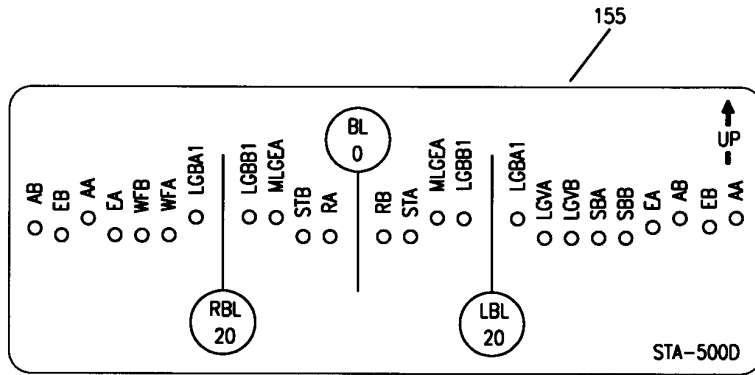


737-600/700/800/900

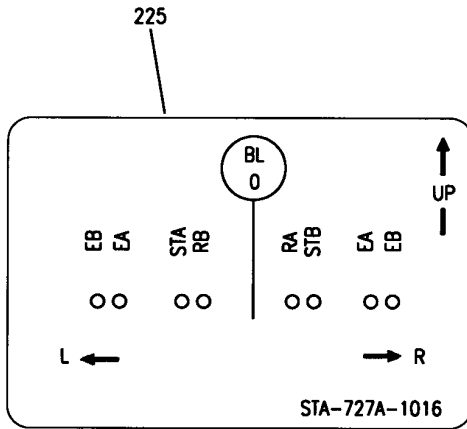
PARTS CATALOG (MAINTENANCE)



E



F



G

E 11305104 SHT 3 REV 012

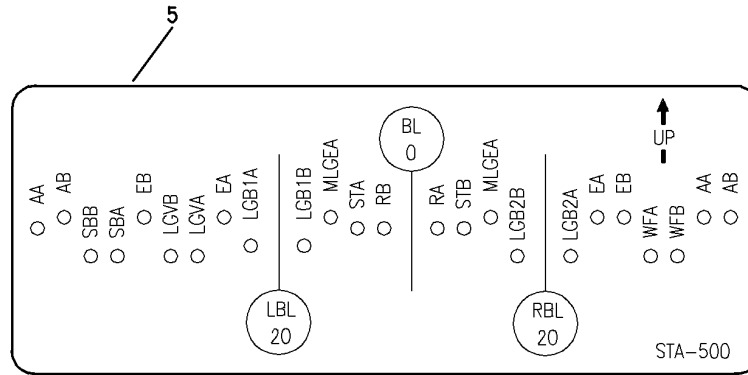
MARKER INSTL-CABLE RUN
FIGURE 4 (SHEET 3)

11-30-51-04

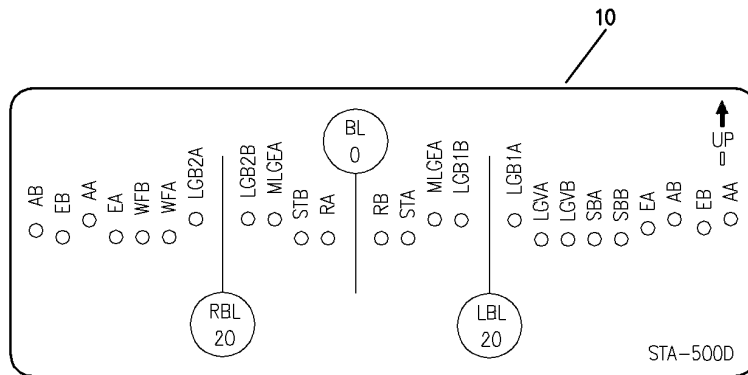
HAP
OCT 15/08

11-30-51-04
PAGE 0B

BOEING
 737-600/700/800/900
 PARTS CATALOG (MAINTENANCE)



(H)



(J)

E 11305104 SHT 4 REV 049

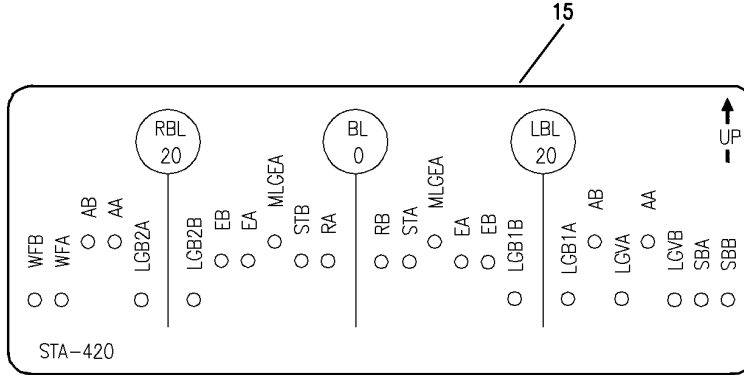
MARKER INSTL-CABLE RUN
 FIGURE 4 (SHEET 4)

11-30-51-04

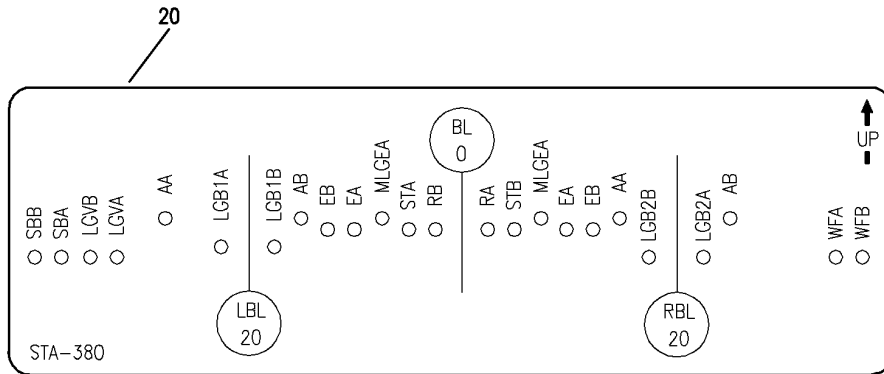
HAP
 OCT 15/08

11-30-51-04
 PAGE 0C

BOEING
 737-600/700/800/900
 PARTS CATALOG (MAINTENANCE)



(K)



(L)

E 11305104 SHT 5 REV 049

MARKER INSTL-CABLE RUN
 FIGURE 4 (SHEET 5)

11-30-51-04

HAP
 OCT 15/08

11-30-51-04
 PAGE 0D

BOEING
737-600/700/800/900
PARTS CATALOG (MAINTENANCE)

FIG ITEM	PART NUMBER	1 2 3 4 5 6 7	NOMENCLATURE	EFFECT FROM TO	UNITS PER ASSY
4					
- 65	250A0421-28		MARKER INSTL-CABLE RUN MARKER INSTL-CABLE RUN POSITION DATA: STA 380 FOR NHA SEE: 11-30-00-25A	201967 201967	RF
70	BAC27DCT0584		.MARKER-ALUMINUM FOIL	201967	1
75	BAC27DCT0585		.MARKER-ALUMINUM FOIL	201967	1
- 110	250A0421-5		MARKER INSTL-CABLE RUN POSITION DATA: STA 420 FOR NHA SEE: 11-30-00-25A	201967	RF
115	BAC27DCT648		.MARKER-ALUMINUM FOIL	201967	1
- 130	250A0421-6		MARKER INSTL-CABLE RUN POSITION DATA: STA 500 FOR NHA SEE: 11-30-00-25A	201967	RF
135	BAC27DCT0588		.MARKER-ALUMINUM FOIL	201967	1
- 150	250A0421-7		MARKER INSTL-CABLE RUN POSITION DATA: STA 500D FOR NHA SEE: 11-30-00-25A	201967	RF
155	BAC27DCT0590		.MARKER-ALUMINUM FOIL	201967	1
- 210	250A0421-10		MARKER INSTL-CABLE RUN POSITION DATA: STA 727D FOR NHA SEE: 11-30-00-25A	201967	RF
225	BAC27DCT0327		.MARKER-ALUMINUM FOIL	201967	1

MISSING ITEM NUMBERS NOT APPLICABLE

- ITEM NOT ILLUSTRATED

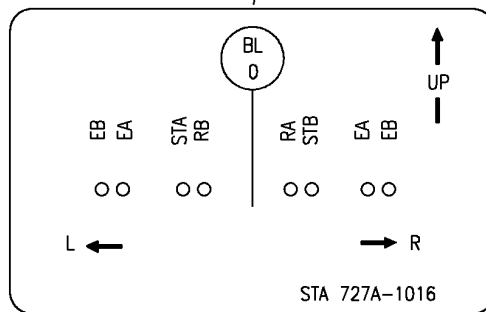
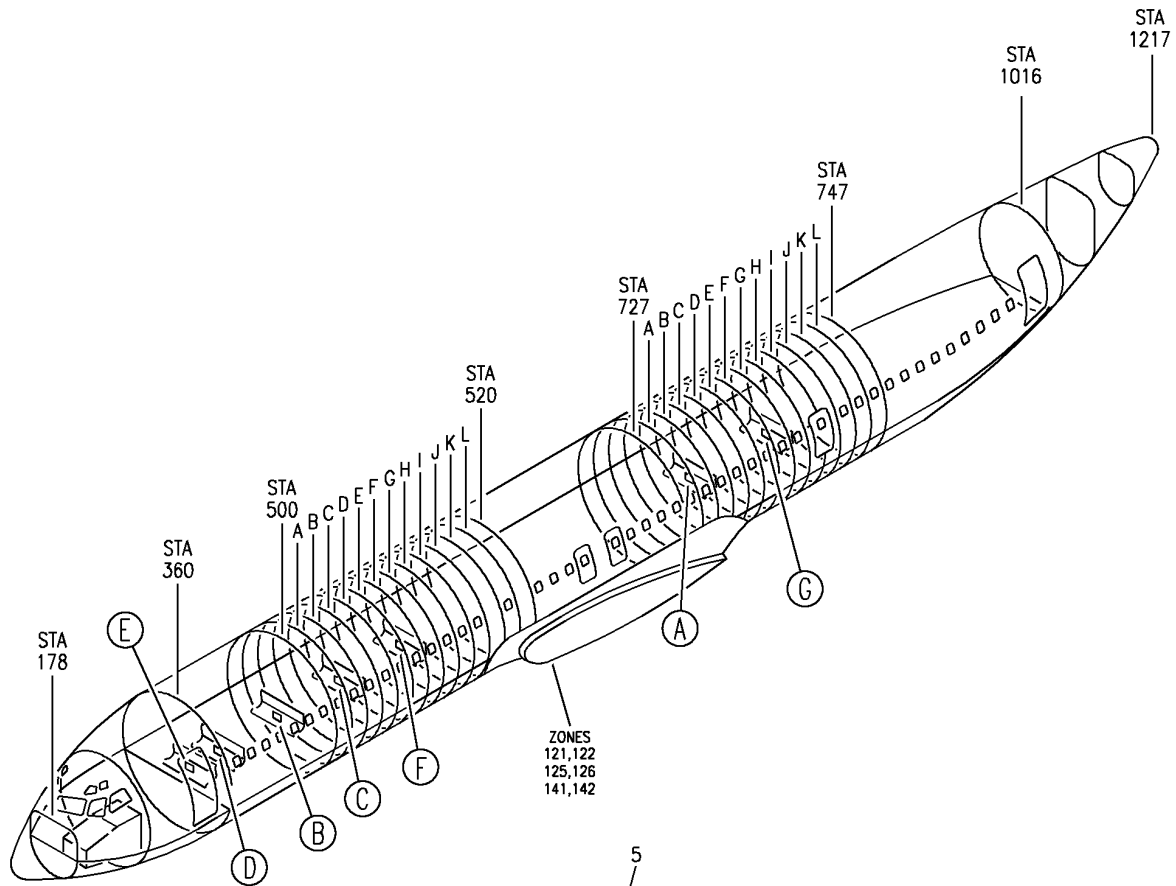
HAP

11-30-51-04

BOEING PROPRIETARY - Copyright © - Unpublished Work - See title page for details.

11-30-51
FIG. 04
PAGE 1
OCT 15/08

BOEING
737-600/700/800/900
PARTS CATALOG (MAINTENANCE)



(A)

E 11305104B SHT 1 REV 129

MARKER INSTL-MECHANICAL FLIGHT SYS MAINT
 FIGURE 4B (SHEET 1)

11-30-51-04B

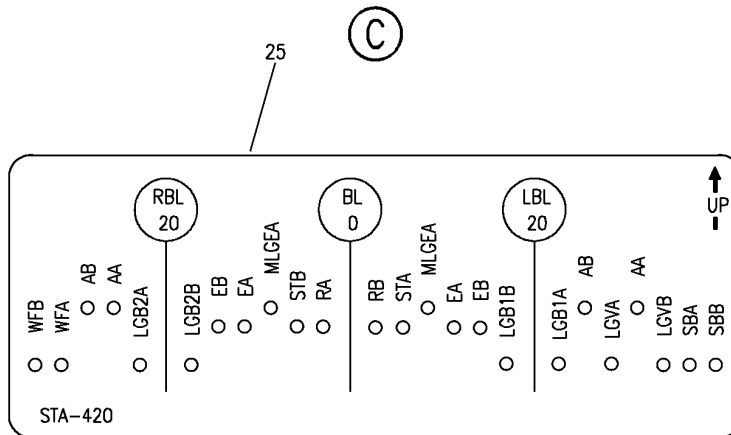
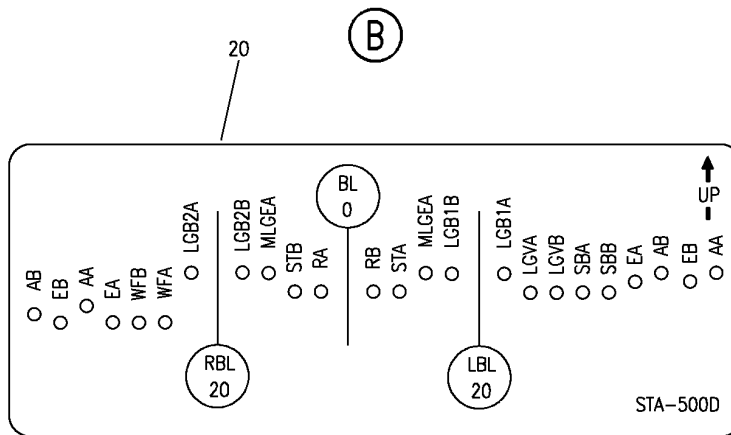
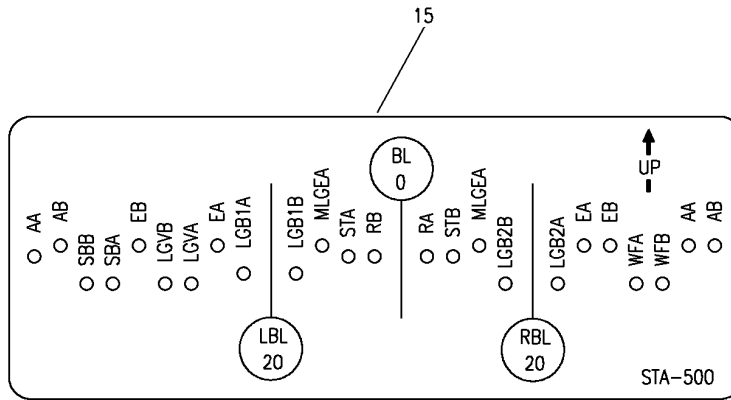
HAP
 JUN 10/07

11-30-51-04B
 PAGE 0



737-600/700/800/900

PARTS CATALOG (MAINTENANCE)



(D)

E 11305104B SHT 2 REV 129

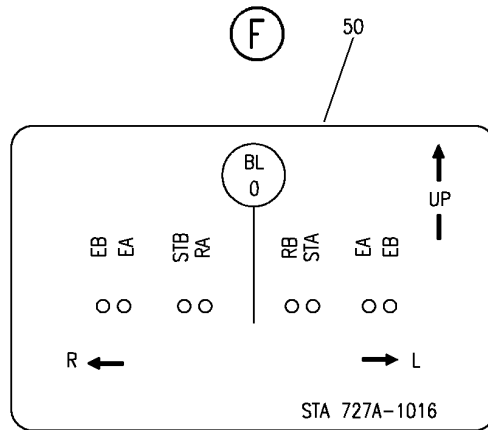
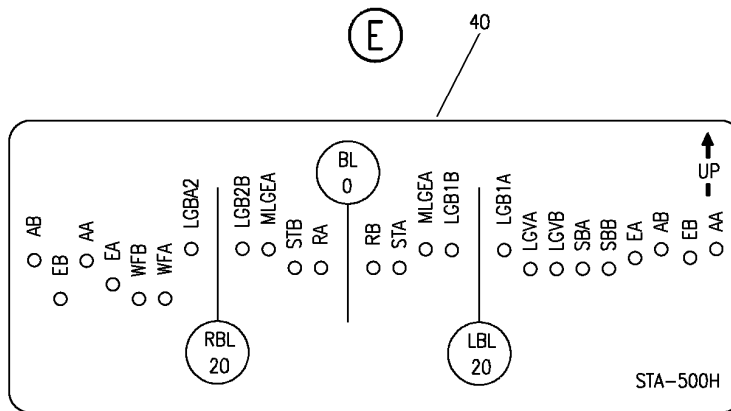
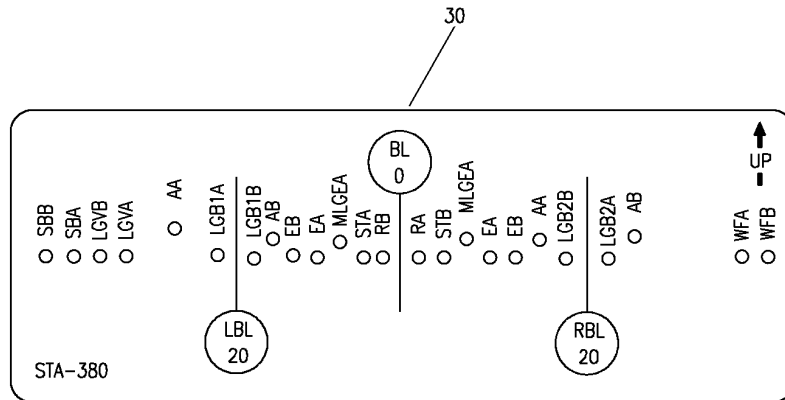
MARKER INSTL-MECHANICAL FLIGHT SYS MAINT
 FIGURE 4B (SHEET 2)

11-30-51-04B

HAP
JUN 10/07

11-30-51-04B
 PAGE 0A

BOEING
 737-600/700/800/900
 PARTS CATALOG (MAINTENANCE)



(G)

E 11305104B SHT 3 REV 129

MARKER INSTL-MECHANICAL FLIGHT SYS MAINT
 FIGURE 4B (SHEET 3)

11-30-51-04B

HAP
 JUN 10/07

11-30-51-04B
 PAGE 0B

BOEING
737-600/700/800/900
PARTS CATALOG (MAINTENANCE)

FIG ITEM	PART NUMBER	1 2 3 4 5 6 7	NOMENCLATURE	EFFECT FROM TO	UNITS PER ASSY
4B					
- 1	MODREF83859		MARKER INSTL-MECHANICAL FLIGHT SYS MAINT	031200 968999	1
			MARKER INSTL-MECHANICAL FLIGHT SYS MAINT	031200 968999	
			MODULE NUMBER: 250A0421-10 REV A		
			POSITION DATA: STA 727D		
5	BAC27DCT0327		.MARKER-ALUMINUM FOIL	031200 968999	1
- 10	MODREF83870		MARKER INSTL-MECHANICAL FLIGHT SYS MAINT	031200 968999	1
			MODULE NUMBER: 250A0421-33 REV A		
			POSITION DATA: STA 380, 420, 500, 500D		
15	BAC27DCT715		.MARKER-ALUMINUM FOIL	031200 968999	1
20	BAC27DCT717		.MARKER-ALUMINUM FOIL	031200 968999	1
25	BAC27DCT718		.MARKER-ALUMINUM FOIL	031200 968999	1
30	BAC27DCT719		.MARKER-ALUMINUM FOIL	031200 968999	1
- 35	MODREF83864		MARKER INSTL-MECHANICAL FLIGHT SYS MAINT	031100	1
			MODULE NUMBER: 250A0421-17 REV A		
			POSITION DATA: STA 500H		
40	BAC27DCT657		.MARKER-ALUMINUM FOIL	031100	1
- 45	MODREF83865		MARKER INSTL-MECHANICAL FLIGHT SYS MAINT	031100	1
			MODULE NUMBER: 250A0421-18 REV A		
			POSITION DATA: STA 727I		
50	BAC27DCT0326		.MARKER-ALUMINUM FOIL	031100	1

MISSING ITEM NUMBERS NOT APPLICABLE

- ITEM NOT ILLUSTRATED

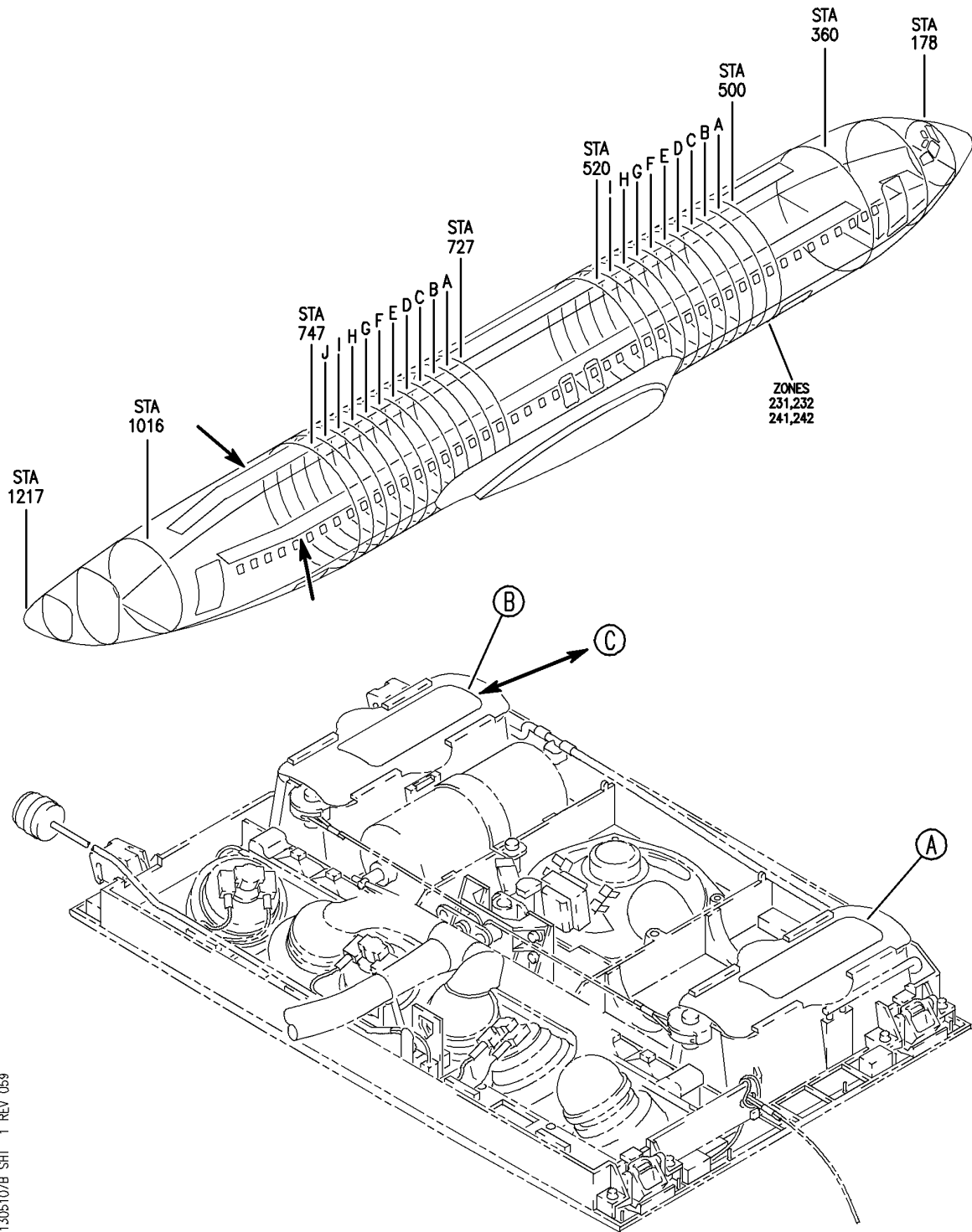
HAP

11-30-51-04B

BOEING PROPRIETARY - Copyright © - Unpublished Work - See title page for details.

11-30-51
FIG. 04B
PAGE 1
OCT 15/08

BOEING
 737-600/700/800/900
 PARTS CATALOG (MAINTENANCE)



E 11305107B SHT 1 REV 059

SERVICE UNIT ASSY-WITH SPKR AND GASPER PASS. (PLACARDS AND MARKINGS ONLY)
 FIGURE 7B (SHEET 1)

HAP
 FEB 10/07

11-30-51-07B

11-30-51-07B
 PAGE 0

BOEING
737-600/700/800/900
PARTS CATALOG (MAINTENANCE)

55

ATTENTION

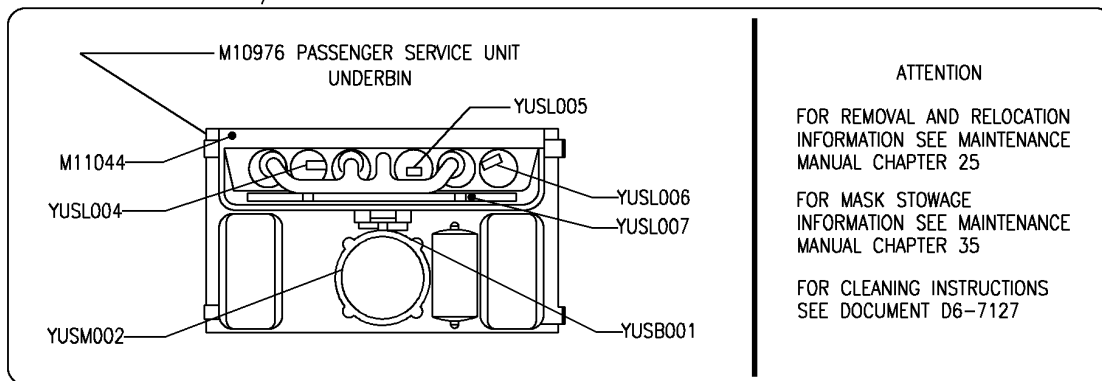
FOR REMOVAL AND RELOCATION INFORMATION SEE
 MAINTENANCE MANUAL CHAPTER 25

FOR MASK STOWAGE INSTRUCTIONS SEE MAINTENANCE
 MANUAL CHAPTER 35

FOR CLEANING INSTRUCTIONS SEE DOCUMENT D6-7127

70

(A)



ATTENTION

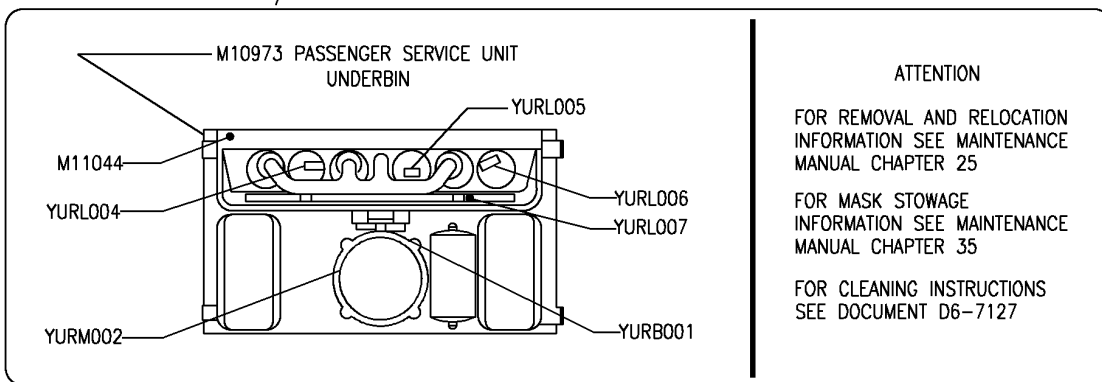
FOR REMOVAL AND RELOCATION
 INFORMATION SEE MAINTENANCE
 MANUAL CHAPTER 25

FOR MASK STOWAGE
 INFORMATION SEE MAINTENANCE
 MANUAL CHAPTER 35

FOR CLEANING INSTRUCTIONS
 SEE DOCUMENT D6-7127

80
81

(B)



ATTENTION

FOR REMOVAL AND RELOCATION
 INFORMATION SEE MAINTENANCE
 MANUAL CHAPTER 25

FOR MASK STOWAGE
 INFORMATION SEE MAINTENANCE
 MANUAL CHAPTER 35

FOR CLEANING INSTRUCTIONS
 SEE DOCUMENT D6-7127

(C)

E 11-305107B SHT 2 REV 104

SERVICE UNIT ASSY-WITH SPKR AND GASPER PASS. (PLACARDS AND MARKINGS ONLY)
 FIGURE 7B (SHEET 2)

11-30-51-07B

HAP
 FEB 10/07

11-30-51-07B
 PAGE 0A

BOEING
737-600/700/800/900
PARTS CATALOG (MAINTENANCE)

FIG ITEM	PART NUMBER	1 2 3 4 5 6 7	NOMENCLATURE	EFFECT FROM TO	UNITS PER ASSY
7B			SERVICE UNIT ASSY-WITH SPKR AND GASPER PASS. (PLACARDS AND MARKINGS ONLY)	001030	
- 1	417N3011-201A		SERVICE UNIT ASSY-WITH SPKR AND GASPER PASS. (PLACARDS AND MARKINGS ONLY) POSITION DATA: LH ELECTRICAL EQUIP NUMBER: M10973 COMPONENT MAINT MANUAL REF: 25-23-38 FOR NHA/OTHER SYS DET SEE: 25-23-61-04 25-23-61-07A 25-23-61-22A 25-23-61-53A	001016	RF
- 1	417N3011-401B		SERVICE UNIT ASSY-WITH 2K SPKR AND GASPER PASS. (PLACARDS AND MARKINGS ONLY) POSITION DATA: LH ELECTRICAL EQUIP NUMBER: M10973 COMPONENT MAINT MANUAL REF: 25-23-38 FOR NHA/OTHER SYS DET SEE: 25-23-61-04 25-23-61-07A 25-23-61-22A 25-23-61-53A	001016	RF
- 1	417N3011-401B		SERVICE UNIT ASSY-WITH 2K SPKR AND GASPER PASS. (PLACARDS AND MARKINGS ONLY) POSITION DATA: LH ELECTRICAL EQUIP NUMBER: M10973 COMPONENT MAINT MANUAL REF: 25-23-38 FOR NHA/OTHER SYS DET SEE: 25-23-61-57	017030	RF

MISSING ITEM NUMBERS NOT APPLICABLE

- ITEM NOT ILLUSTRATED

HAP

11-30-51-07B

BOEING PROPRIETARY - Copyright © - Unpublished Work - See title page for details.

11-30-51
FIG. 07B
PAGE 1
FEB 10/07

BOEING
737-600/700/800/900
PARTS CATALOG (MAINTENANCE)

FIG ITEM	PART NUMBER	1 2 3 4 5 6 7	NOMENCLATURE	EFFECT FROM TO	UNITS PER ASSY
7B - 1	417N3011-201A		SERVICE UNIT ASSY-WITH 2K SPKR AND GASPER PASS. (PLACARDS AND MARKINGS ONLY) POSITION DATA: LH ELECTRICAL EQUIP NUMBER: M10973 COMPONENT MAINT MANUAL REF: 25-23-38 FOR NHA/OTHER SYS DET SEE: 25-23-61-57	017030	RF
- 10	417N3011-202SP		SERVICE UNIT ASSY-WITH SPKR AND GASPER PASS. (PLACARDS AND MARKINGS ONLY) POSITION DATA: RH ELECTRICAL EQUIP NUMBER: M10973 COMPONENT MAINT MANUAL REF: 25-23-38 QUALIFIED I/W DATA: COLOR SUBJECT TO CUSTOMER PREFERENCE FOR NHA/OTHER SYS DET SEE: 25-23-61-04 25-23-61-07A 25-23-61-22A 25-23-61-53A	001016	RF
- 10	417N3011-402B		SERVICE UNIT ASSY-WITH 2K SPKR AND GASPER PASS. (PLACARDS AND MARKINGS ONLY) POSITION DATA: RH ELECTRICAL EQUIP NUMBER: M10973 COMPONENT MAINT MANUAL REF: 25-23-38 FOR NHA/OTHER SYS DET SEE: 25-23-61-57	017030	RF

MISSING ITEM NUMBERS NOT APPLICABLE

- ITEM NOT ILLUSTRATED

HAP

11-30-51-07B

BOEING PROPRIETARY - Copyright © - Unpublished Work - See title page for details.

11-30-51
FIG. 07B
PAGE 2
FEB 10/07

BOEING
737-600/700/800/900
PARTS CATALOG (MAINTENANCE)

FIG ITEM	PART NUMBER	1 2 3 4 5 6 7	NOMENCLATURE	EFFECT FROM TO	UNITS PER ASSY
7B - 10	417N3011-202A		SERVICE UNIT ASSY-WITH 2K SPKR AND GASPER PASS. (PLACARDS AND MARKINGS ONLY) POSITION DATA: RH ELECTRICAL EQUIP NUMBER: M10973 COMPONENT MAINT MANUAL REF: 25-23-38 FOR NHA/OTHER SYS DET SEE: 25-23-61-57	017030	RF
- 15	417N3011-202SP		SERVICE UNIT ASSY-WITH SPKR AND GASPER PASS. (PLACARDS AND MARKINGS ONLY) POSITION DATA: RH STA 431.5 ELECTRICAL EQUIP NUMBER: M10973 COMPONENT MAINT MANUAL REF: 25-23-38 PRE SERVICE BULLETIN: 25-1360 FOR NHA/OTHER SYS DET SEE: 25-23-61-07A	005005	RF
- 20	417N3011-202SP		SERVICE UNIT ASSY-WITH SPKR AND GASPER PASS. (PLACARDS AND MARKINGS ONLY) POSITION DATA: RH STA 402.5 AND 460.5 ELECTRICAL EQUIP NUMBER: M10973 COMPONENT MAINT MANUAL REF: 25-23-38 POST SERVICE BULLETIN: 25-1360 FOR NHA/OTHER SYS DET SEE: 25-23-61-07A	005005	RF
55	BAC27DPA2272		.DECAL	001030	1
80	BAC27NPA1361		.DECAL- USED ON: 417N3011-201A 417N3011-202A 417N3011-202SP 417N3011-401B 417N3011-402B	001030	1

MISSING ITEM NUMBERS NOT APPLICABLE

- ITEM NOT ILLUSTRATED

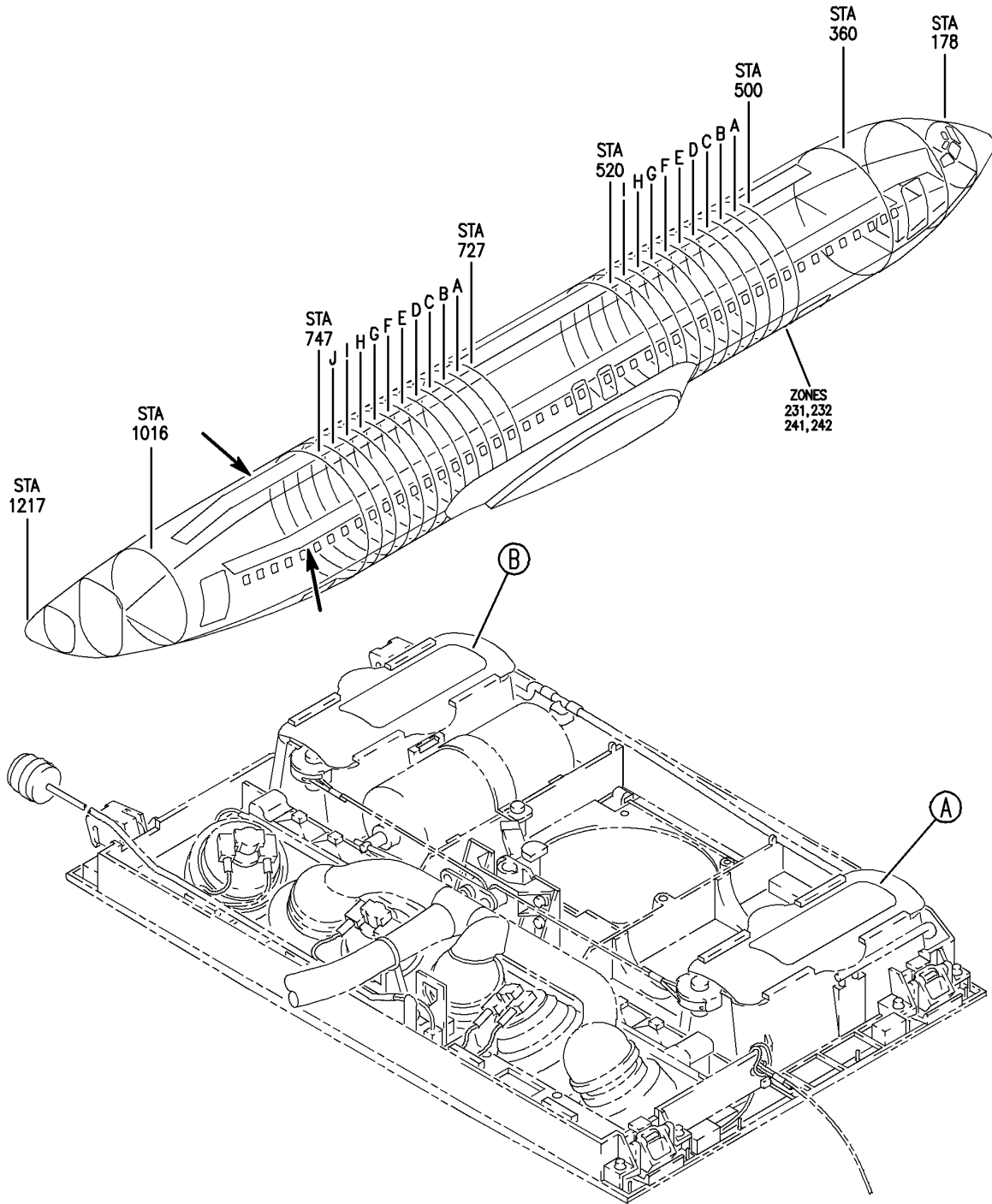
HAP

11-30-51-07B

BOEING PROPRIETARY - Copyright © - Unpublished Work - See title page for details.

11-30-51
FIG. 07B
PAGE 3
FEB 10/07

BOEING
 737-600/700/800/900
 PARTS CATALOG (MAINTENANCE)



E 11305107C SHT 1 REV 061

SERVICE UNIT ASSY-PASS. NO SPKR WITH GASPER (PLACARDS AND MARKINGS ONLY)
 FIGURE 7C (SHEET 1)

HAP
 OCT 10/06

11-30-51-07C

11-30-51-07C
 PAGE 0

BOEING
737-600/700/800/900
PARTS CATALOG (MAINTENANCE)

25

ATTENTION

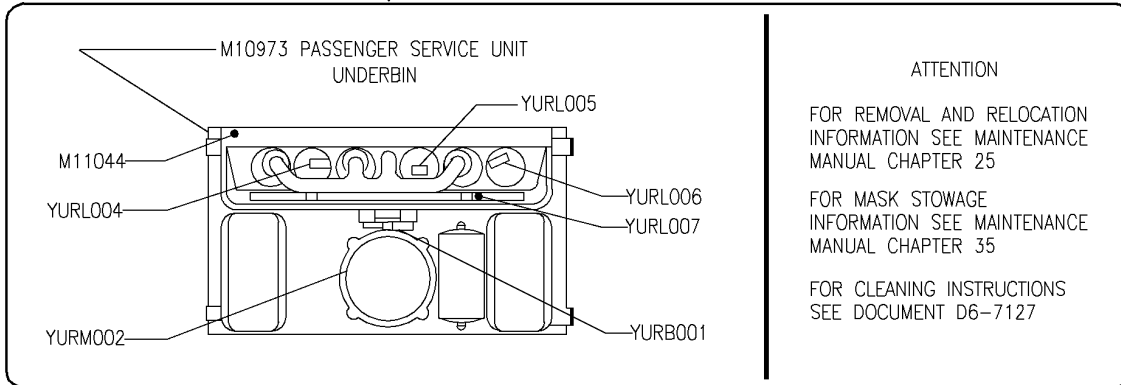
FOR REMOVAL AND RELOCATION INFORMATION SEE
 MAINTENANCE MANUAL CHAPTER 25

FOR MASK STOWAGE INSTRUCTIONS SEE MAINTENANCE
 MANUAL CHAPTER 35

FOR CLEANING INSTRUCTIONS SEE DOCUMENT D6-7127

(A)

35



(B)

E 11305107C SHT 2 REV 061

SERVICE UNIT ASSY-PASS. NO SPKR WITH GASPER (PLACARDS AND MARKINGS ONLY)
 FIGURE 7C (SHEET 2)

HAP
 OCT 10/06

11-30-51-07C

11-30-51-07C
 PAGE 0A

BOEING
737-600/700/800/900
PARTS CATALOG (MAINTENANCE)

FIG ITEM	PART NUMBER	1 2 3 4 5 6 7	NOMENCLATURE	EFFECT FROM TO	UNITS PER ASSY
7C			SERVICE UNIT ASSY-PASS. NO SPKR WITH GASPER (PLACARDS AND MARKINGS ONLY)	001030	
- 1	417N3011-413B		SERVICE UNIT ASSY-PASS. NO SPKR, WITH GASPER (PLACARDS AND MARKINGS ONLY) POSITION DATA: LH ELECTRICAL EQUIP NUMBER: M10973 COMPONENT MAINT MANUAL REF: 25-23-38 FOR NHA/OTHER SYS DET SEE: 25-23-61-57	017030	RF
- 1	417N3011-213A		SERVICE UNIT ASSY-PASS. NO SPKR, WITH GASPER (PLACARDS AND MARKINGS ONLY) POSITION DATA: LH ELECTRICAL EQUIP NUMBER: M10973 COMPONENT MAINT MANUAL REF: 25-23-38 FOR NHA/OTHER SYS DET SEE: 25-23-61-57	017030	RF
- 1	417N3011-213SP		SERVICE UNIT ASSY-PASS. NO SPKR WITH GASPER (PLACARDS AND MARKINGS ONLY) POSITION DATA: LH ELECTRICAL EQUIP NUMBER: M10973 COMPONENT MAINT MANUAL REF: 25-23-38 QUALIFIED I/W DATA: COLOR SUBJECT TO CUSTOMER PREFERENCE FOR NHA/OTHER SYS DET SEE: 25-23-61-04 25-23-61-07A 25-23-61-22A 25-23-61-53A	001016	RF

MISSING ITEM NUMBERS NOT APPLICABLE

- ITEM NOT ILLUSTRATED

HAP

11-30-51-07C

BOEING PROPRIETARY - Copyright © - Unpublished Work - See title page for details.

11-30-51
FIG. 07C
PAGE 1
OCT 10/06

BOEING
737-600/700/800/900
PARTS CATALOG (MAINTENANCE)

FIG ITEM	PART NUMBER	1 2 3 4 5 6 7	NOMENCLATURE	EFFECT FROM TO	UNITS PER ASSY
7C - 5	417N3011-414B		SERVICE UNIT ASSY-PASS. NO SPKR, WITH GASPER (PLACARDS AND MARKINGS ONLY) POSITION DATA: RH ELECTRICAL EQUIP NUMBER: M10973 COMPONENT MAINT MANUAL REF: 25-23-38 FOR NHA/OTHER SYS DET SEE: 25-23-61-57	017030	RF
- 5	417N3011-214A		SERVICE UNIT ASSY-PASS. NO SPKR, WITH GASPER (PLACARDS AND MARKINGS ONLY) POSITION DATA: RH ELECTRICAL EQUIP NUMBER: M10973 COMPONENT MAINT MANUAL REF: 25-23-38 FOR NHA/OTHER SYS DET SEE: 25-23-61-57	017030	RF
- 5	417N3011-214SP		SERVICE UNIT ASSY-PASS. NO SPKR WITH GASPER (PLACARDS AND MARKINGS ONLY) POSITION DATA: RH ELECTRICAL EQUIP NUMBER: M10973 COMPONENT MAINT MANUAL REF: 25-23-38 FOR NHA/OTHER SYS DET SEE: 25-23-61-04 25-23-61-07A 25-23-61-22A 25-23-61-53A	001016	RF

MISSING ITEM NUMBERS NOT APPLICABLE

- ITEM NOT ILLUSTRATED

HAP

11-30-51-07C

BOEING PROPRIETARY - Copyright © - Unpublished Work - See title page for details.

11-30-51
FIG. 07C
PAGE 2
OCT 10/06

BOEING
737-600/700/800/900
PARTS CATALOG (MAINTENANCE)

FIG ITEM	PART NUMBER	1 2 3 4 5 6 7	NOMENCLATURE	EFFECT FROM TO	UNITS PER ASSY
7C - 5	417N3011-414SP		SERVICE UNIT ASSY-PASS. NO SPKR WITH GASPER (PLACARDS AND MARKINGS ONLY) POSITION DATA: RH ELECTRICAL EQUIP NUMBER: M10973 COMPONENT MAINT MANUAL REF: 25-23-38 FOR NHA/OTHER SYS DET SEE: 25-23-61-53A	001016	RF
- 5	417N3011-314SP		SERVICE UNIT ASSY-PASS. NO SPKR WITH GASPER (PLACARDS AND MARKINGS ONLY) POSITION DATA: RH ELECTRICAL EQUIP NUMBER: M10973 COMPONENT MAINT MANUAL REF: 25-23-38 FOR NHA/OTHER SYS DET SEE: 25-23-61-04 25-23-61-07A 25-23-61-22A 25-23-61-53A	001016	RF
25	BAC27DPA2272		.DECAL	001030	1
35	BAC27NPA1361		.DECAL	001030	1

MISSING ITEM NUMBERS NOT APPLICABLE

- ITEM NOT ILLUSTRATED

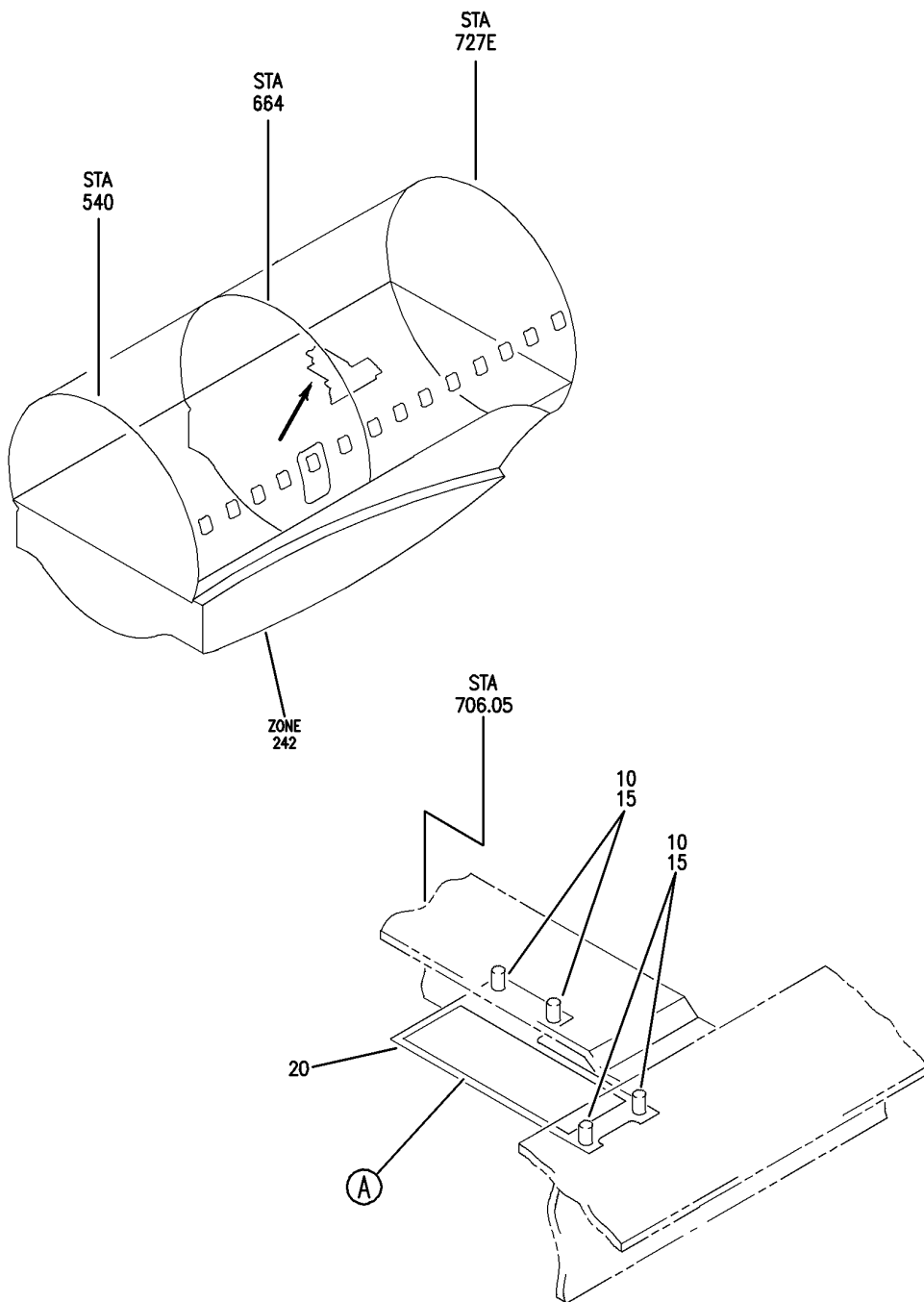
HAP

11-30-51-07C

BOEING PROPRIETARY - Copyright © - Unpublished Work - See title page for details.

11-30-51
FIG. 07C
PAGE 3
OCT 10/06

BOEING
 737-600/700/800/900
 PARTS CATALOG (MAINTENANCE)



E 11305115 SHT 1 REV 048

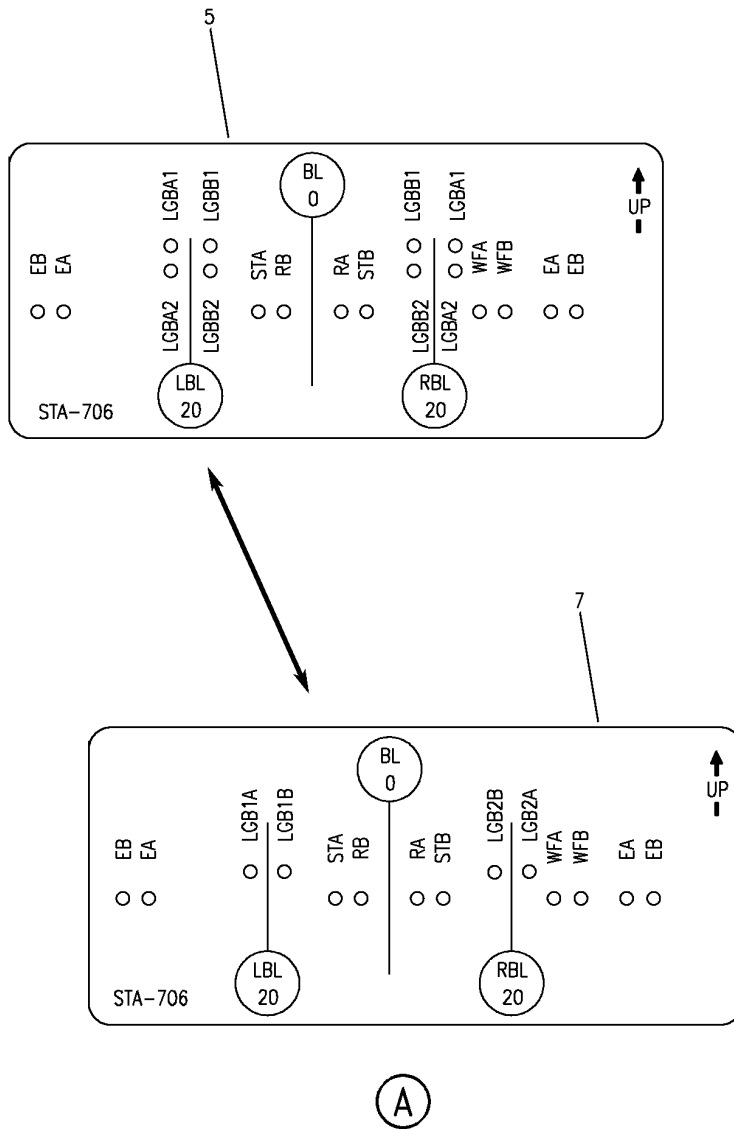
MARKER INSTL-MECHANICAL FLIGHT SYS MAINTENANCE
 FIGURE 15 (SHEET 1)

11-30-51-15

HAP
 OCT 10/06

11-30-51-15
 PAGE 0

BOEING
 737-600/700/800/900
 PARTS CATALOG (MAINTENANCE)



E 11305115 SHT 2 REV 131

MARKER INSTL-MECHANICAL FLIGHT SYS MAINTENANCE
 FIGURE 15 (SHEET 2)

11-30-51-15

HAP
 JUN 10/07

11-30-51-15
 PAGE 0A

BOEING
737-600/700/800/900
PARTS CATALOG (MAINTENANCE)

FIG ITEM	PART NUMBER	1 2 3 4 5 6 7	NOMENCLATURE	EFFECT FROM TO	UNITS PER ASSY
15			MARKER INSTL-MECHANICAL FLIGHT SYS MAINTENANCE		
- 1	250A0422-1		MARKER INSTL-MECHANICAL FLIGHT SYS MAINTENANCE FOR NHA SEE: 11-30-00-26	001017 019019 201967	RF
- 1	250A0422-3		MARKER INSTL-MECHANICAL FLIGHT SYS MAINTENANCE FOR NHA SEE: 11-30-00-26	018018	RF
- 1	250A0422-4		MARKER INSTL-MECHANICAL FLIGHT SYS MAINTENANCE FOR NHA SEE: 11-30-00-26	020030	RF
- 1	MODREF207360		MARKER INSTL-MECHANICAL FLIGHT SYS MAINTENANCE MODULE NUMBER: 250A0422-4 REV B	031200 968999	1
5	BAC27DCT0374		.MARKER-ALUMINUM FOIL	001017 019019 201967	1
5	BAC27DCT726		.MARKER-ALUMINUM FOIL	018018	1
7	BAC27DCT727		.MARKER-ALUMINUM FOIL	020200 968999	1
10	BACR15BA5AD14C		.RIVET	001030 201967	4
15	NAS42DD5-32FC		.SPACER	001030 201967	4
20	250A0420-1		.PLATE	001030 201967	1

MISSING ITEM NUMBERS NOT APPLICABLE

- ITEM NOT ILLUSTRATED

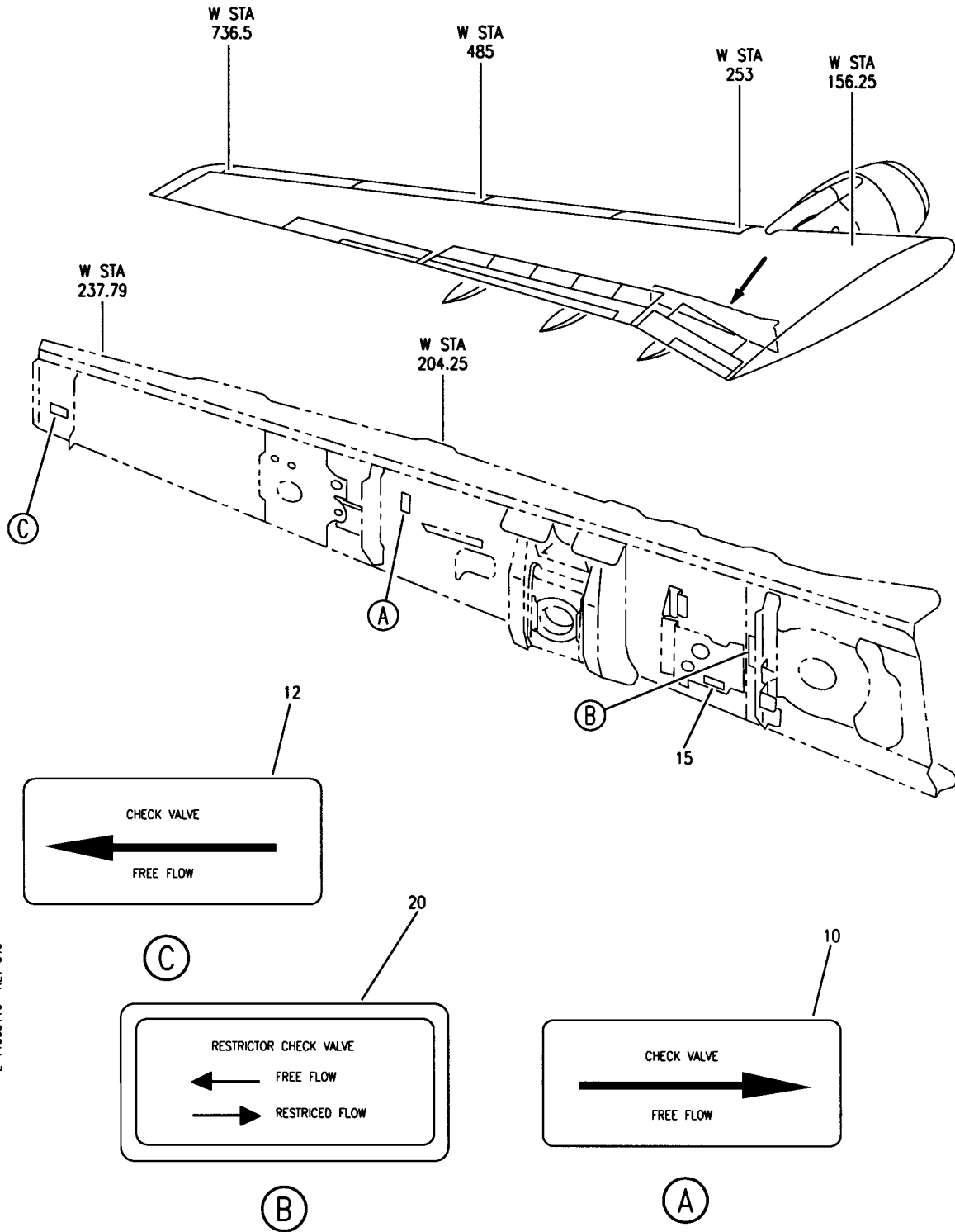
HAP

11-30-51-15

BOEING PROPRIETARY - Copyright © - Unpublished Work - See title page for details.

11-30-51
FIG. 15
PAGE 1
OCT 15/08

BOEING
 737-600/700/800/900
 PARTS CATALOG (MAINTENANCE)



E 11305116 REV 019

MARKER INSTL-WING HYDR
 FIGURE 16

11-30-51-16

HAP
 OCT 10/06

11-30-51-16
 PAGE 0

BOEING
737-600/700/800/900
PARTS CATALOG (MAINTENANCE)

FIG ITEM	PART NUMBER	1 2 3 4 5 6 7	NOMENCLATURE	EFFECT FROM TO	UNITS PER ASSY
16					
- 1	270A0411-1		MARKER INSTL-WING HYDR MARKER INSTL-WING HYDR POSITION DATA: LH FOR NHA SEE: 29-10-00-08	001030 201967	RF
- 1	MODREF84268		MARKER INSTL-WING HYDR MODULE NUMBER: 270A0411-1 REV A POSITION DATA: LH	031200 968999	1
- 5	270A0411-2		MARKER INSTL-WING HYDR POSITION DATA: RH FOR NHA SEE: 29-10-00-09	001001 006007	RF
- 5	270A0411-3		MARKER INSTL-WING HYDR POSITION DATA: RH FOR NHA SEE: 29-10-00-09	002005 008030 201967	RF
- 5	MODREF84269		MARKER INSTL-WING HYDR MODULE NUMBER: 270A0411-3 REV A POSITION DATA: RH	031200 968999	1
10	BACM10V21-2JG		.MARKER-ALUMINUM FOIL PLACARD CONTENT: CHECK VALVE USED ON: 270A0411-1 270A0411-2	001001 006007	1
10	BACM10V21-2JG		.MARKER-ALUMINUM FOIL PLACARD CONTENT: CHECK VALVE USED ON: 270A0411-1 MODREF84268	002005 008999	1
12	BACM10V21-2JH		.MARKER-ALUMINUM FOIL PLACARD CONTENT: CHK VALVE USED ON: 270A0411-3 MODREF84269	002005 008999	1
15	BAC27DHY375		.MARKER-ALUMINUM FOIL PLACARD CONTENT: FLOW REGULATOR LDG GEAR SYS		1

MISSING ITEM NUMBERS NOT APPLICABLE

- ITEM NOT ILLUSTRATED

HAP

11-30-51-16

BOEING PROPRIETARY - Copyright © - Unpublished Work - See title page for details.

11-30-51
FIG. 16
PAGE 1
OCT 15/08


BOEING
 737-600/700/800/900
PARTS CATALOG (MAINTENANCE)

FIG ITEM	PART NUMBER	1 2 3 4 5 6 7 NOMENCLATURE	EFFECT FROM TO	UNITS PER ASSY
16 20	BACM10V41-2ACY	.MARKER- PLACARD CONTENT: RESTRICTOR CHECK VALVE FREE FLOW RESTRICTED FLOW		1

MISSING ITEM NUMBERS NOT APPLICABLE

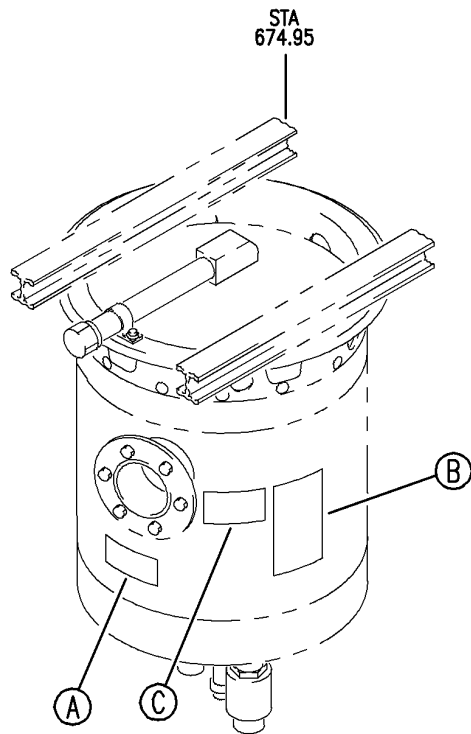
— ITEM NOT ILLUSTRATED

HAP

11-30-51-16

BOEING PROPRIETARY - Copyright © - Unpublished Work - See title page for details.

11-30-51
 FIG. 16
 PAGE 2
 FEB 15/08



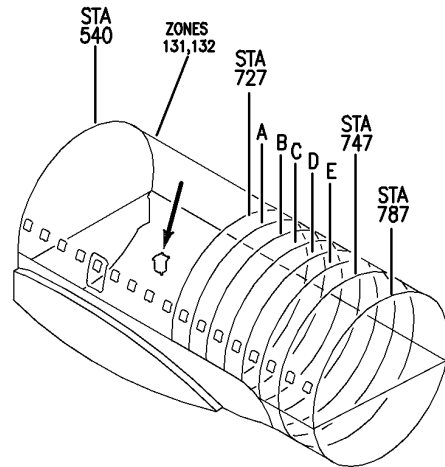
CAUTION
DURING INSTALLATION OR
REMOVAL OF TRANSMITTER,
FLOAT CAN BE DAMAGED
IF IT CONTACTS AN INTERNAL
STANDPIPE.

A

HYDRAULIC RESERVOIR ASSY-
SYSTEM "B"
BOEING ASSY NO. 276A3100-
NORMAL FLUID CAPACITY:
8.2 GALLONS/31.0 LITERS
TOTAL VOLUME:
10.7 GALLONS/40.6 LITERS

SERVICE WITH BMS 3-11
FLUID ONLY

C



HYDRAULIC RESERVOIR FILLING INSTRUCTIONS
('A' OR 'B' SYSTEM)

CAUTION: (A) DO NOT OPERATE HANDPUMP OR PRESSURE FILLING SYSTEM WITH SELECTOR VALVE IN "CLOSED" POSITION. MAXIMUM FILLING PRESSURE 75 PSI
(B) WHEN SERVICING AFTER MAINTENANCE INVOLVING FLUID LOSS, FILL RESERVOIR TO FULL LEVEL, CYCLE FLIGHT CONTROLS AS REQUIRED TO FILL SYSTEM VOIDS, CHECK AND RESERVICE RESERVOIR TO FULL LEVEL.
(C) ENSURE THAT BRAKE ACCUMULATOR IS CHARGED WHEN CHECKING "B" SYSTEM QUANTITY INDICATION.

- OPERATE SELECTOR VALVE LEVER TO 'A' OR 'B' SYSTEM
- FOR MANUAL PUMPING:
REMOVE SUCTION HOSE FROM STOWED POSITION. ENSURE HOSE NOZZLE IS CLEAN BEFORE PLACING IN FLUID CONTAINER.
- FOR PRESSURE FILLING:
CONNECT GROUND SERVICE HOSE TO "PRESSURE FILL" PORT
- AFTER CHECKING SYSTEM:
ENSURE THAT SELECTOR VALVE LEVER IS IN "CLOSED" POSITION, DISCONNECT GROUND SERVICE HOSE AND REPLACE FILLING PORT CAP. STOW HAND PUMP HANDLE, DRAIN SUCTION HOSE AND WIPE OFF NOZZLE BEFORE STOWING.

B

E 11305118 REV 052

RESERVOIR ASSY-SYS B HYDR (INTERIOR PLACARDS AND MARKINGS ONLY)
FIGURE 18

11-30-51-18

BOEING
737-600/700/800/900
PARTS CATALOG (MAINTENANCE)

FIG ITEM	PART NUMBER	1 2 3 4 5 6 7	NOMENCLATURE	EFFECT FROM TO	UNITS PER ASSY
18			RESERVIOR ASSY-SYS B HYDR (INTERIOR PLACARDS AND MARKINGS ONLY)		
- 1	276A3100-8		RESERVOIR ASSY-SYS B HYDR (INTERIOR PLACARDS AND MARKINGS ONLY) COMPONENT MAINT MANUAL REF: 29-11-19 PRE SERVICE BULLETIN: 29-1110 FOR NHA/OTHER SYS DET SEE: 29-11-31-02		RF
- 1	276A3100-11		RESERVOIR ASSY-SYS B HYDR (INTERIOR PLACARDS AND MARKINGS ONLY) COMPONENT MAINT MANUAL REF: 29-11-19 POST SERVICE BULLETIN: 29-1110 FOR NHA/OTHER SYS DET SEE: 29-11-31-02		RF
	5 BAC27DHY0305		.MARKER-ALUMINUM FOIL OPTIONAL PART: BAC27DHY387		1
	5 BAC27DHY387		.MARKER-ALUMINUM FOIL OPTIONAL PART: BAC27DHY0305		1
	10 BAC27DHY0304		.MARKER-ALUMINUM FOIL		1
	15 BAC27DHY0367		.MARKER-ALUMINUM FOIL OPTIONAL PART: BAC27DHY385		1
	15 BAC27DHY385		.MARKER-ALUMINUM FOIL OPTIONAL PART: BAC27DHY0367		1

MISSING ITEM NUMBERS NOT APPLICABLE

- ITEM NOT ILLUSTRATED

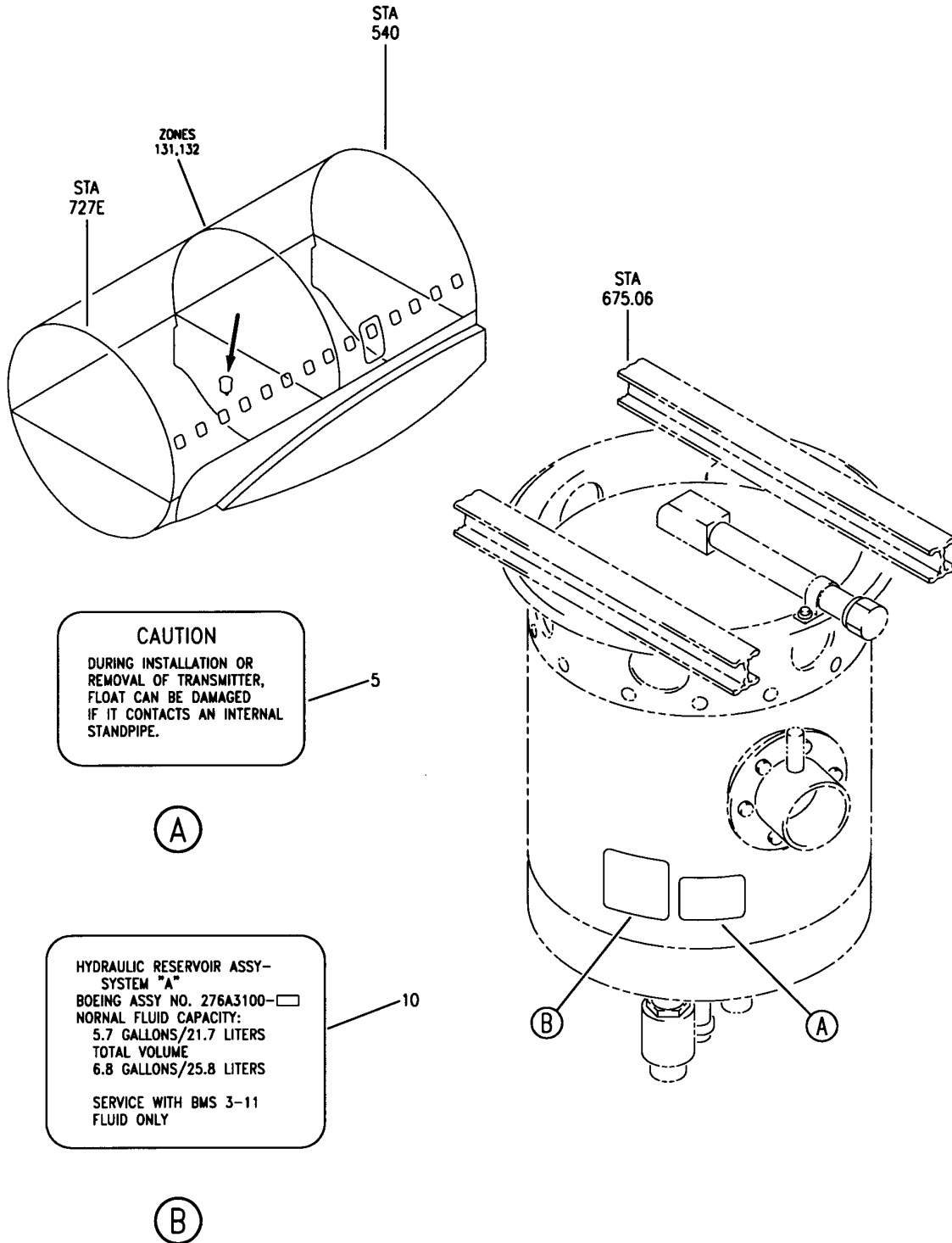
HAP

11-30-51-18

BOEING PROPRIETARY - Copyright © - Unpublished Work - See title page for details.

11-30-51
FIG. 18
PAGE 1
FEB 15/09

BOEING
737-600/700/800/900
PARTS CATALOG (MAINTENANCE)



E 11305120 REV 016

TANK ASSY-SYS A HYDR (PLACARDS AND MARKINGS ONLY)
FIGURE 20

11-30-51-20

HAP
OCT 10/06

11-30-51-20
PAGE 0

BOEING
737-600/700/800/900
PARTS CATALOG (MAINTENANCE)

FIG ITEM	PART NUMBER	1 2 3 4 5 6 7	NOMENCLATURE	EFFECT FROM TO	UNITS PER ASSY
20			TANK ASSY-SYS A HYDR (PLACARDS AND MARKINGS ONLY)		RF
- 1	276A3101-2		TANK ASSY-SYS A HYDR (PLACARDS AND MARKINGS ONLY) FOR NHA/OTHER SYS DET SEE: 29-11-31-01	001007	RF
- 1	276A3101-4		TANK ASSY-SYS A HYDR (PLACARDS AND MARKINGS ONLY) OPTIONAL PART: 276A3101-5 FOR NHA/OTHER SYS DET SEE: 29-11-31-01		RF
- 1	276A3101-5		TANK ASSY-SYS A HYDR (PLACARDS AND MARKINGS ONLY) OPTIONAL PART: 276A3101-4 FOR NHA/OTHER SYS DET SEE: 29-11-31-01		RF
5	BAC27DHY0304		.MARKER-ALUMINUM FOIL		1
10	BAC27DHY368		.MARKER-ALUMINUM FOIL OPTIONAL PART: BAC27DHY386		1
10	BAC27DHY386		.MARKER-ALUMINUM FOIL OPTIONAL PART: BAC27DHY368		1

MISSING ITEM NUMBERS NOT APPLICABLE

- ITEM NOT ILLUSTRATED

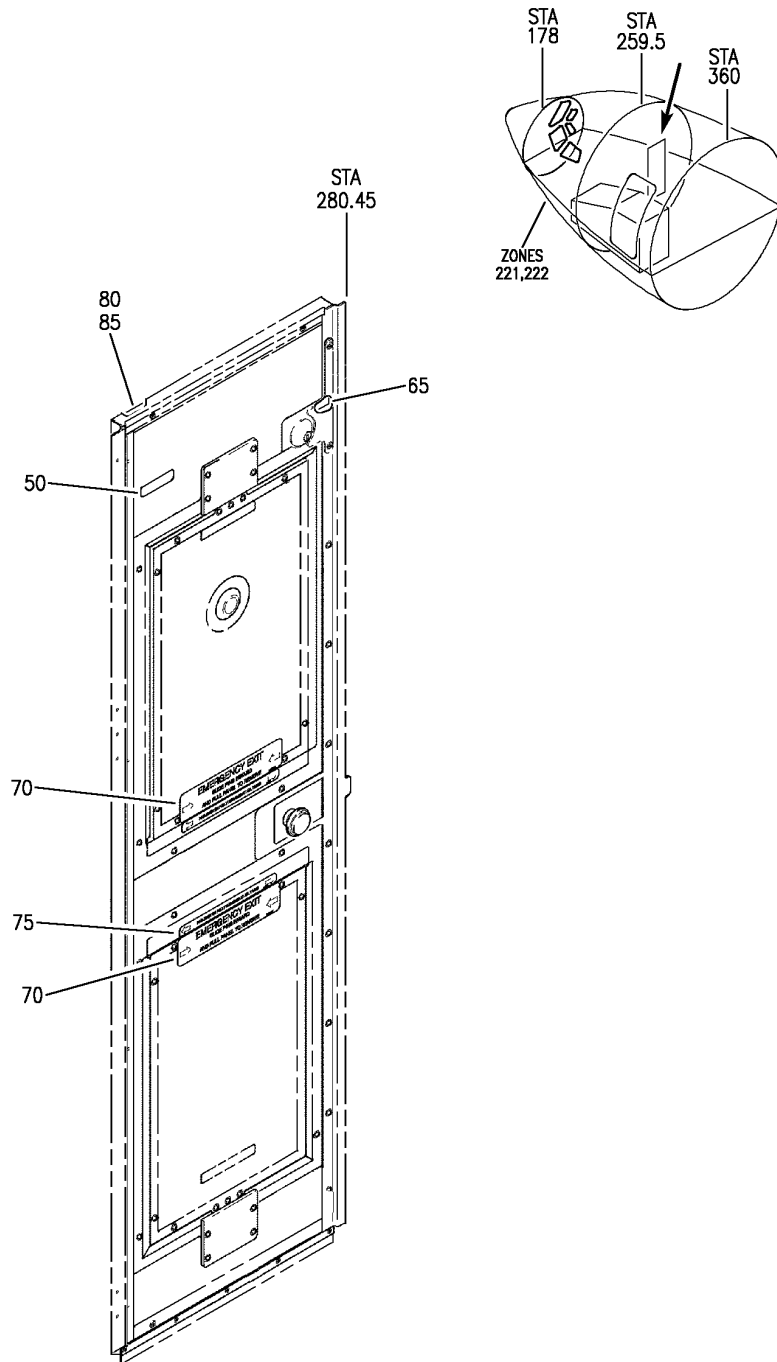
HAP

11-30-51-20

BOEING PROPRIETARY - Copyright © - Unpublished Work - See title page for details.

11-30-51
FIG. 20
PAGE 1
JUN 10/07

BOEING
737-600/700/800/900
PARTS CATALOG (MAINTENANCE)



E 11305120C REV 126

DOOR ASSY-COCKPIT CREW (PLACARDS AND MARKINGS ONLY)
FIGURE 20C

11-30-51-20C

HAP
FEB 10/07

11-30-51-20C
PAGE 0

BOEING
737-600/700/800/900
PARTS CATALOG (MAINTENANCE)

FIG ITEM	PART NUMBER	1 2 3 4 5 6 7	NOMENCLATURE	EFFECT FROM TO	UNITS PER ASSY
20C			DOOR ASSY-COCKPIT CREW (PLACARDS AND MARKINGS ONLY)	031200 968999	
- 5	B221200HN641		DOOR ASSY-COCKPIT CREW (PLACARDS AND MARKINGS ONLY) SUPPLIER CODE: V56135 SPECIFICATION NUMBER: S232A230-1HN COMPONENT MAINT MANUAL REF: 52-51-17 FOR NHA/OTHER SYS DET SEE: 52-51-51-01	031100 107200	RF
R R R R R R R R R R R R R	- 6	B221200HY641	DOOR ASSY-COCKPIT CREW (PLACARDS AND MARKINGS ONLY) SUPPLIER CODE: V56135 FUNCTIONAL DESCRIPTION: THE FLIGHT DECK DOOR ASSEMBLY IS DESIGNED TO ENHANCE THE SECURITY AND PROTECTION FROM UNAUTHORIZED ACCESS TO THE FLIGHT COMPARTMENT COMPONENT MAINT MANUAL REF: 52-51-17 FOR NHA/OTHER SYS DET SEE: 52-51-51-01	101106 968999	RF
	50	CDPL630	.PLACARD-CAUTION SUPPLIER CODE: V56135 SB DATA FROM A CMM: ADDED BY SB B221001-52-03	031200 968999	1
	- 60	CDPL599	.PLACARD-CAUTION SUPPLIER CODE: V56135	031200 968999	2
	65	CDPL600	.PLACARD-DEAD BOLT LATCH SUPPLIER CODE: V56135	031200 968999	1
	70	CDPL587	.PLACARD-EMERGENCY EXIT SUPPLIER CODE: V56135	031200 968999	2
	75	CDPL595	.PLACARD-PIN MUST BE SUPPLIER CODE: V56135	031200 968999	2

MISSING ITEM NUMBERS NOT APPLICABLE

- ITEM NOT ILLUSTRATED

HAP

11-30-51-20C

11-30-51
FIG. 20C
PAGE 1
JUN 15/09


BOEING
 737-600/700/800/900
PARTS CATALOG (MAINTENANCE)

FIG ITEM	PART NUMBER	1 2 3 4 5 6 7	NOMENCLATURE	EFFECT FROM TO	UNITS PER ASSY
20C 80	CD1211		.PLACARD-IDENT SUPPLIER CODE: V56135 ATTACHING PARTS	031200 968999	1
85	AD32B2BS		.RIVET- SUPPLIER CODE: V70494 -----*-----	031200 968999	4

MISSING ITEM NUMBERS NOT APPLICABLE

— ITEM NOT ILLUSTRATED

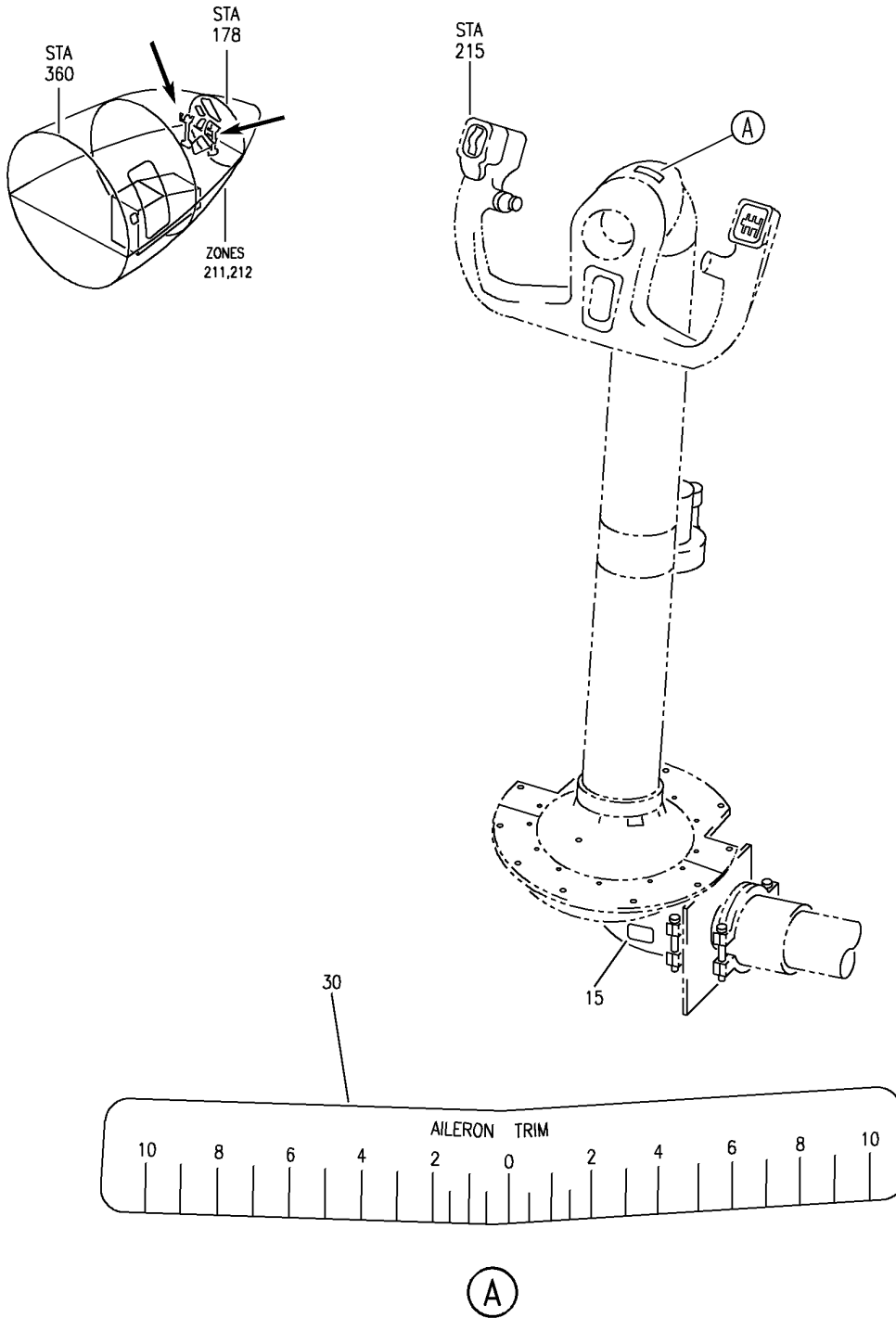
HAP

11-30-51-20C

BOEING PROPRIETARY - Copyright © - Unpublished Work - See title page for details.

11-30-51
 FIG. 20C
 PAGE 2
 JUN 15/09

BOEING
 737-600/700/800/900
 PARTS CATALOG (MAINTENANCE)



E 11305121 REV 125

WHEEL AND COLUMN ASSY-CAPT AND FIRST OFFICER (PLACARDS AND MARKINGS ONLY)
 FIGURE 21

11-30-51-21

HAP
 FEB 10/07

11-30-51-21
 PAGE 0

BOEING
737-600/700/800/900
PARTS CATALOG (MAINTENANCE)

FIG ITEM	PART NUMBER	1 2 3 4 5 6 7	NOMENCLATURE	EFFECT FROM TO	UNITS PER ASSY
21			WHEEL AND COLUMN ASSY-CAPT AND FIRST OFFICER (PLACARDS AND MARKINGS ONLY)		
- 1	65-45121-123		WHEEL AND COLUMN ASSY- (PLACARDS AND MARKINGS ONLY) POSITION DATA: CAPT SIDE FOR NHA/OTHER SYS DET SEE: 27-31-51-01	001011	RF
R R R R R R	- 1	65-45121-125	WHEEL AND COLUMN ASSY- (PLACARDS AND MARKINGS ONLY) POSITION DATA: CAPT SIDE FOR NHA/OTHER SYS DET SEE: 27-31-51-01	012999	RF
- 1	251A2145-1		WHEEL AND COLUMN ASSY- (PLACARDS AND MARKINGS ONLY) POSITION DATA: CAPT SIDE ALTERED FROM PART NUMBER: 65-45121-109 FOR NHA/OTHER SYS DET SEE: 27-31-51-01	001007	RF
- 1	65-45121-127		WHEEL AND COLUMN ASSY- (PLACARDS AND MARKINGS ONLY) POSITION DATA: CAPT SIDE FOR NHA/OTHER SYS DET SEE: 27-31-51-01	001011	RF
R R R R R R	- 1	65-45121-129	WHEEL AND COLUMN ASSY- (PLACARDS AND MARKINGS ONLY) POSITION DATA: CAPT SIDE FOR NHA/OTHER SYS DET SEE: 27-31-51-01	012999	RF
- 1	65-45121-131		WHEEL AND COLUMN ASSY- (PLACARDS AND MARKINGS ONLY) POSITION DATA: CAPT SIDE FOR NHA/OTHER SYS DET SEE: 27-31-51-01	001011	RF

MISSING ITEM NUMBERS NOT APPLICABLE

- ITEM NOT ILLUSTRATED

HAP

11-30-51-21

11-30-51
FIG. 21
PAGE 1
JUN 15/09

BOEING
737-600/700/800/900
PARTS CATALOG (MAINTENANCE)

FIG ITEM	PART NUMBER	1 2 3 4 5 6 7	NOMENCLATURE	EFFECT FROM TO	UNITS PER ASSY
R R R R R R	21 - 1	65-45121-133	WHEEL AND COLUMN ASSY- (PLACARDS AND MARKINGS ONLY) POSITION DATA: CAPT SIDE FOR NHA/OTHER SYS DET SEE: 27-31-51-01	012999	RF
	- 3	65-45121-124	WHEEL AND COLUMN ASSY- (PLACARDS AND MARKINGS ONLY) POSITION DATA: FIRST OFFICER SIDE FOR NHA/OTHER SYS DET SEE: 27-31-51-01	001011	RF
	- 3	65-45121-126	WHEEL AND COLUMN ASSY- (PLACARDS AND MARKINGS ONLY) POSITION DATA: FIRST OFFICER SIDE FOR NHA/OTHER SYS DET SEE: 27-31-51-01	012999	RF
	- 3	251A2145-2	WHEEL AND COLUMN ASSY- (PLACARDS AND MARKINGS ONLY) POSITION DATA: FIRST OFFICER SIDE ALTERED FROM PART NUMBER: 65-45121-110 FOR NHA/OTHER SYS DET SEE: 27-31-51-01	001007	RF
	- 3	65-45121-128	WHEEL AND COLUMN ASSY- (PLACARDS AND MARKINGS ONLY) POSITION DATA: FIRST OFFICER SIDE FOR NHA/OTHER SYS DET SEE: 27-31-51-01	001011	RF
	- 3	65-45121-130	WHEEL AND COLUMN ASSY- (PLACARDS AND MARKINGS ONLY) POSITION DATA: FIRST OFFICER SIDE FOR NHA/OTHER SYS DET SEE: 27-31-51-01	012999	RF

MISSING ITEM NUMBERS NOT APPLICABLE

- ITEM NOT ILLUSTRATED

HAP

11-30-51-21

11-30-51
FIG. 21
PAGE 2
JUN 15/09

BOEING
737-600/700/800/900
PARTS CATALOG (MAINTENANCE)

FIG ITEM	PART NUMBER	1 2 3 4 5 6 7	NOMENCLATURE	EFFECT FROM TO	UNITS PER ASSY
21 -	3 65-45121-132		WHEEL AND COLUMN ASSY- (PLACARDS AND MARKINGS ONLY) POSITION DATA: FIRST OFFICER SIDE FOR NHA/OTHER SYS DET SEE: 27-31-51-01	001011	RF
-	3 65-45121-134		WHEEL AND COLUMN ASSY- (PLACARDS AND MARKINGS ONLY) POSITION DATA: FIRST OFFICER SIDE FOR NHA/OTHER SYS DET SEE: 27-31-51-01	012999	RF
-	5 65-45122-17		.COLUMN ASSY-CAPT AIL. AND ELEV CONT USED ON: 251A2145-1 251A2145-3 65-45121-111	001007	RF
-	5 65-45122-21		.COLUMN ASSY-CAPT AIL. AND ELEV CONT USED ON: 65-45121-123 65-45121-125 65-45121-127 65-45121-129		RF
-	10 65-45122-18		.COLUMN ASSY-FIRST OFFICER AIL. AND ELEV CONT USED ON: 251A2145-2 251A2145-4 65-45121-112	001007	RF
-	10 65-45122-22		.COLUMN ASSY-FIRST OFFICER AIL. AND ELEV CONT USED ON: 65-45121-124 65-45121-126 65-45121-128 65-45121-130		RF
	15 BAC27NCT0274		..MARKER-ALUMINUM FOIL PLACARD CONTENT: TORQUE PADDLE NUT MS21042-4 5-10 1N-LBS (0.56-1.13 N-M) ABOVE RUN ON TORQUE OPTIONAL PART: BAC27DCT0496		1

MISSING ITEM NUMBERS NOT APPLICABLE

- ITEM NOT ILLUSTRATED

HAP

11-30-51-21

BOEING PROPRIETARY - Copyright © - Unpublished Work - See title page for details.

11-30-51
FIG. 21
PAGE 3
FEB 15/09

BOEING
737-600/700/800/900
PARTS CATALOG (MAINTENANCE)

FIG ITEM	PART NUMBER	1 2 3 4 5 6 7	NOMENCLATURE	EFFECT FROM TO	UNITS PER ASSY
21					
15	BAC27DCT0496		..MARKER-ALUMINUM FOIL PLACARD CONTENT: TORQUE PADDLE NUT MS21042-4 5-10 1N-LBS (0.56-1.13 N-M) ABOVE RUN ON TORQUE OPTIONAL PART: BAC27NCT0274		1
- 20	65-45121-135		WHEEL AND COLUMN ASSY- POSITION DATA: CAPT SIDE QUALIFIED I/W DATA: 65-45121-137 MAY REPLACE OR BE REPLACED BY 65-45121-135 SUBJECT TO CUSTOMER PREFERENCE. FOR NHA/OTHER SYS DET SEE: 27-31-51-01	001011	RF
R - 20	65-45121-137		WHEEL AND COLUMN ASSY- POSITION DATA: CAPT SIDE QUALIFIED I/W DATA: 65-45121-137 MAY REPLACE OR BE REPLACED BY 65-45121-135 SUBJECT TO CUSTOMER PREFERENCE. FOR NHA/OTHER SYS DET SEE: 27-31-51-01	012999	RF
R - 20	65-45121-141		WHEEL AND COLUMN ASSY- (PLACARDS AND MARKINGS ONLY) POSITION DATA: CAPT SIDE FOR NHA/OTHER SYS DET SEE: 27-31-51-01	001011	RF
R - 20	65-45121-143		WHEEL AND COLUMN ASSY- (PLACARDS AND MARKINGS ONLY) POSITION DATA: CAPT SIDE FOR NHA/OTHER SYS DET SEE: 27-31-51-01	012999	RF

MISSING ITEM NUMBERS NOT APPLICABLE

- ITEM NOT ILLUSTRATED

HAP

11-30-51-21

BOEING PROPRIETARY - Copyright © - Unpublished Work - See title page for details.

11-30-51
FIG. 21
PAGE 4
JUN 15/09

BOEING
737-600/700/800/900
PARTS CATALOG (MAINTENANCE)

FIG ITEM	PART NUMBER	1 2 3 4 5 6 7	NOMENCLATURE	EFFECT FROM TO	UNITS PER ASSY
21 - 25	65-45121-136		WHEEL AND COLUMN ASSY- POSITION DATA: FIRST OFFICER SIDE QUALIFIED I/W DATA: 65-45121-138 MAY REPLACE OR BE REPLACED BY 65-45121-136 SUBJECT TO CUSTOMER PREFERENCE. FOR NHA/OTHER SYS DET SEE: 27-31-51-01	001011	RF
- 25	65-45121-138		WHEEL AND COLUMN ASSY- POSITION DATA: FIRST OFFICER SIDE QUALIFIED I/W DATA: 65-45121-138 MAY REPLACE OR BE REPLACED BY 65-45121-136 SUBJECT TO CUSTOMER PREFERENCE. FOR NHA/OTHER SYS DET SEE: 27-31-51-01	012999	RF
30	BAC27DCT731		.DECAL		1

MISSING ITEM NUMBERS NOT APPLICABLE

- ITEM NOT ILLUSTRATED

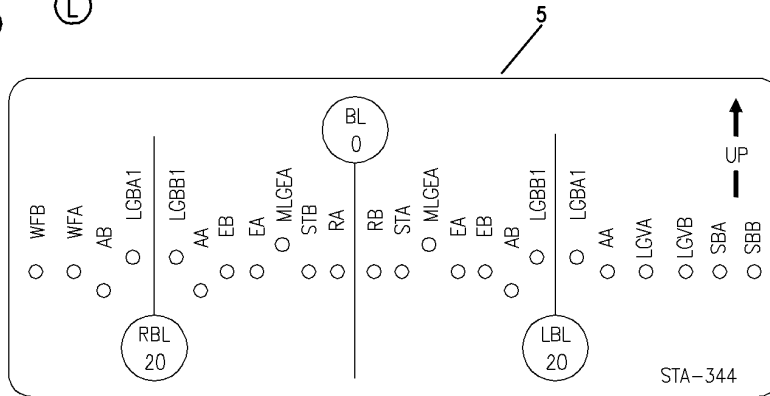
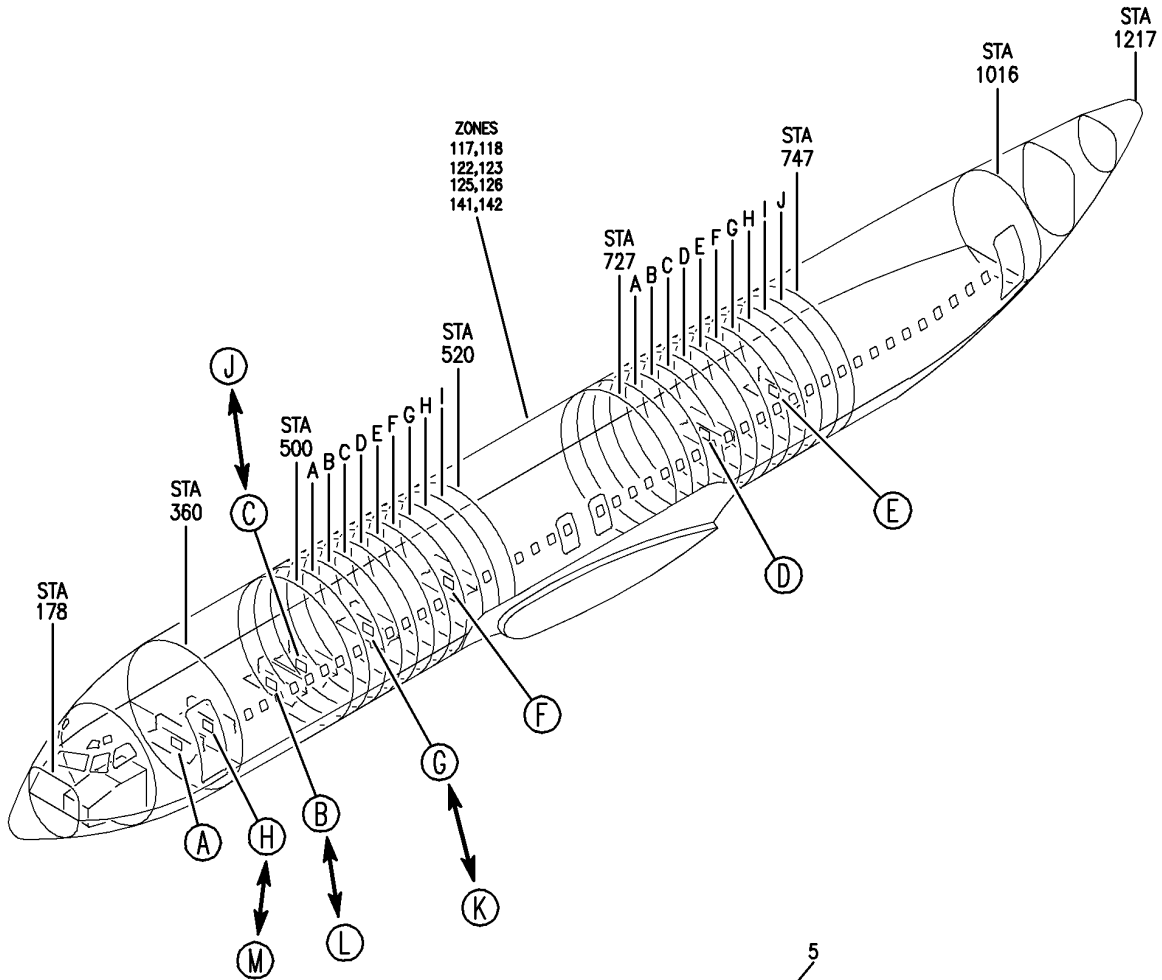
HAP

11-30-51-21

BOEING PROPRIETARY - Copyright © - Unpublished Work - See title page for details.

11-30-51
FIG. 21
PAGE 5
JUN 15/09

BOEING
737-600/700/800/900
PARTS CATALOG (MAINTENANCE)



E 11305122 SHT 1 REV 049

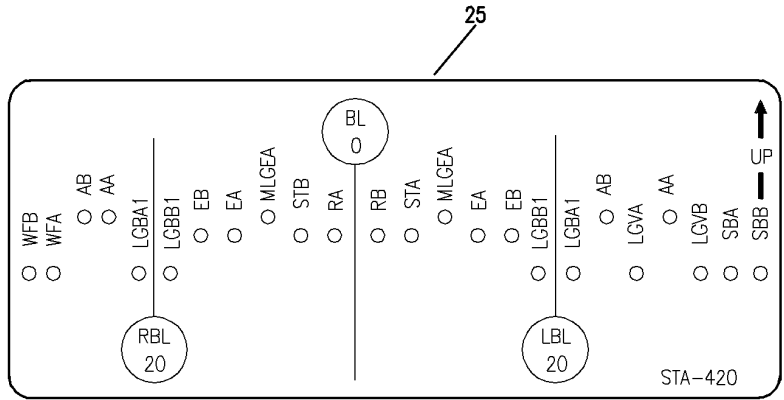
MARKER INSTL-CABLE RUN
 FIGURE 22 (SHEET 1)

11-30-51-22

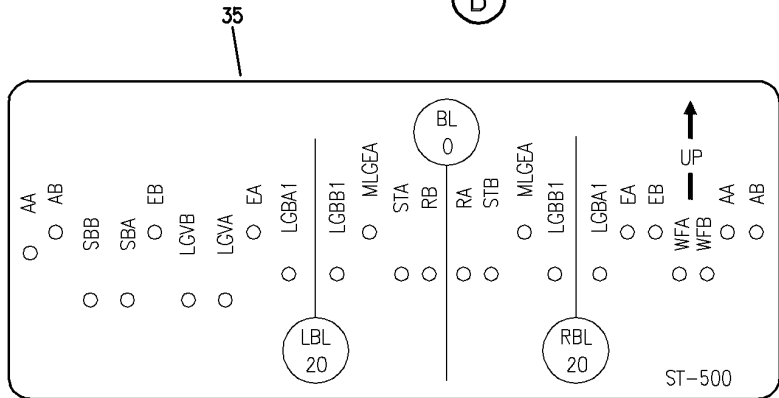
HAP
 OCT 10/06

11-30-51-22
 PAGE 0

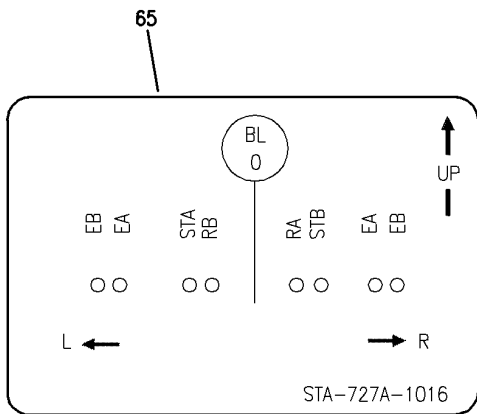
BOEING
737-600/700/800/900
PARTS CATALOG (MAINTENANCE)



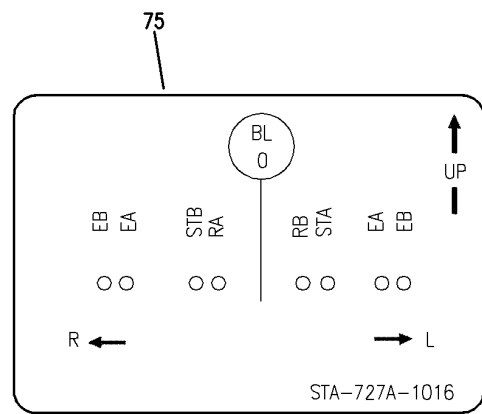
(B)



(C)



(D)

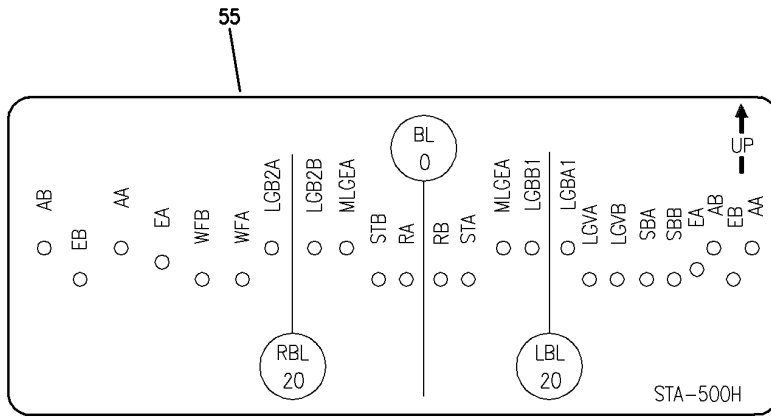


(E)

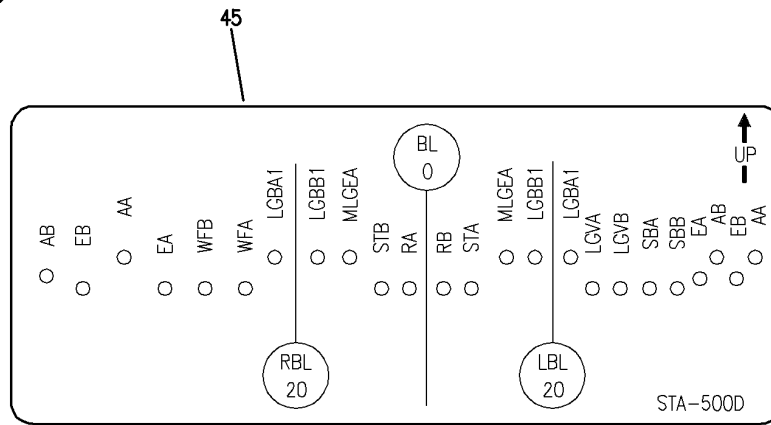
E 11305122 SHT 2 REV 049

MARKER INSTL-CABLE RUN
FIGURE 22 (SHEET 2)

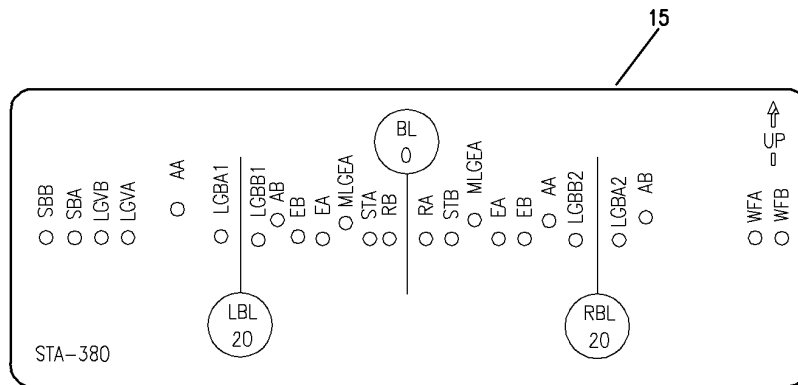
11-30-51-22



F



G



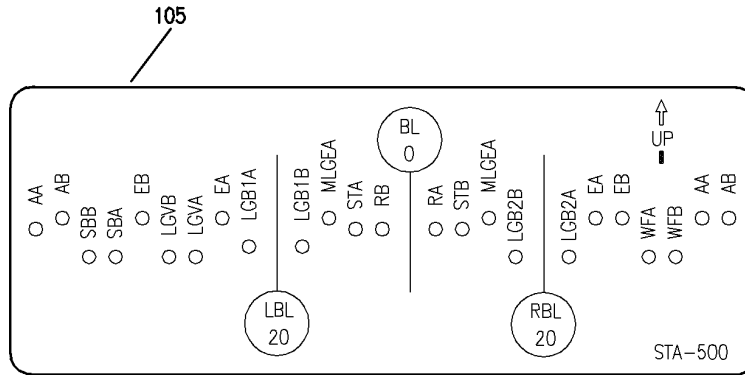
H

E 11305122 SHT 3 REV 049

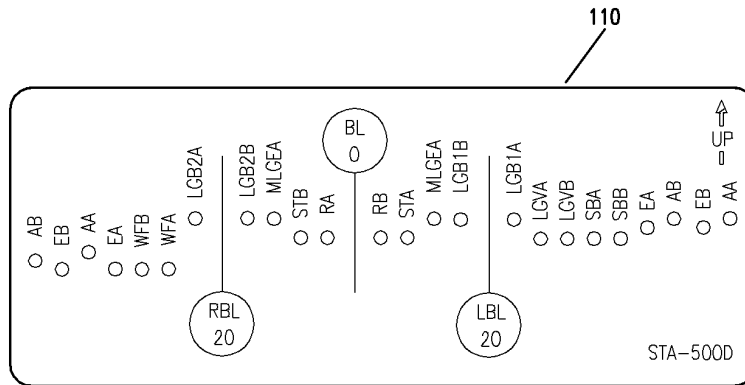
MARKER INSTL-CABLE RUN
FIGURE 22 (SHEET 3)

11-30-51-22

BOEING
 737-600/700/800/900
 PARTS CATALOG (MAINTENANCE)



(J)



(K)

E 11305122 SHT 4 REV 049

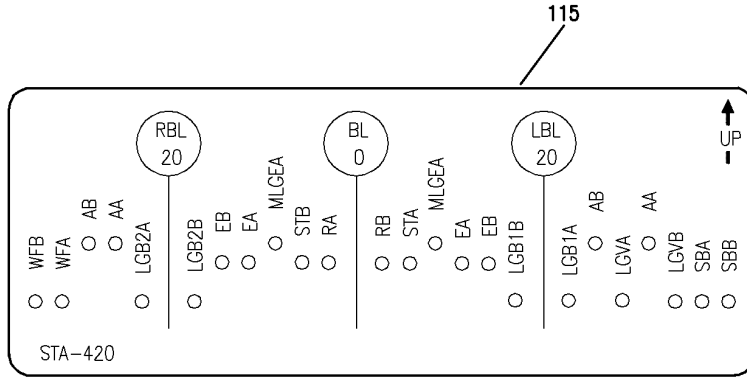
MARKER INSTL-CABLE RUN
 FIGURE 22 (SHEET 4)

11-30-51-22

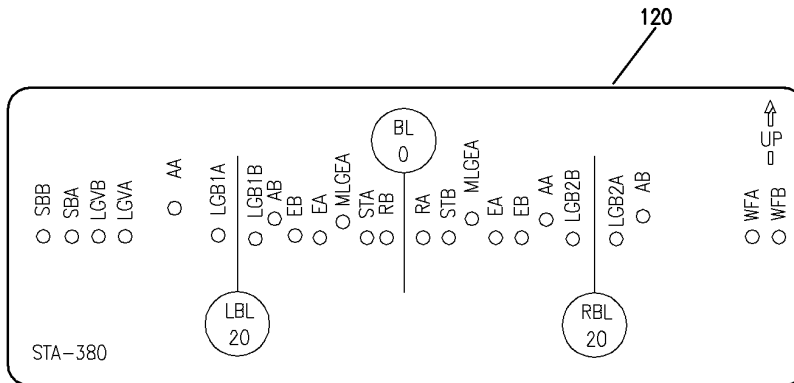
HAP
 OCT 10/06

11-30-51-22
 PAGE 0C


BOEING
 737-600/700/800/900
PARTS CATALOG (MAINTENANCE)



L



M

E 11305122 SHT 5 REV 049

MARKER INSTL-CABLE RUN
 FIGURE 22 (SHEET 5)

11-30-51-22

HAP
OCT 10/06

11-30-51-22
 PAGE 0D

BOEING
737-600/700/800/900
PARTS CATALOG (MAINTENANCE)

FIG ITEM	PART NUMBER	1 2 3 4 5 6 7	NOMENCLATURE	EFFECT FROM TO	UNITS PER ASSY
22					
- 1	250A0421-4		MARKER INSTL-CABLE RUN MARKER INSTL-CABLE RUN POSITION DATA: STA 344 FOR NHA SEE: 27-30-00-10	001030 001001 006007	RF
5	BAC27DCT0589		.MARKER-ALUMINUM FOIL	001001 006007	1
- 10	250A0421-28		MARKER INSTL-CABLE RUN POSITION DATA: STA 380 FOR NHA SEE: 27-30-00-10	002005 008020	RF
15	BAC27DCT668		.MARKER	002005 008020	1
- 20	250A0421-5		MARKER INSTL-CABLE RUN POSITION DATA: STA 420 FOR NHA SEE: 27-30-00-10	001020	RF
25	BAC27DCT648		.MARKER-ALUMINUM FOIL	001020	1
- 30	250A0421-6		MARKER INSTL-CABLE RUN POSITION DATA: STA 500 FOR NHA SEE: 27-30-00-10	001020	RF
35	BAC27DCT0588		.MARKER-ALUMINUM FOIL	001020	1
- 40	250A0421-7		MARKER INSTL-CABLE RUN POSITION DATA: STA 500D FOR NHA SEE: 27-30-00-10	001020	RF
45	BAC27DCT0590		.MARKER-ALUMINUM FOIL	001020	1
- 50	250A0421-17		MARKER INSTL-CABLE RUN POSITION DATA: STA 500H FOR NHA SEE: 27-30-00-10	001030	RF
55	BAC27DCT657		.MARKER-ALUMINUM FOIL	001030	1
- 60	250A0421-10		MARKER INSTL-CABLE RUN POSITION DATA: STA 727D FOR NHA SEE: 27-30-00-10	001030	RF
65	BAC27DCT0327		.MARKER-ALUMINUM FOIL	001030	1

MISSING ITEM NUMBERS NOT APPLICABLE

- ITEM NOT ILLUSTRATED

HAP

11-30-51-22

11-30-51
FIG. 22
PAGE 1
JUN 10/07

BOEING PROPRIETARY - Copyright © - Unpublished Work - See title page for details.

BOEING
737-600/700/800/900
PARTS CATALOG (MAINTENANCE)

FIG ITEM	PART NUMBER	1 2 3 4 5 6 7	NOMENCLATURE	EFFECT FROM TO	UNITS PER ASSY
22					
- 70	250A0421-18		MARKER INSTL-CABLE RUN POSITION DATA: STA 727I FOR NHA SEE: 27-30-00-10	001030	RF
75	BAC27DCT0326		.MARKER-ALUMINUM FOIL	001030	1
- 100	250A0421-33		MARKER INSTL-CABLE RUN POSITION DATA: STA 380, 420, 500, 500D FOR NHA SEE: 27-30-00-10	021030	RF
105	BAC27DCT715		.MARKER-ALUMINUM FOIL	021030	1
110	BAC27DCT717		.MARKER-ALUMINUM FOIL	021030	1
115	BAC27DCT718		.MARKER-ALUMINUM FOIL	021030	1
120	BAC27DCT719		.MARKER-ALUMINUM FOIL	021030	1

MISSING ITEM NUMBERS NOT APPLICABLE

- ITEM NOT ILLUSTRATED

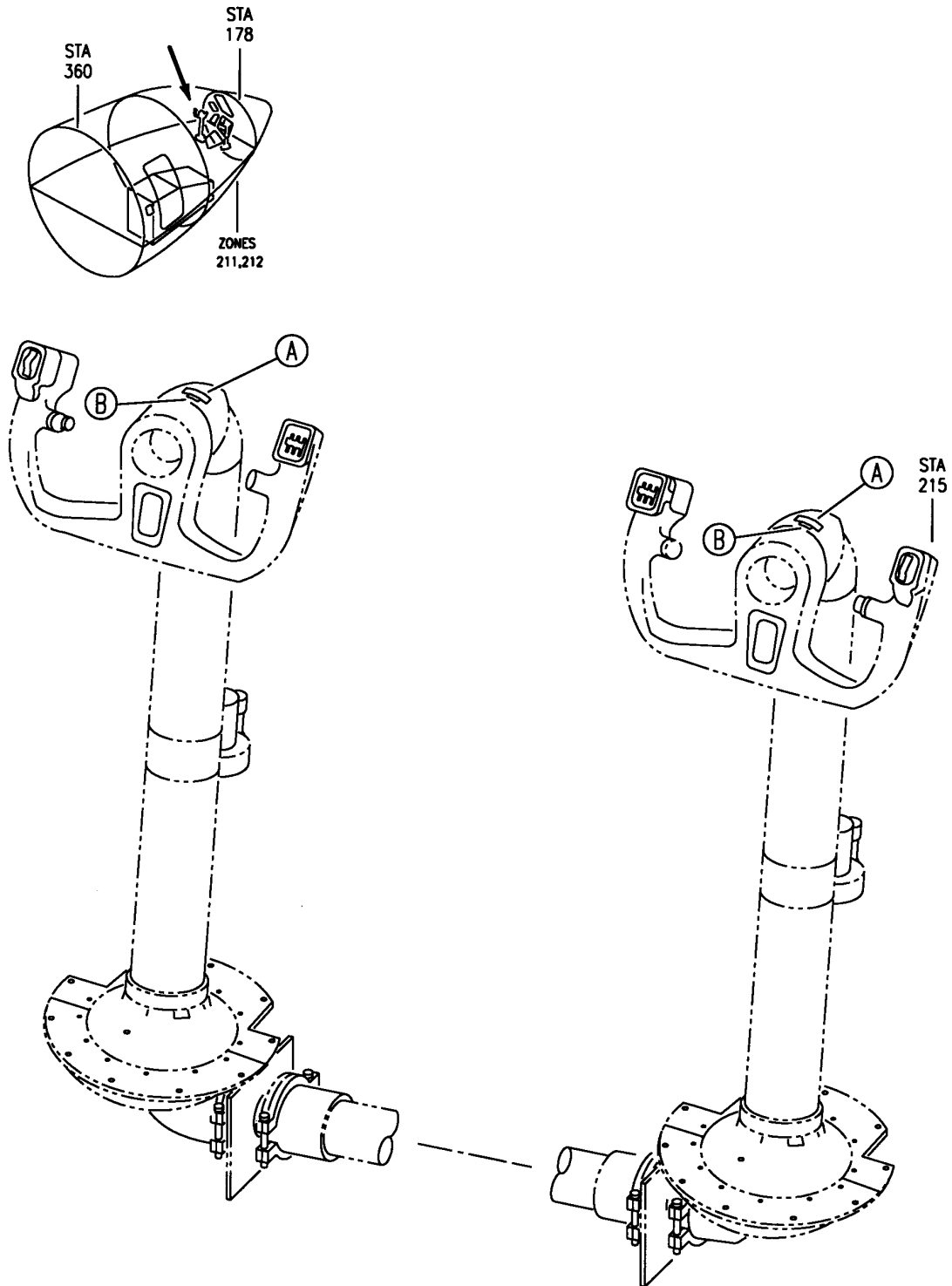
HAP

11-30-51-22

BOEING PROPRIETARY - Copyright © - Unpublished Work - See title page for details.

11-30-51
FIG. 22
PAGE 2
JUN 10/07

BOEING
737-600/700/800/900
PARTS CATALOG (MAINTENANCE)



E 11305124 SHT 1 REV 008

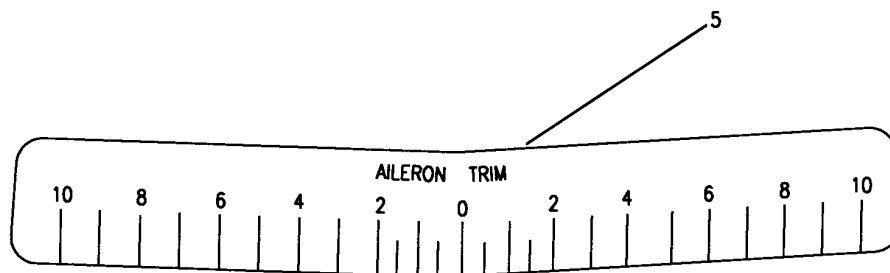
COLUMN INSTL-AIL. AND ELEV CONT (PLACARDS AND MARKINGS ONLY)
FIGURE 24 (SHEET 1)

HAP
OCT 10/06

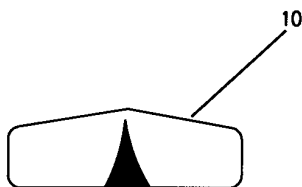
11-30-51-24

11-30-51-24
PAGE 0

BOEING
737-600/700/800/900
PARTS CATALOG (MAINTENANCE)



(A)



(B)

E 11305124 SHT 2 REV 008

COLUMN INSTL-AIL. AND ELEV CONT (PLACARDS AND MARKINGS ONLY)
FIGURE 24 (SHEET 2)

HAP
OCT 10/06

11-30-51-24

11-30-51-24
PAGE 0A

BOEING
737-600/700/800/900
PARTS CATALOG (MAINTENANCE)

FIG ITEM	PART NUMBER	1 2 3 4 5 6 7	NOMENCLATURE	EFFECT FROM TO	UNITS PER ASSY
24			COLUMN INSTL-AIL. AND ELEV CONT (PLACARDS AND MARKINGS ONLY)		
- 1	251A2110-1		COLUMN INSTL-AIL. AND ELEV CONT (PLACARDS AND MARKINGS ONLY) FOR NHA/OTHER SYS DET SEE: 27-30-00-05	001007	RF
- 1	251A2110-3		COLUMN INSTL-AIL. AND ELEV CONT (PLACARDS AND MARKINGS ONLY) FOR NHA/OTHER SYS DET SEE: 27-30-00-05	008011	RF
- 1	251A2110-4		COLUMN INSTL-AIL. AND ELEV CONT (PLACARDS AND MARKINGS ONLY) FOR NHA/OTHER SYS DET SEE: 27-30-00-05	012020 201967	RF
- 1	251A2110-6		COLUMN INSTL-AIL. AND ELEV CONT (PLACARDS AND MARKINGS ONLY) FOR NHA/OTHER SYS DET SEE: 27-30-00-05	021030	RF
- 1	MODREF253453		COLUMN INSTL-AIL. AND ELEV CONT (PLACARDS AND MARKINGS ONLY) MODULE NUMBER: 251A2110-8 REV D FOR OTHER SYS DETAILS SEE: 27-31-51-01	031051 054200 968999	1
- 2	MODREF402730		COLUMN INSTL-AIL. AND ELEV CONT (PLACARDS AND MARKINGS ONLY) MODULE NUMBER: 251A2110-8 REV E FOR OTHER SYS DETAILS SEE: 27-31-51-01	052053	1
5	BAC27DCT0394		.DECAL-	001030 201967	2
5	BAC27DCT731		.DECAL-	001030 201967	2
10	BAC27DCT0396		.DECAL		2

MISSING ITEM NUMBERS NOT APPLICABLE

- ITEM NOT ILLUSTRATED

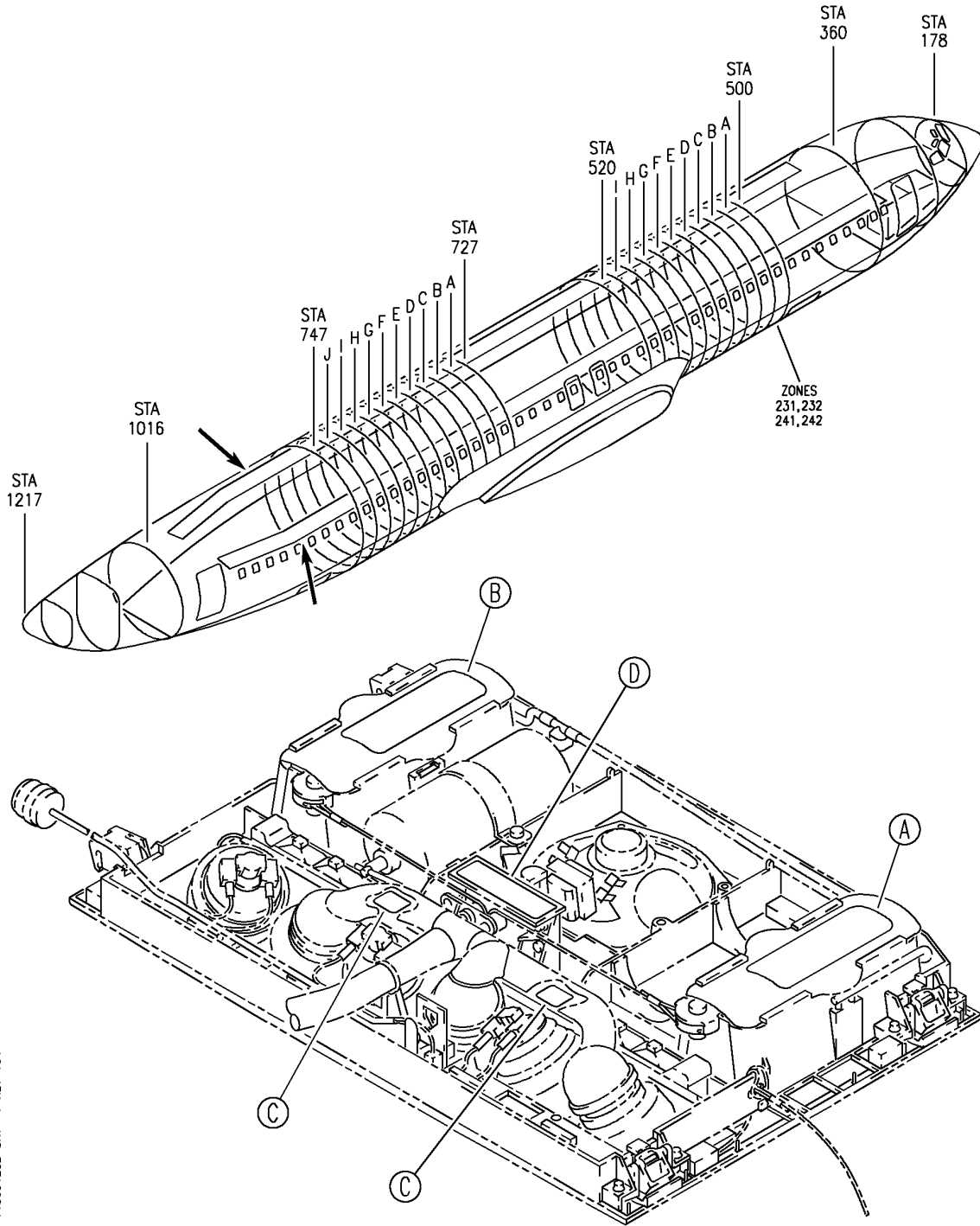
11-30-51-24

11-30-51
FIG. 24
PAGE 1
JUN 15/09

HAP

BOEING PROPRIETARY - Copyright © - Unpublished Work - See title page for details.

BOEING
 737-600/700/800/900
 PARTS CATALOG (MAINTENANCE)



E 11-30-51-28B SHT 1 REV 104

SERVICE UNIT ASSY-WITH 2K SPKR AND GASPER PASS. (PLACARDS AND MARKINGS ONLY)
 FIGURE 28B (SHEET 1)

HAP
 FEB 10/07

11-30-51-28B

11-30-51-28B
 PAGE 0

BOEING
 737-600/700/800/900
 PARTS CATALOG (MAINTENANCE)

10
11

ATTENTION

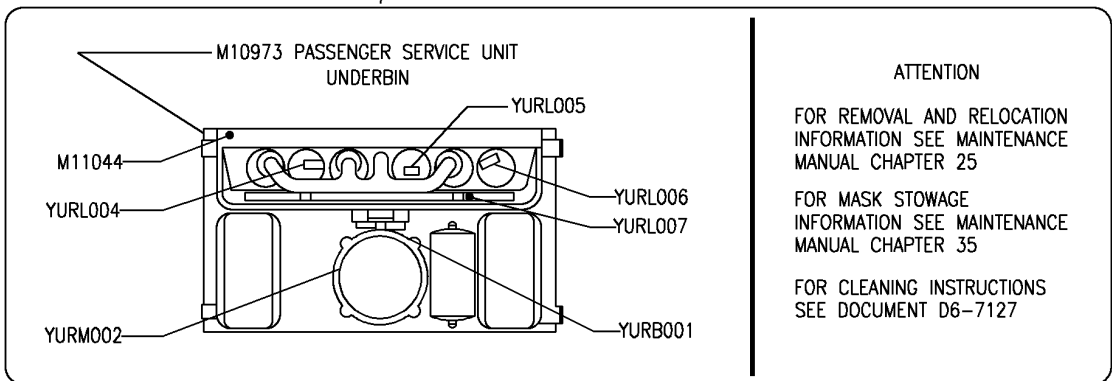
FOR REMOVAL AND RELOCATION INFORMATION SEE
 MAINTENANCE MANUAL CHAPTER 25

FOR MASK STOWAGE INSTRUCTIONS SEE MAINTENANCE
 MANUAL CHAPTER 35

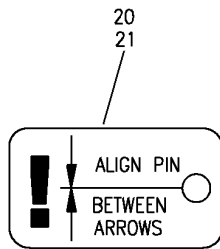
FOR CLEANING INSTRUCTIONS SEE DOCUMENT D6-7127

(A)

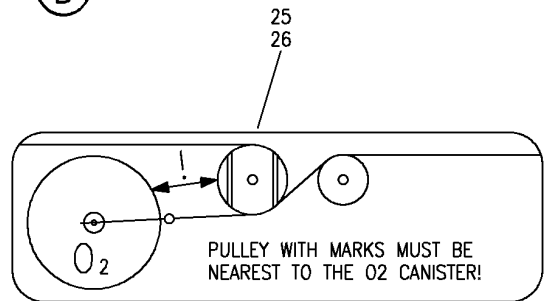
15
16



(B)



(C)



(D)

E 11305128B SHT 2 REV 114

SERVICE UNIT ASSY-WITH 2K SPKR AND GASPER PASS. (PLACARDS AND MARKINGS ONLY)
 FIGURE 28B (SHEET 2)

HAP
 FEB 10/07

11-30-51-28B

11-30-51-28B
 PAGE 0A

BOEING
737-600/700/800/900
PARTS CATALOG (MAINTENANCE)

FIG ITEM	PART NUMBER	1 2 3 4 5 6 7	NOMENCLATURE	EFFECT FROM TO	UNITS PER ASSY
28B			SERVICE UNIT ASSY-WITH 2K SPKR AND GASPER PASS. (PLACARDS AND MARKINGS ONLY)	001037 039040	
- 1	417N3011-601B		SERVICE UNIT ASSY-WITH 2K SPKR AND GASPER PASS. (PLACARDS AND MARKINGS ONLY) POSITION DATA: LH ELECTRICAL EQUIP NUMBER: M10973 COMPONENT MAINT MANUAL REF: 25-23-38 FOR NHA/OTHER SYS DET SEE: 25-23-61-70M	031037 039040	RF
- 3	417N3011-601B		SERVICE UNIT ASSY-WITH 2K SPKR AND GASPER PASS. (PLACARDS AND MARKINGS ONLY) POSITION DATA: LH ELECTRICAL EQUIP NUMBER: M10973 COMPONENT MAINT MANUAL REF: 25-23-38 FOR NHA/OTHER SYS DET SEE: 25-23-61-57	017030	RF
- 3	417N3011-601SP		SERVICE UNIT ASSY-WITH 2K SPKR AND GASPER PASS. (PLACARDS AND MARKINGS ONLY) POSITION DATA: LH ELECTRICAL EQUIP NUMBER: M10973 COMPONENT MAINT MANUAL REF: 25-23-38 FOR NHA/OTHER SYS DET SEE: 25-23-61-04 25-23-61-07A 25-23-61-22A 25-23-61-53A	001016	RF

MISSING ITEM NUMBERS NOT APPLICABLE

- ITEM NOT ILLUSTRATED

HAP

11-30-51-28B

BOEING PROPRIETARY - Copyright © - Unpublished Work - See title page for details.

11-30-51
FIG. 28B
PAGE 1
OCT 15/08

BOEING
737-600/700/800/900
PARTS CATALOG (MAINTENANCE)

FIG ITEM	PART NUMBER	1 2 3 4 5 6 7	NOMENCLATURE	EFFECT FROM TO	UNITS PER ASSY
28B - 5	417N3011-602B		SERVICE UNIT ASSY-WITH 2K SPKR AND GASPER PASS. (PLACARDS AND MARKINGS ONLY) POSITION DATA: RH ELECTRICAL EQUIP NUMBER: M10973 COMPONENT MAINT MANUAL REF: 25-23-38 FOR NHA/OTHER SYS DET SEE: 25-23-61-70M	031037 039040	RF
- 7	417N3011-602B		SERVICE UNIT ASSY-WITH 2K SPKR AND GASPER PASS. (PLACARDS AND MARKINGS ONLY) POSITION DATA: RH ELECTRICAL EQUIP NUMBER: M10973 COMPONENT MAINT MANUAL REF: 25-23-38 FOR NHA/OTHER SYS DET SEE: 25-23-61-57	017030	RF
- 7	417N3011-602SP		SERVICE UNIT ASSY-WITH 2K SPKR AND GASPER PASS. (PLACARDS AND MARKINGS ONLY) POSITION DATA: RH ELECTRICAL EQUIP NUMBER: M10973 COMPONENT MAINT MANUAL REF: 25-23-38 FOR NHA/OTHER SYS DET SEE: 25-23-61-04 25-23-61-07A 25-23-61-22A 25-23-61-53A	001016	RF
10	BAC27DPA2272	.DECAL		001004 006030	1
10	BAC27DPA2272	.DECAL		005005 031037 039040	1
15	BAC27NPA1361	.DECAL		001004 006030	1
15	BAC27NPA1361	.DECAL		005005 031037 039040	1

MISSING ITEM NUMBERS NOT APPLICABLE

- ITEM NOT ILLUSTRATED

HAP

11-30-51-28B

BOEING PROPRIETARY - Copyright © - Unpublished Work - See title page for details.

11-30-51
FIG. 28B
PAGE 2
OCT 15/08

BOEING
737-600/700/800/900
PARTS CATALOG (MAINTENANCE)

FIG ITEM	PART NUMBER	1 2 3 4 5 6 7	NOMENCLATURE	EFFECT FROM TO	UNITS PER ASSY
28B					
20	BAC29PPS56568	.	MARKER	001004 006030	2
20	BAC29PPS56568	.	MARKER	005005 031037 039040	2
25	BAC29PPS56569	.	PLACARD	001004 006030	1
25	BAC29PPS56569	.	PLACARD	005005 031037 039040	1

MISSING ITEM NUMBERS NOT APPLICABLE

— ITEM NOT ILLUSTRATED

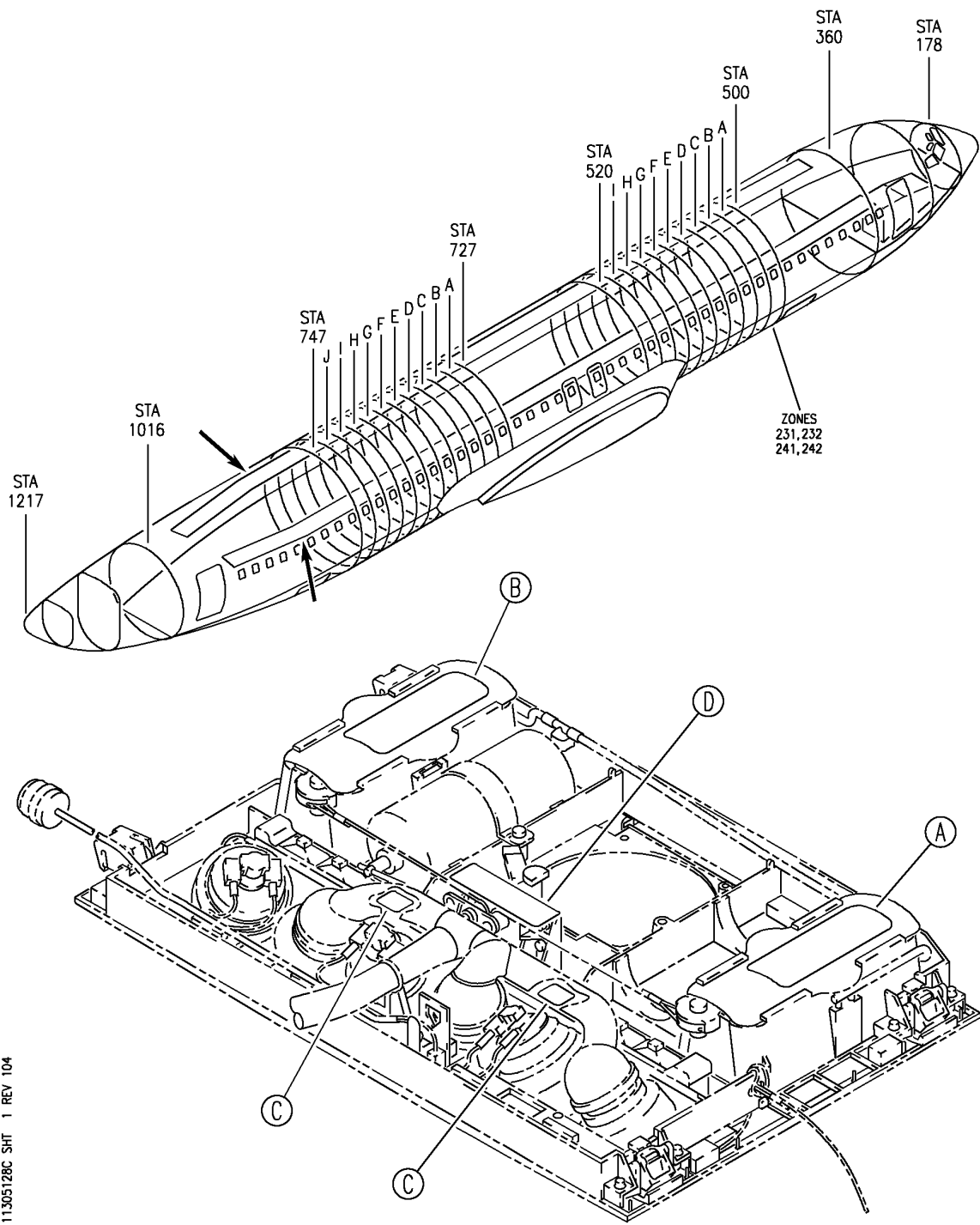
HAP

11-30-51-28B

BOEING PROPRIETARY - Copyright © - Unpublished Work - See title page for details.

11-30-51
FIG. 28B
PAGE 3
OCT 15/08

BOEING
 737-600/700/800/900
 PARTS CATALOG (MAINTENANCE)



E 11305128C SHT 1 REV 104

SERVICE UNIT ASSY-NO SPKR WITH GASPER PASS. (PLACARDS AND MARKINGS ONLY)
 FIGURE 28C (SHEET 1)

HAP
 OCT 10/06

11-30-51-28C

11-30-51-28C
 PAGE 0

BOEING PROPRIETARY - Copyright © - Unpublished Work - See title page for details.

BOEING
 737-600/700/800/900
 PARTS CATALOG (MAINTENANCE)

10

ATTENTION

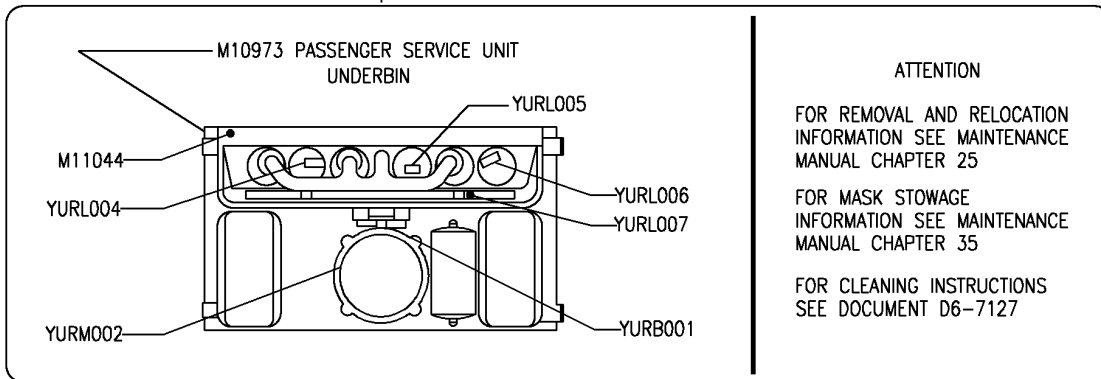
FOR REMOVAL AND RELOCATION INFORMATION SEE
 MAINTENANCE MANUAL CHAPTER 25

FOR MASK STOWAGE INSTRUCTIONS SEE MAINTENANCE
 MANUAL CHAPTER 35

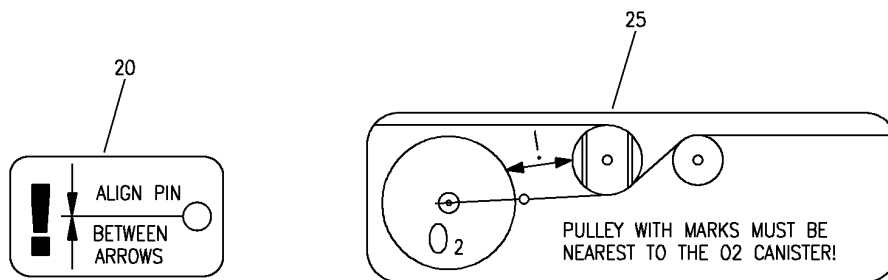
FOR CLEANING INSTRUCTIONS SEE DOCUMENT D6-7127

(A)

15



(B)



(C)

(D)

E 11305128C SHT 2 REV 104

SERVICE UNIT ASSY-NO SPKR WITH GASPER PASS. (PLACARDS AND MARKINGS ONLY)
 FIGURE 28C (SHEET 2)

HAP
 OCT 10/06

11-30-51-28C

11-30-51-28C
 PAGE 0A

BOEING
737-600/700/800/900
PARTS CATALOG (MAINTENANCE)

FIG ITEM	PART NUMBER	1 2 3 4 5 6 7	NOMENCLATURE	EFFECT FROM TO	UNITS PER ASSY
28C			SERVICE UNIT ASSY-NO SPKR WITH GASPER PASS. (PLACARDS AND MARKINGS ONLY)	001037 039040	
- 1	417N3011-613B		SERVICE UNIT ASSY-NO SPKR WITH GASPER PASS. (PLACARDS AND MARKINGS ONLY) POSITION DATA: LH ELECTRICAL EQUIP NUMBER: M10973 COMPONENT MAINT MANUAL REF: 25-23-38 FOR NHA/OTHER SYS DET SEE: 25-23-61-70M	031037 039040	RF
- 3	417N3011-613SP		SERVICE UNIT ASSY-NO SPKR WITH GASPER PASS. (PLACARDS AND MARKINGS ONLY) POSITION DATA: LH ELECTRICAL EQUIP NUMBER: M10973 COMPONENT MAINT MANUAL REF: 25-23-38 FOR NHA/OTHER SYS DET SEE: 25-23-61-04 25-23-61-07A 25-23-61-22A 25-23-61-53A	001016	RF
- 3	417N3011-613B		SERVICE UNIT ASSY-NO SPKR WITH GASPER PASS. (PLACARDS AND MARKINGS ONLY) POSITION DATA: LH ELECTRICAL EQUIP NUMBER: M10973 COMPONENT MAINT MANUAL REF: 25-23-38 FOR NHA/OTHER SYS DET SEE: 25-23-61-57	017030	RF

MISSING ITEM NUMBERS NOT APPLICABLE

- ITEM NOT ILLUSTRATED

HAP

11-30-51-28C

BOEING PROPRIETARY - Copyright © - Unpublished Work - See title page for details.

11-30-51
FIG. 28C
PAGE 1
OCT 15/08

BOEING
737-600/700/800/900
PARTS CATALOG (MAINTENANCE)

FIG ITEM	PART NUMBER	1 2 3 4 5 6 7	NOMENCLATURE	EFFECT FROM TO	UNITS PER ASSY
28C - 5	417N3011-614B		SERVICE UNIT ASSY-NO SPKR WITH GASPER PASS. (PLACARDS AND MARKINGS ONLY) POSITION DATA: RH ELECTRICAL EQUIP NUMBER: M10973 COMPONENT MAINT MANUAL REF: 25-23-38 FOR NHA/OTHER SYS DET SEE: 25-23-61-70M	031037 039040	RF
- 7	417N3011-614SP		SERVICE UNIT ASSY-NO SPKR WITH GASPER PASS. (PLACARDS AND MARKINGS ONLY) POSITION DATA: RH ELECTRICAL EQUIP NUMBER: M10973 COMPONENT MAINT MANUAL REF: 25-23-38 FOR NHA/OTHER SYS DET SEE: 25-23-61-04 25-23-61-07A 25-23-61-22A 25-23-61-53A	001016	RF
- 7	417N3011-614B		SERVICE UNIT ASSY-NO SPKR WITH GASPER PASS. (PLACARDS AND MARKINGS ONLY) POSITION DATA: RH ELECTRICAL EQUIP NUMBER: M10973 COMPONENT MAINT MANUAL REF: 25-23-38 FOR NHA/OTHER SYS DET SEE: 25-23-61-57	017030	RF
10	BAC27DPA2272	.DECAL		005005	1
10	BAC27DPA2272	.DECAL		001004 006037 039040	1
15	BAC27NPA1361	.DECAL		005005	1
15	BAC27NPA1361	.DECAL		001004 006037 039040	1
20	BAC29PPS56568	.MARKER		005005	2

MISSING ITEM NUMBERS NOT APPLICABLE

- ITEM NOT ILLUSTRATED

HAP

11-30-51-28C

BOEING PROPRIETARY - Copyright © - Unpublished Work - See title page for details.

11-30-51
FIG. 28C
PAGE 2
OCT 15/08

BOEING
737-600/700/800/900
PARTS CATALOG (MAINTENANCE)

FIG ITEM	PART NUMBER	1 2 3 4 5 6 7	NOMENCLATURE	EFFECT FROM TO	UNITS PER ASSY
28C					
20	BAC29PPS56568	.	MARKER	001004 006037 039040	2
25	BAC29PPS56569	.	PLACARD	005005	1
25	BAC29PPS56569	.	PLACARD	001004 006037 039040	1

MISSING ITEM NUMBERS NOT APPLICABLE

— ITEM NOT ILLUSTRATED

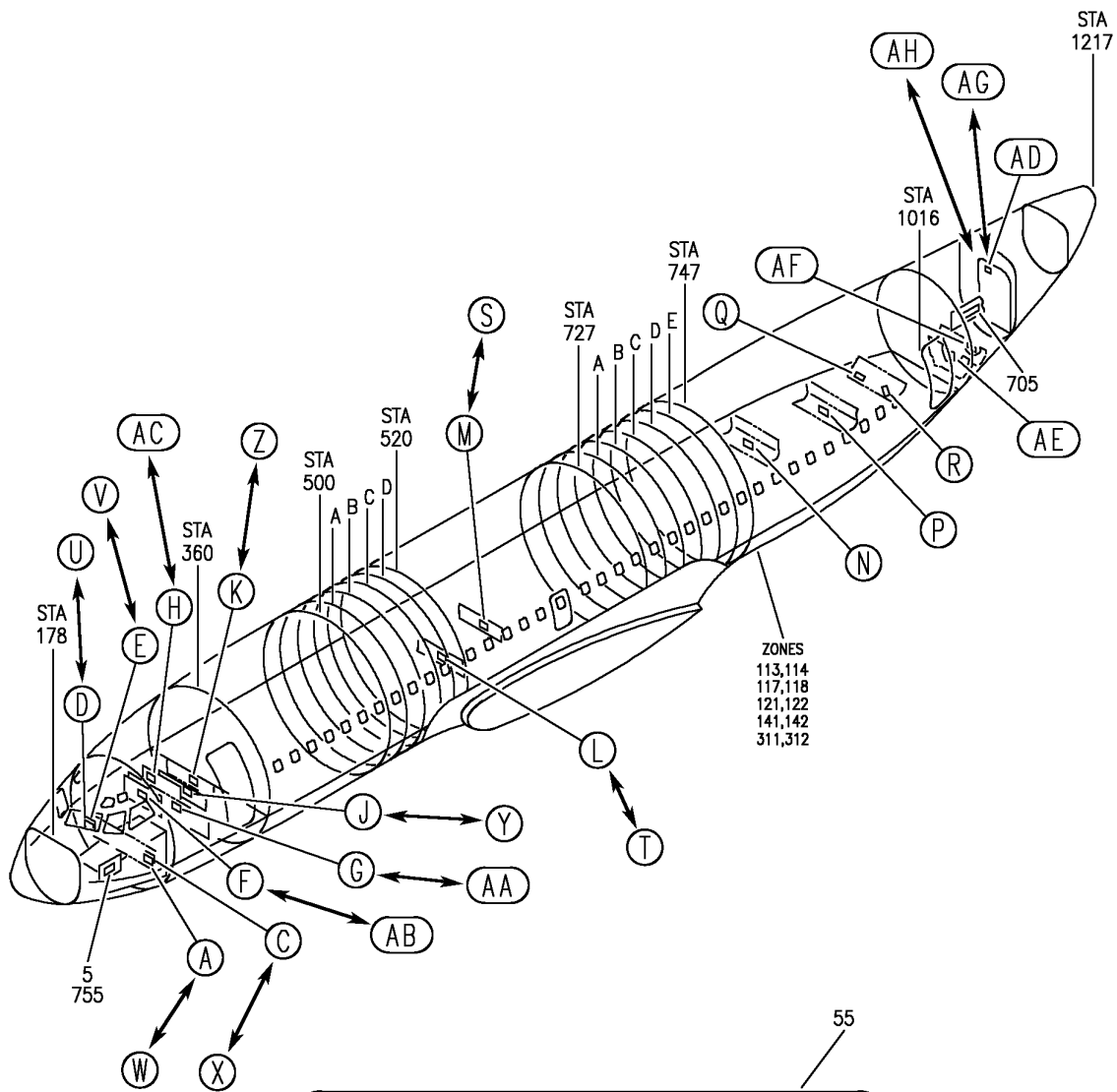
HAP

11-30-51-28C

BOEING PROPRIETARY - Copyright © - Unpublished Work - See title page for details.

11-30-51
FIG. 28C
PAGE 3
OCT 15/08

BOEING
737-600/700/800/900
PARTS CATALOG (MAINTENANCE)



E 11305132 SHT 1 REV 151

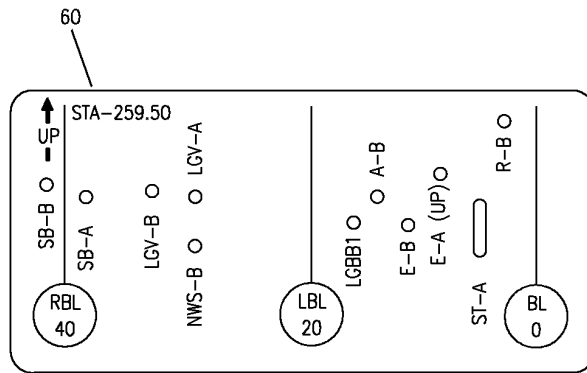
BL ○	ST-A —	R-B ○	E-A (UP) ○	E-B ○	A-B ○	LCBB1 ○	LCBA1 ○	A-A ○	NWS-A ○	NWS-B ○	LGV-A ○	LGV-B ○	SB-A ○	SB-B ○	UP ↑
0							20						40		

(A)

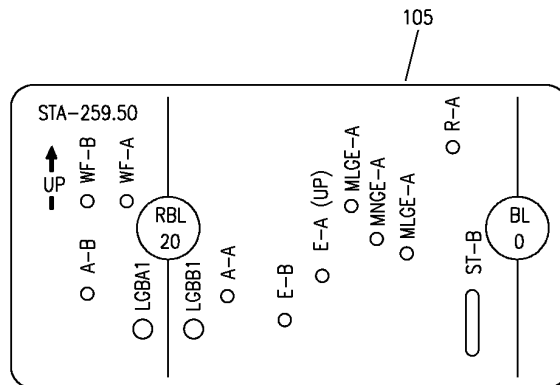
MARKER INSTL-CABLE RUN
FIGURE 32 (SHEET 1)

11-30-51-32

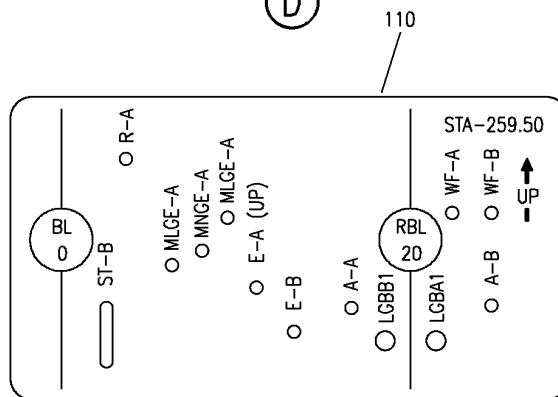

BOEING
 737-600/700/800/900
PARTS CATALOG (MAINTENANCE)



C



D



E

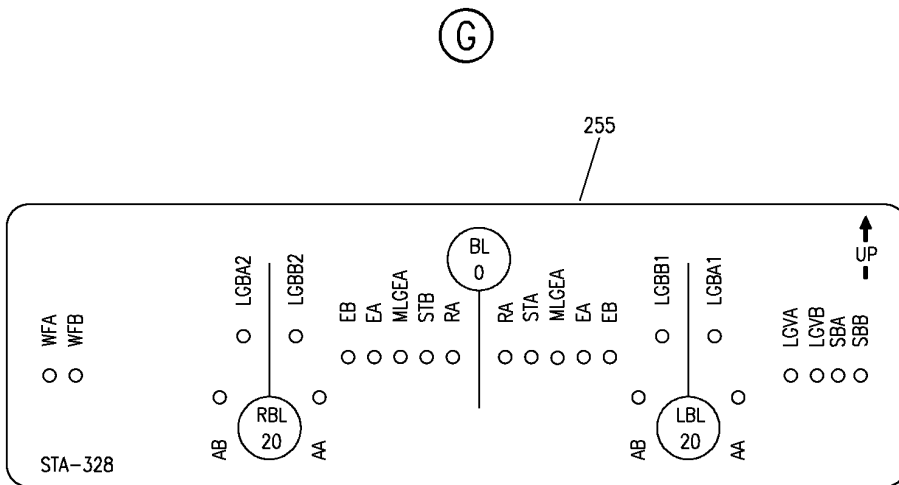
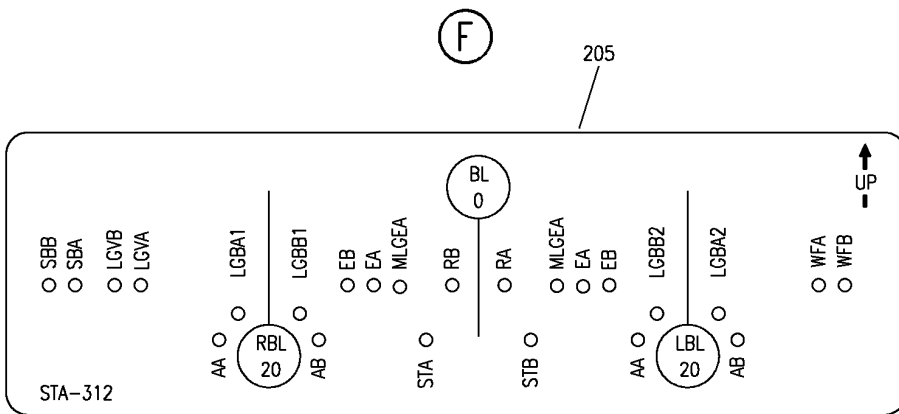
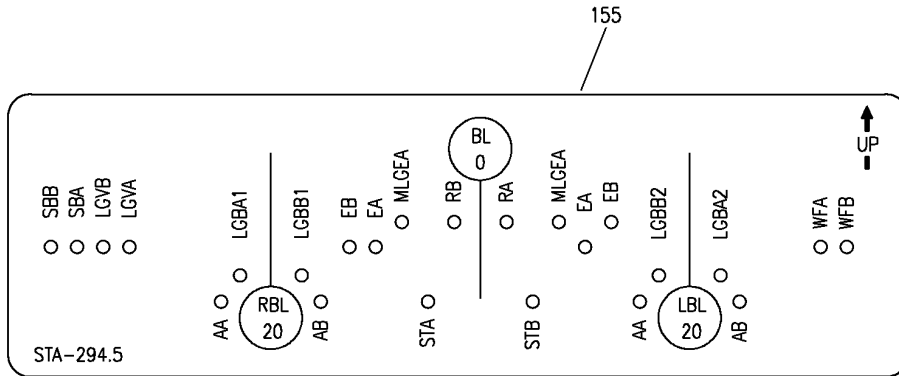
E 11305132 SHT 2 REV 130

MARKER INSTL-CABLE RUN
 FIGURE 32 (SHEET 2)

11-30-51-32

HAP
JUN 10/07

11-30-51-32
 PAGE 0A



(H)

E 11305132 SHT 3 REV 130

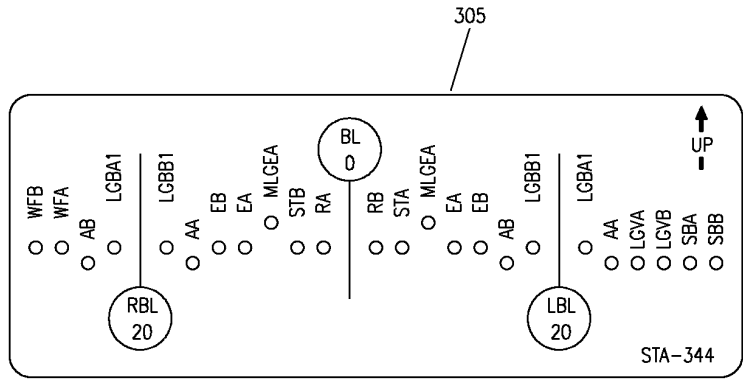
MARKER INSTL-CABLE RUN
 FIGURE 32 (SHEET 3)

11-30-51-32

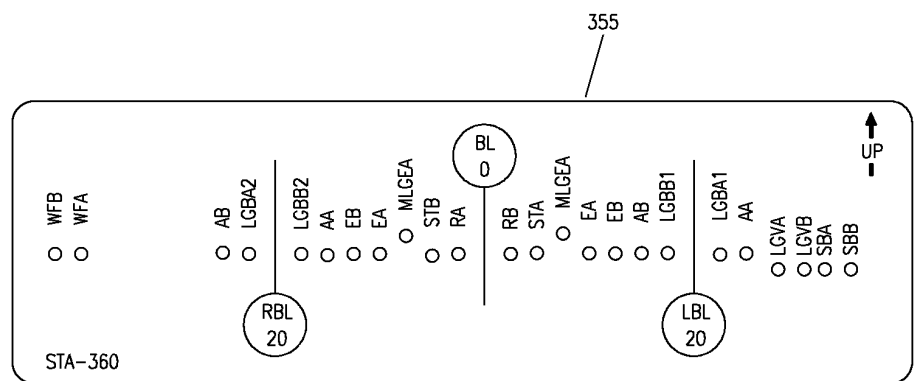
HAP
JUN 10/07

11-30-51-32
 PAGE 0B

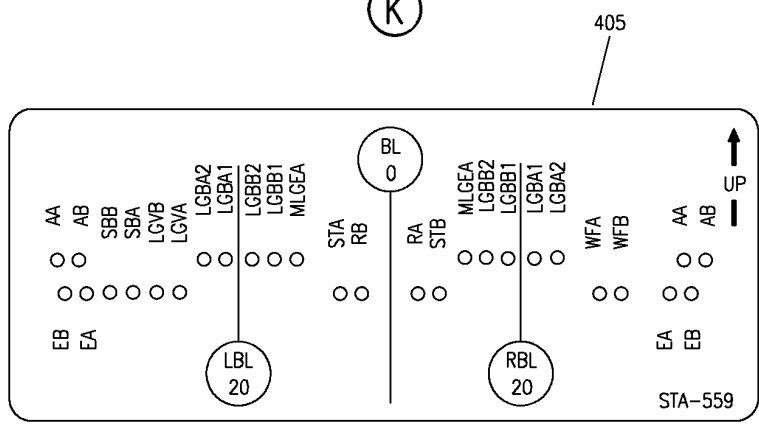

BOEING
 737-600/700/800/900
PARTS CATALOG (MAINTENANCE)



J



K



L

E 11305132 SHT 4 REV 130

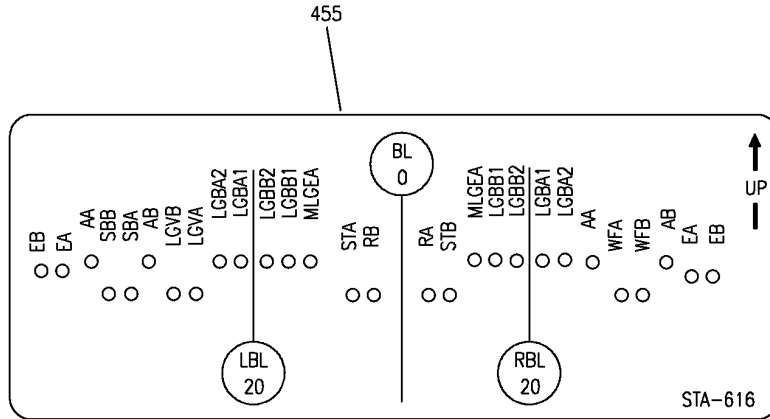
MARKER INSTL-CABLE RUN
 FIGURE 32 (SHEET 4)

11-30-51-32

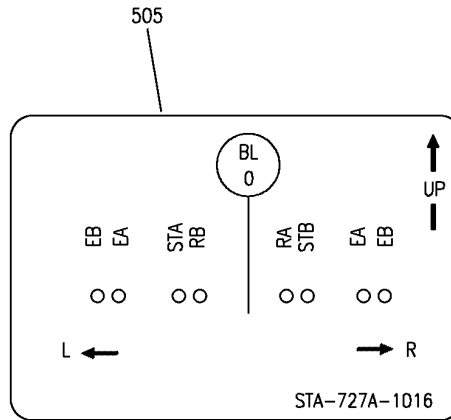
HAP
JUN 10/07

11-30-51-32
 PAGE 0C

BOEING
 737-600/700/800/900
 PARTS CATALOG (MAINTENANCE)



(M)



(N)

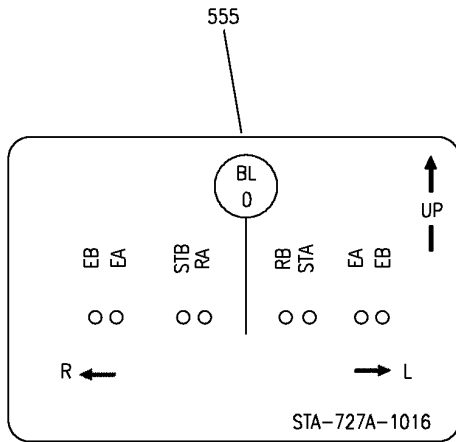
E 11305132 SH1 5 REV 130

MARKER INSTL-CABLE RUN
 FIGURE 32 (SHEET 5)

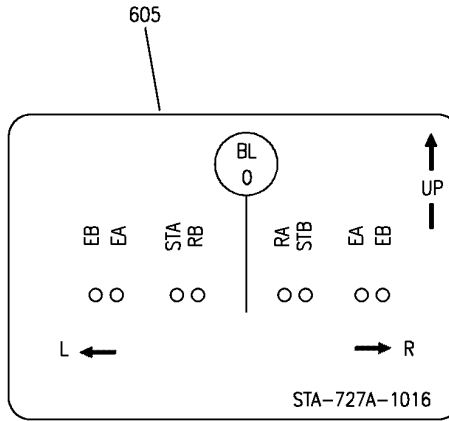
11-30-51-32

HAP
 JUN 10/07

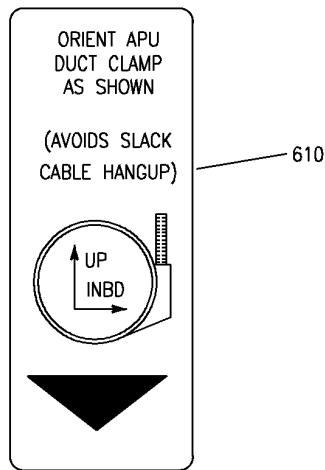
11-30-51-32
 PAGE 0D



(P)



(Q)



(R)

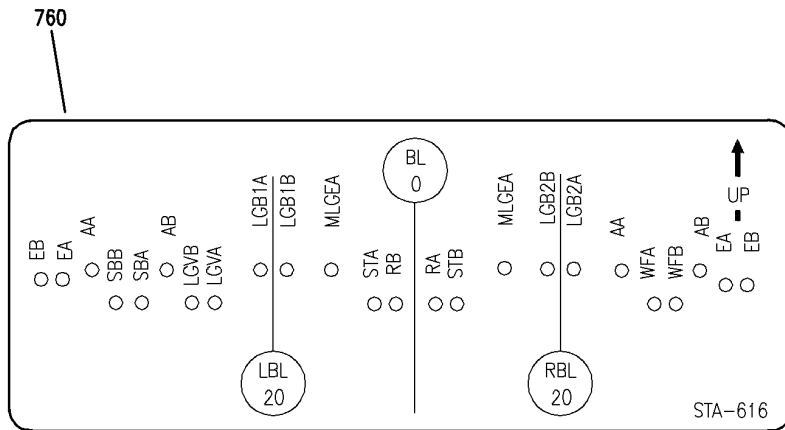
E 11305132 SH1 6 REV 130

MARKER INSTL-CABLE RUN
 FIGURE 32 (SHEET 6)

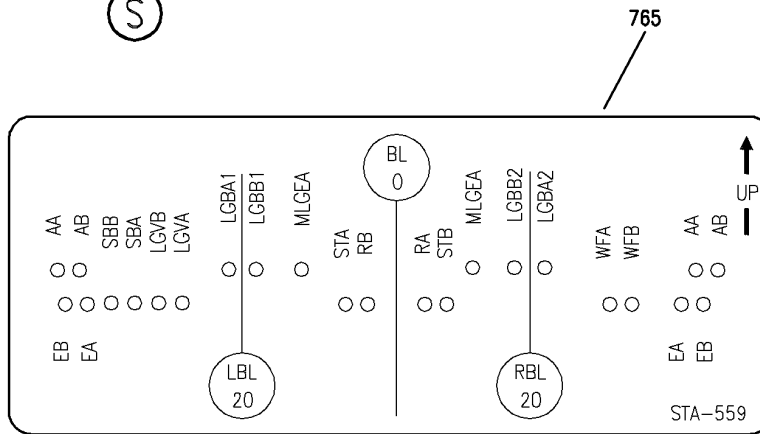
11-30-51-32

HAP
 JUN 10/07

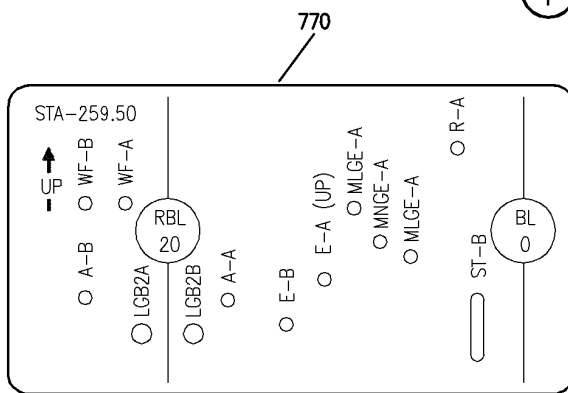
11-30-51-32
 PAGE 0E



S



T



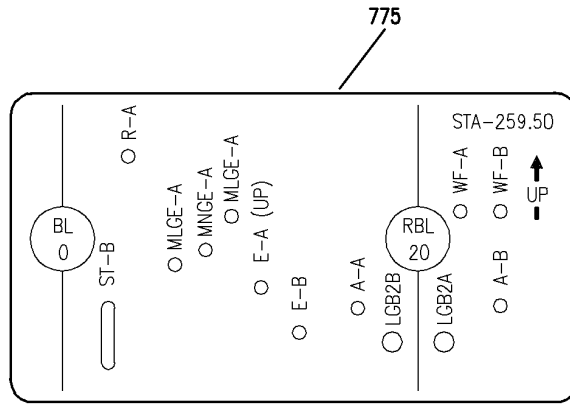
U

E 11305132 SHT 7 REV 049

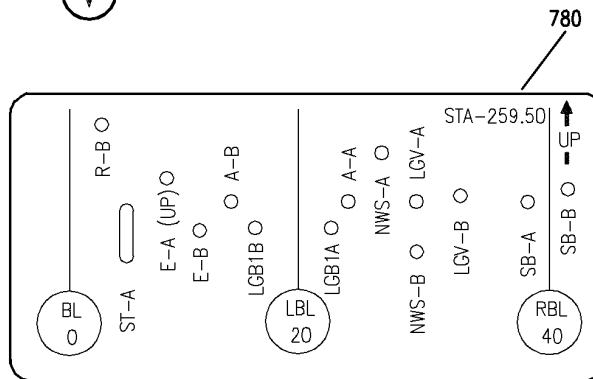
MARKER INSTL-CABLE RUN
 FIGURE 32 (SHEET 7)

11-30-51-32

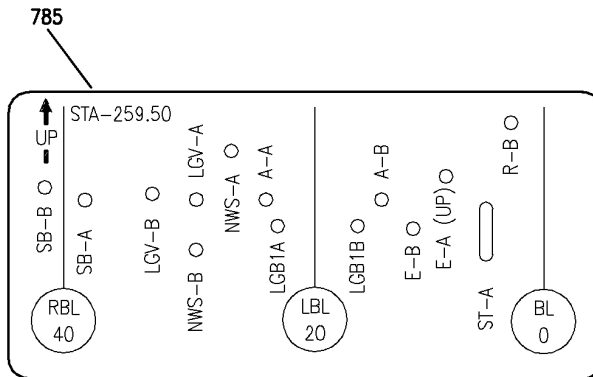
BOEING
737-600/700/800/900
PARTS CATALOG (MAINTENANCE)



V



W



X

E 11305132 SHT 8 REV 049

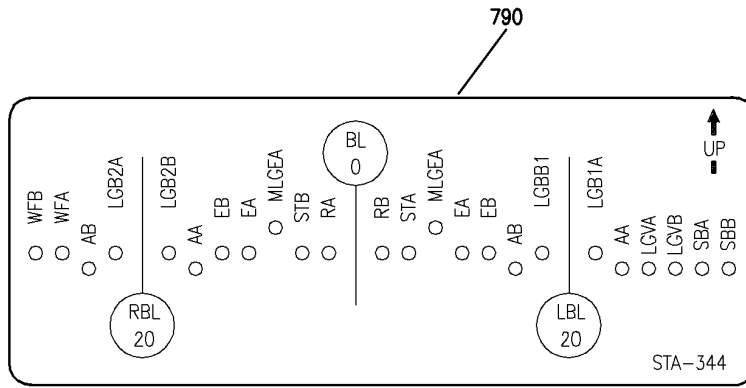
MARKER INSTL-CABLE RUN
FIGURE 32 (SHEET 8)

11-30-51-32

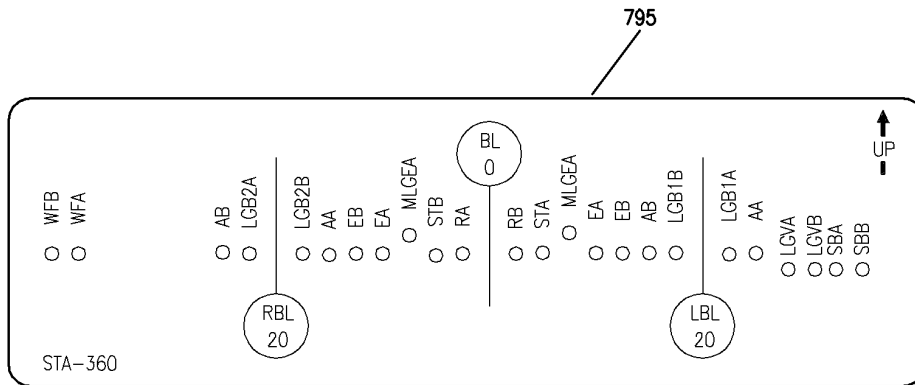
HAP
OCT 10/06

11-30-51-32
PAGE 0G

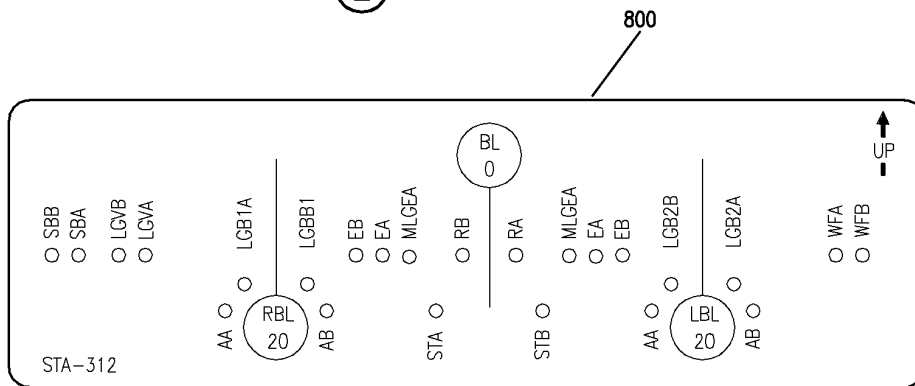

BOEING
 737-600/700/800/900
PARTS CATALOG (MAINTENANCE)



Y



Z



AA

E 11305132 SHT 9 REV 049

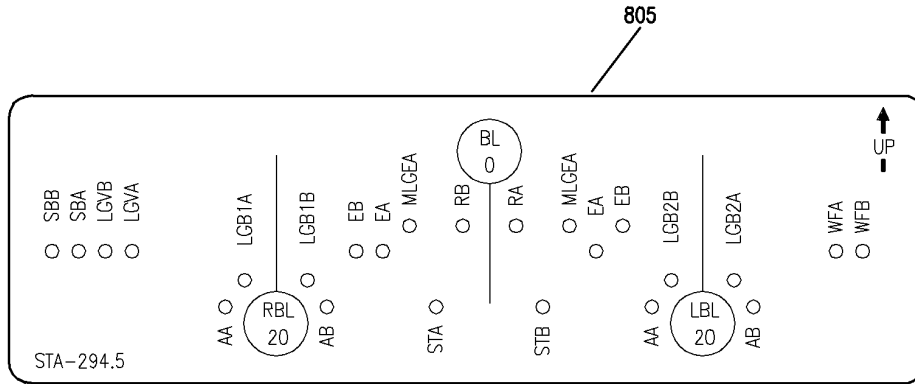
MARKER INSTL-CABLE RUN
 FIGURE 32 (SHEET 9)

11-30-51-32

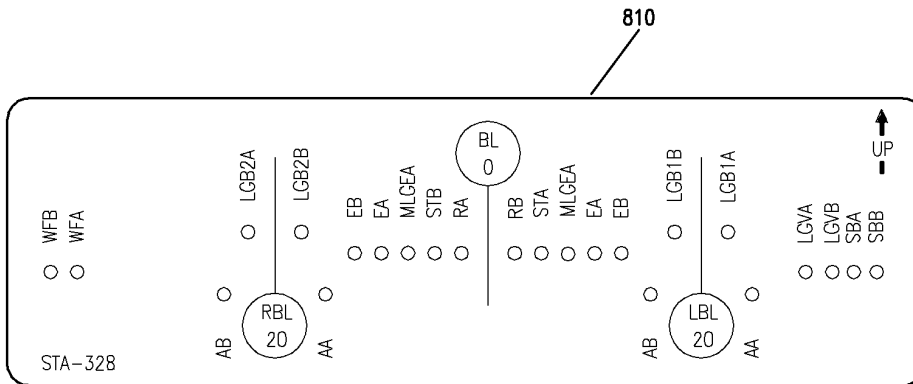
HAP
OCT 10/06

11-30-51-32
 PAGE 0H

BOEING
 737-600/700/800/900
 PARTS CATALOG (MAINTENANCE)



AB



AC

E 11305132 SHT 10 REV 049

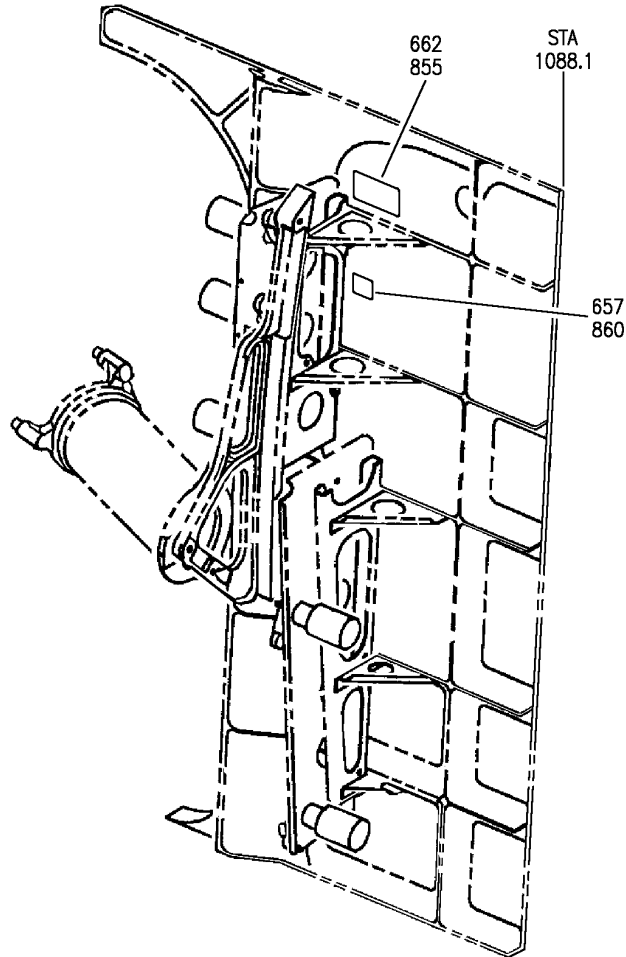
MARKER INSTL-CABLE RUN
 FIGURE 32 (SHEET 10)

11-30-51-32

HAP
 OCT 10/06

11-30-51-32
 PAGE 01

BOEING
737-600/700/800/900
PARTS CATALOG (MAINTENANCE)



AD

E 11305132 SHT 11 REV 151

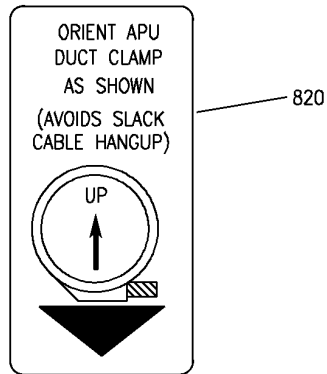
MARKER INSTL-CABLE RUN
FIGURE 32 (SHEET 11)

11-30-51-32

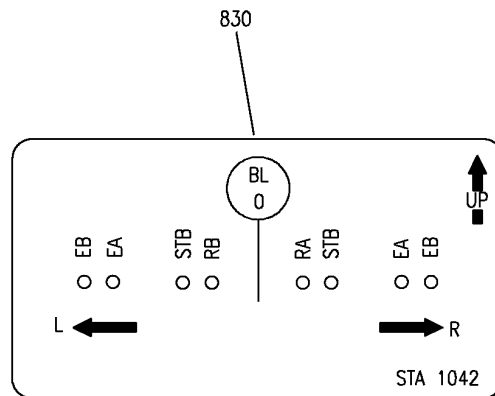
HAP
FEB 15/09

11-30-51-32
PAGE 0J

BOEING
 737-600/700/800/900
 PARTS CATALOG (MAINTENANCE)



AE



AF

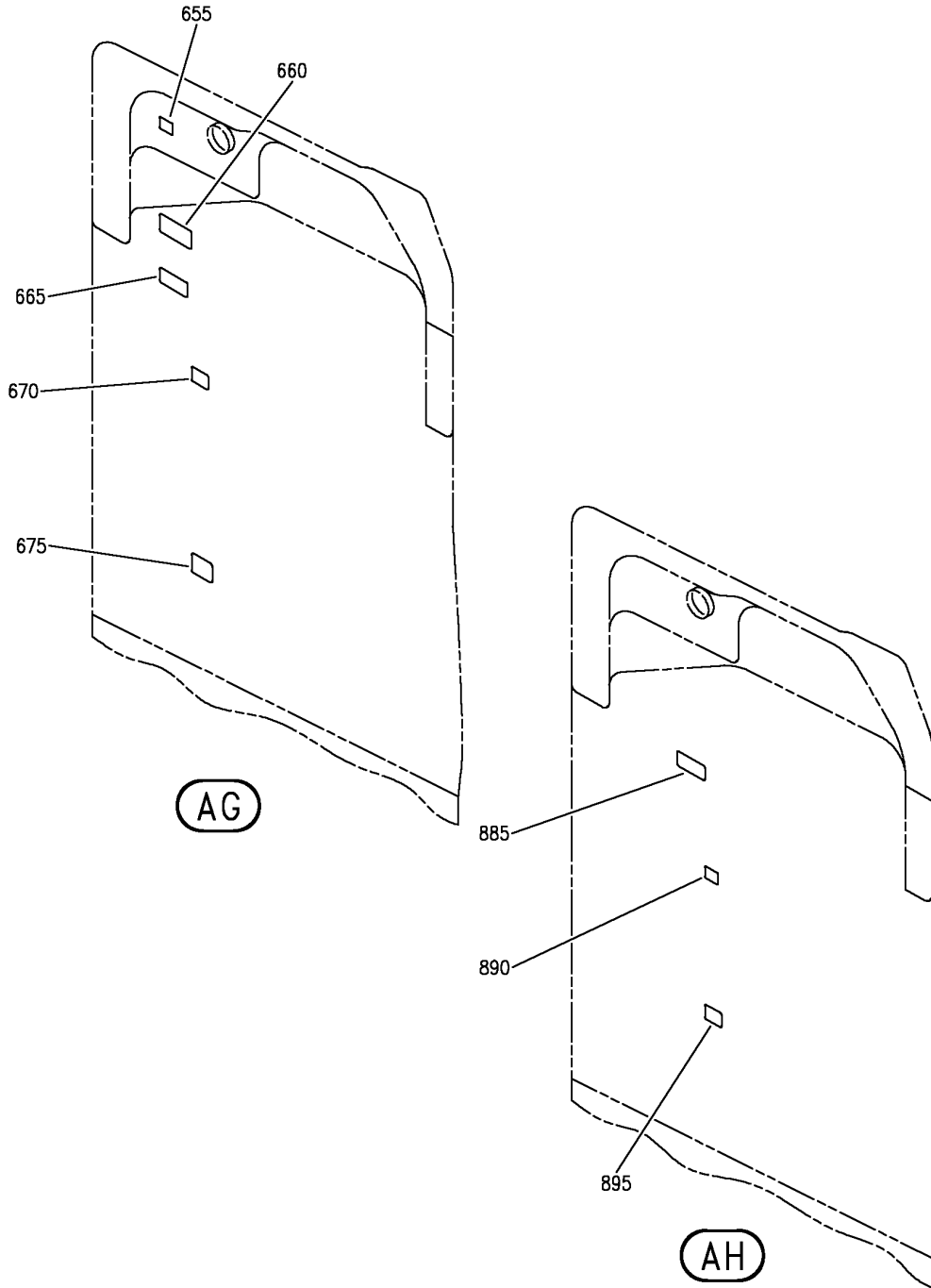
E 11305132 SH1 12 REV 133

MARKER INSTL-CABLE RUN
 FIGURE 32 (SHEET 12)

11-30-51-32

HAP
 OCT 10/07

11-30-51-32
 PAGE OK



E 11305132 SH1 13 REV 151

MARKER INSTL-CABLE RUN
FIGURE 32 (SHEET 13)

11-30-51-32

HAP
FEB 15/09

11-30-51-32
PAGE 01

BOEING
737-600/700/800/900
PARTS CATALOG (MAINTENANCE)

FIG ITEM	PART NUMBER	1 2 3 4 5 6 7	NOMENCLATURE	EFFECT FROM TO	UNITS PER ASSY
32					
- 1	250A0421-16		MARKER INSTL-CABLE RUN MARKER INSTL-CABLE RUN POSITION DATA: STA 207 FOR NHA SEE: 11-30-00-24	001020 201967	RF
5	BAC27DCT019		.MARKER-ALUMINUM FOIL PLACARD CONTENT: S-100 PARKING BRAKE	001020 201967	1
- 50	250A0421-2		MARKER INSTL-CABLE RUN POSITION DATA: STA 259.50 FOR NHA SEE: 11-30-00-24	001020 201967	RF
55	BAC27DCT0586		.MARKER-ALUMINUM FOIL	001020 201967	1
60	BAC27DCT0587		.MARKER-ALUMINUM FOIL	001020 201967	1
- 100	250A0421-3		MARKER INSTL-CABLE RUN POSITION DATA: STA 259.50 FOR NHA SEE: 11-30-00-24	001020 201967	RF
105	BAC27DCT0584		.MARKER-ALUMINUM FOIL	001020 201967	1
110	BAC27DCT0585		.MARKER-ALUMINUM FOIL	001020 201967	1
- 150	250A0421-23		MARKER INSTL-CABLE RUN POSITION DATA: STA 294.50 FOR NHA SEE: 11-30-00-24	002005 008020 201967	RF
155	BAC27DCT0672		.MARKER-ALUMINUM FOIL	002005 008020 201967	1
- 200	250A0421-24		MARKER INSTL-CABLE RUN POSITION DATA: STA 312 FOR NHA SEE: 11-30-00-24	002005 008020 201967	RF
205	BAC27DCT0671		.MARKER-ALUMINUM FOIL	002005 008020 201967	1
- 250	250A0421-25		MARKER INSTL-CABLE RUN POSITION DATA: STA 328 FOR NHA SEE: 11-30-00-24	002005 008020 201967	RF

MISSING ITEM NUMBERS NOT APPLICABLE

- ITEM NOT ILLUSTRATED

HAP

11-30-51-32

11-30-51
FIG. 32
PAGE 1
OCT 15/08

BOEING
737-600/700/800/900
PARTS CATALOG (MAINTENANCE)

FIG ITEM	PART NUMBER	1 2 3 4 5 6 7	NOMENCLATURE	EFFECT FROM TO	UNITS PER ASSY
32 255	BAC27DCT0673		.MARKER-ALUMINUM FOIL	002005 008020 201967	1
- 300	250A0421-26		MARKER INSTL-CABLE RUN POSITION DATA: STA 344 FOR NHA SEE: 11-30-00-24	002005 008020 201967	RF
305	BAC27DCT589		.MARKER-ALUMINUM FOIL	002005 008020 201967	1
- 350	250A0421-27		MARKER INSTL-CABLE RUN POSITION DATA: STA 360 FOR NHA SEE: 11-30-00-24	002005 008020 201967	RF
355	BAC27DCT670		.MARKER-ALUMINUM FOIL	002005 008020 201967	1
- 400	250A0421-8		MARKER INSTL-CABLE RUN POSITION DATA: STA 559 FOR NHA SEE: 11-30-00-24	001020 201967	RF
405	BAC27DCT0376		.MARKER-ALUMINUM FOIL	001020 201967	1
- 450	250A0421-9		MARKER INSTL-CABLE RUN POSITION DATA: STA 616 FOR NHA SEE: 11-30-00-24	001020 201967	RF
455	BAC27DCT0375		.MARKER-ALUMINUM FOIL	001020 201967	1
- 500	250A0421-11		MARKER INSTL-CABLE RUN POSITION DATA: STA 807 FOR NHA SEE: 11-30-00-24	001030 201967	RF
- 500	MODREF83860		MARKER INSTL-CABLE RUN MODULE NUMBER: 250A0421-11 REV A POSITION DATA: STA 807	031200 968999	1
505 - 550	BAC27DCT0327 250A0421-12		.MARKER-ALUMINUM FOIL MARKER INSTL-CABLE RUN POSITION DATA: STA 907 FOR NHA SEE: 11-30-00-24	001030 201967	1 RF

MISSING ITEM NUMBERS NOT APPLICABLE

- ITEM NOT ILLUSTRATED

HAP

11-30-51-32

11-30-51
FIG. 32
PAGE 2
OCT 15/08

BOEING
737-600/700/800/900
PARTS CATALOG (MAINTENANCE)

FIG ITEM	PART NUMBER	1 2 3 4 5 6 7	NOMENCLATURE	EFFECT FROM TO	UNITS PER ASSY
32					
- 550	MODREF83861		MARKER INSTL-CABLE RUN MODULE NUMBER: 250A0421-12 REV A POSITION DATA: STA 907	031200 968999	1
555	BAC27DCT0326		.MARKER-ALUMINUM FOIL		1
- 600	250A0421-13		MARKER INSTL-CABLE RUN POSITION DATA: STA 1016 FOR NHA SEE: 11-30-00-24	001030 201967	RF
- 600	MODREF83862		MARKER INSTL-CABLE RUN MODULE NUMBER: 250A0421-13 REV A POSITION DATA: STA 1016	031200 968999	1
605	BAC27DCT0327		.MARKER-ALUMINUM FOIL		1
610	BAC27DCT0364		.MARKER-ALUMINUM FOIL		1
- 650	250A0421-19		MARKER INSTL-CABLE RUN POSITION DATA: STA 1088 FOR NHA SEE: 11-30-00-24	001030 201967	RF
- 650	MODREF83866		MARKER INSTL-CABLE RUN MODULE NUMBER: 250A0421-19 REV A POSITION DATA: STA 1088	031100	1
655	BAC27DCT0384		.MARKER-ALUMINUM FOIL PLACARD CONTENT: STAB TAKE-OFF WARNING SW APL NOSE DOWN (S-546)	001100 201967	1
660	BAC27DCT0382		.MARKER-ALUMINUM FOIL PLACARD CONTENT: STAB A/P SERVO LIMIT & ELEC ACTR LIMIT SW (FLAPS NOT UP) APL NOSE DOWN (S-145)	001100 201967	1
665	BAC27DCT0381		.MARKER-ALUMINUM FOIL PLACARD CONTENT: STAB ELEC ACTR LIMIT SW (FLAPS UP) APL NOSE DOWN (S-844)	001100 201967	1

MISSING ITEM NUMBERS NOT APPLICABLE

- ITEM NOT ILLUSTRATED

HAP

11-30-51-32

11-30-51
FIG. 32
PAGE 3
FEB 15/09

BOEING
737-600/700/800/900
PARTS CATALOG (MAINTENANCE)

FIG ITEM	PART NUMBER	1 2 3 4 5 6 7	NOMENCLATURE	EFFECT FROM TO	UNITS PER ASSY
32 670	BAC27DCT0383		.MARKER-ALUMINUM FOIL PLACARD CONTENT: STAB TAKE-OFF WARNING SW APL NOSE UP (S-132)	001100 201967	1
675	BAC27DCT658		.MARKER-ALUMINUM FOIL PLACARD CONTENT: STAB ELTR ACTR LIMIT SW STAB AUTO-PILOT SERVO LIMIT SW APL NOSE UP (S-144)	001100 201967	1
- 700	250A0421-15		MARKER INSTL-CABLE RUN POSITION DATA: STA 74.84 FOR NHA SEE: 11-30-00-24	001030 201967	RF
- 700	MODREF83863		MARKER INSTL-CABLE RUN MODULE NUMBER: 250A0421-15 REV A POSITION DATA: STA 74.84	031200 968999	1
705	BAC27DCT0411		.MARKER-ALUMINUM FOIL PLACARD CONTENT: RUDDER POSITION D-3576		1
- 750	250A0421-32		MARKER INSTL-CABLE RUN POSITION DATA: STA 207, 259.5, 294.5 312, 328, 344, 360, 559 616 FOR NHA SEE: 11-30-00-24	021030	RF
- 750	MODREF83873		MARKER INSTL-CABLE RUN MODULE NUMBER: 250A0421-36 REV A POSITION DATA: STA 207, 259.5, 294.5 312, 328, 344, 559 AND 616	031200 968999	1
755	BAC27DCT019		.MARKER-ALUMINUM FOIL PLACARD CONTENT: S-100 PARKING BRAKE	021200 968999	1
760	BAC27DCT709		.MARKER-ALUMINUM FOIL	021200 968999	1
765	BAC27DCT710		.MARKER-ALUMINUM FOIL	021200 968999	1
770	BAC27DCT711		.MARKER-ALUMINUM FOIL	021200 968999	1
775	BAC27DCT712		.MARKER-ALUMINUM FOIL	021200 968999	1

MISSING ITEM NUMBERS NOT APPLICABLE

- ITEM NOT ILLUSTRATED

HAP

11-30-51-32

11-30-51
FIG. 32
PAGE 4
FEB 15/09

 **BOEING**
737-600/700/800/900
PARTS CATALOG (MAINTENANCE)

FIG ITEM	PART NUMBER	1 2 3 4 5 6 7	NOMENCLATURE	EFFECT FROM TO	UNITS PER ASSY
32					
780	BAC27DCT713	.	MARKER-ALUMINUM FOIL	021200 968999	1
785	BAC27DCT714	.	MARKER-ALUMINUM FOIL	021200 968999	1
790	BAC27DCT716	.	MARKER-ALUMINUM FOIL	021200 968999	1
795	BAC27DCT721	.	MARKER-ALUMINUM FOIL	021030	1
800	BAC27DCT722	.	MARKER-ALUMINUM FOIL	021200 968999	1
805	BAC27DCT723	.	MARKER-ALUMINUM FOIL	021200 968999	1
810	BAC27DCT724	.	MARKER-ALUMINUM FOIL	021200 968999	1
- 850	MODREF206065		MARKER INSTL-CABLE RUN MODULE NUMBER: 250A0421-38 REV A POSITION DATA: STA 1088	101200 968999	1
855	BAC27DCT0382	.	MARKER-ALUMINUM FOIL PLACARD CONTENT: STAB A/P SERVO LIMIT & ELEC ACTR LIMIT SW (FLAPS NOT UP) APL NOSE DOWN (S-145)	101200 968999	1
860	BAC27DCT0384	.	MARKER-ALUMINUM FOIL PLACARD CONTENT: STAB TAKE-OFF WARNING SW APL NOSE DOWN (S-546)	101200 968999	1
- 880	MODREF205449		MARKER INSTL-CABLE RUN MODULE NUMBER: 250A0421-37 REV A POSITION DATA: STA 1088	101200 968999	1
885	BAC27DCT0381	.	MARKER-ALUMINUM FOIL PLACARD CONTENT: STAB ELEC ACTR LIMIT SW (FLAPS UP) APL NOSE DOWN (S-844)	101200 968999	1
890	BAC27DCT0383	.	MARKER-ALUMINUM FOIL PLACARD CONTENT: STAB TAKE-OFF WARNING SW APL NOSE UP (S-132)	101200 968999	1
895	BAC27DCT658	.	MARKER-ALUMINUM FOIL PLACARD CONTENT: STAB ELTR ACTR LIMIT SW STAB AUTO-PILOT SERVO LIMIT SW APL NOSE UP (S-144)	101200 968999	1

MISSING ITEM NUMBERS NOT APPLICABLE

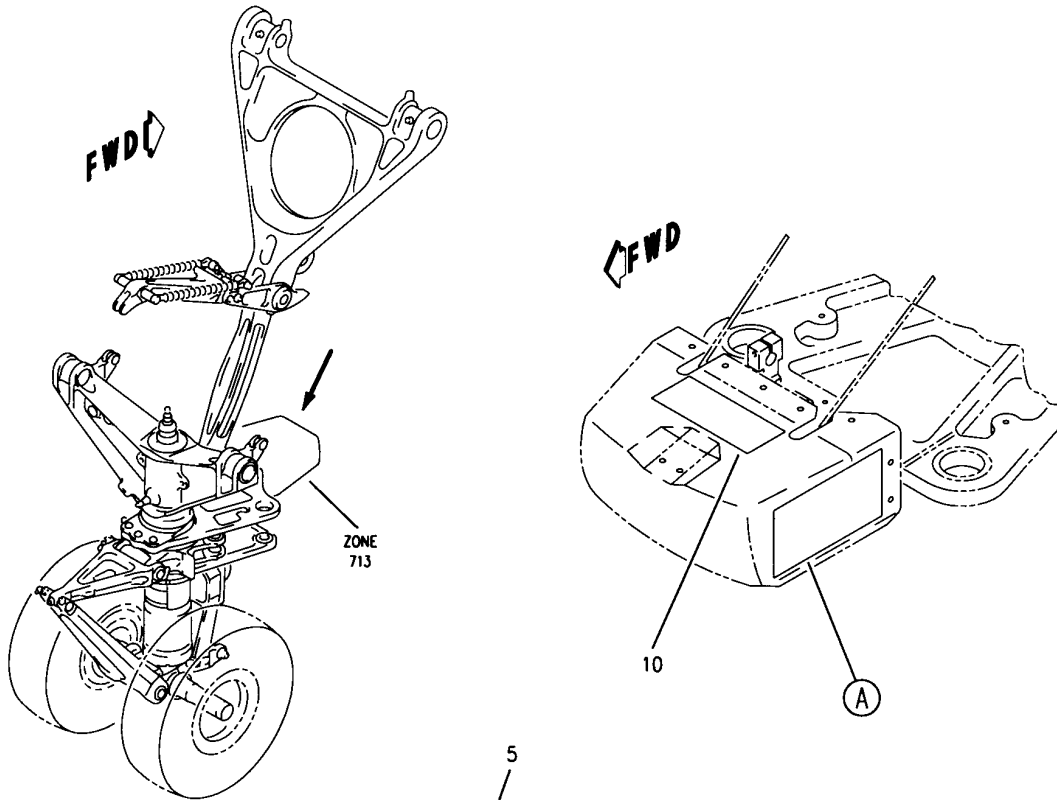
- ITEM NOT ILLUSTRATED

HAP

11-30-51-32

11-30-51
FIG. 32
PAGE 5
FEB 15/09

BOEING
737-600/700/800/900
PARTS CATALOG (MAINTENANCE)



← TOW POSITION	→ NORMAL POSITION
-----------------------	--------------------------

A. PRIOR TO TOWING

1. CENTER RUDDER PEDALS
2. KEEP HANDS OFF STEERING TILLER
3. MOVE TOWING LEVER TO "TOW" POSITION
4. INSERT LOCK PIN WITH STREAMER
5. ATTACH TOW BAR

B. AFTER TOWING

1. CENTER NOSE GEAR WITH TOW BAR AND LUG
2. REMOVE TOW BAR
3. STAND CLEAR OF NOSE WHEELS
4. REMOVE TOWING LEVER LOCK PIN AND STREAMER

(A)

E 11305138 REV 014

COVER ASSY-SUMMING MECH, NG STEERING (PLACARDS & MARKINGS ONLY)
FIGURE 38

11-30-51-38

HAP
OCT 10/06

11-30-51-38
PAGE 0

BOEING
737-600/700/800/900
PARTS CATALOG (MAINTENANCE)

FIG ITEM	PART NUMBER	1 2 3 4 5 6 7	NOMENCLATURE	EFFECT FROM TO	UNITS PER ASSY
38			COVER ASSY-SUMMING MECH, NG STEERING (PLACARDS & MARKINGS ONLY)		
- 1	275A5310-6		COVER ASSY- (PLACARDS & MARKINGS ONLY)		RF
5	BAC27DHY388		FOR NHA/OTHER SYS DET SEE: 32-51-52-03		1
10	BAC27TTR0038		.MARKER-ALUMINUM FOIL .MARKER-ALUMINUM FOIL PLACARD CONTENT: NO STEP		1

MISSING ITEM NUMBERS NOT APPLICABLE

- ITEM NOT ILLUSTRATED

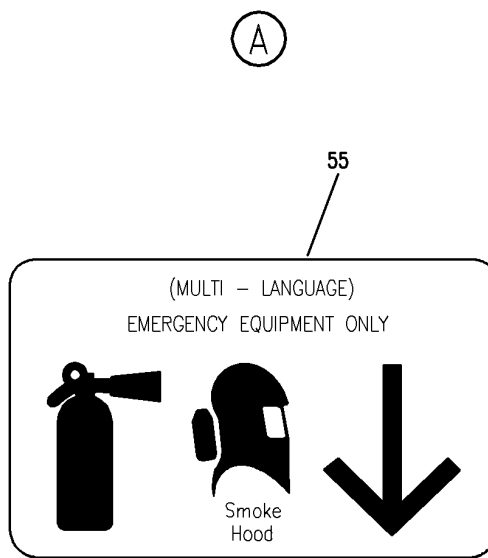
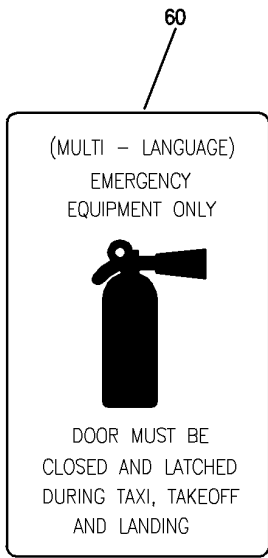
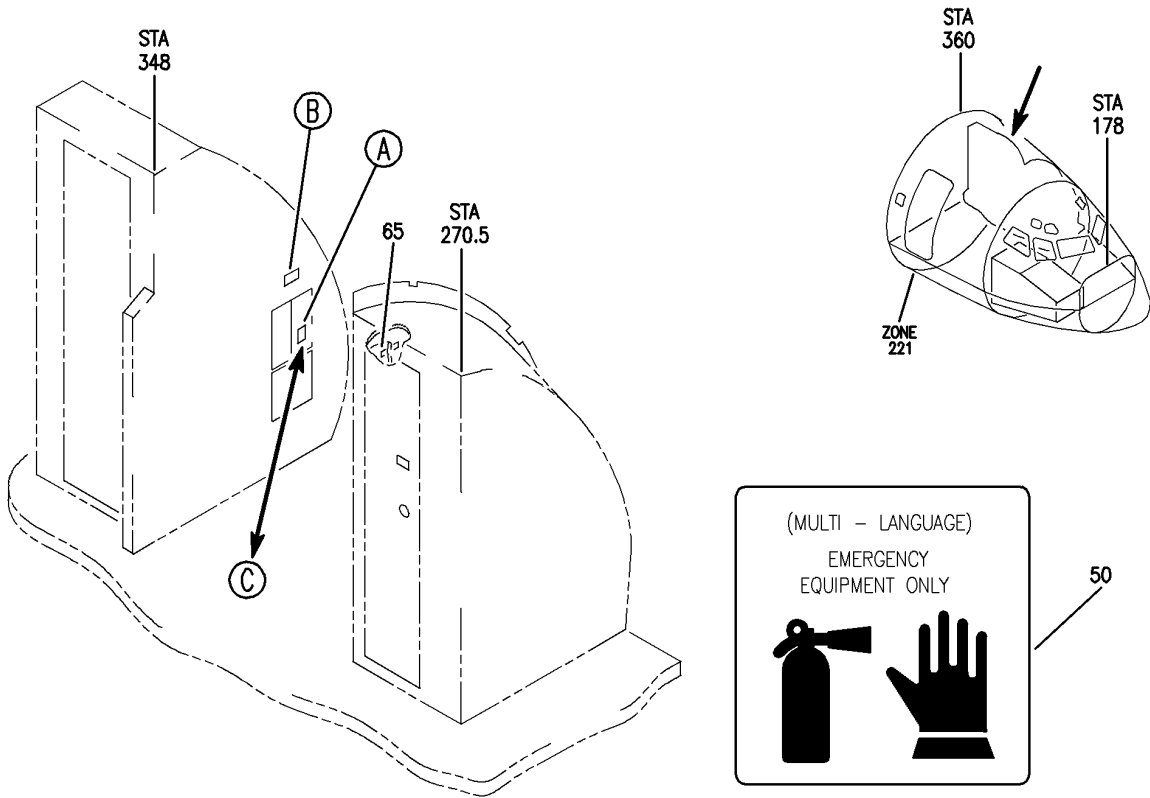
HAP

11-30-51-38

BOEING PROPRIETARY - Copyright © - Unpublished Work - See title page for details.

11-30-51
FIG. 38
PAGE 1
OCT 10/06

BOEING
 737-600/700/800/900
 PARTS CATALOG (MAINTENANCE)



E 11305141 REV 052

PLACARD INSTL-CAB. INTR (INTERIOR PLACARDS ONLY)
 FIGURE 41

11-30-51-41

HAP
 OCT 10/06

11-30-51-41
 PAGE 0

BOEING
737-600/700/800/900
PARTS CATALOG (MAINTENANCE)

FIG ITEM	PART NUMBER	1 2 3 4 5 6 7	NOMENCLATURE	EFFECT FROM TO	UNITS PER ASSY
41			PLACARD INSTL-CAB. INTR (INTERIOR PLACARDS ONLY)	001030	
- 1	414A5103-1		PLACARD INSTL-CAB. INTR (INTERIOR PLACARDS ONLY) FOR NHA/OTHER SYS DET SEE: 11-30-00-01C	001007	RF
- 1	414A5103-27		PLACARD INSTL-CAB. INTR (INTERIOR PLACARDS ONLY) FOR NHA/OTHER SYS DET SEE: 11-30-00-01C	008009	RF
- 1	414A5103-39		PLACARD INSTL-CAB. INTR (INTERIOR PLACARDS ONLY) FOR NHA/OTHER SYS DET SEE: 11-30-00-01C	010011	RF
- 1	414A5103-52		PLACARD INSTL-CAB. INTR (INTERIOR PLACARDS ONLY) FOR NHA/OTHER SYS DET SEE: 11-30-00-01C	012019	RF
- 1	414A5103-74		PLACARD INSTL-CAB. INTR (INTERIOR PLACARDS ONLY) FOR NHA/OTHER SYS DET SEE: 11-30-00-01C	020030	RF
50	BAC29PPS32979		.PLACARD	001007	1
55	BAC29PPS36556		.PLACARD-	008019	1
55	BAC29PPS21001		.PLACARD- POST RAPID REVISION: RR97089-45A	021030 020020	1
55	BAC29UPPS0175		.PLACARD- POST RAPID REVISION: RR97089-45A	020020	1
55	BAC29PPS10130		.PLACARD- POST RAPID REVISION: RR97089-45A	020020	1
65	BAC29PPS15359		.MARKER- PLACARD CONTENT: LOAD LIMIT 16 LB/7 KG	020030	1

MISSING ITEM NUMBERS NOT APPLICABLE

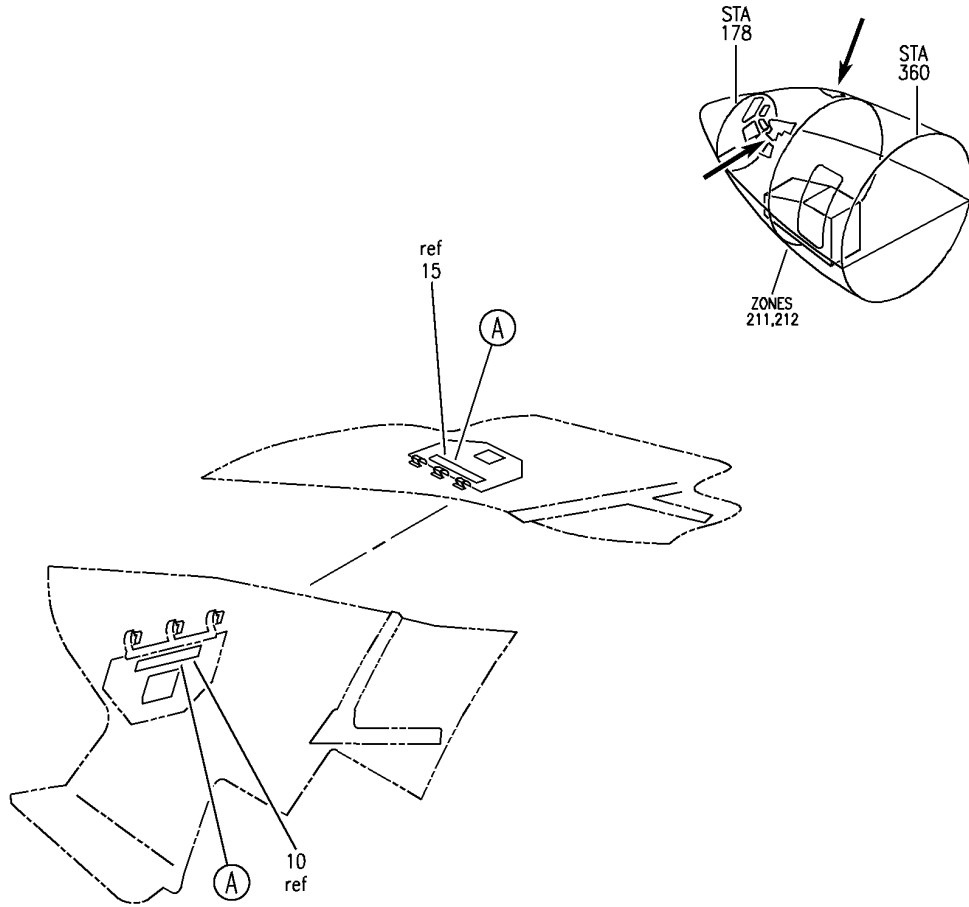
- ITEM NOT ILLUSTRATED

HAP

11-30-51-41

11-30-51
FIG. 41
PAGE 1
OCT 10/06

BOEING
 737-600/700/800/900
 PARTS CATALOG (MAINTENANCE)



10
15

ON INSPECTION OF THE EMERGENCY ESCAPE ROPE, PHYSICALLY VERIFY FITTING IS SECURELY LOCKED IN DETENT OF ANCHOR PLATE

(A)

E 11305144 REV 125

DOOR ASSY-ESCAPE (PLACARDS AND MARKINGS ONLY)
 FIGURE 44

11-30-51-44

HAP
 FEB 10/07

11-30-51-44
 PAGE 0

BOEING
737-600/700/800/900
PARTS CATALOG (MAINTENANCE)

FIG ITEM	PART NUMBER	1 2 3 4 5 6 7	NOMENCLATURE	EFFECT FROM TO	UNITS PER ASSY
44			DOOR ASSY-ESCAPE (PLACARDS AND MARKINGS ONLY)	001030 201967	
- 1	232A1415-1		DOOR ASSY-ESCAPE (PLACARDS AND MARKINGS ONLY) POSITION DATA: LH FOR NHA/OTHER SYS DET SEE: 25-11-21-05	001027 201967	RF
- 5	232A1415-2		DOOR ASSY-ESCAPE (PLACARDS AND MARKINGS ONLY) POSITION DATA: RH FOR NHA/OTHER SYS DET SEE: 25-11-21-36	001030 201967	RF
10	BAC27DCC2419		.DECAL- POSITION DATA: LH SIDE	001027 201967	1
15	BAC27DCC2419		.DECAL- POSITION DATA: RH SIDE	001030 201967	1

MISSING ITEM NUMBERS NOT APPLICABLE

- ITEM NOT ILLUSTRATED

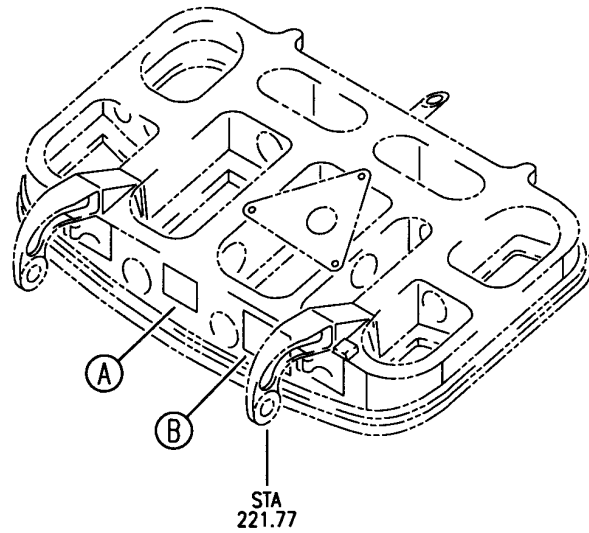
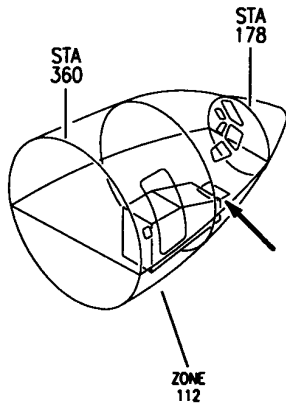
HAP

11-30-51-44

BOEING PROPRIETARY - Copyright © - Unpublished Work - See title page for details.

11-30-51
FIG. 44
PAGE 1
OCT 15/08

BOEING
 737-600/700/800/900
 PARTS CATALOG (MAINTENANCE)



10

DOOR CYCLE LOG		
AIRPLANE SERIAL NO.	AIRPLANE FLIGHT CYCLES AT INSTL.	AIRPLANE FLIGHT CYCLES AT REMOVAL

(B)

5

<input type="checkbox"/>	AIRCRAFT MOD.		
	MFR. CODE		
	PART NO.		
	CONT NO.		
	SERIAL NO.		
CONT.	<input type="checkbox"/>	<input type="checkbox"/>	CONT.
INSP.	<input type="checkbox"/>	<input type="checkbox"/>	INSP.
MODIFICATION INCORPORATED			

(A)

E 11305146 REV 014

DOOR ASSY-FWD ACCESS (PLACARDS AND MARKINGS ONLY)
 FIGURE 46

11-30-51-46

HAP
 OCT 10/06

11-30-51-46
 PAGE 0

BOEING
737-600/700/800/900
PARTS CATALOG (MAINTENANCE)

FIG ITEM	PART NUMBER	1 2 3 4 5 6 7	NOMENCLATURE	EFFECT FROM TO	UNITS PER ASSY
46			DOOR ASSY-FWD ACCESS (PLACARDS AND MARKINGS ONLY)		
- 1	141A6802-5		DOOR ASSY-ACCESS (PLACARDS AND MARKINGS ONLY) POSITION DATA: FWD COMPONENT MAINT MANUAL REF: 52-48-01 FOR NHA/OTHER SYS DET SEE: 52-48-31-01	001047 054106 201999	RF
- 1	141A6802-6		DOOR ASSY-ACCESS (PLACARDS AND MARKINGS ONLY) POSITION DATA: FWD COMPONENT MAINT MANUAL REF: 52-48-01 FOR NHA/OTHER SYS DET SEE: 52-48-31-01		RF
5	MS27253F3		.PLATE-IDENT		1
10	BAC27DBY191		.MARKER-ALUMINUM FOIL		1

MISSING ITEM NUMBERS NOT APPLICABLE

- ITEM NOT ILLUSTRATED

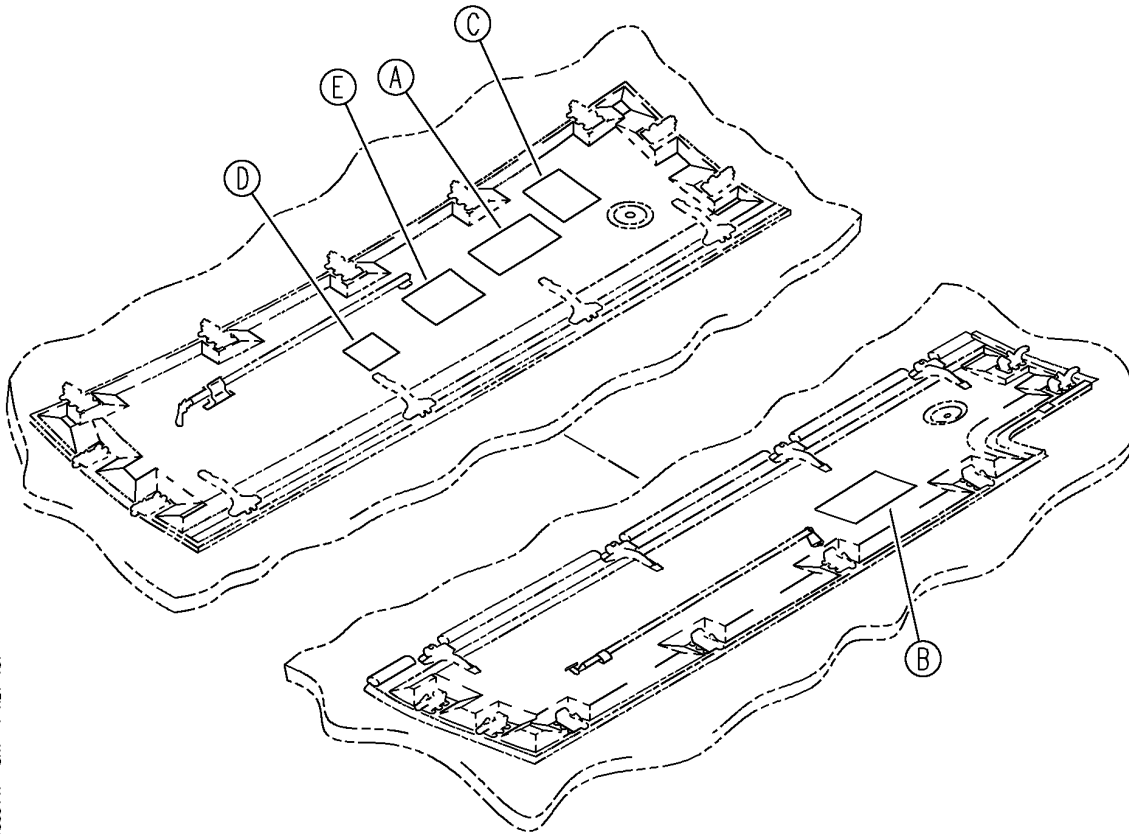
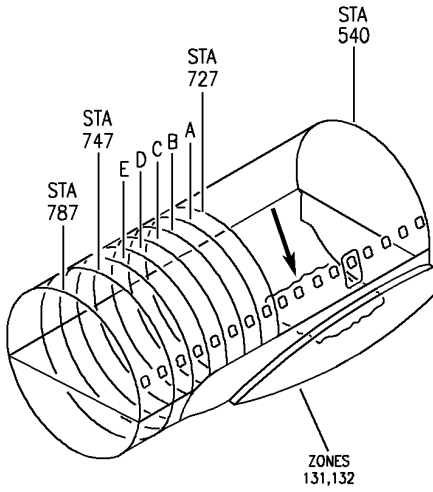
HAP

11-30-51-46

BOEING PROPRIETARY - Copyright © - Unpublished Work - See title page for details.

11-30-51
FIG. 46
PAGE 1
FEB 15/09

BOEING
737-600/700/800/900
PARTS CATALOG (MAINTENANCE)



E 11305147 SHT 1 REV 137

DOOR ASSY-ECS ACCESS (PLACARDS AND MARKINGS ONLY)
FIGURE 47 (SHEET 1)

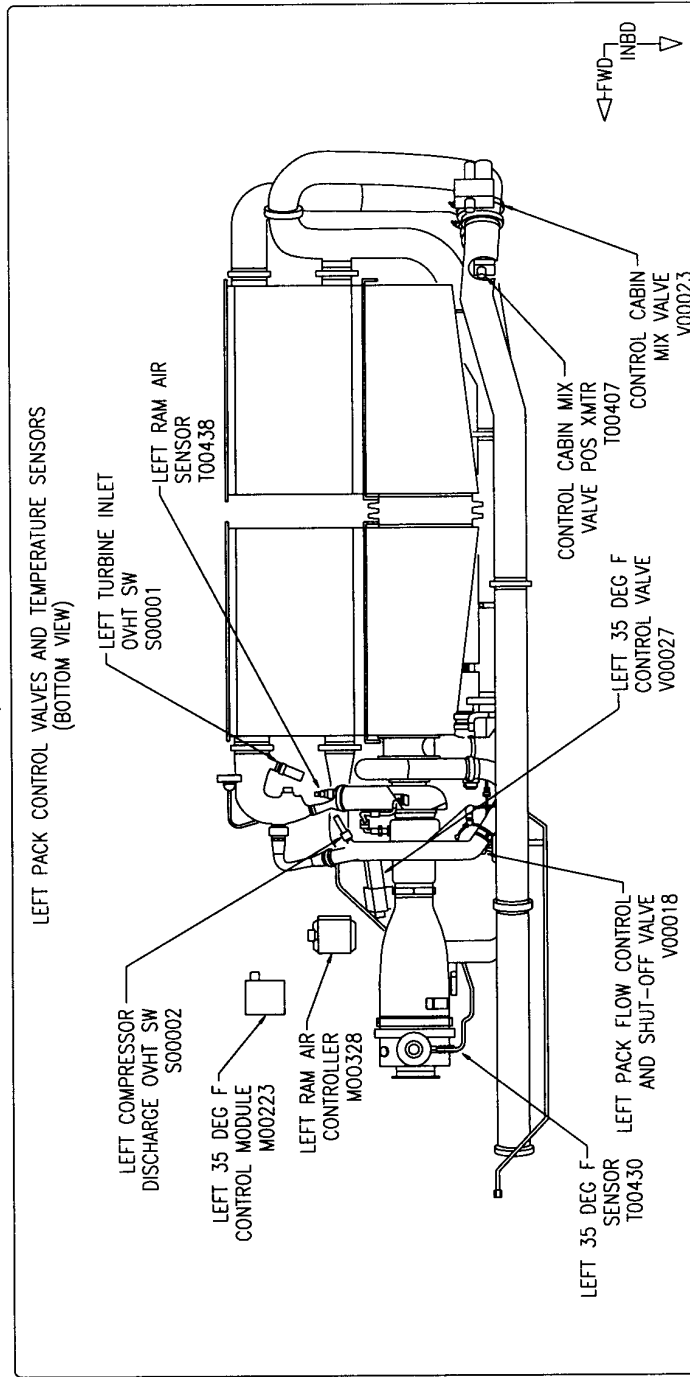
11-30-51-47

HAP
FEB 15/08

11-30-51-47
PAGE 0

E 11305147 SHIT 2 REV 014

5



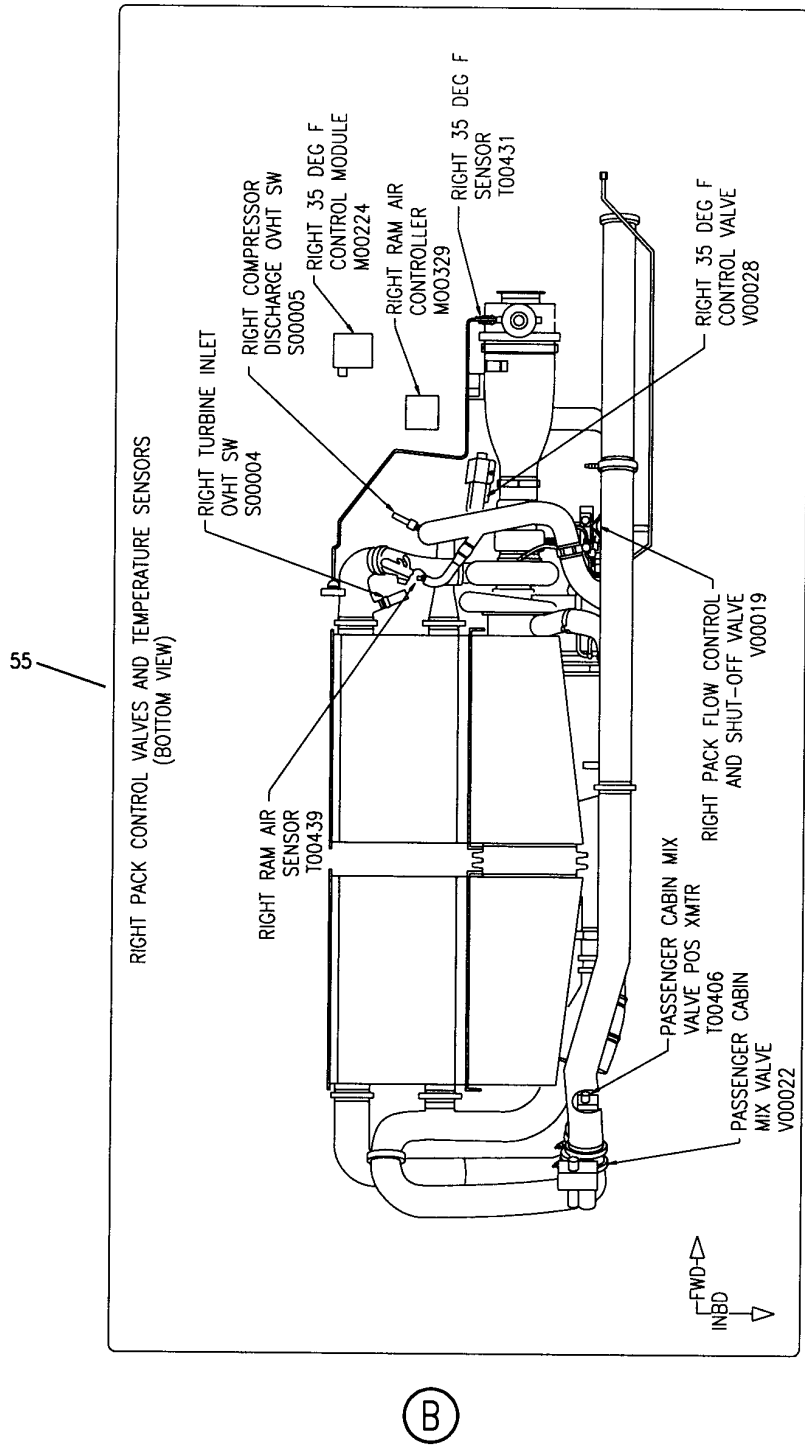
(A)

DOOR ASSY-ECS ACCESS (PLACARDS AND MARKINGS ONLY)
 FIGURE 47 (SHEET 2)

11-30-51-47

HAP
 FEB 10/07

11-30-51-47
 PAGE 0A



E 11305147 SH1 3 REV 014

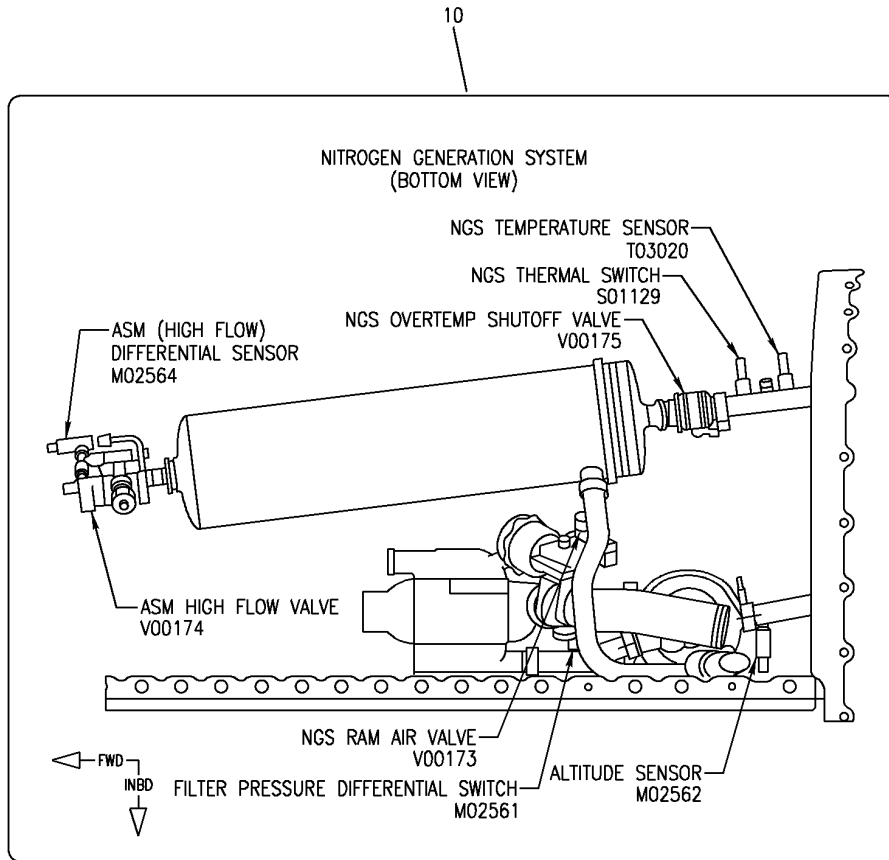
DOOR ASSY-ECS ACCESS (PLACARDS AND MARKINGS ONLY)
 FIGURE 47 (SHEET 3)

11-30-51-47

HAP
 FEB 10/07

11-30-51-47
 PAGE 0B

BOEING
737-600/700/800/900
PARTS CATALOG (MAINTENANCE)



(C)

CAUTION

LOW OXYGEN CONTENT POSSIBLE
 DURING NITROGEN GENERATION
 SYSTEM OPERATION.
 OBEY EMPLOYER SAFETY PROCEDURES.
 FAILURE TO OBEY MAY CAUSE INJURY.

20

(D)

E 11305147 SH1 4 REV 137

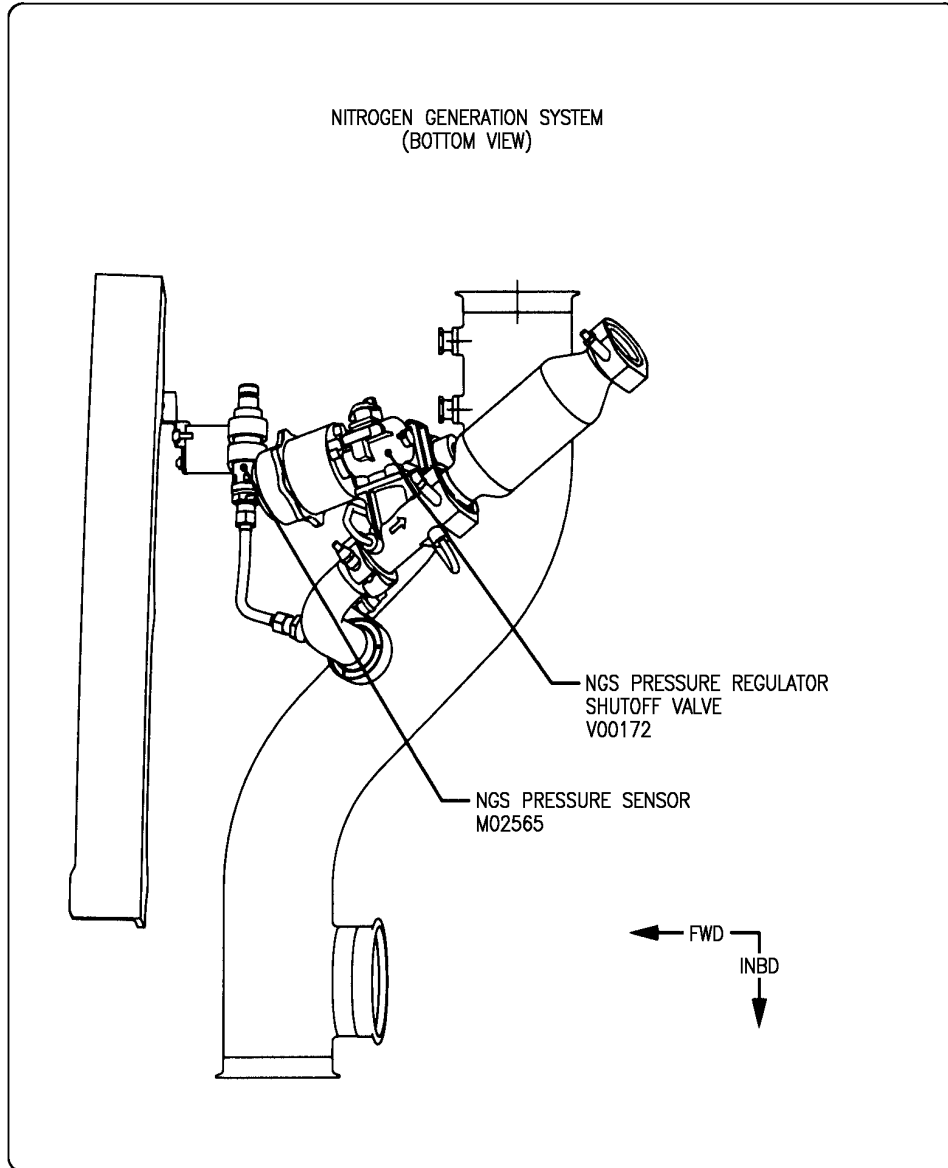
DOOR ASSY-ECS ACCESS (PLACARDS AND MARKINGS ONLY)
 FIGURE 47 (SHEET 4)

11-30-51-47

HAP
 FEB 15/08

11-30-51-47
 PAGE 0C

15



E 11305147 SHIT 5 REV 137

(E)

DOOR ASSY-ECS ACCESS (PLACARDS AND MARKINGS ONLY)
FIGURE 47 (SHEET 5)

11-30-51-47

HAP
FEB 15/08

11-30-51-47
PAGE 0D

 **BOEING**
737-600/700/800/900
PARTS CATALOG (MAINTENANCE)

FIG ITEM	PART NUMBER	1 2 3 4 5 6 7	NOMENCLATURE	EFFECT FROM TO	UNITS PER ASSY
47			DOOR ASSY-ECS ACCESS (PLACARDS AND MARKINGS ONLY)	101999	
- 1	149A7231-5		DOOR ASSY-ECS ACCESS (PLACARDS AND MARKINGS ONLY) FOR NHA/OTHER SYS DET SEE: 52-48-11-02	201967	RF
- 1	149A7231-13		DOOR ASSY-ECS ACCESS (PLACARDS AND MARKINGS ONLY) FOR NHA/OTHER SYS DET SEE: 52-48-11-02	101101 968971	RF
- 1	149A7231-21		DOOR ASSY-ECS ACCESS (PLACARDS AND MARKINGS ONLY) FOR NHA/OTHER SYS DET SEE: 52-48-11-02	101101 968971	RF
1	149A7231-25		DOOR ASSY- FOR NHA/OTHER SYS DET SEE: 52-48-11-02	101105 968999	RF
- 1	149A7231-27		DOOR ASSY-ECS ACCESS (PLACARDS AND MARKINGS ONLY) FOR NHA/OTHER SYS DET SEE: 52-48-11-02	101105 968999	RF
- 1	149A7231-31		DOOR ASSY-ECS ACCESS (PLACARDS AND MARKINGS ONLY) FOR NHA/OTHER SYS DET SEE: 52-48-11-02	101200 968999	RF
5	BAC27DAC103		.MARKER-ALUMINUM FOIL	101999	1
10	BAC27DAC132		.MARKER-ALUMINUM FOIL USED ON: 149A7231-25 149A7231-31	101200 968999	1
15	BAC27DAC133		.MARKER-ALUMINUM FOIL USED ON: 149A7231-25 149A7231-31	101200 968999	1
20	BAC27EAC759		.MARKER-ALUMINUM FOIL USED ON: 149A7231-25 149A7231-31	101200 968999	1
- 50	149A7231-6		DOOR ASSY-ECS ACCESS (PLACARDS AND MARKINGS ONLY) FOR NHA/OTHER SYS DET SEE: 52-48-11-03	201967	RF

MISSING ITEM NUMBERS NOT APPLICABLE

- ITEM NOT ILLUSTRATED

HAP

11-30-51-47

11-30-51
FIG. 47
PAGE 1
OCT 15/08

BOEING
737-600/700/800/900
PARTS CATALOG (MAINTENANCE)

FIG ITEM	PART NUMBER	1 2 3 4 5 6 7	NOMENCLATURE	EFFECT FROM TO	UNITS PER ASSY
47					
- 50	149A7231-18		DOOR ASSY-ECS ACCESS (PLACARDS AND MARKINGS ONLY) FOR NHA/OTHER SYS DET SEE: 52-48-11-03	101101 968971	RF
- 50	149A7231-22		DOOR ASSY-ECS ACCESS (PLACARDS AND MARKINGS ONLY) FOR NHA/OTHER SYS DET SEE: 52-48-11-03	101200 968999	RF
- 50	149A7231-28		DOOR ASSY-ECS ACCESS (PLACARDS AND MARKINGS ONLY) FOR NHA/OTHER SYS DET SEE: 52-48-11-03	101200 968999	RF
55	BAC27DAC104		.MARKER-ALUMINUM FOIL	101999	1

MISSING ITEM NUMBERS NOT APPLICABLE

- ITEM NOT ILLUSTRATED

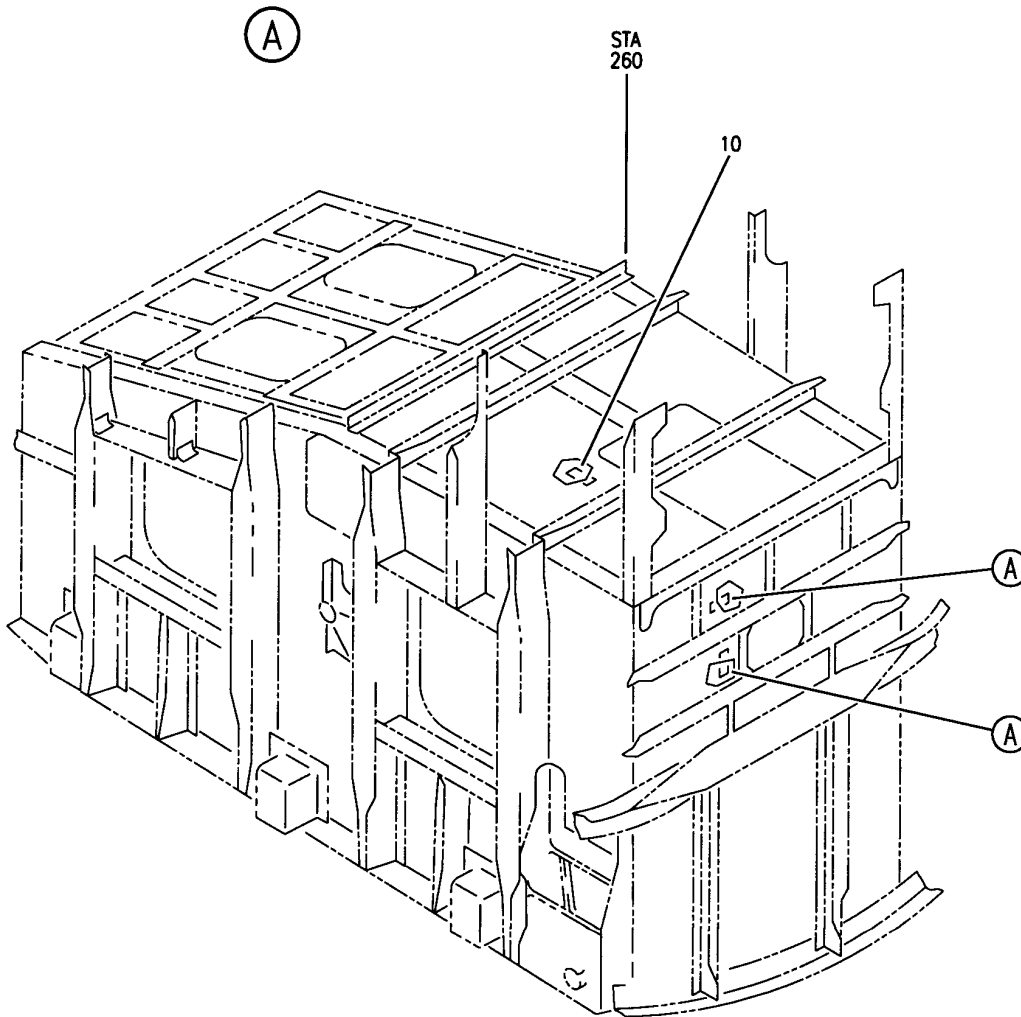
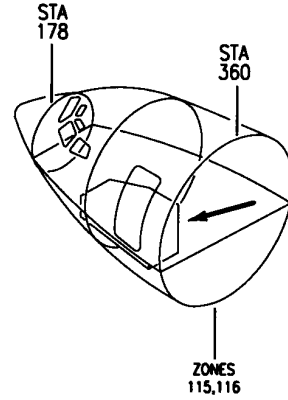
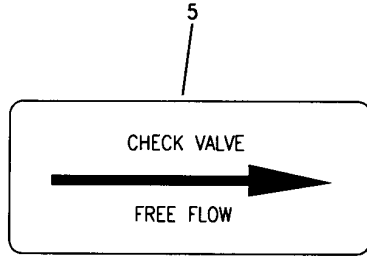
HAP

11-30-51-47

BOEING PROPRIETARY - Copyright © - Unpublished Work - See title page for details.

11-30-51
FIG. 47
PAGE 2
OCT 15/08

BOEING
 737-600/700/800/900
 PARTS CATALOG (MAINTENANCE)



E 11305148 REV 014

MARKER INSTL-SECT. 41 FUSLG HYDR
 FIGURE 48

11-30-51-48

HAP
 OCT 10/06

11-30-51-48
 PAGE 0

BOEING
737-600/700/800/900
PARTS CATALOG (MAINTENANCE)

FIG ITEM	PART NUMBER	1 2 3 4 5 6 7	NOMENCLATURE	EFFECT FROM TO	UNITS PER ASSY
48			MARKER INSTL-SECT. 41 FUSLG HYDR		
- 1	270A0441-1		MARKER INSTL-FUSLG HYDR POSITION DATA: SECT. 41 FOR NHA SEE: 11-30-00-01	001030 201967	RF
- 1	MODREF84270		MARKER INSTL-FUSLG HYDR MODULE NUMBER: 270A0441-1 REV A POSITION DATA: SECT. 41	031200 968999	1
5	BACM10V21-2JG		.MARKER-ALUMINUM FOIL		2
10	BAC27DHY375		.MARKER-ALUMINUM FOIL PLACARD CONTENT: FLOW REGULATOR LDG GEAR SYS		1

MISSING ITEM NUMBERS NOT APPLICABLE

- ITEM NOT ILLUSTRATED

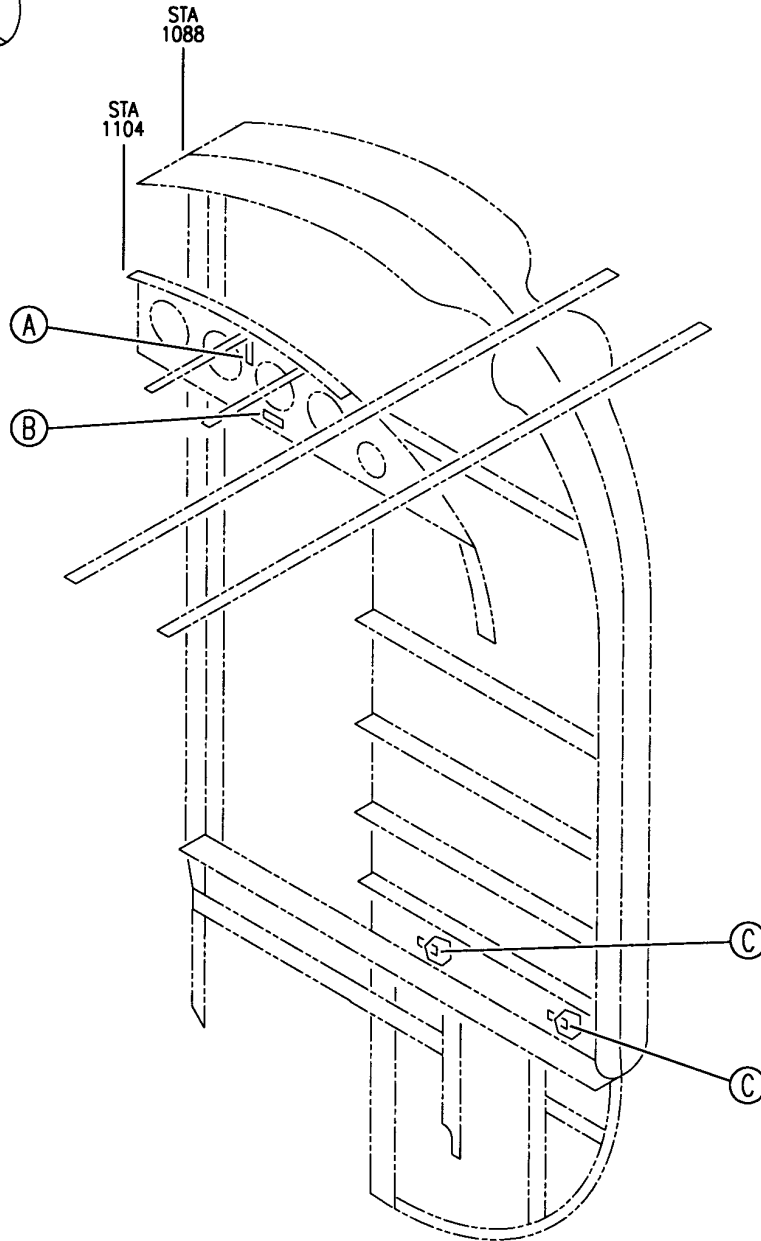
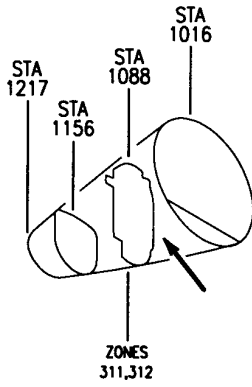
HAP

11-30-51-48

BOEING PROPRIETARY - Copyright © - Unpublished Work - See title page for details.

11-30-51
FIG. 48
PAGE 1
OCT 15/08

BOEING
737-600/700/800/900
PARTS CATALOG (MAINTENANCE)



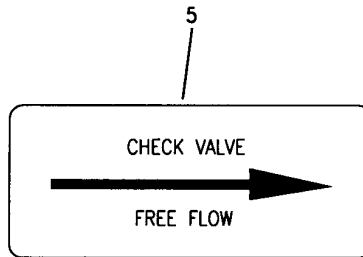
E 11305149 SH1 1 REV 014

MARKER INSTL-SECT. 48 FUSLG HYDR
FIGURE 49 (SHEET 1)

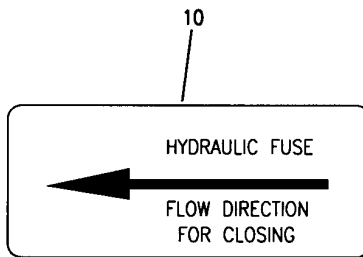
11-30-51-49

HAP
OCT 10/06

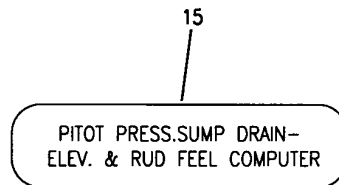
11-30-51-49
PAGE 0



(A)



(B)



(C)

E 11.305149 SHIT 2 REV 014

MARKER INSTL-SECT. 48 FUSLG HYDR
FIGURE 49 (SHEET 2)

11-30-51-49

HAP
OCT 10/06

11-30-51-49
PAGE 0A

BOEING
737-600/700/800/900
PARTS CATALOG (MAINTENANCE)

FIG ITEM	PART NUMBER	1 2 3 4 5 6 7	NOMENCLATURE	EFFECT FROM TO	UNITS PER ASSY
49			MARKER INSTL-SECT. 48 FUSLG HYDR		
- 1	270A0441-2		MARKER INSTL-FUSLG HYDR POSITION DATA: SECT. 48 FOR NHA SEE: 11-30-00-01	001030 201967	RF
- 1	MODREF84276		MARKER INSTL-FUSLG HYDR MODULE NUMBER: 270A0441-2 REV A POSITION DATA: SECT. 48	031200 968999	1
5	BACM10V21-2JG		.MARKER-ALUMINUM FOIL		1
10	BACM10F31-8H		.MARKER-ALUMINUM FOIL		1
15	BAC27DHY12		.MARKER-ALUMINUM FOIL		2

MISSING ITEM NUMBERS NOT APPLICABLE

- ITEM NOT ILLUSTRATED

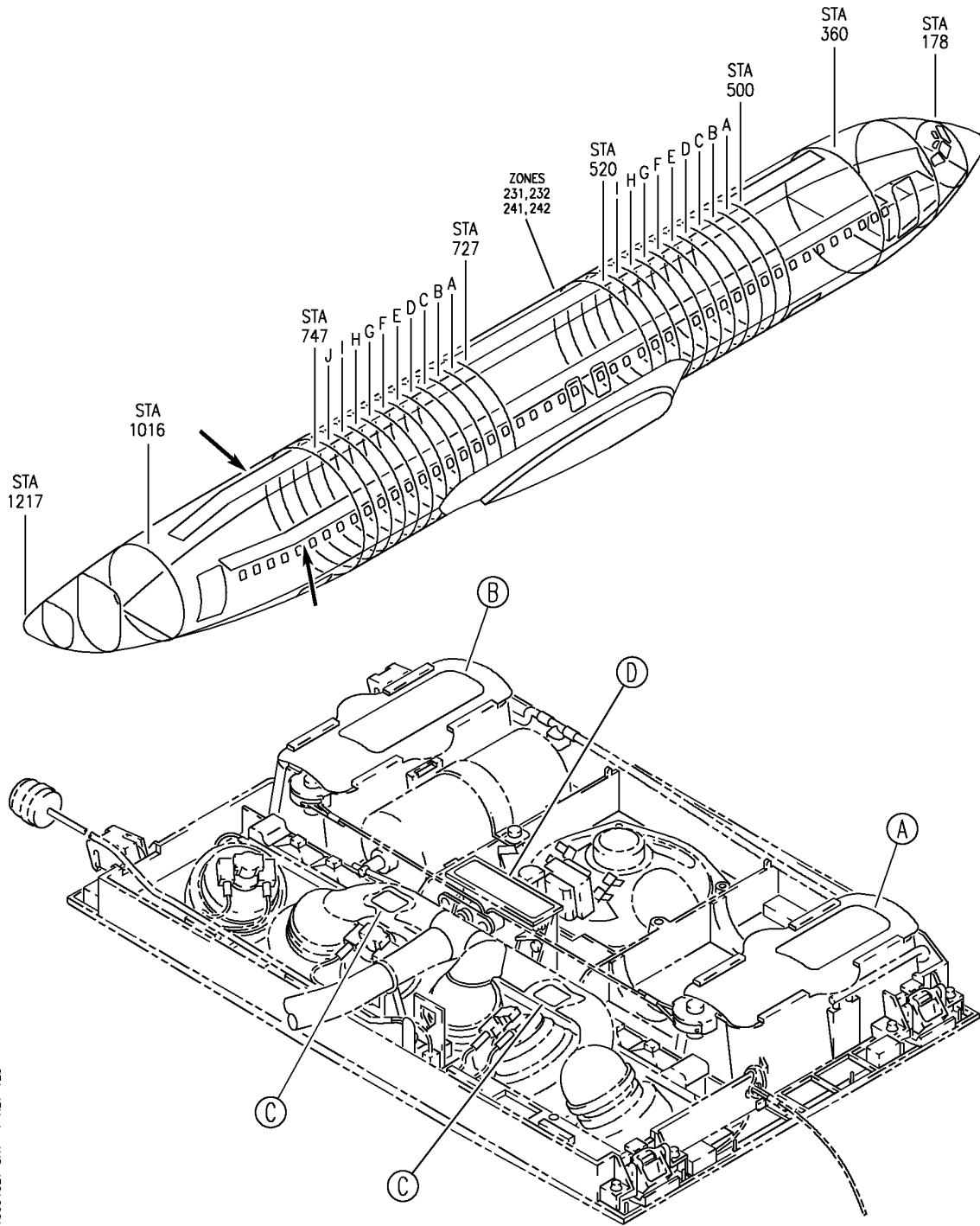
HAP

11-30-51-49

BOEING PROPRIETARY - Copyright © - Unpublished Work - See title page for details.

11-30-51
FIG. 49
PAGE 1
OCT 15/08

BOEING
 737-600/700/800/900
 PARTS CATALOG (MAINTENANCE)



E 11-30-51-52T SHT 1 REV 123

SERVICE UNIT ASSY-WITH 2K SPKR AND GASPER PASS. (PLACARDS AND MARKINGS ONLY)
 FIGURE 52T (SHEET 1)

HAP
 OCT 15/08

11-30-51-52T

11-30-51-52T
 PAGE 0

BOEING
 737-600/700/800/900
 PARTS CATALOG (MAINTENANCE)

10

ATTENTION

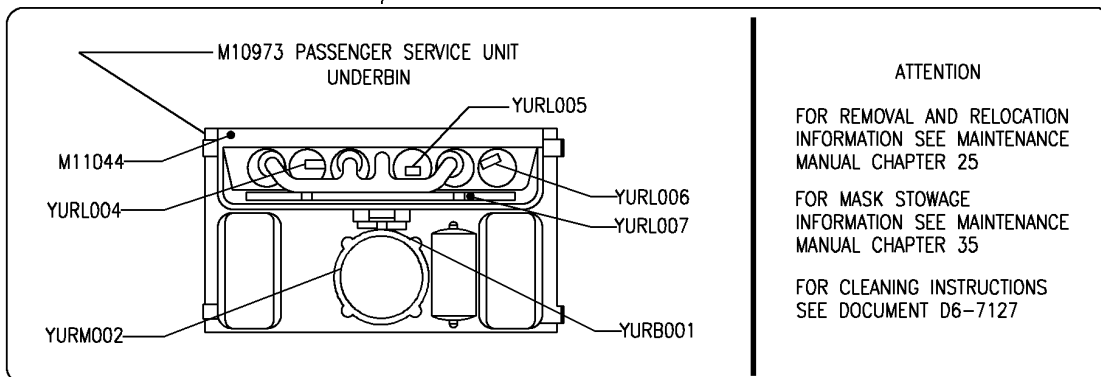
FOR REMOVAL AND RELOCATION INFORMATION SEE
 MAINTENANCE MANUAL CHAPTER 25

FOR MASK STOWAGE INSTRUCTIONS SEE MAINTENANCE
 MANUAL CHAPTER 35

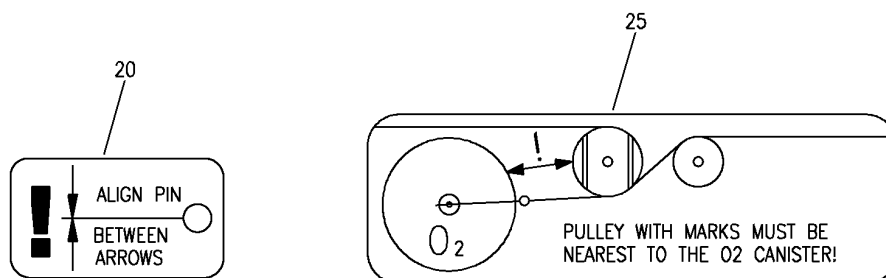
FOR CLEANING INSTRUCTIONS SEE DOCUMENT D6-7127

(A)

15



(B)



(C)

(D)

E 11305152T SHT 2 REV 123

SERVICE UNIT ASSY-WITH 2K SPKR AND GASPER PASS. (PLACARDS AND MARKINGS ONLY)
 FIGURE 52T (SHEET 2)

HAP
 OCT 15/08

11-30-51-52T

11-30-51-52T
 PAGE 0A

BOEING
737-600/700/800/900
PARTS CATALOG (MAINTENANCE)

FIG ITEM	PART NUMBER	1 2 3 4 5 6 7	NOMENCLATURE	EFFECT FROM TO	UNITS PER ASSY
52T			SERVICE UNIT ASSY-WITH 2K SPKR AND GASPER PASS. (PLACARDS AND MARKINGS ONLY)	048048	
- 1	417N3011-601B		SERVICE UNIT ASSY-WITH 2K SPKR AND GASPER PASS. (PLACARDS AND MARKINGS ONLY) POSITION DATA: LH ELECTRICAL EQUIP NUMBER: M10973 COMPONENT MAINT MANUAL REF: 25-23-38 FOR NHA/OTHER SYS DET SEE: 25-23-61-77Z	048048	RF
- 5	417N3011-602B		SERVICE UNIT ASSY-WITH 2K SPKR AND GASPER PASS. (PLACARDS AND MARKINGS ONLY) POSITION DATA: RH ELECTRICAL EQUIP NUMBER: M10973 COMPONENT MAINT MANUAL REF: 25-23-38 FOR NHA/OTHER SYS DET SEE: 25-23-61-77Z	048048	RF
10	BAC27DPA2272		.DECAL	048048	1
15	BAC27NPA1361		.DECAL	048048	1
20	BAC29PPS56568		.MARKER	048048	2
25	BAC29PPS56569		.PLACARD	048048	1

MISSING ITEM NUMBERS NOT APPLICABLE

- ITEM NOT ILLUSTRATED

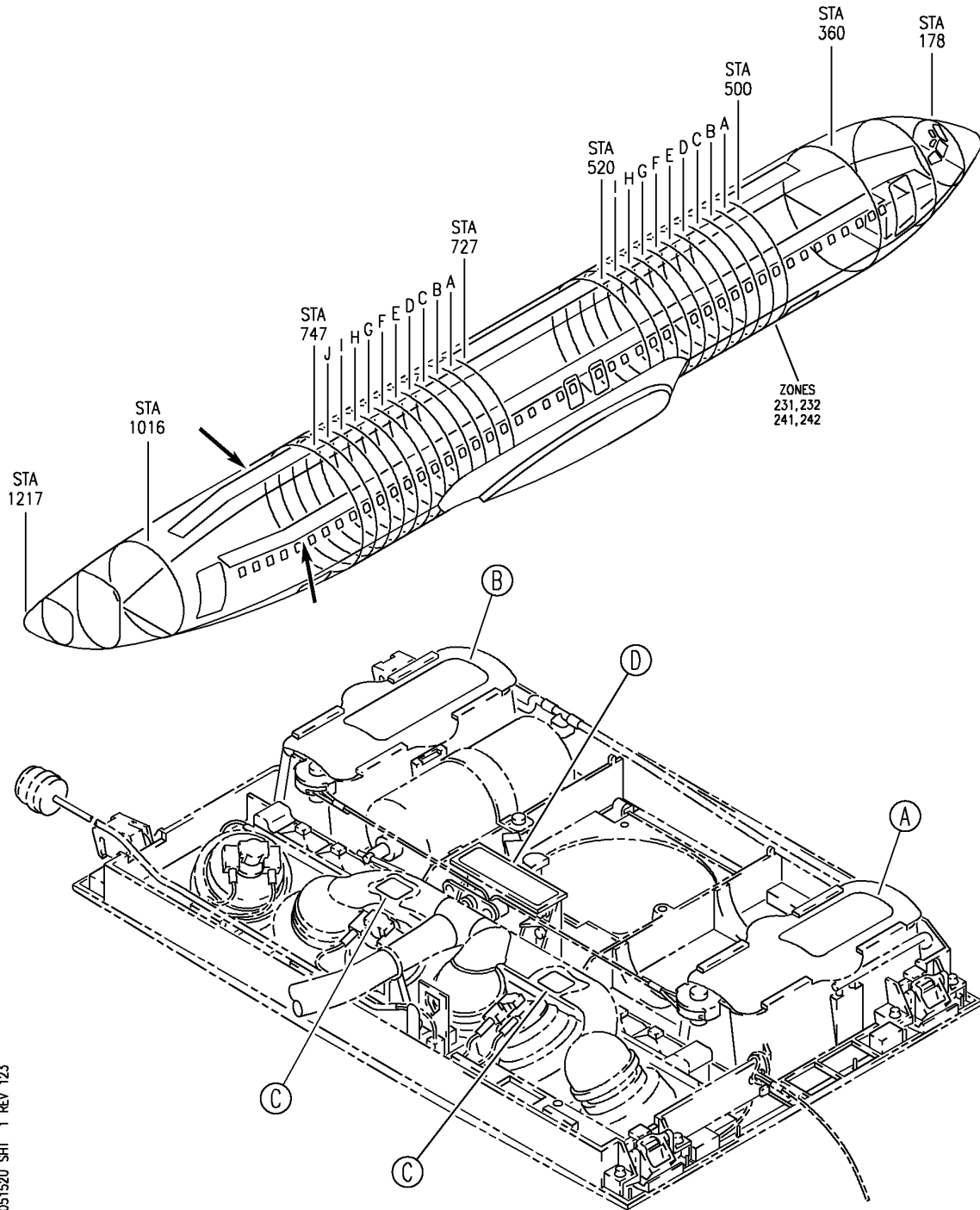
HAP

11-30-51-52T

BOEING PROPRIETARY - Copyright © - Unpublished Work - See title page for details.

11-30-51
FIG. 52T
PAGE 1
OCT 15/08

BOEING
 737-600/700/800/900
 PARTS CATALOG (MAINTENANCE)



E 11305152U SHT 1 REV 123

SERVICE UNIT ASSY-NO SPKR WITH GASPER PASS. (PLACARDS AND MARKINGS ONLY)
 FIGURE 52U (SHEET 1)

HAP
 OCT 15/08

11-30-51-52U

11-30-51-52U
 PAGE 0

BOEING
 737-600/700/800/900
 PARTS CATALOG (MAINTENANCE)

10

ATTENTION

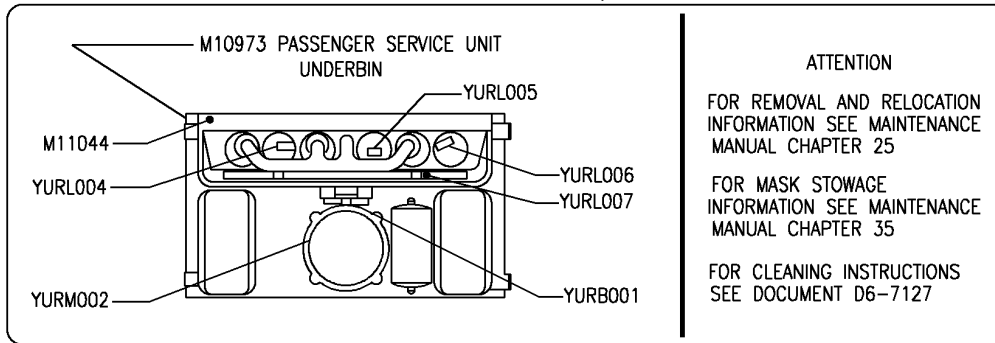
FOR REMOVAL AND RELOCATION INFORMATION SEE
 MAINTENANCE MANUAL CHAPTER 25

FOR MASK STOWAGE INSTRUCTIONS SEE MAINTENANCE
 MANUAL CHAPTER 35

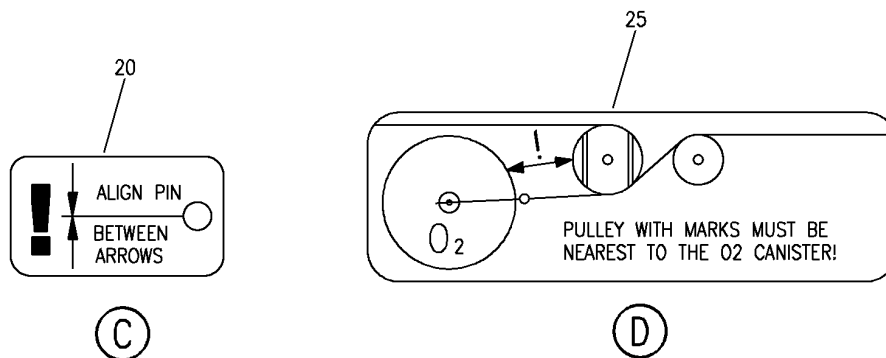
FOR CLEANING INSTRUCTIONS SEE DOCUMENT D6-7127

(A)

15



(B)



E 11305152U SHT 2 REV 123

SERVICE UNIT ASSY-NO SPKR WITH GASPER PASS. (PLACARDS AND MARKINGS ONLY)
 FIGURE 52U (SHEET 2)

HAP
 OCT 15/08

11-30-51-52U

11-30-51-52U
 PAGE 0A

BOEING
737-600/700/800/900
PARTS CATALOG (MAINTENANCE)

FIG ITEM	PART NUMBER	1 2 3 4 5 6 7	NOMENCLATURE	EFFECT FROM TO	UNITS PER ASSY
52U			SERVICE UNIT ASSY-NO SPKR WITH GASPER PASS. (PLACARDS AND MARKINGS ONLY)	048048	
- 1	417N3011-613B		SERVICE UNIT ASSY-NO SPKR WITH GASPER PASS. (PLACARDS AND MARKINGS ONLY) POSITION DATA: LH ELECTRICAL EQUIP NUMBER: M10973 COMPONENT MAINT MANUAL REF: 25-23-38 FOR NHA/OTHER SYS DET SEE: 25-23-61-77Z	048048	RF
- 5	417N3011-614B		SERVICE UNIT ASSY-NO SPKR WITH GASPER PASS. (PLACARDS AND MARKINGS ONLY) POSITION DATA: RH ELECTRICAL EQUIP NUMBER: M10973 COMPONENT MAINT MANUAL REF: 25-23-38 FOR NHA/OTHER SYS DET SEE: 25-23-61-77Z	048048	RF
10	BAC27DPA2272		.DECAL	048048	1
15	BAC27NPA1361		.DECAL	048048	1
20	BAC29PPS56568		.MARKER	048048	2
25	BAC29PPS56569		.PLACARD	048048	1

MISSING ITEM NUMBERS NOT APPLICABLE

- ITEM NOT ILLUSTRATED

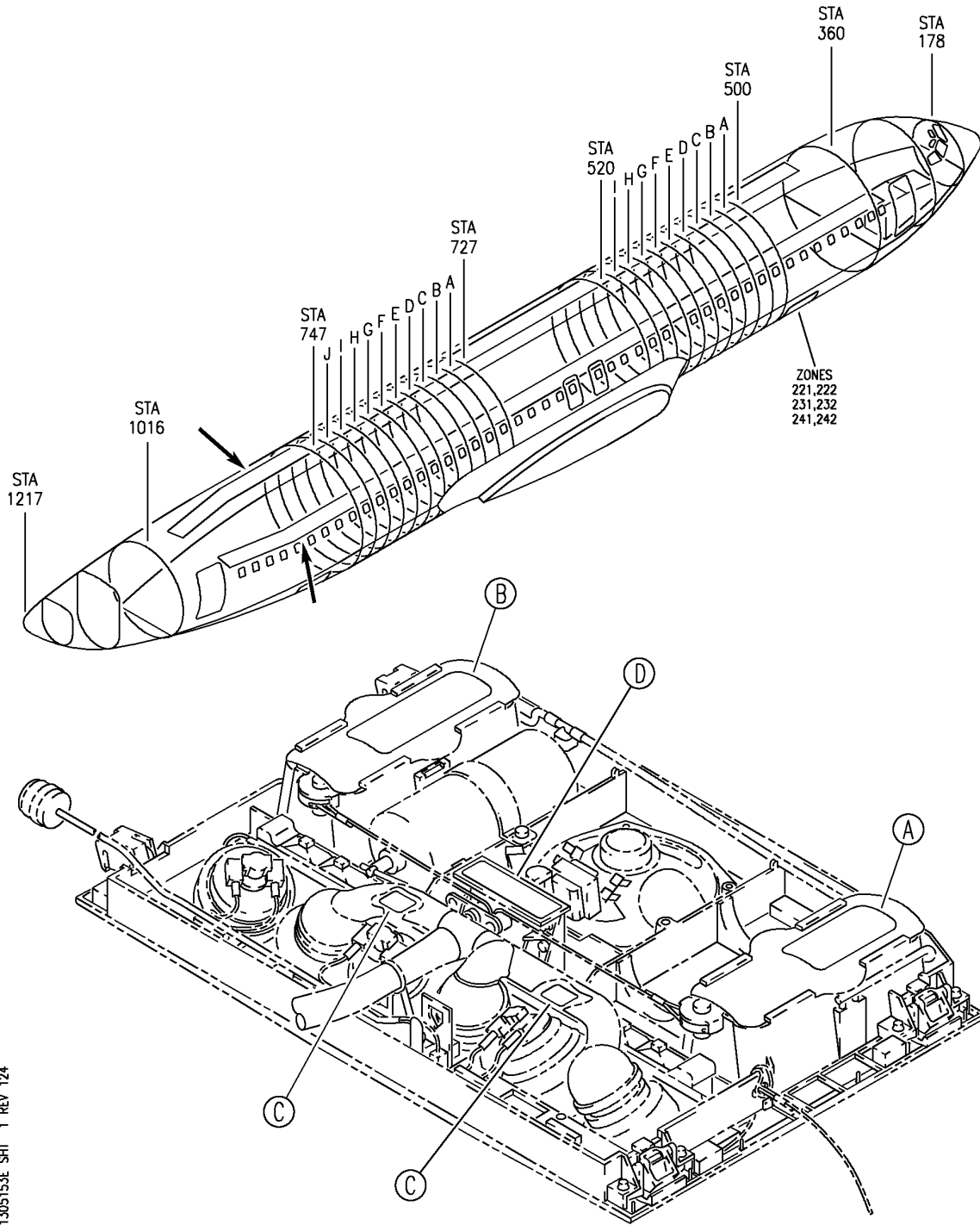
HAP

11-30-51-52U

BOEING PROPRIETARY - Copyright © - Unpublished Work - See title page for details.

11-30-51
FIG. 52U
PAGE 1
OCT 15/08

BOEING
 737-600/700/800/900
 PARTS CATALOG (MAINTENANCE)



E 11305153E SHT 1 REV 124

SERVICE UNIT ASSY-WITH 2K SPKR AND GASPER PASS. (PLACARDS AND MARKINGS ONLY)
 FIGURE 53E (SHEET 1)

HAP
 FEB 10/07

11-30-51-53E

11-30-51-53E
 PAGE 0

BOEING
 737-600/700/800/900
 PARTS CATALOG (MAINTENANCE)

10

ATTENTION

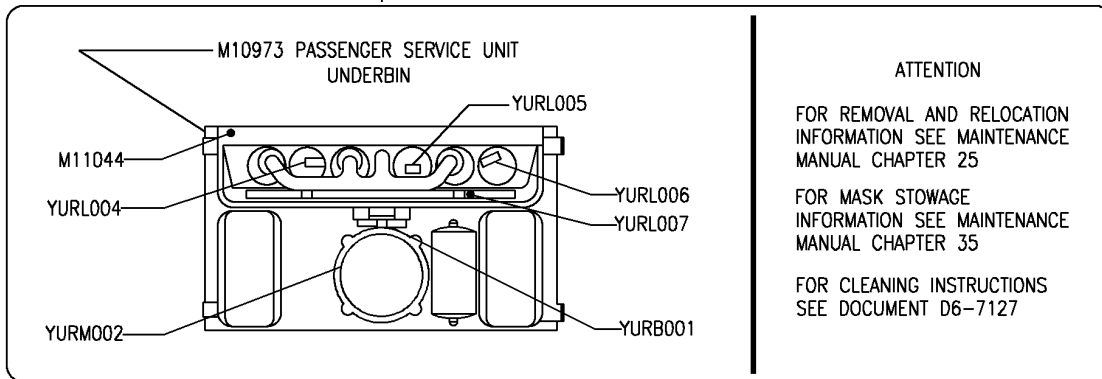
FOR REMOVAL AND RELOCATION INFORMATION SEE
 MAINTENANCE MANUAL CHAPTER 25

FOR MASK STOWAGE INSTRUCTIONS SEE MAINTENANCE
 MANUAL CHAPTER 35

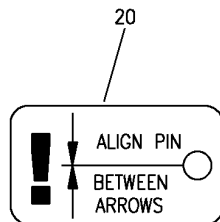
FOR CLEANING INSTRUCTIONS SEE DOCUMENT D6-7127

(A)

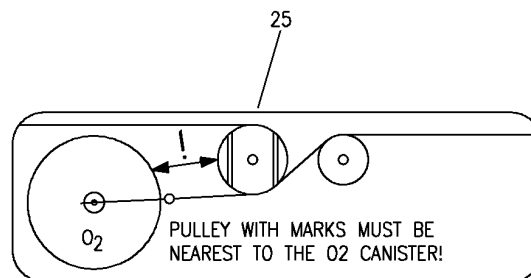
15



(B)



(C)



(D)

E 11305153E SHT 2 REV 124

SERVICE UNIT ASSY-WITH 2K SPKR AND GASPER PASS. (PLACARDS AND MARKINGS ONLY)
 FIGURE 53E (SHEET 2)

HAP
 FEB 10/07

11-30-51-53E

11-30-51-53E
 PAGE 0A

BOEING
737-600/700/800/900
PARTS CATALOG (MAINTENANCE)

FIG ITEM	PART NUMBER	1 2 3 4 5 6 7	NOMENCLATURE	EFFECT FROM TO	UNITS PER ASSY
53E			SERVICE UNIT ASSY-WITH 2K SPKR AND GASPER PASS. (PLACARDS AND MARKINGS ONLY)	038038 041047 049100	
- 1	417N3011-601B		SERVICE UNIT ASSY-WITH 2K SPKR AND GASPER PASS. (PLACARDS AND MARKINGS ONLY) POSITION DATA: LH ELECTRICAL EQUIP NUMBER: M10973 COMPONENT MAINT MANUAL REF: 25-23-38 FOR NHA/OTHER SYS DET SEE: 25-23-61-72G 25-23-61-75H	038038 041047 049100	RF
- 5	417N3011-602B		SERVICE UNIT ASSY-WITH 2K SPKR AND GASPER PASS. (PLACARDS AND MARKINGS ONLY) POSITION DATA: RH ELECTRICAL EQUIP NUMBER: M10973 COMPONENT MAINT MANUAL REF: 25-23-38 FOR NHA/OTHER SYS DET SEE: 25-23-61-72G 25-23-61-75H	038038 041047 049100	RF
10	BAC27DPA2272		.DECAL	038038 041047 049100	1
15	BAC27NPA1361		.DECAL	038038 041047 049100	1
20	BAC29PPS56568		.MARKER	038038 041047 049100	2
25	BAC29PPS56569		.PLACARD	038038 041047 049100	1

MISSING ITEM NUMBERS NOT APPLICABLE

- ITEM NOT ILLUSTRATED

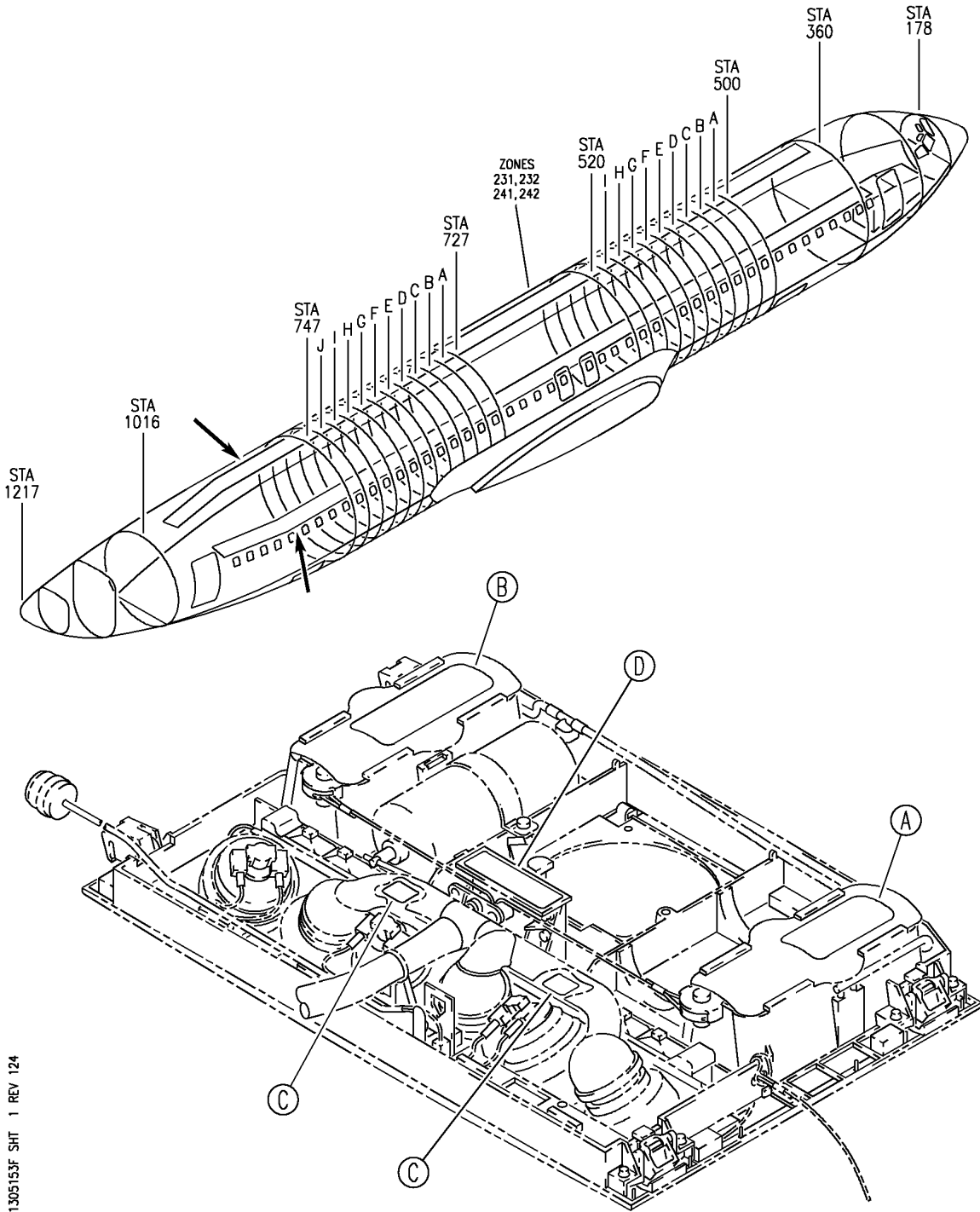
HAP

11-30-51-53E

BOEING PROPRIETARY - Copyright © - Unpublished Work - See title page for details.

11-30-51
FIG. 53E
PAGE 1
OCT 15/08

BOEING
 737-600/700/800/900
 PARTS CATALOG (MAINTENANCE)



E 11-30-51-53F SHT 1 REV 124

SERVICE UNIT ASSY-NO SPKR WITH GASPER PASS. (PLACARDS AND MARKINGS ONLY)
 FIGURE 53F (SHEET 1)

HAP
 FEB 10/07

11-30-51-53F

11-30-51-53F
 PAGE 0

BOEING
737-600/700/800/900
PARTS CATALOG (MAINTENANCE)

10

ATTENTION

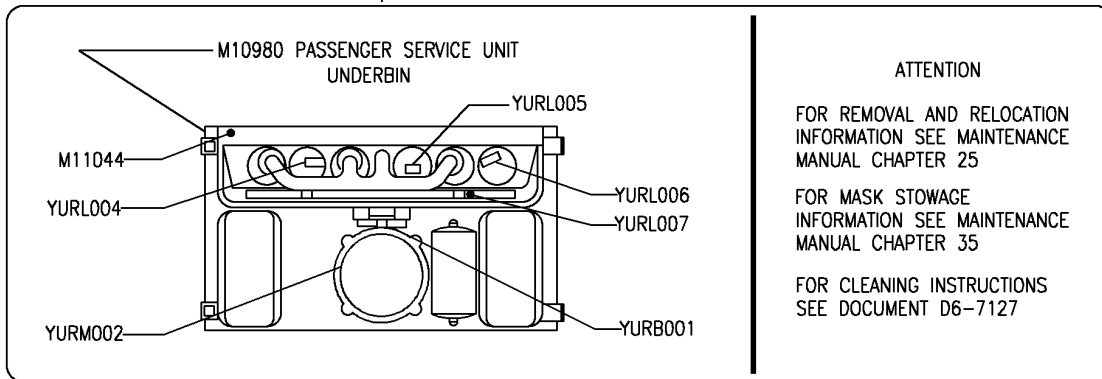
FOR REMOVAL AND RELOCATION INFORMATION SEE
 MAINTENANCE MANUAL CHAPTER 25

FOR MASK STOWAGE INSTRUCTIONS SEE MAINTENANCE
 MANUAL CHAPTER 35

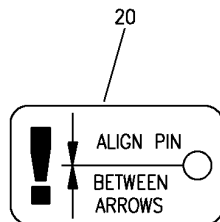
FOR CLEANING INSTRUCTIONS SEE DOCUMENT D6-7127

(A)

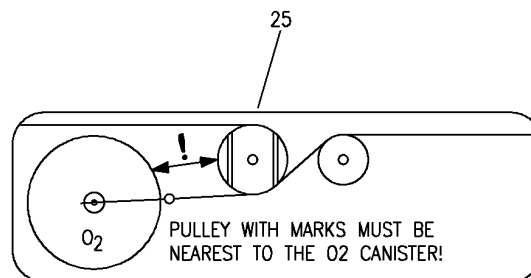
15



(B)



(C)



(D)

E 11305153F SHT 2 REV 124

SERVICE UNIT ASSY-NO SPKR WITH GASPER PASS. (PLACARDS AND MARKINGS ONLY)
 FIGURE 53F (SHEET 2)

HAP
 FEB 10/07

11-30-51-53F

11-30-51-53F
 PAGE 0A

BOEING
737-600/700/800/900
PARTS CATALOG (MAINTENANCE)

FIG ITEM	PART NUMBER	1 2 3 4 5 6 7	NOMENCLATURE	EFFECT FROM TO	UNITS PER ASSY
53F			SERVICE UNIT ASSY-NO SPKR WITH GASPER PASS. (PLACARDS AND MARKINGS ONLY)	038038 041047 049100	
- 1	417N3011-613B		SERVICE UNIT ASSY-NO SPKR WITH GASPER PASS. (PLACARDS AND MARKINGS ONLY) POSITION DATA: LH ELECTRICAL EQUIP NUMBER: M10973 COMPONENT MAINT MANUAL REF: 25-23-38 FOR NHA/OTHER SYS DET SEE: 25-23-61-72G 25-23-61-75H	038038 041047 049100	RF
- 5	417N3011-614B		SERVICE UNIT ASSY-NO SPKR WITH GASPER PASS. (PLACARDS AND MARKINGS ONLY) POSITION DATA: RH ELECTRICAL EQUIP NUMBER: M10973 COMPONENT MAINT MANUAL REF: 25-23-38 FOR NHA/OTHER SYS DET SEE: 25-23-61-72G 25-23-61-75H	038038 041047 049100	RF
10	BAC27DPA2272		.DECAL	038038 041047 049100	1
15	BAC27NPA1361		.DECAL	038038 041047 049100	1
20	BAC29PPS56568		.MARKER	038038 041047 049100	2
25	BAC29PPS56569		.PLACARD	038038 041047 049100	1

MISSING ITEM NUMBERS NOT APPLICABLE

- ITEM NOT ILLUSTRATED

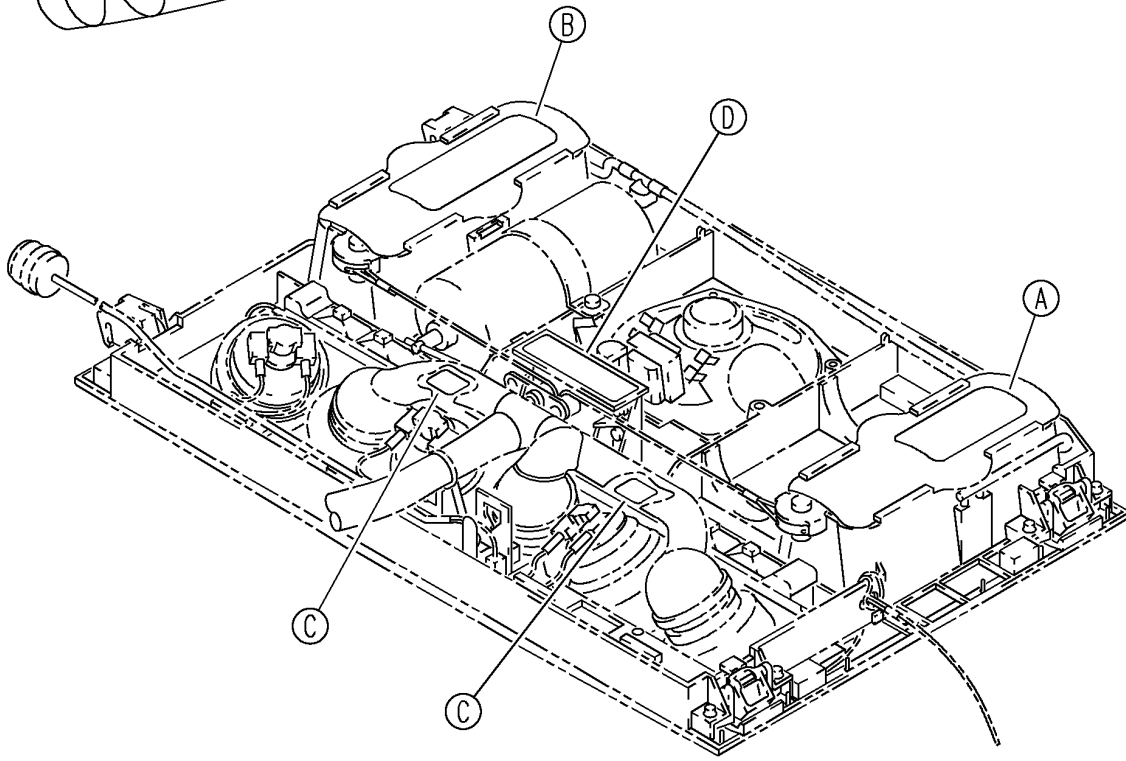
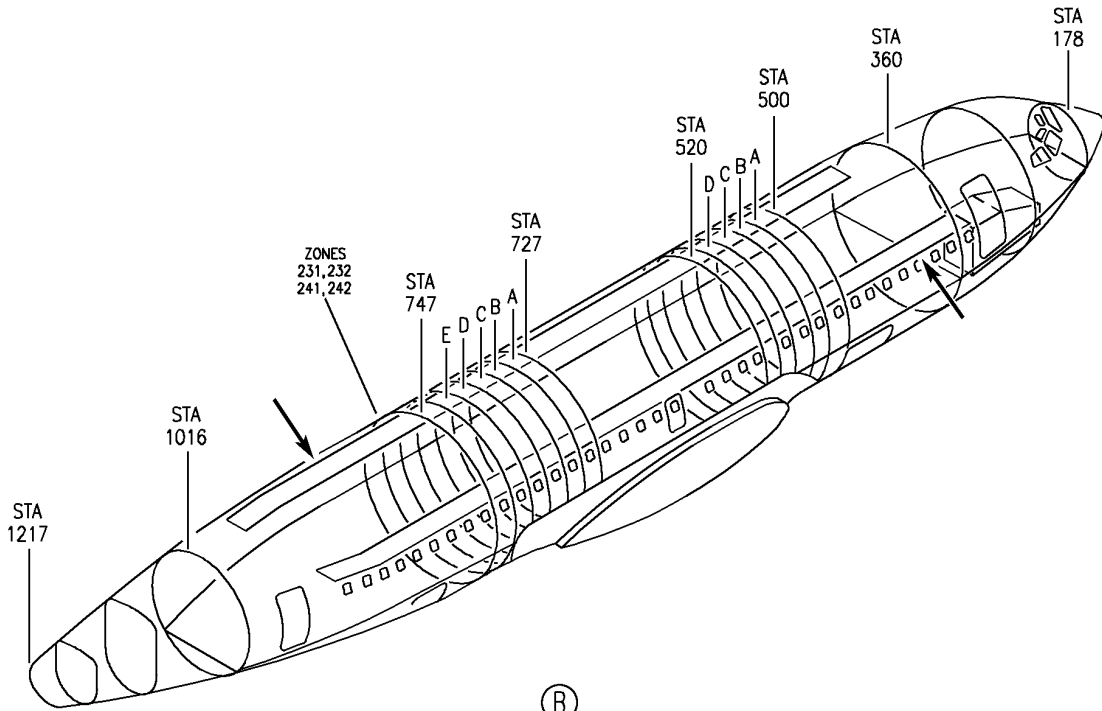
HAP

11-30-51-53F

BOEING PROPRIETARY - Copyright © - Unpublished Work - See title page for details.

11-30-51
FIG. 53F
PAGE 1
OCT 15/08

BOEING
737-600/700/800/900
PARTS CATALOG (MAINTENANCE)



E 11-30-51-53S SHT 1 REV 126

SERVICE UNIT ASSY-WITH 2K SPKR AND GASPER PASS. (PLACARDS AND MARKINGS ONLY)
 FIGURE 53S (SHEET 1)

HAP
 FEB 10/07

11-30-51-53S

11-30-51-53S
 PAGE 0

BOEING
737-600/700/800/900
PARTS CATALOG (MAINTENANCE)

10

ATTENTION

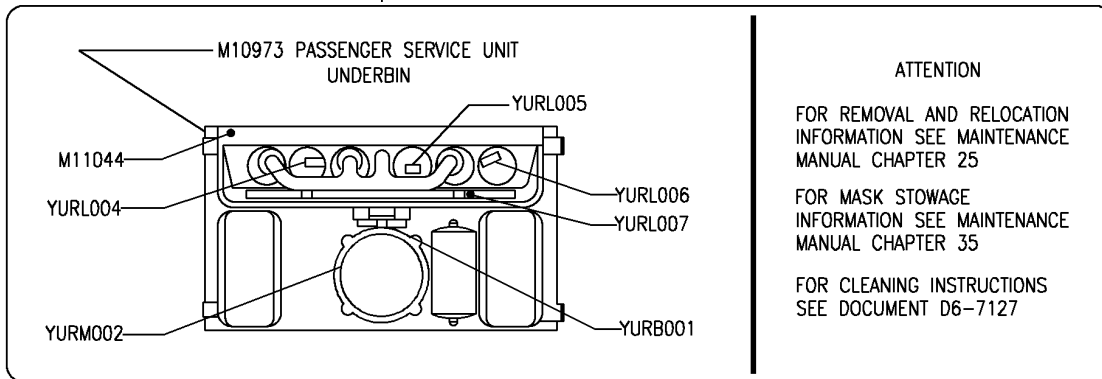
FOR REMOVAL AND RELOCATION INFORMATION SEE
 MAINTENANCE MANUAL CHAPTER 25

FOR MASK STOWAGE INSTRUCTIONS SEE MAINTENANCE
 MANUAL CHAPTER 35

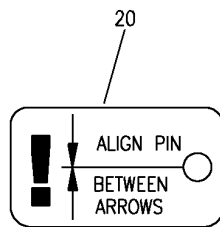
FOR CLEANING INSTRUCTIONS SEE DOCUMENT D6-7127

(A)

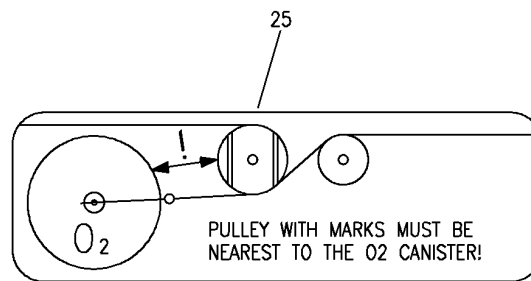
15



(B)



(C)



(D)

E 11305153S SH1 2 REV 126

SERVICE UNIT ASSY-WITH 2K SPKR AND GASPER PASS. (PLACARDS AND MARKINGS ONLY)
 FIGURE 53S (SHEET 2)

HAP
 FEB 10/07

11-30-51-53S

11-30-51-53S
 PAGE 0A

BOEING
737-600/700/800/900
PARTS CATALOG (MAINTENANCE)

FIG ITEM	PART NUMBER	1 2 3 4 5 6 7	NOMENCLATURE	EFFECT FROM TO	UNITS PER ASSY
53S			SERVICE UNIT ASSY-WITH 2K SPKR AND GASPER PASS. (PLACARDS AND MARKINGS ONLY)	101200 968999	
- 1	417N3011-601B		SERVICE UNIT ASSY-WITH 2K SPKR AND GASPER PASS. (PLACARDS AND MARKINGS ONLY) POSITION DATA: LH ELECTRICAL EQUIP NUMBER: M10973 COMPONENT MAINT MANUAL REF: 25-23-38 FOR NHA/OTHER SYS DET SEE: 25-23-61-72T	101200 968999	RF
- 5	417N3011-602B		SERVICE UNIT ASSY-WITH 2K SPKR AND GASPER PASS. (PLACARDS AND MARKINGS ONLY) POSITION DATA: RH ELECTRICAL EQUIP NUMBER: M10973 COMPONENT MAINT MANUAL REF: 25-23-38 FOR NHA/OTHER SYS DET SEE: 25-23-61-72T	101200 968999	RF
10	BAC27DPA2272		.DECAL	101200 968999	1
15	BAC27NPA1361		.DECAL	101200 968999	1
20	BAC29PPS56568		.MARKER	101200 968999	2
25	BAC29PPS56569		.PLACARD	101200 968999	1

MISSING ITEM NUMBERS NOT APPLICABLE

- ITEM NOT ILLUSTRATED

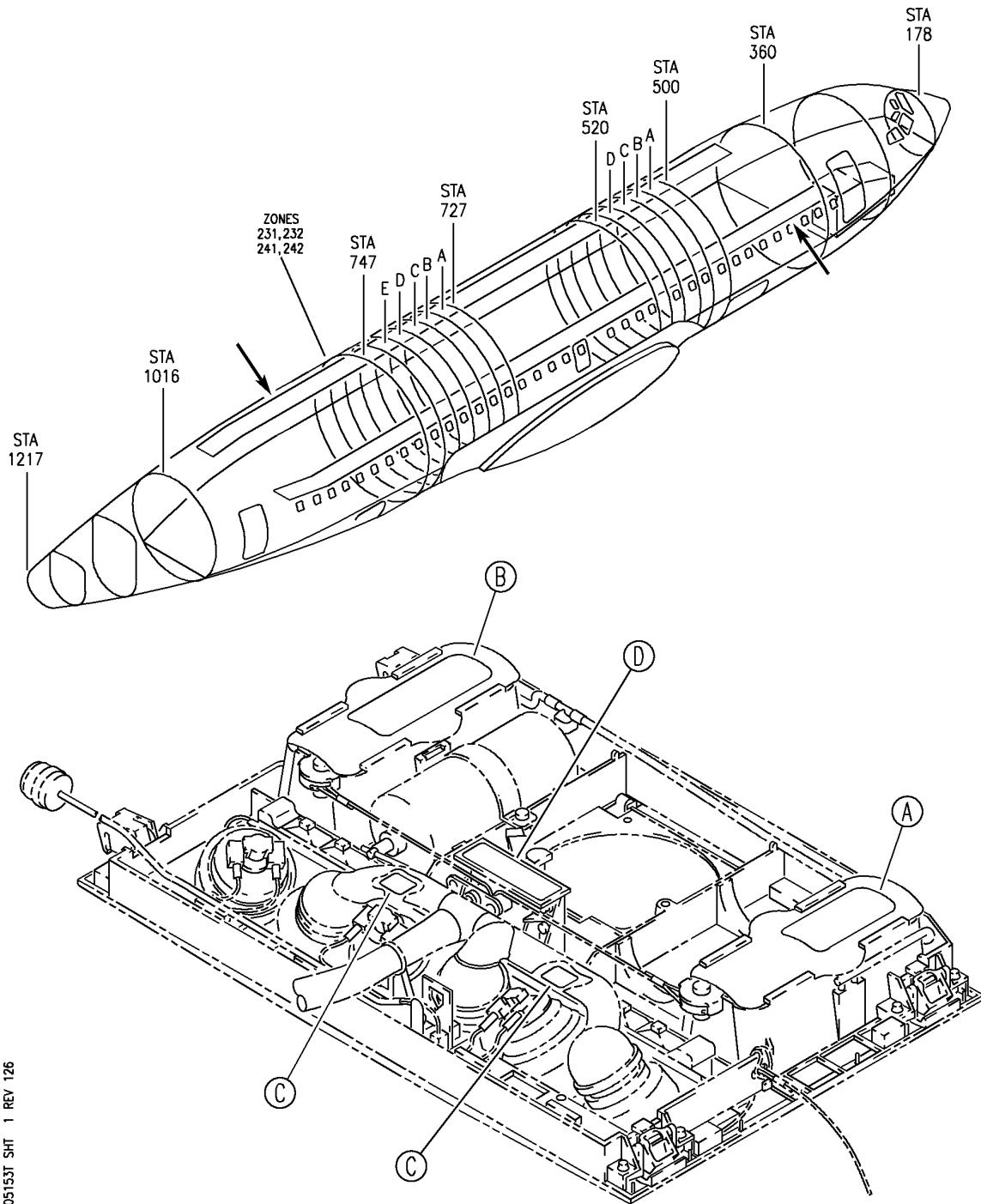
HAP

11-30-51-53S

BOEING PROPRIETARY - Copyright © - Unpublished Work - See title page for details.

11-30-51
FIG. 53S
PAGE 1
OCT 15/08

BOEING
 737-600/700/800/900
 PARTS CATALOG (MAINTENANCE)



E 11-30-51-53T SHT 1 REV 126

SERVICE UNIT ASSY-NO SPKR WITH GASPER PASS. (PLACARDS AND MARKINGS ONLY)
 FIGURE 53T (SHEET 1)

HAP
 FEB 10/07

11-30-51-53T

11-30-51-53T
 PAGE 0

BOEING
 737-600/700/800/900
 PARTS CATALOG (MAINTENANCE)

10

ATTENTION

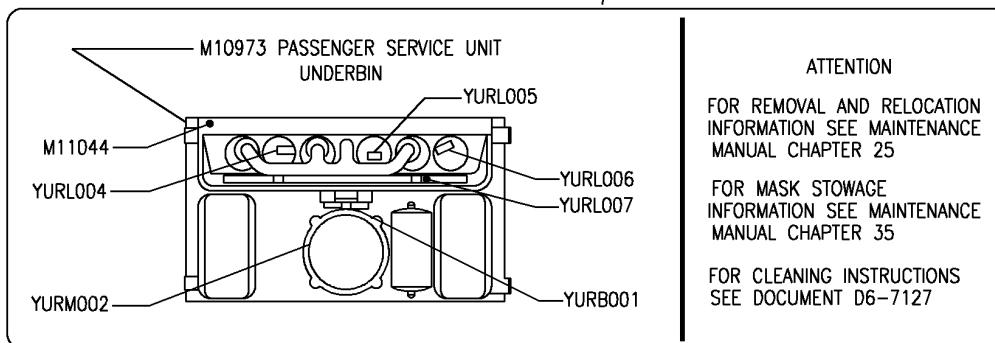
FOR REMOVAL AND RELOCATION INFORMATION SEE
 MAINTENANCE MANUAL CHAPTER 25

FOR MASK STOWAGE INSTRUCTIONS SEE MAINTENANCE
 MANUAL CHAPTER 35

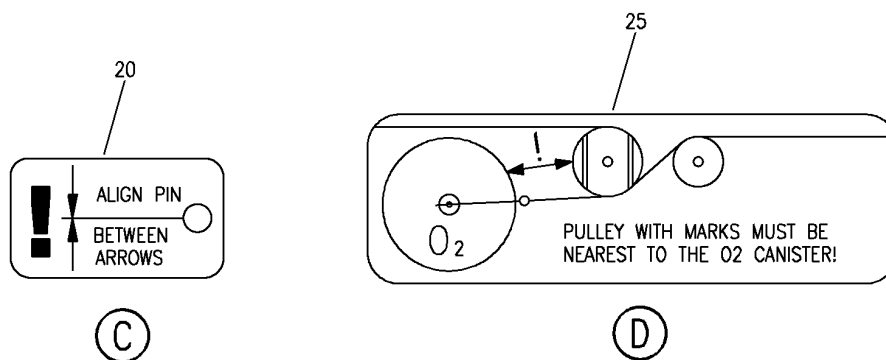
FOR CLEANING INSTRUCTIONS SEE DOCUMENT D6-7127

(A)

15



(B)



E 11-30-51-53T SHT 2 REV 126

SERVICE UNIT ASSY-NO SPKR WITH GASPER PASS. (PLACARDS AND MARKINGS ONLY)
 FIGURE 53T (SHEET 2)

HAP
 FEB 10/07

11-30-51-53T

11-30-51-53T
 PAGE 0A

BOEING
737-600/700/800/900
PARTS CATALOG (MAINTENANCE)

FIG ITEM	PART NUMBER	1 2 3 4 5 6 7	NOMENCLATURE	EFFECT FROM TO	UNITS PER ASSY
53T			SERVICE UNIT ASSY-NO SPKR WITH GASPER PASS. (PLACARDS AND MARKINGS ONLY)	101200 968999	
- 1	417N3011-613B		SERVICE UNIT ASSY-NO SPKR WITH GASPER PASS. (PLACARDS AND MARKINGS ONLY) POSITION DATA: LH ELECTRICAL EQUIP NUMBER: M10973 COMPONENT MAINT MANUAL REF: 25-23-38 FOR NHA/OTHER SYS DET SEE: 25-23-61-72T	101200 968999	RF
- 5	417N3011-614B		SERVICE UNIT ASSY-NO SPKR WITH GASPER PASS. (PLACARDS AND MARKINGS ONLY) POSITION DATA: RH ELECTRICAL EQUIP NUMBER: M10973 COMPONENT MAINT MANUAL REF: 25-23-38 FOR NHA/OTHER SYS DET SEE: 25-23-61-72T	101200 968999	RF
10	BAC27DPA2272		.DECAL	101200 968999	1
15	BAC27NPA1361		.DECAL	101200 968999	1
20	BAC29PPS56568		.MARKER	101200 968999	2
25	BAC29PPS56569		.PLACARD	101200 968999	1

MISSING ITEM NUMBERS NOT APPLICABLE

- ITEM NOT ILLUSTRATED

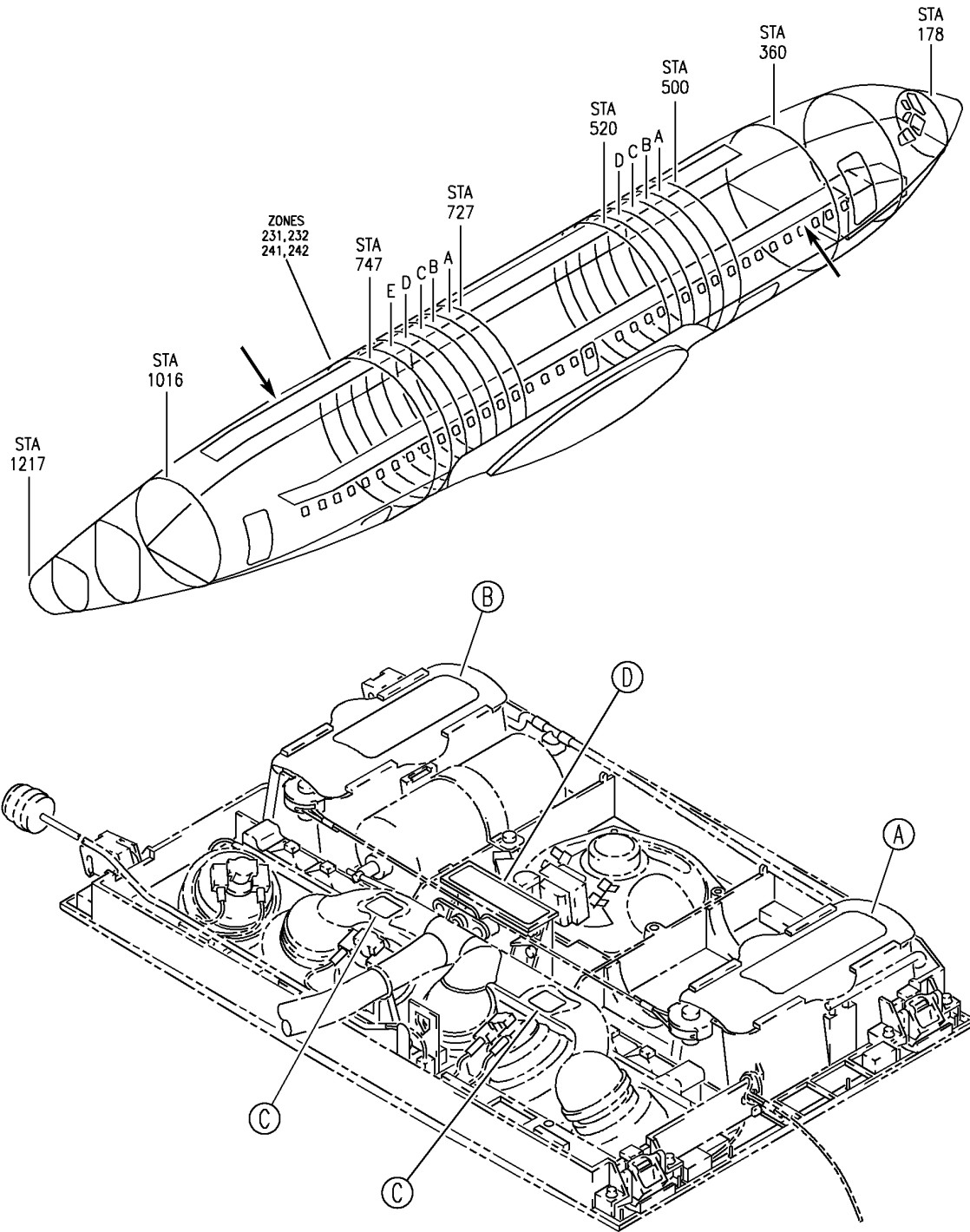
HAP

11-30-51-53T

BOEING PROPRIETARY - Copyright © - Unpublished Work - See title page for details.

11-30-51
FIG. 53T
PAGE 1
OCT 15/08

BOEING
 737-600/700/800/900
 PARTS CATALOG (MAINTENANCE)



E 11-30-51-63D SHT 1 REV 103

SERVICE UNIT ASSY-WITH 2K SPKR AND GASPER PASS. (PLACARDS AND MARKINGS ONLY)
 FIGURE 63D (SHEET 1)

HAP
 OCT 15/08

11-30-51-63D

11-30-51-63D
 PAGE 0

BOEING
 737-600/700/800/900
 PARTS CATALOG (MAINTENANCE)

10

ATTENTION

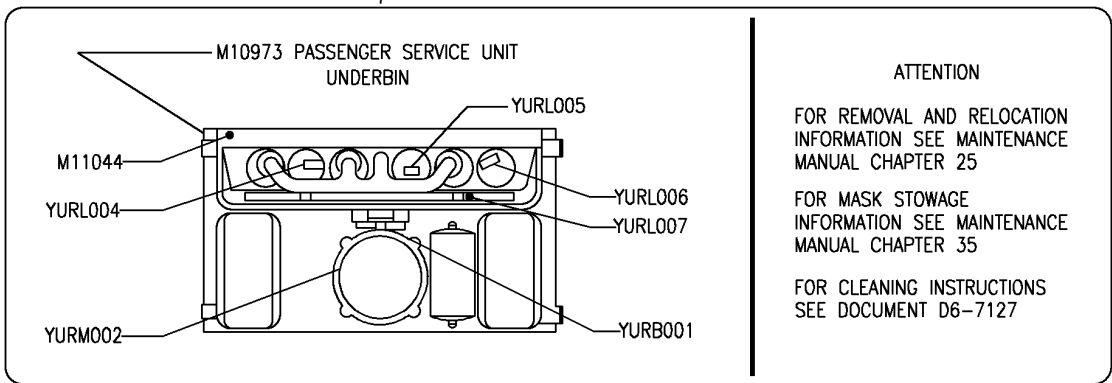
FOR REMOVAL AND RELOCATION INFORMATION SEE
 MAINTENANCE MANUAL CHAPTER 25

FOR MASK STOWAGE INSTRUCTIONS SEE MAINTENANCE
 MANUAL CHAPTER 35

FOR CLEANING INSTRUCTIONS SEE DOCUMENT D6-7127

(A)

15



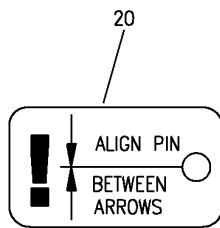
ATTENTION

FOR REMOVAL AND RELOCATION
 INFORMATION SEE MAINTENANCE
 MANUAL CHAPTER 25

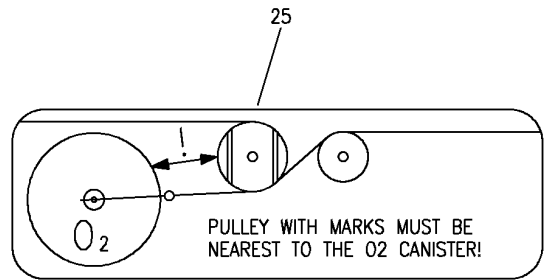
FOR MASK STOWAGE
 INFORMATION SEE MAINTENANCE
 MANUAL CHAPTER 35

FOR CLEANING INSTRUCTIONS
 SEE DOCUMENT D6-7127

(B)



(C)



(D)

E 11305163D SHT 2 REV 103

SERVICE UNIT ASSY-WITH 2K SPKR AND GASPER PASS. (PLACARDS AND MARKINGS ONLY)
 FIGURE 63D (SHEET 2)

HAP
 OCT 15/08

11-30-51-63D

11-30-51-63D
 PAGE 0A

BOEING
737-600/700/800/900
PARTS CATALOG (MAINTENANCE)

FIG ITEM	PART NUMBER	1 2 3 4 5 6 7	NOMENCLATURE	EFFECT FROM TO	UNITS PER ASSY
63D			SERVICE UNIT ASSY-WITH 2K SPKR AND GASPER PASS. (PLACARDS AND MARKINGS ONLY)	201967	
- 1	417N3011-601SP		SERVICE UNIT ASSY-WITH 2K SPKR AND GASPER PASS. (PLACARDS AND MARKINGS ONLY) POSITION DATA: LH ELECTRICAL EQUIP NUMBER: M10973 COMPONENT MAINT MANUAL REF: 25-23-38 FOR NHA/OTHER SYS DET SEE: 25-23-61-29	201967	RF
- 5	417N3011-602SP		SERVICE UNIT ASSY-WITH 2K SPKR AND GASPER PASS. (PLACARDS AND MARKINGS ONLY) POSITION DATA: RH ELECTRICAL EQUIP NUMBER: M10973 COMPONENT MAINT MANUAL REF: 25-23-38 FOR NHA/OTHER SYS DET SEE: 25-23-61-29	201967	RF
10	BAC27DPA2272		.DECAL	201967	1
15	BAC27NPA1361		.DECAL	201967	1
20	BAC29PPS56568		.MARKER	201967	2
25	BAC29PPS56569		.PLACARD	201967	1

MISSING ITEM NUMBERS NOT APPLICABLE

- ITEM NOT ILLUSTRATED

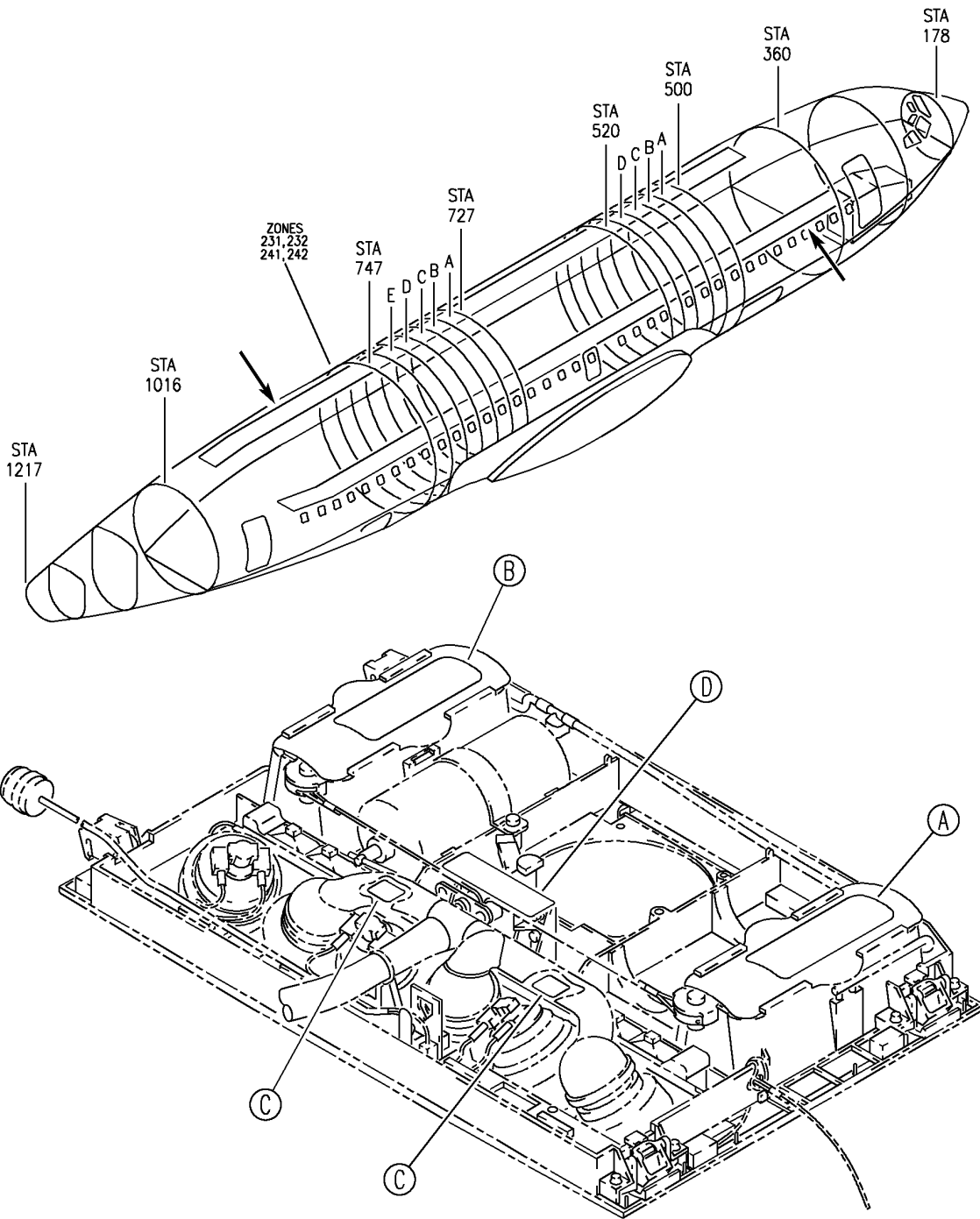
HAP

11-30-51-63D

BOEING PROPRIETARY - Copyright © - Unpublished Work - See title page for details.

11-30-51
FIG. 63D
PAGE 1
OCT 15/08

BOEING
 737-600/700/800/900
 PARTS CATALOG (MAINTENANCE)



E 11-30-51-63E SHT 1 REV 103

SERVICE UNIT ASSY-PASS. NO SPKR WITH GASPER (PLACARDS AND MARKINGS ONLY)
 FIGURE 63E (SHEET 1)

HAP
 OCT 15/08

11-30-51-63E

11-30-51-63E
 PAGE 0

BOEING
 737-600/700/800/900
 PARTS CATALOG (MAINTENANCE)

10

ATTENTION

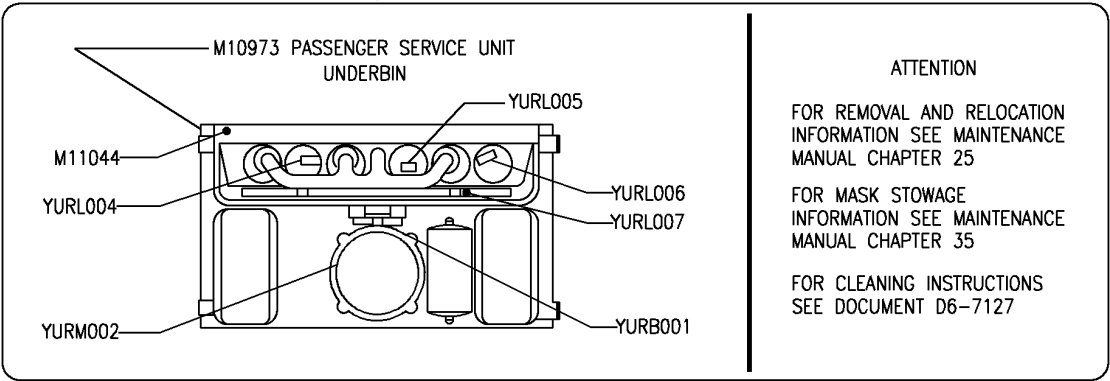
FOR REMOVAL AND RELOCATION INFORMATION SEE
 MAINTENANCE MANUAL CHAPTER 25

FOR MASK STOWAGE INSTRUCTIONS SEE MAINTENANCE
 MANUAL CHAPTER 35

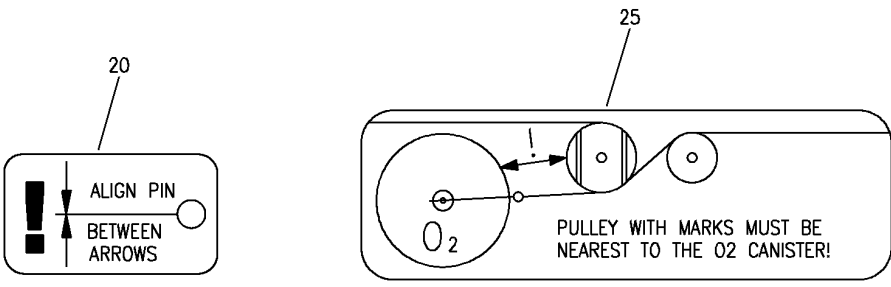
FOR CLEANING INSTRUCTIONS SEE DOCUMENT D6-7127

(A)

15



(B)



(C)

(D)

E 11305163E SHT 2 REV 103

SERVICE UNIT ASSY-PASS. NO SPKR WITH GASPER (PLACARDS AND MARKINGS ONLY)
 FIGURE 63E (SHEET 2)

HAP
 OCT 15/08

11-30-51-63E

11-30-51-63E
 PAGE 0A

BOEING
737-600/700/800/900
PARTS CATALOG (MAINTENANCE)

FIG ITEM	PART NUMBER	1 2 3 4 5 6 7	NOMENCLATURE	EFFECT FROM TO	UNITS PER ASSY
63E			SERVICE UNIT ASSY-PASS. NO SPKR WITH GASPER (PLACARDS AND MARKINGS ONLY)	201967	
- 1	417N3011-613SP		SERVICE UNIT ASSY-PASS. NO SPKR WITH GASPER (PLACARDS AND MARKINGS ONLY) POSITION DATA: LH ELECTRICAL EQUIP NUMBER: M10973 COMPONENT MAINT MANUAL REF: 25-23-38 FOR NHA/OTHER SYS DET SEE: 25-23-61-29	201967	RF
- 5	417N3011-614SP		SERVICE UNIT ASSY-PASS. NO SPKR WITH GASPER (PLACARDS AND MARKINGS ONLY) POSITION DATA: RH ELECTRICAL EQUIP NUMBER: M10973 COMPONENT MAINT MANUAL REF: 25-23-38 FOR NHA/OTHER SYS DET SEE: 25-23-61-29	201967	RF
10	BAC27DPA2272		.DECAL	201967	1
15	BAC27NPA1361		.DECAL	201967	1
20	BAC29PPS56568		.MARKER	201967	2
25	BAC29PPS56569		.PLACARD	201967	1

MISSING ITEM NUMBERS NOT APPLICABLE

- ITEM NOT ILLUSTRATED

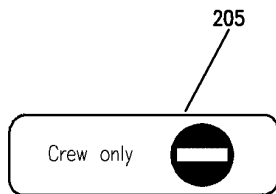
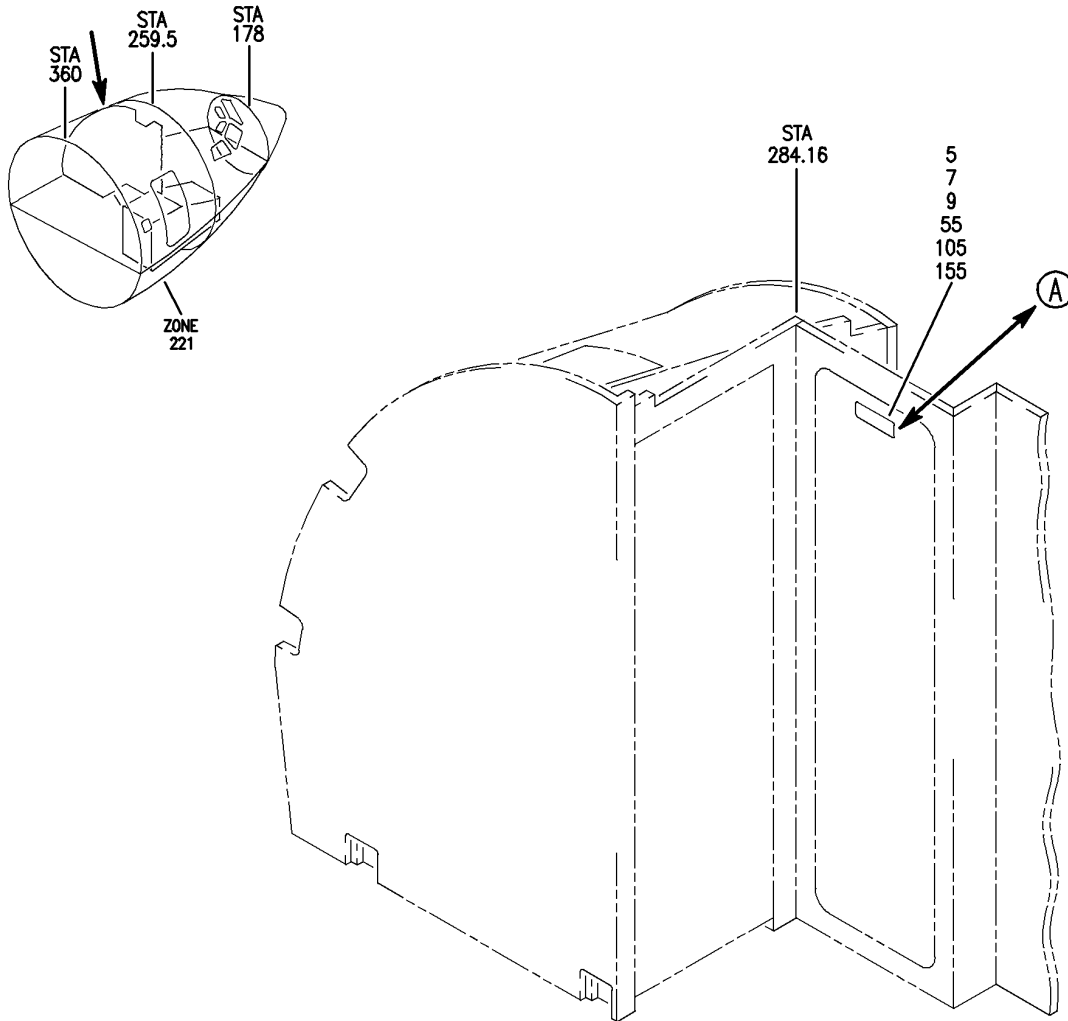
HAP

11-30-51-63E

BOEING PROPRIETARY - Copyright © - Unpublished Work - See title page for details.

11-30-51
FIG. 63E
PAGE 1
OCT 15/08

BOEING
 737-600/700/800/900
 PARTS CATALOG (MAINTENANCE)



(A)

E 11305172 REV 064

PLACARD INTSL-CAB INTR FLIGHT DECK DOOR
 FIGURE 72

11-30-51-72

HAP
 OCT 15/08

11-30-51-72
 PAGE 0

 **BOEING**
737-600/700/800/900
PARTS CATALOG (MAINTENANCE)

FIG ITEM	PART NUMBER	1 2 3 4 5 6 7	NOMENCLATURE	EFFECT FROM TO	UNITS PER ASSY
72			PLACARD INTSL-CAB INTR FLIGHT DECK DOOR	201967	
- 1	414A5107-1		PLACARD INSTL-CAB INTR FOR NHA SEE: 11-30-00-01B	201967	RF
5	BAC29PPS36212		.PLACARD- PLACARD CONTENT: CREW ONLY	201967	1

MISSING ITEM NUMBERS NOT APPLICABLE

- ITEM NOT ILLUSTRATED

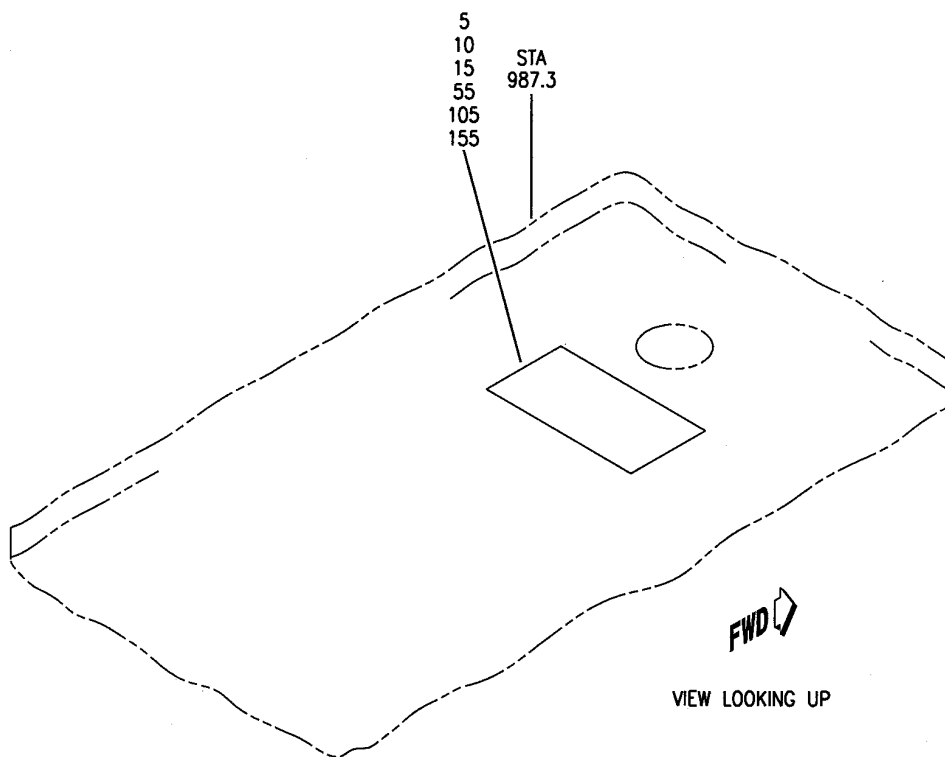
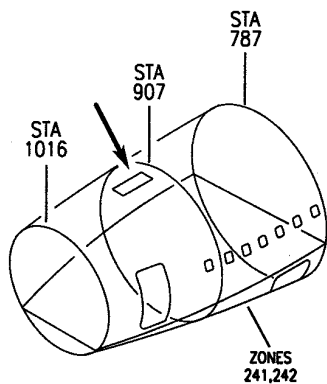
HAP

11-30-51-72

BOEING PROPRIETARY - Copyright © - Unpublished Work - See title page for details.

11-30-51
FIG. 72
PAGE 1
OCT 15/08

BOEING
737-600/700/800/900
PARTS CATALOG (MAINTENANCE)



E 11305173 REV 035

PLACARD INSTL-CAB. INTR INTERPHONE
FIGURE 73

11-30-51-73

HAP
OCT 15/08

11-30-51-73
PAGE 0

BOEING
737-600/700/800/900
PARTS CATALOG (MAINTENANCE)

FIG ITEM	PART NUMBER	1 2 3 4 5 6 7	NOMENCLATURE	EFFECT FROM TO	UNITS PER ASSY
73			PLACARD INSTL-CAB. INTR INTERPHONE	201967	
- 1	414A5108-1		PLACARD INSTL-CAB. INTR INTERPHONE	201967	RF
5	BAC29PPS36215		FOR NHA SEE: 11-30-00-01B .PLACARD- PLACARD CONTENT: INTERPHONE	201967	1

MISSING ITEM NUMBERS NOT APPLICABLE

- ITEM NOT ILLUSTRATED

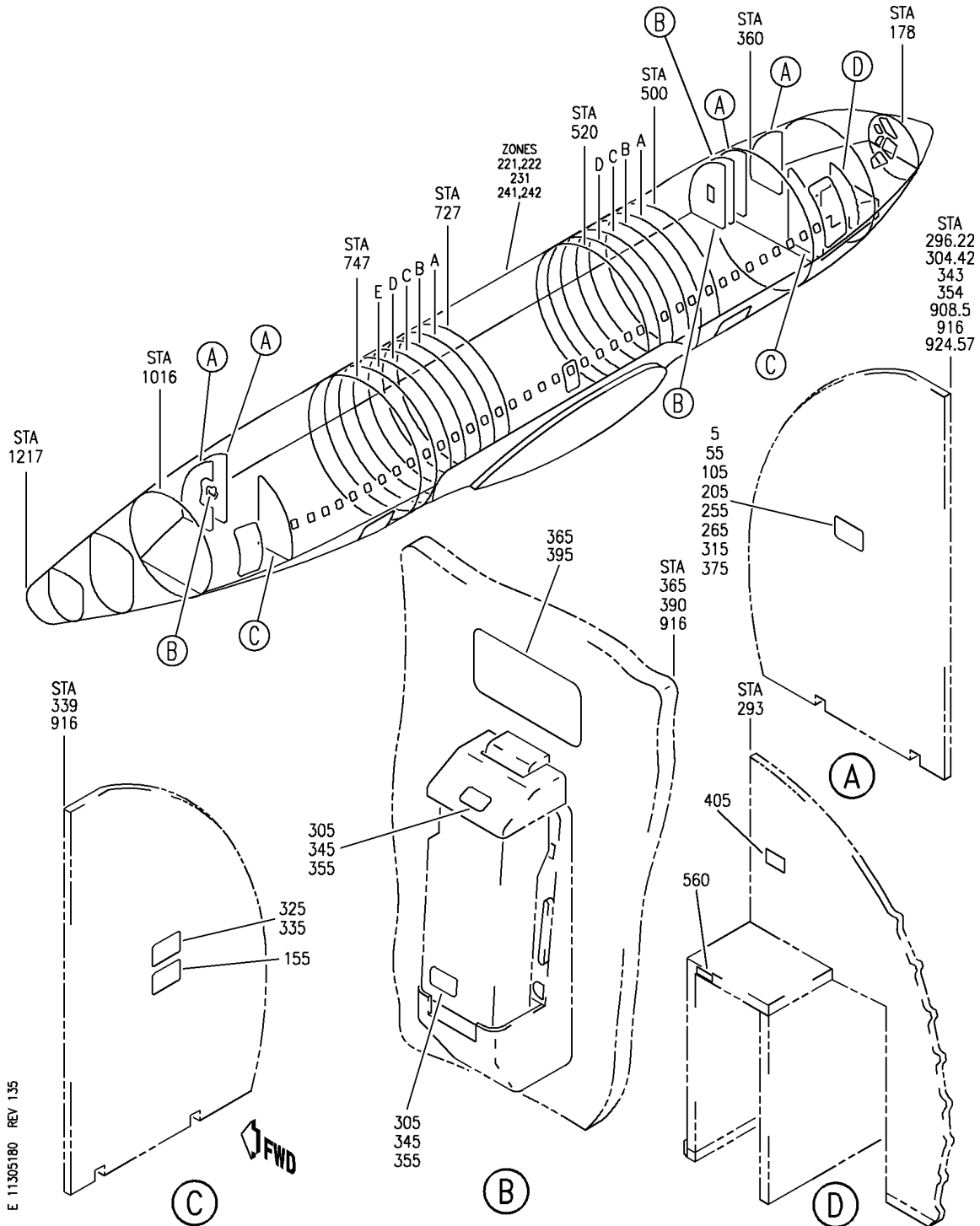
HAP

11-30-51-73

BOEING PROPRIETARY - Copyright © - Unpublished Work - See title page for details.

11-30-51
FIG. 73
PAGE 1
OCT 15/08

BOEING
737-600/700/800/900
PARTS CATALOG (MAINTENANCE)



E 11305180 REV 135

PLACARD INSTL
 FIGURE 80

11-30-51-80

HAP
 OCT 10/07

11-30-51-80
 PAGE 0

BOEING
737-600/700/800/900
PARTS CATALOG (MAINTENANCE)

FIG ITEM	PART NUMBER	1 2 3 4 5 6 7	NOMENCLATURE	EFFECT FROM TO	UNITS PER ASSY
80			PLACARD INSTL	001030 032049 051053 101999 201967	
- 900	417A6100-1		PLACARD INSTL- FOR NHA SEE: 11-30-00-01B		RF
- 905	417A6100-6		PLACARD INSTL- FOR NHA SEE: 11-30-00-01C	001030	RF
- 905	MODREF96785		PLACARD INSTL- MODULE NUMBER: 417A6100-6 REV A	032049 051053 101200 968999	1
- 915	BAC29PPS31768		.DECAL- USED ON: 417A6100-6 MODREF96785	001030 032049 051053 101200 968999	1
- 917	BAC29PPS5955		.DECAL- PLACARD CONTENT: INOP USED ON: 417A6100-1 MODREF96719	201967	1

MISSING ITEM NUMBERS NOT APPLICABLE

- ITEM NOT ILLUSTRATED

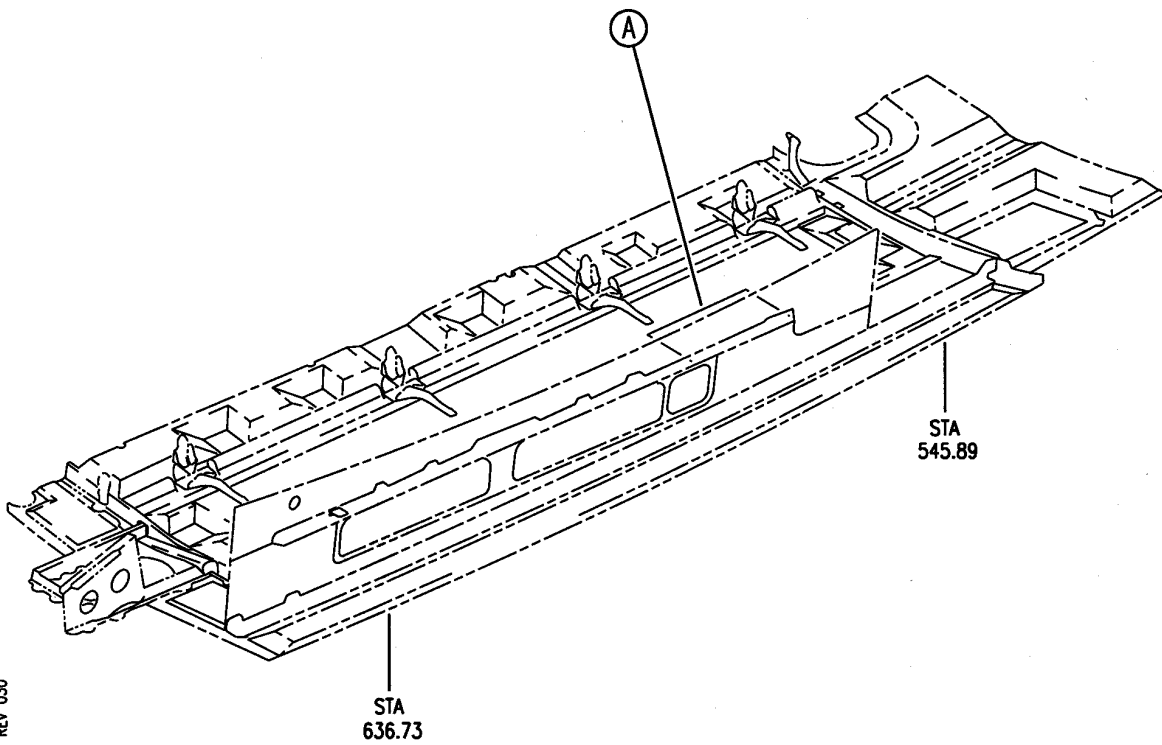
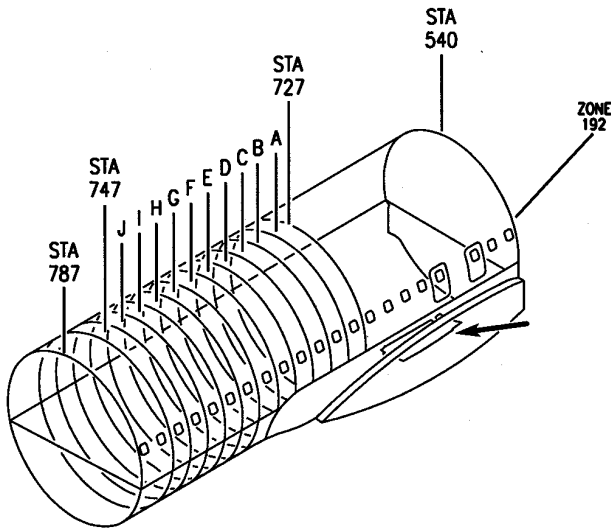
HAP

11-30-51-80

BOEING PROPRIETARY - Copyright © - Unpublished Work - See title page for details.

11-30-51
FIG. 80
PAGE 1
FEB 15/09

BOEING
 737-600/700/800/900
 PARTS CATALOG (MAINTENANCE)



E 11305189 SHT 1 REV 030

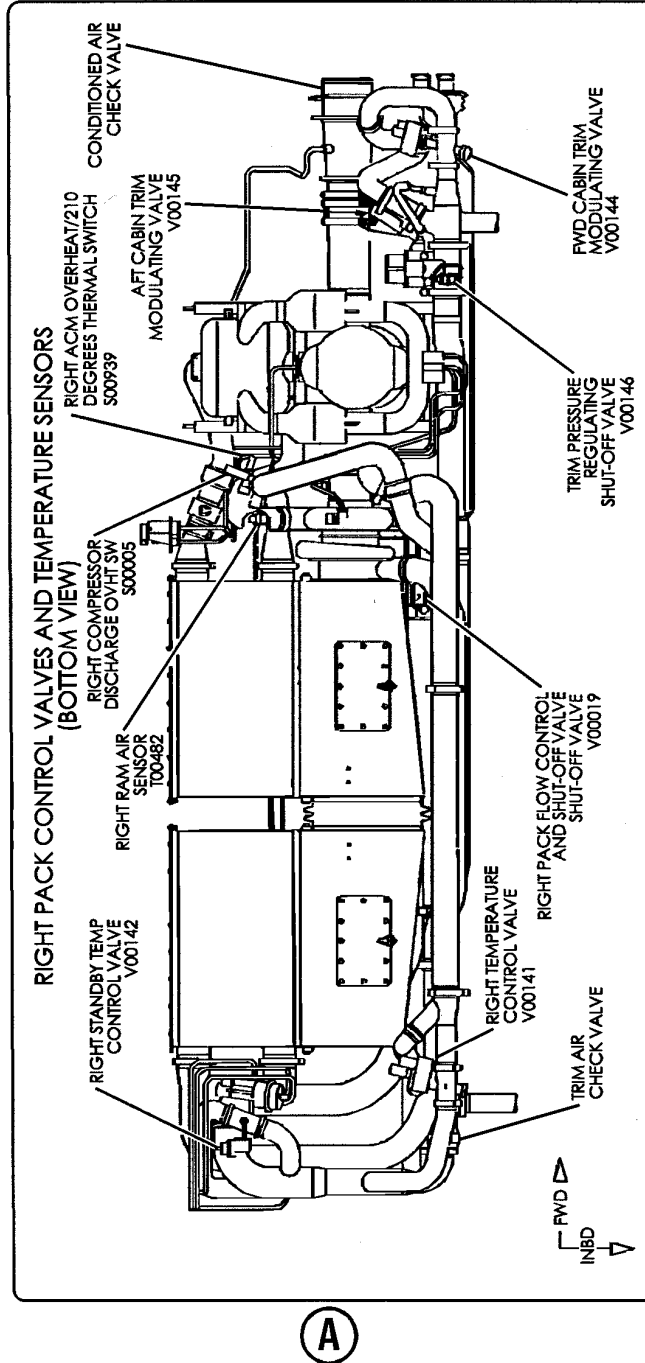
DOOR ASSY-ECS ACCESS (PLACARDS AND MARKINGS ONLY)
 FIGURE 89 (SHEET 1)

11-30-51-89

HAP
 OCT 10/06

11-30-51-89
 PAGE 0

E 11305189 SHT. 2 REV 030



DOOR ASSY-ECS ACCESS (PLACARDS AND MARKINGS ONLY)
 FIGURE 89 (SHEET 2)

11-30-51-89

HAP
 OCT 10/06

11-30-51-89
 PAGE 0A

BOEING
737-600/700/800/900
PARTS CATALOG (MAINTENANCE)

FIG ITEM	PART NUMBER	1 2 3 4 5 6 7	NOMENCLATURE	EFFECT FROM TO	UNITS PER ASSY
89			DOOR ASSY-ECS ACCESS (PLACARDS AND MARKINGS ONLY)	001100	
- 1	149A7231-4		DOOR ASSY-ECS ACCESS (PLACARDS AND MARKINGS ONLY) FOR NHA/OTHER SYS DET SEE: 52-48-11-05	001001 006007	RF
- 1	149A7231-8		DOOR ASSY-ECS ACCESS (PLACARDS AND MARKINGS ONLY) FOR NHA/OTHER SYS DET SEE: 52-48-11-05	002005 008011	RF
- 1	149A7231-12		DOOR ASSY-ECS ACCESS (PLACARDS AND MARKINGS ONLY) FOR NHA/OTHER SYS DET SEE: 52-48-11-05	012020	RF
- 1	149A7231-16		DOOR ASSY-ECS ACCESS (PLACARDS AND MARKINGS ONLY) FOR NHA/OTHER SYS DET SEE: 52-48-11-05	021030	RF
- 1	149A7231-20		DOOR ASSY-ECS ACCESS (PLACARDS AND MARKINGS ONLY) FOR NHA/OTHER SYS DET SEE: 52-48-11-05	031043	RF
- 1	149A7231-24		DOOR ASSY-ECS ACCESS (PLACARDS AND MARKINGS ONLY) FOR NHA/OTHER SYS DET SEE: 52-48-11-05	031100	RF
- 1	149A7231-30		DOOR ASSY-ECS ACCESS (PLACARDS AND MARKINGS ONLY) FOR NHA/OTHER SYS DET SEE: 52-48-11-05	031100	RF
5	BAC27DAC102		.MARKER-ALUMINUM FOIL	001100	1

MISSING ITEM NUMBERS NOT APPLICABLE

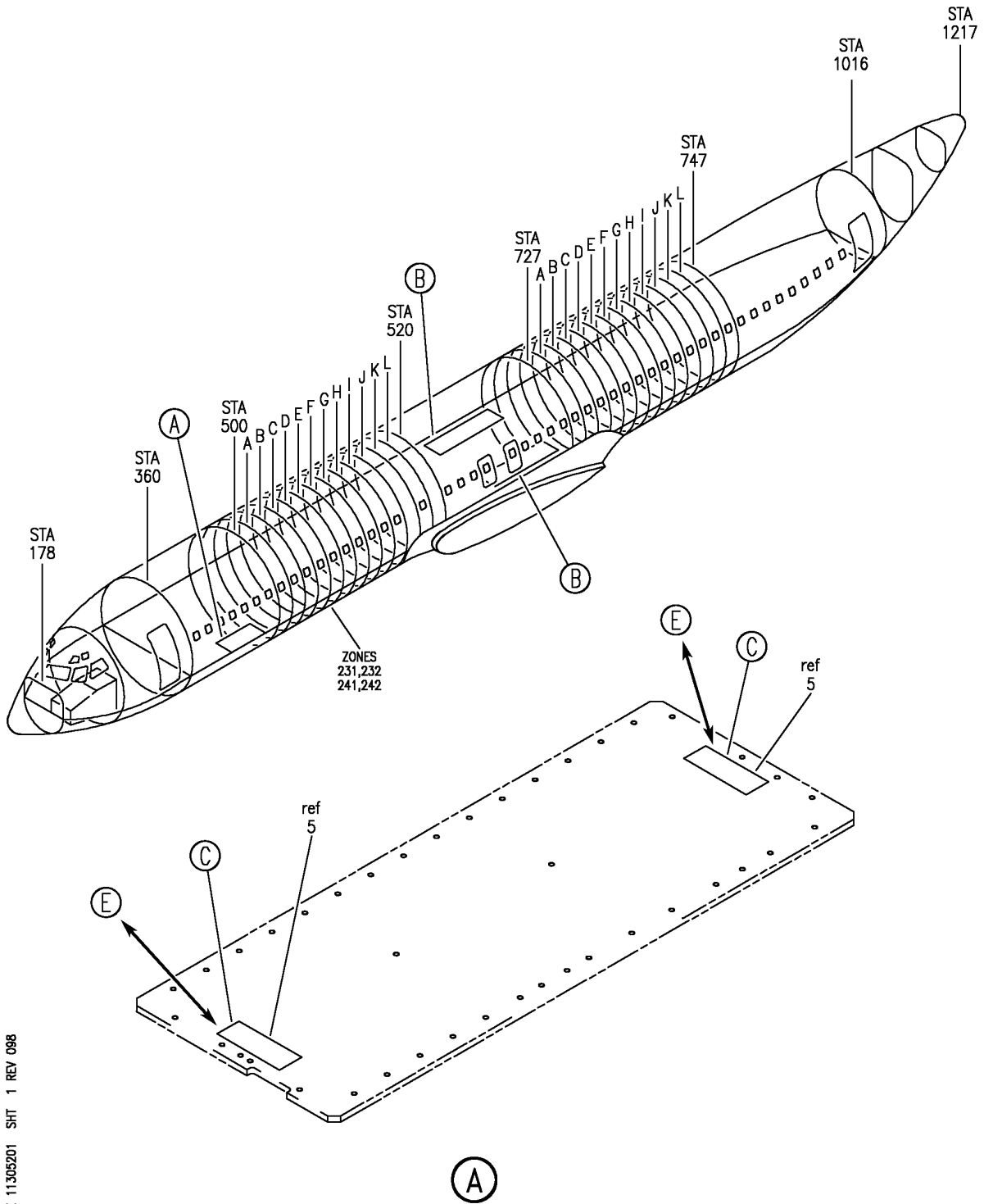
- ITEM NOT ILLUSTRATED

HAP

11-30-51-89

11-30-51
FIG. 89
PAGE 1
OCT 15/08

BOEING
 737-600/700/800/900
 PARTS CATALOG (MAINTENANCE)



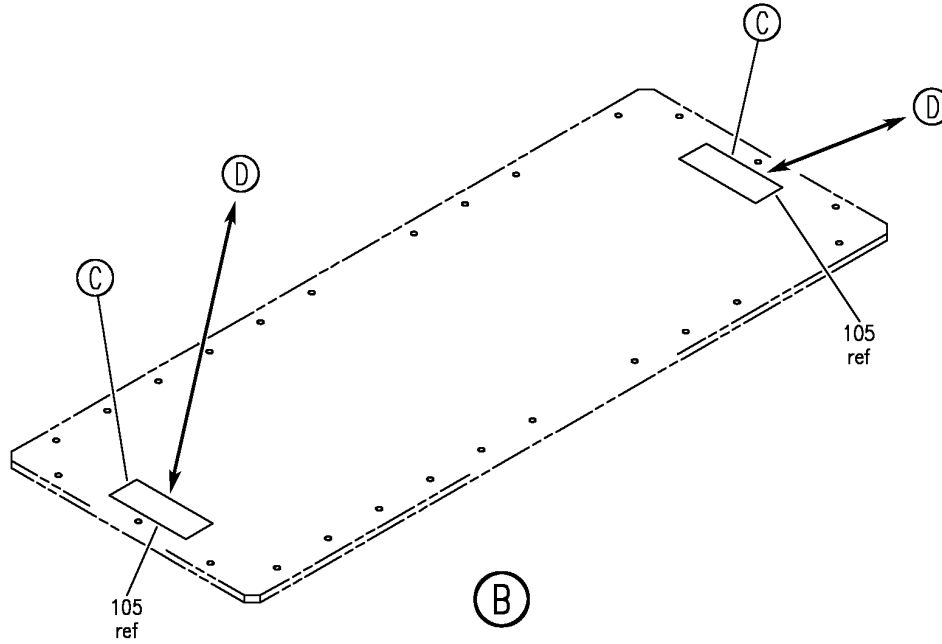
E 11305201 SHT 1 REV 098

PANEL ASSY-FLOOR (PLACARDS AND MARKINGS ONLY)
 FIGURE 1 (SHEET 1)


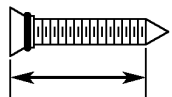
11-30-52-01

HAP
 OCT 10/06

11-30-52-01
 PAGE 0



5
105

 WARNING	
 <p>13/16 INCH (.812 INCH OR 2.06 CM) MAXIMUM</p>	<p>CONTROL CABLES BELOW THIS FLOOR PANEL. USE ONLY A BACS12GR3L13 SCREW ON THIS PANEL. CONTROL CABLES WILL CATCH ON LONGER SCREWS AND WILL BE DANGEROUS IN SOME CONDITIONS.</p>

(C)

E 11305201 SHT 2 REV 098

PANEL ASSY-FLOOR (PLACARDS AND MARKINGS ONLY)
 FIGURE 1 (SHEET 2)

11-30-52-01

HAP
 OCT 10/06

11-30-52-01
 PAGE 0A

 **BOEING**
737-600/700/800/900
PARTS CATALOG (MAINTENANCE)

155



WARNING

CONTROL CABLES BELOW THIS FLOOR PANEL.

THE SCREW AND NUTPLATE COMBINATION IS CRITICAL IN THIS AREA.
USE A BACS12GR3L15 SCREW WITH A BACN11AL NUTPLATE.
OTHERWISE USE A BACS12GR3L13 SCREW.

CONTROL CABLES WILL CATCH ON LONGER SCREW AND
WILL BE DANGEROUS IN SOME CONDITIONS.

(D)

10



WARNING

CONTROL CABLES BELOW THIS FLOOR PANEL.

THE SCREW AND NUTPLATE COMBINATION IS CRITICAL IN THIS AREA.
USE A BACS12GR3L15 SCREW WITH A BACN11AL NUTPLATE ON SEAT TRACKS.
USE A BACS12GR3L16 SCREW WITH A BACN11AL NUTPLATE ON FLOOR BEAMS.
OTHERWISE USE A BACS12GR3L13 SCREW.

CONTROL CABLES WILL CATCH ON LONGER SCREW AND
WILL BE DANGEROUS IN SOME CONDITIONS.

(E)

E 11305201 SH1 3 REV 147

PANEL ASSY-FLOOR (PLACARDS AND MARKINGS ONLY)
FIGURE 1 (SHEET 3)

11-30-52-01

HAP
OCT 15/08

11-30-52-01
PAGE 08


BOEING
 737-600/700/800/900
PARTS CATALOG (MAINTENANCE)

FIG ITEM	PART NUMBER	1 2 3 4 5 6 7	NOMENCLATURE	EFFECT FROM TO	UNITS PER ASSY
1			PANEL ASSY-FLOOR (PLACARDS AND MARKINGS ONLY)	046053	
- 200	146A5810-472		PANEL ASSY-FLOOR (PLACARDS AND MARKINGS ONLY) FOR NHA/OTHER SYS DET SEE: 53-21-51-35H	046053	RF
- 205	BAC27DCA791		.MARKER	046053	1

MISSING ITEM NUMBERS NOT APPLICABLE

- ITEM NOT ILLUSTRATED

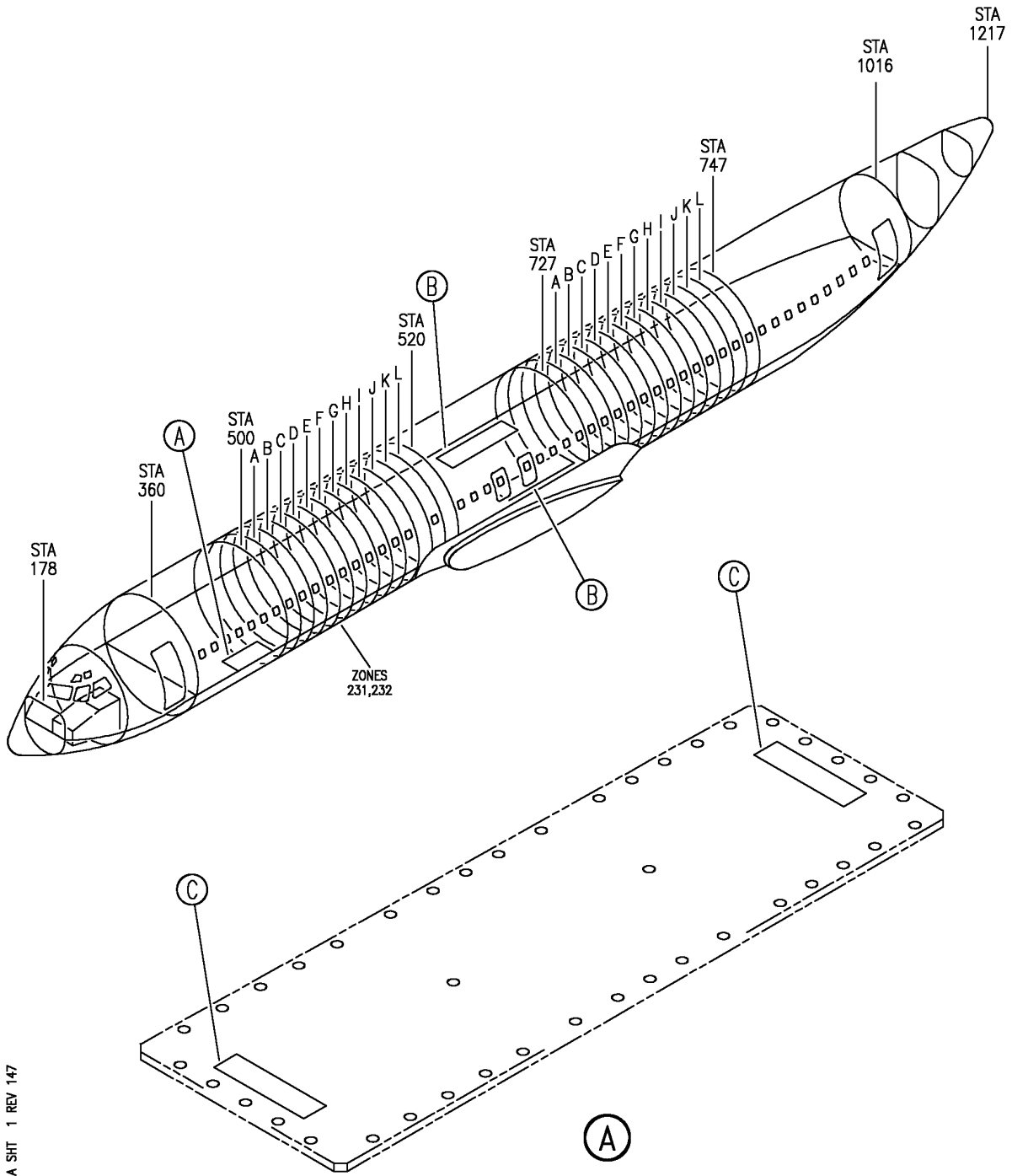
HAP

11-30-52-01

BOEING PROPRIETARY - Copyright © - Unpublished Work - See title page for details.

11-30-52
 FIG. 01
 PAGE 1
 FEB 15/09

BOEING
 737-600/700/800/900
 PARTS CATALOG (MAINTENANCE)



E 11305201A SHT 1 REV 147

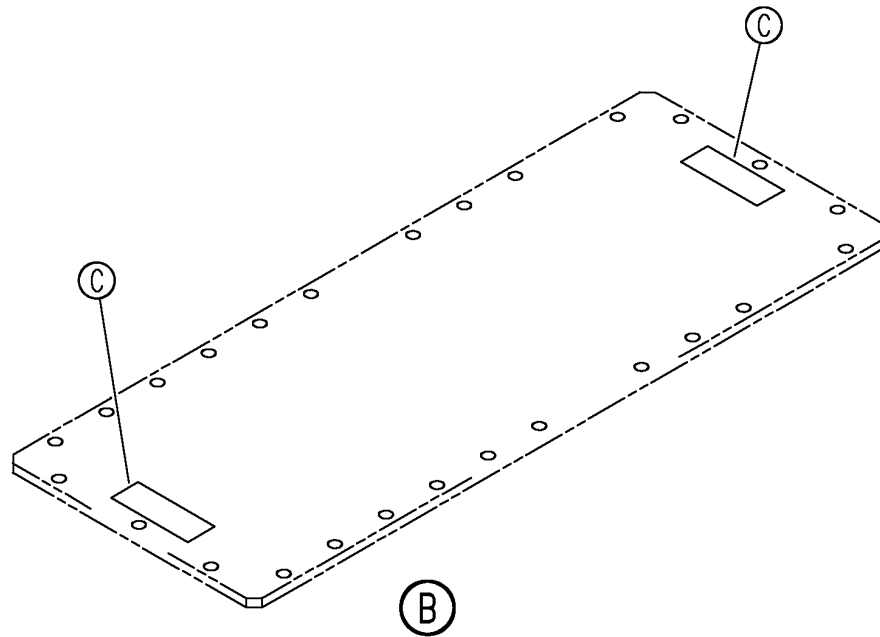
PANEL ASSY-FLOOR (PLACARDS AND MARKINGS ONLY)
 FIGURE 1A (SHEET 1)

11-30-52-01A

HAP
 OCT 15/08

11-30-52-01A
 PAGE 0

BOEING
737-600/700/800/900
PARTS CATALOG (MAINTENANCE)



10
110



WARNING

CONTROL CABLES BELOW THIS FLOOR PANEL.

THE SCREW LENGTH AND CLIP ON NUTS IS VERY IMPORTANT IN THIS AREA. THE SCREW GRIP LENGTHS MUST NOT BE MORE THAN THE BAC5009 MINIMUM BY MORE THAN TWO (2) GRIP LENGTHS. THE FLOOR BEAM AND THE SEAT TRACKS MUST ONLY USE THE BACN11AL CLIP ON NUTS.

IN SOME CONDITIONS CONTROL CABLES CAN CATCH ON LONGER SCREWS AND PREVENT CONTROL SYSTEM OPERATION.

(C)

E 11305201A SHT 2 REV 147

PANEL ASSY-FLOOR (PLACARDS AND MARKINGS ONLY)
FIGURE 1A (SHEET 2)

11-30-52-01A

HAP
OCT 15/08

11-30-52-01A
PAGE 0A

BOEING
737-600/700/800/900
PARTS CATALOG (MAINTENANCE)

FIG ITEM	PART NUMBER	1 2 3 4 5 6 7	NOMENCLATURE	EFFECT FROM TO	UNITS PER ASSY
1 A			PANEL ASSY-FLOOR (PLACARDS AND MARKINGS ONLY)	031200 968999	
- 1	143A5810-572		PANEL ASSY-FLOOR (PLACARDS AND MARKINGS ONLY) FOR NHA/OTHER SYS DET SEE: 53-21-51-58D	046053	RF
10	BAC27DCA854		.MARKER	046053	2
- 100	144A5810-190		PANEL ASSY-FLOOR (PLACARDS AND MARKINGS ONLY) FOR NHA/OTHER SYS DET SEE: 53-21-00-21	031200 968999	RF
110	BAC27DCA854		.MARKER	031200 968999	2

MISSING ITEM NUMBERS NOT APPLICABLE

- ITEM NOT ILLUSTRATED

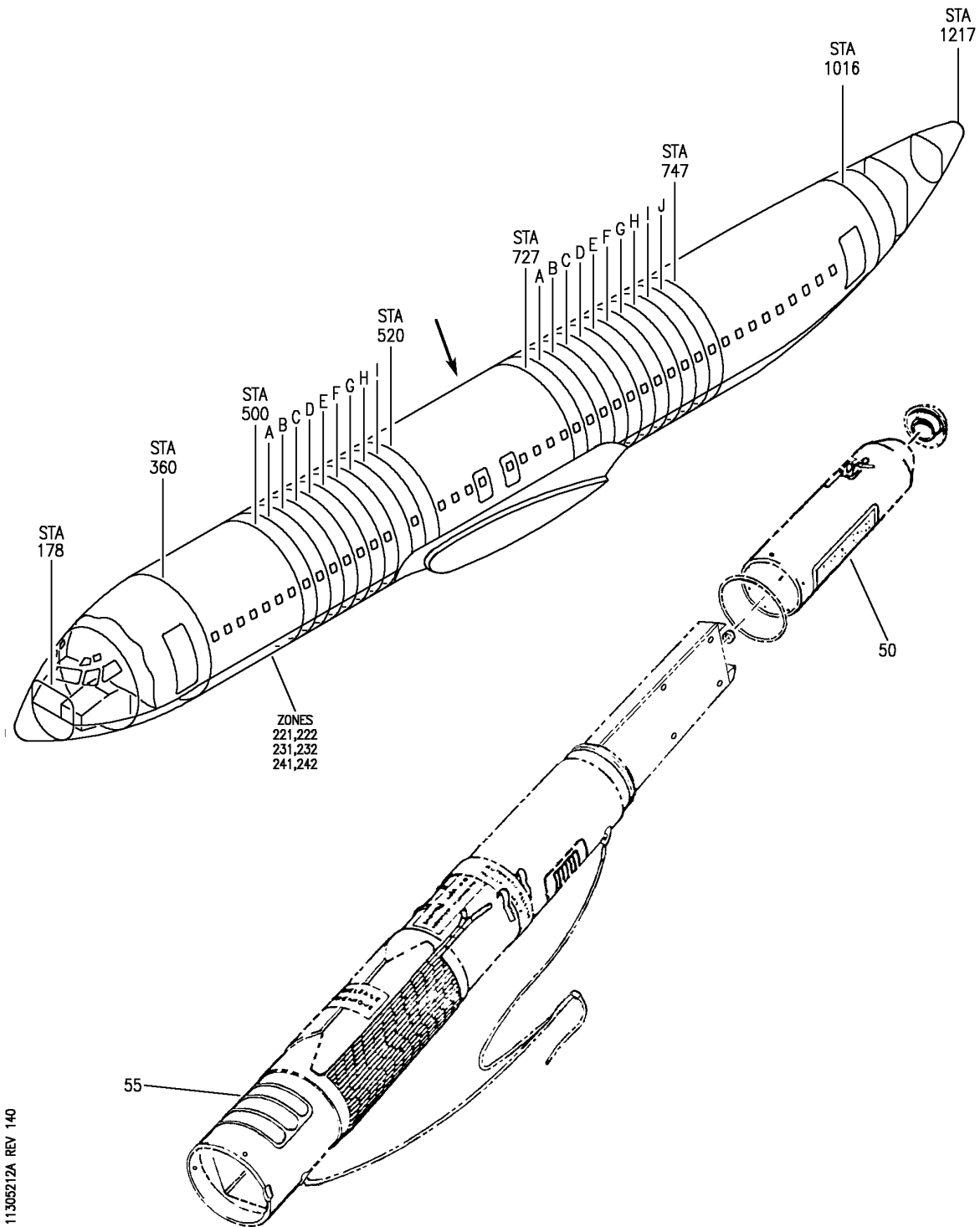
HAP

11-30-52-01A

BOEING PROPRIETARY - Copyright © - Unpublished Work - See title page for details.

11-30-52
FIG. 01A
PAGE 1
FEB 15/09

BOEING
 737-600/700/800/900
 PARTS CATALOG (MAINTENANCE)



E 11305212A REV 140

TRANSMITTER ASSY-EMER LOCATOR (PLACARDS AND MARKINGS ONLY)
 FIGURE 12A

11-30-52-12A

HAP
 OCT 15/08

11-30-52-12A
 PAGE 0

BOEING
737-600/700/800/900
PARTS CATALOG (MAINTENANCE)

FIG ITEM	PART NUMBER	1 2 3 4 5 6 7	NOMENCLATURE	EFFECT FROM TO	UNITS PER ASSY
12A			TRANSMITTER ASSY-EMER LOCATOR (PLACARDS AND MARKINGS ONLY)	048048	
- 1	1151324-1M218		TRANSMITTER ASSY-EMER LOCATOR (PLACARDS AND MARKINGS ONLY) SUPPLIER CODE: V07217 COMPONENT MAINT MANUAL REF: 25-60-10 FOR NHA/OTHER SYS DET SEE: 25-64-51-77B	048048	RF
50	1031407-1		.PLATE-INSTRUCTION SUPPLIER CODE: V07217	048048	1
55	1031408-1		.LABEL-BATTERY MAINT SUPPLIER CODE: V07217	048048	1

MISSING ITEM NUMBERS NOT APPLICABLE

- ITEM NOT ILLUSTRATED

HAP

11-30-52-12A

BOEING PROPRIETARY - Copyright © - Unpublished Work - See title page for details.

11-30-52
FIG. 12A
PAGE 1
OCT 15/08

NON-ILLUSTRATED FIGURE

THE ITEMS REFLECTED IN THIS FIGURE ARE INTENTIONALLY
NON-ILLUSTRATED. THEY ARE REFERENCED TO EITHER A
NEXT HIGHER OR NEXT LOWER ASSEMBLY/INSTALLATION FIGURE.

E 11305212K REV 149

TRANSMITTER ASSY-EMER LOCATOR (PLACARDS AND MARKINGS ONLY)
FIGURE 12K

11-30-52-12K

HAP
FEB 15/09

11-30-52-12K
PAGE 0

BOEING
737-600/700/800/900
PARTS CATALOG (MAINTENANCE)

FIG ITEM	PART NUMBER	1 2 3 4 5 6 7	NOMENCLATURE	EFFECT FROM TO	UNITS PER ASSY
12K			TRANSMITTER ASSY-EMER LOCATOR (PLACARDS AND MARKINGS ONLY)	050050 053053	
- 1	1153426-1M244		TRANSMITTER ASSY-EMER LOCATOR (PLACARDS AND MARKINGS ONLY) SUPPLIER CODE: V07217 COMPONENT MAINT MANUAL REF: 25-60-12 FOR NHA/OTHER SYS DET SEE: 25-64-51-77C	050050 053053	RF
- 5	1038252-1		.LABEL-INSTRUCTION SUPPLIER CODE: V07217	050050 053053	1
- 10	461-908-9001		.LABEL- SUPPLIER CODE: V07217	050050 053053	3

MISSING ITEM NUMBERS NOT APPLICABLE

- ITEM NOT ILLUSTRATED

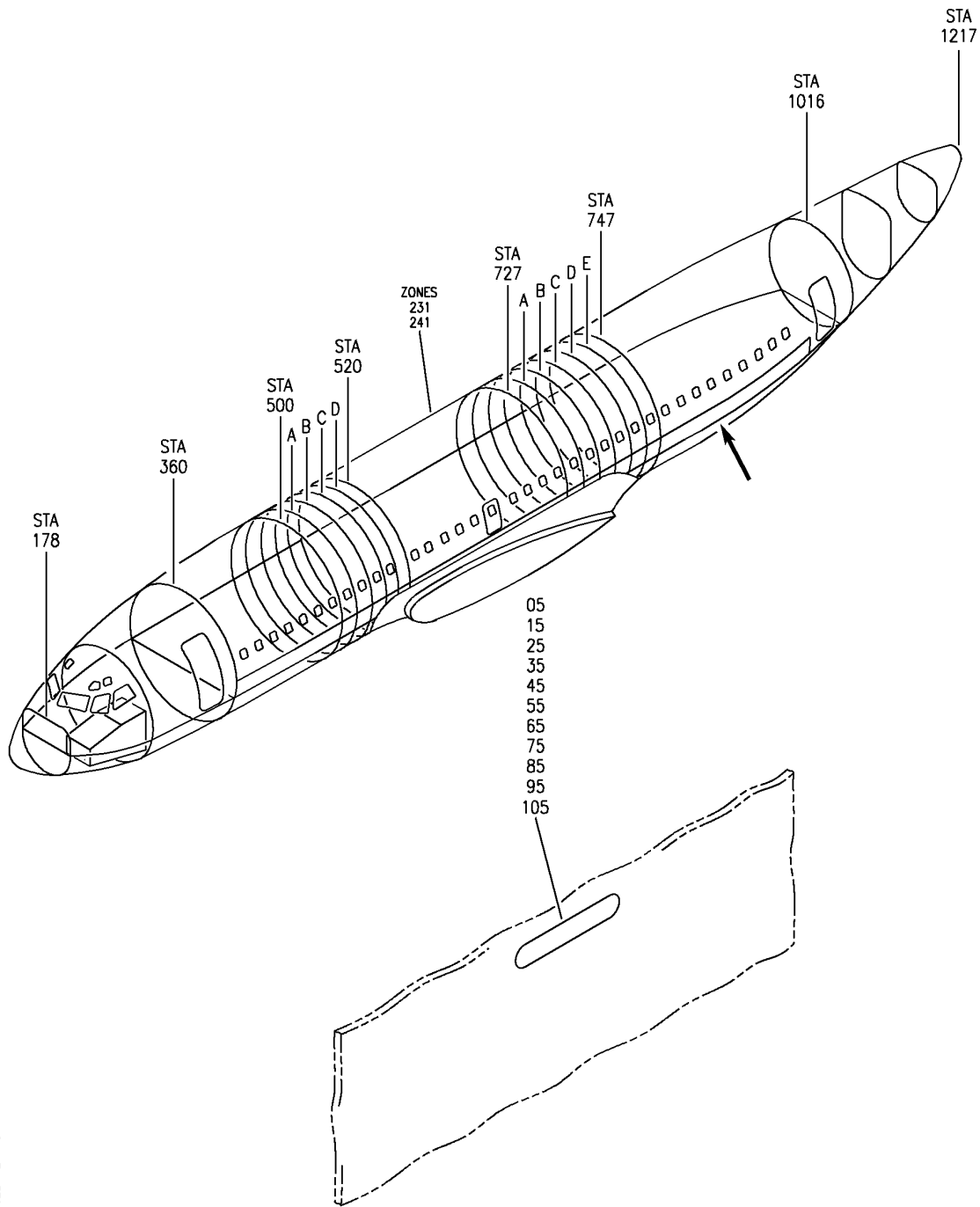
HAP

11-30-52-12K

BOEING PROPRIETARY - Copyright © - Unpublished Work - See title page for details.

11-30-52
FIG. 12K
PAGE 1
FEB 15/09

BOEING
 737-600/700/800/900
 PARTS CATALOG (MAINTENANCE)



E 11-30-54-02B REV 134

GRILLE ASSY-20.5 TO 23.5 IN. PASS. CAB. AIR RETURN PNL (PLACARDS AND MARKINGS ONLY)
 FIGURE 2B

HAP
 OCT 10/07

11-30-54-02B

11-30-54-02B
 PAGE 0

BOEING
737-600/700/800/900
PARTS CATALOG (MAINTENANCE)

FIG ITEM	PART NUMBER	1 2 3 4 5 6 7	NOMENCLATURE	EFFECT FROM TO	UNITS PER ASSY
2B			GRILLE ASSY-20.5 TO 23.5 IN. PASS. CAB. AIR RETURN PNL (PLACARDS AND MARKINGS ONLY)	101200 968999	
- 1	411N1510-110SP		GRILLE ASSY-20.5 IN. PNL WITH 8 IN. EXTENSION, OPP CLIP, AND LARGE BAFFLE (PLACARDS AND MARKINGS ONLY) FOR NHA/OTHER SYS DET SEE: 25-21-47-02B	101200 968999	RF
	5 BAC29PPS21671		.DECAL- PLACARD CONTENT: PROTECT FROM SUNLIGHT	101200 968999	1
- 10	411N1510-102SP		GRILLE ASSY-20.5 IN. PNL WITH SHORT LATCH AND LARGE BAFFLE (PLACARDS AND MARKINGS ONLY) FOR NHA/OTHER SYS DET SEE: 25-21-47-02B	101200 968999	RF
	15 BAC29PPS21671		.DECAL- PLACARD CONTENT: PROTECT FROM SUNLIGHT	101200 968999	1
- 20	411N1510-27SP		GRILLE ASSY-22.5 IN. BLANK PNL WITH LONG LATCH (PLACARDS AND MARKINGS ONLY) FOR NHA/OTHER SYS DET SEE: 25-21-47-02B	101200 968999	RF
	25 BAC29PPS21671		.DECAL- PLACARD CONTENT: PROTECT FROM SUNLIGHT	101200 968999	1
- 30	411N1510-113SP		GRILLE ASSY-22.5 IN. PNL SHORT LATCH AND BAFFLE WITH CENTERED IFE (PLACARDS AND MARKINGS ONLY) FOR NHA/OTHER SYS DET SEE: 25-21-47-02B	101200 968999	RF
	35 BAC29PPS21671		.DECAL- PLACARD CONTENT: PROTECT FROM SUNLIGHT	101200 968999	1
- 40	411N1510-107SP		GRILLE ASSY-22.5 IN. PNL 4 IN. EXTENSION OPP CLIP WITH LONG LATCH AND SHORT BAFFLE (PLACARDS AND MARKINGS ONLY) FOR NHA/OTHER SYS DET SEE: 25-21-47-02B	101200 968999	RF

MISSING ITEM NUMBERS NOT APPLICABLE

- ITEM NOT ILLUSTRATED

HAP

11-30-54-02B

BOEING PROPRIETARY - Copyright © - Unpublished Work - See title page for details.

11-30-54
FIG. 02B
PAGE 1
OCT 15/08

BOEING
737-600/700/800/900
PARTS CATALOG (MAINTENANCE)

FIG ITEM	PART NUMBER	1 2 3 4 5 6 7	NOMENCLATURE	EFFECT FROM TO	UNITS PER ASSY
2B					
45	BAC29PPS21671		.DECAL- PLACARD CONTENT: PROTECT FROM SUNLIGHT	101200 968999	1
- 50	411N1510-35SP		GRILLE ASSY-23.5 IN. BLANK PNL WITH PLUG AND SNAP-ON LATCH (PLACARDS AND MARKINGS ONLY) FOR NHA/OTHER SYS DET SEE: 25-21-47-02B	101200 968999	RF
55	BAC29PPS21671		.DECAL- PLACARD CONTENT: PROTECT FROM SUNLIGHT	101200 968999	1
- 60	411N1510-101SP		GRILLE ASSY-20.5 IN. PNL WITH SHORT LATCH AND BAFFLE (PLACARDS AND MARKINGS ONLY) FOR NHA/OTHER SYS DET SEE: 25-21-47-02B	101200 968999	RF
65	BAC29PPS21671		.DECAL- PLACARD CONTENT: PROTECT FROM SUNLIGHT	101200 968999	1
- 70	411N1510-34SP		GRILLE ASSY-20.5 IN. BLANK PNL, WITH PLUG AND SNAP-ON LATCH (PLACARDS AND MARKINGS ONLY) FOR NHA/OTHER SYS DET SEE: 25-21-47-02B	101200 968999	RF
75	BAC29PPS21671		.DECAL- PLACARD CONTENT: PROTECT FROM SUNLIGHT	101200 968999	1
- 80	411N1510-105SP		GRILLE ASSY-20.5 IN. PNL WITH CENTERED IFE, SHORT BAFFLE AND LONG LATCH (PLACARDS AND MARKINGS ONLY) FOR NHA/OTHER SYS DET SEE: 25-21-47-02B	101200 968999	RF
85	BAC29PPS21671		.DECAL- PLACARD CONTENT: PROTECT FROM SUNLIGHT	101200 968999	1
- 90	411N1510-103SP		GRILLE ASSY-22.5 IN. PNL WITH SHORT LATCH AND BAFFLE (PLACARDS AND MARKINGS ONLY) FOR NHA/OTHER SYS DET SEE: 25-21-47-02B	101200 968999	RF
95	BAC29PPS21671		.DECAL- PLACARD CONTENT: PROTECT FROM SUNLIGHT	101200 968999	1

MISSING ITEM NUMBERS NOT APPLICABLE

- ITEM NOT ILLUSTRATED

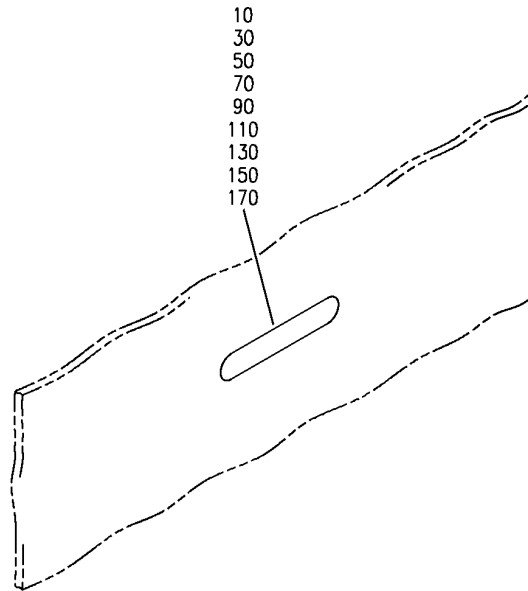
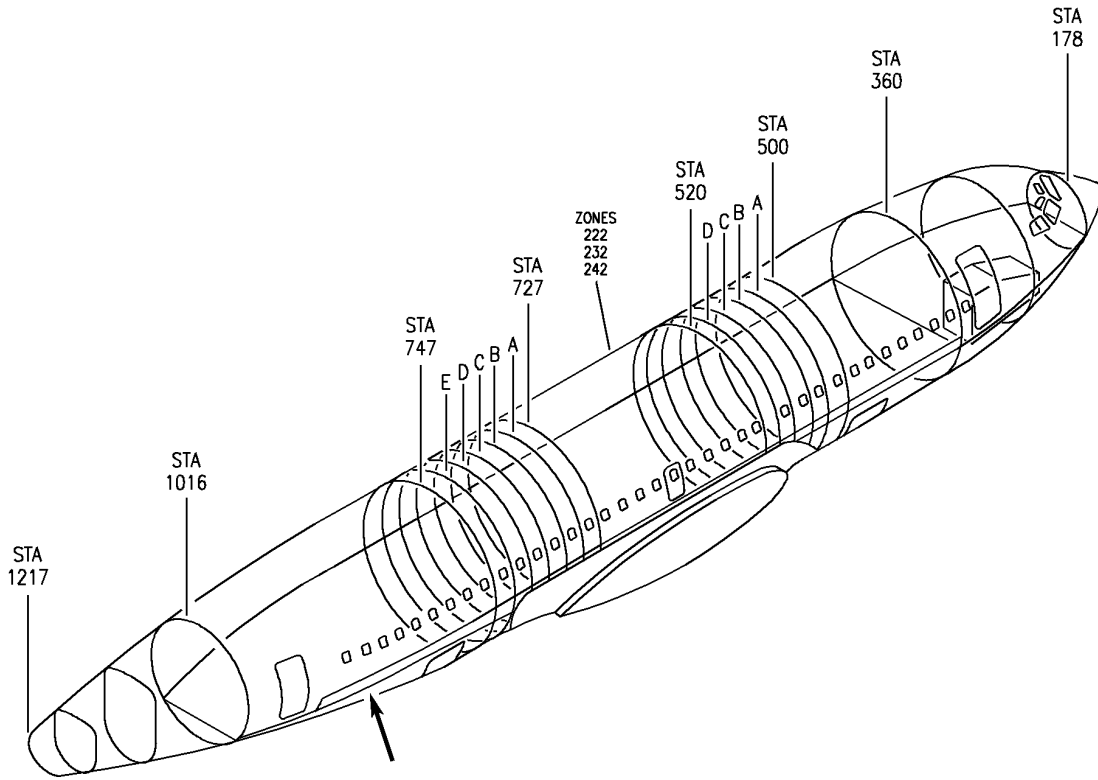
HAP

11-30-54-02B

BOEING PROPRIETARY - Copyright © - Unpublished Work - See title page for details.

11-30-54
FIG. 02B
PAGE 2
OCT 15/08

BOEING
 737-600/700/800/900
 PARTS CATALOG (MAINTENANCE)



E 11305413D REV 121

GRILLE ASSY-14.5 TO 23.5 IN. PASS. CAB. AIR RETURN PNL (PLACARDS AND MARKINGS ONLY)
 FIGURE 13D

HAP
 FEB 10/07

11-30-54-13D

11-30-54-13D
 PAGE 0

BOEING
737-600/700/800/900
PARTS CATALOG (MAINTENANCE)

FIG ITEM	PART NUMBER	1 2 3 4 5 6 7	NOMENCLATURE	EFFECT FROM TO	UNITS PER ASSY
13D			GRILLE ASSY-14.5 TO 23.5 IN. PASS. CAB. AIR RETURN PNL (PLACARDS AND MARKINGS ONLY)	101200 968999	
1	411N1510-111SP		GRILLE ASSY-22.5 IN. PNL WITH 8 IN. EXTENSION (OPP CLIP), SHORT BAFFLE AND LONG LATCH (PLACARDS AND MARKINGS ONLY) FOR NHA/OTHER SYS DET SEE: 25-21-47-13D	101200 968999	RF
- 5	411N1510-107SP		GRILLE ASSY-22.5 IN. PNL WITH 4 IN. EXTENSION OPP CLIP, LONG LATCH AND SHORT BAFFLE (PLACARDS AND MARKINGS ONLY) FOR NHA/OTHER SYS DET SEE: 25-21-47-13D	101200 968999	RF
10	BAC29PPS21671		.DECAL- PLACARD CONTENT: PROTECT FROM SUNLIGHT	101200 968999	1
- 25	411N1510-101SP		GRILLE ASSY-20.5 IN. PNL WITH SHORT LATCH AND SHORT BAFFLE (PLACARDS AND MARKINGS ONLY) FOR NHA/OTHER SYS DET SEE: 25-21-47-13D	101200 968999	RF
30	BAC29PPS21671		.DECAL- PLACARD CONTENT: PROTECT FROM SUNLIGHT	101200 968999	1
- 45	411N1510-105SP		GRILLE ASSY-20.5 IN. PNL WITH CENTERED IFE, SHORT BAFFLE AND LONG LATCH (PLACARDS AND MARKINGS ONLY) FOR NHA/OTHER SYS DET SEE: 25-21-47-13D	101200 968999	RF
50	BAC29PPS21671		.DECAL- PLACARD CONTENT: PROTECT FROM SUNLIGHT	101200 968999	1
- 65	411N1510-34SP		GRILLE ASSY-20.5 IN. BLANK PNL, PLUG AND SNAP-ON LATCH (PLACARDS AND MARKINGS ONLY) FOR NHA/OTHER SYS DET SEE: 25-21-47-13D	101200 968999	RF
70	BAC29PPS21671		.DECAL- PLACARD CONTENT: PROTECT FROM SUNLIGHT	101200 968999	1

MISSING ITEM NUMBERS NOT APPLICABLE

- ITEM NOT ILLUSTRATED

HAP

11-30-54-13D

BOEING PROPRIETARY - Copyright © - Unpublished Work - See title page for details.

11-30-54
FIG. 13D
PAGE 1
OCT 15/08

BOEING
737-600/700/800/900
PARTS CATALOG (MAINTENANCE)

FIG ITEM	PART NUMBER	1 2 3 4 5 6 7	NOMENCLATURE	EFFECT FROM TO	UNITS PER ASSY
13D - 85	411N1510-102SP		GRILLE ASSY-20.5 IN. PNL WITH SHORT LATCH AND LARGE BAFFLE (PLACARDS AND MARKINGS ONLY) FOR NHA/OTHER SYS DET SEE: 25-21-47-13D	101200 968999	RF
90	BAC29PPS21671		.DECAL- PLACARD CONTENT: PROTECT FROM SUNLIGHT	101200 968999	1
- 105	411N1510-35SP		GRILLE ASSY-23.5 IN. BLANK PNL, PLUG AND SNAP-ON LATCH (PLACARDS AND MARKINGS ONLY) FOR NHA/OTHER SYS DET SEE: 25-21-47-13D	101200 968999	RF
110	BAC29PPS21671		.DECAL- PLACARD CONTENT: PROTECT FROM SUNLIGHT	101200 968999	1
- 125	411N1510-113SP		GRILLE ASSY-22.5 IN. PNL WITH SHORT LATCH AND BAFFLE WITH CENTERED IFE (PLACARDS AND MARKINGS ONLY) FOR NHA/OTHER SYS DET SEE: 25-21-47-13D	101200 968999	RF
130	BAC29PPS21671		.DECAL- PLACARD CONTENT: PROTECT FROM SUNLIGHT	101200 968999	1
- 145	411N1510-27SP		GRILLE ASSY-22.5 IN. BLANK PNL, LONG LATCH (PLACARDS/MARKINGS ONLY) FOR NHA/OTHER SYS DET SEE: 25-21-47-13D	101200 968999	RF
150	BAC29PPS21671		.DECAL- PLACARD CONTENT: PROTECT FROM SUNLIGHT	101200 968999	1
- 165	411N1510-112SP		GRILLE ASSY-22.5 IN. PNL WITH 8 IN. EXTENSION CLIP SIDE, LONG LATCH AND LARGE BAFFLE (PLACARDS/MARKINGS ONLY) FOR NHA/OTHER SYS DET SEE: 25-21-47-13D	101200 968999	RF
170	BAC29PPS21671		.DECAL- PLACARD CONTENT: PROTECT FROM SUNLIGHT	101200 968999	1

MISSING ITEM NUMBERS NOT APPLICABLE

- ITEM NOT ILLUSTRATED

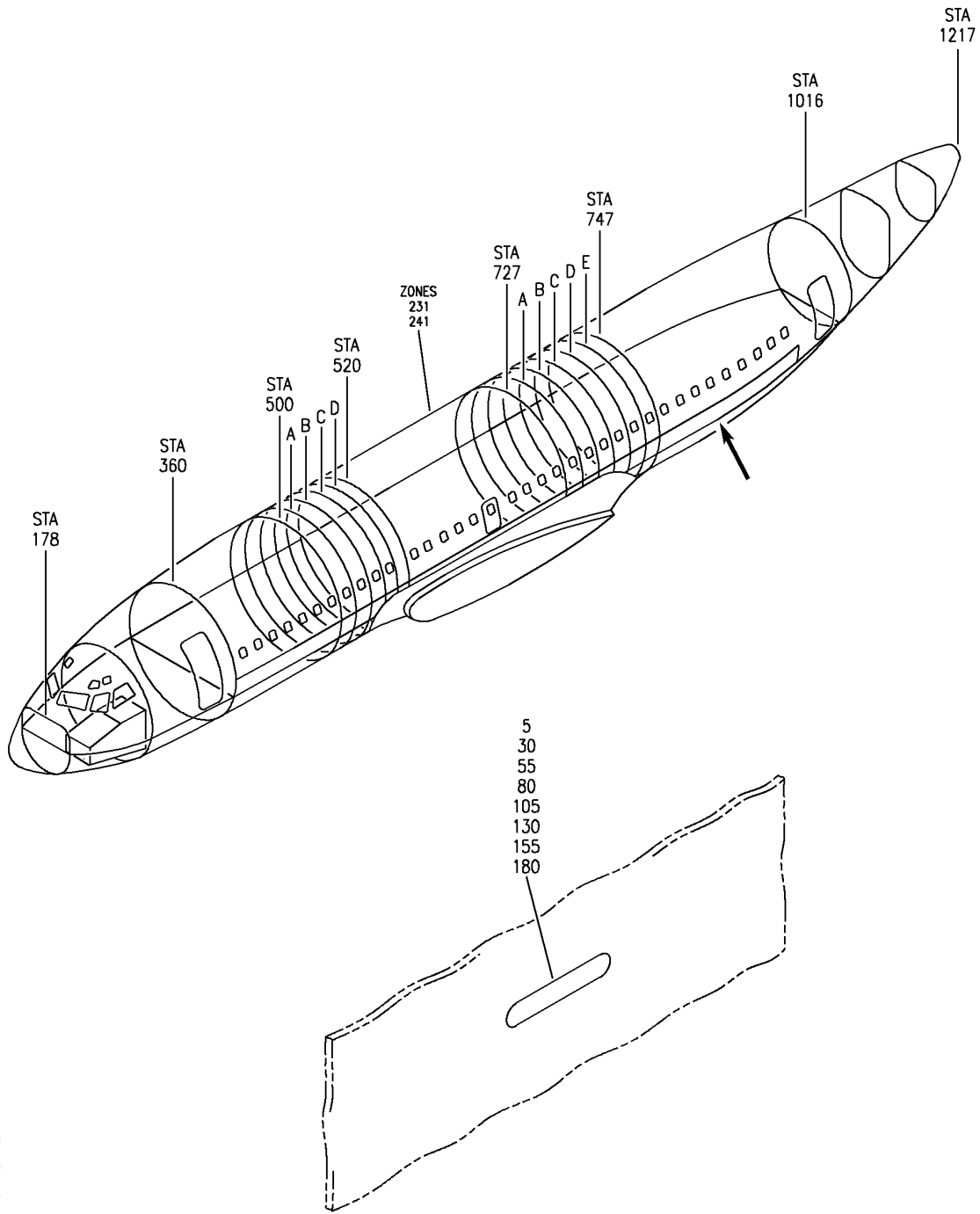
HAP

11-30-54-13D

BOEING PROPRIETARY - Copyright © - Unpublished Work - See title page for details.

11-30-54
FIG. 13D
PAGE 2
FEB 15/09

BOEING
 737-600/700/800/900
 PARTS CATALOG (MAINTENANCE)



E 11305418 REV 121

GRILLE ASSY-20.5 TO 23.5 IN. PASS. CAB. AIR RETURN PNL (PLACARDS AND MARKINGS ONLY)
 FIGURE 18

HAP
 OCT 15/08

11-30-54-18

11-30-54-18
 PAGE 0

BOEING
737-600/700/800/900
PARTS CATALOG (MAINTENANCE)

FIG ITEM	PART NUMBER	1 2 3 4 5 6 7	NOMENCLATURE	EFFECT FROM TO	UNITS PER ASSY
18			GRILLE ASSY-20.5 TO 23.5 IN. PASS. CAB. AIR RETURN PNL (PLACARDS AND MARKINGS ONLY)	201967	
- 1	411N1510-103SP		GRILLE ASSY-22.5 IN. PNL WITH SHORT LATCH AND SHORT BAFFLE (PLACARDS AND MARKINGS ONLY) FOR NHA/OTHER SYS DET SEE: 25-21-47-18	201967	RF
	5 BAC29PPS21671		.DECAL- PLACARD CONTENT: PROTECT FROM SUNLIGHT	201967	1
- 25	411N1510-101SP		GRILLE ASSY-20.5 IN. PNL WITH SHORT LATCH AND SHORT BAFFLE (PLACARDS AND MARKINGS ONLY) FOR NHA/OTHER SYS DET SEE: 25-21-47-18	201967	RF
	30 BAC29PPS21671		.DECAL- PLACARD CONTENT: PROTECT FROM SUNLIGHT	201967	1
- 50	411N1510-34SP		GRILLE ASSY-20.5 IN. BLANK PNL, PLUG AND SNAP-ON LATCH (PLACARDS AND MARKINGS ONLY) FOR NHA/OTHER SYS DET SEE: 25-21-47-18	201967	RF
	55 BAC29PPS21671		.DECAL- PLACARD CONTENT: PROTECT FROM SUNLIGHT	201967	1
- 75	411N1510-35SP		GRILLE ASSY-23.5 IN. BLANK PNL, PLUG AND SNAP-ON LATCH (PLACARDS AND MARKINGS ONLY) FOR NHA/OTHER SYS DET SEE: 25-21-47-18	201967	RF
	80 BAC29PPS21671		.DECAL- PLACARD CONTENT: PROTECT FROM SUNLIGHT	201967	1
- 100	411N1510-107SP		GRILLE ASSY-22.5 IN. PNL WITH 4 IN. EXTENSION (OPP CLIP), LONG LATCH AND SHORT BAFFLE (PLACARDS AND MARKINGS ONLY) FOR NHA/OTHER SYS DET SEE: 25-21-47-18	201967	RF

MISSING ITEM NUMBERS NOT APPLICABLE

- ITEM NOT ILLUSTRATED

HAP

11-30-54-18

BOEING PROPRIETARY - Copyright © - Unpublished Work - See title page for details.

11-30-54
FIG. 18
PAGE 1
OCT 15/08

 **BOEING**
737-600/700/800/900
PARTS CATALOG (MAINTENANCE)

FIG ITEM	PART NUMBER	1 2 3 4 5 6 7	NOMENCLATURE	EFFECT FROM TO	UNITS PER ASSY
18 105	BAC29PPS21671		.DECAL- PLACARD CONTENT: PROTECT FROM SUNLIGHT	201967	1
- 125	411N1510-27SP		GRILLE ASSY-22.5 IN. BLANK PNL, LONG LATCH (PLACARDS AND MARKINGS ONLY) FOR NHA/OTHER SYS DET SEE: 25-21-47-18	201967	RF
130	BAC29PPS21671		.DECAL- PLACARD CONTENT: PROTECT FROM SUNLIGHT	201967	1
- 150	411N1510-102SP		GRILLE ASSY-20.5 IN. PNL WITH SHORT LATCH AND LARGE BAFFLE (PLACARDS AND MARKINGS ONLY) FOR NHA/OTHER SYS DET SEE: 25-21-47-18	201967	RF
155	BAC29PPS21671		.DECAL- PLACARD CONTENT: PROTECT FROM SUNLIGHT	201967	1
- 175	411N1510-110SP		GRILLE ASSY-20.5 IN. PNL WITH 8 IN. EXTENSION (OPP CLIP) AND LARGE BAFFLE (PLACARDS AND MARKINGS ONLY) FOR NHA/OTHER SYS DET SEE: 25-21-47-18	201967	RF
180	BAC29PPS21671		.DECAL- PLACARD CONTENT: PROTECT FROM SUNLIGHT	201967	1

MISSING ITEM NUMBERS NOT APPLICABLE

- ITEM NOT ILLUSTRATED

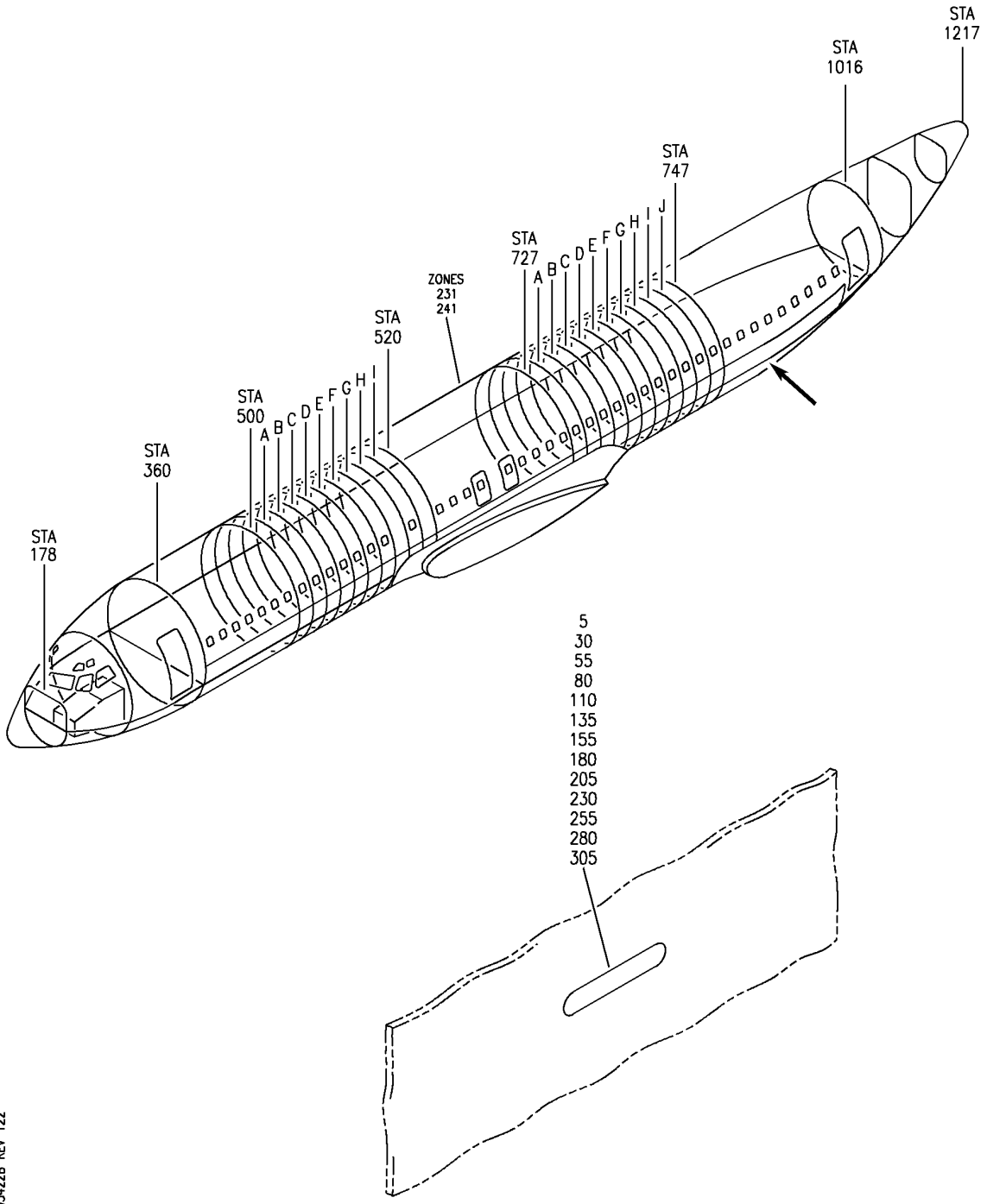
HAP

11-30-54-18

BOEING PROPRIETARY - Copyright © - Unpublished Work - See title page for details.

11-30-54
FIG. 18
PAGE 2
OCT 15/08

BOEING
 737-600/700/800/900
 PARTS CATALOG (MAINTENANCE)



E 11-30-54-22B REV 122

GRILLE ASSY-12.5 TO 23.5 IN. PASS. CAB. AIR RETURN PNL (PLACARDS AND MARKINGS ONLY)
 FIGURE 22B

11-30-54-22B

HAP
 OCT 10/06

11-30-54-22B
 PAGE 0

BOEING
737-600/700/800/900
PARTS CATALOG (MAINTENANCE)

FIG ITEM	PART NUMBER	1 2 3 4 5 6 7	NOMENCLATURE	EFFECT FROM TO	UNITS PER ASSY
22B			GRILLE ASSY-12.5 TO 23.5 IN. PASS. CAB. AIR RETURN PNL (PLACARDS AND MARKINGS ONLY)	001014	
- 1	411N1510-49SP		GRILLE ASSY-12.5 IN. BLANK PNL, LONG LATCH (PLACARDS AND MARKINGS ONLY) PRE SERVICE BULLETIN: 25-1542 FOR NHA/OTHER SYS DET SEE: 25-21-47-22B	001014	RF
	5 BAC29PPS21671		.DECAL- PLACARD CONTENT: PROTECT FROM SUNLIGHT	001014	1
- 25	411N1510-50SP		GRILLE ASSY-20.5 IN. BLANK PNL, LONG LATCH SINGLE OUTLET (PLACARDS AND MARKINGS ONLY) FOR NHA/OTHER SYS DET SEE: 25-21-47-22B	001014	RF
	30 BAC29PPS21671		.DECAL- PLACARD CONTENT: PROTECT FROM SUNLIGHT	001014	1
- 50	411N1510-101SP		GRILLE ASSY-20.5 IN. PNL WITH SHORT LATCH AND BAFFLE (PLACARDS AND MARKINGS ONLY) FOR NHA/OTHER SYS DET SEE: 25-21-47-22B	001014	RF
	55 BAC29PPS21671		.DECAL- PLACARD CONTENT: PROTECT FROM SUNLIGHT	001014	1
- 75	411N1510-105SP		GRILLE ASSY-20.5 IN. PNL WITH CENTERED IFE, SHORT BAFFLE AND LONG LATCH (PLACARDS AND MARKINGS ONLY) FOR NHA/OTHER SYS DET SEE: 25-21-47-22B	001014	RF
	80 BAC29PPS21671		.DECAL- PLACARD CONTENT: PROTECT FROM SUNLIGHT	001014	1
- 100	411N1510-103SP		GRILLE ASSY-22.5 IN. PNL WITH SHORT LATCH AND BAFFLE (PLACARDS AND MARKINGS ONLY) FOR NHA/OTHER SYS DET SEE: 25-21-47-22B	001014	RF

MISSING ITEM NUMBERS NOT APPLICABLE

- ITEM NOT ILLUSTRATED

HAP

11-30-54-22B

BOEING PROPRIETARY - Copyright © - Unpublished Work - See title page for details.

11-30-54
FIG. 22B
PAGE 1
OCT 10/06

BOEING
737-600/700/800/900
PARTS CATALOG (MAINTENANCE)

FIG ITEM	PART NUMBER	1 2 3 4 5 6 7	NOMENCLATURE	EFFECT FROM TO	UNITS PER ASSY
22B - 105	411N1510-103SP		GRILLE ASSY-22.5 IN. PNL WITH SHORT LATCH AND BAFFLE (PLACARDS AND MARKINGS ONLY) POST SERVICE BULLETIN: 25-1542 FOR NHA/OTHER SYS DET SEE: 25-21-47-22B	001014	RF
110	BAC29PPS21671		.DECAL- PLACARD CONTENT: PROTECT FROM SUNLIGHT	001014	1
- 125	411N1510-34SP		GRILLE ASSY-20.5 IN. BLANK PNL, PLUG AND SNAP-ON LATCH (PLACARDS AND MARKINGS ONLY) FOR NHA/OTHER SYS DET SEE: 25-21-47-22B	001014	RF
- 130	411N1510-33SP		GRILLE ASSY-22.5 IN. BLANK PNL, PLUG AND SNAP-ON LATCH (PLACARDS AND MARKINGS ONLY) FOR NHA/OTHER SYS DET SEE: 25-21-47-22B	001014	RF
135	BAC29PPS21671		.DECAL- PLACARD CONTENT: PROTECT FROM SUNLIGHT	001014	1
- 150	411N1510-109SP		GRILLE ASSY-20.5 IN. PNL SHORTENED, SHORT LATCH AND BAFFLE (PLACARDS AND MARKINGS ONLY) FOR NHA/OTHER SYS DET SEE: 25-21-47-22B	001014	RF
155	BAC29PPS21671		.DECAL- PLACARD CONTENT: PROTECT FROM SUNLIGHT	001014	1
- 175	411N1510-35SP		GRILLE ASSY-23.5 IN. BLANK PNL, PLUG AND SNAP-ON LATCH (PLACARDS AND MARKINGS ONLY) FOR NHA/OTHER SYS DET SEE: 25-21-47-22B	001014	RF
180	BAC29PPS21671		.DECAL- PLACARD CONTENT: PROTECT FROM SUNLIGHT	001014	1

MISSING ITEM NUMBERS NOT APPLICABLE

- ITEM NOT ILLUSTRATED

HAP

11-30-54-22B

BOEING PROPRIETARY - Copyright © - Unpublished Work - See title page for details.

11-30-54
FIG. 22B
PAGE 2
OCT 10/06

 **BOEING**
737-600/700/800/900
PARTS CATALOG (MAINTENANCE)

FIG ITEM	PART NUMBER	1 2 3 4 5 6 7	NOMENCLATURE	EFFECT FROM TO	UNITS PER ASSY
22B - 200	411N1510-107SP		GRILLE ASSY-22.5 IN. PNL WITH 4 IN. EXTENSION OPP CLIP, LONG LATCH AND SHORT BAFFLE (PLACARDS AND MARKINGS ONLY) FOR NHA/OTHER SYS DET SEE: 25-21-47-22B	001014	RF
205	BAC29PPS21671		.DECAL- PLACARD CONTENT: PROTECT FROM SUNLIGHT	001014	1
- 225	411N1510-113SP		GRILLE ASSY-22.5 IN. PNL WITH SHORT LATCH AND BAFFLE AND CENTERED IFE (PLACARDS AND MARKINGS ONLY) FOR NHA/OTHER SYS DET SEE: 25-21-47-22B	001014	RF
230	BAC29PPS21671		.DECAL- PLACARD CONTENT: PROTECT FROM SUNLIGHT	001014	1
- 250	411N1510-106SP		GRILLE ASSY-22.5 IN. PNL WITH SHORT LATCH AND LARGE BAFFLE (PLACARDS AND MARKINGS ONLY) FOR NHA/OTHER SYS DET SEE: 25-21-47-22B	001014	RF
255	BAC29PPS21671		.DECAL- PLACARD CONTENT: PROTECT FROM SUNLIGHT	001014	1
- 275	411N1510-102SP		GRILLE ASSY-20.5 IN. PNL WITH SHORT LATCH AND LARGE BAFFLE (PLACARDS AND MARKINGS ONLY) FOR NHA/OTHER SYS DET SEE: 25-21-47-22B	001014	RF
280	BAC29PPS21671		.DECAL- PLACARD CONTENT: PROTECT FROM SUNLIGHT	001014	1
- 300	411N1510-110SP		GRILLE ASSY-20.5 IN. PNL 8 IN. EXTENSION WITH OPP CLIP AND LARGE BAFFLE (PLACARDS AND MARKINGS ONLY) FOR NHA/OTHER SYS DET SEE: 25-21-47-22B	001014	RF
305	BAC29PPS21671		.DECAL- PLACARD CONTENT: PROTECT FROM SUNLIGHT	001014	1

MISSING ITEM NUMBERS NOT APPLICABLE

- ITEM NOT ILLUSTRATED

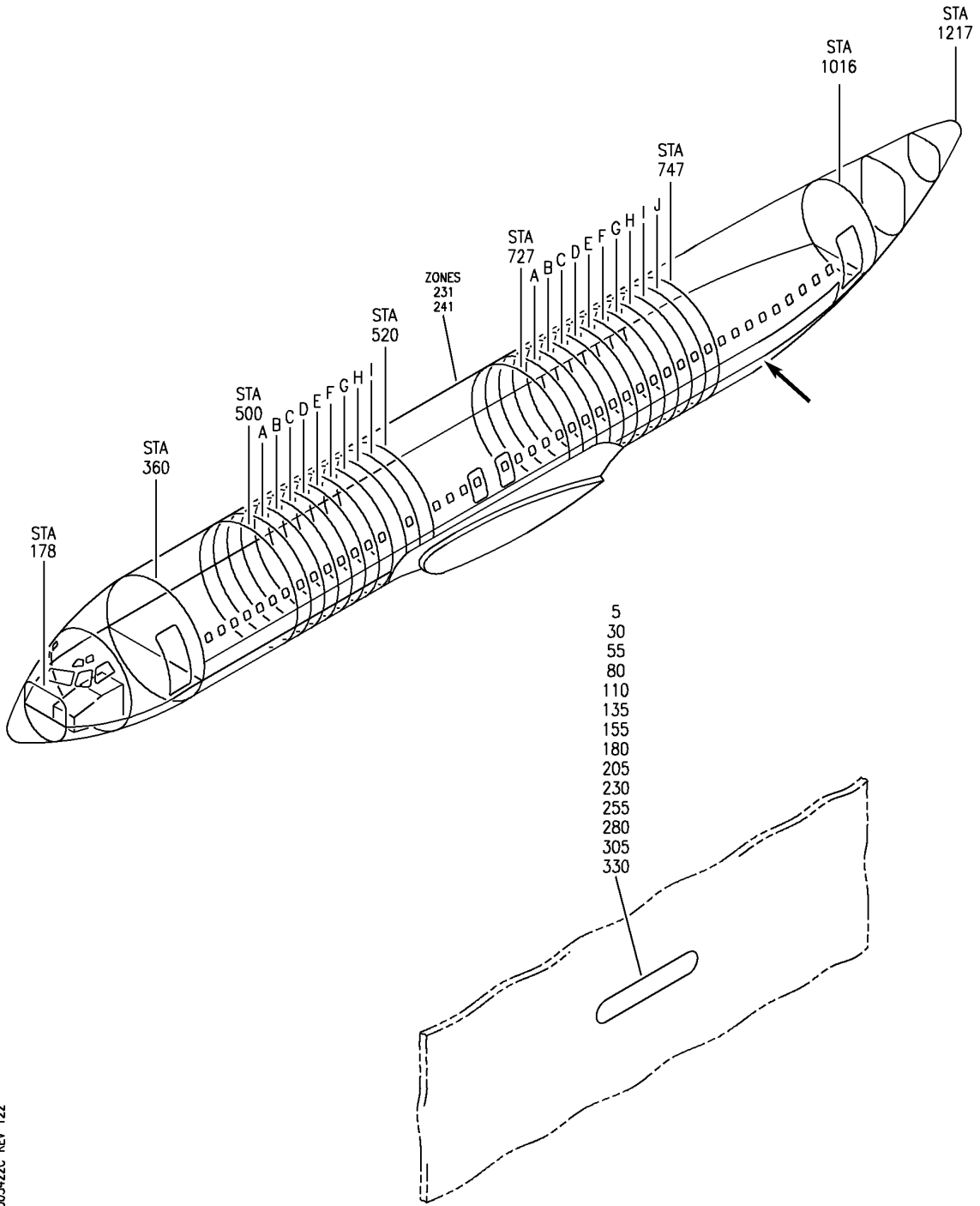
HAP

11-30-54-22B

BOEING PROPRIETARY - Copyright © - Unpublished Work - See title page for details.

11-30-54
FIG. 22B
PAGE 3
OCT 10/06

BOEING
 737-600/700/800/900
 PARTS CATALOG (MAINTENANCE)



E 11305422C REV 12Z

GRILLE ASSY-12.5 TO 23.5 IN. PASS. CAB. AIR RETURN PNL (PLACARDS AND MARKINGS ONLY)
 FIGURE 22C

11-30-54-22C

HAP
 OCT 10/06

11-30-54-22C
 PAGE 0

BOEING
737-600/700/800/900
PARTS CATALOG (MAINTENANCE)

FIG ITEM	PART NUMBER	1 2 3 4 5 6 7	NOMENCLATURE	EFFECT FROM TO	UNITS PER ASSY
22C			GRILLE ASSY-12.5 TO 23.5 IN. PASS. CAB. AIR RETURN PNL (PLACARDS AND MARKINGS ONLY)	015030	
- 1	411N1510-49SP		GRILLE ASSY-12.5 IN. BLANK PNL, LONG LATCH (PLACARDS AND MARKINGS ONLY) PRE SERVICE BULLETIN: 25-1542 FOR NHA/OTHER SYS DET SEE: 25-21-47-22C	015030	RF
	5 BAC29PPS21671		.DECAL- PLACARD CONTENT: PROTECT FROM SUNLIGHT	015030	1
- 25	411N1510-50SP		GRILLE ASSY-20.5 IN. BLANK PNL, LONG LATCH SINGLE OUTLET (PLACARDS AND MARKINGS ONLY) FOR NHA/OTHER SYS DET SEE: 25-21-47-22C	015030	RF
	30 BAC29PPS21671		.DECAL- PLACARD CONTENT: PROTECT FROM SUNLIGHT	015030	1
- 50	411N1510-101SP		GRILLE ASSY-20.5 IN. PNL WITH SHORT LATCH AND BAFFLE (PLACARDS AND MARKINGS ONLY) FOR NHA/OTHER SYS DET SEE: 25-21-47-22C	015030	RF
	55 BAC29PPS21671		.DECAL- PLACARD CONTENT: PROTECT FROM SUNLIGHT	015030	1
- 75	411N1510-105SP		GRILLE ASSY-20.5 IN. PNL WITH CENTERED IFE, SHORT BAFFLE AND LONG LATCH (PLACARDS AND MARKINGS ONLY) FOR NHA/OTHER SYS DET SEE: 25-21-47-22C	015030	RF
	80 BAC29PPS21671		.DECAL- PLACARD CONTENT: PROTECT FROM SUNLIGHT	015030	1
- 100	411N1510-103SP		GRILLE ASSY-22.5 IN. PNL WITH SHORT LATCH AND BAFFLE (PLACARDS AND MARKINGS ONLY) FOR NHA/OTHER SYS DET SEE: 25-21-47-22C	015030	RF

MISSING ITEM NUMBERS NOT APPLICABLE

- ITEM NOT ILLUSTRATED

HAP

11-30-54-22C

BOEING PROPRIETARY - Copyright © - Unpublished Work - See title page for details.

11-30-54
FIG. 22C
PAGE 1
OCT 10/06

BOEING
737-600/700/800/900
PARTS CATALOG (MAINTENANCE)

FIG ITEM	PART NUMBER	1 2 3 4 5 6 7	NOMENCLATURE	EFFECT FROM TO	UNITS PER ASSY
22C - 105	411N1510-103SP		GRILLE ASSY-22.5 IN. PNL WITH SHORT LATCH AND BAFFLE (PLACARDS AND MARKINGS ONLY) POST SERVICE BULLETIN: 25-1542 FOR NHA/OTHER SYS DET SEE: 25-21-47-22C	016017 019030	RF
110	BAC29PPS21671		.DECAL- PLACARD CONTENT: PROTECT FROM SUNLIGHT	015015 018018	1
110	BAC29PPS21671		.DECAL- PLACARD CONTENT: PROTECT FROM SUNLIGHT	016017 019030	1
- 125	411N1510-34SP		GRILLE ASSY-20.5 IN. BLANK PNL, PLUG AND SNAP-ON LATCH (PLACARDS AND MARKINGS ONLY) FOR NHA/OTHER SYS DET SEE: 25-21-47-22C	015030	RF
- 130	411N1510-33SP		GRILLE ASSY-22.5 IN. BLANK PNL, PLUG AND SNAP-ON LATCH (PLACARDS AND MARKINGS ONLY) FOR NHA/OTHER SYS DET SEE: 25-21-47-22C	015030	RF
135	BAC29PPS21671		.DECAL- PLACARD CONTENT: PROTECT FROM SUNLIGHT	015030	1
- 150	411N1510-109SP		GRILLE ASSY-20.5 IN. PNL SHORTENED, SHORT LATCH AND BAFFLE (PLACARDS AND MARKINGS ONLY) FOR NHA/OTHER SYS DET SEE: 25-21-47-22C	015030	RF
155	BAC29PPS21671		.DECAL- PLACARD CONTENT: PROTECT FROM SUNLIGHT	015030	1
- 175	411N1510-35SP		GRILLE ASSY-23.5 IN. BLANK PNL, PLUG AND SNAP-ON LATCH (PLACARDS AND MARKINGS ONLY) FOR NHA/OTHER SYS DET SEE: 25-21-47-22C	015030	RF
180	BAC29PPS21671		.DECAL- PLACARD CONTENT: PROTECT FROM SUNLIGHT	015030	1

MISSING ITEM NUMBERS NOT APPLICABLE

- ITEM NOT ILLUSTRATED

HAP

11-30-54-22C

BOEING PROPRIETARY - Copyright © - Unpublished Work - See title page for details.

11-30-54
FIG. 22C
PAGE 2
OCT 10/06

 **BOEING**
737-600/700/800/900
PARTS CATALOG (MAINTENANCE)

FIG ITEM	PART NUMBER	1 2 3 4 5 6 7	NOMENCLATURE	EFFECT FROM TO	UNITS PER ASSY
22C - 200	411N1510-107SP		GRILLE ASSY-22.5 IN. PNL WITH 4 IN. EXTENSION OPP CLIP, LONG LATCH AND SHORT BAFFLE (PLACARDS AND MARKINGS ONLY) FOR NHA/OTHER SYS DET SEE: 25-21-47-22C	015030	RF
205	BAC29PPS21671		.DECAL- PLACARD CONTENT: PROTECT FROM SUNLIGHT	015030	1
- 225	411N1510-113SP		GRILLE ASSY-22.5 IN. PNL WITH SHORT LATCH AND BAFFLE AND CENTERED IFE (PLACARDS AND MARKINGS ONLY) FOR NHA/OTHER SYS DET SEE: 25-21-47-22C	015030	RF
230	BAC29PPS21671		.DECAL- PLACARD CONTENT: PROTECT FROM SUNLIGHT	015030	1
- 250	411N1510-27SP		GRILLE ASSY-22.5 IN. BLANK PNL, LONG LATCH (PLACARDS AND MARKINGS ONLY) FOR NHA/OTHER SYS DET SEE: 25-21-47-22C	015030	RF
255	BAC29PPS21671		.DECAL- PLACARD CONTENT: PROTECT FROM SUNLIGHT	015030	1
- 275	411N1510-102SP		GRILLE ASSY-20.5 IN. PNL WITH SHORT LATCH AND LARGE BAFFLE (PLACARDS AND MARKINGS ONLY) FOR NHA/OTHER SYS DET SEE: 25-21-47-22C	015030	RF
280	BAC29PPS21671		.DECAL- PLACARD CONTENT: PROTECT FROM SUNLIGHT	015030	1
- 300	411N1510-106SP		GRILLE ASSY-22.5 IN. PNL WITH SHORT LATCH AND LARGE BAFFLE (PLACARDS AND MARKINGS ONLY) FOR NHA/OTHER SYS DET SEE: 25-21-47-22C	015030	RF
305	BAC29PPS21671		.DECAL- PLACARD CONTENT: PROTECT FROM SUNLIGHT	015030	1

MISSING ITEM NUMBERS NOT APPLICABLE

- ITEM NOT ILLUSTRATED

HAP

11-30-54-22C

BOEING PROPRIETARY - Copyright © - Unpublished Work - See title page for details.

11-30-54
FIG. 22C
PAGE 3
OCT 10/06


BOEING
 737-600/700/800/900
PARTS CATALOG (MAINTENANCE)

FIG ITEM	PART NUMBER	1 2 3 4 5 6 7 NOMENCLATURE	EFFECT FROM TO	UNITS PER ASSY
22C - 325	411N1510-110SP	GRILLE ASSY-20.5 IN. PNL 8 IN. EXTENSION WITH OPP CLIP AND LARGE BAFFLE (PLACARDS AND MARKINGS ONLY) FOR NHA/OTHER SYS DET SEE: 25-21-47-22C	015030	RF
330	BAC29PPS21671	.DECAL- PLACARD CONTENT: PROTECT FROM SUNLIGHT	015030	1

MISSING ITEM NUMBERS NOT APPLICABLE

- ITEM NOT ILLUSTRATED

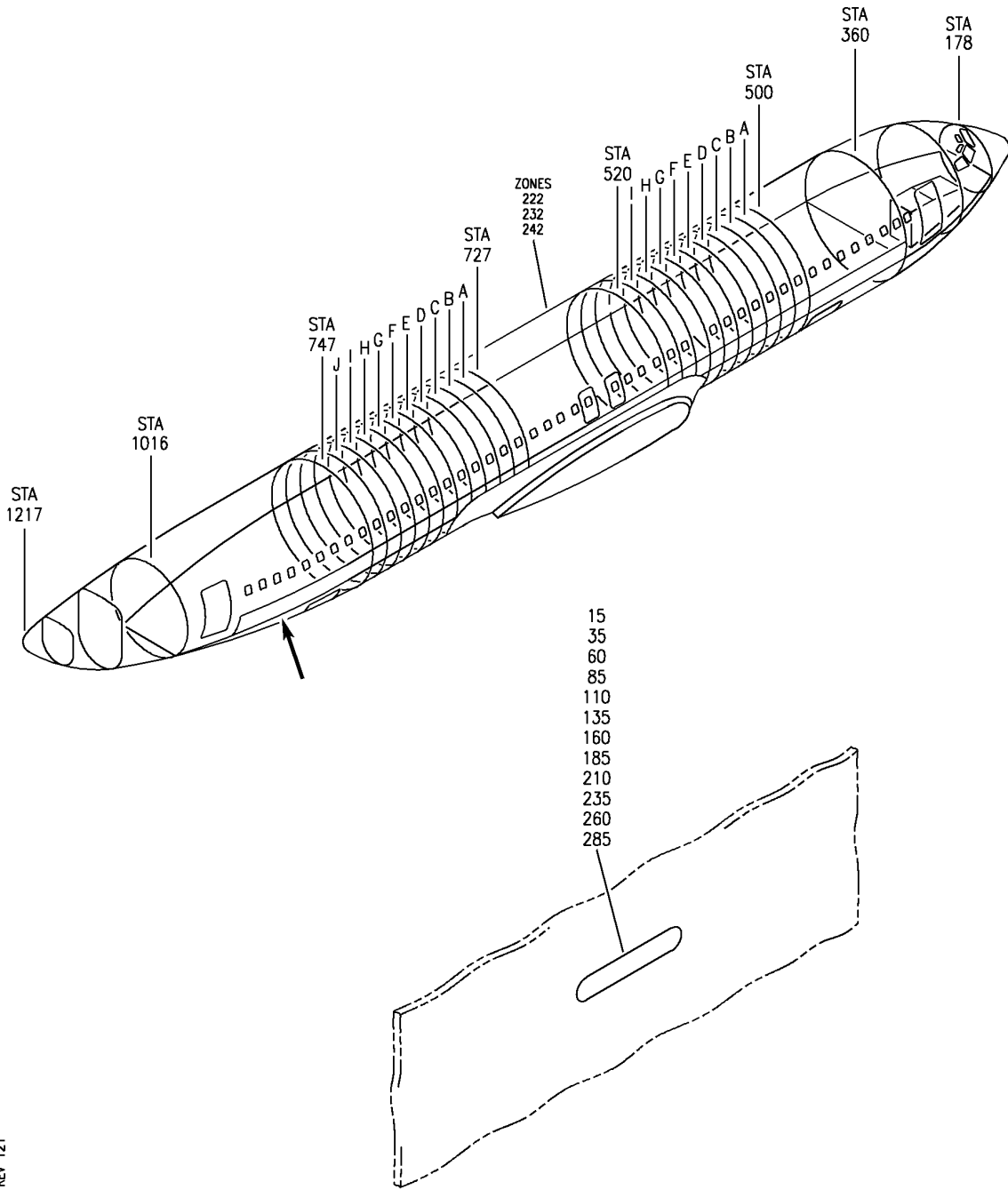
HAP

11-30-54-22C

BOEING PROPRIETARY - Copyright © - Unpublished Work - See title page for details.

11-30-54
 FIG. 22C
 PAGE 4
 OCT 10/06

BOEING
 737-600/700/800/900
 PARTS CATALOG (MAINTENANCE)



E 11305422D REV 121

GRILLE ASSY-12.5 TO 23.5 IN. PASS. CAB. AIR RETURN PNL (PLACARDS AND MARKINGS ONLY)
 FIGURE 22D

HAP
 OCT 10/06

11-30-54-22D

11-30-54-22D
 PAGE 0

BOEING
737-600/700/800/900
PARTS CATALOG (MAINTENANCE)

FIG ITEM	PART NUMBER	1 2 3 4 5 6 7	NOMENCLATURE	EFFECT FROM TO	UNITS PER ASSY
22D			GRILLE ASSY-12.5 TO 23.5 IN. PASS. CAB. AIR RETURN PNL (PLACARDS AND MARKINGS ONLY)	014014	
- 1	411N1510-49SP		GRILLE ASSY-12.5 IN. BLANK PNL WITH LONG LATCH (PLACARDS AND MARKINGS ONLY) FOR NHA/OTHER SYS DET SEE: 25-21-47-22D	014014	RF
15	BAC29PPS21671		.DECAL- PLACARD CONTENT: PROTECT FROM SUNLIGHT	014014	1
- 25	411N1510-101SP		GRILLE ASSY-20.5 IN. PNL WITH SHORT LATCH AND BAFFLE (PLACARDS AND MARKINGS ONLY) FOR NHA/OTHER SYS DET SEE: 25-21-47-22D	014014	RF
35	BAC29PPS21671		.DECAL- PLACARD CONTENT: PROTECT FROM SUNLIGHT	014014	1
- 50	411N1510-105SP		GRILLE ASSY-20.5 IN. PNL SHORT BAFFLE AND LONG LATCH WITH CENTERED IFE (PLACARDS AND MARKINGS ONLY) FOR NHA/OTHER SYS DET SEE: 25-21-47-22D	014014	RF
60	BAC29PPS21671		.DECAL- PLACARD CONTENT: PROTECT FROM SUNLIGHT	014014	1
- 75	411N1510-103SP		GRILLE ASSY-22.5 IN. PNL WITH SHORT LATCH AND BAFFLE (PLACARDS AND MARKINGS ONLY) FOR NHA/OTHER SYS DET SEE: 25-21-47-22D	014014	RF
85	BAC29PPS21671		.DECAL- PLACARD CONTENT: PROTECT FROM SUNLIGHT	014014	1
- 100	411N1510-34SP		GRILLE ASSY-20.5 IN. BLANK PNL WITH PLUG AND SNAP-ON LATCH (PLACARDS AND MARKINGS ONLY) FOR NHA/OTHER SYS DET SEE: 25-21-47-22D	014014	RF

MISSING ITEM NUMBERS NOT APPLICABLE

- ITEM NOT ILLUSTRATED

HAP

11-30-54-22D

BOEING PROPRIETARY - Copyright © - Unpublished Work - See title page for details.

11-30-54
FIG. 22D
PAGE 1
OCT 10/06

BOEING
737-600/700/800/900
PARTS CATALOG (MAINTENANCE)

FIG ITEM	PART NUMBER	1 2 3 4 5 6 7	NOMENCLATURE	EFFECT FROM TO	UNITS PER ASSY
22D 110	BAC29PPS21671		.DECAL- PLACARD CONTENT: PROTECT FROM SUNLIGHT	014014	1
- 125	411N1510-109SP		GRILLE ASSY-20.5 IN. SHORTENED PNL WITH SHORT LATCH AND BAFFLE (PLACARDS AND MARKINGS ONLY) FOR NHA/OTHER SYS DET SEE: 25-21-47-22D	014014	RF
135	BAC29PPS21671		.DECAL- PLACARD CONTENT: PROTECT FROM SUNLIGHT	014014	1
- 150	411N1510-35SP		GRILLE ASSY-23.5 IN. BLANK PNL WITH PLUG AND SNAP-ON LATCH (PLACARDS AND MARKINGS ONLY) FOR NHA/OTHER SYS DET SEE: 25-21-47-22D	014014	RF
160	BAC29PPS21671		.DECAL- PLACARD CONTENT: PROTECT FROM SUNLIGHT	014014	1
- 175	411N1510-107SP		GRILLE ASSY-22.5 IN. PNL LONG LATCH AND SHORT BAFFLE WITH 4 IN. EXTENSION AND OPP CLIP (PLACARDS AND MARKINGS ONLY) FOR NHA/OTHER SYS DET SEE: 25-21-47-22D	014014	RF
185	BAC29PPS21671		.DECAL- PLACARD CONTENT: PROTECT FROM SUNLIGHT	014014	1
- 200	411N1510-113SP		GRILLE ASSY-22.5 IN. PNL SHORT LATCH AND BAFFLE WITH CENTERED IFE (PLACARDS AND MARKINGS ONLY) FOR NHA/OTHER SYS DET SEE: 25-21-47-22D	014014	RF
210	BAC29PPS21671		.DECAL- PLACARD CONTENT: PROTECT FROM SUNLIGHT	014014	1
- 225	411N1510-106SP		GRILLE ASSY-22.5 IN. PNL WITH SHORT LATCH AND LARGE BAFFLE (PLACARDS AND MARKINGS ONLY) FOR NHA/OTHER SYS DET SEE: 25-21-47-22D	014014	RF

MISSING ITEM NUMBERS NOT APPLICABLE

- ITEM NOT ILLUSTRATED

HAP

11-30-54-22D

BOEING PROPRIETARY - Copyright © - Unpublished Work - See title page for details.

11-30-54
FIG. 22D
PAGE 2
OCT 10/06

BOEING
737-600/700/800/900
PARTS CATALOG (MAINTENANCE)

FIG ITEM	PART NUMBER	1 2 3 4 5 6 7	NOMENCLATURE	EFFECT FROM TO	UNITS PER ASSY
22D 235	BAC29PPS21671		.DECAL- PLACARD CONTENT: PROTECT FROM SUNLIGHT	014014	1
- 250	411N1510-102SP		GRILLE ASSY-20.5 IN. PNL WITH SHORT LATCH AND LARGE BAFFLE (PLACARDS AND MARKINGS ONLY) FOR NHA/OTHER SYS DET SEE: 25-21-47-22D	014014	RF
260	BAC29PPS21671		.DECAL- PLACARD CONTENT: PROTECT FROM SUNLIGHT	014014	1
- 275	411N1510-112SP		GRILLE ASSY-22.5 IN. PNL LONG LATCH AND LARGE BAFFLE WITH 8 IN. EXTENSION AND CLIP SIDE (PLACARDS AND MARKINGS ONLY) FOR NHA/OTHER SYS DET SEE: 25-21-47-22D	014014	RF
285	BAC29PPS21671		.DECAL- PLACARD CONTENT: PROTECT FROM SUNLIGHT	014014	1

MISSING ITEM NUMBERS NOT APPLICABLE

- ITEM NOT ILLUSTRATED

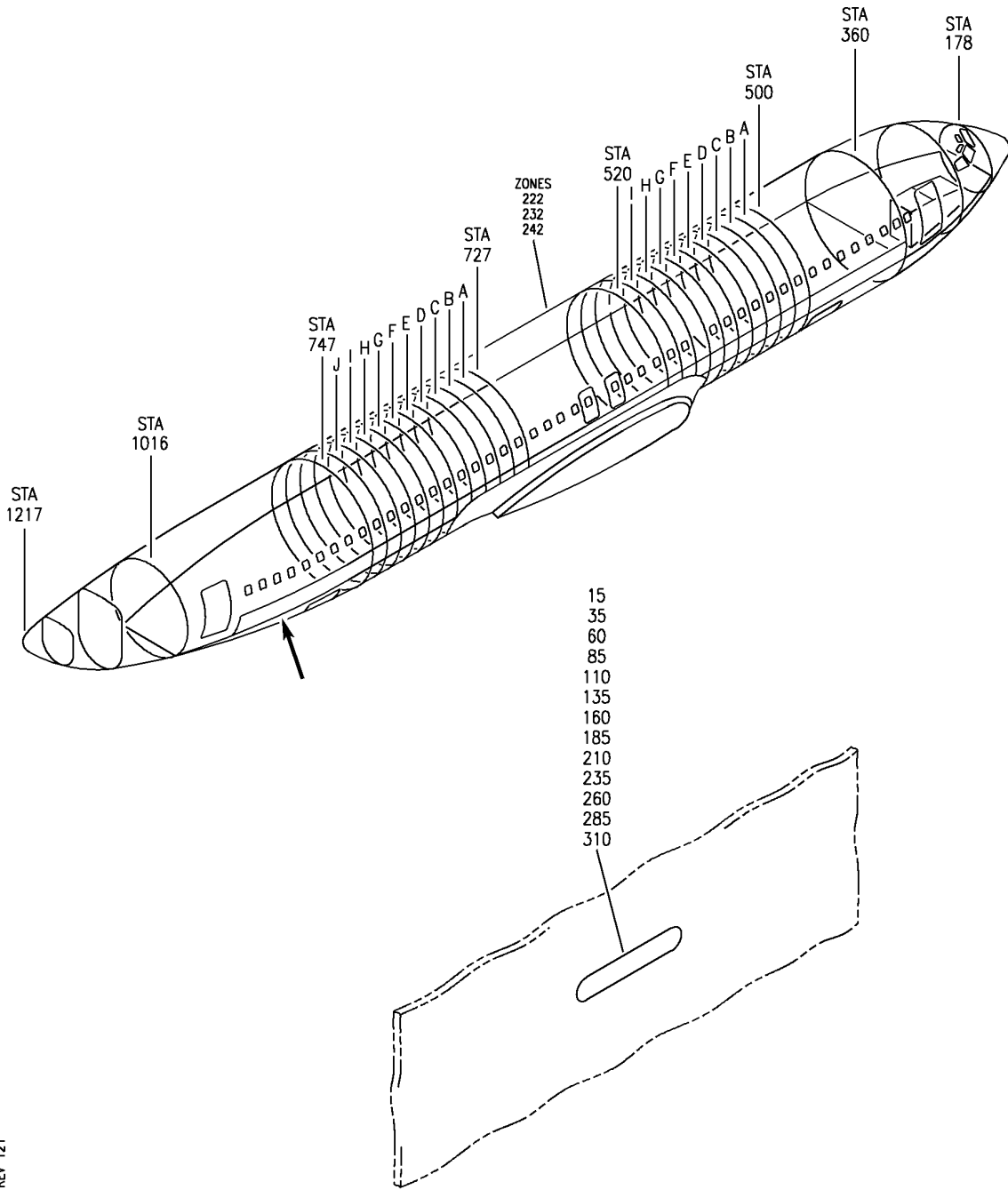
HAP

11-30-54-22D

BOEING PROPRIETARY - Copyright © - Unpublished Work - See title page for details.

11-30-54
FIG. 22D
PAGE 3
OCT 10/06

BOEING
 737-600/700/800/900
 PARTS CATALOG (MAINTENANCE)



E 11305422E REV 121

GRILLE ASSY-12.5 TO 23.5 IN. PASS. CAB. AIR RETURN PNL (PLACARDS AND MARKINGS ONLY)
 FIGURE 22E

HAP
 OCT 10/06

11-30-54-22E

11-30-54-22E
 PAGE 0

BOEING
737-600/700/800/900
PARTS CATALOG (MAINTENANCE)

FIG ITEM	PART NUMBER	1 2 3 4 5 6 7	NOMENCLATURE	EFFECT FROM TO	UNITS PER ASSY
22E			GRILLE ASSY-12.5 TO 23.5 IN. PASS. CAB. AIR RETURN PNL (PLACARDS AND MARKINGS ONLY)	015030	
- 1	411N1510-49SP		GRILLE ASSY-12.5 IN. BLANK PNL WITH LONG LATCH (PLACARDS AND MARKINGS ONLY) FOR NHA/OTHER SYS DET SEE: 25-21-47-22E	015030	RF
15	BAC29PPS21671		.DECAL- PLACARD CONTENT: PROTECT FROM SUNLIGHT	015030	1
- 25	411N1510-101SP		GRILLE ASSY-20.5 IN. PNL WITH SHORT LATCH AND BAFFLE (PLACARDS AND MARKINGS ONLY) FOR NHA/OTHER SYS DET SEE: 25-21-47-22E	015030	RF
35	BAC29PPS21671		.DECAL- PLACARD CONTENT: PROTECT FROM SUNLIGHT	015030	1
- 50	411N1510-105SP		GRILLE ASSY-20.5 IN. PNL SHORT BAFFLE AND LONG LATCH WITH CENTERED IFE (PLACARDS AND MARKINGS ONLY) FOR NHA/OTHER SYS DET SEE: 25-21-47-22E	015030	RF
60	BAC29PPS21671		.DECAL- PLACARD CONTENT: PROTECT FROM SUNLIGHT	015030	1
- 75	411N1510-103SP		GRILLE ASSY-22.5 IN. PNL WITH SHORT LATCH AND BAFFLE (PLACARDS AND MARKINGS ONLY) FOR NHA/OTHER SYS DET SEE: 25-21-47-22E	015030	RF
85	BAC29PPS21671		.DECAL- PLACARD CONTENT: PROTECT FROM SUNLIGHT	015030	1
- 100	411N1510-34SP		GRILLE ASSY-20.5 IN. BLANK PNL WITH PLUG AND SNAP-ON LATCH (PLACARDS AND MARKINGS ONLY) FOR NHA/OTHER SYS DET SEE: 25-21-47-22E	015030	RF

MISSING ITEM NUMBERS NOT APPLICABLE

- ITEM NOT ILLUSTRATED

HAP

11-30-54-22E

BOEING PROPRIETARY - Copyright © - Unpublished Work - See title page for details.

11-30-54
FIG. 22E
PAGE 1
OCT 10/06

BOEING
737-600/700/800/900
PARTS CATALOG (MAINTENANCE)

FIG ITEM	PART NUMBER	1 2 3 4 5 6 7	NOMENCLATURE	EFFECT FROM TO	UNITS PER ASSY
22E 110	BAC29PPS21671		.DECAL- PLACARD CONTENT: PROTECT FROM SUNLIGHT	015030	1
- 125	411N1510-109SP		GRILLE ASSY-20.5 IN. SHORTENED PNL WITH SHORT LATCH AND BAFFLE (PLACARDS AND MARKINGS ONLY) FOR NHA/OTHER SYS DET SEE: 25-21-47-22E	015030	RF
135	BAC29PPS21671		.DECAL- PLACARD CONTENT: PROTECT FROM SUNLIGHT	015030	1
- 150	411N1510-35SP		GRILLE ASSY-23.5 IN. BLANK PNL WITH PLUG AND SNAP-ON LATCH (PLACARDS AND MARKINGS ONLY) FOR NHA/OTHER SYS DET SEE: 25-21-47-22E	015030	RF
160	BAC29PPS21671		.DECAL- PLACARD CONTENT: PROTECT FROM SUNLIGHT	015030	1
- 175	411N1510-107SP		GRILLE ASSY-22.5 IN. PNL LONG LATCH AND SHORT BAFFLE WITH 4 IN. EXTENSION AND OPP CLIP (PLACARDS AND MARKINGS ONLY) FOR NHA/OTHER SYS DET SEE: 25-21-47-22E	015030	RF
185	BAC29PPS21671		.DECAL- PLACARD CONTENT: PROTECT FROM SUNLIGHT	015030	1
- 200	411N1510-113SP		GRILLE ASSY-22.5 IN. PNL SHORT LATCH AND BAFFLE WITH CENTERED IFE (PLACARDS AND MARKINGS ONLY) FOR NHA/OTHER SYS DET SEE: 25-21-47-22E	015030	RF
210	BAC29PPS21671		.DECAL- PLACARD CONTENT: PROTECT FROM SUNLIGHT	015030	1
- 225	411N1510-27SP		GRILLE ASSY-22.5 IN. BLANK PNL WITH LONG LATCH (PLACARDS AND MARKINGS ONLY) FOR NHA/OTHER SYS DET SEE: 25-21-47-22E	015030	RF

MISSING ITEM NUMBERS NOT APPLICABLE

- ITEM NOT ILLUSTRATED

HAP

11-30-54-22E

BOEING PROPRIETARY - Copyright © - Unpublished Work - See title page for details.

11-30-54
FIG. 22E
PAGE 2
OCT 10/06

 **BOEING**
737-600/700/800/900
PARTS CATALOG (MAINTENANCE)

FIG ITEM	PART NUMBER	1 2 3 4 5 6 7	NOMENCLATURE	EFFECT FROM TO	UNITS PER ASSY
22E 235	BAC29PPS21671		.DECAL- PLACARD CONTENT: PROTECT FROM SUNLIGHT	015030	1
- 250	411N1510-102SP		GRILLE ASSY-20.5 IN. PNL WITH SHORT LATCH AND LARGE BAFFLE (PLACARDS AND MARKINGS ONLY) FOR NHA/OTHER SYS DET SEE: 25-21-47-22E	015030	RF
260	BAC29PPS21671		.DECAL- PLACARD CONTENT: PROTECT FROM SUNLIGHT	015030	1
- 275	411N1510-106SP		GRILLE ASSY-22.5 IN. PNL WITH SHORT LATCH AND LARGE BAFFLE (PLACARDS AND MARKINGS ONLY) FOR NHA/OTHER SYS DET SEE: 25-21-47-22E	015030	RF
285	BAC29PPS21671		.DECAL- PLACARD CONTENT: PROTECT FROM SUNLIGHT	015030	1
- 300	411N1510-112SP		GRILLE ASSY-22.5 IN. PNL LONG LATCH AND LARGE BAFFLE WITH 8 IN. EXTENSION AND CLIP SIDE (PLACARDS AND MARKINGS ONLY) FOR NHA/OTHER SYS DET SEE: 25-21-47-22E	015030	RF
310	BAC29PPS21671		.DECAL- PLACARD CONTENT: PROTECT FROM SUNLIGHT	015030	1

MISSING ITEM NUMBERS NOT APPLICABLE

- ITEM NOT ILLUSTRATED

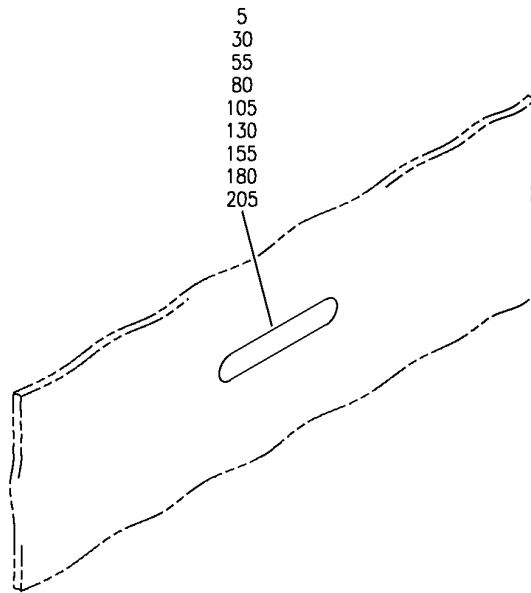
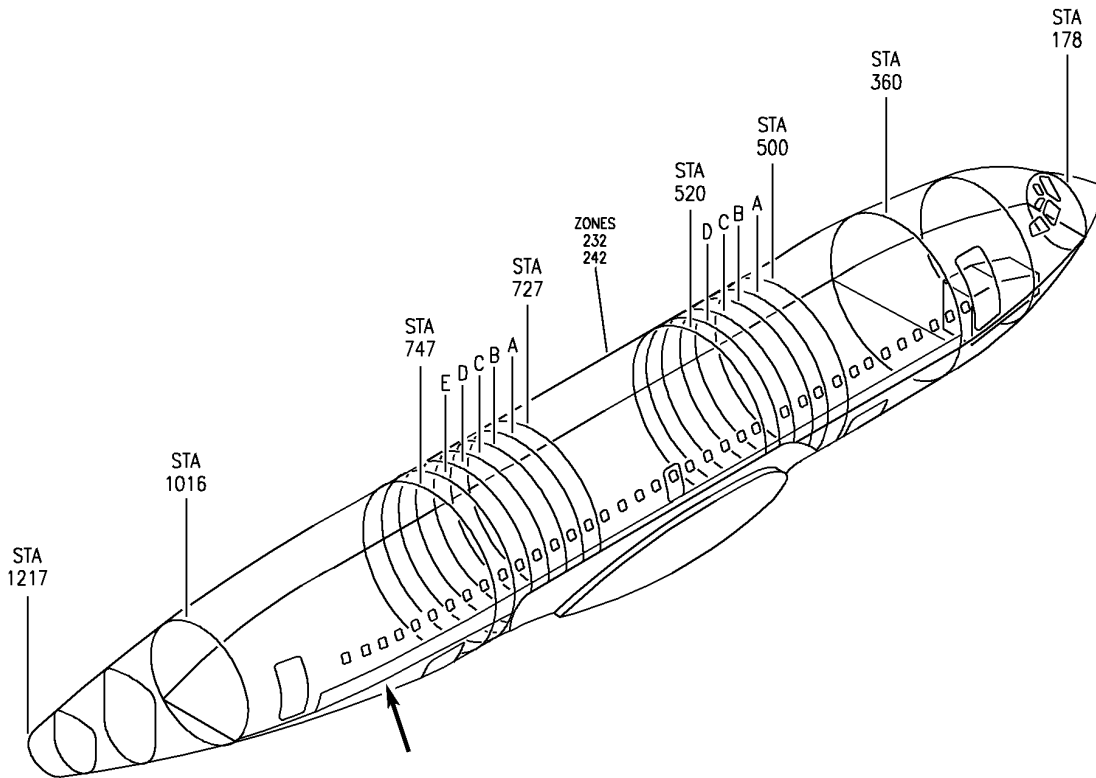
HAP

11-30-54-22E

BOEING PROPRIETARY - Copyright © - Unpublished Work - See title page for details.

11-30-54
FIG. 22E
PAGE 3
OCT 10/06

BOEING
 737-600/700/800/900
 PARTS CATALOG (MAINTENANCE)



E 11305437C REV 122

GRILLE ASSY-20.5 TO 23.5 IN. PASS. CAB. AIR RETURN PNL (PLACARDS AND MARKINGS ONLY)

FIGURE 37C

11-30-54-37C

HAP
 OCT 15/08

11-30-54-37C
 PAGE 0

BOEING
737-600/700/800/900
PARTS CATALOG (MAINTENANCE)

FIG ITEM	PART NUMBER	1 2 3 4 5 6 7	NOMENCLATURE	EFFECT FROM TO	UNITS PER ASSY
37C			GRILLE ASSY-20.5 TO 23.5 IN. PASS. CAB. AIR RETURN PNL (PLACARDS AND MARKINGS ONLY)	201967	
- 1	411N1510-111SP		GRILLE ASSY-22.5 IN. PNL WITH 8IN. EXTENSION OPP CLIP, SHORT BAFFLE AND LONG LATCH (PLACARDS AND MARKINGS ONLY) FOR NHA/OTHER SYS DET SEE: 25-21-47-37C	201967	RF
	5 BAC29PPS21671		.DECAL- PLACARD CONTENT: PROTECT FROM SUNLIGHT	201967	1
- 25	411N1510-101SP		GRILLE ASSY-20.5 IN. PNL WITH SHORT LATCH AND SHORT BAFFLE (PLACARDS AND MARKINGS ONLY) FOR NHA/OTHER SYS DET SEE: 25-21-47-37C	201967	RF
	30 BAC29PPS21671		.DECAL- PLACARD CONTENT: PROTECT FROM SUNLIGHT	201967	1
- 50	411N1510-34SP		GRILLE ASSY-20.5 IN. BLANK PNL, PLUG AND SNAP-ON LATCH (PLACARDS AND MARKINGS ONLY) FOR NHA/OTHER SYS DET SEE: 25-21-47-37C	201967	RF
	55 BAC29PPS21671		.DECAL- PLACARD CONTENT: PROTECT FROM SUNLIGHT	201967	1
- 75	411N1510-35SP		GRILLE ASSY-23.5 IN. BLANK PNL, PLUG AND SNAP-ON LATCH (PLACARDS AND MARKINGS ONLY) FOR NHA/OTHER SYS DET SEE: 25-21-47-37C	201967	RF
	80 BAC29PPS21671		.DECAL- PLACARD CONTENT: PROTECT FROM SUNLIGHT	201967	1
- 100	411N1510-107SP		GRILLE ASSY-22.5 IN. PNL WITH 4 IN. EXTENSION OPP CLIP, LONG LATCH AND SHORT BAFFLE (PLACARDS AND MARKINGS ONLY) FOR NHA/OTHER SYS DET SEE: 25-21-47-37C	201967	RF

MISSING ITEM NUMBERS NOT APPLICABLE

- ITEM NOT ILLUSTRATED

HAP

11-30-54-37C

BOEING PROPRIETARY - Copyright © - Unpublished Work - See title page for details.

11-30-54
FIG. 37C
PAGE 1
OCT 15/08

BOEING
737-600/700/800/900
PARTS CATALOG (MAINTENANCE)

FIG ITEM	PART NUMBER	1 2 3 4 5 6 7	NOMENCLATURE	EFFECT FROM TO	UNITS PER ASSY
37C 105	BAC29PPS21671		.DECAL- PLACARD CONTENT: PROTECT FROM SUNLIGHT	201967	1
- 125	411N1510-103SP		GRILLE ASSY-22.5 IN. PNL WITH SHORT LATCH AND SHORT BAFFLE (PLACARDS AND MARKINGS ONLY) FOR NHA/OTHER SYS DET SEE: 25-21-47-37C	201967	RF
130	BAC29PPS21671		.DECAL- PLACARD CONTENT: PROTECT FROM SUNLIGHT	201967	1
- 150	411N1510-27SP		GRILLE ASSY-22.5 IN. BLANK PNL, LONG LATCH (PLACARDS AND MARKINGS ONLY) FOR NHA/OTHER SYS DET SEE: 25-21-47-37C	201967	RF
155	BAC29PPS21671		.DECAL- PLACARD CONTENT: PROTECT FROM SUNLIGHT	201967	1
- 175	411N1510-102SP		GRILLE ASSY-20.5 IN. PNL WITH SHORT LATCH AND LARGE BAFFLE (PLACARDS AND MARKINGS ONLY) FOR NHA/OTHER SYS DET SEE: 25-21-47-37C	201967	RF
180	BAC29PPS21671		.DECAL- PLACARD CONTENT: PROTECT FROM SUNLIGHT	201967	1
- 200	411N1510-112SP		GRILLE ASSY-22.5 IN. PNL WITH 8 IN. EXTENSION CLIP SIDE, LONG LATCH AND LARGE BAFFLE (PLACARDS AND MARKINGS ONLY) FOR NHA/OTHER SYS DET SEE: 25-21-47-37C	201967	RF
205	BAC29PPS21671		.DECAL- PLACARD CONTENT: PROTECT FROM SUNLIGHT	201967	1

MISSING ITEM NUMBERS NOT APPLICABLE

- ITEM NOT ILLUSTRATED

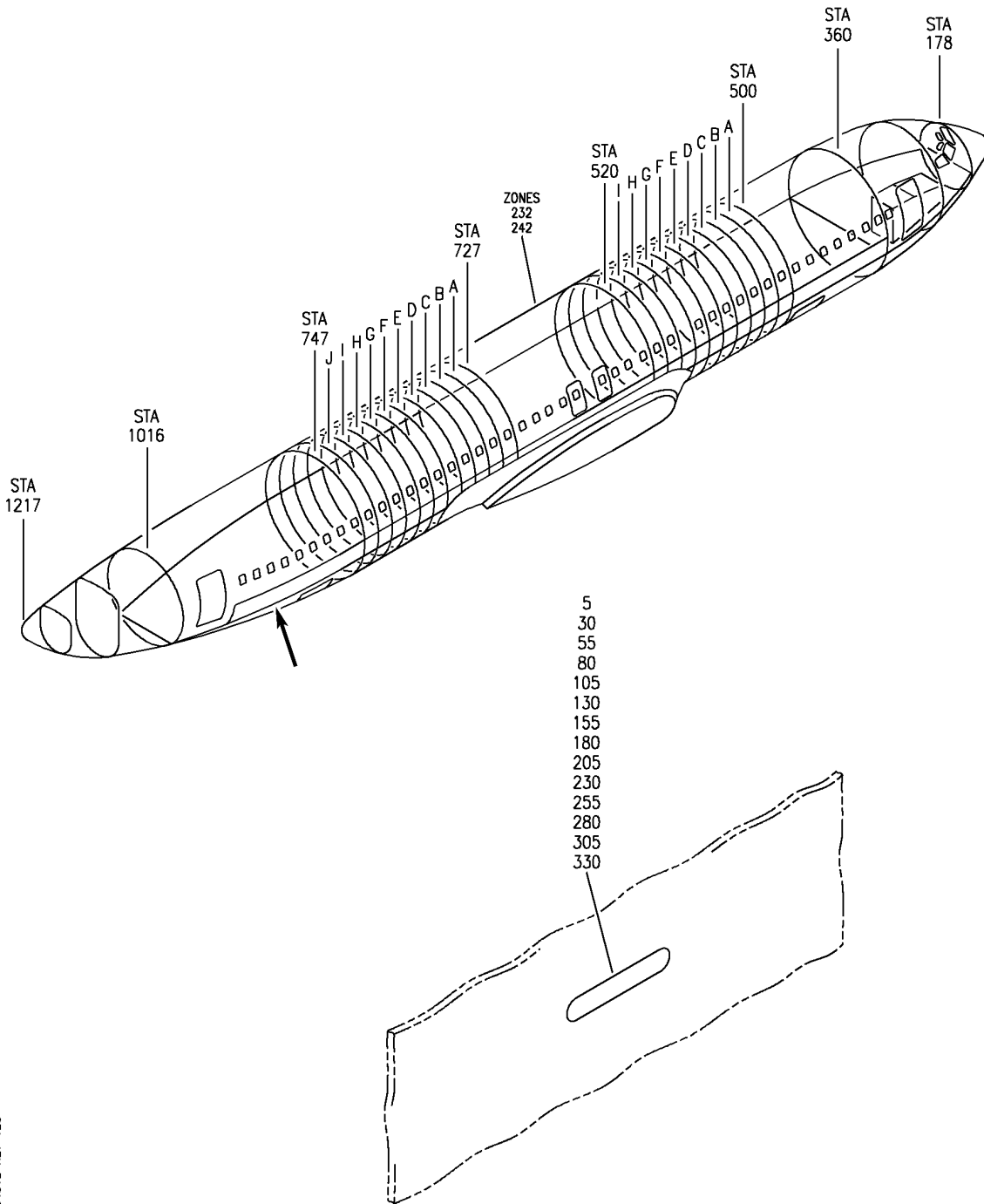
HAP

11-30-54-37C

BOEING PROPRIETARY - Copyright © - Unpublished Work - See title page for details.

11-30-54
FIG. 37C
PAGE 2
OCT 15/08

BOEING
 737-600/700/800/900
 PARTS CATALOG (MAINTENANCE)



E 11305451E REV 123

GRILLE ASSY-12.5 TO 22.5 IN. PNL PASS. CAB. AIR RETURN (PLACARDS AND MARKINGS ONLY)
 FIGURE 51E

HAP
 FEB 10/07

11-30-54-51E

11-30-54-51E
 PAGE 0

BOEING
737-600/700/800/900
PARTS CATALOG (MAINTENANCE)

FIG ITEM	PART NUMBER	1 2 3 4 5 6 7	NOMENCLATURE	EFFECT FROM TO	UNITS PER ASSY
51E			GRILLE ASSY-12.5 TO 22.5 IN. PNL PASS. CAB. AIR RETURN (PLACARDS AND MARKINGS ONLY)	031047	
- 1	411N1510-49SP		GRILLE ASSY-12.5 IN. BLANK PNL, LONG LATCH (PLACARDS AND MARKINGS ONLY) FOR NHA/OTHER SYS DET SEE: 25-21-47-51E	031047	RF
	5 BAC29PPS21671		.DECAL- PLACARD CONTENT: PROTECT FROM SUNLIGHT	031047	1
- 25	411N1510-101SP		GRILLE ASSY-20.5 IN. PNL WITH SHORT LATCH AND SHORT BAFFLE (PLACARDS AND MARKINGS ONLY) FOR NHA/OTHER SYS DET SEE: 25-21-47-51E	031047	RF
	30 BAC29PPS21671		.DECAL- PLACARD CONTENT: PROTECT FROM SUNLIGHT	031047	1
- 50	411N1510-105SP		GRILLE ASSY-20.5 IN. PNL WITH IFE AT CTR, SHORT BAFFLE AND LONG LATCH (PLACARDS AND MARKINGS ONLY) FOR NHA/OTHER SYS DET SEE: 25-21-47-51E	031047	RF
	55 BAC29PPS21671		.DECAL- PLACARD CONTENT: PROTECT FROM SUNLIGHT	031047	1
- 75	411N1510-103SP		GRILLE ASSY-22.5 IN. PNL WITH SHORT LATCH AND SHORT BAFFLE (PLACARDS AND MARKINGS ONLY) FOR NHA/OTHER SYS DET SEE: 25-21-47-51E	031047	RF
	80 BAC29PPS21671		.DECAL- PLACARD CONTENT: PROTECT FROM SUNLIGHT	031047	1
- 100	411N1510-34SP		GRILLE ASSY-20.5 IN. BLANK PNL, PLUG AND SNAP-ON LATCH (PLACARDS AND MARKINGS ONLY) FOR NHA/OTHER SYS DET SEE: 25-21-47-51E	031047	RF

MISSING ITEM NUMBERS NOT APPLICABLE

- ITEM NOT ILLUSTRATED

HAP

11-30-54-51E

BOEING PROPRIETARY - Copyright © - Unpublished Work - See title page for details.

11-30-54
FIG. 51E
PAGE 1
OCT 15/08

BOEING
737-600/700/800/900
PARTS CATALOG (MAINTENANCE)

FIG ITEM	PART NUMBER	1 2 3 4 5 6 7	NOMENCLATURE	EFFECT FROM TO	UNITS PER ASSY
51E 105	BAC29PPS21671		.DECAL- PLACARD CONTENT: PROTECT FROM SUNLIGHT	031047	1
- 125	411N1510-102SP		GRILLE ASSY-20.5 IN. PNL WITH SHORT LATCH AND LARGE BAFFLE (PLACARDS AND MARKINGS ONLY) FOR NHA/OTHER SYS DET SEE: 25-21-47-51E	031047	RF
130	BAC29PPS21671		.DECAL- PLACARD CONTENT: PROTECT FROM SUNLIGHT	031047	1
- 150	411N1510-194SP		GRILLE ASSY-20.5 IN. SHORTENED, SHORT LATCH AND LARGE BAFFLE (PLACARDS AND MARKINGS ONLY) FOR NHA/OTHER SYS DET SEE: 25-21-47-51E	031047	RF
155	BAC29PPS21671		.DECAL- PLACARD CONTENT: PROTECT FROM SUNLIGHT	031047	1
- 175	411N1510-198SP		GRILLE ASSY- (PLACARDS AND MARKINGS ONLY) FOR NHA/OTHER SYS DET SEE: 25-21-47-51E	031047	RF
180	BAC29PPS21671		.DECAL- PLACARD CONTENT: PROTECT FROM SUNLIGHT	031047	1
- 200	411N1510-109SP		GRILLE ASSY-20.5 IN. PNL SHORTENED, SHORT LATCH AND SHORT BAFFLE (PLACARDS AND MARKINGS ONLY) FOR NHA/OTHER SYS DET SEE: 25-21-47-51E	031047	RF
205	BAC29PPS21671		.DECAL- PLACARD CONTENT: PROTECT FROM SUNLIGHT	031047	1
- 225	411N1510-107SP		GRILLE ASSY-22.5 IN. PNL WITH 4 IN. EXTENSION OPP CLIP, LONG LATCH AND SHORT BAFFLE (PLACARDS AND MARKINGS ONLY) FOR NHA/OTHER SYS DET SEE: 25-21-47-51E	031047	RF

MISSING ITEM NUMBERS NOT APPLICABLE

- ITEM NOT ILLUSTRATED

HAP

11-30-54-51E

BOEING PROPRIETARY - Copyright © - Unpublished Work - See title page for details.

11-30-54
FIG. 51E
PAGE 2
OCT 15/08

BOEING
737-600/700/800/900
PARTS CATALOG (MAINTENANCE)

FIG ITEM	PART NUMBER	1 2 3 4 5 6 7	NOMENCLATURE	EFFECT FROM TO	UNITS PER ASSY
51E 230	BAC29PPS21671		.DECAL- PLACARD CONTENT: PROTECT FROM SUNLIGHT	031047	1
- 250	411N1510-113SP		GRILLE ASSY-22.5 IN. PNL WITH SHORT LATCH, SHORT BAFFLE AND IFE AT CTR (PLACARDS AND MARKINGS ONLY) FOR NHA/OTHER SYS DET SEE: 25-21-47-51E	031047	RF
255	BAC29PPS21671		.DECAL- PLACARD CONTENT: PROTECT FROM SUNLIGHT	031047	1
- 275	411N1510-27SP		GRILLE ASSY-22.5 IN. BLANK PNL, LONG LATCH (PLACARDS AND MARKINGS ONLY) FOR NHA/OTHER SYS DET SEE: 25-21-47-51E	031047	RF
280	BAC29PPS21671		.DECAL- PLACARD CONTENT: PROTECT FROM SUNLIGHT	031047	1
- 300	411N1510-106SP		GRILLE ASSY-22.5 IN. PNL WITH SHORT LATCH AND LARGE BAFFLE (PLACARDS AND MARKINGS ONLY) FOR NHA/OTHER SYS DET SEE: 25-21-47-51E	031047	RF
305	BAC29PPS21671		.DECAL- PLACARD CONTENT: PROTECT FROM SUNLIGHT	031047	1
- 325	411N1510-112SP		GRILLE ASSY-22.5 IN. PNL WITH 8 IN. EXTENSION CLIP SIDE, LONG LATCH AND LARGE BAFFLE (PLACARDS AND MARKINGS ONLY) FOR NHA/OTHER SYS DET SEE: 25-21-47-51E	031047	RF
330	BAC29PPS21671		.DECAL- PLACARD CONTENT: PROTECT FROM SUNLIGHT	031047	1

MISSING ITEM NUMBERS NOT APPLICABLE

- ITEM NOT ILLUSTRATED

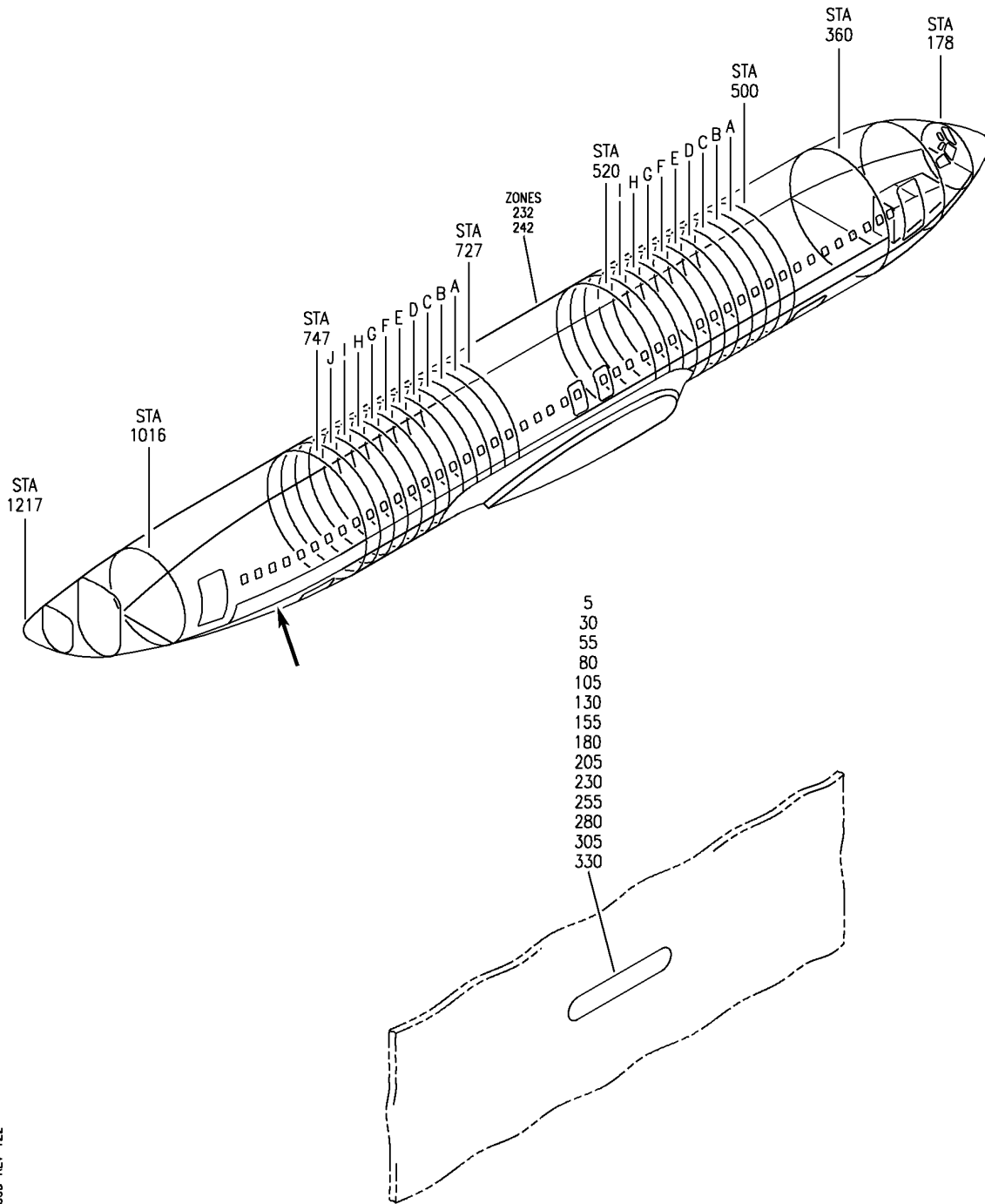
HAP

11-30-54-51E

BOEING PROPRIETARY - Copyright © - Unpublished Work - See title page for details.

11-30-54
FIG. 51E
PAGE 3
OCT 15/08

BOEING
737-600/700/800/900
PARTS CATALOG (MAINTENANCE)



E 11305453D REV 122

GRILLE ASSY-16.5 TO 22.5 IN. PASS. CAB. AIR RETURN PNL (PLACARDS AND MARKINGS ONLY)
 FIGURE 53D

HAP
 OCT 15/08

11-30-54-53D

11-30-54-53D
 PAGE 0

BOEING
737-600/700/800/900
PARTS CATALOG (MAINTENANCE)

FIG ITEM	PART NUMBER	1 2 3 4 5 6 7	NOMENCLATURE	EFFECT FROM TO	UNITS PER ASSY
53D			GRILLE ASSY-16.5 TO 22.5 IN. PASS. CAB. AIR RETURN PNL (PLACARDS AND MARKINGS ONLY)	048100	
- 1	411N1510-30SP		GRILLE ASSY-16.5 IN. BLANK PNL, LONG LATCH (PLACARDS AND MARKINGS ONLY) FOR NHA/OTHER SYS DET SEE: 25-21-47-53D	048100	RF
	5 BAC29PPS21671		.DECAL- PLACARD CONTENT: PROTECT FROM SUNLIGHT	048100	1
- 25	411N1510-101SP		GRILLE ASSY-20.5 IN. PNL WITH SHORT LATCH AND SHORT BAFFLE (PLACARDS AND MARKINGS ONLY) FOR NHA/OTHER SYS DET SEE: 25-21-47-53D	048100	RF
	30 BAC29PPS21671		.DECAL- PLACARD CONTENT: PROTECT FROM SUNLIGHT	048100	1
- 50	411N1510-105SP		GRILLE ASSY-20.5 IN. PNL WITH IFE AT CTR, SHORT BAFFLE AND LONG LATCH (PLACARDS AND MARKINGS ONLY) FOR NHA/OTHER SYS DET SEE: 25-21-47-53D	048100	RF
	55 BAC29PPS21671		.DECAL- PLACARD CONTENT: PROTECT FROM SUNLIGHT	048100	1
- 75	411N1510-103SP		GRILLE ASSY-22.5 IN. PNL WITH SHORT LATCH AND SHORT BAFFLE (PLACARDS AND MARKINGS ONLY) FOR NHA/OTHER SYS DET SEE: 25-21-47-53D	048100	RF
	80 BAC29PPS21671		.DECAL- PLACARD CONTENT: PROTECT FROM SUNLIGHT	048100	1
- 100	411N1510-34SP		GRILLE ASSY-20.5 IN. BLANK PNL, WITH PLUG AND SNAP-ON LATCH (PLACARDS AND MARKINGS ONLY) FOR NHA/OTHER SYS DET SEE: 25-21-47-53D	048100	RF

MISSING ITEM NUMBERS NOT APPLICABLE

- ITEM NOT ILLUSTRATED

HAP

11-30-54-53D

BOEING PROPRIETARY - Copyright © - Unpublished Work - See title page for details.

11-30-54
FIG. 53D
PAGE 1
OCT 15/08

BOEING
737-600/700/800/900
PARTS CATALOG (MAINTENANCE)

FIG ITEM	PART NUMBER	1 2 3 4 5 6 7	NOMENCLATURE	EFFECT FROM TO	UNITS PER ASSY
53D 105	BAC29PPS21671		.DECAL- PLACARD CONTENT: PROTECT FROM SUNLIGHT	048100	1
- 125	411N1510-102SP		GRILLE ASSY-20.5 IN. PNL WITH SHORT LATCH AND LARGE BAFFLE (PLACARDS AND MARKINGS ONLY) FOR NHA/OTHER SYS DET SEE: 25-21-47-53D	048100	RF
130	BAC29PPS21671		.DECAL- PLACARD CONTENT: PROTECT FROM SUNLIGHT	048100	1
- 150	411N1510-194SP		GRILLE ASSY-20.5 IN. PNL SHORTENED, SHORT LATCH AND LARGE BAFFLE (PLACARDS AND MARKINGS ONLY) FOR NHA/OTHER SYS DET SEE: 25-21-47-53D	048100	RF
155	BAC29PPS21671		.DECAL- PLACARD CONTENT: PROTECT FROM SUNLIGHT	048100	1
- 175	411N1510-198SP		GRILLE ASSY- (PLACARDS AND MARKINGS ONLY) FOR NHA/OTHER SYS DET SEE: 25-21-47-53D	048100	RF
180	BAC29PPS21671		.DECAL- PLACARD CONTENT: PROTECT FROM SUNLIGHT	048100	1
- 200	411N1510-107SP		GRILLE ASSY-22.5 IN. PNL WITH 4 IN. EXTENSION (OPP CLIP), LONG LATCH AND SHORT BAFFLE (PLACARDS AND MARKINGS ONLY) FOR NHA/OTHER SYS DET SEE: 25-21-47-53D	048100	RF
205	BAC29PPS21671		.DECAL- PLACARD CONTENT: PROTECT FROM SUNLIGHT	048100	1
- 225	411N1510-113SP		GRILLE ASSY-22.5 IN. PNL WITH SHORT LATCH, SHORT BAFFLE AND IFE AT CTR (PLACARDS AND MARKINGS ONLY) FOR NHA/OTHER SYS DET SEE: 25-21-47-53D	048100	RF

MISSING ITEM NUMBERS NOT APPLICABLE

- ITEM NOT ILLUSTRATED

HAP

11-30-54-53D

BOEING PROPRIETARY - Copyright © - Unpublished Work - See title page for details.

11-30-54
FIG. 53D
PAGE 2
OCT 15/08

BOEING
737-600/700/800/900
PARTS CATALOG (MAINTENANCE)

FIG ITEM	PART NUMBER	1 2 3 4 5 6 7	NOMENCLATURE	EFFECT FROM TO	UNITS PER ASSY
53D 230	BAC29PPS21671		.DECAL- PLACARD CONTENT: PROTECT FROM SUNLIGHT	048100	1
- 250	411N1510-27SP		GRILLE ASSY-22.5 IN. BLANK PNL, LONG LATCH (PLACARDS AND MARKINGS ONLY) FOR NHA/OTHER SYS DET SEE: 25-21-47-53D	048100	RF
255	BAC29PPS21671		.DECAL- PLACARD CONTENT: PROTECT FROM SUNLIGHT	048100	1
- 275	411N1510-106SP		GRILLE ASSY-22.5 IN. PNL WITH SHORT LATCH AND LARGE BAFFLE (PLACARDS AND MARKINGS ONLY) FOR NHA/OTHER SYS DET SEE: 25-21-47-53D	048100	RF
280	BAC29PPS21671		.DECAL- PLACARD CONTENT: PROTECT FROM SUNLIGHT	048100	1
- 300	411N1510-112SP		GRILLE ASSY-22.5 IN. PNL WITH 8 IN. EXTENSION (CLIP SIDE), LONG LATCH AND LARGE BAFFLE (PLACARDS AND MARKINGS ONLY) FOR NHA/OTHER SYS DET SEE: 25-21-47-53D	048100	RF
305	BAC29PPS21671		.DECAL- PLACARD CONTENT: PROTECT FROM SUNLIGHT	048100	1
- 325	411N1510-109SP		GRILLE ASSY-20.5 IN. PNL SHORTENED, SHORT LATCH AND SHORT BAFFLE (PLACARDS AND MARKINGS ONLY) FOR NHA/OTHER SYS DET SEE: 25-21-47-53D	048100	RF
330	BAC29PPS21671		.DECAL- PLACARD CONTENT: PROTECT FROM SUNLIGHT	048100	1

MISSING ITEM NUMBERS NOT APPLICABLE

- ITEM NOT ILLUSTRATED

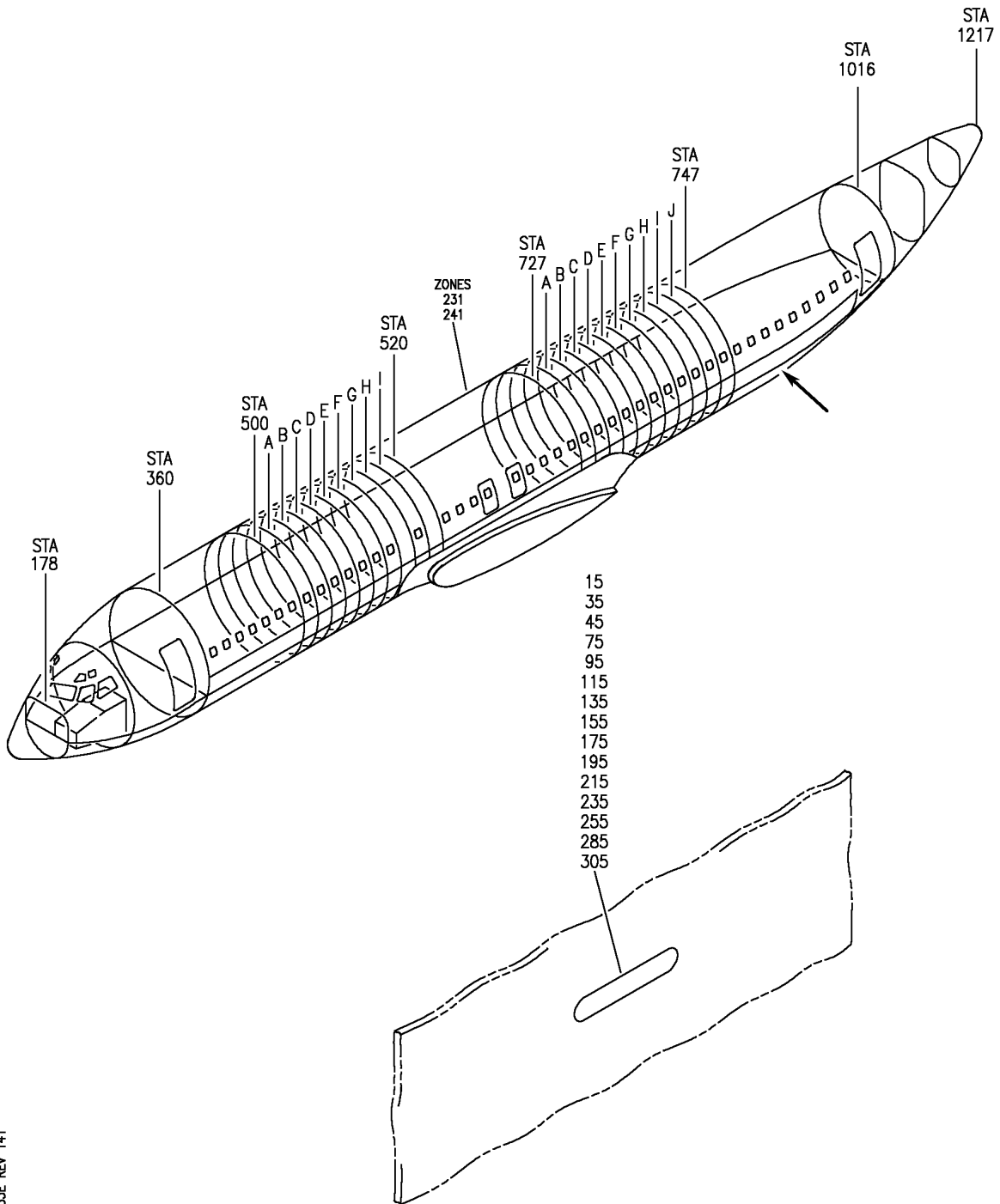
HAP

11-30-54-53D

BOEING PROPRIETARY - Copyright © - Unpublished Work - See title page for details.

11-30-54
FIG. 53D
PAGE 3
OCT 15/08

BOEING
 737-600/700/800/900
 PARTS CATALOG (MAINTENANCE)



E 11305453E REV 141

GRILLE ASSY-20.5 TO 22.5 IN. PASS. CAB. AIR RETURN PNL (PLACARDS AND MARKINGS ONLY)
 FIGURE 53E

HAP
 JUN 15/08

11-30-54-53E

11-30-54-53E
 PAGE 0

BOEING
737-600/700/800/900
PARTS CATALOG (MAINTENANCE)

FIG ITEM	PART NUMBER	1 2 3 4 5 6 7	NOMENCLATURE	EFFECT FROM TO	UNITS PER ASSY
53E			GRILLE ASSY-20.5 TO 22.5 IN. PASS. CAB. AIR RETURN PNL (PLACARDS AND MARKINGS ONLY)	031100	
- 1	411N1510-103SP		GRILLE ASSY-22.5 IN. PNL WITH SHORT LATCH AND SHORT BAFFLE (PLACARDS AND MARKINGS ONLY) FOR NHA/OTHER SYS DET SEE: 25-21-47-53E	031100	RF
15	BAC29PPS21671		.DECAL- PLACARD CONTENT: PROTECT FROM SUNLIGHT	031100	1
- 25	411N1510-101SP		GRILLE ASSY-20.5 IN. PNL WITH SHORT LATCH AND SHORT BAFFLE (PLACARDS AND MARKINGS ONLY) FOR NHA/OTHER SYS DET SEE: 25-21-47-53E	031100	RF
35	BAC29PPS21671		.DECAL- PLACARD CONTENT: PROTECT FROM SUNLIGHT	031100	1
- 45	411N1510-105SP		GRILLE ASSY-20.5 IN. PNL WITH IFE (CTR), SHORT BAFFLE, AND LONG LATCH (PLACARDS AND MARKINGS ONLY) FOR NHA/OTHER SYS DET SEE: 25-21-47-53E	031100	RF
55	BAC29PPS21671		.DECAL- PLACARD CONTENT: PROTECT FROM SUNLIGHT	031100	1
- 65	411N1510-33SP		GRILLE ASSY-22.5 IN. BLANK PNL, PLUG AND SNAP-ON LATCH (PLACARDS AND MARKINGS ONLY) FOR NHA/OTHER SYS DET SEE: 25-21-47-53E	031100	RF
- 70	411N1510-34SP		GRILLE ASSY-20.5 IN. BLANK PNL, PLUG AND SNAP-ON LATCH (PLACARDS AND MARKINGS ONLY) FOR NHA/OTHER SYS DET SEE: 25-21-47-53E	031100	RF
75	BAC29PPS21671		.DECAL- PLACARD CONTENT: PROTECT FROM SUNLIGHT	031100	1

MISSING ITEM NUMBERS NOT APPLICABLE

- ITEM NOT ILLUSTRATED

HAP

11-30-54-53E

BOEING PROPRIETARY - Copyright © - Unpublished Work - See title page for details.

11-30-54
FIG. 53E
PAGE 1
FEB 10/07

BOEING
737-600/700/800/900
PARTS CATALOG (MAINTENANCE)

FIG ITEM	PART NUMBER	1 2 3 4 5 6 7	NOMENCLATURE	EFFECT FROM TO	UNITS PER ASSY
53E - 85	411N1510-102SP		GRILLE ASSY-20.5 IN. PNL WITH SHORT LATCH AND LARGE BAFFLE (PLACARDS AND MARKINGS ONLY) FOR NHA/OTHER SYS DET SEE: 25-21-47-53E	031100	RF
	95 BAC29PPS21671		.DECAL- PLACARD CONTENT: PROTECT FROM SUNLIGHT	031100	1
- 105	411N1510-194SP		GRILLE ASSY-20.5 IN. PNL SHORTENED, SHORT LATCH, LARGE BAFFLE (PLACARDS AND MARKINGS ONLY) FOR NHA/OTHER SYS DET SEE: 25-21-47-53E	031100	RF
	115 BAC29PPS21671		.DECAL- PLACARD CONTENT: PROTECT FROM SUNLIGHT	031100	1
- 125	411N1510-197SP		GRILLE ASSY-(PLACARDS AND MARKINGS ONLY) FOR NHA/OTHER SYS DET SEE: 25-21-47-53E	031100	RF
	135 BAC29PPS21671		.DECAL- PLACARD CONTENT: PROTECT FROM SUNLIGHT	031100	1
- 145	411N1510-109SP		GRILLE ASSY-20.5 IN. PNL, SHORTENED, SHORT LATCH AND SHORT BAFFLE (PLACARDS AND MARKINGS ONLY) FOR NHA/OTHER SYS DET SEE: 25-21-47-53E	031100	RF
	155 BAC29PPS21671		.DECAL- PLACARD CONTENT: PROTECT FROM SUNLIGHT	031100	1
- 165	411N1510-107SP		GRILLE ASSY-22.5 IN. PNL WITH 4 IN. EXTENSION (OPP CLIP), LONG LATCH AND SHORT BAFFLE (PLACARDS AND MARKINGS ONLY) FOR NHA/OTHER SYS DET SEE: 25-21-47-53E	031100	RF
	175 BAC29PPS21671		.DECAL- PLACARD CONTENT: PROTECT FROM SUNLIGHT	031100	1

MISSING ITEM NUMBERS NOT APPLICABLE

- ITEM NOT ILLUSTRATED

HAP

11-30-54-53E

BOEING PROPRIETARY - Copyright © - Unpublished Work - See title page for details.

11-30-54
FIG. 53E
PAGE 2
FEB 10/07

BOEING
737-600/700/800/900
PARTS CATALOG (MAINTENANCE)

FIG ITEM	PART NUMBER	1 2 3 4 5 6 7	NOMENCLATURE	EFFECT FROM TO	UNITS PER ASSY
53E - 185	411N1510-113SP		GRILLE ASSY-22.5 IN. PNL WITH SHORT LATCH, SHORT BAFFLE AND IFE AT CTR (PLACARDS AND MARKINGS ONLY) FOR NHA/OTHER SYS DET SEE: 25-21-47-53E	031100	RF
195	BAC29PPS21671		.DECAL- PLACARD CONTENT: PROTECT FROM SUNLIGHT	031100	1
- 205	411N1510-27SP		GRILLE ASSY-22.5 IN. BLANK PNL, LONG LATCH (PLACARDS AND MARKINGS ONLY) FOR NHA/OTHER SYS DET SEE: 25-21-47-53E	031100	RF
215	BAC29PPS21671		.DECAL- PLACARD CONTENT: PROTECT FROM SUNLIGHT	031100	1
- 225	411N1510-106SP		GRILLE ASSY-22.5 IN. PNL WITH SHORT LATCH AND LARGE BAFFLE (PLACARDS AND MARKINGS ONLY) FOR NHA/OTHER SYS DET SEE: 25-21-47-53E	031100	RF
235	BAC29PPS21671		.DECAL- PLACARD CONTENT: PROTECT FROM SUNLIGHT	031100	1
- 245	411N1510-110SP		GRILLE ASSY-20.5 IN. PNL WITH 8IN. EXTENSION (OPP CLIP) AND LARGE BAFFLE (PLACARDS AND MARKINGS ONLY) FOR NHA/OTHER SYS DET SEE: 25-21-47-53E	031100	RF
255	BAC29PPS21671		.DECAL- PLACARD CONTENT: PROTECT FROM SUNLIGHT	031100	1

MISSING ITEM NUMBERS NOT APPLICABLE

- ITEM NOT ILLUSTRATED

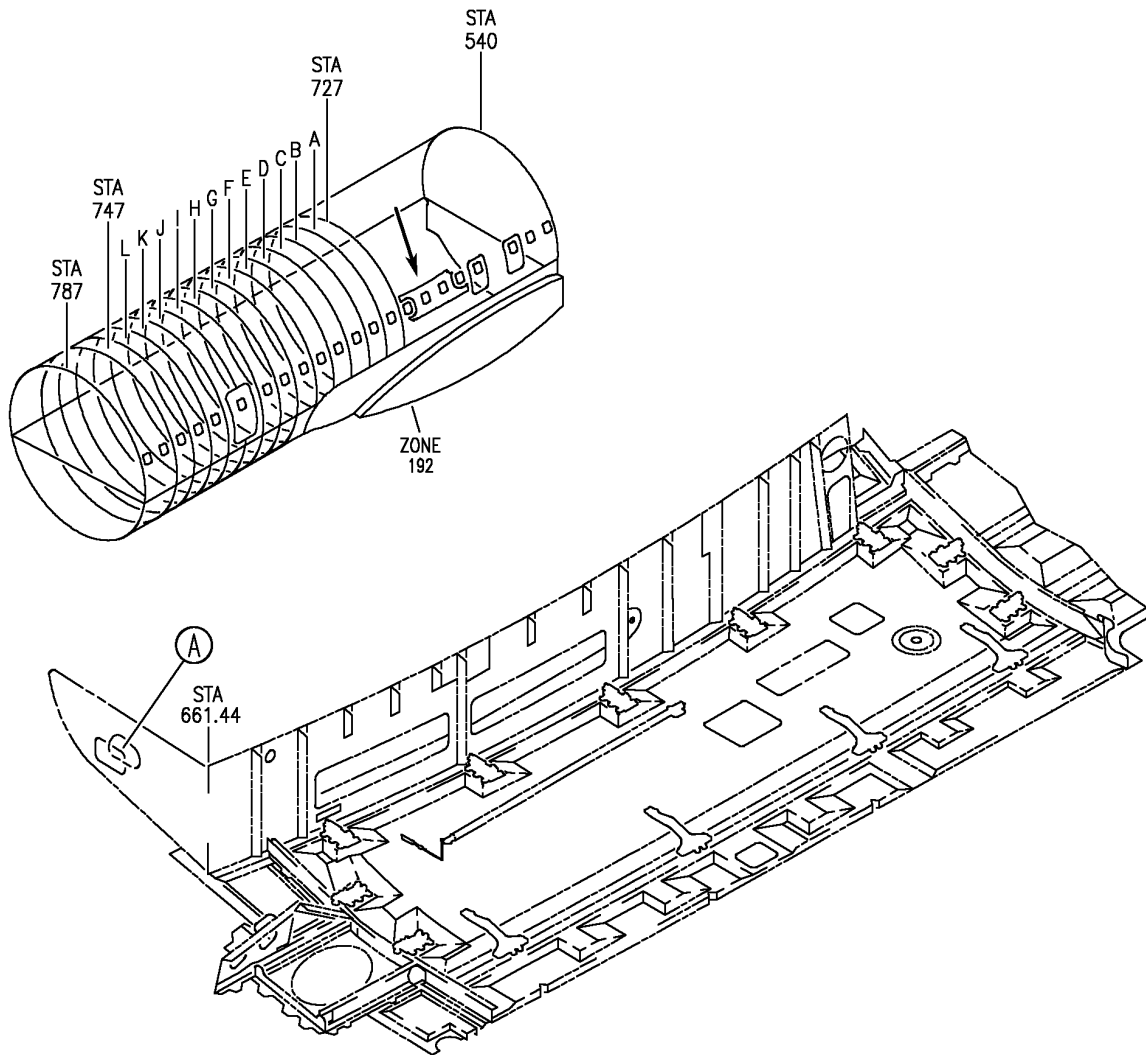
HAP

11-30-54-53E

BOEING PROPRIETARY - Copyright © - Unpublished Work - See title page for details.

11-30-54
FIG. 53E
PAGE 3
FEB 10/07

BOEING
 737-600/700/800/900
 PARTS CATALOG (MAINTENANCE)



5

CAUTION

LOW OXYGEN CONTENT POSSIBLE
 DURING NITROGEN GENERATION
 SYSTEM OPERATION.
 OBEY EMPLOYER SAFETY PROCEDURES.
 FAILURE TO OBEY MAY CAUSE INJURY.

(A)

E 11305602 REV 142

MARKER INSTL-NITROGEN GENERATION SYS
 FIGURE 2

11-30-56-02

HAP
 JUN 15/08

11-30-56-02
 PAGE 0


BOEING
 737-600/700/800/900
PARTS CATALOG (MAINTENANCE)

FIG ITEM	PART NUMBER	1 2 3 4 5 6 7	NOMENCLATURE	EFFECT FROM TO	UNITS PER ASSY
2			MARKER INSTL-NITROGEN GENERATION SYS	047053 106200	
-	1	MODREF377396	MARKER INSTL-NITROGEN GENERATION SYS	047053 106200	1
	5	BAC27EAC759	MODULE NUMBER: 212A5001-3 REV A .MARKER-ALUMINUM FOIL	047053 106200	1

MISSING ITEM NUMBERS NOT APPLICABLE

- ITEM NOT ILLUSTRATED

HAP

11-30-56-02

BOEING PROPRIETARY - Copyright © - Unpublished Work - See title page for details.

11-30-56
 FIG. 02
 PAGE 1
 FEB 15/09