

INTERIOR PLACARDS FLIGHT DECK

HAP
OCT 10/06

11-31-00
SECTION TITLE
PAGE 1

NON-ILLUSTRATED FIGURE

THE ITEMS REFLECTED IN THIS FIGURE ARE INTENTIONALLY
NON-ILLUSTRATED. THEY ARE REFERENCED TO EITHER A
NEXT HIGHER OR NEXT LOWER ASSEMBLY/INSTALLATION FIGURE.

E 11310001C REV 054

FUNCTIONAL COLLECTOR-FLIGHT DECK FINAL ASSY CUSTOMER UNIQUE (PLACARDS AND MARKINGS ONLY)
FIGURE 1C

HAP
OCT 10/06

11-31-00-01C

11-31-00-01C
PAGE 0

 **BOEING**
737-600/700/800/900
PARTS CATALOG (MAINTENANCE)

| FIG ITEM | PART NUMBER | 1 2 3 4 5 6 7 | NOMENCLATURE | EFFECT FROM TO | UNITS PER ASSY |
|----------|---------------|---------------|---|----------------|----------------|
| 1C | | | FUNCTIONAL COLLECTOR-FLIGHT DECK FINAL ASSY CUSTOMER UNIQUE (PLACARDS AND MARKINGS ONLY) | 001030 | |
| - 1 | 230A0001-3001 | | FUNCTIONAL COLLECTOR-FLIGHT DECK FINAL ASSY CUSTOMER UNIQUE FOR NHA SEE: 11-00-00-01B | 001030 | RF |
| - 50 | 232A4212-26 | | .PLACARD INSTL-APL LICENSE REGISTRATION AND SELCAL FOR DETAILS SEE: 11-31-01-44C | 006006 | 1 |
| - 50 | 232A4212-27 | | .PLACARD INSTL-APL LICENSE REGISTRATION AND SELCAL FOR DETAILS SEE: 11-31-01-44C | 007007 | 1 |
| - 50 | 232A4212-28 | | .PLACARD INSTL-APL LICENSE REGISTRATION AND SELCAL FOR DETAILS SEE: 11-31-01-44C | 001001 | 1 |
| - 50 | 232A4212-29 | | .PLACARD INSTL-APL LICENSE REGISTRATION AND SELCAL FOR DETAILS SEE: 11-31-01-44C | 002002 | 1 |
| - 50 | 232A4212-30 | | .PLACARD INSTL-APL LICENSE REGISTRATION AND SELCAL FOR DETAILS SEE: 11-31-01-44C | 003003 | 1 |
| - 50 | 232A4212-31 | | .PLACARD INSTL-APL LICENSE REGISTRATION AND SELCAL FOR DETAILS SEE: 11-31-01-44C | 004004 | 1 |
| - 50 | 232A4212-32 | | .PLACARD INSTL-APL LICENSE REGISTRATION AND SELCAL FOR DETAILS SEE: 11-31-01-44C | 005005 | 1 |
| - 55 | 232A4212-263 | | .PLACARD INSTL-APL LICENSE REGISTRATION AND SELCAL FOR DETAILS SEE: 11-31-01-44C | 008008 | 1 |
| - 56 | 232A4212-264 | | .PLACARD INSTL-APL LICENSE REGISTRATION AND SELCAL FOR DETAILS SEE: 11-31-01-44C | 009009 | 1 |
| - 56 | 232A4212-277 | | .PLACARD INSTL-APL LICENSE REGISTRATION AND SELCAL FOR DETAILS SEE: 11-31-01-44C | 010010 | 1 |

MISSING ITEM NUMBERS NOT APPLICABLE

- ITEM NOT ILLUSTRATED

HAP

11-31-00-01C

BOEING PROPRIETARY - Copyright © - Unpublished Work - See title page for details.

11-31-00
FIG. 01C
PAGE 1
OCT 10/06

 **BOEING**
737-600/700/800/900
PARTS CATALOG (MAINTENANCE)

| FIG ITEM | PART NUMBER | 1 2 3 4 5 6 7 | NOMENCLATURE | EFFECT FROM TO | UNITS PER ASSY |
|----------|--------------|---------------|---|----------------|----------------|
| 1C | | | | | |
| - 56 | 232A4212-278 | | .PLACARD INSTL-APL LICENSE REGISTRATION AND SELCAL FOR DETAILS SEE: 11-31-01-44C | 011011 | 1 |
| - 61 | 232A4212-453 | | .PLACARD INSTL-APL LICENSE REGISTRATION AND SELCAL FOR DETAILS SEE: 11-31-01-44C | 012012 | 1 |
| - 62 | 232A4212-465 | | .PLACARD INSTL-APL LICENSE REGISTRATION AND SELCAL FOR DETAILS SEE: 11-31-01-44C | 013013 | 1 |
| - 62 | 232A4212-471 | | .PLACARD INSTL-APL LICENSE REGISTRATION AND SELCAL FOR DETAILS SEE: 11-31-01-44C | 014014 | 1 |
| - 63 | 232A4212-485 | | .PLACARD INSTL-APL LICENSE REGISTRATION AND SELCAL FOR DETAILS SEE: 11-31-01-44C | 015015 | 1 |
| - 63 | 232A4212-486 | | .PLACARD INSTL-APL LICENSE REGISTRATION AND SELCAL FOR DETAILS SEE: 11-31-01-44C | 016016 | 1 |
| - 63 | 232A4212-602 | | .PLACARD INSTL-APL LICENSE REGISTRATION AND SELCAL FOR DETAILS SEE: 11-31-01-44C | 017017 | 1 |
| - 63 | 232A4212-608 | | .PLACARD INSTL-APL LICENSE REGISTRATION AND SELCAL FOR DETAILS SEE: 11-31-01-44C | 019019 | 1 |
| - 66 | 232A4212-662 | | .PLACARD INSTL-APL LICENSE REGISTRATION AND SELCAL FOR DETAILS SEE: 11-31-01-44C | 018018 | 1 |
| - 70 | 232A4212-767 | | .PLACARD INSTL-APL LICENSE REGISTRATION AND SELCAL FOR DETAILS SEE: 11-31-01-44C | 021021 | 1 |
| - 70 | 232A4212-779 | | .PLACARD INSTL-APL LICENSE REGISTRATION AND SELCAL FOR DETAILS SEE: 11-31-01-44C | 022022 | 1 |
| - 71 | 232A4212-809 | | .PLACARD INSTL-APL LICENSE REGISTRATION AND SELCAL FOR DETAILS SEE: 11-31-01-44C | 023023 | 1 |

MISSING ITEM NUMBERS NOT APPLICABLE

- ITEM NOT ILLUSTRATED

HAP

11-31-00-01C

BOEING PROPRIETARY - Copyright © - Unpublished Work - See title page for details.

11-31-00
FIG. 01C
PAGE 2
OCT 10/06

 **BOEING**
737-600/700/800/900
PARTS CATALOG (MAINTENANCE)

| FIG ITEM | PART NUMBER | 1 2 3 4 5 6 7 | NOMENCLATURE | EFFECT FROM TO | UNITS PER ASSY |
|-------------|---------------|---------------|--|-------------------|----------------------|
| 1C | | | | | |
| - 72 | 232A4212-832 | | .PLACARD INSTL-APL LICENSE REGISTRATION AND SELCAL FOR DETAILS SEE: 11-31-01-44C | 024024 | 1 |
| - 72 | 232A4212-833 | | .PLACARD INSTL-APL LICENSE REGISTRATION AND SELCAL FOR DETAILS SEE: 11-31-01-44C | 025025 | 1 |
| - 72 | 232A4212-834 | | .PLACARD INSTL-APL LICENSE REGISTRATION AND SELCAL FOR DETAILS SEE: 11-31-01-44C | 026027 | 1 |
| - 72 | RR97089-43-1 | | .PLACARD INSTL-APL LICENSE REGISTRATION AND SELCAL POST RAPID REVISION: RR97089-43C FOR DETAILS SEE: 11-31-01-44C | 020020 | 1 |
| - 81 | 232A4212-1192 | | .PLACARD INSTL-APL LICENSE REGISTRATION AND SELCAL FOR DETAILS SEE: 11-31-01-44C | 028028 | 1 |
| - 82 | 232A4212-1223 | | .PLACARD INSTL-APL LICENSE REGISTRATION AND SELCAL FOR DETAILS SEE: 11-31-01-44C | 029029 | 1 |
| - 83 | 232A4212-1252 | | .PLACARD INSTL-APL LICENSE REGISTRATION AND SELCAL FOR DETAILS SEE: 11-31-01-44C | 030030 | 1 |
| - 110 | 233A8103-103 | | .PANEL INSTL-PILOTS GLARESHIELD FOR DETAILS SEE: 11-31-01-03 | 008011 017030 | 1 |
| - 110 | 233A8103-105 | | .PANEL INSTL-PILOTS GLARESHIELD FOR DETAILS SEE: 11-31-01-03 | 012016 | 1 |
| - 115 | 233A7102-12 | | .MARKER INSTL-DATA LOADER SELECTOR FOR DETAILS SEE: 11-31-01-72 | 018030 | 1 |
| - 120 | 233A7102-13 | | .MARKER INSTL-DATA LOADER SELECTOR FOR DETAILS SEE: 11-31-01-72 | 018030 | 1 |

MISSING ITEM NUMBERS NOT APPLICABLE

- ITEM NOT ILLUSTRATED

HAP

11-31-00-01C

BOEING PROPRIETARY - Copyright © - Unpublished Work - See title page for details.

11-31-00
FIG. 01C
PAGE 3
OCT 10/07

BOEING
737-600/700/800/900
PARTS CATALOG (MAINTENANCE)

| FIG ITEM | PART NUMBER | 1 2 3 4 5 6 7 | NOMENCLATURE | EFFECT FROM TO | UNITS PER ASSY |
|-------------|-----------------|---------------|--|-------------------|----------------------|
| 1C | | | | | |
| - 125 | 233A7102-14 | | .MARKER INSTL-DATA LOADER SELECTOR FOR DETAILS SEE: 11-31-01-72 | 018030 | 1 |
| - 130 | 233A7102-18 | | .MARKER INSTL-DATA LOADER SELECTOR FOR DETAILS SEE: 11-31-01-72 | 018030 | 1 |
| - 145 | 233A7102-9 | | .MARKER INSTL-DATA LOADER SELECTOR FOR DETAILS SEE: 11-31-01-72 | 018030 | 1 |
| - 150 | 233A7102-11 | | .MARKER INSTL-DATA LOADER SELECTOR FOR DETAILS SEE: 11-31-01-72 | 028030 | 1 |
| - 250 | 233A3102-231102 | | .MARKER INSTL-HF1 AUDIO SELECTOR PANEL P/N 5145-1-60 FOR DETAILS SEE: 11-31-01-54 | 029030 | 1 |
| - 265 | 233A3102-231202 | | .MARKER INSTL-VHF3 AUDIO SELECTOR PANEL P/N 5145-1-60 FOR DETAILS SEE: 11-31-01-54 | 029030 | 1 |
| - 305 | 233A3102-345705 | | .MARKER INSTL-ADF2 AUDIO SELECTOR PANEL P/N 5145-1-60 FOR DETAILS SEE: 11-31-01-54 | 029030 | 1 |

MISSING ITEM NUMBERS NOT APPLICABLE

- ITEM NOT ILLUSTRATED

HAP

11-31-00-01C

BOEING PROPRIETARY - Copyright © - Unpublished Work - See title page for details.

11-31-00
FIG. 01C
PAGE 4
OCT 10/07

NON-ILLUSTRATED FIGURE

THE ITEMS REFLECTED IN THIS FIGURE ARE INTENTIONALLY
NON-ILLUSTRATED. THEY ARE REFERENCED TO EITHER A
NEXT HIGHER OR NEXT LOWER ASSEMBLY/INSTALLATION FIGURE.

E 11310003B REV 055

FUNCTIONAL COLLECTOR-P6 CB E/E EQPT FINAL ASSY CUSTOMER UNIQUE
FIGURE 3B

HAP
OCT 15/08

11-31-00-03B

11-31-00-03B
PAGE 0

BOEING
737-600/700/800/900
PARTS CATALOG (MAINTENANCE)

| FIG ITEM | PART NUMBER | 1 2 3 4 5 6 7 | NOMENCLATURE | EFFECT FROM TO | UNITS PER ASSY |
|----------|-----------------|---------------|--|----------------|----------------|
| 3B | | | FUNCTIONAL COLLECTOR-P6 CB E/E EQPT FINAL ASSY CUSTOMER UNIQUE | 201967 | |
| - 3 | 230A0020-2610 | | FUNCTIONAL COLLECTOR-P6 CB E/E EQPT FINAL ASSY CUSTOMER UNIQUE | 201967 | RF |
| - 20 | 233A5221-402898 | | FOR NHA SEE: 11-00-00-01A .MARKER INSTL-P6-1 ROW A FOR DETAILS SEE: 11-35-01-01Y | 201967 | 1 |
| - 25 | 233A5221-402866 | | .MARKER INSTL-P6-1 ROW B FOR DETAILS SEE: 11-35-01-01Y | 201967 | 1 |
| - 30 | 233A5221-402834 | | .MARKER INSTL-P6-1 ROW C FOR DETAILS SEE: 11-35-01-01Y | 201967 | 1 |
| - 35 | 233A5221-402884 | | .MARKER INSTL-P6-1 ROW D FOR DETAILS SEE: 11-35-01-01Y | 201967 | 1 |
| - 40 | 233A5221-403035 | | .MARKER INSTL-P6-1 ROW E FOR DETAILS SEE: 11-35-01-01Y | 201967 | 1 |
| - 50 | 233A5223-402725 | | .MARKER INSTL-P6-3 ROW B FOR DETAILS SEE: 11-35-01-43 | 201967 | 1 |
| - 55 | 233A5223-402726 | | .MARKER INSTL-P6-3 ROW C FOR DETAILS SEE: 11-35-01-43 | 201967 | 1 |
| - 60 | 233A5223-402930 | | .MARKER INSTL-P6-3 ROW D FOR DETAILS SEE: 11-35-01-43 | 201967 | 1 |
| - 65 | 233A5223-402728 | | .MARKER INSTL-P6-3 ROW E FOR DETAILS SEE: 11-35-01-43 | 201967 | 1 |
| - 70 | 233A5223-402729 | | .MARKER INSTL-P6-3 ROW F FOR DETAILS SEE: 11-35-01-43 | 201967 | 1 |
| - 100 | 233A5224-402885 | | .MARKER INSTL-P6-4 ROW A FOR DETAILS SEE: 11-35-01-40C | 201967 | 1 |
| - 105 | 233A5224-402854 | | .MARKER INSTL-P6-4 ROW B FOR DETAILS SEE: 11-35-01-40C | 201967 | 1 |
| - 110 | 233A5224-402855 | | .MARKER INSTL-P6-4 ROW C FOR DETAILS SEE: 11-35-01-40C | 201967 | 1 |

MISSING ITEM NUMBERS NOT APPLICABLE

- ITEM NOT ILLUSTRATED

HAP

11-31-00-03B

BOEING PROPRIETARY - Copyright © - Unpublished Work - See title page for details.

11-31-00
FIG. 03B
PAGE 1
OCT 15/08


BOEING
 737-600/700/800/900
PARTS CATALOG (MAINTENANCE)

| FIG ITEM | PART NUMBER | 1 2 3 4 5 6 7 | NOMENCLATURE | EFFECT FROM TO | UNITS PER ASSY |
|-------------------------------------|-----------------|---------------|--|-------------------|----------------------|
| 3B | | | | | |
| - 115 | 233A5224-402752 | | .MARKER INSTL-P6-4 ROW D FOR DETAILS SEE: 11-35-01-40C | 201967 | 1 |
| - 120 | 233A5224-402825 | | .MARKER INSTL-P6-4 ROW E FOR DETAILS SEE: 11-35-01-40C | 201967 | 1 |
| - 155 | 233A5225-402757 | | .MARKER INSTL-P6-11 ROW B FOR DETAILS SEE: 11-35-01-45 | 201967 | 1 |
| - 175 | 233A5226-402756 | | .MARKER INSTL-P6-12 ROW B FOR DETAILS SEE: 11-35-01-46 | 201967 | 1 |
| MISSING ITEM NUMBERS NOT APPLICABLE | | | | | |

- ITEM NOT ILLUSTRATED

HAP

11-31-00-03B

BOEING PROPRIETARY - Copyright © - Unpublished Work - See title page for details.

11-31-00
 FIG. 03B
 PAGE 2
 OCT 15/08

NON-ILLUSTRATED FIGURE

THE ITEMS REFLECTED IN THIS FIGURE ARE INTENTIONALLY
NON-ILLUSTRATED. THEY ARE REFERENCED TO EITHER A
NEXT HIGHER OR NEXT LOWER ASSEMBLY/INSTALLATION FIGURE.

E 11310003C REV 055

FUNCTIONAL COLLECTOR-P6 CB E/E EQPT FINAL ASSY CUSTOMER UNIQUE
FIGURE 3C

HAP
OCT 10/06

11-31-00-03C

11-31-00-03C
PAGE 0

 **BOEING**
737-600/700/800/900
PARTS CATALOG (MAINTENANCE)

| FIG ITEM | PART NUMBER | 1 2 3 4 5 6 7 | NOMENCLATURE | EFFECT FROM TO | UNITS PER ASSY |
|----------|-----------------|---------------|--|----------------|----------------|
| 3C | | | FUNCTIONAL COLLECTOR-P6 CB E/E EQPT FINAL ASSY CUSTOMER UNIQUE | 008030 | |
| - 1 | 230A0020-3001 | | FUNCTIONAL COLLECTOR-P6 CB E/E EQPT FINAL ASSY CUSTOMER UNIQUE FOR NHA SEE: 11-00-00-01B | 008030 | RF |
| - 50 | 233A5221-402898 | | .MARKER INSTL-P6-1 ROW A FOR DETAILS SEE: 11-35-01-02A | 008030 | 1 |
| - 55 | 233A5221-402866 | | .MARKER INSTL-P6-1 ROW B FOR DETAILS SEE: 11-35-01-02A | 008013 | 1 |
| - 55 | 233A5221-403156 | | .MARKER INSTL-P6-1 ROW B FOR DETAILS SEE: 11-35-01-02A | 014030 | 1 |
| - 60 | 233A5221-402926 | | .MARKER INSTL-P6-1 ROW C FOR DETAILS SEE: 11-35-01-02A | 008013 | 1 |
| - 60 | 233A5221-403168 | | .MARKER INSTL-P6-1 ROW C FOR DETAILS SEE: 11-35-01-02A | 014030 | 1 |
| - 70 | 233A5221-402821 | | .MARKER INSTL-P6-1 ROW D FOR DETAILS SEE: 11-35-01-02A | 008030 | 1 |
| - 75 | 233A5221-402823 | | .MARKER INSTL-P6-1 ROW E FOR DETAILS SEE: 11-35-01-02A | 008030 | 1 |
| - 85 | 233A5223-402725 | | .MARKER INSTL-P6-3 ROW B FOR DETAILS SEE: 11-35-01-43B | 008030 | 1 |
| - 90 | 233A5223-403088 | | .MARKER INSTL-P6-3 ROW C FOR DETAILS SEE: 11-35-01-43B | 008030 | 1 |
| - 95 | 233A5223-402930 | | .MARKER INSTL-P6-3 ROW D FOR DETAILS SEE: 11-35-01-43B | 008030 | 1 |
| - 100 | 233A5223-402728 | | .MARKER INSTL-P6-3 ROW E FOR DETAILS SEE: 11-35-01-43B | 008030 | 1 |
| - 105 | 233A5223-402729 | | .MARKER INSTL-P6-3 ROW F FOR DETAILS SEE: 11-35-01-43B | 008030 | 1 |
| - 115 | 233A5224-402847 | | .MARKER INSTL-P6-4 ROW A FOR DETAILS SEE: 11-35-01-40D 11-35-01-40E | 008030 | 1 |

MISSING ITEM NUMBERS NOT APPLICABLE

- ITEM NOT ILLUSTRATED

HAP

11-31-00-03C

BOEING PROPRIETARY - Copyright © - Unpublished Work - See title page for details.

11-31-00
FIG. 03C
PAGE 1
OCT 10/06

BOEING
737-600/700/800/900
PARTS CATALOG (MAINTENANCE)

| FIG ITEM | PART NUMBER | 1 2 3 4 5 6 7 | NOMENCLATURE | EFFECT FROM TO | UNITS PER ASSY |
|-------------|-----------------|---------------|--|-------------------|----------------------|
| 3C | | | | | |
| - 120 | 233A5224-402848 | | .MARKER INSTL-P6-4 ROW B FOR DETAILS SEE: 11-35-01-40D | 008012 | 1 |
| - 120 | 233A5224-403202 | | .MARKER INSTL-P6-4 ROW B FOR DETAILS SEE: 11-35-01-40E | 013030 | 1 |
| - 125 | 233A5224-402849 | | .MARKER INSTL-P6-4 ROW C FOR DETAILS SEE: 11-35-01-40D 11-35-01-40E | 008030 | 1 |
| - 130 | 233A5224-402850 | | .MARKER INSTL-P6-4 ROW D FOR DETAILS SEE: 11-35-01-40D 11-35-01-40E | 008022 | 1 |
| - 130 | 233A5224-403257 | | .MARKER INSTL-P6-4 ROW D | 023030 | 1 |
| - 135 | 233A5224-402891 | | .MARKER INSTL-P6-4 ROW E FOR DETAILS SEE: 11-35-01-40D 11-35-01-40E | 008030 | 1 |
| - 150 | 233A5225-402827 | | .MARKER INSTL-P6-11 ROW B FOR DETAILS SEE: 11-35-01-45D | 008030 | 1 |
| - 155 | 233A5225-402840 | | .MARKER INSTL-P6-11 ROW D FOR DETAILS SEE: 11-35-01-45D | 008030 | 1 |
| - 170 | 233A5226-402826 | | .MARKER INSTL-P6-12 ROW B FOR DETAILS SEE: 11-35-01-46A | 008030 | 1 |
| - 190 | 233A5222-403309 | | .MARKER INSTL-P6-2 ROW B FOR DETAILS SEE: 11-31-51-42 | 030030 | 1 |

MISSING ITEM NUMBERS NOT APPLICABLE

- ITEM NOT ILLUSTRATED

HAP

11-31-00-03C

BOEING PROPRIETARY - Copyright © - Unpublished Work - See title page for details.

11-31-00
FIG. 03C
PAGE 2
OCT 10/06

NON-ILLUSTRATED FIGURE

THE ITEMS REFLECTED IN THIS FIGURE ARE INTENTIONALLY
NON-ILLUSTRATED. THEY ARE REFERENCED TO EITHER A
NEXT HIGHER OR NEXT LOWER ASSEMBLY/INSTALLATION FIGURE.

E 11310004B REV 057

FUNCTIONAL COLLECTOR-P18 CB E/E EQPT FINAL ASSY CUSTOMER UNIQUE
FIGURE 4B

HAP
OCT 15/08

11-31-00-04B

11-31-00-04B
PAGE 0

BOEING
737-600/700/800/900
PARTS CATALOG (MAINTENANCE)

| FIG ITEM | PART NUMBER | 1 2 3 4 5 6 7 | NOMENCLATURE | EFFECT FROM TO | UNITS PER ASSY |
|----------|-----------------|---------------|---|----------------|----------------|
| 4B | | | FUNCTIONAL COLLECTOR-P18 CB E/E EQPT FINAL ASSY CUSTOMER UNIQUE | 201967 | |
| - 10 | 230A0050-2610 | | FUNCTIONAL COLLECTOR-P18 CB E/E EQPT FINAL ASSY CUSTOMER UNIQUE | 201967 | RF |
| - 55 | 233A5521-402975 | | FOR NHA SEE: 11-00-00-01A .MARKER INSTL-P18-1 ROW A FOR DETAILS SEE: 11-31-51-07E | 201967 | 1 |
| - 150 | 233A5522-402741 | | .MARKER INSTL-P18-2 ROW A FOR DETAILS SEE: 11-31-51-07E | 201967 | 1 |
| - 175 | 233A5522-402828 | | .MARKER INSTL-P18-2 ROW E FOR DETAILS SEE: 11-31-51-07E | 201967 | 1 |
| - 180 | 233A5522-402829 | | .MARKER INSTL-P18-2 ROW D FOR DETAILS SEE: 11-31-51-07E | 201967 | 1 |
| - 185 | 233A5522-402832 | | .MARKER INSTL-P18-2 ROW B FOR DETAILS SEE: 11-31-51-07E | 201967 | 1 |
| - 215 | 233A5522-403027 | | .MARKER INSTL-P18-2 ROW C FOR DETAILS SEE: 11-31-51-07E | 201967 | 1 |
| - 300 | 233A5523-402758 | | .MARKER INSTL-P18-3 ROW A FOR DETAILS SEE: 11-31-51-07E | 201967 | 1 |
| - 330 | 233A5523-402952 | | .MARKER INSTL-P18-3 ROW D FOR DETAILS SEE: 11-31-51-07E | 201967 | 1 |
| - 355 | 233A5523-403010 | | .MARKER INSTL-P18-3 ROW C FOR DETAILS SEE: 11-31-51-07E | 201967 | 1 |
| - 365 | 233A5523-403012 | | .MARKER INSTL-P18-3 ROW B FOR DETAILS SEE: 11-31-51-07E | 201967 | 1 |
| - 370 | 233A5523-403019 | | .MARKER INSTL-P18-3 ROW E FOR DETAILS SEE: 11-31-51-07E | 201967 | 1 |
| - 380 | 233A5523-403022 | | .MARKER INSTL-P18-3 ROW F FOR DETAILS SEE: 11-31-51-07E | 201967 | 1 |

MISSING ITEM NUMBERS NOT APPLICABLE

- ITEM NOT ILLUSTRATED

HAP

11-31-00-04B

BOEING PROPRIETARY - Copyright © - Unpublished Work - See title page for details.

11-31-00
FIG. 04B
PAGE 1
OCT 15/08

NON-ILLUSTRATED FIGURE

THE ITEMS REFLECTED IN THIS FIGURE ARE INTENTIONALLY
NON-ILLUSTRATED. THEY ARE REFERENCED TO EITHER A
NEXT HIGHER OR NEXT LOWER ASSEMBLY/INSTALLATION FIGURE.

E 11310004C REV 057

FUNCTIONAL COLLECTOR-P18 CB E/E EQPT FINAL ASSY CUSTOMER UNIQUE
FIGURE 4C

HAP
OCT 10/06

11-31-00-04C

11-31-00-04C
PAGE 0

 **BOEING**
737-600/700/800/900
PARTS CATALOG (MAINTENANCE)

| FIG ITEM | PART NUMBER | 1 2 3 4 5 6 7 | NOMENCLATURE | EFFECT FROM TO | UNITS PER ASSY |
|----------|-----------------|---------------|---|----------------|----------------|
| 4C | | | FUNCTIONAL COLLECTOR-P18 CB E/E EQPT FINAL ASSY CUSTOMER UNIQUE | 008030 | |
| - 1 | 230A0050-3001 | | FUNCTIONAL COLLECTOR-P18 CB E/E EQPT FINAL ASSY CUSTOMER UNIQUE FOR NHA SEE: 11-00-00-01B | 008030 | RF |
| - 50 | 233A5521-402734 | | .MARKER INSTL-P18-1 ROW B FOR DETAILS SEE: 11-35-01-30 | 015030 | 1 |
| - 55 | 233A5521-402975 | | .MARKER INSTL-P18-1 ROW A FOR DETAILS SEE: 11-35-01-30 | 008030 | 1 |
| - 115 | 233A5522-402747 | | .MARKER INSTL-P18-2 ROW E FOR DETAILS SEE: 11-35-01-31P | 008030 | 1 |
| - 125 | 233A5522-402829 | | .MARKER INSTL-P18-2 ROW D FOR DETAILS SEE: 11-35-01-31P | 008030 | 1 |
| - 130 | 233A5522-402832 | | .MARKER INSTL-P18-2 ROW B FOR DETAILS SEE: 11-35-01-31P | 008030 | 1 |
| - 135 | 233A5522-402837 | | .MARKER INSTL-P18-2 ROW A FOR DETAILS SEE: 11-35-01-31P | 008030 | 1 |
| - 165 | 233A5522-403027 | | .MARKER INSTL-P18-2 ROW C FOR DETAILS SEE: 11-35-01-31P | 008030 | 1 |
| - 250 | 233A5523-402758 | | .MARKER INSTL-P18-3 ROW A FOR DETAILS SEE: 11-35-01-33H | 008030 | 1 |
| - 255 | 233A5523-402890 | | .MARKER INSTL-P18-3 ROW E FOR DETAILS SEE: 11-35-01-33H | 008030 | 1 |
| - 275 | 233A5523-402952 | | .MARKER INSTL-P18-3 ROW D FOR DETAILS SEE: 11-35-01-33H | 008030 | 1 |
| - 305 | 233A5523-403009 | | .MARKER INSTL-P18-3 ROW B FOR DETAILS SEE: 11-35-01-33H | 008030 | 1 |
| - 310 | 233A5523-403010 | | .MARKER INSTL-P18-3 ROW C FOR DETAILS SEE: 11-35-01-33H | 008030 | 1 |
| - 350 | 233A5523-403114 | | .MARKER INSTL-P18-3 ROW F FOR DETAILS SEE: 11-35-01-33H | 008030 | 1 |

MISSING ITEM NUMBERS NOT APPLICABLE

- ITEM NOT ILLUSTRATED

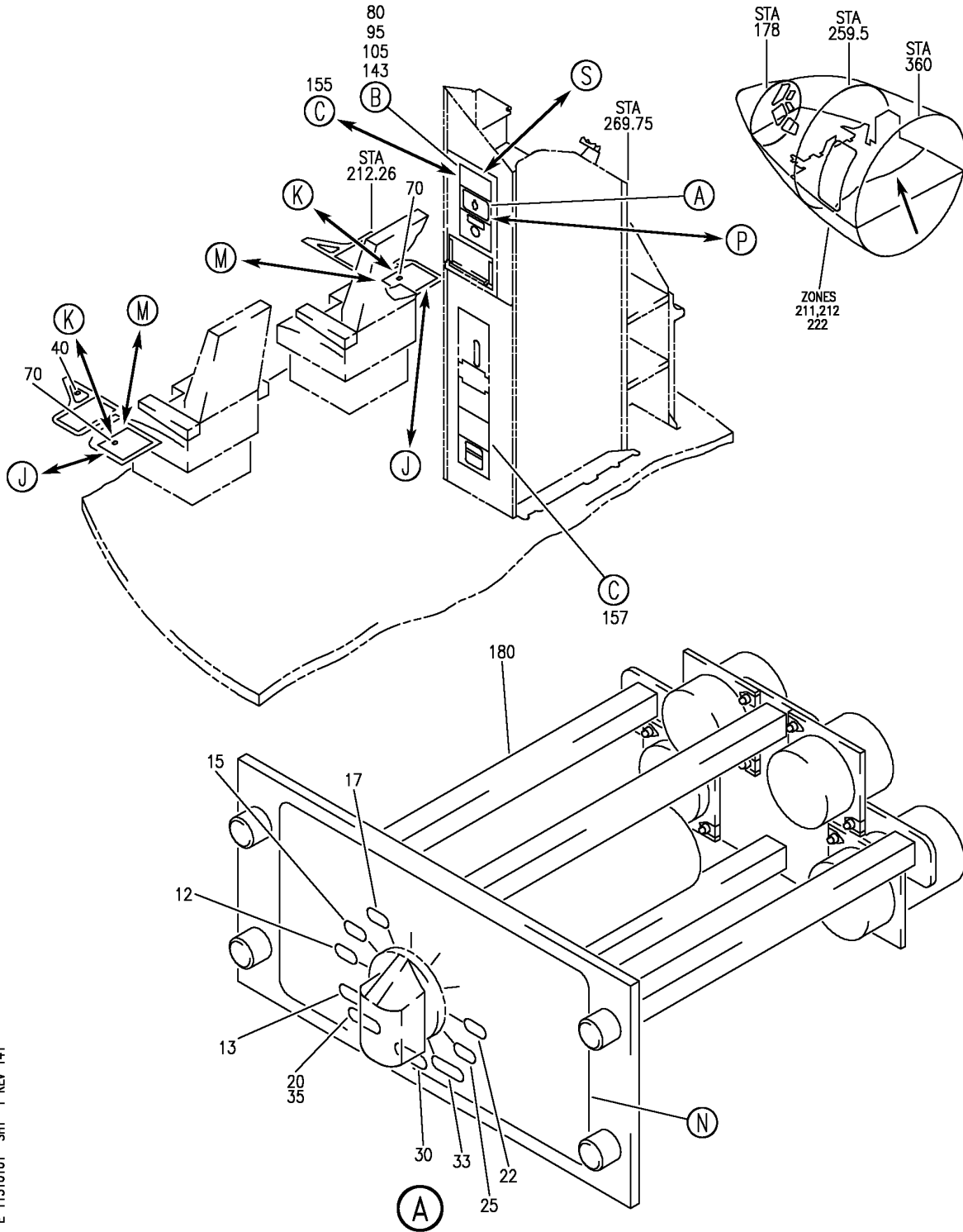
HAP

11-31-00-04C

BOEING PROPRIETARY - Copyright © - Unpublished Work - See title page for details.

11-31-00
FIG. 04C
PAGE 1
OCT 10/07

BOEING
 737-600/700/800/900
 PARTS CATALOG (MAINTENANCE)



E 11310101 SHT 1 REV 141

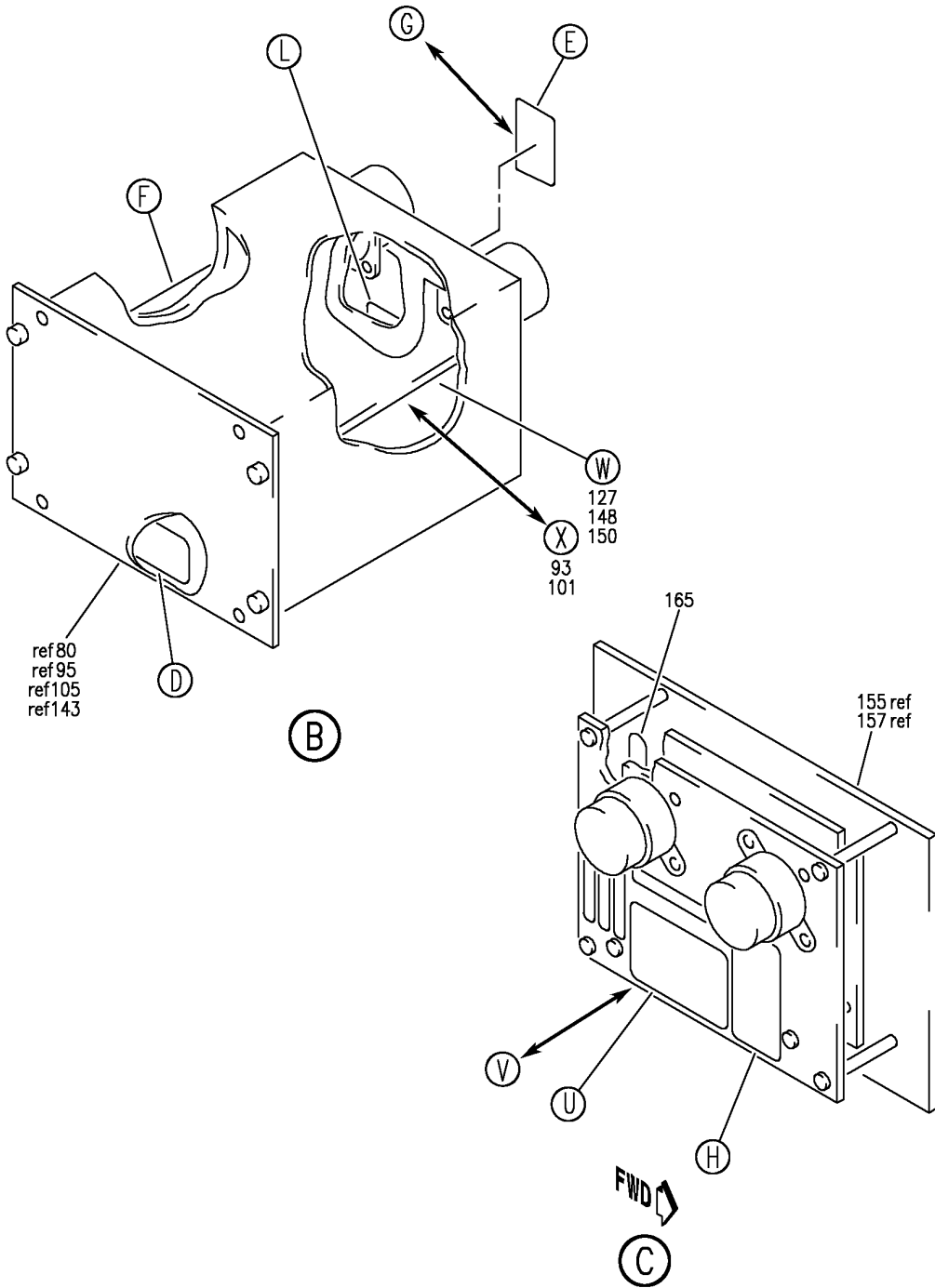
PANEL INSTL-AUX (PLACARDS AND MARKINGS ONLY)
 FIGURE 1 (SHEET 1)

11-31-01-01

HAP
 JUN 15/08

11-31-01-01
 PAGE 0

BOEING
 737-600/700/800/900
 PARTS CATALOG (MAINTENANCE)



E 11310101 SH1 2 REV 141

PANEL INSTL-AUX (PLACARDS AND MARKINGS ONLY)
 FIGURE 1 (SHEET 2)

11-31-01-01

HAP
 JUN 15/08

11-31-01-01
 PAGE 0A

BOEING
 737-600/700/800/900
 PARTS CATALOG (MAINTENANCE)

82
 97
 110
 144

PARTIAL REFERENCE
 DESIGNATIONS ARE SHOWN.
 FOR COMPLETE DESIGNATIONS,
 PREFIX WITH UNIT OR SUB-
 ASSEMBLY DESIGNATION(S).


(D)

88
 99

 CAUTION
 OBSERVE PRECAUTIONS
 FOR HANDLING
 ELECTROSTATIC
 SENSITIVE
 DEVICES

(E)

120
 146

 CAUTION
 THIS ASSEMBLY
 CONTAINS
 ELECTROSTATIC
 SENSITIVE
 DEVICES


(F)

125
 147

CAUTION
 ELECTROSTATIC
 SENSITIVE DEVICE
 CONDUCTIVE
 CONNECTOR DUST
 COVER REQUIRED

(G)

160

 CAUTION
 THIS UNIT IS NOT SUBJECT TO
 DAMAGE FROM ELECTROSTATIC
 DISCHARGE AS AN ASSEMBLY.
 HOWEVER, IT CONTAINS
 PARTS OR SUB-ASSEMBLIES
 THAT ARE SENSITIVE TO
 ELECTROSTATIC DISCHARGE.
 CONDUCTIVE CONNECTOR
 COVERS REQUIRED

(H)

E 11310101 SHT 3 REV 141

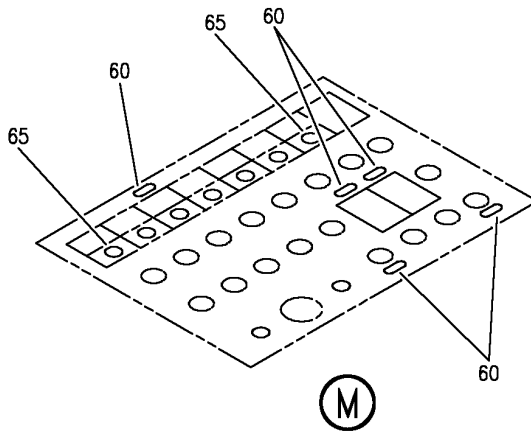
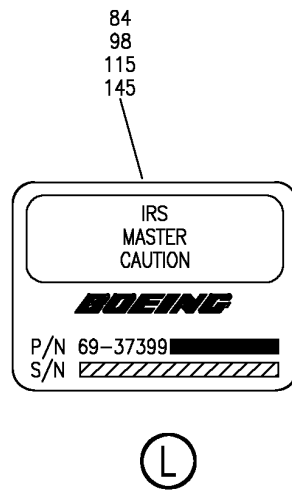
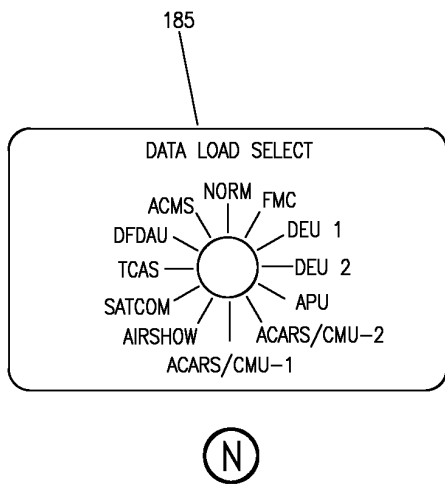
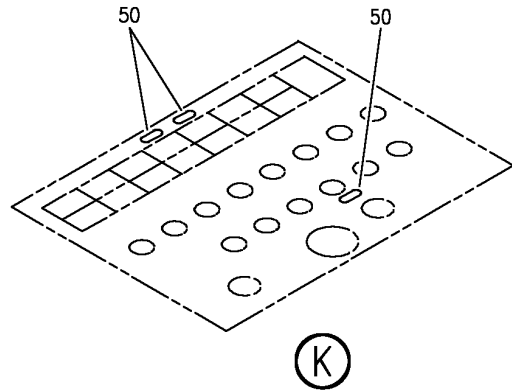
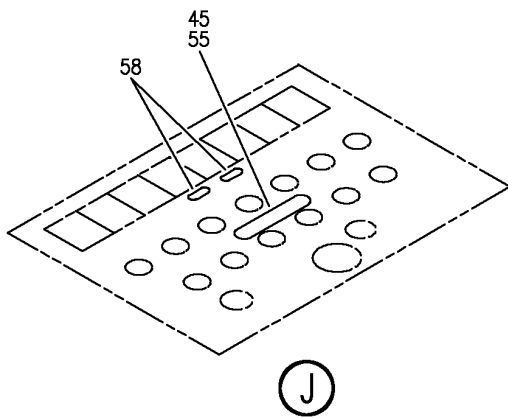
PANEL INSTL-AUX (PLACARDS AND MARKINGS ONLY)
 FIGURE 1 (SHEET 3)

11-31-01-01

HAP
 JUN 15/08

11-31-01-01
 PAGE 0B


BOEING
 737-600/700/800/900
PARTS CATALOG (MAINTENANCE)



E 11310101 SH1 4 REV 141

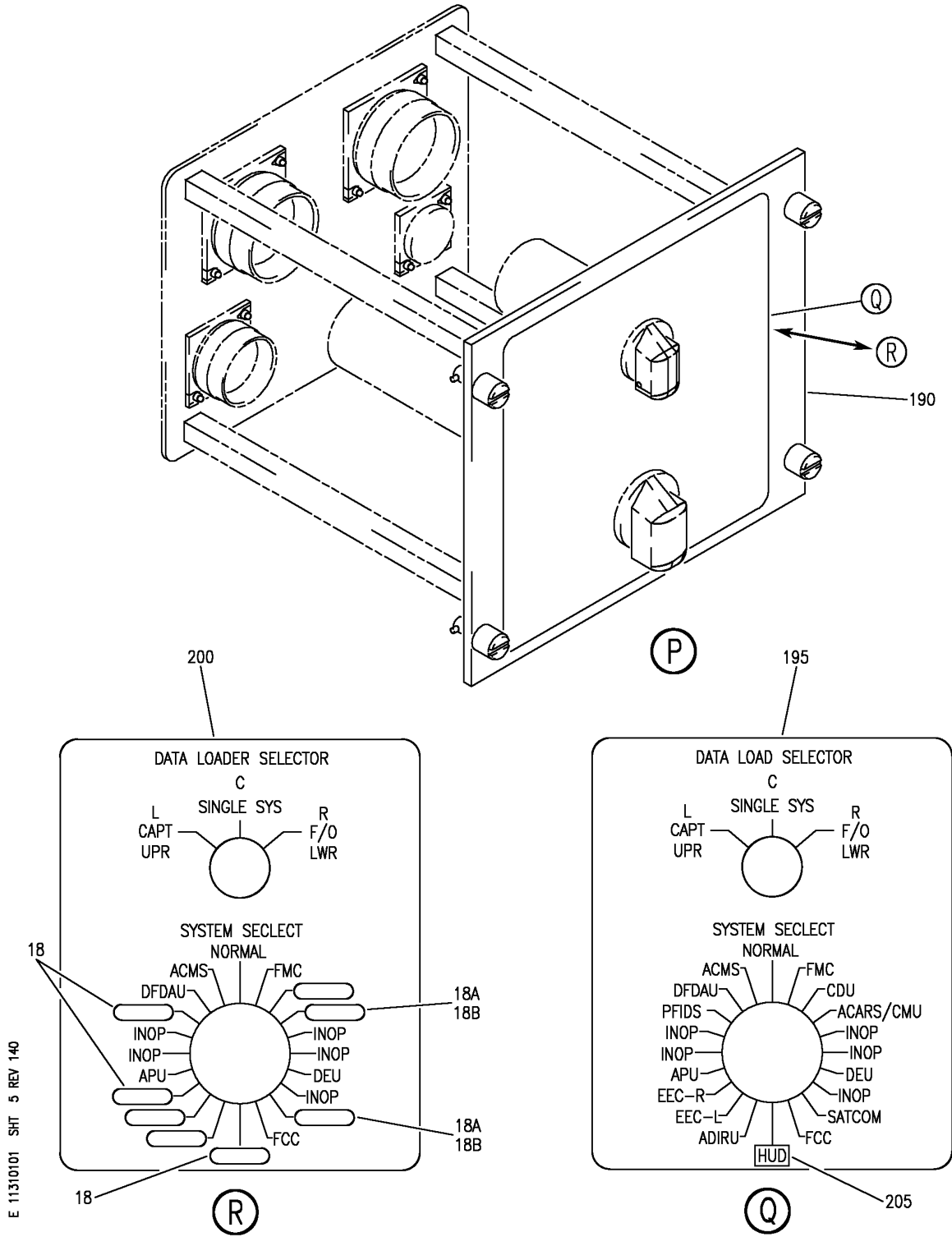
PANEL INSTL-AUX (PLACARDS AND MARKINGS ONLY)
 FIGURE 1 (SHEET 4)

11-31-01-01

HAP
JUN 15/08

11-31-01-01
 PAGE 0C

BOEING
 737-600/700/800/900
 PARTS CATALOG (MAINTENANCE)



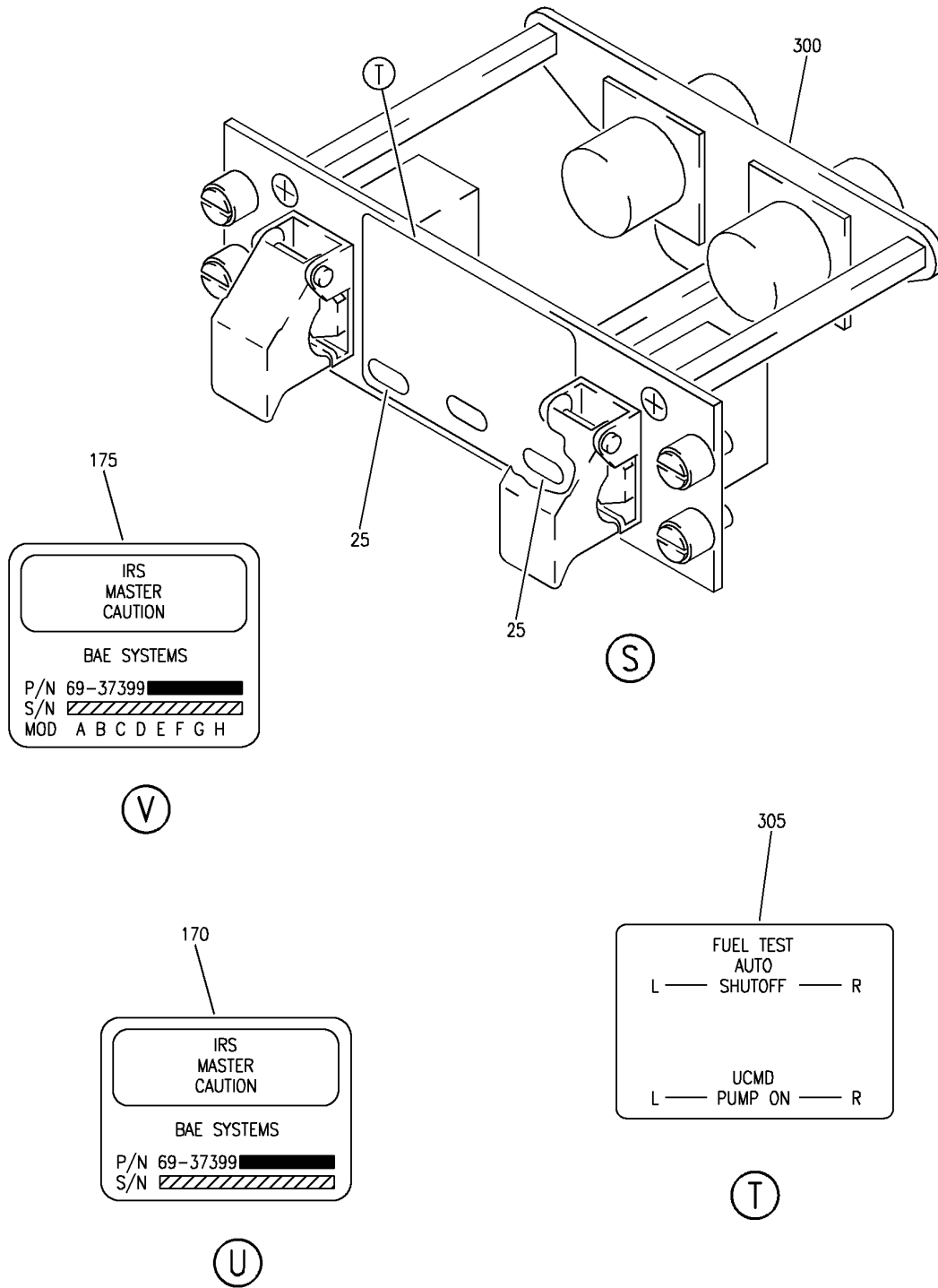
PANEL INSTL-AUX (PLACARDS AND MARKINGS ONLY)
 FIGURE 1 (SHEET 5)

11-31-01-01

HAP
 JUN 15/08

11-31-01-01
 PAGE 0D

BOEING
 737-600/700/800/900
 PARTS CATALOG (MAINTENANCE)



E 11310101 SHT 6 REV 139

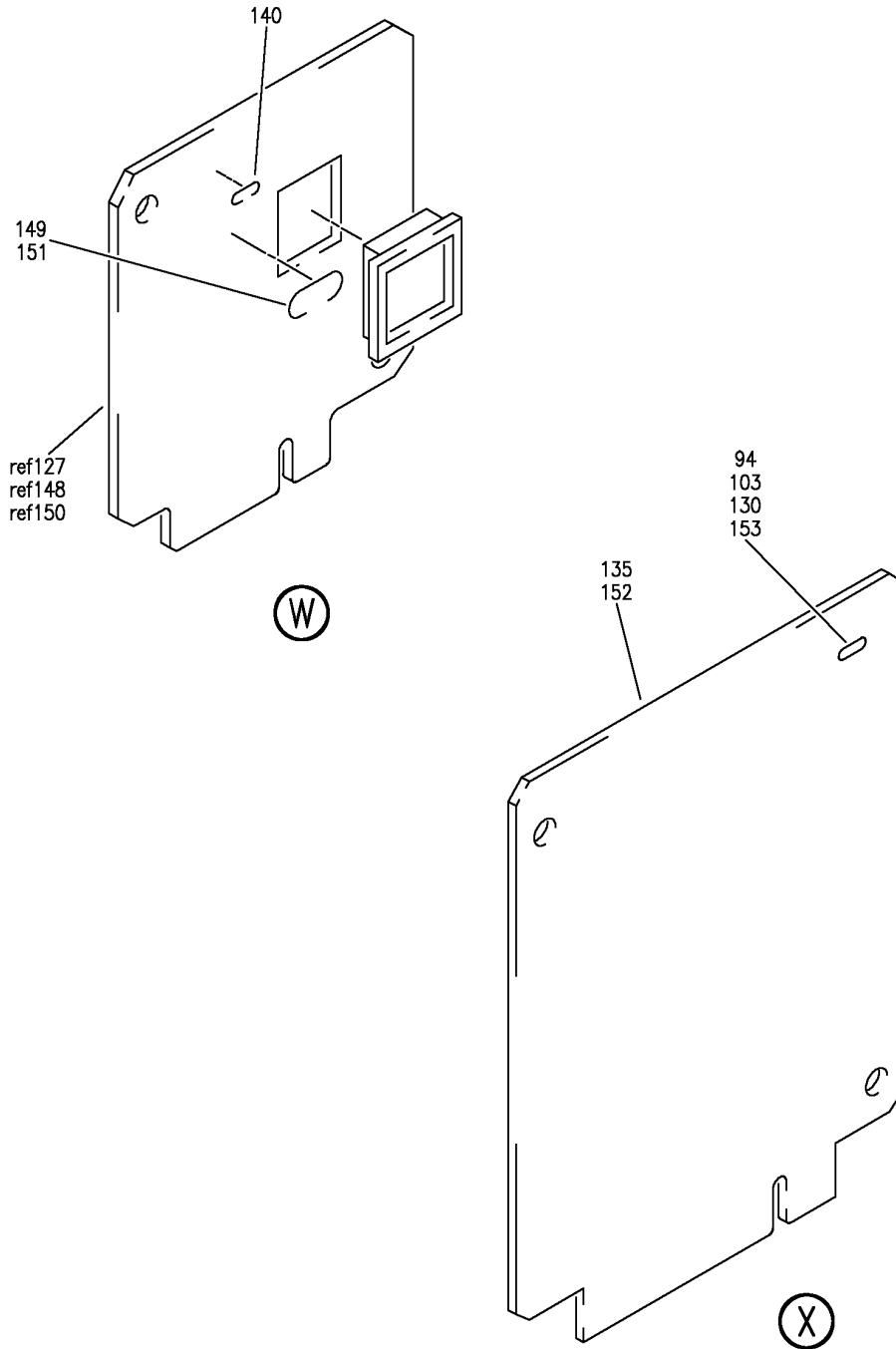
PANEL INSTL-AUX (PLACARDS AND MARKINGS ONLY)
 FIGURE 1 (SHEET 6)

11-31-01-01

HAP
 FEB 15/08

11-31-01-01
 PAGE 0E

BOEING
 737-600/700/800/900
 PARTS CATALOG (MAINTENANCE)



E 11310101 SH1 7 REV 141

PANEL INSTL-AUX (PLACARDS AND MARKINGS ONLY)
 FIGURE 1 (SHEET 7)

11-31-01-01

HAP
 JUN 15/08

11-31-01-01
 PAGE OF

 **BOEING**
737-600/700/800/900
PARTS CATALOG (MAINTENANCE)

| FIG ITEM | PART NUMBER | 1 2 3 4 5 6 7 | NOMENCLATURE | EFFECT FROM TO | UNITS PER ASSY |
|----------|--------------|---------------|---|------------------|----------------|
| 1 | | | PANEL INSTL-AUX (PLACARDS AND MARKINGS ONLY) | 001030 201967 | |
| - 2 | 233A7101-19 | | PANEL INSTL-AUX (PLACARDS AND MARKINGS ONLY) FOR NHA/OTHER SYS DET SEE: 31-11-00-01C | 001007 | RF |
| - 3 | 233A7101-37 | | PANEL INSTL-AUX (PLACARDS AND MARKINGS ONLY) FOR NHA/OTHER SYS DET SEE: 31-11-00-01J | 201967 | RF |
| - 3 | 233A7101-40 | | PANEL INSTL-AUX (PLACARDS AND MARKINGS ONLY) FOR NHA/OTHER SYS DET SEE: 31-11-00-01C | 008011 | RF |
| - 5 | 233A7101-100 | | PANEL INSTL-AUX (PLACARDS AND MARKINGS ONLY) FOR NHA/OTHER SYS DET SEE: 31-11-00-01C | 012027 | RF |
| - 8 | 233A7101-127 | | PANEL INSTL-AUX (PLACARDS AND MARKINGS ONLY) FOR NHA/OTHER SYS DET SEE: 31-11-00-01C | 028029 | RF |
| - 8 | 233A7101-143 | | PANEL INSTL-AUX (PLACARDS AND MARKINGS ONLY) FOR NHA/OTHER SYS DET SEE: 31-11-00-01C | 030030 | RF |
| 12 | BAC27DCC2937 | | .MARKER- PLACARD CONTENT: INOP | 001011 201967 | 1 |
| 13 | BAC27DCC2937 | | .MARKER- PLACARD CONTENT: INOP | 001011 201967 | 1 |
| 30 | BAC27DCC2938 | | .MARKER- PLACARD CONTENT: INOP | 008011 201967 | 1 |
| 33 | BAC27DCC2938 | | .MARKER- PLACARD CONTENT: INOP | 001007 201967 | 1 |
| 35 | BAC27DCC2938 | | .MARKER- PLACARD CONTENT: INOP | 201967 | 1 |

MISSING ITEM NUMBERS NOT APPLICABLE

- ITEM NOT ILLUSTRATED

HAP

11-31-01-01

11-31-01
FIG. 01
PAGE 1
OCT 15/08

BOEING
737-600/700/800/900
PARTS CATALOG (MAINTENANCE)

| FIG ITEM | PART NUMBER | 1 2 3 4 5 6 7 | NOMENCLATURE | EFFECT FROM TO | UNITS PER ASSY |
|----------|---------------|---------------|--|----------------|----------------|
| 1 | | | | | |
| 75 | BAC27DCC2769 | | .DECAL- PLACARD CONTENT: INOP POST ALERT SB: 28A1206 | 001030 | 3 |
| 105 | 69-37399-10 | | .MODULE ASSY-IRS MASTER CAUTION SUPPLIER CODE: V89954 ELECTRICAL EQUIP NUMBER: M01206 COMPONENT MAINT MANUAL REF: 22-10-55 MAINTENANCE MANUAL REF: 34-21-07 QUALIFIED I/W DATA: 69-37399-12 CAN REPLACE OR BE REPLACED BY 69-37399-10 IF SERVICE BULLETIN 737-34-1461 HAS BEEN INCORPORATED FOR GPS AIRPLANES. PRE SERVICE BULLETIN: 34-1461 | 001007 | RF |
| 110 | BAC27DEX1216 | | ..DECAL | 001007 | 1 |
| 115 | BAC27DEX5383 | | ..MARKER- SUPPLIER CODE: V89954 | 001007 | 1 |
| 120 | BAC27EEL19436 | | ..DECAL | 001007 | 1 |
| 125 | BAC27TEX3263 | | ..DECAL | 001007 | 1 |
| 127 | 69-78809-3 | | ..PRINTED CIRCUIT ASSY- (STATIC SENSITIVE PART) SUPPLIER CODE: V89954 SB DATA FROM A CMM: PRE SB 233A3202-28-01 CONFIG CHG DATA FROM A CMM: REPLD BY 69-78809-6 COMPONENT MAINT MANUAL REF: 28-09-33 FOR SPARES PROCURE: 69-78809-6 V89954 | 001007 | RF |

MISSING ITEM NUMBERS NOT APPLICABLE

— ITEM NOT ILLUSTRATED

HAP

11-31-01-01

BOEING PROPRIETARY - Copyright © - Unpublished Work - See title page for details.

11-31-01
FIG. 01
PAGE 2
FEB 15/09

BOEING
737-600/700/800/900
PARTS CATALOG (MAINTENANCE)

| FIG ITEM | PART NUMBER | 1 2 3 4 5 6 7 | NOMENCLATURE | EFFECT FROM TO | UNITS PER ASSY |
|----------|--------------|---------------|---|----------------|----------------|
| 1 127 | 69-78809-4 | | ..PRINTED CIRCUIT ASSY- (STATIC SENSITIVE PART) SUPPLIER CODE: V89954 SB DATA FROM A CMM: PRE SB 233A3202-28-01 CONFIG CHG DATA FROM A CMM: REPLD BY 69-78809-6 COMPONENT MAINT MANUAL REF: 28-09-33 FOR SPARES PROCURE: 69-78809-6 V89954 | 001007 | RF |
| 127 | 69-78809-5 | | ..PRINTED CIRCUIT ASSY- (STATIC SENSITIVE PART) SUPPLIER CODE: V89954 SB DATA FROM A CMM: POST SB 233A3202-28-01 CONFIG CHG DATA FROM A CMM: REPLD BY 69-78809-6 COMPONENT MAINT MANUAL REF: 28-09-33 FOR SPARES PROCURE: 69-78809-6 V89954 | 001007 | RF |
| 127 | 69-78809-6 | | ..PRINTED CIRCUIT ASSY- (STATIC SENSITIVE PART) SUPPLIER CODE: V89954 CONFIG CHG DATA FROM A CMM: REPLS 69-78809-3 REPLS 69-78809-4 REPLS 69-78809-5 COMPONENT MAINT MANUAL REF: 28-09-33 | 001007 | RF |
| 130 | BAC27TEX1486 | | ...DECAL- PLACARD CONTENT: STATIC SENSITIVE | 001007 | 1 |
| 135 | 69-78762-4 | | ..PRINTED CIRCUIT ASSY-GPS (STATIC SENSITIVE PART) SUPPLIER CODE: V89954 | 001007 | RF |
| 140 | BAC27TEX1486 | | ...DECAL- PLACARD CONTENT: STATIC SENSITIVE | 001007 | 1 |

MISSING ITEM NUMBERS NOT APPLICABLE

- ITEM NOT ILLUSTRATED

HAP

11-31-01-01

BOEING PROPRIETARY - Copyright © - Unpublished Work - See title page for details.

11-31-01
FIG. 01
PAGE 3
FEB 15/09

BOEING
737-600/700/800/900
PARTS CATALOG (MAINTENANCE)

| FIG ITEM | PART NUMBER | 1 2 3 4 5 6 7 | NOMENCLATURE | EFFECT FROM TO | UNITS PER ASSY |
|----------|---------------|---------------|--|----------------|----------------|
| 1 143 | 69-37399-8 | | .MODULE ASSY-IRS MASTER CAUTION SUPPLIER CODE: V89954 ELECTRICAL EQUIP NUMBER: M01206 COMPONENT MAINT MANUAL REF: 22-10-55 | 001007 | RF |
| 144 | BAC27DEX1216 | | ..DECAL | 001007 | 1 |
| 145 | BAC27DEX5383 | | ..MARKER- SUPPLIER CODE: V89954 | 001007 | 1 |
| 146 | BAC27EEL19436 | | ..DECAL | 001007 | 1 |
| 147 | BAC27TEX3263 | | ..DECAL | 001007 | 1 |
| 148 | 69-78285-2 | | ..PRINTED CIRCUIT ASSY- MASTER CAUTION SUPPLIER CODE: V89954 COMPONENT MAINT MANUAL REF: 33-15-11 OPTIONAL PART: 69-78809-4 V89954 | 001007 | RF |
| 149 | BAC27TEX1486 | | ...DECAL- PLACARD CONTENT: STATIC SENSITIVE | 001007 | 1 |
| 150 | 69-78809-4 | | ..PRINTED CIRCUIT ASSY- (STATIC SENSITIVE PART) SUPPLIER CODE: V89954 CONFIG CHG DATA FROM A CMM: REPLD BY 69-78809-6 COMPONENT MAINT MANUAL REF: 28-09-33 OPTIONAL PART: 69-78285-2 V89954 FOR SPARES PROCURE: 69-78809-6 V89954 | 001007 | RF |
| 150 | 69-78809-6 | | ..PRINTED CIRCUIT ASSY- (STATIC SENSITIVE PART) SUPPLIER CODE: V89954 CONFIG CHG DATA FROM A CMM: REPLS 69-78809-4 COMPONENT MAINT MANUAL REF: 28-09-33 | 001007 | RF |

MISSING ITEM NUMBERS NOT APPLICABLE

- ITEM NOT ILLUSTRATED

HAP

11-31-01-01

BOEING PROPRIETARY - Copyright © - Unpublished Work - See title page for details.

11-31-01
FIG. 01
PAGE 4
FEB 15/09

BOEING
737-600/700/800/900
PARTS CATALOG (MAINTENANCE)

| FIG ITEM | PART NUMBER | 1 2 3 4 5 6 7 | NOMENCLATURE | EFFECT FROM TO | UNITS PER ASSY |
|-------------|--------------|---------------|---|-------------------|----------------------|
| 1 | | | | | |
| 151 | BAC27TEX1486 | ... | DECAL- PLACARD CONTENT: STATIC SENSITIVE | 001007 | 1 |
| 152 | 69-78762-4 | .. | PRINTED CIRCUIT ASSY-GPS (STATIC SENSITIVE PART) SUPPLIER CODE: V89954 | 001007 | RF |
| 153 | BAC27TEX1486 | ... | DECAL- PLACARD CONTENT: STATIC SENSITIVE | 001007 | 1 |
| 155 | 69-37399-12 | . | MODULE ASSY-IRS MASTER CAUTION SUPPLIER CODE: V89954 ELECTRICAL EQUIP NUMBER: M01206 COMPONENT MAINT MANUAL REF: 22-10-56 MAINTENANCE MANUAL REF: 34-21-07 QUALIFIED I/W DATA: 69-37399-12 CAN REPLACE OR BE REPLACED BY 69-37399-10 IF SERVICE BULLETIN 737-34-1461 HAS BEEN INCORPORATED FOR GPS AIRPLANES. 69-37399-12 CAN REPLACE OR BE REPLACED BY 69-37399-9 IF SERVICE BULLETIN 737-34-1461 HAS BEEN INCORPORATED FOR NON GPS AIRPLANES POST SERVICE BULLETIN: 34-1461 | 001011 201967 | RF |

MISSING ITEM NUMBERS NOT APPLICABLE

— ITEM NOT ILLUSTRATED

HAP

11-31-01-01

BOEING PROPRIETARY - Copyright © - Unpublished Work - See title page for details.

11-31-01
FIG. 01
PAGE 5
FEB 15/09

BOEING
737-600/700/800/900
PARTS CATALOG (MAINTENANCE)

| FIG ITEM | PART NUMBER | 1 2 3 4 5 6 7 | NOMENCLATURE | EFFECT FROM TO | UNITS PER ASSY |
|-------------|--------------|---------------|--|-------------------|----------------------|
| 1 157 | 69-37399-12 | | .MODULE ASSY-IRS MASTER CAUTION SUPPLIER CODE: V89954 ELECTRICAL EQUIP NUMBER: M01206 COMPONENT MAINT MANUAL REF: 22-10-56 MAINTENANCE MANUAL REF: 34-21-07 QUALIFIED I/W DATA: 69-37399-12 CAN REPLACE OR BE REPLACED BY 69-37399-10 IF SERVICE BULLETIN 737-34-1461 HAS BEEN INCORPORATED FOR GPS AIRPLANES. 69-37399-12 CAN REPLACE OR BE REPLACED BY 69-37399-9 IF SERVICE BULLETIN 737-34-1461 HAS AEEEN INCORPORATED FOR NON GPS AIRPLANES | 012030 | RF |
| 160 | BAC27DEX6075 | | ..MARKER | 001030 201967 | 1 |
| 165 | BAC27TEX1486 | | ..DECAL- PLACARD CONTENT: STATIC SENSITIVE | 001030 201967 | 1 |
| 170 | BAC27DEX5383 | | ..MARKER- SUPPLIER CODE: V89954 | 001030 201967 | 1 |
| 180 | 233A7203-7 | | .PANEL ASSY-DATA LOAD SELECT P61-1 SUPPLIER CODE: V89954 ELECTRICAL EQUIP NUMBER: P06101 COMPONENT MAINT MANUAL REF: 31-11-27 PRE SERVICE BULLETIN: 31-1136 | 001011 201967 | 1 |
| 185 | BAC27DCC2935 | | ..MARKER- SUPPLIER CODE: V89954 | 001011 201967 | 1 |

MISSING ITEM NUMBERS NOT APPLICABLE

— ITEM NOT ILLUSTRATED

HAP

11-31-01-01

BOEING PROPRIETARY - Copyright © - Unpublished Work - See title page for details.

11-31-01
FIG. 01
PAGE 6
FEB 15/09

 **BOEING**
737-600/700/800/900
PARTS CATALOG (MAINTENANCE)

| FIG ITEM | PART NUMBER | 1 2 3 4 5 6 7 | NOMENCLATURE | EFFECT FROM TO | UNITS PER ASSY |
|-------------|--------------|---------------|---|-------------------|----------------------|
| 1 190 | 233A7203-8 | | .PANEL ASSY-DATA LOAD SELECT P61-1 SUPPLIER CODE: V89954 ELECTRICAL EQUIP NUMBER: P06101 COMPONENT MAINT MANUAL REF: 31-11-27 POST SERVICE BULLETIN: 31-1136 | 001027 | 1 |
| 190 | 233A7203-9 | | .PANEL ASSY-DATA LOAD SELECT P61-1 SUPPLIER CODE: V89954 ELECTRICAL EQUIP NUMBER: P06101 COMPONENT MAINT MANUAL REF: 31-11-27 | 001030 | 1 |
| 190 | 233A7203-10 | | .PANEL ASSY-DATA LOAD SELECT P61-1 SUPPLIER CODE: V89954 ELECTRICAL EQUIP NUMBER: P06101 COMPONENT MAINT MANUAL REF: 31-11-27 | 001030 | 1 |
| 195 | BAC27DCC3138 | | ..PLACARD- | 001027 | 1 |
| 200 | BAC27DCC3283 | | ..PLACARD- SUPPLIER CODE: V89954 | 001030 | 1 |
| 300 | 233A7206-1 | | .PANEL ASSY-FUEL TEST P61-08 SUPPLIER CODE: V89954 ELECTRICAL EQUIP NUMBER: P06108 POST ALERT SB: 28A1206 | 001030 | RF |
| 305 | BAC27DCC3391 | | ..PLACARD- SUPPLIER CODE: V89954 | 001030 | 1 |

MISSING ITEM NUMBERS NOT APPLICABLE

— ITEM NOT ILLUSTRATED

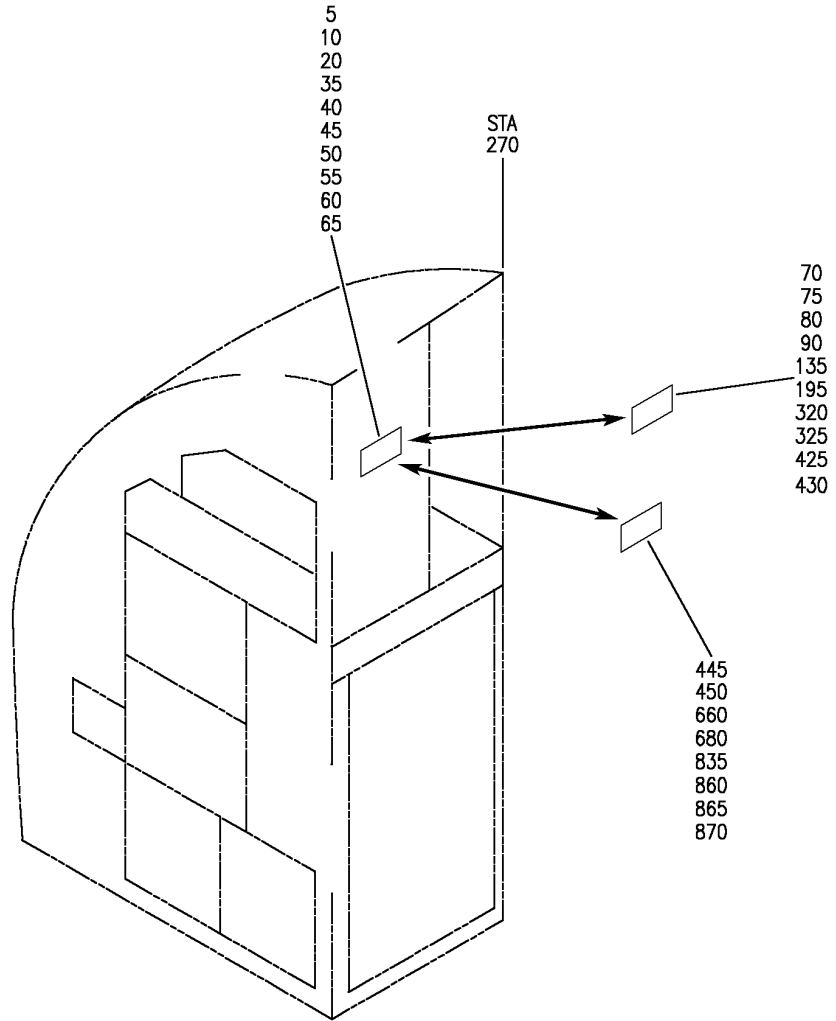
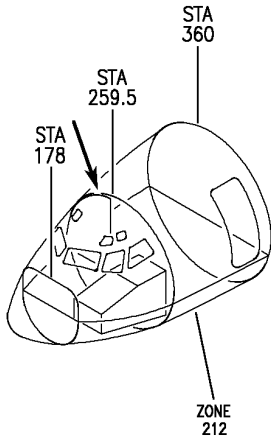
HAP

11-31-01-01

BOEING PROPRIETARY - Copyright © - Unpublished Work - See title page for details.

11-31-01
FIG. 01
PAGE 7
FEB 15/09

BOEING
 737-600/700/800/900
 PARTS CATALOG (MAINTENANCE)



E 11310102 SH1 1 REV 071

NAMEPLATE INSTL-OWNERSHIP FLIGHT DECK PLACARD, 737-800 ONLY
 FIGURE 2 (SHEET 1)

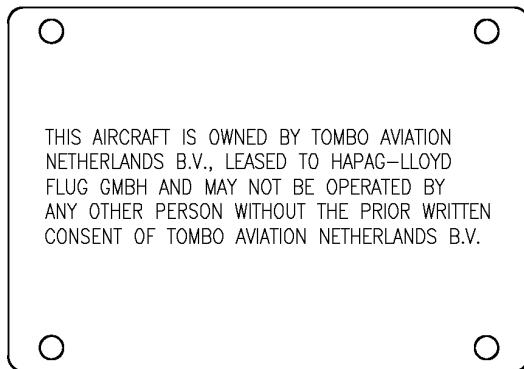
11-31-01-02

HAP
 OCT 10/06

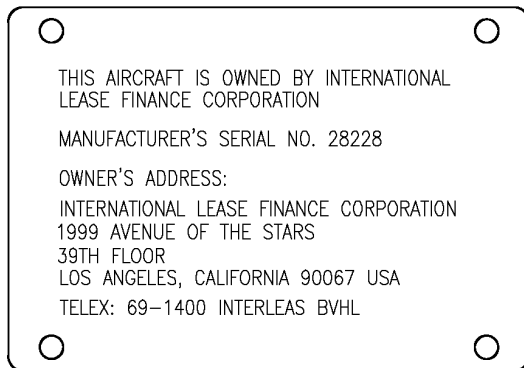
11-31-01-02
 PAGE 0

BOEING
737-600/700/800/900
PARTS CATALOG (MAINTENANCE)

90



680



E 11310102 SH1 2 REV 071

NAMEPLATE INSTL-OWNERSHIP FLIGHT DECK PLACARD, 737-800 ONLY
FIGURE 2 (SHEET 2)

11-31-01-02

HAP
OCT 10/06

11-31-01-02
PAGE 0A

BOEING
737-600/700/800/900
PARTS CATALOG (MAINTENANCE)

| FIG ITEM | PART NUMBER | 1 2 3 4 5 6 7 | NOMENCLATURE | EFFECT FROM TO | UNITS PER ASSY |
|----------|---------------|---------------|--|--------------------------------------|----------------|
| 2 | | | NAMEPLATE INSTL-OWNERSHIP FLIGHT DECK PLACARD, 737-800 ONLY | 001004 006019 021027 029030 | |
| - 1 | 65C34299-2 | | NAMEPLATE INSTL-OWNERSHIP FLIGHT DECK PLACARD, 737-800 ONLY VARIABLE DRAWING REF: 65C34299-5010 POST RAPID REVISION: RR97089-40A | 001004 006019 021027 029030 | RF |
| 5 | BAC29PPS52073 | | .PLACARD- PLACARD CONTENT: D-AHLQ BOEING BAUJAHR 2002 WERK NR: 32906 B 737-8K5 | 029029 | 1 |
| 10 | BAC29PPS48879 | | .PLACARD- PLACARD CONTENT: D-AHFX BOEING BAUJAHR 2001 WERK NR: 30416 B 737-8K5 | 024024 | 1 |
| 20 | BAC29PPS48346 | | .PLACARD- PLACARD CONTENT: D-AHFV BOEING BAUJAHR 2000 WERK NR: 30415 B 737-8K5 | 022022 | 1 |
| 35 | BAC29PPS36638 | | .PLACARD- PLACARD CONTENT: D-AHFD BOEING BAUJAHR 1998 WERK NR: 27978 B 737-8K5 | 002002 | 1 |
| 40 | BAC29PPS36639 | | .PLACARD- PLACARD CONTENT: D-AHFC BOEING BAUJAHR 1998 WERK NR: 27977 B 737-8K5 | 001001 | 1 |
| 45 | BAC29PPS36643 | | .PLACARD | 003003 | 1 |
| 50 | BAC29PPS36644 | | .PLACARD | 004004 | 1 |
| 55 | BAC29PPS48768 | | .PLACARD- PLACARD CONTENT: D-AHFW BOEING BAUJAHR 2001 WERK NR: 30882 B 737-8K5 | 023023 | 1 |

MISSING ITEM NUMBERS NOT APPLICABLE

- ITEM NOT ILLUSTRATED

HAP

11-31-01-02

BOEING PROPRIETARY - Copyright © - Unpublished Work - See title page for details.

11-31-01
FIG. 02
PAGE 1
OCT 10/06

BOEING
737-600/700/800/900
PARTS CATALOG (MAINTENANCE)

| FIG ITEM | PART NUMBER | 1 2 3 4 5 6 7 | NOMENCLATURE | EFFECT FROM TO | UNITS PER ASSY |
|-------------|---------------|---------------|---|-------------------|----------------------|
| 2 | | | | | |
| 60 | BAC29PPS48342 | .PLACARD- | PLACARD CONTENT: D-AHFU BOEING BAUJAHR 2000 WERK NR: 30414 B 737-8K5 | 021021 | 1 |
| 65 | BAC29PPS46550 | .MARKER- | PLACARD CONTENT: D-AHFQ BOEING BAUJAHR 2000 WERK NR: 27992 B737-8K5 POST RAPID REVISION: RR97089-39A | 017017 | 1 |
| 70 | BAC29PPS48920 | .MARKER- | PLACARD CONTENT: D-AHFY BOEING BAUJAHR 2001 WERK NR: 30417 B 737-8K5 | 025025 | 1 |
| 75 | BAC29PPS46551 | .PLACARD- | PLACARD CONTENT: D-AHFR BOEING BAUJAHR 2000 WERK NR: 30593 B 737-8K5 POST RAPID REVISION: RR97089-40A | 019019 | 1 |
| 80 | BAC29PPS48922 | .MARKER- | PLACARD CONTENT: D-AHFZ BOEING BAUJAHR 2001 WERK NR: 30883 B 737-8K5 | 026027 | 1 |
| 135 | BAC29PPS46373 | .PLACARD- | PLACARD CONTENT: D-AHFL BOEING BAUJAHR 2000 WERK NR: 27985 B737-8K5 | 012012 | 1 |
| 195 | BAC29PPS46927 | .PLACARD- | PLACARD CONTENT: D-AHFS BOEING BAUJAHR 2000 WERK NR: 28623 B 737-8K5 | 018018 | 1 |
| 320 | BAC29PPS40789 | .PLACARD- | PLACARD CONTENT: D-AHFA BOEING BAUJAHR 1998 WERK NR: 27981 B 737-8K5 | 006006 | 1 |

MISSING ITEM NUMBERS NOT APPLICABLE

— ITEM NOT ILLUSTRATED

HAP

11-31-01-02

BOEING PROPRIETARY - Copyright © - Unpublished Work - See title page for details.

11-31-01
FIG. 02
PAGE 2
OCT 10/07

BOEING
737-600/700/800/900
PARTS CATALOG (MAINTENANCE)

| FIG ITEM | PART NUMBER | 1 2 3 4 5 6 7 | NOMENCLATURE | EFFECT FROM TO | UNITS PER ASSY |
|-------------|---------------|---------------|--|-------------------|----------------------|
| 2 325 | BAC29PPS40791 | | .PLACARD- PLACARD CONTENT: D-AHFB BOEING BAUJAHR 1998 WERK NR: 27982 B 737-8K5 | 007007 | 1 |
| 425 | BAC29PPS42585 | | .PLACARD- PLACARD CONTENT: D-AHFH BOEING BAUJAHR 1999 WERK NR: 27983 B 737-8K5 | 008008 | 1 |
| 430 | BAC29PPS42591 | | .PLACARD- PLACARD CONTENT: D-AHFI BOEING BAUJAHR 1999 WERK NR: 27984 B 737-8K5 | 009009 | 1 |
| 445 | BAC29PPS42587 | | .PLACARD- PLACARD CONTENT: D-AHFJ BOEING BAUJAHR 1999 WERK NR: 27990 B 737-8K5 | 010010 | 1 |
| 450 | BAC29PPS42593 | | .PLACARD- PLACARD CONTENT: D-AHFJ BOEING BAUJAHR 1999 WERK NR: 27991 B 737-8K5 | 011011 | 1 |
| 660 | BAC29PPS46375 | | .PLACARD- PLACARD CONTENT: D-AHFM BOEING BAUJAHR 2000 WERK NR: 27986 B737-8K5 | 013013 | 1 |
| 835 | BAC29PPS46503 | | .PLACARD- PLACARD CONTENT: D-AHFN BOEING BAUJAHR 2000 WERK NR: 28228 B 737-8K5 POST RAPID REVISION: RR97065-467C | 014014 | 1 |
| 860 | BAC29PPS46528 | | .PLACARD- PLACARD CONTENT: D-AHFO BOEING BAUJAHR 2000 WERK NR: 27987 B 737-8K5 POST RAPID REVISION: RR97089-36C | 015015 | 1 |

MISSING ITEM NUMBERS NOT APPLICABLE

— ITEM NOT ILLUSTRATED

HAP

11-31-01-02

BOEING PROPRIETARY - Copyright © - Unpublished Work - See title page for details.

11-31-01
FIG. 02
PAGE 3
OCT 10/06


BOEING
 737-600/700/800/900
PARTS CATALOG (MAINTENANCE)

| FIG ITEM | PART NUMBER | 1 2 3 4 5 6 7 | NOMENCLATURE | EFFECT FROM TO | UNITS PER ASSY |
|-------------|---------------|---------------|--|-------------------|----------------------|
| 2 865 | BAC29PPS46530 | | .PLACARD- PLACARD CONTENT: D-AHFP BOEING BAUJAHR 2000 WERK NR: 27988 B 737-8K5 POST RAPID REVISION: RR97089-37B | 016016 | 1 |
| 870 | BAC29PPS52388 | | .PLACARD- PLACARD CONTENT: D-AHLR BOEING BAUJAHR 2002 WERK NR: 32907 B 737-8K5 | 030030 | 1 |

MISSING ITEM NUMBERS NOT APPLICABLE

— ITEM NOT ILLUSTRATED

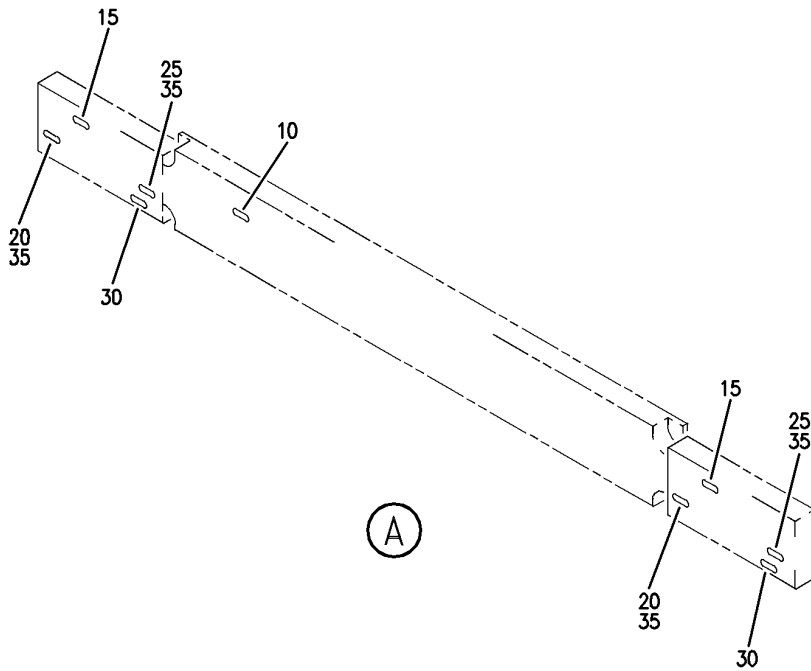
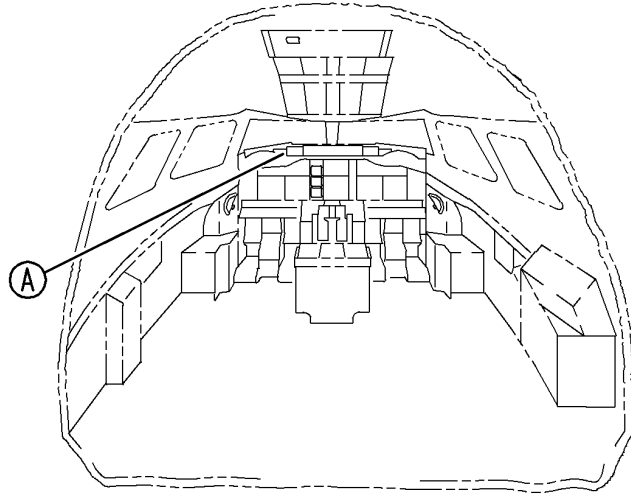
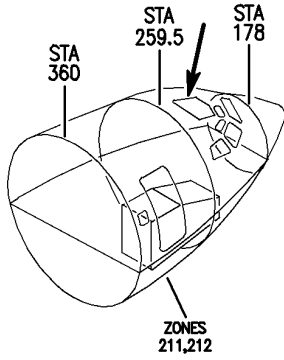
HAP

11-31-01-02

BOEING PROPRIETARY - Copyright © - Unpublished Work - See title page for details.

11-31-01
 FIG. 02
 PAGE 4
 OCT 10/06

BOEING
 737-600/700/800/900
 PARTS CATALOG (MAINTENANCE)



E 11310103 REV 0566

PANEL INSTL-PILOTS GLARESHIELD (PLACARDS AND MARKINGS ONLY)
 FIGURE 3

11-31-01-03

HAP
 OCT 10/06

11-31-01-03
 PAGE 0

BOEING
737-600/700/800/900
PARTS CATALOG (MAINTENANCE)

| FIG ITEM | PART NUMBER | 1 2 3 4 5 6 7 | NOMENCLATURE | EFFECT FROM TO | UNITS PER ASSY |
|-------------|--------------|---------------|---|----------------------------|----------------------|
| 3 | | | PANEL INSTL-PILOTS GLARESHIELD (PLACARDS AND MARKINGS ONLY) | 001200 968999 | |
| - 1 | 233A8103-3 | | PANEL INSTL-PILOTS GLARESHIELD (PLACARDS AND MARKINGS ONLY) | 001007 | RF |
| - 1 | 233A8103-103 | | FOR NHA/OTHER SYS DET SEE: 31-11-00-01C PANEL INSTL-PILOTS GLARESHIELD | 008011 017030 | RF |
| - 1 | 233A8103-105 | | FOR NHA SEE: 11-31-00-01C PANEL INSTL-PILOTS GLARESHIELD | 012016 | RF |
| - 2 | MODREF281637 | | FOR NHA SEE: 11-31-00-01C PANEL INSTL-PILOTS GLARESHIELD | 031047 054106 968999 | 1 |
| - 2 | MODREF395668 | | MODULE NUMBER: 233A8103-103 REV B PANEL INSTL-PILOTS GLARESHIELD | 048053 107200 | 1 |
| 15 | BAC27DCC2769 | | MODULE NUMBER: 233A8103-103 REV C .DECAL- | 001007 | 2 |
| 25 | BAC27DCC2769 | | PLACARD CONTENT: INOP | 001011 017200 968999 | 2 |
| 30 | BAC27DCC2993 | | .DECAL- | 001007 | 2 |
| 35 | BAC27DCC2769 | | PLACARD CONTENT: INOP | 012016 | 4 |
| | | | .DECAL- | | |
| | | | PLACARD CONTENT: INOP | | |

MISSING ITEM NUMBERS NOT APPLICABLE

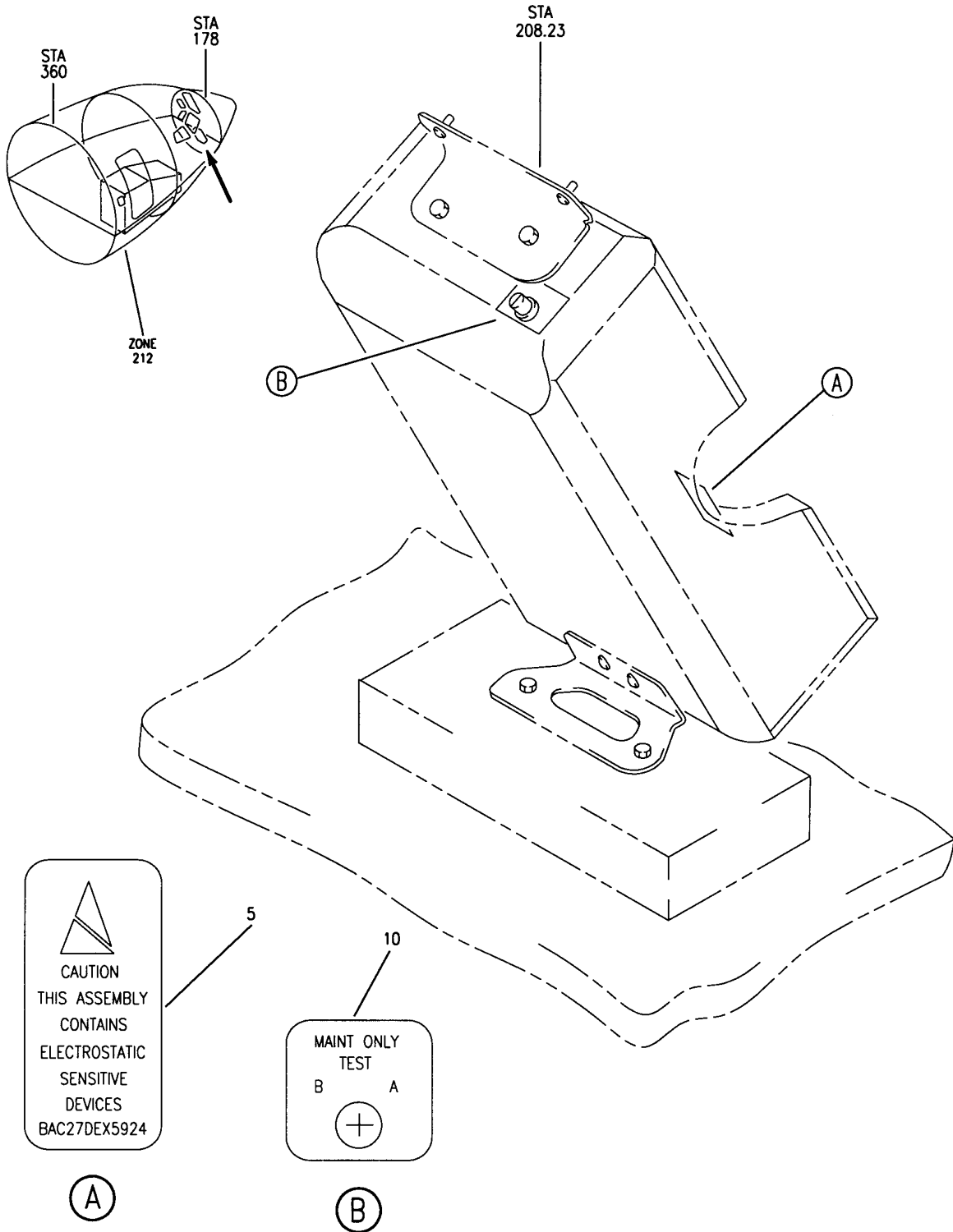
- ITEM NOT ILLUSTRATED

HAP

11-31-01-03

11-31-01
FIG. 03
PAGE 1
FEB 15/09

BOEING
 737-600/700/800/900
 PARTS CATALOG (MAINTENANCE)



E 11310104 REV 014

MODULE ASSY
 FIGURE 4

11-31-01-04

HAP
 OCT 10/06

11-31-01-04
 PAGE 0

BOEING
737-600/700/800/900
PARTS CATALOG (MAINTENANCE)

| FIG ITEM | PART NUMBER | 1 2 3 4 5 6 7 | NOMENCLATURE | EFFECT FROM TO | UNITS PER ASSY |
|-------------|--------------|---------------|---|----------------------------|----------------------|
| 4 | | | MODULE ASSY | 031200 968999 | |
| - 1 | 69-78214-3 | | MODULE ASSY- SUPPLIER CODE: V89954 ELECTRICAL EQUIP NUMBER: M00315 COMPONENT MAINT MANUAL REF: 31-26-20 QUALIFIED I/W DATA: 69-78214-3 AND 69-78214-4 ARE INTERCHANGEABLE WHEN A CABIN PRESSURE SINGLE SWITCH IS ENABLED OR WHEN A CABIN PRESSURE DUAL SWITCH IS DISABLED FOR THE CABIN ALTITUDE WARNING SYSTEM. FOR NHA/OTHER SYS DET SEE: 31-51-00-01 | 031047 054106 968999 | RF |
| - 1 | 69-78214-4 | | MODULE ASSY- SUPPLIER CODE: V89954 ELECTRICAL EQUIP NUMBER: M00315 COMPONENT MAINT MANUAL REF: 31-26-20 QUALIFIED I/W DATA: 69-78214-3 AND 69-78214-4 ARE INTERCHANGEABLE WHEN A CABIN PRESSURE SINGLE SWITCH IS ENABLED OR WHEN A CABIN PRESSURE DUAL SWITCH IS DISABLED FOR THE CABIN ALTITUDE WARNING SYSTEM. FOR NHA/OTHER SYS DET SEE: 31-51-00-01 | 048053 107200 | RF |
| 5 | BAC27DEX5924 | | .DECAL- SUPPLIER CODE: V89954 | 031200 968999 | 1 |
| 10 | BAC27DEX5983 | | .DECAL- SUPPLIER CODE: V89954 CONFIG CHG DATA FROM A CMM: 362A4340P1 | 031200 968999 | 1 |

MISSING ITEM NUMBERS NOT APPLICABLE

- ITEM NOT ILLUSTRATED

HAP

11-31-01-04

11-31-01
FIG. 04
PAGE 1
JUN 15/09


BOEING
 737-600/700/800/900
PARTS CATALOG (MAINTENANCE)

| FIG ITEM | PART NUMBER | 1 2 3 4 5 6 7 NOMENCLATURE | EFFECT FROM TO | UNITS PER ASSY |
|-------------|-------------|--|-------------------|----------------------|
| 4 10 | 362A4340P1 | .DECAL- SUPPLIER CODE: V89954 CONFIG CHG DATA FROM A CMM: BAC27DEX5983 | 031200 968999 | 1 |

MISSING ITEM NUMBERS NOT APPLICABLE

— ITEM NOT ILLUSTRATED

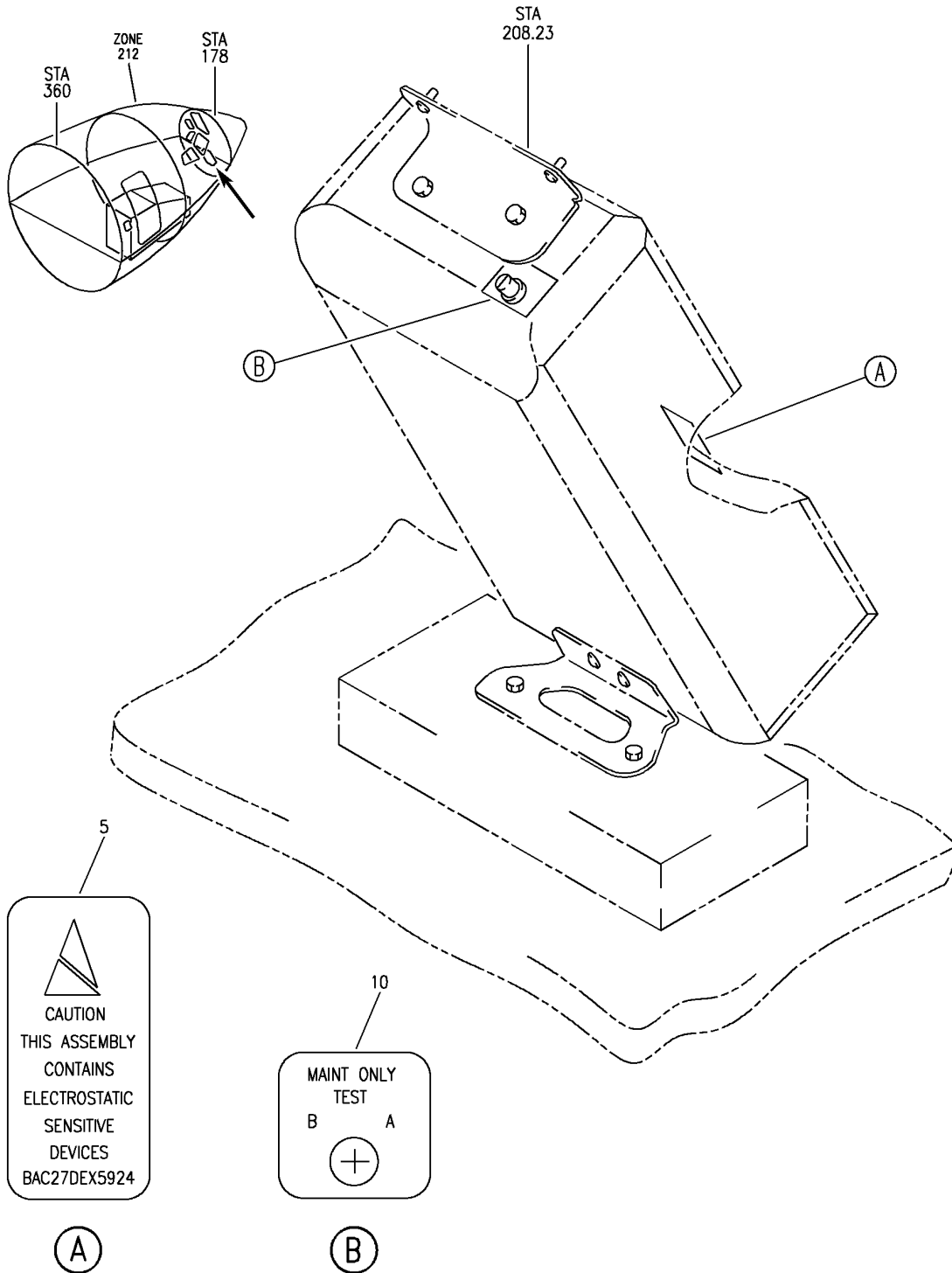
HAP

11-31-01-04

BOEING PROPRIETARY - Copyright © - Unpublished Work - See title page for details.

11-31-01
 FIG. 04
 PAGE 2
 JUN 15/09

BOEING
 737-600/700/800/900
 PARTS CATALOG (MAINTENANCE)



E 11310104A REV 126

MODULE ASSY
 FIGURE 4A

HAP
 FEB 10/07

11-31-01-04A

11-31-01-04A
 PAGE 0

BOEING
737-600/700/800/900
PARTS CATALOG (MAINTENANCE)

| FIG ITEM | PART NUMBER | 1 2 3 4 5 6 7 | NOMENCLATURE | EFFECT FROM TO | UNITS PER ASSY |
|--|-----------------|---------------|---|------------------|----------------|
| 4 A | | | MODULE ASSY | 001030 201967 | |
| R | - 1 69-78214-3 | | MODULE ASSY- SUPPLIER CODE: V89954 ELECTRICAL EQUIP NUMBER: M00315 COMPONENT MAINT MANUAL REF: 31-26-20 QUALIFIED I/W DATA: 69-78214-3 AND 69-78214-4 ARE INTERCHANGEABLE WHEN A CABIN PRESSURE SINGLE SWITCH IS ENABLED OR WHEN A CABIN PRESSURE DUAL SWITCH IS DISABLED FOR THE CABIN ALTITUDE WARNING SYSTEM. FOR NHA/OTHER SYS DET SEE: 31-51-00-02 | 001030 201967 | RF |
| | 5 BAC27DEX5924 | | .DECAL- SUPPLIER CODE: V89954 | 001030 201967 | 1 |
| | 10 BAC27DEX5983 | | .DECAL- SUPPLIER CODE: V89954 CONFIG CHG DATA FROM A CMM: 362A4340P1 | 001030 201967 | 1 |
| | 10 362A4340P1 | | .DECAL- SUPPLIER CODE: V89954 CONFIG CHG DATA FROM A CMM: BAC27DEX5983 | 001030 201967 | 1 |

MISSING ITEM NUMBERS NOT APPLICABLE

- ITEM NOT ILLUSTRATED

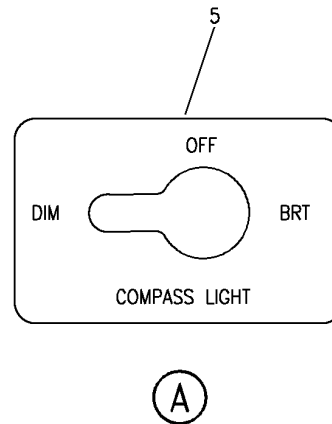
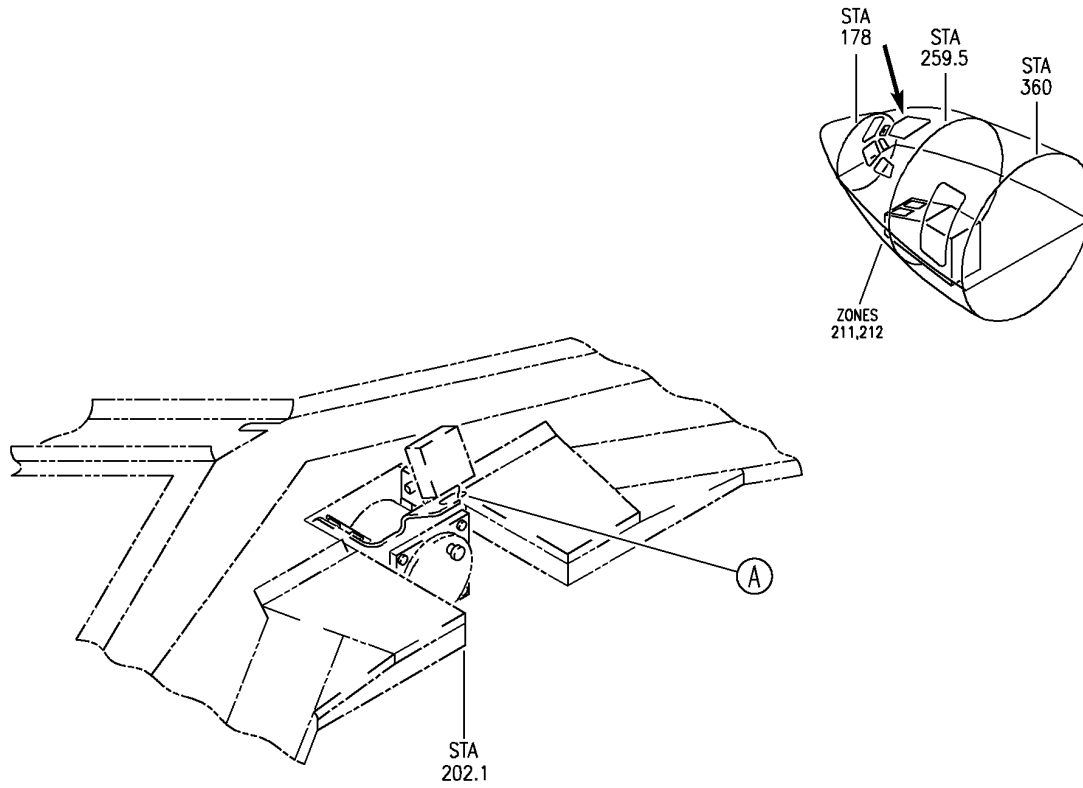
HAP

11-31-01-04A

BOEING PROPRIETARY - Copyright © - Unpublished Work - See title page for details.

11-31-01
FIG. 04A
PAGE 1
JUN 15/09

BOEING
 737-600/700/800/900
 PARTS CATALOG (MAINTENANCE)



E 11310105 REV 125

BRACKET ASSY-PILOTS STBY COMPASS (PLACARDS AND MARKINGS ONLY)
 FIGURE 5

11-31-01-05

HAP
 FEB 10/07

11-31-01-05
 PAGE 0


BOEING
 737-600/700/800/900
PARTS CATALOG (MAINTENANCE)

| FIG ITEM | PART NUMBER | 1 2 3 4 5 6 7 | NOMENCLATURE | EFFECT FROM TO | UNITS PER ASSY |
|--|-------------|---------------|--|-------------------|----------------------|
| R R R R R R R R R R | 5 | | BRACKET ASSY-PILOTS STBY COMPASS (PLACARDS AND MARKINGS ONLY) | 031200 968999 | |
| | - 1 | 232A4266-4 | BRACKET ASSY-PILOTS STBY COMPASS (PLACARDS AND MARKINGS ONLY) | 031200 968999 | RF |
| | 5 | BAC27DCC421 | FOR NHA/OTHER SYS DET SEE: 34-23-01-02 .MARKER-ALUMINUM FOIL | 031200 968999 | 1 |

MISSING ITEM NUMBERS NOT APPLICABLE

- ITEM NOT ILLUSTRATED

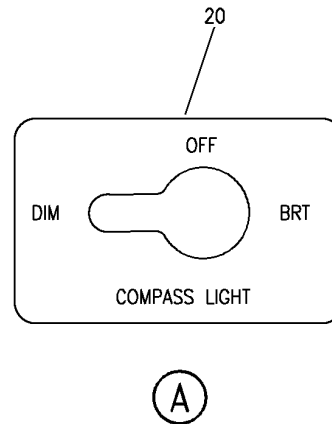
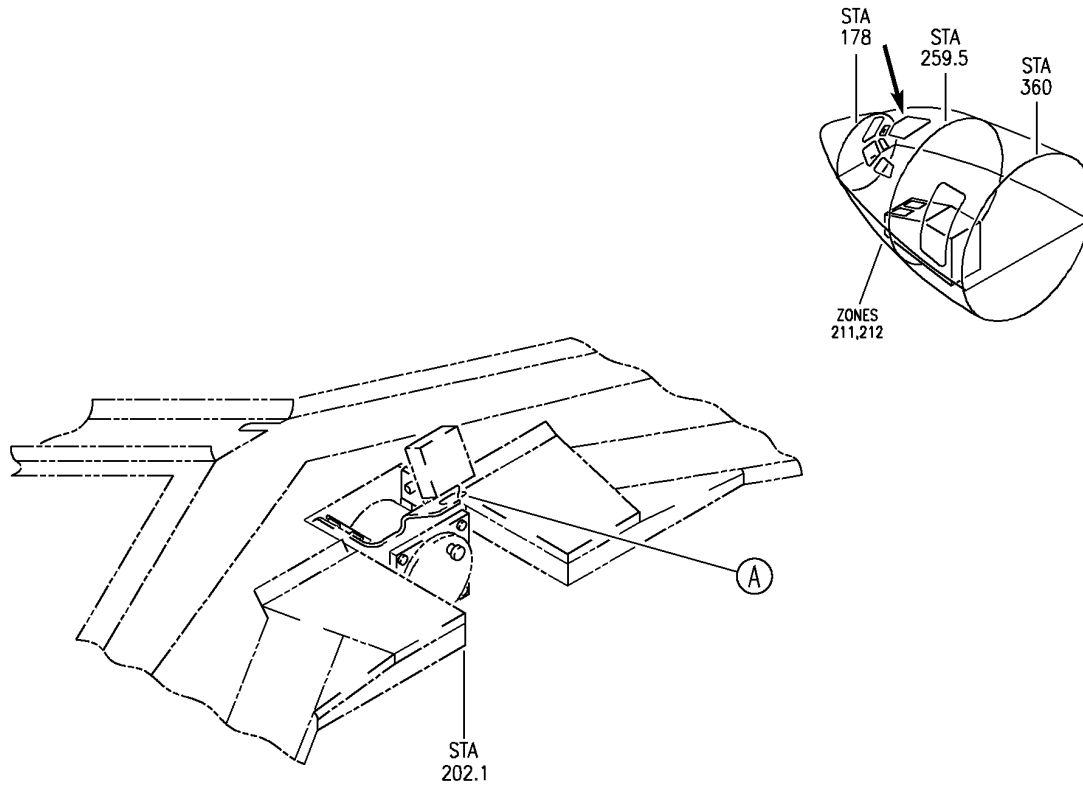
HAP

11-31-01-05

BOEING PROPRIETARY - Copyright © - Unpublished Work - See title page for details.

11-31-01
 FIG. 05
 PAGE 1
 JUN 15/09

BOEING
 737-600/700/800/900
 PARTS CATALOG (MAINTENANCE)



E 11310105A REV 125

BRACKET ASSY-PILOTS STBY COMPASS (PLACARDS AND MARKINGS ONLY)
 FIGURE 5A

HAP
 FEB 10/07

11-31-01-05A

11-31-01-05A
 PAGE 0

BOEING
737-600/700/800/900
PARTS CATALOG (MAINTENANCE)

| FIG ITEM | PART NUMBER | 1 2 3 4 5 6 7 | NOMENCLATURE | EFFECT FROM TO | UNITS PER ASSY |
|----------|-------------|---------------|--|------------------|----------------|
| 5A | | | BRACKET ASSY-PILOTS STBY COMPASS (PLACARDS AND MARKINGS ONLY) | 001030 201967 | |
| - 1 | 232A4266-4 | | BRACKET ASSY-PILOTS STBY COMPASS (PLACARDS AND MARKINGS ONLY) POST ALERT SB: 24A1141R1 FOR NHA/OTHER SYS DET SEE: 34-23-01-01 | 001030 201967 | RF |
| - 1 | 232A4266-3 | | BRACKET ASSY-PILOTS STBY COMPASS (PLACARDS AND MARKINGS ONLY) PRE ALERT SB: 24A1141R1 FOR NHA/OTHER SYS DET SEE: 34-23-01-01 | 001011 201967 | RF |
| 20 | BAC27DCC421 | | .MARKER-ALUMINUM FOIL | 001030 201967 | 1 |

MISSING ITEM NUMBERS NOT APPLICABLE

- ITEM NOT ILLUSTRATED

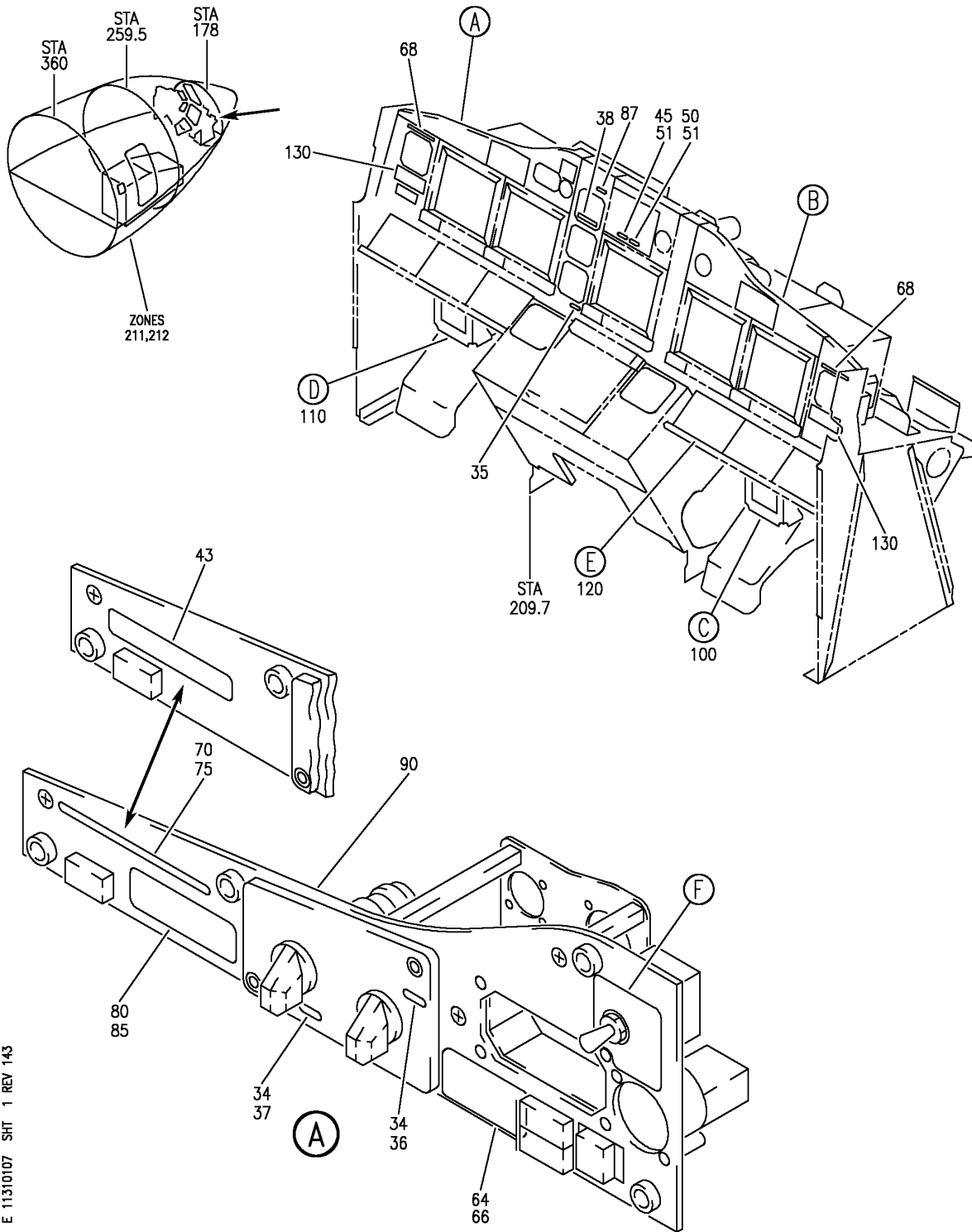
HAP

11-31-01-05A

BOEING PROPRIETARY - Copyright © - Unpublished Work - See title page for details.

11-31-01
FIG. 05A
PAGE 1
OCT 15/08

BOEING
 737-600/700/800/900
 PARTS CATALOG (MAINTENANCE)



E 11310107 SHT 1 REV 143

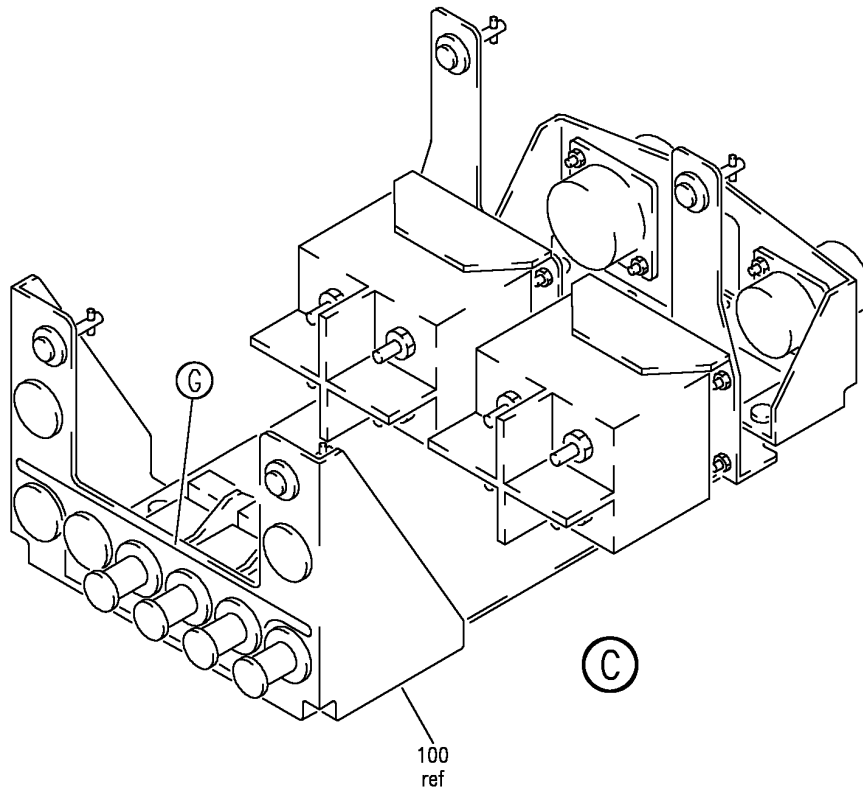
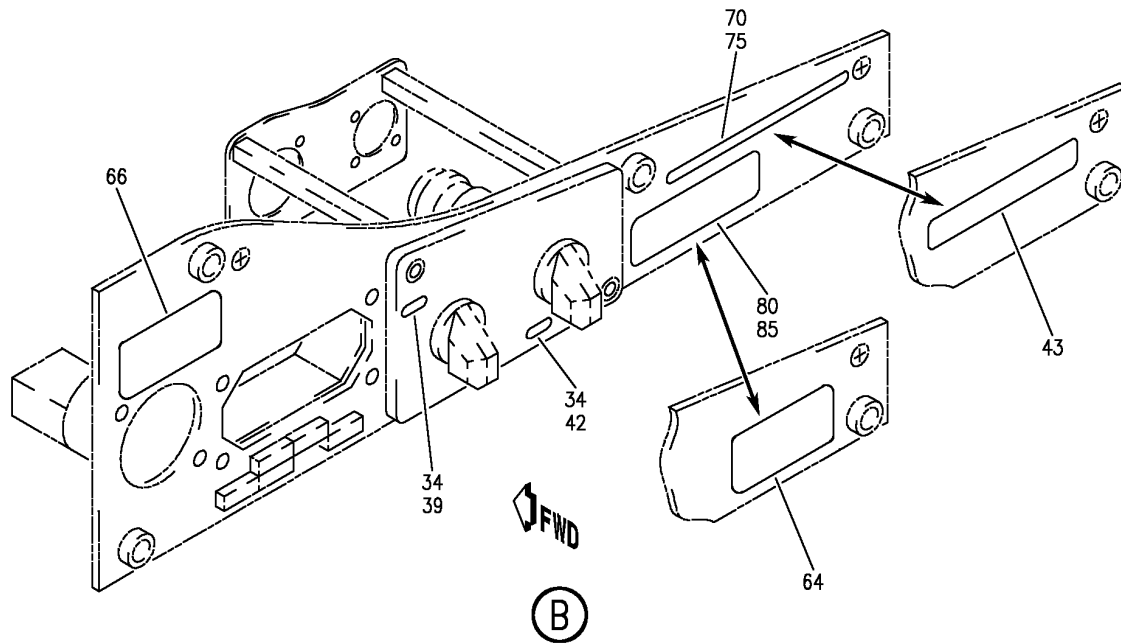
PANEL INSTL-FWD (PLACARDS AND MARKINGS ONLY)
 FIGURE 7 (SHEET 1)

11-31-01-07

HAP
 OCT 15/08

11-31-01-07
 PAGE 0

BOEING
 737-600/700/800/900
 PARTS CATALOG (MAINTENANCE)



E 11310107 SHT 2 REV 085

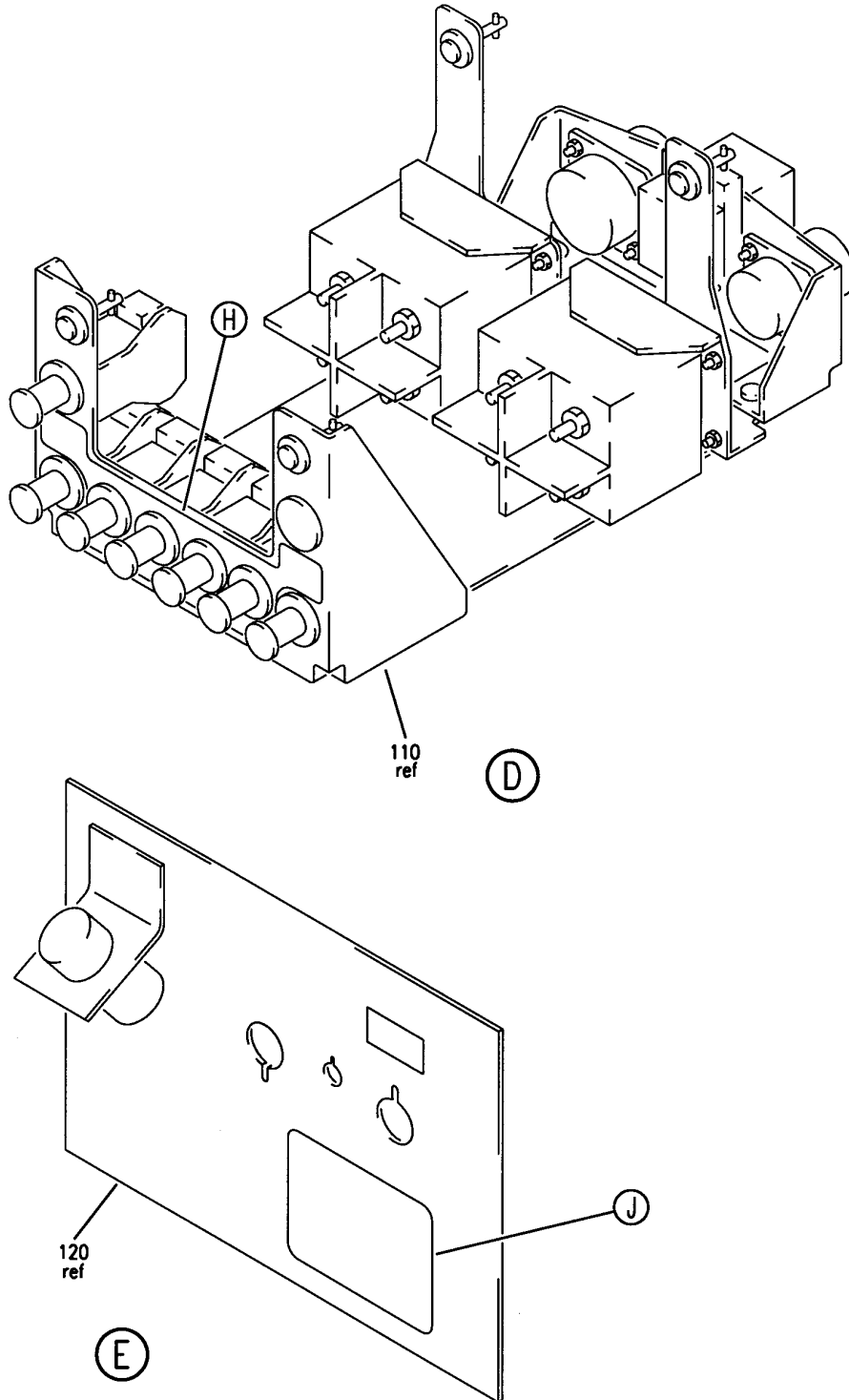
PANEL INSTL-FWD (PLACARDS AND MARKINGS ONLY)
 FIGURE 7 (SHEET 2)

11-31-01-07

HAP
 OCT 15/08

11-31-01-07
 PAGE 0A

BOEING
737-600/700/800/900
PARTS CATALOG (MAINTENANCE)



E 11310107 SHT 3 REV 030

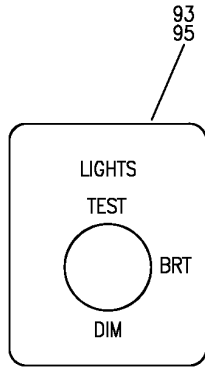
PANEL INSTL-FWD (PLACARDS AND MARKINGS ONLY)
FIGURE 7 (SHEET 3)

11-31-01-07

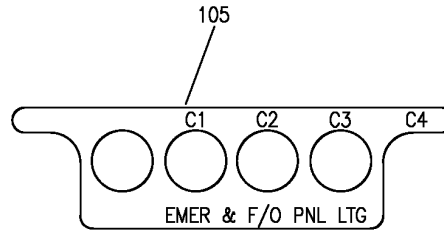
HAP
OCT 15/08

11-31-01-07
PAGE 0B

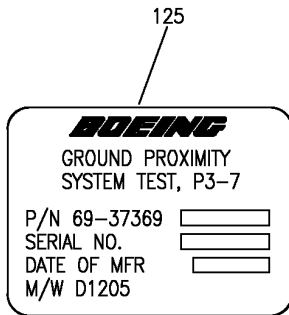
BOEING
 737-600/700/800/900
 PARTS CATALOG (MAINTENANCE)



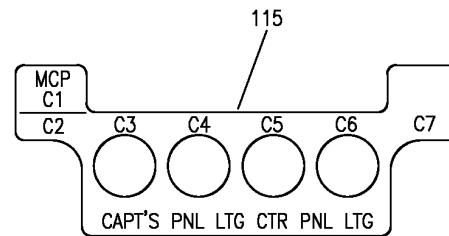
(F)



(G)



(J)



(H)

E 11310107 SH1 4 REV 083

PANEL INSTL-FWD (PLACARDS AND MARKINGS ONLY)
 FIGURE 7 (SHEET 4)

11-31-01-07

HAP
 OCT 15/08

11-31-01-07
 PAGE 0C

BOEING
737-600/700/800/900
PARTS CATALOG (MAINTENANCE)

| FIG ITEM | PART NUMBER | 1 2 3 4 5 6 7 | NOMENCLATURE | EFFECT FROM TO | UNITS PER ASSY |
|----------|--------------|---------------|---|----------------|----------------|
| 7 | | | PANEL INSTL-FWD (PLACARDS AND MARKINGS ONLY) | 201967 | |
| - 7 | 233A2101-103 | | PANEL INSTL-(PLACARDS AND MARKINGS ONLY) POSITION DATA: FWD FOR NHA/OTHER SYS DET SEE: 31-11-00-01J | 201967 | RF |
| R | 36 | BAC27DCC2769 | .DECAL- PLACARD CONTENT: INOP PRE SERVICE BULLETIN: 31-1233 | 202967 | 1 |
| R | 37 | BAC27DCC2769 | .DECAL- PLACARD CONTENT: INOP PRE SERVICE BULLETIN: 31-1233 | 202967 | 1 |
| R | 39 | BAC27DCC2769 | .DECAL- PLACARD CONTENT: INOP PRE SERVICE BULLETIN: 31-1233 | 202967 | 1 |
| R | 42 | BAC27DCC2769 | .DECAL- PLACARD CONTENT: INOP PRE SERVICE BULLETIN: 31-1233 | 202967 | 1 |
| R | 45 | BAC27DCC2993 | .DECAL- PLACARD CONTENT: INOP PRE SERVICE BULLETIN: 31-1233 | 202967 | 1 |
| R | 50 | BAC27DCC2993 | .DECAL- PLACARD CONTENT: INOP PRE SERVICE BULLETIN: 31-1233 | 202967 | 1 |
| R | 68 | BAC27DCC3317 | .MARKER- PLACARD CONTENT: DO NOT EXTEND THE SPEEDBRAKE LEVER BEYOND THE FLIGHT DETENT IN FLIGHT POST ALERT SB: 11A1109 | 201967 | 2 |

MISSING ITEM NUMBERS NOT APPLICABLE

- ITEM NOT ILLUSTRATED

HAP

11-31-01-07

11-31-01
FIG. 07
PAGE 1
JUN 15/09

BOEING
737-600/700/800/900
PARTS CATALOG (MAINTENANCE)

| FIG ITEM | PART NUMBER | 1 2 3 4 5 6 7 | NOMENCLATURE | EFFECT FROM TO | UNITS PER ASSY |
|-------------|----------------------------|---------------|--|-------------------|----------------------|
| 7 70 | BAC27DCC3235 | | .DECAL- PLACARD CONTENT: USE VHF-2 FOR PRIMARY ATC COMM ON GROUND POST ALERT SB: 23A1170 | 202967 | 2 |
| 90 | 233A2221-5 | | .PANEL ASSY-CDS DISPLAY CONT P1-3 SUPPLIER CODE: V89954 POSITION DATA: L COMPONENT MAINT MANUAL REF: 31-11-30 | 201967 | RF |
| 90 | 233A2221-9 | | .PANEL ASSY-CDS DISPLAY CONT P1-3 SUPPLIER CODE: V89954 POSITION DATA: L COMPONENT MAINT MANUAL REF: 31-11-30 | 201967 | RF |
| 95 100 | BAC27DCC2868 233A2230-8 | | ..DECAL .PANEL ASSY-CKT BRKR P42 SUPPLIER CODE: V89954 COMPONENT MAINT MANUAL REF: 31-11-42 | 201967 201967 | 1 RF |
| 105 | BAC27DCC2918 | | ..DECAL- SUPPLIER CODE: V89954 | 201967 | 1 |
| 110 | 233A2230-7 | | .PANEL ASSY-CKT BRKR P41 SUPPLIER CODE: V89954 COMPONENT MAINT MANUAL REF: 31-11-42 | 201967 | RF |
| 115 | BAC27DCC2717 | | ..DECAL | 201967 | 1 |

MISSING ITEM NUMBERS NOT APPLICABLE

— ITEM NOT ILLUSTRATED

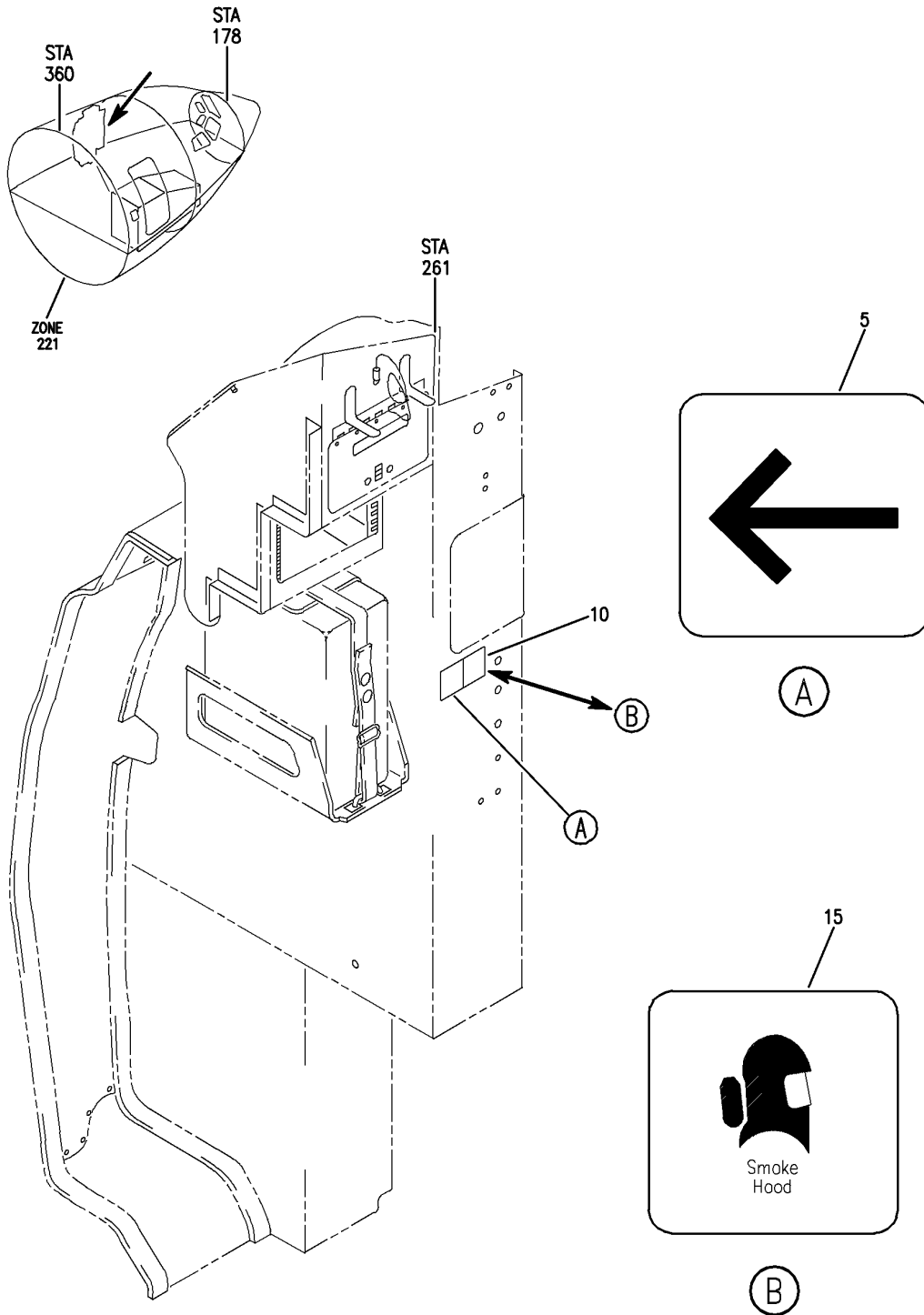
HAP

11-31-01-07

BOEING PROPRIETARY - Copyright © - Unpublished Work - See title page for details.

11-31-01
FIG. 07
PAGE 2
OCT 15/08

BOEING
 737-600/700/800/900
 PARTS CATALOG (MAINTENANCE)



E 11310107D REV 058

EQUIPMENT INSTL-SCOTT AVIATION (802300-14) (PLACARDS AND MARKINGS ONLY)
 FIGURE 7D

HAP
 OCT 10/06

11-31-01-07D

11-31-01-07D
 PAGE 0

BOEING
737-600/700/800/900
PARTS CATALOG (MAINTENANCE)

| FIG ITEM | PART NUMBER | 1 2 3 4 5 6 7 | NOMENCLATURE | EFFECT FROM TO | UNITS PER ASSY |
|-------------|---------------|---------------|---|-------------------|----------------------|
| 7D | | | EQUIPMENT INSTL-SCOTT AVIATION (802300-14) (PLACARDS AND MARKINGS ONLY) | 031200 968999 | |
| - 1 | MODREF232778 | | EQUIPMENT INSTL-PROTECTIVE BREATHING (PLACARDS AND MARKINGS ONLY) MODULE NUMBER: 232A8102-45 REV A FOR OTHER SYS DETAILS SEE: 25-64-51-05 | 031200 968999 | 1 |
| 5 | BAC29PPS36208 | | .PLACARD- | 031200 968999 | 1 |
| 15 | BAC29PPS36232 | | .MARKER- | 031200 968999 | 1 |

MISSING ITEM NUMBERS NOT APPLICABLE

- ITEM NOT ILLUSTRATED

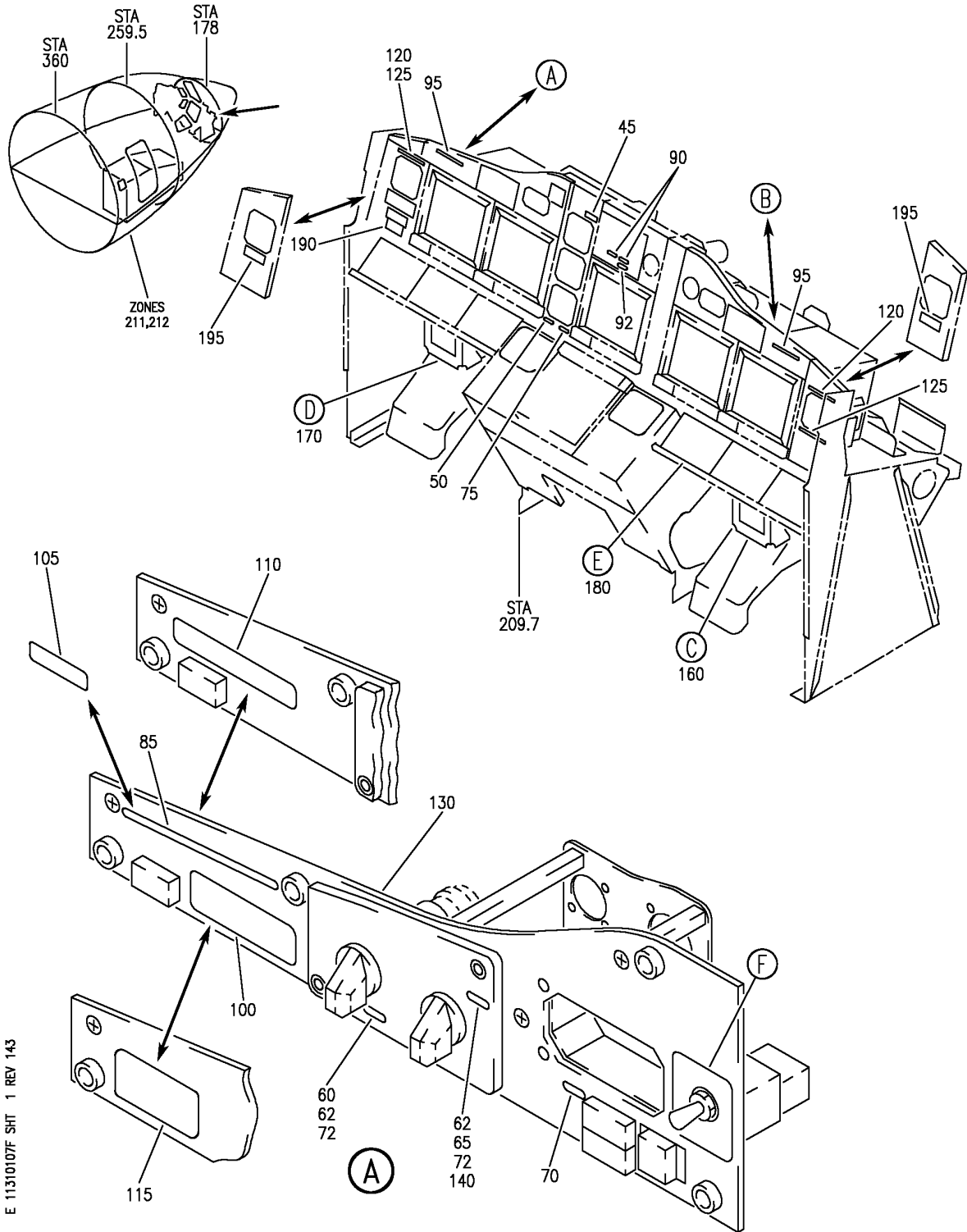
HAP

11-31-01-07D

BOEING PROPRIETARY - Copyright © - Unpublished Work - See title page for details.

11-31-01
FIG. 07D
PAGE 1
OCT 15/08

BOEING
 737-600/700/800/900
 PARTS CATALOG (MAINTENANCE)



E 11310107F SHT 1 REV 143

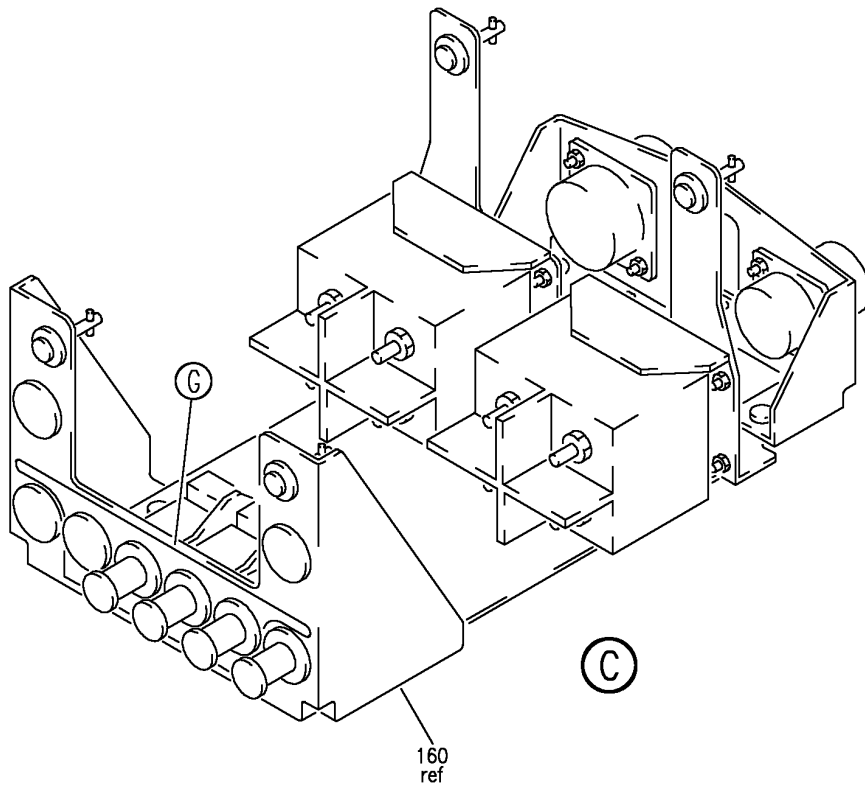
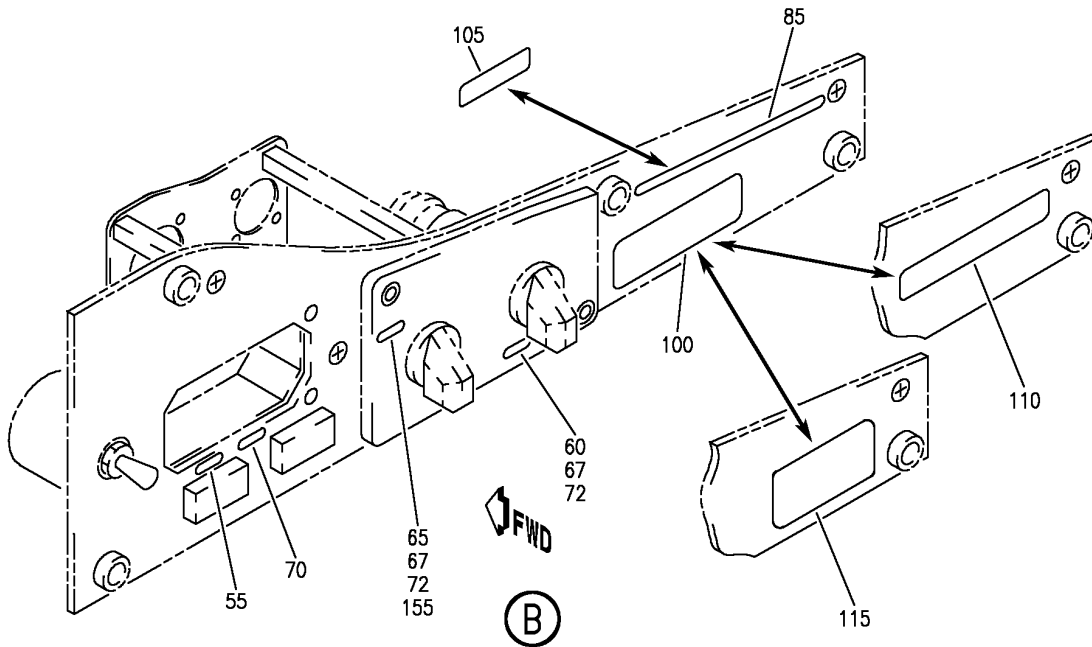
PANEL INSTL-FWD (PLACARDS AND MARKINGS ONLY)
 FIGURE 7F (SHEET 1)

11-31-01-07F

HAP
 JUN 15/08

11-31-01-07F
 PAGE 0

BOEING
 737-600/700/800/900
 PARTS CATALOG (MAINTENANCE)



E 11310107F SHT 2 REV 087

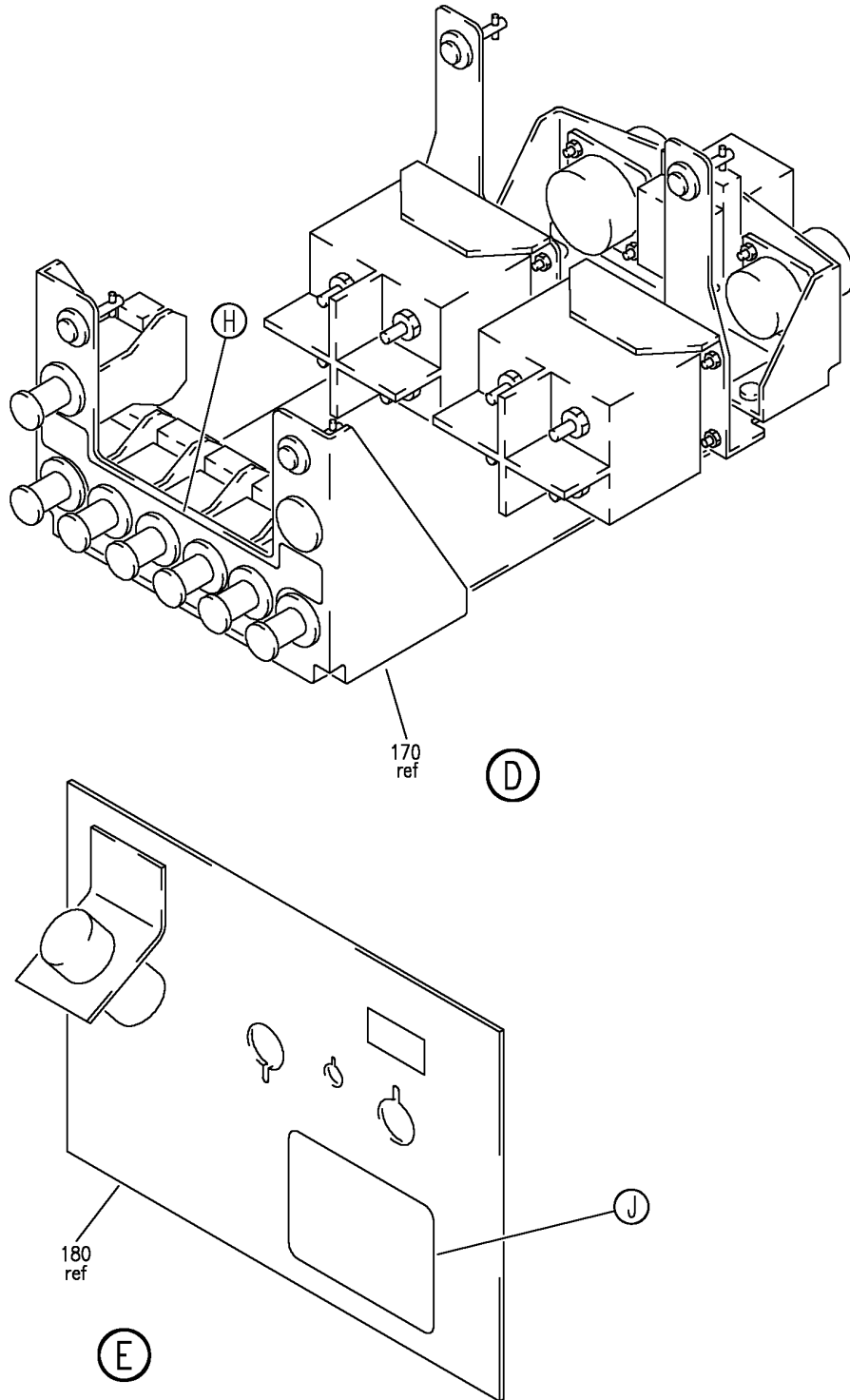
PANEL INSTL-FWD (PLACARDS AND MARKINGS ONLY)
 FIGURE 7F (SHEET 2)

11-31-01-07F

HAP
 OCT 10/06

11-31-01-07F
 PAGE 0A

BOEING
 737-600/700/800/900
 PARTS CATALOG (MAINTENANCE)



E 11310107F SHT 3 REV 083

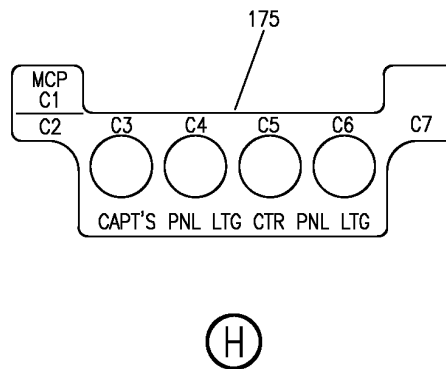
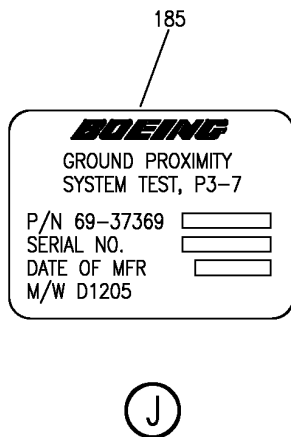
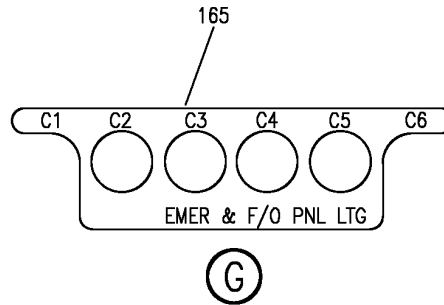
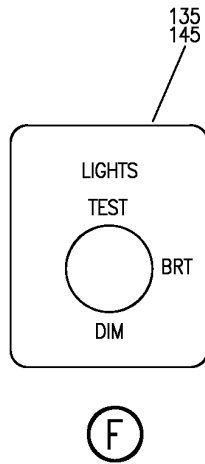
PANEL INSTL-FWD (PLACARDS AND MARKINGS ONLY)
 FIGURE 7F (SHEET 3)

11-31-01-07F

HAP
 OCT 10/06

11-31-01-07F
 PAGE 0B


BOEING
 737-600/700/800/900
 PARTS CATALOG (MAINTENANCE)



E 11310107F SH1 4 REV 083

PANEL INSTL-FWD (PLACARDS AND MARKINGS ONLY)
 FIGURE 7F (SHEET 4)

11-31-01-07F

HAP
OCT 10/06

11-31-01-07F
PAGE 0C

BOEING
737-600/700/800/900
PARTS CATALOG (MAINTENANCE)

| FIG ITEM | PART NUMBER | 1 2 3 4 5 6 7 | NOMENCLATURE | EFFECT FROM TO | UNITS PER ASSY |
|----------|--------------|---------------|---|----------------|----------------|
| 7 F | | | | | |
| - 1 | 233A2101-3 | | PANEL INSTL-FWD (PLACARDS AND MARKINGS ONLY) | 001030 | |
| | | | PANEL INSTL-(PLACARDS AND MARKINGS ONLY) | 001005 | RF |
| | | | POSITION DATA: FWD FOR NHA/OTHER SYS DET SEE: 31-11-00-01C | | |
| - 1 | 233A2101-20 | | PANEL INSTL-(PLACARDS AND MARKINGS ONLY) | 008011 | RF |
| | | | POSITION DATA: FWD FOR NHA/OTHER SYS DET SEE: 31-11-00-01C | | |
| - 2 | 233A2101-84 | | PANEL INSTL-(PLACARDS AND MARKINGS ONLY) | 017020 | RF |
| | | | POSITION DATA: FWD FOR NHA/OTHER SYS DET SEE: 31-11-00-01C | | |
| - 3 | 233A2101-91 | | PANEL INSTL-(PLACARDS AND MARKINGS ONLY) | 006007 | RF |
| | | | POSITION DATA: FWD FOR NHA/OTHER SYS DET SEE: 31-11-00-01C | | |
| - 5 | 233A2101-165 | | PANEL INSTL-(PLACARDS AND MARKINGS ONLY) | 012016 | RF |
| | | | POSITION DATA: FWD FOR NHA/OTHER SYS DET SEE: 31-11-00-01C | | |
| - 6 | 233A2101-207 | | PANEL INSTL-(PLACARDS AND MARKINGS ONLY) | 023027 | RF |
| | | | POSITION DATA: FWD FOR NHA/OTHER SYS DET SEE: 31-11-00-01C | | |
| - 8 | 233A2101-262 | | PANEL INSTL-(PLACARDS AND MARKINGS ONLY) | 021022 | RF |
| | | | POSITION DATA: FWD FOR NHA/OTHER SYS DET SEE: 31-11-00-01C | | |

MISSING ITEM NUMBERS NOT APPLICABLE

- ITEM NOT ILLUSTRATED

HAP

11-31-01-07F

BOEING PROPRIETARY - Copyright © - Unpublished Work - See title page for details.

11-31-01
FIG. 07F
PAGE 1
OCT 10/06

BOEING
737-600/700/800/900
PARTS CATALOG (MAINTENANCE)

| FIG ITEM | PART NUMBER | 1 2 3 4 5 6 7 | NOMENCLATURE | EFFECT FROM TO | UNITS PER ASSY |
|-------------|--------------|---------------|---|-------------------|----------------------|
| 7F - 9 | 233A2101-304 | | PANEL INSTL-(PLACARDS AND MARKINGS ONLY) POSITION DATA: FWD FOR NHA/OTHER SYS DET SEE: 31-11-00-01C | 028030 | RF |
| 50 | BAC27DCC2769 | | .DECAL- PLACARD CONTENT: INOP | 001011 017030 | 1 |
| 60 | BAC27DCC2769 | | .DECAL- PLACARD CONTENT: INOP PRE SERVICE BULLETIN: 31-1185 | 001020 | 2 |
| 65 | BAC27DCC2769 | | .DECAL- PLACARD CONTENT: INOP PRE SERVICE BULLETIN: 31-1185 | 001020 | 2 |
| 75 | BAC27DCC2769 | | .DECAL- PLACARD CONTENT: INOP | 012016 | 1 |
| 90 | BAC27DCC2993 | | .DECAL- PLACARD CONTENT: INOP PRE SERVICE BULLETIN: 31-1185 | 001020 | 2 |
| 105 | BAC27DCC3235 | | .DECAL- PLACARD CONTENT: USE VHF-2 FOR PRIMARY ATC COMM ON GROUND POST ALERT SB: 23A1170 23A1170R1 POST RAPID REVISION: RR97089-41E | 001016 | 2 |
| 120 | BAC27DCC3317 | | .MARKER- PLACARD CONTENT: DO NOT EXTEND THE SPEEDBRAKE LEVER BEYOND THE FLIGHT DETENT IN FLIGHT POST ALERT SB: 11A1109 | 001027 | 2 |

MISSING ITEM NUMBERS NOT APPLICABLE

- ITEM NOT ILLUSTRATED

HAP

11-31-01-07F

BOEING PROPRIETARY - Copyright © - Unpublished Work - See title page for details.

11-31-01
FIG. 07F
PAGE 2
OCT 10/07

BOEING
737-600/700/800/900
PARTS CATALOG (MAINTENANCE)

| FIG ITEM | PART NUMBER | 1 2 3 4 5 6 7 | NOMENCLATURE | EFFECT FROM TO | UNITS PER ASSY |
|-------------|--------------|---------------|---|-------------------|----------------------|
| 7F 130 | 233A2221-5 | | .PANEL ASSY-CDS DISPLAY CONT P1-3 SUPPLIER CODE: V89954 ELECTRICAL EQUIP NUMBER: P00103 COMPONENT MAINT MANUAL REF: 31-11-30 | 001022 | RF |
| 130 | 233A2221-9 | | .PANEL ASSY-CDS DISPLAY CONT P1-3 SUPPLIER CODE: V89954 ELECTRICAL EQUIP NUMBER: P00103 COMPONENT MAINT MANUAL REF: 31-11-30 | 001030 | RF |
| 145 | BAC27DCC2868 | | ..DECAL | 001030 | 1 |
| 160 | 233A2230-8 | | .PANEL ASSY-CB P42 SUPPLIER CODE: V89954 COMPONENT MAINT MANUAL REF: 31-11-42 | 001030 | RF |
| 165 | BAC27DCC2918 | | ..DECAL- SUPPLIER CODE: V89954 | 001030 | 1 |
| 170 | 233A2230-7 | | .PANEL ASSY-CKT BRKR P41 SUPPLIER CODE: V89954 COMPONENT MAINT MANUAL REF: 31-11-42 | 001030 | RF |
| 175 | BAC27DCC2717 | | ..DECAL | 001030 | 1 |

MISSING ITEM NUMBERS NOT APPLICABLE

— ITEM NOT ILLUSTRATED

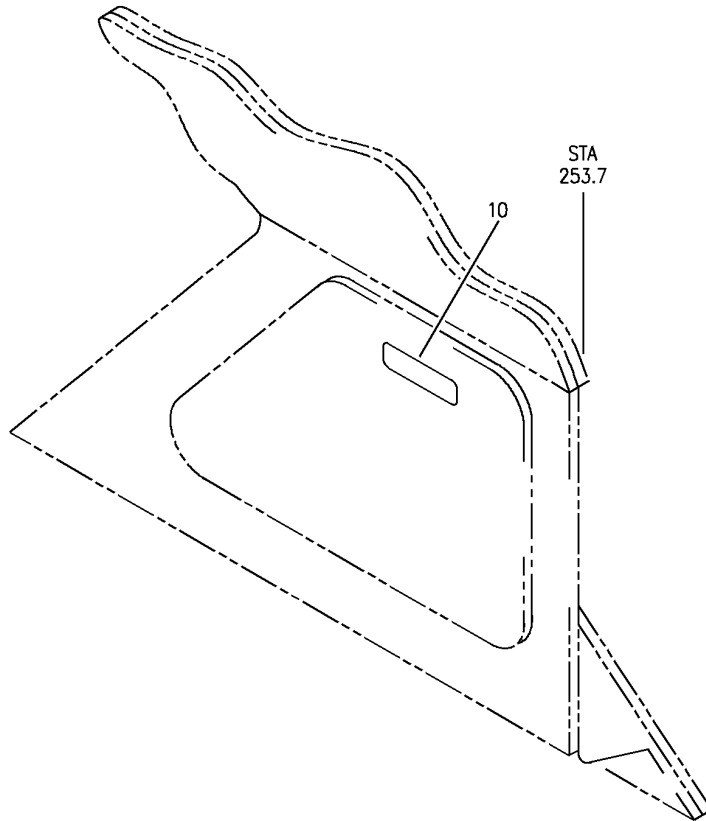
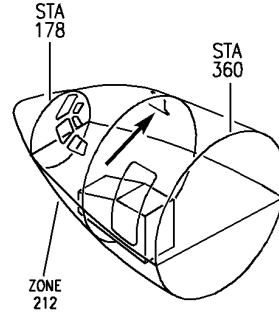
HAP

11-31-01-07F

BOEING PROPRIETARY - Copyright © - Unpublished Work - See title page for details.

11-31-01
FIG. 07F
PAGE 3
OCT 15/08

BOEING
737-600/700/800/900
PARTS CATALOG (MAINTENANCE)



E 11310108 REV 127

STOWAGE ASSY-SPARE BULB
FIGURE 8

11-31-01-08

HAP
FEB 10/07

11-31-01-08
PAGE 0

BOEING
737-600/700/800/900
PARTS CATALOG (MAINTENANCE)

| FIG ITEM | PART NUMBER | 1 2 3 4 5 6 7 | NOMENCLATURE | EFFECT FROM TO | UNITS PER ASSY |
|-----------------------|-------------|---------------|--|----------------------------|----------------------|
| R R | 8 | | STOWAGE ASSY-SPARE BULB | 031200 968999 | |
| | - 1 | 232A4301-6 | STOWAGE ASSY-SPARE BULB FOR NHA/OTHER SYS DET SEE: 33-14-00-02 | 031044 054103 968971 | RF |
| R R R R R | - 1 | 232A4301-7 | STOWAGE ASSY-SPARE BULB FOR NHA/OTHER SYS DET SEE: 33-14-00-02 | 031200 968999 | RF |
| | 10 | BAC27DCC3258 | .MARKER- PLACARD CONTENT: SPARE BULBS | 031200 968999 | 1 |

MISSING ITEM NUMBERS NOT APPLICABLE

- ITEM NOT ILLUSTRATED

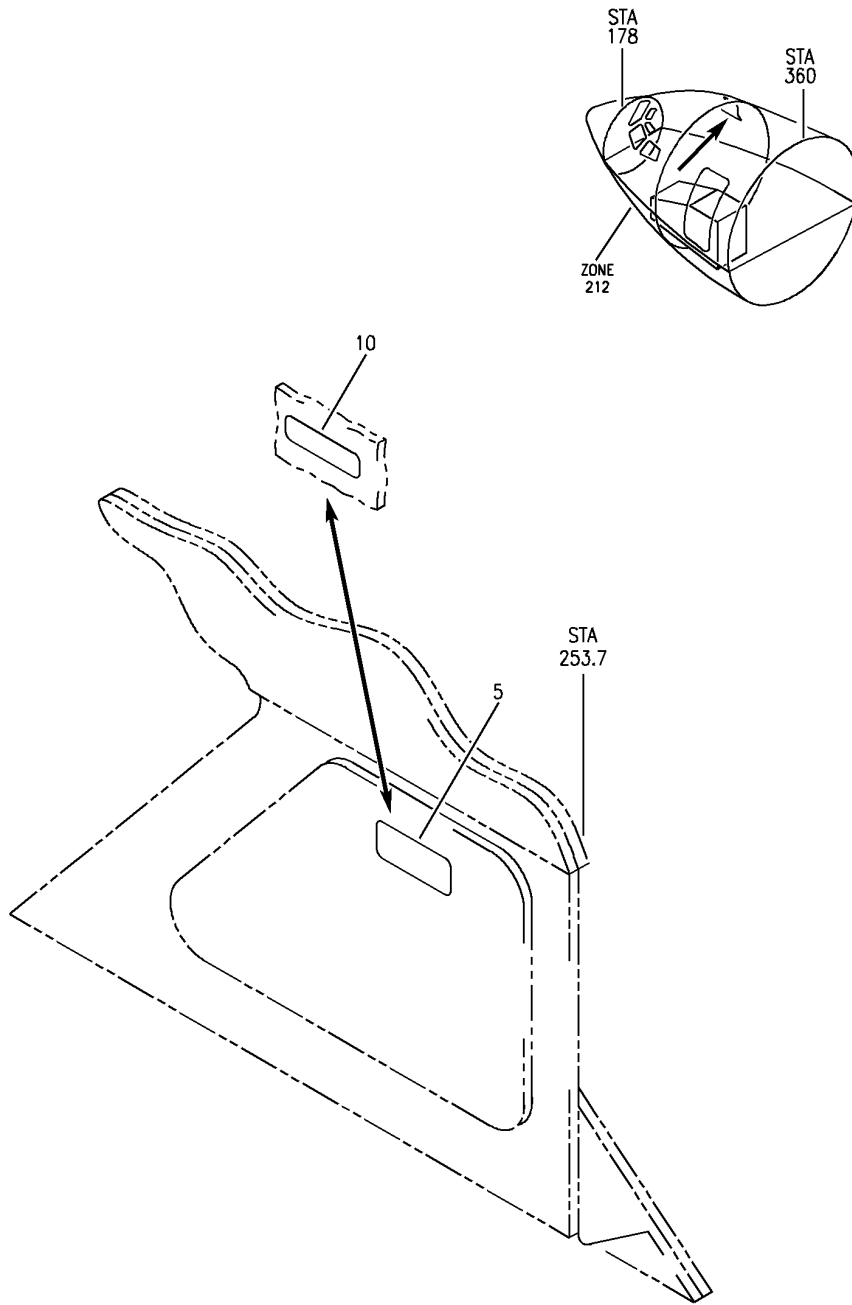
HAP

11-31-01-08

BOEING PROPRIETARY - Copyright © - Unpublished Work - See title page for details.

11-31-01
FIG. 08
PAGE 1
JUN 15/09

BOEING
737-600/700/800/900
PARTS CATALOG (MAINTENANCE)



E 11310108A REV 127

STOWAGE ASSY-SPARE BULB
FIGURE 8A

HAP
FEB 10/07

11-31-01-08A

11-31-01-08A
PAGE 0

BOEING
737-600/700/800/900
PARTS CATALOG (MAINTENANCE)

| FIG ITEM | PART NUMBER | 1 2 3 4 5 6 7 | NOMENCLATURE | EFFECT FROM TO | UNITS PER ASSY |
|-------------|--------------|---------------|---|-------------------|----------------------|
| 8A | | | STOWAGE ASSY-SPARE BULB | 001030 201967 | |
| - 1 | 232A4301-3 | | STOWAGE ASSY-SPARE BULB FOR NHA/OTHER SYS DET SEE: 33-14-00-01 | 001016 201967 | RF |
| - 1 | 232A4301-4 | | STOWAGE ASSY-SPARE BULB FOR NHA/OTHER SYS DET SEE: 33-14-00-01 | 001023 201967 | RF |
| - 1 | 232A4301-5 | | STOWAGE ASSY-SPARE BULB FOR NHA/OTHER SYS DET SEE: 33-14-00-01 33-14-00-02 | 001030 201967 | RF |
| 5 | BAC27DCC2699 | | .MARKER- PLACARD CONTENT: SPARE BULBS TO OPEN-PULL AFT THEN INBOARD | 001023 201967 | 1 |
| 10 | BAC27DCC3258 | | .MARKER- PLACARD CONTENT: SPARE BULBS | 024030 | 1 |

MISSING ITEM NUMBERS NOT APPLICABLE

- ITEM NOT ILLUSTRATED

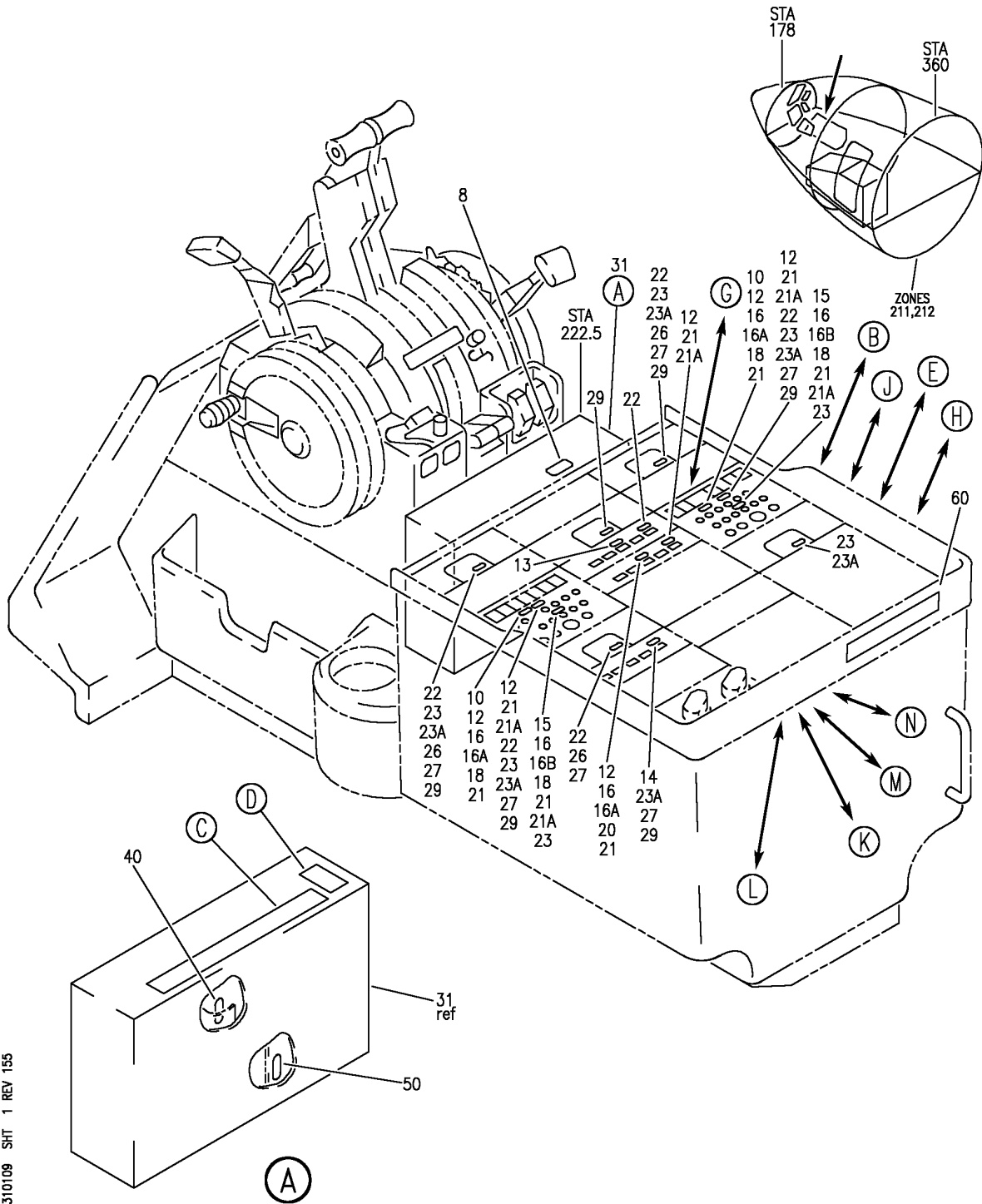
HAP

11-31-01-08A

BOEING PROPRIETARY - Copyright © - Unpublished Work - See title page for details.

11-31-01
FIG. 08A
PAGE 1
OCT 15/08

BOEING
 737-600/700/800/900
 PARTS CATALOG (MAINTENANCE)



E 11310109 SHT 1 REV 155

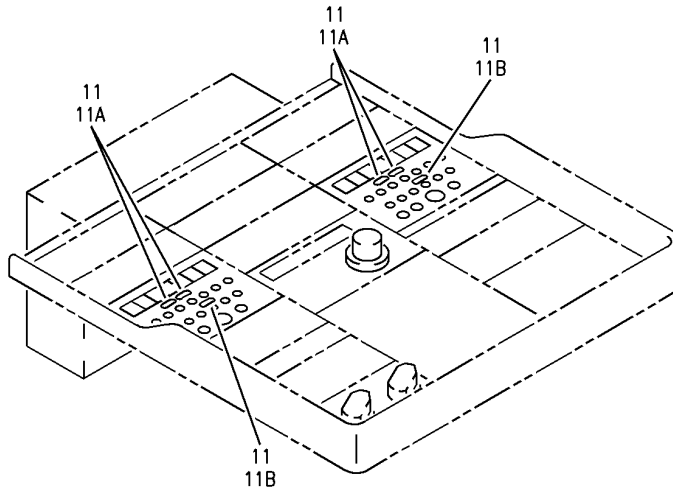
MODULE INSTL-AFT ELECTRONICS PANEL P8 (PLACARDS AND MARKINGS ONLY)
 FIGURE 9 (SHEET 1)

11-31-01-09

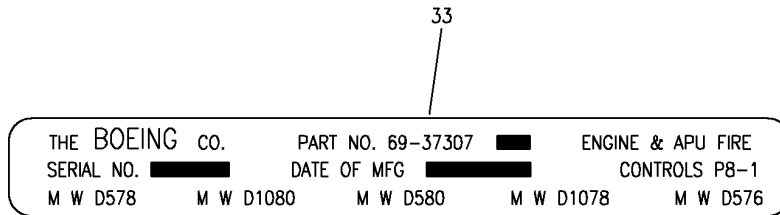
HAP
 JUN 15/09

11-31-01-09
 PAGE 0

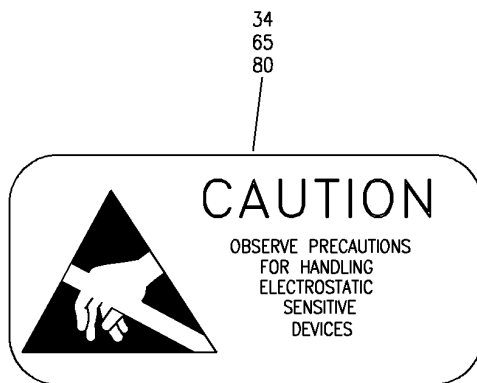
BOEING
 737-600/700/800/900
 PARTS CATALOG (MAINTENANCE)



(B)



(C)



(D)

E 11310109 SHT 2 REV 130

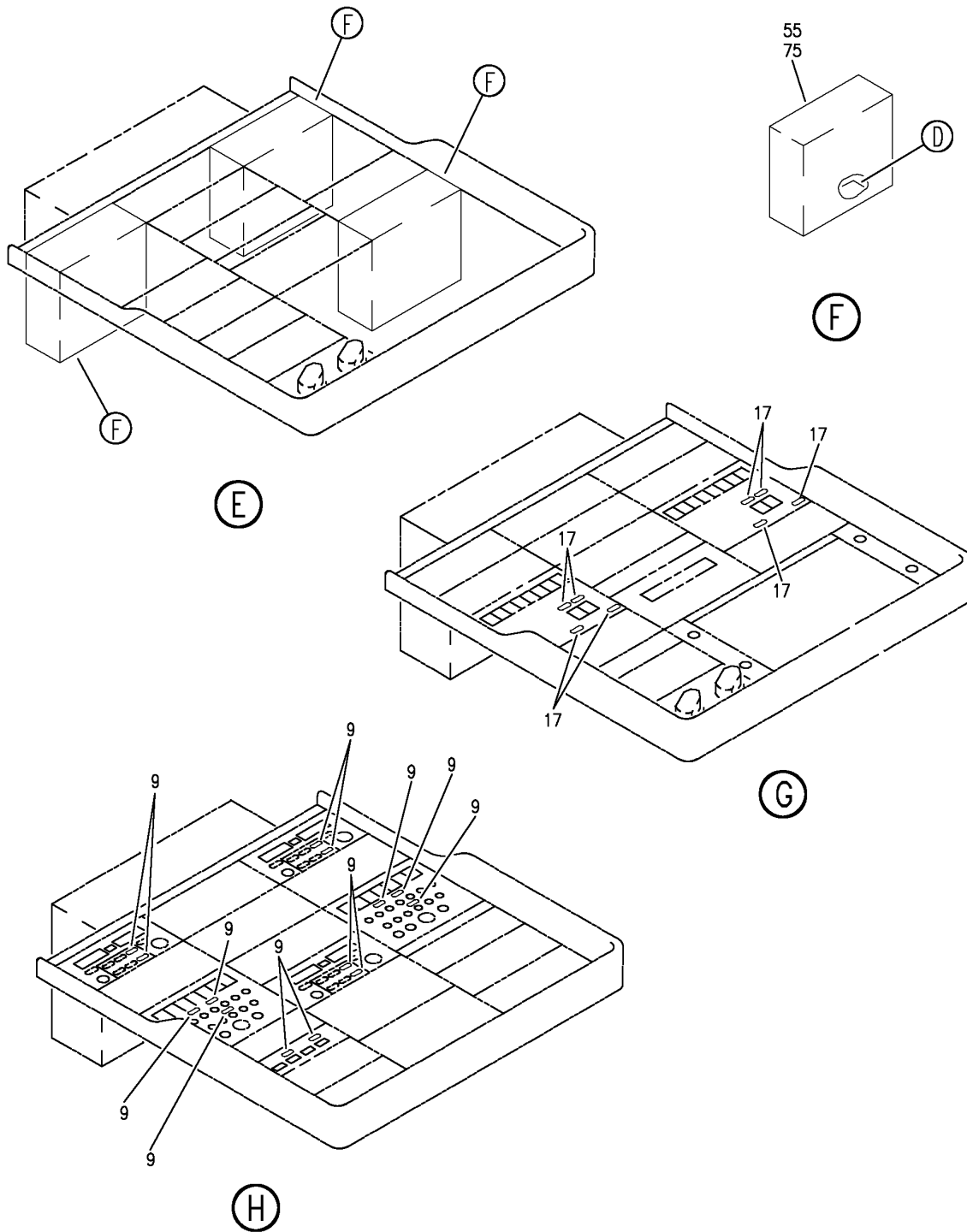
MODULE INSTL-AFT ELECTRONICS PANEL P8 (PLACARDS AND MARKINGS ONLY)
 FIGURE 9 (SHEET 2)

11-31-01-09

HAP
 JUN 10/07

11-31-01-09
 PAGE 0A

BOEING
 737-600/700/800/900
 PARTS CATALOG (MAINTENANCE)



E 11310109 SHT 3 REV 091

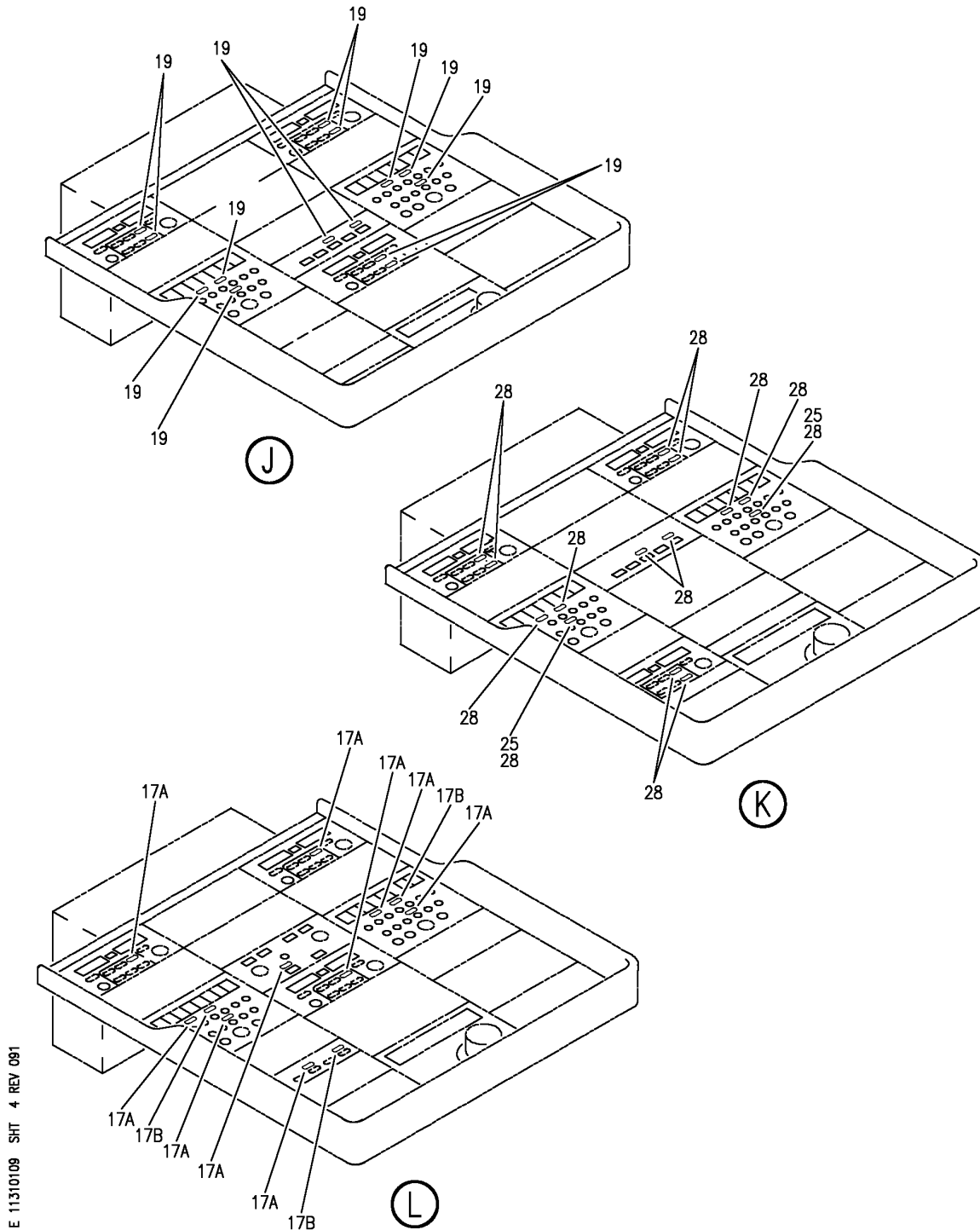
MODULE INSTL-AFT ELECTRONICS PANEL P8 (PLACARDS AND MARKINGS ONLY)
 FIGURE 9 (SHEET 3)

11-31-01-09

HAP
 OCT 10/06

11-31-01-09
 PAGE 0B

BOEING
 737-600/700/800/900
 PARTS CATALOG (MAINTENANCE)



E 11310109 SHT 4 REV 091

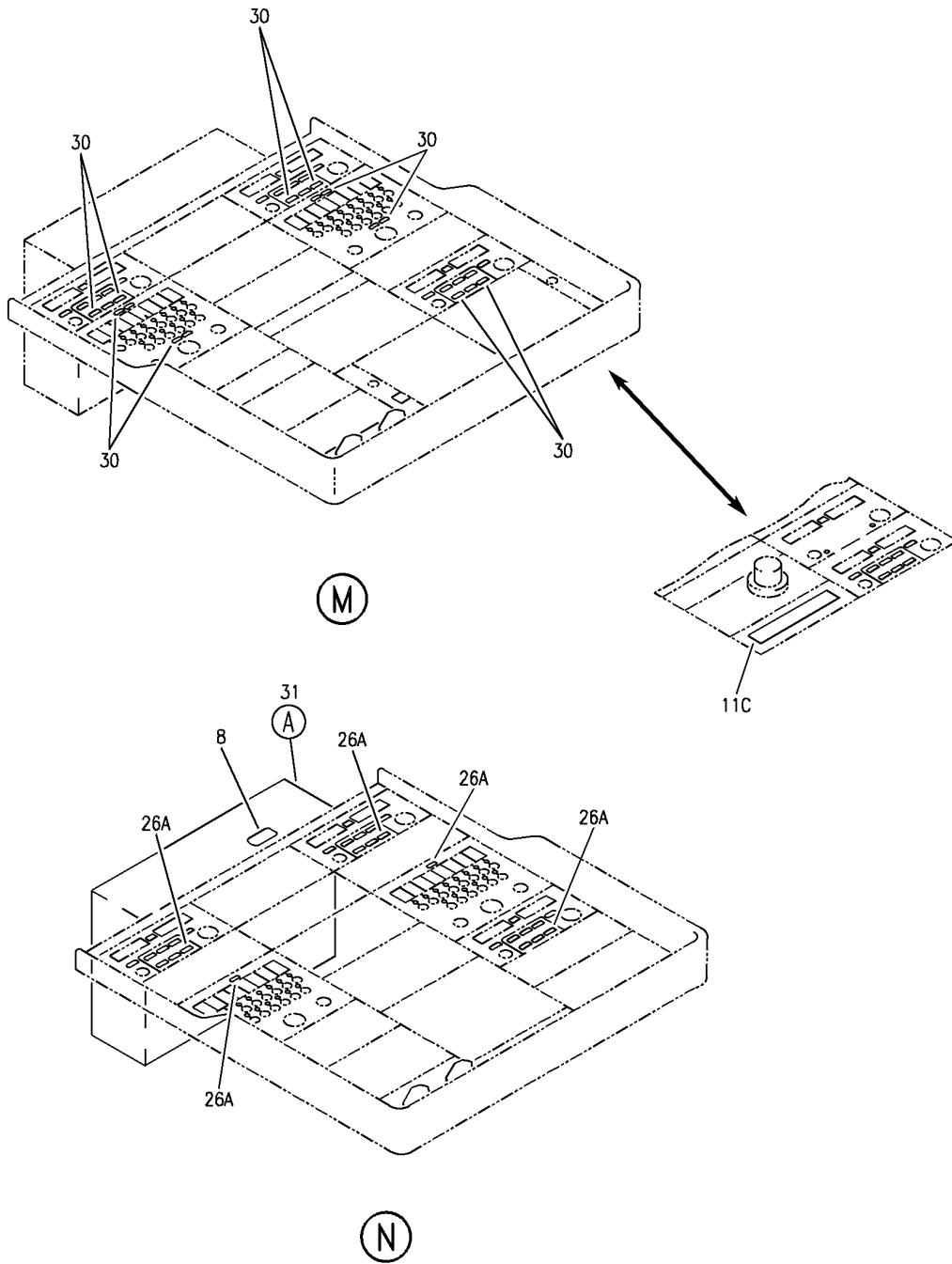
MODULE INSTL-AFT ELECTRONICS PANEL P8 (PLACARDS AND MARKINGS ONLY)
 FIGURE 9 (SHEET 4)

11-31-01-09

HAP
 OCT 10/06

11-31-01-09
 PAGE 0C

BOEING
 737-600/700/800/900
 PARTS CATALOG (MAINTENANCE)



E 11310109 SHT 5 REV 130

MODULE INSTL-AFT ELECTRONICS PANEL P8 (PLACARDS AND MARKINGS ONLY)
 FIGURE 9 (SHEET 5)

HAP
 JUN 10/07

11-31-01-09

11-31-01-09
 PAGE 0D

BOEING
737-600/700/800/900
PARTS CATALOG (MAINTENANCE)

| FIG ITEM | PART NUMBER | 1 2 3 4 5 6 7 | NOMENCLATURE | EFFECT FROM TO | UNITS PER ASSY |
|----------|--------------|---------------|--|----------------|----------------|
| 9 | | | MODULE INSTL-AFT ELECTRONICS PANEL P8 (PLACARDS AND MARKINGS ONLY) | 001030 | |
| - 1 | 233A6101-4 | | MODULE INSTL-ELECTRONICS PNL P8 (PLACARDS AND MARKINGS ONLY) POSITION DATA: AFT FOR NHA/OTHER SYS DET SEE: 31-11-00-01C | 008011 | RF |
| - 1 | 233A6101-32 | | MODULE INSTL-ELECTRONICS PNL P8 (PLACARDS AND MARKINGS ONLY) POSITION DATA: AFT FOR NHA/OTHER SYS DET SEE: 31-11-00-01C | 001007 | RF |
| - 1 | 233A6101-93 | | MODULE INSTL-ELECTRONICS PNL P8 (PLACARDS AND MARKINGS ONLY) POSITION DATA: AFT FOR NHA/OTHER SYS DET SEE: 31-11-00-01C | 012016 | RF |
| - 2 | 233A6101-145 | | MODULE INSTL-ELECTRONICS PNL P8 (PLACARDS AND MARKINGS ONLY) POSITION DATA: AFT FOR NHA/OTHER SYS DET SEE: 31-11-00-01C | 017030 | RF |
| 8 | BAC27DCC344 | | .MARKER-ALUMINUM FOIL PLACARD CONTENT: FIRE SWITCHES (FUEL SHUTOFF) PULL WHEN ILLUMINATED LOCK OVERRIDE: PRESS BUTTON UNDER HANDLE | 001030 | 1 |
| 11 | BAC27DCC2769 | | .DECAL- PLACARD CONTENT: INOP | 001030 | 6 |

MISSING ITEM NUMBERS NOT APPLICABLE

- ITEM NOT ILLUSTRATED

HAP

11-31-01-09

BOEING PROPRIETARY - Copyright © - Unpublished Work - See title page for details.

11-31-01
FIG. 09
PAGE 1
OCT 10/07

BOEING
737-600/700/800/900
PARTS CATALOG (MAINTENANCE)

| FIG ITEM | PART NUMBER | 1 2 3 4 5 6 7 | NOMENCLATURE | EFFECT FROM TO | UNITS PER ASSY |
|----------|--------------|---------------|---|----------------|----------------|
| 9 | | | | | |
| 31 | 69-37307-300 | | .MODULE ASSY- SUPPLIER CODE: V89954 ELECTRICAL EQUIP NUMBER: P00801 COMPONENT MAINT MANUAL REF: 26-10-48 QUALIFIED I/W DATA: 69-37307-300 I/W 69-37307-153 TOGETHER WITH LIGHTPLATE 10-61800-480 AND LIGHTPLATE 10-61800-481 OR -670(PREFERRED). | 001030 | RF |
| 33 | BAC27DCC276 | | ..MARKER-ALUMINUM FOIL | 001030 | 1 |
| 34 | BAC27EEX510 | | ..DECAL | 001030 | 1 |
| - 35 | 69-78809-5 | | ..PRINTED CIRCUIT ASSY- (STATIC SENSITIVE PART) SUPPLIER CODE: V89954 COMPONENT MAINT MANUAL REF: 28-09-33 OPTIONAL PART: 69-78809-3 V89954 69-78809-4 V89954 69-78809-6 V89954 FOR SPARES PROCURE: 69-78809-6 V89954 | 001030 | 1 |

MISSING ITEM NUMBERS NOT APPLICABLE

- ITEM NOT ILLUSTRATED

HAP

11-31-01-09

BOEING PROPRIETARY - Copyright © - Unpublished Work - See title page for details.

11-31-01
FIG. 09
PAGE 2
FEB 15/09

BOEING
737-600/700/800/900
PARTS CATALOG (MAINTENANCE)

| FIG ITEM | PART NUMBER | 1 2 3 4 5 6 7 | NOMENCLATURE | EFFECT FROM TO | UNITS PER ASSY |
|-------------|-------------|---------------|---|-------------------|----------------------|
| 9 - 35 | 69-78809-4 | | ..PRINTED CIRCUIT ASSY- (STATIC SENSITIVE PART) SUPPLIER CODE: V89954 COMPONENT MAINT MANUAL REF: 28-09-33 OPTIONAL PART: 69-78809-3 V89954 69-78809-5 V89954 69-78809-6 V89954 FOR SPARES PROCURE: 69-78809-6 V89954 | 001030 | 1 |
| - 35 | 69-78809-3 | | ..PRINTED CIRCUIT ASSY- (STATIC SENSITIVE PART) SUPPLIER CODE: V89954 COMPONENT MAINT MANUAL REF: 28-09-33 OPTIONAL PART: 69-78809-4 V89954 69-78809-5 V89954 69-78809-6 V89954 FOR SPARES PROCURE: 69-78809-6 V89954 | 001030 | 1 |
| - 35 | 69-78809-6 | | ..PRINTED CIRCUIT ASSY- (STATIC SENSITIVE PART) SUPPLIER CODE: V89954 COMPONENT MAINT MANUAL REF: 28-09-33 OPTIONAL PART: 69-78809-3 V89954 69-78809-4 V89954 69-78809-5 V89954 | 001030 | 1 |

MISSING ITEM NUMBERS NOT APPLICABLE

- ITEM NOT ILLUSTRATED

HAP

11-31-01-09

BOEING PROPRIETARY - Copyright © - Unpublished Work - See title page for details.

11-31-01
FIG. 09
PAGE 3
FEB 15/09


BOEING
 737-600/700/800/900
PARTS CATALOG (MAINTENANCE)

| FIG ITEM | PART NUMBER | 1 2 3 4 5 6 7 | NOMENCLATURE | EFFECT FROM TO | UNITS PER ASSY |
|-------------|-----------------|---------------|---|-------------------|----------------------|
| 9 | 40 BAC27TEX1486 | | ...DECAL- PLACARD CONTENT: STATIC SENSITIVE | 001030 | 1 |
| - | 45 69-78452-1 | | ..PC ASSY- SUPPLIER CODE: V89954 COMPONENT MAINT MANUAL REF: 26-20-03 | 001030 | 1 |
| | 50 BAC27TEX1486 | | ...DECAL- PLACARD CONTENT: STATIC SENSITIVE | 001030 | 1 |

MISSING ITEM NUMBERS NOT APPLICABLE

- ITEM NOT ILLUSTRATED

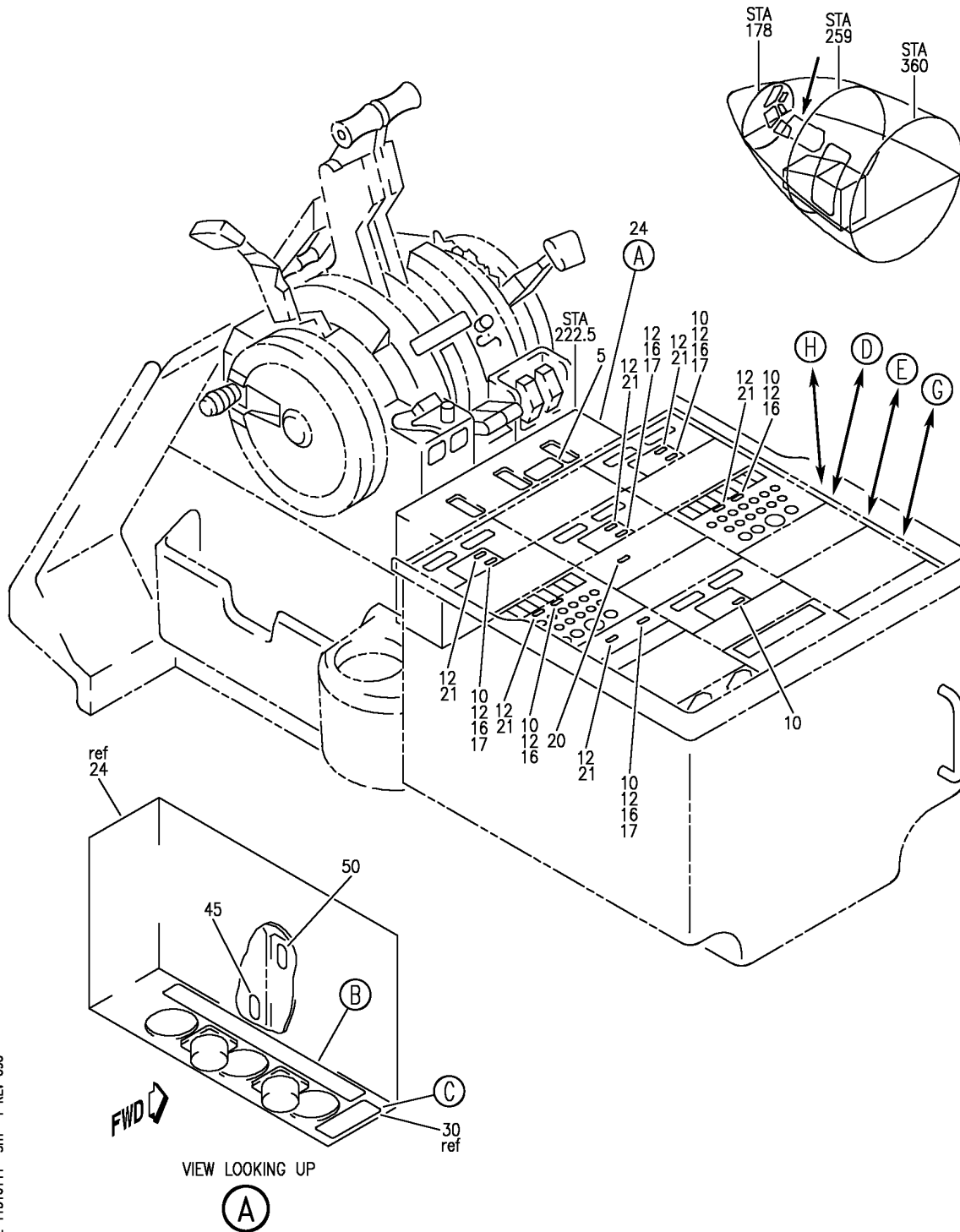
HAP

11-31-01-09

BOEING PROPRIETARY - Copyright © - Unpublished Work - See title page for details.

11-31-01
 FIG. 09
 PAGE 4
 FEB 15/09

BOEING
 737-600/700/800/900
 PARTS CATALOG (MAINTENANCE)



E 11310111 SHT 1 REV 080

MODULE INSTL-AFT ELECTRONICS PNL P8 (PLACARDS AND MARKINGS ONLY)
 FIGURE 11 (SHEET 1)

11-31-01-11

HAP
 OCT 15/08


11-31-01-11
 PAGE 0

BOEING
737-600/700/800/900
PARTS CATALOG (MAINTENANCE)

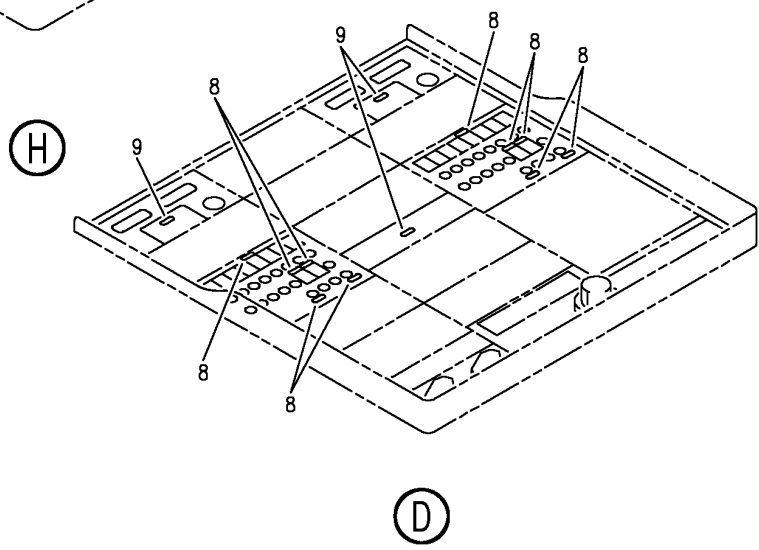
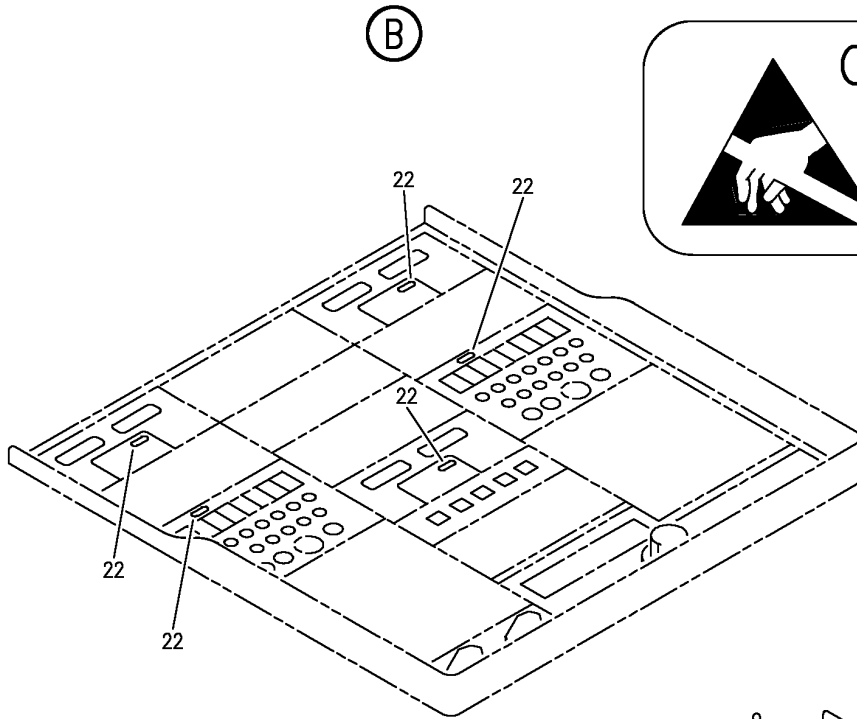
25

| | | |
|-----------------------|------------------------|-------------------|
| THE BOEING CO. | PART NO. 69-37307 | ENGINE & APU FIRE |
| SERIAL NO. [REDACTED] | DATE OF MFG [REDACTED] | CONTROLS P8-1 |
| M W D578 | M W D1080 | M W D580 |
| | | M W D1078 |
| | | M W D576 |

30
60



CAUTION
OBSERVE PRECAUTIONS
FOR HANDLING
ELECTROSTATIC
SENSITIVE
DEVICES



E 11310111 SHT 2 REV 083

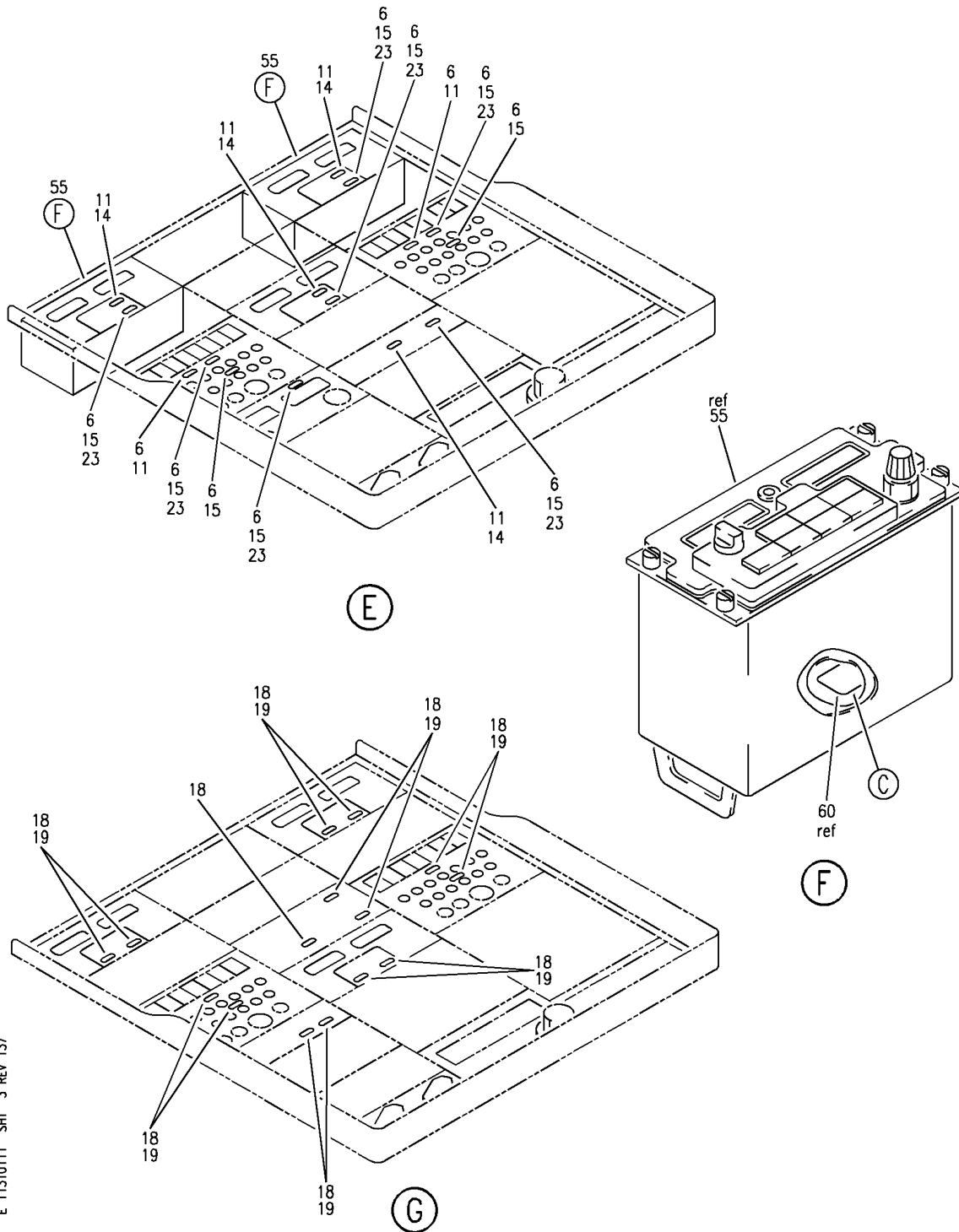
MODULE INSTL-AFT ELECTRONICS PNL P8 (PLACARDS AND MARKINGS ONLY)
FIGURE 11 (SHEET 2)

11-31-01-11

HAP
OCT 15/08

11-31-01-11
PAGE 0A

BOEING
737-600/700/800/900
PARTS CATALOG (MAINTENANCE)



E 11310111 SHT 3 REV 137

MODULE INSTL-AFT ELECTRONICS PNL P8 (PLACARDS AND MARKINGS ONLY)
 FIGURE 11 (SHEET 3)

11-31-01-11

HAP
 OCT 15/08

11-31-01-11
 PAGE 0B

BOEING
737-600/700/800/900
PARTS CATALOG (MAINTENANCE)

| FIG ITEM | PART NUMBER | 1 2 3 4 5 6 7 | NOMENCLATURE | EFFECT FROM TO | UNITS PER ASSY |
|----------|--------------|---------------|---|----------------|----------------|
| 11 | | | MODULE INSTL-AFT ELECTRONICS PNL P8 (PLACARDS AND MARKINGS ONLY) | 201967 | |
| - 1 | 233A6101-50 | | MODULE INSTL-ELECTRONICS PNL P8 (PLACARDS AND MARKINGS ONLY) POSITION DATA: AFT FOR NHA/OTHER SYS DET SEE: 31-11-00-01J | 201967 | RF |
| 5 | BAC27DCC344 | | .MARKER-ALUMINUM FOIL PLACARD CONTENT: FIRE SWITCHES (FUEL SHUTOFF) PULL WHEN ILLUMINATED LOCK OVERRIDE: PRESS BUTTON UNDER HANDLE | 201967 | 1 |
| 12 | BAC27DCC2769 | | .DECAL- PLACARD CONTENT: INOP | 201967 | 12 |
| 24 | 69-37307-300 | | .MODULE ASSY-ENG AND APU FIRE CONT SUPPLIER CODE: V89954 ELECTRICAL EQUIP NUMBER: P00801 COMPONENT MAINT MANUAL REF: 26-10-48 QUALIFIED I/W DATA: 69-37307-300 I/W 69-37307-153 TOGETHER WITH LIGHTPLATE 10-61800-480 AND LIGHTPLATE 10-61800-481 OR -670(PREFERRED). | 201967 | RF |
| 25 | BAC27DCC276 | | ..MARKER-ALUMINUM FOIL | 201967 | 1 |
| 30 | BAC27EEX510 | | ..DECAL | 201967 | 1 |

MISSING ITEM NUMBERS NOT APPLICABLE

- ITEM NOT ILLUSTRATED

HAP

11-31-01-11

BOEING PROPRIETARY - Copyright © - Unpublished Work - See title page for details.

11-31-01
FIG. 11
PAGE 1
OCT 15/08

BOEING
737-600/700/800/900
PARTS CATALOG (MAINTENANCE)

| FIG ITEM | PART NUMBER | 1 2 3 4 5 6 7 | NOMENCLATURE | EFFECT FROM TO | UNITS PER ASSY |
|-------------|-------------|---------------|---|-------------------|----------------------|
| 11 - 35 | 69-78809-4 | | ..PRINTED CIRCUIT ASSY- SUPPLIER CODE: V89954 COMPONENT MAINT MANUAL REF: 28-09-33 OPTIONAL PART: 69-78809-3 V89954 69-78809-5 V89954 69-78809-6 V89954 FOR SPARES PROCURE: 69-78809-6 V89954 | 201967 | 1 |
| - 35 | 69-78809-3 | | ..PRINTED CIRCUIT ASSY- SUPPLIER CODE: V89954 COMPONENT MAINT MANUAL REF: 28-09-33 OPTIONAL PART: 69-78809-4 V89954 69-78809-5 V89954 69-78809-6 V89954 FOR SPARES PROCURE: 69-78809-6 V89954 | 201967 | 1 |
| - 35 | 69-78809-5 | | ..PRINTED CIRCUIT ASSY- SUPPLIER CODE: V89954 COMPONENT MAINT MANUAL REF: 28-09-33 OPTIONAL PART: 69-78809-3 V89954 69-78809-4 V89954 69-78809-6 V89954 FOR SPARES PROCURE: 69-78809-6 V89954 | 201967 | 1 |

MISSING ITEM NUMBERS NOT APPLICABLE

- ITEM NOT ILLUSTRATED

HAP

11-31-01-11

BOEING PROPRIETARY - Copyright © - Unpublished Work - See title page for details.

11-31-01
FIG. 11
PAGE 2
FEB 15/09

BOEING
737-600/700/800/900
PARTS CATALOG (MAINTENANCE)

| FIG ITEM | PART NUMBER | 1 2 3 4 5 6 7 | NOMENCLATURE | EFFECT FROM TO | UNITS PER ASSY |
|-------------|--------------|---------------|--|-------------------|----------------------|
| 11 - 35 | 69-78809-6 | | ..PRINTED CIRCUIT ASSY- SUPPLIER CODE: V89954 COMPONENT MAINT MANUAL REF: 28-09-33 OPTIONAL PART: 69-78809-3 V89954 69-78809-4 V89954 69-78809-5 V89954 | 201967 | 1 |
| 40 | BAC27TEX1486 | | ...DECAL- PLACARD CONTENT: STATIC SENSITIVE | 201967 | 1 |
| - 45 | 69-78452-1 | | ..PC ASSY- SUPPLIER CODE: V89954 COMPONENT MAINT MANUAL REF: 26-20-03 | 201967 | 1 |
| 50 | BAC27TEX1486 | | ...DECAL- PLACARD CONTENT: STATIC SENSITIVE | 201967 | 1 |

MISSING ITEM NUMBERS NOT APPLICABLE

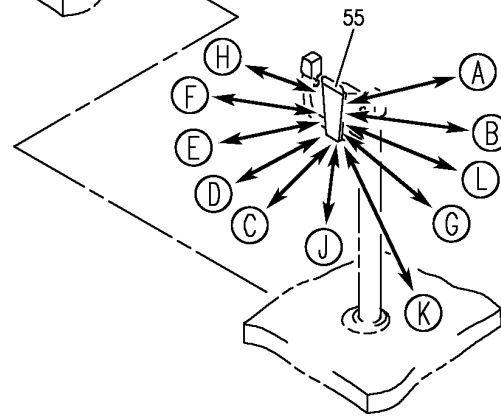
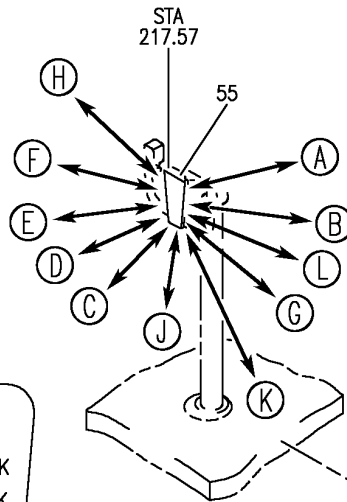
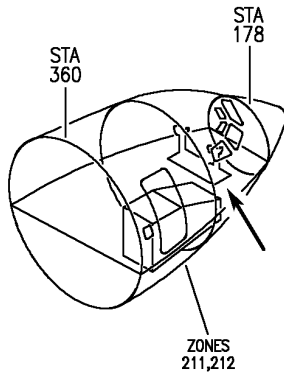
- ITEM NOT ILLUSTRATED

HAP

11-31-01-11

BOEING PROPRIETARY - Copyright © - Unpublished Work - See title page for details.

11-31-01
FIG. 11
PAGE 3
FEB 15/09



BEFORE TAKEOFF

RECALL-----CK
 FLIGHT CONTROL-----CK
 FLAPS-----GREEN LT
 STAB TRIM-----UNITS
 COCKPIT DOOR-----LOCKED
 TAKEOFF BRIEF-----REVIEWED
 -----CLEARED FOR TAKEOFF-----

START SWS-----ON
 TRANSPONDER-----ON

AFTER TAKEOFF

AIR COND & PRESS-----SET
 START SWS-----OFF
 LDG GEAR-----UP & OFF
 FLAPS-----UP, NO LIGHTS

DESCENT-APPROACH

ANTI-ICE-----AS REQD
 AIR COND & PRESS-----SET
 ALTM & INTS-----SET & XCK
 NI & IAS BUGS-----CK & SET

LANDING

START SWS-----ON
 RECALL-----CK
 SP BK-----ARMED, GRN LT
 LDG GEAR-----DN, 3 GRN
 FLAPS-----GREEN LT

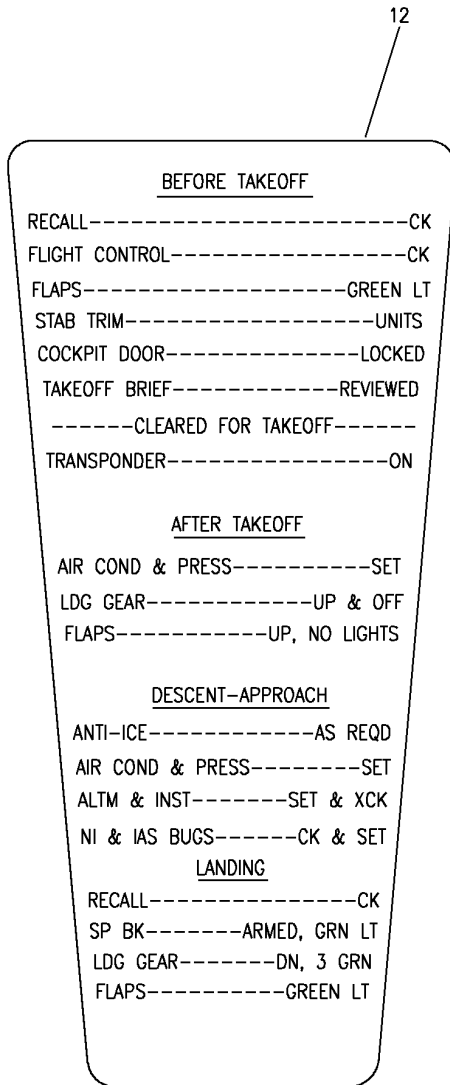
10

E 11310116 SHT 1 REV 147

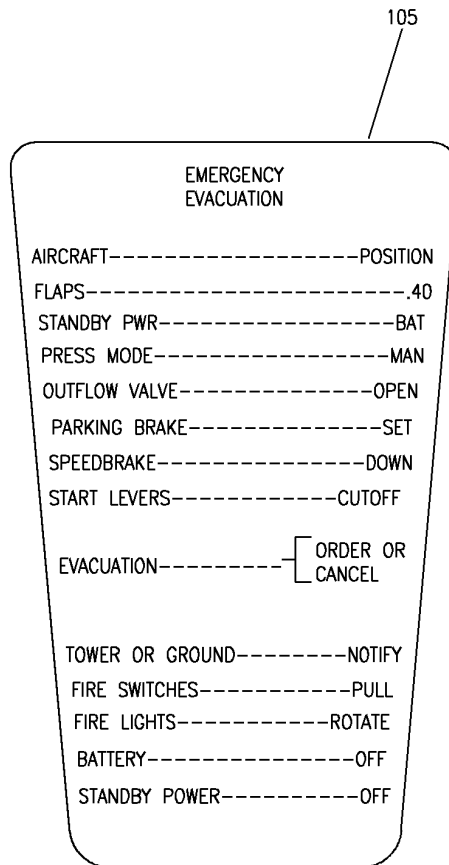


CHECKLIST INSTL- CONT WHL FLIGHT DECK
 FIGURE 16 (SHEET 1)

11-31-01-16



ⓑ



Ⓒ

E 11310116 SH1 2 REV 113

CHECKLIST INSTL- CONT WHL FLIGHT DECK
FIGURE 16 (SHEET 2)

11-31-01-16

HAP
OCT 10/06

11-31-01-16
PAGE 0A

BOEING
737-600/700/800/900
PARTS CATALOG (MAINTENANCE)

155

| | |
|--------------------------------|-------------------------|
| TAXI | |
| FLIGHT CONTROLS _____ | TOPS, BOTTOMS _____ |
| FMC, CDU _____ | CHECKED, SET _____ |
| STAB TRIM _____ | SET _____ |
| BRIEFING, BUGS _____ | REVIEWED, SET _____ |
| APU _____ | ON/OFF _____ |
| PA _____ | COMPLETE _____ |
| TAKEOFF | |
| FLAPS _____ | GREEN LIGHT _____ |
| LIGHTS & STROBES _____ | ON _____ |
| AFTER TAKEOFF | |
| BLEEDS _____ | SET _____ |
| PACKS & PRESS _____ | CHECKED _____ |
| START SWITCHES _____ | ON/OFF _____ |
| GEAR _____ | UP, OFF _____ |
| AUTO BRAKE _____ | OFF _____ |
| FLAPS _____ | UP, NO LIGHTS _____ |
| CLIMB | |
| ALTIMETERS _____ | 29.92 _____ |
| DESCENT | |
| BRIEFING, BUGS _____ | REVIEWED, SET _____ |
| FMC ROUTE _____ | VERIFIED _____ |
| (VNAV) VREF WIND CORR _____ | + 10 MIN _____ |
| (RNAV) RNP VALUE _____ | SET _____ |
| (RNAV) DME UPDATE _____ | OFF _____ |
| START SWITCHES _____ | ON _____ |
| ANTI-ICE _____ | ON/OFF _____ |
| PRESSURIZATION _____ | SET FOR _____ |
| TERRAIN DISPLAY _____ | ON _____ |
| APPROACH | |
| ALTIMETERS & INSTRUMENTS _____ | SET, CROSSCHECKED _____ |
| SEATBELT _____ | ON _____ |
| LANDING | |
| RECALL _____ | CHECKED _____ |
| SPEED BRAKE _____ | ARMED, GRN LIGHT _____ |
| GEAR _____ | DOWN, 3 GREEN _____ |
| FLAPS _____ | GREENLIGHT _____ |

D

11

| |
|--|
| BEFORE TAKEOFF |
| FLAPS _____, GREEN LIGHT _____ |
| AFTER TAKEOFF |
| ENGINE BLEEDS _____ ON |
| PACKS _____ AUTO |
| LANDING GEAR _____ UP AND OFF |
| FLAPS _____ UP, NO LIGHTS _____ |
| DESCENT |
| RECALL _____ CHECKED |
| AUTO BRAKE _____ |
| LDG DATA _____ VREF _____ MINIMUMS _____ |
| APPROACH BRIEFING _____ COMPLETED |
| APPROACH |
| ALTIMETERS _____ |
| LANDING |
| ENGINE START SWITCHES _____ CONT |
| SPEEDBRAKE _____ ARMED |
| LANDING GEAR _____ DOWN |
| FLAPS _____, GREEN LIGHT _____ |

E

E 11310116 SH1 3 REV 119

CHECKLIST INSTL- CONT WHL FLIGHT DECK
FIGURE 16 (SHEET 3)

11-31-01-16

HAP
OCT 10/06

11-31-01-16
PAGE 0B

BOEING
737-600/700/800/900
PARTS CATALOG (MAINTENANCE)

13

BEFORE TAKE OFF B800

FLAPS _____ GREEN LIGHT
 FLIGHT CONTROLS _____ CHECKED
 RUNWAY CHANGE _____ NA/PERFORM

RUNWAY CHANGE

FLAPS _____ GREEN LIGHT
 N1 _____ K, FULL/REDUCED
 IAS BUGS _____ V1' _____ VR _____ V2 _____
 STAB TRIM _____ UNITS
 TO BRIEFING _____ REVIEW

CLEARED FOR TAKEOFF

LIGHTS _____ ON
 AUTO THROTTLE _____ ARMED
 TRANSPONDER _____ ON

AFTER TAKEOFF

PACKS _____ AUTO
 ISOLATION _____ AS REQUIRED
 ENG BLEEDS _____ ON
 ENG START SWS _____ AS REQUIRED
 APU _____ AS REQUIRED
 LANDING GEAR _____ UP & OFF
 FLAPS _____ UP, NO LIGHTS
 ALTIMETERS _____ SETS

DESCENT

BRIEFING _____ COMPLETED
 ANTI-ICE _____ AS REQUIRED
 PRESSURIZATION _____ SET FOR _____
 EXTERNAL LIGHTS _____ ON
 MINIMUM _____ DA/MDA
 RECALL _____ CHECKED
 CDU STAR/APP _____ CHKD&INSERT
 FLAP SPEED _____ 40/VREF

APPROACH

NAV RADIOS _____ SET
 RWY/A, BRAKE _____ COND/SET
 MISSED APP _____ REVIEW
 ALTIMETER _____ SET

LANDING

ENG START SWS _____ CONT
 RECALL _____ CHECKED
 AUTOBRAKE _____ REVIEW
 SPDBRAKE _____ ARMED GR LT
 LOG GEAR _____ DOWN-3 GR
 FLAP _____ 40, GREE LT

RWY CHG REPEAT LAND CL

(F)

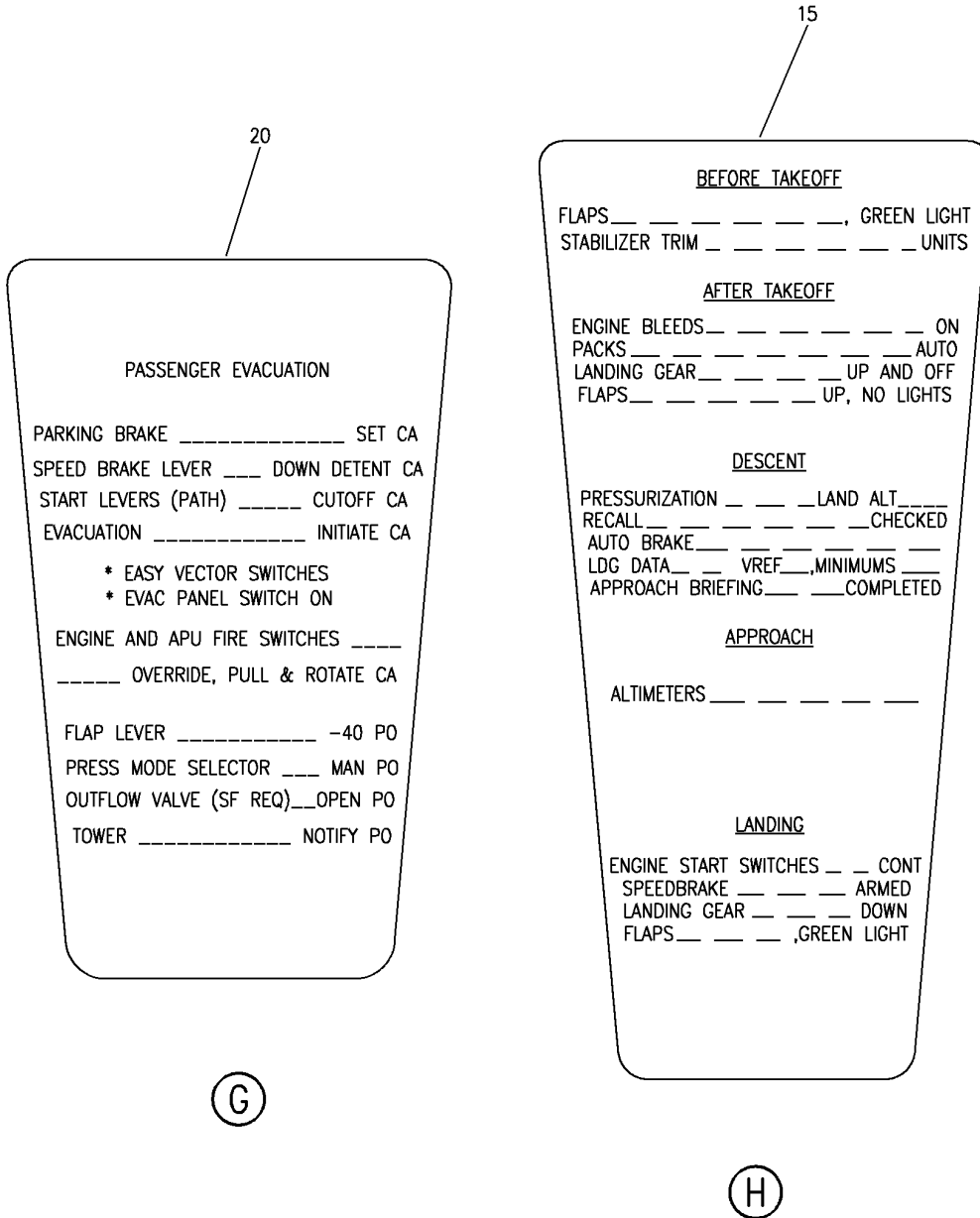
E 11310116 SH 4 REV 123

CHECKLIST INSTL- CONT WHL FLIGHT DECK
 FIGURE 16 (SHEET 4)

11-31-01-16

HAP
 FEB 10/07

11-31-01-16
 PAGE 0C



E 11310116 SHT 5 REV 129

(G)

(H)

CHECKLIST INSTL- CONT WHL FLIGHT DECK
 FIGURE 16 (SHEET 5)

11-31-01-16

HAP
 JUN 10/07

11-31-01-16
 PAGE 0D

185

BEFORE TAKEOFF

FLAPS _____, GREEN LIGHT
STABILIZER TRIM _____ UNITS

AFTER TAKEOFF

ENGINE BLEEDS _____ ON
PACKS _____ AUTO
LANDING GEAR _____ UP AND OFF
FLAPS _____ UP, NO LIGHTS

DESCENT

PRESSURIZATION _____ LAND ALT _____
RECALL _____ CHECKED
AUTOBRAKE _____
LDG DATA _____ VREF _____, MINIMUMS _____
APPROACH BRIEFING _____ COMPLETED

APPROACH

ALTIMETERS _____

LANDING

SPEEDBRAKE _____ ARMED
LANDING GEAR _____ DOWN
FLAPS _____, GREEN LIGHT

J

205

GROUND EVACUATION
(*ITEMS ACCOMPLISHED BY F/O)

*TOWER _____ CALL
BRAKES _____ PARKED
SPEED BRAKE _____ DOWN DETENT
*FLAPS _____ 40
START LEVERS _____ CUTOFF

ENGINE & APU FIRE
HANDLES _____ OVRD AND FULL

ENGINE & APU FIRE
HANDLES _____ ROTATE(L OR R)

*PRESSURIZATION _____ MAN

*OUTFLOW VALVE
(IF REQUIRED _____ OPEN

ADVISE F/A'S OF ANY EXITS NOT TO
BE USED.

EVACUATION _____ COMMAND
OR CANCEL

EMER EXIT LTS _____ CHECK
ON

VOICE RECORDER
C-B _____ PULL

ACCOMPLISH CREW
DUTIES

K

E 11310116 SHT 6 REV 146

CHECKLIST INSTL- CONT WHL FLIGHT DECK
FIGURE 16 (SHEET 6)

11-31-01-16

HAP
OCT 15/08

11-31-01-16
PAGE 0E

BOEING
737-600/700/800/900
PARTS CATALOG (MAINTENANCE)

PASSENGER EVACUATION

IF TIME PERMITS, ALERT ATC, GROUND CREW,
AND BRIEF CABIN ATTENDANTS.
EMERGENCY LIGHT SWITCH SHOULD BE MOVED TO
ON JUST PRIOR TO LANDING.

AFTER STOPPING:

PARKING BRAKE _ _ _ _ _ SET

SPEED BRAKE LEVER _ _ _ _ _ DOWN DETENT

FLAP LEVER _ _ _ _ _ 40°

PRESSURIZATION MODE SELECTOR _ _ _ _ _ MAN

OUTFLOW VALVE SWITCH _ _ _ _ _ OPEN
HOLD UNTIL THE OUTFLOW VALVE IS FULLY OPEN.

IF TIME ALLOWS, VERIFY THAT THE FLAPS
ARE 40° BEFORE THE ENGINE START
LEVERS ARE MOVED TO CUTOFF.

ENGINE START LEVERS (BOTH) _ _ _ CUTOFF

EVACUATION _ _ _ _ _ INITIATE

NOTIFY FLIGHT ATTENDANTS AND ATC

ENGINE AND APU FIRE WARNING
SWITCHES _ OVERRIDE AND PULL

IF FIRE LIGHT IS ILLUMINATED
DISCHARGE THE FIRE AGENT.

14
186

(L)

E 11310116 SH1 7 REV 147

CHECKLIST INSTL- CONT WHL FLIGHT DECK
FIGURE 16 (SHEET 7)

11-31-01-16

HAP
OCT 15/08

11-31-01-16
PAGE OF

BOEING
737-600/700/800/900
PARTS CATALOG (MAINTENANCE)

| FIG ITEM | PART NUMBER | 1 2 3 4 5 6 7 | NOMENCLATURE | EFFECT FROM TO | UNITS PER ASSY |
|-------------|--------------|---------------|---|--------------------------------------|----------------------|
| 16 | | | CHECKLIST INSTL- CONT WHL FLIGHT DECK | | |
| - 1 | 232A4220-2 | | CHECKLIST INSTL-CONT WHL FLIGHT DECK FOR NHA SEE: 25-10-00-05B 25-10-00-05C | 001019 201967 | RF |
| - 1 | 232A4220-4 | | CHECKLIST INSTL-CONT WHL FLIGHT DECK FOR NHA SEE: 25-10-00-05C | 020030 | RF |
| - 1 | MODREF267750 | | CHECKLIST INSTL-CONT WHL FLIGHT DECK MODULE NUMBER: 232A4220-4 REV B | 031040 042042 968969 | 1 |
| - 1 | MODREF331383 | | CHECKLIST INSTL-CONT WHL FLIGHT DECK MODULE NUMBER: 232A4220-4 REV C | 041041 043200 970999 | 1 |
| 10 | BAC27DCC1268 | | .MARKER-ALUMINUM FOIL | 001019 201967 | 2 |
| 10 | BAC27DCC3242 | | .MARKER-ALUMINUM FOIL | 020030 | 2 |
| 11 | BAC27DCC3459 | | .MARKER-ALUMINUM FOIL | 001019 031040 042042 201969 | 2 |
| 15 | BAC27DCC3573 | | .MARKER-ALUMINUM FOIL | 041041 043200 970999 | 2 |

MISSING ITEM NUMBERS NOT APPLICABLE

- ITEM NOT ILLUSTRATED

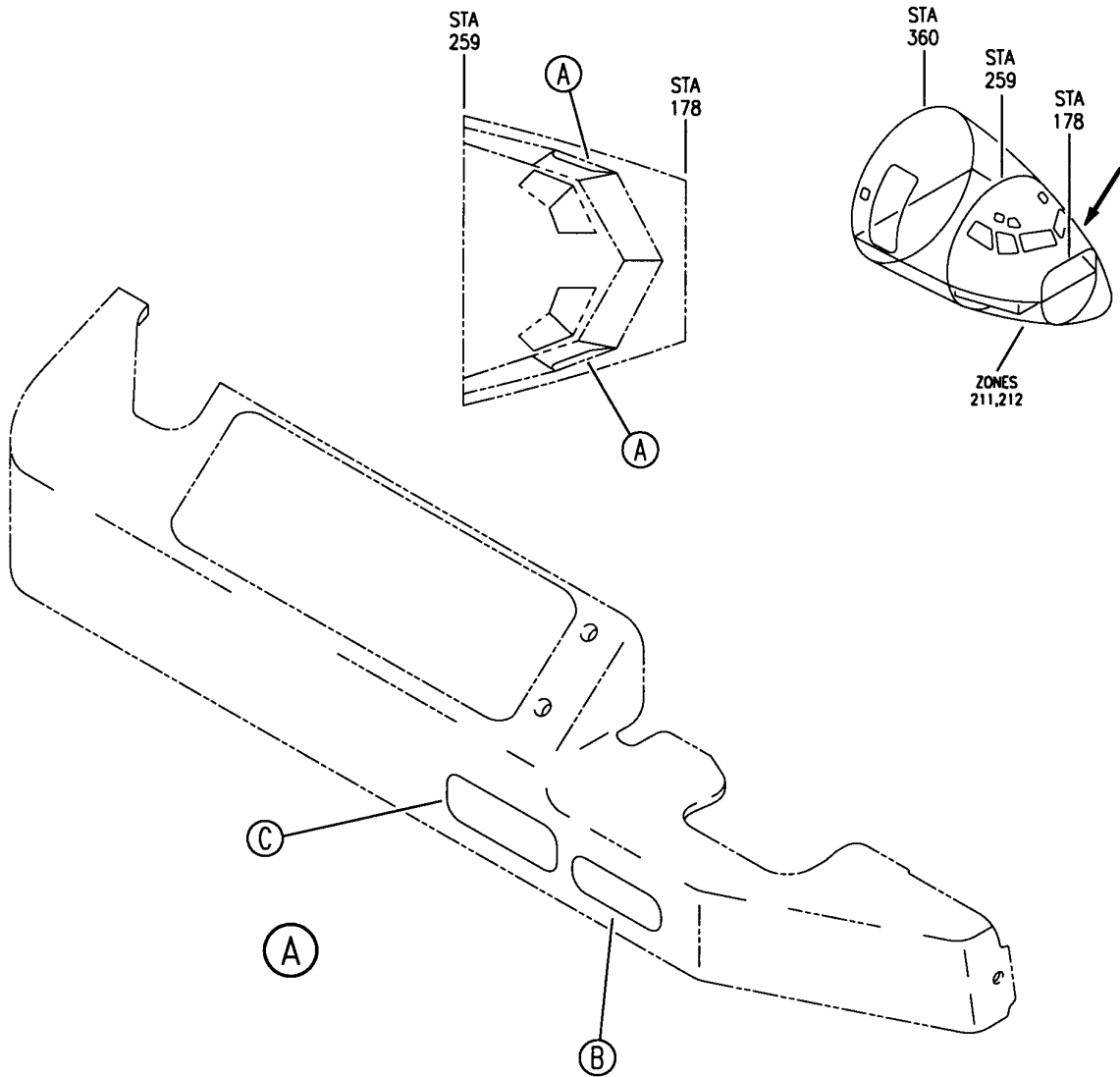
HAP

11-31-01-16

BOEING PROPRIETARY - Copyright © - Unpublished Work - See title page for details.

11-31-01
FIG. 16
PAGE 1
OCT 15/08

BOEING
 737-600/700/800/900
 PARTS CATALOG (MAINTENANCE)



CAUTION
 P18-3 PANEL MUST BE CLOSED
 PRIOR TO OPENING WINDOW

(C)

15

PRESS TRIGGER AND
 PULL TO OPEN WINDOW

(B)

10

E 11310117 REV 014

COVER ASSY-LWR (PLACARDS AND MARKINGS ONLY)
 FIGURE 17

11-31-01-17

HAP
 OCT 10/06

11-31-01-17
 PAGE 0

BOEING
737-600/700/800/900
PARTS CATALOG (MAINTENANCE)

| FIG ITEM | PART NUMBER | 1 2 3 4 5 6 7 | NOMENCLATURE | EFFECT FROM TO | UNITS PER ASSY |
|----------|-------------|---------------|--|--------------------------------------|----------------|
| 17 | | | COVER ASSY-LWR (PLACARDS AND MARKINGS ONLY) | | |
| - 1 | 232A1502-11 | | COVER ASSY-LWR (PLACARDS AND MARKINGS ONLY) POSITION DATA: LH FOR NHA/OTHER SYS DET SEE: 25-11-21-12A | 028030 | RF |
| - 1 | 232A1502-5 | | COVER ASSY-LWR (PLACARDS AND MARKINGS ONLY) POSITION DATA: LH FOR NHA/OTHER SYS DET SEE: 25-11-21-12A | 001012 014014 021022 201967 | RF |
| - 1 | 232A1502-7 | | COVER ASSY-LWR (PLACARDS AND MARKINGS ONLY) POSITION DATA: LH FOR NHA/OTHER SYS DET SEE: 25-11-21-12A | 013013 015020 | RF |
| - 1 | 232A1502-9 | | COVER ASSY-LWR (PLACARDS AND MARKINGS ONLY) POSITION DATA: LH FOR NHA/OTHER SYS DET SEE: 25-11-21-12A | 023027 | RF |
| - 1 | 232A1502-15 | | COVER ASSY-LWR (PLACARDS AND MARKINGS ONLY) POSITION DATA: LH FOR NHA/OTHER SYS DET SEE: 25-11-21-12A | 031200 968999 | RF |
| - 5 | 232A1502-12 | | COVER ASSY-LWR (PLACARDS AND MARKINGS ONLY) POSITION DATA: RH FOR NHA/OTHER SYS DET SEE: 25-11-21-12A | 028030 | RF |

MISSING ITEM NUMBERS NOT APPLICABLE

- ITEM NOT ILLUSTRATED

HAP

11-31-01-17

11-31-01
FIG. 17
PAGE 1
OCT 15/08

BOEING
737-600/700/800/900
PARTS CATALOG (MAINTENANCE)

| FIG ITEM | PART NUMBER | 1 2 3 4 5 6 7 | NOMENCLATURE | EFFECT FROM TO | UNITS PER ASSY |
|-------------|--------------|---------------|---|--------------------------------------|----------------------|
| 17 - 5 | 232A1502-6 | | COVER ASSY-LWR (PLACARDS AND MARKINGS ONLY) POSITION DATA: RH FOR NHA/OTHER SYS DET SEE: 25-11-21-12A | 001012 014014 021022 201967 | RF |
| - 5 | 232A1502-8 | | COVER ASSY-LWR (PLACARDS AND MARKINGS ONLY) POSITION DATA: RH FOR NHA/OTHER SYS DET SEE: 25-11-21-12A | 013013 015020 | RF |
| - 5 | 232A1502-10 | | COVER ASSY-LWR (PLACARDS AND MARKINGS ONLY) POSITION DATA: RH FOR NHA/OTHER SYS DET SEE: 25-11-21-12A | 023027 | RF |
| - 5 | 232A1502-16 | | COVER ASSY-LWR (PLACARDS AND MARKINGS ONLY) POSITION DATA: RH FOR NHA/OTHER SYS DET SEE: 25-11-21-12 | 031200 968999 | RF |
| 10 | BAC27DCC2771 | | .MARKER | | 1 |
| 15 | BAC27DCC2770 | | .MARKER- POSITION DATA: LH | | 1 |

MISSING ITEM NUMBERS NOT APPLICABLE

- ITEM NOT ILLUSTRATED

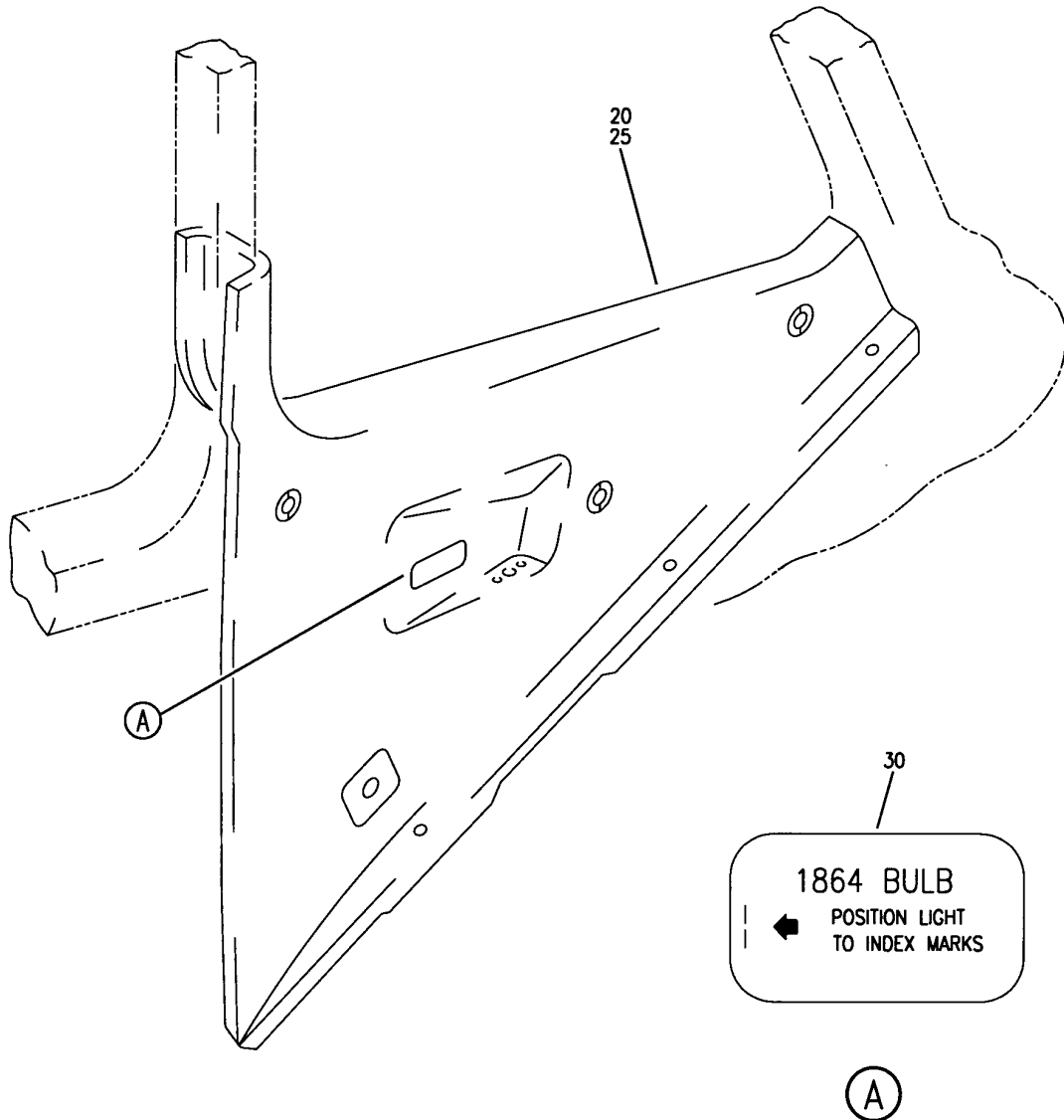
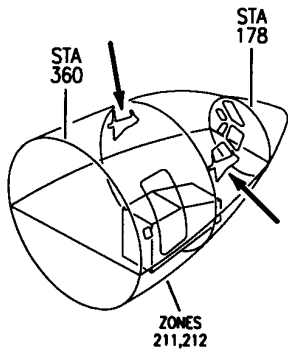
HAP

11-31-01-17

BOEING PROPRIETARY - Copyright © - Unpublished Work - See title page for details.

11-31-01
FIG. 17
PAGE 2
OCT 15/08

BOEING
 737-600/700/800/900
 PARTS CATALOG (MAINTENANCE)



E 11310118 REV 014

LINING INSTL-NO. 3 WINDOW AREA (PLACARDS AND MARKINGS ONLY)
 FIGURE 18

11-31-01-18

HAP
 OCT 10/06

11-31-01-18
 PAGE 0

BOEING
737-600/700/800/900
PARTS CATALOG (MAINTENANCE)

| FIG ITEM | PART NUMBER | 1 2 3 4 5 6 7 | NOMENCLATURE | EFFECT FROM TO | UNITS PER ASSY |
|-------------|--------------|---------------|---|-------------------|----------------------|
| 18 | | | LINING INSTL-NO. 3 WINDOW AREA (PLACARDS AND MARKINGS ONLY) | 031200 968999 | |
| - 2 | MODREF239924 | | LINING INSTL-NO. 3 WINDOW AREA (PLACARDS AND MARKINGS ONLY) MODULE NUMBER: 232A1510-33 REV B POSITION DATA: LH FOR OTHER SYS DETAILS SEE: 25-11-21-07 | 031200 968999 | 1 |
| - 6 | MODREF239925 | | LINING INSTL-NO. 3 WINDOW AREA (PLACARDS AND MARKINGS ONLY) MODULE NUMBER: 232A1510-34 REV B POSITION DATA: RH | 031200 968999 | 1 |
| 20 | 232A1512-19 | | .LINING ASSY- POSITION DATA: LWR LH SIDE | 031200 968999 | RF |
| 25 | 232A1512-20 | | .LINING ASSY- POSITION DATA: LWR RH SIDE | 031200 968999 | RF |
| 30 | BAC27DCC2785 | | ..MARKER | 031200 968999 | 1 |

MISSING ITEM NUMBERS NOT APPLICABLE

- ITEM NOT ILLUSTRATED

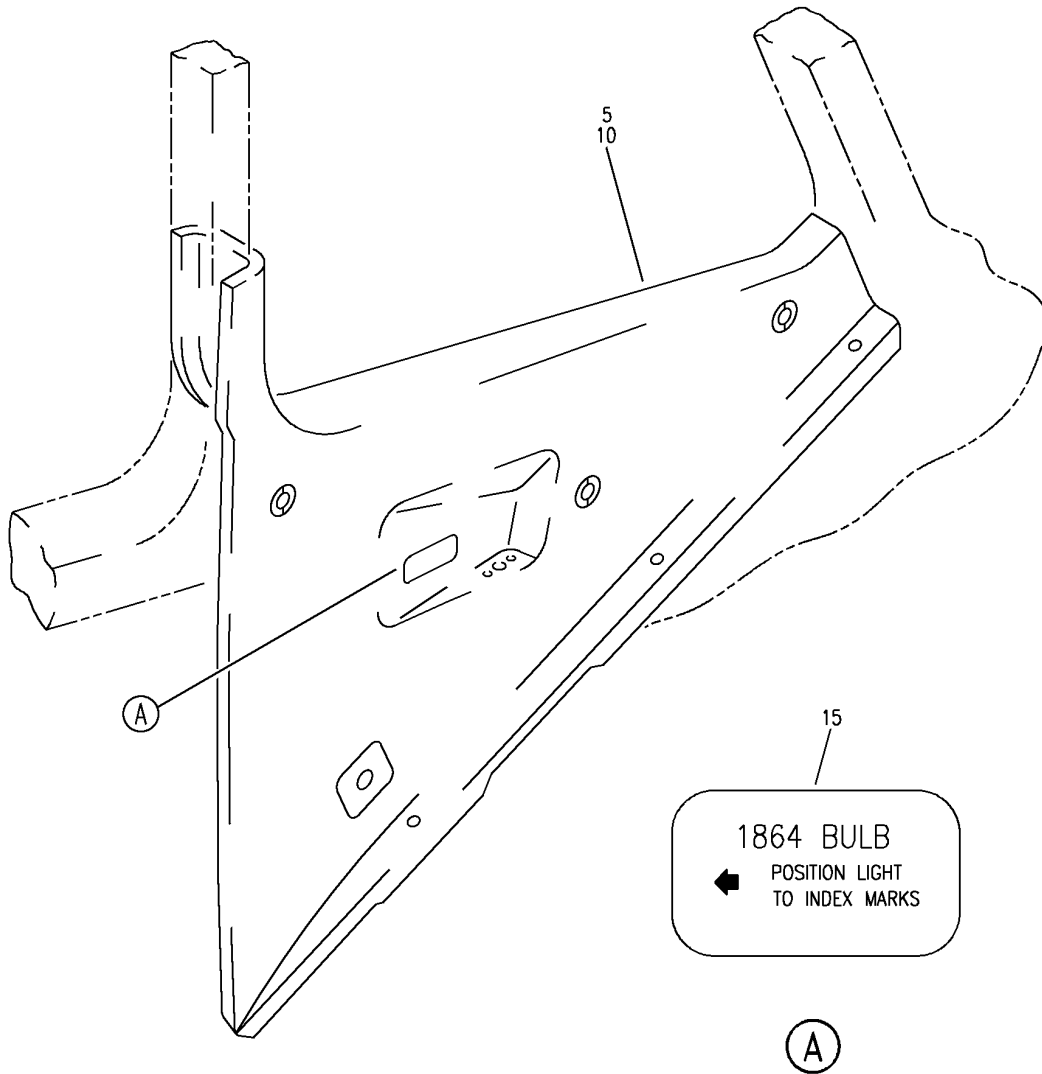
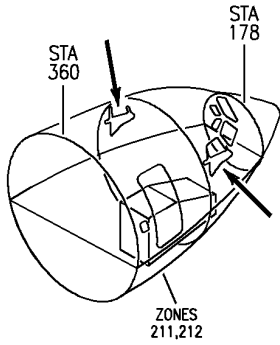
HAP

11-31-01-18

BOEING PROPRIETARY - Copyright © - Unpublished Work - See title page for details.

11-31-01
FIG. 18
PAGE 1
OCT 15/08

BOEING
 737-600/700/800/900
 PARTS CATALOG (MAINTENANCE)



E 11310118A REV 125

LINING INSTL-NO. 3 WINDOW AREA (PLACARDS AND MARKINGS ONLY)
 FIGURE 18A

11-31-01-18A

HAP
 FEB 10/07

11-31-01-18A
 PAGE 0

BOEING
737-600/700/800/900
PARTS CATALOG (MAINTENANCE)

| FIG ITEM | PART NUMBER | 1 2 3 4 5 6 7 | NOMENCLATURE | EFFECT FROM TO | UNITS PER ASSY |
|----------|-------------|---------------|---|------------------|----------------|
| 18A | | | LINING INSTL-NO. 3 WINDOW AREA (PLACARDS AND MARKINGS ONLY) | 001030 201967 | |
| - 1 | 232A1510-1 | | LINING INSTL-NO. 3 WINDOW AREA (PLACARDS AND MARKINGS ONLY) POSITION DATA: LH FOR NHA/OTHER SYS DET SEE: 25-10-00-05E | 201967 | RF |
| - 1 | 232A1510-3 | | LINING INSTL-NO. 3 WINDOW AREA (PLACARDS AND MARKINGS ONLY) POSITION DATA: LH FOR NHA/OTHER SYS DET SEE: 25-10-00-05E | 001019 | RF |
| - 1 | 232A1510-15 | | LINING INSTL-NO. 3 WINDOW AREA (PLACARDS AND MARKINGS ONLY) POSITION DATA: LH FOR NHA/OTHER SYS DET SEE: 25-10-00-05E | 020022 | RF |
| - 1 | 232A1510-25 | | LINING INSTL-NO. 3 WINDOW AREA (PLACARDS AND MARKINGS ONLY) POSITION DATA: LH FOR NHA/OTHER SYS DET SEE: 25-10-00-05E | 023030 | RF |
| - 2 | 232A1510-2 | | LINING INSTL-NO. 3 WINDOW AREA (PLACARDS AND MARKINGS ONLY) POSITION DATA: RH FOR NHA/OTHER SYS DET SEE: 25-10-00-05E | 201967 | RF |
| - 2 | 232A1510-4 | | LINING INSTL-NO. 3 WINDOW AREA (PLACARDS AND MARKINGS ONLY) POSITION DATA: RH FOR NHA/OTHER SYS DET SEE: 25-10-00-05E | 001019 | RF |

MISSING ITEM NUMBERS NOT APPLICABLE

- ITEM NOT ILLUSTRATED

HAP

11-31-01-18A

BOEING PROPRIETARY - Copyright © - Unpublished Work - See title page for details.

11-31-01
FIG. 18A
PAGE 1
OCT 15/08

BOEING
737-600/700/800/900
PARTS CATALOG (MAINTENANCE)

| FIG ITEM | PART NUMBER | 1 2 3 4 5 6 7 | NOMENCLATURE | EFFECT FROM TO | UNITS PER ASSY |
|-------------|--------------|---------------|---|-------------------|----------------------|
| 18A - 2 | 232A1510-16 | | LINING INSTL-NO. 3 WINDOW AREA (PLACARDS AND MARKINGS ONLY) POSITION DATA: RH FOR NHA/OTHER SYS DET SEE: 25-10-00-05E | 020022 | RF |
| - 2 | 232A1510-26 | | LINING INSTL-NO. 3 WINDOW AREA (PLACARDS AND MARKINGS ONLY) POSITION DATA: RH FOR NHA/OTHER SYS DET SEE: 25-10-00-05C | 023030 | RF |
| 5 | 232A1512-5 | | .LINING ASSY- POSITION DATA: LWR LH SIDE | 001022 201967 | RF |
| 5 | 232A1512-15 | | .LINING ASSY- POSITION DATA: LWR LH SIDE | 023030 | RF |
| 10 | 232A1512-6 | | .LINING ASSY- POSITION DATA: LWR RH SIDE | 001022 201967 | RF |
| 10 | 232A1512-16 | | .LINING ASSY- POSITION DATA: LWR RH SIDE | 023030 | RF |
| 15 | BAC27DCC2785 | | ..MARKER | 001030 201967 | 1 |

MISSING ITEM NUMBERS NOT APPLICABLE

- ITEM NOT ILLUSTRATED

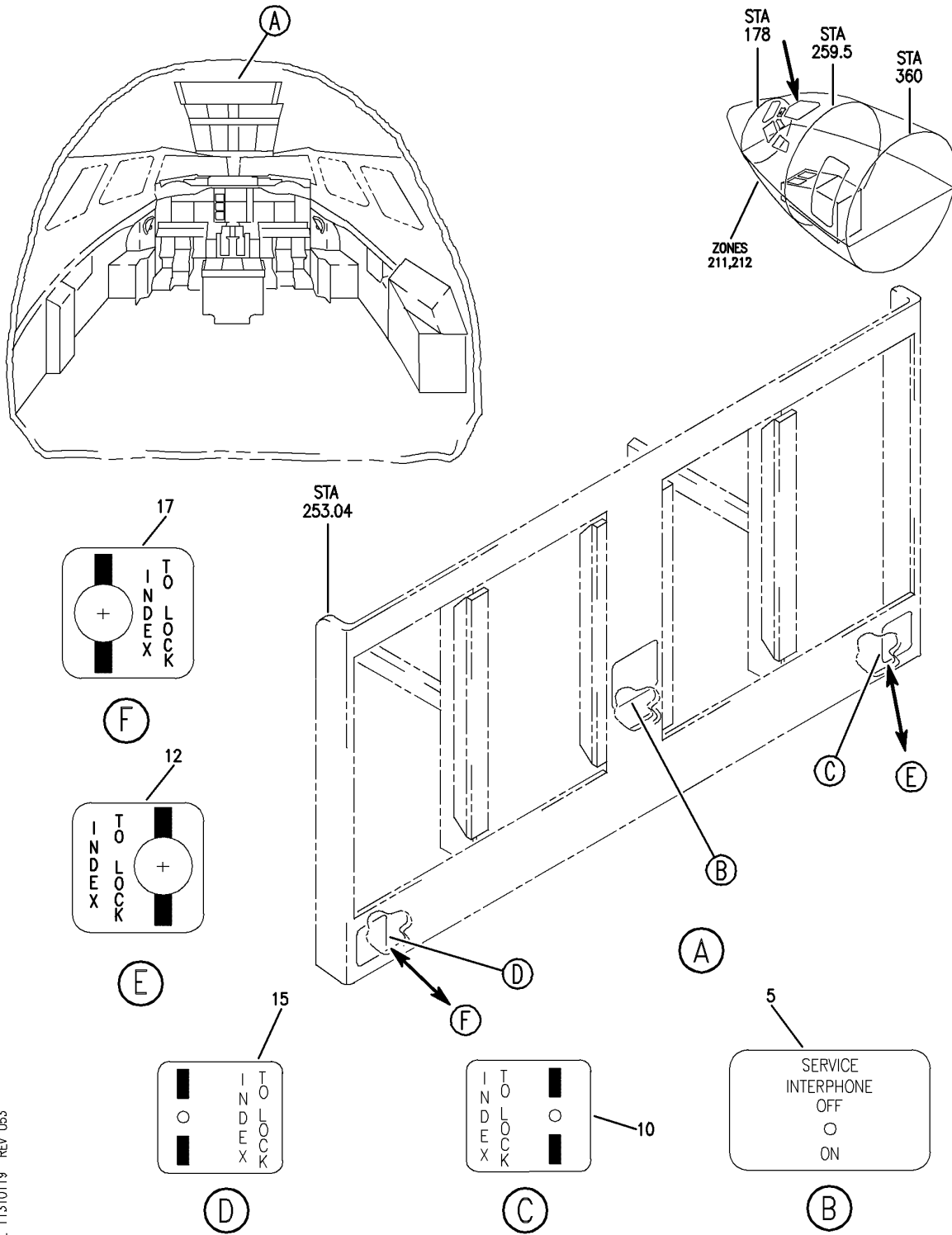
HAP

11-31-01-18A

BOEING PROPRIETARY - Copyright © - Unpublished Work - See title page for details.

11-31-01
FIG. 18A
PAGE 2
OCT 15/08

BOEING
 737-600/700/800/900
 PARTS CATALOG (MAINTENANCE)



E 11310119 REV 053

ELECTRICAL INSTL AND ASSY-P5 AFT OVHD (PLACARDS AND MARKINGS ONLY)
 FIGURE 19

HAP
 OCT 10/06

11-31-01-19

11-31-01-19
 PAGE 0

BOEING
737-600/700/800/900
PARTS CATALOG (MAINTENANCE)

| FIG ITEM | PART NUMBER | 1 2 3 4 5 6 7 | NOMENCLATURE | EFFECT FROM TO | UNITS PER ASSY |
|----------|--------------|---------------|---|------------------|----------------|
| 19 | | | ELECTRICAL INSTL AND ASSY- P5 AFT OVHD (PLACARDS AND MARKINGS ONLY) | 001036 201967 | |
| - 1 | 233A3306-1 | | ELECTRICAL ASSY-P5 OVHD (PLACARDS AND MARKINGS ONLY) POSITION DATA: AFT FOR NHA/OTHER SYS DET SEE: 31-11-95-02A | 001007 | RF |
| - 1 | 233A3306-300 | | ELECTRICAL INSTL-P5 OVHD (PLACARDS AND MARKINGS ONLY) POSITION DATA: AFT FOR NHA/OTHER SYS DET SEE: 31-11-00-01C 31-11-00-01J | 008027 201967 | RF |
| - 1 | 233A3306-303 | | ELECTRICAL INSTL-P5 OVHD (PLACARDS AND MARKINGS ONLY) POSITION DATA: AFT FOR NHA/OTHER SYS DET SEE: 31-11-00-01C 31-11-00-01J | 028029 | RF |
| - 1 | 233A3306-306 | | ELECTRICAL INSTL-P5 OVHD (PLACARDS AND MARKINGS ONLY) POSITION DATA: AFT FOR NHA/OTHER SYS DET SEE: 31-11-00-01C | 030030 | RF |
| - 1 | MODREF82494 | | ELECTRICAL INSTL-P5 OVHD (PLACARDS AND MARKINGS ONLY) MODULE NUMBER: 233A3306-306 REV A POSITION DATA: AFT FOR OTHER SYS DETAILS SEE: 23-41-00-07 31-11-95-03 32-61-00-02 33-14-00-07 34-61-51-03 | 031036 | 1 |
| 5 | BAC27DCC100 | | .MARKER-ALUMINUM FOIL | 001036 201967 | 1 |

MISSING ITEM NUMBERS NOT APPLICABLE

- ITEM NOT ILLUSTRATED

HAP

11-31-01-19

BOEING PROPRIETARY - Copyright © - Unpublished Work - See title page for details.

11-31-01
FIG. 19
PAGE 1
OCT 15/08

BOEING
737-600/700/800/900
PARTS CATALOG (MAINTENANCE)

| FIG ITEM | PART NUMBER | 1 2 3 4 5 6 7 | NOMENCLATURE | EFFECT FROM TO | UNITS PER ASSY |
|-------------|--------------|---------------|---|-------------------|----------------------|
| 19 | | | | | |
| 10 | BAC27DCC470 | | .MARKER-ALUMINUM FOIL OPTIONAL PART: BAC27DCC3252 | 001036 201967 | 1 |
| 12 | BAC27DCC3252 | | .DECAL-ALUMINUM FOIL OPTIONAL PART: BAC27DCC470 | 008036 201967 | 1 |
| 15 | BAC27DCC471 | | .MARKER-ALUMINUM FOIL OPTIONAL PART: BAC27DCC3251 | 001036 201967 | 1 |
| 17 | BAC27DCC3251 | | .MARKER-ALUMINUM FOIL OPTIONAL PART: BAC27DCC471 | 008036 201967 | 1 |

MISSING ITEM NUMBERS NOT APPLICABLE

— ITEM NOT ILLUSTRATED

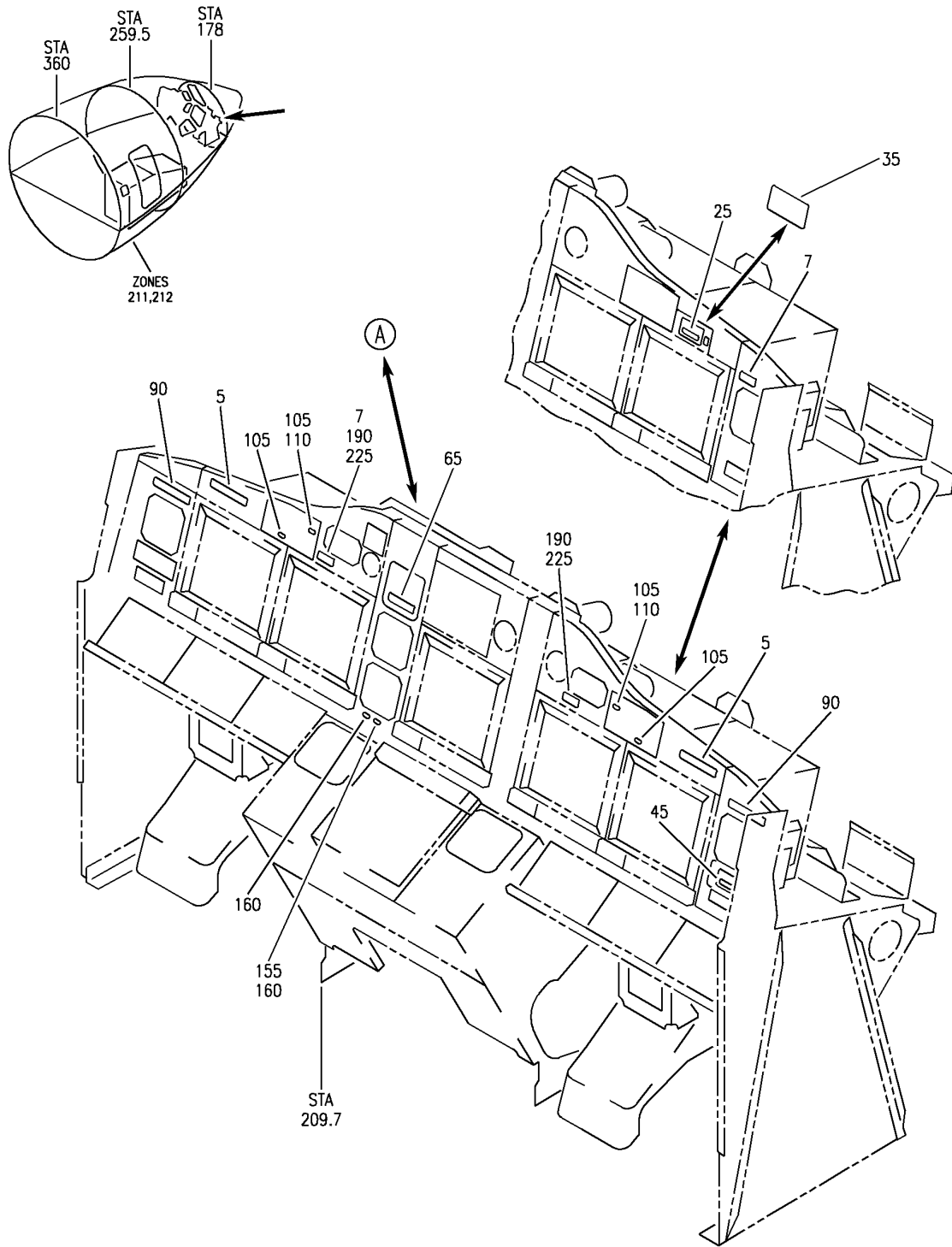
HAP

11-31-01-19

BOEING PROPRIETARY - Copyright © - Unpublished Work - See title page for details.

11-31-01
FIG. 19
PAGE 2
OCT 15/08

BOEING
 737-600/700/800/900
 PARTS CATALOG (MAINTENANCE)



E 11310123 SH1 1 REV 135

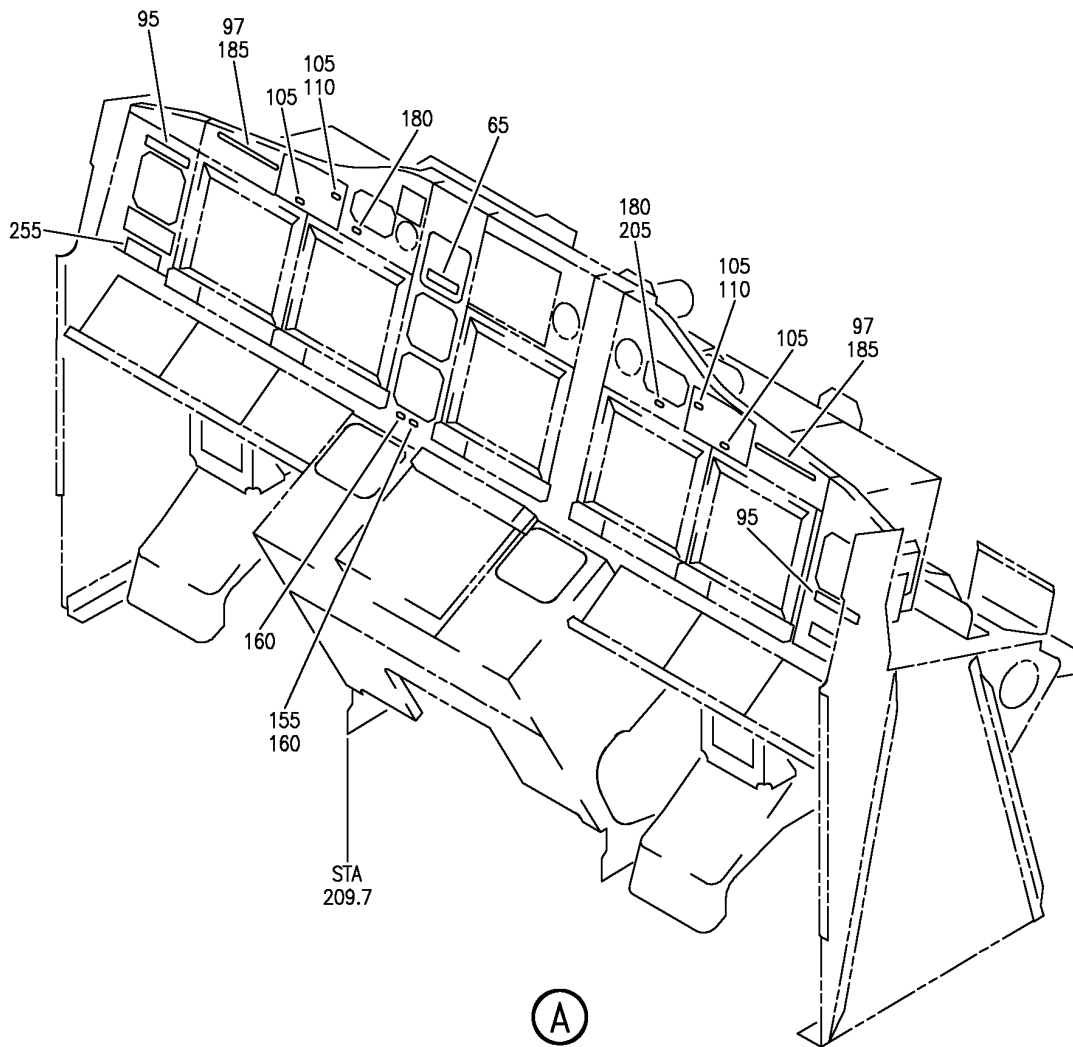
PLACARD INSTL-MAIN INSTR PNL
 FIGURE 23 (SHEET 1)

11-31-01-23

HAP
 OCT 10/07

11-31-01-23
 PAGE 0

BOEING
 737-600/700/800/900
 PARTS CATALOG (MAINTENANCE)



E 11310123 SH1 2 REV 146

PLACARD INSTL-MAIN INSTR PNL
 FIGURE 23 (SHEET 2)

11-31-01-23

HAP
 OCT 15/08

11-31-01-23
 PAGE 0A

BOEING
737-600/700/800/900
PARTS CATALOG (MAINTENANCE)

| FIG ITEM | PART NUMBER | 1 2 3 4 5 6 7 | NOMENCLATURE | EFFECT FROM TO | UNITS PER ASSY |
|----------|--------------|---------------|--|--------------------------------------|----------------|
| 23 | | | PLACARD INSTL-MAIN INSTR PNL | 028200 968999 | |
| - 60 | MODREF82211 | | PLACARD INSTL-ISFD MODULE NUMBER: 233A2100-4 REV A | 031200 968999 | 1 |
| 65 | BAC27DCC3308 | | .MARKER- PLACARD CONTENT: ISFD HEADING FROM LEFT IRS ONLY | 031200 968999 | 1 |
| - 80 | 233A2100-6 | | PLACARD INSTL-IN FLIGHT SPEEDBRAKE DETENT LIMITATION FOR NHA SEE: 25-10-00-03 | 028030 | RF |
| - 80 | MODREF82212 | | PLACARD INSTL-IN FLIGHT SPEEDBRAKE DETENT LIMITATION MODULE NUMBER: 233A2100-6 REV A | 031200 968999 | 1 |
| 90 | BAC27DCC3317 | | .MARKER- PLACARD CONTENT: DO NOT EXTEND THE SPEEDBRAKE LEVER BEYOND THE FLIGHT DETENT IN FLIGHT | 028200 968999 | 2 |
| - 150 | MODREF192072 | | PLACARD INSTL- MODULE NUMBER: 233A2100-9 REV A | 031200 968999 | 1 |
| 155 | BAC27DCC2769 | | .DECAL- PLACARD CONTENT: INOP | 031200 968999 | 1 |
| - 175 | MODREF348324 | | PLACARD INSTL- MODULE NUMBER: 233A2100-16 REV A | 044047 054100 102106 972999 | 1 |
| 190 | BAC27DCC2769 | | .DECAL- PLACARD CONTENT: INOP | 044047 054100 102106 972999 | 2 |
| - 220 | MODREF352850 | | PLACARD INSTL- MODULE NUMBER: 233A2100-17 REV A | 044047 054100 102106 972999 | 1 |
| 225 | BAC27DCC2769 | | .DECAL- PLACARD CONTENT: INOP | 044047 054100 102106 972999 | 2 |

MISSING ITEM NUMBERS NOT APPLICABLE

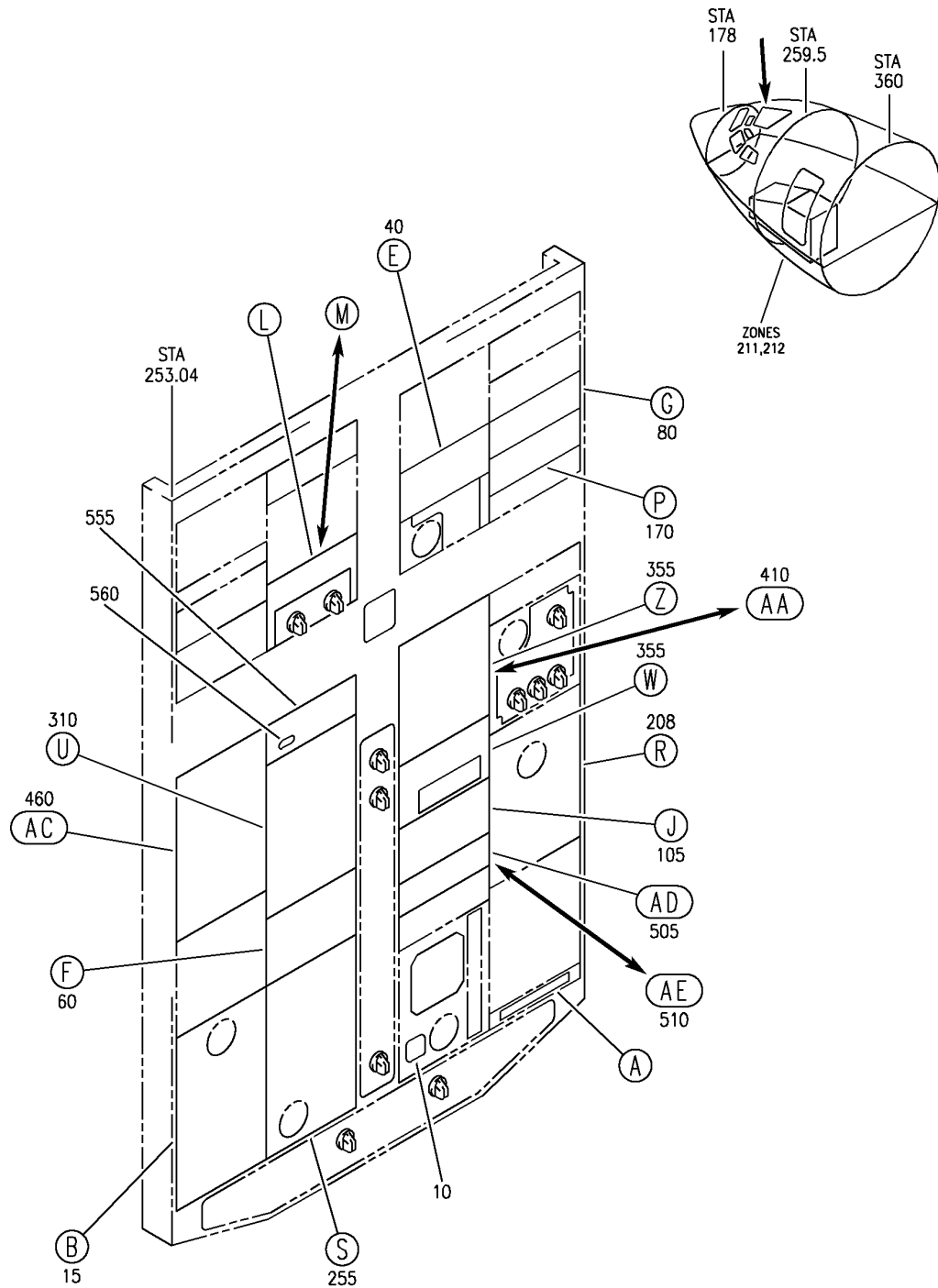
- ITEM NOT ILLUSTRATED

HAP

11-31-01-23

11-31-01
FIG. 23
PAGE 1
FEB 15/09

BOEING
 737-600/700/800/900
 PARTS CATALOG (MAINTENANCE)



E 11310124Q SHT 1 REV 139

MODULE INSTL-P5 OVHD (PLACARDS AND MARKINGS ONLY)
 FIGURE 24Q (SHEET 1)

11-31-01-24Q

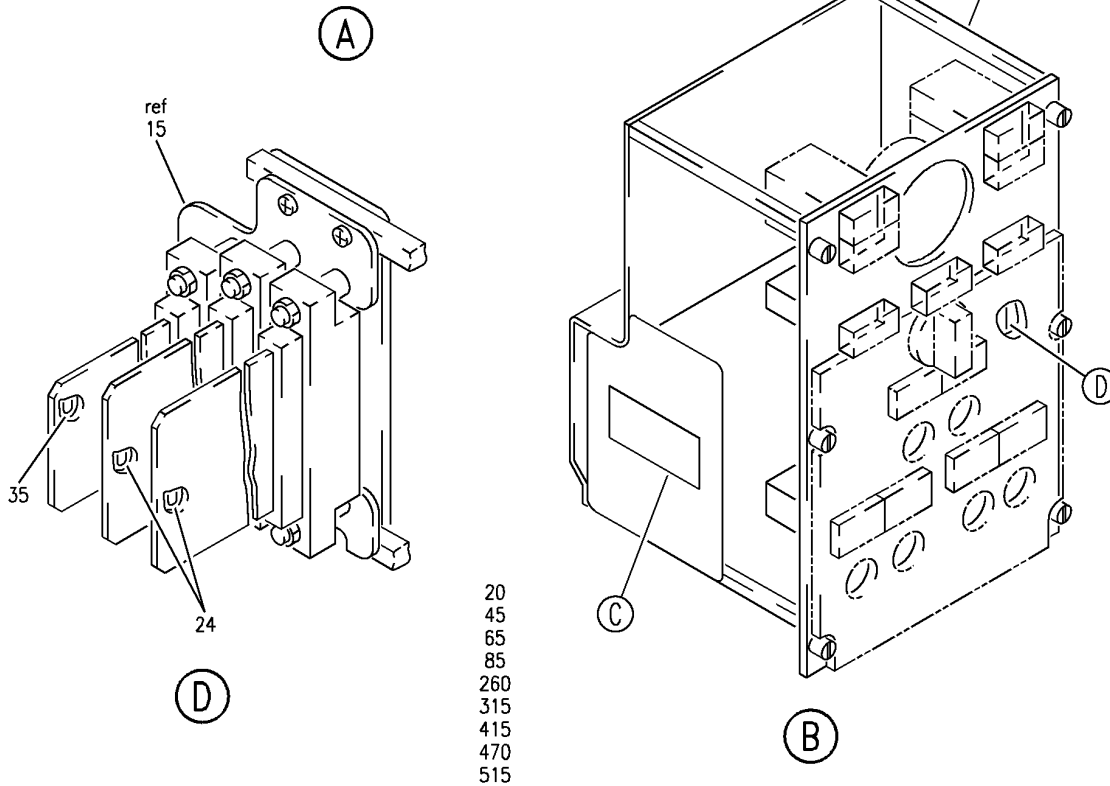
HAP
 FEB 15/08

11-31-01-24Q
 PAGE 0


BOEING
 737-600/700/800/900
 PARTS CATALOG (MAINTENANCE)

5

| | | | | | |
|---------|----------|-------|-------|-------|-------|
| CAB ALT | LAND ALT | 2000 | 4000 | 6000 | 8000 |
| FLT ALT | <FL160 | FL220 | FL260 | FL320 | FL410 |



CAUTION



THIS UNIT IS NOT SUBJECT TO DAMAGE FROM ELECTROSTATIC DISCHARGE AS AN ASSEMBLY HOWEVER, IT CONTAINS PARTS OR SUB-ASSEMBLIES THAT ARE SENSITIVE TO ELECTROSTATIC DISCHARGE. CONDUCTIVE CONNECTOR COVERS REQUIRED.

E 11310124Q SHT 2 REV 123

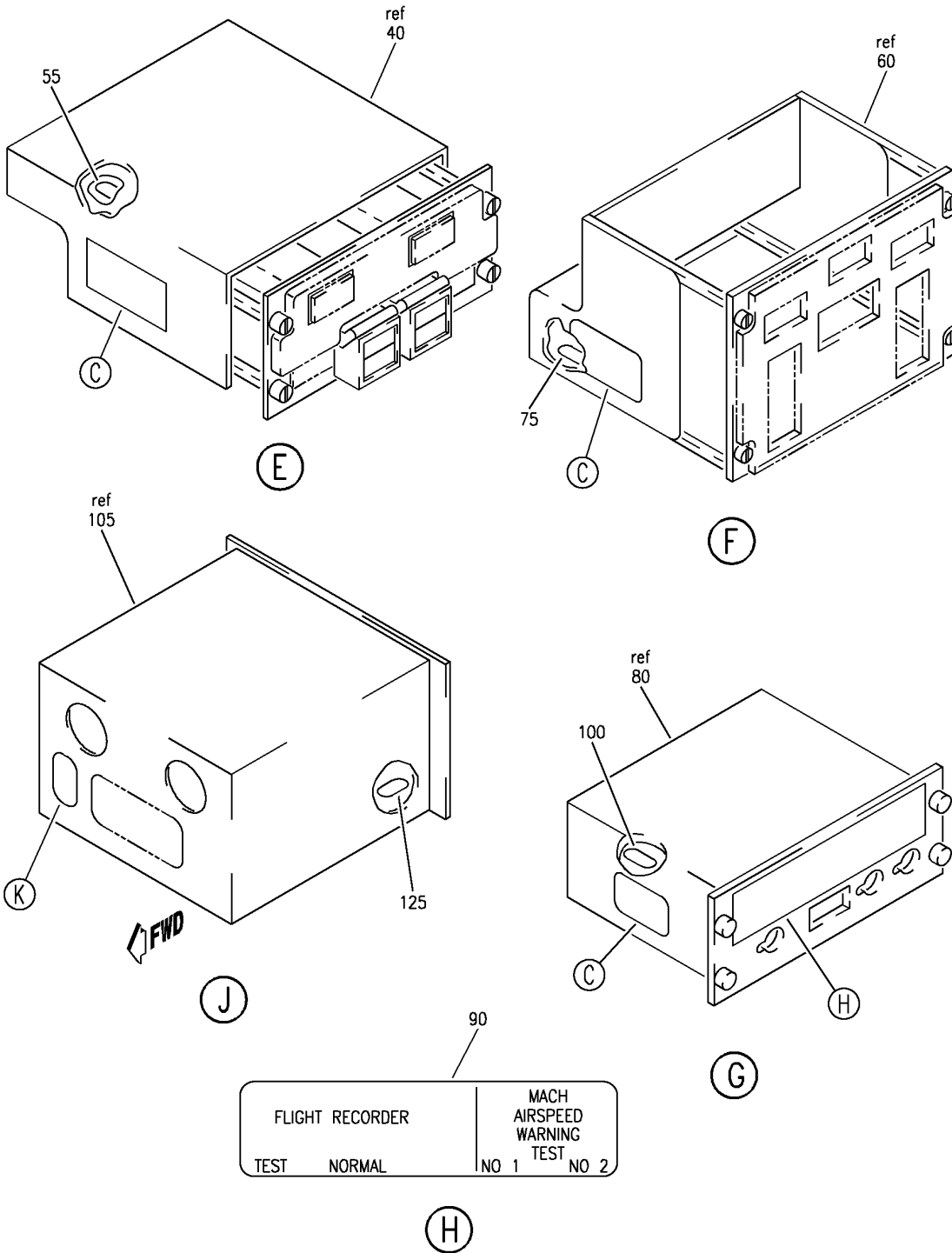
MODULE INSTL-P5 OVHD (PLACARDS AND MARKINGS ONLY)
 FIGURE 24Q (SHEET 2)

11-31-01-24Q

HAP
 FEB 10/07

11-31-01-24Q
 PAGE 0A

BOEING
737-600/700/800/900
PARTS CATALOG (MAINTENANCE)



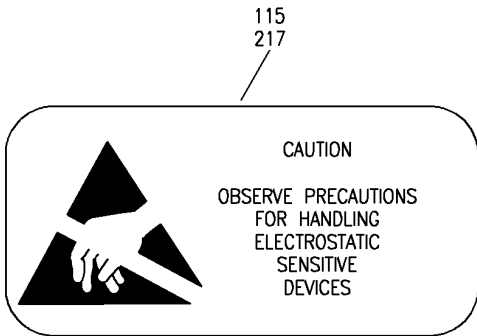
E 11310124Q SHT 3 REV 123

MODULE INSTL-P5 OVHD (PLACARDS AND MARKINGS ONLY)
FIGURE 24Q (SHEET 3)

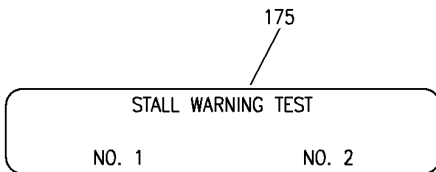
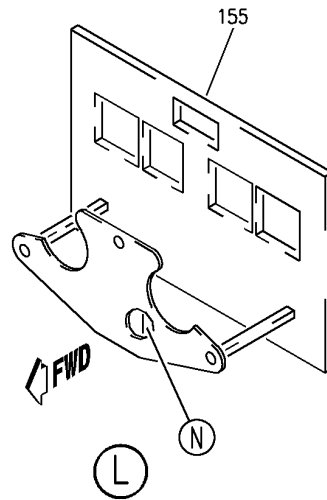
11-31-01-24Q

HAP
FEB 10/07

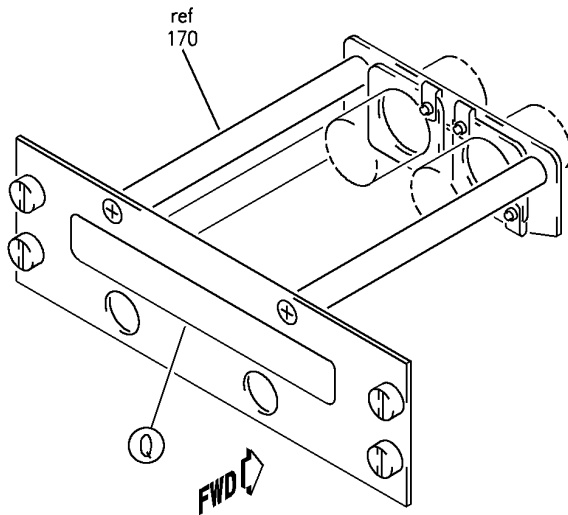
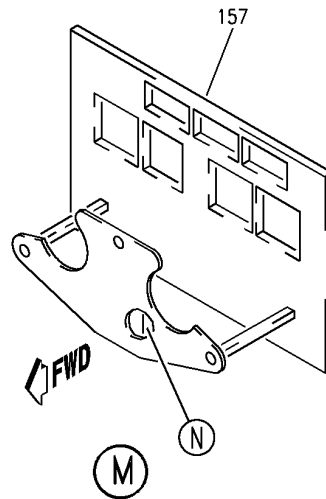
11-31-01-24Q
PAGE 0B



(K)



(Q)



(P)

165

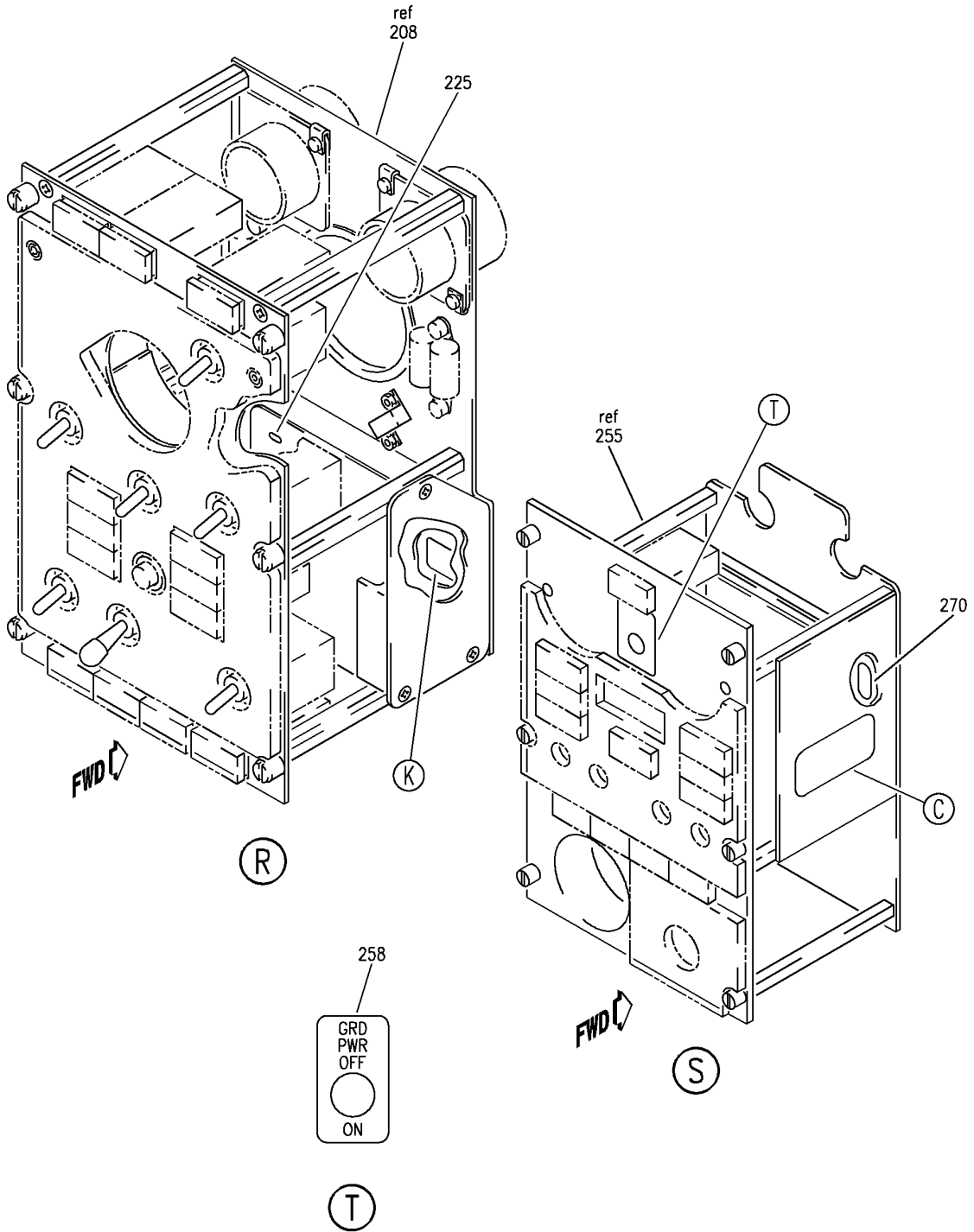
| | | | | | |
|----|----|----|----|----|----|
| 1 | 3 | 5 | 7 | 9 | 11 |
| CR | CR | CR | CR | CR | CR |
| 1 | 2 | 3 | 4 | 5 | 6 |
| ▲ | ▲ | ▲ | ▲ | ▲ | ▲ |
| 2 | 4 | 6 | 8 | 10 | 12 |

(N)

E 11310124Q SHT 4 REV 123

MODULE INSTL-P5 OVHD (PLACARDS AND MARKINGS ONLY)
FIGURE 24Q (SHEET 4)

BOEING
 737-600/700/800/900
 PARTS CATALOG (MAINTENANCE)



E 11310124Q SHT 5 REV 123

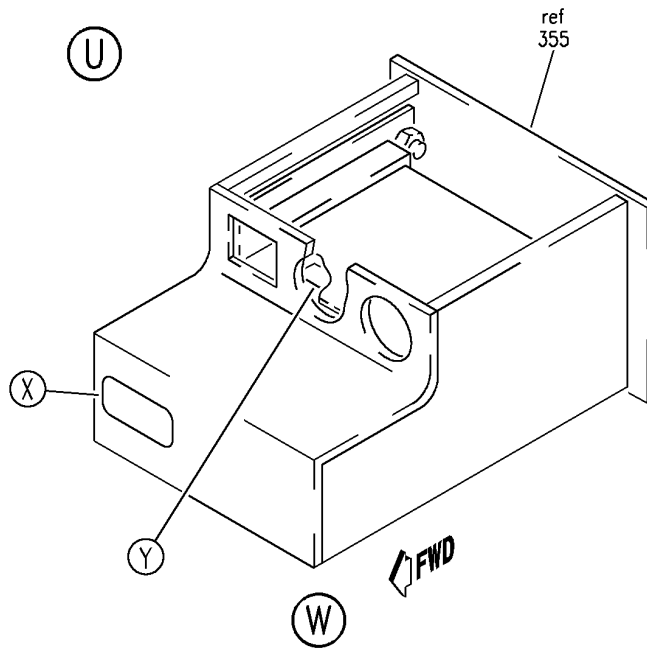
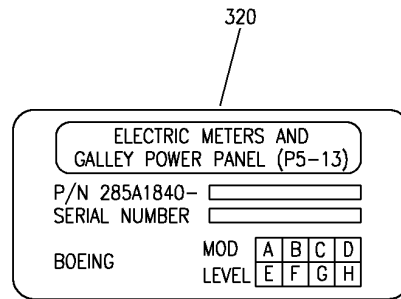
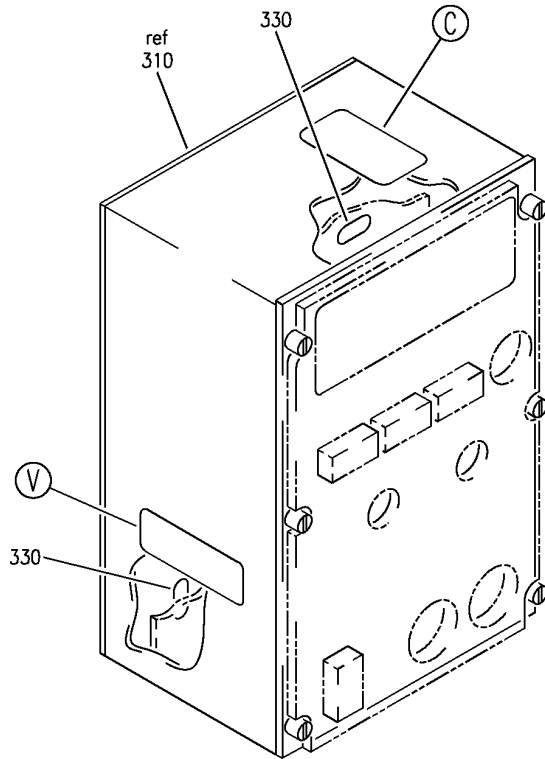
MODULE INSTL-P5 OVHD (PLACARDS AND MARKINGS ONLY)
 FIGURE 24Q (SHEET 5)

11-31-01-24Q

HAP
 FEB 10/07

11-31-01-24Q
 PAGE 0D

BOEING
 737-600/700/800/900
 PARTS CATALOG (MAINTENANCE)



E 11310124Q SHT 6 REV 139

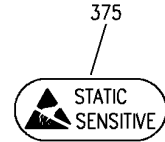
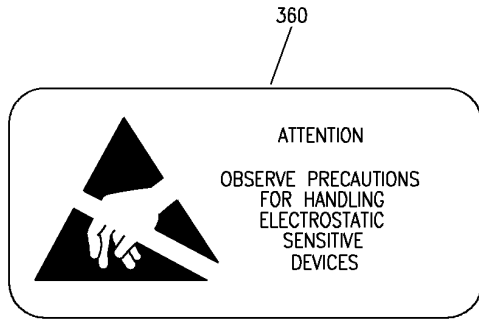
MODULE INSTL-P5 OVHD (PLACARDS AND MARKINGS ONLY)
 FIGURE 24Q (SHEET 6)

11-31-01-24Q

HAP
 FEB 15/08

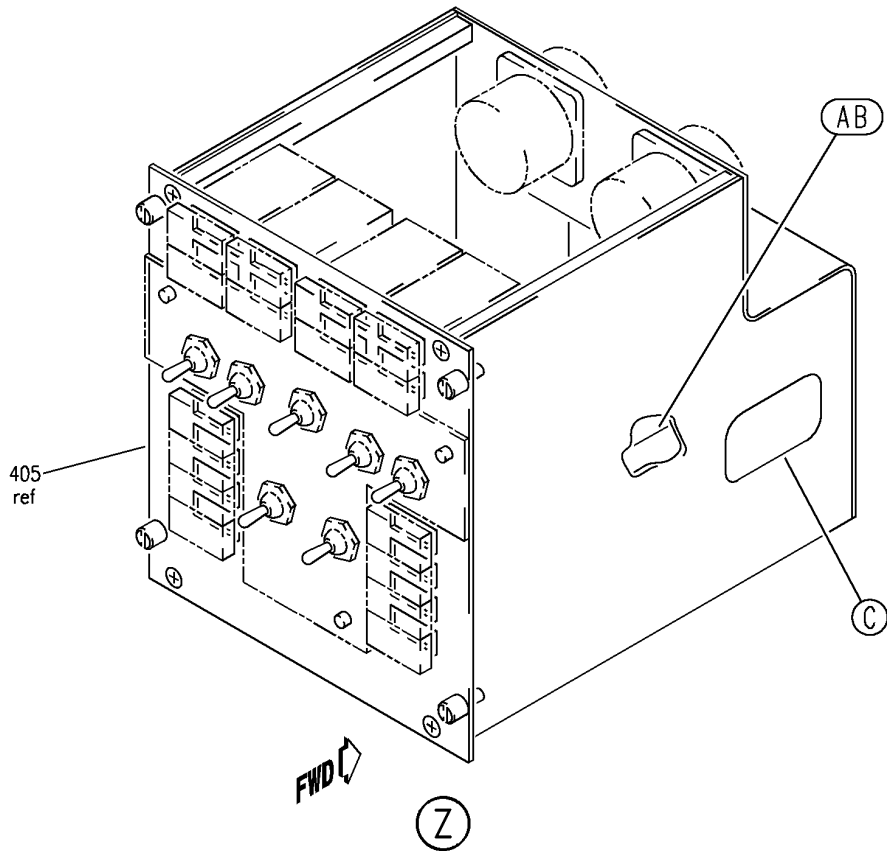
11-31-01-24Q
 PAGE 0E

BOEING
 737-600/700/800/900
 PARTS CATALOG (MAINTENANCE)



(X)

(Y)



E 11310124Q SHT 7 REV 139

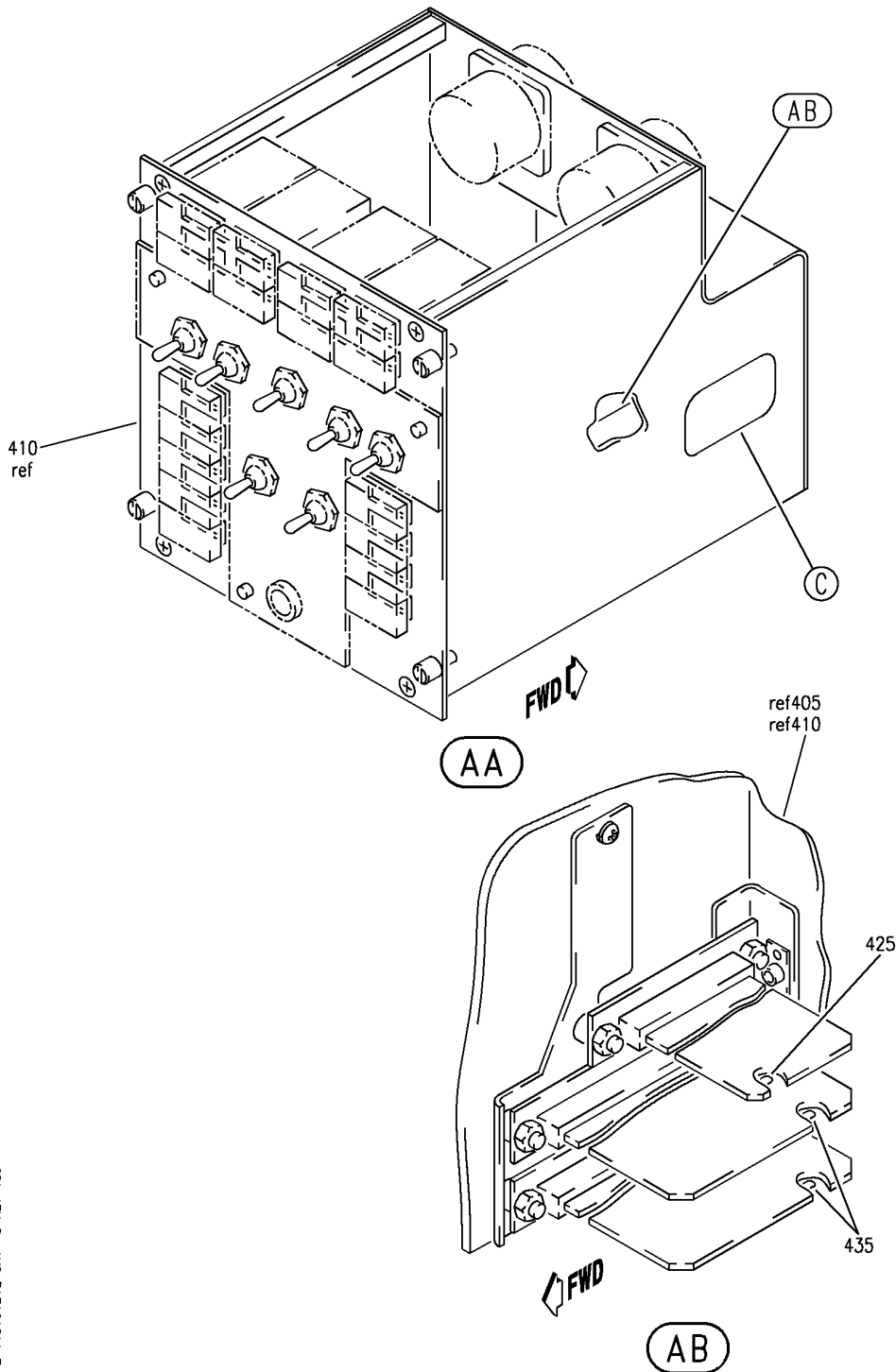
MODULE INSTL-P5 OVHD (PLACARDS AND MARKINGS ONLY)
 FIGURE 24Q (SHEET 7)

11-31-01-24Q

HAP
 FEB 15/08

11-31-01-24Q
 PAGE OF

BOEING
 737-600/700/800/900
 PARTS CATALOG (MAINTENANCE)



E 11310124Q SHT 8 REV 139

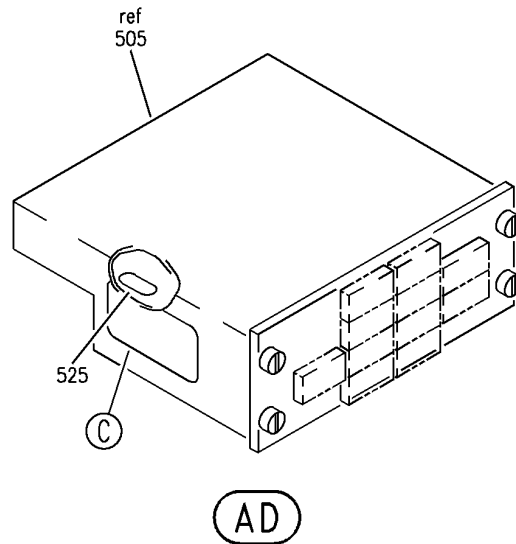
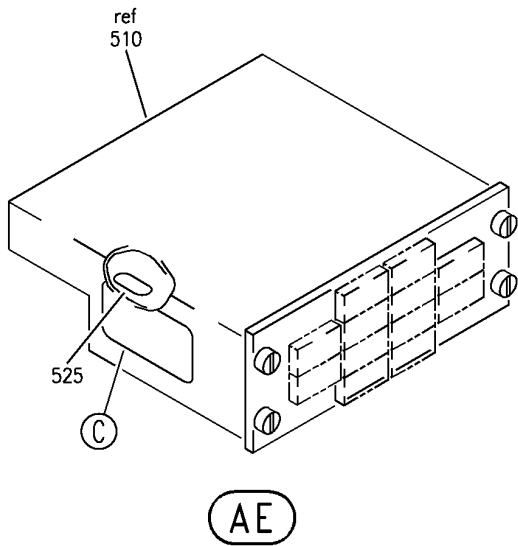
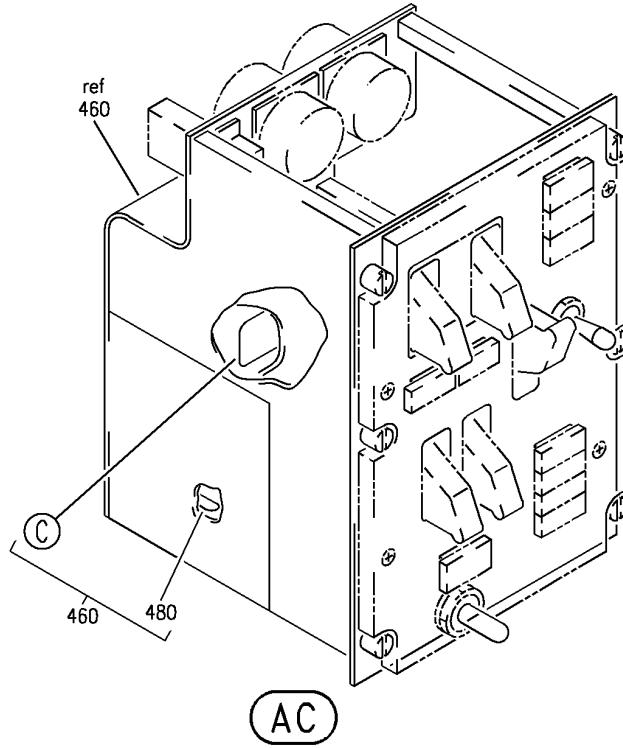
MODULE INSTL-P5 OVHD (PLACARDS AND MARKINGS ONLY)
 FIGURE 24Q (SHEET 8)

11-31-01-24Q

HAP
 FEB 15/08

11-31-01-24Q
 PAGE 06

BOEING
 737-600/700/800/900
 PARTS CATALOG (MAINTENANCE)



E 11310124Q SHT 9 REV 139

MODULE INSTL-P5 OVHD (PLACARDS AND MARKINGS ONLY)
 FIGURE 24Q (SHEET 9)

11-31-01-24Q

HAP
 FEB 15/08

11-31-01-24Q
 PAGE 0H

BOEING
737-600/700/800/900
PARTS CATALOG (MAINTENANCE)

| FIG ITEM | PART NUMBER | 1 2 3 4 5 6 7 | NOMENCLATURE | EFFECT FROM TO | UNITS PER ASSY |
|-------------|--------------|---------------|--|-------------------|----------------------|
| 24Q | | | MODULE INSTL-P5 OVHD (PLACARDS AND MARKINGS ONLY) | 031036 038038 | |
| - 1 | MODREF256357 | | MODULE INSTL-P5 OVHD MAJOR MODEL COMPONENTS (PLACARDS AND MARKINGS ONLY) MODULE NUMBER: 233A3104-1 REV D FOR OTHER SYS DETAILS SEE: 21-31-02-05 21-33-01-02 21-33-02-02 24-21-52-03 27-32-21-02 27-88-51-01 28-22-21-02 28-22-41-02 28-22-53-01 28-42-51-01 28-43-51-01 29-11-11-03 29-11-21-09 29-32-51-01 29-34-51-01 31-11-94-12 31-11-95-14 31-31-12-03 33-11-52-13 34-21-02-02 34-26-51-01 35-12-53-01 36-21-02-03 49-71-51-01 73-21-51-01 | 031036 | 1 |

MISSING ITEM NUMBERS NOT APPLICABLE

- ITEM NOT ILLUSTRATED

HAP

11-31-01-24Q

BOEING PROPRIETARY - Copyright © - Unpublished Work - See title page for details.

11-31-01
FIG. 24Q
PAGE 1
JUN 15/08

BOEING
737-600/700/800/900
PARTS CATALOG (MAINTENANCE)

| FIG ITEM | PART NUMBER | 1 2 3 4 5 6 7 | NOMENCLATURE | EFFECT FROM TO | UNITS PER ASSY |
|-------------|----------------|---------------|--|-------------------|----------------------|
| 24Q - 1 | MODREF256358 | | MODULE INSTL-P5 OVHD MAJOR MODEL COMPONENTS (PLACARDS AND MARKINGS ONLY) MODULE NUMBER: 233A3104-2 REV B FOR OTHER SYS DETAILS SEE: 21-31-02-05 21-33-01-02 21-33-02-02 24-21-52-03 27-32-21-02 27-88-51-01 28-22-21-02 28-22-41-02 28-22-53-01 28-42-51-01 28-43-51-01 29-11-11-03 29-11-21-09 29-32-51-01 29-34-51-01 31-11-94-12 31-11-95-14 31-31-12-03 33-11-52-13 34-21-02-02 34-26-51-01 35-12-53-01 36-21-02-03 49-71-51-01 73-21-51-01 | 038038 | 1 |
| | 5 BAC27DCC2715 | | .MARKER-ALUMINUM FOIL | 031036 038038 | 1 |
| | 10 BAC27DCC287 | | .MARKER-ALUMINUM FOIL PLACARD CONTENT: PRESS DIFF LIMIT: TAKE-OFF & LDG .125 PSI | 031036 038038 | 1 |

MISSING ITEM NUMBERS NOT APPLICABLE

- ITEM NOT ILLUSTRATED

HAP

11-31-01-24Q

BOEING PROPRIETARY - Copyright © - Unpublished Work - See title page for details.

11-31-01
FIG. 24Q
PAGE 2
JUN 15/08

BOEING
737-600/700/800/900
PARTS CATALOG (MAINTENANCE)

| FIG ITEM | PART NUMBER | 1 2 3 4 5 6 7 | NOMENCLATURE | EFFECT FROM TO | UNITS PER ASSY |
|-------------|--------------|---------------|--|-------------------|----------------------|
| 24Q 15 | 233A3202-5 | | .MODULE ASSY-FUEL CONT P5-2 SUPPLIER CODE: V89954 MISCELLANEOUS DATA: 233A3202-5 CAN BE CREATED BY REWORKING A 233A3202-3 OR -4 BY COMPONENT SERVICE BULLETIN 233A3202-28-03. REFERENCE SB 737-28A1206 DATED JANUARY 11, 2006. ELECTRICAL EQUIP NUMBER: P00502 COMPONENT MAINT MANUAL REF: 28-09-31 | 031036 038038 | RF |
| 20 | BAC27DEX6075 | | ..MARKER | 031036 038038 | 1 |
| - 23 | 285A1801-2 | | ..PRINTED CIRCUIT ASSY- SUPPLIER CODE: V89954 COMPONENT MAINT MANUAL REF: 28-09-32 | 031036 038038 | RF |
| 24 | BAC27TEX1486 | | ...DECAL- PLACARD CONTENT: STATIC SENSITIVE | 031036 038038 | 1 |
| - 25 | 69-78809-6 | | ..PRINTED CIRCUIT ASSY-UNIV MASTER CAUTION SUPPLIER CODE: V89954 COMPONENT MAINT MANUAL REF: 28-09-33 | 031036 038038 | RF |
| 35 | BAC27TEX1486 | | ...DECAL- PLACARD CONTENT: STATIC SENSITIVE | 031036 038038 | 1 |
| 40 | 233A3203-1 | | .MODULE ASSY-PWR MANAGEMENT CONT P5-68 SUPPLIER CODE: V89954 ELECTRICAL EQUIP NUMBER: P00568 COMPONENT MAINT MANUAL REF: 33-10-16 | 031036 038038 | RF |
| 45 | BAC27DEX6075 | | ..MARKER | 031036 038038 | 1 |

MISSING ITEM NUMBERS NOT APPLICABLE

- ITEM NOT ILLUSTRATED

HAP

11-31-01-24Q

BOEING PROPRIETARY - Copyright © - Unpublished Work - See title page for details.

11-31-01
FIG. 24Q
PAGE 3
FEB 15/09

BOEING
737-600/700/800/900
PARTS CATALOG (MAINTENANCE)

| FIG ITEM | PART NUMBER | 1 2 3 4 5 6 7 | NOMENCLATURE | EFFECT FROM TO | UNITS PER ASSY |
|-------------|--------------|---------------|---|-------------------|----------------------|
| 24Q - 50 | 69-78809-5 | | ..PRINTED CIRCUIT ASSY-UNIV MASTER CAUTION SUPPLIER CODE: V89954 COMPONENT MAINT MANUAL REF: 28-09-33 OPTIONAL PART: 69-78809-6 V89954 FOR SPARES PROCURE: 69-78809-6 V89954 | 031036 038038 | RF |
| - 50 | 69-78809-6 | | ..PRINTED CIRCUIT ASSY-UNIV MASTER CAUTION SUPPLIER CODE: V89954 COMPONENT MAINT MANUAL REF: 28-09-33 OPTIONAL PART: 69-78809-5 V89954 | 031036 038038 | RF |
| 55 | BAC27TEX1486 | | ...DECAL- PLACARD CONTENT: STATIC SENSITIVE | 031036 038038 | 1 |
| 60 | 233A3205-3 | | .MODULE ASSY-GEN DRIVE/ STBY PWR P5-5 SUPPLIER CODE: V89954 ELECTRICAL EQUIP NUMBER: P00505 COMPONENT MAINT MANUAL REF: 31-10-41 | 031036 038038 | RF |
| 65 | BAC27DEX6075 | | ..MARKER | 031036 038038 | 1 |

MISSING ITEM NUMBERS NOT APPLICABLE

- ITEM NOT ILLUSTRATED

HAP

11-31-01-24Q

BOEING PROPRIETARY - Copyright © - Unpublished Work - See title page for details.

11-31-01
FIG. 24Q
PAGE 4
FEB 15/09

BOEING
737-600/700/800/900
PARTS CATALOG (MAINTENANCE)

| FIG ITEM | PART NUMBER | 1 2 3 4 5 6 7 | NOMENCLATURE | EFFECT FROM TO | UNITS PER ASSY |
|-------------|-------------|---------------|---|-------------------|----------------------|
| 24Q - 70 | 69-78809-3 | | ..PRINTED CIRCUIT ASSY-UNIV MASTER CAUTION SUPPLIER CODE: V89954 COMPONENT MAINT MANUAL REF: 28-09-33 OPTIONAL PART: 69-78809-4 V89954 69-78809-5 V89954 69-78809-6 V89954 FOR SPARES PROCURE: 69-78809-6 V89954 | 031036 038038 | RF |
| - 70 | 69-78809-4 | | ..PRINTED CIRCUIT ASSY-UNIV MASTER CAUTION SUPPLIER CODE: V89954 COMPONENT MAINT MANUAL REF: 28-09-33 OPTIONAL PART: 69-78809-3 V89954 69-78809-5 V89954 69-78809-6 V89954 FOR SPARES PROCURE: 69-78809-6 V89954 | 031036 038038 | RF |
| - 70 | 69-78809-5 | | ..PRINTED CIRCUIT ASSY-UNIV MASTER CAUTION SUPPLIER CODE: V89954 COMPONENT MAINT MANUAL REF: 28-09-33 OPTIONAL PART: 69-78809-3 V89954 69-78809-4 V89954 69-78809-6 V89954 FOR SPARES PROCURE: 69-78809-6 V89954 | 031036 038038 | RF |

MISSING ITEM NUMBERS NOT APPLICABLE

- ITEM NOT ILLUSTRATED

HAP

11-31-01-24Q

BOEING PROPRIETARY - Copyright © - Unpublished Work - See title page for details.

11-31-01
FIG. 24Q
PAGE 5
FEB 15/09

BOEING
737-600/700/800/900
PARTS CATALOG (MAINTENANCE)

| FIG ITEM | PART NUMBER | 1 2 3 4 5 6 7 | NOMENCLATURE | EFFECT FROM TO | UNITS PER ASSY |
|-------------|--------------|---------------|---|-------------------|----------------------|
| 24Q - 70 | 69-78809-6 | | ..PRINTED CIRCUIT ASSY-UNIV MASTER CAUTION SUPPLIER CODE: V89954 COMPONENT MAINT MANUAL REF: 28-09-33 OPTIONAL PART: 69-78809-3 V89954 69-78809-4 V89954 69-78809-5 V89954 | 031036 038038 | RF |
| 75 | BAC27TEX1486 | | ...DECAL- PLACARD CONTENT: STATIC SENSITIVE | 031036 038038 | 1 |
| 80 | 233A3208-2 | | .MODULE ASSY-FLIGHT RECORDER AND MACH AIRSPEED WARNING, TEST P5-19 SUPPLIER CODE: V89954 ELECTRICAL EQUIP NUMBER: P00519 COMPONENT MAINT MANUAL REF: 31-37-08 | 031036 038038 | RF |
| 85 | BAC27DEX6075 | | ..MARKER | 031036 038038 | 1 |
| 90 | BAC27DCC572 | | ..MARKER-ALUMINUM FOIL | 031036 038038 | 1 |
| - 95 | 69-78809-3 | | ..PRINTED CIRCUIT ASSY-UNIV MASTER CAUTION SUPPLIER CODE: V89954 COMPONENT MAINT MANUAL REF: 28-09-33 OPTIONAL PART: 69-78809-4 V89954 69-78809-5 V89954 69-78809-6 V89954 FOR SPARES PROCURE: 69-78809-6 V89954 | 031036 038038 | RF |

MISSING ITEM NUMBERS NOT APPLICABLE

- ITEM NOT ILLUSTRATED

HAP

11-31-01-24Q

BOEING PROPRIETARY - Copyright © - Unpublished Work - See title page for details.

11-31-01
FIG. 24Q
PAGE 6
FEB 15/09

BOEING
737-600/700/800/900
PARTS CATALOG (MAINTENANCE)

| FIG ITEM | PART NUMBER | 1 2 3 4 5 6 7 | NOMENCLATURE | EFFECT FROM TO | UNITS PER ASSY |
|-------------|--------------|---------------|---|-------------------|----------------------|
| 24Q - 95 | 69-78809-4 | | ..PRINTED CIRCUIT ASSY-UNIV MASTER CAUTION SUPPLIER CODE: V89954 COMPONENT MAINT MANUAL REF: 28-09-33 OPTIONAL PART: 69-78809-3 V89954 69-78809-5 V89954 69-78809-6 V89954 FOR SPARES PROCURE: 69-78809-6 V89954 | 031036 038038 | RF |
| - 95 | 69-78809-5 | | ..PRINTED CIRCUIT ASSY-UNIV MASTER CAUTION SUPPLIER CODE: V89954 COMPONENT MAINT MANUAL REF: 28-09-33 OPTIONAL PART: 69-78809-3 V89954 69-78809-4 V89954 69-78809-6 V89954 FOR SPARES PROCURE: 69-78809-6 V89954 | 031036 038038 | RF |
| - 95 | 69-78809-6 | | ..PRINTED CIRCUIT ASSY-UNIV MASTER CAUTION SUPPLIER CODE: V89954 COMPONENT MAINT MANUAL REF: 28-09-33 OPTIONAL PART: 69-78809-3 V89954 69-78809-4 V89954 69-78809-5 V89954 | 031036 038038 | RF |
| 100 | BAC27TEX1486 | | ...DECAL- PLACARD CONTENT: STATIC SENSITIVE | 031036 038038 | 1 |

MISSING ITEM NUMBERS NOT APPLICABLE

- ITEM NOT ILLUSTRATED

HAP

11-31-01-24Q

BOEING PROPRIETARY - Copyright © - Unpublished Work - See title page for details.

11-31-01
FIG. 24Q
PAGE 7
FEB 15/09

BOEING
737-600/700/800/900
PARTS CATALOG (MAINTENANCE)

| FIG ITEM | PART NUMBER | 1 2 3 4 5 6 7 | NOMENCLATURE | EFFECT FROM TO | UNITS PER ASSY |
|-------------|--------------|---------------|--|-------------------|----------------------|
| 24Q 105 | 69-37317-300 | . | MODULE ASSY-HYDR PUMPS P5-8 SUPPLIER CODE: V89954 ELECTRICAL EQUIP NUMBER: P00508 COMPONENT MAINT MANUAL REF: 31-11-31 | 031036 038038 | RF |
| 115 | BAC27EEX510 | .. | DECAL | 031036 038038 | 1 |
| - 120 | 69-78809-3 | .. | PRINTED CIRCUIT ASSY- UNIV MASTER CAUTION SUPPLIER CODE: V89954 COMPONENT MAINT MANUAL REF: 28-09-33 OPTIONAL PART: 69-78809-4 V89954 69-78809-5 V89954 69-78809-6 V89954 FOR SPARES PROCURE: 69-78809-6 V89954 | 031036 038038 | RF |
| - 120 | 69-78809-4 | .. | PRINTED CIRCUIT ASSY- UNIV MASTER CAUTION SUPPLIER CODE: V89954 COMPONENT MAINT MANUAL REF: 28-09-33 OPTIONAL PART: 69-78809-3 V89954 69-78809-5 V89954 69-78809-6 V89954 FOR SPARES PROCURE: 69-78809-6 V89954 | 031036 038038 | RF |

MISSING ITEM NUMBERS NOT APPLICABLE

- ITEM NOT ILLUSTRATED

HAP

11-31-01-24Q

BOEING PROPRIETARY - Copyright © - Unpublished Work - See title page for details.

11-31-01
FIG. 24Q
PAGE 8
FEB 15/09

BOEING
737-600/700/800/900
PARTS CATALOG (MAINTENANCE)

| FIG ITEM | PART NUMBER | 1 2 3 4 5 6 7 | NOMENCLATURE | EFFECT FROM TO | UNITS PER ASSY |
|--------------|--------------|---------------|--|-------------------|----------------------|
| 24Q - 120 | 69-78809-5 | | ..PRINTED CIRCUIT ASSY- UNIV MASTER CAUTION SUPPLIER CODE: V89954 COMPONENT MAINT MANUAL REF: 28-09-33 OPTIONAL PART: 69-78809-3 V89954 69-78809-4 V89954 69-78809-6 V89954 FOR SPARES PROCURE: 69-78809-6 V89954 | 031036 038038 | RF |
| - 120 | 69-78809-6 | | ..PRINTED CIRCUIT ASSY- UNIV MASTER CAUTION SUPPLIER CODE: V89954 COMPONENT MAINT MANUAL REF: 28-09-33 OPTIONAL PART: 69-78809-3 V89954 69-78809-4 V89954 69-78809-5 V89954 | 031036 038038 | RF |
| 125 | BAC27TEX1486 | | ...DECAL- PLACARD CONTENT: STATIC SENSITIVE | 031036 038038 | 1 |
| 155 | 69-73713-17 | | .MODULE ASSY-IRS MODE SELECTOR SUPPLIER CODE: V89954 ELECTRICAL EQUIP NUMBER: P00569 COMPONENT MAINT MANUAL REF: 34-21-20 QUALIFIED I/W DATA: INTERCHANGEABLE IF GLS NOT ACTIVATED(CONNECTOR J1 PIN 11 AND J2 PIN 9 ARE NOT GROUNDED). | 031036 | RF |

MISSING ITEM NUMBERS NOT APPLICABLE

- ITEM NOT ILLUSTRATED

HAP

11-31-01-24Q

BOEING PROPRIETARY - Copyright © - Unpublished Work - See title page for details.

11-31-01
FIG. 24Q
PAGE 9
FEB 15/09

BOEING
737-600/700/800/900
PARTS CATALOG (MAINTENANCE)

| FIG ITEM | PART NUMBER | 1 2 3 4 5 6 7 | NOMENCLATURE | EFFECT FROM TO | UNITS PER ASSY |
|-------------|--------------|---------------|---|-------------------|----------------------|
| 24Q 157 | 69-73713-20 | . | MODULE ASSY-IRS MODE SELECTOR SUPPLIER CODE: V89954 ELECTRICAL EQUIP NUMBER: P00569 COMPONENT MAINT MANUAL REF: 34-21-20 QUALIFIED I/W DATA: INTERCHANGEABLE IF GLS NOT ACTIVATED(CONNECTOR J1 PIN 11 AND J2 PIN 9 ARE NOT GROUNDED). | 038038 | RF |
| - 160 | 69-63592-21 | .. | COMPONENT ASSY- SUPPLIER CODE: V89954 COMPONENT MAINT MANUAL REF: 34-21-17 | 031036 038038 | RF |
| 165 | BAC27DEX999 | ... | DECAL | 031036 038038 | 1 |
| 170 | 69-75978-1 | . | MODULE ASSY-STALL WARNING P5-18 SUPPLIER CODE: V89954 ELECTRICAL EQUIP NUMBER: P00518 COMPONENT MAINT MANUAL REF: 27-32-49 | 031036 038038 | RF |
| 175 | BAC27DCC1337 | .. | MARKER-ALUMINUM FOIL | 031036 038038 | 1 |
| - 200 | MODREF82409 | | MODULE INSTL-P5 OVHD 800/900 MINOR MODEL (PLACARDS AND MARKINGS ONLY) MODULE NUMBER: 233A3104-215102 REV A FOR OTHER SYS DETAILS SEE: 21-25-02-09 21-51-65-01A 21-61-07-03 21-61-20-03 21-61-52-01 21-62-51-01 31-11-94-12 33-11-52-13 49-52-52-01 | 031036 038038 | 1 |

MISSING ITEM NUMBERS NOT APPLICABLE

- ITEM NOT ILLUSTRATED

HAP

11-31-01-24Q

BOEING PROPRIETARY - Copyright © - Unpublished Work - See title page for details.

11-31-01
FIG. 24Q
PAGE 10
FEB 15/09

BOEING
737-600/700/800/900
PARTS CATALOG (MAINTENANCE)

| FIG ITEM | PART NUMBER | 1 2 3 4 5 6 7 | NOMENCLATURE | EFFECT FROM TO | UNITS PER ASSY |
|------------|--------------|---------------|--|------------------|----------------|
| 24Q 208 | 69-37319-312 | . | MODULE ASSY-AIR CONDITIONING P5-10 SUPPLIER CODE: V89954 FUNCTIONAL DESCRIPTION: CONTROLS THE OPERATION OF THE AIR CONDITIONING AND PNEUMATIC SYSTEMS. ELECTRICAL EQUIP NUMBER: P00510 COMPONENT MAINT MANUAL REF: 31-37-07 | 031036 038038 | RF |
| 217 | BAC27EEX510 | .. | DECAL | 031036 038038 | 1 |
| - 220 | 69-78809-3 | .. | PRINTED CIRCUIT ASSY- UNIV MASTER CAUTION SUPPLIER CODE: V89954 COMPONENT MAINT MANUAL REF: 28-09-33 OPTIONAL PART: 69-78809-4 V89954 69-78809-5 V89954 69-78809-6 V89954 FOR SPARES PROCURE: 69-78809-6 V89954 | 031036 038038 | RF |
| - 220 | 69-78809-4 | .. | PRINTED CIRCUIT ASSY- UNIV MASTER CAUTION SUPPLIER CODE: V89954 COMPONENT MAINT MANUAL REF: 28-09-33 OPTIONAL PART: 69-78809-3 V89954 69-78809-5 V89954 69-78809-6 V89954 FOR SPARES PROCURE: 69-78809-6 V89954 | 031036 038038 | RF |

MISSING ITEM NUMBERS NOT APPLICABLE

- ITEM NOT ILLUSTRATED

HAP

11-31-01-24Q

BOEING PROPRIETARY - Copyright © - Unpublished Work - See title page for details.

11-31-01
FIG. 24Q
PAGE 11
FEB 15/09

BOEING
737-600/700/800/900
PARTS CATALOG (MAINTENANCE)

| FIG ITEM | PART NUMBER | 1 2 3 4 5 6 7 | NOMENCLATURE | EFFECT FROM TO | UNITS PER ASSY |
|--------------|--------------|---------------|--|-------------------|----------------------|
| 24Q - 220 | 69-78809-5 | | ..PRINTED CIRCUIT ASSY- UNIV MASTER CAUTION SUPPLIER CODE: V89954 COMPONENT MAINT MANUAL REF: 28-09-33 OPTIONAL PART: 69-78809-3 V89954 69-78809-4 V89954 69-78809-6 V89954 FOR SPARES PROCURE: 69-78809-6 V89954 | 031036 038038 | RF |
| - 220 | 69-78809-6 | | ..PRINTED CIRCUIT ASSY- UNIV MASTER CAUTION SUPPLIER CODE: V89954 COMPONENT MAINT MANUAL REF: 28-09-33 OPTIONAL PART: 69-78809-3 V89954 69-78809-4 V89954 69-78809-5 V89954 | 031036 038038 | RF |
| 225 | BAC27TEX1486 | | ...DECAL- PLACARD CONTENT: STATIC SENSITIVE | 031036 038038 | 1 |
| - 250 | MODREF82427 | | MODULE INSTL-P5-4 OVHD AC SYS GEN AND APU (LEFT WIPER SWITCH) (PLACARDS AND MARKINGS ONLY) MODULE NUMBER: 233A3104-242801 REV A FOR OTHER SYS DETAILS SEE: 24-21-51-02 24-41-51-01 30-42-51-01 31-11-94-12 33-11-52-13 49-71-51-01 49-72-51-01 49-94-51-01 | 031036 038038 | 1 |

MISSING ITEM NUMBERS NOT APPLICABLE

- ITEM NOT ILLUSTRATED

HAP

11-31-01-24Q

BOEING PROPRIETARY - Copyright © - Unpublished Work - See title page for details.

11-31-01
FIG. 24Q
PAGE 12
FEB 15/09

BOEING
737-600/700/800/900
PARTS CATALOG (MAINTENANCE)

| FIG ITEM | PART NUMBER | 1 2 3 4 5 6 7 | NOMENCLATURE | EFFECT FROM TO | UNITS PER ASSY |
|------------|--------------|---------------|---|------------------|----------------|
| 24Q 255 | 233A3204-1 | | .MODULE ASSY- SUPPLIER CODE: V89954 ELECTRICAL EQUIP NUMBER: P00504 COMPONENT MAINT MANUAL REF: 31-37-31 | 031036 038038 | RF |
| 258 | BAC27DCC568 | | ..MARKER-ALUMINUM FOIL | 031036 038038 | 1 |
| 260 | BAC27DEX6075 | | ..MARKER | 031036 038038 | 1 |
| - 265 | 69-78809-3 | | ..PRINTED CIRCUIT ASSY-UNIV MASTER CAUTION SUPPLIER CODE: V89954 COMPONENT MAINT MANUAL REF: 28-09-33 OPTIONAL PART: 69-78809-4 V89954 69-78809-5 V89954 69-78809-6 V89954 FOR SPARES PROCURE: 69-78809-6 V89954 | 031036 038038 | RF |
| - 265 | 69-78809-4 | | ..PRINTED CIRCUIT ASSY-UNIV MASTER CAUTION SUPPLIER CODE: V89954 COMPONENT MAINT MANUAL REF: 28-09-33 OPTIONAL PART: 69-78809-3 V89954 69-78809-5 V89954 69-78809-6 V89954 FOR SPARES PROCURE: 69-78809-6 V89954 | 031036 038038 | RF |

MISSING ITEM NUMBERS NOT APPLICABLE

- ITEM NOT ILLUSTRATED

HAP

11-31-01-24Q

BOEING PROPRIETARY - Copyright © - Unpublished Work - See title page for details.

11-31-01
FIG. 24Q
PAGE 13
FEB 15/09

BOEING
737-600/700/800/900
PARTS CATALOG (MAINTENANCE)

| FIG ITEM | PART NUMBER | 1 2 3 4 5 6 7 | NOMENCLATURE | EFFECT FROM TO | UNITS PER ASSY |
|--------------|--------------|---------------|---|------------------|----------------|
| 24Q - 265 | 69-78809-5 | | ..PRINTED CIRCUIT ASSY-UNIV MASTER CAUTION SUPPLIER CODE: V89954 COMPONENT MAINT MANUAL REF: 28-09-33 OPTIONAL PART: 69-78809-3 V89954 69-78809-4 V89954 69-78809-6 V89954 FOR SPARES PROCURE: 69-78809-6 V89954 | 031036 038038 | RF |
| - 265 | 69-78809-6 | | ..PRINTED CIRCUIT ASSY-UNIV MASTER CAUTION SUPPLIER CODE: V89954 COMPONENT MAINT MANUAL REF: 28-09-33 OPTIONAL PART: 69-78809-3 V89954 69-78809-4 V89954 69-78809-5 V89954 | 031036 038038 | RF |
| 270 | BAC27TEX1486 | | ...DECAL- PLACARD CONTENT: STATIC SENSITIVE | 031036 038038 | 1 |
| - 300 | MODREF82431 | | MODULE INSTL-ELEC METER BATTERY AND GALLEY PWR 60 MIN STANDBY, P5-13 (PLACARDS AND MARKINGS ONLY) MODULE NUMBER: 233A3104-243308 REV A FOR OTHER SYS DETAILS SEE: 24-21-53-02 24-31-51-04 24-32-51-01 31-11-94-12 33-11-52-13 | 031036 038038 | 1 |

MISSING ITEM NUMBERS NOT APPLICABLE

- ITEM NOT ILLUSTRATED

HAP

11-31-01-24Q

BOEING PROPRIETARY - Copyright © - Unpublished Work - See title page for details.

11-31-01
FIG. 24Q
PAGE 14
FEB 15/09

BOEING
737-600/700/800/900
PARTS CATALOG (MAINTENANCE)

| FIG ITEM | PART NUMBER | 1 2 3 4 5 6 7 | NOMENCLATURE | EFFECT FROM TO | UNITS PER ASSY |
|------------|---------------|---------------|--|------------------|----------------|
| 24Q 310 | 285A1840-8 | | .MODULE ASSY- SUPPLIER CODE: V89954 ELECTRICAL EQUIP NUMBER: P00513 COMPONENT MAINT MANUAL REF: 24-00-06 | 031036 038038 | RF |
| 315 | BAC27DEX6075 | | ..MARKER | 031036 038038 | 1 |
| 320 | BAC27DEX6684 | | ..MARKER-ALUMINUM FOIL SUPPLIER CODE: V89954 | 031036 038038 | 1 |
| 330 | BAC27TEX1486 | | ..DECAL- PLACARD CONTENT: STATIC SENSITIVE | 031036 038038 | 2 |
| - 350 | MODREF82432 | | MODULE INSTL-P5-11 OVHD ENG AND WING ANTI-ICE (PLACARDS AND MARKINGS ONLY) MODULE NUMBER: 233A3104-302101 REV A FOR OTHER SYS DETAILS SEE: 30-11-41-02 30-21-51-03 31-11-94-12 33-11-52-13 | 031036 038038 | 1 |
| 355 | 69-37320-104 | | .MODULE ASSY- SUPPLIER CODE: V89954 ELECTRICAL EQUIP NUMBER: P00511 COMPONENT MAINT MANUAL REF: 30-12-05 | 031036 038038 | RF |
| 360 | BAC27EEL18631 | | ..DECAL | 031036 038038 | 1 |
| - 365 | 69-73562-4 | | ..PRINTED CIRCUIT ASSY- SUPPLIER CODE: V89954 COMPONENT MAINT MANUAL REF: 30-12-11 | 031036 038038 | RF |
| 375 | BAC27EEL18632 | | ...DECAL | 031036 038038 | 1 |

MISSING ITEM NUMBERS NOT APPLICABLE

- ITEM NOT ILLUSTRATED

HAP

11-31-01-24Q

BOEING PROPRIETARY - Copyright © - Unpublished Work - See title page for details.

11-31-01
FIG. 24Q
PAGE 15
FEB 15/09

BOEING
737-600/700/800/900
PARTS CATALOG (MAINTENANCE)

| FIG ITEM | PART NUMBER | 1 2 3 4 5 6 7 | NOMENCLATURE | EFFECT FROM TO | UNITS PER ASSY |
|--------------|--------------|---------------|---|------------------|----------------|
| 24Q - 400 | MODREF82438 | | MODULE INSTL-P5-9 OVHD WINDOW AND PITOT HEAT (PLACARDS AND MARKINGS ONLY) MODULE NUMBER: 233A3104-303009 REV A FOR OTHER SYS DETAILS SEE: 30-41-41-03 31-11-94-12 33-11-52-13 | 031036 038038 | 1 |
| 405 | 233A3201-9 | | .MODULE ASSY- SUPPLIER CODE: V89954 ELECTRICAL EQUIP NUMBER: P00509 COMPONENT MAINT MANUAL REF: 30-09-05 | 031036 038038 | RF |
| 415 | BAC27DEX6075 | | ..MARKER | 031036 038038 | 1 |
| - 420 | 69-78809-4 | | ..PRINTED CIRCUIT ASSY-UNIV MASTER CAUTION SUPPLIER CODE: V89954 COMPONENT MAINT MANUAL REF: 28-09-33 OPTIONAL PART: 69-78809-5 V89954 69-78809-6 V89954 FOR SPARES PROCURE: 69-78809-6 V89954 | 031036 038038 | RF |
| - 420 | 69-78809-5 | | ..PRINTED CIRCUIT ASSY-UNIV MASTER CAUTION SUPPLIER CODE: V89954 COMPONENT MAINT MANUAL REF: 28-09-33 OPTIONAL PART: 69-78809-4 V89954 69-78809-6 V89954 FOR SPARES PROCURE: 69-78809-6 V89954 | 031036 038038 | RF |

MISSING ITEM NUMBERS NOT APPLICABLE

- ITEM NOT ILLUSTRATED

HAP

11-31-01-24Q

BOEING PROPRIETARY - Copyright © - Unpublished Work - See title page for details.

11-31-01
FIG. 24Q
PAGE 16
FEB 15/09

BOEING
737-600/700/800/900
PARTS CATALOG (MAINTENANCE)

| FIG ITEM | PART NUMBER | 1 2 3 4 5 6 7 | NOMENCLATURE | EFFECT FROM TO | UNITS PER ASSY |
|--------------|--------------|---------------|--|------------------|----------------|
| 24Q - 420 | 69-78809-6 | | ..PRINTED CIRCUIT ASSY-UNIV MASTER CAUTION SUPPLIER CODE: V89954 COMPONENT MAINT MANUAL REF: 28-09-33 OPTIONAL PART: 69-78809-4 V89954 69-78809-5 V89954 | 031036 038038 | RF |
| 425 | BAC27TEX1486 | | ...DECAL- PLACARD CONTENT: STATIC SENSITIVE | 031036 038038 | 1 |
| - 430 | 285A1831-2 | | ..PW ASSY- SUPPLIER CODE: V89954 COMPONENT MAINT MANUAL REF: 30-09-06 | 031036 038038 | RF |
| 435 | BAC27TEX1486 | | ...DECAL- PLACARD CONTENT: STATIC SENSITIVE | 031036 038038 | 1 |
| - 450 | MODREF82463 | | MODULE INSTL-INSTR SWITCHING PNL P5-3 (PLACARDS AND MARKINGS ONLY) MODULE NUMBER: 233A3104-346106 REV A FOR OTHER SYS DETAILS SEE: 22-23-51-01 27-09-45-02 27-21-24-03 27-31-37-03 27-31-52-01 27-51-50-03 27-61-52-01 27-83-51-01 29-33-21-02 29-34-21-02 29-34-31-03 31-11-94-12 31-62-14-01 33-11-52-13 34-31-52-03 34-51-52-01 | 031036 038038 | 1 |

MISSING ITEM NUMBERS NOT APPLICABLE

- ITEM NOT ILLUSTRATED

HAP

11-31-01-24Q

BOEING PROPRIETARY - Copyright © - Unpublished Work - See title page for details.

11-31-01
FIG. 24Q
PAGE 17
FEB 15/09

 **BOEING**
737-600/700/800/900
PARTS CATALOG (MAINTENANCE)

| FIG ITEM | PART NUMBER | 1 2 3 4 5 6 7 | NOMENCLATURE | EFFECT FROM TO | UNITS PER ASSY |
|------------|--------------|---------------|---|------------------|----------------|
| 24Q 460 | 233A3209-2 | | .MODULE ASSY- SUPPLIER CODE: V89954 ELECTRICAL EQUIP NUMBER: P00503 COMPONENT MAINT MANUAL REF: 31-37-09 QUALIFIED I/W DATA: 233A3209-2 REPLACES 233A3209-1 ONE-WAY INTERCHANGEABLE UPON INCORPORATION OF SB 737-27-1262 | 031036 038038 | RF |
| 470 | BAC27DEX6075 | | ..MARKER | 031036 038038 | 1 |
| - 475 | 69-78809-3 | | ..PRINTED CIRCUIT ASSY-UNIV MASTER CAUTION SUPPLIER CODE: V89954 COMPONENT MAINT MANUAL REF: 28-09-33 OPTIONAL PART: 69-78809-5 V89954 69-78809-4 V89954 69-78809-6 V89954 FOR SPARES PROCURE: 69-78809-6 V89954 | 031036 038038 | RF |
| - 475 | 69-78809-4 | | ..PRINTED CIRCUIT ASSY-UNIV MASTER CAUTION SUPPLIER CODE: V89954 COMPONENT MAINT MANUAL REF: 28-09-33 OPTIONAL PART: 69-78809-5 V89954 69-78809-3 V89954 69-78809-6 V89954 FOR SPARES PROCURE: 69-78809-6 V89954 | 031036 038038 | RF |

MISSING ITEM NUMBERS NOT APPLICABLE

- ITEM NOT ILLUSTRATED

HAP

11-31-01-24Q

BOEING PROPRIETARY - Copyright © - Unpublished Work - See title page for details.

11-31-01
FIG. 24Q
PAGE 18
FEB 15/09

BOEING
737-600/700/800/900
PARTS CATALOG (MAINTENANCE)

| FIG ITEM | PART NUMBER | 1 2 3 4 5 6 7 | NOMENCLATURE | EFFECT FROM TO | UNITS PER ASSY |
|--------------|--------------|---------------|---|------------------|----------------|
| 24Q - 475 | 69-78809-5 | | ..PRINTED CIRCUIT ASSY-UNIV MASTER CAUTION SUPPLIER CODE: V89954 COMPONENT MAINT MANUAL REF: 28-09-33 OPTIONAL PART: 69-78809-4 V89954 69-78809-3 V89954 FOR SPARES PROCURE: 69-78809-6 V89954 | 031036 038038 | RF |
| - 475 | 69-78809-6 | | ..PRINTED CIRCUIT ASSY-UNIV MASTER CAUTION SUPPLIER CODE: V89954 COMPONENT MAINT MANUAL REF: 28-09-33 OPTIONAL PART: 69-78809-4 V89954 69-78809-3 V89954 | 031036 038038 | RF |
| 480 | BAC27TEX1486 | | ...DECAL- PLACARD CONTENT: STATIC SENSITIVE | 031036 038038 | 1 |
| - 500 | MODREF82471 | | MODULE INSTL-P5-20 OVHD DOOR WARNING ANN. (PLACARDS AND MARKINGS ONLY) MODULE NUMBER: 233A3104-526006 REV A FOR OTHER SYS DETAILS SEE: 31-11-94-12 52-71-11-07 52-71-21-05 52-71-31-06 52-71-42-04 52-71-61-05 | 031036 038038 | 1 |
| 505 | 233A3207-6 | | .MODULE ASSY- SUPPLIER CODE: V89954 ELECTRICAL EQUIP NUMBER: P00520 COMPONENT MAINT MANUAL REF: 31-11-26 | 031036 038038 | RF |

MISSING ITEM NUMBERS NOT APPLICABLE

- ITEM NOT ILLUSTRATED

HAP

11-31-01-24Q

BOEING PROPRIETARY - Copyright © - Unpublished Work - See title page for details.

11-31-01
FIG. 24Q
PAGE 19
FEB 15/09

BOEING
737-600/700/800/900
PARTS CATALOG (MAINTENANCE)

| FIG ITEM | PART NUMBER | 1 2 3 4 5 6 7 | NOMENCLATURE | EFFECT FROM TO | UNITS PER ASSY |
|-------------|--------------|---------------|---|-------------------|----------------------|
| 24Q 515 | BAC27DEX6075 | | ..MARKER | 031036 038038 | 1 |
| - 520 | 69-78809-3 | | ..PRINTED CIRCUIT ASSY-UNIV MASTER CAUTION SUPPLIER CODE: V89954 COMPONENT MAINT MANUAL REF: 28-09-33 OPTIONAL PART: 69-78809-4 V89954 69-78809-5 V89954 69-78809-6 V89954 FOR SPARES PROCURE: 69-78809-6 V89954 | 031036 038038 | RF |
| - 520 | 69-78809-4 | | ..PRINTED CIRCUIT ASSY-UNIV MASTER CAUTION SUPPLIER CODE: V89954 COMPONENT MAINT MANUAL REF: 28-09-33 OPTIONAL PART: 69-78809-5 V89954 69-78809-3 V89954 69-78809-6 V89954 FOR SPARES PROCURE: 69-78809-6 V89954 | 031036 038038 | RF |

MISSING ITEM NUMBERS NOT APPLICABLE

- ITEM NOT ILLUSTRATED

HAP

11-31-01-24Q

BOEING PROPRIETARY - Copyright © - Unpublished Work - See title page for details.

11-31-01
FIG. 24Q
PAGE 20
FEB 15/09

BOEING
737-600/700/800/900
PARTS CATALOG (MAINTENANCE)

| FIG ITEM | PART NUMBER | 1 2 3 4 5 6 7 | NOMENCLATURE | EFFECT FROM TO | UNITS PER ASSY |
|--------------|--------------|---------------|---|-------------------|----------------------|
| 24Q - 520 | 69-78809-5 | | ..PRINTED CIRCUIT ASSY-UNIV MASTER CAUTION SUPPLIER CODE: V89954 COMPONENT MAINT MANUAL REF: 28-09-33 OPTIONAL PART: 69-78809-3 V89954 69-78809-4 V89954 69-78809-6 V89954 FOR SPARES PROCURE: 69-78809-6 V89954 | 031036 038038 | RF |
| - 520 | 69-78809-6 | | ..PRINTED CIRCUIT ASSY-UNIV MASTER CAUTION SUPPLIER CODE: V89954 COMPONENT MAINT MANUAL REF: 28-09-33 OPTIONAL PART: 69-78809-3 V89954 69-78809-4 V89954 69-78809-5 V89954 | 031036 038038 | RF |
| 525 | BAC27TEX1486 | | ...DECAL- PLACARD CONTENT: STATIC SENSITIVE | 031036 038038 | 1 |

MISSING ITEM NUMBERS NOT APPLICABLE

- ITEM NOT ILLUSTRATED

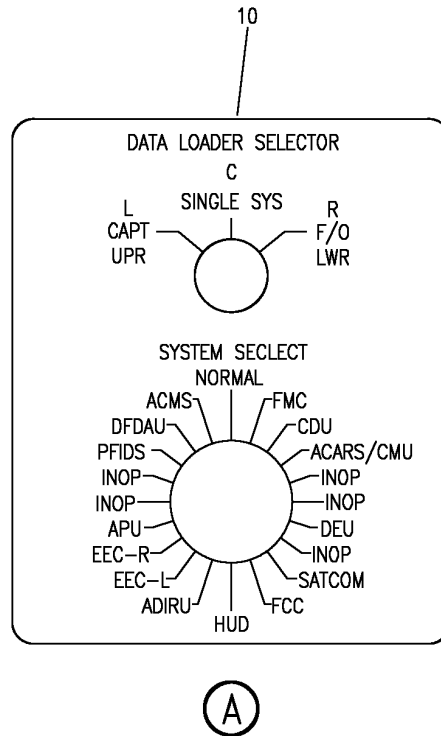
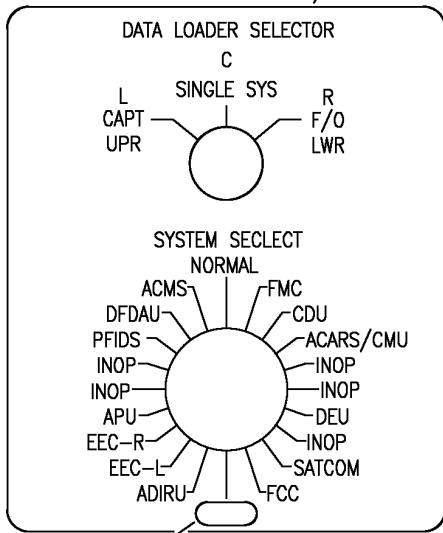
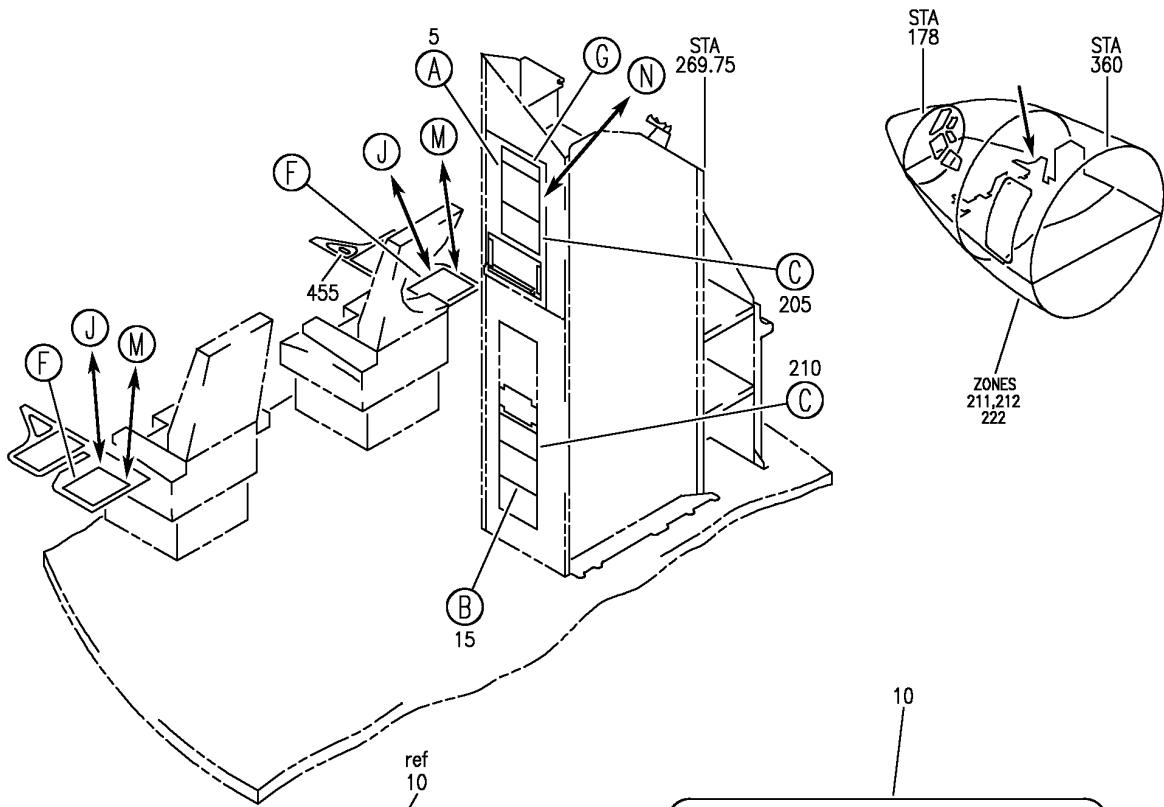
HAP

11-31-01-24Q

BOEING PROPRIETARY - Copyright © - Unpublished Work - See title page for details.

11-31-01
FIG. 24Q
PAGE 21
FEB 15/09

BOEING
737-600/700/800/900
PARTS CATALOG (MAINTENANCE)



E 11310125 SH1 1 REV 146

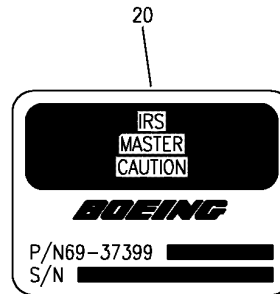
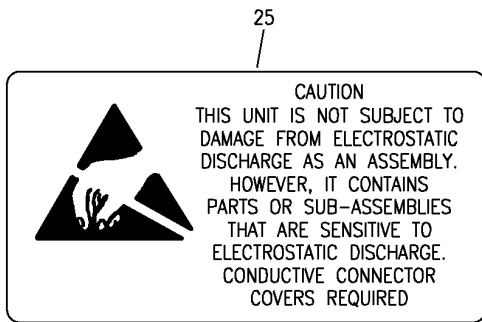
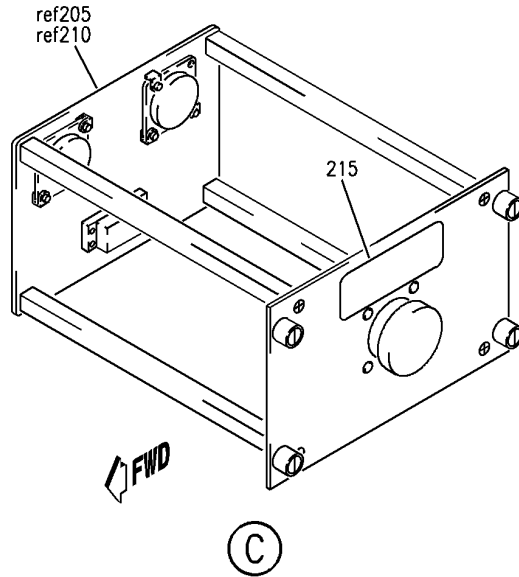
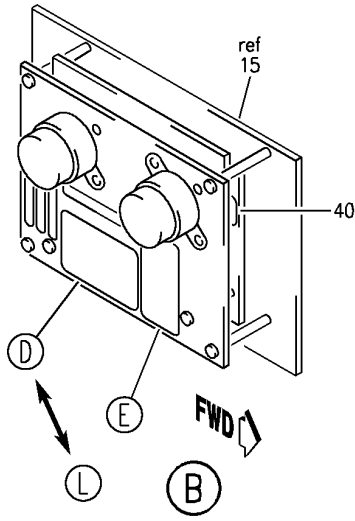
PANEL INSTL-AUX (PLACARDS AND MARKINGS ONLY)
FIGURE 25 (SHEET 1)

11-31-01-25

HAP
OCT 15/08

11-31-01-25
PAGE 0

BOEING
 737-600/700/800/900
 PARTS CATALOG (MAINTENANCE)



E 11310125 SH1 2 REV 139

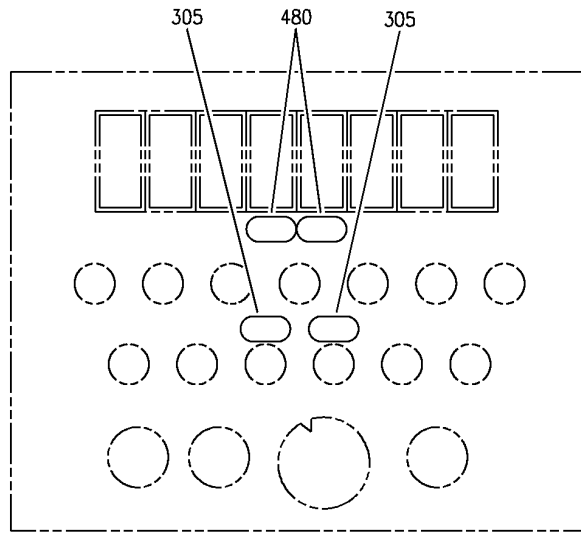
PANEL INSTL-AUX (PLACARDS AND MARKINGS ONLY)
 FIGURE 25 (SHEET 2)

11-31-01-25

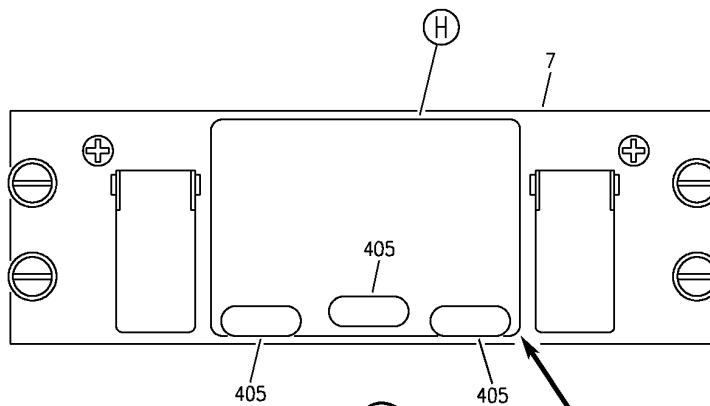
HAP
 FEB 15/08

11-31-01-25
 PAGE 0A

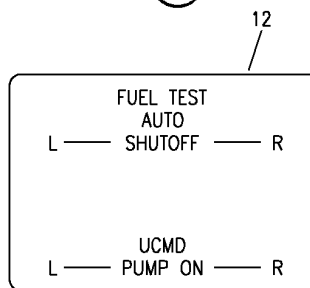
BOEING
 737-600/700/800/900
 PARTS CATALOG (MAINTENANCE)



(F)



(G)



(H)

E 11310125 SHT 3 REV 129

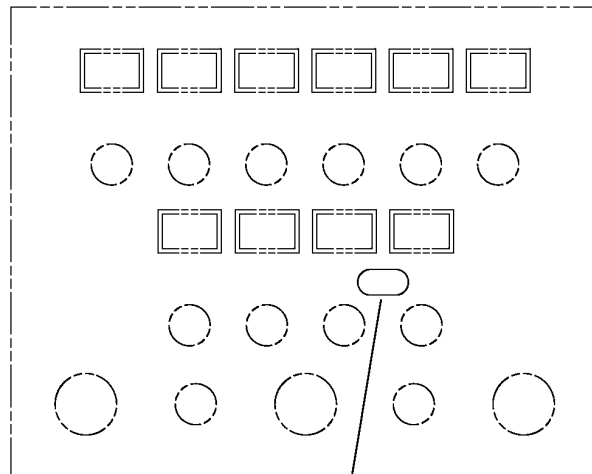
PANEL INSTL-AUX (PLACARDS AND MARKINGS ONLY)
 FIGURE 25 (SHEET 3)

11-31-01-25

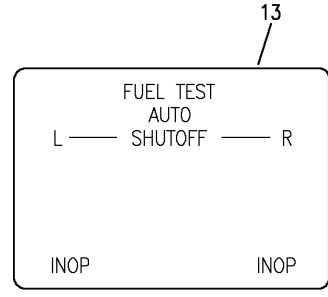
HAP
 JUN 10/07

11-31-01-25
 PAGE 0B

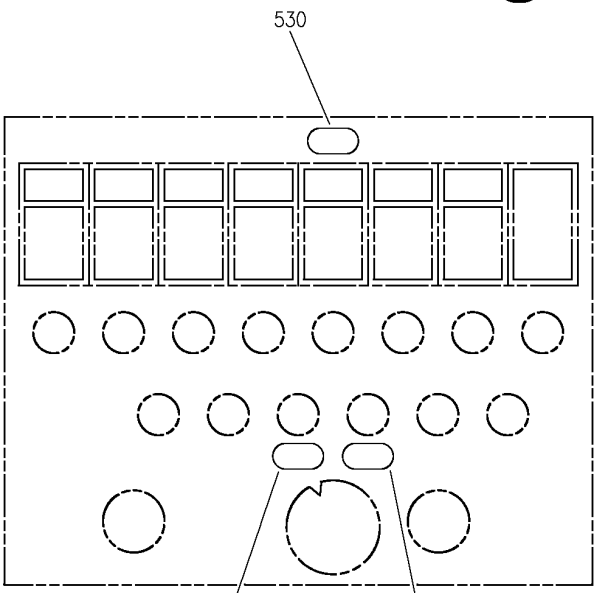
BOEING
 737-600/700/800/900
 PARTS CATALOG (MAINTENANCE)



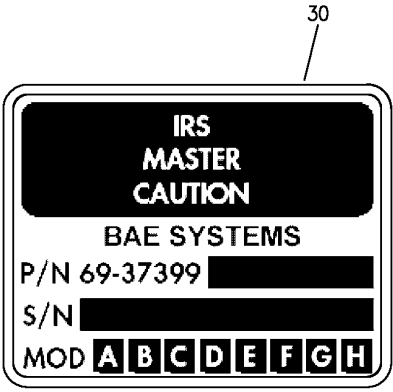
(J)



(K)



(M)



(L)

E 11310125 SHT 4 REV 140

PANEL INSTL-AUX (PLACARDS AND MARKINGS ONLY)
 FIGURE 25 (SHEET 4)

11-31-01-25

HAP
 JUN 15/08

11-31-01-25
 PAGE 0C

 **BOEING**
737-600/700/800/900
PARTS CATALOG (MAINTENANCE)

| FIG ITEM | PART NUMBER | 1 2 3 4 5 6 7 | NOMENCLATURE | EFFECT FROM TO | UNITS PER ASSY |
|----------|--------------|---------------|---|------------------|----------------|
| 25 | | | PANEL INSTL-AUX (PLACARDS AND MARKINGS ONLY) | 031200 968999 | |
| - 1 | MODREF232784 | | PANEL INSTL-AUX (PLACARDS AND MARKINGS ONLY) MODULE NUMBER: 233A7103-1 REV C FOR OTHER SYS DETAILS SEE: 28-22-45-02 31-11-98-03 33-17-00-13 34-21-00-02 34-61-03-06 | 031036 | 1 |
| - 1 | MODREF299999 | | PANEL INSTL-AUX (PLACARDS AND MARKINGS ONLY) MODULE NUMBER: 233A7103-25 REV A FOR OTHER SYS DETAILS SEE: 28-22-45-02 31-11-98-03 34-21-00-02 34-61-03-06 | 037200 968999 | 1 |
| 5 | 233A7203-10 | | .PANEL ASSY-DATA LOAD SELECT P61-1 SUPPLIER CODE: V89954 ELECTRICAL EQUIP NUMBER: P06101 COMPONENT MAINT MANUAL REF: 31-11-27 | 031200 968999 | RF |
| 5 | 233A7203-09 | | .PANEL ASSY-DATA LOAD SELECT P61-1 ELECTRICAL EQUIP NUMBER: P06101 | 031200 968999 | RF |
| 7 | 233A7206-1 | | .PANEL ASSY-FUEL TEST P61-08 SUPPLIER CODE: V89954 ELECTRICAL EQUIP NUMBER: P06108 | 031200 968999 | RF |
| 7 | 233A7206-2 | | .PANEL ASSY-FUEL TEST P61-08 SUPPLIER CODE: V89954 ELECTRICAL EQUIP NUMBER: P06108 | 031200 968999 | RF |
| 10 | BAC27DCC3283 | | ..PLACARD- SUPPLIER CODE: V89954 | 031036 | 1 |

MISSING ITEM NUMBERS NOT APPLICABLE

- ITEM NOT ILLUSTRATED

HAP

11-31-01-25

BOEING PROPRIETARY - Copyright © - Unpublished Work - See title page for details.

11-31-01
FIG. 25
PAGE 1
OCT 15/08

BOEING
737-600/700/800/900
PARTS CATALOG (MAINTENANCE)

| FIG ITEM | PART NUMBER | 1 2 3 4 5 6 7 | NOMENCLATURE | EFFECT FROM TO | UNITS PER ASSY |
|-------------|--------------|--|--|-------------------|----------------------|
| 25 | | | | | |
| 12 | BAC27DCC3391 | .. | PLACARD- SUPPLIER CODE: V89954 | 031200 968999 | 1 |
| 13 | 362A5452P1 | .. | PLACARD- SUPPLIER CODE: V89954 | 031200 968999 | 1 |
| 15 | 69-37399-13 | .MODULE ASSY-IRS MASTER CAUTION SUPPLIER CODE: V89954 ELECTRICAL EQUIP NUMBER: M01206 COMPONENT MAINT MANUAL REF: 22-10-56 QUALIFIED I/W DATA: 69-37399-12 IS FULLY INTERCHANGEABLE WITH 69-37399-13 EXCEPT FOR AIRCRAFT EQUIPPED WITH GLOBAL POSITIONING LAND SYSTEM (GLS) WHICH REQUIRES INSTALLATION OF 69-37399-13 | 031200 968999 | RF | |
| 25 | BAC27DEX6075 | .. | MARKER | 031200 968999 | 1 |
| 30 | 362A5459P1 | .. | MARKER-ALUMINUM FOIL SUPPLIER CODE: V89954 | 031200 968999 | 1 |
| 40 | BAC27TEX1486 | .. | DECAL- PLACARD CONTENT: STATIC SENSITIVE | 031200 968999 | 1 |
| - 400 | MODREF223250 | PANEL INSTL-AUX MODULE NUMBER: 233A7103-19 REV A | 031036 | 1 | |
| 405 | BAC27DCC2769 | .DECAL- PLACARD CONTENT: INOP | 031036 | 3 | |

MISSING ITEM NUMBERS NOT APPLICABLE

- ITEM NOT ILLUSTRATED

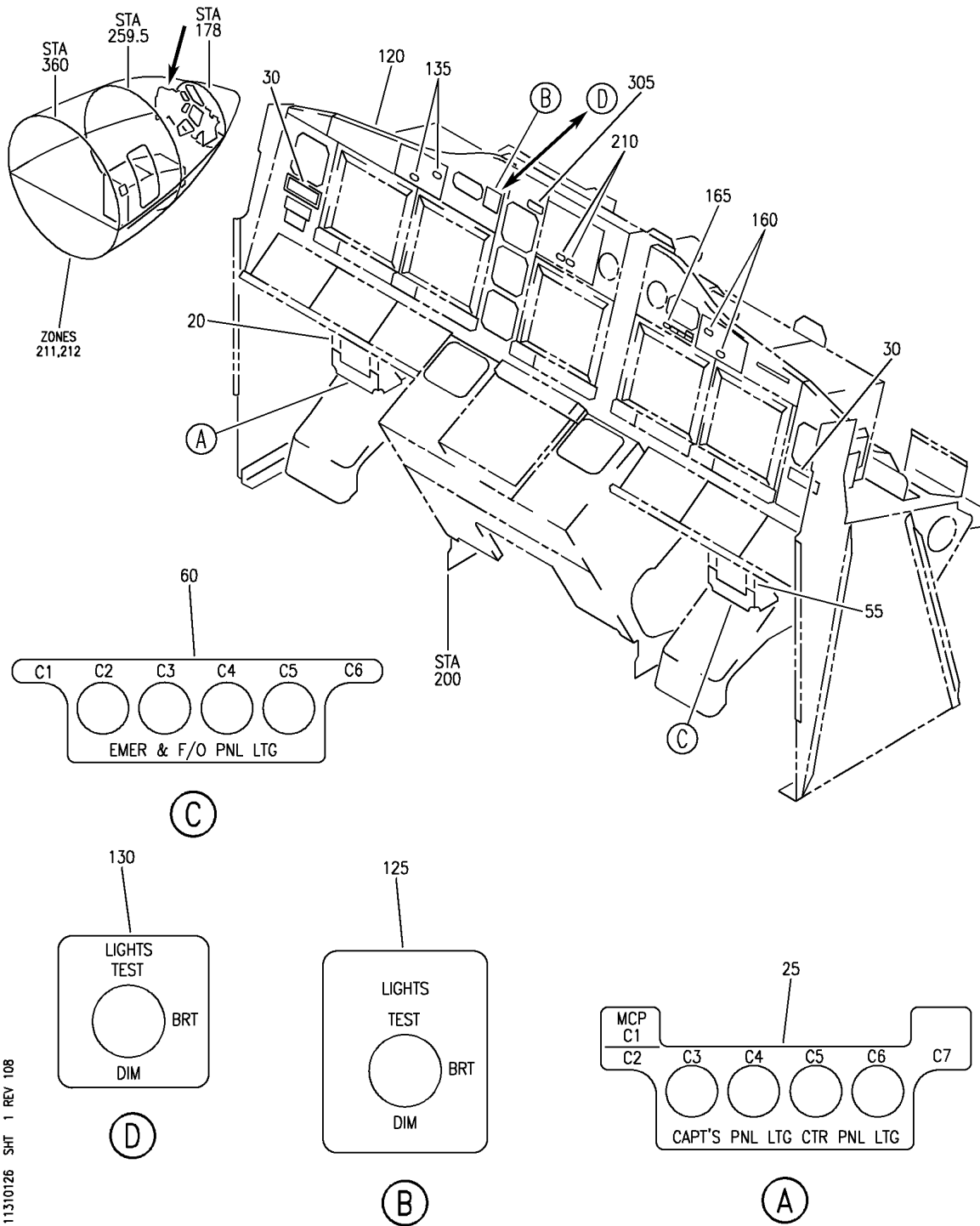
HAP

11-31-01-25

BOEING PROPRIETARY - Copyright © - Unpublished Work - See title page for details.

11-31-01
FIG. 25
PAGE 2
OCT 15/08

BOEING
 737-600/700/800/900
 PARTS CATALOG (MAINTENANCE)



E 11310126 SHT 1 REV 108

PANEL INSTL-FWD (PLACARDS AND MARKINGS ONLY)
 FIGURE 26

11-31-01-26

HAP
 OCT 10/06

11-31-01-26
 PAGE 0

BOEING
737-600/700/800/900
PARTS CATALOG (MAINTENANCE)

| FIG ITEM | PART NUMBER | 1 2 3 4 5 6 7 | NOMENCLATURE | EFFECT FROM TO | UNITS PER ASSY |
|-------------|--------------|---------------|--|-------------------|----------------------|
| 26 | | | PANEL INSTL-FWD (PLACARDS AND MARKINGS ONLY) | 031200 968999 | |
| - 1 | MODREF282027 | | PANEL INSTL-(PLACARDS AND MARKINGS ONLY) MODULE NUMBER: 233A2103-1 REV D POSITION DATA: FWD FOR OTHER SYS DETAILS SEE: 22-11-32-02 27-58-02-02 31-11-21-06 31-11-31-06 31-11-51-08 31-11-81-02 31-25-11-04 31-62-11-03 31-62-13-03 32-41-00-04 32-51-00-03 33-11-00-13 | 031036 | 1 |
| - 1 | MODREF292667 | | PANEL INSTL-(PLACARDS AND MARKINGS ONLY) MODULE NUMBER: 233A2103-1 REV E POSITION DATA: FWD FOR OTHER SYS DETAILS SEE: 22-11-32-02 27-58-02-02 31-11-21-06 31-11-31-06 31-11-51-08 31-25-11-04 31-62-11-03 31-62-13-03 32-41-00-04 32-51-00-03 33-11-00-13 | 037200 968999 | 1 |
| 20 | 233A2230-7 | | .PANEL ASSY-CKT BRKR P41 SUPPLIER CODE: V89954 ELECTRICAL EQUIP NUMBER: P04100 COMPONENT MAINT MANUAL REF: 31-11-42 | 031200 968999 | RF |
| 25 | BAC27DCC2717 | | ..DECAL | 031200 968999 | 1 |

MISSING ITEM NUMBERS NOT APPLICABLE

- ITEM NOT ILLUSTRATED

HAP

11-31-01-26

BOEING PROPRIETARY - Copyright © - Unpublished Work - See title page for details.

11-31-01
FIG. 26
PAGE 1
OCT 15/08

BOEING
737-600/700/800/900
PARTS CATALOG (MAINTENANCE)

| FIG ITEM | PART NUMBER | 1 2 3 4 5 6 7 | NOMENCLATURE | EFFECT FROM TO | UNITS PER ASSY |
|-------------|--------------|---------------|--|--------------------------------------|----------------------|
| 26 - 50 | MODREF192111 | | PANEL INSTL-(PLACARDS AND MARKINGS ONLY) MODULE NUMBER: 233A2103-4208 REV A POSITION DATA: FWD FOR OTHER SYS DETAILS SEE: 31-11-51-07 33-11-00-13 | 031200 968999 | 1 |
| 55 | 233A2230-8 | | .PANEL ASSY-CKT BRKR P42 SUPPLIER CODE: V89954 ELECTRICAL EQUIP NUMBER: P04200 COMPONENT MAINT MANUAL REF: 31-11-42 | 031200 968999 | RF |
| 60 | BAC27DCC2918 | | ..DECAL- SUPPLIER CODE: V89954 | 031200 968999 | 1 |
| - 100 | MODREF192075 | | PANEL INSTL-(PLACARDS AND MARKINGS ONLY) MODULE NUMBER: 233A2103-1309 REV A POSITION DATA: FWD FOR OTHER SYS DETAILS SEE: 22-11-32-08 27-62-52-08 31-11-21-08 32-61-52-08 33-11-00-48 | 031043 101101 968971 | 1 |
| - 100 | MODREF334795 | | PANEL INSTL-(PLACARDS AND MARKINGS ONLY) MODULE NUMBER: 233A2103-1309 REV B POSITION DATA: FWD FOR OTHER SYS DETAILS SEE: 21-33-02-03 22-11-32-11 27-62-52-11 31-11-21-11 31-51-51-03 32-61-52-11 33-11-00-31 | 044047 054100 102106 972999 | 1 |

MISSING ITEM NUMBERS NOT APPLICABLE

- ITEM NOT ILLUSTRATED

HAP

11-31-01-26

BOEING PROPRIETARY - Copyright © - Unpublished Work - See title page for details.

11-31-01
FIG. 26
PAGE 2
FEB 15/09

BOEING
737-600/700/800/900
PARTS CATALOG (MAINTENANCE)

| FIG ITEM | PART NUMBER | 1 2 3 4 5 6 7 | NOMENCLATURE | EFFECT FROM TO | UNITS PER ASSY |
|-------------|--------------|---------------|---|----------------------------|----------------|
| 26 - 100 | MODREF384332 | | PANEL INSTL-(PLACARDS AND MARKINGS ONLY) MODULE NUMBER: 233A2103-1309 REV C POSITION DATA: FWD FOR OTHER SYS DETAILS SEE: 21-33-02-03 22-11-32-11 27-62-52-11 31-11-21-11 31-51-51-03 32-61-52-11 33-11-00-31 | 048053 107200 | 1 |
| 120 | 233A2221-9 | | .PANEL ASSY-CDS DISPLAY CONT P1-3 SUPPLIER CODE: V89954 ELECTRICAL EQUIP NUMBER: P00103 COMPONENT MAINT MANUAL REF: 31-11-30 | 031043 101101 968971 | RF |
| 120 | 233A2221-17 | | .PANEL ASSY-CDS DISPLAY CONT P1-3 SUPPLIER CODE: V89954 ELECTRICAL EQUIP NUMBER: P00103 COMPONENT MAINT MANUAL REF: 31-11-30 | 031047 054106 968999 | RF |
| 120 | 233A2221-29 | | .PANEL ASSY-CDS DISPLAY CONT P1-3 SUPPLIER CODE: V89954 ELECTRICAL EQUIP NUMBER: P00103 COMPONENT MAINT MANUAL REF: 31-11-30 | 031200 968999 | RF |
| 125 | BAC27DCC2868 | | ..DECAL- | 031200 968999 | 1 |

MISSING ITEM NUMBERS NOT APPLICABLE

- ITEM NOT ILLUSTRATED

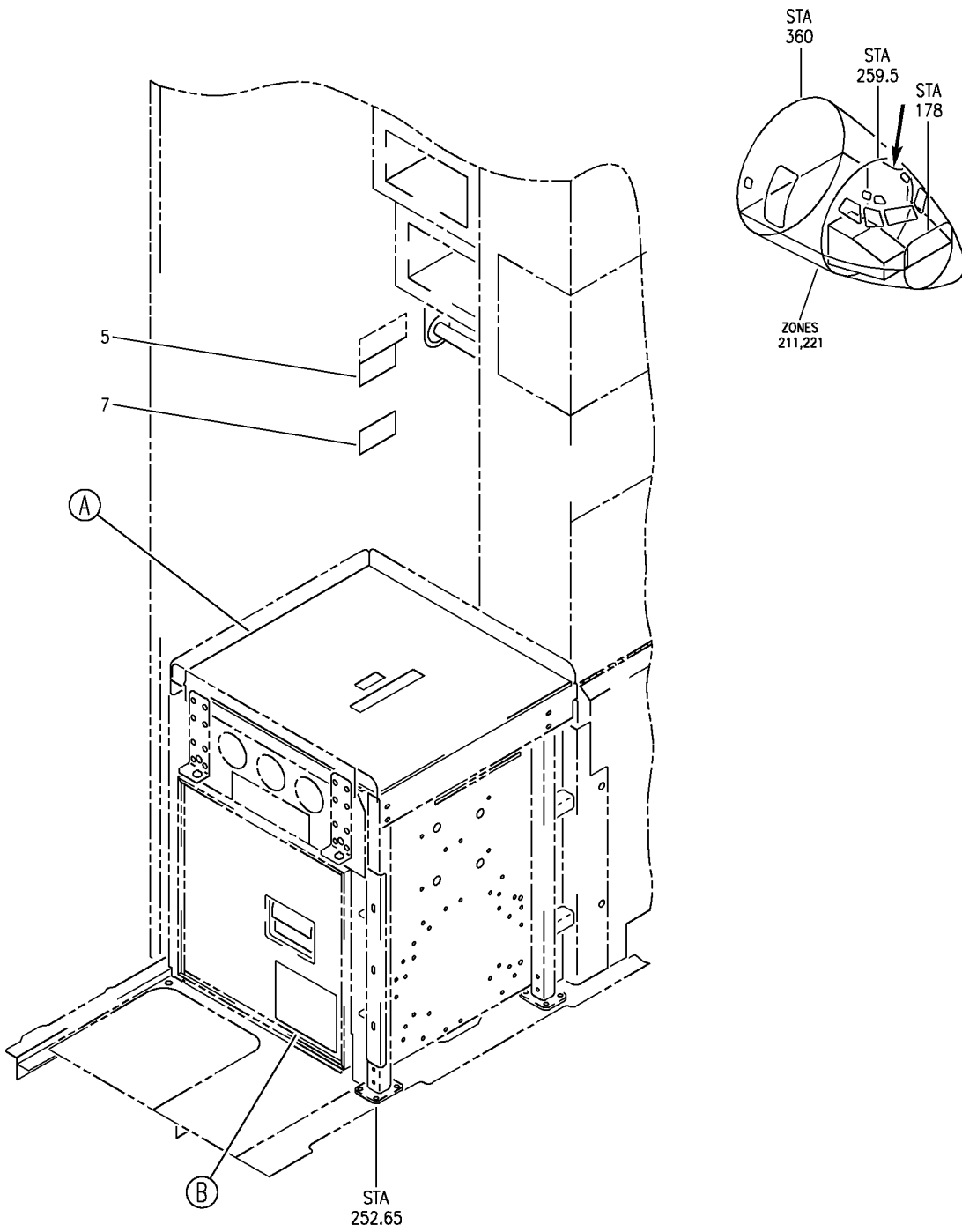
HAP

11-31-01-26

BOEING PROPRIETARY - Copyright © - Unpublished Work - See title page for details.

11-31-01
FIG. 26
PAGE 3
JUN 15/09

BOEING
 737-600/700/800/900
 PARTS CATALOG (MAINTENANCE)



E 11310127 SHT 1 REV 119

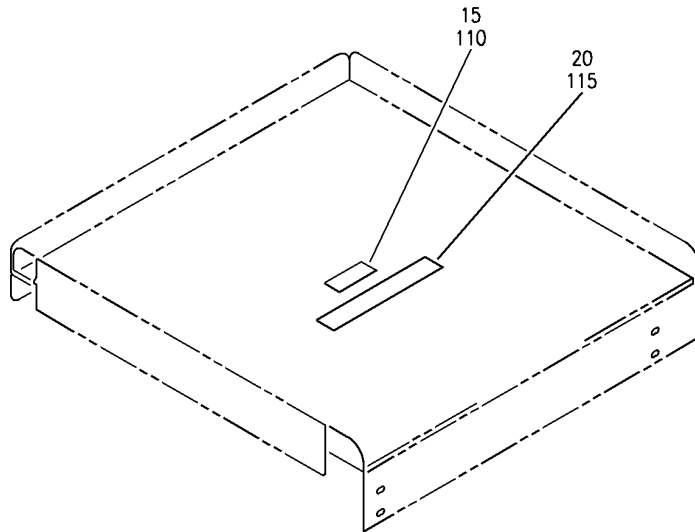
STOWAGE AND SEAT CLOSEOUT PLATE INSTL (PLACARDS AND MARKINGS ONLY)
 FIGURE 27 (SHEET 1)

11-31-01-27

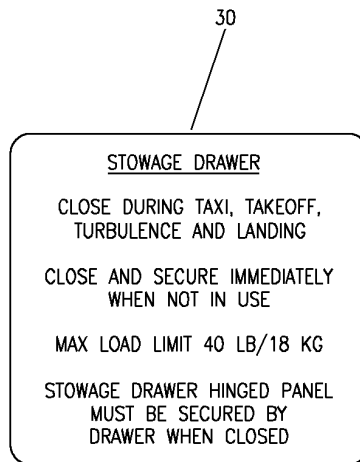
HAP
 OCT 10/06

11-31-01-27
 PAGE 0

BOEING
 737-600/700/800/900
 PARTS CATALOG (MAINTENANCE)



(A)



(B)

E 11310127 SH1 2 REV 103

STOWAGE AND SEAT CLOSEOUT PLATE INSTL (PLACARDS AND MARKINGS ONLY)
 FIGURE 27 (SHEET 2)

11-31-01-27

HAP
 OCT 10/06

11-31-01-27
 PAGE 0A

BOEING
737-600/700/800/900
PARTS CATALOG (MAINTENANCE)

| FIG ITEM | PART NUMBER | 1 2 3 4 5 6 7 | NOMENCLATURE | EFFECT FROM TO | UNITS PER ASSY |
|----------|------------------|---------------|--|--|----------------|
| 27 | | | STOWAGE AND SEAT CLOSEOUT PLATE INSTL (PLACARDS AND MARKINGS ONLY) | 031200 968999 | |
| - 1 | MODREF217321 | | STOWAGE INSTL-DRAWER (PLACARDS AND MARKINGS ONLY) MODULE NUMBER: 232A4382-3 REV A FOR OTHER SYS DETAILS SEE: 25-11-51-05 | 032036 | 1 |
| - 1 | MODREF293680 | | STOWAGE INSTL-DRAWER (PLACARDS AND MARKINGS ONLY) MODULE NUMBER: 232A4382-5 REV A FOR OTHER SYS DETAILS SEE: 25-11-51-05 | 031031 037200 968999 | 1 |
| | 5 BAC29PPS55137 | | .MARKER- PLACARD CONTENT: NO STOWAGE ON FLOOR | 032036 | 1 |
| | 7 BAC29PPS55137 | | .MARKER- PLACARD CONTENT: NO STOWAGE ON FLOOR | 031031 037200 968999 | 1 |
| - 25 | 232A4384-1 | | .DRAWER ASSY-STOWAGE | 031200 968999 | RF |
| | 30 BAC27DCC3413 | | ..PLACARD- | 031200 968999 | 1 |
| - 100 | MODREF244279 | | SEAT CLOSEOUT PLATE INSTL- (PLACARDS AND MARKINGS ONLY) MODULE NUMBER: 232A4382-4 REV A FOR OTHER SYS DETAILS SEE: 25-11-51-05 | 031040 042046 048048 051053 101200 968999 | 1 |
| - 105 | 232A4385-12 | | .PLATE ASSY-SEAT | 031040 042046 048048 051053 101200 968999 | RF |
| | 110 BAC27DCC2793 | | ..MARKER- PLACARD CONTENT: NO SEAT | 031040 042046 048048 051053 101200 968999 | 1 |

MISSING ITEM NUMBERS NOT APPLICABLE

- ITEM NOT ILLUSTRATED

HAP

11-31-01-27

11-31-01
FIG. 27
PAGE 1
FEB 15/09


BOEING
 737-600/700/800/900
PARTS CATALOG (MAINTENANCE)

| FIG ITEM | PART NUMBER | 1 2 3 4 5 6 7 NOMENCLATURE | EFFECT FROM TO | UNITS PER ASSY |
|-------------|--------------|--|--|----------------------|
| 27 115 | BAC27DCC2794 | ..MARKER- PLACARD CONTENT: NO STOWAGE THIS SURFACE | 031040 042046 048048 051053 101200 968999 | 1 |

MISSING ITEM NUMBERS NOT APPLICABLE

— ITEM NOT ILLUSTRATED

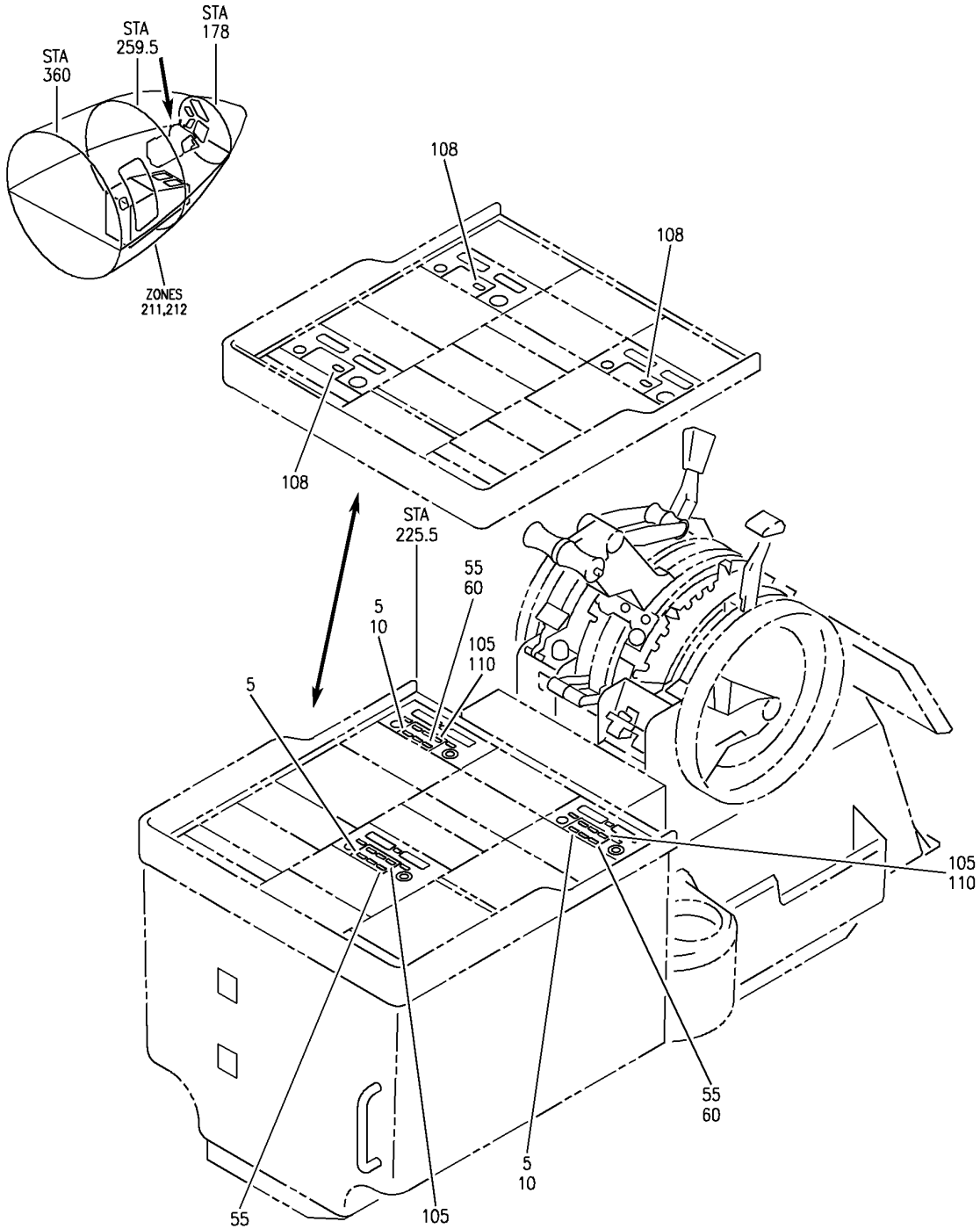
HAP

11-31-01-27

BOEING PROPRIETARY - Copyright © - Unpublished Work - See title page for details.

11-31-01
 FIG. 27
 PAGE 2
 FEB 15/09

BOEING
 737-600/700/800/900
 PARTS CATALOG (MAINTENANCE)



E 11310128 REV 102

MARKER INSTL-AISLE STAND P8 HF1, HF2, VHF3 RADIO TUNING
 FIGURE 28

11-31-01-28

HAP
 OCT 10/06

11-31-01-28
 PAGE 0

BOEING
737-600/700/800/900
PARTS CATALOG (MAINTENANCE)

| FIG ITEM | PART NUMBER | 1 2 3 4 5 6 7 | NOMENCLATURE | EFFECT FROM TO | UNITS PER ASSY |
|--|-------------|---------------|--|--|----------------|
| R R R R R R R R R R R R R R R R | 28 | | MARKER INSTL-AISLE STAND P8 HF1, HF2, VHF3 RADIO TUNING | 031200 968999 | |
| | - 1 | MODREF214021 | MARKER INSTL-P8 AISLE STAND HF1 RADIO TUNING MODULE NUMBER: 233A6102-231001 REV A POST RAPID REVISION: RR97237-21B | 031037 039040 048048 101200 968999 | 1 |
| | 5 | BAC27DCC2769 | .DECAL- PLACARD CONTENT: INOP POST RAPID REVISION: RR97237-21B | 031037 039040 048048 101200 968999 | 3 |
| | - 50 | MODREF214023 | MARKER INSTL-P8 AISLE STAND HF2 RADIO TUNING MODULE NUMBER: 233A6102-231002 REV A POST RAPID REVISION: RR97237-21B | 031200 968999 | 1 |
| | 55 | BAC27DCC2769 | .DECAL- PLACARD CONTENT: INOP POST RAPID REVISION: RR97237-21B | 031200 968999 | 3 |

MISSING ITEM NUMBERS NOT APPLICABLE

- ITEM NOT ILLUSTRATED

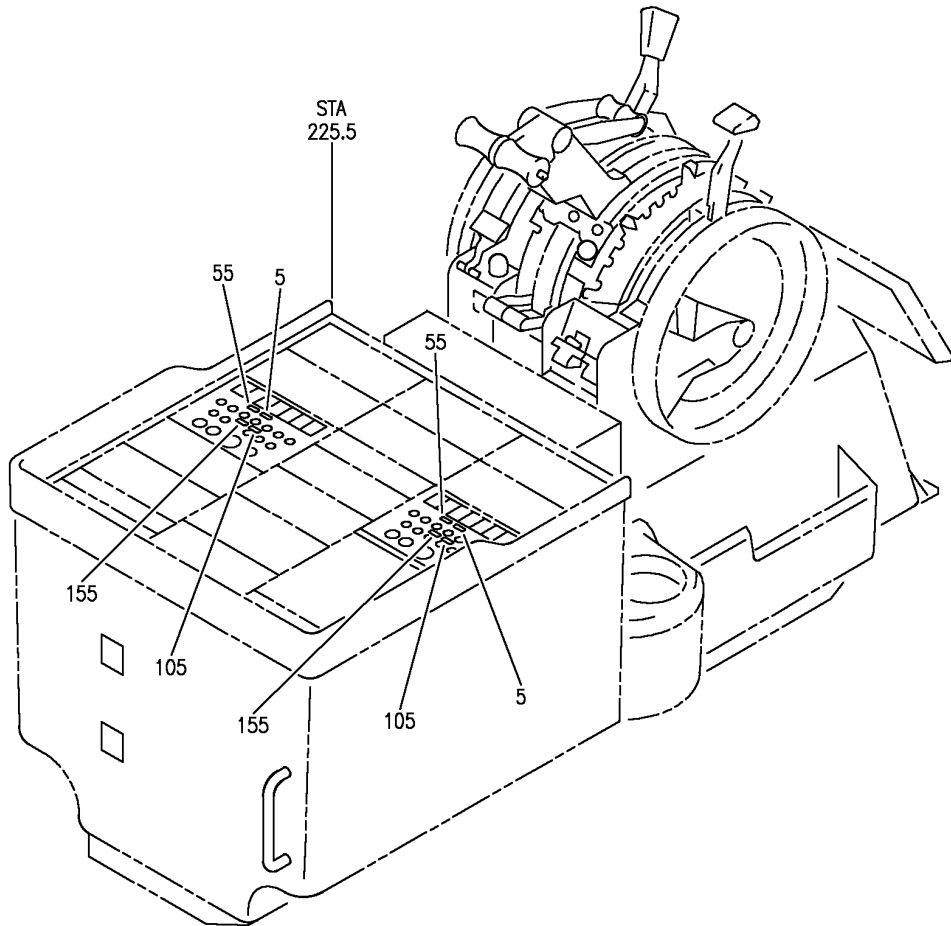
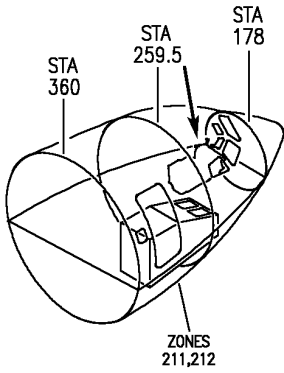
HAP

11-31-01-28

BOEING PROPRIETARY - Copyright © - Unpublished Work - See title page for details.

11-31-01
FIG. 28
PAGE 1
JUN 15/09

BOEING
 737-600/700/800/900
 PARTS CATALOG (MAINTENANCE)



E 11310128A REV 085

MARKER INSTL-AISLE STAND P8 HF, ADF1, ADF2, VHF3 AUDIO SELECTOR
 FIGURE 28A

HAP
 OCT 10/06

11-31-01-28A

11-31-01-28A
 PAGE 0

BOEING
737-600/700/800/900
PARTS CATALOG (MAINTENANCE)

| FIG ITEM | PART NUMBER | 1 2 3 4 5 6 7 | NOMENCLATURE | EFFECT FROM TO | UNITS PER ASSY |
|-------------|--------------|---------------|---|-------------------|----------------------|
| 28A | | | MARKER INSTL-AISLE STAND P8 HF, ADF1, ADF2, VHF3 AUDIO SELECTOR | 031036 | |
| - 1 | MODREF214031 | | MARKER INSTL-P8 AISLE STAND HF, AUDIO SELECTOR MODULE NUMBER: 233A6102-231102 REV A | 031036 | 1 |
| 5 | BAC27DCC2769 | | .DECAL- PLACARD CONTENT: INOP | 031036 | 2 |
| - 100 | MODREF214100 | | MARKER INSTL-P8 AISLE STAND ADF2, AUDIO SELECTOR MODULE NUMBER: 233A6102-345705 REV A | 031036 | 1 |
| 105 | BAC27DCC2769 | | .DECAL- PLACARD CONTENT: INOP | 031036 | 2 |

MISSING ITEM NUMBERS NOT APPLICABLE

- ITEM NOT ILLUSTRATED

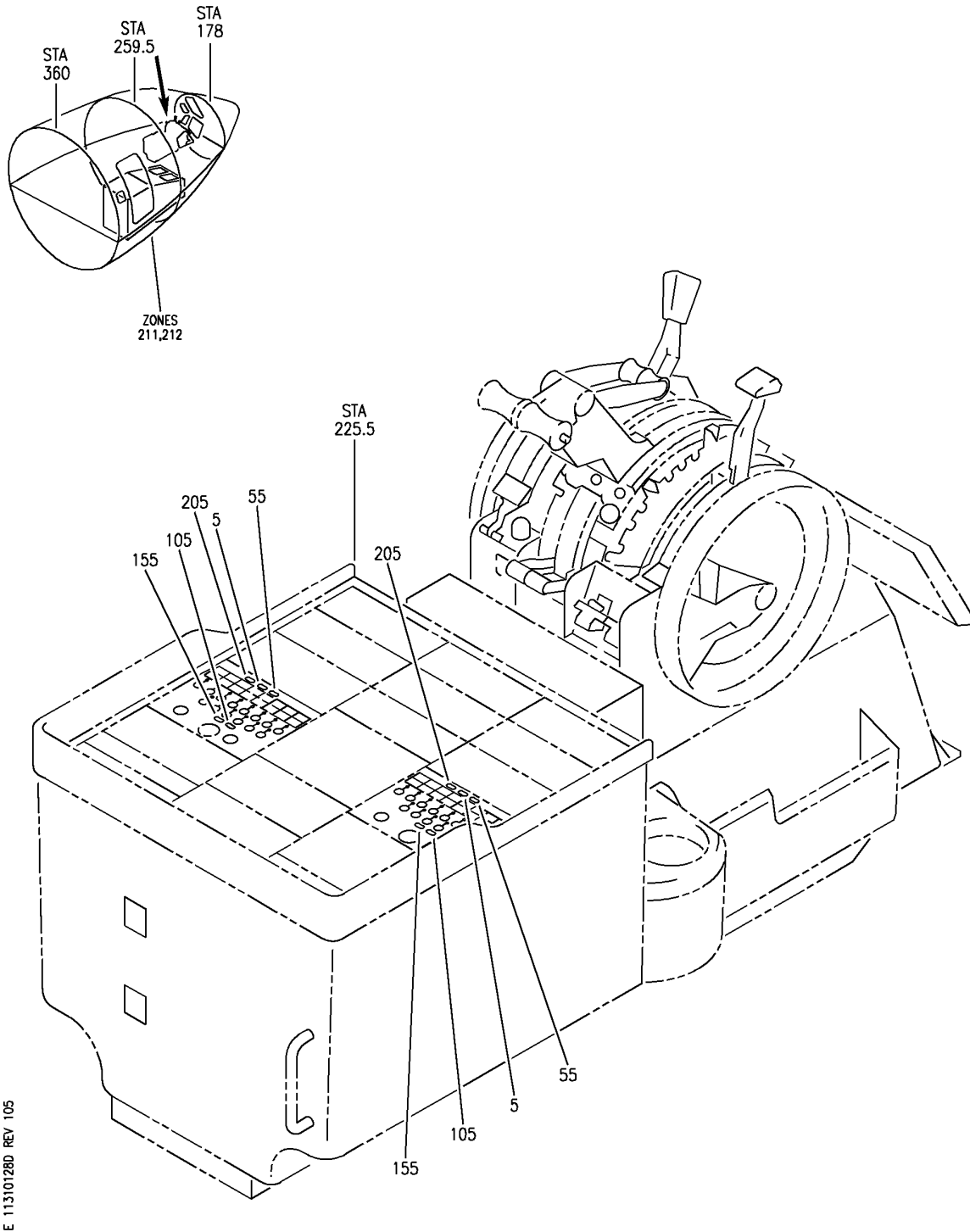
HAP

11-31-01-28A

BOEING PROPRIETARY - Copyright © - Unpublished Work - See title page for details.

11-31-01
FIG. 28A
PAGE 1
OCT 10/06

BOEING
 737-600/700/800/900
 PARTS CATALOG (MAINTENANCE)



E 11310128D REV 105

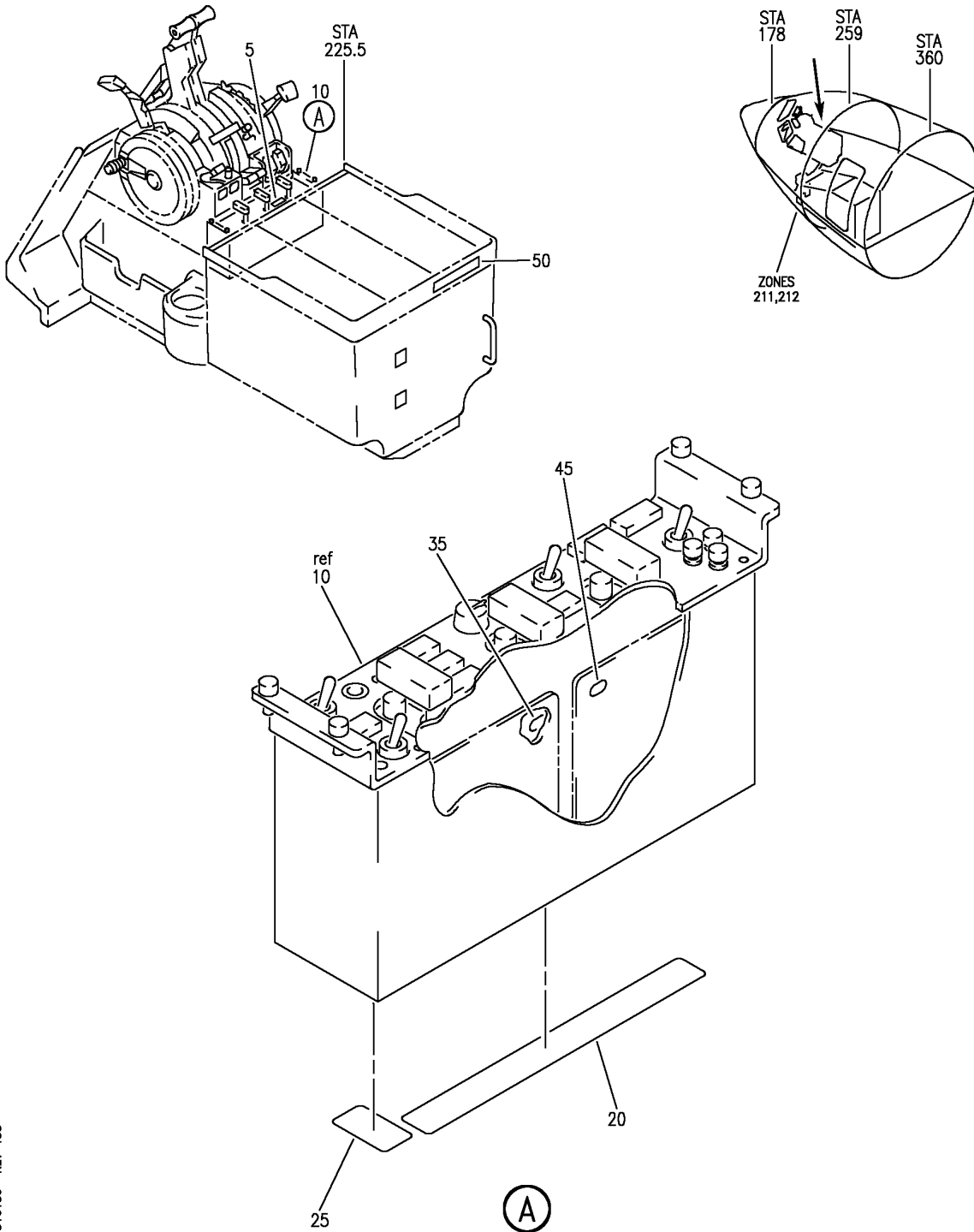
MARKER INSTL-AISLE STAND P8 HF1, HF2, ADF1 AND ADF2 AUDIO SELECTOR 5145-1-42
 FIGURE 28D

HAP
 OCT 10/06

11-31-01-28D

11-31-01-28D
 PAGE 0

BOEING
 737-600/700/800/900
 PARTS CATALOG (MAINTENANCE)



E 11310130 REV 155

MODULE INSTL-P8 AISLE STAND (PLACARDS AND MARKINGS ONLY)
 FIGURE 30

11-31-01-30

HAP
 JUN 15/09

11-31-01-30
 PAGE 0

BOEING
737-600/700/800/900
PARTS CATALOG (MAINTENANCE)

| FIG ITEM | PART NUMBER | 1 2 3 4 5 6 7 | NOMENCLATURE | EFFECT FROM TO | UNITS PER ASSY |
|-------------|--------------|---------------|---|-------------------|----------------------|
| 30 | | | MODULE INSTL-P8 AISLE STAND (PLACARDS AND MARKINGS ONLY) | 031200 968999 | |
| - 1 | MODREF272670 | | MODULE INSTL-P8 AISLE STAND BASIC COMPONENTS (PLACARDS AND MARKINGS ONLY) MODULE NUMBER: 233A6104-1 REV D FOR OTHER SYS DETAILS SEE: 26-00-01-03 26-11-00-03 26-15-51-03 26-18-51-03 26-21-51-03 26-22-51-03 27-11-94-03G 27-41-97-06D 31-11-91-81N 33-11-00-14K 33-14-51-07 52-51-51-20E | 031036 | 1 |
| - 1 | MODREF287707 | | MODULE INSTL-P8 AISLE STAND BASIC COMPONENTS (PLACARDS AND MARKINGS ONLY) MODULE NUMBER: 233A6104-1 REV E FOR OTHER SYS DETAILS SEE: 26-00-01-03 26-11-00-03 26-15-51-03 26-18-51-03 26-21-51-03 26-22-51-03 27-11-94-03 27-11-94-03G 27-41-97-06 27-41-97-06B 27-41-97-06J 31-11-91-82S 31-11-91-83M 33-11-00-14 33-11-00-14B 33-11-00-14J 33-14-51-07 52-51-51-20 52-51-51-20F | 037200 968999 | 1 |

MISSING ITEM NUMBERS NOT APPLICABLE

- ITEM NOT ILLUSTRATED

HAP

11-31-01-30

BOEING PROPRIETARY - Copyright © - Unpublished Work - See title page for details.

11-31-01
FIG. 30
PAGE 1
OCT 15/08

 **BOEING**
737-600/700/800/900
PARTS CATALOG (MAINTENANCE)

| FIG ITEM | PART NUMBER | 1 2 3 4 5 6 7 | NOMENCLATURE | EFFECT FROM TO | UNITS PER ASSY |
|----------|--------------|---------------|--|------------------|----------------|
| 30 | | | | | |
| 5 | BAC27DCC344 | . | MARKER-ALUMINUM FOIL | 031200 968999 | 1 |
| 10 | 69-37307-300 | . | MODULE ASSY- SUPPLIER CODE: V89954 ELECTRICAL EQUIP NUMBER: P00801 COMPONENT MAINT MANUAL REF: 26-10-48 QUALIFIED I/W DATA: 69-37307-300 I/W 69-37307-153 TOGETHER WITH LIGHTPLATE 10-61800-480 AND LIGHTPLATE 10-61800-481 OR -670(PREFERRED). | 031200 968999 | RF |
| 20 | BAC27DCC276 | .. | MARKER-ALUMINUM FOIL | 031200 968999 | 1 |
| 25 | BAC27EEX510 | .. | DECAL- PLACARD CONTENT: ELECTROSTATIC SENSITIVE DEVICES | 031200 968999 | 1 |
| - 30 | 69-78809-3 | .. | PRINTED CIRCUIT ASSY- SUPPLIER CODE: V89954 COMPONENT MAINT MANUAL REF: 28-09-33 OPTIONAL PART: 69-78809-4 V89954 69-78809-5 V89954 69-78809-6 V89954 FOR SPARES PROCURE: 69-78809-6 V89954 | 031200 968999 | 1 |

MISSING ITEM NUMBERS NOT APPLICABLE

- ITEM NOT ILLUSTRATED

HAP

11-31-01-30

BOEING PROPRIETARY - Copyright © - Unpublished Work - See title page for details.

11-31-01
FIG. 30
PAGE 2
FEB 15/09

BOEING
737-600/700/800/900
PARTS CATALOG (MAINTENANCE)

| FIG ITEM | PART NUMBER | 1 2 3 4 5 6 7 | NOMENCLATURE | EFFECT FROM TO | UNITS PER ASSY |
|----------|--------------|---------------|---|------------------|----------------|
| 30 | | | | | |
| - 30 | 69-78809-4 | | ..PRINTED CIRCUIT ASSY- SUPPLIER CODE: V89954 COMPONENT MAINT MANUAL REF: 28-09-33 OPTIONAL PART: 69-78809-3 V89954 69-78809-5 V89954 69-78809-6 V89954 FOR SPARES PROCURE: 69-78809-6 V89954 | 031200 968999 | 1 |
| - 30 | 69-78809-5 | | ..PRINTED CIRCUIT ASSY- SUPPLIER CODE: V89954 COMPONENT MAINT MANUAL REF: 28-09-33 OPTIONAL PART: 69-78809-3 V89954 69-78809-4 V89954 69-78809-6 V89954 FOR SPARES PROCURE: 69-78809-6 V89954 | 031200 968999 | 1 |
| - 30 | 69-78809-6 | | ..PRINTED CIRCUIT ASSY- SUPPLIER CODE: V89954 COMPONENT MAINT MANUAL REF: 28-09-33 OPTIONAL PART: 69-78809-3 V89954 69-78809-4 V89954 69-78809-5 V89954 | 031200 968999 | 1 |
| 35 | BAC27TEX1486 | | ...DECAL- PLACARD CONTENT: STATIC SENSITIVE | 031200 968999 | 1 |

MISSING ITEM NUMBERS NOT APPLICABLE

- ITEM NOT ILLUSTRATED

HAP

11-31-01-30

BOEING PROPRIETARY - Copyright © - Unpublished Work - See title page for details.

11-31-01
FIG. 30
PAGE 3
FEB 15/09


BOEING
 737-600/700/800/900
PARTS CATALOG (MAINTENANCE)

| FIG ITEM | PART NUMBER | 1 2 3 4 5 6 7 | NOMENCLATURE | EFFECT FROM TO | UNITS PER ASSY |
|-------------|--------------|---------------|---|-------------------|----------------------|
| 30 | | | | | |
| - 40 | 69-78452-1 | | ..PC ASSY- SUPPLIER CODE: V89954 COMPONENT MAINT MANUAL REF: 26-20-03 | 031200 968999 | 1 |
| 45 | BAC27TEX1486 | | ...DECAL- PLACARD CONTENT: STATIC SENSITIVE | 031200 968999 | 1 |

MISSING ITEM NUMBERS NOT APPLICABLE

- ITEM NOT ILLUSTRATED

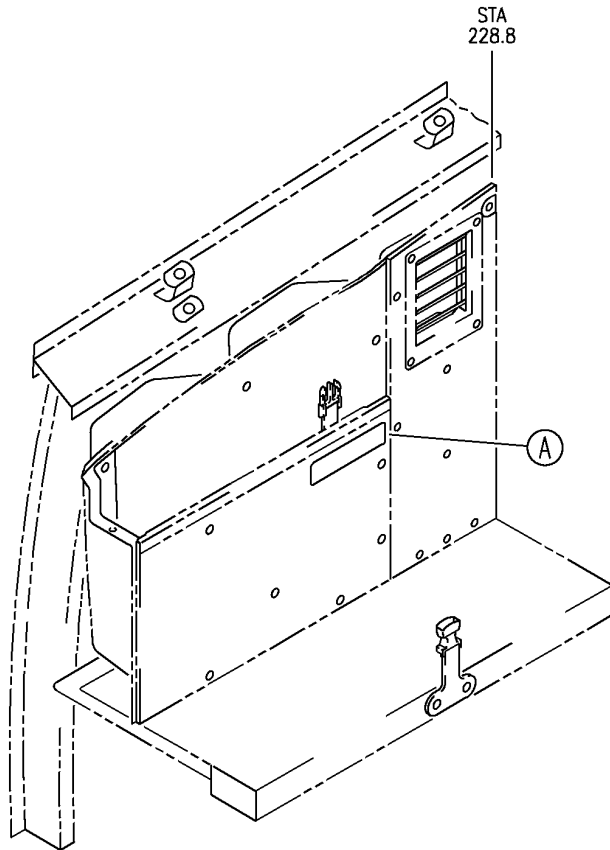
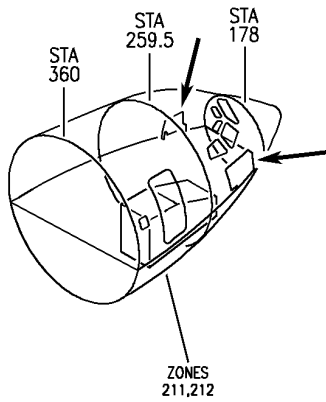
HAP

11-31-01-30

BOEING PROPRIETARY - Copyright © - Unpublished Work - See title page for details.

11-31-01
 FIG. 30
 PAGE 4
 FEB 15/09

BOEING
 737-600/700/800/900
 PARTS CATALOG (MAINTENANCE)



5
110

LOAD LIMIT 40 LBS/18 KGS
 FLIGHT KIT STOWAGE ONLY
 FLIGHT KIT MUST BE RESTRAINED BY STRAP

(A)

E 11310133 REV 119

RESTRAINT INSTL-FLIGHT KIT (PLACARDS AND MARKINGS ONLY)
 FIGURE 33

11-31-01-33

HAP
 OCT 10/06

11-31-01-33
 PAGE 0

BOEING
737-600/700/800/900
PARTS CATALOG (MAINTENANCE)

| FIG ITEM | PART NUMBER | 1 2 3 4 5 6 7 | NOMENCLATURE | EFFECT FROM TO | UNITS PER ASSY |
|-------------|--------------|---------------|--|-------------------|----------------------|
| 33 | | | RESTRAINT INSTL-FLIGHT KIT (PLACARDS AND MARKINGS ONLY) | 031200 968999 | |
| - 1 | MODREF245875 | | RESTRAINT INSTL-FLIGHT KIT (PLACARDS AND MARKINGS ONLY) | 031200 968999 | 1 |
| 5 | BAC27DCC3433 | | MODULE NUMBER: 232A4395-1 REV A FOR OTHER SYS DETAILS SEE: 25-11-51-18 .MARKER | 031200 968999 | 2 |

MISSING ITEM NUMBERS NOT APPLICABLE

- ITEM NOT ILLUSTRATED

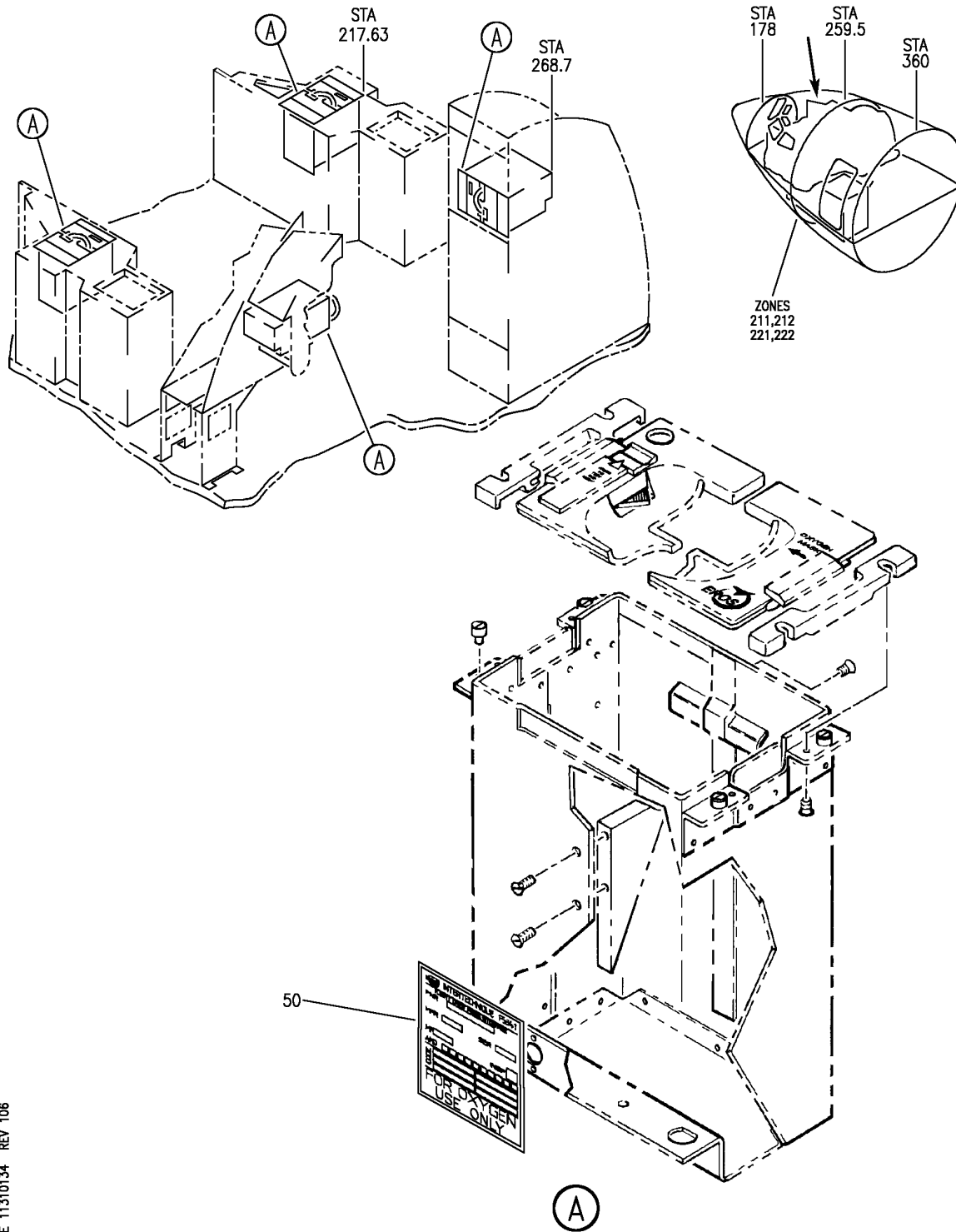
HAP

11-31-01-33

BOEING PROPRIETARY - Copyright © - Unpublished Work - See title page for details.

11-31-01
FIG. 33
PAGE 1
OCT 15/08

BOEING
 737-600/700/800/900
 PARTS CATALOG (MAINTENANCE)



E 11310134 REV 106

BOX ASSY-OXY STOWAGE
 FIGURE 34

11-31-01-34

HAP
 OCT 10/06

11-31-01-34
 PAGE 0

BOEING
737-600/700/800/900
PARTS CATALOG (MAINTENANCE)

| FIG ITEM | PART NUMBER | 1 2 3 4 5 6 7 | NOMENCLATURE | EFFECT FROM TO | UNITS PER ASSY |
|---|-------------|---------------|---|------------------|----------------|
| R R R R R R R R R R R | 34 | | BOX ASSY-OXY STOWAGE | 001200 968999 | |
| | - 1 | MXP410 | BOX ASSY-CAPTAIN AND FIRST OFFICER OXY MASK STOWAGE AMDMT A SUPPLIER CODE: VF5341 COMPONENT MAINT MANUAL REF: 35-13-42 QUALIFIED I/W DATA: SUBJECT TO CUSTOMER PREFERENCE.MXP410-1 HAS STOWAGE WEDGE ADDED IN KEEPING WITH OUR NEW PROCEDURES FOR NHA/OTHER SYS DET SEE: 35-12-85-13 | 001011 | RF |
| | - 5 | MXP410-1 | BOX ASSY-FLIGHT CREW OXY MASK STOWAGE AMDMT A SUPPLIER CODE: VF5341 COMPONENT MAINT MANUAL REF: 35-13-42 QUALIFIED I/W DATA: SUBJECT TO CUSTOMER PREFERENCE.MXP410-1 HAS STOWAGE WEDGE ADDED IN KEEPING WITH OUR NEW PROCEDURES FOR NHA/OTHER SYS DET SEE: 35-12-85-20 35-12-85-20E | 012200 968999 | RF |
| R R R | 50 | 080690 | .LABEL- SUPPLIER CODE: VF5341 | 001200 968999 | 1 |

MISSING ITEM NUMBERS NOT APPLICABLE

- ITEM NOT ILLUSTRATED

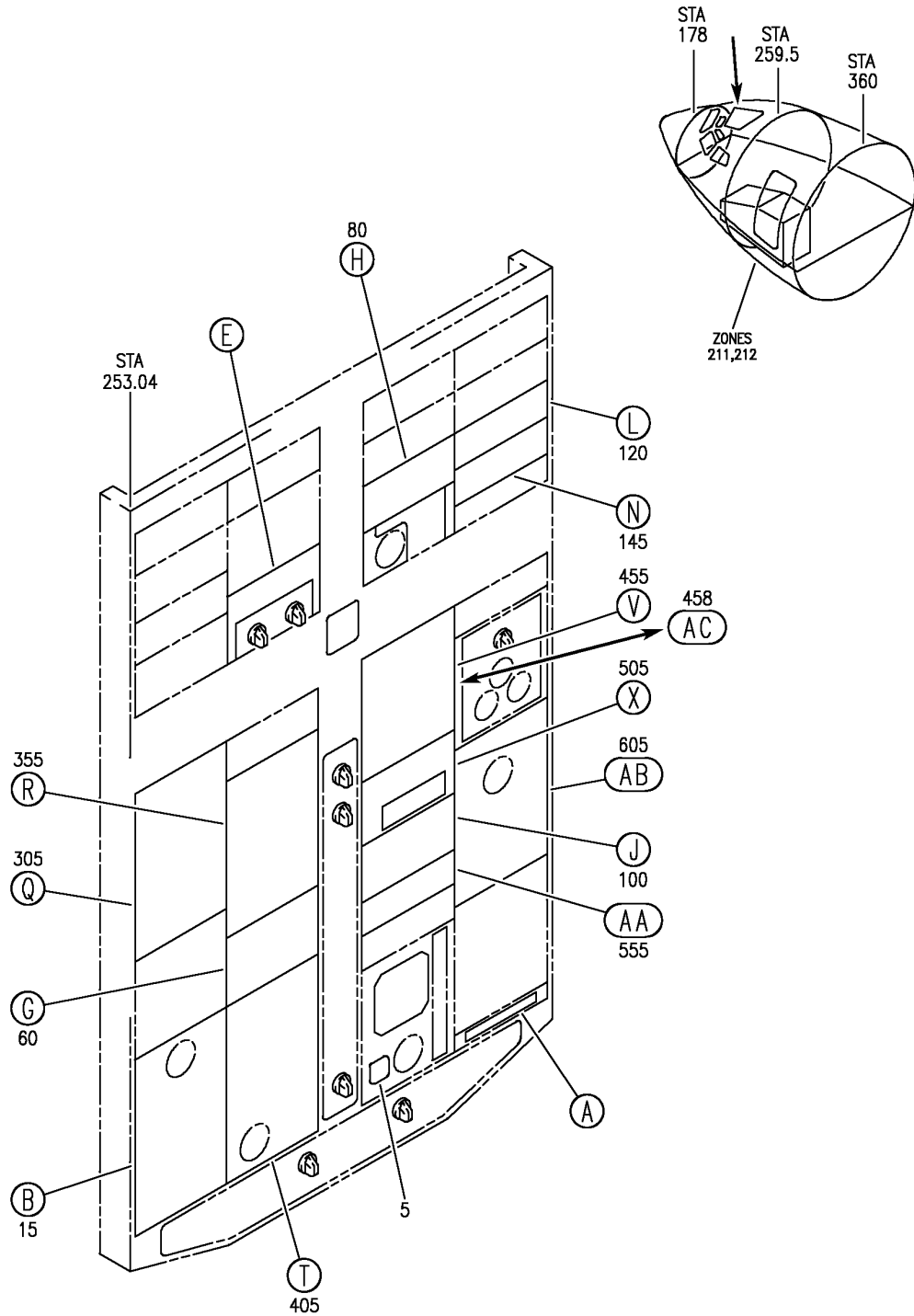
HAP

11-31-01-34

BOEING PROPRIETARY - Copyright © - Unpublished Work - See title page for details.

11-31-01
FIG. 34
PAGE 1
JUN 15/09

BOEING
 737-600/700/800/900
 PARTS CATALOG (MAINTENANCE)



E 11310137G SHT 1 REV 144

MODULE INSTL-P5 OVHD (PLACARDS AND MARKINGS ONLY)
 FIGURE 37G (SHEET 1)

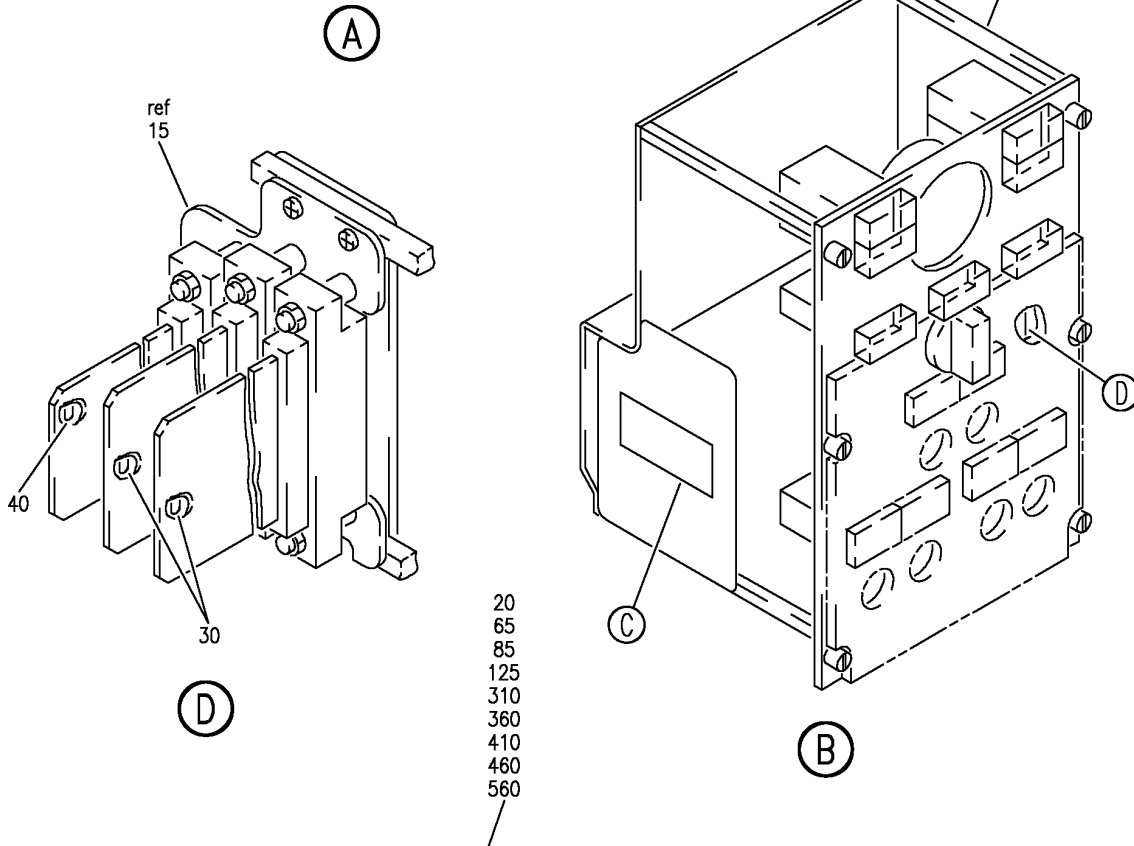
11-31-01-37G

HAP
 OCT 15/08

11-31-01-37G
 PAGE 0

BOEING
737-600/700/800/900
PARTS CATALOG (MAINTENANCE)

| | | | | | | |
|---------|----------|-------|-------|-------|-------|--|
| | | 10 | | | | |
| CAB ALT | LAND ALT | 2000 | 4000 | 6000 | 8000 | |
| FLT ALT | <FL160 | FL220 | FL260 | FL320 | FL410 | |



CAUTION

THIS UNIT IS NOT SUBJECT TO DAMAGE FROM ELECTROSTATIC DISCHARGE AS AN ASSEMBLY HOWEVER, IT CONTAINS PARTS OR SUB-ASSEMBLIES THAT ARE SENSITIVE TO ELECTROSTATIC DISCHARGE. CONDUCTIVE CONNECTOR COVERS REQUIRED.

E 11310137G SHT 2 REV 122

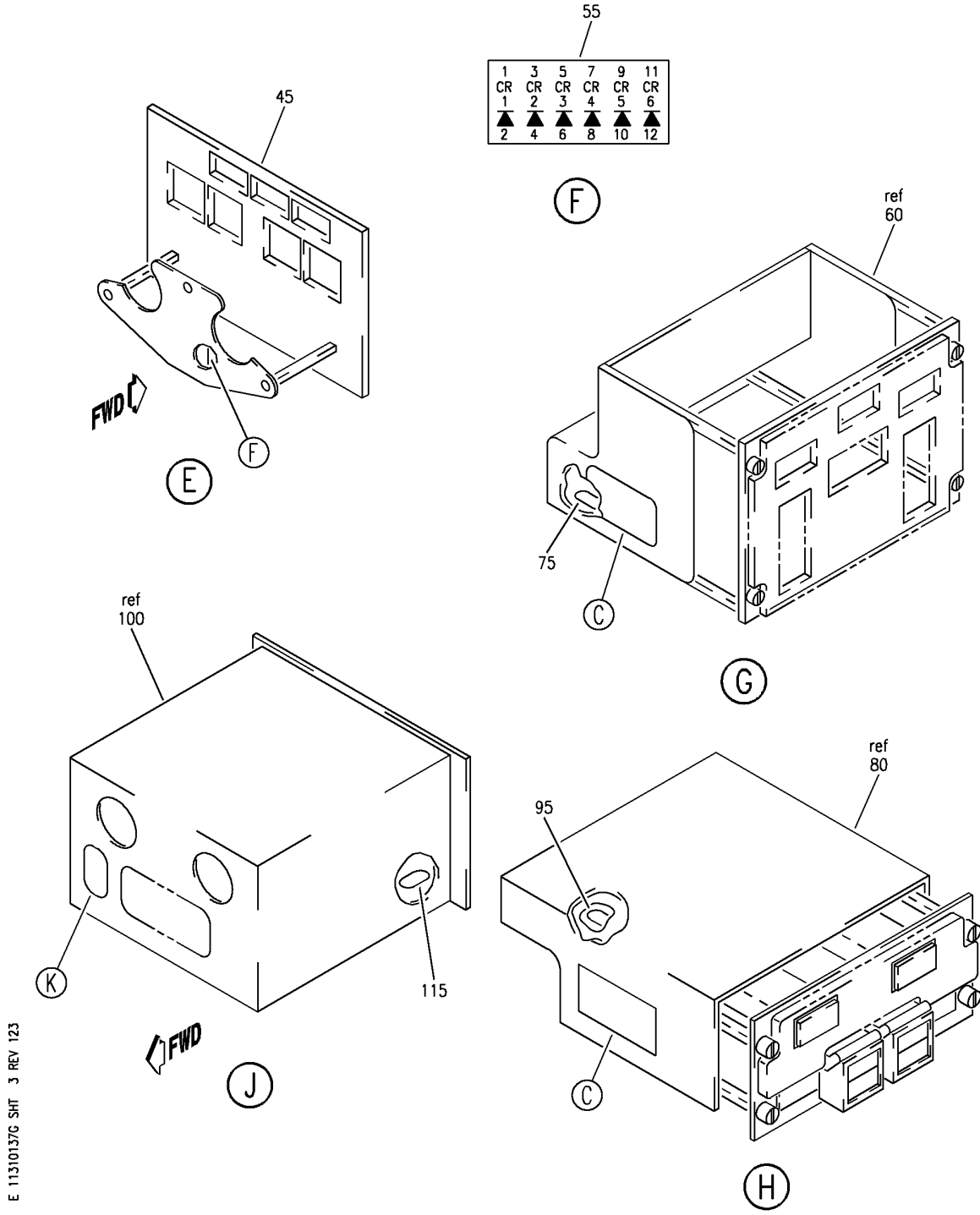
MODULE INSTL-P5 OVHD (PLACARDS AND MARKINGS ONLY)
FIGURE 37G (SHEET 2)

11-31-01-37G

HAP
FEB 10/07

11-31-01-37G
PAGE 0A


BOEING
 737-600/700/800/900
PARTS CATALOG (MAINTENANCE)



E 11310137G SHT 3 REV 123

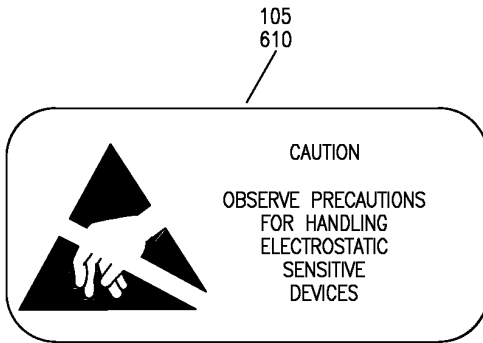
MODULE INSTL-P5 OVHD (PLACARDS AND MARKINGS ONLY)
FIGURE 37G (SHEET 3)

11-31-01-37G

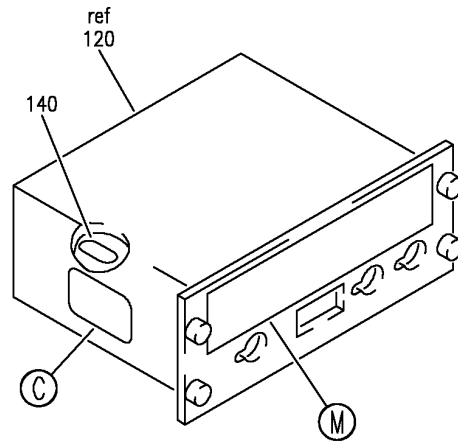
HAP
FEB 10/07

11-31-01-37G
PAGE 08

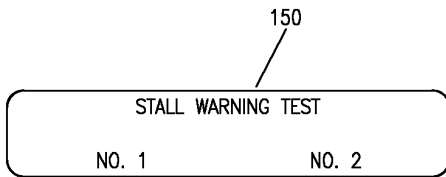
BOEING
737-600/700/800/900
PARTS CATALOG (MAINTENANCE)



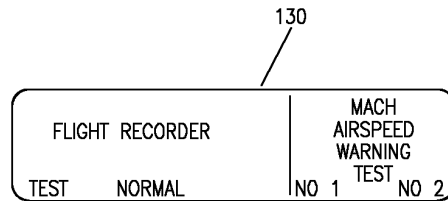
(K)



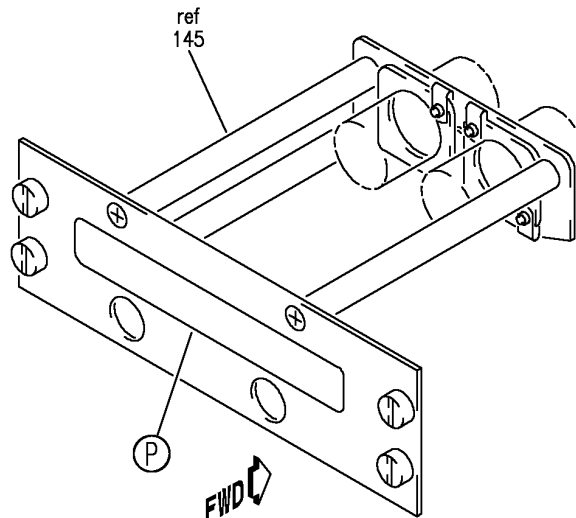
(L)



(P)



(M)



(N)

E 11310137G SHT 4 REV 122

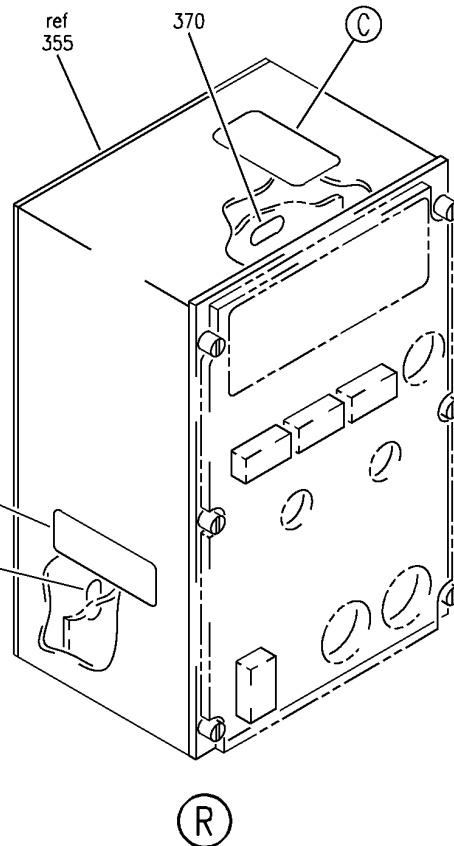
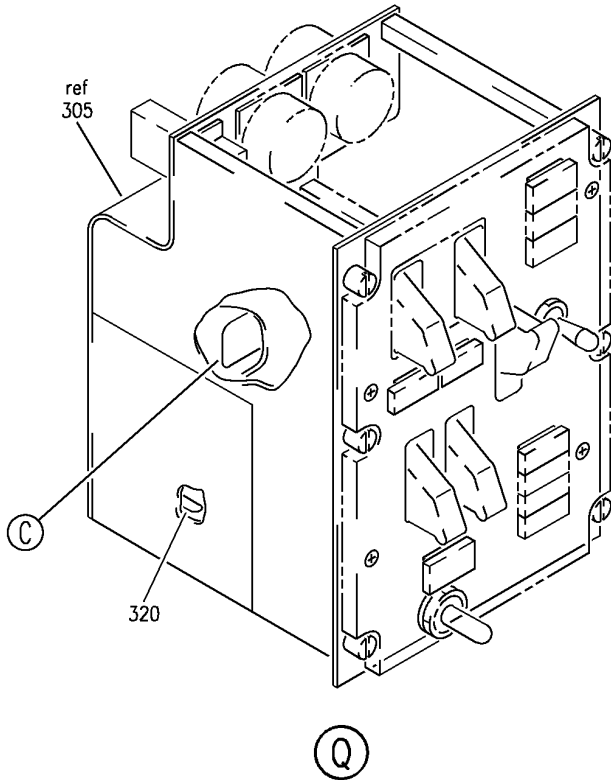
MODULE INSTL-P5 OVHD (PLACARDS AND MARKINGS ONLY)
FIGURE 37G (SHEET 4)

11-31-01-37G

HAP
FEB 10/07

11-31-01-37G
PAGE 0C

BOEING
 737-600/700/800/900
 PARTS CATALOG (MAINTENANCE)



365

| | | | | | |
|--|-------|---|---|---|---|
| ELECTRIC METERS AND GALLEY POWER PANEL (P5-13) | | | | | |
| P/N 285A1840- | _____ | | | | |
| SERIAL NUMBER | _____ | | | | |
| BOEING | MOD | A | B | C | D |
| | LEVEL | E | F | G | H |

(S)

E 11310137G SHT 5 REV 123

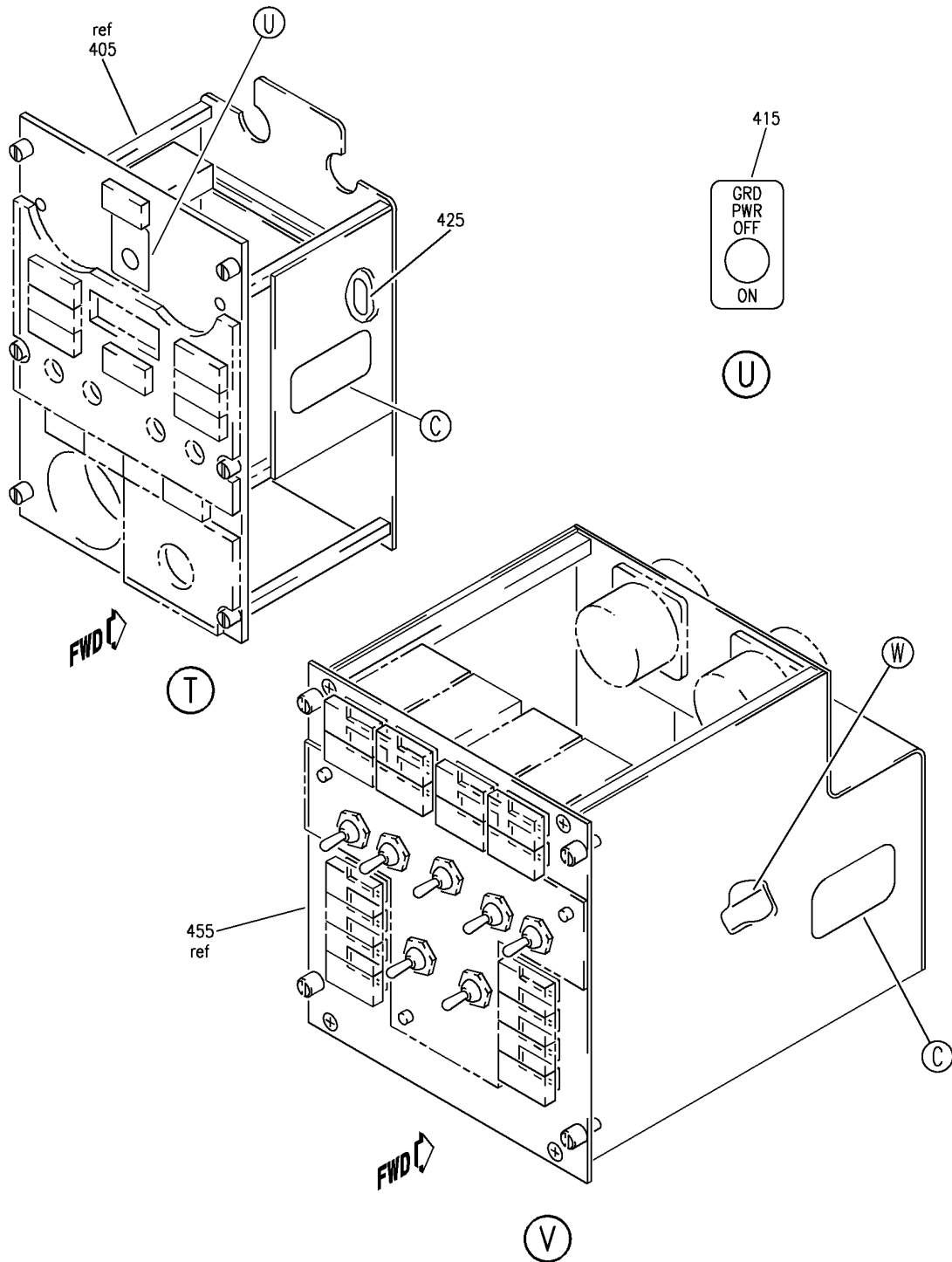
MODULE INSTL-P5 OVHD (PLACARDS AND MARKINGS ONLY)
 FIGURE 37G (SHEET 5)

11-31-01-37G

HAP
 FEB 10/07

11-31-01-37G
 PAGE 0D

BOEING
 737-600/700/800/900
 PARTS CATALOG (MAINTENANCE)



E 11310137G SHT 6 REV 123

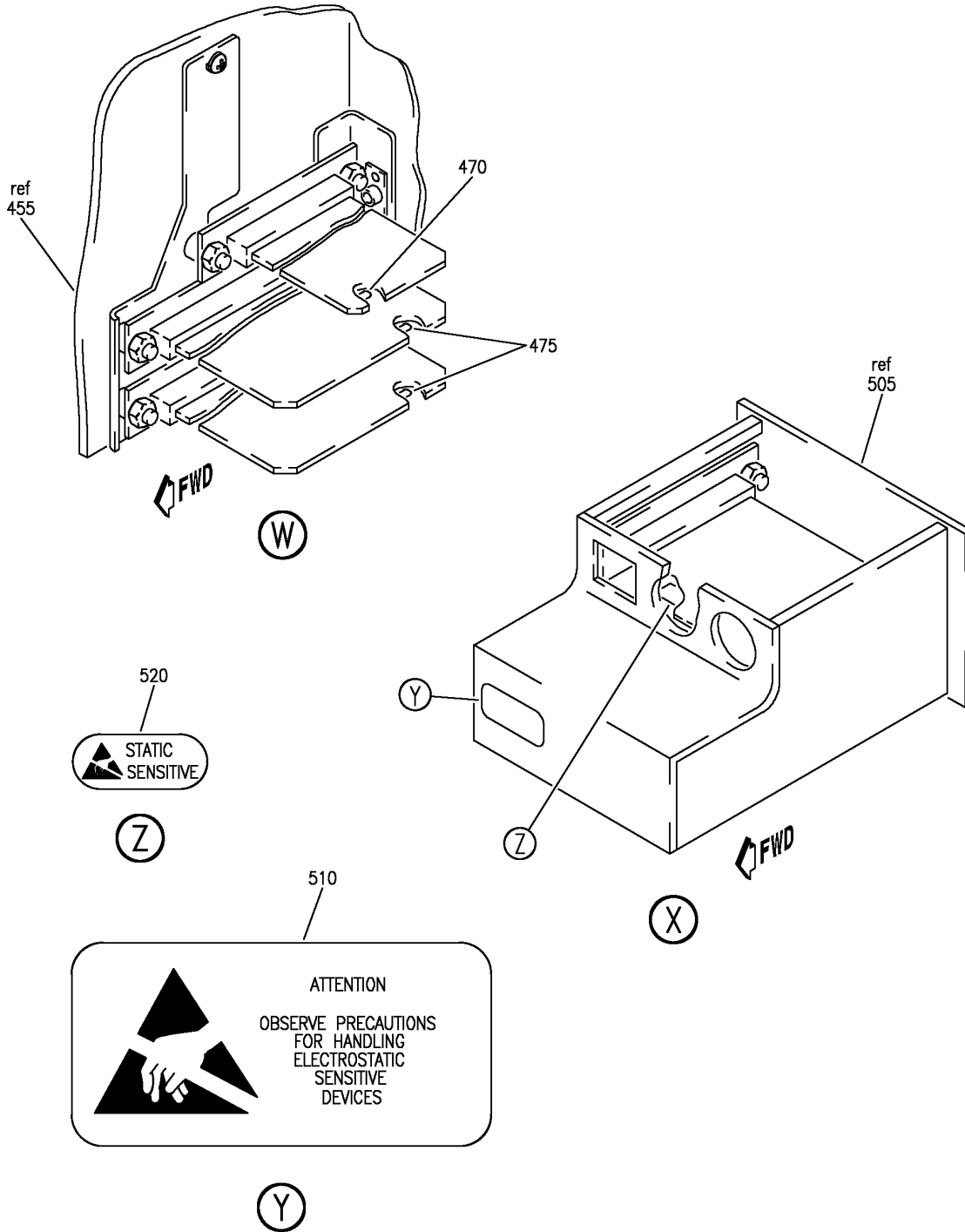
MODULE INSTL-P5 OVHD (PLACARDS AND MARKINGS ONLY)
 FIGURE 37G (SHEET 6)

11-31-01-37G

HAP
 FEB 10/07

11-31-01-37G
 PAGE 0E

BOEING
 737-600/700/800/900
 PARTS CATALOG (MAINTENANCE)



E 11310137G SHT 7 REV 122

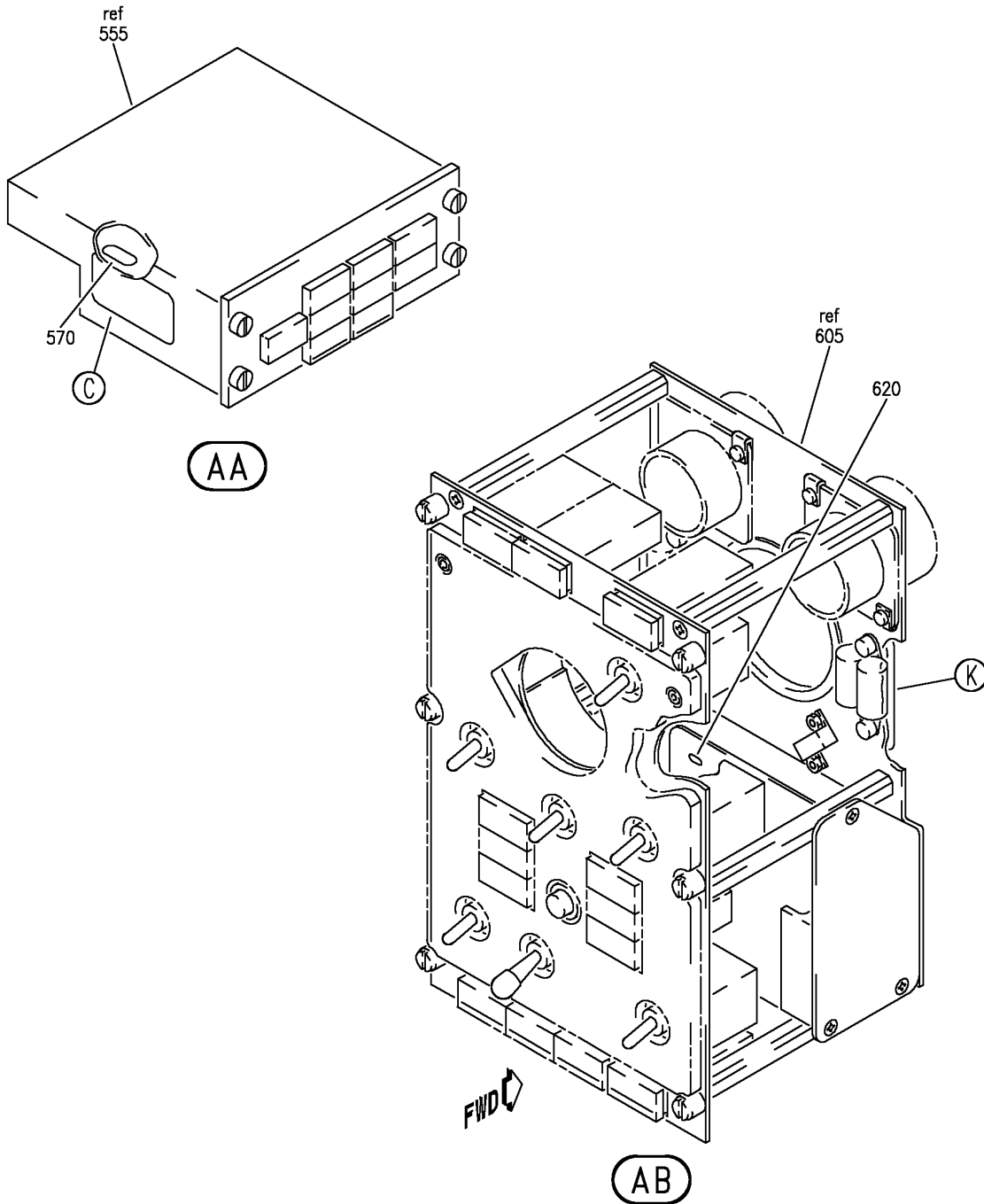
MODULE INSTL-P5 OVHD (PLACARDS AND MARKINGS ONLY)
 FIGURE 37G (SHEET 7)

11-31-01-37G

HAP
 FEB 10/07

11-31-01-37G
 PAGE OF

BOEING
 737-600/700/800/900
 PARTS CATALOG (MAINTENANCE)



E 11310137G SHT 8 REV 122

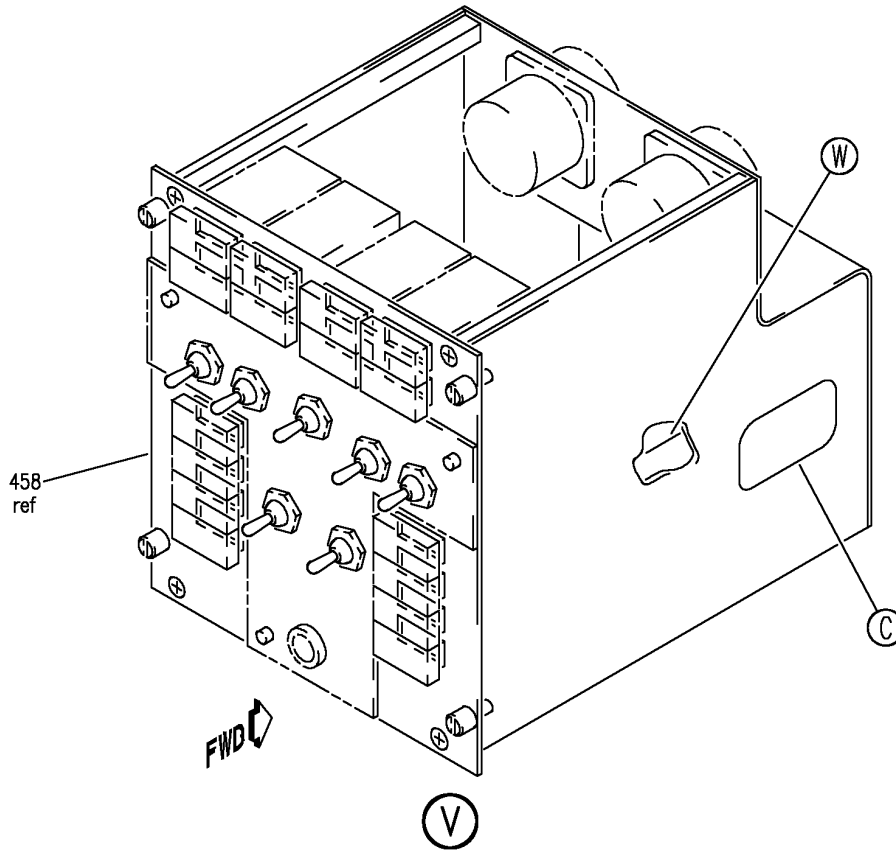
MODULE INSTL-P5 OVHD (PLACARDS AND MARKINGS ONLY)
 FIGURE 37G (SHEET 8)

11-31-01-37G

HAP
 FEB 10/07

11-31-01-37G
 PAGE 0G

BOEING
737-600/700/800/900
PARTS CATALOG (MAINTENANCE)



E 11310137G SHT 9 REV 144

MODULE INSTL-P5 OVHD (PLACARDS AND MARKINGS ONLY)
FIGURE 37G (SHEET 9)

HAP
OCT 15/08

11-31-01-37G

11-31-01-37G
PAGE 0H

BOEING
737-600/700/800/900
PARTS CATALOG (MAINTENANCE)

| FIG ITEM | PART NUMBER | 1 2 3 4 5 6 7 | NOMENCLATURE | EFFECT FROM TO | UNITS PER ASSY |
|-------------|--------------|---------------|--|-------------------|----------------------|
| 37G | | | MODULE INSTL-P5 OVHD (PLACARDS AND MARKINGS ONLY) | 101200 968999 | |
| - 1 | MODREF256358 | | MODULE INSTL-P5 OVHD MAJOR MODEL COMPONENTS (PLACARDS AND MARKINGS ONLY) MODULE NUMBER: 233A3104-2 REV B FOR OTHER SYS DETAILS SEE: 21-31-02-05 21-33-01-02 21-33-02-02 24-21-52-03 27-32-21-02 27-88-51-01 28-22-21-02 28-22-41-02 28-22-53-01 28-42-51-01 28-43-51-01 29-11-11-03 29-11-21-09 29-32-51-01 29-34-51-01 31-11-94-04X 31-11-95-32 31-31-12-03 33-11-52-02X 34-21-02-02 34-26-51-01 35-12-53-01 36-21-02-03 49-71-51-01 73-21-51-01 | 101200 968999 | 1 |
| 5 | BAC27DCC287 | | .MARKER-ALUMINUM FOIL PLACARD CONTENT: PRESS DIFF LIMIT: TAKE-OFF & LDG .125 PSI | 101200 968999 | 1 |
| 10 | BAC27DCC2715 | | .MARKER-ALUMINUM FOIL | 101200 968999 | 1 |

MISSING ITEM NUMBERS NOT APPLICABLE

- ITEM NOT ILLUSTRATED

HAP

11-31-01-37G

BOEING PROPRIETARY - Copyright © - Unpublished Work - See title page for details.

11-31-01
FIG. 37G
PAGE 1
OCT 15/08

BOEING
737-600/700/800/900
PARTS CATALOG (MAINTENANCE)

| FIG ITEM | PART NUMBER | 1 2 3 4 5 6 7 | NOMENCLATURE | EFFECT FROM TO | UNITS PER ASSY |
|-----------|--------------|---------------|--|------------------|----------------|
| 37G 15 | 233A3202-5 | | .MODULE ASSY-FUEL CONT P5-2 SUPPLIER CODE: V89954 MISCELLANEOUS DATA: 233A3202-5 CAN BE CREATED BY REWORKING A 233A3202-3 OR -4 BY COMPONENT SERVICE BULLETIN 233A3202-28-03. REFERENCE SB 737-28A1206 DATED JANUARY 11, 2006. ELECTRICAL EQUIP NUMBER: P00502 COMPONENT MAINT MANUAL REF: 28-09-31 | 101200 968999 | RF |
| 20 | BAC27DEX6075 | | ..MARKER | 101200 968999 | 1 |
| - 25 | 285A1801-2 | | ..PRINTED CIRCUIT ASSY- SUPPLIER CODE: V89954 COMPONENT MAINT MANUAL REF: 28-09-32 | 101200 968999 | RF |
| 30 | BAC27TEX1486 | | ...DECAL- PLACARD CONTENT: STATIC SENSITIVE | 101200 968999 | 1 |
| - 35 | 69-78809-6 | | ..PRINTED CIRCUIT ASSY-UNIV MASTER CAUTION SUPPLIER CODE: V89954 COMPONENT MAINT MANUAL REF: 28-09-33 | 101200 968999 | RF |
| 40 | BAC27TEX1486 | | ..DECAL- PLACARD CONTENT: STATIC SENSITIVE | 101200 968999 | 1 |
| 45 | 69-73713-20 | | .MODULE ASSY-IRS MODE SELECTOR SUPPLIER CODE: V89954 ELECTRICAL EQUIP NUMBER: P00569 COMPONENT MAINT MANUAL REF: 34-21-20 QUALIFIED I/W DATA: INTERCHANGEABLE IF GLS NOT ACTIVATED(CONNECTOR J1 PIN 11 AND J2 PIN 9 ARE NOT GROUNDED). | 101200 968999 | RF |

MISSING ITEM NUMBERS NOT APPLICABLE

- ITEM NOT ILLUSTRATED

HAP

11-31-01-37G

BOEING PROPRIETARY - Copyright © - Unpublished Work - See title page for details.

11-31-01
FIG. 37G
PAGE 2
FEB 15/09

BOEING
737-600/700/800/900
PARTS CATALOG (MAINTENANCE)

| FIG ITEM | PART NUMBER | 1 2 3 4 5 6 7 | NOMENCLATURE | EFFECT FROM TO | UNITS PER ASSY |
|----------|-----------------|---------------|---|------------------|----------------|
| 37G | | | | | |
| - 50 | 69-63592-21 | | .. COMPONENT ASSY- SUPPLIER CODE: V89954 COMPONENT MAINT MANUAL REF: 34-21-17 | 101200 968999 | RF |
| | 55 BAC27DEX999 | | ...DECAL | 101200 968999 | 1 |
| | 60 233A3205-3 | | .MODULE ASSY-GEN DRIVE/ STBY PWR P5-5 SUPPLIER CODE: V89954 ELECTRICAL EQUIP NUMBER: P00505 COMPONENT MAINT MANUAL REF: 31-10-41 | 101200 968999 | RF |
| | 65 BAC27DEX6075 | | ..MARKER | 101200 968999 | 1 |
| - 70 | 69-78809-3 | | ..PRINTED CIRCUIT ASSY-UNIV MASTER CAUTION SUPPLIER CODE: V89954 COMPONENT MAINT MANUAL REF: 28-09-33 OPTIONAL PART: 69-78809-4 V89954 69-78809-5 V89954 69-78809-6 V89954 FOR SPARES PROCURE: 69-78809-6 V89954 | 101200 968999 | RF |
| - 70 | 69-78809-4 | | ..PRINTED CIRCUIT ASSY-UNIV MASTER CAUTION SUPPLIER CODE: V89954 COMPONENT MAINT MANUAL REF: 28-09-33 OPTIONAL PART: 69-78809-3 V89954 69-78809-5 V89954 69-78809-6 V89954 FOR SPARES PROCURE: 69-78809-6 V89954 | 101200 968999 | RF |

MISSING ITEM NUMBERS NOT APPLICABLE

- ITEM NOT ILLUSTRATED

HAP

11-31-01-37G

BOEING PROPRIETARY - Copyright © - Unpublished Work - See title page for details.

11-31-01
FIG. 37G
PAGE 3
FEB 15/09

BOEING
737-600/700/800/900
PARTS CATALOG (MAINTENANCE)

| FIG ITEM | PART NUMBER | 1 2 3 4 5 6 7 | NOMENCLATURE | EFFECT FROM TO | UNITS PER ASSY |
|-------------|--------------|---------------|---|-------------------|----------------------|
| 37G - 70 | 69-78809-5 | | ..PRINTED CIRCUIT ASSY-UNIV MASTER CAUTION SUPPLIER CODE: V89954 COMPONENT MAINT MANUAL REF: 28-09-33 OPTIONAL PART: 69-78809-3 V89954 69-78809-4 V89954 69-78809-6 V89954 FOR SPARES PROCURE: 69-78809-6 V89954 | 101200 968999 | RF |
| - 70 | 69-78809-6 | | ..PRINTED CIRCUIT ASSY-UNIV MASTER CAUTION SUPPLIER CODE: V89954 COMPONENT MAINT MANUAL REF: 28-09-33 OPTIONAL PART: 69-78809-3 V89954 69-78809-4 V89954 69-78809-5 V89954 | 101200 968999 | RF |
| 75 | BAC27TEX1486 | | ...DECAL- PLACARD CONTENT: STATIC SENSITIVE | 101200 968999 | 1 |
| 80 | 233A3203-1 | | .MODULE ASSY-PWR MANAGEMENT CONT P5-68 SUPPLIER CODE: V89954 ELECTRICAL EQUIP NUMBER: P00568 COMPONENT MAINT MANUAL REF: 33-10-16 | 101200 968999 | RF |
| 85 | BAC27DEX6075 | | ..MARKER | 101200 968999 | 1 |

MISSING ITEM NUMBERS NOT APPLICABLE

- ITEM NOT ILLUSTRATED

HAP

11-31-01-37G

BOEING PROPRIETARY - Copyright © - Unpublished Work - See title page for details.

11-31-01
FIG. 37G
PAGE 4
FEB 15/09

BOEING
737-600/700/800/900
PARTS CATALOG (MAINTENANCE)

| FIG ITEM | PART NUMBER | 1 2 3 4 5 6 7 | NOMENCLATURE | EFFECT FROM TO | UNITS PER ASSY |
|-------------|--------------|---------------|---|-------------------|----------------------|
| 37G - 90 | 69-78809-5 | | ..PRINTED CIRCUIT ASSY-UNIV MASTER CAUTION SUPPLIER CODE: V89954 COMPONENT MAINT MANUAL REF: 28-09-33 OPTIONAL PART: 69-78809-6 V89954 FOR SPARES PROCURE: 69-78809-6 V89954 | 101200 968999 | RF |
| - 90 | 69-78809-6 | | ..PRINTED CIRCUIT ASSY-UNIV MASTER CAUTION SUPPLIER CODE: V89954 COMPONENT MAINT MANUAL REF: 28-09-33 OPTIONAL PART: 69-78809-5 V89954 | 101200 968999 | RF |
| 95 | BAC27TEX1486 | | ...DECAL- PLACARD CONTENT: STATIC SENSITIVE | 101200 968999 | 1 |
| 100 | 69-37317-300 | | .MODULE ASSY-HYDR PUMPS P5-8 SUPPLIER CODE: V89954 ELECTRICAL EQUIP NUMBER: P00508 COMPONENT MAINT MANUAL REF: 31-11-31 | 101200 968999 | RF |
| 105 | BAC27EEX510 | | ..DECAL | 101200 968999 | 1 |

MISSING ITEM NUMBERS NOT APPLICABLE

- ITEM NOT ILLUSTRATED

HAP

11-31-01-37G

BOEING PROPRIETARY - Copyright © - Unpublished Work - See title page for details.

11-31-01
FIG. 37G
PAGE 5
FEB 15/09

BOEING
737-600/700/800/900
PARTS CATALOG (MAINTENANCE)

| FIG ITEM | PART NUMBER | 1 2 3 4 5 6 7 | NOMENCLATURE | EFFECT FROM TO | UNITS PER ASSY |
|--------------|-------------|---------------|---|-------------------|----------------------|
| 37G - 110 | 69-78809-3 | | ..PRINTED CIRCUIT ASSY-UNIV MASTER CAUTION SUPPLIER CODE: V89954 COMPONENT MAINT MANUAL REF: 28-09-33 OPTIONAL PART: 69-78809-4 V89954 69-78809-5 V89954 69-78809-6 V89954 FOR SPARES PROCURE: 69-78809-6 V89954 | 101200 968999 | RF |
| - 110 | 69-78809-4 | | ..PRINTED CIRCUIT ASSY-UNIV MASTER CAUTION SUPPLIER CODE: V89954 COMPONENT MAINT MANUAL REF: 28-09-33 OPTIONAL PART: 69-78809-3 V89954 69-78809-5 V89954 69-78809-6 V89954 FOR SPARES PROCURE: 69-78809-6 V89954 | 101200 968999 | RF |
| - 110 | 69-78809-5 | | ..PRINTED CIRCUIT ASSY-UNIV MASTER CAUTION SUPPLIER CODE: V89954 COMPONENT MAINT MANUAL REF: 28-09-33 OPTIONAL PART: 69-78809-3 V89954 69-78809-4 V89954 69-78809-6 V89954 FOR SPARES PROCURE: 69-78809-6 V89954 | 101200 968999 | RF |

MISSING ITEM NUMBERS NOT APPLICABLE

- ITEM NOT ILLUSTRATED

HAP

11-31-01-37G

BOEING PROPRIETARY - Copyright © - Unpublished Work - See title page for details.

11-31-01
FIG. 37G
PAGE 6
FEB 15/09

BOEING
737-600/700/800/900
PARTS CATALOG (MAINTENANCE)

| FIG ITEM | PART NUMBER | 1 2 3 4 5 6 7 | NOMENCLATURE | EFFECT FROM TO | UNITS PER ASSY |
|--------------|--------------|---------------|---|-------------------|----------------------|
| 37G - 110 | 69-78809-6 | | ..PRINTED CIRCUIT ASSY-UNIV MASTER CAUTION SUPPLIER CODE: V89954 COMPONENT MAINT MANUAL REF: 28-09-33 OPTIONAL PART: 69-78809-3 V89954 69-78809-4 V89954 69-78809-5 V89954 | 101200 968999 | RF |
| 115 | BAC27TEX1486 | | ...DECAL- PLACARD CONTENT: STATIC SENSITIVE | 101200 968999 | 1 |
| 120 | 233A3208-2 | | .MODULE ASSY-FLIGHT RECORDER AND MACH AIRSPEED WARNING, TEST P5-19 SUPPLIER CODE: V89954 ELECTRICAL EQUIP NUMBER: P00519 COMPONENT MAINT MANUAL REF: 31-37-08 | 101200 968999 | RF |
| 125 | BAC27DEX6075 | | ..MARKER | 101200 968999 | 1 |
| 130 | BAC27DCC572 | | ..MARKER-ALUMINUM FOIL | 101200 968999 | 1 |
| - 135 | 69-78809-3 | | ..PRINTED CIRCUIT ASSY-UNIV MASTER CAUTION SUPPLIER CODE: V89954 COMPONENT MAINT MANUAL REF: 28-09-33 OPTIONAL PART: 69-78809-4 V89954 69-78809-5 V89954 69-78809-6 V89954 FOR SPARES PROCURE: 69-78809-6 V89954 | 101200 968999 | RF |

MISSING ITEM NUMBERS NOT APPLICABLE

- ITEM NOT ILLUSTRATED

HAP

11-31-01-37G

BOEING PROPRIETARY - Copyright © - Unpublished Work - See title page for details.

11-31-01
FIG. 37G
PAGE 7
FEB 15/09

BOEING
737-600/700/800/900
PARTS CATALOG (MAINTENANCE)

| FIG ITEM | PART NUMBER | 1 2 3 4 5 6 7 | NOMENCLATURE | EFFECT FROM TO | UNITS PER ASSY |
|--------------|--------------|---------------|---|------------------|----------------|
| 37G - 135 | 69-78809-4 | | ..PRINTED CIRCUIT ASSY-UNIV MASTER CAUTION SUPPLIER CODE: V89954 COMPONENT MAINT MANUAL REF: 28-09-33 OPTIONAL PART: 69-78809-3 V89954 69-78809-5 V89954 69-78809-6 V89954 FOR SPARES PROCURE: 69-78809-6 V89954 | 101200 968999 | RF |
| - 135 | 69-78809-5 | | ..PRINTED CIRCUIT ASSY-UNIV MASTER CAUTION SUPPLIER CODE: V89954 COMPONENT MAINT MANUAL REF: 28-09-33 OPTIONAL PART: 69-78809-3 V89954 69-78809-4 V89954 69-78809-6 V89954 FOR SPARES PROCURE: 69-78809-6 V89954 | 101200 968999 | RF |
| - 135 | 69-78809-6 | | ..PRINTED CIRCUIT ASSY-UNIV MASTER CAUTION SUPPLIER CODE: V89954 COMPONENT MAINT MANUAL REF: 28-09-33 OPTIONAL PART: 69-78809-3 V89954 69-78809-4 V89954 69-78809-5 V89954 | 101200 968999 | RF |
| 140 | BAC27TEX1486 | | ...DECAL- PLACARD CONTENT: STATIC SENSITIVE | 101200 968999 | 1 |

MISSING ITEM NUMBERS NOT APPLICABLE

- ITEM NOT ILLUSTRATED

HAP

11-31-01-37G

BOEING PROPRIETARY - Copyright © - Unpublished Work - See title page for details.

11-31-01
FIG. 37G
PAGE 8
FEB 15/09

BOEING
737-600/700/800/900
PARTS CATALOG (MAINTENANCE)

| FIG ITEM | PART NUMBER | 1 2 3 4 5 6 7 | NOMENCLATURE | EFFECT FROM TO | UNITS PER ASSY |
|-------------|--------------|--------------------|--|-------------------|----------------------|
| 37G 145 | 69-75978-1 | . | MODULE ASSY-STALL WARNING P5-18 SUPPLIER CODE: V89954 ELECTRICAL EQUIP NUMBER: P00518 COMPONENT MAINT MANUAL REF: 27-32-49 | 101200 968999 | RF |
| 150 | BAC27DCC1337 | .. | MARKER-ALUMINUM FOIL | 101200 968999 | 1 |
| - 300 | MODREF319470 | MODULE INSTL-INSTR | SWITCHING PNL P5-28/ FLIGHT CONT P5-3 (PLACARDS AND MARKINGS ONLY) MODULE NUMBER: 233A3104-346106 REV B FOR OTHER SYS DETAILS SEE: 22-23-51-01 27-09-45-02 27-21-24-03 27-31-37-03 27-31-52-01 27-51-50-03 27-61-52-01 27-83-51-01 29-33-21-02 29-34-21-02 29-34-31-03 31-11-94-04X 31-62-14-01 33-11-52-02X 34-31-52-03 34-51-52-01 | 101200 968999 | 1 |
| 305 | 233A3209-2 | . | MODULE ASSY- SUPPLIER CODE: V89954 ELECTRICAL EQUIP NUMBER: P00503 COMPONENT MAINT MANUAL REF: 31-37-09 QUALIFIED I/W DATA: 233A3209-2 REPLACES 233A3209-1 ONE-WAY INTERCHANGEABLE UPON INCORPORATION OF SB 737-27-1262 | 101200 968999 | RF |
| 310 | BAC27DEX6075 | .. | MARKER | 101200 968999 | 1 |

MISSING ITEM NUMBERS NOT APPLICABLE

- ITEM NOT ILLUSTRATED

HAP

11-31-01-37G

BOEING PROPRIETARY - Copyright © - Unpublished Work - See title page for details.

11-31-01
FIG. 37G
PAGE 9
FEB 15/09

BOEING
737-600/700/800/900
PARTS CATALOG (MAINTENANCE)

| FIG ITEM | PART NUMBER | 1 2 3 4 5 6 7 | NOMENCLATURE | EFFECT FROM TO | UNITS PER ASSY |
|--------------|-------------|---------------|---|------------------|----------------|
| 37G - 315 | 69-78809-3 | | ..PRINTED CIRCUIT ASSY-UNIV MASTER CAUTION SUPPLIER CODE: V89954 COMPONENT MAINT MANUAL REF: 28-09-33 OPTIONAL PART: 69-78809-4 V89954 69-78809-5 V89954 69-78809-6 V89954 FOR SPARES PROCURE: 69-78809-6 V89954 | 101200 968999 | RF |
| - 315 | 69-78809-4 | | ..PRINTED CIRCUIT ASSY-UNIV MASTER CAUTION SUPPLIER CODE: V89954 COMPONENT MAINT MANUAL REF: 28-09-33 OPTIONAL PART: 69-78809-3 V89954 69-78809-5 V89954 69-78809-6 V89954 FOR SPARES PROCURE: 69-78809-6 V89954 | 101200 968999 | RF |
| - 315 | 69-78809-5 | | ..PRINTED CIRCUIT ASSY-UNIV MASTER CAUTION SUPPLIER CODE: V89954 COMPONENT MAINT MANUAL REF: 28-09-33 OPTIONAL PART: 69-78809-4 V89954 69-78809-3 V89954 FOR SPARES PROCURE: 69-78809-6 V89954 | 101200 968999 | RF |

MISSING ITEM NUMBERS NOT APPLICABLE

- ITEM NOT ILLUSTRATED

HAP

11-31-01-37G

BOEING PROPRIETARY - Copyright © - Unpublished Work - See title page for details.

11-31-01
FIG. 37G
PAGE 10
FEB 15/09

BOEING
737-600/700/800/900
PARTS CATALOG (MAINTENANCE)

| FIG ITEM | PART NUMBER | 1 2 3 4 5 6 7 | NOMENCLATURE | EFFECT FROM TO | UNITS PER ASSY |
|--------------|--------------|---------------|--|------------------|----------------|
| 37G - 315 | 69-78809-6 | | ..PRINTED CIRCUIT ASSY-UNIV MASTER CAUTION SUPPLIER CODE: V89954 COMPONENT MAINT MANUAL REF: 28-09-33 OPTIONAL PART: 69-78809-3 V89954 69-78809-4 V89954 | 101200 968999 | RF |
| 320 | BAC27TEX1486 | | ...DECAL- PLACARD CONTENT: STATIC SENSITIVE | 101200 968999 | 1 |
| - 350 | MODREF319459 | | MODULE INSTL-ELEC METER BATTERY AND GALLEY PWR 60 MIN STANDBY P5-13 (PLACARDS AND MARKINGS ONLY) MODULE NUMBER: 233A3104-243308 REV B FOR OTHER SYS DETAILS SEE: 24-21-53-02 24-31-51-04 24-32-51-01 31-11-94-04X 33-11-52-02X | 101200 968999 | 1 |
| 355 | 285A1840-8 | | .MODULE ASSY- SUPPLIER CODE: V89954 ELECTRICAL EQUIP NUMBER: P00513 COMPONENT MAINT MANUAL REF: 24-00-06 | 101200 968999 | RF |
| 360 | BAC27DEX6075 | | ..MARKER | 101200 968999 | 1 |
| 365 | BAC27DEX6684 | | ..MARKER-ALUMINUM FOIL SUPPLIER CODE: V89954 | 101200 968999 | 1 |
| 370 | BAC27TEX1486 | | ..DECAL- PLACARD CONTENT: STATIC SENSITIVE | 101200 968999 | 1 |

MISSING ITEM NUMBERS NOT APPLICABLE

- ITEM NOT ILLUSTRATED

HAP

11-31-01-37G

BOEING PROPRIETARY - Copyright © - Unpublished Work - See title page for details.

11-31-01
FIG. 37G
PAGE 11
FEB 15/09

BOEING
737-600/700/800/900
PARTS CATALOG (MAINTENANCE)

| FIG ITEM | PART NUMBER | 1 2 3 4 5 6 7 | NOMENCLATURE | EFFECT FROM TO | UNITS PER ASSY |
|--------------|--------------|---------------|--|------------------|----------------|
| 37G - 400 | MODREF319455 | | MODULE INSTL-P5-4 OVHD AC SYS GEN AND APU (LEFT WIPER SWITCH) (PLACARDS AND MARKINGS ONLY) MODULE NUMBER: 233A3104-242801 REV B FOR OTHER SYS DETAILS SEE: 24-21-51-02 24-41-51-01 30-42-51-01 31-11-94-04X 33-11-52-02X 49-71-51-01 49-72-51-01 49-94-51-01 | 101200 968999 | 1 |
| 405 | 233A3204-1 | . | MODULE ASSY- SUPPLIER CODE: V89954 ELECTRICAL EQUIP NUMBER: P00504 COMPONENT MAINT MANUAL REF: 31-37-31 | 101200 968999 | RF |
| 410 | BAC27DEX6075 | .. | MARKER | 101200 968999 | 1 |
| 415 | BAC27DCC568 | .. | MARKER-ALUMINUM FOIL | 101200 968999 | 1 |
| - 420 | 69-78809-3 | .. | PRINTED CIRCUIT ASSY-UNIV MASTER CAUTION SUPPLIER CODE: V89954 COMPONENT MAINT MANUAL REF: 28-09-33 OPTIONAL PART: 69-78809-4 V89954 69-78809-5 V89954 69-78809-6 V89954 FOR SPARES PROCURE: 69-78809-6 V89954 | 101200 968999 | RF |

MISSING ITEM NUMBERS NOT APPLICABLE

- ITEM NOT ILLUSTRATED

HAP

11-31-01-37G

BOEING PROPRIETARY - Copyright © - Unpublished Work - See title page for details.

11-31-01
FIG. 37G
PAGE 12
FEB 15/09

BOEING
737-600/700/800/900
PARTS CATALOG (MAINTENANCE)

| FIG ITEM | PART NUMBER | 1 2 3 4 5 6 7 | NOMENCLATURE | EFFECT FROM TO | UNITS PER ASSY |
|--------------|--------------|---------------|---|------------------|----------------|
| 37G - 420 | 69-78809-4 | | ..PRINTED CIRCUIT ASSY-UNIV MASTER CAUTION SUPPLIER CODE: V89954 COMPONENT MAINT MANUAL REF: 28-09-33 OPTIONAL PART: 69-78809-3 V89954 69-78809-5 V89954 69-78809-6 V89954 FOR SPARES PROCURE: 69-78809-6 V89954 | 101200 968999 | RF |
| - 420 | 69-78809-5 | | ..PRINTED CIRCUIT ASSY-UNIV MASTER CAUTION SUPPLIER CODE: V89954 COMPONENT MAINT MANUAL REF: 28-09-33 OPTIONAL PART: 69-78809-3 V89954 69-78809-4 V89954 69-78809-6 V89954 FOR SPARES PROCURE: 69-78809-6 V89954 | 101200 968999 | RF |
| - 420 | 69-78809-6 | | ..PRINTED CIRCUIT ASSY-UNIV MASTER CAUTION SUPPLIER CODE: V89954 COMPONENT MAINT MANUAL REF: 28-09-33 OPTIONAL PART: 69-78809-3 V89954 69-78809-4 V89954 69-78809-5 V89954 | 101200 968999 | RF |
| 425 | BAC27TEX1486 | | ...DECAL- PLACARD CONTENT: STATIC SENSITIVE | 101200 968999 | 1 |

MISSING ITEM NUMBERS NOT APPLICABLE

- ITEM NOT ILLUSTRATED

HAP

11-31-01-37G

BOEING PROPRIETARY - Copyright © - Unpublished Work - See title page for details.

11-31-01
FIG. 37G
PAGE 13
FEB 15/09

BOEING
737-600/700/800/900
PARTS CATALOG (MAINTENANCE)

| FIG ITEM | PART NUMBER | 1 2 3 4 5 6 7 | NOMENCLATURE | EFFECT FROM TO | UNITS PER ASSY |
|--------------|--------------|---------------|---|------------------|----------------|
| 37G - 450 | MODREF319466 | | MODULE INSTL-P5-9 OVHD WINDOW AND PITOT HEAT (PLACARDS AND MARKINGS ONLY) MODULE NUMBER: 233A3104-303009 REV B FOR OTHER SYS DETAILS SEE: 30-41-41-03 31-11-94-04X 33-11-52-02X | 101200 968999 | 1 |
| 455 | 233A3201-9 | | .MODULE ASSY- SUPPLIER CODE: V89954 ELECTRICAL EQUIP NUMBER: P00509 COMPONENT MAINT MANUAL REF: 30-09-05 | 101200 968999 | RF |
| 460 | BAC27DEX6075 | | ..MARKER | 101200 968999 | 1 |
| - 465 | 69-78809-4 | | ..PRINTED CIRCUIT ASSY-UNIV MASTER CAUTION SUPPLIER CODE: V89954 COMPONENT MAINT MANUAL REF: 28-09-33 OPTIONAL PART: 69-78809-5 V89954 69-78809-6 V89954 FOR SPARES PROCURE: 69-78809-6 V89954 | 101200 968999 | RF |
| - 465 | 69-78809-5 | | ..PRINTED CIRCUIT ASSY-UNIV MASTER CAUTION SUPPLIER CODE: V89954 COMPONENT MAINT MANUAL REF: 28-09-33 OPTIONAL PART: 69-78809-4 V89954 69-78809-6 V89954 FOR SPARES PROCURE: 69-78809-6 V89954 | 101200 968999 | RF |

MISSING ITEM NUMBERS NOT APPLICABLE

- ITEM NOT ILLUSTRATED

HAP

11-31-01-37G

BOEING PROPRIETARY - Copyright © - Unpublished Work - See title page for details.

11-31-01
FIG. 37G
PAGE 14
FEB 15/09

BOEING
737-600/700/800/900
PARTS CATALOG (MAINTENANCE)

| FIG ITEM | PART NUMBER | 1 2 3 4 5 6 7 | NOMENCLATURE | EFFECT FROM TO | UNITS PER ASSY |
|--------------|---------------|---------------|--|------------------|----------------|
| 37G - 465 | 69-78809-6 | | ..PRINTED CIRCUIT ASSY-UNIV MASTER CAUTION SUPPLIER CODE: V89954 COMPONENT MAINT MANUAL REF: 28-09-33 OPTIONAL PART: 69-78809-4 V89954 69-78809-5 V89954 | 101200 968999 | RF |
| 470 | BAC27TEX1486 | | ...DECAL- PLACARD CONTENT: STATIC SENSITIVE | 101200 968999 | 1 |
| - 473 | 285A1831-2 | | ..PW ASSY- SUPPLIER CODE: V89954 COMPONENT MAINT MANUAL REF: 30-09-06 | 101200 968999 | RF |
| 475 | BAC27TEX1486 | | ...DECAL- PLACARD CONTENT: STATIC SENSITIVE | 101200 968999 | 2 |
| - 500 | MODREF319460 | | MODULE INSTL-P5-11 OVHD ENG AND WING ANTI-ICE (PLACARDS AND MARKINGS ONLY) MODULE NUMBER: 233A3104-302101 REV B FOR OTHER SYS DETAILS SEE: 30-11-41-02 30-21-51-03 31-11-94-04X 33-11-52-02X | 101200 968999 | 1 |
| 505 | 69-37320-104 | | .MODULE ASSY- SUPPLIER CODE: V89954 ELECTRICAL EQUIP NUMBER: P00511 COMPONENT MAINT MANUAL REF: 30-12-05 | 101200 968999 | RF |
| 510 | BAC27EEL18631 | | ..DECAL | 101200 968999 | 1 |
| - 515 | 69-73562-4 | | ..PRINTED CIRCUIT ASSY- SUPPLIER CODE: V89954 COMPONENT MAINT MANUAL REF: 30-12-11 | 101200 968999 | RF |
| 520 | BAC27EEL18632 | | ...DECAL | 101200 968999 | 1 |

MISSING ITEM NUMBERS NOT APPLICABLE

- ITEM NOT ILLUSTRATED

HAP

11-31-01-37G

BOEING PROPRIETARY - Copyright © - Unpublished Work - See title page for details.

11-31-01
FIG. 37G
PAGE 15
FEB 15/09

BOEING
737-600/700/800/900
PARTS CATALOG (MAINTENANCE)

| FIG ITEM | PART NUMBER | 1 2 3 4 5 6 7 | NOMENCLATURE | EFFECT FROM TO | UNITS PER ASSY |
|--------------|--------------|---------------|---|-------------------|----------------------|
| 37G - 550 | MODREF319476 | | MODULE INSTL-P5-20 OVHD DOOR WARNING ANN. (PLACARDS AND MARKINGS ONLY) MODULE NUMBER: 233A3104-526004 REV B FOR OTHER SYS DETAILS SEE: 31-11-94-04X 52-71-11-06 52-71-21-04 52-71-31-05 52-71-42-03 | 101200 968999 | 1 |
| 555 | 233A3207-4 | | .MODULE ASSY-DOOR WARNING ANN. P5-20 SUPPLIER CODE: V89954 ELECTRICAL EQUIP NUMBER: P00520 COMPONENT MAINT MANUAL REF: 31-11-26 | 101200 968999 | RF |
| 560 | BAC27DEX6075 | | ..MARKER | 101200 968999 | 1 |
| - 565 | 69-78809-3 | | ..PRINTED CIRCUIT ASSY-UNIV MASTER CAUTION SUPPLIER CODE: V89954 COMPONENT MAINT MANUAL REF: 28-09-33 OPTIONAL PART: 69-78809-4 V89954 69-78809-5 V89954 69-78809-6 V89954 FOR SPARES PROCURE: 69-78809-6 V89954 | 101200 968999 | RF |

MISSING ITEM NUMBERS NOT APPLICABLE

- ITEM NOT ILLUSTRATED

HAP

11-31-01-37G

BOEING PROPRIETARY - Copyright © - Unpublished Work - See title page for details.

11-31-01
FIG. 37G
PAGE 16
FEB 15/09

BOEING
737-600/700/800/900
PARTS CATALOG (MAINTENANCE)

| FIG ITEM | PART NUMBER | 1 2 3 4 5 6 7 | NOMENCLATURE | EFFECT FROM TO | UNITS PER ASSY |
|--------------|--------------|---------------|---|------------------|----------------|
| 37G - 565 | 69-78809-4 | | ..PRINTED CIRCUIT ASSY-UNIV MASTER CAUTION SUPPLIER CODE: V89954 COMPONENT MAINT MANUAL REF: 28-09-33 OPTIONAL PART: 69-78809-3 V89954 69-78809-5 V89954 69-78809-6 V89954 FOR SPARES PROCURE: 69-78809-6 V89954 | 101200 968999 | RF |
| - 565 | 69-78809-5 | | ..PRINTED CIRCUIT ASSY-UNIV MASTER CAUTION SUPPLIER CODE: V89954 COMPONENT MAINT MANUAL REF: 28-09-33 OPTIONAL PART: 69-78809-3 V89954 69-78809-4 V89954 69-78809-6 V89954 FOR SPARES PROCURE: 69-78809-6 V89954 | 101200 968999 | RF |
| - 565 | 69-78809-6 | | ..PRINTED CIRCUIT ASSY-UNIV MASTER CAUTION SUPPLIER CODE: V89954 COMPONENT MAINT MANUAL REF: 28-09-33 OPTIONAL PART: 69-78809-3 V89954 69-78809-4 V89954 69-78809-5 V89954 | 101200 968999 | RF |
| 570 | BAC27TEX1486 | | ...DECAL- PLACARD CONTENT: STATIC SENSITIVE | 101200 968999 | 1 |

MISSING ITEM NUMBERS NOT APPLICABLE

- ITEM NOT ILLUSTRATED

HAP

11-31-01-37G

BOEING PROPRIETARY - Copyright © - Unpublished Work - See title page for details.

11-31-01
FIG. 37G
PAGE 17
FEB 15/09

BOEING
737-600/700/800/900
PARTS CATALOG (MAINTENANCE)

| FIG ITEM | PART NUMBER | 1 2 3 4 5 6 7 | NOMENCLATURE | EFFECT FROM TO | UNITS PER ASSY |
|--------------|--------------|---------------|--|-------------------|----------------------|
| 37G - 600 | MODREF82408 | | MODULE INSTL-P5 OVHD 600/700 MINOR MODEL (PLACARDS AND MARKINGS ONLY) MODULE NUMBER: 233A3104-215101 REV A FOR OTHER SYS DETAILS SEE: 21-25-02-09 21-51-65-01 21-61-05-07 21-61-07-02 21-61-33-01 21-61-52-01 31-11-94-04X 33-11-52-02X 49-52-52-01 | 101200 968999 | 1 |
| 605 | 69-37319-308 | | .MODULE ASSY-AIR CONDITIONING P5-10 SUPPLIER CODE: V89954 ELECTRICAL EQUIP NUMBER: P00510 COMPONENT MAINT MANUAL REF: 31-37-07 | 101200 968999 | RF |
| 610 | BAC27EEX510 | | ..DECAL | 101200 968999 | 1 |
| - 615 | 69-78809-3 | | ..PRINTED CIRCUIT ASSY-UNIV MASTER CAUTION SUPPLIER CODE: V89954 COMPONENT MAINT MANUAL REF: 28-09-33 OPTIONAL PART: 69-78809-4 V89954 69-78809-5 V89954 69-78809-6 V89954 FOR SPARES PROCURE: 69-78809-6 V89954 | 101200 968999 | RF |

MISSING ITEM NUMBERS NOT APPLICABLE

- ITEM NOT ILLUSTRATED

HAP

11-31-01-37G

BOEING PROPRIETARY - Copyright © - Unpublished Work - See title page for details.

11-31-01
FIG. 37G
PAGE 18
FEB 15/09

BOEING
737-600/700/800/900
PARTS CATALOG (MAINTENANCE)

| FIG ITEM | PART NUMBER | 1 2 3 4 5 6 7 | NOMENCLATURE | EFFECT FROM TO | UNITS PER ASSY |
|--------------|--------------|---------------|---|------------------|----------------|
| 37G - 615 | 69-78809-4 | | ..PRINTED CIRCUIT ASSY-UNIV MASTER CAUTION SUPPLIER CODE: V89954 COMPONENT MAINT MANUAL REF: 28-09-33 OPTIONAL PART: 69-78809-3 V89954 69-78809-5 V89954 69-78809-6 V89954 FOR SPARES PROCURE: 69-78809-6 V89954 | 101200 968999 | RF |
| - 615 | 69-78809-5 | | ..PRINTED CIRCUIT ASSY-UNIV MASTER CAUTION SUPPLIER CODE: V89954 COMPONENT MAINT MANUAL REF: 28-09-33 OPTIONAL PART: 69-78809-3 V89954 69-78809-4 V89954 69-78809-6 V89954 FOR SPARES PROCURE: 69-78809-6 V89954 | 101200 968999 | RF |
| - 615 | 69-78809-6 | | ..PRINTED CIRCUIT ASSY-UNIV MASTER CAUTION SUPPLIER CODE: V89954 COMPONENT MAINT MANUAL REF: 28-09-33 OPTIONAL PART: 69-78809-3 V89954 69-78809-4 V89954 69-78809-5 V89954 | 101200 968999 | RF |
| 620 | BAC27TEX1486 | | ...DECAL- PLACARD CONTENT: STATIC SENSITIVE | 101200 968999 | 1 |

MISSING ITEM NUMBERS NOT APPLICABLE

- ITEM NOT ILLUSTRATED

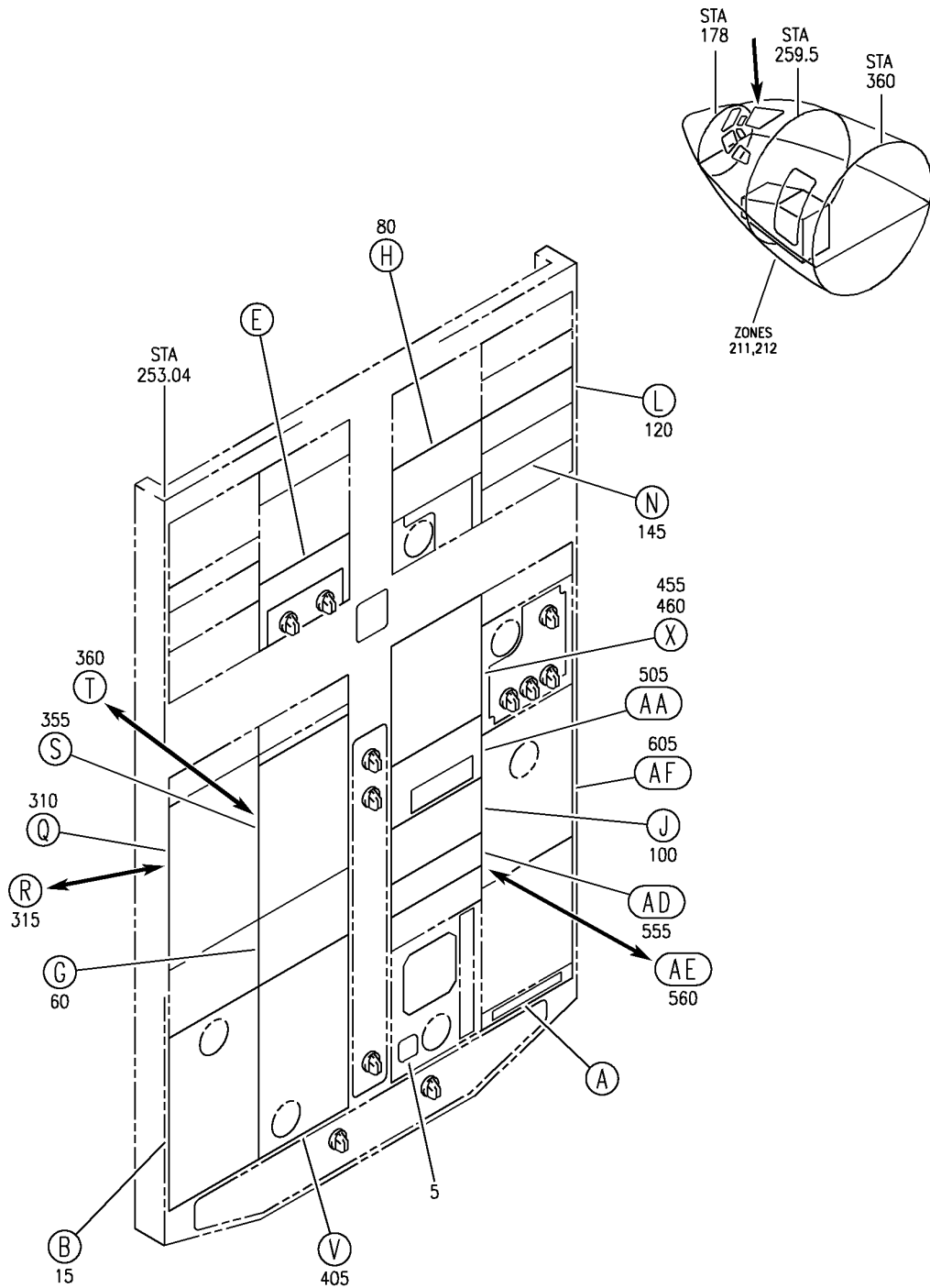
HAP

11-31-01-37G

BOEING PROPRIETARY - Copyright © - Unpublished Work - See title page for details.

11-31-01
FIG. 37G
PAGE 19
FEB 15/09

BOEING
 737-600/700/800/900
 PARTS CATALOG (MAINTENANCE)



E 11310138S SHT 1 REV 122

MODULE INSTL-P5 OVHD (PLACARDS AND MARKINGS ONLY)
 FIGURE 38S (SHEET 1)

11-31-01-38S

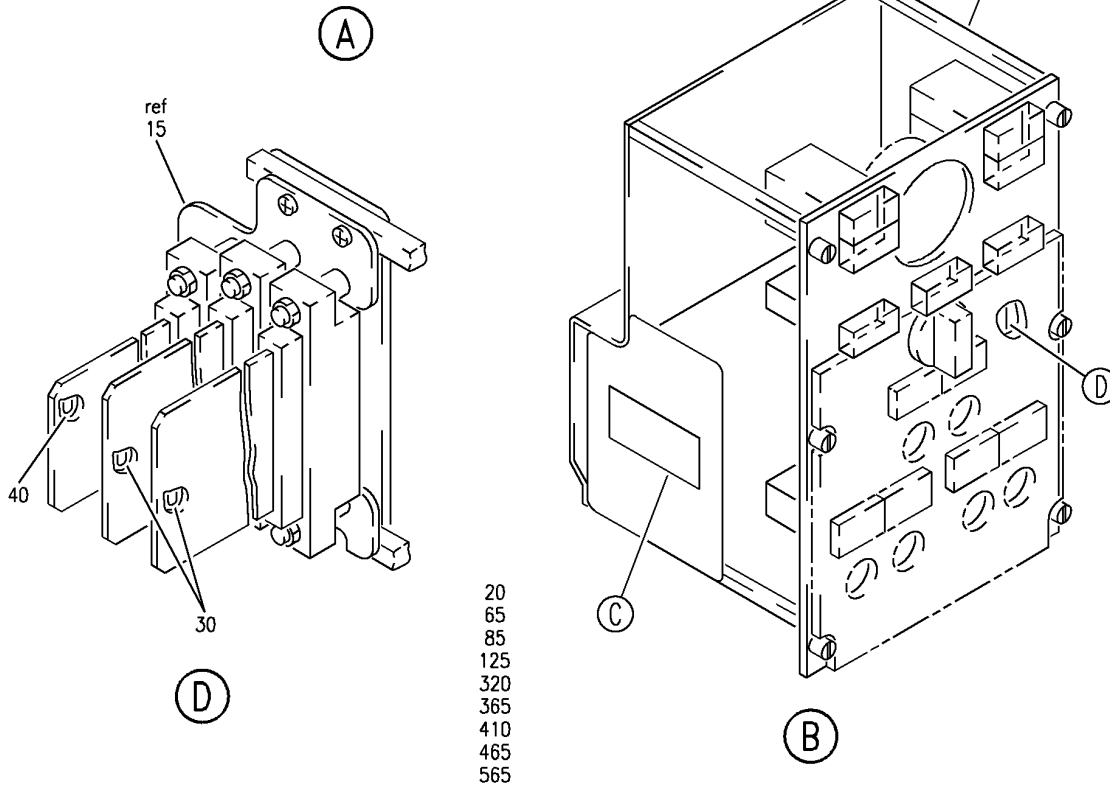
HAP
 OCT 10/06

11-31-01-38S
 PAGE 0

BOEING
737-600/700/800/900
PARTS CATALOG (MAINTENANCE)

10

| | | | | | |
|---------|----------|-------|-------|-------|-------|
| CAB ALT | LAND ALT | 2000 | 4000 | 6000 | 8000 |
| FLT ALT | <FL160 | FL220 | FL260 | FL320 | FL410 |



CAUTION

THIS UNIT IS NOT SUBJECT TO DAMAGE FROM ELECTROSTATIC DISCHARGE AS AN ASSEMBLY HOWEVER, IT CONTAINS PARTS OR SUB-ASSEMBLIES THAT ARE SENSITIVE TO ELECTROSTATIC DISCHARGE. CONDUCTIVE CONNECTOR COVERS REQUIRED.

E 11310138S SH1 2 REV 122

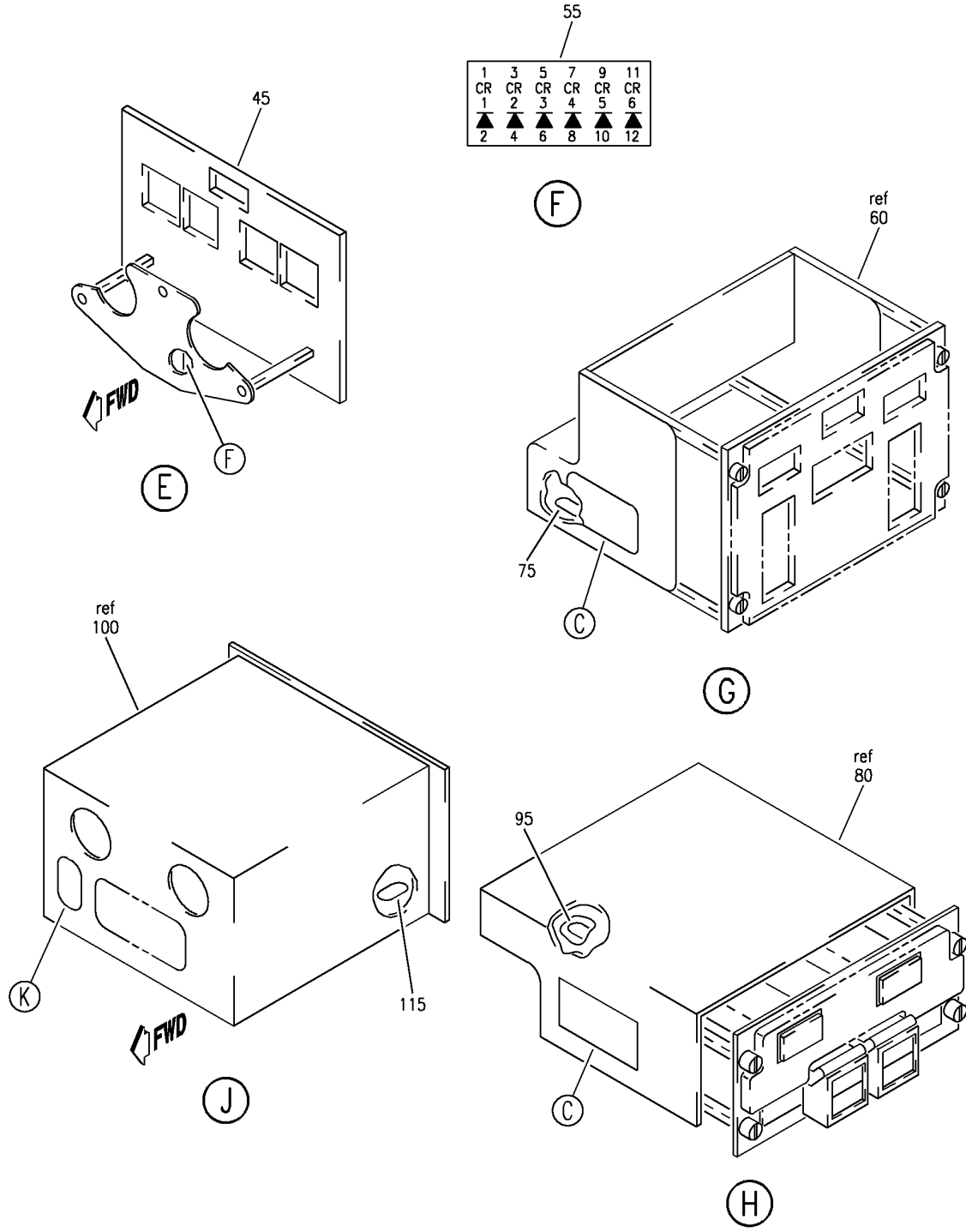
MODULE INSTL-P5 OVHD (PLACARDS AND MARKINGS ONLY)
FIGURE 38S (SHEET 2)

11-31-01-38S

HAP
OCT 10/06

11-31-01-38S
PAGE 0A


BOEING
 737-600/700/800/900
PARTS CATALOG (MAINTENANCE)



E 11310138S SH1 3 REV 122

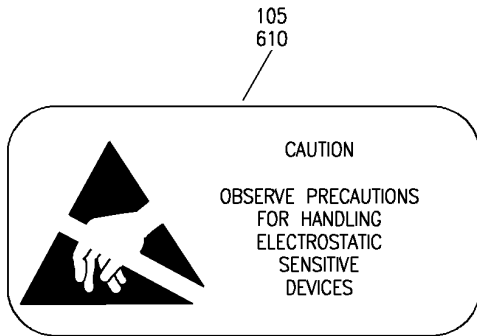
MODULE INSTL-P5 OVHD (PLACARDS AND MARKINGS ONLY)
FIGURE 38S (SHEET 3)

11-31-01-38S

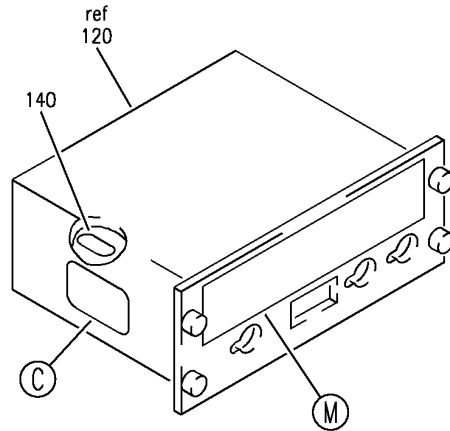
HAP
OCT 10/06

11-31-01-38S
PAGE 0B

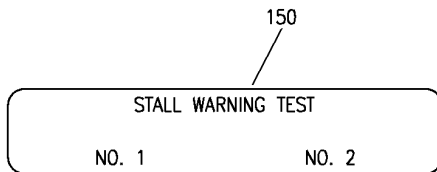
BOEING
737-600/700/800/900
PARTS CATALOG (MAINTENANCE)



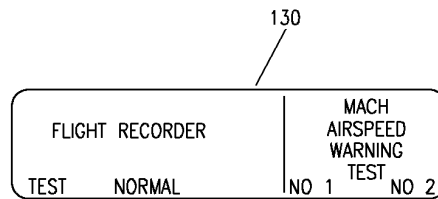
(K)



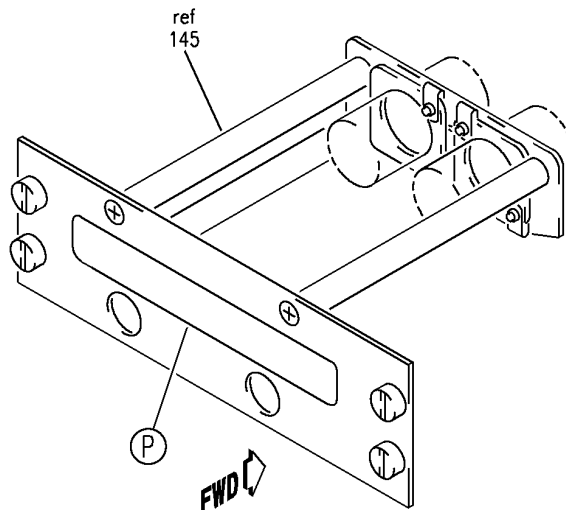
(L)



(P)



(M)



(N)

E 11310138S SH1 4 REV 122

MODULE INSTL-P5 OVHD (PLACARDS AND MARKINGS ONLY)
FIGURE 38S (SHEET 4)

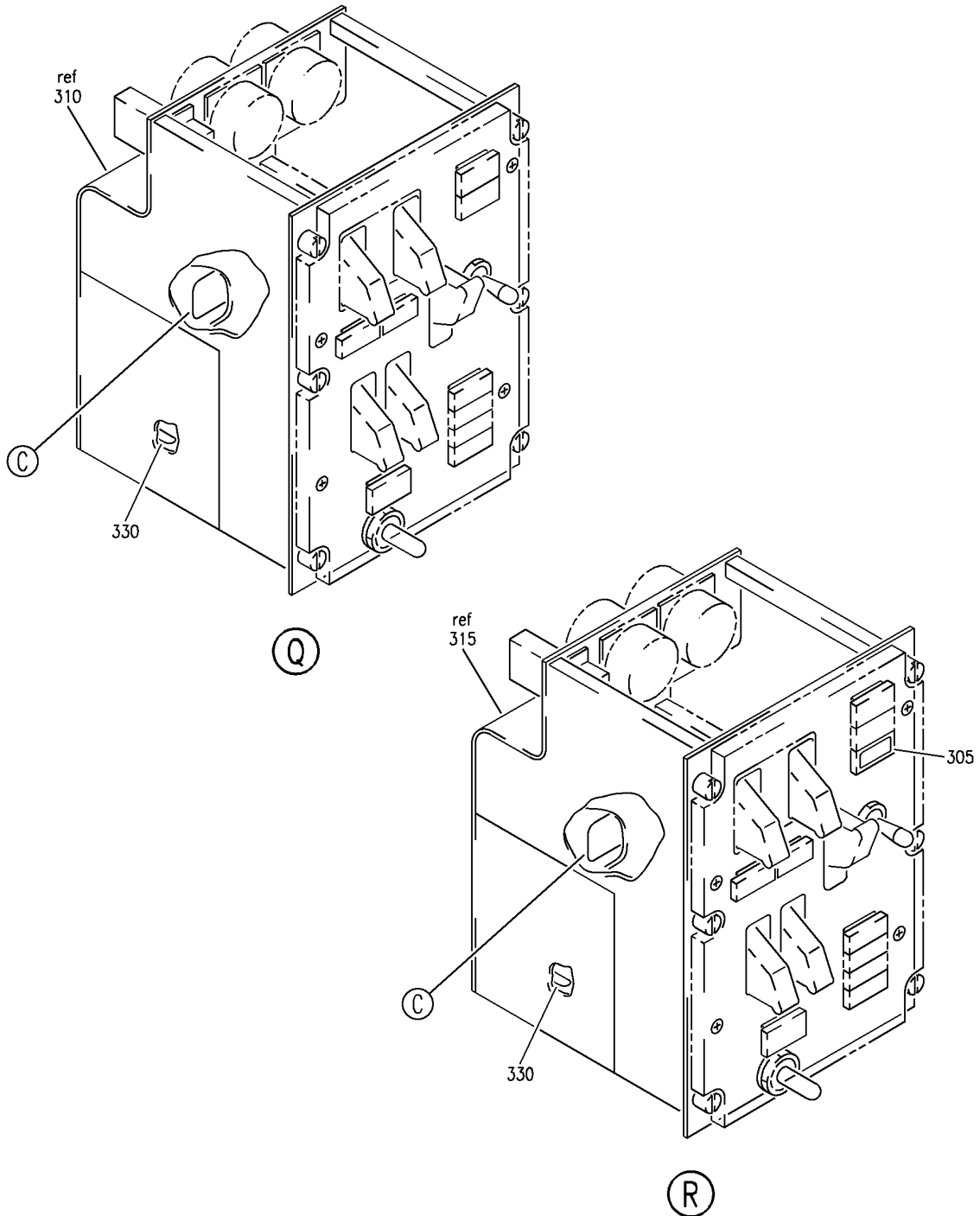
11-31-01-38S

HAP
OCT 10/06

11-31-01-38S
PAGE 0C

BOEING PROPRIETARY - Copyright © - Unpublished Work - See title page for details.

BOEING
737-600/700/800/900
PARTS CATALOG (MAINTENANCE)



E 11310138S SHT 5 REV 122

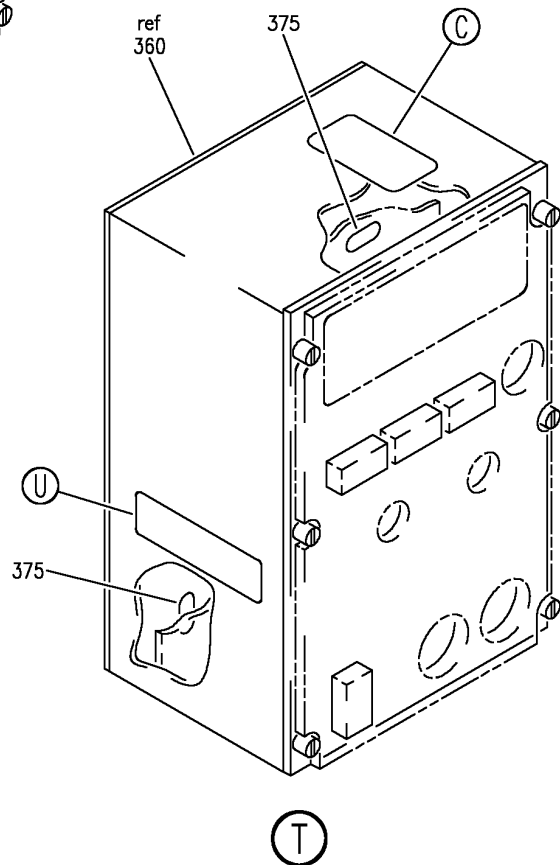
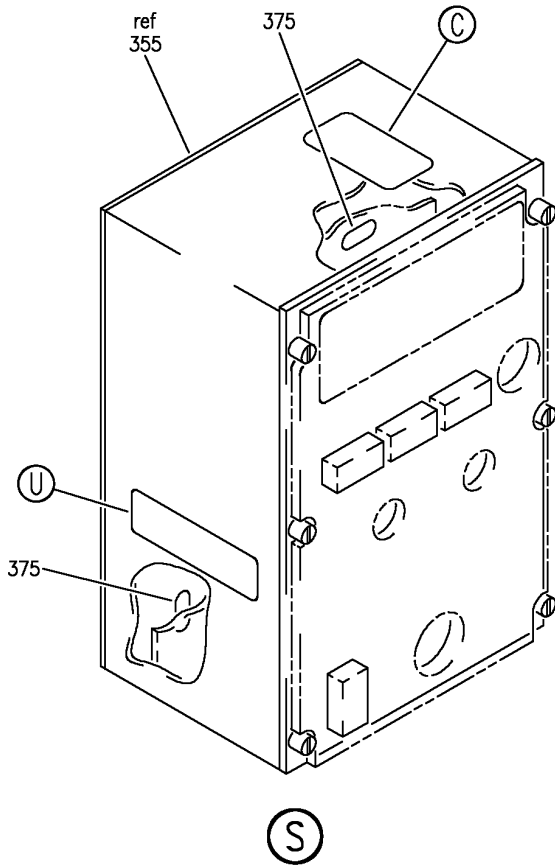
MODULE INSTL-P5 OVHD (PLACARDS AND MARKINGS ONLY)
FIGURE 38S (SHEET 5)

11-31-01-38S

HAP
OCT 10/06

11-31-01-38S
PAGE 0D

BOEING
737-600/700/800/900
PARTS CATALOG (MAINTENANCE)



370

| | | | | |
|--|-------|---|---|---|
| ELECTRIC METERS AND GALLEY POWER PANEL (P5-13) | | | | |
| P/N 285A1840- | _____ | | | |
| SERIAL NUMBER | _____ | | | |
| BOEING | MOD | A | B | C |
| | LEVEL | E | F | G |

E 11310138S SHT 6 REV 143

U

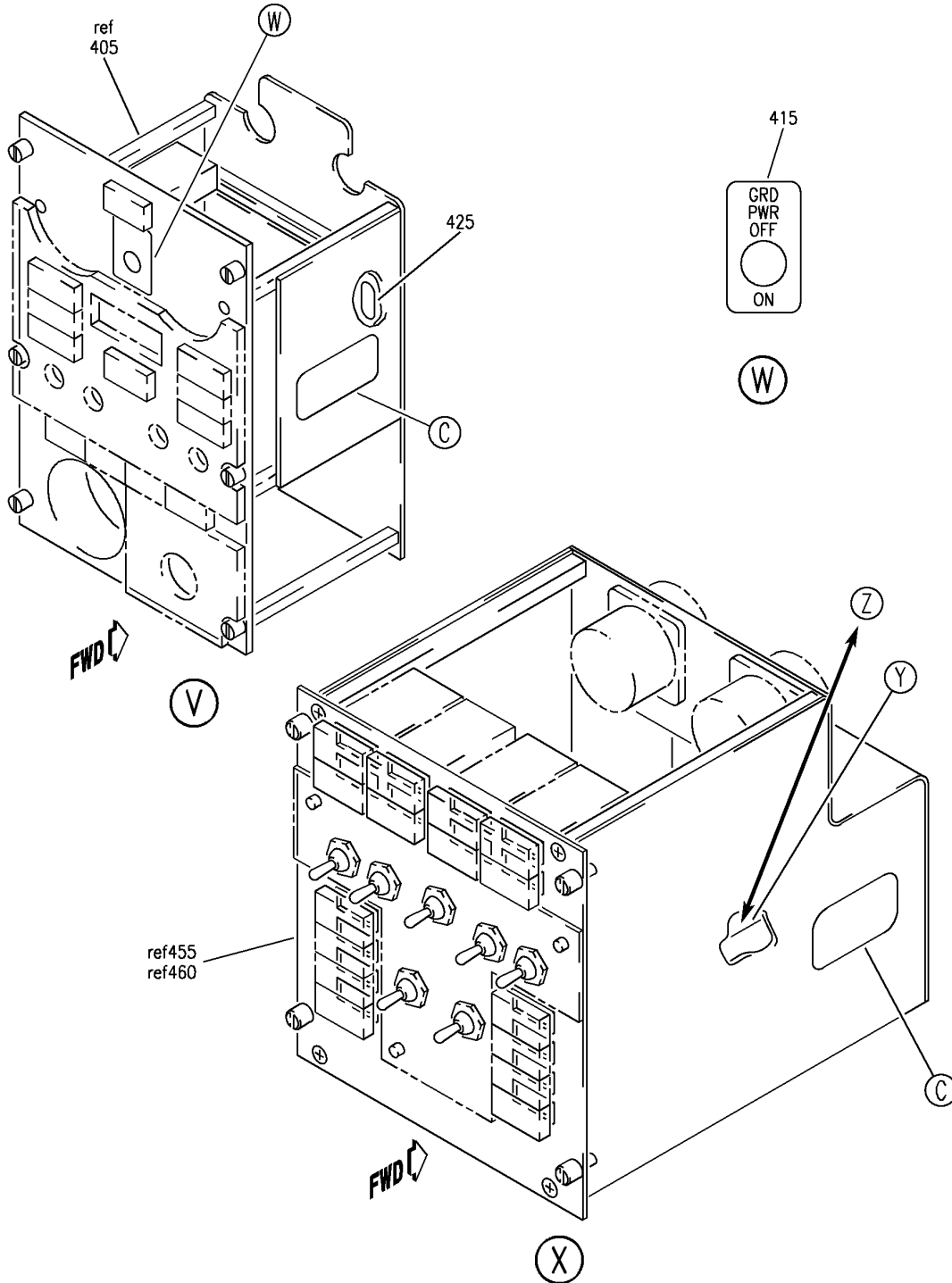
MODULE INSTL-P5 OVHD (PLACARDS AND MARKINGS ONLY)
FIGURE 38S (SHEET 6)

11-31-01-38S

HAP
JUN 15/08

11-31-01-38S
PAGE 0E

BOEING
 737-600/700/800/900
 PARTS CATALOG (MAINTENANCE)



E 11310138S SH7 7 REV 122

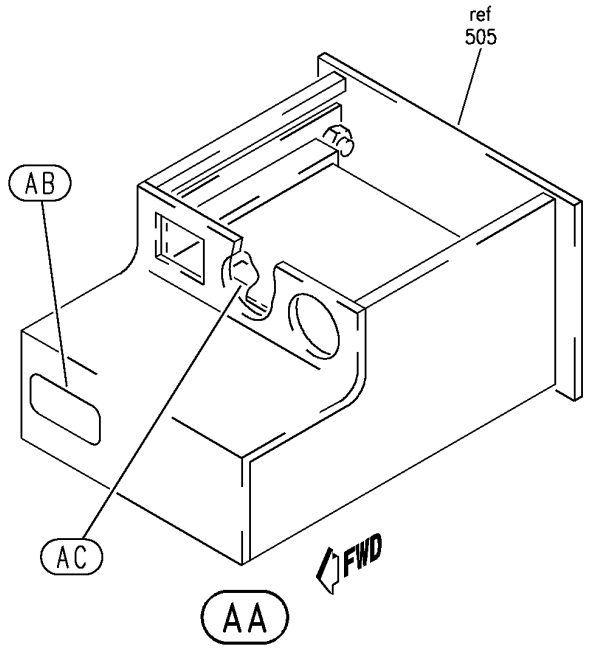
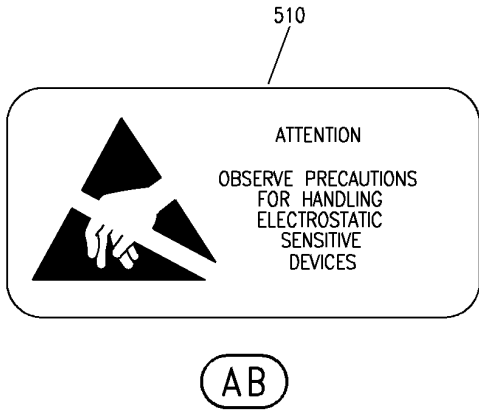
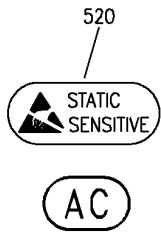
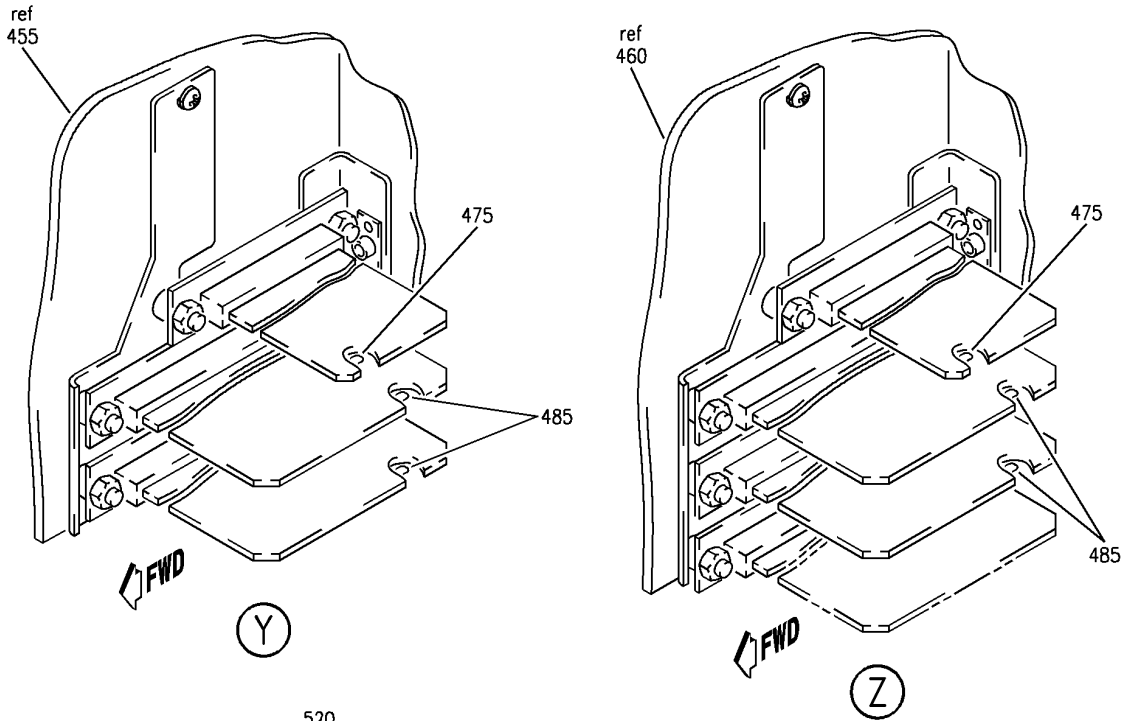
MODULE INSTL-P5 OVHD (PLACARDS AND MARKINGS ONLY)
 FIGURE 38S (SHEET 7)

11-31-01-38S

HAP
 OCT 10/06

11-31-01-38S
 PAGE OF

BOEING
737-600/700/800/900
PARTS CATALOG (MAINTENANCE)



E 11310138S SH1 8 REV 122

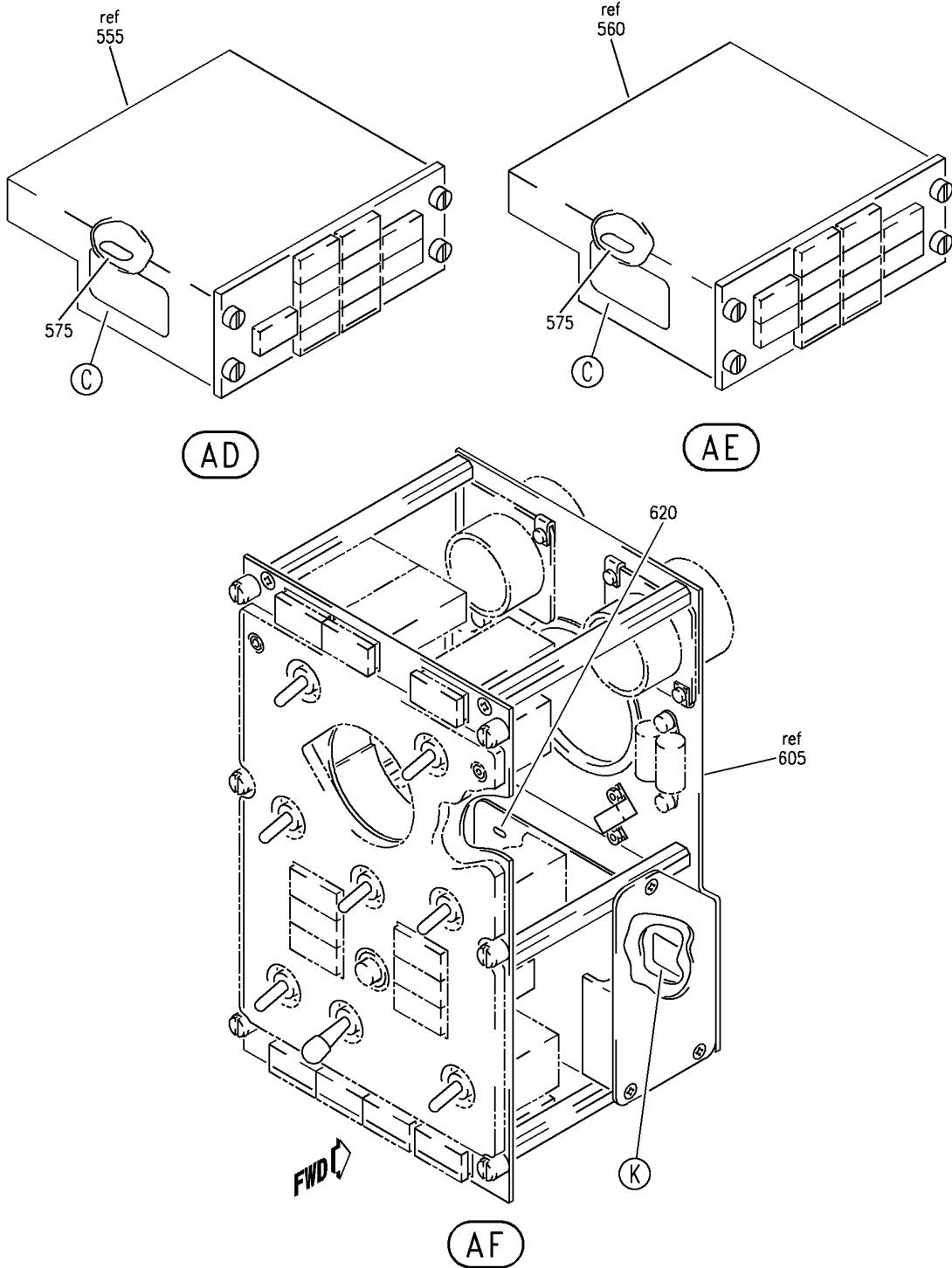
MODULE INSTL-P5 OVHD (PLACARDS AND MARKINGS ONLY)
FIGURE 38S (SHEET 8)

11-31-01-38S

HAP
OCT 10/06

11-31-01-38S
PAGE 0G

BOEING
 737-600/700/800/900
 PARTS CATALOG (MAINTENANCE)



E 11310138S SH1 9 REV 122

MODULE INSTL-P5 OVHD (PLACARDS AND MARKINGS ONLY)
 FIGURE 38S (SHEET 9)

11-31-01-38S

HAP
 OCT 10/06

11-31-01-38S
 PAGE 0H

BOEING
737-600/700/800/900
PARTS CATALOG (MAINTENANCE)

| FIG ITEM | PART NUMBER | 1 2 3 4 5 6 7 | NOMENCLATURE | EFFECT FROM TO | UNITS PER ASSY |
|----------|---------------|---------------|---|----------------|----------------|
| 38S | | | MODULE INSTL-P5 OVHD (PLACARDS AND MARKINGS ONLY) | 029030 | |
| - 1 | 233A3104-1 | | MODULE INSTL-P5 OVHD MAJOR MODEL COMPONENTS (PLACARDS AND MARKINGS ONLY) | 029030 | RF |
| | 5 BAC27DCC287 | | FOR NHA/OTHER SYS DET SEE: 31-11-00-02 .MARKER-ALUMINUM FOIL PLACARD CONTENT: PRESS DIFF LIMIT: TAKE-OFF & LDG .125 PSI | 029030 | 1 |
| 10 | BAC27DCC2715 | | .MARKER-ALUMINUM FOIL | 029030 | 1 |
| 15 | 233A3202-3 | | .MODULE ASSY-FUEL CONT P5-2 SUPPLIER CODE: V89954 ELECTRICAL EQUIP NUMBER: P00502 COMPONENT MAINT MANUAL REF: 28-09-31 QUALIFIED I/W DATA: 233A3202-4 I/W 233A3202-3 EXCEPT 233A3202-4 IS NOT ACCEPTABLE FOR USE ON ACFT FITTED WITH THE APU DC BOOST PUMP OPTION. BOOST PUMP P/N IS 218387, REF IPC LOCATION 28-25-51-08-053. PRE ALERT SB: 28A1206 | 029030 | RF |

MISSING ITEM NUMBERS NOT APPLICABLE

- ITEM NOT ILLUSTRATED

HAP

11-31-01-38S

BOEING PROPRIETARY - Copyright © - Unpublished Work - See title page for details.

11-31-01
FIG. 38S
PAGE 1
OCT 10/07

 **BOEING**
737-600/700/800/900
PARTS CATALOG (MAINTENANCE)

| FIG ITEM | PART NUMBER | 1 2 3 4 5 6 7 | NOMENCLATURE | EFFECT FROM TO | UNITS PER ASSY |
|-----------|--------------|---------------|--|----------------|----------------|
| 38S 15 | 233A3202-5 | . | MODULE ASSY-FUEL CONT P5-2 SUPPLIER CODE: V89954 MISCELLANEOUS DATA: 233A3202-5 CAN BE CREATED BY REWORKING A 233A3202-3 OR -4 BY COMPONENT SERVICE BULLETIN 233A3202-28-03. REFERENCE SB 737-28A1206 DATED JANUARY 11, 2006. ELECTRICAL EQUIP NUMBER: P00502 COMPONENT MAINT MANUAL REF: 28-09-31 POST ALERT SB: 28A1206 | 029030 | RF |
| - 20 | BAC27DEX6075 | .. | MARKER | 029030 | 1 |
| - 25 | 285A1801-2 | .. | PRINTED CIRCUIT ASSY- SUPPLIER CODE: V89954 COMPONENT MAINT MANUAL REF: 28-09-32 | 029030 | RF |
| 30 | BAC27TEX1486 | ... | DECAL- PLACARD CONTENT: STATIC SENSITIVE | 029030 | 1 |
| - 35 | 69-78809-5 | .. | PRINTED CIRCUIT ASSY-UNIV MASTER CAUTION SUPPLIER CODE: V89954 COMPONENT MAINT MANUAL REF: 28-09-33 QUALIFIED I/W DATA: 69-78809-5 MAY REPLACE 69-78809-4 UPON INCORPORATION OF CSB 233A3202-28-01. FOR SPARES PROCURE: 69-78809-6 V89954 PRE ALERT SB: 28A1206 | 029030 | RF |

MISSING ITEM NUMBERS NOT APPLICABLE

- ITEM NOT ILLUSTRATED

HAP

11-31-01-38S

BOEING PROPRIETARY - Copyright © - Unpublished Work - See title page for details.

11-31-01
FIG. 38S
PAGE 2
FEB 15/09

BOEING
737-600/700/800/900
PARTS CATALOG (MAINTENANCE)

| FIG ITEM | PART NUMBER | 1 2 3 4 5 6 7 | NOMENCLATURE | EFFECT FROM TO | UNITS PER ASSY |
|-------------|---------------------------|---------------|--|-------------------|----------------------|
| 38S - 35 | 69-78809-6 | | ..PRINTED CIRCUIT ASSY-UNIV MASTER CAUTION SUPPLIER CODE: V89954 COMPONENT MAINT MANUAL REF: 28-09-33 POST ALERT SB: 28A1206 | 029030 | RF |
| 40 | BAC27TEX1486 | | ...DECAL- PLACARD CONTENT: STATIC SENSITIVE | 029030 | 1 |
| 45 | 69-73713-17 | | .MODULE ASSY-IRS MODE SELECTOR P5-69 SUPPLIER CODE: V89954 ELECTRICAL EQUIP NUMBER: P00569 COMPONENT MAINT MANUAL REF: 34-21-20 QUALIFIED I/W DATA: INTERCHANGEABLE IF GLS NOT ACTIVATED(CONNECTOR J1 PIN 11 AND J2 PIN 9 ARE NOT GROUNDED). | 029030 | RF |
| - 50 | 69-63592-21 | | ..COMPONENT ASSY- SUPPLIER CODE: V89954 COMPONENT MAINT MANUAL REF: 34-21-17 | 029030 | RF |
| 55 60 | BAC27DEX999 233A3205-3 | | ...DECAL .MODULE ASSY-GEN DRIVE/ STBY PWR P5-5 SUPPLIER CODE: V89954 ELECTRICAL EQUIP NUMBER: P00505 COMPONENT MAINT MANUAL REF: 31-10-41 | 029030 029030 | 1 RF |
| 65 | BAC27DEX6075 | | ..MARKER | 029030 | 1 |

MISSING ITEM NUMBERS NOT APPLICABLE

- ITEM NOT ILLUSTRATED

HAP

11-31-01-38S

BOEING PROPRIETARY - Copyright © - Unpublished Work - See title page for details.

11-31-01
FIG. 38S
PAGE 3
FEB 15/09

BOEING
737-600/700/800/900
PARTS CATALOG (MAINTENANCE)

| FIG ITEM | PART NUMBER | 1 2 3 4 5 6 7 | NOMENCLATURE | EFFECT FROM TO | UNITS PER ASSY |
|-------------|-------------|---------------|---|-------------------|----------------------|
| 38S - 70 | 69-78809-3 | | ..PRINTED CIRCUIT ASSY-UNIV MASTER CAUTION SUPPLIER CODE: V89954 COMPONENT MAINT MANUAL REF: 28-09-33 OPTIONAL PART: 69-78809-4 V89954 69-78809-5 V89954 69-78809-6 V89954 FOR SPARES PROCURE: 69-78809-6 V89954 | 029030 | RF |
| - 70 | 69-78809-4 | | ..PRINTED CIRCUIT ASSY-UNIV MASTER CAUTION SUPPLIER CODE: V89954 COMPONENT MAINT MANUAL REF: 28-09-33 OPTIONAL PART: 69-78809-3 V89954 69-78809-5 V89954 69-78809-6 V89954 FOR SPARES PROCURE: 69-78809-6 V89954 | 029030 | RF |
| - 70 | 69-78809-5 | | ..PRINTED CIRCUIT ASSY-UNIV MASTER CAUTION SUPPLIER CODE: V89954 COMPONENT MAINT MANUAL REF: 28-09-33 OPTIONAL PART: 69-78809-3 V89954 69-78809-4 V89954 69-78809-6 V89954 FOR SPARES PROCURE: 69-78809-6 V89954 | 029030 | RF |

MISSING ITEM NUMBERS NOT APPLICABLE

- ITEM NOT ILLUSTRATED

HAP

11-31-01-38S

BOEING PROPRIETARY - Copyright © - Unpublished Work - See title page for details.

11-31-01
FIG. 38S
PAGE 4
FEB 15/09

BOEING
737-600/700/800/900
PARTS CATALOG (MAINTENANCE)

| FIG ITEM | PART NUMBER | 1 2 3 4 5 6 7 | NOMENCLATURE | EFFECT FROM TO | UNITS PER ASSY |
|-------------|----------------------------|---------------|---|------------------|----------------|
| 38S - 70 | 69-78809-6 | | ..PRINTED CIRCUIT ASSY-UNIV MASTER CAUTION SUPPLIER CODE: V89954 COMPONENT MAINT MANUAL REF: 28-09-33 OPTIONAL PART: 69-78809-3 V89954 69-78809-4 V89954 69-78809-5 V89954 | 029030 | RF |
| | 75 BAC27TEX1486 | | ...DECAL- PLACARD CONTENT: STATIC SENSITIVE | 029030 | 1 |
| | 80 233A3203-1 | | .MODULE ASSY-PWR MANAGEMENT CONT P5-68 SUPPLIER CODE: V89954 ELECTRICAL EQUIP NUMBER: P00568 COMPONENT MAINT MANUAL REF: 33-10-16 | 029030 | RF |
| 85 - 90 | BAC27DEX6075 69-78809-5 | | ..MARKER ..PRINTED CIRCUIT ASSY-UNIV MASTER CAUTION SUPPLIER CODE: V89954 COMPONENT MAINT MANUAL REF: 28-09-33 OPTIONAL PART: 69-78809-6 V89954 FOR SPARES PROCURE: 69-78809-6 V89954 | 029030 029030 | 1 RF |
| - 90 | 69-78809-6 | | ..PRINTED CIRCUIT ASSY-UNIV MASTER CAUTION SUPPLIER CODE: V89954 COMPONENT MAINT MANUAL REF: 28-09-33 OPTIONAL PART: 69-78809-5 V89954 | 029030 | RF |
| | 95 BAC27TEX1486 | | ...DECAL- PLACARD CONTENT: STATIC SENSITIVE | 029030 | 1 |

MISSING ITEM NUMBERS NOT APPLICABLE

- ITEM NOT ILLUSTRATED

HAP

11-31-01-38S

BOEING PROPRIETARY - Copyright © - Unpublished Work - See title page for details.

11-31-01
FIG. 38S
PAGE 5
FEB 15/09

BOEING
737-600/700/800/900
PARTS CATALOG (MAINTENANCE)

| FIG ITEM | PART NUMBER | 1 2 3 4 5 6 7 | NOMENCLATURE | EFFECT FROM TO | UNITS PER ASSY |
|--------------|---------------------------|---------------|--|-------------------|----------------------|
| 38S 100 | 69-37317-300 | . | MODULE ASSY-HYDR PUMPS P5-8 SUPPLIER CODE: V89954 ELECTRICAL EQUIP NUMBER: P00508 COMPONENT MAINT MANUAL REF: 31-11-31 | 029030 | RF |
| 105 - 110 | BAC27EEX510 69-78809-3 | .. | DECAL PRINTED CIRCUIT ASSY-UNIV MASTER CAUTION SUPPLIER CODE: V89954 COMPONENT MAINT MANUAL REF: 28-09-33 OPTIONAL PART: 69-78809-4 V89954 69-78809-5 V89954 69-78809-6 V89954 FOR SPARES PROCURE: 69-78809-6 V89954 | 029030 029030 | 1 RF |
| - 110 | 69-78809-4 | .. | PRINTED CIRCUIT ASSY-UNIV MASTER CAUTION SUPPLIER CODE: V89954 COMPONENT MAINT MANUAL REF: 28-09-33 OPTIONAL PART: 69-78809-3 V89954 69-78809-5 V89954 69-78809-6 V89954 FOR SPARES PROCURE: 69-78809-6 V89954 | 029030 | RF |

MISSING ITEM NUMBERS NOT APPLICABLE

- ITEM NOT ILLUSTRATED

HAP

11-31-01-38S

BOEING PROPRIETARY - Copyright © - Unpublished Work - See title page for details.

11-31-01
FIG. 38S
PAGE 6
FEB 15/09

BOEING
737-600/700/800/900
PARTS CATALOG (MAINTENANCE)

| FIG ITEM | PART NUMBER | 1 2 3 4 5 6 7 | NOMENCLATURE | EFFECT FROM TO | UNITS PER ASSY |
|--------------|--------------|---------------|---|-------------------|----------------------|
| 38S - 110 | 69-78809-5 | | ..PRINTED CIRCUIT ASSY-UNIV MASTER CAUTION SUPPLIER CODE: V89954 COMPONENT MAINT MANUAL REF: 28-09-33 OPTIONAL PART: 69-78809-3 V89954 69-78809-4 V89954 69-78809-6 V89954 FOR SPARES PROCURE: 69-78809-6 V89954 | 029030 | RF |
| - 110 | 69-78809-6 | | ..PRINTED CIRCUIT ASSY-UNIV MASTER CAUTION SUPPLIER CODE: V89954 COMPONENT MAINT MANUAL REF: 28-09-33 OPTIONAL PART: 69-78809-3 V89954 69-78809-4 V89954 69-78809-5 V89954 | 029030 | RF |
| 115 | BAC27TEX1486 | | ...DECAL- PLACARD CONTENT: STATIC SENSITIVE | 029030 | 1 |
| 120 | 233A3208-2 | | .MODULE ASSY-FLIGHT RECORDER AND MACH AIRSPEED WARNING, TEST P5-19 SUPPLIER CODE: V89954 ELECTRICAL EQUIP NUMBER: P00519 COMPONENT MAINT MANUAL REF: 31-37-08 | 029030 | RF |
| 125 | BAC27DEX6075 | | ..MARKER | 029030 | 1 |
| 130 | BAC27DCC572 | | ..MARKER-ALUMINUM FOIL | 029030 | 1 |

MISSING ITEM NUMBERS NOT APPLICABLE

- ITEM NOT ILLUSTRATED

HAP

11-31-01-38S

BOEING PROPRIETARY - Copyright © - Unpublished Work - See title page for details.

11-31-01
FIG. 38S
PAGE 7
FEB 15/09

 **BOEING**
737-600/700/800/900
PARTS CATALOG (MAINTENANCE)

| FIG ITEM | PART NUMBER | 1 2 3 4 5 6 7 | NOMENCLATURE | EFFECT FROM TO | UNITS PER ASSY |
|--------------|-------------|---------------|---|-------------------|----------------------|
| 38S - 135 | 69-78809-3 | | ..PRINTED CIRCUIT ASSY-UNIV MASTER CAUTION SUPPLIER CODE: V89954 COMPONENT MAINT MANUAL REF: 28-09-33 OPTIONAL PART: 69-78809-4 V89954 69-78809-5 V89954 69-78809-6 V89954 FOR SPARES PROCURE: 69-78809-6 V89954 | 029030 | RF |
| - 135 | 69-78809-4 | | ..PRINTED CIRCUIT ASSY-UNIV MASTER CAUTION SUPPLIER CODE: V89954 COMPONENT MAINT MANUAL REF: 28-09-33 OPTIONAL PART: 69-78809-3 V89954 69-78809-5 V89954 69-78809-6 V89954 FOR SPARES PROCURE: 69-78809-6 V89954 | 029030 | RF |
| - 135 | 69-78809-5 | | ..PRINTED CIRCUIT ASSY-UNIV MASTER CAUTION SUPPLIER CODE: V89954 COMPONENT MAINT MANUAL REF: 28-09-33 OPTIONAL PART: 69-78809-3 V89954 69-78809-4 V89954 69-78809-6 V89954 FOR SPARES PROCURE: 69-78809-6 V89954 | 029030 | RF |

MISSING ITEM NUMBERS NOT APPLICABLE

- ITEM NOT ILLUSTRATED

HAP

11-31-01-38S

BOEING PROPRIETARY - Copyright © - Unpublished Work - See title page for details.

11-31-01
FIG. 38S
PAGE 8
FEB 15/09

BOEING
737-600/700/800/900
PARTS CATALOG (MAINTENANCE)

| FIG ITEM | PART NUMBER | 1 2 3 4 5 6 7 | NOMENCLATURE | EFFECT FROM TO | UNITS PER ASSY |
|--------------|---------------------------------|---------------|--|------------------|----------------|
| 38S - 135 | 69-78809-6 | | ..PRINTED CIRCUIT ASSY-UNIV MASTER CAUTION SUPPLIER CODE: V89954 COMPONENT MAINT MANUAL REF: 28-09-33 OPTIONAL PART: 69-78809-3 V89954 69-78809-4 V89954 69-78809-5 V89954 | 029030 | RF |
| 140 | BAC27TEX1486 | | ...DECAL- PLACARD CONTENT: STATIC SENSITIVE | 029030 | 1 |
| 145 | 69-75978-1 | | .MODULE ASSY-STALL WARNING P5-18 SUPPLIER CODE: V89954 ELECTRICAL EQUIP NUMBER: P00518 COMPONENT MAINT MANUAL REF: 27-32-49 | 029030 | RF |
| 150 - 300 | BAC27DCC1337 233A3104-346104 | | ..MARKER-ALUMINUM FOIL MODULE INSTL-INSTR SWITCHING PNL P5-28 / FLIGHT CONT P5-3 (PLACARDS AND MARKINGS ONLY) FOR NHA/OTHER SYS DET SEE: 31-11-00-01C | 029030 029030 | 1 RF |
| 305 | BAC27DCC2937 | | .MARKER- PLACARD CONTENT: INOP POST SERVICE BULLETIN: 27-1262 | 029030 | 1 |

MISSING ITEM NUMBERS NOT APPLICABLE

- ITEM NOT ILLUSTRATED

HAP

11-31-01-38S

BOEING PROPRIETARY - Copyright © - Unpublished Work - See title page for details.

11-31-01
FIG. 38S
PAGE 9
FEB 15/09

BOEING
737-600/700/800/900
PARTS CATALOG (MAINTENANCE)

| FIG ITEM | PART NUMBER | 1 2 3 4 5 6 7 | NOMENCLATURE | EFFECT FROM TO | UNITS PER ASSY |
|--------------|----------------------------|---------------|---|-------------------|----------------------|
| 38S 315 | 233A3209-2 | | .MODULE ASSY- SUPPLIER CODE: V89954 ELECTRICAL EQUIP NUMBER: P00503 COMPONENT MAINT MANUAL REF: 31-37-09 QUALIFIED I/W DATA: 233A3209-2 REPLACES 233A3209-1 ONE-WAY INTERCHANGEABLE UPON INCORPORATION OF SB 737-27-1262 POST SERVICE BULLETIN: 27-1262 POST COMPONENT SB: 233A3209-31-01R1 | 029030 | RF |
| 320 - 325 | BAC27DEX6075 69-78809-3 | | ..MARKER ..PRINTED CIRCUIT ASSY-UNIV MASTER CAUTION SUPPLIER CODE: V89954 COMPONENT MAINT MANUAL REF: 28-09-33 OPTIONAL PART: 69-78809-4 V89954 69-78809-5 V89954 69-78809-6 V89954 FOR SPARES PROCURE: 69-78809-6 V89954 | 029030 029030 | 1 RF |

MISSING ITEM NUMBERS NOT APPLICABLE

- ITEM NOT ILLUSTRATED

HAP

11-31-01-38S

BOEING PROPRIETARY - Copyright © - Unpublished Work - See title page for details.

11-31-01
FIG. 38S
PAGE 10
JUN 15/09

BOEING
737-600/700/800/900
PARTS CATALOG (MAINTENANCE)

| FIG ITEM | PART NUMBER | 1 2 3 4 5 6 7 | NOMENCLATURE | EFFECT FROM TO | UNITS PER ASSY |
|--------------|--------------|---------------|---|----------------|----------------|
| 38S - 325 | 69-78809-4 | | ..PRINTED CIRCUIT ASSY-UNIV MASTER CAUTION SUPPLIER CODE: V89954 COMPONENT MAINT MANUAL REF: 28-09-33 OPTIONAL PART: 69-78809-3 V89954 69-78809-5 V89954 69-78809-6 V89954 FOR SPARES PROCURE: 69-78809-6 V89954 | 029030 | RF |
| - 325 | 69-78809-5 | | ..PRINTED CIRCUIT ASSY-UNIV MASTER CAUTION SUPPLIER CODE: V89954 COMPONENT MAINT MANUAL REF: 28-09-33 OPTIONAL PART: 69-78809-4 V89954 69-78809-3 V89954 FOR SPARES PROCURE: 69-78809-6 V89954 | 029030 | RF |
| - 325 | 69-78809-6 | | ..PRINTED CIRCUIT ASSY-UNIV MASTER CAUTION SUPPLIER CODE: V89954 COMPONENT MAINT MANUAL REF: 28-09-33 OPTIONAL PART: 69-78809-3 V89954 69-78809-4 V89954 | 029030 | RF |
| 330 | BAC27TEX1486 | | ...DECAL- PLACARD CONTENT: STATIC SENSITIVE | 029030 | 1 |

MISSING ITEM NUMBERS NOT APPLICABLE

- ITEM NOT ILLUSTRATED

HAP

11-31-01-38S

BOEING PROPRIETARY - Copyright © - Unpublished Work - See title page for details.

11-31-01
FIG. 38S
PAGE 11
FEB 15/09

BOEING
737-600/700/800/900
PARTS CATALOG (MAINTENANCE)

| FIG ITEM | PART NUMBER | 1 2 3 4 5 6 7 | NOMENCLATURE | EFFECT FROM TO | UNITS PER ASSY |
|--------------|-----------------|---------------|--|----------------|----------------|
| 38S - 350 | 233A3104-243304 | | MODULE INSTL-ELEC METER BATERRY AND GALLEY PWR 60 MIN STANDBY P5-13 (PLACARDS AND MARKINGS ONLY) FOR NHA/OTHER SYS DET SEE: 31-11-00-01C | 029030 | RF |
| 355 | 285A1840-4 | | .MODULE ASSY- STATIC SENSITIVE PART SUPPLIER CODE: V89954 ELECTRICAL EQUIP NUMBER: P00513 COMPONENT MAINT MANUAL REF: 24-00-06 | 029030 | RF |
| 365 | BAC27DEX6075 | | ..MARKER | 029030 | 1 |
| 370 | BAC27DEX6684 | | ..MARKER-ALUMINUM FOIL SUPPLIER CODE: V89954 | 029030 | 1 |
| 375 | BAC27TEX1486 | | ..DECAL- PLACARD CONTENT: STATIC SENSITIVE | 029030 | 2 |
| - 400 | 233A3104-242801 | | MODULE INSTL-P5-4 OVHD AC SYS GEN AND APU (LEFT WIPER SWITCH) (PLACARDS AND MARKINGS ONLY) FOR NHA/OTHER SYS DET SEE: 31-11-00-02 | 029030 | RF |
| 405 | 233A3204-1 | | .MODULE ASSY- SUPPLIER CODE: V89954 ELECTRICAL EQUIP NUMBER: P00504 COMPONENT MAINT MANUAL REF: 31-37-31 | 029030 | RF |
| 410 | BAC27DEX6075 | | ..MARKER-ALUMINUM FOIL | 029030 | 1 |
| 415 | BAC27DCC568 | | ..MARKER-ALUMINUM FOIL | 029030 | 1 |

MISSING ITEM NUMBERS NOT APPLICABLE

- ITEM NOT ILLUSTRATED

HAP

11-31-01-38S

BOEING PROPRIETARY - Copyright © - Unpublished Work - See title page for details.

11-31-01
FIG. 38S
PAGE 12
FEB 15/09

BOEING
737-600/700/800/900
PARTS CATALOG (MAINTENANCE)

| FIG ITEM | PART NUMBER | 1 2 3 4 5 6 7 | NOMENCLATURE | EFFECT FROM TO | UNITS PER ASSY |
|--------------|-------------|---------------|---|-------------------|----------------------|
| 38S - 420 | 69-78809-3 | | ..PRINTED CIRCUIT ASSY-UNIV MASTER CAUTION SUPPLIER CODE: V89954 COMPONENT MAINT MANUAL REF: 28-09-33 OPTIONAL PART: 69-78809-4 V89954 69-78809-5 V89954 69-78809-6 V89954 FOR SPARES PROCURE: 69-78809-6 V89954 | 029030 | RF |
| - 420 | 69-78809-4 | | ..PRINTED CIRCUIT ASSY-UNIV MASTER CAUTION SUPPLIER CODE: V89954 COMPONENT MAINT MANUAL REF: 28-09-33 OPTIONAL PART: 69-78809-3 V89954 69-78809-5 V89954 69-78809-6 V89954 FOR SPARES PROCURE: 69-78809-6 V89954 | 029030 | RF |
| - 420 | 69-78809-5 | | ..PRINTED CIRCUIT ASSY-UNIV MASTER CAUTION SUPPLIER CODE: V89954 COMPONENT MAINT MANUAL REF: 28-09-33 OPTIONAL PART: 69-78809-3 V89954 69-78809-4 V89954 69-78809-6 V89954 FOR SPARES PROCURE: 69-78809-6 V89954 | 029030 | RF |

MISSING ITEM NUMBERS NOT APPLICABLE

- ITEM NOT ILLUSTRATED

HAP

11-31-01-38S

BOEING PROPRIETARY - Copyright © - Unpublished Work - See title page for details.

11-31-01
FIG. 38S
PAGE 13
FEB 15/09

BOEING
737-600/700/800/900
PARTS CATALOG (MAINTENANCE)

| FIG ITEM | PART NUMBER | 1 2 3 4 5 6 7 | NOMENCLATURE | EFFECT FROM TO | UNITS PER ASSY |
|--------------|----------------------------|---------------|---|-------------------|----------------------|
| 38S - 420 | 69-78809-6 | | ..PRINTED CIRCUIT ASSY-UNIV MASTER CAUTION SUPPLIER CODE: V89954 COMPONENT MAINT MANUAL REF: 28-09-33 OPTIONAL PART: 69-78809-3 V89954 69-78809-4 V89954 69-78809-5 V89954 | 029030 | RF |
| 425 | BAC27TEX1486 | | ...DECAL- PLACARD CONTENT: STATIC SENSITIVE | 029030 | 1 |
| - 450 | 233A3104-303009 | | MODULE INSTL-P5-9 OVHD WINDOW AND PITOT HEAT (PLACARDS AND MARKINGS ONLY) FOR NHA/OTHER SYS DET SEE: 31-11-00-01C | 029030 | RF |
| 460 | 233A3201-9 | | .MODULE ASSY- SUPPLIER CODE: V89954 ELECTRICAL EQUIP NUMBER: P00509 COMPONENT MAINT MANUAL REF: 30-09-05 | 029030 | RF |
| 465 - 470 | BAC27DEX6075 69-78809-4 | | ..MARKER ..PRINTED CIRCUIT ASSY-UNIV MASTER CAUTION SUPPLIER CODE: V89954 COMPONENT MAINT MANUAL REF: 28-09-33 OPTIONAL PART: 69-78809-5 V89954 69-78809-6 V89954 FOR SPARES PROCURE: 69-78809-6 V89954 | 029030 029030 | 1 RF |

MISSING ITEM NUMBERS NOT APPLICABLE

- ITEM NOT ILLUSTRATED

HAP

11-31-01-38S

BOEING PROPRIETARY - Copyright © - Unpublished Work - See title page for details.

11-31-01
FIG. 38S
PAGE 14
FEB 15/09

BOEING
737-600/700/800/900
PARTS CATALOG (MAINTENANCE)

| FIG ITEM | PART NUMBER | 1 2 3 4 5 6 7 | NOMENCLATURE | EFFECT FROM TO | UNITS PER ASSY |
|--------------|-----------------|---------------|---|----------------|----------------|
| 38S - 470 | 69-78809-5 | | ..PRINTED CIRCUIT ASSY-UNIV MASTER CAUTION SUPPLIER CODE: V89954 COMPONENT MAINT MANUAL REF: 28-09-33 OPTIONAL PART: 69-78809-4 V89954 69-78809-6 V89954 FOR SPARES PROCURE: 69-78809-6 V89954 | 029030 | RF |
| - 470 | 69-78809-6 | | ..PRINTED CIRCUIT ASSY-UNIV MASTER CAUTION SUPPLIER CODE: V89954 COMPONENT MAINT MANUAL REF: 28-09-33 OPTIONAL PART: 69-78809-4 V89954 69-78809-5 V89954 | 029030 | RF |
| 475 | BAC27TEX1486 | | ...DECAL- PLACARD CONTENT: STATIC SENSITIVE | 029030 | 1 |
| - 480 | 285A1831-2 | | ..PW ASSY- SUPPLIER CODE: V89954 COMPONENT MAINT MANUAL REF: 30-09-06 | 029030 | RF |
| 485 | BAC27TEX1486 | | ...DECAL- PLACARD CONTENT: STATIC SENSITIVE | 029030 | 1 |
| - 500 | 233A3104-302101 | | MODULE INSTL-P5-11 OVHD ENG AND WING ANTI-ICE (PLACARDS AND MARKINGS ONLY) FOR NHA/OTHER SYS DET SEE: 31-11-00-01C | 029030 | RF |
| 505 | 69-37320-104 | | .MODULE ASSY- SUPPLIER CODE: V89954 ELECTRICAL EQUIP NUMBER: P00511 COMPONENT MAINT MANUAL REF: 30-12-05 | 029030 | RF |

MISSING ITEM NUMBERS NOT APPLICABLE

- ITEM NOT ILLUSTRATED

HAP

11-31-01-38S

BOEING PROPRIETARY - Copyright © - Unpublished Work - See title page for details.

11-31-01
FIG. 38S
PAGE 15
FEB 15/09

BOEING
737-600/700/800/900
PARTS CATALOG (MAINTENANCE)

| FIG ITEM | PART NUMBER | 1 2 3 4 5 6 7 | NOMENCLATURE | EFFECT FROM TO | UNITS PER ASSY |
|----------|-----------------|---|---|----------------|----------------|
| 38S | | | | | |
| 510 | BAC27EEL18631 | .. | DECAL | 029030 | 1 |
| - 515 | 69-73562-4 | .. | PRINTED CIRCUIT ASSY- SUPPLIER CODE: V89954 COMPONENT MAINT MANUAL REF: 30-12-11 | 029030 | RF |
| 520 | BAC27EEL18632 | ... | DECAL | 029030 | 1 |
| - 550 | 233A3104-526006 | MODULE INSTL-P5-20 OVHD DOOR WARNING ANN. (PLACARDS AND MARKINGS ONLY) FOR NHA/OTHER SYS DET SEE: 31-11-00-01C | | 029030 | RF |
| 555 | 233A3207-6 | .MODULE ASSY- SUPPLIER CODE: V89954 ELECTRICAL EQUIP NUMBER: P00520 COMPONENT MAINT MANUAL REF: 31-11-26 | | 029030 | RF |
| 565 | BAC27DEX6075 | .. | MARKER | 029030 | 1 |
| - 570 | 69-78809-3 | .. | PRINTED CIRCUIT ASSY-UNIV MASTER CAUTION SUPPLIER CODE: V89954 COMPONENT MAINT MANUAL REF: 28-09-33 OPTIONAL PART: 69-78809-4 V89954 69-78809-5 V89954 69-78809-6 V89954 FOR SPARES PROCURE: 69-78809-6 V89954 | 029030 | RF |

MISSING ITEM NUMBERS NOT APPLICABLE

- ITEM NOT ILLUSTRATED

HAP

11-31-01-38S

BOEING PROPRIETARY - Copyright © - Unpublished Work - See title page for details.

11-31-01
FIG. 38S
PAGE 16
FEB 15/09

BOEING
737-600/700/800/900
PARTS CATALOG (MAINTENANCE)

| FIG ITEM | PART NUMBER | 1 2 3 4 5 6 7 | NOMENCLATURE | EFFECT FROM TO | UNITS PER ASSY |
|--------------|--------------|---------------|---|----------------|----------------|
| 38S - 570 | 69-78809-4 | | ..PRINTED CIRCUIT ASSY-UNIV MASTER CAUTION SUPPLIER CODE: V89954 COMPONENT MAINT MANUAL REF: 28-09-33 OPTIONAL PART: 69-78809-3 V89954 69-78809-5 V89954 69-78809-6 V89954 FOR SPARES PROCURE: 69-78809-6 V89954 | 029030 | RF |
| - 570 | 69-78809-5 | | ..PRINTED CIRCUIT ASSY-UNIV MASTER CAUTION SUPPLIER CODE: V89954 COMPONENT MAINT MANUAL REF: 28-09-33 OPTIONAL PART: 69-78809-3 V89954 69-78809-4 V89954 69-78809-6 V89954 FOR SPARES PROCURE: 69-78809-6 V89954 | 029030 | RF |
| - 570 | 69-78809-6 | | ..PRINTED CIRCUIT ASSY-UNIV MASTER CAUTION SUPPLIER CODE: V89954 COMPONENT MAINT MANUAL REF: 28-09-33 OPTIONAL PART: 69-78809-3 V89954 69-78809-4 V89954 69-78809-5 V89954 | 029030 | RF |
| 575 | BAC27TEX1486 | | ...DECAL- PLACARD CONTENT: STATIC SENSITIVE | 029030 | 1 |

MISSING ITEM NUMBERS NOT APPLICABLE

- ITEM NOT ILLUSTRATED

HAP

11-31-01-38S

BOEING PROPRIETARY - Copyright © - Unpublished Work - See title page for details.

11-31-01
FIG. 38S
PAGE 17
FEB 15/09

BOEING
737-600/700/800/900
PARTS CATALOG (MAINTENANCE)

| FIG ITEM | PART NUMBER | 1 2 3 4 5 6 7 | NOMENCLATURE | EFFECT FROM TO | UNITS PER ASSY |
|--------------|---------------------------|---------------|--|-------------------|----------------------|
| 38S - 600 | 233A3104-215102 | | MODULE INSTL-P5 OVHD 800/900 MINOR MODEL (PLACARDS AND MARKINGS ONLY) FOR NHA/OTHER SYS DET SEE: 31-11-00-02C | 029030 | RF |
| 605 | 69-37319-312 | | .MODULE ASSY-AIR CONDITIONING P5-10 SUPPLIER CODE: V89954 FUNCTIONAL DESCRIPTION: CONTROLS THE OPERATION OF THE AIR CONDITIONING AND PNEUMATIC SYSTEMS. ELECTRICAL EQUIP NUMBER: P00510 COMPONENT MAINT MANUAL REF: 31-37-07 | 029030 | RF |
| 610 - 615 | BAC27EEX510 69-78809-3 | | ..DECAL ..PRINTED CIRCUIT ASSY-UNIV MASTER CAUTION SUPPLIER CODE: V89954 COMPONENT MAINT MANUAL REF: 28-09-33 OPTIONAL PART: 69-78809-4 V89954 69-78809-5 V89954 69-78809-6 V89954 FOR SPARES PROCURE: 69-78809-6 V89954 | 029030 029030 | 1 RF |

MISSING ITEM NUMBERS NOT APPLICABLE

- ITEM NOT ILLUSTRATED

HAP

11-31-01-38S

BOEING PROPRIETARY - Copyright © - Unpublished Work - See title page for details.

11-31-01
FIG. 38S
PAGE 18
FEB 15/09

 **BOEING**
737-600/700/800/900
PARTS CATALOG (MAINTENANCE)

| FIG ITEM | PART NUMBER | 1 2 3 4 5 6 7 | NOMENCLATURE | EFFECT FROM TO | UNITS PER ASSY |
|--------------|--------------|---------------|---|----------------|----------------|
| 38S - 615 | 69-78809-4 | | ..PRINTED CIRCUIT ASSY-UNIV MASTER CAUTION SUPPLIER CODE: V89954 COMPONENT MAINT MANUAL REF: 28-09-33 OPTIONAL PART: 69-78809-3 V89954 69-78809-5 V89954 69-78809-6 V89954 FOR SPARES PROCURE: 69-78809-6 V89954 | 029030 | RF |
| - 615 | 69-78809-5 | | ..PRINTED CIRCUIT ASSY-UNIV MASTER CAUTION SUPPLIER CODE: V89954 COMPONENT MAINT MANUAL REF: 28-09-33 OPTIONAL PART: 69-78809-3 V89954 69-78809-4 V89954 69-78809-6 V89954 FOR SPARES PROCURE: 69-78809-6 V89954 | 029030 | RF |
| - 615 | 69-78809-6 | | ..PRINTED CIRCUIT ASSY-UNIV MASTER CAUTION SUPPLIER CODE: V89954 COMPONENT MAINT MANUAL REF: 28-09-33 OPTIONAL PART: 69-78809-3 V89954 69-78809-4 V89954 69-78809-5 V89954 69-78809-6 V89954 | 029030 | RF |
| 620 | BAC27TEX1486 | | ...DECAL- PLACARD CONTENT: STATIC SENSITIVE | 029030 | 1 |

MISSING ITEM NUMBERS NOT APPLICABLE

- ITEM NOT ILLUSTRATED

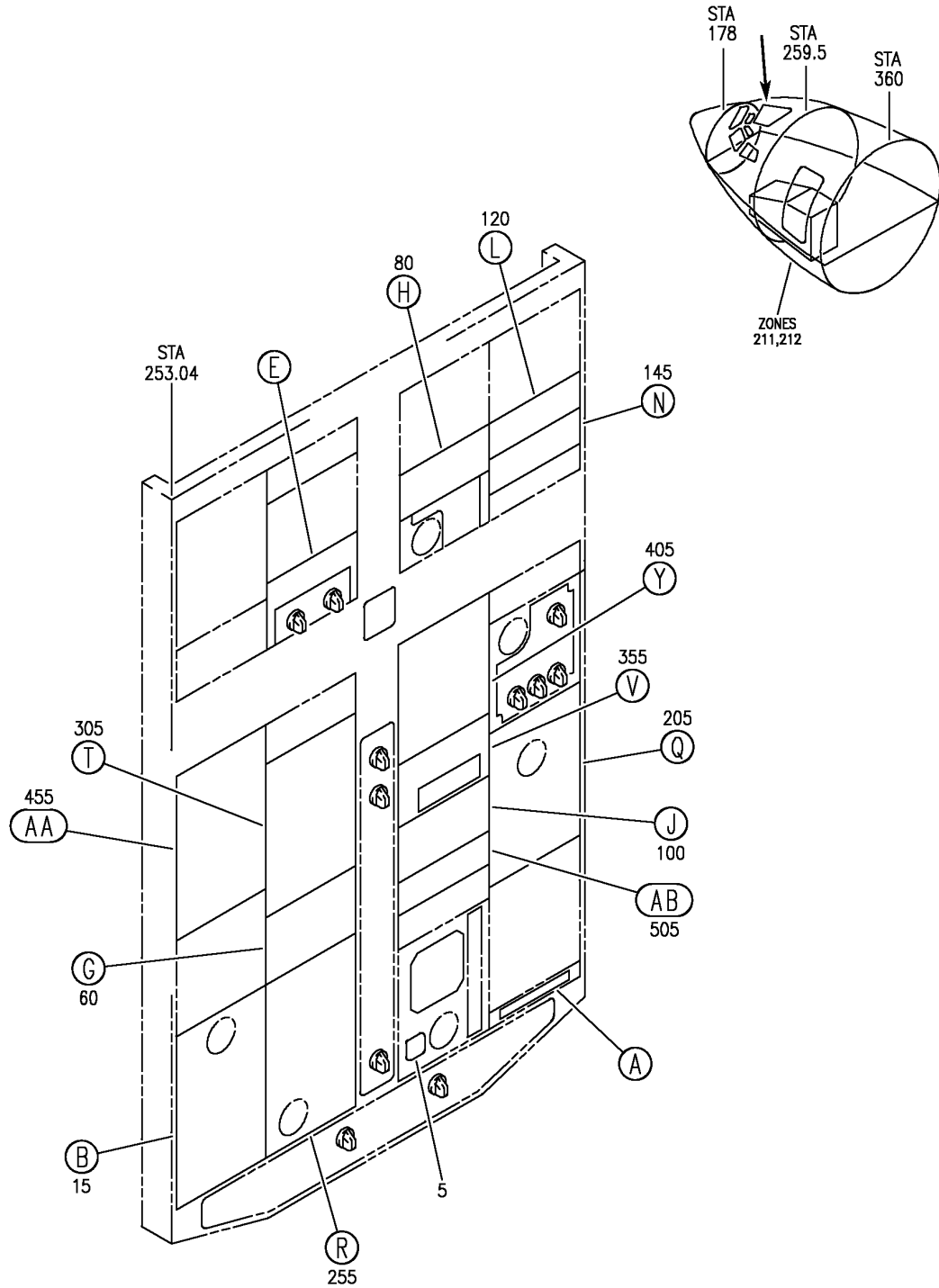
HAP

11-31-01-38S

BOEING PROPRIETARY - Copyright © - Unpublished Work - See title page for details.

11-31-01
FIG. 38S
PAGE 19
FEB 15/09

BOEING
 737-600/700/800/900
 PARTS CATALOG (MAINTENANCE)



E 11310139Z SHT 1 REV 141

MODULE INSTL-P5 OVHD (PLACARDS AND MARKINGS ONLY)
 FIGURE 39Z (SHEET 1)

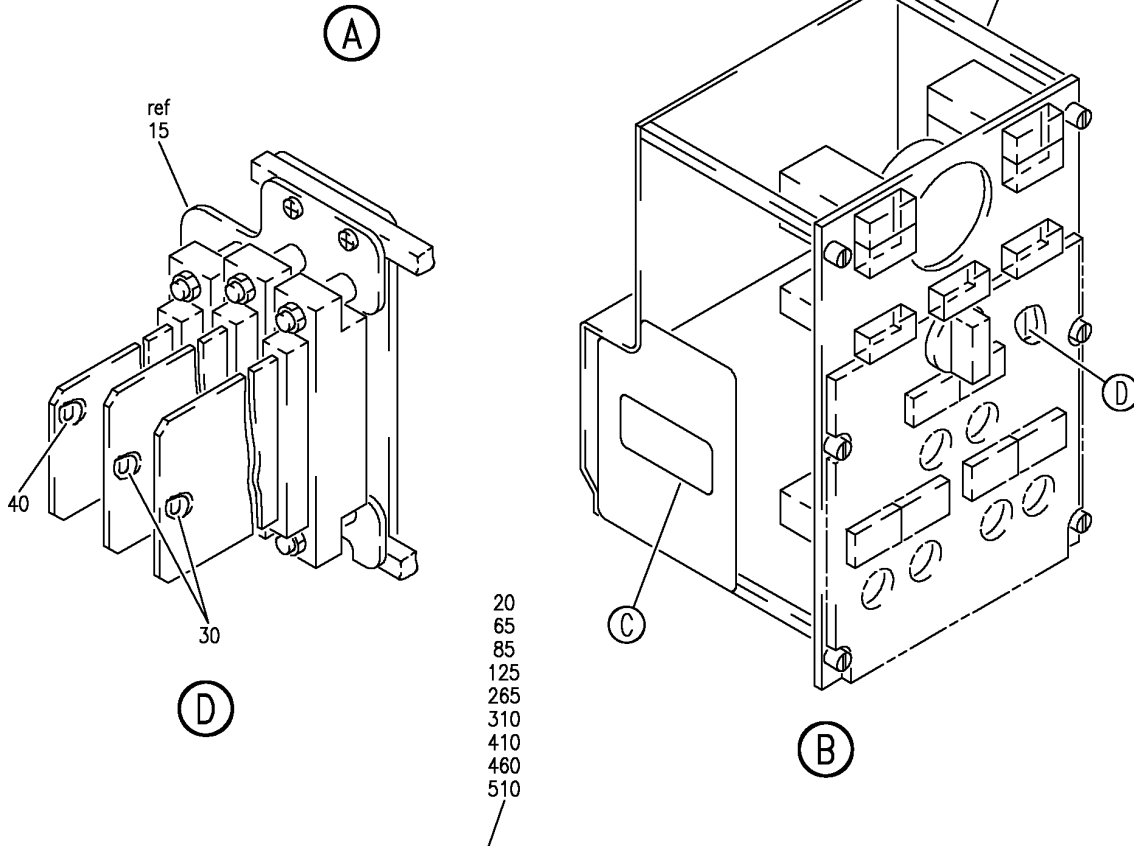
11-31-01-39Z

HAP
 JUN 15/08

11-31-01-39Z
 PAGE 0

BOEING
 737-600/700/800/900
 PARTS CATALOG (MAINTENANCE)

| | | | | | | |
|---------|----------|-------|-------|-------|-------|--|
| | | 10 | | | | |
| CAB ALT | LAND ALT | 2000 | 4000 | 6000 | 8000 | |
| FLT ALT | <FL160 | FL220 | FL260 | FL320 | FL410 | |



CAUTION

THIS UNIT IS NOT SUBJECT TO DAMAGE FROM ELECTROSTATIC DISCHARGE AS AN ASSEMBLY HOWEVER, IT CONTAINS PARTS OR SUB-ASSEMBLIES THAT ARE SENSITIVE TO ELECTROSTATIC DISCHARGE. CONDUCTIVE CONNECTOR COVERS REQUIRED.

E 11310139Z SHT 2 REV 141

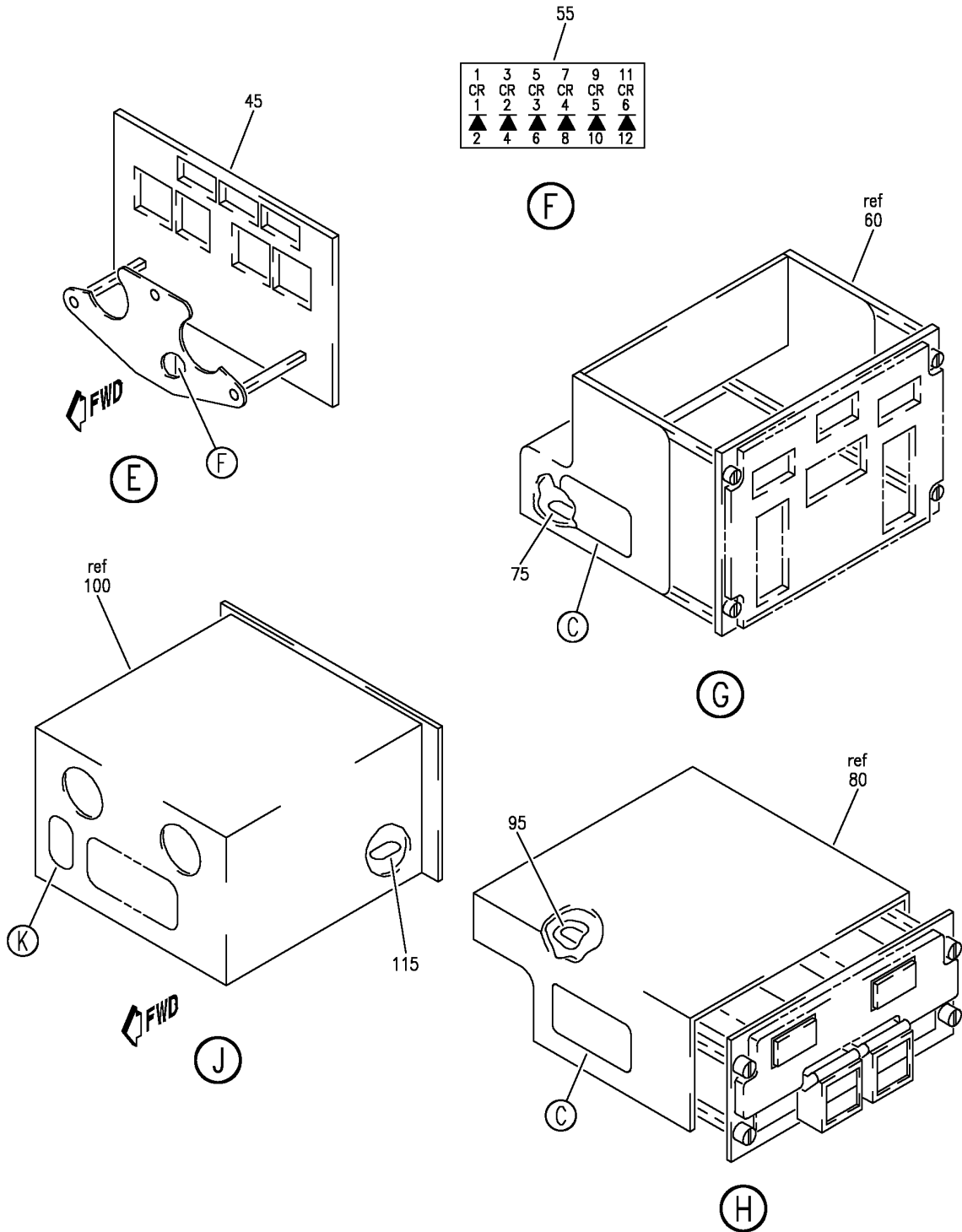
MODULE INSTL-P5 OVHD (PLACARDS AND MARKINGS ONLY)
 FIGURE 39Z (SHEET 2)

11-31-01-39Z

HAP
 JUN 15/08

11-31-01-39Z
 PAGE 0A


BOEING
 737-600/700/800/900
 PARTS CATALOG (MAINTENANCE)



E 11310139Z SHT 3 REV 141

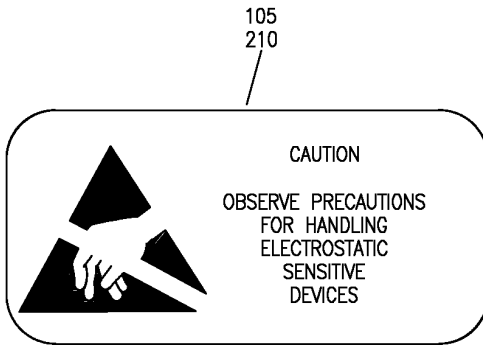
MODULE INSTL-P5 OVHD (PLACARDS AND MARKINGS ONLY)
FIGURE 39Z (SHEET 3)

11-31-01-39Z

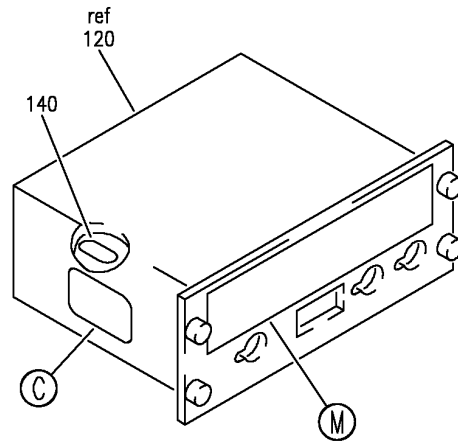
HAP
JUN 15/08

11-31-01-39Z
PAGE 0B

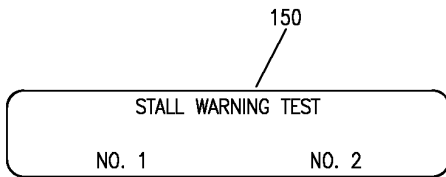
BOEING
737-600/700/800/900
PARTS CATALOG (MAINTENANCE)



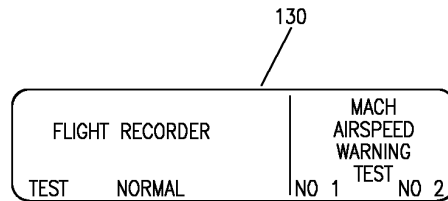
(K)



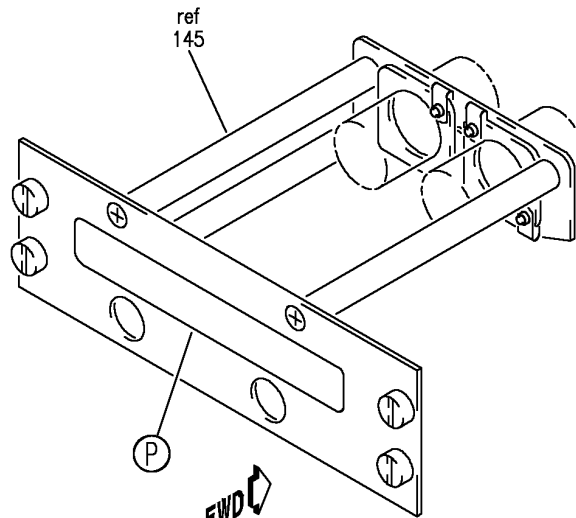
(L)



(P)



(M)



(N)

E 11310139Z SH- 4 REV 141

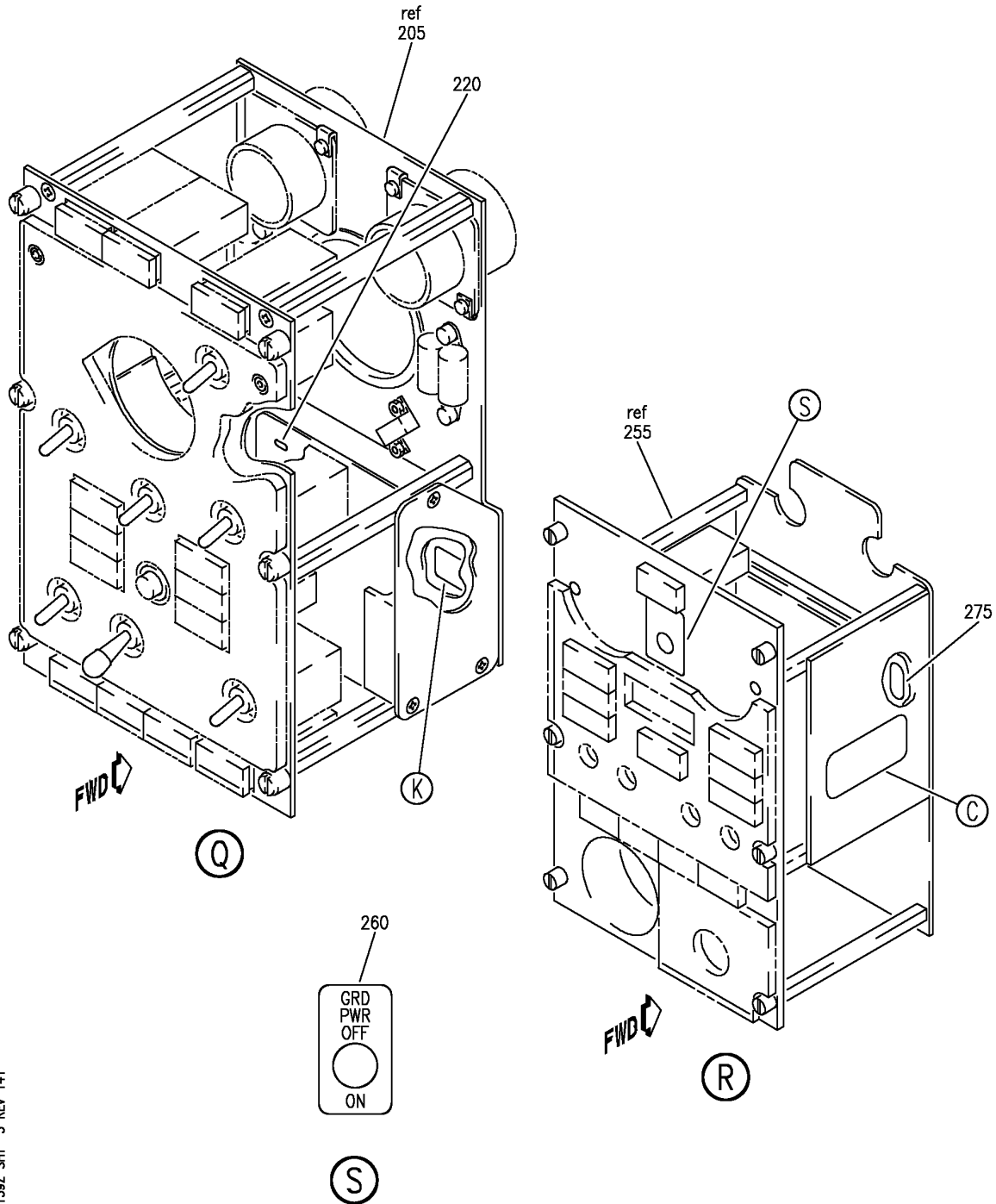
MODULE INSTL-P5 OVHD (PLACARDS AND MARKINGS ONLY)
FIGURE 39Z (SHEET 4)

11-31-01-39Z

HAP
JUN 15/08

11-31-01-39Z
PAGE 0C

BOEING
 737-600/700/800/900
 PARTS CATALOG (MAINTENANCE)



E 11310139Z SHT 5 REV 141

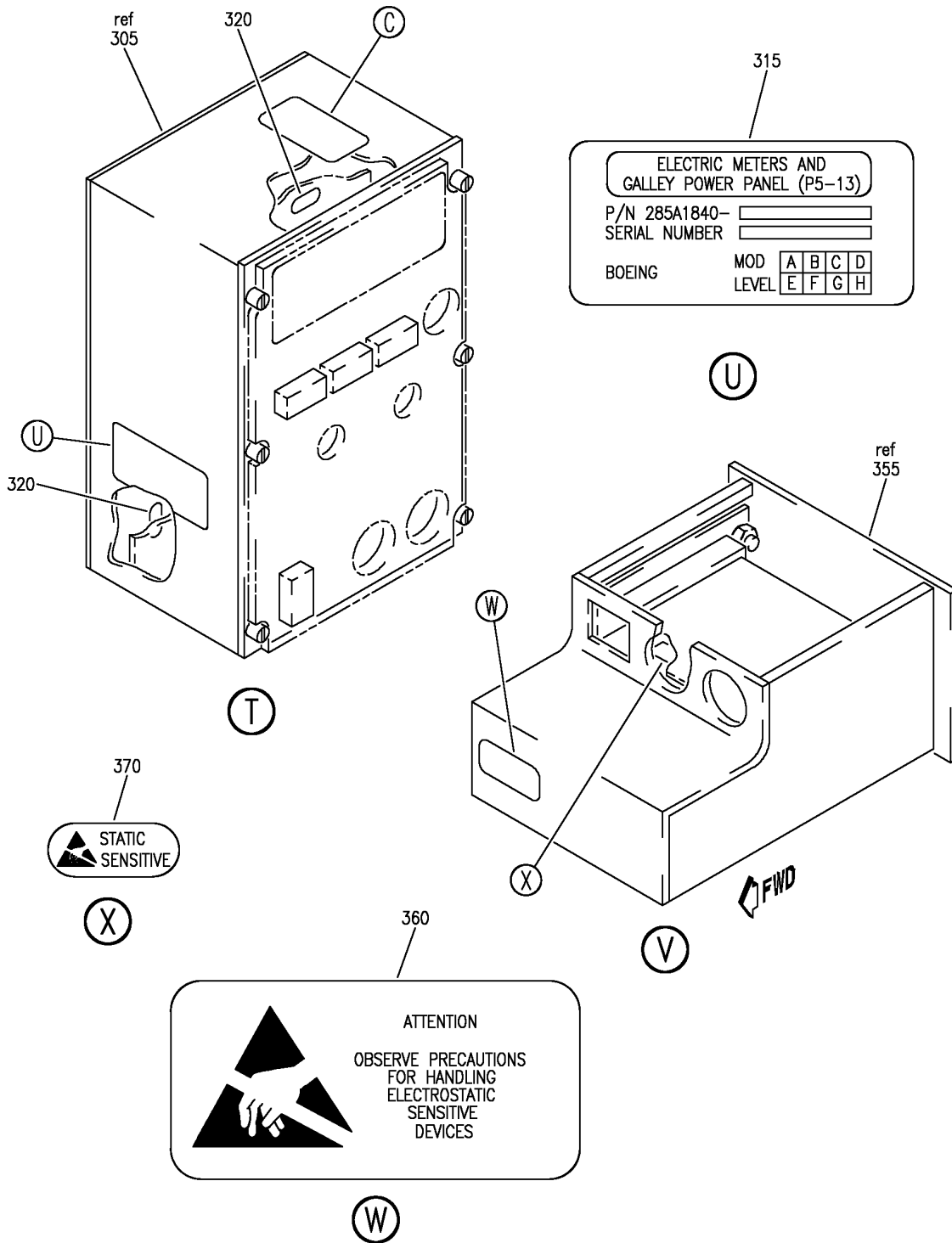
MODULE INSTL-P5 OVHD (PLACARDS AND MARKINGS ONLY)
 FIGURE 39Z (SHEET 5)

11-31-01-39Z

HAP
 JUN 15/08

11-31-01-39Z
 PAGE 0D

BOEING
737-600/700/800/900
PARTS CATALOG (MAINTENANCE)



E 11310139Z SHT 6 REV 141

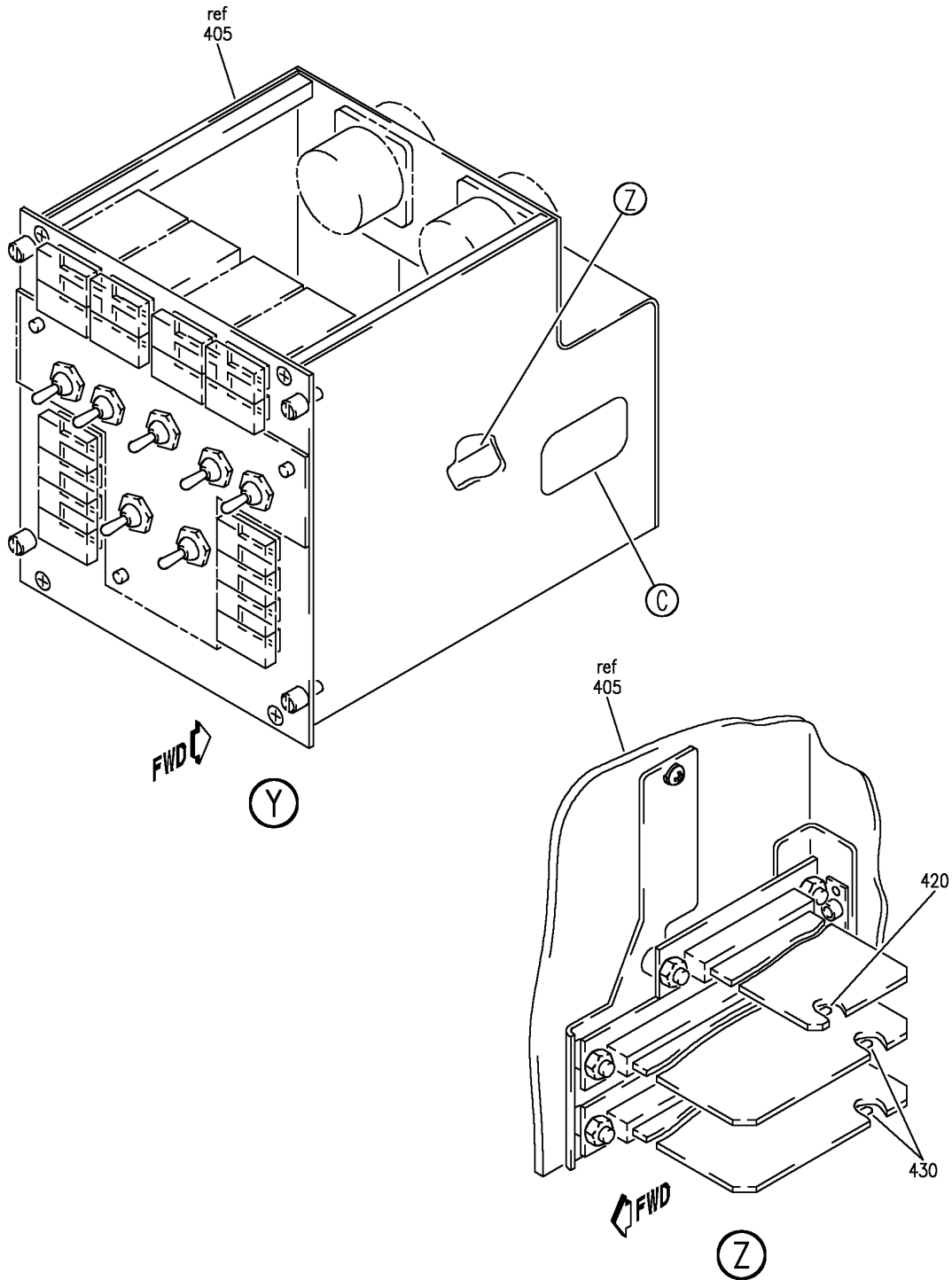
MODULE INSTL-P5 OVHD (PLACARDS AND MARKINGS ONLY)
FIGURE 39Z (SHEET 6)

11-31-01-39Z

HAP
JUN 15/08

11-31-01-39Z
PAGE 0E

BOEING
 737-600/700/800/900
 PARTS CATALOG (MAINTENANCE)



E 11310139Z SHT 7 REV 141

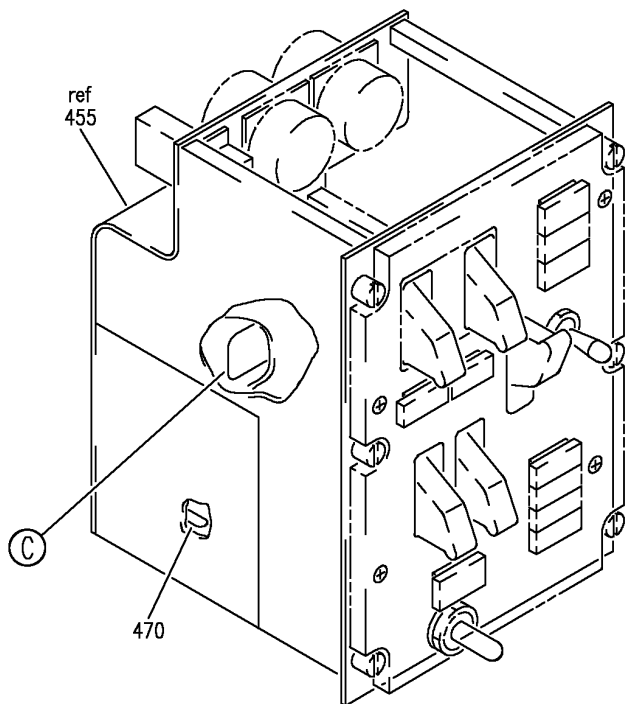
MODULE INSTL-P5 OVHD (PLACARDS AND MARKINGS ONLY)
 FIGURE 39Z (SHEET 7)

11-31-01-39Z

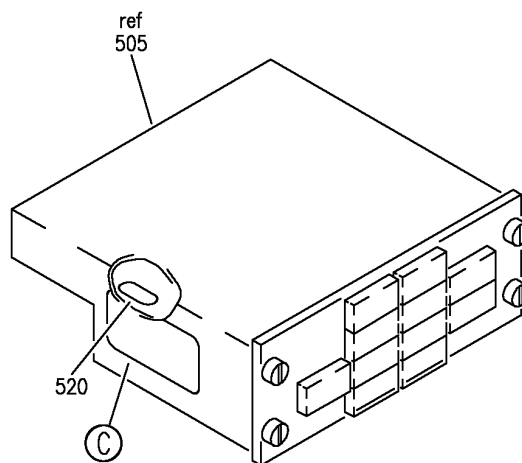
HAP
 JUN 15/08

11-31-01-39Z
 PAGE OF

BOEING
737-600/700/800/900
PARTS CATALOG (MAINTENANCE)



AA



AB

E 11310139Z SH 8 REV 141

MODULE INSTL-P5 OVHD (PLACARDS AND MARKINGS ONLY)
FIGURE 39Z (SHEET 8)

11-31-01-39Z

HAP
JUN 15/08

11-31-01-39Z
PAGE 0G

BOEING
737-600/700/800/900
PARTS CATALOG (MAINTENANCE)

| FIG ITEM | PART NUMBER | 1 2 3 4 5 6 7 | NOMENCLATURE | EFFECT FROM TO | UNITS PER ASSY |
|--|-------------|---------------|--|------------------|----------------|
| R R R R R R R R R R | 39Z | | MODULE INSTL-P5 OVHD (PLACARDS AND MARKINGS ONLY) | 037037 039100 | |
| | - 1 | MODREF256358 | MODULE INSTL-P5 OVHD MAJOR MODEL COMPONENTS (PLACARDS AND MARKINGS ONLY) MODULE NUMBER: 233A3104-2 REV B FOR OTHER SYS DETAILS SEE: 21-31-02-05 21-33-01-02 21-33-02-02 24-21-52-03 27-32-21-02 27-88-51-01 28-22-21-02 28-22-41-02 28-22-53-01 28-42-51-01 28-43-51-01 29-11-11-03 29-11-21-09 29-32-51-01 29-34-51-01 31-11-94-07Q 31-11-95-07Q 31-31-12-03 33-11-52-06K 34-21-02-02 34-26-51-01 35-12-53-01 36-21-02-03 49-71-51-01 73-21-51-01 | 037037 039100 | 1 |
| | 5 | BAC27DCC287 | .MARKER-ALUMINUM FOIL PLACARD CONTENT: PRESS DIFF LIMIT: TAKE-OFF & LDG .125 PSI | 037037 039100 | 1 |
| | 10 | BAC27DCC2715 | .MARKER-ALUMINUM FOIL | 037037 039100 | 1 |
| | | | | | |
| | | | | | |
| | | | | | |
| | | | | | |
| | | | | | |
| | | | | | |

MISSING ITEM NUMBERS NOT APPLICABLE

- ITEM NOT ILLUSTRATED

HAP

11-31-01-39Z

BOEING PROPRIETARY - Copyright © - Unpublished Work - See title page for details.

11-31-01
FIG. 39Z
PAGE 1
JUN 15/09

BOEING
737-600/700/800/900
PARTS CATALOG (MAINTENANCE)

| FIG ITEM | PART NUMBER | 1 2 3 4 5 6 7 | NOMENCLATURE | EFFECT FROM TO | UNITS PER ASSY |
|--|-------------|---------------|---|------------------|----------------|
| R R R R R R R R R R R R R R R R | 39Z - 50 | 69-63592-21 | ..COMPONENT ASSY- SUPPLIER CODE: V89954 COMPONENT MAINT MANUAL REF: 34-21-17 | 037037 039100 | RF |
| | 55 | BAC27DEX999 | ...DECAL | 037037 039100 | 1 |
| | 60 | 233A3205-3 | .MODULE ASSY-GEN DRIVE/ STBY PWR P5-5 SUPPLIER CODE: V89954 ELECTRICAL EQUIP NUMBER: P00505 COMPONENT MAINT MANUAL REF: 31-10-41 | 037037 039100 | RF |
| | 65 | BAC27DEX6075 | ..MARKER | 037037 039100 | 1 |
| | - 70 | 69-78809-3 | ..PRINTED CIRCUIT ASSY-UNIV MASTER CAUTION SUPPLIER CODE: V89954 COMPONENT MAINT MANUAL REF: 28-09-33 OPTIONAL PART: 69-78809-4 V89954 69-78809-5 V89954 69-78809-6 V89954 FOR SPARES PROCURE: 69-78809-6 V89954 | 037037 039100 | RF |
| | - 70 | 69-78809-4 | ..PRINTED CIRCUIT ASSY-UNIV MASTER CAUTION SUPPLIER CODE: V89954 COMPONENT MAINT MANUAL REF: 28-09-33 OPTIONAL PART: 69-78809-3 V89954 69-78809-5 V89954 69-78809-6 V89954 FOR SPARES PROCURE: 69-78809-6 V89954 | 037037 039100 | RF |

MISSING ITEM NUMBERS NOT APPLICABLE

- ITEM NOT ILLUSTRATED

HAP

11-31-01-39Z

11-31-01
FIG. 39Z
PAGE 3
JUN 15/09

BOEING
737-600/700/800/900
PARTS CATALOG (MAINTENANCE)

| FIG ITEM | PART NUMBER | 1 2 3 4 5 6 7 | NOMENCLATURE | EFFECT FROM TO | UNITS PER ASSY |
|---|-------------|---------------|---|-------------------|----------------------|
| R | 39Z - 70 | 69-78809-5 | ..PRINTED CIRCUIT ASSY-UNIV MASTER CAUTION SUPPLIER CODE: V89954 COMPONENT MAINT MANUAL REF: 28-09-33 OPTIONAL PART: 69-78809-3 V89954 69-78809-4 V89954 69-78809-6 V89954 FOR SPARES PROCURE: 69-78809-6 V89954 | 037037 039100 | RF |
| | - 70 | 69-78809-6 | ..PRINTED CIRCUIT ASSY-UNIV MASTER CAUTION SUPPLIER CODE: V89954 COMPONENT MAINT MANUAL REF: 28-09-33 OPTIONAL PART: 69-78809-3 V89954 69-78809-4 V89954 69-78809-5 V89954 | 037037 039100 | RF |
| | 75 | BAC27TEX1486 | ...DECAL- PLACARD CONTENT: STATIC SENSITIVE | 037037 039100 | 1 |
| | 80 | 233A3203-1 | .MODULE ASSY-PWR MANAGEMENT CONT P5-68 SUPPLIER CODE: V89954 ELECTRICAL EQUIP NUMBER: P00568 COMPONENT MAINT MANUAL REF: 33-10-16 | 037037 039100 | RF |
| | 85 | BAC27DEX6075 | ..MARKER | 037037 039100 | 1 |

MISSING ITEM NUMBERS NOT APPLICABLE

- ITEM NOT ILLUSTRATED

HAP

11-31-01-39Z

BOEING PROPRIETARY - Copyright © - Unpublished Work - See title page for details.

11-31-01
FIG. 39Z
PAGE 4
JUN 15/09

BOEING
737-600/700/800/900
PARTS CATALOG (MAINTENANCE)

| FIG ITEM | PART NUMBER | 1 2 3 4 5 6 7 | NOMENCLATURE | EFFECT FROM TO | UNITS PER ASSY |
|--|-------------|---------------|---|------------------|----------------|
| R | 39Z - 90 | 69-78809-5 | ..PRINTED CIRCUIT ASSY-UNIV MASTER CAUTION SUPPLIER CODE: V89954 COMPONENT MAINT MANUAL REF: 28-09-33 OPTIONAL PART: 69-78809-6 V89954 FOR SPARES PROCURE: 69-78809-6 V89954 | 037037 039100 | RF |
| | - 90 | 69-78809-6 | ..PRINTED CIRCUIT ASSY-UNIV MASTER CAUTION SUPPLIER CODE: V89954 COMPONENT MAINT MANUAL REF: 28-09-33 OPTIONAL PART: 69-78809-5 V89954 | 037037 039100 | RF |
| | 95 | BAC27TEX1486 | ...DECAL- PLACARD CONTENT: STATIC SENSITIVE | 037037 039100 | 1 |
| | 100 | 69-37317-300 | .MODULE ASSY-HYDR PUMPS P5-8 SUPPLIER CODE: V89954 ELECTRICAL EQUIP NUMBER: P00508 COMPONENT MAINT MANUAL REF: 31-11-31 | 037037 039100 | RF |
| | 105 | BAC27EEX510 | ..DECAL | 037037 039100 | 1 |

MISSING ITEM NUMBERS NOT APPLICABLE

- ITEM NOT ILLUSTRATED

HAP

11-31-01-39Z

BOEING PROPRIETARY - Copyright © - Unpublished Work - See title page for details.

11-31-01
FIG. 39Z
PAGE 5
JUN 15/09


BOEING
 737-600/700/800/900
PARTS CATALOG (MAINTENANCE)

| FIG ITEM | PART NUMBER | 1 2 3 4 5 6 7 | NOMENCLATURE | EFFECT FROM TO | UNITS PER ASSY |
|---|--------------|---------------|--|-------------------|----------------------|
| R | 39Z - 110 | 69-78809-3 | ..PRINTED CIRCUIT ASSY- UNIV MASTER CAUTION SUPPLIER CODE: V89954 COMPONENT MAINT MANUAL REF: 28-09-33 OPTIONAL PART: 69-78809-4 V89954 69-78809-5 V89954 69-78809-6 V89954 FOR SPARES PROCURE: 69-78809-6 V89954 | 037037 039100 | RF |
| | - 110 | 69-78809-4 | ..PRINTED CIRCUIT ASSY- UNIV MASTER CAUTION SUPPLIER CODE: V89954 COMPONENT MAINT MANUAL REF: 28-09-33 OPTIONAL PART: 69-78809-3 V89954 69-78809-5 V89954 69-78809-6 V89954 FOR SPARES PROCURE: 69-78809-6 V89954 | 037037 039100 | RF |
| | - 110 | 69-78809-5 | ..PRINTED CIRCUIT ASSY- UNIV MASTER CAUTION SUPPLIER CODE: V89954 COMPONENT MAINT MANUAL REF: 28-09-33 OPTIONAL PART: 69-78809-3 V89954 69-78809-4 V89954 69-78809-6 V89954 FOR SPARES PROCURE: 69-78809-6 V89954 | 037037 039100 | RF |

MISSING ITEM NUMBERS NOT APPLICABLE

- ITEM NOT ILLUSTRATED

HAP

11-31-01-39Z

BOEING PROPRIETARY - Copyright © - Unpublished Work - See title page for details.

11-31-01
 FIG. 39Z
 PAGE 6
 JUN 15/09

BOEING
737-600/700/800/900
PARTS CATALOG (MAINTENANCE)

| FIG ITEM | PART NUMBER | 1 2 3 4 5 6 7 | NOMENCLATURE | EFFECT FROM TO | UNITS PER ASSY |
|---|--------------|---------------|---|-------------------|----------------------|
| R | 39Z - 110 | 69-78809-6 | ..PRINTED CIRCUIT ASSY- UNIV MASTER CAUTION SUPPLIER CODE: V89954 COMPONENT MAINT MANUAL REF: 28-09-33 OPTIONAL PART: 69-78809-3 V89954 69-78809-4 V89954 69-78809-5 V89954 | 037037 039100 | RF |
| | 115 | BAC27TEX1486 | ...DECAL- PLACARD CONTENT: STATIC SENSITIVE | 037037 039100 | 1 |
| | 120 | 233A3208-2 | .MODULE ASSY-FLIGHT RECORDER AND MACH AIRSPEED WARNING, TEST P5-19 SUPPLIER CODE: V89954 ELECTRICAL EQUIP NUMBER: P00519 COMPONENT MAINT MANUAL REF: 31-37-08 | 037037 039100 | RF |
| | 125 | BAC27DEX6075 | ..MARKER | 037037 039100 | 1 |
| | 130 | BAC27DCC572 | ..MARKER-ALUMINUM FOIL | 037037 039100 | 1 |
| | - 135 | 69-78809-3 | ..PRINTED CIRCUIT ASSY-UNIV MASTER CAUTION SUPPLIER CODE: V89954 COMPONENT MAINT MANUAL REF: 28-09-33 OPTIONAL PART: 69-78809-4 V89954 69-78809-5 V89954 69-78809-6 V89954 FOR SPARES PROCURE: 69-78809-6 V89954 | 037037 039100 | RF |

MISSING ITEM NUMBERS NOT APPLICABLE

- ITEM NOT ILLUSTRATED

HAP

11-31-01-39Z

11-31-01
FIG. 39Z
PAGE 7
JUN 15/09

BOEING
737-600/700/800/900
PARTS CATALOG (MAINTENANCE)

| FIG ITEM | PART NUMBER | 1 2 3 4 5 6 7 | NOMENCLATURE | EFFECT FROM TO | UNITS PER ASSY |
|--|--------------|---------------|---|------------------|----------------|
| R R R R R R R R R R R R | 39Z - 135 | 69-78809-4 | ..PRINTED CIRCUIT ASSY-UNIV MASTER CAUTION SUPPLIER CODE: V89954 COMPONENT MAINT MANUAL REF: 28-09-33 OPTIONAL PART: 69-78809-3 V89954 69-78809-5 V89954 69-78809-6 V89954 FOR SPARES PROCURE: 69-78809-6 V89954 | 037037 039100 | RF |
| | - 135 | 69-78809-5 | ..PRINTED CIRCUIT ASSY-UNIV MASTER CAUTION SUPPLIER CODE: V89954 COMPONENT MAINT MANUAL REF: 28-09-33 OPTIONAL PART: 69-78809-3 V89954 69-78809-4 V89954 69-78809-6 V89954 FOR SPARES PROCURE: 69-78809-6 V89954 | 037037 039100 | RF |
| | - 135 | 69-78809-6 | ..PRINTED CIRCUIT ASSY-UNIV MASTER CAUTION SUPPLIER CODE: V89954 COMPONENT MAINT MANUAL REF: 28-09-33 OPTIONAL PART: 69-78809-3 V89954 69-78809-4 V89954 69-78809-5 V89954 | 037037 039100 | RF |
| | 140 | BAC27TEX1486 | ...DECAL- PLACARD CONTENT: STATIC SENSITIVE | 037037 039100 | 1 |

MISSING ITEM NUMBERS NOT APPLICABLE

- ITEM NOT ILLUSTRATED

HAP

11-31-01-39Z

BOEING PROPRIETARY - Copyright © - Unpublished Work - See title page for details.

11-31-01
FIG. 39Z
PAGE 8
JUN 15/09

BOEING
737-600/700/800/900
PARTS CATALOG (MAINTENANCE)

| FIG ITEM | PART NUMBER | 1 2 3 4 5 6 7 | NOMENCLATURE | EFFECT FROM TO | UNITS PER ASSY | |
|--|-------------------------------------|---------------|--|------------------|----------------|--|
| R R R R R R R R R R R R | 39Z 145 | 69-75978-1 | .MODULE ASSY-STALL WARNING P5-18 SUPPLIER CODE: V89954 ELECTRICAL EQUIP NUMBER: P00518 COMPONENT MAINT MANUAL REF: 27-32-49 | 037037 039100 | RF | |
| | 150 | BAC27DCC1337 | ..MARKER-ALUMINUM FOIL | 037037 039100 | 1 | |
| | - 200 | MODREF82409 | MODULE INSTL-P5 OVHD 800/-900 MINOR MODEL (PLACARDS AND MARKINGS ONLY) MODULE NUMBER: 233A3104-215102 REV A FOR OTHER SYS DETAILS SEE: 21-25-02-09 21-51-65-01A 21-61-07-03 21-61-20-03 21-61-52-01 21-62-51-01 31-11-94-07Q 33-11-52-06K 49-52-52-01 | 037037 039100 | 1 | |
| | 205 | 69-37319-312 | .MODULE ASSY-AIR CONDITIONING P5-10 SUPPLIER CODE: V89954 FUNCTIONAL DESCRIPTION: CONTROLS THE OPERATION OF THE AIR CONDITIONING AND PNEUMATIC SYSTEMS. ELECTRICAL EQUIP NUMBER: P00510 COMPONENT MAINT MANUAL REF: 31-37-07 | 037037 039100 | RF | |
| | 210 | BAC27EEX510 | ..DECAL | 037037 039100 | 1 | |
| | MISSING ITEM NUMBERS NOT APPLICABLE | | | | | |

- ITEM NOT ILLUSTRATED

HAP

11-31-01-39Z

BOEING PROPRIETARY - Copyright © - Unpublished Work - See title page for details.

11-31-01
FIG. 39Z
PAGE 9
JUN 15/09

BOEING
737-600/700/800/900
PARTS CATALOG (MAINTENANCE)

| FIG ITEM | PART NUMBER | 1 2 3 4 5 6 7 | NOMENCLATURE | EFFECT FROM TO | UNITS PER ASSY |
|---|--------------|---------------|--|-------------------|----------------------|
| R | 39Z - 215 | 69-78809-3 | ..PRINTED CIRCUIT ASSY- UNIV MASTER CAUTION SUPPLIER CODE: V89954 COMPONENT MAINT MANUAL REF: 28-09-33 OPTIONAL PART: 69-78809-4 V89954 69-78809-5 V89954 69-78809-6 V89954 FOR SPARES PROCURE: 69-78809-6 V89954 | 037037 039100 | RF |
| | - 215 | 69-78809-4 | ..PRINTED CIRCUIT ASSY- UNIV MASTER CAUTION SUPPLIER CODE: V89954 COMPONENT MAINT MANUAL REF: 28-09-33 OPTIONAL PART: 69-78809-3 V89954 69-78809-5 V89954 69-78809-6 V89954 FOR SPARES PROCURE: 69-78809-6 V89954 | 037037 039100 | RF |
| | - 215 | 69-78809-5 | ..PRINTED CIRCUIT ASSY- UNIV MASTER CAUTION SUPPLIER CODE: V89954 COMPONENT MAINT MANUAL REF: 28-09-33 OPTIONAL PART: 69-78809-3 V89954 69-78809-4 V89954 69-78809-6 V89954 FOR SPARES PROCURE: 69-78809-6 V89954 | 037037 039100 | RF |

MISSING ITEM NUMBERS NOT APPLICABLE

- ITEM NOT ILLUSTRATED

HAP

11-31-01-39Z

BOEING PROPRIETARY - Copyright © - Unpublished Work - See title page for details.

11-31-01
FIG. 39Z
PAGE 10
JUN 15/09

BOEING
737-600/700/800/900
PARTS CATALOG (MAINTENANCE)

| FIG ITEM | PART NUMBER | 1 2 3 4 5 6 7 | NOMENCLATURE | EFFECT FROM TO | UNITS PER ASSY |
|---|--------------|---------------|---|-------------------|----------------------|
| R | 39Z - 270 | 69-78809-3 | ..PRINTED CIRCUIT ASSY-UNIV MASTER CAUTION SUPPLIER CODE: V89954 COMPONENT MAINT MANUAL REF: 28-09-33 OPTIONAL PART: 69-78809-4 V89954 69-78809-5 V89954 69-78809-6 V89954 FOR SPARES PROCURE: 69-78809-6 V89954 | 037037 039100 | RF |
| | - 270 | 69-78809-4 | ..PRINTED CIRCUIT ASSY-UNIV MASTER CAUTION SUPPLIER CODE: V89954 COMPONENT MAINT MANUAL REF: 28-09-33 OPTIONAL PART: 69-78809-3 V89954 69-78809-5 V89954 69-78809-6 V89954 FOR SPARES PROCURE: 69-78809-6 V89954 | 037037 039100 | RF |
| | - 270 | 69-78809-5 | ..PRINTED CIRCUIT ASSY-UNIV MASTER CAUTION SUPPLIER CODE: V89954 COMPONENT MAINT MANUAL REF: 28-09-33 OPTIONAL PART: 69-78809-3 V89954 69-78809-4 V89954 69-78809-6 V89954 FOR SPARES PROCURE: 69-78809-6 V89954 | 037037 039100 | RF |

MISSING ITEM NUMBERS NOT APPLICABLE

- ITEM NOT ILLUSTRATED

HAP

11-31-01-39Z

BOEING PROPRIETARY - Copyright © - Unpublished Work - See title page for details.

11-31-01
FIG. 39Z
PAGE 12
JUN 15/09



BOEING
737-600/700/800/900
PARTS CATALOG (MAINTENANCE)

| FIG ITEM | PART NUMBER | 1 2 3 4 5 6 7 | NOMENCLATURE | EFFECT FROM TO | UNITS PER ASSY |
|--------------|--------------|---------------|---|------------------|----------------|
| 39Z - 270 | 69-78809-6 | | ..PRINTED CIRCUIT ASSY-UNIV MASTER CAUTION SUPPLIER CODE: V89954 COMPONENT MAINT MANUAL REF: 28-09-33 OPTIONAL PART: 69-78809-3 V89954 69-78809-4 V89954 69-78809-5 V89954 | 037037 039100 | RF |
| 275 | BAC27TEX1486 | | ...DECAL- PLACARD CONTENT: STATIC SENSITIVE | 037037 039100 | 1 |
| - 300 | MODREF319459 | | MODULE INSTL-ELEC METER BATTERY, AND GALLEY PWR 60 MIN STANDBY P5-13 (PLACARDS AND MARKINGS ONLY) MODULE NUMBER: 233A3104-243308 REV B FOR OTHER SYS DETAILS SEE: 24-21-53-02 24-31-51-04 24-32-51-01 31-11-94-07Q 33-11-52-06K | 037037 039100 | 1 |
| 305 | 285A1840-8 | | .MODULE ASSY- SUPPLIER CODE: V89954 ELECTRICAL EQUIP NUMBER: P00513 COMPONENT MAINT MANUAL REF: 24-00-06 | 037037 039100 | RF |
| 310 | BAC27DEX6075 | | ..MARKER | 037037 039100 | 1 |
| 315 | BAC27DEX6684 | | ..MARKER-ALUMINUM FOIL SUPPLIER CODE: V89954 | 037037 039100 | 1 |
| 320 | BAC27TEX1486 | | ..DECAL- PLACARD CONTENT: STATIC SENSITIVE | 037037 039100 | 2 |

MISSING ITEM NUMBERS NOT APPLICABLE

- ITEM NOT ILLUSTRATED

HAP

11-31-01-39Z

11-31-01
FIG. 39Z
PAGE 13
JUN 15/09

 **BOEING**
737-600/700/800/900
PARTS CATALOG (MAINTENANCE)

| FIG ITEM | PART NUMBER | 1 2 3 4 5 6 7 | NOMENCLATURE | EFFECT FROM TO | UNITS PER ASSY |
|--------------|---------------|---------------|--|-------------------|----------------------|
| 39Z - 350 | MODREF319460 | | MODULE INSTL-P5-11 OVHD ENG AND WING ANTI-ICE (PLACARDS AND MARKINGS ONLY) MODULE NUMBER: 233A3104-302101 REV B FOR OTHER SYS DETAILS SEE: 30-11-41-02 30-21-51-03 31-11-94-07Q 33-11-52-06K | 037037 039100 | 1 |
| 355 | 69-37320-104 | | .MODULE ASSY- SUPPLIER CODE: V89954 ELECTRICAL EQUIP NUMBER: P00511 COMPONENT MAINT MANUAL REF: 30-12-05 | 037037 039100 | RF |
| 360 | BAC27EEL18631 | | ..DECAL | 037037 039100 | 1 |
| - 365 | 69-73562-4 | | ..PRINTED CIRCUIT ASSY- SUPPLIER CODE: V89954 COMPONENT MAINT MANUAL REF: 30-12-11 | 037037 039100 | RF |
| 370 | BAC27EEL18632 | | ...DECAL | 037037 039100 | 1 |
| - 400 | MODREF319466 | | MODULE INSTL-P5-9 OVHD WINDOW AND PITOT HEAT (PLACARDS AND MARKINGS ONLY) MODULE NUMBER: 233A3104-303009 REV B FOR OTHER SYS DETAILS SEE: 30-41-41-03 31-11-94-07Q 33-11-52-06K | 037037 039100 | 1 |
| 405 | 233A3201-9 | | .MODULE ASSY- SUPPLIER CODE: V89954 ELECTRICAL EQUIP NUMBER: P00509 COMPONENT MAINT MANUAL REF: 30-09-05 | 037037 039100 | RF |
| 410 | BAC27DEX6075 | | ..MARKER | 037037 039100 | 1 |

MISSING ITEM NUMBERS NOT APPLICABLE

- ITEM NOT ILLUSTRATED

HAP

11-31-01-39Z

BOEING PROPRIETARY - Copyright © - Unpublished Work - See title page for details.

11-31-01
FIG. 39Z
PAGE 14
JUN 15/09



737-600/700/800/900

PARTS CATALOG (MAINTENANCE)

| FIG ITEM | PART NUMBER | 1 2 3 4 5 6 7 | NOMENCLATURE | EFFECT FROM TO | UNITS PER ASSY |
|----------|--------------|---------------|---|------------------|----------------|
| 39Z | | | | | |
| R - 415 | 69-78809-4 | .. | PRINTED CIRCUIT ASSY-UNIV MASTER CAUTION SUPPLIER CODE: V89954 COMPONENT MAINT MANUAL REF: 28-09-33 OPTIONAL PART: 69-78809-5 V89954 69-78809-6 V89954 FOR SPARES PROCURE: 69-78809-6 V89954 | 037037 039100 | RF |
| R - 415 | 69-78809-5 | .. | PRINTED CIRCUIT ASSY-UNIV MASTER CAUTION SUPPLIER CODE: V89954 COMPONENT MAINT MANUAL REF: 28-09-33 OPTIONAL PART: 69-78809-4 V89954 69-78809-6 V89954 FOR SPARES PROCURE: 69-78809-6 V89954 | 037037 039100 | RF |
| R - 415 | 69-78809-6 | .. | PRINTED CIRCUIT ASSY-UNIV MASTER CAUTION SUPPLIER CODE: V89954 COMPONENT MAINT MANUAL REF: 28-09-33 OPTIONAL PART: 69-78809-4 V89954 69-78809-5 V89954 | 037037 039100 | RF |
| R 420 | BAC27TEX1486 | ... | DECAL- PLACARD CONTENT: STATIC SENSITIVE | 037037 039100 | 1 |
| R - 425 | 285A1831-2 | .. | PW ASSY- SUPPLIER CODE: V89954 COMPONENT MAINT MANUAL REF: 30-09-06 | 037037 039100 | RF |

MISSING ITEM NUMBERS NOT APPLICABLE

— ITEM NOT ILLUSTRATED

HAP

11-31-01-39Z

11-31-01
 FIG. 39Z
 PAGE 15
 JUN 15/09


BOEING
737-600/700/800/900
PARTS CATALOG (MAINTENANCE)

| FIG ITEM | PART NUMBER | 1 2 3 4 5 6 7 | NOMENCLATURE | EFFECT FROM TO | UNITS PER ASSY |
|---|-------------|---------------|---|------------------|----------------|
| R R R R R R R R R R R R R R R | 39Z 430 | BAC27TEX1486 | ...DECAL- PLACARD CONTENT: STATIC SENSITIVE | 037037 039100 | 1 |
| | - 450 | MODREF319470 | MODULE INSTL-INSTR SWITCHING PNL P5-28/ FLIGHT CONT P5-3 (PLACARDS AND MARKINGS ONLY) MODULE NUMBER: 233A3104-346106 REV B FOR OTHER SYS DETAILS SEE: 22-23-51-01 27-09-45-02 27-21-24-03 27-31-37-03 27-31-52-01 27-51-50-03 27-61-52-01 27-83-51-01 29-33-21-02 29-34-21-02 29-34-31-03 31-11-94-07Q 31-62-14-01 33-11-52-06K 34-31-52-03 34-51-52-01 | 037037 039100 | 1 |
| | 455 | 233A3209-2 | .MODULE ASSY- SUPPLIER CODE: V89954 ELECTRICAL EQUIP NUMBER: P00503 COMPONENT MAINT MANUAL REF: 31-37-09 QUALIFIED I/W DATA: 233A3209-2 REPLACES 233A3209-1 ONE-WAY INTERCHANGEABLE UPON INCORPORATION OF SB 737-27-1262 | 037037 039100 | RF |
| | 460 | BAC27DEX6075 | ..MARKER | 037037 039100 | 1 |

MISSING ITEM NUMBERS NOT APPLICABLE

- ITEM NOT ILLUSTRATED

HAP

11-31-01-39Z

11-31-01
 FIG. 39Z
 PAGE 16
 JUN 15/09


BOEING
 737-600/700/800/900
PARTS CATALOG (MAINTENANCE)

| FIG ITEM | PART NUMBER | 1 2 3 4 5 6 7 | NOMENCLATURE | EFFECT FROM TO | UNITS PER ASSY |
|---|--------------|---------------|---|-------------------|----------------------|
| R | 39Z - 465 | 69-78809-3 | ..PRINTED CIRCUIT ASSY-UNIV MASTER CAUTION SUPPLIER CODE: V89954 COMPONENT MAINT MANUAL REF: 28-09-33 OPTIONAL PART: 69-78809-4 V89954 69-78809-5 V89954 69-78809-6 V89954 FOR SPARES PROCURE: 69-78809-6 V89954 | 037037 039100 | RF |
| | - 465 | 69-78809-4 | ..PRINTED CIRCUIT ASSY-UNIV MASTER CAUTION SUPPLIER CODE: V89954 COMPONENT MAINT MANUAL REF: 28-09-33 OPTIONAL PART: 69-78809-3 V89954 69-78809-5 V89954 69-78809-6 V89954 FOR SPARES PROCURE: 69-78809-6 V89954 | 037037 039100 | RF |
| | - 465 | 69-78809-5 | ..PRINTED CIRCUIT ASSY-UNIV MASTER CAUTION SUPPLIER CODE: V89954 COMPONENT MAINT MANUAL REF: 28-09-33 OPTIONAL PART: 69-78809-4 V89954 69-78809-3 V89954 FOR SPARES PROCURE: 69-78809-6 V89954 | 037037 039100 | RF |

MISSING ITEM NUMBERS NOT APPLICABLE

- ITEM NOT ILLUSTRATED

HAP

11-31-01-39Z

BOEING PROPRIETARY - Copyright © - Unpublished Work - See title page for details.

11-31-01
 FIG. 39Z
 PAGE 17
 JUN 15/09

BOEING
737-600/700/800/900
PARTS CATALOG (MAINTENANCE)

| FIG ITEM | PART NUMBER | 1 2 3 4 5 6 7 | NOMENCLATURE | EFFECT FROM TO | UNITS PER ASSY |
|--|--------------|---------------|--|------------------|----------------|
| R | 39Z - 465 | 69-78809-6 | ..PRINTED CIRCUIT ASSY-UNIV MASTER CAUTION SUPPLIER CODE: V89954 COMPONENT MAINT MANUAL REF: 28-09-33 OPTIONAL PART: 69-78809-3 V89954 69-78809-4 V89954 | 037037 039100 | RF |
| | 470 | BAC27TEX1486 | ...DECAL- PLACARD CONTENT: STATIC SENSITIVE | 037037 039100 | 1 |
| | - 500 | MODREF319478 | MODULE INSTL-P5-20 OVHD DOOR WARNING ANN. (PLACARDS AND MARKINGS ONLY) MODULE NUMBER: 233A3104-526006 REV B FOR OTHER SYS DETAILS SEE: 31-11-94-07Q 52-71-11-07 52-71-21-05 52-71-31-06 52-71-42-04 52-71-61-05 | 037037 039100 | 1 |
| | 505 | 233A3207-6 | .MODULE ASSY- SUPPLIER CODE: V89954 ELECTRICAL EQUIP NUMBER: P00520 COMPONENT MAINT MANUAL REF: 31-11-26 | 037037 039100 | RF |
| | 510 | BAC27DEX6075 | ..MARKER | 037037 039100 | 1 |

MISSING ITEM NUMBERS NOT APPLICABLE

- ITEM NOT ILLUSTRATED

HAP

11-31-01-39Z

BOEING PROPRIETARY - Copyright © - Unpublished Work - See title page for details.

11-31-01
FIG. 39Z
PAGE 18
JUN 15/09


BOEING
 737-600/700/800/900
PARTS CATALOG (MAINTENANCE)

| FIG ITEM | PART NUMBER | 1 2 3 4 5 6 7 | NOMENCLATURE | EFFECT FROM TO | UNITS PER ASSY |
|---|--------------|---------------|---|-------------------|----------------------|
| R | 39Z - 515 | 69-78809-3 | ..PRINTED CIRCUIT ASSY-UNIV MASTER CAUTION SUPPLIER CODE: V89954 COMPONENT MAINT MANUAL REF: 28-09-33 OPTIONAL PART: 69-78809-4 V89954 69-78809-5 V89954 69-78809-6 V89954 FOR SPARES PROCURE: 69-78809-6 V89954 | 037037 039100 | RF |
| | - 515 | 69-78809-4 | ..PRINTED CIRCUIT ASSY-UNIV MASTER CAUTION SUPPLIER CODE: V89954 COMPONENT MAINT MANUAL REF: 28-09-33 OPTIONAL PART: 69-78809-5 V89954 69-78809-3 V89954 69-78809-6 V89954 FOR SPARES PROCURE: 69-78809-6 V89954 | 037037 039100 | RF |
| | - 515 | 69-78809-5 | ..PRINTED CIRCUIT ASSY-UNIV MASTER CAUTION SUPPLIER CODE: V89954 COMPONENT MAINT MANUAL REF: 28-09-33 OPTIONAL PART: 69-78809-3 V89954 69-78809-4 V89954 69-78809-6 V89954 FOR SPARES PROCURE: 69-78809-6 V89954 | 037037 039100 | RF |

MISSING ITEM NUMBERS NOT APPLICABLE

- ITEM NOT ILLUSTRATED

HAP

11-31-01-39Z

BOEING PROPRIETARY - Copyright © - Unpublished Work - See title page for details.

11-31-01
 FIG. 39Z
 PAGE 19
 JUN 15/09

BOEING
737-600/700/800/900
PARTS CATALOG (MAINTENANCE)

| FIG ITEM | PART NUMBER | 1 2 3 4 5 6 7 | NOMENCLATURE | EFFECT FROM TO | UNITS PER ASSY |
|--|-------------------------|---------------|--|-------------------|----------------------|
| R R R R R R R R R R R R | 39Z - 515 69-78809-6 | | ..PRINTED CIRCUIT ASSY-UNIV MASTER CAUTION SUPPLIER CODE: V89954 COMPONENT MAINT MANUAL REF: 28-09-33 OPTIONAL PART: 69-78809-3 V89954 69-78809-4 V89954 69-78809-5 V89954 | 037037 039100 | RF |
| | 520 BAC27TEX1486 | | ...DECAL- PLACARD CONTENT: STATIC SENSITIVE | 037037 039100 | 1 |

MISSING ITEM NUMBERS NOT APPLICABLE

- ITEM NOT ILLUSTRATED

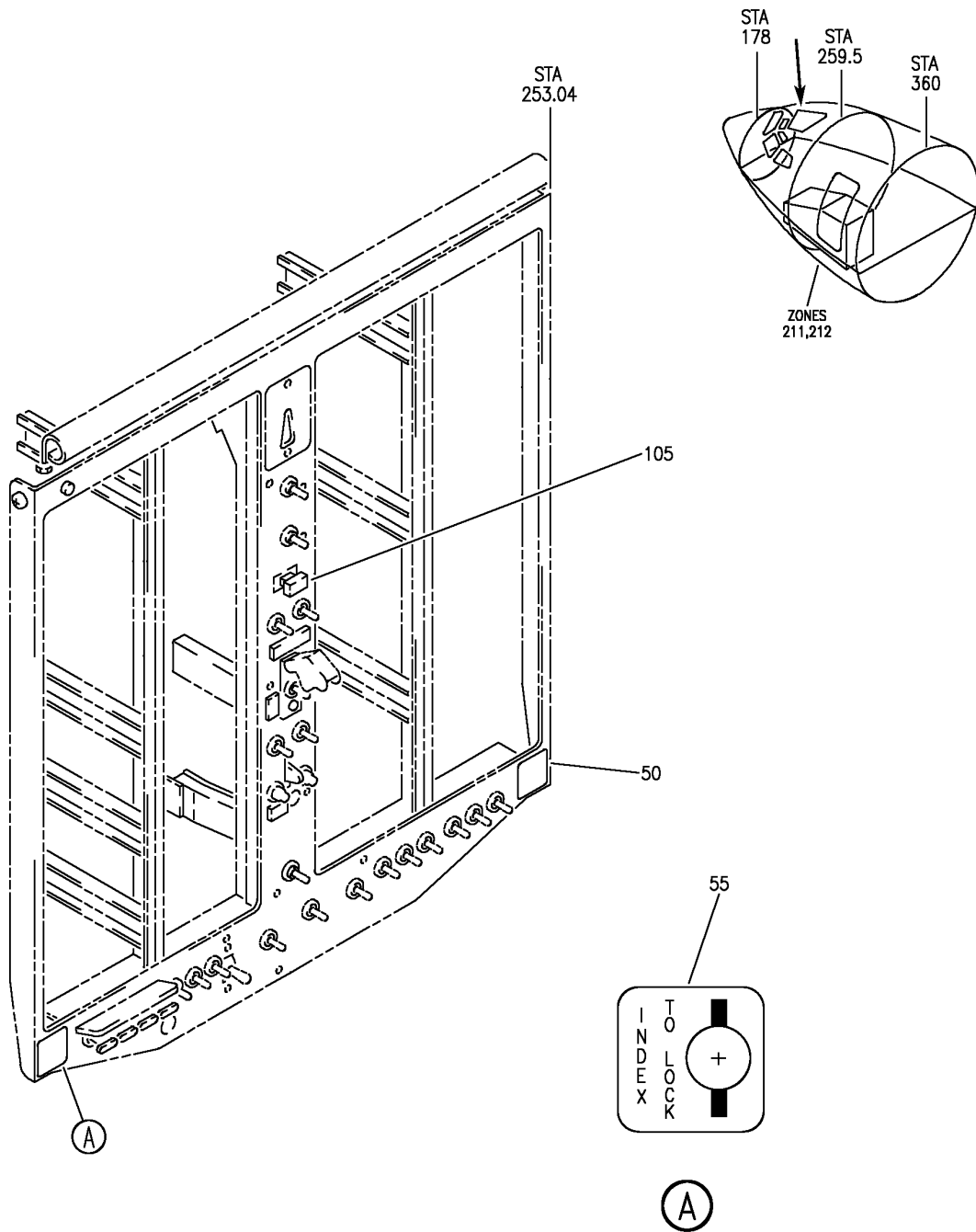
HAP

11-31-01-39Z

BOEING PROPRIETARY - Copyright © - Unpublished Work - See title page for details.

11-31-01
FIG. 39Z
PAGE 20
JUN 15/09

BOEING
 737-600/700/800/900
 PARTS CATALOG (MAINTENANCE)



E 11310140 REV 143

ELECTRICAL INSTL-P5 FWD OVHD (PLACARDS AND MARKINGS ONLY)
 FIGURE 40

11-31-01-40

HAP
 JUN 15/08

11-31-01-40
 PAGE 0

BOEING
737-600/700/800/900
PARTS CATALOG (MAINTENANCE)

| FIG ITEM | PART NUMBER | 1 2 3 4 5 6 7 | NOMENCLATURE | EFFECT FROM TO | UNITS PER ASSY |
|-------------|--------------|---------------|--|--------------------------------------|----------------------|
| 40 | | | ELECTRICAL INSTL-P5 FWD OVHD (PLACARDS AND MARKINGS ONLY) | 037200 968999 | |
| - 1 | MODREF318918 | | ELECTRICAL INSTL-P5 OVHD (PLACARDS AND MARKINGS ONLY) MODULE NUMBER: 233A3323-1 REV A2 POSITION DATA: FWD FOR OTHER SYS DETAILS SEE: 21-27-52-01 23-42-52-01 23-43-52-01 30-42-31-01 31-11-94-30 33-11-52-01 33-14-00-40 33-25-52-01 33-32-52-01 33-41-52-01 33-42-52-01 33-45-52-01 33-51-52-01 49-61-52-01 74-31-52-01 | 037040 042043 101101 968969 | 1 |
| - 1 | MODREF320450 | | ELECTRICAL INSTL-P5 OVHD (PLACARDS AND MARKINGS ONLY) MODULE NUMBER: 233A3323-1 REV E POSITION DATA: FWD FOR OTHER SYS DETAILS SEE: 21-27-52-01 23-42-52-01 23-43-52-01 30-42-31-01 31-11-94-30 33-11-52-01 33-14-00-40 33-25-52-01 33-32-52-01 33-41-52-01 33-42-52-01 33-45-52-01 33-51-52-01 49-61-52-01 74-31-52-01 | 970971 | 1 |

MISSING ITEM NUMBERS NOT APPLICABLE

- ITEM NOT ILLUSTRATED

HAP

11-31-01-40

11-31-01
FIG. 40
PAGE 1
OCT 15/08

BOEING
737-600/700/800/900
PARTS CATALOG (MAINTENANCE)

| FIG ITEM | PART NUMBER | 1 2 3 4 5 6 7 | NOMENCLATURE | EFFECT FROM TO | UNITS PER ASSY |
|-------------|-----------------|---------------|---|--|----------------------|
| 40 - | 1 MODREF340186 | | ELECTRICAL INSTL-P5 OVHD (PLACARDS AND MARKINGS ONLY) MODULE NUMBER: 233A3323-1 REV F POSITION DATA: FWD FOR OTHER SYS DETAILS SEE: 21-27-52-01 23-42-52-01 23-43-52-01 30-42-31-01 31-11-94-30 33-11-52-01 33-14-00-40 33-25-52-01 33-32-52-01 33-41-52-01 33-42-52-01 33-45-52-01 33-51-52-01 49-61-52-01 74-31-52-01 | 041041 044047 054100 102106 972999 | 1 |
| - | 1 MODREF374993 | | ELECTRICAL INSTL-P5 OVHD (PLACARDS AND MARKINGS ONLY) MODULE NUMBER: 233A3323-1 REV G POSITION DATA: FWD FOR OTHER SYS DETAILS SEE: 21-27-52-01 23-42-52-01 23-43-52-01 30-42-31-01 31-11-94-30 33-11-52-01 33-14-00-40 33-25-52-01 33-32-52-01 33-41-52-01 33-42-52-01 33-45-52-01 33-51-52-01 49-61-52-01 74-31-52-01 | 048053 107200 | 1 |
| | 50 BAC27DCC3251 | | .MARKER-ALUMINUM FOIL OPTIONAL PART: BAC27DCC471 | 037200 968999 | 1 |

MISSING ITEM NUMBERS NOT APPLICABLE

- ITEM NOT ILLUSTRATED

HAP

11-31-01-40

BOEING PROPRIETARY - Copyright © - Unpublished Work - See title page for details.

11-31-01
FIG. 40
PAGE 2
FEB 15/09


BOEING
 737-600/700/800/900
PARTS CATALOG (MAINTENANCE)

| FIG ITEM | PART NUMBER | 1 2 3 4 5 6 7 | NOMENCLATURE | EFFECT FROM TO | UNITS PER ASSY |
|-------------|--------------|---------------|--|-------------------|----------------------|
| 40 | | | | | |
| 50 | BAC27DCC471 | | .MARKER-ALUMINUM FOIL OPTIONAL PART: BAC27DCC3251 | 037200 968999 | 1 |
| 55 | BAC27DCC3252 | | .MARKER-ALUMINUM FOIL OPTIONAL PART: BAC27DCC470 | 037200 968999 | 1 |
| 55 | BAC27DCC470 | | .MARKER-ALUMINUM FOIL OPTIONAL PART: BAC27DCC43252 | 037200 968999 | 1 |

MISSING ITEM NUMBERS NOT APPLICABLE

— ITEM NOT ILLUSTRATED

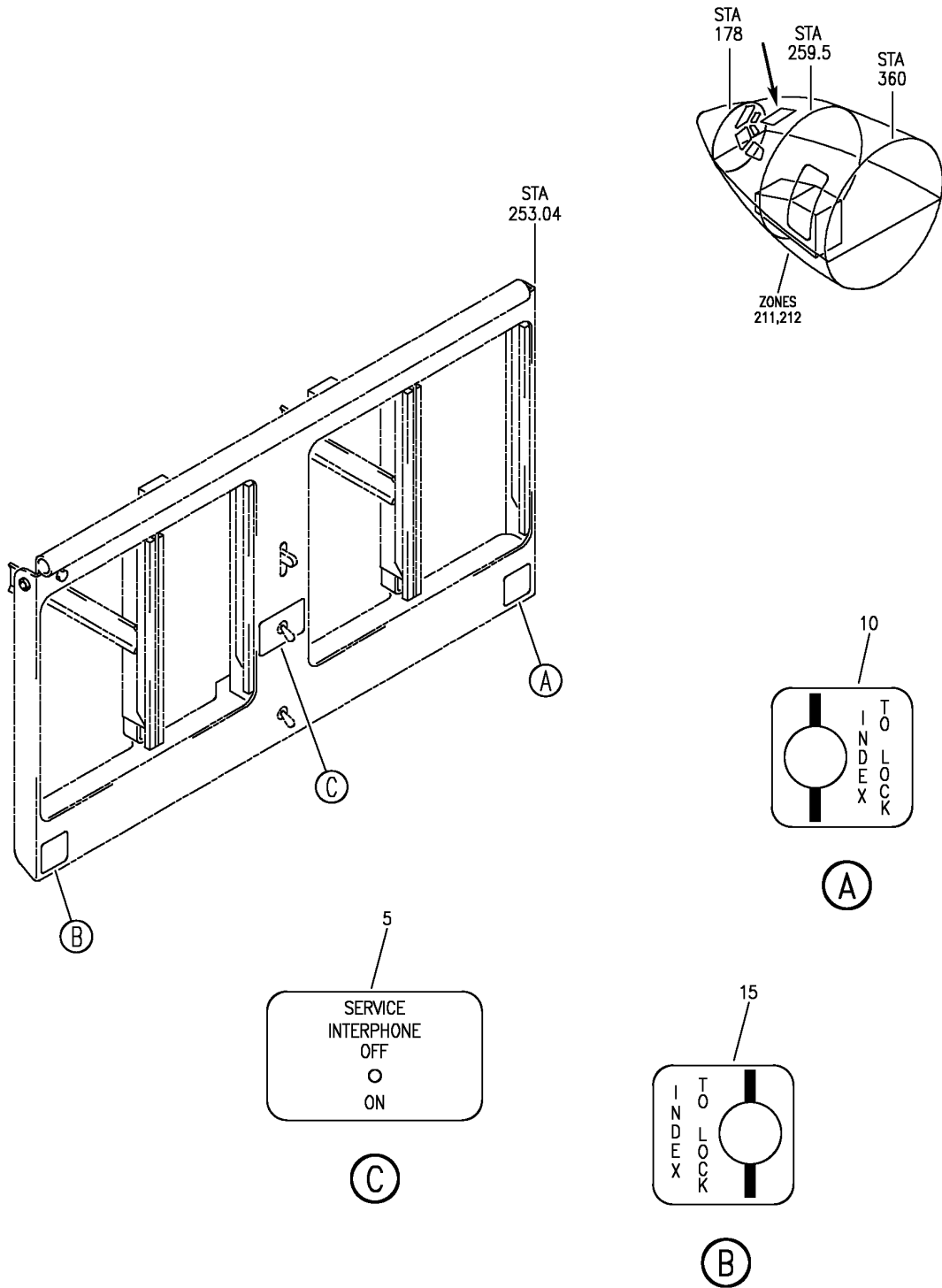
HAP

11-31-01-40

BOEING PROPRIETARY - Copyright © - Unpublished Work - See title page for details.

11-31-01
 FIG. 40
 PAGE 3
 OCT 15/08

BOEING
 737-600/700/800/900
 PARTS CATALOG (MAINTENANCE)



E 11310141 REV 145

ELECTRICAL INSTL-P5 AFT OVHD (PLACARDS AND MARKINGS ONLY)
 FIGURE 41

11-31-01-41

HAP
 OCT 15/08

11-31-01-41
 PAGE 0

BOEING
737-600/700/800/900
PARTS CATALOG (MAINTENANCE)

| FIG ITEM | PART NUMBER | 1 2 3 4 5 6 7 | NOMENCLATURE | EFFECT FROM TO | UNITS PER ASSY |
|-------------|--------------|---------------|---|-------------------|----------------------|
| 41 | | | ELECTRICAL INSTL-P5 AFT OVHD (PLACARDS AND MARKINGS ONLY) | 037200 968999 | |
| - 1 | MODREF293913 | | ELECTRICAL INSTL-P5 OVHD (PLACARDS AND MARKINGS ONLY) MODULE NUMBER: 233A3326-1 REV B POSITION DATA: AFT FOR OTHER SYS DETAILS SEE: 23-41-51-03 31-11-95-04 32-61-52-04 33-14-00-22 34-61-51-01 | 037038 968968 | 1 |
| - 1 | MODREF332905 | | ELECTRICAL INSTL-P5 OVHD (PLACARDS AND MARKINGS ONLY) MODULE NUMBER: 233A3326-1 REV C POSITION DATA: AFT FOR OTHER SYS DETAILS SEE: 23-41-51-03 31-11-95-04 32-61-52-04 33-14-00-22 34-61-51-01 | 039200 969999 | 1 |
| 5 | BAC27DCC100 | | .MARKER-ALUMINUM FOIL | 037200 968999 | 1 |
| 10 | BAC27DCC3251 | | .MARKER-ALUMINUM FOIL | 037200 968999 | 1 |
| 15 | BAC27DCC3252 | | .MARKER-ALUMINUM FOIL | 037200 968999 | 1 |

MISSING ITEM NUMBERS NOT APPLICABLE

- ITEM NOT ILLUSTRATED

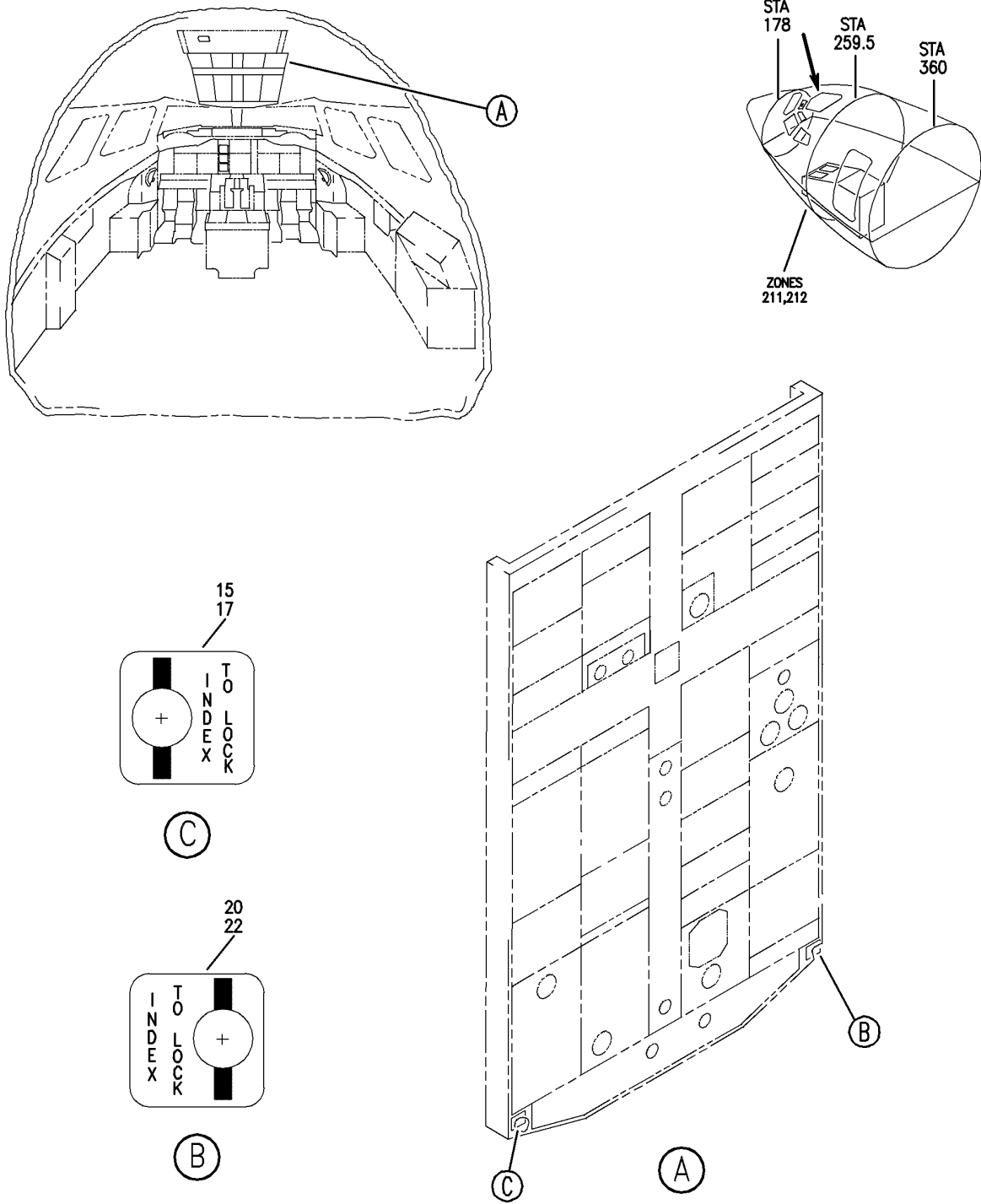
HAP

11-31-01-41

BOEING PROPRIETARY - Copyright © - Unpublished Work - See title page for details.

11-31-01
FIG. 41
PAGE 1
OCT 15/08

BOEING
 737-600/700/800/900
 PARTS CATALOG (MAINTENANCE)



E 11310143 REV 053

ELECTRICAL INSTL AND ASSY-P5 FWD OVHD (PLACARDS AND MARKINGS ONLY)
 FIGURE 43

11-31-01-43

HAP
 OCT 10/06

11-31-01-43
 PAGE 0

BOEING
737-600/700/800/900
PARTS CATALOG (MAINTENANCE)

| FIG ITEM | PART NUMBER | 1 2 3 4 5 6 7 | NOMENCLATURE | EFFECT FROM TO | UNITS PER ASSY |
|-------------|--------------|---------------|--|-------------------|----------------------|
| 43 | | | ELECTRICAL INSTL AND ASSY- P5 FWD OVHD (PLACARDS AND MARKINGS ONLY) | 001036 201967 | |
| - 1 | 233A3303-2 | | ELECTRICAL ASSY-P5 OVHD (PLACARDS AND MARKINGS ONLY) POSITION DATA: FWD FOR NHA/OTHER SYS DET SEE: 31-11-94-03 | 001007 | RF |
| - 2 | 233A3303-301 | | ELECTRICAL INSTL-P5 OVHD (PLACARDS AND MARKINGS ONLY) POSITION DATA: FWD FOR NHA/OTHER SYS DET SEE: 31-11-00-01C 31-11-00-01J | 008011 201967 | RF |
| - 3 | 233A3303-340 | | ELECTRICAL INSTL-P5 OVHD (PLACARDS AND MARKINGS ONLY) POSITION DATA: FWD FOR NHA/OTHER SYS DET SEE: 31-11-00-01C | 012017 019019 | RF |
| - 4 | 233A3303-349 | | ELECTRICAL INSTL-P5 OVHD (PLACARDS AND MARKINGS ONLY) POSITION DATA: FWD FOR NHA/OTHER SYS DET SEE: 31-11-00-01C | 018018 020030 | RF |

MISSING ITEM NUMBERS NOT APPLICABLE

- ITEM NOT ILLUSTRATED

HAP

11-31-01-43

BOEING PROPRIETARY - Copyright © - Unpublished Work - See title page for details.

11-31-01
FIG. 43
PAGE 1
OCT 15/08

BOEING
737-600/700/800/900
PARTS CATALOG (MAINTENANCE)

| FIG ITEM | PART NUMBER | 1 2 3 4 5 6 7 | NOMENCLATURE | EFFECT FROM TO | UNITS PER ASSY |
|-------------|--------------|---------------|---|-------------------|----------------------|
| 43 - 5 | MODREF82478 | | ELECTRICAL INSTL-P5 OVHD (PLACARDS AND MARKINGS ONLY) MODULE NUMBER: 233A3303-349 REV A POSITION DATA: FWD FOR OTHER SYS DETAILS SEE: 21-27-00-01 23-42-00-01 23-43-00-01 30-42-31-02 31-11-94-03A 33-11-00-08 33-14-00-06 33-25-52-02 33-32-00-03 33-41-00-01 33-42-00-02 33-43-00-01 33-44-00-01 33-45-00-01 33-49-00-02 33-51-00-02 49-61-00-01 74-31-52-02 | 031036 | 1 |
| 15 | BAC27DCC471 | | .MARKER-ALUMINUM FOIL OPTIONAL PART: BAC27DCC3251 | 001036 201967 | 1 |
| 17 | BAC27DCC3251 | | .MARKER-ALUMINUM FOIL OPTIONAL PART: BAC27DCC471 | 018018 020036 | 1 |
| 20 | BAC27DCC470 | | .MARKER-ALUMINUM FOIL OPTIONAL PART: BAC27DCC3252 | 018018 020036 | 1 |
| 22 | BAC27DCC3252 | | .DECAL-ALUMINUM FOIL OPTIONAL PART: BAC27DCC470 | 018018 020036 | 1 |

MISSING ITEM NUMBERS NOT APPLICABLE

- ITEM NOT ILLUSTRATED

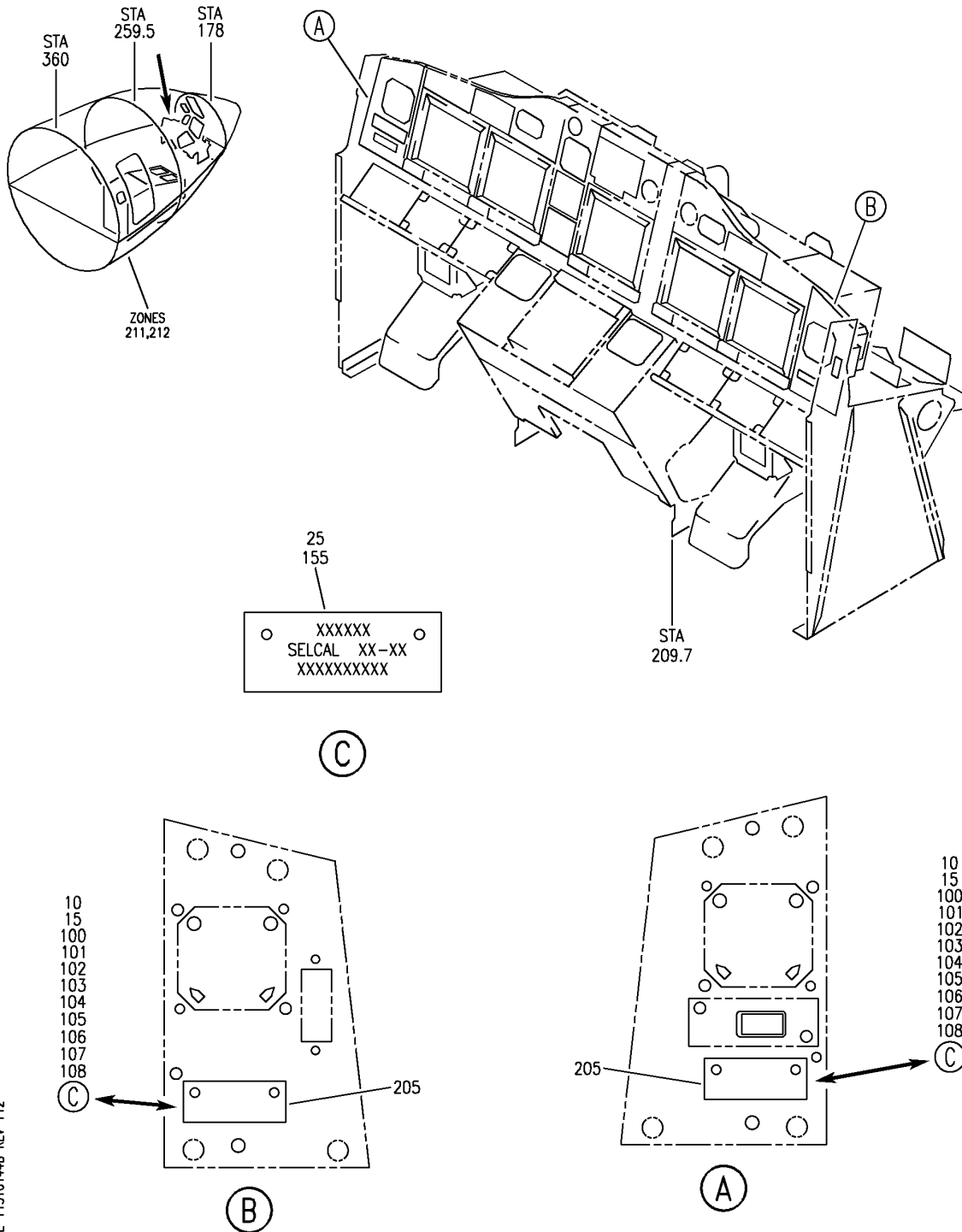
HAP

11-31-01-43

BOEING PROPRIETARY - Copyright © - Unpublished Work - See title page for details.

11-31-01
FIG. 43
PAGE 2
OCT 15/08

BOEING
 737-600/700/800/900
 PARTS CATALOG (MAINTENANCE)



E 11310144B REV 112

PLACARD INSTL-LICENSE REGISTRATION AND SELCAL
 FIGURE 44B

11-31-01-44B

HAP
 OCT 15/08

11-31-01-44B
 PAGE 0

BOEING
737-600/700/800/900
PARTS CATALOG (MAINTENANCE)

| FIG ITEM | PART NUMBER | 1 2 3 4 5 6 7 | NOMENCLATURE | EFFECT FROM TO | UNITS PER ASSY |
|-------------|--------------|---------------|---|-------------------|----------------------|
| 44B | | | PLACARD INSTL-LICENSE REGISTRATION AND SELCAL | 202967 | |
| - 52 | 232A4212 | | PLACARD INSTL-APL LICENSE REGISTRATION AND SELCAL | 202967 | RF |
| 102 | 232A4252 | | POST RAPID REVISION: RR97183-25-A .PLACARD ASSY- | 202967 | 2 |
| - 150 | MS51861-14 | | POST RAPID REVISION: RR97183-25-A ATTACHING PARTS .SCREW- | 202967 | 4 |
| 155 | RR97183-25-1 | | -----*----- ..PLACARD- PLACARD CONTENT: 29080 / EI-CRQ POST RAPID REVISION: RR97183-25-A | 202967 | 1 |

MISSING ITEM NUMBERS NOT APPLICABLE

- ITEM NOT ILLUSTRATED

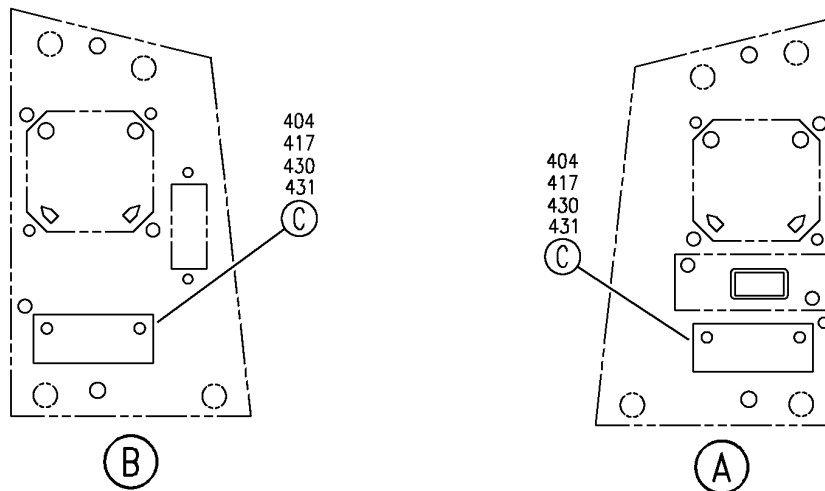
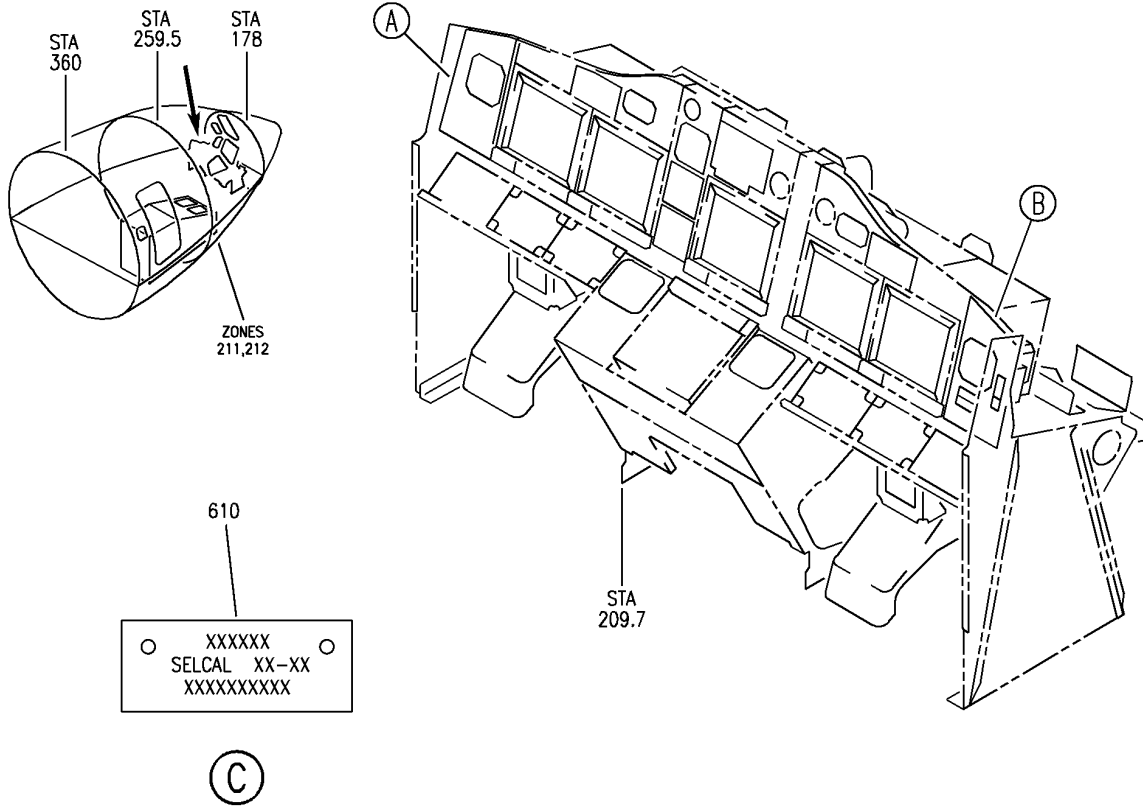
HAP

11-31-01-44B

BOEING PROPRIETARY - Copyright © - Unpublished Work - See title page for details.

11-31-01
FIG. 44B
PAGE 1
OCT 15/08

BOEING
 737-600/700/800/900
 PARTS CATALOG (MAINTENANCE)



E 11310144C REV 113

PLACARD INSTL-APL LICENSE REGISTRATION AND SELCAL
 FIGURE 44C

11-31-01-44C

HAP
 OCT 10/06

11-31-01-44C
 PAGE 0

 **BOEING**
737-600/700/800/900
PARTS CATALOG (MAINTENANCE)

| FIG ITEM | PART NUMBER | 1 2 3 4 5 6 7 | NOMENCLATURE | EFFECT FROM TO | UNITS PER ASSY |
|----------|--------------|---------------|--|------------------|----------------|
| 44C | | | | | |
| - 6 | 232A4212-26 | | PLACARD INSTL-APL LICENSE REGISTRATION AND SELCAL PLACARD INSTL-APL LICENSE REGISTRATION AND SELCAL FOR NHA SEE: 11-31-00-01C | 001030 006006 | RF |
| - 6 | 232A4212-263 | | PLACARD INSTL-APL LICENSE REGISTRATION AND SELCAL FOR NHA SEE: 11-31-00-01C | 008008 | RF |
| - 6 | 232A4212-264 | | PLACARD INSTL-APL LICENSE REGISTRATION AND SELCAL FOR NHA SEE: 11-31-00-01C | 009009 | RF |
| - 7 | 232A4212-27 | | PLACARD INSTL-APL LICENSE REGISTRATION AND SELCAL FOR NHA SEE: 11-31-00-01C | 007007 | RF |
| - 7 | 232A4212-277 | | PLACARD INSTL-APL LICENSE REGISTRATION AND SELCAL FOR NHA SEE: 11-31-00-01C | 010010 | RF |
| - 7 | 232A4212-278 | | PLACARD INSTL-APL LICENSE REGISTRATION AND SELCAL FOR NHA SEE: 11-31-00-01C | 011011 | RF |
| - 7 | 232A4212-28 | | PLACARD INSTL-APL LICENSE REGISTRATION AND SELCAL FOR NHA SEE: 11-31-00-01C | 001001 | RF |
| - 8 | 232A4212-29 | | PLACARD INSTL-APL LICENSE REGISTRATION AND SELCAL FOR NHA SEE: 11-31-00-01C | 002002 | RF |
| - 8 | 232A4212-30 | | PLACARD INSTL-APL LICENSE REGISTRATION AND SELCAL FOR NHA SEE: 11-31-00-01C | 003003 | RF |
| - 8 | 232A4212-31 | | PLACARD INSTL-APL LICENSE REGISTRATION AND SELCAL FOR NHA SEE: 11-31-00-01C | 004004 | RF |
| - 8 | 232A4212-32 | | PLACARD INSTL-APL LICENSE REGISTRATION AND SELCAL FOR NHA SEE: 11-31-00-01C | 005005 | RF |

MISSING ITEM NUMBERS NOT APPLICABLE

- ITEM NOT ILLUSTRATED

HAP

11-31-01-44C

11-31-01
FIG. 44C
PAGE 1
OCT 10/06

 **BOEING**
737-600/700/800/900
PARTS CATALOG (MAINTENANCE)

| FIG ITEM | PART NUMBER | 1 2 3 4 5 6 7 | NOMENCLATURE | EFFECT FROM TO | UNITS PER ASSY |
|-------------|--------------|---------------|---|-------------------|----------------------|
| 44C | | | | | |
| - 12 | 232A4212-453 | | PLACARD INSTL-APL LICENSE REGISTRATION AND SELCAL FOR NHA SEE: 11-31-00-01C | 012012 | RF |
| - 13 | 232A4212-465 | | PLACARD INSTL-APL LICENSE REGISTRATION AND SELCAL FOR NHA SEE: 11-31-00-01C | 013013 | RF |
| - 13 | 232A4212-471 | | PLACARD INSTL-APL LICENSE REGISTRATION AND SELCAL FOR NHA SEE: 11-31-00-01C | 014014 | RF |
| - 14 | 232A4212-485 | | PLACARD INSTL-APL LICENSE REGISTRATION AND SELCAL FOR NHA SEE: 11-31-00-01C | 015015 | RF |
| - 14 | 232A4212-486 | | PLACARD INSTL-APL LICENSE REGISTRATION AND SELCAL FOR NHA SEE: 11-31-00-01C | 016016 | RF |
| - 14 | 232A4212-602 | | PLACARD INSTL-APL LICENSE REGISTRATION AND SELCAL FOR NHA SEE: 11-31-00-01C | 017017 | RF |
| - 14 | 232A4212-608 | | PLACARD INSTL-APL LICENSE REGISTRATION AND SELCAL FOR NHA SEE: 11-31-00-01C | 019019 | RF |
| - 17 | 232A4212-662 | | PLACARD INSTL-APL LICENSE REGISTRATION AND SELCAL FOR NHA SEE: 11-31-00-01C | 018018 | RF |
| - 19 | RR97089-43-1 | | PLACARD INSTL-APL LICENSE REGISTRATION AND SELCAL POST RAPID REVISION: RR97089-43C FOR NHA SEE: 11-31-00-01C | 020020 | RF |
| - 21 | 232A4212-767 | | PLACARD INSTL-APL LICENSE REGISTRATION AND SELCAL FOR NHA SEE: 11-31-00-01C | 021021 | RF |
| - 21 | 232A4212-779 | | PLACARD INSTL-APL LICENSE REGISTRATION AND SELCAL FOR NHA SEE: 11-31-00-01C | 022022 | RF |

MISSING ITEM NUMBERS NOT APPLICABLE

- ITEM NOT ILLUSTRATED

HAP

11-31-01-44C

BOEING PROPRIETARY - Copyright © - Unpublished Work - See title page for details.

11-31-01
FIG. 44C
PAGE 2
OCT 10/06

 **BOEING**
737-600/700/800/900
PARTS CATALOG (MAINTENANCE)

| FIG ITEM | PART NUMBER | 1 2 3 4 5 6 7 | NOMENCLATURE | EFFECT FROM TO | UNITS PER ASSY |
|----------|---------------|---------------|--|----------------|----------------|
| 44C | | | | | |
| - 22 | 232A4212-809 | | PLACARD INSTL-APL LICENSE REGISTRATION AND SELCAL FOR NHA SEE: 11-31-00-01C | 023023 | RF |
| - 23 | 232A4212-832 | | PLACARD INSTL-APL LICENSE REGISTRATION AND SELCAL FOR NHA SEE: 11-31-00-01C | 024024 | RF |
| - 23 | 232A4212-833 | | PLACARD INSTL-APL LICENSE REGISTRATION AND SELCAL FOR NHA SEE: 11-31-00-01C | 025025 | RF |
| - 23 | 232A4212-834 | | PLACARD INSTL-APL LICENSE REGISTRATION AND SELCAL FOR NHA SEE: 11-31-00-01C | 026027 | RF |
| - 40 | 232A4212-1192 | | PLACARD INSTL-APL LICENSE REGISTRATION AND SELCAL FOR NHA SEE: 11-31-00-01C | 028028 | RF |
| - 41 | 232A4212-1223 | | PLACARD INSTL-APL LICENSE REGISTRATION AND SELCAL FOR NHA SEE: 11-31-00-01C | 029029 | RF |
| - 42 | 232A4212-1252 | | PLACARD INSTL-APL LICENSE REGISTRATION AND SELCAL FOR NHA SEE: 11-31-00-01C | 030030 | RF |
| 404 | 232A4252-26 | | .PLACARD ASSY | 006006 | 2 |
| 404 | 232A4252-263 | | .PLACARD ASSY | 008008 | 2 |
| 404 | 232A4252-264 | | .PLACARD ASSY | 009009 | 2 |
| 405 | 232A4252-27 | | .PLACARD ASSY | 007007 | 2 |
| 405 | 232A4252-277 | | .PLACARD ASSY | 010010 | 2 |
| 405 | 232A4252-278 | | .PLACARD ASSY | 011011 | 2 |
| 405 | 232A4252-28 | | .PLACARD ASSY | 001001 | 2 |
| 406 | 232A4252-29 | | .PLACARD ASSY | 002002 | 2 |
| 406 | 232A4252-30 | | .PLACARD ASSY | 003003 | 2 |
| 406 | 232A4252-31 | | .PLACARD ASSY | 004004 | 2 |
| 406 | 232A4252-32 | | .PLACARD ASSY | 005005 | 2 |
| 410 | 232A4252-453 | | .PLACARD ASSY | 012012 | 2 |
| 411 | 232A4252-465 | | .PLACARD ASSY | 013013 | 2 |
| 411 | 232A4252-471 | | .PLACARD ASSY | 014014 | 2 |
| 412 | 232A4252-485 | | .PLACARD ASSY | 015015 | 2 |
| 412 | 232A4252-486 | | .PLACARD ASSY | 016016 | 2 |
| 412 | 232A4252-602 | | .PLACARD ASSY | 017017 | 2 |
| 412 | 232A4252-608 | | .PLACARD ASSY | 019019 | 2 |
| 415 | 232A4252-662 | | .PLACARD ASSY | 018018 | 2 |
| 416 | 232A4252-696 | | .PLACARD ASSY | 020020 | 2 |
| 419 | 232A4252-767 | | .PLACARD ASSY | 021021 | 2 |

MISSING ITEM NUMBERS NOT APPLICABLE

- ITEM NOT ILLUSTRATED

HAP

11-31-01-44C

11-31-01
FIG. 44C
PAGE 3
OCT 10/07

BOEING
737-600/700/800/900
PARTS CATALOG (MAINTENANCE)

| FIG ITEM | PART NUMBER | 1 2 3 4 5 6 7 | NOMENCLATURE | EFFECT FROM TO | UNITS PER ASSY |
|-------------|---------------|---------------|-----------------|-------------------|----------------------|
| 44C | | | | | |
| 419 | 232A4252-779 | . | PLACARD ASSY | 022022 | 2 |
| 420 | 232A4252-809 | . | PLACARD ASSY | 023023 | 2 |
| 421 | 232A4252-832 | . | PLACARD ASSY | 024024 | 2 |
| 421 | 232A4252-833 | . | PLACARD ASSY | 025025 | 2 |
| 421 | 232A4252-834 | . | PLACARD ASSY | 026027 | 2 |
| 427 | 232A4252-1192 | . | PLACARD ASSY | 028028 | 2 |
| 428 | 232A4252-1223 | . | PLACARD ASSY | 029029 | 2 |
| 428 | 232A4252-1252 | . | PLACARD ASSY | 030030 | 2 |
| | | | ATTACHING PARTS | | |
| - 600 | MS51861-14 | . | SCREW | 001030 | 4 |
| | | | -----*----- | | |
| 610 | 232A4253-1 | .. | PLACARD- | 001030 | 1 |

MISSING ITEM NUMBERS NOT APPLICABLE

- ITEM NOT ILLUSTRATED

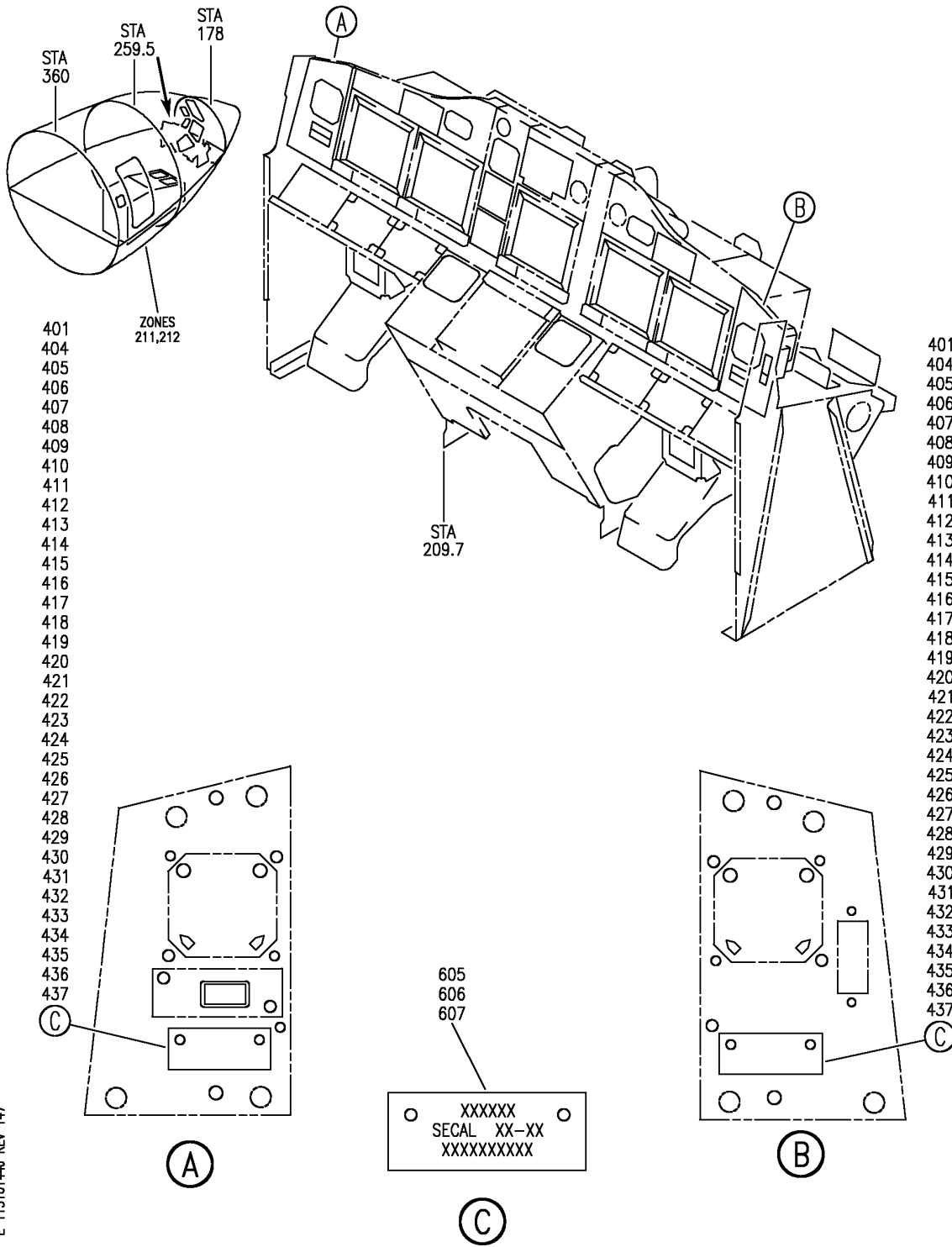
HAP

11-31-01-44C

BOEING PROPRIETARY - Copyright © - Unpublished Work - See title page for details.

11-31-01
FIG. 44C
PAGE 4
OCT 10/07

BOEING
 737-600/700/800/900
 PARTS CATALOG (MAINTENANCE)



E 11310144J REV 147

PLACARD INSTL-APL LICENSE REGISTRATION AND SELCAL
 FIGURE 44J

11-31-01-44J

 **BOEING**
737-600/700/800/900
PARTS CATALOG (MAINTENANCE)

| FIG ITEM | PART NUMBER | 1 2 3 4 5 6 7 | NOMENCLATURE | EFFECT FROM TO | UNITS PER ASSY |
|----------|--------------|---------------|---|--|----------------|
| 44J | | | PLACARD INSTL-APL LICENSE REGISTRATION AND SELCAL | 031037 039041 047047 049050 054100 050050 | |
| - 2 | MODREF402614 | | PLACARD INSTL-APL LICENSE REGISTRATION AND SELCAL MODULE NUMBER: 232A4212-2873 REV A | 031031 | 1 |
| - 19 | MODREF279493 | | PLACARD INSTL-APL LICENSE REGISTRATION AND SELCAL MODULE NUMBER: 232A4212-1979 REV A | 032032 | 1 |
| - 19 | MODREF287461 | | PLACARD INSTL-APL LICENSE REGISTRATION AND SELCAL MODULE NUMBER: 232A4212-2011 REV A | 033033 | 1 |
| - 20 | MODREF287463 | | PLACARD INSTL-APL LICENSE REGISTRATION AND SELCAL MODULE NUMBER: 232A4212-2013 REV A | 034034 | 1 |
| - 20 | MODREF288805 | | PLACARD INSTL-APL LICENSE REGISTRATION AND SELCAL MODULE NUMBER: 232A4212-2017 REV A | 035035 | 1 |
| - 20 | MODREF288806 | | PLACARD INSTL-APL LICENSE REGISTRATION AND SELCAL MODULE NUMBER: 232A4212-2018 REV A | 036036 | 1 |
| - 20 | MODREF291554 | | PLACARD INSTL-APL LICENSE REGISTRATION AND SELCAL MODULE NUMBER: 232A4212-2035 REV A | 037037 | 1 |
| - 27 | MODREF325465 | | PLACARD INSTL-APL LICENSE REGISTRATION AND SELCAL MODULE NUMBER: 232A4212-2277 REV A | 039039 | 1 |
| - 29 | MODREF333270 | | PLACARD INSTL-APL LICENSE REGISTRATION AND SELCAL MODULE NUMBER: 232A4212-2334 REV A | 040040 | 1 |
| - 29 | MODREF333272 | | PLACARD INSTL-APL LICENSE REGISTRATION AND SELCAL MODULE NUMBER: 232A4212-2336 REV A | 041041 | 1 |
| - 31 | MODREF343463 | | PLACARD INSTL-APL LICENSE REGISTRATION AND SELCAL MODULE NUMBER: 232A4212-2409 REV A | | |

MISSING ITEM NUMBERS NOT APPLICABLE

- ITEM NOT ILLUSTRATED

HAP

11-31-01-44J

11-31-01
FIG. 44J
PAGE 1
FEB 15/09

BOEING
737-600/700/800/900
PARTS CATALOG (MAINTENANCE)

| FIG ITEM | PART NUMBER | 1 2 3 4 5 6 7 | NOMENCLATURE | EFFECT FROM TO | UNITS PER ASSY |
|----------|---------------|---------------|---|--|----------------|
| 44J | | | | | |
| - 35 | MODREF356888 | | PLACARD INSTL-APL LICENSE REGISTRATION AND SELCAL MODULE NUMBER: 232A4212-2521 REV A | 054100 | 1 |
| - 40 | MODREF384588 | | PLACARD INSTL-APL LICENSE REGISTRATION AND SELCAL MODULE NUMBER: 232A4212-2725 REV A | 047047 | 1 |
| - 44 | MODREF399579 | | PLACARD INSTL-APL LICENSE REGISTRATION AND SELCAL MODULE NUMBER: 232A4212-2846 REV A | 049049 | 1 |
| 405 | 232A4252-2409 | | .PLACARD ASSY | 041041 | 2 |
| 407 | 232A4252-2521 | | .PLACARD ASSY | 054100 | 2 |
| 409 | 232A4252-2725 | | .PLACARD ASSY | 047047 | 2 |
| 414 | 232A4252-2873 | | .PLACARD ASSY | 050050 | 2 |
| 415 | 232A4252-1979 | | .PLACARD ASSY | 031031 | 2 |
| 415 | 232A4252-2011 | | .PLACARD ASSY | 032032 | 2 |
| 415 | 232A4252-2013 | | .PLACARD ASSY | 033033 | 2 |
| 416 | 232A4252-2017 | | .PLACARD ASSY | 034034 | 2 |
| 416 | 232A4252-2018 | | .PLACARD ASSY | 035035 | 2 |
| 416 | 232A4252-2035 | | .PLACARD ASSY | 036036 | 2 |
| 424 | 232A4252-2277 | | .PLACARD ASSY | 037037 | 2 |
| 426 | 232A4252-2334 | | .PLACARD ASSY | 039039 | 2 |
| 426 | 232A4252-2336 | | .PLACARD ASSY | 040040 | 2 |
| 437 | 232A4252-2846 | | .PLACARD ASSY | 049049 | 2 |
| - 600 | MS51861-14 | | ATTACHING PARTS .SCREW | 031037 039041 047047 049050 054100 | 4 |
| 605 | 232A4253-1 | | -----*----- . . PLACARD- | 031037 039041 047047 049050 054100 | 1 |

MISSING ITEM NUMBERS NOT APPLICABLE

- ITEM NOT ILLUSTRATED

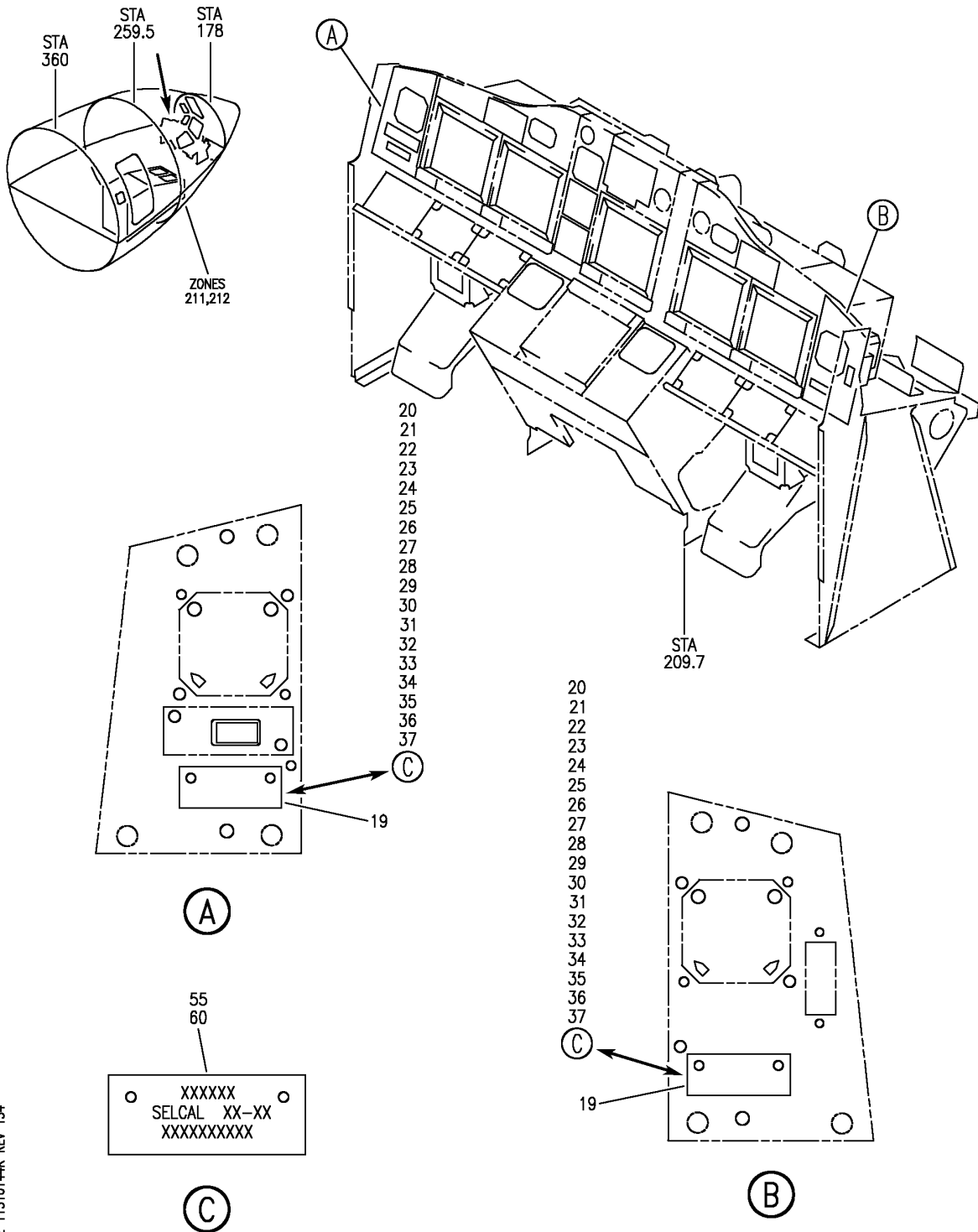
HAP

11-31-01-44J

BOEING PROPRIETARY - Copyright © - Unpublished Work - See title page for details.

11-31-01
FIG. 44J
PAGE 2
FEB 15/09

BOEING
 737-600/700/800/900
 PARTS CATALOG (MAINTENANCE)



E 11310144K REV 154

PLACARD INSTL-APL LICENSE REGISTRATION AND SELCAL
 FIGURE 44K

11-31-01-44K

HAP
 JUN 15/09

11-31-01-44K
 PAGE 0

BOEING
737-600/700/800/900
PARTS CATALOG (MAINTENANCE)

| FIG ITEM | PART NUMBER | 1 2 3 4 5 6 7 | NOMENCLATURE | EFFECT FROM TO | UNITS PER ASSY |
|----------|--------------|---------------|---|----------------------------|----------------|
| 44K | | | | | |
| - 9 | MODREF326802 | | PLACARD INSTL-APL LICENSE REGISTRATION AND SELCAL PLACARD INSTL-APL LICENSE REGISTRATION AND SELCAL MODULE NUMBER: 232A4212-2292 REV A | 101200 968999 968968 | 1 |
| - 10 | MODREF330921 | | PLACARD INSTL-APL LICENSE REGISTRATION AND SELCAL MODULE NUMBER: 232A4212-2316 REV A | 969969 | 1 |
| - 10 | MODREF334551 | | PLACARD INSTL-APL LICENSE REGISTRATION AND SELCAL MODULE NUMBER: 232A4212-2350 REV A | 101101 | 1 |
| - 11 | MODREF338915 | | PLACARD INSTL-APL LICENSE REGISTRATION AND SELCAL MODULE NUMBER: 232A4212-2381 REV A | 970971 | 1 |
| - 13 | MODREF358025 | | PLACARD INSTL-APL LICENSE REGISTRATION AND SELCAL MODULE NUMBER: 232A4212-2531 REV A | 102102 | 1 |
| - 13 | MODREF359463 | | PLACARD INSTL-APL LICENSE REGISTRATION AND SELCAL MODULE NUMBER: 232A4212-2543 REV A | 103103 | 1 |
| - 15 | MODREF374602 | | PLACARD INSTL-APL LICENSE REGISTRATION AND SELCAL MODULE NUMBER: 232A4212-2646 REV A | 104104 | 1 |
| - 15 | MODREF376276 | | PLACARD INSTL-APL LICENSE REGISTRATION AND SELCAL MODULE NUMBER: 232A4212-2656 REV A | 972972 | 1 |
| - 15 | MODREF377679 | | PLACARD INSTL-APL LICENSE REGISTRATION AND SELCAL MODULE NUMBER: 232A4212-2671 REV A | 105105 | 1 |
| - 16 | MODREF378264 | | PLACARD INSTL-APL LICENSE REGISTRATION AND SELCAL MODULE NUMBER: 232A4212-2676 REV A | 973999 | 1 |
| - 16 | MODREF383632 | | PLACARD INSTL-APL LICENSE REGISTRATION AND SELCAL MODULE NUMBER: 232A4212-2716 REV A | 106106 | 1 |

MISSING ITEM NUMBERS NOT APPLICABLE

- ITEM NOT ILLUSTRATED

HAP

11-31-01-44K

BOEING PROPRIETARY - Copyright © - Unpublished Work - See title page for details.

11-31-01
FIG. 44K
PAGE 1
FEB 15/09

BOEING
737-600/700/800/900
PARTS CATALOG (MAINTENANCE)

| FIG ITEM | PART NUMBER | 1 2 3 4 5 6 7 | NOMENCLATURE | EFFECT FROM TO | UNITS PER ASSY |
|---------------------------------|------------------|---------------|---|------------------|----------------|
| 44K - 17 | MODREF403298 | | PLACARD INSTL-APL LICENSE REGISTRATION AND SELCAL MODULE NUMBER: 232A4212-2878 REV A | 107200 | 1 |
| | 28 232A4252-2292 | | .PLACARD ASSY | 968968 | 2 |
| | 29 232A4252-2316 | | .PLACARD ASSY | 969969 | 2 |
| | 29 232A4252-2350 | | .PLACARD ASSY | 101101 | 2 |
| | 30 232A4252-2381 | | .PLACARD ASSY | 970971 | 2 |
| | 32 232A4252-2531 | | .PLACARD ASSY | 102102 | 2 |
| | 32 232A4252-2543 | | .PLACARD ASSY | 103103 | 2 |
| | 34 232A4252-2646 | | .PLACARD ASSY | 104104 | 2 |
| | 34 232A4252-2656 | | .PLACARD ASSY | 972972 | 2 |
| | 34 232A4252-2671 | | .PLACARD ASSY | 105105 | 2 |
| | 34 232A4252-2676 | | .PLACARD ASSY | 973999 | 2 |
| | 35 232A4252-2716 | | .PLACARD ASSY | 106106 | 2 |
| | 36 232A4252-2878 | | .PLACARD ASSY | 107200 | 2 |
| | | | ATTACHING PARTS | | |
| - 50 | MS51861-14 | | .SCREW- | 101200 968999 | 4 |
| | | | -----*----- | | |
| R R R R R R R | 55 232A4253-1 | | ..PLACARD- | 101106 968999 | 1 |
| | 60 RR97237-25-1 | | ..PLACARD- PLACARD CONTENT: 00-JAR / EP-BJ POST RAPID REVISION: RR97237-25B | 107200 | 1 |

MISSING ITEM NUMBERS NOT APPLICABLE

- ITEM NOT ILLUSTRATED

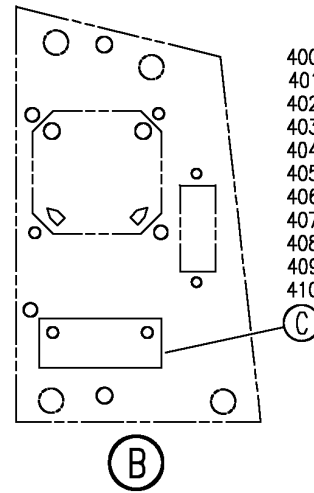
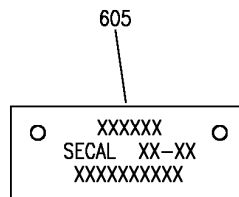
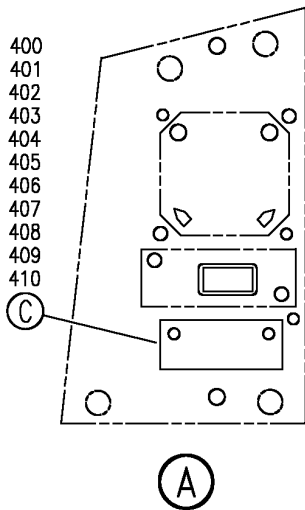
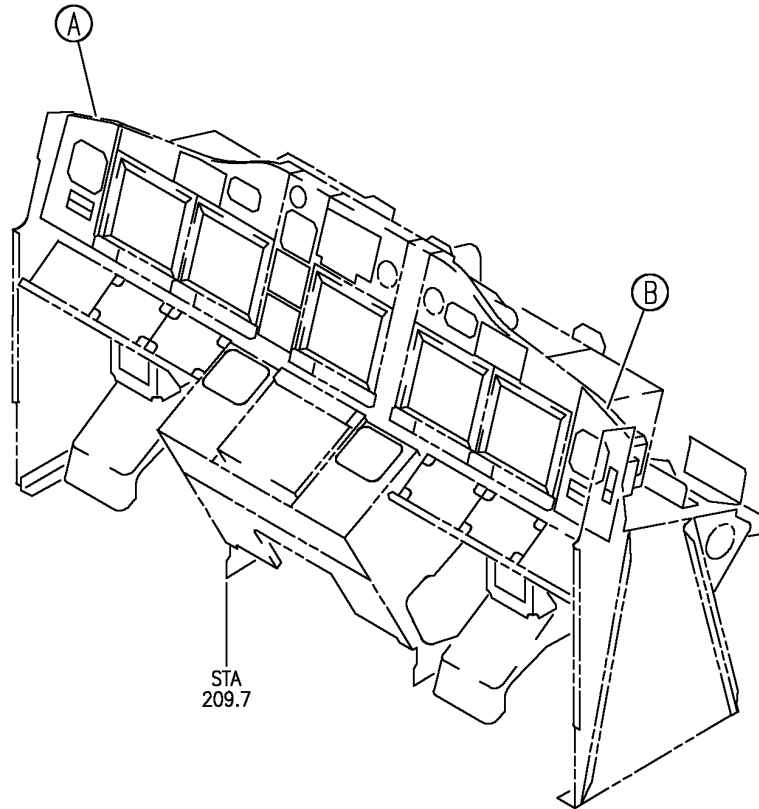
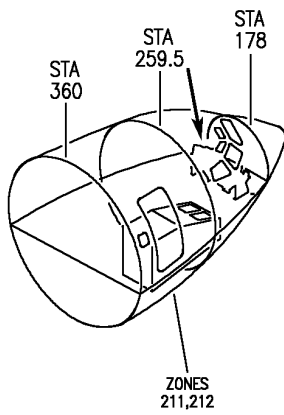
HAP

11-31-01-44K

BOEING PROPRIETARY - Copyright © - Unpublished Work - See title page for details.

11-31-01
FIG. 44K
PAGE 2
JUN 15/09

BOEING
 737-600/700/800/900
 PARTS CATALOG (MAINTENANCE)



E 11310144L REV 155

PLACARD INSTL-APL LICENSE REGISTRATION AND SELCAL
 FIGURE 44L

11-31-01-44L

HAP
 JUN 15/09

11-31-01-44L
 PAGE 0

BOEING
737-600/700/800/900
PARTS CATALOG (MAINTENANCE)

| FIG ITEM | PART NUMBER | 1 2 3 4 5 6 7 | NOMENCLATURE | EFFECT FROM TO | UNITS PER ASSY |
|------------------|-------------|---------------|---|--------------------------------------|----------------|
| R R R R | 44L | | PLACARD INSTL-APL LICENSE REGISTRATION AND SELCAL | 038038 042046 048048 051053 | |
| | - 2 | MODREF321313 | PLACARD INSTL-APL LICENSE REGISTRATION AND SELCAL MODULE NUMBER: 232A4212-2257 REV A | 038038 | 1 |
| | - 2 | MODREF331957 | PLACARD INSTL-APL LICENSE REGISTRATION AND SELCAL MODULE NUMBER: 232A4212-2331 REV A | 042042 | 1 |
| | - 2 | MODREF336563 | PLACARD INSTL-APL LICENSE REGISTRATION AND SELCAL MODULE NUMBER: 232A4212-2361 REV A | 043043 | 1 |
| | - 5 | MODREF364847 | PLACARD INSTL-APL LICENSE REGISTRATION AND SELCAL MODULE NUMBER: 232A4212-2571 REV A | 044044 | 1 |
| | - 5 | MODREF365567 | PLACARD INSTL-APL LICENSE REGISTRATION AND SELCAL MODULE NUMBER: 232A4212-2578 REV A | 045045 | 1 |
| | - 6 | MODREF369479 | PLACARD INSTL-APL LICENSE REGISTRATION AND SELCAL MODULE NUMBER: 232A4212-2612 REV A | 046046 | 1 |
| | - 9 | MODREF395872 | PLACARD INSTL-APL LICENSE REGISTRATION AND SELCAL MODULE NUMBER: 232A4212-2818 REV A | 048048 | 1 |
| | - 10 | MODREF405676 | PLACARD INSTL-APL LICENSE REGISTRATION AND SELCAL MODULE NUMBER: 232A4212-2893 REV A | 051051 | 1 |
| | - 10 | MODREF408140 | PLACARD INSTL-APL LICENSE REGISTRATION AND SELCAL MODULE NUMBER: 232A4212-2910 REV A | 052052 | 1 |
| R R R R | - 10 | MODREF416008 | PLACARD INSTL-APL LICENSE REGISTRATION AND SELCAL MODULE NUMBER: 232A4212-2933 REV A | 053053 | 1 |
| | 401 | 232A4252-2257 | .PLACARD ASSY | 038038 | 2 |
| | 401 | 232A4252-2331 | .PLACARD ASSY | 042042 | 2 |
| | 401 | 232A4252-2361 | .PLACARD ASSY | 043043 | 2 |
| | 404 | 232A4252-2571 | .PLACARD ASSY | 044044 | 2 |
| | 404 | 232A4252-2578 | .PLACARD ASSY | 045045 | 2 |

MISSING ITEM NUMBERS NOT APPLICABLE

- ITEM NOT ILLUSTRATED

HAP

11-31-01-44L

11-31-01
FIG. 44L
PAGE 1
JUN 15/09

BOEING
737-600/700/800/900
PARTS CATALOG (MAINTENANCE)

| FIG ITEM | PART NUMBER | 1 2 3 4 5 6 7 | NOMENCLATURE | EFFECT FROM TO | UNITS PER ASSY |
|-------------|----------------|---------------|-----------------------------|-------------------|----------------------|
| 44L | | | | | |
| R 404 | 232A4252-2612 | | .PLACARD ASSY | 046046 | 2 |
| R 407 | 232A4252-2818 | | .PLACARD ASSY | 048048 | 2 |
| R 409 | 232A4252-2893 | | .PLACARD ASSY | 051051 | 2 |
| R 409 | 232A4252-2910 | | .PLACARD ASSY | 052052 | 2 |
| R 409 | 232A4252-2933 | | .PLACARD ASSY | 053053 | 2 |
| R - | 600 MS51861-14 | | ATTACHING PARTS .SCREW | 038038 | 4 |
| R | | | | 042046 | |
| R | | | | 048048 | |
| R | | | | 051053 | |
| R | 605 232A4253-1 | | -----*----- . . PLACARD- | 038038 | 1 |
| R | | | | 042046 | |
| R | | | | 048048 | |
| R | | | | 051053 | |

MISSING ITEM NUMBERS NOT APPLICABLE

- ITEM NOT ILLUSTRATED

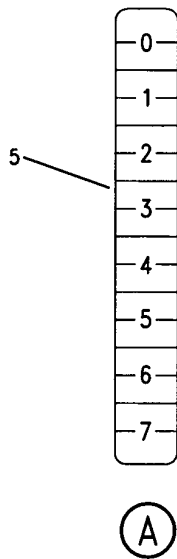
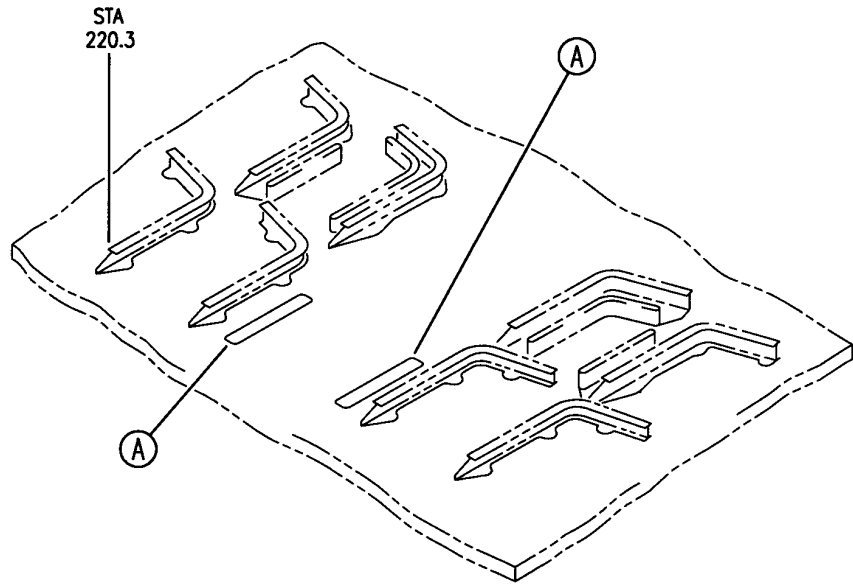
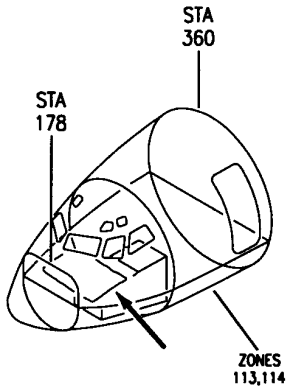
HAP

11-31-01-44L

BOEING PROPRIETARY - Copyright © - Unpublished Work - See title page for details.

11-31-01
FIG. 44L
PAGE 2
JUN 15/09

BOEING
 737-600/700/800/900
 PARTS CATALOG (MAINTENANCE)



E 11310145 REV 014

SEAT AND TRACK INSTL-CAPT AND FIRST OFFICER (PLACARDS AND MARKINGS ONLY)
 FIGURE 45

HAP
 OCT 10/06

11-31-01-45

11-31-01-45
 PAGE 0

BOEING
737-600/700/800/900
PARTS CATALOG (MAINTENANCE)

| FIG ITEM | PART NUMBER | 1 2 3 4 5 6 7 | NOMENCLATURE | EFFECT FROM TO | UNITS PER ASSY |
|----------|---------------|---------------|--|----------------------------|----------------|
| 45 | | | SEAT AND TRACK INSTL-CAPT AND FIRST OFFICER (PLACARDS AND MARKINGS ONLY) | 031200 968999 | |
| - 1 | MODREF268061 | | SEAT INSTL- (PLACARDS AND MARKINGS ONLY) MODULE NUMBER: 232A3201-5 REV B POSITION DATA: CAPT AND FIRST OFFICER SIDE FOR OTHER SYS DETAILS SEE: 25-11-51-09 | 031043 101101 968971 | 1 |
| - 1 | MODREF344671 | | SEAT INSTL- (PLACARDS AND MARKINGS ONLY) MODULE NUMBER: 232A3201-5 REV C POSITION DATA: CAPT AND FIRST OFFICER SIDE FOR OTHER SYS DETAILS SEE: 25-11-51-09 | 044100 102200 972999 | 1 |
| 5 | BAC27TFDE0230 | | .MARKER-ALUMINUM FOIL | 031200 968999 | 2 |

MISSING ITEM NUMBERS NOT APPLICABLE

- ITEM NOT ILLUSTRATED

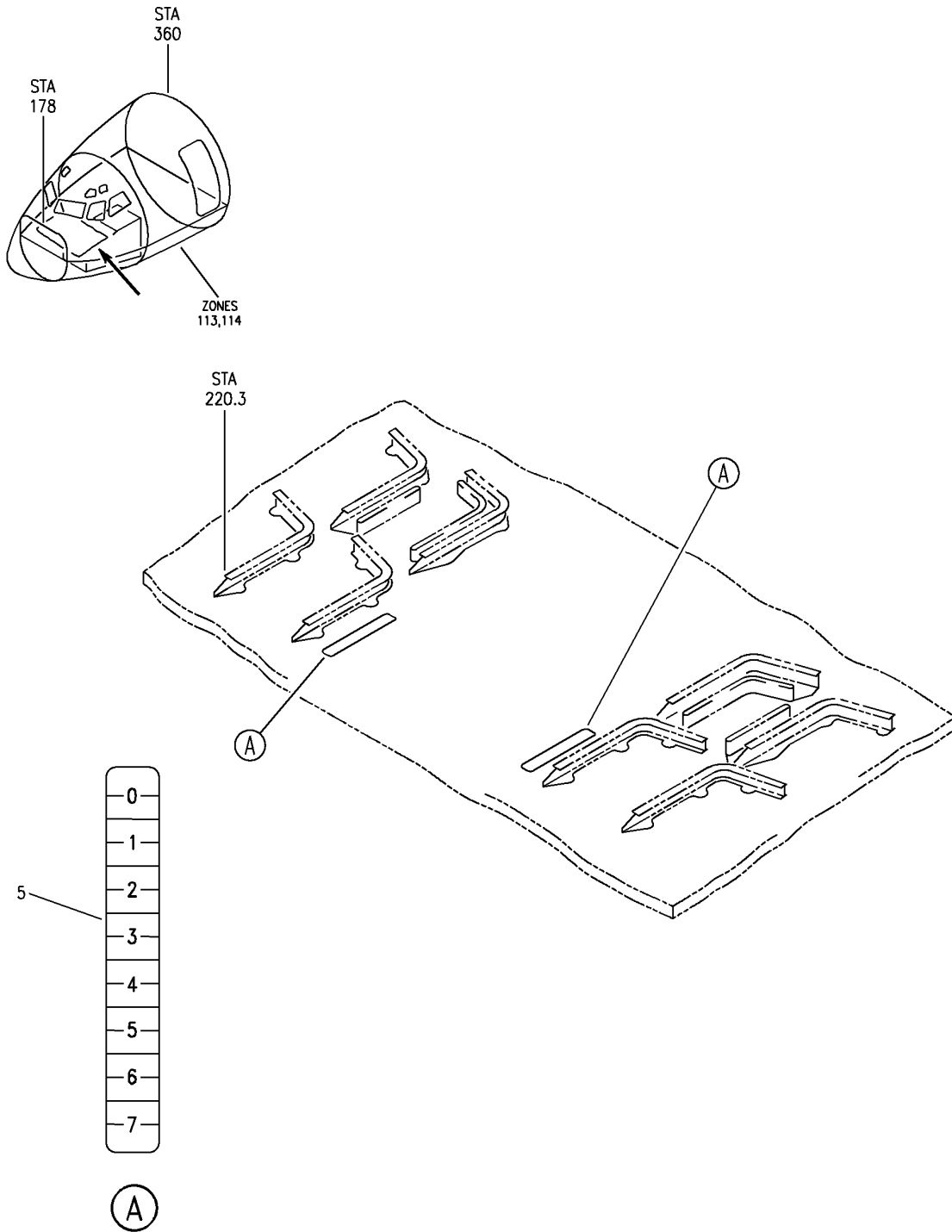
HAP

11-31-01-45

BOEING PROPRIETARY - Copyright © - Unpublished Work - See title page for details.

11-31-01
FIG. 45
PAGE 1
OCT 15/08

BOEING
 737-600/700/800/900
 PARTS CATALOG (MAINTENANCE)



E 11310145A REV 125

SEAT AND TRACK INSTL-CAPT AND FIRST OFFICER (PLACARDS AND MARKINGS ONLY)
 FIGURE 45A

HAP
 FEB 10/07

11-31-01-45A

11-31-01-45A
 PAGE 0

BOEING
737-600/700/800/900
PARTS CATALOG (MAINTENANCE)

| FIG ITEM | PART NUMBER | 1 2 3 4 5 6 7 | NOMENCLATURE | EFFECT FROM TO | UNITS PER ASSY |
|-------------|---------------|---------------|--|-------------------|----------------------|
| 45A | | | SEAT AND TRACK INSTL-CAPT AND FIRST OFFICER (PLACARDS AND MARKINGS ONLY) | 001030 201967 | |
| - 1 | 232A3201-1 | | TRACK INSTL- (PLACARDS AND MARKINGS ONLY) POSITION DATA: CAPT AND FIRST OFFICER SIDE FOR NHA/OTHER SYS DET SEE: 25-10-00-03 | 001027 201967 | RF |
| - 1 | 232A3201-5 | | SEAT INSTL- (PLACARDS AND MARKINGS ONLY) POSITION DATA: CAPT AND FIRST OFFICER SIDE FOR NHA/OTHER SYS DET SEE: 25-10-00-03 | 028030 | RF |
| 5 | BAC27TFDE0230 | | .MARKER-ALUMINUM FOIL | 001030 201967 | 2 |

MISSING ITEM NUMBERS NOT APPLICABLE

- ITEM NOT ILLUSTRATED

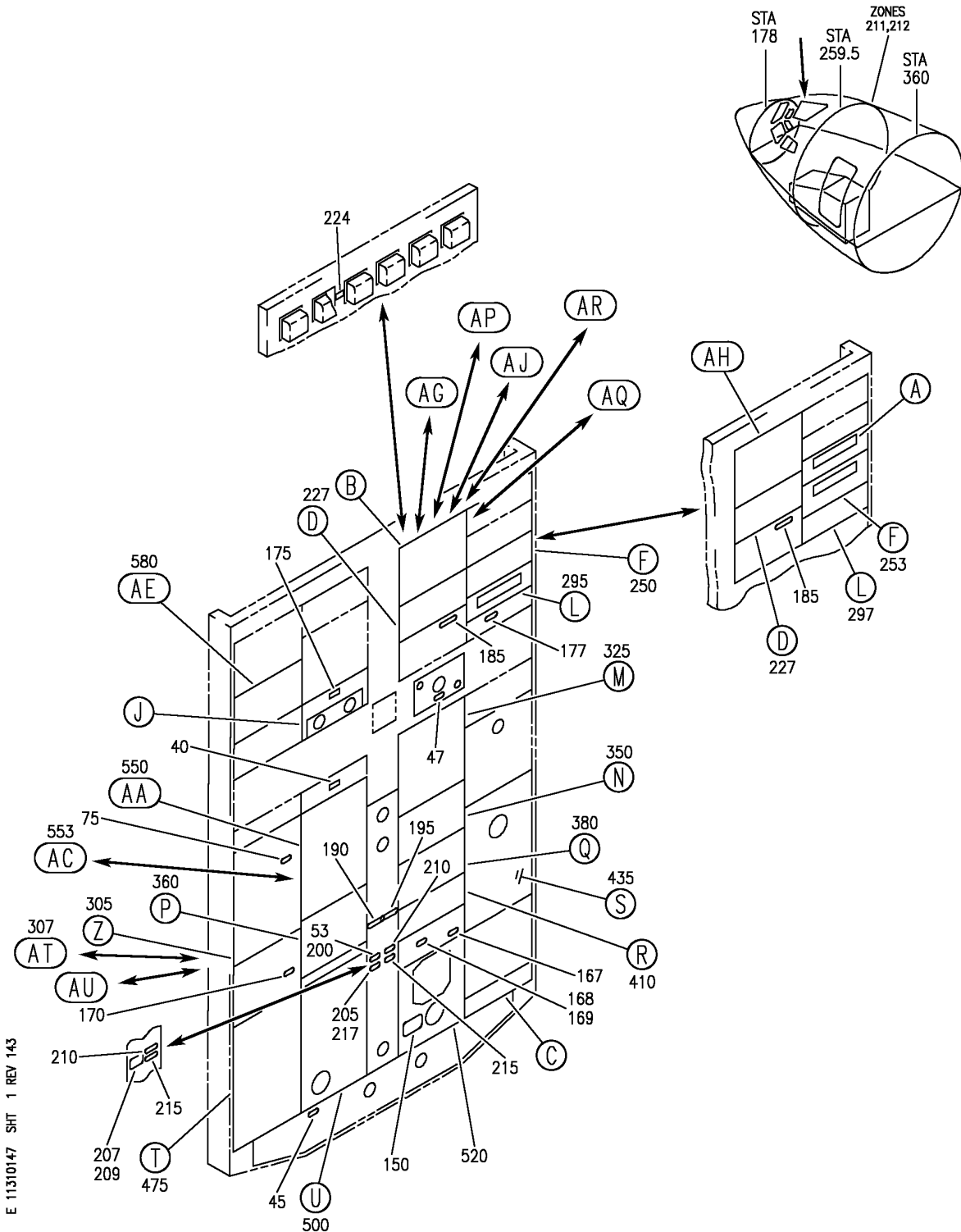
HAP

11-31-01-45A

BOEING PROPRIETARY - Copyright © - Unpublished Work - See title page for details.

11-31-01
FIG. 45A
PAGE 1
OCT 15/08

BOEING
 737-600/700/800/900
 PARTS CATALOG (MAINTENANCE)



E 11310147 SH1 1 REV 143

MODULE INSTL-P5 OVHD (PLACARDS AND MARKINGS ONLY)
 FIGURE 47 (SHEET 1)

11-31-01-47

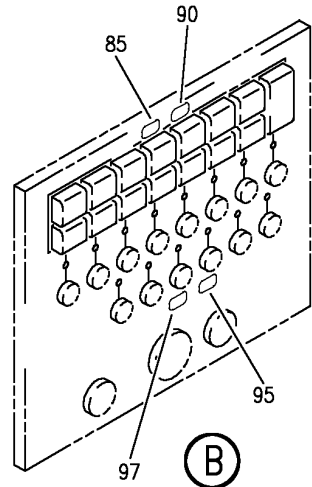
HAP
 JUN 15/08

11-31-01-47
 PAGE 0

BOEING
737-600/700/800/900
PARTS CATALOG (MAINTENANCE)

615
GREENPOINT TECHNOLOGIES SMOKE DETECTOR CONTROL
MANUFACTURED PER DWG. NO. 01-26-10-03
DATE _____

(A)



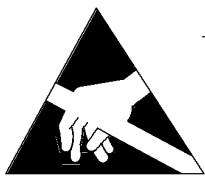
(B)

230
255
310
330
365
415
480
481
505
555

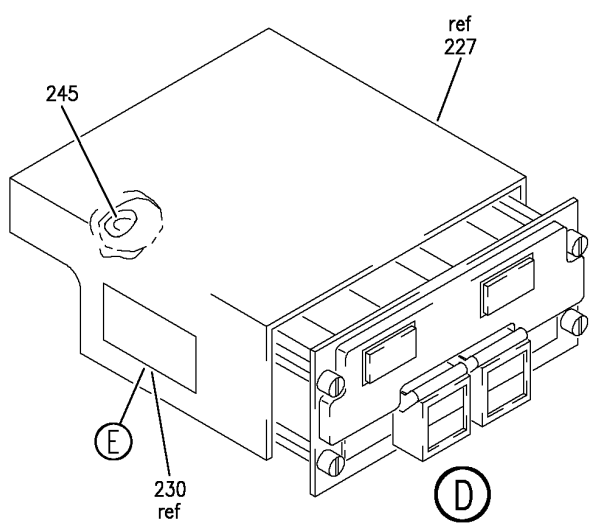
225

| | | | | | |
|---------|----------|-------|-------|-------|-------|
| CAB ALT | LAND ALT | 2000 | 4000 | 6000 | 8000 |
| FLT ALT | <FL160 | FL220 | FL260 | FL320 | FL410 |

(C)

 CAUTION
THIS UNIT IS NOT SUBJECT TO DAMAGE FROM ELECTROSTATIC DISCHARGE AS AN ASSEMBLY HOWEVER, IT CONTAINS PARTS OR SUB-ASSEMBLIES THAT ARE SENSITIVE TO ELECTROSTATIC DISCHARGE. CONDUCTIVE CONNECTOR COVERS REQUIRED.

(E)



(D)

E 11310147 SHT 2 REV 075

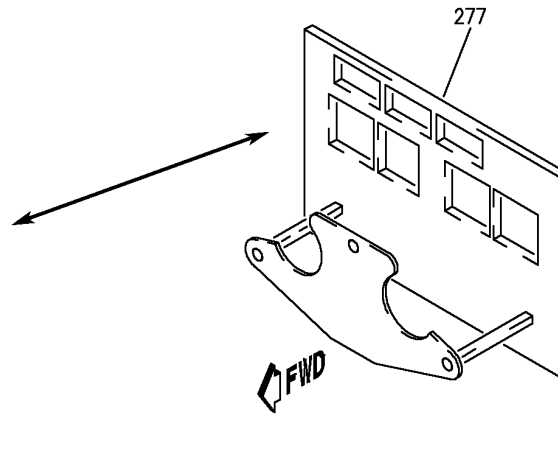
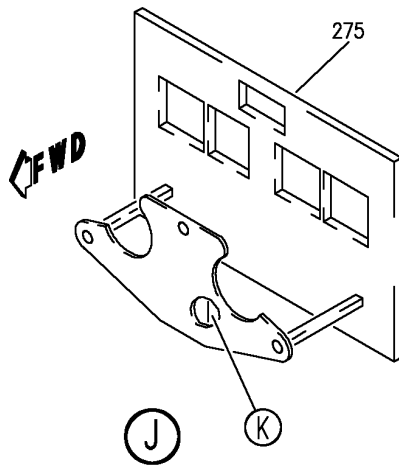
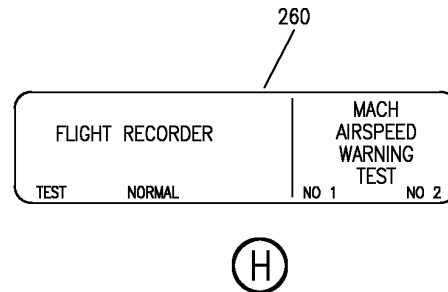
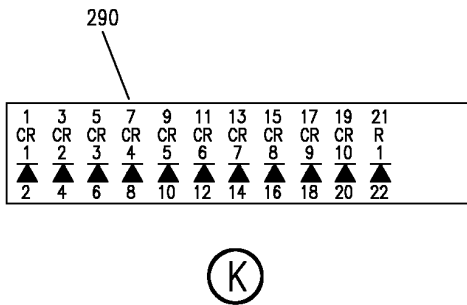
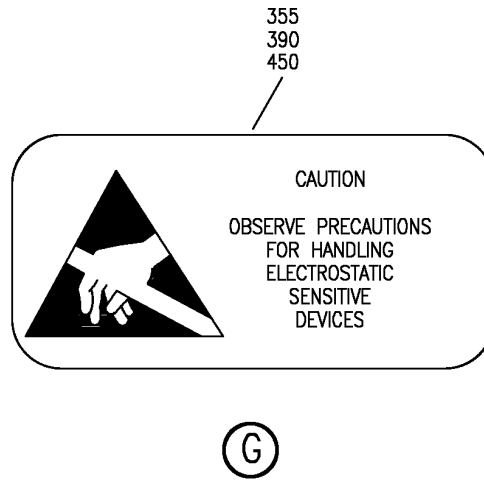
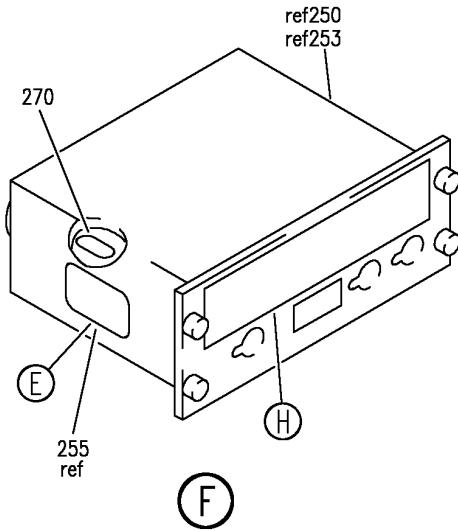
MODULE INSTL-P5 OVHD (PLACARDS AND MARKINGS ONLY)
FIGURE 47 (SHEET 2)

11-31-01-47

HAP
OCT 10/06

11-31-01-47
PAGE 0A

BOEING
737-600/700/800/900
PARTS CATALOG (MAINTENANCE)

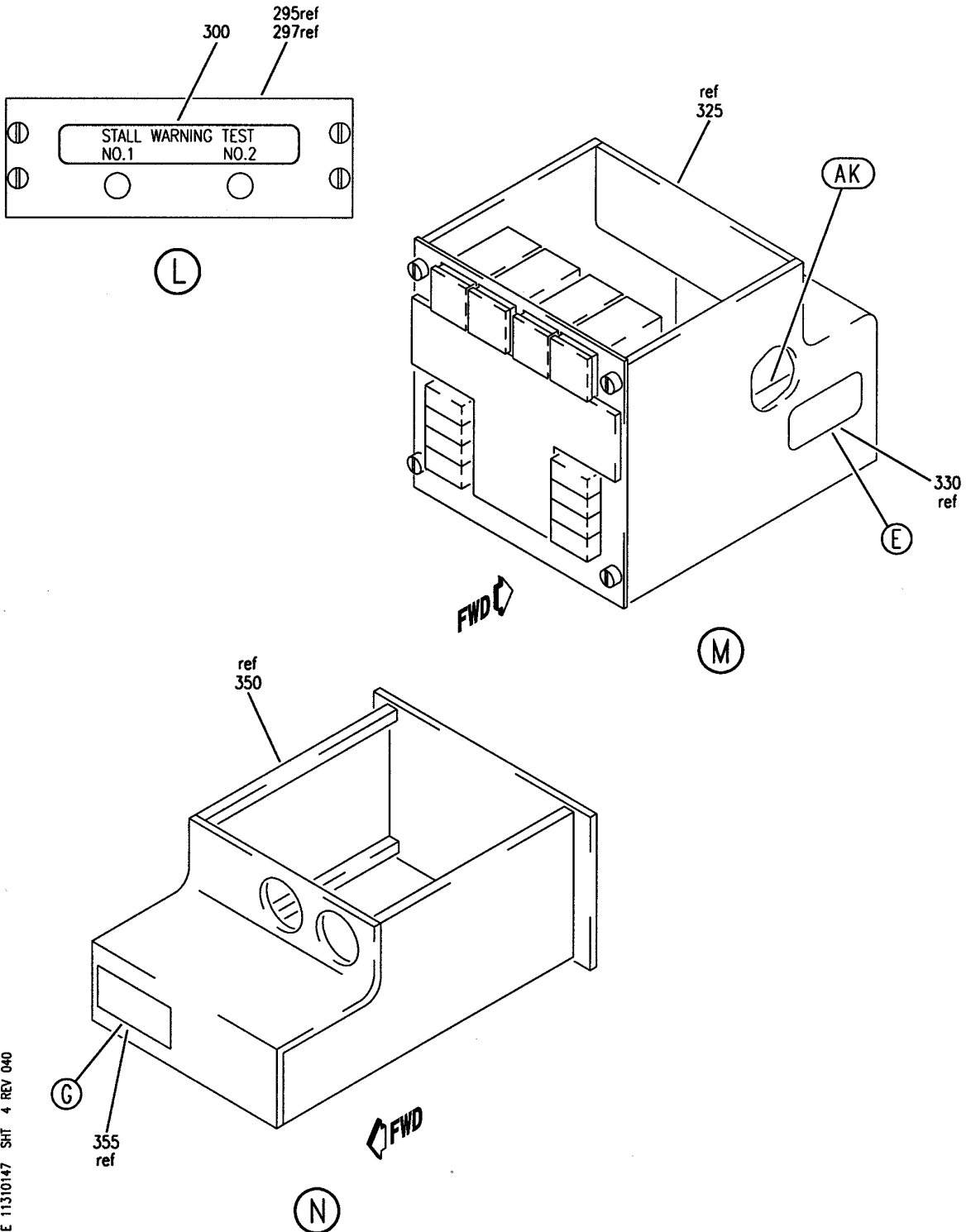


E 11310147 SH1 3 REV 143

MODULE INSTL-P5 OVHD (PLACARDS AND MARKINGS ONLY)
FIGURE 47 (SHEET 3)

11-31-01-47

BOEING
 737-600/700/800/900
 PARTS CATALOG (MAINTENANCE)



E 11310147 SHIT 4 REV 040

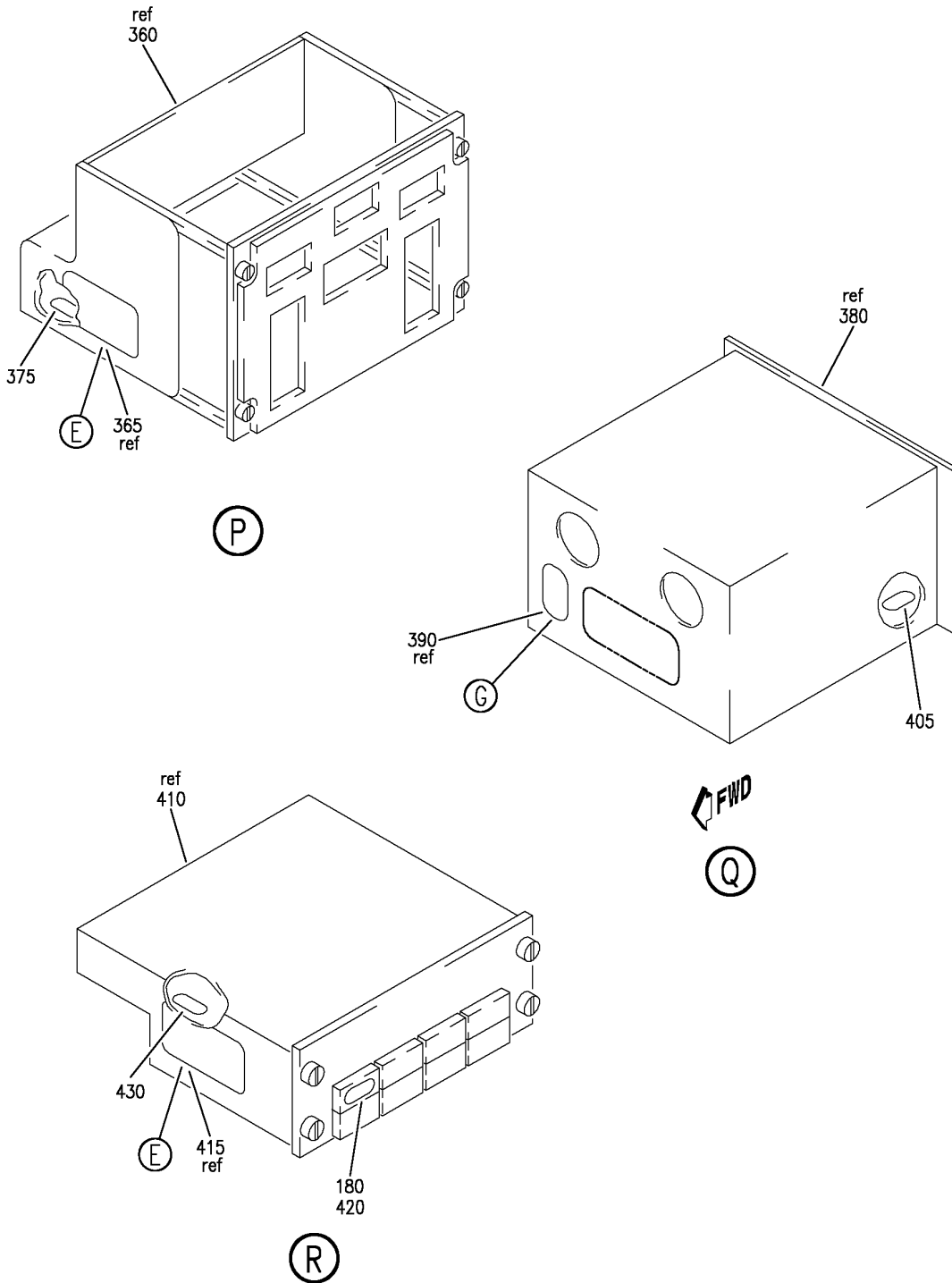
MODULE INSTL-P5 OVHD (PLACARDS AND MARKINGS ONLY)
 FIGURE 47 (SHEET 4)

11-31-01-47

HAP
 OCT 10/06

11-31-01-47
 PAGE 0C

BOEING
 737-600/700/800/900
 PARTS CATALOG (MAINTENANCE)



E 11310147 SH1 5 REV 079

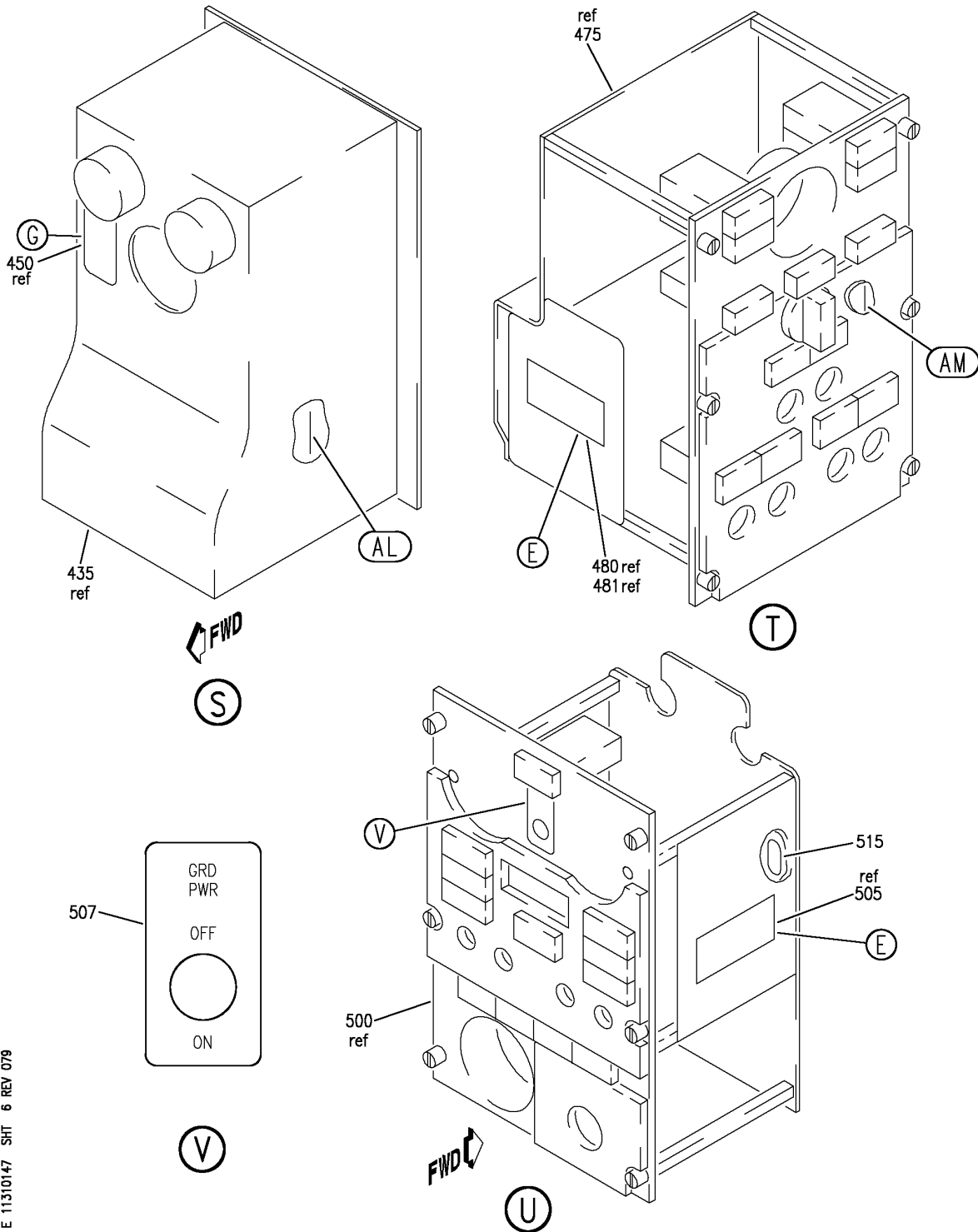
MODULE INSTL-P5 OVHD (PLACARDS AND MARKINGS ONLY)
 FIGURE 47 (SHEET 5)

11-31-01-47

HAP
 OCT 10/06

11-31-01-47
 PAGE 0D

BOEING
737-600/700/800/900
PARTS CATALOG (MAINTENANCE)



E 11310147 SH1 6 REV 078

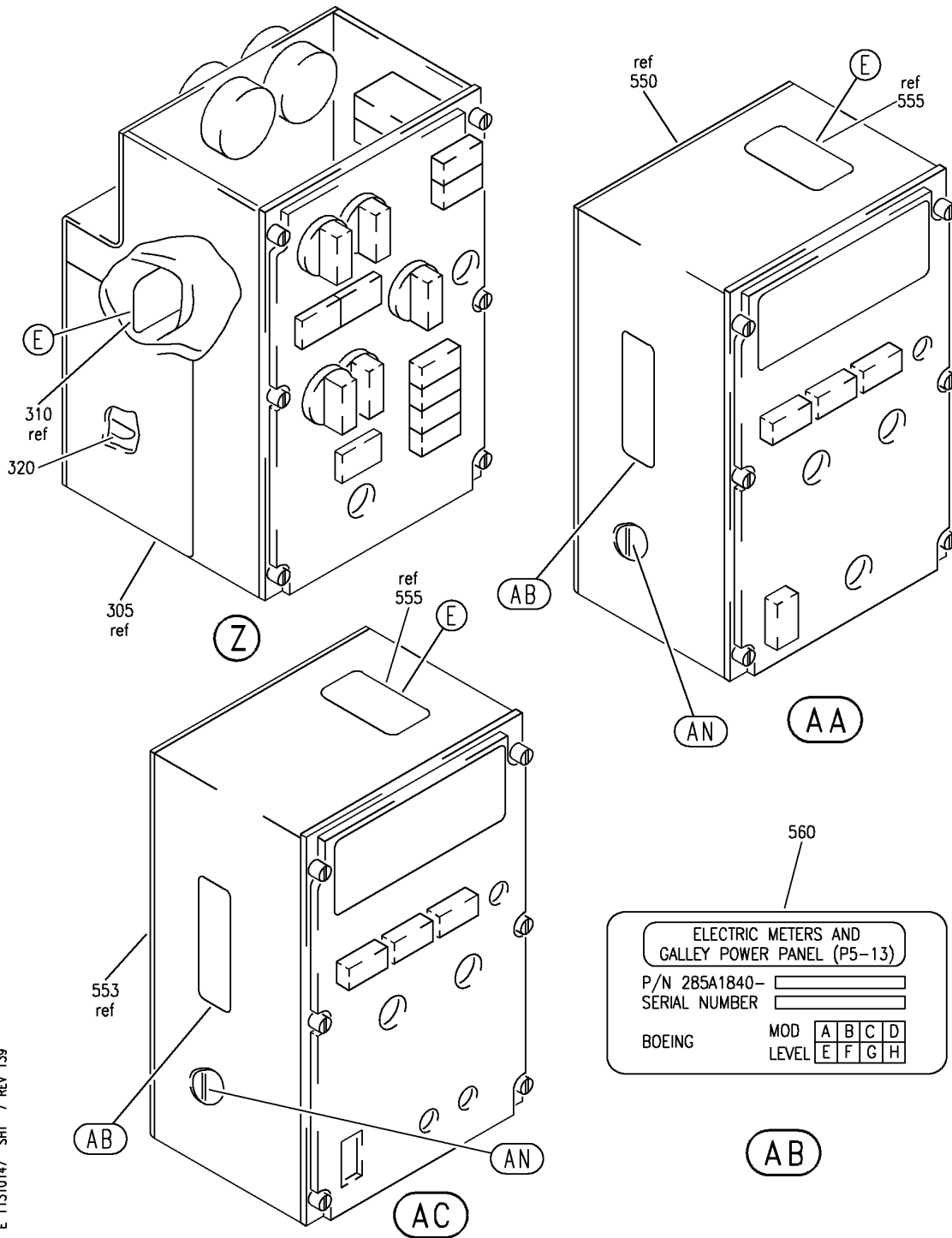
MODULE INSTL-P5 OVHD (PLACARDS AND MARKINGS ONLY)
FIGURE 47 (SHEET 6)

11-31-01-47

HAP
OCT 10/06

11-31-01-47
PAGE 0E

BOEING
737-600/700/800/900
PARTS CATALOG (MAINTENANCE)



E 11310147 SHT 7 REV 139

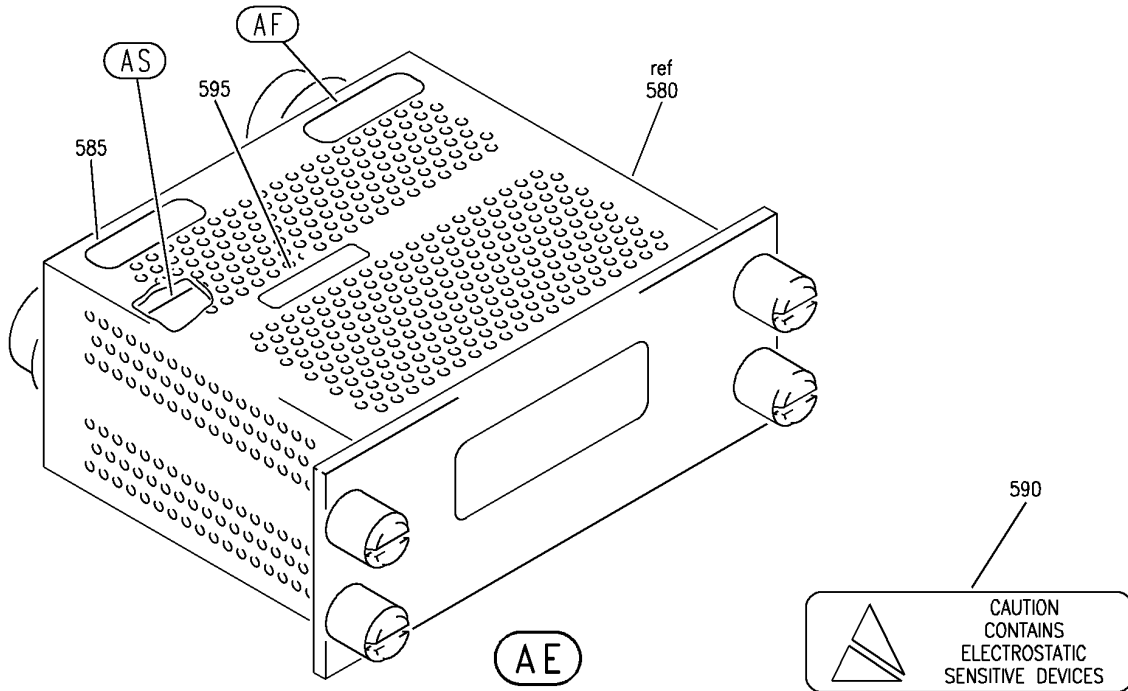
MODULE INSTL-P5 OVHD (PLACARDS AND MARKINGS ONLY)
FIGURE 47 (SHEET 7)

11-31-01-47

HAP
FEB 15/08

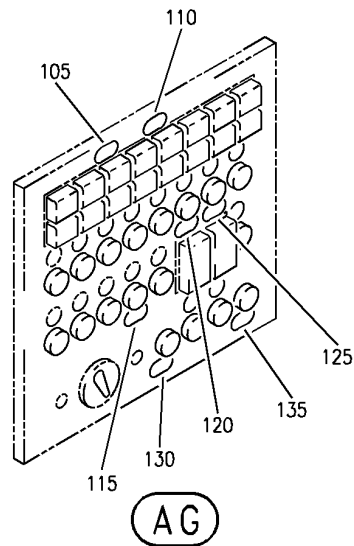
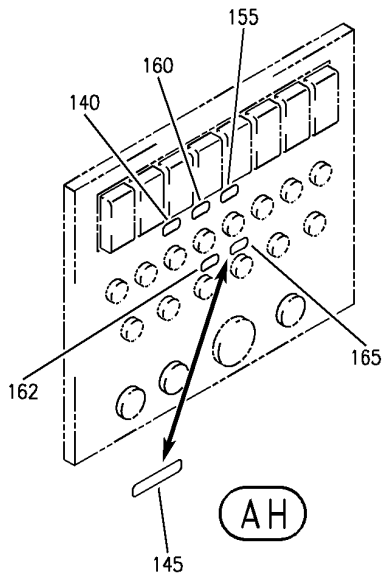
11-31-01-47
PAGE OF

BOEING
 737-600/700/800/900
 PARTS CATALOG (MAINTENANCE)



AF

E 11310147 SHT 8 REV 113



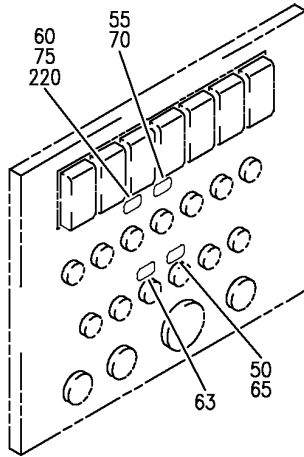
MODULE INSTL-P5 OVHD (PLACARDS AND MARKINGS ONLY)
 FIGURE 47 (SHEET 8)

HAP
 OCT 10/06

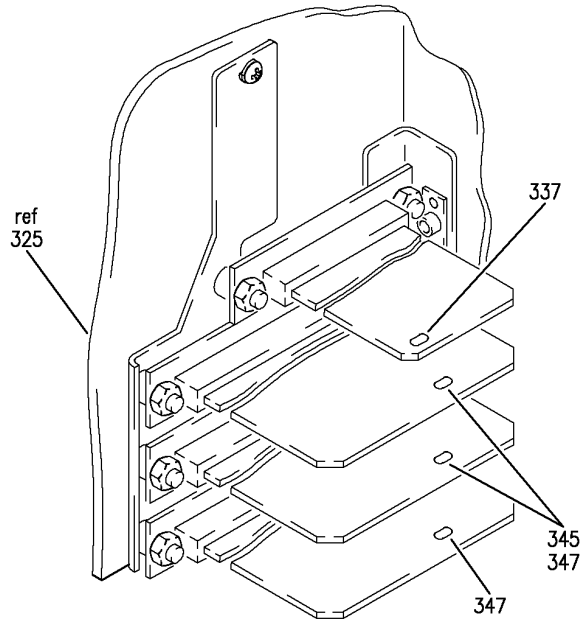
11-31-01-47

11-31-01-47
 PAGE 06

BOEING
737-600/700/800/900
PARTS CATALOG (MAINTENANCE)

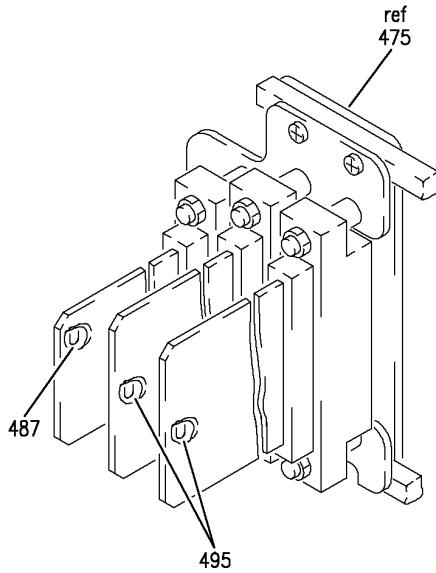


AJ

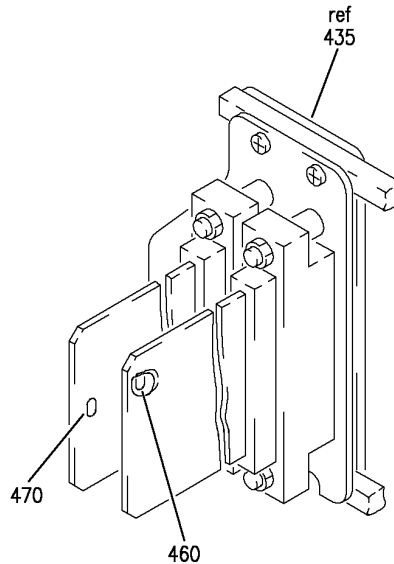


AK

FWD ↙



AM



AL

E 11310147 SH1 9 REV 079

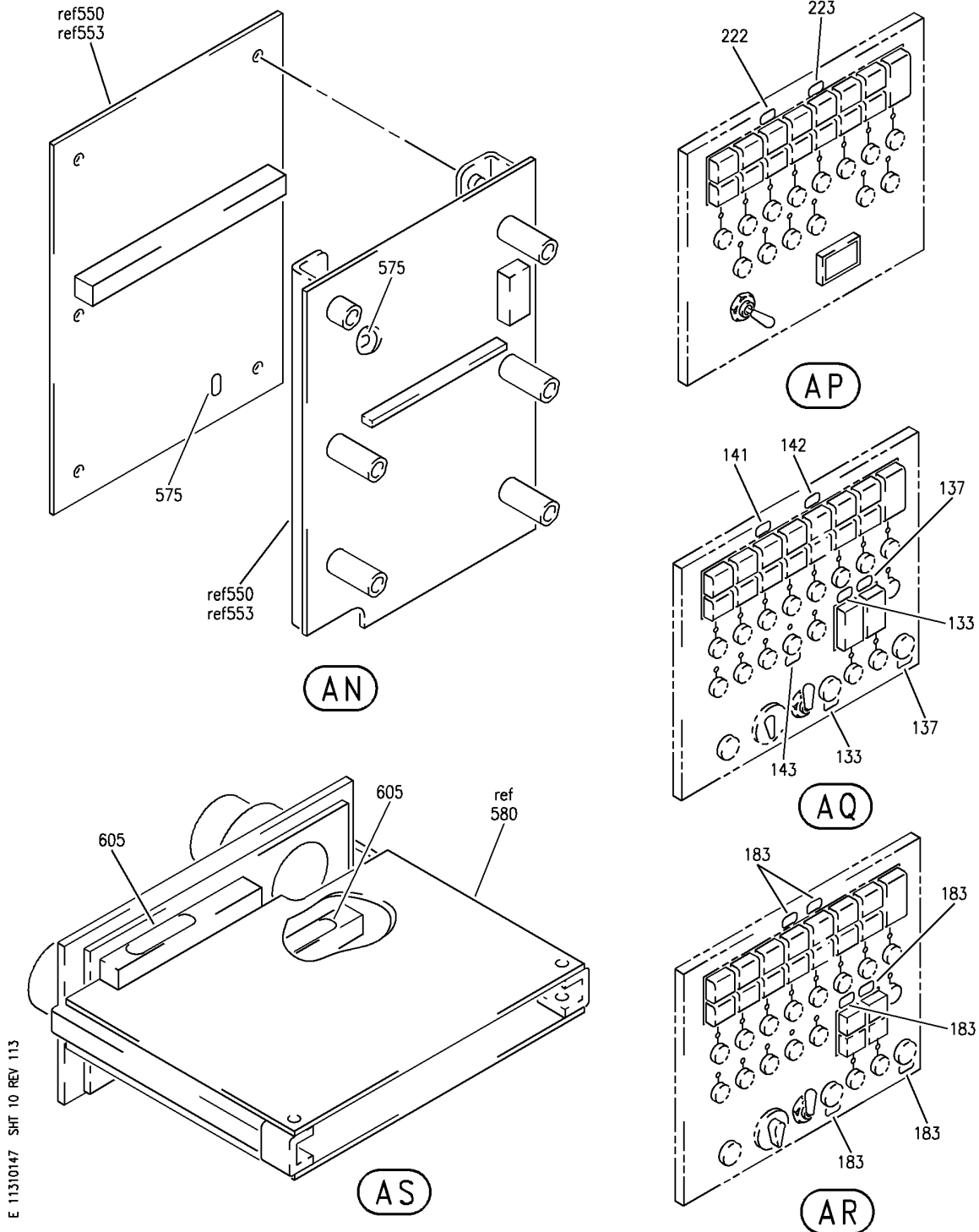
MODULE INSTL-P5 OVHD (PLACARDS AND MARKINGS ONLY)
FIGURE 47 (SHEET 9)

11-31-01-47

HAP
OCT 10/06

11-31-01-47
PAGE 0H

BOEING
 737-600/700/800/900
 PARTS CATALOG (MAINTENANCE)



E 11310147 SHT 10 REV 113

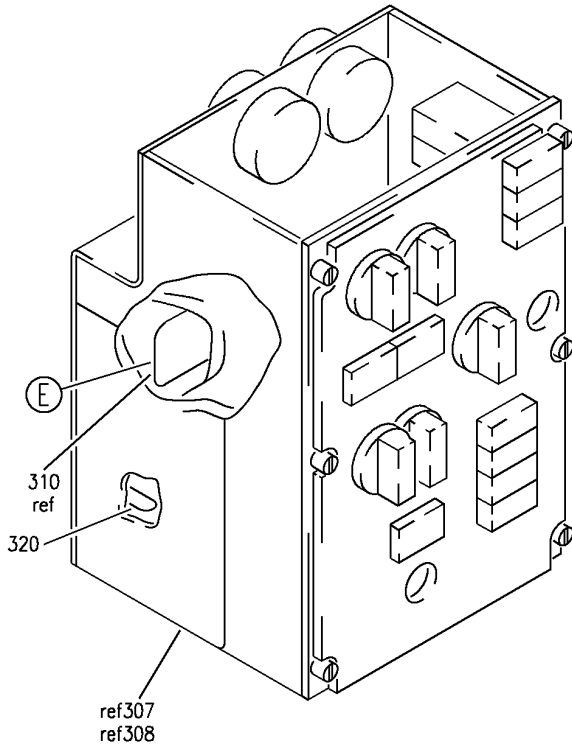
MODULE INSTL-P5 OVHD (PLACARDS AND MARKINGS ONLY)
 FIGURE 47 (SHEET 10)

11-31-01-47

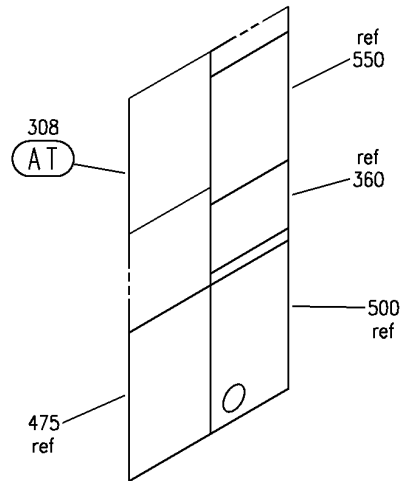
HAP
 OCT 10/06

11-31-01-47
 PAGE 01

BOEING
 737-600/700/800/900
 PARTS CATALOG (MAINTENANCE)



(AT)



(AU)

E 11310147 SHT 11 REV 139

MODULE INSTL-P5 OVHD (PLACARDS AND MARKINGS ONLY)
 FIGURE 47 (SHEET 11)

11-31-01-47

HAP
 FEB 15/08

11-31-01-47
 PAGE 0J

BOEING
737-600/700/800/900
PARTS CATALOG (MAINTENANCE)

| FIG ITEM | PART NUMBER | 1 2 3 4 5 6 7 | NOMENCLATURE | EFFECT FROM TO | UNITS PER ASSY |
|----------|--------------|---------------|--|------------------|----------------|
| 47 | | | MODULE INSTL-P5 OVHD (PLACARDS AND MARKINGS ONLY) | 001028 201967 | |
| - 1 | 233A3101-4 | | MODULE INSTL-P5 OVHD (PLACARDS AND MARKINGS ONLY) FOR NHA/OTHER SYS DET SEE: 31-11-00-01C | 001005 | RF |
| - 4 | 233A3101-52 | | MODULE INSTL-P5 OVHD (PLACARDS AND MARKINGS ONLY) FOR NHA/OTHER SYS DET SEE: 31-11-00-01C | 006007 | RF |
| - 4 | 233A3101-63 | | MODULE INSTL-P5 OVHD (PLACARDS AND MARKINGS ONLY) FOR NHA/OTHER SYS DET SEE: 31-11-00-01C | 008011 | RF |
| - 5 | 233A3101-74 | | MODULE INSTL-P5 OVHD (PLACARDS AND MARKINGS ONLY) FOR NHA/OTHER SYS DET SEE: 31-11-00-01J | 201967 | RF |
| - 7 | 233A3101-110 | | MODULE INSTL-P5 OVHD (PLACARDS AND MARKINGS ONLY) FOR NHA/OTHER SYS DET SEE: 31-11-00-01C | 012016 | RF |
| - 14 | 233A3101-225 | | MODULE INSTL-P5 OVHD (PLACARDS AND MARKINGS ONLY) FOR NHA/OTHER SYS DET SEE: 31-11-00-01C | 017019 | RF |
| - 14 | 233A3101-234 | | MODULE INSTL-P5 OVHD (PLACARDS AND MARKINGS ONLY) FOR NHA/OTHER SYS DET SEE: 31-11-00-01C | 020028 | RF |
| 50 | BAC27DCC2769 | | .DECAL- PLACARD CONTENT: INOP | 001028 | 1 |
| 55 | BAC27DCC2769 | | .DECAL- PLACARD CONTENT: INOP | 001028 | 1 |
| 60 | BAC27DCC2769 | | .DECAL- PLACARD CONTENT: INOP | 001028 | 1 |

MISSING ITEM NUMBERS NOT APPLICABLE

- ITEM NOT ILLUSTRATED

HAP

11-31-01-47

11-31-01
FIG. 47
PAGE 1
OCT 15/08

BOEING
737-600/700/800/900
PARTS CATALOG (MAINTENANCE)

| FIG ITEM | PART NUMBER | 1 2 3 4 5 6 7 | NOMENCLATURE | EFFECT FROM TO | UNITS PER ASSY |
|-------------|--------------|---------------|---|-------------------|----------------------|
| 47 | | | | | |
| 63 | BAC27DCC2769 | | .DECAL- PLACARD CONTENT: INOP | 020028 | 1 |
| 75 | BAC27DCC2937 | | .MARKER- PLACARD CONTENT: INOP POST SERVICE BULLETIN: 27-1262 | 001028 201967 | 1 |
| 140 | BAC27DCC2769 | | .DECAL- PLACARD CONTENT: INOP | 201967 | 1 |
| 150 | BAC27DCC287 | | .MARKER-ALUMINUM FOIL PLACARD CONTENT: PRESS DIFF LIMIT: TAKE OFF & LDG .125 PSI | 001028 201967 | 1 |
| 155 | BAC27DCC2769 | | .DECAL- PLACARD CONTENT: INOP | 201967 | 1 |
| 180 | BAC27DCC2769 | | .DECAL- PLACARD CONTENT: INOP | 201967 | 1 |
| 225 | BAC27DCC2715 | | .MARKER-ALUMINUM FOIL | 001028 201967 | 1 |
| 227 | 233A3203-1 | | .MODULE ASSY-PWR MANAGEMENT CONT P5-68 SUPPLIER CODE: V89954 ELECTRICAL EQUIP NUMBER: P00568 COMPONENT MAINT MANUAL REF: 33-10-16 | 001028 201967 | RF |
| 230 | BAC27DEX6075 | | ..MARKER | 001028 201967 | 1 |
| - 235 | 69-78809-5 | | ..PRINTED CIRCUIT ASSY-UNIV MASTER CAUTION SUPPLIER CODE: V89954 COMPONENT MAINT MANUAL REF: 28-09-33 OPTIONAL PART: 69-78809-3 V89954 69-78809-4 V89954 FOR SPARES PROCURE: 69-78809-6 V89954 | 001028 201967 | RF |

MISSING ITEM NUMBERS NOT APPLICABLE

- ITEM NOT ILLUSTRATED

HAP

11-31-01-47

BOEING PROPRIETARY - Copyright © - Unpublished Work - See title page for details.

11-31-01
FIG. 47
PAGE 2
FEB 15/09

BOEING
737-600/700/800/900
PARTS CATALOG (MAINTENANCE)

| FIG ITEM | PART NUMBER | 1 2 3 4 5 6 7 | NOMENCLATURE | EFFECT FROM TO | UNITS PER ASSY |
|-------------|--------------|---------------|---|------------------|----------------|
| 47 - 235 | 69-78809-3 | | ..PRINTED CIRCUIT ASSY-UNIV MASTER CAUTION SUPPLIER CODE: V89954 COMPONENT MAINT MANUAL REF: 28-09-33 OPTIONAL PART: 69-78809-4 V89954 69-78809-5 V89954 FOR SPARES PROCURE: 69-78809-6 V89954 | 001028 201967 | RF |
| - 240 | 69-78809-4 | | ..PRINTED CIRCUIT ASSY-UNIV MASTER CAUTION SUPPLIER CODE: V89954 COMPONENT MAINT MANUAL REF: 28-09-33 OPTIONAL PART: 69-78809-3 V89954 69-78809-5 V89954 FOR SPARES PROCURE: 69-78809-6 V89954 | 001028 201967 | RF |
| 245 | BAC27TEX1486 | | ...DECAL- PLACARD CONTENT: STATIC SENSITIVE | 001028 201967 | 1 |
| 250 | 233A3208-2 | | .MODULE ASSY-FLIGHT RECORDER AND MACH AIRSPEED WARNING, TEST P5-19 SUPPLIER CODE: V89954 ELECTRICAL EQUIP NUMBER: P00519 COMPONENT MAINT MANUAL REF: 31-37-08 MAINTENANCE MANUAL REF: 31-31-12 | 001028 201967 | RF |
| 255 | BAC27DEX6075 | | ..MARKER | 001028 201967 | 1 |
| 260 | BAC27DCC572 | | ..MARKER | 001028 201967 | 1 |

MISSING ITEM NUMBERS NOT APPLICABLE

- ITEM NOT ILLUSTRATED

HAP

11-31-01-47

BOEING PROPRIETARY - Copyright © - Unpublished Work - See title page for details.

11-31-01
FIG. 47
PAGE 3
FEB 15/09

BOEING
737-600/700/800/900
PARTS CATALOG (MAINTENANCE)

| FIG ITEM | PART NUMBER | 1 2 3 4 5 6 7 | NOMENCLATURE | EFFECT FROM TO | UNITS PER ASSY |
|-------------|--------------|---------------|---|------------------|----------------|
| 47 - 265 | 69-78809-4 | | ..PRINTED CIRCUIT ASSY-UNIV MASTER CAUTION SUPPLIER CODE: V89954 COMPONENT MAINT MANUAL REF: 28-09-33 OPTIONAL PART: 69-78809-3 V89954 69-78809-5 V89954 FOR SPARES PROCURE: 69-78809-6 V89954 | 001028 201967 | RF |
| - 265 | 69-78809-5 | | ..PRINTED CIRCUIT ASSY-UNIV MASTER CAUTION SUPPLIER CODE: V89954 COMPONENT MAINT MANUAL REF: 28-09-33 OPTIONAL PART: 69-78809-3 V89954 69-78809-4 V89954 FOR SPARES PROCURE: 69-78809-6 V89954 | 001028 201967 | RF |
| - 265 | 69-78809-3 | | ..PRINTED CIRCUIT ASSY-UNIV MASTER CAUTION SUPPLIER CODE: V89954 COMPONENT MAINT MANUAL REF: 28-09-33 OPTIONAL PART: 69-78809-5 V89954 69-78809-4 V89954 FOR SPARES PROCURE: 69-78809-6 V89954 | 001028 201967 | RF |
| 270 | BAC27TEX1486 | | ...DECAL- PLACARD CONTENT: STATIC SENSITIVE | 001028 201967 | 1 |

MISSING ITEM NUMBERS NOT APPLICABLE

- ITEM NOT ILLUSTRATED

HAP

11-31-01-47

BOEING PROPRIETARY - Copyright © - Unpublished Work - See title page for details.

11-31-01
FIG. 47
PAGE 4
FEB 15/09

BOEING
737-600/700/800/900
PARTS CATALOG (MAINTENANCE)

| FIG ITEM | PART NUMBER | 1 2 3 4 5 6 7 | NOMENCLATURE | EFFECT FROM TO | UNITS PER ASSY |
|-----------|--------------|---------------|--|------------------|----------------|
| 47 275 | 69-73713-17 | . | MODULE ASSY-IRS MODE SELECTOR P5-69 SUPPLIER CODE: V89954 ELECTRICAL EQUIP NUMBER: P00569 COMPONENT MAINT MANUAL REF: 34-21-20 | 001028 201967 | RF |
| - 285 | 69-63592-21 | .. | COMPONENT ASSY- SUPPLIER CODE: V89954 COMPONENT MAINT MANUAL REF: 34-21-17 | 001028 201967 | RF |
| 290 | BAC27DEX999 | ... | DECAL | 001028 201967 | 1 |
| 295 | 69-75978-1 | . | MODULE ASSY-STALL WARNING P5-18 SUPPLIER CODE: V89954 ELECTRICAL EQUIP NUMBER: P00518 COMPONENT MAINT MANUAL REF: 27-32-49 | 001028 201967 | RF |
| 300 | BAC27DCC1337 | .. | MARKER-ALUMINUM FOIL | 001028 201967 | 1 |
| 305 | 233A3209-1 | . | MODULE ASSY-FLIGHT CONT P5-3 SUPPLIER CODE: V89954 ELECTRICAL EQUIP NUMBER: P00503 COMPONENT MAINT MANUAL REF: 31-37-09 QUALIFIED I/W DATA: 233A3209-2 REPLACES 233A3209-1 ONE-WAY INTERCHANGEABLE UPON INCORPORATION OF SB 737-27-1262 PRE SERVICE BULLETIN: 27-1262 | 014014 202967 | RF |

R
R
R
R
R
R
R
R
R
R
R
R
R
R
R

MISSING ITEM NUMBERS NOT APPLICABLE

- ITEM NOT ILLUSTRATED

HAP

11-31-01-47

11-31-01
FIG. 47
PAGE 5
JUN 15/09

BOEING
737-600/700/800/900
PARTS CATALOG (MAINTENANCE)

| FIG ITEM | PART NUMBER | 1 2 3 4 5 6 7 | NOMENCLATURE | EFFECT FROM TO | UNITS PER ASSY |
|-------------|--------------|---------------|--|-------------------|----------------------|
| 47 307 | 233A3209-2 | | .MODULE ASSY-FLIGHT CONT P5-3 SUPPLIER CODE: V89954 ELECTRICAL EQUIP NUMBER: P00503 COMPONENT MAINT MANUAL REF: 31-37-09 QUALIFIED I/W DATA: 233A3209-2 REPLACES 233A3209-1 ONE-WAY INTERCHANGEABLE UPON INCORPORATION OF SB 737-27-1262 POST SERVICE BULLETIN: 27-1262 | 001028 201967 | RF |
| 310 | BAC27DEX6075 | | ..MARKER | 001028 201967 | 1 |
| - 315 | 69-78809-5 | | ..PRINTED CIRCUIT ASSY-UNIV MASTER CAUTION SUPPLIER CODE: V89954 COMPONENT MAINT MANUAL REF: 28-09-33 OPTIONAL PART: 69-78809-3 V89954 69-78809-4 V89954 FOR SPARES PROCURE: 69-78809-6 V89954 | 001028 201967 | RF |
| - 315 | 69-78809-4 | | ..PRINTED CIRCUIT ASSY-UNIV MASTER CAUTION SUPPLIER CODE: V89954 COMPONENT MAINT MANUAL REF: 28-09-33 OPTIONAL PART: 69-78809-3 V89954 69-78809-5 V89954 69-78809-6 V89954 FOR SPARES PROCURE: 69-78809-6 V89954 | 001028 201967 | RF |

MISSING ITEM NUMBERS NOT APPLICABLE

- ITEM NOT ILLUSTRATED

HAP

11-31-01-47

BOEING PROPRIETARY - Copyright © - Unpublished Work - See title page for details.

11-31-01
FIG. 47
PAGE 6
FEB 15/09

BOEING
737-600/700/800/900
PARTS CATALOG (MAINTENANCE)

| FIG ITEM | PART NUMBER | 1 2 3 4 5 6 7 | NOMENCLATURE | EFFECT FROM TO | UNITS PER ASSY |
|-------------|--------------|---------------|---|-------------------|----------------------|
| 47 - 315 | 69-78809-3 | | ..PRINTED CIRCUIT ASSY-UNIV MASTER CAUTION SUPPLIER CODE: V89954 COMPONENT MAINT MANUAL REF: 28-09-33 OPTIONAL PART: 69-78809-4 V89954 69-78809-5 V89954 69-78809-6 V89954 FOR SPARES PROCURE: 69-78809-6 V89954 | 001028 201967 | RF |
| - 315 | 69-78809-6 | | ..PRINTED CIRCUIT ASSY-UNIV MASTER CAUTION SUPPLIER CODE: V89954 COMPONENT MAINT MANUAL REF: 28-09-33 OPTIONAL PART: 69-78809-3 V89954 69-78809-4 V89954 | 001028 201967 | RF |
| 320 | BAC27TEX1486 | | ...DECAL- PLACARD CONTENT: STATIC SENSITIVE | 001028 201967 | 1 |
| 325 | 233A3201-2 | | .MODULE ASSY-WINDOW/PITOT HEAT P5-9 SUPPLIER CODE: V89954 ELECTRICAL EQUIP NUMBER: P00509 COMPONENT MAINT MANUAL REF: 30-09-05 | 201967 | RF |
| 325 | 233A3201-9 | | .MODULE ASSY-WINDOW/PITOT HEAT P5-9 SUPPLIER CODE: V89954 ELECTRICAL EQUIP NUMBER: P00509 COMPONENT MAINT MANUAL REF: 30-09-05 POST SERVICE BULLETIN: 30-1047 | 001028 | RF |

MISSING ITEM NUMBERS NOT APPLICABLE

- ITEM NOT ILLUSTRATED

HAP

11-31-01-47

BOEING PROPRIETARY - Copyright © - Unpublished Work - See title page for details.

11-31-01
FIG. 47
PAGE 7
FEB 15/09

BOEING
737-600/700/800/900
PARTS CATALOG (MAINTENANCE)

| FIG ITEM | PART NUMBER | 1 2 3 4 5 6 7 | NOMENCLATURE | EFFECT FROM TO | UNITS PER ASSY |
|-------------|--------------|---------------|--|-------------------|----------------------|
| 47 330 | BAC27DEX6075 | | .. MARKER | 001028 201967 | 1 |
| - 335 | 69-78809-3 | | .. PRINTED CIRCUIT ASSY-UNIV MASTER CAUTION SUPPLIER CODE: V89954 COMPONENT MAINT MANUAL REF: 28-09-33 OPTIONAL PART: 69-78809-4 V89954 69-78809-5 V89954 69-78809-6 V89954 FOR SPARES PROCURE: 69-78809-6 V89954 | 001007 201967 | RF |
| - 335 | 69-78809-4 | | .. PRINTED CIRCUIT ASSY-UNIV MASTER CAUTION SUPPLIER CODE: V89954 COMPONENT MAINT MANUAL REF: 28-09-33 OPTIONAL PART: 69-78809-5 V89954 69-78809-6 V89954 69-78809-3 V89954 FOR SPARES PROCURE: 69-78809-6 V89954 | 001028 201967 | RF |

MISSING ITEM NUMBERS NOT APPLICABLE

- ITEM NOT ILLUSTRATED

HAP

11-31-01-47

BOEING PROPRIETARY - Copyright © - Unpublished Work - See title page for details.

11-31-01
FIG. 47
PAGE 8
FEB 15/09

BOEING
737-600/700/800/900
PARTS CATALOG (MAINTENANCE)

| FIG ITEM | PART NUMBER | 1 2 3 4 5 6 7 | NOMENCLATURE | EFFECT FROM TO | UNITS PER ASSY |
|-------------|--------------|---------------|---|------------------|----------------|
| 47 - 335 | 69-78809-5 | | ..PRINTED CIRCUIT ASSY-UNIV MASTER CAUTION SUPPLIER CODE: V89954 COMPONENT MAINT MANUAL REF: 28-09-33 OPTIONAL PART: 69-78809-4 V89954 69-78809-6 V89954 69-78809-3 V89954 FOR SPARES PROCURE: 69-78809-6 V89954 | 001028 201967 | RF |
| - 335 | 69-78809-6 | | ..PRINTED CIRCUIT ASSY-UNIV MASTER CAUTION SUPPLIER CODE: V89954 COMPONENT MAINT MANUAL REF: 28-09-33 OPTIONAL PART: 69-78809-3 V89954 69-78809-4 V89954 69-78809-5 V89954 | 001028 201967 | RF |
| 337 | BAC27TEX1486 | | ...DECAL- PLACARD CONTENT: STATIC SENSITIVE | 001028 201967 | 1 |
| - 340 | 285A1831-2 | | ..PW ASSY- SUPPLIER CODE: V89954 COMPONENT MAINT MANUAL REF: 30-09-06 | 001028 201967 | RF |
| 345 | BAC27TEX1486 | | ...DECAL- PLACARD CONTENT: STATIC SENSITIVE | 001028 201967 | 2 |
| 350 | 69-37320-104 | | .MODULE ASSY-ENG AND WING ANTI-ICE P5-11 SUPPLIER CODE: V89954 ELECTRICAL EQUIP NUMBER: P00511 COMPONENT MAINT MANUAL REF: 30-12-05 | 001028 201967 | RF |

MISSING ITEM NUMBERS NOT APPLICABLE

- ITEM NOT ILLUSTRATED

HAP

11-31-01-47

BOEING PROPRIETARY - Copyright © - Unpublished Work - See title page for details.

11-31-01
FIG. 47
PAGE 9
FEB 15/09

BOEING
737-600/700/800/900
PARTS CATALOG (MAINTENANCE)

| FIG ITEM | PART NUMBER | 1 2 3 4 5 6 7 | NOMENCLATURE | EFFECT FROM TO | UNITS PER ASSY |
|-------------|---------------|---|--------------|-------------------|----------------------|
| 47 355 | BAC27EEL18631 | .. | DECAL | 001028 201967 | 1 |
| 360 | 233A3205-2 | .MODULE ASSY-GEN DRIVE/ STBY PWR P5-5 SUPPLIER CODE: V89954 ELECTRICAL EQUIP NUMBER: P00505 COMPONENT MAINT MANUAL REF: 31-10-41 PRE ALERT SB: 24A1141R1 | | 001011 201967 | RF |
| 360 | 233A3205-3 | .MODULE ASSY-GEN DRIVE/ STBY PWR P5-5 SUPPLIER CODE: V89954 ELECTRICAL EQUIP NUMBER: P00505 COMPONENT MAINT MANUAL REF: 31-10-41 POST ALERT SB: 24A1141R1 | | 001028 201967 | RF |
| 365 | BAC27DEX6075 | .. | MARKER | 001028 201967 | 1 |
| - 370 | 69-78809-3 | ..PRINTED CIRCUIT ASSY-UNIV MASTER CAUTION SUPPLIER CODE: V89954 COMPONENT MAINT MANUAL REF: 28-09-33 OPTIONAL PART: 69-78809-4 V89954 69-78809-5 V89954 FOR SPARES PROCURE: 69-78809-6 V89954 | | 001028 201967 | RF |

MISSING ITEM NUMBERS NOT APPLICABLE

- ITEM NOT ILLUSTRATED

HAP

11-31-01-47

BOEING PROPRIETARY - Copyright © - Unpublished Work - See title page for details.

11-31-01
FIG. 47
PAGE 10
FEB 15/09

BOEING
737-600/700/800/900
PARTS CATALOG (MAINTENANCE)

| FIG ITEM | PART NUMBER | 1 2 3 4 5 6 7 | NOMENCLATURE | EFFECT FROM TO | UNITS PER ASSY |
|-------------|--------------|---------------|---|-------------------|----------------------|
| 47 - 370 | 69-78809-4 | | ..PRINTED CIRCUIT ASSY-UNIV MASTER CAUTION SUPPLIER CODE: V89954 COMPONENT MAINT MANUAL REF: 28-09-33 OPTIONAL PART: 69-78809-5 V89954 69-78809-3 V89954 FOR SPARES PROCURE: 69-78809-6 V89954 | 001028 201967 | RF |
| - 370 | 69-78809-5 | | ..PRINTED CIRCUIT ASSY-UNIV MASTER CAUTION SUPPLIER CODE: V89954 COMPONENT MAINT MANUAL REF: 28-09-33 OPTIONAL PART: 69-78809-3 V89954 69-78809-4 V89954 FOR SPARES PROCURE: 69-78809-6 V89954 | 001028 201967 | RF |
| 375 | BAC27TEX1486 | | ...DECAL- PLACARD CONTENT: STATIC SENSITIVE | 001028 201967 | 1 |
| 380 | 69-37317-300 | | .MODULE ASSY-HYDR PUMPS P5-8 SUPPLIER CODE: V89954 ELECTRICAL EQUIP NUMBER: P00508 COMPONENT MAINT MANUAL REF: 31-11-31 | 001028 201967 | RF |
| 390 | BAC27EEX510 | | ..DECAL | 001028 201967 | RF |

MISSING ITEM NUMBERS NOT APPLICABLE

- ITEM NOT ILLUSTRATED

HAP

11-31-01-47

BOEING PROPRIETARY - Copyright © - Unpublished Work - See title page for details.

11-31-01
FIG. 47
PAGE 11
FEB 15/09

BOEING
737-600/700/800/900
PARTS CATALOG (MAINTENANCE)

| FIG ITEM | PART NUMBER | 1 2 3 4 5 6 7 | NOMENCLATURE | EFFECT FROM TO | UNITS PER ASSY |
|-------------|--------------|---------------|--|------------------|----------------|
| 47 - 400 | 69-78809-3 | | ..PRINTED CIRCUIT ASSY- INOV MASTER CAUTION SUPPLIER CODE: V89954 COMPONENT MAINT MANUAL REF: 28-09-33 OPTIONAL PART: 69-78809-4 V89954 69-78809-5 V89954 FOR SPARES PROCURE: 69-78809-6 V89954 | 001028 201967 | RF |
| - 400 | 69-78809-4 | | ..PRINTED CIRCUIT ASSY- INOV MASTER CAUTION SUPPLIER CODE: V89954 COMPONENT MAINT MANUAL REF: 28-09-33 OPTIONAL PART: 69-78809-3 V89954 69-78809-5 V89954 FOR SPARES PROCURE: 69-78809-6 V89954 | 001028 201967 | RF |
| 405 | BAC27TEX1486 | | ...DECAL- PLACARD CONTENT: STATIC SENSITIVE | 001028 201967 | 1 |
| 410 | 233A3207-5 | | .MODULE ASSY-DOOR WARNING ANN P5-20 SUPPLIER CODE: V89954 ELECTRICAL EQUIP NUMBER: P00520 COMPONENT MAINT MANUAL REF: 31-11-26 | 201967 | RF |
| 410 | 233A3207-6 | | .MODULE ASSY-DOOR WARNING ANN P5-20 SUPPLIER CODE: V89954 ELECTRICAL EQUIP NUMBER: P00520 COMPONENT MAINT MANUAL REF: 31-11-26 | 001028 | RF |
| 415 | BAC27DEX6075 | | ..MARKER | 001028 201967 | 1 |

MISSING ITEM NUMBERS NOT APPLICABLE

- ITEM NOT ILLUSTRATED

HAP

11-31-01-47

BOEING PROPRIETARY - Copyright © - Unpublished Work - See title page for details.

11-31-01
FIG. 47
PAGE 12
FEB 15/09

BOEING
737-600/700/800/900
PARTS CATALOG (MAINTENANCE)

| FIG ITEM | PART NUMBER | 1 2 3 4 5 6 7 | NOMENCLATURE | EFFECT FROM TO | UNITS PER ASSY |
|-------------|--------------|---------------|---|------------------|----------------|
| 47 - 425 | 69-78809-3 | | ..PRINTED CIRCUIT ASSY-UNIV MASTER CAUTION SUPPLIER CODE: V89954 COMPONENT MAINT MANUAL REF: 28-09-33 OPTIONAL PART: 69-78809-4 V89954 69-78809-5 V89954 FOR SPARES PROCURE: 69-78809-6 V89954 | 001028 201967 | RF |
| - 425 | 69-78809-4 | | ..PRINTED CIRCUIT ASSY-UNIV MASTER CAUTION SUPPLIER CODE: V89954 COMPONENT MAINT MANUAL REF: 28-09-33 OPTIONAL PART: 69-78809-5 V89954 69-78809-3 V89954 FOR SPARES PROCURE: 69-78809-6 V89954 | 001028 201967 | RF |
| - 425 | 69-78809-5 | | ..PRINTED CIRCUIT ASSY-UNIV MASTER CAUTION SUPPLIER CODE: V89954 COMPONENT MAINT MANUAL REF: 28-09-33 OPTIONAL PART: 69-78809-3 V89954 69-78809-4 V89954 FOR SPARES PROCURE: 69-78809-6 V89954 | 001028 201967 | RF |
| 430 | BAC27TEX1486 | | ...DECAL- PLACARD CONTENT: STATIC SENSITIVE | 001028 201967 | 1 |

MISSING ITEM NUMBERS NOT APPLICABLE

- ITEM NOT ILLUSTRATED

HAP

11-31-01-47

BOEING PROPRIETARY - Copyright © - Unpublished Work - See title page for details.

11-31-01
FIG. 47
PAGE 13
FEB 15/09

BOEING
737-600/700/800/900
PARTS CATALOG (MAINTENANCE)

| FIG ITEM | PART NUMBER | 1 2 3 4 5 6 7 | NOMENCLATURE | EFFECT FROM TO | UNITS PER ASSY |
|-------------|--------------|---------------|---|-------------------|----------------------|
| 47 435 | 69-37319-308 | . | MODULE ASSY-AIR CONDITIONING P5-10 SUPPLIER CODE: V89954 ELECTRICAL EQUIP NUMBER: P00510 COMPONENT MAINT MANUAL REF: 31-37-07 | 201967 | RF |
| 435 | 69-37319-309 | . | MODULE ASSY-AIR CONDITIONING P5-10 SUPPLIER CODE: V89954 ELECTRICAL EQUIP NUMBER: P00510 COMPONENT MAINT MANUAL REF: 31-37-07 PRE ALERT SB: 24A1141R1 | 001011 | RF |
| 435 | 69-37319-312 | . | MODULE ASSY-AIR CONDITIONING P5-10 SUPPLIER CODE: V89954 FUNCTIONAL DESCRIPTION: CONTROLS THE OPERATION OF THE AIR CONDITIONING AND PNEUMATIC SYSTEMS. ELECTRICAL EQUIP NUMBER: P00510 COMPONENT MAINT MANUAL REF: 31-37-07 POST ALERT SB: 24A1141R1 | 001028 | RF |
| 450 | BAC27EEX510 | .. | DECAL | 001028 201967 | 1 |
| - 455 | 69-78809-3 | .. | PRINTED CIRCUIT ASSY- UNIV MASTER CAUTION SUPPLIER CODE: V89954 COMPONENT MAINT MANUAL REF: 28-09-33 OPTIONAL PART: 69-78809-4 V89954 69-78809-5 V89954 FOR SPARES PROCURE: 69-78809-6 V89954 | 001028 201967 | RF |

MISSING ITEM NUMBERS NOT APPLICABLE

- ITEM NOT ILLUSTRATED

HAP

11-31-01-47

BOEING PROPRIETARY - Copyright © - Unpublished Work - See title page for details.

11-31-01
FIG. 47
PAGE 14
FEB 15/09

BOEING
737-600/700/800/900
PARTS CATALOG (MAINTENANCE)

| FIG ITEM | PART NUMBER | 1 2 3 4 5 6 7 | NOMENCLATURE | EFFECT FROM TO | UNITS PER ASSY |
|-------------|--------------|---------------|--|------------------|----------------|
| 47 - 455 | 69-78809-4 | | ..PRINTED CIRCUIT ASSY- UNIV MASTER CAUTION SUPPLIER CODE: V89954 COMPONENT MAINT MANUAL REF: 28-09-33 OPTIONAL PART: 69-78809-5 V89954 69-78809-3 V89954 FOR SPARES PROCURE: 69-78809-6 V89954 | 001028 201967 | RF |
| - 455 | 69-78809-5 | | ..PRINTED CIRCUIT ASSY- UNIV MASTER CAUTION SUPPLIER CODE: V89954 COMPONENT MAINT MANUAL REF: 28-09-33 OPTIONAL PART: 69-78809-4 V89954 69-78809-3 V89954 FOR SPARES PROCURE: 69-78809-6 V89954 | 001028 201967 | RF |
| 460 | BAC27TEX1486 | | ...DECAL- PLACARD CONTENT: STATIC SENSITIVE | 001028 201967 | 1 |
| - 465 | 69-51813-26 | | ..PC ASSY- SUPPLIER CODE: V89954 | 001028 | RF |
| 470 | BAC27TEX1486 | | ..DECAL- PLACARD CONTENT: STATIC SENSITIVE | 001028 | 1 |
| 475 | 233A3202-1 | | .MODULE ASSY-FUEL CONT P5-2 SUPPLIER CODE: V89954 ELECTRICAL EQUIP NUMBER: P00502 COMPONENT MAINT MANUAL REF: 28-09-31 PRE SERVICE BULLETIN: 28-1179R1 PRE ALERT SB: 28A1206 | 001019 202967 | RF |

MISSING ITEM NUMBERS NOT APPLICABLE

- ITEM NOT ILLUSTRATED

HAP

11-31-01-47

BOEING PROPRIETARY - Copyright © - Unpublished Work - See title page for details.

11-31-01
FIG. 47
PAGE 15
FEB 15/09

BOEING
737-600/700/800/900
PARTS CATALOG (MAINTENANCE)

| FIG ITEM | PART NUMBER | 1 2 3 4 5 6 7 | NOMENCLATURE | EFFECT FROM TO | UNITS PER ASSY |
|-------------|-------------|---------------|--|-------------------|----------------------|
| 47 475 | 233A3202-4 | | .MODULE ASSY-FUEL CONT P5-2 SUPPLIER CODE: V89954 ELECTRICAL EQUIP NUMBER: P00502 COMPONENT MAINT MANUAL REF: 28-09-31 REWORK DRAWING REF: 233A6251-6 QUALIFIED I/W DATA: 233A3202-4 I/W 233A3202-3 EXCEPT 233A3202-4 IS NOT ACCEPTABLE FOR USE ON ACFT FITTED WITH THE APU DC BOOST PUMP OPTION. BOOST PUMP P/N IS 218387, REF IPC LOCATION 28-25-51-08-053. POST SERVICE BULLETIN: 28-1179R1 PRE ALERT SB: 28A1206 | 001019 201967 | RF |
| 475 | 233A3202-2 | | .MODULE ASSY-FUEL CONT SUPPLIER CODE: V89954 ELECTRICAL EQUIP NUMBER: P00502 COMPONENT MAINT MANUAL REF: 28-09-31 PRE SERVICE BULLETIN: 28-1179R1 PRE ALERT SB: 28A1206 | 001028 202967 | RF |

MISSING ITEM NUMBERS NOT APPLICABLE

— ITEM NOT ILLUSTRATED

HAP

11-31-01-47

BOEING PROPRIETARY - Copyright © - Unpublished Work - See title page for details.

11-31-01
FIG. 47
PAGE 16
FEB 15/09

BOEING
737-600/700/800/900
PARTS CATALOG (MAINTENANCE)

| FIG ITEM | PART NUMBER | 1 2 3 4 5 6 7 | NOMENCLATURE | EFFECT FROM TO | UNITS PER ASSY |
|-------------|-------------|---------------|---|-------------------|----------------------|
| 47 475 | 233A3202-3 | | .MODULE ASSY-FUEL CONT P5-2 SUPPLIER CODE: V89954 ELECTRICAL EQUIP NUMBER: P00502 COMPONENT MAINT MANUAL REF: 28-09-31 QUALIFIED I/W DATA: 233A3202-4 I/W 233A3202-3 EXCEPT 233A3202-4 IS NOT ACCEPTABLE FOR USE ON ACFT FITTED WITH THE APU DC BOOST PUMP OPTION. BOOST PUMP P/N IS 218387, REF IPC LOCATION 28-25-51-08-053. POST SERVICE BULLETIN: 28-1179R1 PRE ALERT SB: 28A1206 | 001028 201967 | RF |
| 475 | 233A3202-5 | | .MODULE ASSY-FUEL CONT P5-2 SUPPLIER CODE: V89954 MISCELLANEOUS DATA: 233A3202-5 CAN BE CREATED BY REWORKING A 233A3202-3 OR -4 BY COMPONENT SERVICE BULLETIN 233A3202-28-03. REFERENCE SB 737-28A1206 DATED JANUARY 11, 2006. ELECTRICAL EQUIP NUMBER: P00502 COMPONENT MAINT MANUAL REF: 28-09-31 POST ALERT SB: 28A1206 | 001028 201967 | RF |

MISSING ITEM NUMBERS NOT APPLICABLE

— ITEM NOT ILLUSTRATED

HAP

11-31-01-47

BOEING PROPRIETARY - Copyright © - Unpublished Work - See title page for details.

11-31-01
FIG. 47
PAGE 17
FEB 15/09

BOEING
737-600/700/800/900
PARTS CATALOG (MAINTENANCE)

| FIG ITEM | PART NUMBER | 1 2 3 4 5 6 7 | NOMENCLATURE | EFFECT FROM TO | UNITS PER ASSY |
|-------------|--------------|---------------|--|-------------------|----------------------|
| 47 475 | 233A3202-6 | | .MODULE ASSY-FUEL CONT P5-2 SUPPLIER CODE: V89954 MISCELLANEOUS DATA: 233A3202-6 CAN BE CREATED BY REWORKING A 233A3202-1 BY COMPONENT SERVICE BULLETIN 233A3202-28-03. REFERENCE SB 737-28A1206 DATED JANUARY 11, 2006. ELECTRICAL EQUIP NUMBER: P00502 COMPONENT MAINT MANUAL REF: 28-09-31 POST ALERT SB: 28A1206 | 001019 202967 | RF |
| 475 | 233A3202-7 | | .MODULE ASSY-FUEL CONT P5-2 SUPPLIER CODE: V89954 MISCELLANEOUS DATA: 233A3202-7 CAN BE CREATED BY REWORKING A 233A3202-2 BY COMPONENT SERVICE BULLETIN 233A3202-28-03. REFERENCE SB 737-28A1206 DATED JANUARY 11, 2006. ELECTRICAL EQUIP NUMBER: P00502 COMPONENT MAINT MANUAL REF: 28-09-31 POST ALERT SB: 28A1206 | 001028 202967 | RF |
| 480 | BAC27DEX6075 | | ..MARKER | 001028 201967 | 1 |

MISSING ITEM NUMBERS NOT APPLICABLE

— ITEM NOT ILLUSTRATED

HAP

11-31-01-47

BOEING PROPRIETARY - Copyright © - Unpublished Work - See title page for details.

11-31-01
FIG. 47
PAGE 18
FEB 15/09

BOEING
737-600/700/800/900
PARTS CATALOG (MAINTENANCE)

| FIG ITEM | PART NUMBER | 1 2 3 4 5 6 7 | NOMENCLATURE | EFFECT FROM TO | UNITS PER ASSY |
|-------------|-------------|---------------|---|-------------------|----------------------|
| 47 - 485 | 69-78809-3 | | ..PRINTED CIRCUIT ASSY-UNIV MASTER CAUTION SUPPLIER CODE: V89954 COMPONENT MAINT MANUAL REF: 28-09-33 OPTIONAL PART: 69-78809-4 V89954 USED ON: 233A3202-1 233A3202-4 FOR SPARES PROCURE: 69-78809-6 V89954 PRE ALERT SB: 28A1206 | 001019 201967 | RF |
| - 485 | 69-78809-4 | | ..PRINTED CIRCUIT ASSY-UNIV MASTER CAUTION SUPPLIER CODE: V89954 COMPONENT MAINT MANUAL REF: 28-09-33 QUALIFIED I/W DATA: INCORPORATED A REPROGRAMMED PLD TO CORRECT THE APU DC FUEL BOOST PUMP LOGIC ERROR. OPTIONAL PART: 69-78809-3 V89954 USED ON: 233A3202-1 233A3202-4 FOR SPARES PROCURE: 69-78809-6 V89954 PRE ALERT SB: 28A1206 | 001019 201967 | RF |

MISSING ITEM NUMBERS NOT APPLICABLE

- ITEM NOT ILLUSTRATED

HAP

11-31-01-47

BOEING PROPRIETARY - Copyright © - Unpublished Work - See title page for details.

11-31-01
FIG. 47
PAGE 19
FEB 15/09

BOEING
737-600/700/800/900
PARTS CATALOG (MAINTENANCE)

| FIG ITEM | PART NUMBER | 1 2 3 4 5 6 7 | NOMENCLATURE | EFFECT FROM TO | UNITS PER ASSY |
|-------------|--------------|---------------|--|------------------|----------------|
| 47 - 485 | 69-78809-5 | | ..PRINTED CIRCUIT ASSY-UNIV MASTER CAUTION SUPPLIER CODE: V89954 COMPONENT MAINT MANUAL REF: 28-09-33 QUALIFIED I/W DATA: 69-78809-5 MAY REPLACE 69-78809-4 UPON INCORPORATION OF CSB 233A3202-28-01. USED ON: 233A3202-2 233A3202-3 FOR SPARES PROCURE: 69-78809-6 V89954 PRE ALERT SB: 28A1206 | 001028 201967 | RF |
| - 485 | 69-78809-6 | | ..PRINTED CIRCUIT ASSY-UNIV MASTER CAUTION SUPPLIER CODE: V89954 COMPONENT MAINT MANUAL REF: 28-09-33 POST ALERT SB: 28A1206 | 001028 201967 | RF |
| 487 | BAC27TEX1486 | | ...DECAL- PLACARD CONTENT: STATIC SENSITIVE | 001028 201967 | 1 |
| - 490 | 285A1801-1 | | ..PW ASSY- SUPPLIER CODE: V89954 COMPONENT MAINT MANUAL REF: 28-09-32 USED ON: 233A3202-1 233A3202-2 | 001028 202967 | RF |
| - 490 | 285A1801-2 | | ..PRINTED CIRCUIT ASSY- SUPPLIER CODE: V89954 COMPONENT MAINT MANUAL REF: 28-09-32 USED ON: 233A3202-3 233A3202-4 233A3202-5 POST SERVICE BULLETIN: 28-1179R1 | 001028 201967 | RF |

MISSING ITEM NUMBERS NOT APPLICABLE

- ITEM NOT ILLUSTRATED

HAP

11-31-01-47

BOEING PROPRIETARY - Copyright © - Unpublished Work - See title page for details.

11-31-01
FIG. 47
PAGE 20
FEB 15/09

BOEING
737-600/700/800/900
PARTS CATALOG (MAINTENANCE)

| FIG ITEM | PART NUMBER | 1 2 3 4 5 6 7 | NOMENCLATURE | EFFECT FROM TO | UNITS PER ASSY |
|-----------|--------------|---------------|---|------------------|----------------|
| 47 495 | BAC27TEX1486 | .. | DECAL- PLACARD CONTENT: STATIC SENSITIVE | 001028 201967 | 1 |
| 500 | 233A3204-1 | .MODULE | ASSY-AC SYS GEN/APU CONT P5-4 SUPPLIER CODE: V89954 ELECTRICAL EQUIP NUMBER: P00504 COMPONENT MAINT MANUAL REF: 31-37-31 | 001028 201967 | RF |
| 505 | BAC27DEX6075 | .. | MARKER | 001028 201967 | 1 |
| 507 | BAC27DCC568 | .. | MARKER | 001028 201967 | 1 |
| - 510 | 69-78809-3 | .. | PRINTED CIRCUIT ASSY-UNIV MASTER CAUTION SUPPLIER CODE: V89954 COMPONENT MAINT MANUAL REF: 28-09-33 OPTIONAL PART: 69-78809-4 V89954 69-78809-5 V89954 FOR SPARES PROCURE: 69-78809-6 V89954 | 001028 201967 | RF |
| - 510 | 69-78809-4 | .. | PRINTED CIRCUIT ASSY-UNIV MASTER CAUTION SUPPLIER CODE: V89954 COMPONENT MAINT MANUAL REF: 28-09-33 OPTIONAL PART: 69-78809-3 V89954 69-78809-5 V89954 FOR SPARES PROCURE: 69-78809-6 V89954 | 001028 201967 | RF |

MISSING ITEM NUMBERS NOT APPLICABLE

- ITEM NOT ILLUSTRATED

HAP

11-31-01-47

BOEING PROPRIETARY - Copyright © - Unpublished Work - See title page for details.

11-31-01
FIG. 47
PAGE 21
FEB 15/09

BOEING
737-600/700/800/900
PARTS CATALOG (MAINTENANCE)

| FIG ITEM | PART NUMBER | 1 2 3 4 5 6 7 | NOMENCLATURE | EFFECT FROM TO | UNITS PER ASSY |
|-------------|--------------|---------------|---|------------------|----------------|
| 47 - 510 | 69-78809-5 | | ..PRINTED CIRCUIT ASSY-UNIV MASTER CAUTION SUPPLIER CODE: V89954 COMPONENT MAINT MANUAL REF: 28-09-33 OPTIONAL PART: 69-78809-3 V89954 69-78809-4 V89954 FOR SPARES PROCURE: 69-78809-6 V89954 | 001028 201967 | RF |
| 515 | BAC27TEX1486 | | ...DECAL- PLACARD CONTENT: STATIC SENSITIVE | 001028 201967 | 1 |
| 520 | 69-37334-12 | | .MODULE ASSY-CAB. ALTM AND RATE OF CLIMB P5-16 SUPPLIER CODE: V89954 ELECTRICAL EQUIP NUMBER: P00516 COMPONENT MAINT MANUAL REF: 31-36-32 | 001028 201967 | RF |
| 550 | 285A1840-2 | | .MODULE ASSY-E/E METERS BATTERY AND GALLEY PWR PNL P5-13 SUPPLIER CODE: V89954 ELECTRICAL EQUIP NUMBER: P00513 COMPONENT MAINT MANUAL REF: 24-00-06 | 001005 | RF |
| 550 | 285A1840-4 | | .MODULE ASSY-E/E METERS BATTERY AND GALLEY PWR PNL P5-13 SUPPLIER CODE: V89954 ELECTRICAL EQUIP NUMBER: P00513 COMPONENT MAINT MANUAL REF: 24-00-06 | 001028 201967 | RF |
| 555 | BAC27DEX6075 | | ..MARKER | 001028 201967 | 1 |
| 560 | BAC27DEX6684 | | ..MARKER-ALUMINUM FOIL SUPPLIER CODE: V89954 | 001028 201967 | 1 |

MISSING ITEM NUMBERS NOT APPLICABLE

- ITEM NOT ILLUSTRATED

HAP

11-31-01-47

11-31-01
FIG. 47
PAGE 22
FEB 15/09

BOEING
737-600/700/800/900
PARTS CATALOG (MAINTENANCE)

| FIG ITEM | PART NUMBER | 1 2 3 4 5 6 7 | NOMENCLATURE | EFFECT FROM TO | UNITS PER ASSY |
|-------------|--------------|---------------|---|-------------------|----------------------|
| 47 - 565 | 285A1844-2 | ..PW | ASSY- SUPPLIER CODE: V89954 OPTIONAL PART: 285A1844-3 V89954 | 001028 201967 | 1 |
| - 565 | 285A1844-3 | ..PW | ASSY- SUPPLIER CODE: V89954 OPTIONAL PART: 285A1844-2 V89954 | 001028 201967 | 1 |
| - 570 | 285A1848-3 | ..PW | ASSY- SUPPLIER CODE: V89954 OPTIONAL PART: 285A1848-4 V89954 | 001028 201967 | 1 |
| - 570 | 285A1848-4 | ..PW | ASSY- SUPPLIER CODE: V89954 OPTIONAL PART: 285A1848-3 V89954 | 001028 201967 | 1 |
| 575 | BAC27TEX1486 | ...DECAL- | PLACARD CONTENT: STATIC SENSITIVE | 001028 201967 | 2 |

MISSING ITEM NUMBERS NOT APPLICABLE

- ITEM NOT ILLUSTRATED

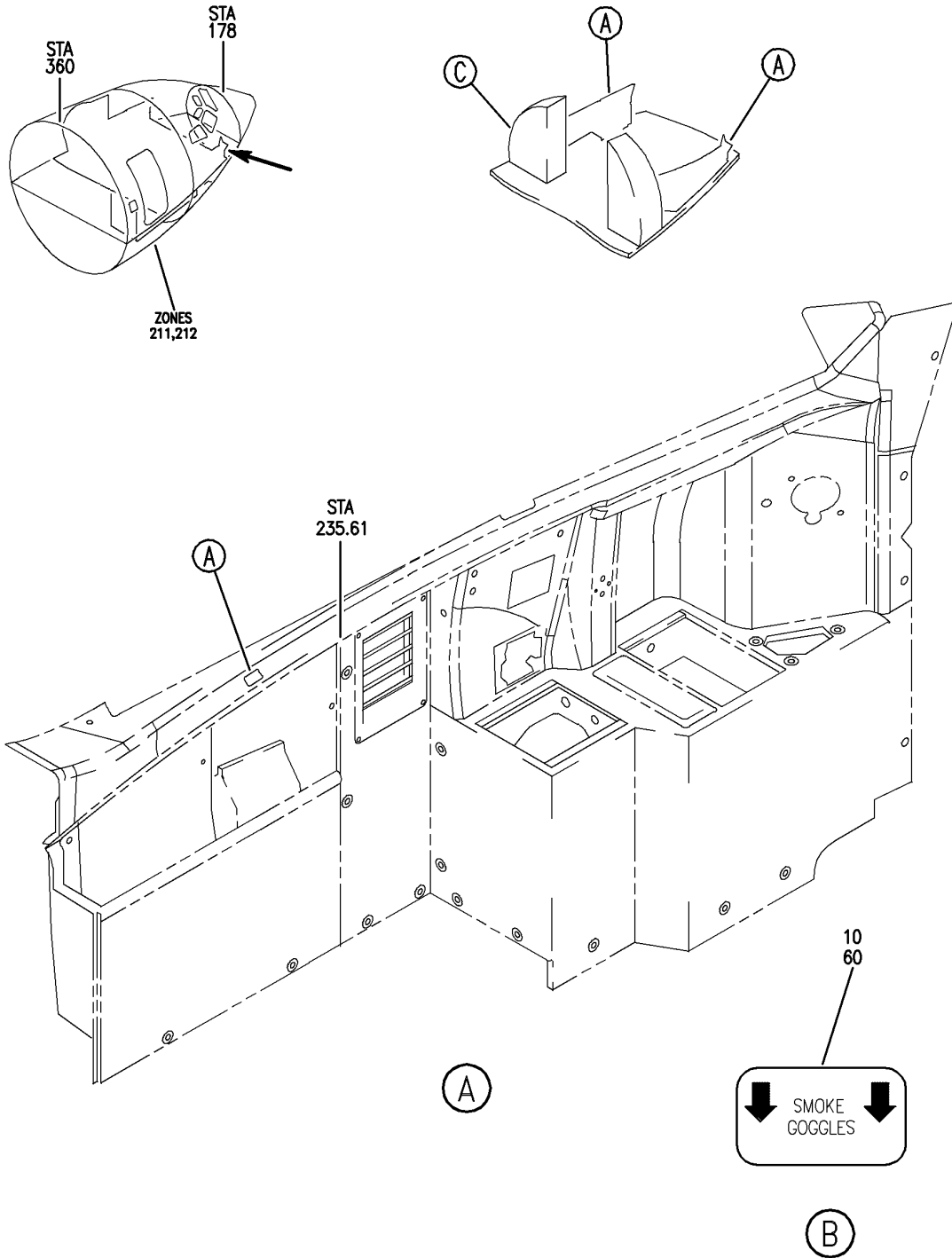
HAP

11-31-01-47

BOEING PROPRIETARY - Copyright © - Unpublished Work - See title page for details.

11-31-01
FIG. 47
PAGE 23
FEB 15/09

BOEING
 737-600/700/800/900
 PARTS CATALOG (MAINTENANCE)



E 11310148 SHT 1 REV 059

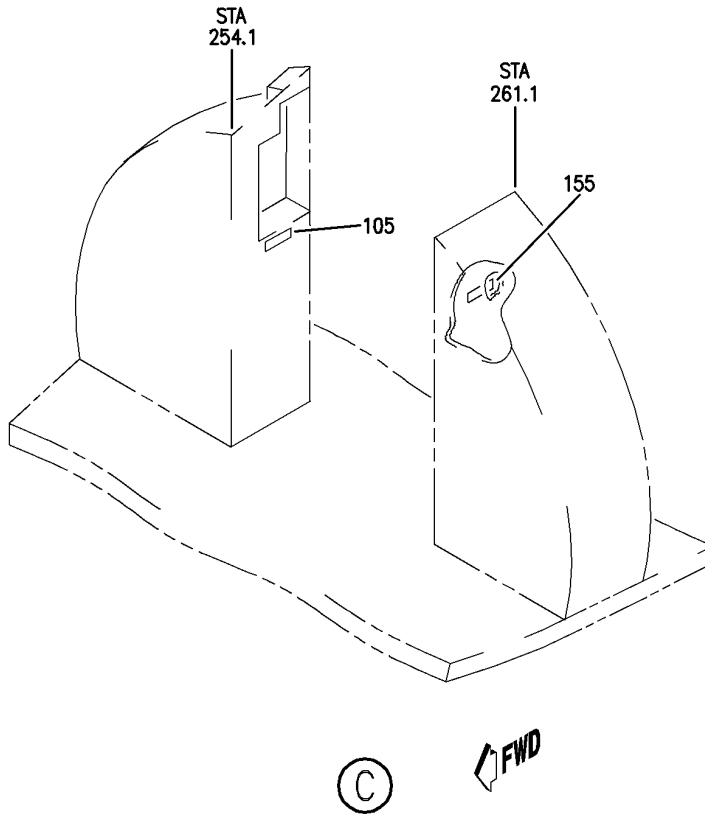
EQUIPMENT AND GOGGLES INSTL SMOKE (PLACARDS AND MARKINGS ONLY)
 FIGURE 48 (SHEET 1)

11-31-01-48

HAP
 OCT 10/06

11-31-01-48
 PAGE 0

BOEING
737-600/700/800/900
PARTS CATALOG (MAINTENANCE)



E 11310148 SHT 2 REV 059

EQUIPMENT AND GOGGLES INSTL SMOKE (PLACARDS AND MARKINGS ONLY)
FIGURE 48 (SHEET 2)

HAP
OCT 10/06

11-31-01-48

11-31-01-48
PAGE 0A

BOEING
737-600/700/800/900
PARTS CATALOG (MAINTENANCE)

| FIG ITEM | PART NUMBER | 1 2 3 4 5 6 7 | NOMENCLATURE | EFFECT FROM TO | UNITS PER ASSY |
|----------|--------------|---------------|--|------------------|----------------|
| 48 | | | EQUIPMENT AND GOGGLES INSTL SMOKE (PLACARDS AND MARKINGS ONLY) | | |
| - 1 | 232A8101-1 | | EQUIPMENT INSTL-SMOKE GOGGLES, CAPT (PLACARDS AND MARKINGS ONLY) FOR NHA/OTHER SYS DET SEE: 25-60-00-15E | 201967 | RF |
| - 5 | 232A8101-2 | | EQUIPMENT INSTL-SMOKE GOGGLES, FIRST OFFICER (PLACARDS AND MARKINGS ONLY) FOR NHA/OTHER SYS DET SEE: 25-60-00-15E | 201967 | RF |
| 10 | BAC27DCC2896 | | .MARKER | 201967 | 1 |
| - 100 | 232A8101-3 | | EQUIPMENT INSTL-SMOKE GOGGLES FIRST OBSERVER (PLACARDS AND MARKINGS ONLY) FOR NHA/OTHER SYS DET SEE: 25-60-00-15B 25-60-00-15C 25-60-00-15E | 001011 201967 | RF |
| - 100 | 232A8101-701 | | GOGGLES INSTL-FIRST OBSERVER SMOKE (PLACARDS AND MARKINGS ONLY) FOR NHA/OTHER SYS DET SEE: 25-60-00-15C | 012030 | RF |
| - 100 | MODREF101745 | | GOGGLES INSTL-FIRST OBSERVER SMOKE (PLACARDS AND MARKINGS ONLY) MODULE NUMBER: 232A8101-701 REV B FOR OTHER SYS DETAILS SEE: 25-64-00-31B | 031031 | 1 |
| - 100 | MODREF290233 | | GOGGLES INSTL-FIRST OBSERVER SMOKE (PLACARDS AND MARKINGS ONLY) MODULE NUMBER: 232A8101-701 REV C FOR OTHER SYS DETAILS SEE: 25-64-00-31B | 032200 968999 | 1 |
| 105 | BAC27DCC2897 | | .MARKER- PLACARD CONTENT: SMOKE GOGGLES | | 1 |

MISSING ITEM NUMBERS NOT APPLICABLE

- ITEM NOT ILLUSTRATED

HAP

11-31-01-48

BOEING PROPRIETARY - Copyright © - Unpublished Work - See title page for details.

11-31-01
FIG. 48
PAGE 1
OCT 15/08

BOEING
737-600/700/800/900
PARTS CATALOG (MAINTENANCE)

| FIG ITEM | PART NUMBER | 1 2 3 4 5 6 7 | NOMENCLATURE | EFFECT FROM TO | UNITS PER ASSY |
|-------------|--------------|---------------|--|--|----------------------|
| 48 - 150 | 232A8101-4 | | EQUIPMENT INSTL-SMOKE GOGGLES SECOND OBSERVER (PLACARDS AND MARKINGS ONLY) FOR NHA/OTHER SYS DET SEE: 25-60-00-15C 25-60-00-15E | 001011 201967 | RF |
| - 150 | 232A8101-801 | | GOGGLES INSTL-SECOND OBSERVER SMOKE (PLACARDS AND MARKINGS ONLY) FOR NHA/OTHER SYS DET SEE: 25-60-00-15C | 012030 | RF |
| - 150 | MODREF290234 | | GOGGLES INSTL-SECOND OBSERVER SMOKE (PLACARDS AND MARKINGS ONLY) MODULE NUMBER: 232A8101-801 REV C FOR OTHER SYS DETAILS SEE: 25-64-00-31B | 041041 047047 049050 054100 | 1 |
| 155 | BAC27DCC2897 | | .MARKER- PLACARD CONTENT: SMOKE GOGGLES | 001030 041041 047047 049050 054100 201967 | 1 |

MISSING ITEM NUMBERS NOT APPLICABLE

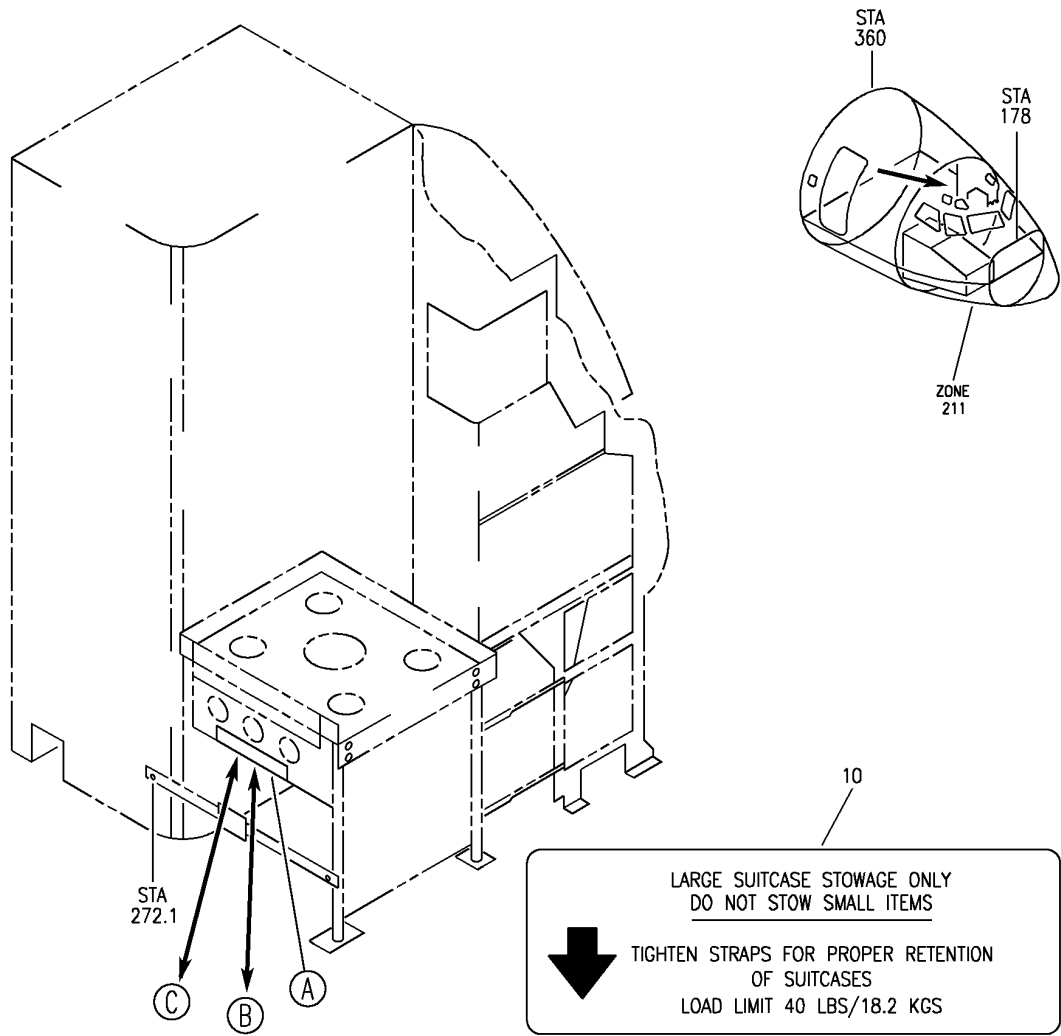
- ITEM NOT ILLUSTRATED

HAP

11-31-01-48

BOEING PROPRIETARY - Copyright © - Unpublished Work - See title page for details.

11-31-01
FIG. 48
PAGE 2
FEB 15/09



10

LARGE SUITCASE STOWAGE ONLY
 DO NOT STOW SMALL ITEMS

↓

TIGHTEN STRAPS FOR PROPER RETENTION
 OF SUITCASES
 LOAD LIMIT 40 LBS/18.2 KGS

20

LARGE SUITCASE STOWAGE ONLY
 DO NOT STOW SMALL ITEMS

↓

TIGHTEN STRAPS FOR PROPER RETENTION
 OF SUITCASES
 LOAD LIMIT 36 LBS/16.5 KGS

15

LARGE SUITCASE STOWAGE ONLY
 DO NOT STOW SMALL ITEMS

↓

TIGHTEN STRAPS FOR PROPER RETENTION
 OF SUITCASES
 LOAD LIMIT 20 LBS/9.07 KGS

E 11310151A REV 122

(C)

(B)

STRAP INSTL-SUITCASE RESTRAINT (PLACARDS AND MARKINGS ONLY)
 FIGURE 51A

11-31-01-51A

BOEING
737-600/700/800/900
PARTS CATALOG (MAINTENANCE)

| FIG ITEM | PART NUMBER | 1 2 3 4 5 6 7 | NOMENCLATURE | EFFECT FROM TO | UNITS PER ASSY |
|-------------|--------------|---------------|--|-------------------|----------------------|
| 51A | | | STRAP INSTL-SUITCASE RESTRAINT (PLACARDS AND MARKINGS ONLY) | 001030 201967 | |
| - 1 | 232A4360-1 | | STRAP INSTL-SUITCASE RESTRAINT (PLACARDS AND MARKINGS ONLY) FOR NHA/OTHER SYS DET SEE: 25-10-00-03 | 001027 201967 | RF |
| - 1 | 232A4360-3 | | STRAP INSTL-SUITCASE RESTRAINT (PLACARDS AND MARKINGS ONLY) FOR NHA/OTHER SYS DET SEE: 25-10-00-03 | 028030 | RF |
| 10 | BAC27TFDE552 | | .PLACARD- | 001030 201967 | 1 |

MISSING ITEM NUMBERS NOT APPLICABLE

- ITEM NOT ILLUSTRATED

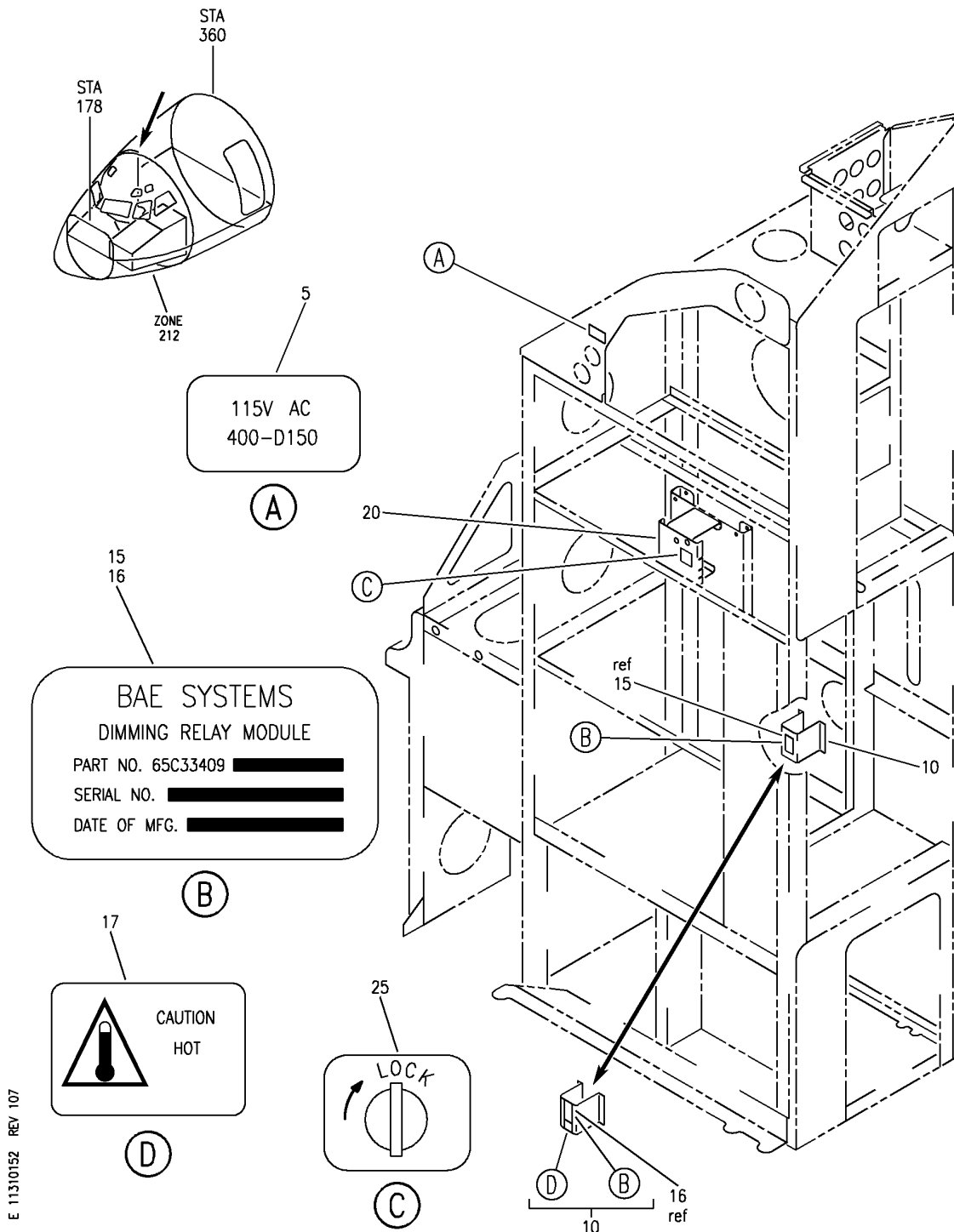
HAP

11-31-01-51A

BOEING PROPRIETARY - Copyright © - Unpublished Work - See title page for details.

11-31-01
FIG. 51A
PAGE 1
OCT 15/08

BOEING
 737-600/700/800/900
 PARTS CATALOG (MAINTENANCE)



E 11310152 REV 107

EQUIPMENT INSTL-P6 CB PNL (PLACARDS AND MARKINGS ONLY)
 FIGURE 52

11-31-01-52

HAP
 OCT 10/06

11-31-01-52
 PAGE 0

BOEING
737-600/700/800/900
PARTS CATALOG (MAINTENANCE)

| FIG ITEM | PART NUMBER | 1 2 3 4 5 6 7 | NOMENCLATURE | EFFECT FROM TO | UNITS PER ASSY |
|----------|--------------|---------------|---|----------------|----------------|
| 52 | | | EQUIPMENT INSTL-P6 CB PNL (PLACARDS AND MARKINGS ONLY) | 001007 | |
| - 1 | 233A5201-1 | | EQUIPMENT INSTL-P6 CB PNL (PLACARDS AND MARKINGS ONLY) FOR NHA/OTHER SYS DET SEE: 31-11-00-01C | 001005 | RF |
| - 1 | 233A5201-9 | | EQUIPMENT INSTL-P6 CB PNL (PLACARDS AND MARKINGS ONLY) FOR NHA/OTHER SYS DET SEE: 31-11-00-01C | 006007 | RF |
| 5 | BAC27DCC1241 | | .MARKER-ALUMINUM FOIL | 001007 | 1 |
| 10 | 65C33409-1 | | .MODULE ASSY-DIMMING RELAY SUPPLIER CODE: V89954 ELECTRICAL EQUIP NUMBER: M01456 COMPONENT MAINT MANUAL REF: 33-18-01 | 001007 | RF |
| 10 | 65C33409-3 | | .MODULE ASSY-DIMMING RELAY SUPPLIER CODE: V89954 ELECTRICAL EQUIP NUMBER: M01456 COMPONENT MAINT MANUAL REF: 33-18-01 | 001007 | RF |
| 15 | BAC27DEX5715 | | ..MARKER-ALUMINUM FOIL SUPPLIER CODE: V89954 OPTIONAL PART: BAC27DEX6794 V89954 USED ON: 65C33409-1 | 001007 | 1 |
| 16 | BAC27DEX6794 | | ..MARKER-ALUMINUM FOIL SUPPLIER CODE: V89954 OPTIONAL PART: BAC27DEX5715 V89954 USED ON: 65C33409-1 | 001007 | 1 |
| 16 | BAC27DEX6794 | | ..MARKER-ALUMINUM FOIL SUPPLIER CODE: V89954 USED ON: 65C33409-3 | 001007 | 1 |

MISSING ITEM NUMBERS NOT APPLICABLE

- ITEM NOT ILLUSTRATED

HAP

11-31-01-52

11-31-01
FIG. 52
PAGE 1
OCT 15/08

BOEING
737-600/700/800/900
PARTS CATALOG (MAINTENANCE)

| FIG ITEM | PART NUMBER | 1 2 3 4 5 6 7 | NOMENCLATURE | EFFECT FROM TO | UNITS PER ASSY |
|-------------|--------------|---------------|--|-------------------|----------------------|
| 52 17 | BAC27DEX7064 | | ..MARKER-ALUMINUM FOIL SUPPLIER CODE: V89954 USED ON: 65C33409-3 | 001007 | 1 |
| 20 | 69-61237-5 | | .RETAINER ASSY-CARD | 001007 | RF |
| 25 | BAC27DEX1076 | | ..MARKER-ALUMINUM FOIL | 001007 | 1 |

MISSING ITEM NUMBERS NOT APPLICABLE

— ITEM NOT ILLUSTRATED

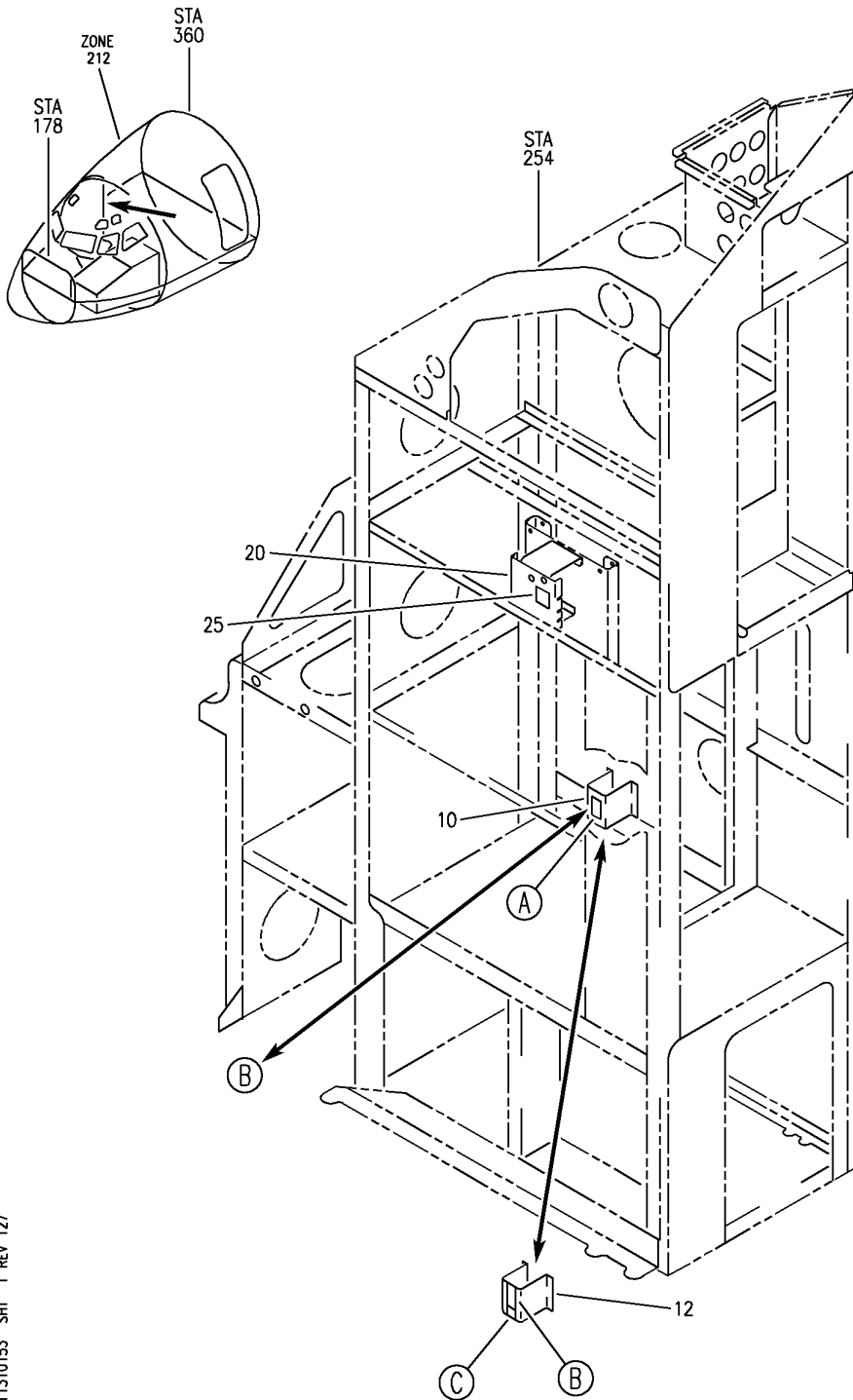
HAP

11-31-01-52

BOEING PROPRIETARY - Copyright © - Unpublished Work - See title page for details.

11-31-01
FIG. 52
PAGE 2
OCT 15/08

BOEING
737-600/700/800/900
PARTS CATALOG (MAINTENANCE)



E 11310153 SHT 1 REV 127

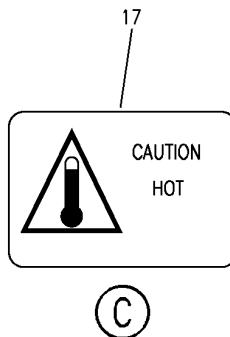
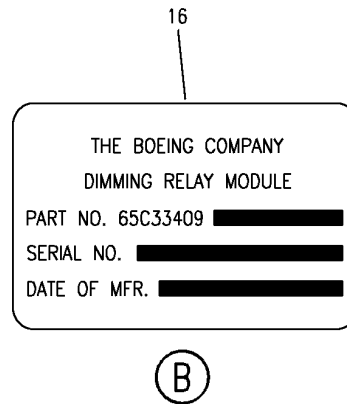
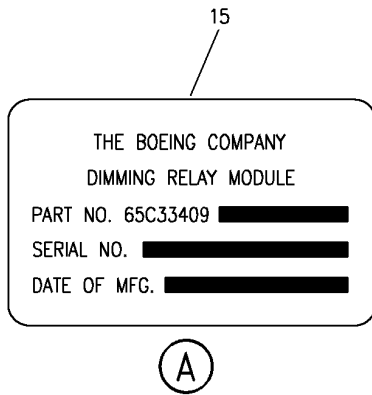
EQUIPMENT INSTL-P6 CB PNL (PLACARDS AND MARKINGS ONLY)
FIGURE 53

11-31-01-53

HAP
FEB 10/07

11-31-01-53
PAGE 0

BOEING
737-600/700/800/900
PARTS CATALOG (MAINTENANCE)



E 11310153 SH1 2 REV 127

EQUIPMENT INSTL-P6 CB PNL (PLACARDS AND MARKINGS ONLY)
FIGURE 53

11-31-01-53

HAP
FEB 10/07

11-31-01-53
PAGE 0A

BOEING
737-600/700/800/900
PARTS CATALOG (MAINTENANCE)

| FIG ITEM | PART NUMBER | 1 2 3 4 5 6 7 | NOMENCLATURE | EFFECT FROM TO | UNITS PER ASSY |
|----------|-------------|---------------|---|------------------|----------------|
| 53 | | | EQUIPMENT INSTL-P6 CB PNL (PLACARDS AND MARKINGS ONLY) | 008030 201967 | |
| - 1 | 233A5220-1 | | EQUIPMENT INSTL-P6 CB PNL (PLACARDS AND MARKINGS ONLY) FOR NHA/OTHER SYS DET SEE: 24-30-00-01B 24-30-00-01C | 008009 202967 | RF |
| - 1 | 233A5220-2 | | EQUIPMENT INSTL-P6 CB PNL (PLACARDS AND MARKINGS ONLY) FOR NHA/OTHER SYS DET SEE: 24-30-00-01B 24-30-00-01C | 010020 201201 | RF |
| - 1 | 233A5220-5 | | EQUIPMENT INSTL-P6 CB PNL (PLACARDS AND MARKINGS ONLY) FOR NHA/OTHER SYS DET SEE: 24-30-00-01C | 021027 | RF |
| - 1 | 233A5220-7 | | EQUIPMENT INSTL-P6 CB PNL (PLACARDS AND MARKINGS ONLY) FOR NHA/OTHER SYS DET SEE: 24-30-00-01C | 028029 | RF |
| - 1 | 233A5220-9 | | EQUIPMENT INSTL-P6 CB PNL (PLACARDS AND MARKINGS ONLY) FOR NHA/OTHER SYS DET SEE: 24-30-00-01C | 030030 | RF |
| 10 | 65C33409-1 | | .MODULE ASSY-DIMMING RELAY SUPPLIER CODE: V89954 ELECTRICAL EQUIP NUMBER: M01456 COMPONENT MAINT MANUAL REF: 33-18-01 | 008030 201967 | RF |
| 12 | 65C33409-3 | | .MODULE ASSY-DIMMING RELAY SUPPLIER CODE: V89954 ELECTRICAL EQUIP NUMBER: M01456 COMPONENT MAINT MANUAL REF: 33-18-01 | 008030 201967 | RF |

MISSING ITEM NUMBERS NOT APPLICABLE

- ITEM NOT ILLUSTRATED

HAP

11-31-01-53

11-31-01
FIG. 53
PAGE 1
OCT 15/08

BOEING
737-600/700/800/900
PARTS CATALOG (MAINTENANCE)

| FIG ITEM | PART NUMBER | 1 2 3 4 5 6 7 | NOMENCLATURE | EFFECT FROM TO | UNITS PER ASSY |
|-------------|--------------|---------------|--|-------------------|----------------------|
| 53 | | | | | |
| 15 | BAC27DEX5715 | | ..MARKER-ALUMINUM FOIL SUPPLIER CODE: V89954 OPTIONAL PART: BAC27DEX6794 V89954 USED ON: 65C33409-1 | 008030 201967 | 1 |
| 16 | BAC27DEX6794 | | ..MARKER-ALUMINUM FOIL SUPPLIER CODE: V89954 OPTIONAL PART: BAC27DEX5715 V89954 | 008030 201967 | 1 |
| 17 | BAC27DEX7064 | | ..MARKER-ALUMINUM FOIL SUPPLIER CODE: V89954 USED ON: 65C33409-3 | 008030 201967 | 1 |
| 20 | 69-61237-5 | | .RETAINER ASSY-CARD | 008030 201967 | RF |
| 25 | BAC27DEX1076 | | ..MARKER-ALUMINUM FOIL | 008030 201967 | 1 |

MISSING ITEM NUMBERS NOT APPLICABLE

— ITEM NOT ILLUSTRATED

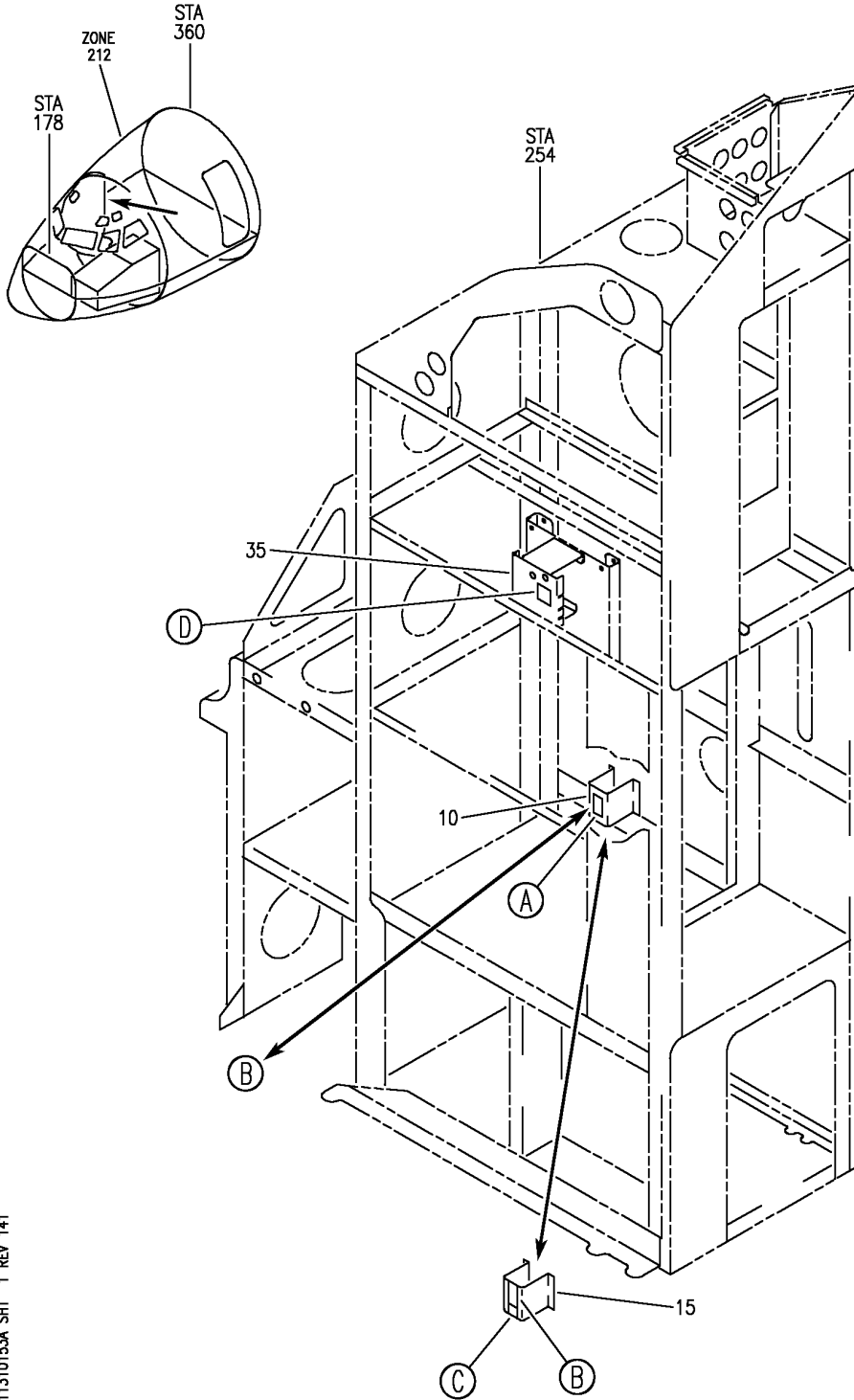
HAP

11-31-01-53

BOEING PROPRIETARY - Copyright © - Unpublished Work - See title page for details.

11-31-01
FIG. 53
PAGE 2
OCT 15/08

BOEING
 737-600/700/800/900
 PARTS CATALOG (MAINTENANCE)



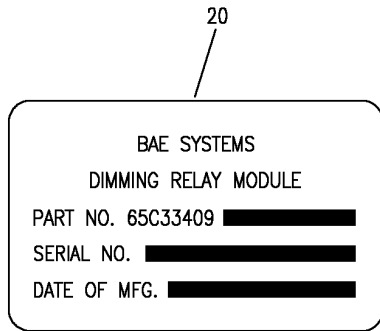
E 11310153A SHT 1 REV 141

EQUIPMENT INSTL-P6 CB PNL (PLACARDS AND MARKINGS ONLY)
 FIGURE 53A (SHEET 1)

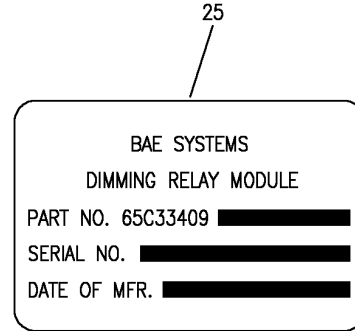
11-31-01-53A

HAP
 JUN 15/08

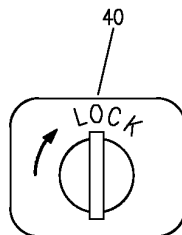
11-31-01-53A
 PAGE 0



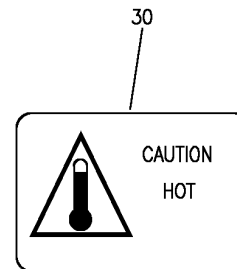
(A)



(B)



(D)



(C)

E 11310153A SHT 2 REV 141

EQUIPMENT INSTL-P6 CB PNL (PLACARDS AND MARKINGS ONLY)
 FIGURE 53A (SHEET 2)

11-31-01-53A

HAP
 JUN 15/08

11-31-01-53A
 PAGE 0A

BOEING
737-600/700/800/900
PARTS CATALOG (MAINTENANCE)

| FIG ITEM | PART NUMBER | 1 2 3 4 5 6 7 | NOMENCLATURE | EFFECT FROM TO | UNITS PER ASSY |
|-------------|--------------|---------------|---|--------------------------------------|----------------------|
| 53A | | | EQUIPMENT INSTL-P6 CB PNL (PLACARDS AND MARKINGS ONLY) | 031200 968999 | |
| - 2 | MODREF267101 | | EQUIPMENT INSTL-P6 CB PNL (PLACARDS AND MARKINGS ONLY) MODULE NUMBER: 233A5220-11 REV P FOR OTHER SYS DETAILS SEE: 21-25-02-02A 21-31-00-02 23-51-00-31 24-34-11-03 24-51-11-01A 24-52-00-02 24-61-00-03 28-21-21-01A 28-21-81-03 31-11-98-09 33-11-00-04A 33-18-00-03 33-25-00-02A 33-29-00-03A | 031043 101101 968971 | 1 |
| - 2 | MODREF351279 | | EQUIPMENT INSTL-P6 CB PNL (PLACARDS AND MARKINGS ONLY) MODULE NUMBER: 233A5220-11 REV R FOR OTHER SYS DETAILS SEE: 21-25-02-02A 21-31-00-02 23-51-00-31 24-34-11-03 24-51-11-01A 24-52-00-02 24-61-00-03 28-21-21-01A 28-21-81-03 31-11-98-09 33-11-00-04A 33-18-00-03 33-25-00-02A 33-29-00-03A | 044046 054100 102104 972972 | 1 |

MISSING ITEM NUMBERS NOT APPLICABLE

- ITEM NOT ILLUSTRATED

HAP

11-31-01-53A

BOEING PROPRIETARY - Copyright © - Unpublished Work - See title page for details.

11-31-01
FIG. 53A
PAGE 1
FEB 15/09

BOEING
737-600/700/800/900
PARTS CATALOG (MAINTENANCE)

| FIG ITEM | PART NUMBER | 1 2 3 4 5 6 7 | NOMENCLATURE | EFFECT FROM TO | UNITS PER ASSY |
|-------------|--------------|---------------|---|-------------------|----------------------|
| 53A 15 | 65C33409-3 | | .MODULE ASSY-DIMMING RELAY SUPPLIER CODE: V89954 ELECTRICAL EQUIP NUMBER: M01456 COMPONENT MAINT MANUAL REF: 33-18-01 | 031200 968999 | RF |
| 20 | BAC27DEX5715 | | ..MARKER-ALUMINUM FOIL SUPPLIER CODE: V89954 USED ON: 65C33409-1 | 031200 968999 | 1 |
| 25 | BAC27DEX6794 | | ..MARKER-ALUMINUM FOIL SUPPLIER CODE: V89954 | 031200 968999 | 1 |
| 30 | BAC27DEX7064 | | ..MARKER-ALUMINUM FOIL SUPPLIER CODE: V89954 USED ON: 65C33409-3 | 031200 968999 | 1 |
| 35 | 69-61237-5 | | .RETAINER ASSY-CARD | 031200 968999 | RF |
| 40 | BAC27DEX1076 | | ..MARKER-ALUMINUM FOIL | 031200 968999 | 1 |

MISSING ITEM NUMBERS NOT APPLICABLE

— ITEM NOT ILLUSTRATED

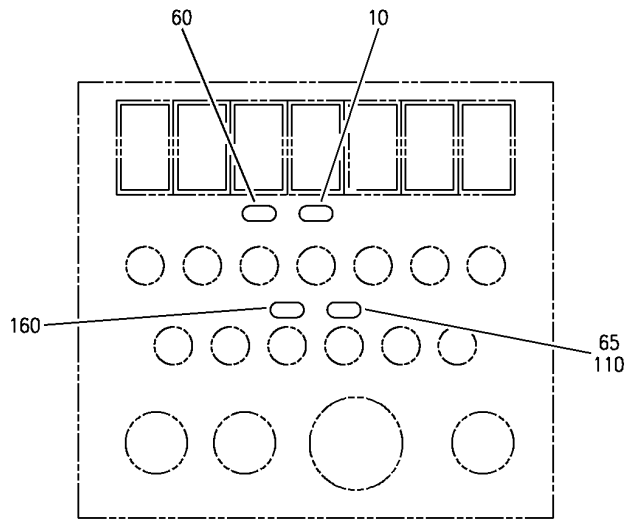
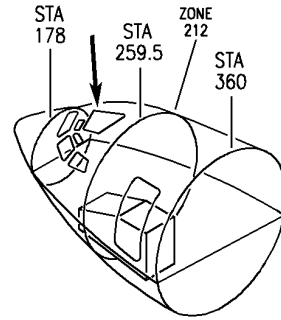
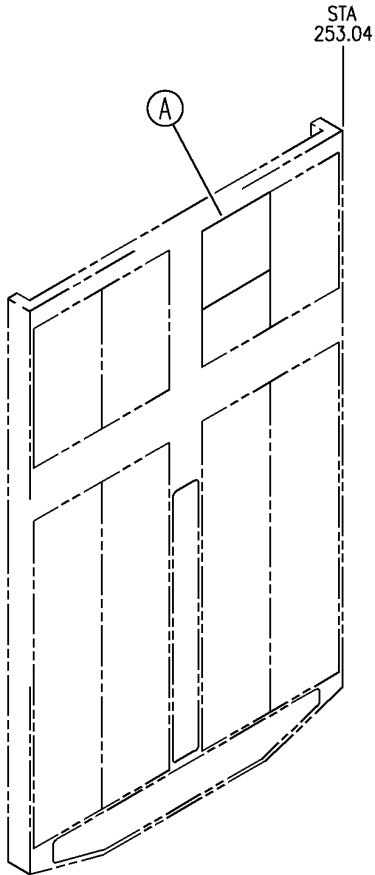
HAP

11-31-01-53A

BOEING PROPRIETARY - Copyright © - Unpublished Work - See title page for details.

11-31-01
FIG. 53A
PAGE 3
JUN 15/09

BOEING
 737-600/700/800/900
 PARTS CATALOG (MAINTENANCE)



(A)

E 11310154 REV 108

MARKER INSTL-P5 OVHD AUDIO SELECTOR PNL 5145-1-60
 FIGURE 54

11-31-01-54

HAP
 OCT 10/06

11-31-01-54
 PAGE 0

BOEING
737-600/700/800/900
PARTS CATALOG (MAINTENANCE)

| FIG ITEM | PART NUMBER | 1 2 3 4 5 6 7 | NOMENCLATURE | EFFECT FROM TO | UNITS PER ASSY |
|-------------|-----------------|---------------|---|-------------------|----------------------|
| 54 | | | MARKER INSTL-P5 OVHD AUDIO SELECTOR PNL 5145-1-60 | 029036 | |
| - 1 | 233A3102-231102 | | MARKER INSTL-P5 OVHD HF1 AUDIO SELECTOR PNL 5145-1-60 FOR NHA SEE: 11-31-00-01C | 029030 | RF |
| - 1 | MODREF82308 | | MARKER INSTL-P5 OVHD HF1 AUDIO SELECTOR PNL 5145-1-60 MODULE NUMBER: 233A3102-231102 REV A | 031036 | 1 |
| 10 | BAC27DCC2769 | | .DECAL- PLACARD CONTENT: INOP | 029036 | 1 |
| - 50 | 233A3102-231202 | | MARKER INSTL-P5 OVHD VHF3 AUDIO SELECTOR PNL 5145-1-60 FOR NHA SEE: 11-31-00-01C | 029030 | RF |
| 60 | BAC27DCC2769 | | .DECAL- PLACARD CONTENT: INOP | 029030 | 1 |
| - 100 | 233A3102-345705 | | MARKER INSTL-P5 OVHD ADF2 AUDIO SELECTOR PNL 5145-1-60 FOR NHA SEE: 11-31-00-01C | 029030 | RF |
| - 100 | MODREF82341 | | MARKER INSTL-P5 OVHD ADF2 AUDIO SELECTOR PNL 5145-1-60 MODULE NUMBER: 233A3102-345705 REV A | 031036 | 1 |
| 110 | BAC27DCC2769 | | .DECAL- PLACARD CONTENT: INOP | 029036 | 1 |

MISSING ITEM NUMBERS NOT APPLICABLE

- ITEM NOT ILLUSTRATED

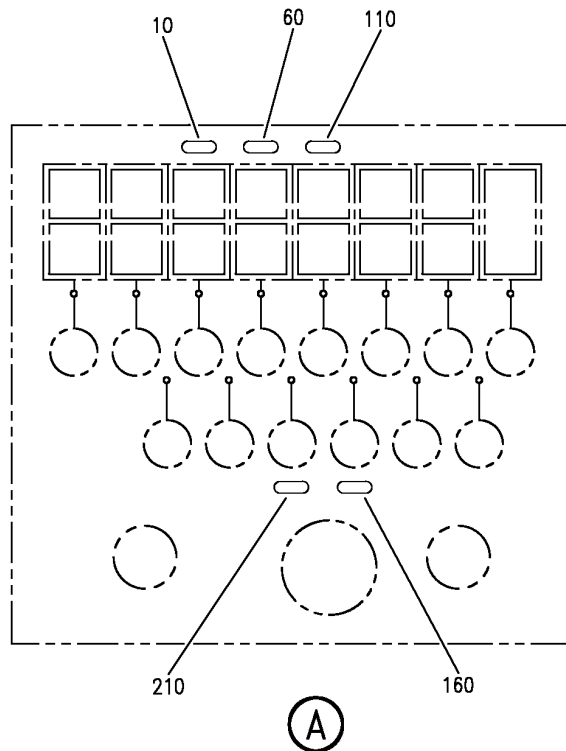
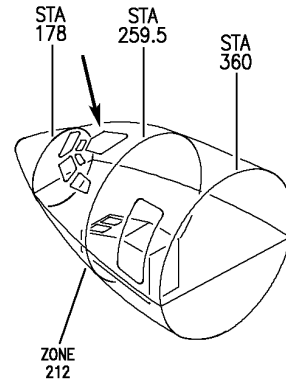
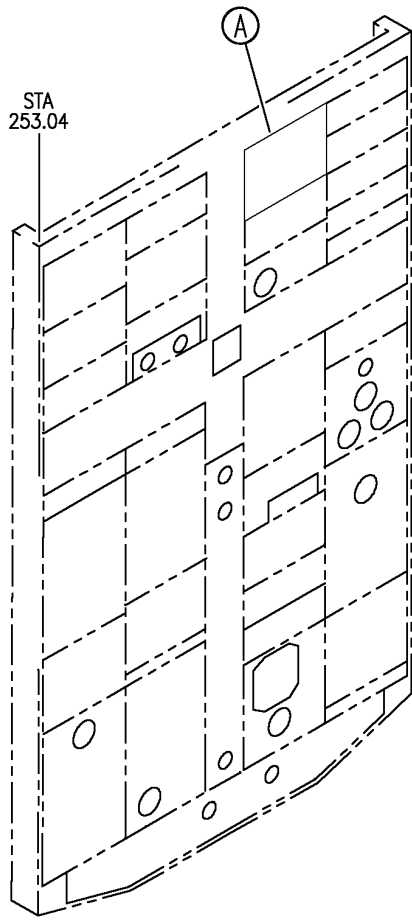
HAP

11-31-01-54

BOEING PROPRIETARY - Copyright © - Unpublished Work - See title page for details.

11-31-01
FIG. 54
PAGE 1
OCT 10/06

BOEING
 737-600/700/800/900
 PARTS CATALOG (MAINTENANCE)



E 11310154B REV 085

MARKER INSTL-P5 OVHD AUDIO SELECTOR PNL 5145-1-42
 FIGURE 54B

11-31-01-54B

HAP
 OCT 10/06

11-31-01-54B
 PAGE 0

BOEING
737-600/700/800/900
PARTS CATALOG (MAINTENANCE)

| FIG ITEM | PART NUMBER | 1 2 3 4 5 6 7 | NOMENCLATURE | EFFECT FROM TO | UNITS PER ASSY |
|----------|------------------|---------------|-----------------------|----------------|----------------|
| 54B | | | MARKER INSTL-P5 OVHD | 037200 | |
| | | | AUDIO SELECTOR | 968999 | |
| | | | PNL 5145-1-42 | | |
| R - | 50 MODREF82307 | | MARKER INSTL-P5 OVHD | 037037 | 1 |
| R | | | HF1 AUDIO SELECTOR | 039040 | |
| R | | | PNL 5145-1-42 | 048048 | |
| R | | | MODULE NUMBER: | 101200 | |
| R | | | 233A3102-231101 REV A | 968999 | |
| R | | | POST RAPID REVISION: | | |
| R | | | RR97237-21B | | |
| R | 60 BAC27DCC2769 | | .DECAL- | 037037 | 1 |
| R | | | PLACARD CONTENT: | 039040 | |
| R | | | INOP | 048048 | |
| R | | | POST RAPID REVISION: | 101200 | |
| R | | | RR97237-21B | 968999 | |
| R - | 100 MODREF82312 | | MARKER INSTL-P5 OVHD | 037200 | 1 |
| R | | | HF2 AUDIO SELECTOR | 968999 | |
| R | | | PNL 5145-1-42 | | |
| R | | | MODULE NUMBER: | | |
| R | | | 233A3102-231106 REV A | | |
| R | | | POST RAPID REVISION: | | |
| R | | | RR97237-21B | | |
| R | 110 BAC27DCC2769 | | .DECAL- | 037200 | 1 |
| R | | | PLACARD CONTENT: | 968999 | |
| R | | | INOP | | |
| R | | | POST RAPID REVISION: | | |
| R | | | RR97237-21B | | |
| R - | 150 MODREF82339 | | MARKER INSTL-P5 OVHD | 037200 | 1 |
| | | | ADF2 AUDIO SELECTOR | 968999 | |
| | | | PNL 5145-1-42 | | |
| | | | MODULE NUMBER: | | |
| | | | 233A3102-345703 REV A | | |
| | 160 BAC27DCC2769 | | .DECAL- | 037200 | 1 |
| | | | PLACARD CONTENT: | 968999 | |
| | | | INOP | | |

MISSING ITEM NUMBERS NOT APPLICABLE

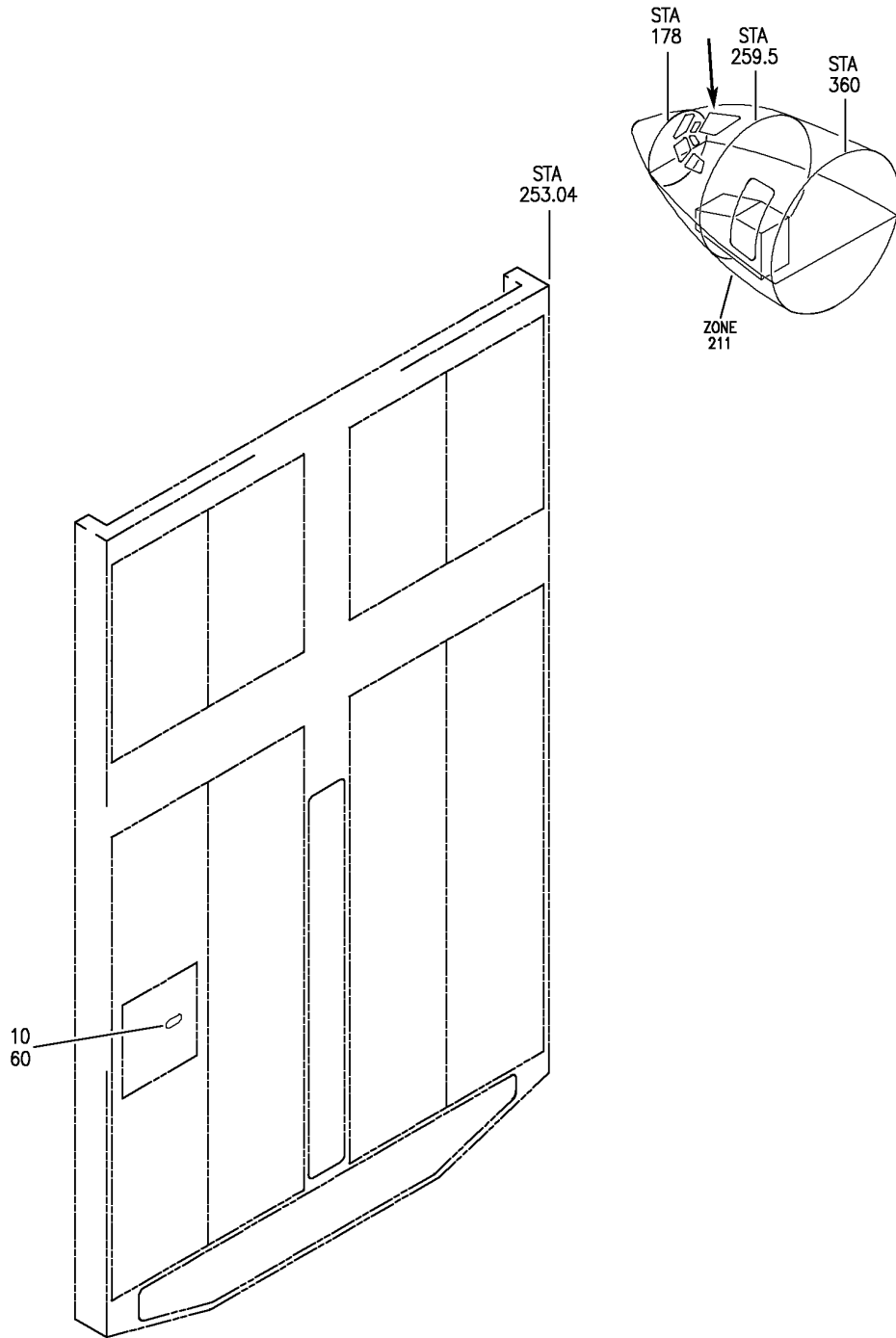
- ITEM NOT ILLUSTRATED

HAP

11-31-01-54B

11-31-01
FIG. 54B
PAGE 1
JUN 15/09

BOEING
737-600/700/800/900
PARTS CATALOG (MAINTENANCE)



E 11310155A REV 065

MARKER INSTL-P5 OVHD FMC DISPLAY SELECT P/N 233A3206-2 AND 233A3206-3
FIGURE 55A

HAP
OCT 10/06

11-31-01-55A

11-31-01-55A
PAGE 0


BOEING
 737-600/700/800/900
PARTS CATALOG (MAINTENANCE)

| FIG ITEM | PART NUMBER | 1 2 3 4 5 6 7 | NOMENCLATURE | EFFECT FROM TO | UNITS PER ASSY |
|-------------|--------------|---------------|--|-------------------|----------------------|
| 55A | | | MARKER INSTL-P5 OVHD FMC DISPLAY SELECT P/N 233A3206-2 AND 233A3206-3 | 031036 | |
| - 1 | MODREF82355 | | MARKER INSTL-P5 OVHD FMC DISPLAY SELECT P/N 233A3206-2 | 031036 | 1 |
| 10 | BAC27DCC2769 | | MODULE NUMBER: 233A3102-346101 REV A .DECAL- PLACARD CONTENT: INOP | 031036 | 1 |

MISSING ITEM NUMBERS NOT APPLICABLE

- ITEM NOT ILLUSTRATED

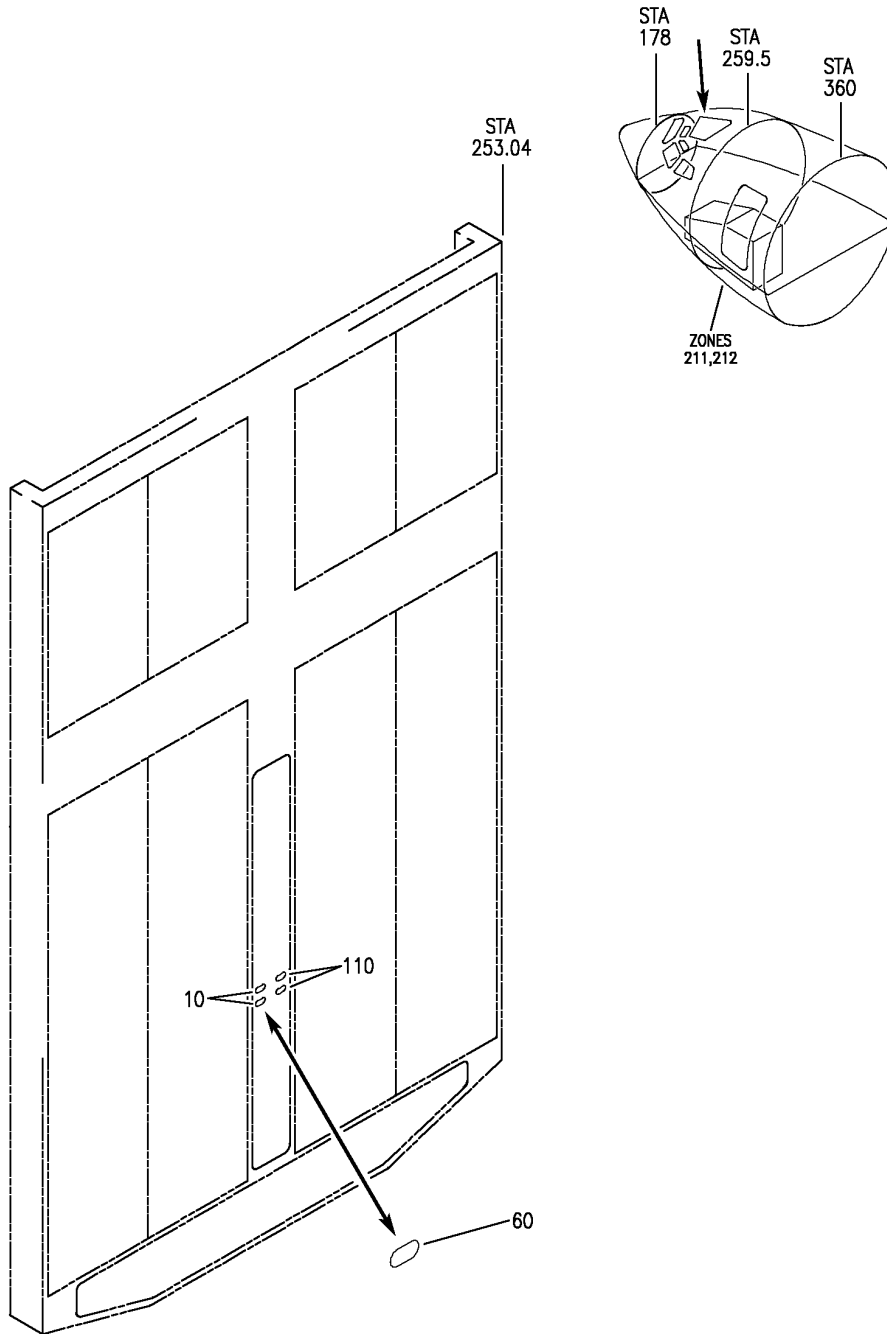
HAP

11-31-01-55A

BOEING PROPRIETARY - Copyright © - Unpublished Work - See title page for details.

11-31-01
 FIG. 55A
 PAGE 1
 OCT 10/06

BOEING
737-600/700/800/900
PARTS CATALOG (MAINTENANCE)



E 11310155B REV 065

MARKER INSTL-P5 OVHD MSC
FIGURE 55B

HAP
OCT 10/06

11-31-01-55B

11-31-01-55B
PAGE 0

BOEING
737-600/700/800/900
PARTS CATALOG (MAINTENANCE)

| FIG ITEM | PART NUMBER | 1 2 3 4 5 6 7 | NOMENCLATURE | EFFECT FROM TO | UNITS PER ASSY |
|-------------|--------------|---------------|---|-------------------|----------------------|
| 55B | | | MARKER INSTL-P5 OVHD MSC | 031200 968999 | |
| - 50 | MODREF82336 | | MARKER INSTL-P5 OVHD MSC CHIME ONLY MODULE NUMBER: 233A3102-332402 REV A | 031200 968999 | 1 |
| 60 | BAC27DCC3265 | | .MARKER- PLACARD CONTENT: CHIME ONLY | 031200 968999 | 1 |

MISSING ITEM NUMBERS NOT APPLICABLE

- ITEM NOT ILLUSTRATED

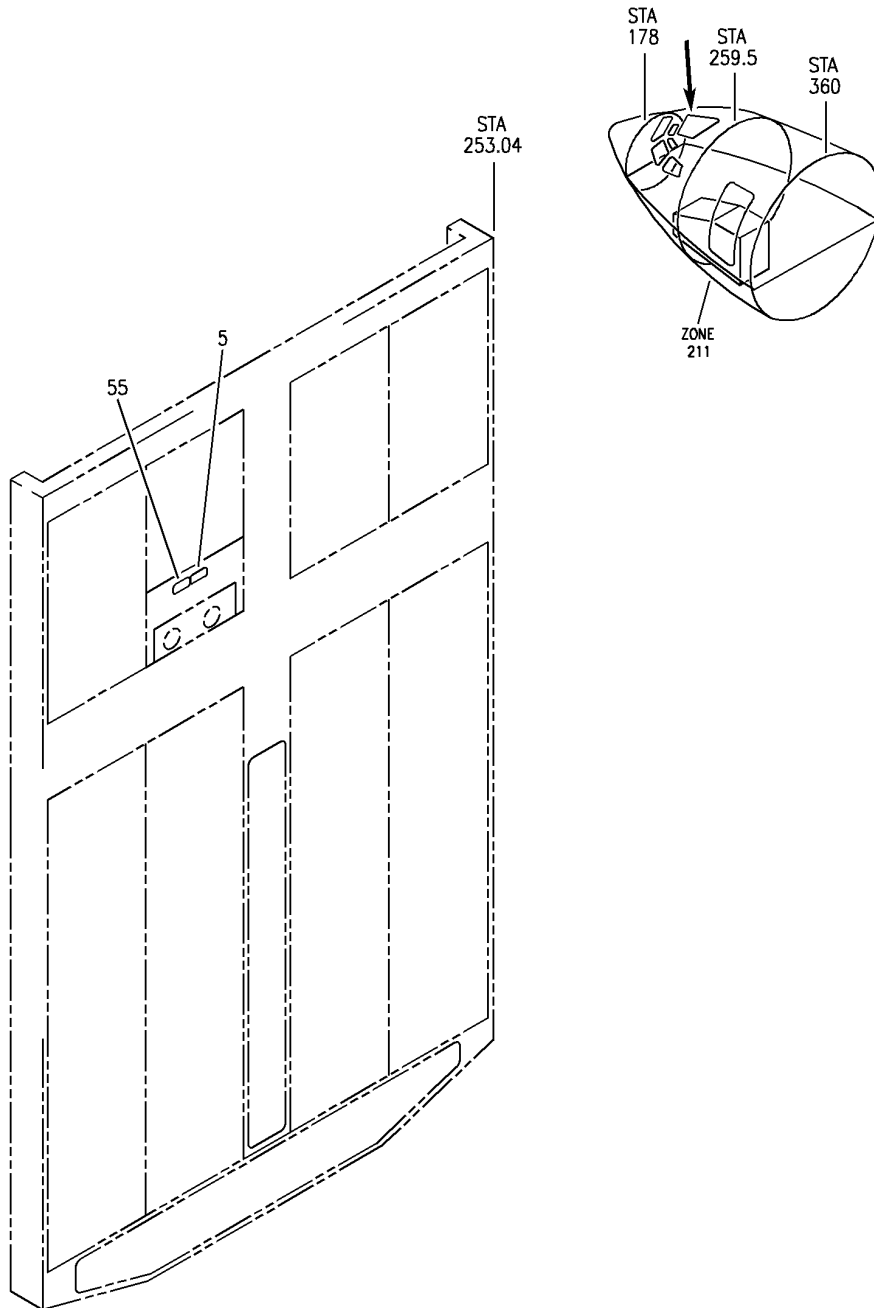
HAP

11-31-01-55B

BOEING PROPRIETARY - Copyright © - Unpublished Work - See title page for details.

11-31-01
FIG. 55B
PAGE 1
OCT 15/08

BOEING
737-600/700/800/900
PARTS CATALOG (MAINTENANCE)



E 11310155D REV 112

MARKER INSTL-P5 OVHD MODE SELECTOR UNIT PNL
FIGURE 55D

11-31-01-55D

HAP
OCT 10/06

11-31-01-55D
PAGE 0

BOEING
737-600/700/800/900
PARTS CATALOG (MAINTENANCE)

| FIG ITEM | PART NUMBER | 1 2 3 4 5 6 7 | NOMENCLATURE | EFFECT FROM TO | UNITS PER ASSY |
|-------------|--------------|---------------|------------------------|-------------------|----------------------|
| 55D | | | MARKER INSTL-P5 OVHD | 038200 | |
| | | | MODE SELECTOR UNIT PNL | 968999 | |
| - 1 | MODREF274017 | | MARKER INSTL-P5 OVHD | 038200 | 1 |
| | | | MODE SELECTOR UNIT PNL | 968999 | |
| | | | GLS CVR | | |
| | | | MODULE NUMBER: | | |
| | | | 233A3102-342101 REV A | | |
| 5 | BAC27DCC2769 | | .DECAL- | 038200 | 1 |
| | | | PLACARD CONTENT: | 968999 | |
| | | | INOP | | |
| - 50 | MODREF274018 | | MARKER INSTL-P5 OVHD | 038200 | 1 |
| | | | MODE SELECTOR UNIT PNL | 968999 | |
| | | | ILS CVR | | |
| | | | MODULE NUMBER: | | |
| | | | 233A3102-342102 REV A | | |
| 55 | BAC27DCC2769 | | .DECAL- | 038200 | 1 |
| | | | PLACARD CONTENT: | 968999 | |
| | | | INOP | | |

MISSING ITEM NUMBERS NOT APPLICABLE

- ITEM NOT ILLUSTRATED

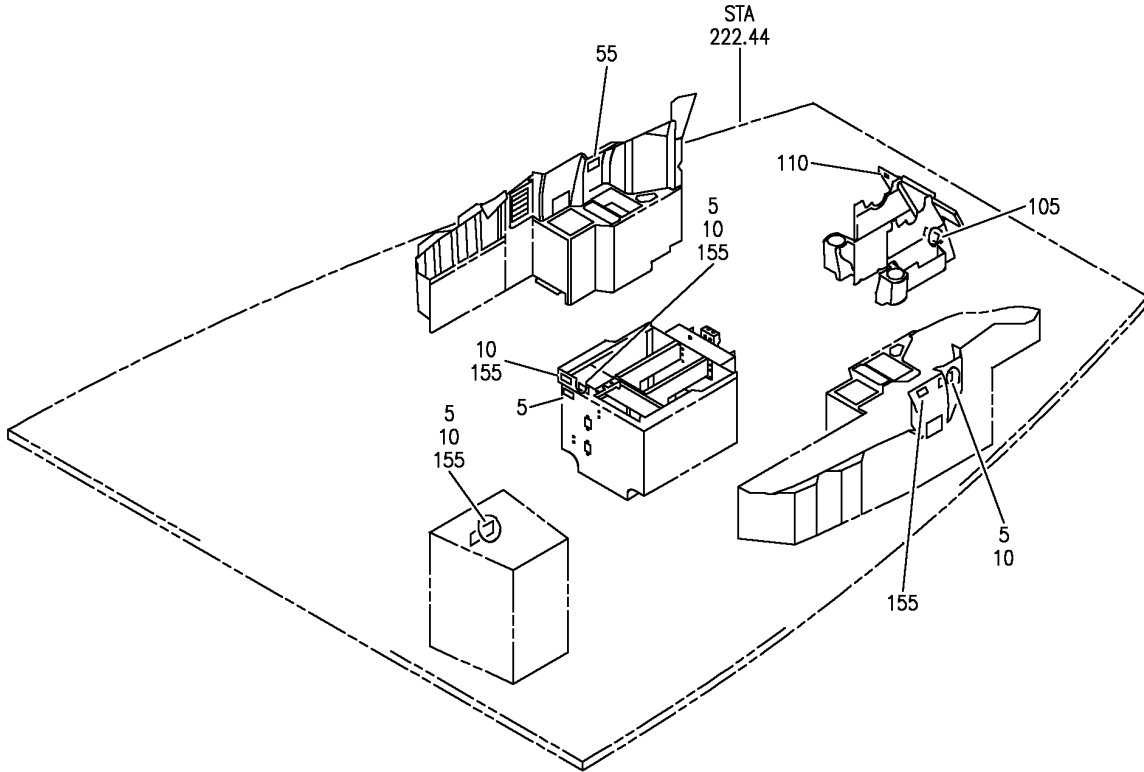
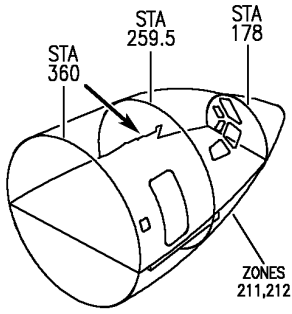
HAP

11-31-01-55D

BOEING PROPRIETARY - Copyright © - Unpublished Work - See title page for details.

11-31-01
FIG. 55D
PAGE 1
OCT 15/08

BOEING
 737-600/700/800/900
 PARTS CATALOG (MAINTENANCE)



E 11310161 REV 155

PANEL INSTL-PC PWR PLACARD
 FIGURE 61

11-31-01-61

HAP
 JUN 15/09

11-31-01-61
 PAGE 0

BOEING
737-600/700/800/900
PARTS CATALOG (MAINTENANCE)

| FIG ITEM | PART NUMBER | 1 2 3 4 5 6 7 | NOMENCLATURE | EFFECT FROM TO | UNITS PER ASSY |
|-------------|--------------|---------------|---|-------------------|----------------------|
| 61 | | | | | |
| - 1 | MODREF402345 | | PANEL INSTL-PC PWR PLACARD PANEL INSTL-PC PWR PLACARD MODULE NUMBER: 232A1710-13 REV B | 051053 051053 | 1 |
| 5 | BAC27DCC3702 | | .MARKER- PLACARD CONTENT: WHEN USING HAND MIC REMOVE PWR CORD FROM OUTLETS | 051053 | 4 |
| - 50 | MODREF402346 | | PANEL INSTL-PC PWR PLACARD MODULE NUMBER: 232A1710-14 REV B | 051053 | 1 |
| 55 | BAC27DCC3702 | | .MARKER- PLACARD CONTENT: WHEN USING HAND MIC REMOVE PWR CORD FROM OUTLETS | 051053 | 1 |

MISSING ITEM NUMBERS NOT APPLICABLE

- ITEM NOT ILLUSTRATED

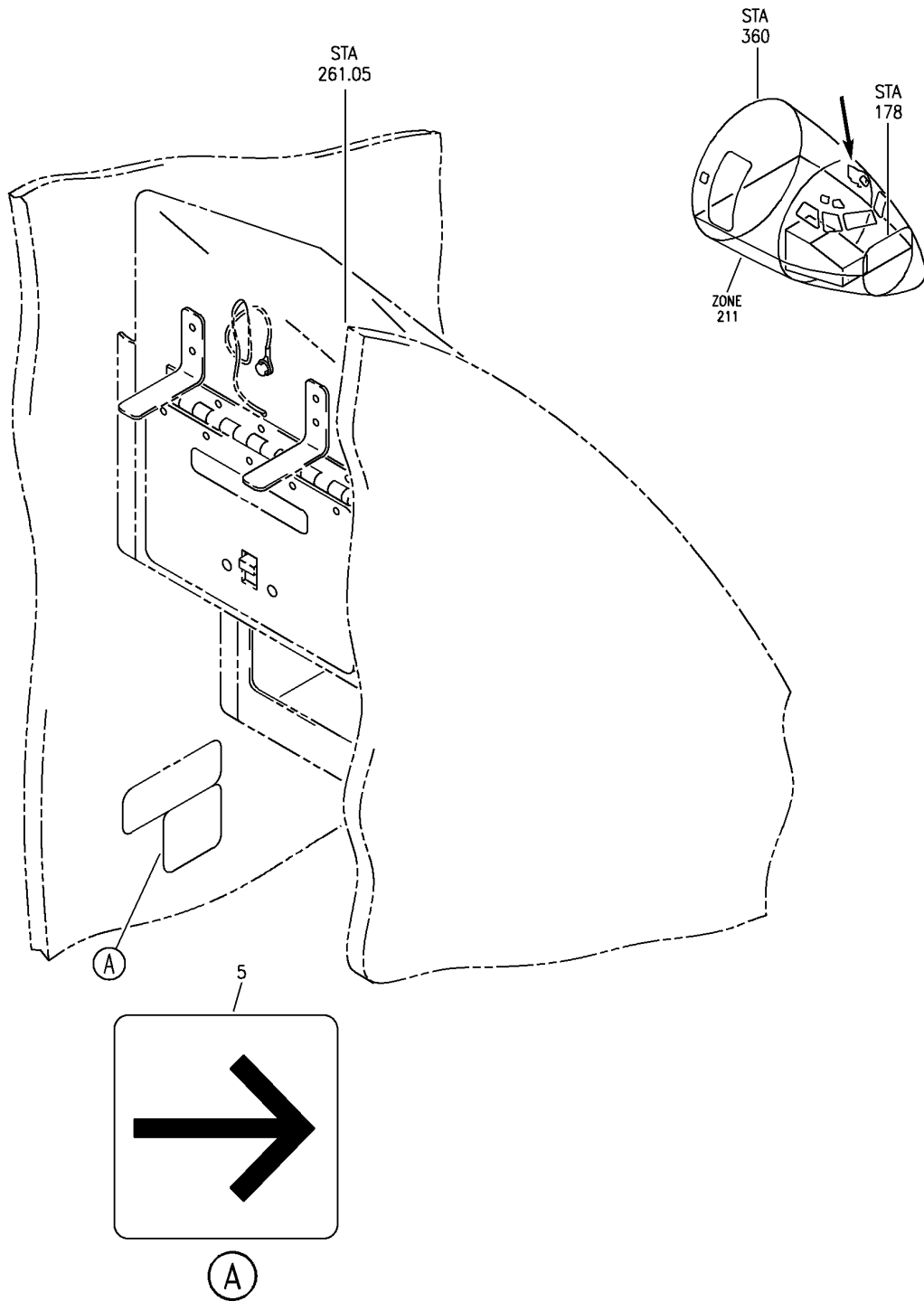
HAP

11-31-01-61

BOEING PROPRIETARY - Copyright © - Unpublished Work - See title page for details.

11-31-01
FIG. 61
PAGE 1
FEB 15/09

BOEING
737-600/700/800/900
PARTS CATALOG (MAINTENANCE)



E 11310166A REV 131

MODULE INSTL-SECOND OBSERVER
FIGURE 66A

HAP
JUN 10/07

11-31-01-66A

11-31-01-66A
PAGE 0

BOEING
737-600/700/800/900
PARTS CATALOG (MAINTENANCE)

| FIG ITEM | PART NUMBER | 1 2 3 4 5 6 7 | NOMENCLATURE | EFFECT FROM TO | UNITS PER ASSY |
|-------------|---------------|---------------|--|----------------------------|----------------------|
| 66A | | | MODULE INSTL-SECOND OBSERVER | 031031 037200 968999 | |
| - 1 | MODREF293679 | | MODULE INSTL- MODULE NUMBER: 232A1700-5 REV A POSITION DATA: SECOND OBSERVER | 031031 037200 968999 | 1 |
| 5 | BAC29PPS36208 | | .PLACARD | 031031 037200 968999 | 1 |

MISSING ITEM NUMBERS NOT APPLICABLE

- ITEM NOT ILLUSTRATED

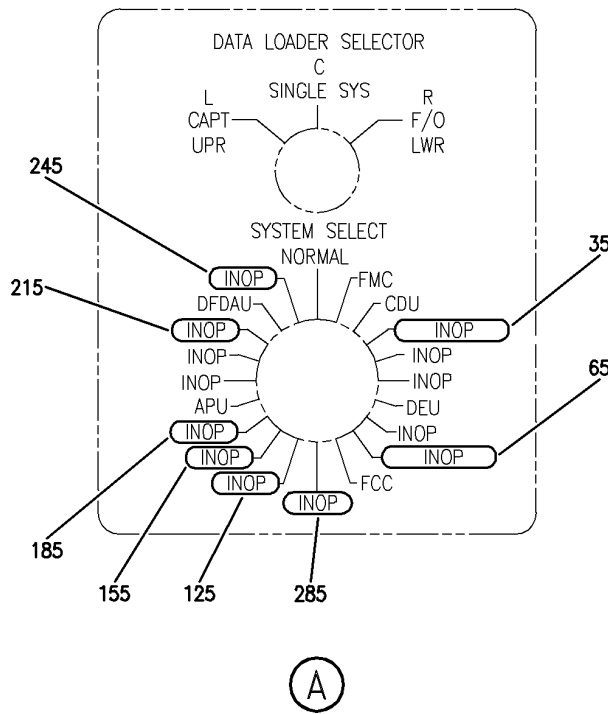
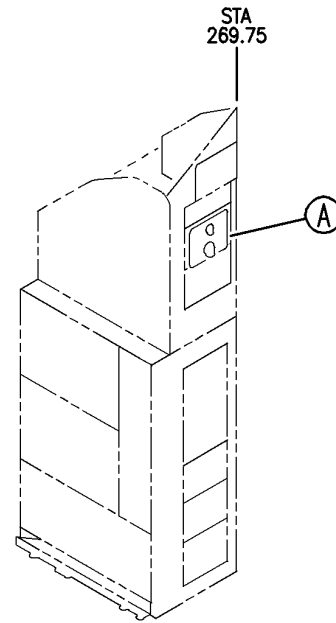
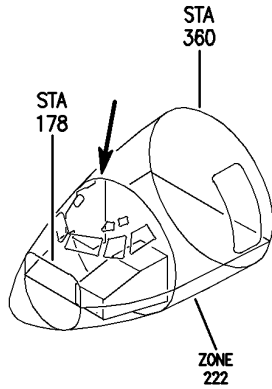
HAP

11-31-01-66A

BOEING PROPRIETARY - Copyright © - Unpublished Work - See title page for details.

11-31-01
FIG. 66A
PAGE 1
OCT 15/08

BOEING
 737-600/700/800/900
 PARTS CATALOG (MAINTENANCE)



E 11310172 REV 059

MARKER INSTL-DATA LOADER SELECTOR
 FIGURE 72

11-31-01-72

HAP
 OCT 10/06

11-31-01-72
 PAGE 0

 **BOEING**
737-600/700/800/900
PARTS CATALOG (MAINTENANCE)

| FIG ITEM | PART NUMBER | 1 2 3 4 5 6 7 | NOMENCLATURE | EFFECT FROM TO | UNITS PER ASSY |
|----------|--------------|---------------|--|----------------|----------------|
| 72 | | | MARKER INSTL-DATA LOADER SELECTOR | 018030 | |
| - 60 | 233A7102-9 | | MARKER INSTL-DATA LOADER SELECTOR FOR NHA SEE: 11-31-00-01C | 018030 | RF |
| 65 | BAC27DCC2938 | | .MARKER- PLACARD CONTENT: INOP | 018030 | 1 |
| - 120 | 233A7102-12 | | MARKER INSTL-DATA LOADER SELECTOR FOR NHA SEE: 11-31-00-01C | 018030 | RF |
| 125 | BAC27DCC2937 | | .MARKER- PLACARD CONTENT: INOP | 018030 | 1 |
| - 150 | 233A7102-13 | | MARKER INSTL-DATA LOADER SELECTOR FOR NHA SEE: 11-31-00-01C | 018030 | RF |
| 155 | BAC27DCC2937 | | .MARKER- PLACARD CONTENT: INOP | 018030 | 1 |
| - 180 | 233A7102-14 | | MARKER INSTL-DATA LOADER SELECTOR FOR NHA SEE: 11-31-00-01C | 018030 | RF |
| 185 | BAC27DCC2937 | | .MARKER- PLACARD CONTENT: INOP | 018030 | 1 |
| - 210 | 233A7102-18 | | MARKER INSTL-DATA LOADER SELECTOR FOR NHA SEE: 11-31-00-01C | 018030 | RF |
| 215 | BAC27DCC2937 | | .MARKER- PLACARD CONTENT: INOP | 018030 | 1 |
| - 280 | 233A7102-11 | | MARKER INSTL-DATA LOADER SELECTOR FOR NHA SEE: 11-31-00-01C | 028030 | RF |
| 285 | BAC27DCC2937 | | .MARKER- PLACARD CONTENT: INOP | 028030 | 1 |

MISSING ITEM NUMBERS NOT APPLICABLE

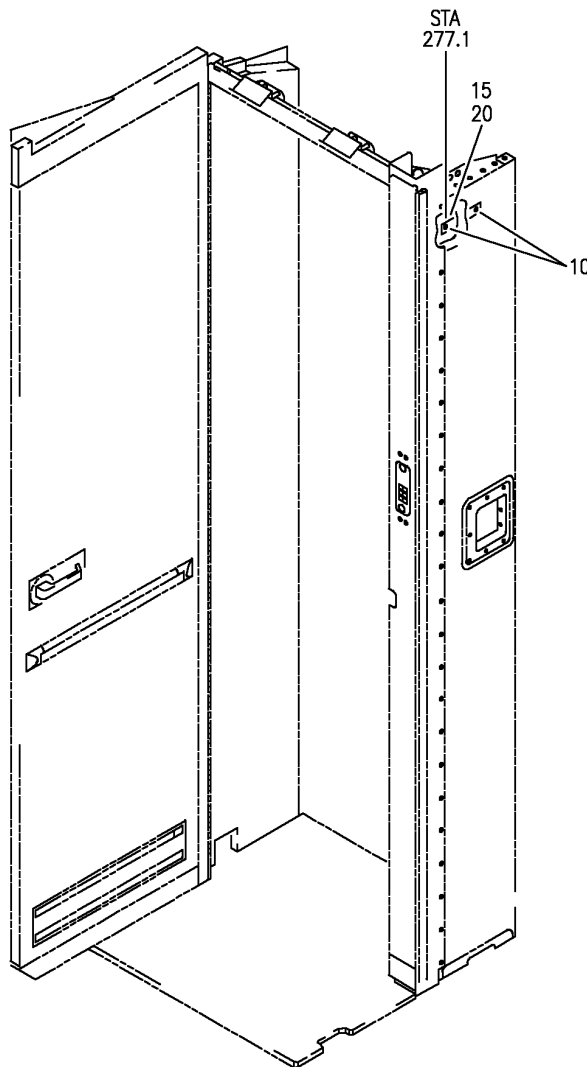
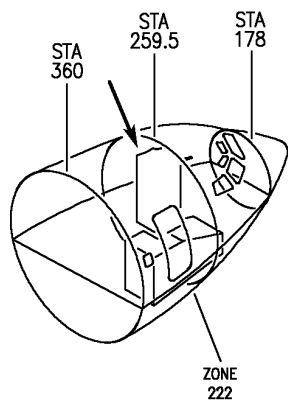
- ITEM NOT ILLUSTRATED

HAP

11-31-01-72

11-31-01
FIG. 72
PAGE 1
OCT 10/06

BOEING
737-600/700/800/900
PARTS CATALOG (MAINTENANCE)



E 11310173 REV 084

STRUCTURE, PARTITION AND POST INSTL-FLIGHT DECK DOOR (PLACARDS AND MARKINGS ONLY)
FIGURE 73

HAP
FEB 10/07

11-31-01-73

11-31-01-73
PAGE 0

BOEING
737-600/700/800/900
PARTS CATALOG (MAINTENANCE)

| FIG ITEM | PART NUMBER | 1 2 3 4 5 6 7 | NOMENCLATURE | EFFECT FROM TO | UNITS PER ASSY |
|------------------|-------------|---------------|--|----------------|----------------|
| R R R R | 73 | | STRUCTURE, PARTITION AND POST INSTL-FLIGHT DECK DOOR (PLACARDS AND MARKINGS ONLY) | 001036 | |
| | - 1 | MODREF202520 | STRUCTURE INSTL-FLIGHT DECK DOOR (PLACARDS AND MARKINGS ONLY) MODULE NUMBER: 232A2401-1 REV C FOR OTHER SYS DETAILS SEE: 52-51-51-12 | 031036 | 1 |
| | - 5 | 417A1702-1SP | PARTITION AND POST INSTL-CREW DOOR (PLACARDS AND MARKINGS ONLY) FOR NHA/OTHER SYS DET SEE: 52-50-00-01C 52-11-00-20B | 001021 | RF |
| | - 5 | 417A1702-3C | PARTITION AND POST INSTL-CREW DOOR (PLACARDS AND MARKINGS ONLY) FOR NHA/OTHER SYS DET SEE: 52-50-00-01C | 022027 | RF |
| | - 5 | 417A1702-5C | PARTITION AND POST INSTL-CREW DOOR (PLACARDS AND MARKINGS ONLY) FOR NHA/OTHER SYS DET SEE: 52-50-00-01C | 028030 | RF |
| | 10 | BACS12FA3K5 | .SCREW- POST SERVICE BULLETIN: 11-1090R3 11-1090R4 | 001036 | 2 |

MISSING ITEM NUMBERS NOT APPLICABLE

- ITEM NOT ILLUSTRATED

HAP

11-31-01-73

BOEING PROPRIETARY - Copyright © - Unpublished Work - See title page for details.

11-31-01
FIG. 73
PAGE 1
JUN 15/09

BOEING
737-600/700/800/900
PARTS CATALOG (MAINTENANCE)

| FIG ITEM | PART NUMBER | 1 2 3 4 5 6 7 NOMENCLATURE | EFFECT FROM TO | UNITS PER ASSY |
|-------------|-----------------|--|-------------------|----------------------|
| 73 15 | SB737-11-1172-2 | .PLACARD- PLACARD CONTENT: MAX TAKEOFF WEIGHT 160,939 LBS/ 73,000 KGS POST SERVICE BULLETIN: 11-1172 QUALIFIED SB I/W DATA: INSTALL PLACARD TO SHOW SECOND ALTERNATE MTOW OF 160,939 LBS/ 73,000 KGS. TO CHANGE TO BASIC MTOW, TURN EITHER PLACARD TO A BLANK SIDE. BLANK SIDE IS BASIC MTOW OF 172,500 LBS/ 78,244 KGS. | 011012 | 1 |

MISSING ITEM NUMBERS NOT APPLICABLE

— ITEM NOT ILLUSTRATED

HAP

11-31-01-73

BOEING PROPRIETARY - Copyright © - Unpublished Work - See title page for details.

11-31-01
FIG. 73
PAGE 3
JUN 15/09

BOEING
737-600/700/800/900
PARTS CATALOG (MAINTENANCE)

| FIG ITEM | PART NUMBER | 1 2 3 4 5 6 7 | NOMENCLATURE | EFFECT FROM TO | UNITS PER ASSY |
|----------------------------|-----------------|---------------|---|-------------------|----------------------|
| 73 20 | SB737-11-1172-1 | | .PLACARD- PLACARD CONTENT: MAX TAKEOFF WEIGHT 169,758 LBS/ 77,000 KGS POST SERVICE BULLETIN: 11-1172 QUALIFIED SB I/W DATA: INSTALL PLACARD TO SHOW FIRST ALTERNATE MTOW OF 169,758 LBS/ 77,000 KGS. TO CHANGE TO BASIC MTOW, TURN EITHER PLACARD TO A BLANK SIDE. BLANK SIDE IS BASIC MTOW OF 172,500 LBS/ 78,244 KGS. | 011012 | 1 |
| R R R R R R | - 25 SL2334-3A5 | | .INSERT- SUPPLIER CODE: V97393 POST SERVICE BULLETIN: 11-1090R3 11-1090R4 | 001036 | 2 |

MISSING ITEM NUMBERS NOT APPLICABLE

- ITEM NOT ILLUSTRATED

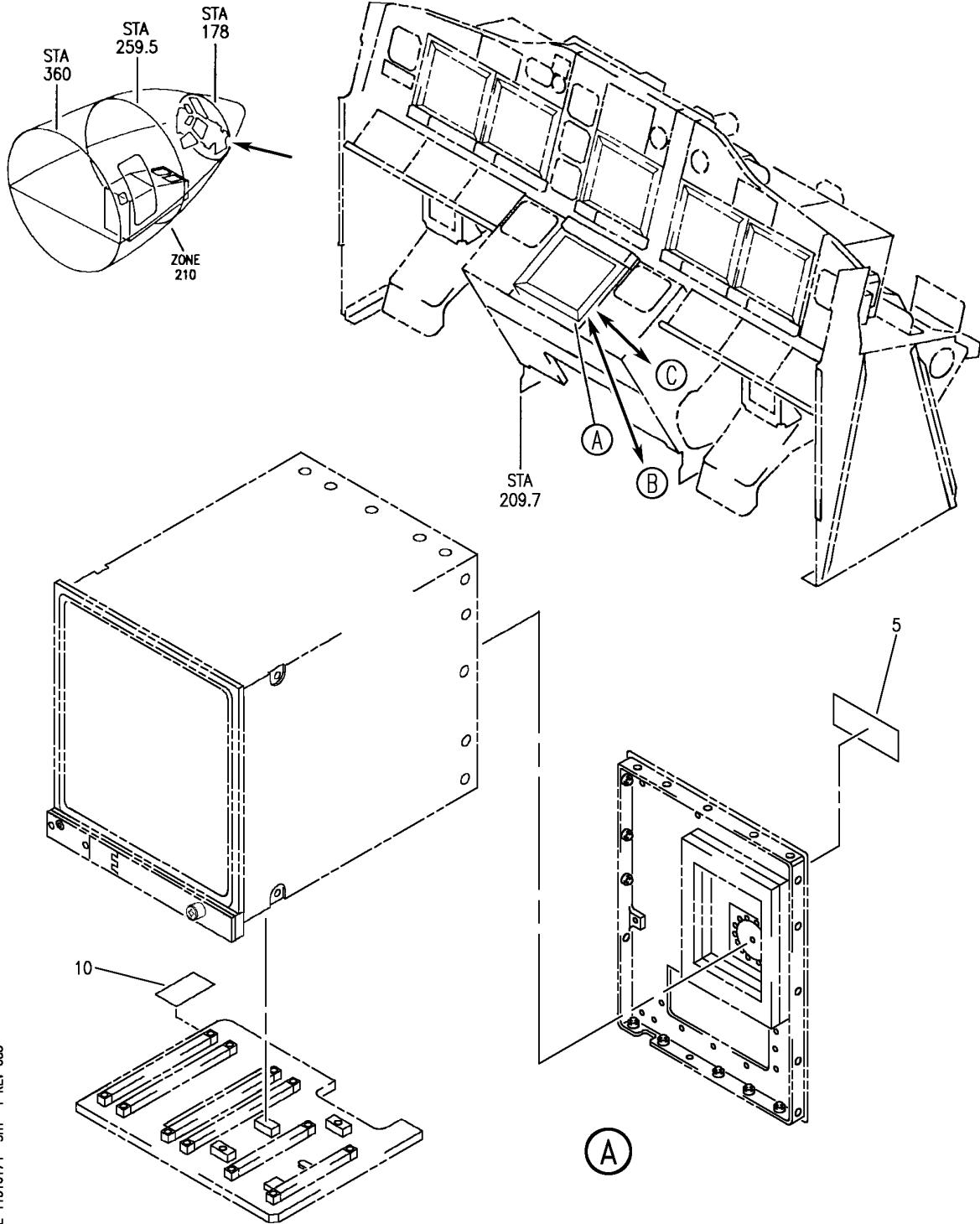
HAP

11-31-01-73

BOEING PROPRIETARY - Copyright © - Unpublished Work - See title page for details.

11-31-01
FIG. 73
PAGE 5
JUN 15/09

BOEING
 737-600/700/800/900
 PARTS CATALOG (MAINTENANCE)



E 11310174 SHT 1 REV 085

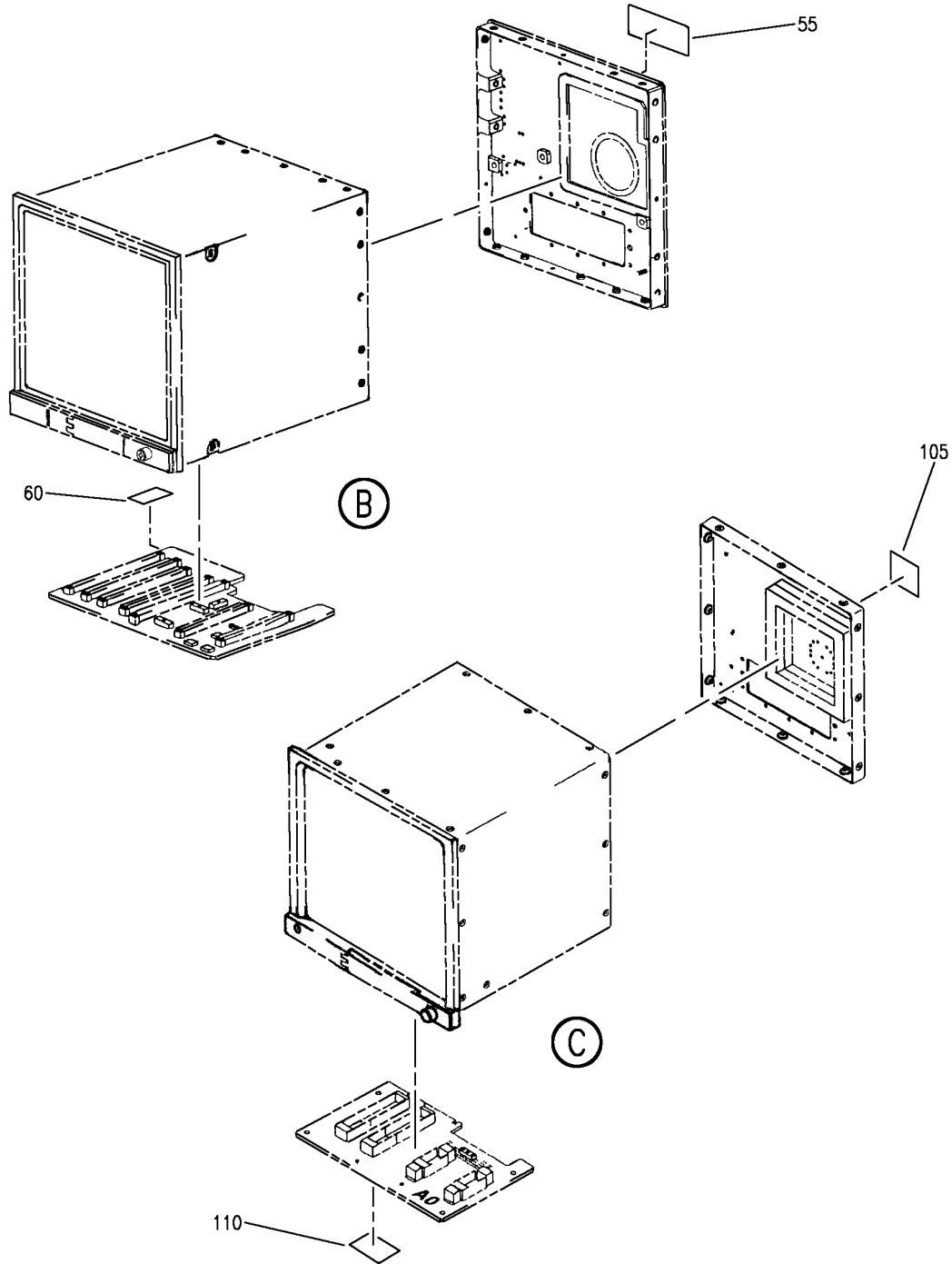
UNIT ASSY - FLAT PNL FWD (PLACARDS AND MARKINGS ONLY)
 FIGURE 74 (SHEET 1)

11-31-01-74

HAP
 OCT 10/06

11-31-01-74
 PAGE 0

BOEING
737-600/700/800/900
PARTS CATALOG (MAINTENANCE)



E 11310174 SHT 2 REV 085

UNIT ASSY - FLAT PNL FWD (PLACARDS AND MARKINGS ONLY)
FIGURE 74 (SHEET 2)

HAP
OCT 10/06

11-31-01-74

11-31-01-74
PAGE 0A

BOEING
737-600/700/800/900
PARTS CATALOG (MAINTENANCE)

| FIG ITEM | PART NUMBER | 1 2 3 4 5 6 7 | NOMENCLATURE | EFFECT FROM TO | UNITS PER ASSY |
|-------------------------------------|-------------|---------------|--|-------------------|----------------------|
| 74 | | | UNIT ASSY - FLAT PNL FWD (PLACARDS AND MARKINGS ONLY) | | |
| - 1 | 4073610-916 | | UNIT ASSY-FLAT PNL FWD (PLACARDS AND MARKINGS ONLY) SUPPLIER CODE: V58960 FUNCTIONAL DESCRIPTION: PROVIDES PRIMARY MEANS FOR DISPLAYING CRITICAL FLIGHT INFORMATION TO THE CREW SPECIFICATION NUMBER: S243W001-2603 ELECTRICAL EQUIP NUMBER: N00187 N00188 N00189 N00190 N00191 N00192 COMPONENT MAINT MANUAL REF: 31-61-46 QUALIFIED I/W DATA: 4073610-916 OR -912 I/W 4073610-906 OR -902 PROVIDED THE APPROPRIATE DISPLAY SYSTEM SOFTWARE IS BEING USED. INSTALLATION OF DISPLAY UNIT 4073610-916 OR -912 REQUIRE DU DATABASE 3115HNPO3A03 AND OPS 31102HNPO1A04 OR 3111HNPO1A05 OR DU DATABASE 3112HNPO3A04 AND OPS 3112HNPO1A06 OR 3113HNPO1A07 OR 311CHNPO1A08. FOR DETAILS SEE DRAWING 242A0908. 4073610-915 OR -911 (BROWN BEZEL) IS INTERCHANGEABLE WITH 4073610-916 OR -912 (GREY BEZEL) IF DESIRED BY CUSTOMER 4073610-916 OR -912 I/W | 008027 202967 | RF |
| MISSING ITEM NUMBERS NOT APPLICABLE | | | | | |

- ITEM NOT ILLUSTRATED

HAP

11-31-01-74

BOEING PROPRIETARY - Copyright © - Unpublished Work - See title page for details.

11-31-01
FIG. 74
PAGE 1
OCT 15/08

BOEING
737-600/700/800/900
PARTS CATALOG (MAINTENANCE)

| FIG ITEM | PART NUMBER | 1 2 3 4 5 6 7 | NOMENCLATURE | EFFECT FROM TO | UNITS PER ASSY |
|-------------|-------------|---------------|--|-------------------|----------------------|
| 74 | | | <p>4073610-905 OR -901 PROVIDED THE APPROPRIATE DISPLAY SYSTEM SOFTWARE IS BEING USED. INSTALLATION OF DISPLAY UNIT 4073610-916 OR -912 REQUIRES MINIMUM OF DEU OPS 3110HNPO1A04 PLUS DU DATABASE 3114HNPO3A02. FOR RETROFIT SEE S/B 737-31-1110. 4086850-922 IS INTERCHANGEABLE WITH 4073610-916 OR -912 PROVIDED THE AIRCRAFT IS CONFIGURED WITH DU DATABASE (DADB) SOFTWARE 3115HNPO3A03 OR 3112HNPO3A04 IN BOTH DEU'S. DADB 3112HNPO3A04 WOULD BE REQUIRED IF ONE OR BOTH OF THE INSTALLED DEU'S WERE P/N 4081600-940. SEE DWG 242A0908 FOR ADDITIONAL DETAILS INCLUDING NOTES ON THE COMPATIBLE OPS SOFTWARE VERSIONS. OPTIONAL PART: 4073610-912 V58960 FOR NHA/OTHER SYS DET SEE: 31-62-11-01</p> | | |
| - 1 | 4073610-906 | | <p>UNIT ASSY-FLAT PNL FWD (PLACARDS AND MARKINGS ONLY) SUPPLIER CODE: V58960 FUNCTIONAL DESCRIPTION: PROVIDES PRIMARY MEANS FOR DISPLAYING CRITICAL FLIGHT INFORMATION TO THE CREW SPECIFICATION NUMBER: S243W001-2601 ELECTRICAL EQUIP NUMBER: N00187 N00188 N00189</p> | 001007 | RF |

MISSING ITEM NUMBERS NOT APPLICABLE

- ITEM NOT ILLUSTRATED

HAP

11-31-01-74

BOEING PROPRIETARY - Copyright © - Unpublished Work - See title page for details.

11-31-01
FIG. 74
PAGE 2
OCT 15/08

BOEING
737-600/700/800/900
PARTS CATALOG (MAINTENANCE)

| FIG ITEM | PART NUMBER | 1 2 3 4 5 6 7 NOMENCLATURE | EFFECT FROM TO | UNITS PER ASSY |
|-------------|--------------|---|-------------------|----------------------|
| 74 | 5 4023099-13 | <p>N00190 N00191 N00192 COMPONENT MAINT MANUAL REF: 31-61-46 QUALIFIED I/W DATA: 4073610-916 OR -912 I/W 4073610-906 OR -902 PROVIDED THE APPROPRIATE DISPLAY SYSTEM SOFTWARE IS BEING USED. INSTALLATION OF DISPLAY UNIT 4073610-916 OR -912 REQUIRES A MINIMUM OF DEU OPS 3110HNPO1A04 PLUS DU DATABASE 3114HNPO3A02. FOR SOFTWARE RETROFIT SEE S/B 737-31-1110. 4073610-905 OR -901 (BROWN BEZEL) IS INTERCHANGEABLE WITH 4073610-906 (GREY BEZEL) IF DESIRED BY CUSTOMER. 4086850-922 I/W 4073610-906 OR -902 PROVIDED THE APPROPRIATE DISPLAY SYSTEM SOFTWARE IS BEING USED. INSTALLATION OF DISPLAY UNIT 4086850-922 REQUIRES DU DATABASE 3115HNPO3A03 AND OPS 3110HNPO1A04 OR 3111HNPO1A05 OR DU DATABASE 3112HNPO3A04 AND OPS 3112HNPO1A06 OR 3113HNPO1A07 OR 311CHNPO1A08. FOR DETAILS SEE DRAWING 242A0908. OPTIONAL PART: 4073610-902 V58960 FOR NHA/OTHER SYS DET SEE: 31-62-11-01 .PLATE-INSTRUCTION SUPPLIER CODE: V07416</p> | 001027 202967 | 1 |

MISSING ITEM NUMBERS NOT APPLICABLE

— ITEM NOT ILLUSTRATED

HAP

11-31-01-74

BOEING PROPRIETARY - Copyright © - Unpublished Work - See title page for details.

11-31-01
FIG. 74
PAGE 3
OCT 15/08

BOEING
737-600/700/800/900
PARTS CATALOG (MAINTENANCE)

| FIG ITEM | PART NUMBER | 1 2 3 4 5 6 7 | NOMENCLATURE | EFFECT FROM TO | UNITS PER ASSY |
|-------------------------------------|-------------|---------------|---|------------------|----------------|
| 74 | | | | | |
| 10 | 4023099-14 | | .PLATE-INSTRUCTION SUPPLIER CODE: V07416 | 001027 202967 | 1 |
| - 50 | 4073610-902 | | UNIT ASSY-FLAT PNL FWD (PLACARDS AND MARKINGS ONLY) SUPPLIER CODE: V58960 FUNCTIONAL DESCRIPTION: PROVIDES PRIMARY MEANS FOR DISPLAYING CRITICAL FLIGHT INFORMATION TO THE CREW SPECIFICATION NUMBER: S243W001-2601 ELECTRICAL EQUIP NUMBER: N00187 N00188 N00189 N00190 N00191 N00192 COMPONENT MAINT MANUAL REF: 31-61-26 QUALIFIED I/W DATA: 4073610-916 OR -912 I/W 4073610-906 OR -902 PROVIDED THE APPROPRIATE DISPLAY SYSTEM SOFTWARE IS BEING USED. INSTALLATION OF DISPLAY UNIT 4073610-916 OR -912 REQUIRES A MINIMUM OF DEU OPS 3110HNPO1A04 PLUS DU DATABASE 3114HNPO3A02. FOR SOFTWARE RETROFIT SEE S/B 737-31-1110. 4086850-922 I/W 4073610-906 OR -902 PROVIDED THE APPROPRIATE DISPLAY SYSTEM SOFTWARE IS BEING USED. INSTALLATION OF DISPLAY UNIT 4086850-922 REQUIRES MINIMUM OF DEU OPS 3110HNPO1A04 PLUS DU DATABASE 3115HNPO3A03 DU DATABASE 3115HNPO3A03 | 001007 | RF |
| MISSING ITEM NUMBERS NOT APPLICABLE | | | | | |

- ITEM NOT ILLUSTRATED

HAP

11-31-01-74

BOEING PROPRIETARY - Copyright © - Unpublished Work - See title page for details.

11-31-01
FIG. 74
PAGE 4
OCT 15/08

BOEING
737-600/700/800/900
PARTS CATALOG (MAINTENANCE)

| FIG ITEM | PART NUMBER | 1 2 3 4 5 6 7 | NOMENCLATURE | EFFECT FROM TO | UNITS PER ASSY |
|----------|-------------|---------------|--|------------------|----------------|
| 74 | | | <p>AND OPS 3110HNPO3A04 OR 3111HNPO1A05 OR DU DATABASE 3112HNPO3A04 AND OPS 3112HNPO1A06 OR 3113HNPO1A07 OR 311CHNPO1A08. FOR DETAILS SEE DRAWING 242A0908. OPTIONAL PART: 4073610-906 V58960 FOR NHA/OTHER SYS DET SEE: 31-62-11-01 UNIT ASSY-FLAT PNL (PLACARDS AND MARKINGS ONLY) SUPPLIER CODE: V58960 FUNCTIONAL DESCRIPTION: PROVIDES PRIMARY MEANS FOR DISPLAYING CRITICAL FLIGHT INFORMATION TO THE CREW SPECIFICATION NUMBER: S243W001-2603 ELECTRICAL EQUIP NUMBER: N00187 N00188 N00189 N00190 N00191 N00192 COMPONENT MAINT MANUAL REF: 31-61-26 QUALIFIED I/W DATA: 4073610-915 OR -911 (BROWN BEZEL) IS INTERCHANGEABLE WITH 4073610-916 OR -912 (GREY BEZEL) IF DESIRED BY CUSTOMER 4086850-922 I/W 4073610-916 OR -912 PROVIDED THE FOLLOWING DUDB AND OPS ARE INSTALLED. DU DATABASE. 3115HNPO3A03 AND OPS 3110HNPO1A04 OR 3111HNPO1A05 OR DU</p> | | |
| - 50 | 4073610-912 | | <p>MISSING ITEM NUMBERS NOT APPLICABLE</p> | 008027 202967 | RF |

- ITEM NOT ILLUSTRATED

HAP

11-31-01-74

BOEING PROPRIETARY - Copyright © - Unpublished Work - See title page for details.

11-31-01
FIG. 74
PAGE 5
OCT 15/08

BOEING
737-600/700/800/900
PARTS CATALOG (MAINTENANCE)

| FIG ITEM | PART NUMBER | 1 2 3 4 5 6 7 | NOMENCLATURE | EFFECT FROM TO | UNITS PER ASSY |
|-------------|-------------|---------------|--|-------------------|----------------------|
| 74 | | | <p>DATABASE 3112HNPO3A04 AND OPS 3112HNPO1A06 OR 3113HNPO1A07 OR 311CHNPO1A08 SEE DRAWING 242A0908 FOR MORE DETAILS. 4073610-916 OR -912 I/W 4073610-906 OR -902 PROVIDED THE APPROPRIATE DISPLAY SYSTEM SOFTWARE IS BEING USED. INSTALLATION OF DISPLAY UNIT 4073610-916 OR -912 REQUIRES DU DATABASE 3115HNPO3A03 AND OPS 3110HNPO1A04 OR 3111HNPO1A05 OR DU DATABASE 3112HNPO3A04 AND OPS 3112HNPO1A06 OR 3113HNPO1A07 OR 311CHNPO1A08. FOR DETAILS SEE DRAWING 242A0908.</p> <p>OPTIONAL PART: 4073610-916 V58960 FOR NHA/OTHER SYS DET SEE: 31-62-11-01</p> | | |
| 55 | 4023099-13 | | .PLATE-INSTRUCTION SUPPLIER CODE: V07416 | 001027 202967 | 1 |
| 60 | 4023099-14 | | .PLATE-INSTRUCTION SUPPLIER CODE: V07416 | 001027 202967 | 1 |
| - 90 | 4086850-922 | | <p>UNIT ASSY-FLAT PNL (PLACARDS AND MARKINGS ONLY) SUPPLIER CODE: V58960 FUNCTIONAL DESCRIPTION: PROVIDES PRIMARY MEANS FOR DISPLAYING CRITICAL FLIGHT INFORMATION TO THE CREW. SPECIFICATION NUMBER: S243W001-2605 ELECTRICAL EQUIP NUMBER: N00187 N00188</p> | 037200 968999 | RF |

MISSING ITEM NUMBERS NOT APPLICABLE

- ITEM NOT ILLUSTRATED

HAP

11-31-01-74

BOEING PROPRIETARY - Copyright © - Unpublished Work - See title page for details.

11-31-01
FIG. 74
PAGE 6
OCT 15/08

BOEING
737-600/700/800/900
PARTS CATALOG (MAINTENANCE)

| FIG ITEM | PART NUMBER | 1 2 3 4 5 6 7 | NOMENCLATURE | EFFECT FROM TO | UNITS PER ASSY |
|-------------|-------------|---------------|---|-------------------|----------------------|
| 74 | | | <p>N00189 N00191 N00192 COMPONENT MAINT MANUAL REF: 31-61-54 QUALIFIED I/W DATA: 4086850-922 IS INTERCHANGEABLE WITH 4073610-916 OR -912 PROVIDED THE AIRCRAFT IS CONFUGURED WITH DU DATABASE (DADB) SOFTWARE 3115HNPO3A03 OR 3112HNPO3A04 IN BOTH DEU'S. DADB 3112HNPO3A04 WOULD BE REQUIRED IF ONE OR BOTH OF THE INSTALLED DEU'S WERE P/N 4081600-940. SEE DWG 242A0908 FOR ADDITIONAL DETAILS INCLUDING NOTES ON THE COMPATIBLE OPS SOFTWARE VERSIONS. 4086850-924(GREY BEZEL) IS INTERCHANGEABLE WITH 4086850-922(GREY BEZEL) OR 4086850-921(BROWN BEZEL) EXCEPT 4086850-924 IS REQUIRED WHEN A VIDEO CAPABLE DISPLAY UNIT IS NEEDED TO SUPPORT THE FLIGHT DECK ENTRY VIDEO SURVEILLANCE SYSTEM (FDEVSS). SEE DWG 242A0908 NOTES FOR SUPPORTING OPS AND DADB SOFTWARE PART NUMBERS. 4091900-932 IS INTERCHANGEABLE/INTERMIX ABLE WITH 4086850-922 EXCEPT USE OF DADB SOFTWARE 3113HNPO3A05 IS A MINIMUM REQUIREMENT FOR INSTALLATION OF THE 4091900-SERIES DISPLAY UNITS. AIRCRAFT PRIOR TO LINE NUMBER 2891 WILL REQUIRE SB 737-31-1293</p> | | |

MISSING ITEM NUMBERS NOT APPLICABLE

— ITEM NOT ILLUSTRATED

HAP

11-31-01-74

BOEING PROPRIETARY - Copyright © - Unpublished Work - See title page for details.

11-31-01
FIG. 74
PAGE 7
OCT 15/08

BOEING
737-600/700/800/900
PARTS CATALOG (MAINTENANCE)

| FIG ITEM | PART NUMBER | 1 2 3 4 5 6 7 NOMENCLATURE | EFFECT FROM TO | UNITS PER ASSY |
|----------------|-------------|--|-------------------|----------------------|
| 74 - 95 | 4086850-924 | <p>TO INCORPORATE THE UPDATED DUDB SOFTWARE. FOR NHA/OTHER SYS DET SEE: 31-62-11-03 UNIT ASSY-FLAT PNL (PLACARDS AND MARKINGS ONLY) SUPPLIER CODE: V58960 FUNCTIONAL DESCRIPTION: PROVIDES PRIMARY MEANS FOR DISPLAYING CRITICAL FLIGHT INFORMATION TO THE CREW. ELECTRICAL EQUIP NUMBER: N00190 COMPONENT MAINT MANUAL REF: 31-61-54 QUALIFIED I/W DATA: 4086850-924 (GRAY BEZEL) I/W 4073610-923 (BROWN BEZEL) PROVIDED THE APPROPRIATE DISPLAY SYSTEM SOFTWARE IS BEING INSTALLED. SEE DRAWING 242A0908, DU NOTES #3, FOR OPS AND DUDB COMPATIBILITY LISTING. 4086850-924(GREY BEZEL) IS INTERCHANGEABLE WITH 4086850-922(GREY BEZEL) OR 4086850-921(BROWN BEZEL) EXCEPT 4086850-924 IS REQUIRED WHEN A VIDEO CAPABLE DISPLAY UNIT IS NEEDED TO SUPPORT THE FLIGHT DECK ENTRY VIDEO SURVEILLANCE SYSTEM (FDEVSS). SEE DWG 242A0908 NOTES FOR SUPPORTING OPS AND DUDB SOFTWARE PART NUMBERS. 4091900-934 IS INTERCHANGEABLE/INTERMIX ABLE WITH 4086850-924 EXCEPT USE OF DUDB SOFTWARE 3113HNPO3A05 IS A MINIMUM REQUIREMENT</p> | 037200 968999 | RF |

MISSING ITEM NUMBERS NOT APPLICABLE

- ITEM NOT ILLUSTRATED

HAP

11-31-01-74

BOEING PROPRIETARY - Copyright © - Unpublished Work - See title page for details.

11-31-01
FIG. 74
PAGE 8
OCT 15/08

BOEING
737-600/700/800/900
PARTS CATALOG (MAINTENANCE)

| FIG ITEM | PART NUMBER | 1 2 3 4 5 6 7 | NOMENCLATURE | EFFECT FROM TO | UNITS PER ASSY |
|-------------|-------------|---------------|---|-------------------|----------------------|
| 74 | | | <p>FOR INSTALLATION OF THE 4091900-SERIES DISPLAY UNITS. AIRCRAFT PRIOR TO LINE NUMBER 2891 WILL REQUIRE SB 737-31-1293 TO INCORPORATE THE UPDATED DUDB SOFTWARE. FOR NHA/OTHER SYS DET SEE: 31-62-11-03</p> | | |
| - 100 | 4086850-922 | | <p>UNIT ASSY-FLAT PNL FWD (PLACARDS AND MARKINGS ONLY) SUPPLIER CODE: V58960 FUNCTIONAL DESCRIPTION: PROVIDES PRIMARY MEANS FOR DISPLAYING CRITICAL FLIGHT INFORMATION TO THE CREW. SPECIFICATION NUMBER: S243W001-2605 ELECTRICAL EQUIP NUMBER: N00187 N00188 N00189 N00190 N00191 N00192 COMPONENT MAINT MANUAL REF: 31-61-54 QUALIFIED I/W DATA: 4086850-924(GREY BEZEL) IS INTERCHANGEABLE WITH 4086850-922(GREY BEZEL) OR 4086850-921(BROWN BEZEL) EXCEPT 4086850-924 IS REQUIRED WHEN A VIDEO CAPABLE DISPLAY UNIT IS NEEDED TO SUPPORT THE FLIGHT DECK ENTRY VIDEO SURVEILLANCE SYSTEM (FDEVSS). SEE DWG 242A0908 NOTES FOR SUPPORTING OPS AND DUDB SOFTWARE PART NUMBERS. 4086850-922 IS INTERCHANGEABLE WITH 4073610-916 OR -912</p> | 028030 201201 | RF |

MISSING ITEM NUMBERS NOT APPLICABLE

- ITEM NOT ILLUSTRATED

HAP

11-31-01-74

BOEING PROPRIETARY - Copyright © - Unpublished Work - See title page for details.

11-31-01
FIG. 74
PAGE 9
OCT 15/08

BOEING
737-600/700/800/900
PARTS CATALOG (MAINTENANCE)

| FIG ITEM | PART NUMBER | 1 2 3 4 5 6 7 NOMENCLATURE | EFFECT FROM TO | UNITS PER ASSY |
|-------------|-------------|---|-------------------|----------------------|
| 74 | | <p>PROVIDED THE AIRCRAFT IS CONFIGURED WITH DU DATABASE (DADB) SOFTWARE 3115HNPO3A03 OR 3112HNPO3A04 IN BOTH DEU'S. DADB 3112HNPO3A04 WOULD BE REQUIRED IF ONE OR BOTH OF THE INSTALLED DEU'S WERE P/N 4081600-940. SEE DWG 242A0908 FOR ADDITIONAL DETAILS INCLUDING NOTES ON THE COMPATIBLE OPS SOFTWARE VERSIONS. 4091900-932 IS INTERCHANGEABLE/INTERMIXABLE WITH 4086850-922 EXCEPT USE OF DADB SOFTWARE 3113HNPO3A05 IS A MINIMUM REQUIREMENT FOR INSTALLATION OF THE 4091900-SERIES DISPLAY UNITS. AIRCRAFT PRIOR TO LINE NUMBER 2891 WILL REQUIRE SB 737-31-1293 TO INCORPORATE THE UPDATED DADB SOFTWARE.</p> <p>POST SERVICE LETTER: 31-042</p> <p>FOR NHA/OTHER SYS DET SEE: 31-62-11-01</p> <p>UNIT ASSY-FLAT PNL FWD (PLACARDS AND MARKINGS ONLY)</p> <p>SUPPLIER CODE: V58960</p> <p>FUNCTIONAL DESCRIPTION: PROVIDES PRIMARY MEANS FOR DISPLAYING CRITICAL FLIGHT INFORMATION TO THE CREW.</p> <p>SPECIFICATION NUMBER: S243W001-2605</p> <p>ELECTRICAL EQUIP NUMBER: N00187 N00188 N00189 N00190 N00191</p> | 031036 | RF |

MISSING ITEM NUMBERS NOT APPLICABLE

— ITEM NOT ILLUSTRATED

HAP

11-31-01-74

11-31-01
FIG. 74
PAGE 10
OCT 15/08


BOEING
 737-600/700/800/900
PARTS CATALOG (MAINTENANCE)

| FIG ITEM | PART NUMBER | 1 2 3 4 5 6 7 NOMENCLATURE | EFFECT FROM TO | UNITS PER ASSY |
|-------------|-------------|---|-------------------|----------------------|
| 74 | | <p> N00192 COMPONENT MAINT MANUAL REF: 31-61-54 QUALIFIED I/W DATA: 4086850-922 IS INTERCHANGEABLE WITH 4073610-916 OR -912 PROVIDED THE AIRCRAFT IS CONFUGURED WITH DU DATABASE (DADB) SOFTWARE 3115HNPO3A03 OR 3112HNPO3A04 IN BOTH DEU'S. DADB 3112HNPO3A04 WOULD BE REQUIRED IF ONE OR BOTH OF THE INSTALLED DEU'S WERE P/N 4081600-940. SEE DWG 242A0908 FOR ADDITIONAL DETAILS INCLUDING NOTES ON THE COMPATIBLE OPS SOFTWARE VERSIONS. 4086850-924(GREY BEZEL) IS INTERCHANGEABLE WITH 4086850-922(GREY BEZEL) OR 4086850-921(BROWN BEZEL) EXCEPT 4086850-924 IS REQUIRED WHEN A VIDEO CAPABLE DISPLAY UNIT IS NEEDED TO SUPPORT THE FLIGHT DECK ENTRY VIDEO SURVEILLANCE SYSTEM (FDEVSS). SEE DWG 242A0908 NOTES FOR SUPPORTING OPS AND DADB SOFTWARE PART NUMBERS. 4091900-932 IS INTERCHANGEABLE/INTERMIX ABLE WITH 4086850-922 EXCEPT USE OF DADB SOFTWARE 3113HNPO3A05 IS A MINIMUM REQUIREMENT FOR INSTALLATION OF THE 4091900-SERIES DISPLAY UNITS. AIRCRAFT PRIOR TO LINE NUMBER 2891 WILL REQUIRE SB 737-31-1293 TO INCORPORATE THE UPDATED DADB SOFTWARE. </p> | | |

MISSING ITEM NUMBERS NOT APPLICABLE

— ITEM NOT ILLUSTRATED

HAP

11-31-01-74

11-31-01
 FIG. 74
 PAGE 11
 OCT 15/08

BOEING
737-600/700/800/900
PARTS CATALOG (MAINTENANCE)

| FIG ITEM | PART NUMBER | 1 2 3 4 5 6 7 | NOMENCLATURE | EFFECT FROM TO | UNITS PER ASSY |
|-------------------------------------|-------------|---------------|--|-------------------|----------------------|
| 74 | | | FOR NHA/OTHER SYS DET SEE: 31-62-11-03 | | |
| 105 | 4023099-13 | | .PLATE-INSTRUCTION SUPPLIER CODE: V07416 | 028201 968999 | 1 |
| 110 | 4023099-14 | | .PLATE-INSTRUCTION SUPPLIER CODE: V07416 | 028201 968999 | 1 |
| MISSING ITEM NUMBERS NOT APPLICABLE | | | | | |

— ITEM NOT ILLUSTRATED

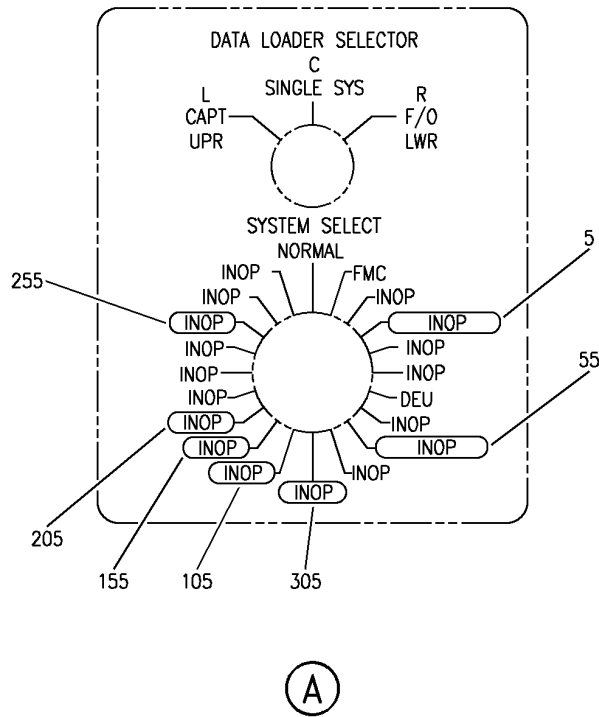
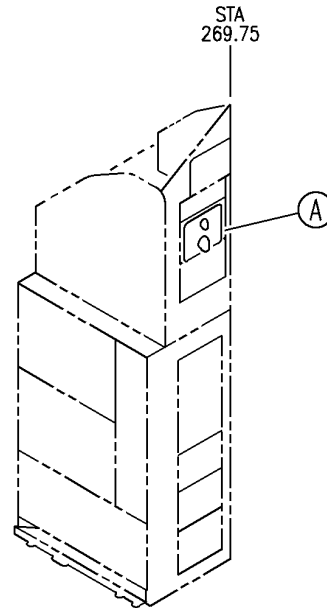
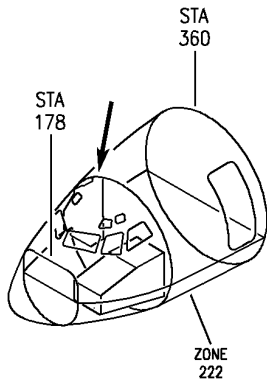
HAP

11-31-01-74

BOEING PROPRIETARY - Copyright © - Unpublished Work - See title page for details.

11-31-01
FIG. 74
PAGE 12
OCT 15/08

BOEING
 737-600/700/800/900
 PARTS CATALOG (MAINTENANCE)



E 11310175 REV 122

MARKER INSTL-DATA LOADER SELECTOR
 FIGURE 75

11-31-01-75

HAP
 OCT 10/06

11-31-01-75
 PAGE 0

BOEING
737-600/700/800/900
PARTS CATALOG (MAINTENANCE)

| FIG ITEM | PART NUMBER | 1 2 3 4 5 6 7 | NOMENCLATURE | EFFECT FROM TO | UNITS PER ASSY |
|----------|--------------|---------------|--|------------------|----------------|
| 75 | | | MARKER INSTL-DATA LOADER SELECTOR | 031200 968999 | |
| - 50 | MODREF83484 | | MARKER INSTL-DATA LOADER SELECTOR | 031200 968999 | 1 |
| 55 | BAC27DCC2938 | | MODULE NUMBER: 233A7102-9 REV A .MARKER- | 031200 968999 | 1 |
| | | | PLACARD CONTENT: INOP | | |
| - 100 | MODREF83478 | | MARKER INSTL-DATA LOADER SELECTOR | 031200 968999 | 1 |
| | | | MODULE NUMBER: 233A7102-12 REV A | | |
| 105 | BAC27DCC2937 | | .MARKER- | 031200 968999 | 1 |
| | | | PLACARD CONTENT: INOP | | |
| - 150 | MODREF83479 | | MARKER INSTL-DATA LOADER SELECTOR | 031200 968999 | 1 |
| | | | MODULE NUMBER: 233A7102-13 REV A | | |
| 155 | BAC27DCC2937 | | .MARKER- | 031200 968999 | 1 |
| | | | PLACARD CONTENT: INOP | | |
| - 200 | MODREF83480 | | MARKER INSTL-DATA LOADER SELECTOR | 031200 968999 | 1 |
| | | | MODULE NUMBER: 233A7102-14 REV A | | |
| 205 | BAC27DCC2937 | | .MARKER- | 031200 968999 | 1 |
| | | | PLACARD CONTENT: INOP | | |
| - 250 | MODREF83481 | | MARKER INSTL-DATA LOADER SELECTOR | 031200 968999 | 1 |
| | | | MODULE NUMBER: 233A7102-18 REV A | | |
| 255 | BAC27DCC2937 | | .MARKER- | 031200 968999 | 1 |
| | | | PLACARD CONTENT: INOP | | |
| - 300 | MODREF83477 | | MARKER INSTL-DATA LOADER SELECTOR | 031200 968999 | 1 |
| | | | MODULE NUMBER: 233A7102-11 REV A | | |
| 305 | BAC27DCC2937 | | .MARKER- | 031200 968999 | 1 |
| | | | PLACARD CONTENT: INOP | | |

MISSING ITEM NUMBERS NOT APPLICABLE

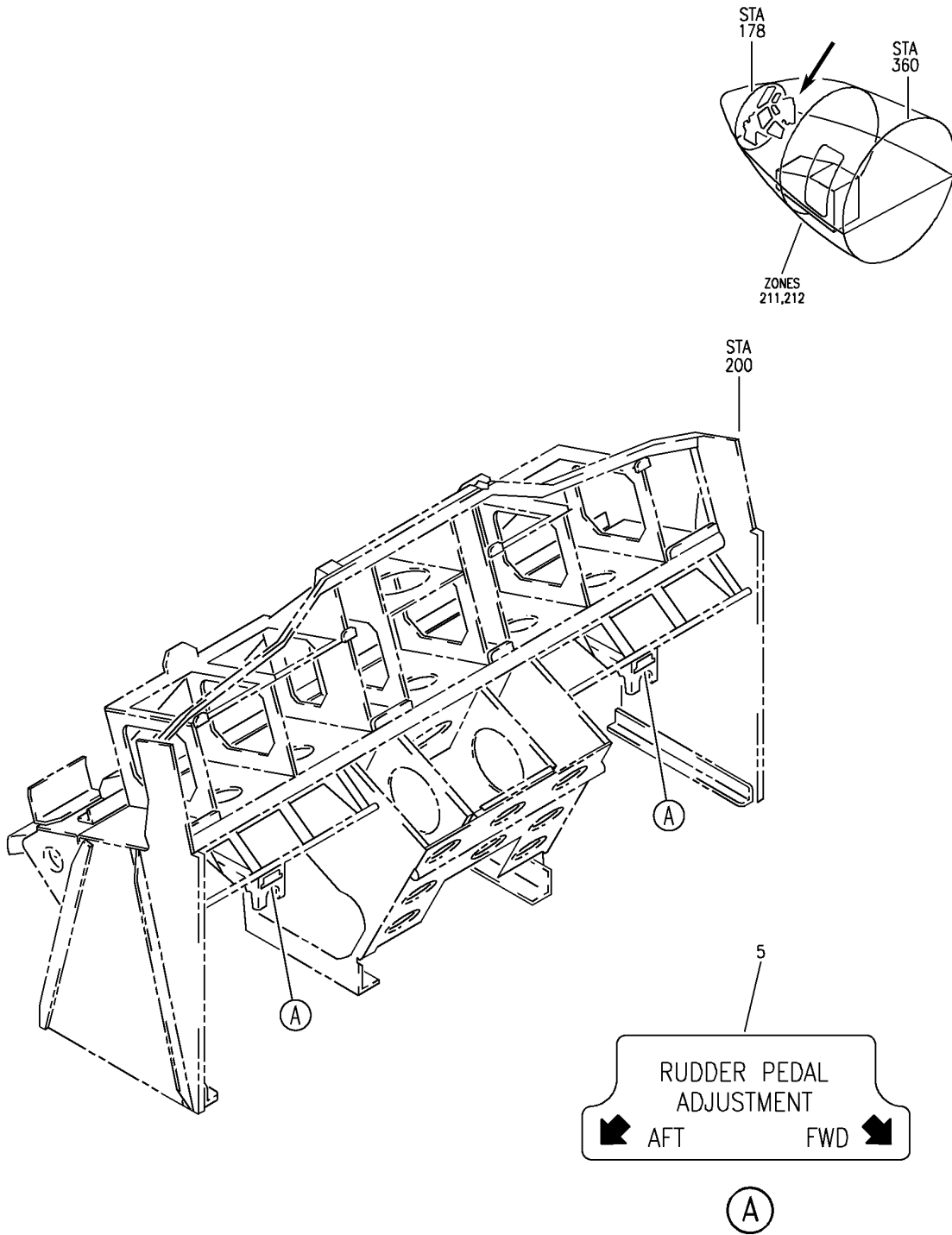
- ITEM NOT ILLUSTRATED

HAP

11-31-01-75

11-31-01
FIG. 75
PAGE 1
OCT 15/08

BOEING
 737-600/700/800/900
 PARTS CATALOG (MAINTENANCE)



E 11310175A REV 135

SUPPORT ASSY-FWD PNL (PLACARDS AND MARKINGS ONLY)
 FIGURE 75A

11-31-01-75A

HAP
 JUN 15/08

11-31-01-75A
 PAGE 0

 **BOEING**
737-600/700/800/900
PARTS CATALOG (MAINTENANCE)

| FIG ITEM | PART NUMBER | 1 2 3 4 5 6 7 | NOMENCLATURE | EFFECT FROM TO | UNITS PER ASSY |
|-------------|-------------|---------------|---|----------------------------|----------------------|
| 75A | | | SUPPORT ASSY-FWD PNL (PLACARDS AND MARKINGS ONLY) | 047053 105200 973999 | |
| - 1 | 233A2302-20 | | SUPPORT ASSY-PNL (PLACARDS AND MARKINGS ONLY) POSITION DATA: FWD FOR NHA/OTHER SYS DET SEE: 53-42-00-15B | 047047 105106 973999 | RF |
| - 1 | 233A2302-21 | | SUPPORT ASSY-PNL (PLACARDS AND MARKINGS ONLY) POSITION DATA: FWD FOR NHA/OTHER SYS DET SEE: 53-42-00-15B | 048053 107200 | RF |
| 5 | BACM10R1AS | | .MARKER-ALUMINUM FOIL | 047053 105200 973999 | 2 |

MISSING ITEM NUMBERS NOT APPLICABLE

- ITEM NOT ILLUSTRATED

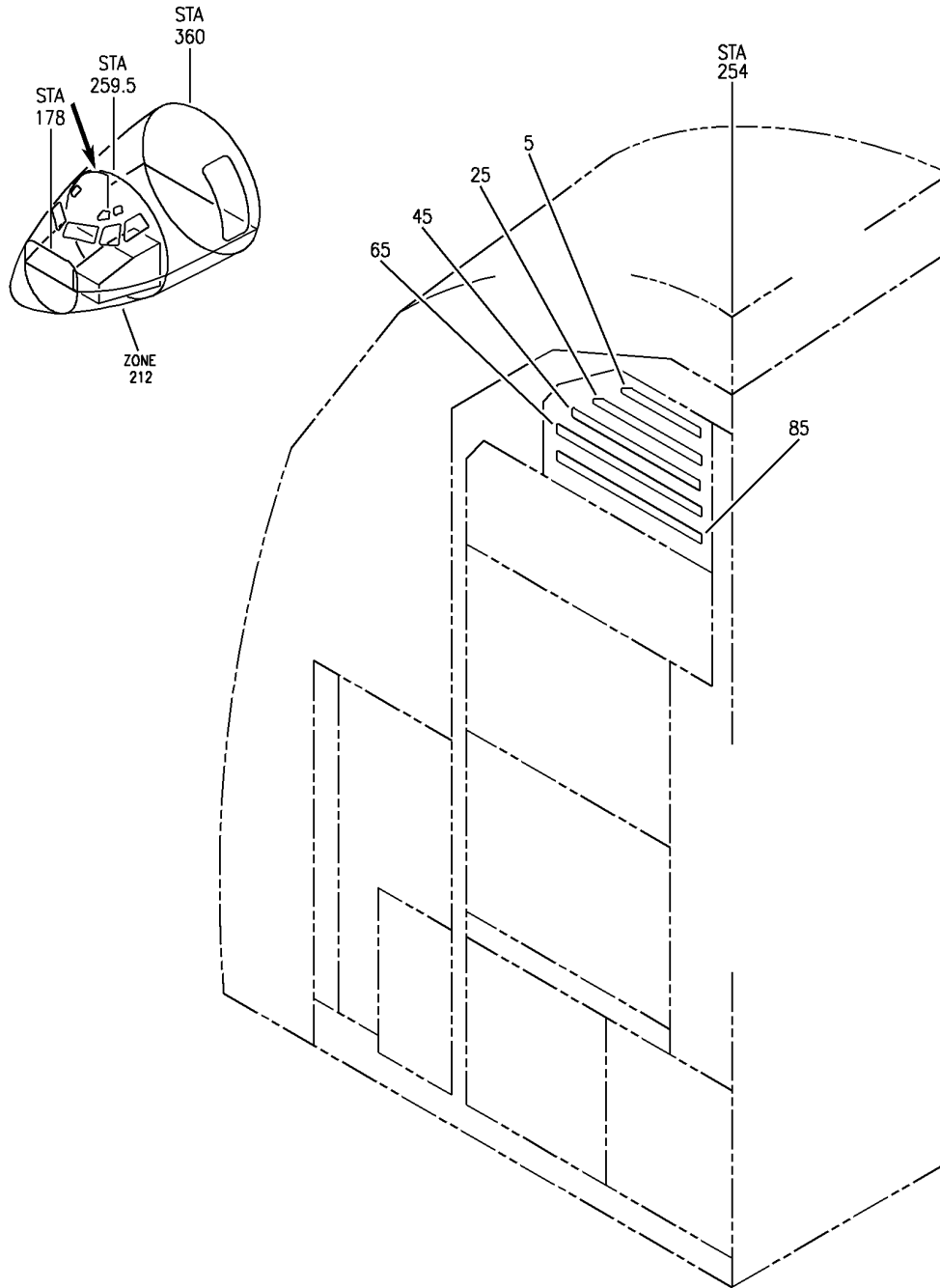
HAP

11-31-01-75A

BOEING PROPRIETARY - Copyright © - Unpublished Work - See title page for details.

11-31-01
FIG. 75A
PAGE 1
FEB 15/09

BOEING
737-600/700/800/900
PARTS CATALOG (MAINTENANCE)



E 11315102W SHT 1 REV 120

For Details See Subsequent Pages

MARKER AND INOP INSTL-P6-1 PNL (PLACARDS AND MARKINGS ONLY)
FIGURE 2W (SHEET 1)

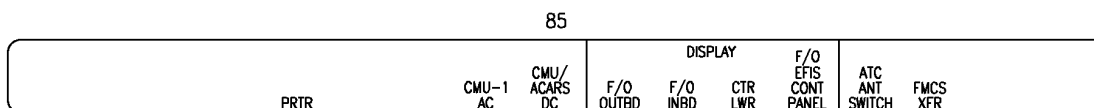
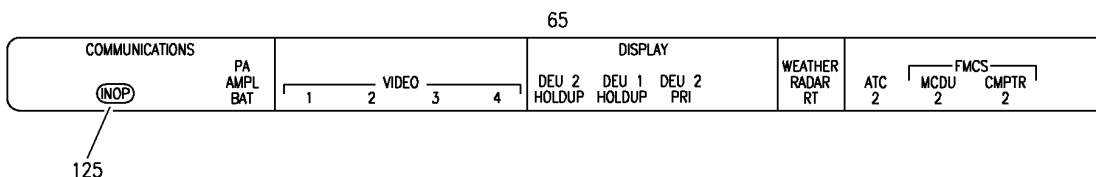
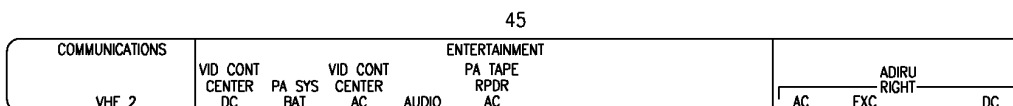
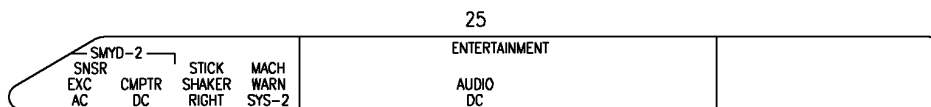
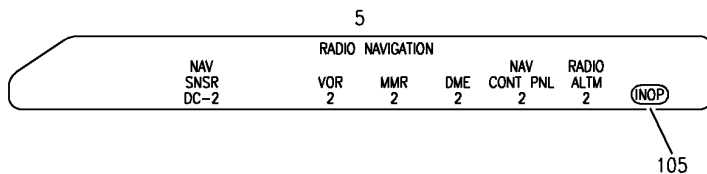
HAP
FEB 10/07

11-31-51-02W

11-31-51-02W
PAGE 0

BOEING PROPRIETARY - Copyright © - Unpublished Work - See title page for details.


BOEING
 737-600/700/800/900
PARTS CATALOG (MAINTENANCE)



E 11315102W SHT 2 REV 120

MARKER AND INOP INSTL-P6-1 PNL (PLACARDS AND MARKINGS ONLY)
FIGURE 2W (SHEET 2)

11-31-51-02W

HAP
FEB 10/07

11-31-51-02W
PAGE 0A

BOEING
737-600/700/800/900
PARTS CATALOG (MAINTENANCE)

| FIG ITEM | PART NUMBER | 1 2 3 4 5 6 7 | NOMENCLATURE | EFFECT FROM TO | UNITS PER ASSY |
|----------|--------------|---------------|---|----------------|----------------|
| 2W | | | MARKER AND INOP INSTL- P6-1 PNL (PLACARDS AND MARKINGS ONLY) | 037037 | |
| - 1 | MODREF82620 | | MARKER INSTL-P6-1 ROW A (PLACARDS AND MARKINGS ONLY) MODULE NUMBER: 233A5221-402898 REV A | 037037 | 1 |
| 5 | BAC27DCC2898 | | .MARKER | 037037 | 1 |
| - 20 | MODREF82638 | | MARKER INSTL-P6-1 ROW B (PLACARDS AND MARKINGS ONLY) MODULE NUMBER: 233A5221-403156 REV A | 037037 | 1 |
| 25 | BAC27DCC3156 | | .MARKER | 037037 | 1 |
| - 40 | MODREF82639 | | MARKER INSTL-P6-1 ROW C (PLACARDS AND MARKINGS ONLY) MODULE NUMBER: 233A5221-403157 REV A | 037037 | 1 |
| 45 | BAC27DCC3157 | | .MARKER | 037037 | 1 |
| - 60 | MODREF82617 | | MARKER INSTL-P6-1 ROW D (PLACARDS AND MARKINGS ONLY) MODULE NUMBER: 233A5221-402887 REV A | 037037 | 1 |
| 65 | BAC27DCC2887 | | .MARKER | 037037 | 1 |
| - 80 | MODREF82659 | | MARKER INSTL-P6-1 ROW E (PLACARDS AND MARKINGS ONLY) MODULE NUMBER: 233A5221-403253 REV A | 037037 | 1 |
| 85 | BAC27DCC3253 | | .MARKER | 037037 | 1 |
| - 100 | MODREF82664 | | INOP INSTL-P6-1/A17 (PLACARDS AND MARKINGS ONLY) MODULE NUMBER: 233A5221-501117 REV A | 037037 | 1 |
| 105 | BAC27DCC3073 | | .MARKER- PLACARD CONTENT: INOP | 037037 | 1 |

MISSING ITEM NUMBERS NOT APPLICABLE

- ITEM NOT ILLUSTRATED

HAP

11-31-51-02W

BOEING PROPRIETARY - Copyright © - Unpublished Work - See title page for details.

11-31-51
FIG. 02W
PAGE 1
FEB 10/07


BOEING
 737-600/700/800/900
PARTS CATALOG (MAINTENANCE)

| FIG ITEM | PART NUMBER | 1 2 3 4 5 6 7 | NOMENCLATURE | EFFECT FROM TO | UNITS PER ASSY |
|-------------|--------------|---------------|--|-------------------|----------------------|
| 2W - 120 | MODREF82677 | | INOP INSTL-P6-1/D2 (PLACARDS AND MARKINGS ONLY) MODULE NUMBER: 233A5221-501402 REV A FOR OTHER SYS DETAILS SEE: 24-50-51-02W | 037037 | 1 |
| 125 | BAC27DCC3073 | | .MARKER- PLACARD CONTENT: INOP | 037037 | 1 |

MISSING ITEM NUMBERS NOT APPLICABLE

- ITEM NOT ILLUSTRATED

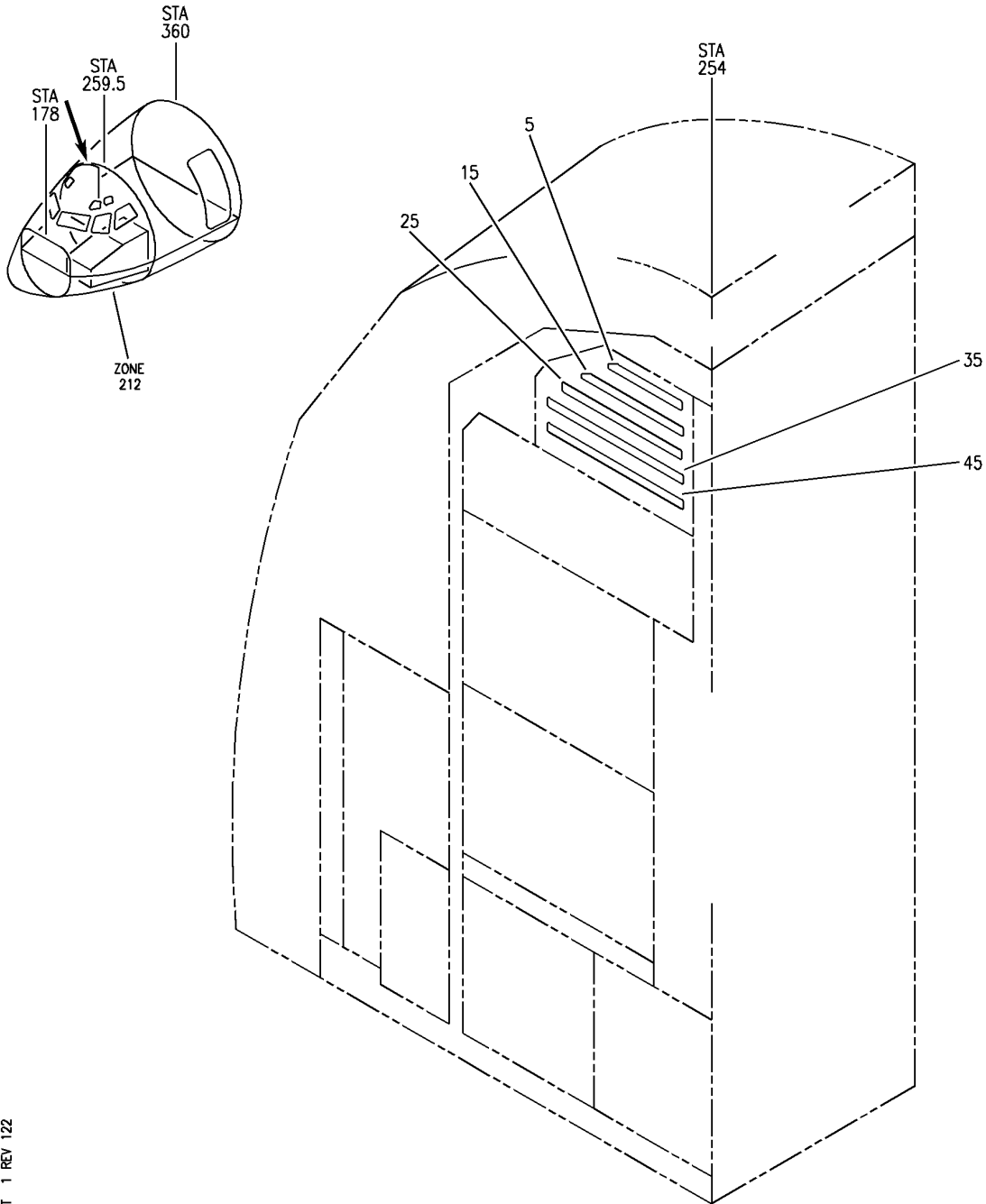
HAP

11-31-51-02W

BOEING PROPRIETARY - Copyright © - Unpublished Work - See title page for details.

11-31-51
 FIG. 02W
 PAGE 2
 FEB 10/07

BOEING
737-600/700/800/900
PARTS CATALOG (MAINTENANCE)



E 11315104L SHT 1 REV 122

For Details See Subsequent Pages

MARKER AND INOP INSTL-P6-1 PNL (PLACARDS AND MARKINGS ONLY)
FIGURE 4L (SHEET 1)

HAP
JUN 10/07

11-31-51-04L

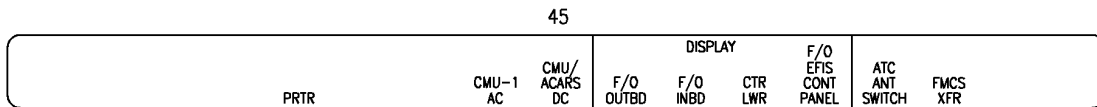
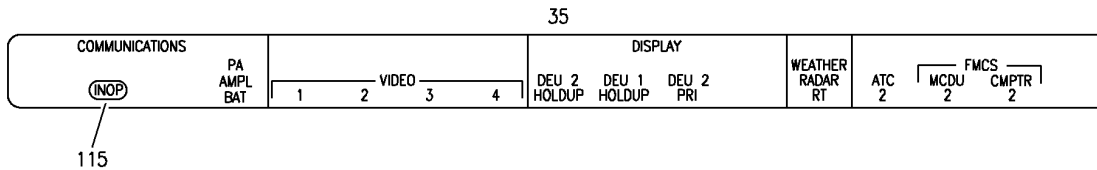
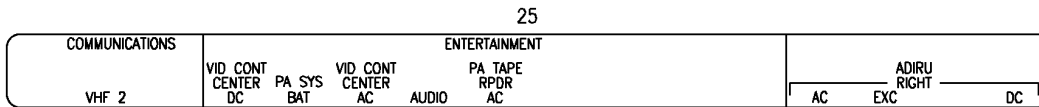
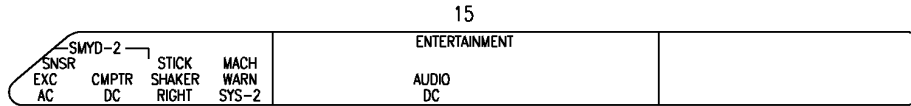
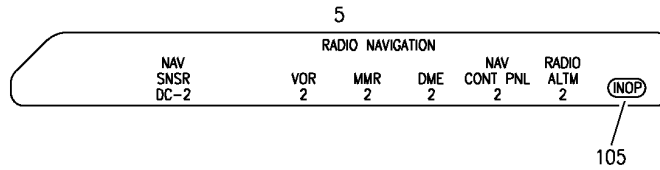
11-31-51-04L
PAGE 0

BOEING PROPRIETARY - Copyright © - Unpublished Work - See title page for details.



737-600/700/800/900

PARTS CATALOG (MAINTENANCE)



E 11315104L SHT 2 REV 122

MARKER AND INOP INSTL-P6-1 PNL (PLACARDS AND MARKINGS ONLY)
 FIGURE 4L (SHEET 2)

11-31-51-04L

HAP
JUN 10/07

11-31-51-04L
PAGE 0A

BOEING
737-600/700/800/900
PARTS CATALOG (MAINTENANCE)

| FIG ITEM | PART NUMBER | 1 2 3 4 5 6 7 | NOMENCLATURE | EFFECT FROM TO | UNITS PER ASSY |
|----------|--------------|---------------|--|----------------|----------------|
| 4L | | | MARKER AND INOP INSTL-P6-1 PNL (PLACARDS AND MARKINGS ONLY) | 039040 | |
| - 1 | MODREF82620 | | MARKER INSTL-P6-1/ROW A MODULE NUMBER: 233A5221-402898 REV A | 039040 | 1 |
| 5 | BAC27DCC2898 | | .MARKER | 039040 | 1 |
| - 10 | MODREF82638 | | MARKER INSTL-P6-1/ROW B MODULE NUMBER: 233A5221-403156 REV A | 039040 | 1 |
| 15 | BAC27DCC3156 | | .MARKER | 039040 | 1 |
| - 20 | MODREF82639 | | MARKER INSTL-P6-1/ROW C MODULE NUMBER: 233A5221-403157 REV A | 039040 | 1 |
| 25 | BAC27DCC3157 | | .MARKER | 039040 | 1 |
| - 30 | MODREF82617 | | MARKER INSTL-P6-1/ROW D MODULE NUMBER: 233A5221-402887 REV A | 039040 | 1 |
| 35 | BAC27DCC2887 | | .MARKER | 039040 | 1 |
| - 40 | MODREF82659 | | MARKER INSTL-P6-1/ROW E MODULE NUMBER: 233A5221-403253 REV A | 039040 | 1 |
| 45 | BAC27DCC3253 | | .MARKER | 039040 | 1 |
| - 100 | MODREF82664 | | INOP INSTL-P6-1/A17 (PLACARDS AND MARKINGS ONLY) MODULE NUMBER: 233A5221-501117 REV A FOR OTHER SYS DETAILS SEE: 24-50-51-01P | 039040 | 1 |
| 105 | BAC27DCC3073 | | .MARKER- PLACARD CONTENT: INOP | 039040 | 1 |
| - 110 | MODREF82677 | | INOP INSTL-P6-1/D2 (PLACARDS AND MARKINGS ONLY) MODULE NUMBER: 233A5221-501402 REV A FOR OTHER SYS DETAILS SEE: 24-50-51-01P | 039040 | 1 |
| 115 | BAC27DCC3073 | | .MARKER- PLACARD CONTENT: INOP | 039040 | 1 |

MISSING ITEM NUMBERS NOT APPLICABLE

- ITEM NOT ILLUSTRATED

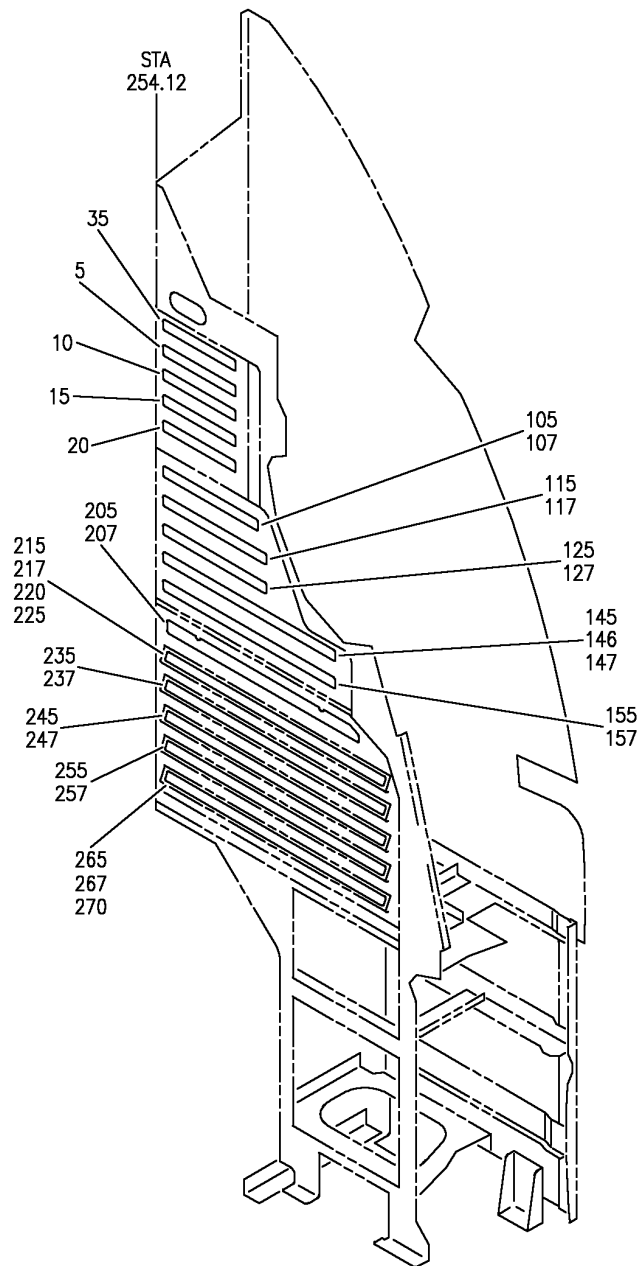
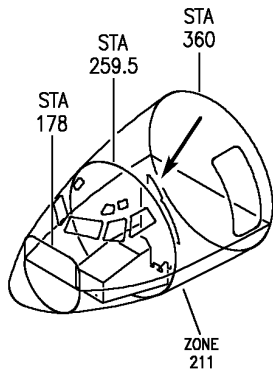
HAP

11-31-51-04L

BOEING PROPRIETARY - Copyright © - Unpublished Work - See title page for details.

11-31-51
FIG. 04L
PAGE 1
JUN 10/07

BOEING
 737-600/700/800/900
 PARTS CATALOG (MAINTENANCE)



For Details See Subsequent Pages

E 11315107E SHT 1 REV 143

MARKER, CIRCUIT BREAKER AND INOP INSTL-P18 PNL (PLACARDS AND MARKINGS ONLY)
 FIGURE 7E (SHEET 1)

HAP
 OCT 15/08

11-31-51-07E

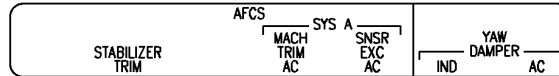
11-31-51-07E
 PAGE 0


BOEING
 737-600/700/800/900
PARTS CATALOG (MAINTENANCE)

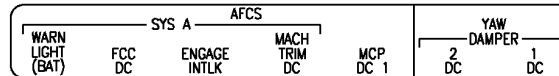
5



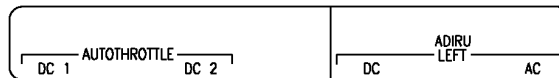
10



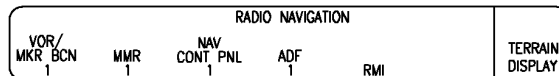
15



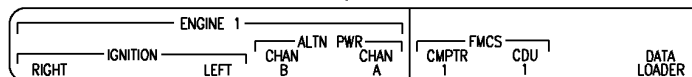
20



35



105
107



E 11315107E SHT 2 REV 127

MARKER, CIRCUIT BREAKER AND INOP INSTL-P18 PNL (PLACARDS AND MARKINGS ONLY)
FIGURE 7E (SHEET 2)

HAP
OCT 15/08

11-31-51-07E

11-31-51-07E
PAGE 0A

BOEING
737-600/700/800/900
PARTS CATALOG (MAINTENANCE)

115
117



125
127



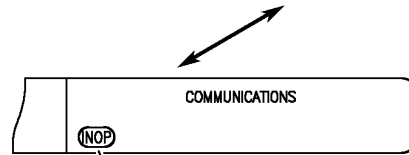
145
146



147

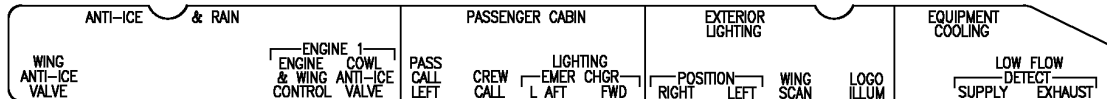


155
157



165

205



E 11315107E SH1 3 REV 143

MARKER, CIRCUIT BREAKER AND INOP INSTL-P18 PNL (PLACARDS AND MARKINGS ONLY)
FIGURE 7E (SHEET 3)

HAP
OCT 15/08

11-31-51-07E

11-31-51-07E
PAGE 0B

BOEING
737-600/700/800/900
PARTS CATALOG (MAINTENANCE)

207

| | | | | | | |
|--|--|--|---------------------------------|---|--|------------|
| ANTI-ICE & RAIN WING ANTI-ICE VALVE | ENGINE 1 ENGINE & WING ANTI-ICE CONTROL VALVE | PASSENGER CABIN PASS CALL LEFT CREW CALL | LIGHTING EMER CHGR L AFT FWD | EXTERIOR LIGHTING POSITION RIGHT LEFT WING SCAN | EQUIPMENT COOLING LOW FLOW DETECT SUPPLY EXHAUST | LOGO ILLUM |
|--|--|--|---------------------------------|---|--|------------|

215
217

| | | | | | |
|--------------------------------------|---|------------------------------------|-----------------------------|---|---------------------|
| ANTI-ICE & RAIN WSHLD WIPER RIGHT | ENGINE 2 COWL ANTI-ICE CONTROL VALVE | PASSENGER CABIN PASS CALL RIGHT | LIGHTING EMER CHGR R AFT | EXTERIOR LIGHTING ANTI COLLISION RED LANDING RIGHT RETR LEFT FIXED | CARGO FIRE EXT 1 |
|--------------------------------------|---|------------------------------------|-----------------------------|---|---------------------|

220
225

| | | | | | |
|--------------------------------------|---|------------------------------------|-----------------------------|---|------------------------------|
| ANTI-ICE & RAIN WSHLD WIPER RIGHT | ENGINE 2 COWL ANTI-ICE CONTROL VALVE | PASSENGER CABIN PASS CALL RIGHT | LIGHTING EMER CHGR R AFT | EXTERIOR LIGHTING ANTI COLLISION RED LANDING RIGHT RETR LEFT FIXED | CARGO FIRE EXT 2 EXT 1 |
|--------------------------------------|---|------------------------------------|-----------------------------|---|------------------------------|

235
237

| | | | | |
|---|------------------------|---|--|---|
| HEATERS CAPT PITOT TEMP PROBE ALPHA VANE LEFT ELEV PITOT LEFT | 28VAC XFR BUS 1 SECT 2 | PASSENGER CABIN SIGNS FASTEN SEAT BELT RIGHT LEFT NO SMOKING RIGHT LEFT | EXTERIOR LIGHTING RUNWAY TURNOFF RIGHT LEFT LANDING RIGHT FIXED LEFT RETR | CARGO FIRE FORWARD DET B AFT DET A DET B DET A |
|---|------------------------|---|--|---|

245
247

| | | | | | |
|---|---|---|----------------|--------------------------------|--|
| WINDOW HEAT CONTROL RIGHT FRONT AC LEFT SIDE AC ALPHA VANE RIGHT ELEV PITOT RIGHT F/O PITOT AUX PITOT | HEATERS DRAIN GND MAST AIR DRAIN | PASSENGER CABIN SIGNS LAVATORY OCCUPIED SIGN | PASS SIGN CONT | EXT LIGHTING NOSE GEAR TAXI | WASTE/WTR LINE HEATERS VACUUM WASTE |
|---|---|---|----------------|--------------------------------|--|

255
257

| | | | | | |
|--|------------------|---------------------|----------------|-----------------------|--------------|
| WINDOW HEAT CONTROL LEFT FRONT AC RIGHT SIDE AC HEATERS DRAIN GND MAST AIR DRAIN | AIR CONDITIONING | DOOR AREA HEAT CONT | LAVATORY SMOKE | LAVATORY MIRROR LIGHT | HOSE HEATERS |
|--|------------------|---------------------|----------------|-----------------------|--------------|

265
267

| | | | | | |
|---|--|--|--|-----------------------|--------------------------------|
| OXYGEN IND MAN CONT PASS RIGHT PASS LEFT | | | | SHAVAR OUTLET 115V AC | LAVATORY WATER HEATER A D E |
|---|--|--|--|-----------------------|--------------------------------|

270

| | | | | |
|---|--|--|--|--------------------------------|
| OXYGEN IND MAN CONT PASS RIGHT PASS LEFT | | | | LAVATORY WATER HEATER A D E |
|---|--|--|--|--------------------------------|

E 11315107E SHT 4 REV 116

MARKER, CIRCUIT BREAKER AND INOP INSTL-P18 PNL (PLACARDS AND MARKINGS ONLY)
FIGURE 7E (SHEET 4)

11-31-51-07E

HAP
OCT 15/08

11-31-51-07E
PAGE 0C

BOEING
737-600/700/800/900
PARTS CATALOG (MAINTENANCE)

| FIG ITEM | PART NUMBER | 1 2 3 4 5 6 7 | NOMENCLATURE | EFFECT FROM TO | UNITS PER ASSY |
|----------|------------------|---------------|--|----------------|----------------|
| 7E | | | MARKER, CIRCUIT BREAKER AND INOP INSTL-P18 PNL (PLACARDS AND MARKINGS ONLY) | 201967 | |
| - 1 | 233A5521-2 | | CIRCUIT BREAKER INSTL-P18-1 (PLACARDS AND MARKINGS ONLY) FOR NHA/OTHER SYS DET SEE: 24-50-00-11B | 201967 | RF |
| | 5 BAC27DCC2734 | | .DECAL | 201967 | 1 |
| | 10 BAC27DCC2736 | | .DECAL | 201967 | 1 |
| | 15 BAC27DCC2738 | | .DECAL | 201967 | 1 |
| | 20 BAC27DCC2739 | | .DECAL | 201967 | 1 |
| - 30 | 233A5521-402975 | | MARKER INSTL-P18-1 ROW A FOR NHA SEE: 11-31-00-04B | 201967 | RF |
| | 35 BAC27DCC2975 | | .DECAL | 201967 | 1 |
| - 100 | 233A5522-402741 | | MARKER INSTL-P18-2 ROW A FOR NHA SEE: 11-31-00-04B | 201967 | RF |
| | 105 BAC27DCC2741 | | .DECAL | 201967 | 1 |
| | 107 BAC27DCC2741 | | .DECAL- POST SERVICE BULLETIN: 24-1161 | 201967 | 1 |
| - 110 | 233A5522-402832 | | MARKER INSTL-P18-2 ROW B FOR NHA SEE: 11-31-00-04B | 201967 | RF |
| | 115 BAC27DCC2832 | | .DECAL | 201967 | 1 |
| | 117 BAC27DCC2832 | | .DECAL- POST SERVICE BULLETIN: 24-1161 | 201967 | 1 |
| - 120 | 233A5522-403027 | | MARKER INSTL-P18-2 ROW C FOR NHA SEE: 11-31-00-04B | 201967 | RF |
| | 125 BAC27DCC3027 | | .DECAL- | 201967 | 1 |
| | 127 BAC27DCC3027 | | .DECAL- POST SERVICE BULLETIN: 24-1161 | 201967 | 1 |
| - 140 | 233A5522-402829 | | MARKER INSTL-P18-2 ROW D FOR NHA SEE: 11-31-00-04B | 201967 | RF |
| | 145 BAC27DCC2829 | | .DECAL- | 201967 | 1 |
| | 146 BAC27DCC2829 | | .DECAL- POST SERVICE BULLETIN: 24-1161 | 201967 | 1 |
| - 150 | 233A5522-402828 | | MARKER INSTL-P18-2 ROW E FOR NHA SEE: 11-31-00-04B | 201967 | RF |
| | 155 BAC27DCC2828 | | .DECAL | 201967 | 1 |

MISSING ITEM NUMBERS NOT APPLICABLE

- ITEM NOT ILLUSTRATED

HAP

11-31-51-07E

11-31-51
FIG. 07E
PAGE 1
OCT 15/08

 **BOEING**
737-600/700/800/900
PARTS CATALOG (MAINTENANCE)

| FIG ITEM | PART NUMBER | 1 2 3 4 5 6 7 | NOMENCLATURE | EFFECT FROM TO | UNITS PER ASSY |
|-----------|-----------------|---------------|--|----------------|----------------|
| 7E 157 | BAC27DCC2828 | | .DECAL- POST SERVICE BULLETIN: 24-1161 | 201967 | 1 |
| - 200 | 233A5523-402758 | | MARKER INSTL-P18-3 ROW A FOR NHA SEE: 11-31-00-04B | 201967 | RF |
| 205 | BAC27DCC2758 | | .DECAL | 201967 | 1 |
| 207 | BAC27DCC3428 | | .DECAL- POST SERVICE BULLETIN: 24-1161 | 201967 | 1 |
| - 210 | 233A5523-403012 | | MARKER INSTL-P18-3 ROW B FOR NHA SEE: 11-31-00-04B | 201967 | RF |
| 220 | BAC27DCC3012 | | .MARKER | 201967 | 1 |
| 225 | BAC27DCC3012 | | .MARKER- POST SERVICE BULLETIN: 24-1161 | 201967 | 1 |
| - 230 | 233A5523-403010 | | MARKER INSTL-P18-3 ROW C FOR NHA SEE: 11-31-00-04B | 201967 | RF |
| 235 | BAC27DCC3010 | | .MARKER | 201967 | 1 |
| 237 | BAC27DCC3010 | | .MARKER- POST SERVICE BULLETIN: 24-1161 | 201967 | 1 |
| - 240 | 233A5523-402952 | | MARKER INSTL-P18-3 ROW D FOR NHA SEE: 11-31-00-04B | 201967 | RF |
| 245 | BAC27DCC2952 | | .DECAL | 201967 | 1 |
| 247 | BAC27DCC2952 | | .DECAL- POST SERVICE BULLETIN: 24-1161 | 201967 | 1 |
| - 250 | 233A5523-403019 | | MARKER INSTL-P18-3 ROW E FOR NHA SEE: 11-31-00-04B | 201967 | RF |
| 255 | BAC27DCC3019 | | .DECAL | 201967 | 1 |
| 257 | BAC27DCC3019 | | .DECAL- POST SERVICE BULLETIN: 24-1161 | 201967 | 1 |
| - 260 | 233A5523-403022 | | MARKER INSTL-P18-3 ROW F FOR NHA SEE: 11-31-00-04B | 201967 | RF |
| 265 | BAC27DCC3022 | | .MARKER | 201967 | 1 |
| 267 | BAC27DCC3022 | | .MARKER- POST SERVICE BULLETIN: 24-1161 | 201967 | 1 |

MISSING ITEM NUMBERS NOT APPLICABLE

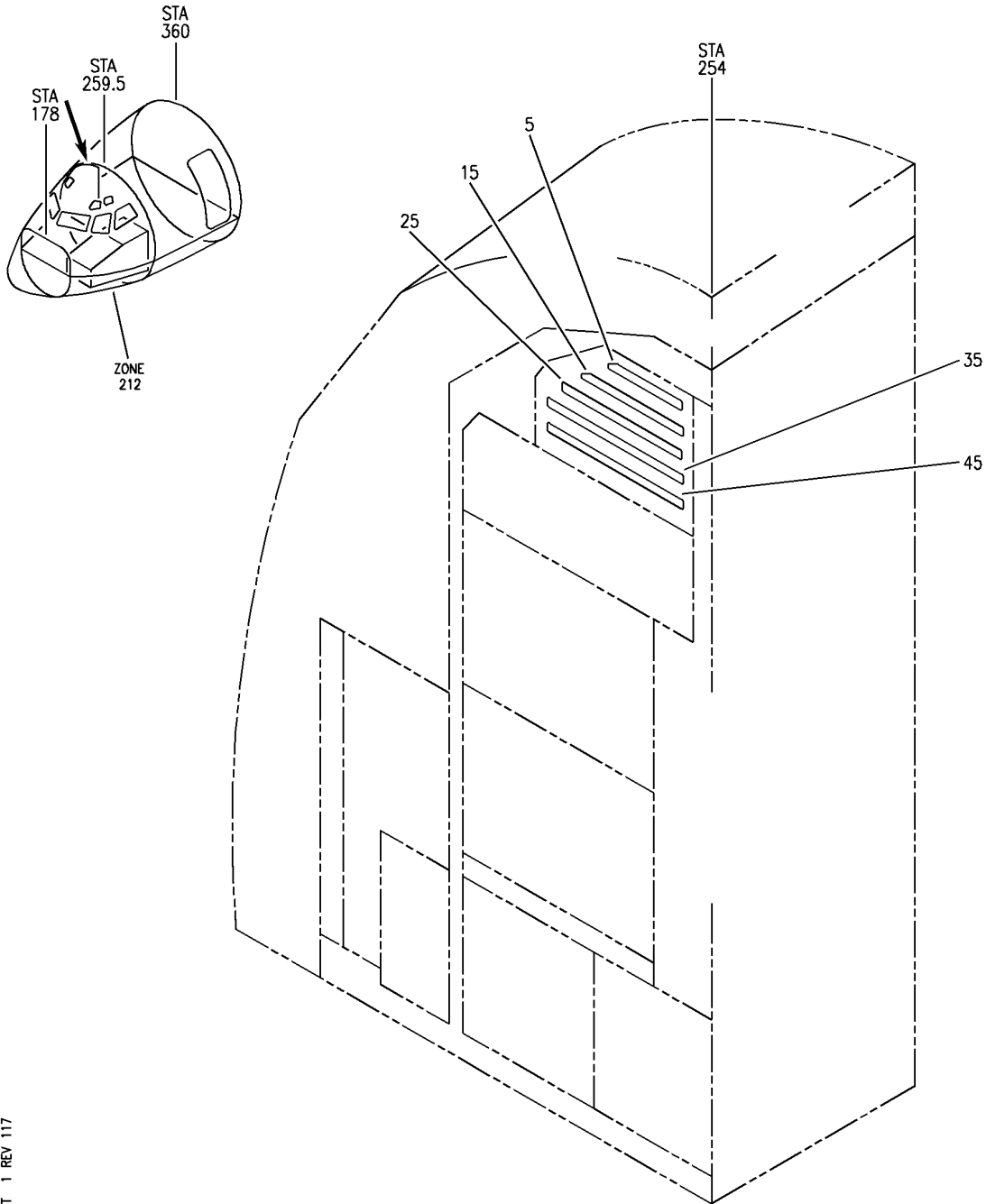
- ITEM NOT ILLUSTRATED

HAP

11-31-51-07E

11-31-51
FIG. 07E
PAGE 2
OCT 15/08

BOEING
737-600/700/800/900
PARTS CATALOG (MAINTENANCE)



E 11315114B SHT 1 REV 117

For Details See Subsequent Pages

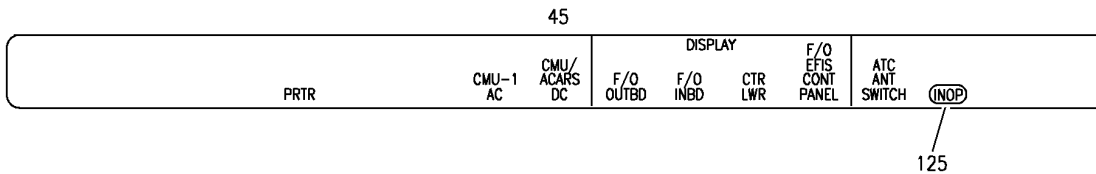
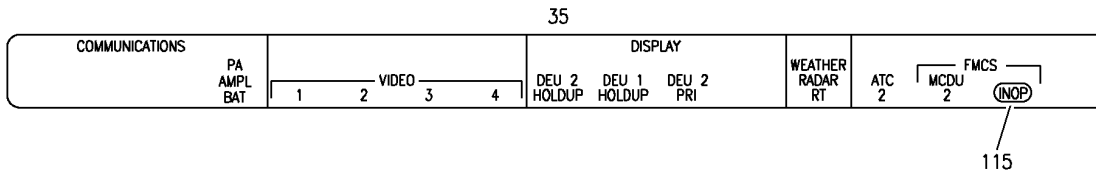
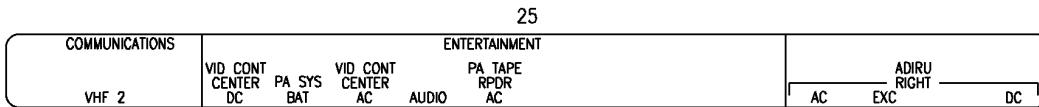
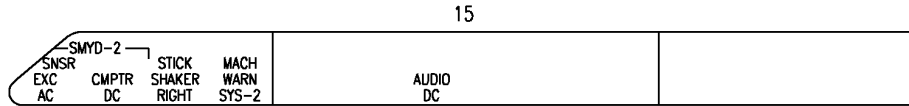
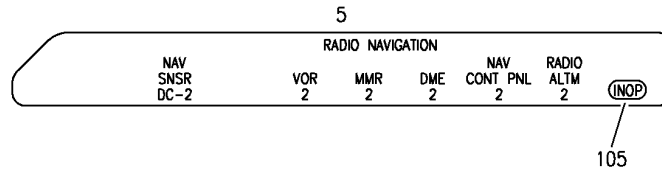
MARKER AND INOP INSTL-P6-1 PNL (PLACARDS AND MARKINGS ONLY)
FIGURE 14B (SHEET 1)

11-31-51-14B

HAP
OCT 10/06

11-31-51-14B
PAGE 0


BOEING
 737-600/700/800/900
PARTS CATALOG (MAINTENANCE)



E 11315114B SHT 2 REV 117

MARKER AND INOP INSTL-P6-1 PNL (PLACARDS AND MARKINGS ONLY)
 FIGURE 14B (SHEET 2)

11-31-51-14B

HAP
OCT 10/06

11-31-51-14B
PAGE 0A

BOEING
737-600/700/800/900
PARTS CATALOG (MAINTENANCE)

| FIG ITEM | PART NUMBER | 1 2 3 4 5 6 7 | NOMENCLATURE | EFFECT FROM TO | UNITS PER ASSY |
|----------|--------------|---------------|---|----------------|----------------|
| 14B | | | MARKER AND INOP INSTL-P6-1 PNL (PLACARDS AND MARKINGS ONLY) | 031036 | |
| - 1 | MODREF82620 | | MARKER INSTL-P6-1 ROW A MODULE NUMBER: 233A5221-402898 REV A | 031036 | 1 |
| 5 | BAC27DCC2898 | | .MARKER | 031036 | 1 |
| - 10 | MODREF82638 | | MARKER INSTL-P6-1 ROW B MODULE NUMBER: 233A5221-403156 REV A | 031036 | 1 |
| 15 | BAC27DCC3156 | | .MARKER | 031036 | 1 |
| - 20 | MODREF82639 | | MARKER INSTL-P6-1 ROW C MODULE NUMBER: 233A5221-403157 REV A | 031036 | 1 |
| 25 | BAC27DCC3157 | | .MARKER | 031036 | 1 |
| - 30 | MODREF82610 | | MARKER INSTL-P6-1 ROW D MODULE NUMBER: 233A5221-402821 REV A | 031036 | 1 |
| 35 | BAC27DCC2821 | | .MARKER | 031036 | 1 |
| - 40 | MODREF82659 | | MARKER INSTL-P6-1 ROW E MODULE NUMBER: 233A5221-403253 REV A | 031036 | 1 |
| 45 | BAC27DCC3253 | | .MARKER | 031036 | 1 |
| - 100 | MODREF82664 | | INOP INSTL-P6-1/A17 (PLACARDS AND MARKINGS ONLY) MODULE NUMBER: 233A5221-501117 REV A FOR OTHER SYS DETAILS SEE: 24-50-51-14B | 031036 | 1 |
| 105 | BAC27DCC3073 | | .MARKER- PLACARD CONTENT: INOP | 031036 | 1 |
| - 110 | MODREF82682 | | INOP INSTL-P6-1/D16 (PLACARDS AND MARKINGS ONLY) MODULE NUMBER: 233A5221-501416 REV A FOR OTHER SYS DETAILS SEE: 24-50-51-14B | 031036 | 1 |
| 115 | BAC27DCC3073 | | .MARKER- PLACARD CONTENT: INOP | 031036 | 1 |

MISSING ITEM NUMBERS NOT APPLICABLE

- ITEM NOT ILLUSTRATED

HAP

11-31-51-14B

BOEING PROPRIETARY - Copyright © - Unpublished Work - See title page for details.

11-31-51
FIG. 14B
PAGE 1
OCT 10/06


BOEING
 737-600/700/800/900
PARTS CATALOG (MAINTENANCE)

| FIG ITEM | PART NUMBER | 1 2 3 4 5 6 7 | NOMENCLATURE | EFFECT FROM TO | UNITS PER ASSY |
|--------------|--------------|---------------|---|-------------------|----------------------|
| 14B - 120 | MODREF82690 | | INOP INSTL-P6-1/E15 (PLACARDS AND MARKINGS ONLY) MODULE NUMBER: 233A5221-501515 REV A FOR OTHER SYS DETAILS SEE: 24-50-51-14B | 031036 | 1 |
| 125 | BAC27DCC3073 | | .MARKER- PLACARD CONTENT: INOP | 031036 | 1 |

MISSING ITEM NUMBERS NOT APPLICABLE

- ITEM NOT ILLUSTRATED

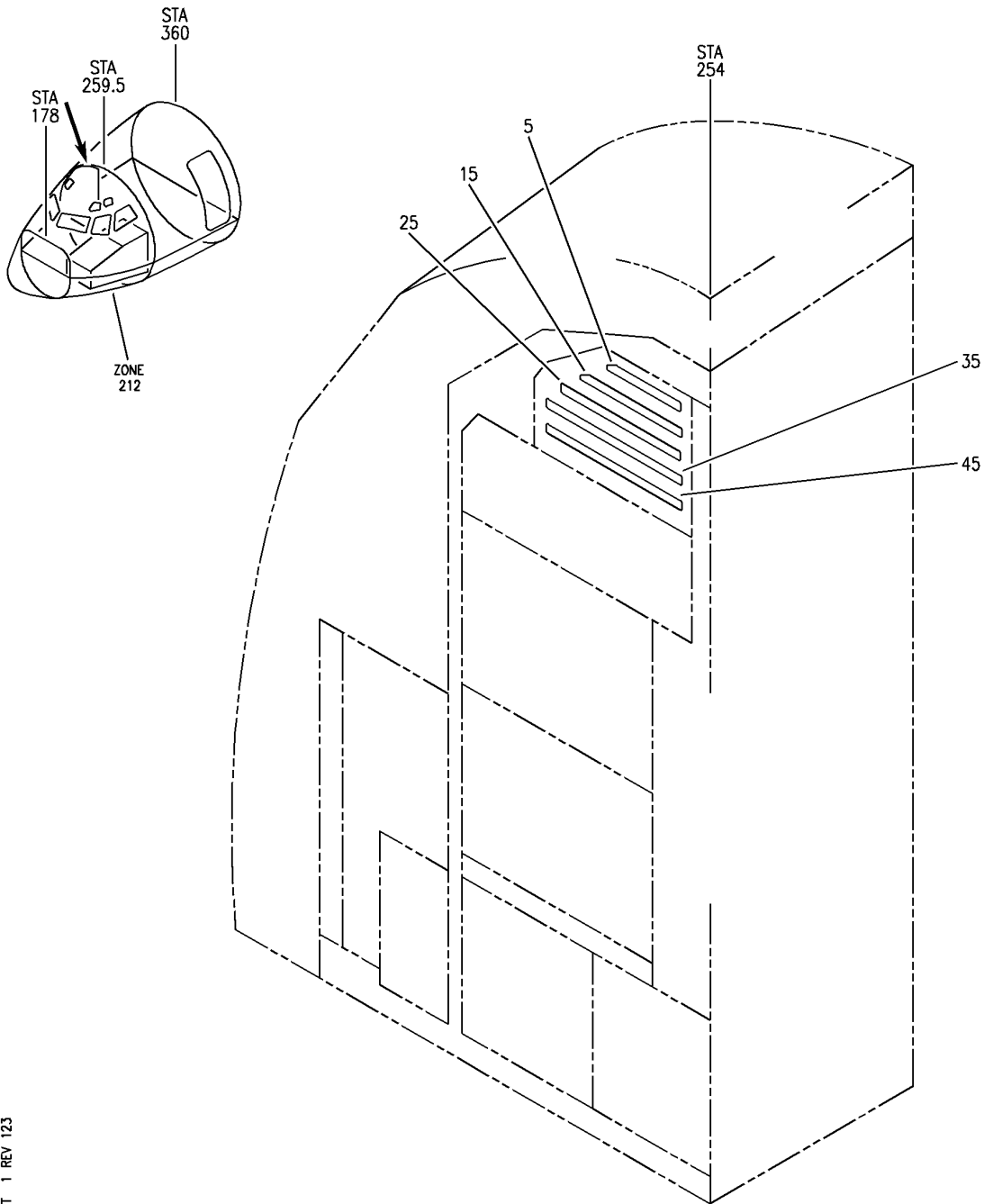
HAP

11-31-51-14B

BOEING PROPRIETARY - Copyright © - Unpublished Work - See title page for details.

11-31-51
 FIG. 14B
 PAGE 2
 OCT 10/06

BOEING
737-600/700/800/900
PARTS CATALOG (MAINTENANCE)



E 11315130C SHT 1 REV 123

For Details See Subsequent Pages

MARKER AND INOP INSTL-P6-1 PNL (PLACARDS AND MARKINGS ONLY)
FIGURE 30C (SHEET 1)

HAP
JUN 10/07

11-31-51-30C

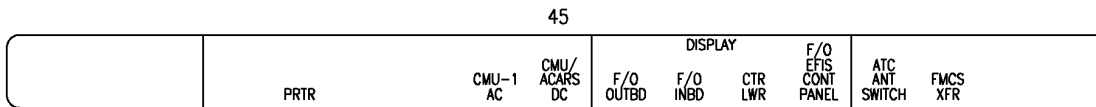
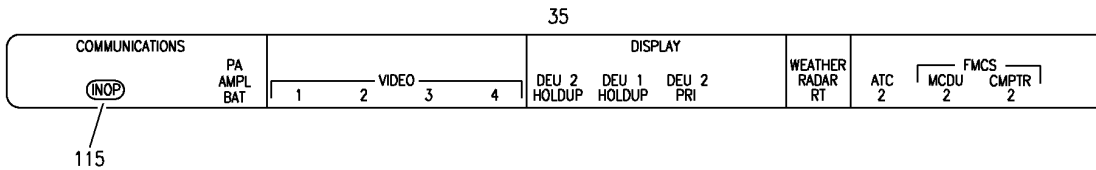
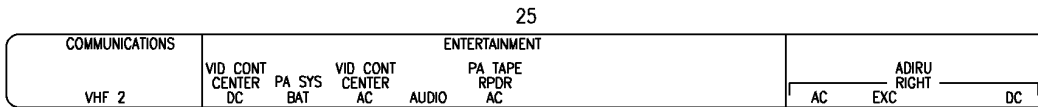
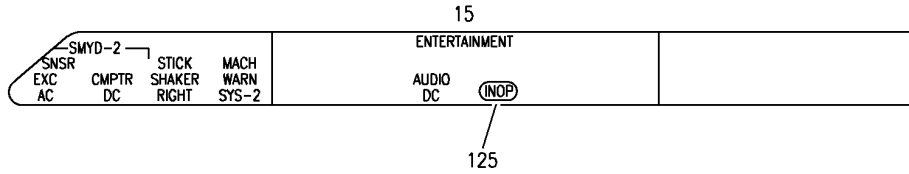
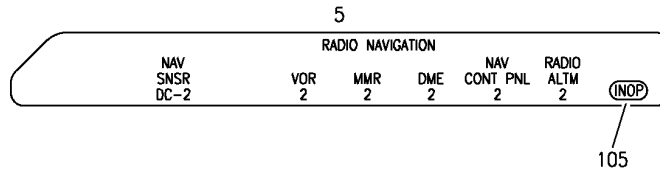
11-31-51-30C
PAGE 0

BOEING PROPRIETARY - Copyright © - Unpublished Work - See title page for details.



737-600/700/800/900

PARTS CATALOG (MAINTENANCE)



E 11315130C SHT 2 REV 124

MARKER AND INOP INSTL-P6-1 PNL (PLACARDS AND MARKINGS ONLY)
FIGURE 30C (SHEET 2)

11-31-51-30C

HAP
JUN 10/07

11-31-51-30C
PAGE 0A

BOEING PROPRIETARY - Copyright © - Unpublished Work - See title page for details.

BOEING
737-600/700/800/900
PARTS CATALOG (MAINTENANCE)

| FIG ITEM | PART NUMBER | 1 2 3 4 5 6 7 | NOMENCLATURE | EFFECT FROM TO | UNITS PER ASSY |
|----------|--------------|---------------|--|----------------|----------------|
| 30C | | | MARKER AND INOP INSTL-P6-1 PNL (PLACARDS AND MARKINGS ONLY) | 968969 | |
| - 1 | MODREF82620 | | MARKER INSTL-P6-1/ROW A MODULE NUMBER: 233A5221-402898 REV A | 968969 | 1 |
| 5 | BAC27DCC2898 | | .MARKER | 968969 | 1 |
| - 10 | MODREF262664 | | MARKER INSTL-P6-1/ROW B MODULE NUMBER: 233A5221-403458 REV A | 968969 | 1 |
| 15 | BAC27DCC3458 | | .MARKER | 968969 | 1 |
| - 20 | MODREF82639 | | MARKER INSTL-P6-1/ROW C MODULE NUMBER: 233A5221-403157 REV A | 968969 | 1 |
| 25 | BAC27DCC3157 | | .MARKER | 968969 | 1 |
| - 30 | MODREF82617 | | MARKER INSTL-P6-1/ROW D MODULE NUMBER: 233A5221-402887 REV A | 968969 | 1 |
| 35 | BAC27DCC2887 | | .MARKER | 968969 | 1 |
| - 40 | MODREF82659 | | MARKER INSTL-P6-1/ROW E MODULE NUMBER: 233A5221-403253 REV A | 968969 | 1 |
| 45 | BAC27DCC3253 | | .MARKER | 968969 | 1 |
| - 100 | MODREF82664 | | INOP INSTL-P6-1/A17 (PLACARDS AND MARKINGS ONLY) MODULE NUMBER: 233A5221-501117 REV A FOR OTHER SYS DETAILS SEE: 24-50-51-30C | 968969 | 1 |
| 105 | BAC27DCC3073 | | .MARKER- PLACARD CONTENT: INOP | 968969 | 1 |
| - 110 | MODREF82677 | | INOP INSTL-P6-1/D2 (PLACARDS AND MARKINGS ONLY) MODULE NUMBER: 233A5221-501402 REV A FOR OTHER SYS DETAILS SEE: 24-50-51-30C | 968969 | 1 |
| 115 | BAC27DCC3073 | | .MARKER- PLACARD CONTENT: INOP | 968969 | 1 |

MISSING ITEM NUMBERS NOT APPLICABLE

- ITEM NOT ILLUSTRATED

HAP

11-31-51-30C

BOEING PROPRIETARY - Copyright © - Unpublished Work - See title page for details.

11-31-51
FIG. 30C
PAGE 1
JUN 10/07


BOEING
 737-600/700/800/900
PARTS CATALOG (MAINTENANCE)

| FIG ITEM | PART NUMBER | 1 2 3 4 5 6 7 | NOMENCLATURE | EFFECT FROM TO | UNITS PER ASSY |
|--------------|--------------|---------------|---|-------------------|----------------------|
| 30C - 120 | MODREF262665 | | INOP INSTL-P6-1/B11 (PLACARDS AND MARKINGS ONLY) MODULE NUMBER: 233A5221-501211 REV A FOR OTHER SYS DETAILS SEE: 24-50-51-30C | 968969 | 1 |
| 125 | BAC27DCC3073 | | .MARKER- PLACARD CONTENT: INOP | 968969 | 1 |

MISSING ITEM NUMBERS NOT APPLICABLE

- ITEM NOT ILLUSTRATED

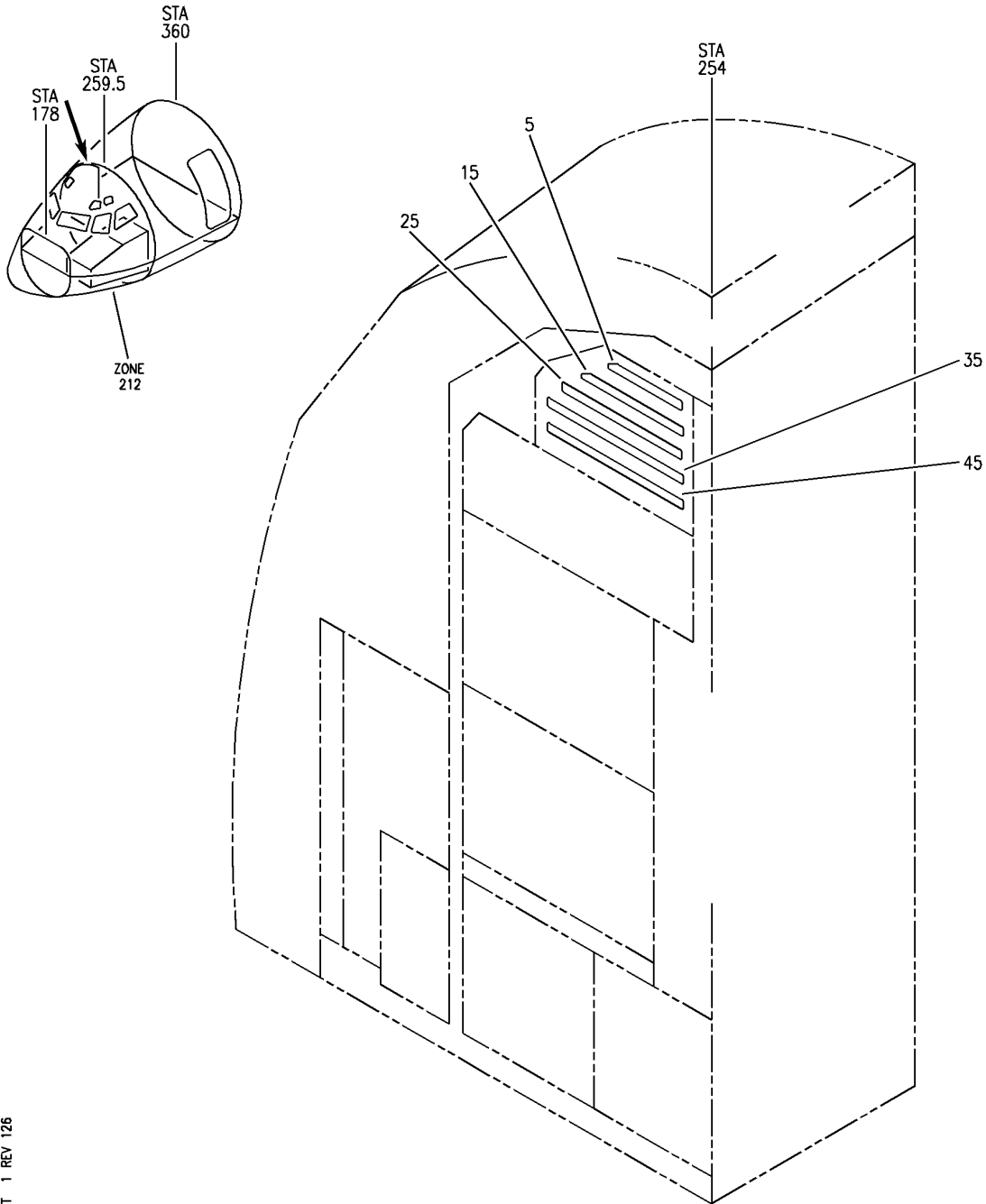
HAP

11-31-51-30C

BOEING PROPRIETARY - Copyright © - Unpublished Work - See title page for details.

11-31-51
 FIG. 30C
 PAGE 2
 JUN 10/07

BOEING
737-600/700/800/900
PARTS CATALOG (MAINTENANCE)



E 113151300 SHT 1 REV 126

For Details See Subsequent Pages

MARKER AND INOP INSTL-P6-1 PNL (PLACARDS AND MARKINGS ONLY)
FIGURE 30D (SHEET 1)

HAP
FEB 10/07

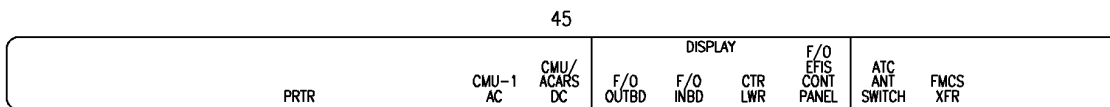
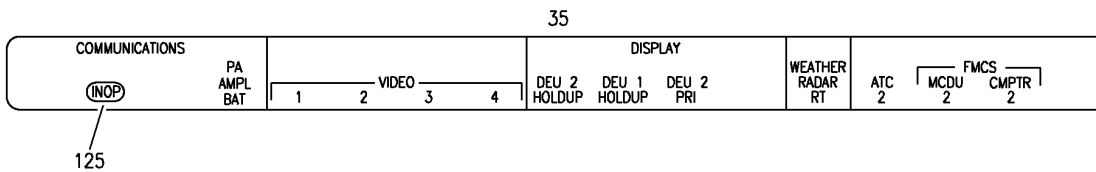
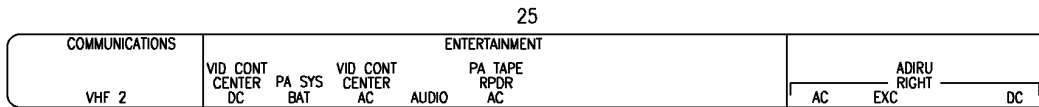
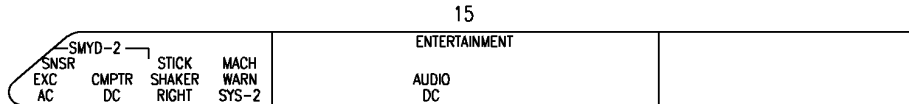
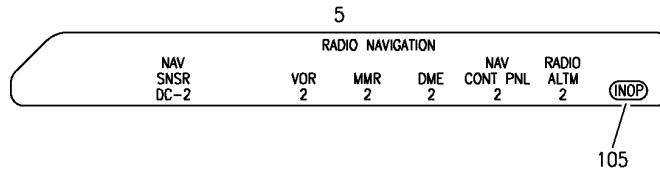
11-31-51-30D

11-31-51-30D
PAGE 0



737-600/700/800/900

PARTS CATALOG (MAINTENANCE)



E 113151300 SHT 2 REV 130

MARKER AND INOP INSTL-P6-1 PNL (PLACARDS AND MARKINGS ONLY)
 FIGURE 30D (SHEET 2)

11-31-51-30D

HAP
JUN 10/07

11-31-51-30D
PAGE 0A

BOEING
737-600/700/800/900
PARTS CATALOG (MAINTENANCE)

| FIG ITEM | PART NUMBER | 1 2 3 4 5 6 7 | NOMENCLATURE | EFFECT FROM TO | UNITS PER ASSY |
|----------|------------------|---------------|--|------------------|----------------|
| 30D | | | MARKER AND INOP INSTL-P6-1 PNL (PLACARDS AND MARKINGS ONLY) | 101101 970971 | |
| - 1 | MODREF82620 | | MARKER INSTL-P6-1/ROW A MODULE NUMBER: 233A5221-402898 REV A | 101101 970971 | 1 |
| | 5 BAC27DCC2898 | | .MARKER | 101101 970971 | 1 |
| - 10 | MODREF82638 | | MARKER INSTL-P6-1/ROW B MODULE NUMBER: 233A5221-403156 REV A | 101101 970971 | 1 |
| | 15 BAC27DCC3156 | | .MARKER | 101101 970971 | 1 |
| - 20 | MODREF82639 | | MARKER INSTL-P6-1/ROW C MODULE NUMBER: 233A5221-403157 REV A | 101101 970971 | 1 |
| | 25 BAC27DCC3157 | | .MARKER | 101101 970971 | 1 |
| - 30 | MODREF82617 | | MARKER INSTL-P6-1/ROW D MODULE NUMBER: 233A5221-402887 REV A | 101101 970971 | 1 |
| | 35 BAC27DCC2887 | | .MARKER | 101101 970971 | 1 |
| - 40 | MODREF82659 | | MARKER INSTL-P6-1/ROW E MODULE NUMBER: 233A5221-403253 REV A | 101101 970971 | 1 |
| | 45 BAC27DCC3253 | | .MARKER | 101101 970971 | 1 |
| - 100 | MODREF82664 | | INOP INSTL-P6-1/A17 (PLACARDS AND MARKINGS ONLY) MODULE NUMBER: 233A5221-501117 REV A FOR OTHER SYS DETAILS SEE: 24-50-51-30D | 101101 970971 | 1 |
| | 105 BAC27DCC3073 | | .MARKER- PLACARD CONTENT: INOP | 101101 970971 | 1 |
| - 120 | MODREF82677 | | INOP INSTL-P6-1/D2 (PLACARDS AND MARKINGS ONLY) MODULE NUMBER: 233A5221-501402 REV A FOR OTHER SYS DETAILS SEE: 24-50-51-30D | 101101 970971 | 1 |
| | 125 BAC27DCC3073 | | .MARKER- PLACARD CONTENT: INOP | 101101 970971 | 1 |

MISSING ITEM NUMBERS NOT APPLICABLE

- ITEM NOT ILLUSTRATED

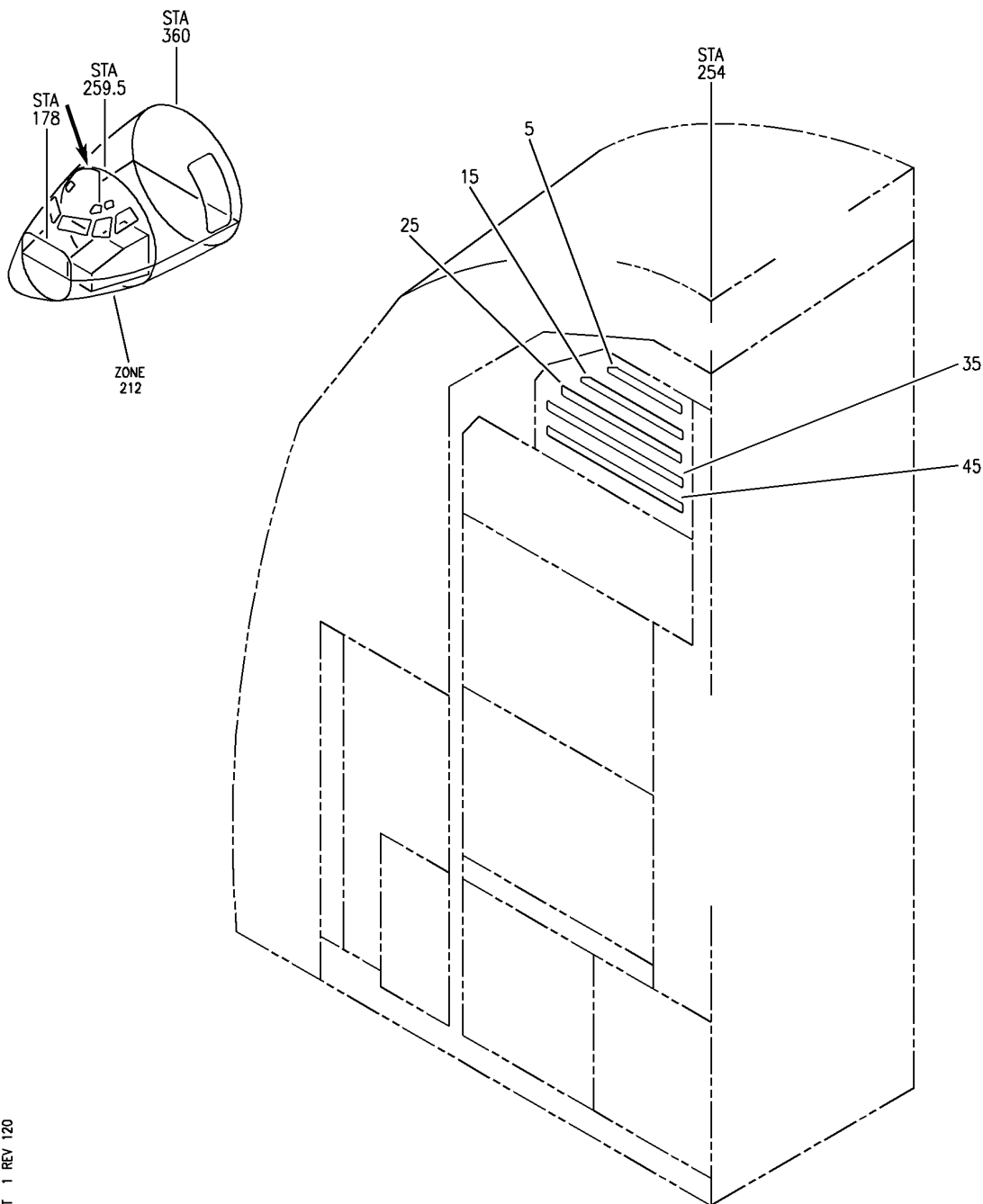
HAP

11-31-51-30D

BOEING PROPRIETARY - Copyright © - Unpublished Work - See title page for details.

11-31-51
FIG. 30D
PAGE 1
FEB 15/09

BOEING
737-600/700/800/900
PARTS CATALOG (MAINTENANCE)



For Details See Subsequent Pages

E 11315136 SH1 1 REV 120

MARKER AND INOP INSTL-P6-1 PNL (PLACARDS AND MARKINGS ONLY)
FIGURE 36 (SHEET 1)

11-31-51-36

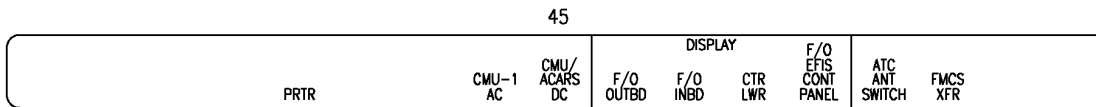
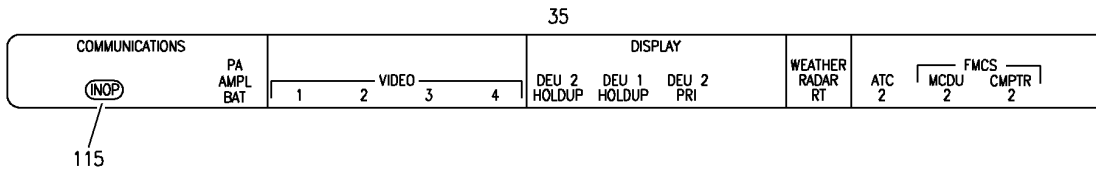
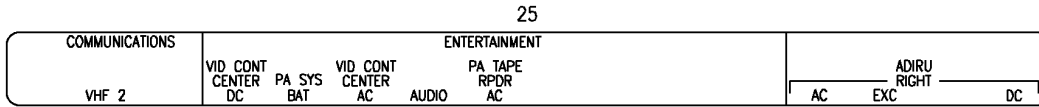
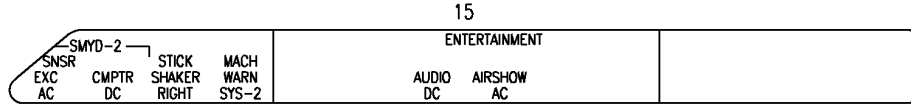
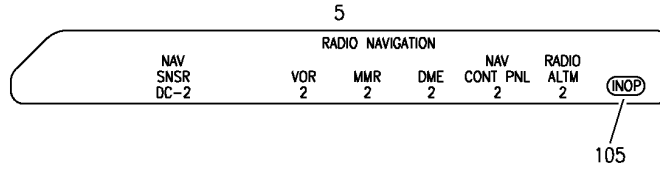
HAP
OCT 10/06

11-31-51-36
PAGE 0



737-600/700/800/900

PARTS CATALOG (MAINTENANCE)



E 11315136 SH1 2 REV 126

MARKER AND INOP INSTL-P6-1 PNL (PLACARDS AND MARKINGS ONLY)
 FIGURE 36 (SHEET 2)

11-31-51-36

HAP
FEB 10/07

11-31-51-36
PAGE 0A

BOEING
737-600/700/800/900
PARTS CATALOG (MAINTENANCE)

| FIG ITEM | PART NUMBER | 1 2 3 4 5 6 7 | NOMENCLATURE | EFFECT FROM TO | UNITS PER ASSY |
|--------------------------------------|------------------|---------------|--|------------------|----------------|
| 36 | | | MARKER AND INOP INSTL- P6-1 PNL (PLACARDS AND MARKINGS ONLY) | 038038 048048 | |
| - 1 | MODREF82620 | | MARKER INSTL-P6-1/ROW A MODULE NUMBER: 233A5221-402898 REV A | 038038 048048 | 1 |
| | 5 BAC27DCC2898 | | .MARKER | 038038 048048 | 1 |
| - 10 | MODREF262664 | | MARKER INSTL-P6-1/ROW B MODULE NUMBER: 233A5221-403458 REV A | 038038 048048 | 1 |
| | 15 BAC27DCC3458 | | .MARKER | 038038 048048 | 1 |
| - 20 | MODREF82639 | | MARKER INSTL-P6-1/ROW C MODULE NUMBER: 233A5221-403157 REV A | 038038 048048 | 1 |
| | 25 BAC27DCC3157 | | .MARKER | 038038 048048 | 1 |
| - 30 | MODREF82617 | | MARKER INSTL-P6-1/ROW D MODULE NUMBER: 233A5221-402887 REV A | 038038 048048 | 1 |
| | 35 BAC27DCC2887 | | .MARKER | 038038 048048 | 1 |
| - 40 | MODREF82659 | | MARKER INSTL-P6-1/ROW E MODULE NUMBER: 233A5221-403253 REV A | 038038 048048 | 1 |
| | 45 BAC27DCC3253 | | .MARKER | 038038 048048 | 1 |
| - 100 | MODREF82664 | | INOP INSTL-P6-1/A17 (PLACARDS AND MARKINGS ONLY) MODULE NUMBER: 233A5221-501117 REV A FOR OTHER SYS DETAILS SEE: 24-50-51-36 | 038038 048048 | 1 |
| | 105 BAC27DCC3073 | | .MARKER- PLACARD CONTENT: INOP | 038038 048048 | 1 |
| R R R R R R R R | - 110 | MODREF82677 | INOP INSTL-P6-1/D2 (PLACARDS AND MARKINGS ONLY) MODULE NUMBER: 233A5221-501402 REV A POST RAPID REVISION: RR97237-21B FOR OTHER SYS DETAILS SEE: 24-50-51-36 | 038038 048048 | 1 |

MISSING ITEM NUMBERS NOT APPLICABLE

- ITEM NOT ILLUSTRATED

HAP

11-31-51-36

11-31-51
FIG. 36
PAGE 1
JUN 15/09

BOEING
737-600/700/800/900
PARTS CATALOG (MAINTENANCE)

| FIG ITEM | PART NUMBER | 1 2 3 4 5 6 7 | NOMENCLATURE | EFFECT FROM TO | UNITS PER ASSY |
|-------------|--------------|---------------|--|-------------------|----------------------|
| 36 115 | BAC27DCC3073 | | . MARKER- PLACARD CONTENT: INOP POST RAPID REVISION: RR97237-21B | 038038 048048 | 1 |

R
R
R
R
R

MISSING ITEM NUMBERS NOT APPLICABLE

- ITEM NOT ILLUSTRATED

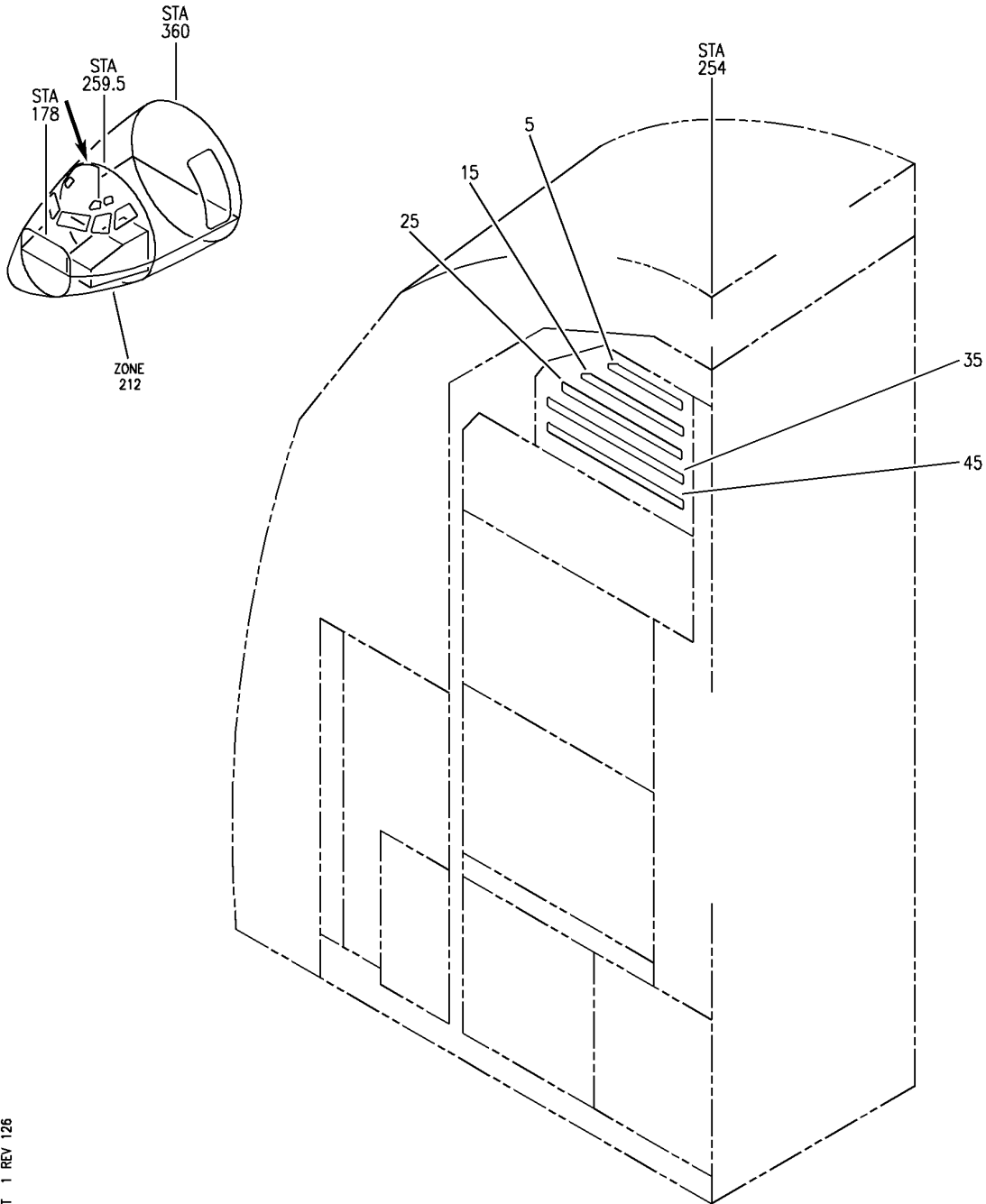
HAP

11-31-51-36

BOEING PROPRIETARY - Copyright © - Unpublished Work - See title page for details.

11-31-51
FIG. 36
PAGE 2
JUN 15/09

BOEING
737-600/700/800/900
PARTS CATALOG (MAINTENANCE)



E 11315136A SHT 1 REV 126

For Details See Subsequent Pages

MARKER AND INOP INSTL-P6-1 PNL (PLACARDS AND MARKINGS ONLY)
FIGURE 36A (SHEET 1)

HAP
FEB 10/07

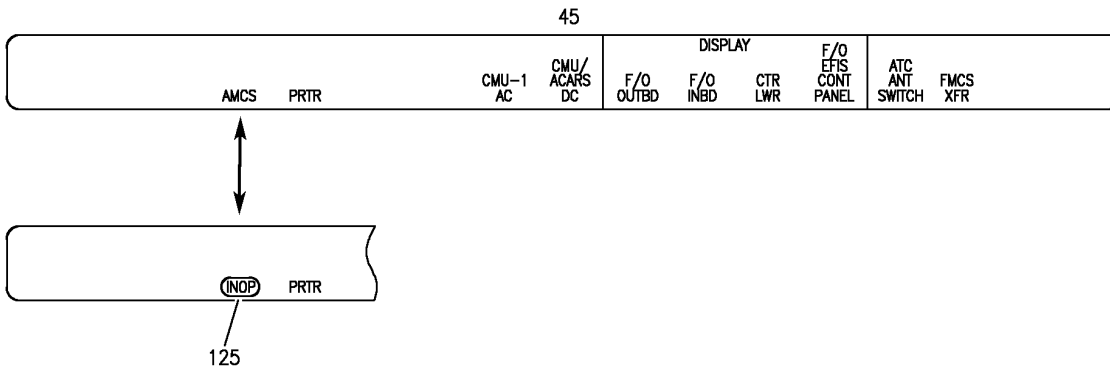
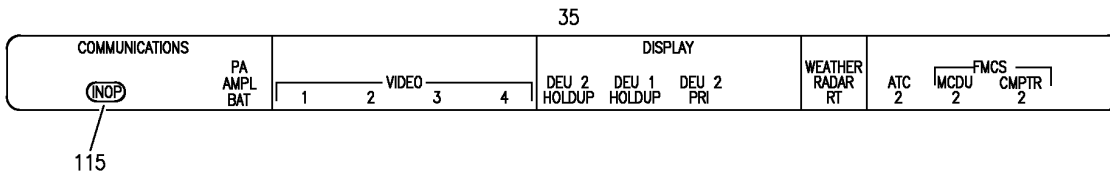
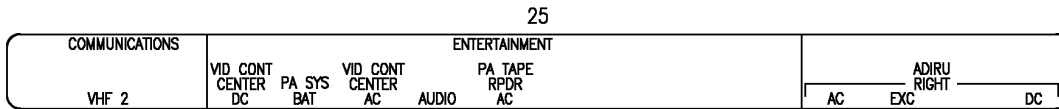
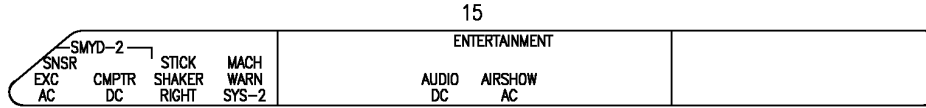
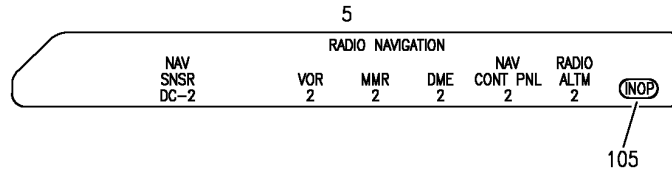
11-31-51-36A

11-31-51-36A
PAGE 0



737-600/700/800/900

PARTS CATALOG (MAINTENANCE)



E 11315136A SHT 2 REV 154

MARKER AND INOP INSTL-P6-1 PNL (PLACARDS AND MARKINGS ONLY)
FIGURE 36A (SHEET 2)

11-31-51-36A

HAP
JUN 15/09

11-31-51-36A
PAGE 0A

BOEING
737-600/700/800/900
PARTS CATALOG (MAINTENANCE)

| FIG ITEM | PART NUMBER | 1 2 3 4 5 6 7 | NOMENCLATURE | EFFECT FROM TO | UNITS PER ASSY |
|----------|--------------|---------------|---|----------------------------|----------------|
| 36A | | | MARKER AND INOP INSTL- P6-1 PNL (PLACARDS AND MARKINGS ONLY) | 043043 104200 972999 | |
| - 1 | MODREF82620 | | MARKER INSTL-P6-1/ROW A MODULE NUMBER: 233A5221-402898 REV A | 043043 104200 972999 | 1 |
| 5 | BAC27DCC2898 | | .MARKER | 043043 104200 972999 | 1 |
| - 10 | MODREF262664 | | MARKER INSTL-P6-1/ROW B MODULE NUMBER: 233A5221-403458 REV A | 043043 104200 972999 | 1 |
| 15 | BAC27DCC3458 | | .MARKER | 043043 104200 972999 | 1 |
| - 20 | MODREF82639 | | MARKER INSTL-P6-1/ROW C MODULE NUMBER: 233A5221-403157 REV A | 043043 104200 972999 | 1 |
| 25 | BAC27DCC3157 | | .MARKER | 043043 104200 972999 | 1 |
| - 30 | MODREF82617 | | MARKER INSTL-P6-1/ROW D MODULE NUMBER: 233A5221-402887 REV A | 043043 104200 972999 | 1 |
| 35 | BAC27DCC2887 | | .MARKER | 043043 104200 972999 | 1 |
| - 40 | MODREF328447 | | MARKER INSTL-P6-1/ROW E MODULE NUMBER: 233A5221-403596 REV A | 043043 104200 972999 | 1 |
| 45 | BAC27DCC3596 | | .MARKER | 043043 104200 972999 | 1 |
| - 100 | MODREF82664 | | INOP INSTL-P6-1/A17 (PLACARDS AND MARKINGS ONLY) MODULE NUMBER: 233A5221-501117 REV A FOR OTHER SYS DETAILS SEE: 24-50-51-36A | 043043 104200 972999 | 1 |
| 105 | BAC27DCC3073 | | .MARKER- PLACARD CONTENT: INOP | 043043 104200 972999 | 1 |

MISSING ITEM NUMBERS NOT APPLICABLE

- ITEM NOT ILLUSTRATED

HAP

11-31-51-36A

BOEING PROPRIETARY - Copyright © - Unpublished Work - See title page for details.

11-31-51
FIG. 36A
PAGE 1
OCT 15/08


BOEING
 737-600/700/800/900
PARTS CATALOG (MAINTENANCE)

| FIG ITEM | PART NUMBER | 1 2 3 4 5 6 7 | NOMENCLATURE | EFFECT FROM TO | UNITS PER ASSY |
|---|-------------------|---------------|---|----------------------------|----------------------|
| 36A - 110 | MODREF82677 | | INOP INSTL-P6-1/D2 (PLACARDS AND MARKINGS ONLY) MODULE NUMBER: 233A5221-501402 REV A FOR OTHER SYS DETAILS SEE: 24-50-51-36A | 043043 104200 972999 | 1 |
| | 115 BAC27DCC3073 | | .MARKER- PLACARD CONTENT: INOP | 043043 104200 972999 | 1 |
| R R R R R R R R R R R | - 120 MODREF82684 | | INOP INSTL-P6-1/E4 (PLACARDS AND MARKINGS ONLY) MODULE NUMBER: 233A5221-501504 REV A POST RAPID REVISION: RR97237-38B FOR OTHER SYS DETAILS SEE: 24-50-51-36A | 107200 | 1 |
| | 125 BAC27DCC3073 | | .MARKER- PLACARD CONTENT: INOP POST RAPID REVISION: RR97237-38B | 107200 | 1 |

MISSING ITEM NUMBERS NOT APPLICABLE

- ITEM NOT ILLUSTRATED

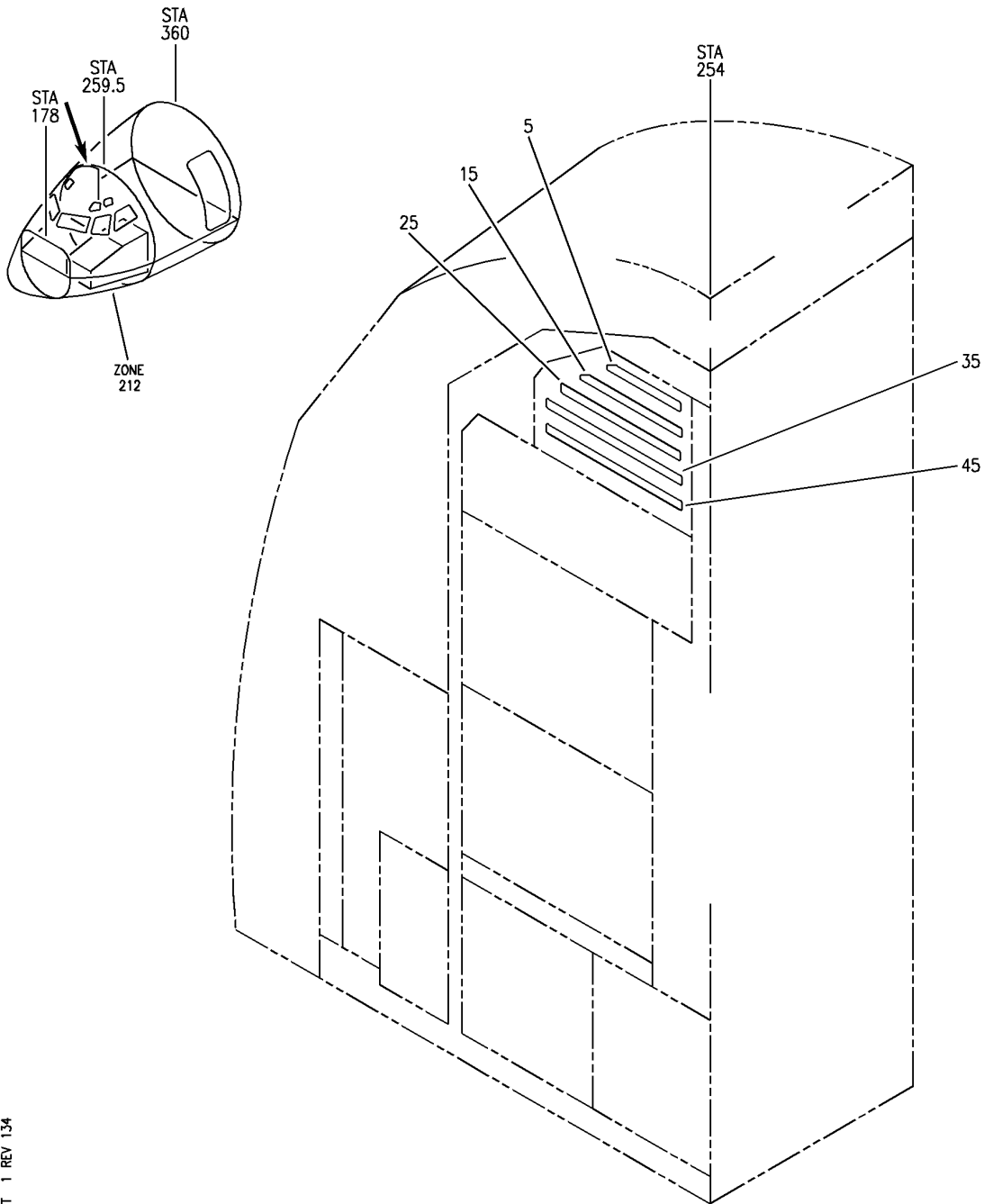
HAP

11-31-51-36A

BOEING PROPRIETARY - Copyright © - Unpublished Work - See title page for details.

11-31-51
 FIG. 36A
 PAGE 2
 JUN 15/09

BOEING
737-600/700/800/900
PARTS CATALOG (MAINTENANCE)



E 11315136B SHT 1 REV 134

For Details See Subsequent Pages

MARKER AND INOP INSTL-P6-1 PNL (PLACARDS AND MARKINGS ONLY)
FIGURE 36B (SHEET 1)

HAP
OCT 10/07

11-31-51-36B

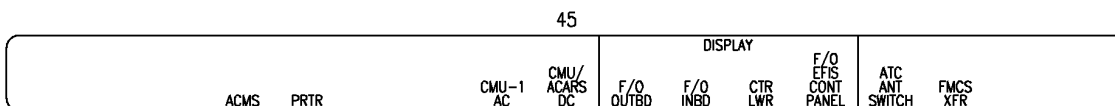
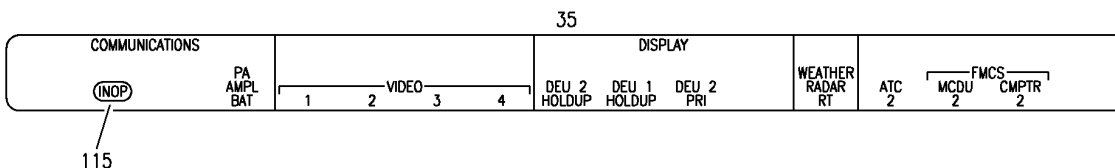
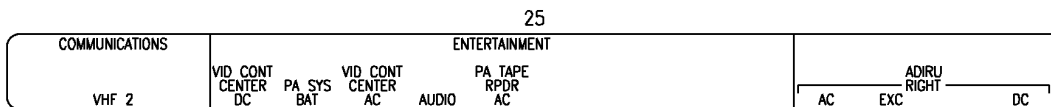
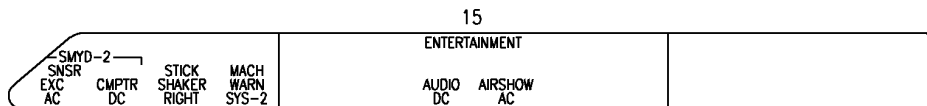
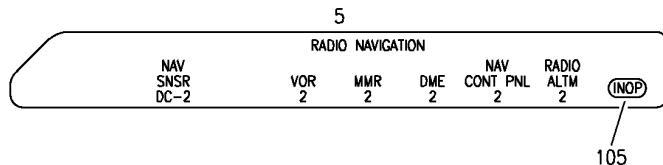
11-31-51-36B
PAGE 0

BOEING PROPRIETARY - Copyright © - Unpublished Work - See title page for details.



737-600/700/800/900

PARTS CATALOG (MAINTENANCE)



E 11315136B SHT 2 REV 134

MARKER AND INOP INSTL-P6-1 PNL (PLACARDS AND MARKINGS ONLY)
 FIGURE 36B (SHEET 2)

11-31-51-36B

HAP
OCT 10/07

11-31-51-36B
 PAGE 0A

BOEING
737-600/700/800/900
PARTS CATALOG (MAINTENANCE)

| FIG ITEM | PART NUMBER | 1 2 3 4 5 6 7 | NOMENCLATURE | EFFECT FROM TO | UNITS PER ASSY |
|----------|--------------|---------------|--|----------------|----------------|
| 36B | | | MARKER AND INOP INSTL- P6-1 PNL (PLACARDS AND MARKINGS ONLY) | 042042 | |
| - 1 | MODREF82620 | | MARKER INSTL-P6-1/ROW A MODULE NUMBER: 233A5221-402898 REV A | 042042 | 1 |
| 5 | BAC27DCC2898 | | .MARKER | 042042 | 1 |
| - 10 | MODREF262664 | | MARKER INSTL-P6-1/ROW B MODULE NUMBER: 233A5221-403458 REV A | 042042 | 1 |
| 15 | BAC27DCC3458 | | .MARKER | 042042 | 1 |
| - 20 | MODREF82639 | | MARKER INSTL-P6-1/ROW C MODULE NUMBER: 233A5221-403157 REV A | 042042 | 1 |
| 25 | BAC27DCC3157 | | .MARKER | 042042 | 1 |
| - 30 | MODREF82617 | | MARKER INSTL-P6-1/ROW D MODULE NUMBER: 233A5221-402887 REV A | 042042 | 1 |
| 35 | BAC27DCC2887 | | .MARKER | 042042 | 1 |
| - 40 | MODREF328447 | | MARKER INSTL-P6-1/ROW E MODULE NUMBER: 233A5221-403596 REV A MISCELLANEOUS DATA: N1570044097 LIAISON CHANGE PART NUMBER: MODREF328447 SPARES SUPPORT PART NUMBER: MODREF328447 | 042042 | 1 |
| 45 | BAC27DCC3596 | | .MARKER- MISCELLANEOUS DATA: N1570044097 LIAISON CHANGE PART NUMBER: BAC27DCC3596 SPARES SUPPORT PART NUMBER: BAC27DCC3596 | 042042 | 1 |
| - 100 | MODREF82664 | | INOP INSTL-P6-1/A17 (PLACARDS AND MARKINGS ONLY) MODULE NUMBER: 233A5221-501117 REV A FOR OTHER SYS DETAILS SEE: 24-50-51-36A | 042042 | 1 |
| 105 | BAC27DCC3073 | | .MARKER- PLACARD CONTENT: INOP | 042042 | 1 |

MISSING ITEM NUMBERS NOT APPLICABLE

- ITEM NOT ILLUSTRATED

HAP

11-31-51-36B

BOEING PROPRIETARY - Copyright © - Unpublished Work - See title page for details.

11-31-51
FIG. 36B
PAGE 1
OCT 10/07


BOEING
 737-600/700/800/900
PARTS CATALOG (MAINTENANCE)

| FIG ITEM | PART NUMBER | 1 2 3 4 5 6 7 NOMENCLATURE | EFFECT FROM TO | UNITS PER ASSY |
|--------------|--------------|--|-------------------|----------------------|
| 36B - 110 | MODREF82677 | INOP INSTL-P6-1/D2 (PLACARDS AND MARKINGS ONLY) MODULE NUMBER: 233A5221-501402 REV A FOR OTHER SYS DETAILS SEE: 24-50-51-36A | 042042 | 1 |
| 115 | BAC27DCC3073 | .MARKER- PLACARD CONTENT: INOP | 042042 | 1 |

MISSING ITEM NUMBERS NOT APPLICABLE

- ITEM NOT ILLUSTRATED

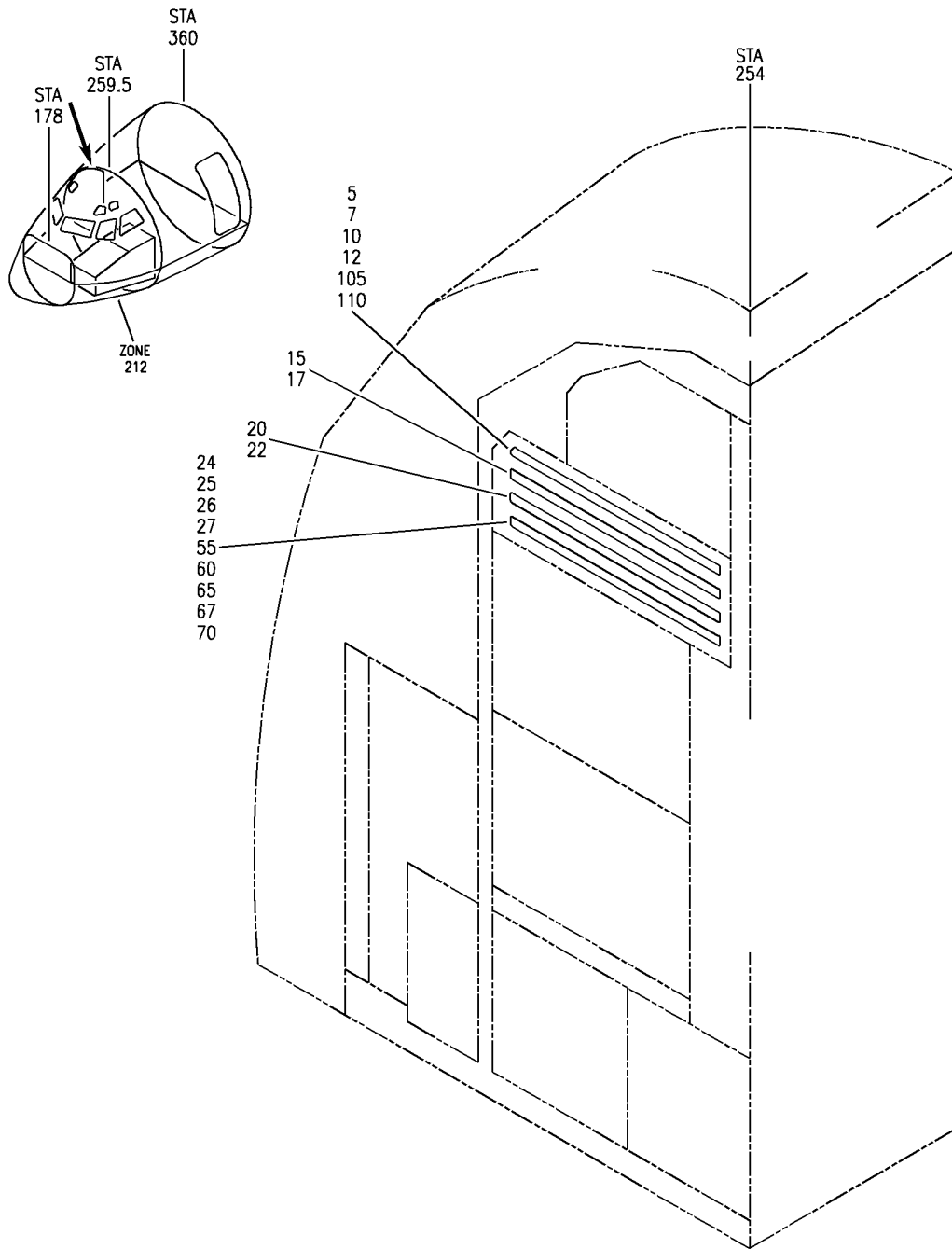
HAP

11-31-51-36B

BOEING PROPRIETARY - Copyright © - Unpublished Work - See title page for details.

11-31-51
 FIG. 36B
 PAGE 2
 OCT 10/07

BOEING
 737-600/700/800/900
 PARTS CATALOG (MAINTENANCE)



For Details See Subsequent Pages

E 11315142 SH1 1 REV 116

MARKER, CIRCUIT BREAKER AND INOP INSTL-P6-2 (PLACARDS AND MARKINGS ONLY)
 FIGURE 42 (SHEET 1)

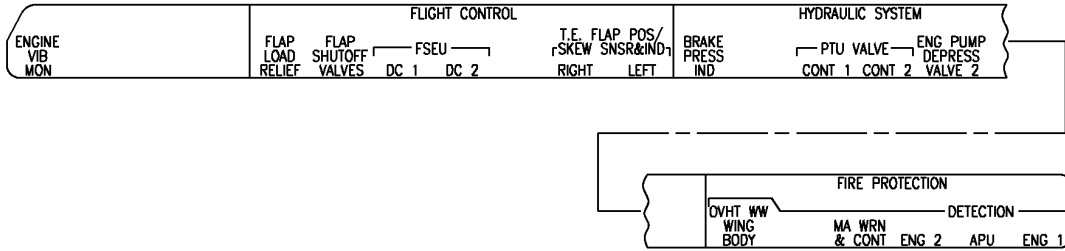
11-31-51-42

HAP
 OCT 10/06

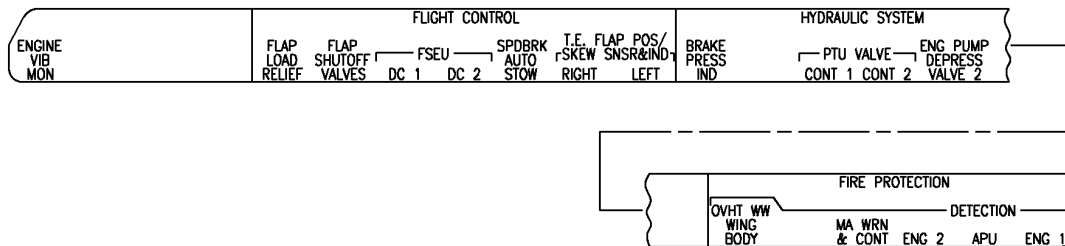
11-31-51-42
 PAGE 0


BOEING
 737-600/700/800/900
PARTS CATALOG (MAINTENANCE)

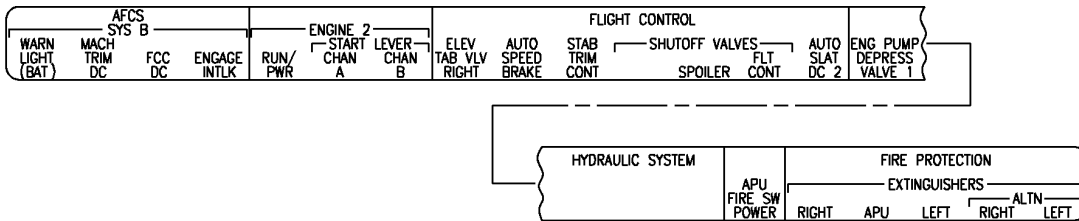
5
7



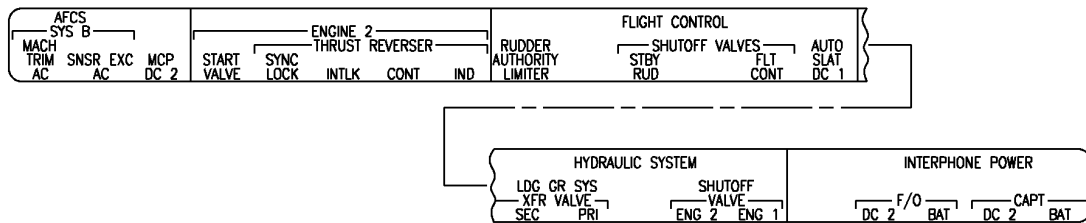
10
12



15
17



20
22



E 11315142 SH 2 REV 115

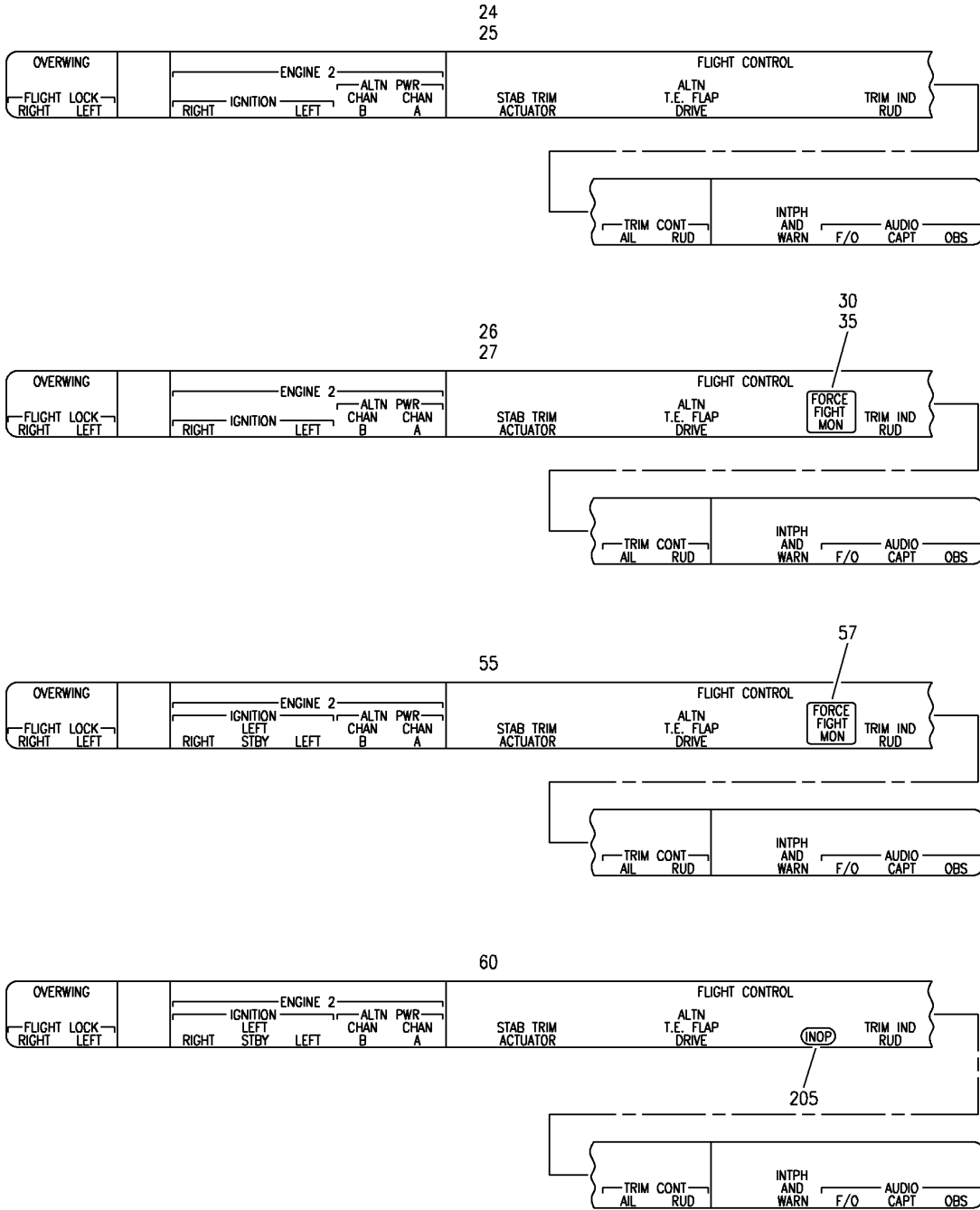
MARKER, CIRCUIT BREAKER AND INOP INSTL-P6-2 (PLACARDS AND MARKINGS ONLY)
FIGURE 42 (SHEET 2)

11-31-51-42

HAP
OCT 10/06

11-31-51-42
PAGE 0A


BOEING
 737-600/700/800/900
PARTS CATALOG (MAINTENANCE)



E 11315142 SH1 3 REV 121

MARKER, CIRCUIT BREAKER AND INOP INSTL-P6-2 (PLACARDS AND MARKINGS ONLY)
 FIGURE 42 (SHEET 3)

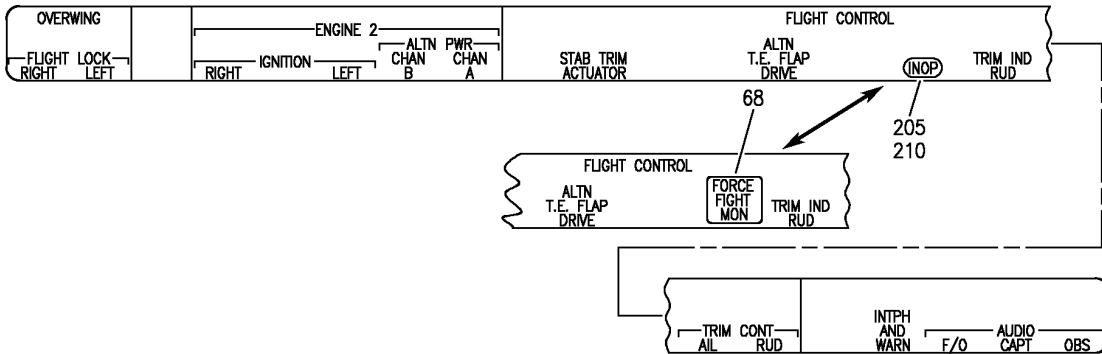
HAP
OCT 10/06

11-31-51-42

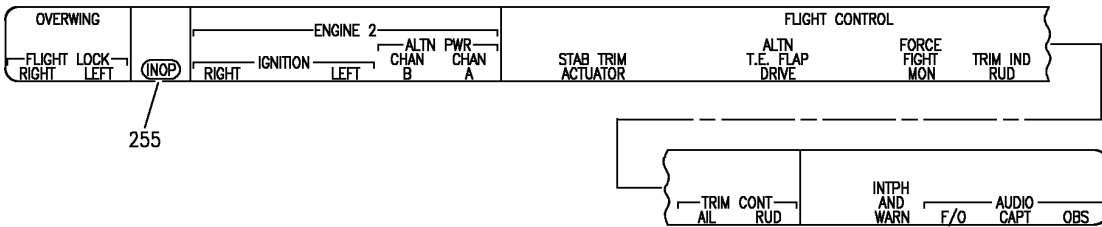
11-31-51-42
 PAGE 0B

BOEING
737-600/700/800/900
PARTS CATALOG (MAINTENANCE)

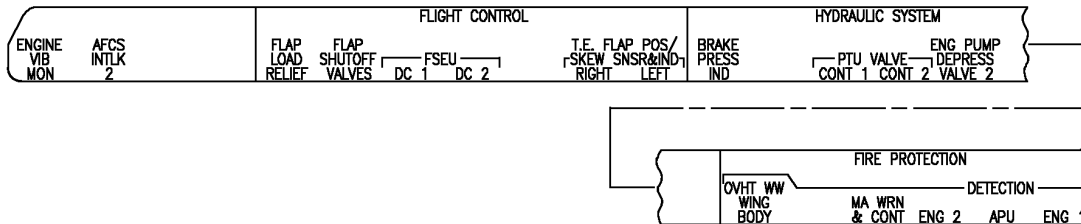
65
67



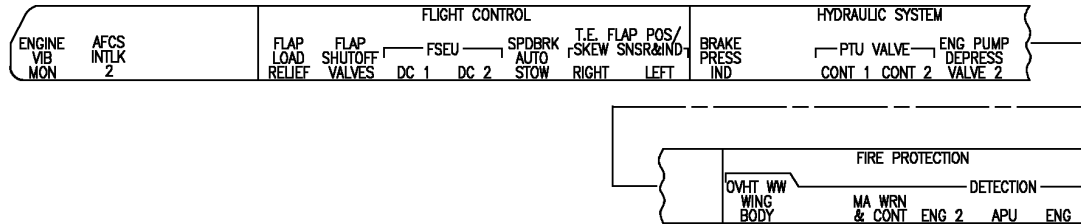
70



105



110



E 11315142 SHT 4 REV 151

MARKER, CIRCUIT BREAKER AND INOP INSTL-P6-2 (PLACARDS AND MARKINGS ONLY)
FIGURE 42 (SHEET 4)

11-31-51-42

HAP
FEB 15/09

11-31-51-42
PAGE 0C

BOEING
737-600/700/800/900
PARTS CATALOG (MAINTENANCE)

| FIG ITEM | PART NUMBER | 1 2 3 4 5 6 7 | NOMENCLATURE | EFFECT FROM TO | UNITS PER ASSY |
|----------|--------------|---------------|---|------------------|----------------|
| 42 | | | MARKER, CIRCUIT BREAKER AND INOP INSTL-P6-2 (PLACARDS AND MARKINGS ONLY) | 008030 201967 | |
| - 1 | 233A5222-2 | | CIRCUIT BREAKER INSTL-P6-2 PRE-MODULE (PLACARDS AND MARKINGS ONLY) MODIFICATION DRAWING REF: 737-8901-1 737-8901-5 737-8901-9 737-8901-11 737-8902-3 737-8922-1 REFERENCE AIRLINE MOD: E.O.APB737-8007 VHAP FOR NHA/OTHER SYS DET SEE: 24-50-00-04C | 008023 | RF |
| - 1 | 233A5222-3 | | CIRCUIT BREAKER INSTL-P6-2 PRE-MODULE (PLACARDS AND MARKINGS ONLY) FOR NHA/OTHER SYS DET SEE: 24-50-00-04C | 030030 | RF |
| - 1 | 233A5222-2 | | CIRCUIT BREAKER INSTL-P6-2 PRE-MODULE (PLACARDS AND MARKINGS ONLY) FOR NHA/OTHER SYS DET SEE: 24-50-00-04B 24-50-00-04C | 024029 201967 | RF |
| 5 | BAC27DCC2735 | | .MARKER-ROW A PRE AIRLINE MOD: E.O.APB737-8007 VHAP | 008023 | 1 |
| 5 | BAC27DCC2735 | | .MARKER-ROW A | 024030 201967 | 1 |
| 7 | BAC27DCC2735 | | .MARKER-ROW A POST SERVICE BULLETIN: 24-1161 | 201967 | 1 |
| 10 | BAC27DCC3256 | | .MARKER-ROW A POST AIRLINE MOD: E.O.APB737-8007 VHAP | 008023 | 1 |
| 15 | BAC27DCC2733 | | .MARKER-ROW B | 008030 201967 | 1 |
| 17 | BAC27DCC2733 | | .MARKER-ROW B POST SERVICE BULLETIN: 24-1161 | 201967 | 1 |
| 20 | BAC27DCC2743 | | .MARKER-ROW C | 008030 201967 | 1 |

MISSING ITEM NUMBERS NOT APPLICABLE

- ITEM NOT ILLUSTRATED

HAP

11-31-51-42

11-31-51
FIG. 42
PAGE 1
FEB 15/09

BOEING
737-600/700/800/900
PARTS CATALOG (MAINTENANCE)

| FIG ITEM | PART NUMBER | 1 2 3 4 5 6 7 | NOMENCLATURE | EFFECT FROM TO | UNITS PER ASSY |
|----------|-----------------|---------------|---|------------------|----------------|
| 42 | | | | | |
| 22 | BAC27DCC2743 | | .MARKER-ROW C POST SERVICE BULLETIN: 24-1161 | 201967 | 1 |
| 26 | BAC27DCC2955 | | .MARKER-ROW D POST SERVICE BULLETIN: 24-1161 | 201967 | 1 |
| 27 | BAC27DCC2955 | | .MARKER-ROW D | 008029 201967 | 1 |
| 30 | BAC27DCC3328 | | .MARKER- PLACARD CONTENT: FORCE FIGHT MON POST SERVICE BULLETIN: 27-1253R1 27-1253R3 | 008029 201967 | 1 |
| 35 | BAC27DCC3328 | | .MARKER- PLACARD CONTENT: FORCE FIGHT MON POST SERVICE BULLETIN: 24-1161 | 201967 | 1 |
| - 50 | 233A5222-403309 | | MARKER INSTL-P6-2 ROW D FOR NHA SEE: 11-31-00-03C | 030030 | RF |
| 65 | BAC27DCC3309 | | .MARKER | 030030 | 1 |
| - 200 | 233A5222-502415 | | INOP INSTL-P6-2/D15 PRE-MODULE (PLACARDS AND MARKINGS ONLY) FOR NHA/OTHER SYS DET SEE: 24-50-00-04C | 030030 | RF |
| 205 | BAC27DCC3073 | | .MARKER- PLACARD CONTENT: INOP | 030030 | 1 |

MISSING ITEM NUMBERS NOT APPLICABLE

- ITEM NOT ILLUSTRATED

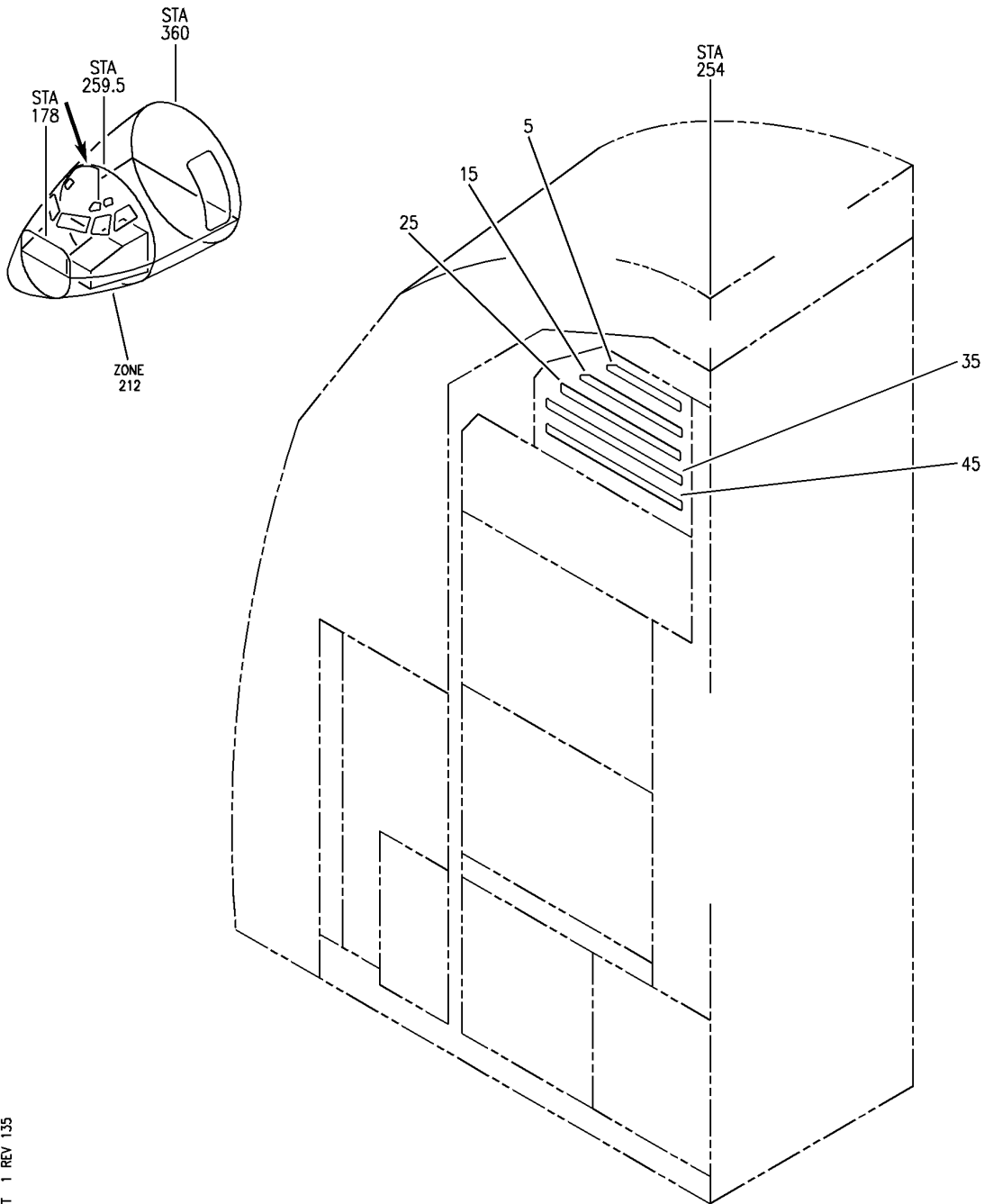
HAP

11-31-51-42

BOEING PROPRIETARY - Copyright © - Unpublished Work - See title page for details.

11-31-51
FIG. 42
PAGE 2
FEB 15/09

BOEING
737-600/700/800/900
PARTS CATALOG (MAINTENANCE)



E 11315167 SHT 1 REV 135

For Details See Subsequent Pages

MARKER AND INOP INSTL-P6-1 PNL (PLACARDS AND MARKINGS ONLY)
FIGURE 67 (SHEET 1)

11-31-51-67

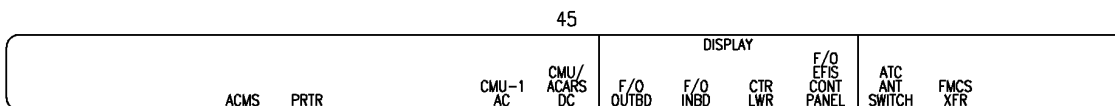
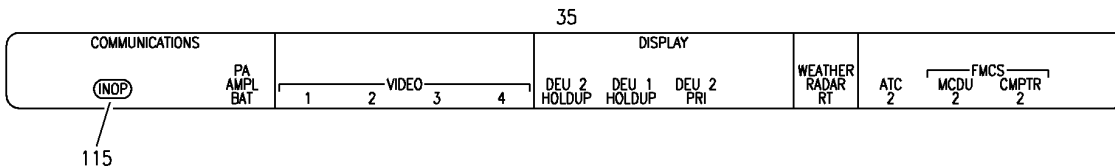
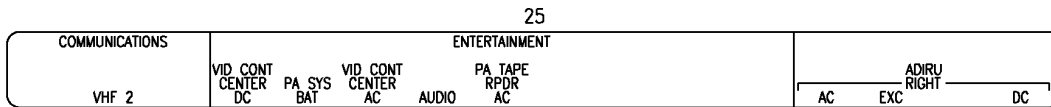
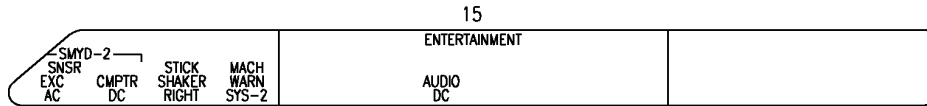
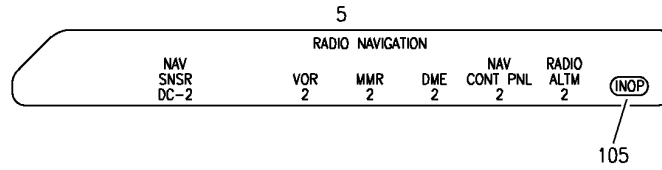
HAP
OCT 10/07

11-31-51-67
PAGE 0



737-600/700/800/900

PARTS CATALOG (MAINTENANCE)



E 11315167 SHT 2 REV 135

MARKER AND INOP INSTL-P6-1 PNL (PLACARDS AND MARKINGS ONLY)
FIGURE 67 (SHEET 2)

11-31-51-67

HAP
OCT 10/07

11-31-51-67
PAGE 0A

BOEING
737-600/700/800/900
PARTS CATALOG (MAINTENANCE)

| FIG ITEM | PART NUMBER | 1 2 3 4 5 6 7 | NOMENCLATURE | EFFECT FROM TO | UNITS PER ASSY |
|----------|--------------|---------------|---|----------------|----------------|
| 67 | | | MARKER AND INOP INSTL-P6-1 PNL (PLACARDS AND MARKINGS ONLY) | 102103 | |
| - 1 | MODREF82620 | | MARKER INSTL-P6-1/ROW A MODULE NUMBER: 233A5221-402898 REV A | 102103 | 1 |
| 5 | BAC27DCC2898 | | .MARKER | 102103 | 1 |
| - 10 | MODREF82638 | | MARKER INSTL-P6-1/ROW B MODULE NUMBER: 233A5221-403156 REV A | 102103 | 1 |
| 15 | BAC27DCC3156 | | .MARKER | 102103 | 1 |
| - 20 | MODREF82639 | | MARKER INSTL-P6-1/ROW C MODULE NUMBER: 233A5221-403157 REV A | 102103 | 1 |
| 25 | BAC27DCC3157 | | .MARKER | 102103 | 1 |
| - 30 | MODREF82617 | | MARKER INSTL-P6-1/ROW D MODULE NUMBER: 233A5221-402887 REV A | 102103 | 1 |
| 35 | BAC27DCC2887 | | .MARKER | 102103 | 1 |
| - 40 | MODREF328447 | | MARKER INSTL-P6-1/ROW E MODULE NUMBER: 233A5221-403596 REV A | 102103 | 1 |
| 45 | BAC27DCC3596 | | .MARKER | 102103 | 1 |
| - 100 | MODREF82664 | | INOP INSTL-P6-1/A17 (PLACARDS AND MARKINGS ONLY) MODULE NUMBER: 233A5221-501117 REV A FOR OTHER SYS DETAILS SEE: 24-50-51-67 | 102103 | 1 |
| 105 | BAC27DCC3073 | | .MARKER- PLACARD CONTENT: INOP | 102103 | 1 |
| - 110 | MODREF82677 | | INOP INSTL-P6-1/D2 (PLACARDS AND MARKINGS ONLY) MODULE NUMBER: 233A5221-501402 REV A FOR OTHER SYS DETAILS SEE: 24-50-51-67 | 102103 | 1 |
| 115 | BAC27DCC3073 | | .MARKER- PLACARD CONTENT: INOP | 102103 | 1 |

MISSING ITEM NUMBERS NOT APPLICABLE

- ITEM NOT ILLUSTRATED

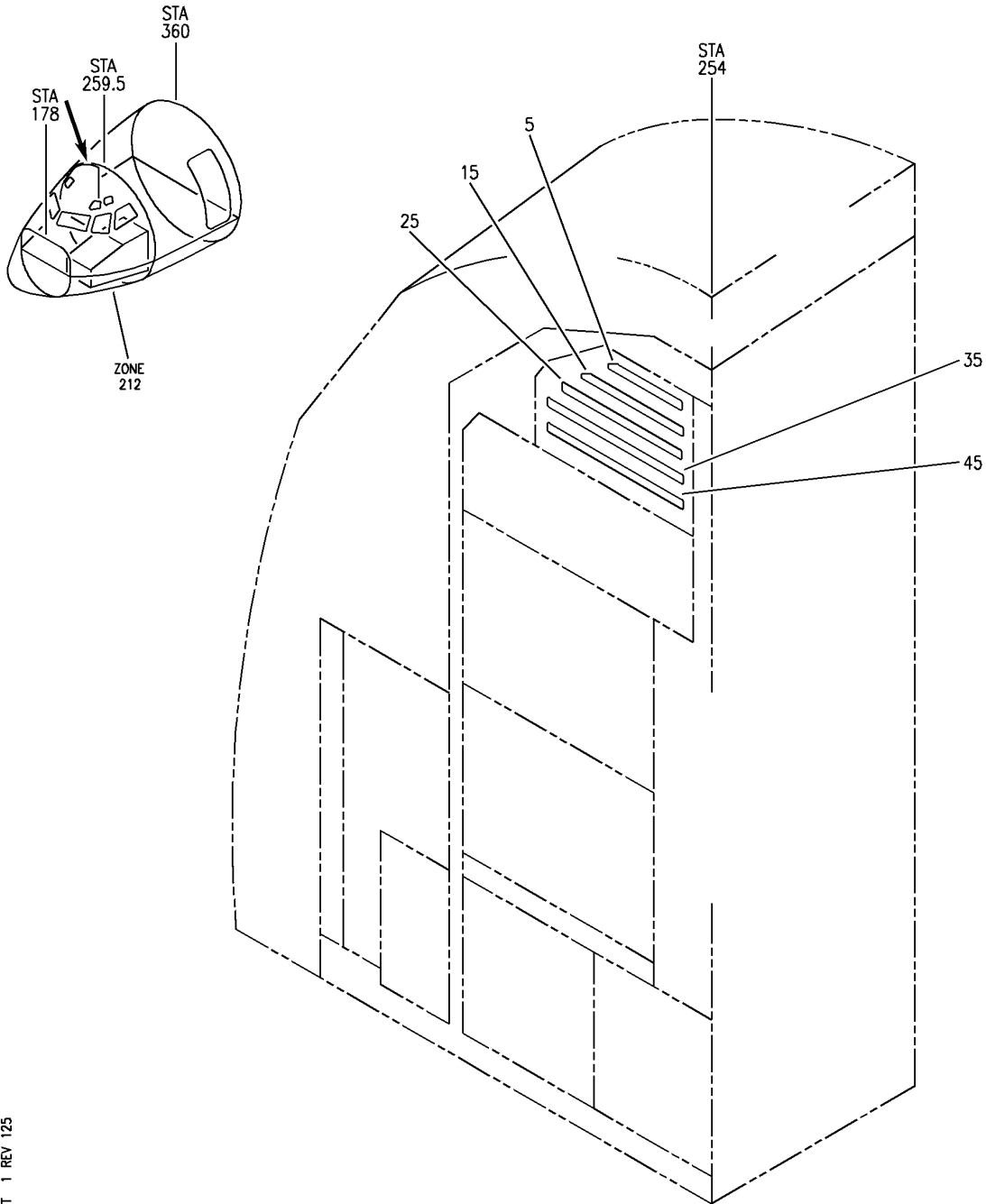
HAP

11-31-51-67

11-31-51
FIG. 67
PAGE 1
FEB 15/08

BOEING PROPRIETARY - Copyright © - Unpublished Work - See title page for details.

BOEING
737-600/700/800/900
PARTS CATALOG (MAINTENANCE)



For Details See Subsequent Pages

E 11315181 SHT 1 REV 125

MARKER AND INOP INSTL-P6-1 PNL (PLACARDS AND MARKINGS ONLY)
FIGURE 81 (SHEET 1)

11-31-51-81

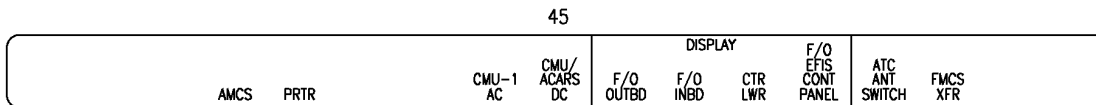
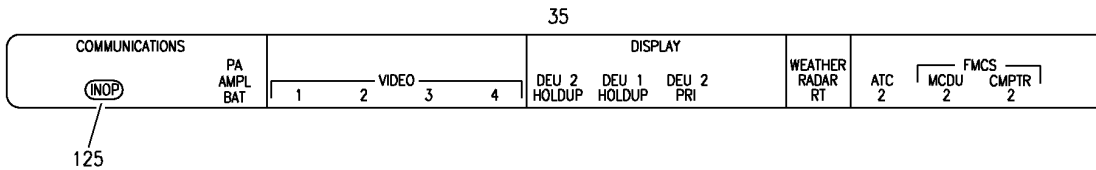
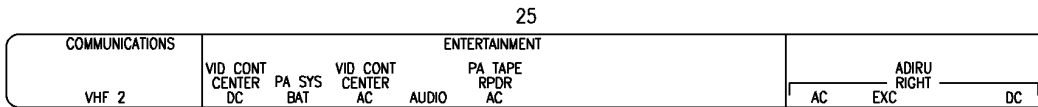
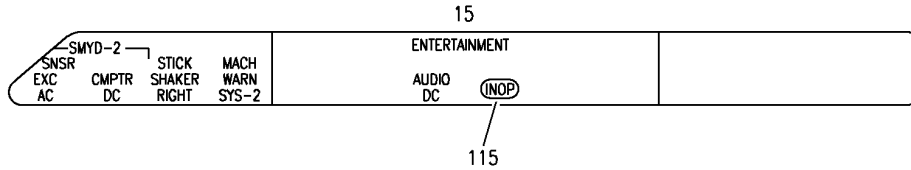
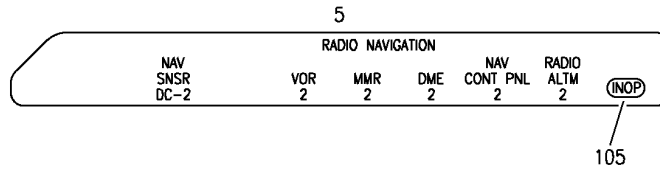
HAP
FEB 10/07

11-31-51-81
PAGE 0



737-600/700/800/900

PARTS CATALOG (MAINTENANCE)



E 11315181 SHT 2 REV 132

MARKER AND INOP INSTL-P6-1 PNL (PLACARDS AND MARKINGS ONLY)
FIGURE 81 (SHEET 2)

11-31-51-81

HAP
OCT 10/07

11-31-51-81
PAGE 0A

BOEING
737-600/700/800/900
PARTS CATALOG (MAINTENANCE)

| FIG ITEM | PART NUMBER | 1 2 3 4 5 6 7 | NOMENCLATURE | EFFECT FROM TO | UNITS PER ASSY |
|----------|--------------|---------------|---|----------------|----------------|
| 81 | | | MARKER AND INOP INSTL-P6-1 PNL (PLACARDS AND MARKINGS ONLY) | 041041 | |
| - 1 | MODREF82620 | | MARKER INSTL-P6-1/ROW A MODULE NUMBER: 233A5221-402898 REV A | 041041 | 1 |
| 5 | BAC27DCC2898 | | .MARKER | 041041 | 1 |
| - 10 | MODREF262664 | | MARKER INSTL-P6-1/ROW B MODULE NUMBER: 233A5221-403458 REV A | 041041 | 1 |
| 15 | BAC27DCC3458 | | .MARKER | 041041 | 1 |
| - 20 | MODREF82639 | | MARKER INSTL-P6-1/ROW C MODULE NUMBER: 233A5221-403157 REV A | 041041 | 1 |
| 25 | BAC27DCC3157 | | .MARKER | 041041 | 1 |
| - 30 | MODREF82617 | | MARKER INSTL-P6-1/ROW D MODULE NUMBER: 233A5221-402887 REV A | 041041 | 1 |
| 35 | BAC27DCC2887 | | .MARKER | 041041 | 1 |
| - 40 | MODREF328447 | | MARKER INSTL-P6-1/ROW E MODULE NUMBER: 233A5221-403596 REV A | 041041 | 1 |
| 45 | BAC27DCC3596 | | .MARKER | 041041 | 1 |
| - 100 | MODREF82664 | | INOP INSTL-P6-1/A17 (PLACARDS AND MARKINGS ONLY) MODULE NUMBER: 233A5221-501117 REV A FOR OTHER SYS DETAILS SEE: 24-50-51-81 | 041041 | 1 |
| 105 | BAC27DCC3073 | | .MARKER- PLACARD CONTENT: INOP | 041041 | 1 |
| - 110 | MODREF262665 | | INOP INSTL-P6-1/B11 (PLACARDS AND MARKINGS ONLY) MODULE NUMBER: 233A5221-501211 REV A FOR OTHER SYS DETAILS SEE: 24-50-51-81 | 041041 | 1 |
| 115 | BAC27DCC3073 | | .MARKER- PLACARD CONTENT: INOP | 041041 | 1 |

MISSING ITEM NUMBERS NOT APPLICABLE

- ITEM NOT ILLUSTRATED

HAP

11-31-51-81

BOEING PROPRIETARY - Copyright © - Unpublished Work - See title page for details.

11-31-51
FIG. 81
PAGE 1
OCT 10/07


BOEING
 737-600/700/800/900
PARTS CATALOG (MAINTENANCE)

| FIG ITEM | PART NUMBER | 1 2 3 4 5 6 7 NOMENCLATURE | EFFECT FROM TO | UNITS PER ASSY |
|-------------|--------------|---|-------------------|----------------------|
| 81 - 120 | MODREF82677 | INOP INSTL-P6-1/D2 (PLACARDS AND MARKINGS ONLY) MODULE NUMBER: 233A5221-501402 REV A FOR OTHER SYS DETAILS SEE: 24-50-51-81 | 041041 | 1 |
| 125 | BAC27DCC3073 | .MARKER- PLACARD CONTENT: INOP | 041041 | 1 |

MISSING ITEM NUMBERS NOT APPLICABLE

- ITEM NOT ILLUSTRATED

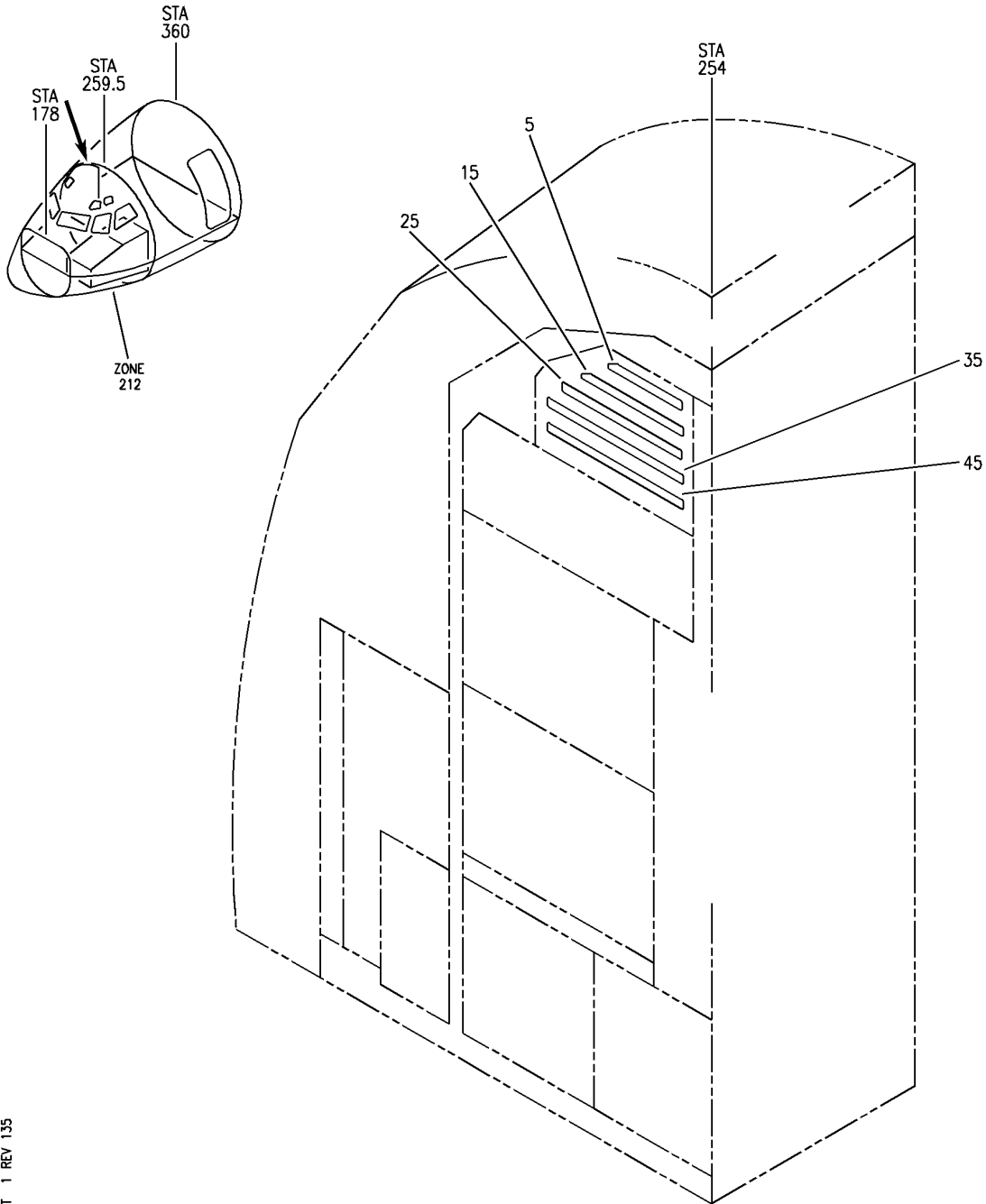
HAP

11-31-51-81

BOEING PROPRIETARY - Copyright © - Unpublished Work - See title page for details.

11-31-51
 FIG. 81
 PAGE 2
 OCT 10/07

BOEING
737-600/700/800/900
PARTS CATALOG (MAINTENANCE)



E 11315181A SHT 1 REV 135

For Details See Subsequent Pages

MARKER AND INOP INSTL-P6-1 PNL (PLACARDS AND MARKINGS ONLY)
FIGURE 81A (SHEET 1)

HAP
OCT 10/07

11-31-51-81A

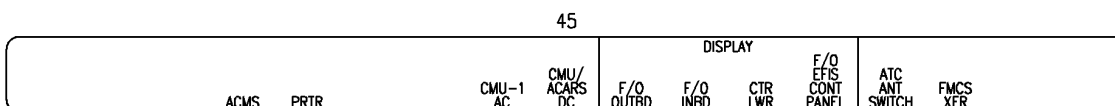
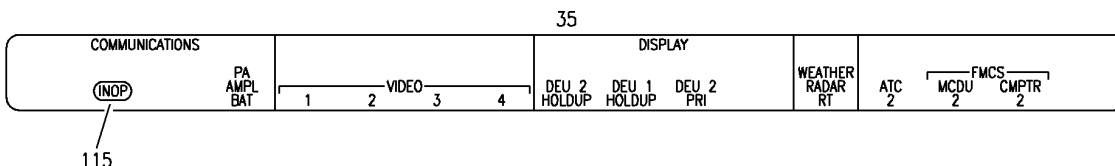
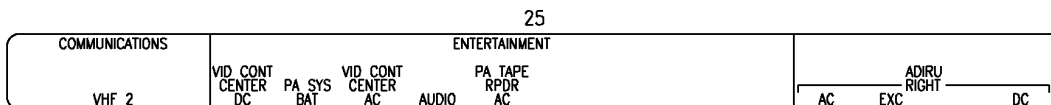
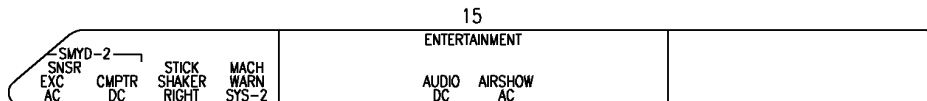
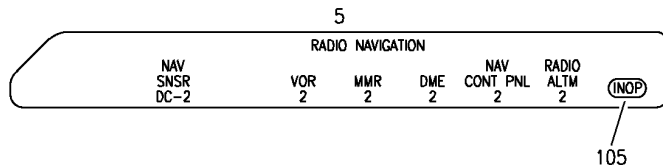
11-31-51-81A
PAGE 0

BOEING PROPRIETARY - Copyright © - Unpublished Work - See title page for details.



737-600/700/800/900

PARTS CATALOG (MAINTENANCE)



E 11315181A SHT 2 REV 135

MARKER AND INOP INSTL-P6-1 PNL (PLACARDS AND MARKINGS ONLY)
 FIGURE 81A (SHEET 2)

11-31-51-81A

HAP
OCT 10/07

11-31-51-81A
PAGE 0A

 **BOEING**
737-600/700/800/900
PARTS CATALOG (MAINTENANCE)

| FIG ITEM | PART NUMBER | 1 2 3 4 5 6 7 | NOMENCLATURE | EFFECT FROM TO | UNITS PER ASSY |
|----------|------------------|---------------|---|------------------|----------------|
| 81A | | | MARKER AND INOP INSTL-P6-1 PNL (PLACARDS AND MARKINGS ONLY) | 044047 049100 | |
| - 1 | MODREF82620 | | MARKER INSTL-P6-1/ROW A MODULE NUMBER: 233A5221-402898 REV A | 044047 049100 | 1 |
| | 5 BAC27DCC2898 | | .MARKER | 044047 049100 | 1 |
| - 10 | MODREF262664 | | MARKER INSTL-P6-1/ROW B MODULE NUMBER: 233A5221-403458 REV A | 044047 049100 | 1 |
| | 15 BAC27DCC3458 | | .MARKER | 044047 049100 | 1 |
| - 20 | MODREF82639 | | MARKER INSTL-P6-1/ROW C MODULE NUMBER: 233A5221-403157 REV A | 044047 049100 | 1 |
| | 25 BAC27DCC3157 | | .MARKER | 044047 049100 | 1 |
| - 30 | MODREF82617 | | MARKER INSTL-P6-1/ROW D MODULE NUMBER: 233A5221-402887 REV A | 044047 049100 | 1 |
| | 35 BAC27DCC2887 | | .MARKER | 044047 049100 | 1 |
| - 40 | MODREF328447 | | MARKER INSTL-P6-1/ROW E MODULE NUMBER: 233A5221-403596 REV A | 044047 049100 | 1 |
| | 45 BAC27DCC3596 | | .MARKER | 044047 049100 | 1 |
| - 100 | MODREF82664 | | INOP INSTL-P6-1/A17 (PLACARDS AND MARKINGS ONLY) MODULE NUMBER: 233A5221-501117 REV A FOR OTHER SYS DETAILS SEE: 24-50-51-81 | 044047 049100 | 1 |
| | 105 BAC27DCC3073 | | .MARKER- PLACARD CONTENT: INOP | 044047 049100 | 1 |
| - 110 | MODREF82677 | | INOP INSTL-P6-1/D2 (PLACARDS AND MARKINGS ONLY) MODULE NUMBER: 233A5221-501402 REV A FOR OTHER SYS DETAILS SEE: 24-50-51-81 | 044047 049100 | 1 |
| | 115 BAC27DCC3073 | | .MARKER- PLACARD CONTENT: INOP | 044047 049100 | 1 |

MISSING ITEM NUMBERS NOT APPLICABLE

- ITEM NOT ILLUSTRATED

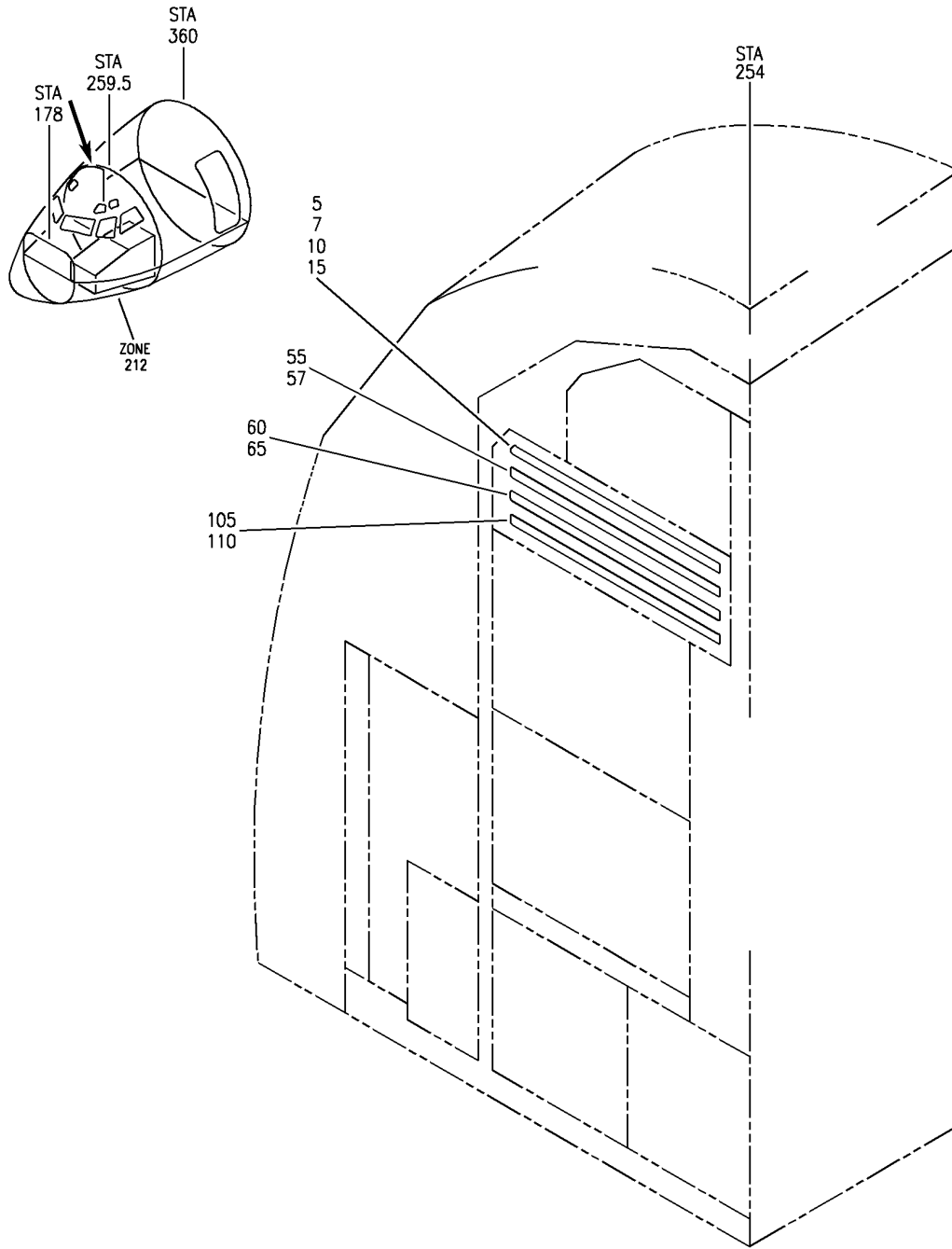
HAP

11-31-51-81A

BOEING PROPRIETARY - Copyright © - Unpublished Work - See title page for details.

11-31-51
FIG. 81A
PAGE 1
JUN 15/08

BOEING
 737-600/700/800/900
 PARTS CATALOG (MAINTENANCE)



For Details See Subsequent Pages

E 11315211A SHT 1 REV 118

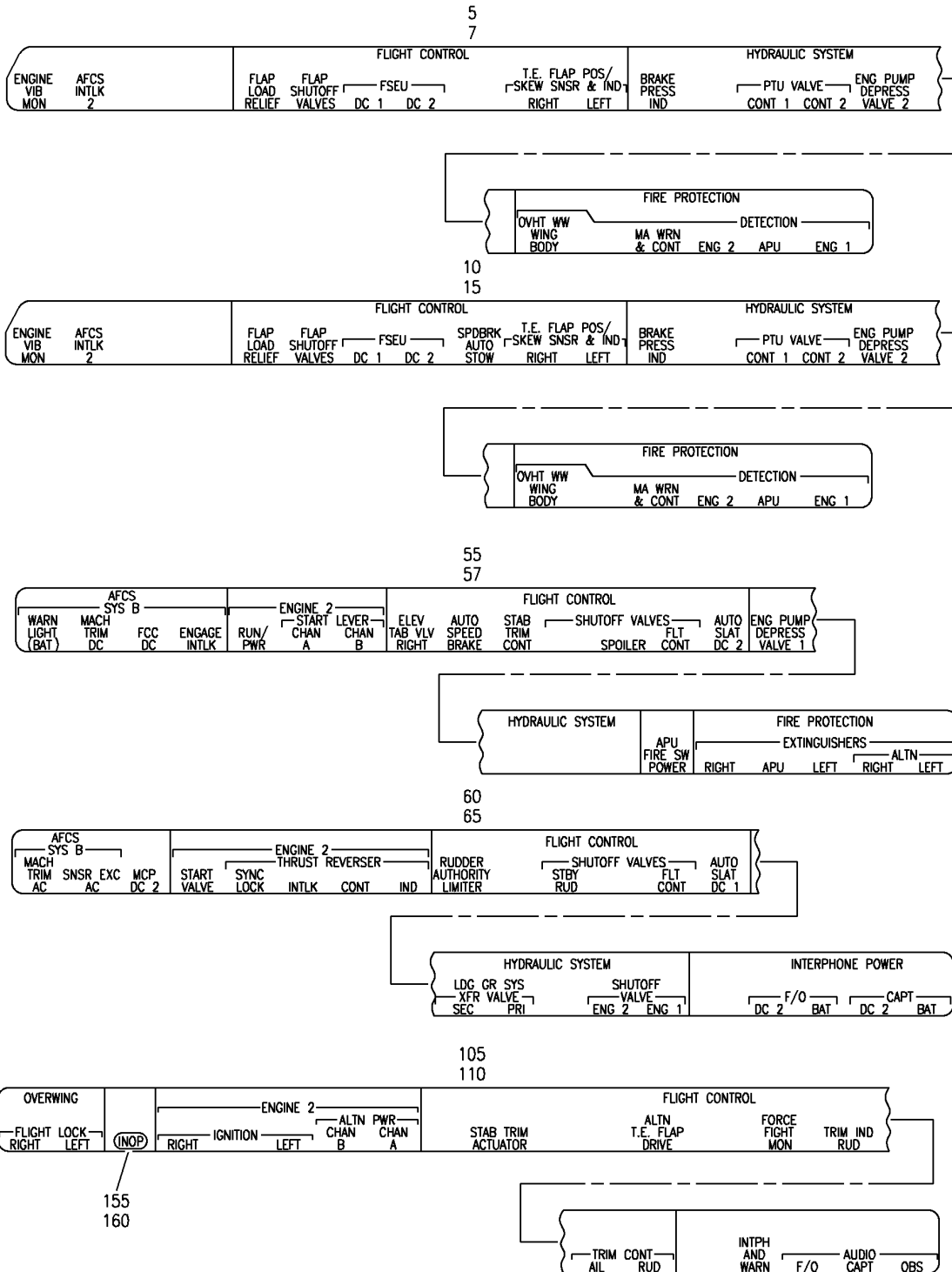
MARKER, CIRCUIT BREAKER AND INOP INSTL-P6-2 (PLACARDS AND MARKINGS ONLY)
 FIGURE 11A (SHEET 1)

HAP
 OCT 10/06

11-31-52-11A

11-31-52-11A
 PAGE 0

BOEING
737-600/700/800/900
PARTS CATALOG (MAINTENANCE)



E 11315211A SHT 2 REV 118

MARKER, CIRCUIT BREAKER AND INOP INSTL-P6-2 (PLACARDS AND MARKINGS ONLY)
FIGURE 11A (SHEET 2)

HAP
OCT 10/06

11-31-52-11A

11-31-52-11A
PAGE 0A

BOEING
737-600/700/800/900
PARTS CATALOG (MAINTENANCE)

| FIG ITEM | PART NUMBER | 1 2 3 4 5 6 7 | NOMENCLATURE | EFFECT FROM TO | UNITS PER ASSY |
|----------|--------------|---------------|---|----------------|----------------|
| 11A | | | MARKER, CIRCUIT BREAKER AND INOP INSTL-P6-2 (PLACARDS AND MARKINGS ONLY) | 031036 | |
| - 1 | MODREF250430 | | MARKER INSTL-P6-2 ROW A MODULE NUMBER: 233A5222-403338 REV B | 031036 | 1 |
| 5 | BAC27DCC3338 | | .MARKER- | 031036 | 1 |
| - 50 | MODREF250428 | | CIRCUIT BREAKER INSTL-P6-2 (PLACARDS AND MARKINGS ONLY) MODULE NUMBER: 233A5222-4 REV B FOR OTHER SYS DETAILS SEE: 24-50-52-11A | 031036 | 1 |
| 55 | BAC27DCC2733 | | .MARKER-ROW B | 031036 | 1 |
| 60 | BAC27DCC2743 | | .MARKER-ROW C | 031036 | 1 |
| - 100 | MODREF250429 | | MARKER INSTL-P6-2 ROW D MODULE NUMBER: 233A5222-403337 REV B | 031036 | 1 |
| 105 | BAC27DCC3337 | | .MARKER-ROW D | 031036 | 1 |
| - 150 | MODREF250434 | | INOP INSTL-P6-2/D3 (PLACARDS AND MARKINGS ONLY) MODULE NUMBER: 233A5222-502403 REV B FOR OTHER SYS DETAILS SEE: 24-50-52-11A | 031036 | 1 |
| 155 | BAC27DCC3073 | | .MARKER- PLACARD CONTENT: INOP | 031036 | 1 |

MISSING ITEM NUMBERS NOT APPLICABLE

- ITEM NOT ILLUSTRATED

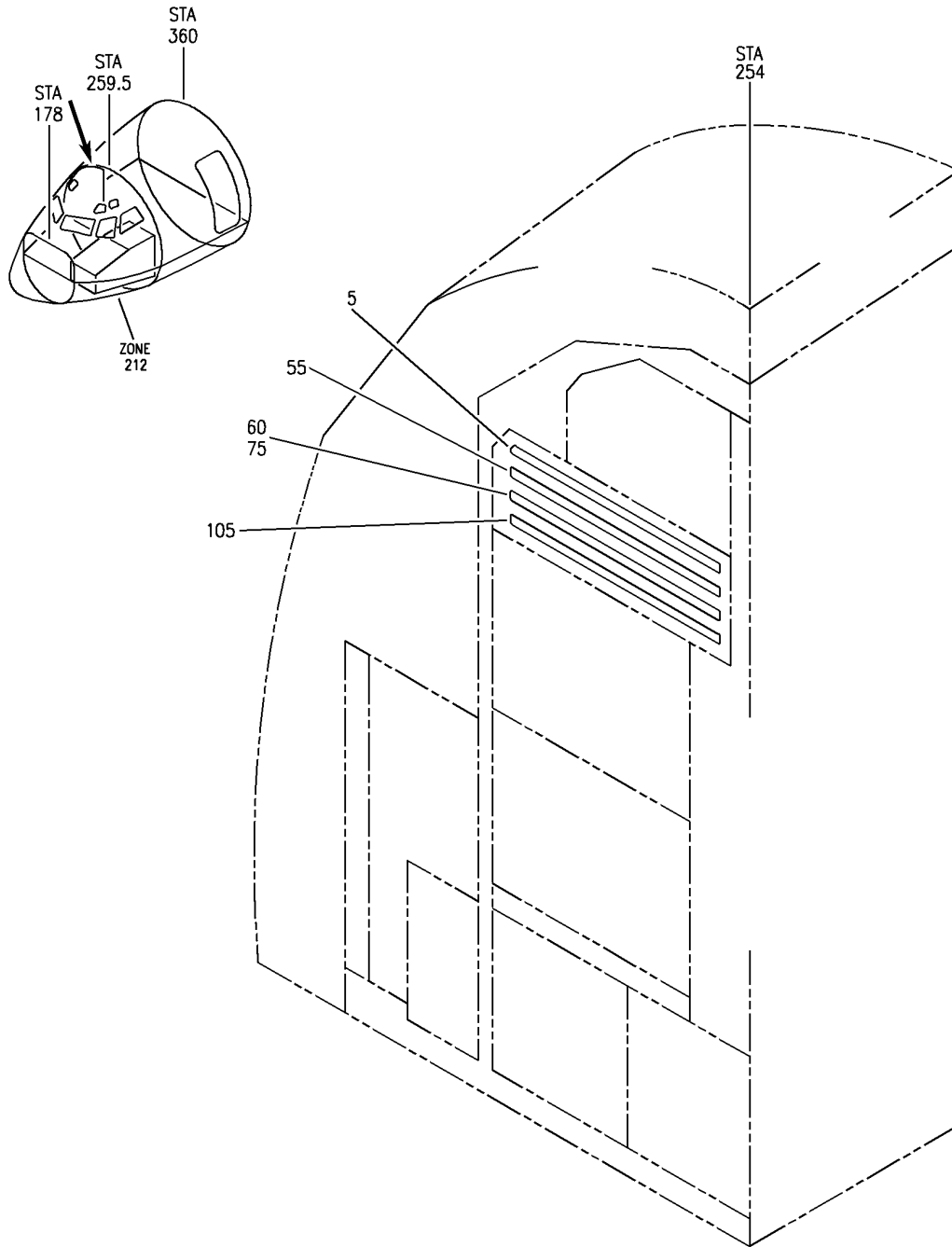
HAP

11-31-52-11A

BOEING PROPRIETARY - Copyright © - Unpublished Work - See title page for details.

11-31-52
FIG. 11A
PAGE 1
OCT 10/06

BOEING
737-600/700/800/900
PARTS CATALOG (MAINTENANCE)



E 11315211B SHT 1 REV 115

For Details See Subsequent Pages

MARKER AND CIRCUIT BREAKER INSTL-P6-2 (PLACARDS AND MARKINGS ONLY)
FIGURE 11B (SHEET 1)

HAP
JUN 10/07

11-31-52-11B

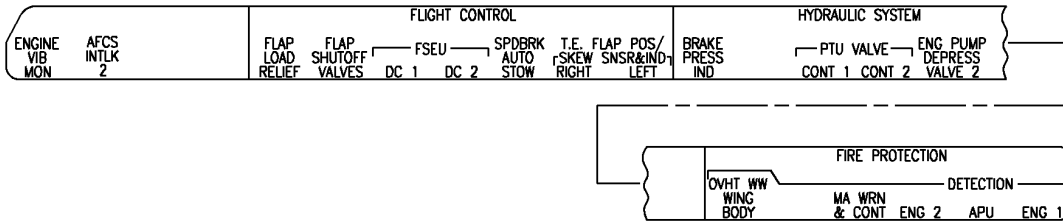
11-31-52-11B
PAGE 0



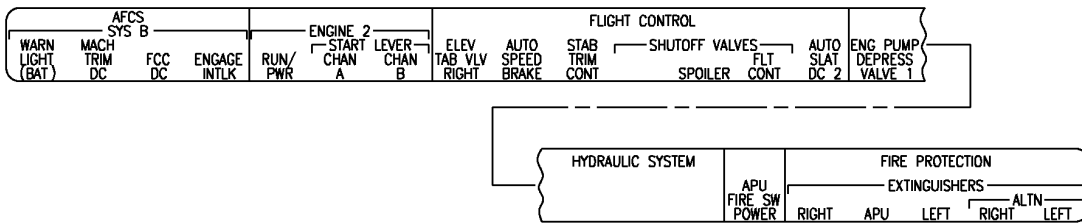
737-600/700/800/900

PARTS CATALOG (MAINTENANCE)

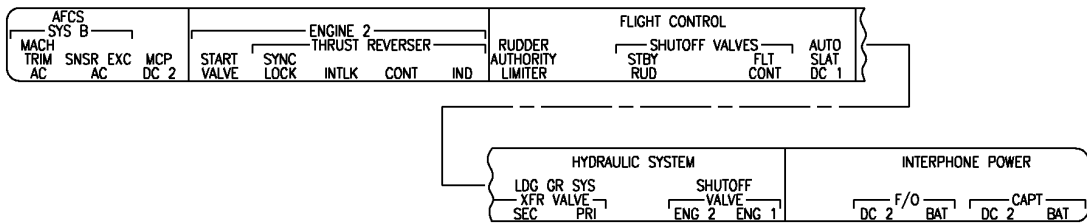
5



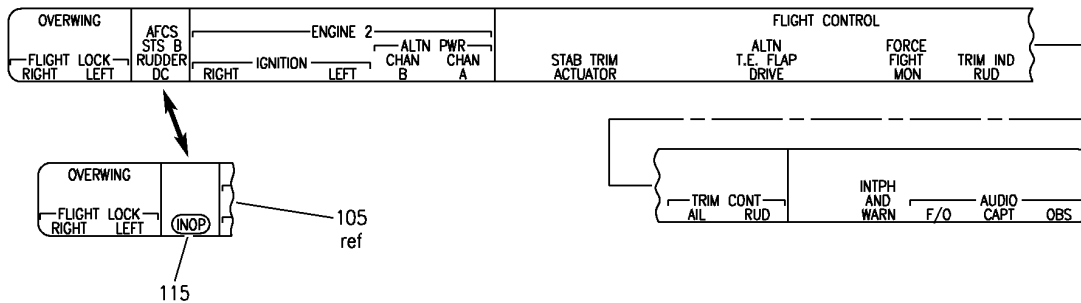
55



60
75



105



E 11315211B SHT 2 REV 131

MARKER AND CIRCUIT BREAKER INSTL-P6-2 (PLACARDS AND MARKINGS ONLY)
 FIGURE 11B (SHEET 2)

11-31-52-11B

HAP
JUN 10/07

11-31-52-11B
PAGE 0A

BOEING
737-600/700/800/900
PARTS CATALOG (MAINTENANCE)

| FIG ITEM | PART NUMBER | 1 2 3 4 5 6 7 | NOMENCLATURE | EFFECT FROM TO | UNITS PER ASSY |
|----------|------------------|---------------|---|----------------------------|----------------|
| 11B | | | MARKER AND CIRCUIT BREAKER INSTL-P6-2 (PLACARDS AND MARKINGS ONLY) | 104106 968969 972999 | |
| - 1 | MODREF250432 | | MARKER INSTL-P6-2 ROW A MODULE NUMBER: 233A5222-403396 REV B | 104106 968969 972999 | 1 |
| | 5 BAC27DCC3396 | | .MARKER | 104106 968969 972999 | 1 |
| - 50 | MODREF282627 | | CIRCUIT BREAKER INSTL-P6-2 (PLACARDS AND MARKINGS ONLY) MODULE NUMBER: 233A5222-4 REV C FOR OTHER SYS DETAILS SEE: 24-50-52-11B | 104106 968969 972999 | 1 |
| | 55 BAC27DCC2733 | | .MARKER | 104106 968969 972999 | 1 |
| - 70 | MODREF282628 | | MARKER INSTL-P6-2 ROW C MODULE NUMBER: 233A5222-402743 REV A | 104106 968969 972999 | 1 |
| | 75 BAC27DCC2743 | | .MARKER | 104106 968969 972999 | 1 |
| - 100 | MODREF250429 | | MARKER INSTL-P6-2 ROW D MODULE NUMBER: 233A5222-403337 REV B | 104106 968969 972999 | 1 |
| | 105 BAC27DCC3337 | | .MARKER | 104106 968969 972999 | 1 |
| - 110 | MODREF82723 | | INOP INSTL-P6-2/D3 (PLACARDS AND MARKINGS ONLY) MODULE NUMBER: 233A5222-502403 REV A POST SERVICE BULLETIN: 22-1190 FOR OTHER SYS DETAILS SEE: 24-50-52-11B | 968969 | 1 |

MISSING ITEM NUMBERS NOT APPLICABLE

- ITEM NOT ILLUSTRATED

HAP

11-31-52-11B

BOEING PROPRIETARY - Copyright © - Unpublished Work - See title page for details.

11-31-52
FIG. 11B
PAGE 1
OCT 15/08

BOEING
737-600/700/800/900
PARTS CATALOG (MAINTENANCE)

| FIG ITEM | PART NUMBER | 1 2 3 4 5 6 7 NOMENCLATURE | EFFECT FROM TO | UNITS PER ASSY |
|-------------|--------------|--|-------------------|----------------------|
| 11B 115 | BAC27DCC3073 | .MARKER- PLACARD CONTENT: INOP POST SERVICE BULLETIN: 22-1190 QUALIFIED SB I/W DATA: INSTL MARKER FOR FAIL-OPERATIONAL TO FAIL-PASSIVE OR REMOVE MARKER FOR FAIL-PASSIVE TO FAIL-OPERATIONAL | 968969 | 1 |

MISSING ITEM NUMBERS NOT APPLICABLE

— ITEM NOT ILLUSTRATED

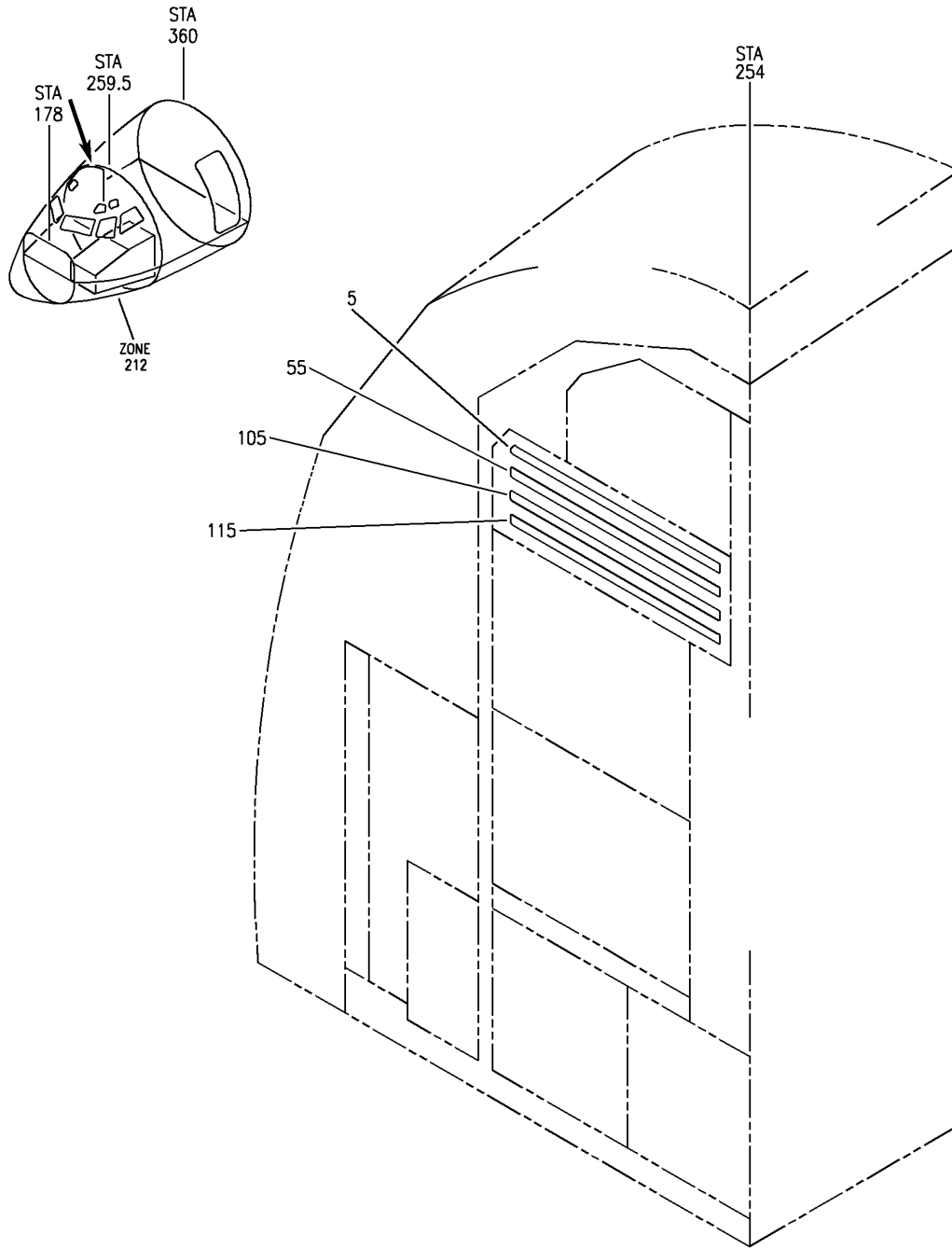
HAP

11-31-52-11B

BOEING PROPRIETARY - Copyright © - Unpublished Work - See title page for details.

11-31-52
FIG. 11B
PAGE 2
OCT 15/08

BOEING
737-600/700/800/900
PARTS CATALOG (MAINTENANCE)



For Details See Subsequent Pages

E 11315211H SHT 1 REV 116

MARKER, CIRCUIT BREAKER AND INOP INSTL-P6-2 (PLACARDS AND MARKINGS ONLY)
FIGURE 11H (SHEET 1)

HAP
FEB 10/07

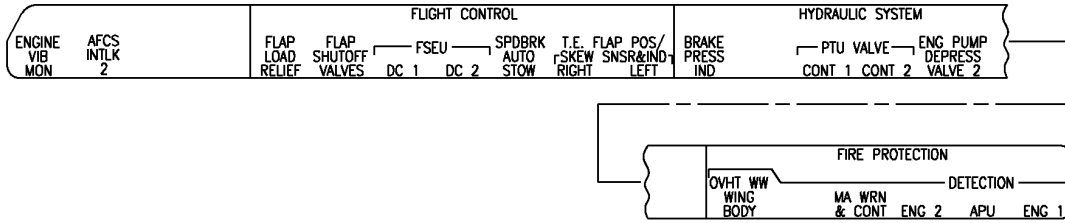
11-31-52-11H

11-31-52-11H
PAGE 0

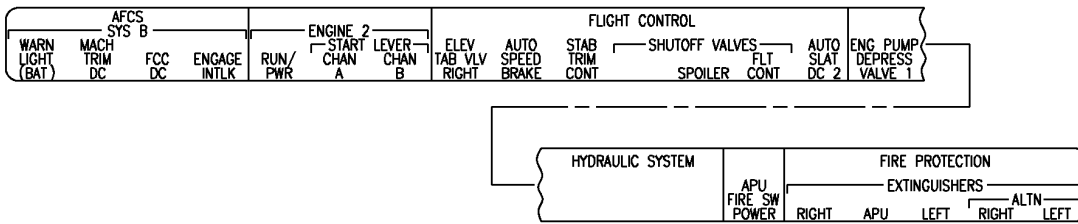
BOEING PROPRIETARY - Copyright © - Unpublished Work - See title page for details.

BOEING
737-600/700/800/900
PARTS CATALOG (MAINTENANCE)

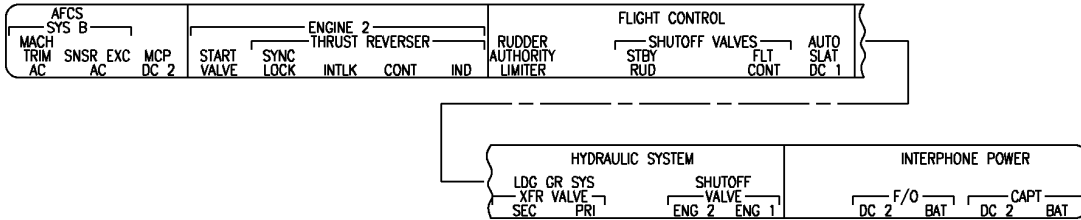
5



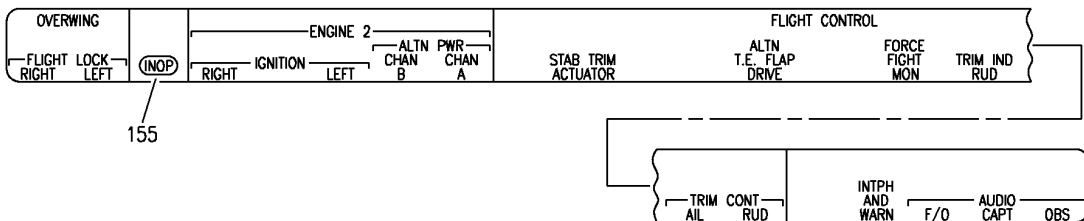
55



105



115



E 11315211H SHT 2 REV 116

MARKER, CIRCUIT BREAKER AND INOP INSTL-P6-2 (PLACARDS AND MARKINGS ONLY)
FIGURE 11H (SHEET 2)

HAP
FEB 10/07

11-31-52-11H

11-31-52-11H
PAGE 0A

BOEING
737-600/700/800/900
PARTS CATALOG (MAINTENANCE)

| FIG ITEM | PART NUMBER | 1 2 3 4 5 6 7 | NOMENCLATURE | EFFECT FROM TO | UNITS PER ASSY |
|-------------|------------------|---------------|--|-------------------|----------------------|
| 11H | | | MARKER, CIRCUIT BREAKER AND INOP INSTL-P6-2 (PLACARDS AND MARKINGS ONLY) | 101103 970971 | |
| - 1 | MODREF250432 | | MARKER INSTL-P6-2 ROW A MODULE NUMBER: 233A5222-403396 REV B | 101103 970971 | 1 |
| | 5 BAC27DCC3396 | | .MARKER | 101103 970971 | 1 |
| - 50 | MODREF282627 | | CIRCUIT BREAKER INSTL-P6-2 (PLACARDS AND MARKINGS ONLY) MODULE NUMBER: 233A5222-4 REV C FOR OTHER SYS DETAILS SEE: 24-50-52-11 | 101103 970971 | 1 |
| | 55 BAC27DCC2733 | | .MARKER-ROW B | 101103 970971 | 1 |
| - 100 | MODREF282628 | | MARKER INSTL-P6-2 ROW C MODULE NUMBER: 233A5222-402743 REV A | 101103 970971 | 1 |
| | 105 BAC27DCC2743 | | .MARKER | 101103 970971 | 1 |
| - 110 | MODREF250429 | | MARKER INSTL-P6-2 ROW D MODULE NUMBER: 233A5222-403337 REV B | 101103 970971 | 1 |
| | 115 BAC27DCC3337 | | .MARKER | 101103 970971 | 1 |
| - 150 | MODREF250434 | | INOP INSTL-P6-2/D3 (PLACARDS AND MARKINGS ONLY) MODULE NUMBER: 233A5222-502403 REV B FOR OTHER SYS DETAILS SEE: 24-50-52-11 | 101103 970971 | 1 |
| | 155 BAC27DCC3073 | | .MARKER- PLACARD CONTENT: INOP | 101103 970971 | 1 |

MISSING ITEM NUMBERS NOT APPLICABLE

- ITEM NOT ILLUSTRATED

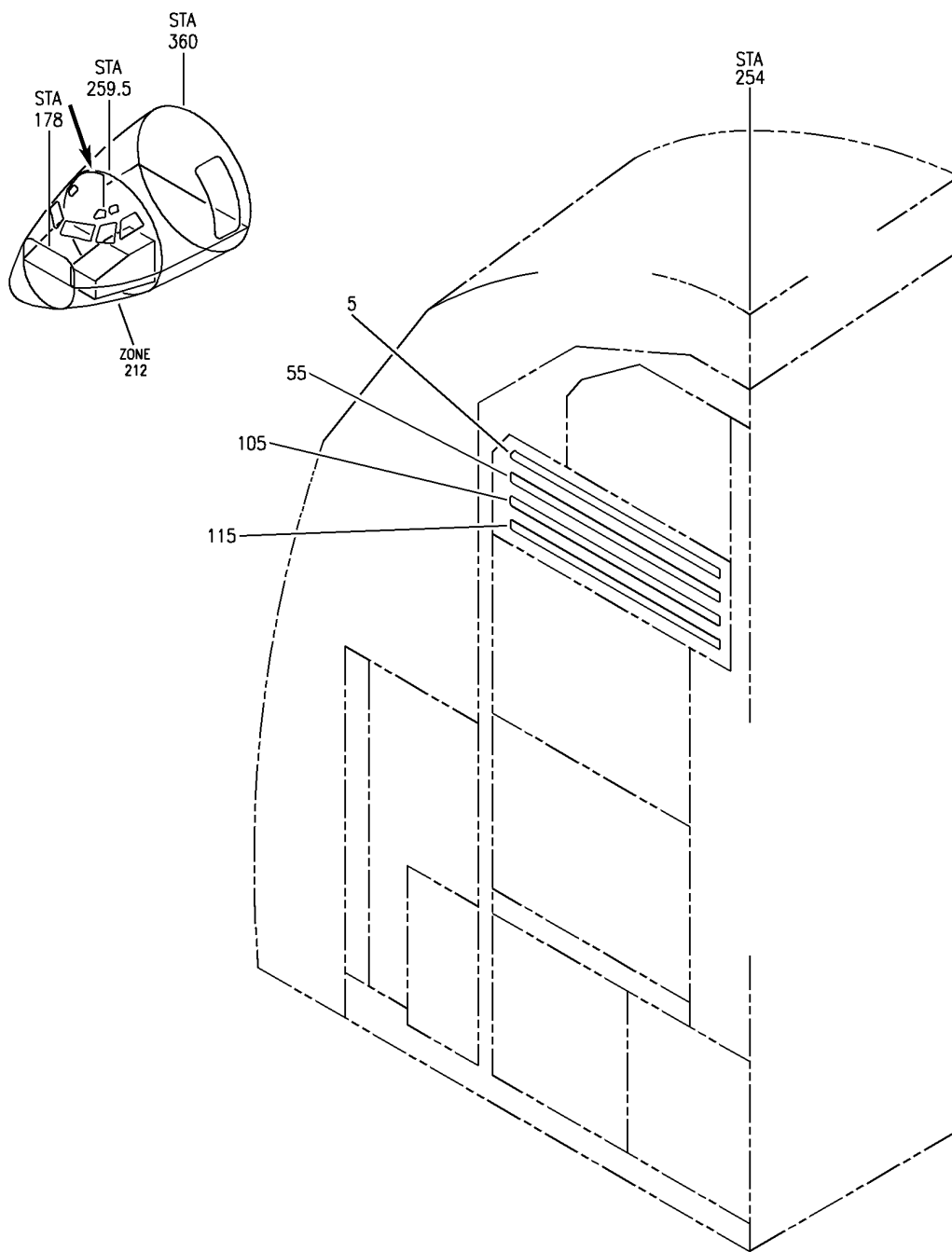
HAP

11-31-52-11H

BOEING PROPRIETARY - Copyright © - Unpublished Work - See title page for details.

11-31-52
FIG. 11H
PAGE 1
FEB 15/08

BOEING
737-600/700/800/900
PARTS CATALOG (MAINTENANCE)



E 11315211J SHT 1 REV 116

For Details See Subsequent Pages

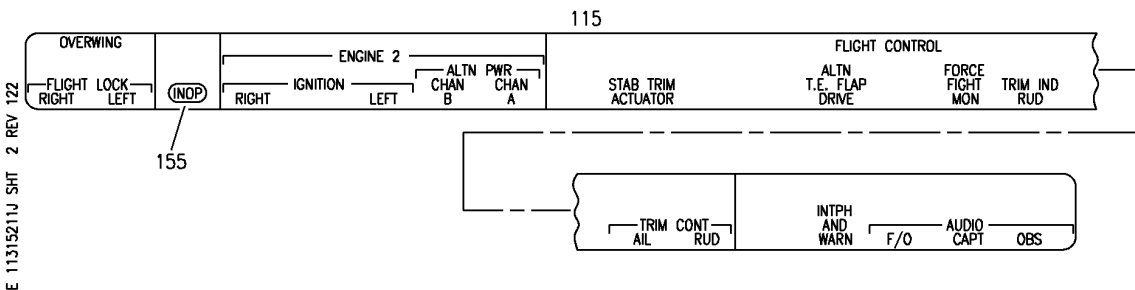
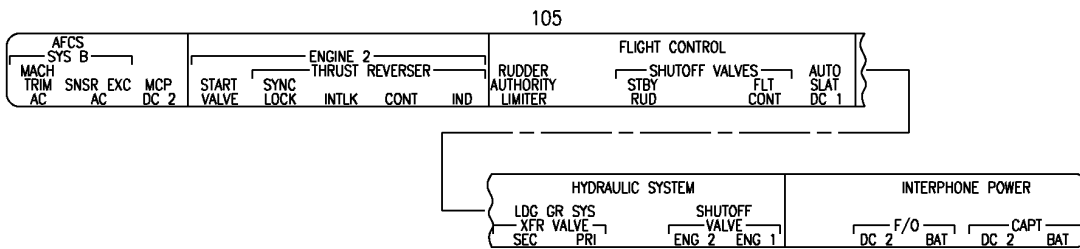
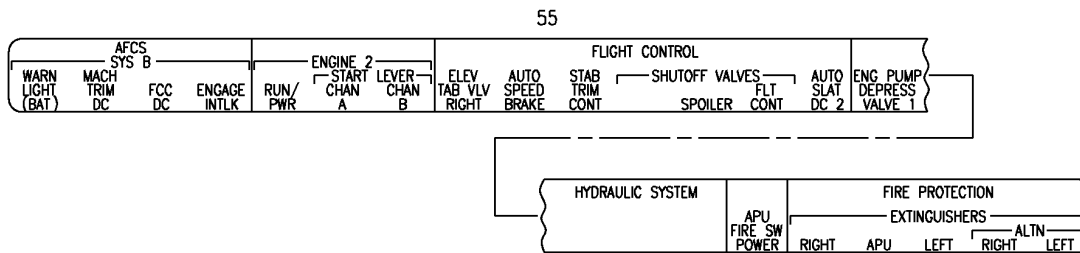
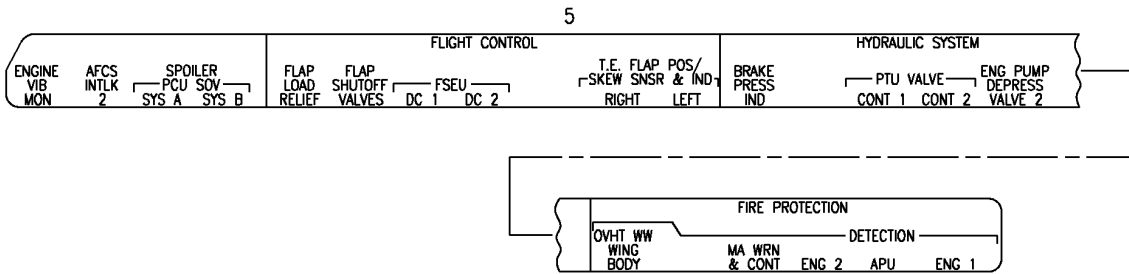
MARKER, CIRCUIT BREAKER AND INOP INSTL-P6-2 (PLACARDS AND MARKINGS ONLY)
FIGURE 11J (SHEET 1)

HAP
OCT 10/06

11-31-52-11J

11-31-52-11J
PAGE 0

BOEING
737-600/700/800/900
PARTS CATALOG (MAINTENANCE)



E 11315211J SHT 2 REV 122

MARKER, CIRCUIT BREAKER AND INOP INSTL-P6-2 (PLACARDS AND MARKINGS ONLY)
FIGURE 11J (SHEET 2)

HAP
OCT 10/06

11-31-52-11J

11-31-52-11J
PAGE 0A

BOEING
737-600/700/800/900
PARTS CATALOG (MAINTENANCE)

| FIG ITEM | PART NUMBER | 1 2 3 4 5 6 7 | NOMENCLATURE | EFFECT FROM TO | UNITS PER ASSY |
|----------|--------------|---------------|---|--------------------------------------|----------------|
| 11J | | | MARKER, CIRCUIT BREAKER AND INOP INSTL-P6-2 (PLACARDS AND MARKINGS ONLY) | 037037 039041 047047 054100 | |
| - 1 | MODREF270690 | | MARKER INSTL-P6-2 ROW A MODULE NUMBER: 233A5222-403472 REV A | 037037 039041 047047 054100 | 1 |
| 5 | BAC27DCC3472 | | .MARKER | 037037 039041 047047 054100 | 1 |
| - 50 | MODREF282627 | | CIRCUIT BREAKER INSTL-P6-2 (PLACARDS AND MARKINGS ONLY) MODULE NUMBER: 233A5222-4 REV C FOR OTHER SYS DETAILS SEE: 24-50-52-11D | 037037 039041 047047 054100 | 1 |
| 55 | BAC27DCC2733 | | .MARKER-ROW B | 037037 039041 047047 054100 | 1 |
| - 100 | MODREF282628 | | MARKER INSTL-P6-2 ROW C MODULE NUMBER: 233A5222-402743 REV A | 037037 039041 047047 054100 | 1 |
| 105 | BAC27DCC2743 | | .MARKER | 037037 039041 047047 054100 | 1 |
| - 110 | MODREF250429 | | MARKER INSTL-P6-2 ROW D MODULE NUMBER: 233A5222-403337 REV B | 037037 039041 047047 054100 | 1 |
| 115 | BAC27DCC3337 | | .MARKER | 037037 039041 047047 054100 | 1 |
| - 150 | MODREF250434 | | INOP INSTL-P6-2/D3 (PLACARDS AND MARKINGS ONLY) MODULE NUMBER: 233A5222-502403 REV B FOR OTHER SYS DETAILS SEE: 24-50-52-11D | 037037 039041 047047 054100 | 1 |

MISSING ITEM NUMBERS NOT APPLICABLE

- ITEM NOT ILLUSTRATED

HAP

11-31-52-11J

11-31-52
FIG. 11J
PAGE 1
FEB 15/09

BOEING
737-600/700/800/900
PARTS CATALOG (MAINTENANCE)

| FIG ITEM | PART NUMBER | 1 2 3 4 5 6 7 NOMENCLATURE | EFFECT FROM TO | UNITS PER ASSY |
|-------------|--------------|--|--------------------------------------|----------------------|
| 11J 155 | BAC27DCC3073 | . MARKER- PLACARD CONTENT : INOP | 037037 039041 047047 054100 | 1 |

MISSING ITEM NUMBERS NOT APPLICABLE

— ITEM NOT ILLUSTRATED

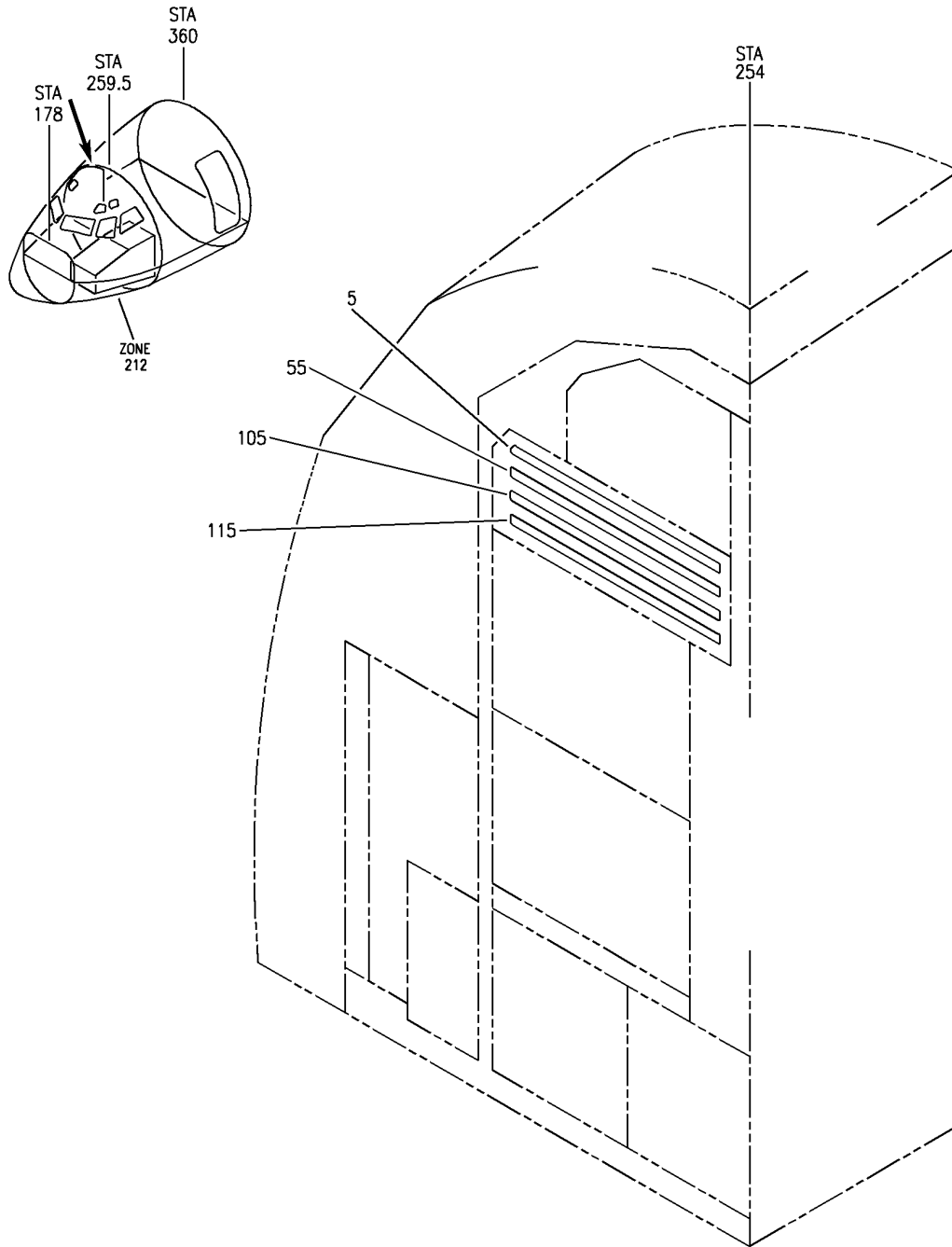
HAP

11-31-52-11J

BOEING PROPRIETARY - Copyright © - Unpublished Work - See title page for details.

11-31-52
FIG. 11J
PAGE 2
FEB 15/09

BOEING
737-600/700/800/900
PARTS CATALOG (MAINTENANCE)



E 11315211K SHT 1 REV 116

For Details See Subsequent Pages

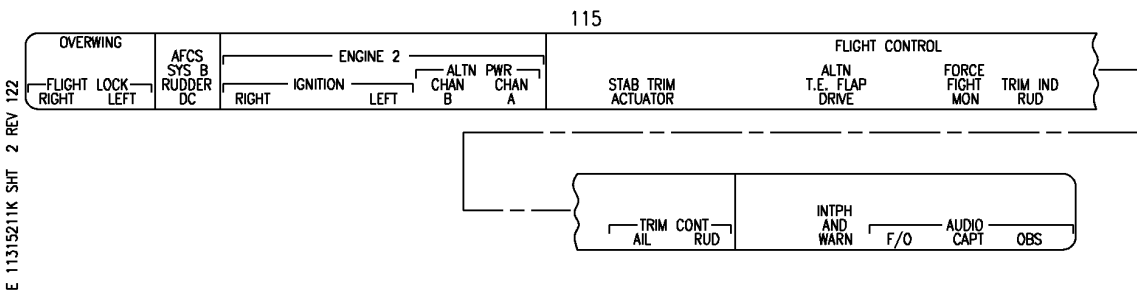
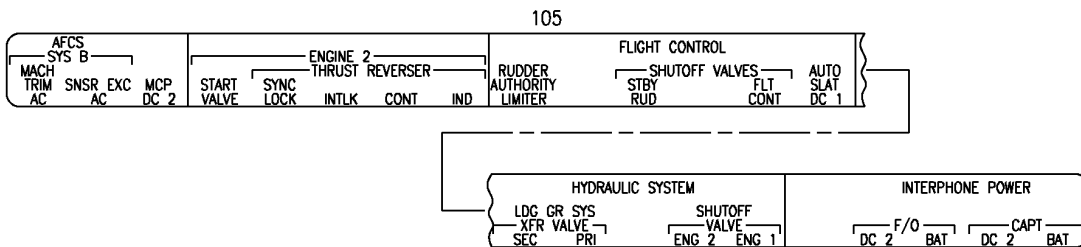
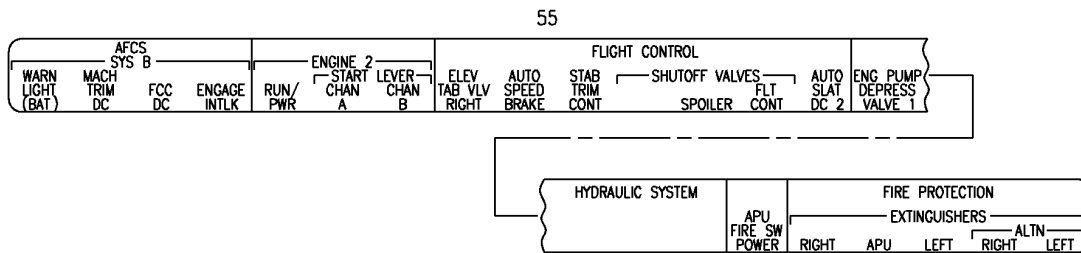
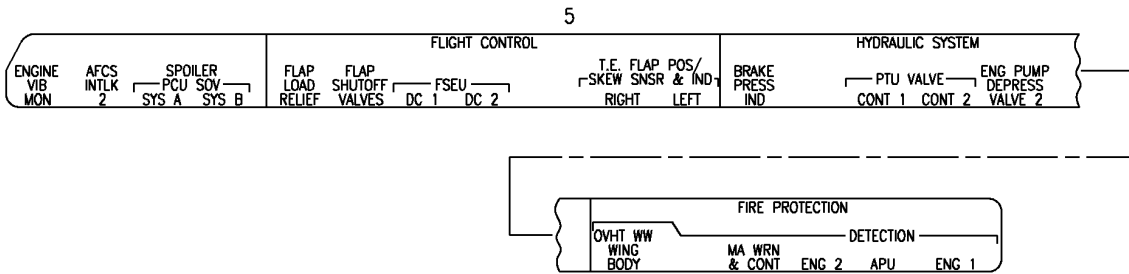
MARKER AND CIRCUIT BREAKER INSTL-P6-2 (PLACARDS AND MARKINGS ONLY)
FIGURE 11K (SHEET 1)

HAP
OCT 10/06

11-31-52-11K

11-31-52-11K
PAGE 0


BOEING
 737-600/700/800/900
PARTS CATALOG (MAINTENANCE)



E 11315211K SHT 2 REV 122

MARKER AND CIRCUIT BREAKER INSTL-P6-2 (PLACARDS AND MARKINGS ONLY)
 FIGURE 11K (SHEET 2)

11-31-52-11K

HAP
OCT 10/06

11-31-52-11K
PAGE 0A

BOEING
737-600/700/800/900
PARTS CATALOG (MAINTENANCE)

| FIG ITEM | PART NUMBER | 1 2 3 4 5 6 7 | NOMENCLATURE | EFFECT FROM TO | UNITS PER ASSY |
|-------------|------------------|---------------|---|-------------------|----------------------|
| 11K | | | MARKER AND CIRCUIT BREAKER INSTL-P6-2 (PLACARDS AND MARKINGS ONLY) | 038038 042046 | |
| - 1 | MODREF270690 | | MARKER INSTL-P6-2 ROW A MODULE NUMBER: 233A5222-403472 REV A | 038038 042046 | 1 |
| | 5 BAC27DCC3472 | | .MARKER | 038038 042046 | 1 |
| - 50 | MODREF282627 | | CIRCUIT BREAKER INSTL-P6-2 (PLACARDS AND MARKINGS ONLY) MODULE NUMBER: 233A5222-4 REV C FOR OTHER SYS DETAILS SEE: 24-50-52-11D | 038038 042046 | 1 |
| | 55 BAC27DCC2733 | | .MARKER-ROW B | 038038 042046 | 1 |
| - 100 | MODREF282628 | | MARKER INSTL-P6-2 ROW C MODULE NUMBER: 233A5222-402743 REV A | 038038 042046 | 1 |
| | 105 BAC27DCC2743 | | .MARKER | 038038 042046 | 1 |
| - 110 | MODREF250429 | | MARKER INSTL-P6-2 ROW D MODULE NUMBER: 233A5222-403337 REV B | 038038 042046 | 1 |
| | 115 BAC27DCC3337 | | .MARKER | 038038 042046 | 1 |

MISSING ITEM NUMBERS NOT APPLICABLE

- ITEM NOT ILLUSTRATED

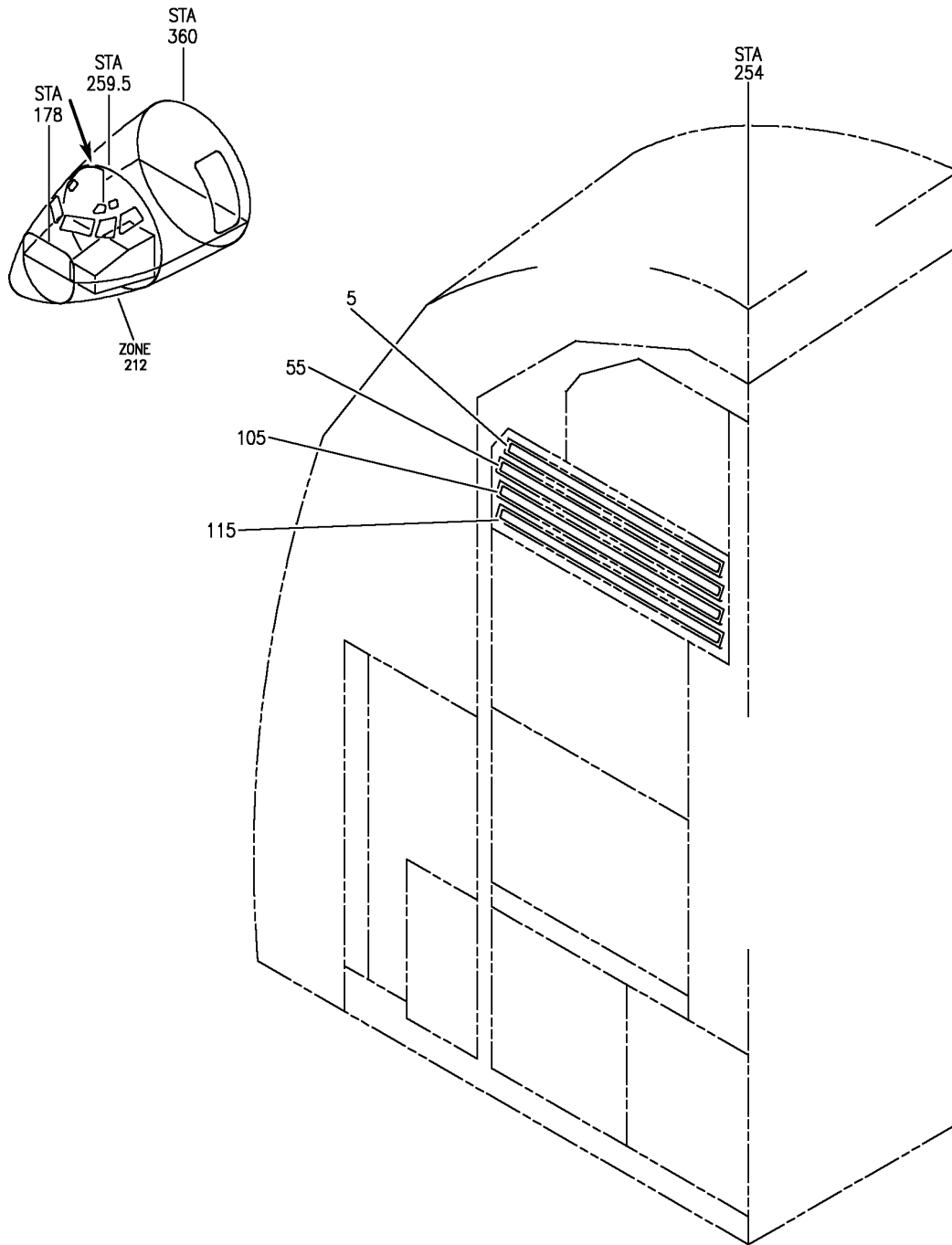
HAP

11-31-52-11K

BOEING PROPRIETARY - Copyright © - Unpublished Work - See title page for details.

11-31-52
FIG. 11K
PAGE 1
OCT 15/08

BOEING
737-600/700/800/900
PARTS CATALOG (MAINTENANCE)



For Details See Subsequent Pages

E 11315215A SHT 1 REV 147

MARKER AND CIRCUIT BREAKER INSTL-P6-2 (PLACARDS AND MARKINGS ONLY)
FIGURE 15A (SHEET 1)

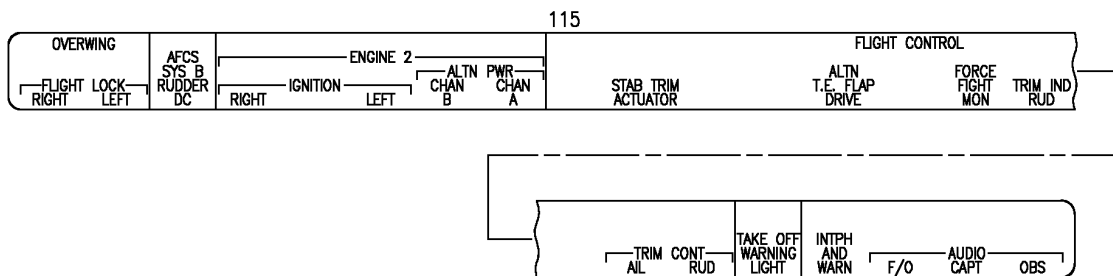
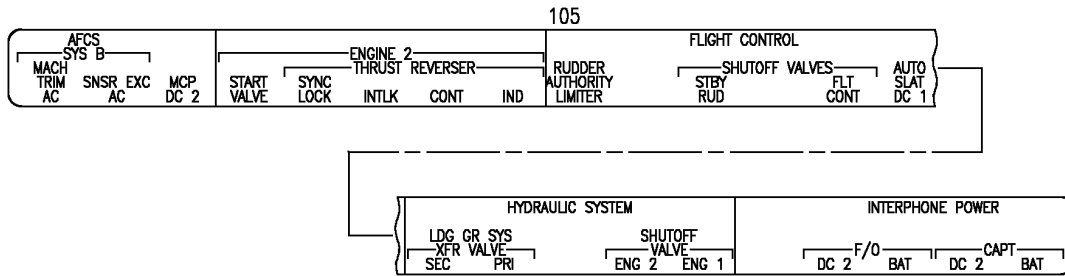
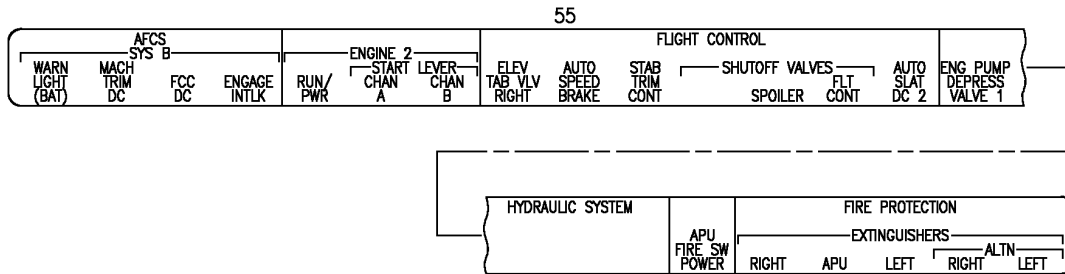
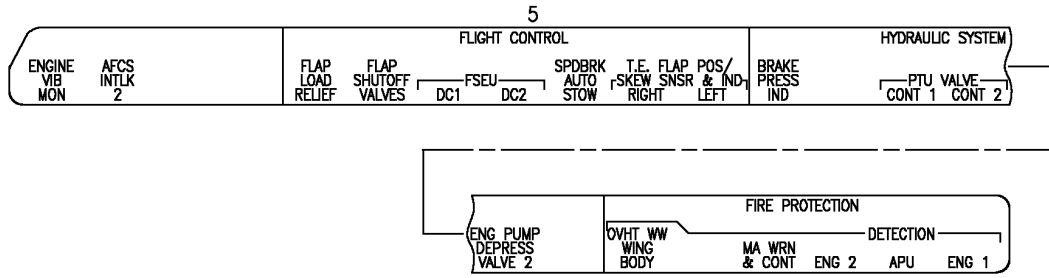
HAP
OCT 15/08

11-31-52-15A

11-31-52-15A
PAGE 0

BOEING PROPRIETARY - Copyright © - Unpublished Work - See title page for details.

BOEING
737-600/700/800/900
PARTS CATALOG (MAINTENANCE)



E 11315215A SHT 2 REV 147

MARKER AND CIRCUIT BREAKER INSTL-P6-2 (PLACARDS AND MARKINGS ONLY)
FIGURE 15A (SHEET 2)

HAP
OCT 15/08

11-31-52-15A

11-31-52-15A
PAGE 0A

 **BOEING**
737-600/700/800/900
PARTS CATALOG (MAINTENANCE)

| FIG ITEM | PART NUMBER | 1 2 3 4 5 6 7 | NOMENCLATURE | EFFECT FROM TO | UNITS PER ASSY |
|----------|--------------|---------------|--|----------------|----------------|
| 15A | | | MARKER AND CIRCUIT BREAKER INSTL-P6-2 (PLACARDS AND MARKINGS ONLY) | 107200 | |
| - 1 | MODREF250432 | | MARKER INSTL-P6-2 ROW A MODULE NUMBER: 233A5222-403396 REV B | 107200 | 1 |
| 5 | BAC27DCC3396 | | .MARKER | 107200 | 1 |
| - 50 | MODREF282627 | | CIRCUIT BREAKER INSTL-P6-2 (PLACARDS AND MARKINGS ONLY) MODULE NUMBER: 233A5222-4 REV C FOR OTHER SYS DETAILS SEE: 24-50-52-15 | 107200 | 1 |
| 55 | BAC27DCC2733 | | .MARKER-ROW B | 107200 | 1 |
| - 100 | MODREF282628 | | MARKER INSTL-P6-2 ROW C MODULE NUMBER: 233A5222-402743 REV A | 107200 | 1 |
| 105 | BAC27DCC2743 | | .MARKER | 107200 | 1 |
| - 110 | MODREF391757 | | MARKER INSTL-P6-2 ROW D MODULE NUMBER: 233A5222-403694 REV A | 107200 | 1 |
| 115 | BAC27DCC3694 | | .MARKER | 107200 | 1 |

MISSING ITEM NUMBERS NOT APPLICABLE

- ITEM NOT ILLUSTRATED

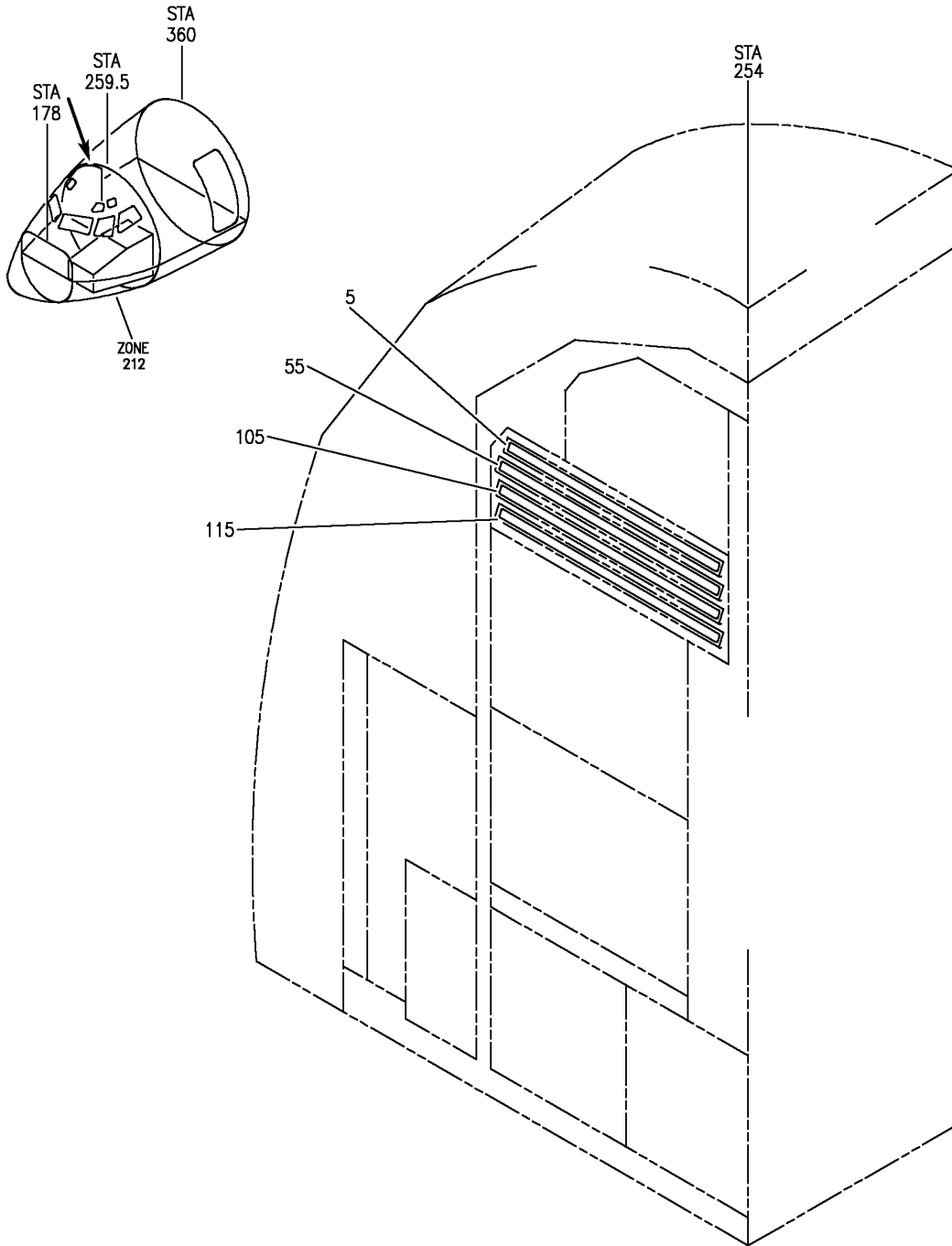
HAP

11-31-52-15A

BOEING PROPRIETARY - Copyright © - Unpublished Work - See title page for details.

11-31-52
FIG. 15A
PAGE 1
OCT 15/08

BOEING
737-600/700/800/900
PARTS CATALOG (MAINTENANCE)



E 11315216 SH1 1 REV 147

For Details See Subsequent Pages

MARKER AND CIRCUIT BREAKER INSTL-P6-2 (PLACARDS AND MARKINGS ONLY)
FIGURE 16 (SHEET 1)

11-31-52-16

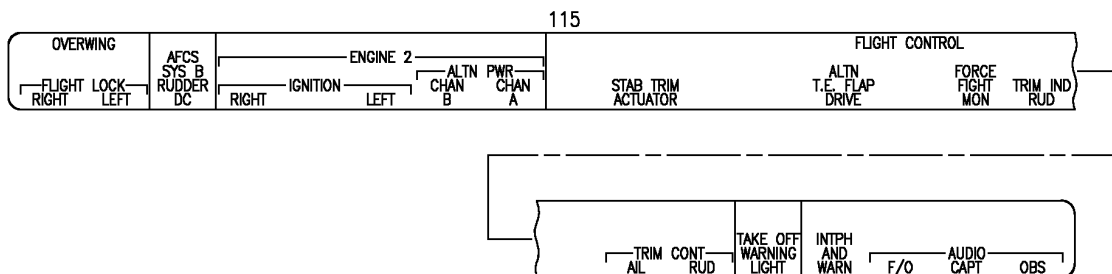
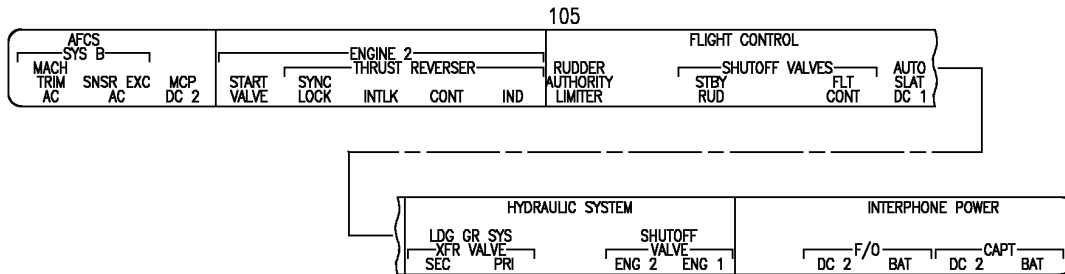
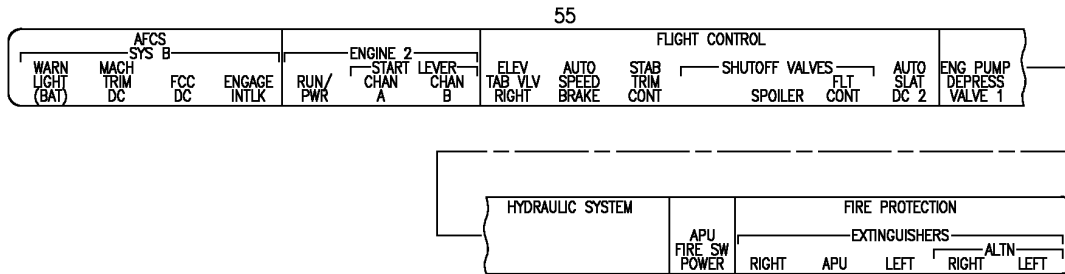
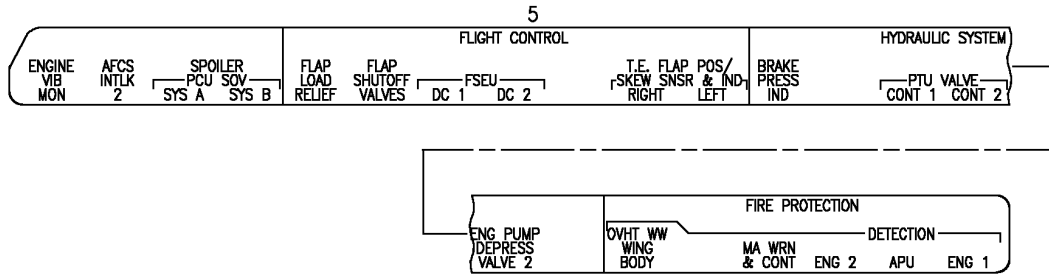
HAP
OCT 15/08

11-31-52-16
PAGE 0



737-600/700/800/900

PARTS CATALOG (MAINTENANCE)



E 11315216 SHT 2 REV 147

MARKER AND CIRCUIT BREAKER INSTL-P6-2 (PLACARDS AND MARKINGS ONLY)
 FIGURE 16 (SHEET 2)

11-31-52-16

HAP
OCT 15/08

11-31-52-16
PAGE 0A

BOEING
737-600/700/800/900
PARTS CATALOG (MAINTENANCE)

| FIG ITEM | PART NUMBER | 1 2 3 4 5 6 7 | NOMENCLATURE | EFFECT FROM TO | UNITS PER ASSY |
|-------------|------------------|---------------|--|-------------------|----------------------|
| 16 | | | MARKER AND CIRCUIT BREAKER INSTL-P6-2 (PLACARDS AND MARKINGS ONLY) | 048048 051053 | |
| - 1 | MODREF270690 | | MARKER INSTL-P6-2 ROW A MODULE NUMBER: 233A5222-403472 REV A | 048048 051053 | 1 |
| | 5 BAC27DCC3472 | | .MARKER | 048048 051053 | 1 |
| - 50 | MODREF282627 | | CIRCUIT BREAKER INSTL-P6-2 (PLACARDS AND MARKINGS ONLY) MODULE NUMBER: 233A5222-4 REV C FOR OTHER SYS DETAILS SEE: 24-50-52-16 | 048048 051053 | 1 |
| | 55 BAC27DCC2733 | | .MARKER-ROW B | 048048 051053 | 1 |
| - 100 | MODREF282628 | | MARKER INSTL-P6-2 ROW C MODULE NUMBER: 233A5222-402743 REV A | 048048 051053 | 1 |
| | 105 BAC27DCC2743 | | .MARKER | 048048 051053 | 1 |
| - 110 | MODREF391757 | | MARKER INSTL-P6-2 ROW D MODULE NUMBER: 233A5222-403694 REV A | 048048 051053 | 1 |
| | 115 BAC27DCC3694 | | .MARKER | 048048 051053 | 1 |

MISSING ITEM NUMBERS NOT APPLICABLE

- ITEM NOT ILLUSTRATED

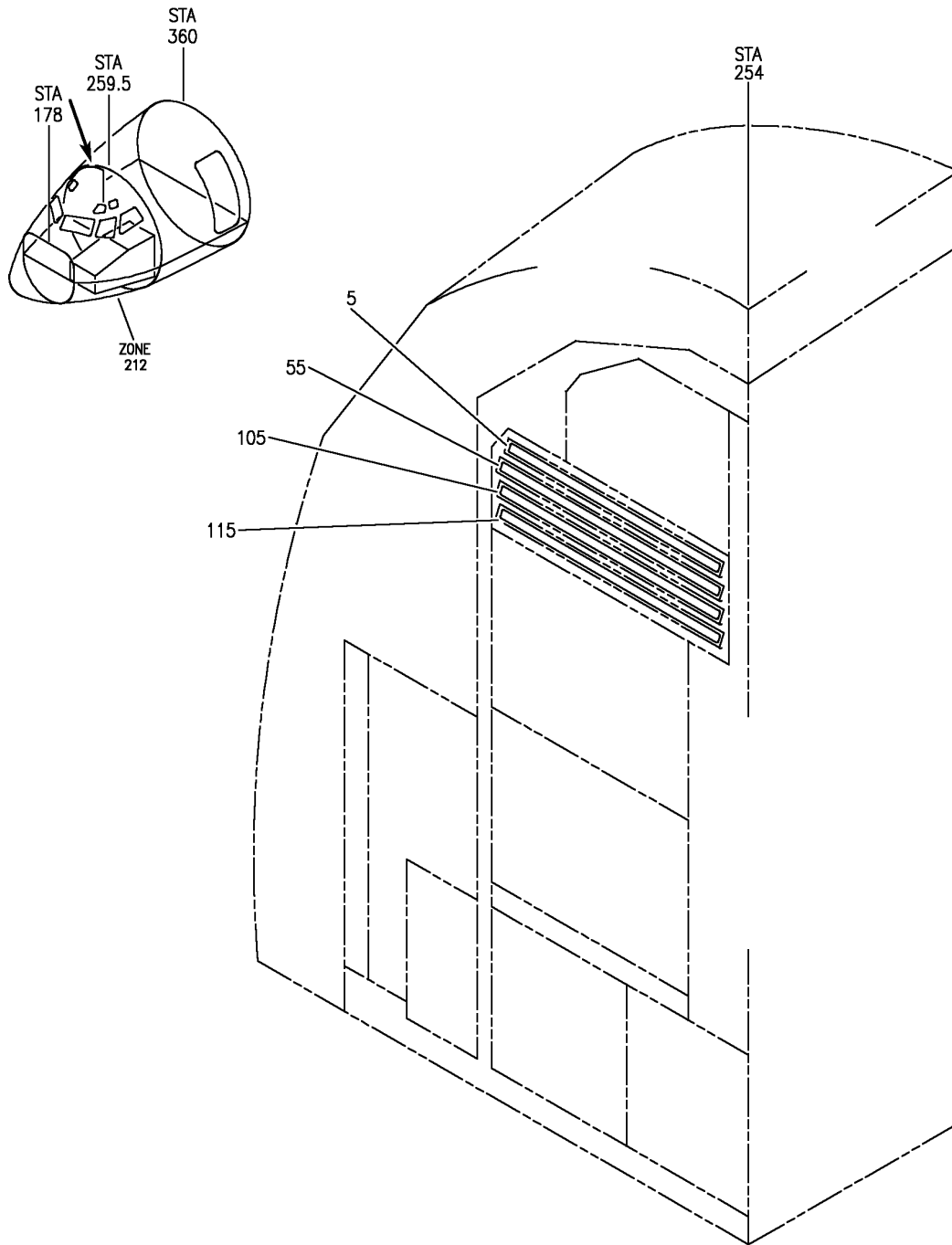
HAP

11-31-52-16

BOEING PROPRIETARY - Copyright © - Unpublished Work - See title page for details.

11-31-52
FIG. 16
PAGE 1
FEB 15/09

BOEING
737-600/700/800/900
PARTS CATALOG (MAINTENANCE)



For Details See Subsequent Pages

E 11315216A SHT 1 REV 147

MARKER, CIRCUIT BREAKER AND INOP INSTL-P6-2 (PLACARDS AND MARKINGS ONLY)
FIGURE 16A (SHEET 1)

HAP
OCT 15/08

11-31-52-16A

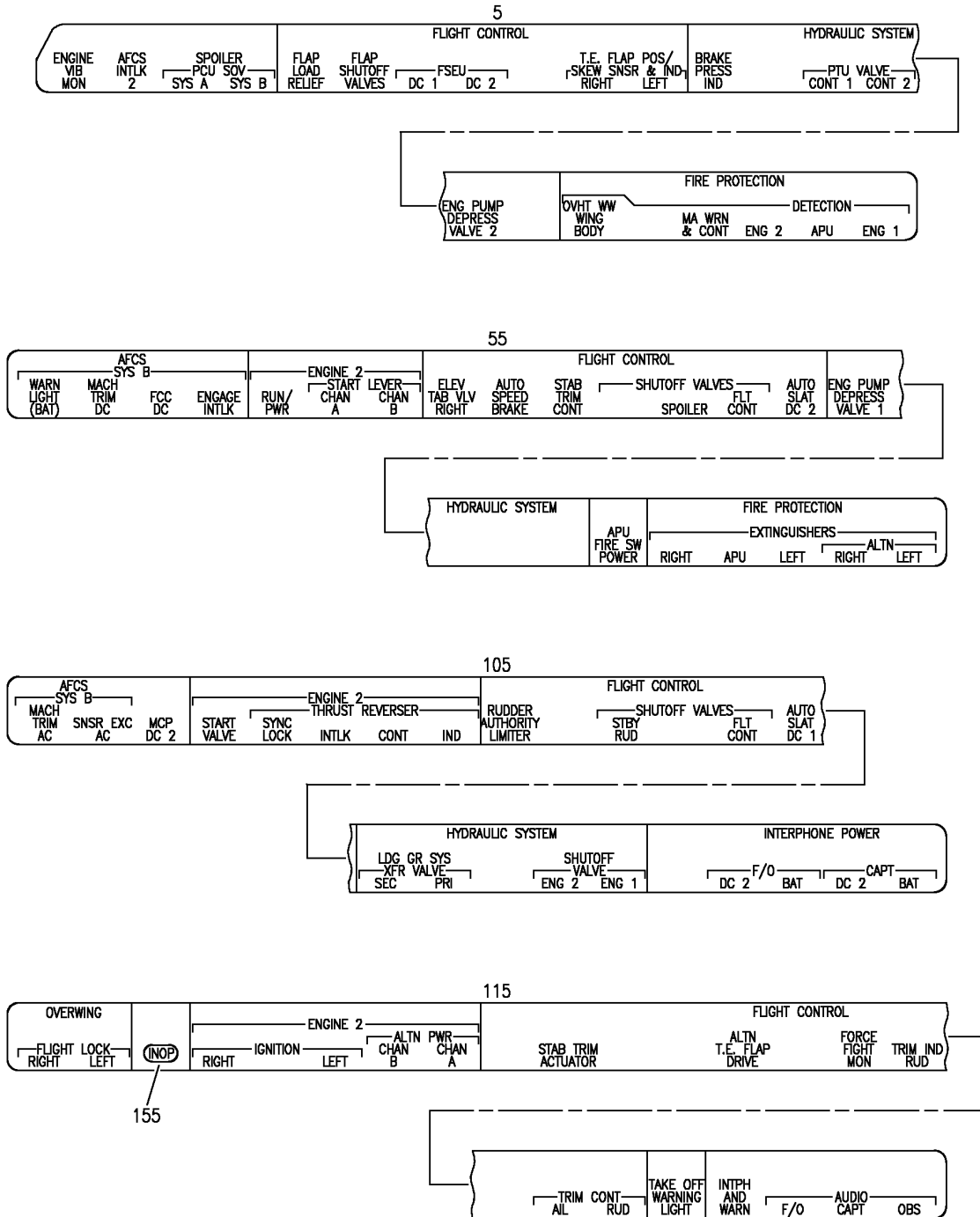
11-31-52-16A
PAGE 0

BOEING PROPRIETARY - Copyright © - Unpublished Work - See title page for details.



737-600/700/800/900

PARTS CATALOG (MAINTENANCE)



E 11315216A SHT 2 REV 147

MARKER, CIRCUIT BREAKER AND INOP INSTL-P6-2 (PLACARDS AND MARKINGS ONLY)
 FIGURE 16A (SHEET 2)

HAP
OCT 15/08

11-31-52-16A

11-31-52-16A
PAGE 0A

 **BOEING**
737-600/700/800/900
PARTS CATALOG (MAINTENANCE)

| FIG ITEM | PART NUMBER | 1 2 3 4 5 6 7 | NOMENCLATURE | EFFECT FROM TO | UNITS PER ASSY |
|----------|--------------|---------------|--|----------------|----------------|
| 16A | | | MARKER, CIRCUIT BREAKER AND INOP INSTL-P6-2 (PLACARDS AND MARKINGS ONLY) | 049050 | |
| - 1 | MODREF270690 | | MARKER INSTL-P6-2 ROW A MODULE NUMBER: 233A5222-403472 REV A | 049050 | 1 |
| 5 | BAC27DCC3472 | | .MARKER | 049050 | 1 |
| - 50 | MODREF282627 | | CIRCUIT BREAKER INSTL-P6-2 (PLACARDS AND MARKINGS ONLY) MODULE NUMBER: 233A5222-4 REV C FOR OTHER SYS DETAILS SEE: 24-50-52-16 | 049050 | 1 |
| 55 | BAC27DCC2733 | | .MARKER-ROW B | 049050 | 1 |
| - 100 | MODREF282628 | | MARKER INSTL-P6-2 ROW C MODULE NUMBER: 233A5222-402743 REV A | 049050 | 1 |
| 105 | BAC27DCC2743 | | .MARKER | 049050 | 1 |
| - 110 | MODREF391757 | | MARKER INSTL-P6-2 ROW D MODULE NUMBER: 233A5222-403694 REV A | 049050 | 1 |
| 115 | BAC27DCC3694 | | .MARKER | 049050 | 1 |
| - 150 | MODREF250434 | | INOP INSTL-P6-2/D3 (PLACARDS AND MARKINGS ONLY) MODULE NUMBER: 233A5222-502403 REV B FOR OTHER SYS DETAILS SEE: 24-50-52-16 | 049050 | 1 |
| 155 | BAC27DCC3073 | | .MARKER- PLACARD CONTENT: INOP | 049050 | 1 |

MISSING ITEM NUMBERS NOT APPLICABLE

- ITEM NOT ILLUSTRATED

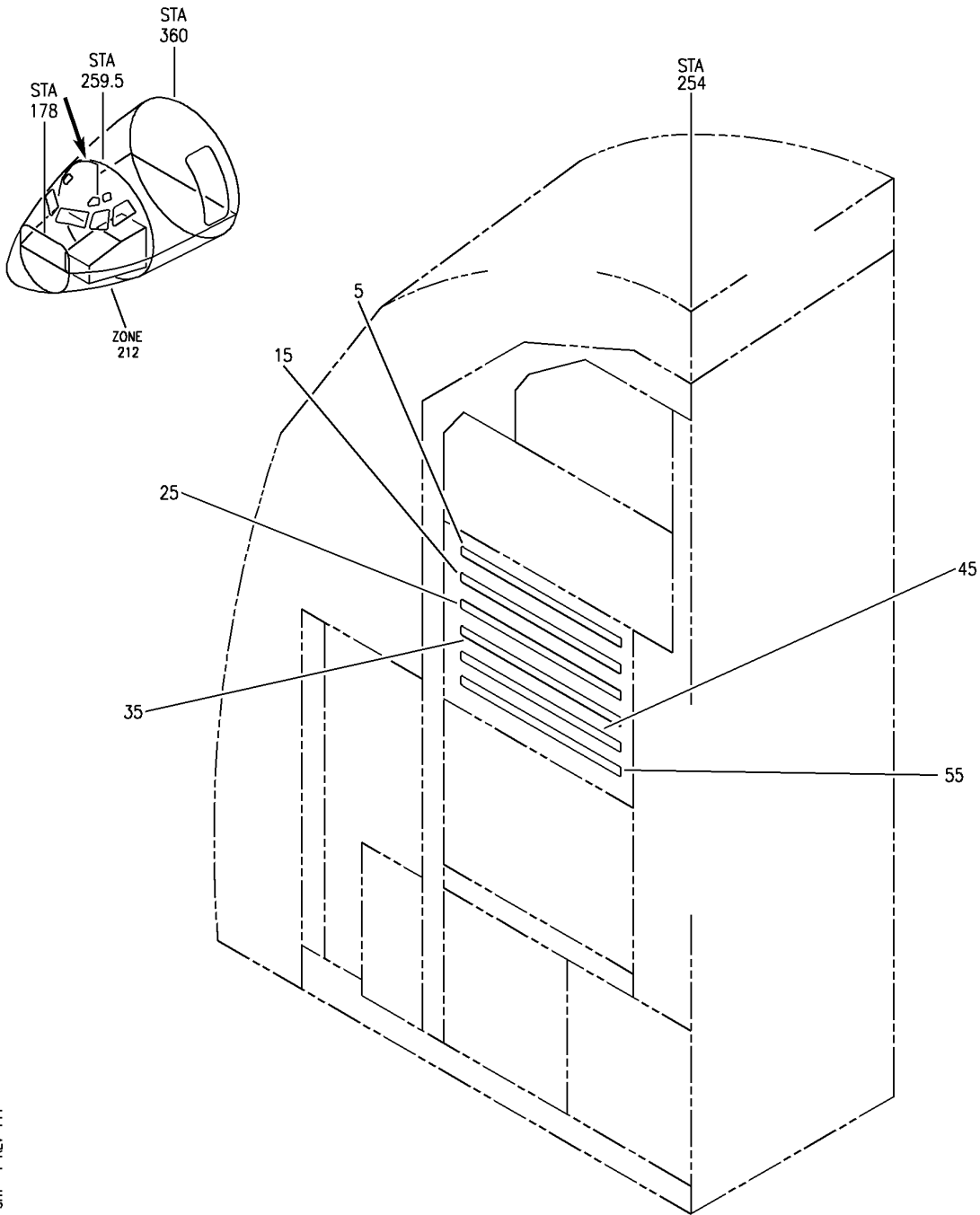
HAP

11-31-52-16A

BOEING PROPRIETARY - Copyright © - Unpublished Work - See title page for details.

11-31-52
FIG. 16A
PAGE 1
OCT 15/08

BOEING
737-600/700/800/900
PARTS CATALOG (MAINTENANCE)



For Details See Subsequent Pages

MARKER AND CIRCUIT BREAKER INSTL-P6-3 (PLACARDS AND MARKINGS ONLY)
FIGURE 1X (SHEET 1)

11-31-53-01X

HAP
OCT 10/06

11-31-53-01X
PAGE 0

BOEING
737-600/700/800/900
PARTS CATALOG (MAINTENANCE)

5

| | | | | | |
|--------------------------|------------------------------------|----------|--|----------------------------|--|
| MISC CLOCK DISPLAY | FUEL FUELING IND QTY 2 QTY 1 | TEMP IND | CONTROL CABIN LIGHTING PANEL FLOOD CONT PANEL FLOOD STBY | STBY COMPASS DOME WHITE | LANDING GEAR AUTOBRAKE CONT 2 BITE CONT 1 |
|--------------------------|------------------------------------|----------|--|----------------------------|--|

15

| | | | | | | |
|------------------|------------------|------------------------|------------------|--|---|---|
| SPAR VALVE ENG 2 | SPAR VALVE ENG 1 | FUEL SPAR VALVE IND | CROSS FEED VALVE | PANEL & INSTR 28V PRI CAPT & CTR F/O | MASTER CAUTION ANNUNCIATOR BUS 1 BAT | LANDING GEAR LATCH & PRESS WARN PARKING BRAKE |
|------------------|------------------|------------------------|------------------|--|---|---|

25

| | | | | | | | |
|--------------------|--------------------------------|------------------------------|--------------------------------|---|--|--|------------------------|
| ELT INTERFACE UNIT | AUTO S/O BST PUMP CTR TNK L DC | FUEL SHUTOFF VALVES BUS 1 | AUTO S/O BST PUMP CTR TNK R DC | PANEL & INSTR CB PANEL ELEX PANEL | TO DISCONNECT PULL (2) BREAKERS CONT 1 CONT 2 CONT 3 CONT 4 | LANDING GEAR AIR/GND SYS 2 AIR/GND SYS 1 | TAKEOFF WARNING CUTOFF |
|--------------------|--------------------------------|------------------------------|--------------------------------|---|--|--|------------------------|

37

35

| | | | | | | |
|----------|-----------|--|----------------|----------------------|--|--|
| PSEU PRI | PSEU ALTN | FUEL AUTO S/O UCPO BST PUMP CTR TNK L AC | EMER PANEL LTG | OVERHEAD 28V PRI SEC | INDICATOR MASTER DIM DIM/TST CONT BAT BUS 1 BUS 2 | LANDING GEAR ALTN EXTEND SOL NOSE GEAR STEER AURAL WARN |
|----------|-----------|--|----------------|----------------------|--|--|

47

45

| | | | | | |
|-----------|--|-------------------------------------|---------------------------|--|-------------------------------------|
| DOOR LOCK | ENGINE FUEL ENGINE 2 HPSOV CONT ENGINE 1 HPSOV IND | AUTO S/O UCPO BST PUMP CTR TNK R AC | OVERHEAD 28V SV SECONDARY | TO DISCONNECT CIRCUIT PULL (3) BREAKERS SECT 1 SECT 2 SECT 3 SECT 4 | LANDING GEAR INBD ANTISKID OUTBD |
|-----------|--|-------------------------------------|---------------------------|--|-------------------------------------|

55

| | | | |
|----------------|---------------------------|-----------------------------|------------------------------|
| 28V DC SERVICE | OVERHEAD 28V 5V SECONDARY | SECT 5 SECT 6 SECT 7 SECT 8 | PROBE INDICATION F/O CAPT |
|----------------|---------------------------|-----------------------------|------------------------------|

E 11315301X SHT 2 REV 140

MARKER AND CIRCUIT BREAKER INSTL-P6-3 (PLACARDS AND MARKINGS ONLY)
FIGURE 1X (SHEET 2)

11-31-53-01X

HAP
JUN 15/08

11-31-53-01X
PAGE 0A

BOEING
737-600/700/800/900
PARTS CATALOG (MAINTENANCE)

| FIG ITEM | PART NUMBER | 1 2 3 4 5 6 7 | NOMENCLATURE | EFFECT FROM TO | UNITS PER ASSY |
|----------|--------------|---------------|---|----------------|----------------|
| 1X | | | MARKER AND CIRCUIT BREAKER INSTL-P6-3 (PLACARDS AND MARKINGS ONLY) | 031036 | |
| - 1 | MODREF252405 | | CIRCUIT BREAKER INSTL-P6-3 (PLACARDS AND MARKINGS ONLY) MODULE NUMBER: 233A5223-2 REV B FOR OTHER SYS DETAILS SEE: 24-50-53-01X | 031036 | 1 |
| 5 | BAC27DCC2724 | | .MARKER-ROW A | 031036 | 1 |
| - 10 | MODREF250490 | | MARKER INSTL-P6-3 ROW B MODULE NUMBER: 233A5223-402725 REV B | 031036 | 1 |
| 15 | BAC27DCC2725 | | .MARKER | 031036 | 1 |
| - 20 | MODREF250508 | | MARKER INSTL-P6-3 ROW C MODULE NUMBER: 233A5223-403386 REV B | 031036 | 1 |
| 25 | BAC27DCC3386 | | .MARKER | 031036 | 1 |
| - 30 | MODREF250511 | | MARKER INSTL-P6-3 ROW D MODULE NUMBER: 233A5223-403389 REV B | 031036 | 1 |
| 35 | BAC27DCC3389 | | .MARKER | 031036 | 1 |
| 37 | BAC27DCC3564 | | .MARKER- PLACARD CONTENT: FUEL AUTO S/O UCPO BST PUMP CTR TNK L AC POST ALERT SB: 28A1248R1 | 031036 | 1 |
| - 40 | MODREF250514 | | MARKER INSTL-P6-3 ROW E MODULE NUMBER: 233A5223-403393 REV B | 031036 | 1 |
| 45 | BAC27DCC3393 | | .MARKER | 031036 | 1 |
| 47 | BAC27DCC3565 | | .MARKER- PLACARD CONTENT: AUTO S/O UCPO BST PUMP CTR TNK R AC POST ALERT SB: 28A1248R1 | 031036 | 1 |
| - 50 | MODREF250493 | | MARKER INSTL-P6-3 ROW F MODULE NUMBER: 233A5223-402729 REV B | 031036 | 1 |
| 55 | BAC27DCC2729 | | .MARKER | 031036 | 1 |

MISSING ITEM NUMBERS NOT APPLICABLE

- ITEM NOT ILLUSTRATED

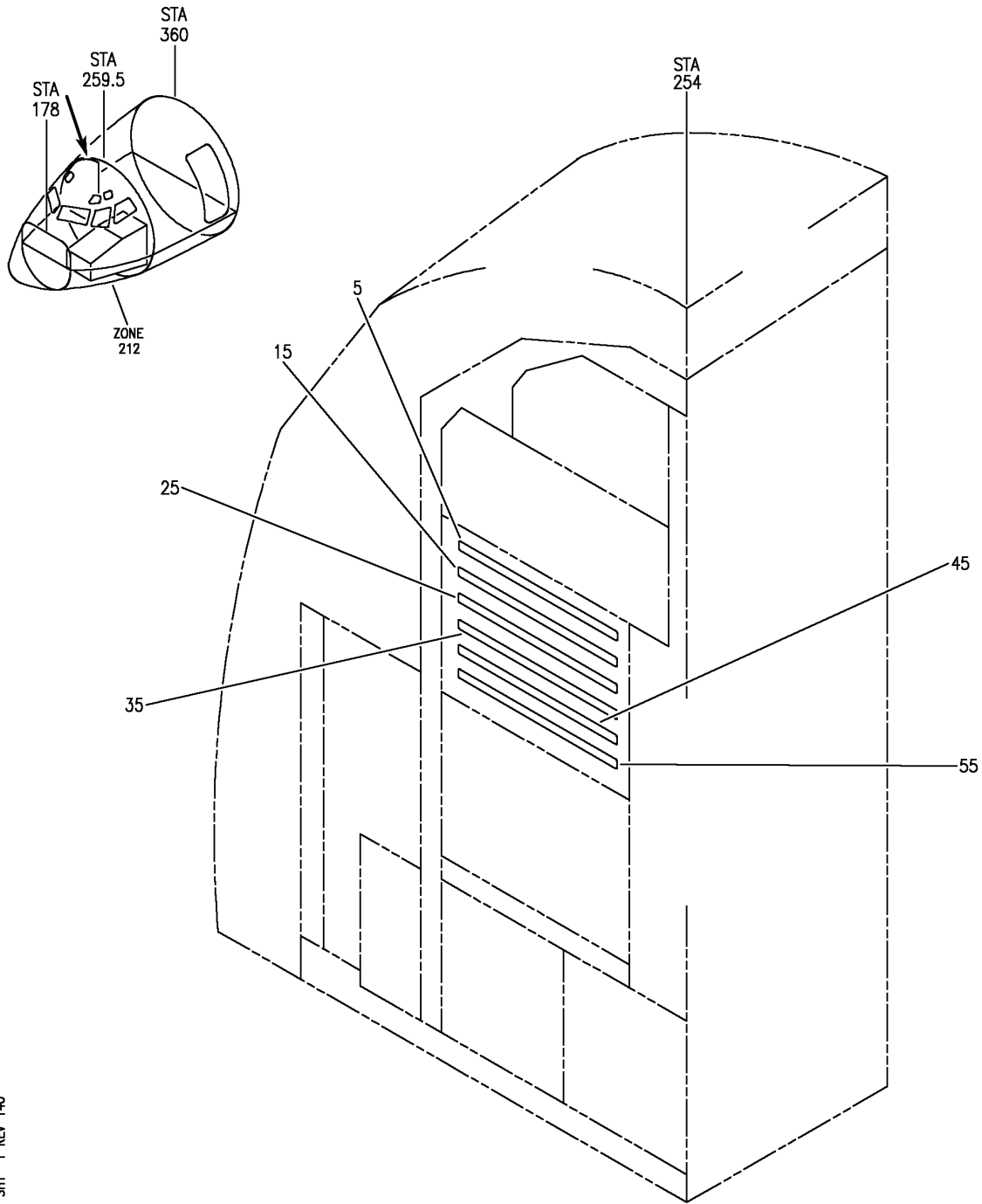
HAP

11-31-53-01X

BOEING PROPRIETARY - Copyright © - Unpublished Work - See title page for details.

11-31-53
FIG. 01X
PAGE 1
JUN 15/08

BOEING
737-600/700/800/900
PARTS CATALOG (MAINTENANCE)



E 11315302K SHT 1 REV 140

For Details See Subsequent Pages

MARKER, CIRCUIT BREAKER AND INOP INSTL-P6-3 (PLACARDS AND MARKINGS ONLY)
FIGURE 2K (SHEET 1)

HAP
JUN 15/08

11-31-53-02K

11-31-53-02K
PAGE 0

BOEING
737-600/700/800/900
PARTS CATALOG (MAINTENANCE)

5

| | | | | | | | | | | |
|---------------------|---------------------------------------|------------------------|-----------|-------------|------------------|------------------------|--------------|------------|--------|--------|
| MISC | FUEL | CONTROL CABIN LIGHTING | | | | LANDING GEAR AUTOBRAKE | | | | |
| CLOCK DISPLAY CLOCK | FUELING CONT IND QTY 2 QTY 1 TEMP IND | CONT STAND | MAP & KIT | OBS READING | PANEL FLOOD CONT | PANEL FLOOD STBY | STBY COMPASS | DOMA WHITE | CONT 2 | CONT 1 |

15

| | | | | | | |
|------------------|------------------|---------------------|------------------|------------------------|----------------------------|----------------------------------|
| SPAR VALVE ENG 2 | SPAR VALVE ENG 1 | FUEL SPAR VALVE IND | CROSS FEED VALVE | PANEL & INSTR | MASTER CAUTION ANNUNCIATOR | LANDING GEAR |
| | | | | 28V PRI CAPT & CTR F/O | BUS 1 BAT | LATCH & PRESS WARN PARKING BRAKE |

25

| | | | | | | | | | | |
|--------------------|--------------------------------|------------------------------|--------------------------------|---------------------|-------------------------------------|--------|--------|--------------|------------------------|---------------|
| ELT INTERFACE UNIT | AUTO S/O BST PUMP CTR TNK L DC | FUEL SHUTOFF VALVES PWR PACK | AUTO S/O BST PUMP CTR TNK R DC | PANEL & INSTR | ↑ TO DISCONNECT PULL (2) BREAKERS ↓ | | | LANDING GEAR | TAKEOFF WARNING CUTOFF | |
| | | | | CB PANEL ELEX PANEL | CONT 1 | CONT 2 | CONT 3 | CONT 4 | AIR/GND SYS 2 | AIR/GND SYS 1 |

25

| | | | | | | | | | | |
|--------|--------------------------------|------------------------------|--------------------------------|---------------------|-------------------------------------|--------|--------|--------------|------------------------|---------------|
| (INOP) | AUTO S/O BST PUMP CTR TNK L DC | FUEL SHUTOFF VALVES PWR PACK | AUTO S/O BST PUMP CTR TNK R DC | PANEL & INSTR | ↑ TO DISCONNECT PULL (2) BREAKERS ↓ | | | LANDING GEAR | TAKEOFF WARNING CUTOFF | |
| | | | | CB PANEL ELEX PANEL | CONT 1 | CONT 2 | CONT 3 | CONT 4 | AIR/GND SYS 2 | AIR/GND SYS 1 |

105

35

| | | | | | | | | | | | | |
|----------|-----------|--|----------------|----------------------|----------------------|-----|-------|--------------|---------------|-----------------|-----------------|------------|
| PSEU PRI | PSEU ALTN | FUEL AUTO S/O UCPO BST PUMP CTR TNK L AC | EMER PANEL LTG | OVERHEAD 28V PRI SEC | INDICATOR MASTER DIM | | | LANDING GEAR | | | | |
| | | | | | DIM/TST CONT | BAT | BUS 1 | BUS 2 | AIR/GND RELAY | ALTN EXTEND SOL | NOSE GEAR STEER | AURAL WARN |

45

| | | | | | | | | | | | | | |
|-----------|---------------------|--------------------|---------------------|--------------------|---|-----------------------|--|--|--------------|--------|--------|--------|---------------------|
| DOOR LOCK | ENGINE FUEL | | | | ↑ TO DISCONNECT CIRCUIT PULL (3) BREAKERS ↓ | | | | LANDING GEAR | | | | |
| | ENGINE 2 HPSOV CONT | ENGINE 2 HPSOV IND | ENGINE 1 HPSOV CONT | ENGINE 1 HPSOV IND | AUTO S/O UCPO BST PUMP CTR TNK R AC | OVERHEAD SV SECONDARY | | | SECT 1 | SECT 2 | SECT 3 | SECT 4 | INBD ANTISKID OUTBD |

55

| | | | | | | | | |
|------------------------|-----------------------|---|--------|--------|--------|---------------------|--|--|
| 28V DC SERVICE OUTLETS | OVERHEAD SV SECONDARY | ↑ TO DISCONNECT CIRCUIT PULL (3) BREAKERS ↓ | | | | PROBE | | |
| | | SECT 5 | SECT 6 | SECT 7 | SECT 8 | F/O INDICATION CAPT | | |

E 11315302K SHT 2 REV 140

MARKER, CIRCUIT BREAKER AND INOP INSTL-P6-3 (PLACARDS AND MARKINGS ONLY)
FIGURE 2K (SHEET 2)

11-31-53-02K

HAP
JUN 15/08

11-31-53-02K
PAGE 0A

BOEING
737-600/700/800/900
PARTS CATALOG (MAINTENANCE)

| FIG ITEM | PART NUMBER | 1 2 3 4 5 6 7 | NOMENCLATURE | EFFECT FROM TO | UNITS PER ASSY |
|----------|-----------------|---------------|---|--------------------------------------|----------------|
| 2K | | | MARKER, CIRCUIT BREAKER AND INOP INSTL-P6-3 (PLACARDS AND MARKINGS ONLY) | 037037 039052 054200 968999 | |
| - 1 | MODREF252405 | | CIRCUIT BREAKER INSTL-P6-3 (PLACARDS AND MARKINGS ONLY) MODULE NUMBER: 233A5223-2 REV B FOR OTHER SYS DETAILS SEE: 24-50-53-02K | 037037 039052 054200 968999 | 1 |
| | 5 BAC27DCC2724 | | .MARKER-ROW A | 037037 039052 054200 968999 | 1 |
| - 10 | MODREF250490 | | MARKER INSTL-P6-3/ROW B MODULE NUMBER: 233A5223-402725 REV B | 037037 039052 054200 968999 | 1 |
| | 15 BAC27DCC2725 | | .MARKER | 037037 039052 054200 968999 | 1 |
| - 20 | MODREF250508 | | MARKER INSTL-P6-3/ROW C MODULE NUMBER: 233A5223-403386 REV B | 037037 039052 054200 968999 | 1 |
| | 25 BAC27DCC3386 | | .MARKER | 037037 039052 054200 968999 | 1 |
| - 30 | MODREF291637 | | MARKER INSTL-P6-3/ROW D MODULE NUMBER: 233A5223-403551 REV A | 037037 039052 054200 968999 | 1 |
| | 35 BAC27DCC3551 | | .MARKER | 037037 039052 054200 968999 | 1 |
| - 40 | MODREF291641 | | MARKER INSTL-P6-3/ROW E MODULE NUMBER: 233A5223-403555 REV A | 037037 039052 054200 968999 | 1 |
| | 45 BAC27DCC3555 | | .MARKER | 037037 039052 054200 968999 | 1 |

MISSING ITEM NUMBERS NOT APPLICABLE

- ITEM NOT ILLUSTRATED

HAP

11-31-53-02K

BOEING PROPRIETARY - Copyright © - Unpublished Work - See title page for details.

11-31-53
FIG. 02K
PAGE 1
FEB 15/09

BOEING
737-600/700/800/900
PARTS CATALOG (MAINTENANCE)

| FIG ITEM | PART NUMBER | 1 2 3 4 5 6 7 | NOMENCLATURE | EFFECT FROM TO | UNITS PER ASSY |
|-------------|------------------|---------------|---|--------------------------------------|----------------------|
| 2K - 50 | MODREF250493 | | MARKER INSTL-P6-3/ROW F MODULE NUMBER: 233A5223-402729 REV B | 037037 039052 054200 968999 | 1 |
| | 55 BAC27DCC2729 | | .MARKER | 037037 039052 054200 968999 | 1 |
| - 100 | MODREF264667 | | INOP INSTL-P6-3/C1 (PLACARDS AND MARKINGS ONLY) MODULE NUMBER: 233A5223-503301 REV C POST RAPID REVISION: RR97089-58D FOR OTHER SYS DETAILS SEE: 24-50-53-02K | 042043 | 1 |
| | 105 BAC27DCC3073 | | .MARKER- PLACARD CONTENT: INOP POST RAPID REVISION: RR97089-58D | 042043 | 1 |

MISSING ITEM NUMBERS NOT APPLICABLE

- ITEM NOT ILLUSTRATED

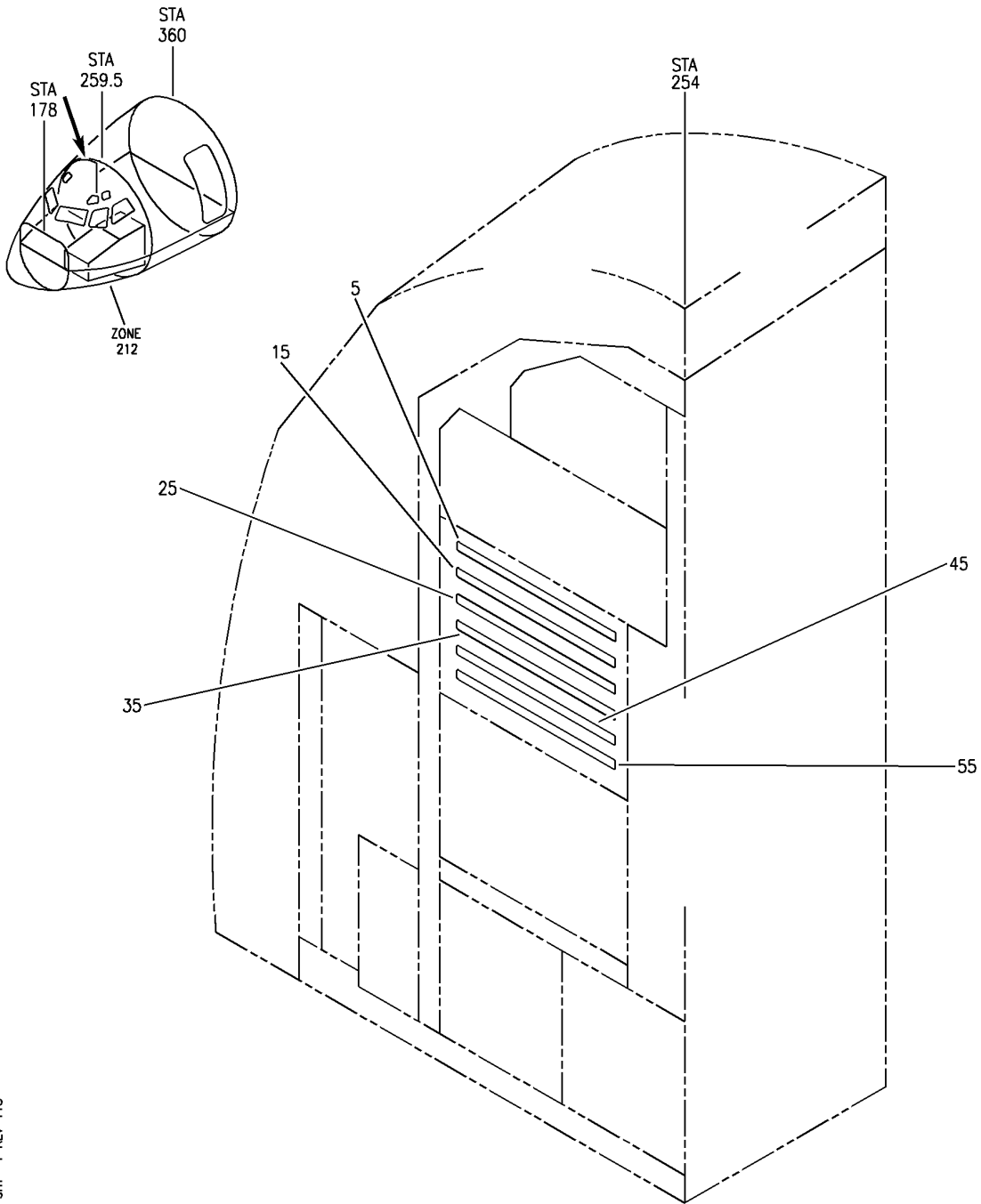
HAP

11-31-53-02K

BOEING PROPRIETARY - Copyright © - Unpublished Work - See title page for details.

11-31-53
FIG. 02K
PAGE 2
FEB 15/09

BOEING
737-600/700/800/900
PARTS CATALOG (MAINTENANCE)



For Details See Subsequent Pages

MARKER, CIRCUIT BREAKER AND INOP INSTL-P6-3 (PLACARDS AND MARKINGS ONLY)
FIGURE 2L (SHEET 1)

HAP
FEB 10/07

11-31-53-02L

11-31-53-02L
PAGE 0

BOEING
737-600/700/800/900
PARTS CATALOG (MAINTENANCE)

5

| | | | | | | | | | | | | | | |
|------------------------|---------------------|------------------------|-------|----------|------------|--------------|-------------|------------------|------------------|--------------|------------|--------|----------------|--------|
| MISC | FUEL | CONTROL CABIN LIGHTING | | | | LANDING GEAR | | | | | | | | |
| CLOCK DISPLAY CLOCK | FUELING CONT IND | QTY 2 | QTY 1 | TEMP IND | CONT STAND | MAP & KIT | OBS READING | PANEL FLOOD CONT | PANEL FLOOD STBY | STBY COMPASS | DOVE WHITE | CONT 2 | AUTOBRAKE BITE | CONT 1 |

15

| | | | | | | |
|------------------|------------------|---------------------|------------------|---|--|---|
| SPAR VALVE ENG 2 | SPAR VALVE ENG 1 | FUEL SPAR VALVE IND | CROSS FEED VALVE | PANEL & INSTR 28V PRI CAPT & CTR F/O | MASTER CAUTION ANNUNCIATOR BUS 1 BAT | LANDING GEAR PARKING BRAKE LATCH & PRESS WARN |
|------------------|------------------|---------------------|------------------|---|--|---|

25

| | | | | | | | | | | | |
|--------|--------------------------------|-------------------------|--------------------------------|---|---|--|--|--|---------------|----------------------------|------------------------|
| (INOP) | AUTO S/O BST PUMP CTR TNK L DC | FUEL SHUTOFF VALVES BUS | AUTO S/O BST PUMP CTR TNK R DC | PANEL & INSTR CB PANEL ELEX PANEL | ↑ TO DISCONNECT PULL (2) BREAKERS ↑ CONT 1 CONT 2 CONT 3 CONT 4 | | | | AIR/GND SYS 2 | LANDING GEAR AIR/GND SYS 1 | TAKEOFF WARNING CUTOFF |
|--------|--------------------------------|-------------------------|--------------------------------|---|---|--|--|--|---------------|----------------------------|------------------------|

105

35

| | | | | | | | | | | | | |
|----------|-----------|--|----------------|----------------------------|---|--|--|--|-------------------------------|-----------------|-----------------|------------|
| PSEU PRI | PSEU ALTN | FUEL AUTO S/O UCPO BST PUMP CTR TNK L AC | EMER PANEL LTG | OVERHEAD 28V PRI SEC | INDICATOR DIM/TST CONT MASTER DIM BAT BUS 1 BUS 2 | | | | LANDING GEAR AIR/GND RELAY | ALTN EXTEND SOL | NOSE GEAR STEER | AURAL WARN |
|----------|-----------|--|----------------|----------------------------|---|--|--|--|-------------------------------|-----------------|-----------------|------------|

45

| | | | | | | | | | | | | |
|-----------|--|--|--|--|-----------------------|---|--|--|--|---|--|--|
| DOOR LOCK | ENGINE FUEL ENGINE 2 HPSOV CONT HPSOV IND ENGINE 1 HPSOV CONT HPSOV IND AUTO S/O UCPO BST PUMP CTR TNK R AC | | | | OVERHEAD SV SECONDARY | ↑ TO DISCONNECT CIRCUIT PULL (3) BREAKERS ↑ SECT 1 SECT 2 SECT 3 SECT 4 | | | | LANDING GEAR INBD ANTISKID OUTBD | | |
|-----------|--|--|--|--|-----------------------|---|--|--|--|---|--|--|

55

| | | | | | | | | |
|------------------------|-----------------------|--------|--------|--------|--------|---------------------------------|--|--|
| 28V DC SERVICE OUTLETS | OVERHEAD SV SECONDARY | SECT 5 | SECT 6 | SECT 7 | SECT 8 | PROBE INDICATION F/O CAPT | | |
|------------------------|-----------------------|--------|--------|--------|--------|---------------------------------|--|--|

E 11315302L SHT 2 REV 118

MARKER, CIRCUIT BREAKER AND INOP INSTL-P6-3 (PLACARDS AND MARKINGS ONLY)
FIGURE 2L (SHEET 2)

HAP
FEB 10/07

11-31-53-02L

11-31-53-02L
PAGE 0A

BOEING
737-600/700/800/900
PARTS CATALOG (MAINTENANCE)

| FIG ITEM | PART NUMBER | 1 2 3 4 5 6 7 | NOMENCLATURE | EFFECT FROM TO | UNITS PER ASSY |
|----------|--------------|---------------|---|----------------|----------------|
| 2L | | | MARKER, CIRCUIT BREAKER AND INOP INSTL-P6-3 (PLACARDS AND MARKINGS ONLY) | 038038 | |
| - 1 | MODREF252405 | | CIRCUIT BREAKER INSTL-P6-3 (PLACARDS AND MARKINGS ONLY) MODULE NUMBER: 233A5223-2 REV B FOR OTHER SYS DETAILS SEE: 24-50-53-02L | 038038 | 1 |
| 5 | BAC27DCC2724 | | .MARKER-ROW A | 038038 | 1 |
| - 10 | MODREF250490 | | MARKER INSTL-P6-3/ROW B MODULE NUMBER: 233A5223-402725 REV B | 038038 | 1 |
| 15 | BAC27DCC2725 | | .MARKER | 038038 | 1 |
| - 20 | MODREF250508 | | MARKER INSTL-P6-3/ROW C MODULE NUMBER: 233A5223-403386 REV B | 038038 | 1 |
| 25 | BAC27DCC3386 | | .MARKER | 038038 | 1 |
| - 30 | MODREF291637 | | MARKER INSTL-P6-3/ROW D MODULE NUMBER: 233A5223-403551 REV A | 038038 | 1 |
| 35 | BAC27DCC3551 | | .MARKER | 038038 | 1 |
| - 40 | MODREF291641 | | MARKER INSTL-P6-3/ROW E MODULE NUMBER: 233A5223-403555 REV A | 038038 | 1 |
| 45 | BAC27DCC3555 | | .MARKER | 038038 | 1 |
| - 50 | MODREF250493 | | MARKER INSTL-P6-3/ROW F MODULE NUMBER: 233A5223-402729 REV B | 038038 | 1 |
| 55 | BAC27DCC2729 | | .MARKER | 038038 | 1 |
| - 100 | MODREF264667 | | INOP INSTL-P6-3/C1 (PLACARDS AND MARKINGS ONLY) MODULE NUMBER: 233A5223-503301 REV C POST RAPID REVISION: RR97089-58B FOR OTHER SYS DETAILS SEE: 24-50-53-02L | 038038 | 1 |
| 105 | BAC27DCC3073 | | .MARKER- PLACARD CONTENT: INOP POST RAPID REVISION: RR97089-58B | 038038 | 1 |

MISSING ITEM NUMBERS NOT APPLICABLE

- ITEM NOT ILLUSTRATED

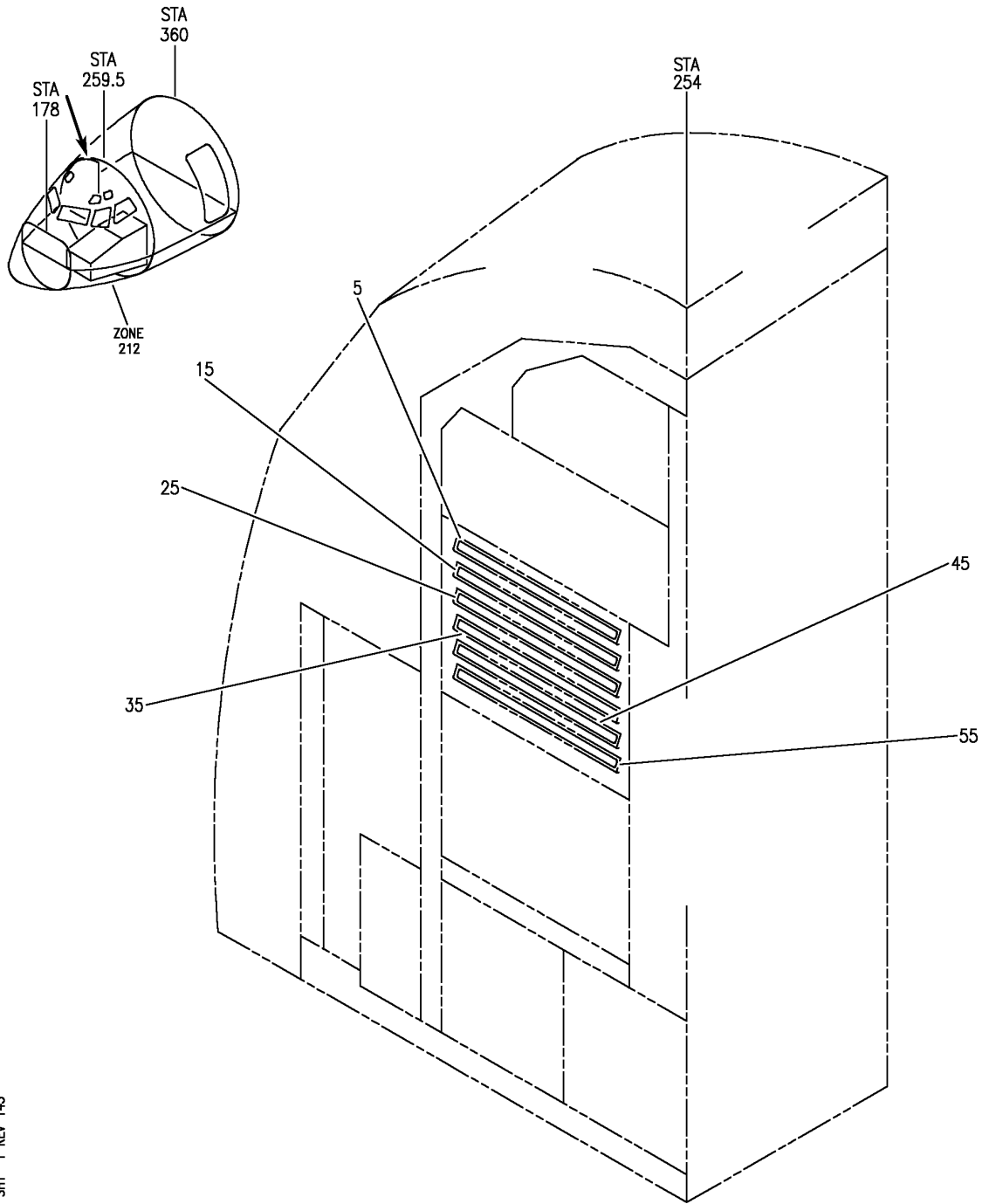
HAP

11-31-53-02L

BOEING PROPRIETARY - Copyright © - Unpublished Work - See title page for details.

11-31-53
FIG. 02L
PAGE 1
OCT 10/07

BOEING
737-600/700/800/900
PARTS CATALOG (MAINTENANCE)



E 11315327 SH1 1 REV 143

For Details See Subsequent Pages

MARKER, CIRCUIT BREAKER AND INOP INSTL-P6-3 (PLACARDS AND MARKINGS ONLY)
FIGURE 27 (SHEET 1)

HAP
JUN 15/09

11-31-53-27

11-31-53-27
PAGE 0

BOEING
737-600/700/800/900
PARTS CATALOG (MAINTENANCE)

5

| | | | | | | | | | | | |
|------------------------|---------------------|------------------------|----------|------------|-----------|--------------|--------------------------------------|--------------|-------------|----------------|------------------|
| MISC | FUEL | CONTROL CABIN LIGHTING | | | | LANDING GEAR | | | | | |
| CLOCK DISPLAY CLOCK | FUELING CONT IND | QTY 2 QTY 1 | TEMP IND | CONT STAND | MAP & KIT | OBS READING | PANEL FLOOD CONT PANEL FLOOD STBY | STBY COMPASS | DOMES WHITE | AUTOBRAKE BITE | CONT 2 CONT 1 |

15

| | | | |
|--|------------------|------------------------------|-------------------------------------|
| FUEL | PANEL & INSTR | MASTER CAUTION | LANDING GEAR |
| SPAR VALVE ENG 2 SPAR VALVE ENG 1 SPAR VALVE IND | CROSS FEED VALVE | 28V PRI CAPT & CTR F/O | ANNUNCIATOR BUS 1 BAT |
| | | | PARKING BRAKE LATCH & PRESS WARN |

25

| | | | | |
|--------------------------------|--------------------|--------------------------------|--------------------------------------|--|
| ELT INTERFACE UNIT | FUEL | PANEL & INSTR | TO DISCONNECT PULL (2) BREAKERS | LANDING GEAR |
| AUTO S/O BST PUMP CTR TNK L DC | SHUTOFF VALVES BUS | AUTO S/O BST PUMP CTR TNK R DC | CONT 1 CONT 2 CONT 3 CONT 4 | AIR/GND SYS 2 AIR/GND SYS 1 TAKEOFF WARNING CUTOFF |

25

| | | | | |
|--------|--------------------------------|--------------------------------|--------------------------------------|--|
| (INOP) | FUEL | PANEL & INSTR | TO DISCONNECT PULL (2) BREAKERS | LANDING GEAR |
| | AUTO S/O BST PUMP CTR TNK L DC | AUTO S/O BST PUMP CTR TNK R DC | CONT 1 CONT 2 CONT 3 CONT 4 | AIR/GND SYS 2 AIR/GND SYS 1 TAKEOFF WARNING CUTOFF |

205

35

| | | | | | | |
|----------|-----------|-------------------------------------|----------------|-------------------------|--|---|
| PSEU PRI | PSEU ALTN | FUEL | EMER PANEL LTG | OVERHEAD 28V PRI SEC | INDICATOR | LANDING GEAR |
| | | AUTO S/O UCPO BST PUMP CTR TNK L AC | | | DIM/TST CONT MASTER DIM BAT BUS1 BUS 2 | AIR/GND RELAY ALTN EXTEND SOL NOSE GEAR STEER AURAL WARN |

45

| | | | | |
|-----------|--|-----------------------|---|---------------------------|
| DOOR LOCK | ENGINE FUEL | OVERHEAD 5V SECONDARY | TO DISCONNECT CIRCUIT PULL (3) BREAKERS | LANDING GEAR |
| | ENGINE 2 HPSOV CONT ENGINE 1 HPSOV IND HPSOV CONT HPSOV IND | | SECT 1 SECT 2 SECT 3 SECT 4 | ANTISKID INBD OUTBD |

55

| | | | |
|------------------------|-----------------------|--------------------------------------|---------------------------|
| 28V DC SERVICE OUTLETS | OVERHEAD 5V SECONDARY | SECT 5 SECT 6 SECT 7 SECT 8 | PROBE |
| | | | F/O INDICATION CAPT |

E 11315327 SH 2 REV 155

MARKER, CIRCUIT BREAKER AND INOP INSTL-P6-3 (PLACARDS AND MARKINGS ONLY)
FIGURE 27 (SHEET 2)

11-31-53-27

HAP JUN 15/09

11-31-53-27
PAGE 0A

BOEING
737-600/700/800/900
PARTS CATALOG (MAINTENANCE)

| FIG ITEM | PART NUMBER | 1 2 3 4 5 6 7 | NOMENCLATURE | EFFECT FROM TO | UNITS PER ASSY |
|------------------|--------------|--|--|----------------|----------------|
| R R R R | 27 | | MARKER, CIRCUIT BREAKER AND INOP INSTL-P6-3 (PLACARDS AND MARKINGS ONLY) | 053053 | |
| | - 1 | MODREF252405 | CIRCUIT BREAKER INSTL-P6-3 (PLACARDS AND MARKINGS ONLY) MODULE NUMBER: 233A5223-2 REV B FOR OTHER SYS DETAILS SEE: 24-50-53-27 | 053053 | 1 |
| | 5 | BAC27DCC2724 | .MARKER-ROW A | 053053 | 1 |
| | - 10 | MODREF250490 | MARKER INSTL-P6-3/ROW B MODULE NUMBER: 233A5223-402725 REV B | 053053 | 1 |
| | 15 | BAC27DCC2725 | .MARKER | 053053 | 1 |
| | - 20 | MODREF250508 | MARKER INSTL-P6-3/ROW C MODULE NUMBER: 233A5223-403386 REV B | 053053 | 1 |
| | 25 | BAC27DCC3386 | .MARKER | 053053 | 1 |
| | - 30 | MODREF291637 | MARKER INSTL-P6-3/ROW D MODULE NUMBER: 233A5223-403551 REV A | 053053 | 1 |
| | 35 | BAC27DCC3551 | .MARKER | 053053 | 1 |
| | - 40 | MODREF291641 | MARKER INSTL-P6-3/ROW E MODULE NUMBER: 233A5223-403555 REV A | 053053 | 1 |
| | 45 | BAC27DCC3555 | .MARKER | 053053 | 1 |
| - 50 | MODREF250493 | MARKER INSTL-P6-3/ROW F MODULE NUMBER: 233A5223-402729 REV B | 053053 | 1 | |
| 55 | BAC27DCC2729 | .MARKER | 053053 | 1 | |

MISSING ITEM NUMBERS NOT APPLICABLE

- ITEM NOT ILLUSTRATED

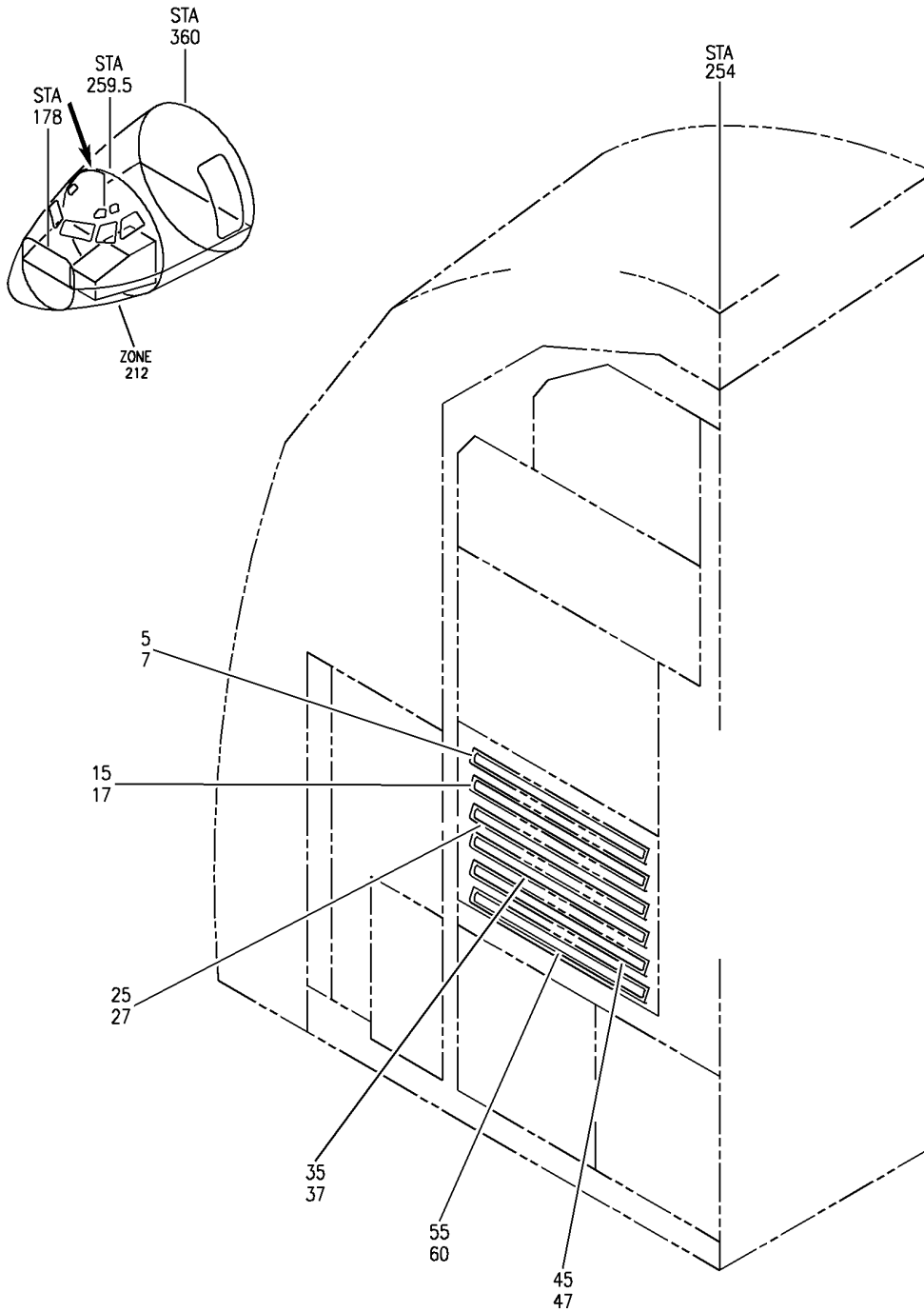
HAP

11-31-53-27

BOEING PROPRIETARY - Copyright © - Unpublished Work - See title page for details.

11-31-53
FIG. 27
PAGE 1
JUN 15/09

BOEING
737-600/700/800/900
PARTS CATALOG (MAINTENANCE)



For Details See Subsequent Pages

E 11315401A SHT 1 REV 116

MARKER AND CIRCUIT BREAKER INSTL-P6-4 PNL (PLACARDS AND MARKINGS ONLY)
FIGURE 1A (SHEET 1)

HAP
OCT 10/06

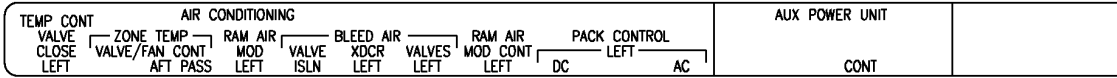
11-31-54-01A

11-31-54-01A
PAGE 0

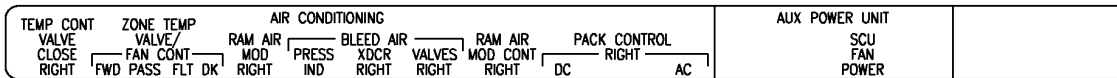
BOEING PROPRIETARY - Copyright © - Unpublished Work - See title page for details.

BOEING
737-600/700/800/900
PARTS CATALOG (MAINTENANCE)

5
7



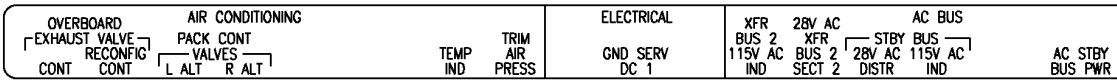
15
17



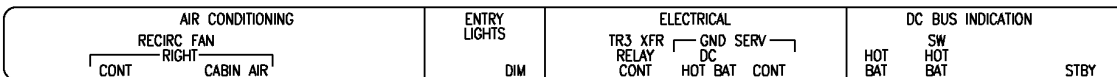
25
27



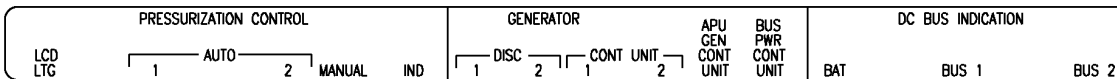
35
37



45
47



55
60



E 11315401A SHT 2 REV 116

MARKER AND CIRCUIT BREAKER INSTL-P6-4 PNL (PLACARDS AND MARKINGS ONLY)
FIGURE 1A (SHEET 2)

11-31-54-01A

HAP
OCT 10/06

11-31-54-01A
PAGE 0A

 **BOEING**
737-600/700/800/900
PARTS CATALOG (MAINTENANCE)

| FIG ITEM | PART NUMBER | 1 2 3 4 5 6 7 | NOMENCLATURE | EFFECT FROM TO | UNITS PER ASSY |
|----------|--------------|---------------|---|----------------|----------------|
| 1 A | | | MARKER AND CIRCUIT BREAKER INSTL-P6-4 PNL (PLACARDS AND MARKINGS ONLY) | 031100 | |
| - 1 | MODREF251290 | | MARKER INSTL-P6-4 ROW A MODULE NUMBER: 233A5224-402847 REV B | 031100 | 1 |
| 5 | BAC27DCC2847 | | .MARKER | 031100 | 1 |
| - 10 | MODREF251303 | | MARKER INSTL-P6-4 ROW B MODULE NUMBER: 233A5224-403202 REV B | 031100 | 1 |
| 15 | BAC27DCC3202 | | .MARKER | 031100 | 1 |
| - 20 | MODREF251291 | | MARKER INSTL-P6-4 ROW C MODULE NUMBER: 233A5224-402849 REV B | 031100 | 1 |
| 25 | BAC27DCC2849 | | .MARKER | 031100 | 1 |
| - 30 | MODREF251304 | | MARKER INSTL-P6-4 ROW D MODULE NUMBER: 233A5224-403257 REV B | 031100 | 1 |
| 35 | BAC27DCC3257 | | .MARKER | 031100 | 1 |
| - 40 | MODREF251296 | | MARKER INSTL-P6-4 ROW E MODULE NUMBER: 233A5224-402891 REV B | 031100 | 1 |
| 45 | BAC27DCC2891 | | .MARKER | 031100 | 1 |
| - 50 | MODREF254582 | | CIRCUIT BREAKER INSTL-P6-4 PNL (PLACARDS AND MARKINGS ONLY) MODULE NUMBER: 233A5224-2 REV D FOR OTHER SYS DETAILS SEE: 24-50-54-01A | 031100 | 1 |
| 55 | BAC27DCC2753 | | .MARKER-ROW F | 031100 | 1 |

MISSING ITEM NUMBERS NOT APPLICABLE

- ITEM NOT ILLUSTRATED

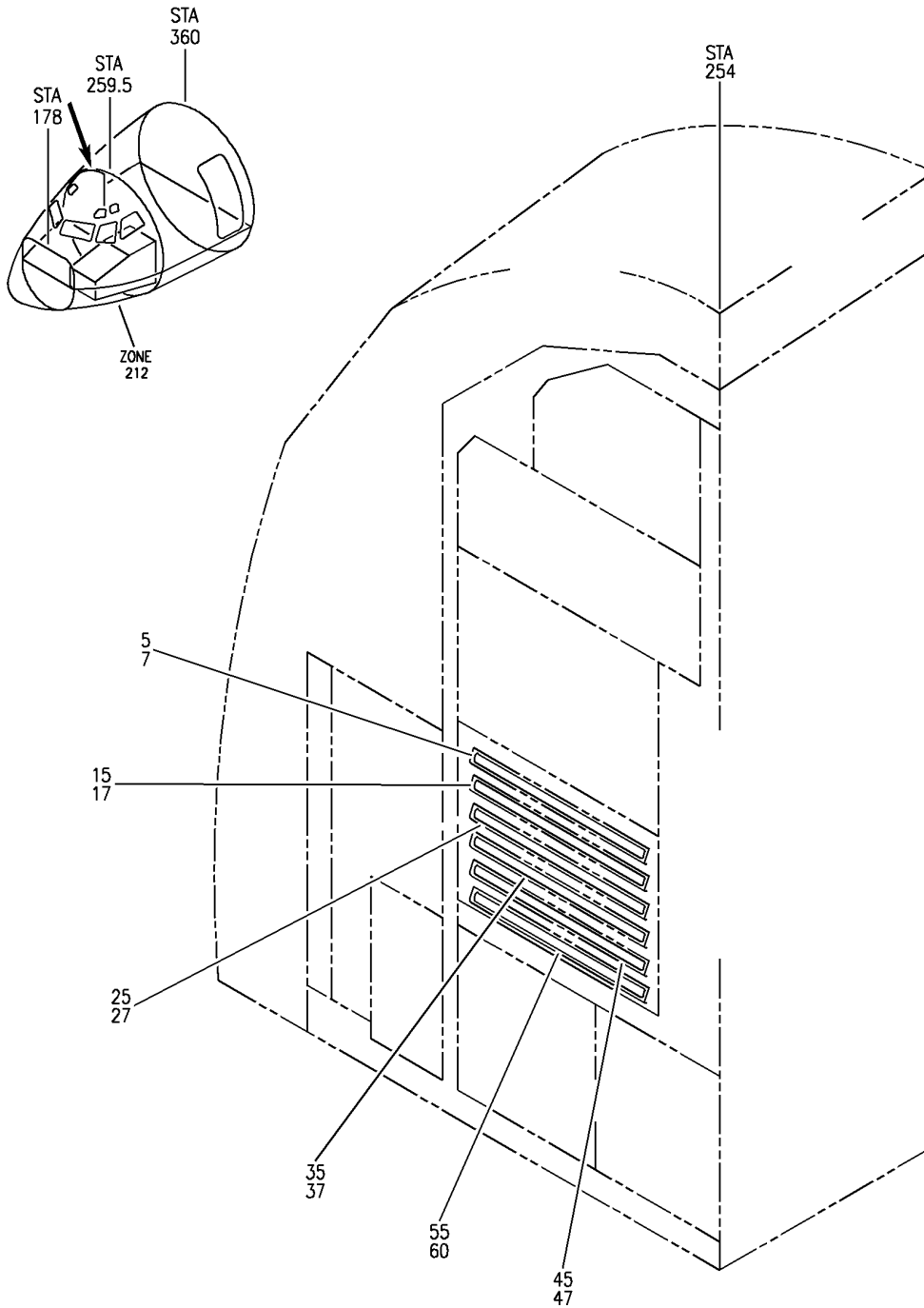
HAP

11-31-54-01A

BOEING PROPRIETARY - Copyright © - Unpublished Work - See title page for details.

11-31-54
FIG. 01A
PAGE 1
FEB 15/09

BOEING
 737-600/700/800/900
 PARTS CATALOG (MAINTENANCE)



For Details See Subsequent Pages

E 11315401C SHT 1 REV 118

MARKER AND CIRCUIT BREAKER INSTL-P6-4 PNL (PLACARDS AND MARKINGS ONLY)
 FIGURE 1C (SHEET 1)

11-31-54-01C

HAP
 FEB 10/07

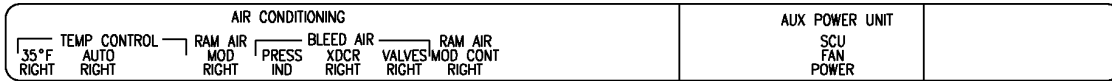
11-31-54-01C
 PAGE 0

BOEING
737-600/700/800/900
PARTS CATALOG (MAINTENANCE)

5
7



15
17



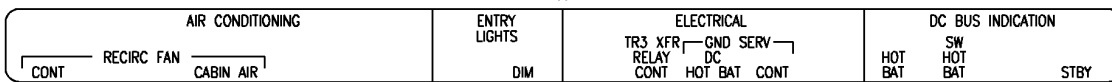
25
27



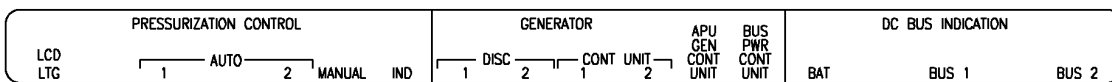
35
37



45
47



55
60



E 11315401C SHT 2 REV 118

MARKER AND CIRCUIT BREAKER INSTL-P6-4 PNL (PLACARDS AND MARKINGS ONLY)
FIGURE 1C (SHEET 2)

11-31-54-01C

HAP
FEB 10/07

11-31-54-01C
PAGE 0A

BOEING
737-600/700/800/900
PARTS CATALOG (MAINTENANCE)

| FIG ITEM | PART NUMBER | 1 2 3 4 5 6 7 | NOMENCLATURE | EFFECT FROM TO | UNITS PER ASSY |
|----------|--------------|---------------|---|------------------|----------------|
| 1C | | | MARKER AND CIRCUIT BREAKER INSTL-P6-4 PNL (PLACARDS AND MARKINGS ONLY) | 101200 968999 | |
| - 1 | MODREF251283 | | MARKER INSTL-P6-4 ROW A MODULE NUMBER: 233A5224-402749 REV B | 101200 968999 | 1 |
| 5 | BAC27DCC2749 | | .MARKER | 101200 968999 | 1 |
| - 10 | MODREF251284 | | MARKER INSTL-P6-4 ROW B MODULE NUMBER: 233A5224-402750 REV B | 101200 968999 | 1 |
| 15 | BAC27DCC2750 | | .MARKER | 101200 968999 | 1 |
| - 20 | MODREF251287 | | MARKER INSTL-P6-4 ROW C MODULE NUMBER: 233A5224-402787 REV B | 101200 968999 | 1 |
| 25 | BAC27DCC2787 | | .MARKER | 101200 968999 | 1 |
| - 30 | MODREF251285 | | MARKER INSTL-P6-4 ROW D MODULE NUMBER: 233A5224-402752 REV B | 101200 968999 | 1 |
| 35 | BAC27DCC2752 | | .MARKER | 101200 968999 | 1 |
| - 40 | MODREF251289 | | MARKER INSTL-P6-4 ROW E MODULE NUMBER: 233A5224-402825 REV B | 101200 968999 | 1 |
| 45 | BAC27DCC2825 | | .MARKER | 101200 968999 | 1 |
| - 50 | MODREF254582 | | CIRCUIT BREAKER INSTL-P6-4 PNL (PLACARDS AND MARKINGS ONLY) MODULE NUMBER: 233A5224-2 REV D FOR OTHER SYS DETAILS SEE: 24-50-54-01C | 101200 968999 | 1 |
| 55 | BAC27DCC2753 | | .MARKER-ROW F | 101200 968999 | 1 |

MISSING ITEM NUMBERS NOT APPLICABLE

- ITEM NOT ILLUSTRATED

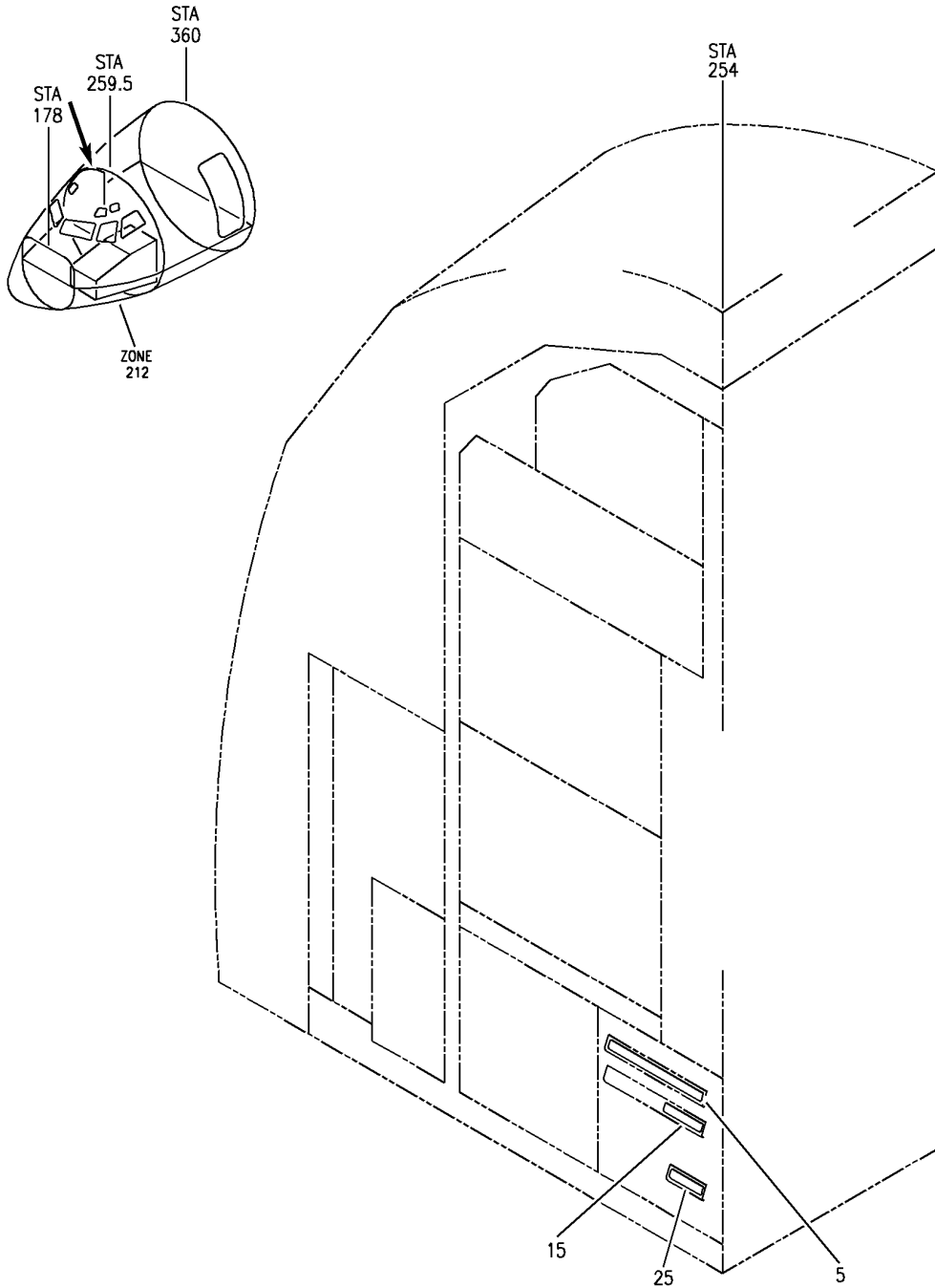
HAP

11-31-54-01C

BOEING PROPRIETARY - Copyright © - Unpublished Work - See title page for details.

11-31-54
FIG. 01C
PAGE 1
OCT 15/08

BOEING
737-600/700/800/900
PARTS CATALOG (MAINTENANCE)



For Details See Subsequent Pages

E 11315505P SHT 1 REV 110

MARKER INSTL-P6-11 PNL
FIGURE 5P (SHEET 1)

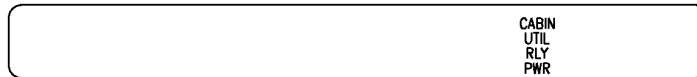
11-31-55-05P

HAP
OCT 10/06

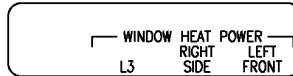
11-31-55-05P
PAGE 0

BOEING
737-600/700/800/900
PARTS CATALOG (MAINTENANCE)

5



15



25



E 11315505P SHT 2 REV 110

MARKER INSTL-P6-11 PNL
FIGURE 5P (SHEET 2)

HAP
OCT 10/06

11-31-55-05P

11-31-55-05P
PAGE 0A

BOEING
737-600/700/800/900
PARTS CATALOG (MAINTENANCE)

| FIG ITEM | PART NUMBER | 1 2 3 4 5 6 7 | NOMENCLATURE | EFFECT FROM TO | UNITS PER ASSY |
|-------------|--------------|---------------|---|-------------------|----------------------|
| 5P | | | MARKER INSTL-P6-11 PNL | 031200 968999 | |
| - 1 | MODREF82978 | | MARKER INSTL-P6-11 ROW A MODULE NUMBER: 233A5225-403311 REV A | 031200 968999 | 1 |
| 5 | BAC27DCC3311 | | .MARKER | 031200 968999 | 1 |
| - 10 | MODREF223545 | | MARKER INSTL-P6-11 ROW B MODULE NUMBER: 233A5225-403420 REV A | 031200 968999 | 1 |
| 15 | BAC27DCC3420 | | .MARKER | 031200 968999 | 1 |
| - 20 | MODREF82973 | | MARKER INSTL-P6-11 ROW D MODULE NUMBER: 233A5225-402840 REV A | 031200 968999 | 1 |
| 25 | BAC27DCC2840 | | .MARKER | 031200 968999 | 1 |

MISSING ITEM NUMBERS NOT APPLICABLE

- ITEM NOT ILLUSTRATED

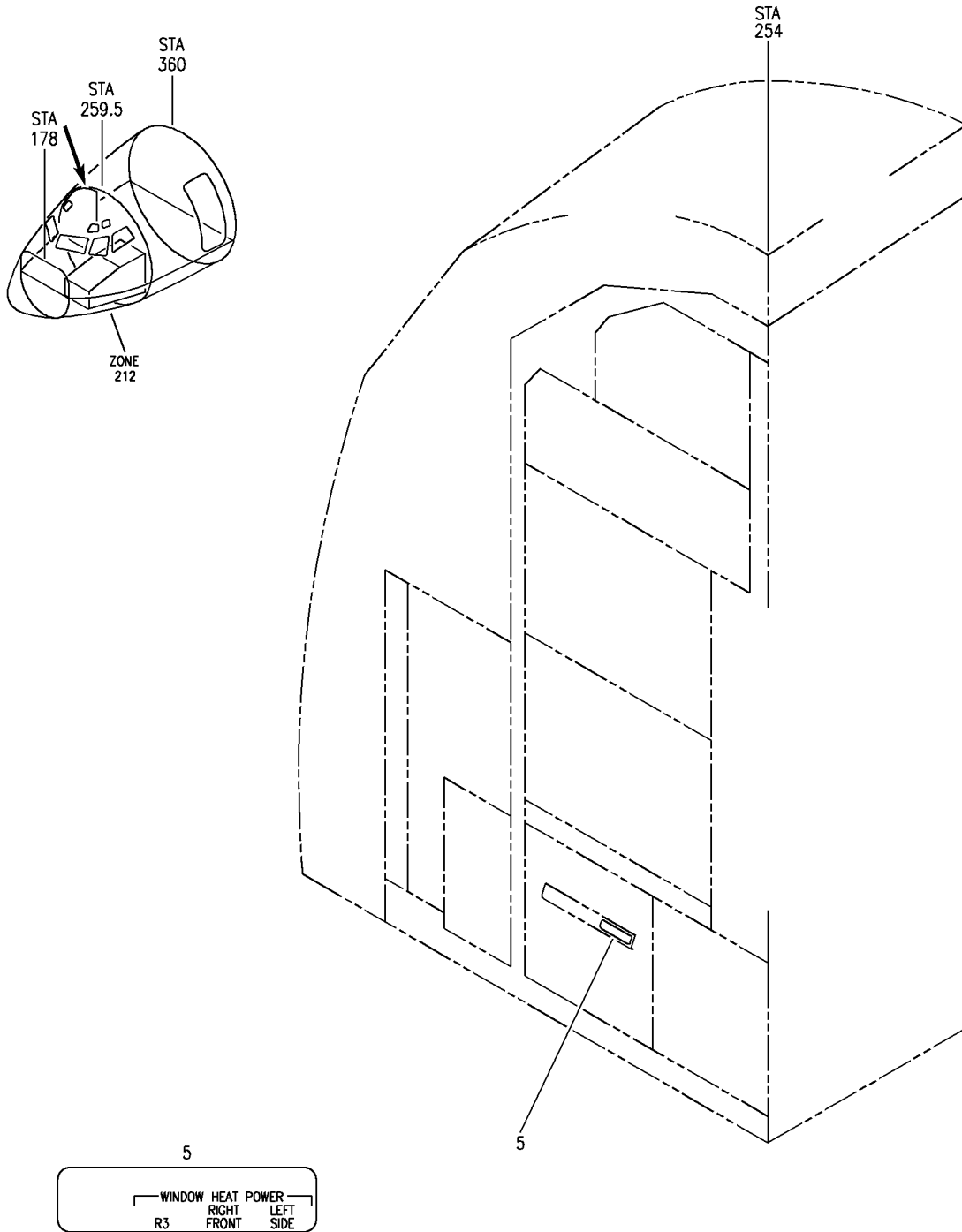
HAP

11-31-55-05P

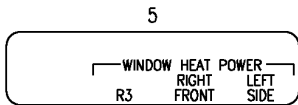
BOEING PROPRIETARY - Copyright © - Unpublished Work - See title page for details.

11-31-55
FIG. 05P
PAGE 1
FEB 15/09

BOEING
 737-600/700/800/900
 PARTS CATALOG (MAINTENANCE)



E 11315603B REV 110



MARKER INSTL-P6-12 PNL
 FIGURE 3B

HAP
 OCT 10/06

11-31-56-03B

11-31-56-03B
 PAGE 0

BOEING
737-600/700/800/900
PARTS CATALOG (MAINTENANCE)

| FIG ITEM | PART NUMBER | 1 2 3 4 5 6 7 | NOMENCLATURE | EFFECT FROM TO | UNITS PER ASSY |
|-------------|--------------|---------------|---|-------------------|----------------------|
| 3B | | | | | |
| - 1 | MODREF223551 | | MARKER INSTL-P6-12 PNL MARKER INSTL-P6-12 ROW B MODULE NUMBER: 233A5226-403424 REV A | 031036 031036 | 1 |
| 5 | BAC27DCC3424 | | .MARKER | 031036 | 1 |

MISSING ITEM NUMBERS NOT APPLICABLE

- ITEM NOT ILLUSTRATED

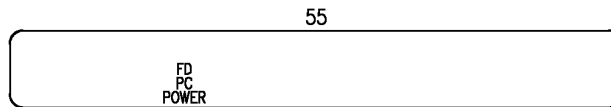
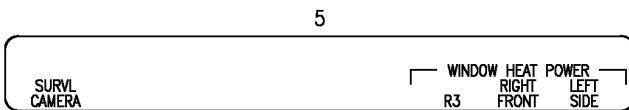
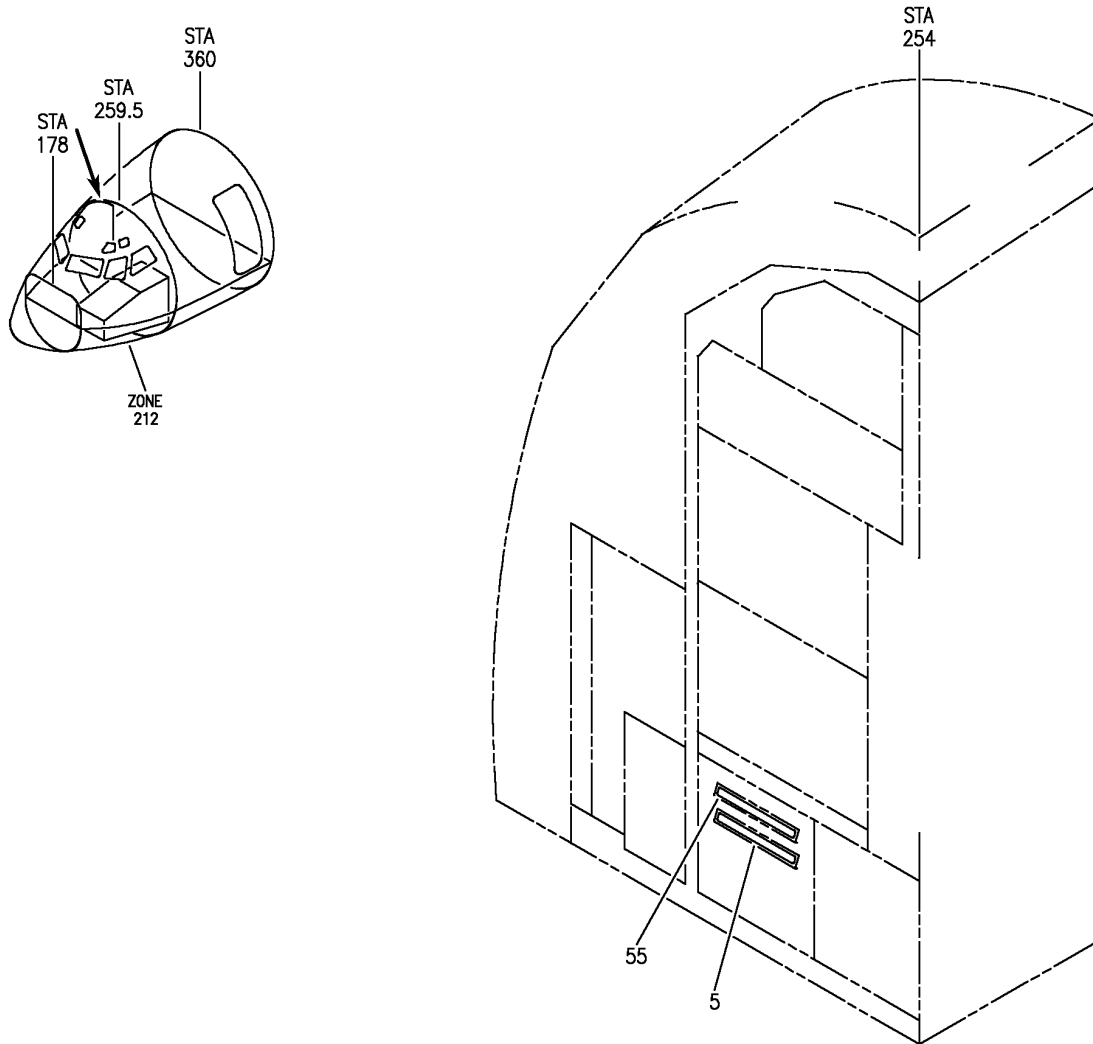
HAP

11-31-56-03B

BOEING PROPRIETARY - Copyright © - Unpublished Work - See title page for details.

11-31-56
FIG. 03B
PAGE 1
FEB 10/07

BOEING
 737-600/700/800/900
 PARTS CATALOG (MAINTENANCE)



E 11315626A REV 146

MARKER INSTL-P6-12 PNL
 FIGURE 26A

HAP
 OCT 15/08

11-31-56-26A

11-31-56-26A
 PAGE 0

BOEING
737-600/700/800/900
PARTS CATALOG (MAINTENANCE)

| FIG ITEM | PART NUMBER | 1 2 3 4 5 6 7 | NOMENCLATURE | EFFECT FROM TO | UNITS PER ASSY |
|-------------|-----------------|---------------|--|--------------------------------------|----------------------|
| 26A | | | MARKER INSTL-P6-12 PNL | 039041 047050 054200 968999 | |
| - 1 | MODREF303237 | | MARKER INSTL-P6-12 ROW B MODULE NUMBER: 233A5226-403576 REV A | 039041 047050 054200 968999 | 1 |
| | 5 BAC27DCC3576 | | .MARKER | 039041 047050 054200 968999 | 1 |
| - 50 | MODREF255707 | | MARKER INSTL-P6-12 ROW A MODULE NUMBER: 233A5226-403443 REV A POST SERVICE BULLETIN: 24-1180 | 039040 | 1 |
| | 55 BAC27DCC3443 | | .MARKER- POST SERVICE BULLETIN: 24-1180 | 039040 | 1 |

MISSING ITEM NUMBERS NOT APPLICABLE

- ITEM NOT ILLUSTRATED

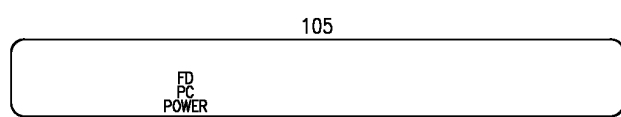
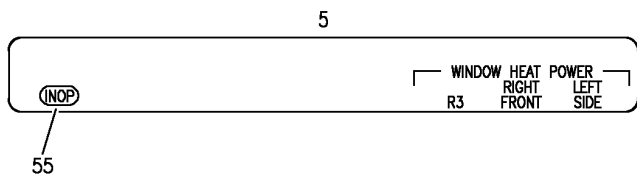
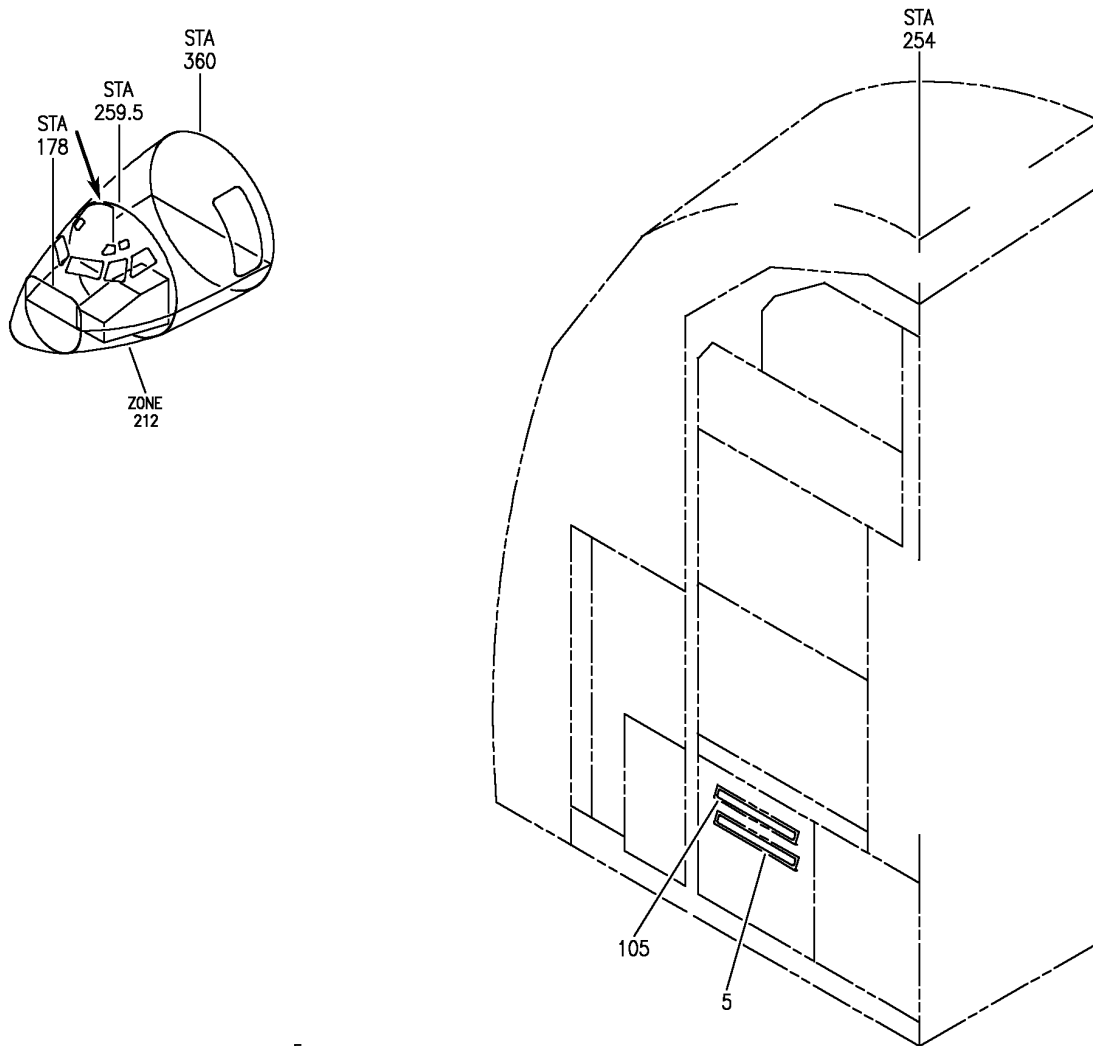
HAP

11-31-56-26A

BOEING PROPRIETARY - Copyright © - Unpublished Work - See title page for details.

11-31-56
FIG. 26A
PAGE 1
FEB 15/09

BOEING
 737-600/700/800/900
 PARTS CATALOG (MAINTENANCE)



E 11315626B REV 146

MARKER AND INOP INSTL-P6-12 PNL (PLACARDS AND MARKINGS ONLY)
 FIGURE 26B

11-31-56-26B

HAP
 OCT 15/08

11-31-56-26B
 PAGE 0

BOEING
737-600/700/800/900
PARTS CATALOG (MAINTENANCE)

| FIG ITEM | PART NUMBER | 1 2 3 4 5 6 7 | NOMENCLATURE | EFFECT FROM TO | UNITS PER ASSY |
|-------------|--------------|---------------|--|-------------------|----------------------|
| 26B | | | MARKER AND INOP INSTL-P6-12 PNL (PLACARDS AND MARKINGS ONLY) | 037037 | |
| - 1 | MODREF303237 | | MARKER INSTL-P6-12 ROW B MODULE NUMBER: 233A5226-403576 REV A | 037037 | 1 |
| 5 | BAC27DCC3576 | | .MARKER | 037037 | 1 |
| - 50 | MODREF251998 | | INOP INSTL-P6-12/B1 (PLACARDS AND MARKINGS ONLY) MODULE NUMBER: 233A5226-512201 REV A FOR OTHER SYS DETAILS SEE: 24-50-56-26 | 037037 | 1 |
| 55 | BAC27DCC3073 | | .MARKER- PLACARD CONTENT: INOP | 037037 | 1 |
| - 100 | MODREF255707 | | MARKER INSTL-P6-12 ROW A MODULE NUMBER: 233A5226-403443 REV A POST SERVICE BULLETIN: 24-1180 | 037037 | 1 |
| 105 | BAC27DCC3443 | | .MARKER- POST SERVICE BULLETIN: 24-1180 | 037037 | 1 |

MISSING ITEM NUMBERS NOT APPLICABLE

- ITEM NOT ILLUSTRATED

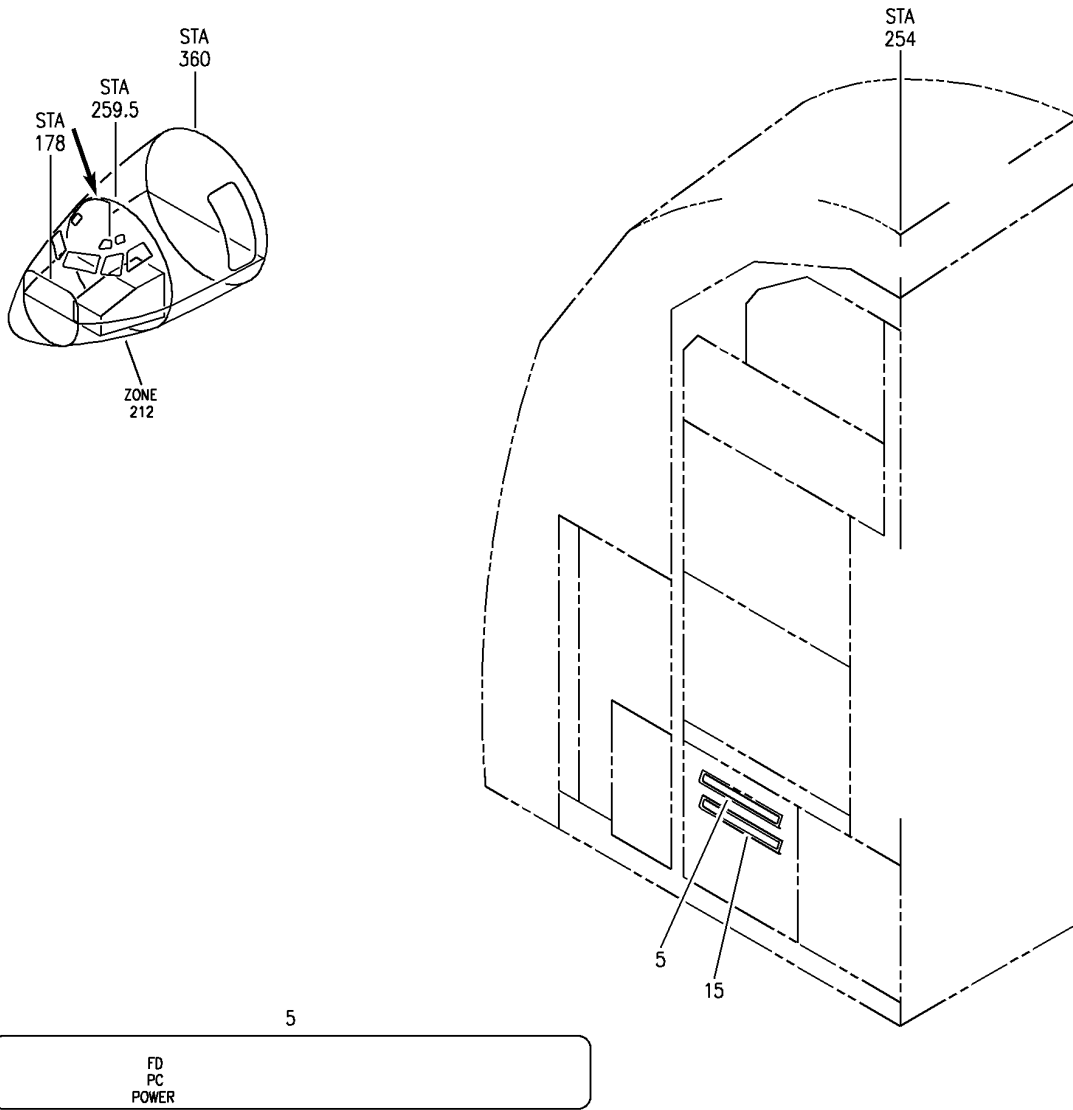
HAP

11-31-56-26B

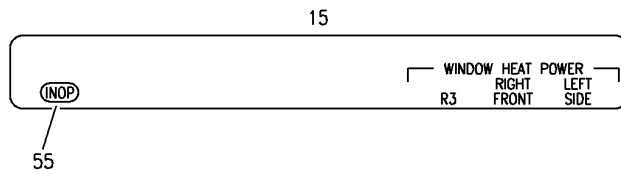
BOEING PROPRIETARY - Copyright © - Unpublished Work - See title page for details.

11-31-56
FIG. 26B
PAGE 1
OCT 15/08

BOEING
 737-600/700/800/900
 PARTS CATALOG (MAINTENANCE)



E 11315629 REV 127



MARKER AND INOP INSTL-P6-12 PNL (PLACARDS AND MARKINGS ONLY)
 FIGURE 29

HAP
 FEB 10/07

11-31-56-29

11-31-56-29
 PAGE 0

BOEING
737-600/700/800/900
PARTS CATALOG (MAINTENANCE)

| FIG ITEM | PART NUMBER | 1 2 3 4 5 6 7 | NOMENCLATURE | EFFECT FROM TO | UNITS PER ASSY |
|-------------|--------------|---------------|--|-------------------|----------------------|
| 29 | | | MARKER AND INOP INSTL-P6-12 PNL (PLACARDS AND MARKINGS ONLY) | 038038 | |
| - 1 | MODREF255707 | | MARKER INSTL-P6-12 ROW A MODULE NUMBER: 233A5226-403443 REV A | 038038 | 1 |
| 5 | BAC27DCC3443 | | .MARKER | 038038 | 1 |
| - 10 | MODREF303237 | | MARKER INSTL-P6-12 ROW B MODULE NUMBER: 233A5226-403576 REV A | 038038 | 1 |
| 15 | BAC27DCC3576 | | .MARKER | 038038 | 1 |
| - 50 | MODREF251998 | | INOP INSTL-P6-12/B1 (PLACARDS AND MARKINGS ONLY) MODULE NUMBER: 233A5226-512201 REV A FOR OTHER SYS DETAILS SEE: 24-50-56-29 | 038038 | 1 |
| 55 | BAC27DCC3073 | | .MARKER- PLACARD CONTENT: INOP | 038038 | 1 |

MISSING ITEM NUMBERS NOT APPLICABLE

- ITEM NOT ILLUSTRATED

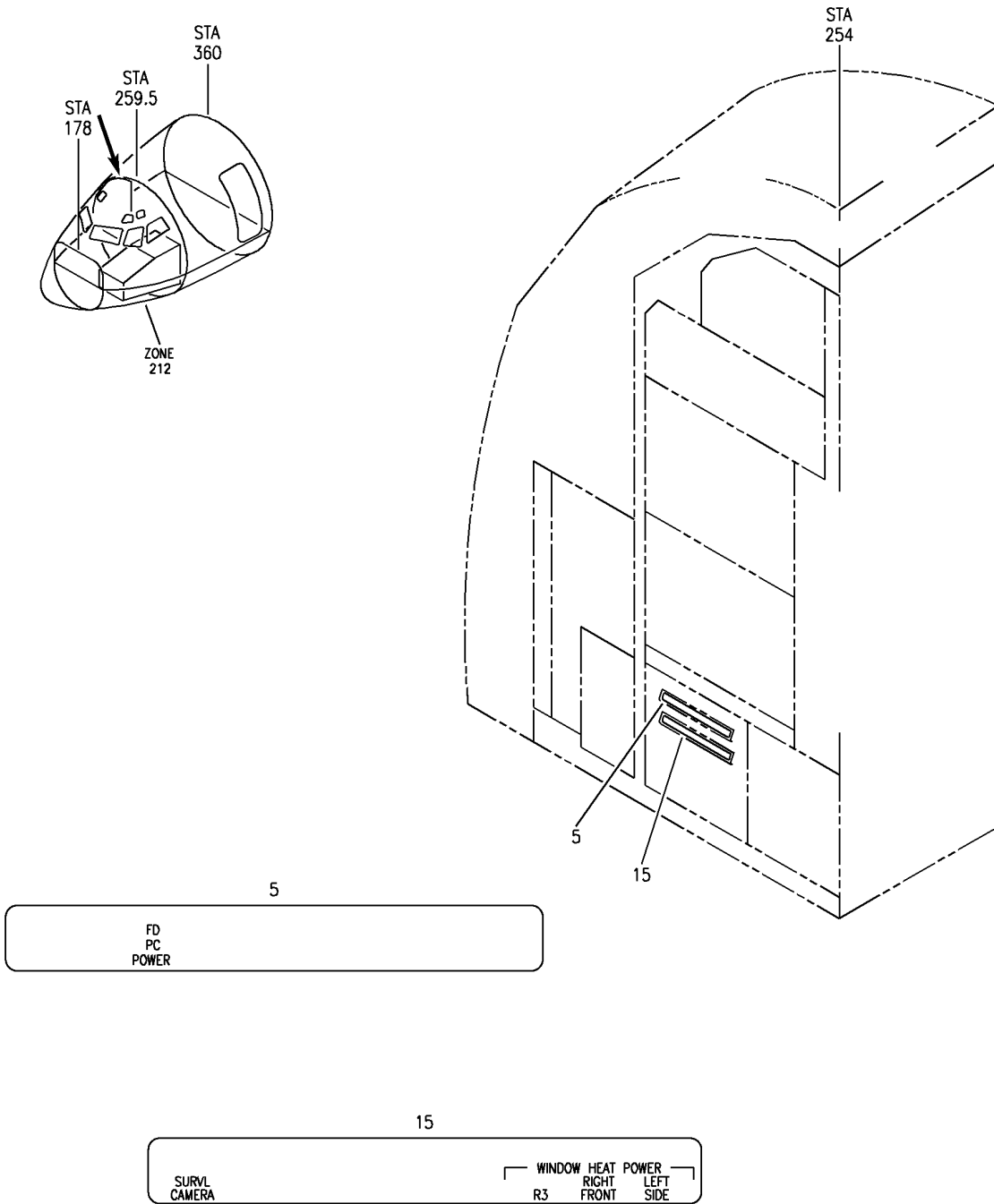
HAP

11-31-56-29

BOEING PROPRIETARY - Copyright © - Unpublished Work - See title page for details.

11-31-56
FIG. 29
PAGE 1
OCT 10/07

BOEING
 737-600/700/800/900
 PARTS CATALOG (MAINTENANCE)



E 11315629A REV 129

MARKER INSTL-P6-12 PNL
 FIGURE 29A

HAP
 JUN 10/07

11-31-56-29A

11-31-56-29A
 PAGE 0

BOEING
737-600/700/800/900
PARTS CATALOG (MAINTENANCE)

| FIG ITEM | PART NUMBER | 1 2 3 4 5 6 7 | NOMENCLATURE | EFFECT FROM TO | UNITS PER ASSY |
|-------------|--------------|---------------|---|-------------------|----------------------|
| 29A | | | MARKER INSTL-P6-12 PNL | 042046 051053 | |
| - 1 | MODREF255707 | | MARKER INSTL-P6-12 ROW A MODULE NUMBER: 233A5226-403443 REV A | 042046 051053 | 1 |
| 5 | BAC27DCC3443 | | .MARKER | 042046 051053 | 1 |
| - 10 | MODREF303237 | | MARKER INSTL-P6-12 ROW B MODULE NUMBER: 233A5226-403576 REV A | 042046 051053 | 1 |
| 15 | BAC27DCC3576 | | .MARKER | 042046 051053 | 1 |

MISSING ITEM NUMBERS NOT APPLICABLE

- ITEM NOT ILLUSTRATED

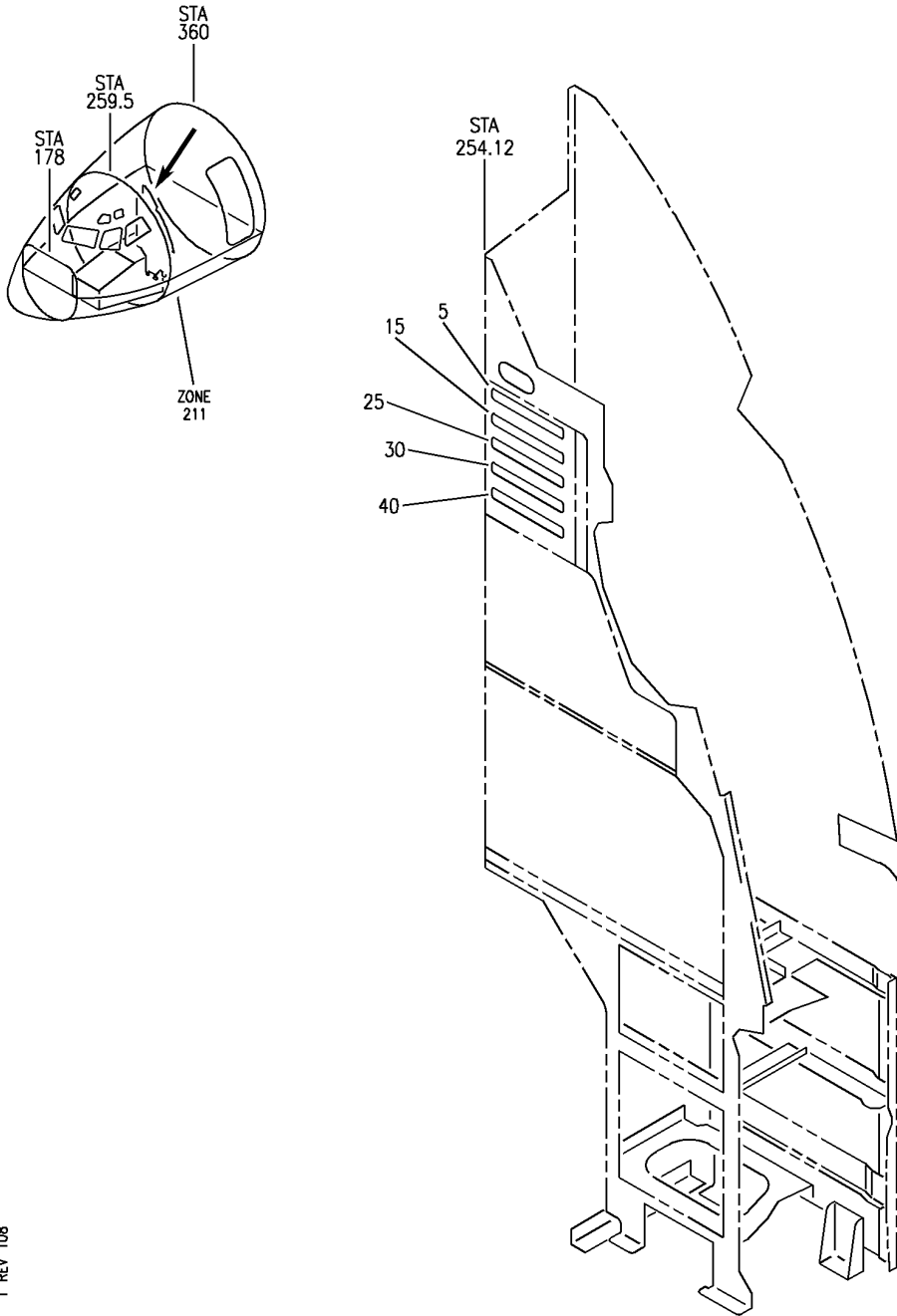
HAP

11-31-56-29A

BOEING PROPRIETARY - Copyright © - Unpublished Work - See title page for details.

11-31-56
FIG. 29A
PAGE 1
FEB 15/09

BOEING
737-600/700/800/900
PARTS CATALOG (MAINTENANCE)



For Details See Subsequent Pages

E 11315802 SHT 1 REV 108

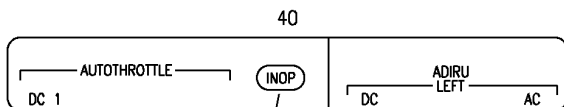
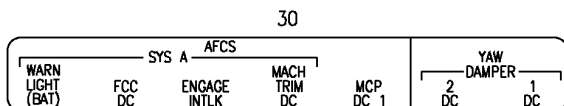
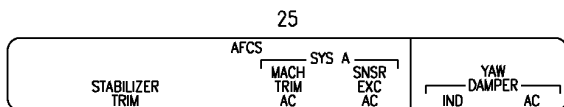
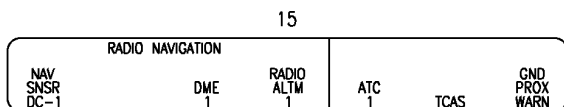
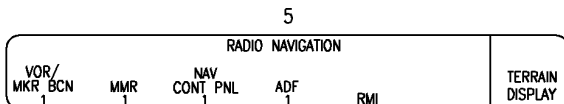
MARKER, CIRCUIT BREAKER AND INOP INSTL-P18-1 PNL (PLACARDS AND MARKINGS ONLY)
FIGURE 2 (SHEET 1)

HAP
OCT 10/06

11-31-58-02

11-31-58-02
PAGE 0

BOEING
 737-600/700/800/900
 PARTS CATALOG (MAINTENANCE)



50

E 11315802 SH2 2 REV 108

MARKER, CIRCUIT BREAKER AND INOP INSTL-P18-1 PNL (PLACARDS AND MARKINGS ONLY)
 FIGURE 2 (SHEET 2)

11-31-58-02

HAP
OCT 10/06

11-31-58-02
PAGE 0A

BOEING
737-600/700/800/900
PARTS CATALOG (MAINTENANCE)

| FIG ITEM | PART NUMBER | 1 2 3 4 5 6 7 | NOMENCLATURE | EFFECT FROM TO | UNITS PER ASSY |
|-------------|--------------|---------------|---|--|----------------------|
| 2 | | | MARKER, CIRCUIT BREAKER AND INOP INSTL-P18-1 PNL (PLACARDS AND MARKINGS ONLY) | 031037 039041 047047 049050 054100 102103 | |
| - 1 | MODREF83070 | | MARKER INSTL-P18-1 PNL ROW A MODULE NUMBER: 233A5521-402975 REV A | 031037 039041 047047 049050 054100 102103 | 1 |
| 5 | BAC27DCC2975 | | .DECAL | 031037 039041 047047 049050 054100 102103 | 1 |
| - 10 | MODREF83069 | | MARKER INSTL-P18-1 PNL ROW B MODULE NUMBER: 233A5521-402734 REV A | 031037 039041 047047 049050 054100 102103 | 1 |
| 15 | BAC27DCC2734 | | .DECAL | 031037 039041 047047 049050 054100 102103 | 1 |
| - 20 | MODREF83075 | | CIRCUIT BREAKER INSTL-P18-1 PNL (PLACARDS AND MARKINGS ONLY) MODULE NUMBER: 233A5521-5 REV A FOR OTHER SYS DETAILS SEE: 24-50-58-02 | 031037 039041 047047 049050 054100 102103 | 1 |
| 25 | BAC27DCC2736 | | .DECAL- ROW C | 031037 039041 047047 049050 054100 102103 | 1 |
| 30 | BAC27DCC2738 | | .DECAL- ROW D | 031037 039041 047047 049050 054100 102103 | 1 |

MISSING ITEM NUMBERS NOT APPLICABLE

- ITEM NOT ILLUSTRATED

HAP

11-31-58-02

BOEING PROPRIETARY - Copyright © - Unpublished Work - See title page for details.

11-31-58
FIG. 02
PAGE 1
FEB 15/09

 **BOEING**
737-600/700/800/900
PARTS CATALOG (MAINTENANCE)

| FIG ITEM | PART NUMBER | 1 2 3 4 5 6 7 | NOMENCLATURE | EFFECT FROM TO | UNITS PER ASSY |
|-------------|--------------|---------------|--|--|----------------------|
| 2 | | | | | |
| - 35 | MODREF83074 | | MARKER INSTL-P18-1 PNL ROW E MODULE NUMBER: 233A5521-403339 REV A | 031037 039041 047047 049050 054100 102103 | 1 |
| 40 | BAC27DCC3339 | | .DECAL | 031037 039041 047047 049050 054100 102103 | 1 |
| - 45 | MODREF83077 | | INOP INSTL-P18-1/E4 (PLACARDS AND MARKINGS ONLY) MODULE NUMBER: 233A5521-581504 REV A FOR OTHER SYS DETAILS SEE: 24-50-58-02 | 031037 039041 047047 049050 054100 102103 | 1 |
| 50 | BAC27DCC3073 | | .MARKER- PLACARD CONTENT: INOP | 031037 039041 047047 049050 054100 102103 | 1 |

MISSING ITEM NUMBERS NOT APPLICABLE

- ITEM NOT ILLUSTRATED

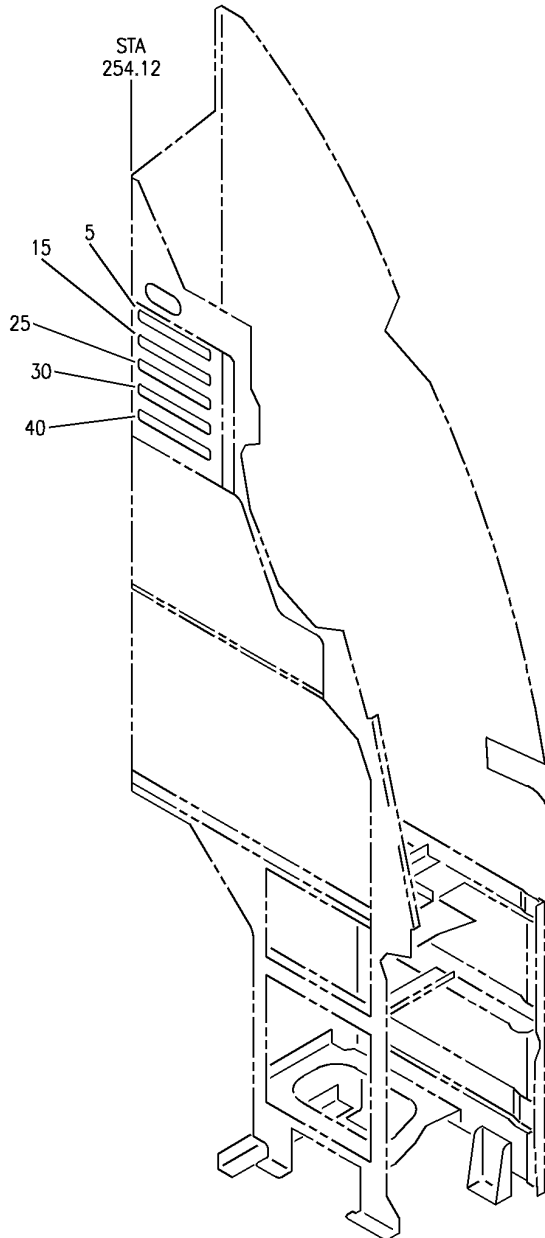
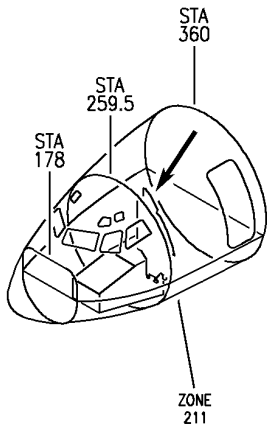
HAP

11-31-58-02

BOEING PROPRIETARY - Copyright © - Unpublished Work - See title page for details.

11-31-58
FIG. 02
PAGE 2
FEB 15/09

BOEING
737-600/700/800/900
PARTS CATALOG (MAINTENANCE)



For Details See Subsequent Pages

E 11315802A SHT 1 REV 136

MARKER AND CIRCUIT BREAKER INSTL-P18-1 PNL (PLACARDS AND MARKINGS ONLY)
FIGURE 2A (SHEET 1)

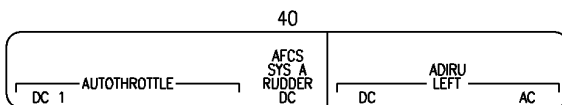
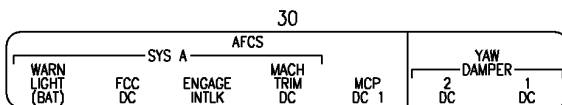
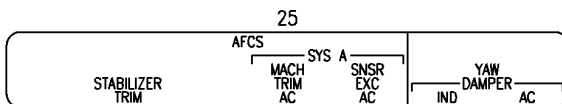
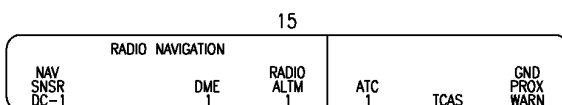
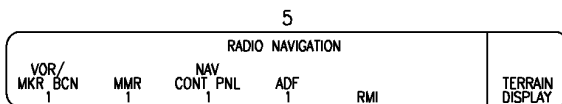
HAP
JUN 15/08

11-31-58-02A

11-31-58-02A
PAGE 0

BOEING PROPRIETARY - Copyright © - Unpublished Work - See title page for details.

BOEING
 737-600/700/800/900
 PARTS CATALOG (MAINTENANCE)



E 11315802A SHT 2 REV 136

MARKER AND CIRCUIT BREAKER INSTL-P18-1 PNL (PLACARDS AND MARKINGS ONLY)
 FIGURE 2A (SHEET 2)

11-31-58-02A

HAP
 JUN 15/08

11-31-58-02A
 PAGE 0A

BOEING
737-600/700/800/900
PARTS CATALOG (MAINTENANCE)

| FIG ITEM | PART NUMBER | 1 2 3 4 5 6 7 | NOMENCLATURE | EFFECT FROM TO | UNITS PER ASSY |
|-------------|-----------------|---------------|---|----------------------------|----------------------|
| 2A | | | MARKER AND CIRCUIT BREAKER INSTL-P18-1 PNL (PLACARDS AND MARKINGS ONLY) | 048048 104200 972999 | |
| - 1 | MODREF83070 | | MARKER INSTL-P18-1 PNL ROW A MODULE NUMBER: 233A5521-402975 REV A | 048048 104200 972999 | 1 |
| | 5 BAC27DCC2975 | | .DECAL | 048048 104200 972999 | 1 |
| - 10 | MODREF83069 | | MARKER INSTL-P18-1 PNL ROW B MODULE NUMBER: 233A5521-402734 REV A | 048048 104200 972999 | 1 |
| | 15 BAC27DCC2734 | | .DECAL | 048048 104200 972999 | 1 |
| - 20 | MODREF83075 | | CIRCUIT BREAKER INSTL-P18-1 PNL (PLACARDS AND MARKINGS ONLY) MODULE NUMBER: 233A5521-5 REV A FOR OTHER SYS DETAILS SEE: 24-50-58-02 | 048048 104200 972999 | 1 |
| | 25 BAC27DCC2736 | | .DECAL-ROW C | 048048 104200 972999 | 1 |
| | 30 BAC27DCC2738 | | .DECAL-ROW D | 048048 104200 972999 | 1 |
| - 35 | MODREF83074 | | MARKER INSTL-P18-1 PNL ROW E MODULE NUMBER: 233A5521-403339 REV A | 048048 104200 972999 | 1 |
| | 40 BAC27DCC3339 | | .DECAL | 048048 104200 972999 | 1 |

MISSING ITEM NUMBERS NOT APPLICABLE

- ITEM NOT ILLUSTRATED

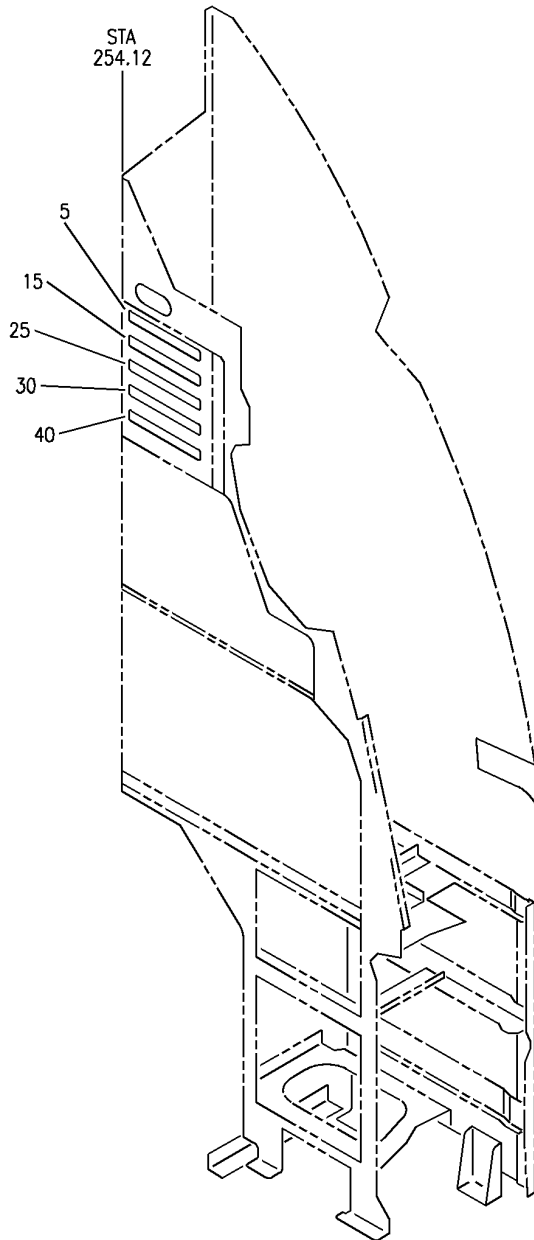
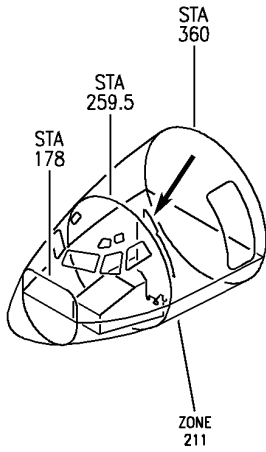
HAP

11-31-58-02A

BOEING PROPRIETARY - Copyright © - Unpublished Work - See title page for details.

11-31-58
FIG. 02A
PAGE 1
OCT 15/08

BOEING
737-600/700/800/900
PARTS CATALOG (MAINTENANCE)



For Details See Subsequent Pages

E 11315803 SHT 1 REV 109

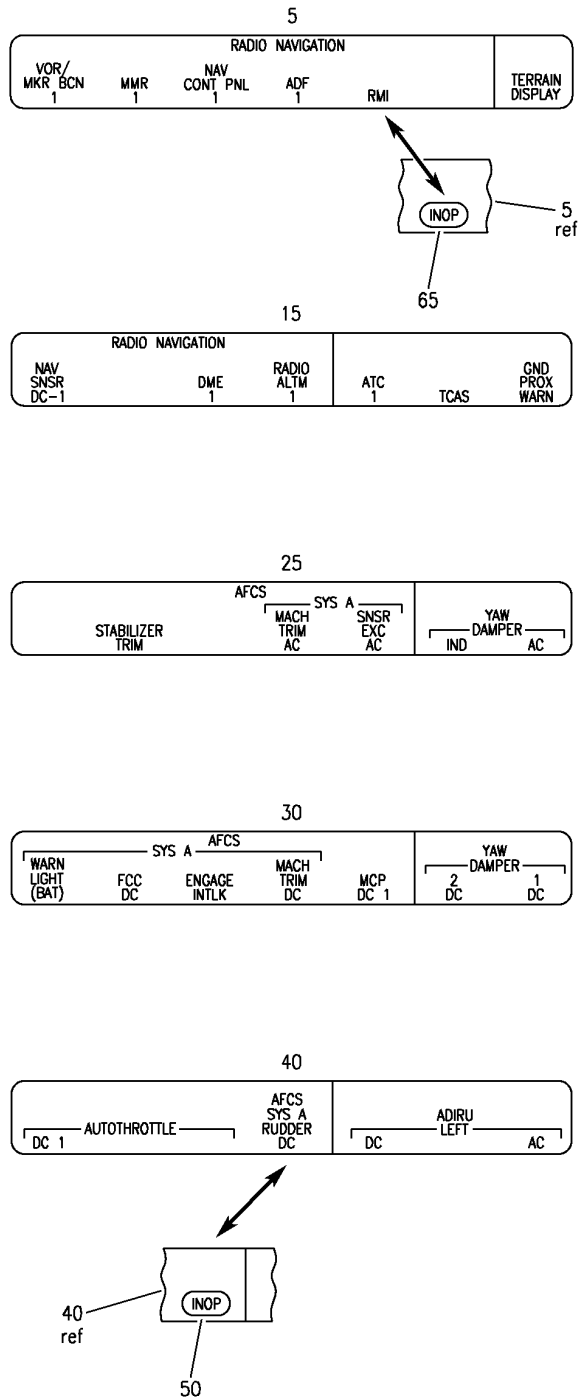
MARKER AND CIRCUIT BREAKER INSTL-P18-1 PNL (PLACARDS AND MARKINGS ONLY)
FIGURE 3 (SHEET 1)

HAP
FEB 10/07

11-31-58-03

11-31-58-03
PAGE 0

BOEING
 737-600/700/800/900
 PARTS CATALOG (MAINTENANCE)



E 11315803 SHT 2 REV 133

MARKER AND CIRCUIT BREAKER INSTL-P18-1 PNL (PLACARDS AND MARKINGS ONLY)
 FIGURE 3 (SHEET 2)

11-31-58-03

HAP
 OCT 10/07

11-31-58-03
 PAGE 0A

BOEING
737-600/700/800/900
PARTS CATALOG (MAINTENANCE)

| FIG ITEM | PART NUMBER | 1 2 3 4 5 6 7 | NOMENCLATURE | EFFECT FROM TO | UNITS PER ASSY |
|-------------|-----------------|---------------|---|--------------------------------------|----------------------|
| 3 | | | MARKER AND CIRCUIT BREAKER INSTL-P18-1 PNL (PLACARDS AND MARKINGS ONLY) | 038038 042046 051053 968969 | |
| - 1 | MODREF83070 | | MARKER INSTL-P18-1 ROW A MODULE NUMBER: 233A5521-402975 REV A | 038038 042046 051053 968969 | 1 |
| | 5 BAC27DCC2975 | | .DECAL | 038038 042046 051053 968969 | 1 |
| - 10 | MODREF83069 | | MARKER INSTL-P18-1 ROW B MODULE NUMBER: 233A5521-402734 REV A | 038038 042046 051053 968969 | 1 |
| | 15 BAC27DCC2734 | | .DECAL | 038038 042046 051053 968969 | 1 |
| - 20 | MODREF83075 | | CIRCUIT BREAKER INSTL-P18-1 (PLACARDS AND MARKINGS ONLY) MODULE NUMBER: 233A5521-5 REV A FOR OTHER SYS DETAILS SEE: 24-50-58-03 | 038038 042046 051053 968969 | 1 |
| | 25 BAC27DCC2736 | | .DECAL-ROW C | 038038 042046 051053 968969 | 1 |
| | 30 BAC27DCC2738 | | .DECAL-ROW D | 038038 042046 051053 968969 | 1 |
| - 35 | MODREF83074 | | MARKER INSTL-P18-1 ROW E MODULE NUMBER: 233A5521-403339 REV A | 038038 042046 051053 968969 | 1 |
| | 40 BAC27DCC3339 | | .DECAL | 038038 042046 051053 968969 | 1 |

MISSING ITEM NUMBERS NOT APPLICABLE

- ITEM NOT ILLUSTRATED

HAP

11-31-58-03

11-31-58
FIG. 03
PAGE 1
FEB 15/09

 **BOEING**
737-600/700/800/900
PARTS CATALOG (MAINTENANCE)

| FIG ITEM | PART NUMBER | 1 2 3 4 5 6 7 | NOMENCLATURE | EFFECT FROM TO | UNITS PER ASSY |
|-------------|--------------|---------------|--|-------------------|----------------------|
| 3 - 45 | MODREF83077 | | INOP INSTL-P18-1/E4 (PLACARDS AND MARKINGS ONLY) MODULE NUMBER: 233A5521-581504 REV A POST SERVICE BULLETIN: 22-1190 FOR OTHER SYS DETAILS SEE: 24-50-58-03 | 968969 | 1 |
| 50 | BAC27DCC3073 | | .MARKER- PLACARD CONTENT: INOP POST SERVICE BULLETIN: 22-1190 QUALIFIED SB I/W DATA: INSTL MARKER FOR FAIL-OPERATIONAL TO FAIL-PASSIVE OR REMOVE MARKER FOR FAIL-PASSIVE TO FAIL-OPERATIONAL | 968969 | 1 |

MISSING ITEM NUMBERS NOT APPLICABLE

- ITEM NOT ILLUSTRATED

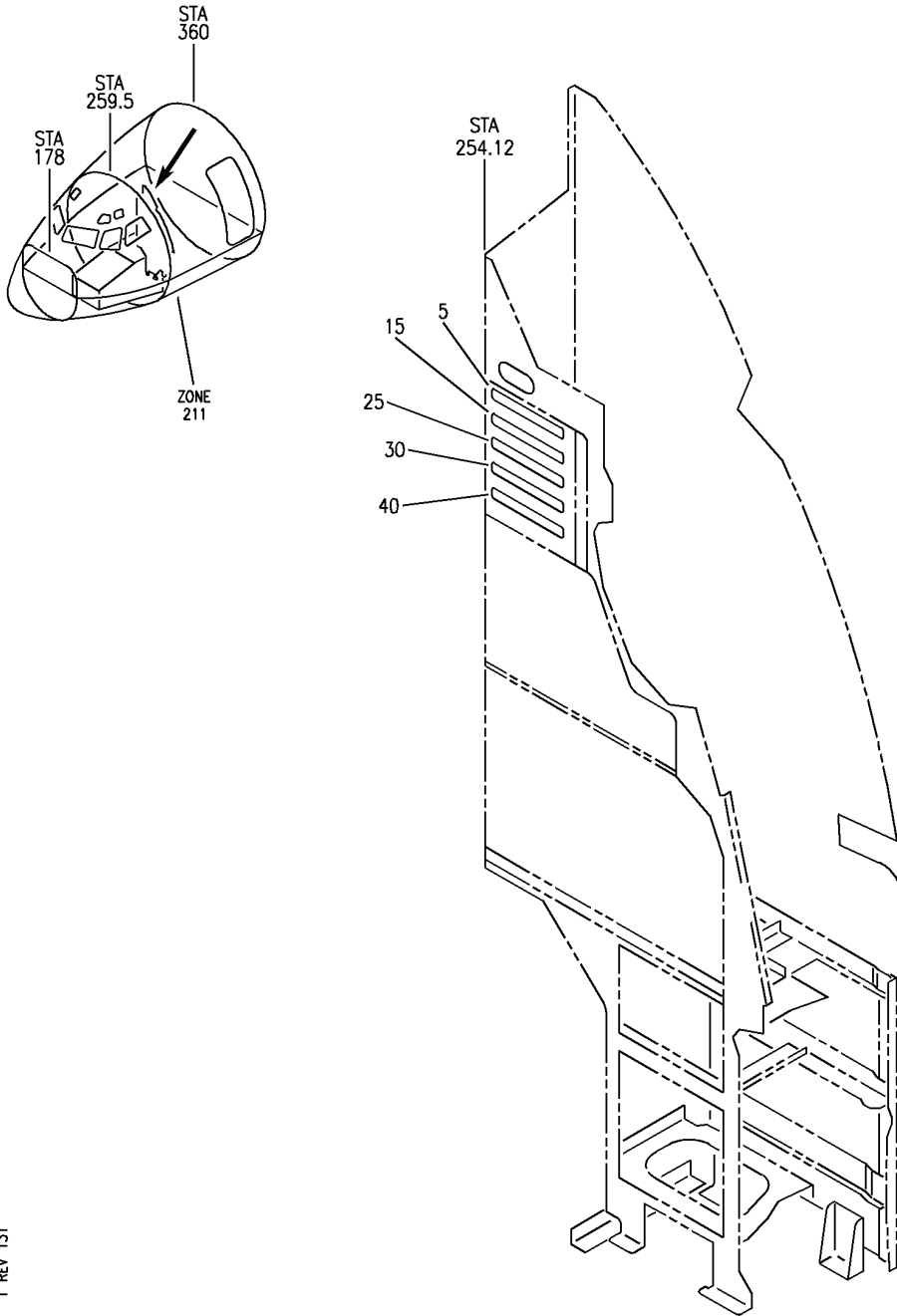
HAP

11-31-58-03

BOEING PROPRIETARY - Copyright © - Unpublished Work - See title page for details.

11-31-58
FIG. 03
PAGE 2
OCT 15/08

BOEING
737-600/700/800/900
PARTS CATALOG (MAINTENANCE)



For Details See Subsequent Pages

E 11315803B SHT 1 REV 131

MARKER, CIRCUIT BREAKER AND INOP INSTL-P18-1 PNL (PLACARDS AND MARKINGS ONLY)
FIGURE 3B (SHEET 1)

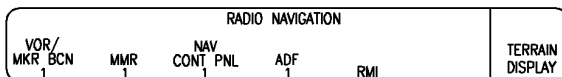
HAP
JUN 10/07

11-31-58-03B

11-31-58-03B
PAGE 0

BOEING
 737-600/700/800/900
 PARTS CATALOG (MAINTENANCE)

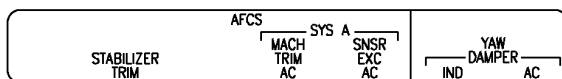
5



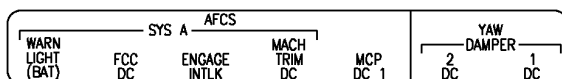
15



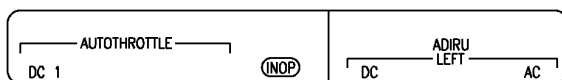
25



30



40



105

E 11315803B SHT 2 REV 131

MARKER, CIRCUIT BREAKER AND INOP INSTL-P18-1 PNL (PLACARDS AND MARKINGS ONLY)
 FIGURE 3B (SHEET 2)

HAP
 JUN 10/07

11-31-58-03B

11-31-58-03B
 PAGE 0A

BOEING
737-600/700/800/900
PARTS CATALOG (MAINTENANCE)

| FIG ITEM | PART NUMBER | 1 2 3 4 5 6 7 | NOMENCLATURE | EFFECT FROM TO | UNITS PER ASSY |
|----------|------------------|---------------|---|------------------|----------------|
| 3B | | | MARKER, CIRCUIT BREAKER AND INOP INSTL-P18-1 PNL (PLACARDS AND MARKINGS ONLY) | 101101 970971 | |
| - 1 | MODREF83070 | | MARKER INSTL-P18-1 ROW A MODULE NUMBER: 233A5521-402975 REV A | 101101 970971 | 1 |
| | 5 BAC27DCC2975 | | .DECAL | 101101 970971 | 1 |
| - 10 | MODREF83069 | | MARKER INSTL-P18-1 ROW B MODULE NUMBER: 233A5521-402734 REV A | 101101 970971 | 1 |
| | 15 BAC27DCC2734 | | .DECAL | 101101 970971 | 1 |
| - 20 | MODREF83075 | | CIRCUIT BREAKER INSTL-P18-1 (PLACARDS AND MARKINGS ONLY) MODULE NUMBER: 233A5521-5 REV A FOR OTHER SYS DETAILS SEE: 24-50-58-03 | 101101 970971 | 1 |
| | 25 BAC27DCC2736 | | .DECAL-ROW C | 101101 970971 | 1 |
| | 30 BAC27DCC2738 | | .DECAL-ROW D | 101101 970971 | 1 |
| - 35 | MODREF83074 | | MARKER INSTL-P18-1 ROW E MODULE NUMBER: 233A5521-403339 REV A | 101101 970971 | 1 |
| | 40 BAC27DCC3339 | | .DECAL | 101101 970971 | 1 |
| - 100 | MODREF83077 | | INOP INSTL-P18-1/E4 (PLACARDS AND MARKINGS ONLY) MODULE NUMBER: 233A5521-581504 REV A FOR OTHER SYS DETAILS SEE: 24-50-58-03 | 101101 970971 | 1 |
| | 105 BAC27DCC3073 | | .MARKER- PLACARD CONTENT: INOP | 101101 970971 | 1 |

MISSING ITEM NUMBERS NOT APPLICABLE

- ITEM NOT ILLUSTRATED

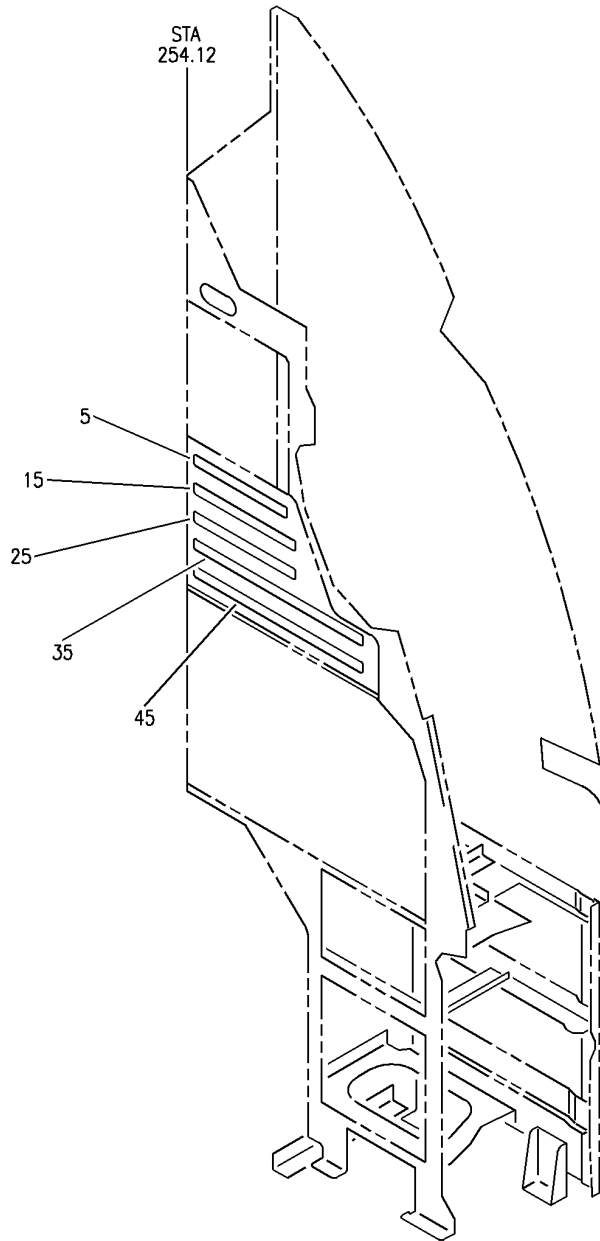
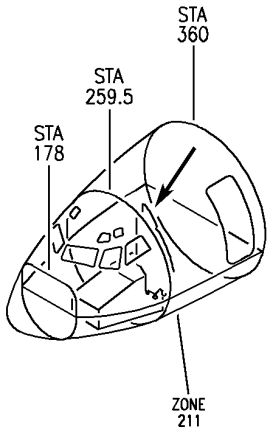
HAP

11-31-58-03B

BOEING PROPRIETARY - Copyright © - Unpublished Work - See title page for details.

11-31-58
FIG. 03B
PAGE 1
FEB 15/08

BOEING
737-600/700/800/900
PARTS CATALOG (MAINTENANCE)



For Details See Subsequent Pages

E 11315952A SHT 1 REV 114

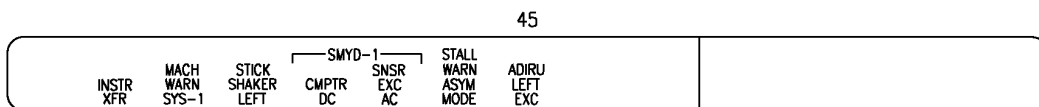
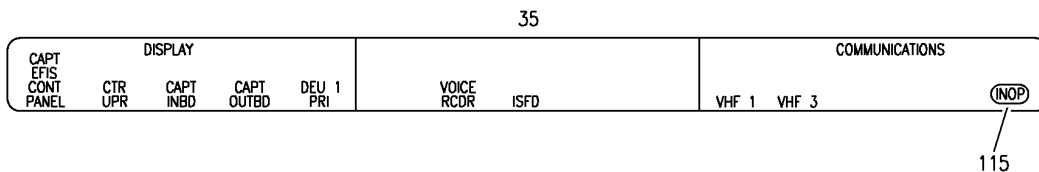
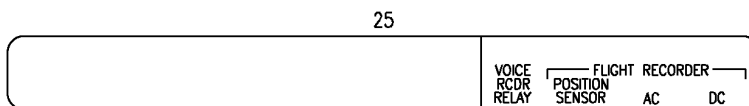
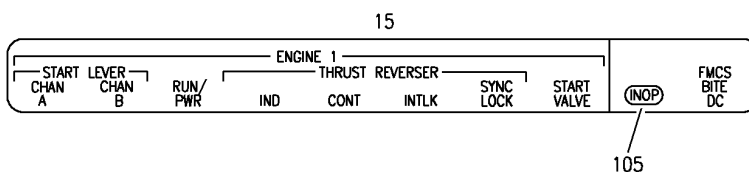
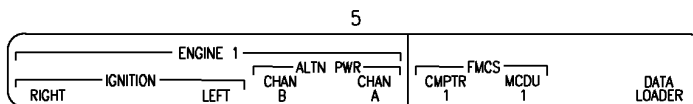
MARKER AND INOP INSTL-P18-2 PNL (PLACARDS AND MARKINGS ONLY)
FIGURE 52A (SHEET 1)

HAP
OCT 10/06

11-31-59-52A

11-31-59-52A
PAGE 0


BOEING
 737-600/700/800/900
PARTS CATALOG (MAINTENANCE)



E 11315952A SHT 2 REV 114

MARKER AND INOP INSTL-P18-2 PNL (PLACARDS AND MARKINGS ONLY)
 FIGURE 52A (SHEET 2)

11-31-59-52A

HAP
OCT 10/06

11-31-59-52A
 PAGE 0A

 **BOEING**
737-600/700/800/900
PARTS CATALOG (MAINTENANCE)

| FIG ITEM | PART NUMBER | 1 2 3 4 5 6 7 | NOMENCLATURE | EFFECT FROM TO | UNITS PER ASSY |
|----------|--------------|---------------|--|----------------|----------------|
| 52A | | | MARKER AND INOP INSTL- P18-2 PNL (PLACARDS AND MARKINGS ONLY) | 031036 | |
| - 1 | MODREF250595 | | MARKER INSTL-P18-2 PNL ROW A MODULE NUMBER: 233A5522-402837 REV B | 031036 | 1 |
| 5 | BAC27DCC2837 | | .DECAL | 031036 | 1 |
| - 10 | MODREF278460 | | MARKER INSTL-P18-2 PNL ROW B MODULE NUMBER: 233A5522-403517 REV A | 031036 | 1 |
| 15 | BAC27DCC3517 | | .DECAL | 031036 | 1 |
| - 20 | MODREF250601 | | MARKER INSTL-P18-2 PNL ROW C MODULE NUMBER: 233A5522-403027 REV B | 031036 | 1 |
| 25 | BAC27DCC3027 | | .DECAL | 031036 | 1 |
| - 30 | MODREF250608 | | MARKER INSTL-P18-2 PNL ROW D MODULE NUMBER: 233A5522-403287 REV B | 031036 | 1 |
| 35 | BAC27DCC3287 | | .DECAL | 031036 | 1 |
| - 40 | MODREF250591 | | MARKER INSTL-P18-2 PNL ROW E MODULE NUMBER: 233A5522-402747 REV B | 031036 | 1 |
| 45 | BAC27DCC2747 | | .DECAL | 031036 | 1 |
| - 100 | MODREF250614 | | INOP INSTL-P18-2/B9 (PLACARDS AND MARKINGS ONLY) MODULE NUMBER: 233A5522-582209 REV B FOR OTHER SYS DETAILS SEE: 24-50-59-52A | 031036 | 1 |
| 105 | BAC27DCC3073 | | .MARKER- PLACARD CONTENT: INOP | 031036 | 1 |
| - 110 | MODREF250628 | | INOP INSTL-P18-2/D15 (PLACARDS AND MARKINGS ONLY) MODULE NUMBER: 233A5522-582415 REV B FOR OTHER SYS DETAILS SEE: 24-50-59-52A | 031036 | 1 |
| 115 | BAC27DCC3073 | | .MARKER- PLACARD CONTENT: INOP | 031036 | 1 |

MISSING ITEM NUMBERS NOT APPLICABLE

- ITEM NOT ILLUSTRATED

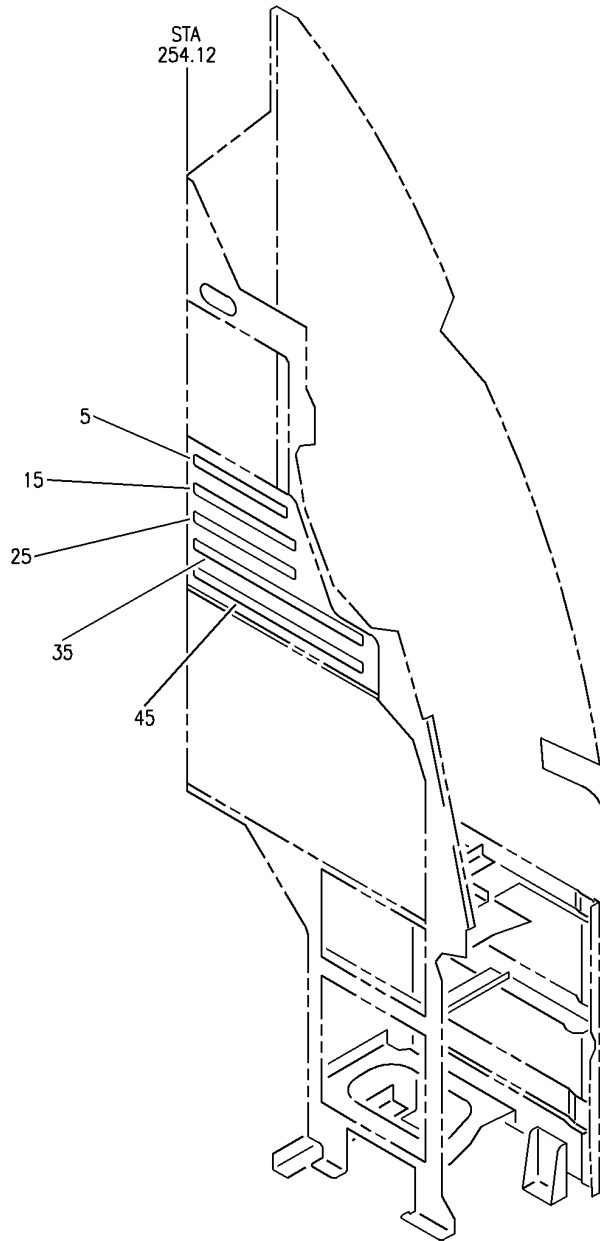
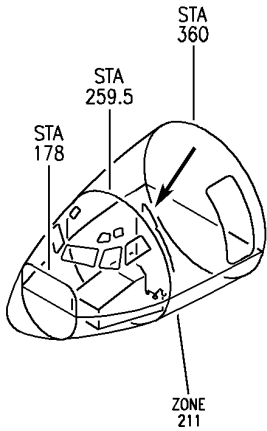
HAP

11-31-59-52A

BOEING PROPRIETARY - Copyright © - Unpublished Work - See title page for details.

11-31-59
FIG. 52A
PAGE 1
OCT 10/06

BOEING
737-600/700/800/900
PARTS CATALOG (MAINTENANCE)



For Details See Subsequent Pages

E 11315953 SH1 1 REV 129

MARKER INSTL-P18-2 PNL
FIGURE 53 (SHEET 1)

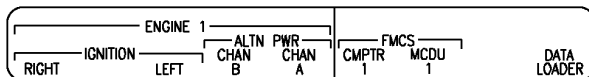
11-31-59-53

HAP
OCT 10/07

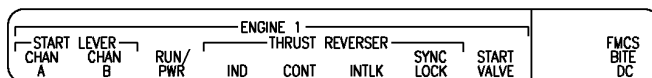
11-31-59-53
PAGE 0

BOEING
737-600/700/800/900
PARTS CATALOG (MAINTENANCE)

5



15



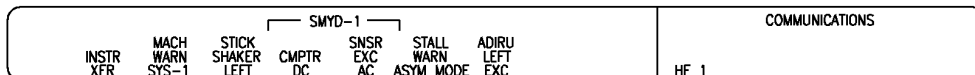
25



35



45



E 11315953 SH1 2 REV 129

MARKER INSTL-P18-2 PNL
FIGURE 53 (SHEET 2)

11-31-59-53

HAP
OCT 10/07

11-31-59-53
PAGE 0A

BOEING
737-600/700/800/900
PARTS CATALOG (MAINTENANCE)

| FIG ITEM | PART NUMBER | 1 2 3 4 5 6 7 | NOMENCLATURE | EFFECT FROM TO | UNITS PER ASSY |
|-------------|--------------|---------------|--|-------------------|----------------------|
| 53 | | | MARKER INSTL-P18-2 PNL | 044046 050100 | |
| - 1 | MODREF250595 | | MARKER INSTL-P18-2 PNL ROW A MODULE NUMBER: 233A5522-402837 REV B | 044046 050100 | 1 |
| 5 | BAC27DCC2837 | | .DECAL | 044046 050100 | 1 |
| - 10 | MODREF250594 | | MARKER INSTL-P18-2 PNL ROW B MODULE NUMBER: 233A5522-402832 REV B | 044046 050100 | 1 |
| 15 | BAC27DCC2832 | | .DECAL | 044046 050100 | 1 |
| - 20 | MODREF250601 | | MARKER INSTL-P18-2 PNL ROW C MODULE NUMBER: 233A5522-403027 REV B | 044046 050100 | 1 |
| 25 | BAC27DCC3027 | | .DECAL | 044046 050100 | 1 |
| - 30 | MODREF250608 | | MARKER INSTL-P18-2 PNL ROW D MODULE NUMBER: 233A5522-403287 REV B | 044046 050100 | 1 |
| 35 | BAC27DCC3287 | | .DECAL | 044046 050100 | 1 |
| - 40 | MODREF250592 | | MARKER INSTL-P18-2 PNL ROW E MODULE NUMBER: 233A5522-402828 REV B | 044046 050100 | 1 |
| 45 | BAC27DCC2828 | | .DECAL | 044046 050100 | 1 |

MISSING ITEM NUMBERS NOT APPLICABLE

- ITEM NOT ILLUSTRATED

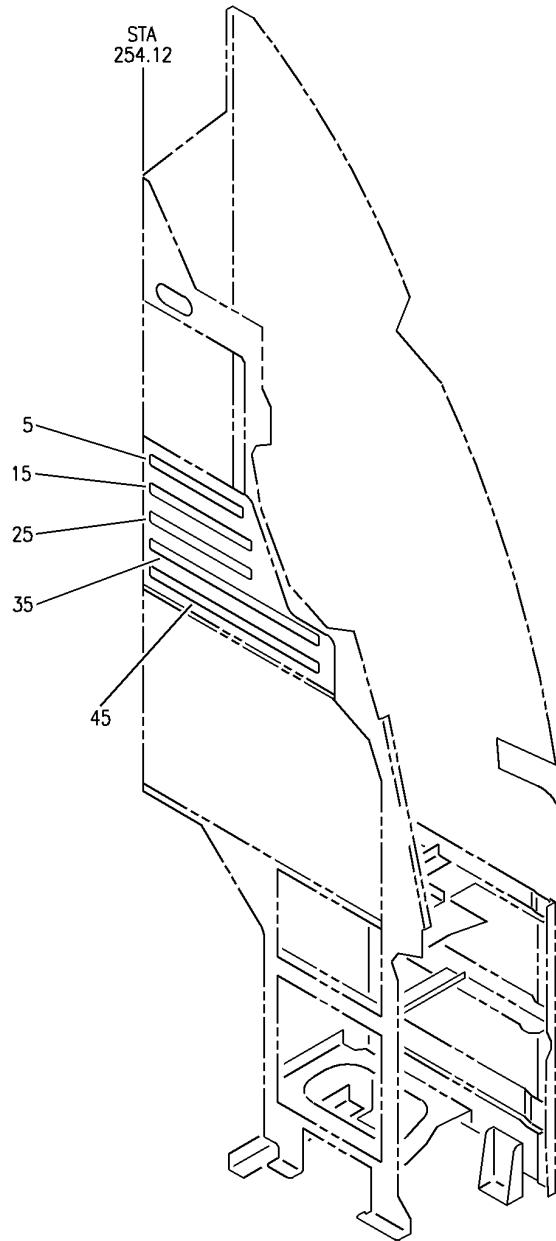
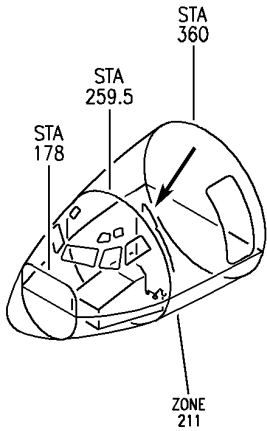
HAP

11-31-59-53

BOEING PROPRIETARY - Copyright © - Unpublished Work - See title page for details.

11-31-59
FIG. 53
PAGE 1
OCT 15/08

BOEING
737-600/700/800/900
PARTS CATALOG (MAINTENANCE)



For Details See Subsequent Pages

E 11315957 SHT 1 REV 133

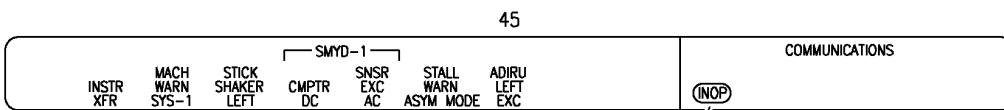
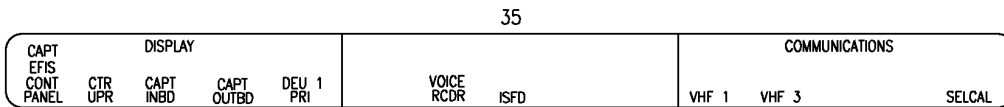
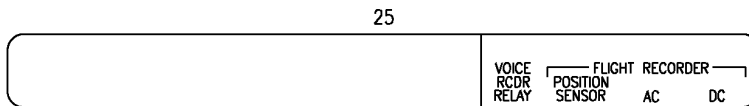
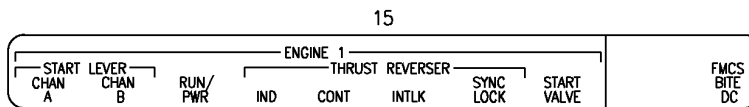
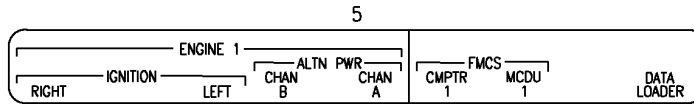
MARKER AND INOP INSTL-P18-2 PNL (PLACARDS AND MARKINGS ONLY)
FIGURE 57 (SHEET 1)

11-31-59-57

HAP
FEB 15/08

11-31-59-57
PAGE 0

BOEING
737-600/700/800/900
PARTS CATALOG (MAINTENANCE)



105

E 11315957 SH1 2 REV 136

MARKER AND INOP INSTL-P18-2 PNL (PLACARDS AND MARKINGS ONLY)
FIGURE 57 (SHEET 2)

11-31-59-57

HAP
FEB 15/08

11-31-59-57
PAGE 0A

BOEING
737-600/700/800/900
PARTS CATALOG (MAINTENANCE)

| FIG ITEM | PART NUMBER | 1 2 3 4 5 6 7 | NOMENCLATURE | EFFECT FROM TO | UNITS PER ASSY |
|--------------------------------------|--------------------|---------------|--|----------------------------|----------------|
| 57 | | | MARKER AND INOP INSTL-P18-2 PNL (PLACARDS AND MARKINGS ONLY) | 048048 102200 972999 | |
| - 1 | MODREF250595 | | MARKER INSTL-P18-2 PNL ROW A MODULE NUMBER: 233A5522-402837 REV B | 048048 102200 972999 | 1 |
| | 5 BAC27DCC2837 | | .DECAL | 048048 102200 972999 | 1 |
| - 10 | MODREF250594 | | MARKER INSTL-P18-2 PNL ROW B MODULE NUMBER: 233A5522-402832 REV B | 048048 102200 972999 | 1 |
| | 15 BAC27DCC2832 | | .DECAL | 048048 102200 972999 | 1 |
| - 20 | MODREF250601 | | MARKER INSTL-P18-2 PNL ROW C MODULE NUMBER: 233A5522-403027 REV B | 048048 102200 972999 | 1 |
| | 25 BAC27DCC3027 | | .DECAL | 048048 102200 972999 | 1 |
| - 30 | MODREF250608 | | MARKER INSTL-P18-2 PNL ROW D MODULE NUMBER: 233A5522-403287 REV B | 048048 102200 972999 | 1 |
| | 35 BAC27DCC3287 | | .DECAL | 048048 102200 972999 | 1 |
| - 40 | MODREF250592 | | MARKER INSTL-P18-2 PNL ROW E MODULE NUMBER: 233A5522-402828 REV B | 048048 102200 972999 | 1 |
| | 45 BAC27DCC2828 | | .DECAL | 048048 102200 972999 | 1 |
| R R R R R R R R | - 100 MODREF250629 | | INOP INSTL-P18-2/E11 (PLACARDS AND MARKINGS ONLY) MODULE NUMBER: 233A5522-582511 REV B POST RAPID REVISION: RR97237-21B FOR OTHER SYS DETAILS SEE: 24-50-59-57 | 048048 102200 972999 | 1 |

MISSING ITEM NUMBERS NOT APPLICABLE

- ITEM NOT ILLUSTRATED

HAP

11-31-59-57

11-31-59
FIG. 57
PAGE 1
JUN 15/09

BOEING
737-600/700/800/900
PARTS CATALOG (MAINTENANCE)

| FIG ITEM | PART NUMBER | 1 2 3 4 5 6 7 | NOMENCLATURE | EFFECT FROM TO | UNITS PER ASSY |
|-------------|--------------|---------------|--|----------------------------|----------------------|
| 57 105 | BAC27DCC3073 | | . MARKER- PLACARD CONTENT: INOP POST RAPID REVISION: RR97237-21B | 048048 102200 972999 | 1 |

R
R
R
R
R

MISSING ITEM NUMBERS NOT APPLICABLE

- ITEM NOT ILLUSTRATED

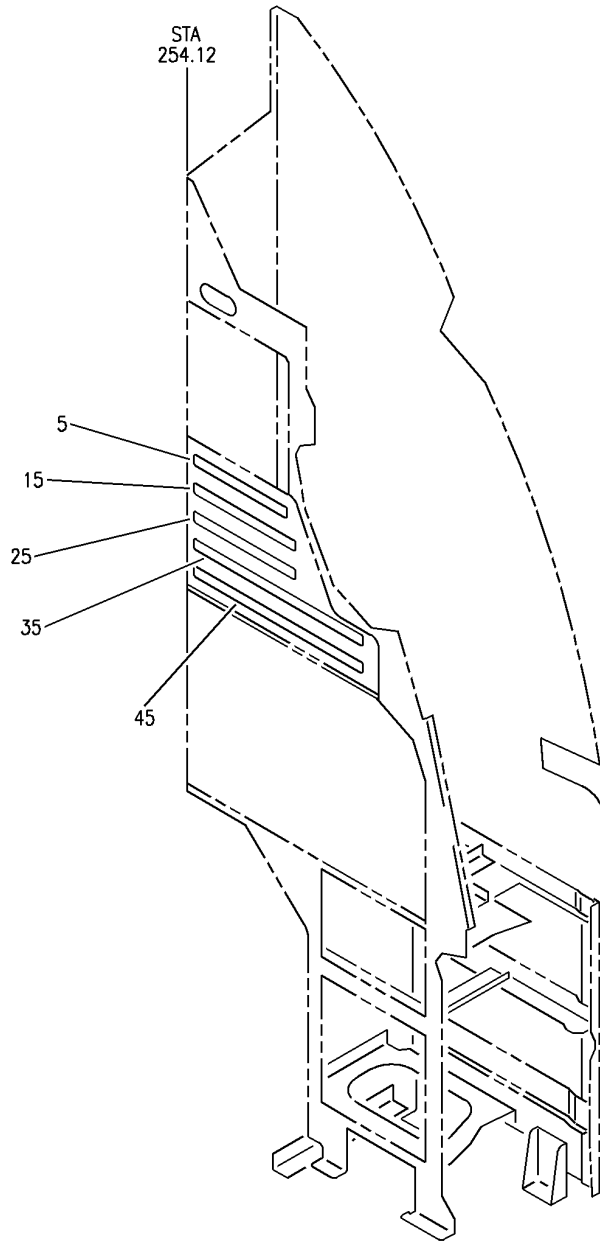
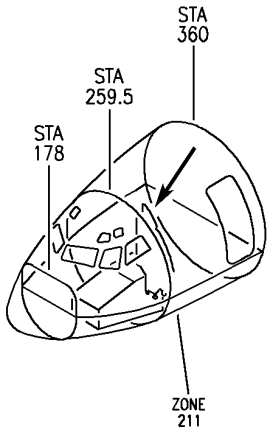
HAP

11-31-59-57

BOEING PROPRIETARY - Copyright © - Unpublished Work - See title page for details.

11-31-59
FIG. 57
PAGE 2
JUN 15/09

BOEING
737-600/700/800/900
PARTS CATALOG (MAINTENANCE)



For Details See Subsequent Pages

E 11315966B SHT 1 REV 123

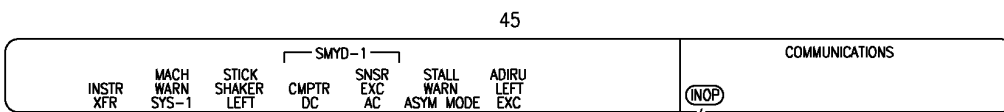
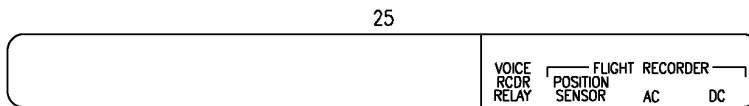
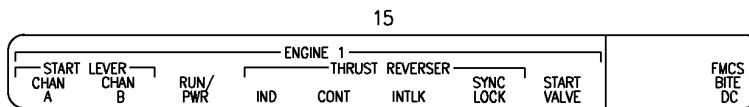
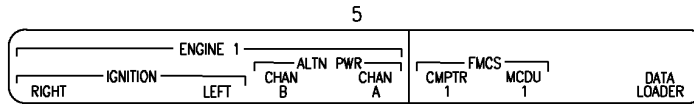
MARKER AND INOP INSTL-P18-2 PNL (PLACARDS AND MARKINGS ONLY)
FIGURE 66B (SHEET 1)

HAP
FEB 10/07

11-31-59-66B

11-31-59-66B
PAGE 0

BOEING
 737-600/700/800/900
 PARTS CATALOG (MAINTENANCE)



105

E 11315966B SHT 2 REV 123

MARKER AND INOP INSTL-P18-2 PNL (PLACARDS AND MARKINGS ONLY)
 FIGURE 66B (SHEET 2)

11-31-59-66B

HAP
 FEB 10/07

11-31-59-66B
 PAGE 0A

BOEING PROPRIETARY - Copyright © - Unpublished Work - See title page for details.

BOEING
737-600/700/800/900
PARTS CATALOG (MAINTENANCE)

| FIG ITEM | PART NUMBER | 1 2 3 4 5 6 7 | NOMENCLATURE | EFFECT FROM TO | UNITS PER ASSY |
|----------|--------------|---------------|---|------------------|----------------|
| 66B | | | MARKER AND INOP INSTL- P18-2 PNL (PLACARDS AND MARKINGS ONLY) | 101101 968971 | |
| - 1 | MODREF250595 | | MARKER INSTL-P18-2 PNL ROW A MODULE NUMBER: 233A5522-402837 REV B | 101101 968971 | 1 |
| 5 | BAC27DCC2837 | | .DECAL | 101101 968971 | 1 |
| - 10 | MODREF250594 | | MARKER INSTL-P18-2 PNL ROW B MODULE NUMBER: 233A5522-402832 REV B | 101101 968971 | 1 |
| 15 | BAC27DCC2832 | | .DECAL | 101101 968971 | 1 |
| - 20 | MODREF250601 | | MARKER INSTL-P18-2 PNL ROW C MODULE NUMBER: 233A5522-403027 REV B | 101101 968971 | 1 |
| 25 | BAC27DCC3027 | | .DECAL | 101101 968971 | 1 |
| - 30 | MODREF250608 | | MARKER INSTL-P18-2 PNL ROW D MODULE NUMBER: 233A5522-403287 REV B | 101101 968971 | 1 |
| 35 | BAC27DCC3287 | | .DECAL | 101101 968971 | 1 |
| - 40 | MODREF250592 | | MARKER INSTL-P18-2 PNL ROW E MODULE NUMBER: 233A5522-402828 REV B | 101101 968971 | 1 |
| 45 | BAC27DCC2828 | | .DECAL | 101101 968971 | 1 |
| - 100 | MODREF250629 | | INOP INSTL-P18-2/E11 (PLACARDS AND MARKINGS ONLY) MODULE NUMBER: 233A5522-582511 REV B FOR OTHER SYS DETAILS SEE: 24-50-59-66 | 101101 968971 | 1 |
| 105 | BAC27DCC3073 | | .MARKER- PLACARD CONTENT: INOP | 101101 968971 | 1 |

MISSING ITEM NUMBERS NOT APPLICABLE

- ITEM NOT ILLUSTRATED

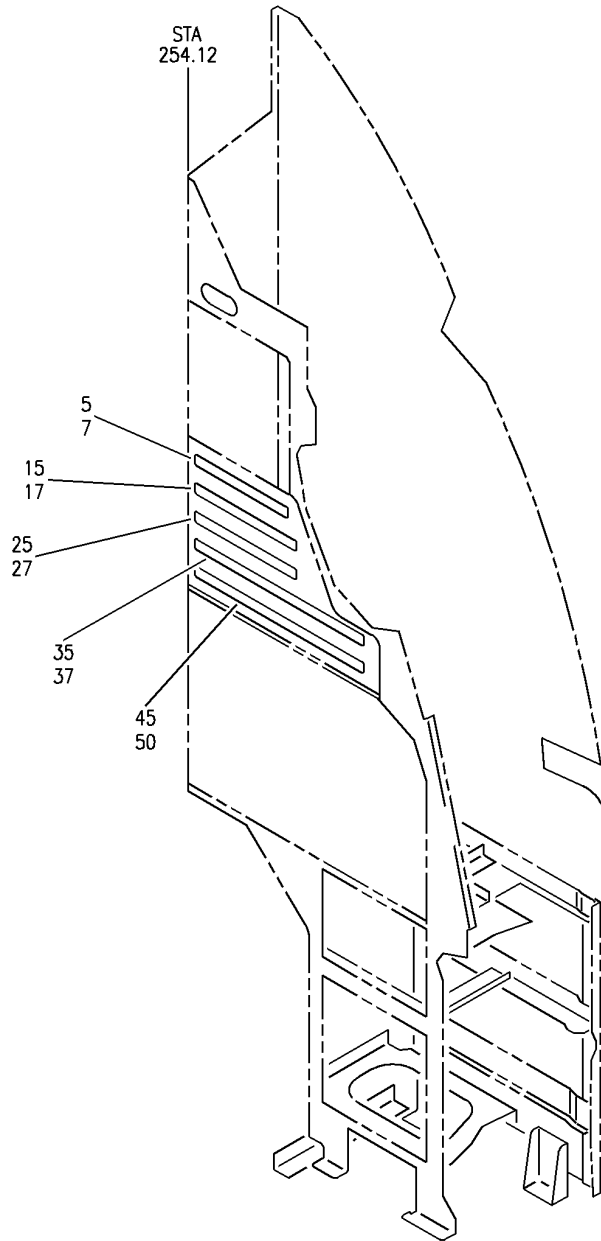
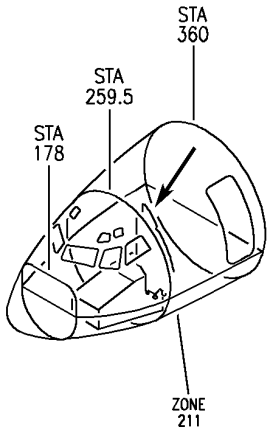
HAP

11-31-59-66B

BOEING PROPRIETARY - Copyright © - Unpublished Work - See title page for details.

11-31-59
FIG. 66B
PAGE 1
FEB 15/08

BOEING
737-600/700/800/900
PARTS CATALOG (MAINTENANCE)



For Details See Subsequent Pages

E 11315967 SHT 1 REV 116

MARKER INSTL-P18-2 PNL
FIGURE 67 (SHEET 1)

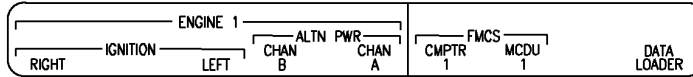
11-31-59-67

HAP
FEB 10/07

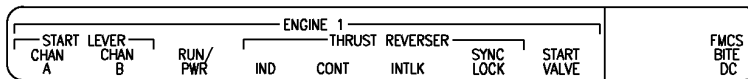
11-31-59-67
PAGE 0


BOEING
 737-600/700/800/900
PARTS CATALOG (MAINTENANCE)

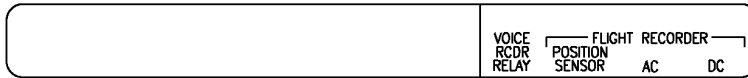
5
7



15
17



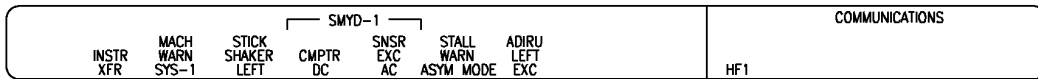
25
27



35
37



45
50



E 11315967 SH2 2 REV 116

MARKER INSTL-P18-2 PNL
FIGURE 67 (SHEET 2)

11-31-59-67

BOEING
737-600/700/800/900
PARTS CATALOG (MAINTENANCE)

| FIG ITEM | PART NUMBER | 1 2 3 4 5 6 7 | NOMENCLATURE | EFFECT FROM TO | UNITS PER ASSY |
|----------|--------------|---------------|--|--------------------------------------|----------------|
| 67 | | | MARKER INSTL-P18-2 PNL | 038038 041043 047047 049049 | |
| - 1 | MODREF250595 | | MARKER INSTL-P18-2 PNL ROW A MODULE NUMBER: 233A5522-402837 REV B | 038038 041043 047047 049049 | 1 |
| 5 | BAC27DCC2837 | | .DECAL | 038038 041043 047047 049049 | 1 |
| - 10 | MODREF250594 | | MARKER INSTL-P18-2 PNL ROW B MODULE NUMBER: 233A5522-402832 REV B | 038038 041043 047047 049049 | 1 |
| 15 | BAC27DCC2832 | | .DECAL | 038038 041043 047047 049049 | 1 |
| - 20 | MODREF250601 | | MARKER INSTL-P18-2 PNL ROW C MODULE NUMBER: 233A5522-403027 REV B | 038038 041043 047047 049049 | 1 |
| 25 | BAC27DCC3027 | | .DECAL | 038038 041043 047047 049049 | 1 |
| - 30 | MODREF250608 | | MARKER INSTL-P18-2 PNL ROW D MODULE NUMBER: 233A5522-403287 REV B | 038038 041043 047047 049049 | 1 |
| 35 | BAC27DCC3287 | | .DECAL | 038038 041043 047047 049049 | 1 |
| - 40 | MODREF250592 | | MARKER INSTL-P18-2 PNL ROW E MODULE NUMBER: 233A5522-402828 REV B | 038038 041043 047047 049049 | 1 |
| 45 | BAC27DCC2828 | | .DECAL | 038038 041043 047047 049049 | 1 |

MISSING ITEM NUMBERS NOT APPLICABLE

- ITEM NOT ILLUSTRATED

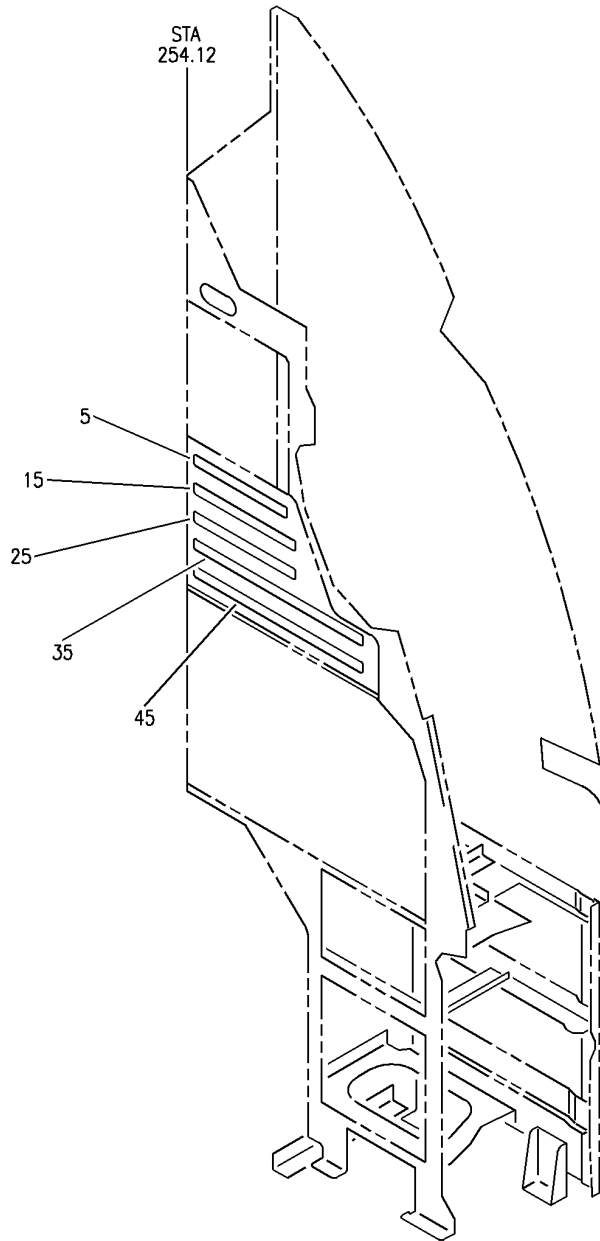
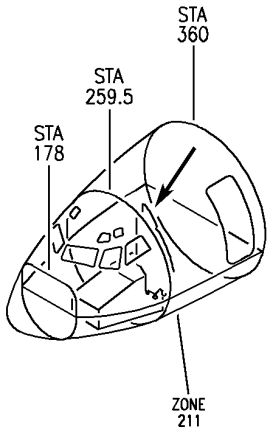
HAP

11-31-59-67

BOEING PROPRIETARY - Copyright © - Unpublished Work - See title page for details.

11-31-59
FIG. 67
PAGE 1
OCT 15/08

BOEING
737-600/700/800/900
PARTS CATALOG (MAINTENANCE)



For Details See Subsequent Pages

E 11315978 SHT 1 REV 120

MARKER AND INOP INSTL-P18-2 PNL (PLACARDS AND MARKINGS ONLY)
FIGURE 78 (SHEET 1)

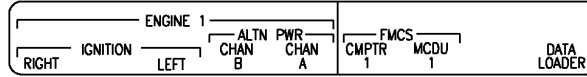
11-31-59-78

HAP
FEB 10/07

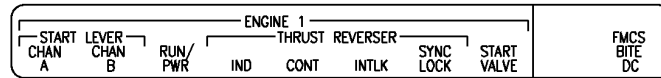
11-31-59-78
PAGE 0


BOEING
 737-600/700/800/900
PARTS CATALOG (MAINTENANCE)

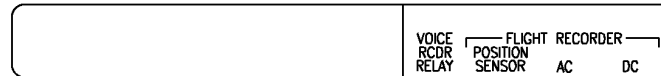
5



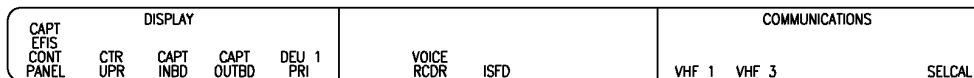
15



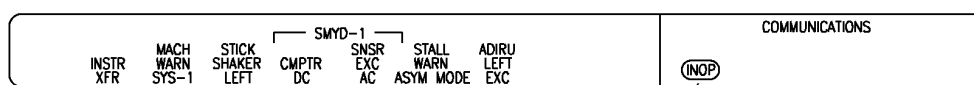
25



35



45



105

E 11315978 SH 2 REV 126

MARKER AND INOP INSTL-P18-2 PNL (PLACARDS AND MARKINGS ONLY)
FIGURE 78 (SHEET 2)

11-31-59-78

HAP
FEB 10/07

11-31-59-78
PAGE 0A

BOEING
737-600/700/800/900
PARTS CATALOG (MAINTENANCE)

| FIG ITEM | PART NUMBER | 1 2 3 4 5 6 7 | NOMENCLATURE | EFFECT FROM TO | UNITS PER ASSY |
|----------|--------------|---------------|---|------------------|----------------|
| 78 | | | MARKER AND INOP INSTL- P18-2 PNL (PLACARDS AND MARKINGS ONLY) | 037037 039040 | |
| - 1 | MODREF250595 | | MARKER INSTL-P18-2 PNL ROW A MODULE NUMBER: 233A5522-402837 REV B | 037037 039040 | 1 |
| 5 | BAC27DCC2837 | | .DECAL | 037037 039040 | 1 |
| - 10 | MODREF250594 | | MARKER INSTL-P18-2 PNL ROW B MODULE NUMBER: 233A5522-402832 REV B | 037037 039040 | 1 |
| 15 | BAC27DCC2832 | | .DECAL | 037037 039040 | 1 |
| - 20 | MODREF250601 | | MARKER INSTL-P18-2 PNL ROW C MODULE NUMBER: 233A5522-403027 REV B | 037037 039040 | 1 |
| 25 | BAC27DCC3027 | | .DECAL | 037037 039040 | 1 |
| - 30 | MODREF250608 | | MARKER INSTL-P18-2 PNL ROW D MODULE NUMBER: 233A5522-403287 REV B | 037037 039040 | 1 |
| 35 | BAC27DCC3287 | | .DECAL | 037037 039040 | 1 |
| - 40 | MODREF250592 | | MARKER INSTL-P18-2 PNL ROW E MODULE NUMBER: 233A5522-402828 REV B | 037037 039040 | 1 |
| 45 | BAC27DCC2828 | | .DECAL | 037037 039040 | 1 |
| - 100 | MODREF250629 | | INOP INSTL-P18-2/E11 (PLACARDS AND MARKINGS ONLY) MODULE NUMBER: 233A5522-582511 REV B FOR OTHER SYS DETAILS SEE: 24-50-59-78 | 037037 039040 | 1 |
| 105 | BAC27DCC3073 | | .MARKER- PLACARD CONTENT: INOP | 037037 039040 | 1 |

MISSING ITEM NUMBERS NOT APPLICABLE

- ITEM NOT ILLUSTRATED

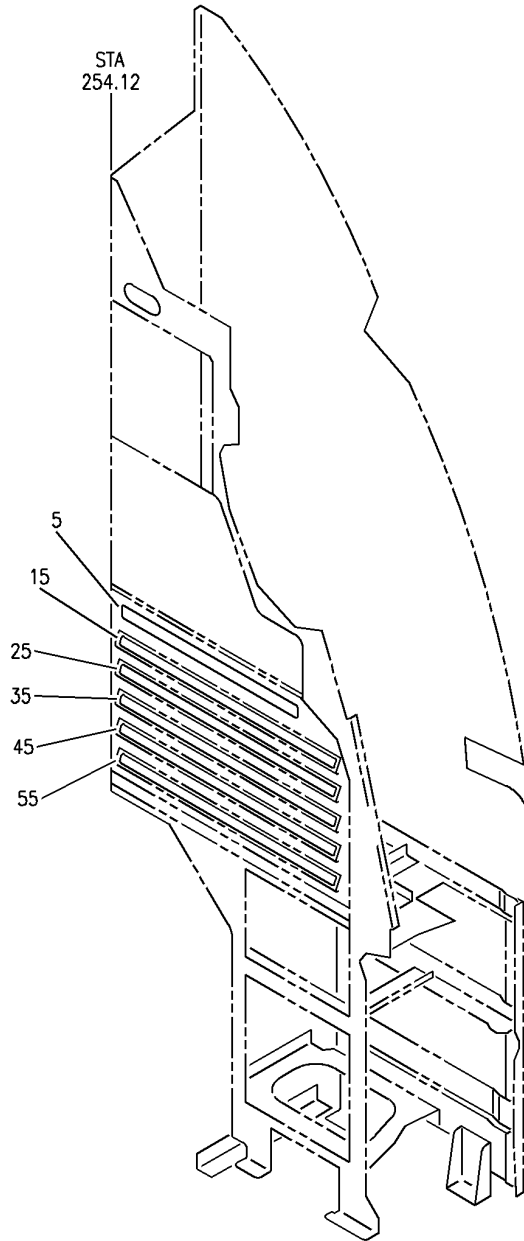
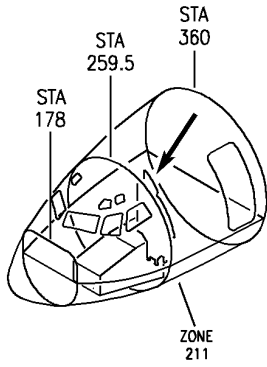
HAP

11-31-59-78

BOEING PROPRIETARY - Copyright © - Unpublished Work - See title page for details.

11-31-59
FIG. 78
PAGE 1
FEB 10/07

BOEING
737-600/700/800/900
PARTS CATALOG (MAINTENANCE)



For Details See Subsequent Pages

E 11316039 SH1 1 REV 135

MARKER AND INOP INSTL-P18-3 PNL (PLACARDS AND MARKINGS ONLY)
FIGURE 39 (SHEET 1)

11-31-60-39

HAP
FEB 15/09

11-31-60-39
PAGE 0



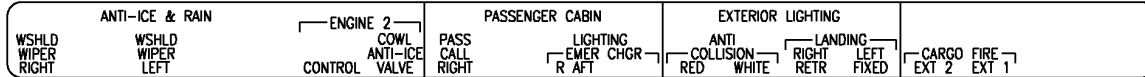
737-600/700/800/900

PARTS CATALOG (MAINTENANCE)

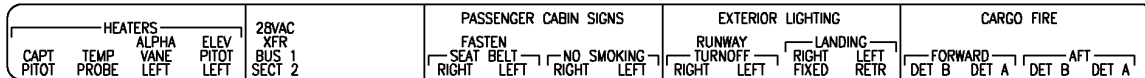
5



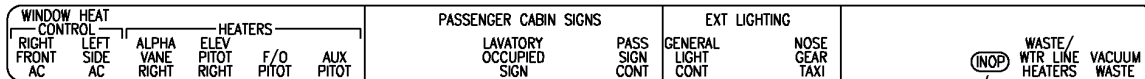
15



25

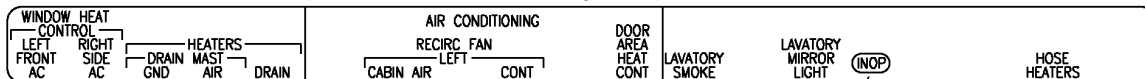


35



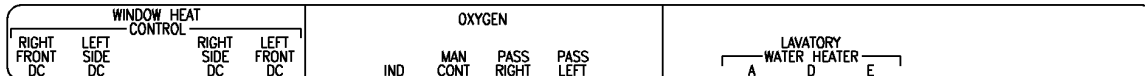
105

45



115

55



E 11316039 SH 2 REV 135

MARKER AND INOP INSTL-P18-3 PNL (PLACARDS AND MARKINGS ONLY)
FIGURE 39 (SHEET 2)

11-31-60-39

HAP
FEB 15/09

11-31-60-39
PAGE 0A

BOEING PROPRIETARY - Copyright © - Unpublished Work - See title page for details.

BOEING
737-600/700/800/900
PARTS CATALOG (MAINTENANCE)

| FIG ITEM | PART NUMBER | 1 2 3 4 5 6 7 | NOMENCLATURE | EFFECT FROM TO | UNITS PER ASSY |
|----------|--------------|---------------|---|----------------|----------------|
| 39 | | | MARKER AND INOP INSTL- P18-3 PNL (PLACARDS AND MARKINGS ONLY) | 054100 | |
| - 1 | MODREF250801 | | MARKER INSTL-P18-3 PNL ROW A MODULE NUMBER: 233A5523-403428 REV B | 054100 | 1 |
| 5 | BAC27DCC3428 | | .DECAL | 054100 | 1 |
| - 10 | MODREF250758 | | MARKER INSTL-P18-3 PNL ROW B MODULE NUMBER: 233A5523-403012 REV B | 054100 | 1 |
| 15 | BAC27DCC3012 | | .MARKER | 054100 | 1 |
| - 20 | MODREF250757 | | MARKER INSTL-P18-3 PNL ROW C MODULE NUMBER: 233A5523-403010 REV B | 054100 | 1 |
| 25 | BAC27DCC3010 | | .MARKER | 054100 | 1 |
| - 30 | MODREF267104 | | MARKER INSTL-P18-3 PNL ROW D MODULE NUMBER: 233A5523-403467 REV A | 054100 | 1 |
| 35 | BAC27DCC3467 | | .MARKER | 054100 | 1 |
| - 40 | MODREF280407 | | MARKER INSTL-P18-3 PNL ROW E MODULE NUMBER: 233A5523-403523 REV A | 054100 | 1 |
| 45 | BAC27DCC3523 | | .MARKER | 054100 | 1 |
| - 50 | MODREF250773 | | MARKER INSTL-P18-3 PNL ROW F MODULE NUMBER: 233A5523-403153 REV B | 054100 | 1 |
| 55 | BAC27DCC3153 | | .DECAL | 054100 | 1 |
| - 100 | MODREF267107 | | INOP INSTL-P18-3/D17 (PLACARDS AND MARKINGS ONLY) MODULE NUMBER: 233A5523-583417 REV A FOR OTHER SYS DETAILS SEE: 24-50-60-39 | 054100 | 1 |
| 105 | BAC27DCC3073 | | .MARKER- PLACARD CONTENT: INOP | 054100 | 1 |

MISSING ITEM NUMBERS NOT APPLICABLE

- ITEM NOT ILLUSTRATED

HAP

11-31-60-39

BOEING PROPRIETARY - Copyright © - Unpublished Work - See title page for details.

11-31-60
FIG. 39
PAGE 1
FEB 15/09

BOEING
737-600/700/800/900
PARTS CATALOG (MAINTENANCE)

| FIG ITEM | PART NUMBER | 1 2 3 4 5 6 7 | NOMENCLATURE | EFFECT FROM TO | UNITS PER ASSY |
|-------------|--------------|---------------|---|-------------------|----------------------|
| 39 - 110 | MODREF280419 | | INOP INSTL-P18-3/E15 (PLACARDS AND MARKINGS ONLY) MODULE NUMBER: 233A5523-583515 REV A FOR OTHER SYS DETAILS SEE: 24-50-60-39 | 054100 | 1 |
| 115 | BAC27DCC3073 | | .MARKER- PLACARD CONTENT: INOP | 054100 | 1 |

MISSING ITEM NUMBERS NOT APPLICABLE

- ITEM NOT ILLUSTRATED

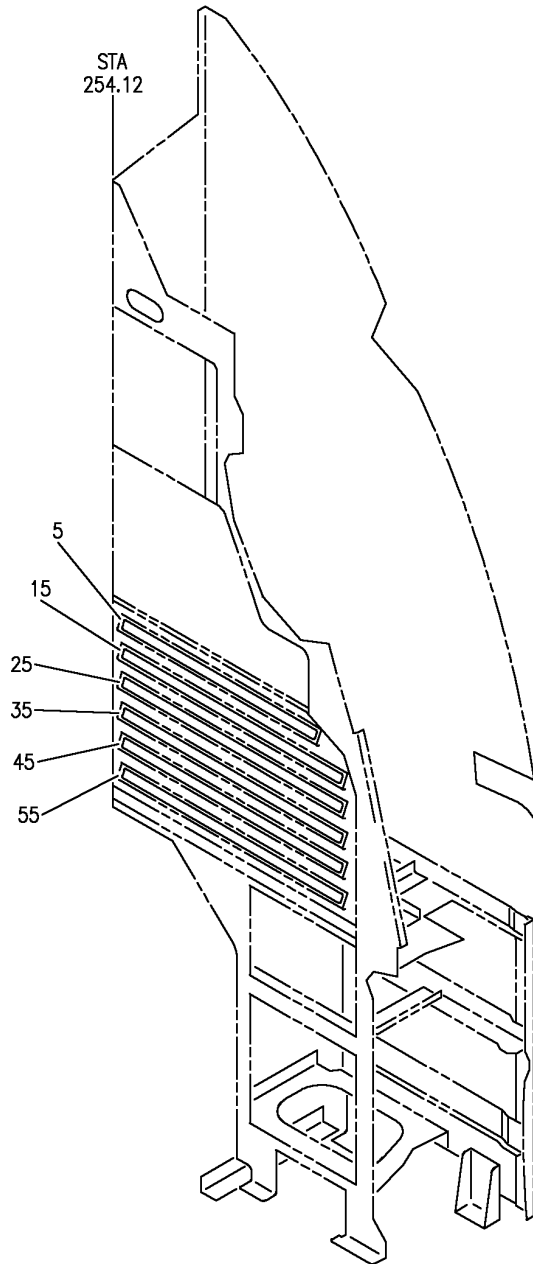
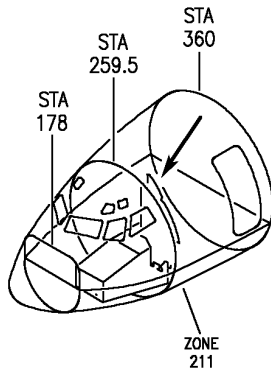
HAP

11-31-60-39

BOEING PROPRIETARY - Copyright © - Unpublished Work - See title page for details.

11-31-60
FIG. 39
PAGE 2
FEB 15/09

BOEING
737-600/700/800/900
PARTS CATALOG (MAINTENANCE)



For Details See Subsequent Pages

E 11316039A SHT 1 REV 144

MARKER INSTL-P18-3 PNL
FIGURE 39A (SHEET 1)

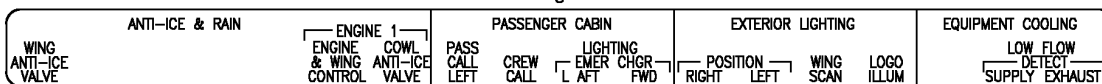
HAP
OCT 15/08

11-31-60-39A

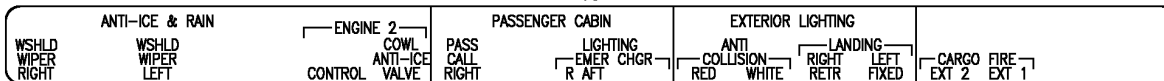
11-31-60-39A
PAGE 0

BOEING
737-600/700/800/900
PARTS CATALOG (MAINTENANCE)

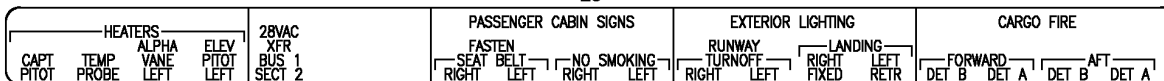
5



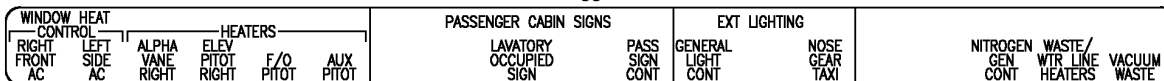
15



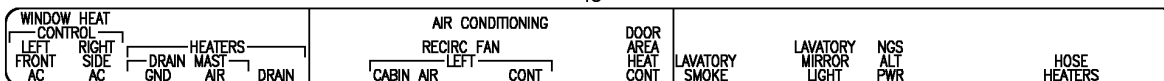
25



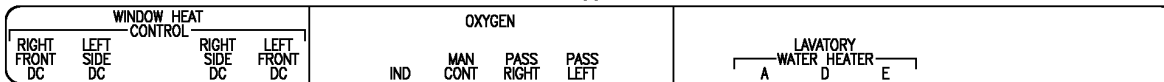
35



45



55



E 11316039A SHT 2 REV 144

MARKER INSTL-P18-3 PNL
FIGURE 39A (SHEET 2)

11-31-60-39A

HAP
OCT 15/08

11-31-60-39A
PAGE 0A

BOEING
737-600/700/800/900
PARTS CATALOG (MAINTENANCE)

| FIG ITEM | PART NUMBER | 1 2 3 4 5 6 7 | NOMENCLATURE | EFFECT FROM TO | UNITS PER ASSY |
|----------|--------------|---------------|--|----------------------------|----------------|
| 39A | | | MARKER INSTL-P18-3 PNL | 048048 050050 053053 | |
| - 1 | MODREF250801 | | MARKER INSTL-P18-3 PNL ROW A MODULE NUMBER: 233A5523-403428 REV B | 048048 050050 053053 | 1 |
| 5 | BAC27DCC3428 | | .DECAL | 048048 050050 053053 | 1 |
| - 10 | MODREF250758 | | MARKER INSTL-P18-3 PNL ROW B MODULE NUMBER: 233A5523-403012 REV B | 048048 050050 053053 | 1 |
| 15 | BAC27DCC3012 | | .MARKER | 048048 050050 053053 | 1 |
| - 20 | MODREF250757 | | MARKER INSTL-P18-3 PNL ROW C MODULE NUMBER: 233A5523-403010 REV B | 048048 050050 053053 | 1 |
| 25 | BAC27DCC3010 | | .MARKER | 048048 050050 053053 | 1 |
| - 30 | MODREF267104 | | MARKER INSTL-P18-3 PNL ROW D MODULE NUMBER: 233A5523-403467 REV A | 048048 050050 053053 | 1 |
| 35 | BAC27DCC3467 | | .MARKER | 048048 050050 053053 | 1 |
| - 40 | MODREF280407 | | MARKER INSTL-P18-3 PNL ROW E MODULE NUMBER: 233A5523-403523 REV A | 048048 050050 053053 | 1 |
| 45 | BAC27DCC3523 | | .MARKER | 048048 050050 053053 | 1 |
| - 50 | MODREF250773 | | MARKER INSTL-P18-3 PNL ROW F MODULE NUMBER: 233A5523-403153 REV B | 048048 050050 053053 | 1 |
| 55 | BAC27DCC3153 | | .DECAL | 048048 050050 053053 | 1 |

MISSING ITEM NUMBERS NOT APPLICABLE

- ITEM NOT ILLUSTRATED

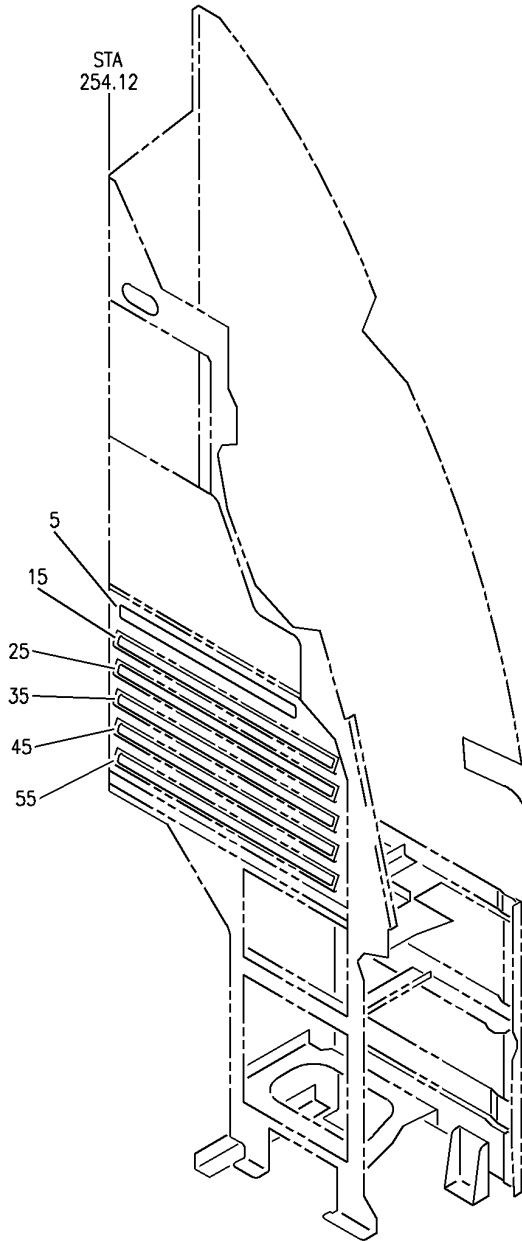
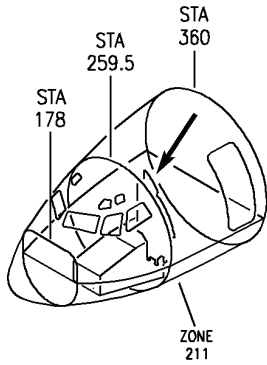
HAP

11-31-60-39A

BOEING PROPRIETARY - Copyright © - Unpublished Work - See title page for details.

11-31-60
FIG. 39A
PAGE 1
FEB 15/09

BOEING
737-600/700/800/900
PARTS CATALOG (MAINTENANCE)



For Details See Subsequent Pages

E 11316088 SHT 1 REV 114

MARKER INSTL-P18-3 PNL
FIGURE 88 (SHEET 1)

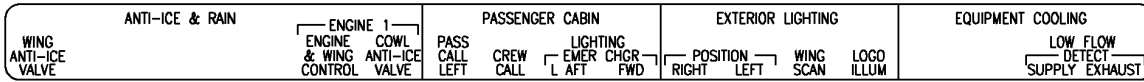
11-31-60-88

HAP
OCT 10/06

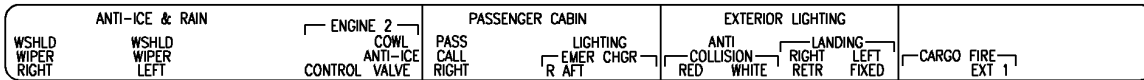
11-31-60-88
PAGE 0

BOEING
737-600/700/800/900
PARTS CATALOG (MAINTENANCE)

5



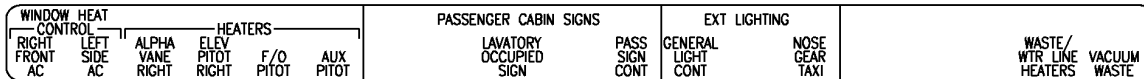
15



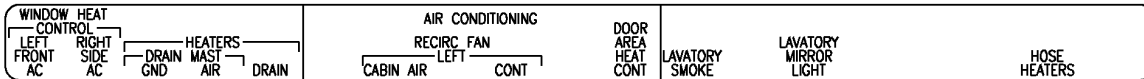
25



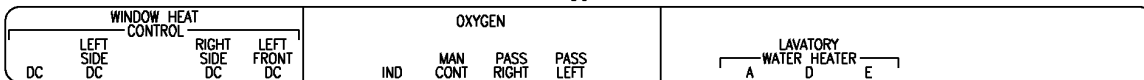
35



45



55



E 11316088 SHT 2 REV 114

MARKER INSTL-P18-3 PNL
FIGURE 88 (SHEET 2)

11-31-60-88

HAP
OCT 10/06

11-31-60-88
PAGE 0A

BOEING
737-600/700/800/900
PARTS CATALOG (MAINTENANCE)

| FIG ITEM | PART NUMBER | 1 2 3 4 5 6 7 | NOMENCLATURE | EFFECT FROM TO | UNITS PER ASSY |
|----------|--------------|---------------|--|------------------|----------------|
| 88 | | | | | |
| - 1 | MODREF250801 | | MARKER INSTL-P18-3 PNL MARKER INSTL-P18-3 PNL ROW A MODULE NUMBER: 233A5523-403428 REV B | 031035 031035 | 1 |
| 5 | BAC27DCC3428 | | .DECAL | 031035 | 1 |
| - 10 | MODREF250756 | | MARKER INSTL-P18-3 PNL ROW B MODULE NUMBER: 233A5523-403009 REV B | 031035 | 1 |
| 15 | BAC27DCC3009 | | .MARKER | 031035 | 1 |
| - 20 | MODREF250757 | | MARKER INSTL-P18-3 PNL ROW C MODULE NUMBER: 233A5523-403010 REV B | 031035 | 1 |
| 25 | BAC27DCC3010 | | .MARKER | 031035 | 1 |
| - 30 | MODREF250754 | | MARKER INSTL-P18-3 PNL ROW D MODULE NUMBER: 233A5523-403001 REV B | 031035 | 1 |
| 35 | BAC27DCC3001 | | .MARKER | 031035 | 1 |
| - 40 | MODREF250762 | | MARKER INSTL-P18-3 PNL ROW E MODULE NUMBER: 233A5523-403023 REV B | 031035 | 1 |
| 45 | BAC27DCC3023 | | .MARKER | 031035 | 1 |
| - 50 | MODREF250773 | | MARKER INSTL-P18-3 PNL ROW F MODULE NUMBER: 233A5523-403153 REV B | 031035 | 1 |
| 55 | BAC27DCC3153 | | .DECAL | 031035 | 1 |

MISSING ITEM NUMBERS NOT APPLICABLE

- ITEM NOT ILLUSTRATED

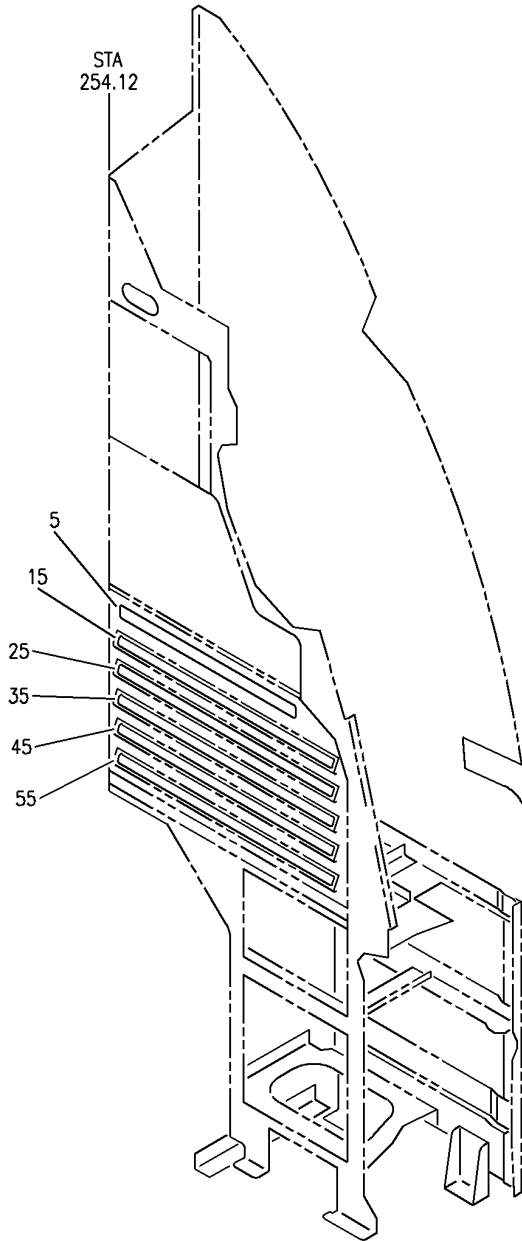
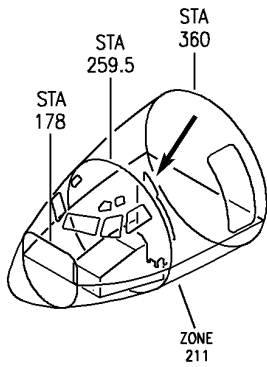
HAP

11-31-60-88

BOEING PROPRIETARY - Copyright © - Unpublished Work - See title page for details.

11-31-60
FIG. 88
PAGE 1
OCT 10/06

BOEING
737-600/700/800/900
PARTS CATALOG (MAINTENANCE)



For Details See Subsequent Pages

E 11316088A SHT 1 REV 114

MARKER AND INOP INSTL-P18-3 PNL (PLACARDS AND MARKINGS ONLY)
FIGURE 88A (SHEET 1)

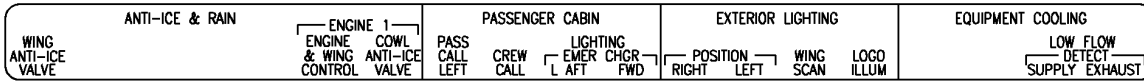
HAP
OCT 10/06

11-31-60-88A

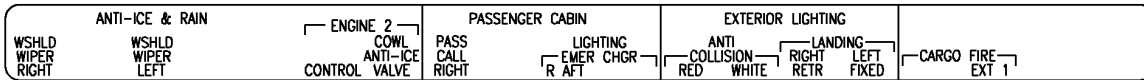
11-31-60-88A
PAGE 0

BOEING
737-600/700/800/900
PARTS CATALOG (MAINTENANCE)

5



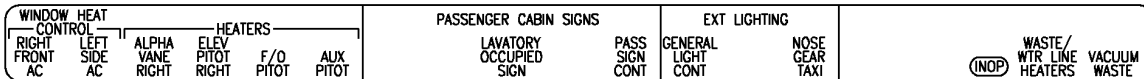
15



25

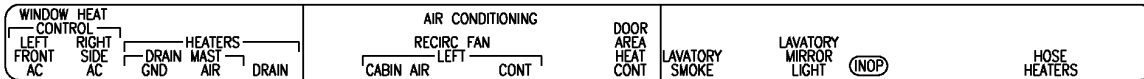


35



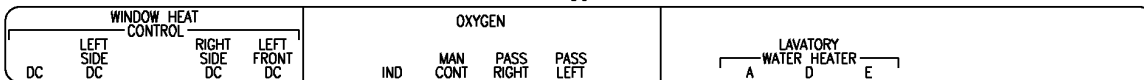
(INOP)
105

45



(INOP)
115

55



E 11316088A SHT 2 REV 114

MARKER AND INOP INSTL-P18-3 PNL (PLACARDS AND MARKINGS ONLY)
FIGURE 88A (SHEET 2)

11-31-60-88A

HAP
OCT 10/06

11-31-60-88A
PAGE 0A

BOEING
737-600/700/800/900
PARTS CATALOG (MAINTENANCE)

| FIG ITEM | PART NUMBER | 1 2 3 4 5 6 7 | NOMENCLATURE | EFFECT FROM TO | UNITS PER ASSY |
|----------|--------------|---------------|--|------------------|----------------|
| 88A | | | MARKER AND INOP INSTL- P18-3 PNL (PLACARDS AND MARKINGS ONLY) | 036040 042046 | |
| - 1 | MODREF250801 | | MARKER INSTL-P18-3 PNL ROW A MODULE NUMBER: 233A5523-403428 REV B | 036040 042046 | 1 |
| 5 | BAC27DCC3428 | | .DECAL | 036040 042046 | 1 |
| - 10 | MODREF250756 | | MARKER INSTL-P18-3 PNL ROW B MODULE NUMBER: 233A5523-403009 REV B | 036040 042046 | 1 |
| 15 | BAC27DCC3009 | | .MARKER | 036040 042046 | 1 |
| - 20 | MODREF250757 | | MARKER INSTL-P18-3 PNL ROW C MODULE NUMBER: 233A5523-403010 REV B | 036040 042046 | 1 |
| 25 | BAC27DCC3010 | | .MARKER | 036040 042046 | 1 |
| - 30 | MODREF267104 | | MARKER INSTL-P18-3 PNL ROW D MODULE NUMBER: 233A5523-403467 REV A | 036040 042046 | 1 |
| 35 | BAC27DCC3467 | | .MARKER | 036040 042046 | 1 |
| - 40 | MODREF280407 | | MARKER INSTL-P18-3 PNL ROW E MODULE NUMBER: 233A5523-403523 REV A | 036040 042046 | 1 |
| 45 | BAC27DCC3523 | | .MARKER | 036040 042046 | 1 |
| - 50 | MODREF250773 | | MARKER INSTL-P18-3 PNL ROW F MODULE NUMBER: 233A5523-403153 REV B | 036040 042046 | 1 |
| 55 | BAC27DCC3153 | | .DECAL | 036040 042046 | 1 |
| - 100 | MODREF267107 | | INOP INSTL-P18-3/D17 (PLACARDS AND MARKINGS ONLY) MODULE NUMBER: 233A5523-583417 REV A FOR OTHER SYS DETAILS SEE: 24-50-60-88A | 036040 042046 | 1 |
| 105 | BAC27DCC3073 | | .MARKER- PLACARD CONTENT: INOP | 036040 042046 | 1 |

MISSING ITEM NUMBERS NOT APPLICABLE

- ITEM NOT ILLUSTRATED

HAP

11-31-60-88A

BOEING PROPRIETARY - Copyright © - Unpublished Work - See title page for details.

11-31-60
FIG. 88A
PAGE 1
FEB 15/08


BOEING
 737-600/700/800/900
PARTS CATALOG (MAINTENANCE)

| FIG ITEM | PART NUMBER | 1 2 3 4 5 6 7 | NOMENCLATURE | EFFECT FROM TO | UNITS PER ASSY |
|--------------|--------------|---------------|--|-------------------|----------------------|
| 88A - 110 | MODREF280419 | | INOP INSTL-P18-3/E15 (PLACARDS AND MARKINGS ONLY) MODULE NUMBER: 233A5523-583515 REV A FOR OTHER SYS DETAILS SEE: 24-50-60-88A | 036040 042046 | 1 |
| 115 | BAC27DCC3073 | | .MARKER- PLACARD CONTENT: INOP | 036040 042046 | 1 |

MISSING ITEM NUMBERS NOT APPLICABLE

- ITEM NOT ILLUSTRATED

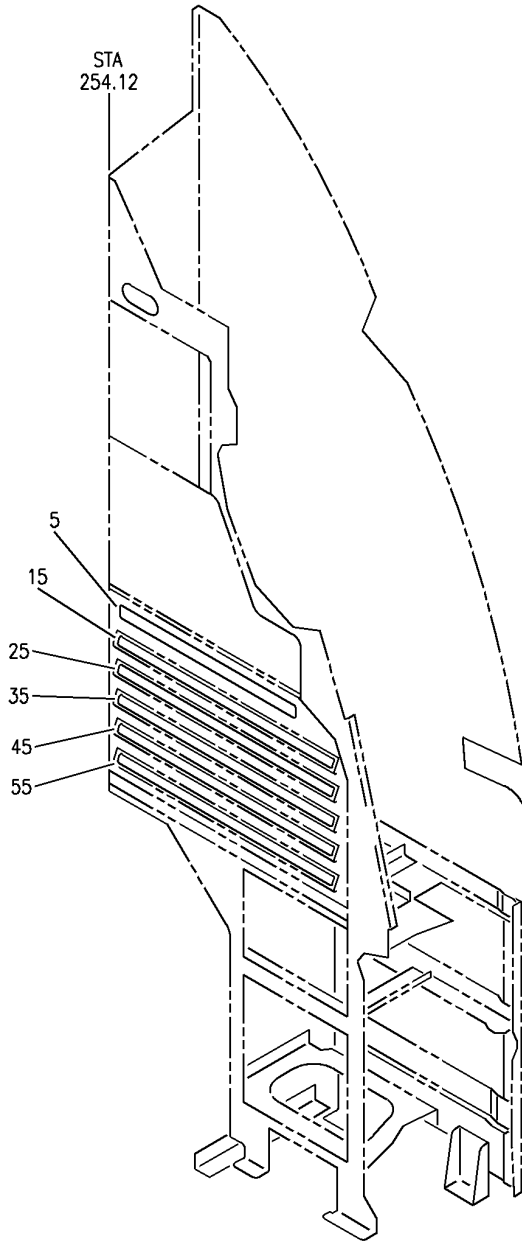
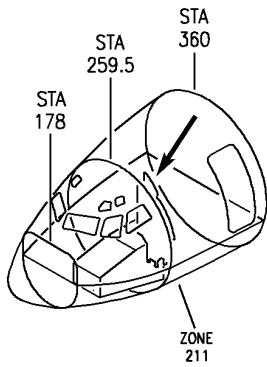
HAP

11-31-60-88A

BOEING PROPRIETARY - Copyright © - Unpublished Work - See title page for details.

11-31-60
 FIG. 88A
 PAGE 2
 FEB 15/08

BOEING
737-600/700/800/900
PARTS CATALOG (MAINTENANCE)



For Details See Subsequent Pages

E 11316088C SHT 1 REV 134

MARKER AND INOP INSTL-P18-3 PNL (PLACARDS AND MARKINGS ONLY)
FIGURE 88C (SHEET 1)

HAP
OCT 10/07

11-31-60-88C

11-31-60-88C
PAGE 0

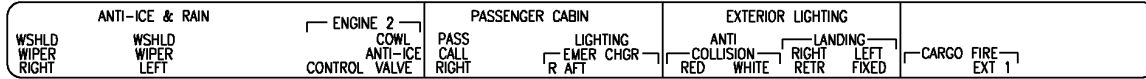
BOEING PROPRIETARY - Copyright © - Unpublished Work - See title page for details.

BOEING
737-600/700/800/900
PARTS CATALOG (MAINTENANCE)

5



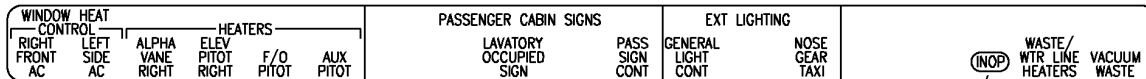
15



25

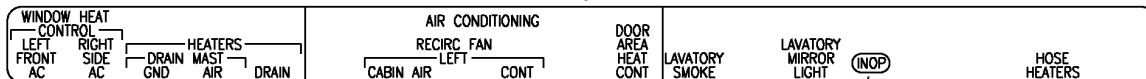


35



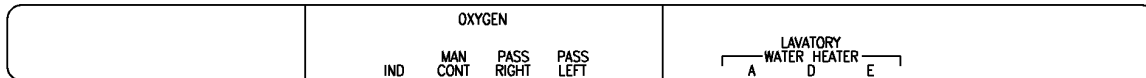
105

45



115

55



E 11316088C SHT 2 REV 134

MARKER AND INOP INSTL-P18-3 PNL (PLACARDS AND MARKINGS ONLY)
FIGURE 88C (SHEET 2)

11-31-60-88C

HAP
OCT 10/07

11-31-60-88C
PAGE 0A

BOEING
737-600/700/800/900
PARTS CATALOG (MAINTENANCE)

| FIG ITEM | PART NUMBER | 1 2 3 4 5 6 7 | NOMENCLATURE | EFFECT FROM TO | UNITS PER ASSY |
|----------|--------------|---------------|--|----------------|----------------|
| 88C | | | MARKER AND INOP INSTL- P18-3 PNL (PLACARDS AND MARKINGS ONLY) | 041041 | |
| - 1 | MODREF250801 | | MARKER INSTL-P18-3 PNL ROW A MODULE NUMBER: 233A5523-403428 REV B | 041041 | 1 |
| 5 | BAC27DCC3428 | | .DECAL | 041041 | 1 |
| - 10 | MODREF250756 | | MARKER INSTL-P18-3 PNL ROW B MODULE NUMBER: 233A5523-403009 REV B | 041041 | 1 |
| 15 | BAC27DCC3009 | | .MARKER | 041041 | 1 |
| - 20 | MODREF250757 | | MARKER INSTL-P18-3 PNL ROW C MODULE NUMBER: 233A5523-403010 REV B | 041041 | 1 |
| 25 | BAC27DCC3010 | | .MARKER | 041041 | 1 |
| - 30 | MODREF267104 | | MARKER INSTL-P18-3 PNL ROW D MODULE NUMBER: 233A5523-403467 REV A | 041041 | 1 |
| 35 | BAC27DCC3467 | | .MARKER | 041041 | 1 |
| - 40 | MODREF280407 | | MARKER INSTL-P18-3 PNL ROW E MODULE NUMBER: 233A5523-403523 REV A | 041041 | 1 |
| 45 | BAC27DCC3523 | | .MARKER | 041041 | 1 |
| - 50 | MODREF250760 | | MARKER INSTL-P18-3 PNL ROW F MODULE NUMBER: 233A5523-403020 REV B | 041041 | 1 |
| 55 | BAC27DCC3020 | | .DECAL | 041041 | 1 |
| - 100 | MODREF267107 | | INOP INSTL-P18-3/D17 (PLACARDS AND MARKINGS ONLY) MODULE NUMBER: 233A5523-583417 REV A FOR OTHER SYS DETAILS SEE: 24-50-60-88A | 041041 | 1 |
| 105 | BAC27DCC3073 | | .MARKER- PLACARD CONTENT: INOP | 041041 | 1 |

MISSING ITEM NUMBERS NOT APPLICABLE

- ITEM NOT ILLUSTRATED

HAP

11-31-60-88C

BOEING PROPRIETARY - Copyright © - Unpublished Work - See title page for details.

11-31-60
FIG. 88C
PAGE 1
OCT 10/07

BOEING
737-600/700/800/900
PARTS CATALOG (MAINTENANCE)

| FIG ITEM | PART NUMBER | 1 2 3 4 5 6 7 | NOMENCLATURE | EFFECT FROM TO | UNITS PER ASSY |
|--------------|--------------|---------------|--|-------------------|----------------------|
| 88C - 110 | MODREF280419 | | INOP INSTL-P18-3/E15 (PLACARDS AND MARKINGS ONLY) MODULE NUMBER: 233A5523-583515 REV A FOR OTHER SYS DETAILS SEE: 24-50-60-88A | 041041 | 1 |
| 115 | BAC27DCC3073 | | .MARKER- PLACARD CONTENT: INOP | 041041 | 1 |

MISSING ITEM NUMBERS NOT APPLICABLE

- ITEM NOT ILLUSTRATED

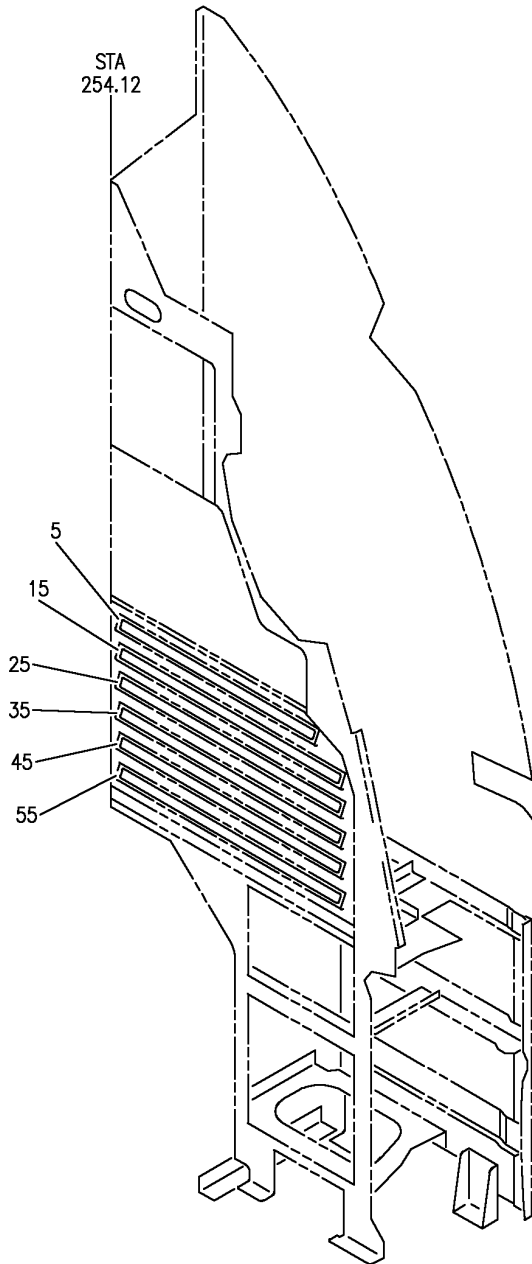
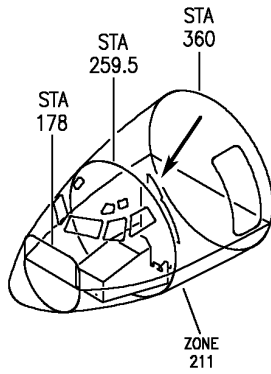
HAP

11-31-60-88C

BOEING PROPRIETARY - Copyright © - Unpublished Work - See title page for details.

11-31-60
FIG. 88C
PAGE 2
OCT 10/07

BOEING
737-600/700/800/900
PARTS CATALOG (MAINTENANCE)



For Details See Subsequent Pages

E 11316088D SHT 1 REV 140

MARKER INSTL-P18-3 PNL
FIGURE 88D (SHEET 1)

HAP
JUN 15/08

11-31-60-88D

11-31-60-88D
PAGE 0

BOEING
737-600/700/800/900
PARTS CATALOG (MAINTENANCE)

5

| | | | | |
|--|---|--|---|---|
| ANTI-ICE & RAIN WING ANTI-ICE VALVE | ENGINE 1 ENGINE COWL & WING ANTI-ICE CONTROL VALVE | PASSENGER CABIN PASS CALL LEFT CREW CALL L AFT LIGHTING EMER CHGR FWD | EXTERIOR LIGHTING POSITION RIGHT LEFT WING SCAN LOGO ILLUM | EQUIPMENT COOLING LOW FLOW DETECT SUPPLY EXHAUST |
|--|---|--|---|---|

15

| | | | | |
|---|---|---|---|---------------------|
| ANTI-ICE & RAIN WSHLD WIPER RIGHT WSHLD WIPER LEFT | ENGINE 2 ENGINE COWL & WING ANTI-ICE CONTROL VALVE | PASSENGER CABIN PASS CALL RIGHT LIGHTING EMER CHGR R AFT | EXTERIOR LIGHTING ANTI COLLISION RED WHITE LANDING RIGHT RETR LEFT FIXED | CARGO FIRE EXT 1 |
|---|---|---|---|---------------------|

25

| | | | |
|---|--|--|---|
| HEATERS CAPT PITOT TEMP PROBE ALPHA VANE LEFT ELEV PITOT LEFT 28VAC XFR BUS 1 SECT 2 | PASSENGER CABIN SIGNS FASTEN SEAT BELT RIGHT LEFT NO SMOKING RIGHT LEFT | EXTERIOR LIGHTING RUNWAY TURNOFF RIGHT LEFT LANDING RIGHT FIXED LEFT RETR | CARGO FIRE FORWARD DET B DET A AFT DET B DET A |
|---|--|--|---|

35

| | | | |
|--|--|---|--|
| WINDOW HEAT CONTROL RIGHT FRONT AC LEFT SIDE AC ALPHA VANE RIGHT ELEV PITOT RIGHT F/O PITOT AUX PITOT | PASSENGER CABIN SIGNS LAVATORY OCCUPIED SIGN PASS SIGN CONT | EXT LIGHTING GENERAL LIGHT CONT NOSE GEAR TAXI | NITROGEN GEN CONT WASTE/ WTR LINE HEATERS VACUUM WASTE |
|--|--|---|--|

45

| | | |
|--|--|---|
| WINDOW HEAT CONTROL LEFT FRONT AC LEFT SIDE AC HEATERS DRAIN GND MAST AIR DRAIN | AIR CONDITIONING RECIRC FAN LEFT CABIN AIR CONT | DOOR AREA HEAT CONT LAVATORY SMOKE LAVATORY MIRROR LIGHT NGS ALT PWR HOSE HEATERS |
|--|--|---|

55

| | | |
|--|---|--------------------------------|
| WINDOW HEAT CONTROL RIGHT FRONT DC LEFT SIDE DC RIGHT SIDE DC LEFT FRONT DC | OXYGEN IND MAN CONT PASS RIGHT PASS LEFT | LAVATORY WATER HEATER A D E |
|--|---|--------------------------------|

E 11316088D SHT 2 REV 140

MARKER INSTL-P18-3 PNL
FIGURE 88D (SHEET 2)

11-31-60-88D

HAP
JUN 15/08

11-31-60-88D
PAGE 0A

BOEING
737-600/700/800/900
PARTS CATALOG (MAINTENANCE)

| FIG ITEM | PART NUMBER | 1 2 3 4 5 6 7 | NOMENCLATURE | EFFECT FROM TO | UNITS PER ASSY |
|----------|--------------|---------------|--|----------------------------|----------------|
| 88D | | | MARKER INSTL-P18-3 PNL | 047047 049049 051052 | |
| - 1 | MODREF250801 | | MARKER INSTL-P18-3 PNL ROW A MODULE NUMBER: 233A5523-403428 REV B | 047047 049049 051052 | 1 |
| 5 | BAC27DCC3428 | | .DECAL | 047047 049049 051052 | 1 |
| - 10 | MODREF250756 | | MARKER INSTL-P18-3 PNL ROW B MODULE NUMBER: 233A5523-403009 REV B | 047047 049049 051052 | 1 |
| 15 | BAC27DCC3009 | | .MARKER | 047047 049049 051052 | 1 |
| - 20 | MODREF250757 | | MARKER INSTL-P18-3 PNL ROW C MODULE NUMBER: 233A5523-403010 REV B | 047047 049049 051052 | 1 |
| 25 | BAC27DCC3010 | | .MARKER | 047047 049049 051052 | 1 |
| - 30 | MODREF267104 | | MARKER INSTL-P18-3 PNL ROW D MODULE NUMBER: 233A5523-403467 REV A | 047047 049049 051052 | 1 |
| 35 | BAC27DCC3467 | | .MARKER | 047047 049049 051052 | 1 |
| - 40 | MODREF280407 | | MARKER INSTL-P18-3 PNL ROW E MODULE NUMBER: 233A5523-403523 REV A | 047047 049049 051052 | 1 |
| 45 | BAC27DCC3523 | | .MARKER | 047047 049049 051052 | 1 |
| - 50 | MODREF250773 | | MARKER INSTL-P18-3 PNL ROW F MODULE NUMBER: 233A5523-403153 REV B | 047047 049049 051052 | 1 |
| 55 | BAC27DCC3153 | | .DECAL | 047047 049049 051052 | 1 |

MISSING ITEM NUMBERS NOT APPLICABLE

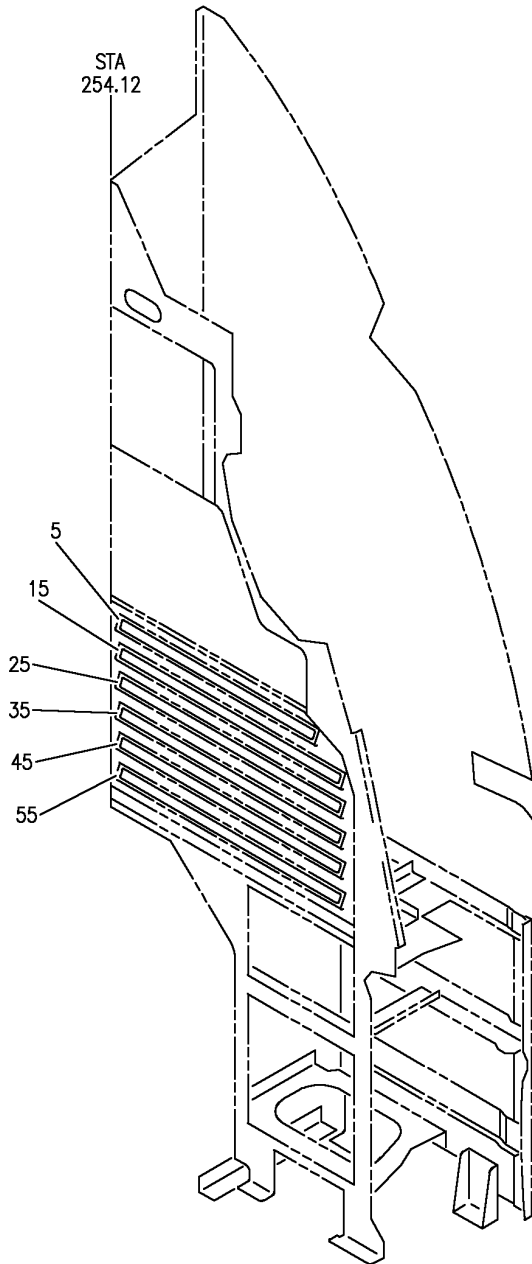
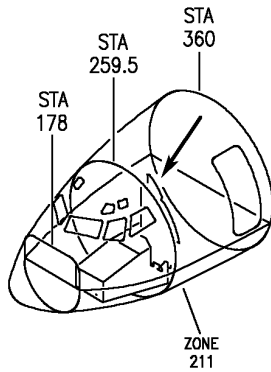
- ITEM NOT ILLUSTRATED

HAP

11-31-60-88D

11-31-60
FIG. 88D
PAGE 1
FEB 15/09

BOEING
737-600/700/800/900
PARTS CATALOG (MAINTENANCE)



For Details See Subsequent Pages

E 11316095B SHT 1 REV 140

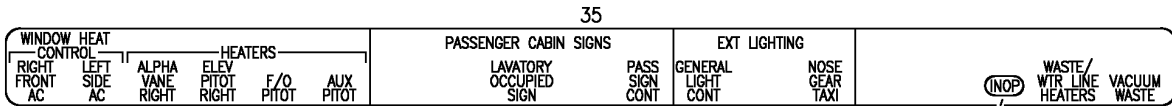
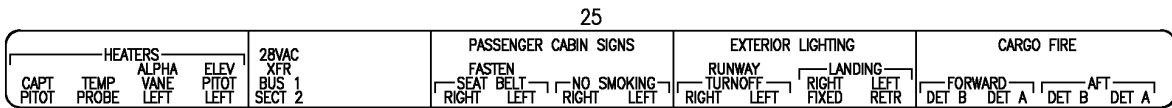
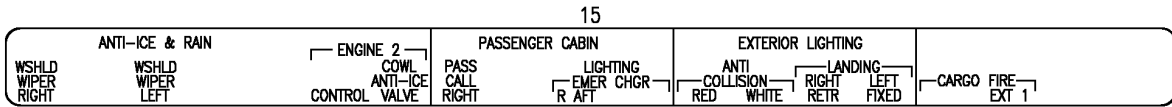
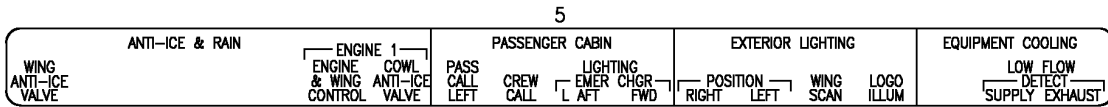
MARKER AND INOP INSTL-P18-3 PNL (PLACARDS AND MARKINGS ONLY)
FIGURE 95B (SHEET 1)

HAP
JUN 15/08

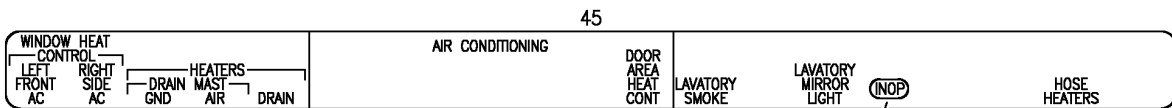
11-31-60-95B

11-31-60-95B
PAGE 0

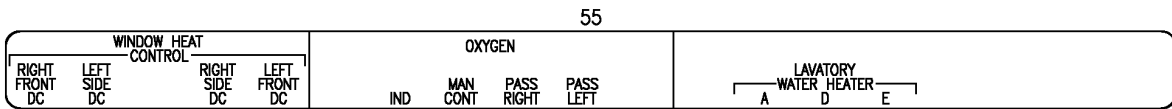
BOEING
737-600/700/800/900
PARTS CATALOG (MAINTENANCE)



105



115



E 11316095B SHT 2 REV 140

MARKER AND INOP INSTL-P18-3 PNL (PLACARDS AND MARKINGS ONLY)
FIGURE 95B (SHEET 2)

11-31-60-95B

HAP
JUN 15/08

11-31-60-95B
PAGE 0A

BOEING
737-600/700/800/900
PARTS CATALOG (MAINTENANCE)

| FIG ITEM | PART NUMBER | 1 2 3 4 5 6 7 | NOMENCLATURE | EFFECT FROM TO | UNITS PER ASSY |
|----------|--------------|---------------|--|------------------|----------------|
| 95B | | | MARKER AND INOP INSTL- P18-3 PNL (PLACARDS AND MARKINGS ONLY) | 101105 968999 | |
| - 1 | MODREF250801 | | MARKER INSTL-P18-3 PNL ROW A MODULE NUMBER: 233A5523-403428 REV B | 101105 968999 | 1 |
| 5 | BAC27DCC3428 | | .DECAL | 101105 968999 | 1 |
| - 10 | MODREF250756 | | MARKER INSTL-P18-3 PNL ROW B MODULE NUMBER: 233A5523-403009 REV B | 101105 968999 | 1 |
| 15 | BAC27DCC3009 | | .MARKER | 101105 968999 | 1 |
| - 20 | MODREF250757 | | MARKER INSTL-P18-3 PNL ROW C MODULE NUMBER: 233A5523-403010 REV B | 101105 968999 | 1 |
| 25 | BAC27DCC3010 | | .MARKER | 101105 968999 | 1 |
| - 30 | MODREF267104 | | MARKER INSTL-P18-3 PNL ROW D MODULE NUMBER: 233A5523-403467 REV A | 101105 968999 | 1 |
| 35 | BAC27DCC3467 | | .MARKER | 101105 968999 | 1 |
| - 40 | MODREF280406 | | MARKER INSTL-P18-3 PNL ROW E MODULE NUMBER: 233A5523-403522 REV A | 101105 968999 | 1 |
| 45 | BAC27DCC3522 | | .DECAL | 101105 968999 | 1 |
| - 50 | MODREF250773 | | MARKER INSTL-P18-3 PNL ROW F MODULE NUMBER: 233A5523-403153 REV B | 101105 968999 | 1 |
| 55 | BAC27DCC3153 | | .DECAL | 101105 968999 | 1 |
| - 100 | MODREF267107 | | INOP INSTL-P18-3/D17 (PLACARDS AND MARKINGS ONLY) MODULE NUMBER: 233A5523-583417 REV A FOR OTHER SYS DETAILS SEE: 24-50-60-95B | 101105 968999 | 1 |
| 105 | BAC27DCC3073 | | .MARKER- PLACARD CONTENT: INOP | 101105 968999 | 1 |

MISSING ITEM NUMBERS NOT APPLICABLE

- ITEM NOT ILLUSTRATED

HAP

11-31-60-95B

BOEING PROPRIETARY - Copyright © - Unpublished Work - See title page for details.

11-31-60
FIG. 95B
PAGE 1
JUN 15/08


BOEING
 737-600/700/800/900
PARTS CATALOG (MAINTENANCE)

| FIG ITEM | PART NUMBER | 1 2 3 4 5 6 7 | NOMENCLATURE | EFFECT FROM TO | UNITS PER ASSY |
|--------------|--------------|---------------|--|-------------------|----------------------|
| 95B - 110 | MODREF280419 | | INOP INSTL-P18-3/E15 (PLACARDS AND MARKINGS ONLY) MODULE NUMBER: 233A5523-583515 REV A FOR OTHER SYS DETAILS SEE: 24-50-60-95B | 101105 968999 | 1 |
| 115 | BAC27DCC3073 | | .MARKER- PLACARD CONTENT: INOP | 101105 968999 | 1 |

MISSING ITEM NUMBERS NOT APPLICABLE

- ITEM NOT ILLUSTRATED

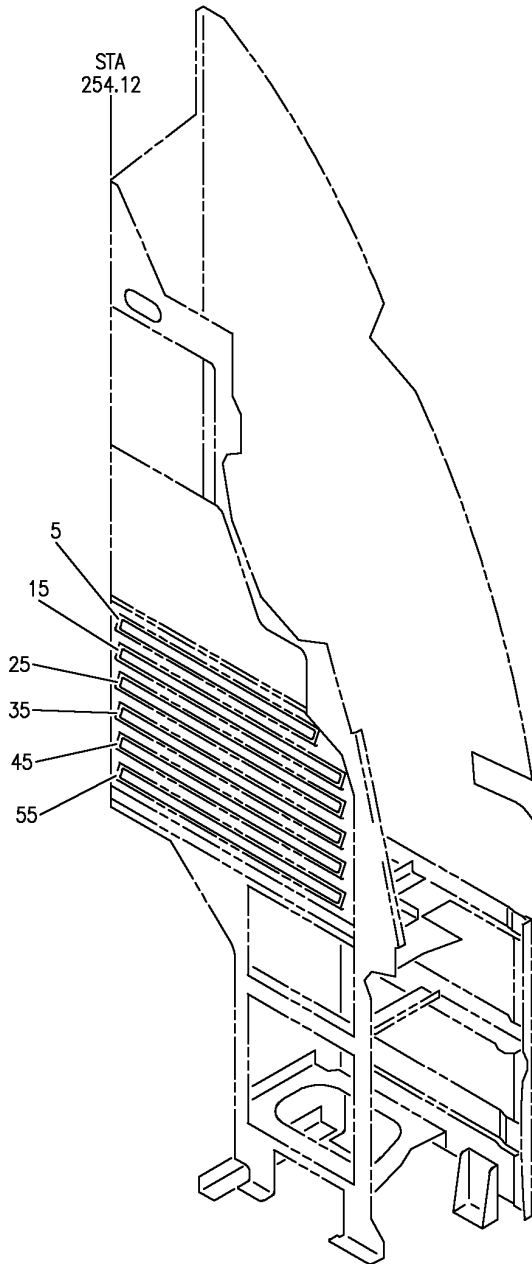
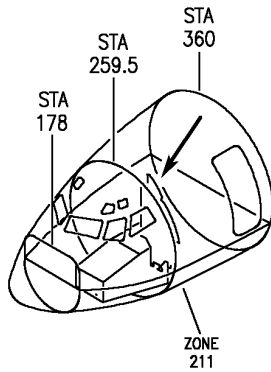
HAP

11-31-60-95B

BOEING PROPRIETARY - Copyright © - Unpublished Work - See title page for details.

11-31-60
 FIG. 95B
 PAGE 2
 JUN 15/08

BOEING
737-600/700/800/900
PARTS CATALOG (MAINTENANCE)



For Details See Subsequent Pages

E 11316095C SHT 1 REV 140

MARKER INSTL-P18-3 PNL
FIGURE 95C (SHEET 1)

HAP
JUN 15/08

11-31-60-95C

11-31-60-95C
PAGE 0

BOEING
737-600/700/800/900
PARTS CATALOG (MAINTENANCE)

5

| | | | | |
|--|---|--|---|---|
| ANTI-ICE & RAIN WING ANTI-ICE VALVE | ENGINE 1 ENGINE COWL & WING ANTI-ICE CONTROL VALVE | PASSENGER CABIN PASS CALL LEFT CREW CALL L AFT LIGHTING EMER CHGR FWD | EXTERIOR LIGHTING POSITION RIGHT LEFT WING SCAN LOGO ILLUM | EQUIPMENT COOLING LOW FLOW DETECT SUPPLY EXHAUST |
|--|---|--|---|---|

15

| | | | | |
|---|---|---|---|---------------------|
| ANTI-ICE & RAIN WSHLD WIPER RIGHT WSHLD WIPER LEFT | ENGINE 2 ENGINE COWL & WING ANTI-ICE CONTROL VALVE | PASSENGER CABIN PASS CALL RIGHT LIGHTING EMER CHGR R AFT | EXTERIOR LIGHTING ANTI COLLISION RED WHITE LANDING RIGHT RETR LEFT FIXED | CARGO FIRE EXT 1 |
|---|---|---|---|---------------------|

25

| | | | | |
|--|------------------------|--|--|---|
| HEATERS CAPT PITOT TEMP PROBE ALPHA VANE LEFT ELEV PITOT LEFT | 28VAC XFR BUS 1 SECT 2 | PASSENGER CABIN SIGNS FASTEN SEAT BELT RIGHT LEFT NO SMOKING RIGHT LEFT | EXTERIOR LIGHTING RUNWAY TURNOFF RIGHT LEFT LANDING RIGHT FIXED LEFT RETR | CARGO FIRE FORWARD DET B DET A AFT DET B DET A |
|--|------------------------|--|--|---|

35

| | | | |
|--|--|---|--|
| WINDOW HEAT CONTROL RIGHT FRONT AC LEFT SIDE AC ALPHA VANE RIGHT ELEV PITOT RIGHT F/O PITOT AUX PITOT | PASSENGER CABIN SIGNS LAVATORY OCCUPIED SIGN PASS SIGN CONT | EXT LIGHTING GENERAL LIGHT CONT NOSE GEAR TAXI | NITROGEN GEN CONT WASTE/ WTR LINE HEATERS VACUUM WASTE |
|--|--|---|--|

45

| | | |
|--|--|--------------|
| WINDOW HEAT CONTROL LEFT FRONT AC LEFT SIDE AC RIGHT HEATERS DRAIN GND MAST AIR DRAIN | AIR CONDITIONING DOOR AREA HEAT CONT LAVATORY SMOKE LAVATORY MIRROR LIGHT NGS ALT PWR | HOSE HEATERS |
|--|--|--------------|

55

| | | |
|--|---|--------------------------------|
| WINDOW HEAT CONTROL RIGHT FRONT DC LEFT SIDE DC RIGHT SIDE DC LEFT FRONT DC | OXYGEN IND MAN CONT PASS RIGHT PASS LEFT | LAVATORY WATER HEATER A D E |
|--|---|--------------------------------|

E 11316095C SHT 2 REV 140

MARKER INSTL-P18-3 PNL
FIGURE 95C (SHEET 2)

11-31-60-95C

HAP
JUN 15/08

11-31-60-95C
PAGE 0A

BOEING
737-600/700/800/900
PARTS CATALOG (MAINTENANCE)

| FIG ITEM | PART NUMBER | 1 2 3 4 5 6 7 | NOMENCLATURE | EFFECT FROM TO | UNITS PER ASSY |
|-------------|--------------|---------------|--|-------------------|----------------------|
| 95C | | | | | |
| - 1 | MODREF250801 | | MARKER INSTL-P18-3 PNL MARKER INSTL-P18-3 PNL ROW A MODULE NUMBER: 233A5523-403428 REV B | 106200 106200 | 1 |
| 5 | BAC27DCC3428 | | .DECAL | 106200 | 1 |
| - 10 | MODREF250756 | | MARKER INSTL-P18-3 PNL ROW B MODULE NUMBER: 233A5523-403009 REV B | 106200 | 1 |
| 15 | BAC27DCC3009 | | .MARKER | 106200 | 1 |
| - 20 | MODREF250757 | | MARKER INSTL-P18-3 PNL ROW C MODULE NUMBER: 233A5523-403010 REV B | 106200 | 1 |
| 25 | BAC27DCC3010 | | .MARKER | 106200 | 1 |
| - 30 | MODREF267104 | | MARKER INSTL-P18-3 PNL ROW D MODULE NUMBER: 233A5523-403467 REV A | 106200 | 1 |
| 35 | BAC27DCC3467 | | .MARKER | 106200 | 1 |
| - 40 | MODREF280406 | | MARKER INSTL-P18-3 PNL ROW E MODULE NUMBER: 233A5523-403522 REV A | 106200 | 1 |
| 45 | BAC27DCC3522 | | .DECAL | 106200 | 1 |
| - 50 | MODREF250773 | | MARKER INSTL-P18-3 PNL ROW F MODULE NUMBER: 233A5523-403153 REV B | 106200 | 1 |
| 55 | BAC27DCC3153 | | .DECAL | 106200 | 1 |

MISSING ITEM NUMBERS NOT APPLICABLE

- ITEM NOT ILLUSTRATED

HAP

11-31-60-95C

BOEING PROPRIETARY - Copyright © - Unpublished Work - See title page for details.

11-31-60
FIG. 95C
PAGE 1
OCT 15/08