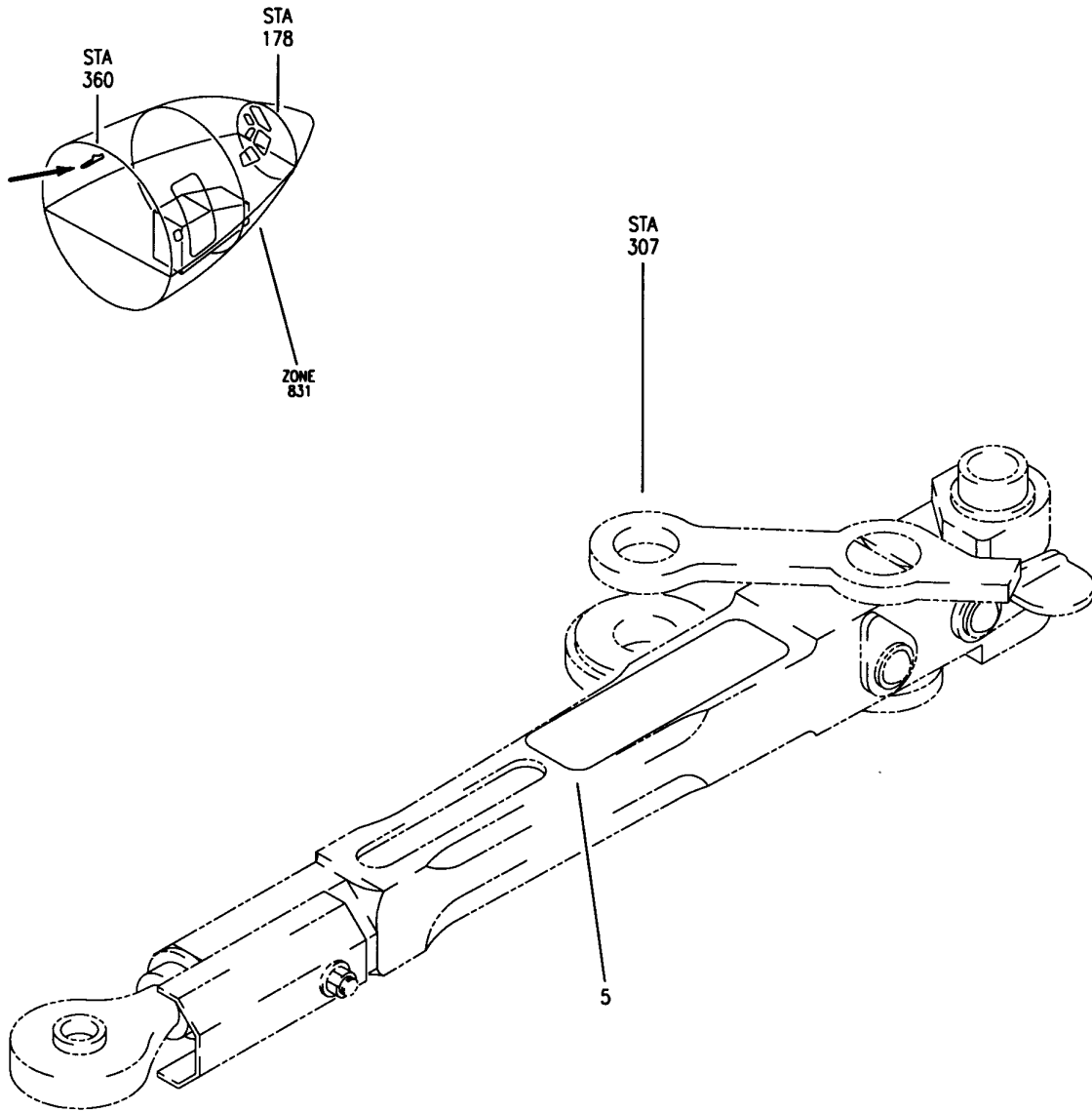


PASSENGER ENTRY DOORS

HAP
OCT 10/06

11-32-00
SECTION TITLE
PAGE 1

BOEING
737-600/700/800/900
PARTS CATALOG (MAINTENANCE)



E 11320101 REV 014

ARM ASSY-GUIDE (PLACARDS AND MARKINGS ONLY)
FIGURE 1

11-32-01-01

HAP
OCT 10/06

11-32-01-01
PAGE 0

BOEING
737-600/700/800/900
PARTS CATALOG (MAINTENANCE)

FIG ITEM	PART NUMBER	1 2 3 4 5 6 7	NOMENCLATURE	EFFECT FROM TO	UNITS PER ASSY
1			ARM ASSY-GUIDE (PLACARDS AND MARKINGS ONLY)	031999	
- 1	141A6075-2		ARM ASSY-GUIDE (PLACARDS AND MARKINGS ONLY)	031999	RF
5	BAC27DBY0168		COMPONENT MAINT MANUAL REF: 52-17-05 FOR NHA/OTHER SYS DET SEE: 52-11-21-01 .MARKER-ALUMINUM FOIL PLACARD CONTENT: PRESS LEVER DOWN TO RELEASE HOLD OPEN LATCH	031999	1

MISSING ITEM NUMBERS NOT APPLICABLE

- ITEM NOT ILLUSTRATED

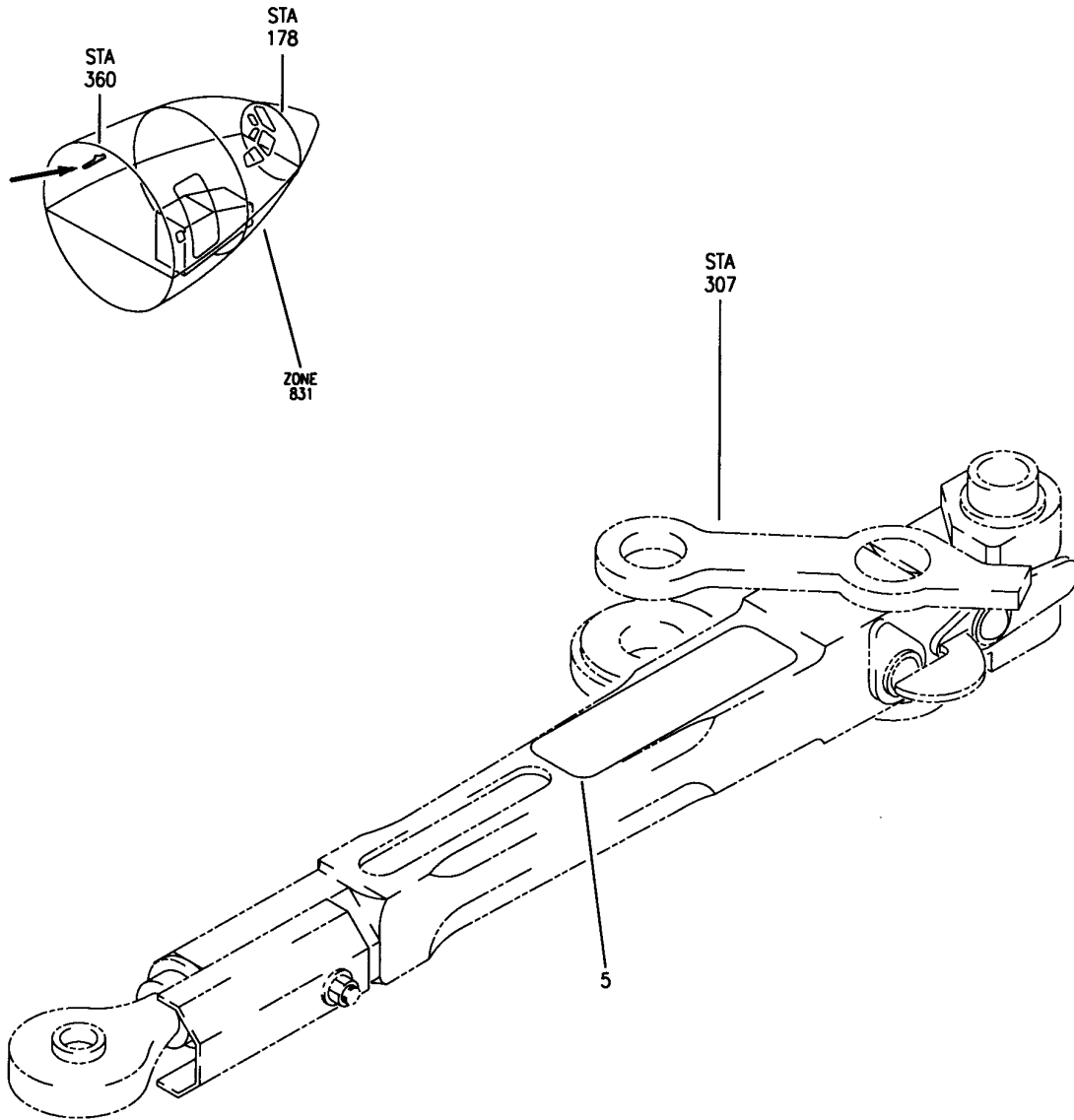
HAP

11-32-01-01

BOEING PROPRIETARY - Copyright © - Unpublished Work - See title page for details.

11-32-01
FIG. 01
PAGE 1
OCT 10/06

BOEING
737-600/700/800/900
PARTS CATALOG (MAINTENANCE)



E 11320102 REV 014

ARM ASSY-GUIDE (PLACARDS AND MARKINGS ONLY)
FIGURE 2

11-32-01-02

HAP
OCT 10/06

11-32-01-02
PAGE 0


BOEING
 737-600/700/800/900
PARTS CATALOG (MAINTENANCE)

FIG ITEM	PART NUMBER	1 2 3 4 5 6 7	NOMENCLATURE	EFFECT FROM TO	UNITS PER ASSY
2			ARM ASSY-GUIDE (PLACARDS AND MARKINGS ONLY)	001030	
- 1	141A6081-2		ARM ASSY-GUIDE (PLACARDS AND MARKINGS ONLY) FOR NHA/OTHER SYS DET SEE: 52-11-21-02	001030	RF
5	BAC27DBY0167		.MARKER-ALUMINUM FOIL PLACARD CONTENT: LIFT LEVER TO RELEASE HOLD OPEN LATCH	001030	1

MISSING ITEM NUMBERS NOT APPLICABLE

- ITEM NOT ILLUSTRATED

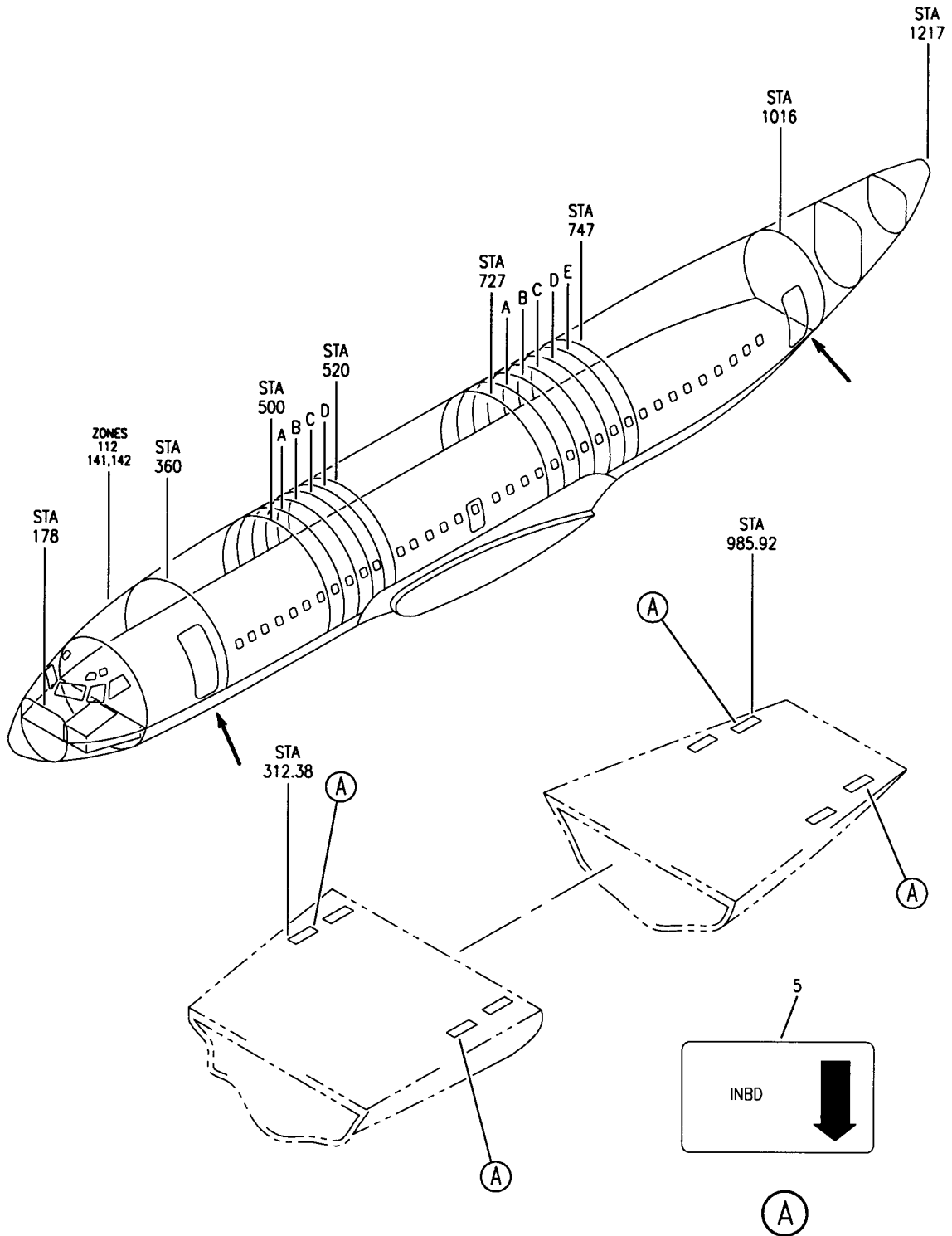
HAP

11-32-01-02

BOEING PROPRIETARY - Copyright © - Unpublished Work - See title page for details.

11-32-01
 FIG. 02
 PAGE 1
 OCT 10/06

BOEING
 737-600/700/800/900
 PARTS CATALOG (MAINTENANCE)



E 11320103 REV 014

PLATE ASSY-ADPTR (PLACARDS AND MARKINGS ONLY)
 FIGURE 3

11-32-01-03

HAP
 OCT 10/06

11-32-01-03
 PAGE 0

BOEING
737-600/700/800/900
PARTS CATALOG (MAINTENANCE)

FIG ITEM	PART NUMBER	1 2 3 4 5 6 7	NOMENCLATURE	EFFECT FROM TO	UNITS PER ASSY
3			PLATE ASSY-ADPTR (PLACARDS AND MARKINGS ONLY)		
- 1	65-65972-3		PLATE ASSY-ADPTR (PLACARDS AND MARKINGS ONLY) FOR NHA/OTHER SYS DET SEE: 25-66-02-01 25-66-02-02		RF
5	BAC27DPA4086		.DECAL		1
5	BAC27DPA4086		.DECAL	031200 968999	1

MISSING ITEM NUMBERS NOT APPLICABLE

- ITEM NOT ILLUSTRATED

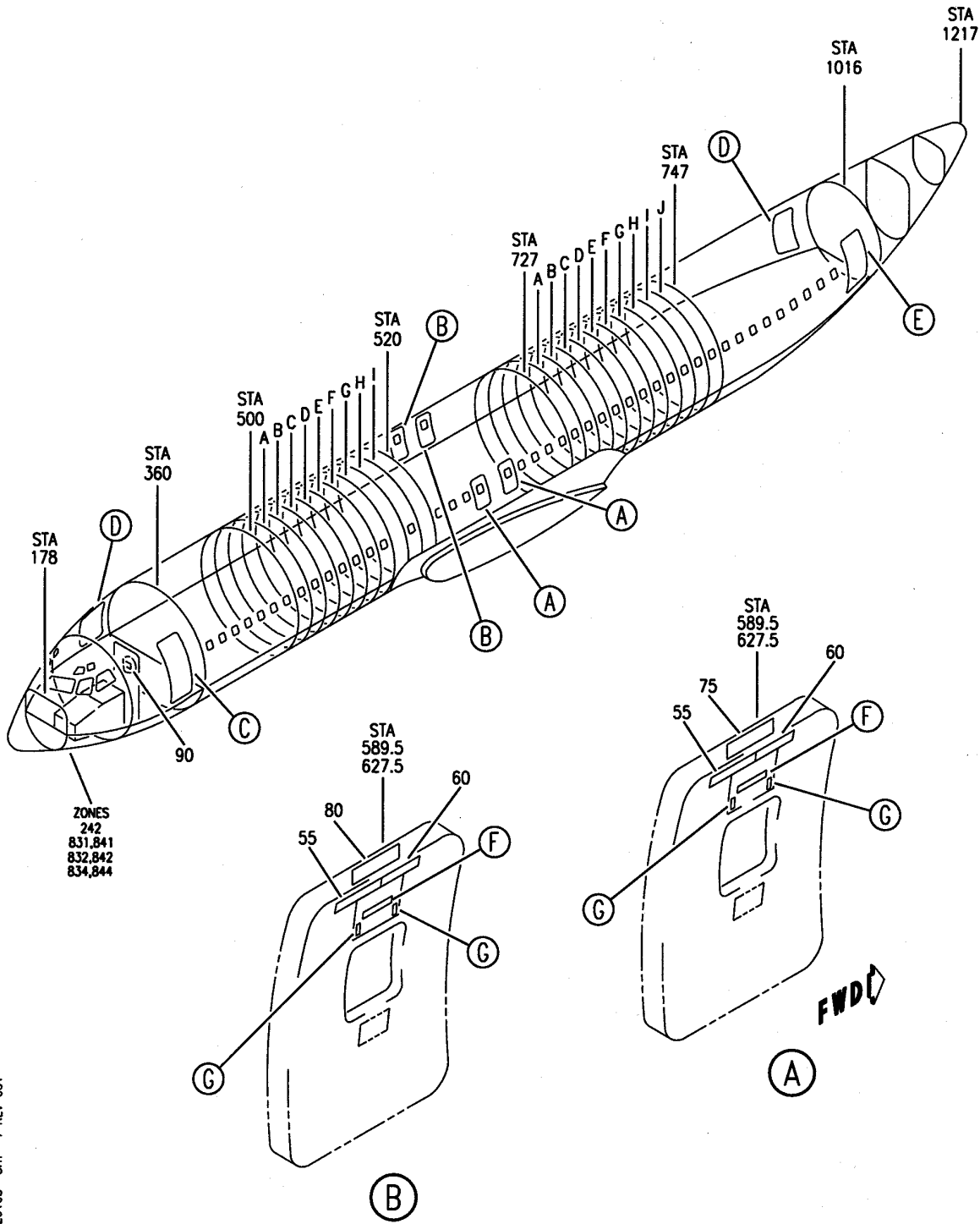
HAP

11-32-01-03

BOEING PROPRIETARY - Copyright © - Unpublished Work - See title page for details.

11-32-01
FIG. 03
PAGE 1
OCT 15/08

BOEING
 737-600/700/800/900
 PARTS CATALOG (MAINTENANCE)



E 11320108 SHT 1 REV 031

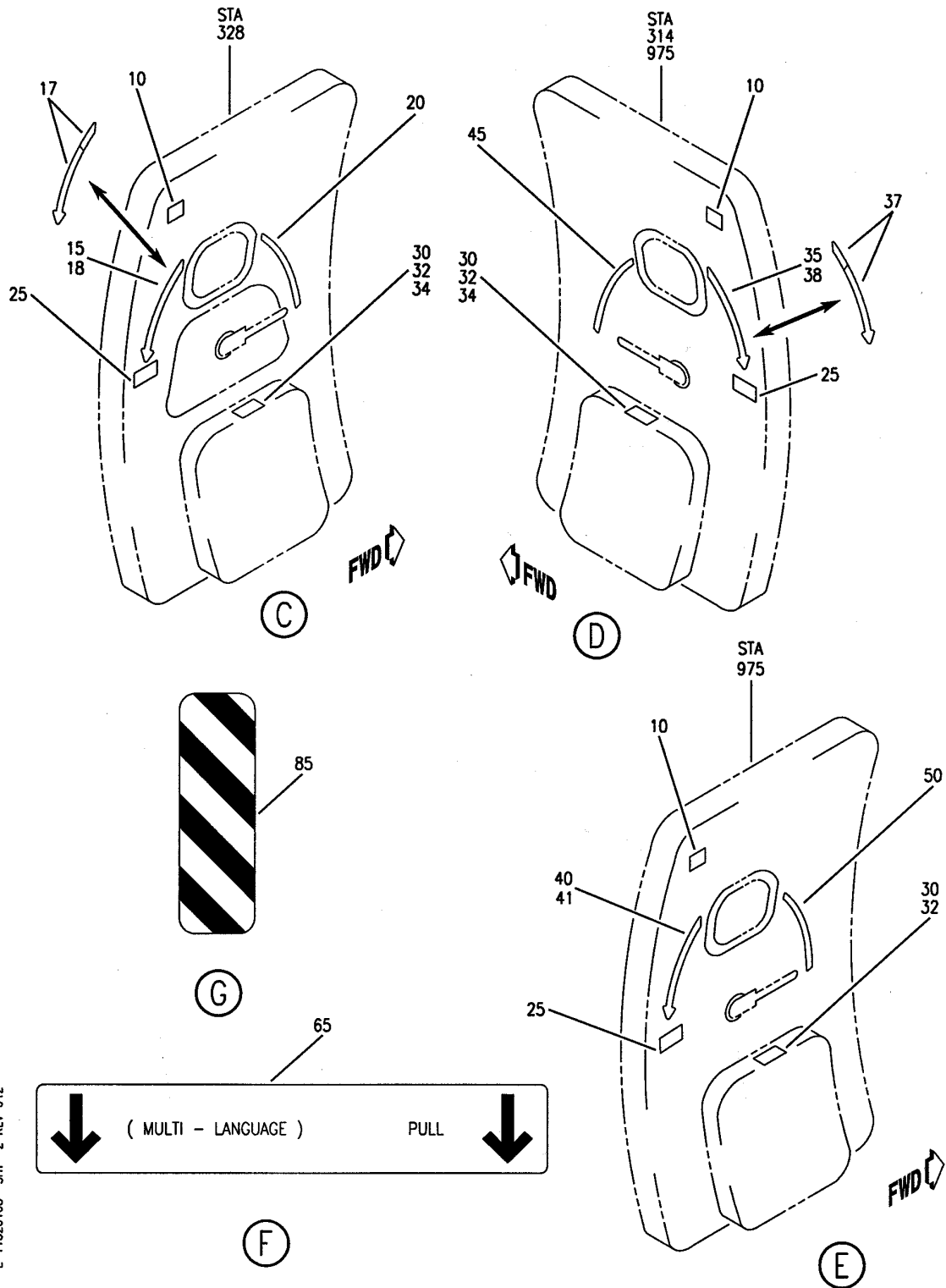
PLACARD INSTL-CAB. INTR (PASSENGER ENTRY DOORS INTERNAL MARKINGS ONLY)
 FIGURE 8 (SHEET 1)

11-32-01-08

HAP
 OCT 10/06

11-32-01-08
 PAGE 0

BOEING
737-600/700/800/900
PARTS CATALOG (MAINTENANCE)



E 11320108 SHT 2 REV 042

PLACARD INSTL-CAB. INTR (PASSENGER ENTRY DOORS INTERNAL MARKINGS ONLY)
FIGURE 8 (SHEET 2)

11-32-01-08

HAP
OCT 10/06

11-32-01-08
PAGE 0A

BOEING
737-600/700/800/900
PARTS CATALOG (MAINTENANCE)

FIG ITEM	PART NUMBER	1 2 3 4 5 6 7	NOMENCLATURE	EFFECT FROM TO	UNITS PER ASSY
8			PLACARD INSTL-CAB. INTR (PASSENGER ENTRY DOORS INTERNAL MARKINGS ONLY)	001030	
- 1	414A5103-1		PLACARD INSTL-CAB. INTR (PASSENGER ENTRY DOORS INTERNAL MARKINGS ONLY) FOR NHA/OTHER SYS DET SEE: 11-30-00-01C	001007	RF
- 1	414A5103-27		PLACARD INSTL-CAB. INTR (PASSENGER ENTRY DOORS INTERNAL MARKINGS ONLY) FOR NHA/OTHER SYS DET SEE: 11-30-00-01C	008009	RF
- 1	414A5103-39		PLACARD INSTL-CAB. INTR (PASSENGER ENTRY DOORS INTERNAL MARKINGS ONLY) FOR NHA/OTHER SYS DET SEE: 11-30-00-01C	010011	RF
- 1	414A5103-52		PLACARD INSTL-CAB. INTR (PASSENGER ENTRY DOORS INTERNAL MARKINGS ONLY) FOR NHA/OTHER SYS DET SEE: 11-30-00-01C	012019	RF
- 1	414A5103-74		PLACARD INSTL-CAB. INTR (PASSENGER ENTRY DOORS INTERNAL MARKINGS ONLY) FOR NHA/OTHER SYS DET SEE: 11-30-00-01C	020030	RF
10	BAC29PPS1819		.PLACARD- PLACARD CONTENT: FLAG MUST BE ACROSS WINDOW WHEN SLIDE IS ENGAGED.	001030	4
15	BAC29PPS33849		.MARKER- POSITION DATA: L FWD	001009	1
17	BAC29PPS35850		.PLACARD- POSITION DATA: L FWD	010011	2
18	BAC29PPS43417		.MARKER- POSITION DATA: L FWD	012030	1
20	BAC29PPS33850		.MARKER- POSITION DATA: L FWD	001009	1
20	BAC29PPS35851		.PLACARD- POSITION DATA: L FWD	010030	1

MISSING ITEM NUMBERS NOT APPLICABLE

- ITEM NOT ILLUSTRATED

HAP

11-32-01-08

11-32-01
FIG. 08
PAGE 1
OCT 10/06

 **BOEING**
737-600/700/800/900
PARTS CATALOG (MAINTENANCE)

FIG ITEM	PART NUMBER	1 2 3 4 5 6 7	NOMENCLATURE	EFFECT FROM TO	UNITS PER ASSY
8					
25	BAC29PPS29833		.PLACARD-(MULTI-LANGUAGE) PLACARD CONTENT: OPEN	001030	4
30	BAC29PPS36558		.PLACARD-(MULTI-LANGUAGE) PLACARD CONTENT: SLIDE INSIDE SLIDE INFLATES AUTOMATICALLY WHEN ENGAGED AND DOOR IS OPEN	001030	4
35	BAC29PPS33853		.MARKER- POSITION DATA: R FWD & AFT	001009	2
37	BAC29PPS35854		.PLACARD- POSITION DATA: R FWD & AFT	010011	4
38	BAC29PPS43419		.MARKER- POSITION DATA: R FWD & AFT	012030	2
40	BAC29PPS33851		.MARKER- POSITION DATA: L AFT	001009	1
40	BAC29PPS42582		.PLACARD- POSITION DATA: L AFT	010011	1
41	BAC29PPS43418		.MARKER- POSITION DATA: L AFT	012030	1
45	BAC29PPS33854		.MARKER- POSITION DATA: R FWD & AFT	001009	2
45	BAC29PPS35855		.PLACARD- POSITION DATA: R FWD & AFT	010030	2
50	BAC29PPS33852		.MARKER- POSITION DATA: L AFT	001009	1
50	BAC29PPS35853		.PLACARD- POSITION DATA: L AFT	010030	1
55	BAC29PPS23080		.PLACARD-(GERMAN)	001030	4
60	BAC29PPS20357		.MARKER- PLACARD CONTENT: EMERGENCY USE ONLY	001030	4
65	BAC29PPS34946		.PLACARD-(MULTI-LANGUAGE) PLACARD CONTENT: PULL	001030	4
75	BAC29PPS33025		.MARKER	001030	2
80	BAC29PPS33024		.MARKER	001030	2
85	BAC29PPS33382		.MARKER	001030	8

MISSING ITEM NUMBERS NOT APPLICABLE

— ITEM NOT ILLUSTRATED

HAP

11-32-01-08

BOEING PROPRIETARY - Copyright © - Unpublished Work - See title page for details.

11-32-01
FIG. 08
PAGE 2
OCT 10/06


BOEING
 737-600/700/800/900
PARTS CATALOG (MAINTENANCE)

FIG ITEM	PART NUMBER	1 2 3 4 5 6 7 NOMENCLATURE	EFFECT FROM TO	UNITS PER ASSY
8 90	BAC29PPS33472	.MARKER-(MULTI-LANGUAGE) PLACARD CONTENT: CREW ONLY	001030	1

MISSING ITEM NUMBERS NOT APPLICABLE

— ITEM NOT ILLUSTRATED

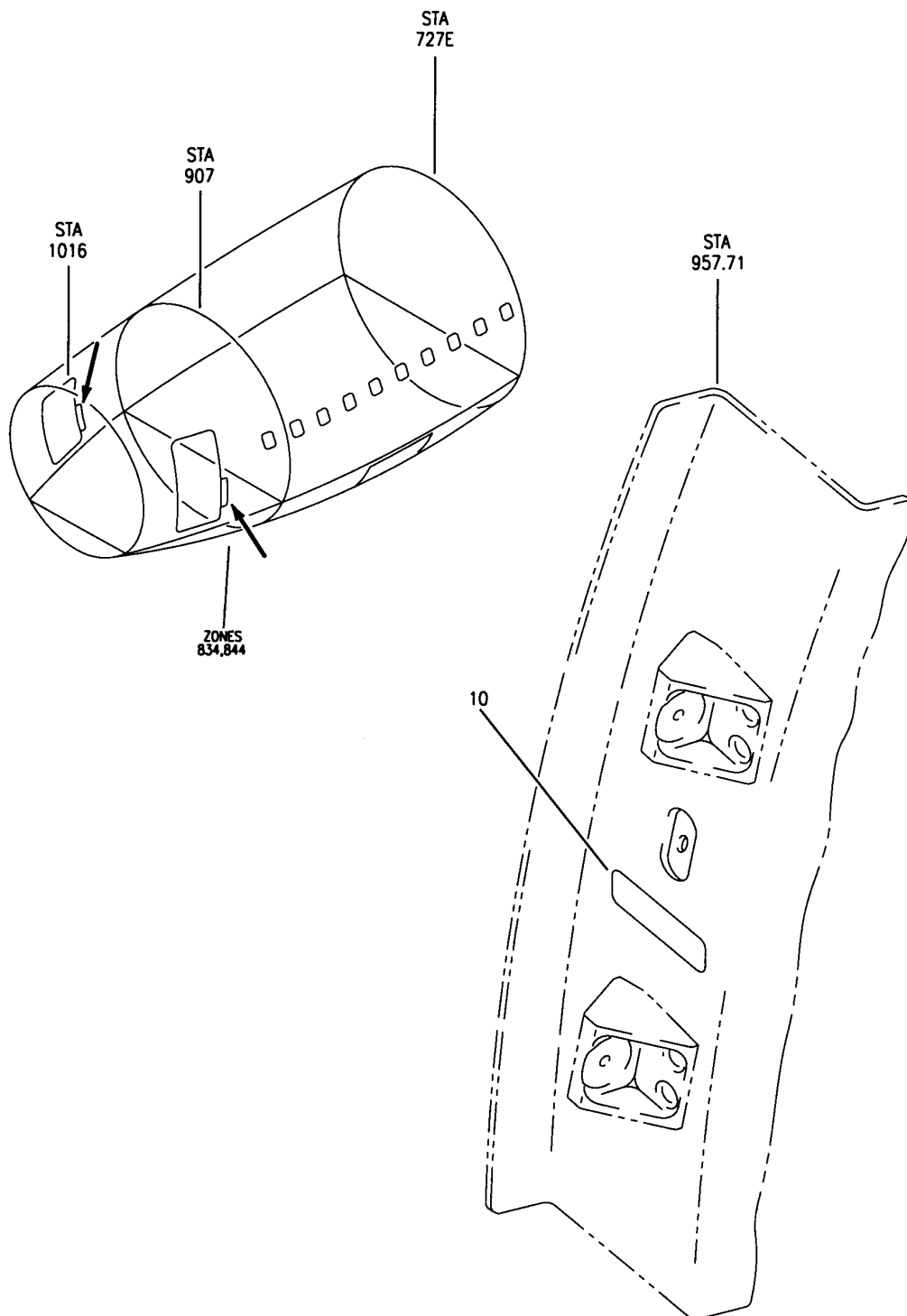
HAP

11-32-01-08

BOEING PROPRIETARY - Copyright © - Unpublished Work - See title page for details.

11-32-01
 FIG. 08
 PAGE 3
 OCT 10/06

BOEING
737-600/700/800/900
PARTS CATALOG (MAINTENANCE)



E 11320111 REV 014

HINGE INSTL-AFT ENTRY DOOR AND AFT GALLEY DOOR BODY SIDE (PLACARDS AND MARKINGS ONLY)

FIGURE 11

11-32-01-11

HAP
OCT 10/06

11-32-01-11
PAGE 0

BOEING
737-600/700/800/900
PARTS CATALOG (MAINTENANCE)

FIG ITEM	PART NUMBER	1 2 3 4 5 6 7	NOMENCLATURE	EFFECT FROM TO	UNITS PER ASSY
11			HINGE INSTL-AFT ENTRY DOOR AND AFT GALLEY DOOR BODY SIDE (PLACARDS AND MARKINGS ONLY)	001030	
- 1	147A6104-3		HINGE INSTL-ENTRY DOOR BODY SIDE (PLACARDS AND MARKINGS ONLY) POSITION DATA: AFT FOR NHA/OTHER SYS DET SEE: 52-13-00-05	001007	RF
- 1	147A6104-7		HINGE INSTL-ENTRY DOOR BODY SIDE (PLACARDS AND MARKINGS ONLY) POSITION DATA: AFT FOR NHA/OTHER SYS DET SEE: 52-13-00-05	008011	RF
- 1	147A6104-11		HINGE INSTL-ENTRY DOOR BODY SIDE (PLACARDS AND MARKINGS ONLY) POSITION DATA: AFT FOR NHA/OTHER SYS DET SEE: 52-13-00-05	012028	RF
- 2	147A6104-17		HINGE INSTL-ENTRY DOOR BODY SIDE (PLACARDS AND MARKINGS ONLY) POSITION DATA: AFT FOR NHA/OTHER SYS DET SEE: 52-13-00-05	029030	RF
- 5	147A6104-4		HINGE INSTL-GALLEY DOOR BODY SIDE (PLACARDS AND MARKINGS ONLY) POSITION DATA: AFT FOR NHA/OTHER SYS DET SEE: 52-13-00-05	001007	RF
- 5	147A6104-8		HINGE INSTL-GALLEY DOOR BODY SIDE (PLACARDS AND MARKINGS ONLY) POSITION DATA: AFT FOR NHA/OTHER SYS DET SEE: 52-41-00-19	008011	RF

MISSING ITEM NUMBERS NOT APPLICABLE

- ITEM NOT ILLUSTRATED

HAP

11-32-01-11

BOEING PROPRIETARY - Copyright © - Unpublished Work - See title page for details.

11-32-01
FIG. 11
PAGE 1
OCT 10/06

BOEING
737-600/700/800/900
PARTS CATALOG (MAINTENANCE)

FIG ITEM	PART NUMBER	1 2 3 4 5 6 7	NOMENCLATURE	EFFECT FROM TO	UNITS PER ASSY
11 -	5 147A6104-12		HINGE INSTL-GALLEY DOOR BODY SIDE (PLACARDS AND MARKINGS ONLY) POSITION DATA: AFT FOR NHA/OTHER SYS DET SEE: 52-41-00-19	012019	RF
-	5 147A6104-16		HINGE INSTL-GALLEY DOOR BODY SIDE (PLACARDS AND MARKINGS ONLY) POSITION DATA: AFT FOR NHA/OTHER SYS DET SEE: 52-41-00-19	020028	RF
-	7 147A6104-18		HINGE INSTL-GALLEY DOOR BODY SIDE (PLACARDS AND MARKINGS ONLY) POSITION DATA: AFT FOR NHA/OTHER SYS DET SEE: 52-41-00-19	029030	RF
10	BAC27DBY190		.MARKER-ALUMINUM FOIL PLACARD CONTENT: LIFT HANDLE TO RELEASE HOLD OPEN LATCH	001030	1

MISSING ITEM NUMBERS NOT APPLICABLE

- ITEM NOT ILLUSTRATED

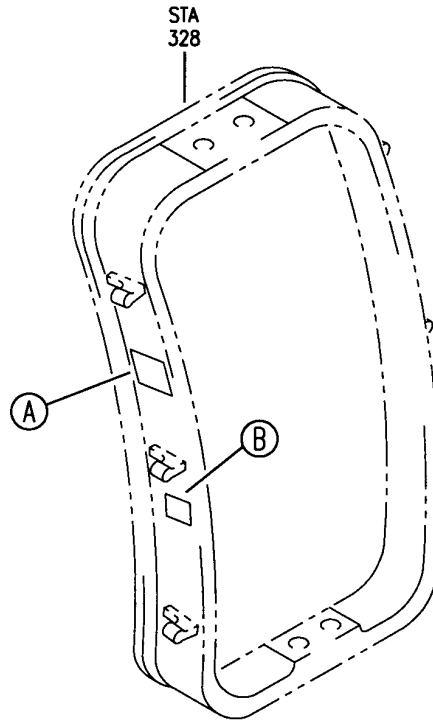
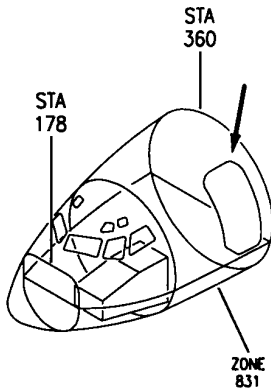
HAP

11-32-01-11

BOEING PROPRIETARY - Copyright © - Unpublished Work - See title page for details.

11-32-01
FIG. 11
PAGE 2
FEB 15/08

BOEING
 737-600/700/800/900
 PARTS CATALOG (MAINTENANCE)



10

AIRCRAFT MOD.	_____		
MFR. CODE	_____		
PART NO.	_____		
CONT. NO.	_____		
SERIAL NO.	_____		
CONT.	<input type="checkbox"/>	CUST.	<input type="checkbox"/>
INSP.	<input type="checkbox"/>	INSP.	<input type="checkbox"/>
<u>MODIFICATION INCORPORATED</u>			

(B)

5

DOOR CYCLE LOG		
AIRPLANE SERIAL NO.	AIRPLANE FLIGHT CYCLES AT INSTL	AIRPLANE FLIGHT CYCLES AT REMOVAL

(A)

E 11320112 REV 014

MARKER INSTL-FWD ENTRY DOOR
 FIGURE 12

11-32-01-12

HAP
 OCT 10/06

11-32-01-12
 PAGE 0

BOEING
737-600/700/800/900
PARTS CATALOG (MAINTENANCE)

FIG ITEM	PART NUMBER	1 2 3 4 5 6 7	NOMENCLATURE	EFFECT FROM TO	UNITS PER ASSY
12			MARKER INSTL-FWD ENTRY DOOR	001030 201967	
- 1	141A6111-1		MARKER INSTL-ENTRY DOOR POSITION DATA: FWD FOR NHA SEE: 11-30-00-01F 52-11-00-01 52-11-00-01B	001030 201967	RF
5	BAC27DBY191		.MARKER-ALUMINUM FOIL	001030 201967	1
10	MS27253F1		.PLATE	001030 201967	1

MISSING ITEM NUMBERS NOT APPLICABLE

- ITEM NOT ILLUSTRATED

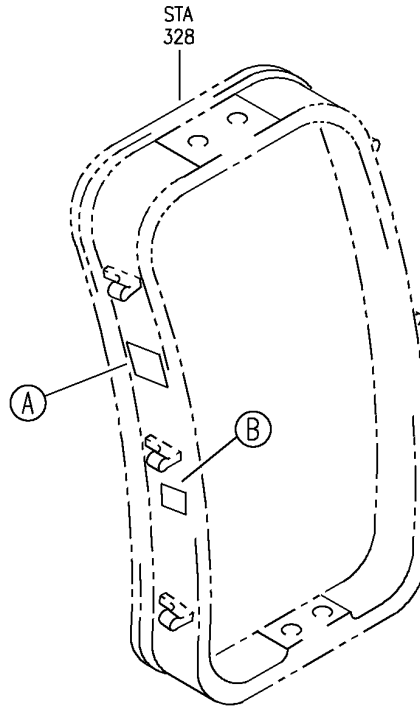
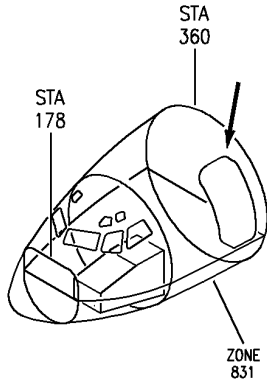
HAP

11-32-01-12

BOEING PROPRIETARY - Copyright © - Unpublished Work - See title page for details.

11-32-01
FIG. 12
PAGE 1
OCT 15/08

BOEING
 737-600/700/800/900
 PARTS CATALOG (MAINTENANCE)



10

AIRCRAFT MOD.	_____
MFR. CODE	_____
PART NO.	_____
CONT. NO.	_____
SERIAL NO.	_____
CONT. INSP.	<input type="checkbox"/>
CUST. INSP.	<input type="checkbox"/>
<u>MODIFICATION INCORPORATED</u>	

(B)

5

DOOR CYCLE LOG		
AIRPLANE SERIAL NO.	AIRPLANE FLIGHT CYCLES AT INSTL	AIRPLANE FLIGHT CYCLES AT REMOVAL

(A)

E 11320112A REV 124

MARKER INSTL-FWD ENTRY DOOR
 FIGURE 12A

11-32-01-12A

HAP
 FEB 10/07

11-32-01-12A
 PAGE 0

BOEING
737-600/700/800/900
PARTS CATALOG (MAINTENANCE)

FIG ITEM	PART NUMBER	1 2 3 4 5 6 7	NOMENCLATURE	EFFECT FROM TO	UNITS PER ASSY
12A			MARKER INSTL-FWD ENTRY DOOR	031200 968999	
- 1	141A6111-1		MARKER INSTL-ENTRY DOOR POSITION DATA: FWD FOR NHA SEE: 52-11-00-18	031200 968999	RF
5	BAC27DBY191		.MARKER-ALUMINUM FOIL	031200 968999	1
10	MS27253F1		.PLATE	031200 968999	1

MISSING ITEM NUMBERS NOT APPLICABLE

- ITEM NOT ILLUSTRATED

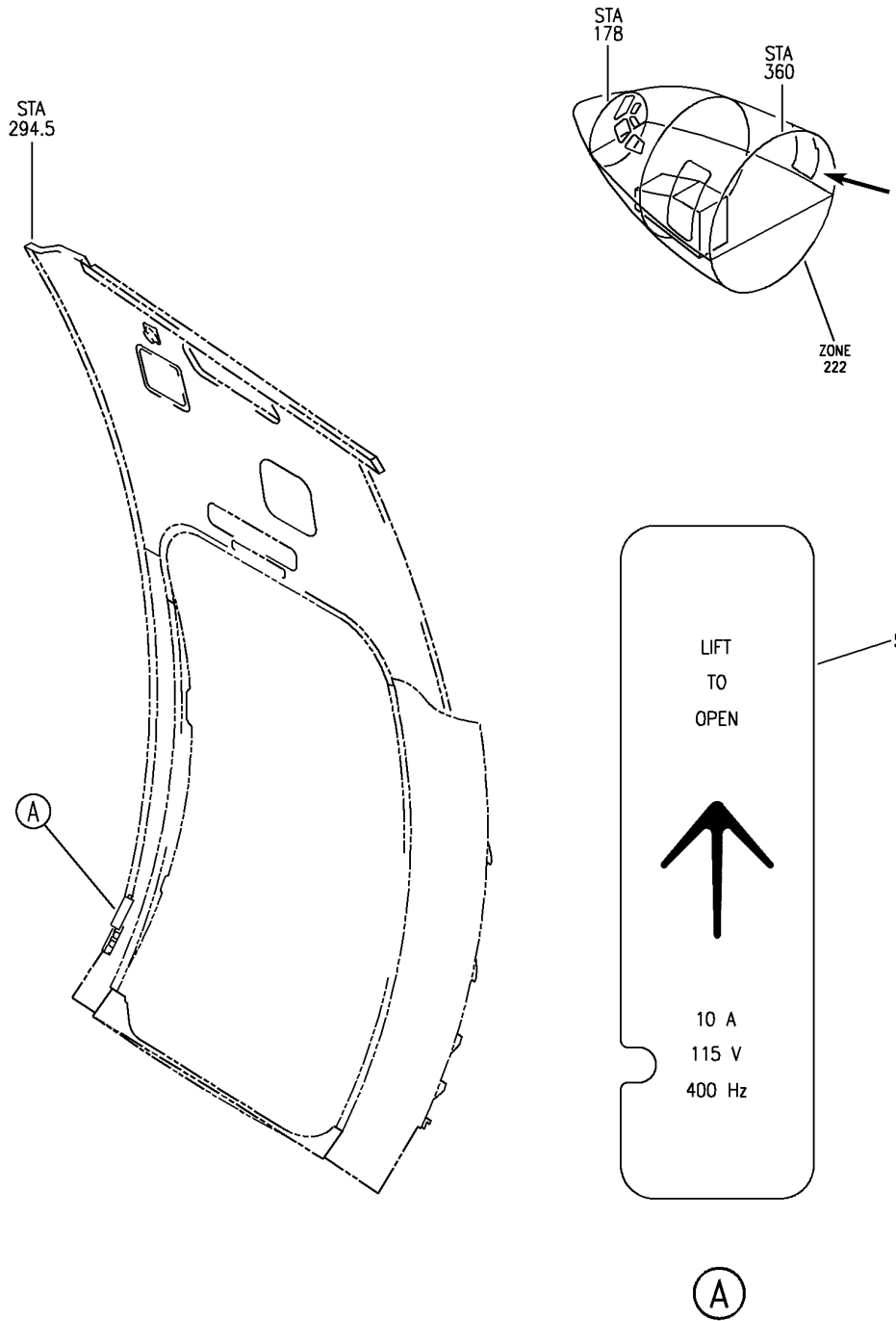
HAP

11-32-01-12A

BOEING PROPRIETARY - Copyright © - Unpublished Work - See title page for details.

11-32-01
FIG. 12A
PAGE 1
OCT 15/08

BOEING
 737-600/700/800/900
 PARTS CATALOG (MAINTENANCE)



E 11320113A REV 125

LINING INSTL-FWD RH DOORWAY (PLACARDS AND MARKINGS ONLY)
 FIGURE 13A

11-32-01-13A

HAP
 FEB 10/07

11-32-01-13A
 PAGE 0

BOEING
737-600/700/800/900
PARTS CATALOG (MAINTENANCE)

FIG ITEM	PART NUMBER	1 2 3 4 5 6 7	NOMENCLATURE	EFFECT FROM TO	UNITS PER ASSY
13A			LINING INSTL-FWD RH DOORWAY (PLACARDS AND MARKINGS ONLY)	001011 201967	
- 1	411A2202-5SP		LINING INSTL-DOORWAY (PLACARDS AND MARKINGS ONLY) POSITION DATA: FWD RH FOR NHA/OTHER SYS DET SEE: 25-21-00-01D	001001 006007	RF
- 1	411A2202-10SP		LINING INSTL-DOORWAY (PLACARDS AND MARKINGS ONLY) POSITION DATA: FWD RH FOR NHA/OTHER SYS DET SEE: 25-21-00-01A 25-21-00-01D	002005 008011 201967	RF
5	BAC29PPS31666		.MARKER-	001011 201967	1

MISSING ITEM NUMBERS NOT APPLICABLE

- ITEM NOT ILLUSTRATED

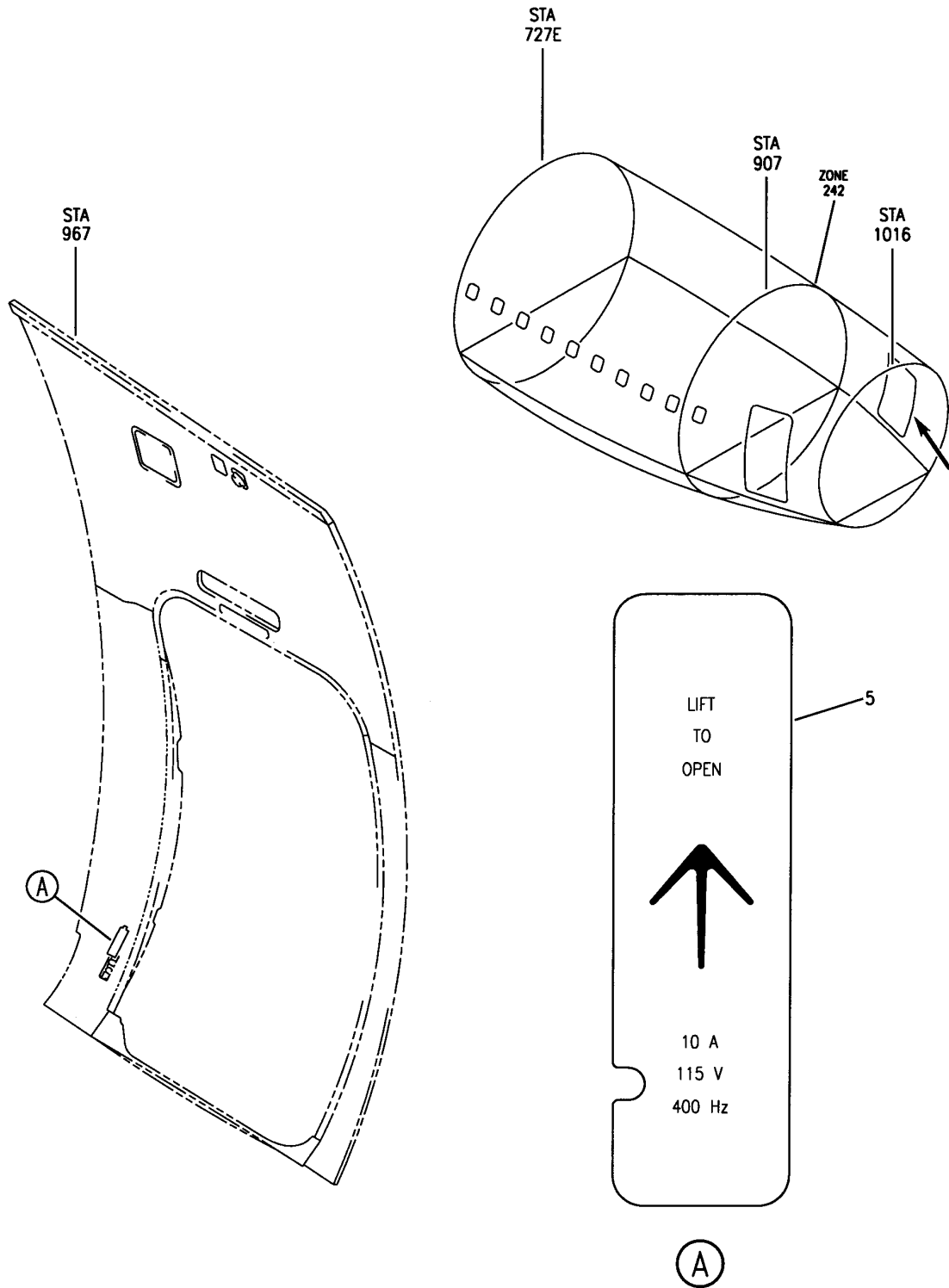
HAP

11-32-01-13A

BOEING PROPRIETARY - Copyright © - Unpublished Work - See title page for details.

11-32-01
FIG. 13A
PAGE 1
OCT 15/08

BOEING
 737-600/700/800/900
 PARTS CATALOG (MAINTENANCE)



E 11320120A REV 027

LINING INSTL-AFT RH DOORWAY (PLACARDS AND MARKINGS ONLY)
 FIGURE 20A

11-32-01-20A

HAP
 OCT 10/06

11-32-01-20A
 PAGE 0

BOEING
737-600/700/800/900
PARTS CATALOG (MAINTENANCE)

FIG ITEM	PART NUMBER	1 2 3 4 5 6 7	NOMENCLATURE	EFFECT FROM TO	UNITS PER ASSY
20A			LINING INSTL-AFT RH DOORWAY (PLACARDS AND MARKINGS ONLY)	001011 201967	
- 1	411A2204-4SP		LINING INSTL-DOORWAY (PLACARDS AND MARKINGS ONLY) POSITION DATA: AFT RH FOR NHA/OTHER SYS DET SEE: 25-21-00-01A 25-21-00-01D	001011 201967	RF
5	BAC29PPS31666		.MARKER	001011 201967	1

MISSING ITEM NUMBERS NOT APPLICABLE

- ITEM NOT ILLUSTRATED

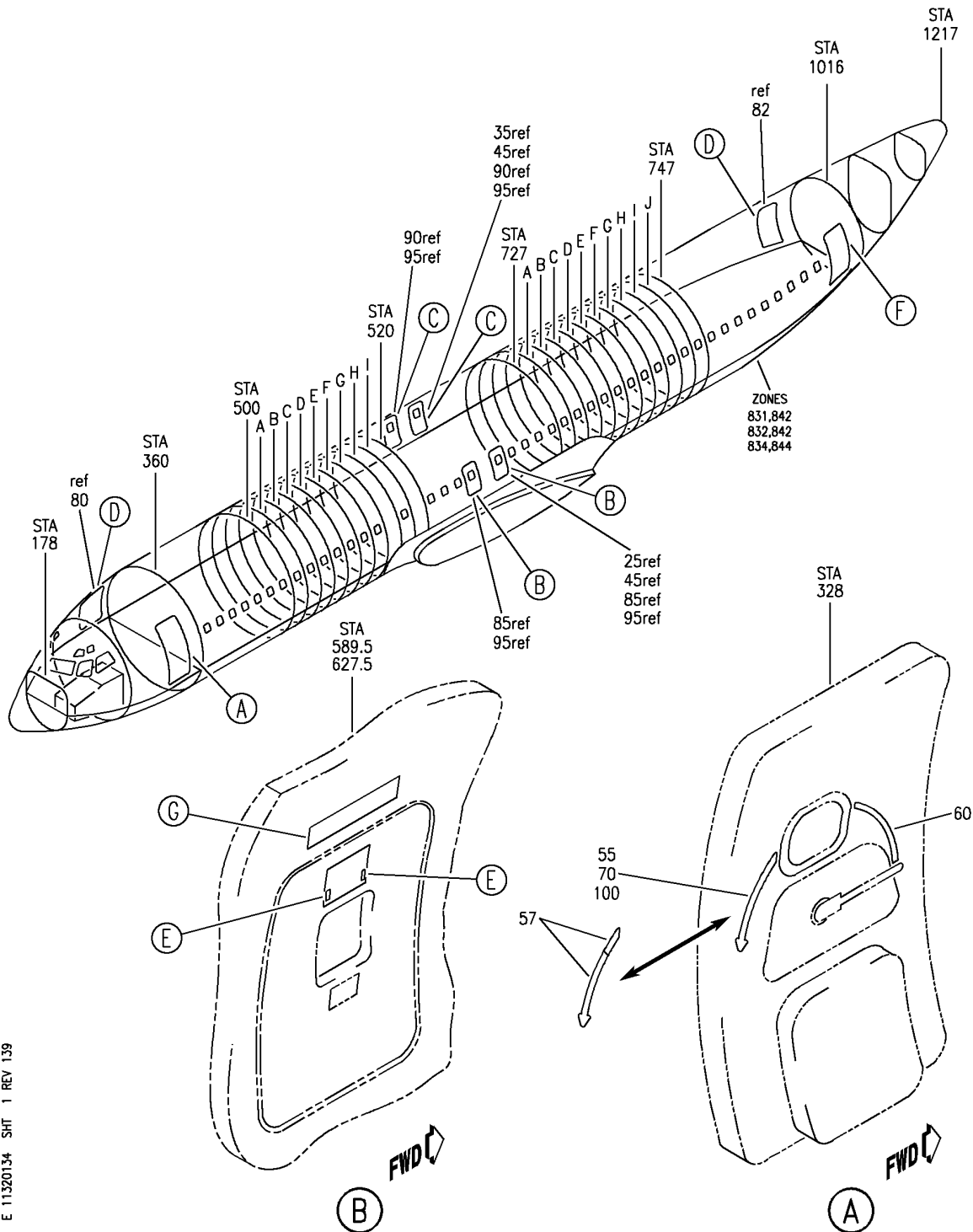
HAP

11-32-01-20A

BOEING PROPRIETARY - Copyright © - Unpublished Work - See title page for details.

11-32-01
FIG. 20A
PAGE 1
OCT 15/08

BOEING
 737-600/700/800/900
 PARTS CATALOG (MAINTENANCE)



E 11320134 SHT 1 REV 139

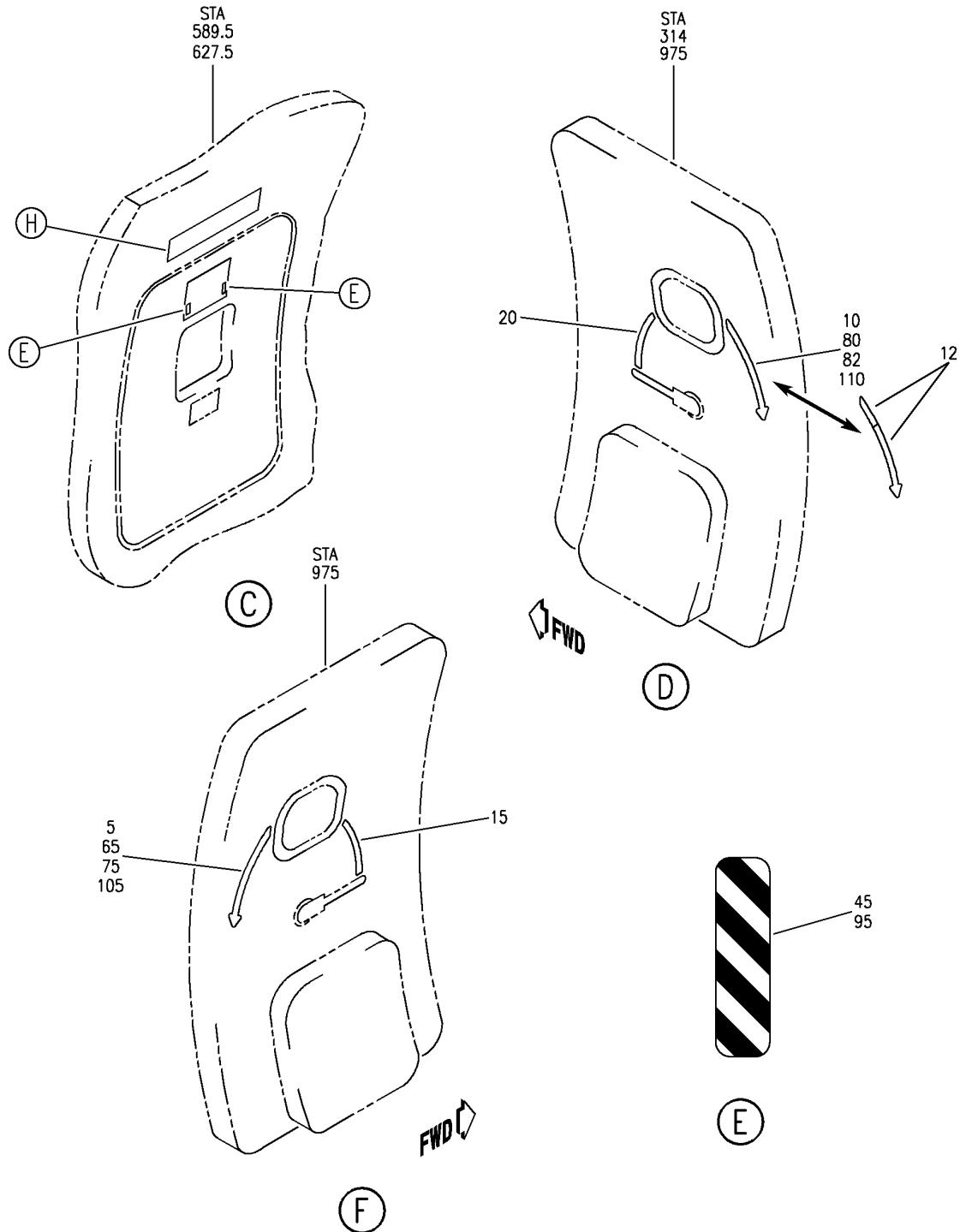
PLACARD INSTL-CAB. INTR EMER EXIT
 FIGURE 34 (SHEET 1)

11-32-01-34

HAP
 FEB 15/08

11-32-01-34
 PAGE 0

BOEING
 737-600/700/800/900
 PARTS CATALOG (MAINTENANCE)



E 11320134 SHT 2 REV 139

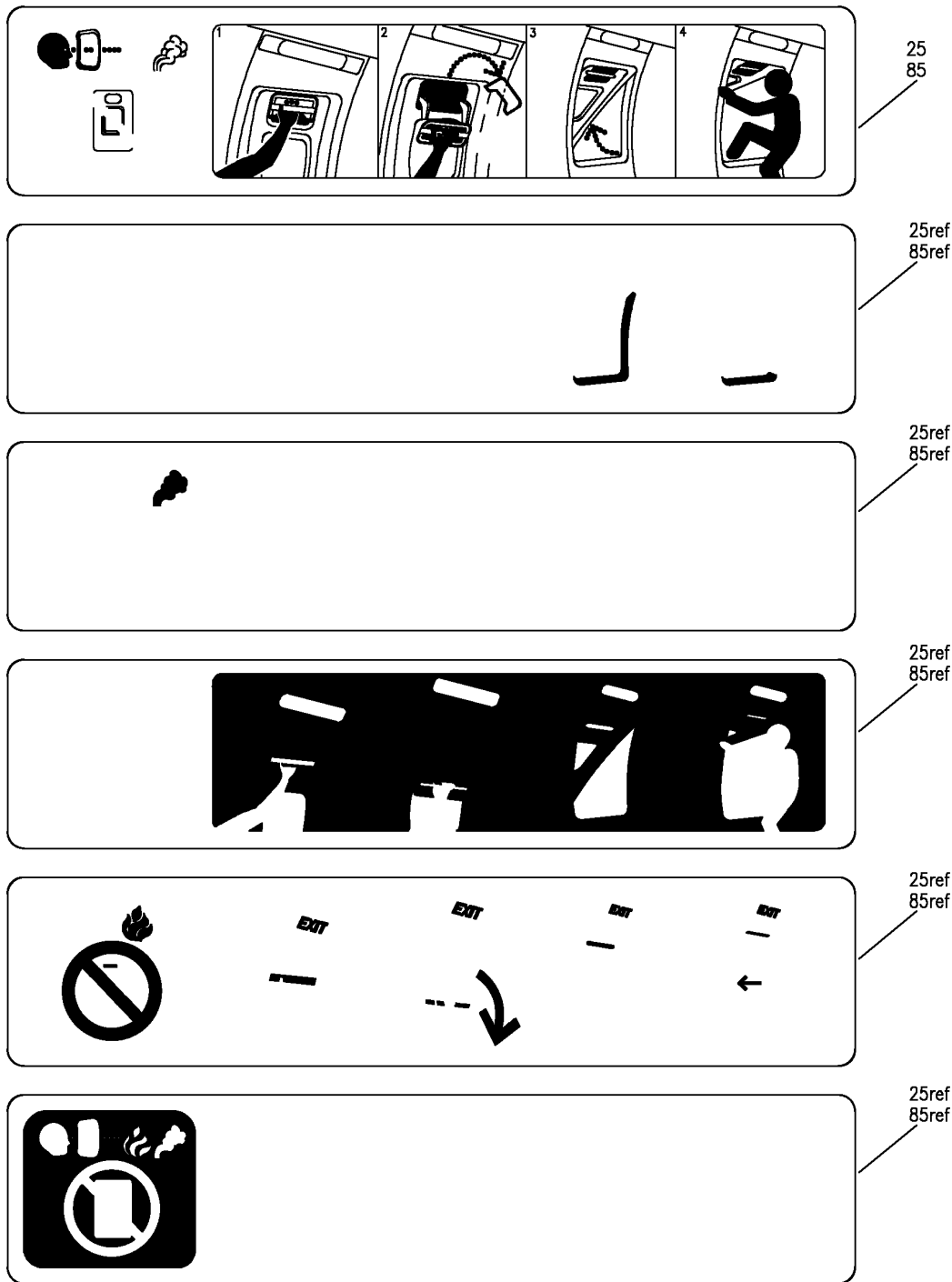
PLACARD INSTL-CAB. INTR EMER EXIT
 FIGURE 34 (SHEET 2)

11-32-01-34

HAP
 FEB 15/08

11-32-01-34
 PAGE 0A

BOEING
737-600/700/800/900
PARTS CATALOG (MAINTENANCE)



E 11320134 SHT 3 REV 084

(G)

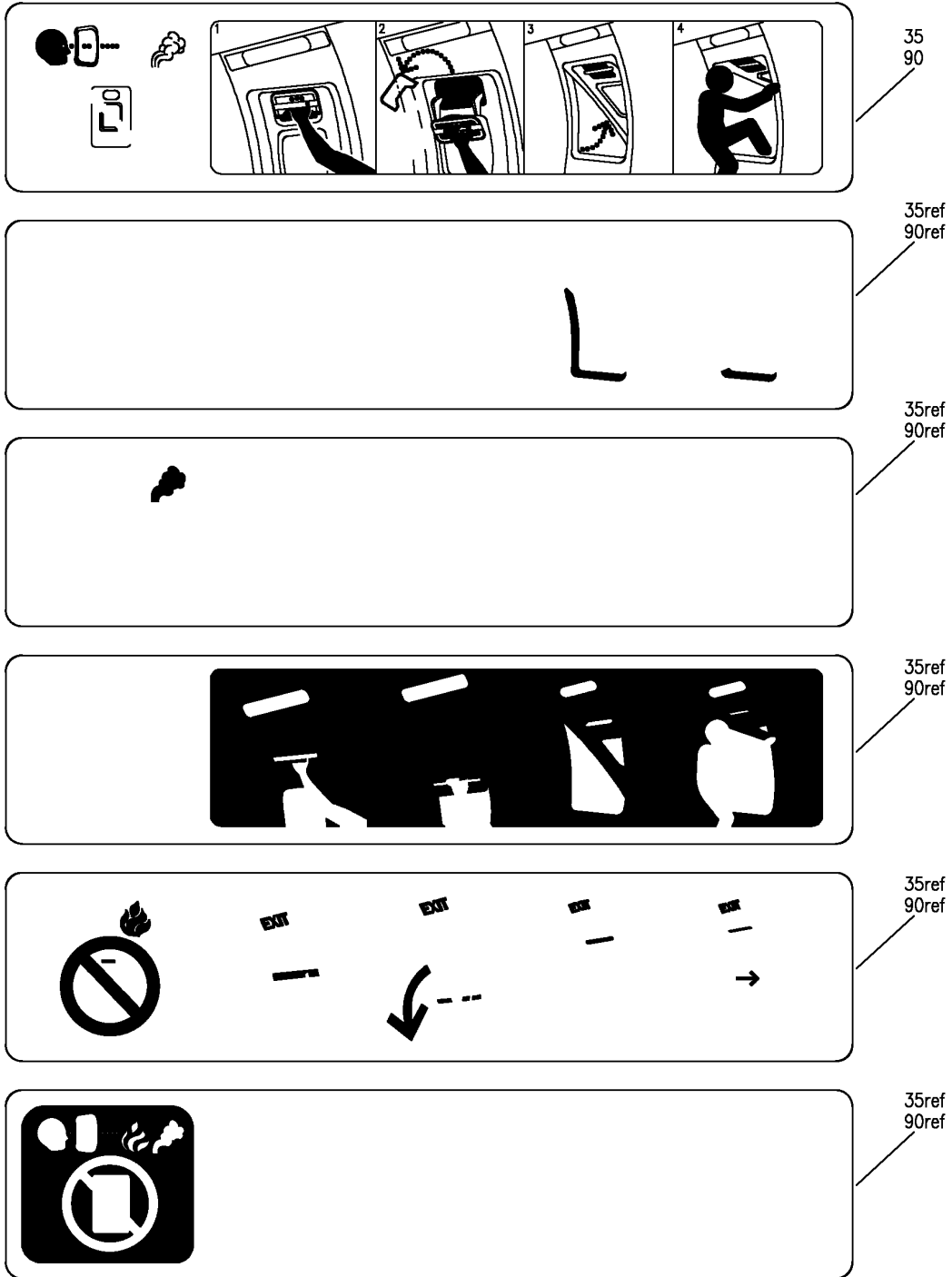
PLACARD INSTL-CAB. INTR EMER EXIT
FIGURE 34 (SHEET 3)

11-32-01-34

HAP
FEB 10/07

11-32-01-34
PAGE 0B

BOEING
 737-600/700/800/900
 PARTS CATALOG (MAINTENANCE)



E 11320134 SH1 4 REV 084



PLACARD INSTL-CAB. INTR EMER EXIT
 FIGURE 34 (SHEET 4)

11-32-01-34

HAP
 FEB 10/07

11-32-01-34
 PAGE 0C

BOEING
737-600/700/800/900
PARTS CATALOG (MAINTENANCE)

FIG ITEM	PART NUMBER	1 2 3 4 5 6 7	NOMENCLATURE	EFFECT FROM TO	UNITS PER ASSY
34			PLACARD INSTL-CAB. INTR EMER EXIT	101999	RF
- 1	414A5201-1		PLACARD INSTL-CAB. INTR EMER EXITS FOR NHA SEE: 11-30-00-06	201967	RF
- 1	MODREF284358		PLACARD INSTL-CAB. INTR EMER EXITS MODULE NUMBER: 414A5201-11 REV A	101200 968999	1
5	BAC29PPS35852		.PLACARD- POSITION DATA: AFT LH DOOR	201967	1
10	BAC29PPS35854		.PLACARD- POSITION DATA: RH DOORS	201967	2
15	BAC29PPS35853		.PLACARD- POSITION DATA: AFT LH DOOR	101999	1
20	BAC29PPS35855		.PLACARD- POSITION DATA: RH DOORS	101999	2
25	BAC29PPS35848		.PLACARD- POSITION DATA: LS	101999	1
35	BAC29PPS35847		.PLACARD- POSITION DATA: RS	101999	1
45	BAC29PPS35849		.PLACARD-	101999	4
55	BAC29PPS35850		.PLACARD- POSITION DATA: FWD LH DOOR	201967	1
60	BAC29PPS35851		.PLACARD- POSITION DATA: FWD LH DOOR	101999	1
70	BAC29PPS43417		.MARKER- POSITION DATA: FWD LH DOOR	101200 968999	1
75	BAC29PPS43418		.MARKER- POSITION DATA: AFT LH DOOR	101200 968999	1
80	BAC29PPS43419		.MARKER- POSITION DATA: FWD RH DOOR	101200 968999	1
82	BAC29PPS43419		.MARKER- POSITION DATA: AFT RH DOOR	101200 968999	1

MISSING ITEM NUMBERS NOT APPLICABLE

- ITEM NOT ILLUSTRATED

HAP

11-32-01-34

11-32-01
FIG. 34
PAGE 1
OCT 15/08

BOEING
737-600/700/800/900
PARTS CATALOG (MAINTENANCE)

FIG ITEM	PART NUMBER	1 2 3 4 5 6 7	NOMENCLATURE	EFFECT FROM TO	UNITS PER ASSY
34 100	BAC29PPS58270	.	MARKER- POSITION DATA: FWD LH DOOR	101200 968999	1
105	BAC29PPS58269	.	MARKER- POSITION DATA: AFT LH DOOR	101200 968999	1
110	BAC29PPS58268	.	MARKER- POSITION DATA: FWD AND AFT RH DOORS	101200 968999	2

MISSING ITEM NUMBERS NOT APPLICABLE

— ITEM NOT ILLUSTRATED

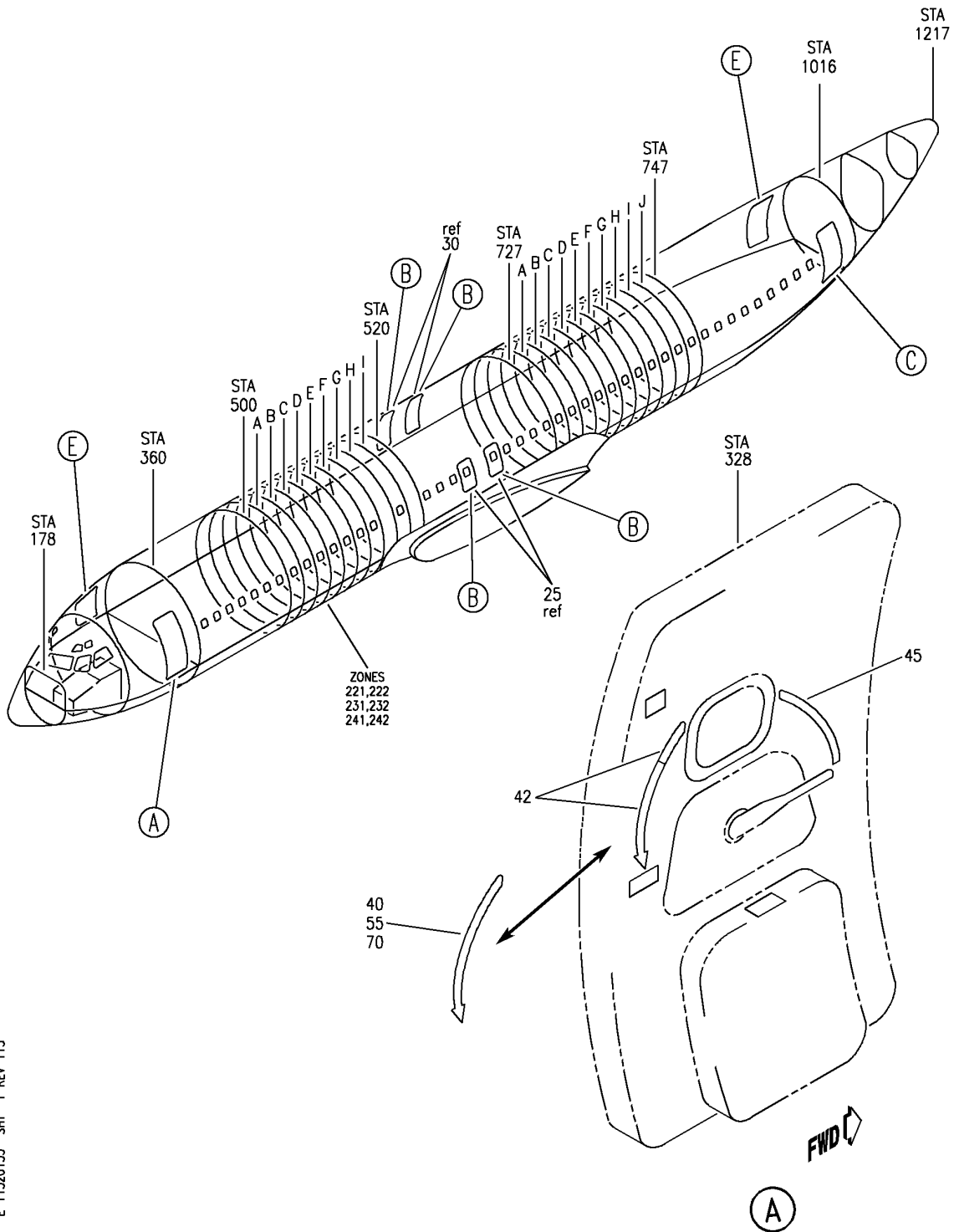
HAP

11-32-01-34

BOEING PROPRIETARY - Copyright © - Unpublished Work - See title page for details.

11-32-01
FIG. 34
PAGE 2
OCT 15/08

BOEING
 737-600/700/800/900
 PARTS CATALOG (MAINTENANCE)



E 11320135 SHT 1 REV 115

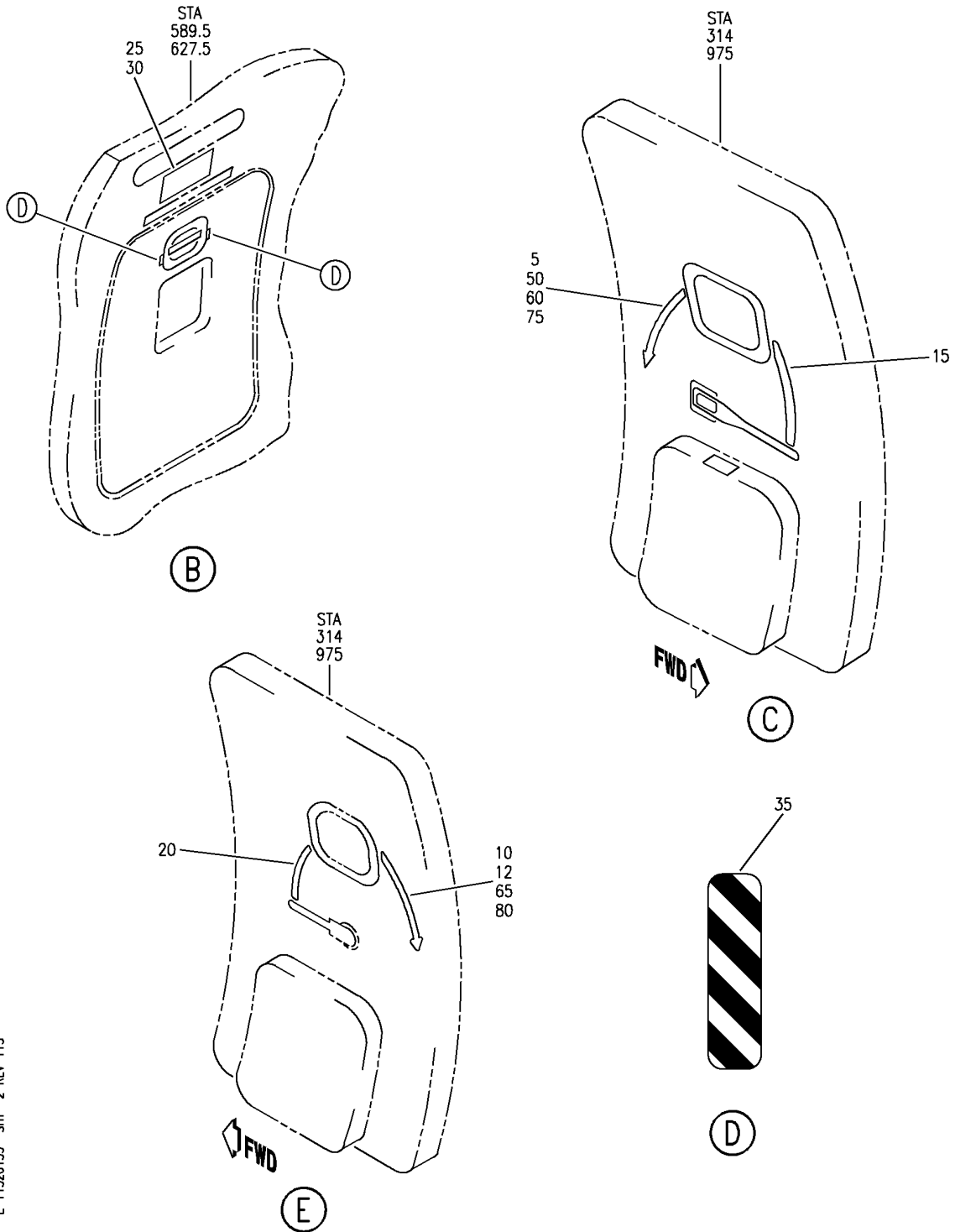
PLACARD INSTL-CAB. INTR EMER EXITS
 FIGURE 35 (SHEET 1)

11-32-01-35

HAP
 OCT 10/06

11-32-01-35
 PAGE 0

BOEING
 737-600/700/800/900
 PARTS CATALOG (MAINTENANCE)



E 11320135 SHT 2 REV 115

PLACARD INSTL-CAB. INTR EMER EXITS
 FIGURE 35 (SHEET 2)

11-32-01-35

HAP
 OCT 10/06

11-32-01-35
 PAGE 0A

 **BOEING**
737-600/700/800/900
PARTS CATALOG (MAINTENANCE)

FIG ITEM	PART NUMBER	1 2 3 4 5 6 7	NOMENCLATURE	EFFECT FROM TO	UNITS PER ASSY
35			PLACARD INSTL-CAB. INTR EMER EXITS	031100	
- 1	MODREF284357		PLACARD INSTL-CAB. INTR EMER EXITS	031100	1
15	BAC29PPS35853		MODULE NUMBER: 414A5201-10 REV A .PLACARD-	031100	1
20	BAC29PPS35855		POSITION DATA: AFT LH DOOR .PLACARD-	031100	2
25	BAC29PPS35848		POSITION DATA: RH DOORS .PLACARD-	031100	2
30	BAC29PPS35847		POSITION DATA: LS .PLACARD-	031100	2
35	BAC29PPS35849		POSITION DATA: RS .PLACARD	031100	8
45	BAC29PPS35851		.PLACARD- POSITION DATA: FWD LH DOOR	031100	1
70	BAC29PPS58270		.MARKER- POSITION DATA: FWD LH DOOR	031100	1
75	BAC29PPS58269		.MARKER- POSITION DATA: AFT LH DOOR	031100	1
80	BAC29PPS58268		.MARKER- POSITION DATA: FWD AND AFT RH DOORS	031100	2

MISSING ITEM NUMBERS NOT APPLICABLE

- ITEM NOT ILLUSTRATED

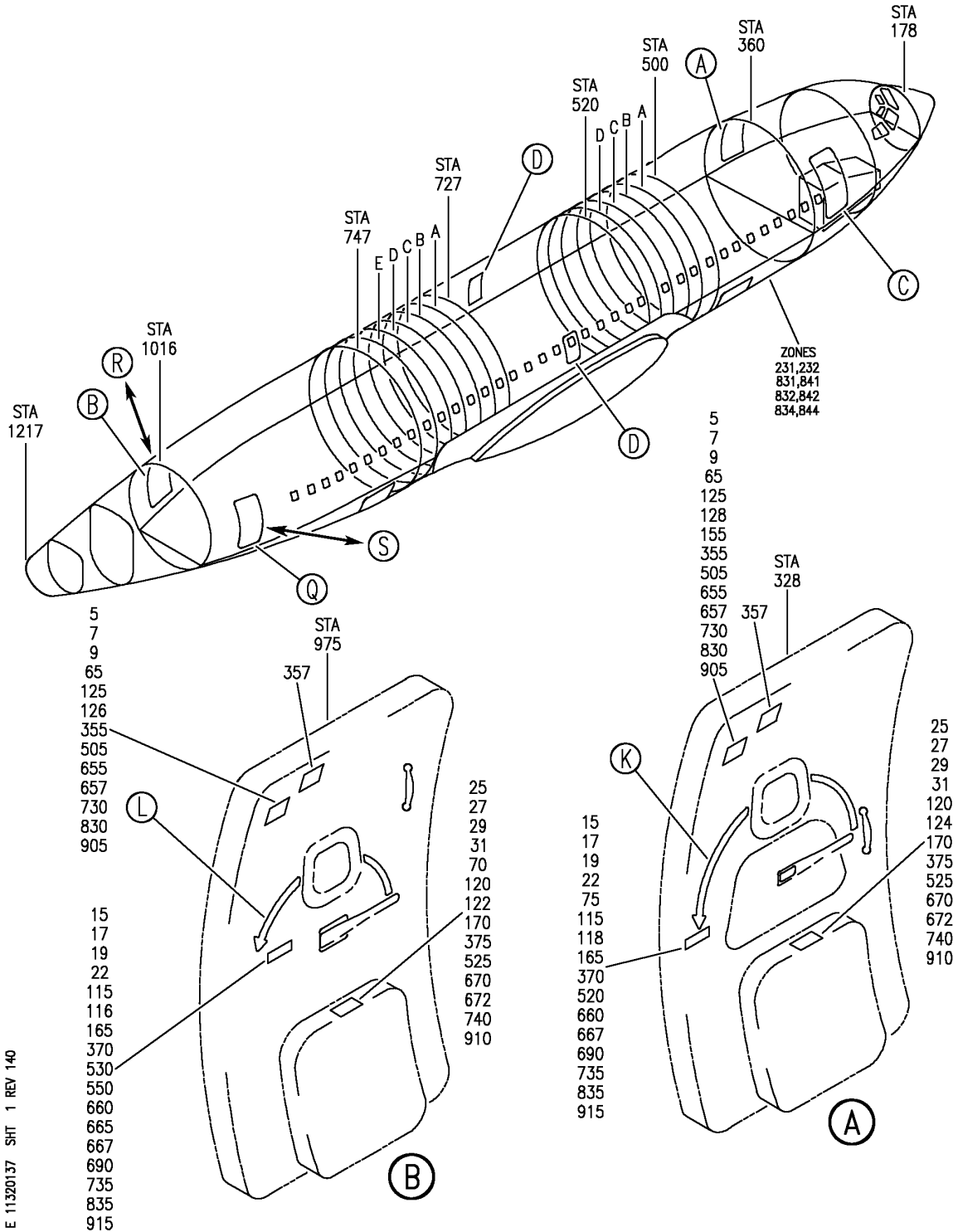
HAP

11-32-01-35

BOEING PROPRIETARY - Copyright © - Unpublished Work - See title page for details.

11-32-01
FIG. 35
PAGE 1
FEB 10/07

BOEING
 737-600/700/800/900
 PARTS CATALOG (MAINTENANCE)



E 11320137 SHT 1 REV 140

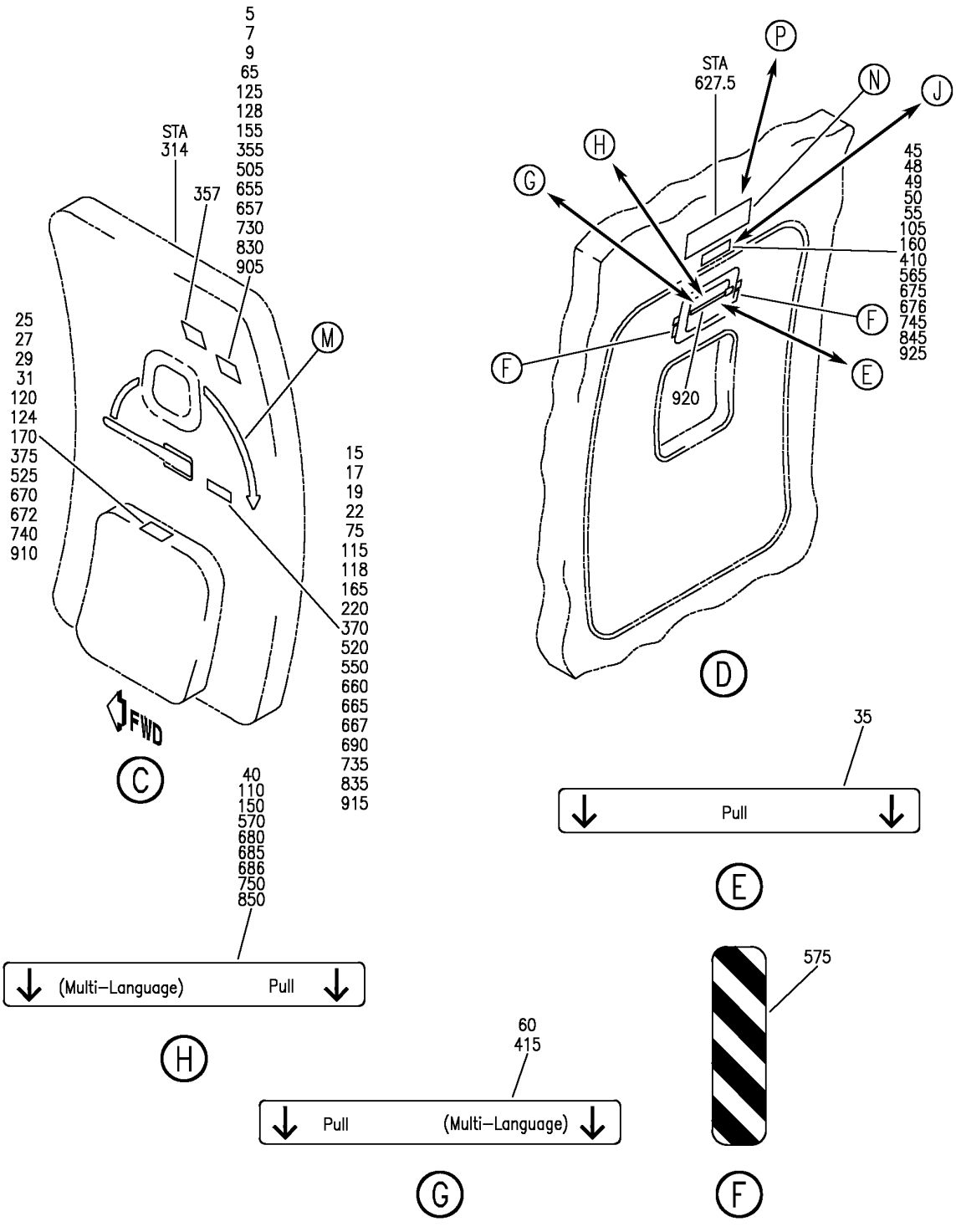
PLACARD INSTL-CAB. INTR ENTRY SVCE DOORS
 FIGURE 37 (SHEET 1)

11-32-01-37

HAP
 JUN 15/08

11-32-01-37
 PAGE 0

BOEING
737-600/700/800/900
PARTS CATALOG (MAINTENANCE)



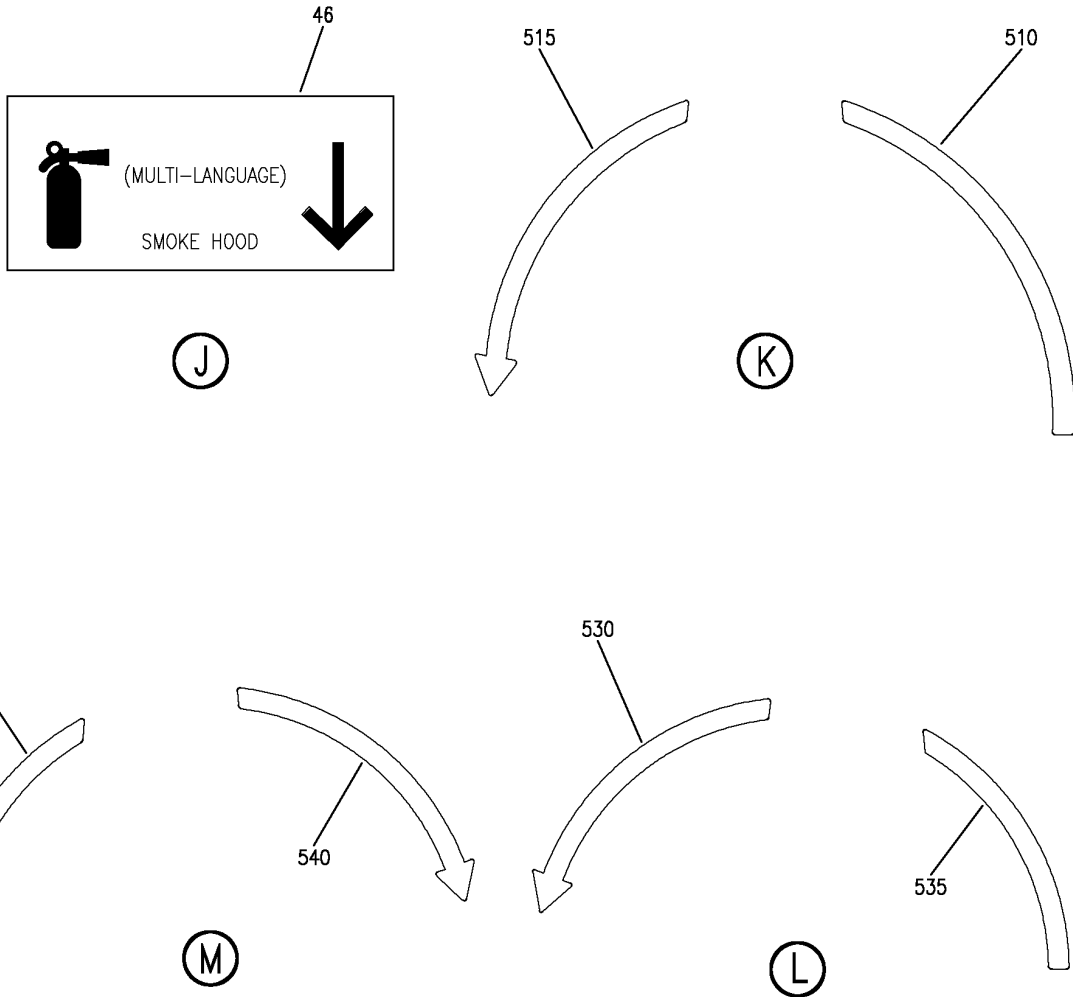
E 11320137 SH1 2 REV 140

PLACARD INSTL-CAB. INTR ENTRY SVCE DOORS
FIGURE 37 (SHEET 2)

11-32-01-37

HAP
JUN 15/08

11-32-01-37
PAGE 0A



E 11320137 SH1 3 REV 078

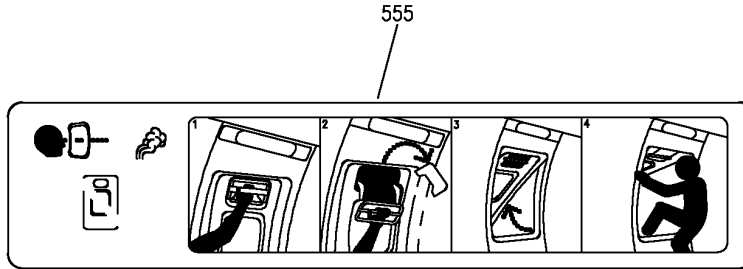
PLACARD INSTL-CAB. INTR ENTRY SVCE DOORS
 FIGURE 37 (SHEET 3)

11-32-01-37

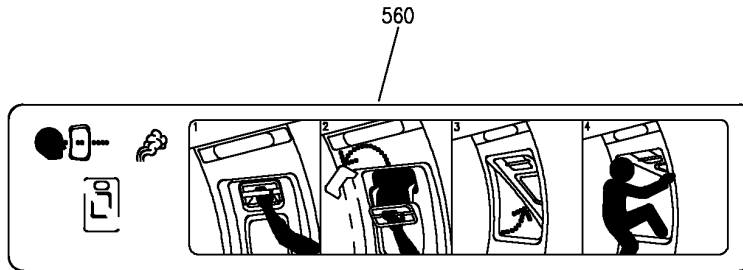
HAP
 JUN 10/07

11-32-01-37
 PAGE 0B

BOEING
737-600/700/800/900
PARTS CATALOG (MAINTENANCE)



(N)



(P)

E 11320137 SH1 4 REV 086

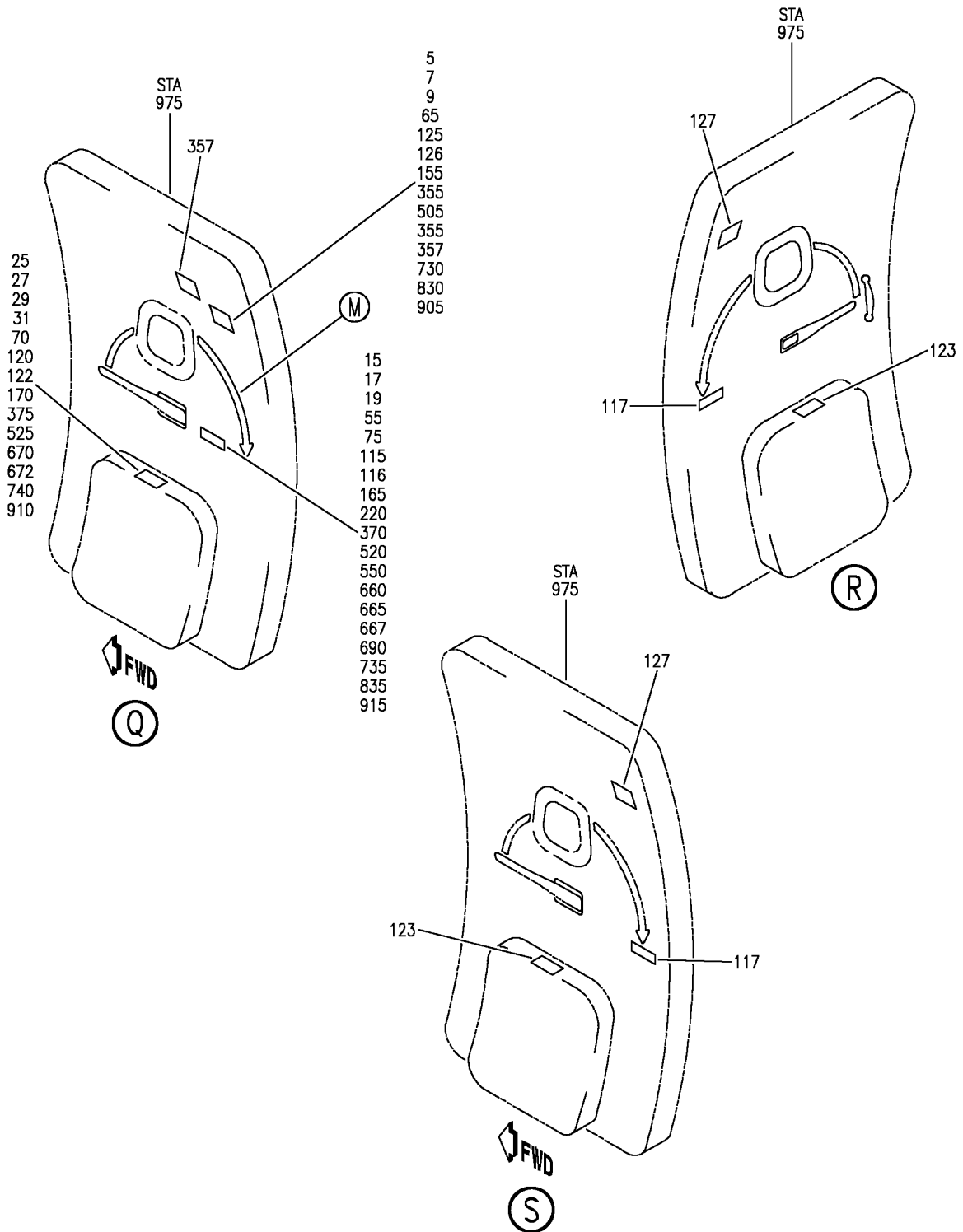
PLACARD INSTL-CAB. INTR ENTRY SVCE DOORS
FIGURE 37 (SHEET 4)

11-32-01-37

HAP
JUN 10/07

11-32-01-37
PAGE 0C

BOEING
 737-600/700/800/900
 PARTS CATALOG (MAINTENANCE)



E 11320137 SH1 5 REV 140

PLACARD INSTL-CAB. INTR ENTRY SVCE DOORS
 FIGURE 37 (SHEET 5)

11-32-01-37

HAP
 JUN 15/08

11-32-01-37
 PAGE 0D

BOEING
737-600/700/800/900
PARTS CATALOG (MAINTENANCE)

FIG ITEM	PART NUMBER	1 2 3 4 5 6 7	NOMENCLATURE	EFFECT FROM TO	UNITS PER ASSY
37			PLACARD INSTL-CAB. INTR ENTRY SVCE DOORS	101106 201999	
- 1	414A5109-1		PLACARD INSTL-CAB. INTR ENTRY SVCE DOORS FOR NHA SEE: 11-30-00-01B	201967	RF
5	BAC29PPS36224		.PLACARD- PLACARD CONTENT: FLAG MUST BE ACROSS WINDOW WHEN SLIDE IS ENGAGED	201967	4
15	BAC29PPS36221		.PLACARD- PLACARD CONTENT: OPEN	201967	4
25	BAC29PPS36223		.PLACARD- PLACARD CONTENT: SLIDE INSIDE/SLIDE INFLATES AUTOMATICALLY WHEN ENGAGED AND DOOR IS OPENED	201967	4
35	BAC29PPS34937		.MARKER-	201967	2
45	BAC29PPS36222		.PLACARD- PLACARD CONTENT: EMERGENCY USE ONLY	201967	2
- 725	MODREF171227		PLACARD INSTL-CAB. INTR ENTRY SVCE DOORS MODULE NUMBER: 414A5109-24 REV B	101106 968999	1
730	BAC29PPS36224		.PLACARD- PLACARD CONTENT: FLAG MUST BE ACROSS WINDOW WHEN SLIDE IS ENGAGED	101106 968999	4
735	BAC29PPS44790		.PLACARD-(MULTI-LANGUAGE) PLACARD CONTENT: OPEN	101106 968999	4
740	BAC29PPS36223		.PLACARD- PLACARD CONTENT: SLIDE INSIDE / SLIDE INFLATES AUTOMATICALLY WHEN ENGAGED AND DOOR IS OPENED	101106 968999	4
745	BAC29PPS44789		.PLACARD-(MULTI-LANGUAGE) PLACARD CONTENT: EMERGENCY USE ONLY	101106 968999	2
750	BAC29PPS34946		.PLACARD-(MULTI-LANGUAGE) PLACARD CONTENT: PULL	101106 968999	2

MISSING ITEM NUMBERS NOT APPLICABLE

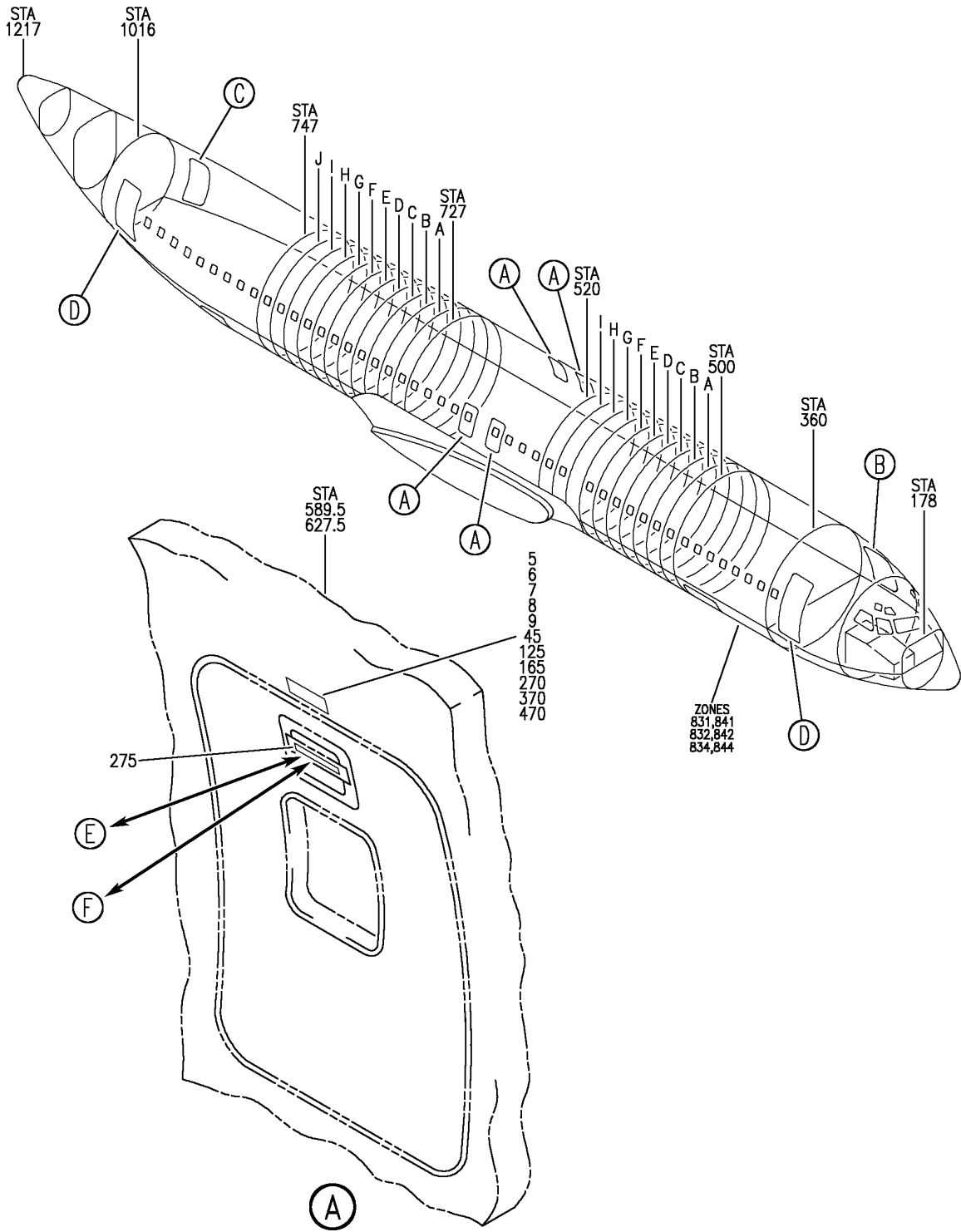
- ITEM NOT ILLUSTRATED

HAP

11-32-01-37

11-32-01
FIG. 37
PAGE 1
FEB 15/09

BOEING
737-600/700/800/900
PARTS CATALOG (MAINTENANCE)



E 11320148 SHT 1 REV 080

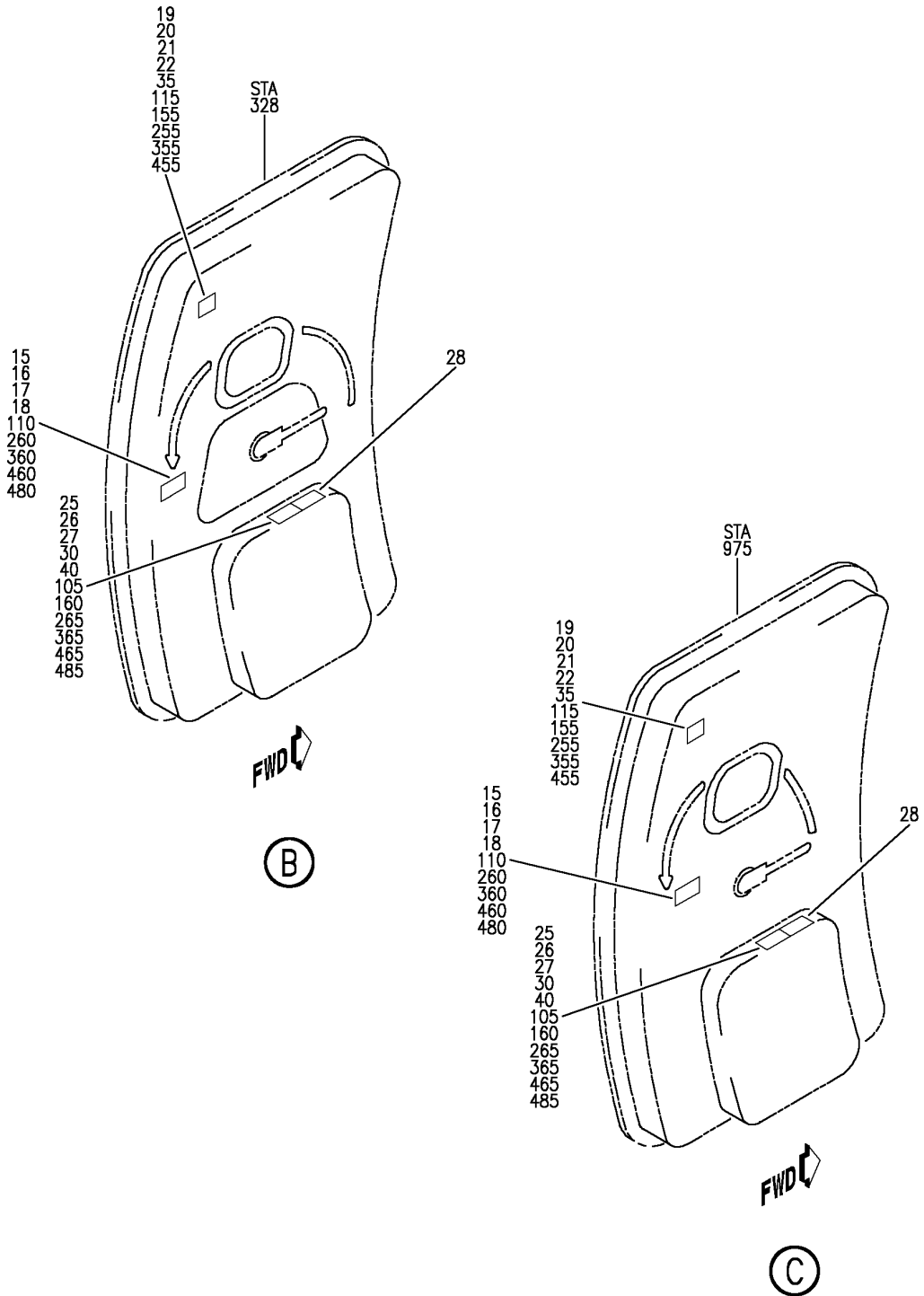
PLACARD INSTL-CAB. INTR
 FIGURE 48 (SHEET 1)

11-32-01-48

HAP
 OCT 10/06

11-32-01-48
 PAGE 0

BOEING
 737-600/700/800/900
 PARTS CATALOG (MAINTENANCE)



E 11320148 SH1 2 REV 074

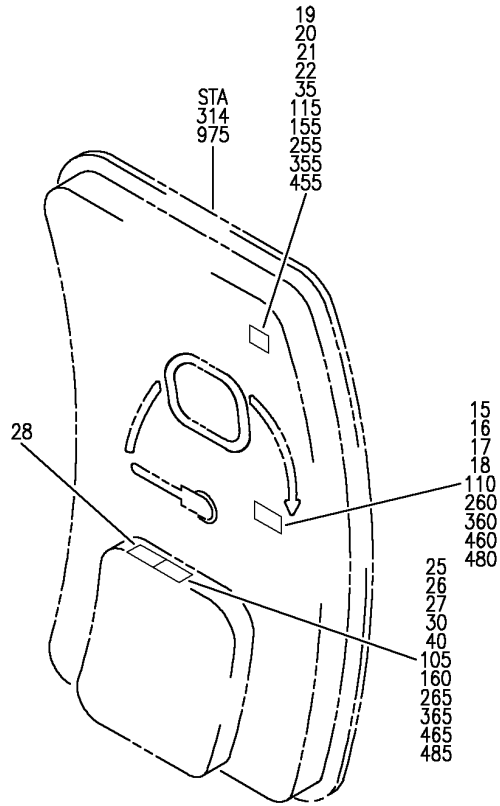
PLACARD INSTL-CAB. INTR
 FIGURE 48 (SHEET 2)

11-32-01-48

HAP
 OCT 10/06

11-32-01-48
 PAGE 0A

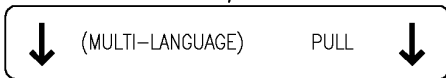
BOEING
737-600/700/800/900
PARTS CATALOG (MAINTENANCE)



FWD

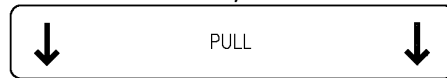
(D)

11
12
13
120
375
475



(F)

10



(E)

E 11320148 SHT 3 REV 080

PLACARD INSTL-CAB. INTR
 FIGURE 48 (SHEET 3)

11-32-01-48

HAP
 OCT 10/06

11-32-01-48
 PAGE 0B

BOEING
737-600/700/800/900
PARTS CATALOG (MAINTENANCE)

FIG ITEM	PART NUMBER	1 2 3 4 5 6 7	NOMENCLATURE	EFFECT FROM TO	UNITS PER ASSY
48					
- 1	MODREF102506		PLACARD INSTL-CAB. INTR PLACARD INSTL-CAB. INTR MODULE NUMBER: 414A5109-19 REV B	031100 041041 047047 054100	1
- 1	MODREF103233		PLACARD INSTL-CAB. INTR MODULE NUMBER: 414A5109-91 REV B	031040 042046	1
- 1	MODREF381679		PLACARD INSTL-CAB. INTR MODULE NUMBER: 414A5109-19 REV C	048053	1
5	BAC29PPS36222		.PLACARD- PLACARD CONTENT: EMERGENCY USE ONLY	041041 047100	4
10	BAC29PPS34937		.MARKER-	041041 047100	4
11	BAC29PPS34946		.PLACARD-(MULTI-LANGUAGE)	031040 042046	4
15	BAC29PPS36221		.PLACARD- PLACARD CONTENT: OPEN	031100	4
20	BAC29PPS36224		.PLACARD- PLACARD CONTENT: FLAG MUST BE ACROSS WINDOW WHEN SLIDE IS ENGAGED	031100	4
25	BAC29PPS36223		.PLACARD- PLACARD CONTENT: SLIDE INSIDE SLIDE INFLATES AUTOMATICALLY WHEN ENGAGED AND DOOR IS OPENED	031100	4
45	BAC29PPS44789		.PLACARD- PLACARD CONTENT: EMERGENCY USE ONLY	031040 042046	4

MISSING ITEM NUMBERS NOT APPLICABLE

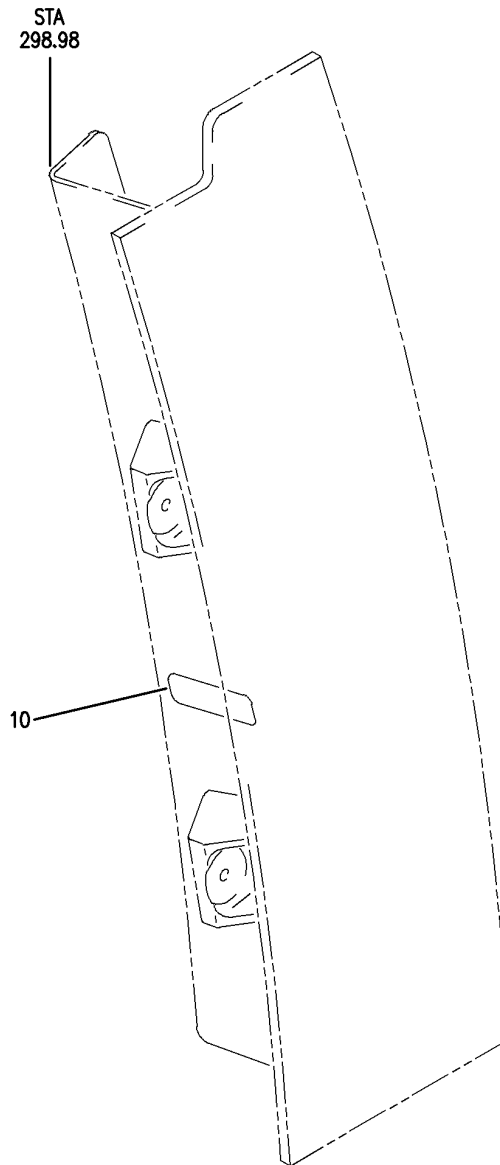
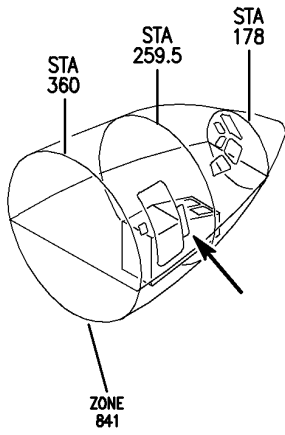
- ITEM NOT ILLUSTRATED

HAP

11-32-01-48

BOEING PROPRIETARY - Copyright © - Unpublished Work - See title page for details.

11-32-01
FIG. 48
PAGE 1
FEB 15/09



E 11320152 REV 061

ARM ASSY-GUIDE (PLACARDS AND MARKINGS ONLY)
FIGURE 52

11-32-01-52

HAP
OCT 10/06

11-32-01-52
PAGE 0

BOEING
737-600/700/800/900
PARTS CATALOG (MAINTENANCE)

FIG ITEM	PART NUMBER	1 2 3 4 5 6 7	NOMENCLATURE	EFFECT FROM TO	UNITS PER ASSY
52			ARM ASSY-GUIDE (PLACARDS AND MARKINGS ONLY)	001030	
- 1	141A6504-2		HINGE INSTL-GALLEY DOOR BODY SIDE (PLACARDS AND MARKINGS ONLY) POSITION DATA: FWD FOR NHA/OTHER SYS DET SEE: 52-41-00-19	001027	RF
- 1	141A6504-4		HINGE INSTL-GALLEY DOOR BODY SIDE (PLACARDS AND MARKINGS ONLY) POSITION DATA: FWD FOR NHA/OTHER SYS DET SEE: 52-41-00-19	028030	RF
10	BAC27DBY190		.MARKER-ALUMINUM FOIL PLACARD CONTENT: LIFT HANDLE TO RELEASE HOLD OPEN LATCH	001030	1

MISSING ITEM NUMBERS NOT APPLICABLE

- ITEM NOT ILLUSTRATED

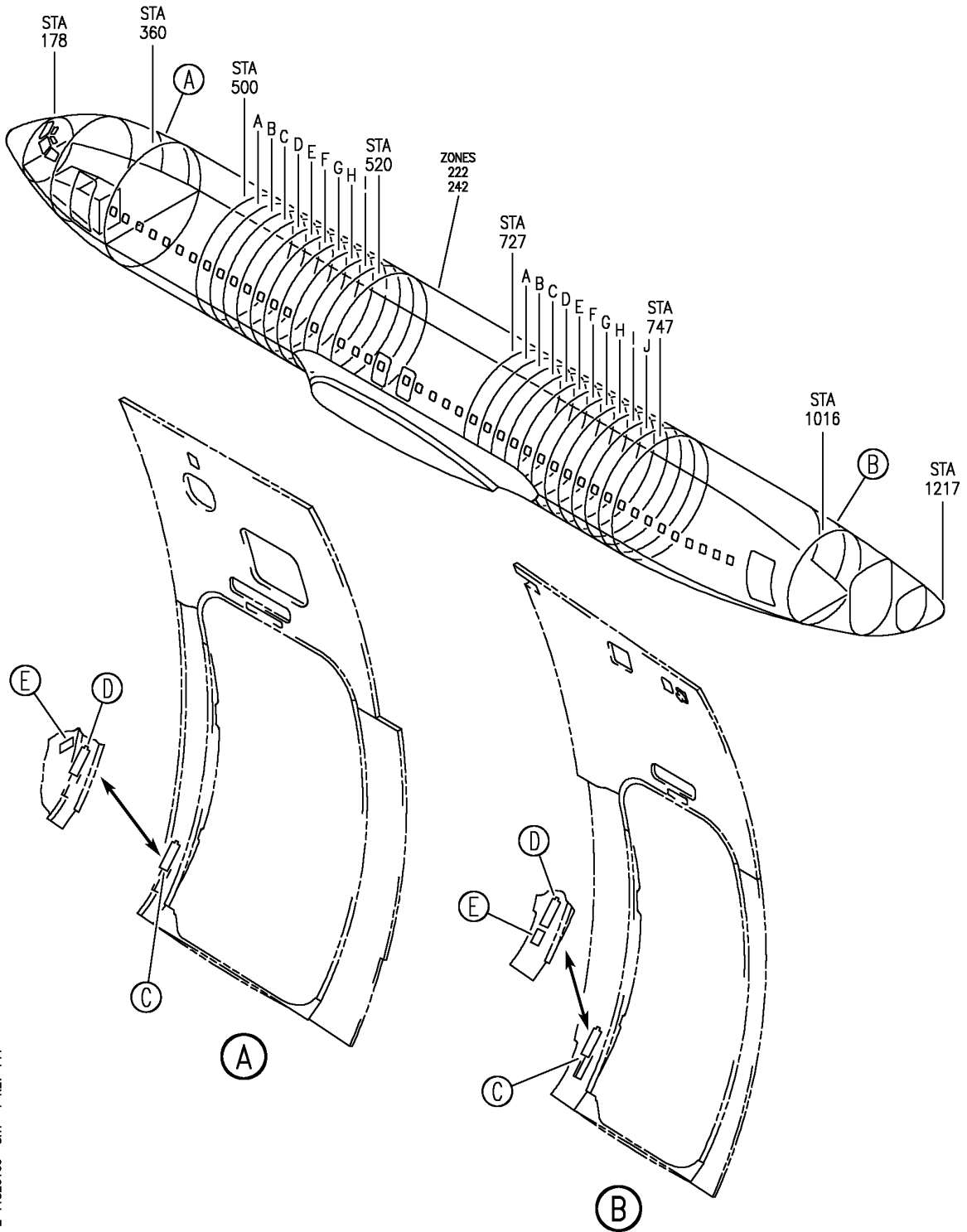
HAP

11-32-01-52

BOEING PROPRIETARY - Copyright © - Unpublished Work - See title page for details.

11-32-01
FIG. 52
PAGE 1
OCT 10/06

BOEING
 737-600/700/800/900
 PARTS CATALOG (MAINTENANCE)



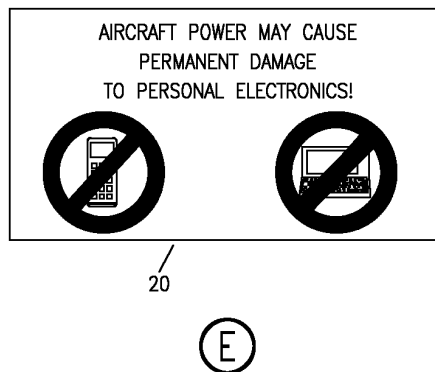
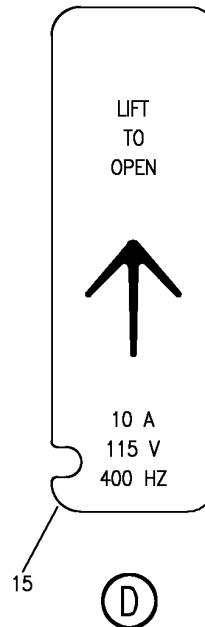
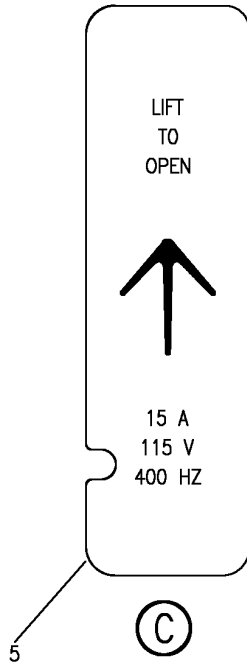
E 11320160 SHT 1 REV 144

EQUIPMENT INSTL-FWD AND AFT RH DOORWAY MISC (PLACARDS AND MARKINGS ONLY)
 FIGURE 60

HAP
 OCT 15/08

11-32-01-60

11-32-01-60
 PAGE 0



E 11320160 SH1 2 REV 144

EQUIPMENT INSTL-FWD AND AFT RH DOORWAY MISC (PLACARDS AND MARKINGS ONLY)
 FIGURE 60

HAP
 OCT 15/08

11-32-01-60

11-32-01-60
 PAGE 0A

 **BOEING**
737-600/700/800/900
PARTS CATALOG (MAINTENANCE)

FIG ITEM	PART NUMBER	1 2 3 4 5 6 7	NOMENCLATURE	EFFECT FROM TO	UNITS PER ASSY
60			EQUIPMENT INSTL-FWD AND AFT RH DOORWAY MISC (PLACARDS AND MARKINGS ONLY)	012200 968999	
- 1	411A2600-2		EQUIPMENT INSTL-MISC (PLACARDS AND MARKINGS ONLY) POSITION DATA: FWD AND AFT RH DOORWAY FOR NHA/OTHER SYS DET SEE: 25-29-00-01B	012027	RF
- 1	411A2600-6		EQUIPMENT INSTL-MISC (PLACARDS AND MARKINGS ONLY) POSITION DATA: FWD AND AFT RH DOORWAY FOR NHA/OTHER SYS DET SEE: 25-29-00-01B	028030	RF
- 1	MODREF90196		EQUIPMENT INSTL-MISC (PLACARDS AND MARKINGS ONLY) MODULE NUMBER: 411A2600-6 REV A POSITION DATA: FWD AND AFT RH DOORWAY FOR OTHER SYS DETAILS SEE: 25-29-59-03	031036	1
- 1	MODREF305332		EQUIPMENT INSTL-MISC (PLACARDS AND MARKINGS ONLY) MODULE NUMBER: 411A2600-6 REV B POSITION DATA: FWD AND AFT RH DOORWAY FOR OTHER SYS DETAILS SEE: 25-29-59-03	037038 968969	1
- 1	MODREF333816		EQUIPMENT INSTL-MISC (PLACARDS AND MARKINGS ONLY) MODULE NUMBER: 411A2600-6 REV C POSITION DATA: FWD AND AFT RH DOORWAY FOR OTHER SYS DETAILS SEE: 25-29-59-03	039200 970999	1
10	BAC29PPS31666		.MARKER-	012027	2
15	BAC29PPS49021		.MARKER-	028200 968999	2

MISSING ITEM NUMBERS NOT APPLICABLE

- ITEM NOT ILLUSTRATED

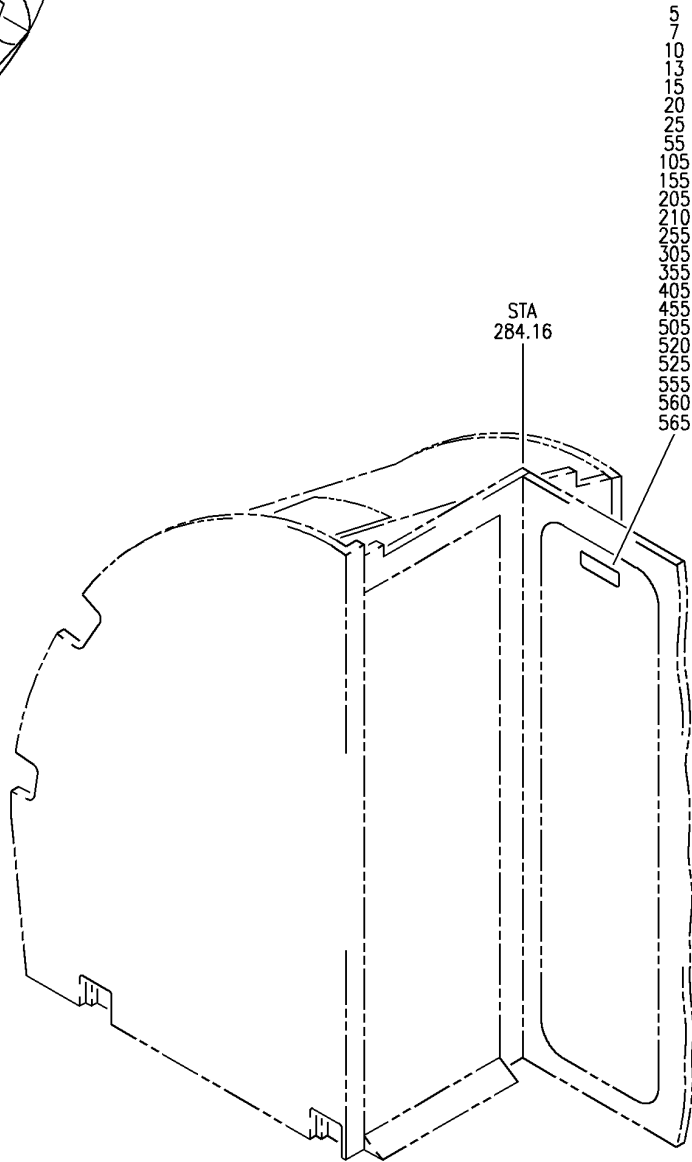
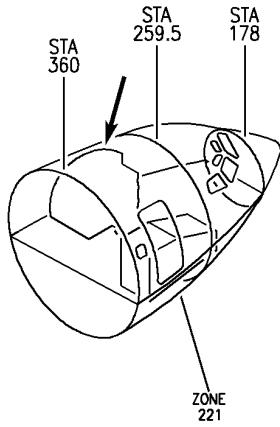
HAP

11-32-01-60

BOEING PROPRIETARY - Copyright © - Unpublished Work - See title page for details.

11-32-01
FIG. 60
PAGE 1
OCT 15/08

BOEING
 737-600/700/800/900
 PARTS CATALOG (MAINTENANCE)



E 11320161 REV 119

PLACARD INSTL-CAB. INTR
 FIGURE 61

11-32-01-61

HAP
 JUN 10/07

11-32-01-61
 PAGE 0

BOEING
737-600/700/800/900
PARTS CATALOG (MAINTENANCE)

FIG ITEM	PART NUMBER	1 2 3 4 5 6 7	NOMENCLATURE	EFFECT FROM TO	UNITS PER ASSY
61			PLACARD INSTL-CAB. INTR	041041 054100	
- 2	MODREF185410		PLACARD INSTL-CAB. INTR MODULE NUMBER: 414A5119-23 REV B FOR ADDITIONAL DETAILS SEE: 11-32-03-89 11-32-04-09A	041041 054100	1
5	BAC29PPS36212		.PLACARD- PLACARD CONTENT: CREW ONLY	041041 054100	1
25	BAC29PPS57956		.MARKER-(MULTI-LANGUAGE) PLACARD CONTENT: CREW ONLY	041041 054100	1

MISSING ITEM NUMBERS NOT APPLICABLE

- ITEM NOT ILLUSTRATED

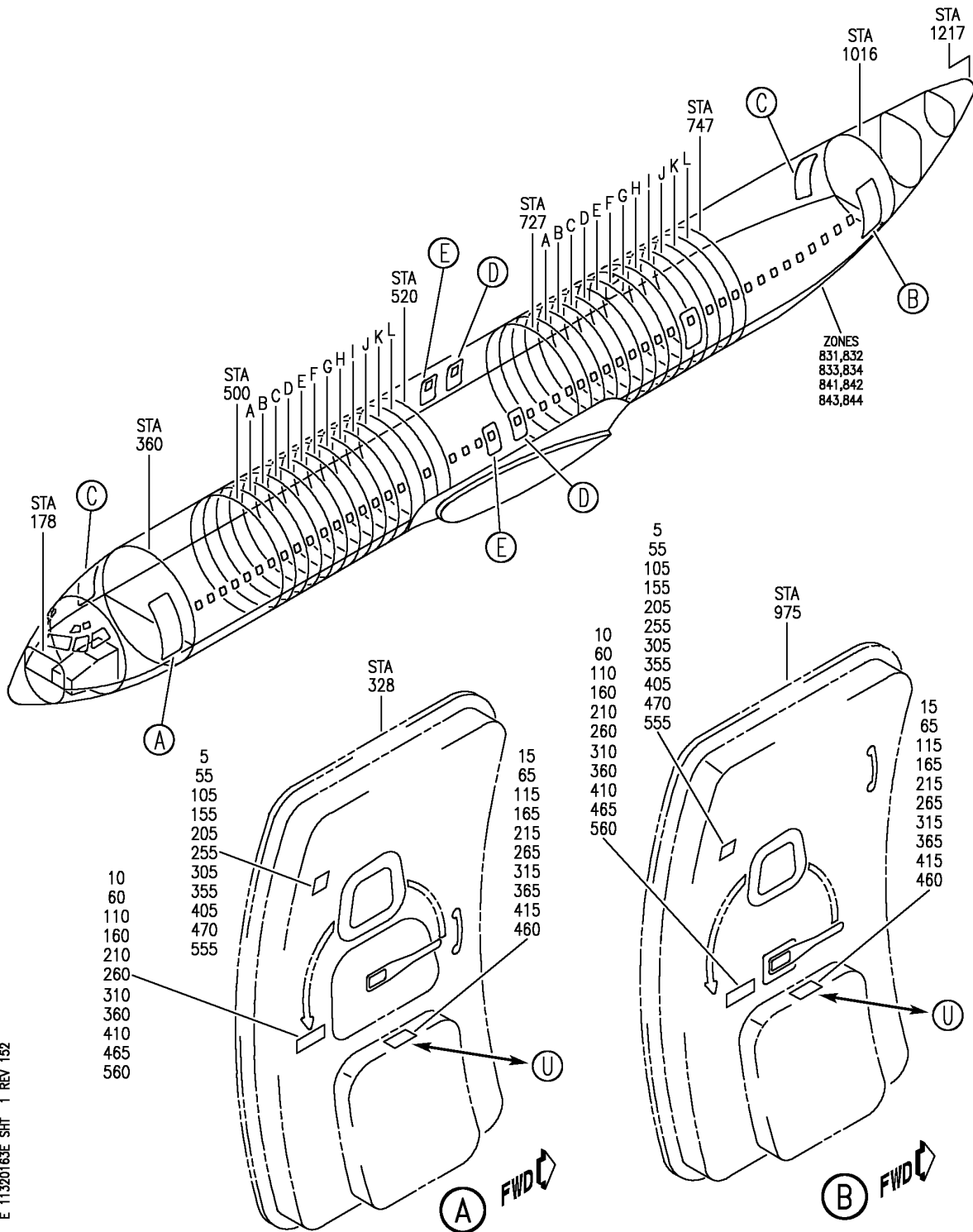
HAP

11-32-01-61

BOEING PROPRIETARY - Copyright © - Unpublished Work - See title page for details.

11-32-01
FIG. 61
PAGE 1
FEB 15/09

BOEING
737-600/700/800/900
PARTS CATALOG (MAINTENANCE)



E 11320163E SHT 1 REV 152

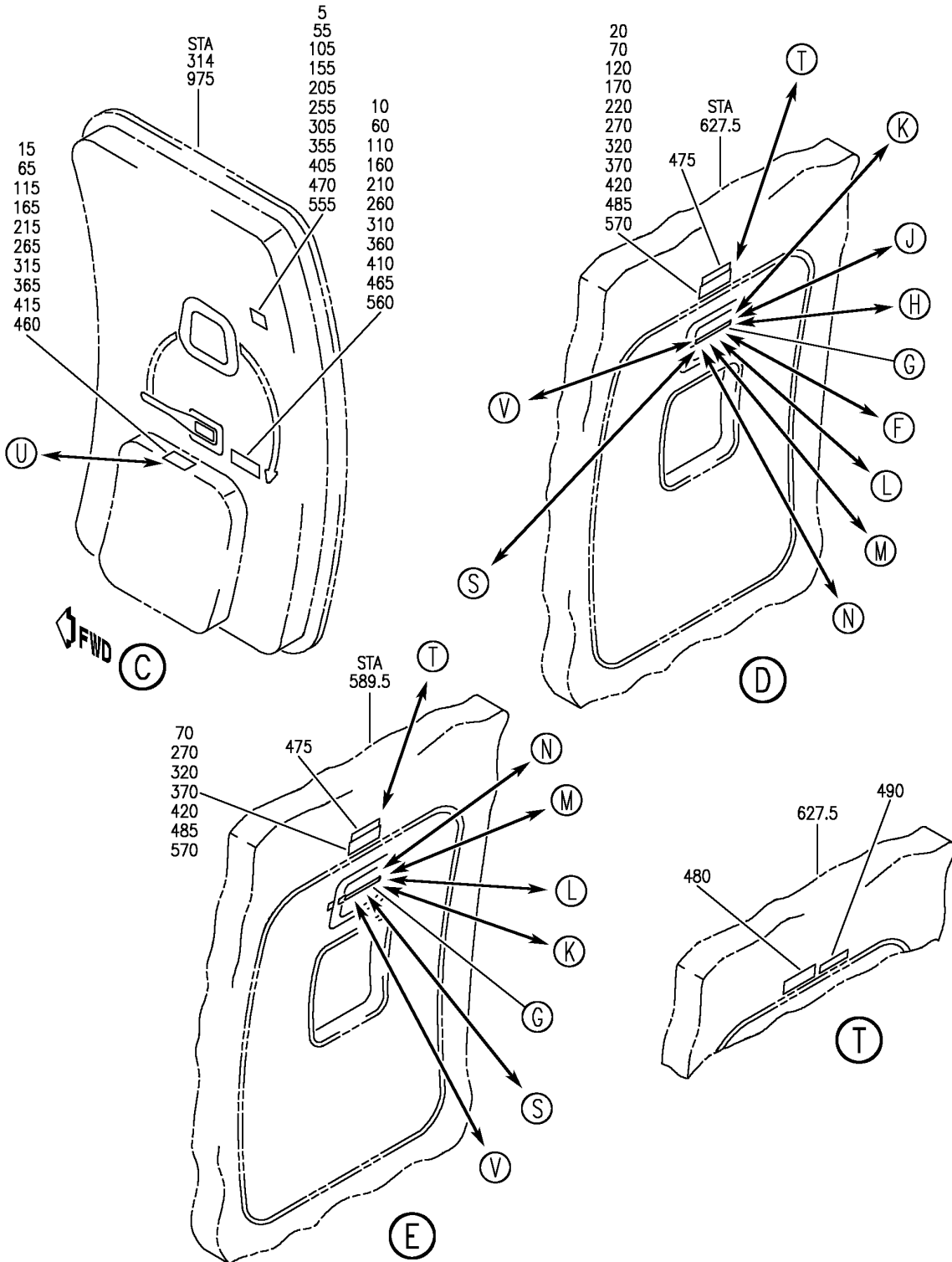
PLACARD INSTL-CAB. INTR ENTRY/SVCE DOORS
FIGURE 63E (SHEET 1)

11-32-01-63E

HAP
JUN 15/09

11-32-01-63E
PAGE 0

BOEING
737-600/700/800/900
PARTS CATALOG (MAINTENANCE)



E 11320163E SHT 2 REV 152

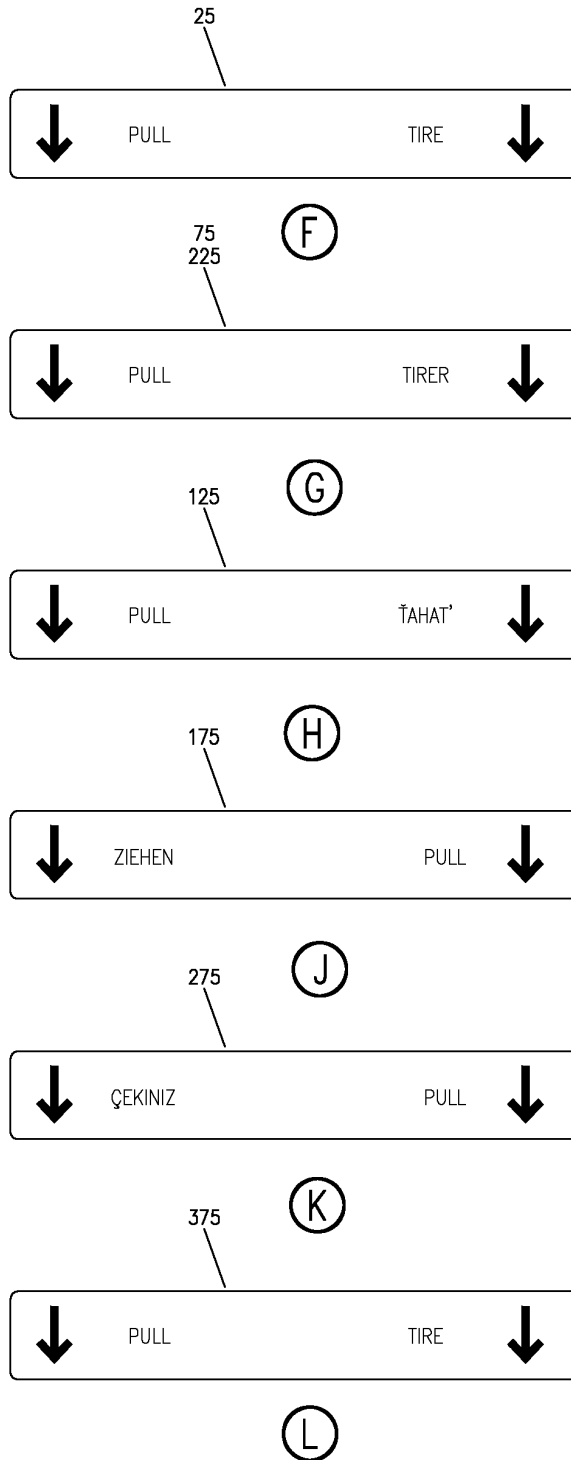
PLACARD INSTL-CAB. INTR ENTRY/SVCE DOORS
FIGURE 63E (SHEET 2)

11-32-01-63E

HAP
JUN 15/09

11-32-01-63E
PAGE 0A

BOEING
 737-600/700/800/900
 PARTS CATALOG (MAINTENANCE)



E 11320163E SHT 3 REV 149

PLACARD INSTL-CAB. INTR ENTRY/SVCE DOORS
 FIGURE 63E (SHEET 3)

11-32-01-63E

HAP
 FEB 15/09

11-32-01-63E
 PAGE 0B



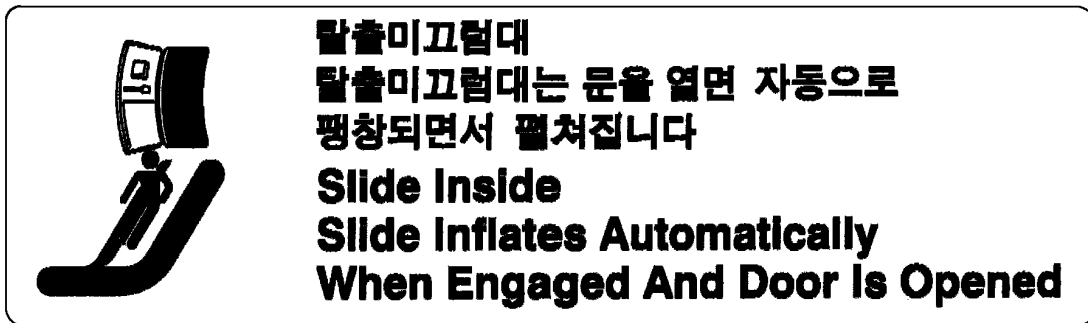
(M)



(N)



(S)



(U)



(V)

E 11320163E SHT 4 REV 152

PLACARD INSTL-CAB. INTR ENTRY/SVCE DOORS
FIGURE 63E (SHEET 4)

11-32-01-63E

BOEING
737-600/700/800/900
PARTS CATALOG (MAINTENANCE)

FIG ITEM	PART NUMBER	1 2 3 4 5 6 7	NOMENCLATURE	EFFECT FROM TO	UNITS PER ASSY
63E			PLACARD INSTL-CAB. INTR ENTRY/SVCE DOORS	107200	
- 150	MODREF391997		PLACARD INSTL-CAB. INTR ENTRY/SVCE DOORS MODULE NUMBER: 414A5109-24 REV C	107200	1
155	BAC29PPS36224		.PLACARD- PLACARD CONTENT: FLAG MUST BE ACROSS WINDOW WHEN SLIDE IS ENGAGED	107200	4
160	BAC29PPS44790		.PLACARD-(MULTI-LANGUAGE) PLACARD CONTENT: OPEN	107200	4
165	BAC29PPS36223		.PLACARD- PLACARD CONTENT: SLIDE INSIDE SLIDE INFLATES AUTOMATICALLY WHEN ENGAGED AND DOOR IS OPENED	107200	4
170	BAC29PPS44789		.PLACARD-(MULTI-LANGUAGE) PLACARD CONTENT: EMERGENCY USE ONLY	107200	2
175	BAC29PPS34946		.PLACARD-(MULTI-LANGUAGE)	107200	2

MISSING ITEM NUMBERS NOT APPLICABLE

- ITEM NOT ILLUSTRATED

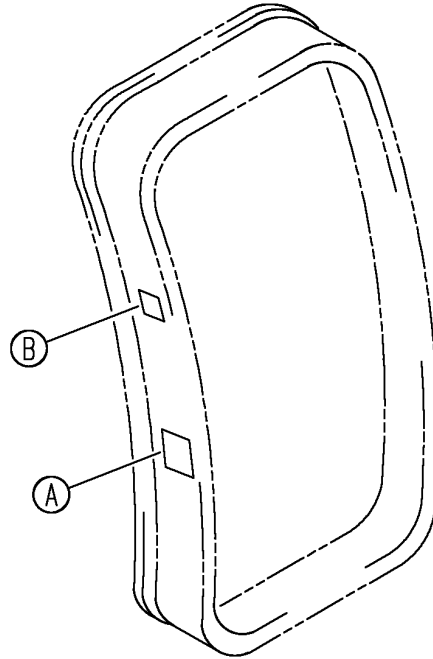
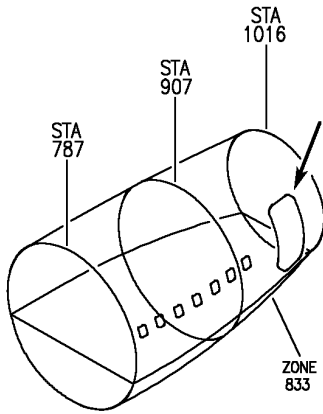
HAP

11-32-01-63E

BOEING PROPRIETARY - Copyright © - Unpublished Work - See title page for details.

11-32-01
FIG. 63E
PAGE 1
FEB 15/09

BOEING
 737-600/700/800/900
 PARTS CATALOG (MAINTENANCE)



10

AIRCRAFT MOD.	_____		
MFR. CODE	_____		
PART NO.	_____		
CONT. NO.	_____		
SERIAL NO.	_____		
CONT.	<input type="checkbox"/>	CUST.	<input type="checkbox"/>
INSP.	<input type="checkbox"/>	INSP.	<input type="checkbox"/>
MODIFICATION INCORPORATED			

(B)

5

DOOR CYCLE LOG		
AIRPLANE SERIAL NO.	AIRPLANE FLIGHT CYCLES AT INSTL	AIRPLANE FLIGHT CYCLES AT REMOVAL

(A)

E 11320164 REV 143

DOOR ASSY-AFT ENTRY (PLACARDS AND MARKINGS ONLY)
 FIGURE 64

11-32-01-64

HAP
 JUN 15/08

11-32-01-64
 PAGE 0

BOEING
737-600/700/800/900
PARTS CATALOG (MAINTENANCE)

FIG ITEM	PART NUMBER	1 2 3 4 5 6 7	NOMENCLATURE	EFFECT FROM TO	UNITS PER ASSY
64			DOOR ASSY-AFT ENTRY (PLACARDS AND MARKINGS ONLY)	031200 968999	
- 1	147A6116-22		DOOR ASSY-ENTRY (PLACARDS AND MARKINGS ONLY) POSITION DATA: AFT FOR NHA/OTHER SYS DET SEE: 52-13-00-01A	031046 054104 968971	RF
- 1	147A6116-24		DOOR ASSY-ENTRY (PLACARDS AND MARKINGS ONLY) POSITION DATA: AFT FOR NHA/OTHER SYS DET SEE: 52-13-00-01A	031046 054104 968971	RF
- 1	147A6116-20		DOOR ASSY-ENTRY (PLACARDS AND MARKINGS ONLY) POSITION DATA: AFT FOR NHA/OTHER SYS DET SEE: 52-13-00-01A	031046 054104 968971	RF
- 1	147A6116-18		DOOR ASSY-ENTRY (PLACARDS AND MARKINGS ONLY) POSITION DATA: AFT FOR NHA/OTHER SYS DET SEE: 52-13-00-01A	031046 054104 968971	RF
- 1	147A6116-14		DOOR ASSY-ENTRY (PLACARDS AND MARKINGS ONLY) POSITION DATA: AFT FOR NHA/OTHER SYS DET SEE: 52-13-00-01A	031046 054104 968971	RF
- 1	147A6116-15		DOOR ASSY-ENTRY (PLACARDS AND MARKINGS ONLY) POSITION DATA: AFT FOR NHA/OTHER SYS DET SEE: 52-13-00-01A	031046 054104 968971	RF
- 1	147A6116-12		DOOR ASSY-ENTRY (PLACARDS AND MARKINGS ONLY) POSITION DATA: AFT FOR NHA/OTHER SYS DET SEE: 52-13-00-01A	031046 054104 968971	RF

MISSING ITEM NUMBERS NOT APPLICABLE

- ITEM NOT ILLUSTRATED

HAP

11-32-01-64

11-32-01
FIG. 64
PAGE 1
FEB 15/09

 **BOEING**
737-600/700/800/900
PARTS CATALOG (MAINTENANCE)

FIG ITEM	PART NUMBER	1 2 3 4 5 6 7	NOMENCLATURE	EFFECT FROM TO	UNITS PER ASSY
64					
- 1	147A6116-10		DOOR ASSY-ENTRY (PLACARDS AND MARKINGS ONLY) POSITION DATA: AFT FOR NHA/OTHER SYS DET SEE: 52-13-00-01A	031046 054104 968971	RF
- 1	147A6116-13		DOOR ASSY-ENTRY (PLACARDS AND MARKINGS ONLY) POSITION DATA: AFT FOR NHA/OTHER SYS DET SEE: 52-13-00-01A	031046 054104 968971	RF
- 1	147A6116-11		DOOR ASSY-ENTRY (PLACARDS AND MARKINGS ONLY) POSITION DATA: AFT FOR NHA/OTHER SYS DET SEE: 52-13-00-01A	031046 054104 968971	RF
- 1	147A6116-5		DOOR ASSY-ENTRY (PLACARDS AND MARKINGS ONLY) POSITION DATA: AFT FOR NHA/OTHER SYS DET SEE: 52-13-00-01A	031046 054104 968971	RF
- 1	147A6116-4		DOOR ASSY-ENTRY (PLACARDS AND MARKINGS ONLY) POSITION DATA: AFT FOR NHA/OTHER SYS DET SEE: 52-13-00-01A	031046 054104 968971	RF
- 1	147A6116-3		DOOR ASSY-ENTRY (PLACARDS AND MARKINGS ONLY) POSITION DATA: AFT FOR NHA/OTHER SYS DET SEE: 52-13-00-01A	031046 054104 968971	RF
- 1	147A6116-2		DOOR ASSY-ENTRY (PLACARDS AND MARKINGS ONLY) POSITION DATA: AFT FOR NHA/OTHER SYS DET SEE: 52-13-00-01A	031046 054104 968971	RF
- 1	147A6116-1		DOOR ASSY-ENTRY (PLACARDS AND MARKINGS ONLY) POSITION DATA: AFT FOR NHA/OTHER SYS DET SEE: 52-13-00-01A	031046 054104 968971	RF

MISSING ITEM NUMBERS NOT APPLICABLE

- ITEM NOT ILLUSTRATED

HAP

11-32-01-64

11-32-01
FIG. 64
PAGE 2
FEB 15/09

BOEING
737-600/700/800/900
PARTS CATALOG (MAINTENANCE)

FIG ITEM	PART NUMBER	1 2 3 4 5 6 7	NOMENCLATURE	EFFECT FROM TO	UNITS PER ASSY
64					
- 2	147A6116-26		DOOR ASSY-ENTRY (PLACARDS AND MARKINGS ONLY) POSITION DATA: AFT FOR NHA/OTHER SYS DET SEE: 52-13-00-01A	031040 042043 047047 101101 105106 968969 972999	RF
R R R R R R R	- 2	147A6116-28	DOOR ASSY-ENTRY (PLACARDS AND MARKINGS ONLY) POSITION DATA: AFT FOR NHA/OTHER SYS DET SEE: 52-13-00-01A	031040 042043 047053 101101 105200 968969 972999	RF
	5	BAC27DBY191	.MARKER- USED ON: 147A6116-1 147A6116-2 147A6116-3 147A6116-4 147A6116-5 147A6116-10 147A6116-11 147A6116-12 147A6116-13 147A6116-14 147A6116-15 147A6116-16 147A6116-17 147A6116-18 147A6116-19 147A6116-20 147A6116-21	031047 054106 968999	1
	10	MS27253F1	.PLATE-IDENT.	031200 968999	1

MISSING ITEM NUMBERS NOT APPLICABLE

- ITEM NOT ILLUSTRATED

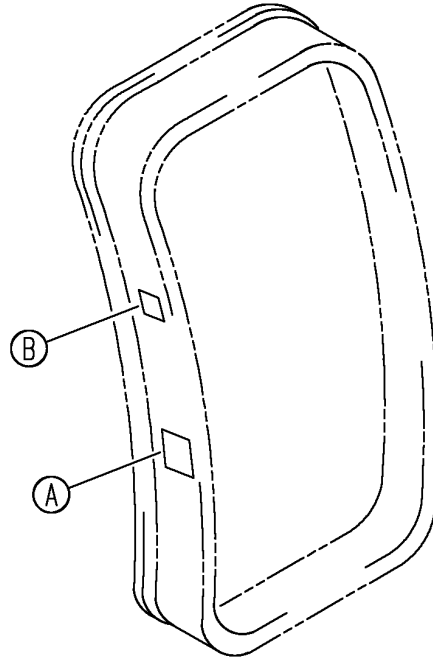
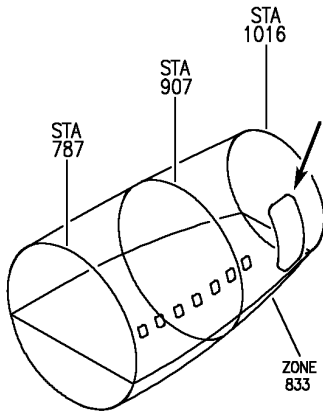
HAP

11-32-01-64

BOEING PROPRIETARY - Copyright © - Unpublished Work - See title page for details.

11-32-01
FIG. 64
PAGE 3
JUN 15/09

BOEING
737-600/700/800/900
PARTS CATALOG (MAINTENANCE)



10

AIRCRAFT MOD.	_____		
MFR. CODE	_____		
PART NO.	_____		
CONT. NO.	_____		
SERIAL NO.	_____		
CONT.	<input type="checkbox"/>	CUST.	<input type="checkbox"/>
INSP.	<input type="checkbox"/>	INSP.	<input type="checkbox"/>
MODIFICATION INCORPORATED			

B

5

DOOR CYCLE LOG		
AIRPLANE SERIAL NO.	AIRPLANE FLIGHT CYCLES AT INSTL	AIRPLANE FLIGHT CYCLES AT REMOVAL

A

E 11320164A REV 149

DOOR ASSY-AFT ENTRY (PLACARDS AND MARKINGS ONLY)
FIGURE 64A

11-32-01-64A

HAP
FEB 15/09

11-32-01-64A
PAGE 0

 **BOEING**
737-600/700/800/900
PARTS CATALOG (MAINTENANCE)

FIG ITEM	PART NUMBER	1 2 3 4 5 6 7	NOMENCLATURE	EFFECT FROM TO	UNITS PER ASSY
64A			DOOR ASSY-AFT ENTRY (PLACARDS AND MARKINGS ONLY)	001030 201967	
- 1	147A6116-1		DOOR ASSY-ENTRY (PLACARDS AND MARKINGS ONLY) POSITION DATA: AFT FOR NHA/OTHER SYS DET SEE: 52-13-00-01	001030 201967	RF
- 1	147A6116-2		DOOR ASSY-ENTRY (PLACARDS AND MARKINGS ONLY) POSITION DATA: AFT FOR NHA/OTHER SYS DET SEE: 52-13-00-01	001030 201967	RF
- 1	147A6116-3		DOOR ASSY-ENTRY (PLACARDS AND MARKINGS ONLY) POSITION DATA: AFT FOR NHA/OTHER SYS DET SEE: 52-13-00-01	001030 201967	RF
- 1	147A6116-4		DOOR ASSY-ENTRY (PLACARDS AND MARKINGS ONLY) POSITION DATA: AFT FOR NHA/OTHER SYS DET SEE: 52-13-00-01	001030 201967	RF
- 1	147A6116-5		DOOR ASSY-ENTRY (PLACARDS AND MARKINGS ONLY) POSITION DATA: AFT FOR NHA/OTHER SYS DET SEE: 52-13-00-01	001030 201967	RF
- 1	147A6116-11		DOOR ASSY-ENTRY (PLACARDS AND MARKINGS ONLY) POSITION DATA: AFT FOR NHA/OTHER SYS DET SEE: 52-13-00-01	001030 201967	RF
- 1	147A6116-13		DOOR ASSY-ENTRY (PLACARDS AND MARKINGS ONLY) POSITION DATA: AFT FOR NHA/OTHER SYS DET SEE: 52-13-00-01	001030 201967	RF

MISSING ITEM NUMBERS NOT APPLICABLE

- ITEM NOT ILLUSTRATED

HAP

11-32-01-64A

BOEING PROPRIETARY - Copyright © - Unpublished Work - See title page for details.

11-32-01
FIG. 64A
PAGE 1
FEB 15/09

 **BOEING**
737-600/700/800/900
PARTS CATALOG (MAINTENANCE)

FIG ITEM	PART NUMBER	1 2 3 4 5 6 7	NOMENCLATURE	EFFECT FROM TO	UNITS PER ASSY
64A					
- 1	147A6116-10		DOOR ASSY-ENTRY (PLACARDS AND MARKINGS ONLY) POSITION DATA: AFT FOR NHA/OTHER SYS DET SEE: 52-13-00-01	001030 201967	RF
- 1	147A6116-12		DOOR ASSY-ENTRY (PLACARDS AND MARKINGS ONLY) POSITION DATA: AFT FOR NHA/OTHER SYS DET SEE: 52-13-00-01	001030 201967	RF
- 1	147A6116-15		DOOR ASSY-ENTRY (PLACARDS AND MARKINGS ONLY) POSITION DATA: AFT FOR NHA/OTHER SYS DET SEE: 52-13-00-01	001030 201967	RF
- 1	147A6116-14		DOOR ASSY-ENTRY (PLACARDS AND MARKINGS ONLY) POSITION DATA: AFT FOR NHA/OTHER SYS DET SEE: 52-13-00-01	001030 201967	RF
- 1	147A6116-18		DOOR ASSY-ENTRY (PLACARDS AND MARKINGS ONLY) POSITION DATA: AFT FOR NHA/OTHER SYS DET SEE: 52-13-00-01	001030 201967	RF
- 1	147A6116-20		DOOR ASSY-ENTRY (PLACARDS AND MARKINGS ONLY) POSITION DATA: AFT FOR NHA/OTHER SYS DET SEE: 52-13-00-01	001030 201967	RF
- 1	147A6116-22		DOOR ASSY-ENTRY (PLACARDS AND MARKINGS ONLY) POSITION DATA: AFT FOR NHA/OTHER SYS DET SEE: 52-13-00-01	001030 201967	RF
- 1	147A6116-24		DOOR ASSY-ENTRY (PLACARDS AND MARKINGS ONLY) POSITION DATA: AFT FOR NHA/OTHER SYS DET SEE: 52-13-00-01	001030 201967	RF
MISSING ITEM NUMBERS NOT APPLICABLE					

- ITEM NOT ILLUSTRATED

HAP

11-32-01-64A

BOEING PROPRIETARY - Copyright © - Unpublished Work - See title page for details.

11-32-01
FIG. 64A
PAGE 2
FEB 15/09

BOEING
737-600/700/800/900
PARTS CATALOG (MAINTENANCE)

FIG ITEM	PART NUMBER	1 2 3 4 5 6 7	NOMENCLATURE	EFFECT FROM TO	UNITS PER ASSY
64A 5	BAC27DBY191		.MARKER- USED ON: 147A6116-1 147A6116-2 147A6116-3 147A6116-4 147A6116-5 147A6116-10 147A6116-11 147A6116-12 147A6116-13 147A6116-14 147A6116-15 147A6116-16 147A6116-17 147A6116-18 147A6116-19 147A6116-20 147A6116-21	001030 201967	1
10	MS27253F1		.PLATE-IDENT.	001030 201967	1

MISSING ITEM NUMBERS NOT APPLICABLE

— ITEM NOT ILLUSTRATED

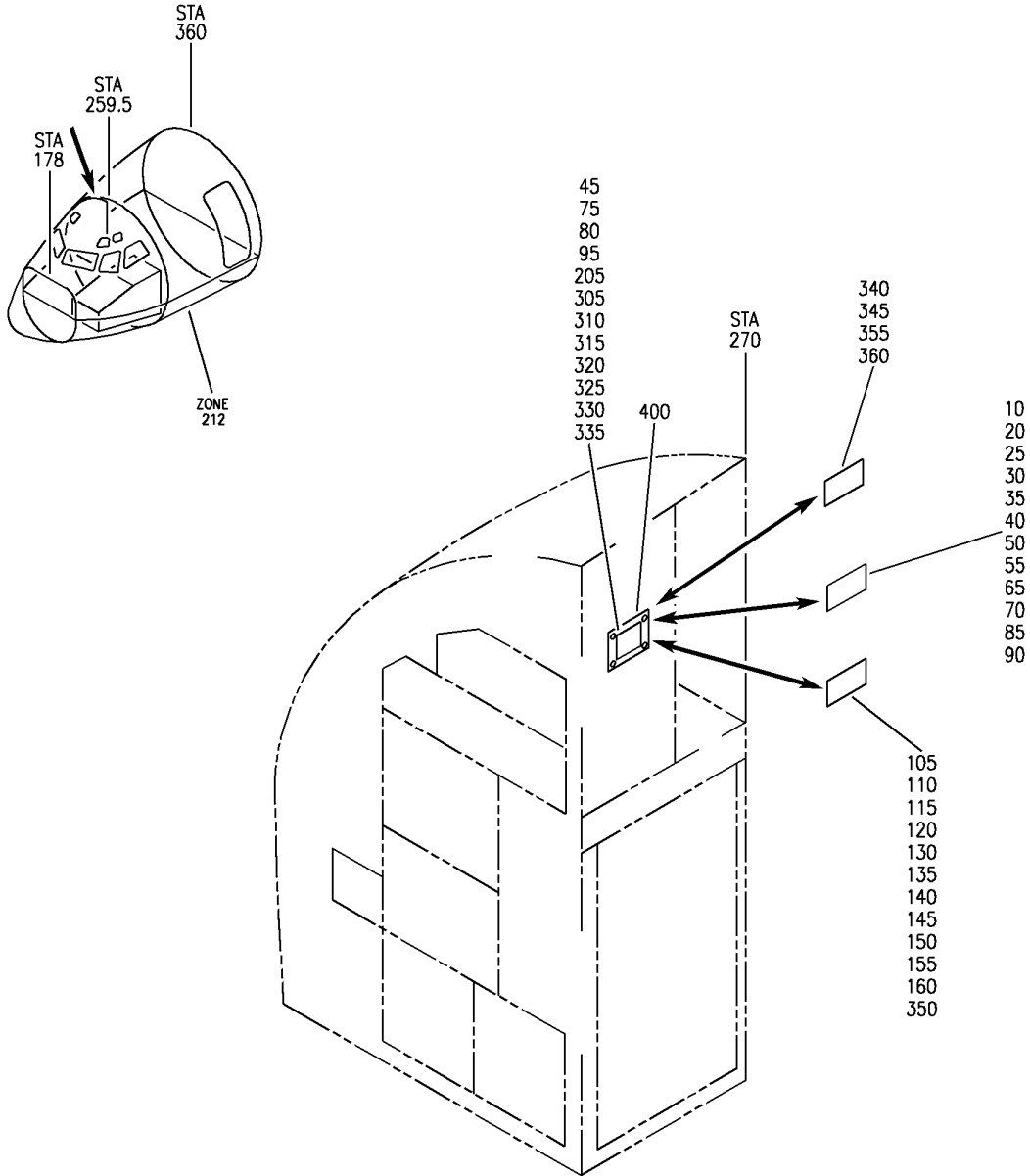
HAP

11-32-01-64A

BOEING PROPRIETARY - Copyright © - Unpublished Work - See title page for details.

11-32-01
FIG. 64A
PAGE 3
FEB 15/09

BOEING
 737-600/700/800/900
 PARTS CATALOG (MAINTENANCE)



For Details See Subsequent Pages

E 11320273 SHT 1 REV 137

NAMEPLATE INSTL-OWNERSHIP (FLIGHT DECK MARKINGS ONLY)
 FIGURE 73 (SHEET 1)

11-32-02-73

HAP
 FEB 15/08

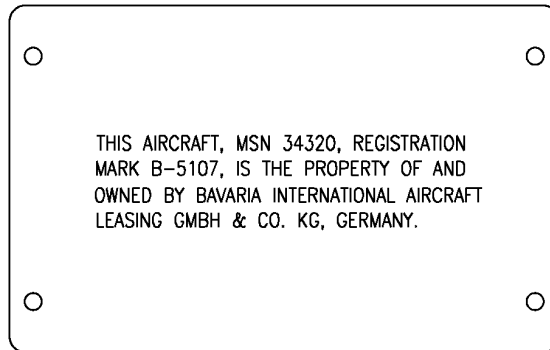
11-32-02-73
 PAGE 0

BOEING
 737-600/700/800/900
 PARTS CATALOG (MAINTENANCE)

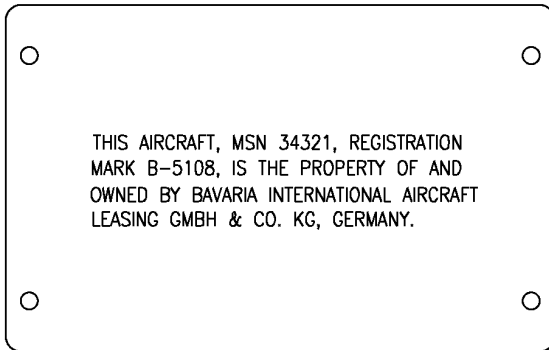
25



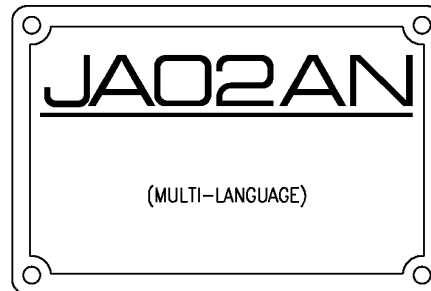
35



40



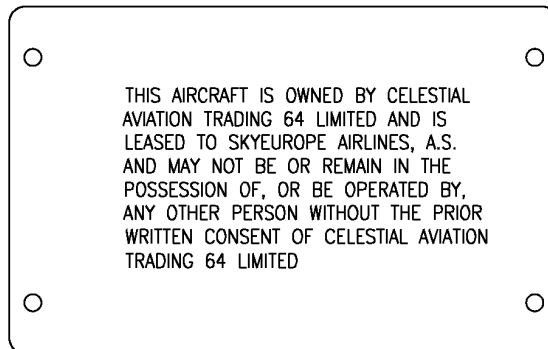
45



50



55



E 11-320273 SH1 2 REV 121

NAMEPLATE INSTL-OWNERSHIP (FLIGHT DECK MARKINGS ONLY)
 FIGURE 73 (SHEET 2)

11-32-02-73

HAP
 JUN 10/07

11-32-02-73
 PAGE 0A

 **BOEING**
737-600/700/800/900
PARTS CATALOG (MAINTENANCE)

65

THIS AIRCRAFT IS OWNED BY
SNC CAMILLE FINANCE 3 - MSN
33042 AND IS MORTGAGED TO
CALYON AS SECURITY TRUSTEE/
FACILITY SECURITY TRUSTEE
AND LEASED TO CHINA EASTERN
AIRLINES CORPORATION LIMITED.

70

THIS AIRCRAFT IS OWNED BY CELESTIAL
AVIATION TRADING 65 LIMITED AND IS
LEASED TO SKYEUROPE AIRLINES, A.S.
AND MAY NOT BE OR REMAIN IN THE
POSSESSION OF, OR BE OPERATED BY,
ANY OTHER PERSON WITHOUT THE PRIOR
WRITTEN CONSENT OF CELESTIAL AVIATION
TRADING 65 LIMITED

80

THIS AIRCRAFT IS OWNED BY
SNC CAMILLE FINANCE 8 - MSN
33046 AND IS MORTGAGED TO
CALYON AS SECURITY TRUSTEE/
FACILITY SECURITY TRUSTEE
AND LEASED TO CHINA EASTERN
AIRLINES CORPORATION LIMITED.

90
100

THIS AIRCRAFT IS OWNED BY CELESTIAL
AVIATION TRADING 66 LIMITED AND IS
LEASED TO SKYEUROPE AIRLINES, A.S.
AND MAY NOT BE OR REMAIN IN THE
POSSESSION OF, OR BE OPERATED BY,
ANY OTHER PERSON WITHOUT THE PRIOR
WRITTEN CONSENT OF CELESTIAL AVIATION
TRADING 66 LIMITED

95

THIS AIRCRAFT IS OWNED BY INTERNATIONAL
LEASE FINANCE CORPORATION
MANUFACTURER'S SERIAL NO: 30714
OWNER'S ADDRESS:
INTERNATIONAL LEASE FINANCE CORPORATION
10250 CONSTELLATION BOULEVARD, SUITE 4300
LOS ANGELES, CALIFORNIA 90067
UNITED STATES OF AMERICA
FAX: (310) 788-1990

E 11320273 SH1 3 REV 130

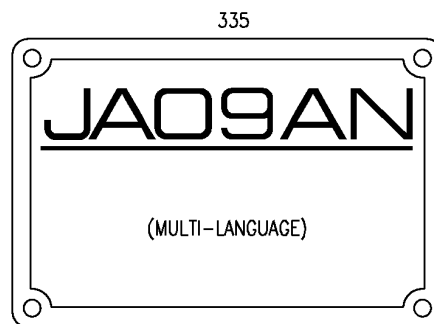
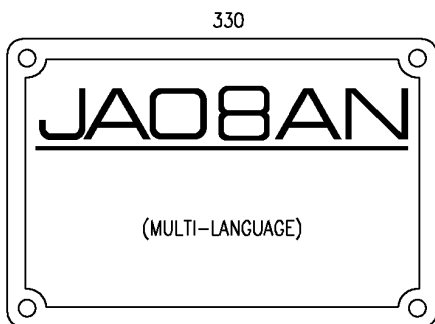
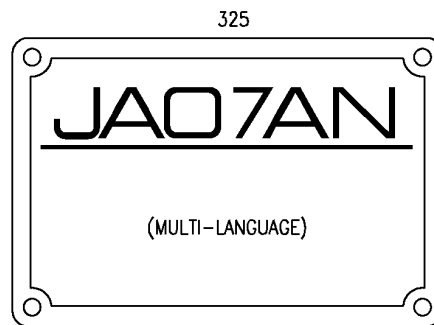
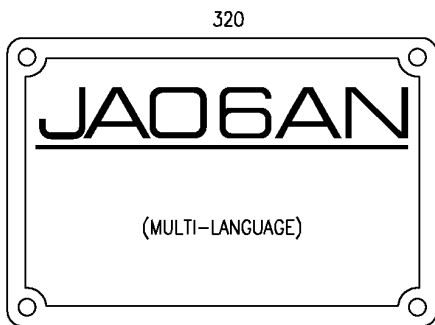
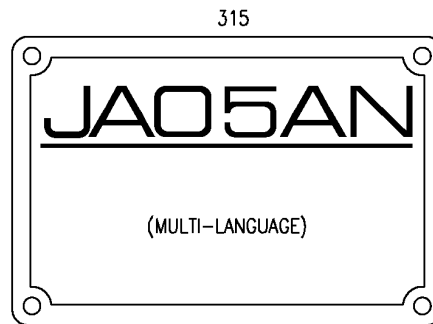
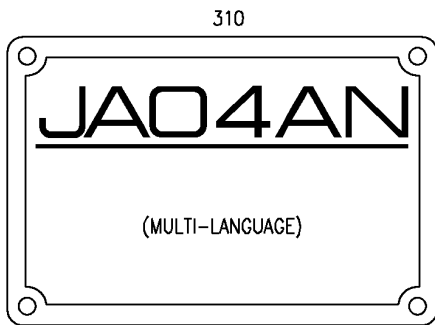
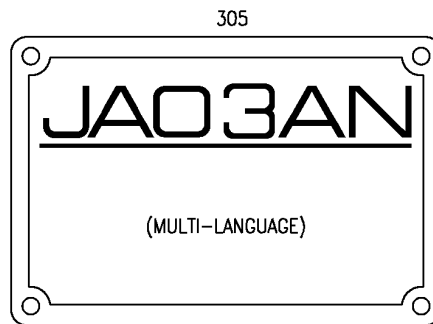
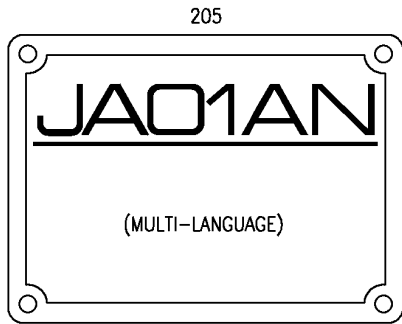
NAMEPLATE INSTL-OWNERSHIP (FLIGHT DECK MARKINGS ONLY)
FIGURE 73 (SHEET 3)

11-32-02-73

HAP
JUN 10/07

11-32-02-73
PAGE 0B

BOEING
737-600/700/800/900
PARTS CATALOG (MAINTENANCE)



E 11320273 SHT 4 REV 127

NAMEPLATE INSTL-OWNERSHIP (FLIGHT DECK MARKINGS ONLY)
FIGURE 73 (SHEET 4)

11-32-02-73

HAP
JUN 10/07

11-32-02-73
PAGE 0C

BOEING PROPRIETARY - Copyright © - Unpublished Work - See title page for details.


BOEING
 737-600/700/800/900
PARTS CATALOG (MAINTENANCE)

105

SUBJECT TO A SECURITY INTEREST
 IN FAVOR OF PNB PARIBAS S.A.
 (ACTING THROUGH ITS NEW YORK
 BRANCH), AS MORTGAGEE.

110

THIS AIRCRAFT IS OWNED BY INTERNATIONAL
 LEASE FINANCE CORPORATION

 MANUFACTURER'S SERIAL NO: 30717
 OWNER'S ADDRESS:

 INTERNATIONAL LEASE FINANCE CORPORATION
 10250 CONSTELLATION BOULEVARD, SUITE 3400
 LOS ANGELES, CALIFORNIA 90067
 UNITED STATES OF AMERICA

 FAX: (310) 788-1990

120

THIS BOEING 737-7K9 AIRCRAFT, MSN 34401
 REGISTRATION MARK OY-MRP, IS OWNED BY
 BAVARIA CAYMAN I LTD., SUBJECT TO A
 MORTGAGE IN FAVOR OF WELLS FARGO BANK
 NORTHWEST, N.A., SECURITY TRUSTEE, LEASED
 TO BAVARIA INTERNATIONAL AIRCRAFT LEASING
 GMBH & CO. KG, SUB-LEASED TO AND
 OPERATED BY STERLING AIRLINES A/S

135

THIS AIRCRAFT IS OWNED BY INTERNATIONAL
 LEASE FINANCE CORPORATION

 MANUFACTURER'S SERIAL NO: 30726
 OWNER'S ADDRESS:

 INTERNATIONAL LEASE FINANCE CORPORATION
 10250 CONSTELLATION BOULEVARD, SUITE 3400
 LOS ANGELES, CALIFORNIA 90067
 UNITED STATES OF AMERICA

 FAX: (310)788-1990

140

SUBJECT TO A SECURITY
 INTEREST IN FAVOR OF BNP
 PARIBAS S.A. (ACTING
 THROUGH ITS NEW YORK
 BRANCH), AS MORTGAGEE

145

SUBJECT TO A SECURITY
 INTEREST IN FAVOR OF THE
 GOVERNOR AND COMPANY
 OF THE BANK OF SCOTLAND,
 AS SECURITY AGENT

345

JA13AN

 (MULTI-LANGUAGE)

350

JA12AN

 (MULTI-LANGUAGE)

E 11320273 SH1 5 REV 134

NAMEPLATE INSTL-OWNERSHIP (FLIGHT DECK MARKINGS ONLY)
FIGURE 73 (SHEET 5)

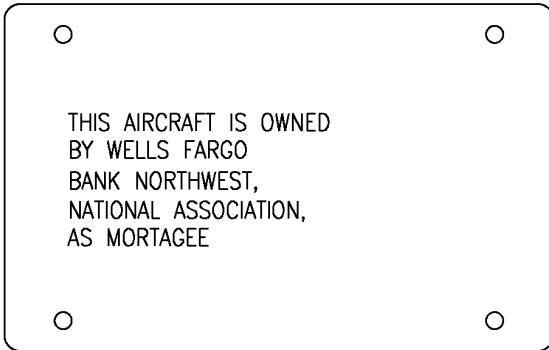
11-32-02-73

HAP
OCT 10/07

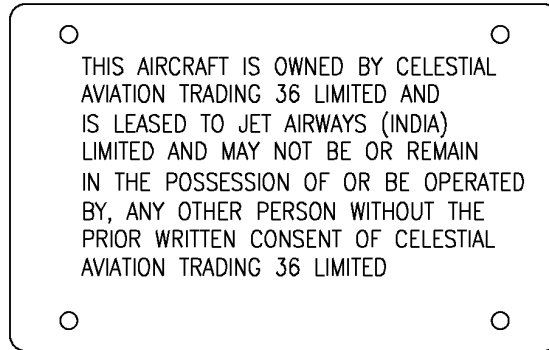
11-32-02-73
PAGE 0D

BOEING
 737-600/700/800/900
 PARTS CATALOG (MAINTENANCE)

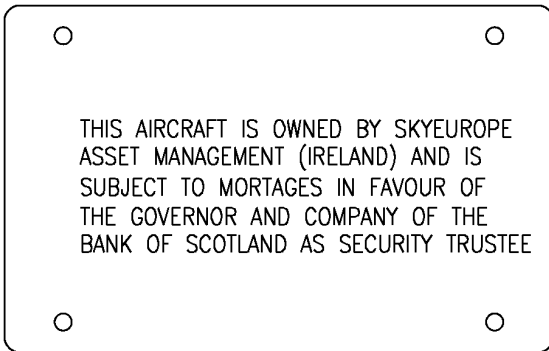
130



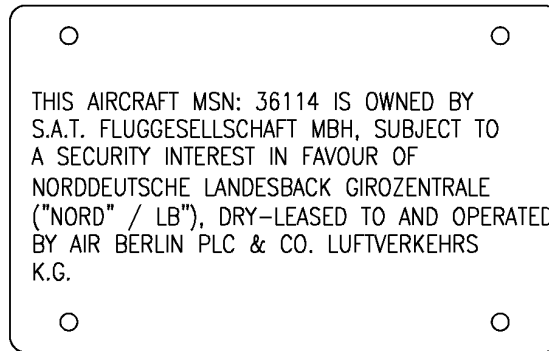
150



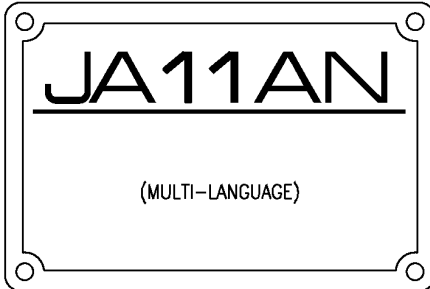
155



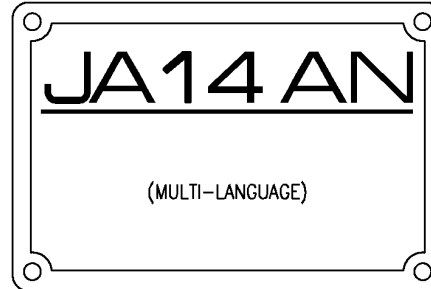
160



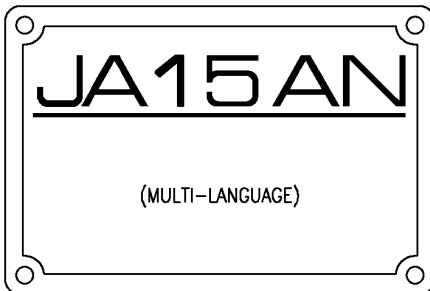
340



355



360



E 11320273 SH1 6 REV 137

NAMEPLATE INSTL-OWNERSHIP (FLIGHT DECK MARKINGS ONLY)
 FIGURE 73 (SHEET 6)

11-32-02-73

HAP
 FEB 15/08

11-32-02-73
 PAGE 0E

BOEING
737-600/700/800/900
PARTS CATALOG (MAINTENANCE)

FIG ITEM	PART NUMBER	1 2 3 4 5 6 7	NOMENCLATURE	EFFECT FROM TO	UNITS PER ASSY
73			NAMEPLATE INSTL-OWNERSHIP (FLIGHT DECK MARKINGS ONLY)	968971	
- 2	MODREF331988		NAMEPLATE INSTL-OWNERSHIP (FLIGHT DECK MARKINGS ONLY) MODULE NUMBER: 414A5203-521 REV A FOR OTHER SYS DETAILS SEE: 11-21-20-73 11-25-03-73 FOR ADDITIONAL DETAILS SEE: 11-32-51-73A	968968	1
- 2	MODREF335518		NAMEPLATE INSTL-OWNERSHIP (FLIGHT DECK MARKINGS ONLY) MODULE NUMBER: 414A5203-540 REV A FOR OTHER SYS DETAILS SEE: 11-21-20-73 11-25-03-73 FOR ADDITIONAL DETAILS SEE: 11-32-51-73A	969969	1
- 3	MODREF343596		NAMEPLATE INSTL-OWNERSHIP (FLIGHT DECK MARKINGS ONLY) MODULE NUMBER: 414A5203-588 REV A FOR OTHER SYS DETAILS SEE: 11-21-20-73 11-25-03-73 FOR ADDITIONAL DETAILS SEE: 11-32-51-73A	970971	1
95	BAC29PPS60953		.MARKER	968968	1
110	BAC29PPS61009		.MARKER	969969	1
135	BAC29PPS61475		.MARKER	970971	1

MISSING ITEM NUMBERS NOT APPLICABLE

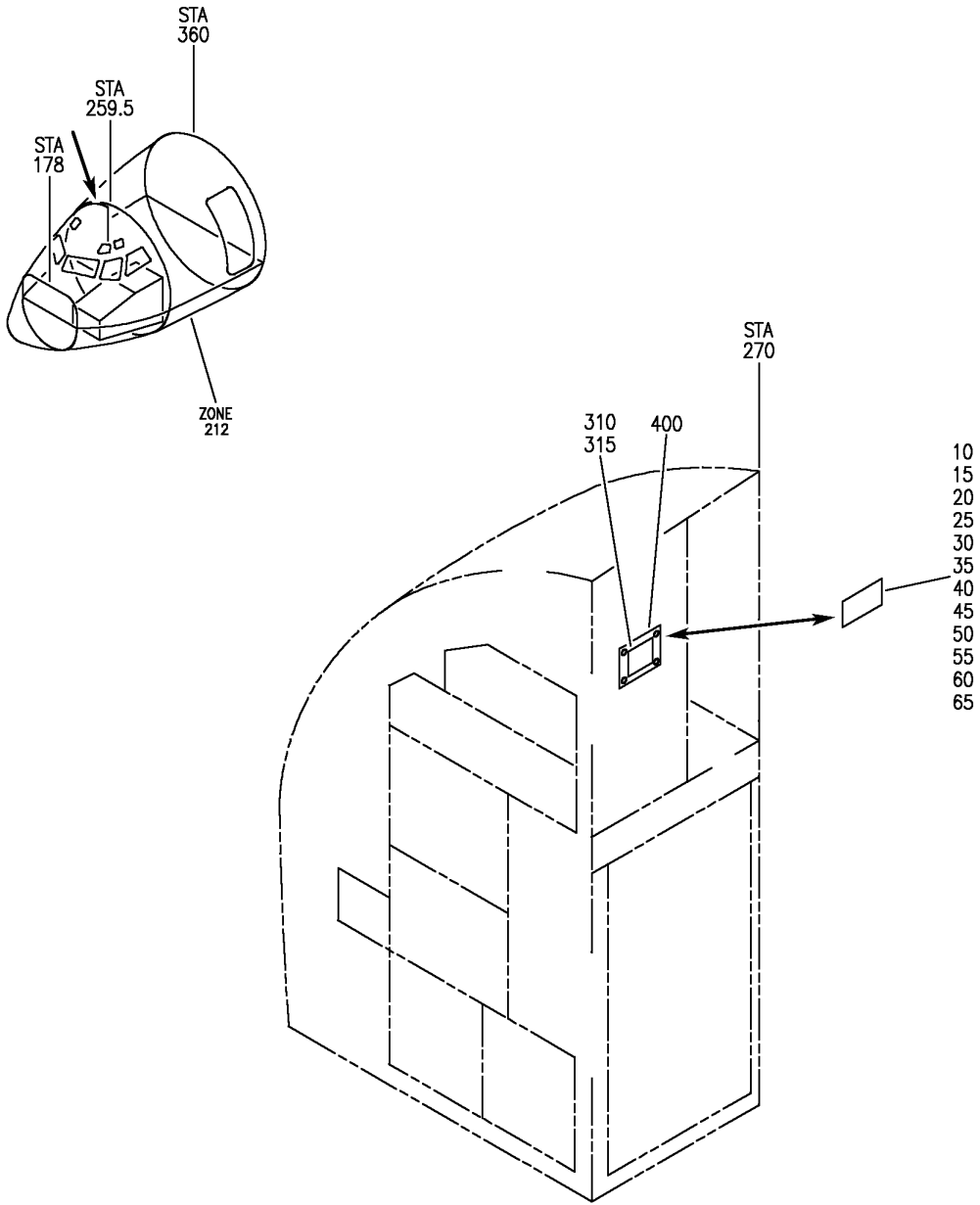
- ITEM NOT ILLUSTRATED

HAP

11-32-02-73

11-32-02
FIG. 73
PAGE 1
FEB 15/08

BOEING
 737-600/700/800/900
 PARTS CATALOG (MAINTENANCE)



For Details See Subsequent Pages

E 11320273A SHT 1 REV 154

NAMEPLATE INSTL-OWNERSHIP (FLIGHT DECK MARKINGS ONLY)
 FIGURE 73A (SHEET 1)

11-32-02-73A

HAP
 JUN 15/09

11-32-02-73A
 PAGE 0


BOEING
 737-600/700/800/900
PARTS CATALOG (MAINTENANCE)

10

THIS AIRCRAFT IS LEASED
 BY AEROVÍAS DE MÉXICO,
 S.A. DE C.V. FROM CIT
 AEROSPACE INTERNATIONAL,
 AS OWNER/LESSOR.

15

SUBJECT TO A SECURITY
 INTEREST IN FAVOR OF WELLS
 FARGO BANK NORTHWEST,
 NATIONAL ASSOCIATION, AS
 MORTGAGEE

20

THIS AIRCRAFT IS OWNED BY INTERNATIONAL
 LEASE FINANCE CORPORATION
 MANUFACTURER'S SERIAL NO: 35282
 OWNER'S ADDRESS:
 INTERNATIONAL LEASE FINANCE CORPORATION
 10250 CONSTELLATION BOULEVARD, SUITE 3400
 LOS ANGELES, CALIFORNIA 90067
 UNITED STATES OF AMERICA
 FAX: (310) 788-1990

25

THIS AIRCRAFT IS OWNED BY
 CHISHIMA REAL ESTATE CO., LTD
 AND IS OPERATED BY SKYEUROPE
 AIRLINES, A.S.

30

THIS AIRCRAFT IS OWNED BY INTERNATIONAL
 LEASE FINANCE CORPORATION
 MANUFACTURER'S SERIAL NO: 35277
 OWNER'S ADDRESS
 INTERNATIONAL LEASE FINANCE CORPORATION
 10250 CONSTELLATION BOULEVARD, SUITE 3400
 LOS ANGELES, CALIFORNIA 90067
 UNITED STATES OF AMERICA
 FAX: (310) 788-1990

35

THIS AIRCRAFT IS OWNED BY ARIK
 AIR LIMITED AND IS SUBJECT TO A
 CHARGE IN FAVOUR OF UNION BANK
 OF NIGERIA PLC, 36, MARINA,
 LAGOS.

E 11320273A SH1 2 REV 145

NAMEPLATE INSTL-OWNERSHIP (FLIGHT DECK MARKINGS ONLY)
 FIGURE 73A (SHEET 2)

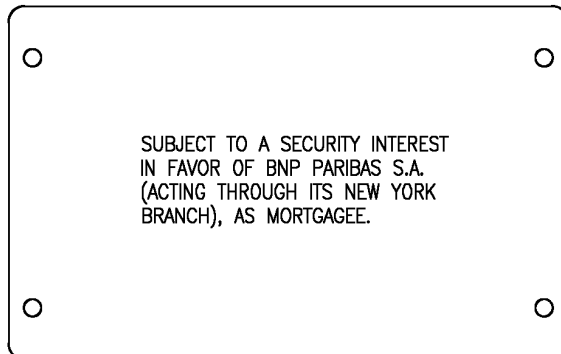
11-32-02-73A

HAP
OCT 15/08

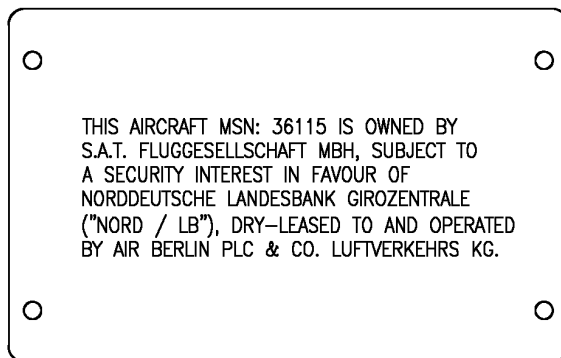
11-32-02-73A
 PAGE 0A

BOEING
737-600/700/800/900
PARTS CATALOG (MAINTENANCE)

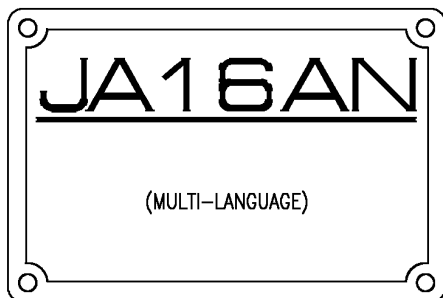
40



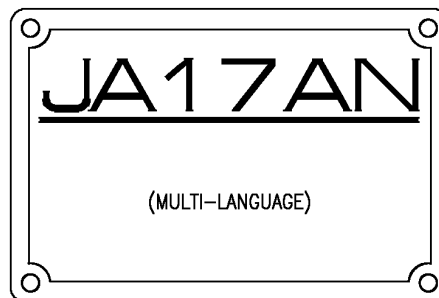
45



310



315



E 11320273A SHT 3 REV 147

NAMEPLATE INSTL-OWNERSHIP (FLIGHT DECK MARKINGS ONLY)
 FIGURE 73A (SHEET 3)

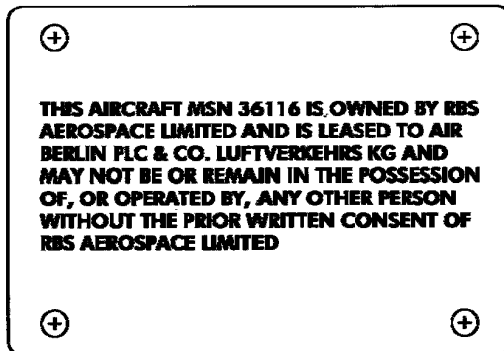
11-32-02-73A

HAP
 OCT 15/08

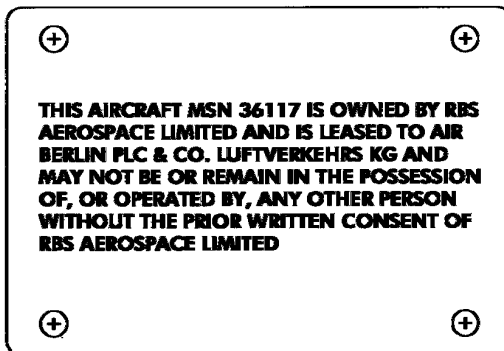
11-32-02-73A
 PAGE 0B

BOEING
737-600/700/800/900
PARTS CATALOG (MAINTENANCE)

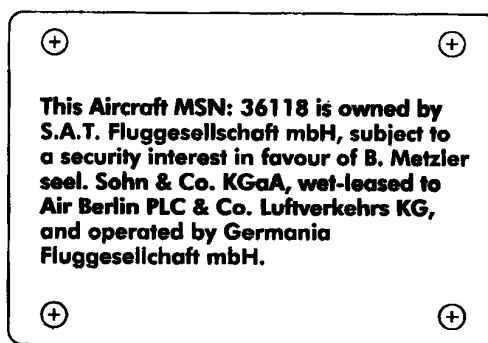
50



55



65



E 11320273A SH1 4 REV 154

NAMEPLATE INSTL-OWNERSHIP (FLIGHT DECK MARKINGS ONLY)
FIGURE 73A (SHEET 4)

11-32-02-73A

HAP
JUN 15/09

11-32-02-73A
PAGE 0C

BOEING
737-600/700/800/900
PARTS CATALOG (MAINTENANCE)

FIG ITEM	PART NUMBER	1 2 3 4 5 6 7	NOMENCLATURE	EFFECT FROM TO	UNITS PER ASSY
73A			NAMEPLATE INSTL-OWNERSHIP (FLIGHT DECK MARKINGS ONLY)	972999	
- 1	MODREF380237		NAMEPLATE INSTL-OWNERSHIP (FLIGHT DECK MARKINGS ONLY) MODULE NUMBER: 414A5203-768 REV A FOR OTHER SYS DETAILS SEE: 11-21-20-73 11-25-03-73A FOR ADDITIONAL DETAILS SEE: 11-32-51-73B	972972	1
- 1	MODREF384622		NAMEPLATE INSTL-OWNERSHIP (FLIGHT DECK MARKINGS ONLY) MODULE NUMBER: 414A5203-782 REV B FOR OTHER SYS DETAILS SEE: 11-21-20-73 11-25-03-73A FOR ADDITIONAL DETAILS SEE: 11-32-51-73B	973999	1
20	BAC29PPS63203		.PLACARD	972972	1
30	BAC29PPS63263		.PLACARD	973999	1

MISSING ITEM NUMBERS NOT APPLICABLE

- ITEM NOT ILLUSTRATED

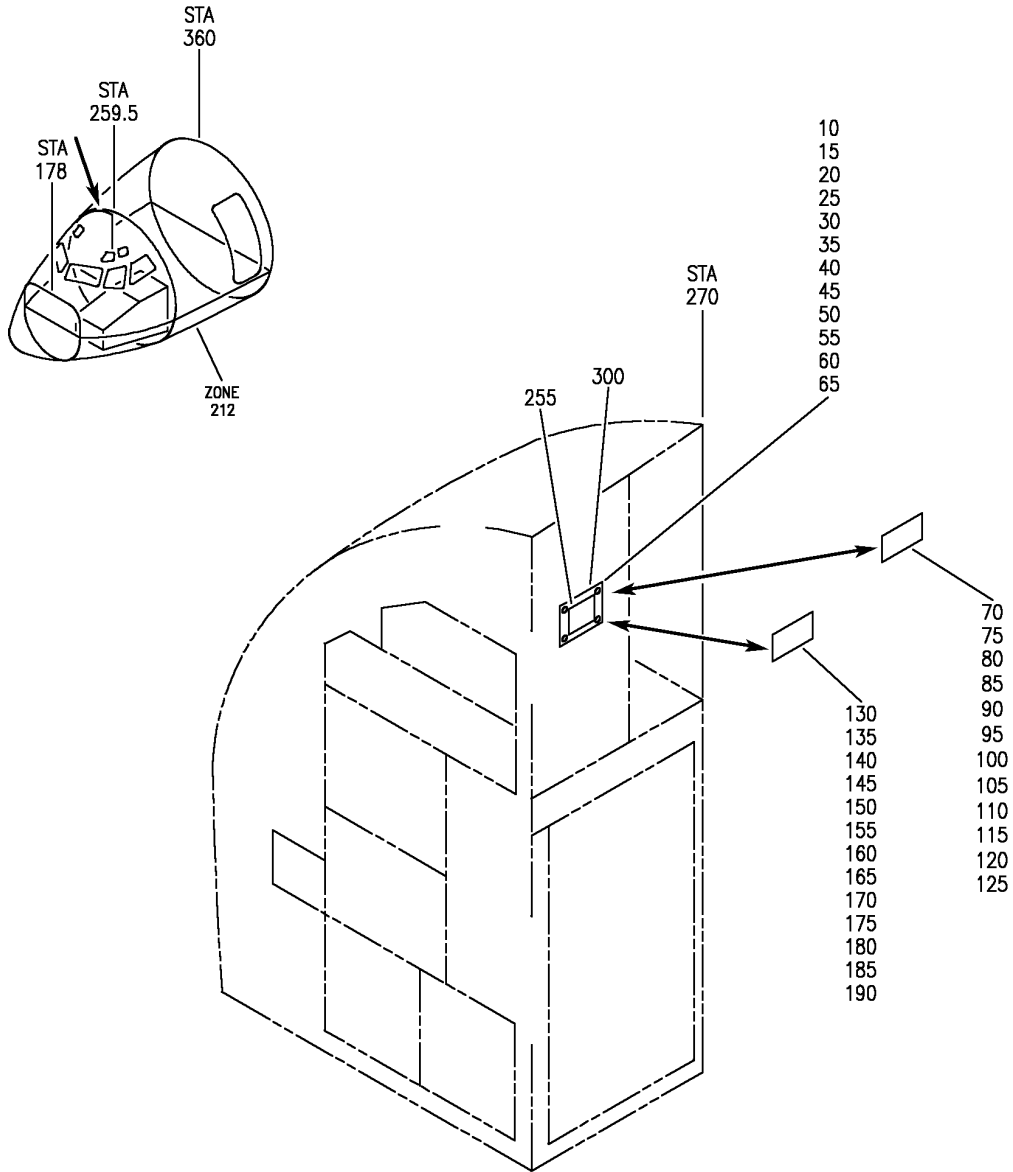
HAP

11-32-02-73A

BOEING PROPRIETARY - Copyright © - Unpublished Work - See title page for details.

11-32-02
FIG. 73A
PAGE 1
OCT 15/08

BOEING
 737-600/700/800/900
 PARTS CATALOG (MAINTENANCE)



For Details See Subsequent Pages

E 11320285C SHT 1 REV 141

NAMEPLATE INSTL-OWNERSHIP (FLIGHT DECK MARKINGS ONLY)
 FIGURE 85C (SHEET 1)

11-32-02-85C

HAP
 JUN 15/08

11-32-02-85C
 PAGE 0


BOEING
 737-600/700/800/900
PARTS CATALOG (MAINTENANCE)

10

THIS AIRCRAFT IS OWNED BY CELESTIAL AVIATION TRADING 71 LIMITED AND IS LEASED TO SPICEJET LIMITED AND MAY NOT BE OR REMAIN IN THE POSSESSION OF, OR BE OPERATED BY, ANY OTHER PERSON WITHOUT THE PRIOR WRITTEN CONSENT OF CELESTIAL AVIATION TRADING 71 LIMITED

20

THIS AIRCRAFT IS OWNED BY NBB FRANKFURT LEASE CO., LTD AND IS LEASED TO TUI AG AND IS SUBJECT TO AN AIRCRAFT PLEDGE AND AN AIRCRAFT MORTGAGE IN FAVOR OF NATIXIS AS SECURITY AGENT FOR AND BEHALF OF CERTAIN BANKS AND FINANCIAL INSTITUTIONS.
 MANUFACTURER'S SERIAL NUMBER: 35133
 REGISTRATION: OO-JAF

25

THIS AIRFRAME IS OWNED BY POP II LLC, LEASED TO GOL TRANSPORTES AEREOS S.A., AND SUBJECT TO A MORTGAGE IN FAVOR OF WELLS FARGO BANK NORTHWEST, NATIONAL ASSOCIATION, AS MORTGAGEE

35

THIS AIRCRAFT IS OWNED BY CELESTIAL AVIATION TRADING 12 LIMITED AND IS LEASED TO AIR CHINA LIMITED AND MAY NOT BE OR REMAIN IN THE POSSESSION OF, OR BE OPERATED BY, ANY OTHER PERSON WITHOUT THE PRIOR WRITTEN CONSENT OF CELESTIAL AVIATION TRADING 12 LIMITED

40

THIS AIRCRAFT IS OWNED BY KING LEASING XII LLC, OPERATED BY RYANAIR LTD. UNDER A LEASE AGREEMENT AND SUBJECT TO A LIEN IN FAVOR OF WELLS FARGO BANK NORTHWEST, NATIONAL ASSOCIATION, AS SECURITY TRUSTEE ACTING ON BEHALF OF CERTAIN SECURED PARTIES

45

THIS AIRFRAME IS OWNED BY BUTFI 1 S.A.S., LEASED TO BOP I LLC, SUBLEASED TO GOL TRANSPORTES AEREOS S.A., AND SUBJECT TO A MORTGAGE IN FAVOR OF WELLS FARGO BANK NORTHWEST, NATIONAL ASSOCIATION, AS SECURITY TRUSTEE

E 11320285C SH1 2 REV 137

NAMEPLATE INSTL-OWNERSHIP (FLIGHT DECK MARKINGS ONLY)
 FIGURE 85C (SHEET 2)

11-32-02-85C

HAP
 FEB 15/08

11-32-02-85C
 PAGE 0A


BOEING
 737-600/700/800/900
PARTS CATALOG (MAINTENANCE)

50

THIS AIRCRAFT IS OWNED BY INTERNATIONAL LEASE FINANCE CORPORATION

MANUFACTURER'S SERIAL NO 30728

OWNER'S ADDRESS:

INTERNATIONAL LEASE FINANCE CORPORATION
 10250 CONSTELLATION BOULEVARD, SUITE 3400
 LOS ANGELES, CALIFORNIA 90067
 UNITED STATES OF AMERICA

FAX: (310) 788-1990

55

THIS AIRCRAFT/ENGINE IS OWNED BY EDEN IRISH AIRCRAFT LEASING MSN 34970 LIMITED

MANUFACTURER'S SERIAL NO: 34970

OWNER'S ADDRESS:

EDEN IRISH AIRCRAFT LEASING MSN 34970 LIMITED
 AERCAP HOUSE
 SHANNON, CO CLARE
 IRELAND

60

B-5341

THIS AIRCRAFT IS OWNED BY INVESTIMA 29 S.A.S., A COMPANY INCORPORATED IN FRANCE, AND IS MORTGAGED TO NATIXIS, A COMPANY INCORPORATED IN FRANCE, AS SECURITY TRUSTEE AND LEASED TO AIR CHINA LIMITED.

65

THIS AIRCRAFT IS OWNED BY CELESTIAL AVIATION TRADING 54 LIMITED AND IS LEASED TO AMC AIRLINES SAE AND MAY NOT BE OR REMAIN IN THE POSSESSION OF, OR BE OPERATED BY, ANY OTHER PERSON WITHOUT THE PRIOR WRITTEN CONSENT OF CELESTIAL AVIATION TRADING 54 LIMITED

70

THIS AIRCRAFT IS OWNED BY WELLS FARGO BANK NORTHWEST N.A., NOT IN ITS INDIVIDUAL CAPACITY BUT SOLELY AS OWNER TRUSTEE, AND IS LEASED TO GOL TRANSPORTES AEREOS S.A. AND MAY NOT BE OR REMAIN IN THE POSSESSION OF OR BE OPERATED BY, ANY OTHER PERSON WITHOUT THE PRIOR WRITTEN CONSENT OF WELLS FARGO BANK NORTHWEST N.A.

75

THIS AIRCRAFT IS OWNED BY YAMASA SANGYO AIRCRAFT FR1 KUMIAI AS LESSOR REPRESENTED BY ITS MANAGING PARTNER YAMASA SANGYO CO., LTD. AND IS SUBJECT TO A FIRST PRIORITY MORTGAGE IN FAVOUR OF ING BANK N.V. (AS SECURITY AGENT)

E 11-32-02-85C SHT 3 REV 137

NAMEPLATE INSTL-OWNERSHIP (FLIGHT DECK MARKINGS ONLY)
 FIGURE 85C (SHEET 3)

11-32-02-85C

HAP
 FEB 15/08

11-32-02-85C
 PAGE 0B


BOEING
 737-600/700/800/900
PARTS CATALOG (MAINTENANCE)

80

THIS AIRCRAFT IS OWNED BY YAMASA SANGYO AIRCRAFT FR2 KUMAI AS LESSOR REPRESENTED BY ITS MANAGING PARTNER YAMASA SANGYO CO., LTD. AND IS SUBJECT TO A FIRST PRIORITY MORTGAGE IN FAVOUR OF BNP PARIBAS (AS SECURITY AGENT)

85

THIS AIRCRAFT IS OWNED BY WELLS FARGO BANK NORTHWEST N.A., NOT IN ITS INDIVIDUAL CAPACITY BUT SOLELY AS OWNER TRUSTEE, AND IS LEASED TO GOL TRANSPORTES AEREOS S.A. AND MAY NOT BE OR REMAIN IN THE POSSESSION OF OR BE OPERATED BY, ANY OTHER PERSON WITHOUT THE PRIOR WRITTEN CONSENT OF WELLS FARGO BANK NORTHWEST N.A.

95

THIS AIRCRAFT IS OWNED BY YAMASA SANGYO AIRCRAFT FR3 KUMAI AS LESSOR REPRESENTED BY ITS MANAGING PARTNER YAMASA SANGYO CO., LTD. AND IS SUBJECT TO A FIRST PRIORITY MORTGAGE IN FAVOUR OF CALYON (AS SECURITY AGENT)

100

THIS AIRCRAFT IS OWNED BY RBS AEROSPACE LIMITED AND IS LEASED TO TUI TRAVEL PLC AND SUBLEASED TO TUI AIRLINES NEDERLAND BV AND MAY NOT BE OR REMAIN IN THE POSSESSION OF, OR BE OPERATED BY, ANY OTHER PERSON WITHOUT THE PRIOR WRITTEN CONSENT OF RBS AEROSPACE LIMITED

105

THIS AIRCRAFT IS OWNED BY SALE CAYMAN (35077) LIMITED AND IS MORTGAGED TO HSH NORDBANK AG SINGAPORE BRANCH AS MORTGAGEE

115

THIS AIRCRAFT IS OWNED BY FLYING HORSE LLC, OPERATED BY PEGASUS HAVA TASIMACILIGI, A.S. UNDER A LEASE AGREEMENT AND SUBJECT TO A LIEN IN FAVOR OF WELLS FARGO BANK NORTHWEST, NATIONAL ASSOCIATION, AS SECURITY TRUSTEE ACTING ON BEHALF OF CERTAIN SECURED PARTIES

E 11320285C SHT 4 REV 137

NAMEPLATE INSTL-OWNERSHIP (FLIGHT DECK MARKINGS ONLY)
FIGURE 85C (SHEET 4)

11-32-02-85C

HAP
FEB 15/08

11-32-02-85C
PAGE 0C


BOEING
 737-600/700/800/900
PARTS CATALOG (MAINTENANCE)

120

THIS AIRCRAFT IS OWNED BY AWAS
 35793 C/- AWAS (IRELAND) LIMITED
 AND LEASED TO OKAY AIRWAYS
 COMPANY LIMITED WITH A MORTGAGE
 IN FAVOUR OF HSH NORDBANK AG
 SINGAPORE BRANCH

125

THIS AIRCRAFT IS OWNED BY INVESTIMA
 30 S.A.S., A COMPANY INCORPORATED
 IN FRANCE, AND IS MORTGAGED TO
 NATIXIS, A COMPANY INCORPORATED
 IN FRANCE, AS SECURITY TRUSTEE AND
 LEASED TO AIR CHINA LIMITED.

130

THIS AIRCRAFT IS OWNED BY YAMASA
 SANGYO AIRCRAFT FR4 KUMIAI AS
 LESSOR REPRESENTED BY ITS MANAGING
 PARTNER YAMASA SANGYO CO., LTD.
 AND IS SUBJECT TO A FIRST PRIORITY
 MORTGAGE IN FAVOUR OF CALYON
 (AS SECURITY AGENT)

135

THIS ENGINE IS OWNED BY RYANAIR
 LIMITED AND IS SUBJECT TO A FIRST
 PRIORITY MORTGAGE IN FAVOUR OF
 ING BANK N. V.(AS MORTGAGEE)

140

THIS AIRCRAFT IS OWNED BY INTERNATIONAL
 LEASE FINANCE CORPORATION

 MANUFACTURER'S SERIAL NO 30733

 OWNER'S ADDRESS:
 INTERNATIONAL LEASE FINANCE CORPORATION
 10250 CONSTELLATION BOULEVEARD, SUITE 3400
 LOS ANGELES, CALIFORNIA 90067
 UNITED STATES OF AMERICA
 FAX: (310) 788-1990

150

THIS AIRCRAFT IS OWNED BY CELESTIAL
 AVIATION TRADING 12 LIMITED AND
 IS LEASED TO AIR CHINA LIMITED AND
 MAY NOT BE OR REMAIN IN THE
 POSSESSION OF OR BE OPERATED BY,
 ANY OTHER PERSON WITHOUT THE PRIOR
 WRITTEN CONSENT OF CELESTIAL AVIATION
 TRADING 12 LIMITED

E 11320285C SH1 5 REV 139

NAMEPLATE INSTL-OWNERSHIP (FLIGHT DECK MARKINGS ONLY)
 FIGURE 85C (SHEET 5)

11-32-02-85C

HAP
 FEB 15/08

11-32-02-85C
 PAGE 0D


BOEING
 737-600/700/800/900
PARTS CATALOG (MAINTENANCE)

155

THIS AIRFRAME IS OWNED BY BUTFI 2 S.A.S., LEASED TO BOP II LLC, SUBLEASED TO GOL TRANSPORTES AEREOS S.A., AND SUBJECT TO A MORTGAGE IN FAVOR OF WELLS FARGO BANK NORTHWEST, NATIONAL ASSOCIATION, AS MORTGAGEE

160

THIS AIRCRAFT IS OWNED BY RBS AEROSPACE LIMITED AND IS LEASED TO XIAMEN AIRLINES AND MAY NOT BE OR REMAIN IN THE POSSESSION OF, OR OPERATED BY, ANY OTHER PERSON WITHOUT THE PRIOR WRITTEN CONSENT OF RBS AEROSPACE LIMITED

165

THIS AIRCRAFT IS OWNED BY YAMASA SANGYO AIRCRAFT FR5 KUMIAI AS LESSOR REPRESENTED BY ITS MANAGING PARTNER, YAMASA SANYO CO., LTD. AND IS SUBJET TO A FIRST PRIORITY MORTGAGE IN FAVOR OF BNP PARIBAS (AS SECURITY TRUSTEE)

170

THIS AIRCRAFT IS OWNED BY YAMASA SANGYO AIRCRAFT FR6 KUMIAI AS LESSOR REPRESENTED BY ITS MANAGING PARTNER, YAMASA SANYO CO., LTD. AND IS SUBJET TO A FIRST PRIORITY MORTGAGE IN FAVOR OF ING BANK N.V. (AS SECURITY TRUSTEE)

175

THIS AIRFRAME IS OWNED BY POP III LLC, LEASED TO GOL TRANSPORTES AEREOS S.A., AND SUBJECT TO A MORTGAGE IN FAVOR OF WELLS FARGO BANK NORTHWEST, NATIONAL ASSOCIATION, AS MORTGAGEE

180

THIS AIRCRAFT IS OWNED BY RBS AEROSPACE LIMITED AND IS LEASED TO KONINKLIJKE LUCHTVAART MAATSCHAPPIJ N. V. AND MAY NOT BE OR REMAIN IN THE POSSESSION OF, OR OPERATED BY, ANY OTHER PERSON WITHOUT THE PRIOR WRITTEN CONSENT OF RBS AEROSPACE LIMITED

E 11320285C SHT 6 REV 140

NAMEPLATE INSTL-OWNERSHIP (FLIGHT DECK MARKINGS ONLY)
FIGURE 85C (SHEET 6)

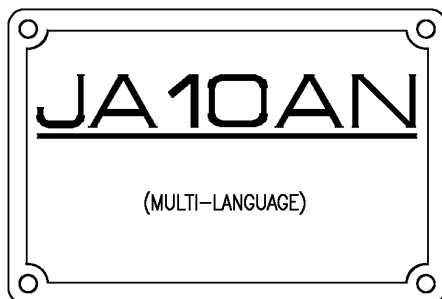
11-32-02-85C

HAP
JUN 15/08

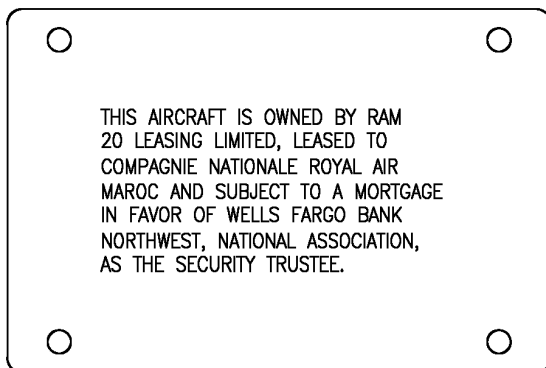
11-32-02-85C
PAGE 0E

BOEING
737-600/700/800/900
PARTS CATALOG (MAINTENANCE)

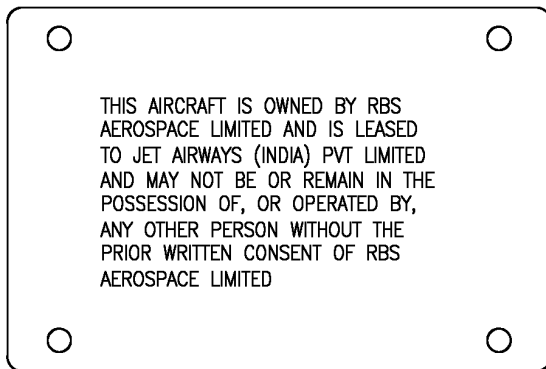
255



185



190



E 11320285C SHT 7 REV 141

NAMEPLATE INSTL-OWNERSHIP (FLIGHT DECK MARKINGS ONLY)
FIGURE 85C (SHEET 7)

11-32-02-85C

HAP
JUN 15/08

11-32-02-85C
PAGE OF

BOEING
737-600/700/800/900
PARTS CATALOG (MAINTENANCE)

FIG ITEM	PART NUMBER	1 2 3 4 5 6 7	NOMENCLATURE	EFFECT FROM TO	UNITS PER ASSY
85C			NAMEPLATE INSTL-OWNERSHIP (FLIGHT DECK MARKINGS ONLY)	041041 054100	
- 1	MODREF347942		NAMEPLATE INSTL-OWNERSHIP (FLIGHT DECK MARKINGS ONLY) MODULE NUMBER: 414A5203-609 REV A FOR OTHER SYS DETAILS SEE: 11-25-03-85C FOR ADDITIONAL DETAILS SEE: 11-32-52-85E	041041	1
- 3	MODREF360236		NAMEPLATE INSTL-OWNERSHIP (FLIGHT DECK MARKINGS ONLY) MODULE NUMBER: 414A5203-672 REV A FOR OTHER SYS DETAILS SEE: 11-25-03-85C FOR ADDITIONAL DETAILS SEE: 11-32-52-85F	054100	1
20	BAC29PPS61791		.MARKER	041041	1
100	BAC29PPS62412		.MARKER	054100	1

MISSING ITEM NUMBERS NOT APPLICABLE

- ITEM NOT ILLUSTRATED

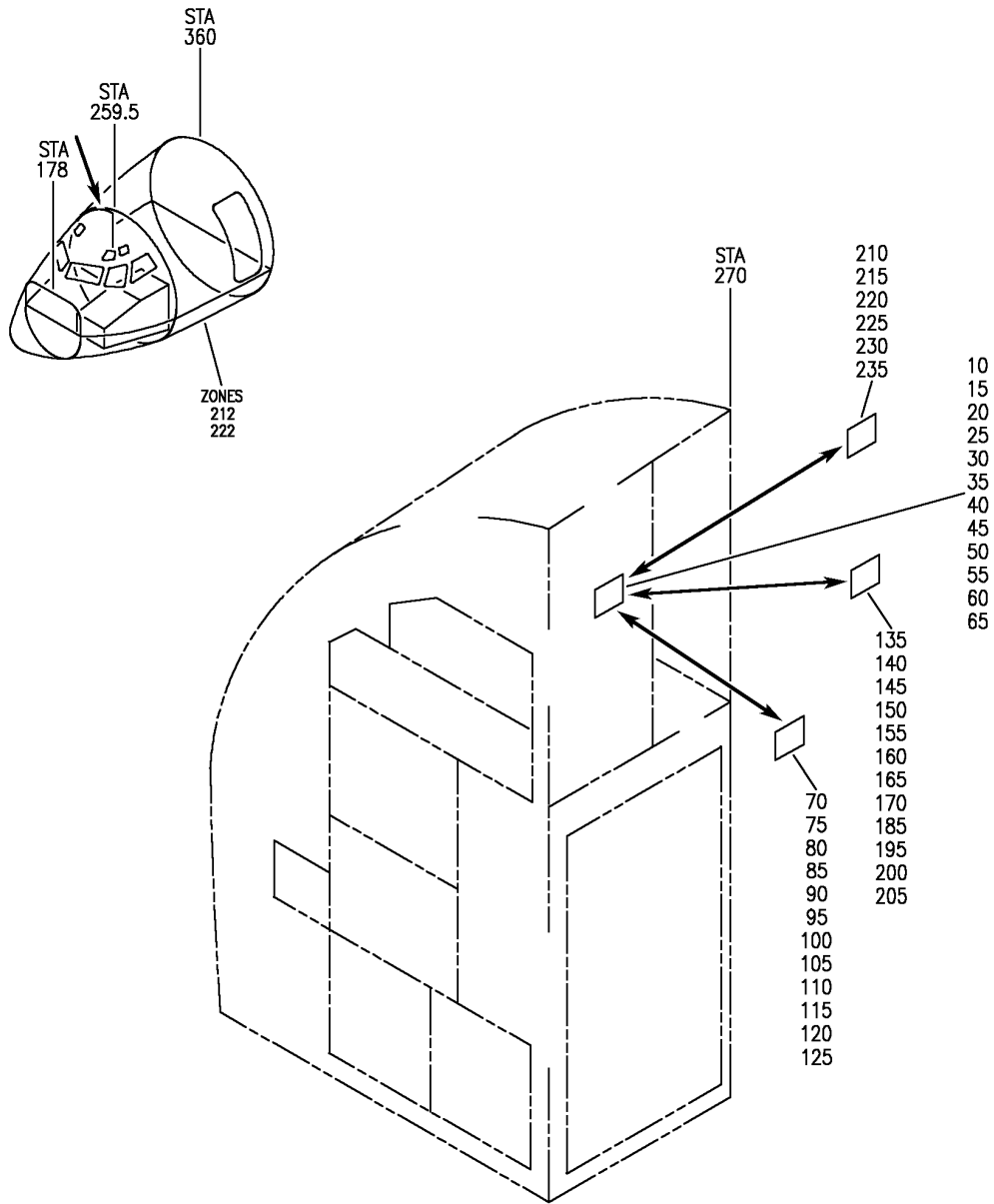
HAP

11-32-02-85C

BOEING PROPRIETARY - Copyright © - Unpublished Work - See title page for details.

11-32-02
FIG. 85C
PAGE 1
FEB 15/09

BOEING
 737-600/700/800/900
 PARTS CATALOG (MAINTENANCE)



E 11320285E SHT 1 REV 155

For Details See Subsequent Pages

NAMEPLATE INSTL-OWNERSHIP (FLIGHT DECK MARKINGS ONLY)
 FIGURE 85E (SHEET 1)

11-32-02-85E

HAP
 JUN 15/09



11-32-02-85E
 PAGE 0





737-600/700/800/900

PARTS CATALOG (MAINTENANCE)



10

THIS AIRCRAFT IS OWNED BY CRANE 5 S.A.S., OPERATED BY TURKISH AIRLINES UNDER A LEASE AGREEMENT AND SUBJECT TO A LIEN IN FAVOR OF WELLS FARGO BANK NORTHWEST, NATIONAL ASSOCIATION, AS SECURITY TRUSTEE ACTING ON BEHALF OF CERTAIN SECURED PARTIES

15

THIS AIRCRAFT IS OWNED BY INTERNATIONAL LEASE FINANCE CORPORATION

MANUFACTURER'S SERIAL NO: 35284

OWNER'S ADDRESS:



INTERNATIONAL LEASE FINANCE CORPORATION

10250 CONSTELLATION BOULEVARD, SUITE 3400



LOS ANGELES, CALIFORNIA 90067

UNITED STATES OF AMERICA



FAX: (310) 788-1990



20



THIS AIRCRAFT IS OWNED BY RBS AEROSPACE LIMITED AND IS LEASED TO RYANAIR LIMITED AND MAY NOT BE OR REMAIN IN THE POSSESSION OF, OR OPERATED BY, ANY OTHER PERSON WITHOUT THE PRIOR WRITTEN CONSENT OF RBS AEROSPACE LIMITED



25

This Aircraft is owned by Celestial Aviation Trading 10 Limited and is leased to Xiamen Airlines and may not be or remain in the possession of or be operated by, any other person without the prior written consent of Celestial Aviation Trading 10 Limited.

30

THIS AIRCRAFT IS OWNED BY INTERNATIONAL LEASE FINANCE CORPORATION

MANUFACTURER'S SERIAL NO: 35283

OWNER'S ADDRESS:



INTERNATIONAL LEASE FINANCE CORPORATION

10250 CONSTELLATION BOULEVARD, SUITE 3400



LOS ANGELES, CALIFORNIA 90067

UNITED STATES OF AMERICA



FAX: (310) 788-1990

35

THIS AIRCRAFT IS OWNED BY SWAN 3 S.A.S., OPERATED BY TURKISH AIRLINES UNDER A LEASE AGREEMENT AND SUBJECT TO A LIEN IN FAVOR OF WELLS FARGO BANK NORTHWEST, NATIONAL ASSOCIATION, AS SECURITY TRUSTEE ACTING ON BEHALF OF CERTAIN SECURED PARTIES

E 11-32-02-85E SHT 2 REV 149

NAMEPLATE INSTL-OWNERSHIP (FLIGHT DECK MARKINGS ONLY)
 FIGURE 85E (SHEET 2)

11-32-02-85E





HAP
JUN 15/09

11-32-02-85E
 PAGE 0A







737-600/700/800/900
PARTS CATALOG (MAINTENANCE)





40



THIS AIRCRAFT IS OWNED BY YAMASA AIRCRAFT RYANAIR 1 KUMIAI AS LESSOR REPRESENTED BY ITS MANAGING PARTNER, YAMASA CO., LTD. AND IS SUBJECT TO A FIRST PRIORITY MORTGAGE IN FAVOUR OF ING BANK N.V. (AS SECURITY TRUSTEE)







45



THIS AIRCRAFT IS OWNED BY YAMASA AIRCRAFT RYANAIR 2 KUMIAI AS LESSOR REPRESENTED BY ITS MANAGING PARTNER, YAMASA CO., LTD. AND IS SUBJECT TO A FIRST PRIORITY MORTGAGE IN FAVOUR OF BNP PARIBAS (AS SECURITY TRUSTEE)







50



THIS AIRCRAFT IS OWNED BY INTERNATIONAL LEASE FINANCE CORPORATION
MANUFACTURER'S SERIAL NO: 35286
OWNER'S ADDRESS:
INTERNATIONAL LEASE FINANCE CORPORATION
10250 CONSTELLATION BOULEVARD, SUITE 3400
LOS ANGELES, CALIFORNIA 90067
UNITED STATES OF AMERICA
FAX: (310) 788-1990



55



This Aircraft is owned by Celestial Aviation Trading 13 Limited and is leased to Xiamen Airlines and may not be or remain in the possession of or be operated by, any other person without the prior written consent of Celestial Aviation Trading 13 Limited.



60



This Aircraft is owned by Celestial Aviation Trading 30 Limited, and is leased to GOL Transportes Aéreos S.A. and may not be or remain in the possession of or be operated by, any other person without the prior written consent of GECAS Sverige Aircraft Leasing Worldwide AB



65



THIS AIRCRAFT IS OWNED BY SINGAPORE AIRCRAFT LEASING ENTERPRISE PTE. LTD. AND IS MORTGAGED TO STANDARD CHARTERED BANK AS SECURITY TRUSTEE.



E 11-320285E SHT 3 REV 151

NAMEPLATE INSTL-OWNERSHIP (FLIGHT DECK MARKINGS ONLY)
FIGURE 85E (SHEET 3)

11-32-02-85E





HAP
JUN 15/09

11-32-02-85E
PAGE 0B







737-600/700/800/900
PARTS CATALOG (MAINTENANCE)





70



THIS AIRFRAME IS OWNED BY POP IV LLC, LEASED TO VRG LINHAS AEREAS S.A., AND SUBJECT TO A MORTGAGE IN FAVOR OF WELLS FARGO BANK NORTHWEST, NATIONAL ASSOCIATION, AS MORTGAGEE.






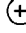
75



THIS AIRCRAFT IS OWNED BY INTERNATIONAL LEASE FINANCE CORPORATION
MANUFACTURER'S SERIAL NO: 35285
OWNER'S ADDRESS:
 INTERNATIONAL LEASE FINANCE CORPORATION
 10250 CONSTELLATION BOULEVARD, SUITE 3400
 LOS ANGELES, CALIFORNIA 90067
 UNITED STATES OF AMERICA
FAX: (310) 788-1990







80



THIS AIRFRAME IS OWNED BY RAM 20 LEASING LIMITED, LEASED TO COMPAGNIE NATIONALE ROYAL AIR MAROC AND SUBJECT TO A MORTGAGE IN FAVOR OF WELLS FARGO BANK NORTHWEST, NATIONAL ASSOCIATION, AS THE SECURITY TRUSTEE.







85



THIS AIRCRAFT IS OWNED BY TUI AVIATION GMBH
MANUFACTURER'S SERIAL NO: 35146
OWNER'S ADDRESS:
 TUI AVIATION GMBH
 KARL-WIECHERT-ALLEE 4
 30625 HANNOVER
 GERMANY
THIS AIRCRAFT IS OPERATED BY ARKEFLY (TUI AIRLINES NEDERLAND B.V.)
AIRCRAFT REGISTRATION PH-TFC



90



This Aircraft is owned by Wells Fargo Bank Northwest N.A., not in its individual capacity but solely as Owner Trustee, and is leased to VRG Linhas Aereas S.A. (as successor in interest to GOL Transportes Aereos S.A.) and may not be or remain in the possession of or be operated by, any other person without the prior written consent of Wells Fargo Bank Northwest N.A.



95



THIS AIRCRAFT IS OWNED BY INTERNATIONAL LEASE FINANCE CORPORATION
MANUFACTURER'S SERIAL NO: 35288
OWNER'S ADDRESS:
 INTERNATIONAL LEASE FINANCE CORPORATION
 10250 CONSTELLATION BOULEVARD, SUITE 3400
 LOS ANGELES, CALIFORNIA 90067
 UNITED STATES OF AMERICA
FAX: (310) 788-1990



E 11-320285E SHT 4 REV 153

NAMEPLATE INSTL-OWNERSHIP (FLIGHT DECK MARKINGS ONLY)
FIGURE 85E (SHEET 4)

11-32-02-85E

HAP
JUN 15/09

11-32-02-85E
PAGE 0C



737-600/700/800/900
PARTS CATALOG (MAINTENANCE)

100

This Aircraft is owned by Celestial Aviation Trading 12 Limited and is leased to Kenya Airways Limited and may not be or remain in the possession of or be operated by, any other person without the prior written consent of Celestial Aviation Trading 12 Limited

105

This Aircraft is owned by Celestial Aviation Trading 20 Limited and is leased to Hainan Airlines Company Limited and may not be or remain in the possession of, or be operated by, any other person without the prior written consent of Celestial Aviation Trading 20 Limited

110

THIS AIRCRAFT MSN 37742 IS OWNED BY RBS AEROSPACE LIMITED AND IS LEASED TO AIR BERLIN PLC & CO. LUFTVERKEHRS KG AND MAY NOT BE OR REMAIN IN THE POSSESSION OF, OR OPERATED BY, ANY OTHER PERSON WITHOUT THE PRIOR WRITTEN CONSENT OF RBS AEROSPACE LIMITED

115

This Aircraft is owned by Wells Fargo Bank Northwest N.A., not in its individual capacity but solely as Owner Trustee, and is leased to VRG Linhas Aereas S.A. (as successor in interest to GOL Transportes Aereos S.A.) and may not be or remain in the possession of or be operated by, any other person without the prior written consent of Wells Fargo Bank Northwest N.A.

120

THIS AIRCRAFT IS OWNED BY INTERNATIONAL LEASE FINANCE CORPORATION
 MANUFACTURER'S SERIAL NO: 35289
 OWNER'S ADDRESS:
 INTERNATIONAL LEASE FINANCE CORPORATION
 10250 CONSTELLATION BOULEVARD, SUITE 3400
 LOS ANGELES, CALIFORNIA 90067
 UNITED STATES OF AMERICA
 FAX: (310) 788-1990

125

This Aircraft is owned by Celestial Aviation Trading 16 Limited and is leased to Arik Air Limited. No liens or encumbrances may be created over it nor may it be possessed or operated by any other person without the prior written consent of Celestial Aviation Trading 16 Limited

E 11320285E SHT 5 REV 153

NAMEPLATE INSTL-OWNERSHIP (FLIGHT DECK MARKINGS ONLY)
 FIGURE 85E (SHEET 5)

11-32-02-85E

HAP
JUN 15/09

11-32-02-85E
 PAGE 0D


BOEING
 737-600/700/800/900
PARTS CATALOG (MAINTENANCE)

135

THIS AIRCRAFT IS OWNED BY TUI AVIATION GMBH
 MANUFACTURER'S SERIAL NO: 35149
 OWNER'S ADDRESS:
 TUI AVIATION GMBH
 KARL-WIECHERT-ALLEE 4
 30625 HANNOVER
 GERMANY
 THIS AIRCRAFT IS OPERATED BY ARKEFLY
 (TUI AIRLINES NEDERLAND B.V.)
 AIRCRAFT REGISTRATION PH-TFB

140

This Aircraft is owned by Celestial
 Aviation Trading 21 Limited and is
 leased to Hainan Airlines Company
 Limited and may not be or remain
 in the possession of, or be operated
 by, any other person without the
 prior written consent of Celestial
 Aviation Trading 21 Limited.

150

THIS AIRCRAFT IS OWNED BY INTERNATIONAL
 LEASE FINANCE CORPORATION
 MANUFACTURER'S SERIAL NO: 37158
 OWNER'S ADDRESS:
 INTERNATIONAL LEASE FINANCE CORPORATION
 10250 CONSTELLATION BOULEVARD, SUITE 3400
 LOS ANGELES, CALIFORNIA 90067
 UNITED STATES OF AMERICA
 FAX: (310) 788-1990

155

THIS AIRCRAFT IS OWNED BY YAMASA
 AIRCRAFT CA4 KUMIAI AS LESSOR
 REPRESENTED BY ITS MANAGING
 PARTNER YAMASA CO., LTD. AND IS
 SUBJECT TO A FIRST PRIORITY
 MORTGAGE IN FAVOUR OF BNP PARIBAS
 (TOKYO BRANCH) AS SECURITY AGENT
 AND LEASED TO AIR CHINA LIMITED.

160

THIS AIRCRAFT IS OWNED BY SKY AIR 737T CO., LTD.,
 TOKYO, JAPAN, AND IS SUBJECT TO A CONDITIONAL
 SALE AGREEMENT AND A MORTGAGE GRANTED TO
 INTERNATIONAL LEASE FINANCE CORPORATION,
 LOS ANGELES, CALIFORNIA USA
 MANUFACTURER'S SERIAL NO: 35290
 SECURED PARTY'S ADDRESS:
 INTERNATIONAL LEASE FINANCE CORPORATION
 10250 Constellation Boulevard, 34th Floor
 Los Angeles, California 90067 U.S.A.
 Fax: (310) 788-1990

170

THIS AIRCRAFT MSN 37743 IS OWNED BY RBS
 AEROSPACE LIMITED AND IS LEASED TO AIR
 BERLIN PLC & CO. LUFTVERKEHRS KG AND
 MAY NOT BE OR REMAIN IN THE POSSESSION
 OF, OR OPERATED BY, ANY OTHER PERSON
 WITHOUT THE PRIOR WRITTEN CONSENT OF
 RBS AEROSPACE LIMITED

E 11-32-02-85E SHT 6 REV 154

NAMEPLATE INSTL-OWNERSHIP (FLIGHT DECK MARKINGS ONLY)
 FIGURE 85E (SHEET 6)

11-32-02-85E

HAP
JUN 15/09

11-32-02-85E
 PAGE 0E


BOEING
 737-600/700/800/900
PARTS CATALOG (MAINTENANCE)

185

(+) (+)
THIS AIRCRAFT IS OWNED BY INTERNATIONAL LEASE FINANCE CORPORATION
MANUFACTURER'S SERIAL NO: 37159
OWNER'S ADDRESS:
INTERNATIONAL LEASE FINANCE CORPORATION
10250 CONSTELLATION BOULEVARD, SUITE 3400
LOS ANGELES, CALIFORNIA 90067
UNITED STATES OF AMERICA
FAX: (310) 788-1990
 (+) (+)

195

(+) (+)
This Aircraft is owned by Celestial Aviation Trading 15 Limited and is leased to Kibris Turk Hava Yollari Ltd. and may not be or remain in the possession of or be operated by, any other person without the prior written consent of Celestial Aviation Trading 15 Limited.
 (+) (+)

200

(+) (+)
VT-AYA
THIS AIRCRAFT IS OWNED BY FOUR LIONS AIRCRAFTS LLC LEASED TO ULSTER AVIATION LEASING LIMITED AS HEAD LESSEE AND LEASED TO AIR INDIA CHARTERS LIMITED AND SUBJECT TO MORTGAGE IN FAVOUR OF WELLS FARGO BANK NORTHWEST, NATIONAL ASSOCIATION, USA.
MANUFACTURERS SERIAL NO: 36337
OWNERS ADDRESS:
FOUR LIONS AIRCRAFT LLC CO WILMINGTON TRUST COMPANY.
RODNEY SQUARE NORTH,
1100 NORTH MARKET STREET, WILMINGTON,
DELAWARE 1989 0001 USA
 (+) (+)

205

(+) (+)
THIS AIRFRAME IS OWNED BY RAM 22 LEASING LIMITED, LEASED TO COMPAGNIE NATIONALE ROYAL AIR MAROC AND SUBJECT TO A MORTGAGE IN FAVOR OF WELLS FARGO BANK NORTHWEST, NATIONAL ASSOCIATION, AS MORTGAGEE.
 (+) (+)

215

(+) (+)
THIS AIRCRAFT IS OWNED BY INTERNATIONAL LEASE FINANCE CORPORATION
MANUFACTURER'S SERIAL NO: 37162
OWNER'S ADDRESS:
INTERNATIONAL LEASE FINANCE CORPORATION
10250 CONSTELLATION BOULEVARD, SUITE 3400
LOS ANGELES, CALIFORNIA 90067
UNITED STATES OF AMERICA
FAX: (310) 788-1990
 (+) (+)

220

(+) (+)
THIS AIRCRAFT IS OWNED BY SAS 2009 Koala Finance - MSN 36742 AND IS MORTGAGED TO BNP PARIBAS AS SECURITY TRUSTEE AND LEASED TO AIR CHINA LIMITED
 (+) (+)

E 11320285E SHT 7 REV 155

NAMEPLATE INSTL-OWNERSHIP (FLIGHT DECK MARKINGS ONLY)
 FIGURE 85E (SHEET 7)

11-32-02-85E

HAP
JUN 15/09

11-32-02-85E
PAGE OF

 **BOEING**
737-600/700/800/900
PARTS CATALOG (MAINTENANCE)

225

(+) (+)
This Aircraft is owned by SMFL Aircraft Capital Japan Co., Ltd., and is leased to Japan Airlines International Co., Ltd. and may not be or remain in the possession of or be operated by, any other person without the prior written consent of SMFL Aircraft Capital Japan Co., Ltd.
(+) (+)

230

(+) (+)
THIS AIRCRAFT IS OWNED BY INTERNATIONAL LEASE FINANCE CORPORATION
MANUFACTURER'S SERIAL NO: 37161
OWNER'S ADDRESS:
INTERNATIONAL LEASE FINANCE CORPORATION
10250 CONSTELLATION BOULEVARD, SUITE 3400
LOS ANGELES, CALIFORNIA 90067
UNITED STATES OF AMERICA
FAX: (310) 788-1990
(+) (+)

235

(+) (+)
This Aircraft is owned by Celestial Aviation Trading 42 Limited and is leased to Norwegian Air Shuttle ASA and may not be or remain in the possession of or be operated by, any other person without the prior written consent of Celestial Aviation Trading 42 Limited
(+) (+)

E 11320285E SHT 8 REV 155

NAMEPLATE INSTL-OWNERSHIP (FLIGHT DECK MARKINGS ONLY)
FIGURE 85E (SHEET 8)

11-32-02-85E

HAP
JUN 15/09

11-32-02-85E
PAGE 08

BOEING
737-600/700/800/900
PARTS CATALOG (MAINTENANCE)

FIG ITEM	PART NUMBER	1 2 3 4 5 6 7	NOMENCLATURE	EFFECT FROM TO	UNITS PER ASSY
R R	85E		NAMEPLATE INSTL-OWNERSHIP (FLIGHT DECK MARKINGS ONLY)	050050 053053	
	- 2	MODREF412753	NAMEPLATE INSTL-OWNERSHIP (FLIGHT DECK MARKINGS ONLY) MODULE NUMBER: 414A5203-1009 REV A FOR OTHER SYS DETAILS SEE: 11-21-20-85A 11-25-03-85E FOR ADDITIONAL DETAILS SEE: 11-32-52-85J	053053	1
	- 2	MODREF415022	NAMEPLATE INSTL-OWNERSHIP (FLIGHT DECK MARKINGS ONLY) MODULE NUMBER: 414A5203-1018 REV A FOR OTHER SYS DETAILS SEE: 11-21-20-85A 11-25-03-85E FOR ADDITIONAL DETAILS SEE: 11-32-52-85K	050050	1
	85	BAC29PPS64505	.MARKER	053053	1
	135	BAC29PPS64540	.MARKER	050050	1

MISSING ITEM NUMBERS NOT APPLICABLE

- ITEM NOT ILLUSTRATED

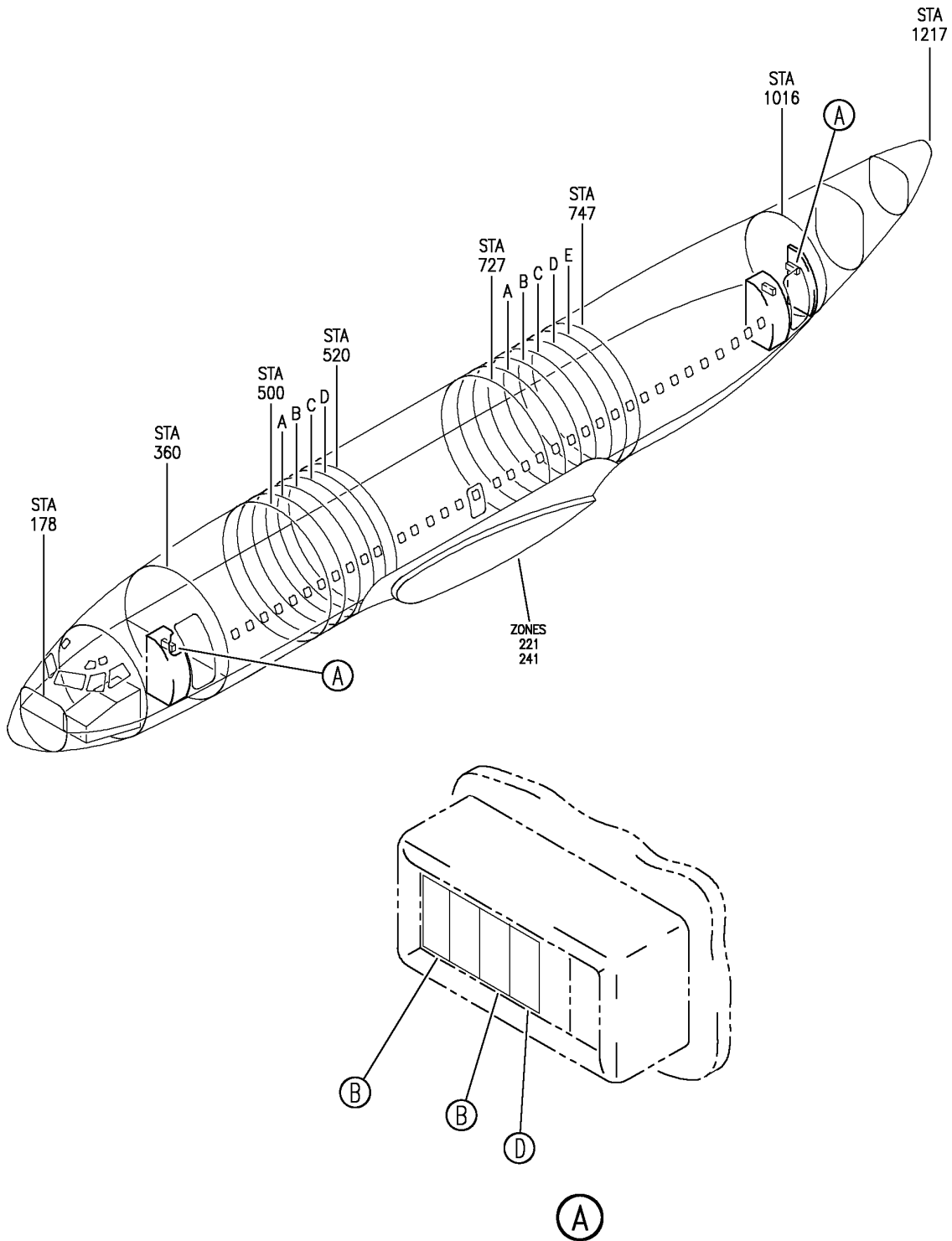
HAP

11-32-02-85E

BOEING PROPRIETARY - Copyright © - Unpublished Work - See title page for details.

11-32-02
FIG. 85E
PAGE 1
JUN 15/09

BOEING
 737-600/700/800/900
 PARTS CATALOG (MAINTENANCE)



E 11320301 SHT 1 REV 072

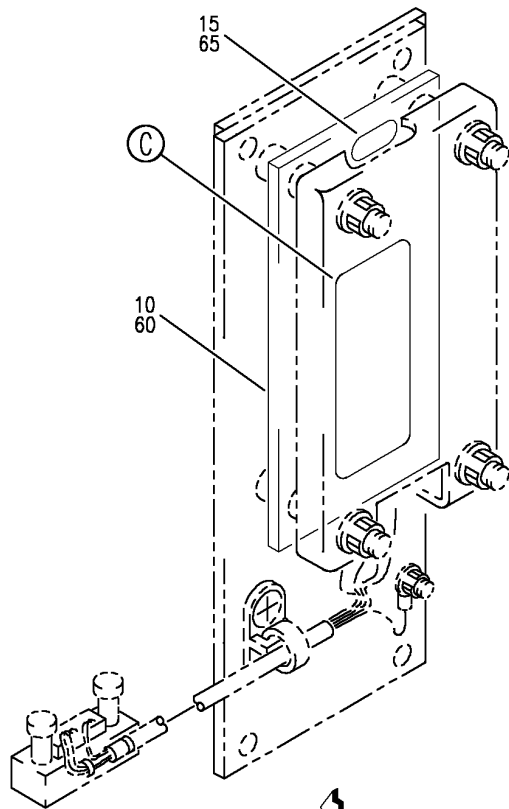
MODULE ASSY-ATTENDANT PNL POTABLE WATER/VAC WASTE SYS(PLACARDS AND MARKINGS ONLY)
 FIGURE 1 (SHEET 1)

HAP
 JUN 10/07

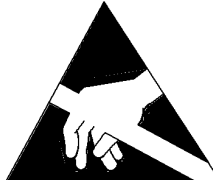
11-32-03-01

11-32-03-01
 PAGE 0

BOEING
737-600/700/800/900
PARTS CATALOG (MAINTENANCE)



5
55



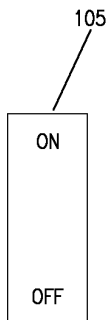
CAUTION

THIS UNIT IS NOT SUBJECT TO
DAMAGE FROM ELECTROSTATIC
DISCHARGE AS AN ASSEMBLY.
HOWEVER, IT CONTAINS
PARTS OR SUB-ASSEMBLIES
THAT ARE SENSITIVE TO
ELECTROSTATIC DISCHARGE.
CONDUCTIVE CONNECTOR
COVERS REQUIRED.

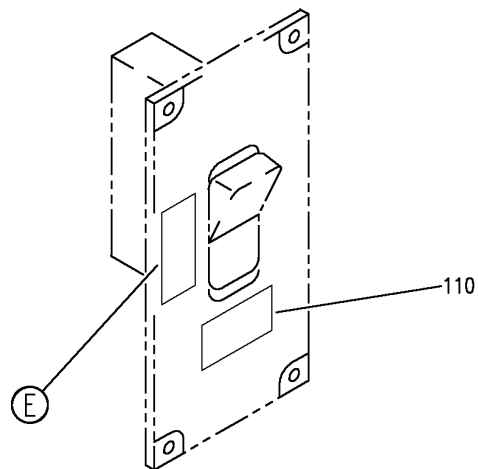
C

FWD

B



E



D

E 11320301 SHT 2 REV 072

MODULE ASSY-ATTENDANT PNL POTABLE WATER/VAC WASTE SYS(PLACARDS AND MARKINGS ONLY)
FIGURE 1 (SHEET 2)

HAP
JUN 10/07

11-32-03-01

11-32-03-01
PAGE 0A

BOEING
737-600/700/800/900
PARTS CATALOG (MAINTENANCE)

FIG ITEM	PART NUMBER	1 2 3 4 5 6 7	NOMENCLATURE	EFFECT FROM TO	UNITS PER ASSY
1			MODULE ASSY-ATTENDANT PNL POTABLE WATER/VAC WASTE SYS(PLACARDS AND MARKINGS ONLY)	001030 201967	
- 1	285A1720-1		MODULE ASSY-ATTENDANT PNL POTABLE WATER (PLACARDS AND MARKINGS ONLY) SUPPLIER CODE: V89954 ELECTRICAL EQUIP NUMBER: M01887 COMPONENT MAINT MANUAL REF: 38-14-30 FOR NHA/OTHER SYS DET SEE: 31-15-21-03	001030 201967	RF
	5 BAC27DEX6075		.MARKER	001030 201967	1
	10 285A1731-4		.WIRING ASSY-PRINTED SUPPLIER CODE: V89954 ELECTRICAL EQUIP NUMBER: A00001	001030 201967	RF
	15 BAC27TEX1486		..DECAL- PLACARD CONTENT: STATIC SENSITIVE	001030 201967	1
- 50	285A1730-1		MODULE ASSY-ATTENDANT PNL VAC WASTE SYS (PLACARDS AND MARKINGS ONLY) SUPPLIER CODE: V89954 ELECTRICAL EQUIP NUMBER: M01888 COMPONENT MAINT MANUAL REF: 38-32-10 FOR NHA/OTHER SYS DET SEE: 31-15-21-03	001030 201967	RF
	55 BAC27DEX6075		.MARKER	001030 201967	1
	60 285A1731-3		.WIRING ASSY-PRINTED SUPPLIER CODE: V89954	001030 201967	RF
	65 BAC27TEX1486		..DECAL- PLACARD CONTENT: STATIC SENSITIVE	001030 201967	1

MISSING ITEM NUMBERS NOT APPLICABLE

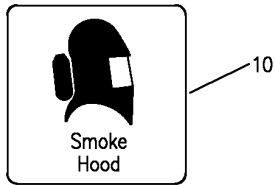
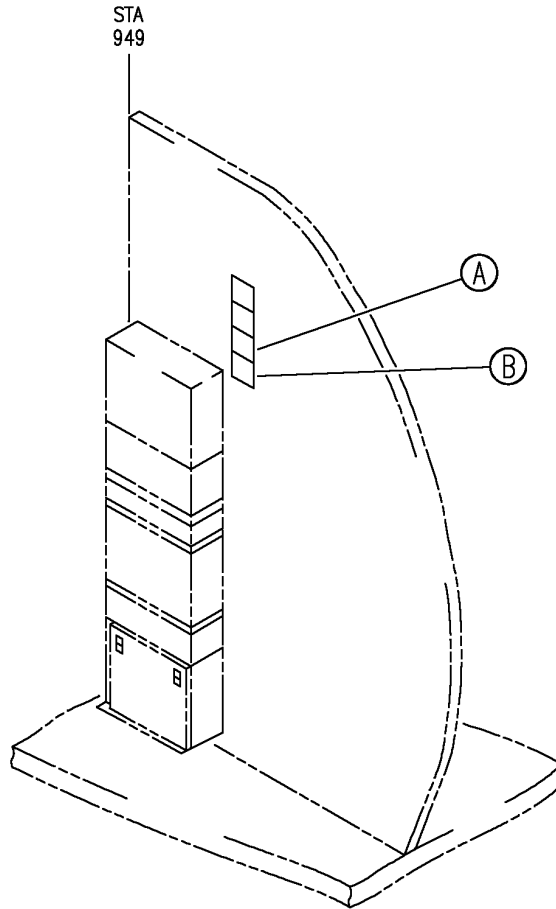
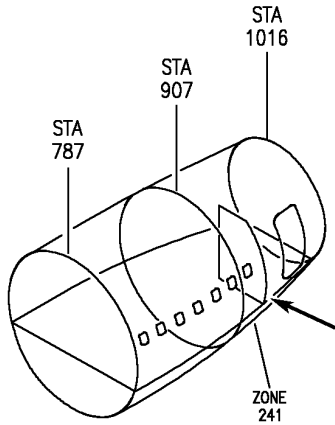
- ITEM NOT ILLUSTRATED

HAP

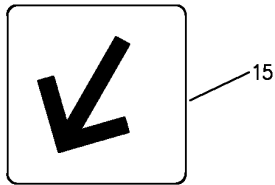
11-32-03-01

BOEING PROPRIETARY - Copyright © - Unpublished Work - See title page for details.

11-32-03
FIG. 01
PAGE 1
OCT 15/08



(A)



(B)

E 11320302J REV 147

PLACARD INSTL-CAB. INTR ATTENDANT SEAT STOW BOX
 FIGURE 2J

11-32-03-02J

BOEING
737-600/700/800/900
PARTS CATALOG (MAINTENANCE)

FIG ITEM	PART NUMBER	1 2 3 4 5 6 7	NOMENCLATURE	EFFECT FROM TO	UNITS PER ASSY
2J					
- 1	MODREF393131		PLACARD INSTL-CAB. INTR ATTENDANT SEAT STOW BOX PLACARD INSTL-CAB. INTR ATTENDANT SEAT STOW BOX MODULE NUMBER: 414A5123-201 REV A POSITION DATA: STA 949.00, LBL 39.00	048050 053053 048050 053053	1
10	BAC29PPS36232		.MARKER	048050 053053	1
15	BAC29PPS36209		.PLACARD	048050 053053	1

MISSING ITEM NUMBERS NOT APPLICABLE

- ITEM NOT ILLUSTRATED

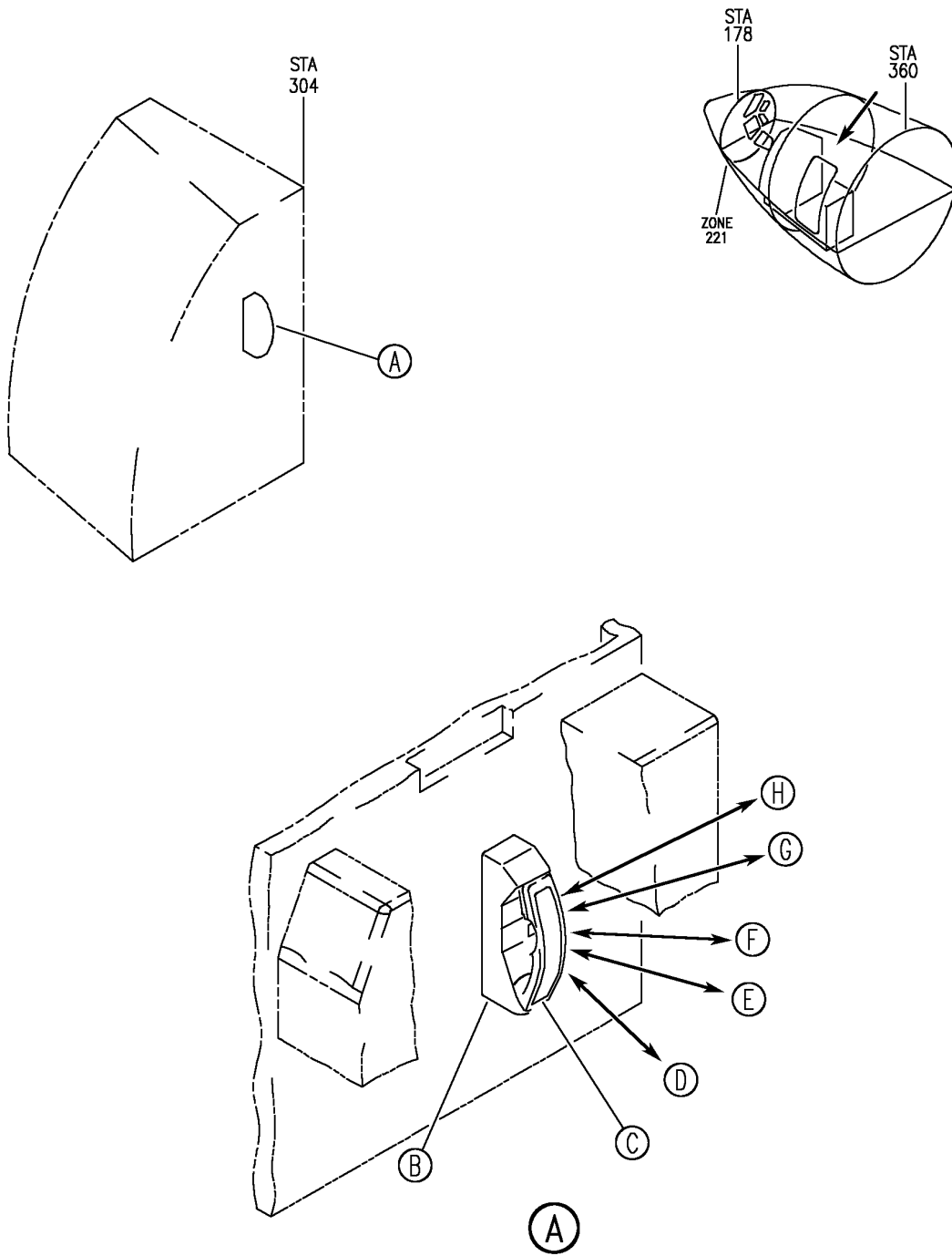
HAP

11-32-03-02J

BOEING PROPRIETARY - Copyright © - Unpublished Work - See title page for details.

11-32-03
FIG. 02J
PAGE 1
FEB 15/09

BOEING
 737-600/700/800/900
 PARTS CATALOG (MAINTENANCE)



E 11320303 SH1 1 REV 096

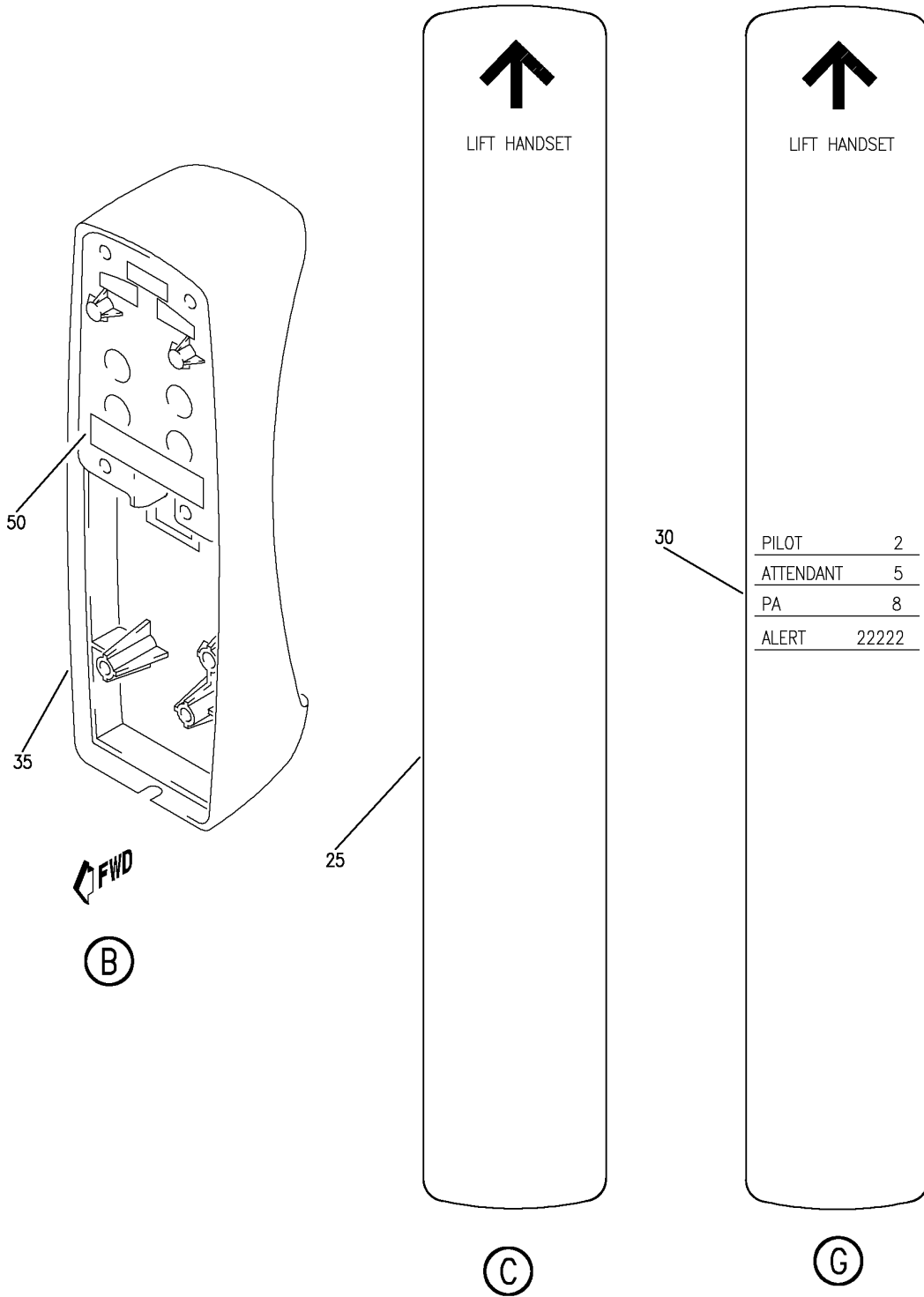
HANDSET INSTL-ATTENDANT LAV A (PLACARDS AND MARKINGS ONLY)
 FIGURE 3 (SHEET 1)

11-32-03-03

HAP
 OCT 10/06

11-32-03-03
 PAGE 0

BOEING
737-600/700/800/900
PARTS CATALOG (MAINTENANCE)



E 11320303 SH1 2 REV 068

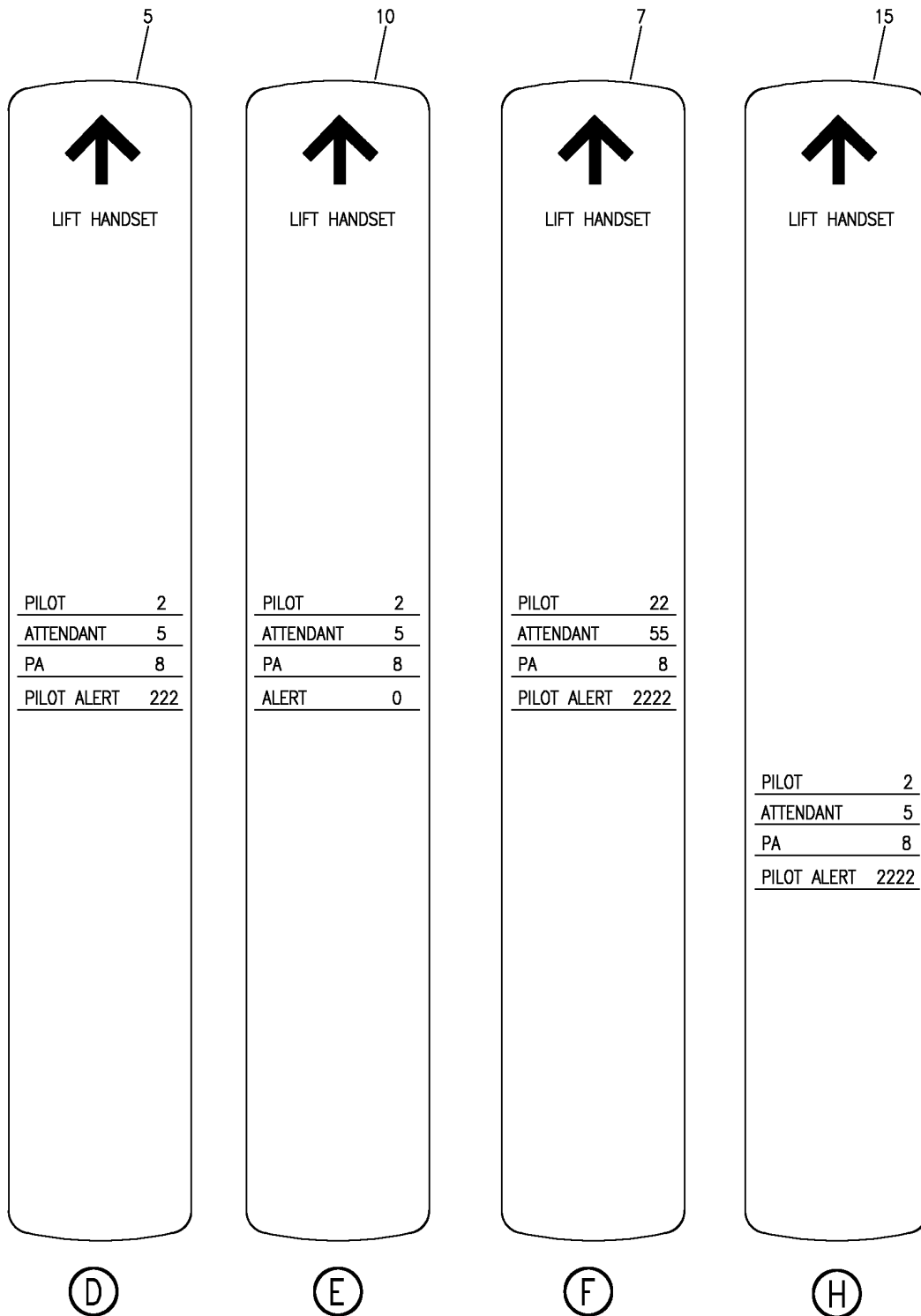
HANDSET INSTL-ATTENDANT LAV A (PLACARDS AND MARKINGS ONLY)
FIGURE 3 (SHEET 2)

11-32-03-03

HAP
OCT 10/06

11-32-03-03
PAGE 0A

BOEING
737-600/700/800/900
PARTS CATALOG (MAINTENANCE)



E 11320303 SHT 3 REV 096

HANDSET INSTL-ATTENDANT LAV A (PLACARDS AND MARKINGS ONLY)
FIGURE 3 (SHEET 3)

11-32-03-03

HAP
OCT 10/06

11-32-03-03
PAGE 08

BOEING
737-600/700/800/900
PARTS CATALOG (MAINTENANCE)

FIG ITEM	PART NUMBER	1 2 3 4 5 6 7	NOMENCLATURE	EFFECT FROM TO	UNITS PER ASSY
3			HANDSET INSTL-ATTENDANT LAV A (PLACARDS AND MARKINGS ONLY)		
- 1	417A6500-100SP		HANDSET INSTL-ATTENDANT LAV A (PLACARDS AND MARKINGS ONLY) POSITION DATA: STA 304.00 LBL 26.63 WL 259.35 FOR NHA/OTHER SYS DET SEE: 23-42-00-02A 23-42-00-02B	001030 201967	RF
- 1	MODREF96835		HANDSET INSTL-ATTENDANT LAV A (PLACARDS AND MARKINGS ONLY) MODULE NUMBER: 417A6500-107 REV A POSITION DATA: STA 304.00 LBL 26.63 WL 259.35 FOR OTHER SYS DETAILS SEE: 23-42-01-02	031200 968999	1
5	BAC27DEX6279		.MARKER-	001030 201967	1
5	BAC27DEX6838		.MARKER	031200 968999	1
35	476W2220-9N		.CRADLE ASSY- SUPPLIER CODE: V89954 COMPONENT MAINT MANUAL REF: 23-42-04 OPTIONAL PART: 476W2220-2K V89954		RF
35	476W2220-2K		.CRADLE ASSY- SUPPLIER CODE: V89954 COMPONENT MAINT MANUAL REF: 23-42-04 OPTIONAL PART: 476W2220-9N V89954	001030 051053 201967	RF
50	BAC29PPS21671		..DECAL- PLACARD CONTENT: PROTECT FROM SUNLIGHT		1

MISSING ITEM NUMBERS NOT APPLICABLE

- ITEM NOT ILLUSTRATED

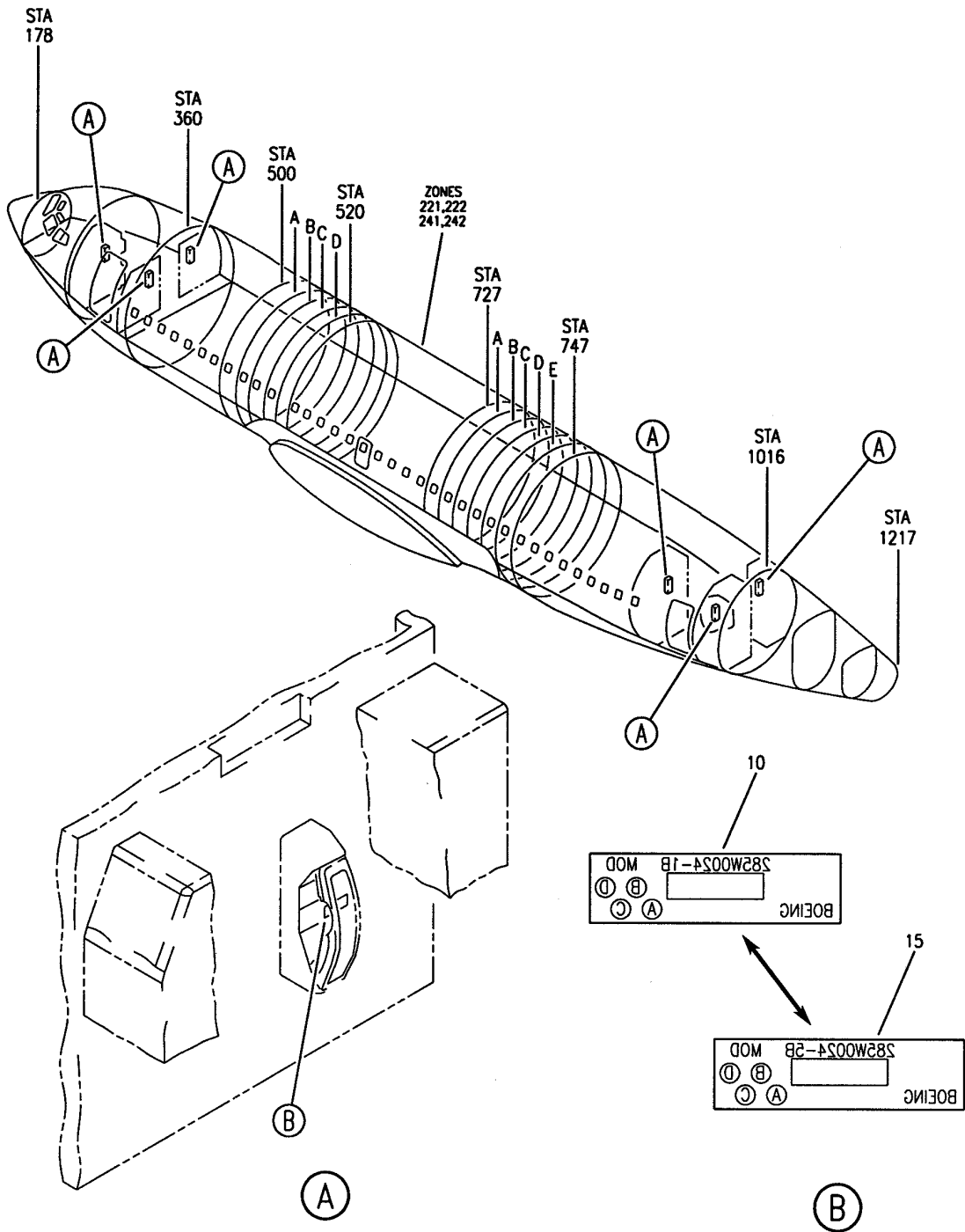
HAP

11-32-03-03

BOEING PROPRIETARY - Copyright © - Unpublished Work - See title page for details.

11-32-03
FIG. 03
PAGE 1
FEB 15/09

BOEING
 737-600/700/800/900
 PARTS CATALOG (MAINTENANCE)



E 11320303A REV 040

MODULE ASSY-CAH/FDH (PLACARDS AND MARKINGS ONLY)
 FIGURE 3A

11-32-03-03A

HAP
 OCT 10/06

11-32-03-03A
 PAGE 0

BOEING
737-600/700/800/900
PARTS CATALOG (MAINTENANCE)

FIG ITEM	PART NUMBER	1 2 3 4 5 6 7	NOMENCLATURE	EFFECT FROM TO	UNITS PER ASSY
3A			MODULE ASSY-CAH/FDH (PLACARDS AND MARKINGS ONLY)		
- 1	285W0024-1B		MODULE ASSY-CAH/FDH GRAY (PLACARDS AND MARKINGS ONLY) SUPPLIER CODE: V89954 FUNCTIONAL DESCRIPTION: USED FOR CABIN INTERPHONE CALLS AND PA ANNOUNCEMENTS ELECTRICAL EQUIP NUMBER: M00074 COMPONENT MAINT MANUAL REF: 23-42-15 FOR NHA/OTHER SYS DET SEE: 23-42-01-02		RF
- 2	285W0024-1B		MODULE ASSY-CAH/FDH (PLACARDS AND MARKINGS ONLY) SUPPLIER CODE: V89954 FUNCTIONAL DESCRIPTION: USED FOR CABIN INTERPHONE CALLS AND PA ANNOUNCEMENTS ELECTRICAL EQUIP NUMBER: M00075 COMPONENT MAINT MANUAL REF: 23-42-15 FOR NHA/OTHER SYS DET SEE: 23-42-01-03	001100 201967	RF
- 3	285W0024-1B		MODULE ASSY-CAH/FDH GRAY (PLACARDS AND MARKINGS ONLY) SUPPLIER CODE: V89954 FUNCTIONAL DESCRIPTION: USED FOR CABIN INTERPHONE CALLS AND PA ANNOUNCEMENTS ELECTRICAL EQUIP NUMBER: M02307 COMPONENT MAINT MANUAL REF: 23-42-15 FOR NHA/OTHER SYS DET SEE: 23-42-01-07	101999	RF

MISSING ITEM NUMBERS NOT APPLICABLE

- ITEM NOT ILLUSTRATED

HAP

11-32-03-03A

BOEING PROPRIETARY - Copyright © - Unpublished Work - See title page for details.

11-32-03
FIG. 03A
PAGE 1
FEB 15/09

BOEING
737-600/700/800/900
PARTS CATALOG (MAINTENANCE)

FIG ITEM	PART NUMBER	1 2 3 4 5 6 7	NOMENCLATURE	EFFECT FROM TO	UNITS PER ASSY
3A					
10	BAC27DEX6280		.MARKER- SUPPLIER CODE: V89954	031200 968999	1
10	BAC27DEX6280		.MARKER- SUPPLIER CODE: V89954	001050 054100	1
10	BAC27DEX6280		.MARKER- SUPPLIER CODE: V89954	101999	1

MISSING ITEM NUMBERS NOT APPLICABLE

— ITEM NOT ILLUSTRATED

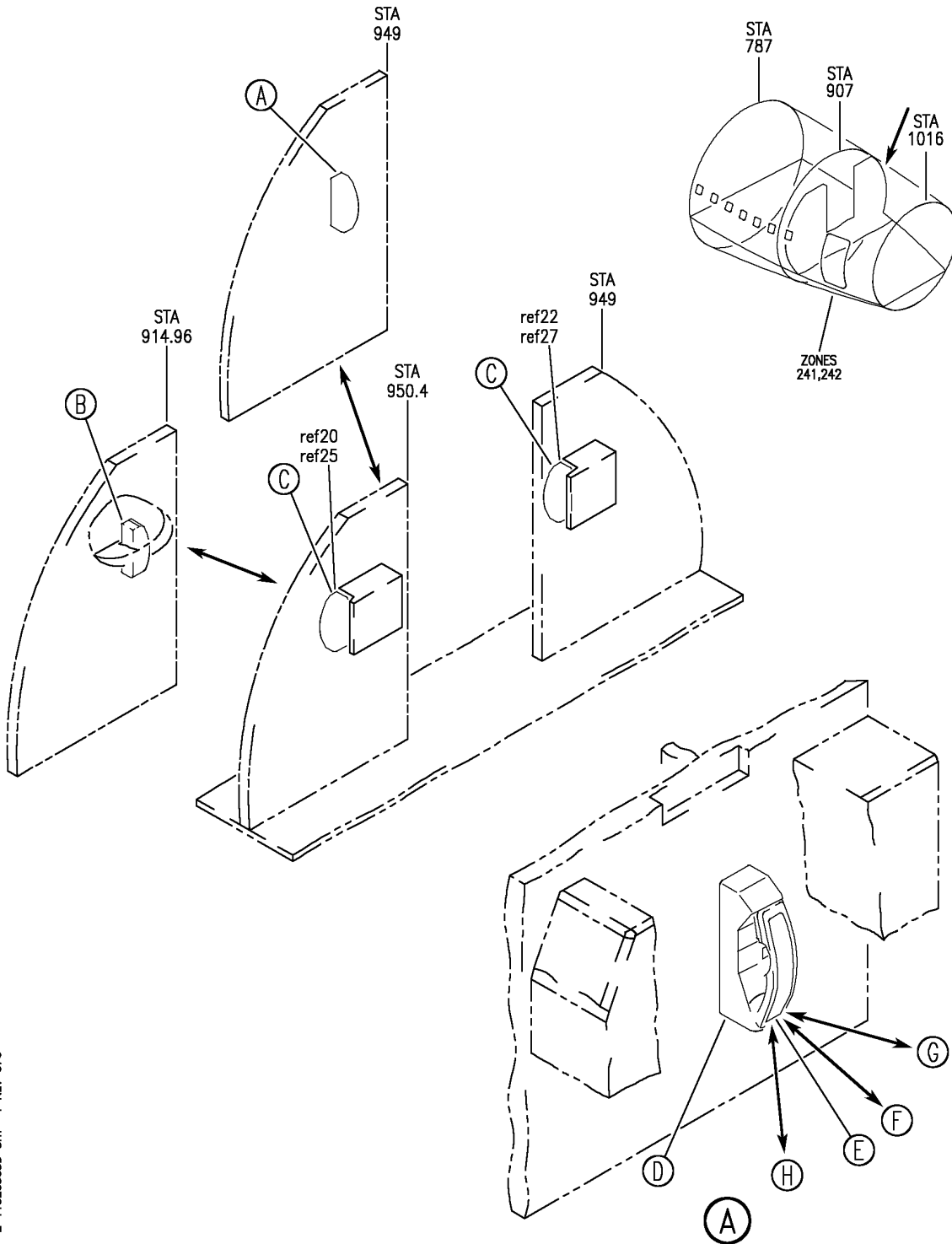
HAP

11-32-03-03A

BOEING PROPRIETARY - Copyright © - Unpublished Work - See title page for details.

11-32-03
FIG. 03A
PAGE 2
FEB 15/09

BOEING
 737-600/700/800/900
 PARTS CATALOG (MAINTENANCE)



E 11320303D SH1 1 REV 076

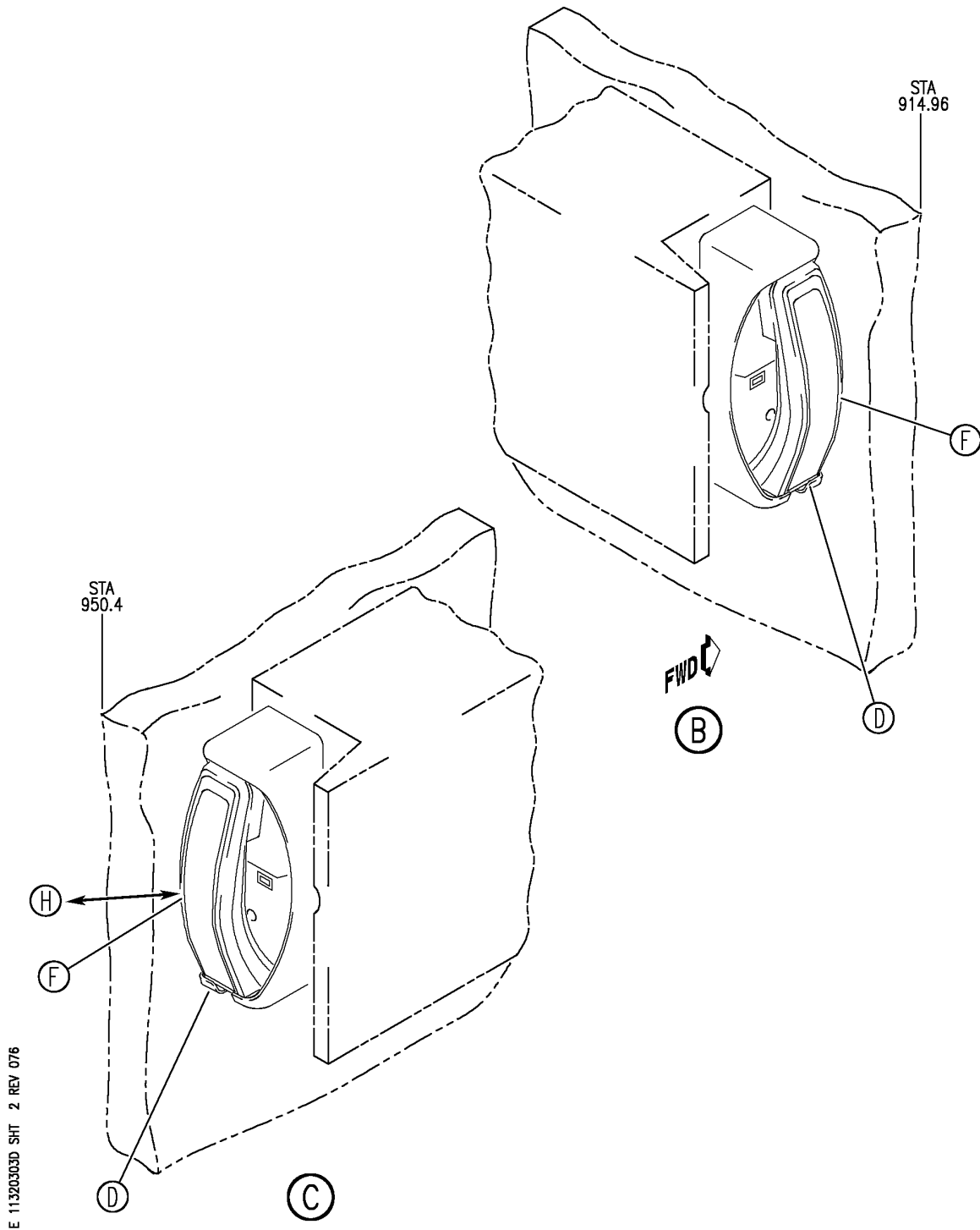
HANDSET INSTL-ATTENDANT LAV D AND LAV E (PLACARDS AND MARKINGS ONLY)
 FIGURE 3D (SHEET 1)

11-32-03-03D

HAP
 OCT 10/06

11-32-03-03D
 PAGE 0

BOEING
 737-600/700/800/900
 PARTS CATALOG (MAINTENANCE)



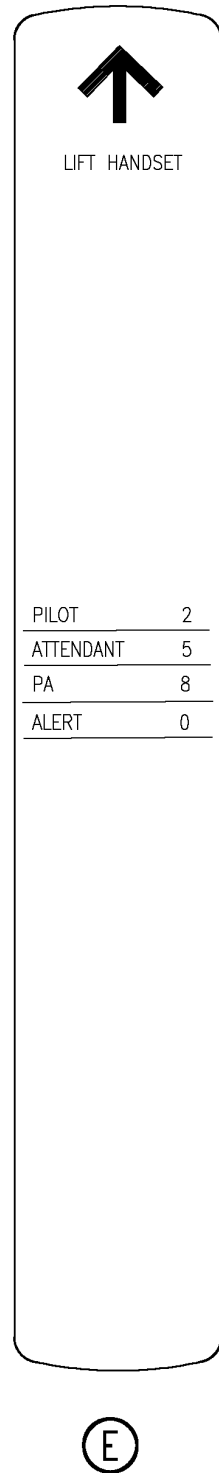
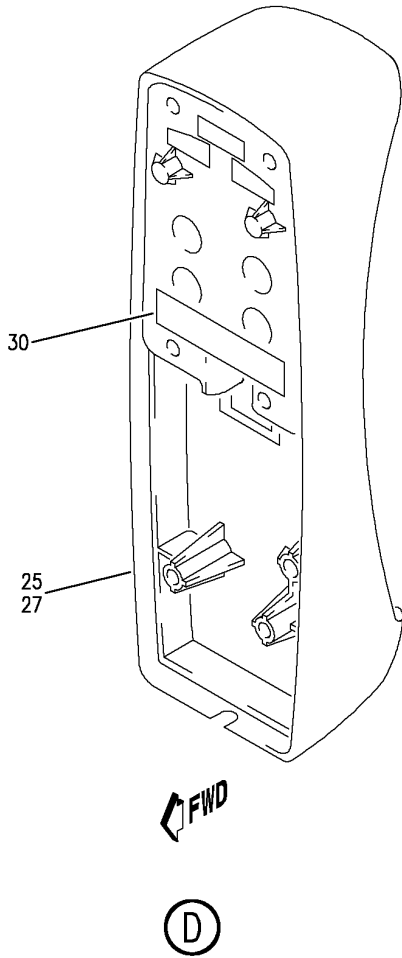
HANDSET INSTL-ATTENDANT LAV D AND LAV E (PLACARDS AND MARKINGS ONLY)
 FIGURE 3D (SHEET 2)

HAP
 OCT 10/06

11-32-03-03D

11-32-03-03D
 PAGE 0A

BOEING
 737-600/700/800/900
 PARTS CATALOG (MAINTENANCE)



E 11320303D SHT 3 REV 076

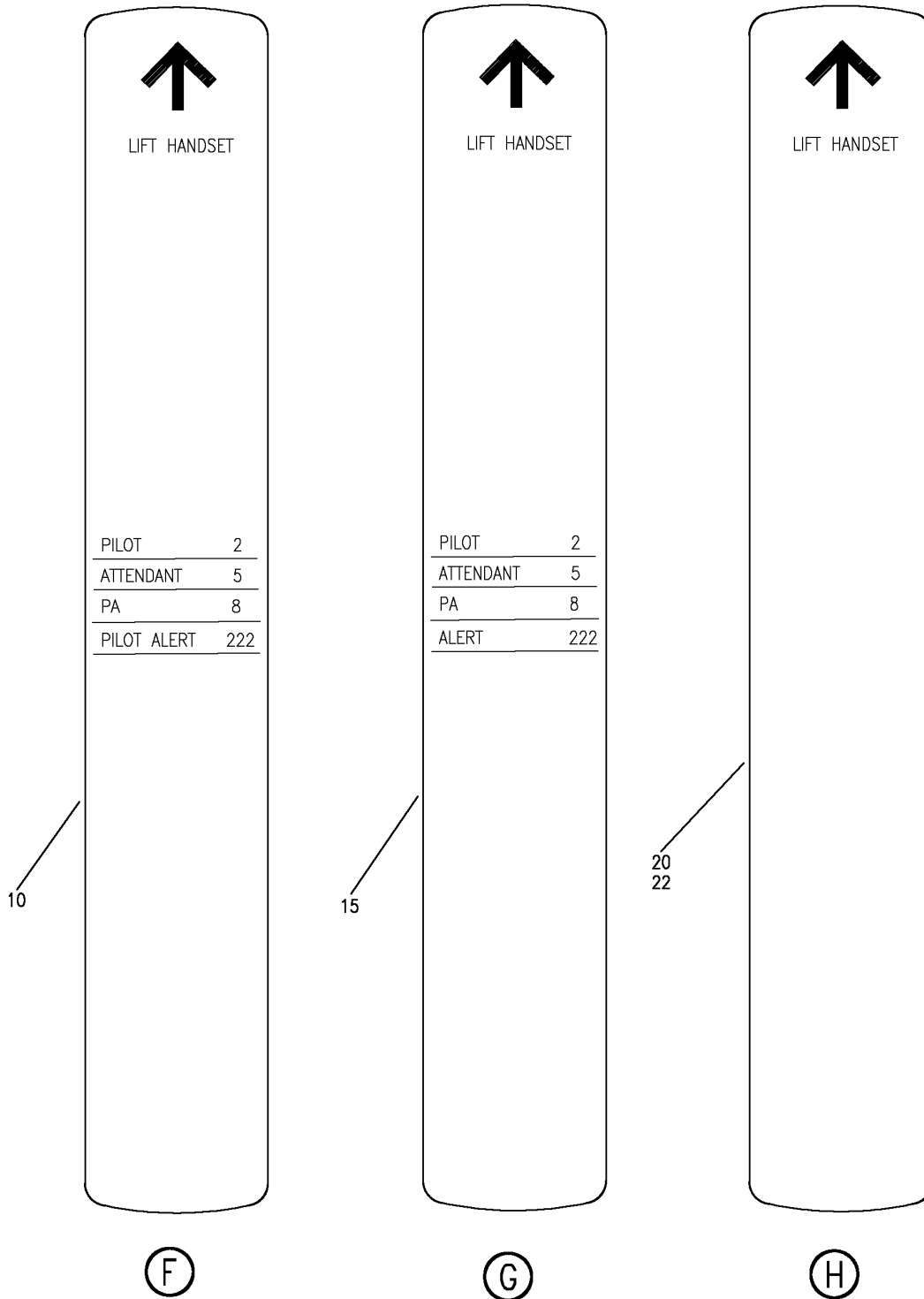
HANDSET INSTL-ATTENDANT LAV D AND LAV E (PLACARDS AND MARKINGS ONLY)
 FIGURE 3D (SHEET 3)

HAP
 OCT 10/06

11-32-03-03D

11-32-03-03D
 PAGE 0B

BOEING
 737-600/700/800/900
 PARTS CATALOG (MAINTENANCE)



E 11320303D SHT 4 REV 076

HANDSET INSTL-ATTENDANT LAV D AND LAV E (PLACARDS AND MARKINGS ONLY)
 FIGURE 3D (SHEET 4)

HAP
 OCT 10/06

11-32-03-03D

11-32-03-03D
 PAGE 0C

BOEING
737-600/700/800/900
PARTS CATALOG (MAINTENANCE)

FIG ITEM	PART NUMBER	1 2 3 4 5 6 7	NOMENCLATURE	EFFECT FROM TO	UNITS PER ASSY
3D			HANDSET INSTL-ATTENDANT LAV D AND LAV E (PLACARDS AND MARKINGS ONLY)		
- 1	417A6500-300SP		HANDSET INSTL-ATTENDANT LAV D (PLACARDS AND MARKINGS ONLY) POSITION DATA: STA 949.00 LBL 27.63 WL 260.15 FOR NHA/OTHER SYS DET SEE: 23-42-00-02A 23-42-00-02B	001030 201967	RF
- 1	MODREF96847		HANDSET INSTL-ATTENDANT LAV D (PLACARDS AND MARKINGS ONLY) MODULE NUMBER: 417A6500-308 REV A POSITION DATA: STA 949.00 LBL 27.63 WL 260.15 FOR OTHER SYS DETAILS SEE: 23-42-01-03	031200 968999	1
10	BAC27DEX6279		.MARKER	001030 201967	1
15	BAC27DEX6838		.MARKER	031200 968999	1
25	476W2220-2K		.CRADLE ASSY- SUPPLIER CODE: V89954 COMPONENT MAINT MANUAL REF: 23-42-04 OPTIONAL PART: 476W2220-9N V89954	001030 201967	RF
25	476W2220-9N		.CRADLE ASSY- SUPPLIER CODE: V89954 COMPONENT MAINT MANUAL REF: 23-42-04 OPTIONAL PART: 476W2220-2K V89954	001050 054999	RF
30	BAC29PPS21671		..DECAL- PLACARD CONTENT: PROTECT FROM SUNLIGHT		1

MISSING ITEM NUMBERS NOT APPLICABLE

- ITEM NOT ILLUSTRATED

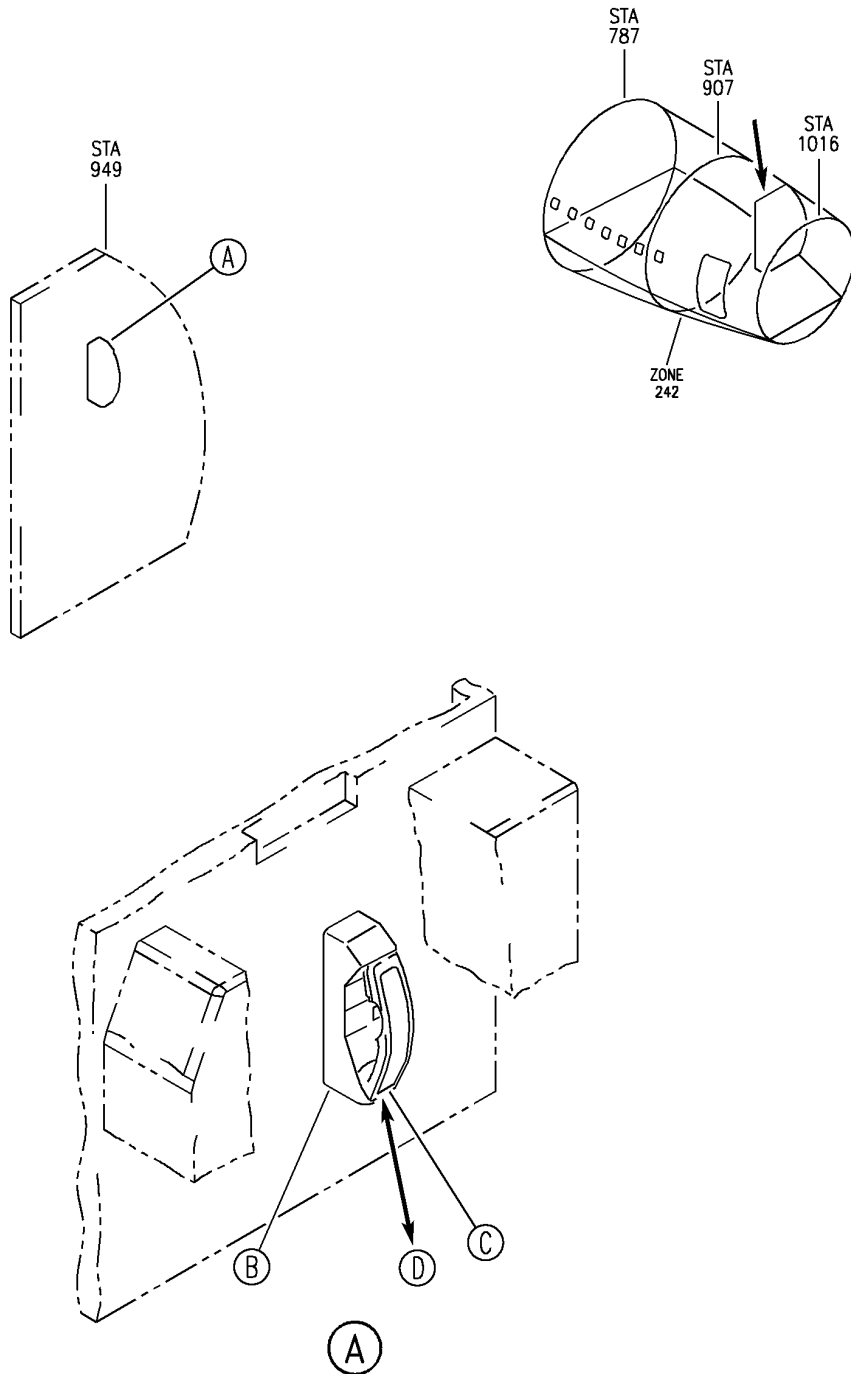
HAP

11-32-03-03D

BOEING PROPRIETARY - Copyright © - Unpublished Work - See title page for details.

11-32-03
FIG. 03D
PAGE 1
FEB 15/09

BOEING
737-600/700/800/900
PARTS CATALOG (MAINTENANCE)



E 11320303E SHT 1 REV 110

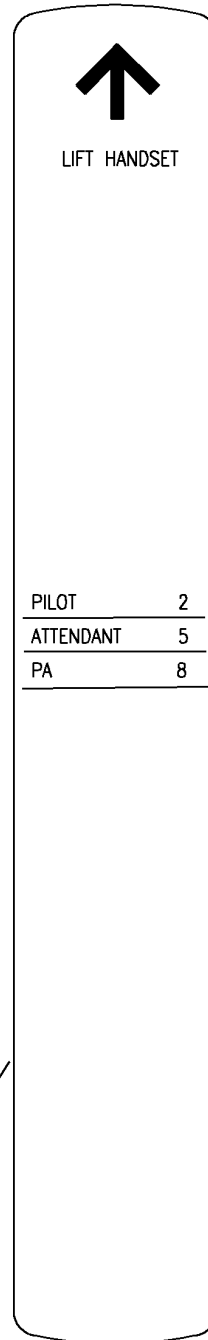
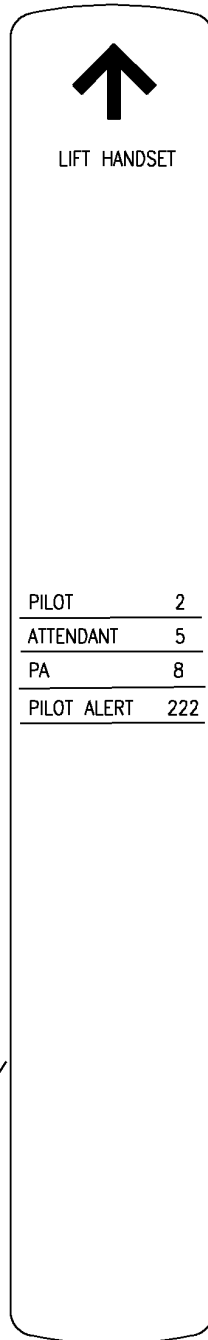
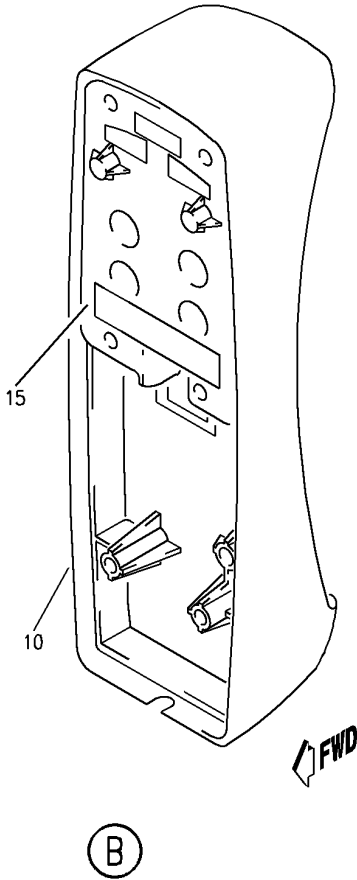
HANDSET INSTL-ATTENDANT LAV E (PLACARDS AND MARKINGS ONLY)
FIGURE 3E (SHEET 1)

HAP
FEB 10/07

11-32-03-03E

11-32-03-03E
PAGE 0

BOEING
 737-600/700/800/900
 PARTS CATALOG (MAINTENANCE)



E 11320303E SHT 2 REV 110

HANDSET INSTL-ATTENDANT LAV E (PLACARDS AND MARKINGS ONLY)
 FIGURE 3E (SHEET 2)

HAP
 FEB 10/07

11-32-03-03E

11-32-03-03E
 PAGE 0A

BOEING
737-600/700/800/900
PARTS CATALOG (MAINTENANCE)

FIG ITEM	PART NUMBER	1 2 3 4 5 6 7	NOMENCLATURE	EFFECT FROM TO	UNITS PER ASSY
3E			HANDSET INSTL-ATTENDANT LAV E (PLACARDS AND MARKINGS ONLY)	101999	
- 1	417A6500-405SP		HANDSET INSTL-ATTENDANT LAV E (PLACARDS AND MARKINGS ONLY)	201967	RF
- 1	MODREF172349		POSITION DATA: STA 949.00, RBL 26.13, WL 260.15 FOR NHA/OTHER SYS DET SEE: 23-42-00-02A		
			HANDSET INSTL-ATTENDANT LAV E (PLACARDS AND MARKINGS ONLY)	101200 968999	1
			MODULE NUMBER: 417A6500-425 REV A		
			POSITION DATA: STA 950.16, RBL 25.07, WL 259.86 FOR OTHER SYS DETAILS SEE: 23-42-01-07		
	5 BAC27DEX6279		.MARKER	201967	1
	5 BAC27DEX6838		.MARKER	101200 968999	1
	10 476W2220-2K		.CRADLE ASSY- SUPPLIER CODE: V89954 COMPONENT MAINT MANUAL REF: 23-42-04 OPTIONAL PART: 476W2220-9N V89954	201967	RF
	10 476W2220-9N		.CRADLE ASSY- SUPPLIER CODE: V89954 COMPONENT MAINT MANUAL REF: 23-42-04 OPTIONAL PART: 476W2220-2K V89954	101999	RF
	15 BAC29PPS21671		..DECAL- PLACARD CONTENT: PROTECT FROM SUNLIGHT	101999	1

MISSING ITEM NUMBERS NOT APPLICABLE

- ITEM NOT ILLUSTRATED

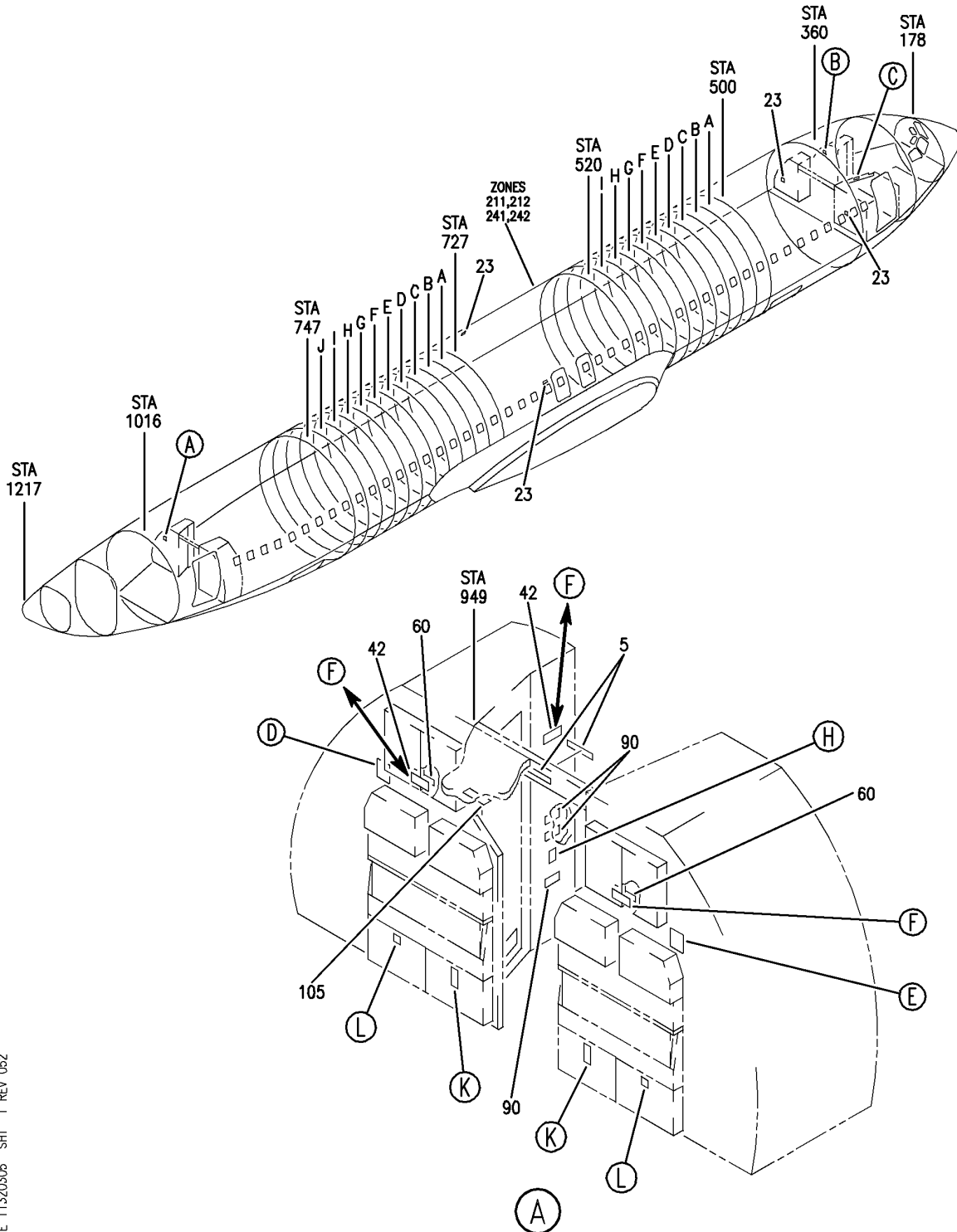
HAP

11-32-03-03E

BOEING PROPRIETARY - Copyright © - Unpublished Work - See title page for details.

11-32-03
FIG. 03E
PAGE 1
OCT 15/08

BOEING
 737-600/700/800/900
 PARTS CATALOG (MAINTENANCE)



E 11320305 SHT 1 REV 052

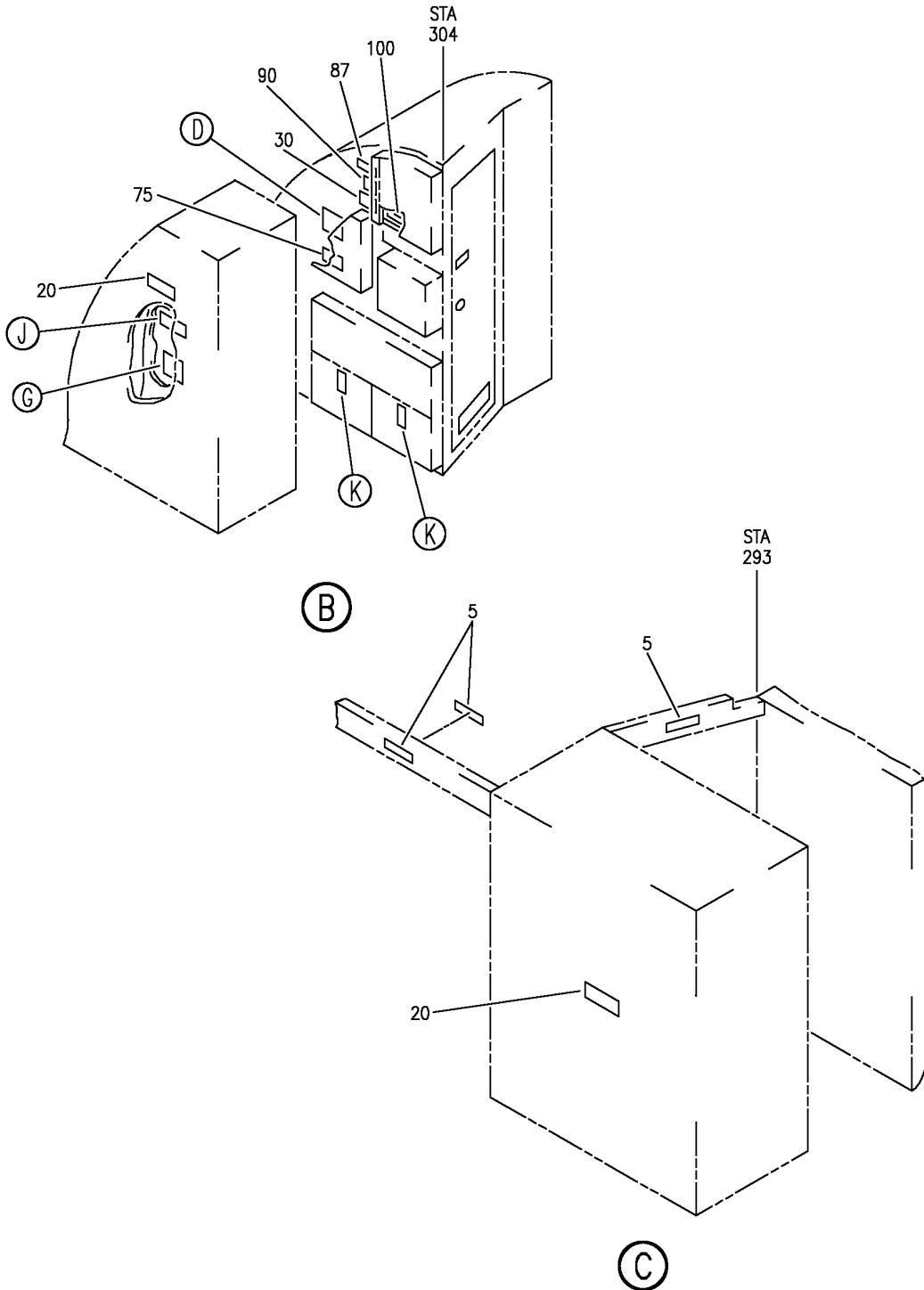
PLACARD INSTL-CAB. INTR (INTERIOR DIVIDERS AND WALLS ONLY)
 FIGURE 5 (SHEET 1)

11-32-03-05

HAP
 OCT 10/06

11-32-03-05
 PAGE 0

BOEING
 737-600/700/800/900
 PARTS CATALOG (MAINTENANCE)



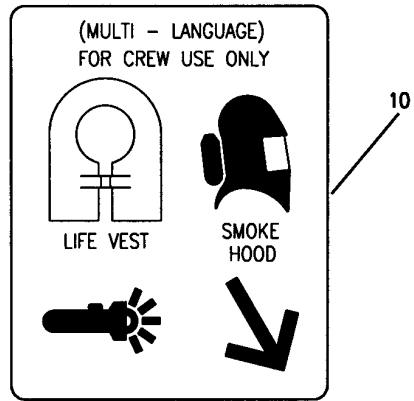
E 11320305 SHT 2 REV 099

PLACARD INSTL-CAB. INTR (INTERIOR DIVIDERS AND WALLS ONLY)
 FIGURE 5 (SHEET 2)

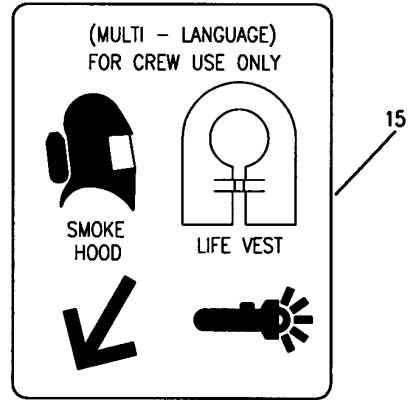
11-32-03-05

HAP
 OCT 10/06

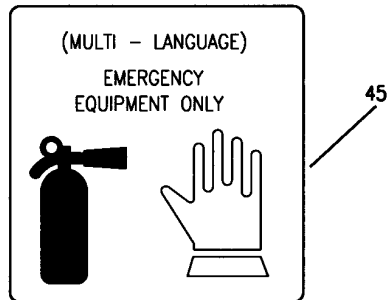
11-32-03-05
 PAGE 0A



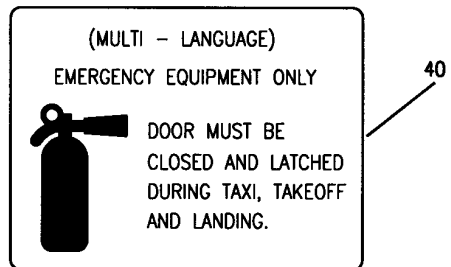
(D)



(E)



(G)



(F)

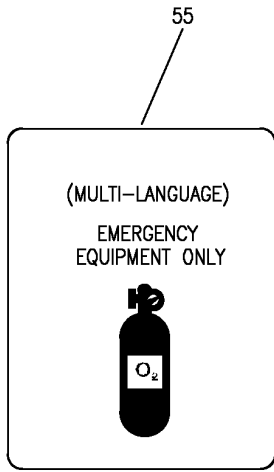
E 11320305 SHT 3 REV 029

PLACARD INSTL-CAB. INTR (INTERIOR DIVIDERS AND WALLS ONLY)
 FIGURE 5 (SHEET 3)

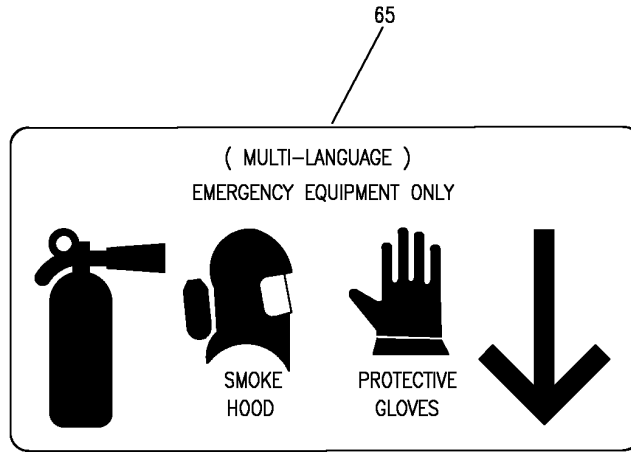
11-32-03-05

HAP
OCT 10/06

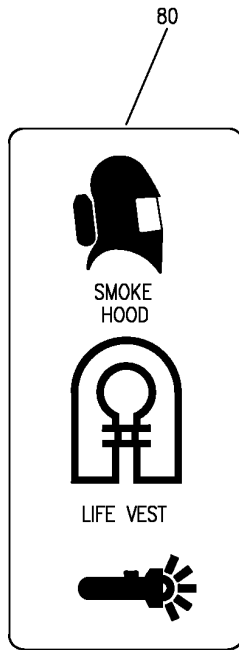
11-32-03-05
PAGE 0B



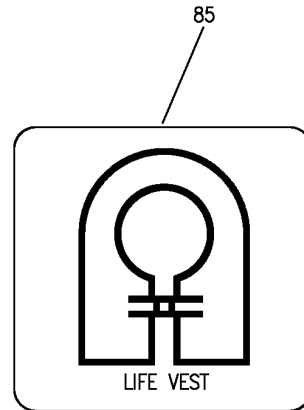
(H)



(J)



(K)



(L)

E 11320305 SH1 4 REV 099

PLACARD INSTL-CAB. INTR (INTERIOR DIVIDERS AND WALLS ONLY)
 FIGURE 5 (SHEET 4)

11-32-03-05

HAP
 OCT 10/06

11-32-03-05
 PAGE 0C

BOEING
737-600/700/800/900
PARTS CATALOG (MAINTENANCE)

FIG ITEM	PART NUMBER	1 2 3 4 5 6 7	NOMENCLATURE	EFFECT FROM TO	UNITS PER ASSY
5			PLACARD INSTL-CAB. INTR (INTERIOR DIVIDERS AND WALLS ONLY)	001030	
- 1	414A5103-1		PLACARD INSTL-CAB. INTR (INTERIOR DIVIDERS AND WALLS ONLY) FOR NHA/OTHER SYS DET SEE: 11-30-00-01C	001007	RF
- 1	414A5103-27		PLACARD INSTL-CAB. INTR (INTERIOR DIVIDERS AND WALLS ONLY) FOR NHA/OTHER SYS DET SEE: 11-30-00-01C	008009	RF
- 1	414A5103-39		PLACARD INSTL-CAB. INTR (INTERIOR DIVIDERS AND WALLS ONLY) FOR NHA/OTHER SYS DET SEE: 11-30-00-01C	010011	RF
- 1	414A5103-52		PLACARD INSTL-CAB. INTR (INTERIOR DIVIDERS AND WALLS ONLY) FOR NHA/OTHER SYS DET SEE: 11-30-00-01C	012019	RF
- 1	414A5103-74		PLACARD INSTL-CAB. INTR (INTERIOR DIVIDERS AND WALLS ONLY) FOR NHA/OTHER SYS DET SEE: 11-30-00-01C	020030	RF
5	BAC29PPS21751		.MARKER- PLACARD CONTENT: FASTEN CURTAIN OPEN DURING TAXI, TAKEOFF AND LANDING	001030	5
10	BAC29PPS32818		.PLACARD-	001030	2
15	BAC29PPS32819		.PLACARD-	001030	1
20	BAC29PPS20857		.PLACARD-(MULTI-LANGUAGE) PLACARD CONTENT: LIFE VEST UNDER YOUR SEAT FASTEN SEAT BELT WHILE SEATED	001030	2
30	BAC29PPS33481		.MARKER	001030	1
40	BAC29PPS33000		.PLACARD	001019 021030	3
- 41	BAC29PPS33000		.PLACARD- POST RAPID REVISION: RR97089-45A	020020	1

MISSING ITEM NUMBERS NOT APPLICABLE

- ITEM NOT ILLUSTRATED

HAP

11-32-03-05

BOEING PROPRIETARY - Copyright © - Unpublished Work - See title page for details.

11-32-03
FIG. 05
PAGE 1
OCT 10/06

BOEING
737-600/700/800/900
PARTS CATALOG (MAINTENANCE)

FIG ITEM	PART NUMBER	1 2 3 4 5 6 7	NOMENCLATURE	EFFECT FROM TO	UNITS PER ASSY
5					
42	BAC29PPS23502	.	DECAL- PLACARD CONTENT: DOOR MUST BE CLOSED AND LATCHED DURING TAXI, TAKEOFF AND LANDING POST RAPID REVISION: RR97089-45A	020020	2
45	BAC29PPS32979	.	PLACARD-	001007	1
55	BAC29PPS33001	.	PLACARD	001030	1
60	BAC29PPS2959	.	MARKER- PLACARD CONTENT: LATCH CLOSED DURING TAXI, TAKEOFF AND LANDING	001030	2
- 72	BAC29PPS14174	.	MARKER- PLACARD CONTENT: NO STOWAGE POST RAPID REVISION: RR97089-45A	020020	2
75	BAC27DPA4336	.	PLACARD- POST RAPID REVISION: RR97089-25RC-C RR97089-45A	020020	1
80	BAC29PPS32820	.	MARKER	001030	4
85	BAC29PPS23056	.	PLACARD	001030	2
87	BAC29PPS36557	.	PLACARD- PLACARD CONTENT: NO OCCUPANTS OR CARGO PERMITTED IN THIS COMPARTMENT DURING FLIGHT POST SERVICE BULLETIN: 25-1542	001014 016017 019030	1
90	BAC29PPS23502	.	DECAL- PLACARD CONTENT: DOOR MUST BE CLOSED AND LATCHED DURING TAXI, TAKEOFF AND LANDING	001030	4
105	BAC29PPS0618	.	PLACARD- PLACARD CONTENT: INTERPHONE	001030	1

MISSING ITEM NUMBERS NOT APPLICABLE

- ITEM NOT ILLUSTRATED

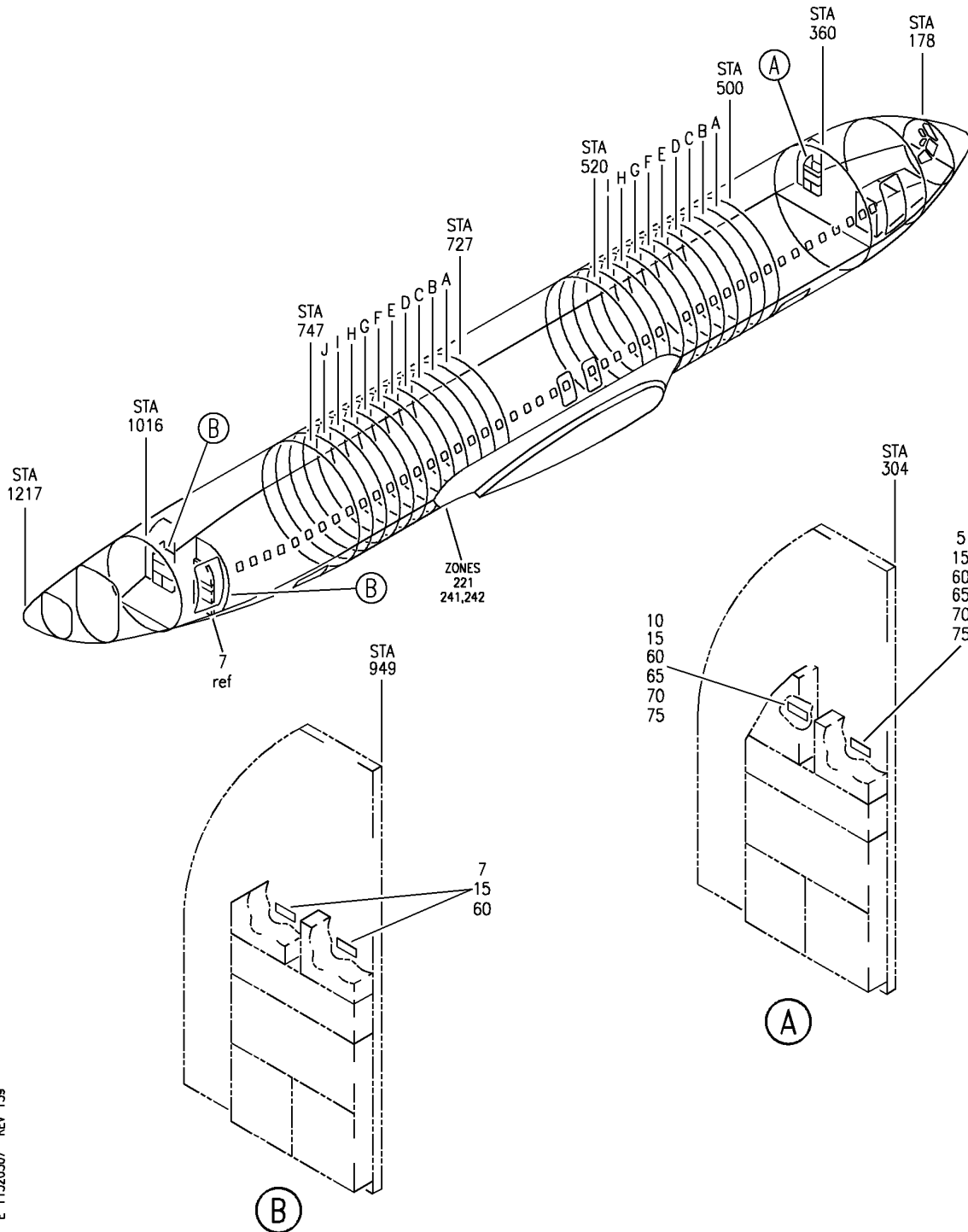
HAP

11-32-03-05

BOEING PROPRIETARY - Copyright © - Unpublished Work - See title page for details.

11-32-03
FIG. 05
PAGE 2
OCT 10/06

BOEING
 737-600/700/800/900
 PARTS CATALOG (MAINTENANCE)



E 11320367 REV 139

SEAT INSTL-ATTENDANT (PLACARDS AND MARKINGS ONLY)
 FIGURE 7

11-32-03-07

HAP
 FEB 15/08

11-32-03-07
 PAGE 0

 **BOEING**
737-600/700/800/900
PARTS CATALOG (MAINTENANCE)

FIG ITEM	PART NUMBER	1 2 3 4 5 6 7	NOMENCLATURE	EFFECT FROM TO	UNITS PER ASSY
7			SEAT INSTL-ATTENDANT (PLACARDS AND MARKINGS ONLY)	001030 201967	
- 1	414A2000-3		SEAT INSTL-ATTENDANT (PLACARDS AND MARKINGS ONLY) FOR NHA/OTHER SYS DET SEE: 25-25-00-01B	001007	RF
- 2	414A2000-40		SEAT INSTL-ATTENDANT (PLACARDS AND MARKINGS ONLY) FOR NHA/OTHER SYS DET SEE: 25-25-00-01B	008030	RF
- 2	414A2000-58		SEAT INSTL-ATTENDANT (PLACARDS AND MARKINGS ONLY) FOR NHA/OTHER SYS DET SEE: 25-25-00-01A	201967	RF
5	BAC27NPA1355		.MARKER- PLACARD CONTENT: INSTALL HEADREST WITH .50 INCH BETWEEN EDGE OF HANDSET AND EDGE OF HEADREST	001007	1
7	BAC27NPA1355		.MARKER- PLACARD CONTENT: INSTALL HEADREST WITH .50 INCH BETWEEN EDGE OF HANDSET AND EDGE OF HEADREST	001007	2
10	BAC27NPA1515		.MARKER- PLACARD CONTENT: INSTALL HEADREST WITH .50 INCH BETWEEN EDGE OF HANDSET AND EDGE OF HEADREST.	001007	1
15	BAC27NPA1515		.MARKER- PLACARD CONTENT: INSTALL HEADREST WITH .50 INCH BETWEEN EDGE OF HANDSET AND EDGE OF HEADREST.	201967	6
60	BAC27NPA1515		.MARKER- PLACARD CONTENT: INSTALL HEADREST WITH .50 INCH BETWEEN EDGE OF HANDSET AND EDGE OF HEADREST.	008030	4

MISSING ITEM NUMBERS NOT APPLICABLE

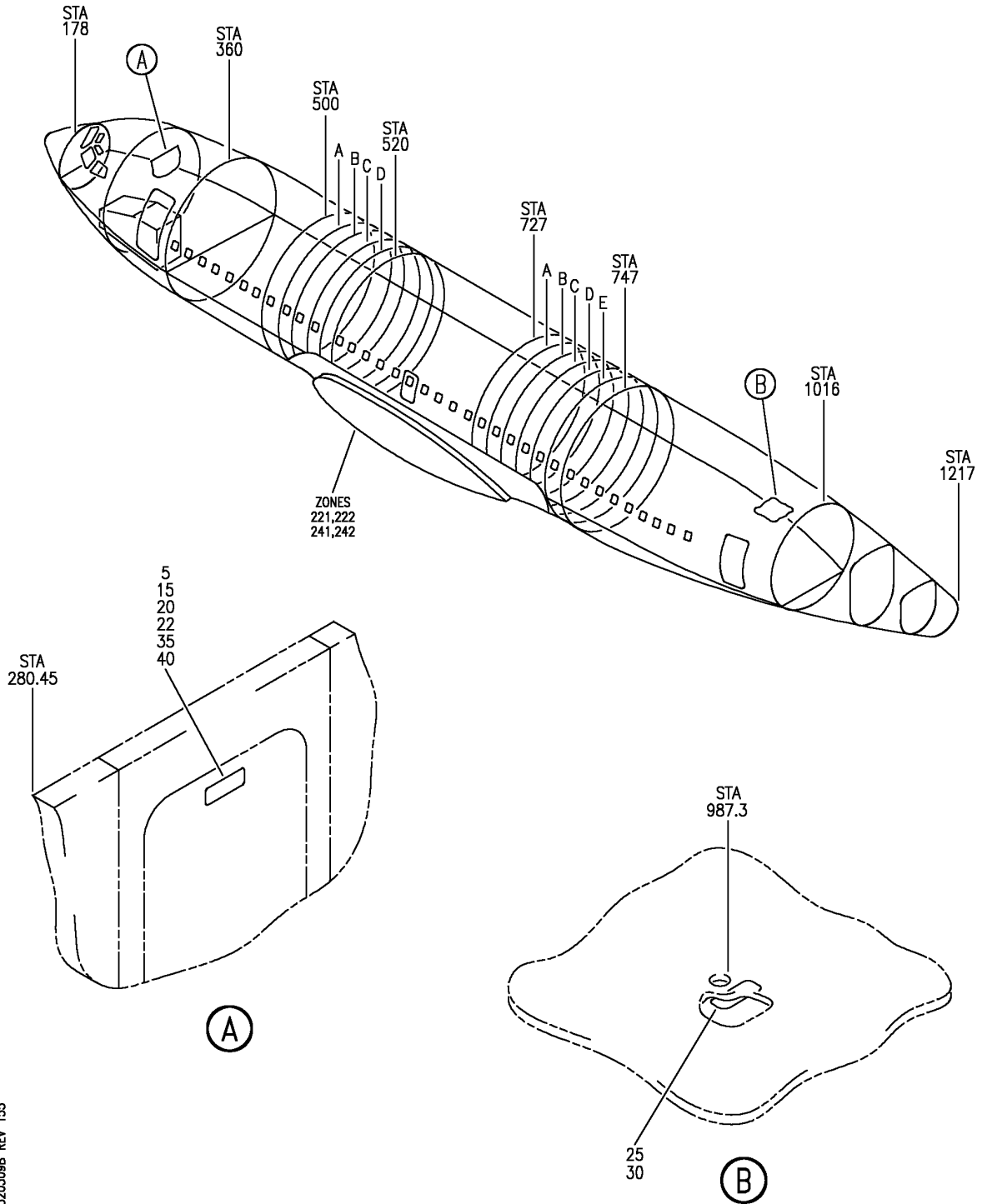
- ITEM NOT ILLUSTRATED

HAP

11-32-03-07

11-32-03
FIG. 07
PAGE 1
OCT 15/08

BOEING
 737-600/700/800/900
 PARTS CATALOG (MAINTENANCE)



E 11320309B REV 155

PLACARD INSTL-CAB. INTR (INTERIOR DIVIDERS AND WALLS ONLY)
 FIGURE 9B

11-32-03-09B

HAP
 JUN 15/09

11-32-03-09B
 PAGE 0

BOEING
737-600/700/800/900
PARTS CATALOG (MAINTENANCE)

FIG ITEM	PART NUMBER	1 2 3 4 5 6 7	NOMENCLATURE	EFFECT FROM TO	UNITS PER ASSY
9B			PLACARD INSTL-CAB. INTR (INTERIOR DIVIDERS AND WALLS ONLY)	031040 042046	
- 4	MODREF234565		PLACARD INSTL-CAB. INTR (INTERIOR DIVIDERS AND WALLS ONLY) MODULE NUMBER: 414A5119-96 REV A FOR ADDITIONAL DETAILS SEE: 11-32-04-09B	031040 042046	1
5	BAC29PPS44787		.PLACARD-(MULTI-LANGUAGE) PLACARD CONTENT: CREW ONLY	031040 042046	1
25	BAC29PPS36215		.PLACARD- PLACARD CONTENT: INTERPHONE	031040 042046	1

MISSING ITEM NUMBERS NOT APPLICABLE

- ITEM NOT ILLUSTRATED

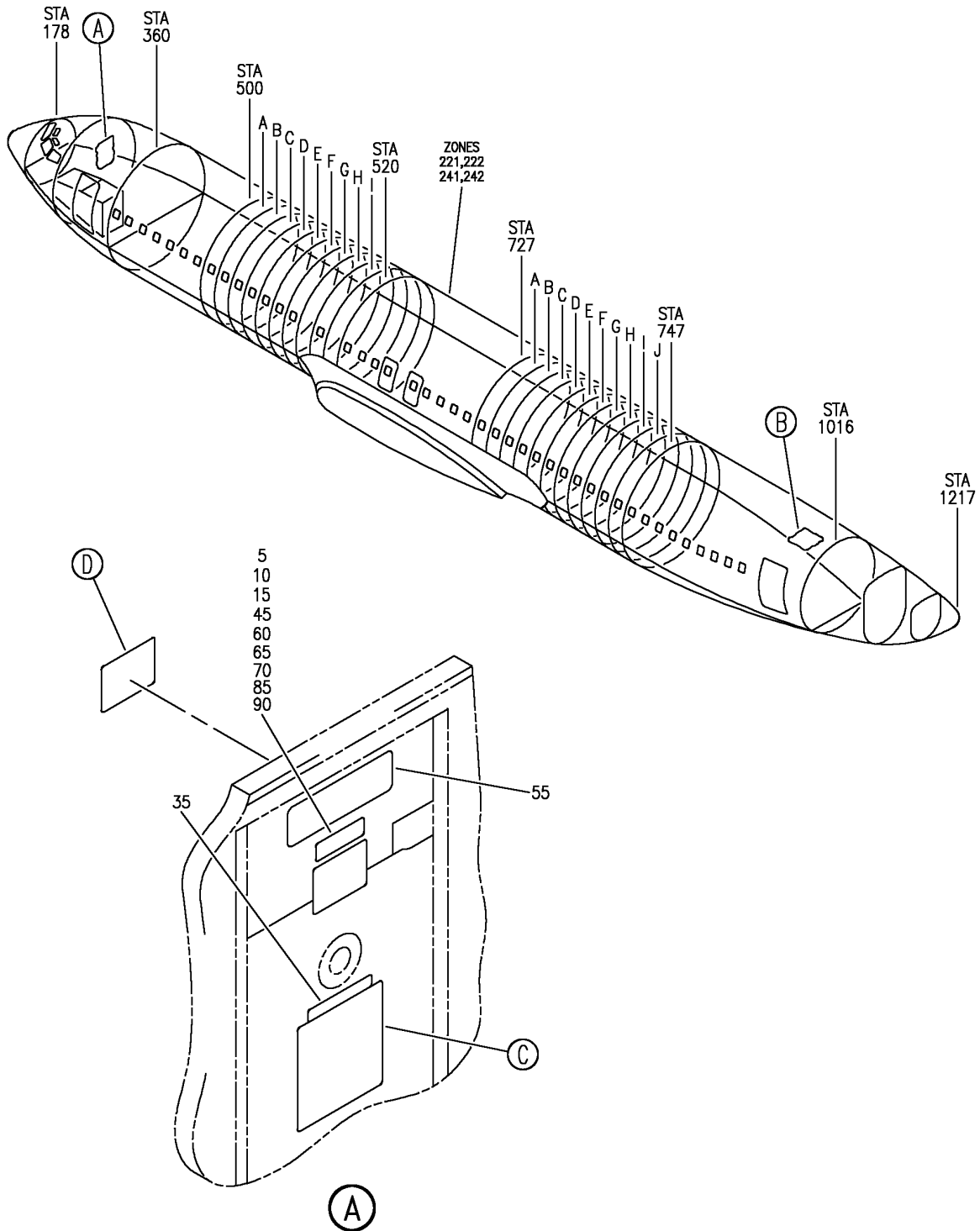
HAP

11-32-03-09B

BOEING PROPRIETARY - Copyright © - Unpublished Work - See title page for details.

11-32-03
FIG. 09B
PAGE 1
FEB 15/09

BOEING
737-600/700/800/900
PARTS CATALOG (MAINTENANCE)



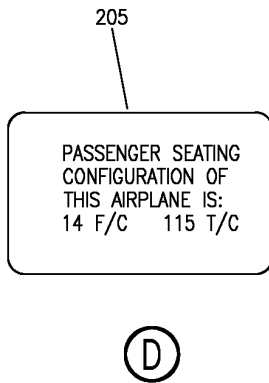
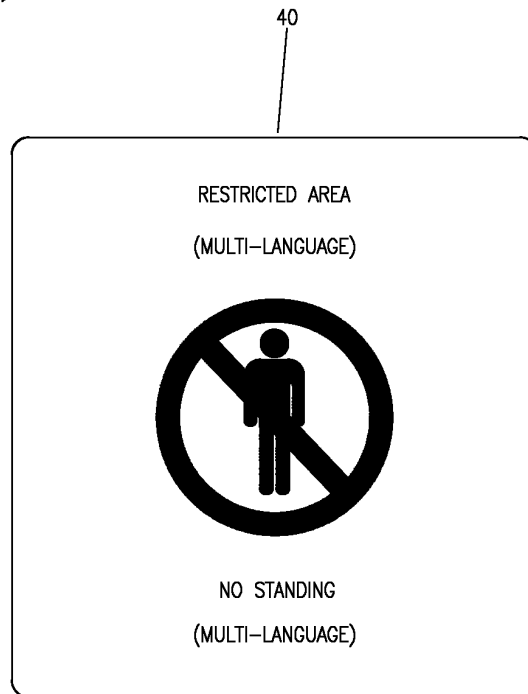
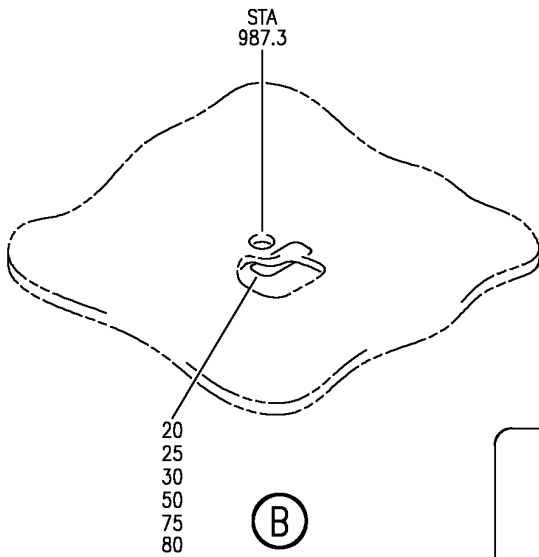
E 11320309C SHT 1 REV 153

PLACARD INSTL-CAB. INTR (INTERIOR DIVIDERS AND WALLS ONLY)
 FIGURE 9C (SHEET 1)

HAP
 JUN 15/09

11-32-03-09C

11-32-03-09C
 PAGE 0



E 11320309C SHT 2 REV 153

PLACARD INSTL-CAB. INTR (INTERIOR DIVIDERS AND WALLS ONLY)
 FIGURE 9C (SHEET 2)

11-32-03-09C

HAP
 JUN 15/09

11-32-03-09C
 PAGE 0A

BOEING
737-600/700/800/900
PARTS CATALOG (MAINTENANCE)

FIG ITEM	PART NUMBER	1 2 3 4 5 6 7	NOMENCLATURE	EFFECT FROM TO	UNITS PER ASSY
9C			PLACARD INSTL-CAB. INTR (INTERIOR DIVIDERS AND WALLS ONLY)	101200 968999	
- 1	MODREF323445		PLACARD INSTL-CAB. INTR (INTERIOR DIVIDERS AND WALLS ONLY) MODULE NUMBER: 414A5119-119 REV A FOR ADDITIONAL DETAILS SEE: 11-32-04-09E	101200 968999	1
10	BAC29PPS44787		.PLACARD-(MULTI-LANGUAGE) PLACARD CONTENT: CREW ONLY	101200 968999	1
20	BAC29PPS36215		.PLACARD- PLACARD CONTENT: INTERPHONE	101200 968999	1

MISSING ITEM NUMBERS NOT APPLICABLE

- ITEM NOT ILLUSTRATED

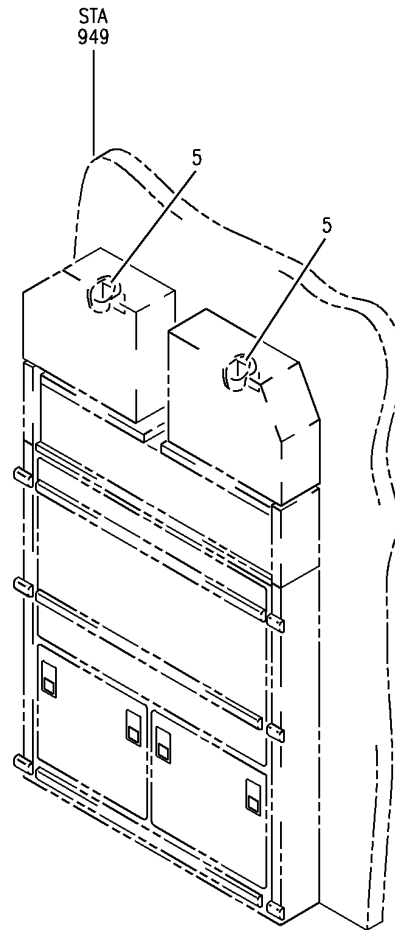
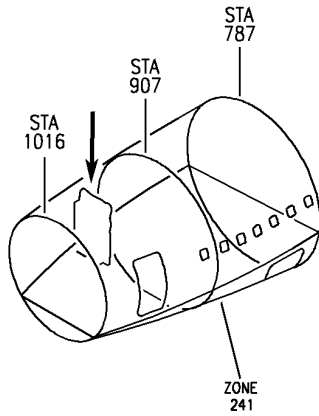
HAP

11-32-03-09C

BOEING PROPRIETARY - Copyright © - Unpublished Work - See title page for details.

11-32-03
FIG. 09C
PAGE 1
OCT 15/08

BOEING
737-600/700/800/900
PARTS CATALOG (MAINTENANCE)



E 11320311B REV 119

SEAT INSTL-ATTENDANT (PLACARDS AND MARKINGS ONLY)
FIGURE 11B

11-32-03-11B

HAP
JUN 10/07

11-32-03-11B
PAGE 0

BOEING
737-600/700/800/900
PARTS CATALOG (MAINTENANCE)

FIG ITEM	PART NUMBER	1 2 3 4 5 6 7	NOMENCLATURE	EFFECT FROM TO	UNITS PER ASSY
11B			SEAT INSTL-ATTENDANT (PLACARDS AND MARKINGS ONLY)	101106 968999	
- 1	MODREF323614		SEAT INSTL-ATTENDANT DBL WALL-MOUNTED ON LAV D AFT FACING (PLACARDS AND MARKINGS ONLY) MODULE NUMBER: 414A2900-216 REV A FOR OTHER SYS DETAILS SEE: 25-25-12-04B	101105 968999	1
- 2	MODREF386768		SEAT INSTL-ATTENDANT DBL WALL-MOUNTED ON LAV D AFT FACING (PLACARDS AND MARKINGS ONLY) MODULE NUMBER: 414A2900-216 REV B FOR OTHER SYS DETAILS SEE: 25-25-12-04B	106106	1
5	BAC27NPA1515		.MARKER- PLACARD CONTENT: INSTALL HEADREST WITH .50 INCH BETWEEN EDGE OF HANDSET AND EDGE OF HEADREST.	101106 968999	2

MISSING ITEM NUMBERS NOT APPLICABLE

- ITEM NOT ILLUSTRATED

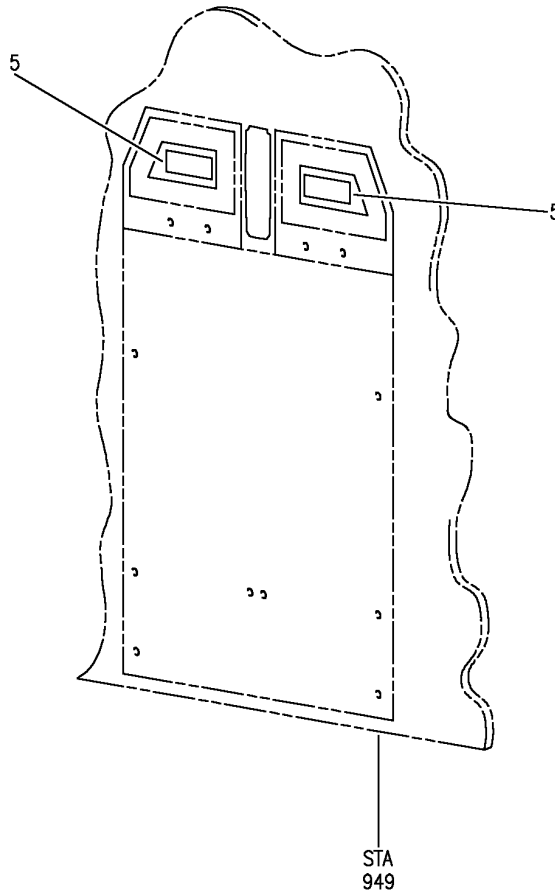
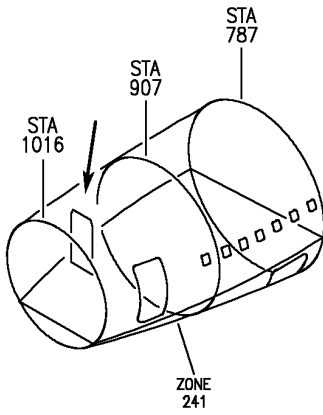
HAP

11-32-03-11B

BOEING PROPRIETARY - Copyright © - Unpublished Work - See title page for details.

11-32-03
FIG. 11B
PAGE 1
FEB 15/09

BOEING
737-600/700/800/900
PARTS CATALOG (MAINTENANCE)



E 11320311C REV 145

SEAT INSTL-ATTENDANT (PLACARDS AND MARKINGS ONLY)
FIGURE 11C

11-32-03-11C

HAP
OCT 15/08

11-32-03-11C
PAGE 0

BOEING
737-600/700/800/900
PARTS CATALOG (MAINTENANCE)

FIG ITEM	PART NUMBER	1 2 3 4 5 6 7	NOMENCLATURE	EFFECT FROM TO	UNITS PER ASSY
11C			SEAT INSTL-ATTENDANT (PLACARDS AND MARKINGS ONLY)	047050 053053 107200	
- 1	MODREF386791		SEAT INSTL-ATTENDANT DBL WALL-MOUNTED ON LAV D AFT FACING (PLACARDS AND MARKINGS ONLY)	047050 053053 107200	1
5	BAC27NPA1515		MODULE NUMBER: 414A2900-50 REV C FOR OTHER SYS DETAILS SEE: 25-25-12-04C .MARKER- PLACARD CONTENT: INSTALL HEADREST WITH .50 INCH BETWEEN EDGE OF HANDSET AND EDGE OF HEADREST.	047050 053053 107200	2

MISSING ITEM NUMBERS NOT APPLICABLE

- ITEM NOT ILLUSTRATED

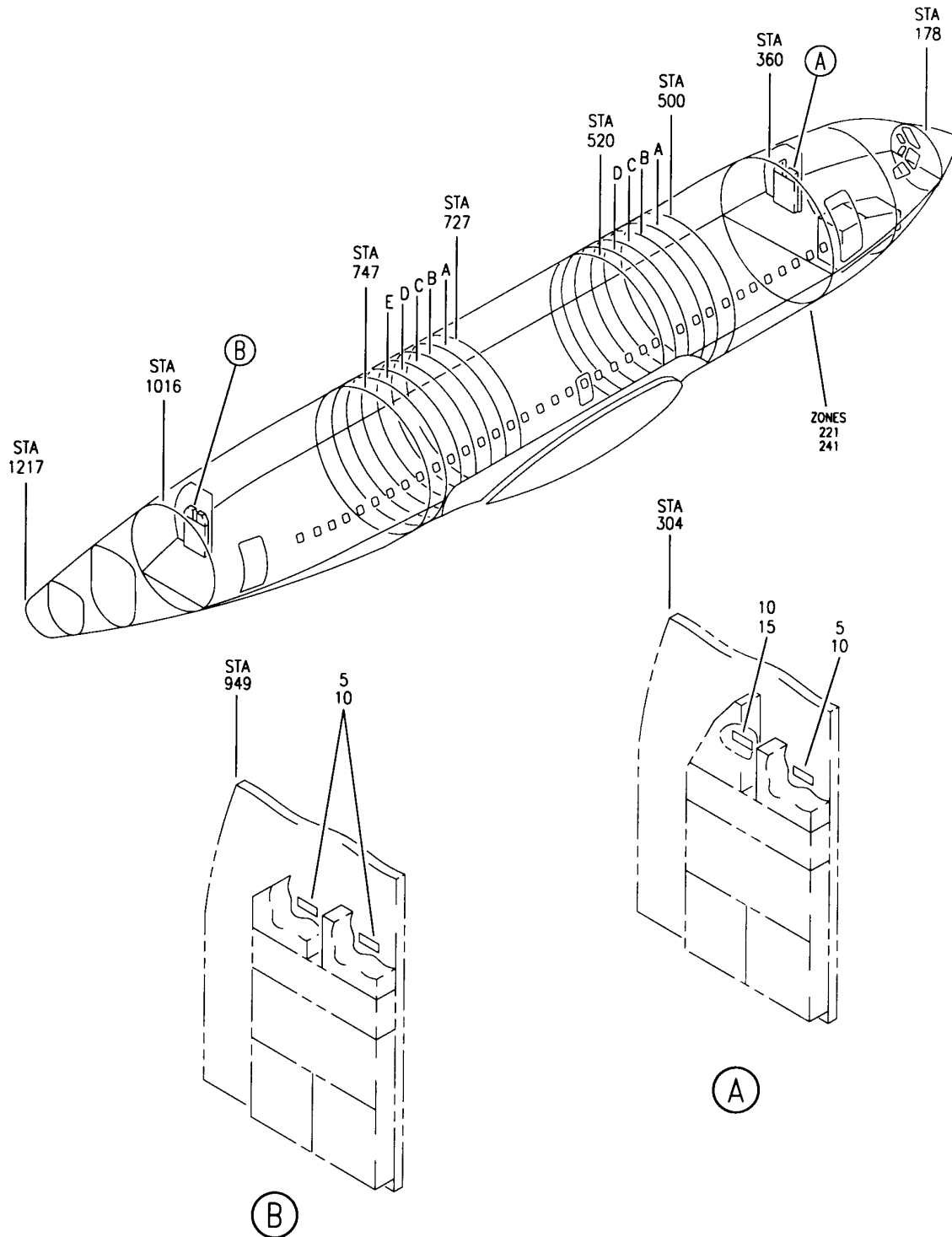
HAP

11-32-03-11C

BOEING PROPRIETARY - Copyright © - Unpublished Work - See title page for details.

11-32-03
FIG. 11C
PAGE 1
FEB 15/09

BOEING
 737-600/700/800/900
 PARTS CATALOG (MAINTENANCE)



E 11320312 REV 022

SEAT INSTL-ATTENDANT (PLACARDS AND MARKINGS ONLY)
 FIGURE 12

11-32-03-12

HAP
 FEB 10/07

11-32-03-12
 PAGE 0

BOEING
737-600/700/800/900
PARTS CATALOG (MAINTENANCE)

FIG ITEM	PART NUMBER	1 2 3 4 5 6 7	NOMENCLATURE	EFFECT FROM TO	UNITS PER ASSY
12			SEAT INSTL-ATTENDANT (PLACARDS AND MARKINGS ONLY)	038038 042046 051052	
- 1	MODREF198981		SEAT INSTL-ATTENDANT (JPL) JET AIRWAYS (INDIA) PVT. LTD./(RYR) RYANAIR LTD. (PLACARDS AND MARKINGS ONLY) MODULE NUMBER: 414A2000-70 REV C FOR OTHER SYS DETAILS SEE: 25-25-12-20	038038 042046	1
- 1	MODREF387132		SEAT INSTL-ATTENDANT (JPL) JET AIRWAYS (INDIA) PVT. LTD./(RYR) RYANAIR LTD. (PLACARDS AND MARKINGS ONLY) MODULE NUMBER: 414A2000-70 REV D FOR OTHER SYS DETAILS SEE: 25-25-12-20	051052	1
10	BAC27NPA1515		.MARKER- PLACARD CONTENT: INSTALL HEADREST WITH .50 INCH BETWEEN EDGE OF HANDSET AND EDGE OF HEADREST.	038038 042046 051052	4

MISSING ITEM NUMBERS NOT APPLICABLE

- ITEM NOT ILLUSTRATED

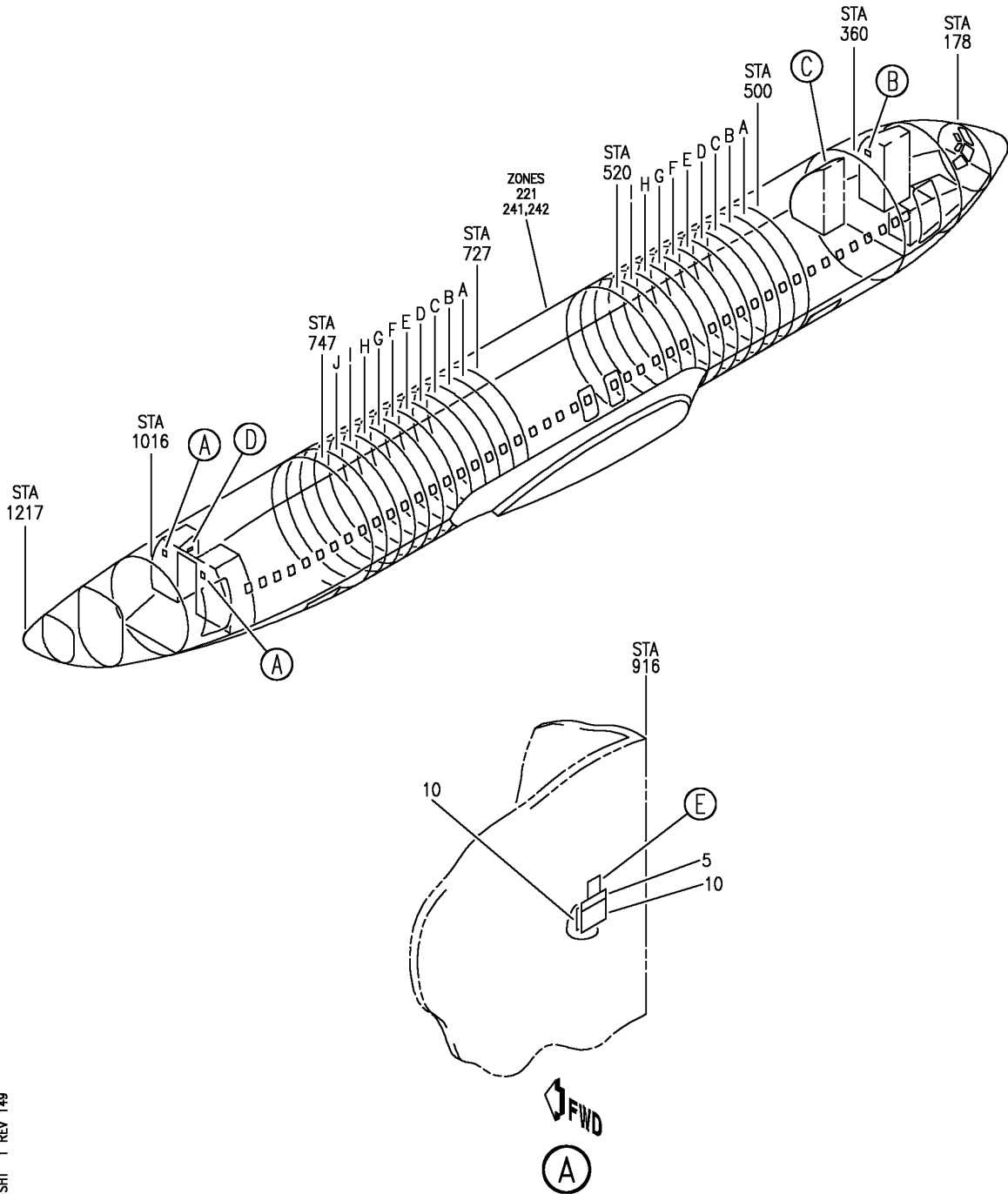
HAP

11-32-03-12

BOEING PROPRIETARY - Copyright © - Unpublished Work - See title page for details.

11-32-03
FIG. 12
PAGE 1
FEB 15/09

BOEING
 737-600/700/800/900
 PARTS CATALOG (MAINTENANCE)



E 11320314Q SHT 1 REV 149

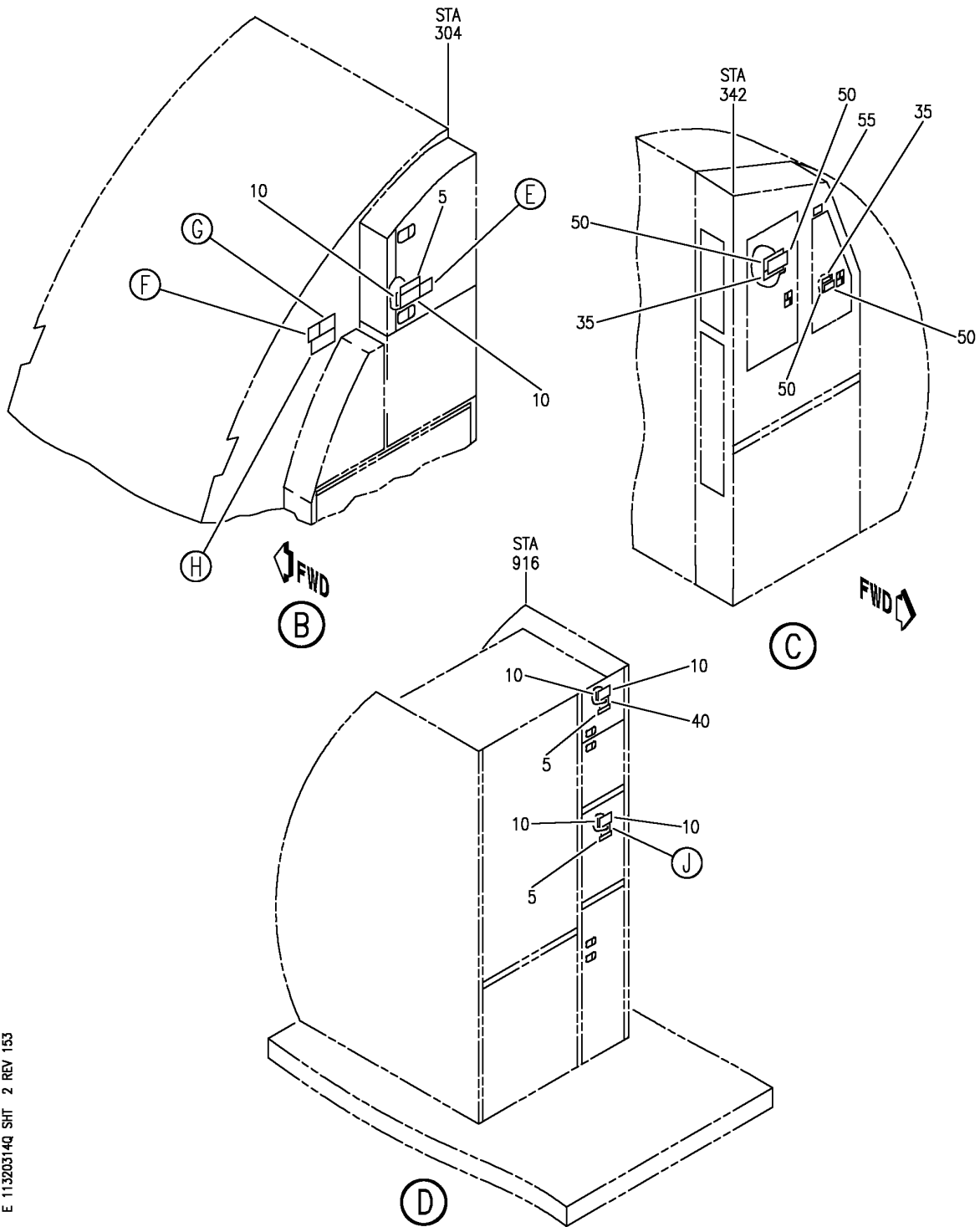
PLACARD INSTL-CAB. INTR MISC (INTERIOR DIVIDERS AND WALLS ONLY)
 FIGURE 14Q (SHEET 1)

11-32-03-14Q

HAP
 FEB 15/09

11-32-03-14Q
 PAGE 0

BOEING
 737-600/700/800/900
 PARTS CATALOG (MAINTENANCE)



E 11320314Q SHT 2 REV 153

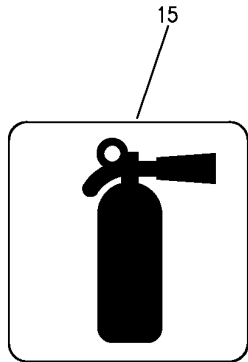
PLACARD INSTL-CAB. INTR MISC (INTERIOR DIVIDERS AND WALLS ONLY)
 FIGURE 14Q (SHEET 2)

11-32-03-14Q

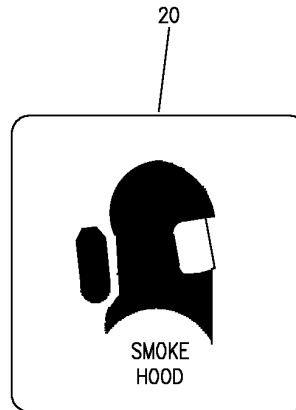
HAP
 JUN 15/09

11-32-03-14Q
 PAGE 0A

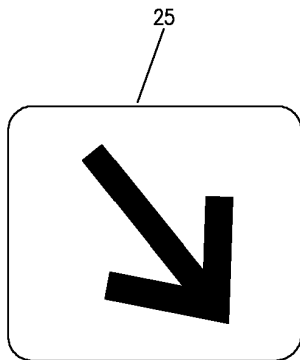
BOEING
 737-600/700/800/900
 PARTS CATALOG (MAINTENANCE)



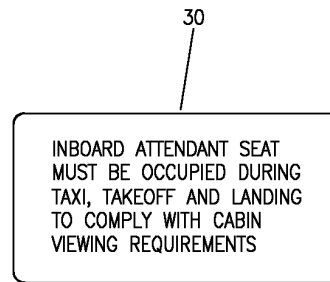
(E)



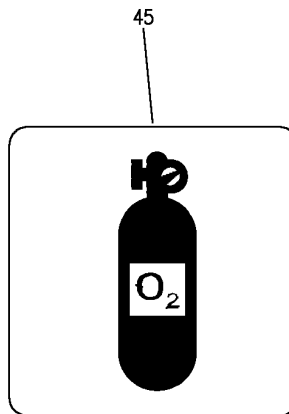
(F)



(G)



(H)



(J)

E 11320314Q SHT 3 REV 149

PLACARD INSTL-CAB. INTR MISC (INTERIOR DIVIDERS AND WALLS ONLY)
 FIGURE 14Q (SHEET 3)

11-32-03-14Q

HAP
 FEB 15/09

11-32-03-14Q
 PAGE 0B

BOEING PROPRIETARY - Copyright © - Unpublished Work - See title page for details.

BOEING
737-600/700/800/900
PARTS CATALOG (MAINTENANCE)

FIG ITEM	PART NUMBER	1 2 3 4 5 6 7	NOMENCLATURE	EFFECT FROM TO	UNITS PER ASSY
14Q			PLACARD INSTL-CAB. INTR MISC (INTERIOR DIVIDERS AND WALLS ONLY)	050050 053053	
R R R R R R R	- 1 MODREF411511		PLACARD INSTL-CAB. INTR MISC (INTERIOR DIVIDERS AND WALLS ONLY) MODULE NUMBER: 414A5150-623 REV B FOR ADDITIONAL DETAILS SEE: 11-32-04-14Q	050050 053053	1
R R R R	5 BAC29PPS38676		.PLACARD- PLACARD CONTENT: EMERGENCY EQUIPMENT ONLY	050050 053053	5
R R R R R	10 BAC29PPS36218		.PLACARD- PLACARD CONTENT: DOOR MUST BE CLOSED AND LATCHED DURING TAXI, TAKEOFF AND LANDING	050050 053053	10
	15 BAC29PPS36229		.PLACARD	050050 053053	3
	20 BAC29PPS36232		.MARKER	050050 053053	1
	25 BAC29PPS36210		.PLACARD	050050 053053	1
	30 BAC29PPS36211		.PLACARD	050050 053053	1
	35 BAC29PPS36819		.PLACARD- PLACARD CONTENT: LOAD LIMIT 12 LB/5 KG	050050 053053	2
	40 BAC29PPS50034		.MARKER- PLACARD CONTENT: OXYGEN MASKS	050050 053053	1
	45 BAC29PPS36231		.PLACARD	050050 053053	1
R R R R R R R R	50 BAC29PPS58244		.MARKER- PLACARD CONTENT: CLOSE AND SECURE IMMEDIATELY WHEN NOT IN USE	050050 053053	4
R R R R R R	55 BAC29PPS36827		.PLACARD- PLACARD CONTENT: DOORS MUST BE CLOSED AND LATCHED DURING TAXI, TAKEOFF AND LANDING	050050 053053	1

MISSING ITEM NUMBERS NOT APPLICABLE

- ITEM NOT ILLUSTRATED

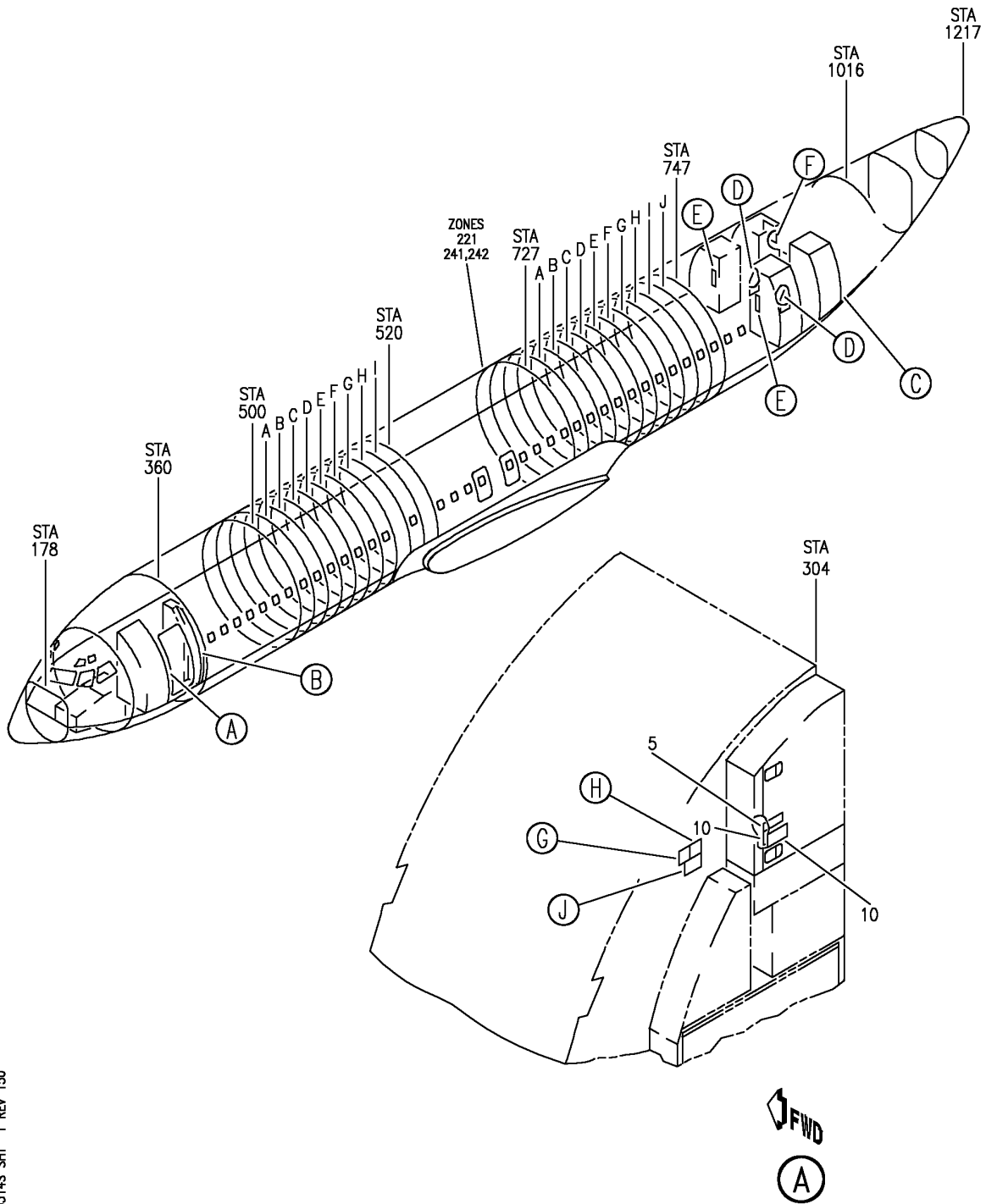
HAP

11-32-03-14Q

BOEING PROPRIETARY - Copyright © - Unpublished Work - See title page for details.

11-32-03
FIG. 14Q
PAGE 1
JUN 15/09

BOEING
 737-600/700/800/900
 PARTS CATALOG (MAINTENANCE)



E 11320314S SHT 1 REV 150

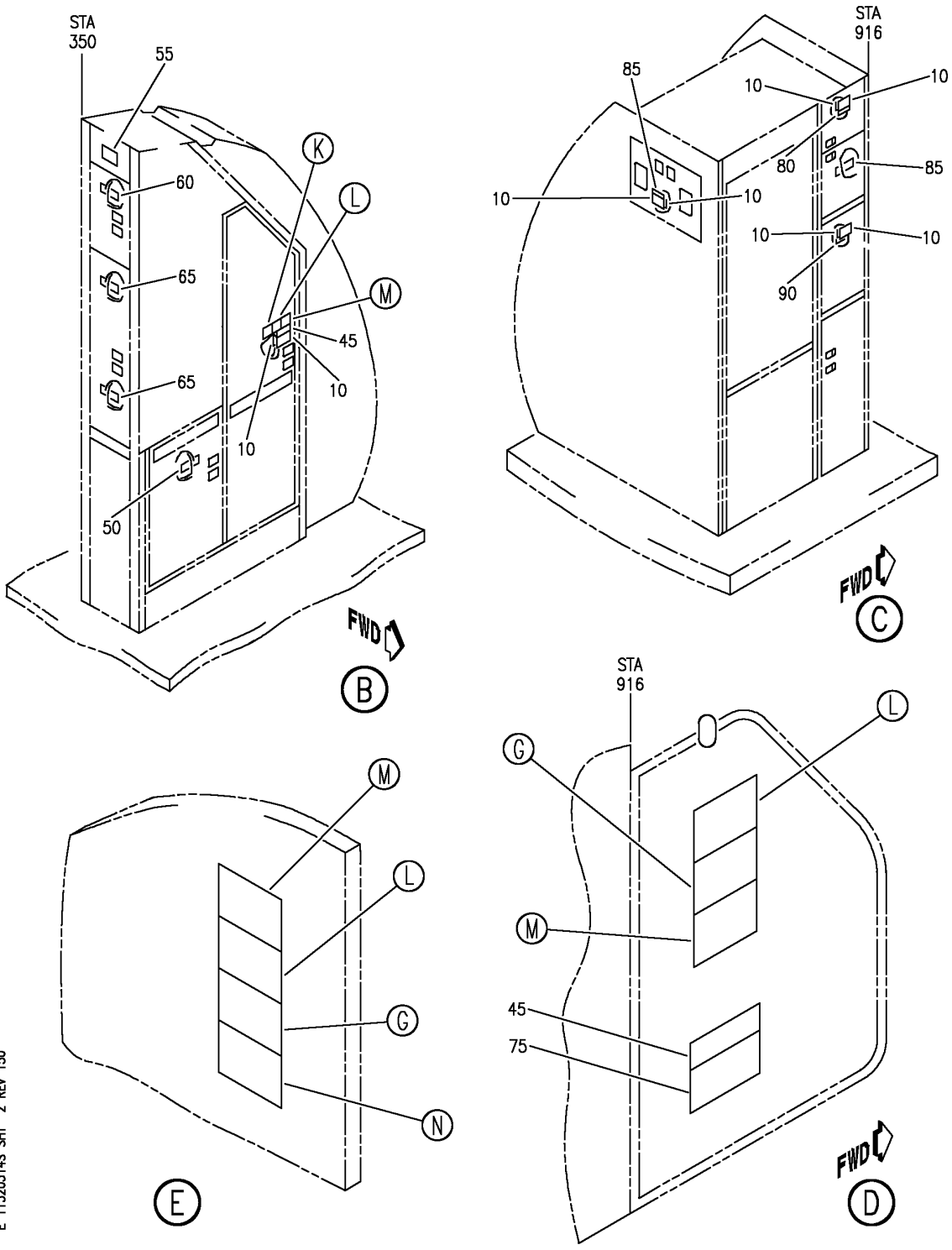
PLACARD INSTL-CAB. INTR MISC (INTERIOR DIVIDERS AND WALLS ONLY)
 FIGURE 14S (SHEET 1)

11-32-03-14S

HAP
 FEB 15/09

11-32-03-14S
 PAGE 0

BOEING
 737-600/700/800/900
 PARTS CATALOG (MAINTENANCE)



E 11320314S SHT 2 REV 150

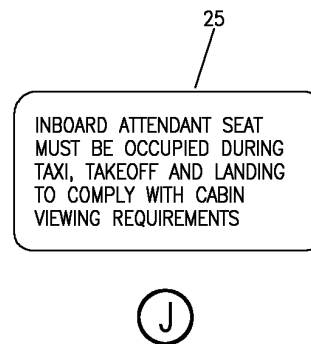
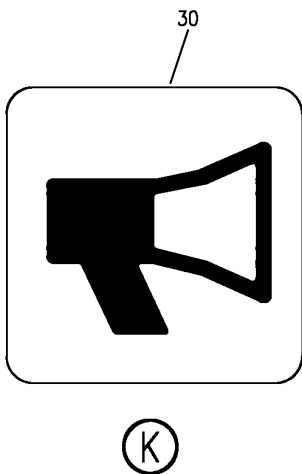
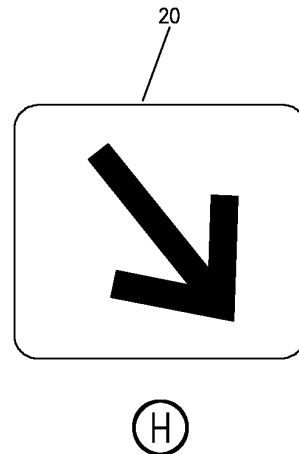
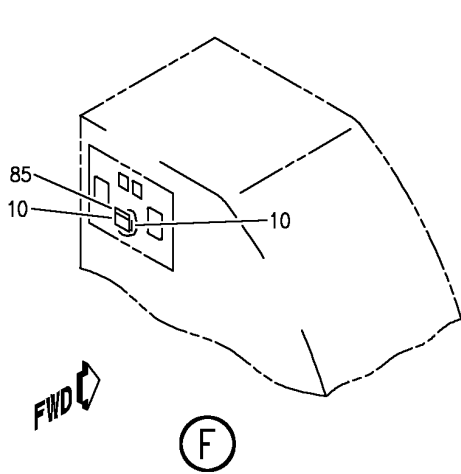
PLACARD INSTL-CAB. INTR MISC (INTERIOR DIVIDERS AND WALLS ONLY)
 FIGURE 14S (SHEET 2)

11-32-03-14S

HAP
 FEB 15/09

11-32-03-14S
 PAGE 0A

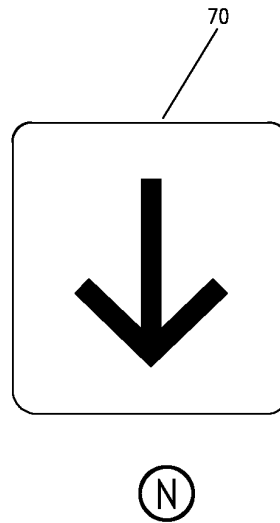
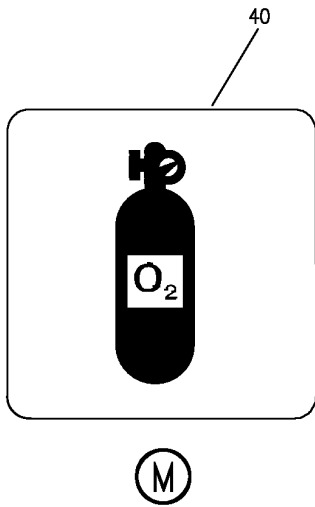
BOEING
 737-600/700/800/900
 PARTS CATALOG (MAINTENANCE)



E 11320314S SHT 3 REV 150

PLACARD INSTL-CAB. INTR MISC (INTERIOR DIVIDERS AND WALLS ONLY)
 FIGURE 14S (SHEET 3)

11-32-03-14S



E 11320314S SHT 4 REV 150

PLACARD INSTL-CAB. INTR MISC (INTERIOR DIVIDERS AND WALLS ONLY)
FIGURE 14S (SHEET 4)

HAP
FEB 15/09

11-32-03-14S

11-32-03-14S
PAGE 0C

BOEING
737-600/700/800/900
PARTS CATALOG (MAINTENANCE)

FIG ITEM	PART NUMBER	1 2 3 4 5 6 7	NOMENCLATURE	EFFECT FROM TO	UNITS PER ASSY
14S			PLACARD INSTL-CAB. INTR MISC (INTERIOR DIVIDERS AND WALLS ONLY)	051052	
- 1	MODREF401271		PLACARD INSTL-CAB. INTR MISC (INTERIOR DIVIDERS AND WALLS ONLY) MODULE NUMBER: 414A5150-624 REV A FOR ADDITIONAL DETAILS SEE: 11-32-04-14S	051052	1
5	BAC29PPS36219		.PLACARD- PLACARD CONTENT: LOAD LIMIT 16 LB/7 KG	051052	1
10	BAC29PPS36218		.PLACARD- PLACARD CONTENT: DOOR MUST BE CLOSED AND LATCHED DURING TAXI, TAKEOFF AND LANDING	051052	12
15	BAC29PPS36232		.MARKER	051052	5
20	BAC29PPS36210		.PLACARD	051052	1
25	BAC29PPS36211		.PLACARD	051052	1
30	BAC29PPS36230		.PLACARD	051052	1
35	BAC29PPS36229		.PLACARD	051052	5
40	BAC29PPS36231		.PLACARD	051052	5
45	BAC29PPS38676		.PLACARD- PLACARD CONTENT: EMERGENCY EQUIPMENT ONLY	051052	3
50	BAC29PPS36819		.PLACARD- PLACARD CONTENT: LOAD LIMIT 12 LB/5 KG	051052	1
55	BAC29PPS36827		.PLACARD- PLACARD CONTENT: DOORS MUST BE CLOSED AND LATCHED DURING TAXI, TAKEOFF AND LANDING	051052	1
60	BAC29PPS36812		.PLACARD- PLACARD CONTENT: LOAD LIMIT 5 LB/2 KG	051052	1
65	BAC29PPS36813		.PLACARD- PLACARD CONTENT: LOAD LIMIT 6 LB/2 KG	051052	2
70	BAC29PPS36208		.PLACARD	051052	2
75	BAC29PPS38660		.PLACARD- PLACARD CONTENT: DRAWER MUST BE CLOSED AND LATCHED DURING TAXI, TAKEOFF AND LANDING	051052	2

MISSING ITEM NUMBERS NOT APPLICABLE

- ITEM NOT ILLUSTRATED

HAP

11-32-03-14S

11-32-03
FIG. 14S
PAGE 1
FEB 15/09


BOEING
 737-600/700/800/900
PARTS CATALOG (MAINTENANCE)

FIG ITEM	PART NUMBER	1 2 3 4 5 6 7	NOMENCLATURE	EFFECT FROM TO	UNITS PER ASSY
14S 80	BAC29PPS41045	.	PLACARD- PLACARD CONTENT: SHELF LOAD LIMIT 10 LB/5 KG	051052	1
85	BAC29PPS36817	.	PLACARD- PLACARD CONTENT: LOAD LIMIT 10 LB/4 KG	051052	3
90	BAC29PPS40884	.	PLACARD- PLACARD CONTENT: FLOOR LOAD LIMIT 20 LB/9 KG	051052	1

MISSING ITEM NUMBERS NOT APPLICABLE

— ITEM NOT ILLUSTRATED

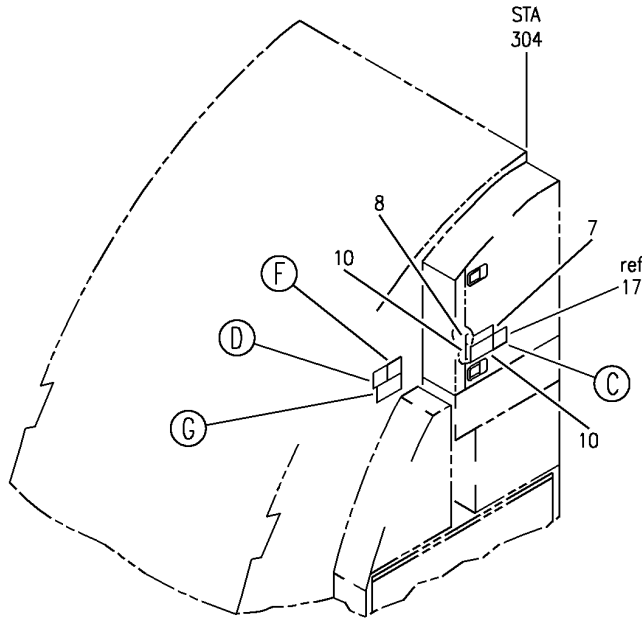
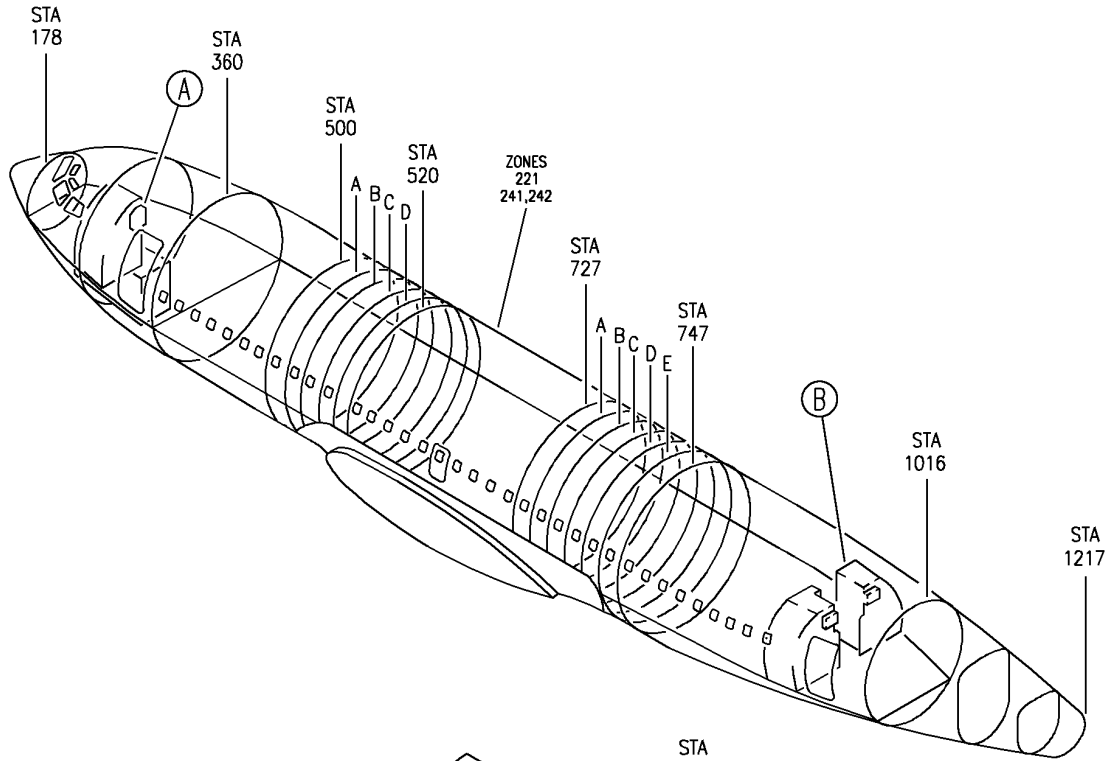
HAP

11-32-03-14S

BOEING PROPRIETARY - Copyright © - Unpublished Work - See title page for details.

11-32-03
 FIG. 14S
 PAGE 2
 FEB 15/09

BOEING
 737-600/700/800/900
 PARTS CATALOG (MAINTENANCE)



E 11320316J SHT 1 REV 129

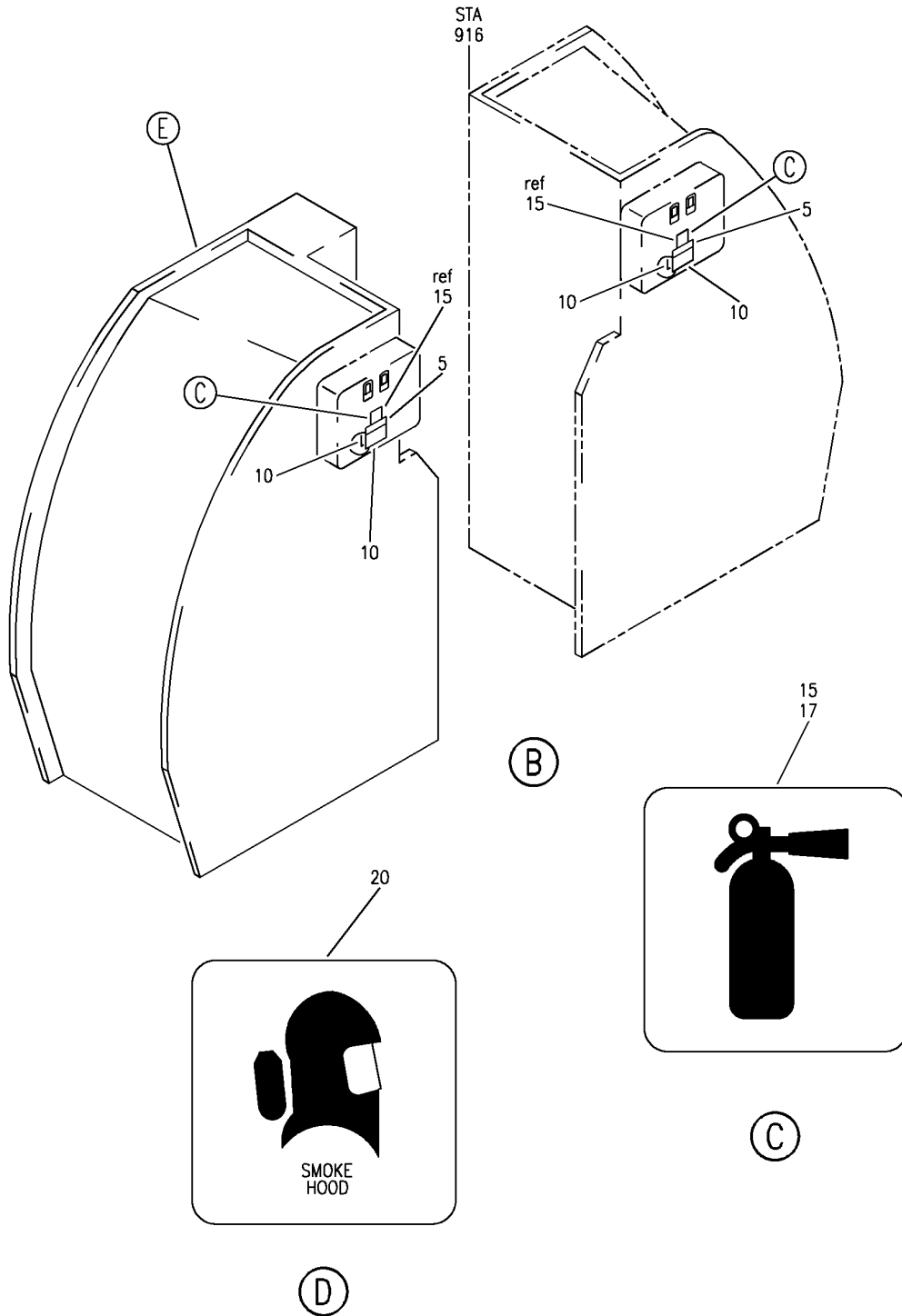
PLACARD INSTL-CAB. INTR MISC (INTERIOR DIVIDERS AND WALLS ONLY)
 FIGURE 16J (SHEET 1)

11-32-03-16J

HAP
 JUN 10/07

11-32-03-16J
 PAGE 0

BOEING
 737-600/700/800/900
 PARTS CATALOG (MAINTENANCE)



E 11320316J SHT 2 REV 129

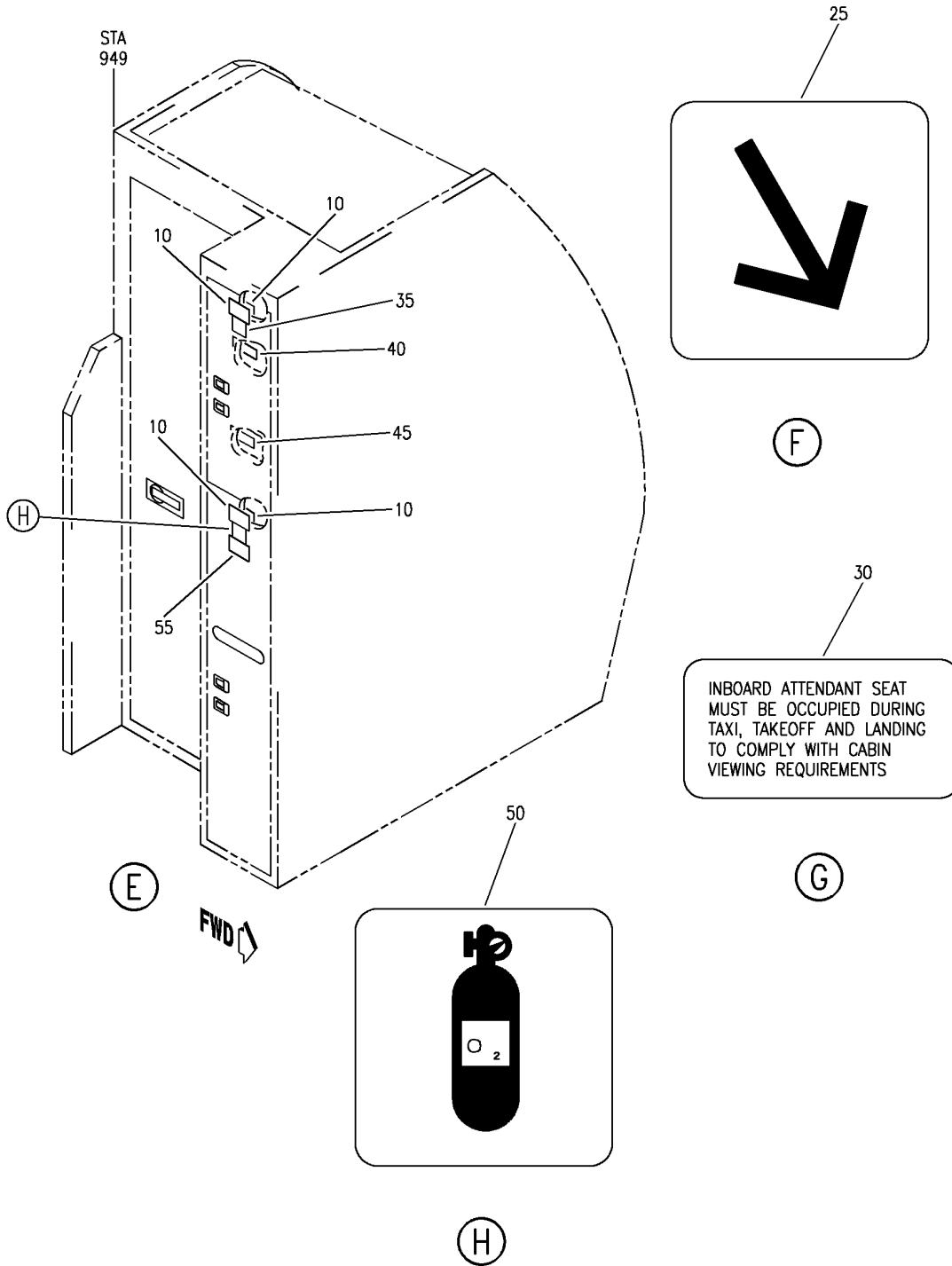
PLACARD INSTL-CAB. INTR MISC (INTERIOR DIVIDERS AND WALLS ONLY)
 FIGURE 16J (SHEET 2)

11-32-03-16J

HAP
 JUN 10/07

11-32-03-16J
 PAGE 0A

BOEING
 737-600/700/800/900
 PARTS CATALOG (MAINTENANCE)



E 11320316J SHT 3 REV 128

PLACARD INSTL-CAB. INTR MISC (INTERIOR DIVIDERS AND WALLS ONLY)
 FIGURE 16J (SHEET 3)

11-32-03-16J

HAP
 JUN 10/07

11-32-03-16J
 PAGE 0B

BOEING
737-600/700/800/900
PARTS CATALOG (MAINTENANCE)

FIG ITEM	PART NUMBER	1 2 3 4 5 6 7	NOMENCLATURE	EFFECT FROM TO	UNITS PER ASSY
16J			PLACARD INSTL-CAB. INTR MISC (INTERIOR DIVIDERS AND WALLS ONLY)	101101 968971	
- 1	MODREF323447		PLACARD INSTL-CAB. INTR MISC (INTERIOR DIVIDERS AND WALLS ONLY) MODULE NUMBER: 414A5150-470 REV A FOR ADDITIONAL DETAILS SEE: 11-32-04-16J	968969	1
5	BAC29PPS38676		.PLACARD- PLACARD CONTENT: EMERGENCY EQUIPMENT ONLY	968969	2
7	BAC29PPS38676		.PLACARD- PLACARD CONTENT: EMERGENCY EQUIPMENT ONLY	101101 970971	1
8	BAC29PPS36219		.PLACARD- PLACARD CONTENT: LOAD LIMIT 16 LB/7 KG POST RAPID REVISION: RR97065-673B	968969	1
10	BAC29PPS36218		.PLACARD- PLACARD CONTENT: DOOR MUST BE CLOSED AND LATCHED DURING TAXI, TAKEOFF AND LANDING	968969	10
15	BAC29PPS36229		.PLACARD	968969	2
17	BAC29PPS36229		.PLACARD-	101101 970971	1
20	BAC29PPS36232		.MARKER	968969	1
25	BAC29PPS36210		.PLACARD	968969	1
30	BAC29PPS36211		.PLACARD	968969	1
35	BAC29PPS50034		.MARKER- PLACARD CONTENT: OXYGEN MASKS	968969	1
40	BAC29PPS52348		.PLACARD-(MULTI-LANGUAGE) PLACARD CONTENT: NO ADDITIONAL STOWAGE	968969	1
45	BAC29PPS36817		.PLACARD- PLACARD CONTENT: LOAD LIMIT 10 LB/4 KG	968969	1
50	BAC29PPS36231		.PLACARD	968969	1
55	BAC29PPS48516		.PLACARD-(MULTI-LANGUAGE) PLACARD CONTENT: EMERGENCY EQUIPMENT ONLY	968969	1

MISSING ITEM NUMBERS NOT APPLICABLE

- ITEM NOT ILLUSTRATED

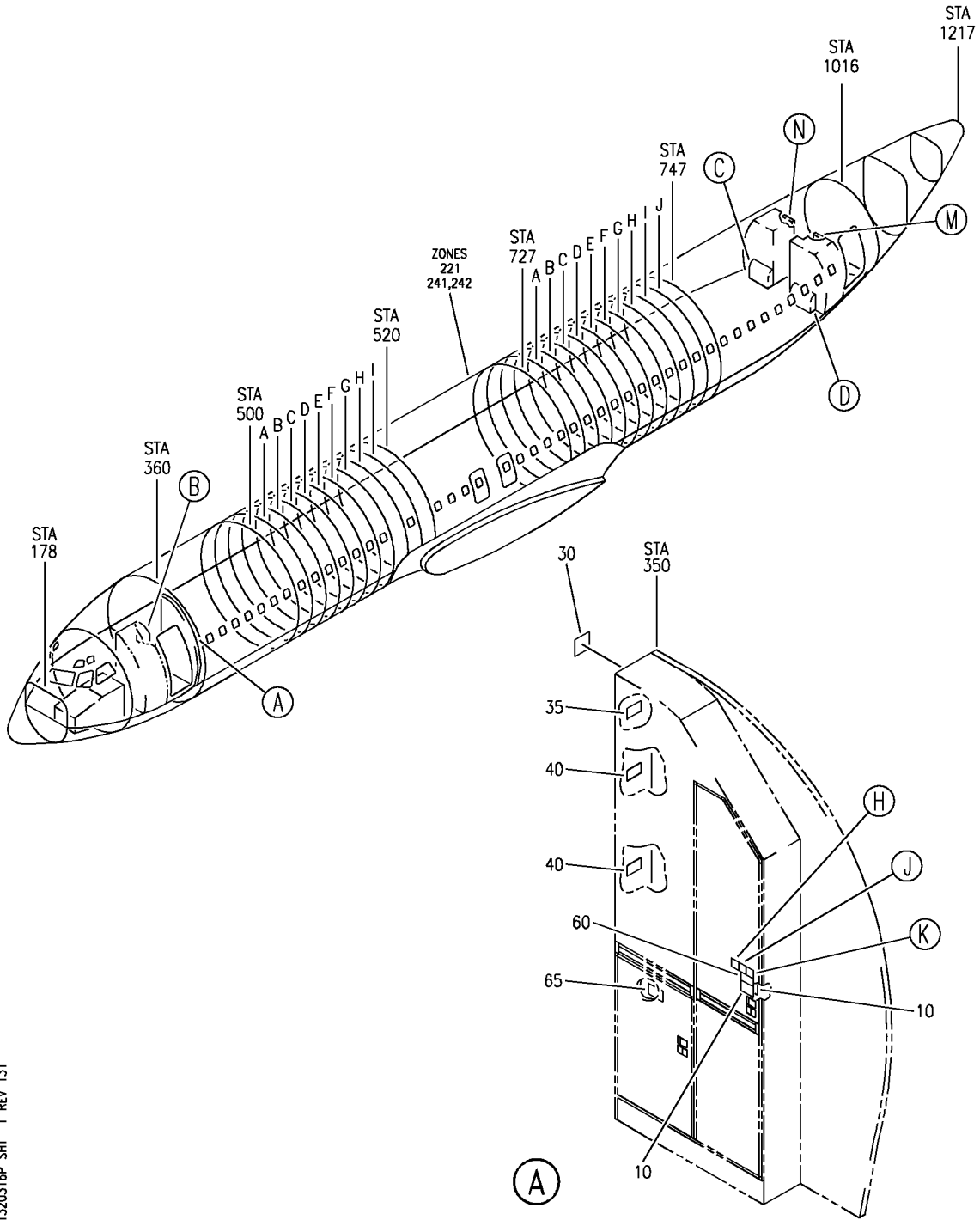
HAP

11-32-03-16J

11-32-03
FIG. 16J
PAGE 1
FEB 15/08

BOEING PROPRIETARY - Copyright © - Unpublished Work - See title page for details.

BOEING
 737-600/700/800/900
 PARTS CATALOG (MAINTENANCE)



E 11320316P SHT 1 REV 131

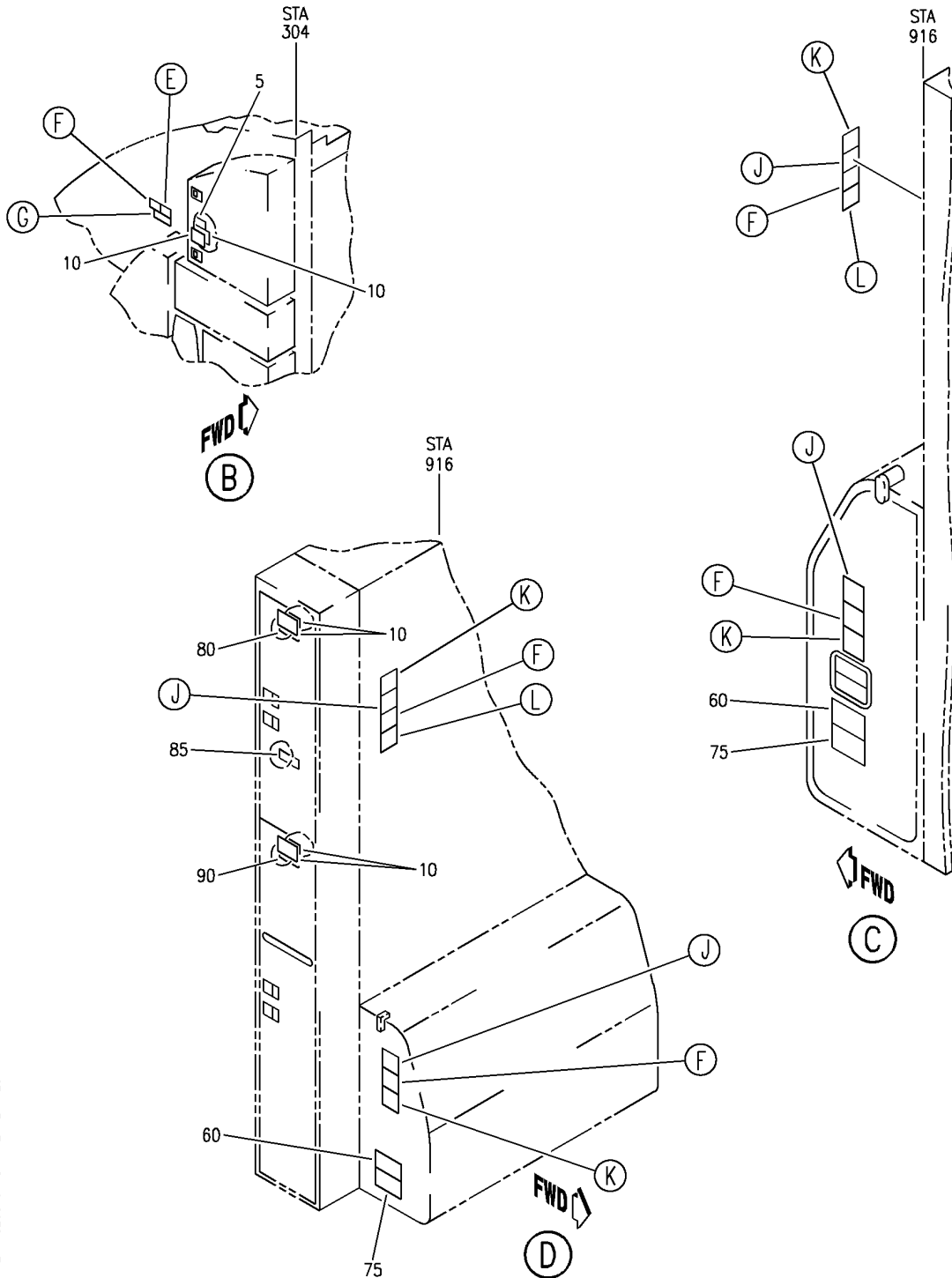
PLACARD INSTL-CAB. INTR MISC (INTERIOR DIVIDERS AND WALLS ONLY)
 FIGURE 16P (SHEET 1)

11-32-03-16P

HAP
 JUN 10/07

11-32-03-16P
 PAGE 0

BOEING
737-600/700/800/900
PARTS CATALOG (MAINTENANCE)



E 11320316P SHT 2 REV 129

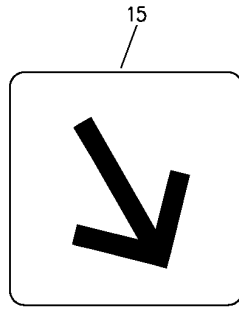
PLACARD INSTL-CAB. INTR MISC (INTERIOR DIVIDERS AND WALLS ONLY)
FIGURE 16P (SHEET 2)

HAP
JUN 10/07

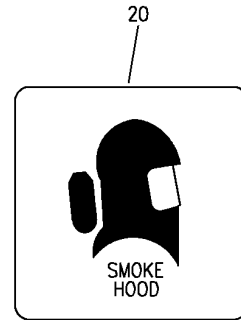
11-32-03-16P

11-32-03-16P
PAGE 0A

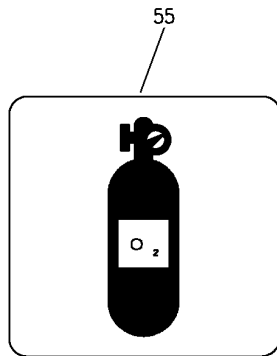
BOEING
737-600/700/800/900
PARTS CATALOG (MAINTENANCE)



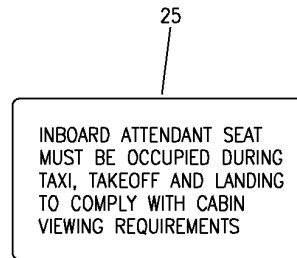
(E)



(F)



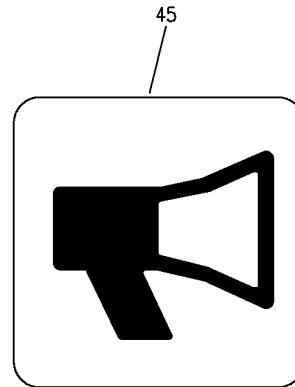
(K)



(G)



(J)



(H)

E 11320316P SHT 3 REV 129

PLACARD INSTL-CAB. INTR MISC (INTERIOR DIVIDERS AND WALLS ONLY)
FIGURE 16P (SHEET 3)

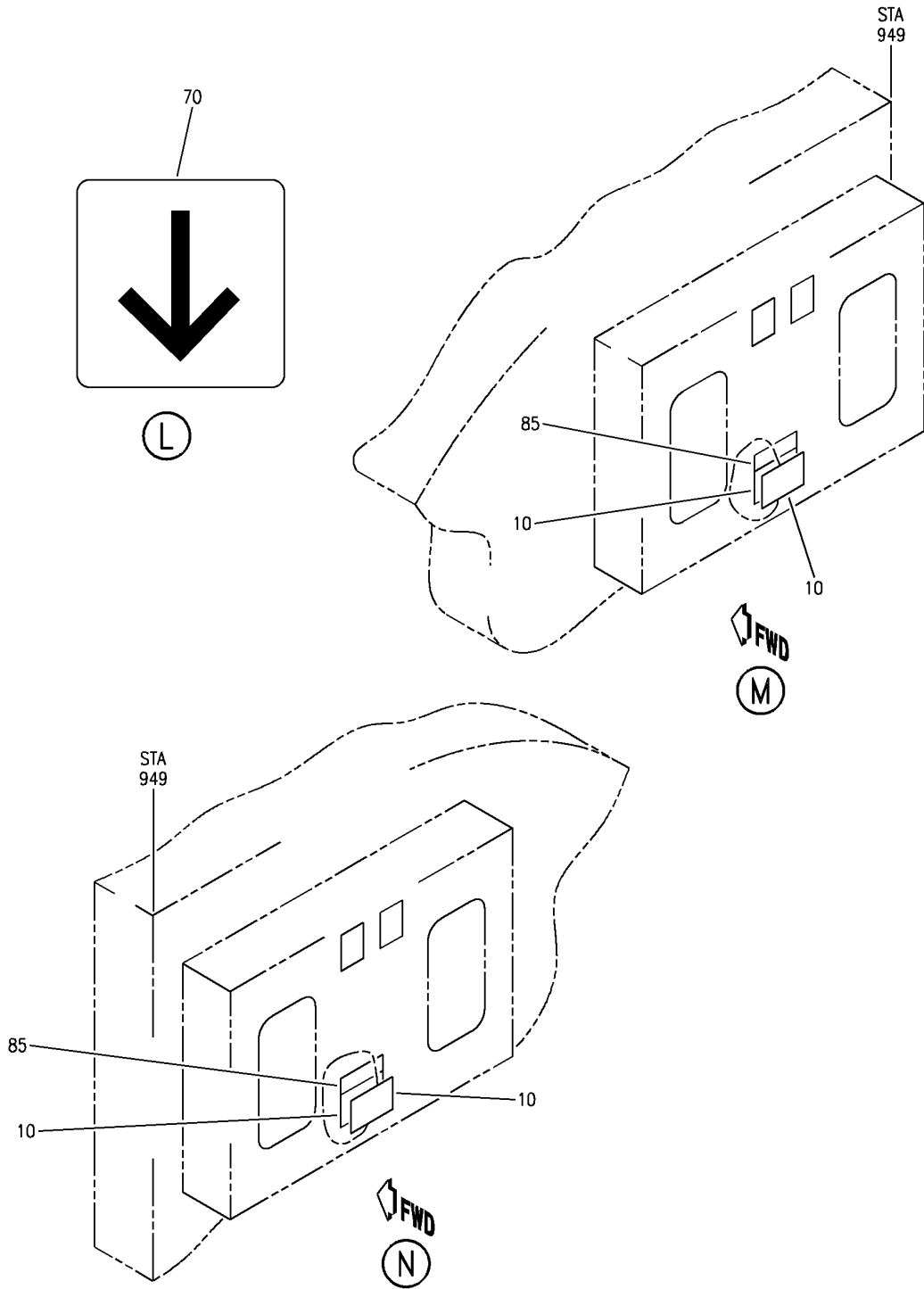
11-32-03-16P

HAP
JUN 10/07

11-32-03-16P
PAGE 0B

BOEING PROPRIETARY - Copyright © - Unpublished Work - See title page for details.

BOEING
 737-600/700/800/900
 PARTS CATALOG (MAINTENANCE)



E 11320316P SHT 4 REV 129

PLACARD INSTL-CAB. INTR MISC (INTERIOR DIVIDERS AND WALLS ONLY)
 FIGURE 16P (SHEET 4)

11-32-03-16P

HAP
 JUN 10/07

11-32-03-16P
 PAGE 0C

BOEING
737-600/700/800/900
PARTS CATALOG (MAINTENANCE)

FIG ITEM	PART NUMBER	1 2 3 4 5 6 7	NOMENCLATURE	EFFECT FROM TO	UNITS PER ASSY
16P			PLACARD INSTL-CAB. INTR MISC (INTERIOR DIVIDERS AND WALLS ONLY)	042046	
- 1	MODREF334999		PLACARD INSTL-CAB. INTR MISC (INTERIOR DIVIDERS AND WALLS ONLY) MODULE NUMBER: 414A5150-480 REV B FOR ADDITIONAL DETAILS SEE: 11-32-04-16P	042046	1
5	BAC29PPS36219		.PLACARD- PLACARD CONTENT: LOAD LIMIT 16 LB/7 KG	042046	1
10	BAC29PPS36218		.PLACARD- PLACARD CONTENT: DOOR MUST BE CLOSED AND LATCHED DURING TAXI, TAKEOFF AND LANDING	042046	12
15	BAC29PPS36210		.PLACARD	042046	1
20	BAC29PPS36232		.MARKER	042046	5
25	BAC29PPS36211		.PLACARD	042046	1
30	BAC29PPS36827		.PLACARD- PLACARD CONTENT: DOORS MUST BE CLOSED AND LATCHED DURING TAXI, TAKEOFF AND LANDING	042046	1
35	BAC29PPS36812		.PLACARD- PLACARD CONTENT: LOAD LIMIT 5 LB/2 KG	042046	1
40	BAC29PPS36813		.PLACARD- PLACARD CONTENT: LOAD LIMIT 6 LB/2 KG	042046	2
45	BAC29PPS36230		.PLACARD	042046	1
50	BAC29PPS36229		.PLACARD	042046	5
55	BAC29PPS36231		.PLACARD	042046	5
60	BAC29PPS48516		.PLACARD-(MULTI-LANGUAGE) PLACARD CONTENT: EMERGENCY EQUIPMENT ONLY	042046	3
65	BAC29PPS36821		.PLACARD- PLACARD CONTENT: LOAD LIMIT 14 LB/6 KG	042046	1
70	BAC29PPS36208		.PLACARD	042046	2
75	BAC29PPS38660		.PLACARD- PLACARD CONTENT: DRAWER MUST BE CLOSED AND LATCHED DURING TAXI, TAKEOFF AND LANDING	042046	2

MISSING ITEM NUMBERS NOT APPLICABLE

- ITEM NOT ILLUSTRATED

HAP

11-32-03-16P

BOEING PROPRIETARY - Copyright © - Unpublished Work - See title page for details.

11-32-03
FIG. 16P
PAGE 1
FEB 15/09


BOEING
 737-600/700/800/900
PARTS CATALOG (MAINTENANCE)

FIG ITEM	PART NUMBER	1 2 3 4 5 6 7	NOMENCLATURE	EFFECT FROM TO	UNITS PER ASSY
16P 80	BAC29PPS41045	.	PLACARD- PLACARD CONTENT: SHELF LOAD LIMIT 10 LB/5 KG	042046	1
85	BAC29PPS36817	.	PLACARD- PLACARD CONTENT: LOAD LIMIT 10 LB/4 KG	042046	3
90	BAC29PPS40884	.	PLACARD- PLACARD CONTENT: FLOOR LOAD LIMIT 20 LB/9 KG	042046	1

MISSING ITEM NUMBERS NOT APPLICABLE

— ITEM NOT ILLUSTRATED

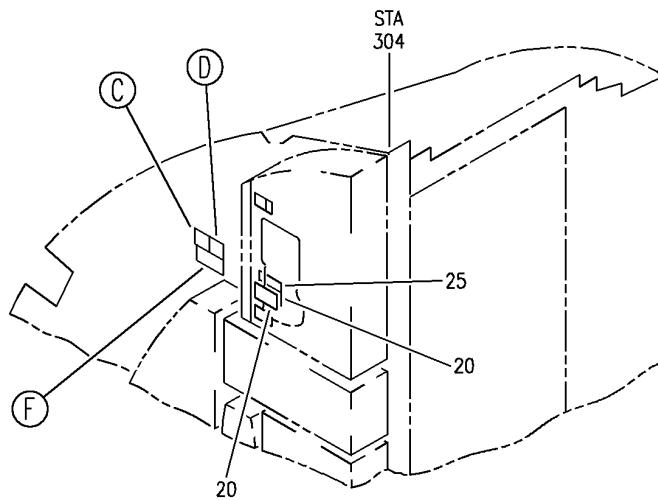
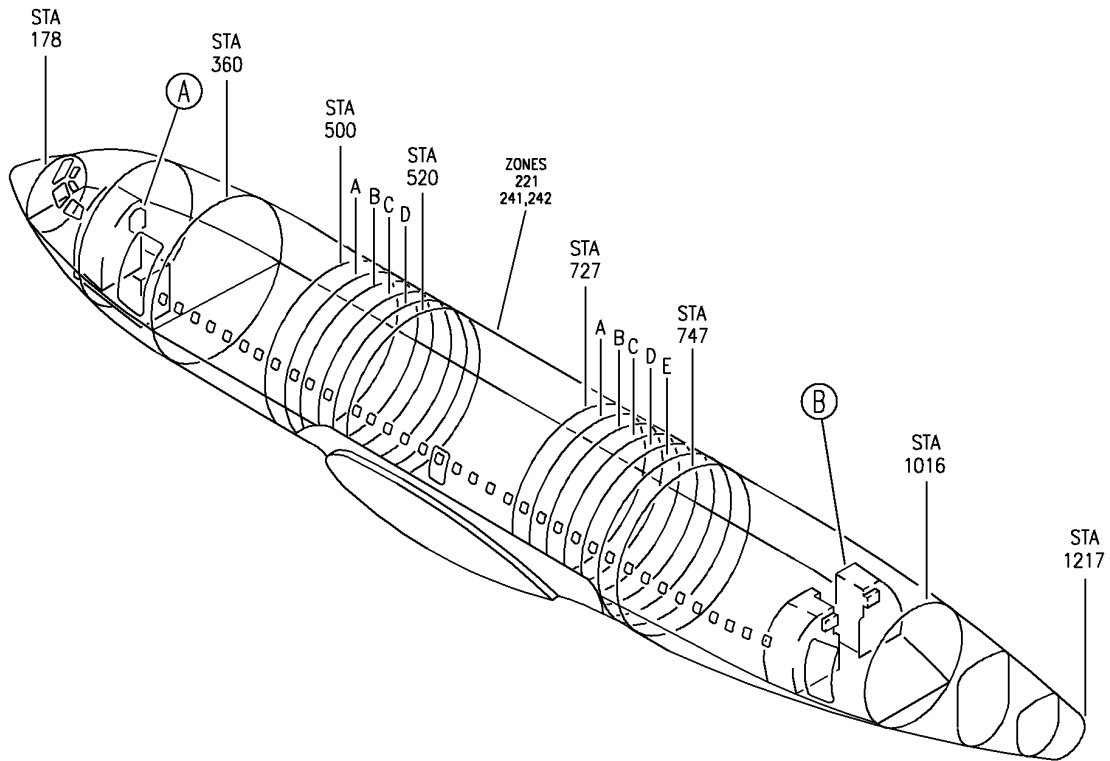
HAP

11-32-03-16P

BOEING PROPRIETARY - Copyright © - Unpublished Work - See title page for details.

11-32-03
 FIG. 16P
 PAGE 2
 FEB 15/09

BOEING
737-600/700/800/900
PARTS CATALOG (MAINTENANCE)



FWD ↗

A

E 11320316S SHT 1 REV 130

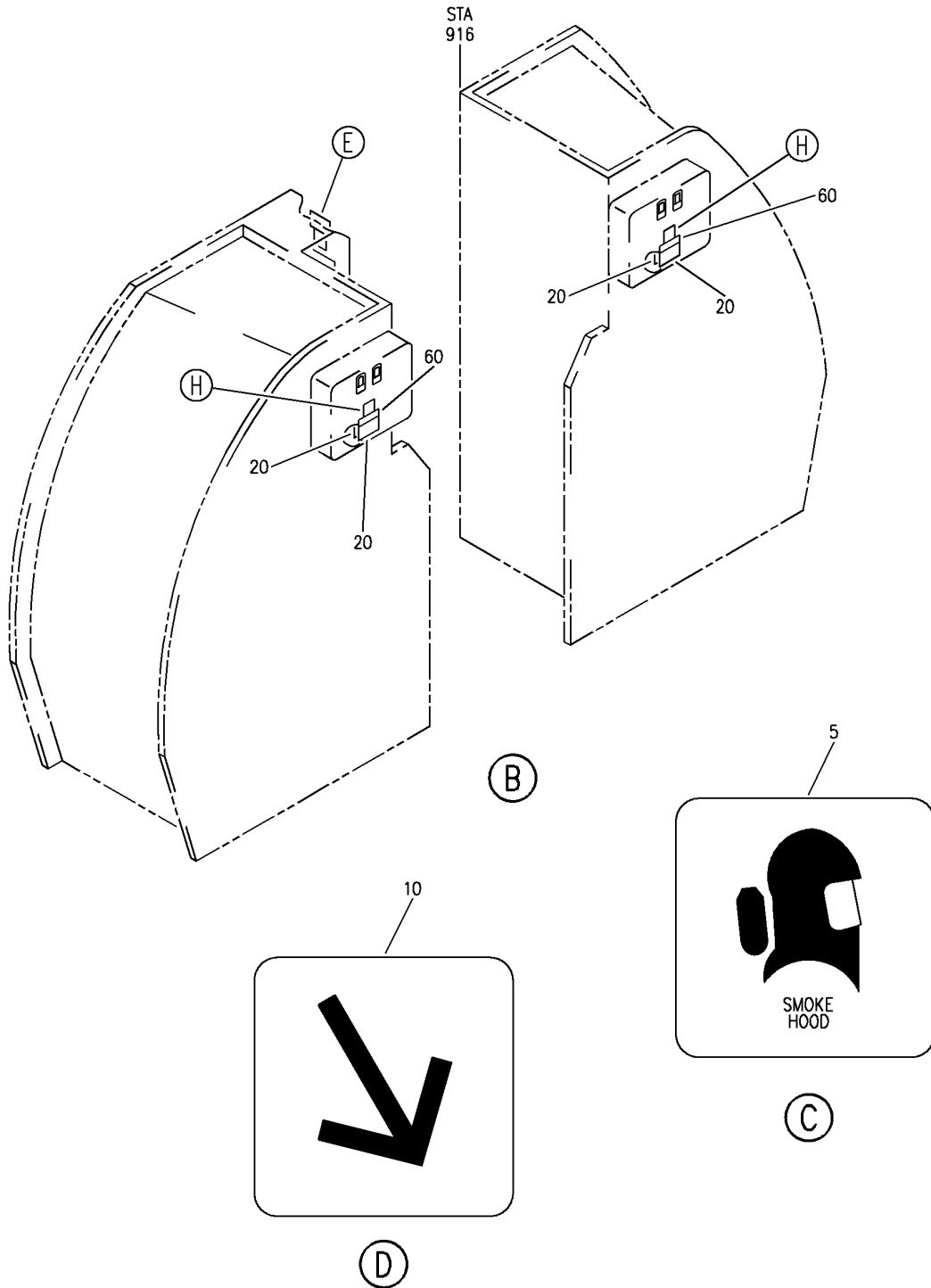
PLACARD INSTL-CAB. INTR MISC (INTERIOR DIVIDERS AND WALLS ONLY)
 FIGURE 16S (SHEET 1)

11-32-03-16S

HAP
 JUN 10/07

11-32-03-16S
 PAGE 0

BOEING
 737-600/700/800/900
 PARTS CATALOG (MAINTENANCE)



E 11320316S SHT 2 REV 130

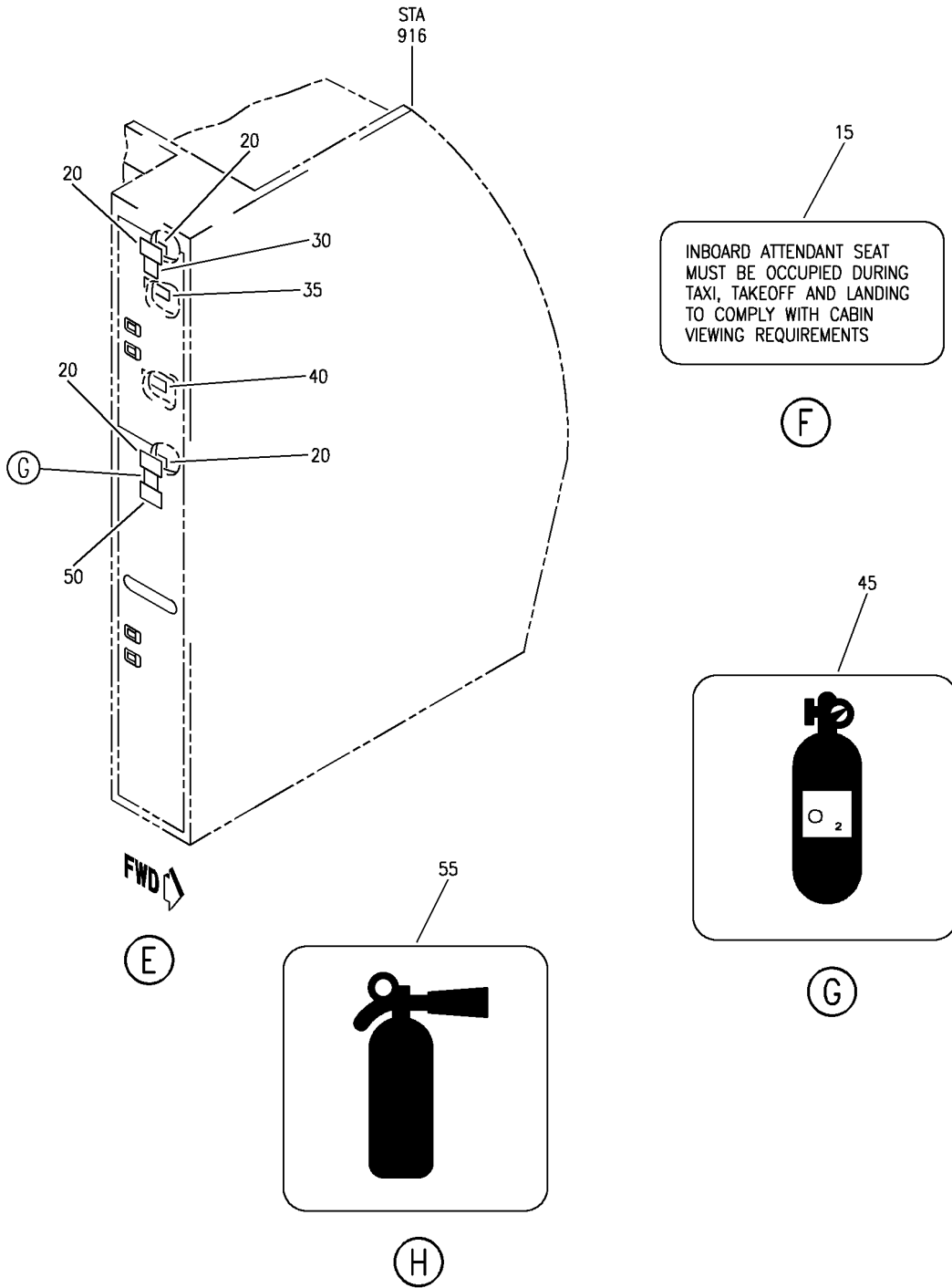
PLACARD INSTL-CAB. INTR MISC (INTERIOR DIVIDERS AND WALLS ONLY)
 FIGURE 16S (SHEET 2)

11-32-03-16S

HAP
 JUN 10/07

11-32-03-16S
 PAGE 0A

BOEING
 737-600/700/800/900
 PARTS CATALOG (MAINTENANCE)



E 11320316S SHT 3 REV 130

PLACARD INSTL-CAB. INTR MISC (INTERIOR DIVIDERS AND WALLS ONLY)
 FIGURE 16S (SHEET 3)

11-32-03-16S

HAP
 JUN 10/07

11-32-03-16S
 PAGE 0B

BOEING
737-600/700/800/900
PARTS CATALOG (MAINTENANCE)

FIG ITEM	PART NUMBER	1 2 3 4 5 6 7	NOMENCLATURE	EFFECT FROM TO	UNITS PER ASSY
16S			PLACARD INSTL-CAB. INTR MISC (INTERIOR DIVIDERS AND WALLS ONLY)	101106 970999	
- 1	MODREF331740		PLACARD INSTL-CAB. INTR MISC (INTERIOR DIVIDERS AND WALLS ONLY) MODULE NUMBER: 414A5150-485 REV A FOR ADDITIONAL DETAILS SEE: 11-32-04-16S	101106 970999	1
5	BAC29PPS36232		.MARKER	101106 970999	1
10	BAC29PPS36210		.PLACARD	101106 970999	1
15	BAC29PPS36211		.PLACARD	101106 970999	1
20	BAC29PPS36218		.PLACARD- PLACARD CONTENT: DOOR MUST BE CLOSED AND LATCHED DURING TAXI, TAKEOFF AND LANDING	101106 970999	10
25	BAC29PPS36219		.PLACARD- PLACARD CONTENT: LOAD LIMIT 16 LB/7 KG	101106 970999	1
30	BAC29PPS50034		.MARKER- PLACARD CONTENT: OXYGEN MASKS	101106 970999	1
35	BAC29PPS52348		.PLACARD-(MULTI-LANGUAGE) PLACARD CONTENT: NO ADDITIONAL STOWAGE	101106 970999	1
40	BAC29PPS36817		.PLACARD- PLACARD CONTENT: LOAD LIMIT 10 LB/4 KG	101106 970999	1
45	BAC29PPS36231		.PLACARD	101106 970999	1
50	BAC29PPS48516		.PLACARD-(MULTI-LANGUAGE) PLACARD CONTENT: EMERGENCY EQUIPMENT ONLY	101106 970999	1
55	BAC29PPS36229		.PLACARD	101106 970999	2
60	BAC29PPS38676		.PLACARD- PLACARD CONTENT: EMERGENCY EQUIPMENT ONLY	101106 970999	2

MISSING ITEM NUMBERS NOT APPLICABLE

- ITEM NOT ILLUSTRATED

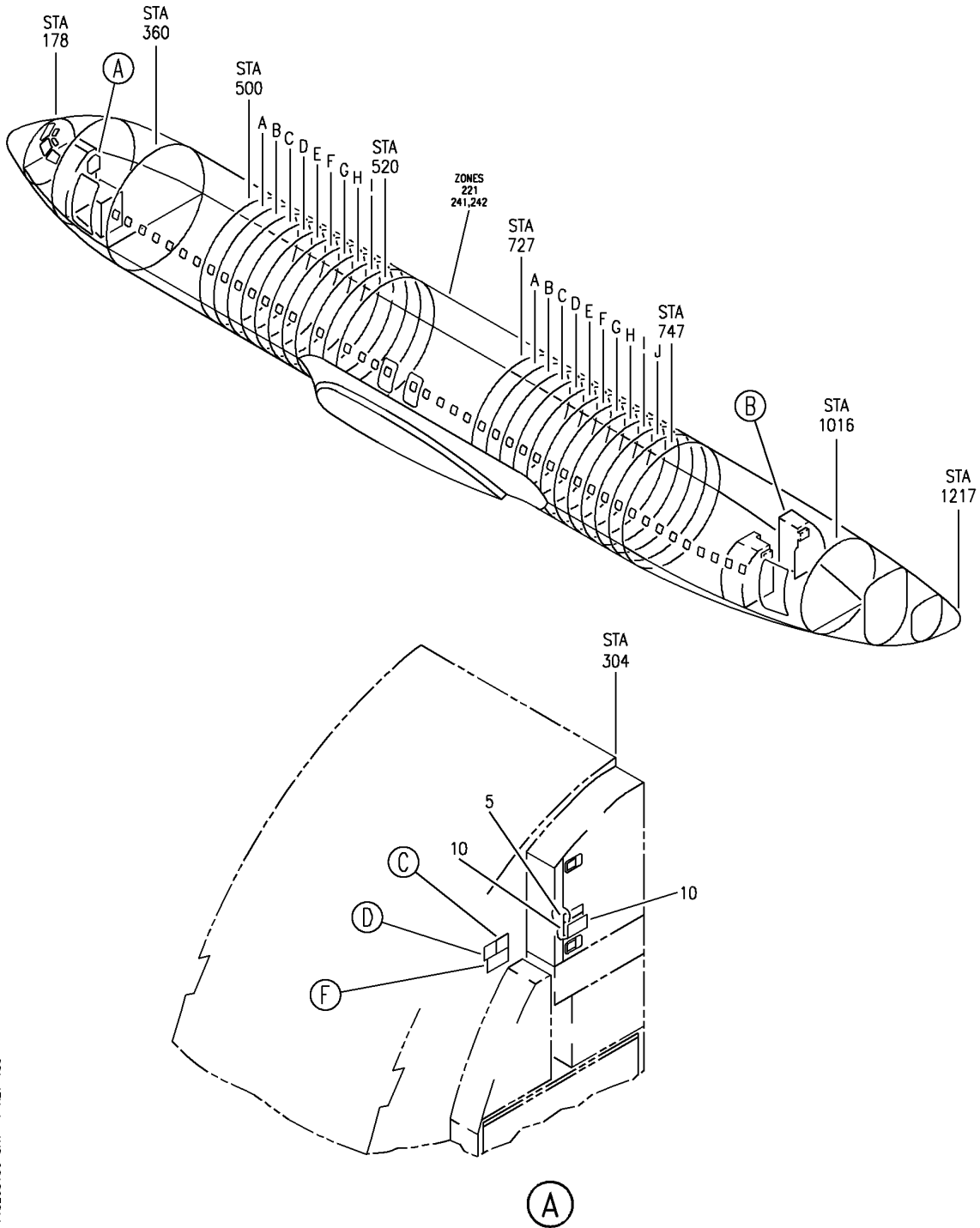
HAP

11-32-03-16S

BOEING PROPRIETARY - Copyright © - Unpublished Work - See title page for details.

11-32-03
FIG. 16S
PAGE 1
FEB 15/09

BOEING
 737-600/700/800/900
 PARTS CATALOG (MAINTENANCE)



E 11320316U SHT 1 REV 130

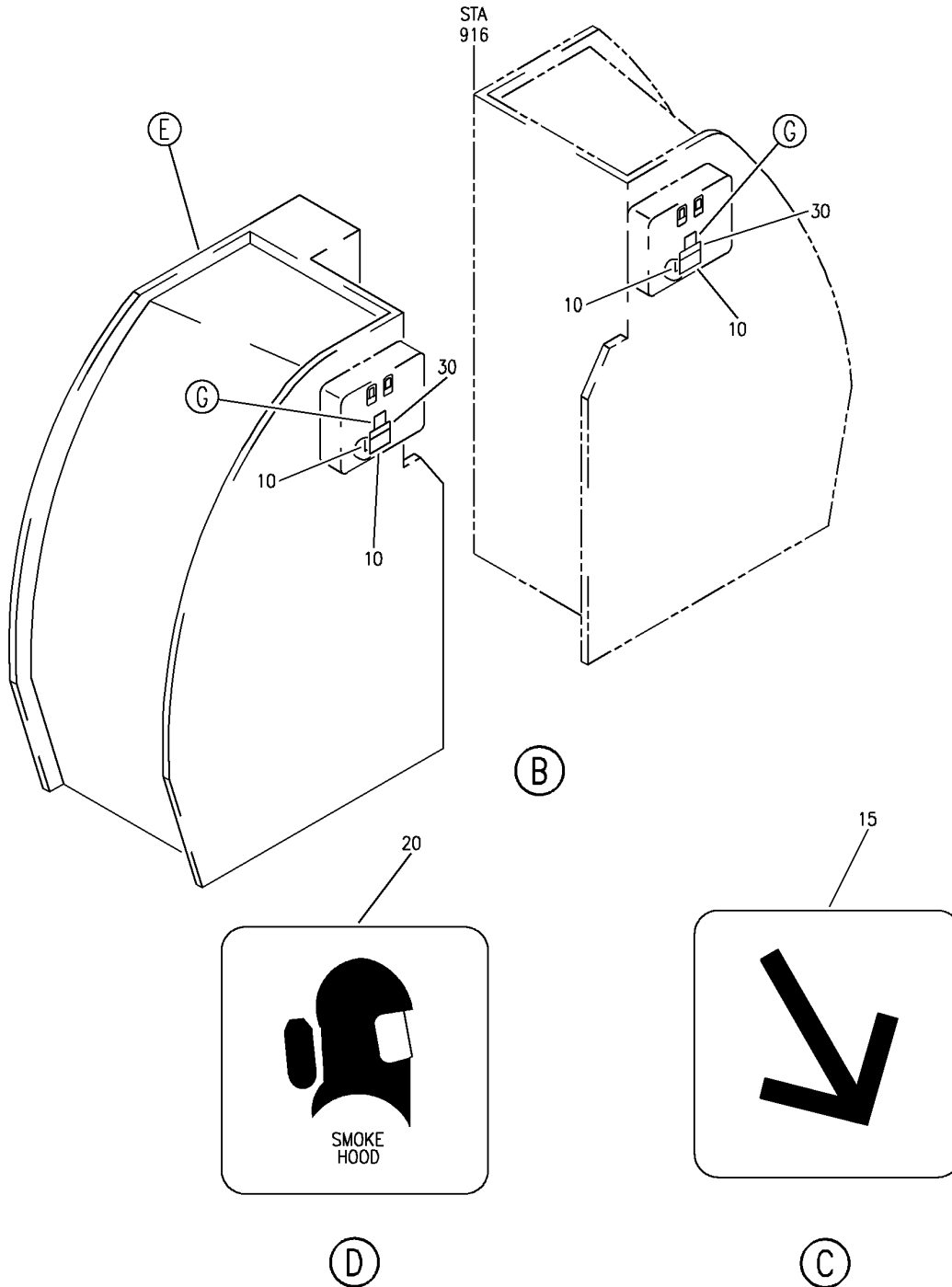
PLACARD INSTL-CAB. INTR MISC (INTERIOR DIVIDERS AND WALLS ONLY)
 FIGURE 16U (SHEET 1)

11-32-03-16U

HAP
 JUN 10/07

11-32-03-16U
 PAGE 0

BOEING
 737-600/700/800/900
 PARTS CATALOG (MAINTENANCE)



E 11320316U SHT 2 REV 130

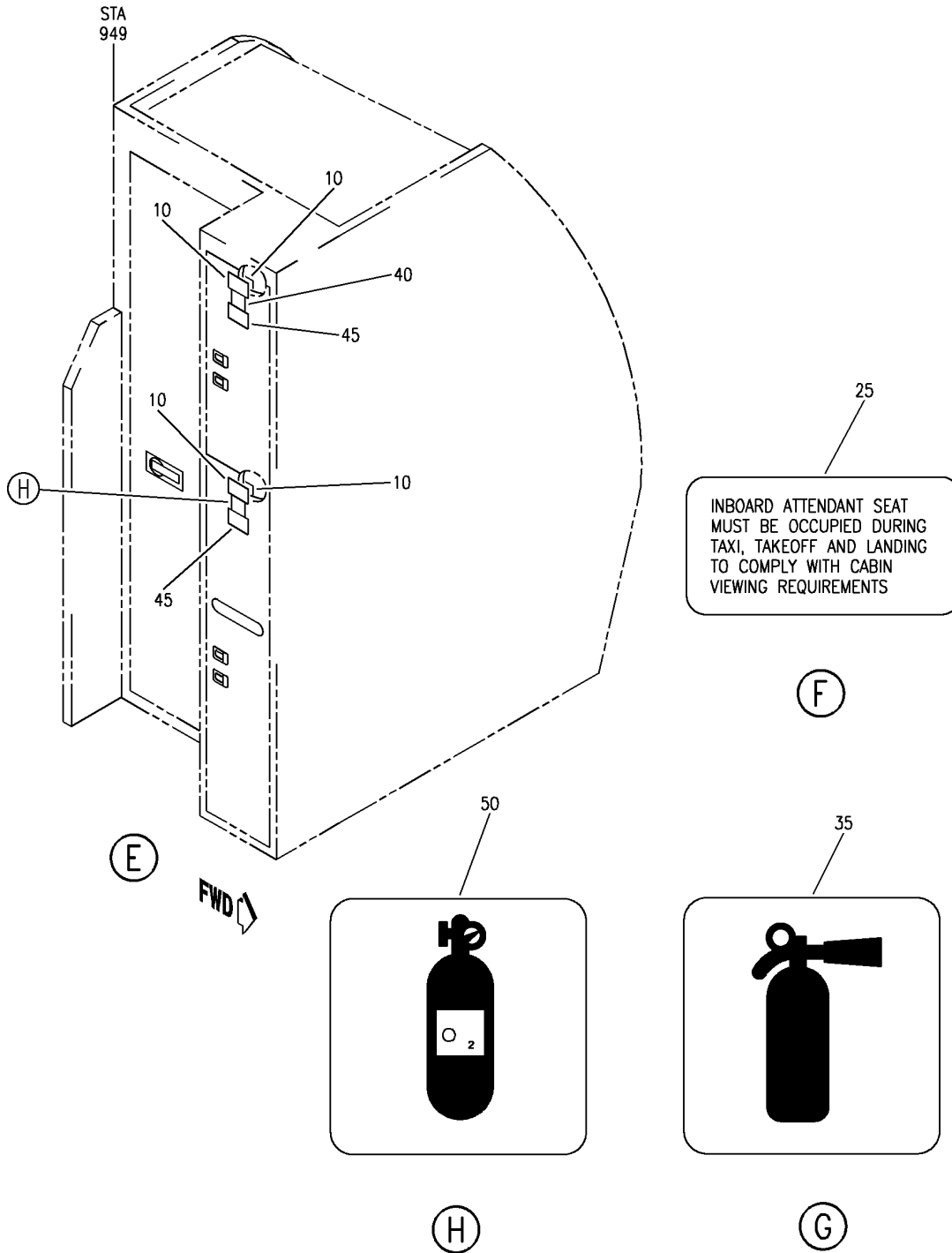
PLACARD INSTL-CAB. INTR MISC (INTERIOR DIVIDERS AND WALLS ONLY)
 FIGURE 16U (SHEET 2)

11-32-03-16U

HAP
 JUN 10/07

11-32-03-16U
 PAGE 0A

BOEING
 737-600/700/800/900
 PARTS CATALOG (MAINTENANCE)



E 11320316U SHT 3 REV 130

PLACARD INSTL-CAB. INTR MISC (INTERIOR DIVIDERS AND WALLS ONLY)
 FIGURE 16U (SHEET 3)

11-32-03-16U

HAP
 JUN 10/07

11-32-03-16U
 PAGE 0B

BOEING
737-600/700/800/900
PARTS CATALOG (MAINTENANCE)

FIG ITEM	PART NUMBER	1 2 3 4 5 6 7	NOMENCLATURE	EFFECT FROM TO	UNITS PER ASSY
16U			PLACARD INSTL-CAB. INTR MISC (INTERIOR DIVIDERS AND WALLS ONLY)	039040	
- 1	MODREF331550		PLACARD INSTL-CAB. INTR MISC (INTERIOR DIVIDERS AND WALLS ONLY) MODULE NUMBER: 414A5150-484 REV A FOR ADDITIONAL DETAILS SEE: 11-32-04-16U	039040	1
5	BAC29PPS36219		.PLACARD- PLACARD CONTENT: LOAD LIMIT 16 LB/7 KG	039040	1
10	BAC29PPS36218		.PLACARD- PLACARD CONTENT: DOOR MUST BE CLOSED AND LATCHED DURING TAXI, TAKEOFF AND LANDING	039040	10
15	BAC29PPS36210		.PLACARD	039040	1
20	BAC29PPS36232		.MARKER	039040	1
25	BAC29PPS36211		.PLACARD	039040	1
30	BAC29PPS38676		.PLACARD- PLACARD CONTENT: EMERGENCY EQUIPMENT ONLY	039040	2
35	BAC29PPS36229		.PLACARD	039040	2
40	BAC29PPS50034		.MARKER- PLACARD CONTENT: OXYGEN MASKS	039040	1
45	BAC29PPS48516		.PLACARD-(MULTI-LANGUAGE) PLACARD CONTENT: EMERGENCY EQUIPMENT ONLY	039040	2
50	BAC29PPS36231		.PLACARD	039040	1

MISSING ITEM NUMBERS NOT APPLICABLE

- ITEM NOT ILLUSTRATED

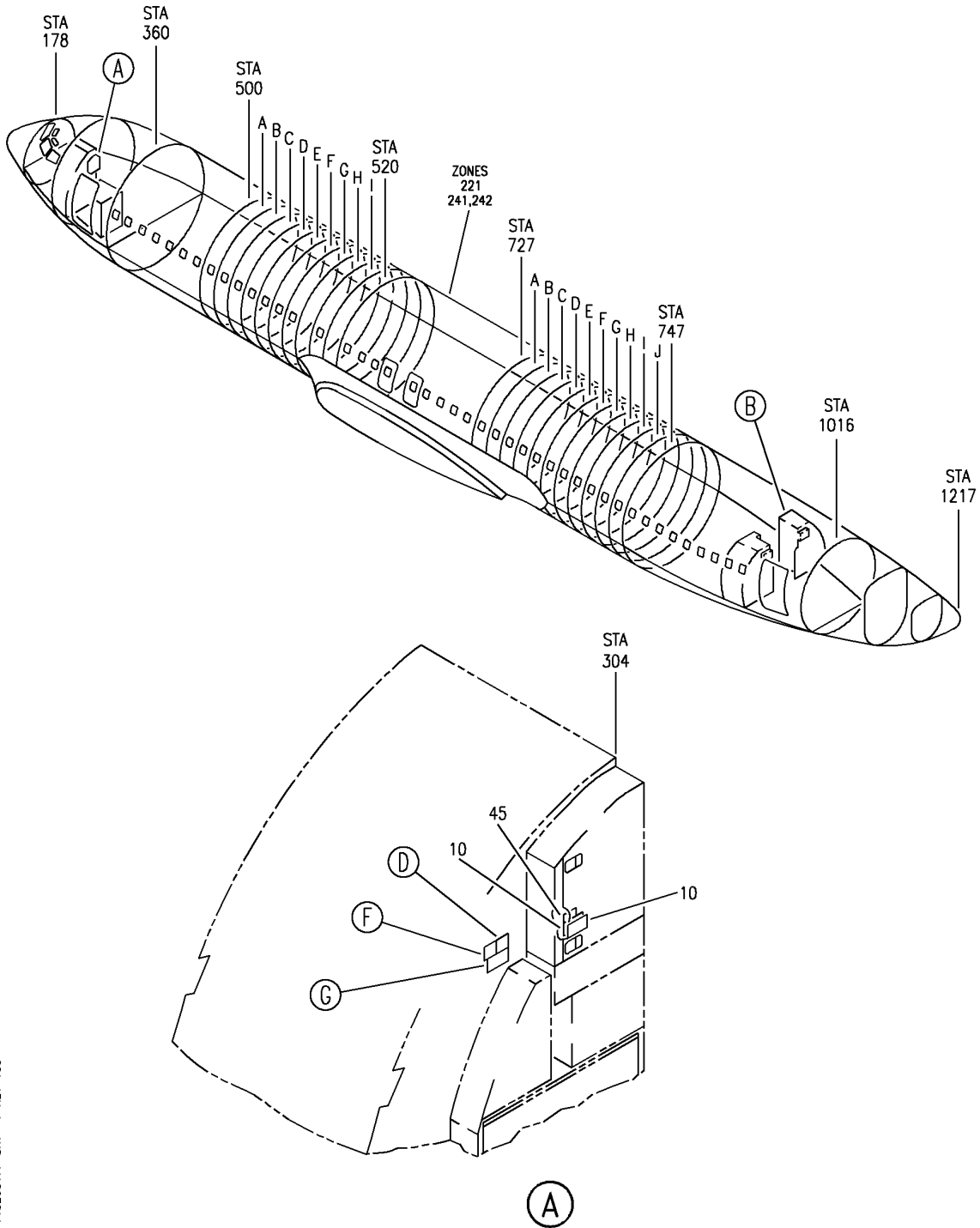
HAP

11-32-03-16U

BOEING PROPRIETARY - Copyright © - Unpublished Work - See title page for details.

11-32-03
FIG. 16U
PAGE 1
OCT 15/08

BOEING
 737-600/700/800/900
 PARTS CATALOG (MAINTENANCE)



E 11320317F SHT 1 REV 133

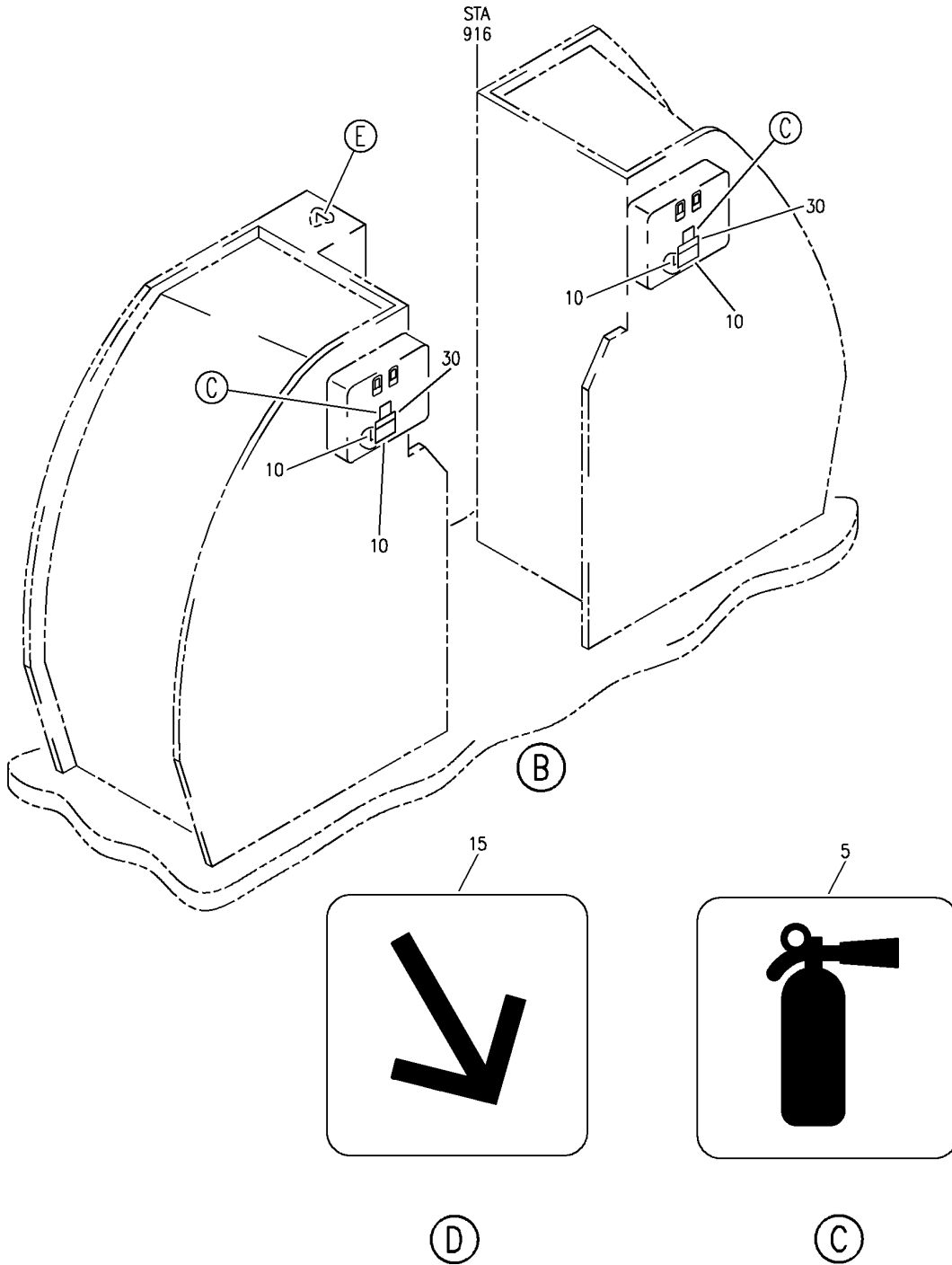
PLACARD INSTL-CAB. INTR MISC (INTERIOR DIVIDERS AND WALLS ONLY)
 FIGURE 17F (SHEET 1)

11-32-03-17F

HAP
 OCT 10/07

11-32-03-17F
 PAGE 0

BOEING
 737-600/700/800/900
 PARTS CATALOG (MAINTENANCE)



E 11320317F SHT 2 REV 131

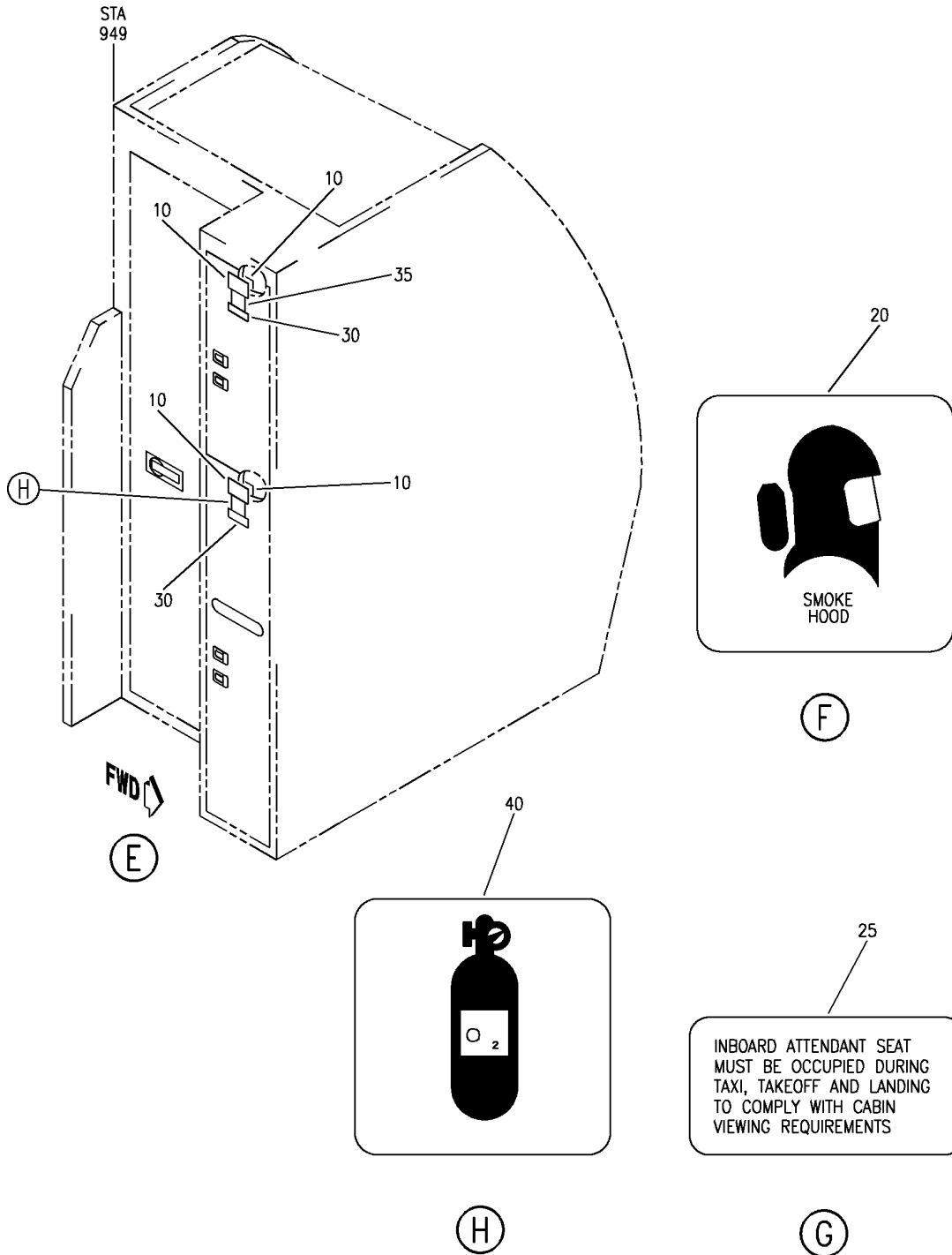
PLACARD INSTL-CAB. INTR MISC (INTERIOR DIVIDERS AND WALLS ONLY)
 FIGURE 17F (SHEET 2)

11-32-03-17F

HAP
 JUN 10/07

11-32-03-17F
 PAGE 0A

BOEING
 737-600/700/800/900
 PARTS CATALOG (MAINTENANCE)



E 11320317F SHT 3 REV 131

PLACARD INSTL-CAB. INTR MISC (INTERIOR DIVIDERS AND WALLS ONLY)
 FIGURE 17F (SHEET 3)

11-32-03-17F

HAP
 JUN 10/07

11-32-03-17F
 PAGE 0B

BOEING
737-600/700/800/900
PARTS CATALOG (MAINTENANCE)

FIG ITEM	PART NUMBER	1 2 3 4 5 6 7	NOMENCLATURE	EFFECT FROM TO	UNITS PER ASSY
17 F			PLACARD INSTL-CAB. INTR MISC (INTERIOR DIVIDERS AND WALLS ONLY)	041041	
- 1	MODREF346683		PLACARD INSTL-CAB. INTR MISC (INTERIOR DIVIDERS AND WALLS ONLY) MODULE NUMBER: 414A5150-495 REV C FOR ADDITIONAL DETAILS SEE: 11-32-04-17F	041041	1
5	BAC29PPS36229		.PLACARD	041041	2
10	BAC29PPS36218		.PLACARD- PLACARD CONTENT: DOOR MUST BE CLOSED AND LATCHED DURING TAXI, TAKEOFF AND LANDING	041041	10
15	BAC29PPS36210		.PLACARD	041041	1
20	BAC29PPS36232		.MARKER	041041	1
25	BAC29PPS36211		.PLACARD	041041	1
30	BAC29PPS38676		.PLACARD- PLACARD CONTENT: EMERGENCY EQUIPMENT ONLY	041041	4
35	BAC29PPS50034		.MARKER- PLACARD CONTENT: OXYGEN MASKS	041041	1
40	BAC29PPS36231		.PLACARD	041041	1
45	BAC29PPS36219		.PLACARD- PLACARD CONTENT: LOAD LIMIT 16 LB/7 KG	041041	1

MISSING ITEM NUMBERS NOT APPLICABLE

- ITEM NOT ILLUSTRATED

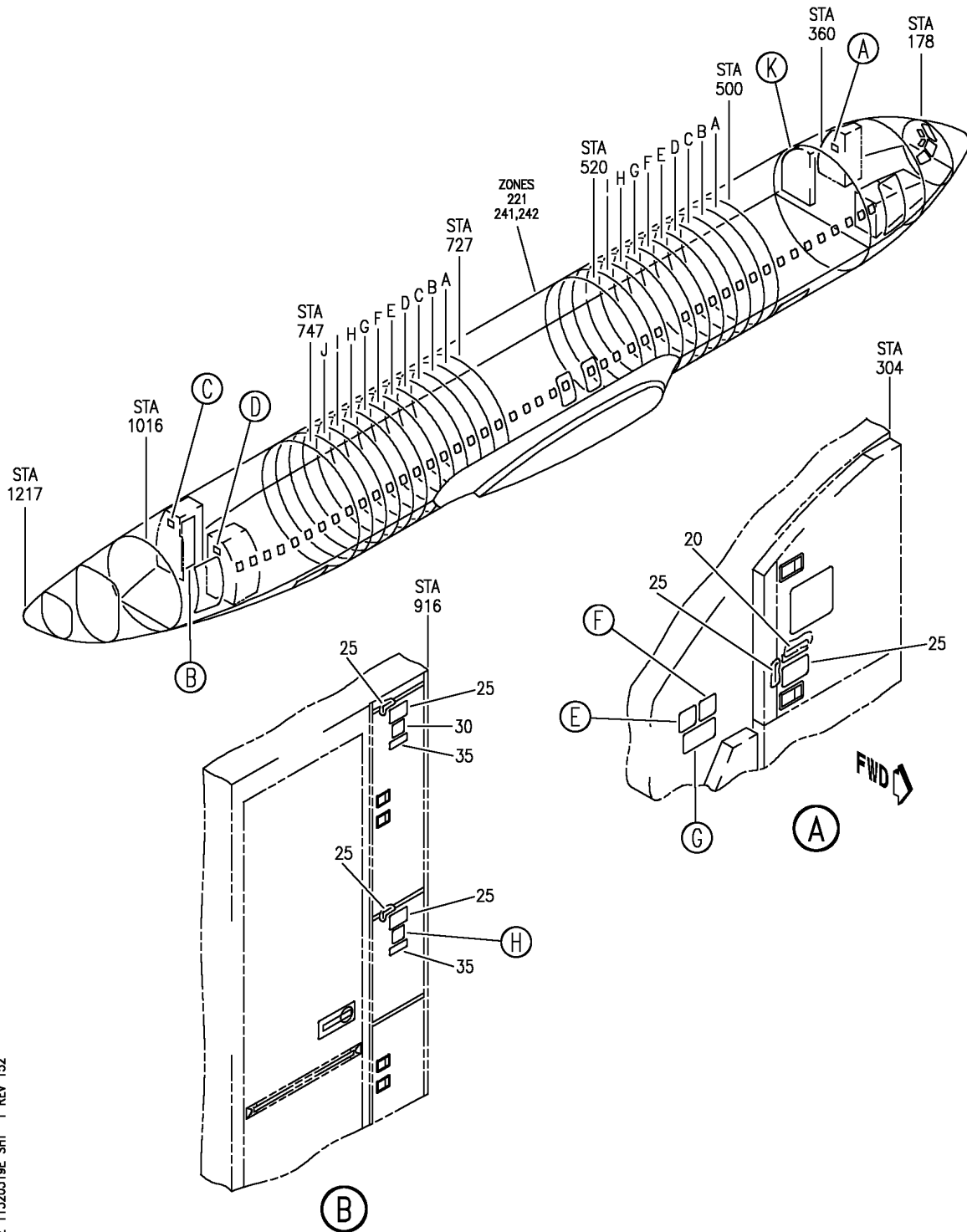
HAP

11-32-03-17F

BOEING PROPRIETARY - Copyright © - Unpublished Work - See title page for details.

11-32-03
FIG. 17F
PAGE 1
OCT 10/07

BOEING
 737-600/700/800/900
 PARTS CATALOG (MAINTENANCE)



E 11320319E SHT 1 REV 152

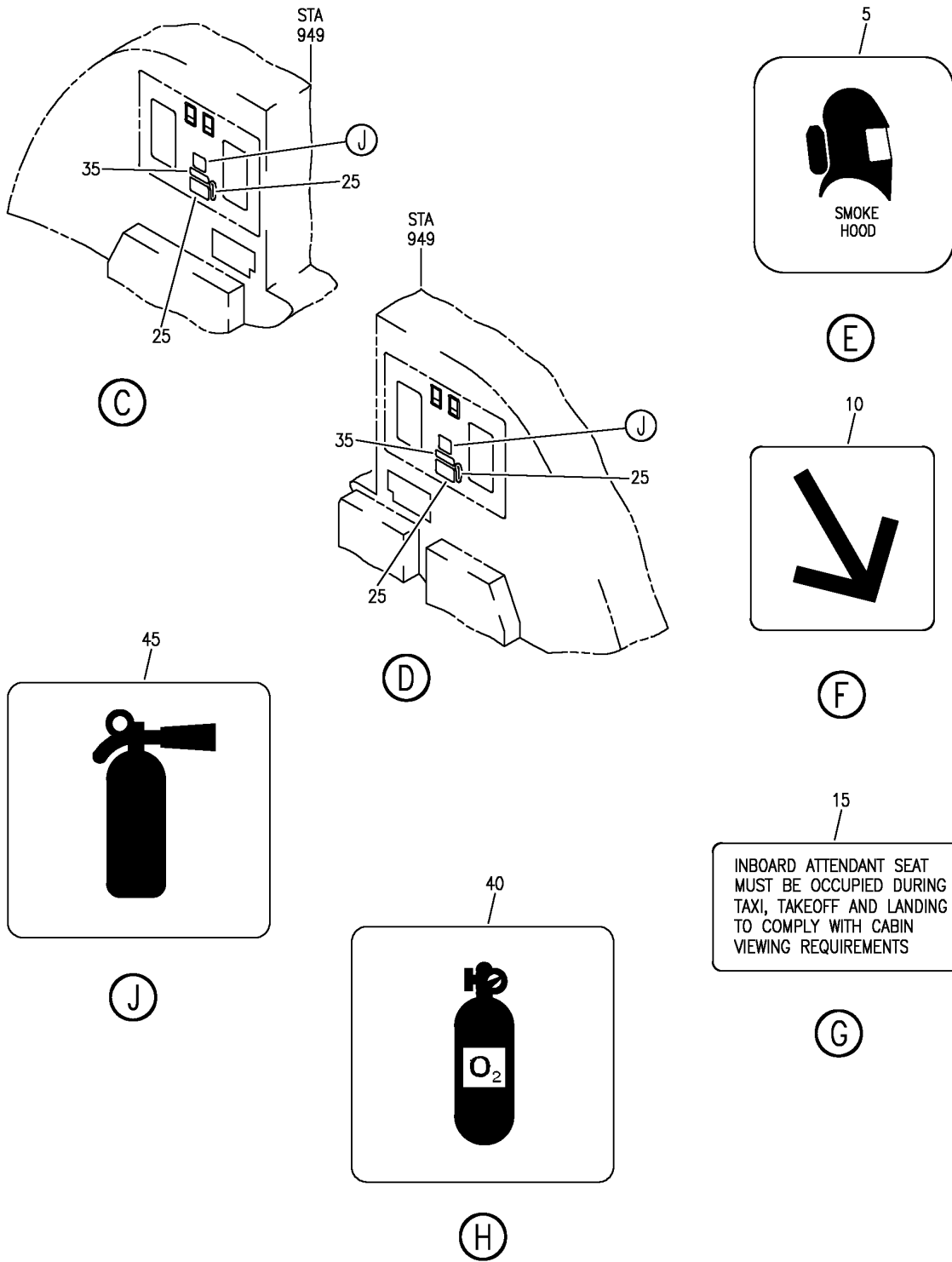
PLACARD INSTL-CAB. INTR MISC (INTERIOR DIVIDERS AND WALLS ONLY)
 FIGURE 19E (SHEET 1)

11-32-03-19E

HAP
 JUN 15/09

11-32-03-19E
 PAGE 0

BOEING
737-600/700/800/900
PARTS CATALOG (MAINTENANCE)



E 11320319E SHT 2 REV 152

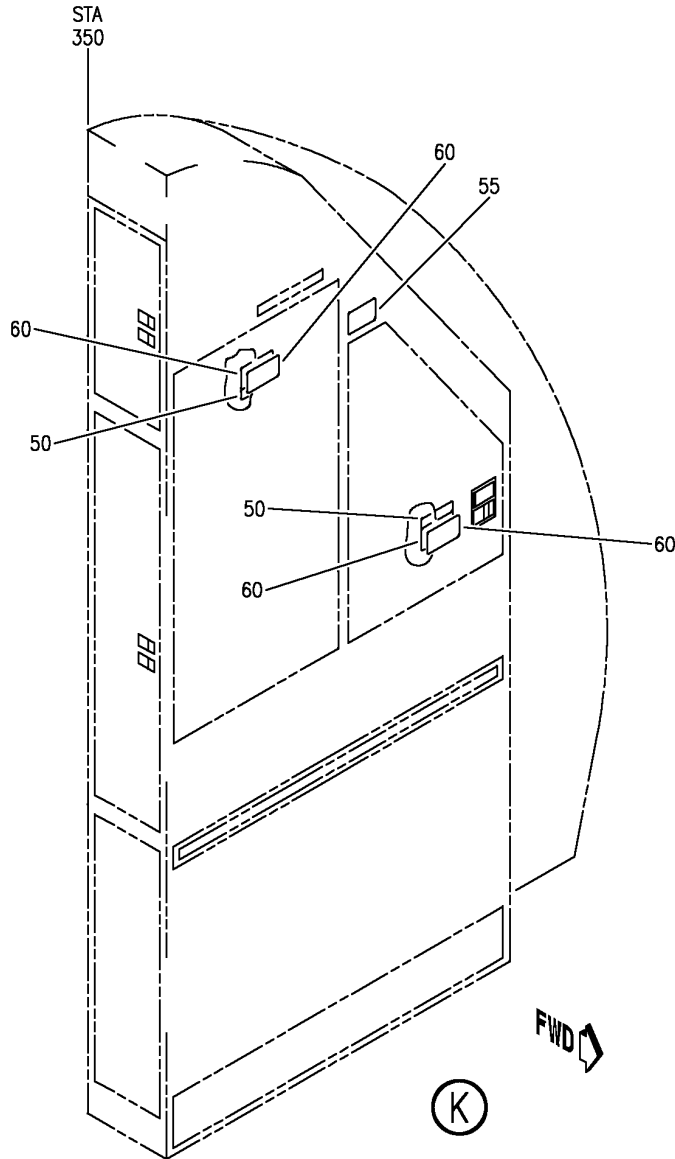
PLACARD INSTL-CAB. INTR MISC (INTERIOR DIVIDERS AND WALLS ONLY)
FIGURE 19E (SHEET 2)

11-32-03-19E

HAP
JUN 15/09

11-32-03-19E
PAGE 0A

BOEING
 737-600/700/800/900
 PARTS CATALOG (MAINTENANCE)



E 11320319E SHT 3 REV 152

PLACARD INSTL-CAB. INTR MISC (INTERIOR DIVIDERS AND WALLS ONLY)
 FIGURE 19E (SHEET 3)

11-32-03-19E

HAP
 JUN 15/09

11-32-03-19E
 PAGE 0B

BOEING
737-600/700/800/900
PARTS CATALOG (MAINTENANCE)

FIG ITEM	PART NUMBER	1 2 3 4 5 6 7	NOMENCLATURE	EFFECT FROM TO	UNITS PER ASSY
19E			PLACARD INSTL-CAB. INTR MISC (INTERIOR DIVIDERS AND WALLS ONLY)	047047 049049	
- 1	MODREF380365		PLACARD INSTL-CAB. INTR MISC (INTERIOR DIVIDERS AND WALLS ONLY) MODULE NUMBER: 414A5150-590 REV A FOR ADDITIONAL DETAILS SEE: 11-32-04-19E	047047	1
R R R R R R	- 1	MODREF411509	PLACARD INSTL-CAB. INTR MISC (INTERIOR DIVIDERS AND WALLS ONLY) MODULE NUMBER: 414A5150-590 REV C FOR ADDITIONAL DETAILS SEE: 11-32-04-19E	049049	1
	5	BAC29PPS36232	.MARKER	047047 049049	1
	10	BAC29PPS36210	.PLACARD	047047 049049	1
	15	BAC29PPS36211	.PLACARD	047047 049049	1
	20	BAC29PPS36219	.PLACARD- PLACARD CONTENT: LOAD LIMIT 16 LB/7 KG	047047 049049	1
R R R R R	25	BAC29PPS36218	.PLACARD- PLACARD CONTENT: DOOR MUST BE CLOSED AND LATCHED DURING TAXI, TAKEOFF AND LANDING	047047 049049	10
	30	BAC29PPS50034	.MARKER- PLACARD CONTENT: OXYGEN MASKS	047047 049049	1
	35	BAC29PPS38676	.PLACARD- PLACARD CONTENT: EMERGENCY EQUIPMENT ONLY	047047 049049	4
	40	BAC29PPS36231	.PLACARD	047047 049049	1
	45	BAC29PPS36229	.PLACARD	047047 049049	2
	50	BAC29PPS36819	.PLACARD- PLACARD CONTENT: LOAD LIMIT 12 LB/5 KG	049049	2
R R R R R	55	BAC29PPS36827	.PLACARD- PLACARD CONTENT: DOORS MUST BE CLOSED AND LATCHED DURING TAXI, TAKEOFF AND LANDING	049049	1

MISSING ITEM NUMBERS NOT APPLICABLE

- ITEM NOT ILLUSTRATED

HAP

11-32-03-19E

11-32-03
FIG. 19E
PAGE 1
JUN 15/09


BOEING
 737-600/700/800/900
PARTS CATALOG (MAINTENANCE)

FIG ITEM	PART NUMBER	1 2 3 4 5 6 7	NOMENCLATURE	EFFECT FROM TO	UNITS PER ASSY
R R R R R	19E 60 BAC29PPS58244		.MARKER- PLACARD CONTENT: CLOSE AND SECURE IMMEDIATELY WHEN NOT IN USE	049049	4

MISSING ITEM NUMBERS NOT APPLICABLE

— ITEM NOT ILLUSTRATED

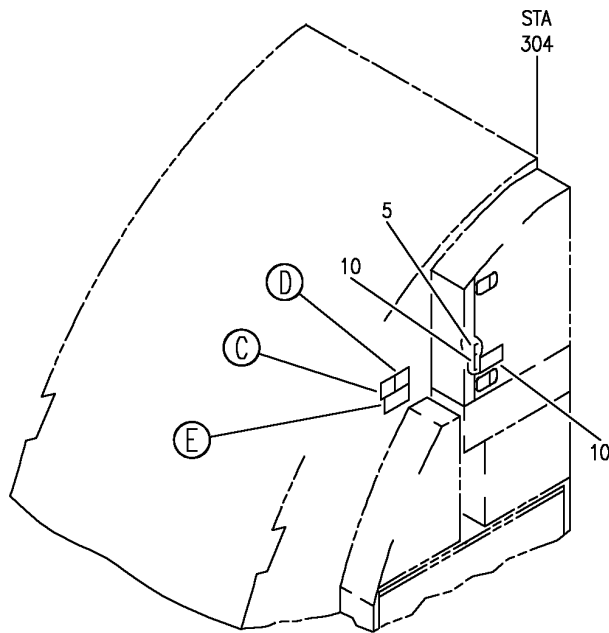
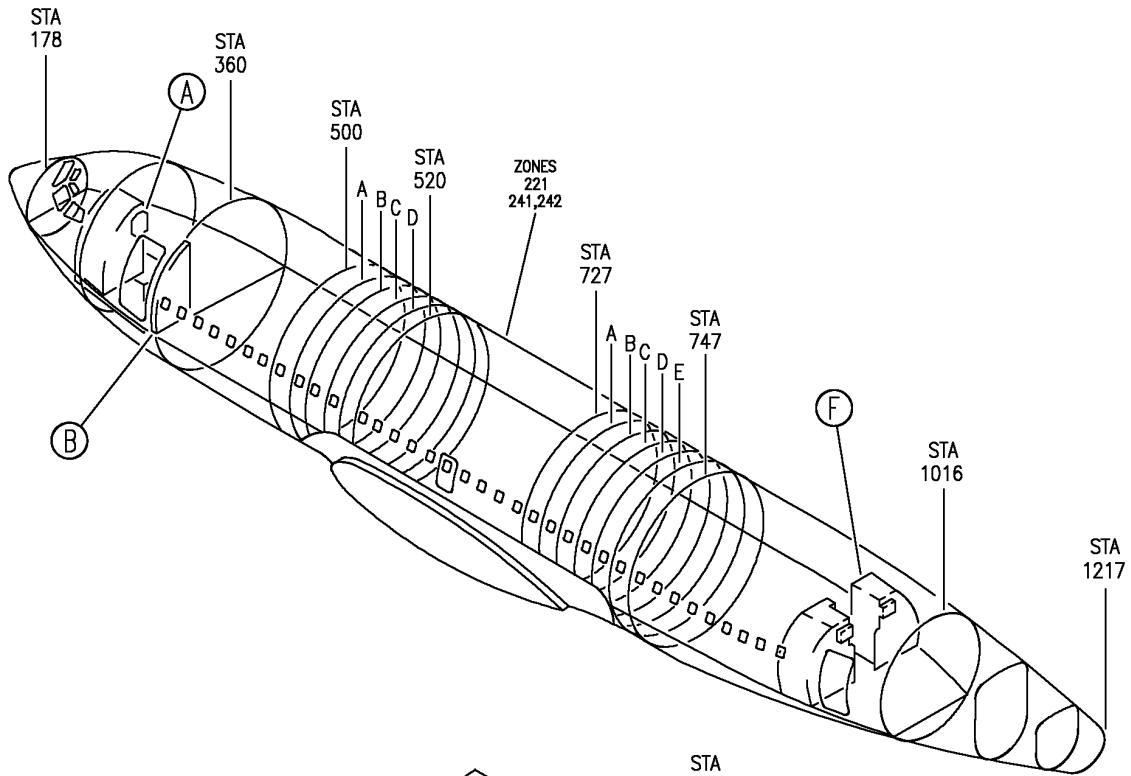
HAP

11-32-03-19E

BOEING PROPRIETARY - Copyright © - Unpublished Work - See title page for details.

11-32-03
 FIG. 19E
 PAGE 2
 JUN 15/09


BOEING
 737-600/700/800/900
PARTS CATALOG (MAINTENANCE)



A

E 11320319Y SHT 1 REV 147

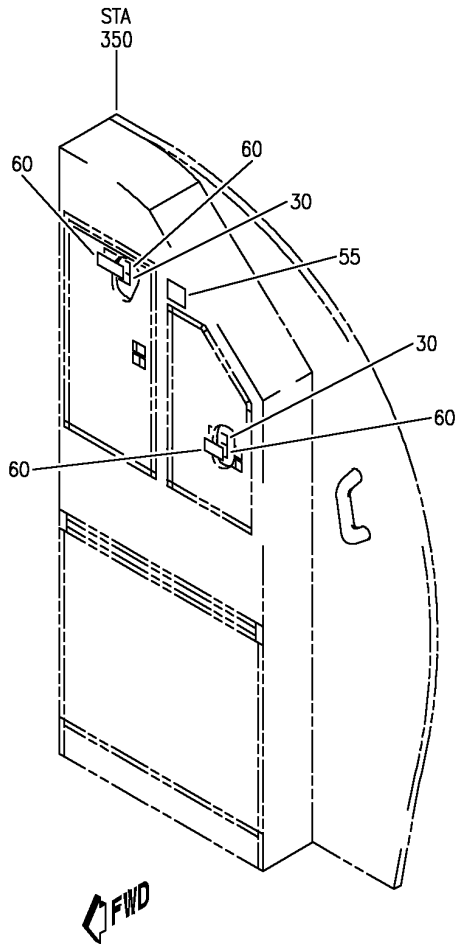
PLACARD INSTL-CAB. INTR MISC (INTERIOR DIVIDERS AND WALLS ONLY)
 FIGURE 19Y (SHEET 1)

HAP
OCT 15/08

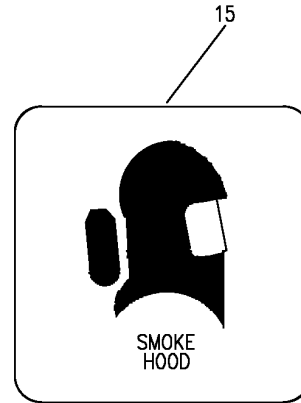
11-32-03-19Y

11-32-03-19Y
 PAGE 0

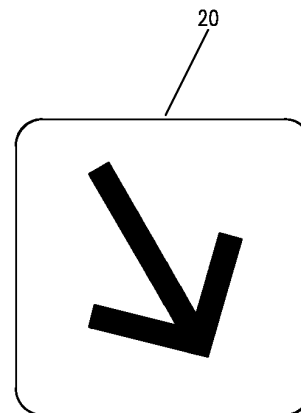
BOEING
 737-600/700/800/900
 PARTS CATALOG (MAINTENANCE)



FWD
 (B)



(C)



(D)

25
 INBOARD ATTENDANT SEAT
 MUST BE OCCUPIED DURING
 TAXI, TAKEOFF AND LANDING
 TO COMPLY WITH CABIN
 VIEWING REQUIREMENTS

(E)

E 11320319Y SHT 2 REV 152

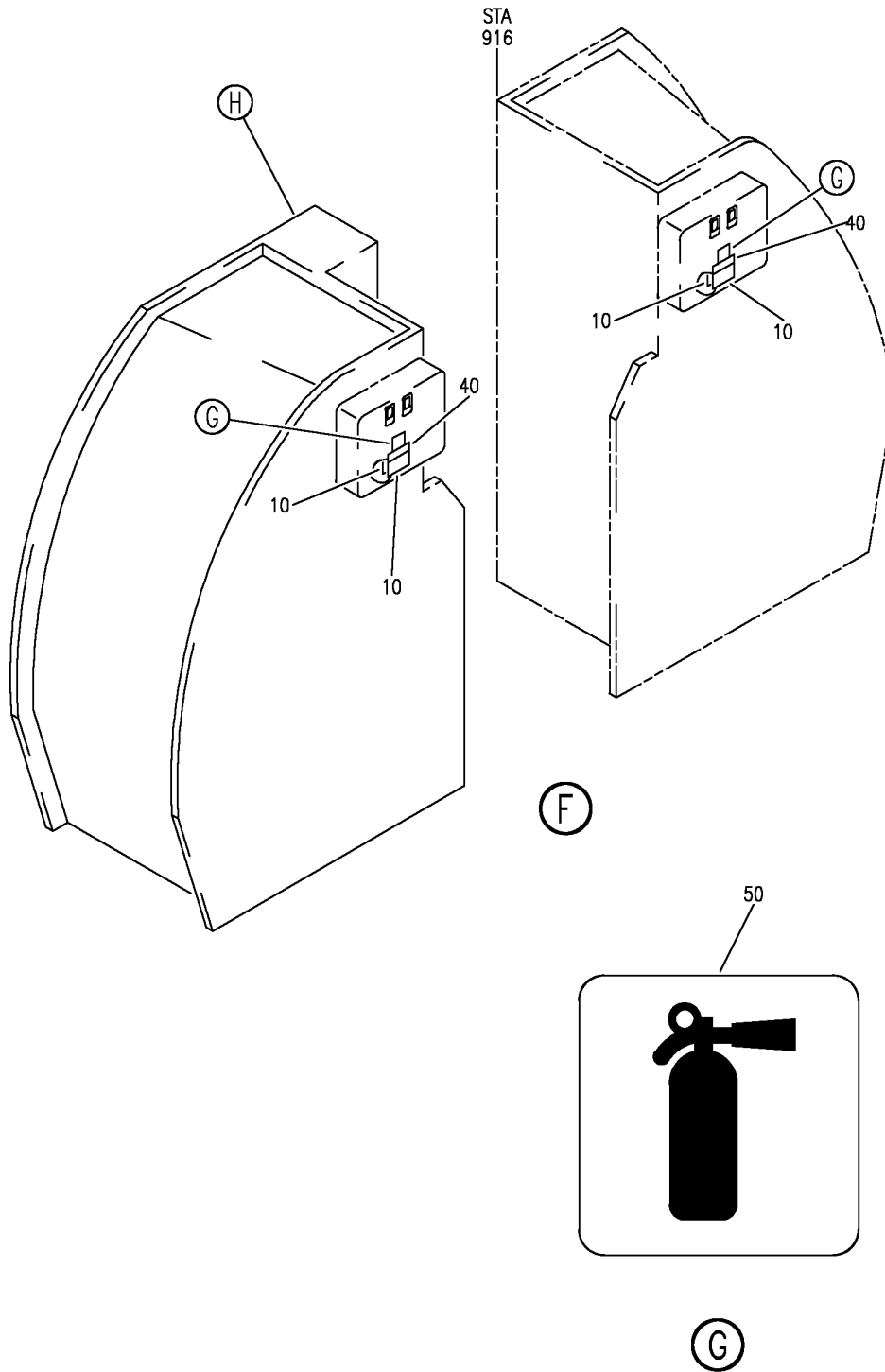
PLACARD INSTL-CAB. INTR MISC (INTERIOR DIVIDERS AND WALLS ONLY)
 FIGURE 19Y (SHEET 2)

11-32-03-19Y

HAP
 JUN 15/09

11-32-03-19Y
 PAGE 0A

BOEING
 737-600/700/800/900
 PARTS CATALOG (MAINTENANCE)



E 11320319Y SHT 3 REV 147

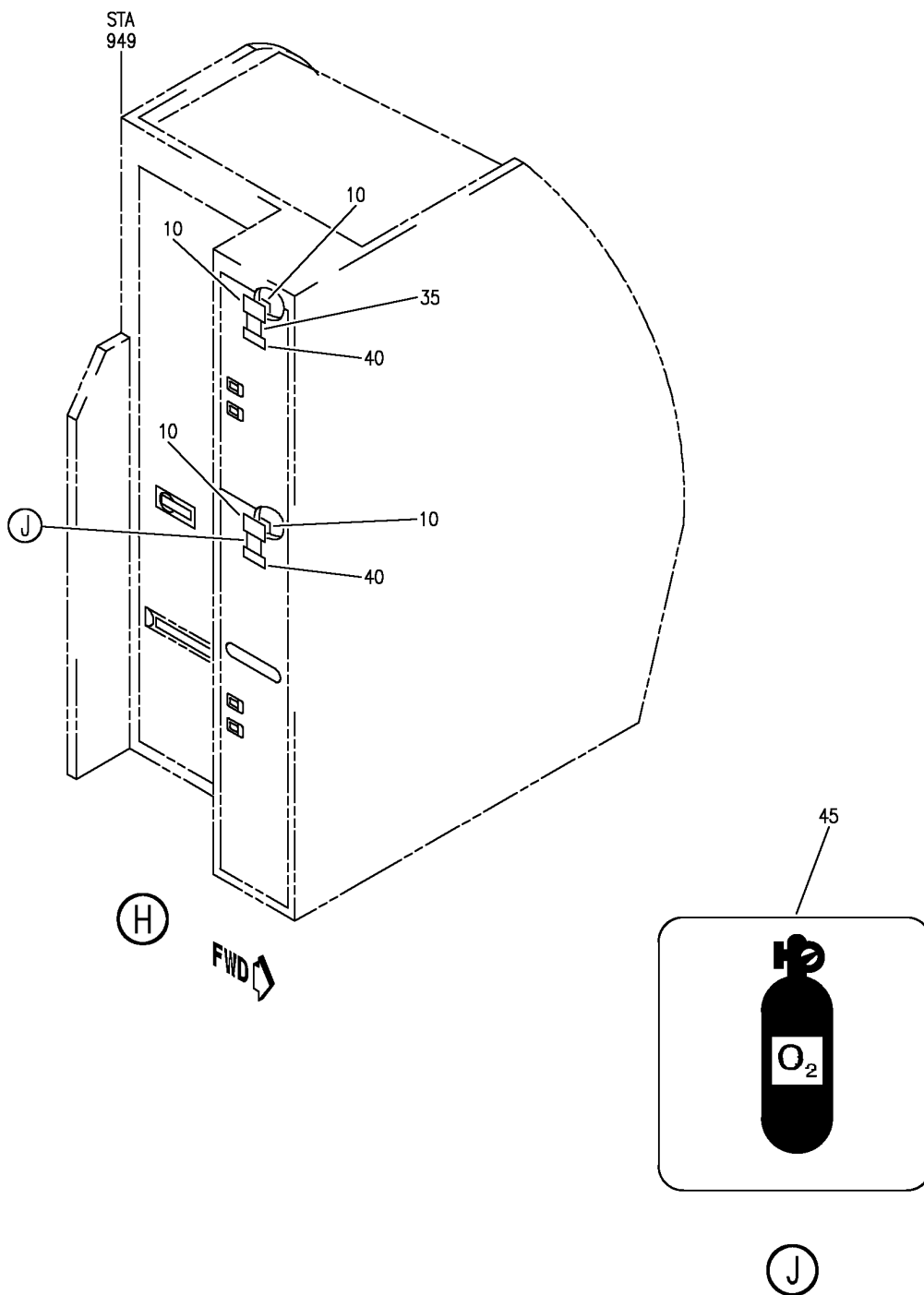
PLACARD INSTL-CAB. INTR MISC (INTERIOR DIVIDERS AND WALLS ONLY)
 FIGURE 19Y (SHEET 3)

11-32-03-19Y

HAP
 OCT 15/08

11-32-03-19Y
 PAGE 0B

BOEING
 737-600/700/800/900
 PARTS CATALOG (MAINTENANCE)



E 11320319Y SHT 4 REV 147

PLACARD INSTL-CAB. INTR MISC (INTERIOR DIVIDERS AND WALLS ONLY)
 FIGURE 19Y (SHEET 4)

11-32-03-19Y

HAP
 OCT 15/08

11-32-03-19Y
 PAGE 0C

BOEING
737-600/700/800/900
PARTS CATALOG (MAINTENANCE)

FIG ITEM	PART NUMBER	1 2 3 4 5 6 7	NOMENCLATURE	EFFECT FROM TO	UNITS PER ASSY
19Y			PLACARD INSTL-CAB. INTR MISC (INTERIOR DIVIDERS AND WALLS ONLY)	048048	
R R R R R R R	- 1 MODREF410698		PLACARD INSTL-CAB. INTR MISC (INTERIOR DIVIDERS AND WALLS ONLY) MODULE NUMBER: 414A5150-615 REV B FOR ADDITIONAL DETAILS SEE: 11-32-04-19Y	048048	1
	5 BAC29PPS36219		.PLACARD- PLACARD CONTENT: LOAD LIMIT 16 LB/7 KG	048048	1
R R R R R	10 BAC29PPS36218		.PLACARD- PLACARD CONTENT: DOOR MUST BE CLOSED AND LATCHED DURING TAXI, TAKEOFF AND LANDING	048048	10
	15 BAC29PPS36232		.MARKER	048048	1
	20 BAC29PPS36210		.PLACARD	048048	1
	25 BAC29PPS36211		.PLACARD	048048	1
	30 BAC29PPS36819		.PLACARD- PLACARD CONTENT: LOAD LIMIT 12 LB/5 KG	048048	2
	35 BAC29PPS50034		.MARKER- PLACARD CONTENT: OXYGEN MASKS	048048	1
	40 BAC29PPS38676		.PLACARD- PLACARD CONTENT: EMERGENCY EQUIPMENT ONLY	048048	4
	45 BAC29PPS36231		.PLACARD	048048	1
	50 BAC29PPS36229		.PLACARD	048048	2
R R R R R R R R	55 BAC29PPS36827		.PLACARD- PLACARD CONTENT: DOORS MUST BE CLOSED AND LATCHED DURING TAXI, TAKEOFF AND LANDING	048048	1
	60 BAC29PPS58244		.MARKER- PLACARD CONTENT: CLOSE AND SECURE IMMEDIATELY WHEN NOT IN USE	048048	4

MISSING ITEM NUMBERS NOT APPLICABLE

- ITEM NOT ILLUSTRATED

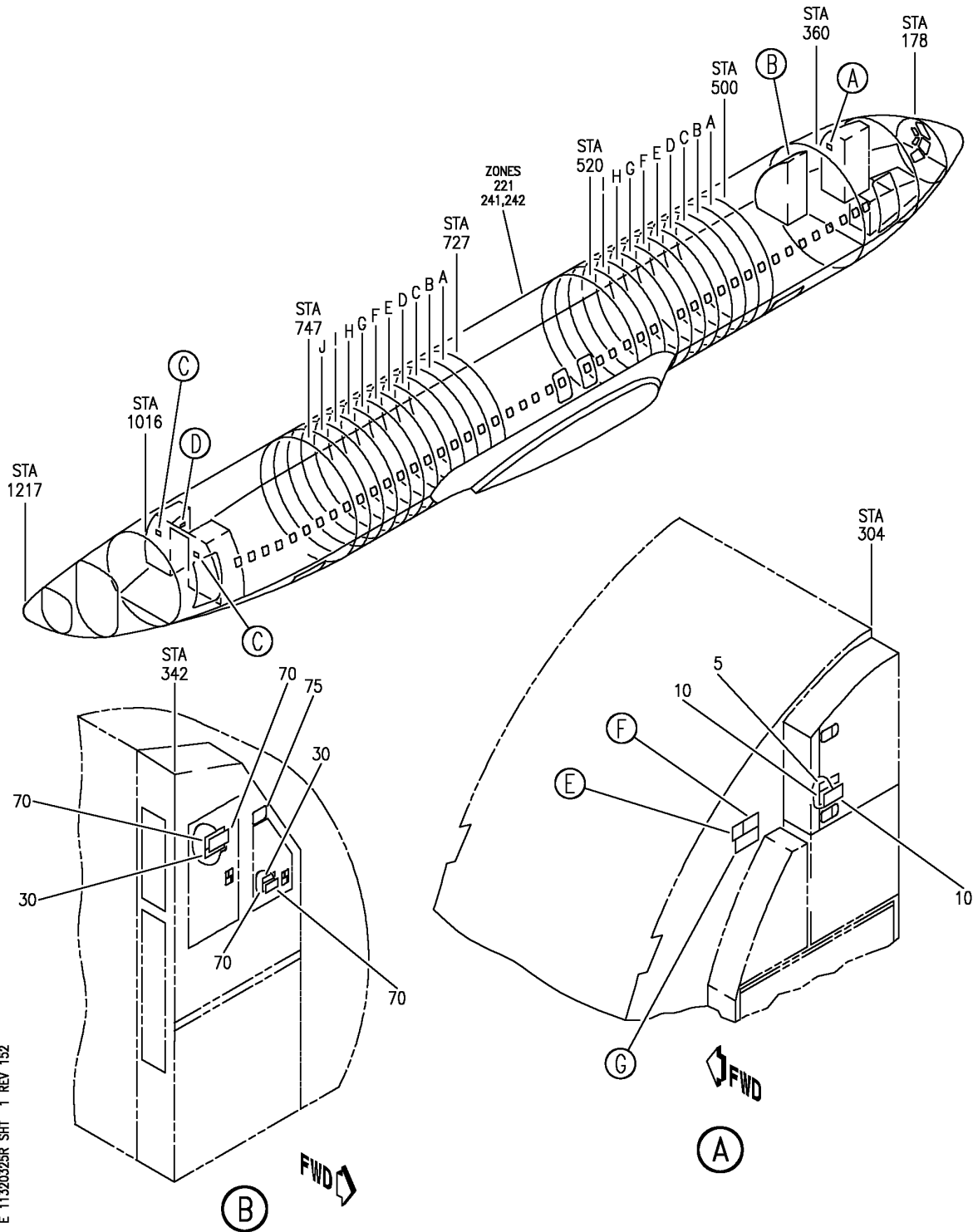
HAP

11-32-03-19Y

BOEING PROPRIETARY - Copyright © - Unpublished Work - See title page for details.

11-32-03
FIG. 19Y
PAGE 1
JUN 15/09

BOEING
 737-600/700/800/900
 PARTS CATALOG (MAINTENANCE)



E 11320325R SHT 1 REV 152

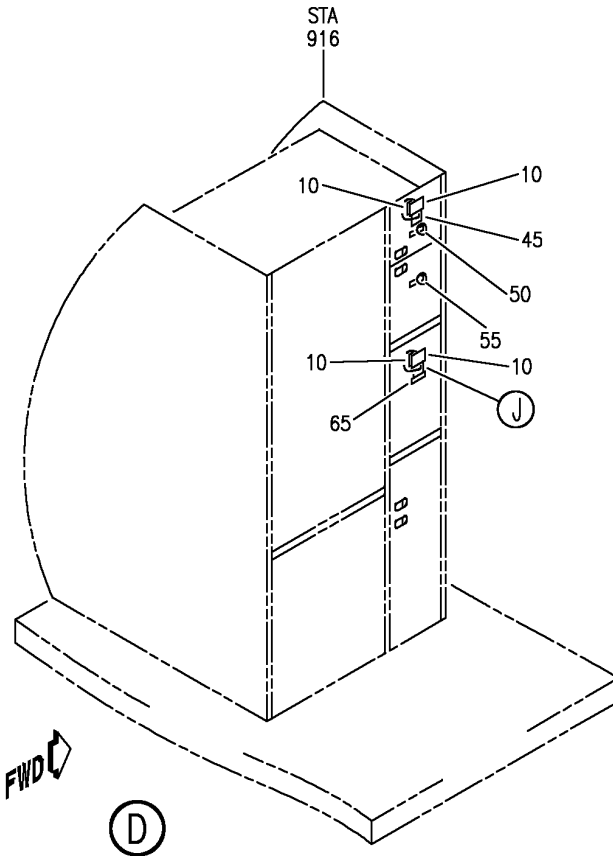
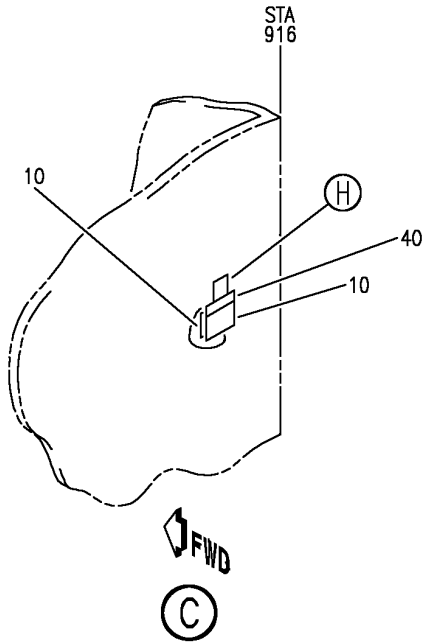
PLACARD INSTL-CAB. INTR MISC (INTERIOR DIVIDERS AND WALLS ONLY)
 FIGURE 25R (SHEET 1)

11-32-03-25R

HAP
 JUN 15/09

11-32-03-25R
 PAGE 0

BOEING
 737-600/700/800/900
 PARTS CATALOG (MAINTENANCE)



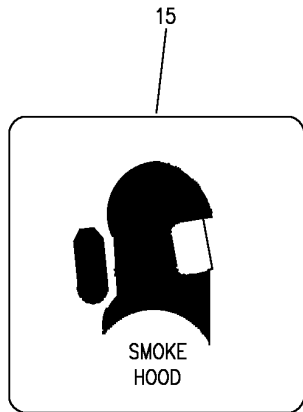
E 11320325R SHT 2 REV 149

PLACARD INSTL-CAB. INTR MISC (INTERIOR DIVIDERS AND WALLS ONLY)
 FIGURE 25R (SHEET 2)

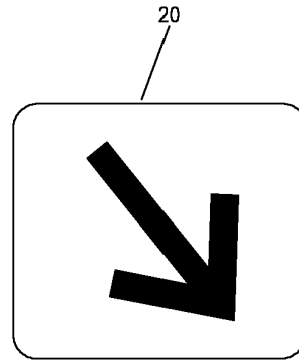
HAP
 FEB 15/09

11-32-03-25R

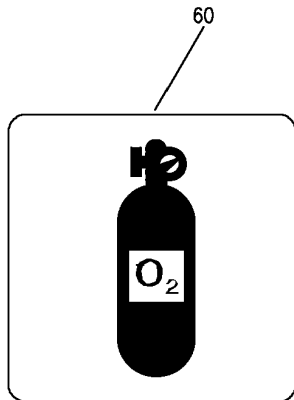
11-32-03-25R
 PAGE 0A



(E)



(F)



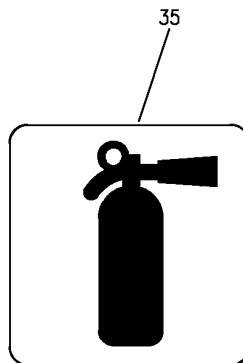
(J)

25

**Inboard Attendant Seat
Must Be Occupied During
Taxi, Takeoff and Landing
To Comply With Cabin
Viewing Requirements**

BAC299536211

(G)



(H)

E 11320325R SHT 3 REV 149

PLACARD INSTL-CAB. INTR MISC (INTERIOR DIVIDERS AND WALLS ONLY)
FIGURE 25R (SHEET 3)

11-32-03-25R

HAP
FEB 15/09

11-32-03-25R
PAGE 0B

BOEING
737-600/700/800/900
PARTS CATALOG (MAINTENANCE)

FIG ITEM	PART NUMBER	1 2 3 4 5 6 7	NOMENCLATURE	EFFECT FROM TO	UNITS PER ASSY
25R			PLACARD INSTL-CAB. INTR MISC (INTERIOR DIVIDERS AND WALLS ONLY)	107200	
R -	1 MODREF417975		PLACARD INSTL-CAB. INTR MISC (INTERIOR DIVIDERS AND WALLS ONLY)	107200	1
R			MODULE NUMBER: 414A5150-622 REV C FOR ADDITIONAL DETAILS SEE: 11-32-04-25R		
R	5 BAC29PPS36219		.PLACARD- PLACARD CONTENT: LOAD LIMIT 16 LB/7 KG	107200	1
R	10 BAC29PPS36218		.PLACARD- PLACARD CONTENT: DOOR MUST BE CLOSED AND LATCHED DURING TAXI, TAKEOFF AND LANDING	107200	10
R	15 BAC29PPS36232		.MARKER	107200	1
R	20 BAC29PPS36210		.PLACARD	107200	1
R	25 BAC29PPS36211		.PLACARD	107200	1
R	30 BAC29PPS36819		.PLACARD- PLACARD CONTENT: LOAD LIMIT 12 LB/5 KG	107200	2
	35 BAC29PPS36229		.PLACARD	107200	2
	40 BAC29PPS38676		.PLACARD- PLACARD CONTENT: EMERGENCY EQUIPMENT ONLY	107200	2
	45 BAC29PPS50034		.MARKER- PLACARD CONTENT: OXYGEN MASKS	107200	1
	50 BAC29PPS52348		.PLACARD-(MULTI-LANGUAGE) PLACARD CONTENT: NO ADDITIONAL STOWAGE	107200	1
	55 BAC29PPS36817		.PLACARD- PLACARD CONTENT: LOAD LIMIT 10 LB/4 KG	107200	1
R	60 BAC29PPS36231		.PLACARD	107200	1
R	70 BAC29PPS58244		.MARKER- PLACARD CONTENT: CLOSE AND SECURE IMMEDIATELY WHEN NOT IN USE	107200	4
R	75 BAC29PPS36827		.PLACARD- PLACARD CONTENT: DOORS MUST BE CLOSED AND LATCHED DURING TAXI, TAKEOFF AND LANDING	107200	1

MISSING ITEM NUMBERS NOT APPLICABLE

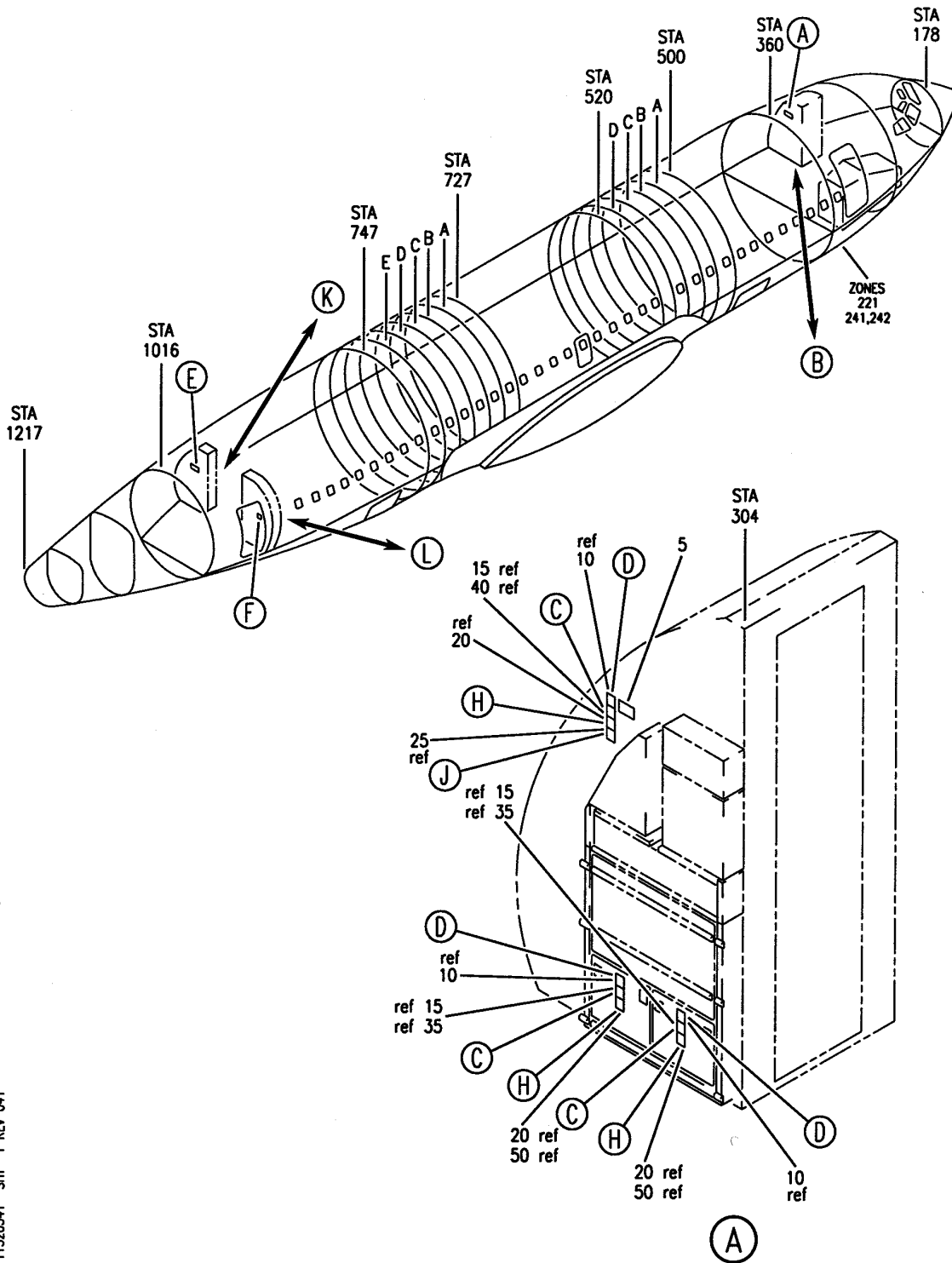
- ITEM NOT ILLUSTRATED

HAP

11-32-03-25R

11-32-03
FIG. 25R
PAGE 1
JUN 15/09

BOEING
 737-600/700/800/900
 PARTS CATALOG (MAINTENANCE)



E 11320341 SHT 1 REV 041

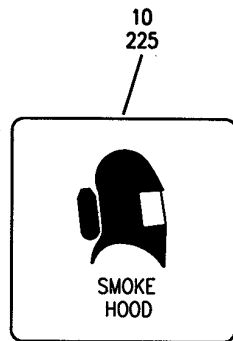
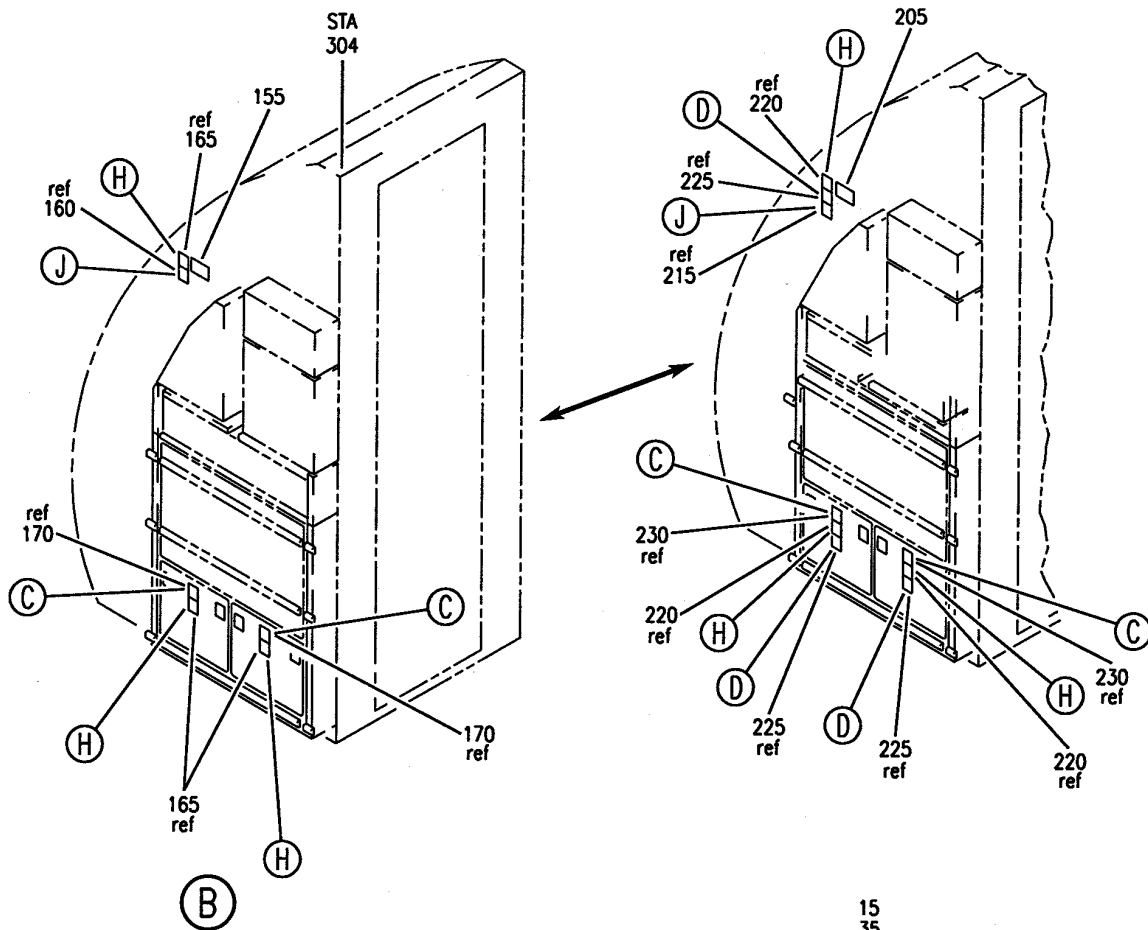
PLACARD INSTL-CAB. INTR ATTENDANT SEATS
 FIGURE 41 (SHEET 1)

11-32-03-41

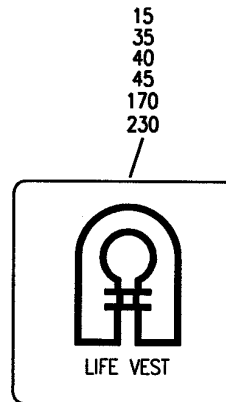
HAP
 OCT 15/08

11-32-03-41
 PAGE 0

BOEING
737-600/700/800/900
PARTS CATALOG (MAINTENANCE)



(D)



(C)

E 11320341 SH1 2 REV 041

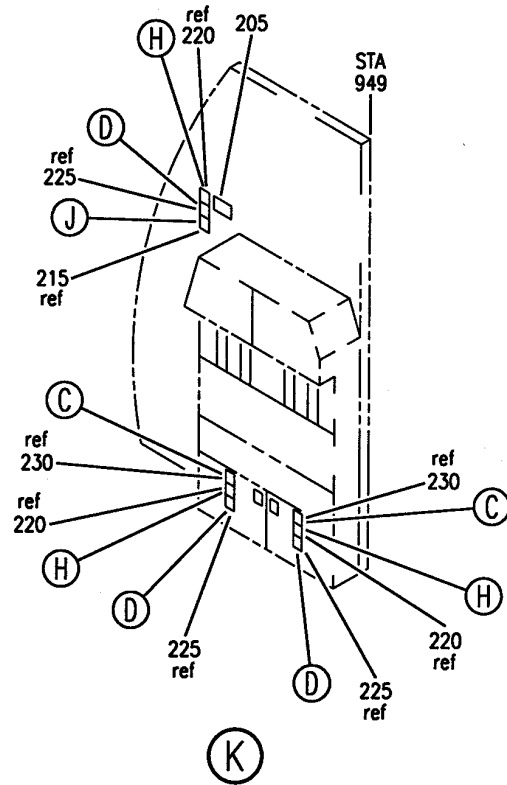
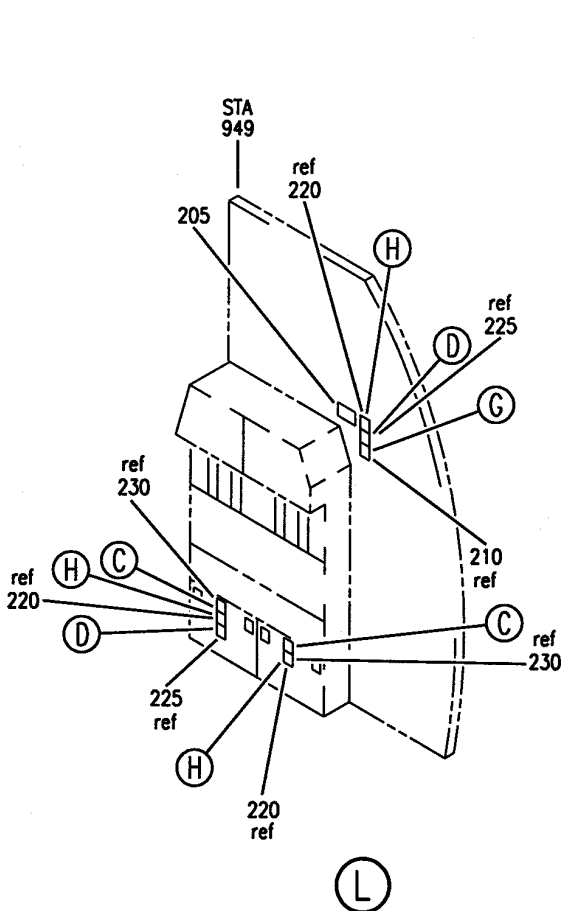
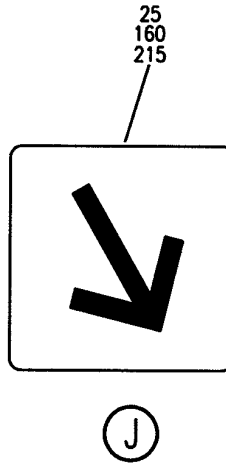
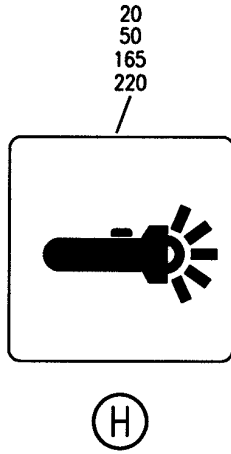
PLACARD INSTL-CAB. INTR ATTENDANT SEATS
FIGURE 41 (SHEET 2)

11-32-03-41

HAP
OCT 15/08

11-32-03-41
PAGE 0A

BOEING
737-600/700/800/900
PARTS CATALOG (MAINTENANCE)



E 11320341 SHT 4 REV 041

PLACARD INSTL-CAB. INTR ATTENDANT SEATS
FIGURE 41 (SHEET 4)

11-32-03-41

HAP
OCT 15/08

11-32-03-41
PAGE 0C

BOEING
737-600/700/800/900
PARTS CATALOG (MAINTENANCE)

FIG ITEM	PART NUMBER	1 2 3 4 5 6 7	NOMENCLATURE	EFFECT FROM TO	UNITS PER ASSY
41			PLACARD INSTL-CAB. INTR ATTENDANT SEATS	201967	
- 1	414A5121-1		PLACARD INSTL-CAB. INTR FOR NHA SEE: 11-30-00-01B	201967	RF
5	BAC29PPS36207		.MARKER- PLACARD CONTENT: FOR CREW USE ONLY	201967	3
10	BAC29PPS36232		.MARKER-	201967	9
15	BAC29PPS36236		.MARKER-	201967	9
20	BAC29PPS36225		.MARKER-	201967	9
25	BAC29PPS36210		.PLACARD-	201967	2
30	BAC29PPS36209		.PLACARD-	201967	1

MISSING ITEM NUMBERS NOT APPLICABLE

- ITEM NOT ILLUSTRATED

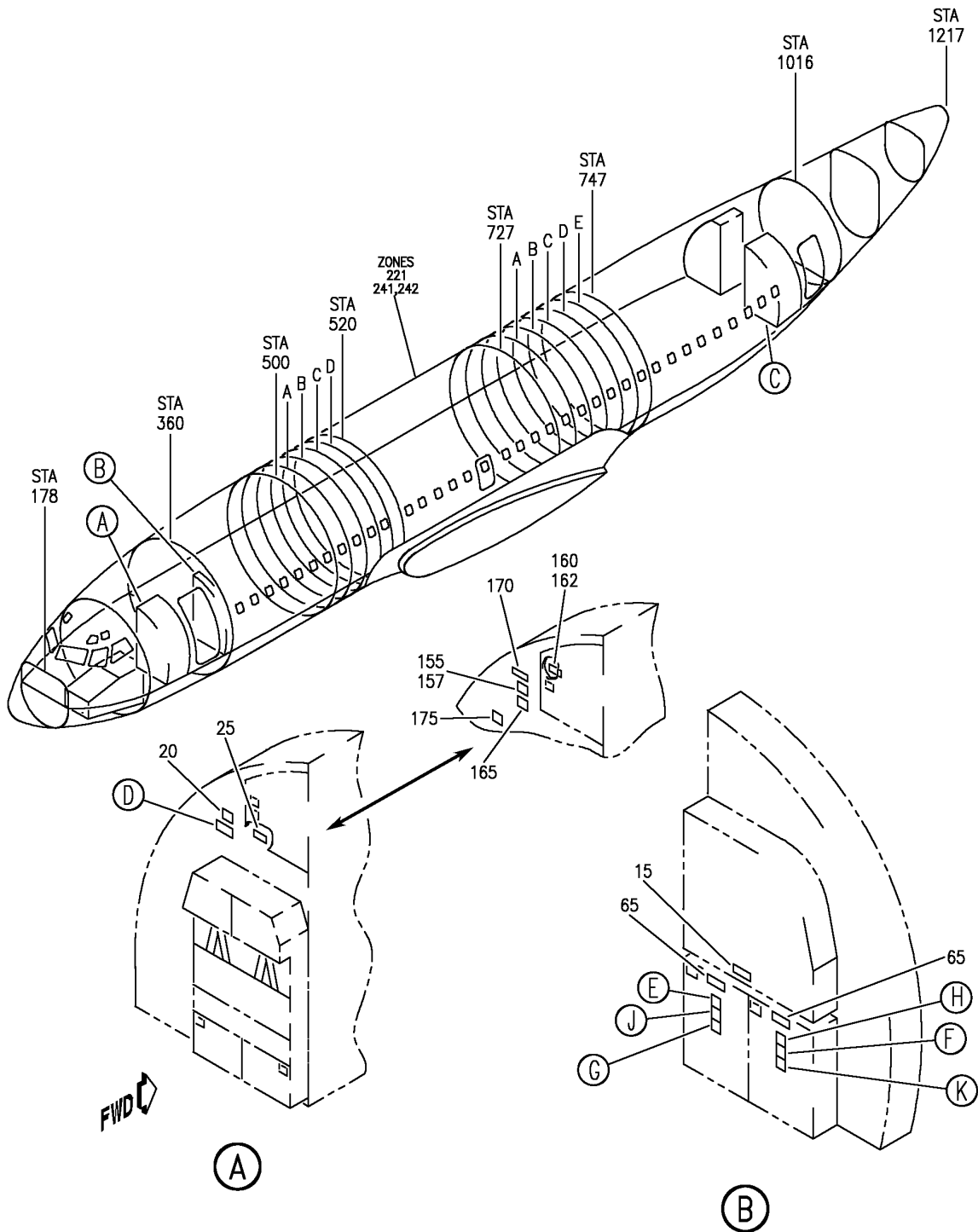
HAP

11-32-03-41

BOEING PROPRIETARY - Copyright © - Unpublished Work - See title page for details.

11-32-03
FIG. 41
PAGE 1
OCT 15/08

BOEING
 737-600/700/800/900
 PARTS CATALOG (MAINTENANCE)



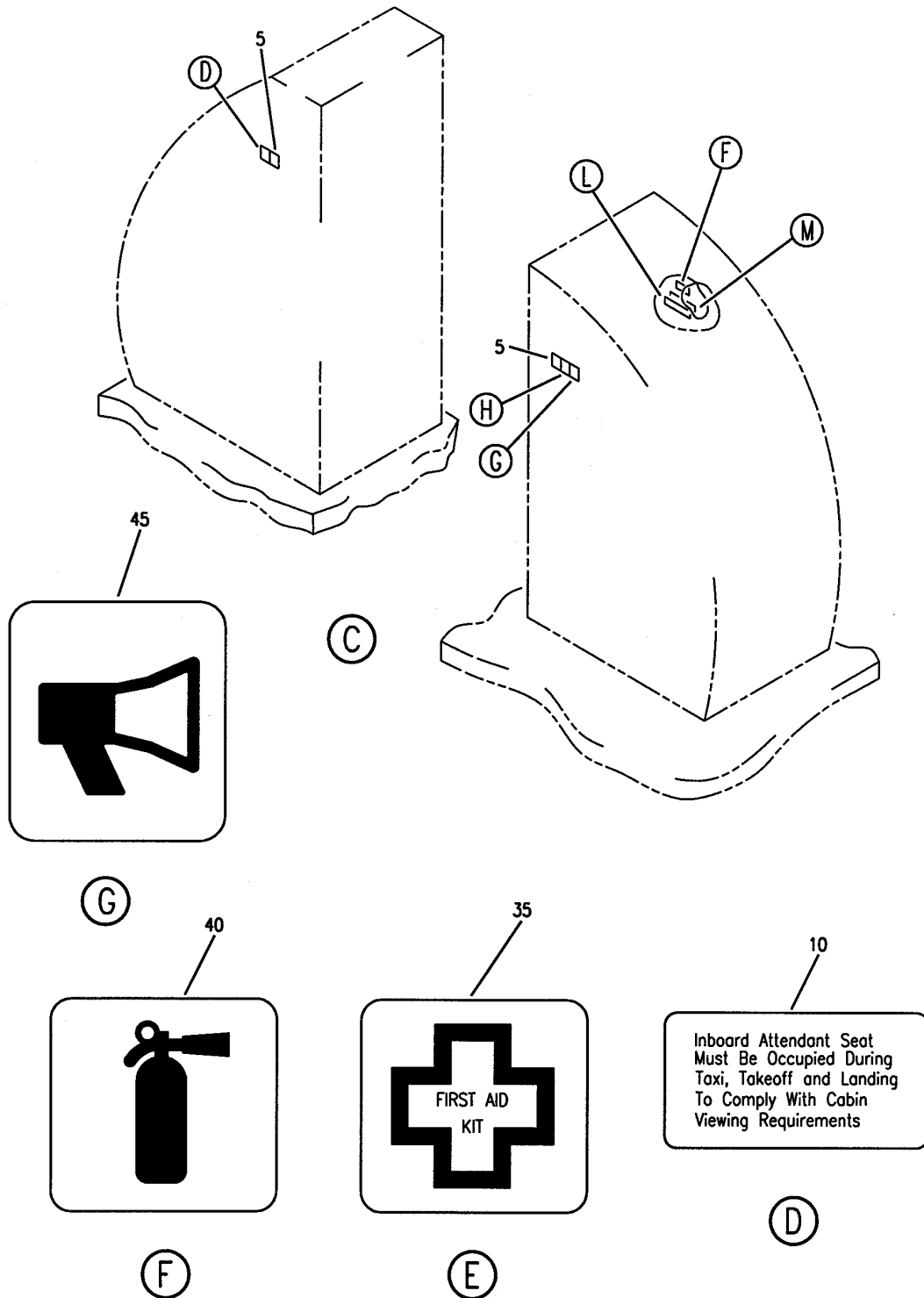
E 11320342 SH1 1 REV 145

PLACARD INSTL-CAB. INTR MISC. AND FLYAWAY KIT
 FIGURE 42 (SHEET 1)

11-32-03-42

HAP
 OCT 15/08

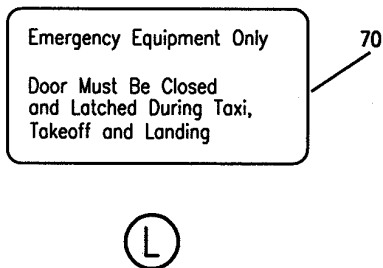
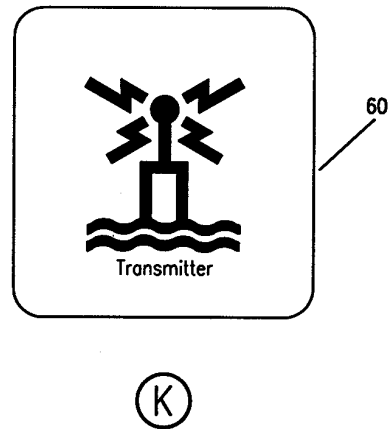
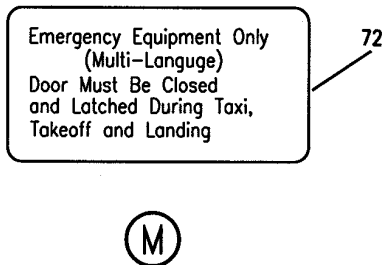
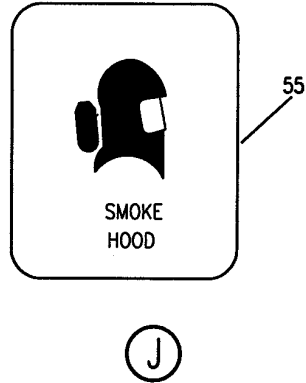
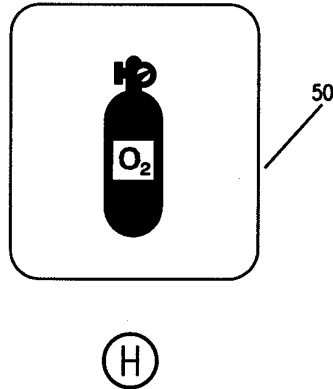
11-32-03-42
 PAGE 0



E 11320342 SHT 2 REV 041

PLACARD INSTL-CAB. INTR MISC. AND FLYAWAY KIT
 FIGURE 42 (SHEET 2)

11-32-03-42



E 11320342 SHT 3 REV 041

PLACARD INSTL-CAB. INTR MISC. AND FLYAWAY KIT
 FIGURE 42 (SHEET 3)

11-32-03-42

BOEING
737-600/700/800/900
PARTS CATALOG (MAINTENANCE)

FIG ITEM	PART NUMBER	1 2 3 4 5 6 7	NOMENCLATURE	EFFECT FROM TO	UNITS PER ASSY
42			PLACARD INSTL-CAB. INTR MISC. AND FLYAWAY KIT	201967	
- 1	414A5150-1		PLACARD INSTL-CAB. INTR MISC. FOR NHA SEE: 11-30-00-01B	201967	RF
5	BAC29PPS36208		.PLACARD-	201967	2
10	BAC29PPS36211		.PLACARD-	201967	1
15	BAC29PPS36217		.PLACARD- PLACARD CONTENT: NO STOWAGE	201967	1
20	BAC29PPS36218		.PLACARD- PLACARD CONTENT: DOOR MUST BE CLOSED AND LATCHED DURING TAXI, TAKEOFF AND LANDING	201967	1
25	BAC29PPS36219		.PLACARD- PLACARD CONTENT: LOAD LIMIT 16 LB/7 KG	201967	1
35	BAC29PPS36227		.PLACARD-	201967	1
40	BAC29PPS36229		.PLACARD-	201967	2
45	BAC29PPS36230		.PLACARD-	201967	2
50	BAC29PPS36231		.PLACARD-	201967	3
55	BAC29PPS36232		.MARKER-	201967	1
60	BAC29PPS36233		.PLACARD-	201967	1
65	BAC29PPS36253		.PLACARD- PLACARD CONTENT: EMERGENCY EQUIPMENT ONLY	201967	2
70	BAC29PPS36254		.PLACARD- PLACARD CONTENT: EMERGENCY EQUIPMENT ONLY DOOR MUST BE CLOSED AND LATCHED DURING TAXI, TAKEOFF AND LANDING	201967	2

MISSING ITEM NUMBERS NOT APPLICABLE

- ITEM NOT ILLUSTRATED

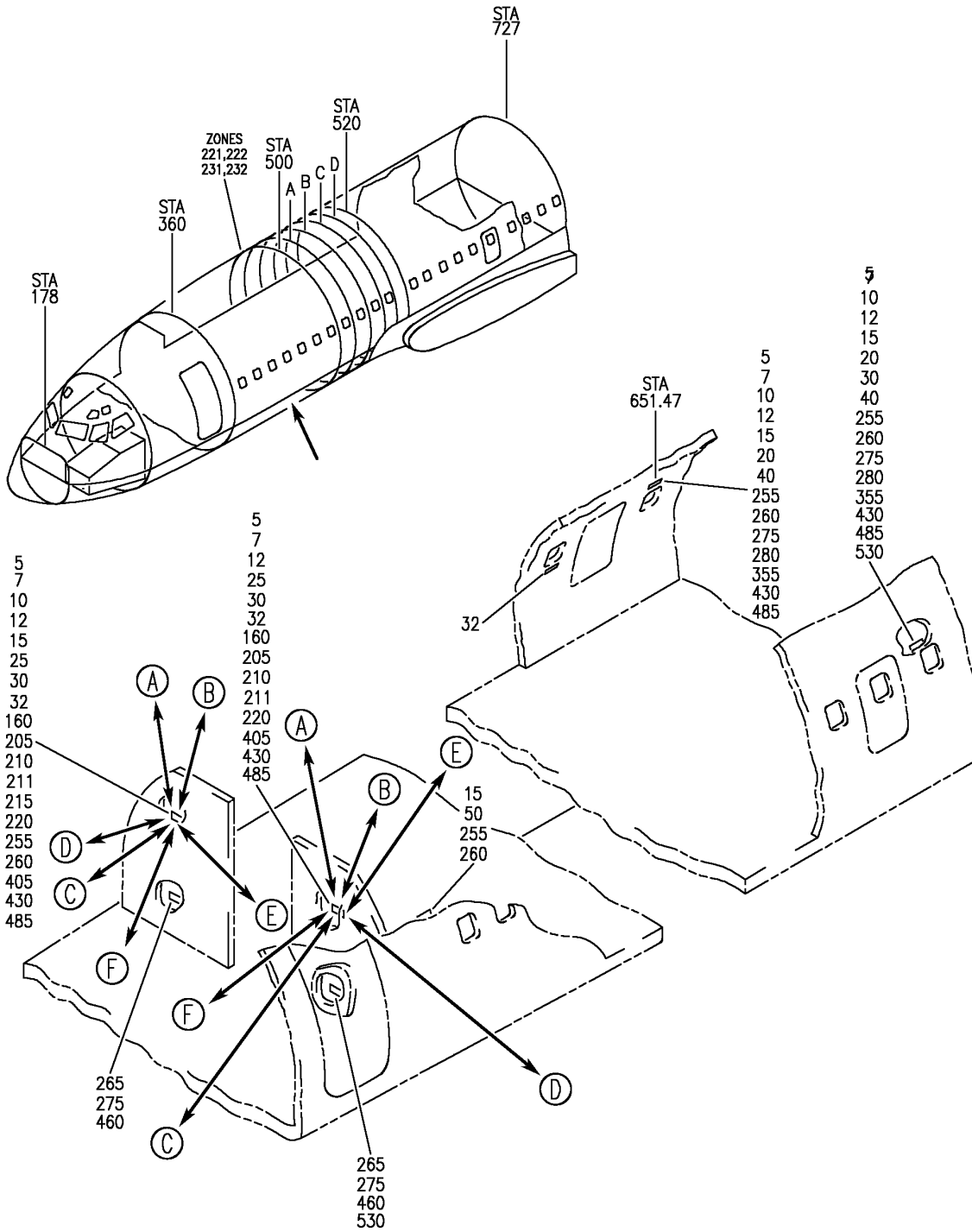
HAP

11-32-03-42

BOEING PROPRIETARY - Copyright © - Unpublished Work - See title page for details.

11-32-03
FIG. 42
PAGE 1
OCT 15/08

BOEING
737-600/700/800/900
PARTS CATALOG (MAINTENANCE)



E 11320343 SH1 1 REV 086

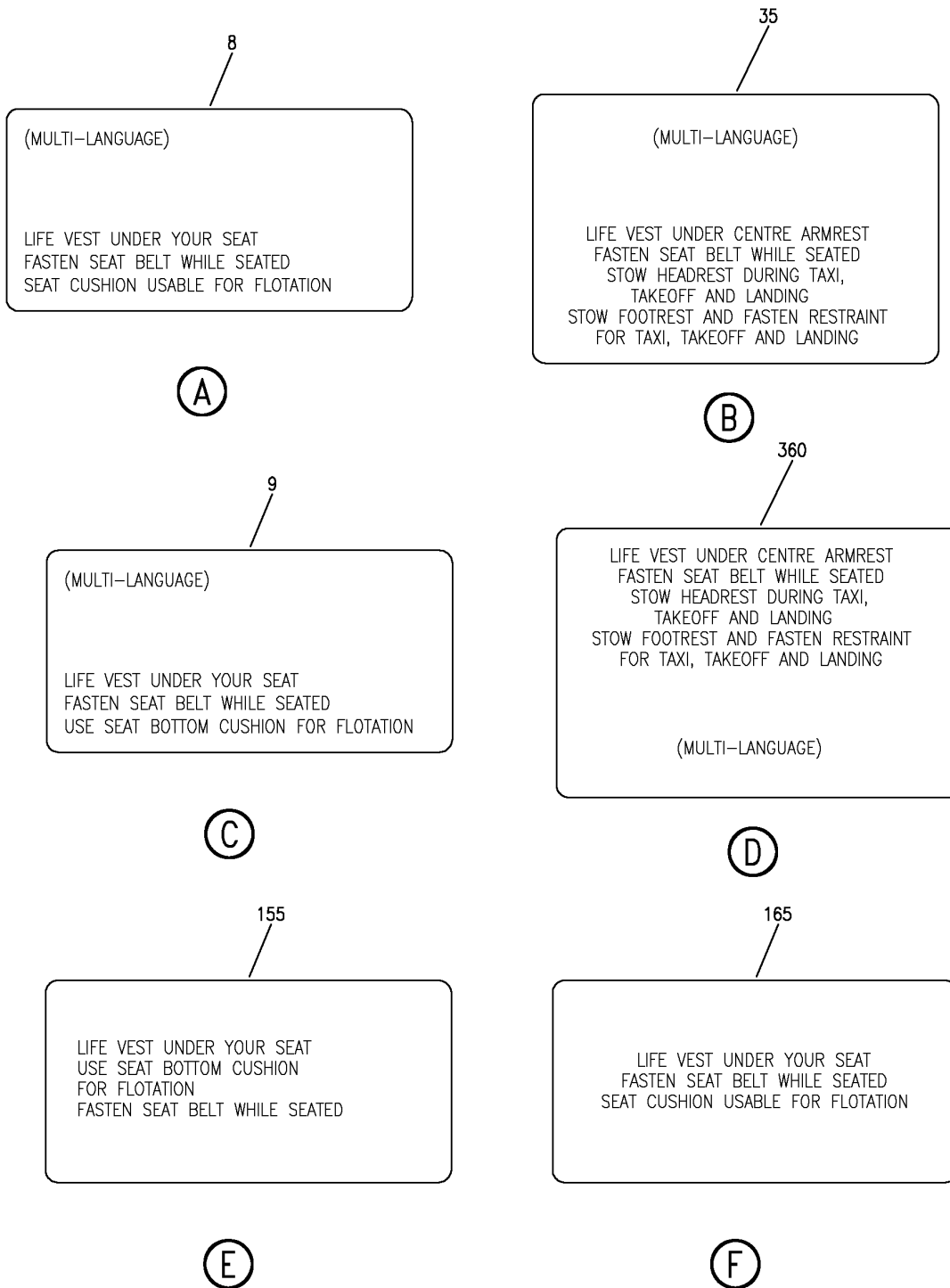
PLACARD INSTL-CAB. INTR EMER
FIGURE 43 (SHEET 1)

11-32-03-43

HAP
OCT 15/08

11-32-03-43
PAGE 0

BOEING
 737-600/700/800/900
 PARTS CATALOG (MAINTENANCE)



E 11320343 SH1 2 REV 077

PLACARD INSTL-CAB. INTR EMER
 FIGURE 43 (SHEET 2)

11-32-03-43


BOEING
 737-600/700/800/900
PARTS CATALOG (MAINTENANCE)

FIG ITEM	PART NUMBER	1 2 3 4 5 6 7	NOMENCLATURE	EFFECT FROM TO	UNITS PER ASSY
43			PLACARD INSTL-CAB. INTR EMER	201967	
- 1	414A5120-1		PLACARD INSTL-CAB. INTR LIFE VESTS FOR NHA SEE: 11-30-00-01B	201967	RF
5	BAC29PPS36216		.PLACARD- PLACARD CONTENT: LIFE VEST UNDER YOUR SEAT FASTEN SEAT BELT WHILE SEATED	201967	4

MISSING ITEM NUMBERS NOT APPLICABLE

- ITEM NOT ILLUSTRATED

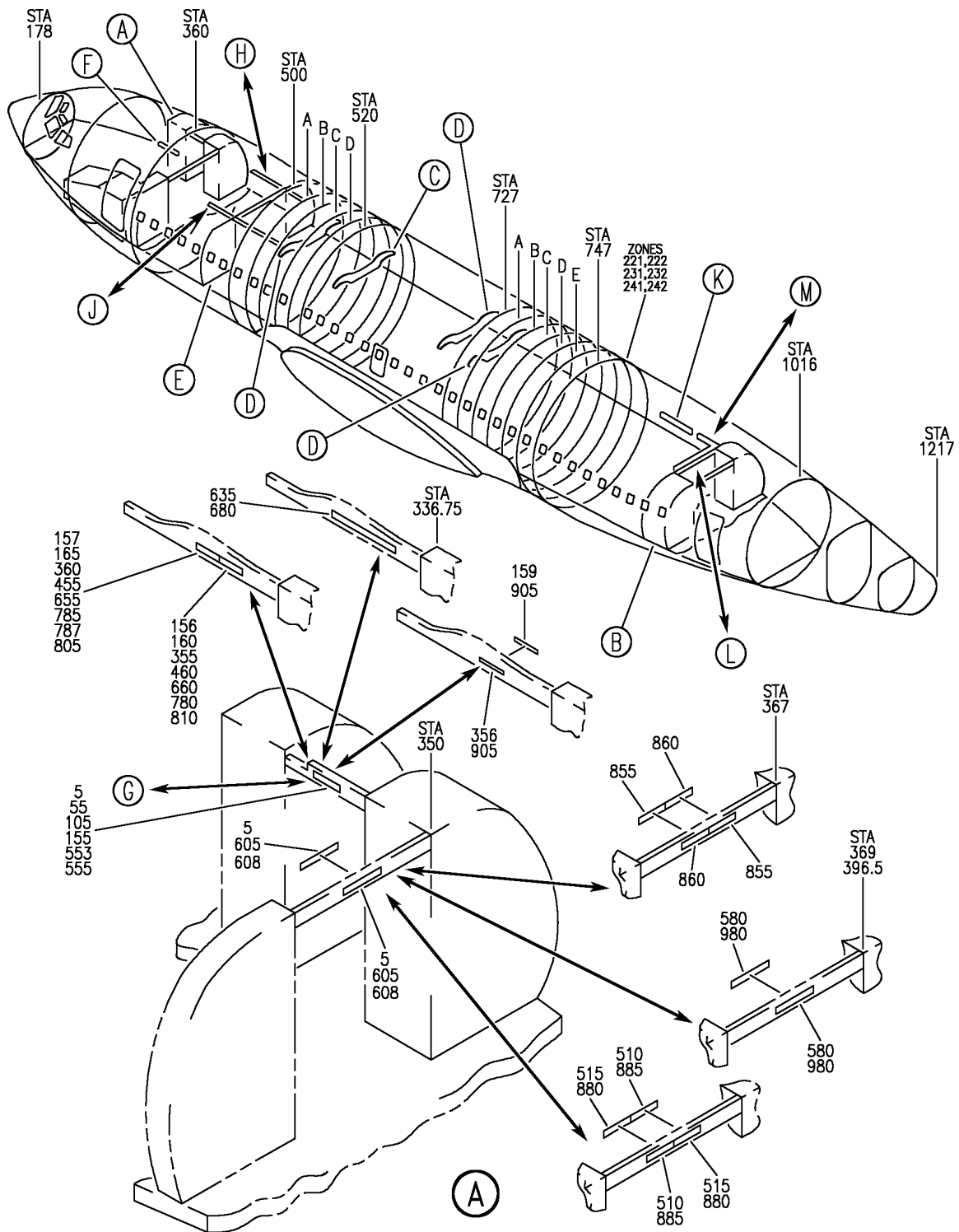
HAP

11-32-03-43

BOEING PROPRIETARY - Copyright © - Unpublished Work - See title page for details.

11-32-03
 FIG. 43
 PAGE 1
 OCT 15/08

BOEING
737-600/700/800/900
PARTS CATALOG (MAINTENANCE)



E 11320344 SHT 1 REV 151

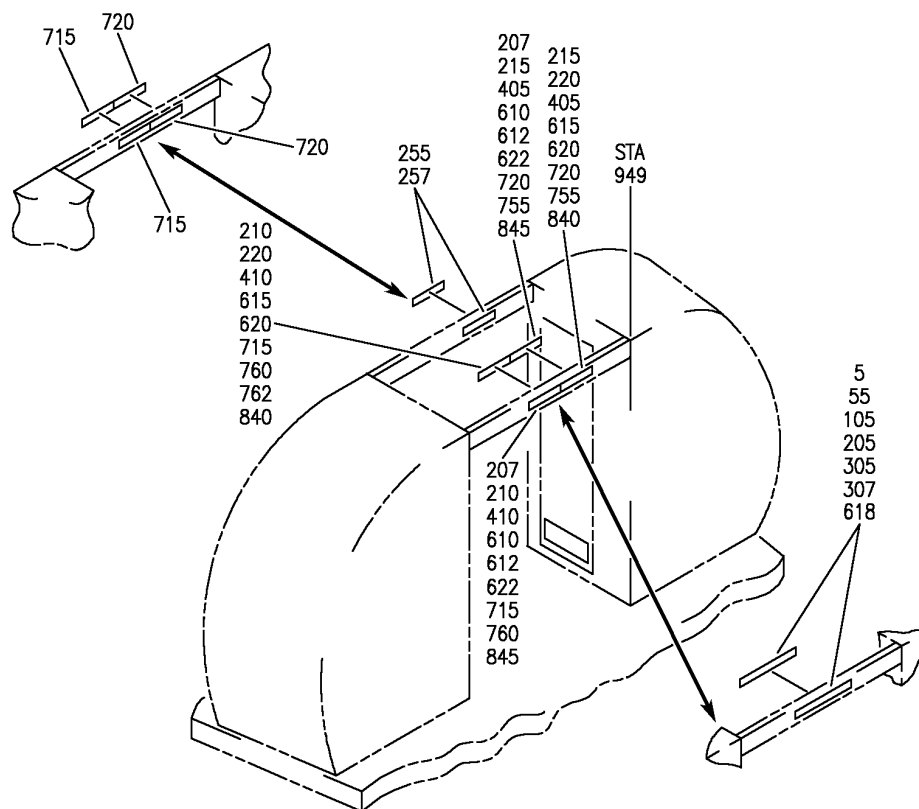
PLACARD INSTL-CAB. INTR CURTAINS
 FIGURE 44 (SHEET 1)

11-32-03-44

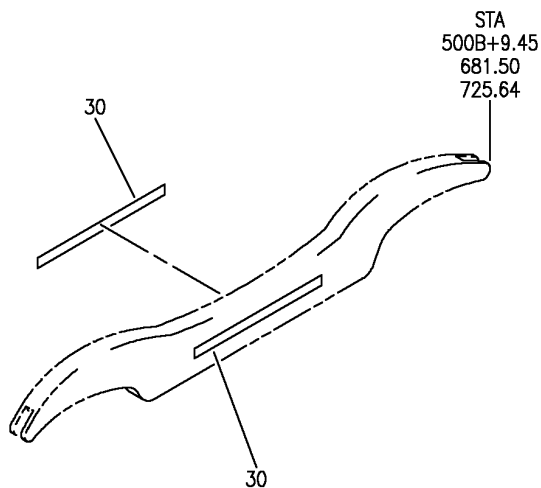
HAP
 FEB 15/09

11-32-03-44
 PAGE 0

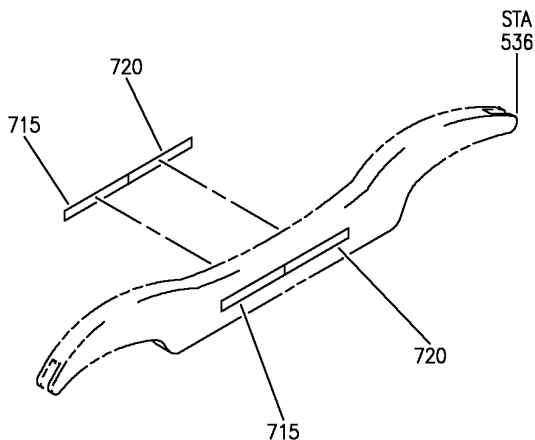
BOEING
737-600/700/800/900
PARTS CATALOG (MAINTENANCE)



(B)



(D)



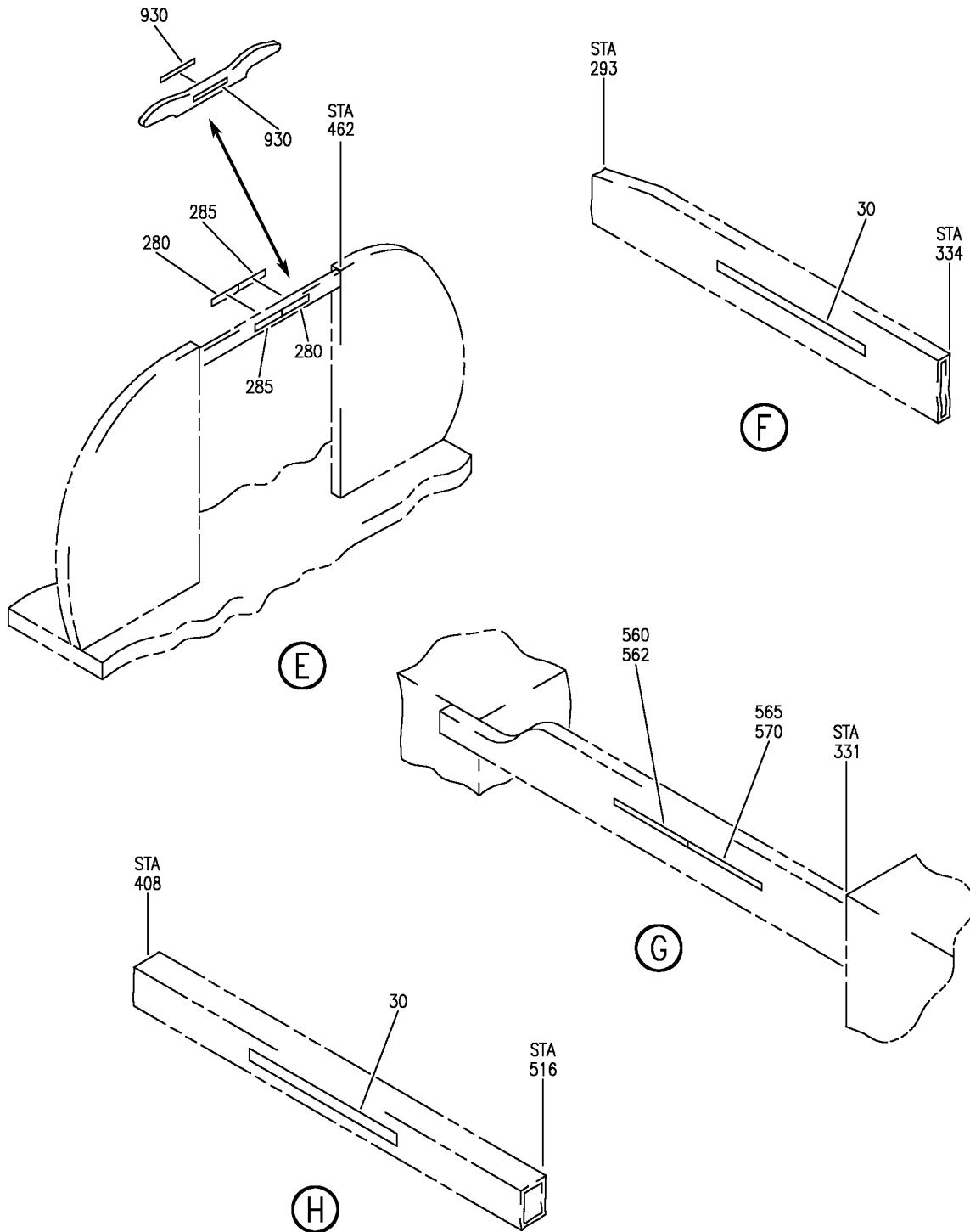
(C)

E 11320344 SH1 2 REV 144

PLACARD INSTL-CAB. INTR CURTAINS
 FIGURE 44 (SHEET 2)

11-32-03-44

BOEING
 737-600/700/800/900
 PARTS CATALOG (MAINTENANCE)



E 11320344 SH1 3 REV 142

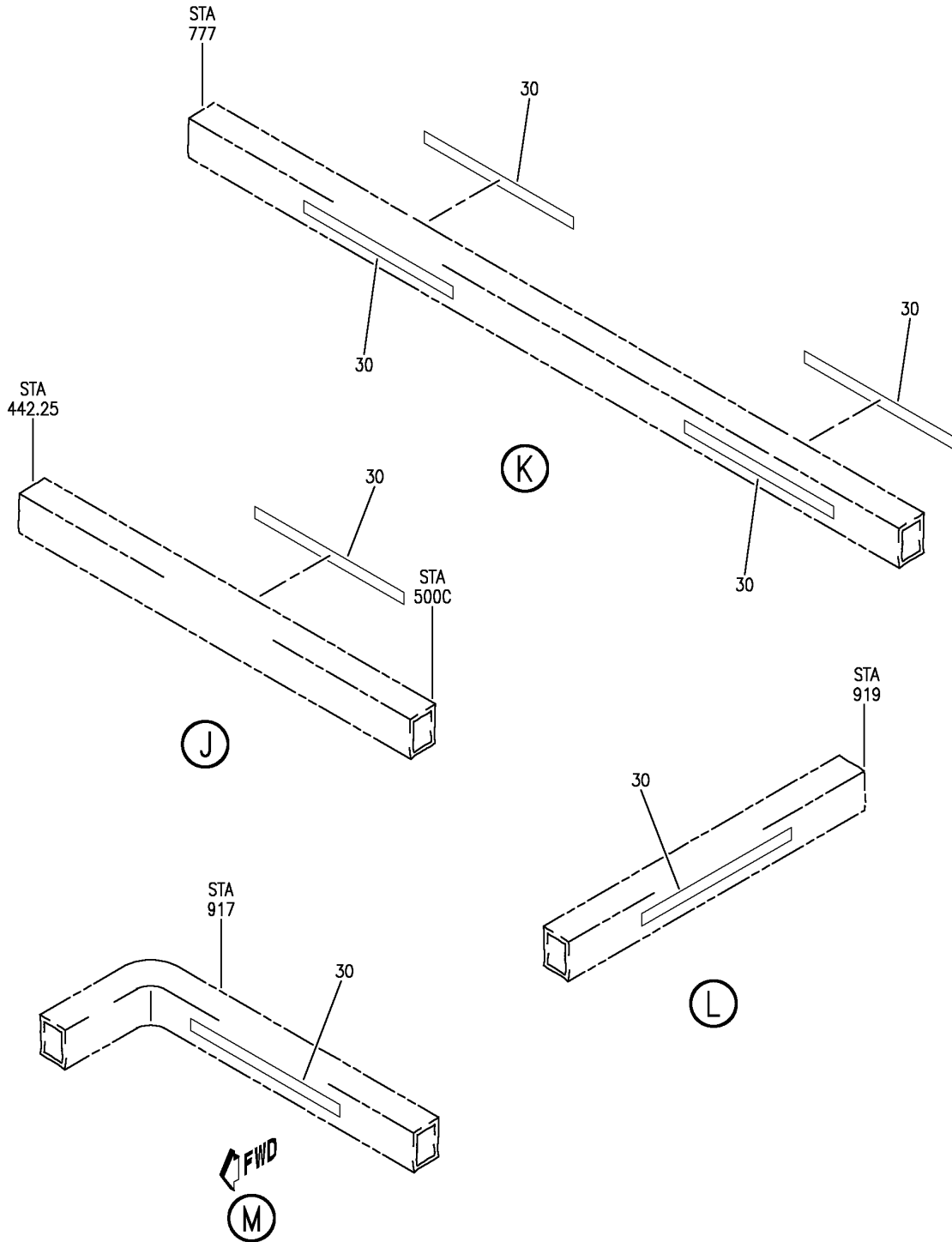
PLACARD INSTL-CAB. INTR CURTAINS
 FIGURE 44 (SHEET 3)

11-32-03-44

HAP
 JUN 15/08

11-32-03-44
 PAGE 0B

BOEING
 737-600/700/800/900
 PARTS CATALOG (MAINTENANCE)



E 11320344 SH1 4 REV 075

PLACARD INSTL-CAB. INTR CURTAINS
 FIGURE 44 (SHEET 4)

11-32-03-44

HAP
 OCT 10/06

11-32-03-44
 PAGE 0C

BOEING
737-600/700/800/900
PARTS CATALOG (MAINTENANCE)

FIG ITEM	PART NUMBER	1 2 3 4 5 6 7	NOMENCLATURE	EFFECT FROM TO	UNITS PER ASSY
44			PLACARD INSTL-CAB. INTR CURTAINS	031038 040100 201967	
- 1	414A5106-1		PLACARD INSTL-CAB. INTR CURTAINS FOR NHA SEE: 11-30-00-01B	201967	RF
	5 BAC29PPS36214		.PLACARD- PLACARD CONTENT: FASTEN CURTAIN OPEN DURING TAXI, TAKEOFF AND LANDING	201967	5
- 150	MODREF93577		PLACARD INSTL-CAB. INTR CURTAINS MODULE NUMBER: 414A5106-4 REV A POSITION DATA: STA 336.00 RBL 10.00 WL 284.50	031038 040045 054100	1
- 150	MODREF369882		PLACARD INSTL-CAB. INTR CURTAINS MODULE NUMBER: 414A5106-4 REV B POSITION DATA: STA 336.00 RBL 10.00 WL 284.50	046049	1
	155 BAC29PPS36214		.PLACARD- PLACARD CONTENT: FASTEN CURTAIN OPEN DURING TAXI, TAKEOFF AND LANDING	031038 040049 054100	1
	159 BAC29PPS36214		.PLACARD- PLACARD CONTENT: FASTEN CURTAIN OPEN DURING TAXI, TAKEOFF AND LANDING POST RAPID REVISION: RR97237-19B	048048	1
R R R R R R	- 350 MODREF369865		PLACARD INSTL-CAB. INTR CURTAINS MODULE NUMBER: 414A5106-61 REV B POSITION DATA: STA 336.00 RBL 10.00 WL 284.50	050053	1

MISSING ITEM NUMBERS NOT APPLICABLE

- ITEM NOT ILLUSTRATED

HAP

11-32-03-44

11-32-03
FIG. 44
PAGE 1
JUN 15/09

BOEING
737-600/700/800/900
PARTS CATALOG (MAINTENANCE)

FIG ITEM	PART NUMBER	1 2 3 4 5 6 7	NOMENCLATURE	EFFECT FROM TO	UNITS PER ASSY	
R R R R R R R R R R	44 356	BAC29PPS36214	.PLACARD- PLACARD CONTENT: FASTEN CURTAIN OPEN DURING TAXI, TAKEOFF AND LANDING	031038 040048 050100 201967	1	
	- 600	MODREF225760	PLACARD INSTL-CAB. INTR CURTAINS MODULE NUMBER: 414A5106-23 REV B POSITION DATA: STA 949.00, BL 0.00 WL 288.00	031036	1	
	608	BAC29PPS36214	.PLACARD- PLACARD CONTENT: FASTEN CURTAIN OPEN DURING TAXI, TAKEOFF AND LANDING	031036	2	
	- 875	MODREF325474	PLACARD INSTL-CAB. INTR CURTAINS MODULE NUMBER: 414A5106-36 REV B POSITION DATA: STA 350.00, BL 0.00, WL 288.00	038038 042043	1	
	880	BAC29PPS36214	.PLACARD- PLACARD CONTENT: FASTEN CURTAIN OPEN DURING TAXI, TAKEOFF AND LANDING	038038 042043	2	
	885	BAC29PPS42124	.PLACARD-(CHINESE)	038038 042043	2	
	- 975	MODREF387514	PLACARD INSTL-CAB. INTR CURTAINS MODULE NUMBER: 414A5106-51 REV D POSITION DATA: STA 369.00, BL 0.00, WL 284.00	050053	1	
	980	BAC29PPS57241	.MARKER- PLACARD CONTENT: FASTEN CURTAIN OPEN USING ALL TIE-BACKS DURING TAXI, TAKEOFF AND LANDING	050053	2	
	MISSING ITEM NUMBERS NOT APPLICABLE					

- ITEM NOT ILLUSTRATED

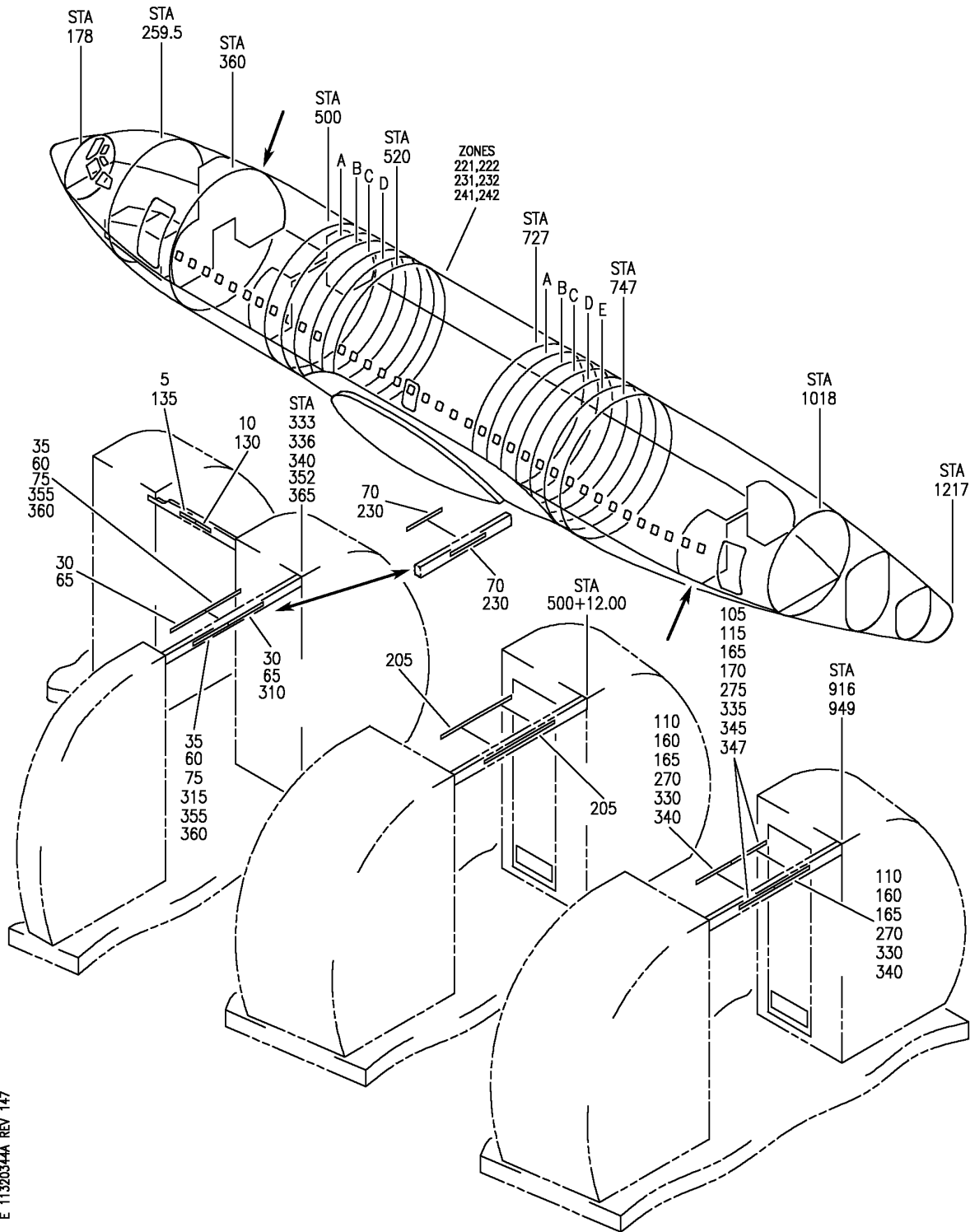
HAP

11-32-03-44

BOEING PROPRIETARY - Copyright © - Unpublished Work - See title page for details.

11-32-03
FIG. 44
PAGE 2
JUN 15/09

BOEING
737-600/700/800/900
PARTS CATALOG (MAINTENANCE)



E 11320344A REV 147

PLACARD INSTL-CAB. INTR CURTAINS
 FIGURE 44A

11-32-03-44A

HAP
 OCT 15/08

11-32-03-44A
 PAGE 0

BOEING
737-600/700/800/900
PARTS CATALOG (MAINTENANCE)

FIG ITEM	PART NUMBER	1 2 3 4 5 6 7	NOMENCLATURE	EFFECT FROM TO	UNITS PER ASSY
44A			PLACARD INSTL-CAB. INTR CURTAINS	031047	
- 50	MODREF262860		PLACARD INSTL-CAB. INTR CURTAINS MODULE NUMBER: 414A5106-162 REV C POSITION DATA: STA 352.00, BL 0.00, WL 288.00	031045	1
- 50	MODREF369824		PLACARD INSTL-CAB. INTR CURTAINS MODULE NUMBER: 414A5106-162 REV D POSITION DATA: STA 352.00	046047	1
70	BAC29PPS36214		.PLACARD- PLACARD CONTENT: FASTEN CURTAIN OPEN DURING TAXI, TAKEOFF AND LANDING	031047	2

MISSING ITEM NUMBERS NOT APPLICABLE

- ITEM NOT ILLUSTRATED

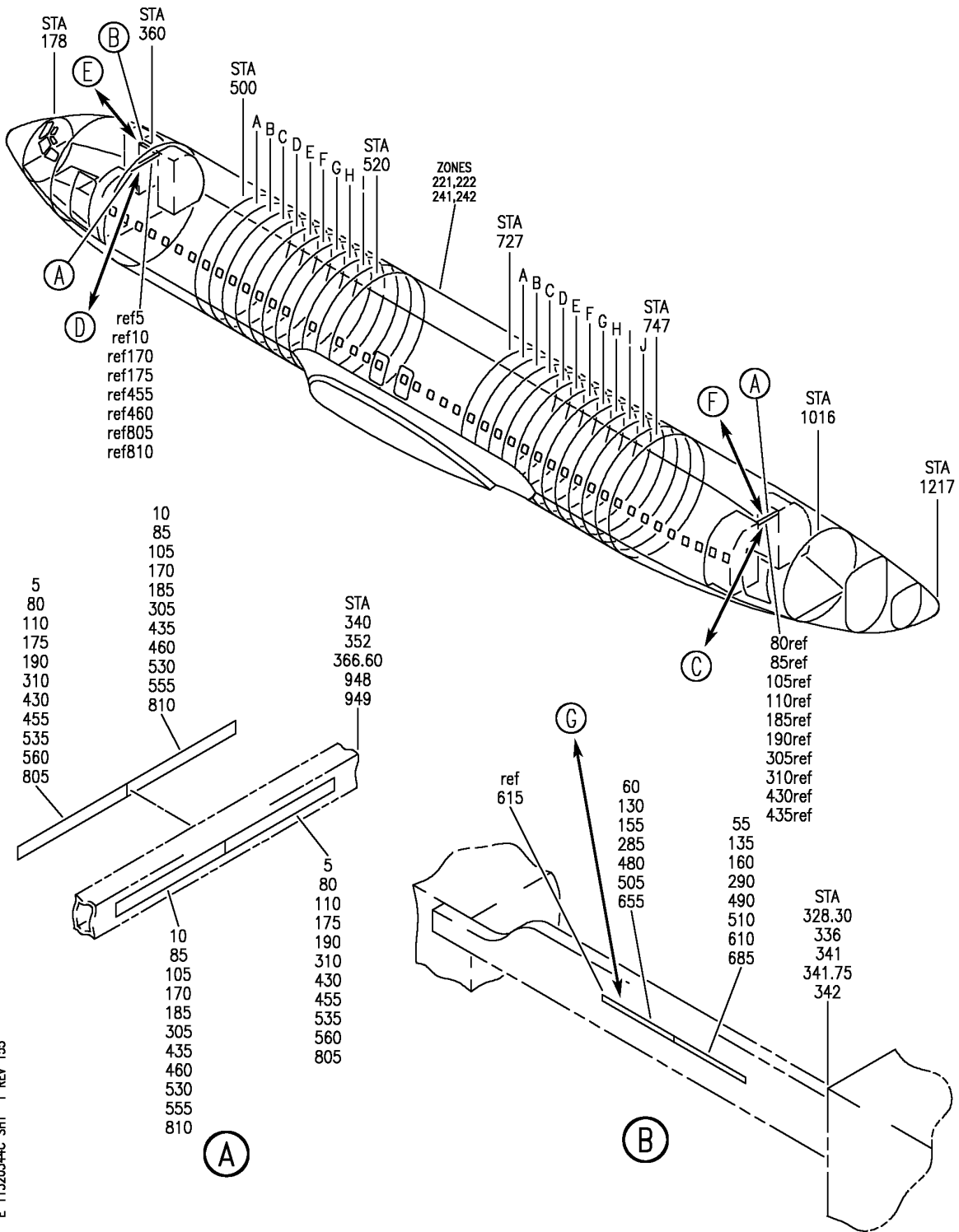
HAP

11-32-03-44A

BOEING PROPRIETARY - Copyright © - Unpublished Work - See title page for details.

11-32-03
FIG. 44A
PAGE 1
FEB 15/09

BOEING
737-600/700/800/900
PARTS CATALOG (MAINTENANCE)



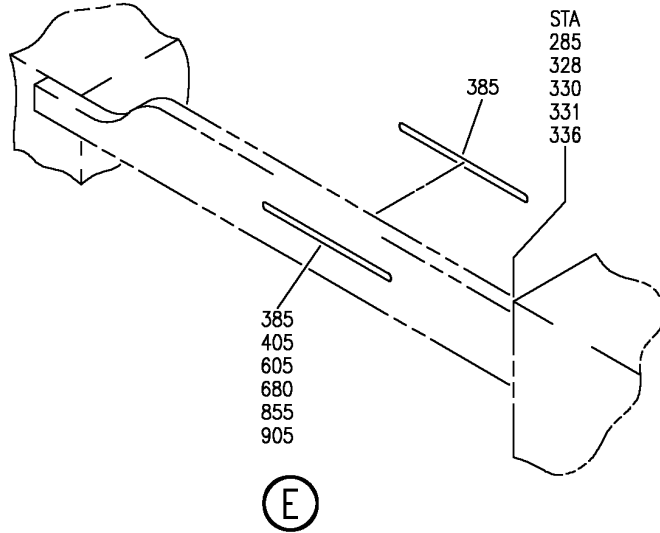
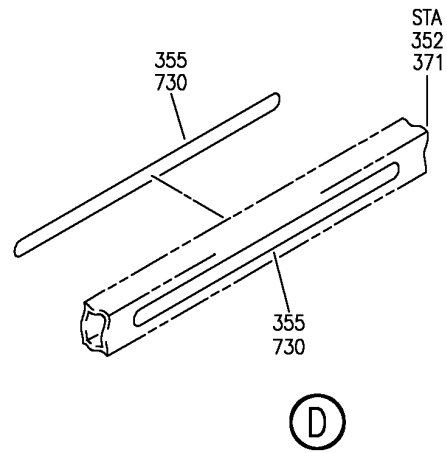
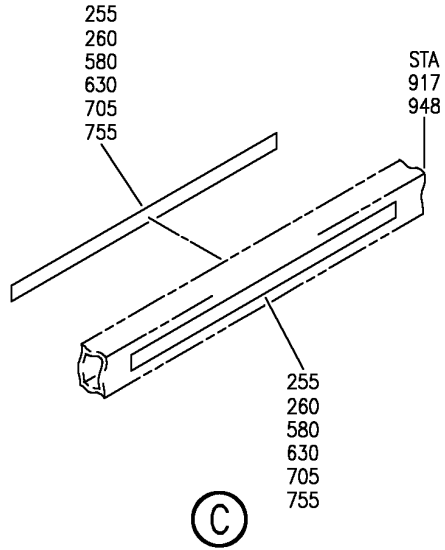
PLACARDS INSTL-CAB. INTR CURTAINS
FIGURE 44C

11-32-03-44C

HAP
JUN 15/09

11-32-03-44C
PAGE 0

BOEING
 737-600/700/800/900
 PARTS CATALOG (MAINTENANCE)



E 11320344C SHT 2 REV 155

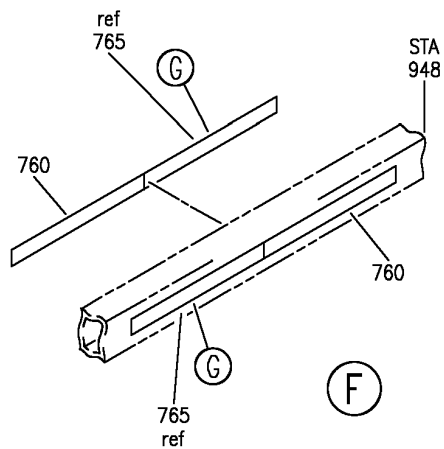
PLACARDS INSTL-CAB. INTR CURTAINS
 FIGURE 44C

11-32-03-44C

HAP
 JUN 15/09

11-32-03-44C
 PAGE 0A

BOEING
 737-600/700/800/900
 PARTS CATALOG (MAINTENANCE)



滑行, 起飞及降落时请打开隔帘并扣妥 615
765

(G)

E 11320344C SHT 3 REV 150

PLACARDS INSTL-CAB. INTR CURTAINS
 FIGURE 44C

11-32-03-44C

HAP
 FEB 15/09

11-32-03-44C
 PAGE 0B

BOEING
737-600/700/800/900
PARTS CATALOG (MAINTENANCE)

FIG ITEM	PART NUMBER	1 2 3 4 5 6 7	NOMENCLATURE	EFFECT FROM TO	UNITS PER ASSY
44C			PLACARDS INSTL-CAB. INTR CURTAINS	037200 968999	
- 250	MODREF322385		PLACARD INSTL-CAB. INTR CURTAINS MODULE NUMBER: 414A5106-23 REV C POSITION DATA: STA 947.75, BL 0.00, WL 288.00	037043 101101 968971	1
- 250	MODREF338438		PLACARD INSTL-CAB. INTR CURTAINS MODULE NUMBER: 414A5106-23 REV D POSITION DATA: STA 948.00, BL 0.00, WL 288.00	044046 054100 102103	1
- 250	MODREF363713		PLACARD INSTL-CAB. INTR CURTAINS MODULE NUMBER: 414A5106-23 REV E POSITION DATA: STA 948.00, BL 0.00, WL 288.00	104105 972999	1
- 250	MODREF387516		PLACARD INSTL-CAB. INTR CURTAINS MODULE NUMBER: 414A5106-23 REV F POSITION DATA: STA 948.00, BL 0.00, WL 288.00	047047 106106	1
- 250	MODREF405009		PLACARD INSTL-CAB. INTR CURTAINS MODULE NUMBER: 414A5106-23 REV G POSITION DATA: STA 948.00, BL 0.00, WL 288.00	048050 053053	1
255	BAC29PPS36214		.PLACARD- PLACARD CONTENT: FASTEN CURTAIN OPEN DURING TAXI, TAKEOFF AND LANDING	037046 048050 053105 968999	2
260	BAC29PPS57241		.MARKER- PLACARD CONTENT: FASTEN CURTAIN OPEN USING ALL TIE-BACKS DURING TAXI, TAKEOFF AND LANDING	047047 106106	2

MISSING ITEM NUMBERS NOT APPLICABLE

- ITEM NOT ILLUSTRATED

HAP

11-32-03-44C

BOEING PROPRIETARY - Copyright © - Unpublished Work - See title page for details.

11-32-03
FIG. 44C
PAGE 1
FEB 15/09


BOEING
 737-600/700/800/900
PARTS CATALOG (MAINTENANCE)

FIG ITEM	PART NUMBER	1 2 3 4 5 6 7	NOMENCLATURE	EFFECT FROM TO	UNITS PER ASSY
44C - 350	MODREF333982		PLACARD INSTL-CAB. INTR CURTAINS MODULE NUMBER: 414A5106-235 REV A POSITION DATA: STA 352.00, LBL 2.50, WL 288.00	101103 968971	1
- 350	MODREF369838		PLACARD INSTL-CAB. INTR CURTAINS MODULE NUMBER: 414A5106-235 REV B POSITION DATA: STA 352.00	048053 104200 972999	1
355	BAC29PPS57241		.MARKER- PLACARD CONTENT: FASTEN CURTAIN OPEN USING ALL TIE-BACKS DURING TAXI, TAKEOFF AND LANDING	048053 101200 968999	2
- 380	MODREF332915		PLACARD INSTL-CAB. INTR CURTAINS MODULE NUMBER: 414A5106-233 REV A POSITION DATA: STA 331.00, RBL 10.00	039040 101103 968971	1
R R	- 380	MODREF369837	PLACARD INSTL-CAB. INTR CURTAINS MODULE NUMBER: 414A5106-233 REV B POSITION DATA: STA 331.00	104106 972999	1
R R	385	BAC29PPS36214	.PLACARD- PLACARD CONTENT: FASTEN CURTAIN OPEN DURING TAXI, TAKEOFF AND LANDING	039040 101106 968999	2
R R	- 600	MODREF369852	PLACARD INSTL-CAB. INTR CURTAINS MODULE NUMBER: 414A5106-22 REV B POSITION DATA: STA 331.00	107200	1
R R	605	BAC29PPS36214	.PLACARD- PLACARD CONTENT: FASTEN CURTAIN OPEN DURING TAXI, TAKEOFF AND LANDING	107200	1

MISSING ITEM NUMBERS NOT APPLICABLE

- ITEM NOT ILLUSTRATED

HAP

11-32-03-44C

11-32-03
 FIG. 44C
 PAGE 2
 JUN 15/09

BOEING
737-600/700/800/900
PARTS CATALOG (MAINTENANCE)

FIG ITEM	PART NUMBER	1 2 3 4 5 6 7	NOMENCLATURE	EFFECT FROM TO	UNITS PER ASSY
44C - 750	MODREF385539		PLACARD INSTL-CAB. INTR CURTAINS MODULE NUMBER: 414A5106-263 REV A POSITION DATA: STA 948.00	051052 107200	1
755	BAC29PPS36214		.PLACARD- PLACARD CONTENT: FASTEN CURTAIN OPEN DURING TAXI, TAKEOFF AND LANDING	051052 107200	2

MISSING ITEM NUMBERS NOT APPLICABLE

- ITEM NOT ILLUSTRATED

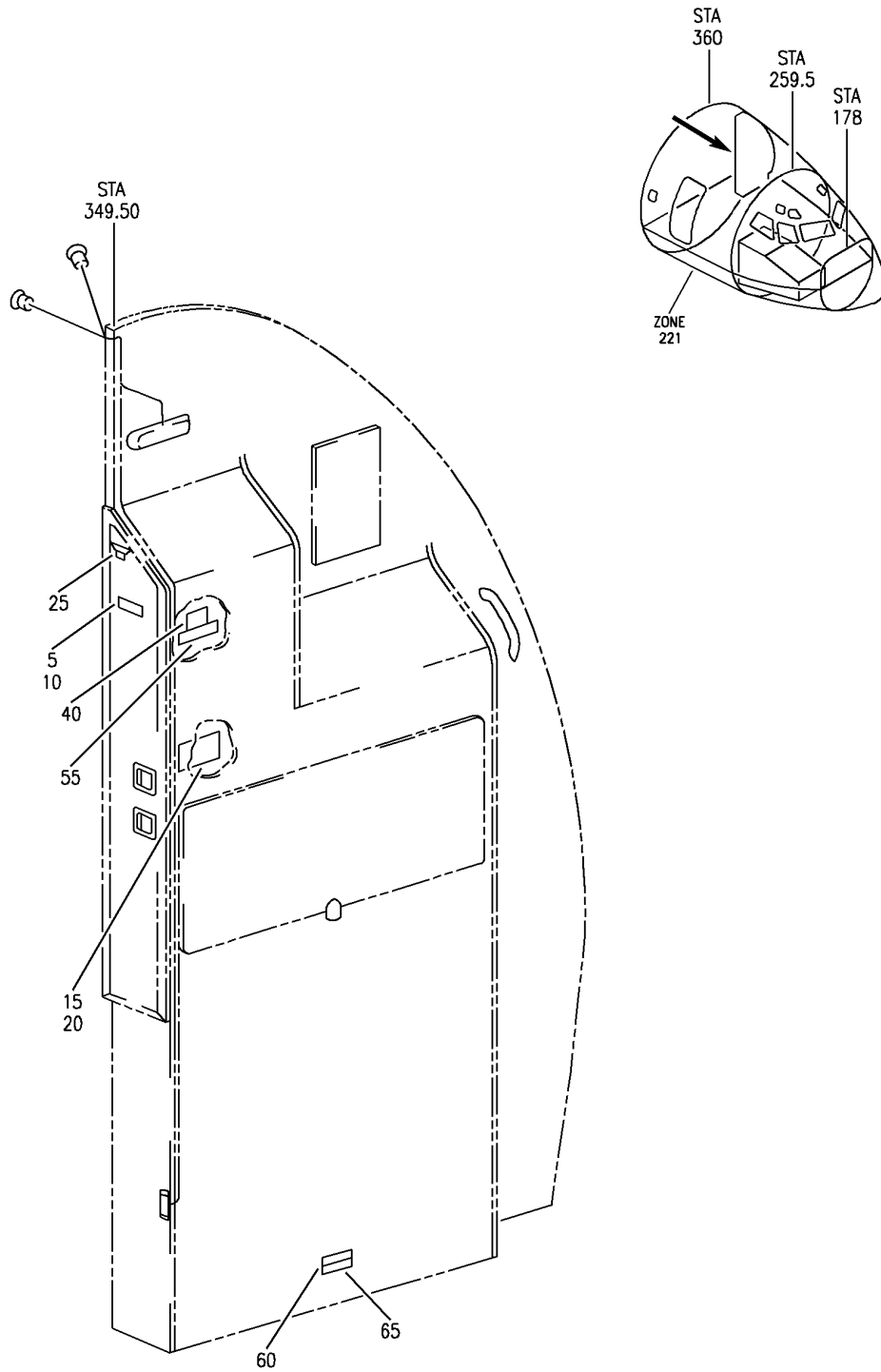
HAP

11-32-03-44C

BOEING PROPRIETARY - Copyright © - Unpublished Work - See title page for details.

11-32-03
FIG. 44C
PAGE 3
JUN 15/09

BOEING
 737-600/700/800/900
 PARTS CATALOG (MAINTENANCE)



E 11320346E REV 138

PLACARD INSTL-FWD LH PARTITION
 FIGURE 46E

11-32-03-46E

HAP
 FEB 15/08

11-32-03-46E
 PAGE 0

BOEING
737-600/700/800/900
PARTS CATALOG (MAINTENANCE)

FIG ITEM	PART NUMBER	1 2 3 4 5 6 7	NOMENCLATURE	EFFECT FROM TO	UNITS PER ASSY
46E			PLACARD INSTL-FWD LH PARTITION	031037 039041 047047 054106 968999	
- 1	1021C14B60000		PLACARD INSTL-PARTITION SUPPLIER CODE: VD2249 POSITION DATA: FWD LH COMPONENT MAINT MANUAL REF: 25-01-85 FOR NHA SEE: 25-24-15-45E	031037 039040	RF
- 1	1021C14C60000		PLACARD INSTL-PARTITION SUPPLIER CODE: VD2249 POSITION DATA: FWD LH COMPONENT MAINT MANUAL REF: 25-01-85 FOR NHA SEE: 25-24-15-45E	101106 968999	RF
- 1	1021C14D60000		PLACARD INSTL-PARTITION SUPPLIER CODE: VD2249 POSITION DATA: FWD LH COMPONENT MAINT MANUAL REF: 25-01-85 FOR NHA SEE: 25-24-15-45E	041041 047047 054100	RF
5	0-161-00950092		.PLACARD- SUPPLIER CODE: VD2249 PLACARD CONTENT: CLOSE AND LATCH IMMEDIATELY WHEN NOT IN USE	031037 039041 047047 054100	2
10	0-168-00950092		.PLACARD- SUPPLIER CODE: VD2249	101106 968999	2
15	0-161-010500090		.PLACARD- SUPPLIER CODE: VD2249	031037 039041 047047 054100	1
20	0-168-010500091		.PLACARD- SUPPLIER CODE: VD2249	101106 968999	1

MISSING ITEM NUMBERS NOT APPLICABLE

- ITEM NOT ILLUSTRATED

HAP

11-32-03-46E

BOEING PROPRIETARY - Copyright © - Unpublished Work - See title page for details.

11-32-03
FIG. 46E
PAGE 1
FEB 15/09

BOEING
737-600/700/800/900
PARTS CATALOG (MAINTENANCE)

FIG ITEM	PART NUMBER	1 2 3 4 5 6 7	NOMENCLATURE	EFFECT FROM TO	UNITS PER ASSY
46E 25	1610002020-01	.PLACARD-COMPT NO. SUPPLIER CODE: VD2249 PLACARD CONTENT: 01		031037 039041 047047 054100	1
25	1680002020-01	.PLACARD-COMPT NO. SUPPLIER CODE: VD2249 PLACARD CONTENT: 01		101106 968999	1
- 30	1610002020-02	.PLACARD-COMPT NO. SUPPLIER CODE: VD2249 PLACARD CONTENT: 02		031037 039041 047047 054100	1
- 30	1680002020-02	.PLACARD-COMPT NO. SUPPLIER CODE: VD2249 PLACARD CONTENT: 02		101106 968999	1
- 35	1610002020-03	.PLACARD-COMPT NO. SUPPLIER CODE: VD2249 PLACARD CONTENT: 03		031037 039041 047047 054100	1
- 35	1680002020-03	.PLACARD-COMPT NO. SUPPLIER CODE: VD2249 PLACARD CONTENT: 03		101106 968999	1
40	1610002030-01	.PLACARD-COMPT NO. SUPPLIER CODE: VD2249 PLACARD CONTENT: 01		031037 039041 047047 054100	1
40	1680002030-01	.PLACARD-COMPT NO. SUPPLIER CODE: VD2249 PLACARD CONTENT: 01		101106 968999	1
- 45	1610002030-02	.PLACARD-COMPT NO. SUPPLIER CODE: VD2249 PLACARD CONTENT: 02		031037 039041 047047 054100	1

MISSING ITEM NUMBERS NOT APPLICABLE

- ITEM NOT ILLUSTRATED

HAP

11-32-03-46E

BOEING PROPRIETARY - Copyright © - Unpublished Work - See title page for details.

11-32-03
FIG. 46E
PAGE 2
FEB 15/09

BOEING
737-600/700/800/900
PARTS CATALOG (MAINTENANCE)

FIG ITEM	PART NUMBER	1 2 3 4 5 6 7	NOMENCLATURE	EFFECT FROM TO	UNITS PER ASSY
46E - 45	1680002030-02		.PLACARD-COMPT NO. SUPPLIER CODE: VD2249 PLACARD CONTENT: 02	101106 968999	1
- 50	1610002030-03		.PLACARD-COMPT NO. SUPPLIER CODE: VD2249 PLACARD CONTENT: 03	031037 039041 047047 054100	1
- 50	1680002030-03		.PLACARD-COMPT NO. SUPPLIER CODE: VD2249 PLACARD CONTENT: 03	101106 968999	1
55	1610016060-2		.PLACARD-COMPT NO. 01, 02, 03 SUPPLIER CODE: VD2249 PLACARD CONTENT: MAX. CAPACITY 2 KG; 4.4 POUNDS	031037 039041 047047 054100	3
55	1680016060-2		.PLACARD-COMPT NO. 01, 02, 03 SUPPLIER CODE: VD2249 PLACARD CONTENT: MAX. CAPACITY 2 KG; 4.4 POUNDS	101106 968999	3
60	1021C14C60000A		.PLACARD-(GERMAN) SUPPLIER CODE: VD2249	101106 968999	1
65	0-168-040400011		.PLACARD- SUPPLIER CODE: VD2249 PLACARD CONTENT: NO STOWAGE	101106 968999	1
65	0-161-040400011		.PLACARD- SUPPLIER CODE: VD2249 PLACARD CONTENT: NO STOWAGE	041041 047047 054100	1

MISSING ITEM NUMBERS NOT APPLICABLE

- ITEM NOT ILLUSTRATED

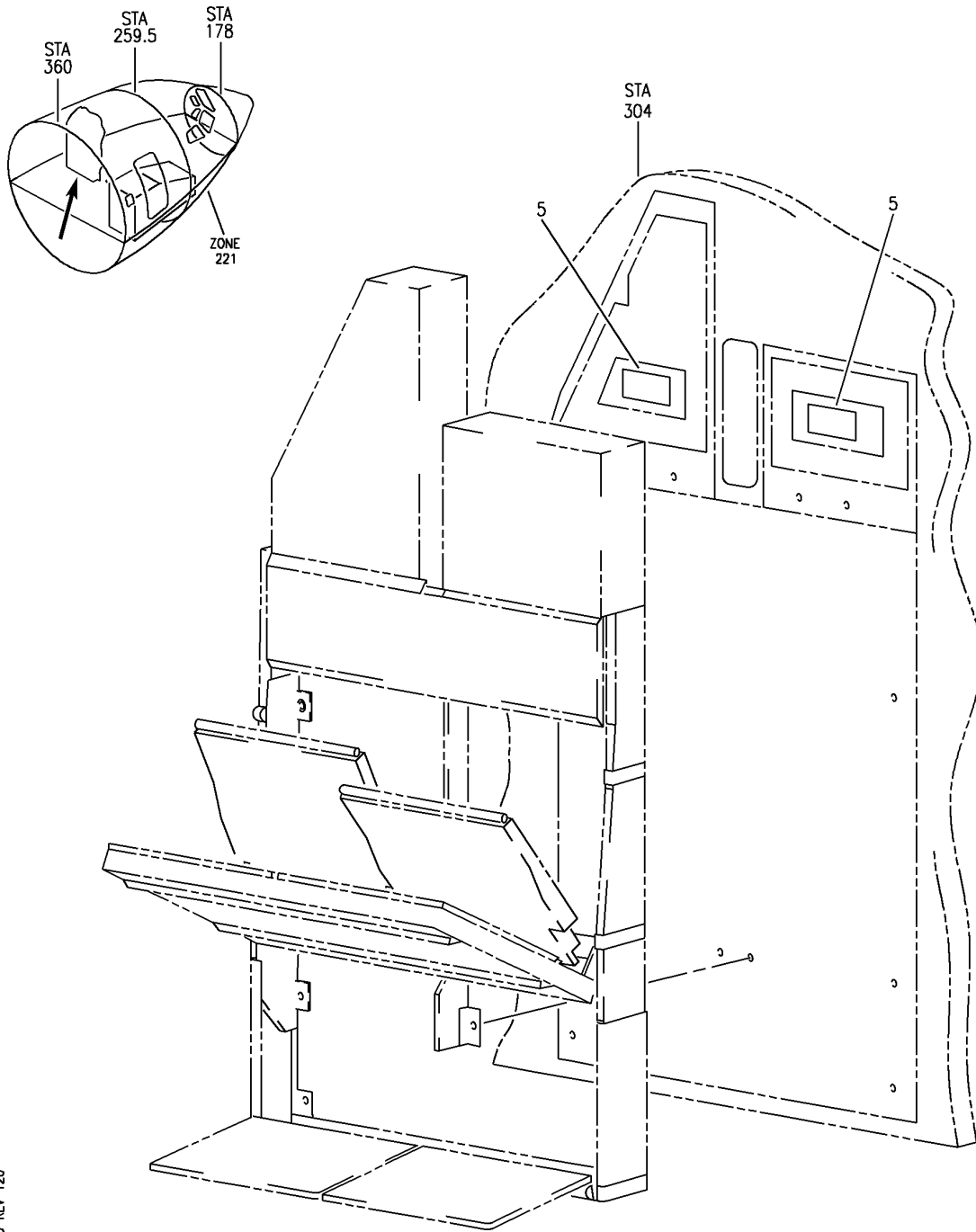
HAP

11-32-03-46E

BOEING PROPRIETARY - Copyright © - Unpublished Work - See title page for details.

11-32-03
FIG. 46E
PAGE 3
FEB 15/09

BOEING
737-600/700/800/900
PARTS CATALOG (MAINTENANCE)



E 11320347D REV 120

SEAT INSTL-ATTENDANT (PLACARDS AND MARKINGS ONLY)
FIGURE 47D

11-32-03-47D

HAP
JUN 10/07

11-32-03-47D
PAGE 0

BOEING
737-600/700/800/900
PARTS CATALOG (MAINTENANCE)

FIG ITEM	PART NUMBER	1 2 3 4 5 6 7	NOMENCLATURE	EFFECT FROM TO	UNITS PER ASSY
47D			SEAT INSTL-ATTENDANT (PLACARDS AND MARKINGS ONLY)	101105 968999	
- 1	MODREF323613		SEAT INSTL-ATTENDANT LAV A DBL WALL-MOUNTED JAR-OPS SEAT AFT FACING (PLACARDS AND MARKINGS ONLY)	101105 968999	1
5	BAC27NPA1515		MODULE NUMBER: 414A2900-215 REV A FOR OTHER SYS DETAILS SEE: 25-25-12-21E .MARKER- PLACARD CONTENT: INSTALL HEADREST WITH .50 INCH BETWEEN EDGE OF HANDSET AND EDGE OF HEADREST.	101105 968999	2

MISSING ITEM NUMBERS NOT APPLICABLE

- ITEM NOT ILLUSTRATED

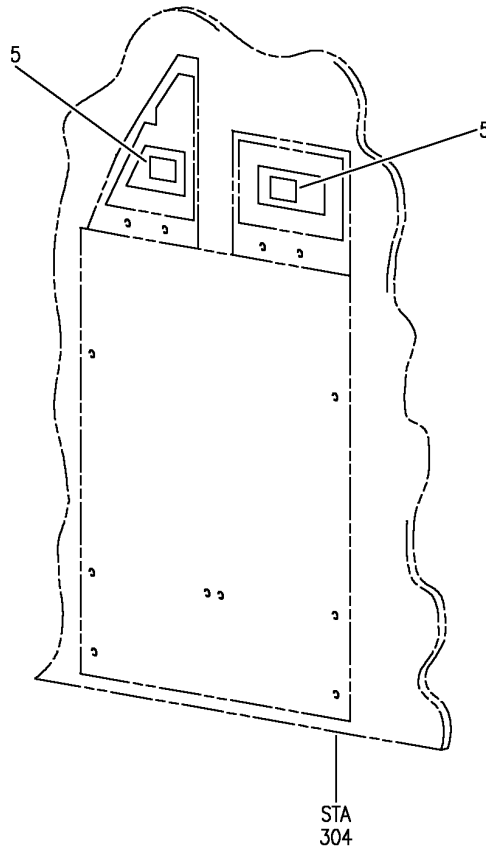
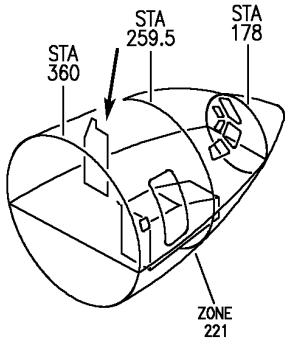
HAP

11-32-03-47D

BOEING PROPRIETARY - Copyright © - Unpublished Work - See title page for details.

11-32-03
FIG. 47D
PAGE 1
FEB 15/09

BOEING
 737-600/700/800/900
 PARTS CATALOG (MAINTENANCE)



E 11320347E REV 145

SEAT INSTL-ATTENDANT (PLACARDS AND MARKINGS ONLY)
 FIGURE 47E

11-32-03-47E

HAP
 OCT 15/08

11-32-03-47E
 PAGE 0

BOEING
737-600/700/800/900
PARTS CATALOG (MAINTENANCE)

FIG ITEM	PART NUMBER	1 2 3 4 5 6 7	NOMENCLATURE	EFFECT FROM TO	UNITS PER ASSY
47E			SEAT INSTL-ATTENDANT (PLACARDS AND MARKINGS ONLY)	047050 053053 106200	
- 1	MODREF386792		SEAT INSTL-ATTENDANT DBL WALL-MOUNTED ON LAV A AFT FACING (PLACARDS AND MARKINGS ONLY) MODULE NUMBER: 414A2900-49 REV C FOR OTHER SYS DETAILS SEE: 25-25-12-21H	047050 053053 107200	1
- 1	MODREF386767		SEAT INSTL-ATTENDANT DBL WALL-MOUNTED ON LAV A AFT FACING (PLACARDS AND MARKINGS ONLY) MODULE NUMBER: 414A2900-215 REV B FOR OTHER SYS DETAILS SEE: 25-25-12-21H	106106	1
5	BAC27NPA1515		.MARKER- PLACARD CONTENT: INSTALL HEADREST WITH .50 INCH BETWEEN EDGE OF HANDSET AND EDGE OF HEADREST.	047050 053053 106200	2

MISSING ITEM NUMBERS NOT APPLICABLE

- ITEM NOT ILLUSTRATED

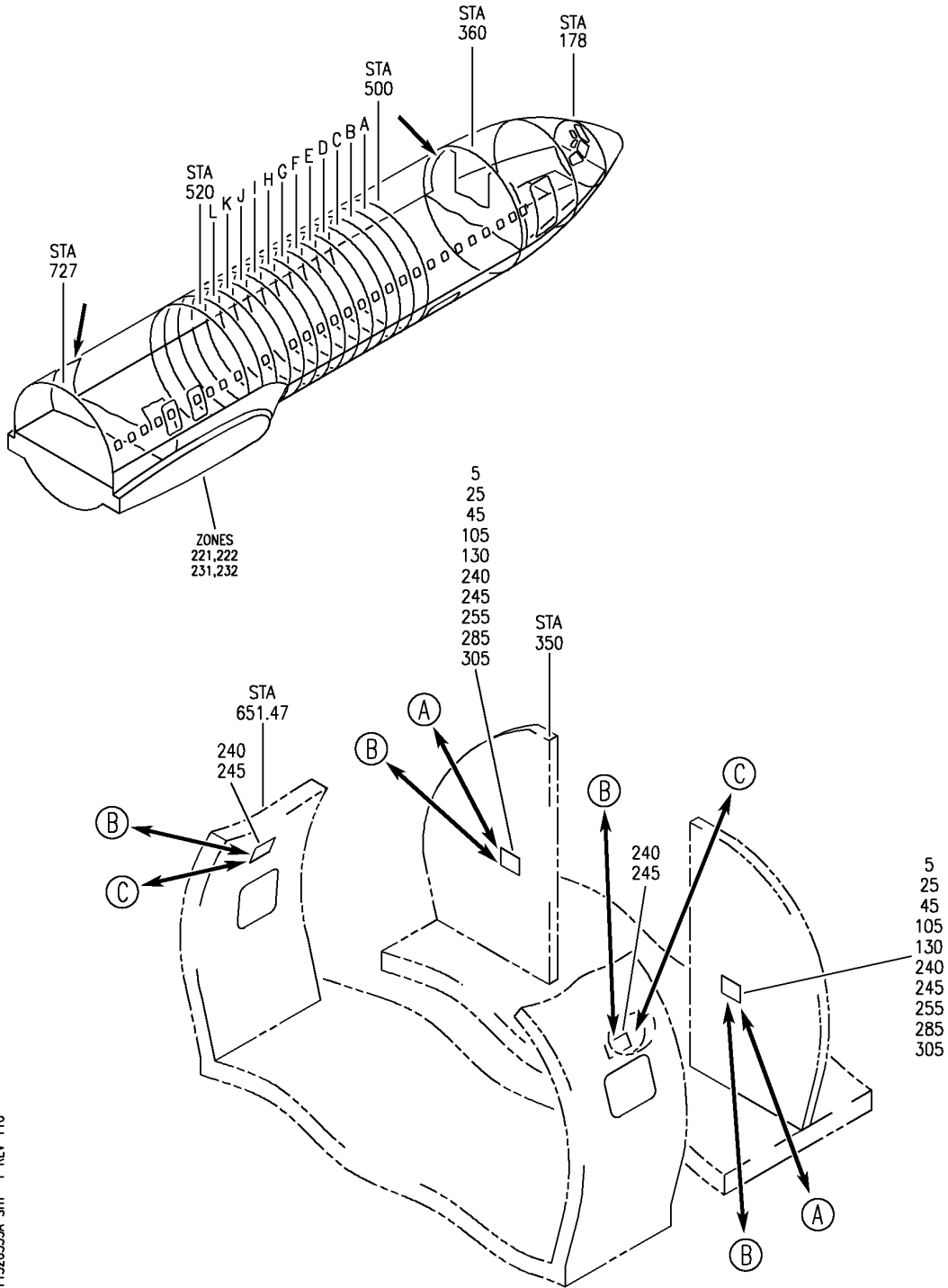
HAP

11-32-03-47E

BOEING PROPRIETARY - Copyright © - Unpublished Work - See title page for details.

11-32-03
FIG. 47E
PAGE 1
FEB 15/09

BOEING
737-600/700/800/900
PARTS CATALOG (MAINTENANCE)



E 11320353A SHT 1 REV 110

PLACARD INSTL-CAB. INTR
 FIGURE 53A (SHEET 1)

11-32-03-53A

HAP
 OCT 10/06

11-32-03-53A
 PAGE 0

BOEING
737-600/700/800/900
PARTS CATALOG (MAINTENANCE)

210

(MULTI-LANGUAGE)

LIFE VEST UNDER CENTER ARMREST
FASTEN SEAT BELT WHILE SEATED
STOW HEADREST FOR TAXI, TAKEOFF, AND LANDING

(A)

280

(MULTI-LANGUAGE)

LIFE VEST UNDER YOUR SEAT
FASTEN SEAT BELT WHILE SEATED
USE SEAT BOTTOM CUSHION FOR FLOTATION

(B)

290

(MULTI-LANGUAGE)

LIFE VEST UNDER YOUR SEAT
FASTEN SEAT BELT WHILE SEATED
SEAT BOTTOM CUSHION USABLE FOR FLOTATION

(C)

E 11320353A SHT 2 REV 110

PLACARD INSTL-CAB. INTR
FIGURE 53A (SHEET 2)

11-32-03-53A

HAP
OCT 10/06

11-32-03-53A
PAGE 0A

BOEING
737-600/700/800/900
PARTS CATALOG (MAINTENANCE)

FIG ITEM	PART NUMBER	1 2 3 4 5 6 7	NOMENCLATURE	EFFECT FROM TO	UNITS PER ASSY
53A			PLACARD INSTL-CAB. INTR	031037 039040 101200 968999	
- 230	MODREF215057		PLACARD INSTL-CAB. INTR MODULE NUMBER: 414A5120-92 REV A	101200 968999	1
240	BAC29PPS44785		.PLACARD-(MULTI-LANGUAGE) PLACARD CONTENT: LIFE VEST UNDER YOUR SEAT FASTEN SEAT BELT WHILE SEATED	101200 968999	4
- 250	MODREF240128		PLACARD INSTL-CAB. INTR FASTEN SEAT BELT MODULE NUMBER: 414A5120-95 REV B	031037 039040	1
255	BAC29PPS44785		.PLACARD-(MULTI-LANGUAGE) PLACARD CONTENT: LIFE VEST UNDER YOUR SEAT FASTEN SEAT BELT WHILE SEATED	031037 039040	2

MISSING ITEM NUMBERS NOT APPLICABLE

- ITEM NOT ILLUSTRATED

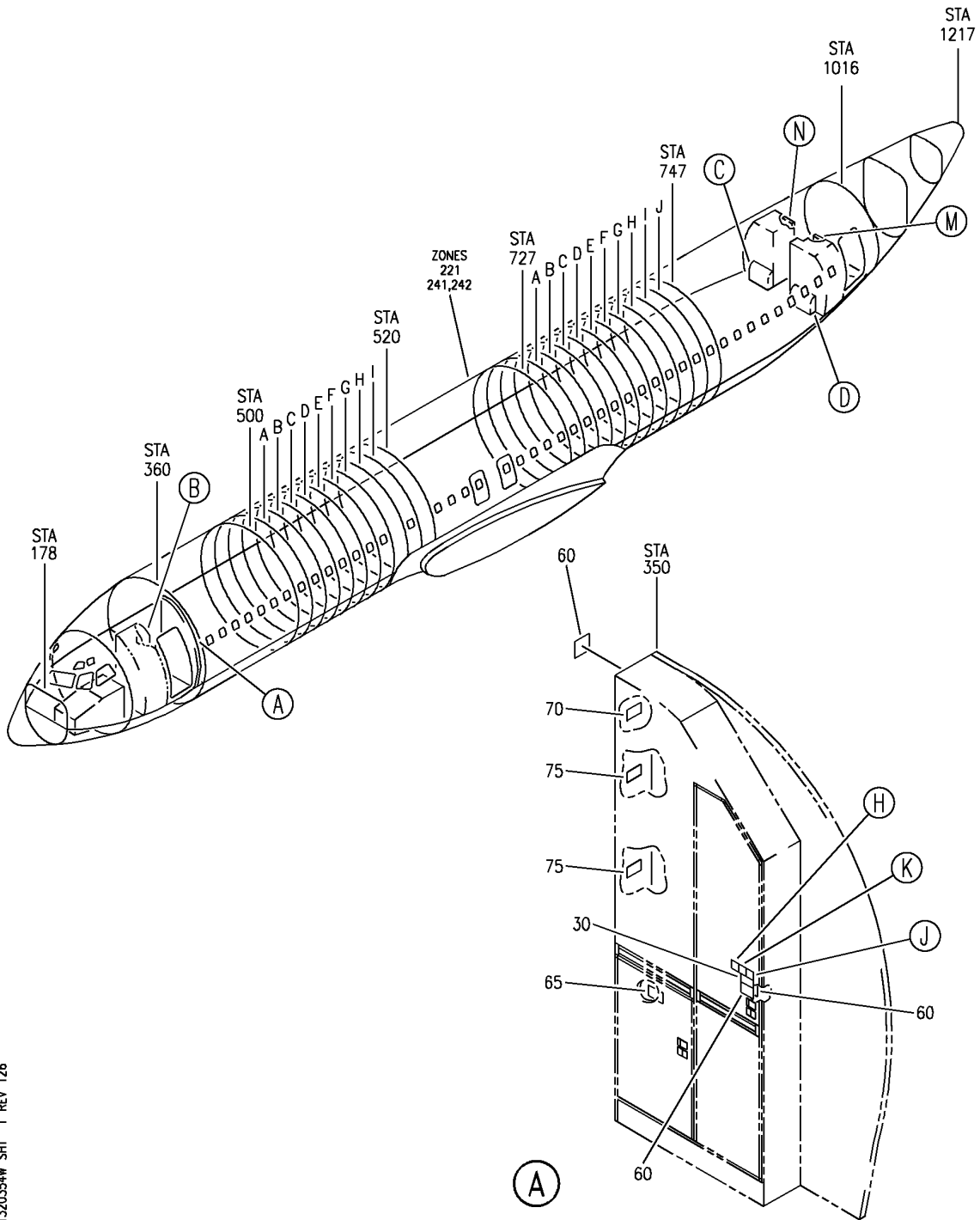
HAP

11-32-03-53A

BOEING PROPRIETARY - Copyright © - Unpublished Work - See title page for details.

11-32-03
FIG. 53A
PAGE 1
OCT 15/08

BOEING
 737-600/700/800/900
 PARTS CATALOG (MAINTENANCE)



E 11320354W SHT 1 REV 126

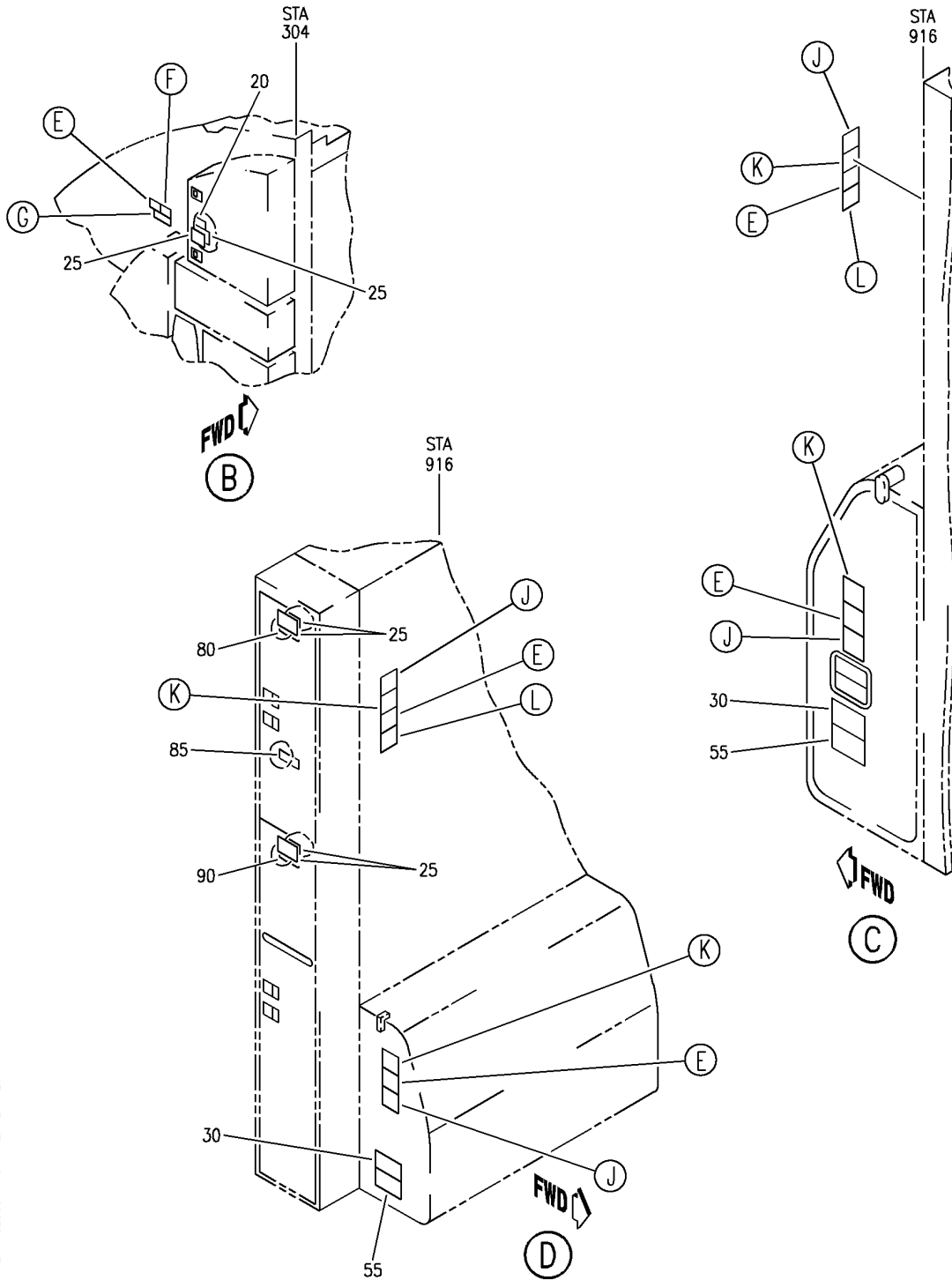
PLACARD INSTL-CAB. INTR MISC (INTERIOR DIVIDERS AND WALLS ONLY)
 FIGURE 54W (SHEET 1)

11-32-03-54W

HAP
 FEB 10/07

11-32-03-54W
 PAGE 0

BOEING
737-600/700/800/900
PARTS CATALOG (MAINTENANCE)



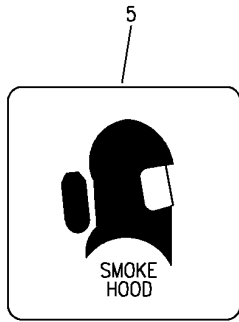
E 11320354W SHT 2 REV 126

PLACARD INSTL-CAB. INTR MISC (INTERIOR DIVIDERS AND WALLS ONLY)
FIGURE 54W (SHEET 2)

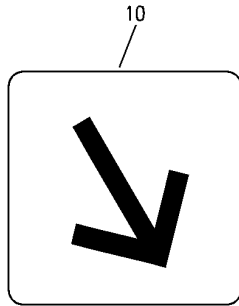
11-32-03-54W

HAP
FEB 10/07

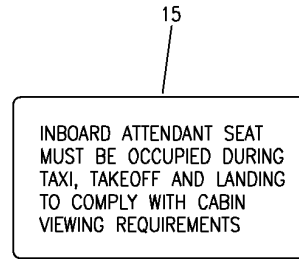
11-32-03-54W
PAGE 0A



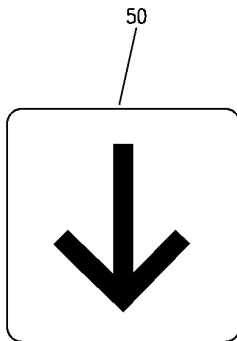
(E)



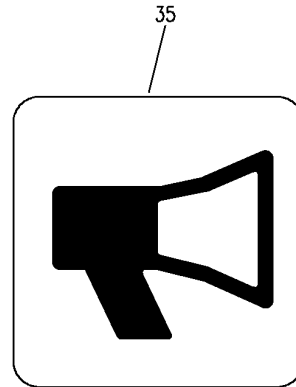
(F)



(G)



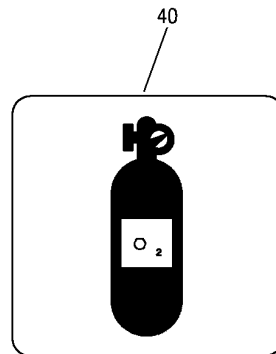
(L)



(H)



(K)



(J)

E 11320354W SHT 3 REV 124

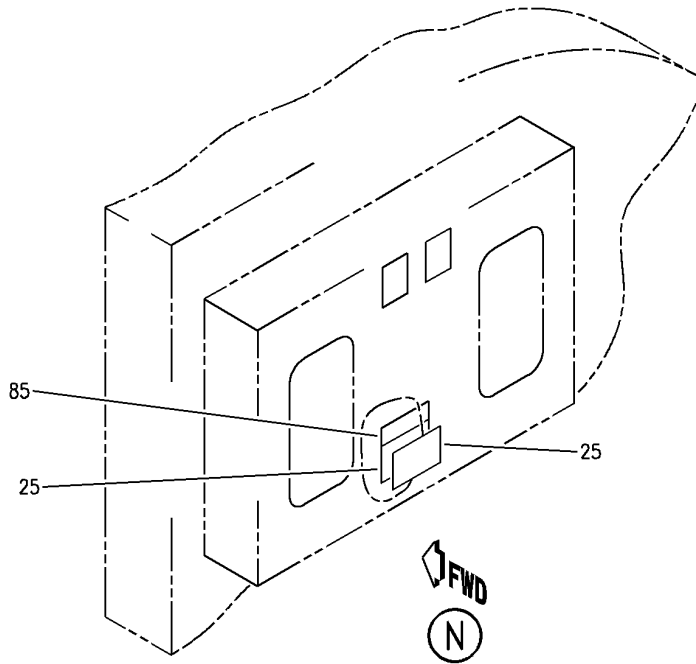
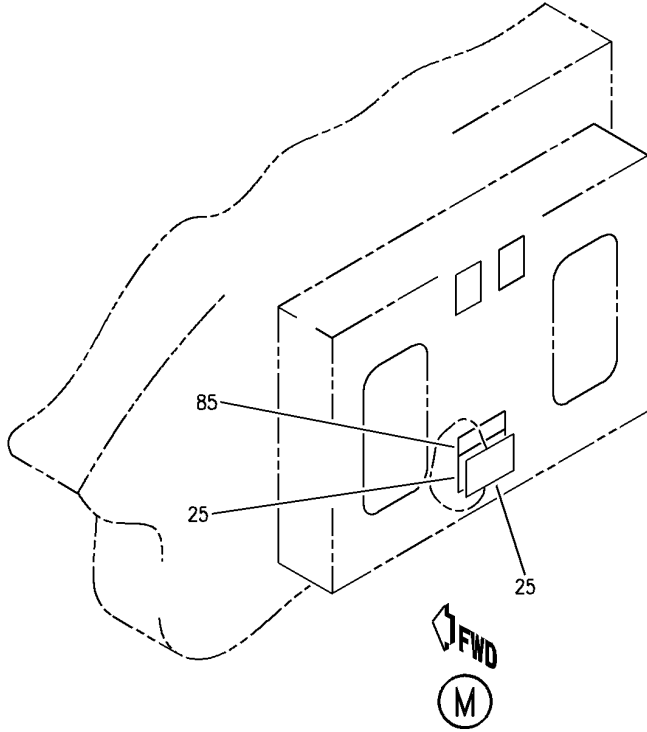
PLACARD INSTL-CAB. INTR MISC (INTERIOR DIVIDERS AND WALLS ONLY)
 FIGURE 54W (SHEET 3)

11-32-03-54W

HAP
 FEB 10/07

11-32-03-54W
 PAGE 0B

BOEING
737-600/700/800/900
PARTS CATALOG (MAINTENANCE)



E 11320354W SHT 4 REV 127

PLACARD INSTL-CAB. INTR MISC (INTERIOR DIVIDERS AND WALLS ONLY)
FIGURE 54W (SHEET 4)

HAP
FEB 10/07

11-32-03-54W

11-32-03-54W
PAGE 0C

BOEING
737-600/700/800/900
PARTS CATALOG (MAINTENANCE)

FIG ITEM	PART NUMBER	1 2 3 4 5 6 7	NOMENCLATURE	EFFECT FROM TO	UNITS PER ASSY
54W			PLACARD INSTL-CAB. INTR MISC (INTERIOR DIVIDERS AND WALLS ONLY)	038038	
- 1	MODREF321408		PLACARD INSTL-CAB. INTR MISC (INTERIOR DIVIDERS AND WALLS ONLY) MODULE NUMBER: 414A5150-449 REV D FOR ADDITIONAL DETAILS SEE: 11-32-04-54W	038038	1
5	BAC29PPS36232		.MARKER	038038	5
10	BAC29PPS36210		.PLACARD	038038	1
15	BAC29PPS36211		.PLACARD	038038	1
20	BAC29PPS36219		.PLACARD- PLACARD CONTENT: LOAD LIMIT 16 LB/7 KG	038038	1
25	BAC29PPS36218		.PLACARD- PLACARD CONTENT: DOOR MUST BE CLOSED AND LATCHED DURING TAXI, TAKEOFF AND LANDING	038038	10
30	BAC29PPS48516		.PLACARD-(MULTI-LANGUAGE) PLACARD CONTENT: EMERGENCY EQUIPMENT ONLY	038038	3
35	BAC29PPS36230		.PLACARD	038038	1
40	BAC29PPS36231		.PLACARD	038038	5
45	BAC29PPS36229		.PLACARD	038038	5
50	BAC29PPS36208		.PLACARD	038038	2
55	BAC29PPS38660		.PLACARD- PLACARD CONTENT: DRAWER MUST BE CLOSED AND LATCHED DURING TAXI, TAKEOFF AND LANDING	038038	2
60	BAC29PPS36827		.PLACARD- PLACARD CONTENT: DOORS MUST BE CLOSED AND LATCHED DURING TAXI, TAKEOFF AND LANDING	038038	3
65	BAC29PPS36821		.PLACARD- PLACARD CONTENT: LOAD LIMIT 14 LB/6 KG	038038	1
70	BAC29PPS36812		.PLACARD- PLACARD CONTENT: LOAD LIMIT 5 LB/2 KG	038038	1
75	BAC29PPS36813		.PLACARD- PLACARD CONTENT: LOAD LIMIT 6 LB/2 KG	038038	2

MISSING ITEM NUMBERS NOT APPLICABLE

- ITEM NOT ILLUSTRATED

HAP

11-32-03-54W

BOEING PROPRIETARY - Copyright © - Unpublished Work - See title page for details.

11-32-03
FIG. 54W
PAGE 1
OCT 10/07

BOEING
737-600/700/800/900
PARTS CATALOG (MAINTENANCE)

FIG ITEM	PART NUMBER	1 2 3 4 5 6 7	NOMENCLATURE	EFFECT FROM TO	UNITS PER ASSY
54W 80	BAC29PPS41045	.	PLACARD- PLACARD CONTENT: SHELF LOAD LIMIT 10 LB/5 KG	038038	1
85	BAC29PPS36817	.	PLACARD- PLACARD CONTENT: LOAD LIMIT 10 LB/4 KG	038038	3
90	BAC29PPS40884	.	PLACARD- PLACARD CONTENT: FLOOR LOAD LIMIT 20 LB/9 KG	038038	1

MISSING ITEM NUMBERS NOT APPLICABLE

— ITEM NOT ILLUSTRATED

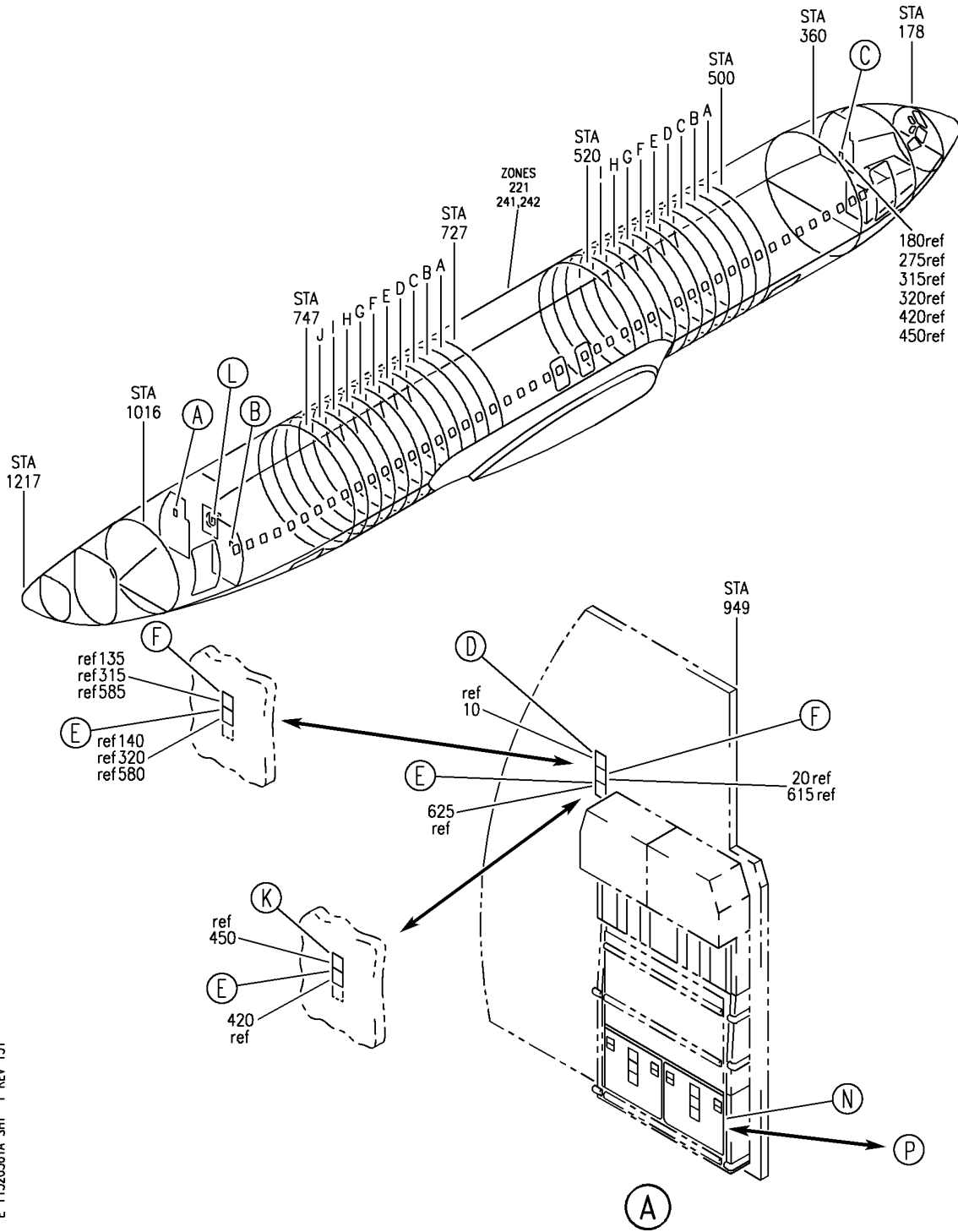
HAP

11-32-03-54W

BOEING PROPRIETARY - Copyright © - Unpublished Work - See title page for details.

11-32-03
FIG. 54W
PAGE 2
OCT 10/07

BOEING
737-600/700/800/900
PARTS CATALOG (MAINTENANCE)



E 11320361A SHT 1 REV 131

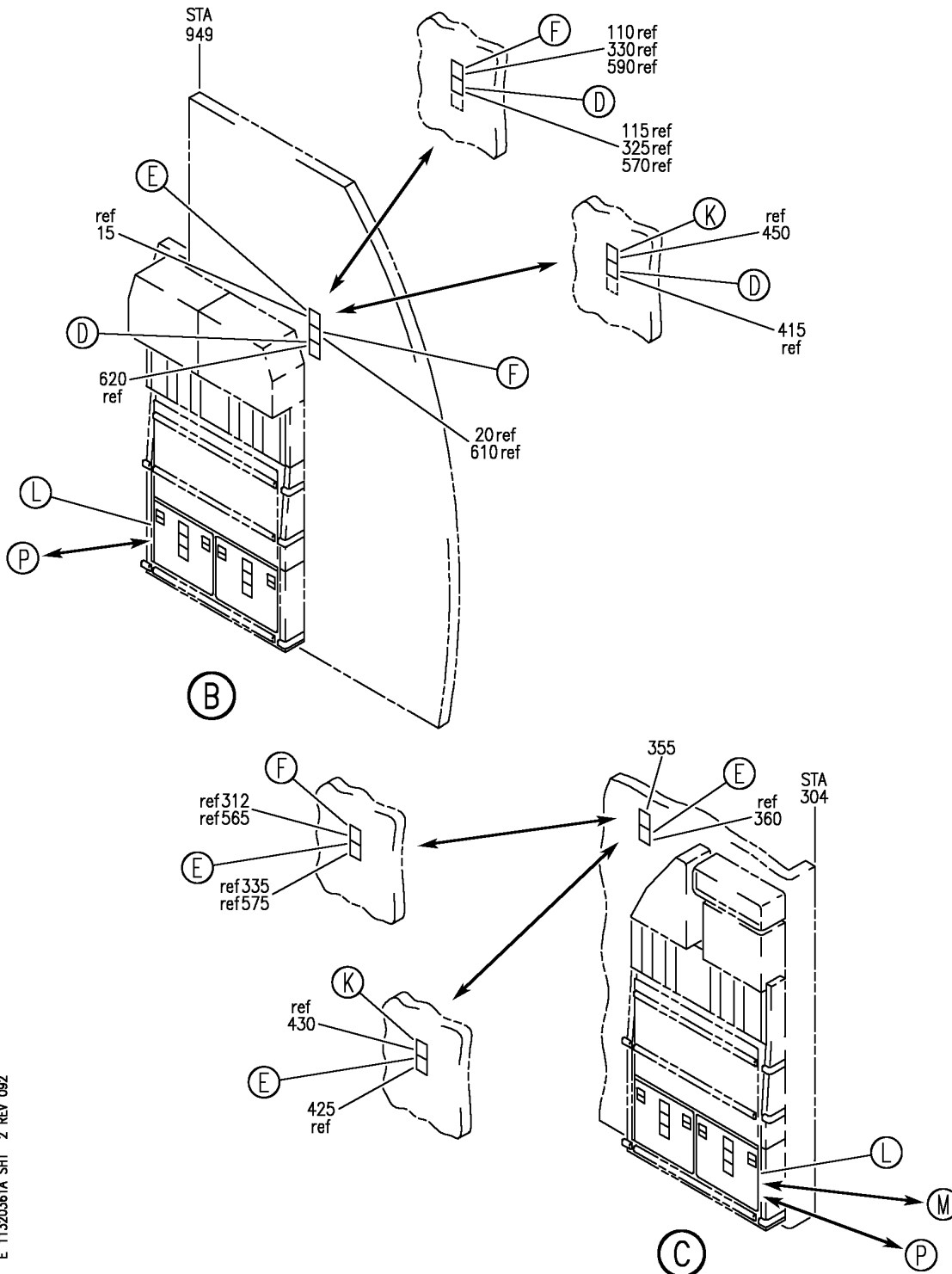
PLACARD INSTL-CAB. INTR ATTENDANT SEAT STOW BOX
 FIGURE 61A (SHEET 1)

11-32-03-61A

HAP
 JUN 10/07

11-32-03-61A
 PAGE 0

BOEING
 737-600/700/800/900
 PARTS CATALOG (MAINTENANCE)



E 11320361A SHT 2 REV 092

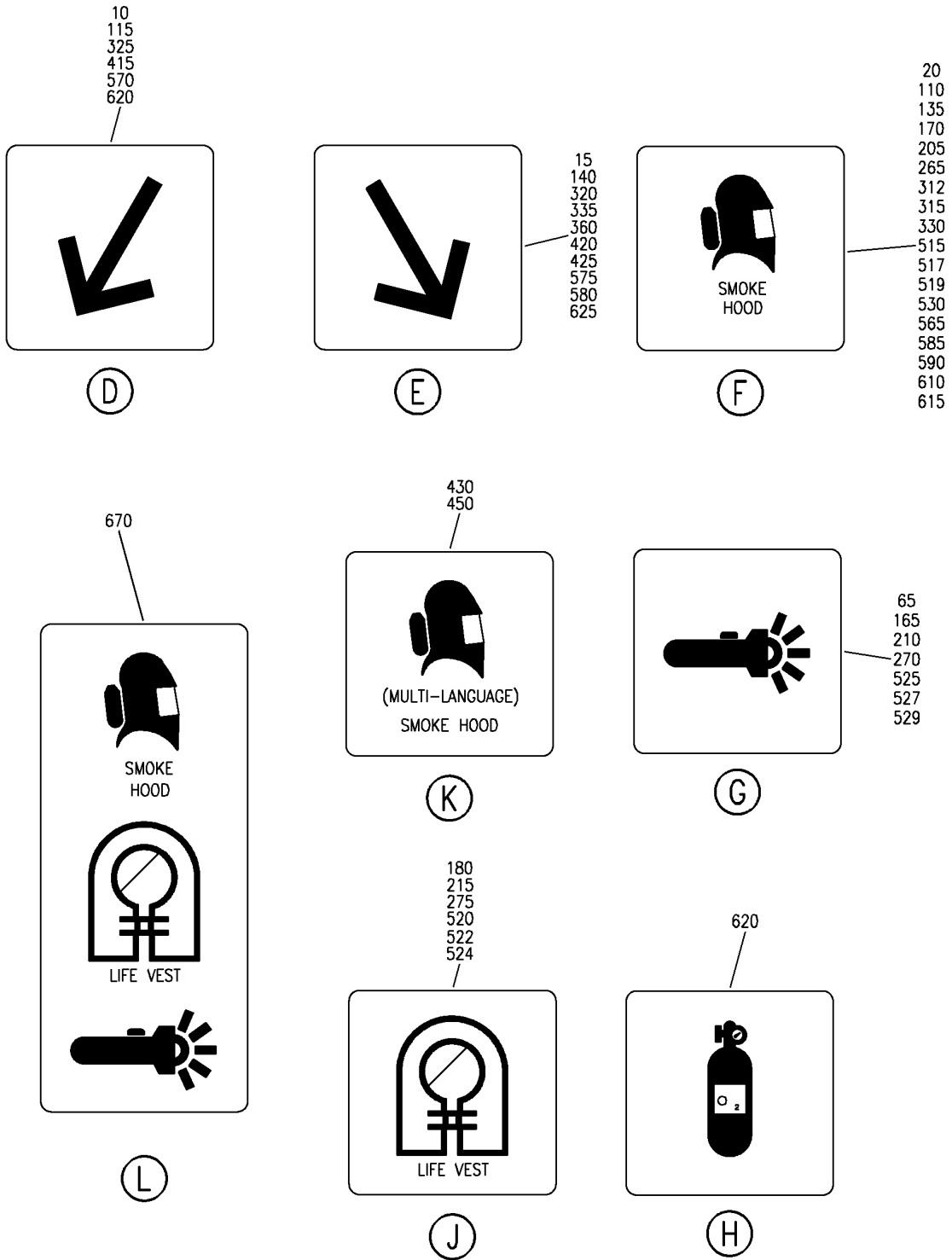
PLACARD INSTL-CAB. INTR ATTENDANT SEAT STOW BOX
 FIGURE 61A (SHEET 2)

11-32-03-61A

HAP
 OCT 10/06

11-32-03-61A
 PAGE 0A

BOEING
 737-600/700/800/900
 PARTS CATALOG (MAINTENANCE)



E 11320361A SHT 3 REV 131

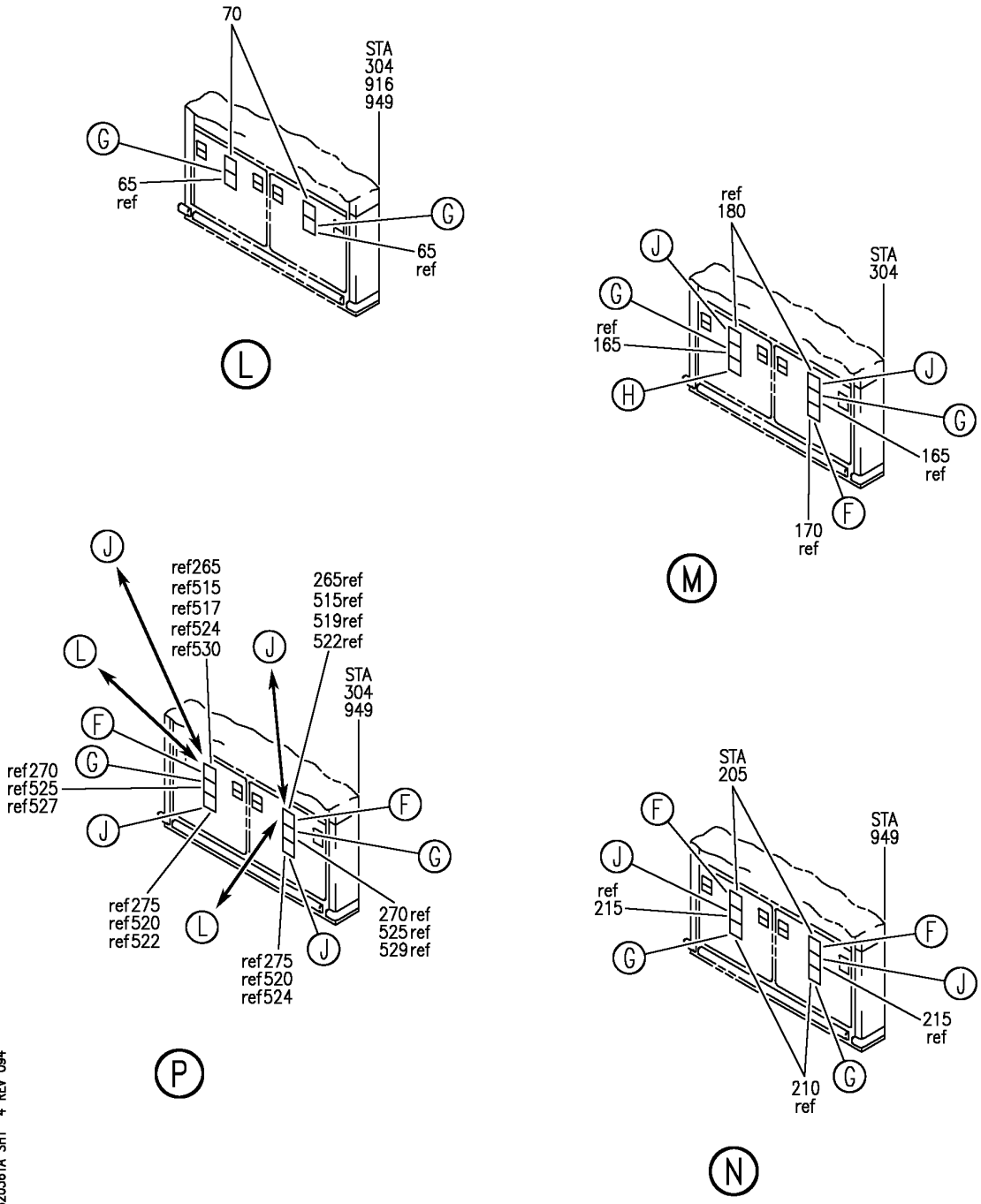
PLACARD INSTL-CAB. INTR ATTENDANT SEAT STOW BOX
 FIGURE 61A (SHEET 3)

11-32-03-61A

HAP
 JUN 10/07

11-32-03-61A
 PAGE 0B


BOEING
 737-600/700/800/900
PARTS CATALOG (MAINTENANCE)



E 11320361A SHT 4 REV 094

PLACARD INSTL-CAB. INTR ATTENDANT SEAT STOW BOX
 FIGURE 61A (SHEET 4)

11-32-03-61A

HAP
OCT 10/06

11-32-03-61A
PAGE 0C

 **BOEING**
737-600/700/800/900
PARTS CATALOG (MAINTENANCE)

FIG ITEM	PART NUMBER	1 2 3 4 5 6 7	NOMENCLATURE	EFFECT FROM TO	UNITS PER ASSY
61A					
- 105	MODREF94223		PLACARD INSTL-CAB. INTR ATTENDANT SEAT STOW BOX	031200 968999	1
			PLACARD INSTL-CAB. INTR ATTENDANT SEAT STOW BOX	031037 039041	
			MODULE NUMBER: 414A5123-74 REV A	047047 054106	
			POSITION DATA: STA 949.00 RBL 41.75	968999	
110	BAC29PPS36232		.MARKER	031037 039041 047047 054106 968999	1
115	BAC29PPS36209		.PLACARD	031037 039041 047047 054106 968999	1
- 130	MODREF94222		PLACARD INSTL-CAB. INTR ATTENDANT SEAT STOW BOX	031037 039041	1
			MODULE NUMBER: 414A5123-73 REV A	047047 054106	
			POSITION DATA: STA 949.00 LBL 41.75	968999	
135	BAC29PPS36232		.MARKER	031037 039041 047047 054106 968999	1
140	BAC29PPS36210		.PLACARD	031037 039041 047047 054106 968999	1
- 255	MODREF245031		PLACARD INSTL-CAB. INTR ATTENDANT SEAT STOW BOX	050050 053053	1
			MODULE NUMBER: 414A5123-110 REV B		
			POSITION DATA: STA 949.00 LBL 11.00		
- 260	MODREF245032		PLACARD INSTL-CAB. INTR ATTENDANT SEAT STOW BOX	031200 968999	1
			MODULE NUMBER: 414A5123-111 REV B		
			POSITION DATA: STA 304.00 LBL 11.00		
265	BAC29PPS36232		.MARKER-	050050 053053	2

MISSING ITEM NUMBERS NOT APPLICABLE

- ITEM NOT ILLUSTRATED

HAP

11-32-03-61A

BOEING PROPRIETARY - Copyright © - Unpublished Work - See title page for details.

11-32-03
FIG. 61A
PAGE 1
FEB 15/09

BOEING
737-600/700/800/900
PARTS CATALOG (MAINTENANCE)

FIG ITEM	PART NUMBER	1 2 3 4 5 6 7	NOMENCLATURE	EFFECT FROM TO	UNITS PER ASSY
61A					
265	BAC29PPS36232	.MARKER		031200 968999	2
270	BAC29PPS36225	.MARKER-		050050 053053	2
270	BAC29PPS36225	.MARKER		031200 968999	2
275	BAC29PPS36236	.MARKER-		050050 053053	2
275	BAC29PPS36236	.MARKER		031200 968999	2
- 300	MODREF94147		PLACARD INSTL-CAB. INTR ATTENDANT SEAT STOW BOX MODULE NUMBER: 414A5123-112 REV A POSITION DATA: STA 949.00 RBL 41.75	107200	1
- 305	MODREF94148		PLACARD INSTL-CAB. INTR ATTENDANT SEAT STOW BOX MODULE NUMBER: 414A5123-113 REV A POSITION DATA: STA 949.00 LBL 11.00	048050 107200	1
R R R R R	- 305	MODREF404604	PLACARD INSTL-CAB. INTR ATTENDANT SEAT STOW BOX MODULE NUMBER: 414A5123-113 REV B POSITION DATA: STA 949.00 LBL 41.75	053053	1
	315	BAC29PPS36232	.MARKER- USED ON: 414A5123-113 MODREF94148 MODREF404604	048050 053053 107200	1
	320	BAC29PPS36210	.PLACARD- USED ON: 414A5123-113 MODREF94148 MODREF404604	048050 053053 107200	1
	325	BAC29PPS36209	.PLACARD- USED ON: 414A5123-112 MODREF94147	107200	1
	330	BAC29PPS36232	.MARKER- USED ON: 414A5123-112 MODREF94147	107200	1

MISSING ITEM NUMBERS NOT APPLICABLE

- ITEM NOT ILLUSTRATED

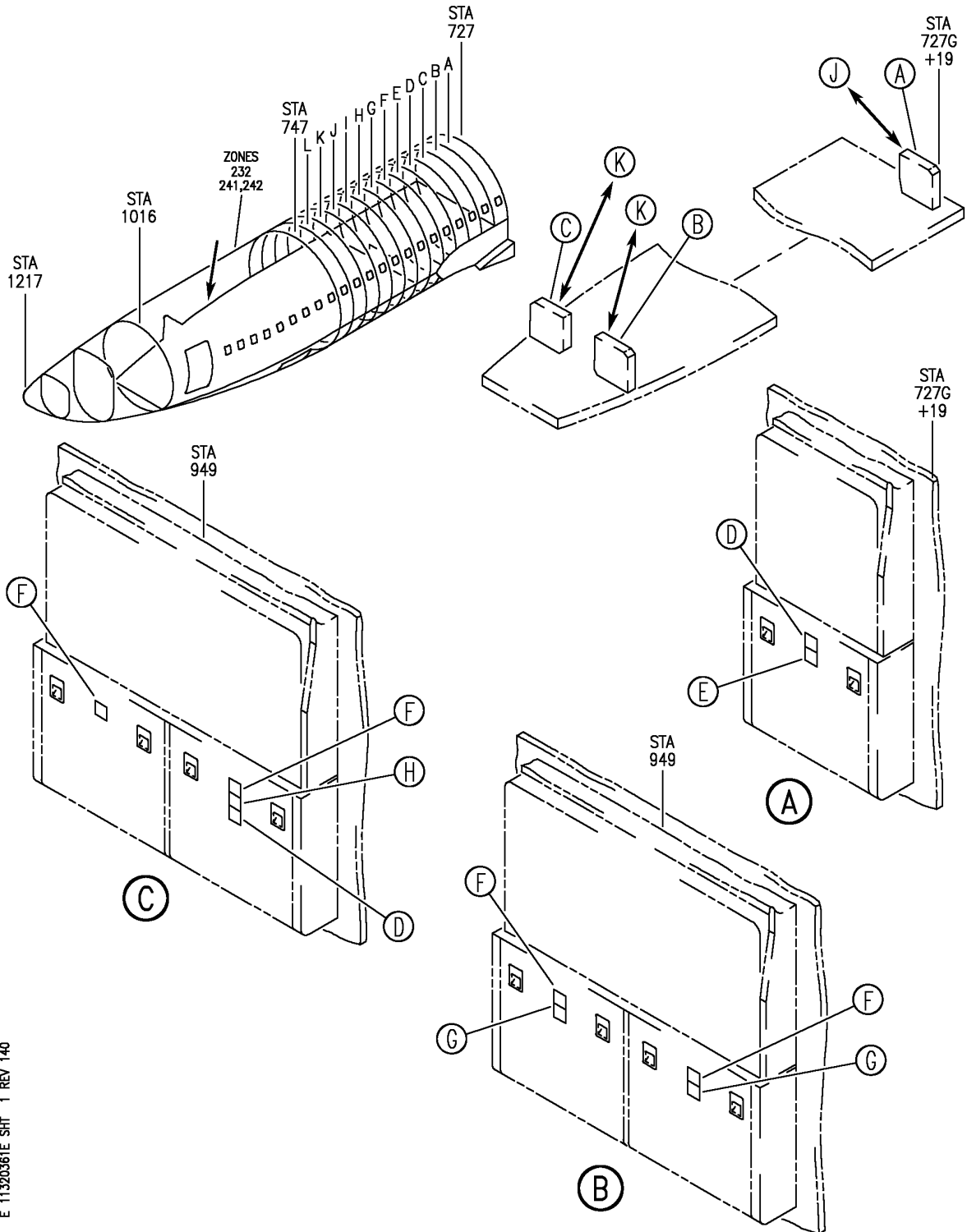
HAP

11-32-03-61A

BOEING PROPRIETARY - Copyright © - Unpublished Work - See title page for details.

11-32-03
FIG. 61A
PAGE 2
JUN 15/09

BOEING
737-600/700/800/900
PARTS CATALOG (MAINTENANCE)



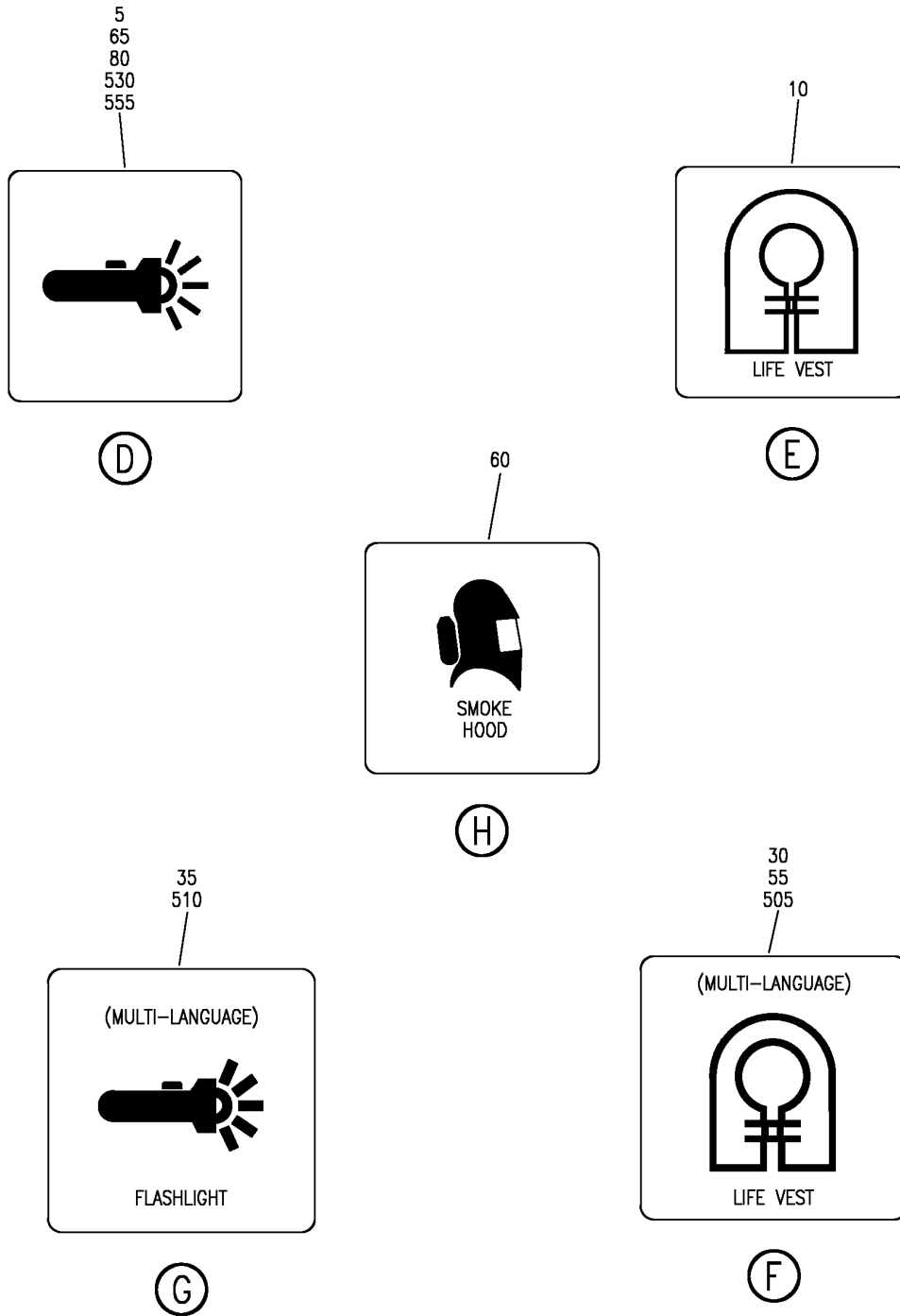
E 11320361E SHT 1 REV 140

PLACARD INSTL-CAB. INTR ATTENDANT SEAT STOW BOX
FIGURE 61E

11-32-03-61E

HAP
JUN 15/08

11-32-03-61E
PAGE 0

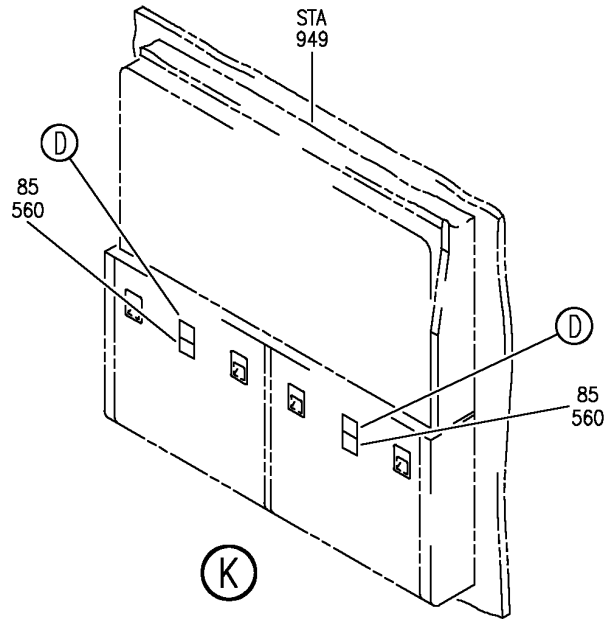
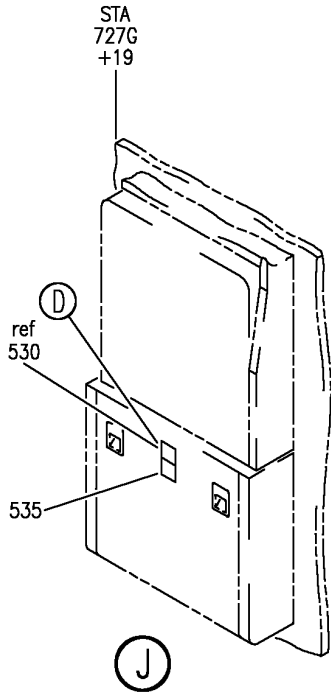


E 11320361E SHT 2 REV 140

PLACARD INSTL-CAB. INTR ATTENDANT SEAT STOW BOX
 FIGURE 61E

11-32-03-61E

BOEING
737-600/700/800/900
PARTS CATALOG (MAINTENANCE)



E 11320361E SHT 3 REV 140

PLACARD INSTL-CAB. INTR ATTENDANT SEAT STOW BOX
FIGURE 61E

HAP
JUN 15/08

11-32-03-61E

11-32-03-61E
PAGE 0B

BOEING
737-600/700/800/900
PARTS CATALOG (MAINTENANCE)

FIG ITEM	PART NUMBER	1 2 3 4 5 6 7	NOMENCLATURE	EFFECT FROM TO	UNITS PER ASSY
61E			PLACARD INSTL-CAB. INTR ATTENDANT SEAT STOW BOX	031037 039041 047049 054200 968999	
- 50	MODREF281410		PLACARD INSTL-CAB. INTR ATTENDANT SEAT STOW BOX MODULE NUMBER: 414A5123-177 REV A POSITION DATA: STA 949.00, LBL 11.00	031037 039041 047049 054200 968999	1
55	BAC29PPS36236		.MARKER	031037 039041 047049 054200 968999	2
60	BAC29PPS36232		.MARKER	031037 039041 047049 054200 968999	1
65	BAC29PPS36225		.MARKER	031037 039041 047049 054200 968999	1

MISSING ITEM NUMBERS NOT APPLICABLE

- ITEM NOT ILLUSTRATED

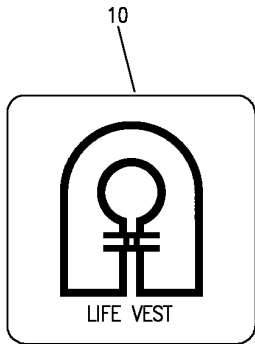
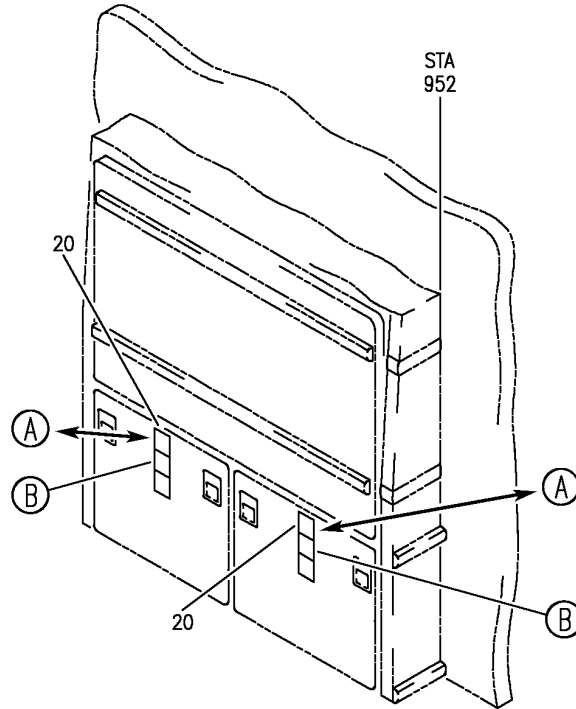
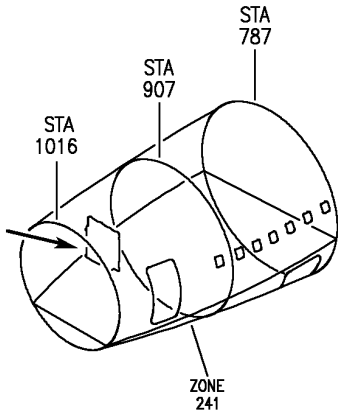
HAP

11-32-03-61E

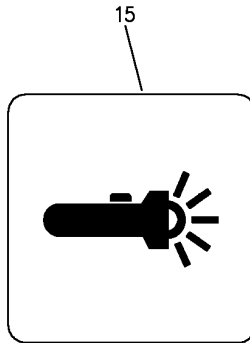
BOEING PROPRIETARY - Copyright © - Unpublished Work - See title page for details.

11-32-03
FIG. 61E
PAGE 1
FEB 15/09

BOEING
 737-600/700/800/900
 PARTS CATALOG (MAINTENANCE)



(A)



(B)

E 11320361T REV 142

PLACARD INSTL-CAB. INTR ATTENDANT SEAT STOW BOX
 FIGURE 61T

11-32-03-61T

HAP
 JUN 15/08

11-32-03-61T
 PAGE 0

BOEING
737-600/700/800/900
PARTS CATALOG (MAINTENANCE)

FIG ITEM	PART NUMBER	1 2 3 4 5 6 7	NOMENCLATURE	EFFECT FROM TO	UNITS PER ASSY
61T			PLACARD INSTL-CAB. INTR ATTENDANT SEAT STOW BOX	038038 042046 051052	
- 1	MODREF224095		PLACARD INSTL-CAB. INTR ATTENDANT SEAT STOW BOX MODULE NUMBER: 414A5123-23 REV B POSITION DATA: STA 949.00 LBL 11.00	038038 042046 051052	1
10	BAC29PPS36236		.MARKER-	038038 042046 051052	2
15	BAC29PPS36225		.MARKER-	038038 042046 051052	2

MISSING ITEM NUMBERS NOT APPLICABLE

- ITEM NOT ILLUSTRATED

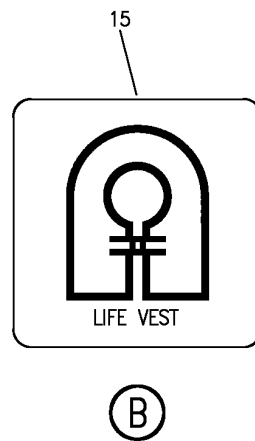
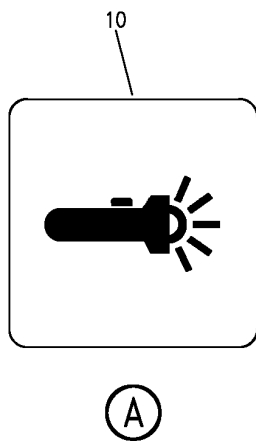
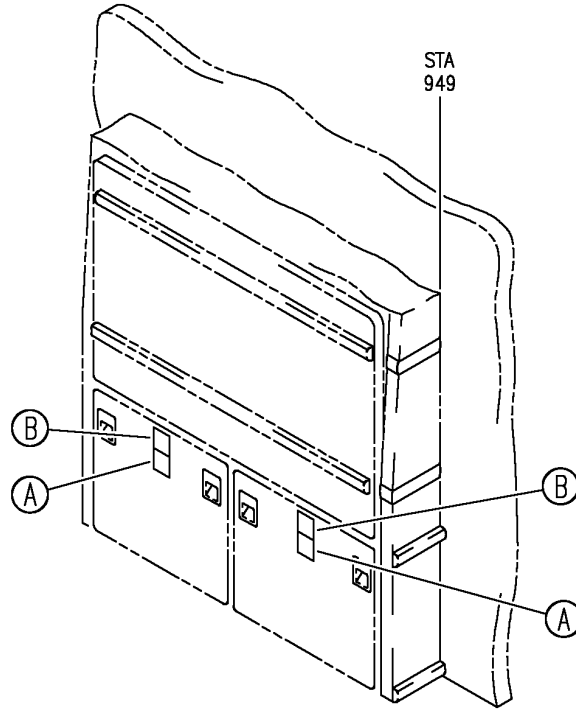
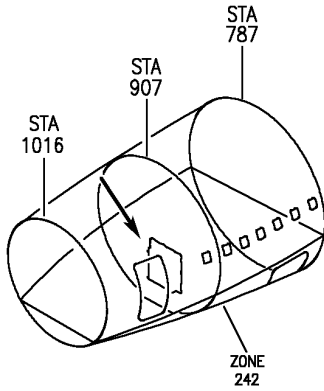
HAP

11-32-03-61T

BOEING PROPRIETARY - Copyright © - Unpublished Work - See title page for details.

11-32-03
FIG. 61T
PAGE 1
FEB 15/09

BOEING
 737-600/700/800/900
 PARTS CATALOG (MAINTENANCE)



E 11320362J REV 142

PLACARD INSTL-CAB. INTR ATTENDANT SEAT STOW BOX
 FIGURE 62J

11-32-03-62J

HAP
 JUN 15/08

11-32-03-62J
 PAGE 0

BOEING
737-600/700/800/900
PARTS CATALOG (MAINTENANCE)

FIG ITEM	PART NUMBER	1 2 3 4 5 6 7	NOMENCLATURE	EFFECT FROM TO	UNITS PER ASSY
62J			PLACARD INSTL-CAB. INTR ATTENDANT SEAT STOW BOX	038038 042046 051052	
- 1	MODREF224096		PLACARD INSTL-CAB. INTR ATTENDANT SEAT STOW BOX MODULE NUMBER: 414A5123-35 REV B POSITION DATA: STA 949.00 RBL 41.75	038038 042046 051052	1
10	BAC29PPS36225		.MARKER-	038038 042046 051052	2
15	BAC29PPS36236		.MARKER-	038038 042046 051052	2

MISSING ITEM NUMBERS NOT APPLICABLE

- ITEM NOT ILLUSTRATED

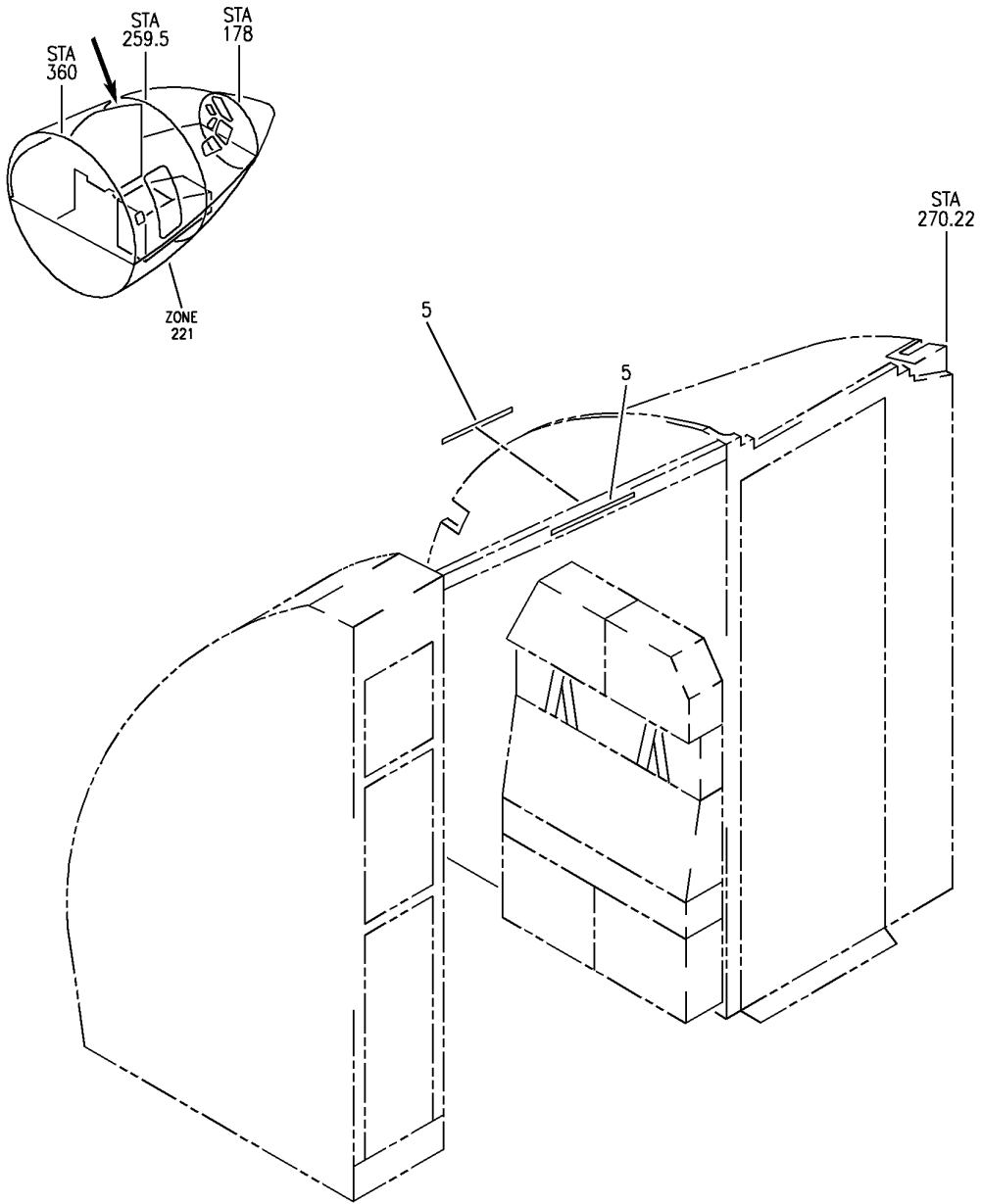
HAP

11-32-03-62J

BOEING PROPRIETARY - Copyright © - Unpublished Work - See title page for details.

11-32-03
FIG. 62J
PAGE 1
FEB 15/09

BOEING
737-600/700/800/900
PARTS CATALOG (MAINTENANCE)



E 11320364J REV 128

PLACARDS INSTL-CAB. INTR CURTAINS
FIGURE 64J

HAP
JUN 10/07

11-32-03-64J

11-32-03-64J
PAGE 0

BOEING
737-600/700/800/900
PARTS CATALOG (MAINTENANCE)

FIG ITEM	PART NUMBER	1 2 3 4 5 6 7	NOMENCLATURE	EFFECT FROM TO	UNITS PER ASSY
64J			PLACARDS INSTL-CAB. INTR CURTAINS	038038 042046 051052	
- 1	MODREF318747		PLACARD INSTL-CAB. INTR CURTAINS MODULE NUMBER: 414A5106-168 REV B	038038 042046 051052	1
5	BAC29PPS36214		.PLACARD- PLACARD CONTENT: FASTEN CURTAIN OPEN DURING TAXI, TAKEOFF AND LANDING	038038 042046 051052	2

MISSING ITEM NUMBERS NOT APPLICABLE

- ITEM NOT ILLUSTRATED

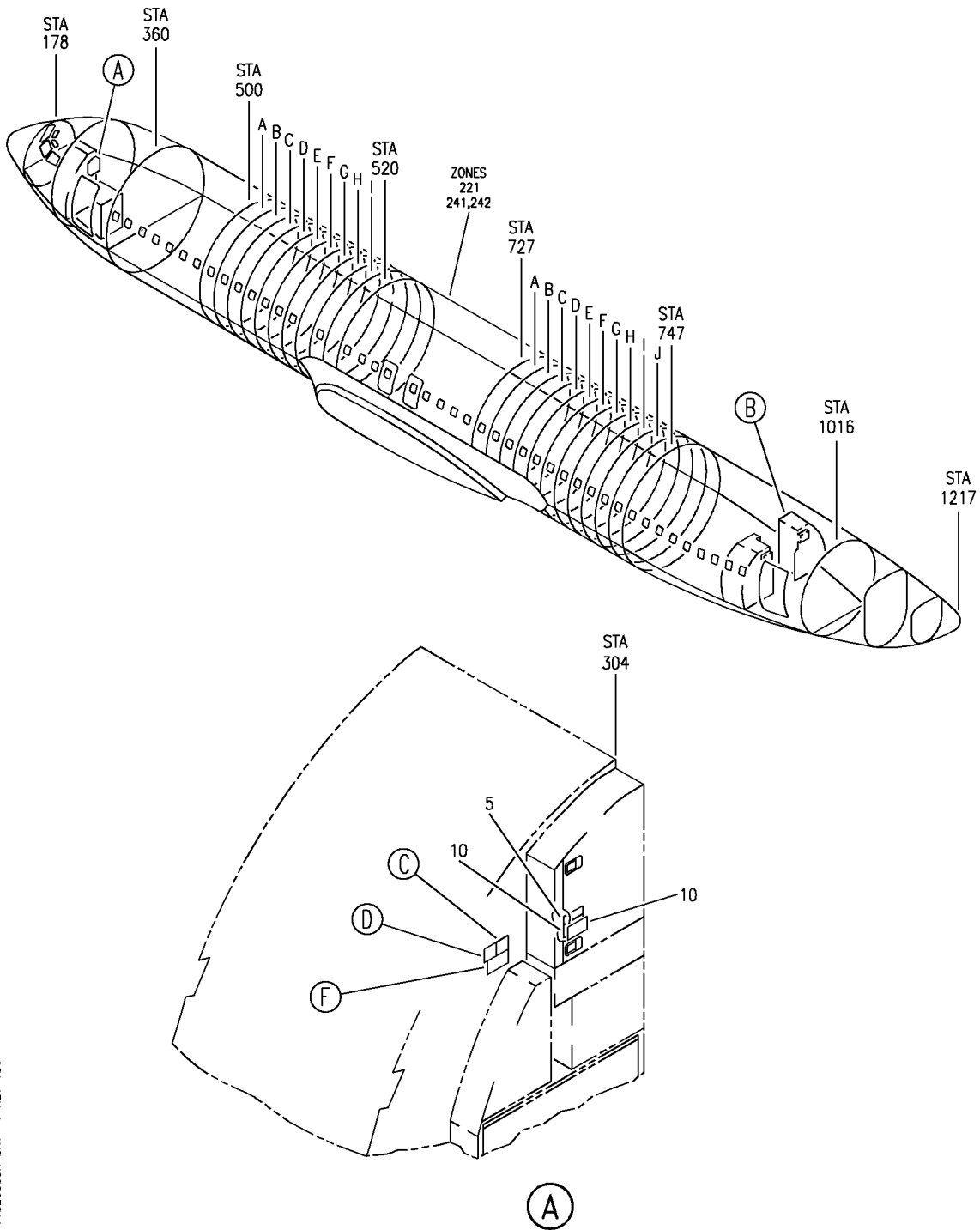
HAP

11-32-03-64J

BOEING PROPRIETARY - Copyright © - Unpublished Work - See title page for details.

11-32-03
FIG. 64J
PAGE 1
FEB 15/09

BOEING
 737-600/700/800/900
 PARTS CATALOG (MAINTENANCE)



E 11320365K SHT 1 REV 136

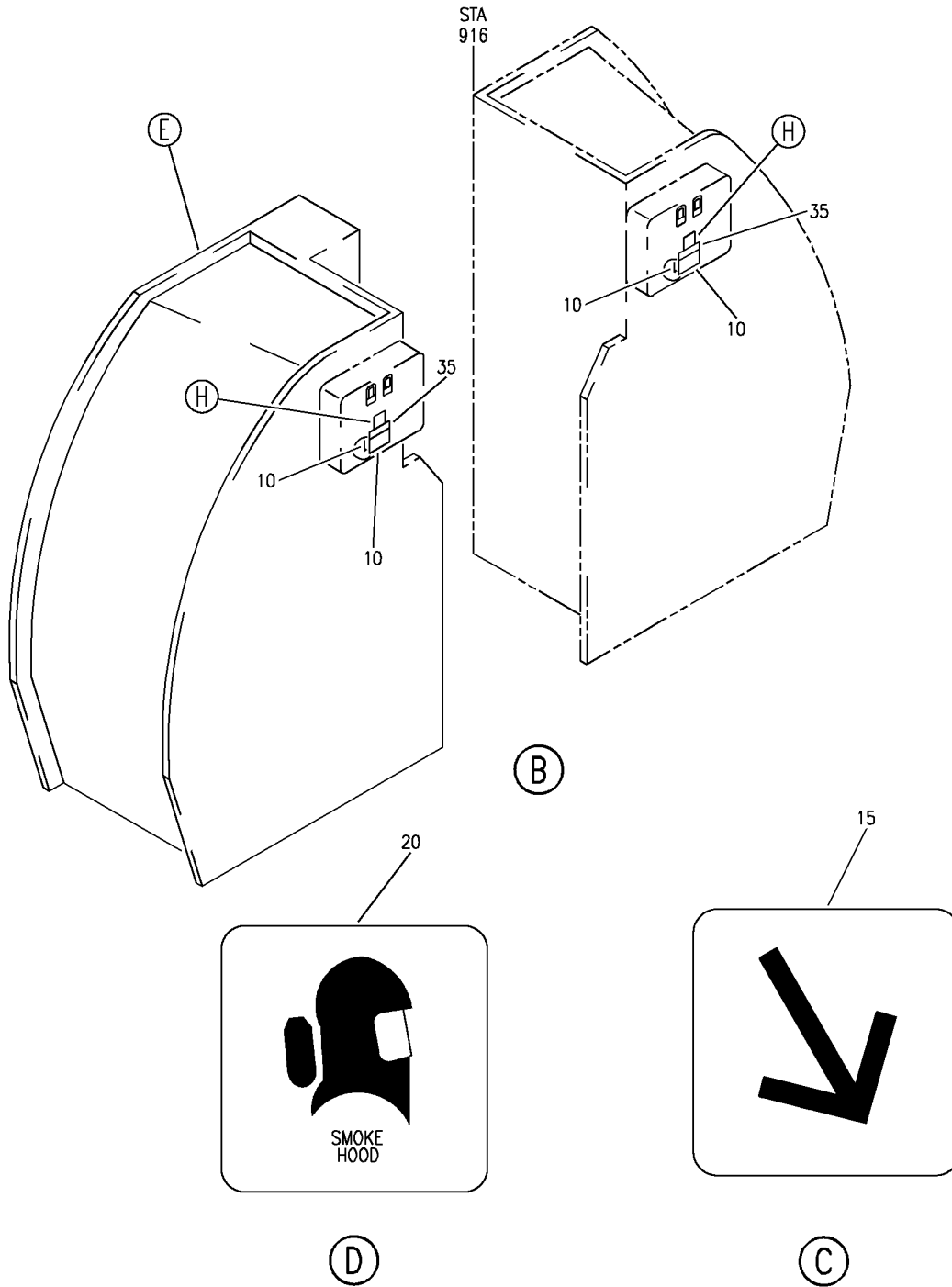
PLACARD INSTL-CAB. INTR (INTERIOR DIVIDERS AND WALLS ONLY)
 FIGURE 65K (SHEET 1)

11-32-03-65K

HAP
 OCT 15/08

11-32-03-65K
 PAGE 0

BOEING
 737-600/700/800/900
 PARTS CATALOG (MAINTENANCE)



E 11320365K SHT 2 REV 136

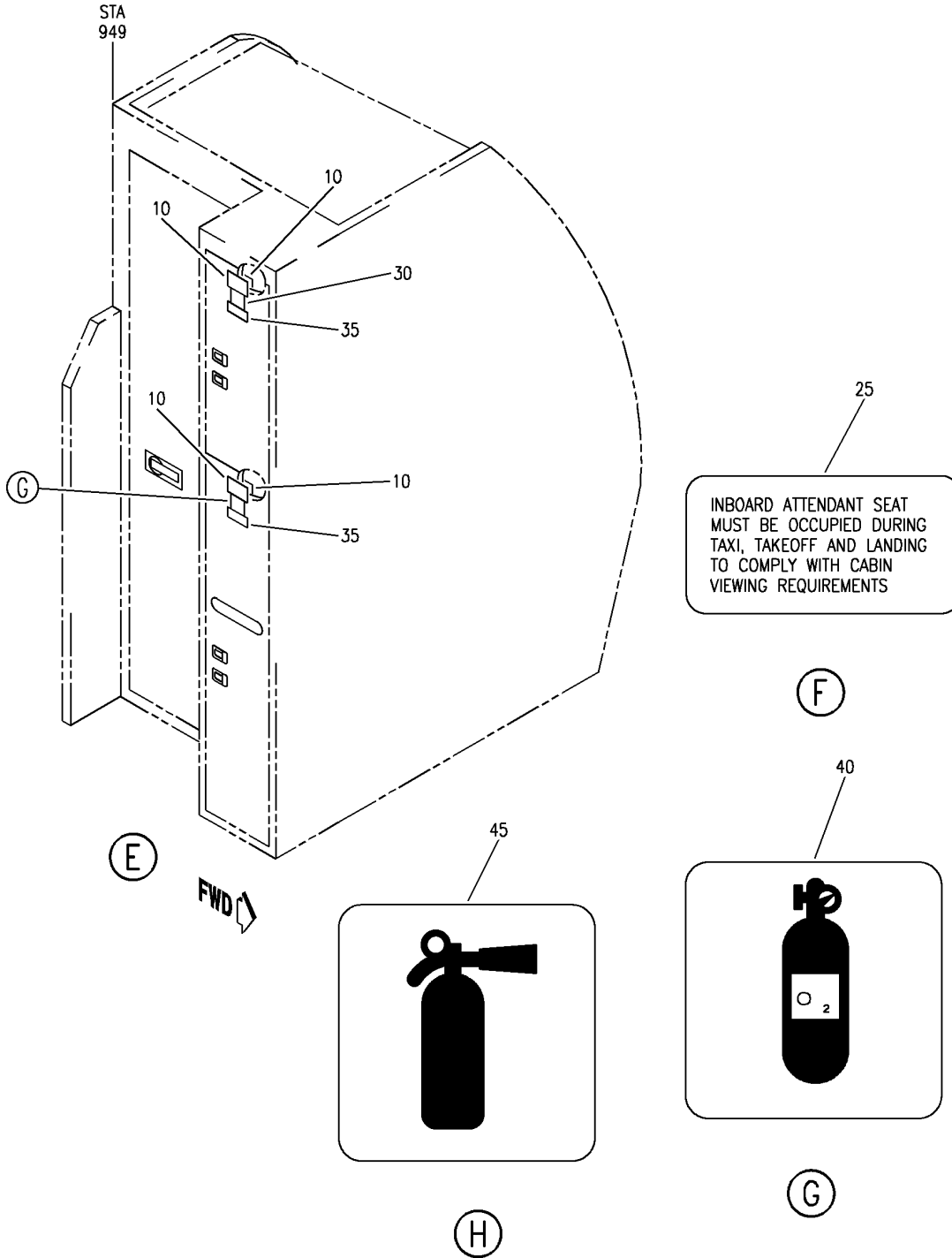
PLACARD INSTL-CAB. INTR (INTERIOR DIVIDERS AND WALLS ONLY)
 FIGURE 65K (SHEET 2)

11-32-03-65K

HAP
 OCT 15/08

11-32-03-65K
 PAGE 0A

BOEING
 737-600/700/800/900
 PARTS CATALOG (MAINTENANCE)



E 11320365K SHT 3 REV 136

PLACARD INSTL-CAB. INTR (INTERIOR DIVIDERS AND WALLS ONLY)
 FIGURE 65K (SHEET 3)

11-32-03-65K

HAP
 OCT 15/08

11-32-03-65K
 PAGE 0B

BOEING
737-600/700/800/900
PARTS CATALOG (MAINTENANCE)

FIG ITEM	PART NUMBER	1 2 3 4 5 6 7	NOMENCLATURE	EFFECT FROM TO	UNITS PER ASSY
65K			PLACARD INSTL-CAB. INTR (INTERIOR DIVIDERS AND WALLS ONLY)	054100	
- 1	MODREF354891		PLACARD INSTL-CAB. INTR (INTERIOR DIVIDERS AND WALLS ONLY) MODULE NUMBER: 414A5150-533 REV A FOR ADDITIONAL DETAILS SEE: 11-32-04-65K	054100	1
5	BAC29PPS36219		.PLACARD- PLACARD CONTENT: LOAD LIMIT 16 LB/7 KG	054100	1
10	BAC29PPS36218		.PLACARD- PLACARD CONTENT: DOOR MUST BE CLOSED AND LATCHED DURING TAXI, TAKEOFF AND LANDING	054100	10
15	BAC29PPS36210		.PLACARD	054100	1
20	BAC29PPS36232		.MARKER	054100	1
25	BAC29PPS36211		.PLACARD	054100	1
30	BAC29PPS50034		.MARKER- PLACARD CONTENT: OXYGEN MASKS	054100	1
35	BAC29PPS38676		.PLACARD- PLACARD CONTENT: EMERGENCY EQUIPMENT ONLY	054100	4
40	BAC29PPS36231		.PLACARD	054100	1
45	BAC29PPS36229		.PLACARD	054100	2

MISSING ITEM NUMBERS NOT APPLICABLE

- ITEM NOT ILLUSTRATED

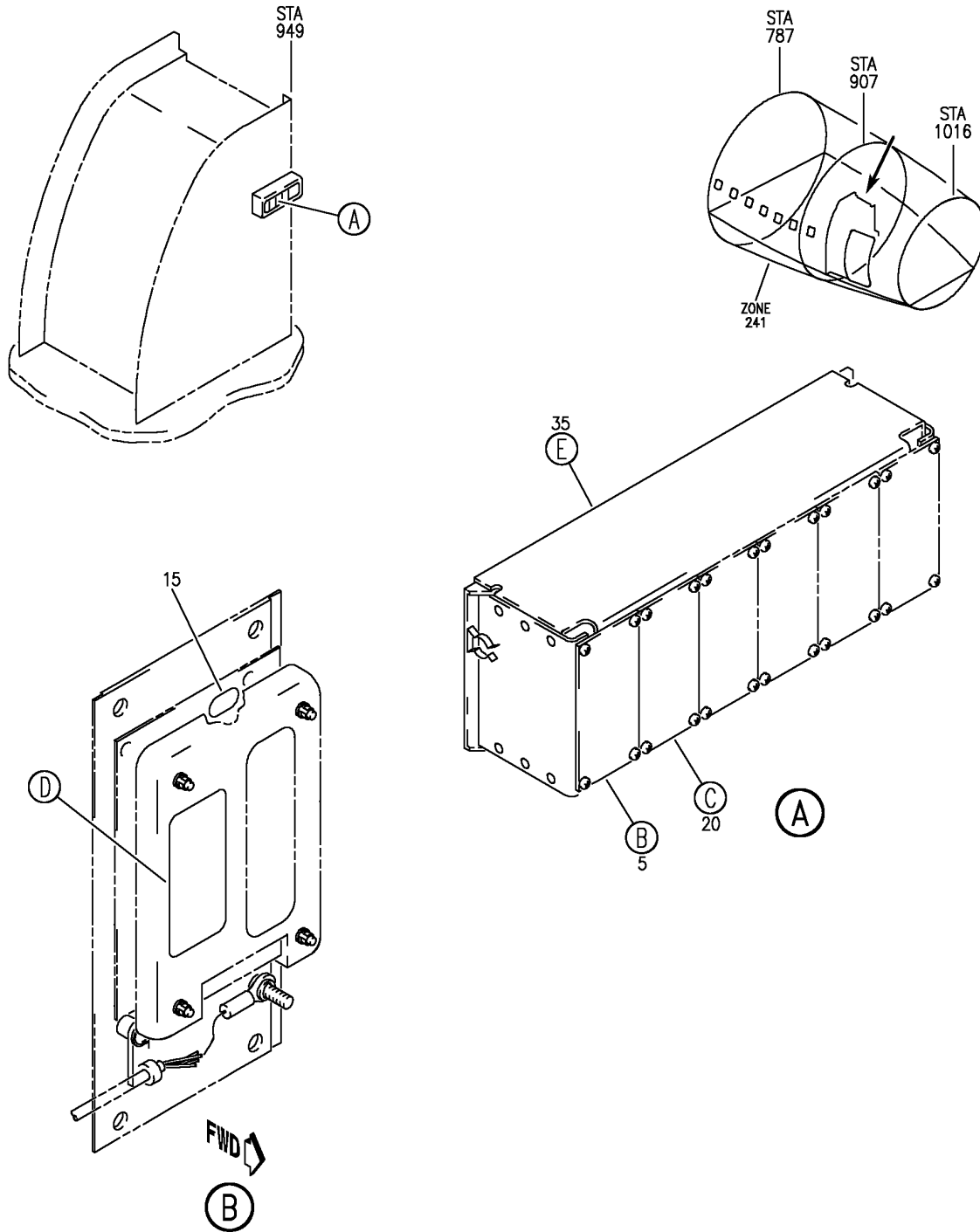
HAP

11-32-03-65K

BOEING PROPRIETARY - Copyright © - Unpublished Work - See title page for details.

11-32-03
FIG. 65K
PAGE 1
FEB 15/09

BOEING
 737-600/700/800/900
 PARTS CATALOG (MAINTENANCE)



E 11320368D SHT 1 REV 088

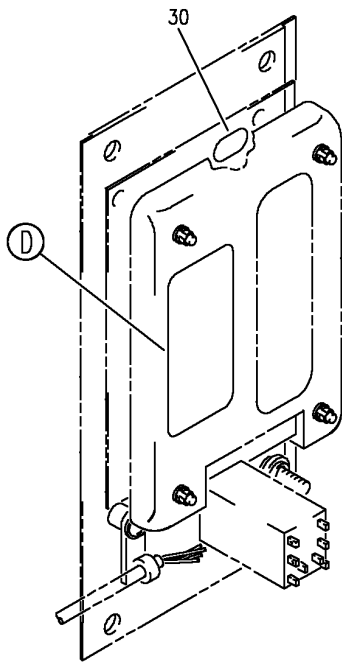
PANEL ASSY-LAV D ATTENDANT (PLACARDS AND MARKINGS ONLY)
 FIGURE 68D (SHEET 1)

HAP
 OCT 10/06

11-32-03-68D


11-32-03-68D
 PAGE 0

BOEING
 737-600/700/800/900
 PARTS CATALOG (MAINTENANCE)



10
 25
 45

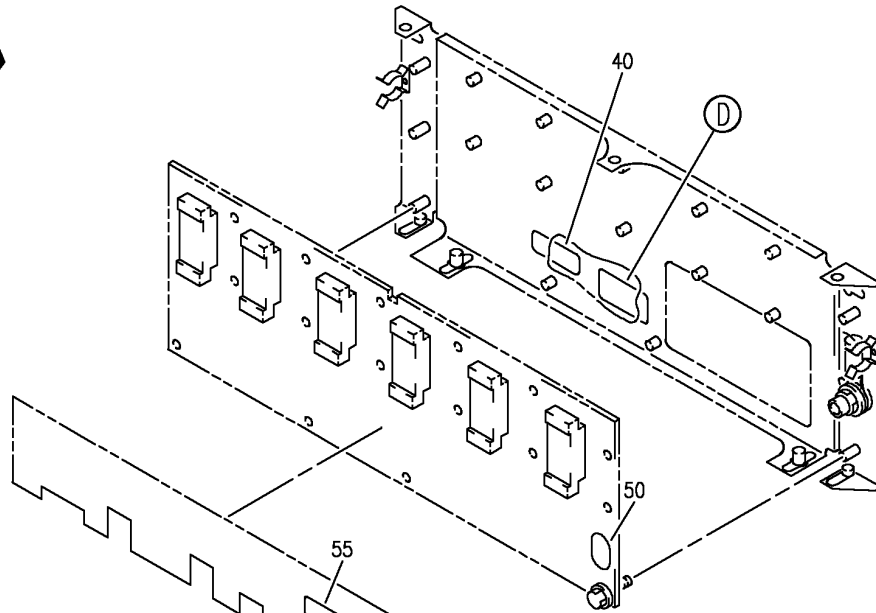
CAUTION



THIS UNIT IS NOT SUBJECT TO DAMAGE FROM ELECTROSTATIC DISCHARGE AS AN ASSEMBLY HOWEVER, IT CONTAINS PARTS OR SUB-ASSEMBLIES THAT ARE SENSITIVE TO ELECTROSTATIC DISCHARGE. CONDUCTIVE CONNECTOR COVERS REQUIRED.

(D)

FWD
 (C)



FWD
 (E)

E 11320368D SHT 2 REV 088

PANEL ASSY-LAV D ATTENDANT (PLACARDS AND MARKINGS ONLY)
 FIGURE 68D (SHEET 2)

11-32-03-68D

HAP
 OCT 10/06

11-32-03-68D
 PAGE 0A

BOEING
737-600/700/800/900
PARTS CATALOG (MAINTENANCE)

FIG ITEM	PART NUMBER	1 2 3 4 5 6 7	NOMENCLATURE	EFFECT FROM TO	UNITS PER ASSY
68D			PANEL ASSY-LAV D ATTENDANT (PLACARDS AND MARKINGS ONLY)	031200 968999	
- 1	417A6110-58B		PANEL ASSY-LAV D ATTENDANT (PLACARDS AND MARKINGS ONLY) SUPPLIER CODE: V89954 FOR NHA/OTHER SYS DET SEE: 31-15-21-03A	101106 968999	RF
- 1	417A6110-58C		PANEL ASSY-LAV D ATTENDANT (PLACARDS AND MARKINGS ONLY) SUPPLIER CODE: V89954 FOR NHA/OTHER SYS DET SEE: 31-15-21-03A	031100 107200	RF
5	285A1720-1		.MODULE ASSY-POTABLE WATER SUPPLIER CODE: V89954 ELECTRICAL EQUIP NUMBER: M01887 COMPONENT MAINT MANUAL REF: 38-14-30	031200 968999	RF
10	BAC27DEX6075		..MARKER	031200 968999	1
15	BAC27TEX1486		..DECAL- PLACARD CONTENT: STATIC SENSITIVE	031200 968999	1
20	285A1730-1		.MODULE ASSY-VACUUM WASTE SYS SUPPLIER CODE: V89954 ELECTRICAL EQUIP NUMBER: M01888 COMPONENT MAINT MANUAL REF: 38-32-10	031200 968999	RF
25	BAC27DEX6075		..MARKER	031200 968999	1
30	BAC27TEX1486		..DECAL- PLACARD CONTENT: STATIC SENSITIVE	031200 968999	1
35	417A6110-102		.PANEL ASSY- SUPPLIER CODE: V89954	031200 968999	RF

MISSING ITEM NUMBERS NOT APPLICABLE

- ITEM NOT ILLUSTRATED

HAP

11-32-03-68D

BOEING PROPRIETARY - Copyright © - Unpublished Work - See title page for details.

11-32-03
FIG. 68D
PAGE 1
OCT 15/08

BOEING
737-600/700/800/900
PARTS CATALOG (MAINTENANCE)

FIG ITEM	PART NUMBER	1 2 3 4 5 6 7	NOMENCLATURE	EFFECT FROM TO	UNITS PER ASSY
68D 40	BAC27WEX1066	..	MARKER- SUPPLIER CODE: V89954 PLACARD CONTENT: CAUTION-115 VOLTS	031200 968999	1
45	BAC27DEX6075	..	MARKER	031200 968999	1
50	BAC27TEX1486	..	DECAL- PLACARD CONTENT: STATIC SENSITIVE	031200 968999	2
55	BAC27WEX1066	..	MARKER- SUPPLIER CODE: V89954 PLACARD CONTENT: CAUTION-115 VOLTS	031200 968999	1

MISSING ITEM NUMBERS NOT APPLICABLE

— ITEM NOT ILLUSTRATED

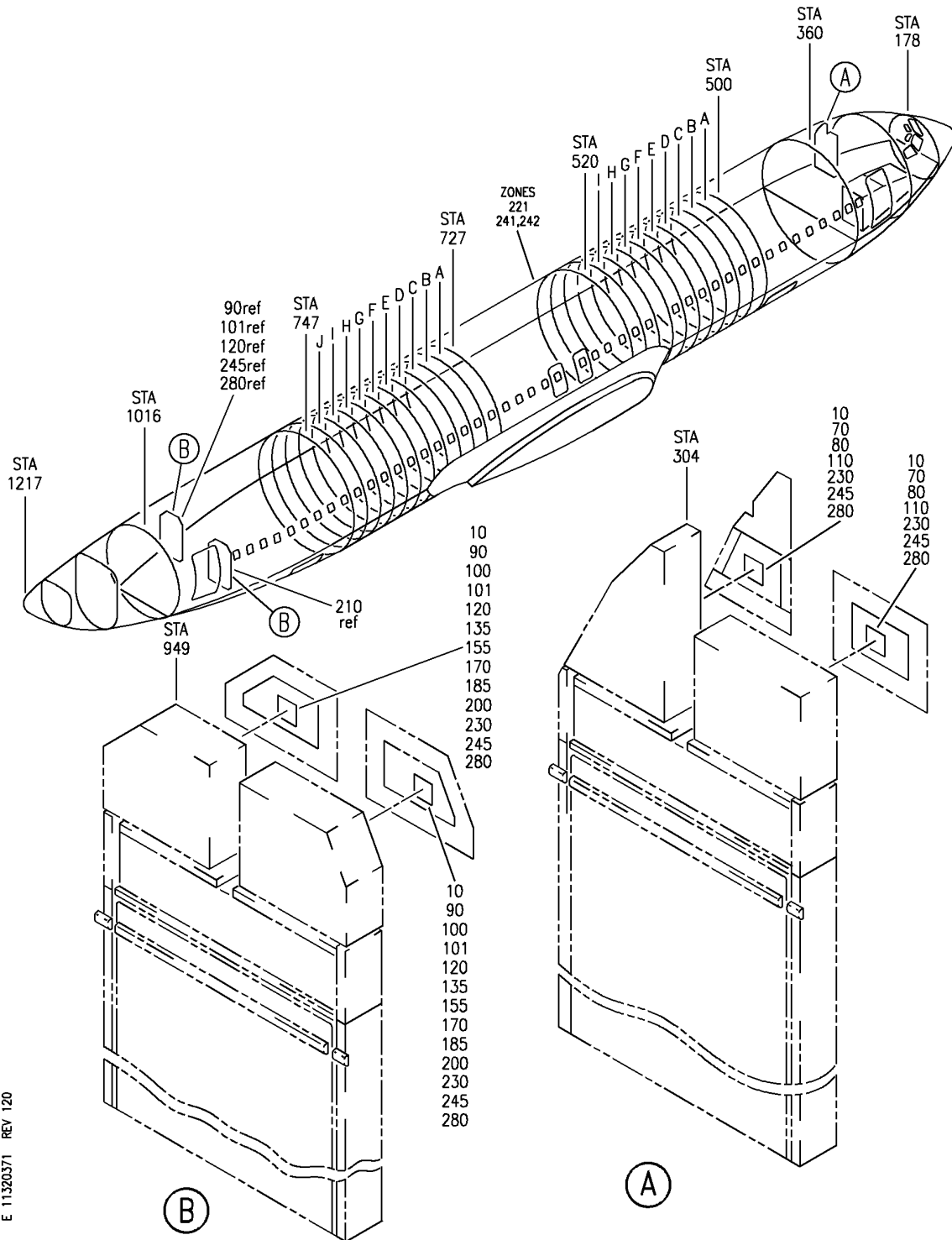
HAP

11-32-03-68D

BOEING PROPRIETARY - Copyright © - Unpublished Work - See title page for details.

11-32-03
FIG. 68D
PAGE 2
OCT 15/08

BOEING
737-600/700/800/900
PARTS CATALOG (MAINTENANCE)



E 11320371 REV 120

SEAT INSTL-ATTENDANT (PLACARDS AND MARKINGS ONLY)
 FIGURE 71

11-32-03-71

HAP
 OCT 10/06

11-32-03-71
 PAGE 0

BOEING
737-600/700/800/900
PARTS CATALOG (MAINTENANCE)

FIG ITEM	PART NUMBER	1 2 3 4 5 6 7	NOMENCLATURE	EFFECT FROM TO	UNITS PER ASSY
71			SEAT INSTL-ATTENDANT (PLACARDS AND MARKINGS ONLY)	031037 039041 054100	
- 66	MODREF223763		SEAT INSTL-ATTENDANT (PLACARDS AND MARKINGS ONLY) MODULE NUMBER: 414A2900-49 REV B FOR OTHER SYS DETAILS SEE: 25-25-12-33	031037 039041 054100	1
70	BAC27NPA1515		.MARKER- PLACARD CONTENT: INSTALL HEADREST WITH .50 INCH BETWEEN EDGE OF HANDSET AND EDGE OF HEADREST.	031037 039041 054100	2
- 87	MODREF223764		SEAT INSTL-ATTENDANT (PLACARDS AND MARKINGS ONLY) MODULE NUMBER: 414A2900-50 REV B FOR OTHER SYS DETAILS SEE: 25-25-12-38	031037 039041 054100	1
90	BAC27NPA1515		.MARKER- PLACARD CONTENT: INSTALL HEADREST WITH .50 INCH BETWEEN EDGE OF HANDSET AND EDGE OF HEADREST.	031037 039041 054100	2

MISSING ITEM NUMBERS NOT APPLICABLE

- ITEM NOT ILLUSTRATED

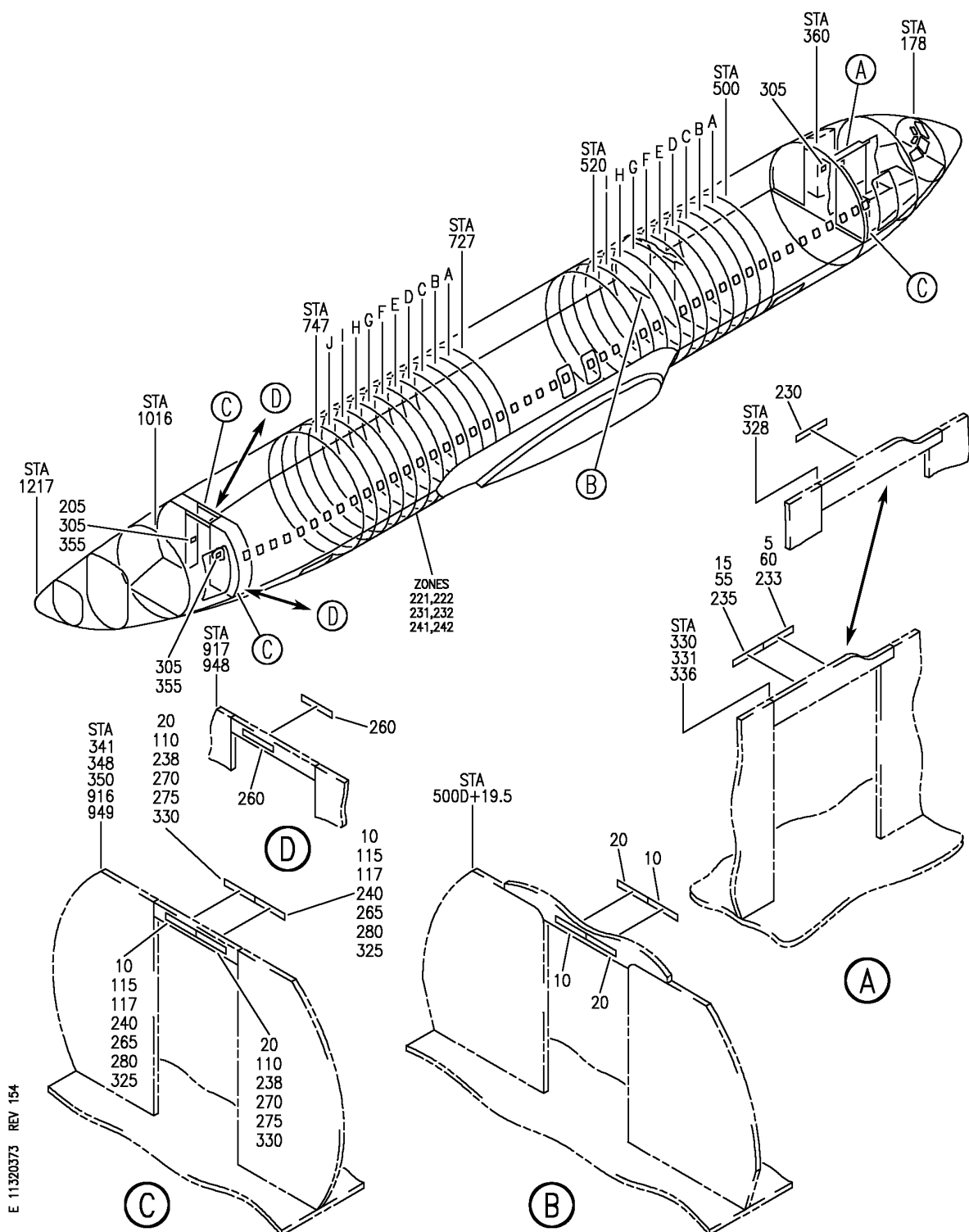
HAP

11-32-03-71

BOEING PROPRIETARY - Copyright © - Unpublished Work - See title page for details.

11-32-03
FIG. 71
PAGE 1
FEB 15/09

BOEING
737-600/700/800/900
PARTS CATALOG (MAINTENANCE)



E 11320373 REV 154

PLACARD INSTL-CAB. INTR CURTAINS
FIGURE 73

11-32-03-73

HAP
JUN 15/09

11-32-03-73
PAGE 0

BOEING
737-600/700/800/900
PARTS CATALOG (MAINTENANCE)

FIG ITEM	PART NUMBER	1 2 3 4 5 6 7	NOMENCLATURE	EFFECT FROM TO	UNITS PER ASSY
73			PLACARD INSTL-CAB. INTR CURTAINS	038038 042046 051052	
- 350	MODREF327618		PLACARD INSTL-CAB. INTR CURTAINS MODULE NUMBER: 414A5106-232 REV A	038038 042046 051052	1
355	BAC29PPS43954		.PLACARD- PLACARD CONTENT: AISLE BETWEEN CURTAINS NOT TO BE OCCUPIED WHEN CURTAINS ARE CLOSED AND LAVATORY IS IN USE	038038 042046 051052	2

MISSING ITEM NUMBERS NOT APPLICABLE

- ITEM NOT ILLUSTRATED

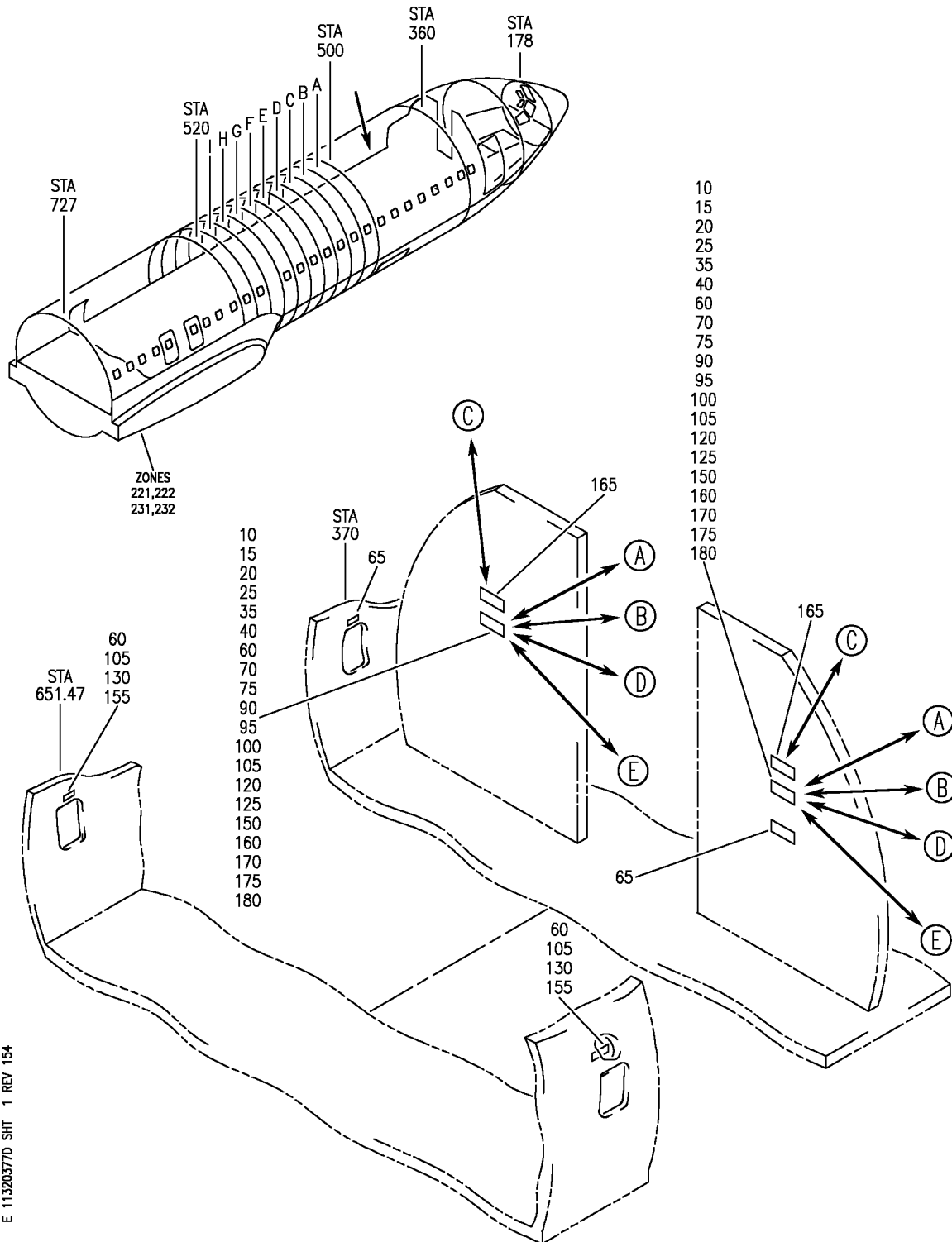
HAP

11-32-03-73

BOEING PROPRIETARY - Copyright © - Unpublished Work - See title page for details.

11-32-03
FIG. 73
PAGE 1
FEB 15/09

BOEING
737-600/700/800/900
PARTS CATALOG (MAINTENANCE)



E 11320377D SHT 1 REV 154

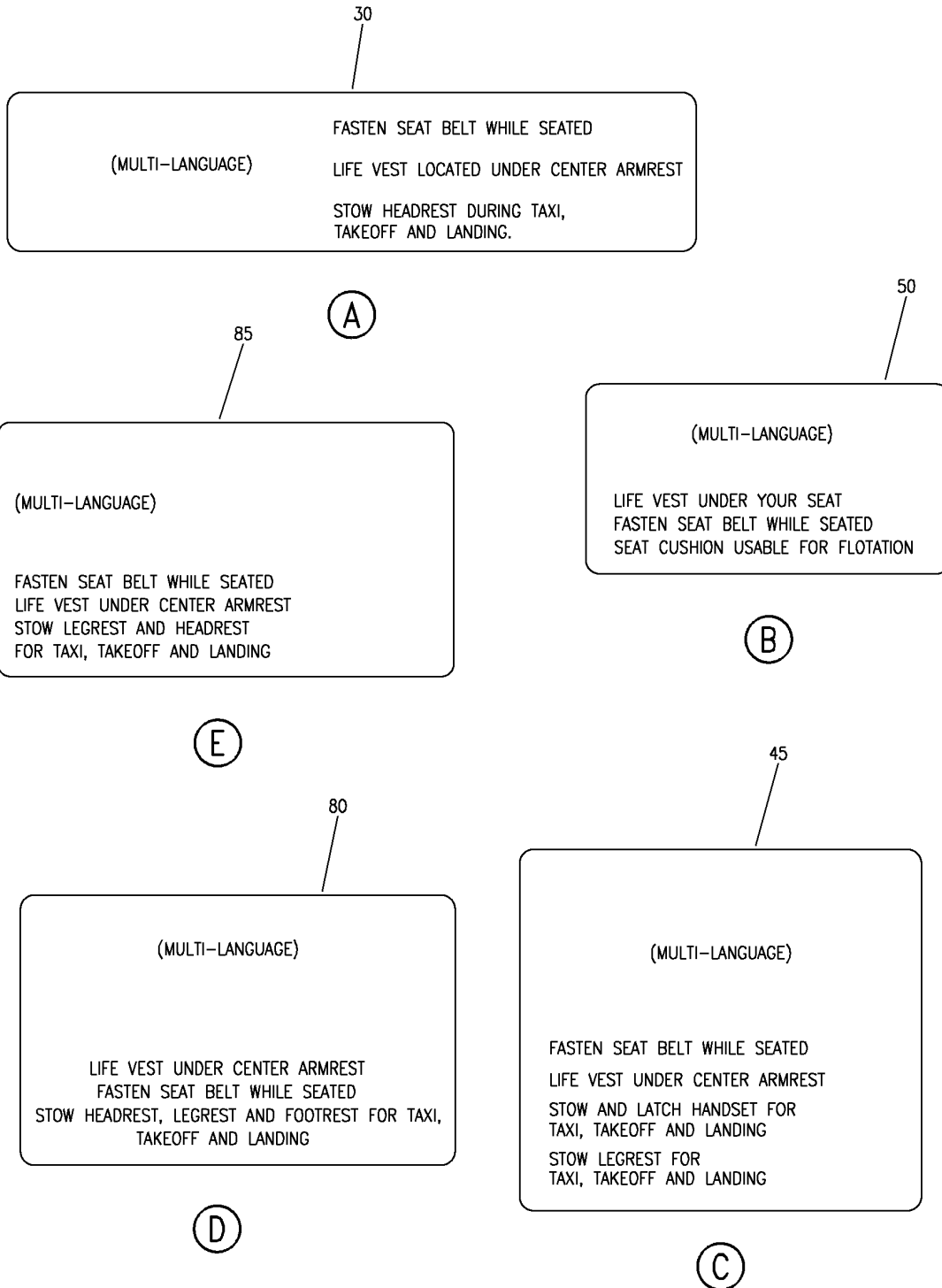
PLACARD INSTL-CAB. INTR FASTEN SEAT BELT
 FIGURE 77D

11-32-03-77D

HAP
 JUN 15/09

11-32-03-77D
 PAGE 0

BOEING
 737-600/700/800/900
 PARTS CATALOG (MAINTENANCE)



E 11320377D SH1 2 REV 134

PLACARD INSTL-CAB. INTR FASTEN SEAT BELT
 FIGURE 77D

11-32-03-77D

HAP
 OCT 10/07

11-32-03-77D
 PAGE 0A

BOEING
737-600/700/800/900
PARTS CATALOG (MAINTENANCE)

FIG ITEM	PART NUMBER	1 2 3 4 5 6 7	NOMENCLATURE	EFFECT FROM TO	UNITS PER ASSY
77D			PLACARD INSTL-CAB. INTR FASTEN SEAT BELT	038038 041100	
- 1	MODREF320947		PLACARD INSTL-CAB. INTR FASTEN SEAT BELT	038038 041100	1
40	BAC29PPS60395		MODULE NUMBER: 414A5120-135 REV A .MARKER-(MULTI-LANGUAGE) PLACARD CONTENT: FASTEN SEAT BELT WHILE SEATED LIFE JACKET UNDER YOUR SEAT AUDIO JACK UNDER SEAT ARM	038038 041100	2

MISSING ITEM NUMBERS NOT APPLICABLE

- ITEM NOT ILLUSTRATED

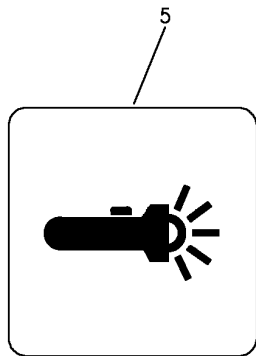
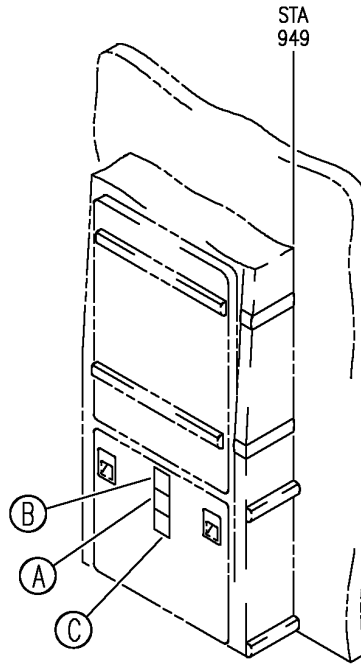
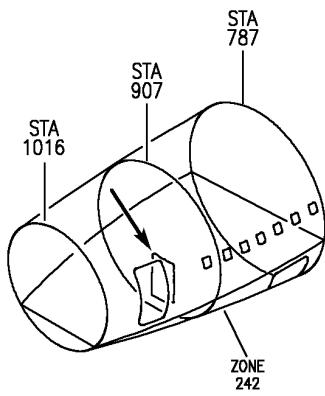
HAP

11-32-03-77D

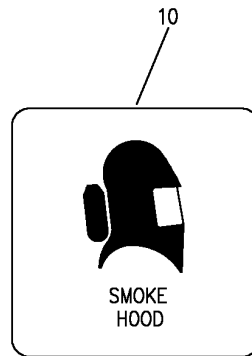
BOEING PROPRIETARY - Copyright © - Unpublished Work - See title page for details.

11-32-03
FIG. 77D
PAGE 1
OCT 15/08

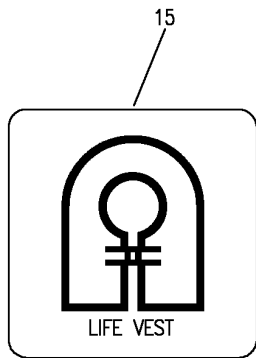
BOEING
 737-600/700/800/900
 PARTS CATALOG (MAINTENANCE)



(A)



(B)



(C)

E 11320379E REV 143

PLACARD INSTL-CAB. INTR ATTENDANT SEAT STOW BOX
 FIGURE 79E

11-32-03-79E

HAP
 JUN 15/08

11-32-03-79E
 PAGE 0

BOEING
737-600/700/800/900
PARTS CATALOG (MAINTENANCE)

FIG ITEM	PART NUMBER	1 2 3 4 5 6 7	NOMENCLATURE	EFFECT FROM TO	UNITS PER ASSY
79E			PLACARD INSTL-CAB. INTR ATTENDANT SEAT STOW BOX	031037 039041 047050 053200 968999	
- 1	MODREF94157		PLACARD INSTL-CAB. INTR ATTENDANT SEAT STOW BOX MODULE NUMBER: 414A5123-121 REV A POSITION DATA: STA 949.00 RBL 39.00	031037 039041 047050 053200 968999	1
5	BAC29PPS36225		.MARKER	031037 039041 047050 053200 968999	1
10	BAC29PPS36232		.MARKER	031037 039041 047050 053200 968999	1
15	BAC29PPS36236		.MARKER	031037 039041 047050 053200 968999	1

MISSING ITEM NUMBERS NOT APPLICABLE

- ITEM NOT ILLUSTRATED

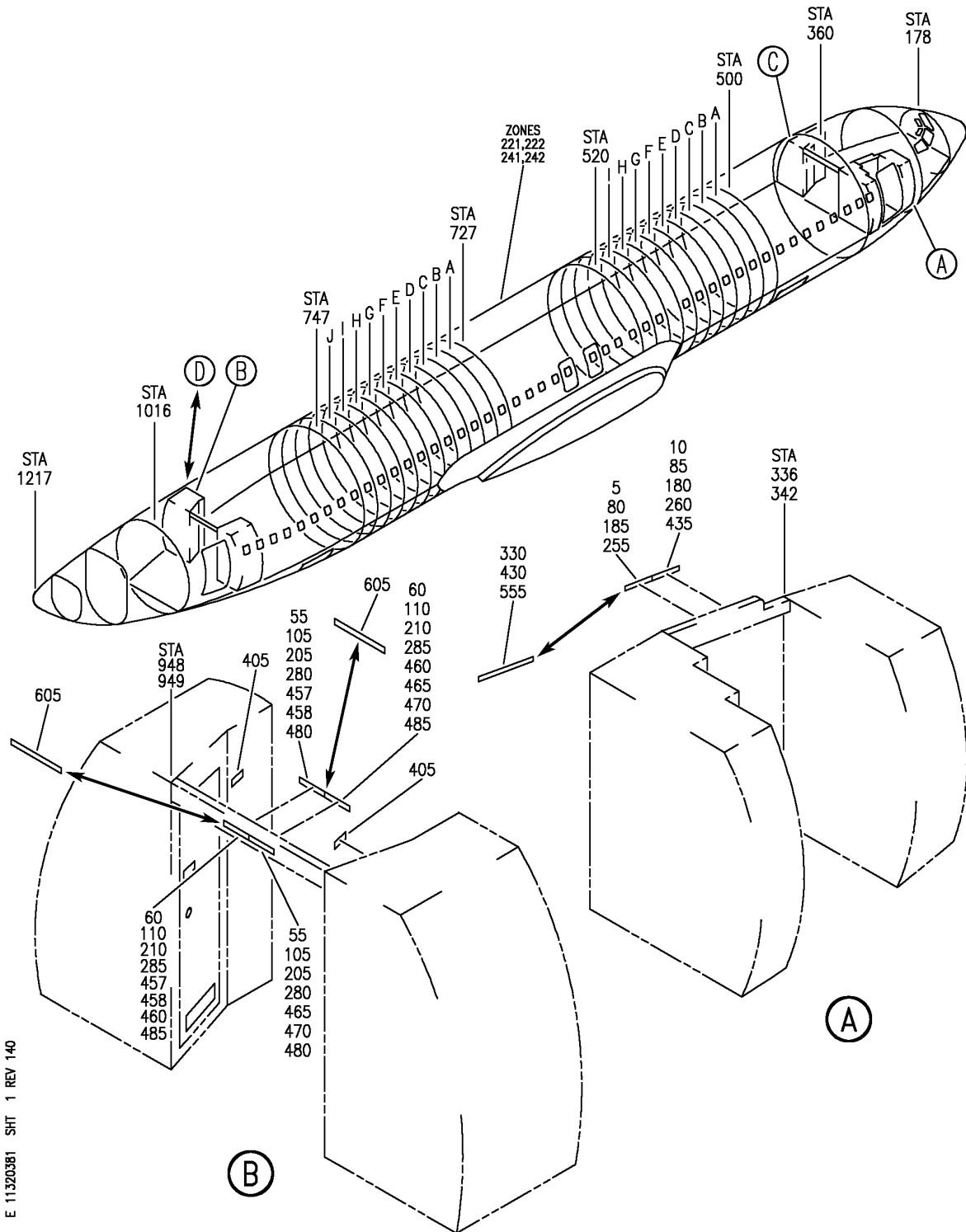
HAP

11-32-03-79E

BOEING PROPRIETARY - Copyright © - Unpublished Work - See title page for details.

11-32-03
FIG. 79E
PAGE 1
FEB 15/09

BOEING
 737-600/700/800/900
 PARTS CATALOG (MAINTENANCE)



E 11320381 SHT 1 REV 140

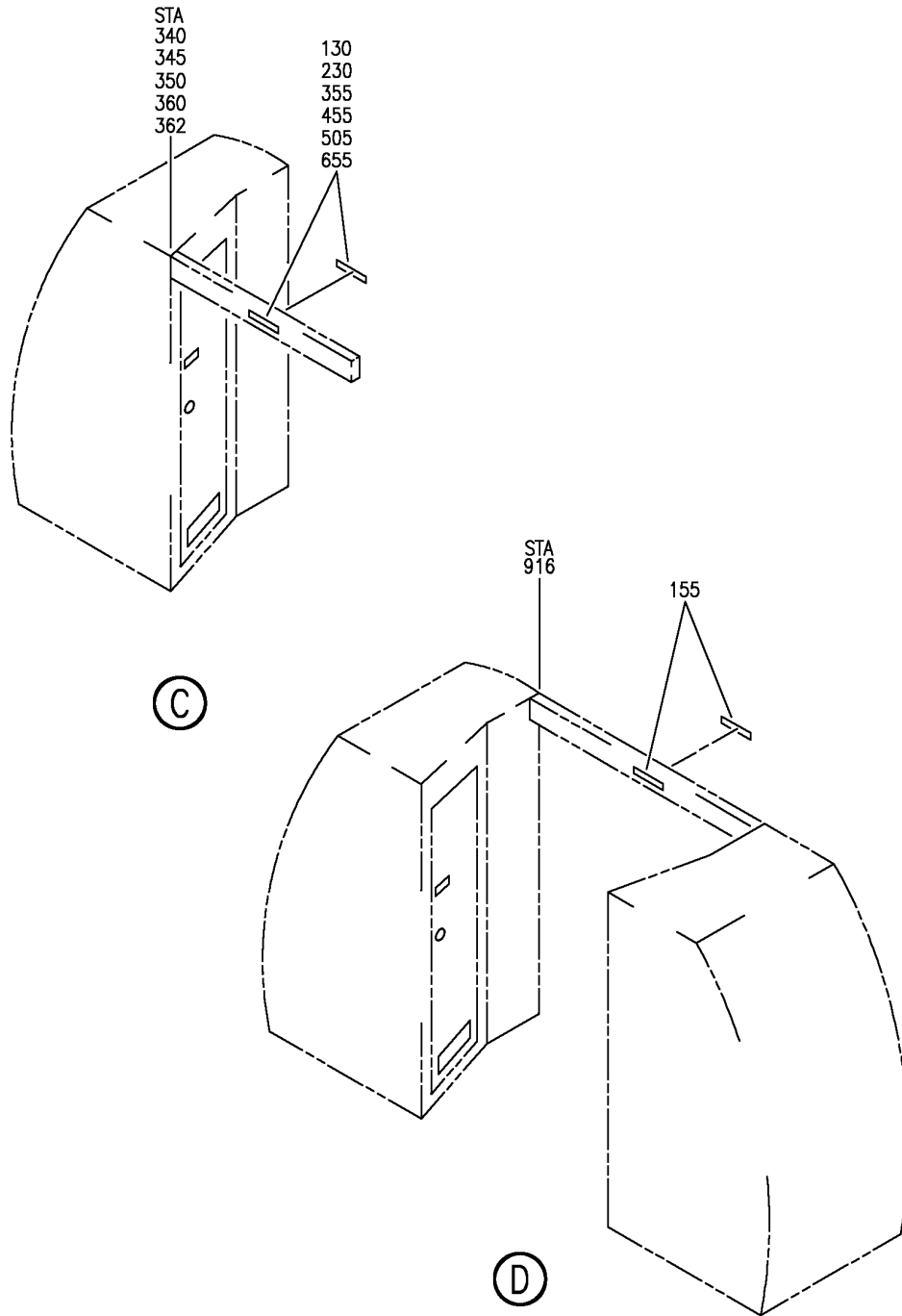
PLACARD INSTL-CAB. INTR CURTAINS
 FIGURE 81 (SHEET 1)

11-32-03-81

HAP
 JUN 15/08

11-32-03-81
 PAGE 0

BOEING
 737-600/700/800/900
 PARTS CATALOG (MAINTENANCE)



E 11320381 SH1 2 REV 140

PLACARD INSTL-CAB. INTR CURTAINS
 FIGURE 81 (SHEET 2)

11-32-03-81

HAP
 JUN 15/08

11-32-03-81
 PAGE 0A

BOEING
737-600/700/800/900
PARTS CATALOG (MAINTENANCE)

FIG ITEM	PART NUMBER	1 2 3 4 5 6 7	NOMENCLATURE	EFFECT FROM TO	UNITS PER ASSY
81			PLACARD INSTL-CAB. INTR CURTAINS	038038 042046 051052 054100	
- 150	MODREF265767		PLACARD INSTL-CAB. INTR CURTAINS MODULE NUMBER: 414A5106-45 REV B POSITION DATA: STA 916.00, BL 0.00, WL 288.00	038038 042045	1
- 150	MODREF369850		PLACARD INSTL-CAB. INTR CURTAINS MODULE NUMBER: 414A5106-45 REV C POSITION DATA: STA 916.00, BL 0.00, WL 288.00	046046 051052	1
155	BAC29PPS36214		.PLACARD- PLACARD CONTENT: FASTEN CURTAIN OPEN DURING TAXI, TAKEOFF AND LANDING	038038 042046 051052	2
- 225	MODREF233311		PLACARD INSTL-CAB. INTR CURTAINS MODULE NUMBER: 414A5106-50 REV B POSITION DATA: STA 350.00, BL 0.00 WL 284.00	054100	1
230	BAC29PPS36214		.PLACARD- PLACARD CONTENT: FASTEN CURTAIN OPEN DURING TAXI, TAKEOFF AND LANDING	054100	2

MISSING ITEM NUMBERS NOT APPLICABLE

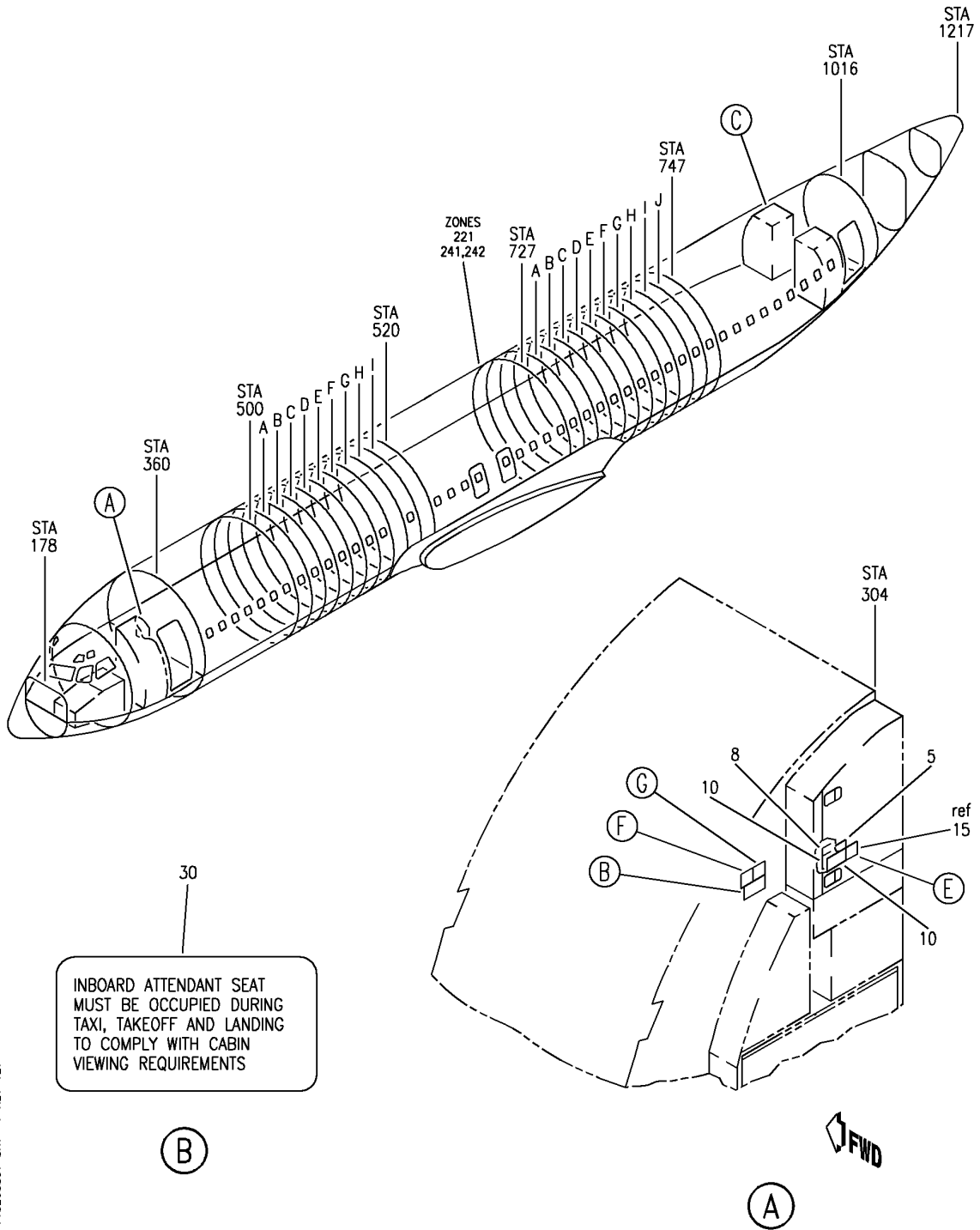
- ITEM NOT ILLUSTRATED

HAP

11-32-03-81

11-32-03
FIG. 81
PAGE 1
FEB 15/09

BOEING
 737-600/700/800/900
 PARTS CATALOG (MAINTENANCE)



E 11-32-03-83Y SHT 1 REV 127

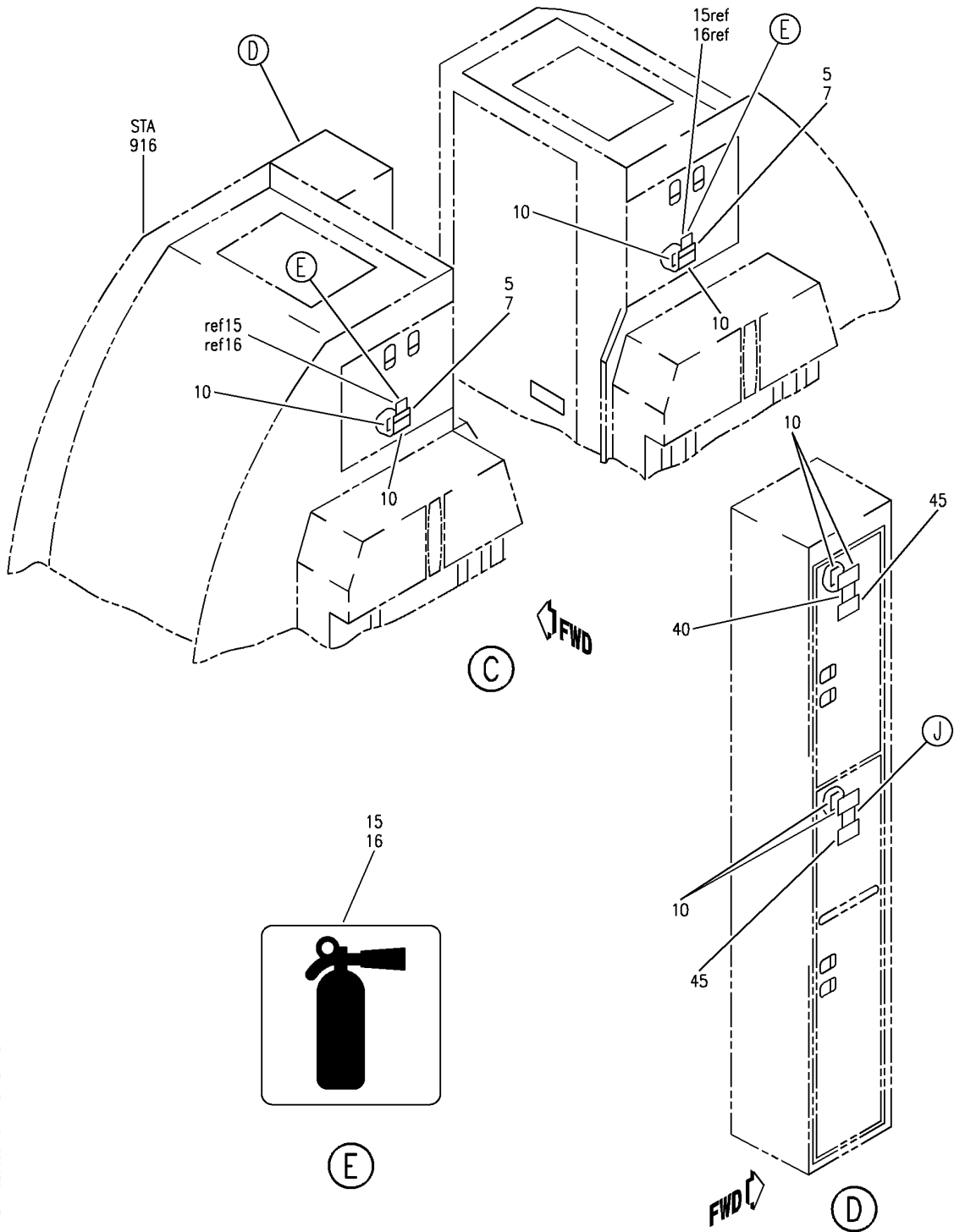
PLACARD INSTL-CAB. INTR MISC (INTERIOR DIVIDERS AND WALLS ONLY)
 FIGURE 83Y (SHEET 1)

11-32-03-83Y

HAP
 FEB 10/07

11-32-03-83Y
 PAGE 0

BOEING
 737-600/700/800/900
 PARTS CATALOG (MAINTENANCE)



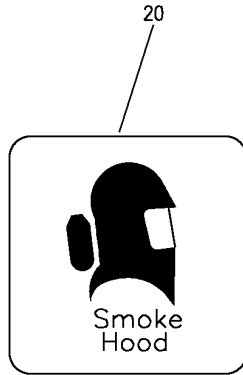
E 11320383Y SHT 2 REV 127

PLACARD INSTL-CAB. INTR MISC (INTERIOR DIVIDERS AND WALLS ONLY)
 FIGURE 83Y (SHEET 2)

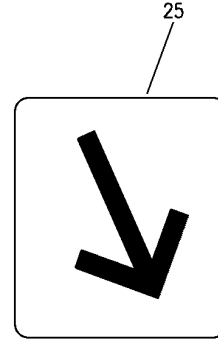
11-32-03-83Y

HAP
 FEB 10/07

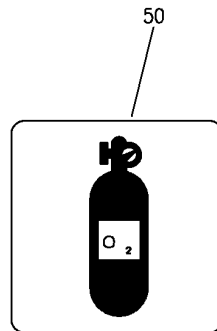
11-32-03-83Y
 PAGE 0A



F



G



J

E 11320383Y SHT 3 REV 117

PLACARD INSTL-CAB. INTR MISC (INTERIOR DIVIDERS AND WALLS ONLY)
FIGURE 83Y (SHEET 3)

HAP
OCT 10/06

11-32-03-83Y

11-32-03-83Y
PAGE 0B

BOEING
737-600/700/800/900
PARTS CATALOG (MAINTENANCE)

FIG ITEM	PART NUMBER	1 2 3 4 5 6 7	NOMENCLATURE	EFFECT FROM TO	UNITS PER ASSY
83Y			PLACARD INSTL-CAB. INTR MISC (INTERIOR DIVIDERS AND WALLS ONLY)	031037 039040	
- 1	MODREF323055		PLACARD INSTL-CAB. INTR MISC (INTERIOR DIVIDERS AND WALLS ONLY) MODULE NUMBER: 414A5150-404 REV E FOR ADDITIONAL DETAILS SEE: 11-32-04-83Y	037037	1
- 1	MODREF291568		PLACARD INSTL-CAB. INTR MISC (INTERIOR DIVIDERS AND WALLS ONLY) MODULE NUMBER: 414A5150-404 REV C FOR ADDITIONAL DETAILS SEE: 11-32-04-83Y	031031	1
- 1	MODREF295500		PLACARD INSTL-CAB. INTR MISC (INTERIOR DIVIDERS AND WALLS ONLY) MODULE NUMBER: 414A5150-404 REV D FOR ADDITIONAL DETAILS SEE: 11-32-04-83Y	032036	1
5	BAC29PPS38676		.PLACARD- PLACARD CONTENT: EMERGENCY EQUIPMENT ONLY	031036 039040	3
7	BAC29PPS38676		.PLACARD- PLACARD CONTENT: EMERGENCY EQUIPMENT ONLY	037037	2
8	BAC29PPS36219		.PLACARD- PLACARD CONTENT: LOAD LIMIT 16 LB/ 7 KG POST RAPID REVISION: RR97089-63B	037037	1
10	BAC29PPS36218		.PLACARD- PLACARD CONTENT: DOOR MUST BE CLOSED AND LATCHED DURING TAXI, TAKEOFF AND LANDING	031037	10
15	BAC29PPS36229		.PLACARD	031036 039040	3
16	BAC29PPS36229		.PLACARD	037037	2
20	BAC29PPS36232		.MARKER	031037	1
25	BAC29PPS36210		.PLACARD	031037	1
30	BAC29PPS36211		.PLACARD	031037	1
40	BAC29PPS50034		.MARKER- PLACARD CONTENT: OXYGEN MASKS	031037	1

MISSING ITEM NUMBERS NOT APPLICABLE

- ITEM NOT ILLUSTRATED

HAP

11-32-03-83Y

11-32-03
FIG. 83Y
PAGE 1
FEB 15/08

BOEING PROPRIETARY - Copyright © - Unpublished Work - See title page for details.


BOEING
 737-600/700/800/900
PARTS CATALOG (MAINTENANCE)

FIG ITEM	PART NUMBER	1 2 3 4 5 6 7	NOMENCLATURE	EFFECT FROM TO	UNITS PER ASSY
83Y					
45	BAC29PPS48516		.PLACARD-(MULTI-LANGUAGE) PLACARD CONTENT: EMERGENCY EQUIPMENT ONLY	031037	2
50	BAC29PPS36231		.PLACARD	031037	1

MISSING ITEM NUMBERS NOT APPLICABLE

— ITEM NOT ILLUSTRATED

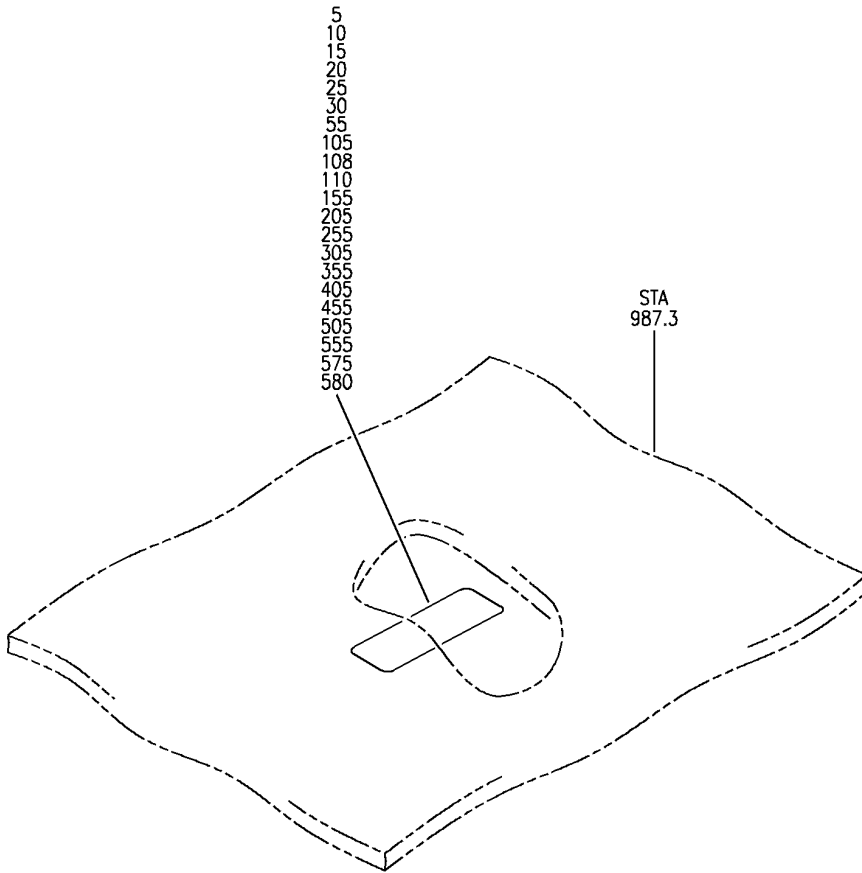
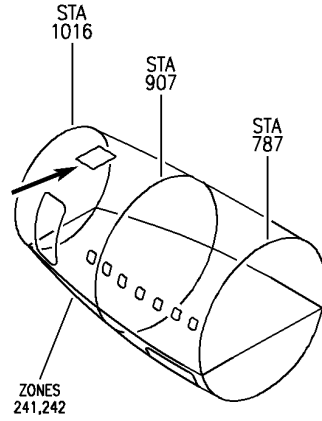
HAP

11-32-03-83Y

BOEING PROPRIETARY - Copyright © - Unpublished Work - See title page for details.

11-32-03
 FIG. 83Y
 PAGE 2
 JUN 10/07

BOEING
 737-600/700/800/900
 PARTS CATALOG (MAINTENANCE)



E 11320389 REV 119

PLACARD INSTL-CAB. INTR
 FIGURE 89

11-32-03-89

HAP
 JUN 10/07

11-32-03-89
 PAGE 0

BOEING
737-600/700/800/900
PARTS CATALOG (MAINTENANCE)

FIG ITEM	PART NUMBER	1 2 3 4 5 6 7	NOMENCLATURE	EFFECT FROM TO	UNITS PER ASSY
89			PLACARD INSTL-CAB. INTR	041041 054100	
- 2	MODREF185410		PLACARD INSTL-CAB. INTR MODULE NUMBER: 414A5119-23 REV B FOR ADDITIONAL DETAILS SEE: 11-32-01-61 11-32-04-09A	041041 054100	1
5	BAC29PPS36215		.PLACARD- PLACARD CONTENT: INTERPHONE	041041 054100	1

MISSING ITEM NUMBERS NOT APPLICABLE

- ITEM NOT ILLUSTRATED

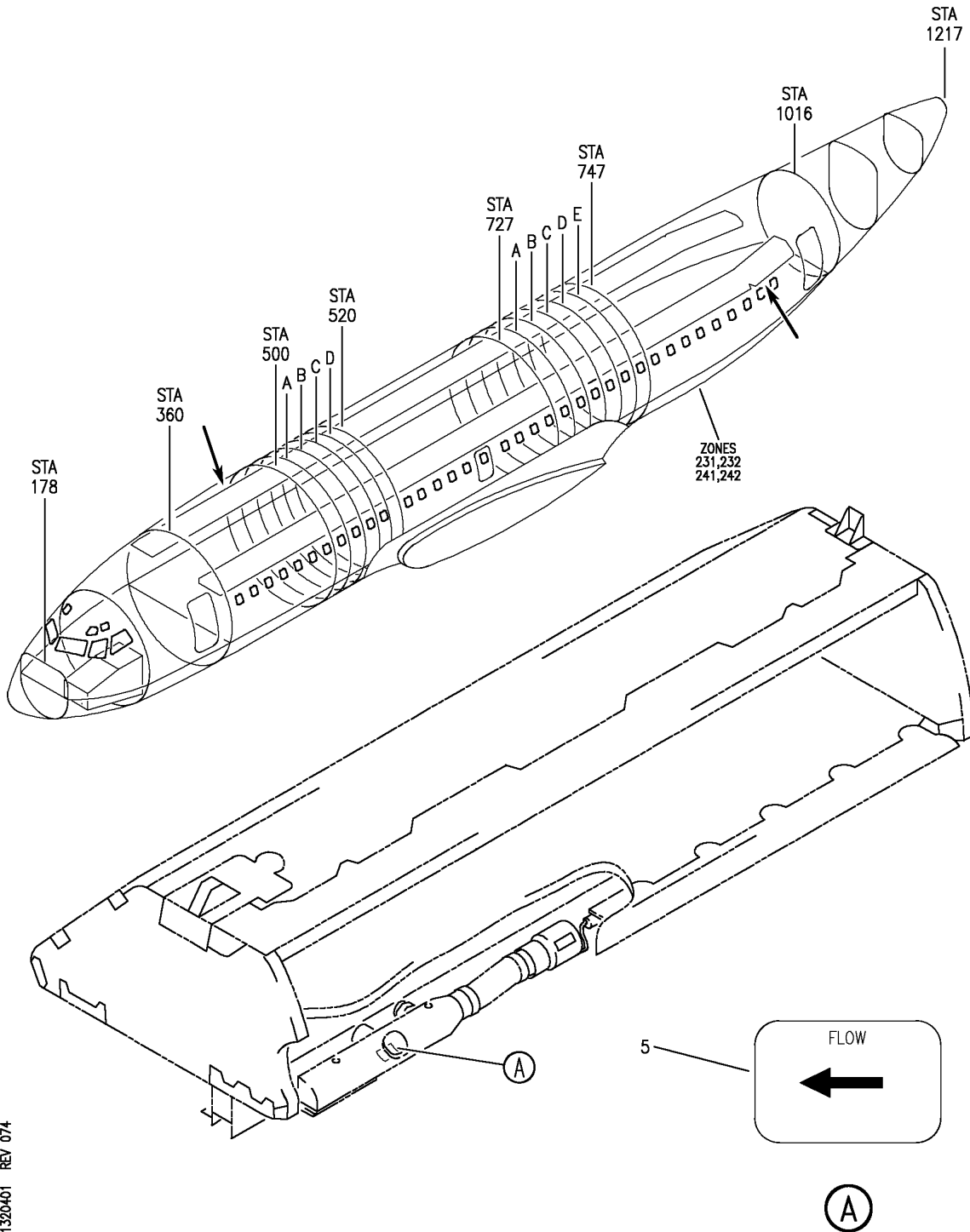
HAP

11-32-03-89

BOEING PROPRIETARY - Copyright © - Unpublished Work - See title page for details.

11-32-03
FIG. 89
PAGE 1
FEB 15/09

BOEING
 737-600/700/800/900
 PARTS CATALOG (MAINTENANCE)



E 11320401 REV 074

SENSOR ASSY-PASS. CAB. TEMP (PLACARDS AND MARKINGS ONLY)
 FIGURE 1

11-32-04-01

HAP
 JUN 10/07

11-32-04-01
 PAGE 0

BOEING
737-600/700/800/900
PARTS CATALOG (MAINTENANCE)

FIG ITEM	PART NUMBER	1 2 3 4 5 6 7	NOMENCLATURE	EFFECT FROM TO	UNITS PER ASSY
1			SENSOR ASSY-PASS. CAB. TEMP (PLACARDS AND MARKINGS ONLY)	101999	
- 1	213A4101-1		SENSOR ASSY-PASS. CAB. TEMP (PLACARDS AND MARKINGS ONLY) SUPPLIER CODE: V89954 FOR NHA/OTHER SYS DET SEE: 21-61-10-08 21-61-10-13 21-61-11-11 21-61-11-19	101999	RF
5	BAC27NEC0077		.MARKER	101999	1

MISSING ITEM NUMBERS NOT APPLICABLE

- ITEM NOT ILLUSTRATED

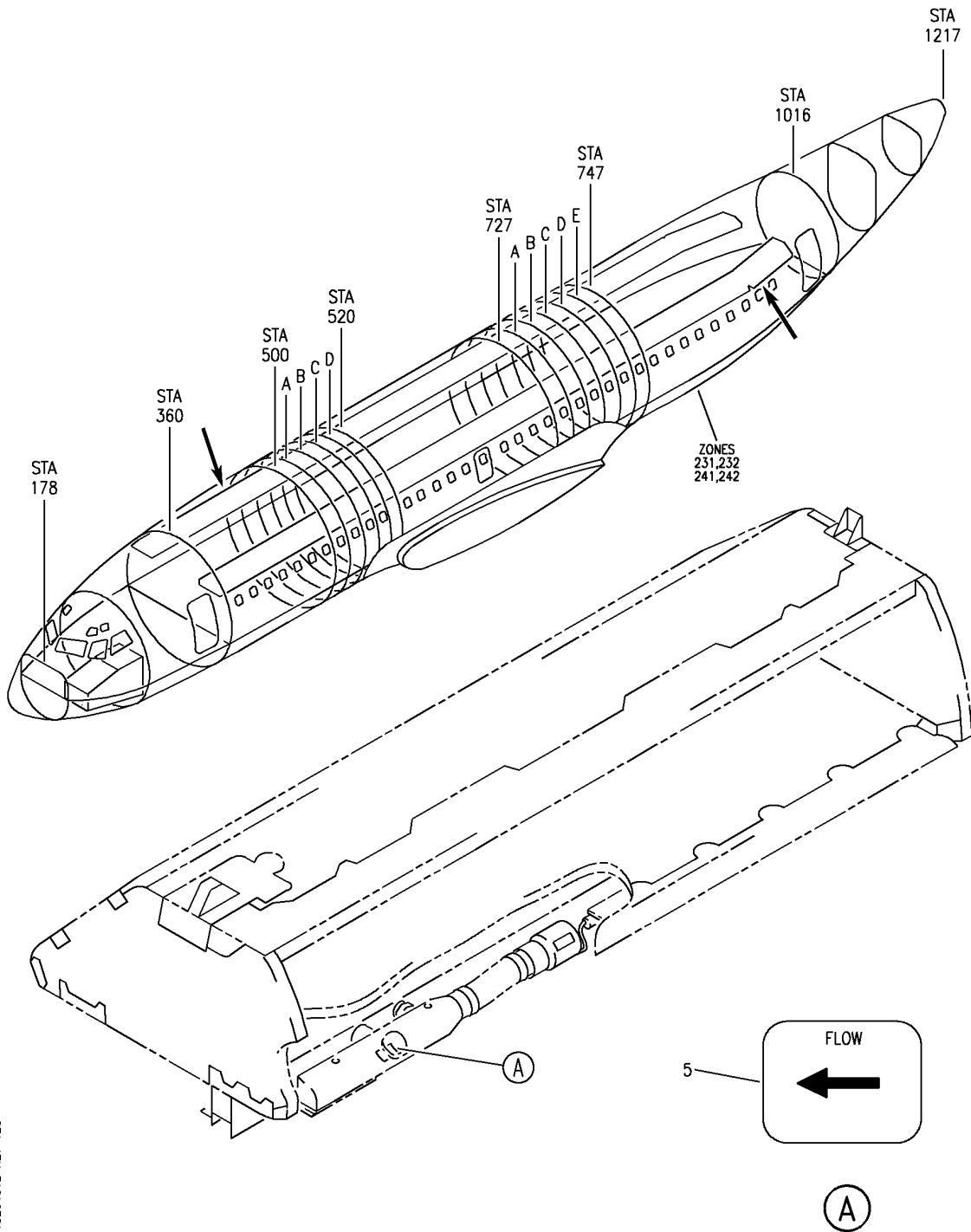
HAP

11-32-04-01

BOEING PROPRIETARY - Copyright © - Unpublished Work - See title page for details.

11-32-04
FIG. 01
PAGE 1
OCT 15/08

BOEING
 737-600/700/800/900
 PARTS CATALOG (MAINTENANCE)



E 11320401E REV 125

SENSOR ASSY-PASS. CAB. TEMP (PLACARDS AND MARKINGS ONLY)
 FIGURE 1E

11-32-04-01E

HAP
 FEB 10/07

11-32-04-01E
 PAGE 0

BOEING
737-600/700/800/900
PARTS CATALOG (MAINTENANCE)

FIG ITEM	PART NUMBER	1 2 3 4 5 6 7	NOMENCLATURE	EFFECT FROM TO	UNITS PER ASSY
1 E			SENSOR ASSY-PASS. CAB. TEMP (PLACARDS AND MARKINGS ONLY)	031100	
- 1	213A4101-12		SENSOR ASSY-PASS. CAB. TEMP (PLACARDS AND MARKINGS ONLY) SUPPLIER CODE: V89954 FOR NHA/OTHER SYS DET SEE: 21-61-10-13 21-61-10-14 21-61-11-19 21-61-11-20	031100	RF
5	BAC27NEC0077		.MARKER	031100	1

MISSING ITEM NUMBERS NOT APPLICABLE

- ITEM NOT ILLUSTRATED

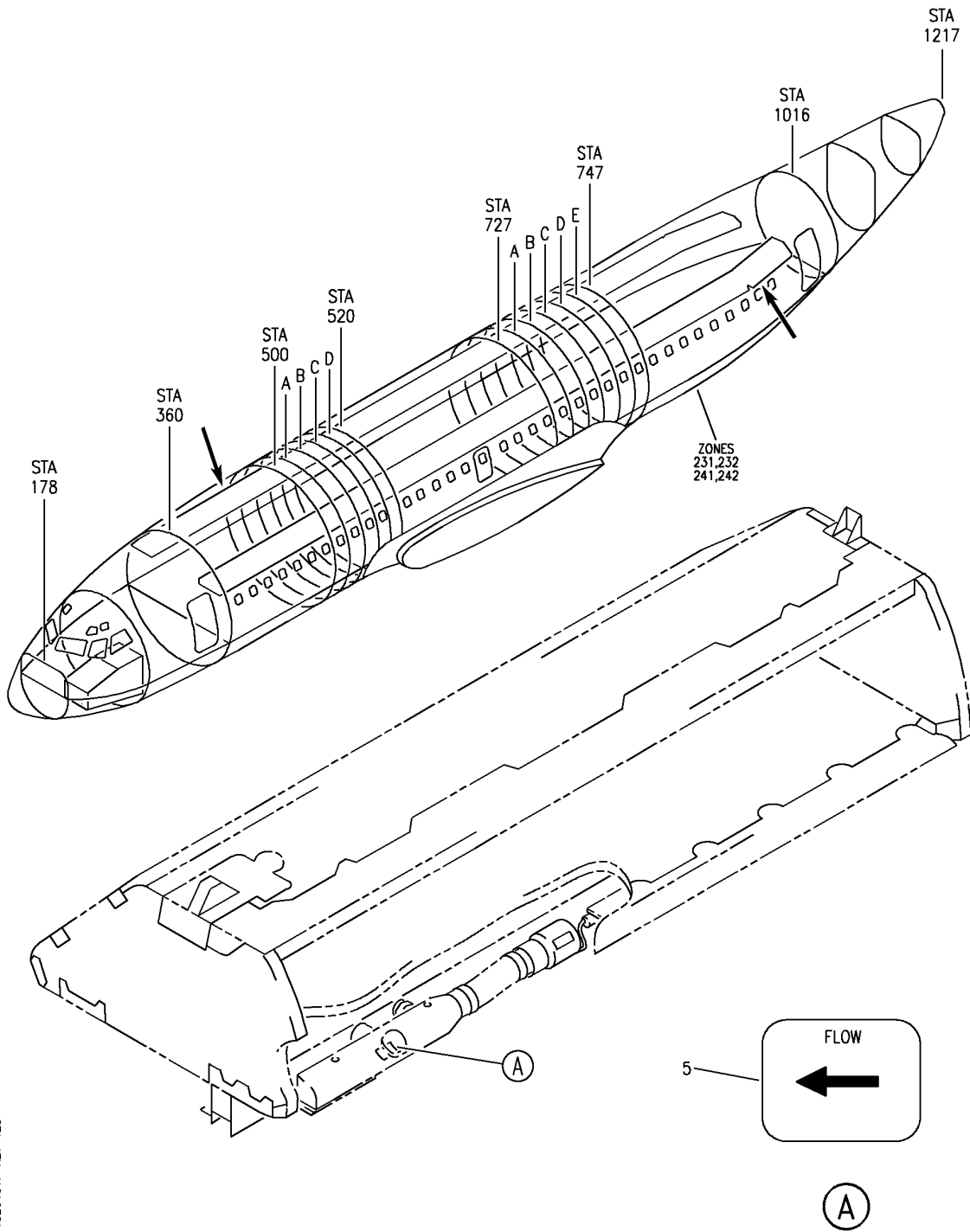
HAP

11-32-04-01E

BOEING PROPRIETARY - Copyright © - Unpublished Work - See title page for details.

11-32-04
FIG. 01E
PAGE 1
FEB 10/07

BOEING
 737-600/700/800/900
 PARTS CATALOG (MAINTENANCE)



E 11320401F REV 125

SENSOR ASSY-PASS. CAB. TEMP (PLACARDS AND MARKINGS ONLY)
 FIGURE 1F

11-32-04-01F

HAP
 FEB 10/07

11-32-04-01F
 PAGE 0

BOEING
737-600/700/800/900
PARTS CATALOG (MAINTENANCE)

FIG ITEM	PART NUMBER	1 2 3 4 5 6 7	NOMENCLATURE	EFFECT FROM TO	UNITS PER ASSY
1 F			SENSOR ASSY-PASS. CAB. TEMP (PLACARDS AND MARKINGS ONLY)	001030	
- 1	213A4101-13		SENSOR ASSY-PASS. CAB. TEMP (PLACARDS AND MARKINGS ONLY) SUPPLIER CODE: V89954 FOR NHA/OTHER SYS DET SEE: 21-61-10-05 21-61-10-11 21-61-11-12 21-61-11-17	001030	RF
5	BAC27NEC0077		.MARKER	001030	1

MISSING ITEM NUMBERS NOT APPLICABLE

- ITEM NOT ILLUSTRATED

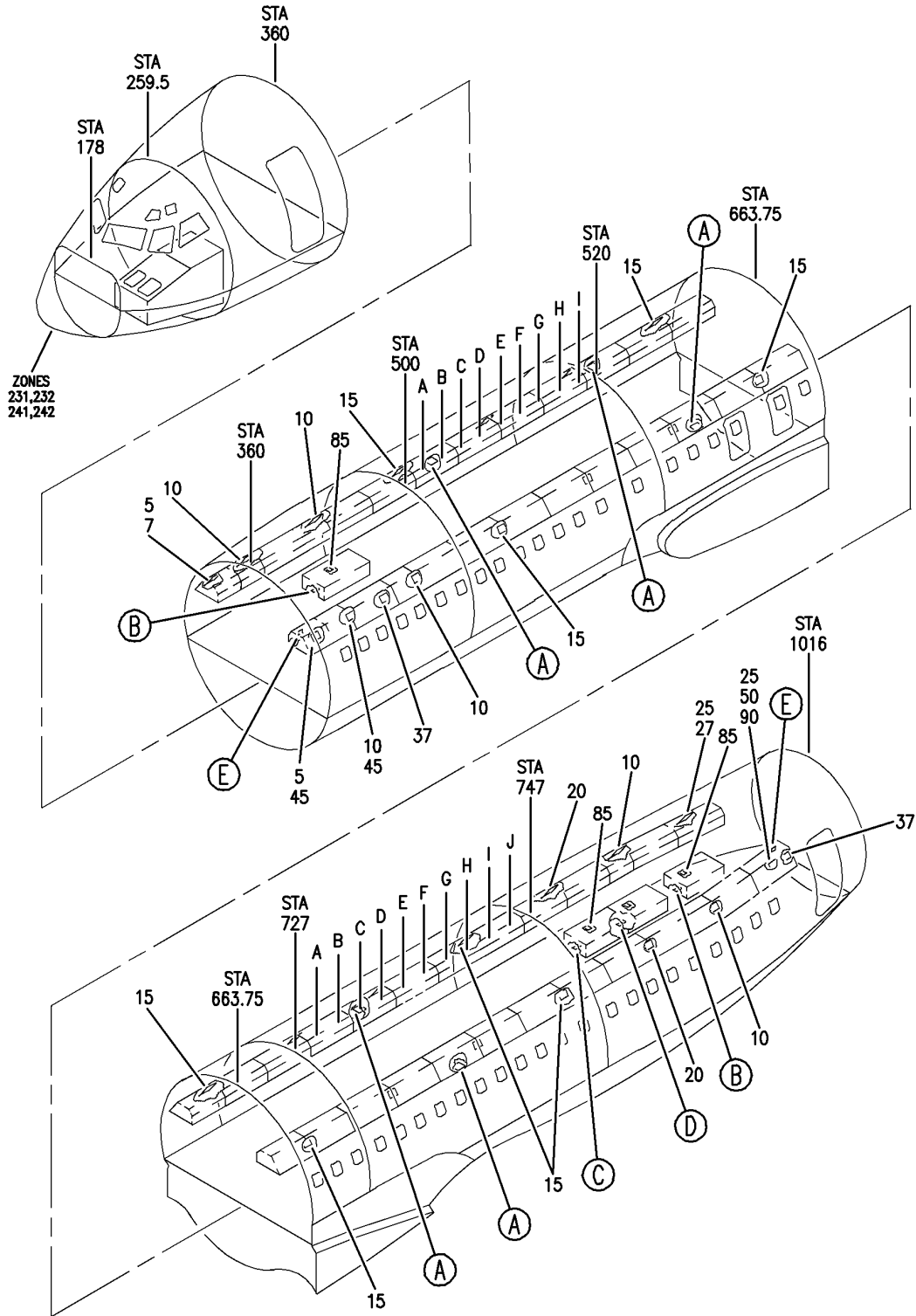
HAP

11-32-04-01F

BOEING PROPRIETARY - Copyright © - Unpublished Work - See title page for details.

11-32-04
FIG. 01F
PAGE 1
FEB 10/07


BOEING
 737-600/700/800/900
PARTS CATALOG (MAINTENANCE)



E 11320403 SHT 1 REV 051

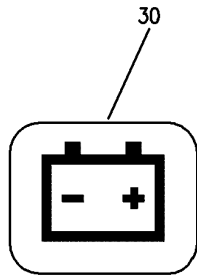
PLACARD INSTL-CAB. INTR (OVERHEAD STOWAGE BINS ONLY)
 FIGURE 3 (SHEET 1)

11-32-04-03

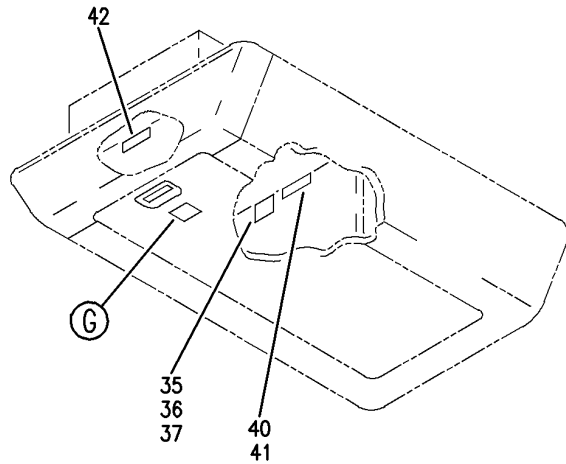
HAP
OCT 10/06

11-32-04-03
PAGE 0

BOEING
 737-600/700/800/900
 PARTS CATALOG (MAINTENANCE)



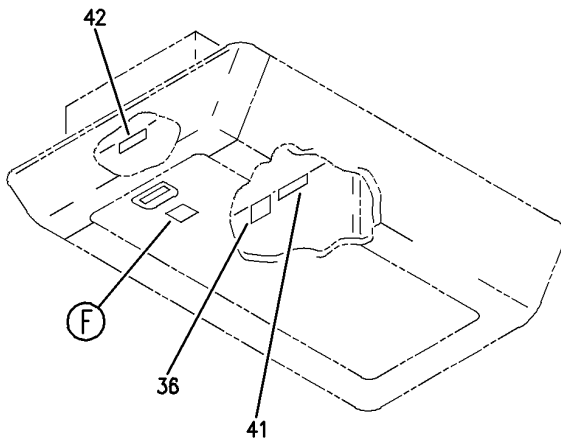
(A)



VIEW LOOKING UP



(B)



VIEW LOOKING UP



(C)

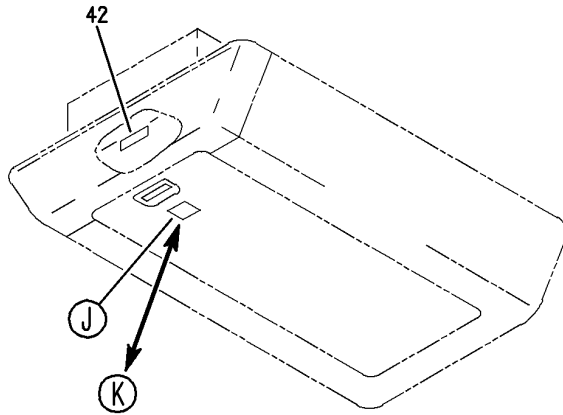
E 11320403 SHT 2 REV 046

PLACARD INSTL-CAB. INTR (OVERHEAD STOWAGE BINS ONLY)
 FIGURE 3 (SHEET 2)

11-32-04-03

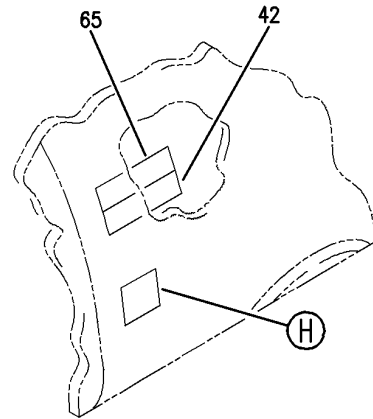
HAP
 OCT 10/06

11-32-04-03
 PAGE 0A

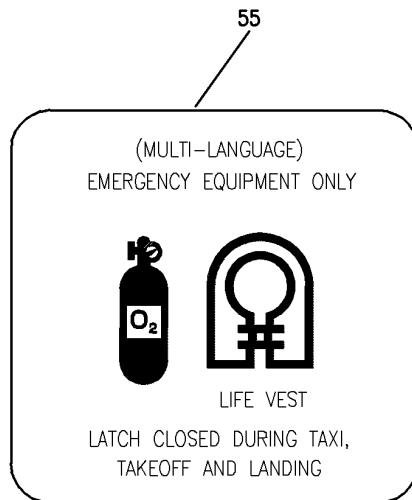


VIEW LOOKING UP

(D)



(E)



(F)

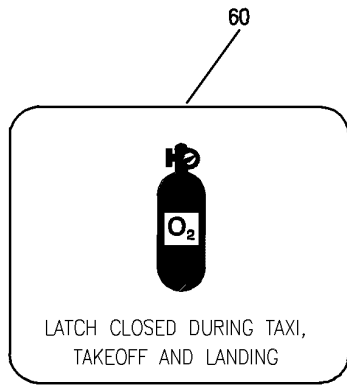
E 11320403 SH1 3 REV 046

PLACARD INSTL-CAB. INTR (OVERHEAD STOWAGE BINS ONLY)
 FIGURE 3 (SHEET 3)

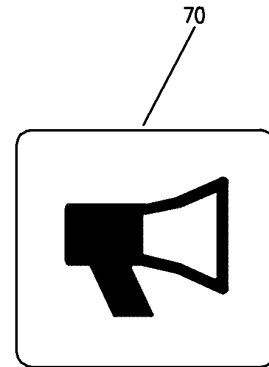
11-32-04-03

HAP
 OCT 10/06

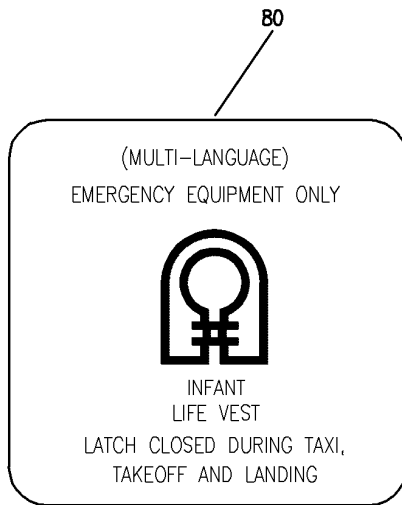
11-32-04-03
 PAGE 0B



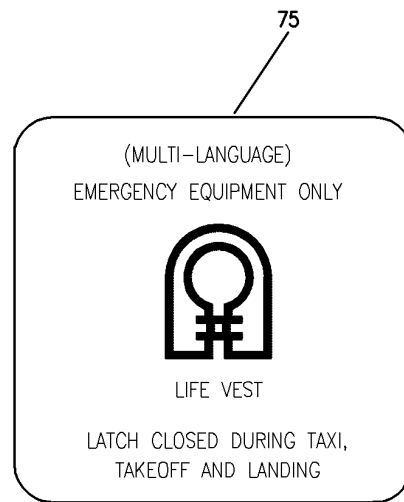
(G)



(H)



(K)



(J)

E 11320403 SH1 4 REV 046

PLACARD INSTL-CAB. INTR (OVERHEAD STOWAGE BINS ONLY)
 FIGURE 3 (SHEET 4)

11-32-04-03

HAP
 OCT 10/06

11-32-04-03
 PAGE 0C

BOEING
737-600/700/800/900
PARTS CATALOG (MAINTENANCE)

FIG ITEM	PART NUMBER	1 2 3 4 5 6 7	NOMENCLATURE	EFFECT FROM TO	UNITS PER ASSY
3			PLACARD INSTL-CAB. INTR (OVERHEAD STOWAGE BINS ONLY)	001030	
- 1	414A5103-1		PLACARD INSTL-CAB. INTR (OVERHEAD STOWAGE BINS ONLY) FOR NHA/OTHER SYS DET SEE: 11-30-00-01C	001007	RF
- 1	414A5103-27		PLACARD INSTL-CAB. INTR (OVERHEAD STOWAGE BINS ONLY) FOR NHA/OTHER SYS DET SEE: 11-30-00-01C	008009	RF
- 1	414A5103-39		PLACARD INSTL-CAB. INTR (OVERHEAD STOWAGE BINS ONLY) FOR NHA/OTHER SYS DET SEE: 11-30-00-01C	010011	RF
- 1	414A5103-52		PLACARD INSTL-CAB. INTR (OVERHEAD STOWAGE BINS ONLY) FOR NHA/OTHER SYS DET SEE: 11-30-00-01C	012019	RF
- 1	414A5103-74		PLACARD INSTL-CAB. INTR (OVERHEAD STOWAGE BINS ONLY) FOR NHA/OTHER SYS DET SEE: 11-30-00-01C	020030	RF
5	BAC29PPS31391		.PLACARD- PLACARD CONTENT: LATCH CLOSED LOAD LIMIT 22 KG/50 LB	001011	2
7	BAC29PPS31391		.PLACARD- PLACARD CONTENT: LATCH CLOSED LOAD LIMIT 22 KG/50 LB	012030	1
10	BAC29PPS31552		.PLACARD- PLACARD CONTENT: LATCH CLOSED LOAD LIMIT 54 KG/120 LB	001030	6
15	BAC29PPS31553		.PLACARD- PLACARD CONTENT: LATCH CLOSED LOAD LIMIT 72 KG/160 LB	001030	16
20	BAC29PPS31393		.PLACARD- PLACARD CONTENT: LATCH CLOSED LOAD LIMIT 63 KG/140 LB	001030	2

MISSING ITEM NUMBERS NOT APPLICABLE

- ITEM NOT ILLUSTRATED

HAP

11-32-04-03

11-32-04
FIG. 03
PAGE 1
OCT 10/06

BOEING
737-600/700/800/900
PARTS CATALOG (MAINTENANCE)

FIG ITEM	PART NUMBER	1 2 3 4 5 6 7	NOMENCLATURE	EFFECT FROM TO	UNITS PER ASSY
3					
25	BAC29PPS31392	.	PLACARD- PLACARD CONTENT: LATCH CLOSED LOAD LIMIT 28 KG/62 LB	001011	2
27	BAC29PPS31392	.	PLACARD- PLACARD CONTENT: LATCH CLOSED LOAD LIMIT 28 KG/62 LB	012030	1
30	BAC29PPS29717	.	MARKER	001030	5
35	BAC29PPS30457	.	PLACARD-(MULTI-LANGUAGE) PLACARD CONTENT: EMERGENCY EQUIPMENT ONLY	001011	2
36	BAC29PPS30457	.	PLACARD-(MULTI-LANGUAGE) PLACARD CONTENT: EMERGENCY EQUIPMENT ONLY	012030	3
40	BAC29PPS36630	.	MARKER- PLACARD CONTENT: NO STOWAGE BEHIND DIVIDER	001011	2
41	BAC29PPS36630	.	MARKER- PLACARD CONTENT: NO STOWAGE BEHIND DIVIDER	012030	3
42	BAC29PPS3058	.	PLACARD- PLACARD CONTENT: LATCH CLOSED	012030	6
55	BAC29PPS32821	.	MARKER-(MULTI-LANGUAGE)	001030	1
60	BAC29PPS36545	.	MARKER	001030	2
65	BAC29PPS20877	.	MARKER-(MULTI-LANGUAGE) PLACARD CONTENT: SOFT ARTICLES ONLY	001030	2
70	BAC29UPPS0134	.	MARKER	001030	2
75	BAC29PPS32823	.	MARKER-MULTI-LANGUAGE	001030	1
85	BAC29PPS23502	.	DECAL- PLACARD CONTENT: DOOR MUST BE CLOSED AND LATCHED DURING TAXI, TAKEOFF AND LANDING	020030	4
90	BAC29PPS34742	.	PLACARD- PLACARD CONTENT: LATCH CLOSED LOAD LIMIT 15 KG/34 LB	012030	1

MISSING ITEM NUMBERS NOT APPLICABLE

— ITEM NOT ILLUSTRATED

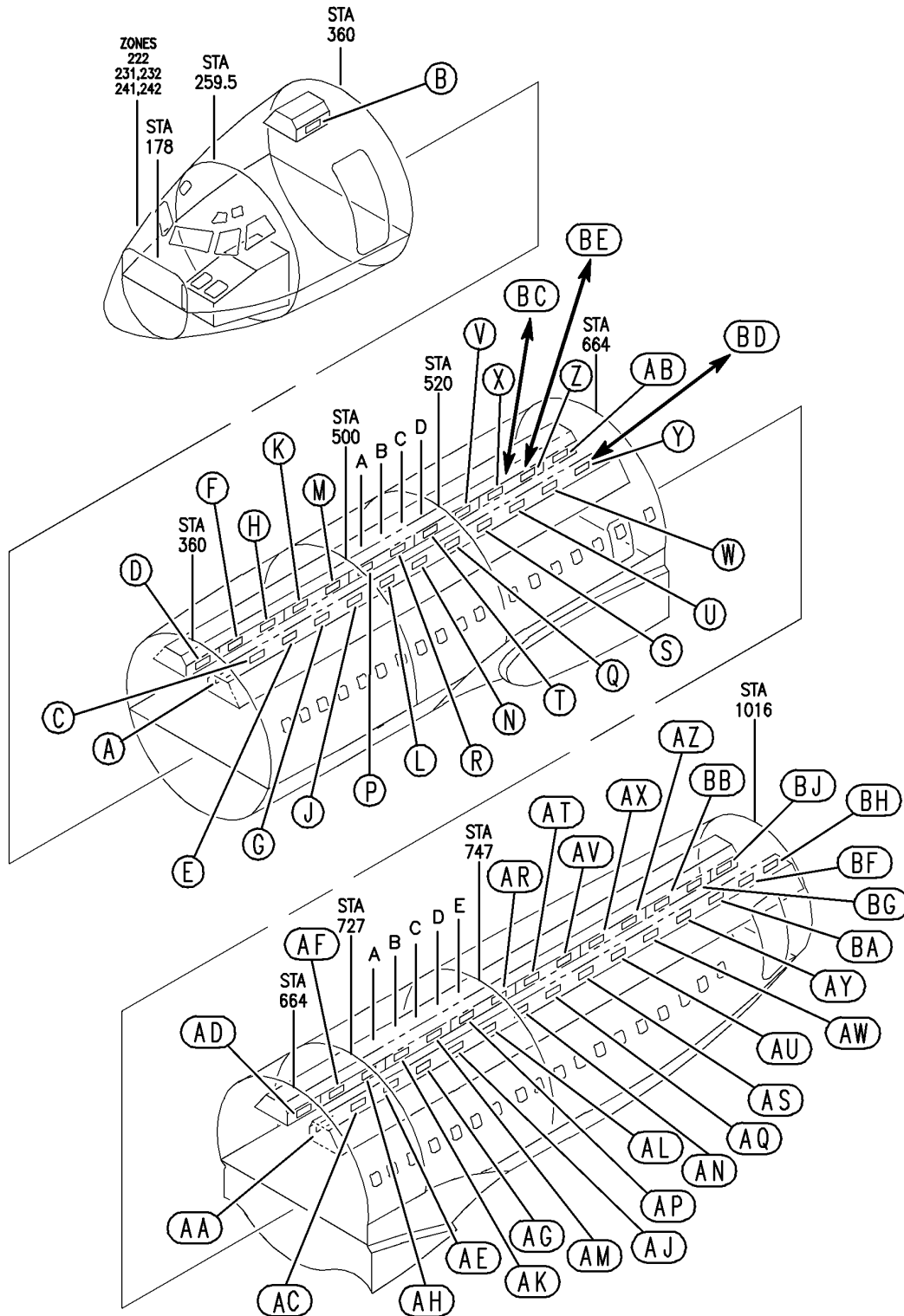
HAP

11-32-04-03

BOEING PROPRIETARY - Copyright © - Unpublished Work - See title page for details.

11-32-04
FIG. 03
PAGE 2
OCT 10/06

BOEING
 737-600/700/800/900
 PARTS CATALOG (MAINTENANCE)



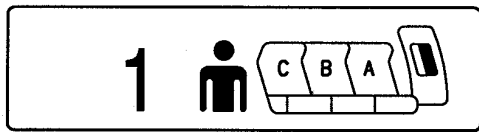
E 11320405A SHT 1 REV 069

PLACARD AND MARKER INSTL CAB. INTR, SEAT ROW MARKERS
 FIGURE 5A (SHEET 1)

11-32-04-05A

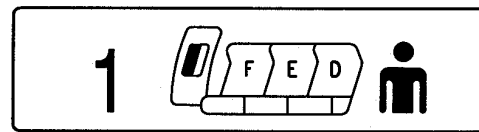
HAP
 JUN 10/07

11-32-04-05A
 PAGE 0



(A)

5



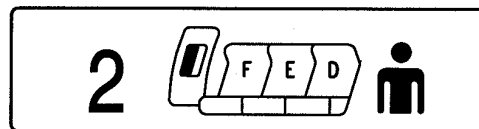
(B)

10



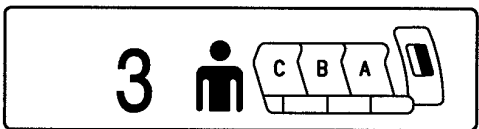
(C)

15



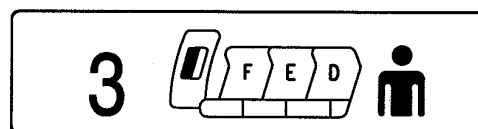
(D)

20



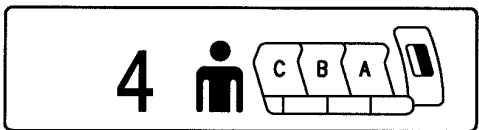
(E)

25



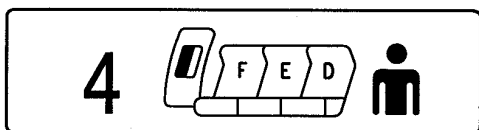
(F)

30



(G)

35



(H)

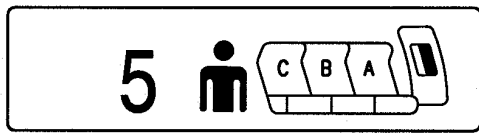
40

E 11320405A SH1 2 REV 036

PLACARD AND MARKER INSTL CAB. INTR, SEAT ROW MARKERS
 FIGURE 5A (SHEET 2)

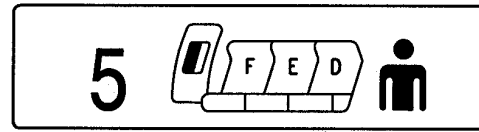
11-32-04-05A

BOEING
737-600/700/800/900
PARTS CATALOG (MAINTENANCE)



(J)

45



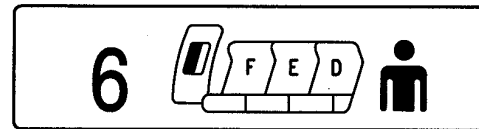
(K)

50



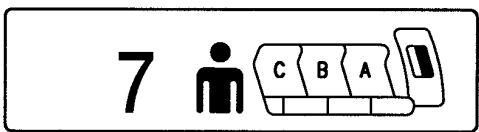
(L)

55



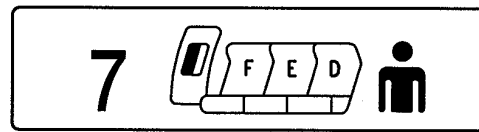
(M)

60



(N)

65



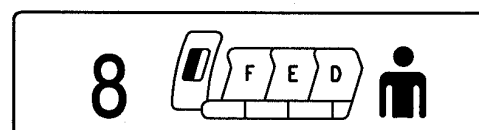
(P)

70



(Q)

75



(R)

80

E 11320405A SHT 3 REV 036

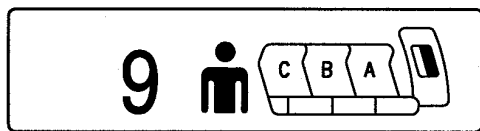
PLACARD AND MARKER INSTL CAB. INTR, SEAT ROW MARKERS
FIGURE 5A (SHEET 3)

11-32-04-05A

HAP
JUN 10/07

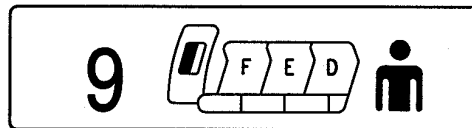
11-32-04-05A
PAGE 0B

BOEING
737-600/700/800/900
PARTS CATALOG (MAINTENANCE)



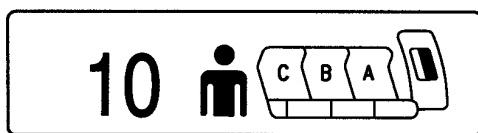
(S)

85



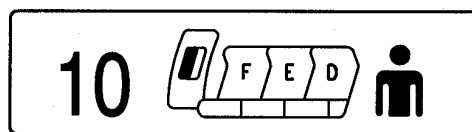
(T)

90



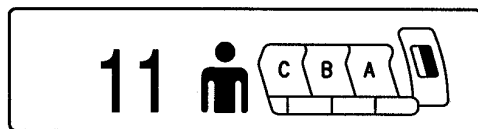
(U)

95



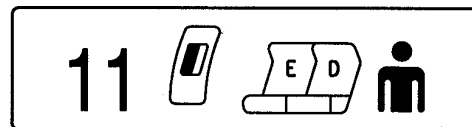
(V)

100



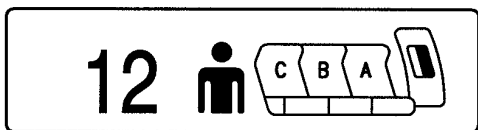
(W)

105



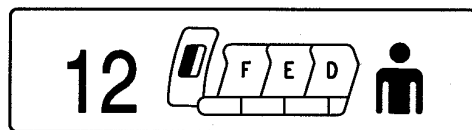
(X)

107



(Y)

110



(Z)

115

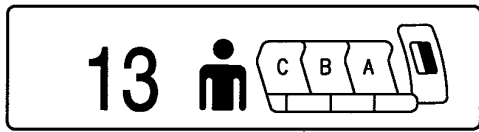
E 11320405A SH1 4 REV 036

PLACARD AND MARKER INSTL CAB. INTR, SEAT ROW MARKERS
FIGURE 5A (SHEET 4)

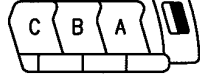
11-32-04-05A

HAP
JUN 10/07

11-32-04-05A
PAGE 0C

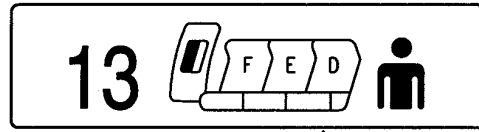


13



120

AA



13

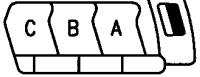


125

AB

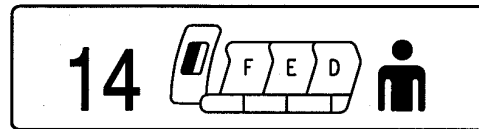


14



130

AC

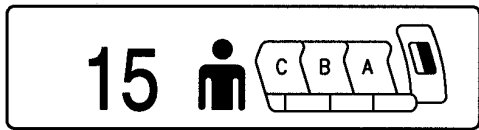


14

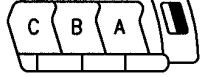


135

AD



15

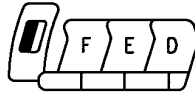


140

AE

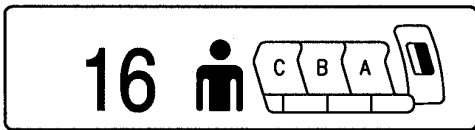


15

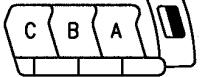


145

AF

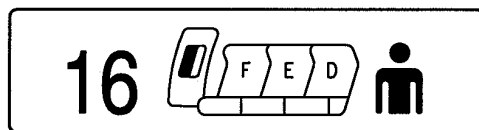


16



150

AG



16



155

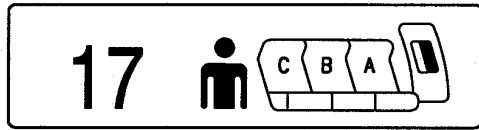
AH

E 11320405A SHT 5 REV 036

PLACARD AND MARKER INSTL CAB. INTR, SEAT ROW MARKERS
 FIGURE 5A (SHEET 5)

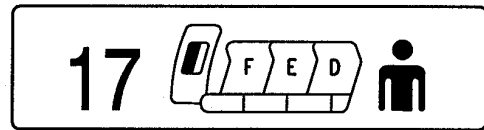
11-32-04-05A

BOEING
737-600/700/800/900
PARTS CATALOG (MAINTENANCE)



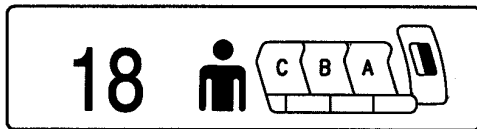
(AJ)

160



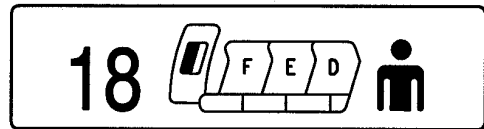
(AK)

165



(AL)

170



(AM)

175



(AN)

180



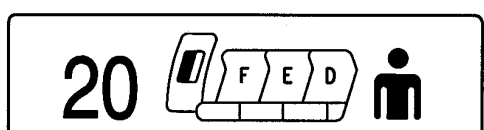
(AP)

185



(AQ)

190



(AR)

195

E 11320405A SHT 6 REV 036

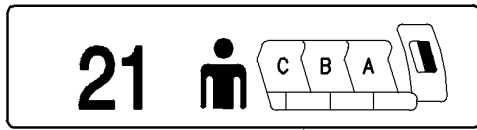
PLACARD AND MARKER INSTL CAB. INTR, SEAT ROW MARKERS
FIGURE 5A (SHEET 6)

11-32-04-05A

HAP
JUN 10/07

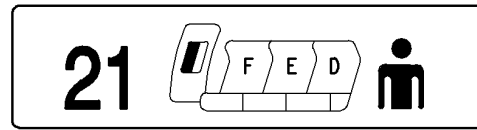
11-32-04-05A
PAGE 0E

BOEING
737-600/700/800/900
PARTS CATALOG (MAINTENANCE)



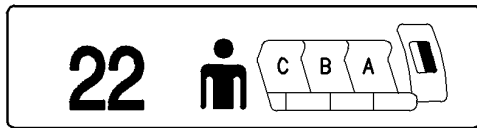
AS

200



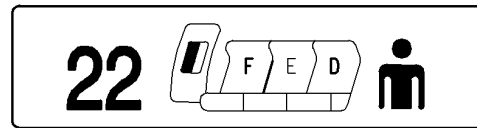
AT

205



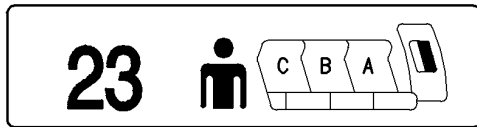
AU

210



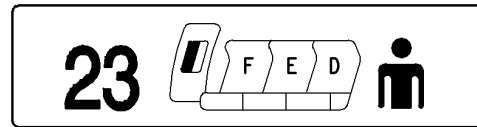
AV

215



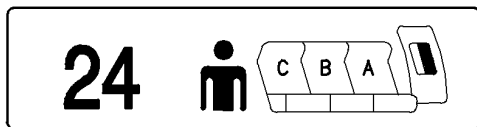
AW

220



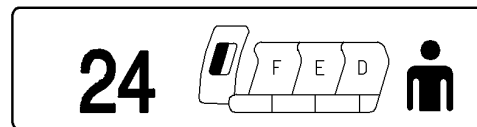
AX

225



AY

230



AZ

225

E 11320405A SHT 7 REV 052

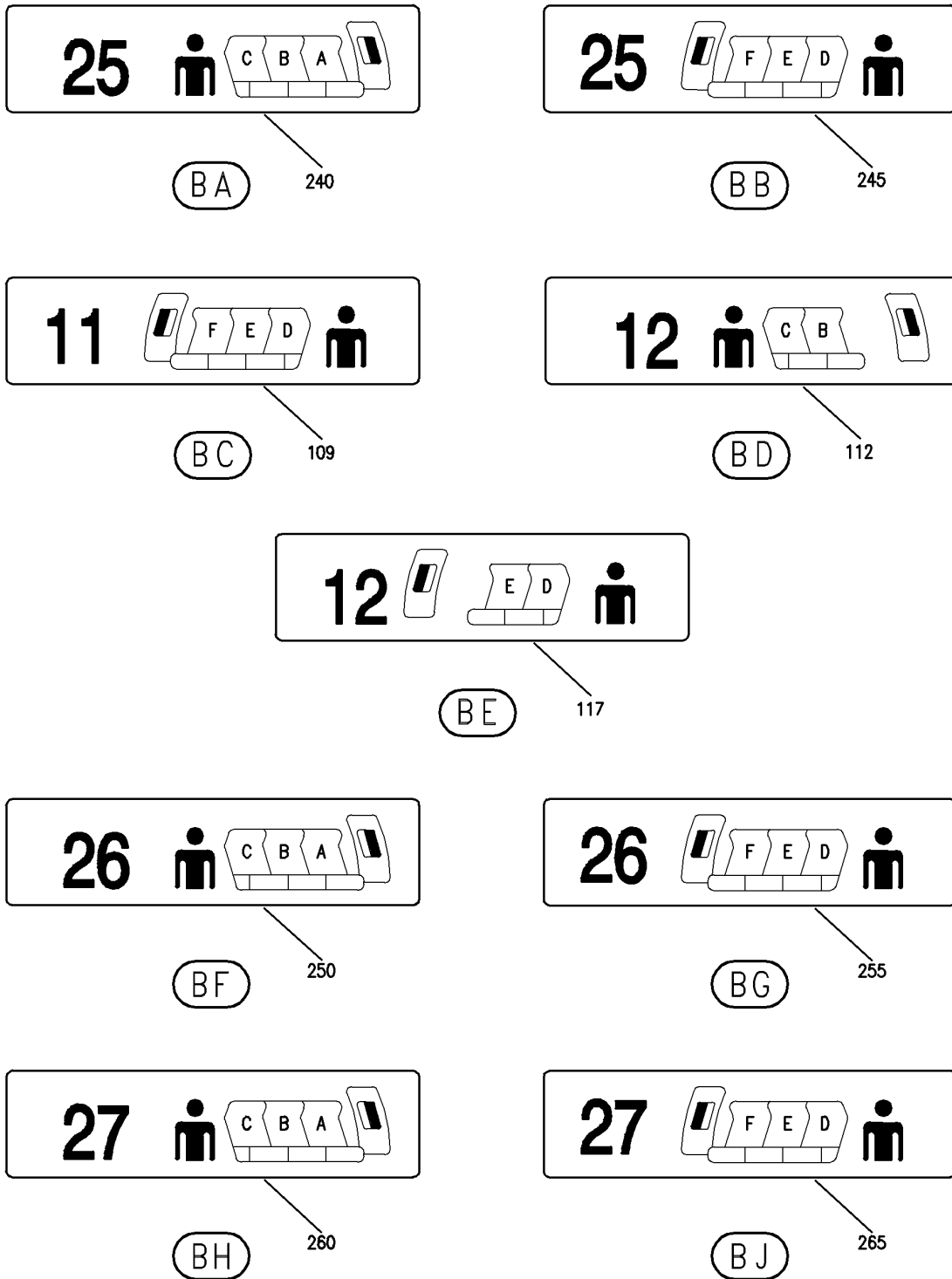
PLACARD AND MARKER INSTL CAB. INTR, SEAT ROW MARKERS
FIGURE 5A (SHEET 7)

11-32-04-05A

HAP
JUN 10/07

11-32-04-05A
PAGE OF

BOEING
737-600/700/800/900
PARTS CATALOG (MAINTENANCE)



E 11320405A SHT 8 REV 069

PLACARD AND MARKER INSTL CAB. INTR, SEAT ROW MARKERS
FIGURE 5A (SHEET 8)

11-32-04-05A

HAP JUN 10/07

11-32-04-05A
PAGE 0G

BOEING
737-600/700/800/900
PARTS CATALOG (MAINTENANCE)

FIG ITEM	PART NUMBER	1 2 3 4 5 6 7	NOMENCLATURE	EFFECT FROM TO	UNITS PER ASSY
5A			PLACARD AND MARKER INSTL CAB. INTR, SEAT ROW MARKERS	101200 968999	
- 1	MODREF197579		PLACARD INSTL-CAB. INTR SEAT ROW MARKERS MODULE NUMBER: 414A5122-134 REV A	101200 968999	1
5	BAC29PPS29258		.MARKER	101200 968999	1
10	BAC29PPS29259		.MARKER-	101200 968999	1
15	BAC29PPS29260		.MARKER	101200 968999	1
20	BAC29PPS29261		.MARKER	101200 968999	1
25	BAC29PPS29262		.MARKER	101200 968999	1
30	BAC29PPS29263		.MARKER	101200 968999	1
35	BAC29PPS29264		.MARKER	101200 968999	1
40	BAC29PPS29265		.MARKER	101200 968999	1
45	BAC29PPS29266		.MARKER	101200 968999	1
50	BAC29PPS29267		.MARKER	101200 968999	1
55	BAC29PPS29268		.MARKER	101200 968999	1
60	BAC29PPS29269		.MARKER	101200 968999	1
65	BAC29PPS29270		.MARKER	101200 968999	1
70	BAC29PPS29271		.MARKER	101200 968999	1
75	BAC29PPS29272		.MARKER	101200 968999	1
80	BAC29PPS29273		.MARKER	101200 968999	1
85	BAC29PPS29274		.MARKER	101200 968999	1
90	BAC29PPS29275		.MARKER	101200 968999	1
95	BAC29PPS29276		.MARKER	101200 968999	1
100	BAC29PPS29277		.MARKER	101200 968999	1
105	BAC29PPS29278		.MARKER	101200 968999	1

MISSING ITEM NUMBERS NOT APPLICABLE

- ITEM NOT ILLUSTRATED

HAP

11-32-04-05A

BOEING PROPRIETARY - Copyright © - Unpublished Work - See title page for details.

11-32-04
FIG. 05A
PAGE 1
FEB 15/09

BOEING
737-600/700/800/900
PARTS CATALOG (MAINTENANCE)

FIG ITEM	PART NUMBER	1 2 3 4 5 6 7	NOMENCLATURE	EFFECT FROM TO	UNITS PER ASSY
5A					
109	BAC29PPS29279	.	MARKER	101200 968999	1
112	BAC29PPS29364	.	MARKER-	101200 968999	1
117	BAC29PPS29365	.	MARKER-	101200 968999	1
120	BAC29PPS29282	.	MARKER	101200 968999	1
125	BAC29PPS29283	.	MARKER	101200 968999	1
130	BAC29PPS29284	.	MARKER	101200 968999	1
135	BAC29PPS29285	.	MARKER	101200 968999	1
140	BAC29PPS29286	.	MARKER	101200 968999	1
145	BAC29PPS29287	.	MARKER	101200 968999	1
150	BAC29PPS29288	.	MARKER	101200 968999	1
155	BAC29PPS29289	.	MARKER	101200 968999	1
160	BAC29PPS29290	.	MARKER	101200 968999	1
165	BAC29PPS29291	.	MARKER	101200 968999	1
170	BAC29PPS29292	.	MARKER	101200 968999	1
175	BAC29PPS29293	.	MARKER	101200 968999	1
180	BAC29PPS29294	.	MARKER	101200 968999	1
185	BAC29PPS29295	.	MARKER	101200 968999	1
190	BAC29PPS29296	.	MARKER	101200 968999	1
195	BAC29PPS29297	.	MARKER	101200 968999	1
200	BAC29PPS29298	.	MARKER	101200 968999	1
205	BAC29PPS29299	.	MARKER	101200 968999	1
210	BAC29PPS29300	.	MARKER	101200 968999	1
215	BAC29PPS29301	.	MARKER	101200 968999	1
220	BAC29PPS29302	.	MARKER	101200 968999	1

MISSING ITEM NUMBERS NOT APPLICABLE

- ITEM NOT ILLUSTRATED

HAP

11-32-04-05A

BOEING PROPRIETARY - Copyright © - Unpublished Work - See title page for details.

11-32-04
FIG. 05A
PAGE 2
FEB 15/09

BOEING
737-600/700/800/900
PARTS CATALOG (MAINTENANCE)

FIG ITEM	PART NUMBER	1 2 3 4 5 6 7	NOMENCLATURE	EFFECT FROM TO	UNITS PER ASSY
5A					
225	BAC29PPS29303	.	MARKER	101200 968999	1
230	BAC29PPS29304	.	MARKER	101200 968999	1
235	BAC29PPS29305	.	MARKER	101200 968999	1
240	BAC29PPS29306	.	MARKER-	101200 968999	1
245	BAC29PPS29307	.	MARKER-	101200 968999	1
MISSING ITEM NUMBERS NOT APPLICABLE					

- ITEM NOT ILLUSTRATED

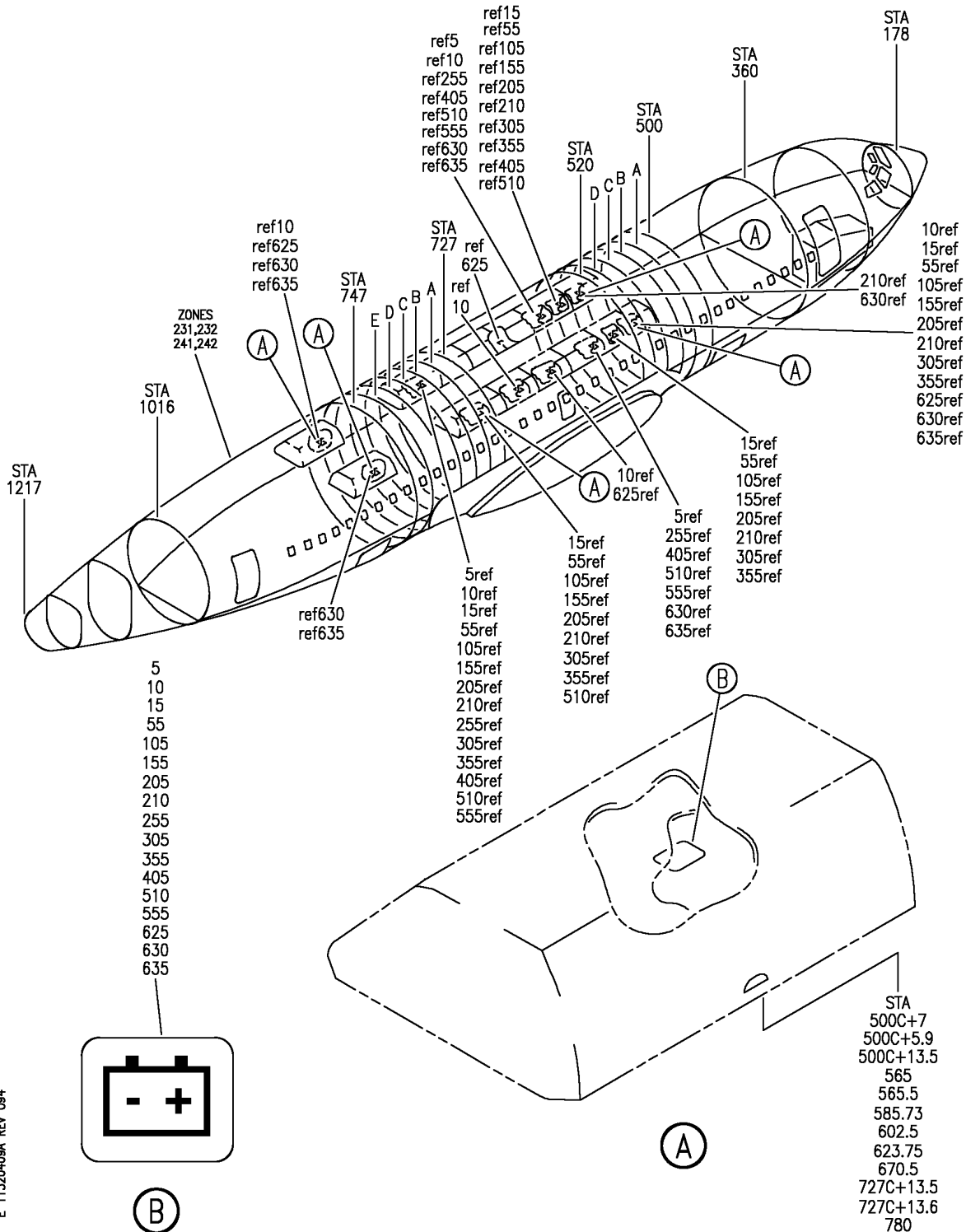
HAP

11-32-04-05A

BOEING PROPRIETARY - Copyright © - Unpublished Work - See title page for details.

11-32-04
FIG. 05A
PAGE 3
FEB 15/09

BOEING
 737-600/700/800/900
 PARTS CATALOG (MAINTENANCE)



E 11320409A REV 094

PLACARD INSTL-CAB. INTR
 FIGURE 9A

11-32-04-09A

HAP
 JUN 10/07

11-32-04-09A
 PAGE 0

BOEING
737-600/700/800/900
PARTS CATALOG (MAINTENANCE)

FIG ITEM	PART NUMBER	1 2 3 4 5 6 7	NOMENCLATURE	EFFECT FROM TO	UNITS PER ASSY
9A			PLACARD INSTL-CAB. INTR	041041 047100	
- 200	MODREF185410		PLACARD INSTL-CAB. INTR MODULE NUMBER: 414A5119-23 REV B FOR ADDITIONAL DETAILS SEE: 11-32-01-61 11-32-03-89	041041 047100	1
210	BAC29PPS35846		.PLACARD-	041041 054100	6

MISSING ITEM NUMBERS NOT APPLICABLE

- ITEM NOT ILLUSTRATED

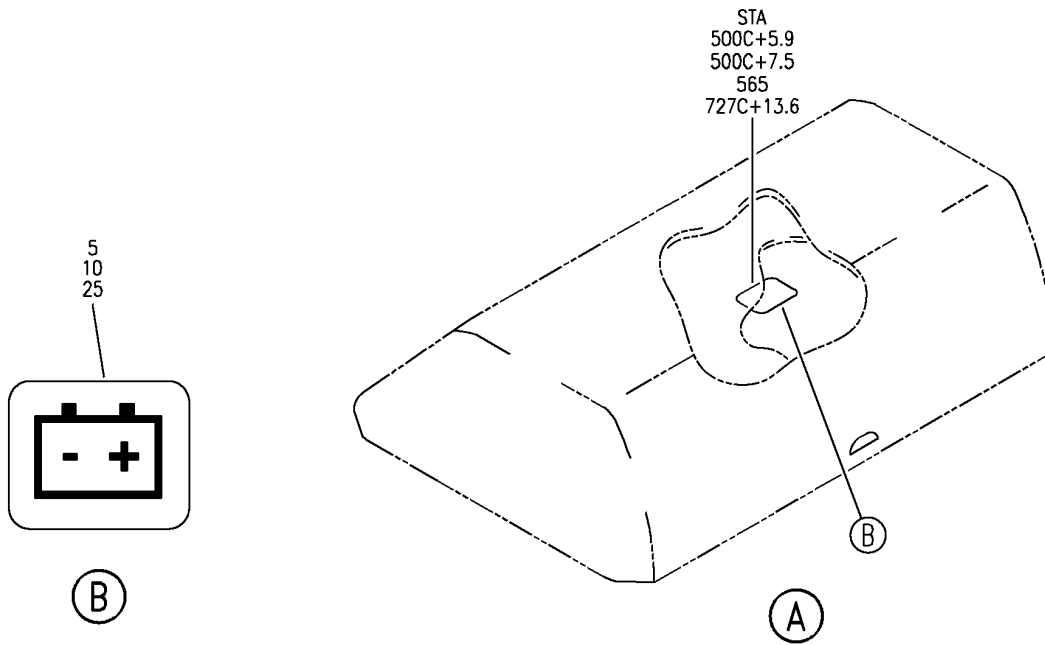
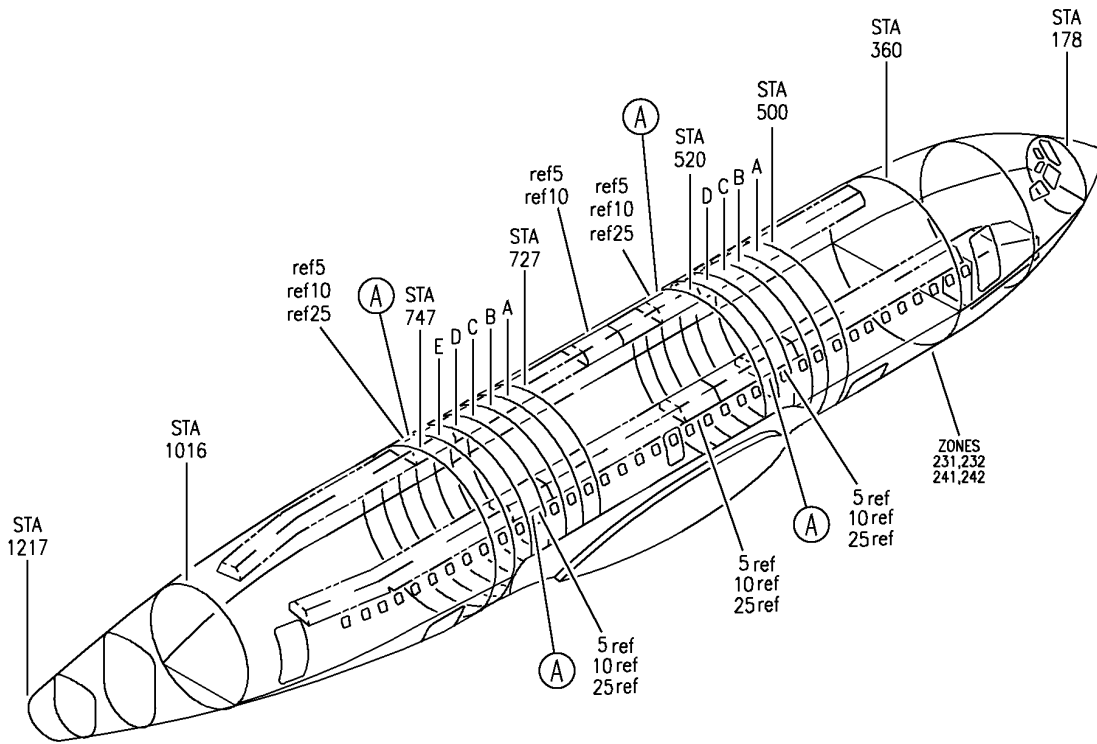
HAP

11-32-04-09A

BOEING PROPRIETARY - Copyright © - Unpublished Work - See title page for details.

11-32-04
FIG. 09A
PAGE 1
FEB 15/09

BOEING
 737-600/700/800/900
 PARTS CATALOG (MAINTENANCE)



E 11320409B REV 102

PLACARD INSTL-CAB. INTR (OVERHEAD STORAGE BINS ONLY)
 FIGURE 9B

11-32-04-09B

HAP
 OCT 10/06

11-32-04-09B
 PAGE 0

BOEING
737-600/700/800/900
PARTS CATALOG (MAINTENANCE)

FIG ITEM	PART NUMBER	1 2 3 4 5 6 7	NOMENCLATURE	EFFECT FROM TO	UNITS PER ASSY
9B			PLACARD INSTL-CAB. INTR (OVERHEAD STOWAGE BINS ONLY)	031040 042046	
- 3	MODREF234565		PLACARD INSTL-CAB. INTR (OVERHEAD STOWAGE BINS ONLY)	031040 042046	1
10	BAC29PPS35846		MODULE NUMBER: 414A5119-96 REV A FOR ADDITIONAL DETAILS SEE: 11-32-03-09B .PLACARD	031040 042046	6

MISSING ITEM NUMBERS NOT APPLICABLE

- ITEM NOT ILLUSTRATED

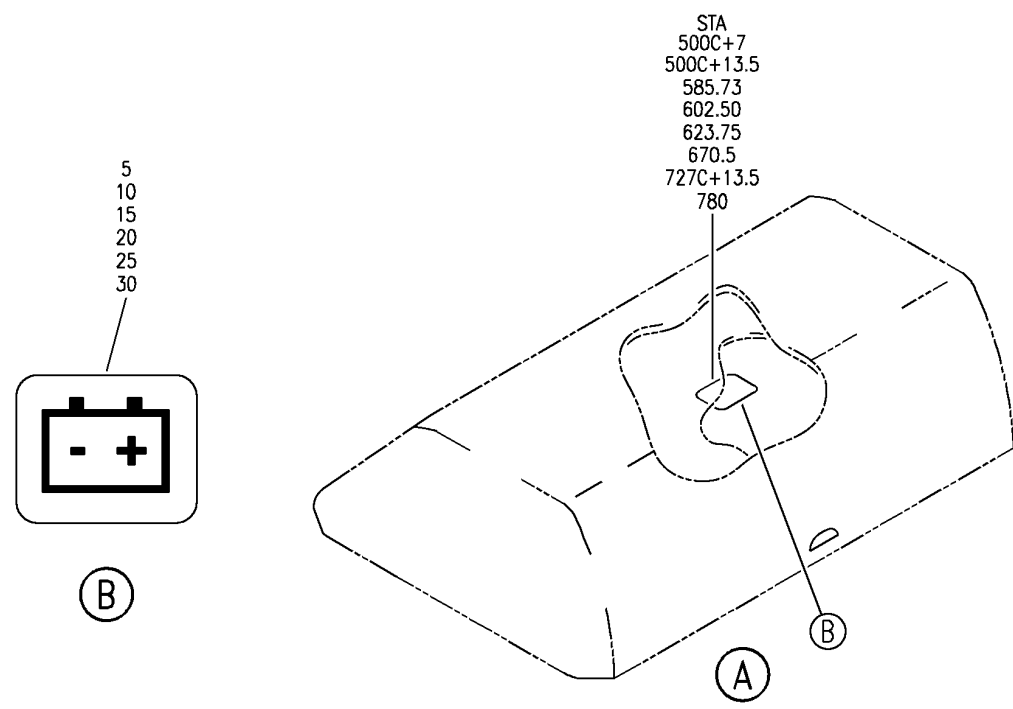
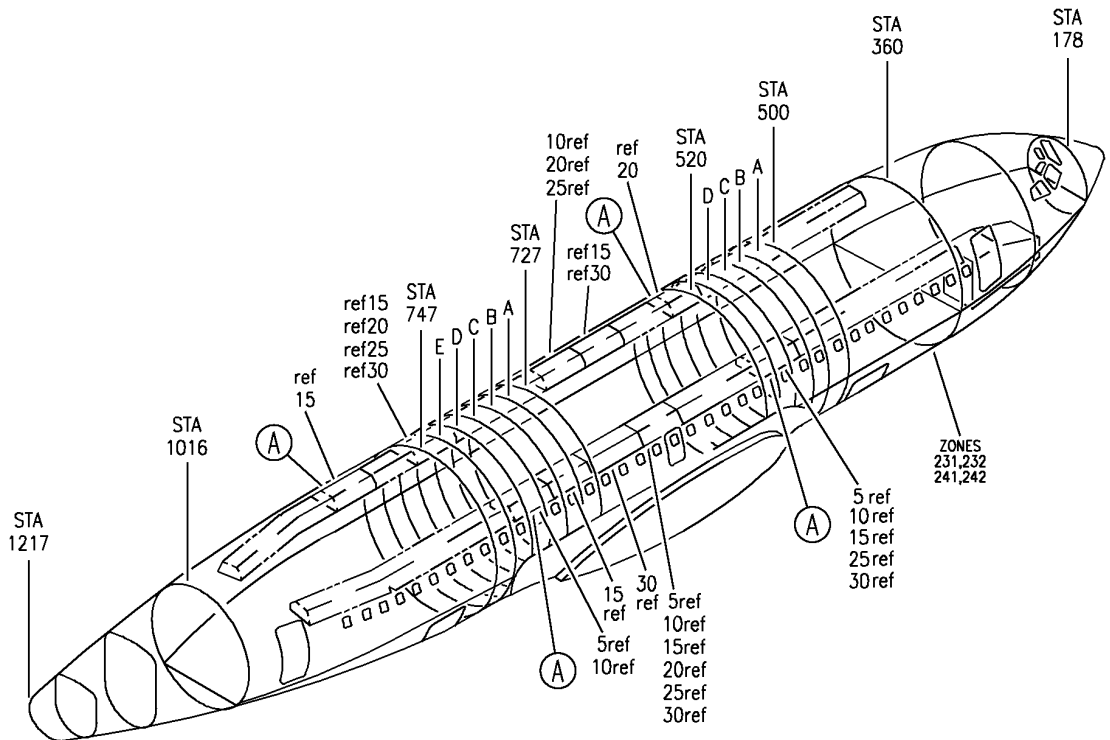
HAP

11-32-04-09B

BOEING PROPRIETARY - Copyright © - Unpublished Work - See title page for details.

11-32-04
FIG. 09B
PAGE 1
FEB 15/09

BOEING
 737-600/700/800/900
 PARTS CATALOG (MAINTENANCE)



E 11320409E REV 128

PLACARD INSTL-CAB. INTR MISC (OVERHEAD STORAGE BINS ONLY)
 FIGURE 9E

11-32-04-09E

HAP
 JUN 10/07

11-32-04-09E
 PAGE 0

BOEING
737-600/700/800/900
PARTS CATALOG (MAINTENANCE)

FIG ITEM	PART NUMBER	1 2 3 4 5 6 7	NOMENCLATURE	EFFECT FROM TO	UNITS PER ASSY
9E			PLACARD INSTL-CAB. INTR MISC (OVERHEAD STOWAGE BINS ONLY)	101200 968999	
- 2	MODREF323445		PLACARD INSTL-CAB. INTR (OVERHEAD STOWAGE BINS ONLY) MODULE NUMBER: 414A5119-119 REV A FOR ADDITIONAL DETAILS SEE: 11-32-03-09C	101200 968999	1
10	BAC29PPS35846		.PLACARD	101200 968999	4
20	BAC29PPS35846		.PLACARD	101101 968971	4

MISSING ITEM NUMBERS NOT APPLICABLE

- ITEM NOT ILLUSTRATED

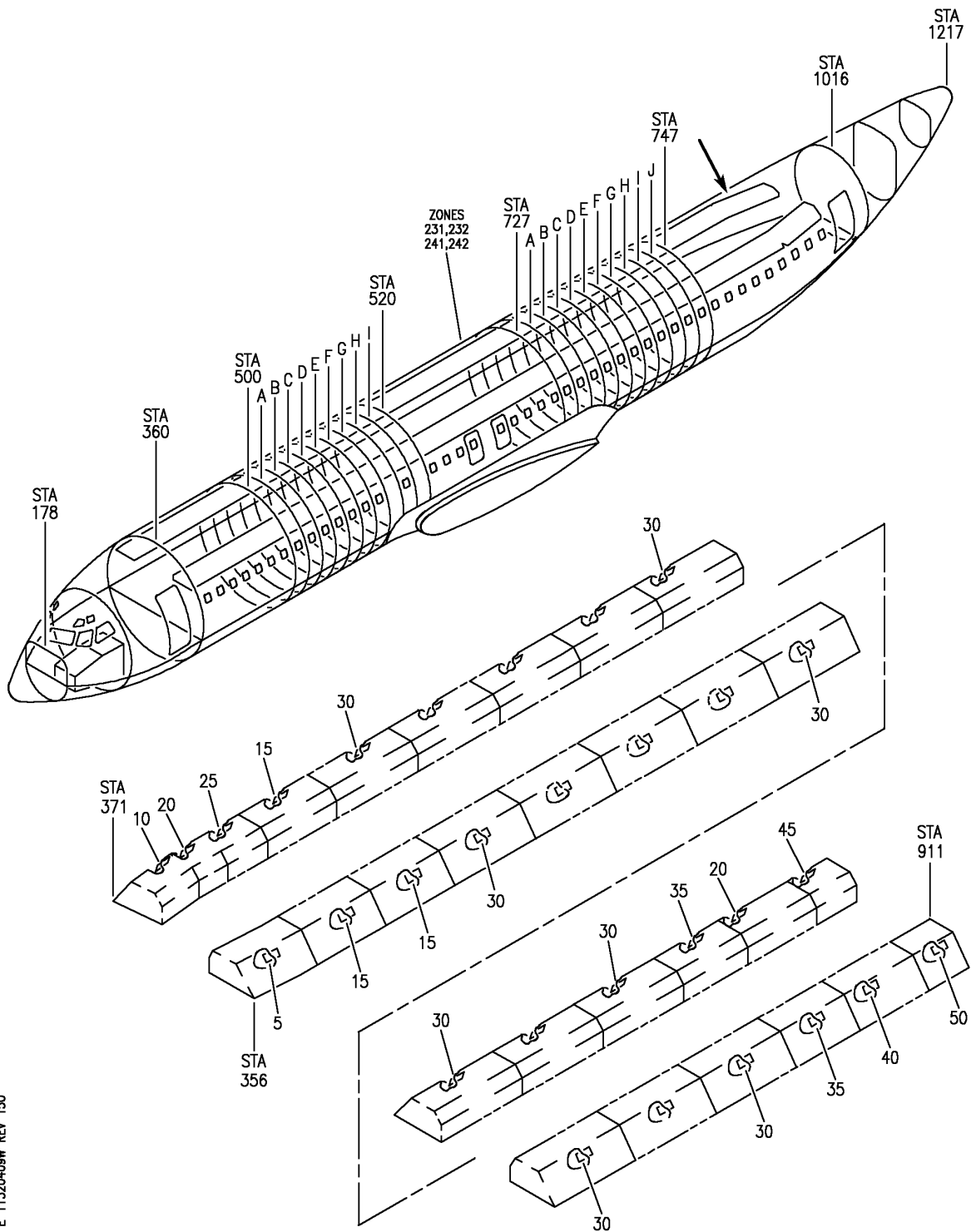
HAP

11-32-04-09E

BOEING PROPRIETARY - Copyright © - Unpublished Work - See title page for details.

11-32-04
FIG. 09E
PAGE 1
OCT 15/08

BOEING
 737-600/700/800/900
 PARTS CATALOG (MAINTENANCE)



E 11320409W REV 150

PLACARD INSTL-CAB. INTR BIN LOAD LIMITS
 FIGURE 9W

11-32-04-09W

HAP
 FEB 15/09

11-32-04-09W
 PAGE 0

BOEING
737-600/700/800/900
PARTS CATALOG (MAINTENANCE)

FIG ITEM	PART NUMBER	1 2 3 4 5 6 7	NOMENCLATURE	EFFECT FROM TO	UNITS PER ASSY
9W			PLACARD INSTL-CAB. INTR BIN LOAD LIMITS	051052	
- 1	MODREF401270		PLACARD INSTL-CAB. INTR BIN LOAD LIMITS	051052	1
			MODULE NUMBER: 414A5124-419 REV A		
	5 BAC29PPS36296		.PLACARD- PLACARD CONTENT: LATCH CLOSED LOAD LIMIT 88 LB/39 KG	051052	1
	10 BAC29PPS36269		.PLACARD- PLACARD CONTENT: LATCH CLOSED LOAD LIMIT 34 LB/15 KG	051052	1
	15 BAC29PPS36312		.PLACARD- PLACARD CONTENT: LATCH CLOSED LOAD LIMIT 120 LB/54 KG	051052	3
	20 BAC29PPS36272		.PLACARD- PLACARD CONTENT: LATCH CLOSED LOAD LIMIT 40 LB/18 KG	051052	2
	25 BAC29PPS36292		.PLACARD- PLACARD CONTENT: LATCH CLOSED LOAD LIMIT 80 LB/36 KG	051052	1
	30 BAC29PPS36332		.PLACARD- PLACARD CONTENT: LATCH CLOSED LOAD LIMIT 160 LB/72 KG	051052	16
	35 BAC29PPS36322		.PLACARD- PLACARD CONTENT: LATCH CLOSED LOAD LIMIT 140 LB/63 KG	051052	2
	40 BAC29PPS36273		.PLACARD- PLACARD CONTENT: LATCH CLOSED LOAD LIMIT 42 LB/19 KG	051052	1
	45 BAC29PPS36271		.PLACARD- PLACARD CONTENT: LATCH CLOSED LOAD LIMIT 38 LB/17 KG	051052	1
	50 BAC29PPS36283		.PLACARD- PLACARD CONTENT: LATCH CLOSED LOAD LIMIT 62 LB/28 KG	051052	1

MISSING ITEM NUMBERS NOT APPLICABLE

- ITEM NOT ILLUSTRATED

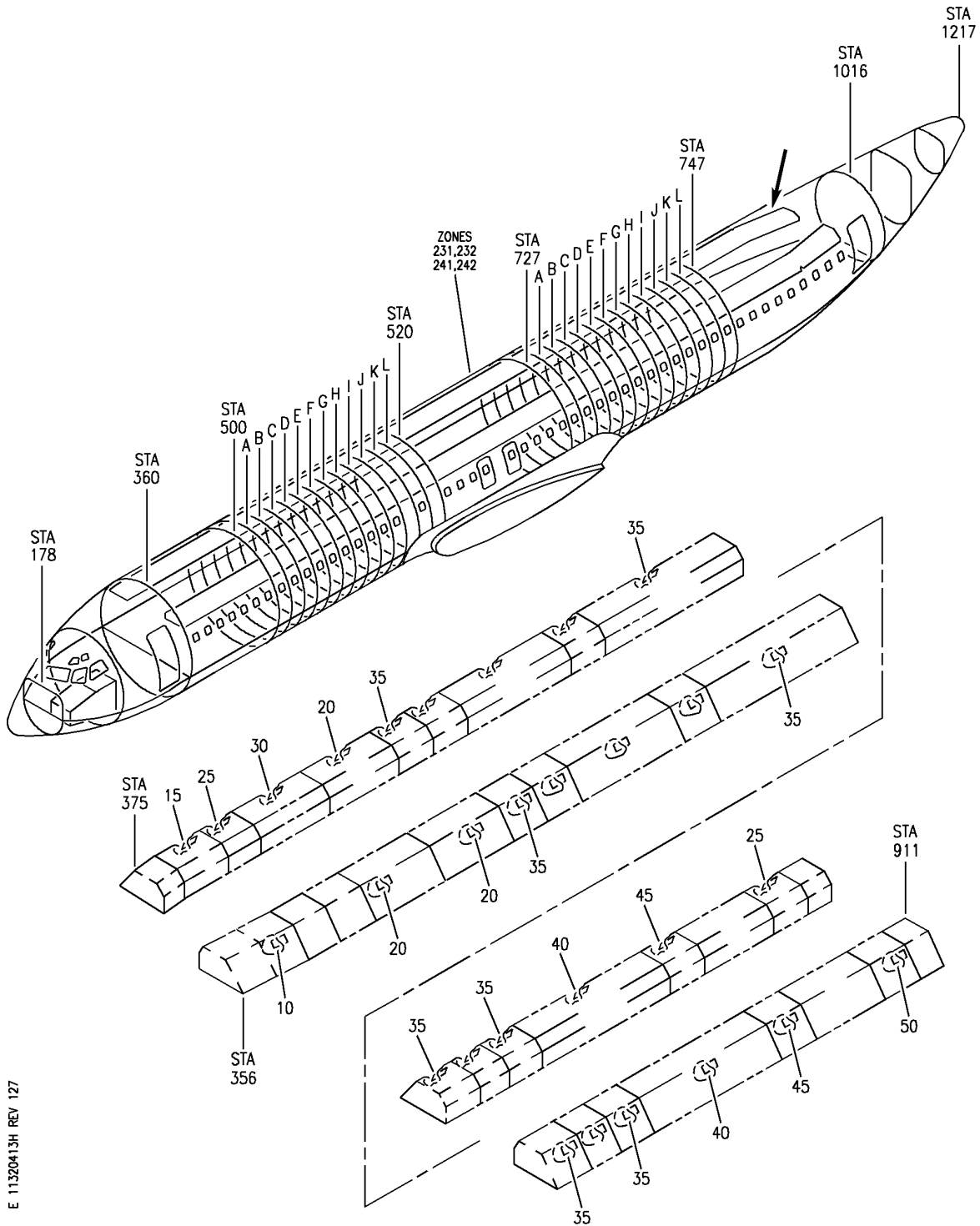
HAP

11-32-04-09W

BOEING PROPRIETARY - Copyright © - Unpublished Work - See title page for details.

11-32-04
FIG. 09W
PAGE 1
FEB 15/09

BOEING
 737-600/700/800/900
 PARTS CATALOG (MAINTENANCE)



E 11320413H REV 127

PLACARD INSTL-CAB. INTR BIN LOAD LIMITS
 FIGURE 13H

11-32-04-13H

HAP
 FEB 10/07

11-32-04-13H
 PAGE 0

BOEING
737-600/700/800/900
PARTS CATALOG (MAINTENANCE)

FIG ITEM	PART NUMBER	1 2 3 4 5 6 7	NOMENCLATURE	EFFECT FROM TO	UNITS PER ASSY
13H			PLACARD INSTL-CAB. INTR BIN LOAD LIMITS	038038 042046	
- 1	MODREF320588		PLACARD INSTL-CAB. INTR BIN LOAD LIMITS MODULE NUMBER: 414A5124-320 REV B	038038 042046	1
10	BAC29PPS36296		.PLACARD- PLACARD CONTENT: LATCH CLOSED LOAD LIMIT 88 LB/39 KG	038038 042046	1
15	BAC29PPS36265		.PLACARD- PLACARD CONTENT: LATCH CLOSED LOAD LIMIT 26 LB/11 KG	038038 042046	1
20	BAC29PPS36312		.PLACARD- PLACARD CONTENT: LATCH CLOSED LOAD LIMIT 120 LB/54 KG	038038 042046	3
25	BAC29PPS36271		.PLACARD- PLACARD CONTENT: LATCH CLOSED LOAD LIMIT 38 LB/17 KG	038038 042046	2
30	BAC29PPS36293		.PLACARD- PLACARD CONTENT: LATCH CLOSED LOAD LIMIT 82 LB/37 KG	038038 042046	1
35	BAC29PPS36332		.PLACARD- PLACARD CONTENT: LATCH CLOSED LOAD LIMIT 160 LB/72 KG	038038 042046	16
40	BAC29PPS36322		.PLACARD- PLACARD CONTENT: LATCH CLOSED LOAD LIMIT 140 LB/63 KG	038038 042046	2
45	BAC29PPS36272		.PLACARD- PLACARD CONTENT: LATCH CLOSED LOAD LIMIT 40 LB/18 KG	038038 042046	2
50	BAC29PPS36283		.PLACARD- PLACARD CONTENT: LATCH CLOSED LOAD LIMIT 62 LB/28 KG	038038 042046	1

MISSING ITEM NUMBERS NOT APPLICABLE

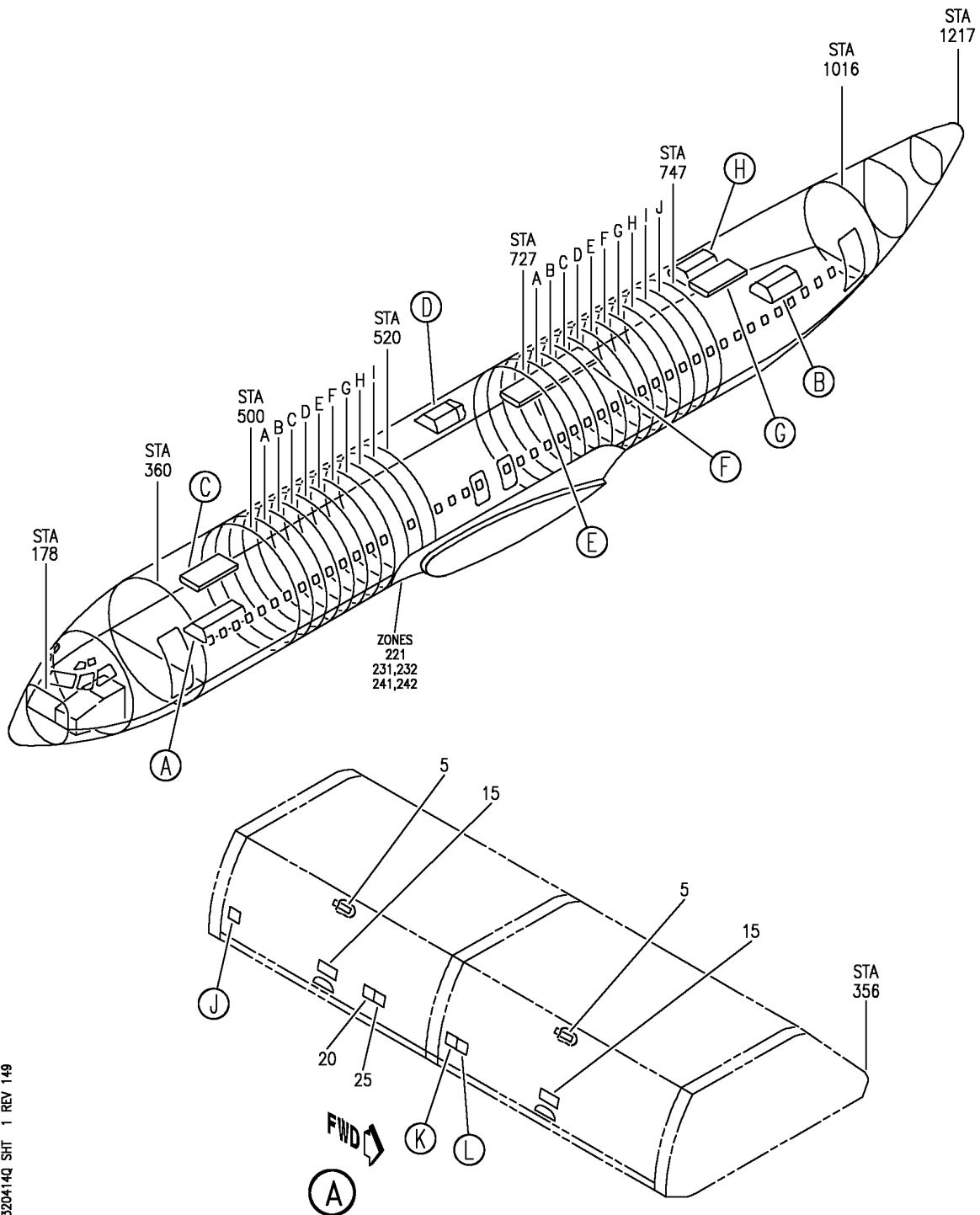
- ITEM NOT ILLUSTRATED

HAP

11-32-04-13H

11-32-04
FIG. 13H
PAGE 1
FEB 15/09

BOEING
 737-600/700/800/900
 PARTS CATALOG (MAINTENANCE)



E 11320414Q SHT 1 REV 149

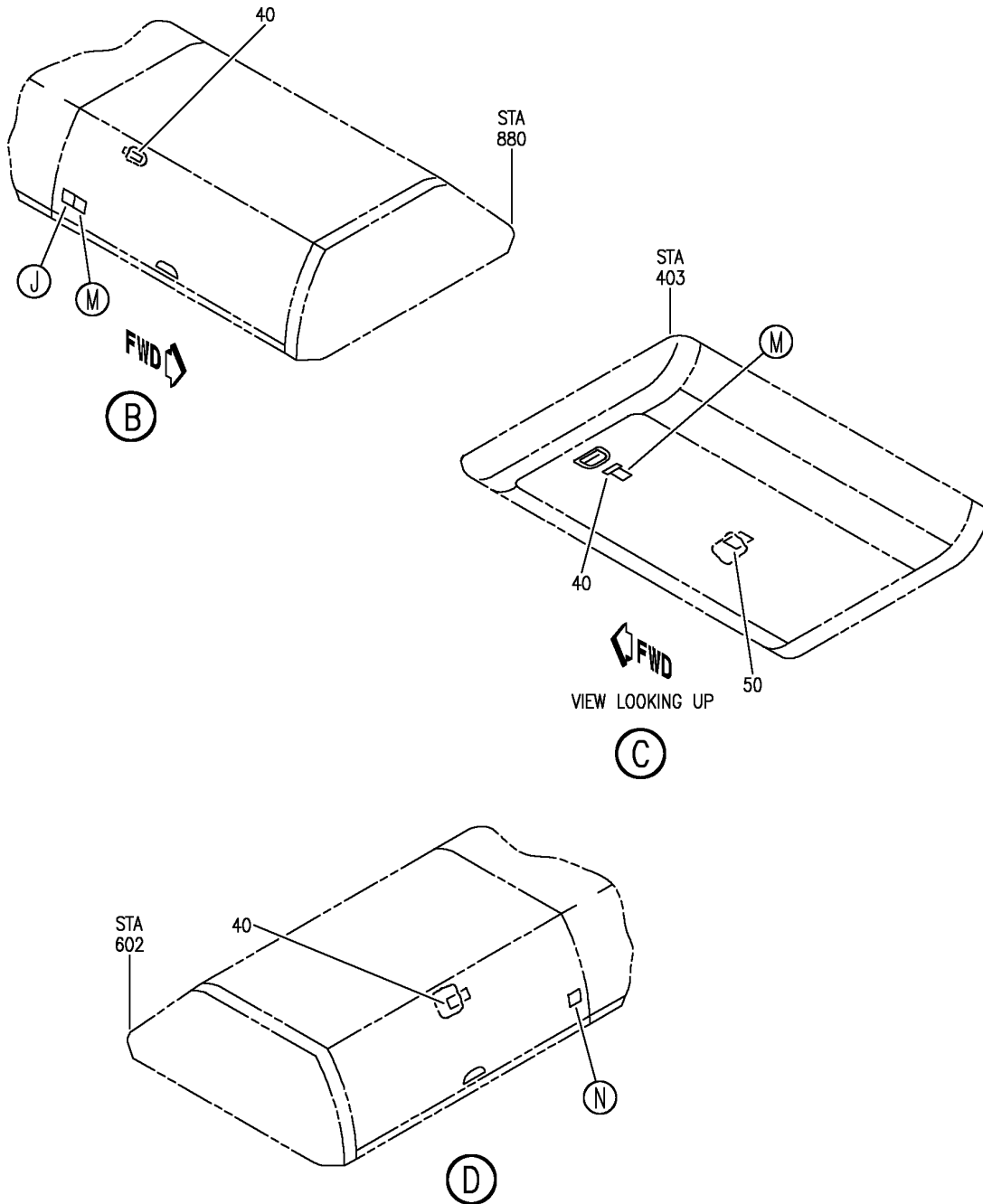
PLACARD INSTL-CAB. INTR MISC (OVERHEAD STORAGE BINS ONLY)
 FIGURE 14Q (SHEET 1)

11-32-04-14Q

HAP
 FEB 15/09

11-32-04-14Q
 PAGE 0

BOEING
 737-600/700/800/900
 PARTS CATALOG (MAINTENANCE)



E 11320414Q SH1 2 REV 149

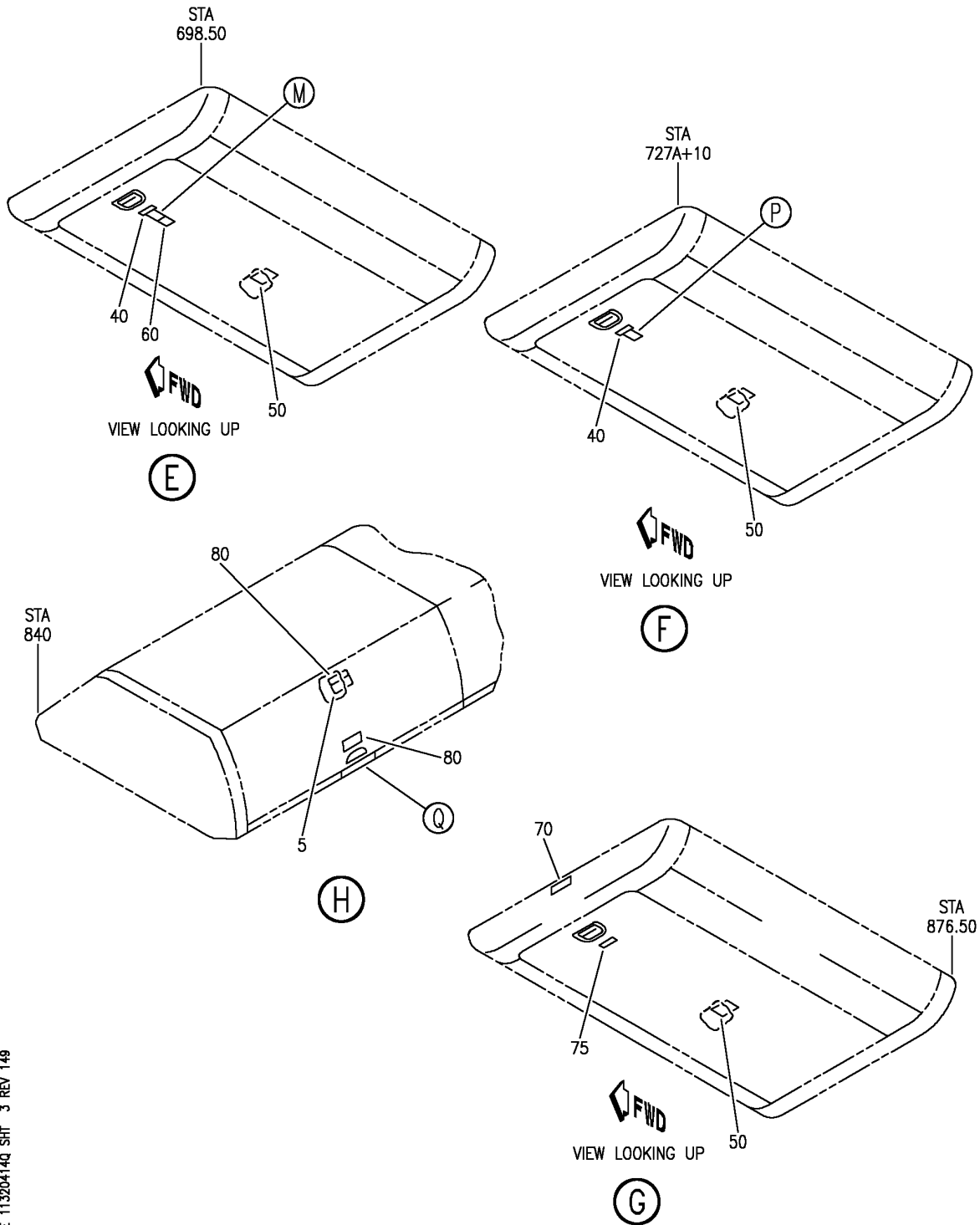
PLACARD INSTL-CAB. INTR MISC (OVERHEAD STORAGE BINS ONLY)
 FIGURE 14Q (SHEET 2)

HAP
 FEB 15/09

11-32-04-14Q

11-32-04-14Q
 PAGE 0A

BOEING
 737-600/700/800/900
 PARTS CATALOG (MAINTENANCE)



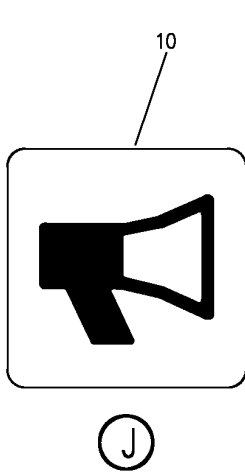
E 11320414Q SHT. 3 REV 149

PLACARD INSTL-CAB. INTR MISC (OVERHEAD STORAGE BINS ONLY)
 FIGURE 14Q (SHEET 3)

HAP
 FEB 15/09

11-32-04-14Q

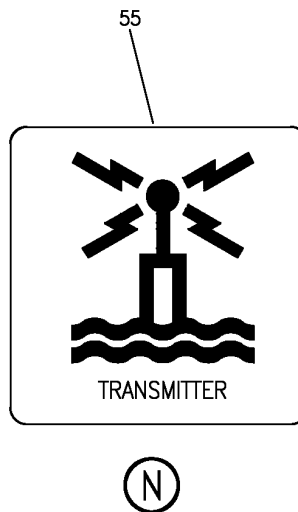
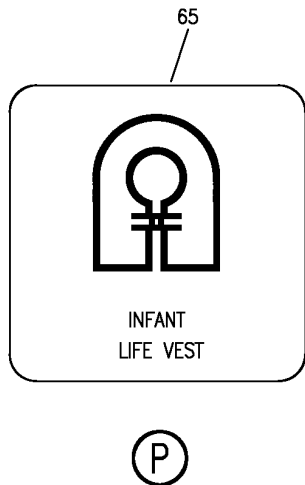
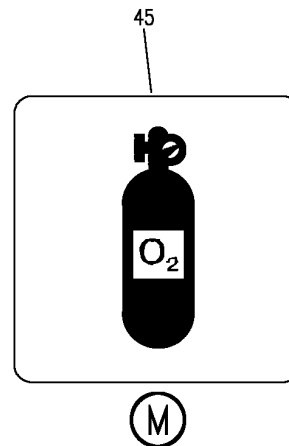
11-32-04-14Q
 PAGE 0B



85

PSU VIDEO MONITORS MUST NOT BE DEPLOYED DURING TAXI, TAKEOFF AND LANDING EXCEPT WHEN SHOWING PASSENGER SAFETY VIDEO PRIOR TO TAKEOFF

Q



E 11320414Q SHT 4 REV 149

PLACARD INSTL-CAB. INTR MISC (OVERHEAD STOWAGE BINS ONLY)
 FIGURE 14Q (SHEET 4)

BOEING
737-600/700/800/900
PARTS CATALOG (MAINTENANCE)

FIG ITEM	PART NUMBER	1 2 3 4 5 6 7	NOMENCLATURE	EFFECT FROM TO	UNITS PER ASSY
14Q			PLACARD INSTL-CAB. INTR MISC (OVERHEAD STOWAGE BINS ONLY)	050050 053053	
R R R R R R	- 1 MODREF411511		PLACARD INSTL-CAB. INTR MISC (OVERHEAD STOWAGE BINS ONLY) MODULE NUMBER: 414A5150-623 REV B FOR ADDITIONAL DETAILS SEE: 11-32-03-14Q	050050 053053	1
	5 BAC29PPS38380		.PLACARD- PLACARD CONTENT: LATCH CLOSED	050050 053053	3
	10 BAC29PPS36230		.PLACARD	050050 053053	2
	15 BAC29PPS38317		.MARKER- PLACARD CONTENT: NO ADDITIONAL STOWAGE	050050 053053	2
	20 BAC29PPS38318		.MARKER- PLACARD CONTENT: SEAT BELT EXTENSIONS	050050 053053	1
	25 BAC29PPS59505		.MARKER- PLACARD CONTENT: SPARE SEAT BELT	050050 053053	1
	30 BAC29PPS36229		.PLACARD	050050 053053	1
	35 BAC29PPS36232		.MARKER	050050 053053	1
	40 BAC29PPS38676		.PLACARD- PLACARD CONTENT: EMERGENCY EQUIPMENT ONLY	050050 053053	5
	45 BAC29PPS36231		.PLACARD	050050 053053	3
	50 BAC29PPS36218		.PLACARD- PLACARD CONTENT: DOOR MUST BE CLOSED AND LATCHED DURING TAXI, TAKEOFF AND LANDING	050050 053053	4
	55 BAC29PPS36233		.PLACARD	050050 053053	1
	60 BAC29PPS59506		.MARKER- PLACARD CONTENT: SPARE LIFE VEST	050050 053053	1
	65 BAC29PPS36237		.PLACARD	050050 053053	1
	70 BAC29PPS38285		.PLACARD- PLACARD CONTENT: LOAD LIMIT 45 LB/20 KG	050050 053053	1

MISSING ITEM NUMBERS NOT APPLICABLE

- ITEM NOT ILLUSTRATED

HAP

11-32-04-14Q

BOEING PROPRIETARY - Copyright © - Unpublished Work - See title page for details.

11-32-04
FIG. 14Q
PAGE 1
JUN 15/09

BOEING
737-600/700/800/900
PARTS CATALOG (MAINTENANCE)

FIG ITEM	PART NUMBER	1 2 3 4 5 6 7	NOMENCLATURE	EFFECT FROM TO	UNITS PER ASSY
14Q 75	BAC29PPS39690		.PLACARD- PLACARD CONTENT: LATCH CLOSED DURING TAXI, TAKEOFF AND LANDING	050050 053053	1
80	BAC29PPS38881		.PLACARD- PLACARD CONTENT: VIDEO EQUIPMENT ONLY	050050 053053	2
85	BAC29PPS50766		.PLACARD	050050 053053	1

MISSING ITEM NUMBERS NOT APPLICABLE

— ITEM NOT ILLUSTRATED

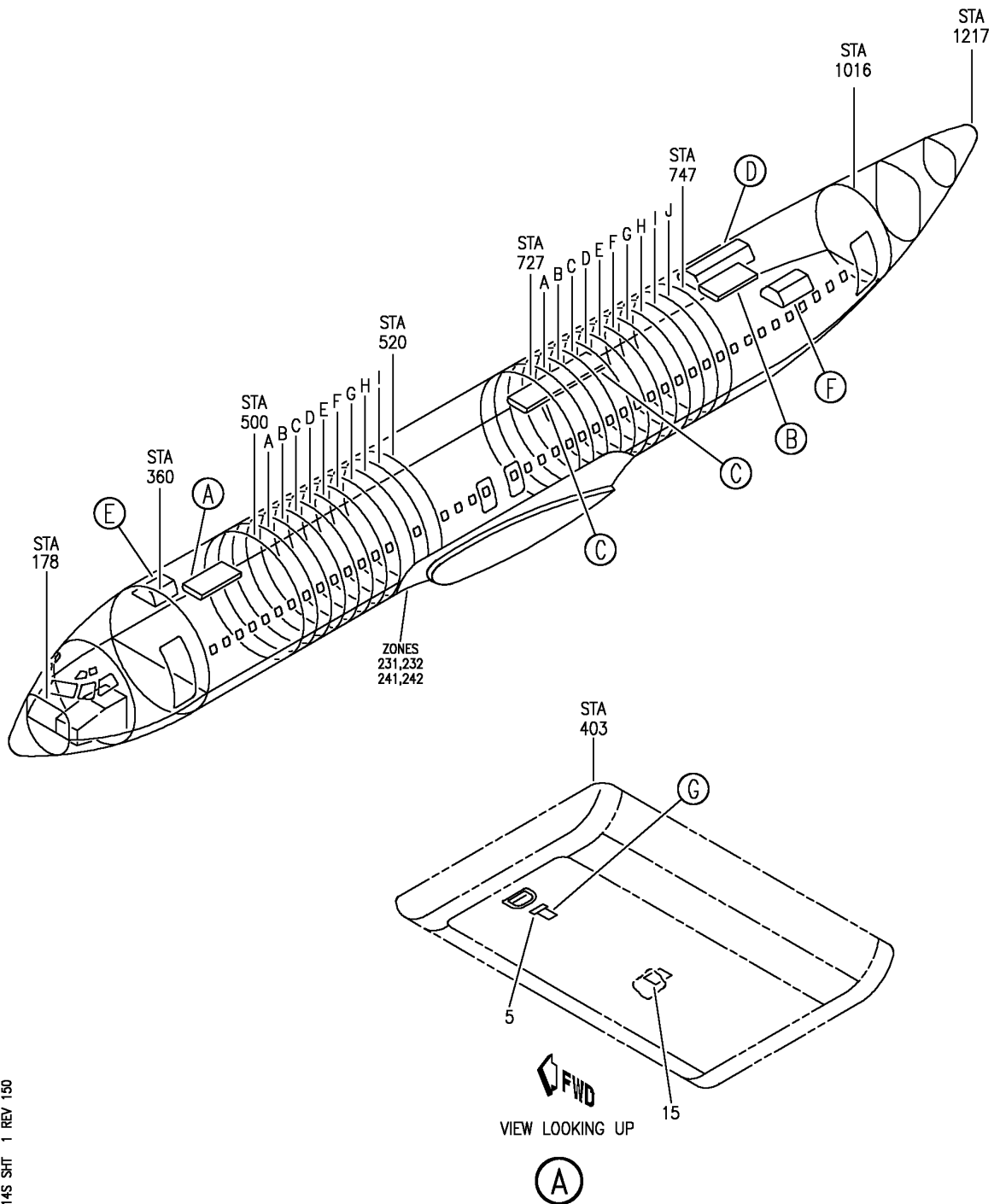
HAP

11-32-04-14Q

BOEING PROPRIETARY - Copyright © - Unpublished Work - See title page for details.

11-32-04
FIG. 14Q
PAGE 2
FEB 15/09

BOEING
 737-600/700/800/900
 PARTS CATALOG (MAINTENANCE)



E 11320414S SHT 1 REV 150

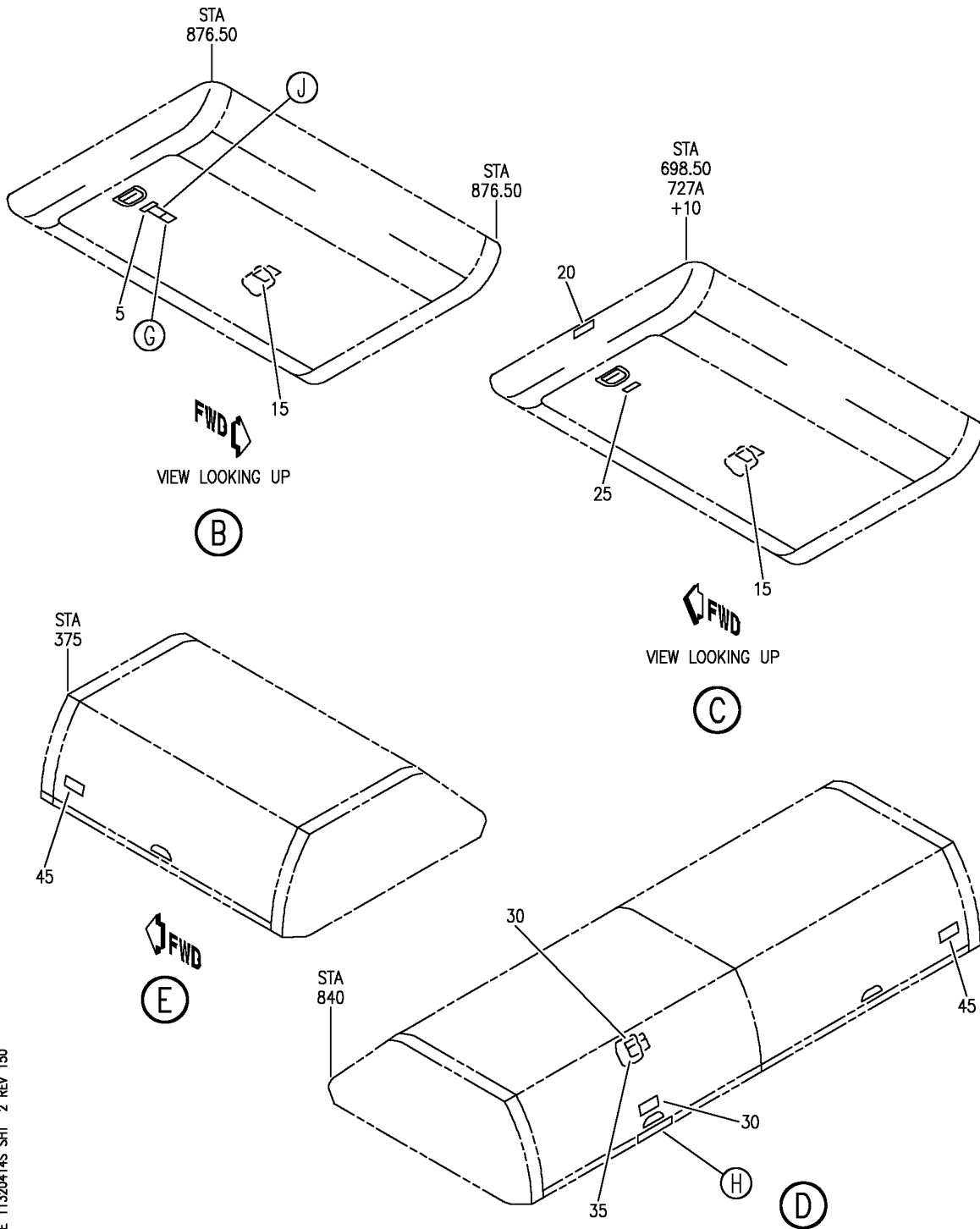
PLACARD INSTL-CAB. INTR MISC (OVERHEAD STORAGE BINS ONLY)
 FIGURE 14S (SHEET 1)

11-32-04-14S

HAP
 FEB 15/09

11-32-04-14S
 PAGE 0

BOEING
 737-600/700/800/900
 PARTS CATALOG (MAINTENANCE)



E 11320414S SHT 2 REV 150

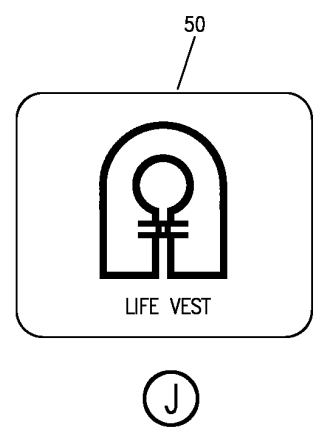
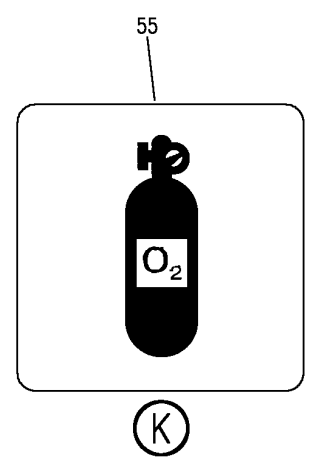
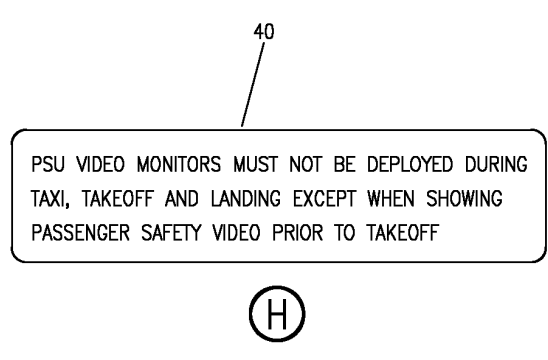
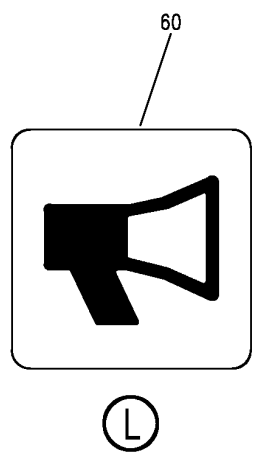
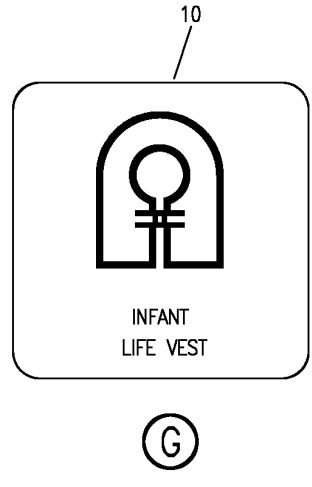
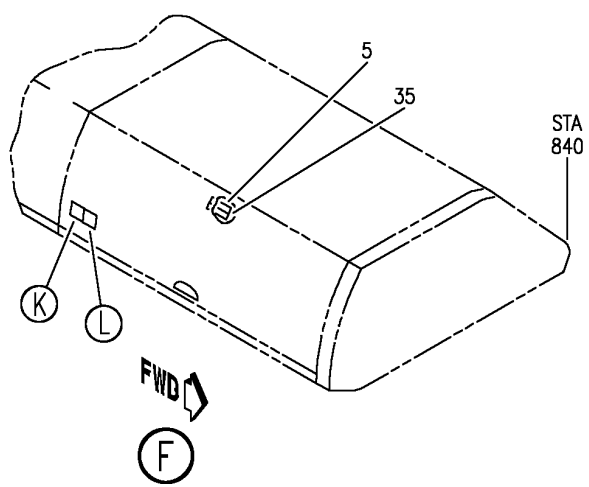
PLACARD INSTL-CAB. INTR MISC (OVERHEAD STORAGE BINS ONLY)
 FIGURE 14S (SHEET 2)

HAP
 FEB 15/09

11-32-04-14S

11-32-04-14S
 PAGE 0A

BOEING
737-600/700/800/900
PARTS CATALOG (MAINTENANCE)



E 11320414S SHT 3 REV 150

PLACARD INSTL-CAB. INTR MISC (OVERHEAD STORAGE BINS ONLY)
FIGURE 14S (SHEET 3)

11-32-04-14S

HAP
FEB 15/09

11-32-04-14S
PAGE 0B

BOEING PROPRIETARY - Copyright © - Unpublished Work - See title page for details.

BOEING
737-600/700/800/900
PARTS CATALOG (MAINTENANCE)

FIG ITEM	PART NUMBER	1 2 3 4 5 6 7	NOMENCLATURE	EFFECT FROM TO	UNITS PER ASSY
14S			PLACARD INSTL-CAB. INTR MISC (OVERHEAD STOWAGE BINS ONLY)	051052	
- 1	MODREF401271		PLACARD INSTL-CAB. INTR MISC (OVERHEAD STOWAGE BINS ONLY) MODULE NUMBER: 414A5150-624 REV A FOR ADDITIONAL DETAILS SEE: 11-32-03-14S	051052	1
5	BAC29PPS38676		.PLACARD- PLACARD CONTENT: EMERGENCY EQUIPMENT ONLY	051052	3
10	BAC29PPS36237		.PLACARD	051052	2
15	BAC29PPS36218		.PLACARD- PLACARD CONTENT: DOOR MUST BE CLOSED AND LATCHED DURING TAXI, TAKEOFF AND LANDING	051052	4
20	BAC29PPS38285		.PLACARD- PLACARD CONTENT: LOAD LIMIT 45 LB/20 KG	051052	2
25	BAC29PPS39690		.PLACARD- PLACARD CONTENT: LATCH CLOSED DURING TAXI, TAKEOFF AND LANDING	051052	2
30	BAC29PPS38881		.PLACARD- PLACARD CONTENT: VIDEO EQUIPMENT ONLY	051052	2
35	BAC29PPS38380		.PLACARD- PLACARD CONTENT: LATCH CLOSED	051052	2
40	BAC29PPS50766		.PLACARD	051052	1
45	BAC29PPS36220		.PLACARD- PLACARD CONTENT: MAGAZINE STOWAGE	051052	2
50	BAC29PPS36236		.MARKER	051052	1
55	BAC29PPS36231		.PLACARD	051052	1
60	BAC29PPS36230		.PLACARD	051052	1

MISSING ITEM NUMBERS NOT APPLICABLE

- ITEM NOT ILLUSTRATED

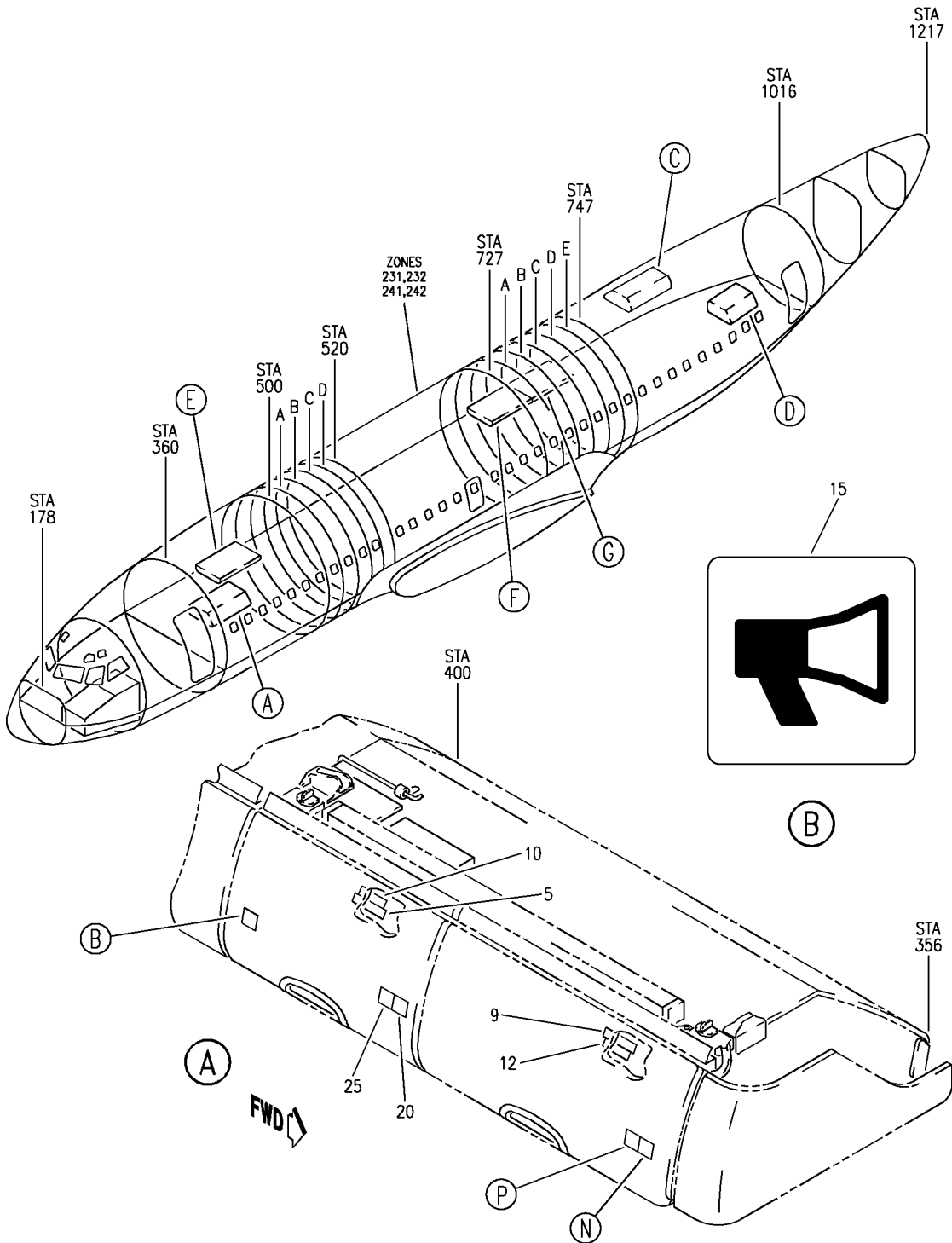
HAP

11-32-04-14S

BOEING PROPRIETARY - Copyright © - Unpublished Work - See title page for details.

11-32-04
FIG. 14S
PAGE 1
FEB 15/09

BOEING
 737-600/700/800/900
 PARTS CATALOG (MAINTENANCE)



E 11320416J SHT 1 REV 129

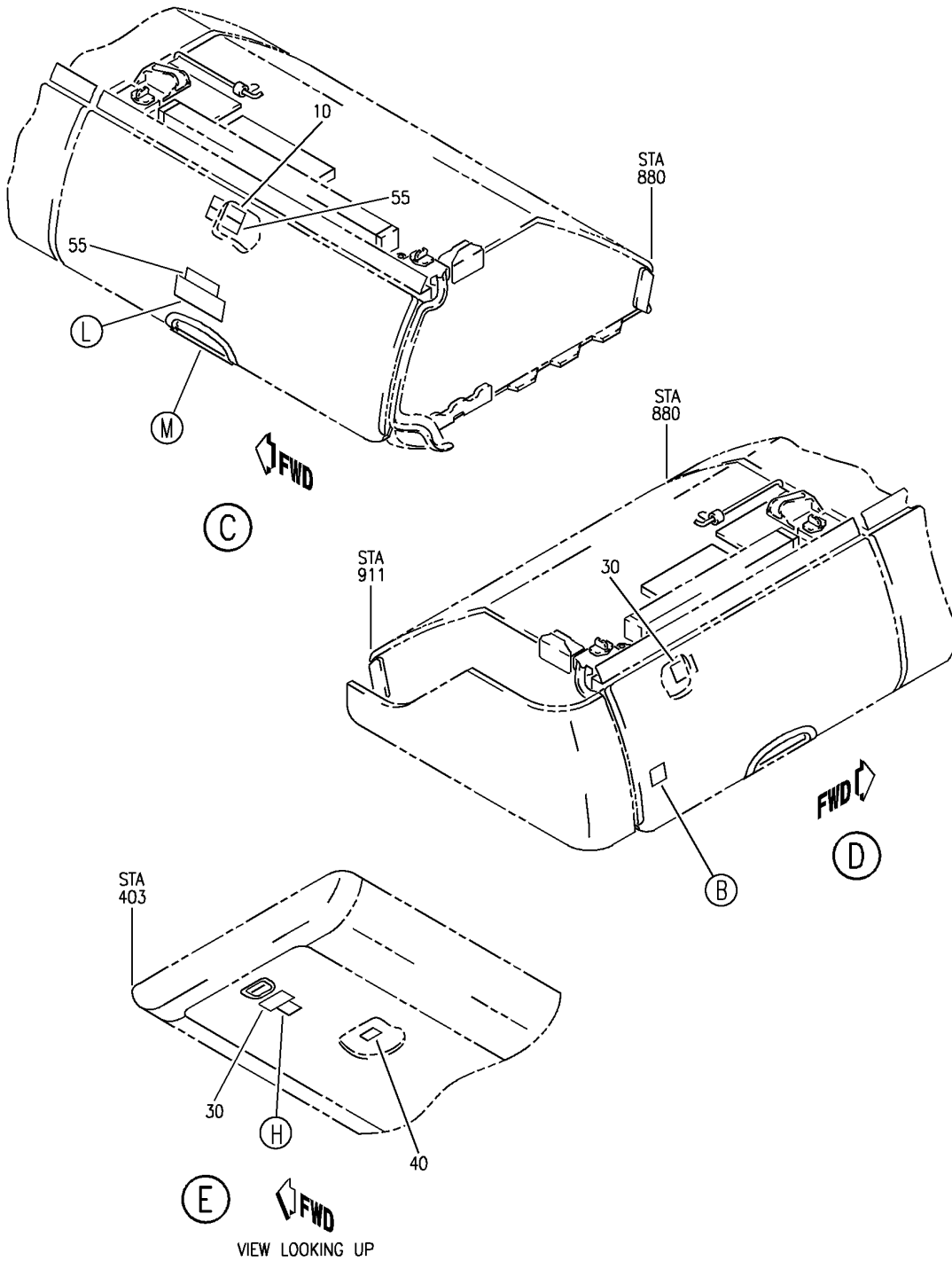
PLACARD INSTL-CAB. INTR MISC (OVERHEAD STORAGE BINS ONLY)
 FIGURE 16J (SHEET 1)

HAP
 JUN 10/07

11-32-04-16J

11-32-04-16J
 PAGE 0

BOEING
 737-600/700/800/900
 PARTS CATALOG (MAINTENANCE)



E 11320416J SHT 2 REV 128

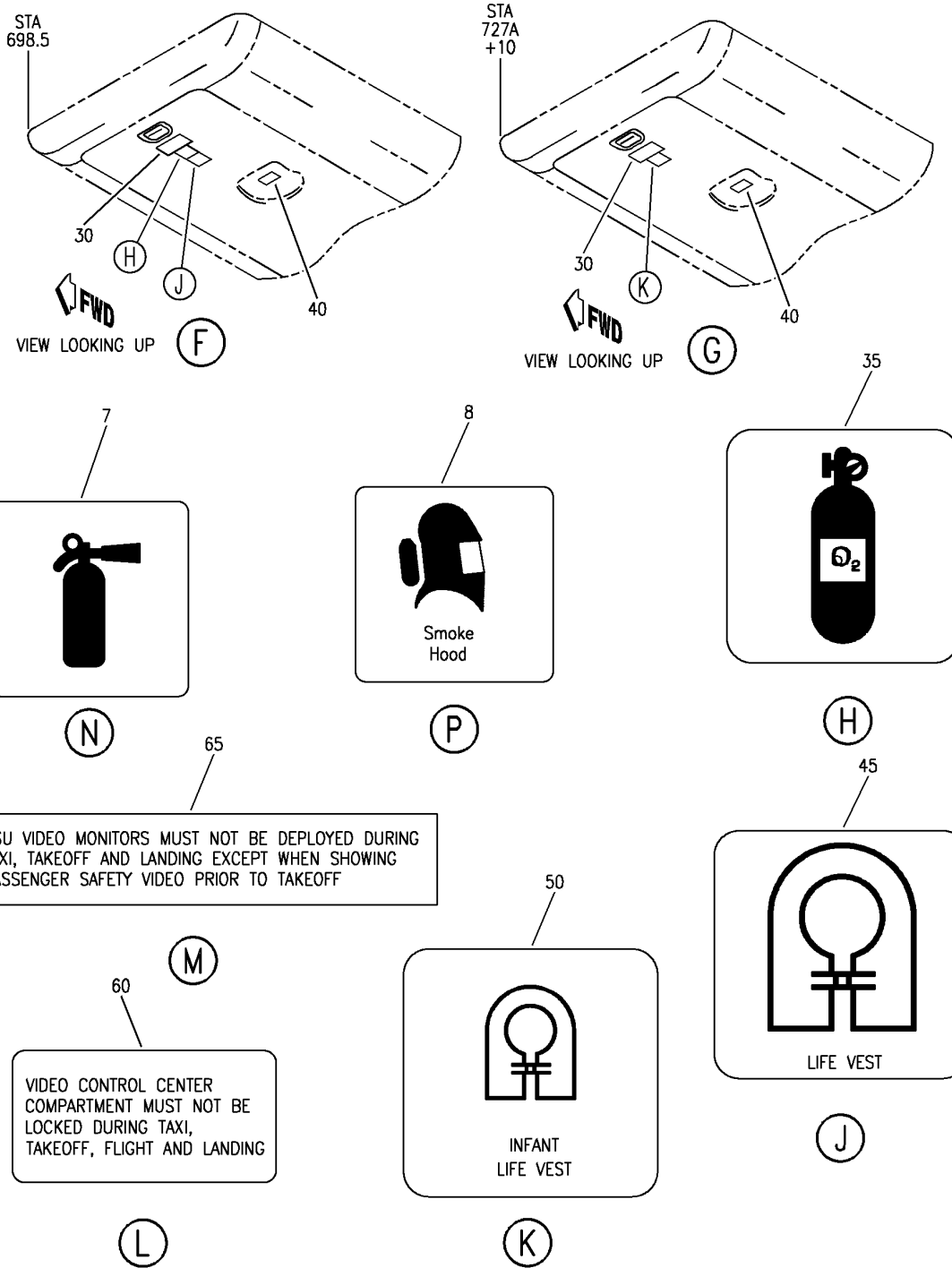
PLACARD INSTL-CAB. INTR MISC (OVERHEAD STORAGE BINS ONLY)
 FIGURE 16J (SHEET 2)

11-32-04-16J

HAP
 JUN 10/07

11-32-04-16J
 PAGE 0A

BOEING
 737-600/700/800/900
 PARTS CATALOG (MAINTENANCE)



E 11320416J SHT 3 REV 129

PLACARD INSTL-CAB. INTR MISC (OVERHEAD STORAGE BINS ONLY)
 FIGURE 16J (SHEET 3)

HAP
 JUN 10/07

11-32-04-16J

11-32-04-16J
 PAGE 0B

BOEING
737-600/700/800/900
PARTS CATALOG (MAINTENANCE)

FIG ITEM	PART NUMBER	1 2 3 4 5 6 7	NOMENCLATURE	EFFECT FROM TO	UNITS PER ASSY
16J			PLACARD INSTL-CAB. INTR MISC (OVERHEAD STOWAGE BINS ONLY)	968969	
- 1	MODREF323447		PLACARD INSTL-CAB. INTR MISC (OVERHEAD STOWAGE BINS ONLY) MODULE NUMBER: 414A5150-470 REV A FOR ADDITIONAL DETAILS SEE: 11-32-03-16J	968969	1
5	BAC29PPS52348		.PLACARD-(MULTI-LANGUAGE) PLACARD CONTENT: NO ADDITIONAL STOWAGE	968969	1
7	BAC29PPS36229		.PLACARD- POST RAPID REVISION: RR97065-673B	968969	1
8	BAC29PPS36232		.MARKER- POST RAPID REVISION: RR97065-673B	968969	1
9	BAC29PPS52348		.PLACARD-(MULTI-LANGUAGE) PLACARD CONTENT: NO ADDITIONAL STOWAGE POST RAPID REVISION: RR97065-673B	968969	1
10	BAC29PPS38380		.PLACARD- PLACARD CONTENT: LATCH CLOSED	968969	2
12	BAC29PPS38380		.PLACARD- PLACARD CONTENT: LATCH CLOSED POST RAPID REVISION: RR97065-673B	968969	1
15	BAC29PPS36230		.PLACARD	968969	2
20	BAC29PPS38318		.MARKER- PLACARD CONTENT: SEAT BELT EXTENSIONS	968969	1
25	BAC29PPS59505		.MARKER- PLACARD CONTENT: SPARE SEAT BELT	968969	1
30	BAC29PPS48516		.PLACARD-(MULTI-LANGUAGE) PLACARD CONTENT: EMERGENCY EQUIPMENT ONLY	968969	4
35	BAC29PPS36231		.PLACARD	968969	2
40	BAC29PPS36218		.PLACARD- PLACARD CONTENT: DOOR MUST CLOSED AND LATCHED DURING TAXI, TAKEOFF AND LANDING	968969	3
45	BAC29PPS36236		.MARKER	968969	1

MISSING ITEM NUMBERS NOT APPLICABLE

- ITEM NOT ILLUSTRATED

HAP

11-32-04-16J

BOEING PROPRIETARY - Copyright © - Unpublished Work - See title page for details.

11-32-04
FIG. 16J
PAGE 1
JUN 10/07

BOEING
737-600/700/800/900
PARTS CATALOG (MAINTENANCE)

FIG ITEM	PART NUMBER	1 2 3 4 5 6 7	NOMENCLATURE	EFFECT FROM TO	UNITS PER ASSY
16J					
50	BAC29PPS36237	.	PLACARD	968969	1
55	BAC29PPS38881	.	PLACARD-	968969	2
			PLACARD CONTENT: VIDEO EQUIPMENT ONLY		
60	BAC29PPS46968	.	MARKER	968969	1
65	BAC29PPS50766	.	PLACARD	968969	1
MISSING ITEM NUMBERS NOT APPLICABLE					

- ITEM NOT ILLUSTRATED

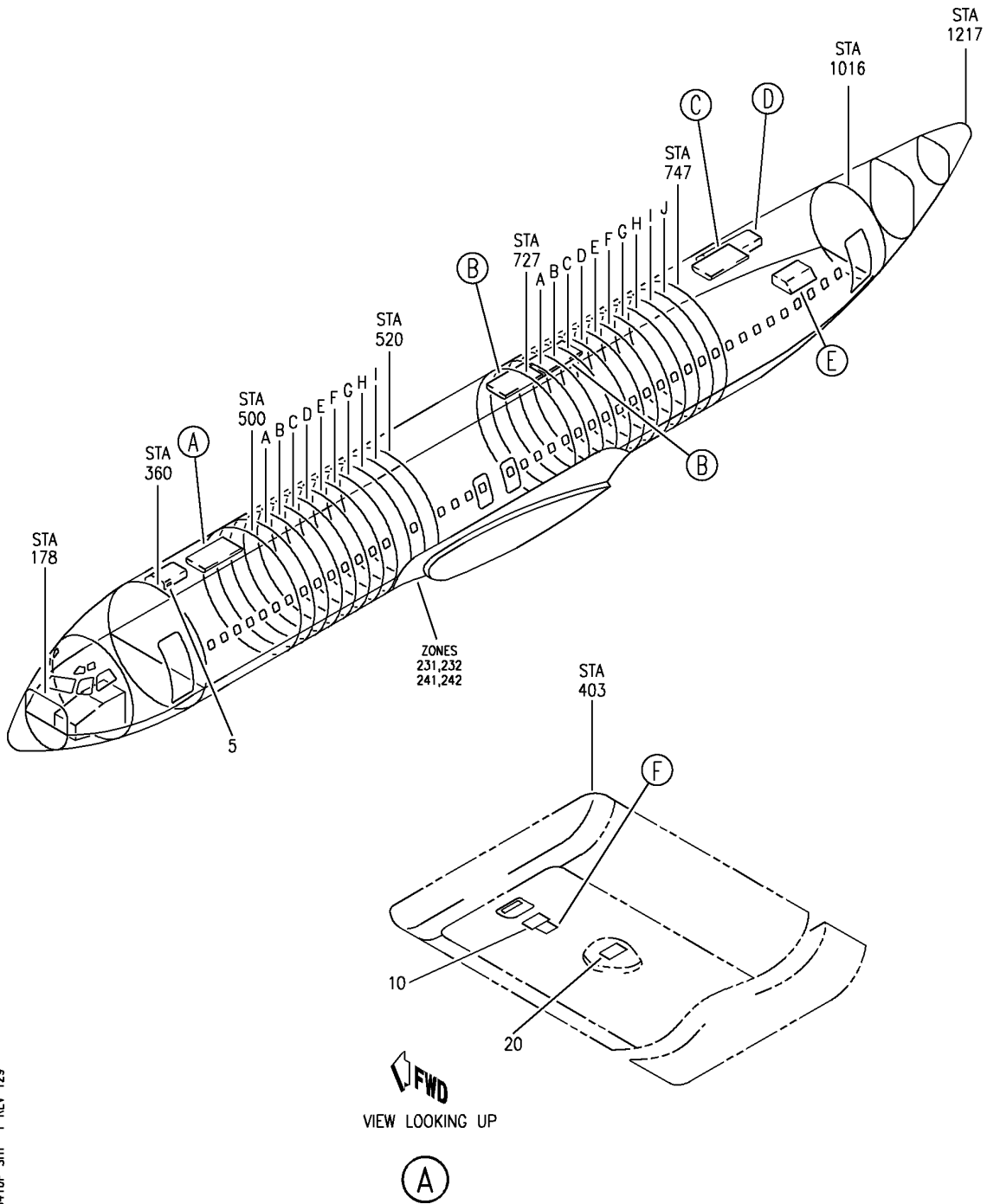
HAP

11-32-04-16J

BOEING PROPRIETARY - Copyright © - Unpublished Work - See title page for details.

11-32-04
FIG. 16J
PAGE 2
JUN 10/07

BOEING
 737-600/700/800/900
 PARTS CATALOG (MAINTENANCE)



E 11320416P SHT 1 REV 129

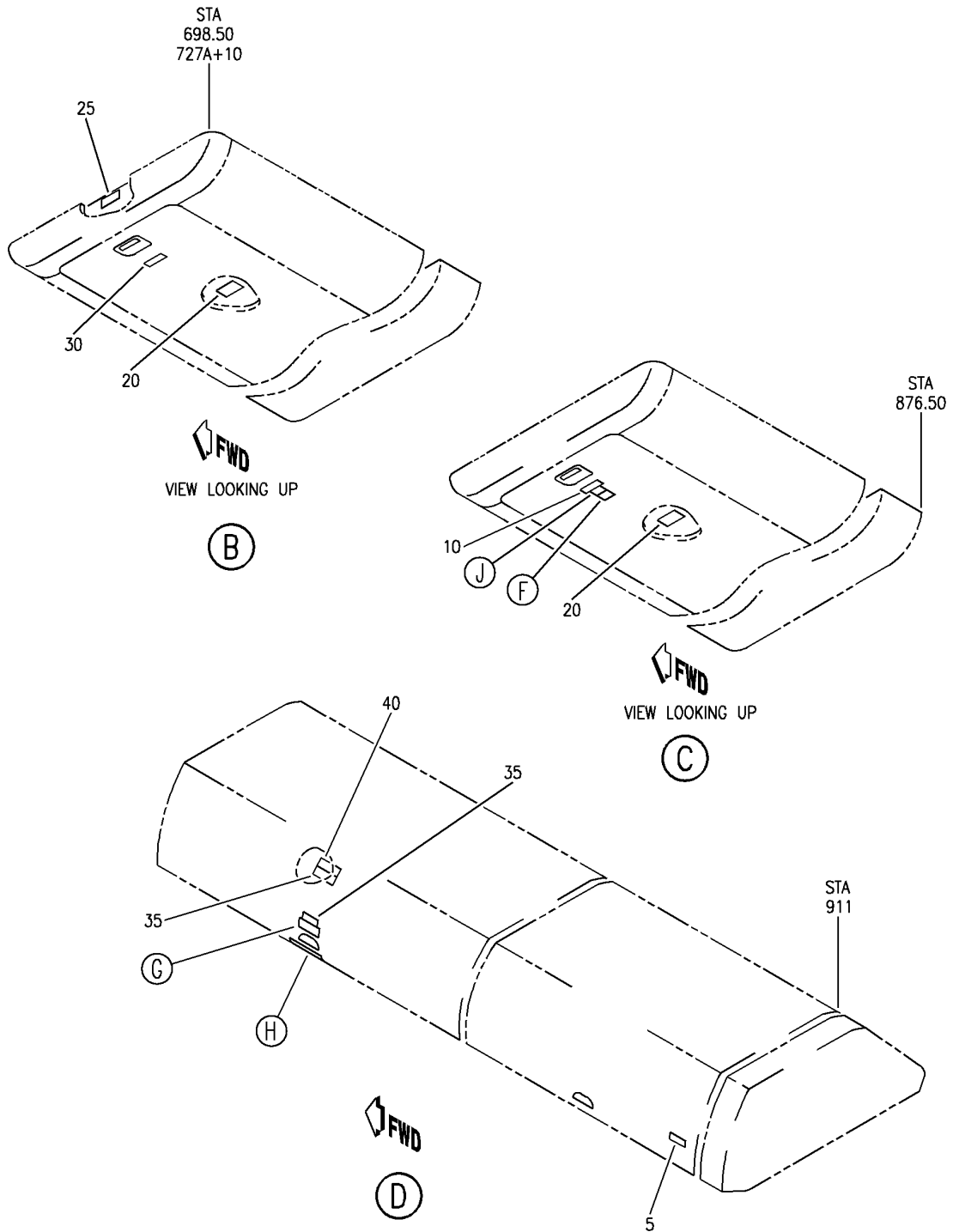
PLACARD INSTL-CAB. INTR MISC (OVERHEAD STORAGE BINS ONLY)
 FIGURE 16P (SHEET 1)

11-32-04-16P

HAP
 JUN 10/07

11-32-04-16P
 PAGE 0

BOEING
 737-600/700/800/900
 PARTS CATALOG (MAINTENANCE)



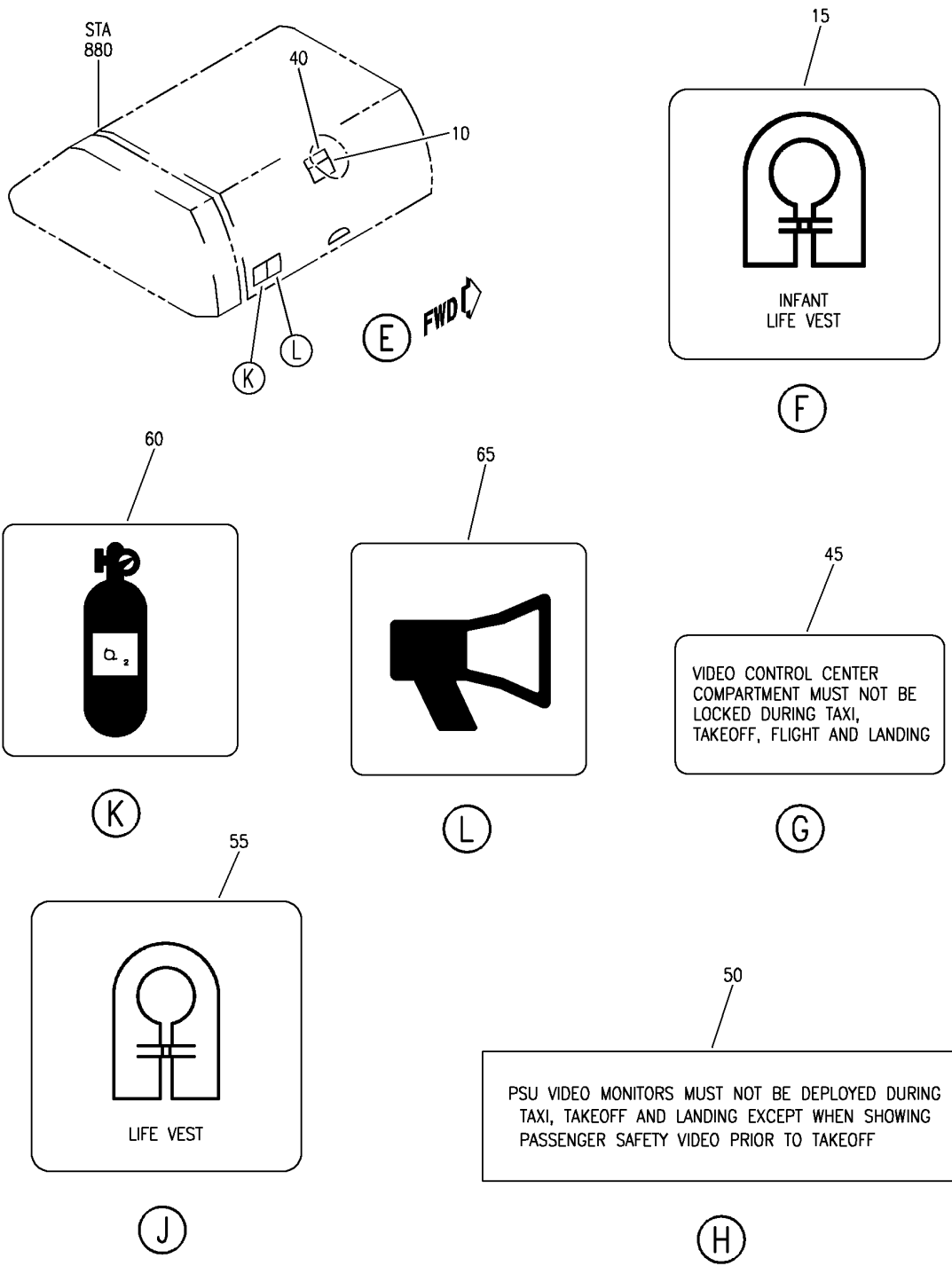
E 11320416P SHT 2 REV 129

PLACARD INSTL-CAB. INTR MISC (OVERHEAD STORAGE BINS ONLY)
 FIGURE 16P (SHEET 2)

HAP
 JUN 10/07

11-32-04-16P

11-32-04-16P
 PAGE 0A



E 11320416P SHT 3 REV 129

PLACARD INSTL-CAB. INTR MISC (OVERHEAD STOWAGE BINS ONLY)
 FIGURE 16P (SHEET 3)

11-32-04-16P

HAP JUN 10/07

11-32-04-16P
 PAGE 0B

BOEING
737-600/700/800/900
PARTS CATALOG (MAINTENANCE)

FIG ITEM	PART NUMBER	1 2 3 4 5 6 7	NOMENCLATURE	EFFECT FROM TO	UNITS PER ASSY
16P			PLACARD INSTL-CAB. INTR MISC (OVERHEAD STOWAGE BINS ONLY)	042046	
- 1	MODREF334999		PLACARD INSTL-CAB. INTR MISC (OVERHEAD STOWAGE BINS ONLY) MODULE NUMBER: 414A5150-480 REV B FOR ADDITIONAL DETAILS SEE: 11-32-03-16P	042046	1
5	BAC29PPS36220		.PLACARD- PLACARD CONTENT: MAGAZINE STOWAGE	042046	2
10	BAC29PPS48516		.PLACARD-(MULTI-LANGUAGE) PLACARD CONTENT: EMERGENCY EQUIPMENT ONLY	042046	3
15	BAC29PPS36237		.PLACARD	042046	2
20	BAC29PPS36218		.PLACARD- PLACARD CONTENT: DOOR MUST BE CLOSED AND LATCHED DURING TAXI, TAKEOFF AND LANDING	042046	4
25	BAC29PPS38285		.PLACARD- PLACARD CONTENT: LOAD LIMIT 45 LB/20 KG	042046	2
30	BAC29PPS39690		.PLACARD- PLACARD CONTENT: LATCH CLOSED DURING TAXI, TAKEOFF AND AND LANDING	042046	2
35	BAC29PPS38881		.PLACARD- PLACARD CONTENT: VIDEO EQUIPMENT ONLY	042046	2
40	BAC29PPS38380		.PLACARD- PLACARD CONTENT: LATCH CLOSED	042046	2
45	BAC29PPS46968		.MARKER	042046	1
50	BAC29PPS50766		.PLACARD	042046	1
55	BAC29PPS36236		.MARKER	042046	1
60	BAC29PPS36231		.PLACARD	042046	1
65	BAC29PPS36230		.PLACARD	042046	1

MISSING ITEM NUMBERS NOT APPLICABLE

- ITEM NOT ILLUSTRATED

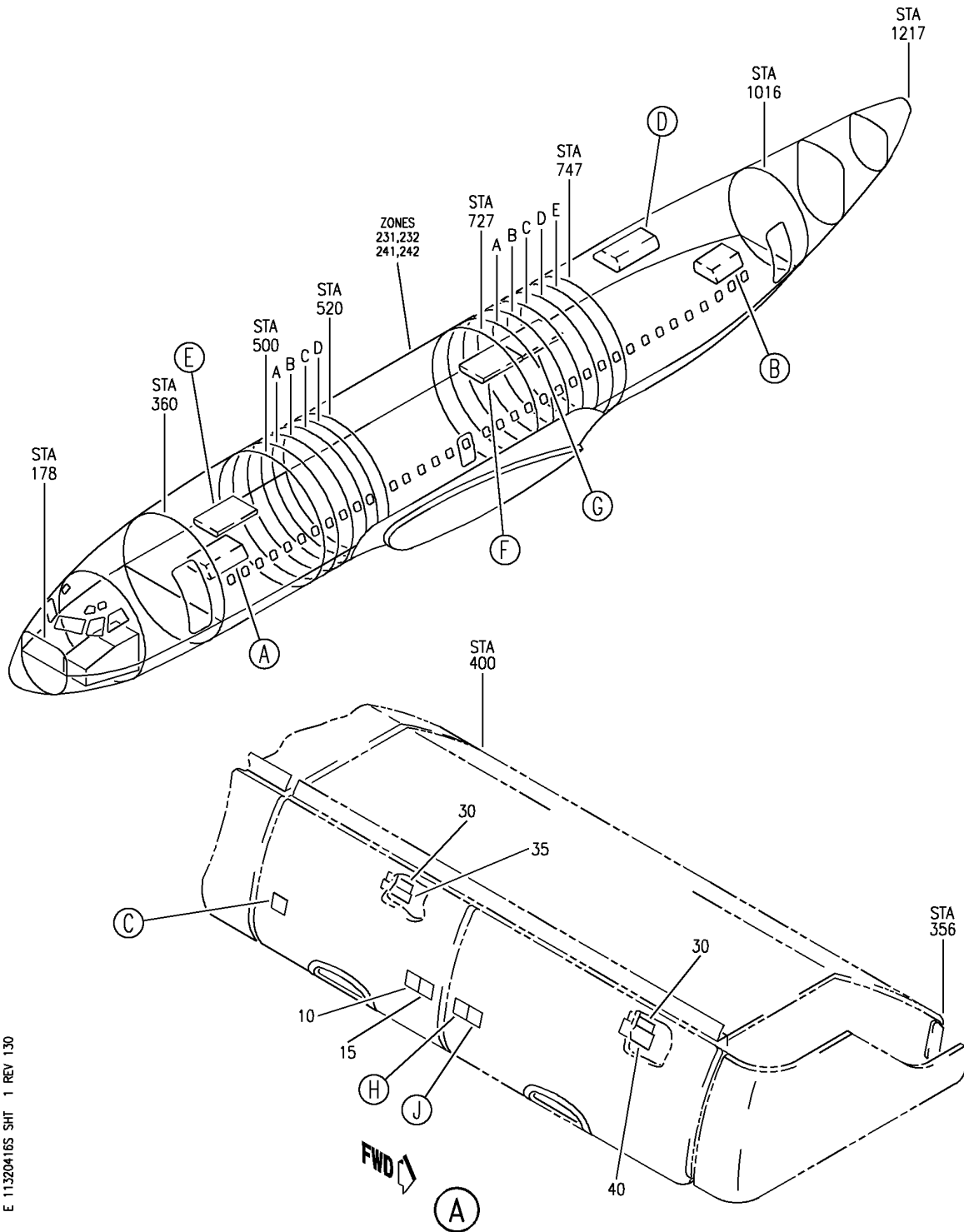
HAP

11-32-04-16P

BOEING PROPRIETARY - Copyright © - Unpublished Work - See title page for details.

11-32-04
FIG. 16P
PAGE 1
FEB 15/09

BOEING
 737-600/700/800/900
 PARTS CATALOG (MAINTENANCE)



E 11320416S SHT 1 REV 130

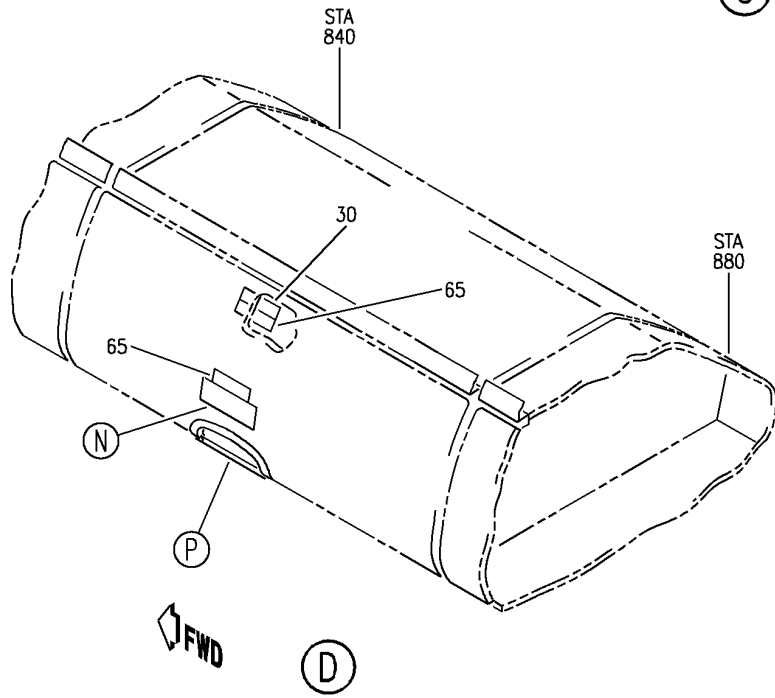
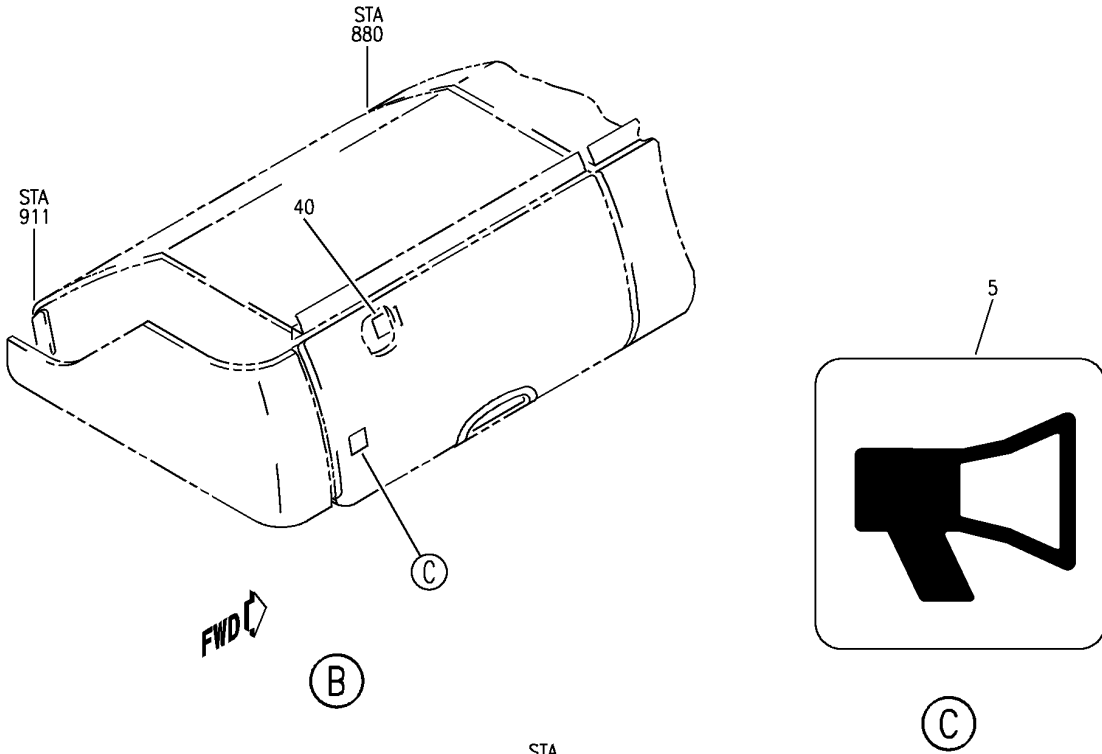
PLACARD INSTL-CAB. INTR MISC (OVERHEAD STORAGE BINS ONLY)
 FIGURE 16S (SHEET 1)

11-32-04-16S

HAP
 JUN 10/07

11-32-04-16S
 PAGE 0

BOEING
 737-600/700/800/900
 PARTS CATALOG (MAINTENANCE)



E 11320416S SHT 2 REV 130

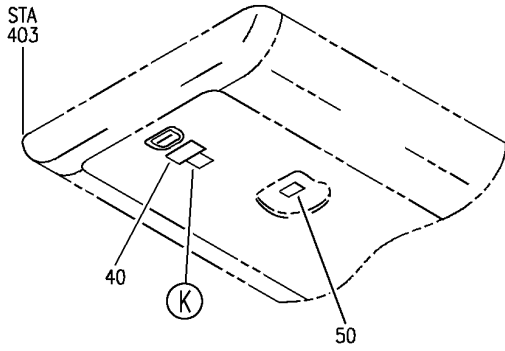
PLACARD INSTL-CAB. INTR MISC (OVERHEAD STORAGE BINS ONLY)
 FIGURE 16S (SHEET 2)

11-32-04-16S

HAP
 JUN 10/07

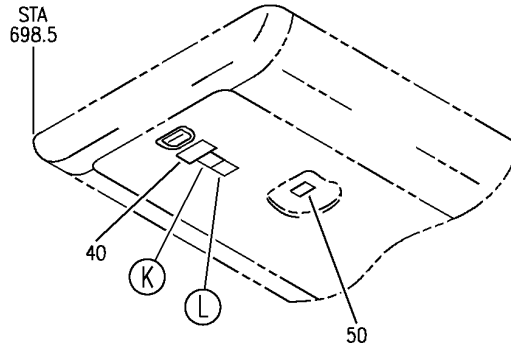
11-32-04-16S
 PAGE 0A

BOEING
 737-600/700/800/900
 PARTS CATALOG (MAINTENANCE)



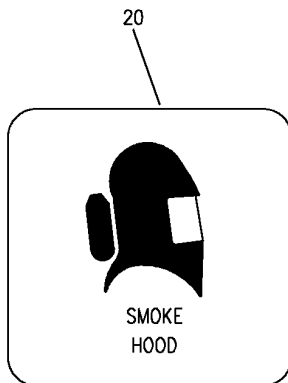
FWD
 VIEW LOOKING UP

(E)

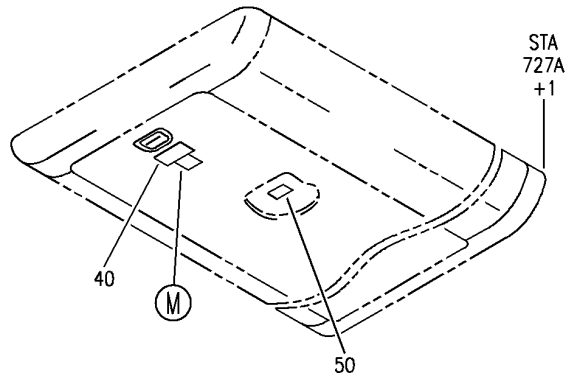


FWD
 VIEW LOOKING UP

(F)



(H)



FWD
 VIEW LOOKING UP

(G)

E 11320416S SHT 3 REV 130

PLACARD INSTL-CAB. INTR MISC (OVERHEAD STORAGE BINS ONLY)
 FIGURE 16S (SHEET 3)

11-32-04-16S

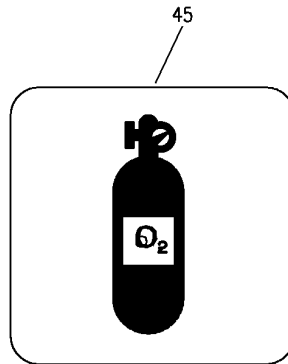
HAP
 JUN 10/07

11-32-04-16S
 PAGE 0B

BOEING PROPRIETARY - Copyright © - Unpublished Work - See title page for details.



(J)

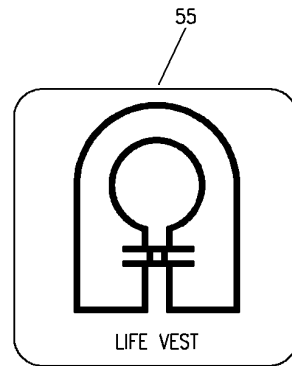


(K)

75

PSU VIDEO MONITORS MUST NOT BE DEPLOYED DURING TAXI, TAKEOFF AND LANDING EXCEPT WHEN SHOWING PASSENGER SAFETY VIDEO PRIOR TO TAKEOFF

(P)

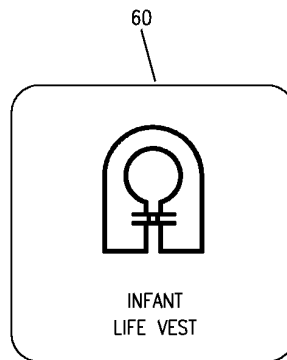


(L)

70

VIDEO CONTROL CENTER COMPARTMENT MUST NOT BE LOCKED DURING TAXI, TAKEOFF, FLIGHT AND LANDING

(N)



(M)

E 11320416S SHT 4 REV 130

PLACARD INSTL-CAB. INTR MISC (OVERHEAD STOWAGE BINS ONLY)
 FIGURE 16S (SHEET 4)

HAP
 JUN 10/07

11-32-04-16S

11-32-04-16S
 PAGE 0C

BOEING
737-600/700/800/900
PARTS CATALOG (MAINTENANCE)

FIG ITEM	PART NUMBER	1 2 3 4 5 6 7	NOMENCLATURE	EFFECT FROM TO	UNITS PER ASSY
16S			PLACARD INSTL-CAB. INTR MISC (OVERHEAD STOWAGE BINS ONLY)	101106 970999	
- 1	MODREF331740		PLACARD INSTL-CAB. INTR MISC (OVERHEAD STOWAGE BINS ONLY) MODULE NUMBER: 414A5150-485 REV A FOR ADDITIONAL DETAILS SEE: 11-32-03-16S	101106 970999	1
5	BAC29PPS36230		.PLACARD	101106 970999	2
10	BAC29PPS59505		.MARKER- PLACARD CONTENT: SPARE SEAT BELT	101106 970999	1
15	BAC29PPS38318		.MARKER- PLACARD CONTENT: SEAT BELT EXTENSIONS	101106 970999	1
20	BAC29PPS36232		.MARKER	101106 970999	1
25	BAC29PPS36229		.PLACARD	101106 970999	1
30	BAC29PPS38380		.PLACARD- PLACARD CONTENT: LATCH CLOSED	101106 970999	3
35	BAC29PPS52348		.PLACARD-(MULTI-LANGUAGE) PLACARD CONTENT: NO ADDITIONAL STOWAGE	101106 970999	1
40	BAC29PPS48516		.PLACARD-(MULTI-LANGUAGE) PLACARD CONTENT: EMERGENCY EQUIPMENT ONLY	101106 970999	5
45	BAC29PPS36231		.PLACARD	101106 970999	2
50	BAC29PPS36218		.PLACARD- PLACARD CONTENT: DOOR MUST BE CLOSED AND LATCHED DURING TAXI, TAKEOFF AND LANDING	101106 970999	3
55	BAC29PPS36236		.MARKER	101106 970999	1
60	BAC29PPS36237		.PLACARD	101106 970999	1
65	BAC29PPS38881		.PLACARD- PLACARD CONTENT: VIDEO EQUIPMENT ONLY	101106 970999	2
70	BAC29PPS46968		.MARKER	101106 970999	1
75	BAC29PPS50766		.PLACARD	101106 970999	1

MISSING ITEM NUMBERS NOT APPLICABLE

- ITEM NOT ILLUSTRATED

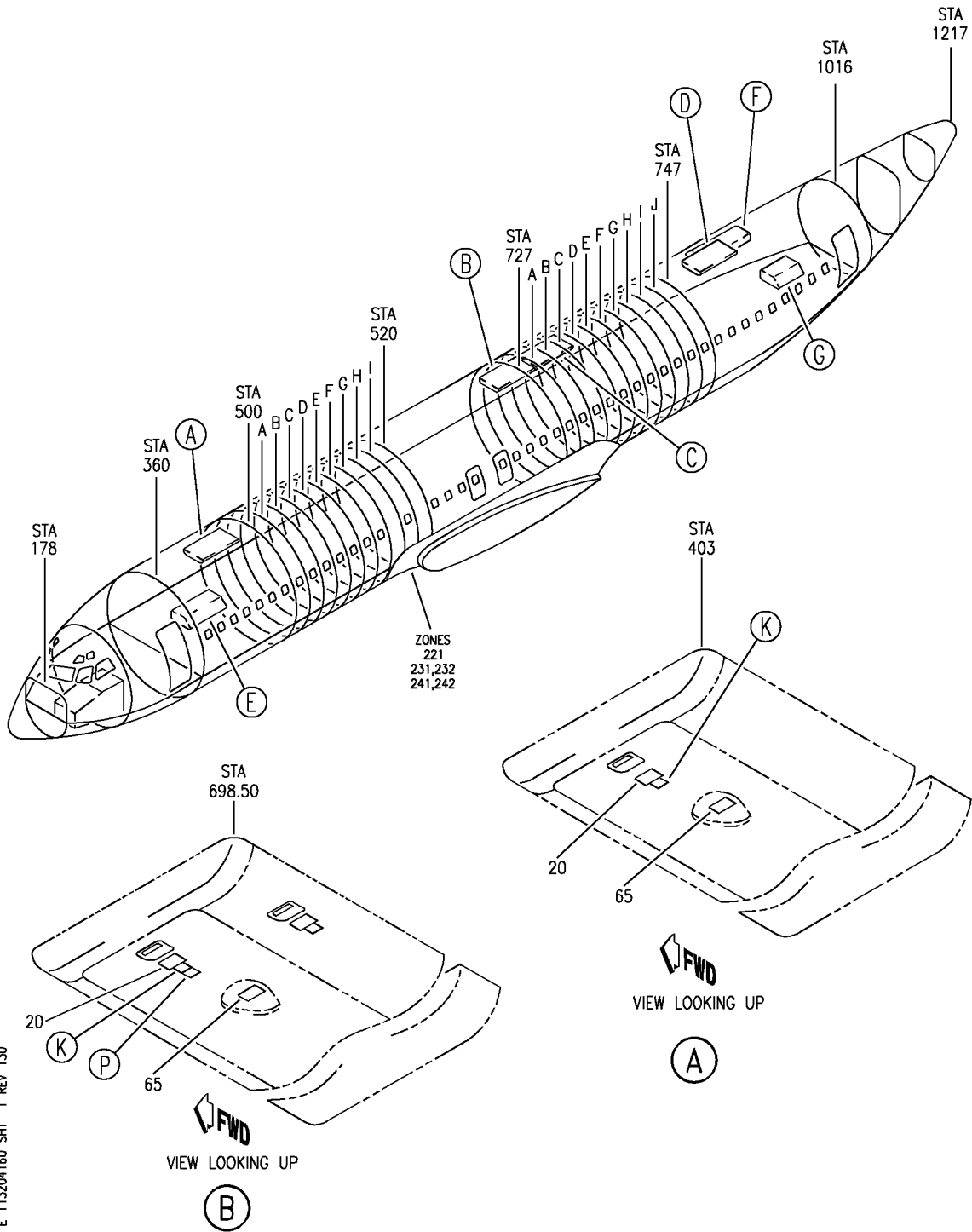
HAP

11-32-04-16S

BOEING PROPRIETARY - Copyright © - Unpublished Work - See title page for details.

11-32-04
FIG. 16S
PAGE 1
FEB 15/09

BOEING
 737-600/700/800/900
 PARTS CATALOG (MAINTENANCE)



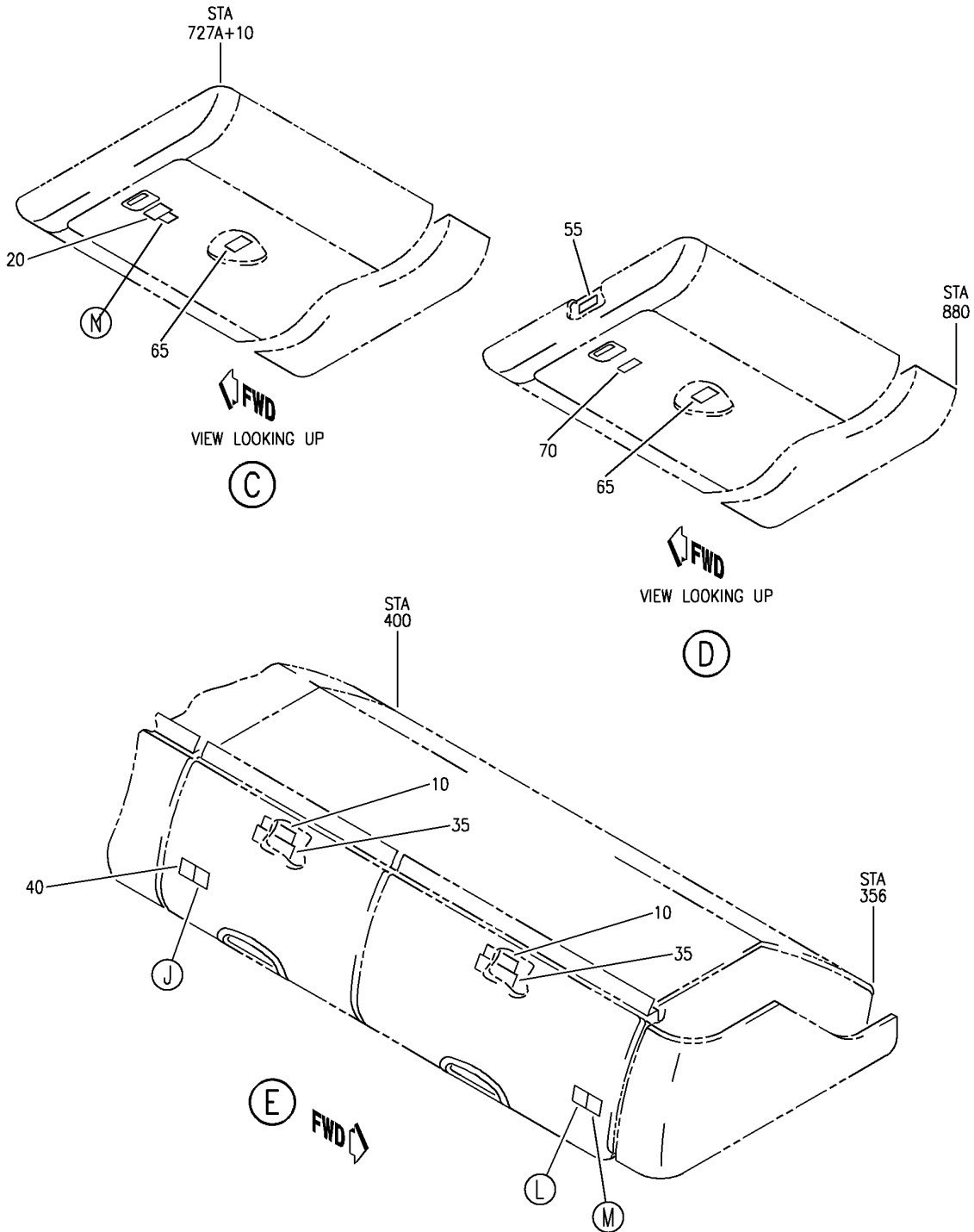
PLACARD INSTL-CAB. INTR MISC (OVERHEAD STORAGE BINS ONLY)
 FIGURE 16U (SHEET 1)

11-32-04-16U

HAP
 JUN 10/07

11-32-04-16U
 PAGE 0

BOEING
 737-600/700/800/900
 PARTS CATALOG (MAINTENANCE)



E 11320416U SHT 2 REV 130

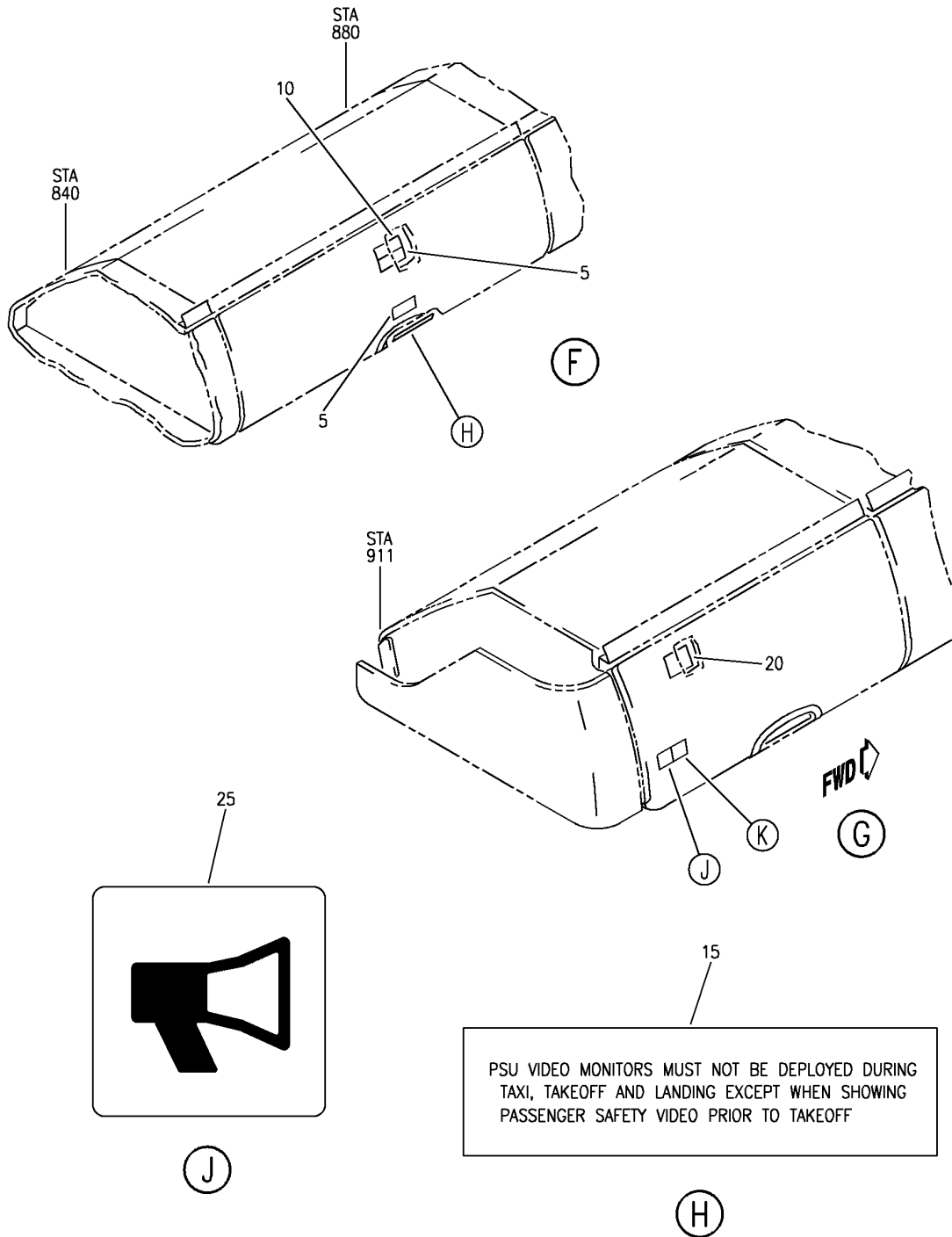
PLACARD INSTL-CAB. INTR MISC (OVERHEAD STORAGE BINS ONLY)
 FIGURE 16U (SHEET 2)

HAP
 JUN 10/07

11-32-04-16U

11-32-04-16U
 PAGE 0A

BOEING
 737-600/700/800/900
 PARTS CATALOG (MAINTENANCE)



E 11320416U SHT 3 REV 130

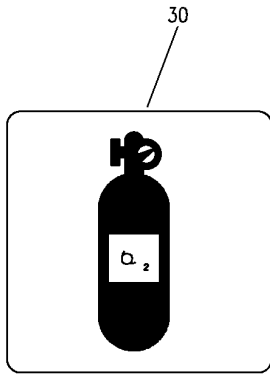
PLACARD INSTL-CAB. INTR MISC (OVERHEAD STORAGE BINS ONLY)
 FIGURE 16U (SHEET 3)

HAP
 JUN 10/07

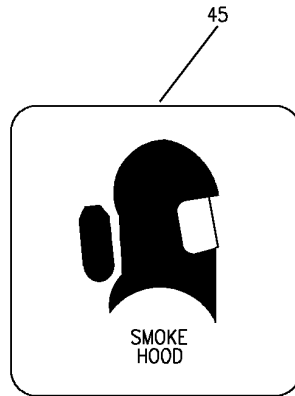
11-32-04-16U

11-32-04-16U
 PAGE 0B

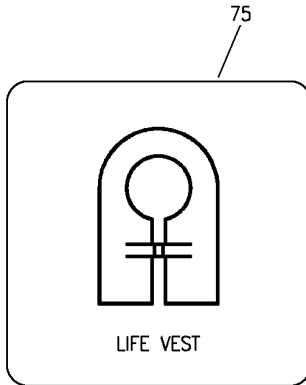
BOEING
 737-600/700/800/900
 PARTS CATALOG (MAINTENANCE)



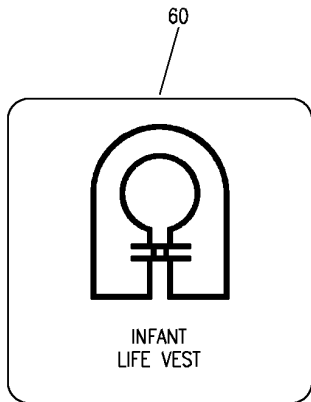
(K)



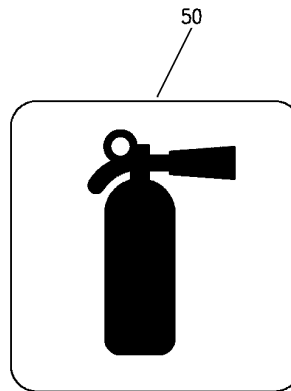
(L)



(P)



(N)



(M)

E 11320416U SHT 4 REV 130

PLACARD INSTL-CAB. INTR MISC (OVERHEAD STORAGE BINS ONLY)
 FIGURE 16U (SHEET 4)

HAP
 JUN 10/07

11-32-04-16U

11-32-04-16U
 PAGE 0C

BOEING
737-600/700/800/900
PARTS CATALOG (MAINTENANCE)

FIG ITEM	PART NUMBER	1 2 3 4 5 6 7	NOMENCLATURE	EFFECT FROM TO	UNITS PER ASSY
16U			PLACARD INSTL-CAB. INTR MISC (OVERHEAD STOWAGE BINS ONLY)	039040	
- 1	MODREF331550		PLACARD INSTL-CAB. INTR MISC (OVERHEAD STOWAGE BINS ONLY) MODULE NUMBER: 414A5150-484 REV A FOR ADDITIONAL DETAILS SEE: 11-32-03-16U	039040	1
5	BAC29PPS38881		.PLACARD- PLACARD CONTENT: VIDEO EQUIPMENT ONLY	039040	2
10	BAC29PPS38380		.PLACARD- PLACARD CONTENT: LATCH CLOSED	039040	3
15	BAC29PPS50766		.PLACARD	039040	1
20	BAC29PPS48516		.PLACARD-(MULTI-LANGUAGE) PLACARD CONTENT: EMERGENCY EQUIPMENT ONLY	039040	4
25	BAC29PPS36230		.PLACARD	039040	2
30	BAC29PPS36231		.PLACARD	039040	3
35	BAC29PPS52348		.PLACARD-(MULTI-LANGUAGE) PLACARD CONTENT: NO ADDITIONAL STOWAGE	039040	2
40	BAC29PPS38318		.MARKER- PLACARD CONTENT: SEAT BELT EXTENSIONS	039040	1
45	BAC29PPS36232		.MARKER	039040	1
50	BAC29PPS36229		.PLACARD	039040	1
55	BAC29PPS38285		.PLACARD- PLACARD CONTENT: LOAD LIMIT 45 LB/20 KG	039040	1
60	BAC29PPS36237		.PLACARD	039040	1
65	BAC29PPS36218		.PLACARD- PLACARD CONTENT: DOOR MUST BE CLOSED AND LATCHED DURING TAXI, TAKEOFF AND LANDING	039040	4
70	BAC29PPS39690		.PLACARD- PLACARD CONTENT: LATCH CLOSED DURING TAXI, TAKEOFF AND LANDING	039040	1
75	BAC29PPS36236		.MARKER	039040	1

MISSING ITEM NUMBERS NOT APPLICABLE

- ITEM NOT ILLUSTRATED

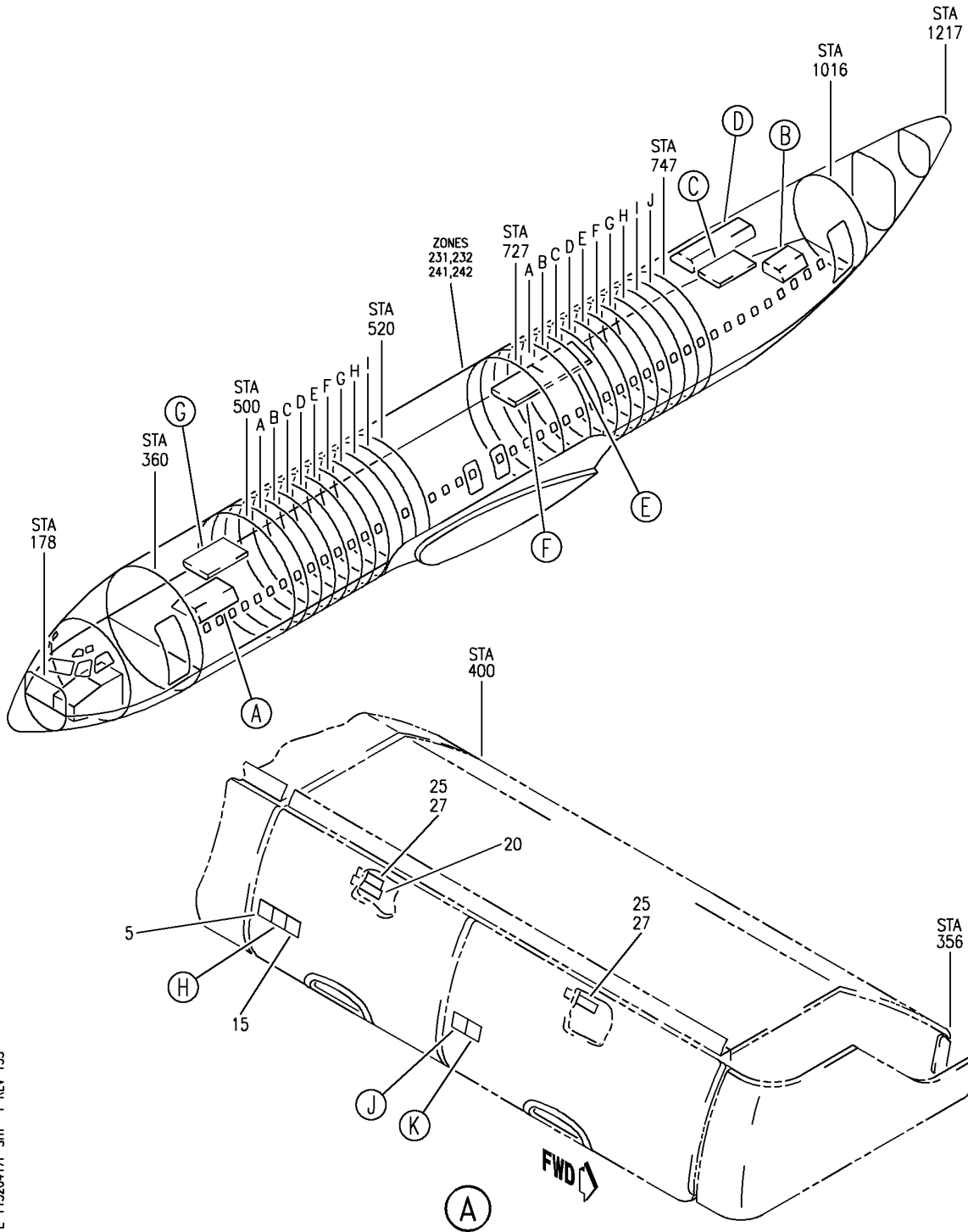
HAP

11-32-04-16U

BOEING PROPRIETARY - Copyright © - Unpublished Work - See title page for details.

11-32-04
FIG. 16U
PAGE 1
OCT 15/08

BOEING
 737-600/700/800/900
 PARTS CATALOG (MAINTENANCE)



E 11-320417F SHT 1 REV 133

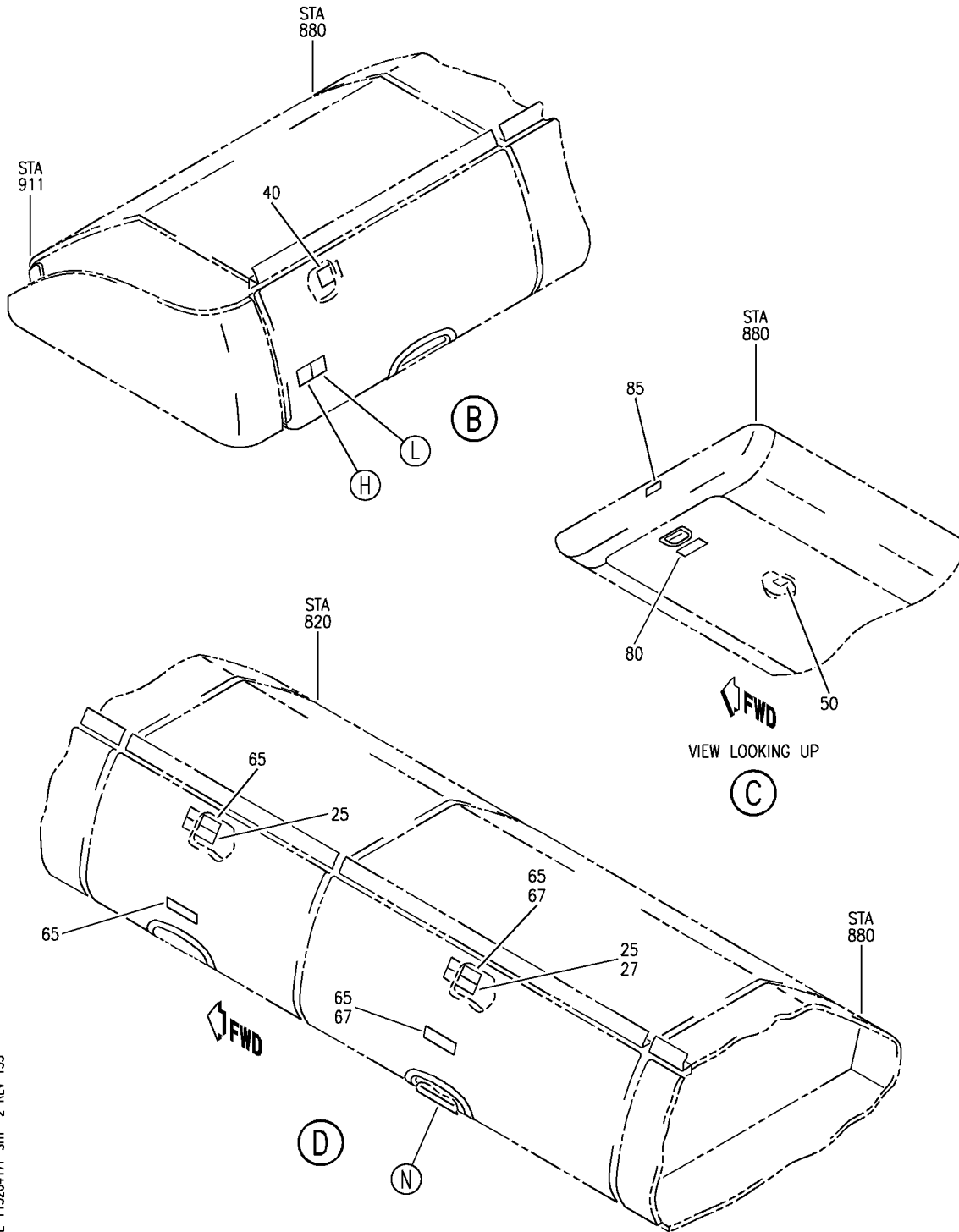
PLACARD INSTL-CAB. INTR MISC (OVERHEAD STORAGE BINS ONLY)
 FIGURE 17F (SHEET 1)

11-32-04-17F

HAP
 OCT 10/07

11-32-04-17F
 PAGE 0

BOEING
 737-600/700/800/900
 PARTS CATALOG (MAINTENANCE)



E 11320417F SHT 2 REV 133

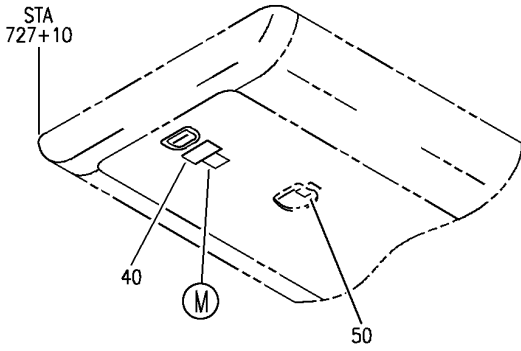
PLACARD INSTL-CAB. INTR MISC (OVERHEAD STORAGE BINS ONLY)
 FIGURE 17F (SHEET 2)

11-32-04-17F

HAP
 OCT 10/07

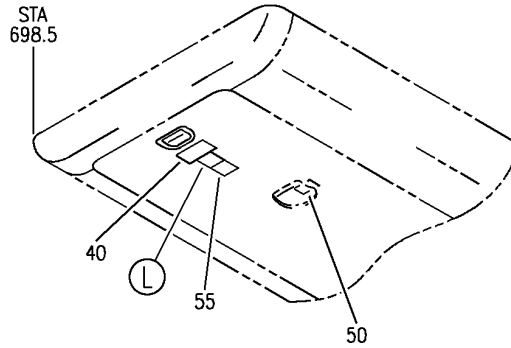
11-32-04-17F
 PAGE 0A

BOEING
 737-600/700/800/900
 PARTS CATALOG (MAINTENANCE)



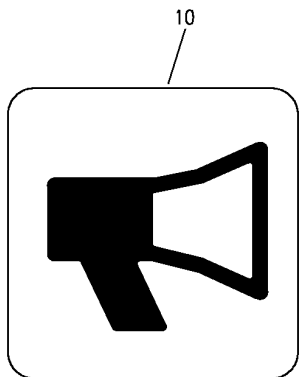
FWD
 VIEW LOOKING UP

(E)

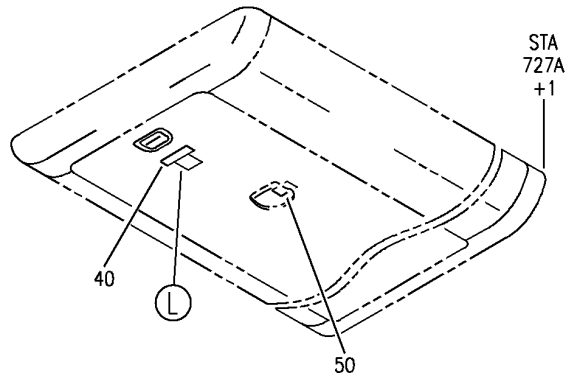


FWD
 VIEW LOOKING UP

(F)



(H)



FWD
 VIEW LOOKING UP

(G)

E 11320417F SHT 3 REV 131

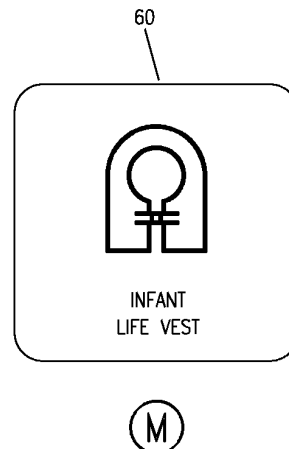
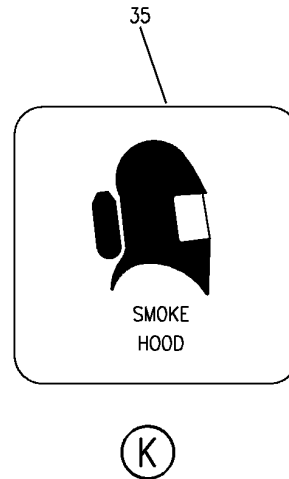
PLACARD INSTL-CAB. INTR MISC (OVERHEAD STORAGE BINS ONLY)
 FIGURE 17F (SHEET 3)

11-32-04-17F

HAP
 JUN 10/07

11-32-04-17F
 PAGE 0B

BOEING
737-600/700/800/900
PARTS CATALOG (MAINTENANCE)



70

PSU VIDEO MONITORS MUST NOT BE DEPLOYED DURING TAXI, TAKEOFF AND LANDING EXCEPT WHEN SHOWING PASSENGER SAFETY VIDEO PRIOR TO TAKEOFF

(N)

E 11320417F SHT 4 REV 133

PLACARD INSTL-CAB. INTR MISC (OVERHEAD STOWAGE BINS ONLY)
FIGURE 17F (SHEET 4)

11-32-04-17F

HAP
OCT 10/07

11-32-04-17F
PAGE 0C

BOEING
737-600/700/800/900
PARTS CATALOG (MAINTENANCE)

FIG ITEM	PART NUMBER	1 2 3 4 5 6 7	NOMENCLATURE	EFFECT FROM TO	UNITS PER ASSY
17F			PLACARD INSTL-CAB. INTR MISC (OVERHEAD STOWAGE BINS ONLY)	041041 054100	
- 1	MODREF346683		PLACARD INSTL-CAB. INTR MISC (OVERHEAD STOWAGE BINS ONLY) MODULE NUMBER: 414A5150-495 REV C FOR ADDITIONAL DETAILS SEE: 11-32-03-17F	041041	1
5	BAC29PPS38318		.MARKER- PLACARD CONTENT: SEAT BELT EXTENSIONS	041041	1
10	BAC29PPS36230		.PLACARD	041041	2
15	BAC29PPS59505		.MARKER- PLACARD CONTENT: SPARE SEAT BELT	041041	1
20	BAC29PPS38317		.MARKER- PLACARD CONTENT: NO ADDITIONAL STOWAGE	041041	2
25	BAC29PPS38380		.PLACARD- PLACARD CONTENT: LATCH CLOSED	054100	4
27	BAC29PPS38380		.PLACARD- PLACARD CONTENT: LATCH CLOSED	041041	3
30	BAC29PPS36229		.PLACARD	041041	1
35	BAC29PPS36232		.MARKER	041041	1
40	BAC29PPS38676		.PLACARD- PLACARD CONTENT: EMERGENCY EQUIPMENT ONLY	041041	4
45	BAC29PPS36231		.PLACARD	041041	3
50	BAC29PPS36218		.PLACARD- PLACARD CONTENT: DOOR MUST BE CLOSED AND LATCHED DURING TAXI, TAKEOFF AND LANDING	041041	4
55	BAC29PPS59506		.MARKER- PLACARD CONTENT: SPARE LIFE VEST	041041	1
60	BAC29PPS36237		.PLACARD	041041	1
65	BAC29PPS38881		.PLACARD- PLACARD CONTENT: VIDEO EQUIPMENT ONLY	054100	4
67	BAC29PPS38881		.PLACARD- PLACARD CONTENT: VIDEO EQUIPMENT ONLY	041041	2
70	BAC29PPS50766		.PLACARD	041041	1

MISSING ITEM NUMBERS NOT APPLICABLE

- ITEM NOT ILLUSTRATED

HAP

11-32-04-17F

11-32-04
FIG. 17F
PAGE 1
FEB 15/09

BOEING PROPRIETARY - Copyright © - Unpublished Work - See title page for details.


BOEING
 737-600/700/800/900
PARTS CATALOG (MAINTENANCE)

FIG ITEM	PART NUMBER	1 2 3 4 5 6 7	NOMENCLATURE	EFFECT FROM TO	UNITS PER ASSY
17F 80	BAC29PPS39690		.PLACARD- PLACARD CONTENT: LATCH CLOSED DURING TAXI, TAKEOFF AND LANDING	041041	1
85	BAC29PPS38285		.PLACARD- PLACARD CONTENT: LOAD LIMIT 45 LB/20 KG	041041	1

MISSING ITEM NUMBERS NOT APPLICABLE

— ITEM NOT ILLUSTRATED

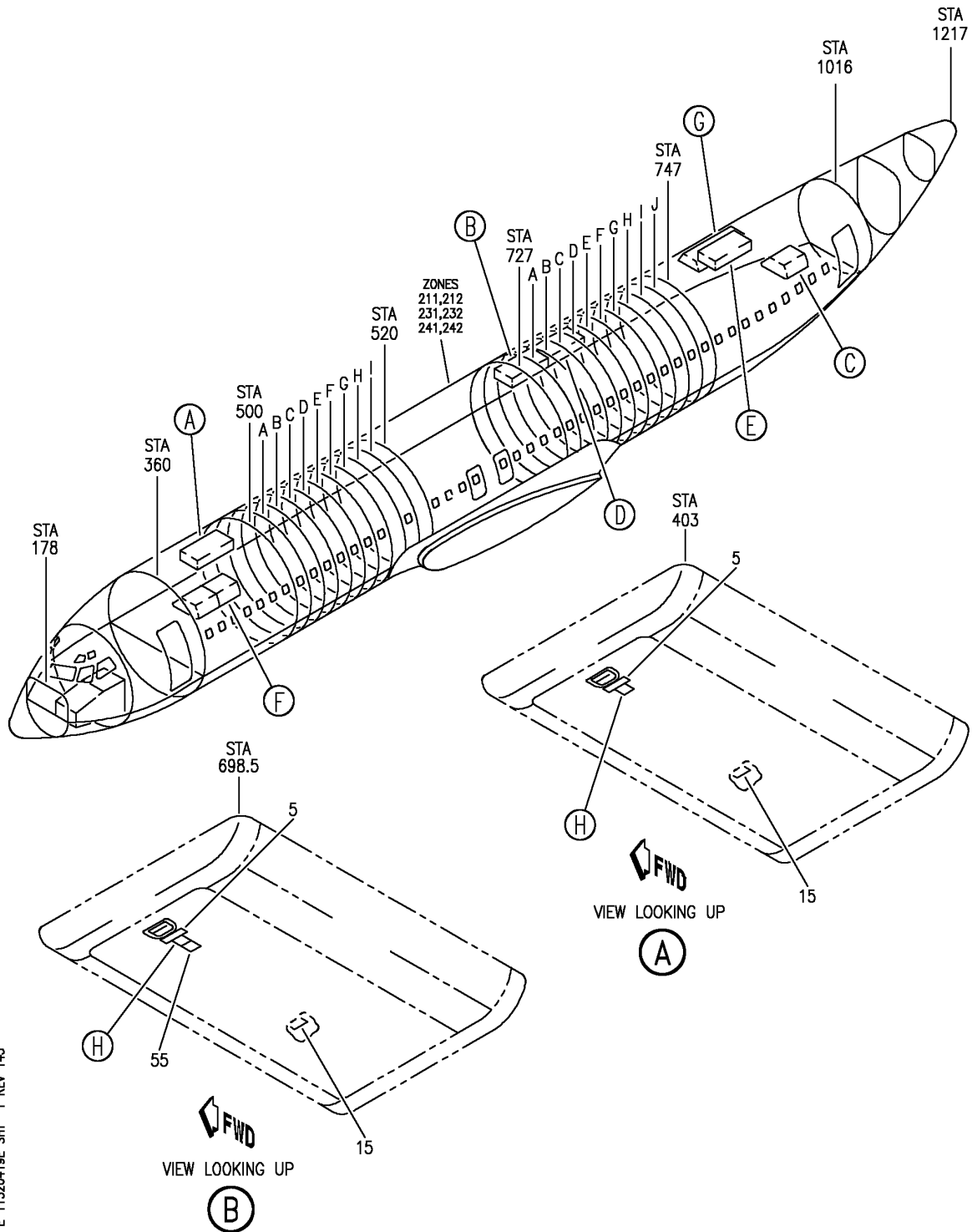
HAP

11-32-04-17F

BOEING PROPRIETARY - Copyright © - Unpublished Work - See title page for details.

11-32-04
 FIG. 17F
 PAGE 2
 FEB 15/09

BOEING
 737-600/700/800/900
 PARTS CATALOG (MAINTENANCE)



E 11320419E SHT 1 REV 145

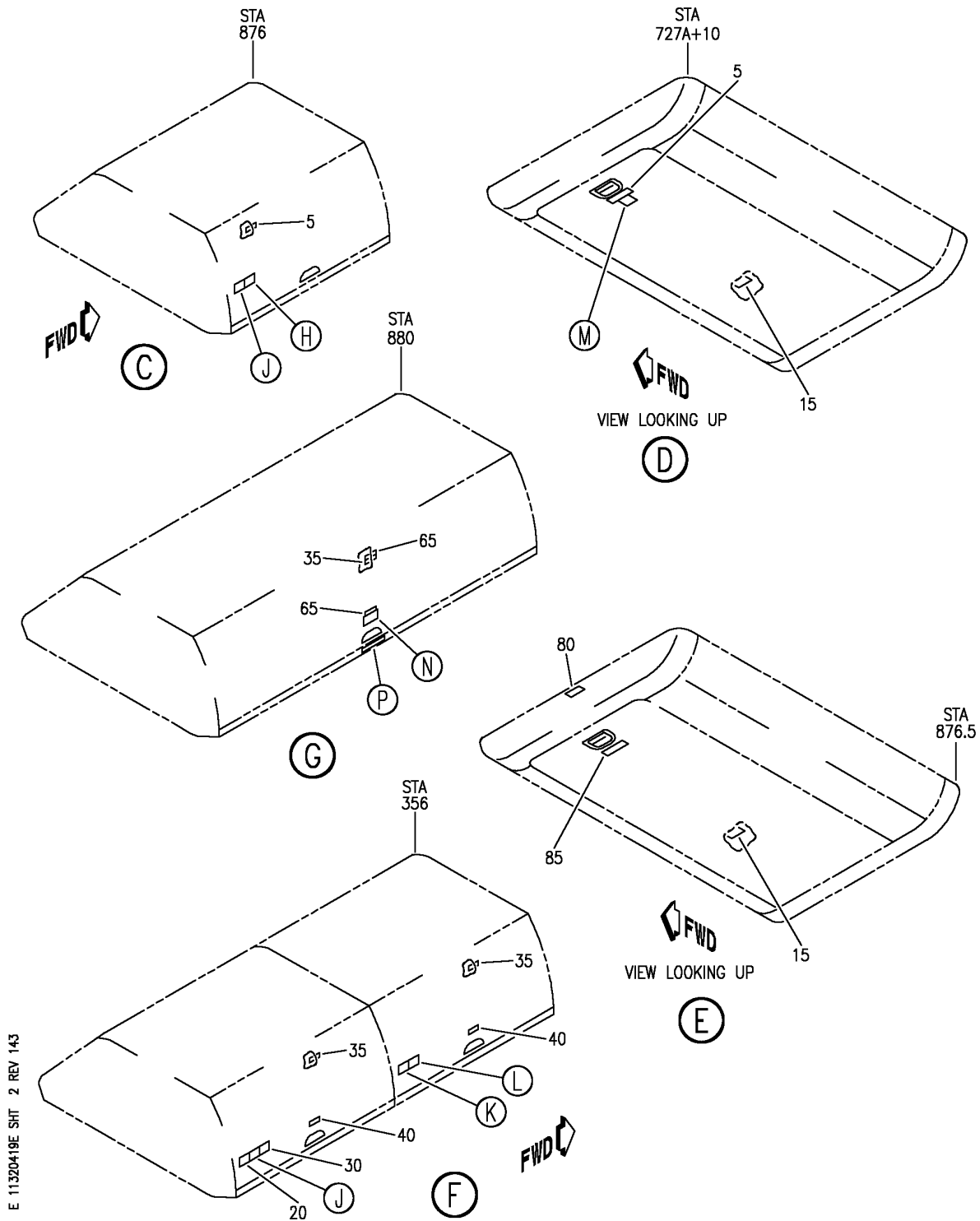
PLACARD INSTL-CAB. INTR MISC (OVERHEAD STORAGE BINS ONLY)
 FIGURE 19E (SHEET 1)

11-32-04-19E

HAP
 OCT 15/08

11-32-04-19E
 PAGE 0

BOEING
 737-600/700/800/900
 PARTS CATALOG (MAINTENANCE)



E 11320419E SHT 2 REV 143

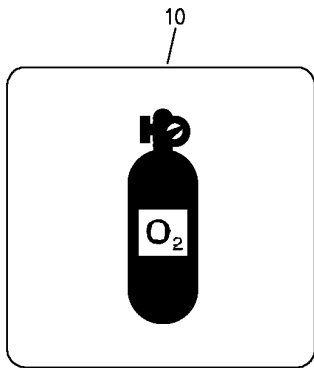
PLACARD INSTL-CAB. INTR MISC (OVERHEAD STORAGE BINS ONLY)
 FIGURE 19E (SHEET 2)

11-32-04-19E

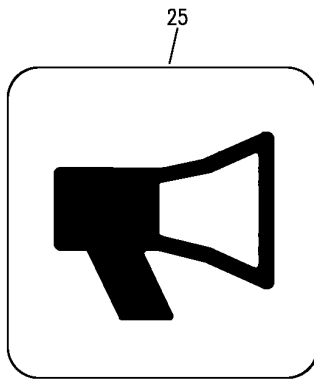
HAP
 JUN 15/08

11-32-04-19E
 PAGE 0A

BOEING
 737-600/700/800/900
 PARTS CATALOG (MAINTENANCE)



(H)



(J)



(K)

75

PSU VIDEO MONITORS MUST NOT BE DEPLOYED DURING TAXI, TAKEOFF AND LANDING EXCEPT WHEN SHOWING PASSENGER SAFETY VIDEO PRIOR TO TAKEOFF

(P)

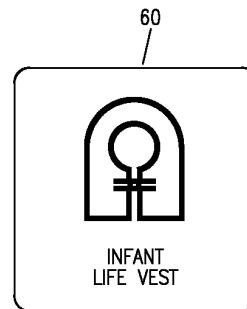


(L)

70

VIDEO CONTROL CENTER COMPARTMENT MUST NOT BE LOCKED DURING TAXI, TAKEOFF, FLIGHT AND LANDING

(N)



(M)

E 11320419E SHT 3 REV 143

PLACARD INSTL-CAB. INTR MISC (OVERHEAD STORAGE BINS ONLY)
 FIGURE 19E (SHEET 3)

11-32-04-19E

HAP
 JUN 15/08

11-32-04-19E
 PAGE 0B

BOEING
737-600/700/800/900
PARTS CATALOG (MAINTENANCE)

FIG ITEM	PART NUMBER	1 2 3 4 5 6 7	NOMENCLATURE	EFFECT FROM TO	UNITS PER ASSY
19E			PLACARD INSTL-CAB. INTR MISC (OVERHEAD STOWAGE BINS ONLY)	047047 049049	
- 1	MODREF380365		PLACARD INSTL-CAB. INTR MISC (OVERHEAD STOWAGE BINS ONLY) MODULE NUMBER: 414A5150-590 REV A FOR ADDITIONAL DETAILS SEE: 11-32-03-19E	047047	1
R R R R R R	- 1	MODREF411509	PLACARD INSTL-CAB. INTR MISC (OVERHEAD STOWAGE BINS ONLY) MODULE NUMBER: 414A5150-590 REV C FOR ADDITIONAL DETAILS SEE: 11-32-03-19E	049049	1
	5	BAC29PPS38676	.PLACARD- PLACARD CONTENT: EMERGENCY EQUIPMENT ONLY	047047 049049	4
	10	BAC29PPS36231	.PLACARD	047047 049049	3
	15	BAC29PPS36218	.PLACARD- PLACARD CONTENT: DOOR MUST BE CLOSED AND LATCHED DURING TAXI, TAKEOFF AND LANDING	047047 049049	4
	20	BAC29PPS38318	.MARKER- PLACARD CONTENT: SEAT BELT EXTENSIONS	047047 049049	1
	25	BAC29PPS36230	.PLACARD	047047 049049	2
	30	BAC29PPS59505	.MARKER-(ENGLISH) PLACARD CONTENT: SPARE SEAT BELT	047047 049049	1
	35	BAC29PPS38380	.PLACARD- PLACARD CONTENT: LATCH CLOSED	047047 049049	3
	40	BAC29PPS38317	.MARKER- PLACARD CONTENT: NO ADDITIONAL STOWAGE	047047 049049	2
	45	BAC29PPS36229	.PLACARD	047047 049049	1
	50	BAC29PPS36232	.MARKER	047047 049049	1
	55	BAC29PPS59506	.MARKER-(ENGLISH) PLACARD CONTENT: SPARE LIFE VEST	047047 049049	1

MISSING ITEM NUMBERS NOT APPLICABLE

- ITEM NOT ILLUSTRATED

HAP

11-32-04-19E

11-32-04
FIG. 19E
PAGE 1
JUN 15/09

BOEING
737-600/700/800/900
PARTS CATALOG (MAINTENANCE)

FIG ITEM	PART NUMBER	1 2 3 4 5 6 7	NOMENCLATURE	EFFECT FROM TO	UNITS PER ASSY
19E					
60	BAC29PPS36237	.	PLACARD	047047 049049	1
65	BAC29PPS38881	.	PLACARD- PLACARD CONTENT: VIDEO EQUIPMENT ONLY	047047 049049	2
70	BAC29PPS46968	.	MARKER	047047 049049	1
75	BAC29PPS50766	.	PLACARD	047047 049049	1
80	BAC29PPS38285	.	PLACARD- PLACARD CONTENT: LOAD LIMIT 45 LB/20 KG	047047 049049	1
85	BAC29PPS39690	.	PLACARD- PLACARD CONTENT: LATCH CLOSED DURING TAXI, TAKEOFF AND LANDING	047047 049049	1

MISSING ITEM NUMBERS NOT APPLICABLE

— ITEM NOT ILLUSTRATED

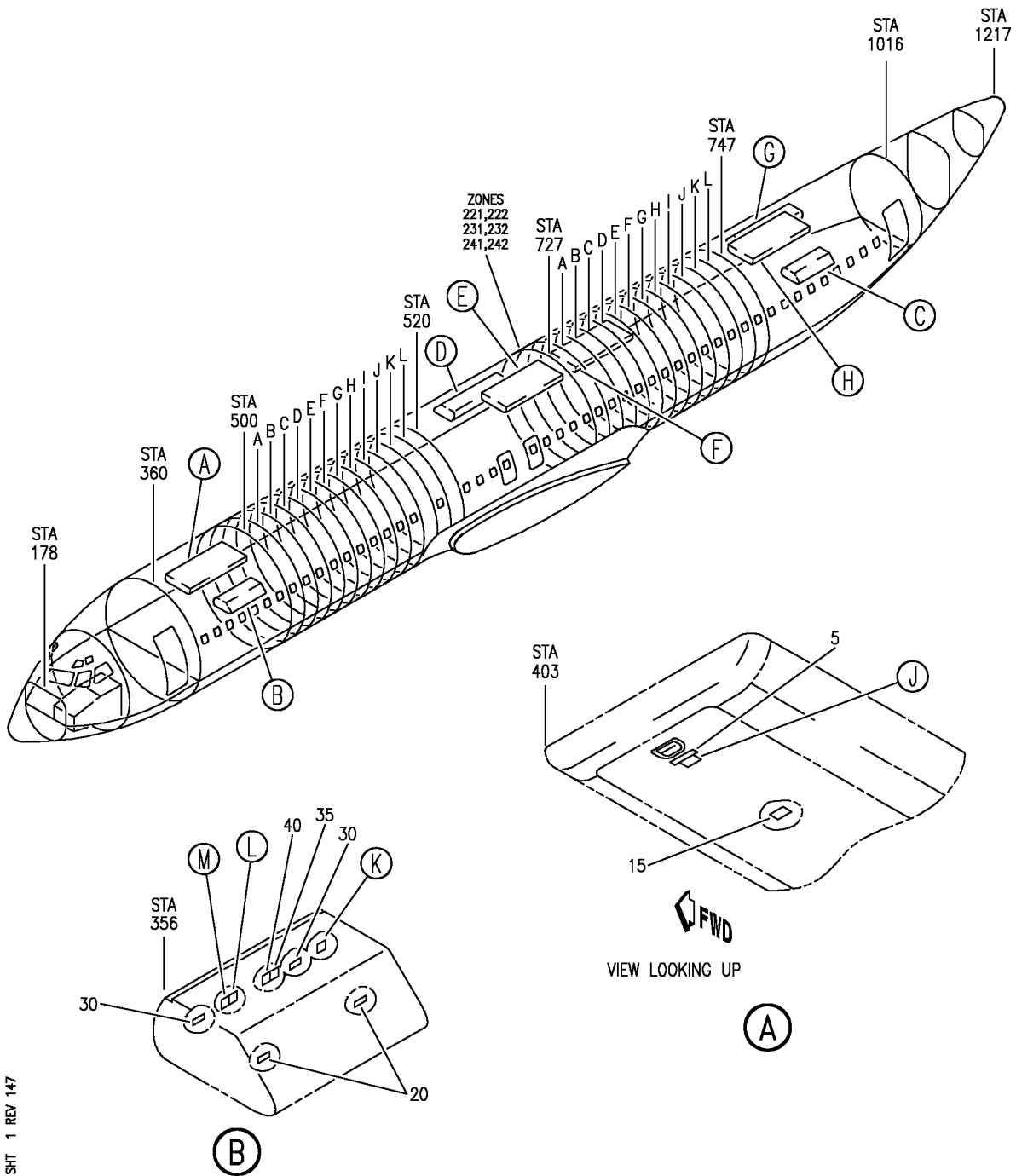
HAP

11-32-04-19E

BOEING PROPRIETARY - Copyright © - Unpublished Work - See title page for details.

11-32-04
FIG. 19E
PAGE 2
OCT 15/08

BOEING
 737-600/700/800/900
 PARTS CATALOG (MAINTENANCE)



E 11320419Y SHT 1 REV 147

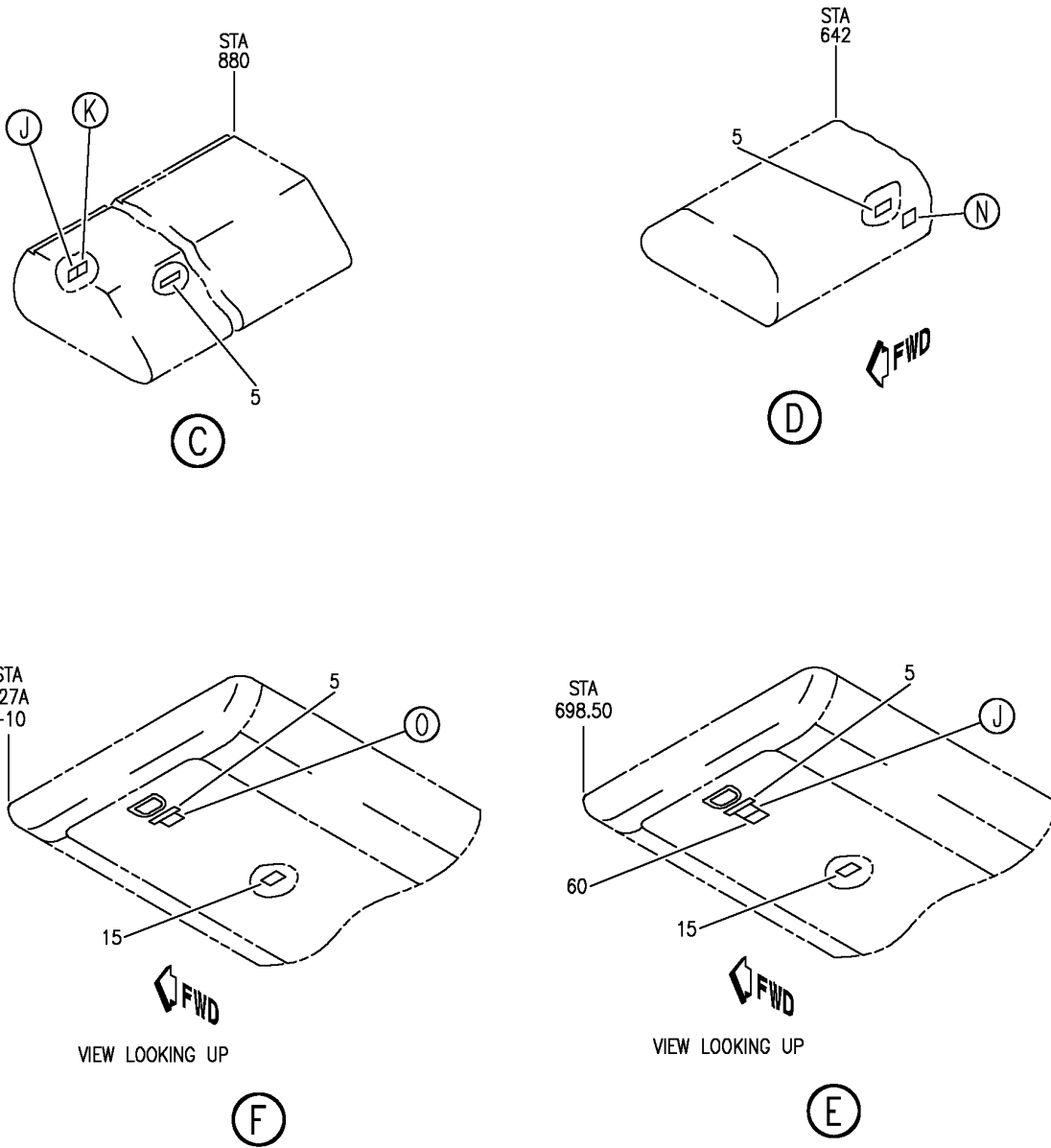
PLACARD INSTL-CAB. INTR MISC (OVERHEAD STORAGE BINS ONLY)
 FIGURE 19Y (SHEET 1)

11-32-04-19Y

HAP
 OCT 15/08

11-32-04-19Y
 PAGE 0

BOEING
 737-600/700/800/900
 PARTS CATALOG (MAINTENANCE)



E 11320419Y SHT 2 REV 147

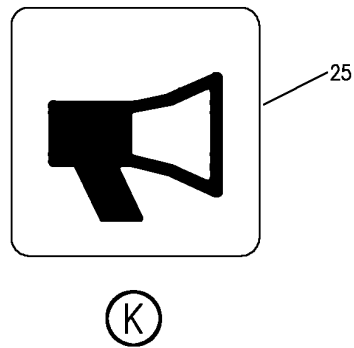
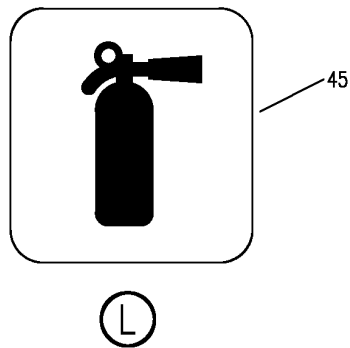
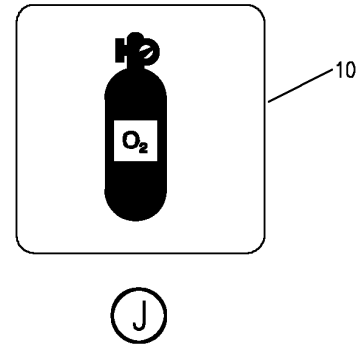
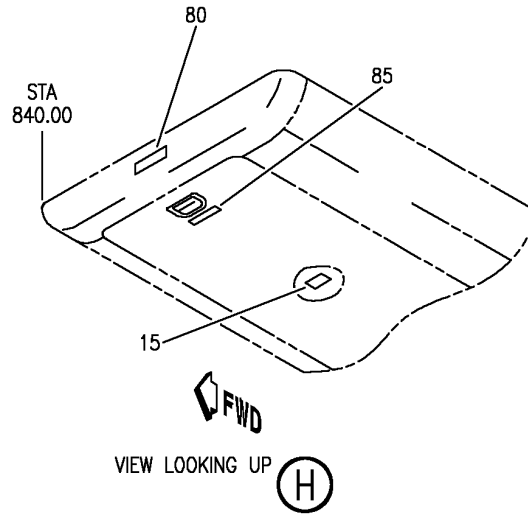
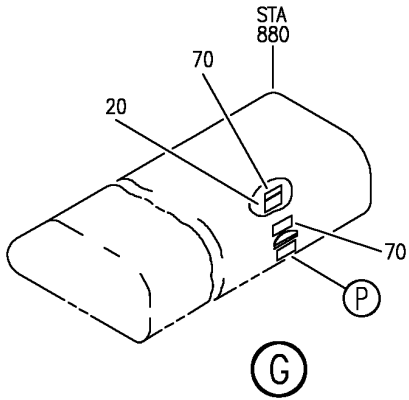
PLACARD INSTL-CAB. INTR MISC (OVERHEAD STORAGE BINS ONLY)
 FIGURE 19Y (SHEET 2)

11-32-04-19Y

HAP
 OCT 15/08

11-32-04-19Y
 PAGE 0A

BOEING
 737-600/700/800/900
 PARTS CATALOG (MAINTENANCE)



E 11320419Y SHT 3 REV 147

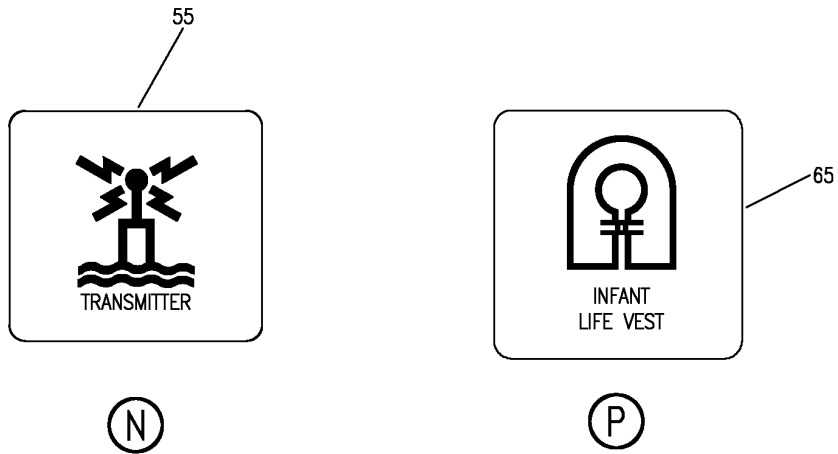
PLACARD INSTL-CAB. INTR MISC (OVERHEAD STORAGE BINS ONLY)
 FIGURE 19Y (SHEET 3)

11-32-04-19Y

HAP
 OCT 15/08

11-32-04-19Y
 PAGE 0B

BOEING
737-600/700/800/900
PARTS CATALOG (MAINTENANCE)



75

PSU VIDEO MONITORS MUST NOT BE DEPLOYED DURING TAXI, TAKEOFF AND LANDING EXCEPT WHEN SHOWING PASSENGER SAFETY VIDEO PRIOR TO TAKEOFF

(Q)

E 11320419Y SHT 4 REV 147

PLACARD INSTL-CAB. INTR MISC (OVERHEAD STOWAGE BINS ONLY)
FIGURE 19Y (SHEET 4)

HAP
OCT 15/08

11-32-04-19Y

11-32-04-19Y
PAGE 0C

BOEING PROPRIETARY - Copyright © - Unpublished Work - See title page for details.

BOEING
737-600/700/800/900
PARTS CATALOG (MAINTENANCE)

FIG ITEM	PART NUMBER	1 2 3 4 5 6 7	NOMENCLATURE	EFFECT FROM TO	UNITS PER ASSY
19Y			PLACARD INSTL-CAB. INTR MISC (OVERHEAD STOWAGE BINS ONLY)	048048	
R R R R R R	- 1 MODREF410698		PLACARD INSTL-CAB. INTR MISC (OVERHEAD STOWAGE BINS ONLY) MODULE NUMBER: 414A5150-615 REV B FOR ADDITIONAL DETAILS SEE: 11-32-03-19Y	048048	1
	5 BAC29PPS38676		.PLACARD- PLACARD CONTENT: EMERGENCY EQUIPMENT ONLY	048048	5
	10 BAC29PPS36231		.PLACARD	048048	3
	15 BAC29PPS36218		.PLACARD- PLACARD CONTENT: DOOR MUST BE CLOSED AND LATCHED DURING TAXI, TAKEOFF AND LANDING	048048	4
	20 BAC29PPS38380		.PLACARD- PLACARD CONTENT: LATCH CLOSED	048048	3
	25 BAC29PPS36230		.PLACARD	048048	2
	30 BAC29PPS38317		.MARKER- PLACARD CONTENT: NO ADDITIONAL STOWAGE	048048	2
	35 BAC29PPS38318		.MARKER- PLACARD CONTENT: SEAT BEST EXTENSIONS	048048	1
	40 BAC29PPS59505		.MARKER- PLACARD CONTENT: SPARE SEAT BELT	048048	1
	45 BAC29PPS36229		.PLACARD	048048	1
	50 BAC29PPS36232		.MARKER	048048	1
	55 BAC29PPS36233		.PLACARD	048048	1
	60 BAC29PPS59506		.MARKER- PLACARD CONTENT: SPARE LIFE VEST	048048	1
	65 BAC29PPS36237		.PLACARD	048048	1
	70 BAC29PPS38881		.PLACARD- PLACARD CONTENT: VIDEO EQUIPMENT ONLY	048048	2
	75 BAC29PPS50766		.PLACARD	048048	1
	80 BAC29PPS38285		.PLACARD- PLACARD CONTENT: LOAD LIMIT 45 LB/20 KG	048048	1

MISSING ITEM NUMBERS NOT APPLICABLE

- ITEM NOT ILLUSTRATED

HAP

11-32-04-19Y

BOEING PROPRIETARY - Copyright © - Unpublished Work - See title page for details.

11-32-04
FIG. 19Y
PAGE 1
JUN 15/09


BOEING
 737-600/700/800/900
PARTS CATALOG (MAINTENANCE)

FIG ITEM	PART NUMBER	1 2 3 4 5 6 7 NOMENCLATURE	EFFECT FROM TO	UNITS PER ASSY
19Y 85	BAC29PPS39690	.PLACARD- PLACARD CONTENT: LATCH CLOSED DURING TAXI, TAKEOFF AND LANDING	048048	1

MISSING ITEM NUMBERS NOT APPLICABLE

— ITEM NOT ILLUSTRATED

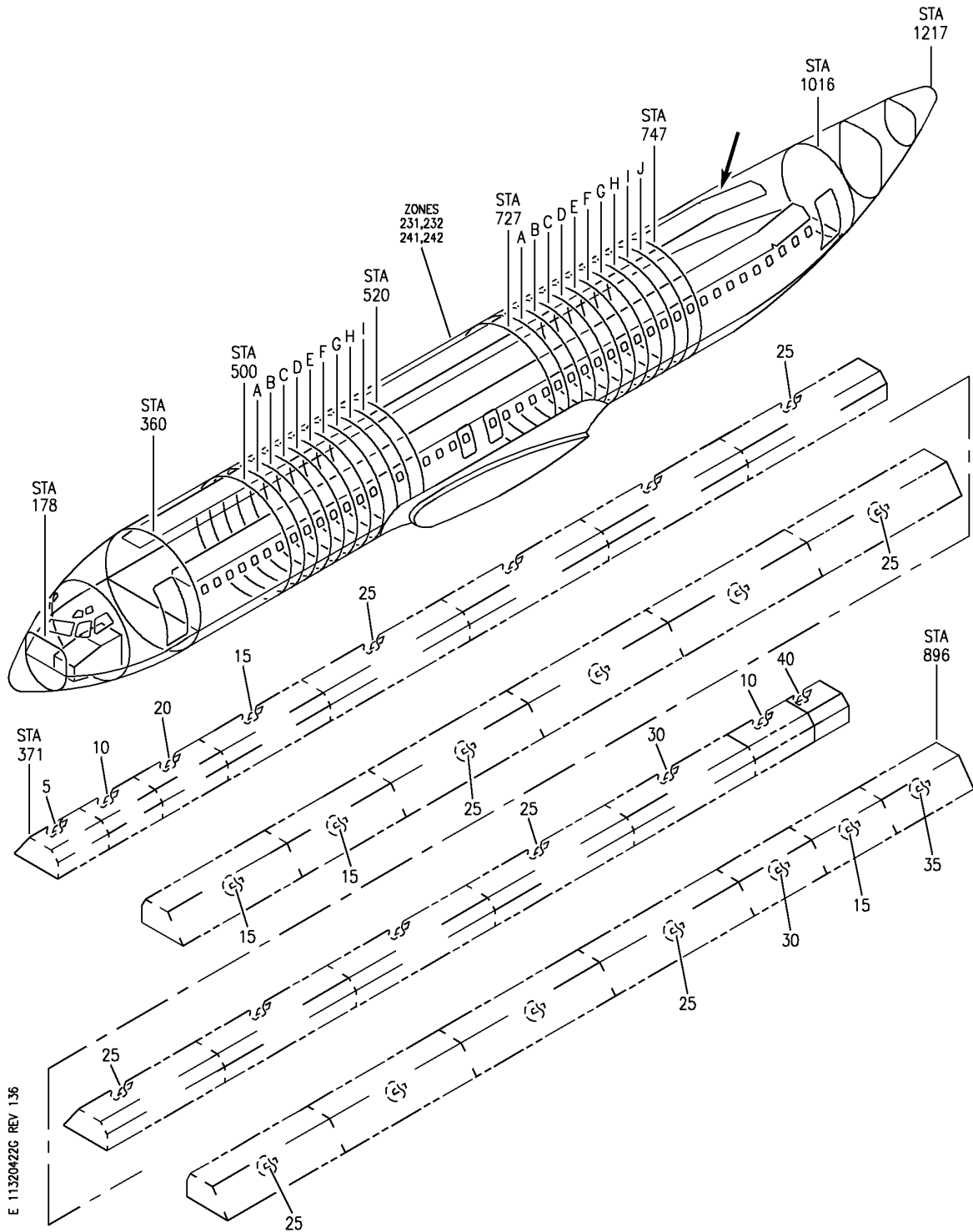
HAP

11-32-04-19Y

BOEING PROPRIETARY - Copyright © - Unpublished Work - See title page for details.

11-32-04
 FIG. 19Y
 PAGE 2
 OCT 15/08

BOEING
 737-600/700/800/900
 PARTS CATALOG (MAINTENANCE)



E 11320422G REV 136

PLACARD INSTL-CAB. INTR BIN LOAD LIMITS
 FIGURE 22G

11-32-04-22G

HAP
 OCT 15/08

11-32-04-22G
 PAGE 0

BOEING
737-600/700/800/900
PARTS CATALOG (MAINTENANCE)

FIG ITEM	PART NUMBER	1 2 3 4 5 6 7	NOMENCLATURE	EFFECT FROM TO	UNITS PER ASSY
22G			PLACARD INSTL-CAB. INTR BIN LOAD LIMITS	054100	
- 1	MODREF354890		PLACARD INSTL-CAB. INTR BIN LOAD LIMITS MODULE NUMBER: 414A5124-369 REV A	054100	1
5	BAC29PPS36281		.PLACARD- PLACARD CONTENT: LATCH CLOSED LOAD LIMIT 58 LB/26 KG	054100	1
10	BAC29PPS36272		.PLACARD- PLACARD CONTENT: LATCH CLOSED LOAD LIMIT 40 LB/18 KG	054100	2
15	BAC29PPS36312		.PLACARD- PLACARD CONTENT: LATCH CLOSED LOAD LIMIT 120 LB/54 KG	054100	4
20	BAC29PPS36292		.PLACARD- PLACARD CONTENT: LATCH CLOSED LOAD LIMIT 80 LB/36 KG	054100	1
25	BAC29PPS36332		.PLACARD- PLACARD CONTENT: LATCH CLOSED LOAD LIMIT 160 LB/72 KG	054100	16
30	BAC29PPS36322		.PLACARD- PLACARD CONTENT: LATCH CLOSED LOAD LIMIT 140 LB/63 KG	054100	2
35	BAC29PPS36268		.PLACARD- PLACARD CONTENT: LATCH CLOSED LOAD LIMIT 32 LB/14 KG	054100	1
40	BAC29PPS36283		.PLACARD- PLACARD CONTENT: LATCH CLOSED LOAD LIMIT 62 LB/28 KG	054100	1

MISSING ITEM NUMBERS NOT APPLICABLE

- ITEM NOT ILLUSTRATED

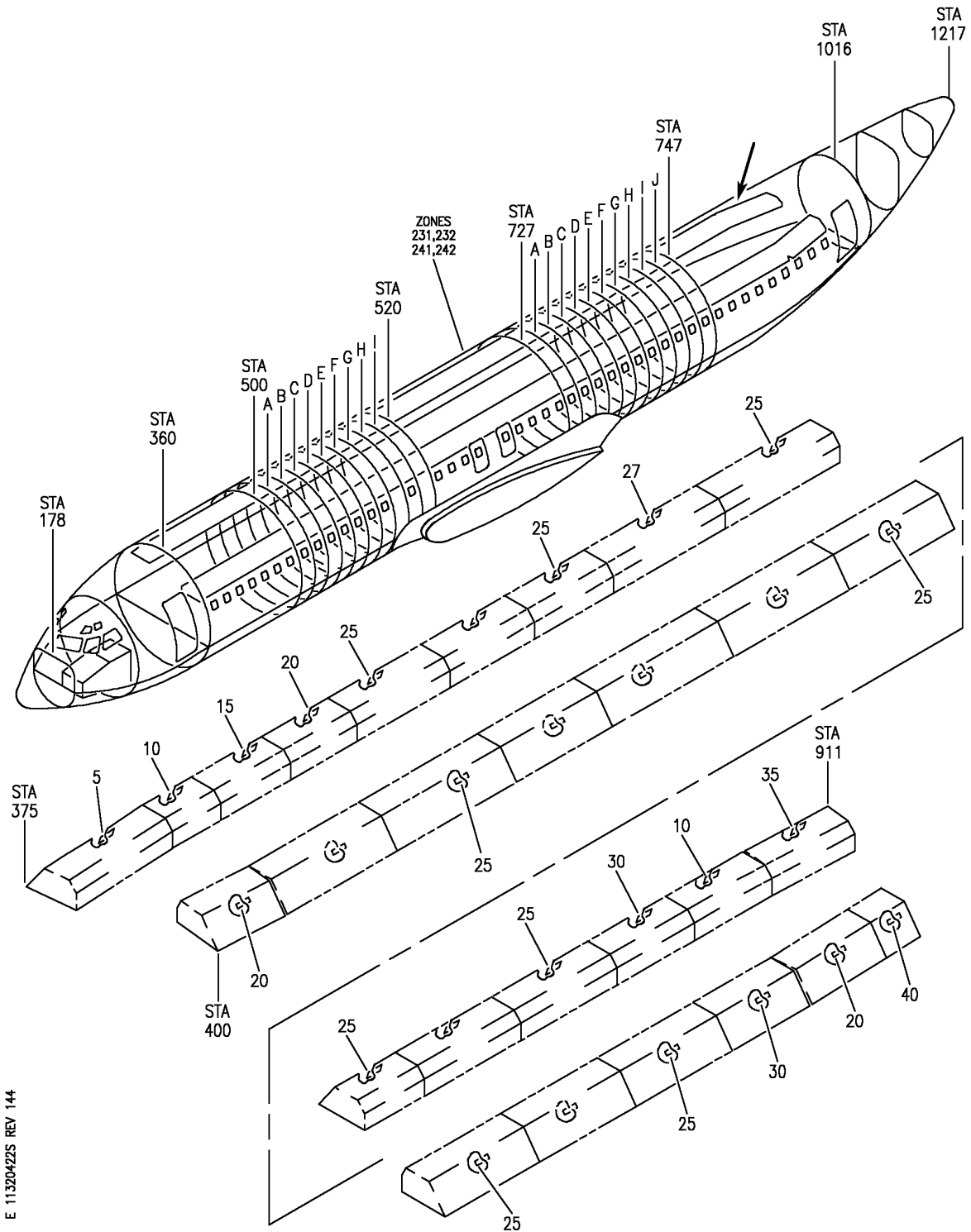
HAP

11-32-04-22G

BOEING PROPRIETARY - Copyright © - Unpublished Work - See title page for details.

11-32-04
FIG. 22G
PAGE 1
FEB 15/09

BOEING
 737-600/700/800/900
 PARTS CATALOG (MAINTENANCE)



E 11320422S REV 144

PLACARD INSTL-CAB. INTR BIN LOAD LIMITS
 FIGURE 22S

11-32-04-22S

HAP
 OCT 15/08

11-32-04-22S
 PAGE 0

BOEING
737-600/700/800/900
PARTS CATALOG (MAINTENANCE)

FIG ITEM	PART NUMBER	1 2 3 4 5 6 7	NOMENCLATURE	EFFECT FROM TO	UNITS PER ASSY
22S			PLACARD INSTL-CAB. INTR BIN LOAD LIMITS	047047 049049	
- 1	MODREF380363		PLACARD INSTL-CAB. INTR BIN LOAD LIMITS	047047 049049	1
			MODULE NUMBER: 414A5124-402 REV A		
5	BAC29PPS36277		.PLACARD- PLACARD CONTENT: LATCH CLOSED LOAD LIMIT 50 LB/22 KG	047047 049049	1
10	BAC29PPS36272		.PLACARD- PLACARD CONTENT: LATCH CLOSED LOAD LIMIT 40 LB/18 KG	047047 049049	2
15	BAC29PPS36292		.PLACARD- PLACARD CONTENT: LATCH CLOSED LOAD LIMIT 80 LB/36 KG	047047 049049	1
20	BAC29PPS36312		.PLACARD- PLACARD CONTENT: LATCH CLOSED LOAD LIMIT 120 LB/54 KG	047047 049049	4
25	BAC29PPS36332		.PLACARD- PLACARD CONTENT: LATCH CLOSED LOAD LIMIT 160 LB/72 KG	047047 049049	15
27	BAC29PPS36332		.PLACARD- PLACARD CONTENT: LATCH CLOSED LOAD LIMIT 160 LB/72 KG POST RAPID REVISION: RR97237-15B	047047 049049	1
30	BAC29PPS36322		.PLACARD- PLACARD CONTENT: LATCH CLOSED LOAD LIMIT 140 LB/63 KG	047047 049049	2
35	BAC29PPS36283		.PLACARD- PLACARD CONTENT: LATCH CLOSED LOAD LIMIT 62 LB/28 KG	047047 049049	1
40	BAC29PPS36268		.PLACARD- PLACARD CONTENT: LATCH CLOSED LOAD LIMIT 32 LB/14 KG	047047 049049	1

MISSING ITEM NUMBERS NOT APPLICABLE

- ITEM NOT ILLUSTRATED

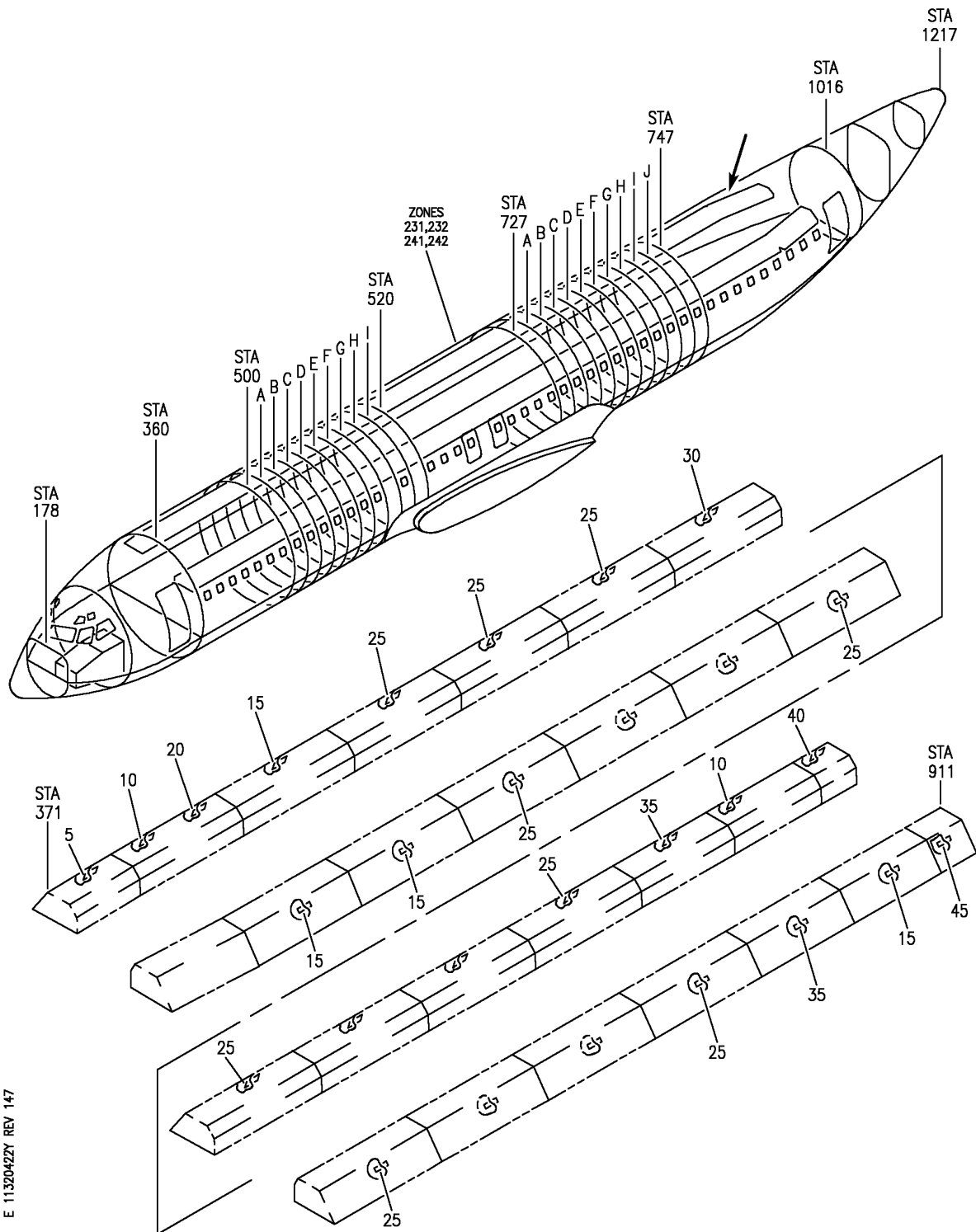
HAP

11-32-04-22S

BOEING PROPRIETARY - Copyright © - Unpublished Work - See title page for details.

11-32-04
FIG. 22S
PAGE 1
OCT 15/08

BOEING
 737-600/700/800/900
 PARTS CATALOG (MAINTENANCE)



E 11320422Y REV 147

PLACARD INSTL-CAB. INTR BIN LOAD LIMITS
 FIGURE 22Y

11-32-04-22Y

HAP
 OCT 15/08

11-32-04-22Y
 PAGE 0

BOEING
737-600/700/800/900
PARTS CATALOG (MAINTENANCE)

FIG ITEM	PART NUMBER	1 2 3 4 5 6 7	NOMENCLATURE	EFFECT FROM TO	UNITS PER ASSY
22Y			PLACARD INSTL-CAB. INTR BIN LOAD LIMITS	048048 050050 053053	
- 1	MODREF393132		PLACARD INSTL-CAB. INTR BIN LOAD LIMITS MODULE NUMBER: 414A5124-413 REV A	048048 050050 053053	1
5	BAC29PPS36281		.PLACARD- PLACARD CONTENT: LATCH CLOSED LOAD LIMIT 58 LB/26 KG	048048 050050 053053	1
10	BAC29PPS36272		.PLACARD- PLACARD CONTENT: LATCH CLOSED LOAD LIMIT 40 LB/18 KG	048048 050050 053053	2
15	BAC29PPS36312		.PLACARD- PLACARD CONTENT: LATCH CLOSED LOAD LIMIT 120 LB/54 KG	048048 050050 053053	4
20	BAC29PPS36292		.PLACARD- PLACARD CONTENT: LATCH CLOSED LOAD LIMIT 80 LB/36 KG	048048 050050 053053	1
25	BAC29PPS36332		.PLACARD- PLACARD CONTENT: LATCH CLOSED LOAD LIMIT 160 LB/72 KG	048048 050050 053053	15
30	BAC29PPS36320		.PLACARD- PLACARD CONTENT: LATCH CLOSED LOAD LIMIT 136 LB/61 KG	048048 050050 053053	1
35	BAC29PPS36322		.PLACARD- PLACARD CONTENT: LATCH CLOSED LOAD LIMIT 140 LB/63 KG	048048 050050 053053	2
40	BAC29PPS36283		.PLACARD- PLACARD CONTENT: LATCH CLOSED LOAD LIMIT 62 LB/28 KG	048048 050050 053053	1
45	BAC29PPS36268		.PLACARD- PLACARD CONTENT: LATCH CLOSED LOAD LIMIT 32 LB/14 KG	048048 050050 053053	1

MISSING ITEM NUMBERS NOT APPLICABLE

- ITEM NOT ILLUSTRATED

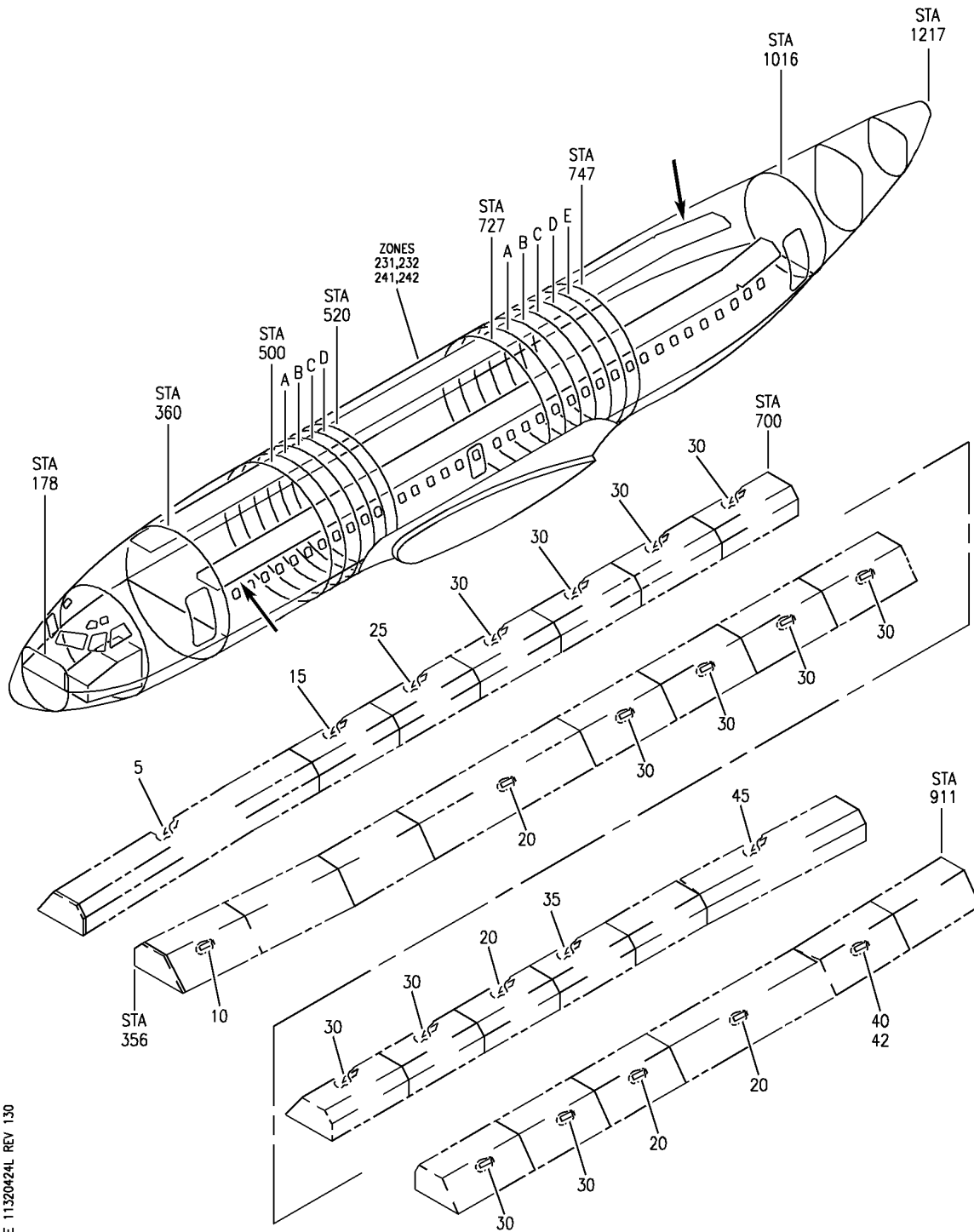
HAP

11-32-04-22Y

BOEING PROPRIETARY - Copyright © - Unpublished Work - See title page for details.

11-32-04
FIG. 22Y
PAGE 1
FEB 15/09

BOEING
 737-600/700/800/900
 PARTS CATALOG (MAINTENANCE)



E 11320424L REV 130

PLACARD INSTL-CAB. INTR BIN LOAD LIMITS
 FIGURE 24L

11-32-04-24L

HAP
 JUN 10/07

11-32-04-24L
 PAGE 0

BOEING
737-600/700/800/900
PARTS CATALOG (MAINTENANCE)

FIG ITEM	PART NUMBER	1 2 3 4 5 6 7	NOMENCLATURE	EFFECT FROM TO	UNITS PER ASSY
24L			PLACARD INSTL-CAB. INTR BIN LOAD LIMITS	968969	
- 1	MODREF333983		PLACARD INSTL-CAB. INTR BIN LOAD LIMITS	968969	1
			MODULE NUMBER: 414A5124-331 REV B		
5	BAC29PPS36296		.PLACARD- PLACARD CONTENT: LATCH CLOSED LOAD LIMIT 88 LB/39 KG	968969	1
15	BAC29PPS36271		.PLACARD- PLACARD CONTENT: LATCH CLOSED LOAD LIMIT 38 LB/17 KG	968969	1
20	BAC29PPS36312		.PLACARD- PLACARD CONTENT: LATCH CLOSED LOAD LIMIT 120 LB/54 KG	968969	4
25	BAC29PPS36293		.PLACARD- PLACARD CONTENT: LATCH CLOSED LOAD LIMIT 82 LB/37 KG	968969	1
30	BAC29PPS36332		.PLACARD- PLACARD CONTENT: LATCH CLOSED LOAD LIMIT 160 LB/72 KG	968969	12
35	BAC29PPS36272		.PLACARD- PLACARD CONTENT: LATCH CLOSED LOAD LIMIT 40 LB/18 KG	968969	1
42	BAC29PPS36269		.PLACARD- PLACARD CONTENT: LATCH CLOSED LOAD LIMIT 34 LB/15 KG	968969	1
45	BAC29PPS36283		.PLACARD- PLACARD CONTENT: LATCH CLOSED LOAD LIMIT 62 LB/28 KG	968969	1

MISSING ITEM NUMBERS NOT APPLICABLE

- ITEM NOT ILLUSTRATED

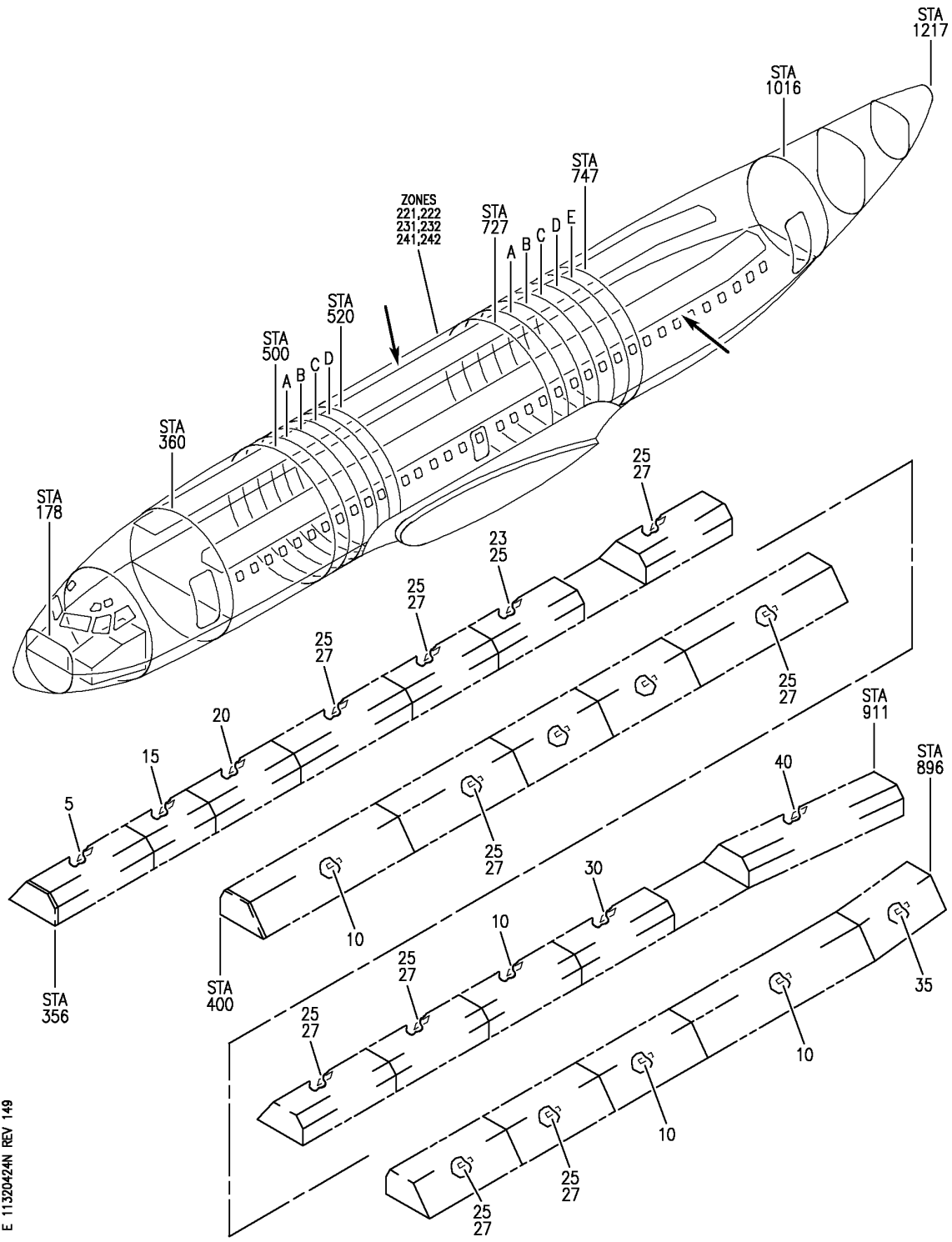
HAP

11-32-04-24L

BOEING PROPRIETARY - Copyright © - Unpublished Work - See title page for details.

11-32-04
FIG. 24L
PAGE 1
JUN 10/07

BOEING
 737-600/700/800/900
 PARTS CATALOG (MAINTENANCE)



E 11320424N REV 149

PLACARD INSTL-CAB. INTR BIN LOAD LIMITS
 FIGURE 24N

11-32-04-24N

HAP
 FEB 15/09

11-32-04-24N
 PAGE 0

BOEING
737-600/700/800/900
PARTS CATALOG (MAINTENANCE)

FIG ITEM	PART NUMBER	1 2 3 4 5 6 7	NOMENCLATURE	EFFECT FROM TO	UNITS PER ASSY
24N			PLACARD INSTL-CAB. INTR BIN LOAD LIMITS	101200 970999	
- 1	MODREF331739		PLACARD INSTL-CAB. INTR BIN LOAD LIMITS	101106 970999	1
- 1	MODREF397734		MODULE NUMBER: 414A5124-343 REV A PLACARD INSTL-CAB. INTR BIN LOAD LIMITS	107200	1
5	BAC29PPS36296		MODULE NUMBER: 414A5124-343 REV B .PLACARD-	101200 970999	1
10	BAC29PPS36312		PLACARD CONTENT: LATCH CLOSED LOAD LIMIT 88 LB/39 KG .PLACARD-	101200 970999	4
15	BAC29PPS36271		PLACARD CONTENT: LATCH CLOSED LOAD LIMIT 120 LB/54 KG .PLACARD-	101200 970999	1
20	BAC29PPS36293		PLACARD CONTENT: LATCH CLOSED LOAD LIMIT 38 LB/17 KG .PLACARD-	101200 970999	1
23	BAC29PPS36332		PLACARD CONTENT: LATCH CLOSED LOAD LIMIT 82 LB/37 KG .PLACARD-	107200	1
25	BAC29PPS36332		PLACARD CONTENT: LATCH CLOSED LOAD LIMIT 160 LB/72 KG POST RAPID REVISION: RR97237-31B .PLACARD-	101106 970999	12
27	BAC29PPS36332		PLACARD CONTENT: LATCH CLOSED LOAD LIMIT 160 LB/72 KG .PLACARD-	107200	11
30	BAC29PPS36272		PLACARD CONTENT: LATCH CLOSED LOAD LIMIT 160 LB/72 KG .PLACARD-	101200 970999	1
35	BAC29PPS36268		PLACARD CONTENT: LATCH CLOSED LOAD LIMIT 40 LB/18 KG .PLACARD-	101200 970999	1
			PLACARD CONTENT: LATCH CLOSED LOAD LIMIT 32 LB/14 KG		

MISSING ITEM NUMBERS NOT APPLICABLE

- ITEM NOT ILLUSTRATED

HAP

11-32-04-24N

BOEING PROPRIETARY - Copyright © - Unpublished Work - See title page for details.

11-32-04
FIG. 24N
PAGE 1
JUN 15/09

BOEING
737-600/700/800/900
PARTS CATALOG (MAINTENANCE)

FIG ITEM	PART NUMBER	1 2 3 4 5 6 7 NOMENCLATURE	EFFECT FROM TO	UNITS PER ASSY
24N 40	BAC29PPS36283	.PLACARD- PLACARD CONTENT: LATCH CLOSED LOAD LIMIT 62 LB/28 KG	101200 970999	1

MISSING ITEM NUMBERS NOT APPLICABLE

— ITEM NOT ILLUSTRATED

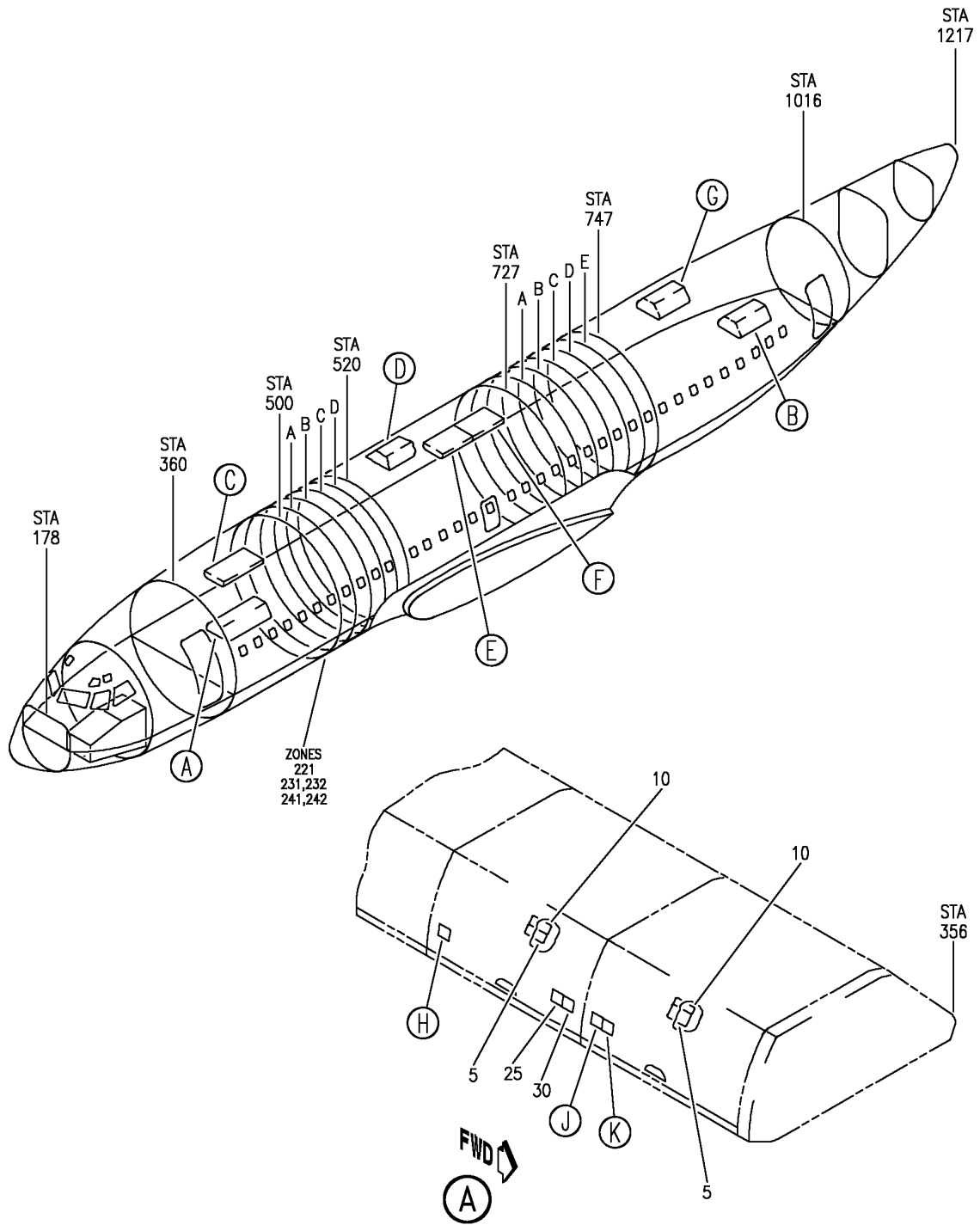
HAP

11-32-04-24N

BOEING PROPRIETARY - Copyright © - Unpublished Work - See title page for details.

11-32-04
FIG. 24N
PAGE 2
FEB 15/09

BOEING
 737-600/700/800/900
 PARTS CATALOG (MAINTENANCE)



E 11320425R SHT 1 REV 154

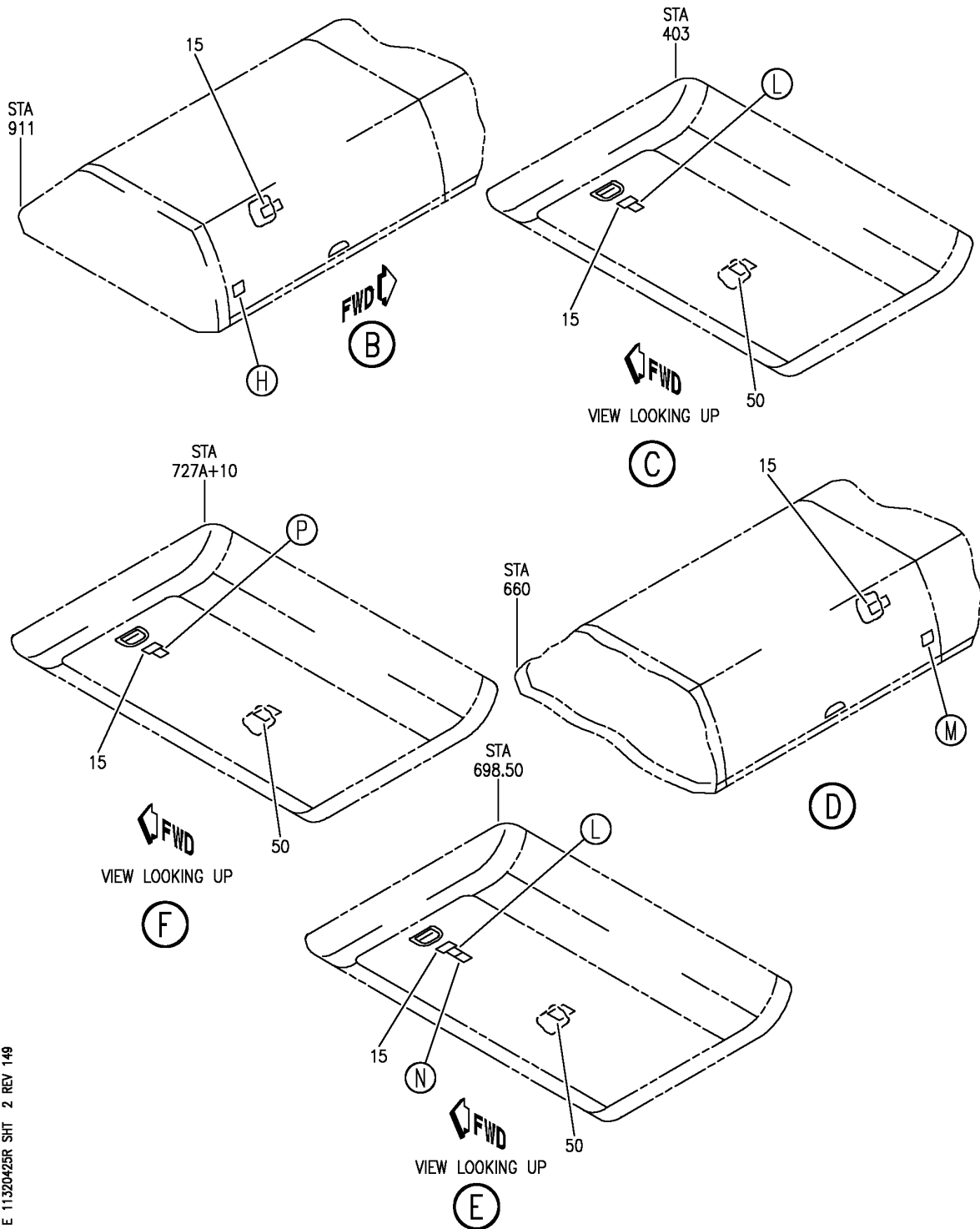
PLACARD INSTL-CAB. INTR MISC (OVERHEAD STORAGE BINS ONLY)
 FIGURE 25R (SHEET 1)

11-32-04-25R

HAP
 JUN 15/09

11-32-04-25R
 PAGE 0

BOEING
 737-600/700/800/900
 PARTS CATALOG (MAINTENANCE)



E 11320425R SHT 2 REV 148

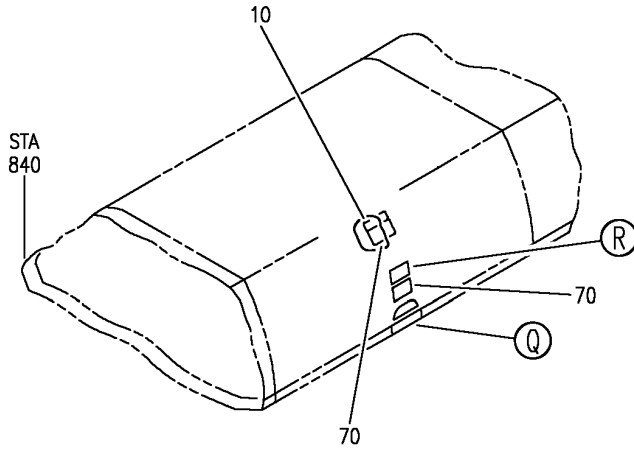
PLACARD INSTL-CAB. INTR MISC (OVERHEAD STORAGE BINS ONLY)
 FIGURE 25R (SHEET 2)

HAP
 FEB 15/09

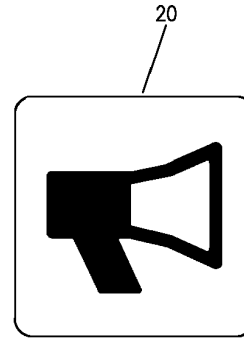
11-32-04-25R

11-32-04-25R
 PAGE 0A

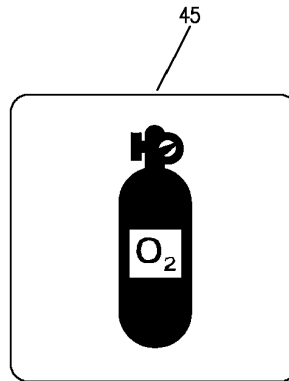
BOEING
 737-600/700/800/900
 PARTS CATALOG (MAINTENANCE)



(G)



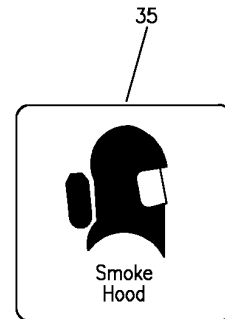
(H)



(L)



(K)



(J)

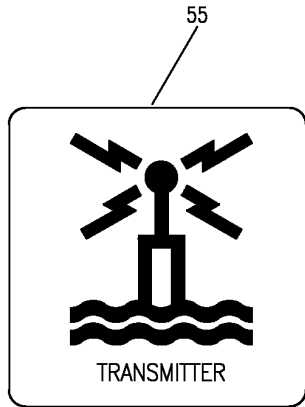
E 11320425R SHT 3 REV 153

PLACARD INSTL-CAB. INTR MISC (OVERHEAD STORAGE BINS ONLY)
 FIGURE 25R (SHEET 3)

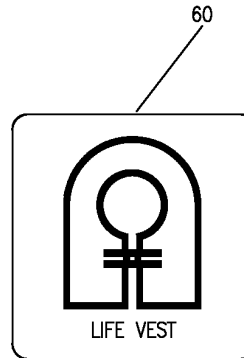
11-32-04-25R

HAP
 JUN 15/09

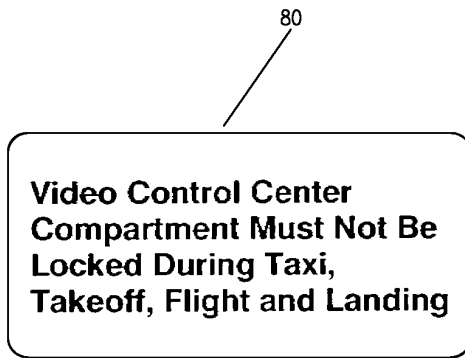
11-32-04-25R
 PAGE 0B



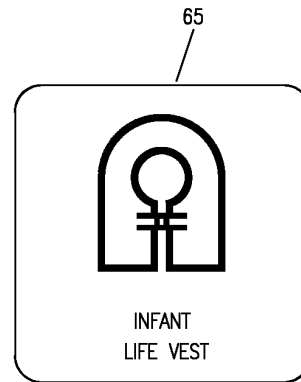
(M)



(N)



(R)



(P)



(Q)

E 11320425R SHT 4 REV 153

PLACARD INSTL-CAB. INTR MISC (OVERHEAD STOWAGE BINS ONLY)
 FIGURE 25R (SHEET 4)

11-32-04-25R

HAP
 JUN 15/09

11-32-04-25R
 PAGE 0C

BOEING
737-600/700/800/900
PARTS CATALOG (MAINTENANCE)

FIG ITEM	PART NUMBER	1 2 3 4 5 6 7	NOMENCLATURE	EFFECT FROM TO	UNITS PER ASSY
25R			PLACARD INSTL-CAB. INTR MISC (OVERHEAD STOWAGE BINS ONLY)	107200	
R -	1	MODREF417975	PLACARD INSTL-CAB. INTR MISC (OVERHEAD STOWAGE BINS ONLY)	107200	1
R			MODULE NUMBER: 414A5150-622 REV C FOR ADDITIONAL DETAILS SEE: 11-32-03-25R		
R	5	BAC29PPS52348	.PLACARD-(MULTI-LANGUAGE) PLACARD CONTENT: NO ADDITIONAL STOWAGE	107200	2
R	10	BAC29PPS38380	.PLACARD- PLACARD CONTENT: LATCH CLOSED	107200	3
R	15	BAC29PPS48516	.PLACARD-(MULTI-LANGUAGE) PLACARD CONTENT: EMERGENCY EQUIPMENT ONLY	107200	5
R	20	BAC29PPS36230	.PLACARD	107200	2
	25	BAC29PPS59505	.MARKER- PLACARD CONTENT: SPARE SEAT BELT	107200	1
	30	BAC29PPS38318	.MARKER- PLACARD CONTENT: SEAT BELT EXTENSIONS	107200	1
	35	BAC29PPS36232	.MARKER	107200	1
	40	BAC29PPS36229	.PLACARD	107200	1
	45	BAC29PPS36231	.PLACARD	107200	2
	50	BAC29PPS36218	.PLACARD- PLACARD CONTENT: DOOR MUST BE CLOSED AND LATCHED DURING TAXI, TAKEOFF AND LANDING	107200	3
	55	BAC29PPS36233	.PLACARD	107200	1
	60	BAC29PPS36236	.MARKER	107200	1
	65	BAC29PPS36237	.PLACARD	107200	1
	70	BAC29PPS37130	.PLACARD-(MULTI-LANGUAGE) PLACARD CONTENT: VIDEO EQUIPMENT ONLY	107200	2
	75	BAC29PPS50766	.PLACARD	107200	1
R	80	BAC29PPS46968	.MARKER- POST RAPID REVISION: RR97237-36B	107200	1
R					
R					

MISSING ITEM NUMBERS NOT APPLICABLE

- ITEM NOT ILLUSTRATED

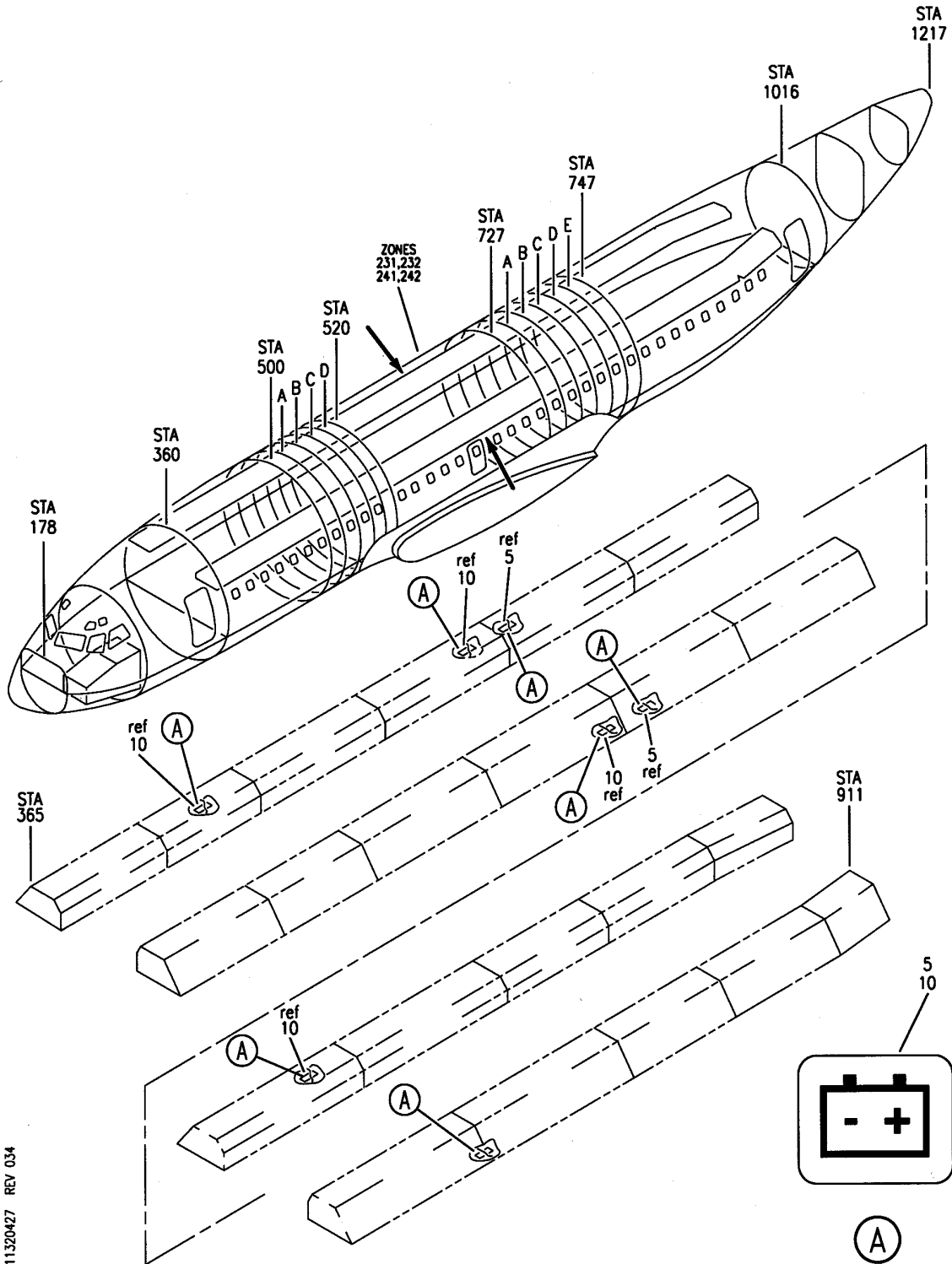
HAP

11-32-04-25R

BOEING PROPRIETARY - Copyright © - Unpublished Work - See title page for details.

11-32-04
FIG. 25R
PAGE 1
JUN 15/09

BOEING
 737-600/700/800/900
 PARTS CATALOG (MAINTENANCE)



E 11320427 REV 034

PLACARD INSTL-CAB. INTR BATTERY LOCATORS
 FIGURE 27

11-32-04-27

HAP
 OCT 15/08

11-32-04-27
 PAGE 0

BOEING
737-600/700/800/900
PARTS CATALOG (MAINTENANCE)

FIG ITEM	PART NUMBER	1 2 3 4 5 6 7	NOMENCLATURE	EFFECT FROM TO	UNITS PER ASSY
27			PLACARD INSTL-CAB. INTR BATTERY LOCATORS	201967	
- 1	414A5202-1		PLACARD INSTL-CAB. INTR BATTERY LOCATORS POSITION DATA: CAB INT FOR NHA SEE: 11-30-00-06	201967	RF
5	BAC29PPS35846		.PLACARD-	201967	3

MISSING ITEM NUMBERS NOT APPLICABLE

- ITEM NOT ILLUSTRATED

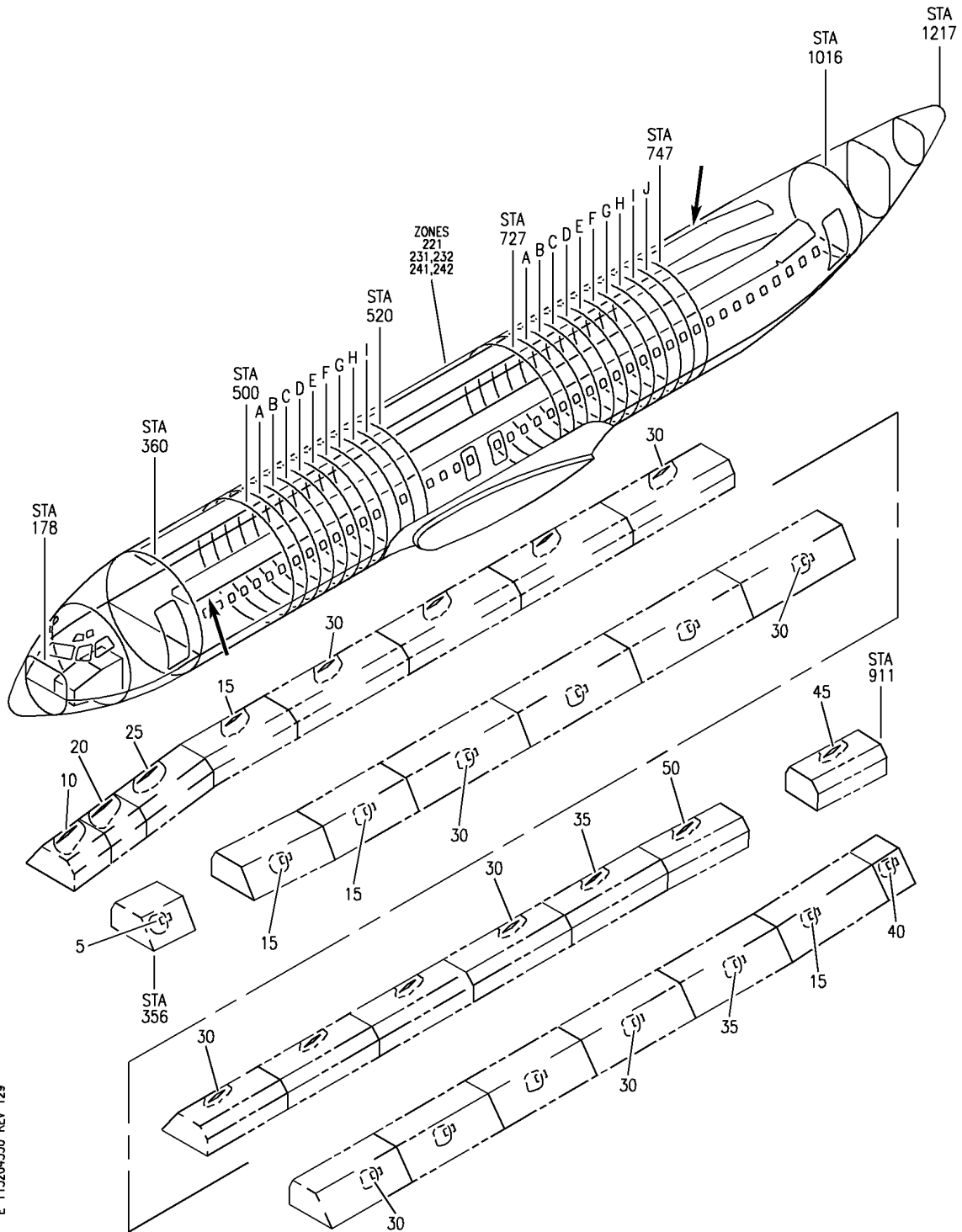
HAP

11-32-04-27

BOEING PROPRIETARY - Copyright © - Unpublished Work - See title page for details.

11-32-04
FIG. 27
PAGE 1
OCT 15/08

BOEING
 737-600/700/800/900
 PARTS CATALOG (MAINTENANCE)



E 11320435U REV 129

PLACARD INSTL-CAB. INTR BIN LOAD LIMITS
 FIGURE 35U

HAP
 JUN 10/07

11-32-04-35U

11-32-04-35U
 PAGE 0

BOEING
737-600/700/800/900
PARTS CATALOG (MAINTENANCE)

FIG ITEM	PART NUMBER	1 2 3 4 5 6 7	NOMENCLATURE	EFFECT FROM TO	UNITS PER ASSY
35U			PLACARD INSTL-CAB. INTR BIN LOAD LIMITS	031037	
- 1	MODREF281411		PLACARD INSTL-CAB. INTR BIN LOAD LIMITS	031036	1
- 1	MODREF323054		MODULE NUMBER: 414A5124-289 REV A PLACARD INSTL-CAB. INTR BIN LOAD LIMITS	037037	1
			MODULE NUMBER: 414A5124-289 REV B		
5	BAC29PPS36278		.PLACARD- PLACARD CONTENT: LATCH CLOSED LOAD LIMIT 52 LB/23 KG	031037	1
10	BAC29PPS36277		.PLACARD- PLACARD CONTENT: LATCH CLOSED LOAD LIMIT 50 LB/22 KG	031037	1
15	BAC29PPS36312		.PLACARD- PLACARD CONTENT: LATCH CLOSED LOAD LIMIT 120 LB/54 KG	031037	4
20	BAC29PPS36271		.PLACARD- LATCH CLOSED LOAD LIMIT 38 LB/17 KG	031037	1
25	BAC29PPS36293		.PLACARD- PLACARD CONTENT: LATCH CLOSED LOAD LIMIT 82 LB/37 KG	031037	1
30	BAC29PPS36332		.PLACARD- PLACARD CONTENT: LATCH CLOSED LOAD LIMIT 160 LB/72 KG	031037	16
35	BAC29PPS36322		.PLACARD- PLACARD CONTENT: LATCH CLOSED LOAD LIMIT 140 LB/63 KG	031037	2
40	BAC29PPS36268		.PLACARD- PLACARD CONTENT: LATCH CLOSED LOAD LIMIT 32 LB/14 KG	031037	1
45	BAC29PPS36283		.PLACARD- PLACARD CONTENT: LATCH CLOSED LOAD LIMIT 62 LB/28 KG	031037	1
50	BAC29PPS36272		.PLACARD- PLACARD CONTENT: LATCH CLOSED LOAD LIMIT 40 LB/18 KG	037037	1

MISSING ITEM NUMBERS NOT APPLICABLE

- ITEM NOT ILLUSTRATED

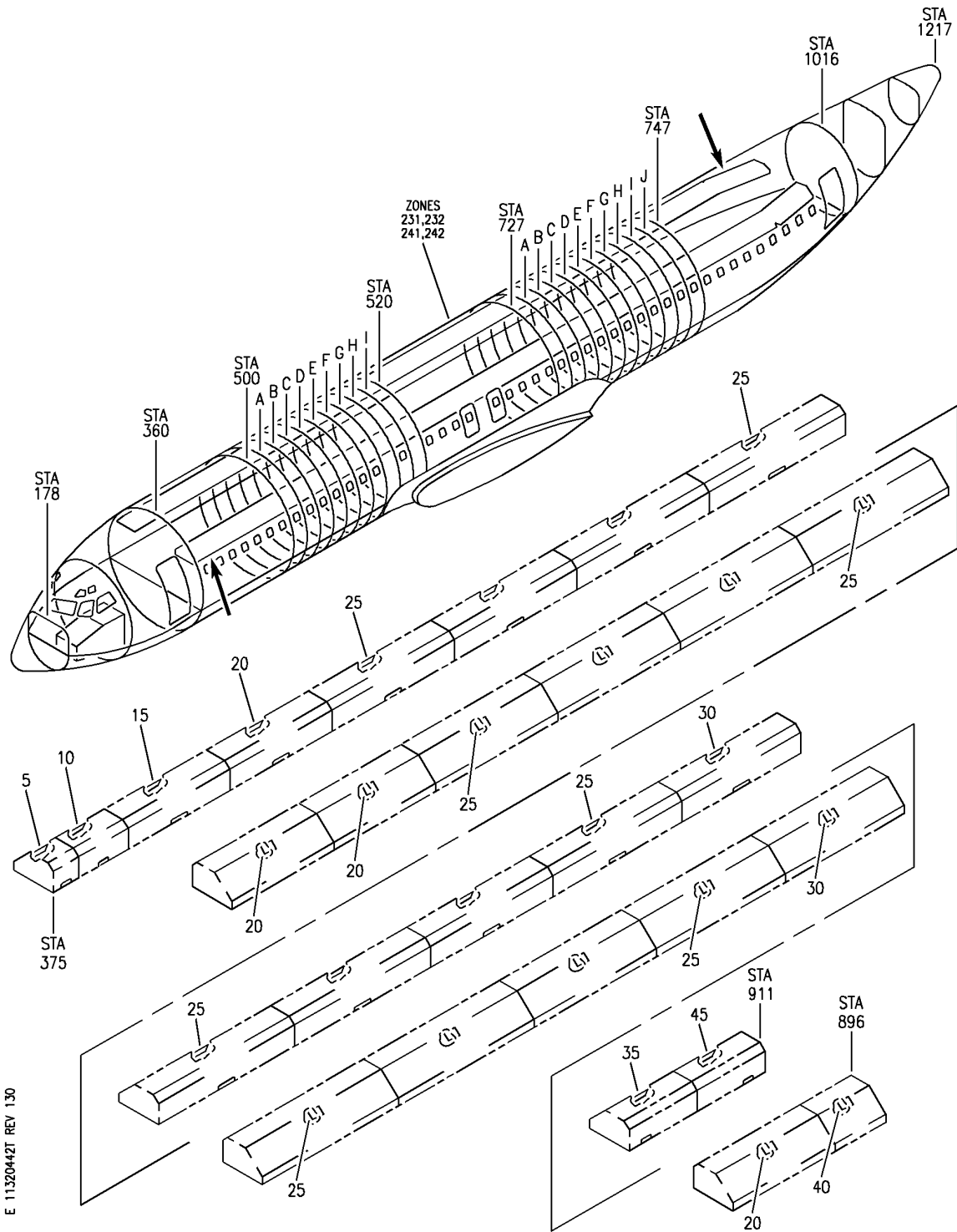
HAP

11-32-04-35U

BOEING PROPRIETARY - Copyright © - Unpublished Work - See title page for details.

11-32-04
FIG. 35U
PAGE 1
JUN 10/07

BOEING
 737-600/700/800/900
 PARTS CATALOG (MAINTENANCE)



PLACARD INSTL-CAB. INTR BIN LOAD LIMITS
 FIGURE 42T

11-32-04-42T

HAP
 JUN 10/07

11-32-04-42T
 PAGE 0

BOEING
737-600/700/800/900
PARTS CATALOG (MAINTENANCE)

FIG ITEM	PART NUMBER	1 2 3 4 5 6 7	NOMENCLATURE	EFFECT FROM TO	UNITS PER ASSY
42T			PLACARD INSTL-CAB. INTR BIN LOAD LIMITS	039040	
- 1	MODREF331549		PLACARD INSTL-CAB. INTR BIN LOAD LIMITS	039040	1
			MODULE NUMBER: 414A5124-342 REV A		
	5 BAC29PPS36277		.PLACARD- PLACARD CONTENT: LATCH CLOSED LOAD LIMIT 50 LB/22 KG	039040	1
	10 BAC29PPS36271		.PLACARD- PLACARD CONTENT: LATCH CLOSED LOAD LIMIT 38 LB/17 KG	039040	1
	15 BAC29PPS36293		.PLACARD- PLACARD CONTENT: LATCH CLOSED LOAD LIMIT 82 LB/37 KG	039040	1
	20 BAC29PPS36312		.PLACARD- PLACARD CONTENT: LATCH CLOSED LOAD LIMIT 120 LB/54 KG	039040	4
	25 BAC29PPS36332		.PLACARD- PLACARD CONTENT: LATCH CLOSED LOAD LIMIT 160 LB/72 KG	039040	16
	30 BAC29PPS36322		.PLACARD- PLACARD CONTENT: LATCH CLOSED LOAD LIMIT 140 LB/63 KG	039040	2
	35 BAC29PPS36272		.PLACARD- PLACARD CONTENT: LATCH CLOSED LOAD LIMIT 40 LB/18 KG	039040	1
	40 BAC29PPS36268		.PLACARD- PLACARD CONTENT: LATCH CLOSED LOAD LIMIT 32 LB/14 KG	039040	1
	45 BAC29PPS36283		.PLACARD- PLACARD CONTENT: LATCH CLOSED LOAD LIMIT 62 LB/28 KG	039040	1

MISSING ITEM NUMBERS NOT APPLICABLE

- ITEM NOT ILLUSTRATED

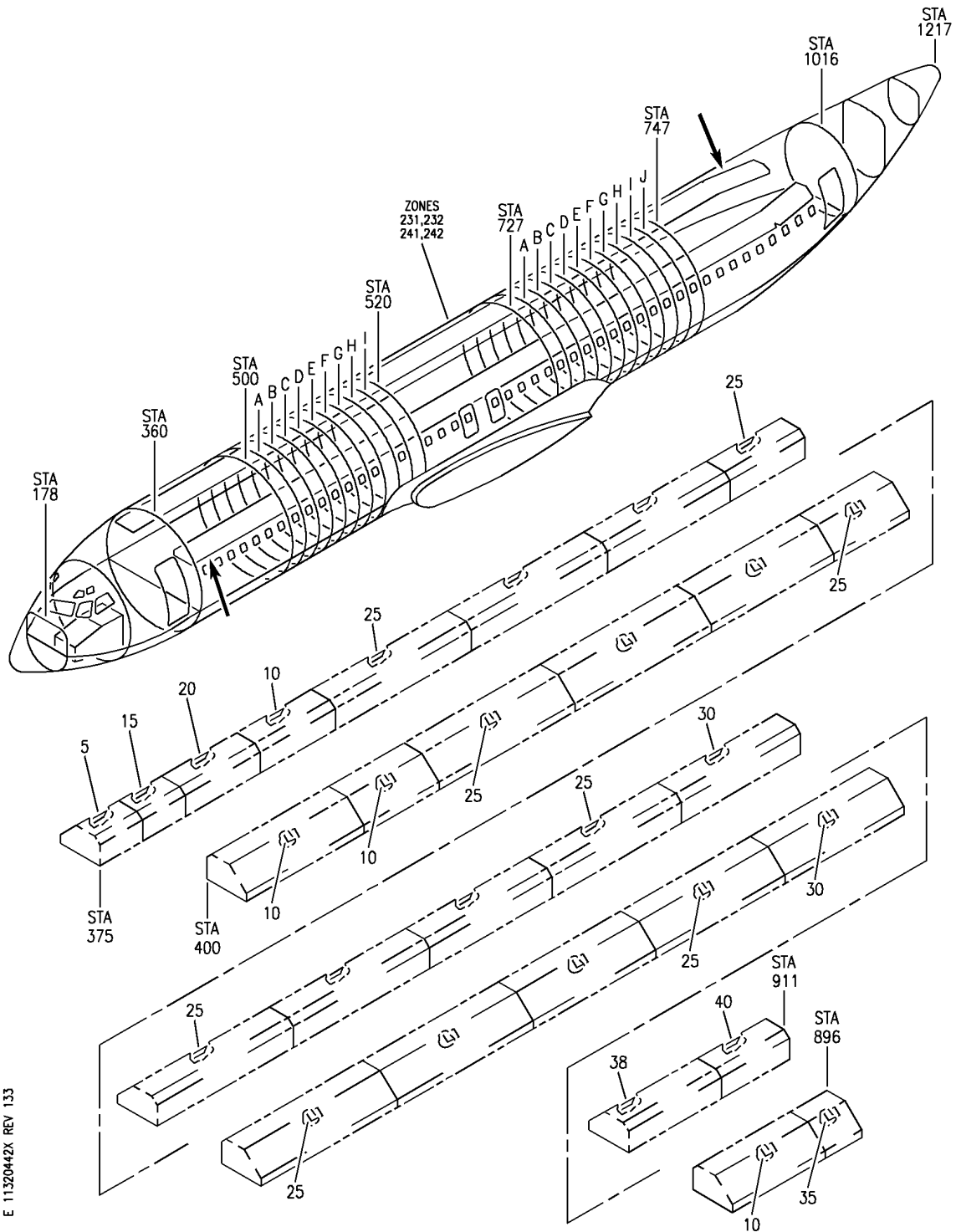
HAP

11-32-04-42T

BOEING PROPRIETARY - Copyright © - Unpublished Work - See title page for details.

11-32-04
FIG. 42T
PAGE 1
OCT 15/08

BOEING
 737-600/700/800/900
 PARTS CATALOG (MAINTENANCE)



E 11320442X REV 133

PLACARD INSTL-CAB. INTR BIN LOAD LIMITS
 FIGURE 42X

11-32-04-42X

HAP
 OCT 10/07

11-32-04-42X
 PAGE 0

BOEING
737-600/700/800/900
PARTS CATALOG (MAINTENANCE)

FIG ITEM	PART NUMBER	1 2 3 4 5 6 7	NOMENCLATURE	EFFECT FROM TO	UNITS PER ASSY
42X			PLACARD INSTL-CAB. INTR BIN LOAD LIMITS	041041	
- 1	MODREF337909		PLACARD INSTL-CAB. INTR BIN LOAD LIMITS	041041	1
	5 BAC29PPS36277		MODULE NUMBER: 414A5124-353 REV A .PLACARD-	041041	1
	10 BAC29PPS36312		.PLACARD- PLACARD CONTENT: LATCH CLOSED LOAD LIMIT 50 LB/22 KG	041041	4
	15 BAC29PPS36272		.PLACARD- PLACARD CONTENT: LATCH CLOSED LOAD LIMIT 120 LB/54 KG	041041	1
	20 BAC29PPS36292		.PLACARD- PLACARD CONTENT: LATCH CLOSED LOAD LIMIT 40 LB/18 KG	041041	1
	25 BAC29PPS36332		.PLACARD- PLACARD CONTENT: LATCH CLOSED LOAD LIMIT 80 LB/36 KG	041041	16
	30 BAC29PPS36322		.PLACARD- PLACARD CONTENT: LATCH CLOSED LOAD LIMIT 160 LB/72 KG	041041	2
	35 BAC29PPS36268		.PLACARD- PLACARD CONTENT: LATCH CLOSED LOAD LIMIT 140 LB/63 KG	041041	1
	38 BAC29PPS36272		.PLACARD- PLACARD CONTENT: LATCH CLOSED LOAD LIMIT 40 LB/18 KG	041041	1
	40 BAC29PPS36283		POST RAPID REVISION: RR97089-73B .PLACARD- PLACARD CONTENT: LATCH CLOSED LOAD LIMIT 62 LB/28 KG	041041	1

MISSING ITEM NUMBERS NOT APPLICABLE

- ITEM NOT ILLUSTRATED

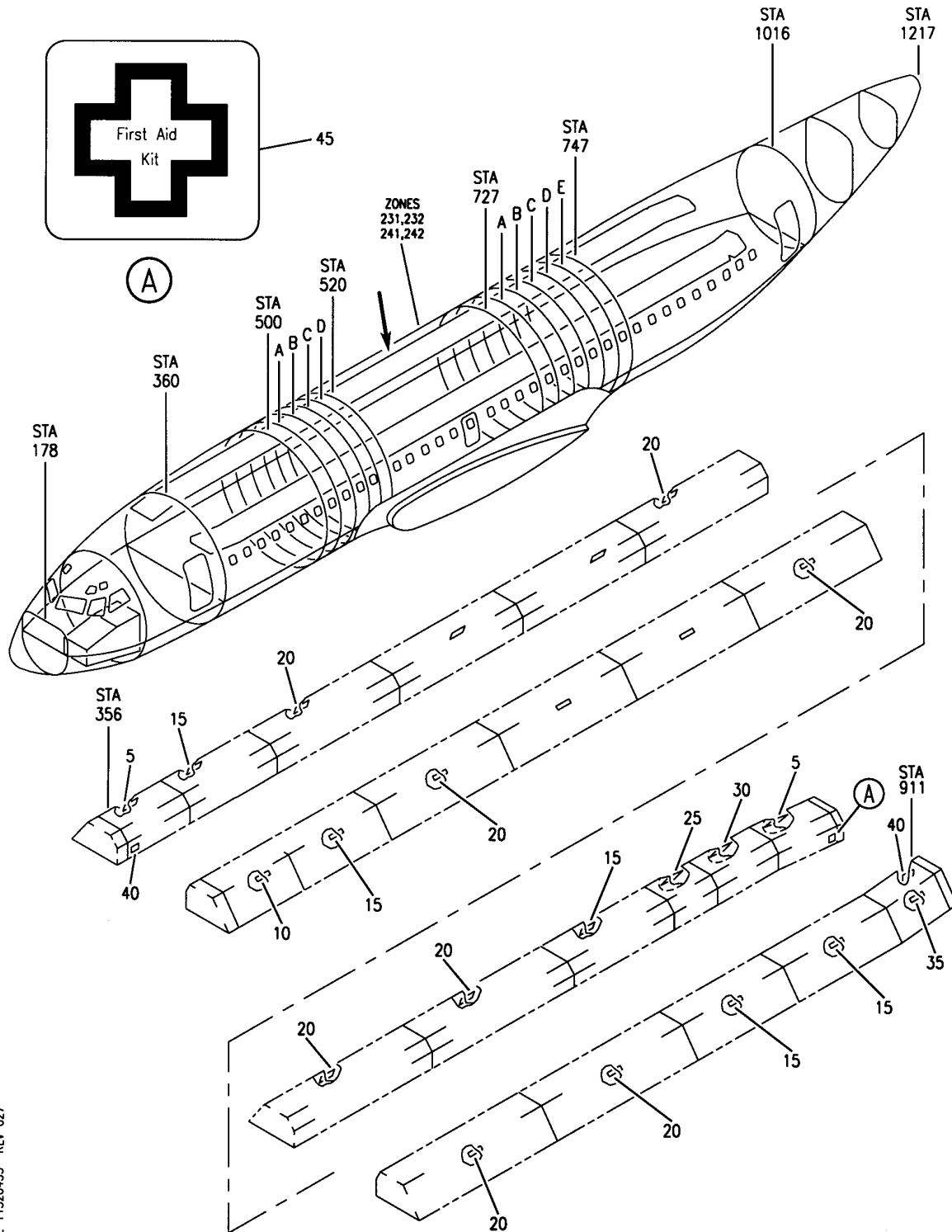
HAP

11-32-04-42X

BOEING PROPRIETARY - Copyright © - Unpublished Work - See title page for details.

11-32-04
FIG. 42X
PAGE 1
OCT 10/07

BOEING
 737-600/700/800/900
 PARTS CATALOG (MAINTENANCE)



E 11320453 REV 027

PLACARD INSTL-CAB. INTR MISC
 FIGURE 53

11-32-04-53

HAP
 OCT 15/08

11-32-04-53
 PAGE 0

BOEING
737-600/700/800/900
PARTS CATALOG (MAINTENANCE)

FIG ITEM	PART NUMBER	1 2 3 4 5 6 7	NOMENCLATURE	EFFECT FROM TO	UNITS PER ASSY
53			PLACARD INSTL-CAB. INTR MISC	201967	
- 1	414A5150-1		PLACARD INSTL-CAB. INTR MISC	201967	RF
			FOR NHA/ADDITIONAL DET SEE: 11-30-00-01B		
	5 BAC29PPS36283		.PLACARD- PLACARD CONTENT: LATCH CLOSED LOAD LIMIT 62 LB/28 KG	201967	2
	10 BAC29PPS36296		.PLACARD- PLACARD CONTENT: LATCH CLOSED LOAD LIMIT 88 LB/39 KG	201967	1
	15 BAC29PPS36312		.PLACARD- PLACARD CONTENT: LATCH CLOSED LOAD LIMIT 120 LB/54 KG	201967	5
	20 BAC29PPS36332		.PLACARD- PLACARD CONTENT: LATCH CLOSED LOAD LIMIT 160 LB/72 KG	201967	12
	25 BAC29PPS36262		.PLACARD- PLACARD CONTENT: LATCH CLOSED LOAD LIMIT 20 LB/9 KG	201967	1
	30 BAC29PPS36272		.PLACARD- PLACARD CONTENT: LATCH CLOSED LOAD LIMIT 40 LB/18 KG	201967	1
	35 BAC29PPS36270		.PLACARD- PLACARD CONTENT: LATCH CLOSED LOAD LIMIT 36 LB/16 KG	201967	1
	40 BAC29PPS36220		.PLACARD- PLACARD CONTENT: MAGAZINE STOWAGE	201967	2
	40 BAC29PPS37770		.PLACARD- PLACARD CONTENT: MAGAZINE STOWAGE POST RAPID REVISION: RR97183-27-RA	201967	2
	45 BAC29PPS36227		.PLACARD-	201967	1

MISSING ITEM NUMBERS NOT APPLICABLE

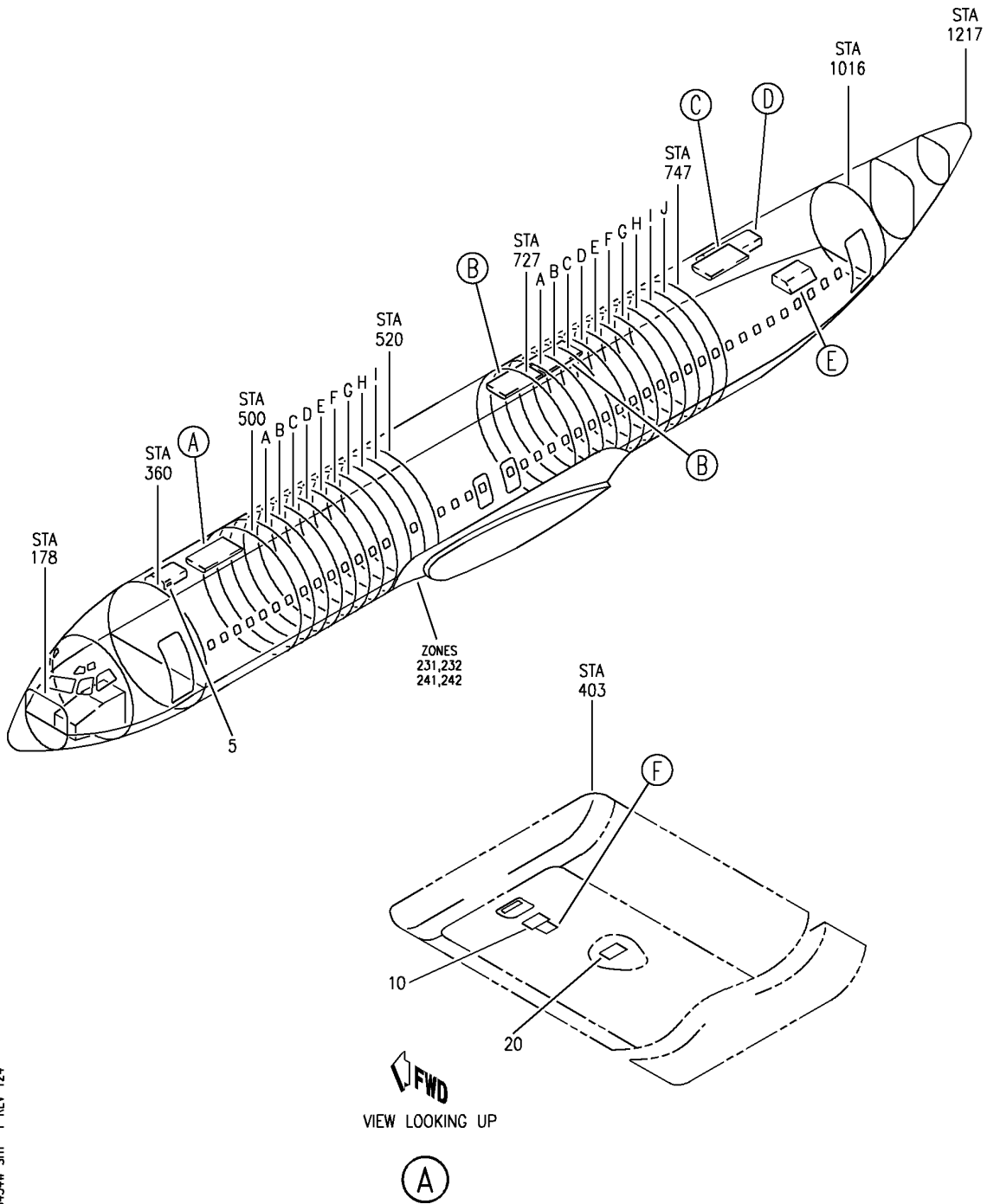
- ITEM NOT ILLUSTRATED

HAP

11-32-04-53

11-32-04
FIG. 53
PAGE 1
OCT 15/08

BOEING
 737-600/700/800/900
 PARTS CATALOG (MAINTENANCE)



E 11-320454W SHT 1 REV 124

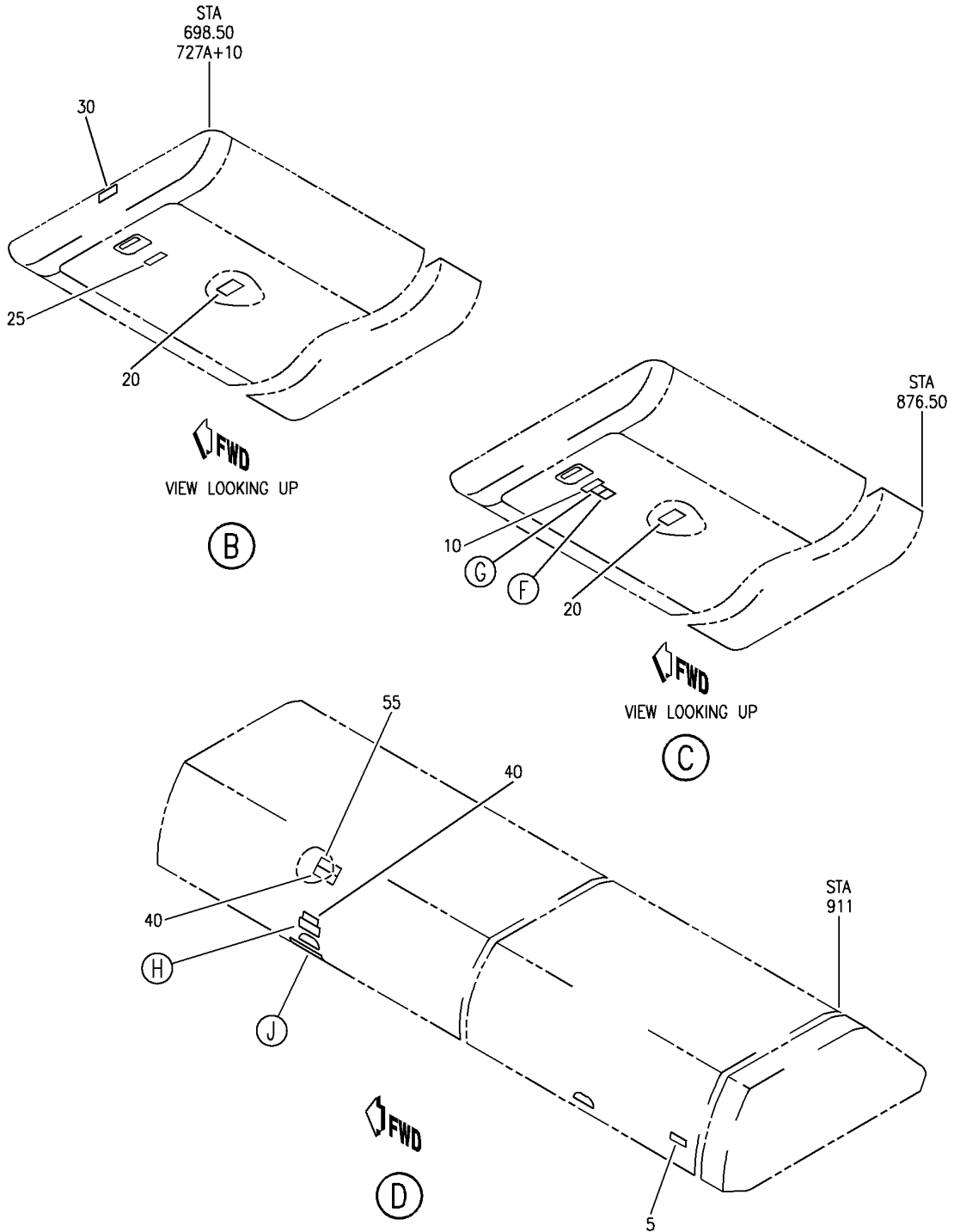
PLACARD INSTL-CAB. INTR MISC (OVERHEAD STORAGE BINS ONLY)
 FIGURE 54W (SHEET 1)

11-32-04-54W

HAP
 FEB 10/07

11-32-04-54W
 PAGE 0

BOEING
 737-600/700/800/900
 PARTS CATALOG (MAINTENANCE)



E 11320454W SHT 2 REV 126

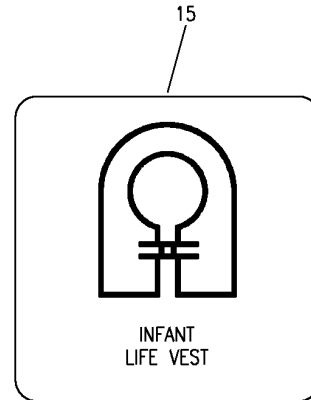
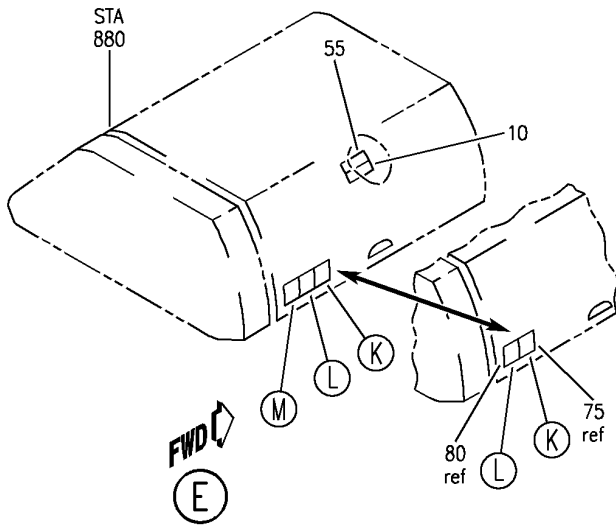
PLACARD INSTL-CAB. INTR MISC (OVERHEAD STORAGE BINS ONLY)
 FIGURE 54W (SHEET 2)

HAP
 FEB 10/07

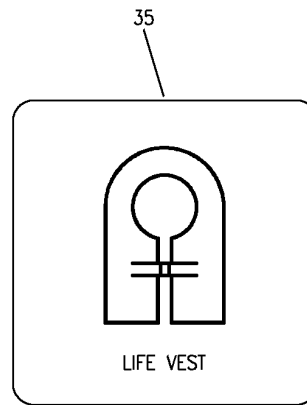
11-32-04-54W

11-32-04-54W
 PAGE 0A

BOEING
 737-600/700/800/900
 PARTS CATALOG (MAINTENANCE)



(F)



(G)

50

PSU VIDEO MONITORS MUST NOT BE DEPLOYED DURING TAXI, TAKEOFF AND LANDING EXCEPT WHEN SHOWING PASSENGER SAFETY VIDEO PRIOR TO TAKEOFF

(J)

45

VIDEO CONTROL CENTER COMPARTMENT MUST NOT BE LOCKED DURING TAXI, TAKEOFF, FLIGHT AND LANDING

(H)

E 11320454W SHT 3 REV 127

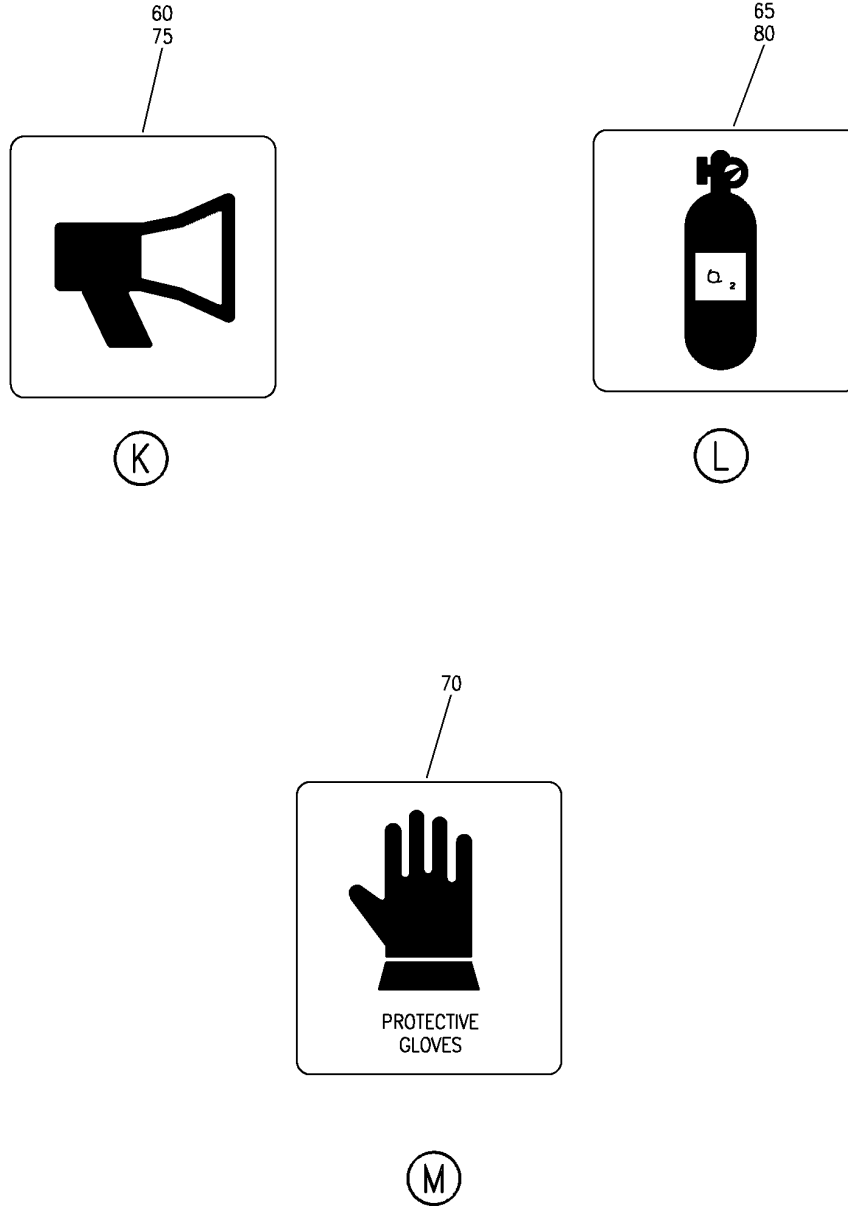
PLACARD INSTL-CAB. INTR MISC (OVERHEAD STORAGE BINS ONLY)
 FIGURE 54W (SHEET 3)

11-32-04-54W

HAP
 FEB 10/07

11-32-04-54W
 PAGE 08

BOEING
737-600/700/800/900
PARTS CATALOG (MAINTENANCE)



E 11-32-04-54W SHT 4 REV 127

PLACARD INSTL-CAB. INTR MISC (OVERHEAD STOWAGE BINS ONLY)
FIGURE 54W (SHEET 4)

HAP
FEB 10/07

11-32-04-54W

11-32-04-54W
PAGE 0C

BOEING
737-600/700/800/900
PARTS CATALOG (MAINTENANCE)

FIG ITEM	PART NUMBER	1 2 3 4 5 6 7	NOMENCLATURE	EFFECT FROM TO	UNITS PER ASSY
54W			PLACARD INSTL-CAB. INTR MISC (OVERHEAD STOWAGE BINS ONLY)	038038 042043	
- 1	MODREF321408		PLACARD INSTL-CAB. INTR MISC (OVERHEAD STOWAGE BINS ONLY) MODULE NUMBER: 414A5150-449 REV D FOR ADDITIONAL DETAILS SEE: 11-32-03-54W	038038	1
5	BAC29PPS36220		.PLACARD- PLACARD CONTENT: MAGAZINE STOWAGE	038038	2
10	BAC29PPS48516		.PLACARD-(MULTI-LANGUAGE) PLACARD CONTENT: EMERGENCY EQUIPMENT ONLY	038038	3
15	BAC29PPS36237		.PLACARD	038038	2
20	BAC29PPS36218		.PLACARD- PLACARD CONTENT: DOOR MUST BE CLOSED AND LATCHED DURING TAXI, TAKEOFF AND LANDING	038038	4
25	BAC29PPS39690		.PLACARD- PLACARD CONTENT: LATCH CLOSED DURING TAXI, TAKEOFF AND LANDING	038038	2
30	BAC29PPS38285		.PLACARD- PLACARD CONTENT: LOAD LIMIT 45 LB/20 KG	038038	2
35	BAC29PPS36236		.MARKER	038038	1
40	BAC29PPS38881		.PLACARD- PLACARD CONTENT: VIDEO EQUIPMENT ONLY	038038	2
45	BAC29PPS46968		.MARKER	038038	1
50	BAC29PPS50766		.PLACARD	038038	1
55	BAC29PPS38380		.PLACARD- PLACARD CONTENT: LATCH CLOSED	038038	2
60	BAC29PPS36230		.PLACARD-	042043	1
65	BAC29PPS36231		.PLACARD-	042043	1
70	BAC29PPS36235		.PLACARD-	042043	1
75	BAC29PPS36230		.PLACARD- POST RAPID REVISION: RR97089-61B	038038	1
80	BAC29PPS36231		.PLACARD- POST RAPID REVISION: RR97089-61B	038038	1

MISSING ITEM NUMBERS NOT APPLICABLE

- ITEM NOT ILLUSTRATED

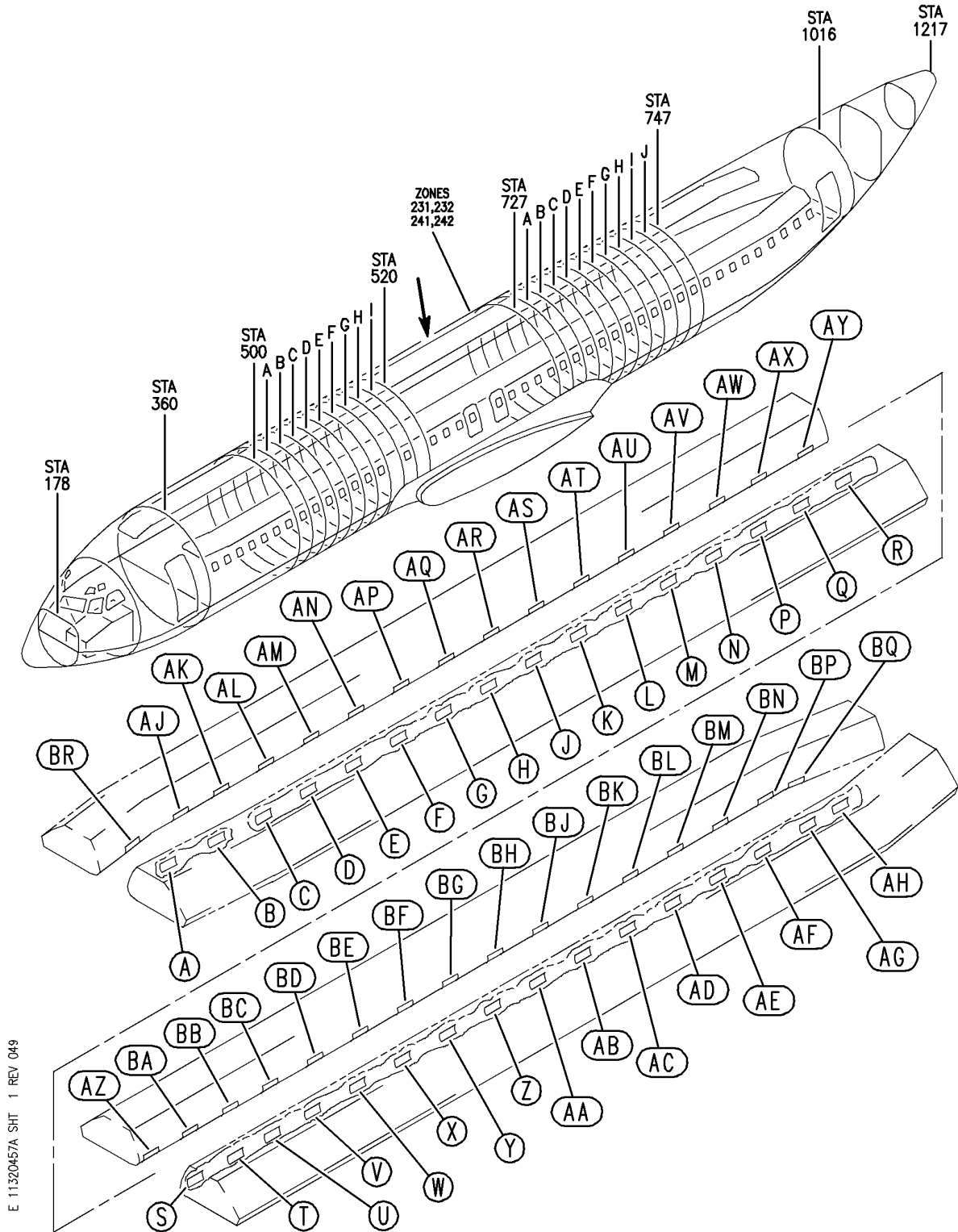
HAP

11-32-04-54W

BOEING PROPRIETARY - Copyright © - Unpublished Work - See title page for details.

11-32-04
FIG. 54W
PAGE 1
OCT 10/07

BOEING
 737-600/700/800/900
 PARTS CATALOG (MAINTENANCE)



E 11320457A SHT 1 REV 049

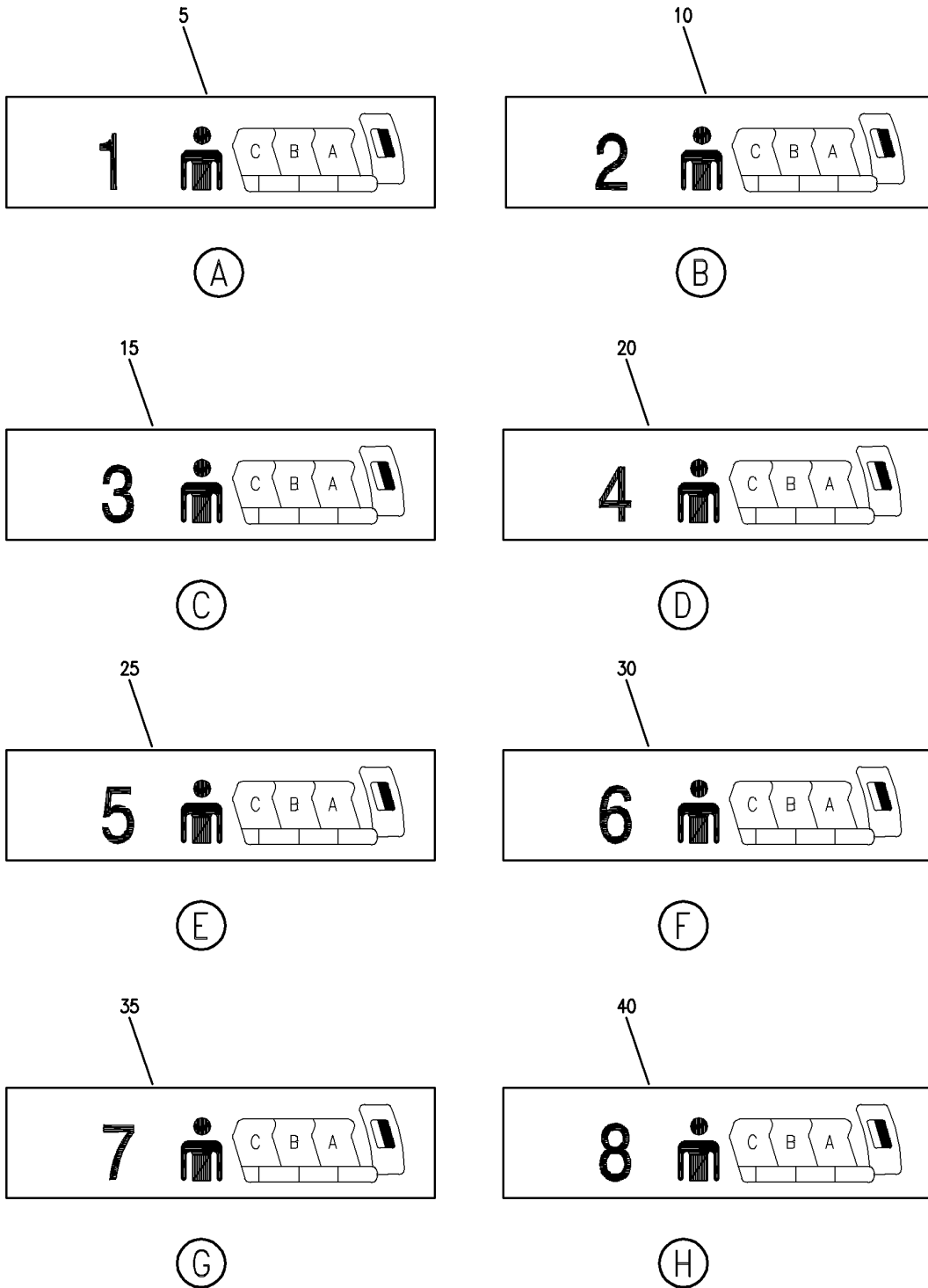
PLACARD INSTL-CAB. INTR SEAT ROW MARKERS
 FIGURE 57A (SHEET 1)

11-32-04-57A

HAP
 OCT 10/06

11-32-04-57A
 PAGE 0

BOEING
737-600/700/800/900
PARTS CATALOG (MAINTENANCE)



E 11320457A SHT 2 REV 043

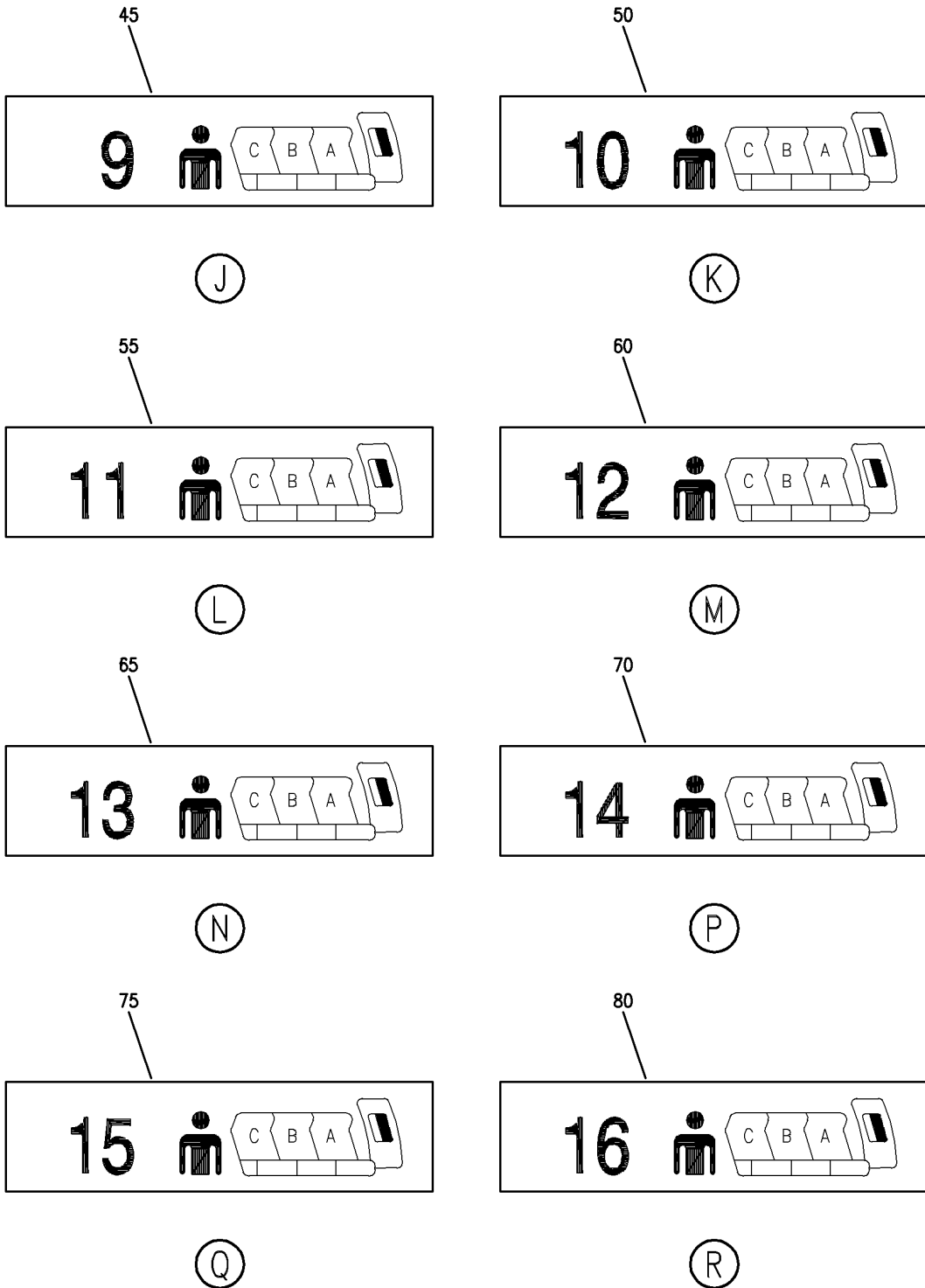
PLACARD INSTL-CAB. INTR SEAT ROW MARKERS
FIGURE 57A (SHEET 2)

11-32-04-57A

HAP
OCT 10/06

11-32-04-57A
PAGE 0A

BOEING
737-600/700/800/900
PARTS CATALOG (MAINTENANCE)



E 11320457A SHT 3 REV 043

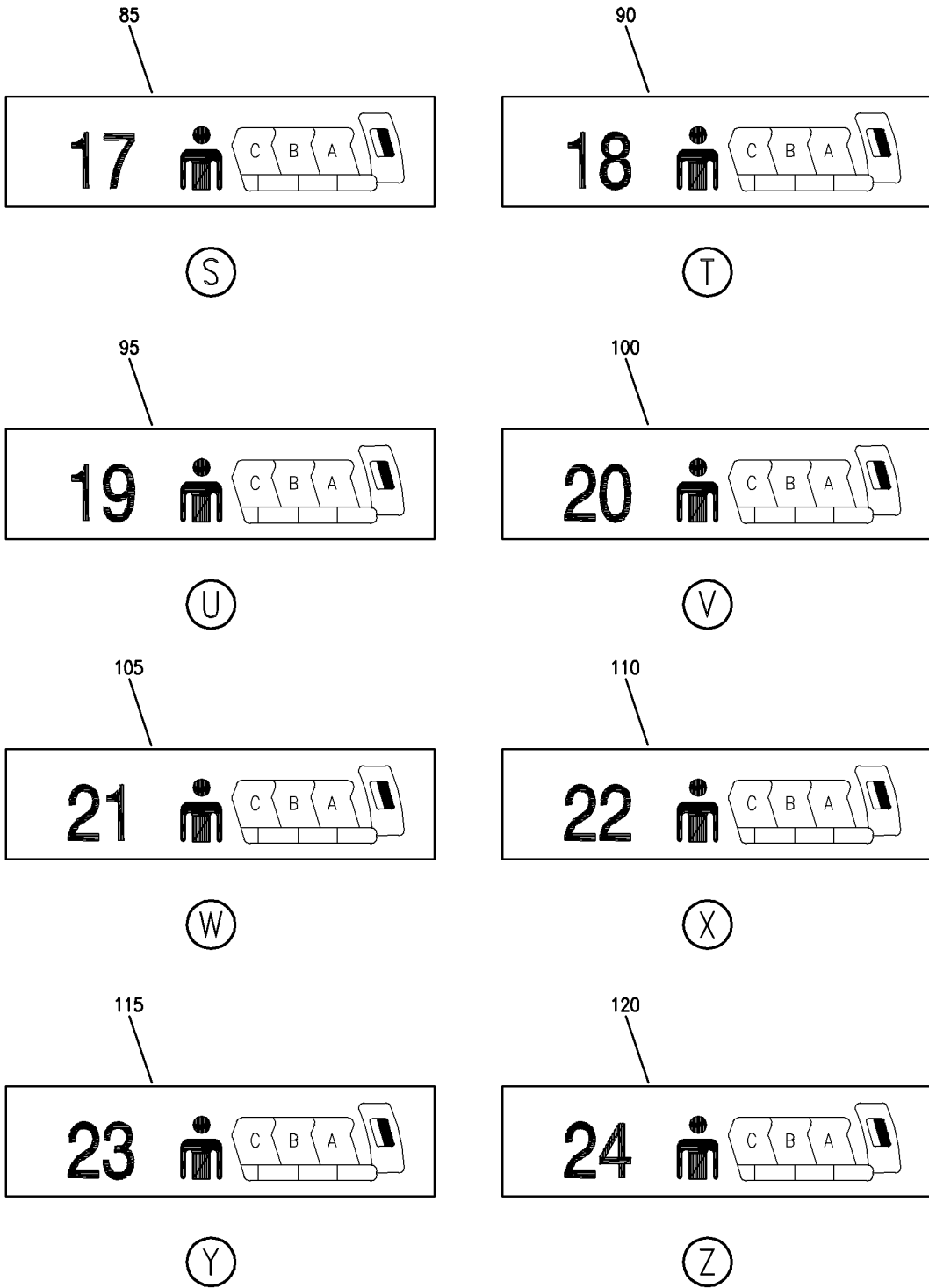
PLACARD INSTL-CAB. INTR SEAT ROW MARKERS
FIGURE 57A (SHEET 3)

11-32-04-57A

HAP
OCT 10/06

11-32-04-57A
PAGE 0B

BOEING
737-600/700/800/900
PARTS CATALOG (MAINTENANCE)



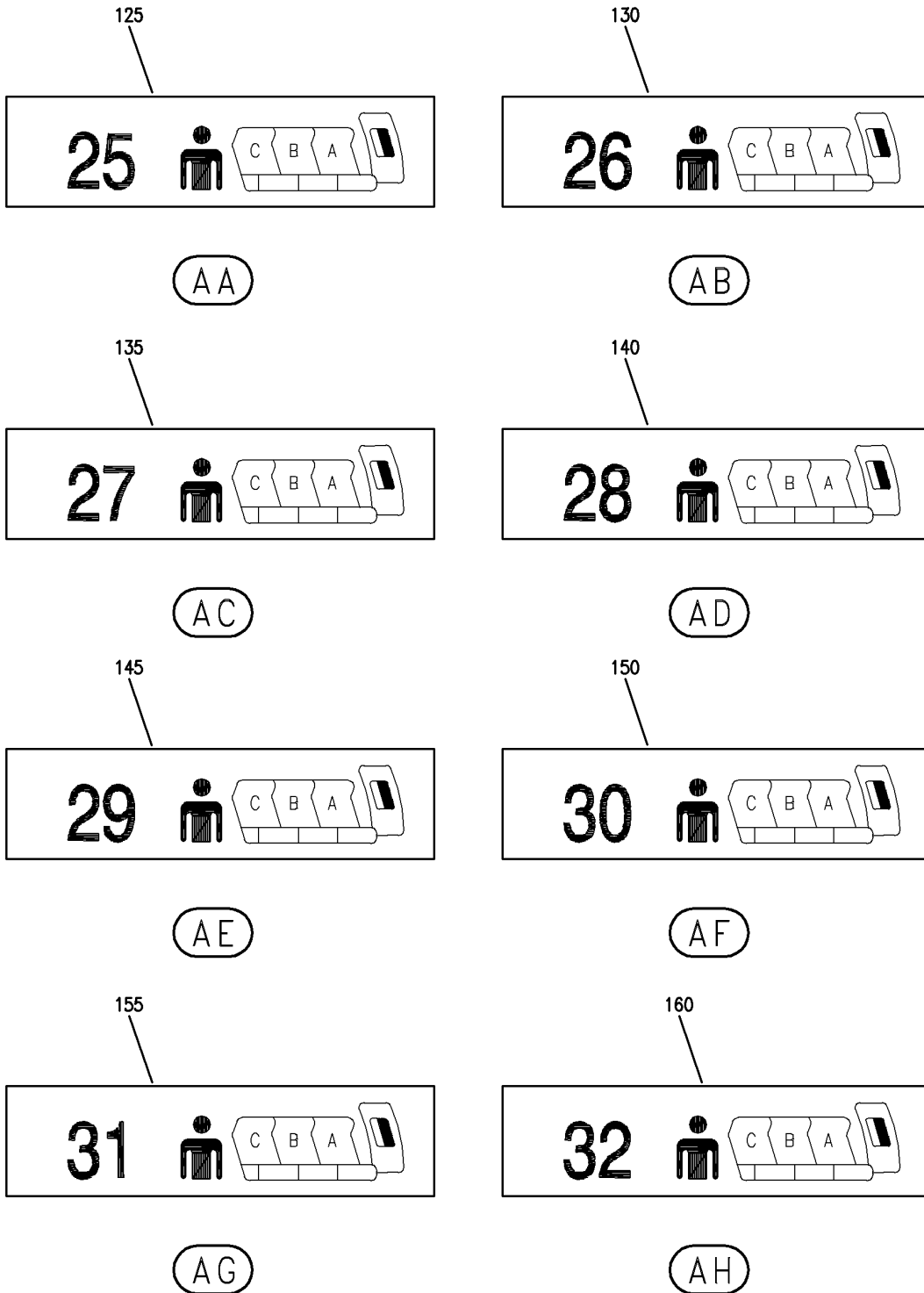
E 11320457A SHT 4 REV 043

PLACARD INSTL-CAB. INTR SEAT ROW MARKERS
FIGURE 57A (SHEET 4)

11-32-04-57A

HAP
OCT 10/06

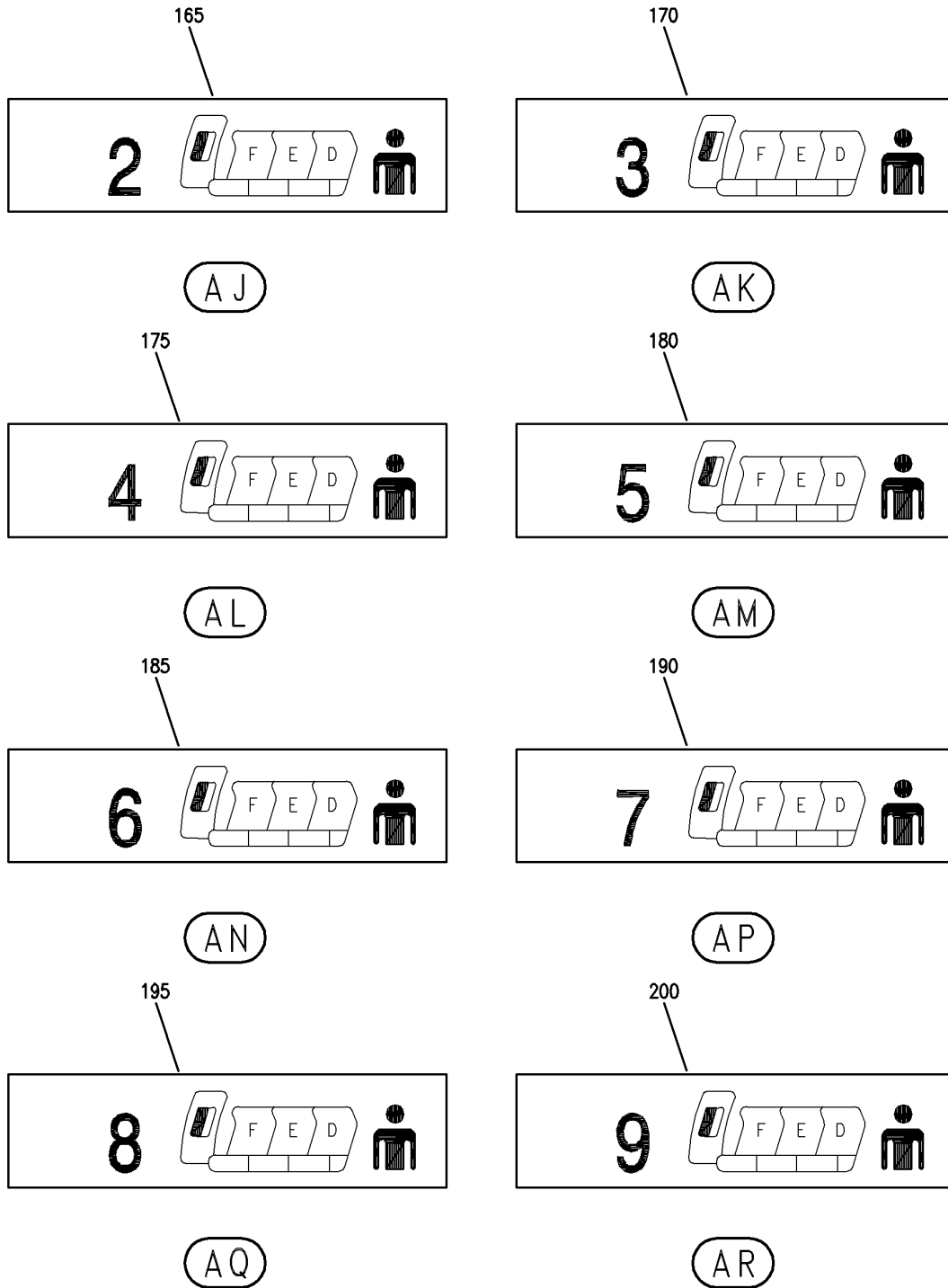
11-32-04-57A
PAGE 0C



E 11320457A SHT 5 REV 043

PLACARD INSTL-CAB. INTR SEAT ROW MARKERS
FIGURE 57A (SHEET 5)

BOEING
737-600/700/800/900
PARTS CATALOG (MAINTENANCE)



E 11320457A SHT 6 REV 043

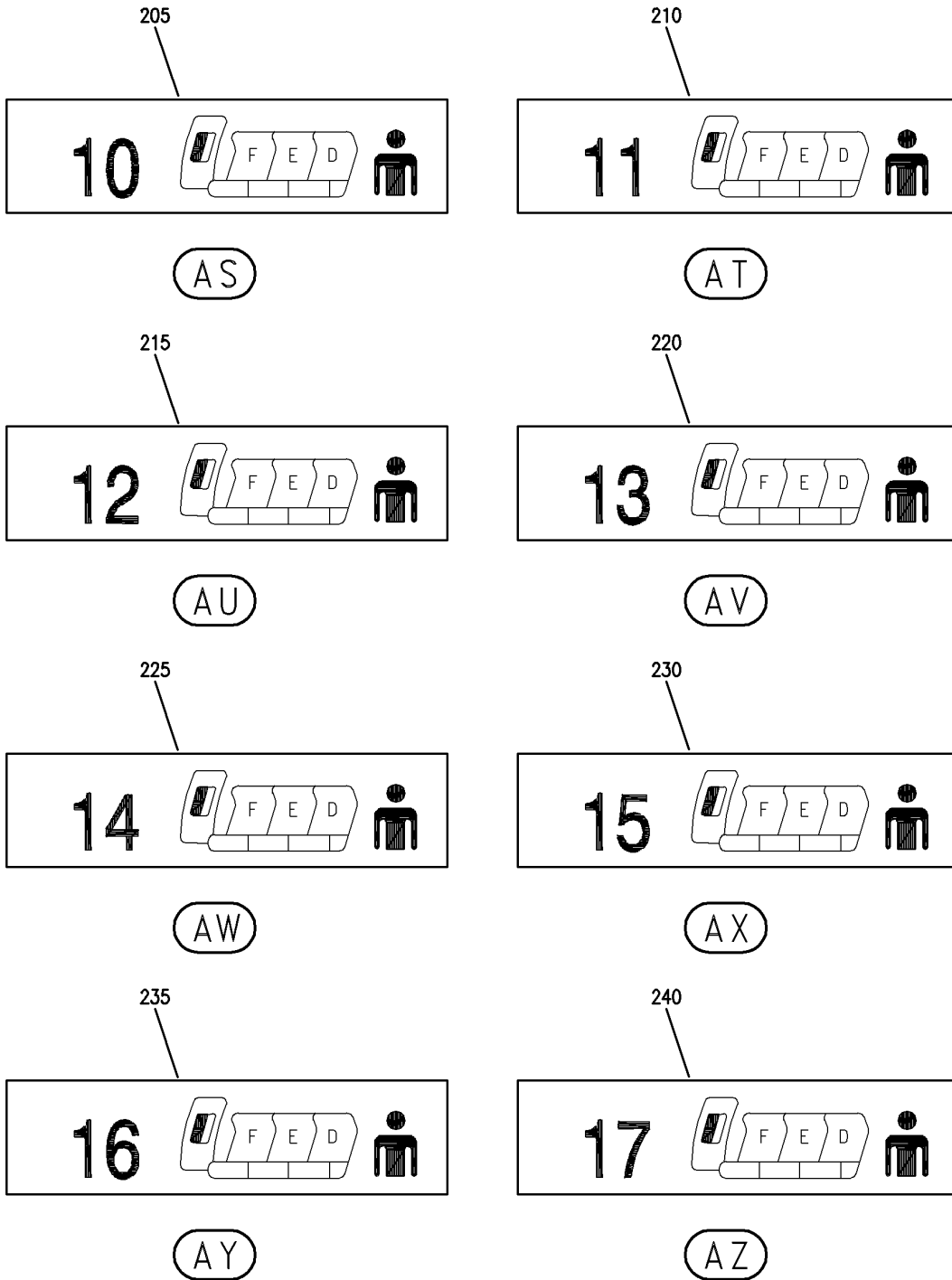
PLACARD INSTL-CAB. INTR SEAT ROW MARKERS
FIGURE 57A (SHEET 6)

HAP
OCT 10/06

11-32-04-57A

11-32-04-57A
PAGE 0E

BOEING
737-600/700/800/900
PARTS CATALOG (MAINTENANCE)



E 11320457A SHT 7 REV 043

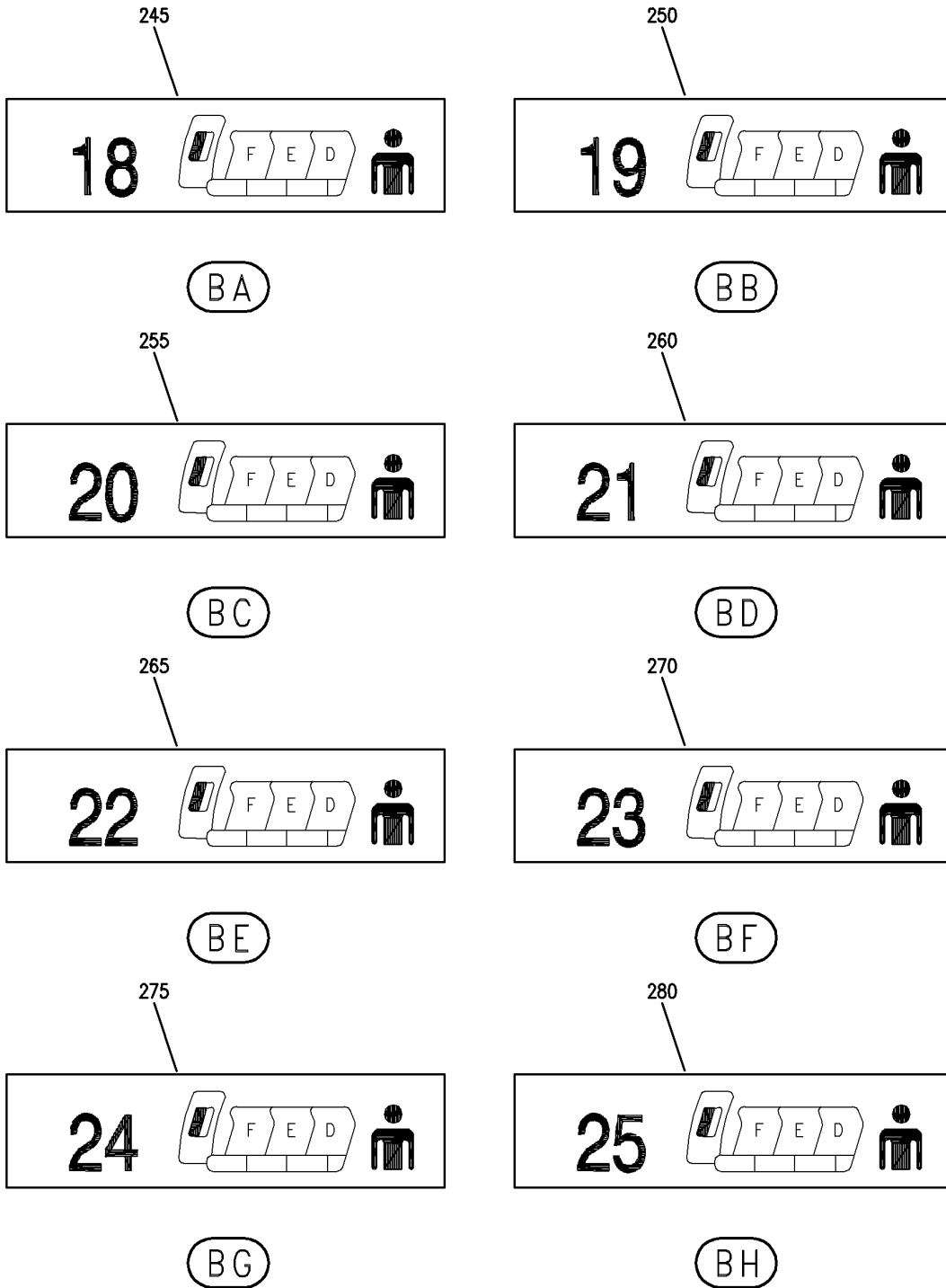
PLACARD INSTL-CAB. INTR SEAT ROW MARKERS
FIGURE 57A (SHEET 7)

11-32-04-57A

HAP
OCT 10/06

11-32-04-57A
PAGE OF

BOEING
737-600/700/800/900
PARTS CATALOG (MAINTENANCE)



E 11320457A SHT 8 REV 043

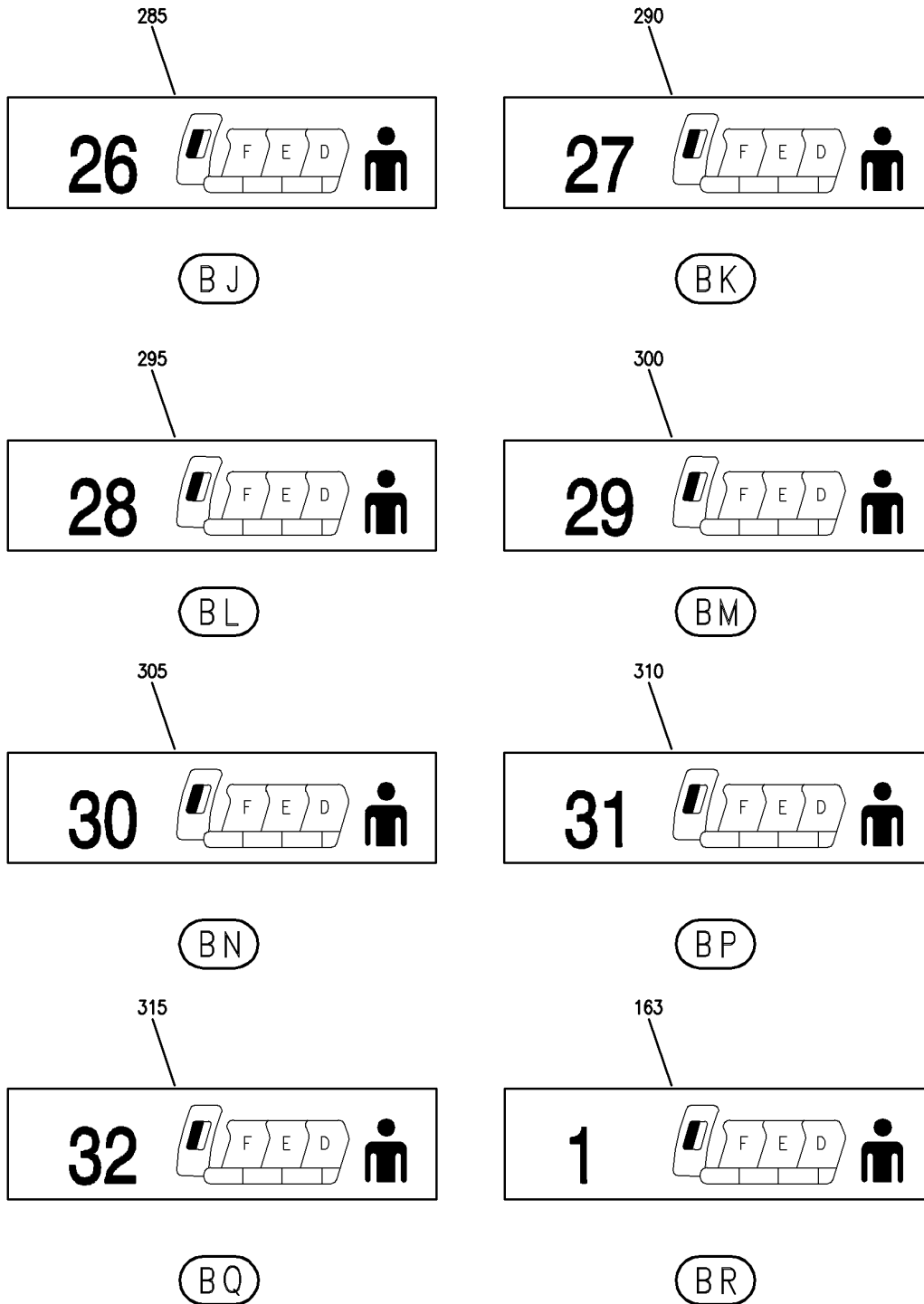
PLACARD INSTL-CAB. INTR SEAT ROW MARKERS
FIGURE 57A (SHEET 8)

11-32-04-57A

HAP
OCT 10/06

11-32-04-57A
PAGE 06

BOEING
737-600/700/800/900
PARTS CATALOG (MAINTENANCE)



E 11320457A SH1 9 REV 049

PLACARD INSTL-CAB. INTR SEAT ROW MARKERS
FIGURE 57A (SHEET 9)

HAP
OCT 10/06

11-32-04-57A

11-32-04-57A
PAGE 0H

BOEING
737-600/700/800/900
PARTS CATALOG (MAINTENANCE)

FIG ITEM	PART NUMBER	1 2 3 4 5 6 7	NOMENCLATURE	EFFECT FROM TO	UNITS PER ASSY
57A			PLACARD INSTL-CAB. INTR SEAT ROW MARKERS	031100	
- 1	MODREF94087		PLACARD INSTL-CAB. INTR SEAT ROW MARKERS MODULE NUMBER: 414A5122-29 REV A	031100	1
5	BAC29PPS29258		.MARKER- POSITION DATA: LH SIDE	031100	1
10	BAC29PPS29260		.MARKER- POSITION DATA: LH SIDE	031100	1
15	BAC29PPS29262		.MARKER- POSITION DATA: LH SIDE	031100	1
20	BAC29PPS29264		.MARKER- POSITION DATA: LH SIDE	031100	1
25	BAC29PPS29266		.MARKER- POSITION DATA: LH SIDE	031100	1
30	BAC29PPS29268		.MARKER- POSITION DATA: LH SIDE	031100	1
35	BAC29PPS29270		.MARKER- POSITION DATA: LH SIDE	031100	1
40	BAC29PPS29272		.MARKER- POSITION DATA: LH SIDE	031100	1
45	BAC29PPS29274		.MARKER- POSITION DATA: LH SIDE	031100	1
50	BAC29PPS29276		.MARKER- POSITION DATA: LH SIDE	031100	1
55	BAC29PPS29278		.MARKER- POSITION DATA: LH SIDE	031100	1
60	BAC29PPS29280		.MARKER- POSITION DATA: LH SIDE	031100	1
70	BAC29PPS29284		.MARKER- POSITION DATA: LH SIDE	031100	1
75	BAC29PPS29286		.MARKER- POSITION DATA: LH SIDE	031100	1

MISSING ITEM NUMBERS NOT APPLICABLE

- ITEM NOT ILLUSTRATED

HAP

11-32-04-57A

BOEING PROPRIETARY - Copyright © - Unpublished Work - See title page for details.

11-32-04
FIG. 57A
PAGE 1
JUN 10/07

 **BOEING**
737-600/700/800/900
PARTS CATALOG (MAINTENANCE)

FIG ITEM	PART NUMBER	1 2 3 4 5 6 7	NOMENCLATURE	EFFECT FROM TO	UNITS PER ASSY
57A					
80	BAC29PPS29288	.MARKER-	POSITION DATA: LH SIDE	031100	1
85	BAC29PPS29290	.MARKER-	POSITION DATA: LH SIDE	031100	1
90	BAC29PPS29292	.MARKER-	POSITION DATA: LH SIDE	031100	1
95	BAC29PPS29294	.MARKER-	POSITION DATA: LH SIDE	031100	1
100	BAC29PPS29296	.MARKER-	POSITION DATA: LH SIDE	031100	1
105	BAC29PPS29298	.MARKER-	POSITION DATA: LH SIDE	031100	1
110	BAC29PPS29300	.MARKER-	POSITION DATA: LH SIDE	031100	1
115	BAC29PPS29302	.MARKER-	POSITION DATA: LH SIDE	031100	1
120	BAC29PPS29304	.MARKER-	POSITION DATA: LH SIDE	031100	1
125	BAC29PPS29306	.MARKER-	POSITION DATA: LH SIDE	031100	1
130	BAC29PPS29308	.MARKER-	POSITION DATA: LH SIDE	031100	1
135	BAC29PPS29310	.MARKER-	POSITION DATA: LH SIDE	031100	1
165	BAC29PPS29261	.MARKER-	POSITION DATA: RH SIDE	031100	1
170	BAC29PPS29263	.MARKER-	POSITION DATA: RH SIDE	031100	1
175	BAC29PPS29265	.MARKER-	POSITION DATA: RH SIDE	031100	1
180	BAC29PPS29267	.MARKER-	POSITION DATA: RH SIDE	031100	1

MISSING ITEM NUMBERS NOT APPLICABLE

— ITEM NOT ILLUSTRATED

HAP

11-32-04-57A

BOEING PROPRIETARY - Copyright © - Unpublished Work - See title page for details.

11-32-04
FIG. 57A
PAGE 2
JUN 10/07

BOEING
737-600/700/800/900
PARTS CATALOG (MAINTENANCE)

FIG ITEM	PART NUMBER	1 2 3 4 5 6 7	NOMENCLATURE	EFFECT FROM TO	UNITS PER ASSY
57A 185	BAC29PPS29269	.	MARKER- POSITION DATA: RH SIDE	031100	1
190	BAC29PPS29271	.	MARKER- POSITION DATA: RH SIDE	031100	1
195	BAC29PPS29273	.	MARKER- POSITION DATA: RH SIDE	031100	1
200	BAC29PPS29275	.	MARKER- POSITION DATA: RH SIDE	031100	1
205	BAC29PPS29277	.	MARKER- POSITION DATA: RH SIDE	031100	1
210	BAC29PPS29279	.	MARKER- POSITION DATA: RH SIDE	031100	1
215	BAC29PPS29281	.	MARKER- POSITION DATA: RH SIDE	031100	1
225	BAC29PPS29285	.	MARKER- POSITION DATA: RH SIDE	031100	1
230	BAC29PPS29287	.	MARKER- POSITION DATA: RH SIDE	031100	1
235	BAC29PPS29289	.	MARKER- POSITION DATA: RH SIDE	031100	1
240	BAC29PPS29291	.	MARKER- POSITION DATA: RH SIDE	031100	1
245	BAC29PPS29293	.	MARKER- POSITION DATA: RH SIDE	031100	1
250	BAC29PPS29295	.	MARKER- POSITION DATA: RH SIDE	031100	1
255	BAC29PPS29297	.	MARKER- POSITION DATA: RH SIDE	031100	1
260	BAC29PPS29299	.	MARKER- POSITION DATA: RH SIDE	031100	1
265	BAC29PPS29301	.	MARKER- POSITION DATA: RH SIDE	031100	1

MISSING ITEM NUMBERS NOT APPLICABLE

— ITEM NOT ILLUSTRATED

HAP

11-32-04-57A

BOEING PROPRIETARY - Copyright © - Unpublished Work - See title page for details.

11-32-04
FIG. 57A
PAGE 3
JUN 10/07


BOEING
 737-600/700/800/900
PARTS CATALOG (MAINTENANCE)

FIG ITEM	PART NUMBER	1 2 3 4 5 6 7	NOMENCLATURE	EFFECT FROM TO	UNITS PER ASSY
57A 270	BAC29PPS29303		.MARKER- POSITION DATA: RH SIDE	031100	1
275	BAC29PPS29305		.MARKER- POSITION DATA: RH SIDE	031100	1
280	BAC29PPS29307		.MARKER- POSITION DATA: RH SIDE	031100	1
285	BAC29PPS29309		.MARKER- POSITION DATA: RH SIDE	031100	1
290	BAC29PPS29311		.MARKER- POSITION DATA: RH SIDE	031100	1

MISSING ITEM NUMBERS NOT APPLICABLE

— ITEM NOT ILLUSTRATED

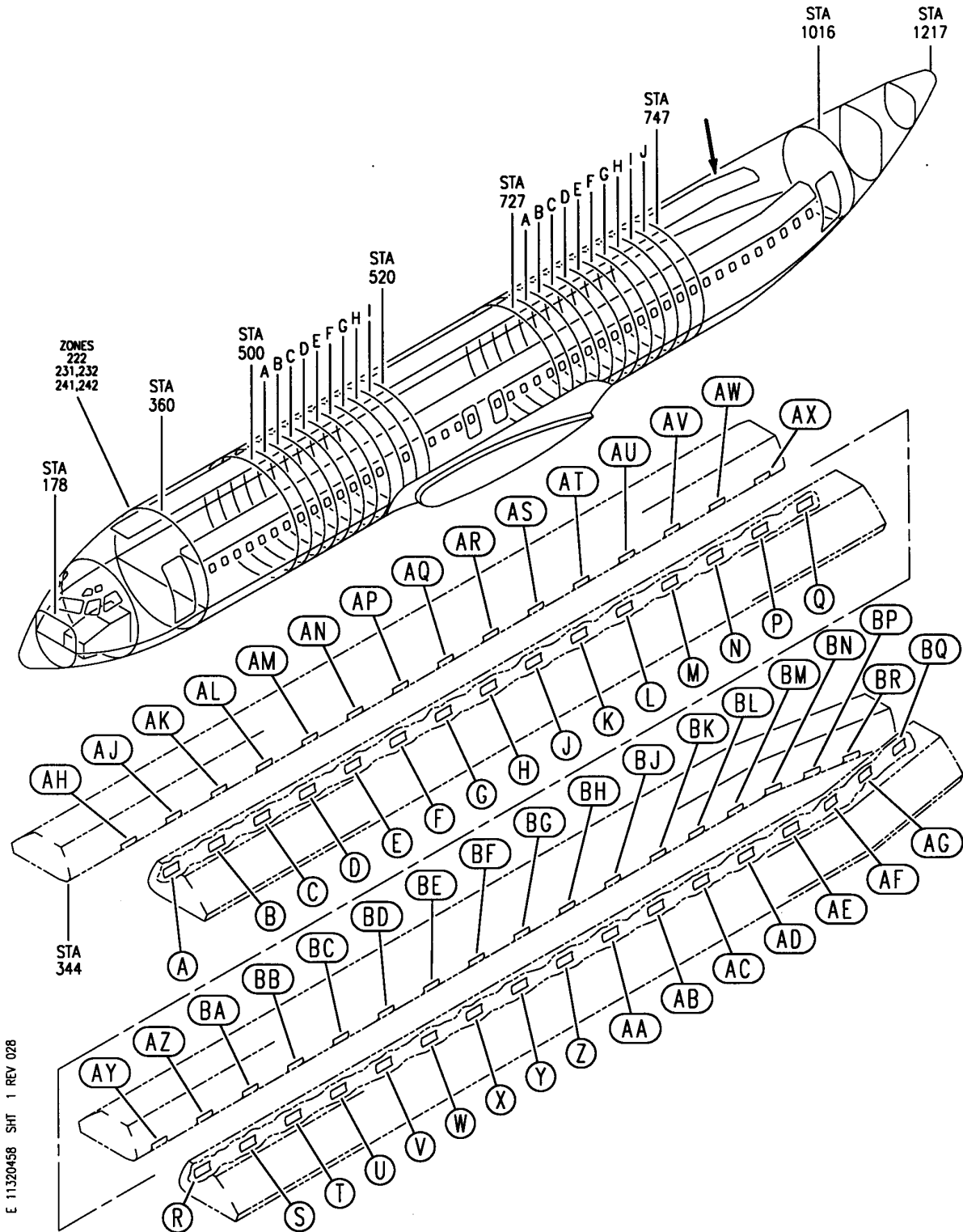
HAP

11-32-04-57A

BOEING PROPRIETARY - Copyright © - Unpublished Work - See title page for details.

11-32-04
 FIG. 57A
 PAGE 4
 JUN 10/07

BOEING
 737-600/700/800/900
 PARTS CATALOG (MAINTENANCE)



E 11320458 SHT 1 REV 02B

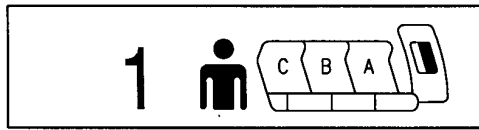
MARKER INSTL-SEAT ROW
 FIGURE 58 (SHEET 1)

11-32-04-58

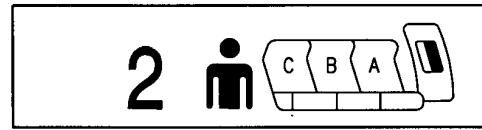
HAP
 OCT 10/06

11-32-04-58
 PAGE 0

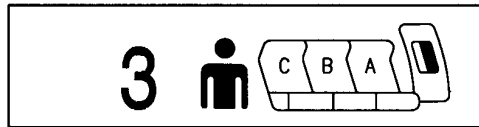
BOEING
737-600/700/800/900
PARTS CATALOG (MAINTENANCE)



(A)



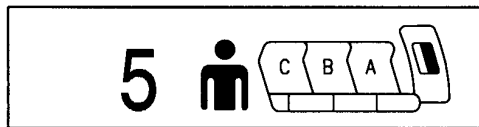
(B)



(C)



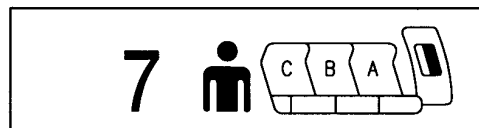
(D)



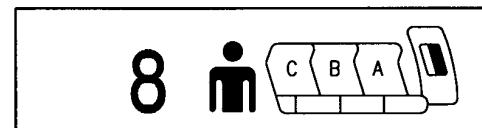
(E)



(F)



(G)



(H)

E 11320458 SHT 2 REV 028

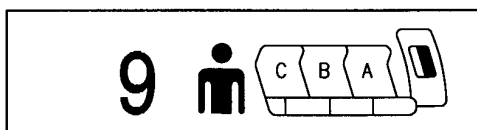
MARKER INSTL-SEAT ROW
FIGURE 58 (SHEET 2)

11-32-04-58

HAP
OCT 10/06

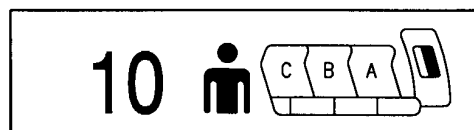
11-32-04-58
PAGE 0A

BOEING
737-600/700/800/900
PARTS CATALOG (MAINTENANCE)



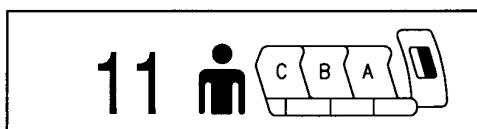
(J)

45



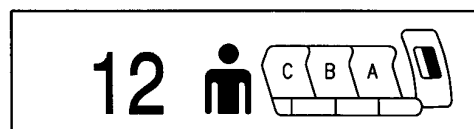
(K)

50



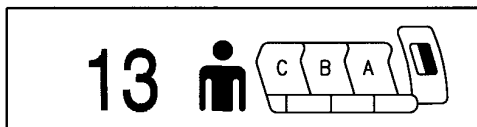
(L)

55



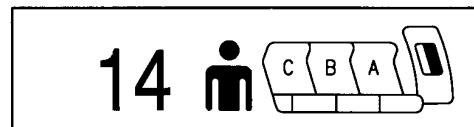
(M)

60



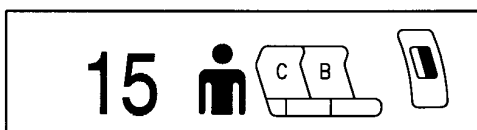
(N)

65



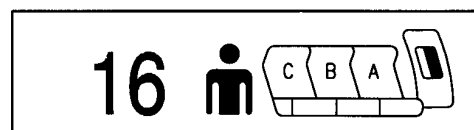
(P)

70



(Q)

75



(R)

80

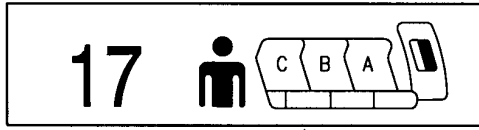
E 11320458 SH1 3 REV 028

MARKER INSTL-SEAT ROW
FIGURE 58 (SHEET 3)

11-32-04-58

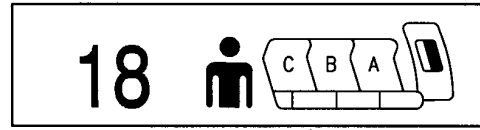
HAP
OCT 10/06

11-32-04-58
PAGE 08



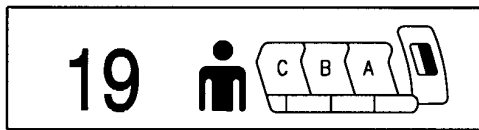
(S)

85



(T)

90



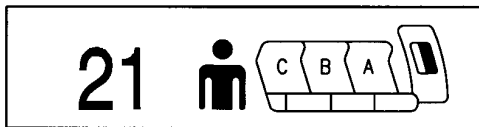
(U)

95



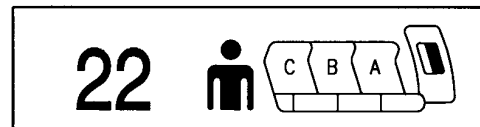
(V)

100



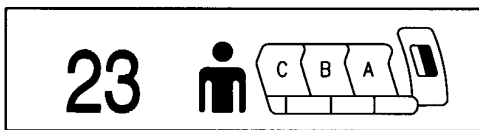
(W)

105



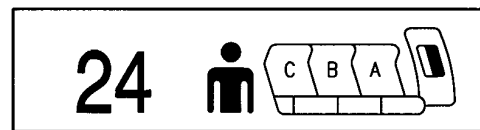
(X)

110



(Y)

115



(Z)

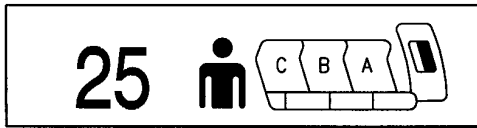
120

E 11320458 SHT 4 REV 028

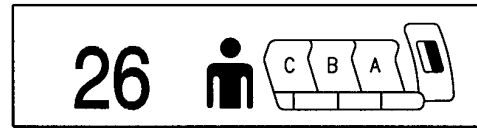
MARKER INSTL-SEAT ROW
 FIGURE 58 (SHEET 4)

11-32-04-58

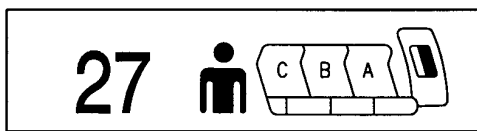
BOEING
737-600/700/800/900
PARTS CATALOG (MAINTENANCE)



AA



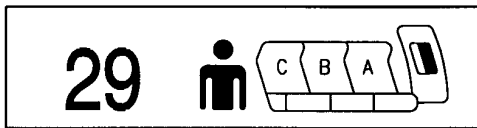
AB



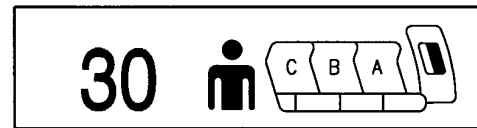
AC



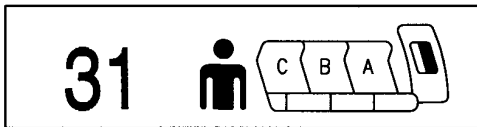
AD



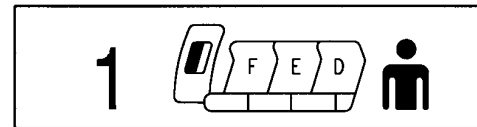
AE



AF



AG



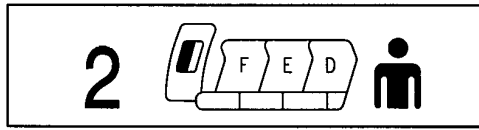
AH

E 11320458 SHT 5 REV 028

MARKER INSTL-SEAT ROW
FIGURE 58 (SHEET 5)

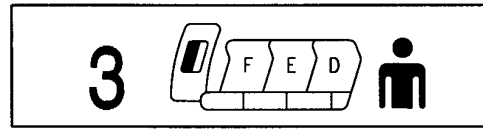
11-32-04-58

BOEING
737-600/700/800/900
PARTS CATALOG (MAINTENANCE)



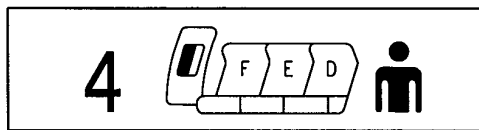
165

AJ



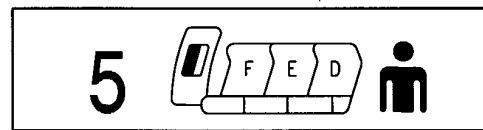
170

AK



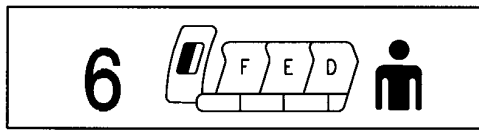
175

AL



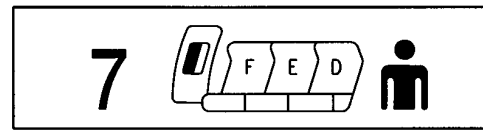
180

AM



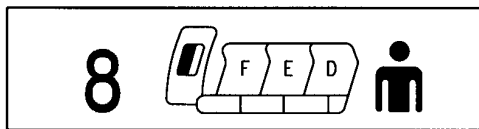
185

AN



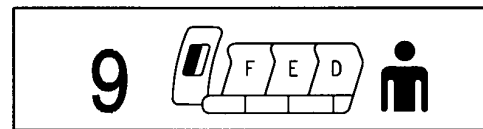
190

AP



195

AQ



200

AR

E 11320458 SH1 6 REV 028

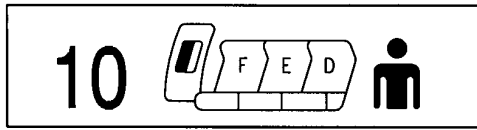
MARKER INSTL-SEAT ROW
FIGURE 58 (SHEET 6)

11-32-04-58

HAP
OCT 10/06

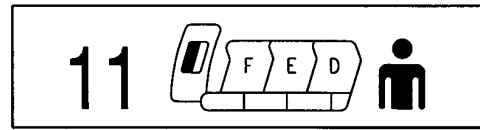
11-32-04-58
PAGE 0E

BOEING
737-600/700/800/900
PARTS CATALOG (MAINTENANCE)



AS

205



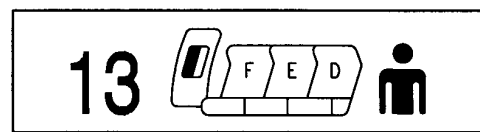
AT

210



AU

215



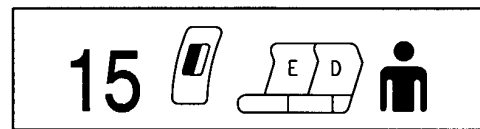
AV

220



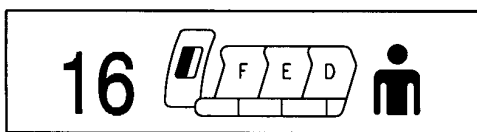
AW

225



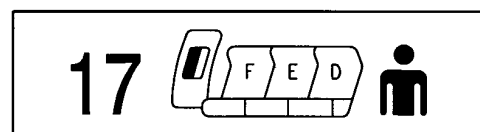
AX

230



AY

235



AZ

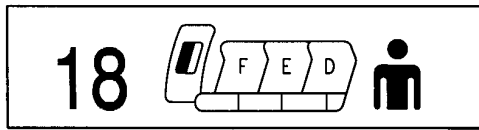
240

E 11320458 SHT 7 REV 028

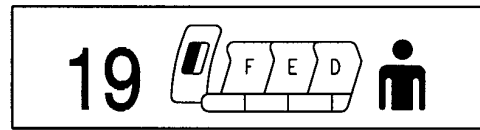
MARKER INSTL-SEAT ROW
FIGURE 58 (SHEET 7)

11-32-04-58

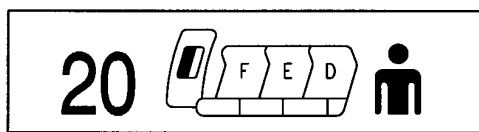
BOEING
737-600/700/800/900
PARTS CATALOG (MAINTENANCE)



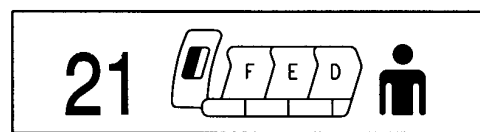
BA



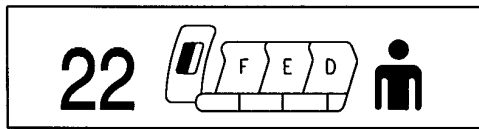
BB



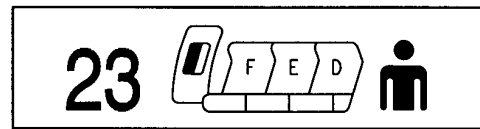
BC



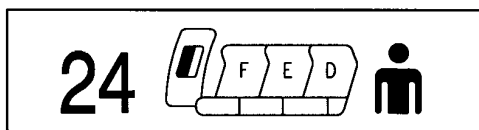
BD



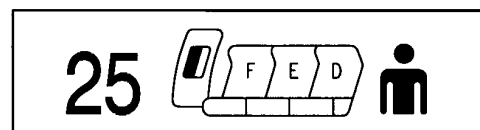
BE



BF



BG



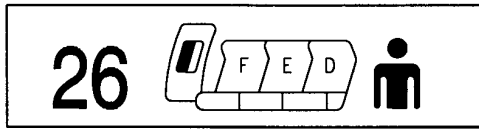
BH

E 11320458 SH 8 REV 028

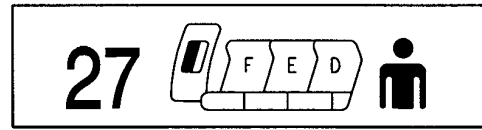
MARKER INSTL-SEAT ROW
FIGURE 58 (SHEET 8)

11-32-04-58

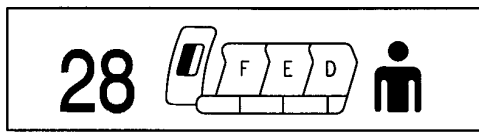
BOEING
737-600/700/800/900
PARTS CATALOG (MAINTENANCE)



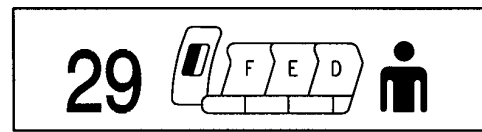
(BJ)



(BK)



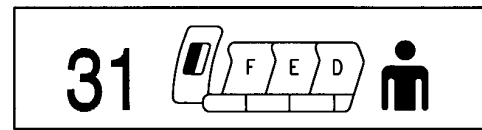
(BL)



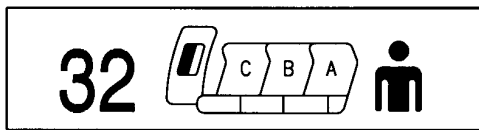
(BM)



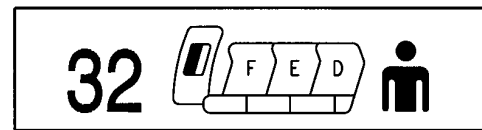
(BN)



(BP)



(BQ)



(BR)

E 11320458 SHT 9 REV 028

MARKER INSTL-SEAT ROW
FIGURE 58 (SHEET 9)

11-32-04-58

HAP
OCT 10/06

11-32-04-58
PAGE 0H

BOEING
737-600/700/800/900
PARTS CATALOG (MAINTENANCE)

FIG ITEM	PART NUMBER	1 2 3 4 5 6 7	NOMENCLATURE	EFFECT FROM TO	UNITS PER ASSY
58					
- 1	414A5102-4		MARKER INSTL-SEAT ROW MARKER INSTL-SEAT ROW FOR NHA SEE: 11-30-00-01C	001030 001030	RF
5	BAC29PPS29258		.MARKER- POSITION DATA: LH SIDE	001030	1
10	BAC29PPS29260		.MARKER- POSITION DATA: LH SIDE	001030	1
15	BAC29PPS29262		.MARKER- POSITION DATA: LH SIDE	001030	1
20	BAC29PPS29264		.MARKER- POSITION DATA: LH SIDE	001030	1
25	BAC29PPS29266		.MARKER- POSITION DATA: LH SIDE	001030	1
30	BAC29PPS29268		.MARKER- POSITION DATA: LH SIDE	001030	1
35	BAC29PPS29270		.MARKER- POSITION DATA: LH SIDE	001030	1
40	BAC29PPS29272		.MARKER- POSITION DATA: LH SIDE	001030	1
45	BAC29PPS29274		.MARKER- POSITION DATA: LH SIDE	001030	1
50	BAC29PPS29276		.MARKER- POSITION DATA: LH SIDE	001030	1
55	BAC29PPS29278		.MARKER- POSITION DATA: LH SIDE	001030	1
60	BAC29PPS29280		.MARKER- POSITION DATA: LH SIDE	001030	1
65	BAC29PPS29282		.MARKER- POSITION DATA: LH SIDE	001030	1
70	BAC29PPS29284		.MARKER- POSITION DATA: LH SIDE	001030	1
75	BAC29PPS29370		.MARKER- POSITION DATA: LH SIDE	001030	1

MISSING ITEM NUMBERS NOT APPLICABLE

- ITEM NOT ILLUSTRATED

HAP

11-32-04-58

11-32-04
FIG. 58
PAGE 1
OCT 10/06

 **BOEING**
737-600/700/800/900
PARTS CATALOG (MAINTENANCE)

FIG ITEM	PART NUMBER	1 2 3 4 5 6 7	NOMENCLATURE	EFFECT FROM TO	UNITS PER ASSY
58					
80	BAC29PPS29288	.	MARKER- POSITION DATA: LH SIDE	001030	1
85	BAC29PPS29290	.	MARKER- POSITION DATA: LH SIDE	001030	1
90	BAC29PPS29292	.	MARKER- POSITION DATA: LH SIDE	001030	1
95	BAC29PPS29294	.	MARKER- POSITION DATA: LH SIDE	001030	1
100	BAC29PPS29296	.	MARKER- POSITION DATA: LH SIDE	001030	1
105	BAC29PPS29298	.	MARKER- POSITION DATA: LH SIDE	001030	1
110	BAC29PPS29300	.	MARKER- POSITION DATA: LH SIDE	001030	1
115	BAC29PPS29302	.	MARKER- POSITION DATA: LH SIDE	001030	1
120	BAC29PPS29304	.	MARKER- POSITION DATA: LH SIDE	001030	1
125	BAC29PPS29306	.	MARKER- POSITION DATA: LH SIDE	001030	1
130	BAC29PPS29308	.	MARKER- POSITION DATA: LH SIDE	001030	1
135	BAC29PPS29310	.	MARKER- POSITION DATA: LH SIDE	001030	1
140	BAC29PPS29312	.	MARKER- POSITION DATA: LH SIDE	001030	1
145	BAC29PPS29314	.	MARKER- POSITION DATA: LH SIDE	001030	1
150	BAC29PPS29316	.	MARKER- POSITION DATA: LH SIDE	001030	1
155	BAC29PPS29318	.	MARKER- POSITION DATA: LH SIDE	001030	1

MISSING ITEM NUMBERS NOT APPLICABLE

— ITEM NOT ILLUSTRATED

HAP

11-32-04-58

11-32-04
FIG. 58
PAGE 2
OCT 10/06

 **BOEING**
737-600/700/800/900
PARTS CATALOG (MAINTENANCE)

FIG ITEM	PART NUMBER	1 2 3 4 5 6 7	NOMENCLATURE	EFFECT FROM TO	UNITS PER ASSY
58					
160	BAC29PPS29259	.MARKER-	POSITION DATA:	001030	1
			RH SIDE		
165	BAC29PPS29261	.MARKER-	POSITION DATA:	001030	1
			RH SIDE		
170	BAC29PPS29263	.MARKER-	POSITION DATA:	001030	1
			RH SIDE		
175	BAC29PPS29265	.MARKER-	POSITION DATA:	001030	1
			RH SIDE		
180	BAC29PPS29267	.MARKER-	POSITION DATA:	001030	1
			RH SIDE		
185	BAC29PPS29269	.MARKER-	POSITION DATA:	001030	1
			RH SIDE		
190	BAC29PPS29271	.MARKER-	POSITION DATA:	001030	1
			RH SIDE		
195	BAC29PPS29273	.MARKER-	POSITION DATA:	001030	1
			RH SIDE		
200	BAC29PPS29275	.MARKER-	POSITION DATA:	001030	1
			RH SIDE		
205	BAC29PPS29277	.MARKER-	POSITION DATA:	001030	1
			RH SIDE		
210	BAC29PPS29279	.MARKER-	POSITION DATA:	001030	1
			RH SIDE		
215	BAC29PPS29281	.MARKER-	POSITION DATA:	001030	1
			RH SIDE		
220	BAC29PPS29283	.MARKER-	POSITION DATA:	001030	1
			RH SIDE		
225	BAC29PPS29285	.MARKER-	POSITION DATA:	001030	1
			RH SIDE		
230	BAC29PPS29371	.MARKER-	POSITION DATA:	001030	1
			RH SIDE		
235	BAC29PPS29289	.MARKER-	POSITION DATA:	001030	1
			RH SIDE		

MISSING ITEM NUMBERS NOT APPLICABLE

— ITEM NOT ILLUSTRATED

HAP

11-32-04-58

11-32-04
FIG. 58
PAGE 3
OCT 10/06

BOEING
737-600/700/800/900
PARTS CATALOG (MAINTENANCE)

FIG ITEM	PART NUMBER	1 2 3 4 5 6 7	NOMENCLATURE	EFFECT FROM TO	UNITS PER ASSY
58					
240	BAC29PPS29291	.MARKER-	POSITION DATA: RH SIDE	001030	1
245	BAC29PPS29293	.MARKER-	POSITION DATA: RH SIDE	001030	1
250	BAC29PPS29295	.MARKER-	POSITION DATA: RH SIDE	001030	1
255	BAC29PPS29297	.MARKER-	POSITION DATA: RH SIDE	001030	1
260	BAC29PPS29299	.MARKER-	POSITION DATA: RH SIDE	001030	1
265	BAC29PPS29301	.MARKER-	POSITION DATA: RH SIDE	001030	1
270	BAC29PPS29303	.MARKER-	POSITION DATA: RH SIDE	001030	1
275	BAC29PPS29305	.MARKER-	POSITION DATA: RH SIDE	001030	1
280	BAC29PPS29307	.MARKER-	POSITION DATA: RH SIDE	001030	1
285	BAC29PPS29309	.MARKER-	POSITION DATA: RH SIDE	001030	1
290	BAC29PPS29311	.MARKER-	POSITION DATA: RH SIDE	001030	1
295	BAC29PPS29313	.MARKER-	POSITION DATA: RH SIDE	001030	1
300	BAC29PPS29315	.MARKER-	POSITION DATA: RH SIDE	001030	1
305	BAC29PPS29317	.MARKER-	POSITION DATA: RH SIDE	001030	1
310	BAC29PPS29319	.MARKER-	POSITION DATA: RH SIDE	001030	1

MISSING ITEM NUMBERS NOT APPLICABLE

— ITEM NOT ILLUSTRATED

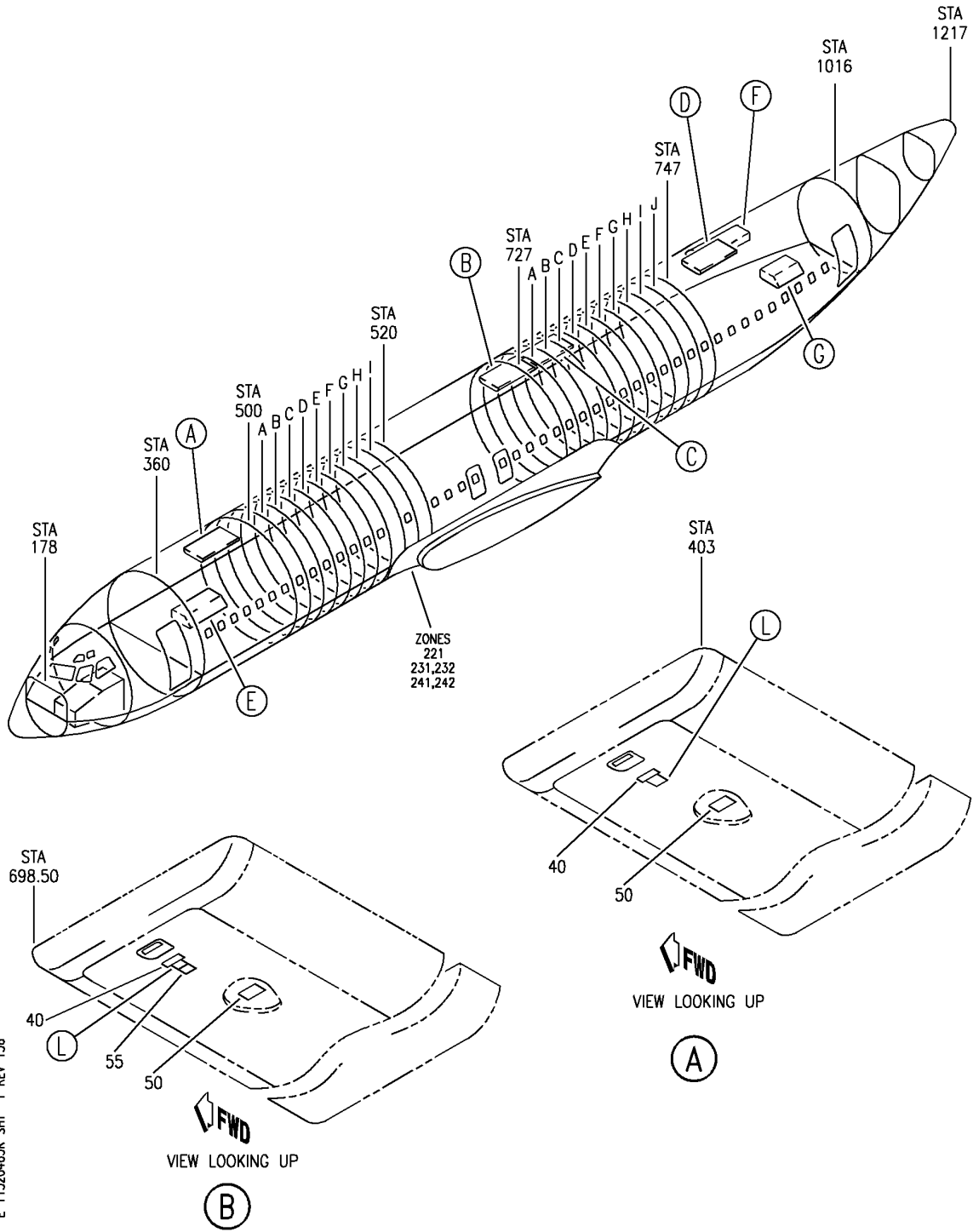
HAP

11-32-04-58

11-32-04
FIG. 58
PAGE 4
OCT 10/06

BOEING PROPRIETARY - Copyright © - Unpublished Work - See title page for details.

BOEING
 737-600/700/800/900
 PARTS CATALOG (MAINTENANCE)



E 11320465K SHT 1 REV 136

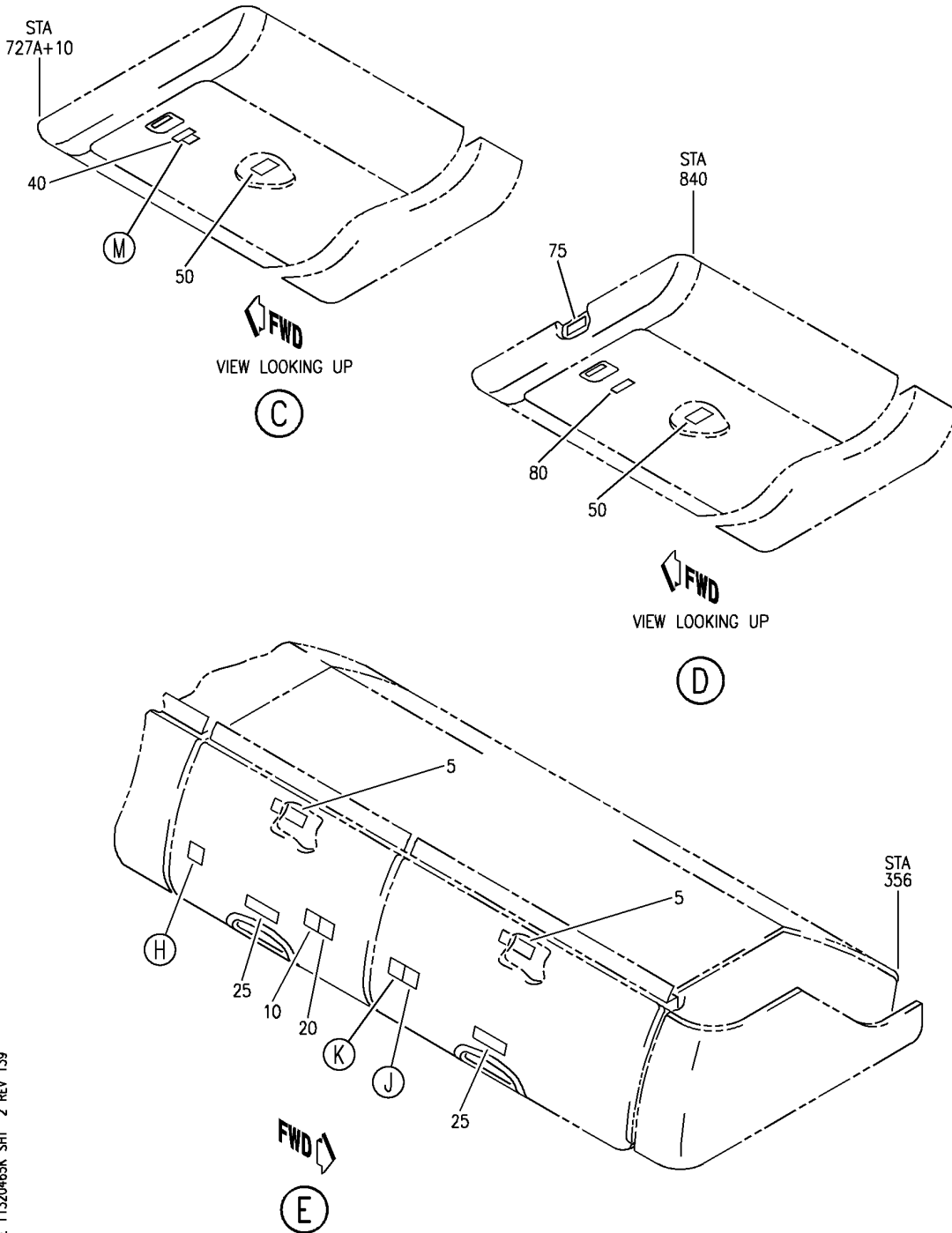
PLACARD INSTL-CAB. INTR MISC (OVERHEAD STORAGE BINS ONLY)
 FIGURE 65K (SHEET 1)

11-32-04-65K

HAP
 OCT 15/08

11-32-04-65K
 PAGE 0

BOEING
 737-600/700/800/900
 PARTS CATALOG (MAINTENANCE)



E 11320465K SHT 2 REV 139

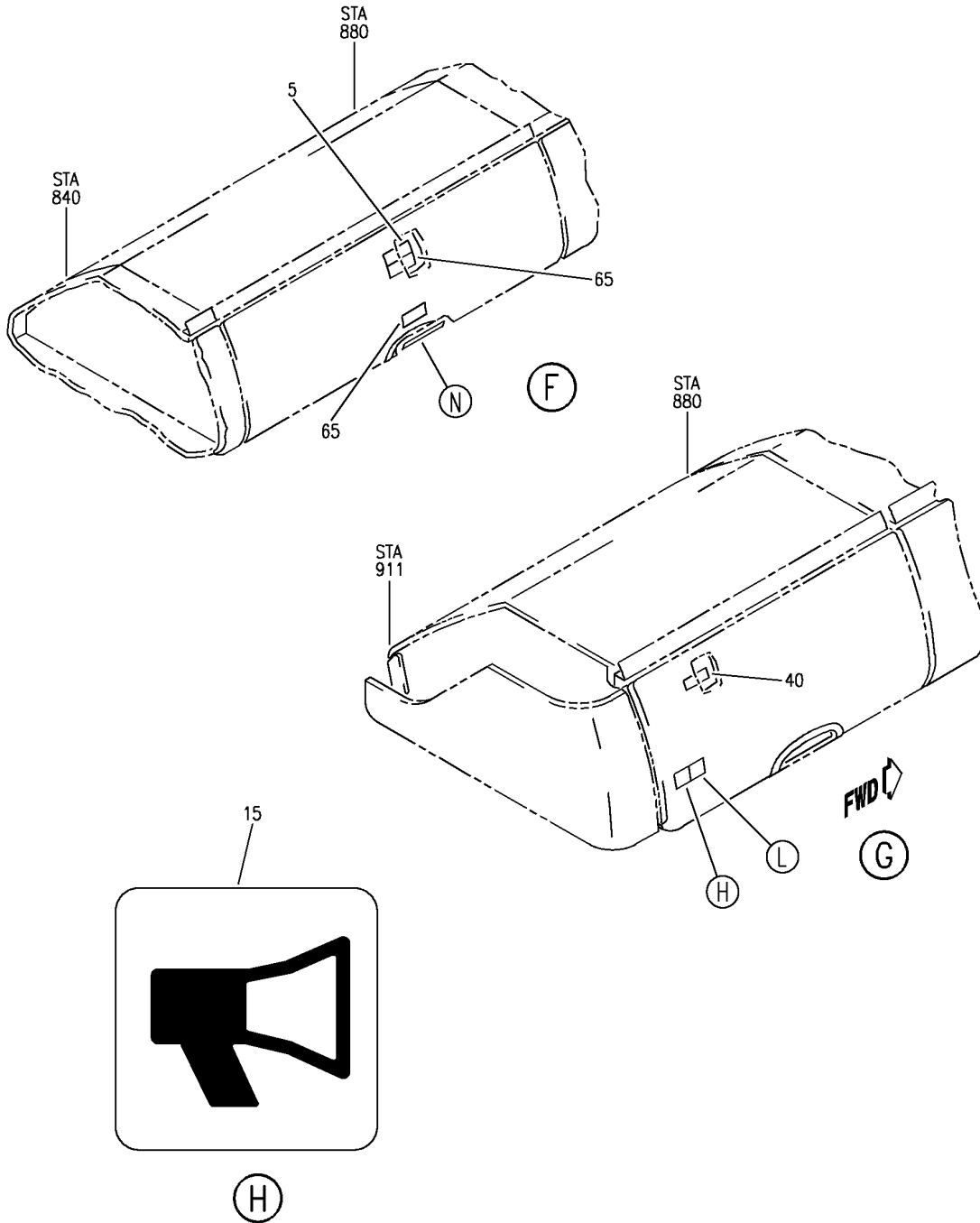
PLACARD INSTL-CAB. INTR MISC (OVERHEAD STORAGE BINS ONLY)
 FIGURE 65K (SHEET 2)

11-32-04-65K

HAP
 OCT 15/08

11-32-04-65K
 PAGE 0A

BOEING
 737-600/700/800/900
 PARTS CATALOG (MAINTENANCE)



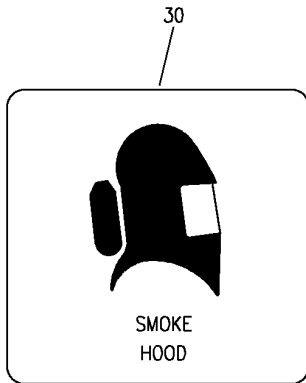
E 11320465K SHT 3 REV 136

PLACARD INSTL-CAB. INTR MISC (OVERHEAD STORAGE BINS ONLY)
 FIGURE 65K (SHEET 3)

HAP
 OCT 15/08

11-32-04-65K

11-32-04-65K
 PAGE 0B



(J)

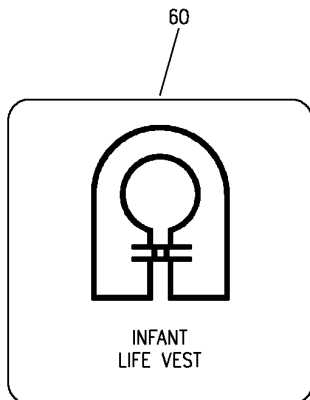


(K)

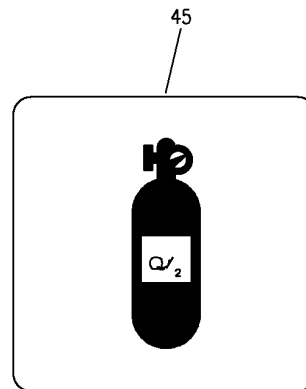
70

PSU VIDEO MONITORS MUST NOT BE DEPLOYED DURING TAXI, TAKEOFF AND LANDING EXCEPT WHEN SHOWING PASSENGER SAFETY VIDEO PRIOR TO TAKEOFF

(N)



(M)



(L)

E 11320465K SHT 4 REV 136

PLACARD INSTL-CAB. INTR MISC (OVERHEAD STORAGE BINS ONLY)
 FIGURE 65K (SHEET 4)

11-32-04-65K

HAP
 OCT 15/08

11-32-04-65K
 PAGE 0C

BOEING
737-600/700/800/900
PARTS CATALOG (MAINTENANCE)

FIG ITEM	PART NUMBER	1 2 3 4 5 6 7	NOMENCLATURE	EFFECT FROM TO	UNITS PER ASSY
65K			PLACARD INSTL-CAB. INTR MISC (OVERHEAD STOWAGE BINS ONLY)	054100	
- 1	MODREF354891		PLACARD INSTL-CAB. INTR MISC (OVERHEAD STOWAGE BINS ONLY)	054100	1
			MODULE NUMBER: 414A5150-533 REV A FOR ADDITIONAL DETAILS SEE: 11-32-03-65K		
	5 BAC29PPS38380		.PLACARD- PLACARD CONTENT: LATCH CLOSED	054100	3
	10 BAC29PPS38318		.MARKER- PLACARD CONTENT: SEAT BELT EXTENSIONS	054100	1
	15 BAC29PPS36230		.PLACARD	054100	2
	20 BAC29PPS59505		.MARKER- PLACARD CONTENT: SPARE SEAT BELT	054100	1
	25 BAC29PPS38317		.MARKER- PLACARD CONTENT: NO ADDITIONAL STOWAGE	054100	2
	30 BAC29PPS36232		.MARKER	054100	1
	35 BAC29PPS36229		.PLACARD	054100	1
	40 BAC29PPS38676		.PLACARD- PLACARD CONTENT: EMERGENCY EQUIPMENT ONLY	054100	4
	45 BAC29PPS36231		.PLACARD	054100	3
	50 BAC29PPS36218		.PLACARD- PLACARD CONTENT: DOOR MUST BE CLOSED AND LATCHED DURING TAXI, TAKEOFF AND LANDING	054100	4
	55 BAC29PPS59506		.MARKER- PLACARD CONTENT: SPARE LIFE VEST	054100	1
	60 BAC29PPS36237		.PLACARD	054100	1
	65 BAC29PPS38881		.PLACARD- PLACARD CONTENT: VIDEO EQUIPMENT ONLY	054100	2
	70 BAC29PPS50766		.PLACARD	054100	1
	75 BAC29PPS38285		.PLACARD- PLACARD CONTENT: LOAD LIMIT 45 LB/20 KG	054100	1

MISSING ITEM NUMBERS NOT APPLICABLE

- ITEM NOT ILLUSTRATED

HAP

11-32-04-65K

BOEING PROPRIETARY - Copyright © - Unpublished Work - See title page for details.

11-32-04
FIG. 65K
PAGE 1
FEB 15/09


BOEING
 737-600/700/800/900
PARTS CATALOG (MAINTENANCE)

FIG ITEM	PART NUMBER	1 2 3 4 5 6 7 NOMENCLATURE	EFFECT FROM TO	UNITS PER ASSY
65K 80	BAC29PPS39690	.PLACARD- PLACARD CONTENT: LATCH CLOSED DURING TAXI, TAKEOFF AND LANDING	054100	1

MISSING ITEM NUMBERS NOT APPLICABLE

— ITEM NOT ILLUSTRATED

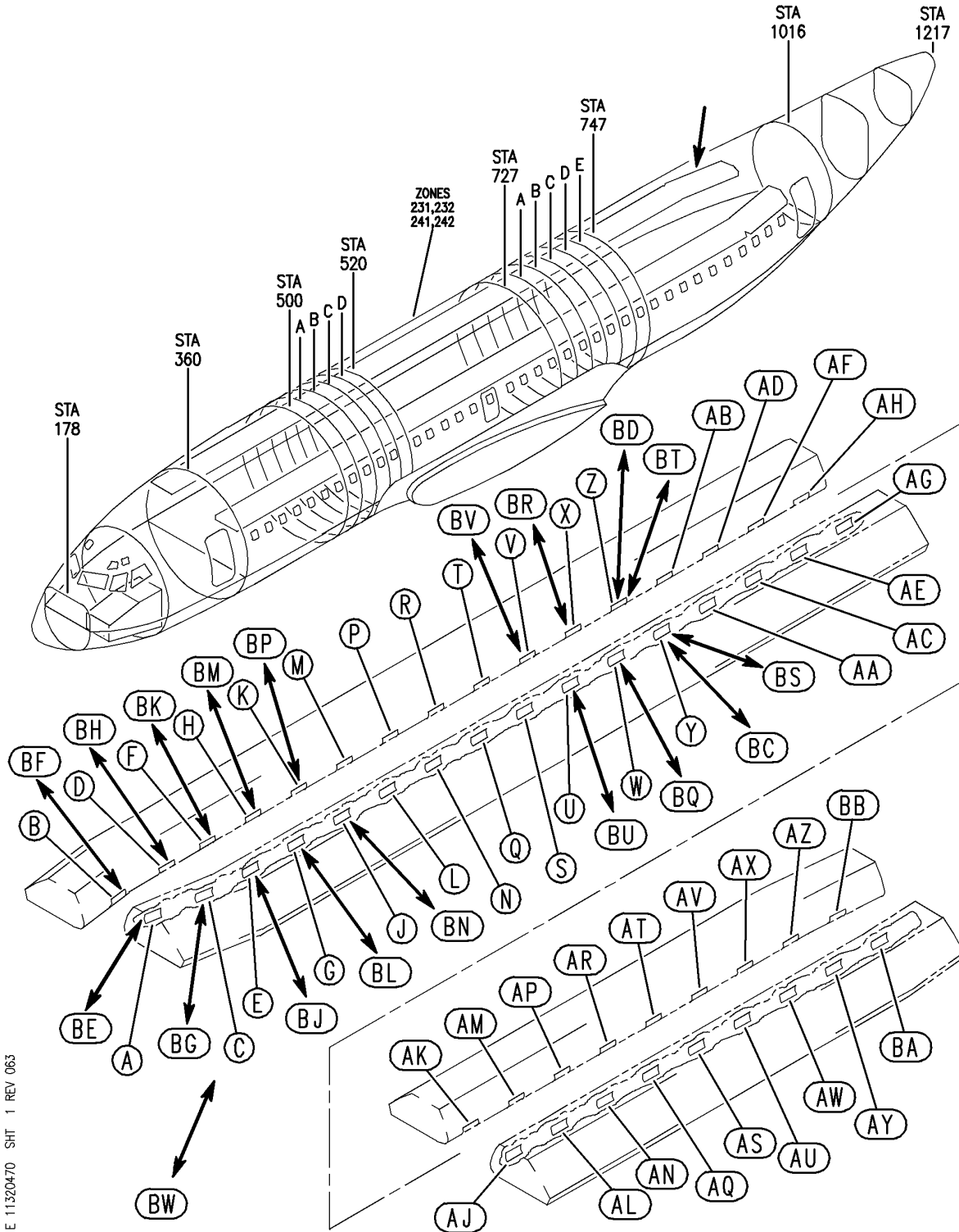
HAP

11-32-04-65K

BOEING PROPRIETARY - Copyright © - Unpublished Work - See title page for details.

11-32-04
 FIG. 65K
 PAGE 2
 FEB 15/09

BOEING
 737-600/700/800/900
 PARTS CATALOG (MAINTENANCE)



E 11320470 SHT 1 REV 063

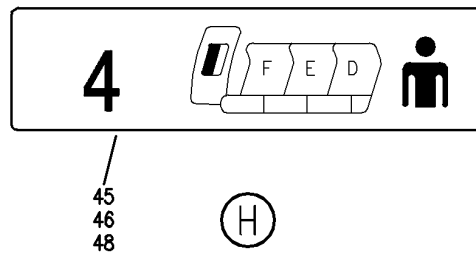
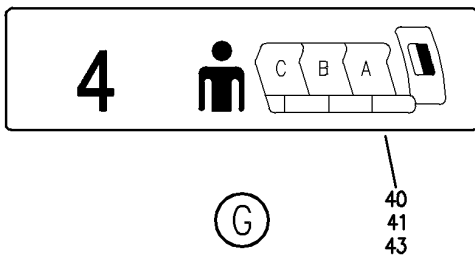
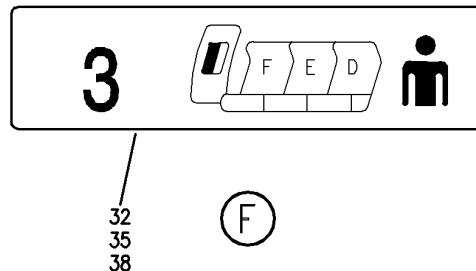
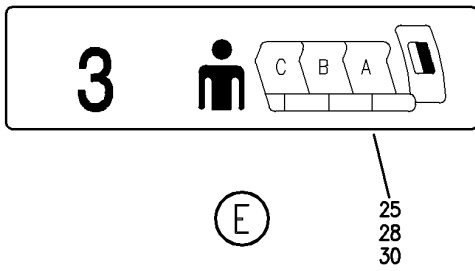
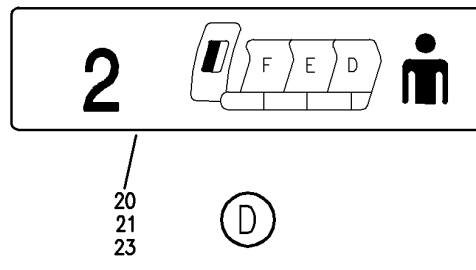
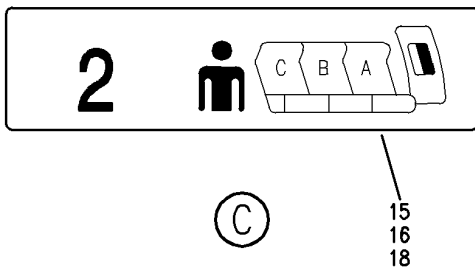
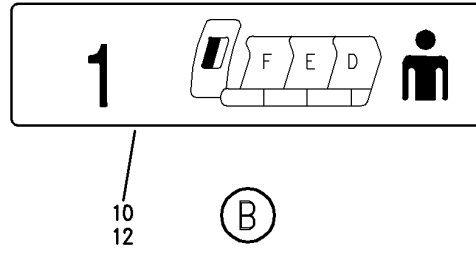
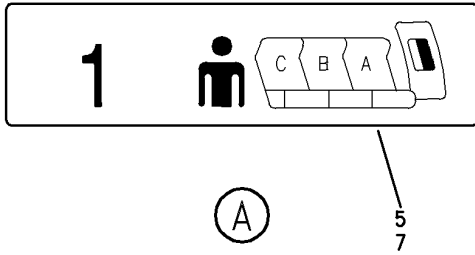
PLACARD INSTL-CAB. INTR SEAT ROW MARKERS
 FIGURE 70 (SHEET 1)

11-32-04-70

HAP
 OCT 15/08

11-32-04-70
 PAGE 0

BOEING
 737-600/700/800/900
 PARTS CATALOG (MAINTENANCE)

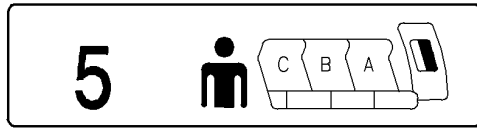


E 11320470 SHT 2 REV 063

PLACARD INSTL-CAB. INTR SEAT ROW MARKERS
 FIGURE 70 (SHEET 2)

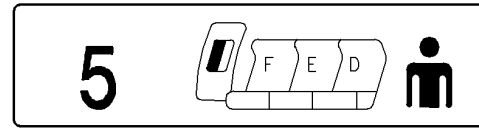
11-32-04-70

BOEING
 737-600/700/800/900
 PARTS CATALOG (MAINTENANCE)



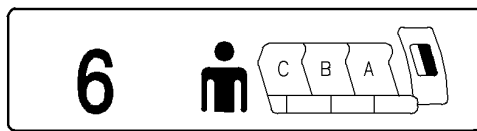
(J)

50
51
53



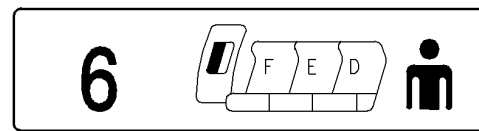
(K)

55
56
58



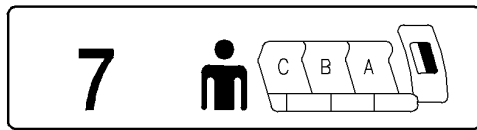
(L)

60
61
63



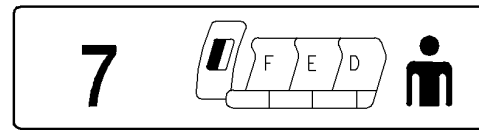
(M)

65
66
68



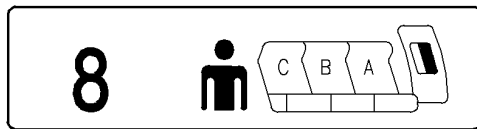
(N)

70
71
73



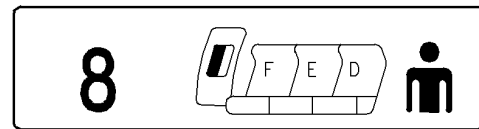
(P)

75
76
78



(Q)

80
81
83



(R)

85
86
88

E 11320470 SH1 3 REV 063

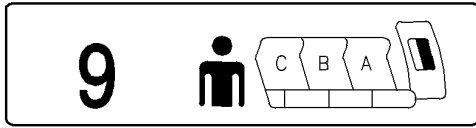
PLACARD INSTL-CAB. INTR SEAT ROW MARKERS
 FIGURE 70 (SHEET 3)

11-32-04-70

HAP
 OCT 15/08

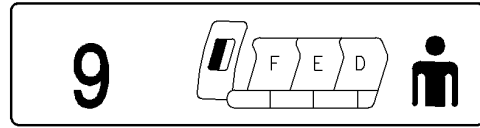
11-32-04-70
 PAGE 08

BOEING
737-600/700/800/900
PARTS CATALOG (MAINTENANCE)



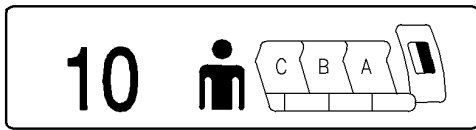
(S)

90
91
93



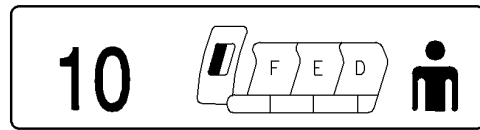
(T)

95
96
98



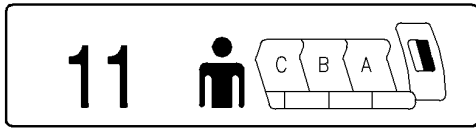
(U)

100
101
103



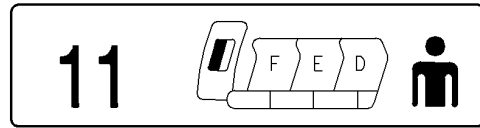
(V)

105
106
108



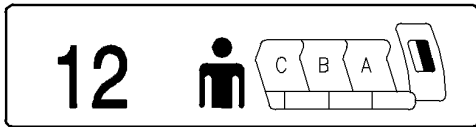
(W)

110
111
113



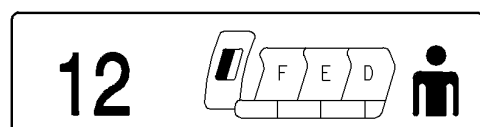
(X)

114
115
116



(Y)

120
122



(Z)

125
126

E 11320470 SH1 4 REV 063

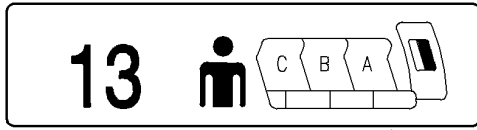
PLACARD INSTL-CAB. INTR SEAT ROW MARKERS
FIGURE 70 (SHEET 4)

11-32-04-70

HAP
OCT 15/08

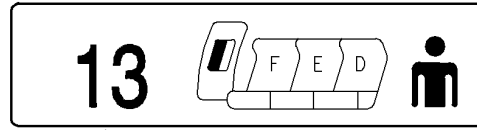
11-32-04-70
PAGE 0C

BOEING
737-600/700/800/900
PARTS CATALOG (MAINTENANCE)



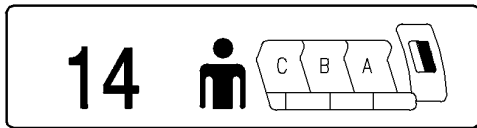
AA

130
131
133



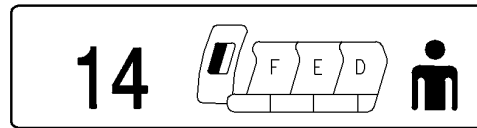
AB

134
135
138



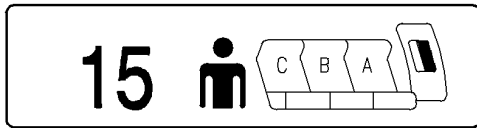
AC

140
141
143



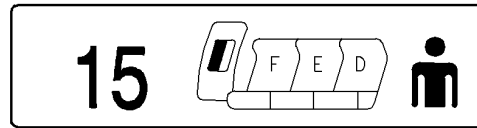
AD

145
146
148



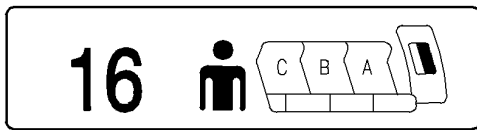
AE

150
151
153



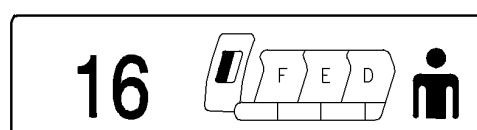
AF

155
156
158



AG

160
161
163



AH

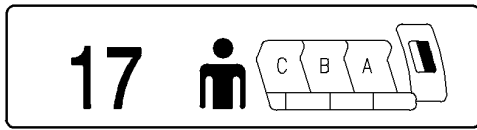
165
166
168

E 11320470 SH1 5 REV 063

PLACARD INSTL-CAB. INTR SEAT ROW MARKERS
FIGURE 70 (SHEET 5)

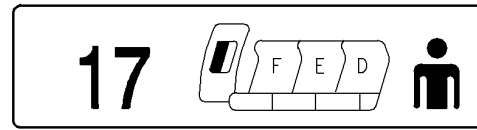
11-32-04-70

BOEING
737-600/700/800/900
PARTS CATALOG (MAINTENANCE)



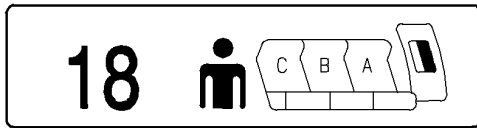
AJ

170
171
173



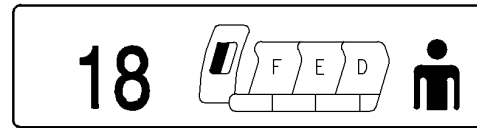
AK

175
176
178



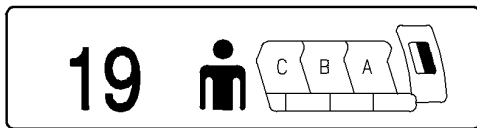
AL

180
181
183



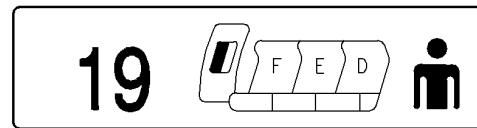
AM

185
186
188



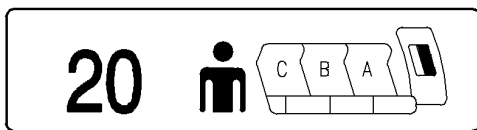
AN

190
191
193



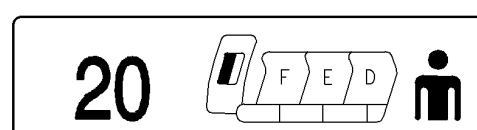
AP

195
196
198



AQ

200
201
203



AR

205
206
208

E 11320470 SHT 6 REV 063

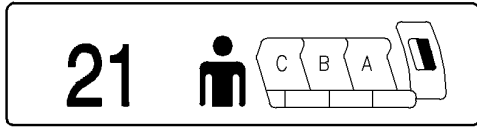
PLACARD INSTL-CAB. INTR SEAT ROW MARKERS
FIGURE 70 (SHEET 6)

11-32-04-70

HAP
OCT 15/08

11-32-04-70
PAGE 0E

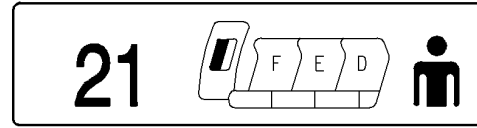
BOEING
737-600/700/800/900
PARTS CATALOG (MAINTENANCE)



21

AS

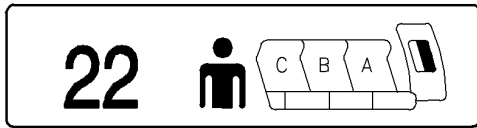
210
212
213



21

AT

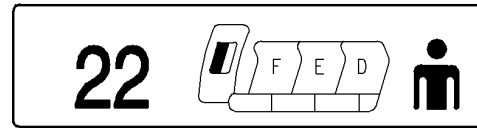
215
216
218



22

AU

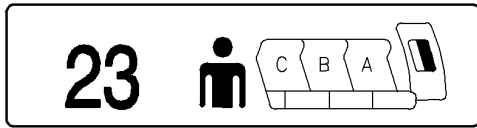
220
221
223



22

AV

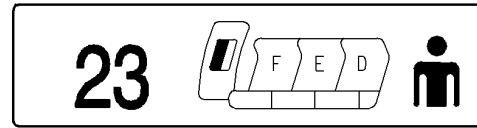
225
226
228



23

AW

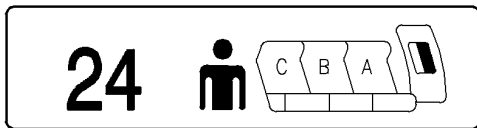
230
231
233



23

AX

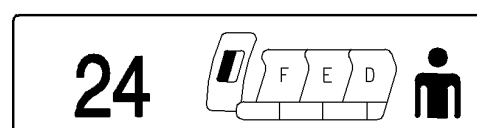
235
236
238



24

AY

240
243



24

AZ

245
248

E 11320470 SH7 7 REV 063

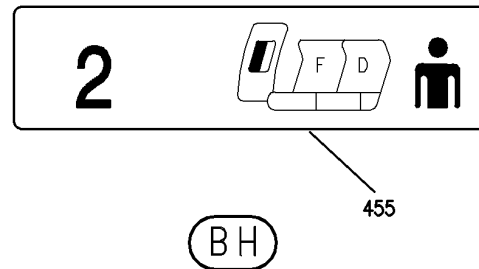
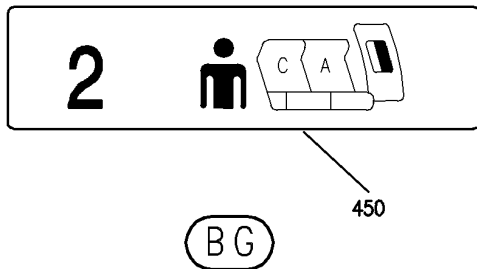
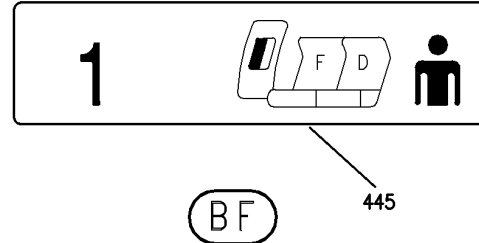
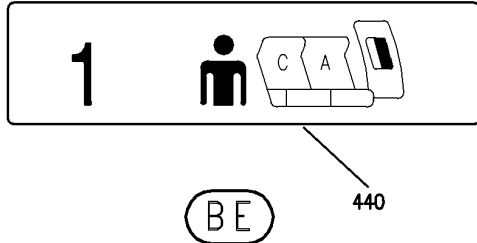
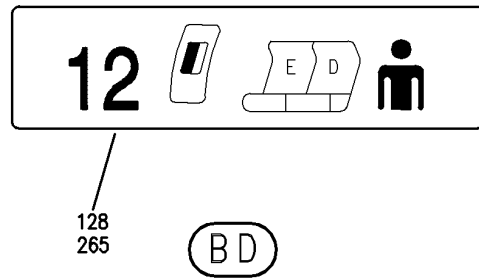
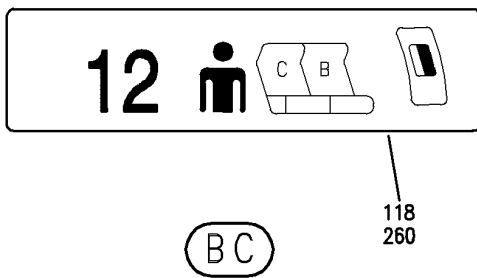
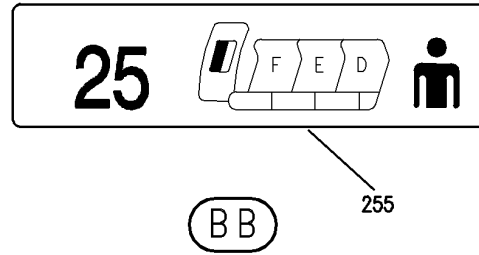
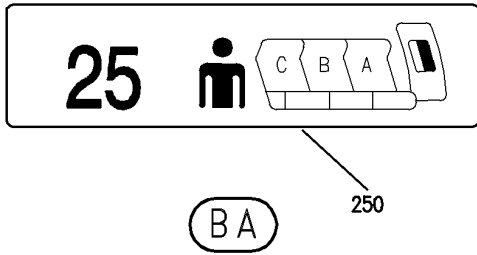
PLACARD INSTL-CAB. INTR SEAT ROW MARKERS
FIGURE 70 (SHEET 7)

11-32-04-70

HAP
OCT 15/08

11-32-04-70
PAGE OF

BOEING
737-600/700/800/900
PARTS CATALOG (MAINTENANCE)

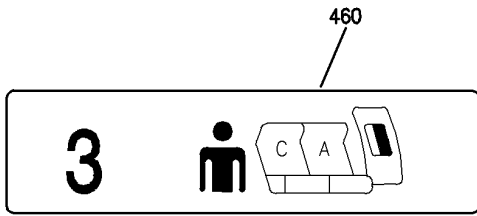


E 11320470 SHT 8 REV 063

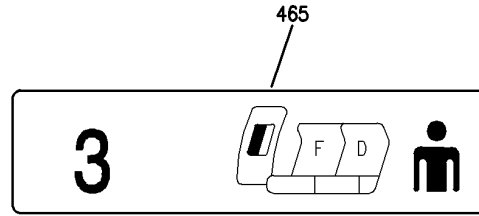
PLACARD INSTL-CAB. INTR SEAT ROW MARKERS
FIGURE 70 (SHEET 8)

11-32-04-70

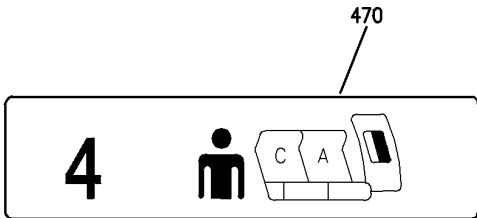
BOEING
737-600/700/800/900
PARTS CATALOG (MAINTENANCE)



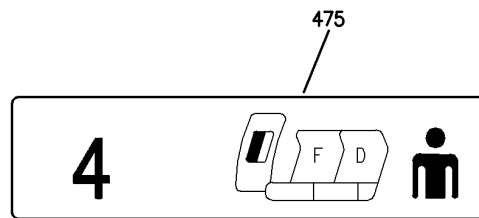
BJ



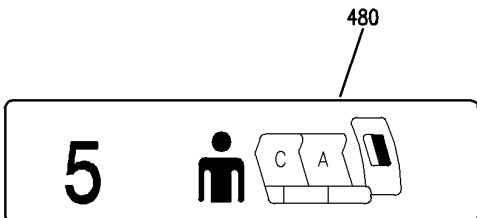
BK



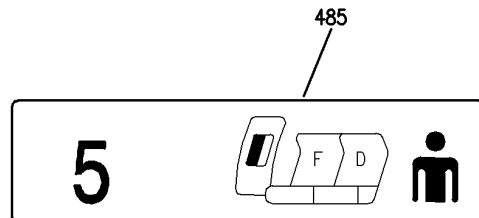
BL



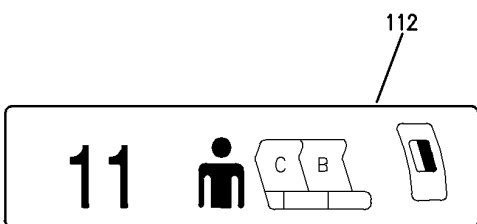
BM



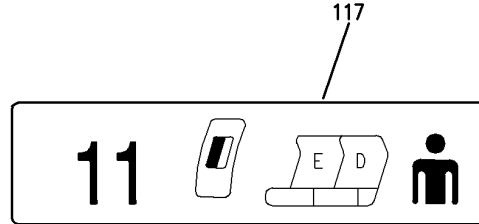
BN



BP



BQ



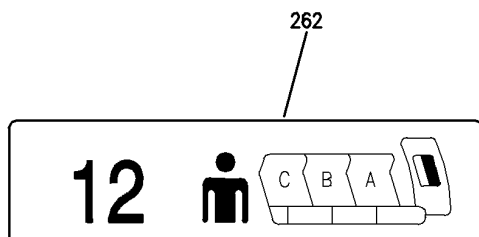
BR

E 11320470 SHT 9 REV 055

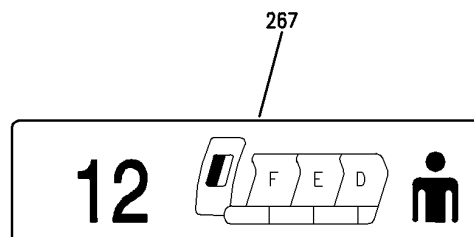
PLACARD INSTL-CAB. INTR SEAT ROW MARKERS
FIGURE 70 (SHEET 9)

11-32-04-70

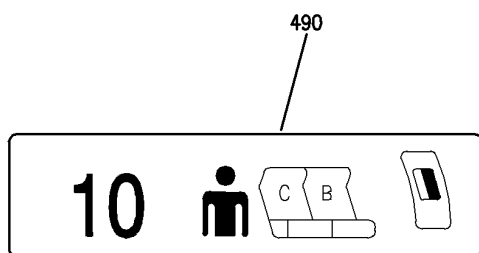
BOEING
737-600/700/800/900
PARTS CATALOG (MAINTENANCE)



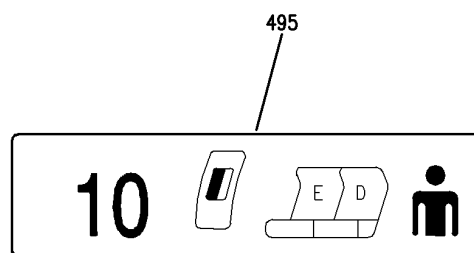
BS



BT



BU



BV

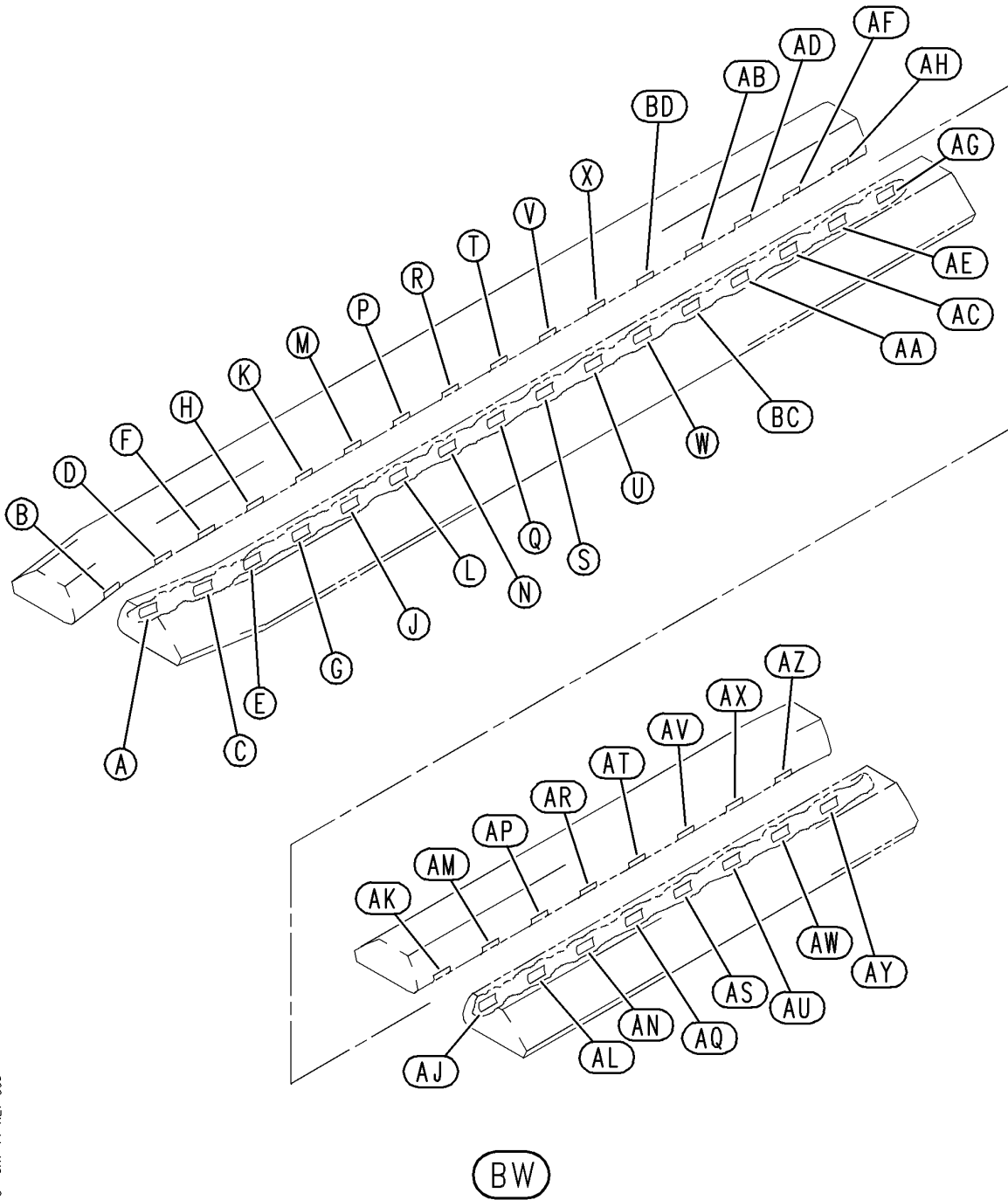
E 11320470 SHT 10 REV 055

PLACARD INSTL-CAB. INTR SEAT ROW MARKERS
FIGURE 70 (SHEET 10)

11-32-04-70

HAP
OCT 15/08

11-32-04-70
PAGE 01



E 11320470 SHT 11 REV 063

PLACARD INSTL-CAB. INTR SEAT ROW MARKERS
 FIGURE 70 (SHEET 11)

11-32-04-70

HAP
 OCT 15/08

11-32-04-70
 PAGE 0J

BOEING
737-600/700/800/900
PARTS CATALOG (MAINTENANCE)

FIG ITEM	PART NUMBER	1 2 3 4 5 6 7	NOMENCLATURE	EFFECT FROM TO	UNITS PER ASSY
70			PLACARD INSTL-CAB. INTR SEAT ROW MARKERS	201967	
- 1	414A5122-1		PLACARD INSTL-CAB. INTR SEAT ROW MARKERS FOR NHA SEE: 11-30-00-01B	201967	RF
	5 BAC29PPS29258		.MARKER- POSITION DATA: LH	201967	1
	10 BAC29PPS29259		.MARKER- POSITION DATA: RH	201967	1
	15 BAC29PPS29260		.MARKER- POSITION DATA: LH	201967	1
	20 BAC29PPS29261		.MARKER- POSITION DATA: RH	201967	1
	25 BAC29PPS29262		.MARKER- POSITION DATA: LH	201967	1
	35 BAC29PPS29263		.MARKER- POSITION DATA: RH	201967	1
	40 BAC29PPS29264		.MARKER- POSITION DATA: LH MISCELLANEOUS DATA: REMOVED FOR 132 CONFIGURATION REFERENCE AIRLINE MOD: EOC 124591-03 VDLH	201967	1
	45 BAC29PPS29265		.MARKER- POSITION DATA: RH MISCELLANEOUS DATA: REMOVED FOR 132 CONFIGURATION REFERENCE AIRLINE MOD: EOC 124591-03 VDLH	201967	1
	50 BAC29PPS29266		.MARKER- POSITION DATA: LH	201967	1
	55 BAC29PPS29267		.MARKER- POSITION DATA: RH	201967	1

MISSING ITEM NUMBERS NOT APPLICABLE

- ITEM NOT ILLUSTRATED

HAP

11-32-04-70

BOEING PROPRIETARY - Copyright © - Unpublished Work - See title page for details.

11-32-04
FIG. 70
PAGE 1
OCT 15/08

BOEING
737-600/700/800/900
PARTS CATALOG (MAINTENANCE)

FIG ITEM	PART NUMBER	1 2 3 4 5 6 7	NOMENCLATURE	EFFECT FROM TO	UNITS PER ASSY
70					
60	BAC29PPS29268	.MARKER-	POSITION DATA: LH	201967	1
65	BAC29PPS29269	.MARKER-	POSITION DATA: RH	201967	1
70	BAC29PPS29270	.MARKER-	POSITION DATA: LH	201967	1
75	BAC29PPS29271	.MARKER-	POSITION DATA: RH	201967	1
80	BAC29PPS29272	.MARKER-	POSITION DATA: LH	201967	1
85	BAC29PPS29273	.MARKER-	POSITION DATA: RH	201967	1
90	BAC29PPS29274	.MARKER-	POSITION DATA: LH	201967	1
95	BAC29PPS29275	.MARKER-	POSITION DATA: RH	201967	1
100	BAC29PPS29276	.MARKER-	POSITION DATA: LH	201967	1
105	BAC29PPS29277	.MARKER-	POSITION DATA: RH	201967	1
110	BAC29PPS29278	.MARKER-	POSITION DATA: LH	201967	1
115	BAC29PPS29279	.MARKER-	POSITION DATA: RH	201967	1
130	BAC29PPS29282	.MARKER-	POSITION DATA: LH	201967	1
135	BAC29PPS29283	.MARKER-	POSITION DATA: RH	201967	1

MISSING ITEM NUMBERS NOT APPLICABLE

— ITEM NOT ILLUSTRATED

HAP

11-32-04-70

BOEING PROPRIETARY - Copyright © - Unpublished Work - See title page for details.

11-32-04
FIG. 70
PAGE 2
OCT 15/08

BOEING
737-600/700/800/900
PARTS CATALOG (MAINTENANCE)

FIG ITEM	PART NUMBER	1 2 3 4 5 6 7	NOMENCLATURE	EFFECT FROM TO	UNITS PER ASSY
70					
140	BAC29PPS29284		.MARKER- POSITION DATA: LH MISCELLANEOUS DATA: REMOVED FOR 132 MC CONFIGURATION REFERENCE AIRLINE MOD: EOC 124591-03 VDLH	201967	1
145	BAC29PPS29285		.MARKER- POSITION DATA: RH MISCELLANEOUS DATA: REMOVED FOR 132 MC CONFIGURATION REFERENCE AIRLINE MOD: EOC 124591-03 VDLH	201967	1
150	BAC29PPS29286		.MARKER- POSITION DATA: LH	201967	1
155	BAC29PPS29287		.MARKER- POSITION DATA: RH	201967	1
160	BAC29PPS29288		.MARKER- POSITION DATA: LH	201967	1
165	BAC29PPS29289		.MARKER- POSITION DATA: RH	201967	1
170	BAC29PPS29290		.MARKER- POSITION DATA: LH	201967	1
175	BAC29PPS29291		.MARKER- POSITION DATA: RH	201967	1
180	BAC29PPS29292		.MARKER- POSITION DATA: LH	201967	1
185	BAC29PPS29293		.MARKER- POSITION DATA: RH	201967	1
190	BAC29PPS29294		.MARKER- POSITION DATA: LH	201967	1
195	BAC29PPS29295		.MARKER- POSITION DATA: RH	201967	1

MISSING ITEM NUMBERS NOT APPLICABLE

— ITEM NOT ILLUSTRATED

HAP

11-32-04-70

BOEING PROPRIETARY - Copyright © - Unpublished Work - See title page for details.

11-32-04
FIG. 70
PAGE 3
OCT 15/08

 **BOEING**
737-600/700/800/900
PARTS CATALOG (MAINTENANCE)

FIG ITEM	PART NUMBER	1 2 3 4 5 6 7	NOMENCLATURE	EFFECT FROM TO	UNITS PER ASSY
70					
200	BAC29PPS29296	.	MARKER- POSITION DATA: LH	201967	1
205	BAC29PPS29297	.	MARKER- POSITION DATA: RH	201967	1
210	BAC29PPS29298	.	MARKER- POSITION DATA: LH	201967	1
215	BAC29PPS29299	.	MARKER- POSITION DATA: RH	201967	1
220	BAC29PPS29300	.	MARKER- POSITION DATA: LH	201967	1
225	BAC29PPS29301	.	MARKER- POSITION DATA: RH	201967	1
230	BAC29PPS29302	.	MARKER- POSITION DATA: LH	201967	1
235	BAC29PPS29303	.	MARKER- POSITION DATA: RH	201967	1
240	BAC29PPS29304	.	MARKER- POSITION DATA: LH	201967	1
245	BAC29PPS29305	.	MARKER- POSITION DATA: RH	201967	1
250	BAC29PPS29306	.	MARKER- POSITION DATA: LH	201967	1
255	BAC29PPS29307	.	MARKER- POSITION DATA: RH	201967	1
260	BAC29PPS29364	.	MARKER- POSITION DATA: LH MISCELLANEOUS DATA: REMOVED FOR 132 CONFIGURATION REFERENCE AIRLINE MOD: EOC 124591-03 VDLH	201967	1

MISSING ITEM NUMBERS NOT APPLICABLE

— ITEM NOT ILLUSTRATED

HAP

11-32-04-70

BOEING PROPRIETARY - Copyright © - Unpublished Work - See title page for details.

11-32-04
FIG. 70
PAGE 4
OCT 15/08


BOEING
 737-600/700/800/900
PARTS CATALOG (MAINTENANCE)

FIG ITEM	PART NUMBER	1 2 3 4 5 6 7 NOMENCLATURE	EFFECT FROM TO	UNITS PER ASSY
70 265	BAC29PPS29365	.MARKER- POSITION DATA: RH MISCELLANEOUS DATA: REMOVED FOR 132 CONFIGURATION REFERENCE AIRLINE MOD: EOC 124591-03 VDLH	201967	1

MISSING ITEM NUMBERS NOT APPLICABLE

— ITEM NOT ILLUSTRATED

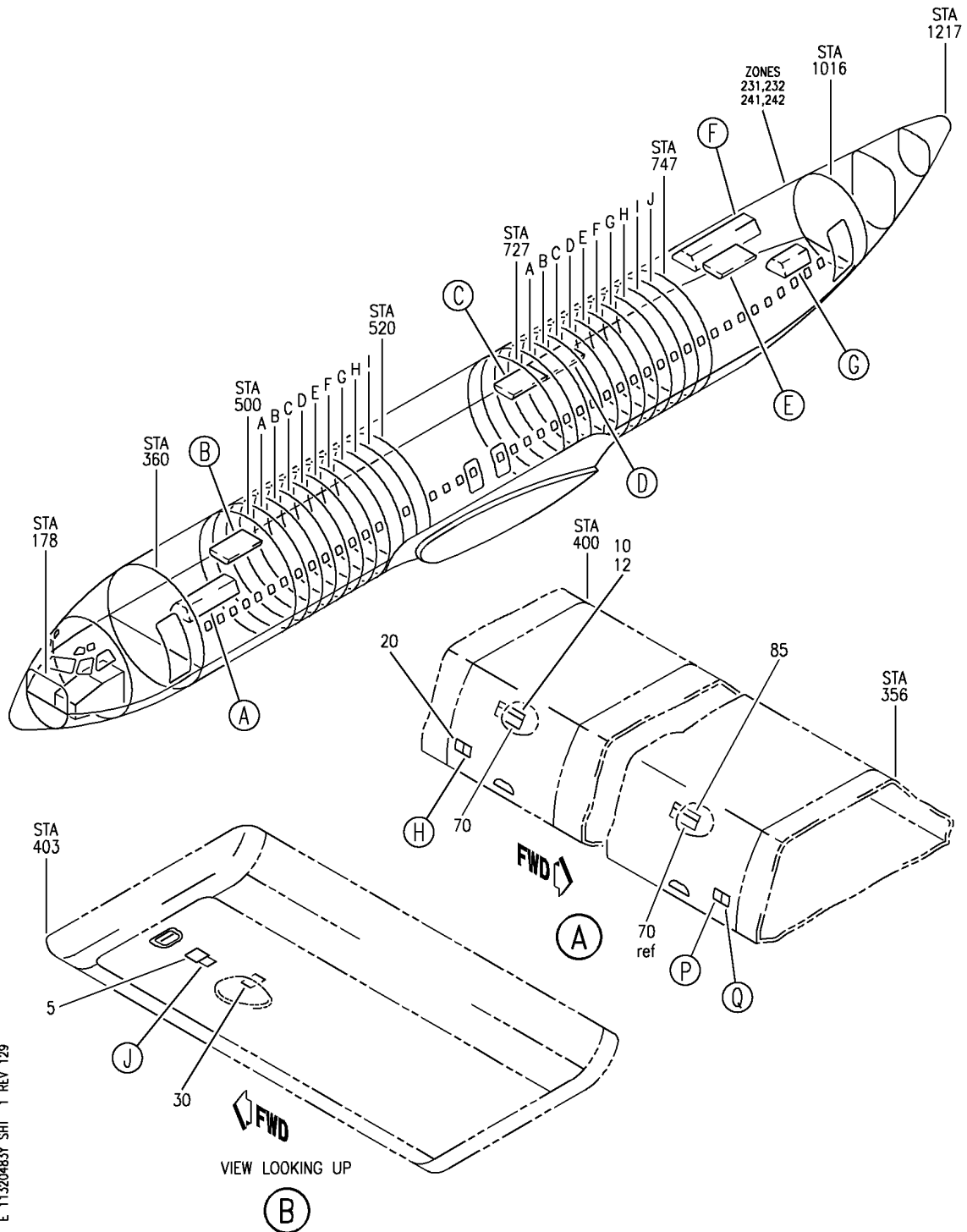
HAP

11-32-04-70

BOEING PROPRIETARY - Copyright © - Unpublished Work - See title page for details.

11-32-04
 FIG. 70
 PAGE 5
 OCT 15/08

BOEING
 737-600/700/800/900
 PARTS CATALOG (MAINTENANCE)



E 11-32-04-83Y SHT 1 REV 129

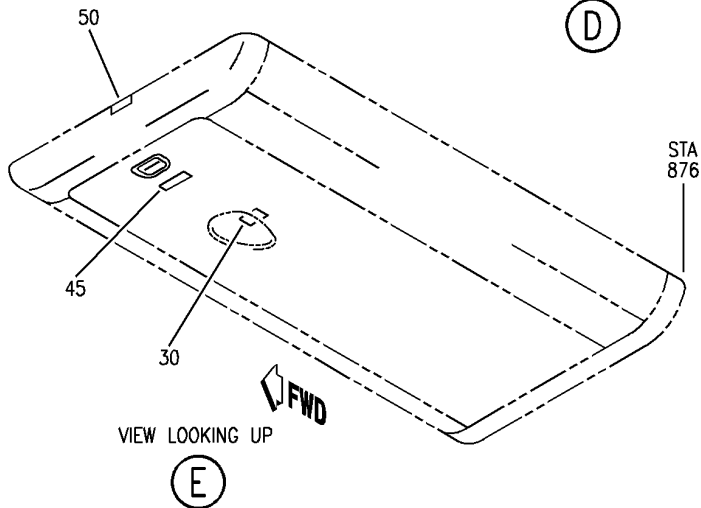
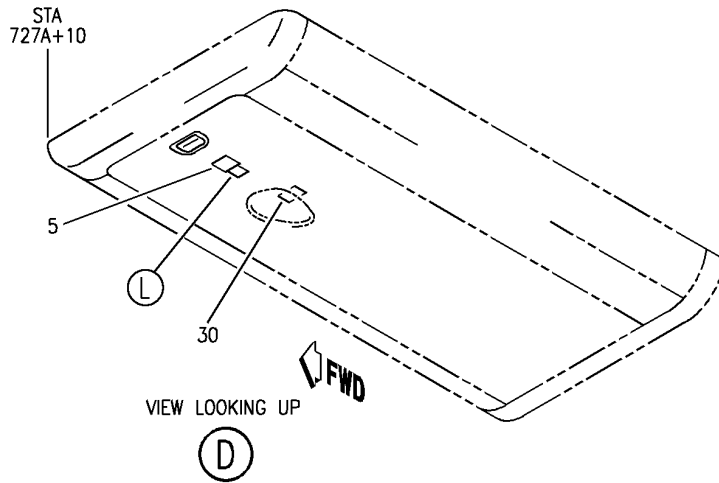
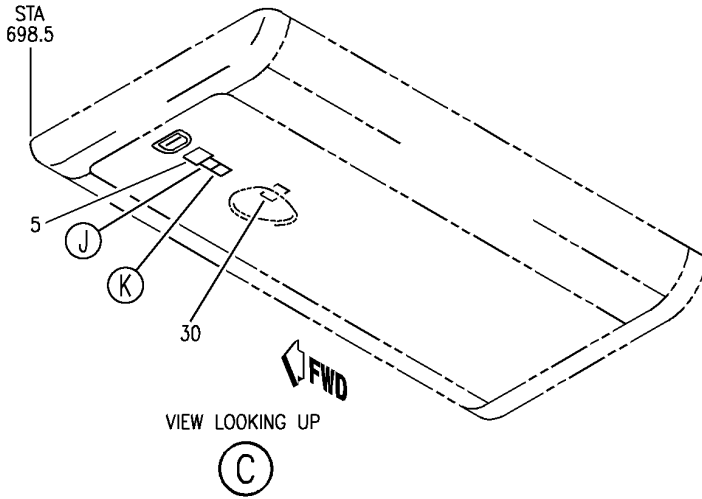
PLACARD INSTL-CAB. INTR MISC (OVERHEAD STORAGE BINS ONLY)
 FIGURE 83Y (SHEET 1)

HAP
 JUN 10/07

11-32-04-83Y

11-32-04-83Y
 PAGE 0

BOEING
 737-600/700/800/900
 PARTS CATALOG (MAINTENANCE)



E 11320483Y SHT 2 REV 115

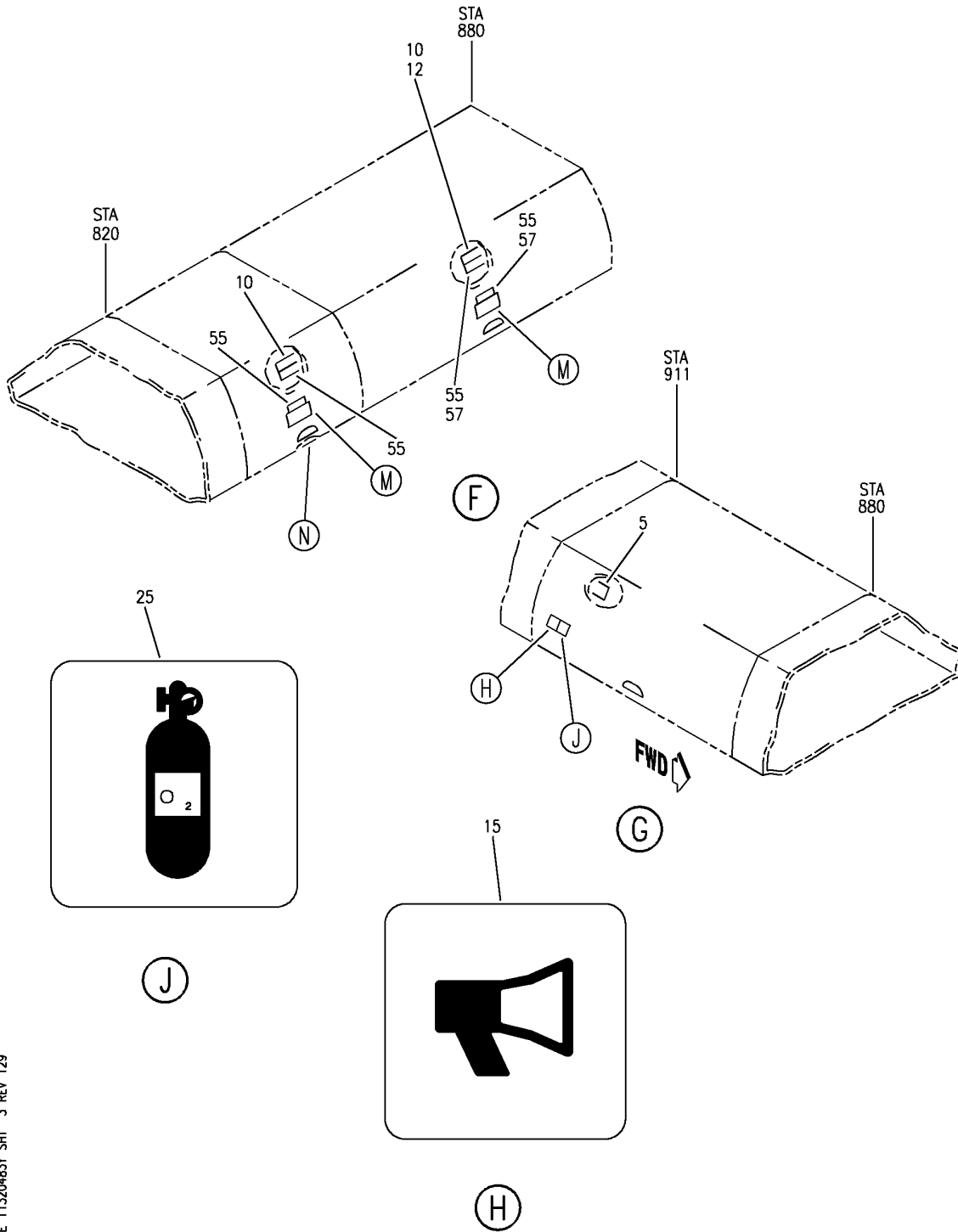
PLACARD INSTL-CAB. INTR MISC (OVERHEAD STORAGE BINS ONLY)
 FIGURE 83Y (SHEET 2)

HAP
 OCT 10/06

11-32-04-83Y

11-32-04-83Y
 PAGE 0A

BOEING
 737-600/700/800/900
 PARTS CATALOG (MAINTENANCE)



E 11320483Y SHT 3 REV 129

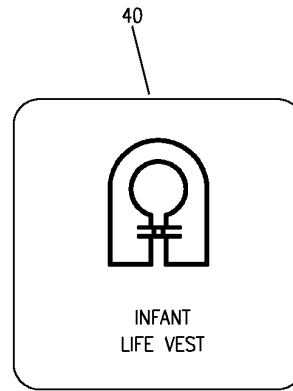
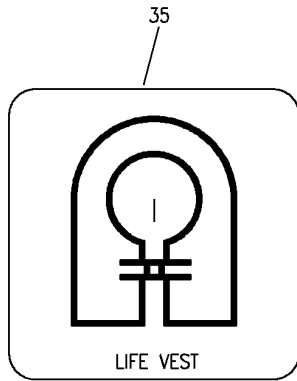
PLACARD INSTL-CAB. INTR MISC (OVERHEAD STORAGE BINS ONLY)
 FIGURE 83Y (SHEET 3)

HAP
 JUN 10/07

11-32-04-83Y

11-32-04-83Y
 PAGE 0B

BOEING
 737-600/700/800/900
 PARTS CATALOG (MAINTENANCE)



(K)

(L)

60

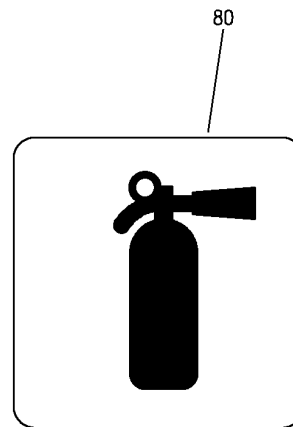
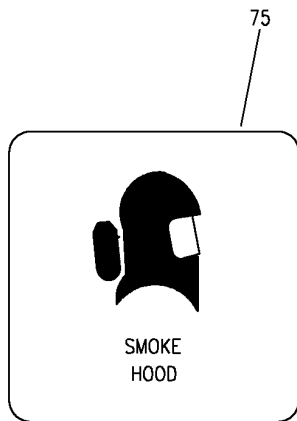
VIDEO CONTROL CENTER COMPARTMENT MUST NOT BE LOCKED DURING TAXI, TAKEOFF, FLIGHT AND LANDING

65

PSU VIDEO MONITORS MUST NOT BE DEPLOYED DURING TAXI, TAKEOFF AND LANDING EXCEPT WHEN SHOWING PASSENGER SAFETY VIDEO PRIOR TO TAKEOFF

(M)

(N)



(P)

(Q)

E 11320483Y SHT 4 REV 127

PLACARD INSTL-CAB. INTR MISC (OVERHEAD STOWAGE BINS ONLY)
 FIGURE 83Y (SHEET 4)

11-32-04-83Y

HAP
 FEB 10/07

11-32-04-83Y
 PAGE 0C

BOEING PROPRIETARY - Copyright © - Unpublished Work - See title page for details.

BOEING
737-600/700/800/900
PARTS CATALOG (MAINTENANCE)

FIG ITEM	PART NUMBER	1 2 3 4 5 6 7	NOMENCLATURE	EFFECT FROM TO	UNITS PER ASSY
83Y			PLACARD INSTL-CAB. INTR MISC (OVERHEAD STOWAGE BINS ONLY)	031037	
- 1	MODREF323055		PLACARD INSTL-CAB. INTR MISC (OVERHEAD STOWAGE BINS ONLY) MODULE NUMBER: 414A5150-404 REV E FOR ADDITIONAL DETAILS SEE: 11-32-03-83Y	037037	1
- 1	MODREF291568		PLACARD INSTL-CAB. INTR MISC (OVERHEAD STOWAGE BINS ONLY) MODULE NUMBER: 414A5150-404 REV C FOR ADDITIONAL DETAILS SEE: 11-32-03-83Y	031031	1
- 1	MODREF295500		PLACARD INSTL-CAB. INTR MISC (OVERHEAD STOWAGE BINS ONLY) MODULE NUMBER: 414A5150-404 REV D FOR ADDITIONAL DETAILS SEE: 11-32-03-83Y	032036	1
5	BAC29PPS48516		.PLACARD-(MULTI-LANGUAGE) PLACARD CONTENT: EMERGENCY EQUIPMENT ONLY	031037	4
10	BAC29PPS38380		.PLACARD- PLACARD CONTENT: LATCH CLOSED	031036	3
12	BAC29PPS38380		.PLACARD- PLACARD CONTENT: LATCH CLOSED	037037	2
15	BAC29PPS36230		.PLACARD	031037	2
20	BAC29PPS38318		.MARKER- PLACARD CONTENT: SEAT BELT EXTENSIONS	031037	1
25	BAC29PPS36231		.PLACARD	031037	3
30	BAC29PPS36218		.PLACARD- PLACARD CONTENT: DOOR MUST BE CLOSED AND LATCHED DURING TAXI, TAKEOFF AND LANDING	031037	4
35	BAC29PPS36236		.MARKER	031037	1
40	BAC29PPS36237		.PLACARD	031037	1

MISSING ITEM NUMBERS NOT APPLICABLE

- ITEM NOT ILLUSTRATED

HAP

11-32-04-83Y

BOEING PROPRIETARY - Copyright © - Unpublished Work - See title page for details.

11-32-04
FIG. 83Y
PAGE 1
JUN 10/07

BOEING
737-600/700/800/900
PARTS CATALOG (MAINTENANCE)

FIG ITEM	PART NUMBER	1 2 3 4 5 6 7	NOMENCLATURE	EFFECT FROM TO	UNITS PER ASSY
83Y 45	BAC29PPS39690		.PLACARD- PLACARD CONTENT: LATCH CLOSED DURING TAXI, TAKEOFF AND LANDING	031037	1
50	BAC29PPS38285		.PLACARD- PLACARD CONTENT: LOAD LIMIT 45 LB/20 KG	031037	1
55	BAC29PPS38881		.PLACARD- PLACARD CONTENT: VIDEO EQUIPMENT ONLY	031036	4
57	BAC29PPS38881		.PLACARD- PLACARD CONTENT: VIDEO EQUIPMENT ONLY	037037	2
60	BAC29PPS46968		.MARKER	031031	2
65	BAC29PPS50766		.PLACARD	031037	1
70	BAC29PPS52348		.PLACARD-(MULTI-LANGUAGE) PLACARD CONTENT: NO ADDITIONAL STOWAGE	031037	1
75	BAC29PPS36232		.MARKER- POST RAPID REVISION: RR97089-63B	037037	1
80	BAC29PPS36229		.PLACARD- POST RAPID REVISION: RR97089-63B	037037	1
85	BAC29PPS38380		.PLACARD- PLACARD CONTENT: LATCH CLOSED POST RAPID REVISION: RR97089-63B	037037	1

MISSING ITEM NUMBERS NOT APPLICABLE

— ITEM NOT ILLUSTRATED

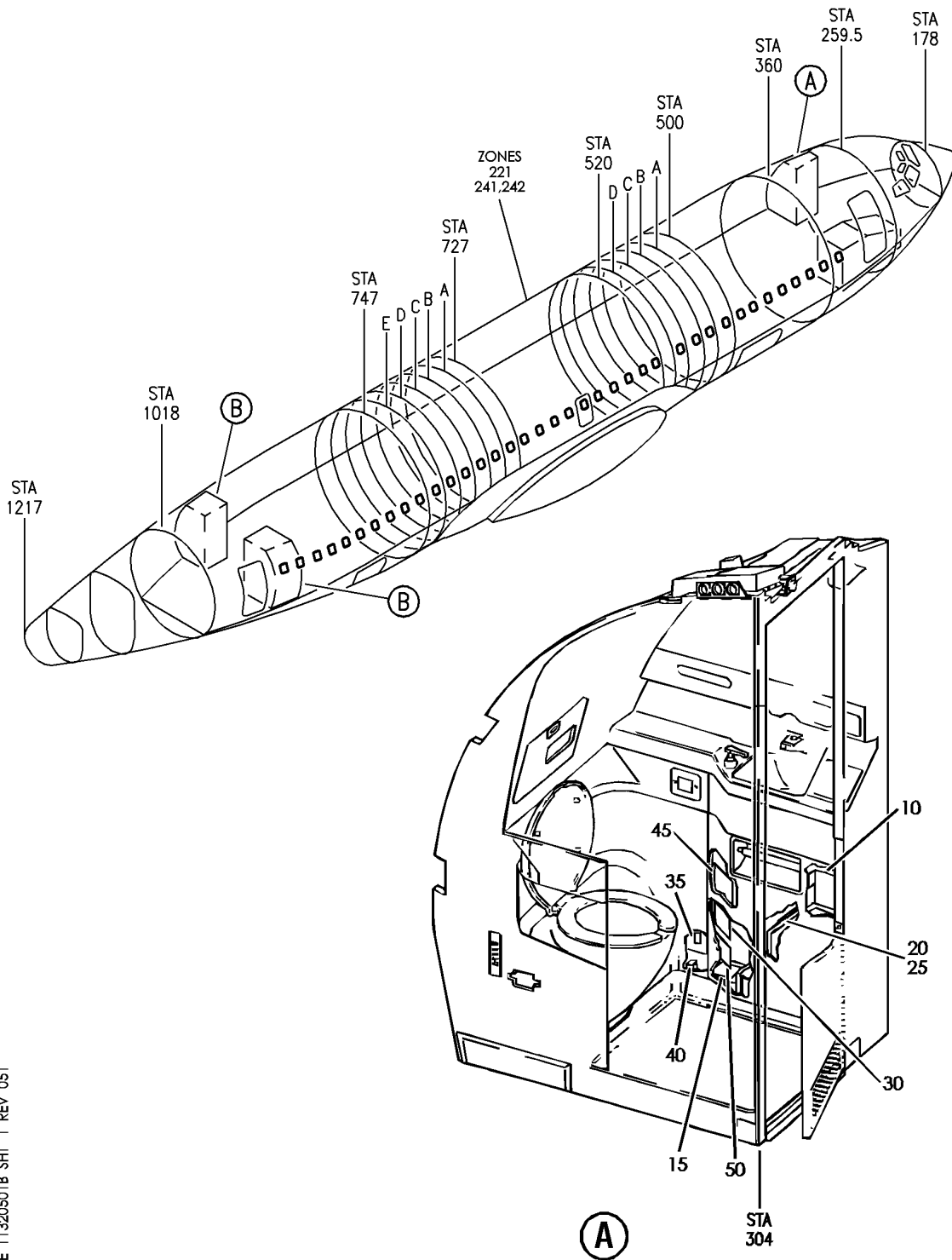
HAP

11-32-04-83Y

BOEING PROPRIETARY - Copyright © - Unpublished Work - See title page for details.

11-32-04
FIG. 83Y
PAGE 2
JUN 10/07

BOEING
 737-600/700/800/900
 PARTS CATALOG (MAINTENANCE)



E 11320501B SHT 1 REV 051

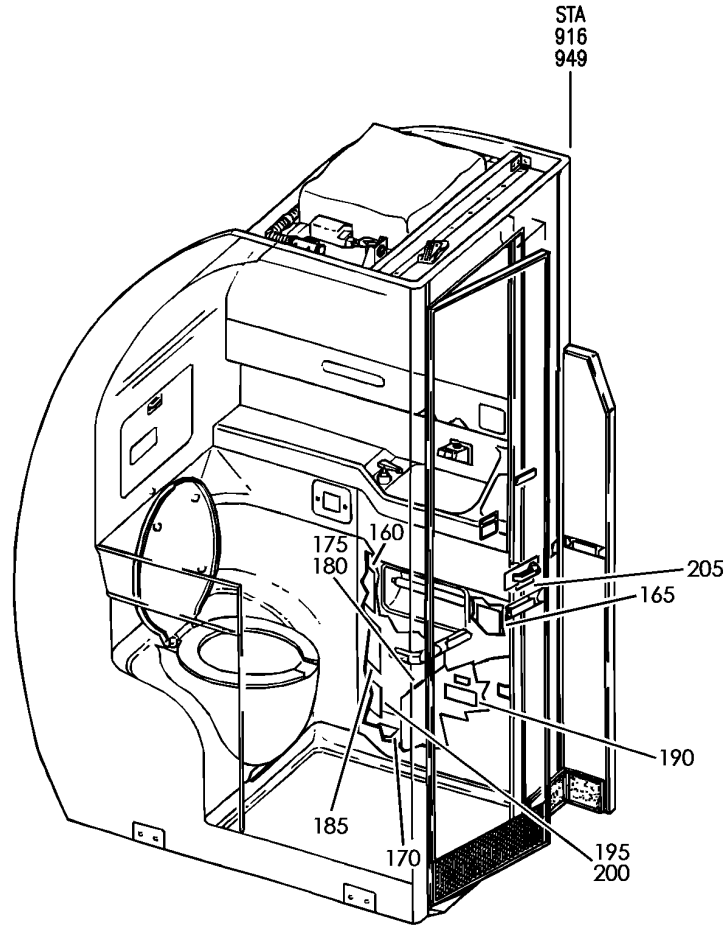
MODULE ASSY-LAV A, D AND E (PLACARDS AND MARKINGS ONLY)
 FIGURE 1B (SHEET 1)

11-32-05-01B

HAP
 OCT 10/06

11-32-05-01B
 PAGE 0

BOEING
737-600/700/800/900
PARTS CATALOG (MAINTENANCE)



B

E 11320501B SHT 2 REV 052

MODULE ASSY-LAV A, D AND E (PLACARDS AND MARKINGS ONLY)
FIGURE 1B (SHEET 2)

11-32-05-01B

HAP
OCT 10/06

11-32-05-01B
PAGE 0A

BOEING
737-600/700/800/900
PARTS CATALOG (MAINTENANCE)

FIG ITEM	PART NUMBER	1 2 3 4 5 6 7	NOMENCLATURE	EFFECT FROM TO	UNITS PER ASSY
1B			MODULE ASSY-LAV A, D AND E (PLACARDS AND MARKINGS ONLY)	001030	
- 1	C23102-001-002		MODULE ASSY-LAV A (PLACARDS AND MARKINGS ONLY) SUPPLIER CODE: VU3384 SPECIFICATION NUMBER: S417A101-1002A COMPONENT MAINT MANUAL REF: 25-44-22 FOR NHA/OTHER SYS DET SEE: 25-40-01-03A	001001	RF
- 1	C23102-001-036		MODULE ASSY-LAV A (PLACARDS AND MARKINGS ONLY) SUPPLIER CODE: VU3384 SPECIFICATION NUMBER: S417A101-1036A COMPONENT MAINT MANUAL REF: 25-45-24 FOR NHA/OTHER SYS DET SEE: 25-40-01-03A	008013	RF
- 1	C23102-001-1113		MODULE ASSY-LAV A (PLACARDS AND MARKINGS ONLY) SUPPLIER CODE: VU3384 SPECIFICATION NUMBER: S417A101-1113A COMPONENT MAINT MANUAL REF: 25-45-24 FOR NHA/OTHER SYS DET SEE: 25-40-01-03A	014030	RF
- 1	C23102-001-010		MODULE ASSY-LAV A (PLACARDS AND MARKINGS ONLY) SUPPLIER CODE: VU3384 SPECIFICATION NUMBER: S417A101-1010A COMPONENT MAINT MANUAL REF: 25-44-22 FOR NHA/OTHER SYS DET SEE: 25-40-01-03A	002005	RF

MISSING ITEM NUMBERS NOT APPLICABLE

- ITEM NOT ILLUSTRATED

HAP

11-32-05-01B

BOEING PROPRIETARY - Copyright © - Unpublished Work - See title page for details.

11-32-05
FIG. 01B
PAGE 1
OCT 10/06

BOEING
737-600/700/800/900
PARTS CATALOG (MAINTENANCE)

FIG ITEM	PART NUMBER	1 2 3 4 5 6 7	NOMENCLATURE	EFFECT FROM TO	UNITS PER ASSY
1B - 1	C23102-001-1002		MODULE ASSY-LAV A (PLACARDS AND MARKINGS ONLY) SUPPLIER CODE: VU3384 SPECIFICATION NUMBER: S417A101-1002B COMPONENT MAINT MANUAL REF: 25-46-94 FOR NHA/OTHER SYS DET SEE: 25-40-01-03A	006007	RF
10	C22102-587-101		.PLACARD-TEMP IND SUPPLIER CODE: VU3384	001030	1
15	C22102-589-101		.PLACARD- SUPPLIER CODE: VU3384 PLACARD CONTENT: NO STOWAGE CONFIG CHG DATA FROM A CMM: REPLD BY C23102-523-101	008030	1
15	C23102-523-101		.PLACARD- SUPPLIER CODE: VU3384 PLACARD CONTENT: NO STOWAGE CONFIG CHG DATA FROM A CMM: REPLS C22102-589-101	008030	1
15	C22102-589-101		.PLACARD- SUPPLIER CODE: VU3384 PLACARD CONTENT: NO STOWAGE	001001 006007	1
20	RGS2823		.PLATE-IDENT SUPPLIER CODE: VU3384	001030	1
25	AGS4717-402BS		ATTACHING PARTS .RIVET- SUPPLIER CODE: VU1653	001030	4
30	C22102-228-101		-----*----- .PLACARD-RESET INSTRUCTIONS SUPPLIER CODE: VU3384	001030	1
35	C23102-209-101		.PLACARD- SUPPLIER CODE: VU3384 PLACARD CONTENT: DRAIN VALVE	001030	1

MISSING ITEM NUMBERS NOT APPLICABLE

- ITEM NOT ILLUSTRATED

HAP

11-32-05-01B

BOEING PROPRIETARY - Copyright © - Unpublished Work - See title page for details.

11-32-05
FIG. 01B
PAGE 2
OCT 10/06

BOEING
737-600/700/800/900
PARTS CATALOG (MAINTENANCE)

FIG ITEM	PART NUMBER	1 2 3 4 5 6 7	NOMENCLATURE	EFFECT FROM TO	UNITS PER ASSY
1B 40	C23102-207-101		.PLACARD- SUPPLIER CODE: VU3384 PLACARD CONTENT: DRAIN VALVE	001030	1
45	C23102-451-101		.PLACARD-SELECTOR AND DRAIN VALVE OPERATING INSTRUCTIONS SUPPLIER CODE: VU3384	001030	1
50	C22102-116-101		.PLACARD-LIQUID SOAP FILLING INSTRUCTIONS SUPPLIER CODE: VU3384	001001 006030	1
- 145	C23502-001-001		MODULE ASSY-LAV D (PLACARDS AND MARKINGS ONLY) SUPPLIER CODE: VU3384 SPECIFICATION NUMBER: S417A101-4001A COMPONENT MAINT MANUAL REF: 25-44-23 FOR NHA/OTHER SYS DET SEE: 25-40-01-03A	001005	RF
- 150	C23602-001-001		MODULE ASSY-LAV E (PLACARDS AND MARKINGS ONLY) SUPPLIER CODE: VU3384 SPECIFICATION NUMBER: S417A101-5001A COMPONENT MAINT MANUAL REF: 25-44-24 FOR NHA/OTHER SYS DET SEE: 25-40-01-03A	001005	RF
160	C23302-261-101		.PLACARD-SELECTOR VALVE SUPPLIER CODE: VU3384	001005	1
165	C22102-587-101		.PLACARD-TEMP IND INSTRUCTIONS SUPPLIER CODE: VU3384	001005	1
170	C22102-589-101		.PLACARD- SUPPLIER CODE: VU3384 PLACARD CONTENT: NO STOWAGE	001005	1

MISSING ITEM NUMBERS NOT APPLICABLE

- ITEM NOT ILLUSTRATED

HAP

11-32-05-01B

BOEING PROPRIETARY - Copyright © - Unpublished Work - See title page for details.

11-32-05
FIG. 01B
PAGE 3
OCT 10/06

BOEING
737-600/700/800/900
PARTS CATALOG (MAINTENANCE)

FIG ITEM	PART NUMBER	1 2 3 4 5 6 7	NOMENCLATURE	EFFECT FROM TO	UNITS PER ASSY
1B 175	RGS2823		.PLATE-IDENT SUPPLIER CODE: VU3384	001005	1
180	AGS4717-402BS		ATTACHING PARTS .RIVET- SUPPLIER CODE: VU1653	001005	4
185	C22102-228-101		-----*----- .PLACARD-RESET INSTRUCTIONS SUPPLIER CODE: VU3384	001005	1
190	C22102-585-101		.PLACARD-TEMP IND SUPPLIER CODE: VU3384	001005	1

MISSING ITEM NUMBERS NOT APPLICABLE

— ITEM NOT ILLUSTRATED

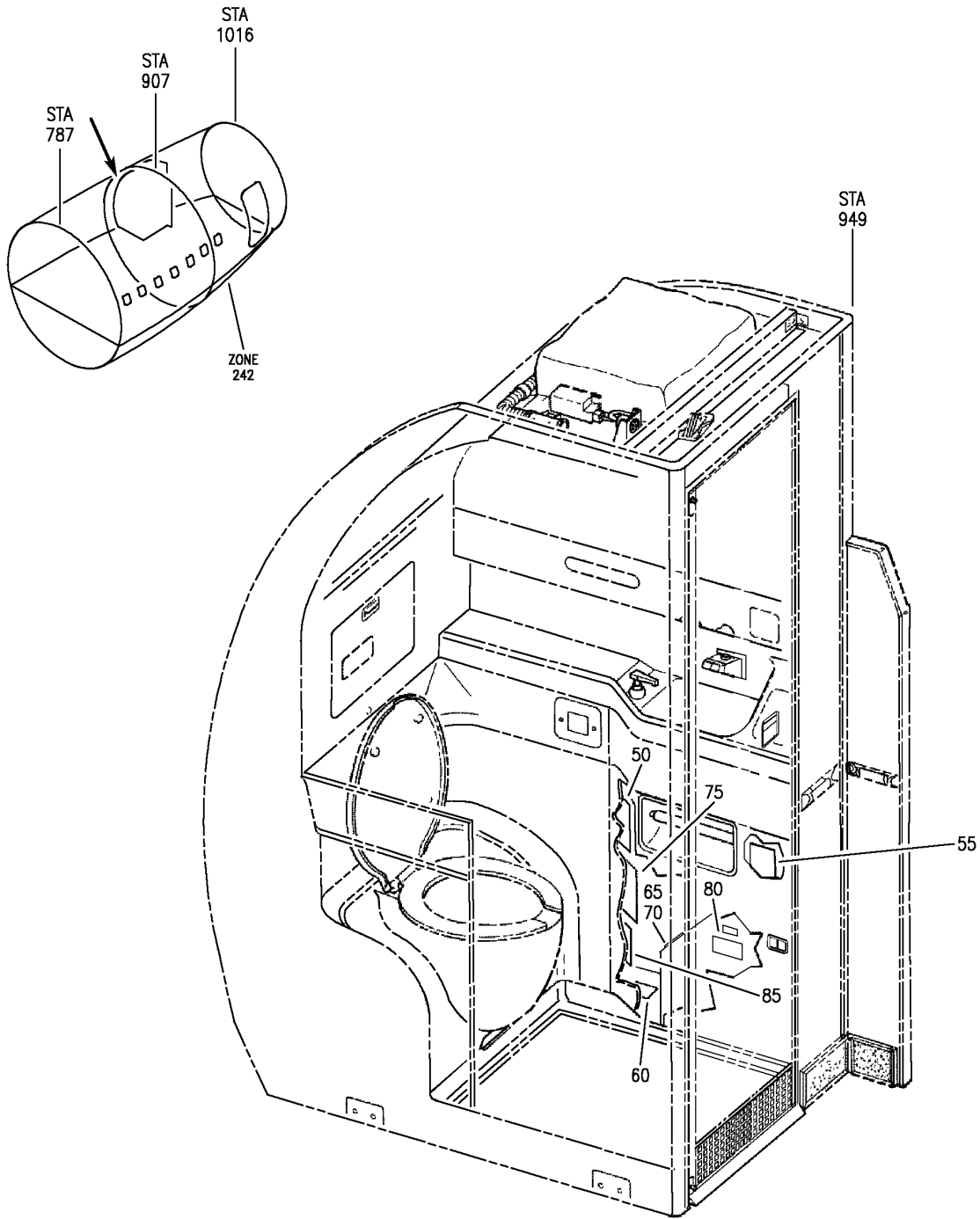
HAP

11-32-05-01B

BOEING PROPRIETARY - Copyright © - Unpublished Work - See title page for details.

11-32-05
FIG. 01B
PAGE 4
OCT 10/06

BOEING
737-600/700/800/900
PARTS CATALOG (MAINTENANCE)



E 11320502S REV 102

MODULE ASSY-LAV E (PLACARDS AND MARKINGS ONLY)
FIGURE 2S

11-32-05-02S

HAP
OCT 10/06

11-32-05-02S
PAGE 0

BOEING
737-600/700/800/900
PARTS CATALOG (MAINTENANCE)

FIG ITEM	PART NUMBER	1 2 3 4 5 6 7	NOMENCLATURE	EFFECT FROM TO	UNITS PER ASSY
2S			MODULE ASSY-LAV E (PLACARDS AND MARKINGS ONLY)	006007	
- 1	C23602-001-1001		MODULE ASSY-LAV E (PLACARDS AND MARKINGS ONLY) SUPPLIER CODE: VU3384 SPECIFICATION NUMBER: S417A101-5001B COMPONENT MAINT MANUAL REF: 25-46-91 FOR NHA/OTHER SYS DET SEE: 25-40-01-03A	006007	RF
50	C23302-261-101		.PLACARD-SELECTOR VALVE SUPPLIER CODE: VU3384	006007	1
55	C22102-587-101		.PLACARD-TEMP SUPPLIER CODE: VU3384	006007	1
60	C23102-523-101		.PLACARD-NO STOWAGE SUPPLIER CODE: VU3384	006007	1
65	RGS2823		.PLATE-IDENT SUPPLIER CODE: VU3384	006007	1
70	AGS4717-402BS		ATTACHING PARTS .RIVET- SUPPLIER CODE: VU1653 -----*-----	006007	4
75	C22102-228-101		.PLACARD-WATER HEATER RESET INSTRUCTIONS SUPPLIER CODE: VU3384	006007	1
80	C22102-585-101		.PLACARD-TEMP SUPPLIER CODE: VU3384	006007	1
85	C22102-116-101		.PLACARD-SOAP FILLING INSTRUCTIONS SUPPLIER CODE: VU3384	006007	1

MISSING ITEM NUMBERS NOT APPLICABLE

- ITEM NOT ILLUSTRATED

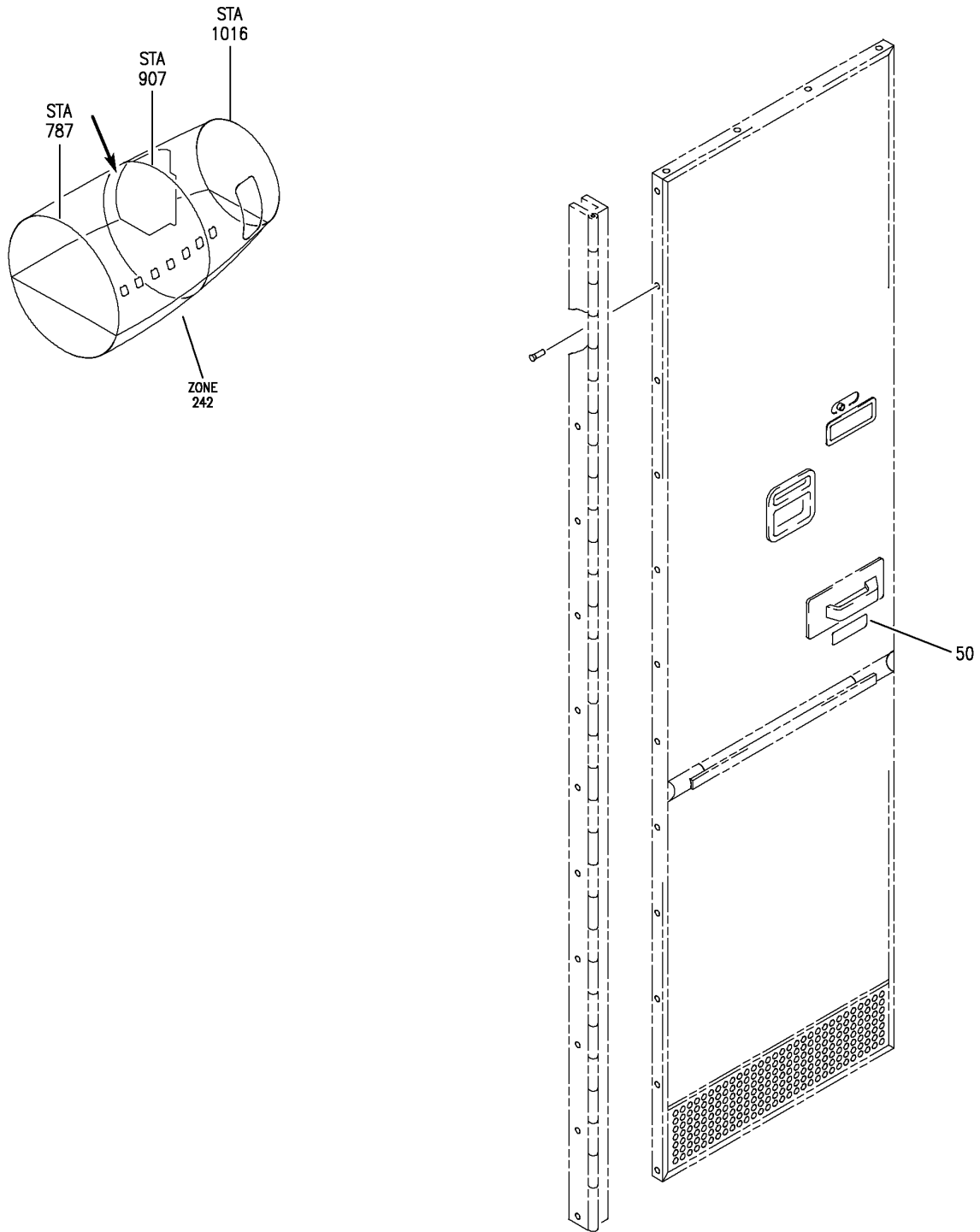
HAP

11-32-05-02S

BOEING PROPRIETARY - Copyright © - Unpublished Work - See title page for details.

11-32-05
FIG. 02S
PAGE 1
FEB 10/07

BOEING
737-600/700/800/900
PARTS CATALOG (MAINTENANCE)



E 11320502T REV 102

DOOR ASSY-LAV E (PLACARDS AND MARKINGS ONLY)
FIGURE 2T

HAP
OCT 10/06

11-32-05-02T

11-32-05-02T
PAGE 0

BOEING
737-600/700/800/900
PARTS CATALOG (MAINTENANCE)

FIG ITEM	PART NUMBER	1 2 3 4 5 6 7	NOMENCLATURE	EFFECT FROM TO	UNITS PER ASSY
2T			DOOR ASSY-LAV E (PLACARDS AND MARKINGS ONLY)	006007	
- 1	C23102-083-1734		DOOR ASSY-LAV E (PLACARDS AND MARKINGS ONLY) SUPPLIER CODE: VU3384 FOR NHA/OTHER SYS DET SEE: 25-40-01-13M	006007	RF
50	C23102-511-101		.PLACARD- SUPPLIER CODE: VU3384	006007	1

MISSING ITEM NUMBERS NOT APPLICABLE

- ITEM NOT ILLUSTRATED

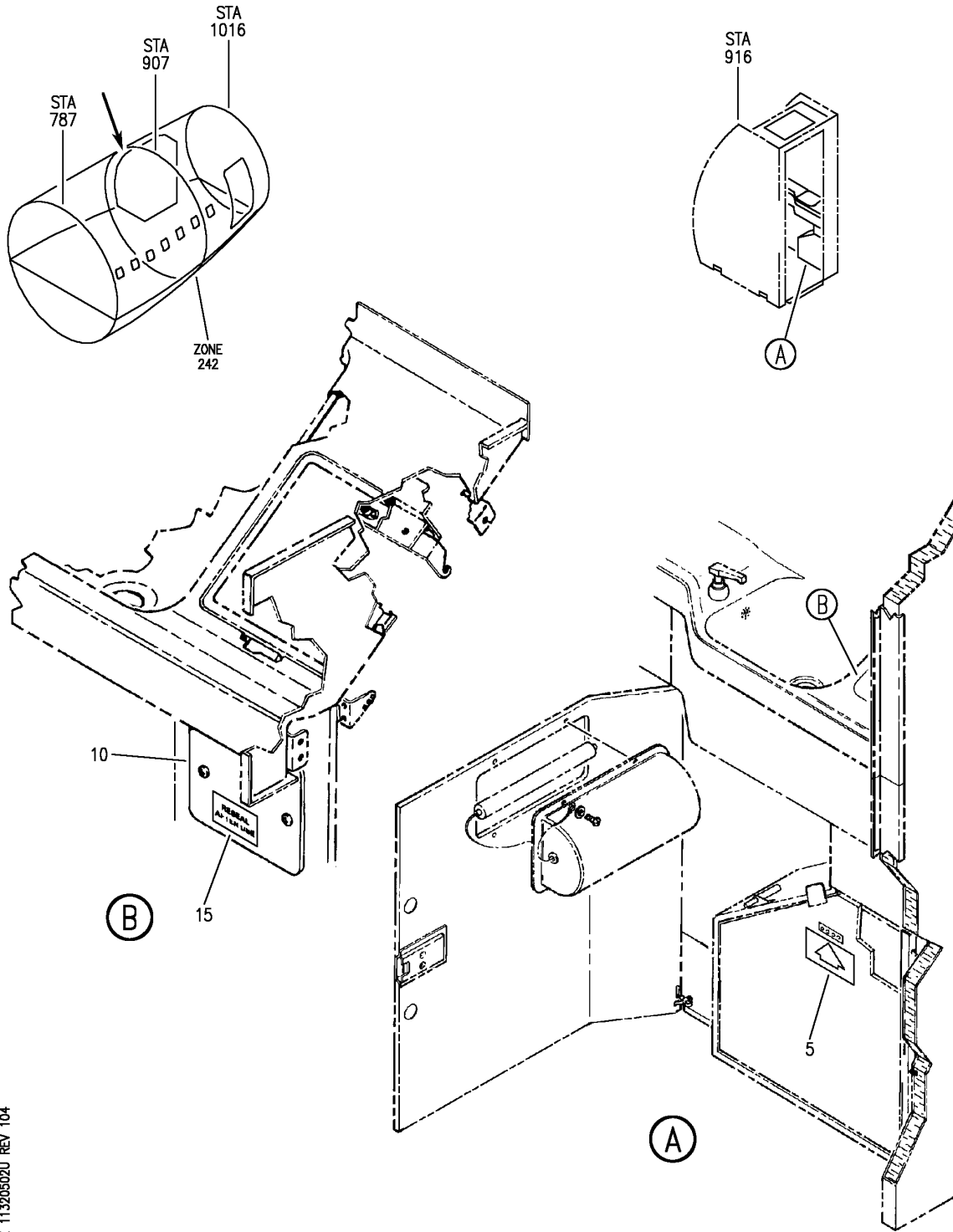
HAP

11-32-05-02T

BOEING PROPRIETARY - Copyright © - Unpublished Work - See title page for details.

11-32-05
FIG. 02T
PAGE 1
OCT 10/06

BOEING
 737-600/700/800/900
 PARTS CATALOG (MAINTENANCE)



E 11320502U REV 104

AMENITY INSTL-LAV E (PLACARDS AND MARKINGS ONLY)
 FIGURE 2U

11-32-05-02U

HAP
 OCT 10/06

11-32-05-02U
 PAGE 0

BOEING
737-600/700/800/900
PARTS CATALOG (MAINTENANCE)

FIG ITEM	PART NUMBER	1 2 3 4 5 6 7	NOMENCLATURE	EFFECT FROM TO	UNITS PER ASSY
2U			AMENITY INSTL-LAV E (PLACARDS AND MARKINGS ONLY)	006007	
- 1	C23502-025-303		AMENITY INSTL-LAV E (PLACARDS AND MARKINGS ONLY) SUPPLIER CODE: VU3384 FOR NHA/OTHER SYS DET SEE: 25-40-01-13M	006007	RF
5	C22102-585-101		.PLACARD-TEMP IND SUPPLIER CODE: VU3384	006007	RF
10	C22101-411-001		.PANEL ASSY-ACCESS SUPPLIER CODE: VU3384	006007	RF
15	C23102-543-101		..PLACARD- SUPPLIER CODE: VU3384	006007	1

MISSING ITEM NUMBERS NOT APPLICABLE

- ITEM NOT ILLUSTRATED

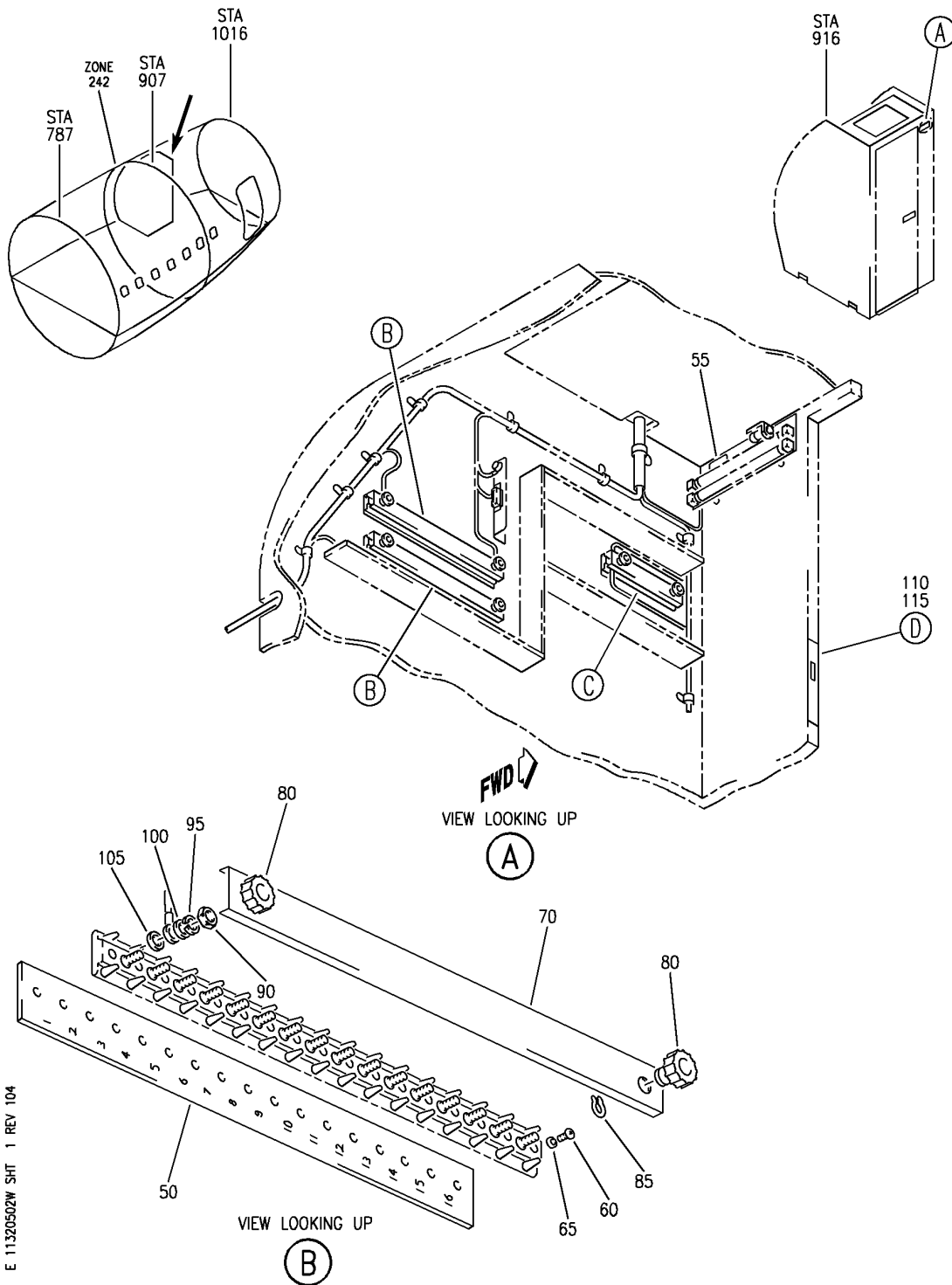
HAP

11-32-05-02U

BOEING PROPRIETARY - Copyright © - Unpublished Work - See title page for details.

11-32-05
FIG. 02U
PAGE 1
OCT 10/06

BOEING
 737-600/700/800/900
 PARTS CATALOG (MAINTENANCE)



E 11-32-05-02W SHT 1 REV 104

ELECTRICAL INSTL-LAV E (PLACARDS AND MARKINGS ONLY)
 FIGURE 2W (SHEET 1)

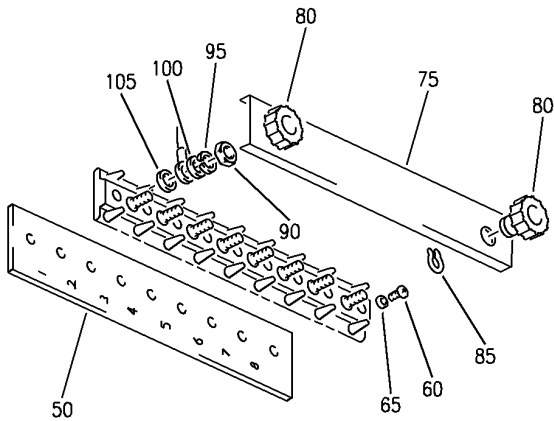
11-32-05-02W

HAP
 OCT 10/06

11-32-05-02W
 PAGE 0

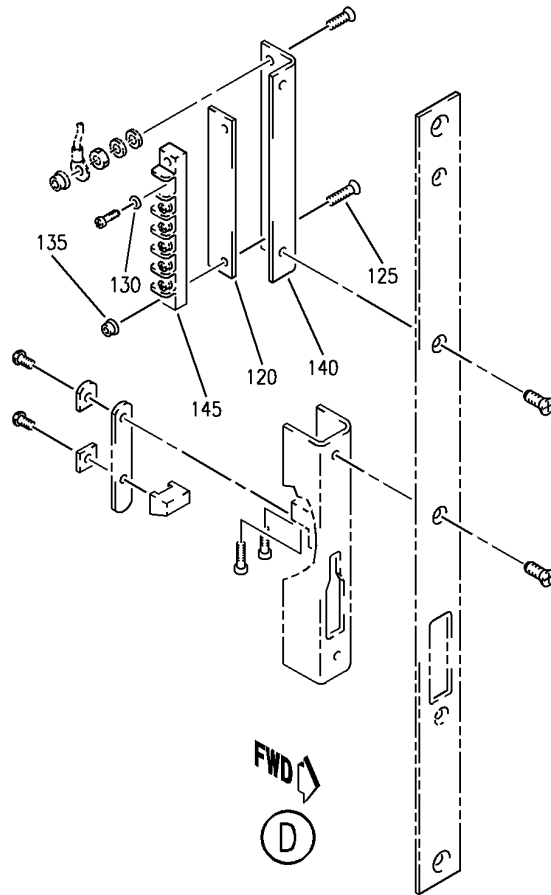
BOEING PROPRIETARY - Copyright © - Unpublished Work - See title page for details.

BOEING
 737-600/700/800/900
 PARTS CATALOG (MAINTENANCE)



VIEW LOOKING UP

(C)



FWD

(D)

E 11-320502W SHT 2 REV 104

ELECTRICAL INSTL-LAV E (PLACARDS AND MARKINGS ONLY)
 FIGURE 2W (SHEET 2)

11-32-05-02W

HAP
 OCT 10/06

11-32-05-02W
 PAGE 0A

BOEING
737-600/700/800/900
PARTS CATALOG (MAINTENANCE)

FIG ITEM	PART NUMBER	1 2 3 4 5 6 7	NOMENCLATURE	EFFECT FROM TO	UNITS PER ASSY
2W			ELECTRICAL INSTL-LAV E (PLACARDS AND MARKINGS ONLY)	006007	
- 1	C23602-011-003		ELECTRICAL INSTL-LAV E (PLACARDS AND MARKINGS ONLY) SUPPLIER CODE: VU3384 FOR NHA/OTHER SYS DET SEE: 25-40-01-13M	006007	RF
50	RES105X		.PLACARD-TERM. BLK SUPPLIER CODE: VU3384	006007	3
55	BAC27DPA5069		.PLACARD- PLACARD CONTENT: CAUTION-HIGH VOLTAGE DISCONNECT POWER BEFORE REPLACING LAMPS	006007	1
60	MS51957-16		.SCREW	006007	RF
65	SP122A		.WASHER	006007	RF
70	MS18029-12S16		.COVER-TERM. BLK	006007	RF
75	MS18029-12S8		.COVER-TERM. BLK	006007	RF
80	MS18029-22		.NUT ASSY	006007	RF
85	MS16624-40		.RING	006007	RF
90	A210DT		.NUT- SUPPLIER CODE: VK7766	006007	RF
95	SP47C		.WASHER	006007	RF
100	SP13C		.WASHER	006007	RF
105	SP15C		.WASHER	006007	RF
110	C22502-491-003		.SWITCH ASSY- SUPPLIER CODE: VU3384	006007	RF
115	C22102-331-001		..TERMINAL ASSY-BLK SUPPLIER CODE: VU3384	006007	RF
120	C20800-1249		...PLACARD- SUPPLIER CODE: VU3384	006007	1
125	MS24693S29		...SCREW	006007	2
130	MW141		...WASHER-BERYLLIUM SUPPLIER CODE: VU3384	006007	6
135	H14-06		...NUT-LOCK SUPPLIER CODE: V15653	006007	2
140	C22102-333-001		...BRACKET- SUPPLIER CODE: VU3384	006007	1

MISSING ITEM NUMBERS NOT APPLICABLE

- ITEM NOT ILLUSTRATED

HAP

11-32-05-02W

BOEING PROPRIETARY - Copyright © - Unpublished Work - See title page for details.

11-32-05
FIG. 02W
PAGE 1
OCT 10/06


BOEING
 737-600/700/800/900
PARTS CATALOG (MAINTENANCE)

FIG ITEM	PART NUMBER	1 2 3 4 5 6 7 NOMENCLATURE	EFFECT FROM TO	UNITS PER ASSY
2W 145	6-173	. . . BLOCK-TERM. SUPPLIER CODE: V60119	006007	1

MISSING ITEM NUMBERS NOT APPLICABLE

— ITEM NOT ILLUSTRATED

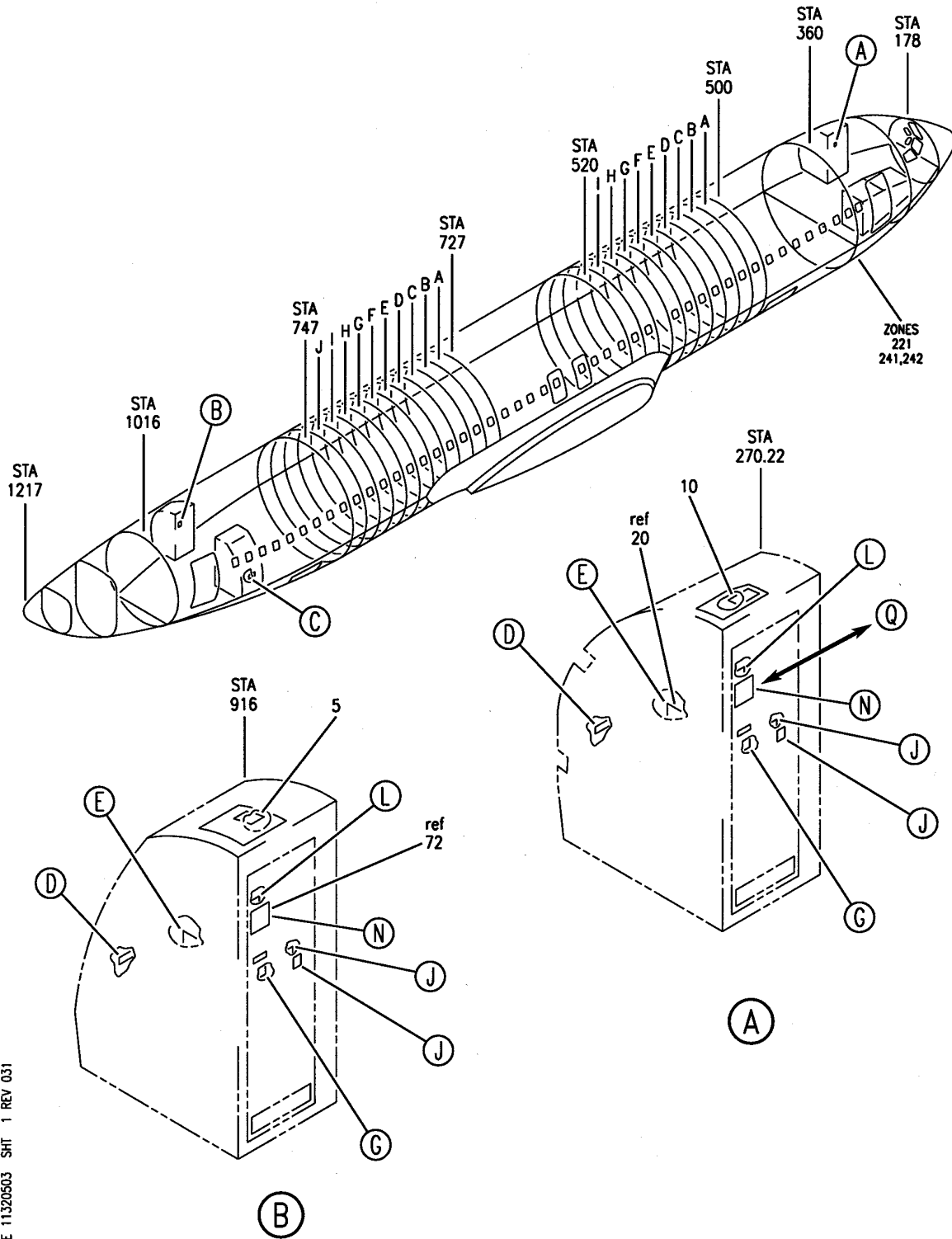
HAP

11-32-05-02W

BOEING PROPRIETARY - Copyright © - Unpublished Work - See title page for details.

11-32-05
 FIG. 02W
 PAGE 2
 OCT 10/06

BOEING
 737-600/700/800/900
 PARTS CATALOG (MAINTENANCE)



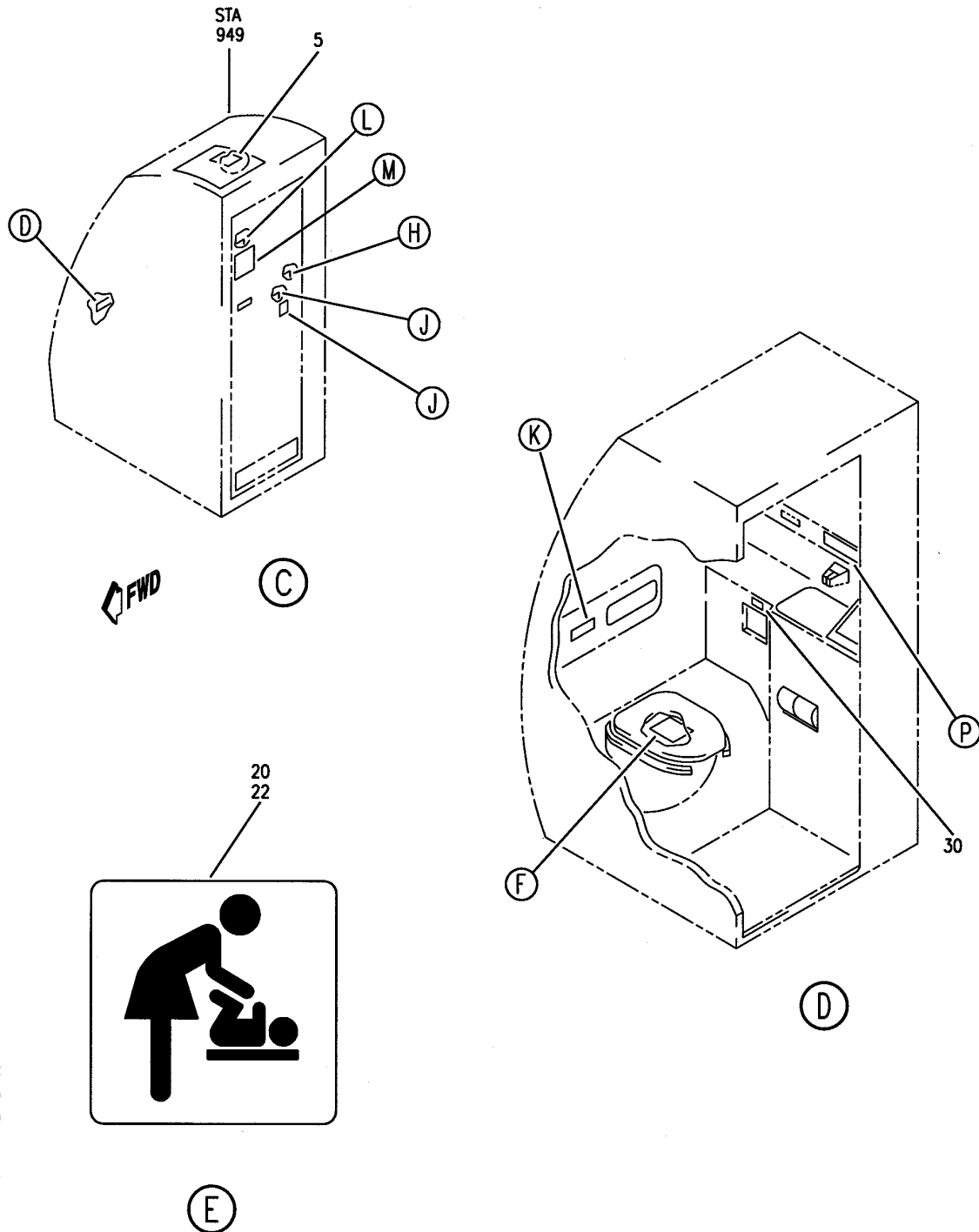
E 11320503 SHT 1 REV 031

PLACARD INSTL-CAB. INTR (LAVATORIES ONLY)
 FIGURE 3 (SHEET 1)

11-32-05-03

HAP
 OCT 10/06

11-32-05-03
 PAGE 0



E 11320503 SHT 2 REV 031

PLACARD INSTL-CAB. INTR (LAVATORIES ONLY)
 FIGURE 3 (SHEET 2)

11-32-05-03

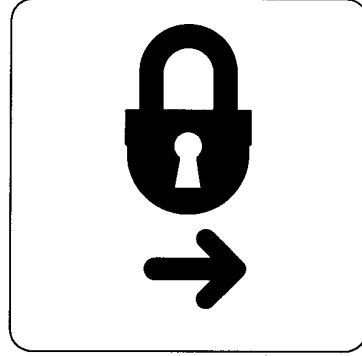
HAP
 OCT 10/06

11-32-05-03
 PAGE 0A



40

(F)



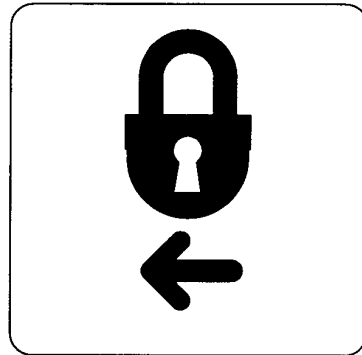
(G)

50



60

(J)



55

(H)

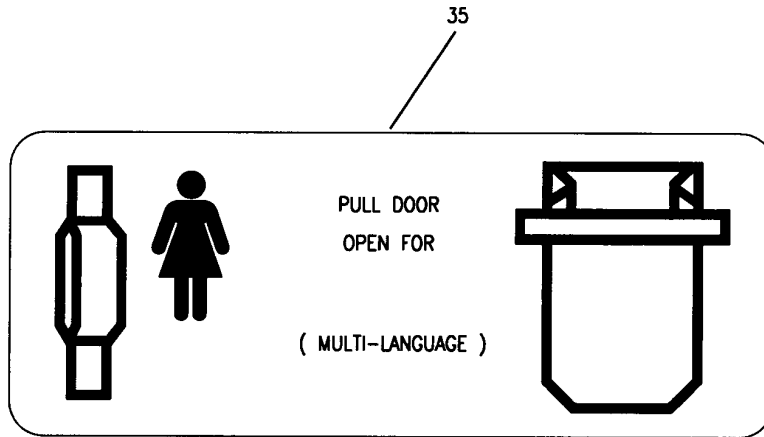
E 11320503 SHT 3 REV 014

PLACARD INSTL-CAB. INTR (LAVATORIES ONLY)
FIGURE 3 (SHEET 3)

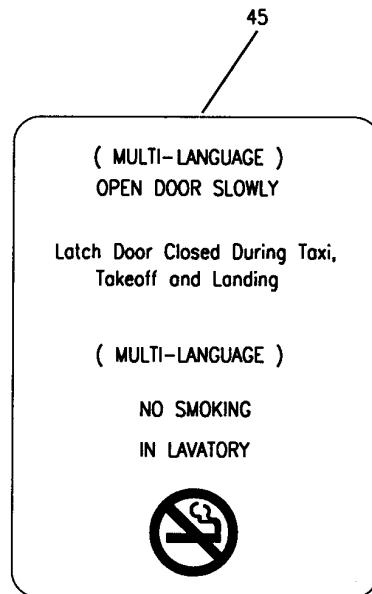
11-32-05-03

HAP
OCT 10/06

11-32-05-03
PAGE 0B



(K)



(L)

E 11320503 SH1 4 REV 014

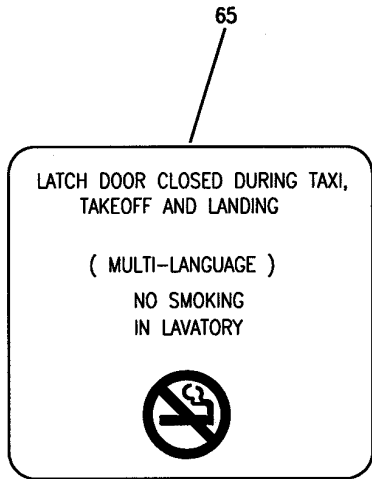
PLACARD INSTL-CAB. INTR (LAVATORIES ONLY)
FIGURE 3 (SHEET 4)

11-32-05-03

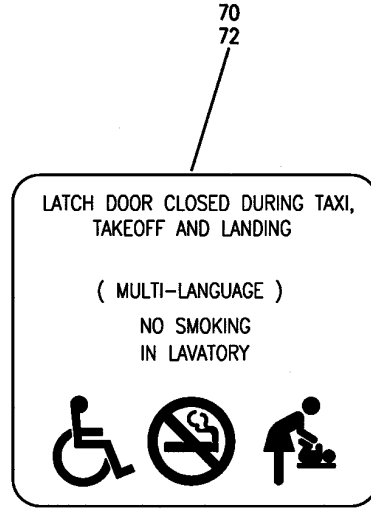
HAP
OCT 10/06

11-32-05-03
PAGE 0C

BOEING
 737-600/700/800/900
 PARTS CATALOG (MAINTENANCE)



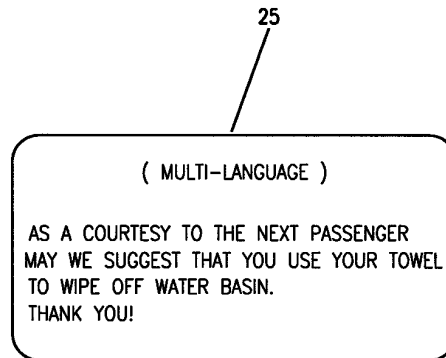
(M)



(N)



(Q)



(P)

E 11320503 SHT 5 REV 028

PLACARD INSTL-CAB. INTR (LAVATORIES ONLY)
 FIGURE 3 (SHEET 5)

11-32-05-03

HAP
 OCT 10/06

11-32-05-03
 PAGE 0D

BOEING
737-600/700/800/900
PARTS CATALOG (MAINTENANCE)

FIG ITEM	PART NUMBER	1 2 3 4 5 6 7	NOMENCLATURE	EFFECT FROM TO	UNITS PER ASSY
3			PLACARD INSTL-CAB. INTR (LAVATORIES ONLY)	001030	
- 1	414A5103-1		PLACARD INSTL-CAB. INTR (LAVATORIES ONLY) FOR NHA/OTHER SYS DET SEE: 11-30-00-01C	001007	RF
- 1	414A5103-27		PLACARD INSTL-CAB. INTR (LAVATORIES ONLY) FOR NHA/OTHER SYS DET SEE: 11-30-00-01C	008009	RF
- 1	414A5103-39		PLACARD INSTL-CAB. INTR (LAVATORIES ONLY) FOR NHA/OTHER SYS DET SEE: 11-30-00-01C	010011	RF
- 1	414A5103-52		PLACARD INSTL-CAB. INTR (LAVATORIES ONLY) FOR NHA/OTHER SYS DET SEE: 11-30-00-01C	012019	RF
- 1	414A5103-74		PLACARD INSTL-CAB. INTR (LAVATORIES ONLY) FOR NHA/OTHER SYS DET SEE: 11-30-00-01C	020030	RF
5	BAC29PPS15668		.PLACARD-(MULTI-LANGUAGE) PLACARD CONTENT: PULL MASK DOWN TO TURN ON OXYGEN	001030	2
10	BAC29PPS17178		.PLACARD-(MULTI-LANGUAGE) PLACARD CONTENT: PULL MASK DOWN TO TURN ON OXYGEN	001030	1
20	BAC29UPPS0011		.MARKER	001030	2
25	BAC29PPS20854		.PLACARD-(MULTI-LANGUAGE)	001030	3
30	BAC29PPS16841		.PLACARD-(MULTI-LANGUAGE) PLACARD CONTENT: TOILET FLUSH	001030	3
35	BAC29PPS31416		.PLACARD	001030	3
40	BAC29PPS20283		.MARKER	001030	3
45	BAC29PPS31397		.PLACARD	001030	3
50	BAC29PPS1826		.MARKER	001030	2
55	BAC29PPS1827		.MARKER	001030	1
60	BAC29PPS0877		.MARKER	001030	6
65	BAC29PPS31396		.PLACARD	001030	1
70	BAC29PPS31398		.PLACARD	001030	2

MISSING ITEM NUMBERS NOT APPLICABLE

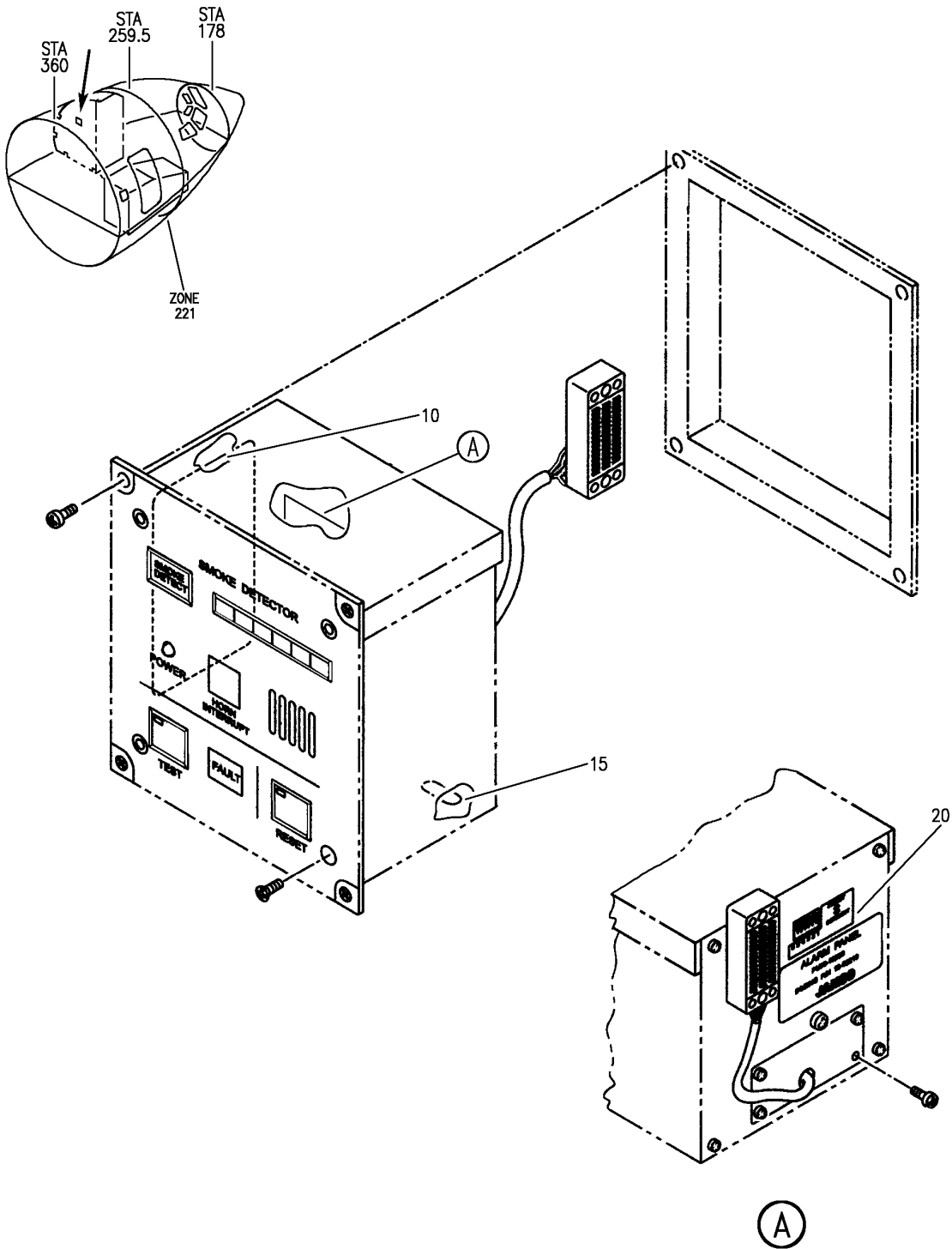
- ITEM NOT ILLUSTRATED

HAP

11-32-05-03

11-32-05
FIG. 03
PAGE 1
OCT 10/06

BOEING
 737-600/700/800/900
 PARTS CATALOG (MAINTENANCE)



E 11320505E REV 128

MODULE ASSY-SMOKE DETECTOR LAV A (PLACARDS AND MARKINGS ONLY)
 FIGURE 5E

11-32-05-05E

HAP
 JUN 10/07

11-32-05-05E
 PAGE 0

BOEING
737-600/700/800/900
PARTS CATALOG (MAINTENANCE)

FIG ITEM	PART NUMBER	1 2 3 4 5 6 7	NOMENCLATURE	EFFECT FROM TO	UNITS PER ASSY
5E			MODULE ASSY-SMOKE DETECTOR LAV A (PLACARDS AND MARKINGS ONLY)	001200 968999	
- 1	PU90-13000-501		MODULE ASSY-SMOKE DETECTOR LAV A (PLACARDS AND MARKINGS ONLY) SUPPLIER CODE: VS5065 SPECIFICATION NUMBER: 10-62218-14 ELECTRICAL EQUIP NUMBER: M01690 COMPONENT MAINT MANUAL REF: 26-10-07 FOR NHA/OTHER SYS DET SEE: 31-15-11-07 31-15-11-18	001200 968999	RF
- 1	PU90-13000-301		MODULE ASSY-SMOKE DETECTOR LAV A (PLACARDS AND MARKINGS ONLY) SUPPLIER CODE: VS5065 SPECIFICATION NUMBER: 10-62218-11 ELECTRICAL EQUIP NUMBER: M01690 COMPONENT MAINT MANUAL REF: 26-10-07 FOR NHA/OTHER SYS DET SEE: 31-15-11-07 31-15-11-18	001200 968999	RF
- 5	PU90-13010-301		.PANEL ASSY-ALARM SUPPLIER CODE: VS5065	001200 968999	RF
10	P90-11953-3		..DECAL- SUPPLIER CODE: VS5065 PLACARD CONTENT: MODIFICATION RECORD	001200 968999	1
15	P90-41105-3		..LABEL-ESDS SUPPLIER CODE: VS5065 PLACARD CONTENT: STATIC SENSITIVE	001200 968999	1
20	P90-11952-3		..DECAL- SUPPLIER CODE: VS5065 PLACARD CONTENT: SELECT-DESELECT	001200 968999	1

MISSING ITEM NUMBERS NOT APPLICABLE

- ITEM NOT ILLUSTRATED

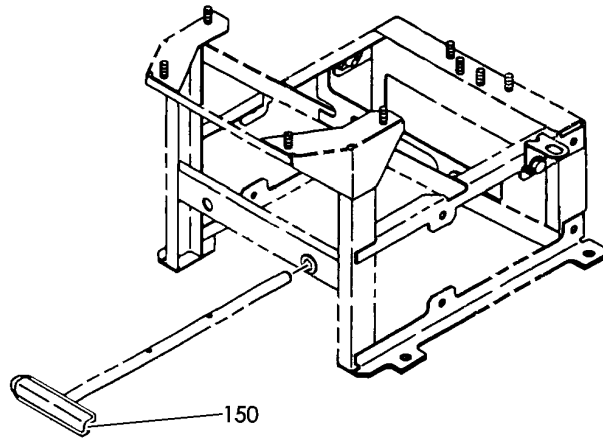
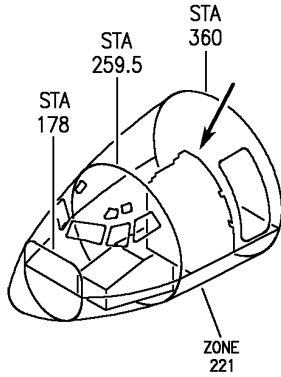
HAP

11-32-05-05E

BOEING PROPRIETARY - Copyright © - Unpublished Work - See title page for details.

11-32-05
FIG. 05E
PAGE 1
OCT 15/08

BOEING
737-600/700/800/900
PARTS CATALOG (MAINTENANCE)



E 11320506 REV 134

TOILET ASSY-LAV A VACUUM FLUSH (PLACARDS AND MARKINGS ONLY)
FIGURE 6

HAP
OCT 10/07

11-32-05-06

11-32-05-06
PAGE 0

BOEING
737-600/700/800/900
PARTS CATALOG (MAINTENANCE)

FIG ITEM	PART NUMBER	1 2 3 4 5 6 7	NOMENCLATURE	EFFECT FROM TO	UNITS PER ASSY
6			TOILET ASSY-LAV A VACUUM FLUSH (PLACARDS AND MARKINGS ONLY)		
- 7	15800-019-1		TOILET ASSY-LAV A VACUUM FLUSH (PLACARDS AND MARKINGS ONLY) SUPPLIER CODE: V29780 SPECIFICATION NUMBER: S417T104-37 MISCELLANEOUS DATA: 15800-019-1 EQUIVALENT TO 417T1303-23 COMPONENT MAINT MANUAL REF: 38-33-12 FOR NHA/OTHER SYS DET SEE: 38-32-00-15		RF
150	15800-208		. LABEL-PULL TO CLOSE VALVE SUPPLIER CODE: V29780		1

MISSING ITEM NUMBERS NOT APPLICABLE

- ITEM NOT ILLUSTRATED

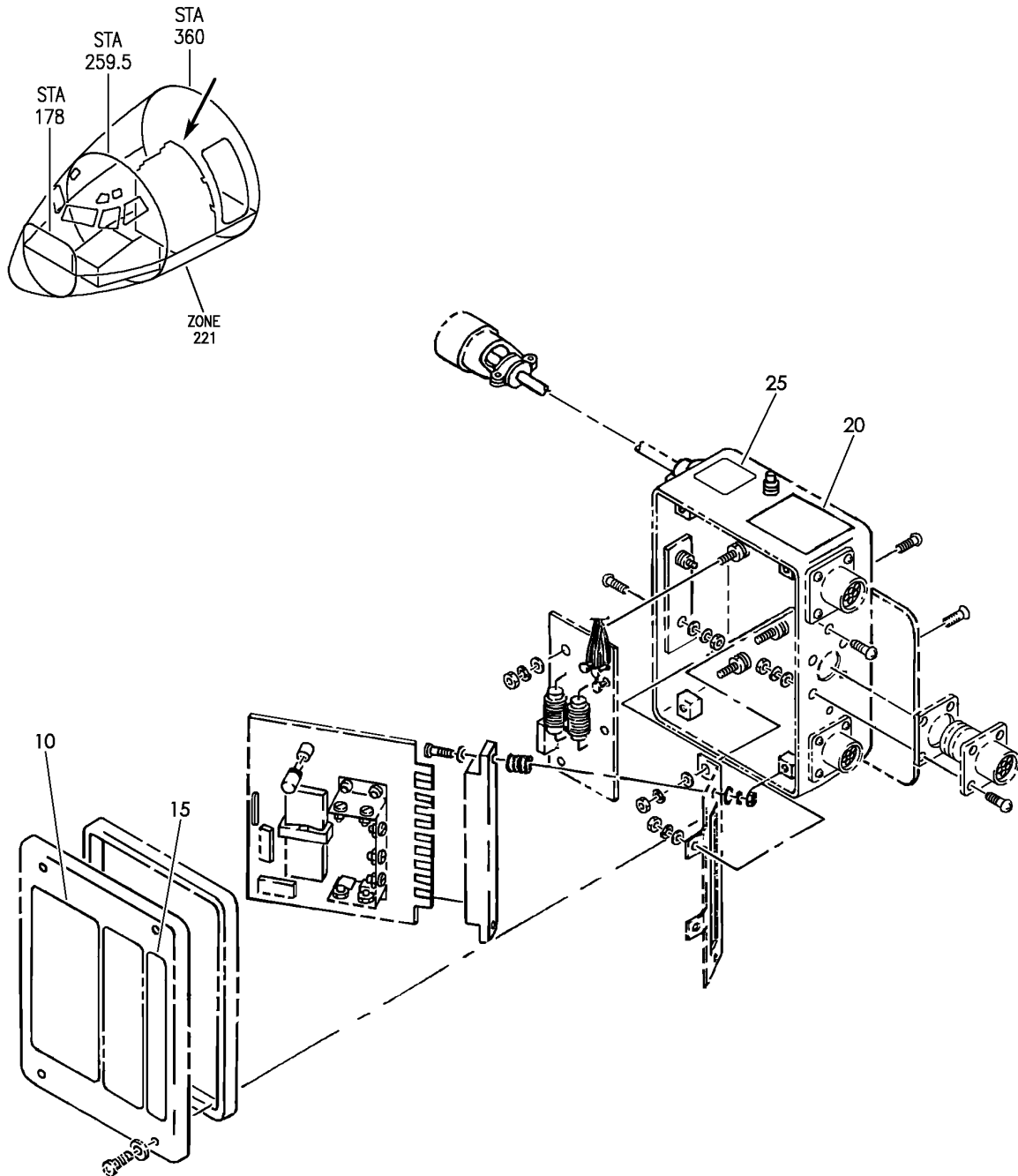
HAP

11-32-05-06

BOEING PROPRIETARY - Copyright © - Unpublished Work - See title page for details.

11-32-05
FIG. 06
PAGE 1
OCT 15/08

BOEING
737-600/700/800/900
PARTS CATALOG (MAINTENANCE)



E 11320506B REV 134

CONTROL UNIT ASSY-LAV A VACUUM TOILET (PLACARDS AND MARKINGS ONLY)
FIGURE 6B (SHEET 1)

HAP
OCT 10/07

11-32-05-06B

11-32-05-06B
PAGE 0

BOEING
737-600/700/800/900
PARTS CATALOG (MAINTENANCE)

FIG ITEM	PART NUMBER	1 2 3 4 5 6 7	NOMENCLATURE	EFFECT FROM TO	UNITS PER ASSY
6B					
- 1	15801-020		CONTROL UNIT ASSY-LAV A VACUUM TOILET (PLACARDS AND MARKINGS ONLY)		RF
- 1	15801-040		CONTROL UNIT ASSY-LAV A VACUUM TOILET (PLACARDS AND MARKINGS ONLY) SUPPLIER CODE: V29780 CONFIG CHG DATA FROM A CMM: REPLD BY 15801-040 FOR NHA/OTHER SYS DET SEE: 38-32-01-51		RF
10	15800-431		.LABEL-FCU INTERCONNECT SUPPLIER CODE: V29780		1
15	14400-354		.LABEL-AMENDT SUPPLIER CODE: V29780		1
20	15800-436		.LABEL-MAINT SUPPLIER CODE: V29780		1
25	15801-024		.LABEL-STATIC SENSITIVE SUPPLIER CODE: V29780		1

MISSING ITEM NUMBERS NOT APPLICABLE

- ITEM NOT ILLUSTRATED

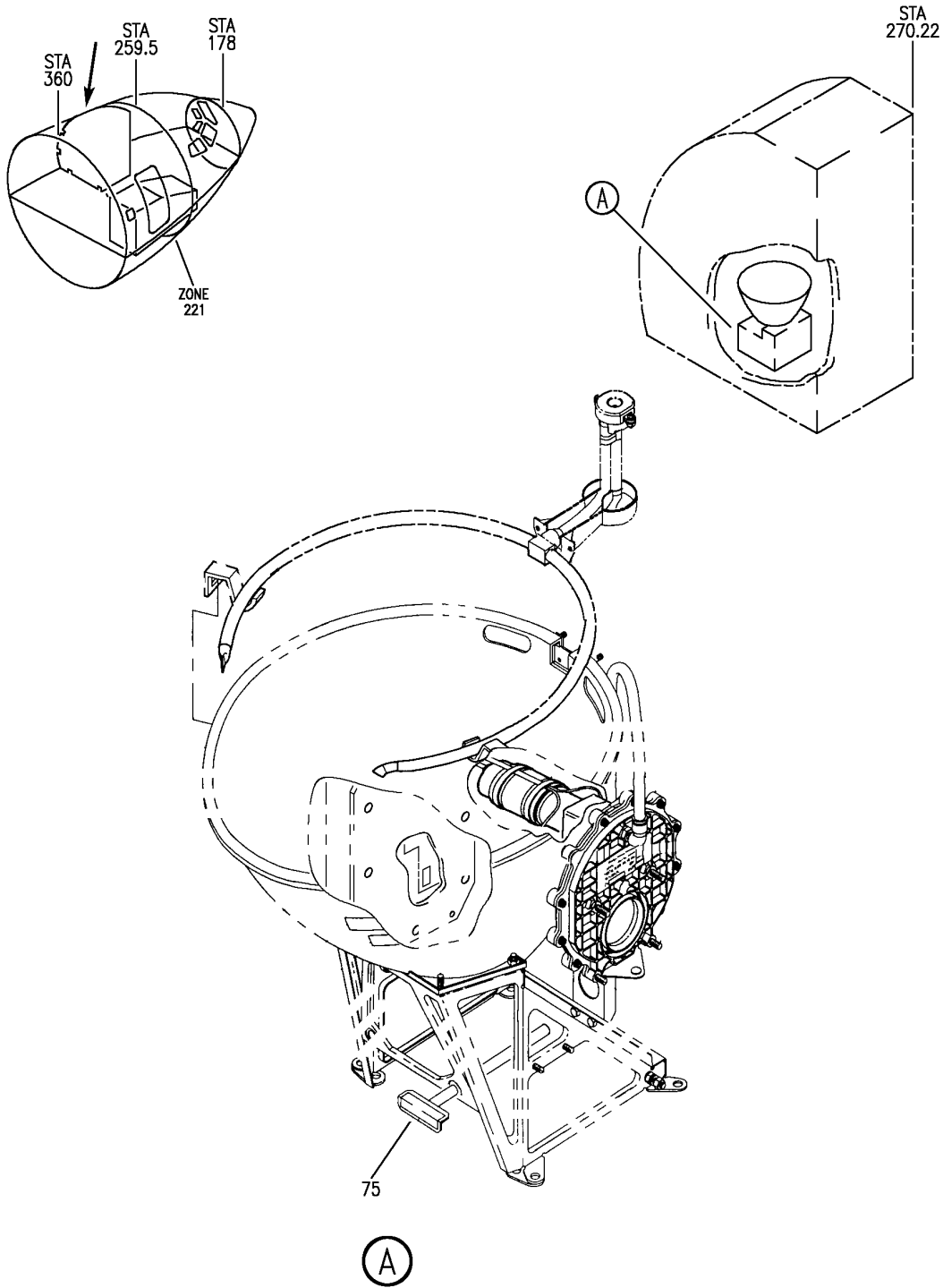
HAP

11-32-05-06B

BOEING PROPRIETARY - Copyright © - Unpublished Work - See title page for details.

11-32-05
FIG. 06B
PAGE 1
OCT 15/08

BOEING
 737-600/700/800/900
 PARTS CATALOG (MAINTENANCE)



E 11320506C REV 134

TOILET ASSY-LAV A (PLACARDS AND MARKINGS ONLY)
 FIGURE 6C (SHEET 1)

11-32-05-06C

HAP
 OCT 10/07

11-32-05-06C
 PAGE 0

BOEING
737-600/700/800/900
PARTS CATALOG (MAINTENANCE)

FIG ITEM	PART NUMBER	1 2 3 4 5 6 7	NOMENCLATURE	EFFECT FROM TO	UNITS PER ASSY
6C - 40 R R R R R R R R R R R R	15800-029-3		TOILET ASSY-LAV A (PLACARDS AND MARKINGS ONLY) TOILET ASSY-LAV A (PLACARDS AND MARKINGS ONLY) SUPPLIER CODE: V29780 SPECIFICATION NUMBER: S417T104-55 MISCELLANEOUS DATA: 15800-029-3 EQUIVALENT TO 417T1303-41 COMPONENT MAINT MANUAL REF: 38-33-20 FOR NHA/OTHER SYS DET SEE: 38-32-00-15		RF
	75 15801-186		. LABEL- SUPPLIER CODE: V29780 PLACARD CONTENT: PULL TO CLOSE, VALVE		1

MISSING ITEM NUMBERS NOT APPLICABLE

- ITEM NOT ILLUSTRATED

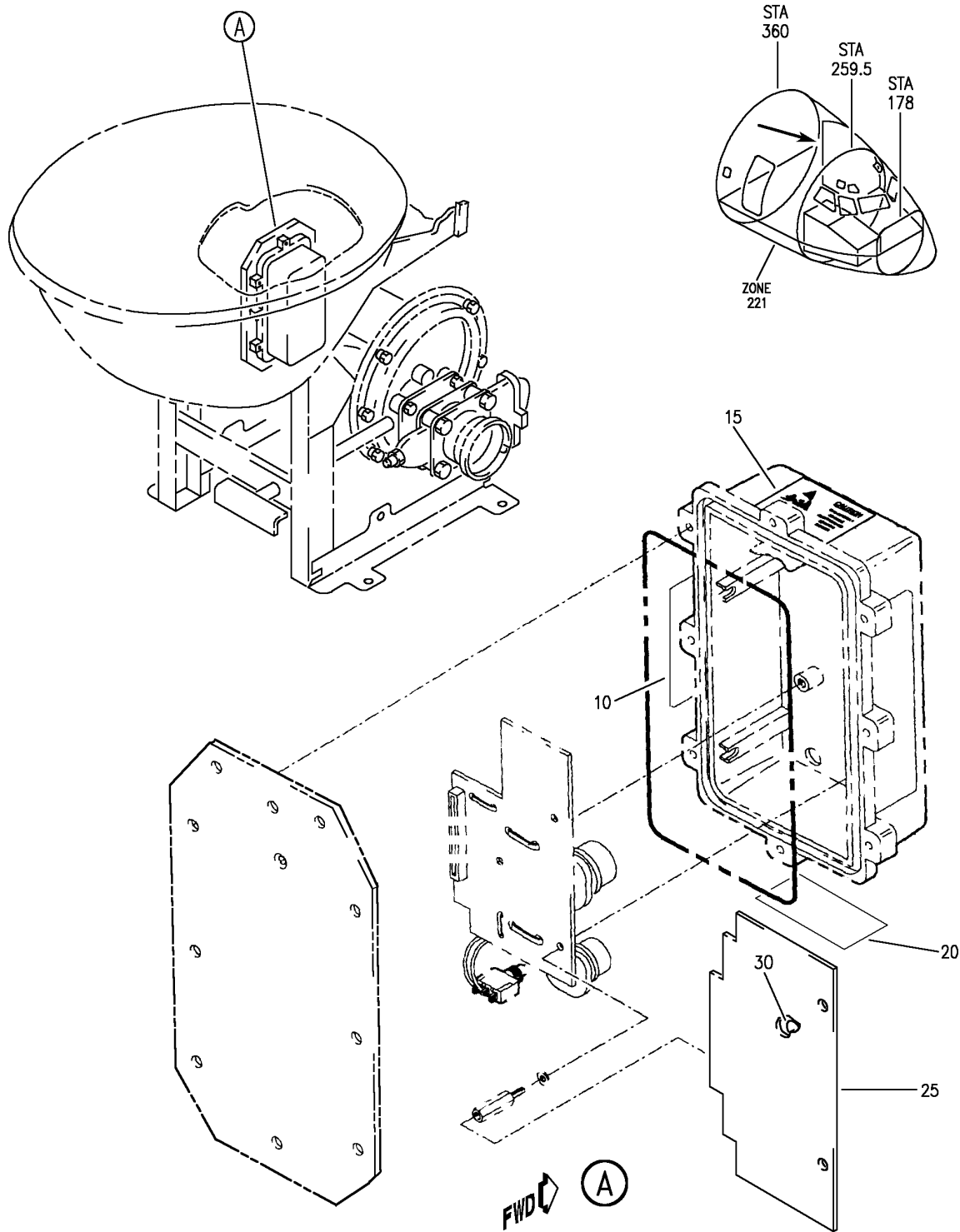
HAP

11-32-05-06C

BOEING PROPRIETARY - Copyright © - Unpublished Work - See title page for details.

11-32-05
FIG. 06C
PAGE 1
JUN 15/09

BOEING
 737-600/700/800/900
 PARTS CATALOG (MAINTENANCE)



E 11320506D REV 153

CONTROL UNIT ASSY-LAV A FLUSH TOILET (PLACARDS AND MARKINGS ONLY)
 FIGURE 6D (SHEET 1)

11-32-05-06D

HAP
 JUN 15/09

11-32-05-06D
 PAGE 0

BOEING
737-600/700/800/900
PARTS CATALOG (MAINTENANCE)

FIG ITEM	PART NUMBER	1 2 3 4 5 6 7	NOMENCLATURE	EFFECT FROM TO	UNITS PER ASSY
6D			CONTROL UNIT ASSY-LAV A FLUSH TOILET (PLACARDS AND MARKINGS ONLY)		
- 1	15801-160		CONTROL UNIT ASSY-LAV A FLUSH TOILET (PLACARDS AND MARKINGS ONLY) SUPPLIER CODE: V29780 FOR NHA/OTHER SYS DET SEE: 38-32-01-55		RF
10	15801-179		.LABEL-FLUSH CONT UNIT INTERCONNECT SUPPLIER CODE: V29780		1
15	15801-024		.LABEL-STATIC SENSITIVE SUPPLIER CODE: V29780		1
20	15801-436		.LABEL-MAINTENANCE SWITCH SUPPLIER CODE: V29780		1
25	15801-161		.BOARD ASSY-PRINTED CKT SUPPLIER CODE: V29780		RF
30	7500150		..LABEL-STATIC WARNING SUPPLIER CODE: V29780		1

R
R
R

MISSING ITEM NUMBERS NOT APPLICABLE

- ITEM NOT ILLUSTRATED

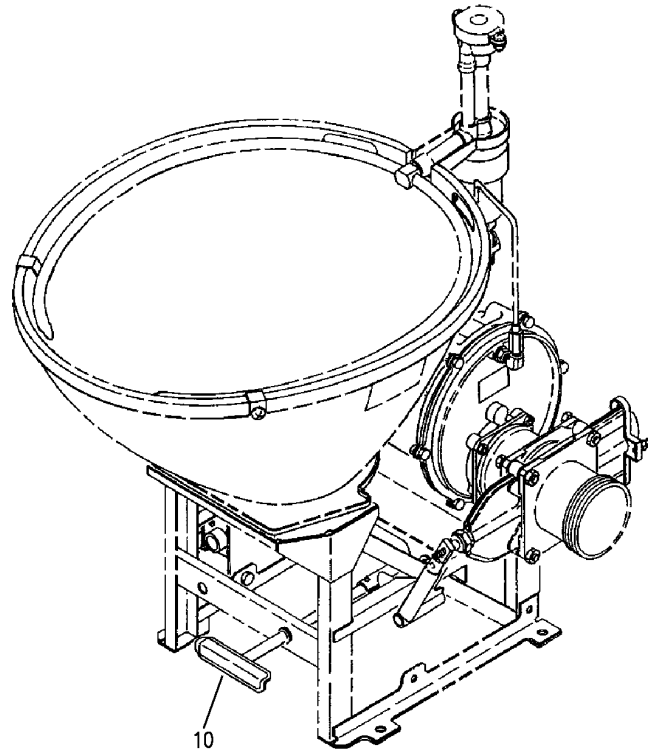
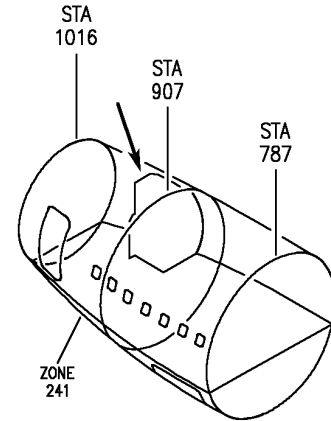
HAP

11-32-05-06D

BOEING PROPRIETARY - Copyright © - Unpublished Work - See title page for details.

11-32-05
FIG. 06D
PAGE 1
JUN 15/09

BOEING
737-600/700/800/900
PARTS CATALOG (MAINTENANCE)



E 11320506H REV 134

TOILET ASSY-LAV D VACUUM FLUSH (PLACARDS AND MARKINGS ONLY)
FIGURE 6H

HAP
OCT 10/07

11-32-05-06H

11-32-05-06H
PAGE 0

BOEING
737-600/700/800/900
PARTS CATALOG (MAINTENANCE)

FIG ITEM	PART NUMBER	1 2 3 4 5 6 7	NOMENCLATURE	EFFECT FROM TO	UNITS PER ASSY
6H					
- 1	15800-019-1		TOILET ASSY-LAV D VACUUM FLUSH (PLACARDS AND MARKINGS ONLY)		RF
10	15800-208		TOILET ASSY-LAV D VACUUM FLUSH (PLACARDS AND MARKINGS ONLY) SUPPLIER CODE: V29780 SPECIFICATION NUMBER: S417T104-37 MISCELLANEOUS DATA: 15800-019-1 EQUIVALENT TO 417T1303-23 COMPONENT MAINT MANUAL REF: 38-33-12 FOR NHA/OTHER SYS DET SEE: 38-32-01-07 . LABEL-PULL TO CLOSE VALVE SUPPLIER CODE: V29780		1

MISSING ITEM NUMBERS NOT APPLICABLE

- ITEM NOT ILLUSTRATED

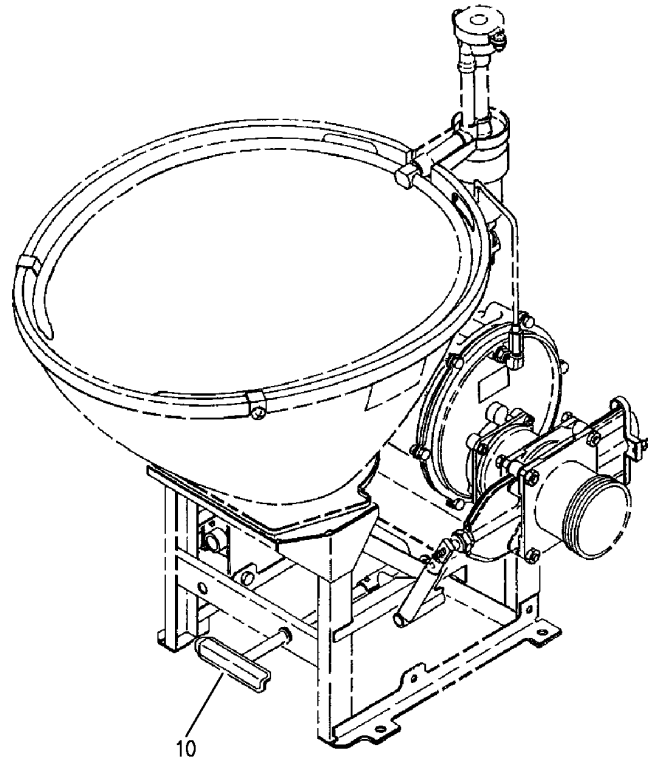
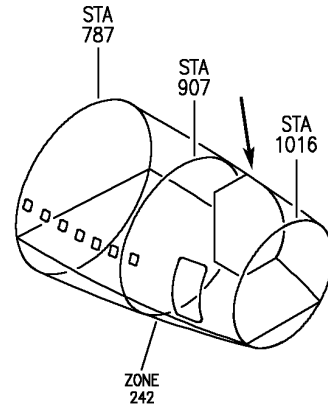
HAP

11-32-05-06H

BOEING PROPRIETARY - Copyright © - Unpublished Work - See title page for details.

11-32-05
FIG. 06H
PAGE 1
OCT 15/08

BOEING
737-600/700/800/900
PARTS CATALOG (MAINTENANCE)



E 11320506J REV 134

TOILET ASSY-LAV E VACUUM FLUSH (PLACARDS AND MARKINGS ONLY)
FIGURE 6J

HAP
OCT 10/07

11-32-05-06J

11-32-05-06J
PAGE 0

BOEING
737-600/700/800/900
PARTS CATALOG (MAINTENANCE)

FIG ITEM	PART NUMBER	1 2 3 4 5 6 7	NOMENCLATURE	EFFECT FROM TO	UNITS PER ASSY
6J					
- 1	15800-019-1		TOILET ASSY-LAV E VACUUM FLUSH (PLACARDS AND MARKINGS ONLY)		RF
10	15800-208		TOILET ASSY-LAV E VACUUM FLUSH (PLACARDS AND MARKINGS ONLY) SUPPLIER CODE: V29780 SPECIFICATION NUMBER: S417T104-37 MISCELLANEOUS DATA: 15800-019-1 EQUIVALENT TO 417T1303-23 COMPONENT MAINT MANUAL REF: 38-33-12 FOR NHA/OTHER SYS DET SEE: 38-32-01-07A . LABEL-PULL TO CLOSE VALVE SUPPLIER CODE: V29780		1

MISSING ITEM NUMBERS NOT APPLICABLE

- ITEM NOT ILLUSTRATED

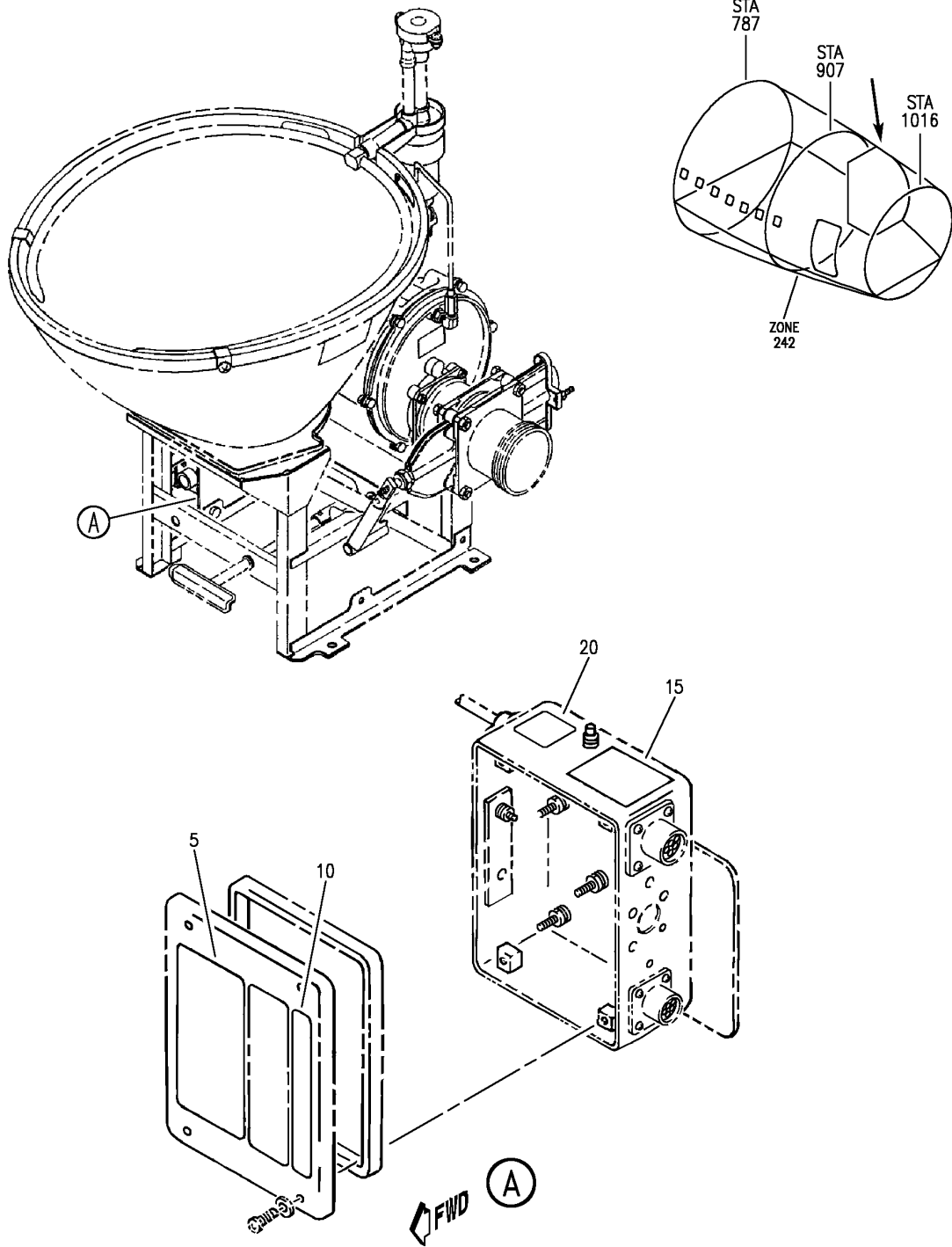
HAP

11-32-05-06J

BOEING PROPRIETARY - Copyright © - Unpublished Work - See title page for details.

11-32-05
FIG. 06J
PAGE 1
OCT 15/08

BOEING
 737-600/700/800/900
 PARTS CATALOG (MAINTENANCE)



E 11320506W REV 134

CONTROL UNIT ASSY-LAV E VACUUM TOILET (PLACARDS AND MARKINGS ONLY)
 FIGURE 6W

HAP
 OCT 10/07

11-32-05-06W

11-32-05-06W
 PAGE 0

BOEING
737-600/700/800/900
PARTS CATALOG (MAINTENANCE)

FIG ITEM	PART NUMBER	1 2 3 4 5 6 7	NOMENCLATURE	EFFECT FROM TO	UNITS PER ASSY
6W					
- 1	15801-020		CONTROL UNIT ASSY-LAV E VACUUM TOILET (PLACARDS AND MARKINGS ONLY)		RF
- 1	15801-040		CONTROL UNIT ASSY-LAV E VACUUM TOILET (PLACARDS AND MARKINGS ONLY) SUPPLIER CODE: V29780 CONFIG CHG DATA FROM A CMM: REPLD BY 15801-040 FOR NHA/OTHER SYS DET SEE: 38-32-01-51D		RF
5	15800-431		.LABEL-FCU INTERCONNECT SUPPLIER CODE: V29780		1
10	14400-354		.LABEL-AMENDT SUPPLIER CODE: V29780		1
15	15800-436		.LABEL-MAINT SUPPLIER CODE: V29780		1
20	15801-024		.LABEL-STATIC SENSITIVE SUPPLIER CODE: V29780		1

R
R
R
R
R
R
R
R

MISSING ITEM NUMBERS NOT APPLICABLE

- ITEM NOT ILLUSTRATED

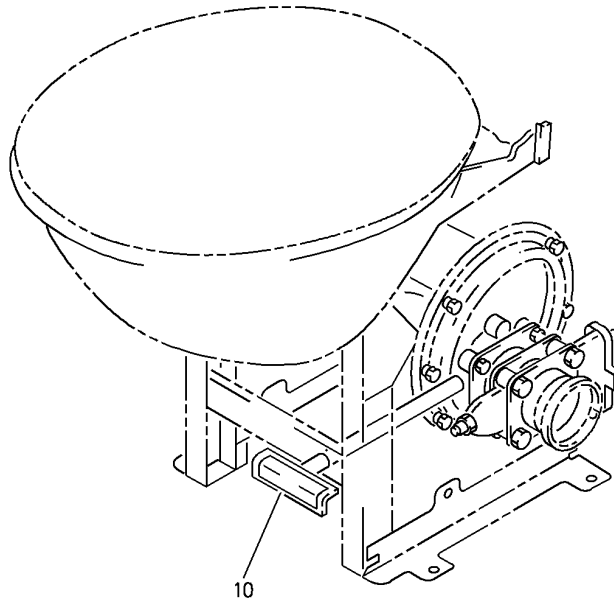
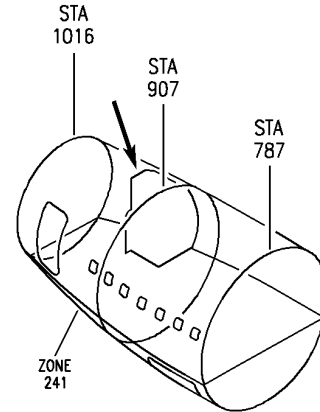
HAP

11-32-05-06W

BOEING PROPRIETARY - Copyright © - Unpublished Work - See title page for details.

11-32-05
FIG. 06W
PAGE 1
JUN 15/09

BOEING
737-600/700/800/900
PARTS CATALOG (MAINTENANCE)



E 11320507J REV 134

TOILET ASSY-LAV D (PLACARDS AND MARKINGS ONLY)
FIGURE 7J

HAP
OCT 10/07

11-32-05-07J

11-32-05-07J
PAGE 0


BOEING
 737-600/700/800/900
PARTS CATALOG (MAINTENANCE)

FIG ITEM	PART NUMBER	1 2 3 4 5 6 7	NOMENCLATURE	EFFECT FROM TO	UNITS PER ASSY
7J	- 1 15800-029-3		TOILET ASSY-LAV D(PLACARDS AND MARKINGS ONLY)		RF
	10 15801-186		TOILET ASSY-LAV D(PLACARDS AND MARKINGS ONLY) SUPPLIER CODE: V29780 SPECIFICATION NUMBER: S417T104-55 MISCELLANEOUS DATA: 15800-029-3 EQUIVALENT TO 417T1303-41 COMPONENT MAINT MANUAL REF: 38-33-20 FOR NHA/OTHER SYS DET SEE: 38-32-01-07 .LABEL- SUPPLIER CODE: V29780 PLACARD CONTENT: PULL TO CLOSE, VALVE		1

R
R
R
R
R
R
R
R
R
R

MISSING ITEM NUMBERS NOT APPLICABLE

- ITEM NOT ILLUSTRATED

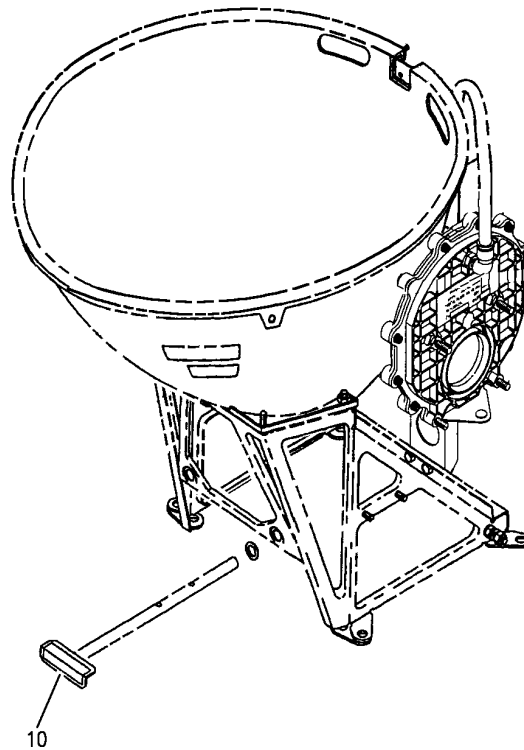
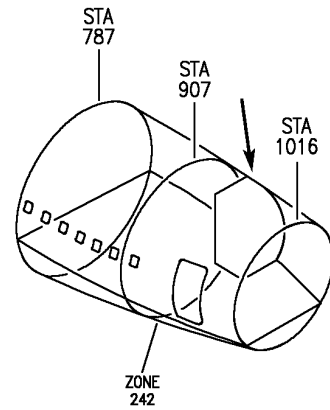
HAP

11-32-05-07J

BOEING PROPRIETARY - Copyright © - Unpublished Work - See title page for details.

11-32-05
 FIG. 07J
 PAGE 1
 JUN 15/09

BOEING
737-600/700/800/900
PARTS CATALOG (MAINTENANCE)



E 11320507K REV 134

TOILET ASSY-LAV E (PLACARDS AND MARKINGS ONLY)
FIGURE 7K

11-32-05-07K

HAP
OCT 10/07

11-32-05-07K
PAGE 0

BOEING
737-600/700/800/900
PARTS CATALOG (MAINTENANCE)

FIG ITEM	PART NUMBER	1 2 3 4 5 6 7	NOMENCLATURE	EFFECT FROM TO	UNITS PER ASSY
7K - R R R R R R R R R R R R	1 15800-029-3		TOILET ASSY-LAV E(PLACARDS AND MARKINGS ONLY) TOILET ASSY-LAV E(PLACARDS AND MARKINGS ONLY) SUPPLIER CODE: V29780 SPECIFICATION NUMBER: S417T104-55 MISCELLANEOUS DATA: 15800-029-3 EQUIVALENT TO 417T1303-41 COMPONENT MAINT MANUAL REF: 38-33-20 FOR NHA/OTHER SYS DET SEE: 38-32-01-07A		RF
	10 15801-186		. LABEL- SUPPLIER CODE: V29780 PLACARD CONTENT: PULL TO CLOSE, VALVE		1

MISSING ITEM NUMBERS NOT APPLICABLE

- ITEM NOT ILLUSTRATED

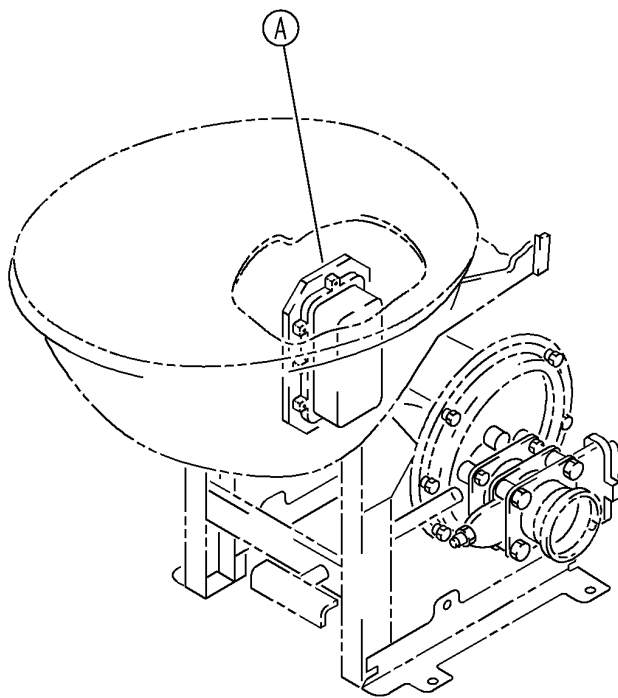
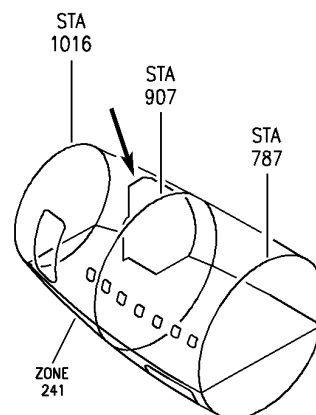
HAP

11-32-05-07K

BOEING PROPRIETARY - Copyright © - Unpublished Work - See title page for details.

11-32-05
FIG. 07K
PAGE 1
JUN 15/09

BOEING
737-600/700/800/900
PARTS CATALOG (MAINTENANCE)



E 11320507X SH1 1 REV 134

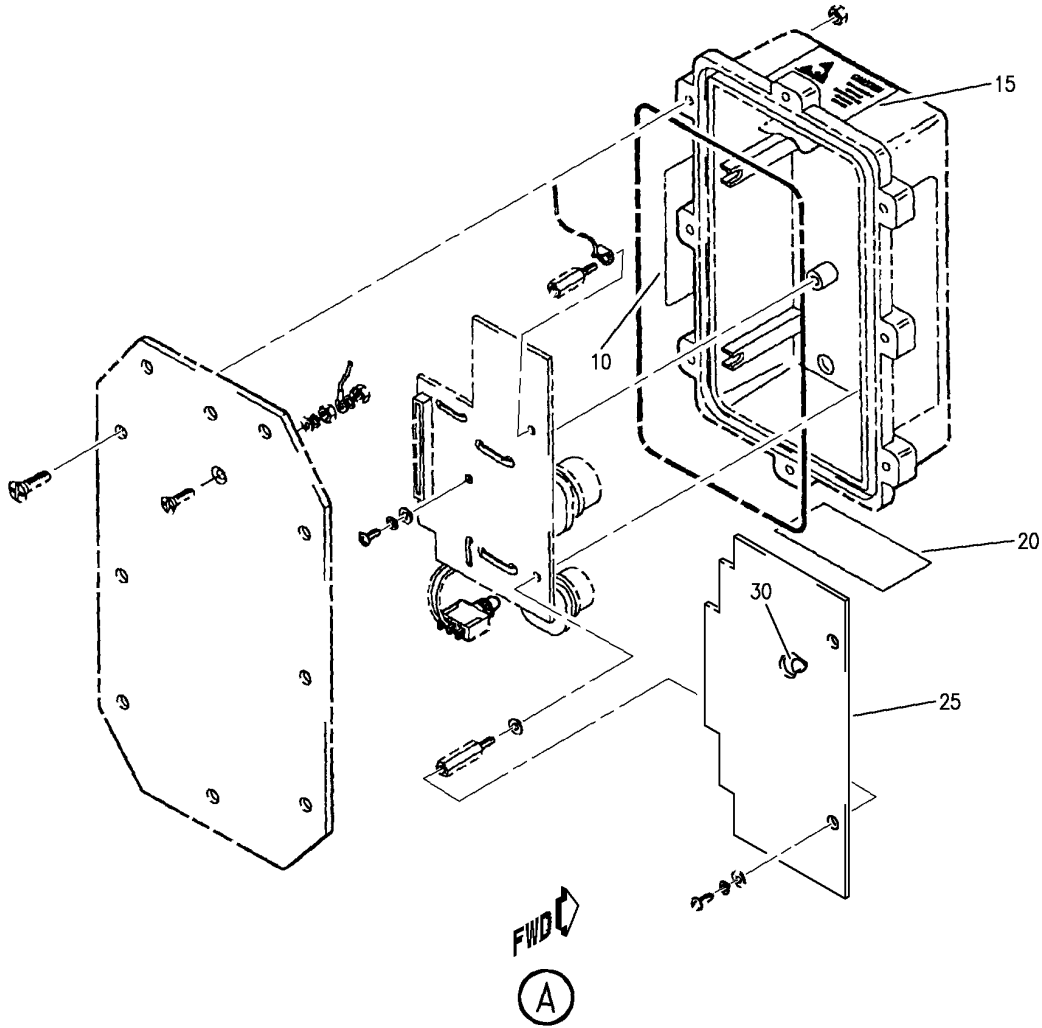
CONTROL UNIT ASSY-LAV D FLUSH TOILET (PLACARDS AND MARKINGS ONLY)
FIGURE 7X (SHEET 1)

HAP
OCT 10/07

11-32-05-07X

11-32-05-07X
PAGE 0

BOEING
737-600/700/800/900
PARTS CATALOG (MAINTENANCE)



E 11320507X SHT 2 REV 153

CONTROL UNIT ASSY-LAV D FLUSH TOILET (PLACARDS AND MARKINGS ONLY)
FIGURE 7X (SHEET 2)

HAP
JUN 15/09

11-32-05-07X

11-32-05-07X
PAGE 0A

BOEING
737-600/700/800/900
PARTS CATALOG (MAINTENANCE)

FIG ITEM	PART NUMBER	1 2 3 4 5 6 7	NOMENCLATURE	EFFECT FROM TO	UNITS PER ASSY
7X			CONTROL UNIT ASSY-LAV D FLUSH TOILET (PLACARDS AND MARKINGS ONLY)		
- 1	15801-160		CONTROL UNIT ASSY-LAV D FLUSH TOILET (PLACARDS AND MARKINGS ONLY) SUPPLIER CODE: V29780 FOR NHA/OTHER SYS DET SEE: 38-32-01-55C		RF
10	15801-179		.LABEL-FLUSH CONT UNIT INTERCONNECT SUPPLIER CODE: V29780		1
15	15801-024		.LABEL-STATIC SENSITIVE SUPPLIER CODE: V29780		1
20	15801-436		.LABEL-MAINTENANCE SWITCH SUPPLIER CODE: V29780		1
25	15801-161		.BOARD ASSY-PRINTED CKT SUPPLIER CODE: V29780		RF
R R R 30	7500150		..LABEL-STATIC WARNING SUPPLIER CODE: V29780		1

MISSING ITEM NUMBERS NOT APPLICABLE

- ITEM NOT ILLUSTRATED

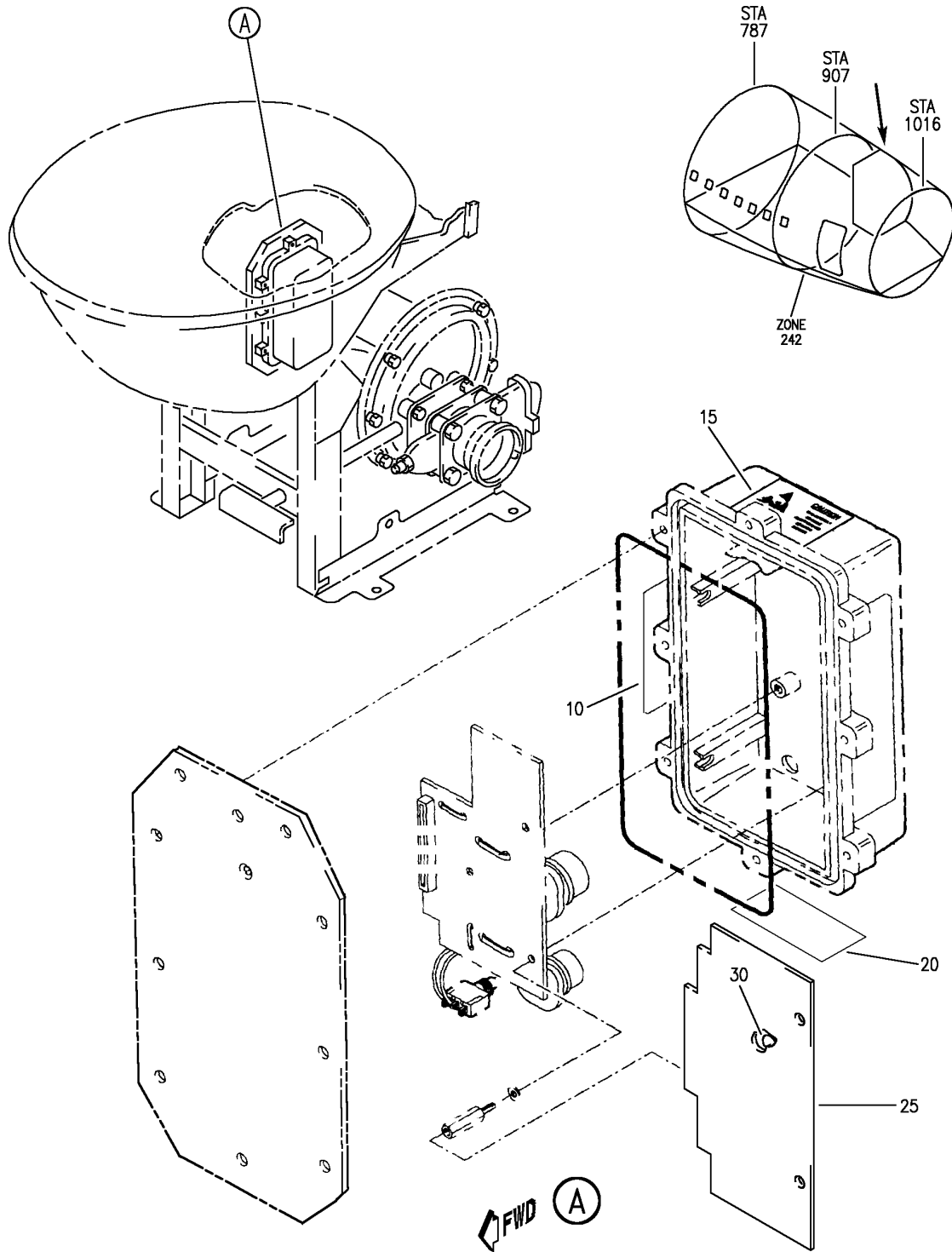
HAP

11-32-05-07X

BOEING PROPRIETARY - Copyright © - Unpublished Work - See title page for details.

11-32-05
FIG. 07X
PAGE 1
JUN 15/09

BOEING
 737-600/700/800/900
 PARTS CATALOG (MAINTENANCE)



E 11320507Y REV 153

CONTROL UNIT ASSY-LAV E FLUSH TOILET (PLACARDS AND MARKINGS ONLY)
 FIGURE 7Y

11-32-05-07Y

HAP
 JUN 15/09

11-32-05-07Y
 PAGE 0

BOEING
737-600/700/800/900
PARTS CATALOG (MAINTENANCE)

FIG ITEM	PART NUMBER	1 2 3 4 5 6 7	NOMENCLATURE	EFFECT FROM TO	UNITS PER ASSY
7Y			CONTROL UNIT ASSY-LAV E FLUSH TOILET (PLACARDS AND MARKINGS ONLY)		
- 1	15801-160		CONTROL UNIT ASSY-LAV E FLUSH TOILET (PLACARDS AND MARKINGS ONLY) SUPPLIER CODE: V29780 FOR NHA/OTHER SYS DET SEE: 38-32-01-55D		RF
10	15801-179		.LABEL-FLUSH CONT UNIT INTERCONNECT SUPPLIER CODE: V29780		1
15	15801-024		.LABEL-STATIC SENSITIVE SUPPLIER CODE: V29780		1
20	15801-436		.LABEL-MAINTENANCE SWITCH SUPPLIER CODE: V29780		1
25	15801-161		.BOARD ASSY-PRINTED CKT SUPPLIER CODE: V29780		RF
30	7500150		..LABEL-STATIC WARNING SUPPLIER CODE: V29780		1

R
R
R

MISSING ITEM NUMBERS NOT APPLICABLE

- ITEM NOT ILLUSTRATED

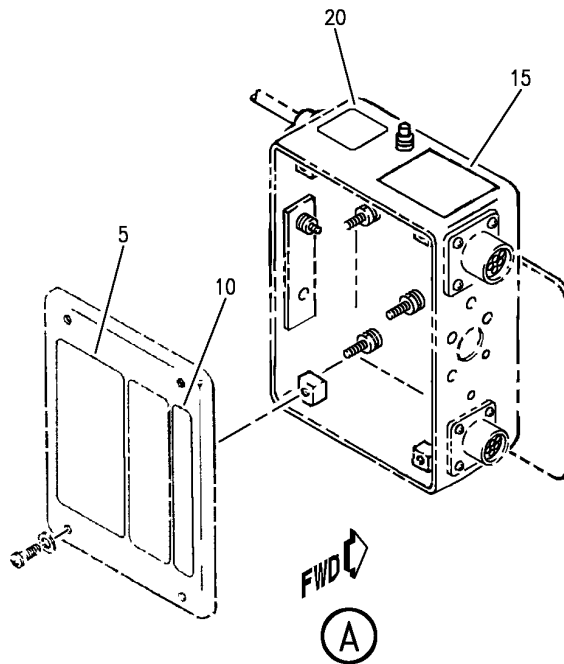
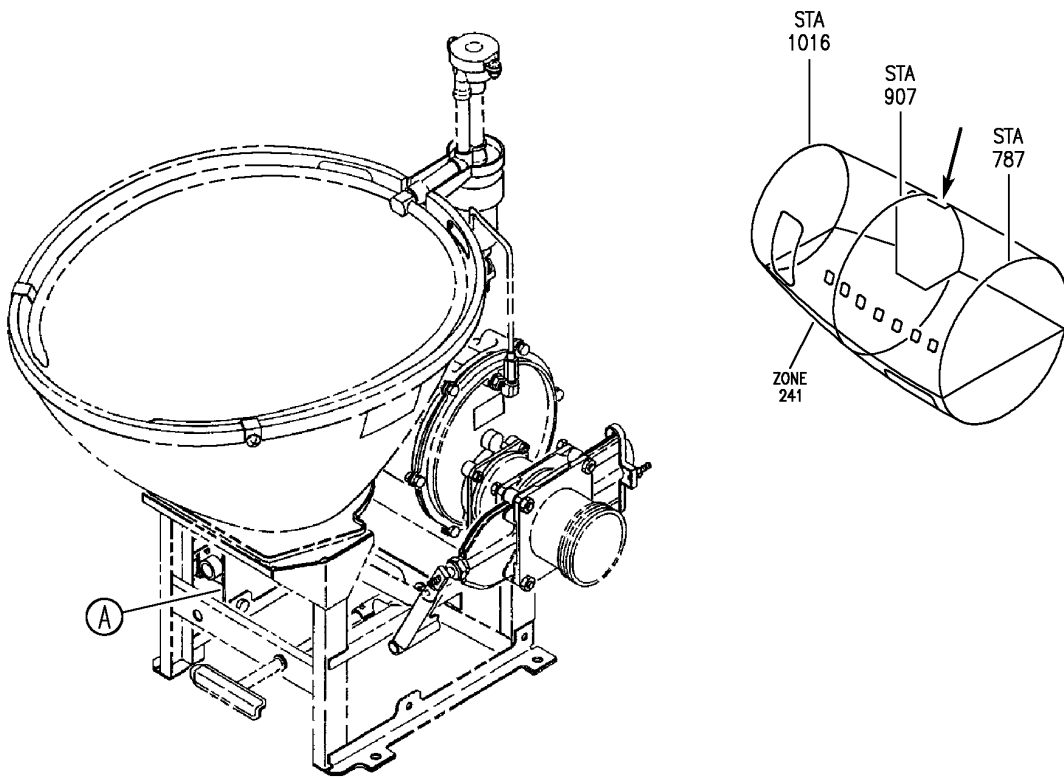
HAP

11-32-05-07Y

BOEING PROPRIETARY - Copyright © - Unpublished Work - See title page for details.

11-32-05
FIG. 07Y
PAGE 1
JUN 15/09

BOEING
 737-600/700/800/900
 PARTS CATALOG (MAINTENANCE)



E 38320404J REV 134

CONTROL UNIT ASSY-LAV D VACUUM TOILET (PLACARDS AND MARKINGS ONLY)
 FIGURE 8J

HAP
 OCT 10/07

11-32-05-08J

11-32-05-08J
 PAGE 0

BOEING
737-600/700/800/900
PARTS CATALOG (MAINTENANCE)

FIG ITEM	PART NUMBER	1 2 3 4 5 6 7	NOMENCLATURE	EFFECT FROM TO	UNITS PER ASSY
8J					
- 1	15801-020		CONTROL UNIT ASSY-LAV D VACUUM TOILET (PLACARDS AND MARKINGS ONLY)		RF
- 1	15801-040		CONTROL UNIT ASSY-LAV D VACUUM TOILET (PLACARDS AND MARKINGS ONLY) SUPPLIER CODE: V29780 CONFIG CHG DATA FROM A CMM: REPLD BY 15801-040 FOR NHA/OTHER SYS DET SEE: 38-32-01-51C		RF
5	15800-431		.LABEL-FCU INTERCONNECT SUPPLIER CODE: V29780		1
10	14400-354		.LABEL-AMENDT SUPPLIER CODE: V29780		1
15	15800-436		.LABEL-MAINT SUPPLIER CODE: V29780		1
20	15801-024		.LABEL-STATIC SENSITIVE SUPPLIER CODE: V29780		1

MISSING ITEM NUMBERS NOT APPLICABLE

- ITEM NOT ILLUSTRATED

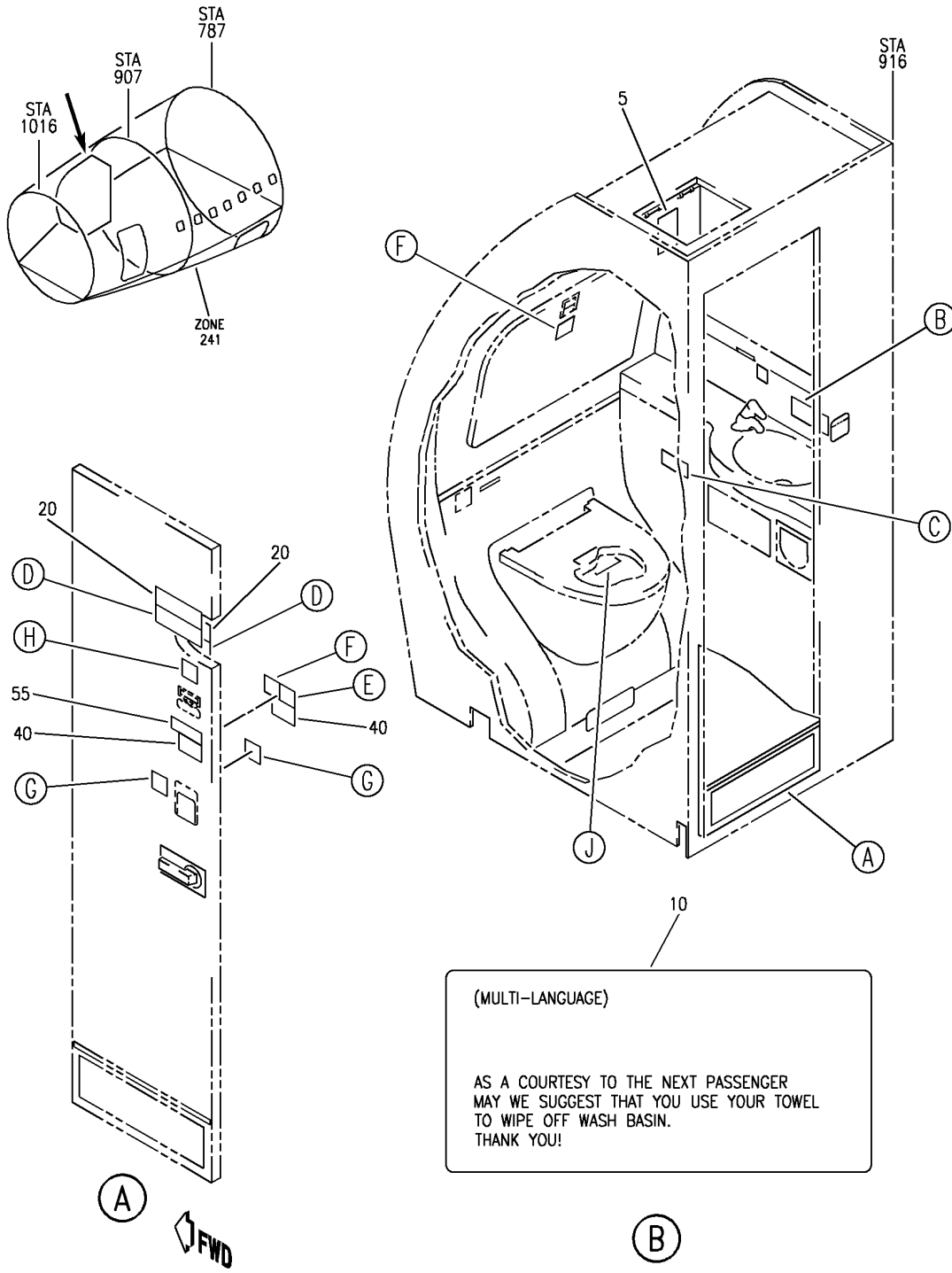
HAP

11-32-05-08J

BOEING PROPRIETARY - Copyright © - Unpublished Work - See title page for details.

11-32-05
FIG. 08J
PAGE 1
OCT 15/08

BOEING
 737-600/700/800/900
 PARTS CATALOG (MAINTENANCE)



E 11320523D SHT 1 REV 128

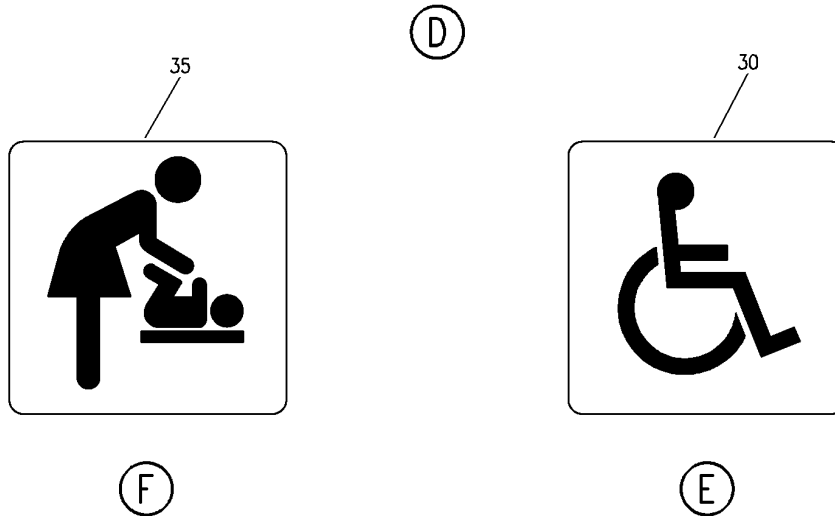
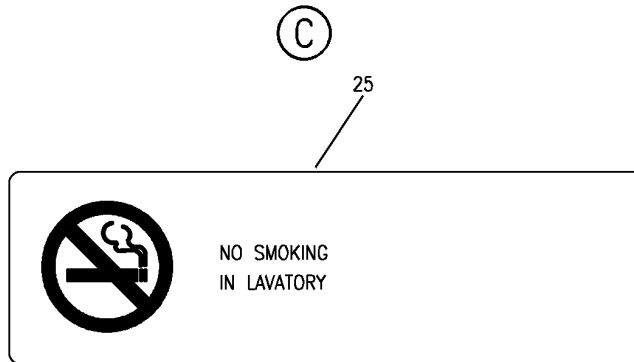
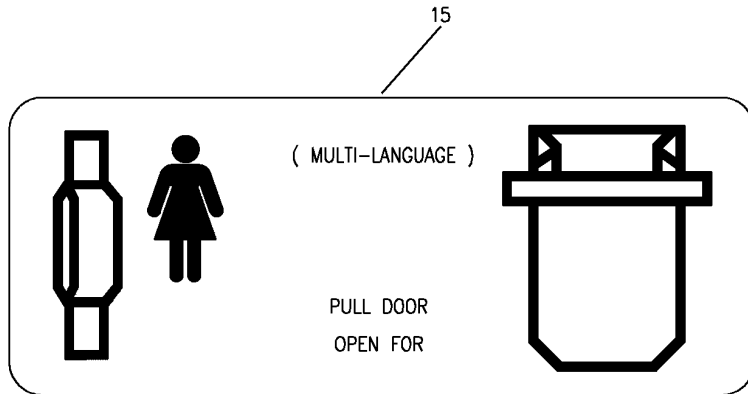
PLACARD INSTL-CAB. INTR LAV D
 FIGURE 23D (SHEET 1)

11-32-05-23D

HAP
 JUN 10/07

11-32-05-23D
 PAGE 0

BOEING
737-600/700/800/900
PARTS CATALOG (MAINTENANCE)



E 11320523D SHT 2 REV 128

PLACARD INSTL-CAB. INTR LAV D
FIGURE 23D (SHEET 2)

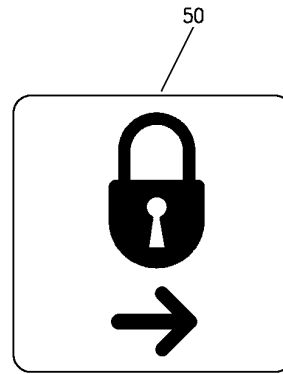
HAP
JUN 10/07

11-32-05-23D

11-32-05-23D
PAGE 0A



G



H



J

E 11320523D SHT 3 REV 128

PLACARD INSTL-CAB. INTR LAV D
FIGURE 23D (SHEET 3)

HAP
JUN 10/07

11-32-05-23D

11-32-05-23D
PAGE 0B

BOEING
737-600/700/800/900
PARTS CATALOG (MAINTENANCE)

FIG ITEM	PART NUMBER	1 2 3 4 5 6 7	NOMENCLATURE	EFFECT FROM TO	UNITS PER ASSY
23D			PLACARD INSTL-CAB. INTR LAV D	038038 042046	
- 1	MODREF327418		PLACARD INSTL-CAB. INTR LAV D MODULE NUMBER: 414A5115-214 REV A POSITION DATA: STA 916.00, LBL 17.00	038038 042046	1
5	BAC29PPS37651		.PLACARD-(MULTI-LANGUAGE) PLACARD CONTENT: PULL MASK DOWN TO TURN ON OXYGEN	038038 042046	1
10	BAC29PPS37655		.PLACARD-(MULTI-LANGUAGE)	038038 042046	1
15	BAC29PPS37653		.PLACARD-(MULTI-LANGUAGE)	038038 042046	1
20	BAC29PPS44784		.PLACARD-(GERMAN)	038038 042046	2
25	BAC29PPS44376		.PLACARD	038038 042046	2
30	BAC29PPS38297		.PLACARD	038038 042046	1
35	BAC29PPS36194		.PLACARD	038038 042046	2
40	BAC29PPS41845		.PLACARD- PLACARD CONTENT: LATCH DOOR CLOSED DURING TAXI, TAKEOFF AND LANDING	038038 042046	2
45	BAC29PPS40669		.PLACARD	038038 042046	2
50	BAC29PPS36200		.PLACARD	038038 042046	1
55	BAC29PPS44783		.PLACARD-(MULTI-LANGUAGE) PLACARD CONTENT: OPEN DOOR SLOWLY	038038 042046	1
60	BAC29PPS36213		.PLACARD	038038 042046	1

MISSING ITEM NUMBERS NOT APPLICABLE

- ITEM NOT ILLUSTRATED

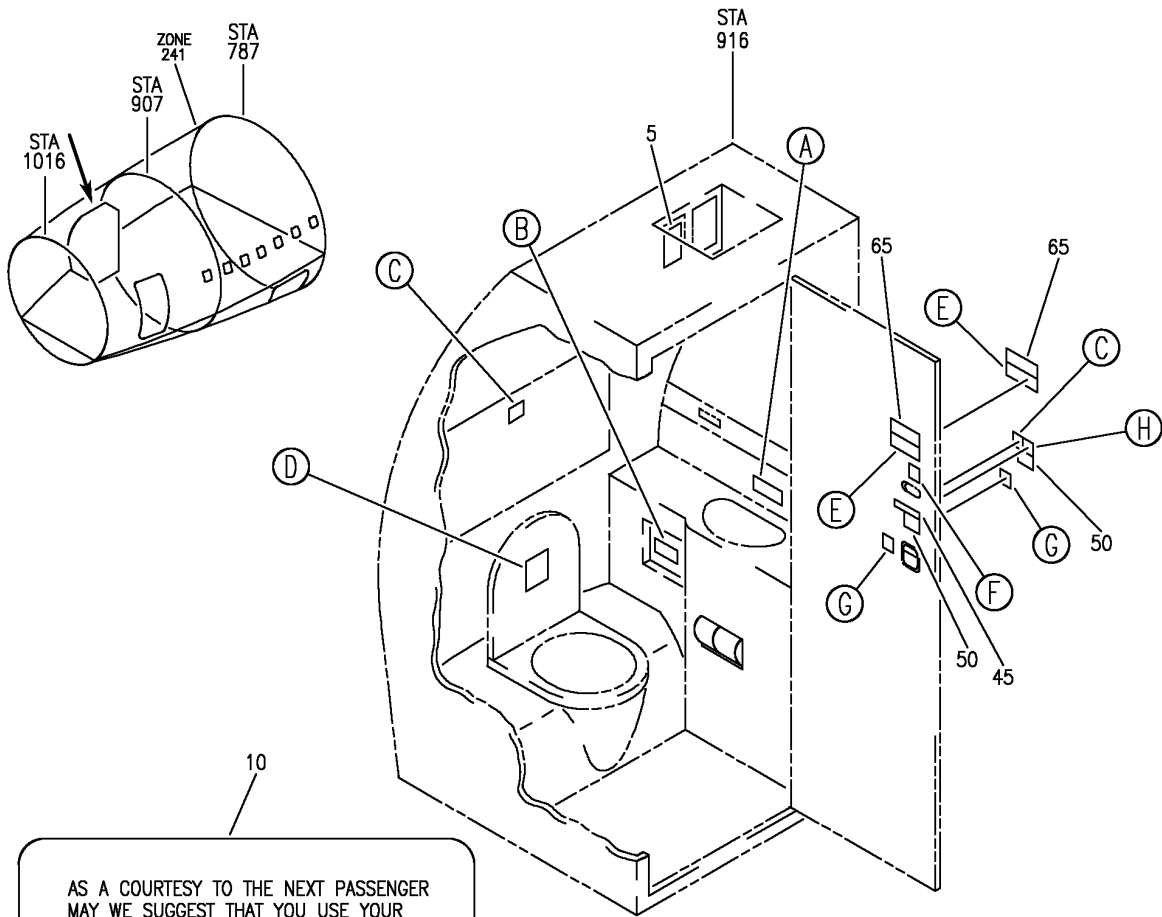
HAP

11-32-05-23D

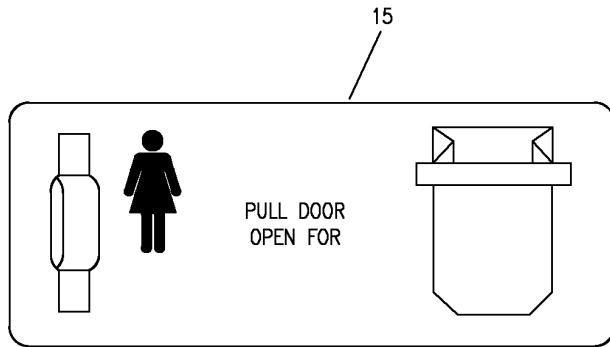
BOEING PROPRIETARY - Copyright © - Unpublished Work - See title page for details.

11-32-05
FIG. 23D
PAGE 1
FEB 15/09

BOEING
737-600/700/800/900
PARTS CATALOG (MAINTENANCE)



AS A COURTESY TO THE NEXT PASSENGER
MAY WE SUGGEST THAT YOU USE YOUR
TOWEL TO WIPE OFF WATER BASIN
THANK YOU!



E 11320523J SH1 1 REV 151

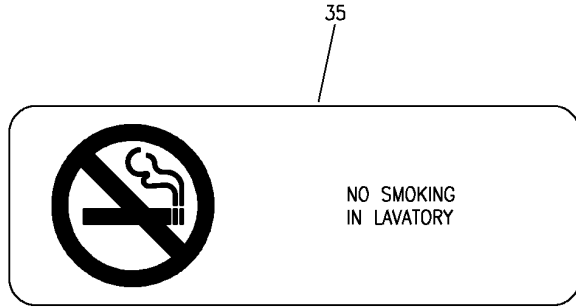
(C)

(B)

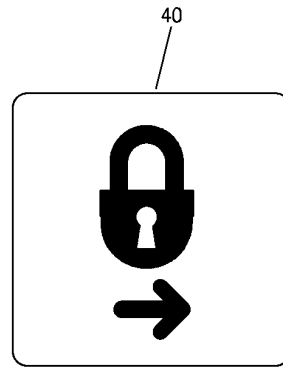
PLACARD INSTL-CAB. INTR LAV D
FIGURE 23J (SHEET 1)



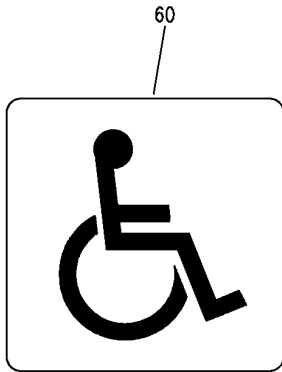
(D)



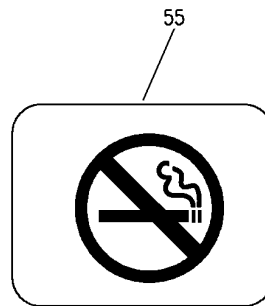
(E)



(F)



(H)



(G)

E 11320523J SHT 2 REV 131

PLACARD INSTL-CAB. INTR LAV D
FIGURE 23J (SHEET 2)

HAP
JUN 10/07

11-32-05-23J

11-32-05-23J
PAGE 0A

BOEING
737-600/700/800/900
PARTS CATALOG (MAINTENANCE)

FIG ITEM	PART NUMBER	1 2 3 4 5 6 7	NOMENCLATURE	EFFECT FROM TO	UNITS PER ASSY
23J			PLACARD INSTL-CAB. INTR LAV D	041041 047100	
- 1	MODREF337906		PLACARD INSTL-CAB. INTR LAV D	041041 047100	1
			MODULE NUMBER: 414A5115-235 REV A POSITION DATA: STA 916.00, LBL 17.00		
5	BAC29PPS36204		.PLACARD- PLACARD CONTENT: PULL MASK DOWN TO TURN ON OXYGEN	041041 047100	1
10	BAC29PPS36202		.PLACARD	041041 047100	1
15	BAC29PPS36203		.PLACARD	041041 047100	1
20	BAC29PPS36194		.PLACARD	041041 047100	2
25	BAC29PPS36213		.PLACARD	041041 047100	1
35	BAC29PPS44376		.PLACARD	041041 047100	2
40	BAC29PPS36200		.PLACARD	041041 047100	1
45	BAC29PPS41844		.PLACARD- PLACARD CONTENT: OPEN DOOR SLOWLY	041041 047100	1
50	BAC29PPS41845		.PLACARD- PLACARD CONTENT: LATCH DOOR CLOSED DURING TAXI, TAKEOFF AND LANDING	041041 047100	2
55	BAC29PPS40669		.PLACARD	041041 047100	2
60	BAC29PPS38297		.PLACARD	041041 047100	1
65	BAC29PPS44784		.PLACARD-(GERMAN) POST RAPID REVISION: RR97237-19B	048048	2

MISSING ITEM NUMBERS NOT APPLICABLE

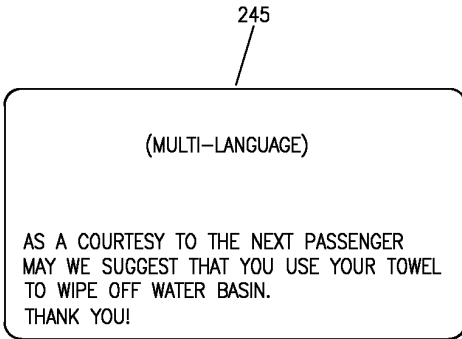
- ITEM NOT ILLUSTRATED

HAP

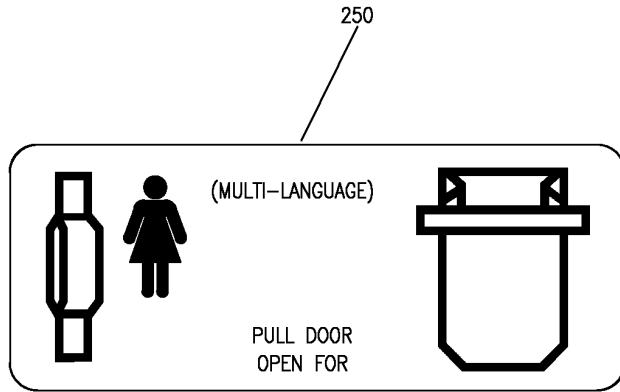
11-32-05-23J

BOEING PROPRIETARY - Copyright © - Unpublished Work - See title page for details.

11-32-05
FIG. 23J
PAGE 1
FEB 15/09



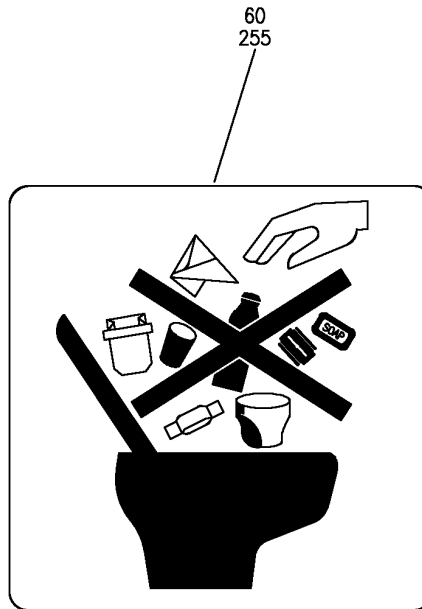
(H)



(J)



(L)



(K)

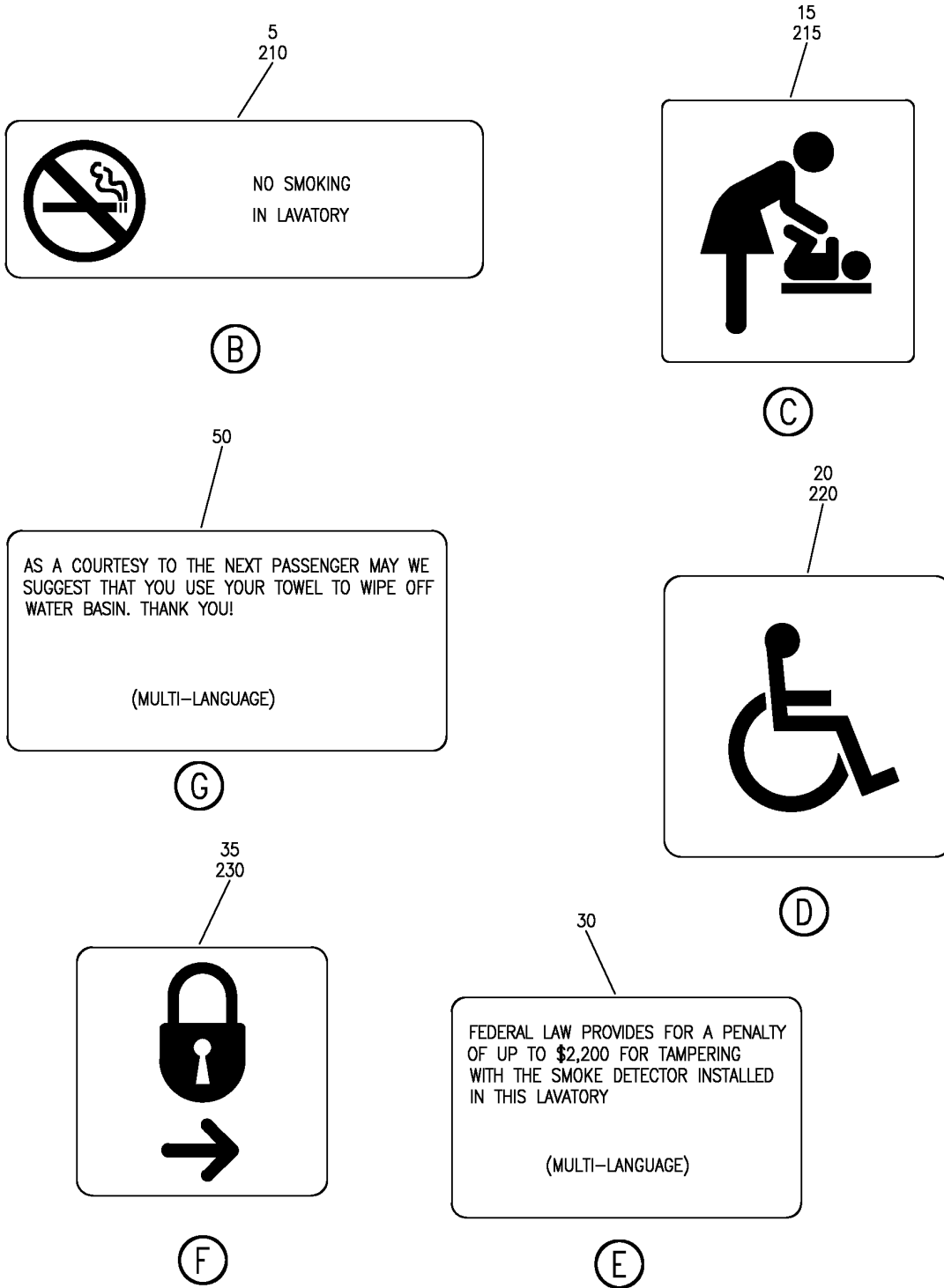
E 11320527C SHT 3 REV 128

PLACARD INSTL-CAB. INTR LAV D
 FIGURE 27C (SHEET 1)

11-32-05-27C

HAP
 JUN 10/07

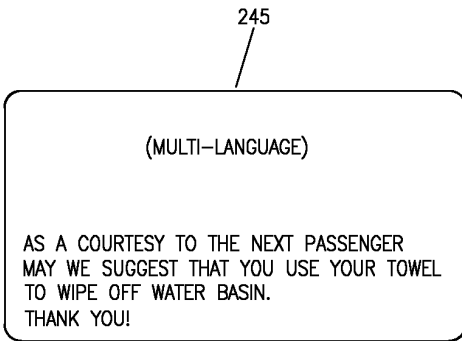
11-32-05-27C
 PAGE 0



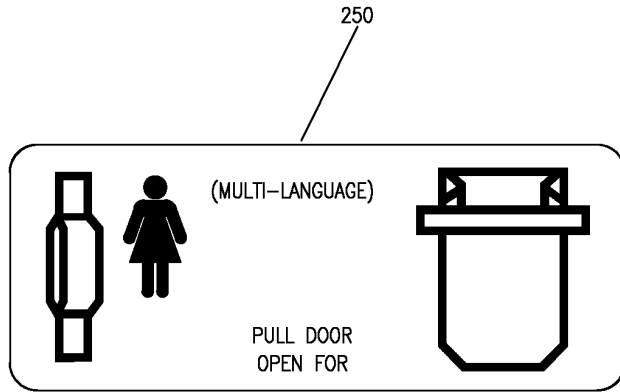
E 11320527C SHT 2 REV 085

PLACARD INSTL-CAB. INTR LAV D
 FIGURE 27C (SHEET 2)

11-32-05-27C



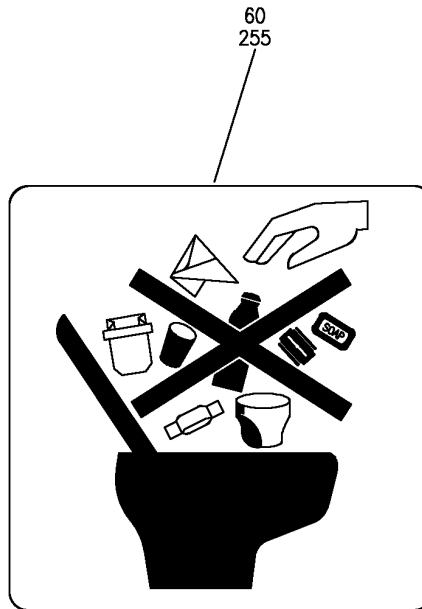
(H)



(J)



(L)



(K)

E 11320527C SHT 3 REV 128

PLACARD INSTL-CAB. INTR LAV D
 FIGURE 27C (SHEET 3)

11-32-05-27C

HAP
 JUN 10/07

11-32-05-27C
 PAGE 08

BOEING
737-600/700/800/900
PARTS CATALOG (MAINTENANCE)

FIG ITEM	PART NUMBER	1 2 3 4 5 6 7	NOMENCLATURE	EFFECT FROM TO	UNITS PER ASSY
27C			PLACARD INSTL-CAB. INTR LAV D	031037 039040 101200 968999	
- 200	MODREF215054		PLACARD INSTL-CAB. INTR LAV D MODULE NUMBER: 414A5115-83 REV A POSITION DATA: STA 916.00, LBL 17.00	031036	1
- 200	MODREF326476		PLACARD INSTL-CAB. INTR LAV D MODULE NUMBER: 414A5115-83 REV B POSITION DATA: STA 916.00, LBL 17.00	037037 039040 101200 968999	1
205	BAC29PPS44784		.PLACARD-(MULTI-LANGUAGE)	031037 039040 101200 968999	2
210	BAC29PPS44376		.PLACARD	031037 039040 101200 968999	2
215	BAC29PPS36194		.PLACARD	031037 039040 101200 968999	2
217	BAC29PPS40669		.PLACARD	037037 039040 101200 968999	2
220	BAC29PPS38297		.PLACARD	031037 039040 101200 968999	1
225	BAC29PPS41845		.PLACARD- PLACARD CONTENT: LATCH DOOR CLOSED DURING TAXI, TAKEOFF AND LANDING	031037 039040 101200 968999	2
230	BAC29PPS36200		.PLACARD	031037 039040 101200 968999	1
235	BAC29PPS44783		.PLACARD-(MULTI-LANGUAGE) PLACARD CONTENT: OPEN DOOR SLOWLY	031037 039040 101200 968999	1

MISSING ITEM NUMBERS NOT APPLICABLE

- ITEM NOT ILLUSTRATED

HAP

11-32-05-27C

BOEING PROPRIETARY - Copyright © - Unpublished Work - See title page for details.

11-32-05
FIG. 27C
PAGE 1
OCT 15/08

BOEING
737-600/700/800/900
PARTS CATALOG (MAINTENANCE)

FIG ITEM	PART NUMBER	1 2 3 4 5 6 7	NOMENCLATURE	EFFECT FROM TO	UNITS PER ASSY
27C 240	BAC29PPS37651		.PLACARD-(MULTI-LANGUAGE) PLACARD CONTENT: PULL MASK DOWN TO TURN ON OXYGEN	031037 039040 101200 968999	1
245	BAC29PPS37655		.PLACARD-(MULTI-LANGUAGE)	031037 039040 101200 968999	1
250	BAC29PPS37653		.PLACARD-(MULTI-LANGUAGE)	031037 039040 101200 968999	1
255	BAC29PPS36213		.PLACARD	031037 039040 101200 968999	1

MISSING ITEM NUMBERS NOT APPLICABLE

— ITEM NOT ILLUSTRATED

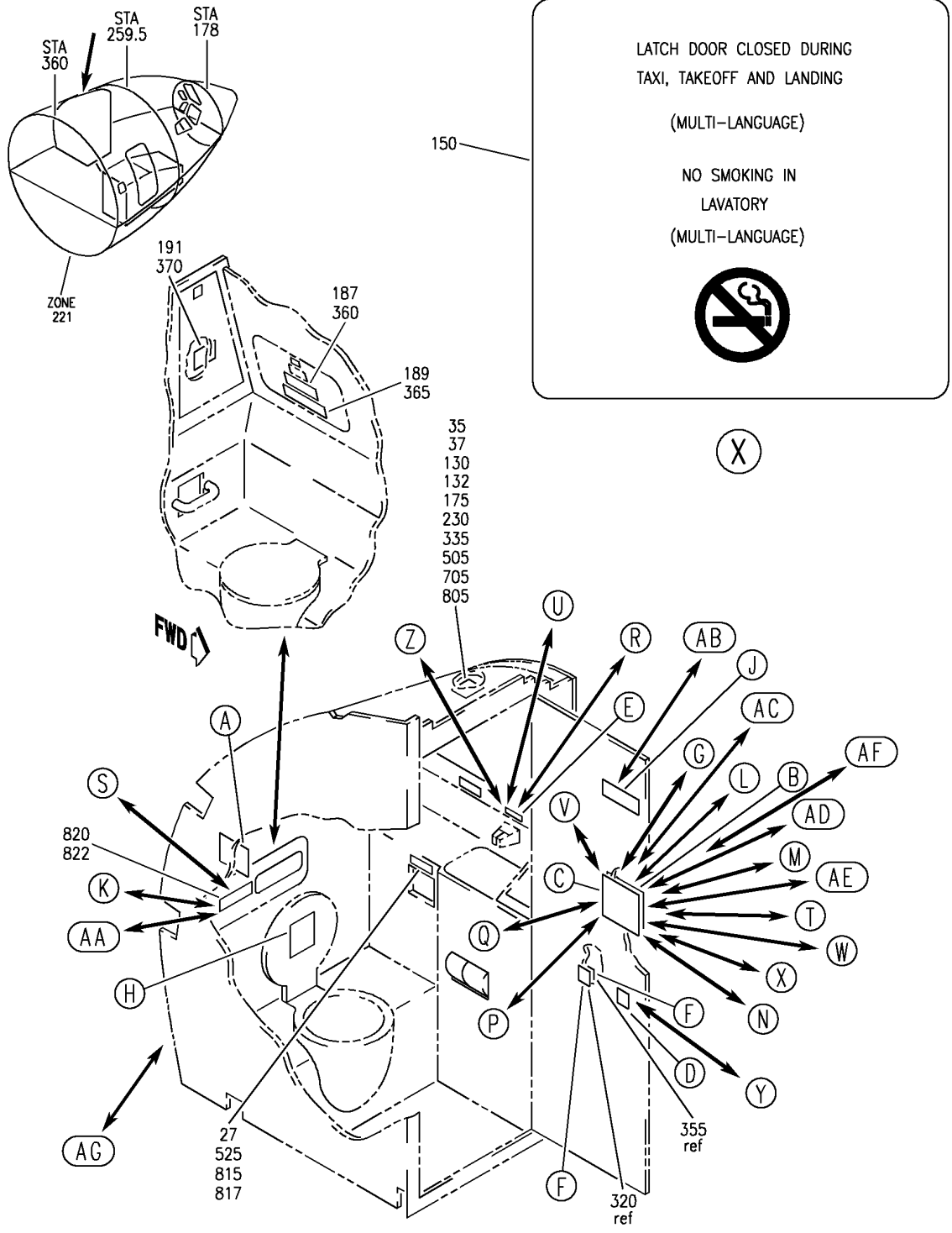
HAP

11-32-05-27C

BOEING PROPRIETARY - Copyright © - Unpublished Work - See title page for details.

11-32-05
FIG. 27C
PAGE 2
OCT 15/08

BOEING
 737-600/700/800/900
 PARTS CATALOG (MAINTENANCE)



E 11320529 SH1 1 REV 124

PLACARD INSTL-CAB. INTR FWD L LAV
 FIGURE 29 (SHEET 1)

11-32-05-29

HAP
 OCT 15/08

11-32-05-29
 PAGE 0



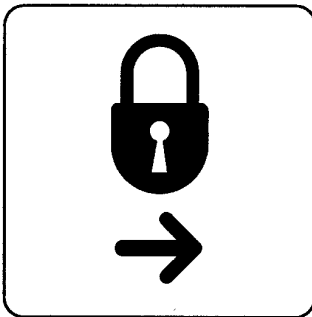
5
240
305
510

(A)



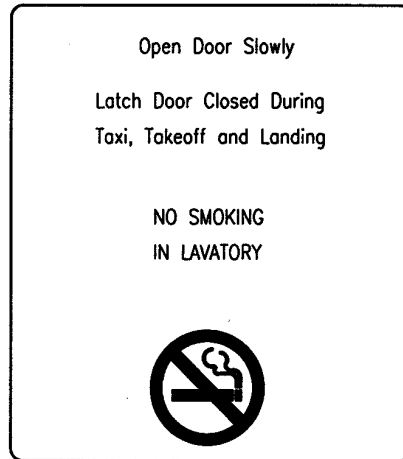
10
245

(B)



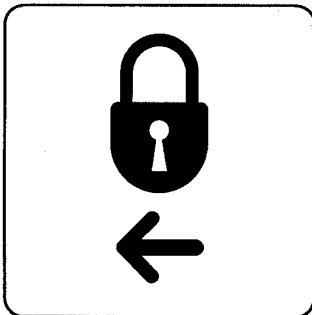
20
115
205
310
550
735
845

(D)



15
110
155

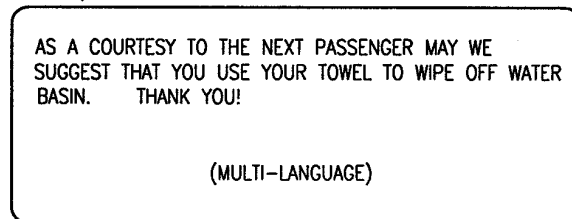
(C)



160

(Y)

165

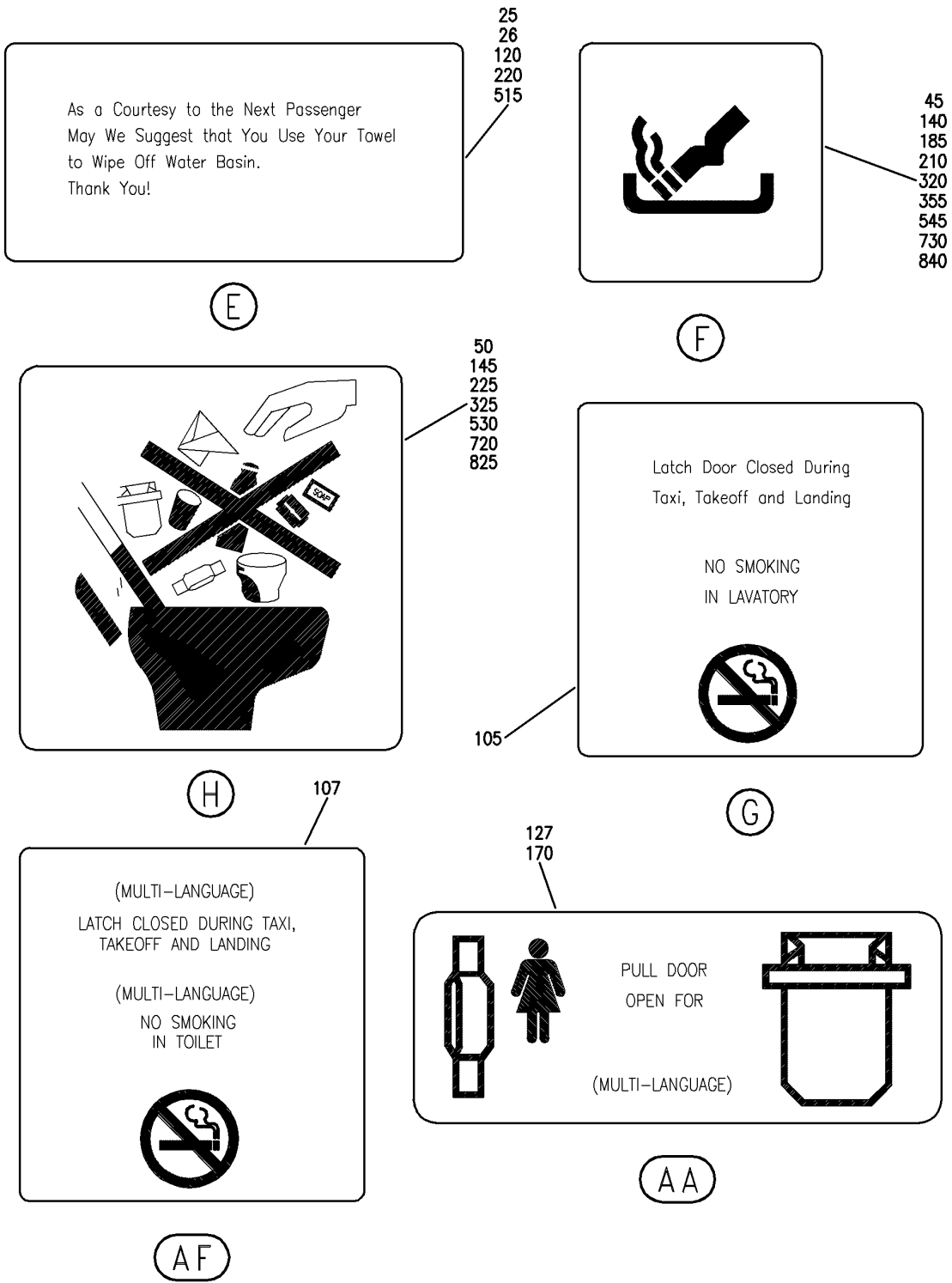


(Z)

E 11-320529 SH1 2 REV 036

PLACARD INSTL-CAB. INTR FWD L LAV
 FIGURE 29 (SHEET 2)

11-32-05-29



E 11320529 SHT 3 REV 061

PLACARD INSTL-CAB. INTR FWD L LAV
 FIGURE 29 (SHEET 3)

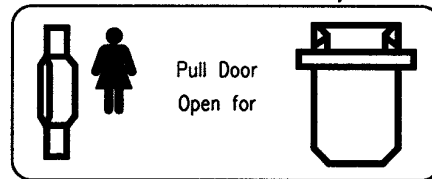
11-32-05-29

BOEING
 737-600/700/800/900
 PARTS CATALOG (MAINTENANCE)

40
 135
 235
 330
 535
 830

Federal Law Provides for a
 Penalty of Up to \$2,200 for
 Tampering with the Smoke
 Detector Installed in this
 Lavatory

30
 125
 215
 520



(J)

12

Latch Door Closed During
 Taxi, Takeoff and Landing

NO SMOKING
 IN LAVATORY

(K)

13
 555

Latch Door Closed During
 Taxi, Takeoff and Landing
 (MULTI-LANGUAGE)

NO SMOKING
 IN LAVATORY

(M)

180

FEDERAL LAW PROVIDES FOR A
 PENALTY OF UP TO \$2,200 FOR
 TAMPERING WITH THE SMOKE
 DETECTOR INSTALLED IN THIS
 LAVATORY

(L)

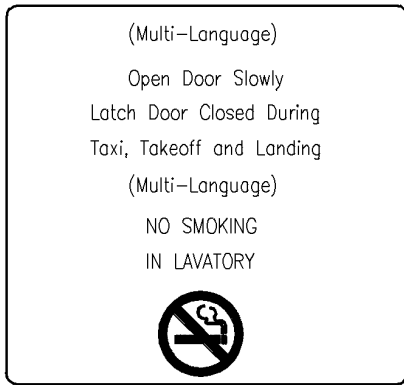
(AB)

E 11.320529 SH1 4 REV 036

PLACARD INSTL-CAB. INTR FWD L LAV
 FIGURE 29 (SHEET 4)

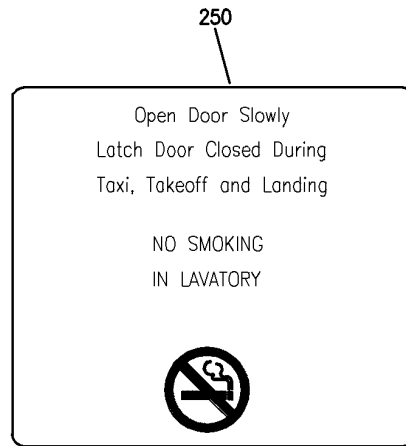
11-32-05-29

BOEING
 737-600/700/800/900
 PARTS CATALOG (MAINTENANCE)



17
 540
 725

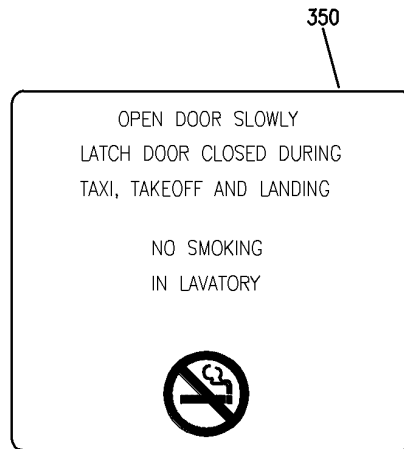
(N)



(P)



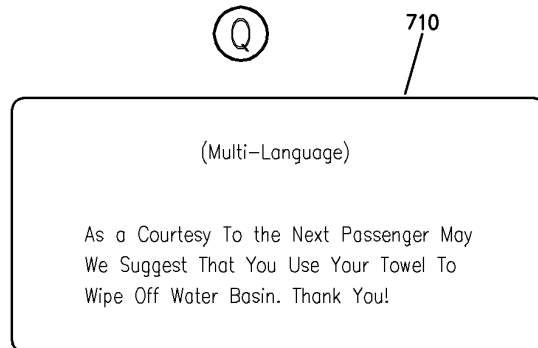
(AE)



(Q)



(AC)



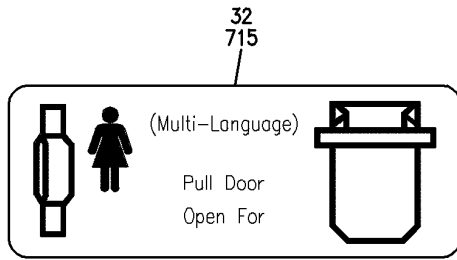
(R)

E 11320529 SHT 5 REV 063

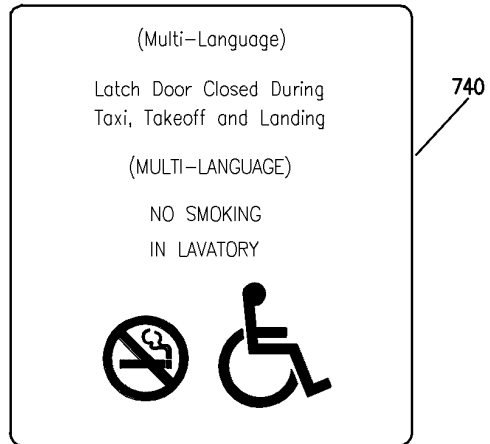
PLACARD INSTL-CAB. INTR FWD L LAV
 FIGURE 29 (SHEET 5)

11-32-05-29

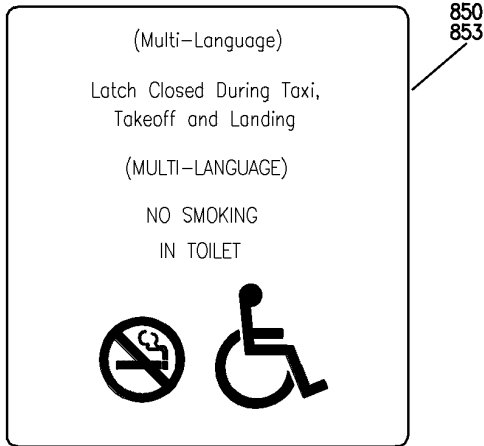
BOEING
 737-600/700/800/900
 PARTS CATALOG (MAINTENANCE)



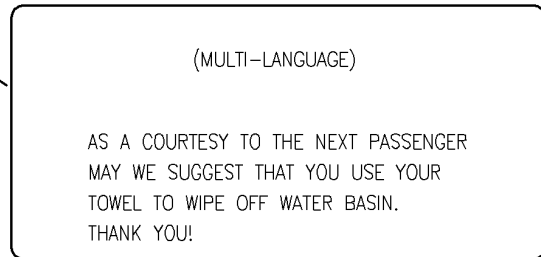
(S)



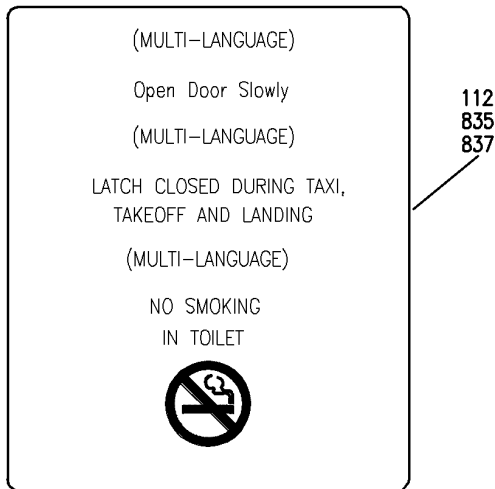
(T)



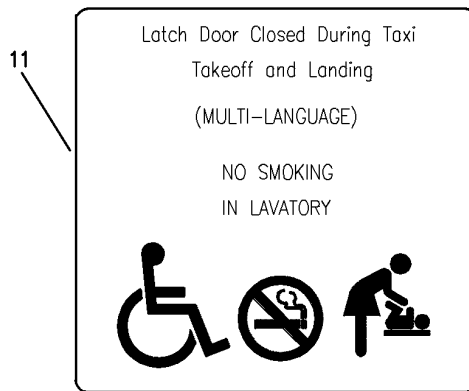
(W)



(U)



(V)



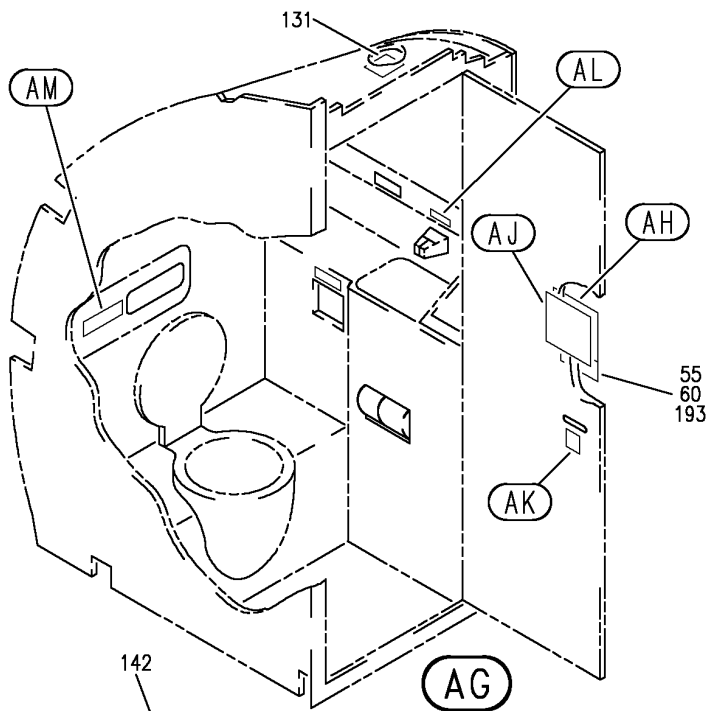
(AD)

E 11320529 SHT 6 REV 061

PLACARD INSTL-CAB. INTR FWD L LAV
 FIGURE 29 (SHEET 6)

11-32-05-29


BOEING
 737-600/700/800/900
 PARTS CATALOG (MAINTENANCE)



106

(MULTI-LANGUAGE)
 LATCH DOOR CLOSED DURING
 TAXI, TAKEOFF AND LANDING

(MULTI-LANGUAGE)
 NO SMOKING
 IN LAVATORY



AH

142

(MULTI-LANGUAGE)
 PULL DOOR
 TO OPEN



AM


138

(MULTI-LANGUAGE)
 AS A COURTESY TO THE NEXT PASSENGER MAY
 WE SUGGEST THAT YOU USE YOUR TOWEL TO
 WIPE OFF WASH BASIN. THANK YOU !

AL

117

(MULTI-LANGUAGE)
 PLEASE LOCK
 DOOR




AK

111

(MULTI-LANGUAGE)
 OPEN DOOR SLOWLY

(MULTI-LANGUAGE)
 LATCH DOOR CLOSED DURING
 TAXI, TAKEOFF AND LANDING

(MULTI-LANGUAGE)
 NO SMOKING
 IN LAVATORY



AJ

E 11320529 SH7 7 REV 077

PLACARD INSTL-CAB. INTR FWD L LAV
 FIGURE 29 (SHEET 7)

11-32-05-29

BOEING
737-600/700/800/900
PARTS CATALOG (MAINTENANCE)

FIG ITEM	PART NUMBER	1 2 3 4 5 6 7	NOMENCLATURE	EFFECT FROM TO	UNITS PER ASSY
29			PLACARD INSTL-CAB. INTR FWD L LAV	201967	
- 1	414A5110-1		PLACARD INSTL-CAB. INTR LAV POSITION DATA: FWD L FOR NHA SEE: 11-30-00-01B	201967	RF
5	BAC29PPS36194		.PLACARD-	201967	1
10	BAC29PPS36195		.PLACARD-	201967	1
15	BAC29PPS36199		.PLACARD-	201967	1
20	BAC29PPS36200		.PLACARD-	201967	1
25	BAC29PPS36202		.PLACARD-	201967	1
30	BAC29PPS36203		.PLACARD-	201967	1
35	BAC29PPS36204		.PLACARD- PLACARD CONTENT: PULL MASK DOWN TO TURN ON OXYGEN	201967	1
40	BAC29PPS36205		.PLACARD-	201967	1
45	BAC29PPS36206		.PLACARD-	201967	2
50	BAC29PPS36213		.PLACARD-	201967	1

MISSING ITEM NUMBERS NOT APPLICABLE

- ITEM NOT ILLUSTRATED

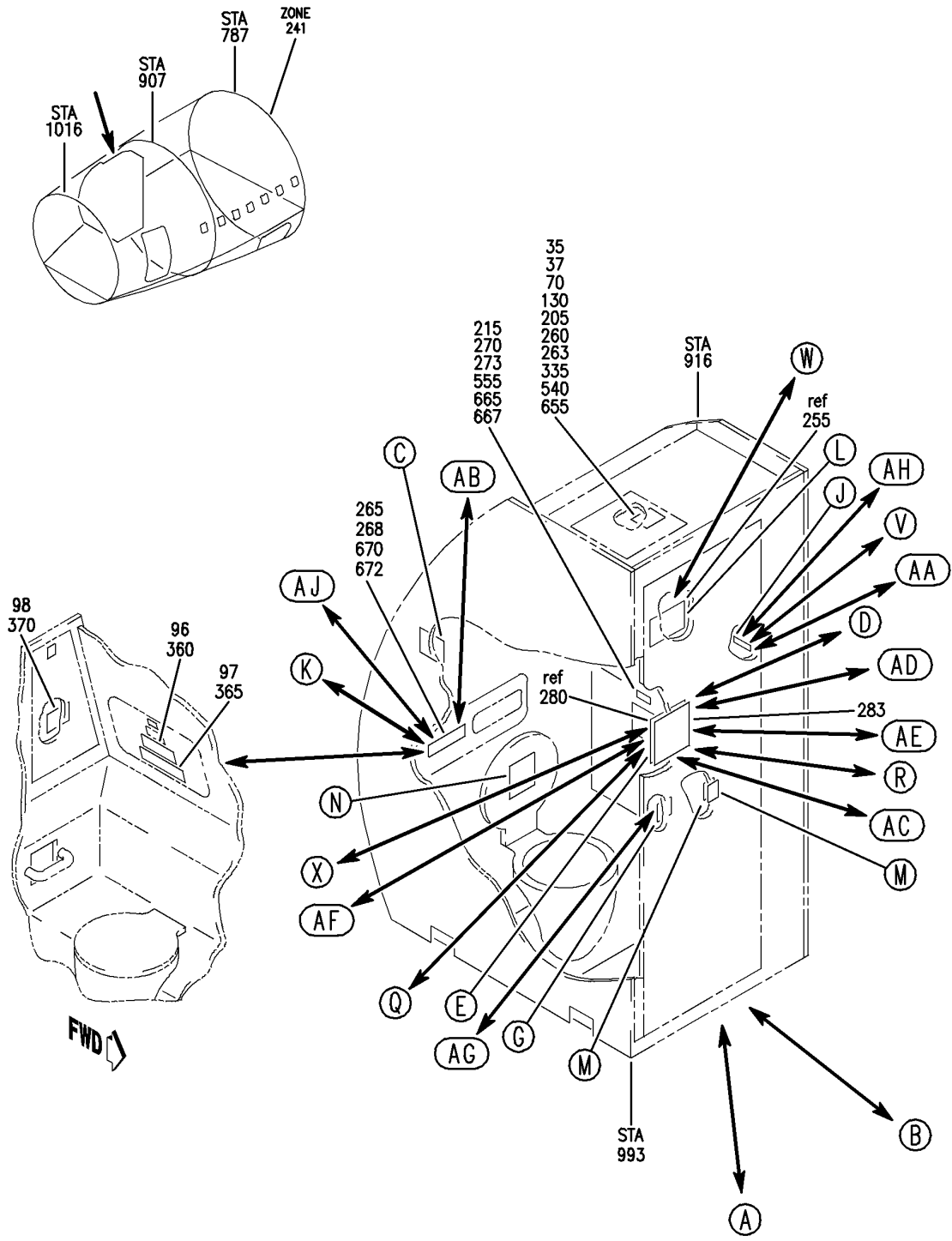
HAP

11-32-05-29

BOEING PROPRIETARY - Copyright © - Unpublished Work - See title page for details.

11-32-05
FIG. 29
PAGE 1
OCT 15/08

BOEING
 737-600/700/800/900
 PARTS CATALOG (MAINTENANCE)



E 11320530 SHT 1 REV 064

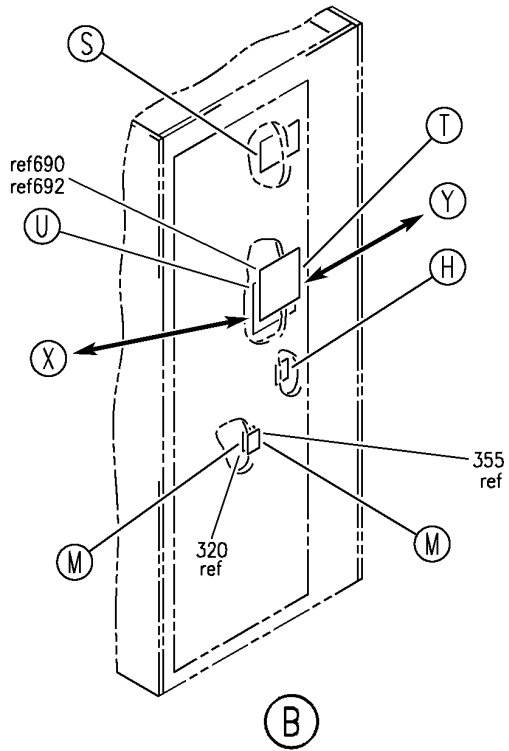
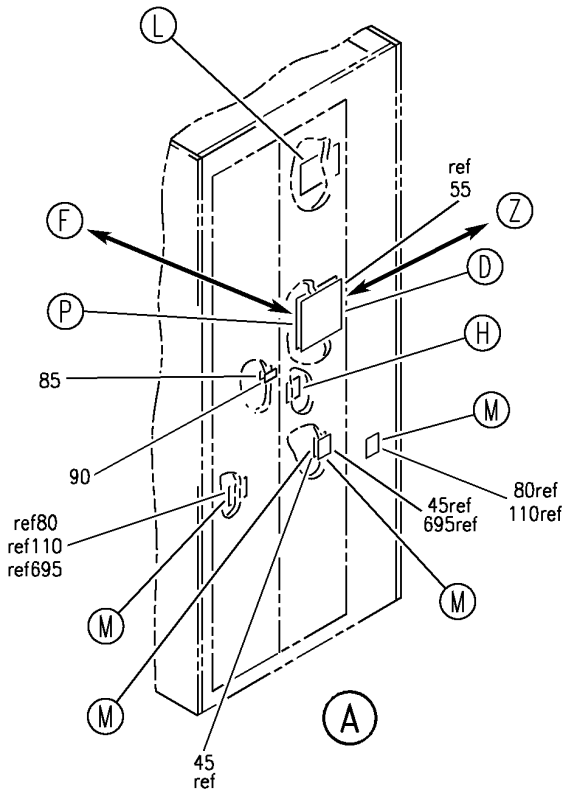
PLACARD INSTL-CAB. INTR AFT LH, LAV NO. 1
 FIGURE 30 (SHEET 1)

11-32-05-30

HAP
 OCT 15/08

11-32-05-30
 PAGE 0

BOEING
737-600/700/800/900
PARTS CATALOG (MAINTENANCE)



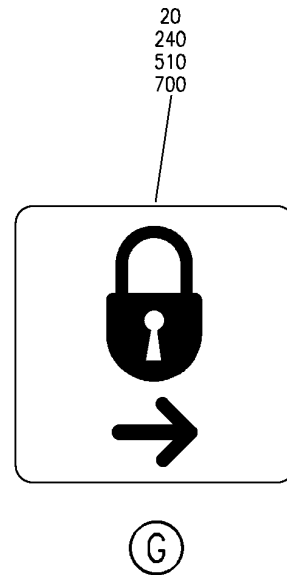
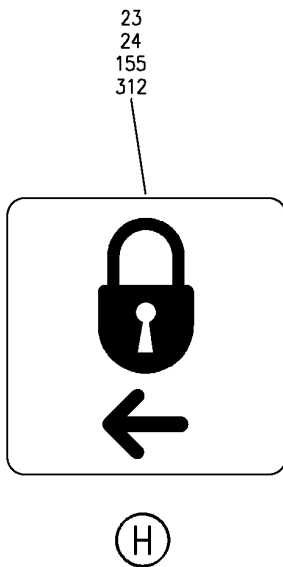
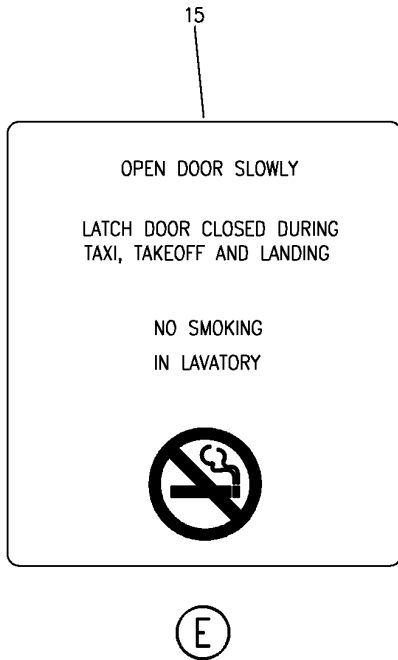
E 11320530 SH 2 REV 111

PLACARD INSTL-CAB. INTR AFT LH, LAV NO. 1
FIGURE 30 (SHEET 2)

11-32-05-30

HAP
OCT 15/08

11-32-05-30
PAGE 0A



E 11320530 SH1 3 REV 111

PLACARD INSTL-CAB. INTR AFT LH, LAV NO. 1
 FIGURE 30 (SHEET 3)

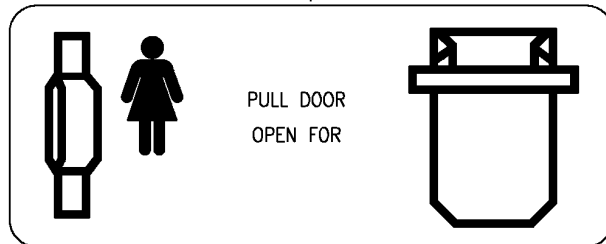
11-32-05-30

25
120
220
275
515

AS A COURTESY TO THE NEXT PASSENGER
 MAY WE SUGGEST THAT YOU USE YOUR TOWEL
 TO WIPE OFF WATER BASIN.
 THANK YOU!

(J)

30
115
210
520



(K)

45
47
80
110
250
320
355
530
695



(M)

39
40
75
135
255
525
685

FEDERAL LAW PROVIDES FOR A
 PENALTY OF UP TO \$2,200 FOR
 TAMPERING WITH THE SMOKE
 DETECTOR INSTALLED IN THIS
 LAVATORY

(L)

E 11320530 SHT 4 REV 111

PLACARD INSTL-CAB. INTR AFT LH, LAV NO. 1
 FIGURE 30 (SHEET 4)

11-32-05-30

HAP
 OCT 15/08

11-32-05-30
 PAGE 0C

BOEING
 737-600/700/800/900
 PARTS CATALOG (MAINTENANCE)

50
 125
 230
 325
 535
 675

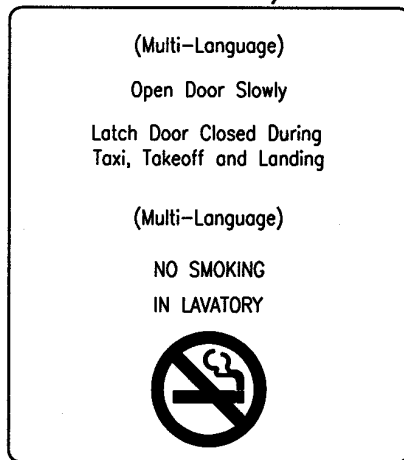


150



(P)

16
 235
 545



(Q)

(N)

245
 550



(R)

E 11320530 SH1 5 REV 041

PLACARD INSTL-CAB. INTR AFT LH, LAV NO. 1
 FIGURE 30 (SHEET 5)

11-32-05-30

BOEING
 737-600/700/800/900
 PARTS CATALOG (MAINTENANCE)

330

FEDERAL LAW PROVIDES
 FOR A PENALTY OF UP TO
 \$2,200 FOR TAMPERING
 WITH THE SMOKE DETECTOR
 INSTALLED IN THIS LAVATORY



345

LATCH DOOR CLOSED DURING
 TAXI, TAKEOFF AND LANDING

NO SMOKING
 IN LAVATORY



278
 660
 662

(Multi-Language)

As a Courtesy to the Next Passenger
 May We Suggest that You Use Your
 Towel to Wipe Off Water Basin.
 Thank You



350

OPEN DOOR SLOWLY

LATCH DOOR CLOSED DURING
 TAXI, TAKEOFF AND LANDING

NO SMOKING
 IN LAVATORY



E 11320530 SHT 6 REV 054

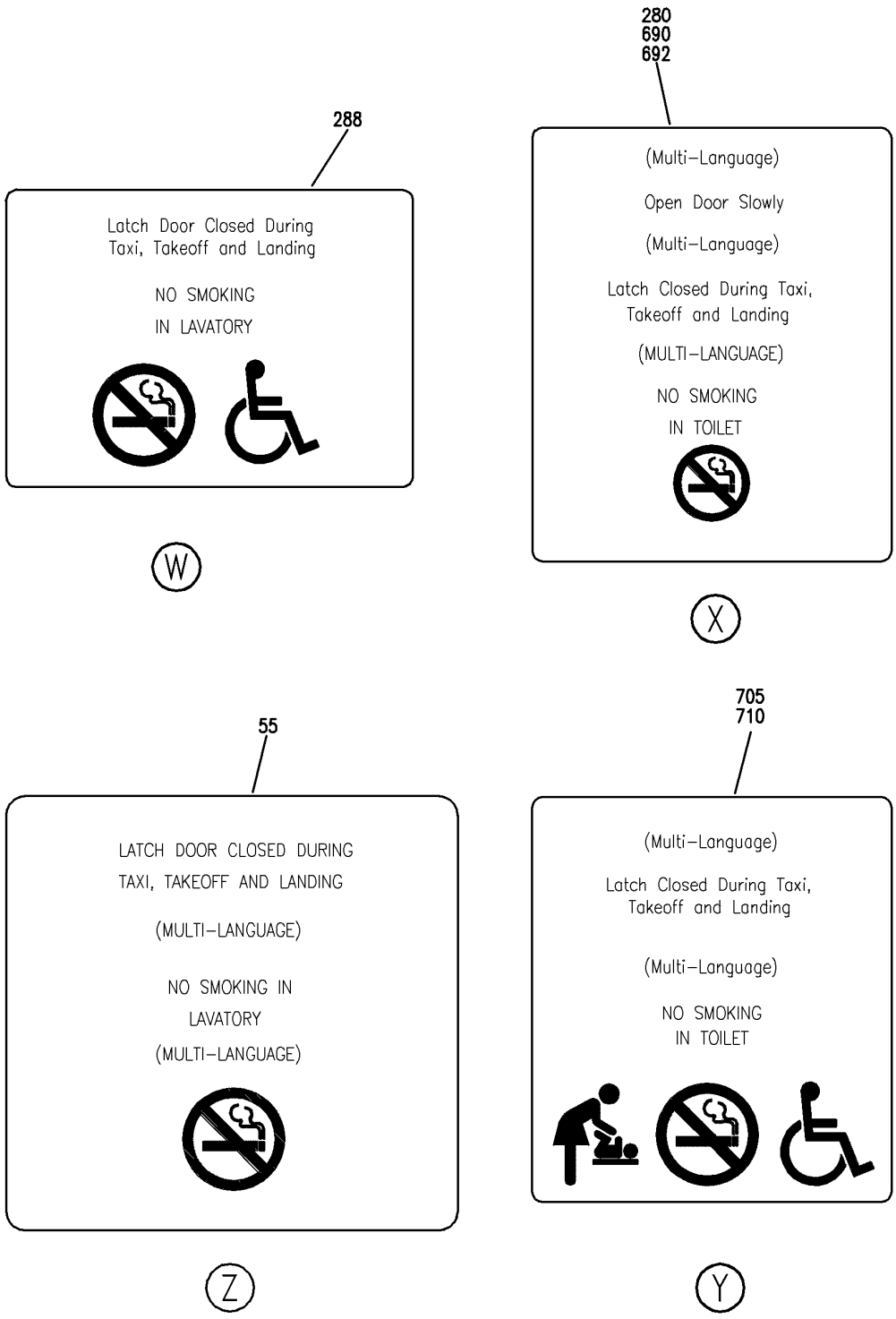
PLACARD INSTL-CAB. INTR AFT LH, LAV NO. 1
 FIGURE 30 (SHEET 6)

11-32-05-30

HAP
 OCT 15/08

11-32-05-30
 PAGE 0E

BOEING
 737-600/700/800/900
 PARTS CATALOG (MAINTENANCE)



E 11320530 SHT 7 REV 054

PLACARD INSTL-CAB. INTR AFT LH, LAV NO. 1
 FIGURE 30 (SHEET 7)

11-32-05-30

BOEING
 737-600/700/800/900
 PARTS CATALOG (MAINTENANCE)


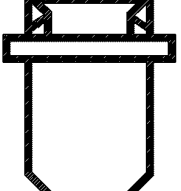
AS A COURTESY TO THE NEXT PASSENGER MAY WE
 SUGGEST THAT YOU USE YOUR TOWEL TO WIPE OFF WATER
 BASIN. THANK YOU!

(MULTI-LANGUAGE)

60

AA

32
65

 PULL DOOR
 OPEN FOR 

(MULTI-LANGUAGE)

AB

12

Latch Door Closed During
 Taxi, Takeoff and Landing

(Multi-Language)

NO SMOKING
 IN LAVATORY



AD

95

LATCH DOOR CLOSED DURING
 TAXI, TAKEOFF AND LANDING

(MULTI-LANGUAGE)

NO SMOKING IN
 LAVATORY

(MULTI-LANGUAGE)



AC

E 11320530 SHT 8 REV 063

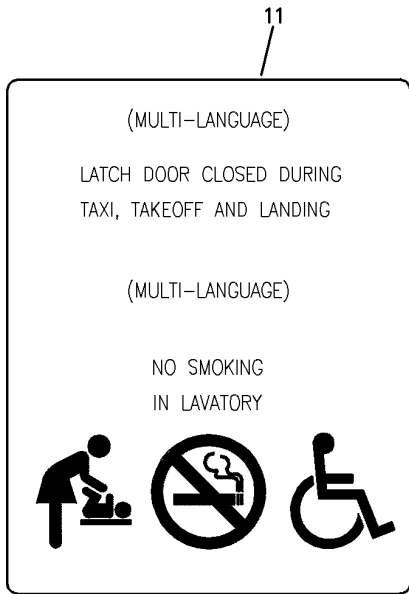
PLACARD INSTL-CAB. INTR AFT LH, LAV NO. 1
 FIGURE 30 (SHEET 8)

11-32-05-30

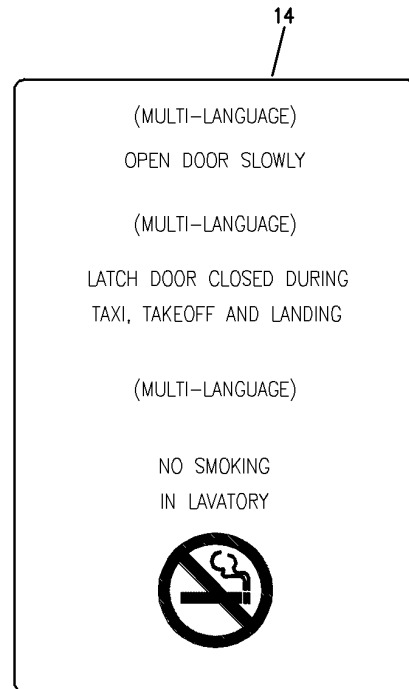
HAP
 OCT 15/08

11-32-05-30
 PAGE 0G

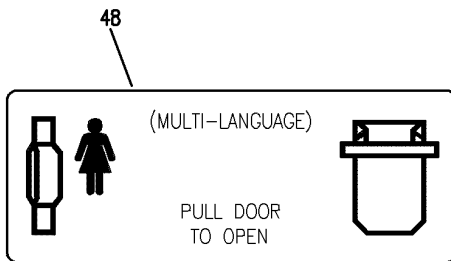
BOEING
 737-600/700/800/900
 PARTS CATALOG (MAINTENANCE)



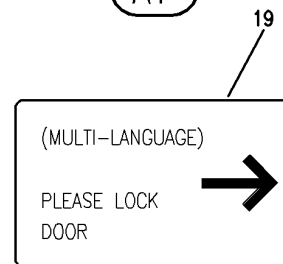
AE



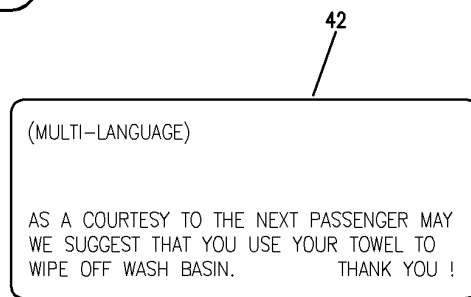
AF



AJ



AG



AH

E 11320530 SH1 9 REV 063

PLACARD INSTL-CAB. INTR AFT LH, LAV NO. 1
 FIGURE 30 (SHEET 9)

11-32-05-30

HAP
 OCT 15/08

11-32-05-30
 PAGE 0H

BOEING
737-600/700/800/900
PARTS CATALOG (MAINTENANCE)

FIG ITEM	PART NUMBER	1 2 3 4 5 6 7	NOMENCLATURE	EFFECT FROM TO	UNITS PER ASSY
30			PLACARD INSTL-CAB. INTR AFT LH, LAV NO. 1	201967	
- 1	414A5111-1		PLACARD INSTL-CAB. INTR LAV NO. 1 POSITION DATA: AFT LH FOR NHA SEE: 11-30-00-01B	201967	RF
5	BAC29PPS36194		.PLACARD-	201967	1
10	BAC29PPS36195		.PLACARD-	201967	1
15	BAC29PPS36199		.PLACARD-	201967	1
20	BAC29PPS36200		.PLACARD-	201967	1
25	BAC29PPS36202		.PLACARD-	201967	1
30	BAC29PPS36203		.PLACARD-	201967	1
35	BAC29PPS36204		.PLACARD- PLACARD CONTENT: PULL MASK DOWN TO TURN ON OXYGEN	201967	1
40	BAC29PPS36205		.PLACARD-	201967	1
45	BAC29PPS36206		.PLACARD-	201967	2
50	BAC29PPS36213		.PLACARD-	201967	1

MISSING ITEM NUMBERS NOT APPLICABLE

- ITEM NOT ILLUSTRATED

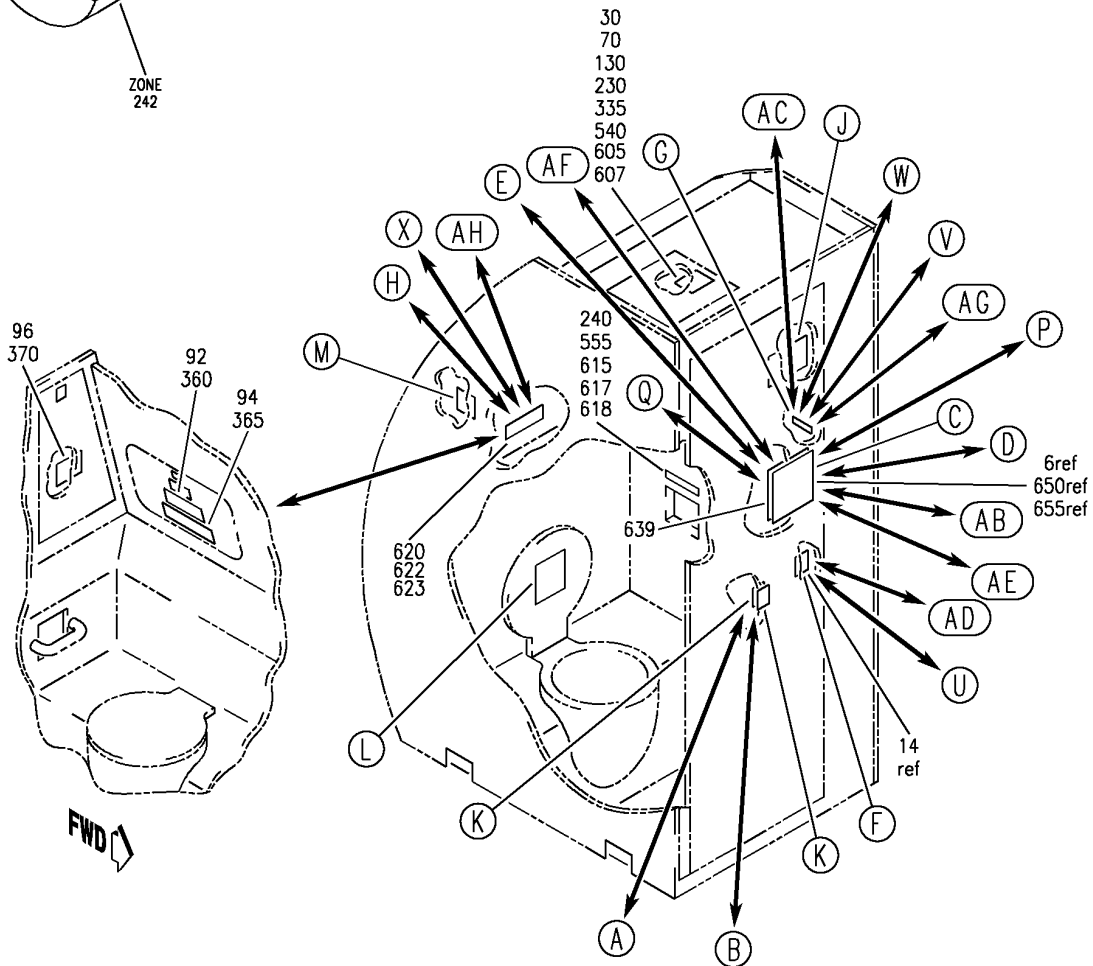
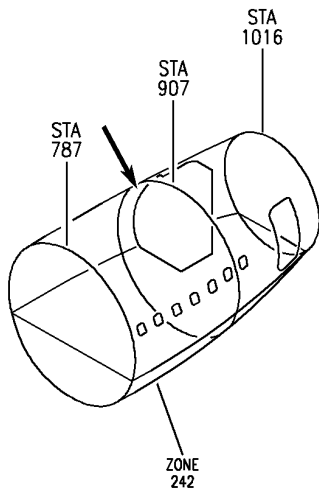
HAP

11-32-05-30

BOEING PROPRIETARY - Copyright © - Unpublished Work - See title page for details.

11-32-05
FIG. 30
PAGE 1
FEB 15/09

BOEING
 737-600/700/800/900
 PARTS CATALOG (MAINTENANCE)



E 11320531 SHT 1 REV 111

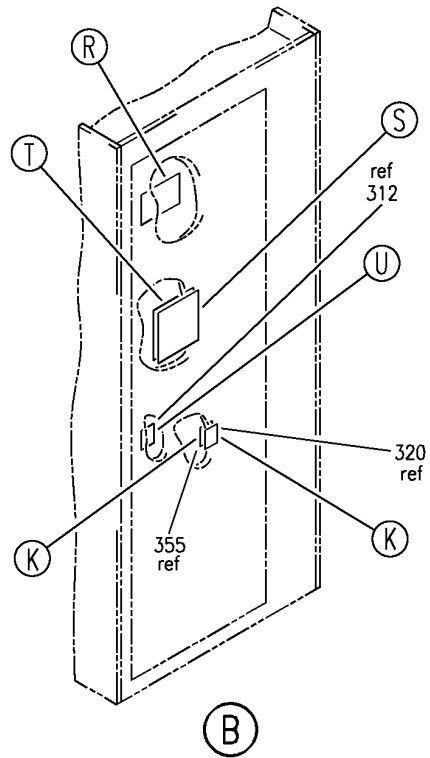
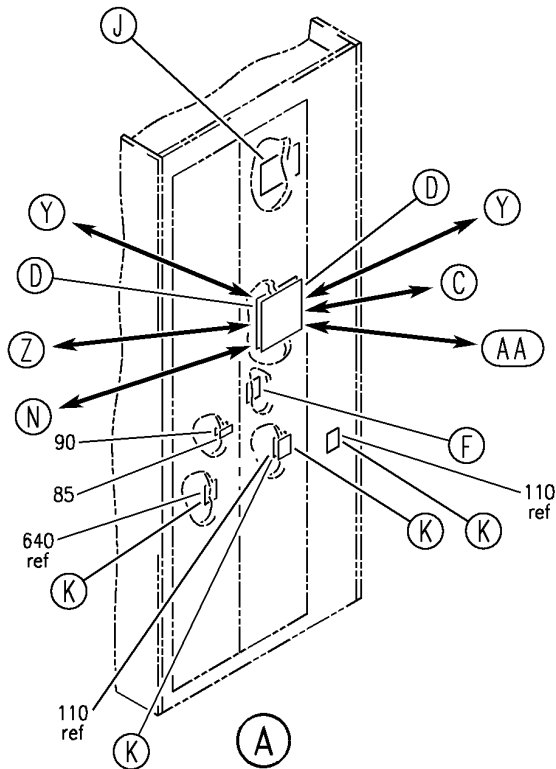
PLACARD INSTL-CAB. INTR AFT RH, LAV NO. 1
 FIGURE 31 (SHEET 1)

11-32-05-31

HAP
 OCT 15/08

11-32-05-31
 PAGE 0

BOEING
737-600/700/800/900
PARTS CATALOG (MAINTENANCE)



E 11320531 SHT 2 REV 111

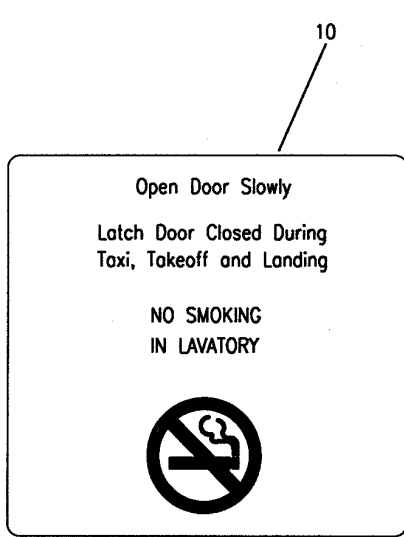
PLACARD INSTL-CAB. INTR AFT RH, LAV NO. 1
FIGURE 31 (SHEET 2)

11-32-05-31

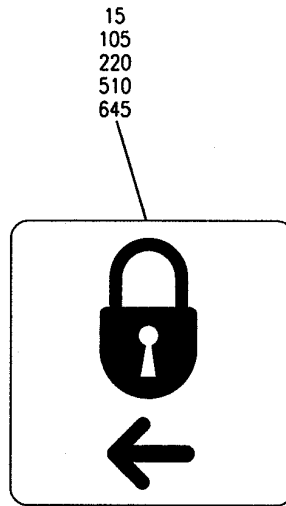
HAP
OCT 15/08

11-32-05-31
PAGE 0A

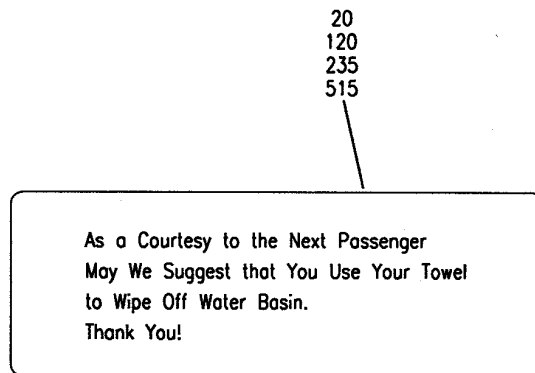
BOEING
 737-600/700/800/900
 PARTS CATALOG (MAINTENANCE)



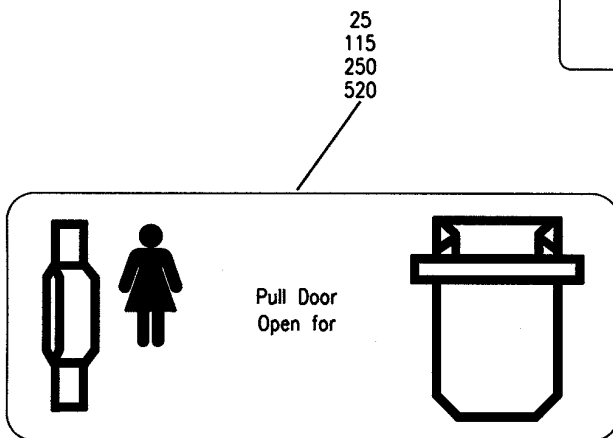
(E)



(F)



(G)



(H)

E 11320531 SHT 3 REV 036

PLACARD INSTL-CAB. INTR AFT RH, LAV NO. 1
 FIGURE 31 (SHEET 3)

11-32-05-31

33
 35
 75
 135
 525
 630

FEDERAL LAW PROVIDES FOR A PENALTY OF UP TO \$2,200 FOR TAMPERING WITH THE SMOKE DETECTOR INSTALLED IN THIS LAVATORY

(J)

40
 42
 80
 110
 210
 320
 355
 530
 640



(K)

50
 225
 305
 505



(M)

45
 125
 245
 325
 535
 625



(L)

E 11320531 SHT 4 REV 111

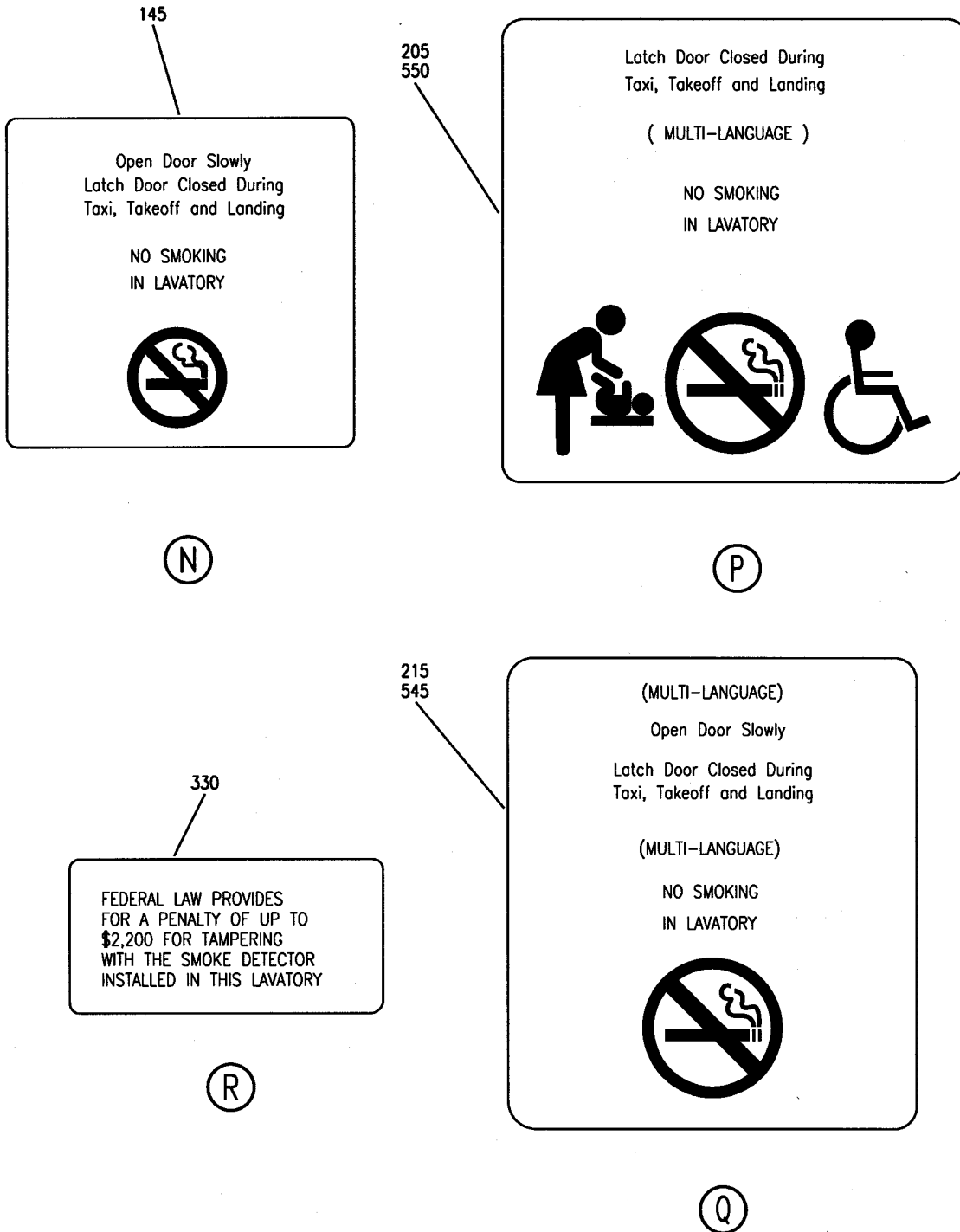
PLACARD INSTL-CAB. INTR AFT RH, LAV NO. 1
 FIGURE 31 (SHEET 4)

11-32-05-31

HAP
 OCT 15/08

11-32-05-31
 PAGE 0C

BOEING
 737-600/700/800/900
 PARTS CATALOG (MAINTENANCE)



E 11320531 SHT 5 REV 030

PLACARD INSTL-CAB. INTR AFT RH, LAV NO. 1
 FIGURE 31 (SHEET 5)

11-32-05-31

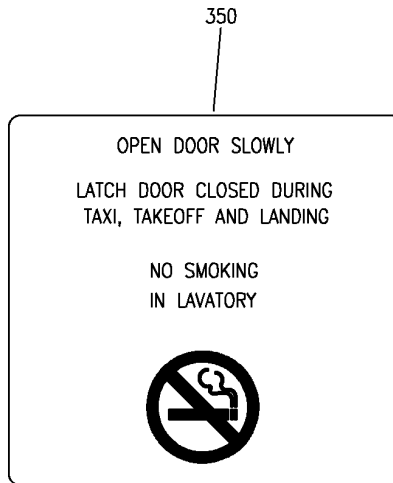
HAP
 OCT 15/08

11-32-05-31
 PAGE 0D

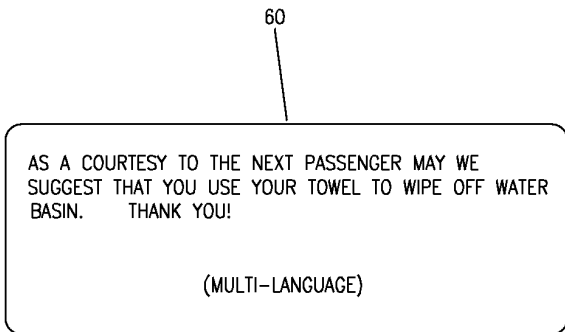
BOEING
 737-600/700/800/900
 PARTS CATALOG (MAINTENANCE)



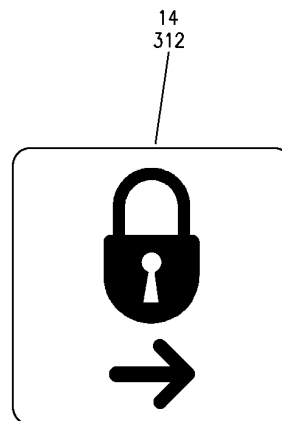
(S)



(T)



(V)



(U)

E 11320531 SHT 6 REV 111

PLACARD INSTL-CAB. INTR AFT RH, LAV NO. 1
 FIGURE 31 (SHEET 6)

11-32-05-31

HAP
 OCT 15/08

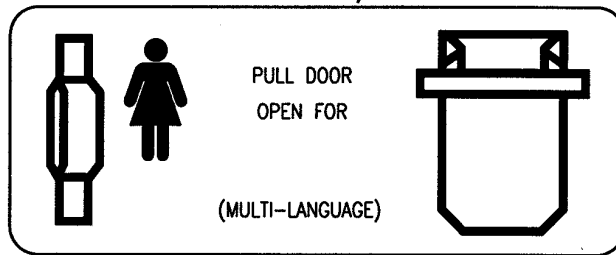
11-32-05-31
 PAGE 0E

610
612

(Multi-Language)
 As a Courtesy To the Next Passenger
 May We Suggest That You Use Your
 Towel To Wipe Off Water Basin.
 Thank You

W


27
65



X

635
637


(Multi-Language)
 Open Door Slowly
 (Multi-Language)
 Latch Closed During Taxi,
 Takeoff and Landing
 (MULTI-LANGUAGE)
 NO SMOKING
 IN TOILET



Z

55

LATCH DOOR CLOSED DURING
 TAXI, TAKEOFF AND LANDING
 (MULTI-LANGUAGE)
 NO SMOKING IN
 LAVATORY
 (MULTI-LANGUAGE)



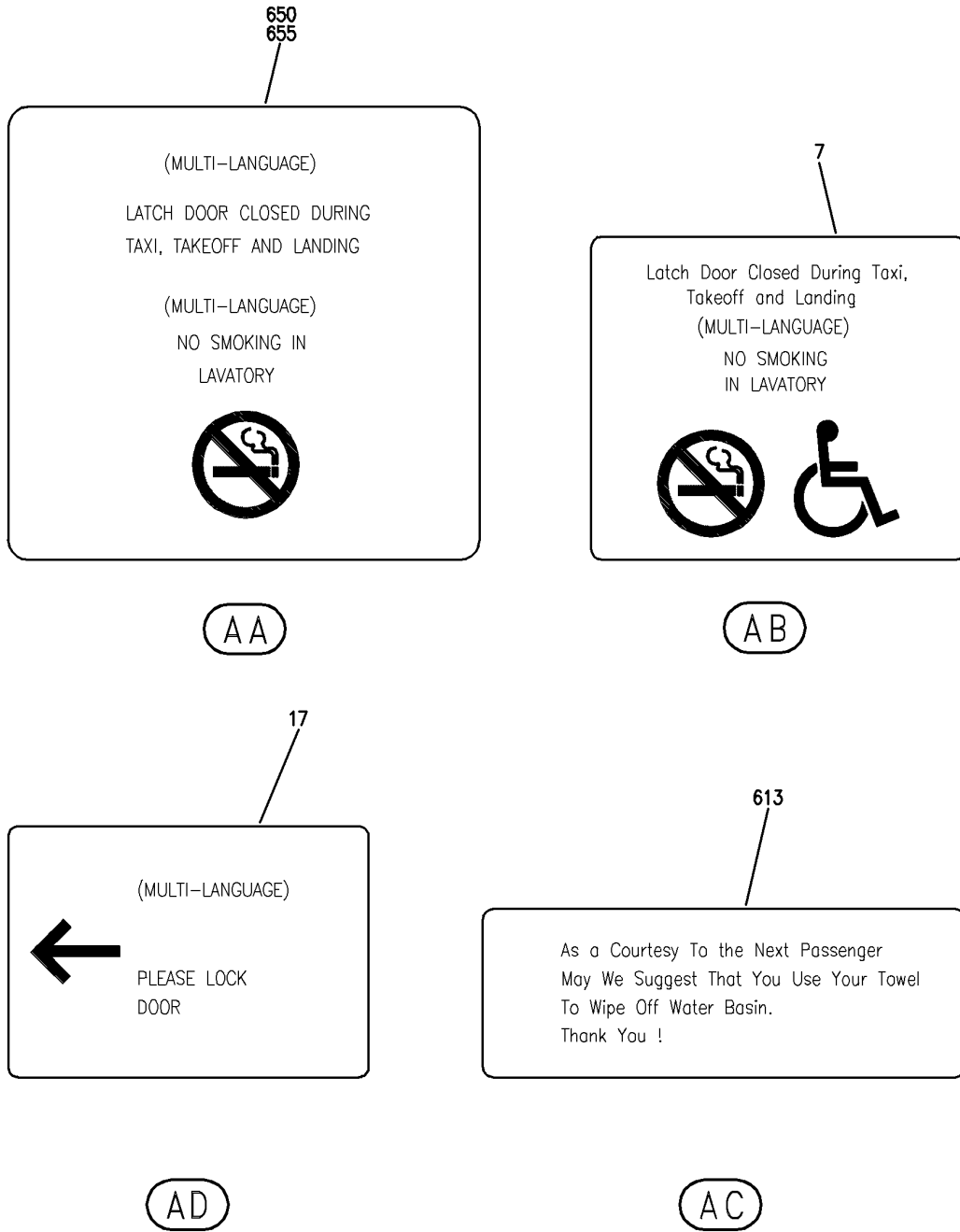
Y

E 11320531 SH1 7 REV 041

PLACARD INSTL-CAB. INTR AFT RH, LAV NO. 1
 FIGURE 31 (SHEET 7)

11-32-05-31

BOEING
 737-600/700/800/900
 PARTS CATALOG (MAINTENANCE)



E 11320531 SH1 8 REV 063

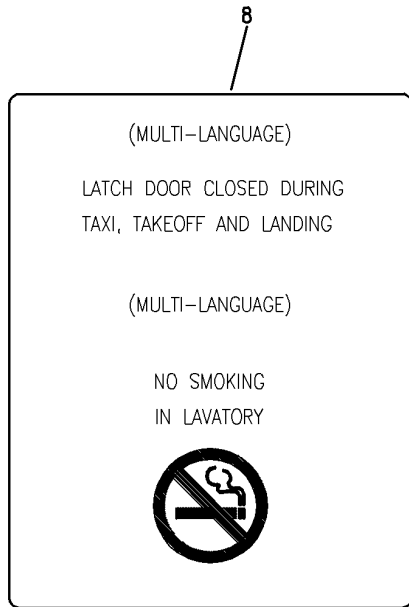
PLACARD INSTL-CAB. INTR AFT RH, LAV NO. 1
 FIGURE 31 (SHEET 8)

11-32-05-31

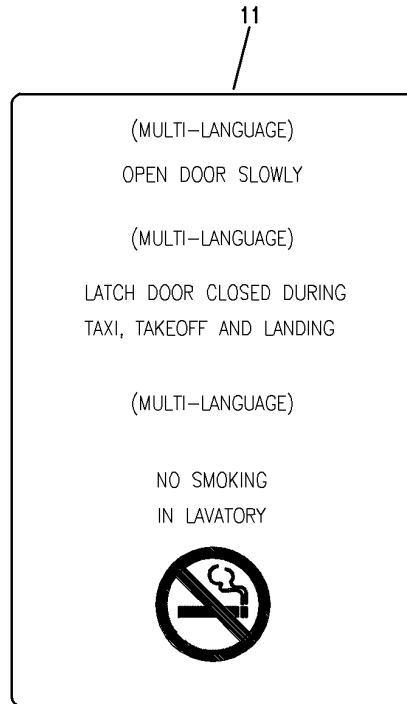
HAP
 OCT 15/08

11-32-05-31
 PAGE 0G

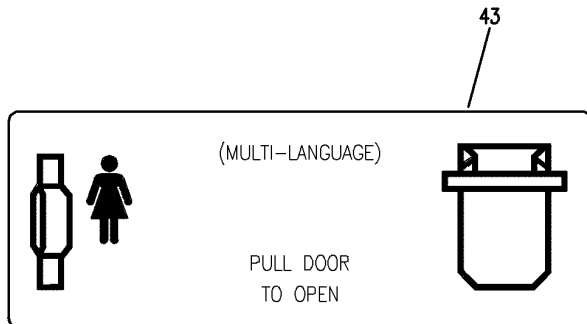
BOEING
 737-600/700/800/900
 PARTS CATALOG (MAINTENANCE)



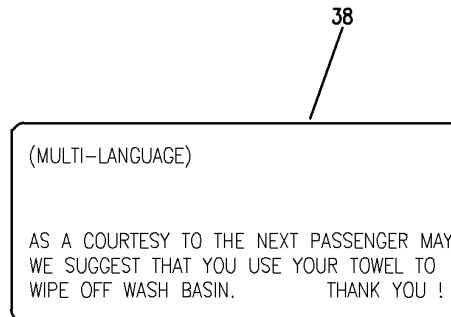
AE



AF



AH



AG

E 11320531 SH1 9 REV 063

PLACARD INSTL-CAB. INTR AFT RH, LAV NO. 1
 FIGURE 31 (SHEET 9)

11-32-05-31

HAP
 OCT 15/08

11-32-05-31
 PAGE 0H

BOEING
737-600/700/800/900
PARTS CATALOG (MAINTENANCE)

FIG ITEM	PART NUMBER	1 2 3 4 5 6 7	NOMENCLATURE	EFFECT FROM TO	UNITS PER ASSY
31			PLACARD INSTL-CAB. INTR AFT RH, LAV NO. 1	201967	
- 1	414A5112-1		PLACARD INSTL-CAB. INTR LAV NO. 1 POSITION DATA: AFT RH FOR NHA SEE: 11-30-00-01B	201967	RF
5	BAC29PPS36197		.PLACARD-	201967	1
10	BAC29PPS36199		.PLACARD-	201967	1
15	BAC29PPS36201		.PLACARD-	201967	1
20	BAC29PPS36202		.PLACARD-	201967	1
25	BAC29PPS36203		.PLACARD-	201967	1
30	BAC29PPS36204		.PLACARD- PLACARD CONTENT: PULL MASK DOWN TO TURN ON OXYGEN	201967	1
35	BAC29PPS36205		.PLACARD-	201967	1
40	BAC29PPS36206		.PLACARD-	201967	2
45	BAC29PPS36213		.PLACARD-	201967	1

MISSING ITEM NUMBERS NOT APPLICABLE

- ITEM NOT ILLUSTRATED

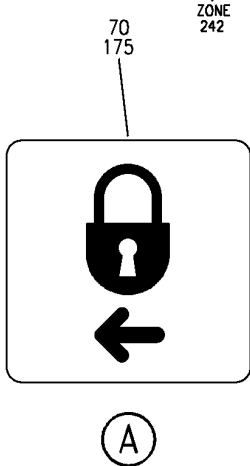
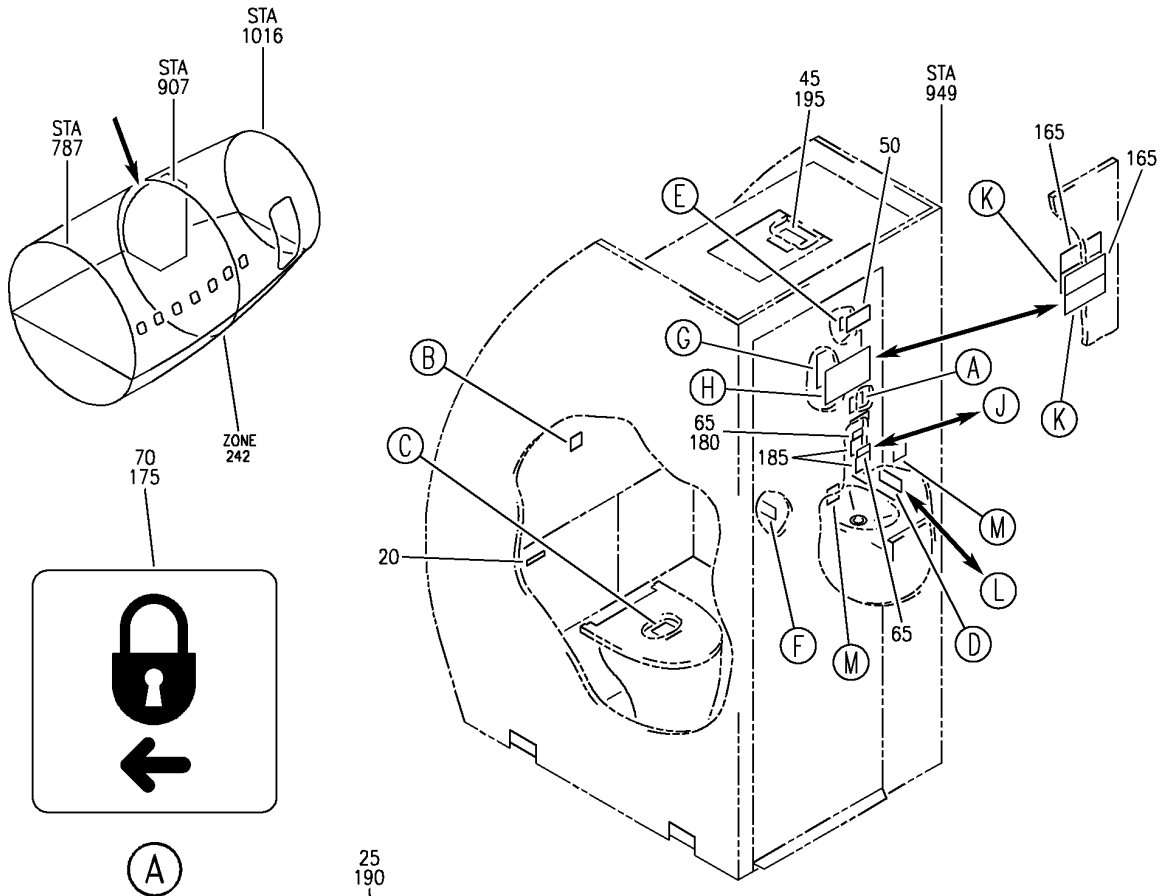
HAP

11-32-05-31

BOEING PROPRIETARY - Copyright © - Unpublished Work - See title page for details.

11-32-05
FIG. 31
PAGE 1
OCT 15/08

BOEING
 737-600/700/800/900
 PARTS CATALOG (MAINTENANCE)



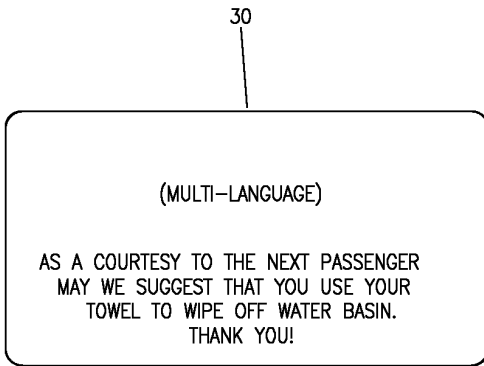
E 11320533B SHT 1 REV 128

PLACARD INSTL-CAB. INTR LAV E
 FIGURE 33B (SHEET 1)

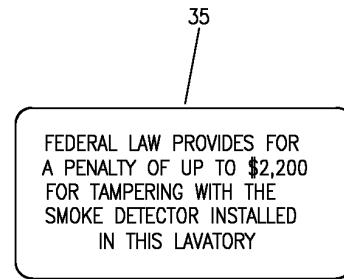
11-32-05-33B

HAP
 JUN 10/07

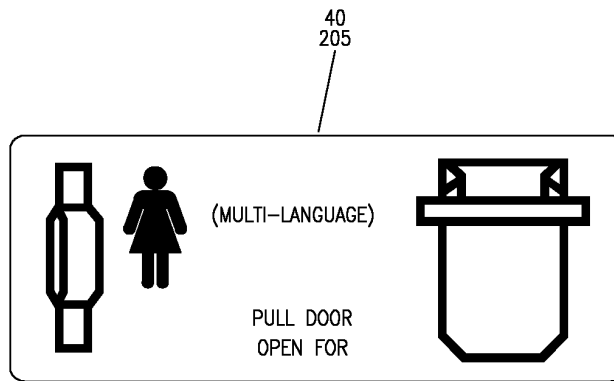
11-32-05-33B
 PAGE 0



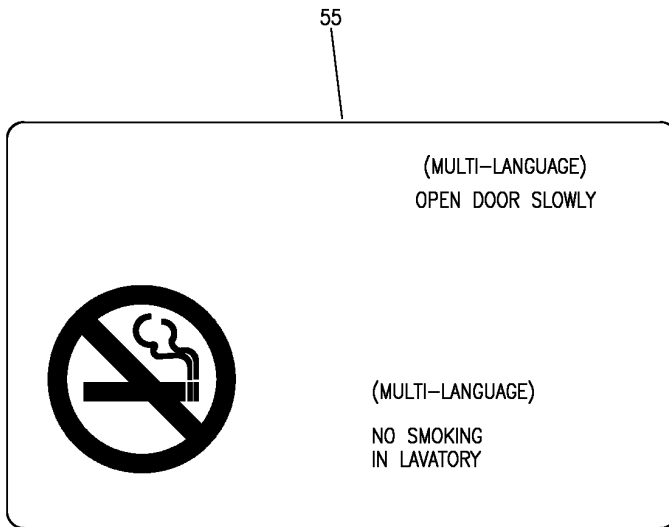
(D)



(E)



(F)

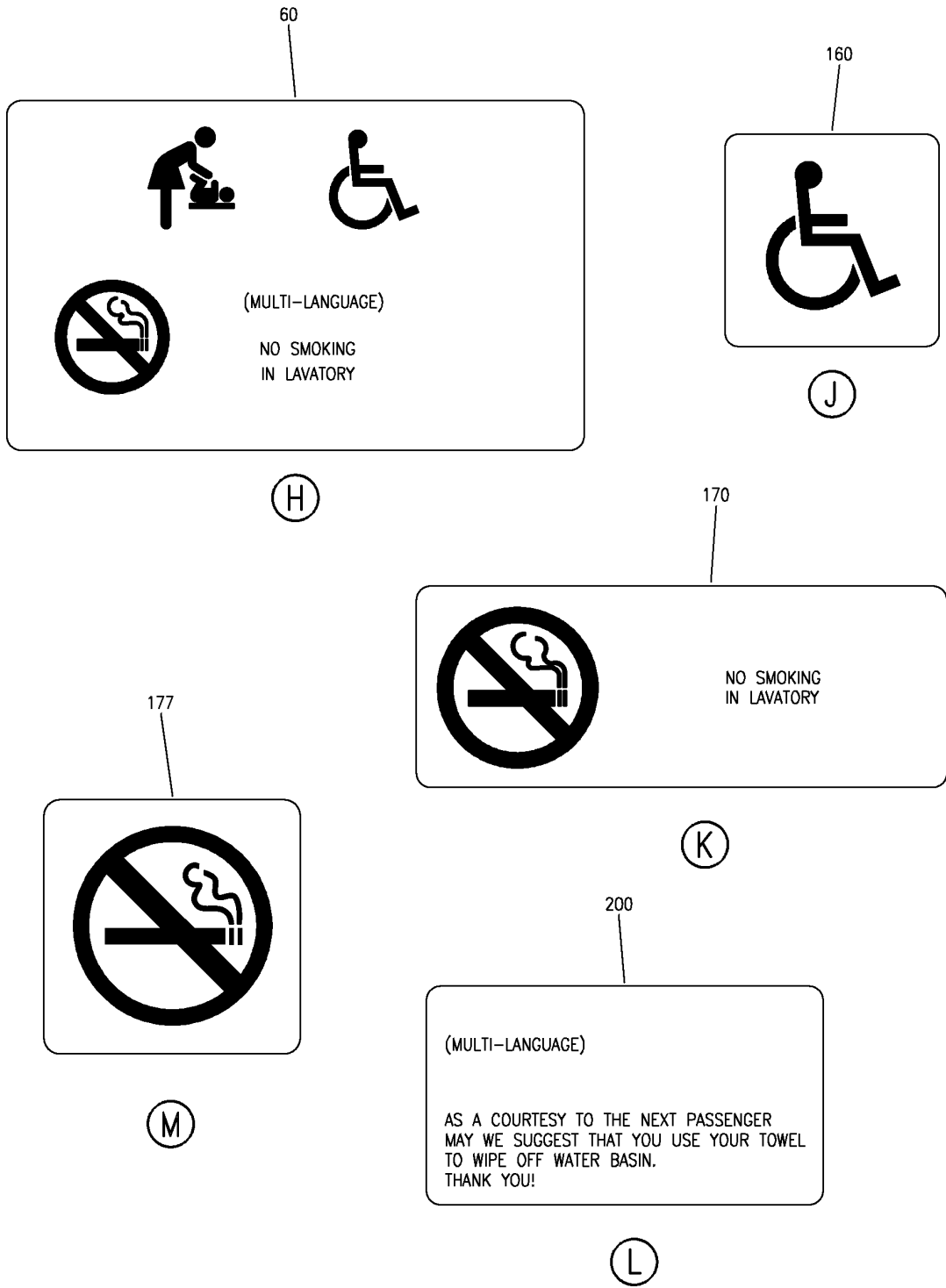


(G)

E 11320533B SHT 2 REV 095

PLACARD INSTL-CAB. INTR LAV E
 FIGURE 33B (SHEET 2)

11-32-05-33B



E 11320533B SHT 3 REV 128

PLACARD INSTL-CAB. INTR LAV E
 FIGURE 33B (SHEET 3)

11-32-05-33B

HAP
 JUN 10/07

11-32-05-33B
 PAGE 0B

BOEING
737-600/700/800/900
PARTS CATALOG (MAINTENANCE)

FIG ITEM	PART NUMBER	1 2 3 4 5 6 7	NOMENCLATURE	EFFECT FROM TO	UNITS PER ASSY
33B			PLACARD INSTL-CAB. INTR LAV E	031040 042046 101200 968999	
- 150	MODREF215055		PLACARD INSTL-CAB. INTR LAV E MODULE NUMBER: 414A5115-84 REV A POSITION DATA: STA 916.00 RBL 17.00	031036	1
- 150	MODREF326477		PLACARD INSTL-CAB. INTR LAV E MODULE NUMBER: 414A5115-84 REV B POSITION DATA: STA 916.00 RBL 17.00	037040 042046 101200 968999	1
160	BAC29PPS38297		.PLACARD	031040 042046 101200 968999	1
165	BAC29PPS44784		.PLACARD	031040 042046 101200 968999	2
170	BAC29PPS44376		.PLACARD	031040 042046 101200 968999	2
175	BAC29PPS36201		.PLACARD	031040 042046 101200 968999	1
177	BAC29PPS40669		.PLACARD	037040 042046 101200 968999	2
180	BAC29PPS44783		.PLACARD-(MULTI-LANGUAGE) PLACARD CONTENT: OPEN DOOR SLOWLY	031040 042046 101200 968999	1
185	BAC29PPS41845		.PLACARD- PLACARD CONTENT: LATCH DOOR CLOSED DURING TAXI, TAKEOFF AND LANDING	031040 042046 101200 968999	2
190	BAC29PPS36213		.PLACARD	031040 042046 101200 968999	1

MISSING ITEM NUMBERS NOT APPLICABLE

- ITEM NOT ILLUSTRATED

HAP

11-32-05-33B

BOEING PROPRIETARY - Copyright © - Unpublished Work - See title page for details.

11-32-05
FIG. 33B
PAGE 1
FEB 15/09

BOEING
737-600/700/800/900
PARTS CATALOG (MAINTENANCE)

FIG ITEM	PART NUMBER	1 2 3 4 5 6 7	NOMENCLATURE	EFFECT FROM TO	UNITS PER ASSY
33B 195	BAC29PPS37651		.PLACARD-(MULTI-LANGUAGE) PLACARD CONTENT: PULL MASK DOWN TO TURN ON OXYGEN	031040 042046 101200 968999	1
200	BAC29PPS37655		.PLACARD	031040 042046 101200 968999	1
205	BAC29PPS37653		.PLACARD-(MULTI-LANGUAGE)	031040 042046 101200 968999	1

MISSING ITEM NUMBERS NOT APPLICABLE

— ITEM NOT ILLUSTRATED

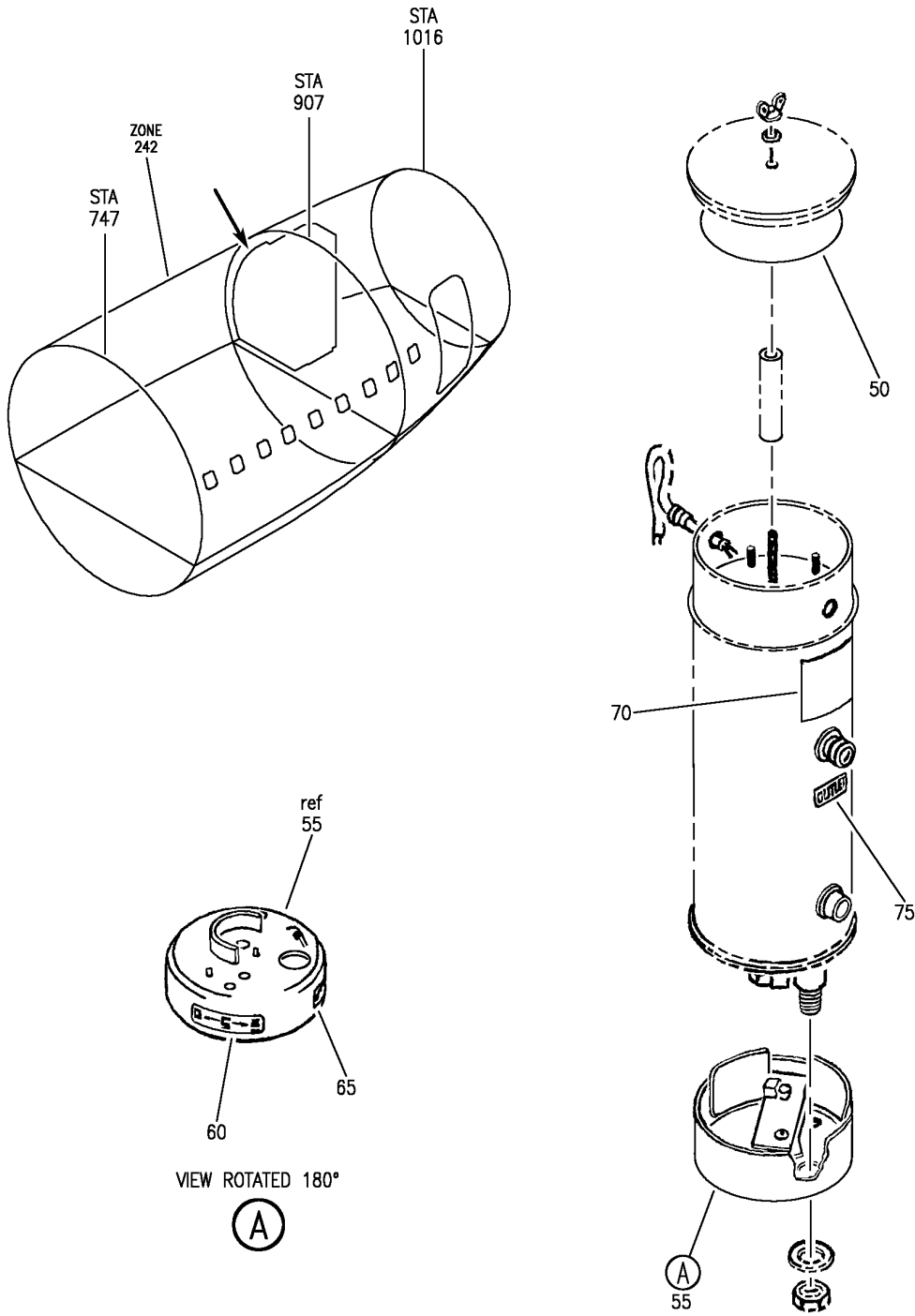
HAP

11-32-05-33B

BOEING PROPRIETARY - Copyright © - Unpublished Work - See title page for details.

11-32-05
FIG. 33B
PAGE 2
FEB 15/09

BOEING
 737-600/700/800/900
 PARTS CATALOG (MAINTENANCE)



E 11320533N REV 103

HEATER ASSY-LAV E (PLACARDS AND MARKINGS ONLY)
 FIGURE 33N

11-32-05-33N

HAP
 OCT 10/06

11-32-05-33N
 PAGE 0

BOEING
737-600/700/800/900
PARTS CATALOG (MAINTENANCE)

FIG ITEM	PART NUMBER	1 2 3 4 5 6 7	NOMENCLATURE	EFFECT FROM TO	UNITS PER ASSY
33N			HEATER ASSY-LAV E (PLACARDS AND MARKINGS ONLY)	006007	
- 1	8921082G5		HEATER ASSY-LAV E (PLACARDS AND MARKINGS ONLY) SUPPLIER CODE: VOAJJO SPECIFICATION NUMBER: 10-61068-2 10-61068-5 COMPONENT MAINT MANUAL REF: 38-10-01 FOR NHA/OTHER SYS DET SEE: 38-13-01-02L	006007	RF
50	24C507097P06		.PLACARD-SCHEMATIC SUPPLIER CODE: VOAJJO	006007	1
55	24D508442G1		.COVER ASSY- SUPPLIER CODE: VOAJJO POSITION DATA: BOTTOM	006007	RF
60	24B508440P1		..LABEL-SWITCH POSITION SUPPLIER CODE: VOAJJO	006007	1
65	24B508440P2		..LABEL-INLET SUPPLIER CODE: VOAJJO	006007	1
70	24C508444P2		.LABEL-ID SUPPLIER CODE: VOAJJO	006007	1
75	24B508440P3		.LABEL-OUTLET SUPPLIER CODE: VOAJJO	006007	1

MISSING ITEM NUMBERS NOT APPLICABLE

- ITEM NOT ILLUSTRATED

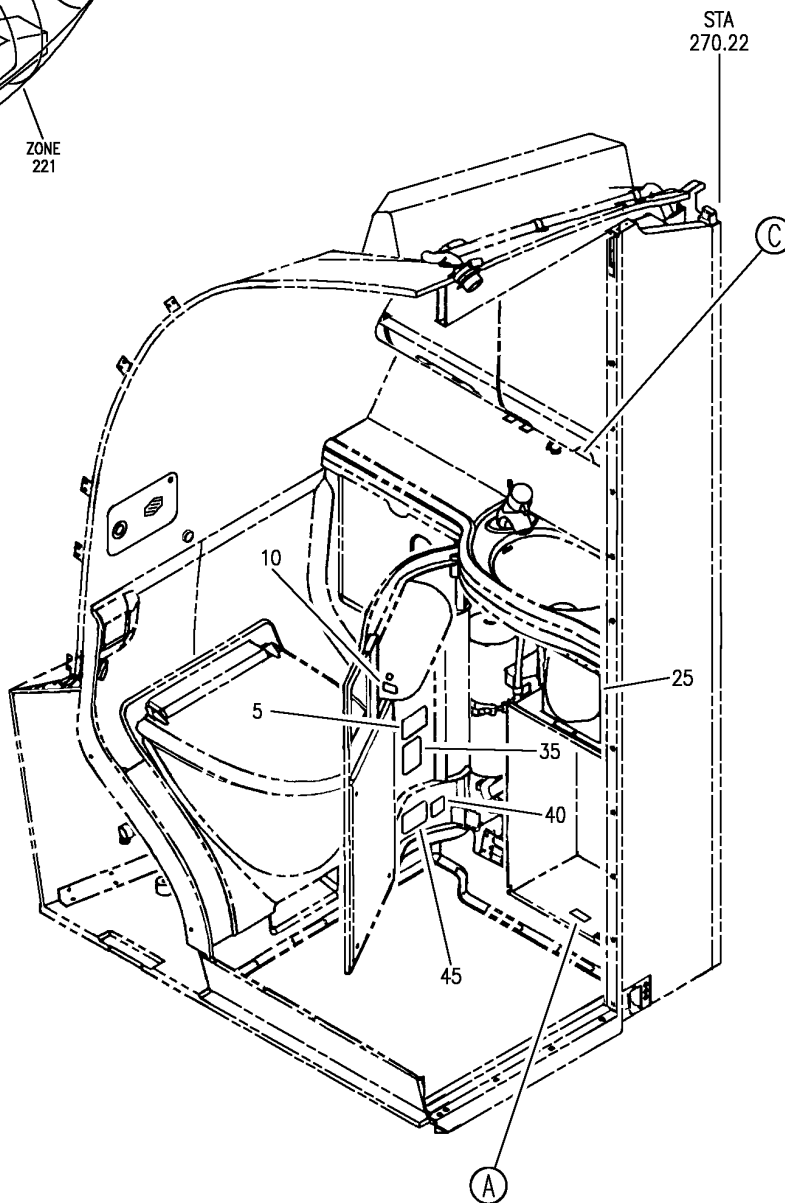
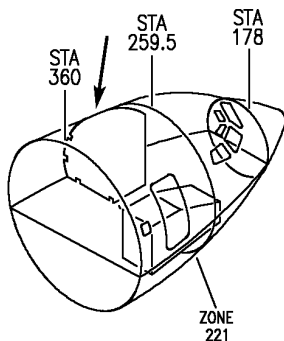
HAP

11-32-05-33N

BOEING PROPRIETARY - Copyright © - Unpublished Work - See title page for details.

11-32-05
FIG. 33N
PAGE 1
FEB 10/07

BOEING
 737-600/700/800/900
 PARTS CATALOG (MAINTENANCE)



E 11320536E SH1 1 REV 130

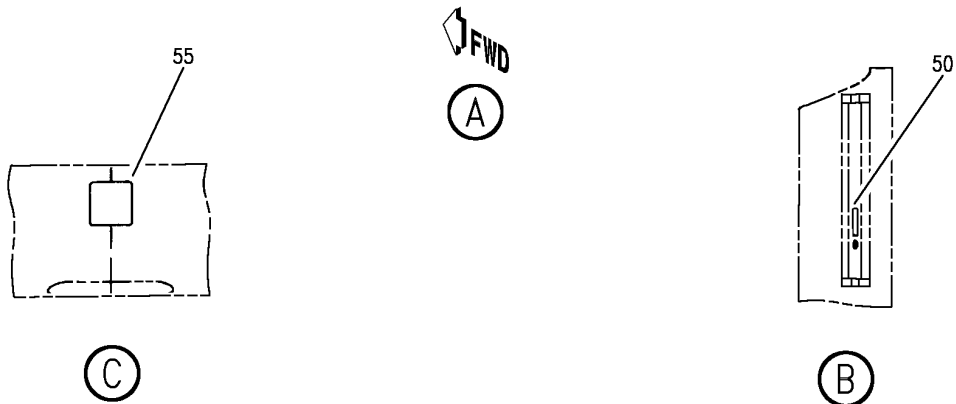
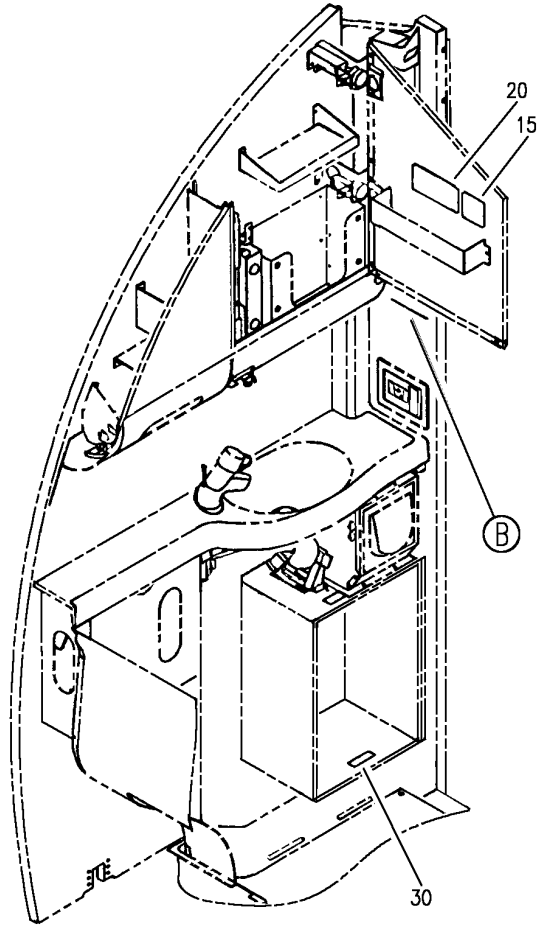
MODULE ASSY-LAV A (PLACARDS AND MARKINGS ONLY)
 FIGURE 36E (SHEET 1)

11-32-05-36E

HAP
 JUN 10/07

11-32-05-36E
 PAGE 0

BOEING
 737-600/700/800/900
 PARTS CATALOG (MAINTENANCE)



E 11320536E SH1 2 REV 130

MODULE ASSY-LAV A (PLACARDS AND MARKINGS ONLY)
 FIGURE 36E (SHEET 2)

11-32-05-36E

HAP
 JUN 10/07

11-32-05-36E
 PAGE 0A

BOEING
737-600/700/800/900
PARTS CATALOG (MAINTENANCE)

FIG ITEM	PART NUMBER	1 2 3 4 5 6 7	NOMENCLATURE	EFFECT FROM TO	UNITS PER ASSY
36E			MODULE ASSY-LAV A (PLACARDS AND MARKINGS ONLY)	042046 051052	
R R R R R R R R R R R	- 1 D72000102-111A		MODULE ASSY-LAV A (PLACARDS AND MARKINGS ONLY) SUPPLIER CODE: VS5825 SPECIFICATION NUMBER: S417A180-0102A ELECTRICAL EQUIP NUMBER: M01415 COMPONENT MAINT MANUAL REF: 25-46-27 FOR NHA/OTHER SYS DET SEE: 25-40-01-01D 25-40-01-01T	042046 051052	RF
	5 D72D71323-111		.PLACARD-CHECK THE FOUR. SUPPLIER CODE: VS5825	042046 051052	1
	10 D72D71324-111		.PLACARD-REMOVE THIS END SUPPLIER CODE: VS5825	042046 051052	1
	15 D72D71325-111		.PLACARD-AMENITIES STOWAGE SUPPLIER CODE: VS5825	042046 051052	1
	20 D72D70253-111		.NAMEPLATE- SUPPLIER CODE: VS5825	042046 051052	1
	25 D72D70847-111		.PLACARD-WASTE DISPOSAL SUPPLIER CODE: VS5825	042046 051052	1
	30 D72D70924-111		.PLACARD-NO STEP SUPPLIER CODE: VS5825	042046 051052	1
	35 D72D71125-111		.PLACARD-RESET INSTRUCTIONS SUPPLIER CODE: VS5825	042046 051052	1
	40 D72D71178-111		.PLACARD-DRAIN VALVE SUPPLIER CODE: VS5825	042046 051052	1
	45 D72D71244-111		.PLACARD-SELECTOR VALVE SUPPLIER CODE: VS5825	042046 051052	1
	50 D72D71433-111		.PLACARD-CAUTION, HIGH VOLTAGE SUPPLIER CODE: VS5825	042046 051052	1

MISSING ITEM NUMBERS NOT APPLICABLE

- ITEM NOT ILLUSTRATED

HAP

11-32-05-36E

11-32-05
FIG. 36E
PAGE 1
JUN 15/09


BOEING
 737-600/700/800/900
PARTS CATALOG (MAINTENANCE)

FIG ITEM	PART NUMBER	1 2 3 4 5 6 7 NOMENCLATURE	EFFECT FROM TO	UNITS PER ASSY
36E 55	D72D71478-111	.PLACARD-PAPER TOWEL SUPPLIER CODE: VS5825	042046 051052	1

MISSING ITEM NUMBERS NOT APPLICABLE

— ITEM NOT ILLUSTRATED

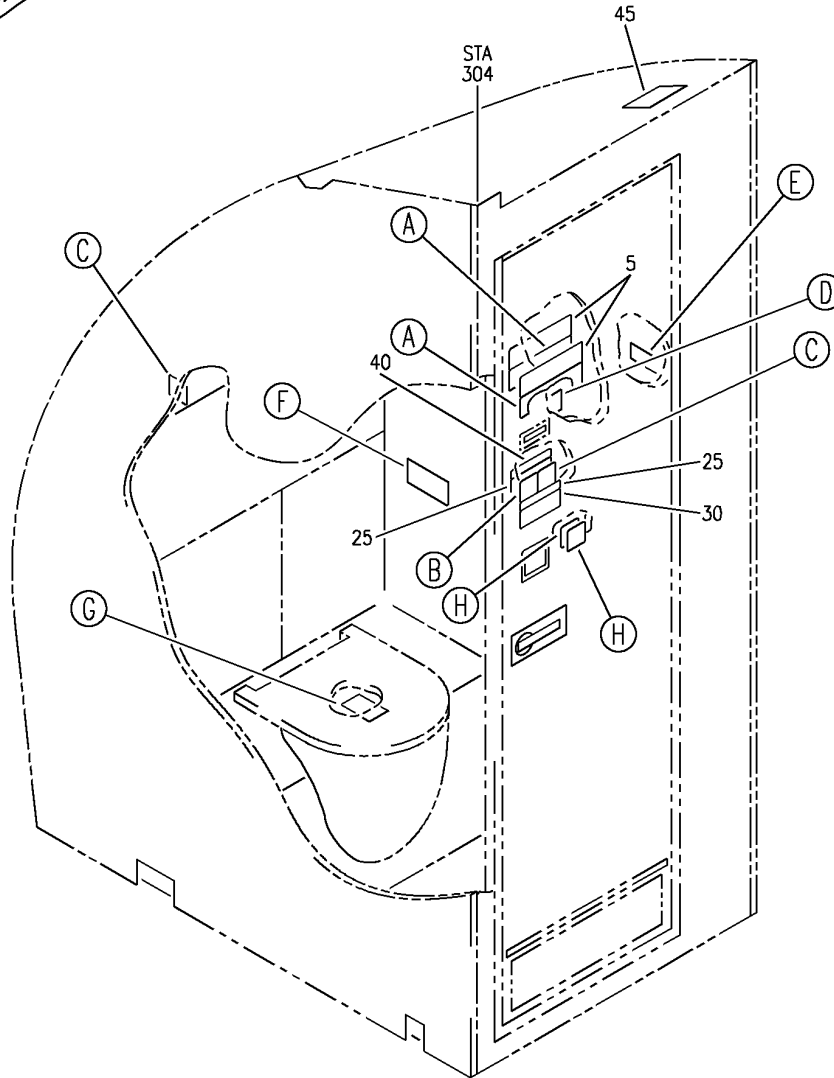
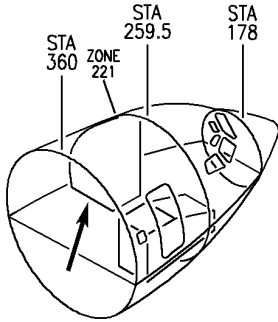
HAP

11-32-05-36E

BOEING PROPRIETARY - Copyright © - Unpublished Work - See title page for details.

11-32-05
 FIG. 36E
 PAGE 2
 FEB 15/09

BOEING
 737-600/700/800/900
 PARTS CATALOG (MAINTENANCE)



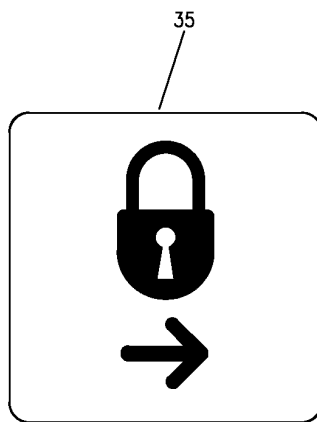
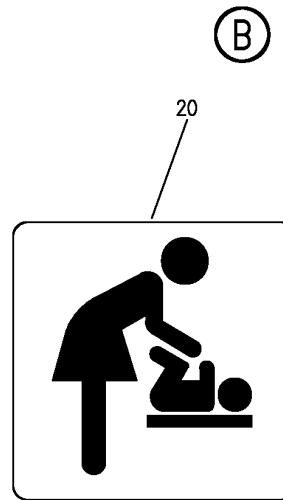
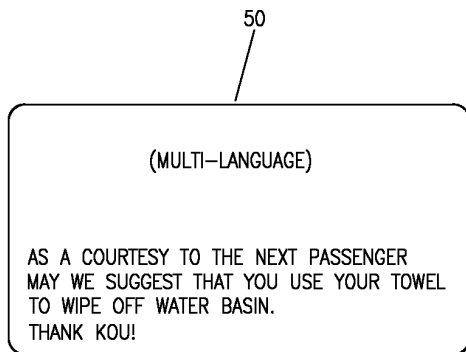
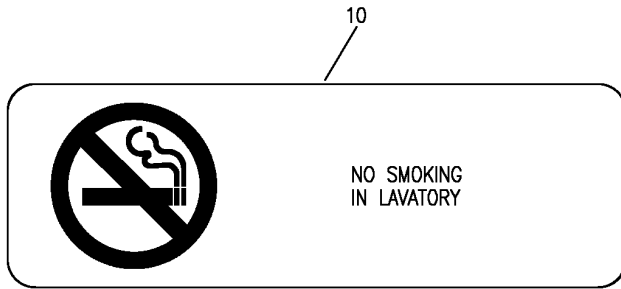
E 11320542E SHT 1 REV 128

PLACARD INSTL-CAB. INTR LAV A
 FIGURE 42E (SHEET 1)

HAP
 JUN 10/07

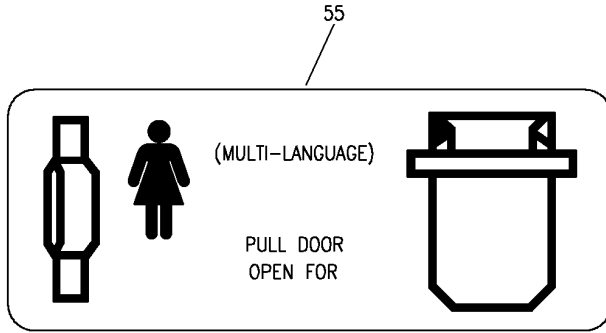
11-32-05-42E

11-32-05-42E
 PAGE 0



E 11320542E SHT 2 REV 085

PLACARD INSTL-CAB. INTR LAV A
FIGURE 42E (SHEET 2)



(F)



(G)



(H)

E 11320542E SHT 3 REV 128

PLACARD INSTL-CAB. INTR LAV A
 FIGURE 42E (SHEET 3)

11-32-05-42E

HAP
 JUN 10/07

11-32-05-42E
 PAGE 0B

BOEING
737-600/700/800/900
PARTS CATALOG (MAINTENANCE)

FIG ITEM	PART NUMBER	1 2 3 4 5 6 7	NOMENCLATURE	EFFECT FROM TO	UNITS PER ASSY
42E			PLACARD INSTL-CAB. INTR LAV A	031040 042046 101200 968999	
- 1	MODREF215053		PLACARD INSTL-CAB. INTR LAV A MODULE NUMBER: 414A5115-82 REV A	031036	1
- 1	MODREF326475		MARKING INSTL-CAB. INTR LAV A MODULE NUMBER: 414A5115-82 REV B	037040 042046 101200 968999	1
5	BAC29PPS44784		.PLACARD-(MULTI-LANGUAGE)	031040 042046 101200 968999	2
10	BAC29PPS44376		.PLACARD	031040 042046 101200 968999	2
15	BAC29PPS38297		.PLACARD	031040 042046 101200 968999	1
20	BAC29PPS36194		.PLACARD	031040 042046 101200 968999	2
23	BAC29PPS40669		.PLACARD	037040 042046 101200 968999	2
25	BAC29PPS41845		.PLACARD- PLACARD CONTENT: LATCH DOOR CLOSED DURING TAXI, TAKEOFF AND LANDING	031040 042046 101200 968999	2
30	BAC29PPS53483		.PLACARD-(MULTI-LANGUAGE) PLACARD CONTENT: CLOSE DOOR IMMEDIATELY WHEN NOT IN USE	031040 042046 101200 968999	1
35	BAC29PPS36200		.PLACARD	031040 042046 101200 968999	1
40	BAC29PPS44783		.PLACARD-(MULTI-LANGUAGE) PLACARD CONTENT: OPEN DOOR SLOWLY	031040 042046 101200 968999	1

MISSING ITEM NUMBERS NOT APPLICABLE

- ITEM NOT ILLUSTRATED

HAP

11-32-05-42E

BOEING PROPRIETARY - Copyright © - Unpublished Work - See title page for details.

11-32-05
FIG. 42E
PAGE 1
FEB 15/09

BOEING
737-600/700/800/900
PARTS CATALOG (MAINTENANCE)

FIG ITEM	PART NUMBER	1 2 3 4 5 6 7	NOMENCLATURE	EFFECT FROM TO	UNITS PER ASSY
42 E					
45	BAC29PPS44794		.PLACARD-(MULTI-LANGUAGE) PLACARD CONTENT: PULL MASK DOWN TO TURN ON OXYGEN	031040 042046 101200 968999	1
50	BAC29PPS37655		.PLACARD-(MULTI-LANGUAGE)	031040 042046 101200 968999	1
55	BAC29PPS37653		.PLACARD-(MULTI-LANGUAGE)	031040 042046 101200 968999	1
60	BAC29PPS36213		.PLACARD	031040 042046 101200 968999	1

MISSING ITEM NUMBERS NOT APPLICABLE

— ITEM NOT ILLUSTRATED

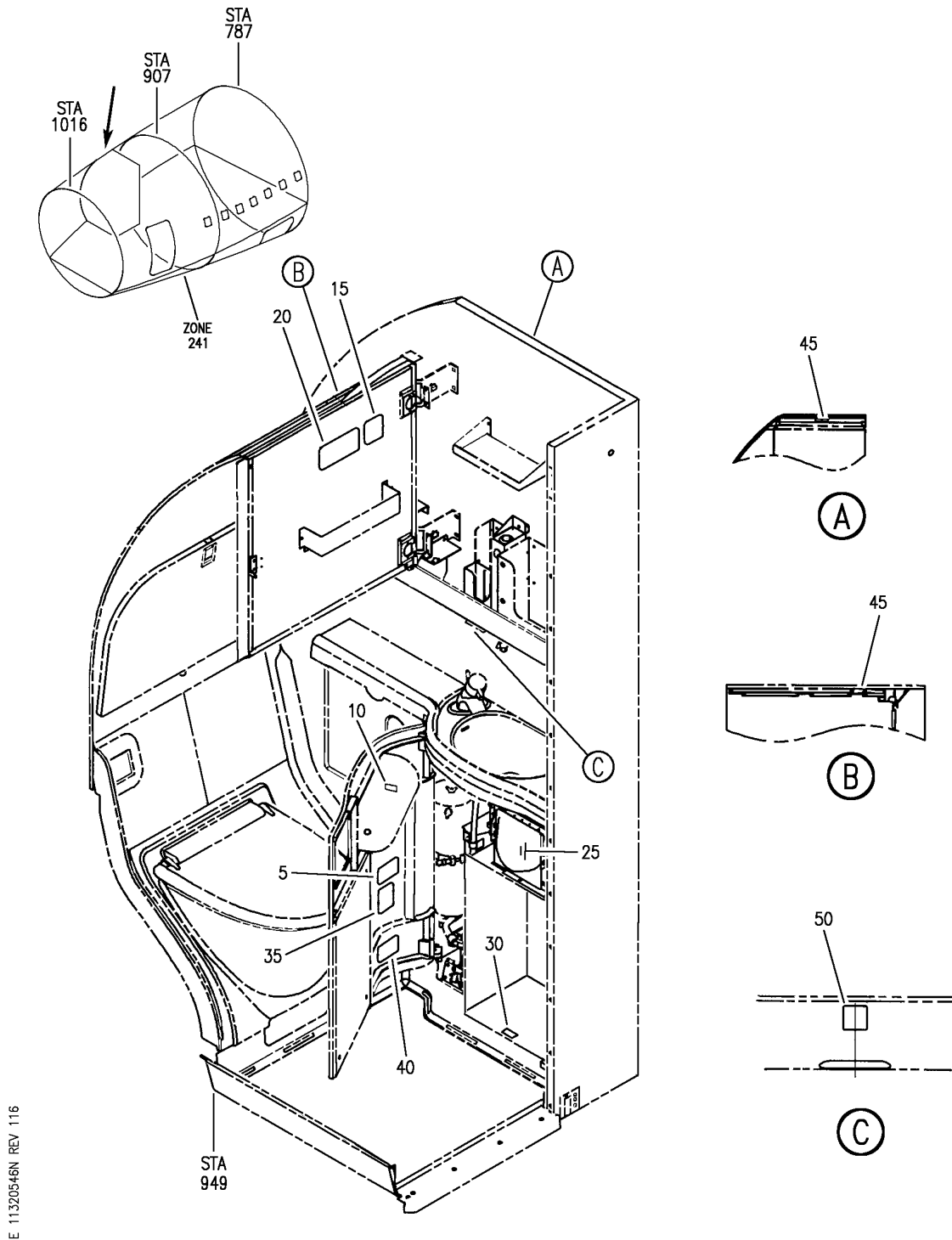
HAP

11-32-05-42E

BOEING PROPRIETARY - Copyright © - Unpublished Work - See title page for details.

11-32-05
FIG. 42E
PAGE 2
FEB 15/09

BOEING
 737-600/700/800/900
 PARTS CATALOG (MAINTENANCE)



E 11320546N REV 116

MODULE ASSY-LAV D (PLACARDS AND MARKINGS ONLY)
 FIGURE 46N

11-32-05-46N

HAP
 OCT 10/06

11-32-05-46N
 PAGE 0

BOEING
737-600/700/800/900
PARTS CATALOG (MAINTENANCE)

FIG ITEM	PART NUMBER	1 2 3 4 5 6 7	NOMENCLATURE	EFFECT FROM TO	UNITS PER ASSY
46N			MODULE ASSY-LAV D (PLACARDS AND MARKINGS ONLY)	031037 039041 047050 053200 968999	
- 1	D72000736-111A		MODULE ASSY-LAV D (PLACARDS AND MARKINGS ONLY) SUPPLIER CODE: VS5825 ELECTRICAL EQUIP NUMBER: M01418 COMPONENT MAINT MANUAL REF: 25-43-90 FOR NHA/OTHER SYS DET SEE: 25-40-01-01G	031037 039041 047050 053100 107200	RF
- 1	D72000736-111B		MODULE ASSY-LAV D (PLACARDS AND MARKINGS ONLY) SUPPLIER CODE: VS5825 SPECIFICATION NUMBER: S417A180-0736B ELECTRICAL EQUIP NUMBER: M01418 COMPONENT MAINT MANUAL REF: 25-43-90 FOR NHA/OTHER SYS DET SEE: 25-40-01-01G	101106 968999	RF
5	D72D71323-111		.PLACARD-CHECK THE FOUR SUPPLIER CODE: VS5825	031037 039041 047050 053200 968999	1
10	D72D71324-111		.PLACARD-REMOVE THIS END SUPPLIER CODE: VS5825	031037 039041 047050 053200 968999	1
15	D72D71325-111		.PLACARD-AMENITIES STORAGE SUPPLIER CODE: VS5825	031037 039041 047050 053200 968999	1
20	D72D70253-111		.NAMEPLATE- SUPPLIER CODE: VS5825	031037 039041 047050 053200 968999	1

MISSING ITEM NUMBERS NOT APPLICABLE

- ITEM NOT ILLUSTRATED

HAP

11-32-05-46N

BOEING PROPRIETARY - Copyright © - Unpublished Work - See title page for details.

11-32-05
FIG. 46N
PAGE 1
FEB 15/09

BOEING
737-600/700/800/900
PARTS CATALOG (MAINTENANCE)

FIG ITEM	PART NUMBER	1 2 3 4 5 6 7	NOMENCLATURE	EFFECT FROM TO	UNITS PER ASSY
46N 25	D72D70847-111		.PLACARD-WASTE DISPOSAL SUPPLIER CODE: VS5825	031037 039041 047050 053200 968999	1
30	D72D70924-111		.PLACARD-NO STEP SUPPLIER CODE: VS5825	031037 039041 047050 053200 968999	1
35	D72D71125-111		.PLACARD-RESET INSTRUCTIONS SUPPLIER CODE: VS5825	031037 039041 047050 053200 968999	1
40	D72D71244-111		.PLACARD-SELECTOR VALVE SUPPLIER CODE: VS5825	031037 039041 047050 053200 968999	1
45	D72D71433-111		.PLACARD-CAUTION, HIGH VOLTAGE SUPPLIER CODE: VS5825	031037 039041 047050 053200 968999	2
50	D72D71478-111		.PLACARD-PAPER TOWEL SUPPLIER CODE: VS5825	031037 039041 047050 053200 968999	1

MISSING ITEM NUMBERS NOT APPLICABLE

— ITEM NOT ILLUSTRATED

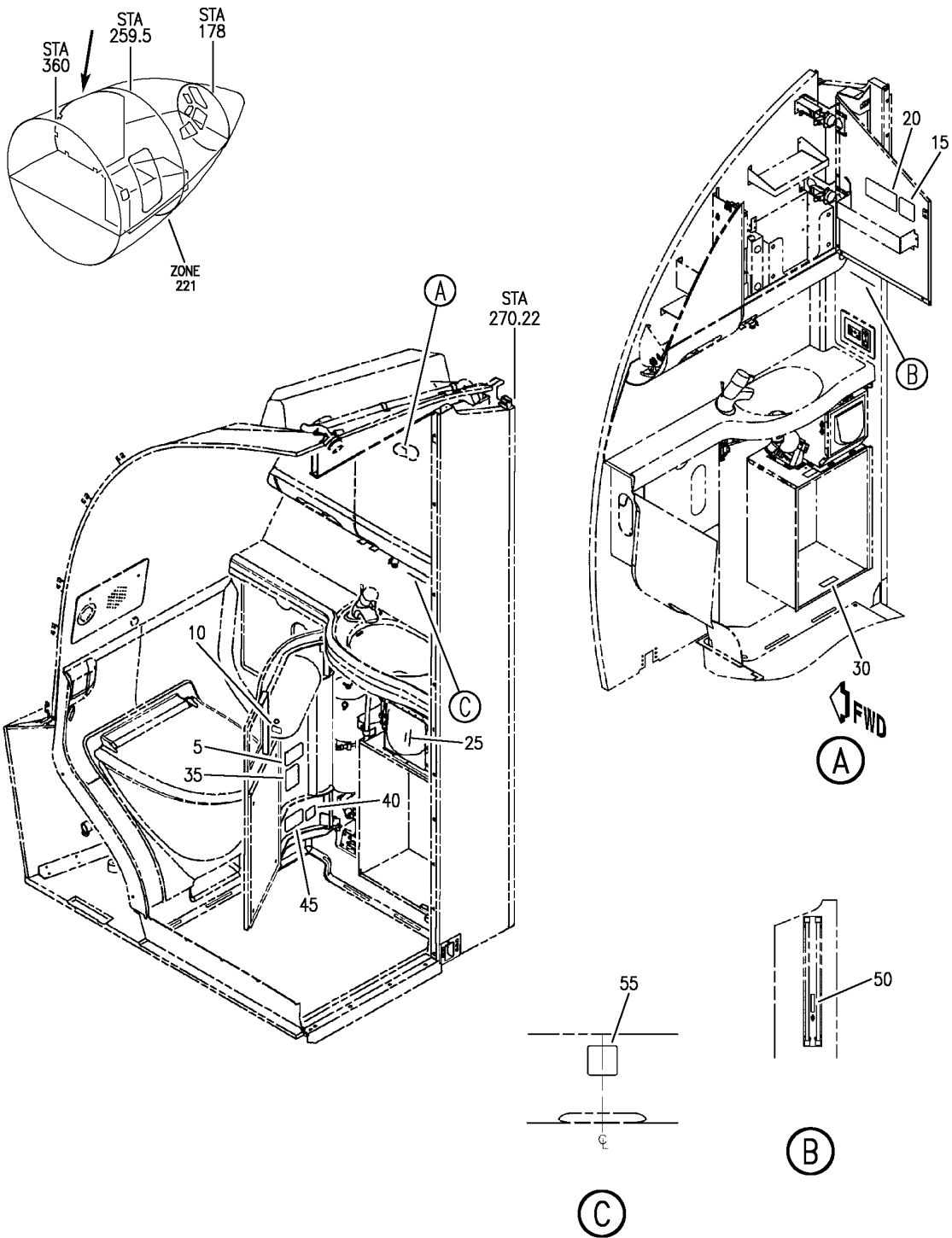
HAP

11-32-05-46N

BOEING PROPRIETARY - Copyright © - Unpublished Work - See title page for details.

11-32-05
FIG. 46N
PAGE 2
FEB 15/09

BOEING
 737-600/700/800/900
 PARTS CATALOG (MAINTENANCE)



E 11320546P REV 116

MODULE ASSY-LAV A (PLACARDS AND MARKINGS ONLY)
 FIGURE 46P

11-32-05-46P

HAP
 OCT 10/06

11-32-05-46P
 PAGE 0

BOEING
737-600/700/800/900
PARTS CATALOG (MAINTENANCE)

FIG ITEM	PART NUMBER	1 2 3 4 5 6 7	NOMENCLATURE	EFFECT FROM TO	UNITS PER ASSY
46P			MODULE ASSY-LAV A (PLACARDS AND MARKINGS ONLY)	031041 047050 053200 968999	
R R R R R R R R R	- 1 D72000090-111A		MODULE ASSY-LAV A (PLACARDS AND MARKINGS ONLY) SUPPLIER CODE: VS5825 ELECTRICAL EQUIP NUMBER: M01415 COMPONENT MAINT MANUAL REF: 25-43-89 FOR NHA/OTHER SYS DET SEE: 25-40-01-01D 25-40-01-01T	031041 047050 053100 107200	RF
	- 1 D72000090-111B		MODULE ASSY-LAV A (PLACARDS AND MARKINGS ONLY) SUPPLIER CODE: VS5825 SPECIFICATION NUMBER: S417A180-0090B ELECTRICAL EQUIP NUMBER: M01415 COMPONENT MAINT MANUAL REF: 25-43-89 FOR NHA/OTHER SYS DET SEE: 25-40-01-01D	101106 968999	RF
	5 D72D71323-111		.PLACARD-CHECK THE FOUR. SUPPLIER CODE: VS5825	031041 047050 053200 968999	1
	10 D72D71324-111		.PLACARD-REMOVE THIS END SUPPLIER CODE: VS5825	031041 047050 053200 968999	1
	15 D72D71325-111		.PLACARD-AMENITIES STOWAGE SUPPLIER CODE: VS5825	031041 047050 053200 968999	1
	20 D72D70253-111		.NAMEPLATE- SUPPLIER CODE: VS5825	031041 047050 053200 968999	1
	25 D72D70847-111		.PLACARD-WASTE DISPOSAL SUPPLIER CODE: VS5825	031041 047050 053200 968999	1

MISSING ITEM NUMBERS NOT APPLICABLE

- ITEM NOT ILLUSTRATED

HAP

11-32-05-46P

BOEING PROPRIETARY - Copyright © - Unpublished Work - See title page for details.

11-32-05
FIG. 46P
PAGE 1
JUN 15/09

BOEING
737-600/700/800/900
PARTS CATALOG (MAINTENANCE)

FIG ITEM	PART NUMBER	1 2 3 4 5 6 7	NOMENCLATURE	EFFECT FROM TO	UNITS PER ASSY
46P					
30	D72D70924-111		.PLACARD-NO STEP SUPPLIER CODE: VS5825	031041 047050 053200 968999	1
35	D72D71125-111		.PLACARD-RESET INSTRUCTIONS SUPPLIER CODE: VS5825	031041 047050 053200 968999	1
40	D72D71178-111		.PLACARD-DRAIN VALVE SUPPLIER CODE: VS5825	031041 047050 053200 968999	1
45	D72D71244-111		.PLACARD-SELECTOR VALVE SUPPLIER CODE: VS5825	031041 047050 053200 968999	1
50	D72D71433-111		.PLACARD-CAUTION, HIGH VOLTAGE SUPPLIER CODE: VS5825	031041 047050 053200 968999	1
55	D72D71478-111		.PLACARD-PAPER TOWEL SUPPLIER CODE: VS5825	031041 047050 053200 968999	1

MISSING ITEM NUMBERS NOT APPLICABLE

— ITEM NOT ILLUSTRATED

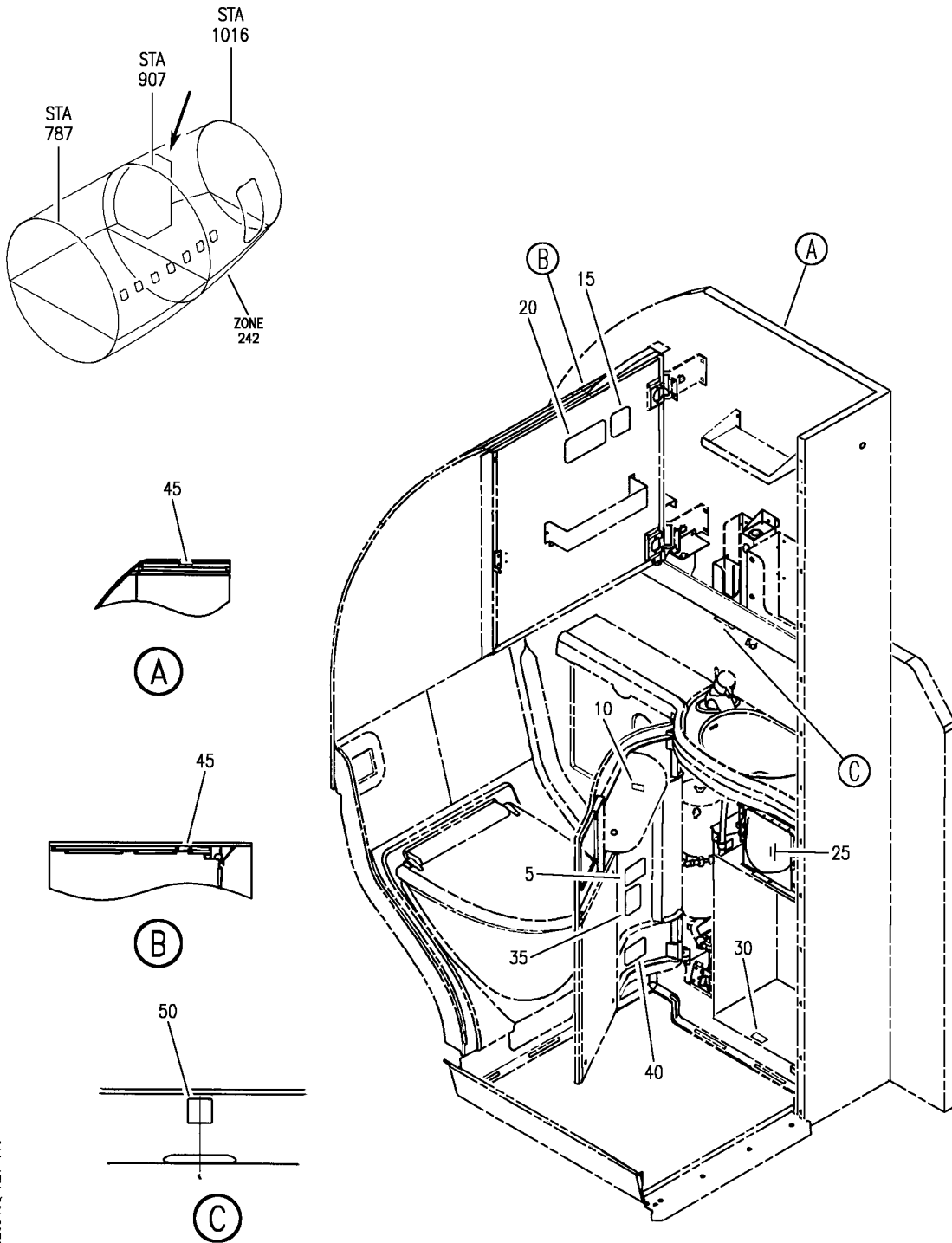
HAP

11-32-05-46P

BOEING PROPRIETARY - Copyright © - Unpublished Work - See title page for details.

11-32-05
FIG. 46P
PAGE 2
FEB 15/09

BOEING
 737-600/700/800/900
 PARTS CATALOG (MAINTENANCE)



E 11320546Q REV 116

MODULE ASSY-LAV E (PLACARDS AND MARKINGS ONLY)
 FIGURE 46Q

11-32-05-46Q

HAP
 OCT 10/06

11-32-05-46Q
 PAGE 0

BOEING
737-600/700/800/900
PARTS CATALOG (MAINTENANCE)

FIG ITEM	PART NUMBER	1 2 3 4 5 6 7	NOMENCLATURE	EFFECT FROM TO	UNITS PER ASSY
46Q			MODULE ASSY-LAV E (PLACARDS AND MARKINGS ONLY)	031037 039041 047050 053100	
- 1	D72001238-111A		MODULE ASSY-LAV E (PLACARDS AND MARKINGS ONLY) SUPPLIER CODE: VS5825 ELECTRICAL EQUIP NUMBER: M01419 COMPONENT MAINT MANUAL REF: 25-43-91 FOR NHA/OTHER SYS DET SEE: 25-40-01-01H	031037 039041 047050 053100	RF
5	D72D71323-111		.PLACARD-CHECK THE FOUR SUPPLIER CODE: VS5825	031037 039041 047050 053100	1
10	D72D71324-111		.PLACARD-REMOVE THIS END SUPPLIER CODE: VS5825	031037 039041 047050 053100	1
15	D72D71325-111		.PLACARD-AMENITIES STORAGE SUPPLIER CODE: VS5825	031037 039041 047050 053100	1
20	D72D70253-111		.NAMEPLATE- SUPPLIER CODE: VS5825	031037 039041 047050 053100	1
25	D72D70847-111		.PLACARD-WASTE DISPOSAL SUPPLIER CODE: VS5825	031037 039041 047050 053100	1
30	D72D70924-111		.PLACARD-NO STEP SUPPLIER CODE: VS5825	031037 039041 047050 053100	1
35	D72D71125-111		.PLACARD-RESET INSTRUCTIONS SUPPLIER CODE: VS5825	031037 039041 047050 053100	1
40	D72D71244-111		.PLACARD-SELECTOR VALVE SUPPLIER CODE: VS5825	031037 039041 047050 053100	1

MISSING ITEM NUMBERS NOT APPLICABLE

- ITEM NOT ILLUSTRATED

HAP

11-32-05-46Q

BOEING PROPRIETARY - Copyright © - Unpublished Work - See title page for details.

11-32-05
FIG. 46Q
PAGE 1
FEB 15/09


BOEING
 737-600/700/800/900
PARTS CATALOG (MAINTENANCE)

FIG ITEM	PART NUMBER	1 2 3 4 5 6 7	NOMENCLATURE	EFFECT FROM TO	UNITS PER ASSY
46Q					
45	D72D71433-111		.PLACARD-CAUTION, HIGH VOLTAGE SUPPLIER CODE: VS5825	031037 039041 047050 053100	2
50	D72D71478-111		.PLACARD-PAPER TOWEL SUPPLIER CODE: VS5825	031037 039041 047050 053100	1

MISSING ITEM NUMBERS NOT APPLICABLE

— ITEM NOT ILLUSTRATED

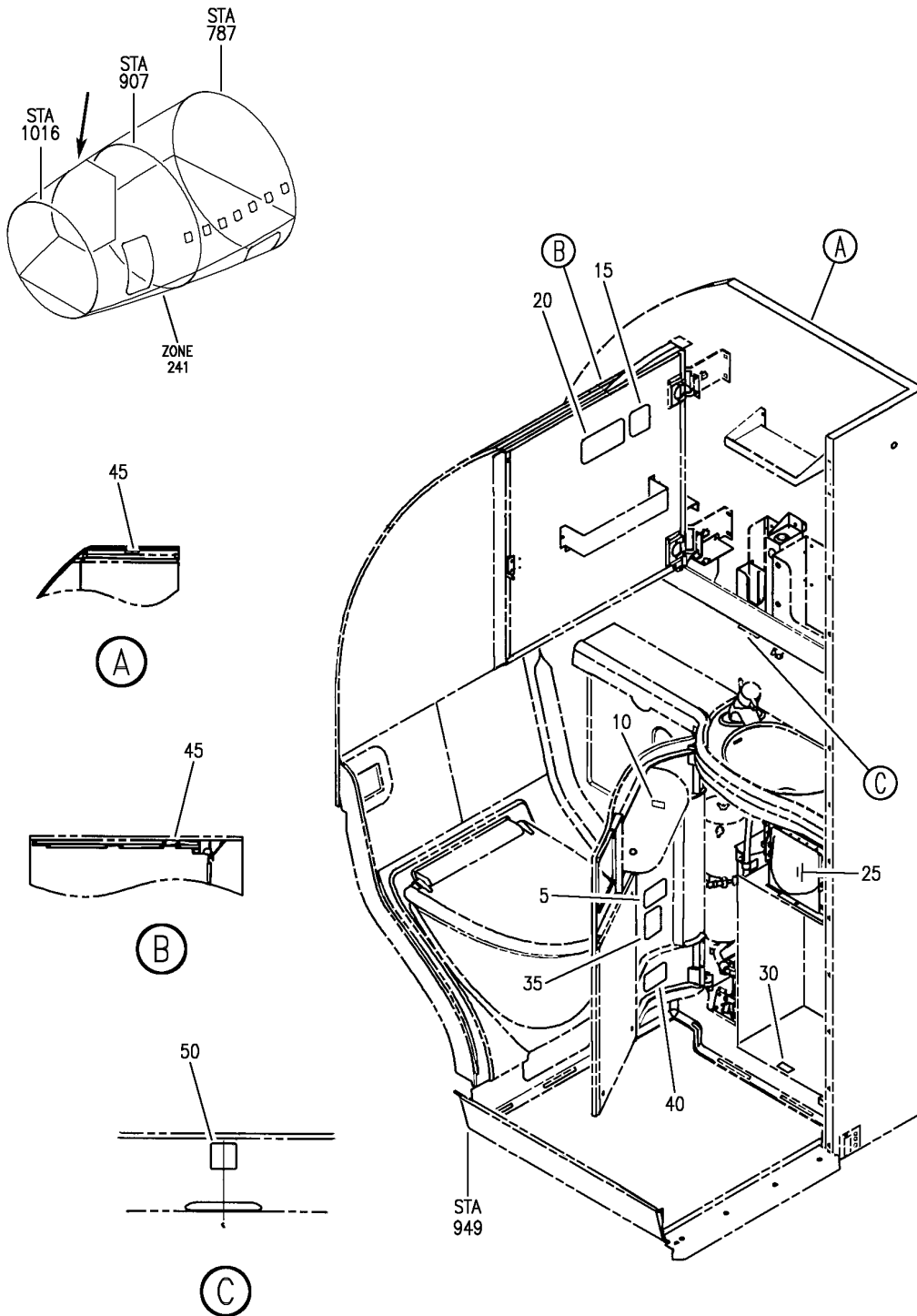
HAP

11-32-05-46Q

BOEING PROPRIETARY - Copyright © - Unpublished Work - See title page for details.

11-32-05
 FIG. 46Q
 PAGE 2
 FEB 15/09

BOEING
 737-600/700/800/900
 PARTS CATALOG (MAINTENANCE)



E 11320555A REV 125

MODULE ASSY-LAV D (PLACARDS AND MARKINGS ONLY)
 FIGURE 55A

11-32-05-55A

HAP
 FEB 10/07

11-32-05-55A
 PAGE 0

BOEING
737-600/700/800/900
PARTS CATALOG (MAINTENANCE)

FIG ITEM	PART NUMBER	1 2 3 4 5 6 7	NOMENCLATURE	EFFECT FROM TO	UNITS PER ASSY
55A			MODULE ASSY-LAV D (PLACARDS AND MARKINGS ONLY)	038038 042046 051052	
- 1	D72000743-111A		MODULE ASSY-LAV D (PLACARDS AND MARKINGS ONLY) SUPPLIER CODE: VS5825 SPECIFICATION NUMBER: S417A180-0743A ELECTRICAL EQUIP NUMBER: M01418 COMPONENT MAINT MANUAL REF: 25-46-14 FOR NHA/OTHER SYS DET SEE: 25-40-01-01G	038038 042046 051052	RF
5	D72D71323-111		.PLACARD-CHECK THE FOUR SUPPLIER CODE: VS5825	038038 042046 051052	1
10	D72D71324-111		.PLACARD-REMOVE THIS END SUPPLIER CODE: VS5825	038038 042046 051052	1
15	D72D71325-111		.PLACARD-AMENITIES STORAGE SUPPLIER CODE: VS5825	038038 042046 051052	1
20	D72D70253-111		.NAMEPLATE- SUPPLIER CODE: VS5825	038038 042046 051052	1
25	D72D70847-111		.PLACARD-WASTE DISPOSAL SUPPLIER CODE: VS5825	038038 042046 051052	1
30	D72D70924-111		.PLACARD-NO STEP SUPPLIER CODE: VS5825	038038 042046 051052	1
35	D72D71125-111		.PLACARD-RESET INSTRUCTIONS SUPPLIER CODE: VS5825	038038 042046 051052	1
40	D72D71244-111		.PLACARD-SELECTOR VALVE SUPPLIER CODE: VS5825	038038 042046 051052	1
45	D72D71433-111		.PLACARD-CAUTION, HIGH VOLTAGE SUPPLIER CODE: VS5825	038038 042046 051052	2
50	D72D71478-111		.PLACARD-PAPER TOWEL SUPPLIER CODE: VS5825	038038 042046 051052	1

MISSING ITEM NUMBERS NOT APPLICABLE

- ITEM NOT ILLUSTRATED

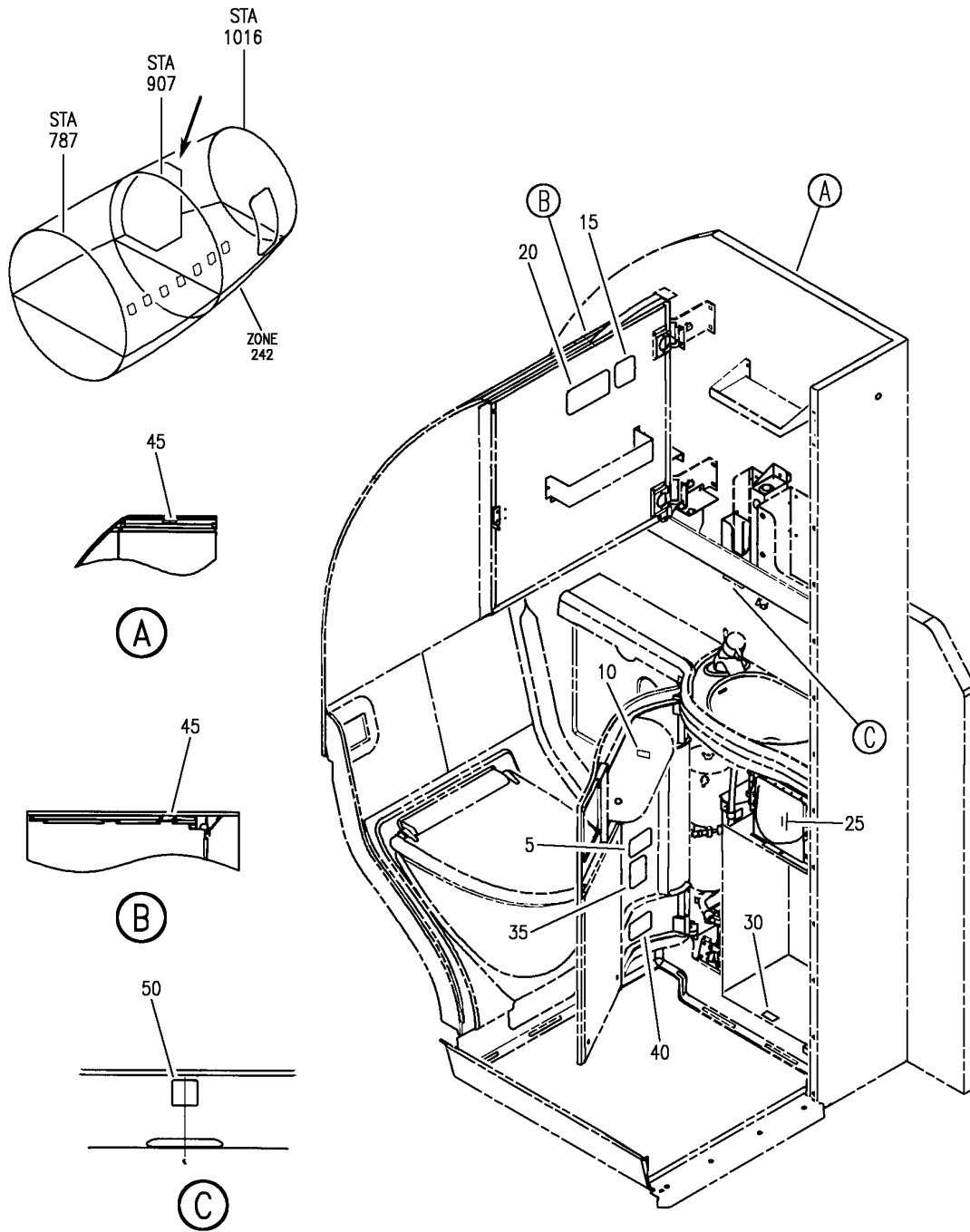
HAP

11-32-05-55A

BOEING PROPRIETARY - Copyright © - Unpublished Work - See title page for details.

11-32-05
FIG. 55A
PAGE 1
FEB 15/09

BOEING
 737-600/700/800/900
 PARTS CATALOG (MAINTENANCE)



E 11320555C REV 125

MODULE ASSY-LAV E (PLACARDS AND MARKINGS ONLY)
 FIGURE 55C

11-32-05-55C

HAP
 FEB 10/07

11-32-05-55C
 PAGE 0

BOEING
737-600/700/800/900
PARTS CATALOG (MAINTENANCE)

FIG ITEM	PART NUMBER	1 2 3 4 5 6 7	NOMENCLATURE	EFFECT FROM TO	UNITS PER ASSY
55C			MODULE ASSY-LAV E (PLACARDS AND MARKINGS ONLY)	038038 042046 051052	
- 1	D72001250-111A		MODULE ASSY-LAV E (PLACARDS AND MARKINGS ONLY) SUPPLIER CODE: VS5825 SPECIFICATION NUMBER: S417A180-1250A ELECTRICAL EQUIP NUMBER: M01419 COMPONENT MAINT MANUAL REF: 25-46-15 FOR NHA/OTHER SYS DET SEE: 25-40-01-01H	038038 042046 051052	RF
5	D72D71323-111		.PLACARD-CHECK THE FOUR. SUPPLIER CODE: VS5825	038038 042046 051052	1
10	D72D71324-111		.PLACARD-REMOVE THIS END SUPPLIER CODE: VS5825	038038 042046 051052	1
15	D72D71325-111		.PLACARD-AMENITIES STOWAGE SUPPLIER CODE: VS5825	038038 042046 051052	1
20	D72D70253-111		.NAMEPLATE- SUPPLIER CODE: VS5825	038038 042046 051052	1
25	D72D70847-111		.PLACARD-WASTE DISPOSAL SUPPLIER CODE: VS5825	038038 042046 051052	1
30	D72D70924-111		.PLACARD-NO STEP SUPPLIER CODE: VS5825	038038 042046 051052	1
35	D72D71125-111		.PLACARD-RESET INSTRUCTIONS SUPPLIER CODE: VS5825	038038 042046 051052	1
40	D72D71244-111		.PLACARD-SELECTOR VALVE SUPPLIER CODE: VS5825	038038 042046 051052	1
45	D72D71433-111		.PLACARD-CAUTION, HIGH VOLTAGE SUPPLIER CODE: VS5825	038038 042046 051052	2
50	D72D71478-111		.PLACARD-PAPER TOWEL SUPPLIER CODE: VS5825	038038 042046 051052	1

MISSING ITEM NUMBERS NOT APPLICABLE

- ITEM NOT ILLUSTRATED

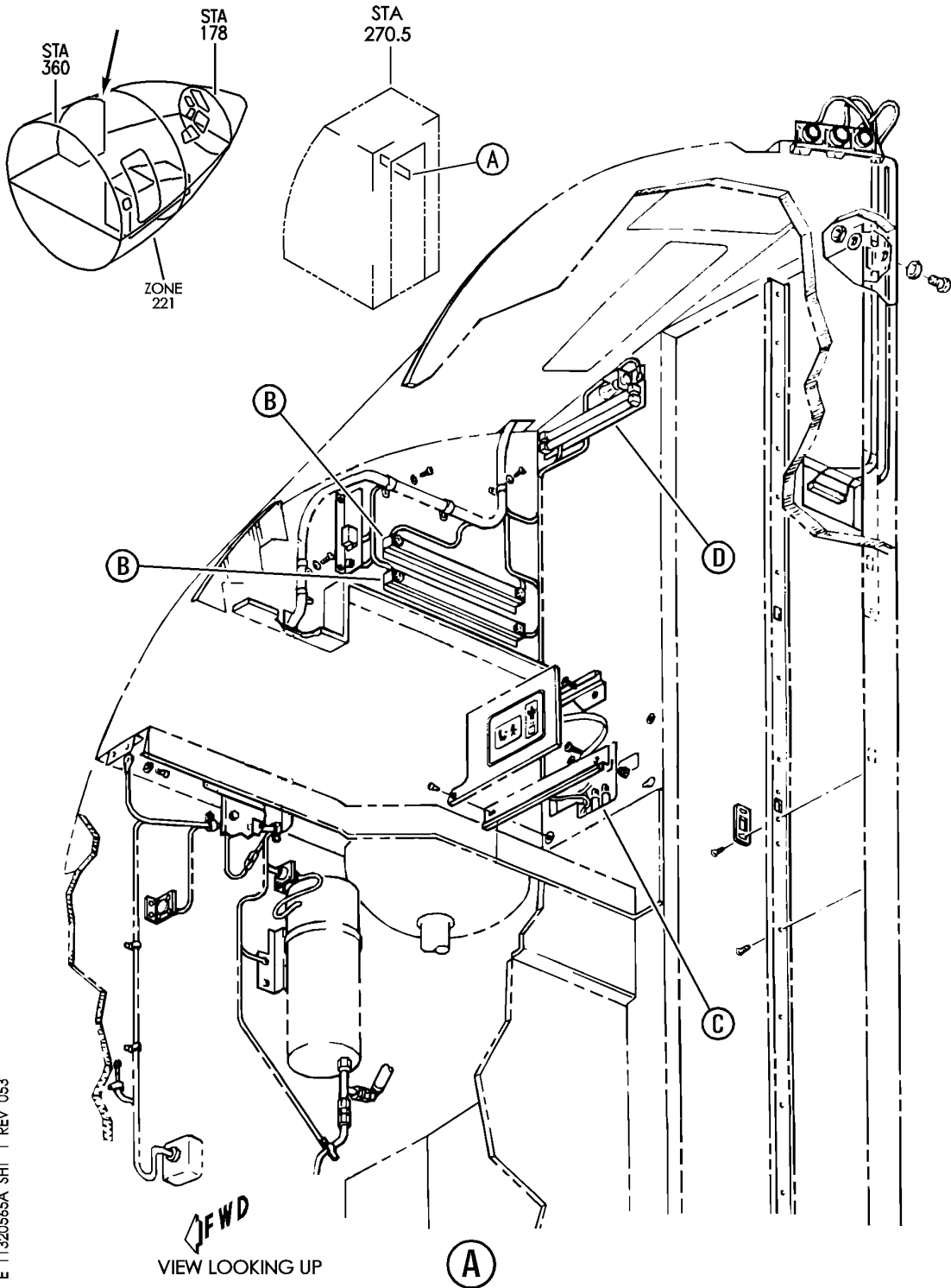
HAP

11-32-05-55C

BOEING PROPRIETARY - Copyright © - Unpublished Work - See title page for details.

11-32-05
FIG. 55C
PAGE 1
FEB 15/09

BOEING
 737-600/700/800/900
 PARTS CATALOG (MAINTENANCE)



E 11320565A SHT 1 REV 053

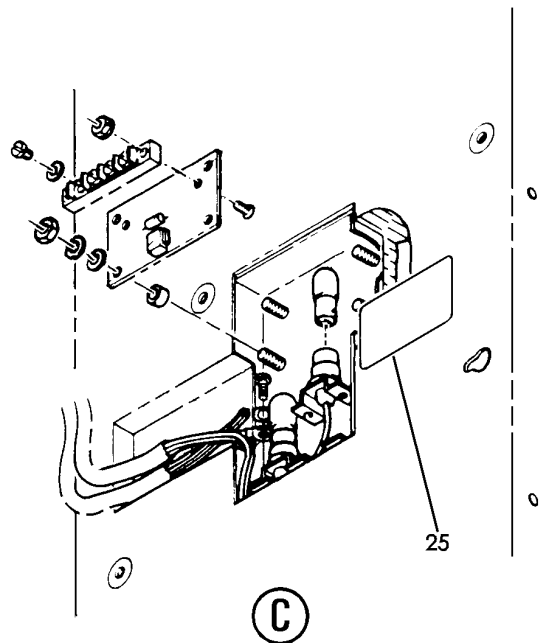
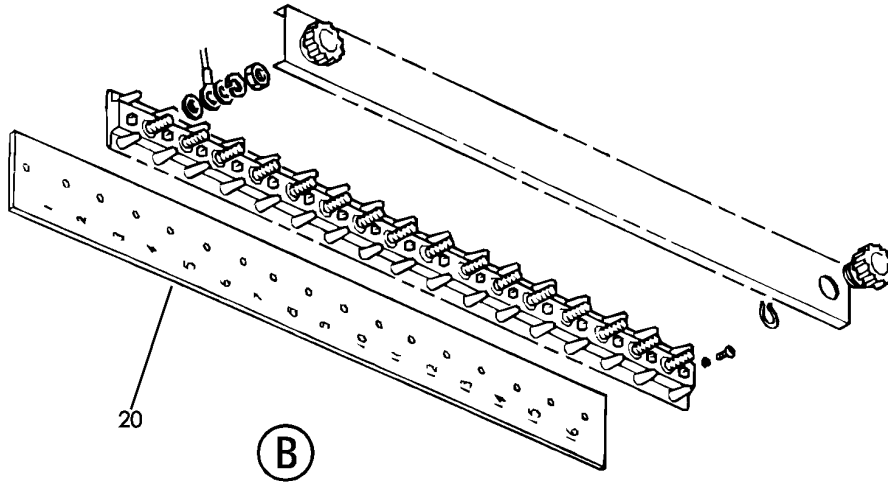
ELECTRICAL INSTL-LAV A (PLACARDS AND MARKINGS ONLY)
 FIGURE 65A (SHEET 1)

11-32-05-65A

HAP
 OCT 15/08

11-32-05-65A
 PAGE 0

BOEING
 737-600/700/800/900
 PARTS CATALOG (MAINTENANCE)



E 11320565A SHT 2 REV 053

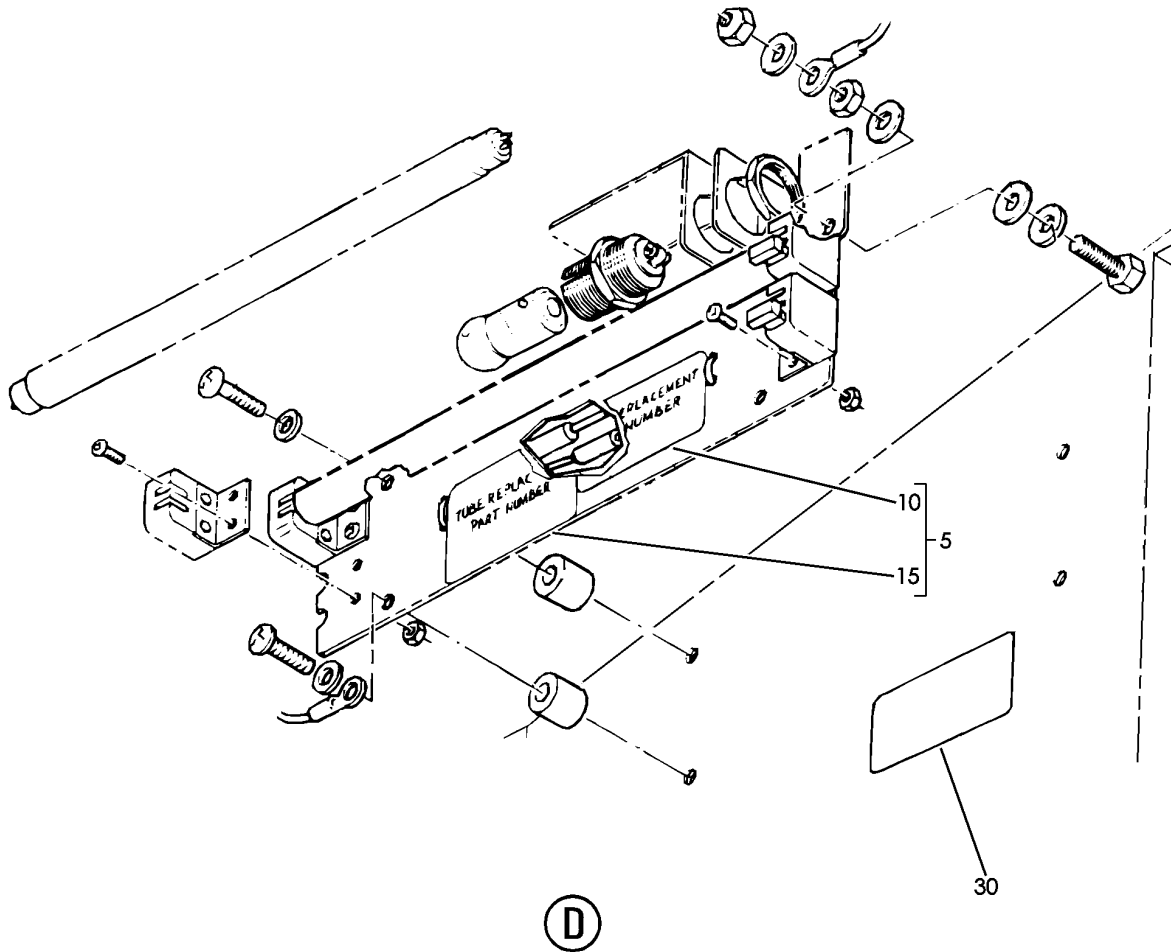
ELECTRICAL INSTL-LAV A (PLACARDS AND MARKINGS ONLY)
 FIGURE 65A (SHEET 2)

11-32-05-65A

HAP
 OCT 15/08

11-32-05-65A
 PAGE 0A

BOEING
 737-600/700/800/900
 PARTS CATALOG (MAINTENANCE)



E 11320565A SHT 3 REV 053

ELECTRICAL INSTL-LAV A (PLACARDS AND MARKINGS ONLY)
 FIGURE 65A (SHEET 3)

11-32-05-65A

HAP
 OCT 15/08

11-32-05-65A
 PAGE 0B

BOEING
737-600/700/800/900
PARTS CATALOG (MAINTENANCE)

FIG ITEM	PART NUMBER	1 2 3 4 5 6 7	NOMENCLATURE	EFFECT FROM TO	UNITS PER ASSY
65A			ELECTRICAL INSTL-LAV A (PLACARDS AND MARKINGS ONLY)	201967	
- 1	C23102-011-913		ELECTRICAL INSTL-LAV A (PLACARDS AND MARKINGS ONLY) SUPPLIER CODE: VU3384 FOR NHA/OTHER SYS DET SEE: 25-40-01-56A	201967	RF
5	C23102-521-001		.LAMP ASSY- SUPPLIER CODE: VU3384 ELECTRICAL EQUIP NUMBER: MZ0113 USED ON: C23102-011-901 C23102-011-913	201967	RF
10	C22102-288-101		..LABEL- SUPPLIER CODE: VU3384 PLACARD CONTENT: LAMP REPLACEMENT PART NUMBER	201967	1
15	C22102-861-101		..LABEL- SUPPLIER CODE: VU3384 PLACARD CONTENT: TUBE REPLACEMENT PART NUMBER	201967	1
20	RES105X		.PLACARD-TERMINAL BLOCK SUPPLIER CODE: VU3384	201967	2
25	C22102-863-101		.LABEL- SUPPLIER CODE: VU3384 PLACARD CONTENT: LAMP REPLACEMENT	201967	1
30	BAC27DPA5069		.PLACARD- PLACARD CONTENT: CAUTION-HIGH VOLTAGE DISCONNECT POWER BEFORE REPLACING LAMPS	201967	1

MISSING ITEM NUMBERS NOT APPLICABLE

- ITEM NOT ILLUSTRATED

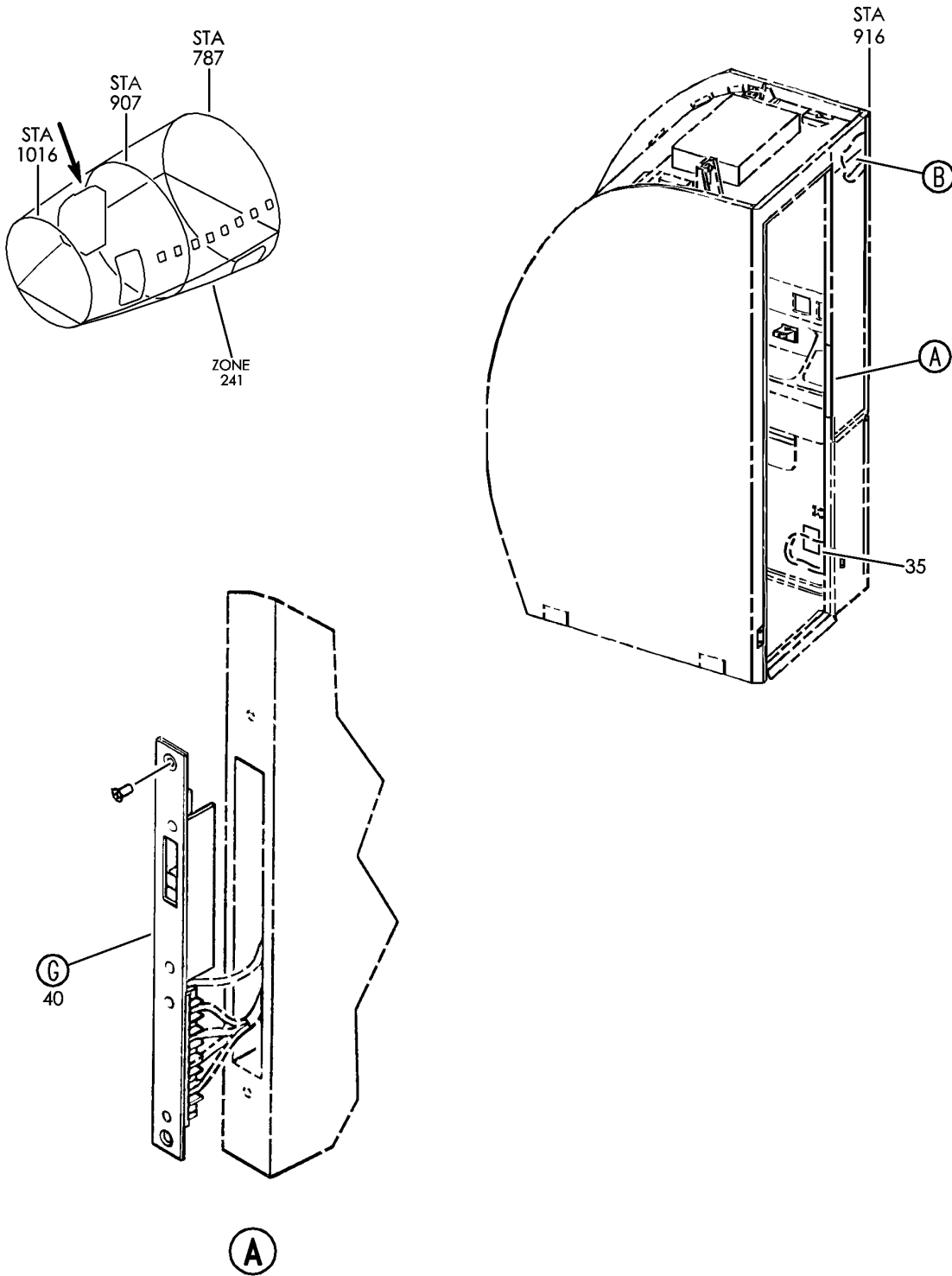
HAP

11-32-05-65A

BOEING PROPRIETARY - Copyright © - Unpublished Work - See title page for details.

11-32-05
FIG. 65A
PAGE 1
OCT 15/08

BOEING
 737-600/700/800/900
 PARTS CATALOG (MAINTENANCE)



E 11320565B SHT 1 REV 047

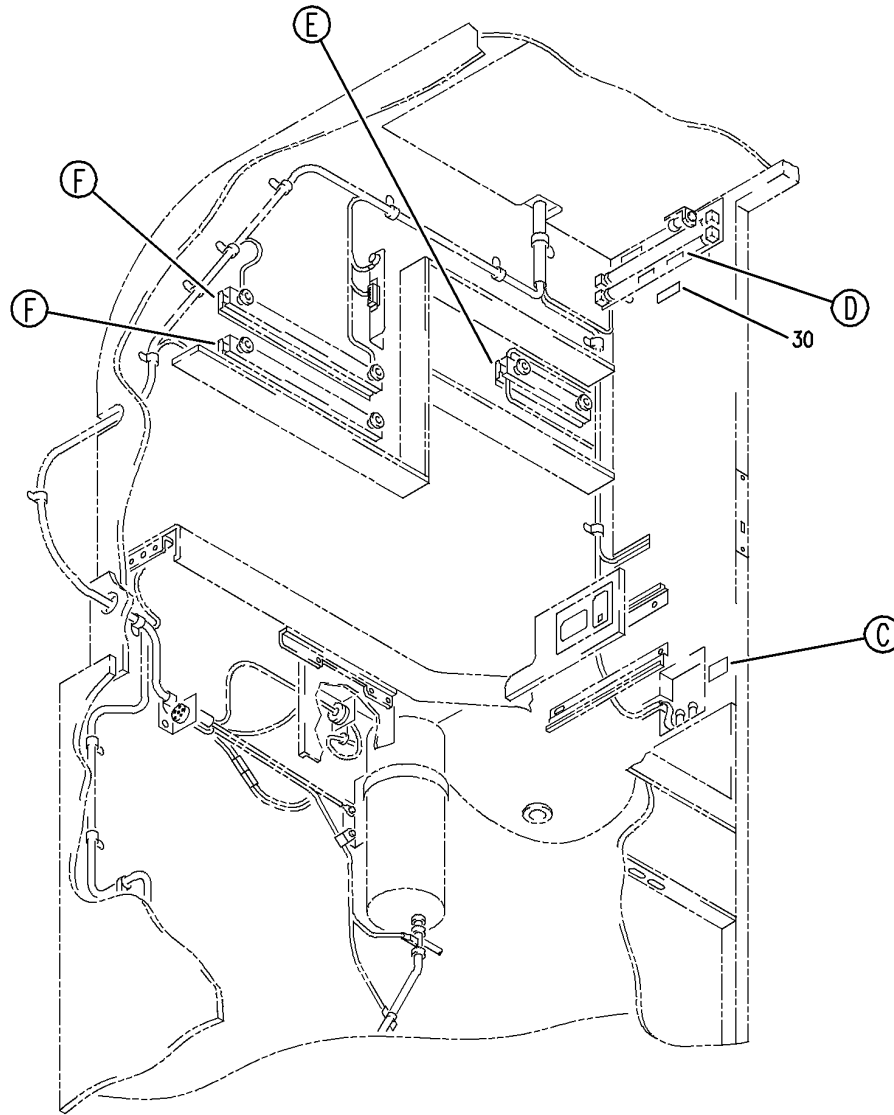
ELECTRICAL INSTL-LAV D (PLACARDS AND MARKINGS ONLY)
 FIGURE 65B (SHEET 1)

11-32-05-65B

HAP
 OCT 10/06

11-32-05-65B
 PAGE 0

BOEING
737-600/700/800/900
PARTS CATALOG (MAINTENANCE)



VIEW LOOKING UP

(B)

E 11320565B SHT 2 REV 047

ELECTRICAL INSTL-LAV D (PLACARDS AND MARKINGS ONLY)
FIGURE 65B (SHEET 2)

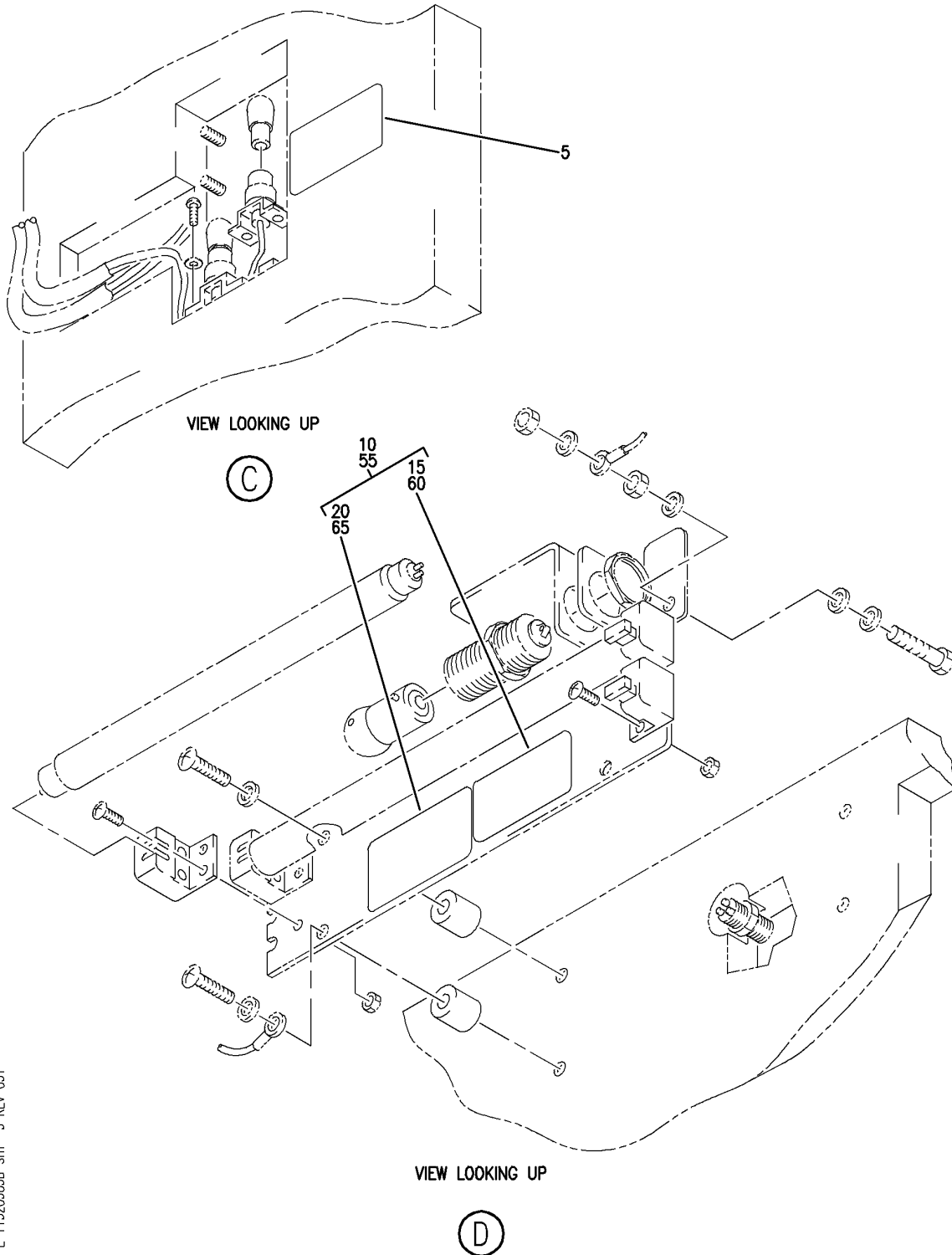
11-32-05-65B

HAP
OCT 10/06

11-32-05-65B
PAGE 0A

BOEING PROPRIETARY - Copyright © - Unpublished Work - See title page for details.

BOEING
 737-600/700/800/900
 PARTS CATALOG (MAINTENANCE)



E 11320565B SHT 3 REV 051

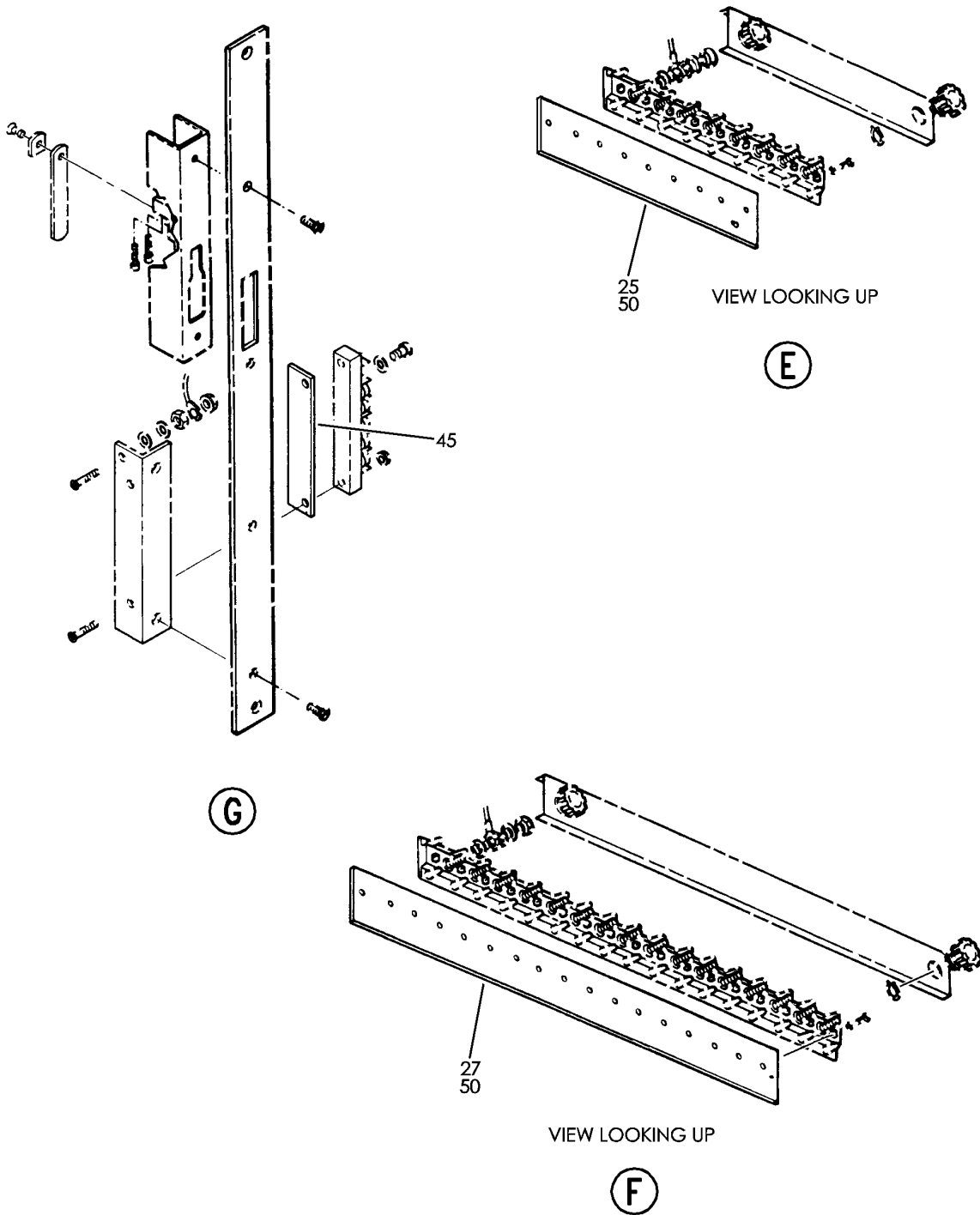
ELECTRICAL INSTL-LAV D (PLACARDS AND MARKINGS ONLY)
 FIGURE 65B (SHEET 3)

11-32-05-65B

HAP
 OCT 10/06

11-32-05-65B
 PAGE 0B

BOEING
737-600/700/800/900
PARTS CATALOG (MAINTENANCE)



E 11320565B SHT 4 REV 049

ELECTRICAL INSTL-LAV D (PLACARDS AND MARKINGS ONLY)
FIGURE 65B (SHEET 4)

11-32-05-65B

HAP
OCT 10/06

11-32-05-65B
PAGE 0C

BOEING PROPRIETARY - Copyright © - Unpublished Work - See title page for details.

BOEING
737-600/700/800/900
PARTS CATALOG (MAINTENANCE)

FIG ITEM	PART NUMBER	1 2 3 4 5 6 7	NOMENCLATURE	EFFECT FROM TO	UNITS PER ASSY
65B			ELECTRICAL INSTL-LAV D (PLACARDS AND MARKINGS ONLY)	008013 201967	
- 1	C23502-011-005		ELECTRICAL INSTL-LAV D (PLACARDS AND MARKINGS ONLY) SUPPLIER CODE: VU3384 CONFIG CHG DATA FROM A CMM: SUPSD BY 25-45-07-905RF FOR NHA/OTHER SYS DET SEE: 25-40-01-59	008013	RF
- 1	25-45-07-905RF		ELECTRICAL INSTL-LAV D (PLACARDS AND MARKINGS ONLY) SUPPLIER CODE: VU3384 CONFIG CHG DATA FROM A CMM: SUPERSEDES C23502-011-005 FOR NHA/OTHER SYS DET SEE: 25-40-01-59	008013	RF
- 2	C23502-011-001		ELECTRICAL INSTL-LAV D TO AND INCLUDING SN3944 (PLACARDS AND MARKINGS ONLY) SUPPLIER CODE: VU3384 CONFIG CHG DATA FROM A CMM: SUPSD BY 25-44-71-901RF FOR NHA/OTHER SYS DET SEE: 25-40-01-54	201967	RF
- 2	25-44-71-901RF		ELECTRICAL INSTL-LAV D SN3945 AND ON (PLACARDS AND MARKINGS ONLY) SUPPLIER CODE: VU3384 CONFIG CHG DATA FROM A CMM: SUPERSEDES C23502-011-001 FOR NHA/OTHER SYS DET SEE: 25-40-01-54	201967	RF
5	C22102-863-101		. LABEL- SUPPLIER CODE: VU3384 PLACARD CONTENT: LAMP REPLACEMENT	008013	1

MISSING ITEM NUMBERS NOT APPLICABLE

- ITEM NOT ILLUSTRATED

HAP

11-32-05-65B

BOEING PROPRIETARY - Copyright © - Unpublished Work - See title page for details.

11-32-05
FIG. 65B
PAGE 1
OCT 15/08

BOEING
737-600/700/800/900
PARTS CATALOG (MAINTENANCE)

FIG ITEM	PART NUMBER	1 2 3 4 5 6 7	NOMENCLATURE	EFFECT FROM TO	UNITS PER ASSY
65B 5	C22102-863-101	.	LABEL-TO AND INCLUDING SN17289 SUPPLIER CODE: VU3384 PLACARD CONTENT: LAMP REPLACEMENT	201967	1
10	C23102-283-001	.	LAMP ASSY-MZ113 SUPPLIER CODE: VU3384	008013 201967	RF
15	C22102-288-101	..	LABEL- SUPPLIER CODE: VU3384 PLACARD CONTENT: LAMP REPLACEMENT PART NUMBER	008013	1
15	C22102-288-101	..	LABEL-TO AND INCLUDING SN17289 SUPPLIER CODE: VU3384 PLACARD CONTENT: LAMP REPLACEMENT PART NUMBER	201967	1
20	C22102-861-101	..	LABEL- SUPPLIER CODE: VU3384 PLACARD CONTENT: TUBE REPLACEMENT PART NUMBER	008013	1
20	C22102-861-101	..	LABEL-TO AND INCLUDING SN17289 SUPPLIER CODE: VU3384 PLACARD CONTENT: LAMP REPLACEMENT PART NUMBER	201967	1
25	RES105X	.	PLACARD- SUPPLIER CODE: VU3384 PLACARD CONTENT: TERMINAL BLOCK	008013	1
27	RES105X	.	PLACARD- SUPPLIER CODE: VU3384 PLACARD CONTENT: TERMINAL BLOCK	008013 201967	2

MISSING ITEM NUMBERS NOT APPLICABLE

— ITEM NOT ILLUSTRATED

HAP

11-32-05-65B

BOEING PROPRIETARY - Copyright © - Unpublished Work - See title page for details.

11-32-05
FIG. 65B
PAGE 2
OCT 15/08

BOEING
737-600/700/800/900
PARTS CATALOG (MAINTENANCE)

FIG ITEM	PART NUMBER	1 2 3 4 5 6 7	NOMENCLATURE	EFFECT FROM TO	UNITS PER ASSY
65B 30	BAC27DPA5069		.PLACARD- PLACARD CONTENT: CAUTION-HIGH VOLTAGE DISCONNECT POWER BEFORE REPLACING LAMPS	008013 201967	1
40	C22502-495-003		.SWITCH ASSY- SUPPLIER CODE: VU3384	201967	RF
45	C20800-1249		..PLACARD- SUPPLIER CODE: VU3384	201967	1
55	C23102-521-001		.LAMP ASSY-MZ113 SUPPLIER CODE: VU3384 USED ON: 25-44-71-901RF	201967	RF
60	C22102-288-101		..LABEL- SUPPLIER CODE: VU3384 PLACARD CONTENT: LAMP REPLACEMENT	201967	1
65	C22102-861-101		..LABEL- SUPPLIER CODE: VU3384 PLACARD CONTENT: TUBE REPLACEMENT	201967	1

MISSING ITEM NUMBERS NOT APPLICABLE

— ITEM NOT ILLUSTRATED

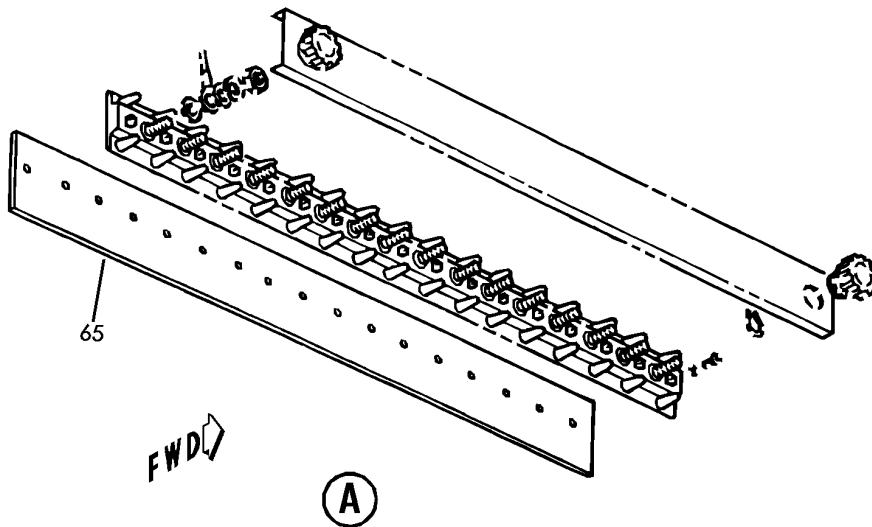
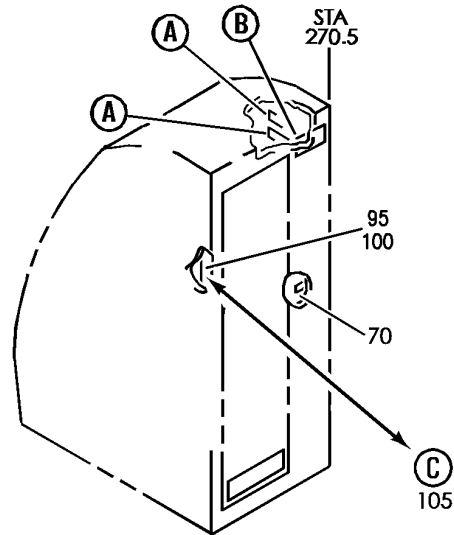
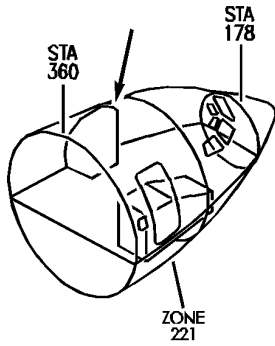
HAP

11-32-05-65B

BOEING PROPRIETARY - Copyright © - Unpublished Work - See title page for details.

11-32-05
FIG. 65B
PAGE 3
OCT 15/08

BOEING
 737-600/700/800/900
 PARTS CATALOG (MAINTENANCE)



E 11320565C SHT 1 REV 050

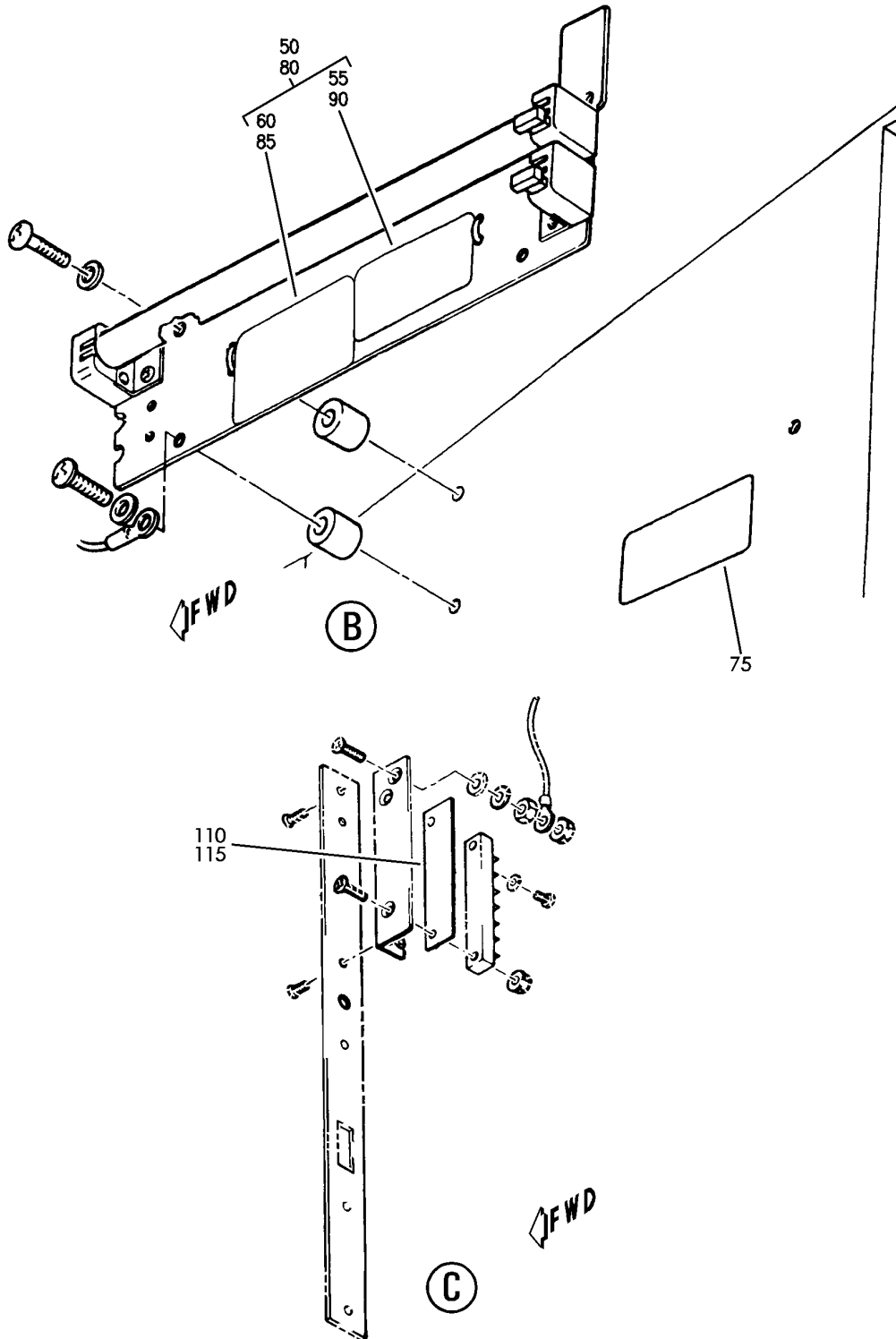
ELECTRICAL ASSY/INSTL-LAV A (PLACARDS AND MARKINGS ONLY)
 FIGURE 65C (SHEET 1)

11-32-05-65C

HAP
 OCT 10/06

11-32-05-65C
 PAGE 0

BOEING
 737-600/700/800/900
 PARTS CATALOG (MAINTENANCE)



E 11320565C SHT 2 REV 050

ELECTRICAL ASSY/INSTL-LAV A (PLACARDS AND MARKINGS ONLY)
 FIGURE 65C (SHEET 2)

11-32-05-65C

HAP
 OCT 10/06

11-32-05-65C
 PAGE 0A

BOEING
737-600/700/800/900
PARTS CATALOG (MAINTENANCE)

FIG ITEM	PART NUMBER	1 2 3 4 5 6 7	NOMENCLATURE	EFFECT FROM TO	UNITS PER ASSY
65C			ELECTRICAL ASSY/INSTL-LAV A (PLACARDS AND MARKINGS ONLY)	008030	
- 3	C23102-011-903		ELECTRICAL INSTL-LAV A (PLACARDS AND MARKINGS ONLY) SUPPLIER CODE: VU3384 FOR NHA/OTHER SYS DET SEE: 25-40-01-56C	008013	RF
- 3	C23102-011-1003		ELECTRICAL INSTL-LAV A (PLACARDS AND MARKINGS ONLY) SUPPLIER CODE: VU3384 FOR NHA/OTHER SYS DET SEE: 25-40-01-56C	014030	RF
50	C23102-521-001		.LAMP ASSY-MZ113 SUPPLIER CODE: VU3384	008030	RF
55	C22102-288-101		..LABEL- SUPPLIER CODE: VU3384 PLACARD CONTENT: LAMP REPLACEMENT PART NUMBER	008030	1
60	C22102-861-101		..LABEL- SUPPLIER CODE: VU3384 PLACARD CONTENT: TUBE REPLACEMENT PART NUMBER	008030	1
65	RES105X		.PLACARD-TERM. BLK SUPPLIER CODE: VU3384	008030	2
70	C22102-863-101		.LABEL- SUPPLIER CODE: VU3384 PLACARD CONTENT: LAMP REPLACEMENT	008030	1
75	BAC27DPA5069		.PLACARD- PLACARD CONTENT: CAUTION-HIGH VOLTAGE DISCONNECT POWER BEFORE REPLACING LAMPS	008030	1
105	C22102-134-003		.SWITCH ASSY- SUPPLIER CODE: VU3384	008030	RF

MISSING ITEM NUMBERS NOT APPLICABLE

- ITEM NOT ILLUSTRATED

HAP

11-32-05-65C

BOEING PROPRIETARY - Copyright © - Unpublished Work - See title page for details.

11-32-05
FIG. 65C
PAGE 1
JUN 10/07

BOEING
737-600/700/800/900
PARTS CATALOG (MAINTENANCE)

FIG ITEM	PART NUMBER	1 2 3 4 5 6 7	NOMENCLATURE	EFFECT FROM TO	UNITS PER ASSY
65C 110	C22102-331-001		.. TERMINAL ASSY-BLK SUPPLIER CODE: VU3384	008030	RF
115	C20800-1249		... PLACARD- SUPPLIER CODE: VU3384	008030	1

MISSING ITEM NUMBERS NOT APPLICABLE

— ITEM NOT ILLUSTRATED

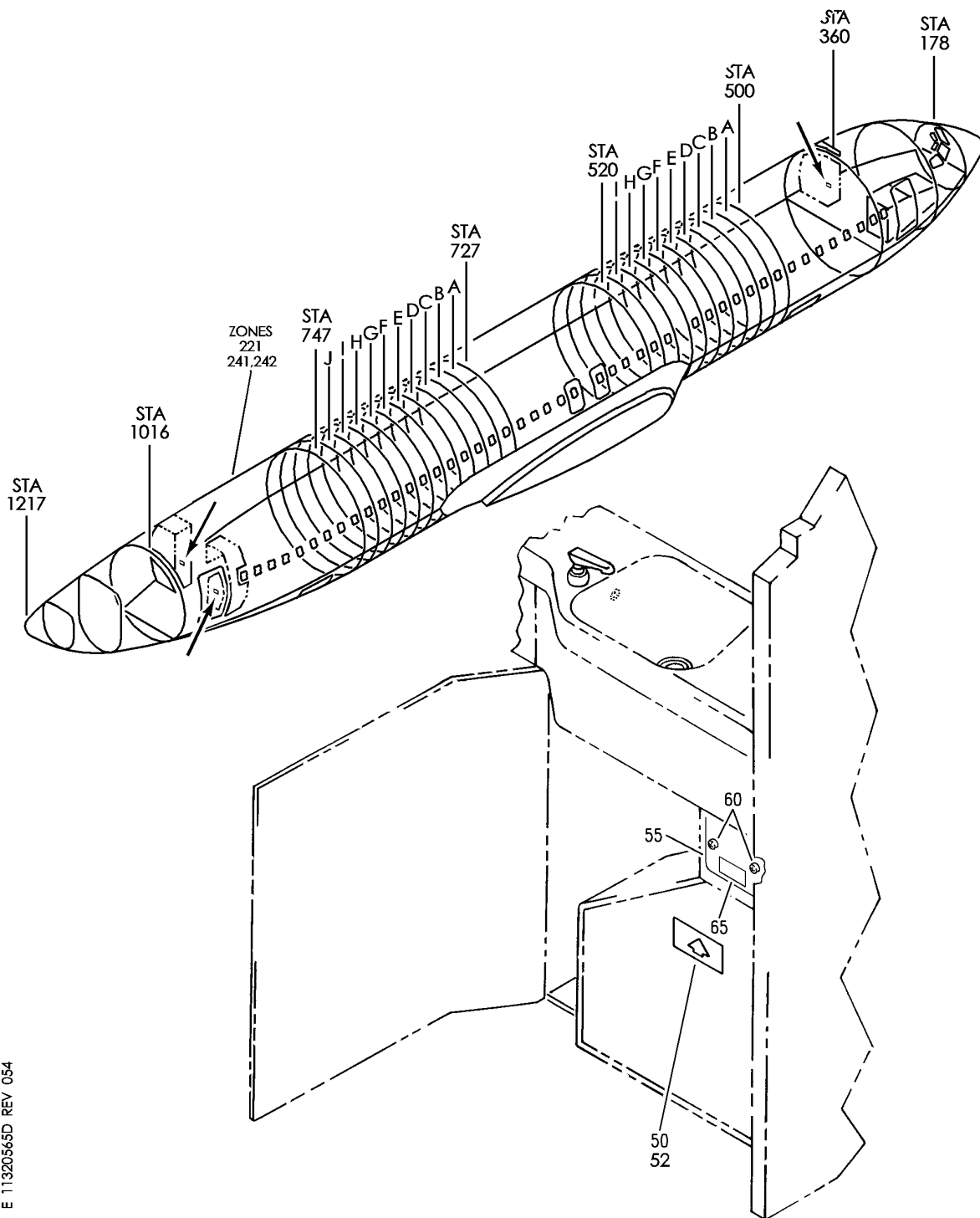
HAP

11-32-05-65C

BOEING PROPRIETARY - Copyright © - Unpublished Work - See title page for details.

11-32-05
FIG. 65C
PAGE 2
JUN 10/07

BOEING
 737-600/700/800/900
 PARTS CATALOG (MAINTENANCE)



E 11320565D REV 054

AMENITY INSTL LAV A, D, AND E (PLACARDS AND MARKINGS ONLY)
 FIGURE 65D

11-32-05-65D

HAP
 OCT 10/06

11-32-05-65D
 PAGE 0

BOEING
737-600/700/800/900
PARTS CATALOG (MAINTENANCE)

FIG ITEM	PART NUMBER	1 2 3 4 5 6 7	NOMENCLATURE	EFFECT FROM TO	UNITS PER ASSY
65D			AMENITY INSTL LAV A, D, AND E (PLACARDS AND MARKINGS ONLY)	001007	
- 5	C23502-025-303		AMENITY INSTL-LAV D AND E (PLACARDS AND MARKINGS ONLY) SUPPLIER CODE: VU3384 FOR NHA/OTHER SYS DET SEE: 25-40-01-51 25-40-01-69	001007	RF
50	C22102-585-101		.PLACARD-TEMP IND SUPPLIER CODE: VU3384	001005	1
50	C22102-585-101		.PLACARD-TEMP IND SUPPLIER CODE: VU3384	006007	1
55	C22101-411-001		.PANEL ASSY-ACCESS SUPPLIER CODE: VU3384	006007	1
55	C22101-411-001		.PANEL ASSY-ACCESS SUPPLIER CODE: VU3384	001005	1
60	MS27039-0804		ATTACHING PARTS .SCREW	006007	2
60	MS27039-0804		.SCREW	001005	2
			-----*-----		
65	C23102-543-101		..PLACARD- SUPPLIER CODE: VU3384 USED ON: C23502-025-301 C23502-025-325 25-45-26-002RF C23502-025-455 C23502-025-303	006007	1
65	C23102-543-101		..PLACARD- SUPPLIER CODE: VU3384	001005	1

MISSING ITEM NUMBERS NOT APPLICABLE

- ITEM NOT ILLUSTRATED

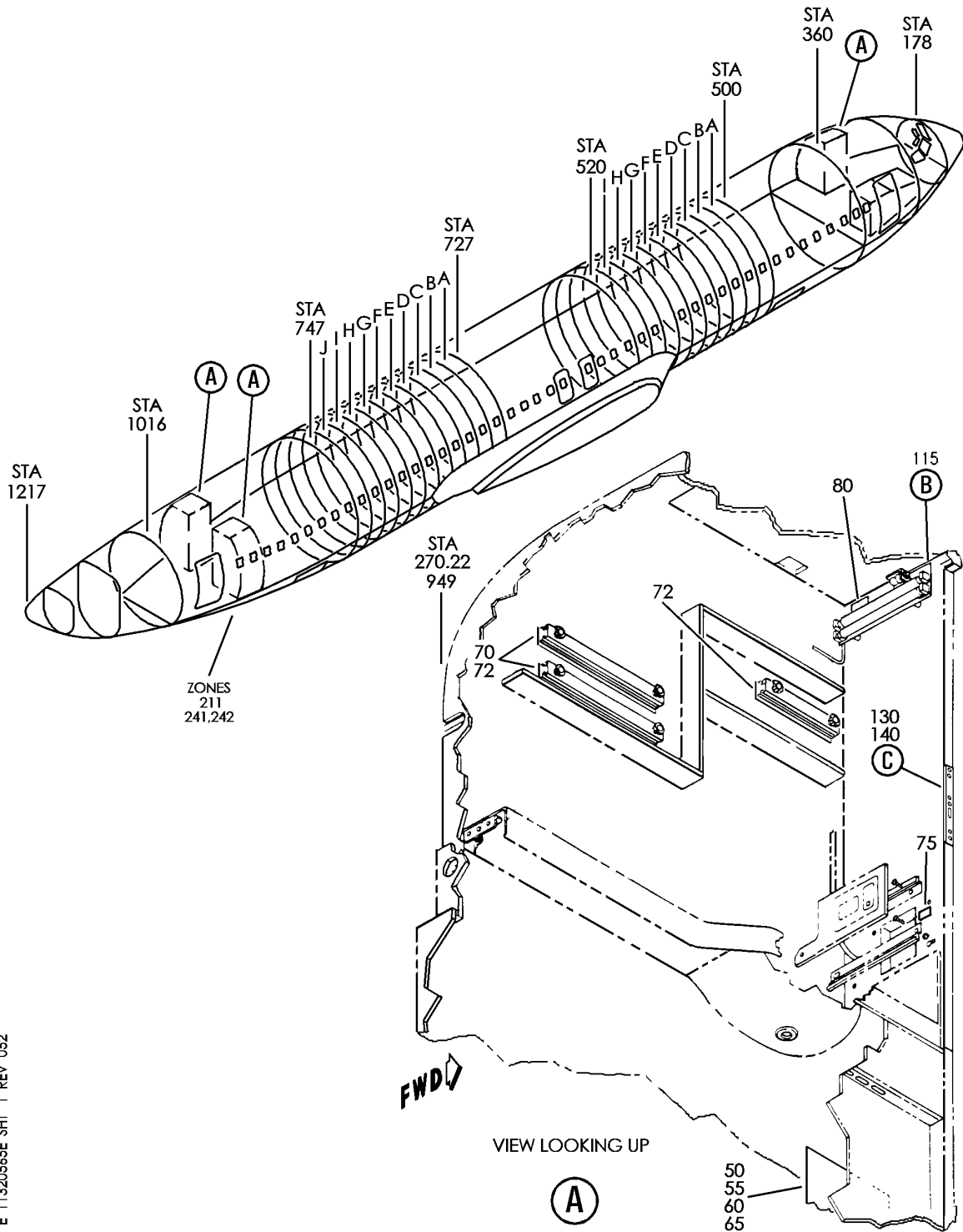
HAP

11-32-05-65D

BOEING PROPRIETARY - Copyright © - Unpublished Work - See title page for details.

11-32-05
FIG. 65D
PAGE 1
OCT 10/06

BOEING
 737-600/700/800/900
 PARTS CATALOG (MAINTENANCE)



E 11320565E SHT 1 REV 052

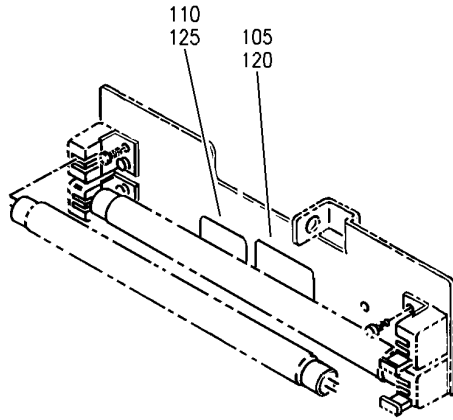
ELECTRICAL ASSY/INSTR-LAV A, D, AND E (PLACARDS AND MARKINGS ONLY)
 FIGURE 65E (SHEET 1)

11-32-05-65E

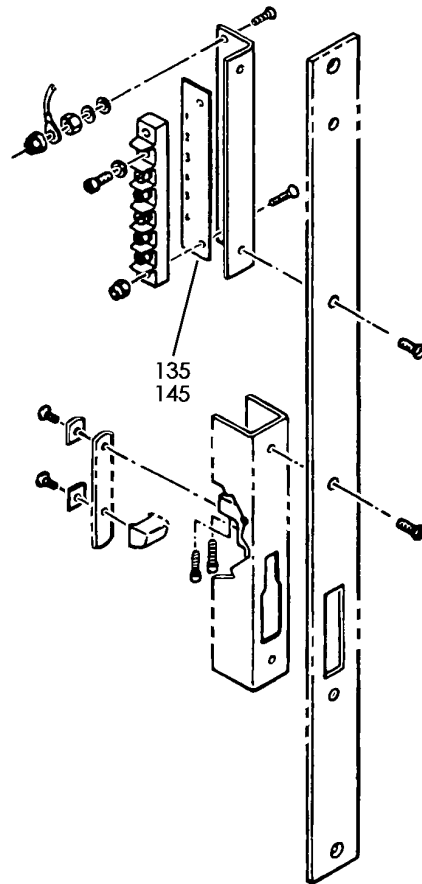
HAP
 OCT 10/06

11-32-05-65E
 PAGE 0

BOEING
737-600/700/800/900
PARTS CATALOG (MAINTENANCE)



(B)



(C)

E 11320565E SHT 2 REV 052

ELECTRICAL ASSY/INSTR-LAV A, D, AND E (PLACARDS AND MARKINGS ONLY)
FIGURE 65E (SHEET 2)

HAP
OCT 10/06

11-32-05-65E

11-32-05-65E
PAGE 0A

BOEING
737-600/700/800/900
PARTS CATALOG (MAINTENANCE)

FIG ITEM	PART NUMBER	1 2 3 4 5 6 7	NOMENCLATURE	EFFECT FROM TO	UNITS PER ASSY
65E			ELECTRICAL ASSY/INSTL-LAV A, D, AND E (PLACARDS AND MARKINGS ONLY)	001030 201967	
- 1	C23102-011-003		ELECTRICAL INSTL-LAV A (PLACARDS AND MARKINGS ONLY) SUPPLIER CODE: VU3384 FOR NHA/OTHER SYS DET SEE: 25-40-01-56	001001	RF
- 5	C23502-011-005		ELECTRICAL INSTL-LAV D (PLACARDS AND MARKINGS ONLY) SUPPLIER CODE: VU3384 FOR NHA/OTHER SYS DET SEE: 25-40-01-51	001005	RF
- 10	C23602-011-003		ELECTRICAL INSTL-LAV E (PLACARDS AND MARKINGS ONLY) SUPPLIER CODE: VU3384 FOR NHA/OTHER SYS DET SEE: 25-40-01-51	001005	RF
- 10	C23602-011-003		ELECTRICAL INSTL-LAV E (PLACARDS AND MARKINGS ONLY) SUPPLIER CODE: VU3384 CONFIG CHG DATA FROM A CMM: SUPSD BY 25-45-12-903RF FOR NHA/OTHER SYS DET SEE: 25-40-01-57B	008030	RF
- 10	25-45-12-903RF		ELECTRICAL INSTL-LAV E (PLACARDS AND MARKINGS ONLY) SUPPLIER CODE: VU3384 CONFIG CHG DATA FROM A CMM: SUPERSEDES C23602-011-003 FOR NHA/OTHER SYS DET SEE: 25-40-01-57B	008030	RF

MISSING ITEM NUMBERS NOT APPLICABLE

- ITEM NOT ILLUSTRATED

HAP

11-32-05-65E

BOEING PROPRIETARY - Copyright © - Unpublished Work - See title page for details.

11-32-05
FIG. 65E
PAGE 1
FEB 15/09

BOEING
737-600/700/800/900
PARTS CATALOG (MAINTENANCE)

FIG ITEM	PART NUMBER	1 2 3 4 5 6 7	NOMENCLATURE	EFFECT FROM TO	UNITS PER ASSY
65E - 10	C23602-011-017		ELECTRICAL INSTL-LAV E (PLACARDS AND MARKINGS ONLY) SUPPLIER CODE: VU3384 CONFIG CHG DATA FROM A CMM: SUPSD BY 25-45-12-917RF FOR NHA/OTHER SYS DET SEE: 25-40-01-57B	201967	RF
- 10	25-45-12-917RF		ELECTRICAL INSTL-LAV E (PLACARDS AND MARKINGS ONLY) SUPPLIER CODE: VU3384 CONFIG CHG DATA FROM A CMM: SUPERSEDES C23602-011-017 FOR NHA/OTHER SYS DET SEE: 25-40-01-57B	201967	RF
50	C23102-133-113		.PLACARD-LAV A WIRING DIAGRAM SUPPLIER CODE: VU3384	001001	1
55	C23102-133-111		.PLACARD-LAV D WIRING DIAGRAM SUPPLIER CODE: VU3384	001007	1
60	C23102-133-143		.PLACARD-LAV E WIRING DIAGRAM TO AND INCLUDING SN04574 SUPPLIER CODE: VU3384	001007	1
60	C23102-133-117		.PLACARD-LAV E WIRING DIAGRAM SN04575 AND ON SUPPLIER CODE: VU3384	001007	1
70	RES105X		.PLACARD-TERM. BLOCK SUPPLIER CODE: VU3384	001001	2
70	RES105X		.PLACARD-TERM. BLOCK SUPPLIER CODE: VU3384	002007	2
70	RES105X		.PLACARD-TERM. BLOCK SUPPLIER CODE: VU3384	008030 201967	2
75	C22102-863-101		.LABEL-LAMP REPLACEMENT PART NUMBER SUPPLIER CODE: VU3384	001001	1

MISSING ITEM NUMBERS NOT APPLICABLE

- ITEM NOT ILLUSTRATED

HAP

11-32-05-65E

BOEING PROPRIETARY - Copyright © - Unpublished Work - See title page for details.

11-32-05
FIG. 65E
PAGE 2
OCT 15/08

BOEING
737-600/700/800/900
PARTS CATALOG (MAINTENANCE)

FIG ITEM	PART NUMBER	1 2 3 4 5 6 7	NOMENCLATURE	EFFECT FROM TO	UNITS PER ASSY
65E					
75	C22102-863-101		.LABEL-LAMP REPLACEMENT PART NUMBER SUPPLIER CODE: VU3384	002007	1
75	C22102-863-101		.LABEL-LAMP REPLACEMENT PART NUMBER SUPPLIER CODE: VU3384	008030 201967	1
80	BAC27DPA5069		.PLACARD- PLACARD CONTENT: CAUTION-HIGH VOLTAGE DISCONNECT POWER BEFORE REPLACING LAMPS	001001	1
80	BAC27DPA5069		.PLACARD- PLACARD CONTENT: CAUTION-HIGH VOLTAGE DISCONNECT POWER BEFORE REPLACING LAMPS	002007	1
80	BAC27DPA5069		.PLACARD- PLACARD CONTENT: CAUTION-HIGH VOLTAGE DISCONNECT POWER BEFORE REPLACING LAMPS	008030 201967	1
- 85	C23102-131-025		.LOOM ASSY-LAV A SUPPLIER CODE: VU3384	001001	RF
- 90	C23102-131-017		.LOOM ASSY-LAV D SUPPLIER CODE: VU3384	001007	RF
- 95	C23102-131-037		.LOOM ASSY-LAV E SUPPLIER CODE: VU3384	001005	RF
- 95	C23102-131-027		.LOOM ASSY-LAV E SUPPLIER CODE: VU3384 USED ON: C23602-011-003	001030	RF
- 95	C23102-131-061		.LOOM ASSY-LAV E SUPPLIER CODE: VU3384 USED ON: C23602-011-017	201967	RF
- 95	C23102-131-079		.LOOM ASSY-LAV E SUPPLIER CODE: VU3384 USED ON: 25-45-12-903RF	008030	RF

MISSING ITEM NUMBERS NOT APPLICABLE

- ITEM NOT ILLUSTRATED

HAP

11-32-05-65E

BOEING PROPRIETARY - Copyright © - Unpublished Work - See title page for details.

11-32-05
FIG. 65E
PAGE 3
OCT 15/08

BOEING
737-600/700/800/900
PARTS CATALOG (MAINTENANCE)

FIG ITEM	PART NUMBER	1 2 3 4 5 6 7	NOMENCLATURE	EFFECT FROM TO	UNITS PER ASSY
65E - 95	C23102-131-105	.L	LOOM ASSY-LAV E SUPPLIER CODE: VU3384 CONFIG CHG DATA FROM A CMM: SUPSD BY C23102-131-153 USED ON: 25-45-12-917RF	201967	RF
- 95	C23102-131-153	.L	LOOM ASSY-LAV E SUPPLIER CODE: VU3384 CONFIG CHG DATA FROM A CMM: SUPSDS C23102-131-105 USED ON: 25-45-12-917RF	201967	RF
- 100	C23102-283-001	..L	LAMP ASSY- SUPPLIER CODE: VU3384 USED ON: C23602-011-001 C23602-011-003 C23502-011-009 25-44-45-909RF	001030 201967	RF
105	C22102-288-101	...L	LABEL-LAMP REPLACEMENT PART NUMBER SUPPLIER CODE: VU3384	001001	1
105	C22102-288-101	...L	LABEL-LAMP REPLACEMENT PART NUMBER SUPPLIER CODE: VU3384	002007	1
105	C22102-288-101	...L	LABEL-LAMP REPLACEMENT PART NUMBER SUPPLIER CODE: VU3384 USED ON: C23602-011-001 C23602-011-003	008030	1
110	C22102-861-101	...L	LABEL-TUBE REPLACEMENT PART NUMBER SUPPLIER CODE: VU3384	001001	1
110	C22102-861-101	...L	LABEL-TUBE REPLACEMENT PART NUMBER SUPPLIER CODE: VU3384	002007	1

MISSING ITEM NUMBERS NOT APPLICABLE

- ITEM NOT ILLUSTRATED

HAP

11-32-05-65E

BOEING PROPRIETARY - Copyright © - Unpublished Work - See title page for details.

11-32-05
FIG. 65E
PAGE 4
OCT 15/08

BOEING
737-600/700/800/900
PARTS CATALOG (MAINTENANCE)

FIG ITEM	PART NUMBER	1 2 3 4 5 6 7	NOMENCLATURE	EFFECT FROM TO	UNITS PER ASSY
65E 110	C22102-861-101		... LABEL-TUBE REPLACEMENT PART NUMBER SUPPLIER CODE: VU3384 USED ON: C23602-011-001 C23602-011-003	001030	1
115	C23102-521-001		. LAMP ASSY-MZ113 SUPPLIER CODE: VU3384 USED ON: 25-45-12-901RF 25-45-12-903RF 25-44-45-909RF C23602-011-037	008030	RF
120	C22102-288-101		.. LABEL-TUBE REPLACEMENT PART NUMBER SUPPLIER CODE: VU3384	008030	1
125	C22102-861-101		.. LABEL-TUBE REPLACEMENT PART NUMBER SUPPLIER CODE: VU3384	008030	1

MISSING ITEM NUMBERS NOT APPLICABLE

— ITEM NOT ILLUSTRATED

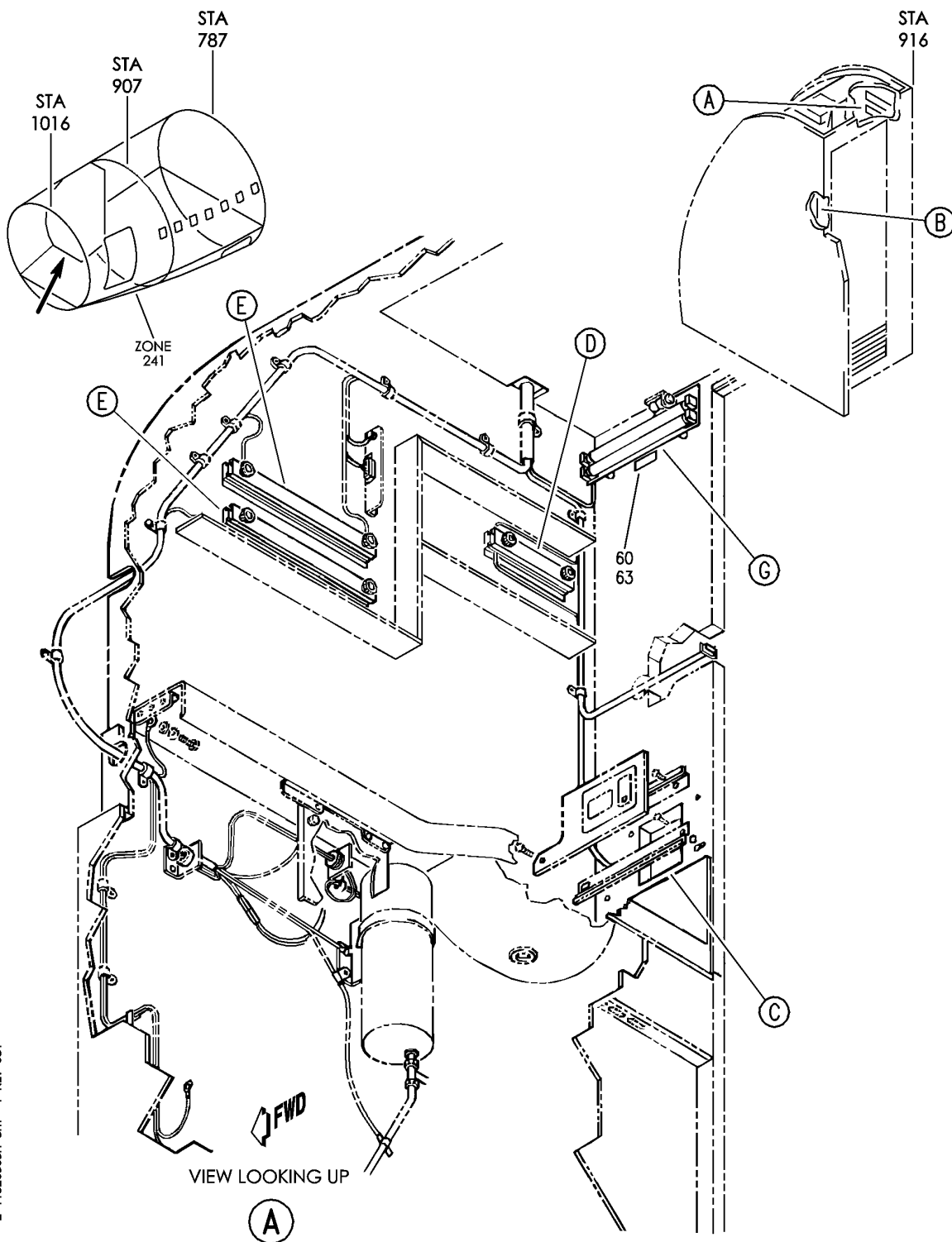
HAP

11-32-05-65E

BOEING PROPRIETARY - Copyright © - Unpublished Work - See title page for details.

11-32-05
FIG. 65E
PAGE 5
OCT 15/08

BOEING
 737-600/700/800/900
 PARTS CATALOG (MAINTENANCE)



E 11320565H SHT 1 REV 081

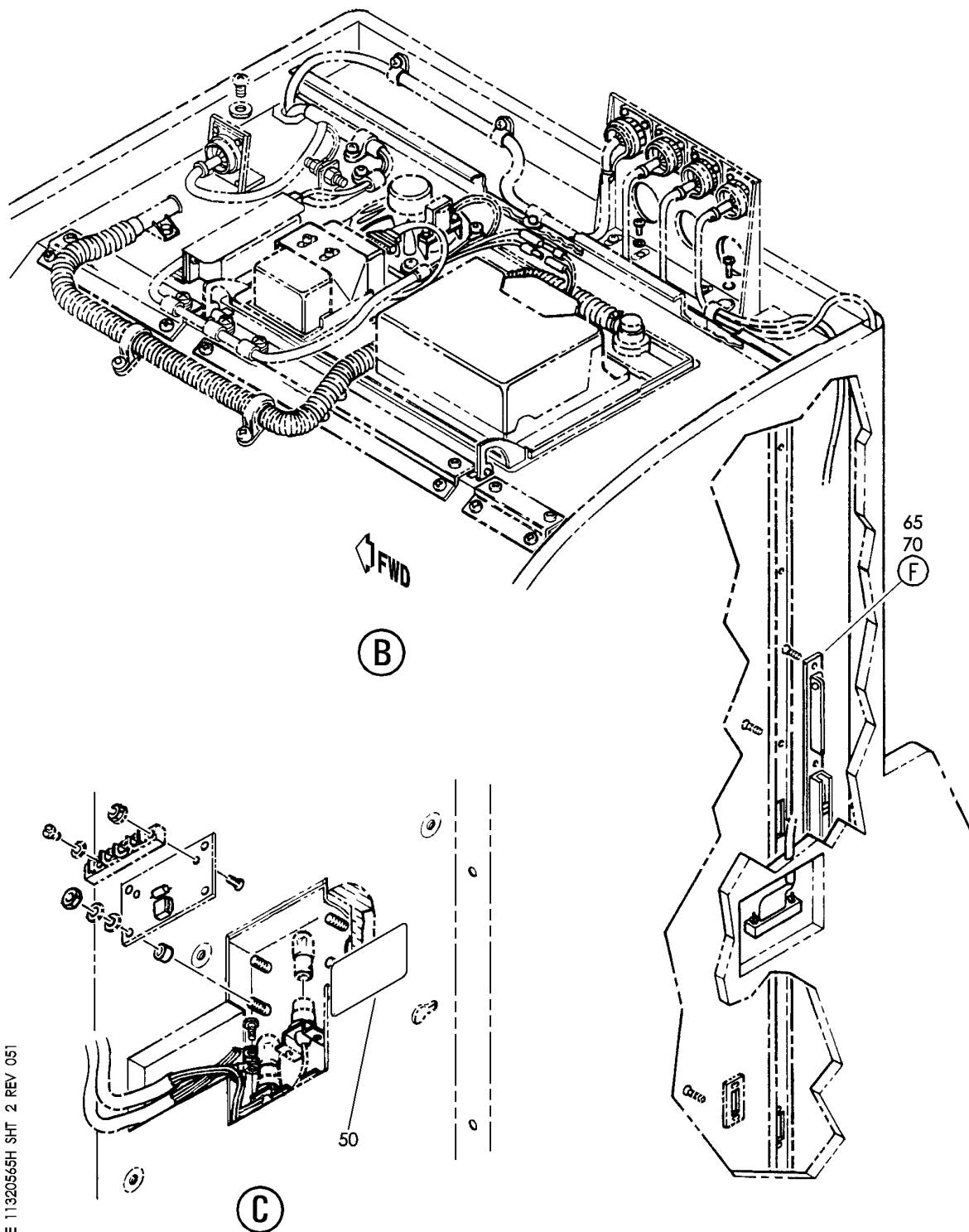
ELECTRICAL INSTL-LAV D (PLACARDS AND MARKINGS ONLY)
 FIGURE 65H (SHEET 1)

HAP
 OCT 10/06

11-32-05-65H

11-32-05-65H
 PAGE 0

BOEING
 737-600/700/800/900
 PARTS CATALOG (MAINTENANCE)



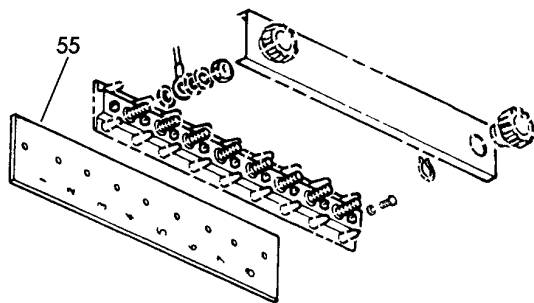
ELECTRICAL INSTL-LAV D (PLACARDS AND MARKINGS ONLY)
 FIGURE 65H (SHEET 2)

11-32-05-65H

HAP
 OCT 10/06

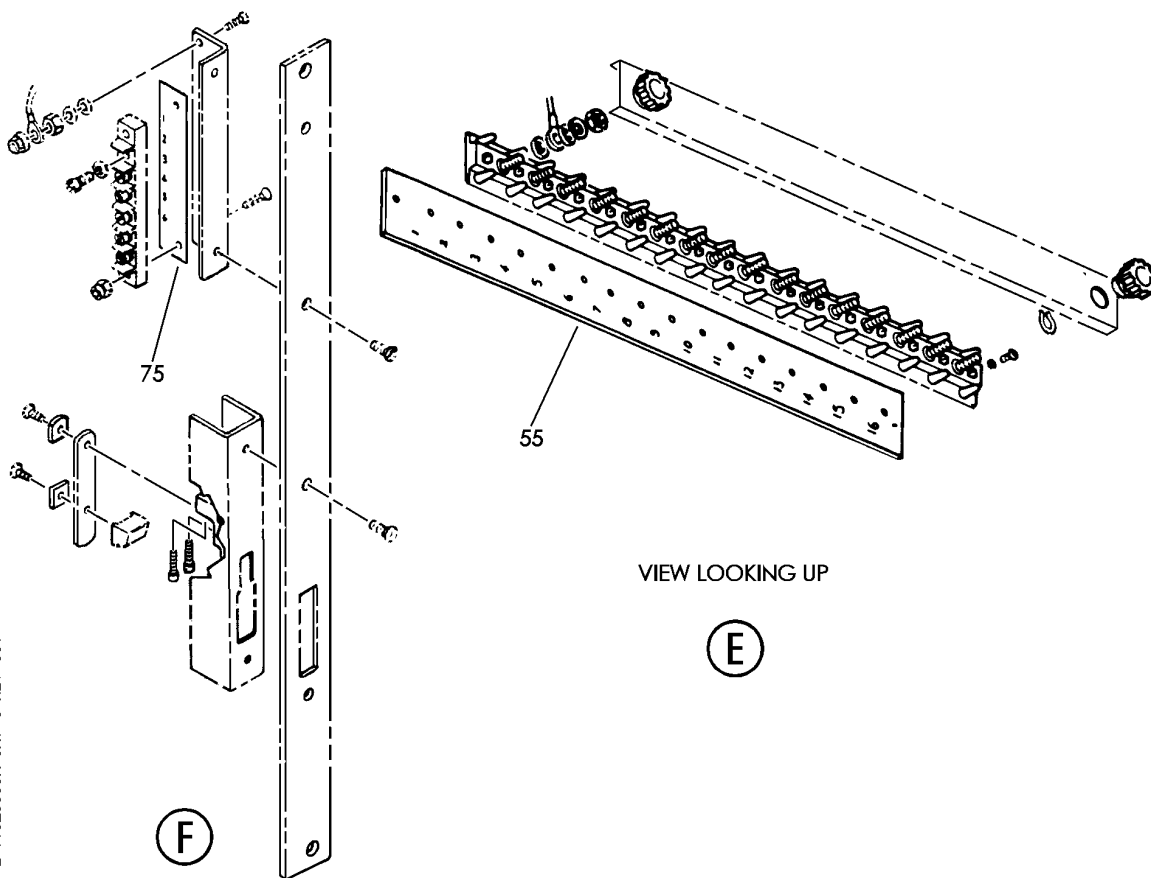
11-32-05-65H
 PAGE 0A

BOEING
 737-600/700/800/900
 PARTS CATALOG (MAINTENANCE)



VIEW LOOKING UP

(D)



VIEW LOOKING UP

(E)

(F)

E 11320565H SHT 3 REV 051

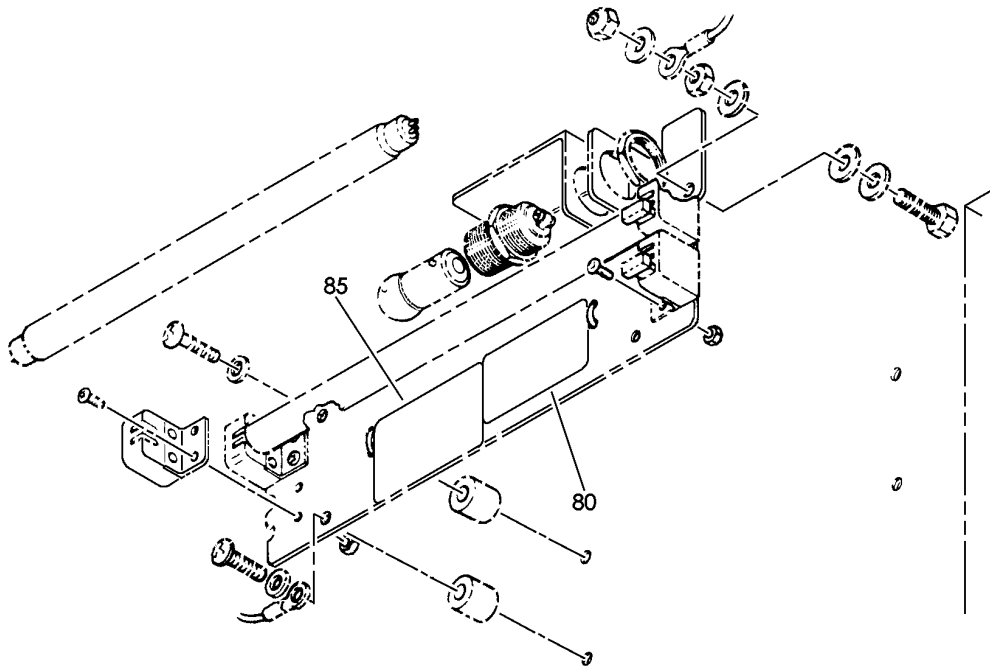
ELECTRICAL INSTL-LAV D (PLACARDS AND MARKINGS ONLY)
 FIGURE 65H (SHEET 3)

11-32-05-65H

HAP
 OCT 10/06

11-32-05-65H
 PAGE 0B

BOEING
737-600/700/800/900
PARTS CATALOG (MAINTENANCE)



G

E 11320565H SHT. 4 REV 051

ELECTRICAL INSTL-LAV D (PLACARDS AND MARKINGS ONLY)
FIGURE 65H (SHEET 4)

11-32-05-65H

HAP
OCT 10/06

11-32-05-65H
PAGE 0C

BOEING PROPRIETARY - Copyright © - Unpublished Work - See title page for details.

BOEING
737-600/700/800/900
PARTS CATALOG (MAINTENANCE)

FIG ITEM	PART NUMBER	1 2 3 4 5 6 7	NOMENCLATURE	EFFECT FROM TO	UNITS PER ASSY
65H			ELECTRICAL INSTL-LAV D (PLACARDS AND MARKINGS ONLY)	014030	
- 1	C23502-011-1005		ELECTRICAL INSTL-LAV D (PLACARDS AND MARKINGS ONLY) SUPPLIER CODE: VU3384 FOR NHA/OTHER SYS DET SEE: 25-40-01-59A	014030	RF
50	C22102-863-101		.LABEL-LAMP REPLACEMENT SUPPLIER CODE: VU3384	014030	1
55	RES105X		.PLACARD-TERM. BLOCK SUPPLIER CODE: VU3384	014030	3
60	BAC27DPA5069		.PLACARD- PLACARD CONTENT: CAUTION-HIGH VOLTAGE DISCONNECT POWER BEFORE REPLACING LAMPS	014030	1
65	C22502-495-003		.SWITCH ASSY- SUPPLIER CODE: VU3384	014030	RF
70	C22102-331-001		..TERMINAL ASSY-BLOCK SUPPLIER CODE: VU3384	014030	RF
75	C20800-1249		...PLACARD- SUPPLIER CODE: VU3384	014030	1
80	C22102-288-101		..LABEL-LAMP REPLACE SUPPLIER CODE: VU3384	014030	1
85	C22102-861-101		..LABEL-TUBE REPLACE SUPPLIER CODE: VU3384	014030	1

MISSING ITEM NUMBERS NOT APPLICABLE

- ITEM NOT ILLUSTRATED

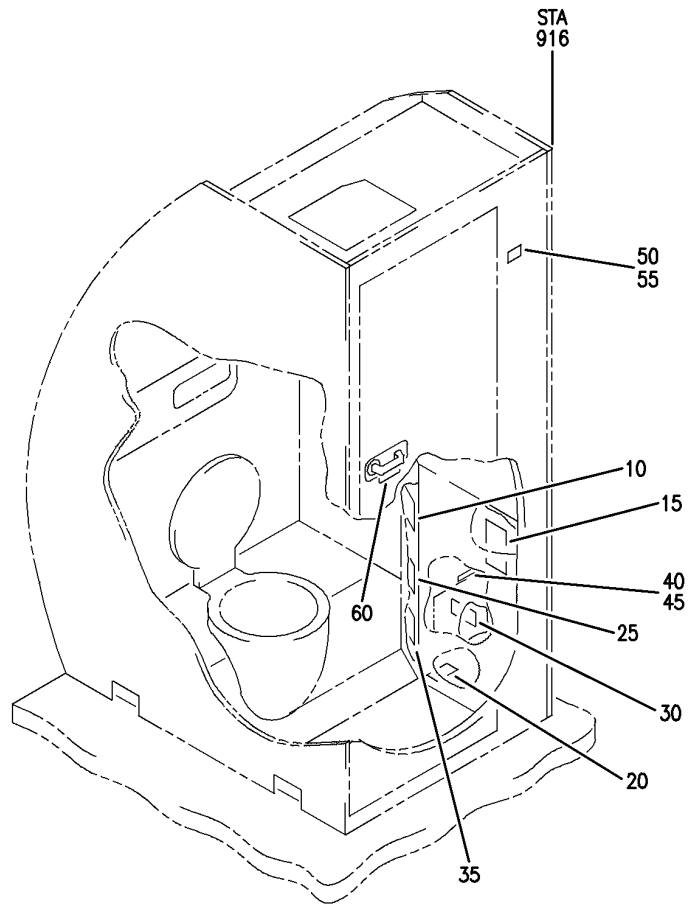
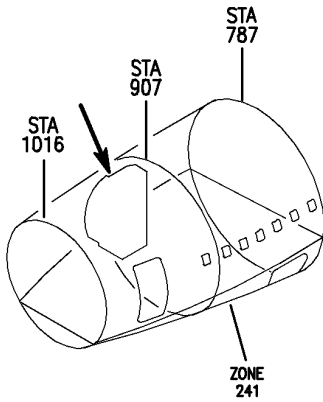
HAP

11-32-05-65H

BOEING PROPRIETARY - Copyright © - Unpublished Work - See title page for details.

11-32-05
FIG. 65H
PAGE 1
OCT 10/06

BOEING
 737-600/700/800/900
 PARTS CATALOG (MAINTENANCE)



E 11320566 REV 052

MODULE ASSY-LAV D (PLACARDS AND MARKINGS ONLY)
 FIGURE 66

11-32-05-66

HAP
 OCT 15/08

11-32-05-66
 PAGE 0

BOEING
737-600/700/800/900
PARTS CATALOG (MAINTENANCE)

FIG ITEM	PART NUMBER	1 2 3 4 5 6 7	NOMENCLATURE	EFFECT FROM TO	UNITS PER ASSY
66			MODULE ASSY-LAV D (PLACARDS AND MARKINGS ONLY)	201967	
- 1	C23502-001-1037		MODULE ASSY-LAV D (PLACARDS AND MARKINGS ONLY) SUPPLIER CODE: VU3384 SPECIFICATION NUMBER: S417A101-4037B COMPONENT MAINT MANUAL REF: 25-44-71 FOR NHA/OTHER SYS DET SEE: 25-40-01-24	201967	RF
10	C23302-261-101		.PLACARD- SUPPLIER CODE: VU3384 PLACARD CONTENT: SELECTOR VALVE	201967	1
15	C22102-587-101		.PLACARD-TEMP IND SUPPLIER CODE: VU3384	201967	1
20	C22102-589-101		.PLACARD-TO AND INCLUDING SN3983 SUPPLIER CODE: VU3384 PLACARD CONTENT: NO STOWAGE CONFIG CHG DATA FROM A CMM: REPLD BY C23102-523-101	201967	1
20	C23102-523-101		.PLACARD-SN3984 AND ON SUPPLIER CODE: VU3384 PLACARD CONTENT: NO STOWAGE CONFIG CHG DATA FROM A CMM: REPLACES C22102-589-101	201967	1
25	C22102-228-101		.PLACARD-RESET INSTRUCTIONS SUPPLIER CODE: VU3384	201967	1
30	C22102-585-101		.PLACARD-TEMP IND SUPPLIER CODE: VU3384	201967	1
35	C22102-116-101		.PLACARD-LIQUID SOAP FILLING INSTRUCTIONS SUPPLIER CODE: VU3384 CONFIG CHG DATA FROM A CMM: SUPSD BY C22104-189-101	201967	1

MISSING ITEM NUMBERS NOT APPLICABLE

- ITEM NOT ILLUSTRATED

HAP

11-32-05-66

11-32-05
FIG. 66
PAGE 1
OCT 15/08


BOEING
 737-600/700/800/900
PARTS CATALOG (MAINTENANCE)

FIG ITEM	PART NUMBER	1 2 3 4 5 6 7 NOMENCLATURE	EFFECT FROM TO	UNITS PER ASSY
66 45	AGS4717-402BS	ATTACHING PARTS .RIVET- SUPPLIER CODE: VU1653 -----*-----	201967	4

MISSING ITEM NUMBERS NOT APPLICABLE

— ITEM NOT ILLUSTRATED

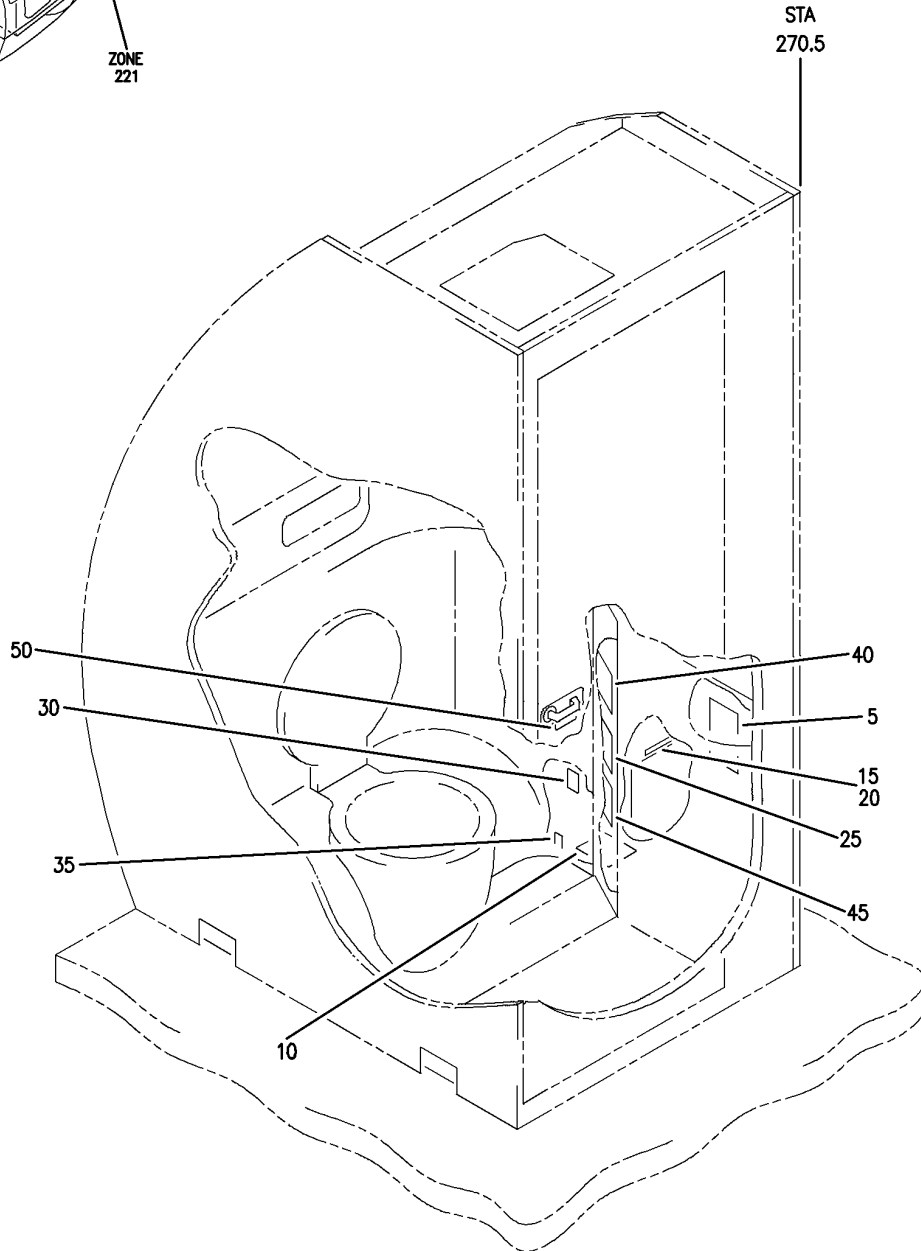
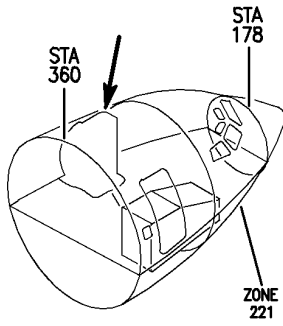
HAP

11-32-05-66

BOEING PROPRIETARY - Copyright © - Unpublished Work - See title page for details.

11-32-05
 FIG. 66
 PAGE 2
 OCT 15/08

BOEING
 737-600/700/800/900
 PARTS CATALOG (MAINTENANCE)



E 11320566B REV 053

MODULE ASSY-LAV A (PLACARDS AND MARKINGS ONLY)
 FIGURE 66B

11-32-05-66B

HAP
 OCT 15/08

11-32-05-66B
 PAGE 0

BOEING
737-600/700/800/900
PARTS CATALOG (MAINTENANCE)

FIG ITEM	PART NUMBER	1 2 3 4 5 6 7	NOMENCLATURE	EFFECT FROM TO	UNITS PER ASSY
66B			MODULE ASSY-LAV A (PLACARDS AND MARKINGS ONLY)	201967	
- 2	C23102-001-079		MODULE ASSY-LAV A (PLACARDS AND MARKINGS ONLY) SUPPLIER CODE: VU3384 SPECIFICATION NUMBER: S417A101-1079A COMPONENT MAINT MANUAL REF: 25-45-16 FOR NHA/OTHER SYS DET SEE: 25-40-01-24	201967	RF
5	C22102-587-101		.PLACARD-TEMP IND SUPPLIER CODE: VU3384	201967	1
10	C22102-589-101		.PLACARD- SUPPLIER CODE: VU3384 PLACARD CONTENT: NO STOWAGE CONFIG CHG DATA FROM A CMM: REPLS C23102-523-101	201967	1
10	C22102-523-101		.PLACARD- SUPPLIER CODE: VU3384 PLACARD CONTENT: NO STOWAGE CONFIG CHG DATA FROM A CMM: REPLD BY C23102-589-101	201967	1
15	RGS2823		.PLATE-IDENT SUPPLIER CODE: VU3384	201967	1
20	AGS4717-402BS		ATTACHING PARTS .RIVET- SUPPLIER CODE: VU1653 -----*-----	201967	4
25	C22102-228-101		.PLACARD-RESET INSTRUCTIONS SUPPLIER CODE: VU3384	201967	1
30	C23102-209-101		.PLACARD-DRAIN VALVE SUPPLIER CODE: VU3384	201967	1
35	C23102-207-101		.PLACARD-DRAIN VALVE SUPPLIER CODE: VU3384	201967	1

MISSING ITEM NUMBERS NOT APPLICABLE

- ITEM NOT ILLUSTRATED

HAP

11-32-05-66B

BOEING PROPRIETARY - Copyright © - Unpublished Work - See title page for details.

11-32-05
FIG. 66B
PAGE 1
OCT 15/08


BOEING
 737-600/700/800/900
PARTS CATALOG (MAINTENANCE)

FIG ITEM	PART NUMBER	1 2 3 4 5 6 7 NOMENCLATURE	EFFECT FROM TO	UNITS PER ASSY
66B 40	C23102-451-101	.PLACARD-SELECTOR & DRAIN VALVE OPERATING INSTRUCTIONS SUPPLIER CODE: VU3384	201967	1

MISSING ITEM NUMBERS NOT APPLICABLE

— ITEM NOT ILLUSTRATED

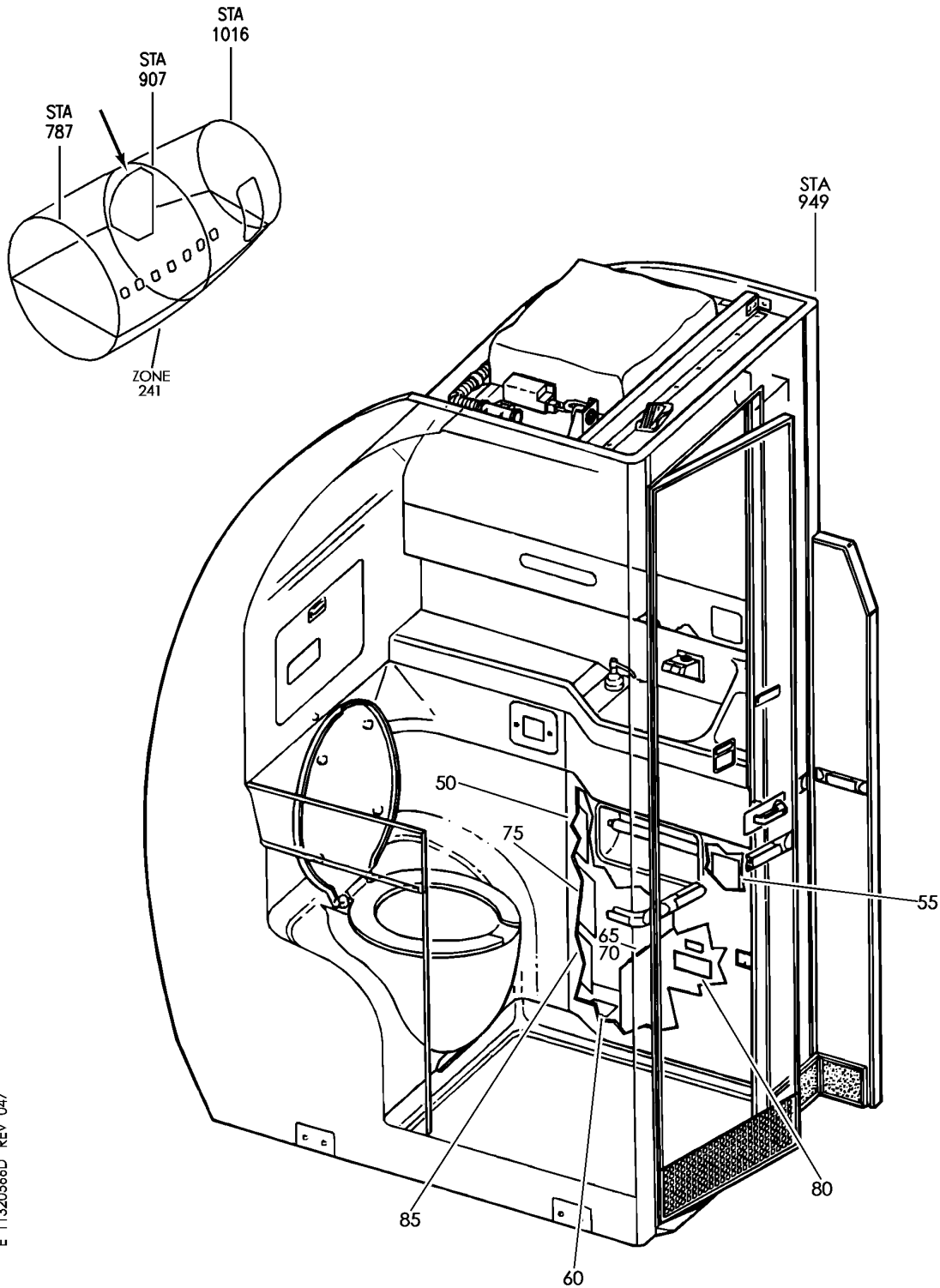
HAP

11-32-05-66B

BOEING PROPRIETARY - Copyright © - Unpublished Work - See title page for details.

11-32-05
 FIG. 66B
 PAGE 2
 OCT 15/08

BOEING
737-600/700/800/900
PARTS CATALOG (MAINTENANCE)



E 11320566D REV 047

MODULE ASSY-LAV E (PLACARDS AND MARKINGS ONLY)
FIGURE 66D

11-32-05-66D

HAP
OCT 10/06

11-32-05-66D
PAGE 0

BOEING
737-600/700/800/900
PARTS CATALOG (MAINTENANCE)

FIG ITEM	PART NUMBER	1 2 3 4 5 6 7	NOMENCLATURE	EFFECT FROM TO	UNITS PER ASSY
66D			MODULE ASSY-LAV E (PLACARDS AND MARKINGS ONLY)	008030 201967	
- 1	C23602-001-029		MODULE ASSY-LAV E (PLACARDS AND MARKINGS ONLY) SUPPLIER CODE: VU3384 SPECIFICATION NUMBER: S417A101-5029A COMPONENT MAINT MANUAL REF: 25-45-12 FOR NHA/OTHER SYS DET SEE: 25-40-01-03A	008030	RF
- 1	C23602-001-040		MODULE ASSY-LAV E (PLACARDS AND MARKINGS ONLY) SUPPLIER CODE: VU3384 SPECIFICATION NUMBER: S417A101-5040A COMPONENT MAINT MANUAL REF: 25-45-12 FOR NHA/OTHER SYS DET SEE: 25-40-01-24	201967	RF
50	C23302-261-101		.PLACARD-SELECTOR VALVE SUPPLIER CODE: VU3384	008030 201967	1
55	C22102-587-101		.PLACARD-TEMP IND SUPPLIER CODE: VU3384	008030 201967	1
60	C22102-589-101		.PLACARD- SUPPLIER CODE: VU3384 PLACARD CONTENT: NO STOWAGE OPTIONAL PART: C23102-523-101 VU3384	008030 201967	1
60	C23102-523-101		.PLACARD- SUPPLIER CODE: VU3384 PLACARD CONTENT: NO STOWAGE OPTIONAL PART: C22102-589-101 VU3384	008030 201967	1

MISSING ITEM NUMBERS NOT APPLICABLE

- ITEM NOT ILLUSTRATED

HAP

11-32-05-66D

BOEING PROPRIETARY - Copyright © - Unpublished Work - See title page for details.

11-32-05
FIG. 66D
PAGE 1
OCT 15/08

BOEING
737-600/700/800/900
PARTS CATALOG (MAINTENANCE)

FIG ITEM	PART NUMBER	1 2 3 4 5 6 7	NOMENCLATURE	EFFECT FROM TO	UNITS PER ASSY
66D 65	RGS2823		.PLATE-IDENT SUPPLIER CODE: VU3384 ATTACHING PARTS	008030 201967	1
70	AGS4717-402BS		.RIVET- SUPPLIER CODE: VU1653 -----*-----	008030 201967	4
75	C22102-228-101		.PLACARD-WATER HEATER RESET INSTRUCTIONS SUPPLIER CODE: VU3384	008030 201967	1
80	C22102-585-101		.PLACARD-TEMP IND SUPPLIER CODE: VU3384	008030 201967	1
85	C22102-116-101		.PLACARD-LIQUID SOAP FILLING INSTRUCTIONS SUPPLIER CODE: VU3384	008030 201967	1

MISSING ITEM NUMBERS NOT APPLICABLE

— ITEM NOT ILLUSTRATED

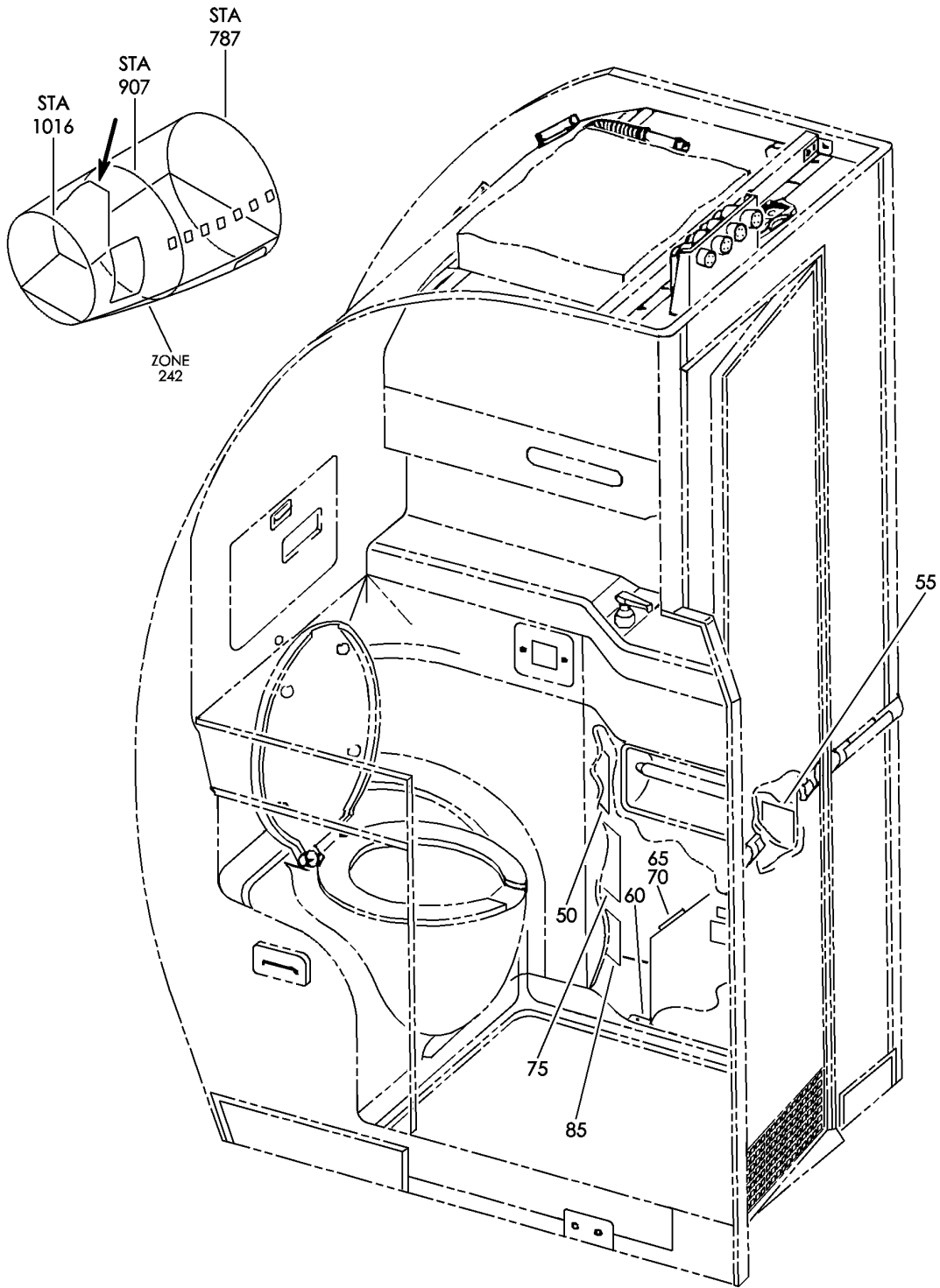
HAP

11-32-05-66D

BOEING PROPRIETARY - Copyright © - Unpublished Work - See title page for details.

11-32-05
FIG. 66D
PAGE 2
OCT 15/08

BOEING
737-600/700/800/900
PARTS CATALOG (MAINTENANCE)



E 11320566G REV 051

MODULE ASSY-LAV D (PLACARDS AND MARKINGS ONLY)
FIGURE 66G

11-32-05-66G

HAP
OCT 10/06

11-32-05-66G
PAGE 0

BOEING
737-600/700/800/900
PARTS CATALOG (MAINTENANCE)

FIG ITEM	PART NUMBER	1 2 3 4 5 6 7	NOMENCLATURE	EFFECT FROM TO	UNITS PER ASSY
66G			MODULE ASSY-LAV D (PLACARDS AND MARKINGS ONLY)	014030	
- 1	C23502-001-090		MODULE ASSY-LAV D (PLACARDS AND MARKINGS ONLY) SUPPLIER CODE: VU3384 SPECIFICATION NUMBER: S417A101-4090A ELECTRICAL EQUIP NUMBER: M01418 COMPONENT MAINT MANUAL REF: 25-45-51 FOR NHA/OTHER SYS DET SEE: 25-40-01-03A	014030	RF
50	C23302-261-101		.PLACARD- SUPPLIER CODE: VU3384 PLACARD CONTENT: SELECTOR VALVE	014030	1
55	C22102-587-101		.PLACARD-TEMP IND TO AND INC LN5283 SUPPLIER CODE: VU3384 CONFIG CHG DATA FROM A CMM: SUPSD BY C23102-767-101	014030	1
60	C23102-523-101		.PLACARD- SUPPLIER CODE: VU3384 PLACARD CONTENT: NO STOWAGE	014030	1
65	RGS2823		.PLATE-IDENT SUPPLIER CODE: VU3384	014030	1
70	AGS4717-402BS		ATTACHING PARTS .RIVET- SUPPLIER CODE: VU1653	014030	4
75	C22102-228-101		-----*----- .PLACARD-RESET INSTRUCTIONS SUPPLIER CODE: VU3384	014030	1
- 80	C22102-585-101		.PLACARD-TEMP IND SUPPLIER CODE: VU3384	014030	1

MISSING ITEM NUMBERS NOT APPLICABLE

- ITEM NOT ILLUSTRATED

HAP

11-32-05-66G

BOEING PROPRIETARY - Copyright © - Unpublished Work - See title page for details.

11-32-05
FIG. 66G
PAGE 1
OCT 10/06


BOEING
 737-600/700/800/900
PARTS CATALOG (MAINTENANCE)

FIG ITEM	PART NUMBER	1 2 3 4 5 6 7 NOMENCLATURE	EFFECT FROM TO	UNITS PER ASSY
66G 85	C22102-116-101	.PLACARD-LIQUID SOAP FILLING INSTRUCTIONS SUPPLIER CODE: VU3384	014030	1

MISSING ITEM NUMBERS NOT APPLICABLE

— ITEM NOT ILLUSTRATED

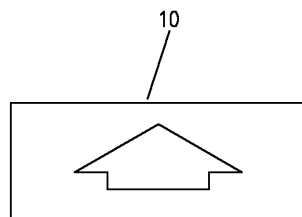
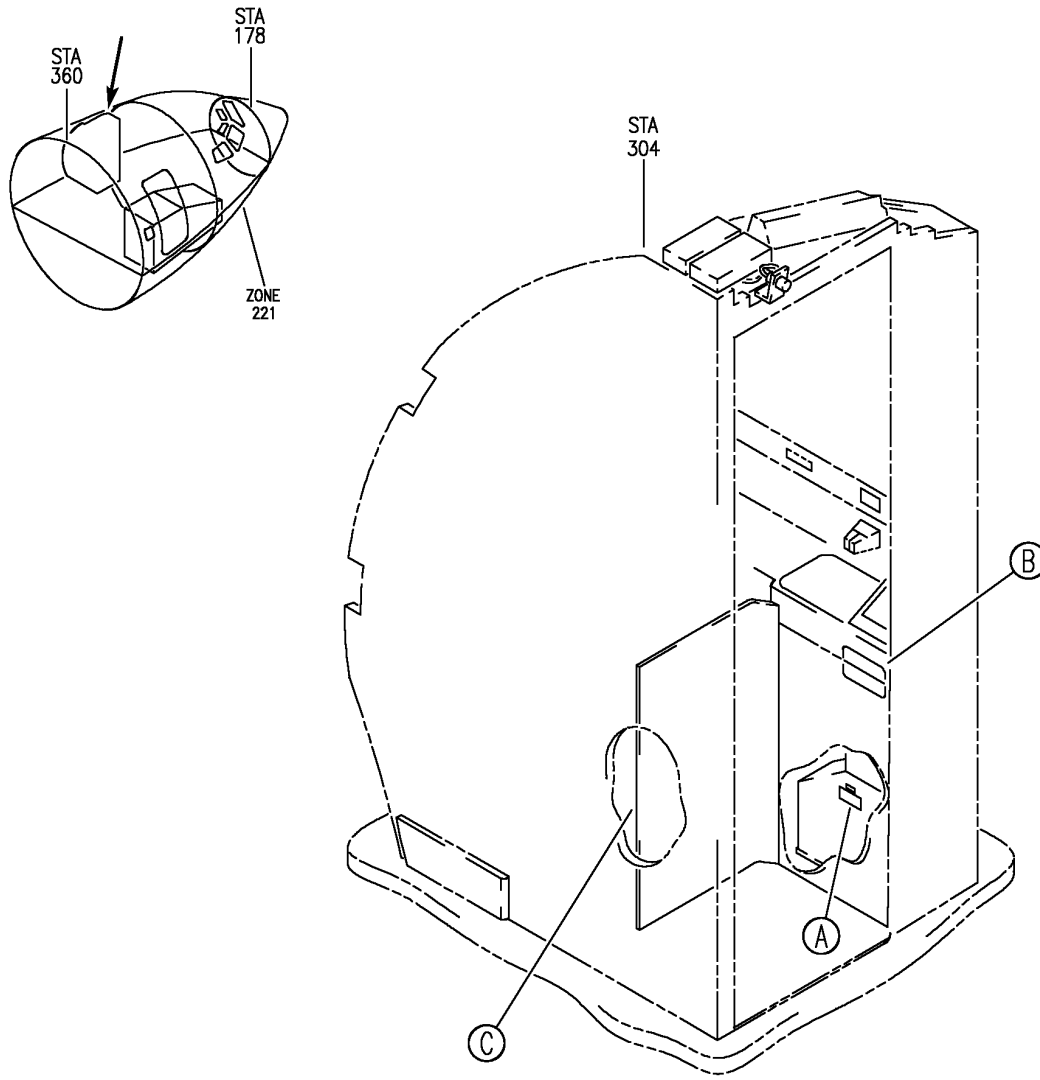
HAP

11-32-05-66G

BOEING PROPRIETARY - Copyright © - Unpublished Work - See title page for details.

11-32-05
 FIG. 66G
 PAGE 2
 OCT 10/06

BOEING
 737-600/700/800/900
 PARTS CATALOG (MAINTENANCE)



(A)

E 11320568 SH1 1 REV 083

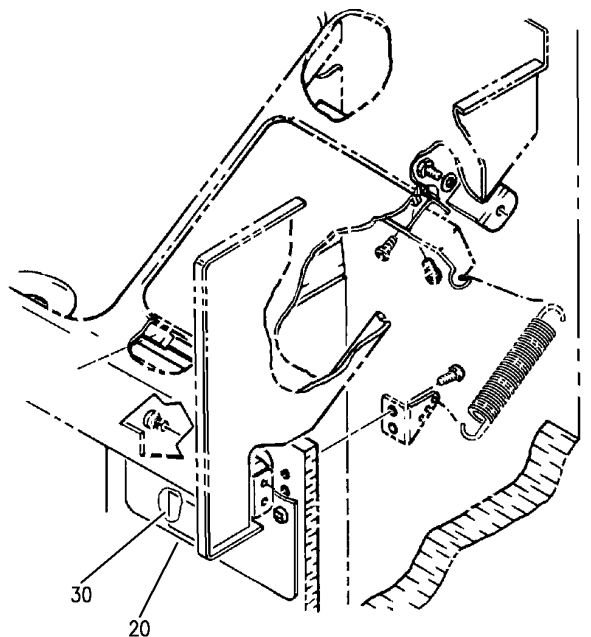
AMENITY INSTL-LAV A (PLACARDS AND MARKINGS ONLY)
 FIGURE 68 (SHEET 1)

11-32-05-68

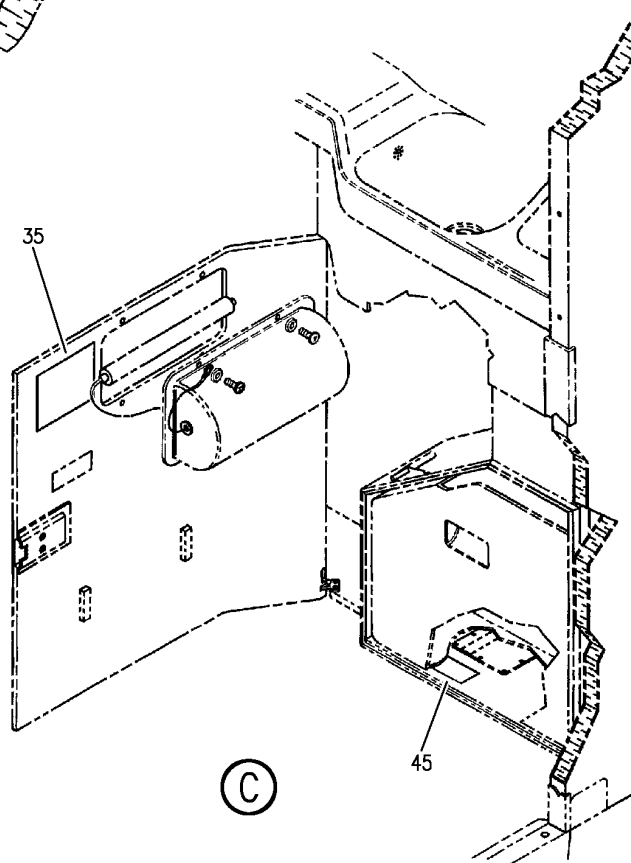
HAP
 OCT 10/06

11-32-05-68
 PAGE 0

BOEING
737-600/700/800/900
PARTS CATALOG (MAINTENANCE)



(B)



(C)

E 11320568 SHT 2 REV 083

AMENITY INSTL-LAV A (PLACARDS AND MARKINGS ONLY)
FIGURE 68 (SHEET 2)

11-32-05-68

HAP
OCT 10/06

11-32-05-68
PAGE 0A

BOEING
737-600/700/800/900
PARTS CATALOG (MAINTENANCE)

FIG ITEM	PART NUMBER	1 2 3 4 5 6 7	NOMENCLATURE	EFFECT FROM TO	UNITS PER ASSY
68			AMENITY INSTL-LAV A (PLACARDS AND MARKINGS ONLY)	008030 201967	
- 1	25-45-16-010RF		AMENITY INSTL-LAV A (PLACARDS AND MARKINGS ONLY) SUPPLIER CODE: VU3384 FOR NHA/OTHER SYS DET SEE: 25-40-01-56A	201967	RF
- 2	25-45-24-002RF		AMENITY INSTL-LAV A (PLACARDS AND MARKINGS ONLY) SUPPLIER CODE: VU3384 FOR NHA/OTHER SYS DET SEE: 25-40-01-56C	008030	RF
10	C22102-585-101		.PLACARD-TEMP IND SUPPLIER CODE: VU3384	008030 201967	1
20	C22101-411-001		.PANEL ASSY-ACCESS SUPPLIER CODE: VU3384	008030	RF
30	C23102-543-101		..PLACARD-SN15336 AND ON SUPPLIER CODE: VU3384	008030	1

MISSING ITEM NUMBERS NOT APPLICABLE

- ITEM NOT ILLUSTRATED

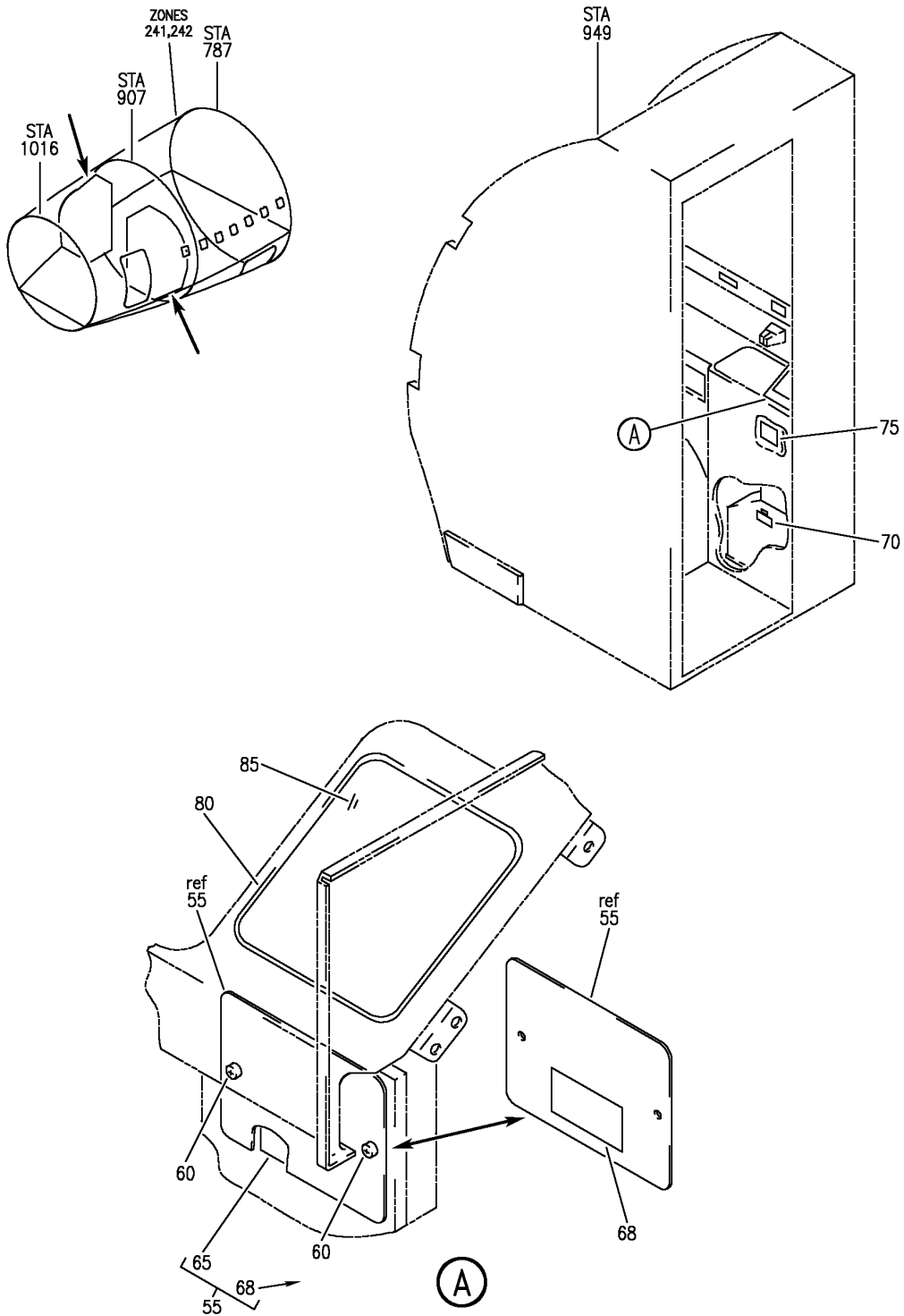
HAP

11-32-05-68

BOEING PROPRIETARY - Copyright © - Unpublished Work - See title page for details.

11-32-05
FIG. 68
PAGE 1
OCT 15/08

BOEING
 737-600/700/800/900
 PARTS CATALOG (MAINTENANCE)



E 11320568A REV 099

AMENITY INSTL-LAV D, E AND G (PLACARDS AND MARKINGS ONLY)
 FIGURE 68A

HAP
 OCT 10/06

11-32-05-68A

11-32-05-68A
 PAGE 0

BOEING
737-600/700/800/900
PARTS CATALOG (MAINTENANCE)

FIG ITEM	PART NUMBER	1 2 3 4 5 6 7	NOMENCLATURE	EFFECT FROM TO	UNITS PER ASSY
68A			AMENITY INSTL-LAV D, E AND G (PLACARDS AND MARKINGS ONLY)	008030 201967	
- 1	C23502-025-333		AMENITY INSTL-LAV E (PLACARDS AND MARKINGS ONLY) SUPPLIER CODE: VU3384 FOR NHA/OTHER SYS DET SEE: 25-40-01-57B	008013	RF
- 2	C23502-025-405		AMENITY INSTL-LAV E (PLACARDS AND MARKINGS ONLY) SUPPLIER CODE: VU3384 FOR NHA/OTHER SYS DET SEE: 25-40-01-57B	201967	RF
- 5	C23502-025-395		AMENITY INSTL-LAV D (PLACARDS AND MARKINGS ONLY) TO AND INCLUDING SN17754 TO AND INCLUDING SN2002-05-29/0211 SUPPLIER CODE: VU3384	201967	RF
- 10	C23502-025-333		AMENITY INSTL-LAV D AND E (PLACARDS AND MARKINGS ONLY) SUPPLIER CODE: VU3384 FOR NHA/OTHER SYS DET SEE: 25-40-01-57B 25-40-01-59A	014030	RF
55	C22101-411-001		.PANEL ASSY-ACCESS SUPPLIER CODE: VU3384	008013	RF
55	C22101-411-001		.PANEL ASSY-ACCESS SUPPLIER CODE: VU3384	014030 201967	RF
60	MS27039-0804		ATTACHING PARTS .SCREW	008013	2
60	MS27039-0804		.SCREW	014030 201967	2
65	C23102-543-101		-----*----- ..PLACARD-RESEAL AFTER USE SUPPLIER CODE: VU3384	008013	1

MISSING ITEM NUMBERS NOT APPLICABLE

- ITEM NOT ILLUSTRATED

HAP

11-32-05-68A

BOEING PROPRIETARY - Copyright © - Unpublished Work - See title page for details.

11-32-05
FIG. 68A
PAGE 1
FEB 15/09

BOEING
737-600/700/800/900
PARTS CATALOG (MAINTENANCE)

FIG ITEM	PART NUMBER	1 2 3 4 5 6 7	NOMENCLATURE	EFFECT FROM TO	UNITS PER ASSY
68A 65	C23102-543-101		. . PLACARD-RESEAL AFTER USE SUPPLIER CODE: VU3384	014030 201967	1
70	C22102-585-101		. PLACARD-TEMP IND SUPPLIER CODE: VU3384	008030 201967	RF

MISSING ITEM NUMBERS NOT APPLICABLE

— ITEM NOT ILLUSTRATED

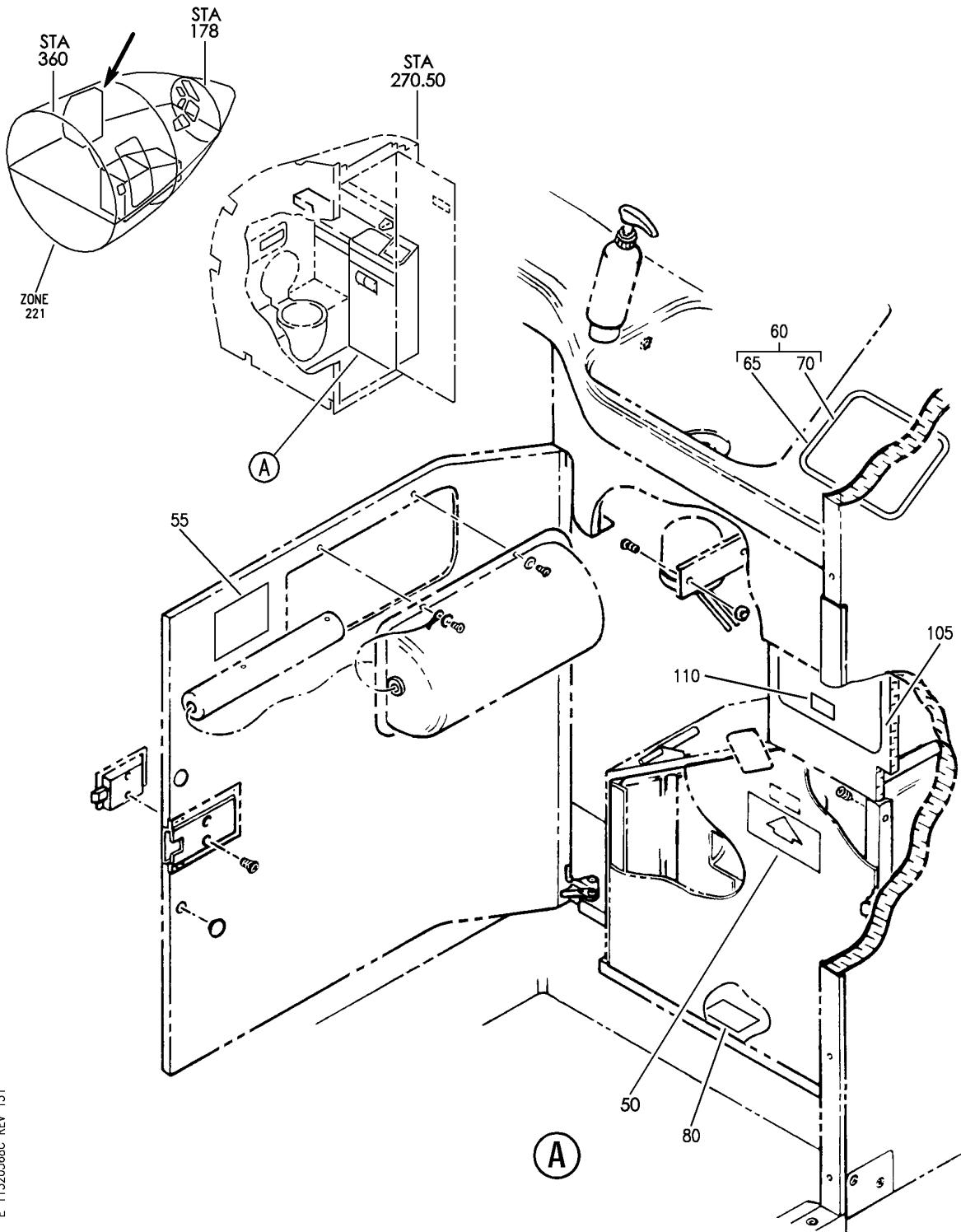
HAP

11-32-05-68A

BOEING PROPRIETARY - Copyright © - Unpublished Work - See title page for details.

11-32-05
FIG. 68A
PAGE 2
OCT 15/08

BOEING
737-600/700/800/900
PARTS CATALOG (MAINTENANCE)



E 11320568C REV 131

AMENITY INSTL-LAV A (PLACARDS AND MARKINGS ONLY)
FIGURE 68C

11-32-05-68C

HAP
JUN 10/07

11-32-05-68C
PAGE 0

BOEING
737-600/700/800/900
PARTS CATALOG (MAINTENANCE)

FIG ITEM	PART NUMBER	1 2 3 4 5 6 7	NOMENCLATURE	EFFECT FROM TO	UNITS PER ASSY
68C			AMENITY INSTL-LAV A (PLACARDS AND MARKINGS ONLY)	006007	
- 1	25-46-94-002RF		AMENITY INSTL-LAV A (PLACARDS AND MARKINGS ONLY) SUPPLIER CODE: VU3384 FOR NHA/OTHER SYS DET SEE: 25-40-01-56	006007	RF
50	C22102-585-101		.PLACARD-TEMP IND SUPPLIER CODE: VU3384	006007	1

MISSING ITEM NUMBERS NOT APPLICABLE

- ITEM NOT ILLUSTRATED

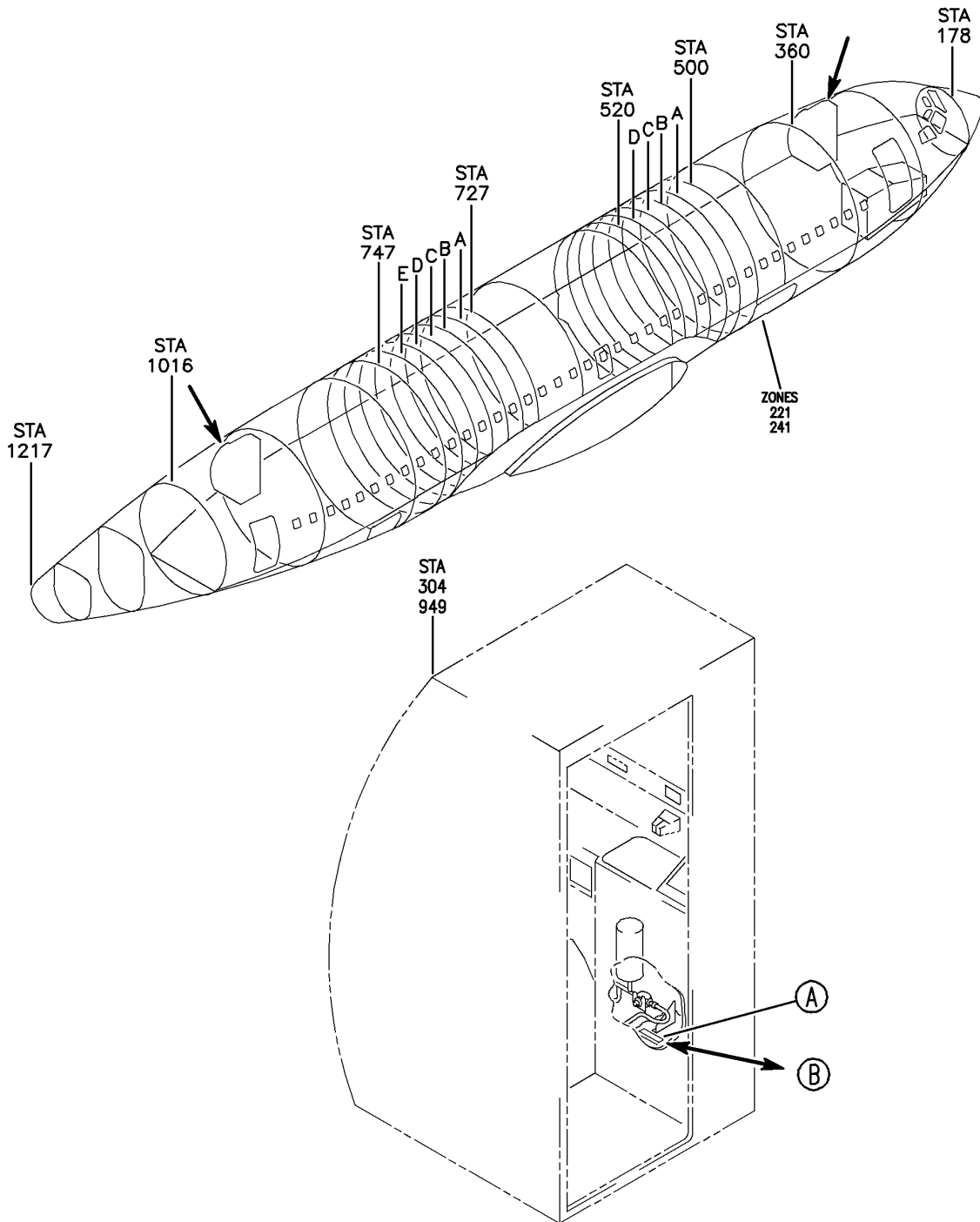
HAP

11-32-05-68C

BOEING PROPRIETARY - Copyright © - Unpublished Work - See title page for details.

11-32-05
FIG. 68C
PAGE 1
FEB 10/07

BOEING
 737-600/700/800/900
 PARTS CATALOG (MAINTENANCE)



E 11320568 SHT 1 REV 051

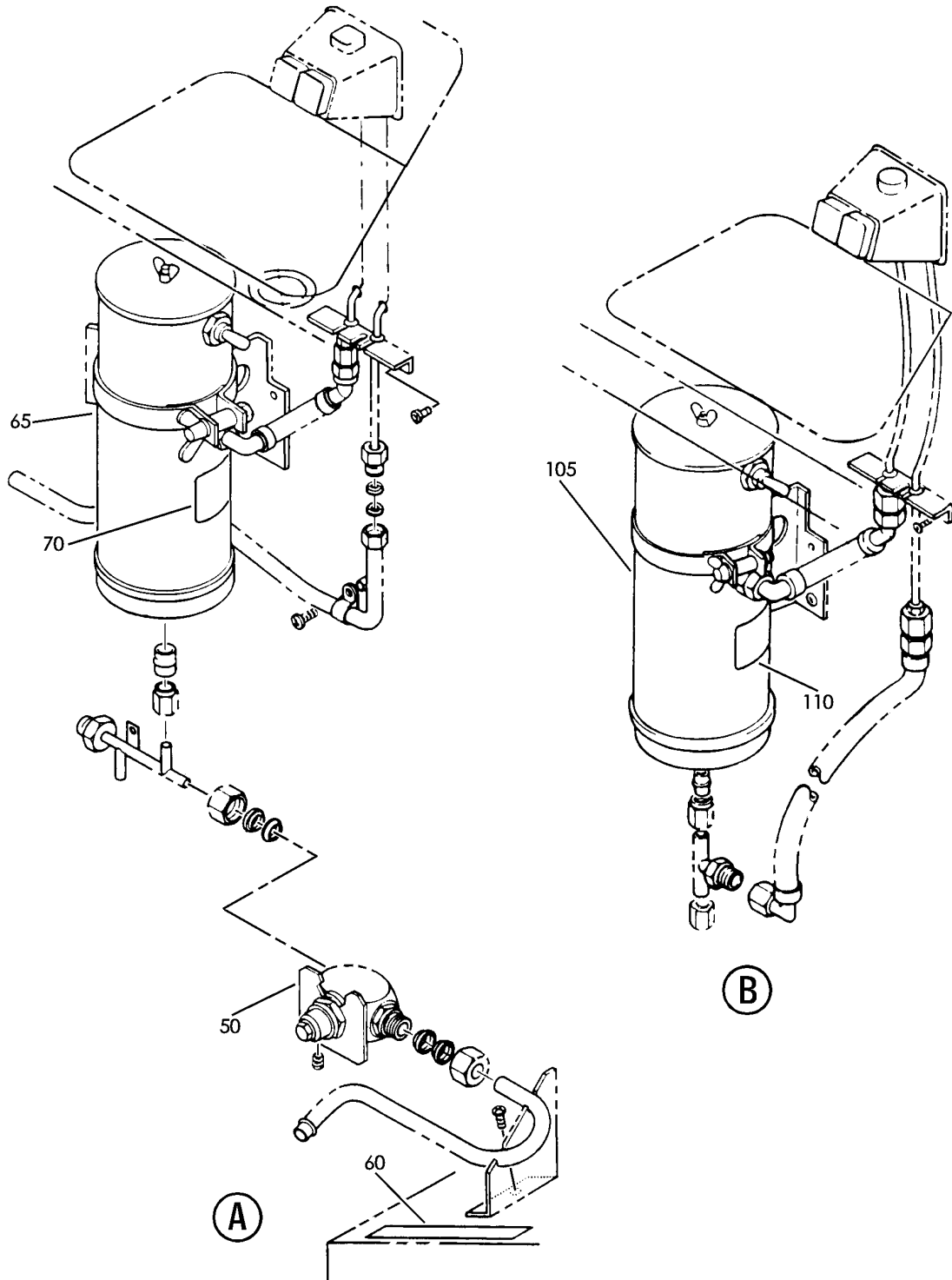
PLUMBING INSTL-LAV (PLACARDS AND MARKINGS ONLY)
 FIGURE 69 (SHEET 1)

11-32-05-69

HAP
 OCT 10/06

11-32-05-69
 PAGE 0

BOEING
737-600/700/800/900
PARTS CATALOG (MAINTENANCE)



E 11320569 SHT 2 REV 051

PLUMBING INSTL-LAV (PLACARDS AND MARKINGS ONLY)
FIGURE 69 (SHEET 2)

11-32-05-69

HAP
OCT 10/06

11-32-05-69
PAGE 0A

BOEING
737-600/700/800/900
PARTS CATALOG (MAINTENANCE)

FIG ITEM	PART NUMBER	1 2 3 4 5 6 7	NOMENCLATURE	EFFECT FROM TO	UNITS PER ASSY
69			PLUMBING INSTL-LAV (PLACARDS AND MARKINGS ONLY)	008030	
- 100	C23102-013-001		PLUMBING INSTL-LAV A (PLACARDS AND MARKINGS ONLY) SUPPLIER CODE: VU3384 FOR NHA/OTHER SYS DET SEE: 25-40-01-56C	008030	RF
105	C22102-603-003		.HEATER ASSY-WATER SUPPLIER CODE: VU3384 COMPONENT MAINT MANUAL REF: 38-10-01	008030	RF
110	C22102-857-101		..PLACARD- SUPPLIER CODE: VU3384	008030	1

MISSING ITEM NUMBERS NOT APPLICABLE

- ITEM NOT ILLUSTRATED

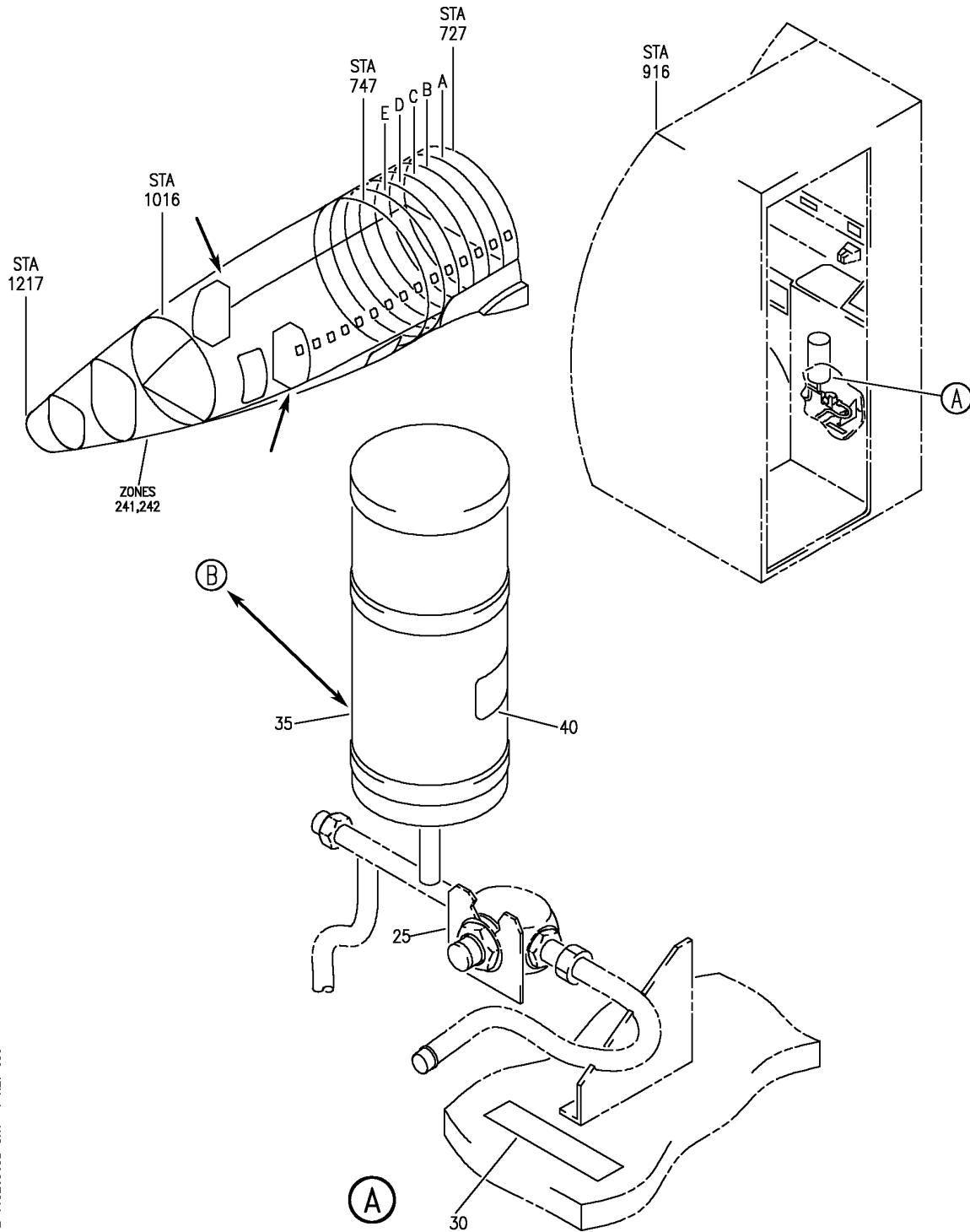
HAP

11-32-05-69

BOEING PROPRIETARY - Copyright © - Unpublished Work - See title page for details.

11-32-05
FIG. 69
PAGE 1
FEB 10/07

BOEING
 737-600/700/800/900
 PARTS CATALOG (MAINTENANCE)



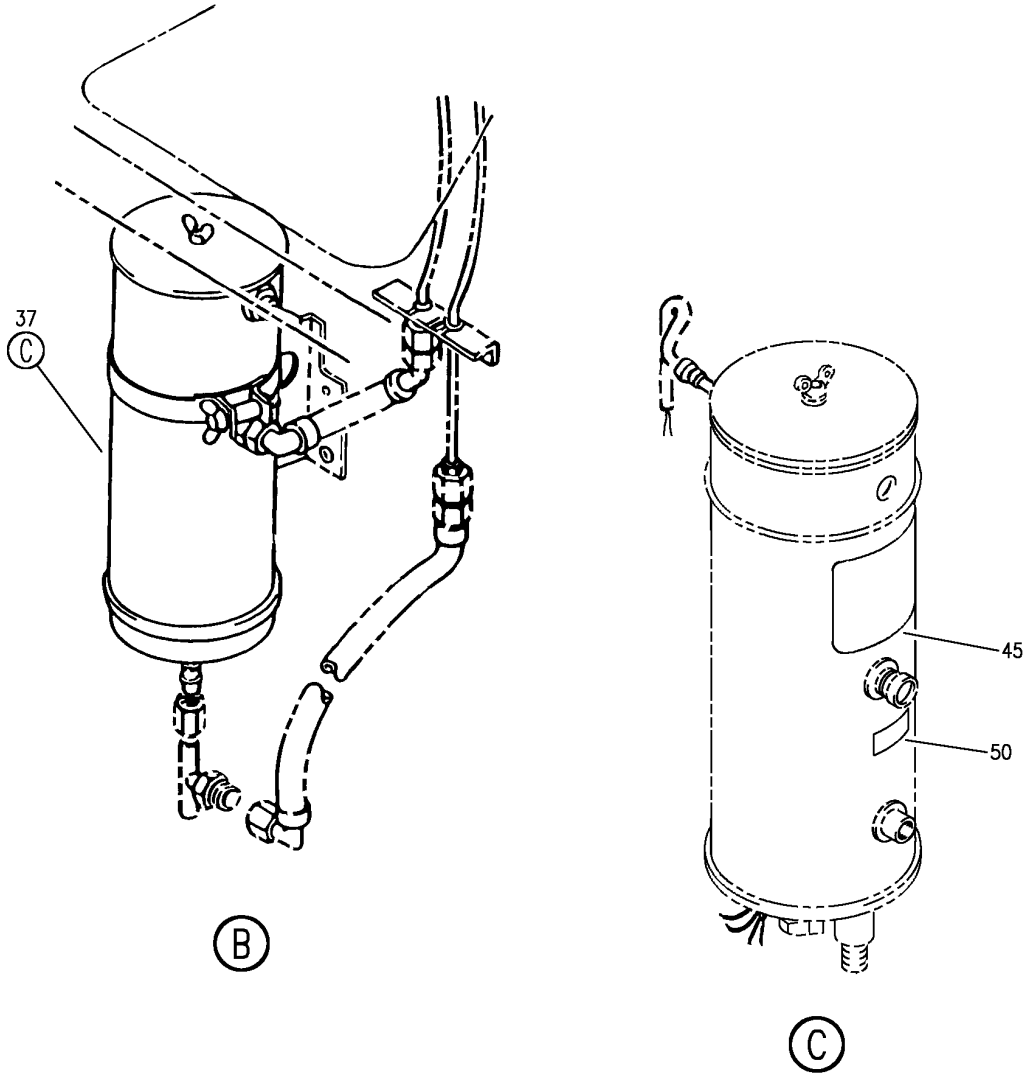
E 11320569B SHT 1 REV 099

PLUMBING INSTL-LAV E, D, H AND K (PLACARDS AND MARKINGS ONLY)
 FIGURE 69B (SHEET 1)

11-32-05-69B

HAP
 OCT 15/08

11-32-05-69B
 PAGE 0



E 11320569B SHT 2 REV 099

PLUMBING INSTL-LAV E, D, H AND K (PLACARDS AND MARKINGS ONLY)
 FIGURE 69B (SHEET 2)

HAP
 OCT 15/08

11-32-05-69B

11-32-05-69B
 PAGE 0A

BOEING
737-600/700/800/900
PARTS CATALOG (MAINTENANCE)

FIG ITEM	PART NUMBER	1 2 3 4 5 6 7	NOMENCLATURE	EFFECT FROM TO	UNITS PER ASSY
69B			PLUMBING INSTL-LAV E, D, H AND K (PLACARDS AND MARKINGS ONLY)	201967	
- 5	C23502-013-001		PLUMBING INSTL-LAV D (PLACARDS AND MARKINGS ONLY) SUPPLIER CODE: VU3384 FOR NHA/OTHER SYS DET SEE: 25-40-01-54	201967	RF
35	C22102-603-003		.HEATER ASSY-WATER MZ105 SUPPLIER CODE: VU3384 COMPONENT MAINT MANUAL REF: 38-10-01	201967	RF
40	C22102-857-101		..PLACARD- SUPPLIER CODE: VU3384	201967	1

MISSING ITEM NUMBERS NOT APPLICABLE

- ITEM NOT ILLUSTRATED

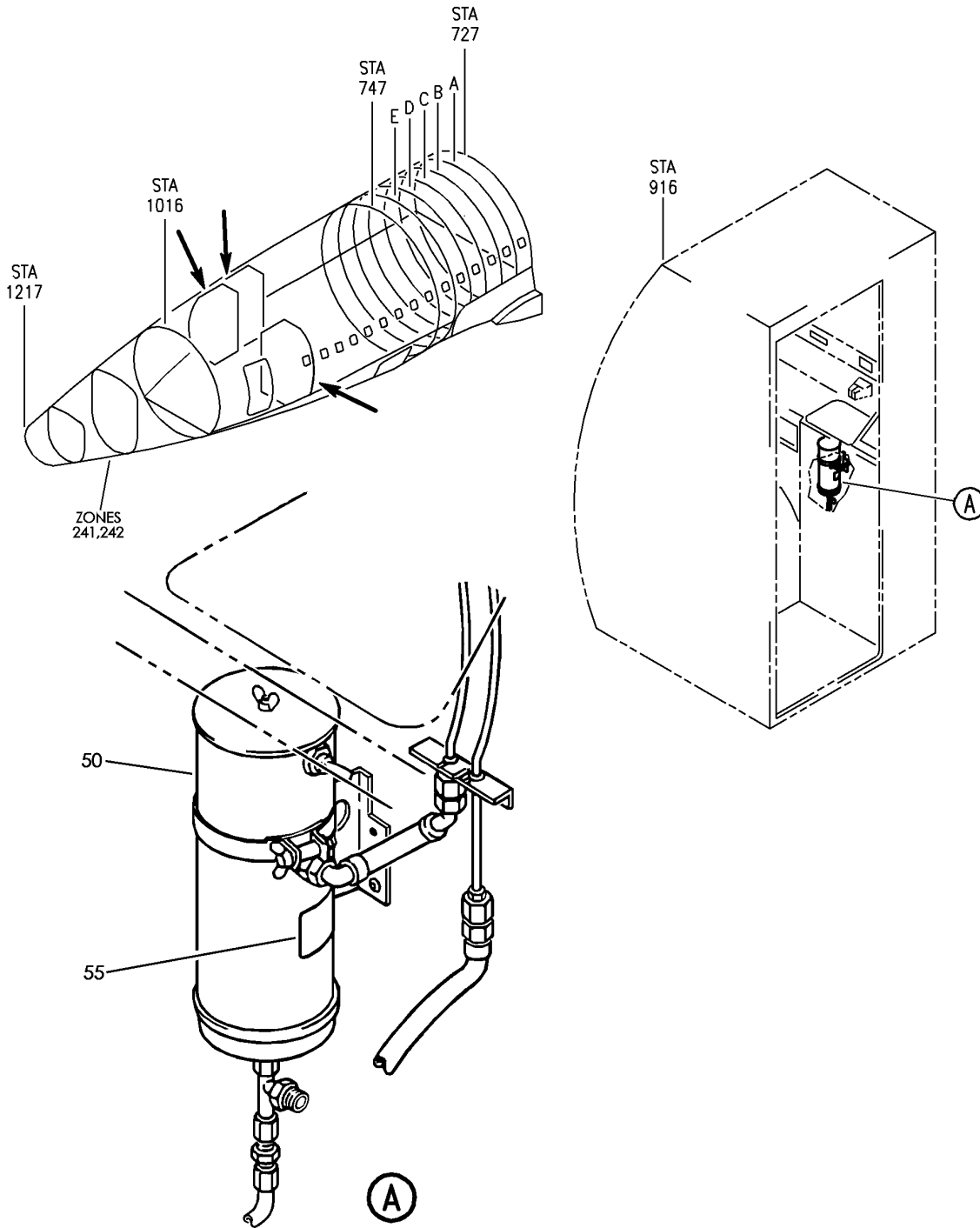
HAP

11-32-05-69B

BOEING PROPRIETARY - Copyright © - Unpublished Work - See title page for details.

11-32-05
FIG. 69B
PAGE 1
OCT 15/08

BOEING
 737-600/700/800/900
 PARTS CATALOG (MAINTENANCE)



E 11320569C REV 055

PLUMBING INSTL-LAV D, E AND G (PLACARDS AND MARKINGS ONLY)
 FIGURE 69C

HAP
 OCT 10/06

11-32-05-69C

11-32-05-69C
 PAGE 0

BOEING
737-600/700/800/900
PARTS CATALOG (MAINTENANCE)

FIG ITEM	PART NUMBER	1 2 3 4 5 6 7	NOMENCLATURE	EFFECT FROM TO	UNITS PER ASSY
69C			PLUMBING INSTL-LAV D, E AND G (PLACARDS AND MARKINGS ONLY)	014030	
- 5	C23502-013-001		PLUMBING INSTL-LAV D (PLACARDS AND MARKINGS ONLY) SUPPLIER CODE: VU3384 FOR NHA/OTHER SYS DET SEE: 25-40-01-59A	014030	RF
50	C22102-603-003		.HEATER ASSY- SUPPLIER CODE: VU3384 COMPONENT MAINT MANUAL REF: 38-10-01	014030	RF
55	C22102-857-101		..PLACARD- SUPPLIER CODE: VU3384	014030	1

MISSING ITEM NUMBERS NOT APPLICABLE

- ITEM NOT ILLUSTRATED

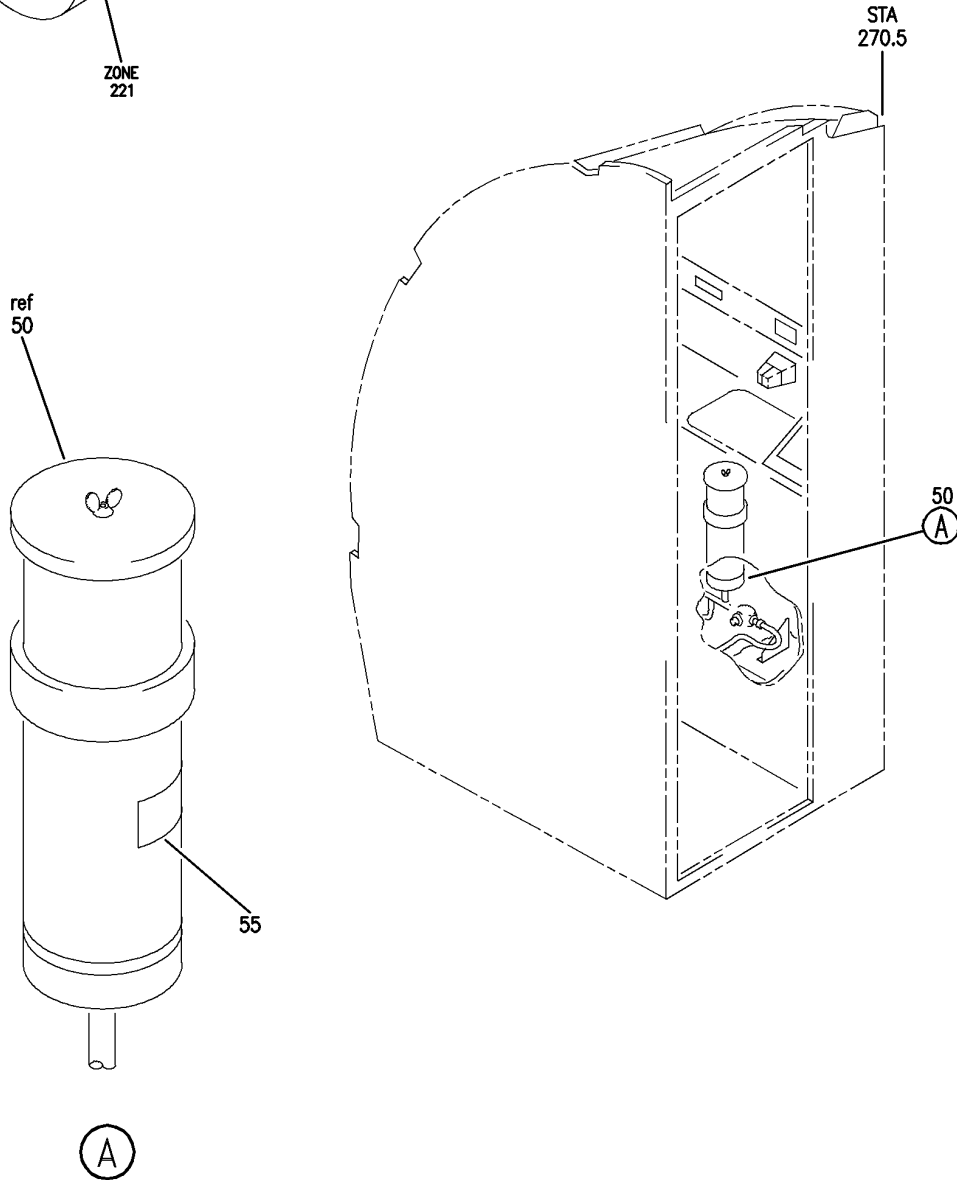
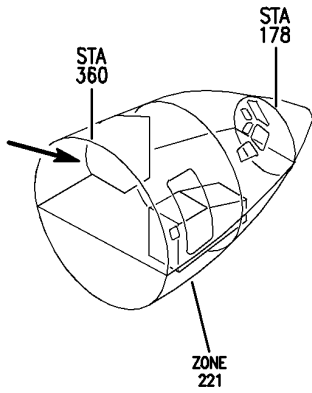
HAP

11-32-05-69C

BOEING PROPRIETARY - Copyright © - Unpublished Work - See title page for details.

11-32-05
FIG. 69C
PAGE 1
OCT 10/06

BOEING
737-600/700/800/900
PARTS CATALOG (MAINTENANCE)



E 11320570A REV 048

PLUMBING INSTL-LAV A (PLACARDS AND MARKINGS ONLY)
FIGURE 70A

HAP
OCT 10/06

11-32-05-70A

11-32-05-70A
PAGE 0

BOEING
737-600/700/800/900
PARTS CATALOG (MAINTENANCE)

FIG ITEM	PART NUMBER	1 2 3 4 5 6 7	NOMENCLATURE	EFFECT FROM TO	UNITS PER ASSY
70A			PLUMBING INSTL-LAV A (PLACARDS AND MARKINGS ONLY)	006007	
- 1	C23102-013-001		PLUMBING INSTL-LAV A (PLACARDS AND MARKINGS ONLY) SUPPLIER CODE: VU3384 FOR NHA/OTHER SYS DET SEE: 25-40-01-56	006007	RF
50	C22102-603-003		.HEATER ASSY-WATER SUPPLIER CODE: VU3384 COMPONENT MAINT MANUAL REF: 38-10-01	006007	RF
55	C22102-857-101		..PLACARD- SUPPLIER CODE: VU3384	006007	1

MISSING ITEM NUMBERS NOT APPLICABLE

- ITEM NOT ILLUSTRATED

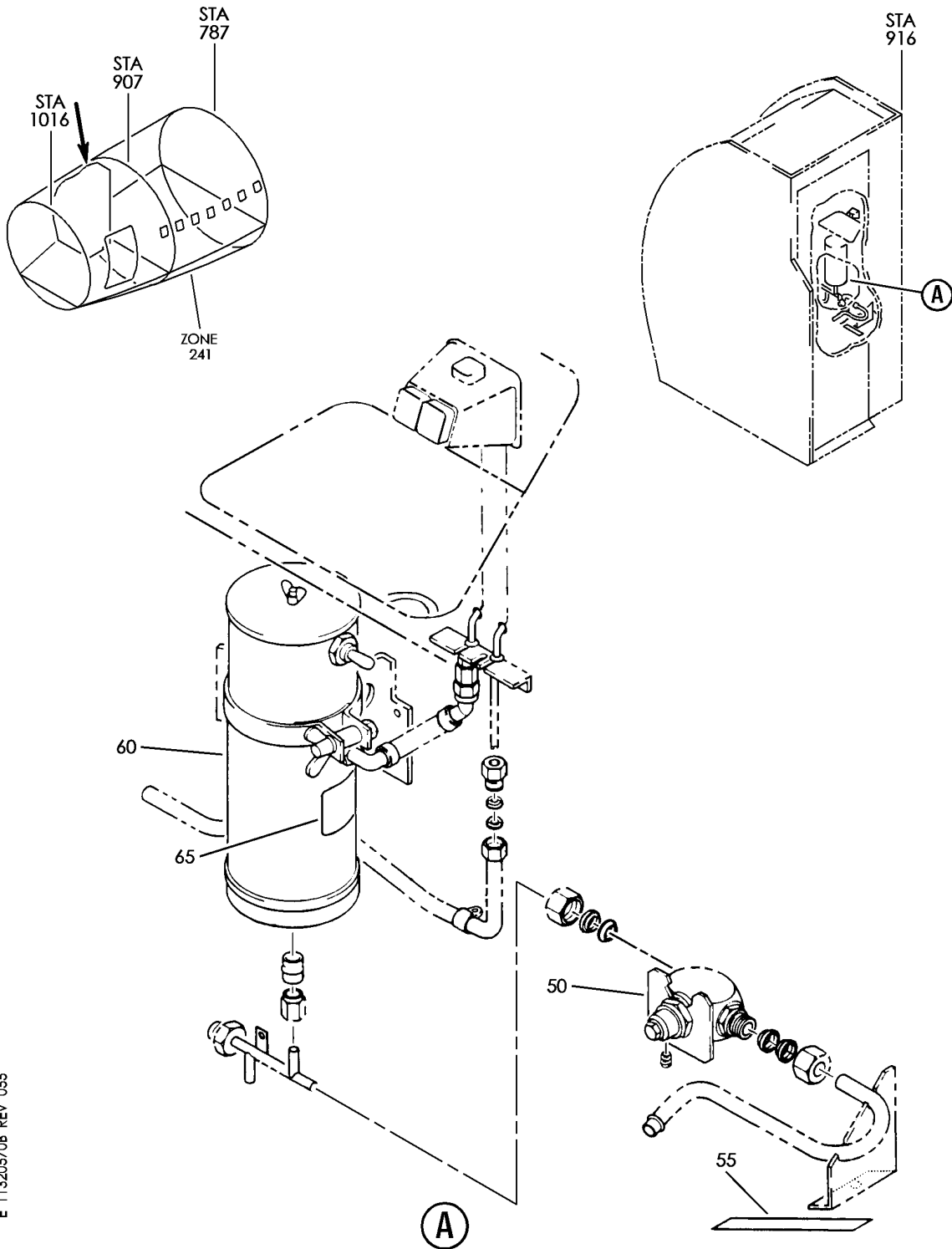
HAP

11-32-05-70A

BOEING PROPRIETARY - Copyright © - Unpublished Work - See title page for details.

11-32-05
FIG. 70A
PAGE 1
FEB 10/07

BOEING
 737-600/700/800/900
 PARTS CATALOG (MAINTENANCE)



E 11320570B REV 055

PLUMBING INSTL-LAV D (PLACARDS AND MARKINGS ONLY)
 FIGURE 70B

11-32-05-70B

HAP
 OCT 10/06

11-32-05-70B
 PAGE 0

BOEING
737-600/700/800/900
PARTS CATALOG (MAINTENANCE)

FIG ITEM	PART NUMBER	1 2 3 4 5 6 7	NOMENCLATURE	EFFECT FROM TO	UNITS PER ASSY
70B			PLUMBING INSTL-LAV D (PLACARDS AND MARKINGS ONLY)	006007	
- 1	C23502-013-001		PLUMBING INSTL-LAV D (PLACARDS AND MARKINGS ONLY) SUPPLIER CODE: VU3384 FOR NHA/OTHER SYS DET SEE: 25-40-01-69	006007	RF
50	C22102-931-001		.PLACARD- SUPPLIER CODE: VU3384 PLACARD CONTENT: ON/OFF	006007	1
55	C22102-951-101		.PLACARD- SUPPLIER CODE: VU3384	006007	1
60	C22102-603-003		.HEATER ASSY-WATER SUPPLIER CODE: VU3384 COMPONENT MAINT MANUAL REF: 38-10-01	006007	RF
65	C22102-857-101		..PLACARD- SUPPLIER CODE: VU3384	006007	1

MISSING ITEM NUMBERS NOT APPLICABLE

- ITEM NOT ILLUSTRATED

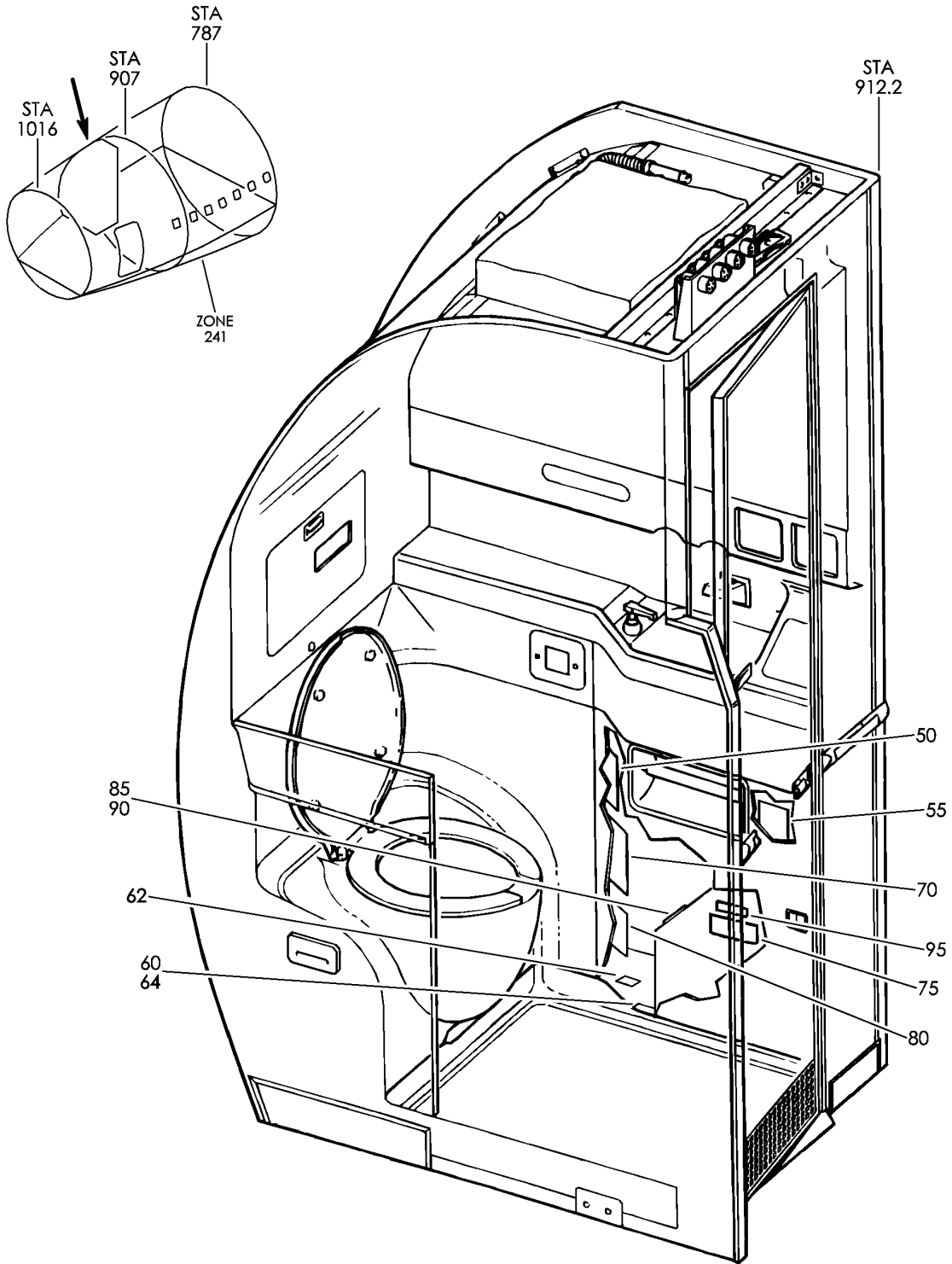
HAP

11-32-05-70B

BOEING PROPRIETARY - Copyright © - Unpublished Work - See title page for details.

11-32-05
FIG. 70B
PAGE 1
OCT 10/06

BOEING
 737-600/700/800/900
 PARTS CATALOG (MAINTENANCE)



E 11320573 REV 051

MODULE ASSY-LAV D (PLACARDS AND MARKINGS ONLY)
 FIGURE 73

11-32-05-73

HAP
 OCT 10/06

11-32-05-73
 PAGE 0

BOEING
737-600/700/800/900
PARTS CATALOG (MAINTENANCE)

FIG ITEM	PART NUMBER	1 2 3 4 5 6 7	NOMENCLATURE	EFFECT FROM TO	UNITS PER ASSY
73			MODULE ASSY-LAV D (PLACARDS AND MARKINGS ONLY)	006013	
- 1	C23502-001-029		MODULE ASSY-LAV D (PLACARDS AND MARKINGS ONLY) SUPPLIER CODE: VU3384 SPECIFICATION NUMBER: S417A101-4029A COMPONENT MAINT MANUAL REF: 25-45-07 FOR NHA/OTHER SYS DET SEE: 25-40-01-03A	008013	RF
- 4	C23502-001-1001		MODULE ASSY-LAV D (PLACARDS AND MARKINGS ONLY) SUPPLIER CODE: VU3384 SPECIFICATION NUMBER: S417A101-4001B COMPONENT MAINT MANUAL REF: 25-46-88 FOR NHA/OTHER SYS DET SEE: 25-40-01-03A	006007	RF
50	C23302-261-101		.PLACARD- SELECTOR VALVE SUPPLIER CODE: VU3384	006013	1
55	C22102-587-101		.PLACARD- TEMPERATURE SUPPLIER CODE: VU3384	006013	1
60	C22102-589-101		.PLACARD- TO & INC SN3983 SUPPLIER CODE: VU3384 PLACARD CONTENT: NO STOWAGE CONFIG CHG DATA FROM A CMM: REPLD BY C23102-523-101	008013	1
60	C23102-523-101		.PLACARD- SN3984 & ON SUPPLIER CODE: VU3384 PLACARD CONTENT: NO STOWAGE CONFIG CHG DATA FROM A CMM: REPLS C23102-589-101	008013	1

MISSING ITEM NUMBERS NOT APPLICABLE

- ITEM NOT ILLUSTRATED

HAP

11-32-05-73

BOEING PROPRIETARY - Copyright © - Unpublished Work - See title page for details.

11-32-05
FIG. 73
PAGE 1
OCT 10/06

BOEING
737-600/700/800/900
PARTS CATALOG (MAINTENANCE)

FIG ITEM	PART NUMBER	1 2 3 4 5 6 7	NOMENCLATURE	EFFECT FROM TO	UNITS PER ASSY
73					
60	C22102-589-101		.PLACARD- SUPPLIER CODE: VU3384 PLACARD CONTENT: NO STOWAGE	006007	1
70	C22102-228-101		.PLACARD-RESET INSTRUCTIONS SUPPLIER CODE: VU3384	006013	1
75	C22102-585-101		.PLACARD- TEMPERATURE INDICATOR SUPPLIER CODE: VU3384	006013	1
80	C22102-116-101		.PLACARD-LIQUID SOAP FILLING INSTRUCTIONS SUPPLIER CODE: VU3384	006013	1
85	RGS2823		.PLATE-IDENT SUPPLIER CODE: VU3384 ATTACHING PARTS	006013	1
90	AGS4717-402BS		.RIVET- SUPPLIER CODE: VU1653	006013	4
95	240-180-250		-----*----- .INDICATOR-TEMP SUPPLIER CODE: V08086	008013	1

MISSING ITEM NUMBERS NOT APPLICABLE

— ITEM NOT ILLUSTRATED

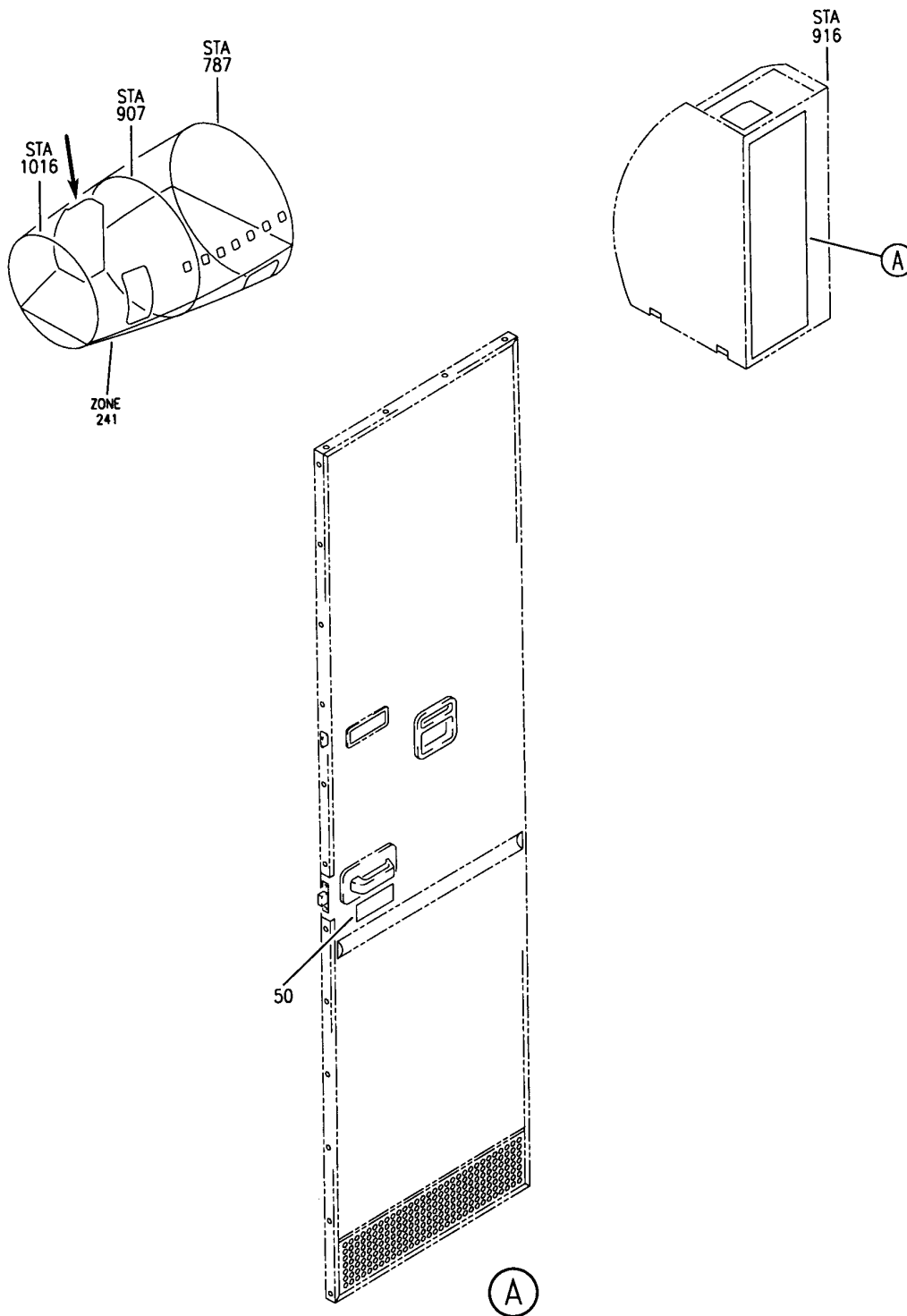
HAP

11-32-05-73

BOEING PROPRIETARY - Copyright © - Unpublished Work - See title page for details.

11-32-05
FIG. 73
PAGE 2
OCT 10/06

BOEING
737-600/700/800/900
PARTS CATALOG (MAINTENANCE)



E 11320576B REV 049

DOOR ASSY-LAV D, E, G AND K (PLACARDS AND MARKINGS ONLY)
FIGURE 76B

11-32-05-76B

HAP
OCT 10/06

11-32-05-76B
PAGE 0

BOEING
737-600/700/800/900
PARTS CATALOG (MAINTENANCE)

FIG ITEM	PART NUMBER	1 2 3 4 5 6 7	NOMENCLATURE	EFFECT FROM TO	UNITS PER ASSY
76B			DOOR ASSY-LAV D, E, G AND K (PLACARDS AND MARKINGS ONLY)	008030 201967	
- 1	C23102-083-1443		DOOR ASSY-LAV D (PLACARDS AND MARKINGS ONLY) SUPPLIER CODE: VU3384 FOR NHA/OTHER SYS DET SEE: 25-40-01-54	201967	RF
- 1	C23102-083-2643		DOOR ASSY-LAV D (PLACARDS AND MARKINGS ONLY) SUPPLIER CODE: VU3384 FOR NHA/OTHER SYS DET SEE: 25-40-01-59 25-40-01-59A	008030	RF
50	C23102-511-101		.PLACARD- SUPPLIER CODE: VU3384	008030	1
50	C23102-511-101		.PLACARD-SN17036 AND ON SUPPLIER CODE: VU3384	201967	1

MISSING ITEM NUMBERS NOT APPLICABLE

- ITEM NOT ILLUSTRATED

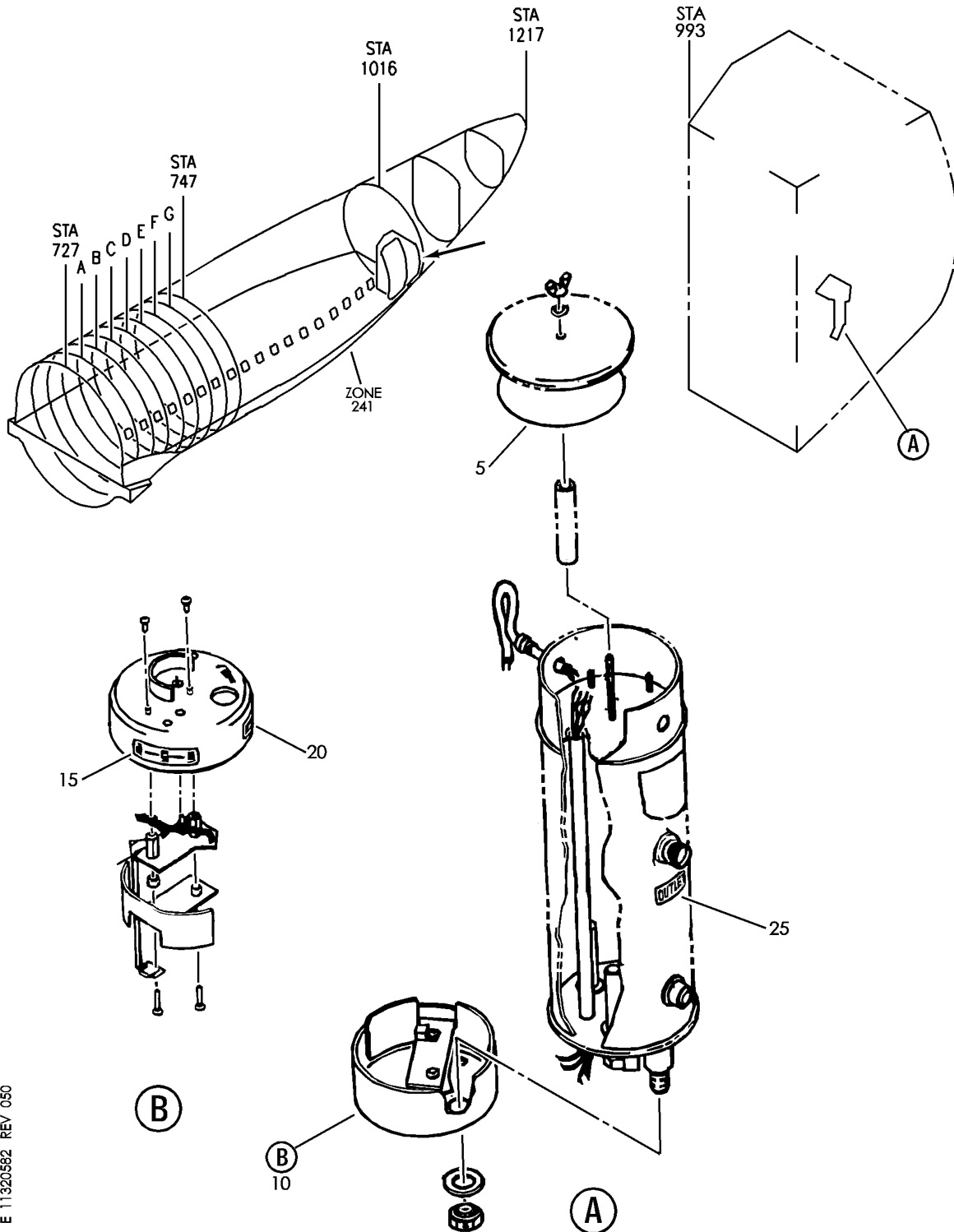
HAP

11-32-05-76B

BOEING PROPRIETARY - Copyright © - Unpublished Work - See title page for details.

11-32-05
FIG. 76B
PAGE 1
OCT 15/08

BOEING
 737-600/700/800/900
 PARTS CATALOG (MAINTENANCE)



E 11320582 REV 050

HEATER ASSY- LAV (PLACARDS AND MARKINGS ONLY)
 FIGURE 82

11-32-05-82

HAP
 OCT 10/06

11-32-05-82
 PAGE 0

BOEING
737-600/700/800/900
PARTS CATALOG (MAINTENANCE)

FIG ITEM	PART NUMBER	1 2 3 4 5 6 7	NOMENCLATURE	EFFECT FROM TO	UNITS PER ASSY
82			HEATER ASSY- LAV (PLACARDS AND MARKINGS ONLY)	001005 008030 201967	
- 1	8921082G5		HEATER ASSY-LAV (PLACARDS AND MARKINGS ONLY) SUPPLIER CODE: VOAJJO SPECIFICATION NUMBER: 10-61068-2 10-61068-5 COMPONENT MAINT MANUAL REF: 38-10-01 FOR NHA/OTHER SYS DET SEE: 38-13-01-01 38-13-01-06	001005 008030 201967	RF
	5 24C507097P06		.PLACARD- SUPPLIER CODE: VOAJJO	002005 014030	1
	5 24C507097P06		.PLACARD- SUPPLIER CODE: VOAJJO	001001 008013 201967	1
	10 24D508442G1		.COVER ASSY- SUPPLIER CODE: VOAJJO POSITION DATA: BOTTOM	001005 008030 201967	RF
	15 24B508440P1		..LABEL-SWITCH POSITION SUPPLIER CODE: VOAJJO	002005 014030	1
	15 24B508440P1		..LABEL-SWITCH POSITION SUPPLIER CODE: VOAJJO	001001 008013 201967	1
	20 24B508440P2		..LABEL- SUPPLIER CODE: VOAJJO PLACARD CONTENT: INLET	002005 014030	1
	20 24B508440P2		..LABEL- SUPPLIER CODE: VOAJJO PLACARD CONTENT: INLET	001001 008013 201967	1
	25 24B508440P3		.LABEL- SUPPLIER CODE: VOAJJO PLACARD CONTENT: OUTLET	002005 014030	1

MISSING ITEM NUMBERS NOT APPLICABLE

- ITEM NOT ILLUSTRATED

HAP

11-32-05-82

11-32-05
FIG. 82
PAGE 1
FEB 15/09

BOEING PROPRIETARY - Copyright © - Unpublished Work - See title page for details.


BOEING
 737-600/700/800/900
PARTS CATALOG (MAINTENANCE)

FIG ITEM	PART NUMBER	1 2 3 4 5 6 7 NOMENCLATURE	EFFECT FROM TO	UNITS PER ASSY
82 25	24B508440P3	. LABEL- SUPPLIER CODE: VOAJJO PLACARD CONTENT: OUTLET	001001 008013 201967	1

MISSING ITEM NUMBERS NOT APPLICABLE

— ITEM NOT ILLUSTRATED

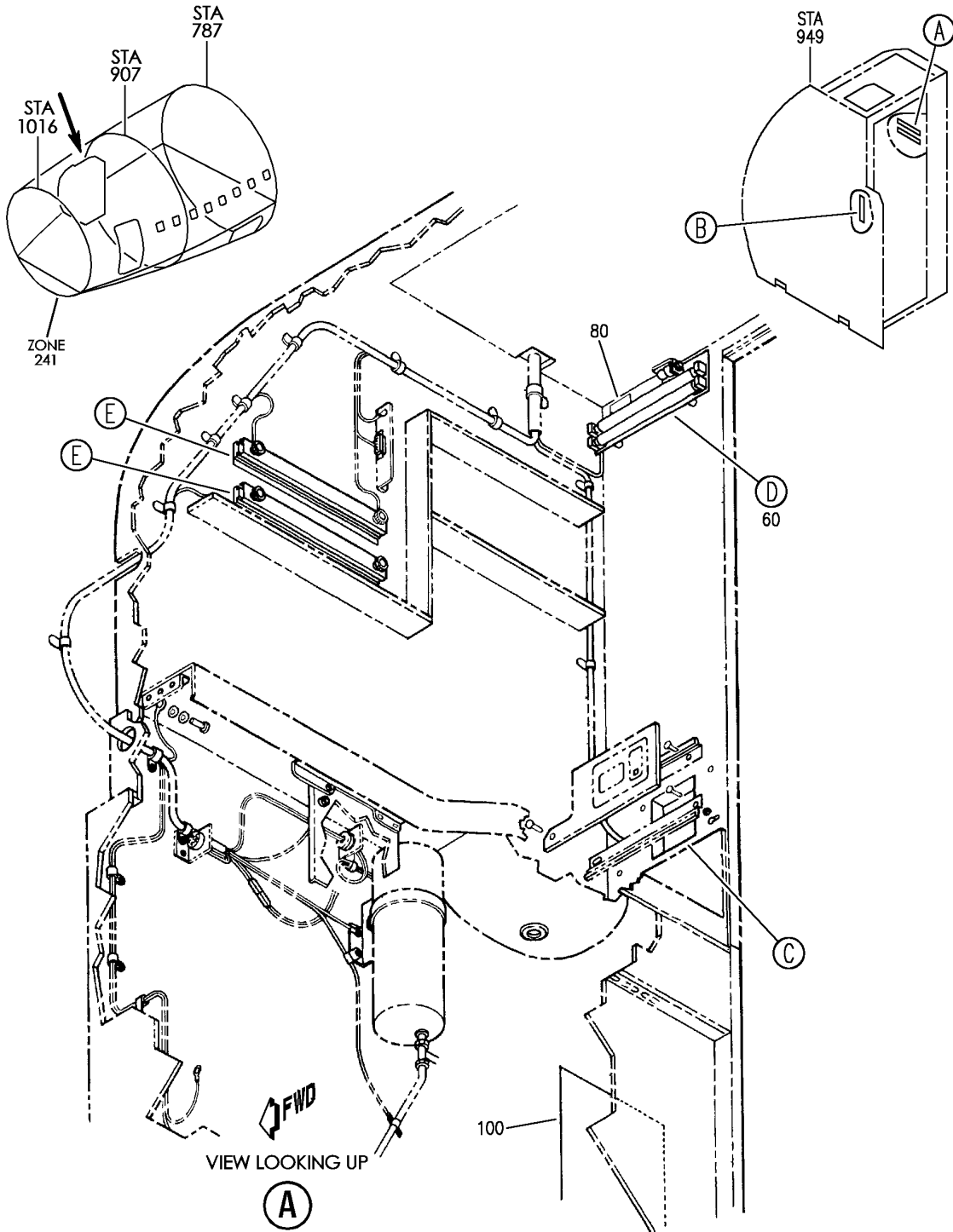
HAP

11-32-05-82

BOEING PROPRIETARY - Copyright © - Unpublished Work - See title page for details.

11-32-05
 FIG. 82
 PAGE 2
 FEB 15/09

BOEING
 737-600/700/800/900
 PARTS CATALOG (MAINTENANCE)



E 11320588A SHT 1 REV 083

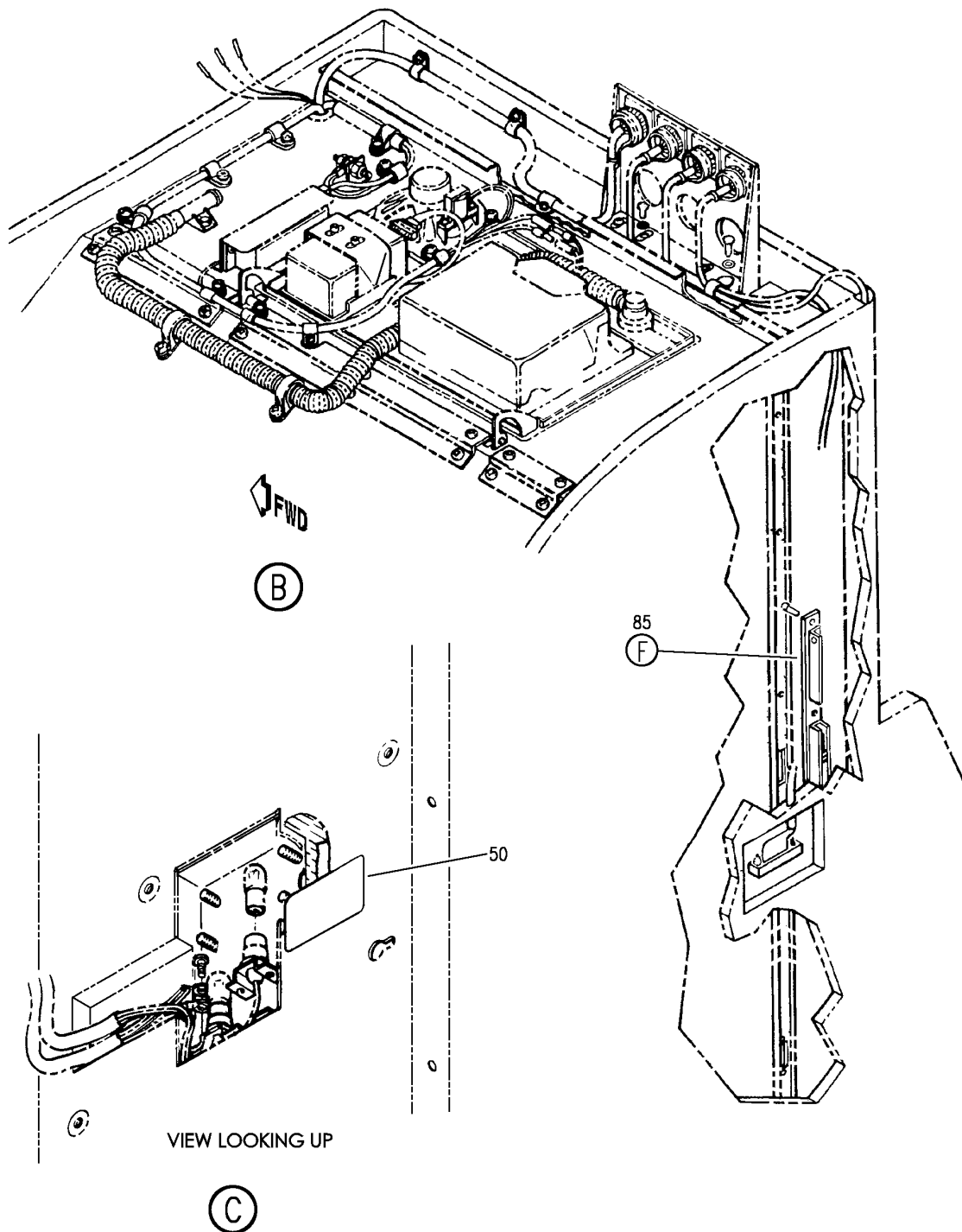
ELECTRICAL INSTL-LAV D (PLACARDS AND MARKINGS ONLY)
 FIGURE 88A (SHEET 1)

11-32-05-88A

HAP
 OCT 10/06

11-32-05-88A
 PAGE 0

BOEING
737-600/700/800/900
PARTS CATALOG (MAINTENANCE)



E 11320588A SHT 2 REV 083

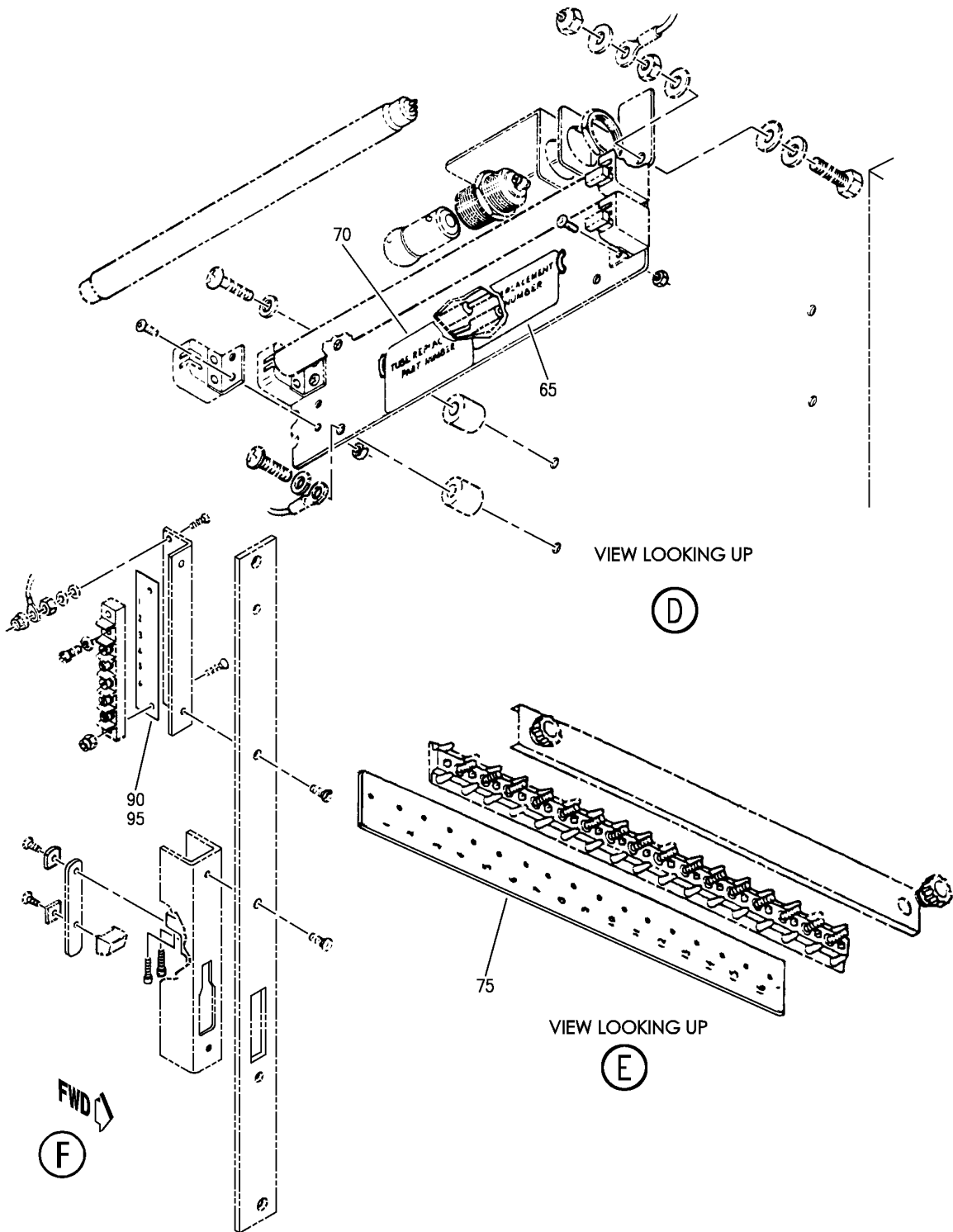
ELECTRICAL INSTL-LAV D (PLACARDS AND MARKINGS ONLY)
FIGURE 88A (SHEET 2)

HAP
OCT 10/06

11-32-05-88A

11-32-05-88A
PAGE 0A

BOEING
 737-600/700/800/900
 PARTS CATALOG (MAINTENANCE)



E 11320588A SHT 3 REV 083

ELECTRICAL INSTL-LAV D (PLACARDS AND MARKINGS ONLY)
 FIGURE 88A (SHEET 3)

11-32-05-88A

HAP
 OCT 10/06

11-32-05-88A
 PAGE 0B

BOEING
737-600/700/800/900
PARTS CATALOG (MAINTENANCE)

FIG ITEM	PART NUMBER	1 2 3 4 5 6 7	NOMENCLATURE	EFFECT FROM TO	UNITS PER ASSY
88A			ELECTRICAL INSTL-LAV D (PLACARDS AND MARKINGS ONLY)	006007	
- 1	C23502-011-005		ELECTRICAL INSTL-LAV D (PLACARDS AND MARKINGS ONLY) SUPPLIER CODE: VU3384 FOR NHA/OTHER SYS DET SEE: 25-40-01-69	006007	RF
50	C22102-863-101		. LABEL-LAMP REPLACEMENT SUPPLIER CODE: VU3384 CONFIG CHG DATA FROM A CMM: REPLD BY C23102-497-055	006007	1
50	C23102-497-055		. PANEL-LAMP REPLACEMENT SUPPLIER CODE: VU3384 CONFIG CHG DATA FROM A CMM: REPLS C22102-863-101	006007	1
- 55	C23102-131-017		. LOOM ASSY- SUPPLIER CODE: VU3384	006007	RF
60	C23102-283-001		.. LAMP ASSY-MZ113 SUPPLIER CODE: VU3384	006007	RF
65	C22102-288-101		... LABEL-LAMP REPLACE SUPPLIER CODE: VU3384	006007	1
70	C22102-861-101		... LABEL-TUBE REPLACE SUPPLIER CODE: VU3384 PLACARD CONTENT: TUBE REPLACEMENT PART NUMBER	006007	1
75	RES105X		. PLACARD-TERM. BLK SUPPLIER CODE: VU3384	006007	2
80	BAC27DPA5069		. PLACARD- PLACARD CONTENT: HIGH VOLTAGE	006007	1
85	C22502-495-003		. SWITCH ASSY- SUPPLIER CODE: VU3384	006007	RF
90	C22102-331-001		.. TERMINAL ASSY-BLOCK SUPPLIER CODE: VU3384	006007	RF

MISSING ITEM NUMBERS NOT APPLICABLE

- ITEM NOT ILLUSTRATED

HAP

11-32-05-88A

BOEING PROPRIETARY - Copyright © - Unpublished Work - See title page for details.

11-32-05
FIG. 88A
PAGE 1
OCT 10/06

BOEING
737-600/700/800/900
PARTS CATALOG (MAINTENANCE)

FIG ITEM	PART NUMBER	1 2 3 4 5 6 7	NOMENCLATURE	EFFECT FROM TO	UNITS PER ASSY
88A 95	C20800-1249		. . . PLACARD- SUPPLIER CODE: VU3384	006007	1
100	C23102-133-111		. PLACARD-WIRING DIAGRAM TO & INC SN4045 SUPPLIER CODE: VU3384	006007	RF

MISSING ITEM NUMBERS NOT APPLICABLE

— ITEM NOT ILLUSTRATED

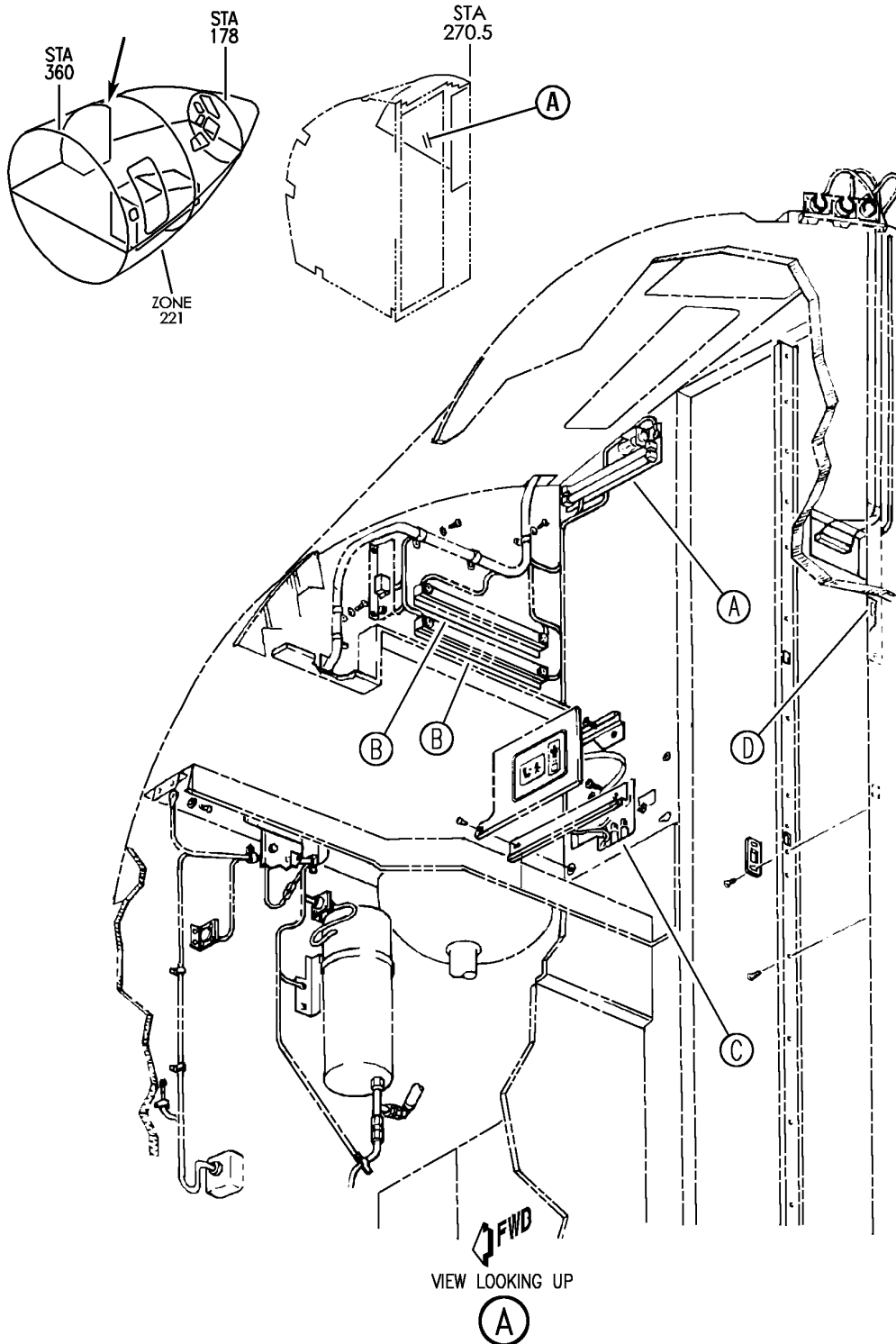
HAP

11-32-05-88A

BOEING PROPRIETARY - Copyright © - Unpublished Work - See title page for details.

11-32-05
FIG. 88A
PAGE 2
OCT 10/06

BOEING
 737-600/700/800/900
 PARTS CATALOG (MAINTENANCE)



E 11320588B SHT 1 REV 083

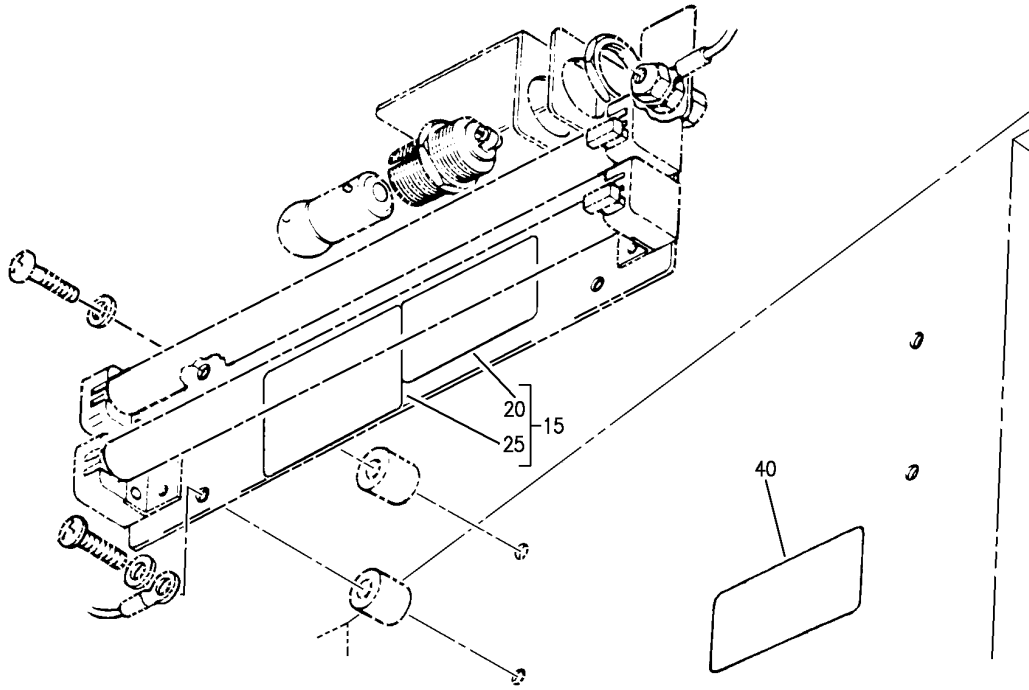
ELECTRICAL INSTL-LAV A (PLACARDS AND MARKINGS ONLY)
 FIGURE 88B (SHEET 1)

11-32-05-88B

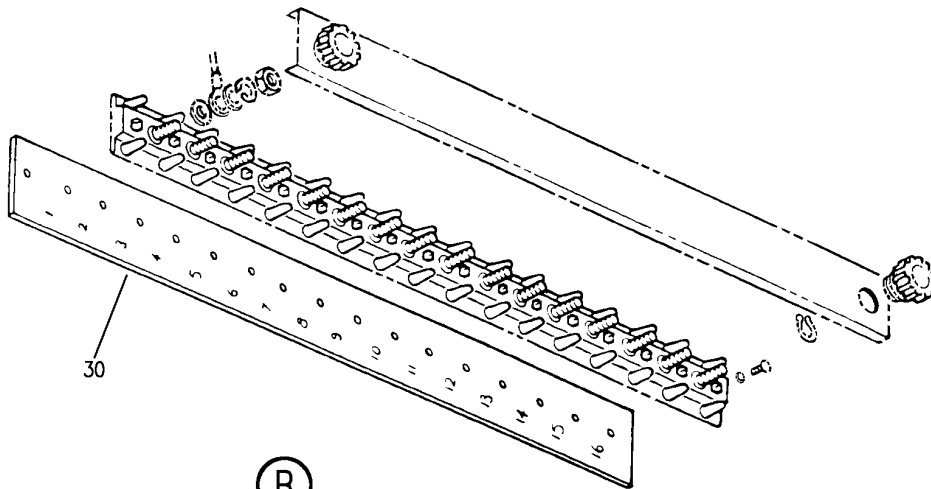
HAP
 OCT 10/06

11-32-05-88B
 PAGE 0

BOEING
 737-600/700/800/900
 PARTS CATALOG (MAINTENANCE)



(A)



(B)

E 11320588B SHT 2 REV 083

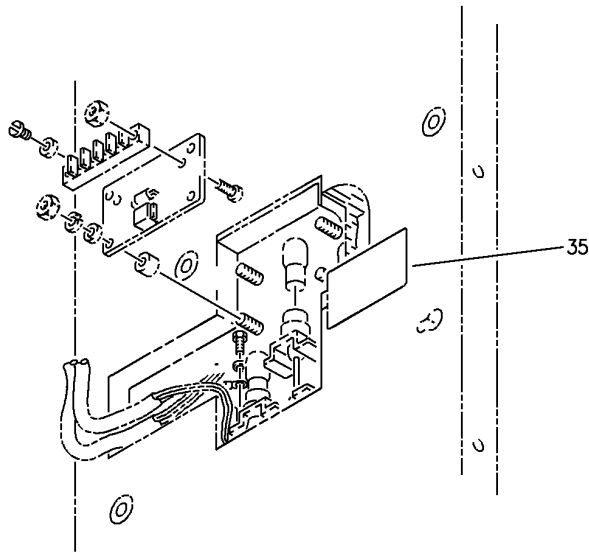
ELECTRICAL INSTL-LAV A (PLACARDS AND MARKINGS ONLY)
 FIGURE 88B (SHEET 2)

11-32-05-88B

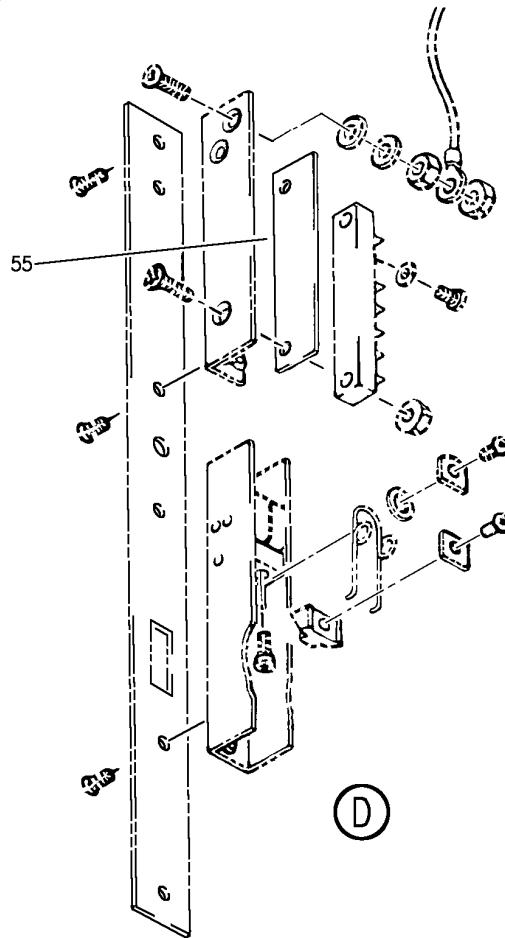
HAP
 OCT 10/06

11-32-05-88B
 PAGE 0A

BOEING
 737-600/700/800/900
 PARTS CATALOG (MAINTENANCE)



(C)



(D)

E 11320588B SHT 3 REV 083

ELECTRICAL INSTL-LAV A (PLACARDS AND MARKINGS ONLY)
 FIGURE 88B (SHEET 3)

11-32-05-88B

HAP
 OCT 10/06

11-32-05-88B
 PAGE 0B

BOEING
737-600/700/800/900
PARTS CATALOG (MAINTENANCE)

FIG ITEM	PART NUMBER	1 2 3 4 5 6 7	NOMENCLATURE	EFFECT FROM TO	UNITS PER ASSY
88B			ELECTRICAL INSTL-LAV A (PLACARDS AND MARKINGS ONLY)	006007	
- 1	C23102-011-003		ELECTRICAL INSTL-LAV A (PLACARDS AND MARKINGS ONLY) SUPPLIER CODE: VU3384 FOR NHA/OTHER SYS DET SEE: 25-40-01-56	006007	RF
- 10	C23102-131-025		.LOOM ASSY-MAIN SUPPLIER CODE: VU3384	006007	RF
15	C23102-283-001		..LAMP ASSY-MZ113 SUPPLIER CODE: VU3384	006007	RF
20	C22102-288-101		...LABEL-LAMP REPLACE SUPPLIER CODE: VU3384	006007	1
25	C22102-861-101		...LABEL-TUBE REPLACE SUPPLIER CODE: VU3384	006007	1
30	RES105X		.PLACARD-TERM. BLK SUPPLIER CODE: VU3384	006007	2
35	C22102-863-101		.LABEL-LAMP REPLACEMENT SUPPLIER CODE: VU3384	006007	1
40	BAC27DPA5069		.PLACARD- PLACARD CONTENT: CAUTION-HIGH VOLTAGE DISCONNECT POWER BEFORE REPLACING LAMPS	006007	1
- 45	C22102-134-003		.SWITCH ASSY- SUPPLIER CODE: VU3384	006007	RF
- 50	C22102-124-003		..MICROSWITCH ASSY-SZ100 SUPPLIER CODE: VU3384 SB DATA FROM A CMM: PRE SB25-1514 CONFIG CHG DATA FROM A CMM: REPLD BY C22102-124-011	006007	RF

MISSING ITEM NUMBERS NOT APPLICABLE

- ITEM NOT ILLUSTRATED

HAP

11-32-05-88B

BOEING PROPRIETARY - Copyright © - Unpublished Work - See title page for details.

11-32-05
FIG. 88B
PAGE 1
OCT 10/06

BOEING
737-600/700/800/900
PARTS CATALOG (MAINTENANCE)

FIG ITEM	PART NUMBER	1 2 3 4 5 6 7	NOMENCLATURE	EFFECT FROM TO	UNITS PER ASSY
88B - 50	C22102-124-011		..MICROSWITCH ASSY-SZ100 SUPPLIER CODE: VU3384 SB DATA FROM A CMM: POST SB25-1514 CONFIG CHG DATA FROM A CMM: REPLS C22102-124-003	006007	RF
55	C20800-1249		...PLACARD- SUPPLIER CODE: VU3384	006007	1
- 60	C23102-133-113		.PLACARD-WIRING DIAGRAM SUPPLIER CODE: VU3384	006007	1

MISSING ITEM NUMBERS NOT APPLICABLE

- ITEM NOT ILLUSTRATED

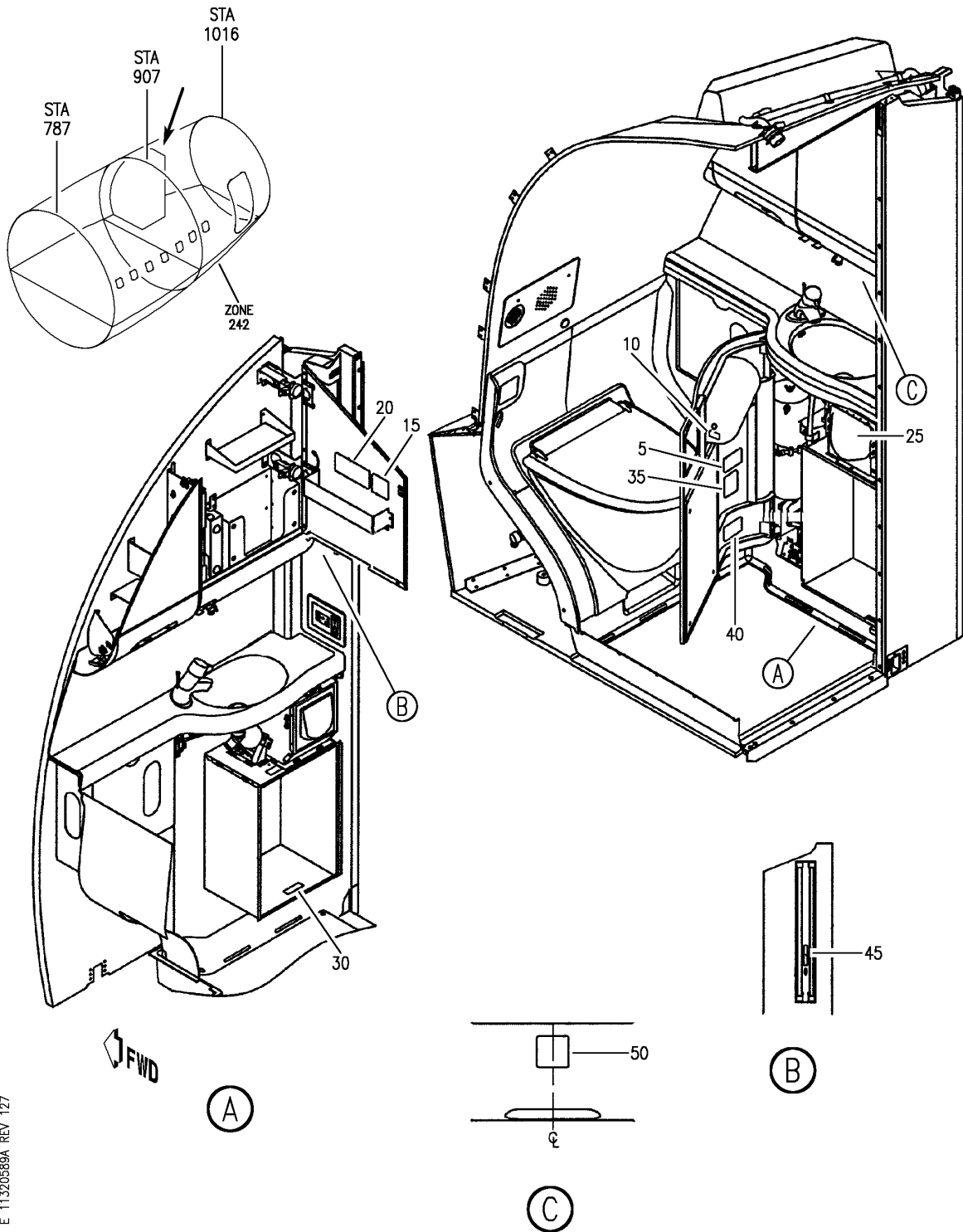
HAP

11-32-05-88B

BOEING PROPRIETARY - Copyright © - Unpublished Work - See title page for details.

11-32-05
FIG. 88B
PAGE 2
OCT 10/06

BOEING
 737-600/700/800/900
 PARTS CATALOG (MAINTENANCE)



E 11320589A REV 127

MODULE ASSY-LAV E (PLACARDS AND MARKINGS ONLY)
 FIGURE 89A

11-32-05-89A

HAP
 FEB 10/07

11-32-05-89A
 PAGE 0

BOEING
737-600/700/800/900
PARTS CATALOG (MAINTENANCE)

FIG ITEM	PART NUMBER	1 2 3 4 5 6 7	NOMENCLATURE	EFFECT FROM TO	UNITS PER ASSY
89A			MODULE ASSY-LAV E (PLACARDS AND MARKINGS ONLY)	101200 968999	
- 1	D72001252-111A		MODULE ASSY-LAV E (PLACARDS AND MARKINGS ONLY) SUPPLIER CODE: VS5825 SPECIFICATION NUMBER: S417A180-1252A ELECTRICAL EQUIP NUMBER: M01415 COMPONENT MAINT MANUAL REF: 25-46-17 FOR NHA/OTHER SYS DET SEE: 25-40-01-01H	101106 968999	RF
R R R R R R R R R R R	- 1	D72001252-111B	MODULE ASSY-LAV E (PLACARDS AND MARKINGS ONLY) SUPPLIER CODE: VS5825 SPECIFICATION NUMBER: S417A180-1252B ELECTRICAL EQUIP NUMBER: M01419 COMPONENT MAINT MANUAL REF: 25-46-17 FOR NHA/OTHER SYS DET SEE: 25-40-01-01W	107200	RF
	5	D72D71323-111	.PLACARD-CHECK THE FOUR. SUPPLIER CODE: VS5825	101200 968999	1
	10	D72D71324-111	.PLACARD-REMOVE THIS END SUPPLIER CODE: VS5825	101200 968999	1
	15	D72D71325-111	.PLACARD-AMENITIES STOWAGE SUPPLIER CODE: VS5825	101200 968999	1
	20	D72D70253-111	.NAMEPLATE- SUPPLIER CODE: VS5825	101200 968999	1
	25	D72D70847-111	.PLACARD-WASTE DISPOSAL SUPPLIER CODE: VS5825	101200 968999	1
	30	D72D70924-111	.PLACARD-NO STEP SUPPLIER CODE: VS5825	101200 968999	1

MISSING ITEM NUMBERS NOT APPLICABLE

- ITEM NOT ILLUSTRATED

HAP

11-32-05-89A

BOEING PROPRIETARY - Copyright © - Unpublished Work - See title page for details.

11-32-05
FIG. 89A
PAGE 1
JUN 15/09

BOEING
737-600/700/800/900
PARTS CATALOG (MAINTENANCE)

FIG ITEM	PART NUMBER	1 2 3 4 5 6 7	NOMENCLATURE	EFFECT FROM TO	UNITS PER ASSY
89A					
35	D72D71125-111		.PLACARD-RESET INSTRUCTIONS SUPPLIER CODE: VS5825	101200 968999	1
40	D72D71244-111		.PLACARD-SELECTOR VALVE SUPPLIER CODE: VS5825	101200 968999	1
45	D72D71433-111		.PLACARD-CAUTION, HIGH VOLTAGE SUPPLIER CODE: VS5825	101200 968999	2
50	D72D71478-111		.PLACARD-PAPER TOWEL SUPPLIER CODE: VS5825	101200 968999	1

MISSING ITEM NUMBERS NOT APPLICABLE

— ITEM NOT ILLUSTRATED

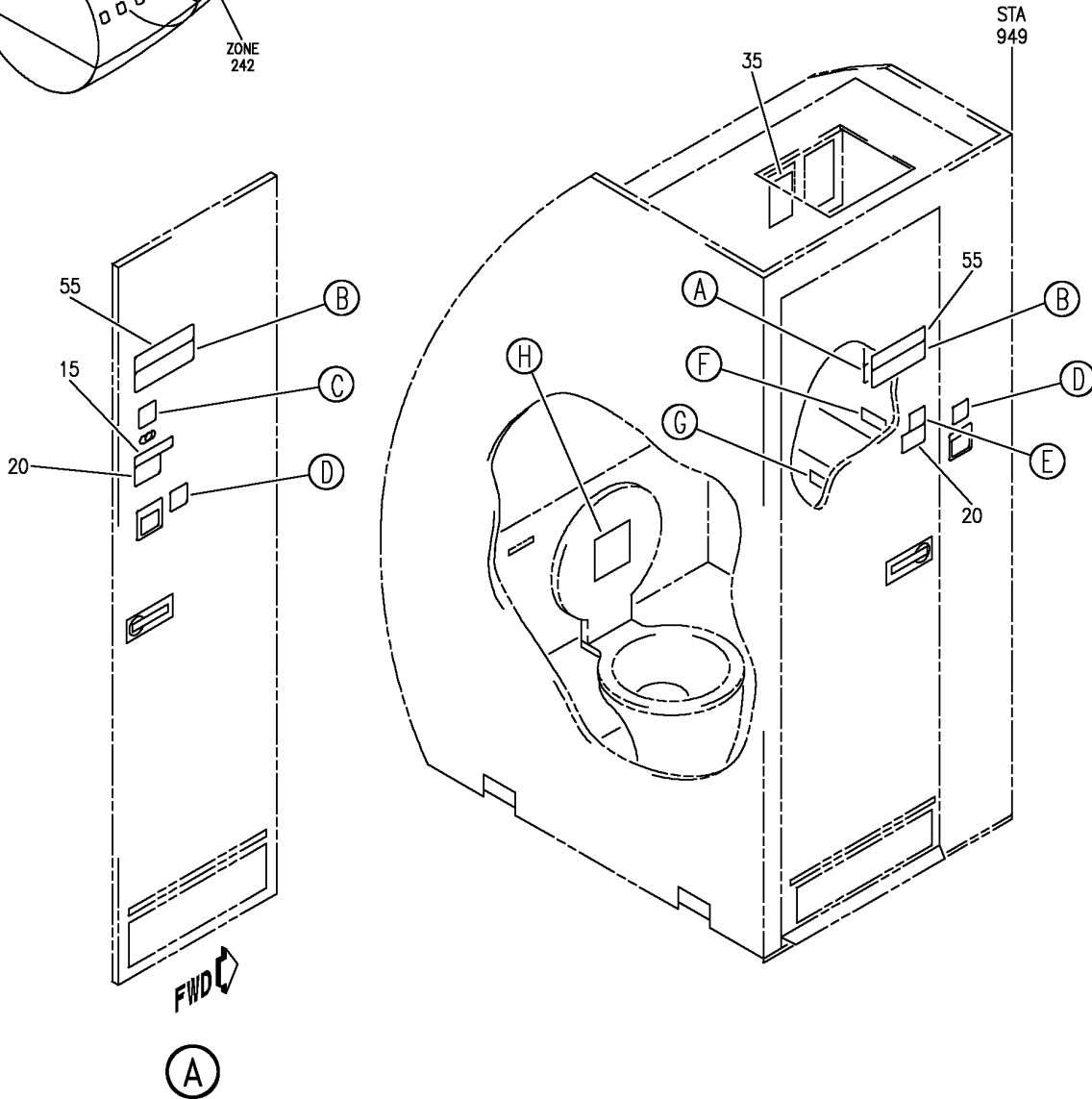
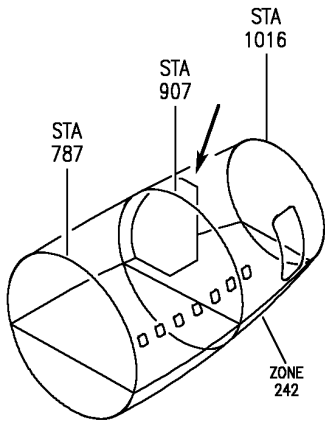
HAP

11-32-05-89A

BOEING PROPRIETARY - Copyright © - Unpublished Work - See title page for details.

11-32-05
FIG. 89A
PAGE 2
JUN 15/09

BOEING
 737-600/700/800/900
 PARTS CATALOG (MAINTENANCE)



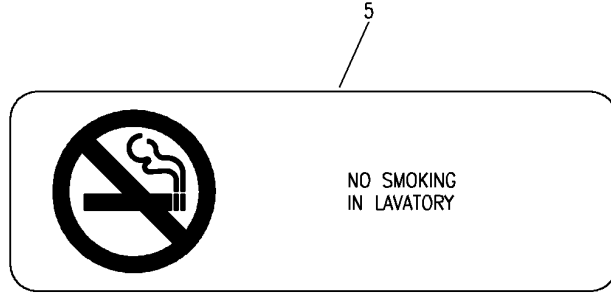
E 11320596Q SHT 1 REV 151

PLACARD INSTL-CAB. INTR LAV E
 FIGURE 96Q (SHEET 1)

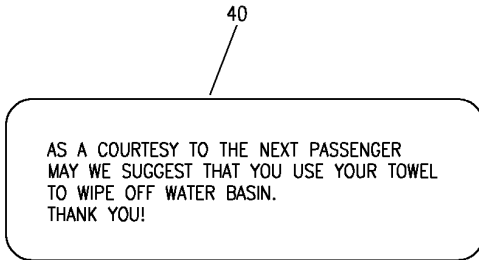
HAP
 FEB 15/09

11-32-05-96Q

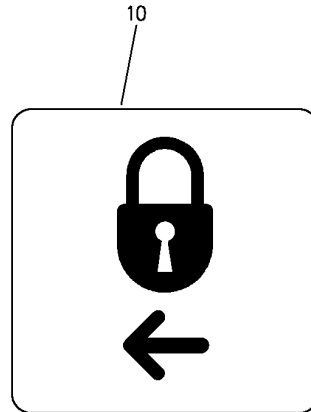
11-32-05-96Q
 PAGE 0



(B)



(F)



(C)



(E)



(D)

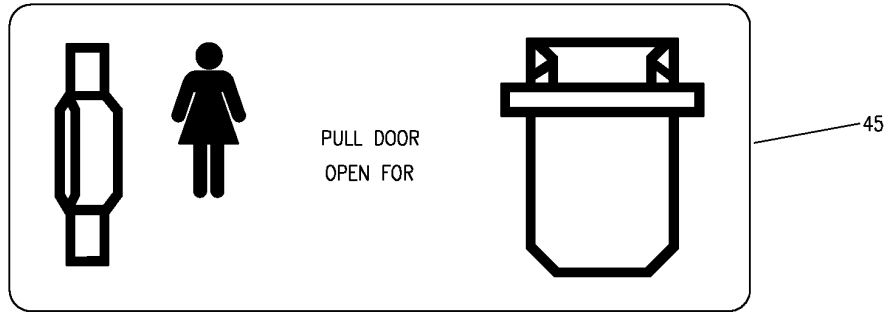
E 11320596Q SHT 2 REV 131

PLACARD INSTL-CAB. INTR LAV E
FIGURE 96Q (SHEET 2)

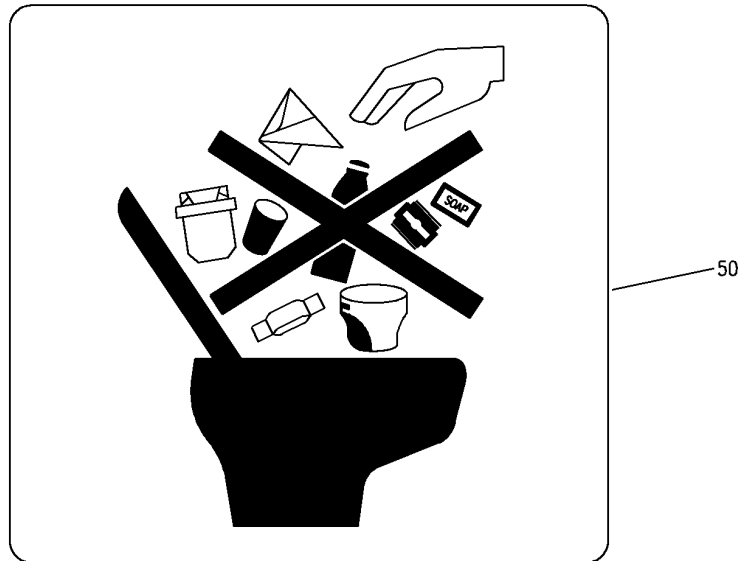
11-32-05-96Q

HAP
JUN 10/07

11-32-05-96Q
PAGE 0A



G



H

E 11320596Q SHT 3 REV 131

PLACARD INSTL-CAB. INTR LAV E
FIGURE 96Q (SHEET 3)

HAP
JUN 10/07

11-32-05-96Q

11-32-05-96Q
PAGE 0B

BOEING
737-600/700/800/900
PARTS CATALOG (MAINTENANCE)

FIG ITEM	PART NUMBER	1 2 3 4 5 6 7	NOMENCLATURE	EFFECT FROM TO	UNITS PER ASSY
96Q			PLACARD INSTL-CAB. INTR LAV E	041041 047100	
- 1	MODREF337905		PLACARD INSTL-CAB. INTR LAV E MODULE NUMBER: 414A5115-234 REV A POSITION DATA: STA 916.00 RBL 17.00	041041 047100	1
5	BAC29PPS44376		.PLACARD	041041 047100	2
10	BAC29PPS36201		.PLACARD	041041 047100	1
15	BAC29PPS41844		.PLACARD- PLACARD CONTENT: OPEN DOOR SLOWLY	041041 047100	1
20	BAC29PPS41845		.PLACARD- PLACARD CONTENT: LATCH DOOR CLOSED DURING TAXI, TAKEOFF AND LANDING	041041 047100	2
25	BAC29PPS40669		.PLACARD	041041 047100	2
30	BAC29PPS38297		.PLACARD	041041 047100	1
35	BAC29PPS36204		.PLACARD- PLACARD CONTENT: PULL MASK DOWN TO TURN ON OXYGEN	041041 047100	1
40	BAC29PPS36202		.PLACARD	041041 047100	1
45	BAC29PPS36203		.PLACARD	041041 047100	1
50	BAC29PPS36213		.PLACARD	041041 047100	1
55	BAC29PPS44784		.PLACARD-(GERMAN) POST RAPID REVISION: RR97237-19B	048048	2

MISSING ITEM NUMBERS NOT APPLICABLE

- ITEM NOT ILLUSTRATED

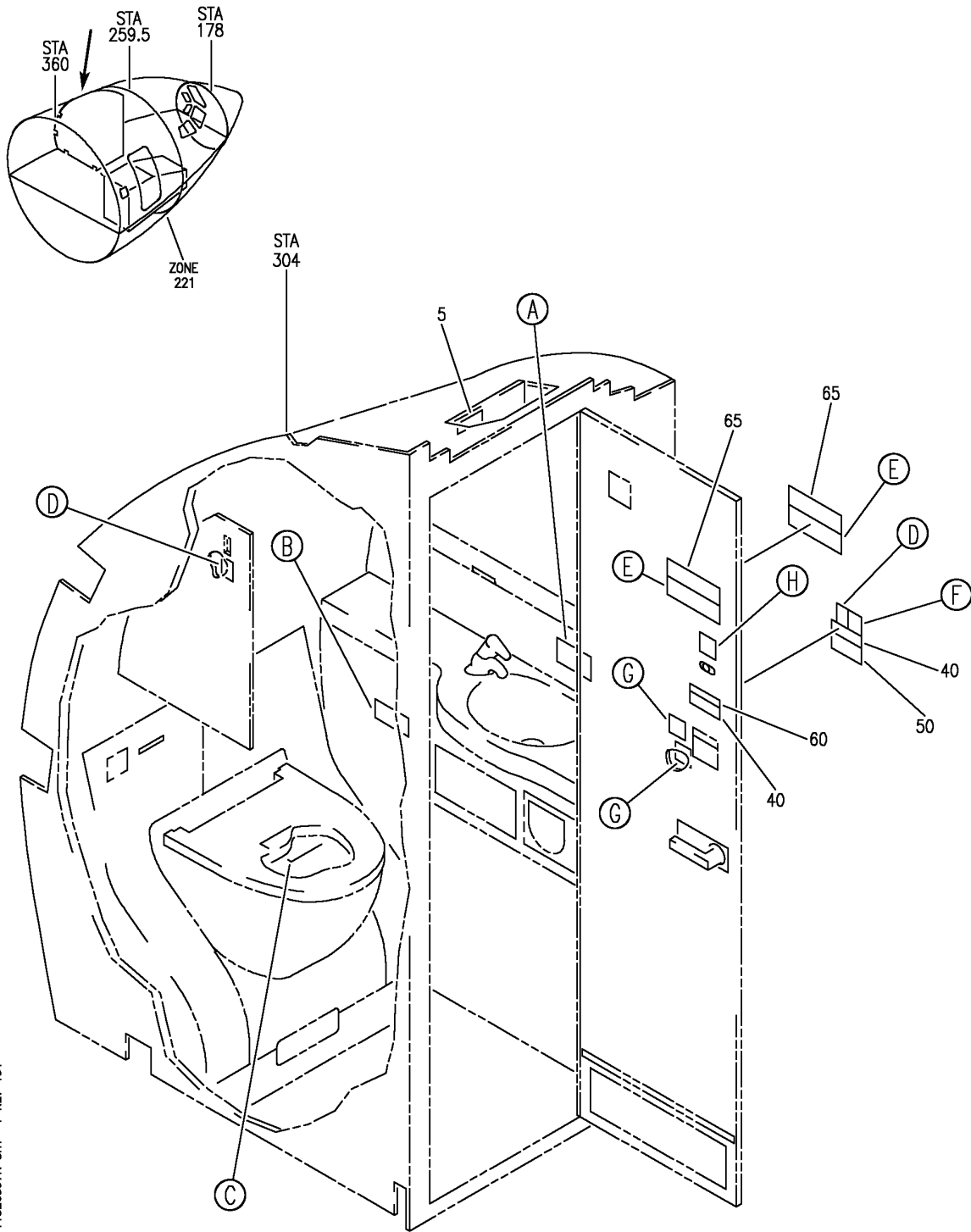
HAP

11-32-05-96Q

BOEING PROPRIETARY - Copyright © - Unpublished Work - See title page for details.

11-32-05
FIG. 96Q
PAGE 1
FEB 15/09

BOEING
 737-600/700/800/900
 PARTS CATALOG (MAINTENANCE)



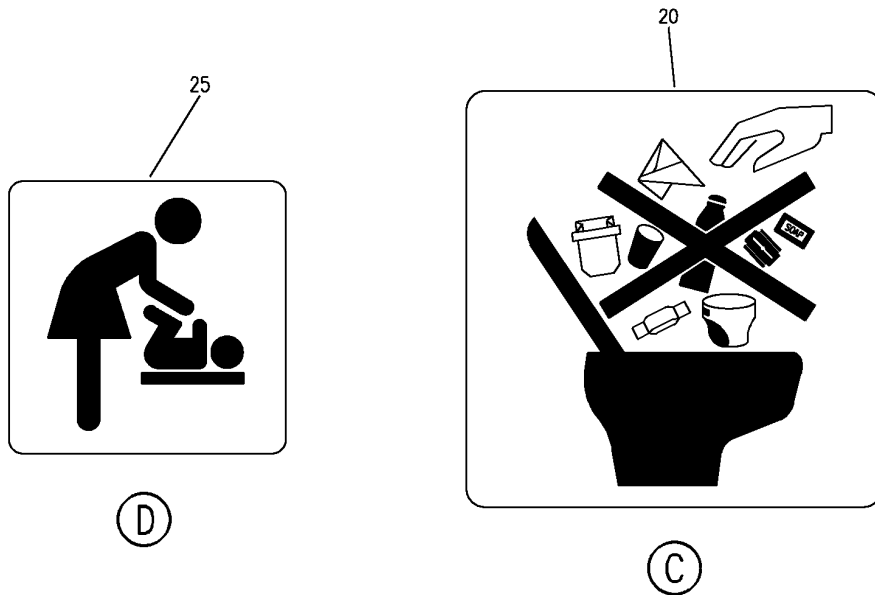
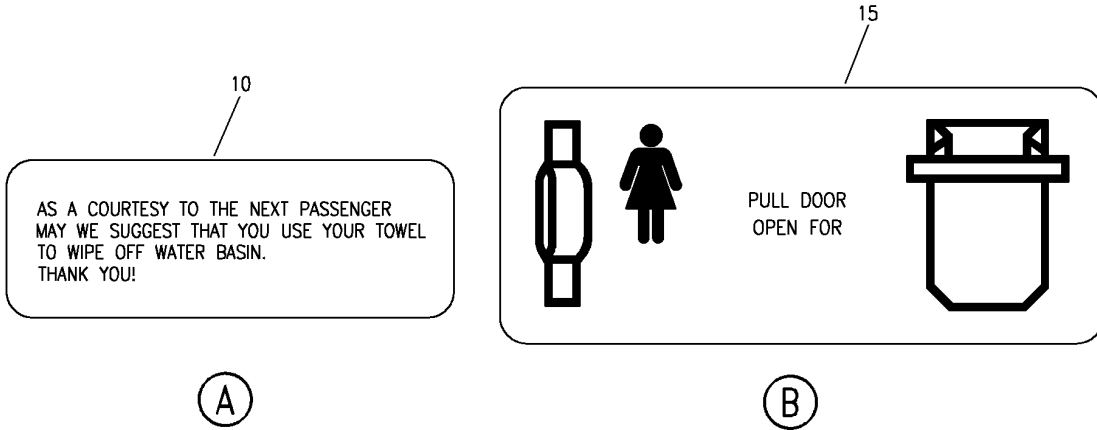
E 11320597K SHT 1 REV 151

PLACARD INSTL-CAB. INTR LAV A
 FIGURE 97K (SHEET 1)

11-32-05-97K

HAP
 FEB 15/09

11-32-05-97K
 PAGE 0



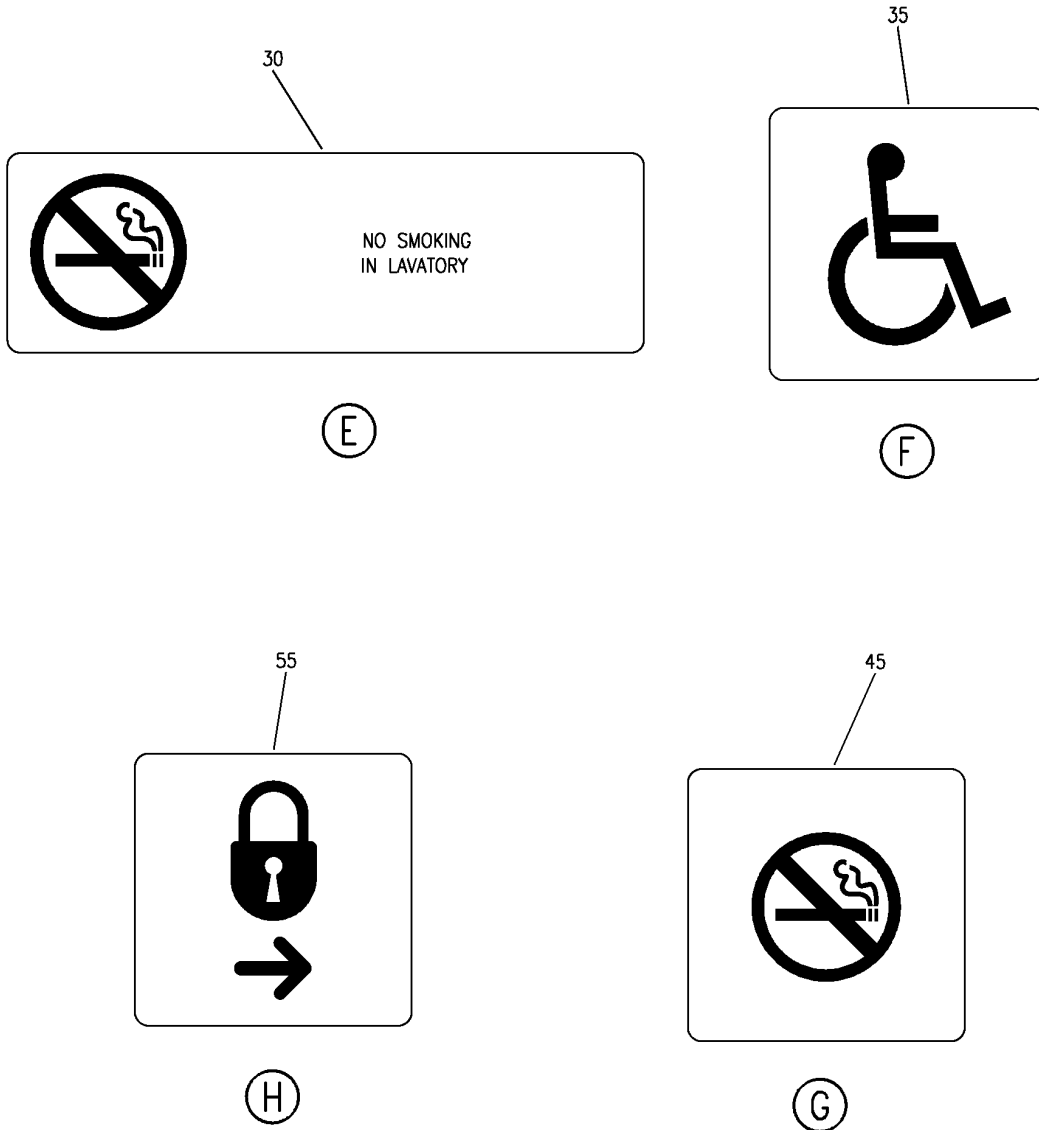
E 11320597K SHT 2 REV 131

PLACARD INSTL-CAB. INTR LAV A
 FIGURE 97K (SHEET 2)

11-32-05-97K

HAP
 JUN 10/07

11-32-05-97K
 PAGE 0A



E 11320597K SHT 3 REV 131

PLACARD INSTL-CAB. INTR LAV A
FIGURE 97K (SHEET 3)

HAP
JUN 10/07

11-32-05-97K

11-32-05-97K
PAGE 0B

BOEING
737-600/700/800/900
PARTS CATALOG (MAINTENANCE)

FIG ITEM	PART NUMBER	1 2 3 4 5 6 7	NOMENCLATURE	EFFECT FROM TO	UNITS PER ASSY
97K			PLACARD INSTL-CAB. INTR LAV A	041041 047100	
- 1	MODREF337907		PLACARD INSTL-CAB. INTR LAV A	041041 047100	1
	5 BAC29PPS36204		MODULE NUMBER: 414A5115-236 REV A .PLACARD-	041041 047100	1
	10 BAC29PPS36202		PLACARD CONTENT: PULL MASK DOWN TO TURN ON OXYGEN .PLACARD	041041 047100	1
	15 BAC29PPS36203		.PLACARD	041041 047100	1
	20 BAC29PPS36213		.PLACARD	041041 047100	1
	25 BAC29PPS36194		.PLACARD	041041 047100	2
	30 BAC29PPS44376		.PLACARD	041041 047100	2
	35 BAC29PPS38297		.PLACARD	041041 047100	1
	40 BAC29PPS41845		.PLACARD- PLACARD CONTENT: LATCH DOOR CLOSED DURING TAXI, TAKEOFF AND LANDING	041041 047100	2
	45 BAC29PPS40669		.PLACARD	041041 047100	2
	50 BAC29PPS53469		.PLACARD- PLACARD CONTENT: CLOSE DOOR IMMEDIATELY WHEN NOT IN USE	041041 047100	1
	55 BAC29PPS36200		.PLACARD	041041 047100	1
	60 BAC29PPS41844		.PLACARD- PLACARD CONTENT: OPEN DOOR SLOWLY	041041 047100	1
	65 BAC29PPS44784		.PLACARD-(GERMAN) POST RAPID REVISION: RR97237-19B	048048	2

MISSING ITEM NUMBERS NOT APPLICABLE

- ITEM NOT ILLUSTRATED

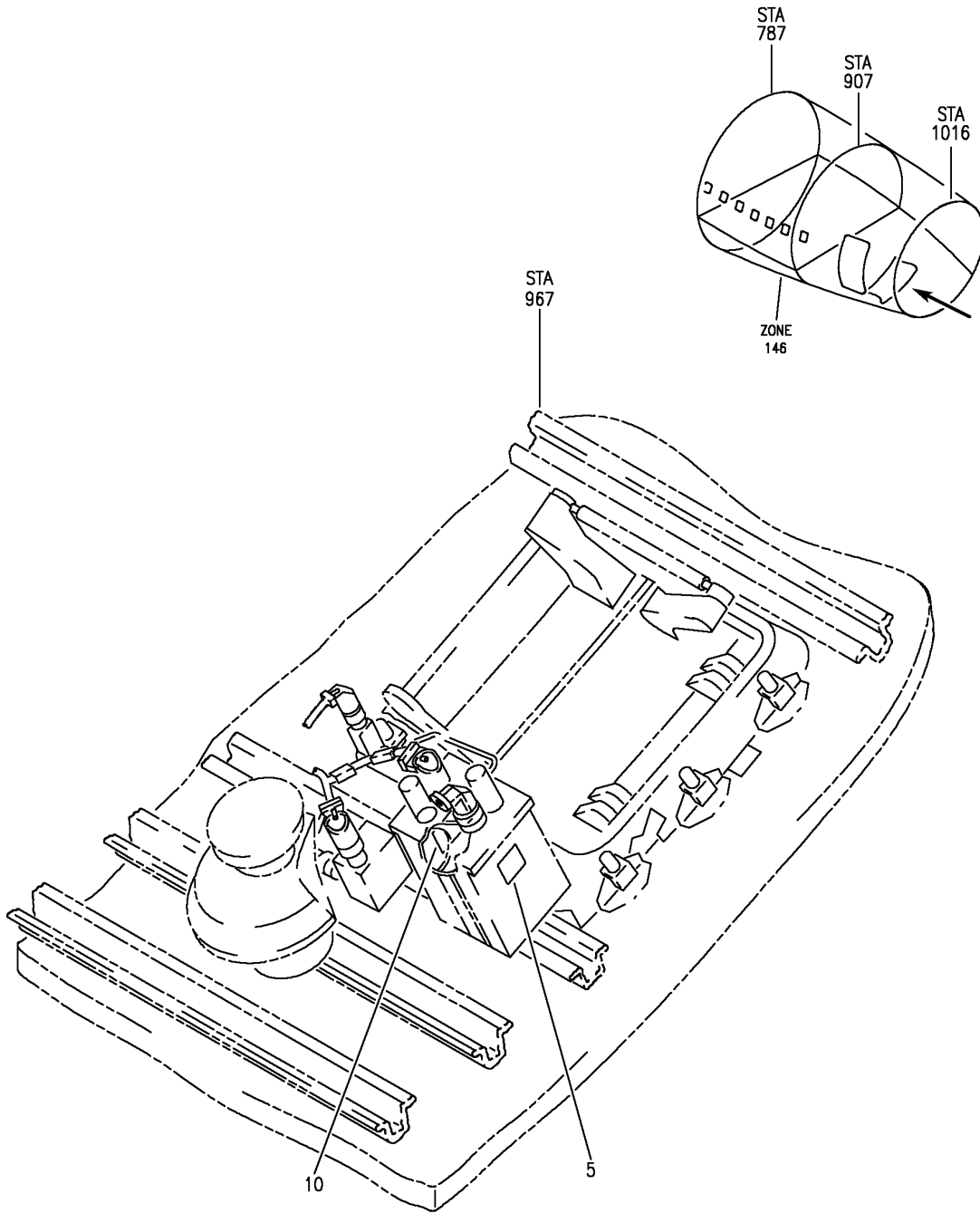
HAP

11-32-05-97K

BOEING PROPRIETARY - Copyright © - Unpublished Work - See title page for details.

11-32-05
FIG. 97K
PAGE 1
FEB 15/09

BOEING
737-600/700/800/900
PARTS CATALOG (MAINTENANCE)



E 11325101B REV 153

ACTUATOR ASSY-ELECT. BOX (PLACARDS AND MARKINGS ONLY)
FIGURE 1B

HAP
JUN 15/09

11-32-51-01B

11-32-51-01B
PAGE 0

BOEING
737-600/700/800/900
PARTS CATALOG (MAINTENANCE)

FIG ITEM	PART NUMBER	1 2 3 4 5 6 7	NOMENCLATURE	EFFECT FROM TO	UNITS PER ASSY
1B R R R R R R R R R R R R R R R	1 6331-20202-01AA		ACTUATOR ASSY-ELECT. BOX (PLACARDS AND MARKINGS ONLY)		
	- 1 6331-20202-01AA		ACTUATOR ASSY-ELECT. BOX (PLACARDS AND MARKINGS ONLY)	001030 201967	RF
			SUPPLIER CODE: VC0002		
			COMPONENT MAINT MANUAL REF: 21-33-32		
			FOR NHA/OTHER SYS DET SEE: 21-31-03-01		
	- 1 6331-20202-02AA		ACTUATOR ASSY-ELECT. BOX (PLACARDS AND MARKINGS ONLY)	001030 201967	RF
			SUPPLIER CODE: VC0002		
			COMPONENT MAINT MANUAL REF: 21-33-32		
			FOR NHA/OTHER SYS DET SEE: 21-31-03-01		
	- 1 6331-20202-01AB		ACTUATOR ASSY-ELECT. BOX (PLACARDS AND MARKINGS ONLY)	001030 201967	RF
			SUPPLIER CODE: VC0002		
			COMPONENT MAINT MANUAL REF: 21-33-32		
			FOR NHA/OTHER SYS DET SEE: 21-31-03-01		
	- 1 6331-20202-02AB		ACTUATOR ASSY-ELECT. BOX (PLACARDS AND MARKINGS ONLY)	001030 201967	RF
			SUPPLIER CODE: VC0002		
			COMPONENT MAINT MANUAL REF: 21-33-32		
		FOR NHA/OTHER SYS DET SEE: 21-31-03-01			

MISSING ITEM NUMBERS NOT APPLICABLE

- ITEM NOT ILLUSTRATED

HAP

11-32-51-01B

11-32-51
FIG. 01B
PAGE 1
JUN 15/09

BOEING
737-600/700/800/900
PARTS CATALOG (MAINTENANCE)

FIG ITEM	PART NUMBER	1 2 3 4 5 6 7	NOMENCLATURE	EFFECT FROM TO	UNITS PER ASSY
R R R R R R R R R R R	1B - 1	20995-03AC	ACTUATOR ASSY-ELECT. BOX (PLACARDS AND MARKINGS ONLY) SUPPLIER CODE: VC0002 FUNCTIONAL DESCRIPTION: PRODUCES MOTOR DRIVE SIGNALS TO SET THE OUTFLOW VALVE GATES TO THE DESIRED POSITIONS. COMPONENT MAINT MANUAL REF: 21-33-35 FOR NHA/OTHER SYS DET SEE: 21-31-03-01	031200 968999	RF
	5	3229-20450-1	.LABEL-WARNING SUPPLIER CODE: VC0002 USED ON: 20995-01AB 20995-02AC 20995-03AC	031200 968999	1
	10	3229-20450-1	.LABEL-WARNING SUPPLIER CODE: VC0002 USED ON: 6331-20202-01AA 6331-20202-02AA 6331-20202-01AB 6331-20202-02AB	001030 201967	1

MISSING ITEM NUMBERS NOT APPLICABLE

- ITEM NOT ILLUSTRATED

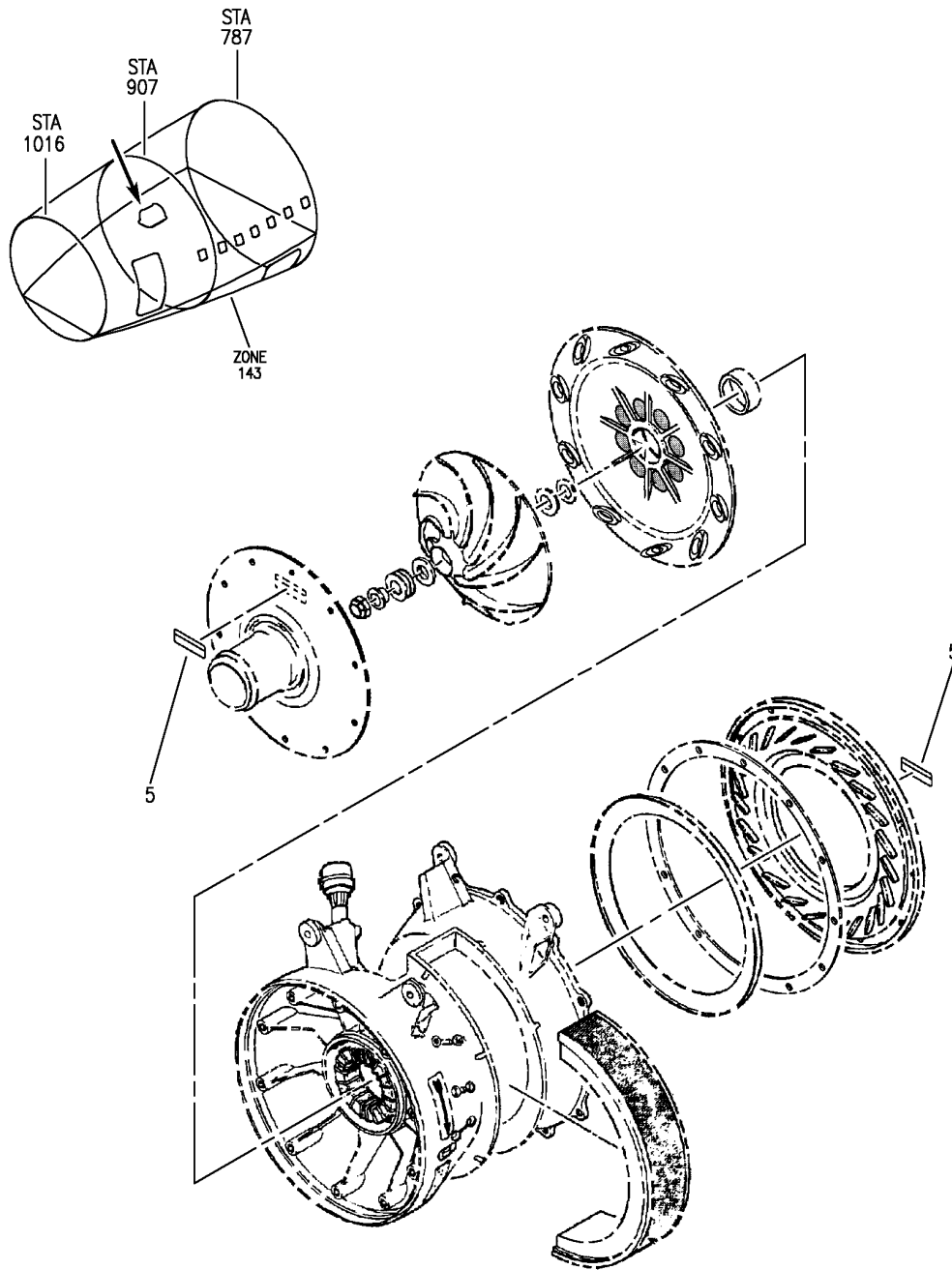
HAP

11-32-51-01B

BOEING PROPRIETARY - Copyright © - Unpublished Work - See title page for details.

11-32-51
FIG. 01B
PAGE 2
JUN 15/09

BOEING
737-600/700/800/900
PARTS CATALOG (MAINTENANCE)



E 11325101D REV 112

BLOWER ASSY (PLACARDS AND MARKINGS ONLY)
FIGURE 1D

HAP
OCT 10/06

11-32-51-01D

11-32-51-01D
PAGE 0

BOEING
737-600/700/800/900
PARTS CATALOG (MAINTENANCE)

FIG ITEM	PART NUMBER	1 2 3 4 5 6 7	NOMENCLATURE	EFFECT FROM TO	UNITS PER ASSY
1D			BLOWER ASSY (PLACARDS AND MARKINGS ONLY)	001030 032999	
- 1	606802-2		BLOWER ASSY- (PLACARDS AND MARKINGS ONLY) SUPPLIER CODE: V70210 FUNCTIONAL DESCRIPTION: PRODUCES VACUUM IN WASTE TANKS FOR FLUSHING TOILETS SPECIFICATION NUMBER: S417T102-1 COMPONENT MAINT MANUAL REF: 38-32-02 FOR NHA/OTHER SYS DET SEE: 38-32-05-01	001030 032999	RF
5	2356795-1		.PLATE-CAUTION SUPPLIER CODE: V70210	001030 032999	2

MISSING ITEM NUMBERS NOT APPLICABLE

- ITEM NOT ILLUSTRATED

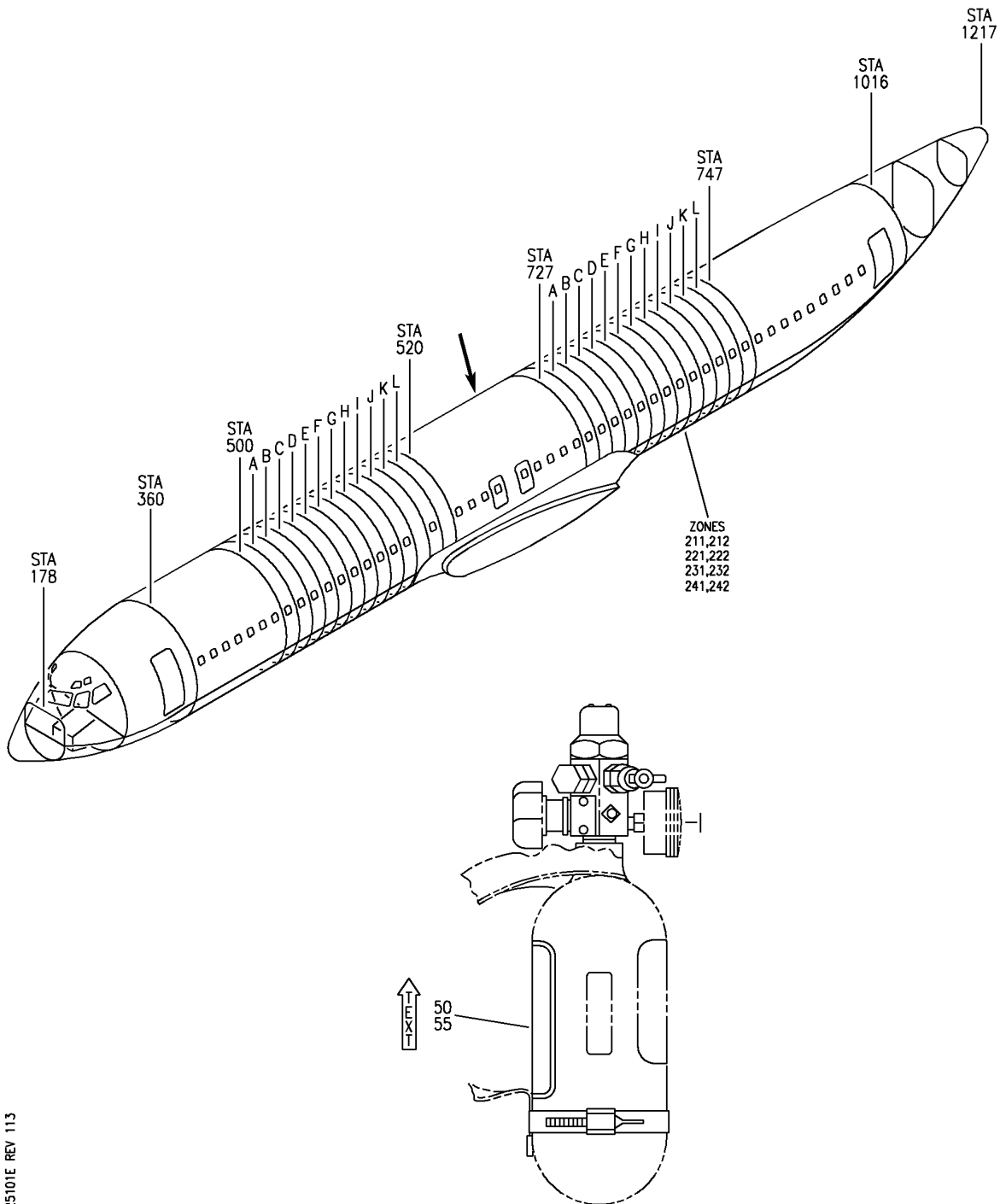
HAP

11-32-51-01D

BOEING PROPRIETARY - Copyright © - Unpublished Work - See title page for details.

11-32-51
FIG. 01D
PAGE 1
JUN 15/08

BOEING
 737-600/700/800/900
 PARTS CATALOG (MAINTENANCE)



E 11325101E REV 113

CYLINDER AND BOTTLE ASSY OXY (PLACARDS AND MARKINGS ONLY)
 FIGURE 1E

11-32-51-01E

HAP
 FEB 10/07

11-32-51-01E
 PAGE 0

BOEING PROPRIETARY - Copyright © - Unpublished Work - See title page for details.

BOEING
737-600/700/800/900
PARTS CATALOG (MAINTENANCE)

FIG ITEM	PART NUMBER	1 2 3 4 5 6 7	NOMENCLATURE	EFFECT FROM TO	UNITS PER ASSY
R R R R	1 E		CYLINDER AND BOTTLE ASSY OXY (PLACARDS AND MARKINGS ONLY)	038038 042046 051052	
	- 1	5500A1ABF23A	CYLINDER ASSY-OXY 4.25 CU. FT. (PLACARDS AND MARKINGS ONLY) SUPPLIER CODE: V53655 COMPONENT MAINT MANUAL REF: 35-32-18 FOR NHA/OTHER SYS DET SEE: 35-31-01-71A	038038 042046 051052	RF
	50	10006936	.DECAL- SUPPLIER CODE: V53655 CONFIG CHG DATA FROM A CMM: REPLD BY 10009071	038038 042046 051052	1
	50	10009071	.DECAL- SUPPLIER CODE: V53655 CONFIG CHG DATA FROM A CMM: REPLS 10006936	038038 042046 051052	1
R R R R R R R R					

MISSING ITEM NUMBERS NOT APPLICABLE

- ITEM NOT ILLUSTRATED

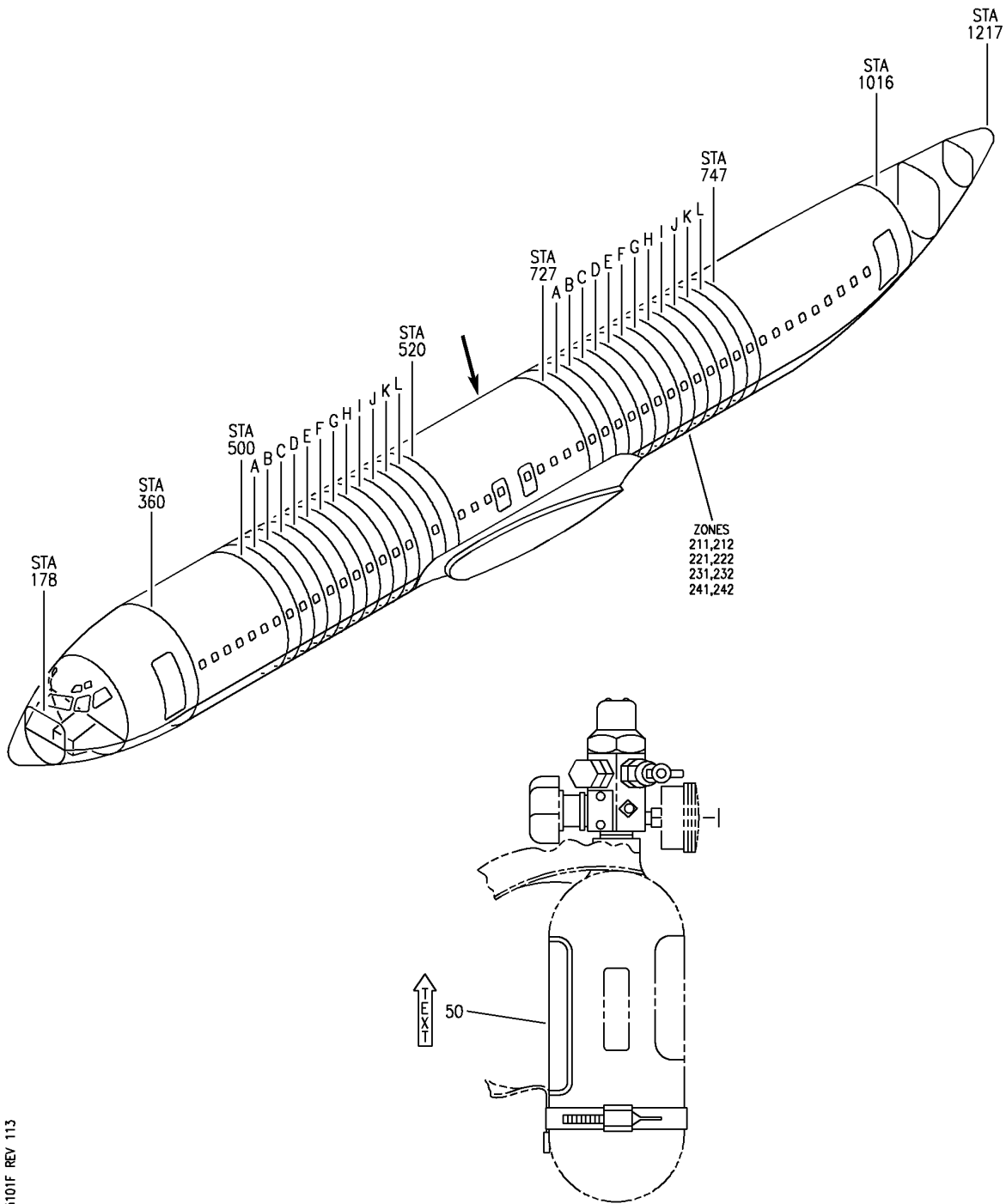
HAP

11-32-51-01E

BOEING PROPRIETARY - Copyright © - Unpublished Work - See title page for details.

11-32-51
FIG. 01E
PAGE 1
JUN 15/09

BOEING
 737-600/700/800/900
 PARTS CATALOG (MAINTENANCE)



E 11325101F REV 113

BOTTLE ASSY-OXY (PLACARDS AND MARKINGS ONLY)
 FIGURE 1F

11-32-51-01F

HAP
 OCT 15/08

11-32-51-01F
 PAGE 0

BOEING
737-600/700/800/900
PARTS CATALOG (MAINTENANCE)

FIG ITEM	PART NUMBER	1 2 3 4 5 6 7	NOMENCLATURE	EFFECT FROM TO	UNITS PER ASSY
1 F			BOTTLE ASSY-OXY (PLACARDS AND MARKINGS ONLY)	201967	
- 1	5500C1ABF23A		BOTTLE ASSY-OXY 11.0 CU. FT. (PLACARDS AND MARKINGS ONLY) SUPPLIER CODE: V53655 COMPONENT MAINT MANUAL REF: 35-32-18 FOR NHA/OTHER SYS DET SEE: 35-31-01-62	201967	RF
50	10006936		.DECAL- SUPPLIER CODE: V53655 CONFIG CHG DATA FROM A CMM: REPLD BY 10009071	201967	1
50	10009071		.DECAL- SUPPLIER CODE: V53655 CONFIG CHG DATA FROM A CMM: REPLS 10006936	201967	1

MISSING ITEM NUMBERS NOT APPLICABLE

- ITEM NOT ILLUSTRATED

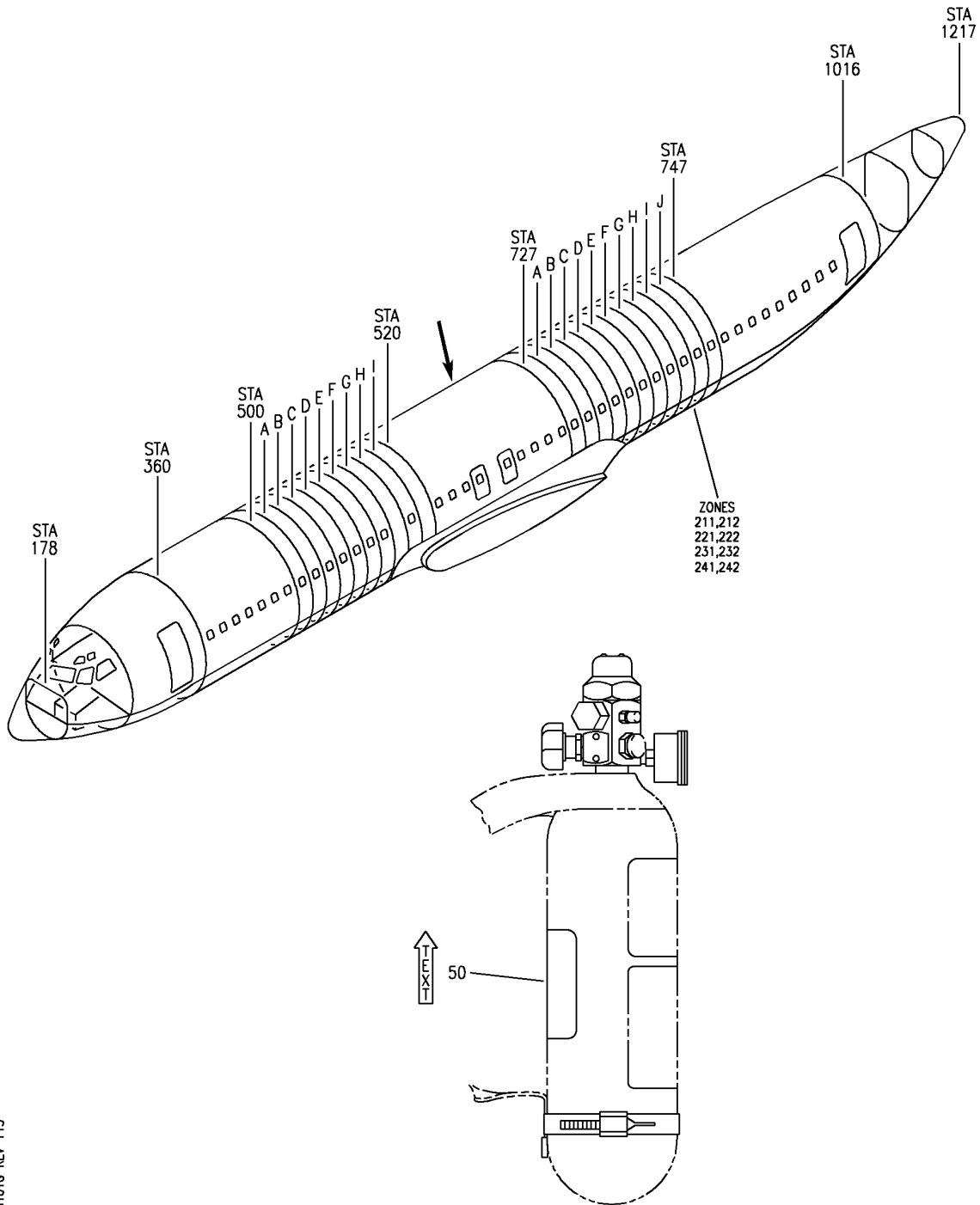
HAP

11-32-51-01F

BOEING PROPRIETARY - Copyright © - Unpublished Work - See title page for details.

11-32-51
FIG. 01F
PAGE 1
OCT 15/08

BOEING
 737-600/700/800/900
 PARTS CATALOG (MAINTENANCE)



E 11325101G REV 113

CYLINDER ASSY-OXY (PLACARDS AND MARKINGS ONLY)
 FIGURE 1G

11-32-51-01G

HAP
 OCT 10/06

11-32-51-01G
 PAGE 0

BOEING
737-600/700/800/900
PARTS CATALOG (MAINTENANCE)

FIG ITEM	PART NUMBER	1 2 3 4 5 6 7	NOMENCLATURE	EFFECT FROM TO	UNITS PER ASSY
1G			CYLINDER ASSY-OXY (PLACARDS AND MARKINGS ONLY)	001030 032033 037037 041041 047047 054200 968999	
- 5	9700C1ABF23A		BOTTLE ASSY-OXY 11.0 CU. FT. (PLACARDS AND MARKINGS ONLY) SUPPLIER CODE: V53655 SPECIFICATION NUMBER: 60B50087-34 COMPONENT MAINT MANUAL REF: 35-31-55 FOR NHA/OTHER SYS DET SEE: 35-31-01-05 35-31-01-77A 35-31-01-85E 35-31-01-85G 35-31-01-87F	001005 032033 037037 041041 047047 054200 968999	RF
- 10	9700C1ABF23AM		BOTTLE ASSY-OXY (PLACARDS AND MARKINGS ONLY) SUPPLIER CODE: V53655 SPECIFICATION NUMBER: 60B50087-34 COMPONENT MAINT MANUAL REF: 35-31-55 FOR NHA/OTHER SYS DET SEE: 35-31-01-05	006022	RF
- 20	9700C1AF23AM		BOTTLE ASSY-OXY 11.0 CU. FT. (PLACARDS AND MARKINGS ONLY) SUPPLIER CODE: V53655 COMPONENT MAINT MANUAL REF: 35-31-55 FOR NHA/OTHER SYS DET SEE: 35-31-01-06	023030	RF
50	10002542		.DECAL- SUPPLIER CODE: V53655 CONFIG CHG DATA FROM A CMM: REPLD BY 10009072	101200 968999	1

MISSING ITEM NUMBERS NOT APPLICABLE

- ITEM NOT ILLUSTRATED

HAP

11-32-51-01G

BOEING PROPRIETARY - Copyright © - Unpublished Work - See title page for details.

11-32-51
FIG. 01G
PAGE 1
FEB 15/09

BOEING
737-600/700/800/900
PARTS CATALOG (MAINTENANCE)

FIG ITEM	PART NUMBER	1 2 3 4 5 6 7	NOMENCLATURE	EFFECT FROM TO	UNITS PER ASSY
1G 50	10002542		.DECAL- SUPPLIER CODE: V53655 CONFIG CHG DATA FROM A CMM: REPLD BY 10009072	001030 032033 037037 041041 047047 054100	1
50	10009072		.DECAL- SUPPLIER CODE: V53655 CONFIG CHG DATA FROM A CMM: REPLS 10002542	101200 968999	1
50	10009072		.DECAL- SUPPLIER CODE: V53655 CONFIG CHG DATA FROM A CMM: REPLS 10002542	001030 032033 037037 041041 047047 054100	1

MISSING ITEM NUMBERS NOT APPLICABLE

— ITEM NOT ILLUSTRATED

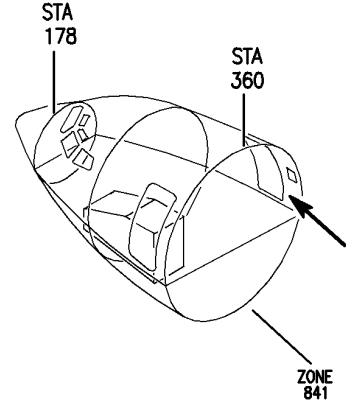
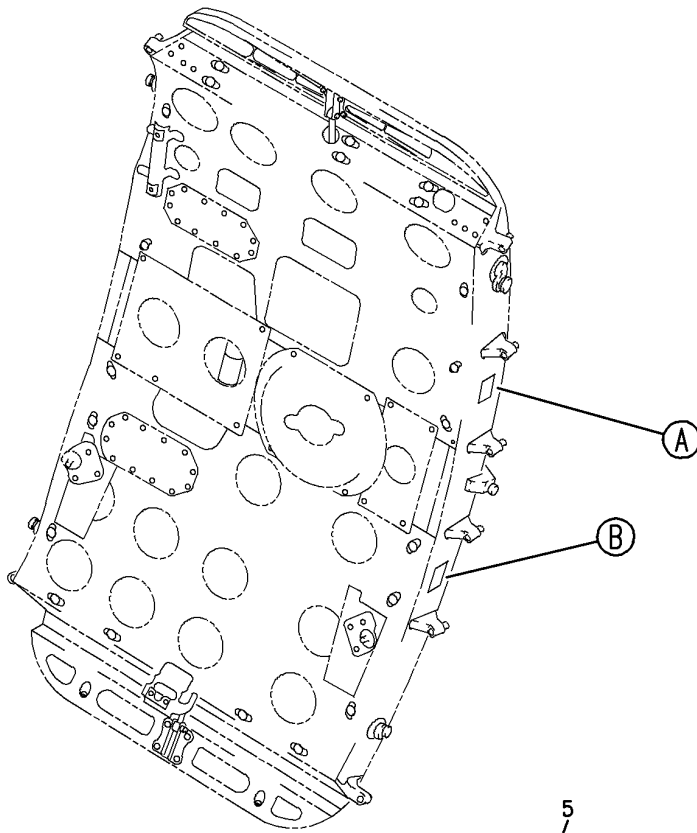
HAP

11-32-51-01G

BOEING PROPRIETARY - Copyright © - Unpublished Work - See title page for details.

11-32-51
FIG. 01G
PAGE 2
FEB 15/09

BOEING
737-600/700/800/900
PARTS CATALOG (MAINTENANCE)



DOOR CYCLE LOG

AIRPLANE SERIAL NO.	AIRPLANE FLIGHT CYCLES AT INSTL	AIRPLANE FLIGHT CYCLES AT REMOVAL

AIRCRAFT MOD.
 MFR. CODE
 PART NO.
 CONT. NO.
 SERIAL NO.
 CONT. CUST.
 INSP. INSP.

MODIFICATION INCORPORATED

E 11325105 REV 045

(A)

(B)

DOOR ASSY-FWD GALLEY (PLACARDS AND MARKINGS ONLY)
FIGURE 5

11-32-51-05

HAP
FEB 10/07

11-32-51-05
PAGE 0

 **BOEING**
737-600/700/800/900
PARTS CATALOG (MAINTENANCE)

FIG ITEM	PART NUMBER	1 2 3 4 5 6 7	NOMENCLATURE	EFFECT FROM TO	UNITS PER ASSY
5			DOOR ASSY-FWD GALLEY (PLACARDS AND MARKINGS ONLY)	201967	
- 1	141A6516-2		DOOR ASSY-GALLEY (PLACARDS AND MARKINGS ONLY) POSITION DATA: FWD COMPONENT MAINT MANUAL REF: 52-41-05 OPTIONAL PART: 141A6516-4 FOR NHA/OTHER SYS DET SEE: 52-41-00-04	201967	RF
- 1	141A6516-3		DOOR ASSY-GALLEY (PLACARDS AND MARKINGS ONLY) POSITION DATA: FWD COMPONENT MAINT MANUAL REF: 52-41-05 FOR NHA/OTHER SYS DET SEE: 52-41-00-04	201967	RF
- 1	141A6516-4		DOOR ASSY-GALLEY (PLACARDS AND MARKINGS ONLY) POSITION DATA: FWD COMPONENT MAINT MANUAL REF: 52-41-05 FOR NHA/OTHER SYS DET SEE: 52-41-00-04	201967	RF
- 1	141A6516-7		DOOR ASSY-GALLEY (PLACARDS AND MARKINGS ONLY) POSITION DATA: FWD COMPONENT MAINT MANUAL REF: 52-41-05 FOR NHA/OTHER SYS DET SEE: 52-41-00-04	201967	RF

MISSING ITEM NUMBERS NOT APPLICABLE

- ITEM NOT ILLUSTRATED

HAP

11-32-51-05

11-32-51
FIG. 05
PAGE 1
OCT 15/08

BOEING
737-600/700/800/900
PARTS CATALOG (MAINTENANCE)

FIG ITEM	PART NUMBER	1 2 3 4 5 6 7	NOMENCLATURE	EFFECT FROM TO	UNITS PER ASSY
5 -	1 141A6516-8		DOOR ASSY-GALLEY (PLACARDS AND MARKINGS ONLY) POSITION DATA: FWD COMPONENT MAINT MANUAL REF: 52-41-05 FOR NHA/OTHER SYS DET SEE: 52-41-00-04	201967	RF
-	1 141A6516-9		DOOR ASSY-GALLEY (PLACARDS AND MARKINGS ONLY) POSITION DATA: FWD COMPONENT MAINT MANUAL REF: 52-41-05 FOR NHA/OTHER SYS DET SEE: 52-41-00-04	201967	RF
-	1 141A6516-12		DOOR ASSY-GALLEY (PLACARDS AND MARKINGS ONLY) POSITION DATA: FWD COMPONENT MAINT MANUAL REF: 52-41-05 FOR NHA/OTHER SYS DET SEE: 52-41-00-04	201967	RF
-	1 141A6516-14		DOOR ASSY-GALLEY (PLACARDS AND MARKINGS ONLY) POSITION DATA: FWD COMPONENT MAINT MANUAL REF: 52-41-05 FOR NHA/OTHER SYS DET SEE: 52-41-00-04	201967	RF
-	1 141A6516-16		DOOR ASSY-GALLEY (PLACARDS AND MARKINGS ONLY) POSITION DATA: FWD FOR NHA/OTHER SYS DET SEE: 52-41-00-04	201967	RF

MISSING ITEM NUMBERS NOT APPLICABLE

- ITEM NOT ILLUSTRATED

HAP

11-32-51-05

11-32-51
FIG. 05
PAGE 2
OCT 15/08

BOEING
737-600/700/800/900
PARTS CATALOG (MAINTENANCE)

FIG ITEM	PART NUMBER	1 2 3 4 5 6 7	NOMENCLATURE	EFFECT FROM TO	UNITS PER ASSY
5 -	1 141A6516-18		DOOR ASSY-GALLEY (PLACARDS AND MARKINGS ONLY) POSITION DATA: FWD COMPONENT MAINT MANUAL REF: 52-41-05 FOR NHA/OTHER SYS DET SEE: 52-41-00-04	201967	RF
-	2 141A6516-20		DOOR ASSY-GALLEY (PLACARDS AND MARKINGS ONLY) POSITION DATA: FWD FOR NHA/OTHER SYS DET SEE: 52-41-00-04	201967	RF
5	BAC27DBY191		.MARKER-ALUMINUM FOIL	201967	1
10	MS27253F1		.PLATE-IDENT.	201967	1

MISSING ITEM NUMBERS NOT APPLICABLE

- ITEM NOT ILLUSTRATED

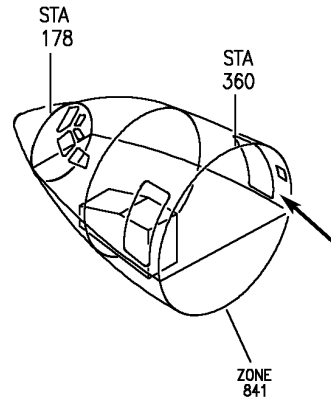
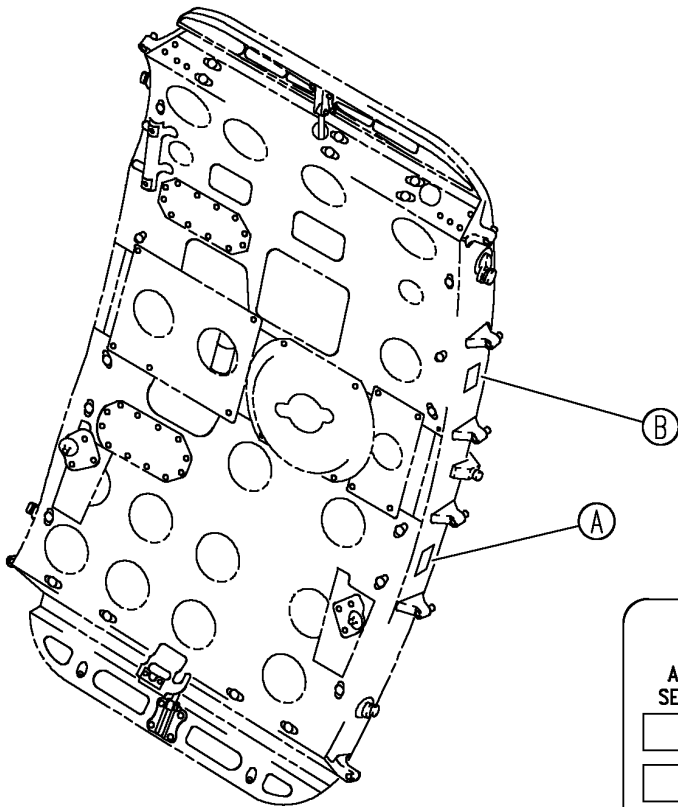
HAP

11-32-51-05

BOEING PROPRIETARY - Copyright © - Unpublished Work - See title page for details.

11-32-51
FIG. 05
PAGE 3
OCT 15/08

BOEING
 737-600/700/800/900
 PARTS CATALOG (MAINTENANCE)



5

DOOR CYCLE LOG		
AIRPLANE SERIAL NO.	AIRPLANE FLIGHT CYCLES AT INSTL	AIRPLANE FLIGHT CYCLES AT REMOVAL

10

<input type="checkbox"/> AIRCRAFT MOD.	
MFR. CODE	
PART NO.	
CONT. NO.	
SERIAL NO.	
CONT. <input type="checkbox"/>	CUST. <input type="checkbox"/>
INSP. <input type="checkbox"/>	INSP. <input type="checkbox"/>
MODIFICATION INCORPORATED	

E 11325105A REV 143

(B)

(A)

DOOR ASSY-FWD GALLEY (PLACARDS AND MARKINGS ONLY)
 FIGURE 5A

11-32-51-05A

HAP
 JUN 15/08

11-32-51-05A
 PAGE 0

 **BOEING**
737-600/700/800/900
PARTS CATALOG (MAINTENANCE)

FIG ITEM	PART NUMBER	1 2 3 4 5 6 7	NOMENCLATURE	EFFECT FROM TO	UNITS PER ASSY
5A			DOOR ASSY-FWD GALLEY (PLACARDS AND MARKINGS ONLY)	031200 968999	
- 1	141A6516-20		DOOR ASSY-GALLEY (PLACARDS AND MARKINGS ONLY) POSITION DATA: FWD FOR NHA/OTHER SYS DET SEE: 52-41-00-04B	031200 968999	RF
- 1	141A6516-18		DOOR ASSY-GALLEY (PLACARDS AND MARKINGS ONLY) POSITION DATA: FWD FOR NHA/OTHER SYS DET SEE: 52-41-00-04B	031200 968999	RF
- 1	141A6516-16		DOOR ASSY-GALLEY (PLACARDS AND MARKINGS ONLY) POSITION DATA: FWD FOR NHA/OTHER SYS DET SEE: 52-41-00-04B	031200 968999	RF
- 1	141A6516-14		DOOR ASSY-GALLEY (PLACARDS AND MARKINGS ONLY) POSITION DATA: FWD FOR NHA/OTHER SYS DET SEE: 52-41-00-04B	031200 968999	RF
- 1	141A6516-12		DOOR ASSY-GALLEY (PLACARDS AND MARKINGS ONLY) POSITION DATA: FWD FOR NHA/OTHER SYS DET SEE: 52-41-00-04B	031200 968999	RF
- 1	141A6516-9		DOOR ASSY-GALLEY (PLACARDS AND MARKINGS ONLY) POSITION DATA: FWD FOR NHA/OTHER SYS DET SEE: 52-41-00-04B	031200 968999	RF
- 1	141A6516-8		DOOR ASSY-GALLEY (PLACARDS AND MARKINGS ONLY) POSITION DATA: FWD FOR NHA/OTHER SYS DET SEE: 52-41-00-04B	031200 968999	RF

MISSING ITEM NUMBERS NOT APPLICABLE

- ITEM NOT ILLUSTRATED

HAP

11-32-51-05A

BOEING PROPRIETARY - Copyright © - Unpublished Work - See title page for details.

11-32-51
FIG. 05A
PAGE 1
OCT 15/08

BOEING
737-600/700/800/900
PARTS CATALOG (MAINTENANCE)

FIG ITEM	PART NUMBER	1 2 3 4 5 6 7	NOMENCLATURE	EFFECT FROM TO	UNITS PER ASSY
5A					
- 1	141A6516-7		DOOR ASSY-GALLEY (PLACARDS AND MARKINGS ONLY) POSITION DATA: FWD FOR NHA/OTHER SYS DET SEE: 52-41-00-04B	031200 968999	RF
- 1	141A6516-4		DOOR ASSY-GALLEY (PLACARDS AND MARKINGS ONLY) POSITION DATA: FWD FOR NHA/OTHER SYS DET SEE: 52-41-00-04B	031200 968999	RF
- 1	141A6516-3		DOOR ASSY-GALLEY (PLACARDS AND MARKINGS ONLY) POSITION DATA: FWD FOR NHA/OTHER SYS DET SEE: 52-41-00-04B	031200 968999	RF
- 1	141A6516-2		DOOR ASSY-GALLEY (PLACARDS AND MARKINGS ONLY) POSITION DATA: FWD FOR NHA/OTHER SYS DET SEE: 52-41-00-04B	031200 968999	RF
5	BAC27DBY191		.MARKER- USED ON: 141A6516-2 141A6516-3 141A6516-4 141A6516-7 141A6516-8 141A6516-9 141A6516-10 141A6516-11 141A6516-12 141A6516-13 141A6516-14 141A6516-15 141A6516-16 141A6516-17	031200 968999	1
10	MS27253F1		.PLATE-IDENT.	031200 968999	1

MISSING ITEM NUMBERS NOT APPLICABLE

- ITEM NOT ILLUSTRATED

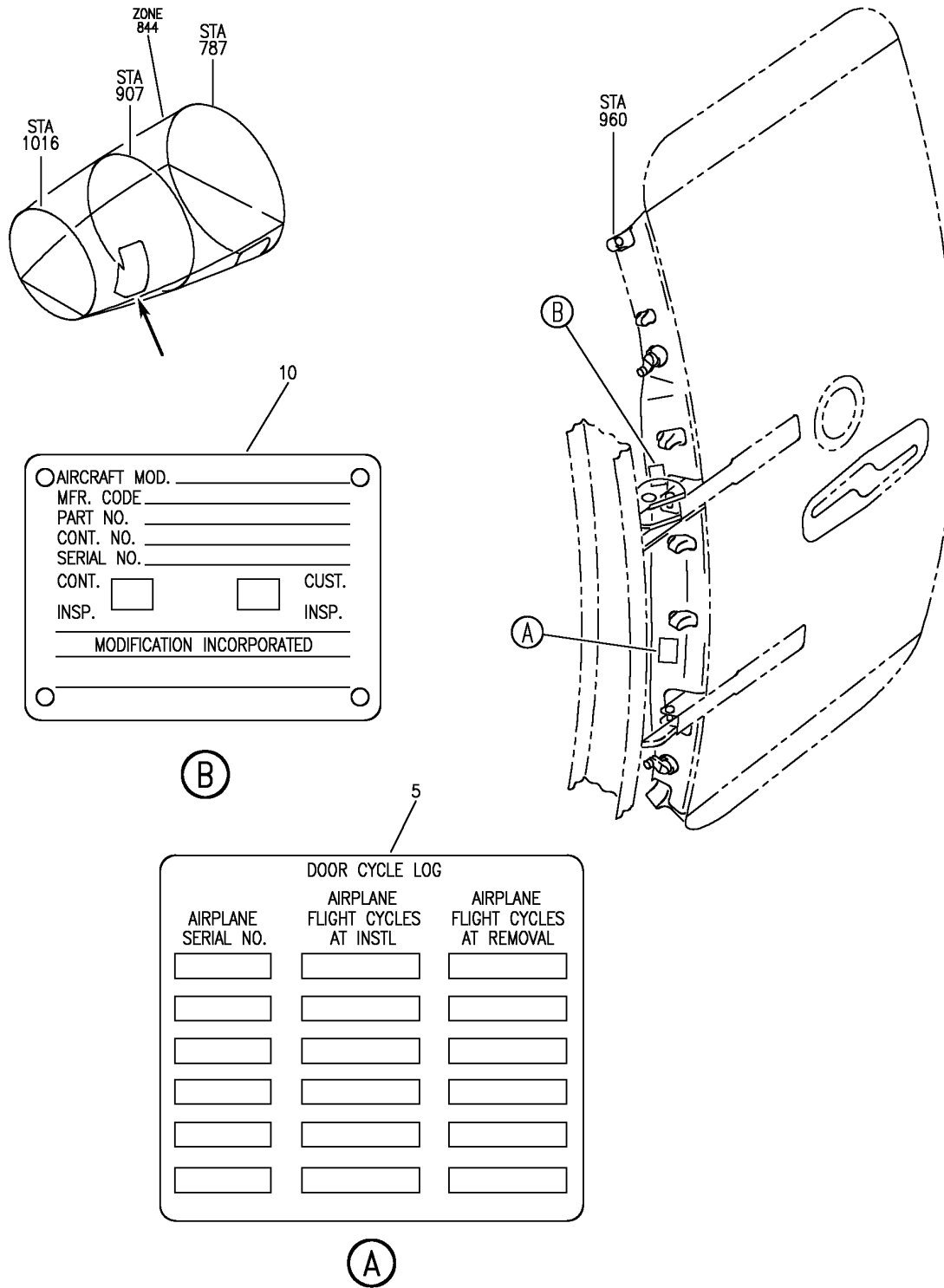
HAP

11-32-51-05A

BOEING PROPRIETARY - Copyright © - Unpublished Work - See title page for details.

11-32-51
FIG. 05A
PAGE 2
OCT 15/08

BOEING
737-600/700/800/900
PARTS CATALOG (MAINTENANCE)



10

<input type="checkbox"/>	AIRCRAFT MOD.	_____
	MFR. CODE	_____
	PART NO.	_____
	CONT. NO.	_____
	SERIAL NO.	_____
CONT.	<input type="checkbox"/>	CUST.
INSP.	<input type="checkbox"/>	INSP.
MODIFICATION INCORPORATED		

5

DOOR CYCLE LOG		
AIRPLANE SERIAL NO.	AIRPLANE FLIGHT CYCLES AT INSTL	AIRPLANE FLIGHT CYCLES AT REMOVAL

E 11325105B REV 143

DOOR ASSY-AFT GALLEY (PLACARDS AND MARKINGS ONLY)
FIGURE 5B

11-32-51-05B

HAP
JUN 15/08

11-32-51-05B
PAGE 0

BOEING
737-600/700/800/900
PARTS CATALOG (MAINTENANCE)

FIG ITEM	PART NUMBER	1 2 3 4 5 6 7	NOMENCLATURE	EFFECT FROM TO	UNITS PER ASSY
5B			DOOR ASSY-AFT GALLEY (PLACARDS AND MARKINGS ONLY)	031200 968999	
- 1	147A6502-21		DOOR ASSY-GALLEY (PLACARDS AND MARKINGS ONLY) POSITION DATA: AFT FOR NHA/OTHER SYS DET SEE: 52-41-00-08A	031047 054106 968999	RF
- 1	147A6502-23		DOOR ASSY-GALLEY (PLACARDS AND MARKINGS ONLY) POSITION DATA: AFT FOR NHA/OTHER SYS DET SEE: 52-41-00-08A	031047 054106 968999	RF
- 1	147A6502-19		DOOR ASSY-GALLEY (PLACARDS AND MARKINGS ONLY) POSITION DATA: AFT FOR NHA/OTHER SYS DET SEE: 52-41-00-08A	031047 054106 968999	RF
- 1	147A6502-17		DOOR ASSY-GALLEY (PLACARDS AND MARKINGS ONLY) POSITION DATA: AFT FOR NHA/OTHER SYS DET SEE: 52-41-00-08A	031047 054106 968999	RF
- 1	147A6502-13		DOOR ASSY-GALLEY (PLACARDS AND MARKINGS ONLY) POSITION DATA: AFT FOR NHA/OTHER SYS DET SEE: 52-41-00-08A	031047 054106 968999	RF
- 1	147A6502-14		DOOR ASSY-GALLEY (PLACARDS AND MARKINGS ONLY) POSITION DATA: AFT FOR NHA/OTHER SYS DET SEE: 52-41-00-08A	031047 054106 968999	RF
- 1	147A6502-12		DOOR ASSY-GALLEY (PLACARDS AND MARKINGS ONLY) POSITION DATA: AFT FOR NHA/OTHER SYS DET SEE: 52-41-00-08A	031047 054106 968999	RF

MISSING ITEM NUMBERS NOT APPLICABLE

- ITEM NOT ILLUSTRATED

HAP

11-32-51-05B

BOEING PROPRIETARY - Copyright © - Unpublished Work - See title page for details.

11-32-51
FIG. 05B
PAGE 1
FEB 15/09

BOEING
737-600/700/800/900
PARTS CATALOG (MAINTENANCE)

FIG ITEM	PART NUMBER	1 2 3 4 5 6 7	NOMENCLATURE	EFFECT FROM TO	UNITS PER ASSY
5B					
- 1	147A6502-10		DOOR ASSY-GALLEY (PLACARDS AND MARKINGS ONLY) POSITION DATA: AFT FOR NHA/OTHER SYS DET SEE: 52-41-00-08A	031047 054106 968999	RF
- 1	147A6502-8		DOOR ASSY-GALLEY (PLACARDS AND MARKINGS ONLY) POSITION DATA: AFT FOR NHA/OTHER SYS DET SEE: 52-41-00-08A	031047 054106 968999	RF
- 1	147A6502-11		DOOR ASSY-GALLEY (PLACARDS AND MARKINGS ONLY) POSITION DATA: AFT FOR NHA/OTHER SYS DET SEE: 52-41-00-08A	031047 054106 968999	RF
- 1	147A6502-9		DOOR ASSY-GALLEY (PLACARDS AND MARKINGS ONLY) POSITION DATA: AFT FOR NHA/OTHER SYS DET SEE: 52-41-00-08A	031047 054106 968999	RF
- 1	147A6502-4		DOOR ASSY-GALLEY (PLACARDS AND MARKINGS ONLY) POSITION DATA: AFT FOR NHA/OTHER SYS DET SEE: 52-41-00-08A	031047 054106 968999	RF
- 1	147A6502-3		DOOR ASSY-GALLEY (PLACARDS AND MARKINGS ONLY) POSITION DATA: AFT FOR NHA/OTHER SYS DET SEE: 52-41-00-08A	031047 054106 968999	RF
- 1	147A6502-2		DOOR ASSY-GALLEY (PLACARDS AND MARKINGS ONLY) POSITION DATA: AFT FOR NHA/OTHER SYS DET SEE: 52-41-00-08A	031047 054106 968999	RF
- 1	147A6502-1		DOOR ASSY-GALLEY (PLACARDS AND MARKINGS ONLY) POSITION DATA: AFT FOR NHA/OTHER SYS DET SEE: 52-41-00-08A	031047 054106 968999	RF

MISSING ITEM NUMBERS NOT APPLICABLE

- ITEM NOT ILLUSTRATED

HAP

11-32-51-05B

BOEING PROPRIETARY - Copyright © - Unpublished Work - See title page for details.

11-32-51
FIG. 05B
PAGE 2
FEB 15/09


BOEING
 737-600/700/800/900
PARTS CATALOG (MAINTENANCE)

FIG ITEM	PART NUMBER	1 2 3 4 5 6 7	NOMENCLATURE	EFFECT FROM TO	UNITS PER ASSY
R R R R R	5B - 2	147A6502-25	DOOR ASSY-GALLEY (PLACARDS AND MARKINGS ONLY) POSITION DATA: AFT FOR NHA/OTHER SYS DET SEE: 52-41-00-08A	031200 968999	RF
	5	BAC27DBY191	.MARKER- USED ON: 147A6502-1 147A6502-2 147A6502-3 147A6502-4 147A6502-8 147A6502-9 147A6502-10 147A6502-11 147A6502-12 147A6502-13 147A6502-14 147A6502-15 147A6502-16 147A6502-17 147A6502-18 147A6502-19 147A6502-20	031047 054106 968999	1
	10	MS27253F1	.PLATE-IDENT.	031200 968999	1

MISSING ITEM NUMBERS NOT APPLICABLE

- ITEM NOT ILLUSTRATED

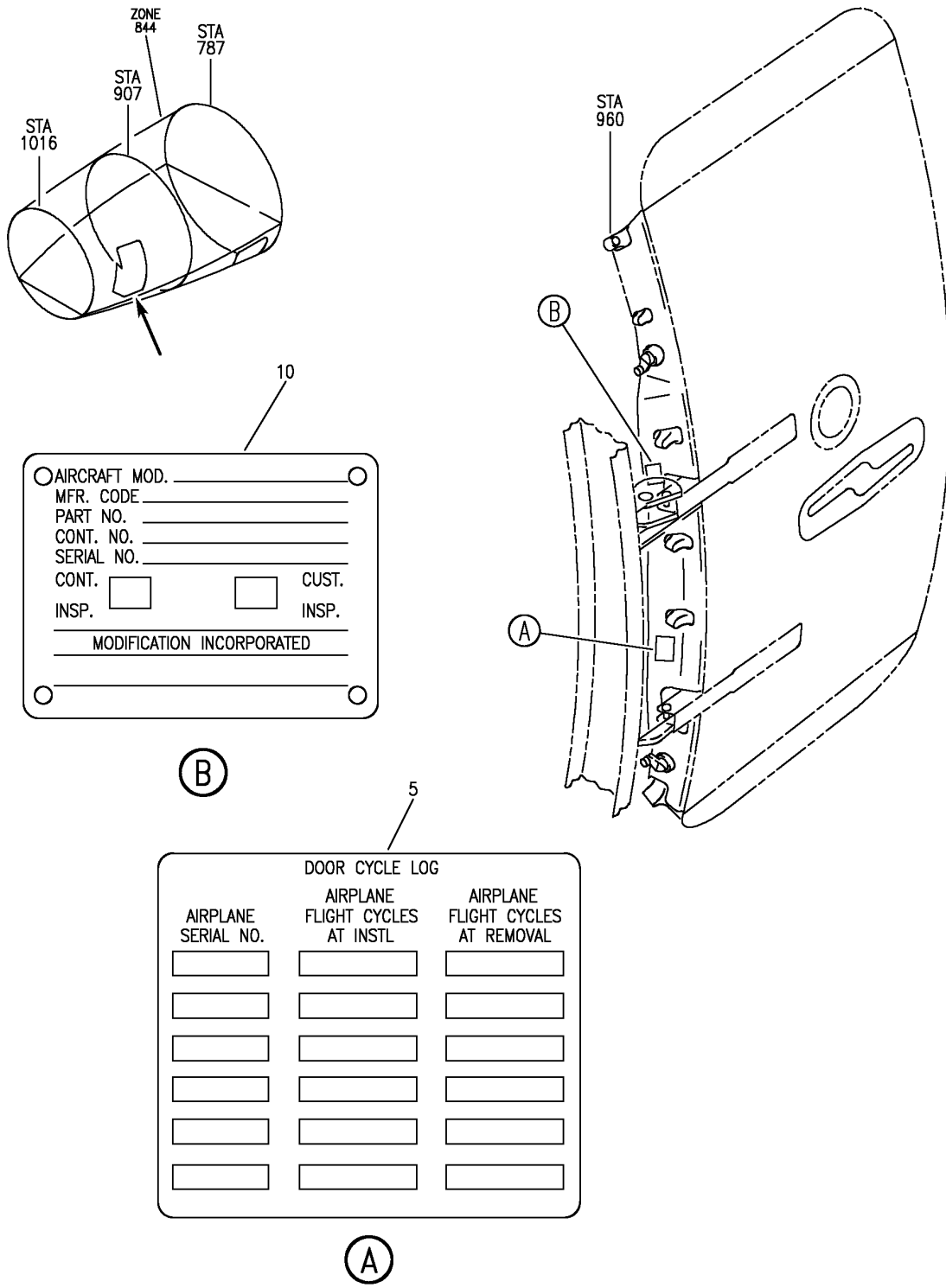
HAP

11-32-51-05B

BOEING PROPRIETARY - Copyright © - Unpublished Work - See title page for details.

11-32-51
 FIG. 05B
 PAGE 3
 JUN 15/09

BOEING
737-600/700/800/900
PARTS CATALOG (MAINTENANCE)



10

<input type="checkbox"/>	AIRCRAFT MOD.	_____
	MFR. CODE	_____
	PART NO.	_____
	CONT. NO.	_____
	SERIAL NO.	_____
	CONT.	<input type="checkbox"/>
	INSP.	<input type="checkbox"/>
	CUST.	<input type="checkbox"/>
	INSP.	<input type="checkbox"/>
MODIFICATION INCORPORATED		

5

DOOR CYCLE LOG		
AIRPLANE SERIAL NO.	AIRPLANE FLIGHT CYCLES AT INSTL	AIRPLANE FLIGHT CYCLES AT REMOVAL

E 11325105C REV 154

DOOR ASSY-AFT GALLEY (PLACARDS AND MARKINGS ONLY)
FIGURE 5C

11-32-51-05C

HAP
JUN 15/09

11-32-51-05C
PAGE 0

BOEING
737-600/700/800/900
PARTS CATALOG (MAINTENANCE)

FIG ITEM	PART NUMBER	1 2 3 4 5 6 7	NOMENCLATURE	EFFECT FROM TO	UNITS PER ASSY
5C			DOOR ASSY-AFT GALLEY (PLACARDS AND MARKINGS ONLY)	001030 201967	
R					
R					
R					
-	1 147A6502-1		DOOR ASSY-GALLEY (PLACARDS AND MARKINGS ONLY) POSITION DATA: AFT FOR NHA/OTHER SYS DET SEE: 52-41-00-08	001030 201967	RF
R					
R					
R					
-	1 147A6502-2		DOOR ASSY-GALLEY (PLACARDS AND MARKINGS ONLY) POSITION DATA: AFT FOR NHA/OTHER SYS DET SEE: 52-41-00-08	001030 201967	RF
R					
R					
R					
-	1 147A6502-3		DOOR ASSY-GALLEY (PLACARDS AND MARKINGS ONLY) POSITION DATA: AFT FOR NHA/OTHER SYS DET SEE: 52-41-00-08	001030 201967	RF
R					
R					
R					
-	1 147A6502-4		DOOR ASSY-GALLEY (PLACARDS AND MARKINGS ONLY) POSITION DATA: AFT FOR NHA/OTHER SYS DET SEE: 52-41-00-08	001030 201967	RF
R					
R					
R					
-	1 147A6502-9		DOOR ASSY-GALLEY (PLACARDS AND MARKINGS ONLY) POSITION DATA: AFT FOR NHA/OTHER SYS DET SEE: 52-41-00-08	001030 201967	RF
R					
R					
R					
-	1 147A6502-11		DOOR ASSY-GALLEY (PLACARDS AND MARKINGS ONLY) POSITION DATA: AFT FOR NHA/OTHER SYS DET SEE: 52-41-00-08	001030 201967	RF
R					
R					
R					
-	1 147A6502-8		DOOR ASSY-GALLEY (PLACARDS AND MARKINGS ONLY) POSITION DATA: AFT FOR NHA/OTHER SYS DET SEE: 52-41-00-08	001030 201967	RF
R					
R					
R					

MISSING ITEM NUMBERS NOT APPLICABLE

- ITEM NOT ILLUSTRATED

HAP

11-32-51-05C

BOEING PROPRIETARY - Copyright © - Unpublished Work - See title page for details.

11-32-51
FIG. 05C
PAGE 1
JUN 15/09

BOEING
737-600/700/800/900
PARTS CATALOG (MAINTENANCE)

FIG ITEM	PART NUMBER	1 2 3 4 5 6 7	NOMENCLATURE	EFFECT FROM TO	UNITS PER ASSY
R R R R R R R R R R	5C				
	- 1	147A6502-10	DOOR ASSY-GALLEY (PLACARDS AND MARKINGS ONLY) POSITION DATA: AFT FOR NHA/OTHER SYS DET SEE: 52-41-00-08	001030 201967	RF
	- 1	147A6502-12	DOOR ASSY-GALLEY (PLACARDS AND MARKINGS ONLY) POSITION DATA: AFT FOR NHA/OTHER SYS DET SEE: 52-41-00-08	001030 201967	RF
	- 1	147A6502-14	DOOR ASSY-GALLEY (PLACARDS AND MARKINGS ONLY) POSITION DATA: AFT FOR NHA/OTHER SYS DET SEE: 52-41-00-08	001030 201967	RF
	- 1	147A6502-13	DOOR ASSY-GALLEY (PLACARDS AND MARKINGS ONLY) POSITION DATA: AFT FOR NHA/OTHER SYS DET SEE: 52-41-00-08	001030 201967	RF
	- 1	147A6502-17	DOOR ASSY-GALLEY (PLACARDS AND MARKINGS ONLY) POSITION DATA: AFT FOR NHA/OTHER SYS DET SEE: 52-41-00-08	001030 201967	RF
	- 1	147A6502-19	DOOR ASSY-GALLEY (PLACARDS AND MARKINGS ONLY) POSITION DATA: AFT FOR NHA/OTHER SYS DET SEE: 52-41-00-08	001030 201967	RF
	- 1	147A6502-21	DOOR ASSY-GALLEY (PLACARDS AND MARKINGS ONLY) POSITION DATA: AFT FOR NHA/OTHER SYS DET SEE: 52-41-00-08	001030 201967	RF
	- 1	147A6502-23	DOOR ASSY-GALLEY (PLACARDS AND MARKINGS ONLY) POSITION DATA: AFT FOR NHA/OTHER SYS DET SEE: 52-41-00-08	001030 201967	RF
				MISSING ITEM NUMBERS NOT APPLICABLE	

- ITEM NOT ILLUSTRATED

HAP

11-32-51-05C

BOEING PROPRIETARY - Copyright © - Unpublished Work - See title page for details.

11-32-51
FIG. 05C
PAGE 2
JUN 15/09

BOEING
737-600/700/800/900
PARTS CATALOG (MAINTENANCE)

FIG ITEM	PART NUMBER	1 2 3 4 5 6 7	NOMENCLATURE	EFFECT FROM TO	UNITS PER ASSY
R R	5C - 2	147A6502-25	DOOR ASSY-GALLEY (PLACARDS AND MARKINGS ONLY) POSITION DATA: AFT FOR NHA/OTHER SYS DET SEE: 52-41-00-08	001030 201967	RF
	5	BAC27DBY191	.MARKER- USED ON: 147A6502-1 147A6502-2 147A6502-3 147A6502-4 147A6502-8 147A6502-9 147A6502-10 147A6502-11 147A6502-12 147A6502-13 147A6502-14 147A6502-15 147A6502-16 147A6502-17 147A6502-18 147A6502-19 147A6502-20	001030 201967	1
	10	MS27253F1	.PLATE-IDENT.	001030 201967	1

MISSING ITEM NUMBERS NOT APPLICABLE

- ITEM NOT ILLUSTRATED

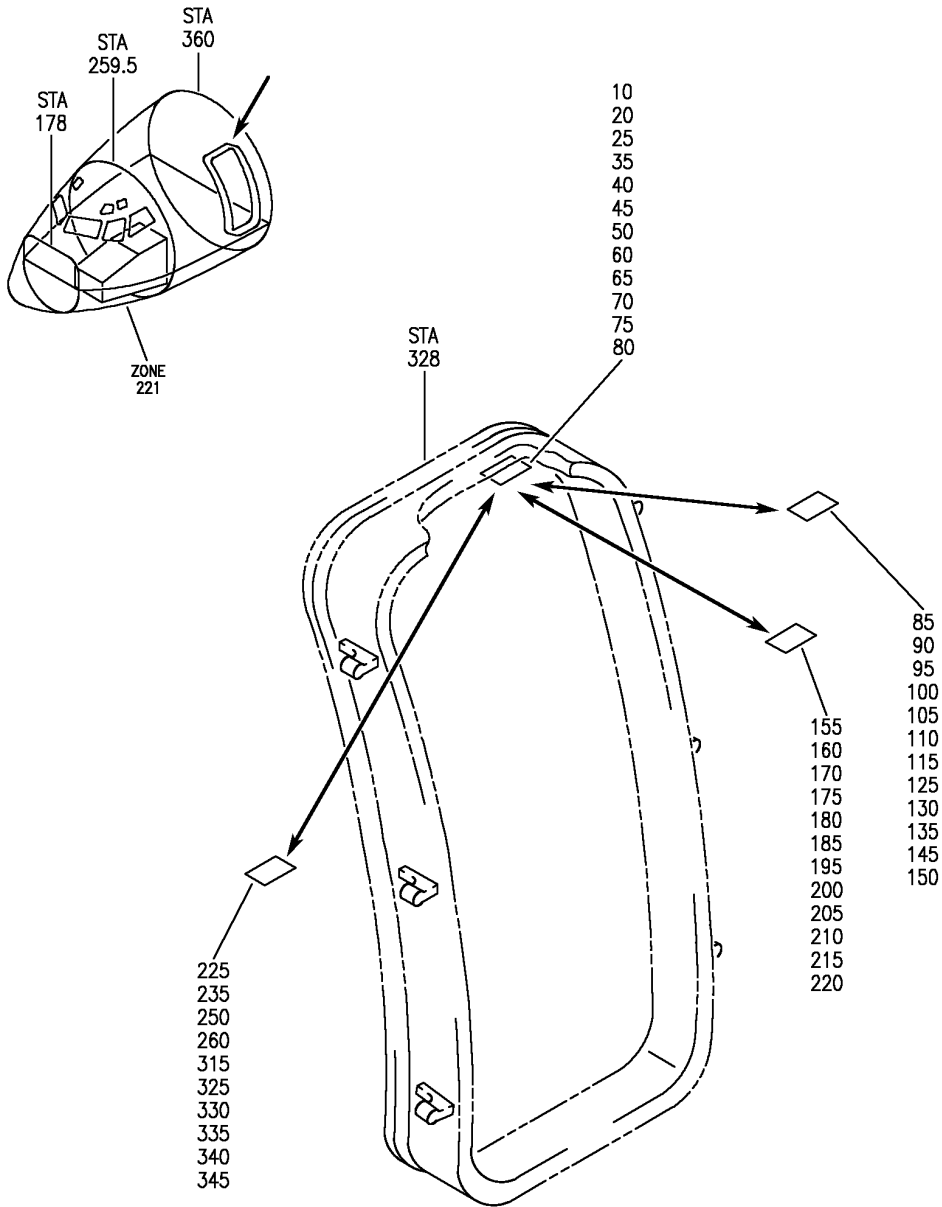
HAP

11-32-51-05C

BOEING PROPRIETARY - Copyright © - Unpublished Work - See title page for details.

11-32-51
FIG. 05C
PAGE 3
JUN 15/09

BOEING
 737-600/700/800/900
 PARTS CATALOG (MAINTENANCE)



For Details See Subsequent Pages

E 11325106A SHT 1 REV 080

NAMEPLATE INSTL-OWNERSHIP DOOR SILL PLACARDS, 737-700 ONLY
 FIGURE 6A (SHEET 1)

11-32-51-06A

HAP
 OCT 15/08

11-32-51-06A
 PAGE 0

BOEING
737-600/700/800/900
PARTS CATALOG (MAINTENANCE)

10

THIS AIRCRAFT IS OWNED BY INTERNATIONAL LEASE FINANCE CORPORATION.

MANUFACTURER'S SERIAL NO. 28209

OWNER'S ADDRESS
 INTERNATIONAL LEASE FINANCE CORPORATION
 1999 Avenue of the Stars
 39th Floor
 Los Angeles, California 90067
 United States of America
 Telex: 69-1400 INTERLEAS BVHL

25

THIS AIRCRAFT IS OWNED BY INTERNATIONAL LEASE FINANCE CORPORATION
 MANUFACTURER'S SERIAL NO. 28212
 OWNER'S ADDRESS
 INTERNATIONAL LEASE FINANCE CORPORATION
 1999 Avenue of the Stars
 39th Floor
 Los Angeles, California 90067 USA
 Telex: 69-1400 INTERLEAS BVHL

70

This aircraft is owned by Wilmington Trust Company, as Owner Trustee, and subject to a mortgage in favor of First Security Bank, National Association, as Indenture Trustee and leased to Eastwind Airlines.

75

THIS AIRCRAFT, SERIAL NUMBER 28089, REGISTRATION NUMBER N101UN, IS OWNED BY BAVARIA FLUGGESELLSCHAFT M.B.H. U. CO. AND IS LEASED TO TRANSAERO AIRLINES.

110

THIS AIRCRAFT IS OWNED BY PLATYPUS LEASING, INC
 MANUFACTURER'S SERIAL NO: 28240
 OWNER'S ADDRESS:
 PLATYPUS LEASING, INC
 C/O INTERNATIONAL LEASE FINANCE CORPORATION
 1999 AVENUE OF THE STARS 39TH FLOOR
 LOS ANGELES, CALIFORNIA 90067
 UNITED STATES OF AMERICA
 FAX: (310) 788-1990

E 11325106A SHT. 2 REV 082

NAMEPLATE INSTL-OWNERSHIP DOOR SILL PLACARDS, 737-700 ONLY
 FIGURE 6A (SHEET 2)

HAP
 OCT 15/08

11-32-51-06A

11-32-51-06A
 PAGE 0A


BOEING
737-600/700/800/900
PARTS CATALOG (MAINTENANCE)

115

THIS AIRCRAFT IS OWNED BY INTERNATIONAL LEASE FINANCE CORPORATION.
 MANUFACTURER'S SERIAL NO. 28216
 OWNER'S ADDRESS:
 INTERNATIONAL LEASE FINANCE CORPORATION
 1999 Avenue of the Stars
 39th Floor
 Los Angeles, California 90067 USA
 Telex: 69-1400 INTERLEAS BVHL

125

This aircraft is owned by APL Finance Limited., operated by Air Pacific Ltd. Under a Lease Agreement and subject to a lien in favour of Wilmington Trust Company, as Security Trustee, acting on behalf of the secured parties.

135

THIS AIRCRAFT IS OWNED BY INTERNATIONAL LEASE FINANCE CORPORATION.
 MANUFACTURER'S SERIAL NO. 28217
 OWNER'S ADDRESS:
 INTERNATIONAL LEASE FINANCE CORPORATION
 1999 Avenue of the Stars
 39th Floor
 Los Angeles, California 90067 USA
 Telex: 69-1400 INTERLEAS BVHL

145

THIS AIRCRAFT, MANUFACTURER'S SERIAL NO. 30041, IS OWNED BY BAVARIA INTERNATIONAL AIRCRAFT LEASING GMBH.
 OWNER'S ADDRESS:
 BAVARIA INTERNATIONAL AIRCRAFT LEASING GMBH
 DENNINGER STRASSE 165
 D-81925 MUNCHEN, GERMANY

150

THIS AIRCRAFT, MANUFACTURER'S SERIAL NO. 30042, IS OWNED BY BAVARIA INTERNATIONAL AIRCRAFT LEASING GMBH.
 OWNER'S ADDRESS:
 BAVARIA INTERNATIONAL AIRCRAFT LEASING GMBH
 DENNINGER STRASSE 165
 D-81925 MUNCHEN, GERMANY

155

THIS AIRCRAFT IS OWNED BY INTERNATIONAL LEASE FINANCE CORPORATION
 MANUFACTURER'S SERIAL NO: 30707
 OWNER'S ADDRESS:
 INTERNATIONAL LEASE FINANCE CORPORATION
 1999 AVENUE OF THE STARS 39TH FLOOR
 LOS ANGELES, CALIFORNIA 90067
 UNITED STATES OF AMERICA
 FAX: (310) 788-1990

E 11325106A SHT. 3, REV 082

NAMEPLATE INSTL-OWNERSHIP DOOR SILL PLACARDS, 737-700 ONLY
 FIGURE 6A (SHEET 3)

HAP
 OCT 15/08

11-32-51-06A

11-32-51-06A
 PAGE 0B


BOEING
737-600/700/800/900
PARTS CATALOG (MAINTENANCE)

160

THIS AIRCRAFT IS OWNED BY INTERNATIONAL LEASE FINANCE CORPORATION. MANUFACTURER'S SERIAL NO. 28219
 OWNER'S ADDRESS:
 INTERNATIONAL LEASE FINANCE CORPORATION
 1999 Avenue of the Stars
 39th Floor
 Los Angeles, California 90067 USA
 Telex: 69-1400 INTERLEAS BVHL

170

THIS AIRCRAFT IS OWNED BY INTERNATIONAL LEASE FINANCE CORPORATION. MANUFACTURER'S SERIAL NO: 30642
 OWNER'S ADDRESS:
 INTERNATIONAL LEASE FINANCE CORPORATION
 1999 AVENUE OF THE STARS
 39TH FLOOR
 LOS ANGELES, CALIFORNIA 90067
 UNITED STATES OF AMERICA
 FAX: (310) 788-1990

175

THIS AIRCRAFT IS OWNED BY PEMBROKE B737-7004 LIMITED, IS OPERATED BY ISRAIR, IS SUBJECT TO A MORTGAGE IN FAVOUR OF BANKERS TRUSTEE COMPANY LIMITED AND MAY NOT BE OPERATED BY ANY OTHER PERSON WITHOUT THE PRIOR WRITTEN CONSENT OF BANKERS TRUSTEE COMPANY LIMITED.

180

THIS AIRPLANE, SERIAL NUMBER 28090, IS OWNED BY BAVARIA INTERNATIONAL AIRCRAFT LEASING GMBH & CO. KG, DENNINGER STRASSE 165, 81925 MUNICH, GERMANY.

185

THIS AIRCRAFT IS OWNED BY INTERNATIONAL LEASE FINANCE CORPORATION. MANUFACTURER'S SERIAL NO. 28222
 OWNER'S ADDRESS:
 INTERNATIONAL LEASE FINANCE CORPORATION
 1999 Avenue of the Stars
 39th Floor
 Los Angeles, California 90067 USA
 Telex: 69-1400 INTERLEAS BVHL

195

THIS AIRCRAFT IS OWNED BY INTERNATIONAL LEASE FINANCE CORPORATION. MANUFACTURER'S SERIAL NO: 30727
 OWNER'S ADDRESS:
 INTERNATIONAL LEASE FINANCE CORPORATION
 1999 AVENUE OF THE STARS
 39TH FLOOR
 LOS ANGELES, CALIFORNIA 90067
 UNITED STATES OF AMERICA
 FAX: (310) 788-1990

E 11325106A SHT 4 REV 082

NAMEPLATE INSTL-OWNERSHIP DOOR SILL PLACARDS, 737-700 ONLY
 FIGURE 6A (SHEET 4)

BOEING
737-600/700/800/900
PARTS CATALOG (MAINTENANCE)

200

○ THIS AIRCRAFT IS OWNED BY INTERNATIONAL LEASE FINANCE CORPORATION ○
MANUFACTURER'S SERIAL NO: 30630
OWNER'S ADDRESS:
INTERNATIONAL LEASE FINANCE CORPORATION
1999 AVENUE OF THE STARS 39TH FLOOR
LOS ANGELES, CALIFORNIA 90067
UNITED STATES OF AMERICA
○ FAX: (310) 788-1990 ○

205

○ THIS AIRCRAFT IS OWNED BY INTERNATIONAL LEASE FINANCE CORPORATION ○
MANUFACTURER'S SERIAL NO: 29346
OWNER'S ADDRESS:
INTERNATIONAL LEASE FINANCE CORPORATION
1999 AVENUE OF THE STARS 39TH FLOOR
LOS ANGELES, CALIFORNIA 90067
UNITED STATES OF AMERICA
○ FAX: (310) 788-1990 ○

210

○ ○
THIS AIRPLANE, SERIAL NUMBER 28091, IS OWNED BY BAVARIA INTERNATIONAL AIRCRAFT LEASING GMBH & CO. KG, DENNINGER STRASSE 165, 81925 MUNICH, GERMANY.
○ ○

215

○ ○
"This Aircraft is owned by Pembroke B737-7005 Limited, is subject to a mortgage in favour of the Bankers Trustee Company Limited, is leased to HI Hamburg International Luftverkehrsgesellschaft mbH and may not be operated by any other person without the prior written consent of Pembroke B737-7005 Limited."
○ ○

220

○ THIS AIRCRAFT IS OWNED BY INTERNATIONAL LEASE FINANCE CORPORATION ○
MANUFACTURER'S SERIAL NO: 30641
OWNER'S ADDRESS:
INTERNATIONAL LEASE FINANCE CORPORATION
1999 AVENUE OF THE STARS 39TH FLOOR
LOS ANGELES, CALIFORNIA 90067
UNITED STATES OF AMERICA
○ FAX: (310) 788-1990 ○

225

○ THIS AIRCRAFT IS OWNED BY INTERNATIONAL LEASE FINANCE CORPORATION. ○
MANUFACTURER'S SERIAL NO. 28223
OWNER'S ADDRESS:
INTERNATIONAL LEASE FINANCE CORPORATION
1999 Avenue of the Stars
39th Floor
Los Angeles, California 90067 USA
Telex: 69-1400 INTERLEAS BVHL ○

E 11325106A SHT 5 REV 082

NAMEPLATE INSTL-OWNERSHIP DOOR SILL PLACARDS, 737-700 ONLY
FIGURE 6A (SHEET 5)

11-32-51-06A

HAP
OCT 15/08

11-32-51-06A
PAGE 0D

BOEING
737-600/700/800/900
PARTS CATALOG (MAINTENANCE)

235

○ THIS AIRCRAFT IS OWNED BY INTERNATIONAL LEASE FINANCE CORPORATION ○
 MANUFACTURER'S SERIAL NO: 30644
 OWNER'S ADDRESS:
 INTERNATIONAL LEASE FINANCE CORPORATION
 1999 AVENUE OF THE STARS 39TH FLOOR
 LOS ANGELES, CALIFORNIA 90067
 UNITED STATES OF AMERICA
 ○ FAX: (310) 788-1990 ○

250

○ THIS AIRCRAFT IS OWNED BY INTERNATIONAL LEASE FINANCE CORPORATION. ○
 MANUFACTURER'S SERIAL NO. 28224
 OWNER'S ADDRESS:
 INTERNATIONAL LEASE FINANCE CORPORATION
 1999 AVENUE OF THE STARS
 39TH FLOOR
 LOS ANGELES, CALIFORNIA 90067 USA
 ○ TELEX: 69-1400 INTERLEAS BVHL ○

260

○ THIS BOEING 737-700 AIRCRAFT MSN 29083 IS OWNED BY PEMBROKE B737-7005 LIMITED, IS SUBJECT TO A MORTGAGE IN FAVOUR OF THE BANKERS TRUSTEE COMPANY LIMITED, IS LEASED TO HI HAMBURG INTERNATIONAL LUFTVERKEHRSGESELLSCHAFT MBH & CO. BETRIEBS-KG AND MAY NOT BE OPERATED BY ANY OTHER PERSON WITHOUT PRIOR WRITTEN CONSENT OF PEMBROKE B737-7005 LIMITED. ○

315

○ THIS AIRCRAFT IS OWNED BY INTERNATIONAL LEASE FINANCE CORPORATION ○
 MANUFACTURER'S SERIAL NO. 30635
 OWNER'S ADDRESS:
 INTERNATIONAL LEASE FINANCE CORPORATION
 1999 AVENUE OF STARS
 39TH FLOOR
 LOS ANGELES, CALIFORNIA 90067
 ○ FAX: (310) 788-1990 ○

325

○ THIS AIRCRAFT IS OWNED BY PLATYPUS LEASING, INC ○
 MANUFACTURER'S SERIAL NO: 30638
 OWNER'S ADDRESS:
 PLATYPUS LEASING, INC
 C/O INTERNATIONAL LEASE FINANCE CORPORATION
 1999 AVENUE OF THE STARS 39TH FLOOR
 LOS ANGELES, CALIFORNIA 90067
 UNITED STATES OF AMERICA
 ○ FAX: (310) 788-1990 ○

330

○ THIS AIRCRAFT IS OWNED BY PLATYPUS LEASING, INC ○
 MANUFACTURER'S SERIAL NO: 30707
 OWNER'S ADDRESS:
 PLATYPUS LEASING, INC
 C/O INTERNATIONAL LEASE FINANCE CORPORATION
 1999 AVENUE OF THE STARS 39TH FLOOR
 LOS ANGELES, CALIFORNIA 90067
 UNITED STATES OF AMERICA
 ○ FAX: (310) 788-1990 ○

E 11325106A SHT 6 REV 082

NAMEPLATE INSTL-OWNERSHIP DOOR SILL PLACARDS, 737-700 ONLY
 FIGURE 6A (SHEET 6)

HAP
 OCT 15/08

11-32-51-06A

11-32-51-06A
 PAGE 0E

BOEING
737-600/700/800/900
PARTS CATALOG (MAINTENANCE)

FIG ITEM	PART NUMBER	1 2 3 4 5 6 7	NOMENCLATURE	EFFECT FROM TO	UNITS PER ASSY
6A			NAMEPLATE INSTL-OWNERSHIP DOOR SILL PLACARDS, 737-700 ONLY	201201	
- 1	65C34299-2		NAMEPLATE INSTL-OWNERSHIP DOOR SILL PLACARDS, 737-700 ONLY VARIABLE DRAWING REF: 65C34299-5009	201201	RF
215	BAC29PPS43256		.PLACARD ATTACHING PARTS	201201	1
- 350	BACR15DR3PAC		.RIVET- SIZE DETERMINED ON INSTL. -----*-----	201201	4

MISSING ITEM NUMBERS NOT APPLICABLE

- ITEM NOT ILLUSTRATED

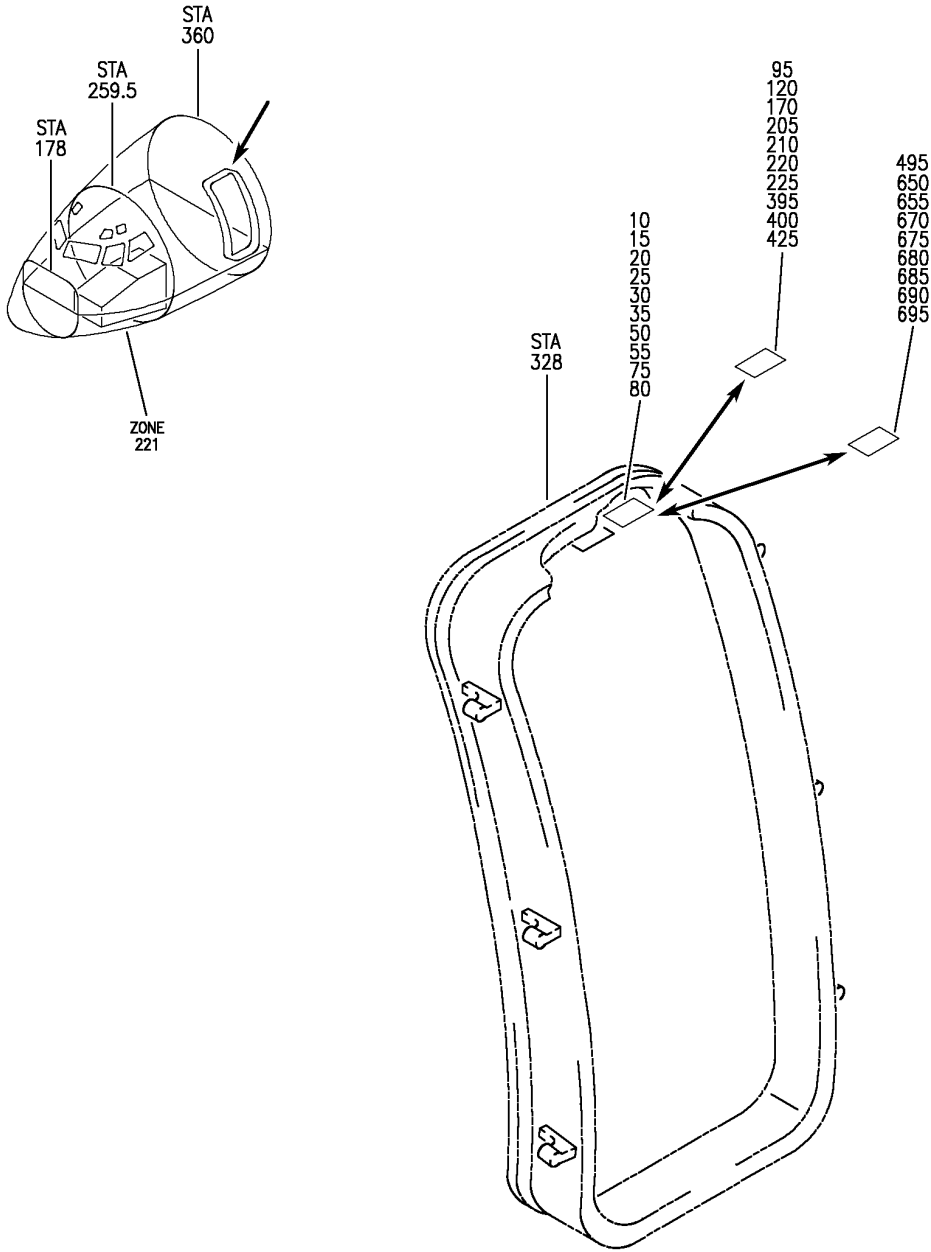
HAP

11-32-51-06A

BOEING PROPRIETARY - Copyright © - Unpublished Work - See title page for details.

11-32-51
FIG. 06A
PAGE 1
OCT 15/08

BOEING
 737-600/700/800/900
 PARTS CATALOG (MAINTENANCE)



For Details See Subsequent Pages

E 11325106B SHT 1 REV 071

NAMEPLATE INSTL-OWNERSHIP DOOR SILL PLACARDS, 737-800 ONLY
 FIGURE 6B (SHEET 1)

11-32-51-06B

HAP
 OCT 10/06

11-32-51-06B
 PAGE 0

BOEING
737-600/700/800/900
PARTS CATALOG (MAINTENANCE)

425

+	THIS AIRCRAFT IS OWNED BY INTERNATIONAL LEASE FINANCE CORPORATION	+
	MANUFACTURER'S SERIAL NO. 28228	
	OWNER'S ADDRESS: INTERNATIONAL LEASE FINANCE CORPORATION 1999 AVENUE OF THE STARS 39TH FLOOR	
+	LOS ANGELES, CALIFORNIA 90067 USA TELEX 69-1400 INTERLEAS BVHL	+

E 11325106B SHT 2 REV 06B

NAMEPLATE INSTL-OWNERSHIP DOOR SILL PLACARDS, 737-800 ONLY
FIGURE 6B (SHEET 2)

HAP
OCT 10/06

11-32-51-06B

11-32-51-06B
PAGE 0A

BOEING PROPRIETARY - Copyright © - Unpublished Work - See title page for details.

BOEING
737-600/700/800/900
PARTS CATALOG (MAINTENANCE)

FIG ITEM	PART NUMBER	1 2 3 4 5 6 7	NOMENCLATURE	EFFECT FROM TO	UNITS PER ASSY
6B			NAMEPLATE INSTL-OWNERSHIP DOOR SILL PLACARDS, 737-800 ONLY	001019 021030	
- 1	65C34299-2		NAMEPLATE INSTL-OWNERSHIP DOOR SILL PLACARDS, 737-800 ONLY VARIABLE DRAWING REF: 65C34299-5009 POST RAPID REVISION: RR97089-40A	001019 021030	RF
10	BAC29PPS36529		.PLACARD- PLACARD CONTENT: D-AHFA BOEING BAUJAHR 1998 WERK NR: 27981 B 737-8K5	006006	1
15	BAC29PPS36633		.PLACARD- PLACARD CONTENT: D-AHFC BOEING BAUJAHR 1998 WERK NR: 27977 B 737-8K5	001001	1
20	BAC29PPS36634		.PLACARD- PLACARD CONTENT: D-AHFD BOEING BAUJAHR 1998 WERK NR: 27978 B 737-8K5	002002	1
25	BAC29PPS36635		.PLACARD- PLACARD CONTENT: D-AHFE BOEING BAUJAHR 1998 WERK NR: 27979 B 737-8K5	003003	1
30	BAC29PPS36636		.PLACARD- PLACARD CONTENT: D-AHFF BOEING BAUJAHR 1998 WERK NR: 27980 B 737-8K5	004004	1
35	BAC29PPS36637		.PLACARD- PLACARD CONTENT: D-AHFG BOEING BAUJAHR 1998 WERK NR: 27989 B 737-8K5	005005	1

MISSING ITEM NUMBERS NOT APPLICABLE

- ITEM NOT ILLUSTRATED

HAP

11-32-51-06B

BOEING PROPRIETARY - Copyright © - Unpublished Work - See title page for details.

11-32-51
FIG. 06B
PAGE 1
OCT 10/06

BOEING
737-600/700/800/900
PARTS CATALOG (MAINTENANCE)

FIG ITEM	PART NUMBER	1 2 3 4 5 6 7	NOMENCLATURE	EFFECT FROM TO	UNITS PER ASSY
6B 50	BAC29PPS48878	.PLACARD-	PLACARD CONTENT: D-AHFX BOEING BAUJAHR 2001 WERK NR: 30416 B 737-8K5	024024	1
55	BAC29PPS48767	.PLACARD-	PLACARD CONTENT: D-AHFW BOEING BAUJAHR 2001 WERK NR: 30882 B 737-8K5	023023	1
75	BAC29PPS48919	.PLACARD-	PLACARD CONTENT: D-AHFX BOEING BAUJAHR 2001 WERK NR: 30417 B737-8K5	025025	1
80	BAC29PPS48921	.PLACARD-	PLACARD CONTENT: D-AHFZ BOEING BAUJAHR 2001 WERK NR: 30883 B 737-8K5	026027	1
120	BAC29PPS40790	.MARKER-	PLACARD CONTENT: D-AHFB BOEING BAUJAHR 1998 WERK NR: 27982 B 737-8K5	007007	1
170	BAC29PPS51345	.PLACARD-	PLACARD CONTENT: D-AHLP BOEING BAUJAHR 2002 WERK NR: 32905 B 737-8K5	028028	1
205	BAC29PPS42584	.PLACARD-	PLACARD CONTENT: D-AHFH BOEING BAUJAHR 1999 WERK NR: 27983 B 737-8K5	008008	1
210	BAC29PPS42586	.PLACARD-	PLACARD CONTENT: D-AHFJ BOEING BAUJAHR 1999 WERK NR: 27990 B 737-8K5	010010	1

MISSING ITEM NUMBERS NOT APPLICABLE

— ITEM NOT ILLUSTRATED

HAP

11-32-51-06B

BOEING PROPRIETARY - Copyright © - Unpublished Work - See title page for details.

11-32-51
FIG. 06B
PAGE 2
OCT 10/07

BOEING
737-600/700/800/900
PARTS CATALOG (MAINTENANCE)

FIG ITEM	PART NUMBER	1 2 3 4 5 6 7	NOMENCLATURE	EFFECT FROM TO	UNITS PER ASSY
6B 220	BAC29PPS42590	.	PLACARD- PLACARD CONTENT: D-AHFI BOEING BAUJAHR 1999 WERK NR: 27984 B 737-8K5	009009	1
225	BAC29PPS42592	.	PLACARD- PLACARD CONTENT: D-AHFK BOEING BAUJAHR 1999 WERK NR: 27991 B 737-8K5	011011	1
395	BAC29PPS46372	.	PLACARD- PLACARD CONTENT: D-AHFL BOEING BAUJAHR 2000 WERK NR: 27985 B737-8K5	012012	1
400	BAC29PPS46374	.	PLACARD- PLACARD CONTENT: D-AHFM BOEING BAUJAHR 2000 WERK NR: 27986 B737-8K5	013013	1
425	BAC29PPS46434	.	PLACARD	014014	1
- 430	BAC29PPS46434	.	PLACARD	014014	1
495	BAC29PPS46926	.	PLACARD- PLACARD CONTENT: D-AHFS BOEING BAUJAHR 2000 WERK NR: 28623 B 737-8K5	018018	1
650	BAC29PPS46527	.	PLACARD- PLACARD CONTENT: D-AHFO BOEING BAUJAHR 2000 WERK NR: 27987 B 737-8K5 POST RAPID REVISION: RR97089-36C	015015	1
655	BAC29PPS46529	.	PLACARD- PLACARD CONTENT: D-AHFP BOEING BAUJAHR 2000 WERK NR: 27988 B 737-8K5 POST RAPID REVISION: RR97089-37B	016016	1
670	BAC29PPS52387	.	PLACARD- PLACARD CONTENT: D-AHLR BOEING BAUJAHR 2002 WERK NR: 32907 B 737-8K5	030030	1

MISSING ITEM NUMBERS NOT APPLICABLE

- ITEM NOT ILLUSTRATED

HAP

11-32-51-06B

BOEING PROPRIETARY - Copyright © - Unpublished Work - See title page for details.

11-32-51
FIG. 06B
PAGE 3
OCT 10/07

BOEING
737-600/700/800/900
PARTS CATALOG (MAINTENANCE)

FIG ITEM	PART NUMBER	1 2 3 4 5 6 7	NOMENCLATURE	EFFECT FROM TO	UNITS PER ASSY
6B 675	BAC29PPS46552	.	PLACARD- PLACARD CONTENT: D-AHFR BOEING BAUJAHR 2000 WERK NR: 30593 B 737-8K5 POST RAPID REVISION: RR97089-40A	019019	1
680	BAC29PPS46553	.	MARKER- PLACARD CONTENT: D-AHFQ BOEING BAUJAHR 2000 WERK NR:27992 B 737-8K5 POST RAPID REVISION: RR97089-39	017017	1
685	BAC29PPS48341	.	PLACARD- PLACARD CONTENT: D-AHFU BOEING BAUJAHR 2000 WERK NR: 30414 B 737-8K5	021021	1
690	BAC29PPS48345	.	PLACARD- PLACARD CONTENT: D-AHFV BOEING BAUJAHR 2000 WERK NR: 30415 B 737-8K5	022022	1
695	BAC29PPS52072	.	PLACARD- PLACARD CONTENT: D-AHLQ BOEING BAUJAHR 2002 WERK NR: 32906 B 737-8K5 ATTACHING PARTS	029029	1
- 700	BACR15DR3PAC	.	RIVET- SIZE DETERMINED ON INSTL.	001013 015019 021030	4
- 700	BACR15DR3PAC	.	RIVET- SIZE DETERMINED ON INSTL. -----*-----	014014	4

MISSING ITEM NUMBERS NOT APPLICABLE

- ITEM NOT ILLUSTRATED

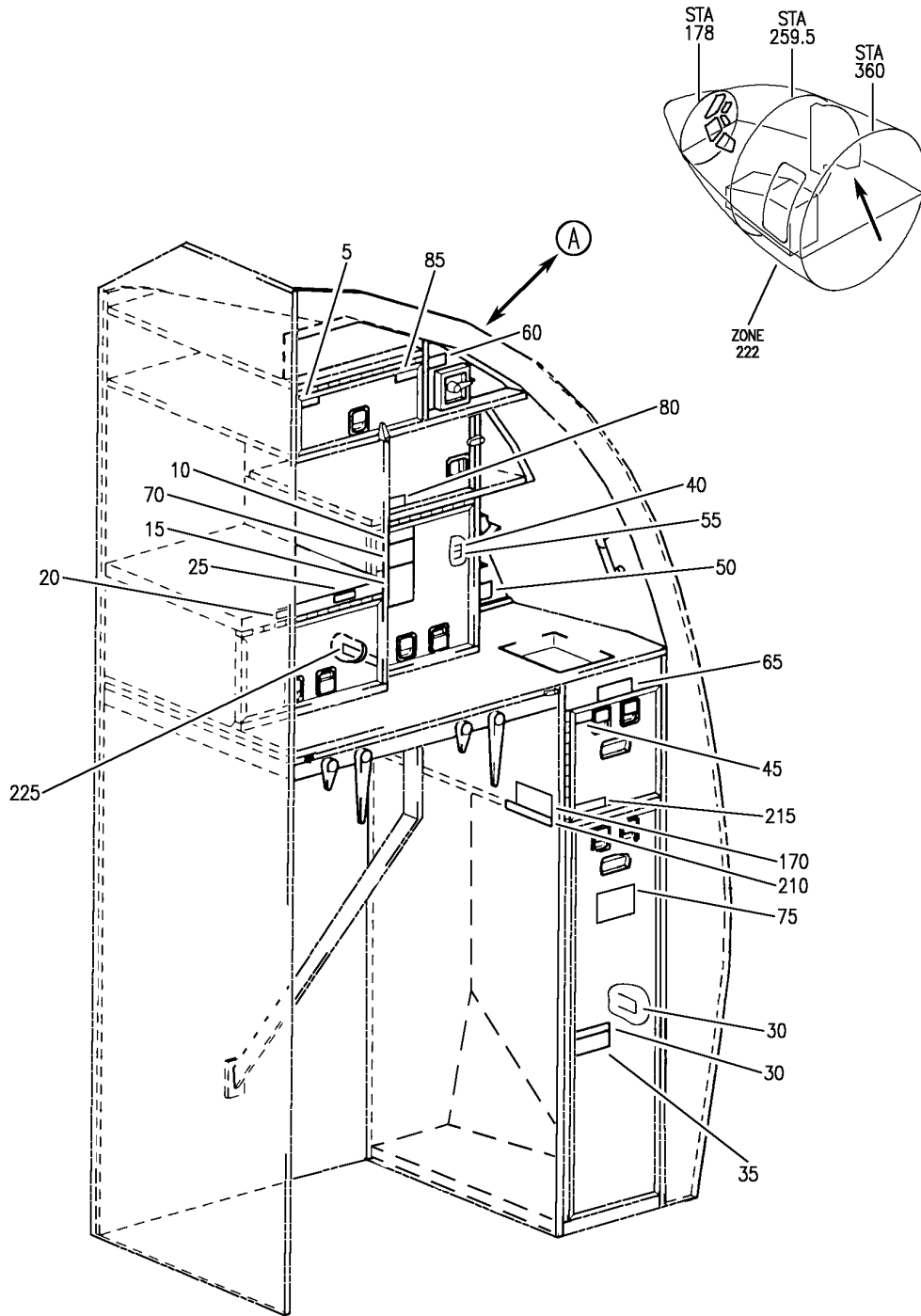
HAP

11-32-51-06B

BOEING PROPRIETARY - Copyright © - Unpublished Work - See title page for details.

11-32-51
FIG. 06B
PAGE 4
OCT 10/07

BOEING
 737-600/700/800/900
 PARTS CATALOG (MAINTENANCE)



E 11325146 SH1 1 REV 138

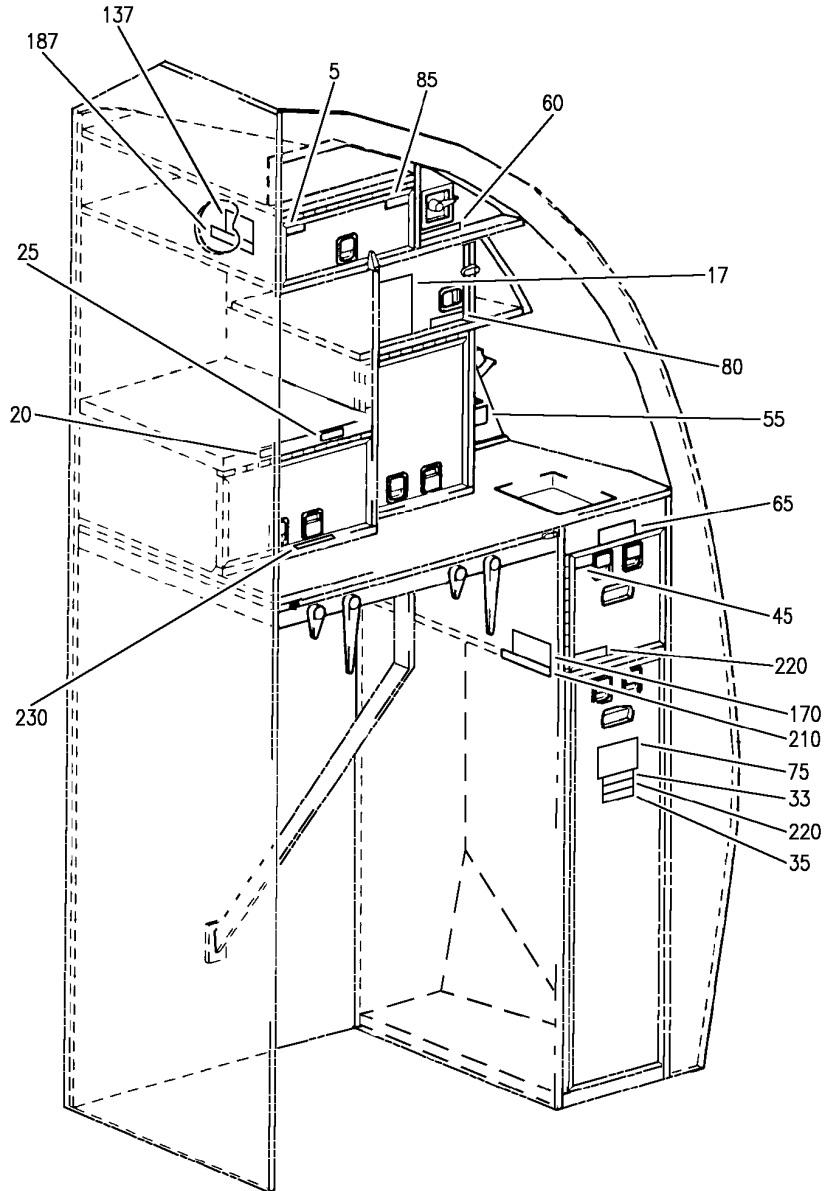
PLACARD INSTL GALLEY G1
 FIGURE 46

11-32-51-46

HAP
 FEB 15/08

11-32-51-46
 PAGE 0

BOEING
 737-600/700/800/900
 PARTS CATALOG (MAINTENANCE)



E 11325146 SH1 2 REV 138

PLACARD INSTL GALLEY G1
 FIGURE 46

11-32-51-46

HAP
 FEB 15/08

11-32-51-46
 PAGE 0A

BOEING
737-600/700/800/900
PARTS CATALOG (MAINTENANCE)

FIG ITEM	PART NUMBER	1 2 3 4 5 6 7	NOMENCLATURE	EFFECT FROM TO	UNITS PER ASSY
46			PLACARD INSTL GALLEY G1	001037 039040	
- 1	1021C11A60000		PLACARD INSTL-GALLEY G1 SUPPLIER CODE: VD2249 FOR NHA SEE: 25-31-11-89	001037 039040	RF
5	0-161-000100100		.PLACARD- SUPPLIER CODE: VD2249 PLACARD CONTENT: SELL CONFIG CHG DATA FROM A CMM: REPLD BY 0-168-000100100	001037 039040	1
5	0-168-000100100		.PLACARD- SUPPLIER CODE: VD2249 PLACARD CONTENT: SELL CONFIG CHG DATA FROM A CMM: REPLS 0-161-000100100	001037 039040	1
10	002400060-197		.PLACARD- SUPPLIER CODE: VD2249 PLACARD CONTENT: MAX. GALLEY CAPACITY 197 KG; 434.3 POUNDS	001037 039040	1
15	0-161-007700091		.PLACARD- SUPPLIER CODE: VD2249	001037 039040	1
20	0-161-010700010		.PLACARD- SUPPLIER CODE: VD2249 PLACARD CONTENT: COFFEE MAKER NO. 1	001037 039040	1
25	0-161-010800010		.PLACARD- SUPPLIER CODE: VD2249 PLACARD CONTENT: COFFEE MAKER NO. 2	001037 039040	1
30	0-161-015600010		.PLACARD- SUPPLIER CODE: VD2249 PLACARD CONTENT: DRAIN STRAINER BEHIND	001037 039040	2

MISSING ITEM NUMBERS NOT APPLICABLE

- ITEM NOT ILLUSTRATED

HAP

11-32-51-46

BOEING PROPRIETARY - Copyright © - Unpublished Work - See title page for details.

11-32-51
FIG. 46
PAGE 1
OCT 15/08

BOEING
737-600/700/800/900
PARTS CATALOG (MAINTENANCE)

FIG ITEM	PART NUMBER	1 2 3 4 5 6 7	NOMENCLATURE	EFFECT FROM TO	UNITS PER ASSY
46					
35	0-161-017300091		.PLACARD- SUPPLIER CODE: VD2249 PLACARD CONTENT: DRAIN CONNECTION BEHIND	001037 039040	1
40	0-161-023200010		.PLACARD- SUPPLIER CODE: VD2249 PLACARD CONTENT: HOT CUP	001037 039040	1
45	0-161-030100010		.PLACARD- SUPPLIER CODE: VD2249 PLACARD CONTENT: ICE DRAWER	001037 039040	1
50	0-161-032700091		.PLACARD- SUPPLIER CODE: VD2249	001037 039040	1
55	0-161-040400010		.PLACARD- SUPPLIER CODE: VD2249 PLACARD CONTENT: NO STOWAGE	001037 039040	1
60	0-161-064700010		.PLACARD- SUPPLIER CODE: VD2249 PLACARD CONTENT: WATER SHUTOFF VALVE	001037 039040	1
65	0-161-065600091		.PLACARD- SUPPLIER CODE: VD2249 PLACARD CONTENT: STOW AND SECURE	001037 039040	1
70	0-161-070800091		.PLACARD- SUPPLIER CODE: VD2249	001037 039040	1
75	1021C11A60000A		.PLACARD- SUPPLIER CODE: VD2249 PLACARD CONTENT: WASTE NO CIG. DIS.	001037 039040	1
80	0-161-085900090		.PLACARD- SUPPLIER CODE: VD2249 PLACARD CONTENT: WATER FILTER BEHIND	001037 039040	1

MISSING ITEM NUMBERS NOT APPLICABLE

— ITEM NOT ILLUSTRATED

HAP

11-32-51-46

BOEING PROPRIETARY - Copyright © - Unpublished Work - See title page for details.

11-32-51
FIG. 46
PAGE 2
OCT 15/08

BOEING
737-600/700/800/900
PARTS CATALOG (MAINTENANCE)

FIG ITEM	PART NUMBER	1 2 3 4 5 6 7	NOMENCLATURE	EFFECT FROM TO	UNITS PER ASSY
46 85	000300020-101		.PLACARD-COMPT NO. SUPPLIER CODE: VD2249 PLACARD CONTENT: 101	001037 039040	1
- 90	000300020-102		.PLACARD-COMPT NO. SUPPLIER CODE: VD2249 PLACARD CONTENT: 102	001037 039040	1
- 95	000300020-103		.PLACARD-COMPT NO. SUPPLIER CODE: VD2249 PLACARD CONTENT: 103	001037 039040	1
- 100	000300020-104		.PLACARD-COMPT NO. SUPPLIER CODE: VD2249 PLACARD CONTENT: 104	001037 039040	1
- 105	000300020-105		.PLACARD-COMPT NO. SUPPLIER CODE: VD2249 PLACARD CONTENT: 105	001037 039040	1
- 110	000300020-106		.PLACARD-COMPT NO. SUPPLIER CODE: VD2249 PLACARD CONTENT: 106	001037 039040	1
- 115	000300020-107		.PLACARD-COMPT NO. SUPPLIER CODE: VD2249 PLACARD CONTENT: 107	001037 039040	1
- 120	000300020-108		.PLACARD-COMPT NO. SUPPLIER CODE: VD2249 PLACARD CONTENT: 108	001037 039040	1
- 125	000300020-109		.PLACARD-COMPT NO. SUPPLIER CODE: VD2249 PLACARD CONTENT: 109	001037 039040	1

MISSING ITEM NUMBERS NOT APPLICABLE

- ITEM NOT ILLUSTRATED

HAP

11-32-51-46

11-32-51
FIG. 46
PAGE 3
OCT 15/08

BOEING
737-600/700/800/900
PARTS CATALOG (MAINTENANCE)

FIG ITEM	PART NUMBER	1 2 3 4 5 6 7	NOMENCLATURE	EFFECT FROM TO	UNITS PER ASSY
46					
- 130	000300020-110		.PLACARD-COMPT NO. SUPPLIER CODE: VD2249 PLACARD CONTENT: 110	001037 039040	1
- 135	000300030-101		.PLACARD-COMPT NO. SUPPLIER CODE: VD2249 PLACARD CONTENT: 101	001037 039040	1
- 140	000300030-102		.PLACARD-COMPT NO. SUPPLIER CODE: VD2249 PLACARD CONTENT: 102	001037 039040	1
- 145	000300030-103		.PLACARD-COMPT NO. SUPPLIER CODE: VD2249 PLACARD CONTENT: 103	001037 039040	1
- 150	000300030-104		.PLACARD-COMPT NO. SUPPLIER CODE: VD2249 PLACARD CONTENT: 104	001037 039040	1
- 155	000300030-105		.PLACARD-COMPT NO. SUPPLIER CODE: VD2249 PLACARD CONTENT: 105	001037 039040	1
- 160	000300030-106		.PLACARD-COMPT NO. SUPPLIER CODE: VD2249 PLACARD CONTENT: 106	001037 039040	2
- 165	000300030-107		.PLACARD-COMPT NO. SUPPLIER CODE: VD2249 PLACARD CONTENT: 107	001037 039040	1
170	000300030-108		.PLACARD-COMPT NO. SUPPLIER CODE: VD2249 PLACARD CONTENT: 108	001037 039040	1

MISSING ITEM NUMBERS NOT APPLICABLE

- ITEM NOT ILLUSTRATED

HAP

11-32-51-46

11-32-51
FIG. 46
PAGE 4
OCT 15/08

BOEING
737-600/700/800/900
PARTS CATALOG (MAINTENANCE)

FIG ITEM	PART NUMBER	1 2 3 4 5 6 7	NOMENCLATURE	EFFECT FROM TO	UNITS PER ASSY
46 - 175	000300030-109		.PLACARD-COMPT NO. SUPPLIER CODE: VD2249 PLACARD CONTENT: 109	001037 039040	1
- 180	000300030-110		.PLACARD-COMPT NO. SUPPLIER CODE: VD2249 PLACARD CONTENT: 110	001037 039040	1
- 185	001600060-2		.PLACARD-COMPT NO. 101, 104 SUPPLIER CODE: VD2249 PLACARD CONTENT: MAX. CAPACITY 2 KG; 4.4 POUNDS	001037 039040	2
- 190	001600060-6		.PLACARD-COMPT NO. 105, 106 SUPPLIER CODE: VD2249 PLACARD CONTENT: MAX. CAPACITY 6 KG; 13.2 POUNDS	001037 039040	2
- 195	001600060-10		.PLACARD-COMPT NO. 109 SUPPLIER CODE: VD2249 PLACARD CONTENT: MAX. CAPACITY 10 KG; 22 POUNDS	001037 039040	1
- 200	001600060-15-5		.PLACARD-COMPT NO. 102, 103 SUPPLIER CODE: VD2249 PLACARD CONTENT: MAX. CAPACITY 15.5 KG; 34.2 POUNDS	001037 039040	2
- 205	001600060-20		.PLACARD-COMPT NO. 110 SUPPLIER CODE: VD2249 PLACARD CONTENT: MAX. CAPACITY 20. KG; 44.1 POUNDS	001037 039040	1
210	001600060-60		.PLACARD-COMPT NO. 107, 108 SUPPLIER CODE: VD2249 PLACARD CONTENT: MAX. CAPACITY 60. KG; 132.3 POUNDS	001037 039040	2

MISSING ITEM NUMBERS NOT APPLICABLE

- ITEM NOT ILLUSTRATED

HAP

11-32-51-46

BOEING PROPRIETARY - Copyright © - Unpublished Work - See title page for details.

11-32-51
FIG. 46
PAGE 5
OCT 15/08

BOEING
737-600/700/800/900
PARTS CATALOG (MAINTENANCE)

FIG ITEM	PART NUMBER	1 2 3 4 5 6 7	NOMENCLATURE	EFFECT FROM TO	UNITS PER ASSY
46 215	0-161-009500091		.PLACARD- SUPPLIER CODE: VD2249 PLACARD CONTENT: CLOSE AND LATCH IMMEDIATELY WHEN NOT IN USE	001037 039040	1
225	1021C11A60045		.TAPE-WARNING SUPPLIER CODE: VD2249	001037 039040	AR
- 235	0-161-001300091		.PLACARD- SUPPLIER CODE: VD2249	001037 039040	1
- 240	16100080100-642		.PLACARD- SUPPLIER CODE: VD2249 PLACARD CONTENT: AMENDT E33-1-642SB	001037 039040	1
- 250	1021C25-06-12		.PLACARD- SUPPLIER CODE: VD2249 PLACARD CONTENT: MODIFIED PER SERVICE BULLETIN 1021C-25-06 SB DATA FROM A CMM: POST SB 1021C-25-06 MANUFACTURED FROM: 0-161-046700090	001037 039040	1

MISSING ITEM NUMBERS NOT APPLICABLE

- ITEM NOT ILLUSTRATED

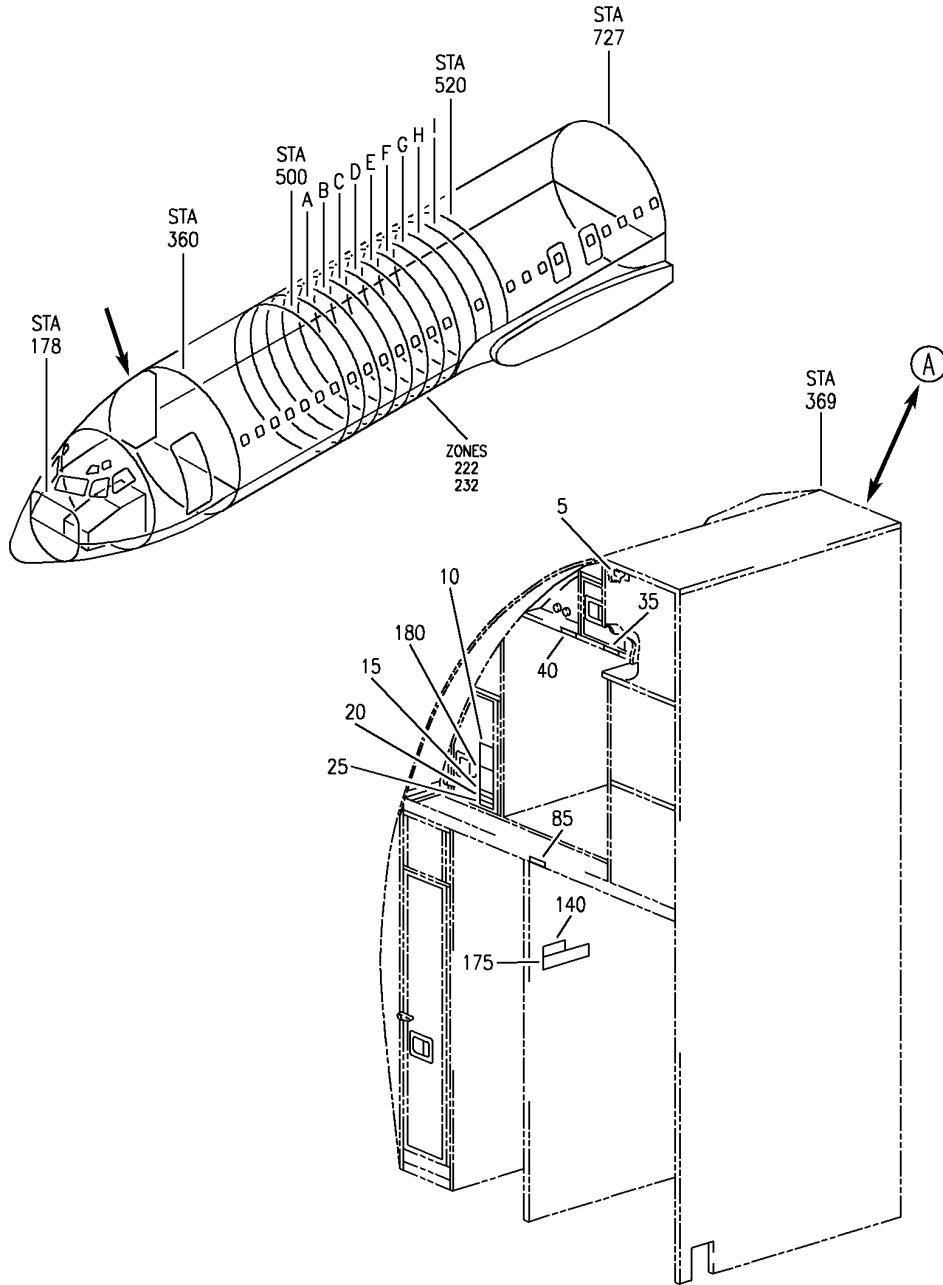
HAP

11-32-51-46

BOEING PROPRIETARY - Copyright © - Unpublished Work - See title page for details.

11-32-51
FIG. 46
PAGE 6
OCT 15/08

BOEING
 737-600/700/800/900
 PARTS CATALOG (MAINTENANCE)



E 11325146A SHT 1 REV 138

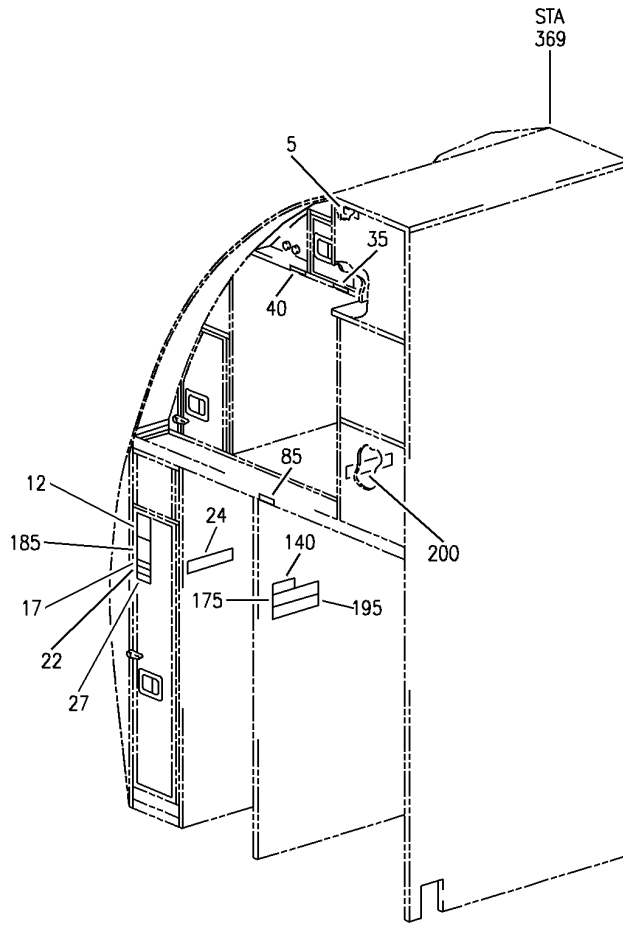
PLACARD INSTL-GALLEY G2
 FIGURE 46A

11-32-51-46A

HAP
 FEB 15/08

11-32-51-46A
 PAGE 0

BOEING
737-600/700/800/900
PARTS CATALOG (MAINTENANCE)



(A)

E 11325146A SHT 2 REV 138

PLACARD INSTL-GALLEY G2
FIGURE 46A

HAP
FEB 15/08

11-32-51-46A

11-32-51-46A
PAGE 0A

BOEING
737-600/700/800/900
PARTS CATALOG (MAINTENANCE)

FIG ITEM	PART NUMBER	1 2 3 4 5 6 7	NOMENCLATURE	EFFECT FROM TO	UNITS PER ASSY
46A					
- 1	1021C12A60000		PLACARD INSTL-GALLEY G2 PLACARD INSTL-GALLEY G2 SUPPLIER CODE: VD2249 FOR NHA SEE: 25-31-21-84	001037 001037	RF
5	0-161-000100100		.PLACARD- SUPPLIER CODE: VD2249 PLACARD CONTENT: SELL CONFIG CHG DATA FROM A CMM: REPLD BY 0-168-000100100	001037	1
5	0-168-000100100		.PLACARD- SUPPLIER CODE: VD2249 PLACARD CONTENT: SELL CONFIG CHG DATA FROM A CMM: REPLS 0-161-000100100	001037	1
10	0-161-007700091		.PLACARD- SUPPLIER CODE: VD2249	001037	1
15	002400060-576		.PLACARD- SUPPLIER CODE: VD2249 PLACARD CONTENT: MAX. GALLEY CAPACITY 576 KG; 1269.8 POUNDS	001037	1
20	0-161-001000091		.PLACARD- SUPPLIER CODE: VD2249 SB DATA FROM A CMM: PRE SB E33-1-675SB	001037	3
22	0-161-001300091		.PLACARD- SUPPLIER CODE: VD2249 SB DATA FROM A CMM: POST SB E33-1-675SB	001037	1
25	0-161-007400091		.PLACARD- SUPPLIER CODE: VD2249 PLACARD CONTENT: CARTS MUST BE STOWED IN PAIRS SB DATA FROM A CMM: PRE SB E33-1-675SB	001037	3

MISSING ITEM NUMBERS NOT APPLICABLE

- ITEM NOT ILLUSTRATED

HAP

11-32-51-46A

BOEING PROPRIETARY - Copyright © - Unpublished Work - See title page for details.

11-32-51
FIG. 46A
PAGE 1
FEB 15/08

 **BOEING**
737-600/700/800/900
PARTS CATALOG (MAINTENANCE)

FIG ITEM	PART NUMBER	1 2 3 4 5 6 7	NOMENCLATURE	EFFECT FROM TO	UNITS PER ASSY
46A					
- 30	0-161-025900091		.PLACARD- SUPPLIER CODE: VD2249	001037	3
35	0-161-042500010		.PLACARD- SUPPLIER CODE: VD2249 PLACARD CONTENT: OVEN NO. 1	001037	1
40	0-161-042600010		.PLACARD- SUPPLIER CODE: VD2249 PLACARD CONTENT: OVEN NO. 2	001037	1
- 45	000300020-201		.PLACARD-COMPT NO. SUPPLIER CODE: VD2249 PLACARD CONTENT: 201	001037	1
- 50	000300020-202		.PLACARD-COMPT NO. SUPPLIER CODE: VD2249 PLACARD CONTENT: 202	001037	1
- 55	000300020-203		.PLACARD-COMPT NO. SUPPLIER CODE: VD2249 PLACARD CONTENT: 203	001037	1
- 60	000300020-204		.PLACARD-COMPT NO. SUPPLIER CODE: VD2249 PLACARD CONTENT: 204	001037	1
- 65	000300020-205		.PLACARD-COMPT NO. SUPPLIER CODE: VD2249 PLACARD CONTENT: 205	001037	1
- 70	000300020-206		.PLACARD-COMPT NO. SUPPLIER CODE: VD2249 PLACARD CONTENT: 206	001037	1
- 75	000300020-207		.PLACARD-COMPT NO. SUPPLIER CODE: VD2249 PLACARD CONTENT: 207	001037	1

MISSING ITEM NUMBERS NOT APPLICABLE

- ITEM NOT ILLUSTRATED

HAP

11-32-51-46A

BOEING PROPRIETARY - Copyright © - Unpublished Work - See title page for details.

11-32-51
FIG. 46A
PAGE 2
FEB 15/08

 **BOEING**
737-600/700/800/900
PARTS CATALOG (MAINTENANCE)

FIG ITEM	PART NUMBER	1 2 3 4 5 6 7	NOMENCLATURE	EFFECT FROM TO	UNITS PER ASSY
46A - 80	000300020-208		.PLACARD-COMPT NO. SUPPLIER CODE: VD2249 PLACARD CONTENT: 208	001037	1
	85 000300020-209		.PLACARD-COMPT NO. SUPPLIER CODE: VD2249 PLACARD CONTENT: 209	001037	1
- 90	000300020-210		.PLACARD-COMPT NO. SUPPLIER CODE: VD2249 PLACARD CONTENT: 210	001037	1
- 95	000300020-211		.PLACARD-COMPT NO. SUPPLIER CODE: VD2249 PLACARD CONTENT: 211	001037	1
- 100	000300030-201		.PLACARD-COMPT NO. SUPPLIER CODE: VD2249 PLACARD CONTENT: 201	001037	1
- 105	000300030-202		.PLACARD-COMPT NO. SUPPLIER CODE: VD2249 PLACARD CONTENT: 202	001037	1
- 110	000300030-203		.PLACARD-COMPT NO. SUPPLIER CODE: VD2249 PLACARD CONTENT: 203	001037	1
- 115	000300030-204		.PLACARD-COMPT NO. SUPPLIER CODE: VD2249 PLACARD CONTENT: 204	001037	1
- 120	000300030-205		.PLACARD-COMPT NO. SUPPLIER CODE: VD2249 PLACARD CONTENT: 205	001037	1

MISSING ITEM NUMBERS NOT APPLICABLE

- ITEM NOT ILLUSTRATED

HAP

11-32-51-46A

BOEING PROPRIETARY - Copyright © - Unpublished Work - See title page for details.

11-32-51
FIG. 46A
PAGE 3
FEB 15/08

BOEING
737-600/700/800/900
PARTS CATALOG (MAINTENANCE)

FIG ITEM	PART NUMBER	1 2 3 4 5 6 7	NOMENCLATURE	EFFECT FROM TO	UNITS PER ASSY
46A - 125	000300030-206		.PLACARD-COMPT NO. SUPPLIER CODE: VD2249 PLACARD CONTENT: 206	001037	1
- 130	000300030-207		.PLACARD-COMPT NO. SUPPLIER CODE: VD2249 PLACARD CONTENT: 207	001037	1
- 135	000300030-208		.PLACARD-COMPT NO. SUPPLIER CODE: VD2249 PLACARD CONTENT: 208	001037	1
140	000300030-209		.PLACARD-COMPT NO. SUPPLIER CODE: VD2249 PLACARD CONTENT: 209	001037	1
- 145	000300030-210		.PLACARD-COMPT NO. SUPPLIER CODE: VD2249 PLACARD CONTENT: 210	001037	1
- 150	000300030-211		.PLACARD-COMPT NO. SUPPLIER CODE: VD2249 PLACARD CONTENT: 211	001037	1
- 155	001600060-5		.PLACARD-COMPT NO. 202, 207 SUPPLIER CODE: VD2249 PLACARD CONTENT: MAX. CAPACITY 5 KG; 11 POUNDS	001037	2
- 160	001600060-20		.PLACARD-COMPT NO. 201 SUPPLIER CODE: VD2249 PLACARD CONTENT: MAX. CAPACITY 20 KG; 44.1 POUNDS	001037	1

MISSING ITEM NUMBERS NOT APPLICABLE

- ITEM NOT ILLUSTRATED

HAP

11-32-51-46A

BOEING PROPRIETARY - Copyright © - Unpublished Work - See title page for details.

11-32-51
FIG. 46A
PAGE 4
FEB 15/08

BOEING
737-600/700/800/900
PARTS CATALOG (MAINTENANCE)

FIG ITEM	PART NUMBER	1 2 3 4 5 6 7	NOMENCLATURE	EFFECT FROM TO	UNITS PER ASSY
46A - 165	001600060-30		.PLACARD-COMPT NO. 203, 204, 211 SUPPLIER CODE: VD2249 PLACARD CONTENT: MAX. CAPACITY 30 KG; 66.1 POUNDS	001037	3
- 170	001600060-48		.PLACARD-COMPT NO. 205, 206 SUPPLIER CODE: VD2249 PLACARD CONTENT: MAX. CAPACITY 48 KG; 105.8 POUNDS	001037	2
175	001600060-120		.PLACARD-COMPT NO. 208, 209, 210 SUPPLIER CODE: VD2249 PLACARD CONTENT: MAX. CAPACITY 120 KG; 264.6 POUNDS	001037	3
180	0-161-070800091		.PLACARD- SUPPLIER CODE: VD2249	001037	1
- 190	1610459090-800		.PLACARD- SUPPLIER CODE: VD2249 PLACARD CONTENT: MODIFIED PER SERVICE BULLETIN SB E33-1-800SB	001037	1

MISSING ITEM NUMBERS NOT APPLICABLE

- ITEM NOT ILLUSTRATED

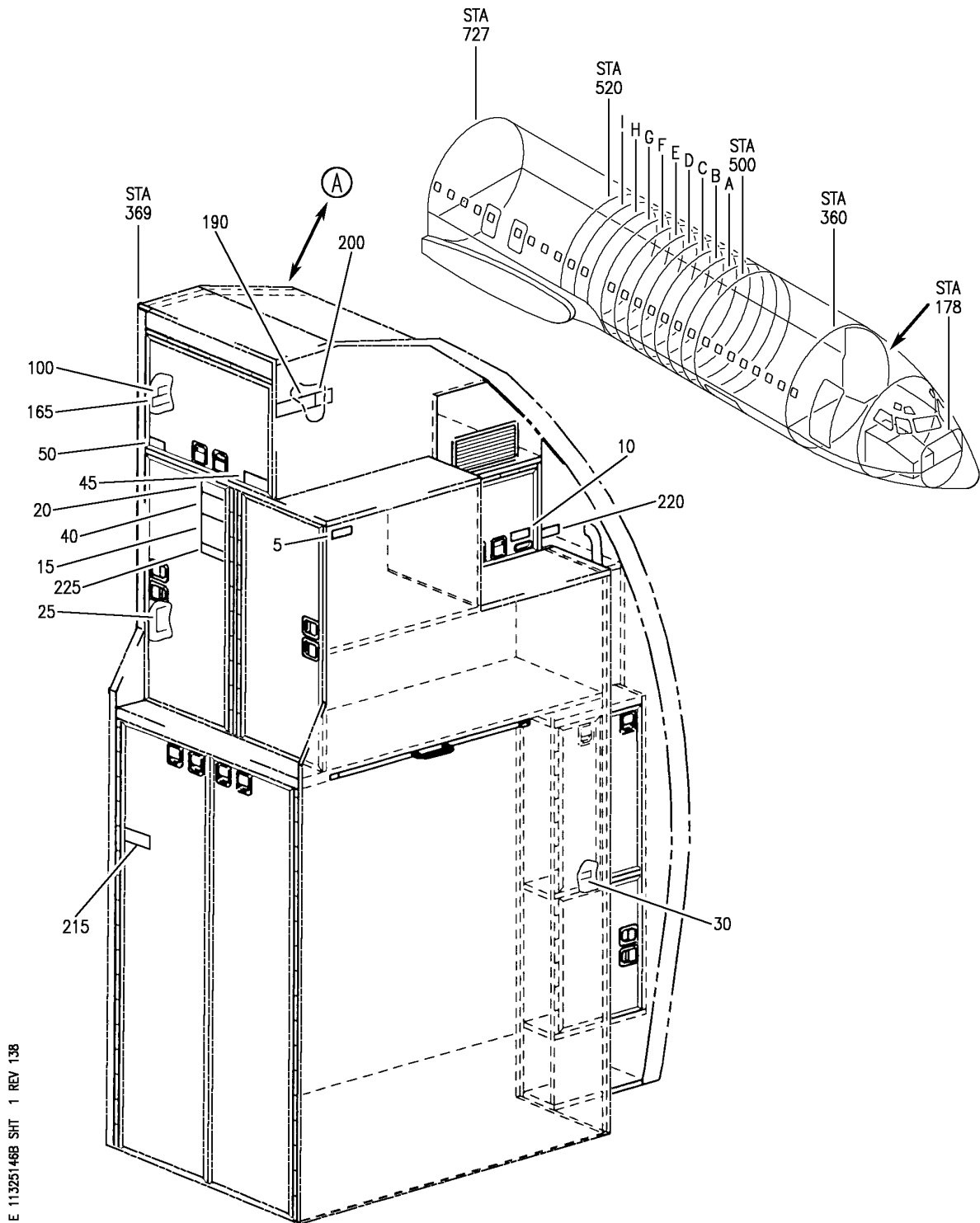
HAP

11-32-51-46A

BOEING PROPRIETARY - Copyright © - Unpublished Work - See title page for details.

11-32-51
FIG. 46A
PAGE 5
FEB 15/08

BOEING
 737-600/700/800/900
 PARTS CATALOG (MAINTENANCE)



E 11325146B SHT 1 REV 138

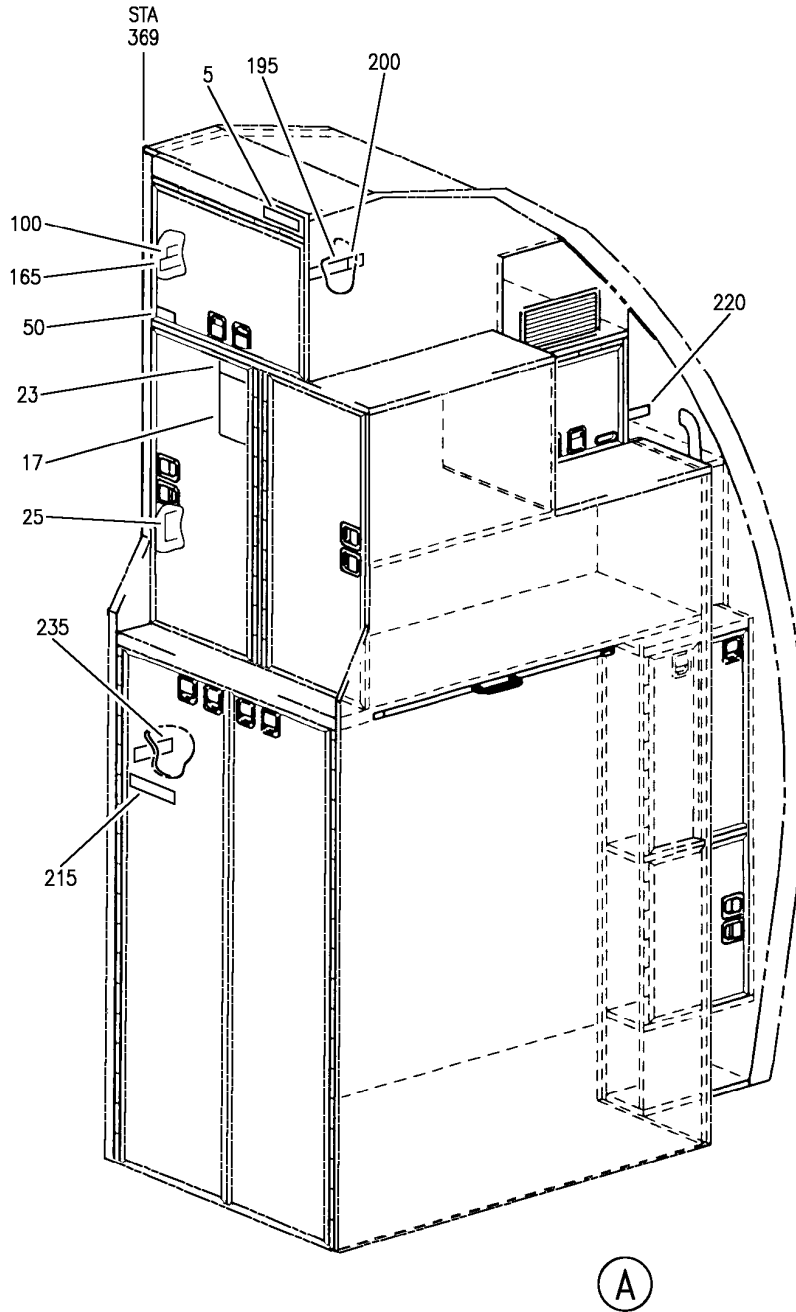
PLACARD INSTL- GALLEY G7
 FIGURE 46B

11-32-51-46B

HAP
 FEB 15/08

11-32-51-46B
 PAGE 0

BOEING
737-600/700/800/900
PARTS CATALOG (MAINTENANCE)



E 11325146B SHT 2 REV 138

PLACARD INSTL- GALLEY G7
FIGURE 46B

HAP
FEB 15/08

11-32-51-46B

11-32-51-46B
PAGE 0A

BOEING
737-600/700/800/900
PARTS CATALOG (MAINTENANCE)

FIG ITEM	PART NUMBER	1 2 3 4 5 6 7	NOMENCLATURE	EFFECT FROM TO	UNITS PER ASSY
46B					
- 1	1021C13A60000		PLACARD INSTL- GALLEY G7 PLACARD INSTL-GALLEY G7 SUPPLIER CODE: VD2249 PRE SERVICE BULLETIN: 25-1542 FOR NHA SEE: 25-31-71-56	001030 001030	RF
5	0-161-000100100		.PLACARD- SUPPLIER CODE: VD2249 PLACARD CONTENT: SELL	001030	1
10	1021C13A6000022		.PLACARD- SUPPLIER CODE: VD2249 PLACARD CONTENT: PSCU BEHIND	001030	1
15	0-161-007700091		.PLACARD- SUPPLIER CODE: VD2249	001030	1
20	002400060-386		.PLACARD- SUPPLIER CODE: VD2249 PLACARD CONTENT: MAX. GALLEY CAPACITY 386 KG; 851 POUNDS	001030	1
25	0-161-008800091		.PLACARD- SUPPLIER CODE: VD2249 PLACARD CONTENT: CONTAINERS MUST BE STOWED IN PARIS	001030	2
30	0-161-025200091		.PLACARD- SUPPLIER CODE: VD2249 PLACARD CONTENT: FIRE EXTINGUISHER BEHIND	001030	1
- 35	0-161-040400010		.PLACARD- SUPPLIER CODE: VD2249 PLACARD CONTENT: NO STOWAGE	001030	3
40	0-161-070800091		.PLACARD- SUPPLIER CODE: VD2249	001030	1

MISSING ITEM NUMBERS NOT APPLICABLE

- ITEM NOT ILLUSTRATED

HAP

11-32-51-46B

BOEING PROPRIETARY - Copyright © - Unpublished Work - See title page for details.

11-32-51
FIG. 46B
PAGE 1
FEB 15/08

BOEING
737-600/700/800/900
PARTS CATALOG (MAINTENANCE)

FIG ITEM	PART NUMBER	1 2 3 4 5 6 7	NOMENCLATURE	EFFECT FROM TO	UNITS PER ASSY
46B 45	0-161-080100090		.PLACARD- SUPPLIER CODE: VD2249 PLACARD CONTENT: VIDEO EQUIPMENT BEHIND	001030	1
50	000300020-701		.PLACARD-COMPT NO. SUPPLIER CODE: VD2249 PLACARD CONTENT: 701	001030	1
- 55	000300020-702		.PLACARD-COMPT NO. SUPPLIER CODE: VD2249 PLACARD CONTENT: 702	001030	1
- 60	000300020-703		.PLACARD-COMPT NO. SUPPLIER CODE: VD2249 PLACARD CONTENT: 703	001030	1
- 65	000300020-704		.PLACARD-COMPT NO. SUPPLIER CODE: VD2249 PLACARD CONTENT: 704	001030	1
- 70	000300020-705		.PLACARD-COMPT NO. SUPPLIER CODE: VD2249 PLACARD CONTENT: 705	001030	1
- 75	000300020-706		.PLACARD-COMPT NO. SUPPLIER CODE: VD2249 PLACARD CONTENT: 706	001030	1
- 80	000300020-707		.PLACARD-COMPT NO. SUPPLIER CODE: VD2249 PLACARD CONTENT: 707	001030	1
- 85	000300020-708		.PLACARD-COMPT NO. SUPPLIER CODE: VD2249 PLACARD CONTENT: 708	001030	1

MISSING ITEM NUMBERS NOT APPLICABLE

- ITEM NOT ILLUSTRATED

HAP

11-32-51-46B

11-32-51
FIG. 46B
PAGE 2
FEB 15/08

BOEING
737-600/700/800/900
PARTS CATALOG (MAINTENANCE)

FIG ITEM	PART NUMBER	1 2 3 4 5 6 7	NOMENCLATURE	EFFECT FROM TO	UNITS PER ASSY
46B					
- 90	000300020-709		.PLACARD-COMPT NO. SUPPLIER CODE: VD2249 PLACARD CONTENT: 709	001030	1
- 95	000300020-710		.PLACARD-COMPT NO. SUPPLIER CODE: VD2249 PLACARD CONTENT: 710	001030	1
100	000300030-701		.PLACARD-COMPT NO. SUPPLIER CODE: VD2249 PLACARD CONTENT: 701	001030	1
- 105	000300030-702		.PLACARD-COMPT NO. SUPPLIER CODE: VD2249 PLACARD CONTENT: 702	001030	1
- 110	000300030-703		.PLACARD-COMPT NO. SUPPLIER CODE: VD2249 PLACARD CONTENT: 703	001030	1
- 115	000300030-704		.PLACARD-COMPT NO. SUPPLIER CODE: VD2249 PLACARD CONTENT: 704	001030	1
- 120	000300030-705		.PLACARD-COMPT NO. SUPPLIER CODE: VD2249 PLACARD CONTENT: 705	001030	1
- 125	000300030-706		.PLACARD-COMPT NO. SUPPLIER CODE: VD2249 PLACARD CONTENT: 706	001030	1
- 130	000300030-707		.PLACARD-COMPT NO. SUPPLIER CODE: VD2249 PLACARD CONTENT: 707	001030	1

MISSING ITEM NUMBERS NOT APPLICABLE

- ITEM NOT ILLUSTRATED

HAP

11-32-51-46B

BOEING PROPRIETARY - Copyright © - Unpublished Work - See title page for details.

11-32-51
FIG. 46B
PAGE 3
FEB 15/08

BOEING
737-600/700/800/900
PARTS CATALOG (MAINTENANCE)

FIG ITEM	PART NUMBER	1 2 3 4 5 6 7	NOMENCLATURE	EFFECT FROM TO	UNITS PER ASSY
46B - 135	000300030-708		.PLACARD-COMPT NO. SUPPLIER CODE: VD2249 PLACARD CONTENT: 708	001030	1
- 140	000300030-709		.PLACARD-COMPT NO. SUPPLIER CODE: VD2249 PLACARD CONTENT: 709	001030	1
- 145	000300030-710		.PLACARD-COMPT NO. SUPPLIER CODE: VD2249 PLACARD CONTENT: 710	001030	1
- 150	001600060-5		.PLACARD-COMPT NO. 709 SUPPLIER CODE: VD2249 PLACARD CONTENT: MAX. CAPACITY 5 KG; 11 POUNDS	001030	1
- 155	001600060-10		.PLACARD-COMPT NO. 708, 710 SUPPLIER CODE: VD2249 PLACARD CONTENT: MAX. CAPACITY 10 KG; 22 POUNDS	001030	2
- 160	001600060-15		.PLACARD-COMPT NO. 702, 703 SUPPLIER CODE: VD2249 PLACARD CONTENT: MAX. CAPACITY 15 KG; 33.1 POUNDS	001030	2
165	001600060-16		.PLACARD-COMPT NO. 701 SUPPLIER CODE: VD2249 PLACARD CONTENT: MAX. CAPACITY 16 KG; 35.3 POUNDS	001030	1

MISSING ITEM NUMBERS NOT APPLICABLE

- ITEM NOT ILLUSTRATED

HAP

11-32-51-46B

BOEING PROPRIETARY - Copyright © - Unpublished Work - See title page for details.

11-32-51
FIG. 46B
PAGE 4
FEB 15/08

BOEING
737-600/700/800/900
PARTS CATALOG (MAINTENANCE)

FIG ITEM	PART NUMBER	1 2 3 4 5 6 7	NOMENCLATURE	EFFECT FROM TO	UNITS PER ASSY
46B - 170	001600060-30		.PLACARD-COMPT NO. 704, 705 SUPPLIER CODE: VD2249 PLACARD CONTENT: MAX. CAPACITY 30 KG; 66.1 POUNDS	001030	2
- 175	001600060-100		.PLACARD-COMPT NO. 707 SUPPLIER CODE: VD2249 PLACARD CONTENT: MAX. CAPACITY 100 KG; 220.5 POUNDS	001030	1
- 180	001600060-150		.PLACARD-COMPT NO. 706 SUPPLIER CODE: VD2249 PLACARD CONTENT: MAX. CAPACITY 150 KG; 330.7 POUNDS	001030	1
- 185	0-161-05070090		.PLACARD- SUPPLIER CODE: VD2249 PLACARD CONTENT: NO MISCELLANEOUS STOWAGE	001030	1
190	1610025060-8		.PLACARD- SUPPLIER CODE: VD2249 PLACARD CONTENT: MAX. SHELF LOAD 8 KG; 17.6 POUNDS	001030	1
200	0-161-000300070		.PLACARD- SUPPLIER CODE: VD2249 PLACARD CONTENT: ARROW	001030	1
- 205	1021C13A60044		.TAPE-WARNING SUPPLIER CODE: VD2249	001030	AR
- 210	1021C13B60044		.TAPE-WARNING SUPPLIER CODE: VD2249	001030	AR
215	0-161-008300091		.PLACARD- SUPPLIER CODE: VD2249	001030	4

MISSING ITEM NUMBERS NOT APPLICABLE

- ITEM NOT ILLUSTRATED

HAP

11-32-51-46B

BOEING PROPRIETARY - Copyright © - Unpublished Work - See title page for details.

11-32-51
FIG. 46B
PAGE 5
FEB 15/08

BOEING
737-600/700/800/900
PARTS CATALOG (MAINTENANCE)

FIG ITEM	PART NUMBER	1 2 3 4 5 6 7	NOMENCLATURE	EFFECT FROM TO	UNITS PER ASSY
46B 220	0-161-009500091		.PLACARD- SUPPLIER CODE: VD2249 PLACARD CONTENT: CLOSE AND LATCH IMMEDIATELY WHEN NOT IN USE	001030	1
225	0-161-001300091		.PLACARD- SUPPLIER CODE: VD2249	001030	4
- 230	1610459090-800		.PLACARD- SUPPLIER CODE: VD2249 PLACARD CONTENT: MODIFIED PER SERVICE BULLETIN SB E33-1-800SB SB DATA FROM A CMM: POST SB E33-1-800SB	001030	1

MISSING ITEM NUMBERS NOT APPLICABLE

- ITEM NOT ILLUSTRATED

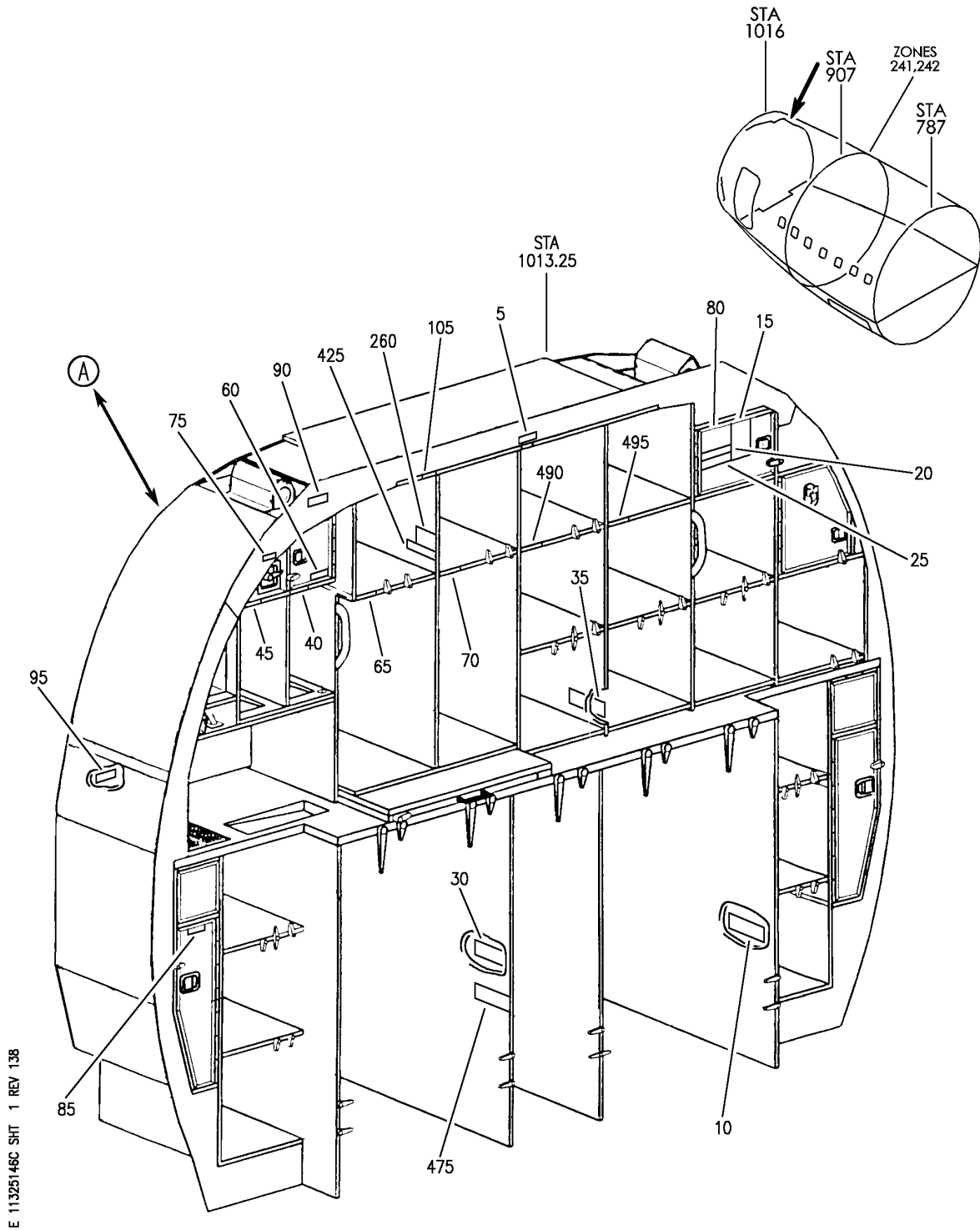
HAP

11-32-51-46B

BOEING PROPRIETARY - Copyright © - Unpublished Work - See title page for details.

11-32-51
FIG. 46B
PAGE 6
FEB 15/08

BOEING
 737-600/700/800/900
 PARTS CATALOG (MAINTENANCE)



E 11325146C SHT 1 REV 138

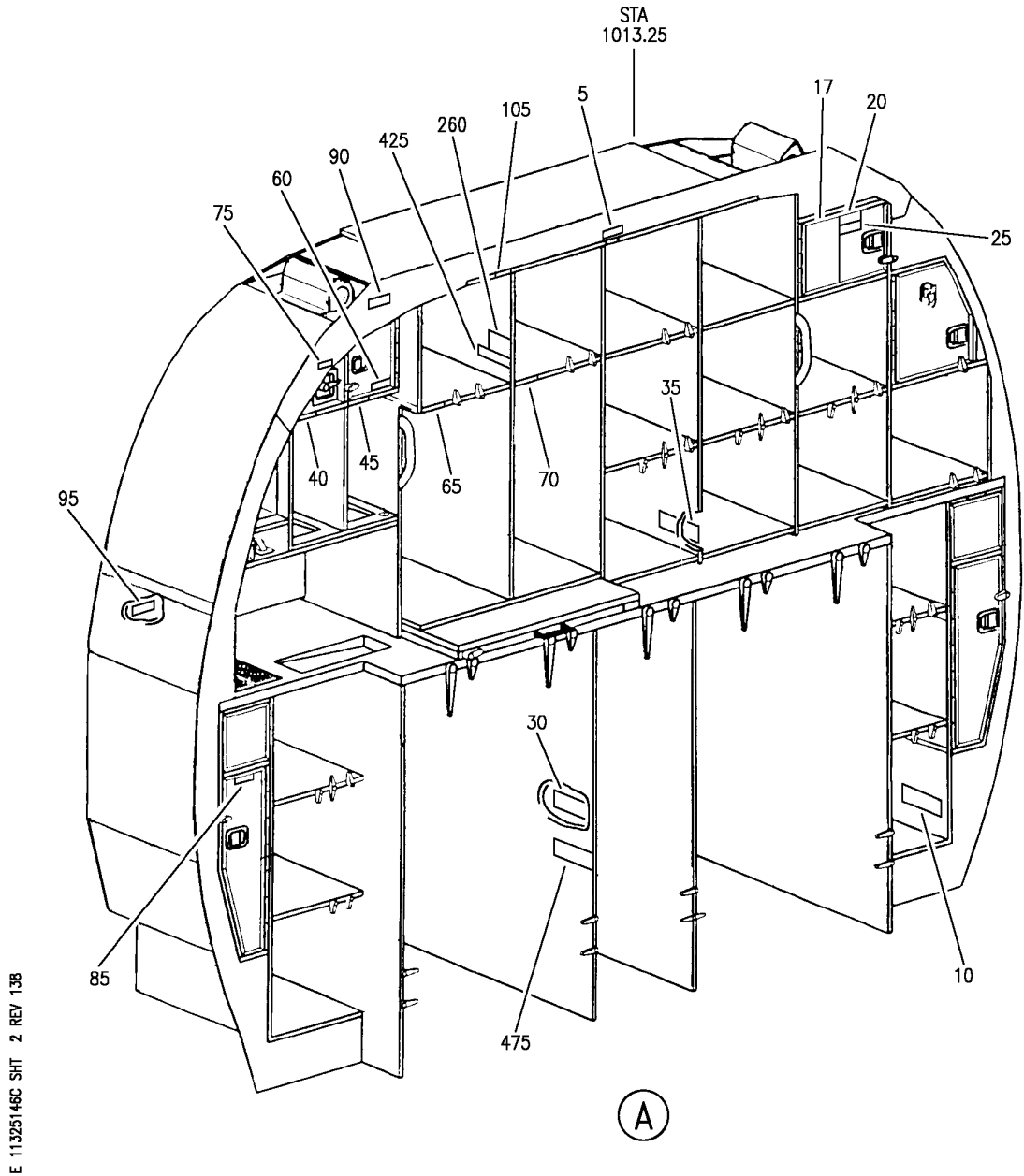
PLACARD INSTL-GALLEY G4B
 FIGURE 46C

11-32-51-46C

HAP
 FEB 15/08

11-32-51-46C
 PAGE 0

BOEING
737-600/700/800/900
PARTS CATALOG (MAINTENANCE)



E 11325146C SHT 2 REV 138

PLACARD INSTL-GALLEY G4B
FIGURE 46C

11-32-51-46C

HAP
FEB 15/08

11-32-51-46C
PAGE 0A

BOEING
737-600/700/800/900
PARTS CATALOG (MAINTENANCE)

FIG ITEM	PART NUMBER	1 2 3 4 5 6 7	NOMENCLATURE	EFFECT FROM TO	UNITS PER ASSY
46C			PLACARD INSTL-GALLEY G4B	001037 039040	
- 1	1021C21A60000		PLACARD INSTL-GALLEY G4B SUPPLIER CODE: VD2249 FOR NHA SEE: 25-31-41-60	001037 039040	RF
5	0-161-000100100		.PLACARD- SUPPLIER CODE: VD2249 PLACARD CONTENT: SELL CONFIG CHG DATA FROM A CMM: REPLD BY 0-168-000100100	001037 039040	1
5	0-168-000100100		.PLACARD- SUPPLIER CODE: VD2249 PLACARD CONTENT: SELL CONFIG CHG DATA FROM A CMM: REPLS 0-161-000100100	001037 039040	1
10	1021C21A60000A		.PLACARD- SUPPLIER CODE: VD2249 PLACARD CONTENT: FOR HEAT DUCT	001037 039040	1
15	0-161-007700091		.PLACARD- SUPPLIER CODE: VD2249	001037 039040	1
20	002400060-943-3		.PLACARD- SUPPLIER CODE: VD2249 PLACARD CONTENT: MAX. GALLEY CAPACITY 943.3 KG; 2079.5 POUNDS	001037 039040	1
25	0-161-001300091		.PLACARD- SUPPLIER CODE: VD2249	001037 039040	1
30	0-161-032100091		.PLACARD- SUPPLIER CODE: VD2249 PLACARD CONTENT: CARTS MUST BE STOWED IN PAIRS	001037 039040	3

MISSING ITEM NUMBERS NOT APPLICABLE

- ITEM NOT ILLUSTRATED

HAP

11-32-51-46C

BOEING PROPRIETARY - Copyright © - Unpublished Work - See title page for details.

11-32-51
FIG. 46C
PAGE 1
OCT 15/08

BOEING
737-600/700/800/900
PARTS CATALOG (MAINTENANCE)

FIG ITEM	PART NUMBER	1 2 3 4 5 6 7	NOMENCLATURE	EFFECT FROM TO	UNITS PER ASSY
46C 35	0-161-009000091	.	PLACARD- SUPPLIER CODE: VD2249 PLACARD CONTENT: CONTAINER MUST BE STOWED IN PAIRS	001037 039040	4
40	0-161-010700010	.	PLACARD- SUPPLIER CODE: VD2249 PLACARD CONTENT: COFFEE MAKER NO. 1	001037 039040	1
45	0-161-010800010	.	PLACARD- SUPPLIER CODE: VD2249 PLACARD CONTENT: COFFEE MAKER NO. 2	001037 039040	1
- 50	0-161-015600000	.	PLACARD- SUPPLIER CODE: VD2249	001037 039040	1
60	0-161-040400010	.	PLACARD- SUPPLIER CODE: VD2249 PLACARD CONTENT: NO STOWAGE	001037 039040	2
65	0-161-042500010	.	PLACARD- SUPPLIER CODE: VD2249 PLACARD CONTENT: OVEN NO. 1	001037 039040	1
70	0-161-042600010	.	PLACARD- SUPPLIER CODE: VD2249 PLACARD CONTENT: OVEN NO. 2	001037 039040	1
75	0-161-056200010	.	PLACARD- SUPPLIER CODE: VD2249 PLACARD CONTENT: SHUT OFF VALVE	001037 039040	1
80	0-161-070800091	.	PLACARD- SUPPLIER CODE: VD2249	001037 039040	1
85	0-161-085500091	.	PLACARD- SUPPLIER CODE: VD2249 PLACARD CONTENT: WASTE CONTAINER	001037 039040	2

MISSING ITEM NUMBERS NOT APPLICABLE

- ITEM NOT ILLUSTRATED

HAP

11-32-51-46C

BOEING PROPRIETARY - Copyright © - Unpublished Work - See title page for details.

11-32-51
FIG. 46C
PAGE 2
OCT 15/08

BOEING
737-600/700/800/900
PARTS CATALOG (MAINTENANCE)

FIG ITEM	PART NUMBER	1 2 3 4 5 6 7	NOMENCLATURE	EFFECT FROM TO	UNITS PER ASSY
46C 90	0-161-085900090	.	PLACARD- SUPPLIER CODE: VD2249 PLACARD CONTENT: WATER FILTER BEHIND	001037 039040	1
95	0-161-086500090	.	PLACARD- SUPPLIER CODE: VD2249 PLACARD CONTENT: DRAIN CLEANER BEHIND	001037 039040	1
- 100	000300020-401	.	PLACARD-COMPT NO. SUPPLIER CODE: VD2249 PLACARD CONTENT: 401	001037 039040	1
105	000300020-402	.	PLACARD-COMPT NO. SUPPLIER CODE: VD2249 PLACARD CONTENT: 402	001037 039040	1
- 110	000300020-403	.	PLACARD-COMPT NO. SUPPLIER CODE: VD2249 PLACARD CONTENT: 403	001037 039040	1
- 115	000300020-404	.	PLACARD-COMPT NO. SUPPLIER CODE: VD2249 PLACARD CONTENT: 404	001037 039040	1
- 120	000300020-405	.	PLACARD-COMPT NO. SUPPLIER CODE: VD2249 PLACARD CONTENT: 405	001037 039040	1
- 125	000300020-406	.	PLACARD-COMPT NO. SUPPLIER CODE: VD2249 PLACARD CONTENT: 406	001037 039040	1
- 130	000300020-407	.	PLACARD-COMPT NO. SUPPLIER CODE: VD2249 PLACARD CONTENT: 407	001037 039040	1

MISSING ITEM NUMBERS NOT APPLICABLE

- ITEM NOT ILLUSTRATED

HAP

11-32-51-46C

BOEING PROPRIETARY - Copyright © - Unpublished Work - See title page for details.

11-32-51
FIG. 46C
PAGE 3
OCT 15/08

BOEING
737-600/700/800/900
PARTS CATALOG (MAINTENANCE)

FIG ITEM	PART NUMBER	1 2 3 4 5 6 7	NOMENCLATURE	EFFECT FROM TO	UNITS PER ASSY
46C - 135	000300020-408		.PLACARD-COMPT NO. SUPPLIER CODE: VD2249 PLACARD CONTENT: 408	001037 039040	1
- 140	000300020-409		.PLACARD-COMPT NO. SUPPLIER CODE: VD2249 PLACARD CONTENT: 409	001037 039040	1
- 145	000300020-410		.PLACARD-COMPT NO. SUPPLIER CODE: VD2249 PLACARD CONTENT: 410	001037 039040	1
- 150	000300020-411		.PLACARD-COMPT NO. SUPPLIER CODE: VD2249 PLACARD CONTENT: 411	001037 039040	1
- 155	000300020-412		.PLACARD-COMPT NO. SUPPLIER CODE: VD2249 PLACARD CONTENT: 412	001037 039040	1
- 160	000300020-413		.PLACARD-COMPT NO. SUPPLIER CODE: VD2249 PLACARD CONTENT: 413	001037 039040	1
- 165	000300020-414		.PLACARD-COMPT NO. SUPPLIER CODE: VD2249 PLACARD CONTENT: 414	001037 039040	1
- 170	000300020-415		.PLACARD-COMPT NO. SUPPLIER CODE: VD2249 PLACARD CONTENT: 415	001037 039040	1
- 175	000300020-416		.PLACARD-COMPT NO. SUPPLIER CODE: VD2249 PLACARD CONTENT: 416	001037 039040	1

MISSING ITEM NUMBERS NOT APPLICABLE

- ITEM NOT ILLUSTRATED

HAP

11-32-51-46C

BOEING PROPRIETARY - Copyright © - Unpublished Work - See title page for details.

11-32-51
FIG. 46C
PAGE 4
OCT 15/08

BOEING
737-600/700/800/900
PARTS CATALOG (MAINTENANCE)

FIG ITEM	PART NUMBER	1 2 3 4 5 6 7	NOMENCLATURE	EFFECT FROM TO	UNITS PER ASSY
46C - 180	000300020-417		.PLACARD-COMPT NO. SUPPLIER CODE: VD2249 PLACARD CONTENT: 417	001037 039040	1
- 185	000300020-418		.PLACARD-COMPT NO. SUPPLIER CODE: VD2249 PLACARD CONTENT: 418	001037 039040	1
- 190	000300020-419		.PLACARD-COMPT NO. SUPPLIER CODE: VD2249 PLACARD CONTENT: 419	001037 039040	1
- 195	000300020-420		.PLACARD-COMPT NO. SUPPLIER CODE: VD2249 PLACARD CONTENT: 420	001037 039040	1
- 200	000300020-421		.PLACARD-COMPT NO. SUPPLIER CODE: VD2249 PLACARD CONTENT: 421	001037 039040	1
- 205	000300020-422		.PLACARD-COMPT NO. SUPPLIER CODE: VD2249 PLACARD CONTENT: 422	001037 039040	1
- 210	000300020-423		.PLACARD-COMPT NO. SUPPLIER CODE: VD2249 PLACARD CONTENT: 423	001037 039040	1
- 215	000300020-424		.PLACARD-COMPT NO. SUPPLIER CODE: VD2249 PLACARD CONTENT: 424	001037 039040	1
- 220	000300020-425		.PLACARD-COMPT NO. SUPPLIER CODE: VD2249 PLACARD CONTENT: 425	001037 039040	1

MISSING ITEM NUMBERS NOT APPLICABLE

- ITEM NOT ILLUSTRATED

HAP

11-32-51-46C

BOEING PROPRIETARY - Copyright © - Unpublished Work - See title page for details.

11-32-51
FIG. 46C
PAGE 5
OCT 15/08

BOEING
737-600/700/800/900
PARTS CATALOG (MAINTENANCE)

FIG ITEM	PART NUMBER	1 2 3 4 5 6 7	NOMENCLATURE	EFFECT FROM TO	UNITS PER ASSY
46C - 225	000300020-426		.PLACARD-COMPT NO. SUPPLIER CODE: VD2249 PLACARD CONTENT: 426	001037 039040	1
- 230	000300020-427		.PLACARD-COMPT NO. SUPPLIER CODE: VD2249 PLACARD CONTENT: 427	001037 039040	1
- 235	000300020-428		.PLACARD-COMPT NO. SUPPLIER CODE: VD2249 PLACARD CONTENT: 428	001037 039040	1
- 240	000300020-429		.PLACARD-COMPT NO. SUPPLIER CODE: VD2249 PLACARD CONTENT: 429	001037 039040	1
- 245	000300020-430		.PLACARD-COMPT NO. SUPPLIER CODE: VD2249 PLACARD CONTENT: 430	001037 039040	1
- 250	000300020-431		.PLACARD-COMPT NO. SUPPLIER CODE: VD2249 PLACARD CONTENT: 431	001037 039040	1
- 255	000300020-432		.PLACARD-COMPT NO. SUPPLIER CODE: VD2249 PLACARD CONTENT: 432	001037 039040	1
260	000300030-402		.PLACARD-COMPT NO. SUPPLIER CODE: VD2249 PLACARD CONTENT: 402	001037 039040	1
- 265	000300030-403		.PLACARD-COMPT NO. SUPPLIER CODE: VD2249 PLACARD CONTENT: 403	001037 039040	1

MISSING ITEM NUMBERS NOT APPLICABLE

- ITEM NOT ILLUSTRATED

HAP

11-32-51-46C

BOEING PROPRIETARY - Copyright © - Unpublished Work - See title page for details.

11-32-51
FIG. 46C
PAGE 6
OCT 15/08

BOEING
737-600/700/800/900
PARTS CATALOG (MAINTENANCE)

FIG ITEM	PART NUMBER	1 2 3 4 5 6 7	NOMENCLATURE	EFFECT FROM TO	UNITS PER ASSY
46C - 270	000300030-404		.PLACARD-COMPT NO. SUPPLIER CODE: VD2249 PLACARD CONTENT: 404	001037 039040	1
- 275	000300030-405		.PLACARD-COMPT NO. SUPPLIER CODE: VD2249 PLACARD CONTENT: 405	001037 039040	1
- 280	000300030-406		.PLACARD-COMPT NO. SUPPLIER CODE: VD2249 PLACARD CONTENT: 406	001037 039040	1
- 285	000300030-407		.PLACARD-COMPT NO. SUPPLIER CODE: VD2249 PLACARD CONTENT: 407	001037 039040	1
- 290	000300030-408		.PLACARD-COMPT NO. SUPPLIER CODE: VD2249 PLACARD CONTENT: 408	001037 039040	1
- 295	000300030-409		.PLACARD-COMPT NO. SUPPLIER CODE: VD2249 PLACARD CONTENT: 409	001037 039040	1
- 300	000300030-410		.PLACARD-COMPT NO. SUPPLIER CODE: VD2249 PLACARD CONTENT: 410	001037 039040	1
- 305	000300030-411		.PLACARD-COMPT NO. SUPPLIER CODE: VD2249 PLACARD CONTENT: 411	001037 039040	1
- 310	000300030-412		.PLACARD-COMPT NO. SUPPLIER CODE: VD2249 PLACARD CONTENT: 412	001037 039040	1

MISSING ITEM NUMBERS NOT APPLICABLE

- ITEM NOT ILLUSTRATED

HAP

11-32-51-46C

BOEING PROPRIETARY - Copyright © - Unpublished Work - See title page for details.

11-32-51
FIG. 46C
PAGE 7
OCT 15/08

BOEING
737-600/700/800/900
PARTS CATALOG (MAINTENANCE)

FIG ITEM	PART NUMBER	1 2 3 4 5 6 7	NOMENCLATURE	EFFECT FROM TO	UNITS PER ASSY
46C - 315	000300030-413		.PLACARD-COMPT NO. SUPPLIER CODE: VD2249 PLACARD CONTENT: 413	001037 039040	1
- 320	000300030-414		.PLACARD-COMPT NO. SUPPLIER CODE: VD2249 PLACARD CONTENT: 414	001037 039040	1
- 325	000300030-415		.PLACARD-COMPT NO. SUPPLIER CODE: VD2249 PLACARD CONTENT: 415	001037 039040	1
- 330	000300030-416		.PLACARD-COMPT NO. SUPPLIER CODE: VD2249 PLACARD CONTENT: 416	001037 039040	1
- 335	000300030-417		.PLACARD-COMPT NO. SUPPLIER CODE: VD2249 PLACARD CONTENT: 417	001037 039040	1
- 340	000300030-418		.PLACARD-COMPT NO. SUPPLIER CODE: VD2249 PLACARD CONTENT: 418	001037 039040	1
- 345	000300030-419		.PLACARD-COMPT NO. SUPPLIER CODE: VD2249 PLACARD CONTENT: 419	001037 039040	1
- 350	000300030-420		.PLACARD-COMPT NO. SUPPLIER CODE: VD2249 PLACARD CONTENT: 420	001037 039040	1
- 355	000300030-421		.PLACARD-COMPT NO. SUPPLIER CODE: VD2249 PLACARD CONTENT: 421	001037 039040	1

MISSING ITEM NUMBERS NOT APPLICABLE

- ITEM NOT ILLUSTRATED

HAP

11-32-51-46C

BOEING PROPRIETARY - Copyright © - Unpublished Work - See title page for details.

11-32-51
FIG. 46C
PAGE 8
OCT 15/08

BOEING
737-600/700/800/900
PARTS CATALOG (MAINTENANCE)

FIG ITEM	PART NUMBER	1 2 3 4 5 6 7	NOMENCLATURE	EFFECT FROM TO	UNITS PER ASSY
46C - 360	000300030-422		.PLACARD-COMPT NO. SUPPLIER CODE: VD2249 PLACARD CONTENT: 422	001037 039040	1
- 365	000300030-423		.PLACARD-COMPT NO. SUPPLIER CODE: VD2249 PLACARD CONTENT: 423	001037 039040	1
- 370	000300030-424		.PLACARD-COMPT NO. SUPPLIER CODE: VD2249 PLACARD CONTENT: 424	001037 039040	1
- 375	000300030-425		.PLACARD-COMPT NO. SUPPLIER CODE: VD2249 PLACARD CONTENT: 425	001037 039040	1
- 380	000300030-426		.PLACARD-COMPT NO. SUPPLIER CODE: VD2249 PLACARD CONTENT: 426	001037 039040	1
- 385	000300030-427		.PLACARD-COMPT NO. SUPPLIER CODE: VD2249 PLACARD CONTENT: 427	001037 039040	1
- 390	000300030-428		.PLACARD-COMPT NO. SUPPLIER CODE: VD2249 PLACARD CONTENT: 428	001037 039040	1
- 395	000300030-429		.PLACARD-COMPT NO. SUPPLIER CODE: VD2249 PLACARD CONTENT: 429	001037 039040	1
- 400	000300030-430		.PLACARD-COMPT NO. SUPPLIER CODE: VD2249 PLACARD CONTENT: 430	001037 039040	1

MISSING ITEM NUMBERS NOT APPLICABLE

- ITEM NOT ILLUSTRATED

HAP

11-32-51-46C

BOEING PROPRIETARY - Copyright © - Unpublished Work - See title page for details.

11-32-51
FIG. 46C
PAGE 9
OCT 15/08

BOEING
737-600/700/800/900
PARTS CATALOG (MAINTENANCE)

FIG ITEM	PART NUMBER	1 2 3 4 5 6 7	NOMENCLATURE	EFFECT FROM TO	UNITS PER ASSY
46C - 405	000300030-431		.PLACARD-COMPT NO. SUPPLIER CODE: VD2249 PLACARD CONTENT: 431	001037 039040	1
- 410	000300030-432		.PLACARD-COMPT NO. SUPPLIER CODE: VD2249 PLACARD CONTENT: 432	001037 039040	1
- 415	001600060-4-5		.PLACARD-COMPT NO. 406 SUPPLIER CODE: VD2249 PLACARD CONTENT: MAX. CAPACITY 4.5 KG; 9.9 POUNDS	001037 039040	1
- 420	001600060-6-8		.PLACARD-COMPT NO. 414 SUPPLIER CODE: VD2249 PLACARD CONTENT: MAX. CAPACITY 6.8 KG; 14.8 POUNDS	001037 039040	1
425	001600060-10		.PLACARD-COMPT NO. 402, 403, 404, 405, 420, 432 SUPPLIER CODE: VD2249 PLACARD CONTENT: MAX. CAPACITY 10 KG; 22 POUNDS	001037 039040	6
- 430	001600060-14		.PLACARD-COMPT NO. 407, 408 SUPPLIER CODE: VD2249 PLACARD CONTENT: MAX. CAPACITY 14 KG; 30.9 POUNDS	001037 039040	2
- 435	001600060-15		.PLACARD-COMPT NO. 413 SUPPLIER CODE: VD2249 PLACARD CONTENT: MAX. CAPACITY 15 KG; 33.1 POUNDS	001037 039040	1

MISSING ITEM NUMBERS NOT APPLICABLE

- ITEM NOT ILLUSTRATED

HAP

11-32-51-46C

BOEING PROPRIETARY - Copyright © - Unpublished Work - See title page for details.

11-32-51
FIG. 46C
PAGE 10
OCT 15/08

BOEING
737-600/700/800/900
PARTS CATALOG (MAINTENANCE)

FIG ITEM	PART NUMBER	1 2 3 4 5 6 7	NOMENCLATURE	EFFECT FROM TO	UNITS PER ASSY
46C - 440	001600060-20		.PLACARD-COMPT NO. 415, 418, 419, 421, 422, 423, 429, 430, 431 SUPPLIER CODE: VD2249 PLACARD CONTENT: MAX. CAPACITY 20 KG; 44.1 POUNDS	001037 039040	9
- 445	001600060-30		.PLACARD-COMPT NO. 411, 412 SUPPLIER CODE: VD2249 PLACARD CONTENT: MAX. CAPACITY 30 KG; 66.1 POUNDS SB DATA FROM A CMM: PRE SB 1021C-25-05	001037 039040	2
- 445	001600060-70		.PLACARD-COMPT NO. 411, 412 SUPPLIER CODE: VD2249 PLACARD CONTENT: MAX. CAPACITY 70 KG; 154.3 POUNDS SB DATA FROM A CMM: POST SB 1021C-25-05 CONFIG CHG DATA FROM A CMM: REPLD BY 1610016060-70	001037 039040	2
- 445	1610016060-70		.PLACARD-COMPT NO. 411, 412 SUPPLIER CODE: VD2249 PLACARD CONTENT: MAX. CAPACITY 70 KG; 154.3 POUNDS CONFIG CHG DATA FROM A CMM: REPLS 001600060-70	001037 039040	2
- 450	001600060-40		.PLACARD-COMPT NO. 416, 417 SUPPLIER CODE: VD2249 PLACARD CONTENT: MAX. CAPACITY 40 KG; 88.2 POUNDS SB DATA FROM A CMM: PRE SB 1021C-25-05	001037 039040	2

MISSING ITEM NUMBERS NOT APPLICABLE

- ITEM NOT ILLUSTRATED

HAP

11-32-51-46C

BOEING PROPRIETARY - Copyright © - Unpublished Work - See title page for details.

11-32-51
FIG. 46C
PAGE 11
OCT 15/08

BOEING
737-600/700/800/900
PARTS CATALOG (MAINTENANCE)

FIG ITEM	PART NUMBER	1 2 3 4 5 6 7	NOMENCLATURE	EFFECT FROM TO	UNITS PER ASSY
46C - 455	001600060-48		.PLACARD-COMPT NO. 409, 410 SUPPLIER CODE: VD2249 PLACARD CONTENT: MAX. CAPACITY 48 KG; 105.8 POUNDS	001037 039040	2
- 460	001600060-60		.PLACARD-COMPT NO. 425, 426, 428 SUPPLIER CODE: VD2249 PLACARD CONTENT: MAX. CAPACITY 60 KG; 132.3 POUNDS	001037 039040	3
- 465	001600060-113		.PLACARD-COMPT NO. 427 SUPPLIER CODE: VD2249 PLACARD CONTENT: MAX. CAPACITY 113 KG; 249.1 POUNDS	001037 039040	1
- 470	001600060-120		.PLACARD-COMPT NO. 424 SUPPLIER CODE: VD2249 PLACARD CONTENT: MAX. CAPACITY 120 KG; 264.6 POUNDS	001037 039040	1
475	0-161-026200091		.PLACARD- SUPPLIER CODE: VD2249 PLACARD CONTENT: FULL SIZE CART ONLY	001037 039040	2
- 480	1610459090-800		.PLACARD- SUPPLIER CODE: VD2249 PLACARD CONTENT: MODIFIED PER SERVICE BULLETIN SB E33-1-800SB SB DATA FROM A CMM: POST SB E33-1-800SB	001037 039040	1

MISSING ITEM NUMBERS NOT APPLICABLE

- ITEM NOT ILLUSTRATED

HAP

11-32-51-46C

BOEING PROPRIETARY - Copyright © - Unpublished Work - See title page for details.

11-32-51
FIG. 46C
PAGE 12
OCT 15/08

BOEING
737-600/700/800/900
PARTS CATALOG (MAINTENANCE)

FIG ITEM	PART NUMBER	1 2 3 4 5 6 7	NOMENCLATURE	EFFECT FROM TO	UNITS PER ASSY
46C - 485	1021C25-05-34		.PLACARD- SUPPLIER CODE: VD2249 PLACARD CONTENT: MODIFIED PER SERVICE BULLETIN SB 1021C25-05 SB DATA FROM A CMM: POST SB 1021C25-05 MANUFACTURED FROM: 0-161-046700090	001037 039040	1
490	0-161-042700010		.PLACARD- SUPPLIER CODE: VD2249 PLACARD CONTENT: OVEN NO. 3 SB DATA FROM A CMM: POST SB 1021C-25-05	001037 039040	1
495	0-161-042800010		.PLACARD- SUPPLIER CODE: VD2249 PLACARD CONTENT: OVEN NO. 4 SB DATA FROM A CMM: POST SB 1021C-25-05	001037 039040	1

MISSING ITEM NUMBERS NOT APPLICABLE

- ITEM NOT ILLUSTRATED

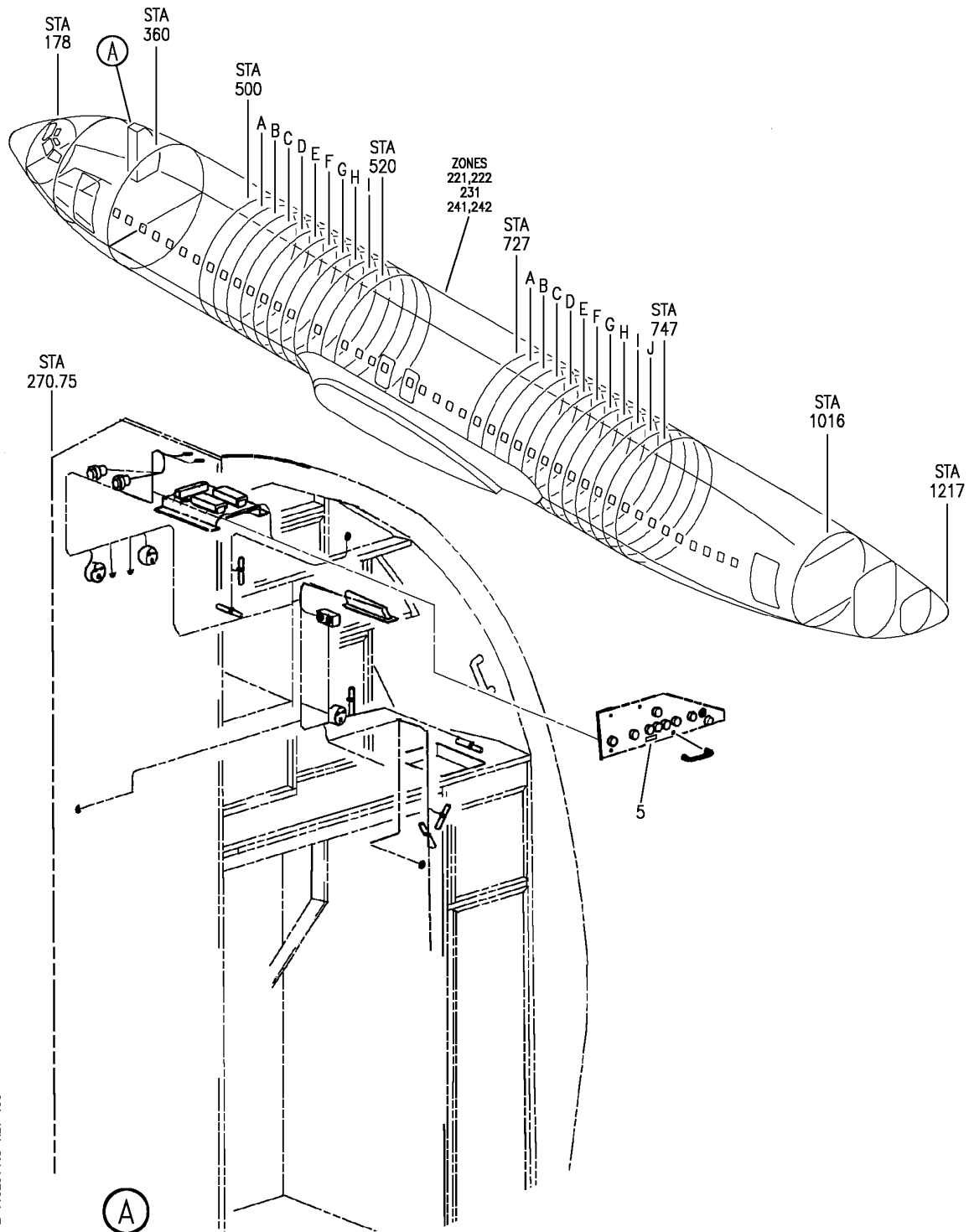
HAP

11-32-51-46C

BOEING PROPRIETARY - Copyright © - Unpublished Work - See title page for details.

11-32-51
FIG. 46C
PAGE 13
OCT 15/08

BOEING
 737-600/700/800/900
 PARTS CATALOG (MAINTENANCE)



E 11325146D REV 138

ELECTRICAL SYSTEM INSTL GALLEY G1 (PLACARDS/ MARKINGS ONLY)
 FIGURE 46D

HAP
 FEB 15/08

11-32-51-46D

11-32-51-46D
 PAGE 0

BOEING
737-600/700/800/900
PARTS CATALOG (MAINTENANCE)

FIG ITEM	PART NUMBER	1 2 3 4 5 6 7	NOMENCLATURE	EFFECT FROM TO	UNITS PER ASSY
46D			ELECTRICAL SYSTEM INSTL GALLEY G1 (PLACARDS/ MARKINGS ONLY)	001037 039040	
- 1	1021C11A20000		ELECTRICAL SYSTEM INSTL- GALLEY G1 (PLACARDS/ MARKINGS ONLY) SUPPLIER CODE: VD2249 FOR NHA/OTHER SYS DET SEE: 25-31-11-89	001037 039040	RF
5	1024C12A60000B		.PLACARD- SUPPLIER CODE: VD2249 PLACARD CONTENT: INOP SB DATA FROM A CMM: POST SB 1021C-25-06	001037 039040	1

MISSING ITEM NUMBERS NOT APPLICABLE

- ITEM NOT ILLUSTRATED

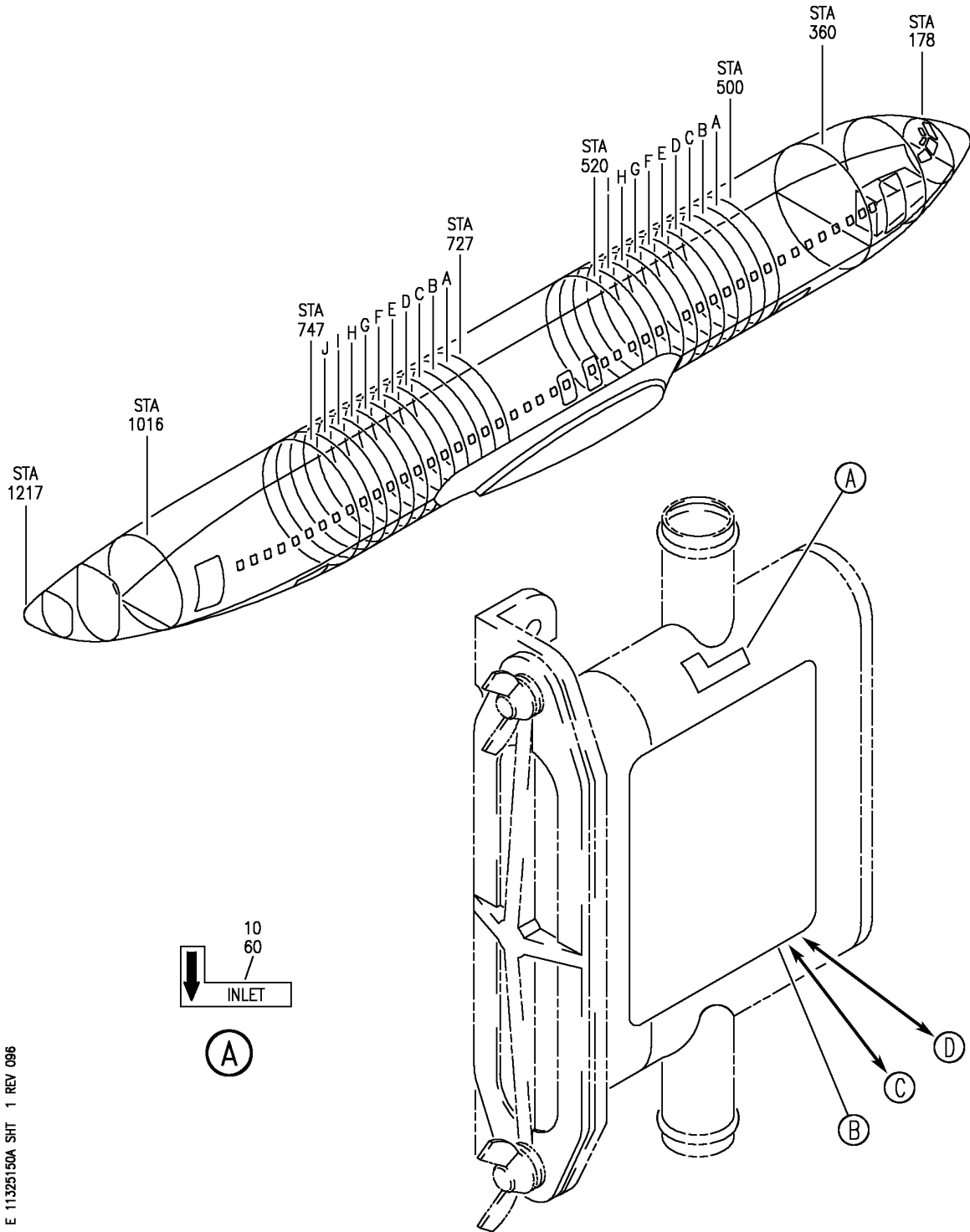
HAP

11-32-51-46D

BOEING PROPRIETARY - Copyright © - Unpublished Work - See title page for details.

11-32-51
FIG. 46D
PAGE 1
OCT 15/08

BOEING
 737-600/700/800/900
 PARTS CATALOG (MAINTENANCE)



E 11325150A SHT 1 REV 096

STRAINER ASSY-GALLEY DRAIN (PLACARDS AND MARKINGS ONLY)
 FIGURE 50A (SHEET 1)

11-32-51-50A

HAP
 OCT 10/06

11-32-51-50A
 PAGE 0

BOEING
737-600/700/800/900
PARTS CATALOG (MAINTENANCE)

15


—STRAINER CLEANING INSTRUCTIONS—

1. REMOVE WING SCREW BOLTS.
2. SLIDE STRAINER OUT OF BODY CAVITY.
3. REMOVE ALL DEBRIS FROM STRAINER.
4. WASH STRAINER THOROUGHLY WITH MILD DETERGENT AND WARM SUDSY WATER.
5. WIPER RUBBER 'O' RING AND ALL MATING SURFACE TO INSURE PROPER SEAL.
6. REASSEMBLE BY SLIDING STRAINER INTO BODY CAVITY AND TIGHTENING WING SCREWS EVENLY AND SECURELY TO PREVENT LEAKAGE.
7. RUN WATER THROUGH SYSTEM TO ASSURE PROPER SEAL.

NOTE: WING SCREWS ARE OF TWO (2) DIFFERENT SIZES TO PREVENT STRAINER FROM BEING IMPROPERLY INSTALLED.

FAA-PMA BOEING MODEL

737-X,-300,-400,-500,-600,-700,-800,-900
747-200,-300,-400
757-200,-300
767-200,-300
777-200,-300



SEA-LECT PRODUCTS INC.
A SUBSIDIARY OF
COMPASS AEROSPACE
821 3RD AVE S
KENT, WASHINGTON 98032-6193

PART NO.
SLP50338-()
(ASSEMBLY COMPLETE
AS INSTALLED)

ⓑ

20


—STRAINER CLEANING INSTRUCTIONS—

1. REMOVE WING SCREW BOLTS.
2. SLIDE STRAINER OUT OF BODY CAVITY.
3. REMOVE ALL DEBRIS FROM STRAINER.
4. WASH STRAINER THOROUGHLY WITH MILD DETERGENT AND WARM SUDSY WATER.
5. WIPER RUBBER 'O' RING AND ALL MATING SURFACE TO INSURE PROPER SEAL.
6. REASSEMBLE BY SLIDING STRAINER INTO BODY CAVITY AND TIGHTENING WING SCREWS EVENLY AND SECURELY TO PREVENT LEAKAGE.
7. RUN WATER THROUGH SYSTEM TO ASSURE PROPER SEAL.

NOTE: WING SCREWS ARE OF TWO (2) DIFFERENT SIZES TO PREVENT STRAINER FROM BEING IMPROPERLY INSTALLED.

BOEING MODEL

737-X,-300,-400,-500,-600,-700,-800,-900
747-200,-300,-400
757-200,-300
767-200,-300
777-200,-300



SEA-LECT PRODUCTS INC.
A SUBSIDIARY OF
COMPASS AEROSPACE
821 3RD AVE S
KENT, WASHINGTON 98032-6193

PART NO.
60B50338-()
SLP50338-()
(ASSEMBLY COMPLETE
AS INSTALLED)

ⓒ

E 11325150A SHT 2 REV 096

STRAINER ASSY-GALLEY DRAIN (PLACARDS AND MARKINGS ONLY)
FIGURE 50A (SHEET 2)

11-32-51-50A

HAP
OCT 10/06

11-32-51-50A
PAGE 0A

 **BOEING**
737-600/700/800/900
PARTS CATALOG (MAINTENANCE)

65

STRAINER CLEANING INSTRUCTIONS

1. REMOVE WING SCREW BOLTS.
2. SLIDE STRAINER OUT OF BODY CAVITY.
3. REMOVE ALL DEBRIS FROM STRAINER.
4. WASH STRAINER THOROUGHLY WITH MILD DETERGENT AND WARM SUDSY WATER.
5. WIPER RUBBER 'O' RING AND ALL MATING SURFACE TO INSURE PROPER SEAL.
6. REASSEMBLE BY SLIDING STRAINER INTO BODY CAVITY AND TIGHTENING WING SCREWS EVENLY AND SECURELY TO PREVENT LEAKAGE.
7. RUN WATER THROUGH SYSTEM TO ASSURE PROPER SEAL.

NOTE: WING SCREWS ARE OF TWO (2) DIFFERENT SIZES TO PREVENT STRAINER FROM BEING IMPROPERLY INSTALLED.

PART NO.
MOD50338-()
(ASSEMBLY COMPLETE
AS INSTALLED)

MODERN
MANUFACTURING, INC.
2900 LIND AVE.
RENTON, WASHINGTON 98055

(D)

E 11325150A SHT 3 REV 096

STRAINER ASSY-GALLEY DRAIN (PLACARDS AND MARKINGS ONLY)
FIGURE 50A (SHEET 3)

11-32-51-50A

HAP
OCT 10/06

11-32-51-50A
PAGE 0B

BOEING
737-600/700/800/900
PARTS CATALOG (MAINTENANCE)

FIG ITEM	PART NUMBER	1 2 3 4 5 6 7	NOMENCLATURE	EFFECT FROM TO	UNITS PER ASSY
50A			STRAINER ASSY-GALLEY DRAIN (PLACARDS AND MARKINGS ONLY)	001037 039040	
- 1	SLP50338-31		STRAINER ASSY-GALLEY DRAIN (PLACARDS AND MARKINGS ONLY) SUPPLIER CODE: V3M759 SPECIFICATION NUMBER: 60B50338-31 OPTIONAL PART: MOD50338-31 V9H468 FOR NHA/OTHER SYS DET SEE: 38-10-51-19 38-10-51-20	001037 039040	RF
10	8903-00009		.MARKER-ALUMINUM FOIL SUPPLIER CODE: V3M759	001037 039040	1
15	8903-00010		.MARKER-ALUMINUM FOIL SUPPLIER CODE: V3M759	001037 039040	1
20	8903-00011		.MARKER-ALUMINUM FOIL SUPPLIER CODE: V3M759 USED ON: SLP50338-31 SLP50338-32	001037 039040	1
- 50	MOD50338-31		STRAINER ASSY-GALLEY DRAIN (PLACARDS AND MARKINGS ONLY) SUPPLIER CODE: V9H468 SPECIFICATION NUMBER: 60B50338-31 OPTIONAL PART: SLP50338-31 V3M759 FOR NHA/OTHER SYS DET SEE: 38-10-51-19 38-10-51-20	001037 039040	RF
60	8903-00009		.MARKER-ALUMINUM FOIL SUPPLIER CODE: V3M759	001037 039040	1
65	8903-00010		.MARKER-ALUMINUM FOIL SUPPLIER CODE: V3M759	001037 039040	1

MISSING ITEM NUMBERS NOT APPLICABLE

- ITEM NOT ILLUSTRATED

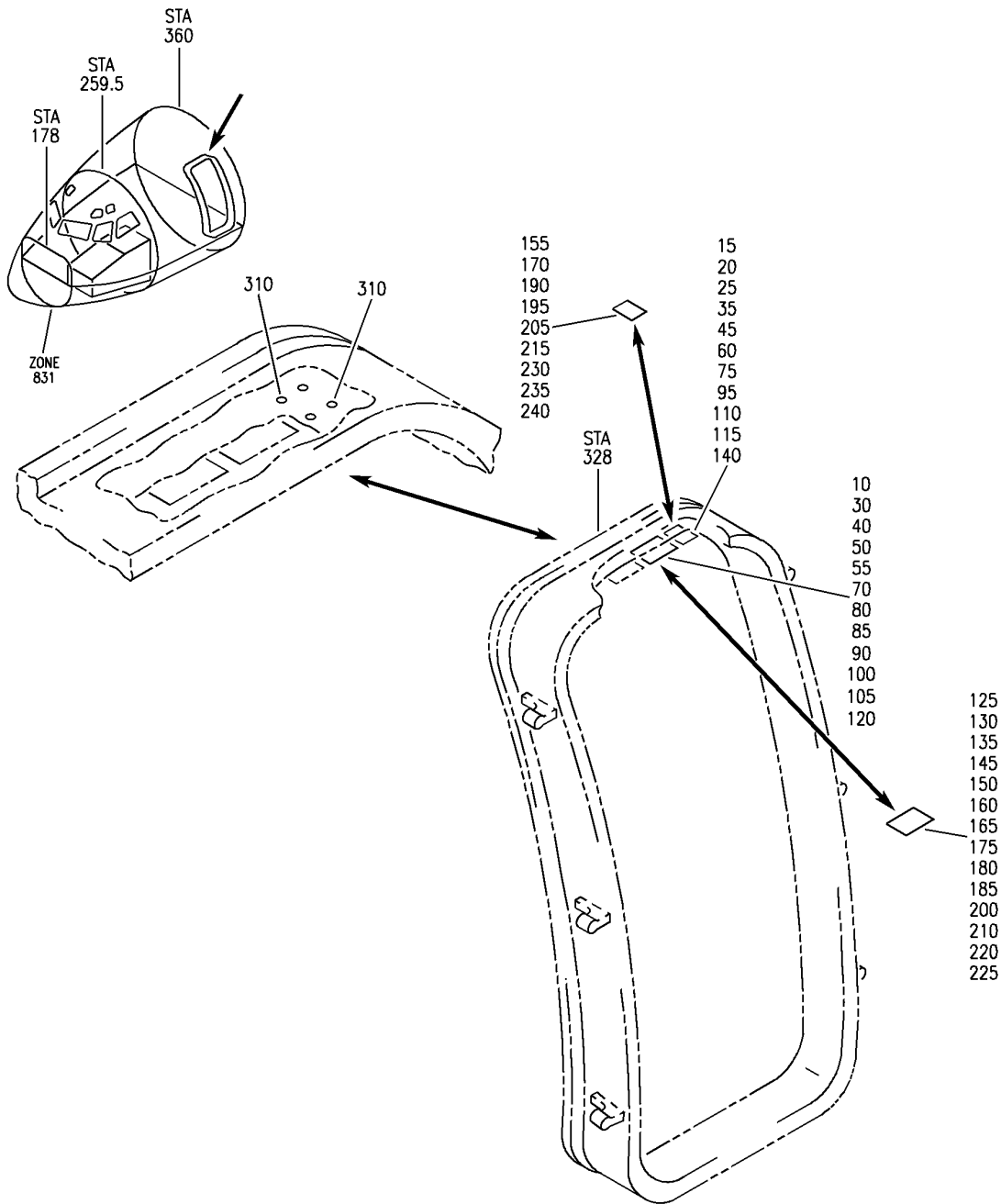
HAP

11-32-51-50A

BOEING PROPRIETARY - Copyright © - Unpublished Work - See title page for details.

11-32-51
FIG. 50A
PAGE 1
FEB 15/09

BOEING
 737-600/700/800/900
 PARTS CATALOG (MAINTENANCE)



For Details See Subsequent Pages

E 11-32-51-73A SHT 1 REV 138

NAMEPLATE INSTL-OWNERSHIP FWD DOOR SILL PLACARDS (INTERIOR PLACARDS ONLY)
 FIGURE 73A

HAP
 FEB 15/08

11-32-51-73A

11-32-51-73A
 PAGE 0


BOEING
737-600/700/800/900
PARTS CATALOG (MAINTENANCE)

10

THIS AIRCRAFT IS OWNED BY
 SNC CAMILLE FINANCE 8-MSN
 33046 AND IS MORTGAGED TO
 CALYON AS SECURITY TRUSTEE/
 FACILITY SECURITY TRUSTEE
 AND LEASED TO CHINA EASTERN
 AIRLINES CORPORATION LIMITED

30

THIS AIRCRAFT IS OWNED BY
 SNC CECILE FINANCE 3-MSN 35361
 AND IS MORTGAGED TO CALYON AS
 SECURITY TRUSTEE/FACILITY SECURITY
 TRUSTEE AND LEASED TO CHINA
 SOUTHERN AIRLINES COMPANY LIMITED

40

THIS AIRCRAFT IS OWNED BY
 SNC CECILE FINANCE 2-MSN 35363
 AND IS MORTGAGED TO CALYON AS
 SECURITY TRUSTEE/FACILITY SECURITY
 TRUSTEE AND LEASED TO CHINA
 SOUTHERN AIRLINES COMPANY LIMITED

55

THIS AIRCRAFT IS OWNED BY
 SNC CECILE FINANCE 4-MSN 35362
 AND IS MORTGAGED TO CALYON AS
 SECURITY TRUSTEE/FACILITY SECURITY
 TRUSTEE AND LEASED TO CHINA
 SOUTHERN AIRLINES COMPANY LIMITED

70

THIS AIRCRAFT IS OWNED BY YAMASA
 AIRCRAFT CZ1 KUMIAI AS LESSOR
 REPRESENTED BY ITS MANAGING PARTNER
 YAMASA CO., LTD. AND IS SUBJECT TO A
 FIRST PRIORITY MORTGAGE IN FAVOUR OF
 BNP PARIBAS (TOKYO BRANCH) (AS
 SECURITY AGENT)

105

THIS AIRCRAFT IS OWNED BY INTERNATIONAL
 LEASE FINANCE CORPORATION
 MANUFACTURER'S SERIAL NO: 30717
 OWNER'S ADDRESS:
 INTERNATIONAL LEASE
 FINANCE CORPORATION
 10250 CONSTELLATION BOULEVARD,
 SUITE 3400
 LOS ANGELES, CALIFORNIA 90067
 UNITED STATES OF AMERICA
 FAX: (310)788-1990

E 11325173A SHT 2 REV 137

NAMEPLATE INSTL-OWNERSHIP FWD DOOR SILL PLACARDS (INTERIOR PLACARDS ONLY)
 FIGURE 73A


BOEING
 737-600/700/800/900
PARTS CATALOG (MAINTENANCE)

135

THIS AIRCRAFT IS OWNED BY NBB URUMQI LEASE CO., LTD. AS LESSOR AND IS SUBJECT TO A FIRST PRIORITY MORTGAGE IN FAVOUR OF DBS BANK LTD (AS SECURITY TRUSTEE)

145

THIS BOEING 737-7K9 AIRCRAFT, MSN 34402, REGISTRATION MARK OY-MRR, IS OWNED BY BAVARIA CAYMAN I LTD., SUBJECT TO A MORTGAGE IN FAVOR OF WELLS FARGO BANK NORTHWEST, N.A., SECURITY TRUSTEE, LEASED TO BAVARIA INTERNATIONAL AIRCRAFT LEASING GMBH & CO. KG, SUB-LEASED TO AND OPERATED BY STERLING AIRLINES A/S

150

THIS AIRCRAFT IS OWNED BY INTERNATIONAL LEASE FINANCE CORPORATION
 MANUFACTURER'S SERIAL NO: 30726
 OWNER'S ADDRESS:
 INTERNATIONAL LEASE
 FINANCE CORPORATION
 10250 CONSTELLATION BOULEVARD,
 SUITE 3400
 LOS ANGELES, CALIFORNIA 90067
 UNITED STATES OF AMERICA
 FAX: (310)788-1990

160

VT-JGZ
 OWNER :CELESTIAL AVIATION TRADING 36 LIMITED
 ADDRESS :CELESTIAL AVIATION TRADING 36 LIMITED
 AVIATION HOUSE
 SHANNON, CO. CLARE
 IRELAND
 OPERATED BY :JET AIRWAYS (INDIA) LTD.
 ADDRESS :S.M. CENTRE, ANDHERI-KURLA ROAD
 ANDHERI EAST, MUMBAI - 400 059

165

THIS AIRCRAFT IS OWNED BY SNC SEVERINE FINANCE 3 - MSN 35378 AND IS MORTGAGED TO SOCIETE GENERALE AS SECURITY TRUSTEE/FACILITY SECURITY TRUSTEE AND LEASED TO CHINA SOUTHERN AIRLINES COMPANY LIMITED

180

VT-JGX
 OWNER :DELAWARE AIRCRAFT HIRE 2007 LLC
 ADDRESS :C/O WILMINGTON TRUST COMPANY
 RODNEY SQUARE NORTH
 1100 NORTH MARKET STREET
 WILMINGTON, DELAWARE 19890-0001
 OPERATED BY :JET AIRWAYS (INDIA) LTD.
 ADDRESS :S.M. CENTRE, ANDHERI-KURLA ROAD
 ANDHERI EAST, MUMBAI - 400 059

E 11325173A SHT 3 REV 137

NAMEPLATE INSTL-OWNERSHIP FWD DOOR SILL PLACARDS (INTERIOR PLACARDS ONLY)
 FIGURE 73A

BOEING
737-600/700/800/900
PARTS CATALOG (MAINTENANCE)

185

THIS AIRCRAFT IS OWNED BY SNC VALENTINE FINANCE 7 – MSN 36269 AND IS SUBJECT TO A FIRST PRIORITY MORTGAGE IN FAVOUR OF SOCIETE GENERALE AS SECURITY TRUSTEE FOR ITSELF AND CERTAIN OTHER PARTIES AND A SECOND PRIORITY MORTGAGE IN FAVOR OF CAYLON AS FACILITY SECURITY TRUSTEE FOR ITSELF AND CERTAIN OTHER PARTIES AND LEASED TO CHINA EASTERN AIRLINES CORPORATION LIMITED.

200

THIS AIRCRAFT IS OWNED BY CHINA NEWINE FINANCE 4 S.A.S. AND IS SUBJECT TO A FIRST PRIORITY MORTGAGE IN FAVOUR OF BNP PARIBAS AS SECURITY TRUSTEE FOR ITSELF AND CERTAIN OTHER PARTIES AND A SECOND PRIORITY MORTGAGE IN FAVOUR OF CAYLON AS FACILITY SECURITY TRUSTEE FOR ITSELF AND CERTAIN OTHER PARTIES AND LEASED TO CHINA EASTERN AIRLINES CORPORATION LIMITED.

210

VT-JGY
 OWNER :DELAWARE AIRCRAFT HIRE 2007 LLC
 ADDRESS :C/O WILMINGTON TRUST COMPANY
 RODNEY SQUARE NORTH
 1100 NORTH MARKET STREET
 WILMINGTON, DELAWARE 19890-0001
 OPERATED BY :JET AIRWAYS (INDIA) LTD.
 ADDRESS :S.M. CENTRE, ANDHERI-KURLA ROAD
 ANDHERI EAST, MUMBAI – 400 059

225

THIS AIRCRAFT IS OWNED BY SNC SEVERINE FINANCE 4 – MSN 35384 AND IS MORTGAGED TO SOCIETE GENERALE AS SECURITY TRUSTEE/ FACILITY SECURITY TRUSTEE AND LEASED TO CHINA SOUTHERN AIRLINES COMPANY LIMITED

E 11325173A SH1 4 REV 138

NAMEPLATE INSTL-OWNERSHIP FWD DOOR SILL PLACARDS (INTERIOR PLACARDS ONLY)
 FIGURE 73A

HAP
 FEB 15/08

11-32-51-73A

11-32-51-73A
 PAGE 0C

BOEING
737-600/700/800/900
PARTS CATALOG (MAINTENANCE)

FIG ITEM	PART NUMBER	1 2 3 4 5 6 7	NOMENCLATURE	EFFECT FROM TO	UNITS PER ASSY
73A			NAMEPLATE INSTL-OWNERSHIP FWD DOOR SILL PLACARDS (INTERIOR PLACARDS ONLY)	101103 968971	
- 1	MODREF331988		NAMEPLATE INSTL-OWNERSHIP FWD DOOR SILL PLACARDS (INTERIOR PLACARDS ONLY) MODULE NUMBER: 414A5203-521 REV A FOR OTHER SYS DETAILS SEE: 11-21-20-73 11-25-03-73 FOR ADDITIONAL DETAILS SEE: 11-32-02-73	968968	1
- 1	MODREF335518		NAMEPLATE INSTL-OWNERSHIP FWD DOOR SILL PLACARDS (INTERIOR PLACARDS ONLY) MODULE NUMBER: 414A5203-540 REV A FOR OTHER SYS DETAILS SEE: 11-21-20-73 11-25-03-73 FOR ADDITIONAL DETAILS SEE: 11-32-02-73	969969	1
- 2	MODREF339106		NAMEPLATE INSTL-OWNERSHIP FWD DOOR SILL PLACARDS MODULE NUMBER: 414A5203-566 REV A	101101	1
- 2	MODREF343596		NAMEPLATE INSTL-OWNERSHIP FWD DOOR SILL PLACARDS (INTERIOR PLACARDS ONLY) MODULE NUMBER: 414A5203-588 REV A FOR OTHER SYS DETAILS SEE: 11-21-20-73 11-25-03-73 FOR ADDITIONAL DETAILS SEE: 11-32-02-73	970971	1
- 2	MODREF363032		NAMEPLATE INSTL-OWNERSHIP FWD DOOR SILL PLACARDS MODULE NUMBER: 414A5203-673 REV A	102102	1
- 3	MODREF364913		NAMEPLATE INSTL-OWNERSHIP FWD DOOR SILL PLACARDS MODULE NUMBER: 414A5203-674 REV A	103103	1
90	BAC29PPS60652		.MARKER	968968	1

MISSING ITEM NUMBERS NOT APPLICABLE

- ITEM NOT ILLUSTRATED

HAP

11-32-51-73A

BOEING PROPRIETARY - Copyright © - Unpublished Work - See title page for details.

11-32-51
FIG. 73A
PAGE 1
FEB 15/08

BOEING
737-600/700/800/900
PARTS CATALOG (MAINTENANCE)

FIG ITEM	PART NUMBER	1 2 3 4 5 6 7	NOMENCLATURE	EFFECT FROM TO	UNITS PER ASSY
73A 95	BAC29PPS60954	.MARKER-	PLACARD CONTENT: D-AHXA B737-7K5 S/N: 30.714 BOEING 2007	968968	1
105	BAC29PPS61008	.MARKER		969969	1
110	BAC29PPS61010	.MARKER-	PLACARD CONTENT: D-AHXB B737-7K5 S/N: 30.717 BOEING 2007	969969	1
125	BAC29PPS61351	.MARKER-	PLACARD CONTENT: D-AHXC B737-7K5 S/N: 34.693 BOEING 2007	101101	1
150	BAC29PPS61474	.MARKER		970971	1
155	BAC29PPS61476	.MARKER-	PLACARD CONTENT: D-AHXD B737-7K5 S/N: 30.726 BOEING 2007	970971	1
235	BAC29PPS62437	.MARKER		102102	1
240	BAC29PPS62438	.MARKER	ATTACHING PARTS	103103	1
- 300	BACR15DR3PAC	.RIVET-	SIZE DETERMINED ON INSTL.	101103	4
- 305	BACR15DR3PAC	.RIVET-	SIZE DETERMINED ON INSTL. -----*-----	968971	8

MISSING ITEM NUMBERS NOT APPLICABLE

- ITEM NOT ILLUSTRATED

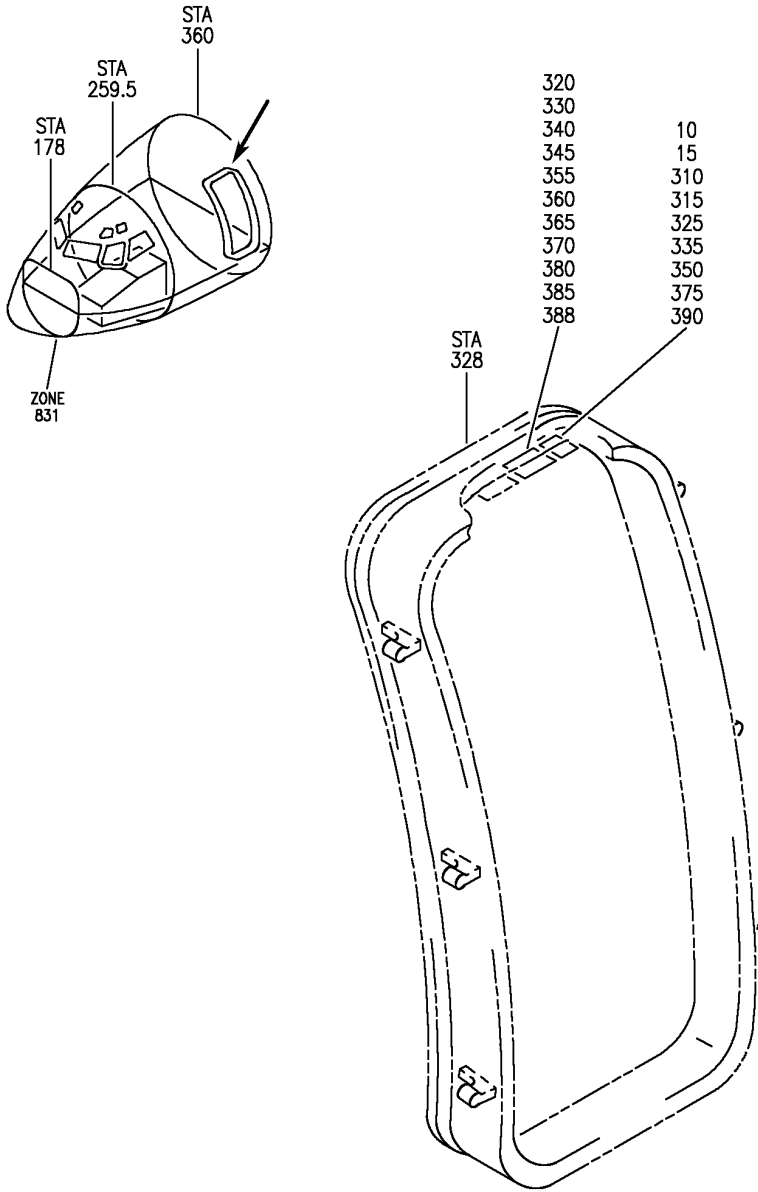
HAP

11-32-51-73A

BOEING PROPRIETARY - Copyright © - Unpublished Work - See title page for details.

11-32-51
FIG. 73A
PAGE 2
FEB 15/08

BOEING
 737-600/700/800/900
 PARTS CATALOG (MAINTENANCE)



For Details See Subsequent Pages

E 11325173B SHT 1 REV 155

NAMEPLATE INSTL-OWNERSHIP REGISTRY PLACARDS (INTERIOR PLACARDS ONLY)
 FIGURE 73B (SHEET 1)

11-32-51-73B

HAP
 JUN 15/09

11-32-51-73B
 PAGE 0



737-600/700/800/900

PARTS CATALOG (MAINTENANCE)

320

○ THIS AIRCRAFT IS OWNED BY INTERNATIONAL LEASE FINANCE CORPORATION ○
 MANUFACTURER'S SERIAL NO: 35282
 OWNER'S ADDRESS:
 INTERNATIONAL LEASE
 FINANCE CORPORATION
 10250 CONSTELLATION BOULEVARD,
 SUITE 3400
 LOS ANGELES, CALIFORNIA 90067
 UNITED STATES OF AMERICA
 ○ FAX: (310)788-1990 ○

330

○ THIS AIRCRAFT IS OWNED BY INTERNATIONAL LEASE FINANCE CORPORATION ○
 MANUFACTURER'S SERIAL NO: 35277
 OWNER'S ADDRESS:
 INTERNATIONAL LEASE
 FINANCE CORPORATION
 10250 CONSTELLATION BOULEVARD,
 SUITE 3400
 LOS ANGELES, CALIFORNIA 90067
 UNITED STATES OF AMERICA
 ○ FAX: (310)788-1990 ○

388

○ THIS AIRCRAFT IS OWNED BY CHINA EASTERN AIRLINES CORPORATION LIMITED AND IS MORTGAGED TO INDUSTRIAL AND COMMERCIAL BANK OF CHINA LIMITED ○

345

○ THIS AIRCRAFT IS OWNED BY HSH CEA 2008 LIMITED AND IS SUBJECT TO A LEASE AGREEMENT BETWEEN OWNER AND CHINA EASTERN AIRLINES CORPORATION LIMITED AND IS MORTGAGED TO HSH NORDBANK AGSINGAPORE BRANCH AS SECURITY TRUSTEE ○

370

○ REGISTRY : OO-JAR ○
 OPERATOR : TUI AIRLINES BELGUIM

 I.A.W.
 BELGISCH LUCHTVAART WETBOEK/CODE DE L'AIR BELGE ART. 18 (KB/AR 31 AUG. 1979) ○

355

○ D2-EWS ○
 THIS AIRCRAFT IS OWNED BY SONAIR SA
 (A COMPANY OF SONANGOL GROUP)

 OWNER'S ADDRESS
 AEROPORTO INTERNACIONAL
 4 DE FEVEREIRO
 LUANDA-ANGOLA ○

E 11325173B SHT 2 REV 155

NAMEPLATE INSTL-OWNERSHIP REGISTRY PLACARDS (INTERIOR PLACARDS ONLY)
FIGURE 73B (SHEET 2)

11-32-51-73B

HAP
JUN 15/09

11-32-51-73B
PAGE 0A

BOEING
737-600/700/800/900
PARTS CATALOG (MAINTENANCE)

FIG ITEM	PART NUMBER	1 2 3 4 5 6 7	NOMENCLATURE	EFFECT FROM TO	UNITS PER ASSY
R R R	73B		NAMEPLATE INSTL-OWNERSHIP REGISTRY PLACARDS (INTERIOR PLACARDS ONLY)	104200 972999	
	- 1	MODREF379045	NAMEPLATE INSTL-OWNERSHIP MODULE NUMBER: 414A5203-767 REV A	104104	1
	- 1	MODREF382871	NAMEPLATE INSTL-OWNERSHIP MODULE NUMBER: 414A5203-785 REV A	105105	1
	10	BAC29PPS63196	.PLACARDS- PLACARD CONTENT: D-AHXG B737-7K5 S/N: 35.140 BOEING 2008	104104	1
	15	BAC29PPS63323	.PLACARDS- PLACARD CONTENT: D-AHXI B737-7K5 S/N: 35.141 BOEING 2008	105105	1
	- 300	MODREF380237	NAMEPLATE INSTL-OWNERSHIP REGISTRY PLACARDS (INTERIOR PLACARDS ONLY) MODULE NUMBER: 414A5203-768 REV A FOR OTHER SYS DETAILS SEE: 11-21-20-73 11-25-03-73A FOR ADDITIONAL DETAILS SEE: 11-32-02-73A	972972	1
	- 300	MODREF384622	NAMEPLATE INSTL-OWNERSHIP REGISTRY PLACARDS (INTERIOR PLACARDS ONLY) MODULE NUMBER: 414A5203-782 REV B FOR OTHER SYS DETAILS SEE: 11-21-20-73 11-25-03-73A FOR ADDITIONAL DETAILS SEE: 11-32-02-73A	973999	1
	- 300	MODREF388705	NAMEPLATE INSTL-OWNERSHIP REGISTRY PLACARDS MODULE NUMBER: 414A5203-810 REV A	106106	1
	- 300	RR97237-32-1	NAMEPLATE INSTL-OWNERSHIP REGISTRY PLACARDS (INTERIOR PLACARDS ONLY) POST RAPID REVISION: RR97237-32B	107200	1
	315	BAC29PPS63201	.PLACARD- PLACARD CONTENT: D-AHXH	972972	1

MISSING ITEM NUMBERS NOT APPLICABLE

- ITEM NOT ILLUSTRATED

HAP

11-32-51-73B

BOEING PROPRIETARY - Copyright © - Unpublished Work - See title page for details.

11-32-51
FIG. 73B
PAGE 1
JUN 15/09

BOEING
737-600/700/800/900
PARTS CATALOG (MAINTENANCE)

FIG ITEM	PART NUMBER	1 2 3 4 5 6 7	NOMENCLATURE	EFFECT FROM TO	UNITS PER ASSY
73B					
R	320		.PLACARD	972972	1
R	325		.PLACARD-	973999	1
R			PLACARD CONTENT:		
R			D-AHXJ B737-7K5 S/N:		
			35.277 BOEING 2008		
	330		.PLACARD	973999	1
	335		.PLACARD	106106	1
R	370		.PLACARD	107200	1
			ATTACHING PARTS		
R	- 400		.RIVET-	106200	4
R			SIZE DETERMINED ON INSTL.		
	- 405		.RIVET-	972999	8
			SIZE DETERMINED ON INSTL.		
			-----*-----		

MISSING ITEM NUMBERS NOT APPLICABLE

- ITEM NOT ILLUSTRATED

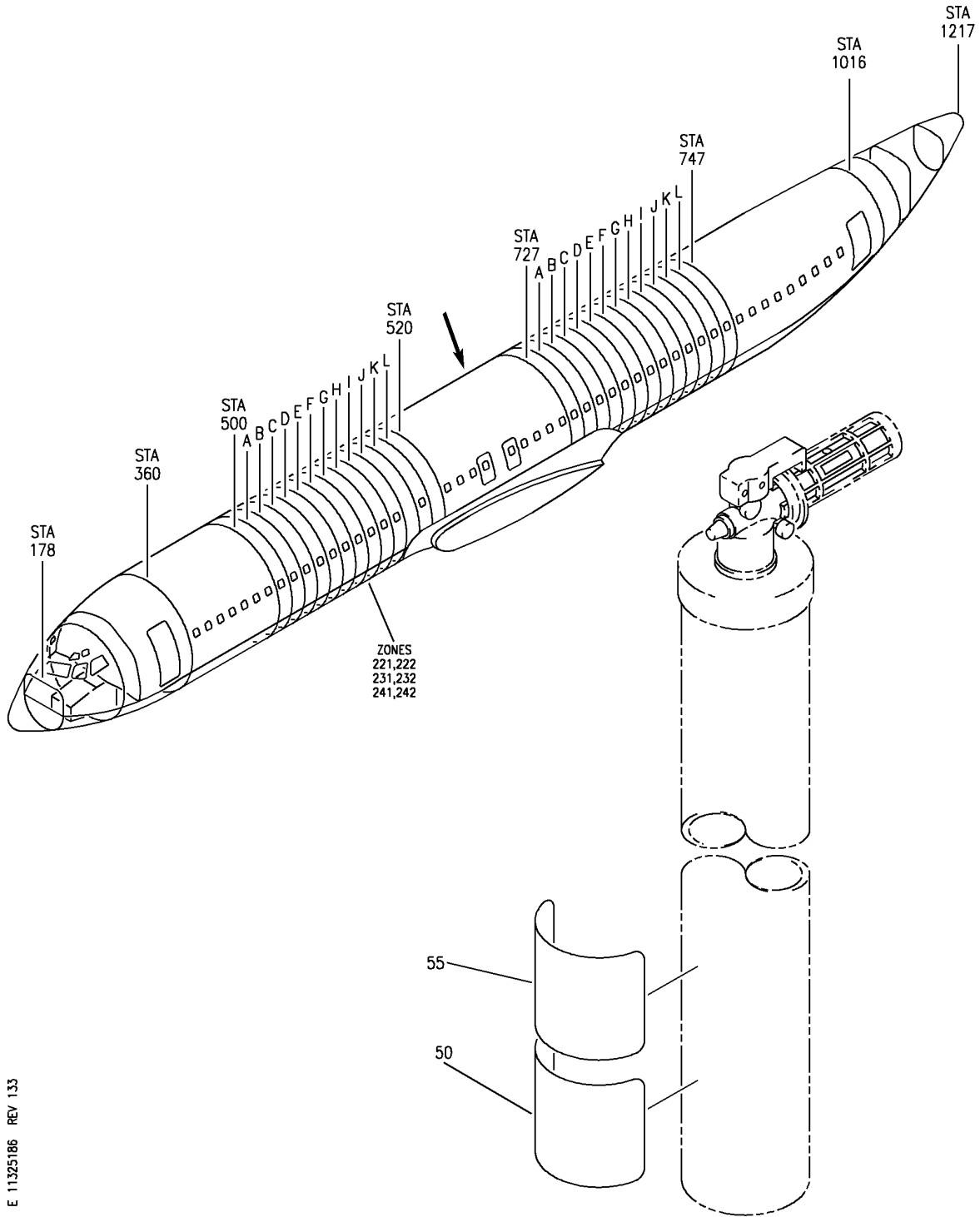
HAP

11-32-51-73B

BOEING PROPRIETARY - Copyright © - Unpublished Work - See title page for details.

11-32-51
FIG. 73B
PAGE 2
JUN 15/09

BOEING
 737-600/700/800/900
 PARTS CATALOG (MAINTENANCE)



E 11325186 REV 133

EXTINGUISHER ASSY-FIRE WATER (PLACARDS AND MARKINGS ONLY)
 FIGURE 86

11-32-51-86

HAP
 OCT 10/07

11-32-51-86
 PAGE 0

BOEING
737-600/700/800/900
PARTS CATALOG (MAINTENANCE)

FIG ITEM	PART NUMBER	1 2 3 4 5 6 7	NOMENCLATURE	EFFECT FROM TO	UNITS PER ASSY
86			EXTINGUISHER ASSY-FIRE WATER (PLACARDS AND MARKINGS ONLY)	001037 201967	
- 1	892480		EXTINGUISHER ASSY-FIRE WATER (PLACARDS AND MARKINGS ONLY) SUPPLIER CODE: V61423 FUNCTIONAL DESCRIPTION: PROVIDES PRESSURIZED EXTINGUISHING AGENT TO BE DISCHARGED IN CASE OF FIRE COMPONENT MAINT MANUAL REF: 26-20-20 FOR NHA/OTHER SYS DET SEE: 26-26-02-02 26-26-02-02A 26-26-02-30	001030 201967	RF
- 1	892480		EXTINGUISHER ASSY-FIRE WATER (PLACARDS AND MARKINGS ONLY) SUPPLIER CODE: V61423 FUNCTIONAL DESCRIPTION: PROVIDES PRESSURIZED EXTINGUISHING AGENT TO BE DISCHARGED IN CASE OF FIRE COMPONENT MAINT MANUAL REF: 26-20-20 FOR NHA/OTHER SYS DET SEE: 26-26-02-77A	031037	RF
R R R R R R	50 214129		. LABEL-INSTRUCTION SUPPLIER CODE: V61423	001033 037037 201967	1
	55 263079		. PLATE-CAUTION SUPPLIER CODE: V61423	001033 037037 201967	1

MISSING ITEM NUMBERS NOT APPLICABLE

- ITEM NOT ILLUSTRATED

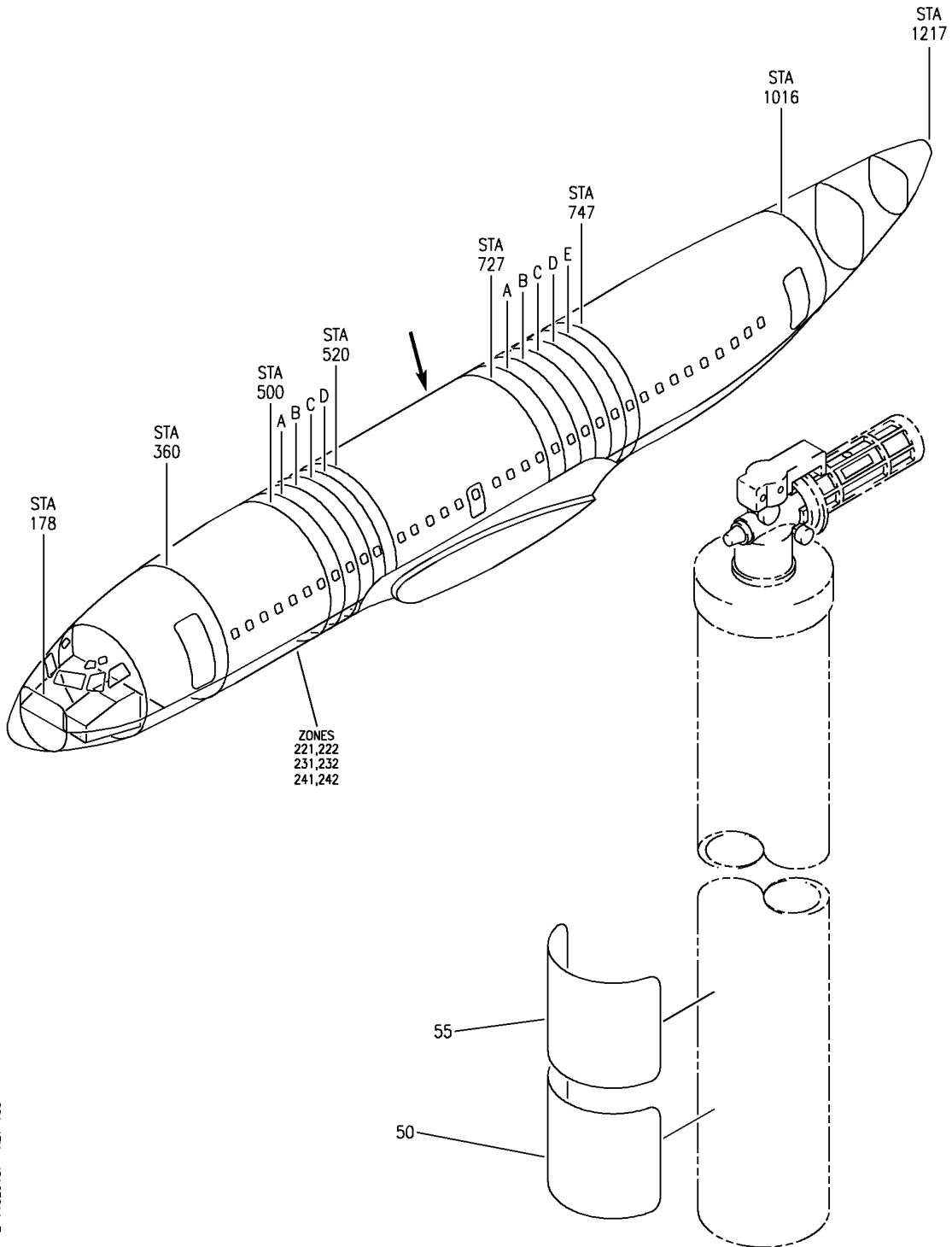
HAP

11-32-51-86

BOEING PROPRIETARY - Copyright © - Unpublished Work - See title page for details.

11-32-51
FIG. 86
PAGE 1
JUN 15/09

BOEING
 737-600/700/800/900
 PARTS CATALOG (MAINTENANCE)



E 11325187 REV 133

EXTINGUISHER ASSY-FIRE WATER (PLACARDS AND MARKINGS ONLY)
 FIGURE 87

11-32-51-87

HAP
 FEB 15/08

11-32-51-87
 PAGE 0

BOEING
737-600/700/800/900
PARTS CATALOG (MAINTENANCE)

FIG ITEM	PART NUMBER	1 2 3 4 5 6 7	NOMENCLATURE	EFFECT FROM TO	UNITS PER ASSY
87			EXTINGUISHER ASSY-FIRE WATER (PLACARDS AND MARKINGS ONLY)	101200 970999	
- 1	892480		EXTINGUISHER ASSY-FIRE WATER (PLACARDS AND MARKINGS ONLY) SUPPLIER CODE: V61423 FUNCTIONAL DESCRIPTION: PROVIDES PRESSURIZED EXTINGUISHING AGENT TO BE DISCHARGED IN CASE OF FIRE COMPONENT MAINT MANUAL REF: 26-20-20 FOR NHA/OTHER SYS DET SEE: 26-26-02-85G	101200 970999	RF
50	214129		.LABEL-INSTRUCTION SUPPLIER CODE: V61423	101200 970999	1
55	263079		.PLATE-CAUTION SUPPLIER CODE: V61423	101200 970999	1

MISSING ITEM NUMBERS NOT APPLICABLE

- ITEM NOT ILLUSTRATED

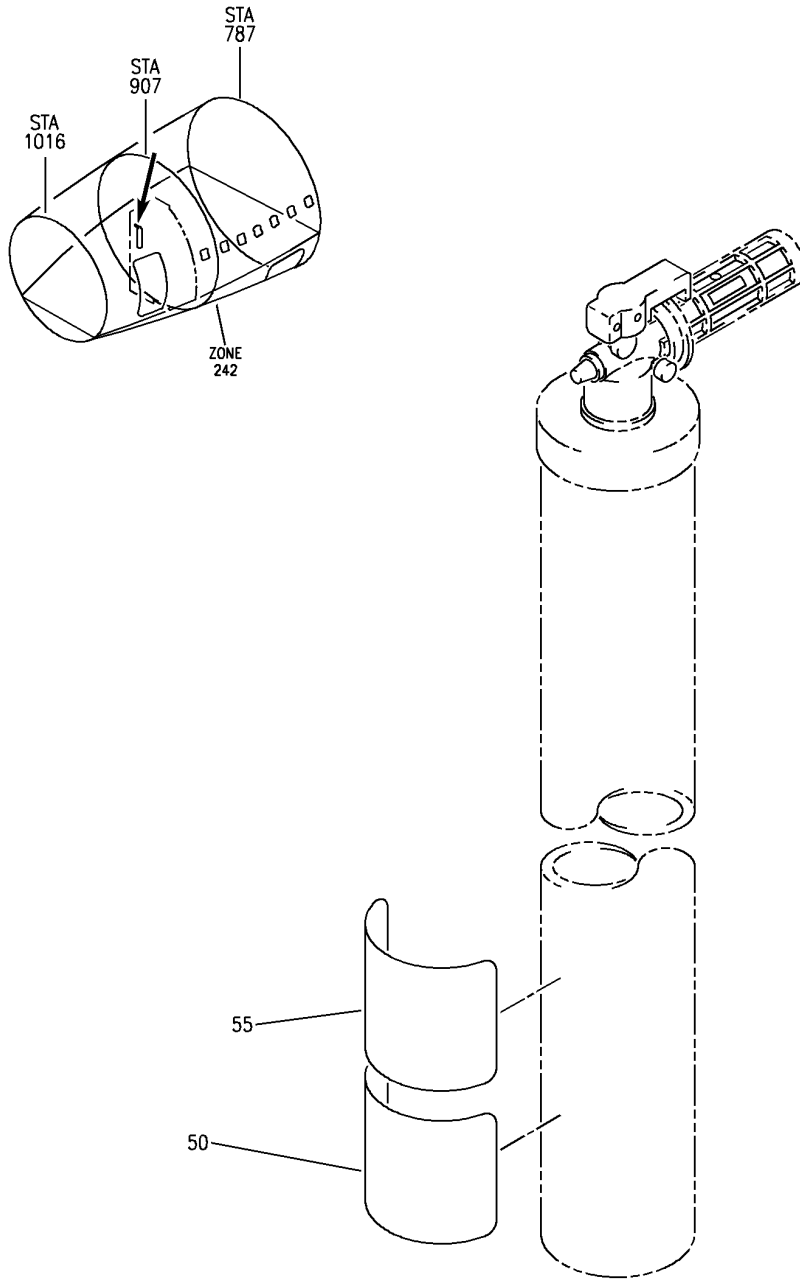
HAP

11-32-51-87

BOEING PROPRIETARY - Copyright © - Unpublished Work - See title page for details.

11-32-51
FIG. 87
PAGE 1
OCT 15/08

BOEING
737-600/700/800/900
PARTS CATALOG (MAINTENANCE)



E 11325187E SHT 1 REV 124

EXTINGUISHER ASSY-FIRE WATER (PLACARDS AND MARKINGS ONLY)
FIGURE 87E

HAP
FEB 10/07

11-32-51-87E

11-32-51-87E
PAGE 0

BOEING
737-600/700/800/900
PARTS CATALOG (MAINTENANCE)

FIG ITEM	PART NUMBER	1 2 3 4 5 6 7	NOMENCLATURE	EFFECT FROM TO	UNITS PER ASSY
87E			EXTINGUISHER ASSY-FIRE WATER (PLACARDS AND MARKINGS ONLY)	968969	
- 1	892480		EXTINGUISHER ASSY-FIRE WATER (PLACARDS AND MARKINGS ONLY) SUPPLIER CODE: V61423 FUNCTIONAL DESCRIPTION: PROVIDES PRESSURIZED EXTINGUISHING AGENT TO BE DISCHARGED IN CASE OF FIRE COMPONENT MAINT MANUAL REF: 26-20-20 FOR NHA/OTHER SYS DET SEE: 26-26-02-85E	968969	RF
50	214129		.LABEL-INSTRUCTION SUPPLIER CODE: V61423	968969	1
55	263079		.PLATE-CAUTION SUPPLIER CODE: V61423	968969	1

MISSING ITEM NUMBERS NOT APPLICABLE

- ITEM NOT ILLUSTRATED

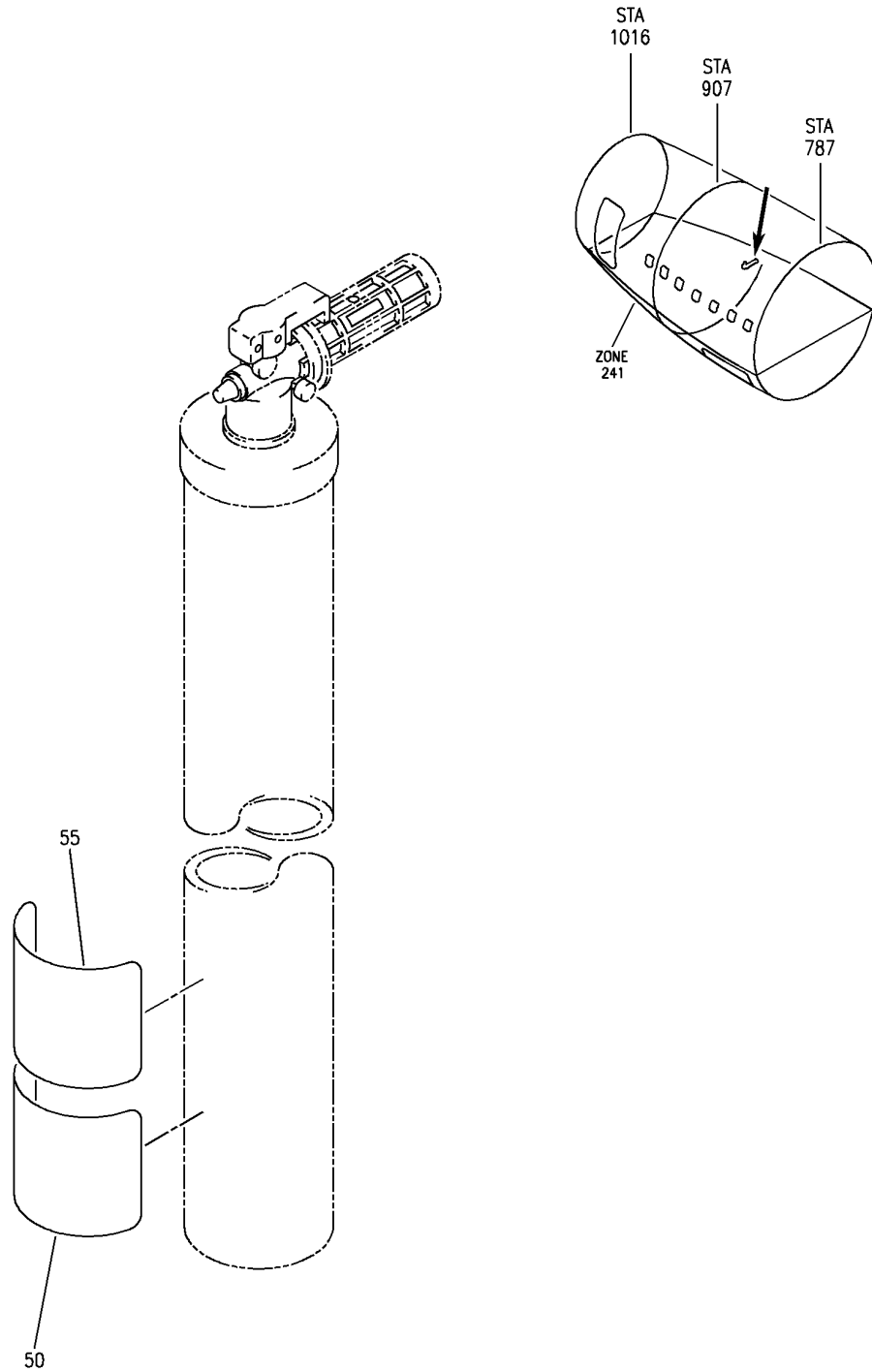
HAP

11-32-51-87E

BOEING PROPRIETARY - Copyright © - Unpublished Work - See title page for details.

11-32-51
FIG. 87E
PAGE 1
JUN 10/07

BOEING
737-600/700/800/900
PARTS CATALOG (MAINTENANCE)



E 11325188 REV 122

EXTINGUISHER ASSY-FIRE WATER (PLACARDS AND MARKINGS ONLY)
FIGURE 88

11-32-51-88

HAP
JUN 15/08

11-32-51-88
PAGE 0

BOEING
737-600/700/800/900
PARTS CATALOG (MAINTENANCE)

FIG ITEM	PART NUMBER	1 2 3 4 5 6 7	NOMENCLATURE	EFFECT FROM TO	UNITS PER ASSY
88			EXTINGUISHER ASSY-FIRE WATER (PLACARDS AND MARKINGS ONLY)	039041 047050 053100	
- 1	892480		EXTINGUISHER ASSY-FIRE WATER (PLACARDS AND MARKINGS ONLY) SUPPLIER CODE: V61423 FUNCTIONAL DESCRIPTION: PROVIDES PRESSURIZED EXTINGUISHING AGENT TO BE DISCHARGED IN CASE OF FIRE COMPONENT MAINT MANUAL REF: 26-20-20 FOR NHA/OTHER SYS DET SEE: 26-26-02-77B 26-26-02-87F	039041 047050 053100	RF
50	214129		.LABEL-INSTRUCTION SUPPLIER CODE: V61423	039041 047050 053100	1
55	263079		.PLATE-CAUTION SUPPLIER CODE: V61423	039041 047050 053100	1

MISSING ITEM NUMBERS NOT APPLICABLE

- ITEM NOT ILLUSTRATED

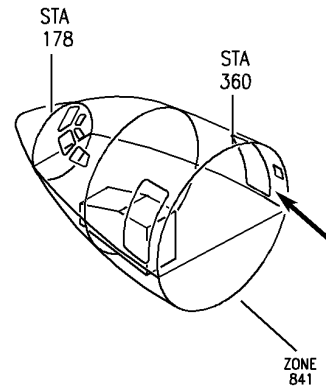
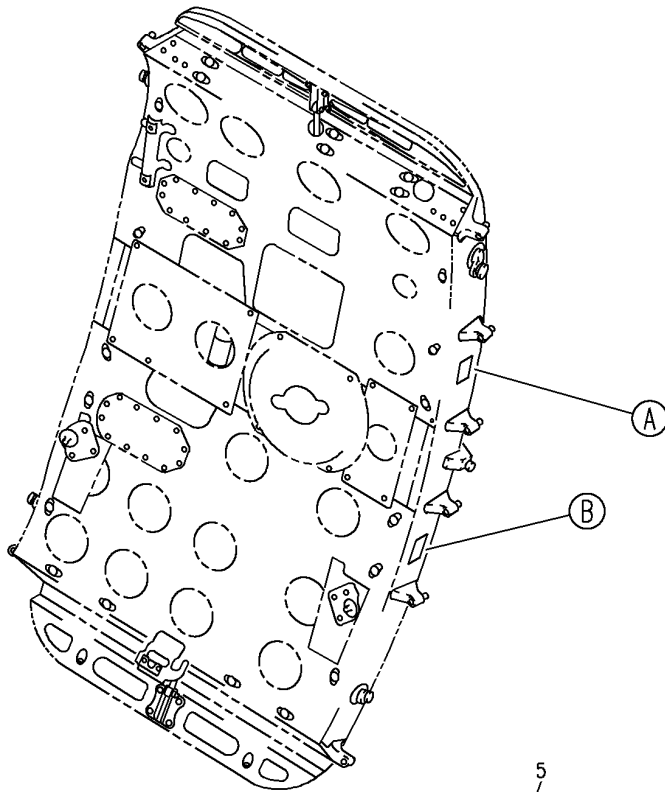
HAP

11-32-51-88

BOEING PROPRIETARY - Copyright © - Unpublished Work - See title page for details.

11-32-51
FIG. 88
PAGE 1
FEB 15/09

BOEING
737-600/700/800/900
PARTS CATALOG (MAINTENANCE)



DOOR CYCLE LOG		
AIRPLANE SERIAL NO.	AIRPLANE FLIGHT CYCLES AT INSTL	AIRPLANE FLIGHT CYCLES AT REMOVAL

A

<input type="checkbox"/> AIRCRAFT MOD.	
MFR. CODE	
PART NO.	
CONT. NO.	
SERIAL NO.	
CONT. <input type="checkbox"/>	CUST. <input type="checkbox"/>
INSP. <input type="checkbox"/>	INSP. <input type="checkbox"/>
MODIFICATION INCORPORATED	

B

E 11325205A REV 122

DOOR ASSY-FWD GALLEY (PLACARDS AND MARKINGS ONLY)
FIGURE 5A

11-32-52-05A

HAP
OCT 10/06

11-32-52-05A
PAGE 0

BOEING PROPRIETARY - Copyright © - Unpublished Work - See title page for details.

BOEING
737-600/700/800/900
PARTS CATALOG (MAINTENANCE)

FIG ITEM	PART NUMBER	1 2 3 4 5 6 7	NOMENCLATURE	EFFECT FROM TO	UNITS PER ASSY
5A			DOOR ASSY-FWD GALLEY (PLACARDS AND MARKINGS ONLY)	001030	
- 1	141A6516-2		DOOR ASSY-GALLEY (PLACARDS AND MARKINGS ONLY) POSITION DATA: FWD COMPONENT MAINT MANUAL REF: 52-41-05 OPTIONAL PART: 141A6516-4 FOR NHA/OTHER SYS DET SEE: 52-41-00-04A	001030	RF
- 1	141A6516-4		DOOR ASSY-GALLEY (PLACARDS AND MARKINGS ONLY) POSITION DATA: FWD COMPONENT MAINT MANUAL REF: 52-41-05 OPTIONAL PART: 141A6516-2 FOR NHA/OTHER SYS DET SEE: 52-41-00-04A	001030	RF
- 1	141A6516-12		DOOR ASSY-GALLEY (PLACARDS AND MARKINGS ONLY) POSITION DATA: FWD COMPONENT MAINT MANUAL REF: 52-41-05 FOR NHA/OTHER SYS DET SEE: 52-41-00-04A	001030	RF
- 1	141A6516-7		DOOR ASSY-GALLEY (PLACARDS AND MARKINGS ONLY) POSITION DATA: FWD COMPONENT MAINT MANUAL REF: 52-41-05 FOR NHA SEE: 52-41-00-04A	001030	RF

MISSING ITEM NUMBERS NOT APPLICABLE

- ITEM NOT ILLUSTRATED

HAP

11-32-52-05A

BOEING PROPRIETARY - Copyright © - Unpublished Work - See title page for details.

11-32-52
FIG. 05A
PAGE 1
OCT 15/08

BOEING
737-600/700/800/900
PARTS CATALOG (MAINTENANCE)

FIG ITEM	PART NUMBER	1 2 3 4 5 6 7	NOMENCLATURE	EFFECT FROM TO	UNITS PER ASSY
5A - 1	141A6516-8		DOOR ASSY-GALLEY (PLACARDS AND MARKINGS ONLY) POSITION DATA: FWD COMPONENT MAINT MANUAL REF: 52-41-05 FOR NHA/OTHER SYS DET SEE: 52-41-00-04A	001030	RF
- 1	141A6516-9		DOOR ASSY-GALLEY (PLACARDS AND MARKINGS ONLY) POSITION DATA: FWD COMPONENT MAINT MANUAL REF: 52-41-05 FOR NHA/OTHER SYS DET SEE: 52-41-00-04A	001030	RF
- 1	141A6516-14		DOOR ASSY-GALLEY (PLACARDS AND MARKINGS ONLY) POSITION DATA: FWD COMPONENT MAINT MANUAL REF: 52-41-05 FOR NHA/OTHER SYS DET SEE: 52-41-00-04A	001030	RF
- 1	141A6516-16		DOOR ASSY-GALLEY (PLACARDS AND MARKINGS ONLY) POSITION DATA: FWD FOR NHA/OTHER SYS DET SEE: 52-41-00-04A	001030	RF
- 1	141A6516-18		DOOR ASSY-GALLEY (PLACARDS AND MARKINGS ONLY) POSITION DATA: FWD COMPONENT MAINT MANUAL REF: 52-41-05 FOR NHA/OTHER SYS DET SEE: 52-41-00-04A	001030	RF

MISSING ITEM NUMBERS NOT APPLICABLE

- ITEM NOT ILLUSTRATED

HAP

11-32-52-05A

BOEING PROPRIETARY - Copyright © - Unpublished Work - See title page for details.

11-32-52
FIG. 05A
PAGE 2
OCT 15/08

BOEING
737-600/700/800/900
PARTS CATALOG (MAINTENANCE)

FIG ITEM	PART NUMBER	1 2 3 4 5 6 7	NOMENCLATURE	EFFECT FROM TO	UNITS PER ASSY
5A - 1	141A6516-20		DOOR ASSY-GALLEY (PLACARDS AND MARKINGS ONLY) POSITION DATA: FWD FOR NHA/OTHER SYS DET SEE: 52-41-00-04A	001030	RF
- 2	141A6516-3		DOOR ASSY-GALLEY (PLACARDS AND MARKINGS ONLY) POSITION DATA: FWD FOR NHA/OTHER SYS DET SEE: 52-41-00-04A	001030	RF
5	BAC27DBY191		.MARKER-ALUMINUM FOIL	001030	1
10	MS27253F1		.PLATE-IDENT.	001030	1

MISSING ITEM NUMBERS NOT APPLICABLE

- ITEM NOT ILLUSTRATED

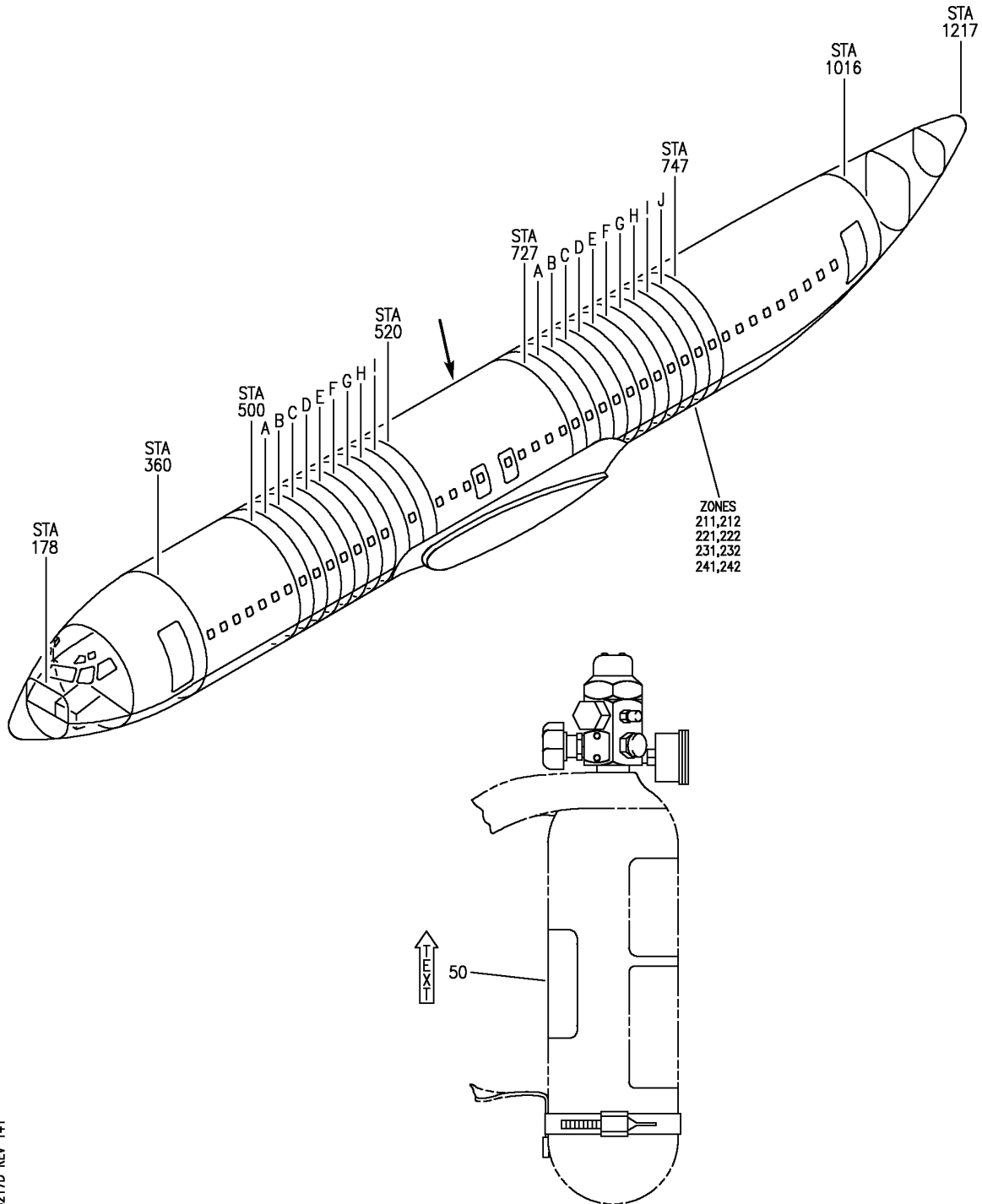
HAP

11-32-52-05A

BOEING PROPRIETARY - Copyright © - Unpublished Work - See title page for details.

11-32-52
FIG. 05A
PAGE 3
OCT 15/08

BOEING
 737-600/700/800/900
 PARTS CATALOG (MAINTENANCE)



E 11325217D REV 141

CYLINDER ASSY-OXY (PLACARDS AND MARKINGS ONLY)
 FIGURE 17D

11-32-52-17D

HAP
 JUN 15/08

11-32-52-17D
 PAGE 0

BOEING
737-600/700/800/900
PARTS CATALOG (MAINTENANCE)

FIG ITEM	PART NUMBER	1 2 3 4 5 6 7	NOMENCLATURE	EFFECT FROM TO	UNITS PER ASSY
17D			CYLINDER ASSY-OXY (PLACARDS AND MARKINGS ONLY)	039041 047050 053100	
- 1	9700C1ABF23A		BOTTLE ASSY-OXY 11.0 CU. FT. (PLACARDS AND MARKINGS ONLY) SUPPLIER CODE: V53655 SPECIFICATION NUMBER: 60B50087-34 COMPONENT MAINT MANUAL REF: 35-31-55 FOR NHA/OTHER SYS DET SEE: 35-31-01-77B 35-31-01-87F	039041 047050 053100	RF
50	10002542		.DECAL- SUPPLIER CODE: V53655 CONFIG CHG DATA FROM A CMM: REPLD BY 10009072	039041 047050 053100	1
50	10009072		.DECAL- SUPPLIER CODE: V53655 CONFIG CHG DATA FROM A CMM: REPLS 10002542	039041 047050 053100	1

MISSING ITEM NUMBERS NOT APPLICABLE

- ITEM NOT ILLUSTRATED

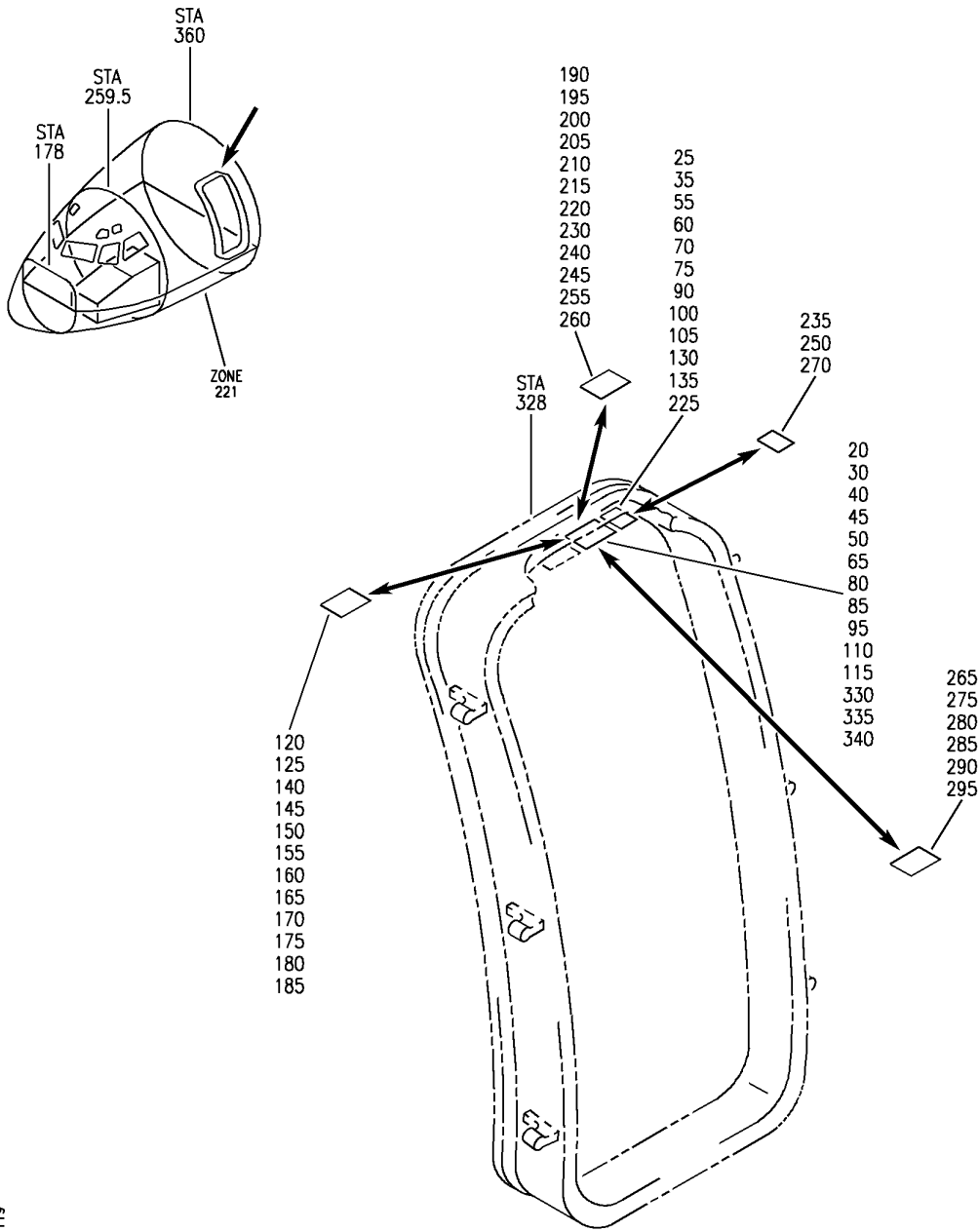
HAP

11-32-52-17D

BOEING PROPRIETARY - Copyright © - Unpublished Work - See title page for details.

11-32-52
FIG. 17D
PAGE 1
FEB 15/09

BOEING
737-600/700/800/900
PARTS CATALOG (MAINTENANCE)



For Details See Subsequent Pages

E 11325285A SHT 1 REV 119

NAMEPLATE INSTL-OWNERSHIP FWD DOOR SILL PLACARDS (INTERIOR PLACARDS ONLY)
 FIGURE 85A (SHEET 1)

11-32-52-85A

HAP
 OCT 10/06

11-32-52-85A
 PAGE 0

BOEING PROPRIETARY - Copyright © - Unpublished Work - See title page for details.


BOEING
 737-600/700/800/900
PARTS CATALOG (MAINTENANCE)

20

THIS AIRCRAFT IS OWNED BY INTERNATIONAL LEASE FINANCE CORPORATION.
 MANUFACTURER'S SERIAL NO: 30682

 OWNER'S ADDRESS:

 INTERNATIONAL LEASE FINANCE CORPORATION
 10250 CONSTELLATION BOULEVARD,
 SUITE 3400
 LOS ANGELES, CALIFORNIA 90067
 UNITED STATES OF AMERICA
 FAX: 310-788-1990

30

THIS AIRCRAFT IS OWNED BY INTERNATIONAL LEASE FINANCE CORPORATION.
 MANUFACTURER'S SERIAL NO: 32800

 OWNER'S ADDRESS:

 INTERNATIONAL LEASE FINANCE CORPORATION
 10250 CONSTELLATION BOULEVARD,
 SUITE 3400
 LOS ANGELES, CALIFORNIA 90067
 UNITED STATES OF AMERICA
 FAX: 310-788-1990

40

THIS AIRCRAFT (MSN 34151) IS OWNED BY ACG TRUST 34151, C/O WELLS FARGO BANK NORTHWEST, NATIONAL ASSOCIATION, 299 SOUTH MAIN STREET, SALT LAKE CITY, UTAH 84111, U.S.A.

45

THIS AIRCRAFT IS OWNED BY RBS AEROSPACE LIMITED AND IS LEASED TO JET AIRWAYS (INDIA) PVT LIMITED AND MAY NOT BE OR REMAIN IN THE POSSESSION OF, OR OPERATED BY, ANY OTHER PERSON WITHOUT THE PRIOR WRITTEN CONSENT OF RBS AEROSPACE LIMITED

50

THIS AIRCRAFT IS OWNED BY RBS AEROSPACE LIMITED AND IS LEASED TO TRAVEL SERVICE A.S. AND MAY NOT BE OR REMAIN IN THE POSSESSION OF, OR OPERATED BY, ANY OTHER PERSON WITHOUT THE PRIOR WRITTEN CONSENT OF RBS AEROSPACE LIMITED

65

THIS AIRCRAFT IS OWNED BY INTERNATIONAL LEASE FINANCE CORPORATION.
 MANUFACTURER'S SERIAL NO: 30040

 OWNER'S ADDRESS:

 INTERNATIONAL LEASE FINANCE CORPORATION
 10250 CONSTELLATION BOULEVARD,
 SUITE 3400
 LOS ANGELES, CALIFORNIA 90067
 UNITED STATES OF AMERICA
 FAX: 310-788-1990

E 11-32-52-85A SHT 2 REV 109

NAMEPLATE INSTL-OWNERSHIP FWD DOOR SILL PLACARDS (INTERIOR PLACARDS ONLY)
FIGURE 85A (SHEET 2)

HAP
OCT 10/06

11-32-52-85A

11-32-52-85A
PAGE 0A


BOEING
 737-600/700/800/900
PARTS CATALOG (MAINTENANCE)

80

THIS AIRCRAFT IS OWNED BY RBS AEROSPACE LIMITED AND IS LEASED TO FUTURA INTERNATIONAL AIRWAYS S.A. AND MAY NOT BE OR REMAIN IN THE POSSESSION OF, OR OPERATED BY, ANY OTHER PERSON WITHOUT THE PRIOR WRITTEN CONSENT OF RBS AEROSPACE LIMITED

85

THIS AIRCRAFT IS OWNED BY INTERNATIONAL LEASE FINANCE CORPORATION.
 MANUFACTURER'S SERIAL NO: 29362
 OWNER'S ADDRESS:
 INTERNATIONAL LEASE
 FINANCE CORPORATION
 10250 CONSTELLATION BOULEVARD,
 SUITE 3400
 LOS ANGELES, CALIFORNIA 90067
 UNITED STATES OF AMERICA
 FAX: 310-788-1990

95

THIS AIRCRAFT IS OWNED BY INTERNATIONAL LEASE FINANCE CORPORATION.
 MANUFACTURER'S SERIAL NO: 32841
 OWNER'S ADDRESS:
 INTERNATIONAL LEASE
 FINANCE CORPORATION
 10250 CONSTELLATION BOULEVARD,
 SUITE 3400
 LOS ANGELES, CALIFORNIA 90067
 UNITED STATES OF AMERICA
 FAX: 310-788-1990

110

THIS AIRCRAFT IS OWNED BY INTERNATIONAL LEASE FINANCE CORPORATION.
 MANUFACTURER'S SERIAL NO: 32802
 OWNER'S ADDRESS:
 INTERNATIONAL LEASE
 FINANCE CORPORATION
 10250 CONSTELLATION BOULEVARD,
 SUITE 3400
 LOS ANGELES, CALIFORNIA 90067
 UNITED STATES OF AMERICA
 FAX: 310-788-1990

115

THIS AIRCRAFT (MSN 34153) IS OWNED BY AND LEASED FROM WELLS FARGO BANK NORTHWEST, NATIONAL ASSOCIATION, NOT IN ITS INDIVIDUAL CAPACITY BUT SOLELY AS OWNER TRUSTEE, 12TH FLOOR, 299 SOUTH MAIN STREET, SALT LAKE CITY, UTAH 84111, AND SUBJECT TO A PERFECTED SECURITY INTEREST IN FAVOUR OF WILMINGTON TRUST COMPANY, AS SECURITY TRUSTEE.

120

THIS AIRCRAFT (MSN 34154) IS OWNED BY AND LEASED FROM WELLS FARGO BANK NORTHWEST, NATIONAL ASSOCIATION, NOT IN ITS INDIVIDUAL CAPACITY BUT SOLELY AS OWNER TRUSTEE, 12TH FLOOR, 299 SOUTH MAIN STREET, SALT LAKE CITY, UTAH 84111, AND SUBJECT TO A PERFECTED SECURITY INTEREST IN FAVOUR OF WILMINGTON TRUST COMPANY, AS SECURITY TRUSTEE.

E 11-32-52-85A SHT 3 REV 111

NAMEPLATE INSTL-OWNERSHIP FWD DOOR SILL PLACARDS (INTERIOR PLACARDS ONLY)
 FIGURE 85A (SHEET 3)

11-32-52-85A

HAP
 OCT 10/06

11-32-52-85A
 PAGE 0B


BOEING
 737-600/700/800/900
PARTS CATALOG (MAINTENANCE)

125

THIS AIRCRAFT IS OWNED BY RBS AEROSPACE LIMITED AND IS LEASED TO CHANG AN AIRLINES LIMITED AS LESSEE AND HAINAN AIRLINES LIMITED AS PERMITTED SUBLESSEE AND MAY NOT BE OPERATED BY, OR REMAIN IN THE POSSESSION OF, ANY OTHER PERSON WITHOUT THE PRIOR WRITTEN CONSENT OF RBS AEROSPACE LIMITED

230

THIS AIRCRAFT IS OWNED BY INTERNATIONAL LEASE FINANCE CORPORATION.
 MANUFACTURER'S SERIAL NO: 30695
 OWNER'S ADDRESS:
 INTERNATIONAL LEASE
 FINANCE CORPORATION
 10250 CONSTELLATION BOULEVARD,
 SUITE 3400
 LOS ANGELES, CALIFORNIA 90067
 UNITED STATES OF AMERICA
 FAX: (310)-788-1990

245

THIS AIRCRAFT IS OWNED BY INTERNATIONAL LEASE FINANCE CORPORATION.
 MANUFACTURER'S SERIAL NO: 30696
 OWNER'S ADDRESS:
 INTERNATIONAL LEASE
 FINANCE CORPORATION
 10250 CONSTELLATION BOULEVARD,
 SUITE 3400
 LOS ANGELES, CALIFORNIA 90067
 UNITED STATES OF AMERICA
 FAX: (310)-788-1990

265

THIS AIRCRAFT IS OWNED BY TSI LEASING COMPANY
 MANUFACTURER'S SERIAL NO: 34596
 OWNER'S ADDRESS:
 TSI LEASING COMPANY
 5000 NORTHWEST 36th STREET,
 SUITE 307
 MIAMI, FLORIDA 33122
 UNITED STATES OF AMERICA
 FAX: (314) 628-6099

290

THIS AIRCRAFT IS OWNED BY INTERNATIONAL LEASE FINANCE CORPORATION.
 MANUFACTURER'S SERIAL NO: 30694
 OWNER'S ADDRESS:
 INTERNATIONAL LEASE
 FINANCE CORPORATION
 10250 CONSTELLATION BOULEVARD,
 SUITE 3400
 LOS ANGELES, CALIFORNIA 90067
 UNITED STATES OF AMERICA
 FAX: (310)-788-1990

295

THIS AIRCRAFT IS OWNED BY RAM 16 LEASING LIMITED, LEASED TO COMPAGNIE NATIONALE ROYAL AIR MAROC AND SUBJECT TO A MORTGAGE IN FAVOR OF WELLS FARGO BANK NORTHWEST, NATIONAL ASSOCIATION, AS THE SECURITY TRUSTEE.

E 11325285A SHT 4 REV 118

NAMEPLATE INSTL-OWNERSHIP FWD DOOR SILL PLACARDS (INTERIOR PLACARDS ONLY)
 FIGURE 85A (SHEET 4)

HAP
 OCT 10/06

11-32-52-85A

11-32-52-85A
 PAGE 0C

BOEING
737-600/700/800/900
PARTS CATALOG (MAINTENANCE)

FIG ITEM	PART NUMBER	1 2 3 4 5 6 7	NOMENCLATURE	EFFECT FROM TO	UNITS PER ASSY
85A			NAMEPLATE INSTL-OWNERSHIP FWD DOOR SILL PLACARDS (INTERIOR PLACARDS ONLY)	031036	
- 3	MODREF291271		NAMEPLATE INSTL-OWNERSHIP FWD DOOR SILL PLACARDS MODULE NUMBER: 414A5203-334 REV A	031031	1
- 3	MODREF293031		NAMEPLATE INSTL-OWNERSHIP FWD DOOR SILL PLACARDS MODULE NUMBER: 414A5203-354 REV A	032032	1
- 3	MODREF293273		NAMEPLATE INSTL-OWNERSHIP FWD DOOR SILL PLACARDS MODULE NUMBER: 414A5203-355 REV A	033033	1
- 4	MODREF294157		NAMEPLATE INSTL-OWNERSHIP FWD DOOR SILL PLACARDS MODULE NUMBER: 414A5203-359 REV A	036036	1
- 4	MODREF294033		NAMEPLATE INSTL-OWNERSHIP FWD DOOR SILL PLACARDS MODULE NUMBER: 414A5203-357 REV A	035035	1
- 4	MODREF294032		NAMEPLATE INSTL-OWNERSHIP FWD DOOR SILL PLACARDS MODULE NUMBER: 414A5203-356 REV A	034034	1
215	BAC29PPS58585		.MARKER- PLACARD CONTENT: D-ATUC B737-8K5 S/N: 34.684 BOEING 2006	031031	1
240	BAC29PPS58788		.MARKER- PLACARD CONTENT: D-ATUD B737-8K5 S/N: 34.685 BOEING 2006	032032	1
285	BAC29PPS58789		.MARKER- PLACARD CONTENT: D-ATUE B737-8K5 S/N: 34.686 BOEING 2006	033033	1
330	BAC29PPS58830		.MARKER- PLACARD CONTENT: D-ATUH B737-8K5 S/N: 34.689 BOEING 2006	036036	1
335	BAC29PPS58827		.MARKER- PLACARD CONTENT: D-ATUG B737-8K5 S/N: 34.688 BOEING 2006	035035	1

MISSING ITEM NUMBERS NOT APPLICABLE

- ITEM NOT ILLUSTRATED

HAP

11-32-52-85A

BOEING PROPRIETARY - Copyright © - Unpublished Work - See title page for details.

11-32-52
FIG. 85A
PAGE 1
OCT 10/06

BOEING
737-600/700/800/900
PARTS CATALOG (MAINTENANCE)

FIG ITEM	PART NUMBER	1 2 3 4 5 6 7	NOMENCLATURE	EFFECT FROM TO	UNITS PER ASSY
85A 340	BAC29PPS58826		.MARKER- PLACARD CONTENT: D-ATUF B737-8K5 S/N: 34.687 BOEING 2006 ATTACHING PARTS	034034	1
- 350	BACR15DR3PAC		.RIVET- SIZE DETERMINED ON INSTL.	031036	4
- 355	BACR15DR3PAC		.RIVET- SIZE DETERMINED ON INSTL. -----*-----	034036	8

MISSING ITEM NUMBERS NOT APPLICABLE

- ITEM NOT ILLUSTRATED

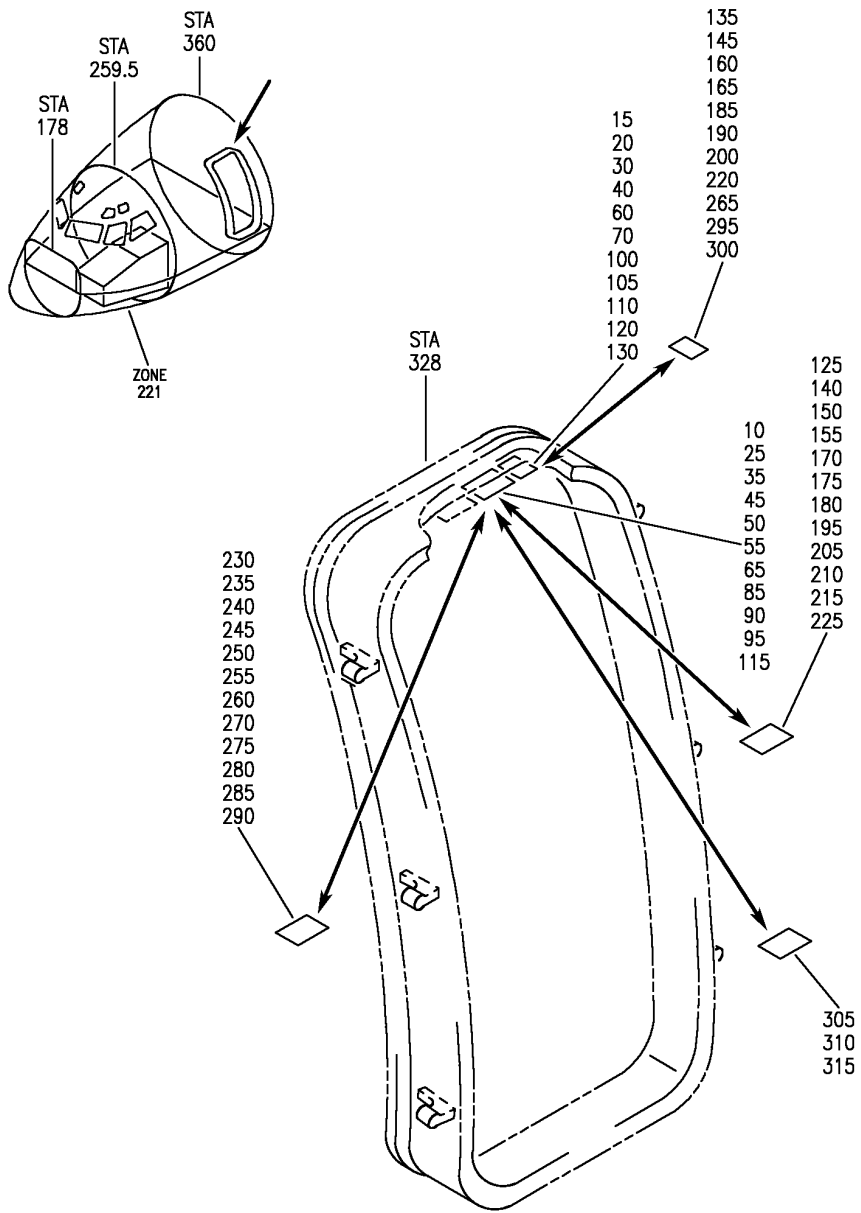
HAP

11-32-52-85A

BOEING PROPRIETARY - Copyright © - Unpublished Work - See title page for details.

11-32-52
FIG. 85A
PAGE 2
OCT 10/06

BOEING
 737-600/700/800/900
 PARTS CATALOG (MAINTENANCE)



For Details See Subsequent Pages

E 11325285C SHT 1 REV 145

NAMEPLATE INSTL-OWNERSHIP FWD DOOR SILL PLACARDS (INTERIOR PLACARDS ONLY)
 FIGURE 85C (SHEET 1)

HAP
 OCT 15/08

11-32-52-85C

11-32-52-85C
 PAGE 0

BOEING
 737-600/700/800/900
 PARTS CATALOG (MAINTENANCE)

25

THIS AIRFRAME IS OWNED BY VBNC 5 PTY LTD AND IS SUBJECT TO A MORTGAGE IN FAVOR OF ING BANK N. V. (SINGAPORE BRANCH), AS SECURITY TRUSTEE

35

THIS AIRCRAFT IS OWNED BY RBS AEROSPACE LIMITED AND IS LEASED TO HAINAN AIRLINES GROUP COMPANY LIMITED AND MAY NOT BE OR REMAIN IN THE POSSESSION OF, OR OPERATED BY, ANY OTHER PERSON WITHOUT THE PRIOR WRITTEN CONSENT OF RBS AEROSPACE LIMITED

45

THIS AIRCRAFT IS OWNED BY RBS AEROSPACE LIMITED AND IS LEASED TO ALASKA AIRLINES, INC AND MAY NOT BE OR REMAIN IN THE POSSESSION OF, OR OPERATED BY, ANY OTHER PERSON WITHOUT THE PRIOR WRITTEN CONSENT OF RBS AEROSPACE LIMITED

95

This B737-800, MSN 34898 is owned by Jet-i 34898 Owner LLC, leased to JET-i 34898 Leasing Limited and subleased to Spicejet Limited.

125

B-KBI
 HONG KONG AIRLINES LTD.
 L2 CNAC HOUSE, 12 TUNG FAI ROAD,
 HK INTERNATIONAL AIRPORT, LANTAU, HK.

E 11325285C SHT 2 REV 145

NAMEPLATE INSTL-OWNERSHIP FWD DOOR SILL PLACARDS (INTERIOR PLACARDS ONLY)
 FIGURE 85C (SHEET 2)

HAP
 OCT 15/08

11-32-52-85C

11-32-52-85C
 PAGE 0A

BOEING
737-600/700/800/900
PARTS CATALOG (MAINTENANCE)

155

THIS B737-800, MSN 34899 IS OWNED BY JET-I 34899 OWNER LLC, LEASED TO JET-I 34899 LEASING LIMITED AND SUBLEASED TO SPICEJET LIMITED.

170

B-KXE
 HONG KONG EXPRESS AIRWAYS LIMITED
 7TH FLOOR, ONE CITYGATE, 20 TAT TUNG ROAD,
 TUNG CHUNG, LANTAU, HONG KONG
 TO SPICEJET LIMITED.

180

THIS AIRCRAFT IS OWNED BY SINGAPORE AIRCRAFT LEASING ENTERPRISE PTE. LTD. AND IS MORTGAGED TO UNITED OVERSEAS BANK LIMITED AS MORTGAGEE.

175

LEASED FROM PAFCO 35790 LIMITED, AS LESSOR AND SUBJECT TO A SECURITY INTEREST IN FAVOR OF WELLS FARGO BANK NORTHWEST, N.A., AS SECURITY TRUSTEE

195

THIS AIRCRAFT IS OWNED BY SINGAPORE AIRCRAFT LEASING ENTERPRISE PTE. LTD. AND IS MORTGAGED TO OVERSEA-CHINESE BANKING CORPORATION LIMITED AS MORTGAGEE.

210

VT-AXM
 THIS AIRCRAFT IS OWNED BY AIR INDIA CHARTERS LTD
 MANUFACTURER'S SERIAL NO. 36326
 OWNER'S ADDRESS:
 21ST FLOOR
 AIR INDIA BUILDING
 NARIMAN POINT
 MUMBAI 400 001

E 11-32-52-85C SHT 3 REV 129

NAMEPLATE INSTL-OWNERSHIP FWD DOOR SILL PLACARDS (INTERIOR PLACARDS ONLY)
 FIGURE 85C (SHEET 3)

HAP
 JUN 10/07

11-32-52-85C

11-32-52-85C
 PAGE 0B


BOEING
737-600/700/800/900
PARTS CATALOG (MAINTENANCE)

235

LEASD FROM PAFCO 35791 LIMITED,
AS LESSOR AND SUBJECT TO A SECURITY
INTEREST IN FAVOR OF WELLS FARGO BANK
NORTHWEST, N.A., AS SECURITY TRUSTEE

245

THIS AIRCRAFT IS OWNED BY RBS
AEROSPACE LIMITED AND IS LEASED TO
EXCEL AIRWAYS LIMITED AND MAY NOT
BE OR REMAIN IN THE POSSESSION
OF, OR OPERATED BY, ANY OTHER
PERSON WITHOUT THE PRIOR WRITTEN
CONSENT OF RBS AEROSPACE LIMITED

255

THIS AIRCRAFT IS OWNED BY
SINGAPORE AIRCRAFT LEASING
ENTERPRISE PTE. LTD. AND IS
MORTGAGED TO MALAYAN
BANKING BERHAD, SINGAPORE
BRANCH AS MORTGAGEE

275

VT-AXP

THIS AIRCRAFT IS OWNED BY
AIR INDIA CHARTERS LTD
MANUFACTURER'S SERIAL NO. 36328
OWNER'S ADDRESS:
21ST FLOOR
AIR INDIA BUILDING
NARIMAN POINT
MUMBAI 400 001

290

THIS AIRCRAFT IS OWNED BY RAM
19 LEASING LIMITED, LEASED TO
COMPAGNIE NATIONALE ROYAL AIR
MAROC AND SUBJECT TO A MORTGAGE
IN FAVOR OF WELLS FARGO BANK
NORTHWEST, NATIONAL ASSOCIATION,
AS THE SECURITY TRUSTEE.

300

B-KBK

HONG KONG AIRLINES LTD.

12 CNAC HOUSE, 12 TUNG FAI ROAD
HK INTERNATIONAL AIRPORT, LANTAU, HK.

E 11325285C SH1 4 REV 129

NAMEPLATE INSTL-OWNERSHIP FWD DOOR SILL PLACARDS (INTERIOR PLACARDS ONLY)
FIGURE 85C (SHEET 4)

HAP
JUN 10/07

11-32-52-85C

11-32-52-85C
PAGE 0C

BOEING
737-600/700/800/900
PARTS CATALOG (MAINTENANCE)

FIG ITEM	PART NUMBER	1 2 3 4 5 6 7	NOMENCLATURE	EFFECT FROM TO	UNITS PER ASSY
85C			NAMEPLATE INSTL-OWNERSHIP FWD DOOR SILL PLACARDS (INTERIOR PLACARDS ONLY)	037038	
- 2	MODREF324908		NAMEPLATE INSTL-OWNERSHIP FWD DOOR SILL PLACARDS MODULE NUMBER: 414A5203-486 REV A	038038	1
- 3	MODREF329230		NAMEPLATE INSTL-OWNERSHIP FWD DOOR SILL PLACARDS (INTERIOR PLACARDS ONLY) MODULE NUMBER: 414A5203-511 REV A	037037	1
165	BAC29PPS60474		.MARKER- PLACARD CONTENT: G-FDZA	038038	1
280	BAC29PPS60597		.MARKER- PLACARD CONTENT: D-ATUI B737-8K5 S/N: 34.690 BOEING 2007	037037	1
- 400	BACR15DR3PAC		ATTACHING PARTS .RIVET- SIZE DETERMINED ON INSTL. -----*-----	037038	4

MISSING ITEM NUMBERS NOT APPLICABLE

- ITEM NOT ILLUSTRATED

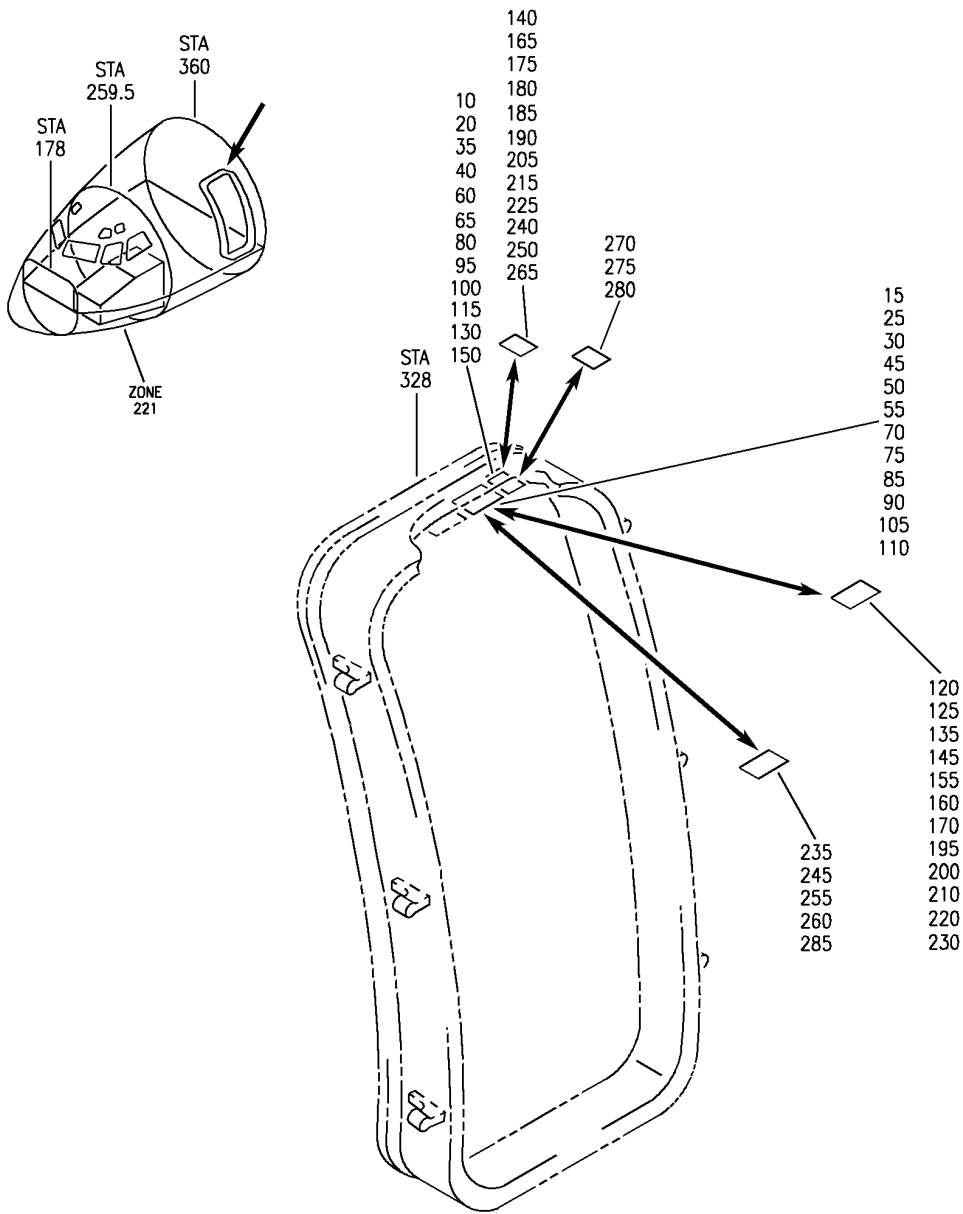
HAP

11-32-52-85C

BOEING PROPRIETARY - Copyright © - Unpublished Work - See title page for details.

11-32-52
FIG. 85C
PAGE 1
OCT 10/07

BOEING
 737-600/700/800/900
 PARTS CATALOG (MAINTENANCE)



For Details See Subsequent Pages

E 11325285D SHT 1 REV 133

NAMEPLATE INSTL-OWNERSHIP FWD DOOR SILL PLACARDS (INTERIOR PLACARDS ONLY)
 FIGURE 85D (SHEET 1)

HAP
 OCT 10/07

11-32-52-85D

11-32-52-85D
 PAGE 0


BOEING
 737-600/700/800/900
PARTS CATALOG (MAINTENANCE)

15

THIS AIRCRAFT IS OWNED BY INTERNATIONAL LEASE FINANCE CORPORATION
 MANUFACTURER'S SERIAL NO: 29373
 OWNER'S ADDRESS:
 INTERNATIONAL LEASE FINANCE CORPORATION
 10250 CONSTELLATION BOULEVARD,
 SUITE 3400
 LOS ANGELES, CALIFORNIA 90067
 UNITED STATES OF AMERICA
 FAX: 310-788-1990

30

THIS AIRCRAFT IS OWNED BY INTERNATIONAL LEASE FINANCE CORPORATION
 MANUFACTURER'S SERIAL NO: 29374
 OWNER'S ADDRESS:
 INTERNATIONAL LEASE FINANCE CORPORATION
 10250 CONSTELLATION BOULEVARD,
 SUITE 3400
 LOS ANGELES, CALIFORNIA 90067
 UNITED STATES OF AMERICA
 FAX: 310-788-1990

45

THIS AIRCRAFT IS OWNED BY SALE CAYMAN (35073) LIMITED AND IS MORTGAGED TO HSH NORDBANK AG SINGAPORE BRANCH AS MORTGAGEE.

55

THIS AIRCRAFT IS OWNED BY INTERNATIONAL LEASE FINANCE CORPORATION
 MANUFACTURER'S SERIAL NO: 30716
 OWNER'S ADDRESS:
 INTERNATIONAL LEASE FINANCE CORPORATION
 10250 CONSTELLATION BOULEVARD,
 SUITE 3400
 LOS ANGELES, CALIFORNIA 90067
 UNITED STATES OF AMERICA
 FAX: 310-788-1990

90

THIS AIRCRAFT IS OWNED BY SINGAPORE AIRCRAFT LEASING ENTERPRISE PTE. LTD. AND IS MORTGAGED TO UNITED OVERSEAS BANK LIMITED AS MORTGAGEE.

95

B-KBL
 HONG KONG AIRLINES LTD
 12 CNAC HOUSE, 12 TUNG FAI ROAD
 HK INTERNATIONAL AIRPORT, LANTAU, HK.

E 11325285D SHT 2 REV 131

NAMEPLATE INSTL-OWNERSHIP FWD DOOR SILL PLACARDS (INTERIOR PLACARDS ONLY)
 FIGURE 85D (SHEET 2)

HAP
 JUN 10/07

11-32-52-85D

11-32-52-85D
 PAGE 0A


BOEING
 737-600/700/800/900
PARTS CATALOG (MAINTENANCE)

135

THIS AIRCRAFT IS OWNED BY INTERNATIONAL LEASE FINANCE CORPORATION
 MANUFACTURER'S SERIAL NO: 30719
 OWNER'S ADDRESS:
 INTERNATIONAL LEASE FINANCE CORPORATION
 10250 CONSTELLATION BOULEVARD,
 SUITE 3400
 LOS ANGELES, CALIFORNIA 90067
 UNITED STATES OF AMERICA
 FAX: 310-788-1990

145

VT-AXQ

THIS AIRCRAFT IS OWNED BY AIR INDIA CHARTERS LTD
 MANUFACTURER'S SERIAL NO. 36329
 OWNER'S ADDRESS:
 21st FLOOR
 AIR INDIA BUILDING
 NARIMAN POINT
 MUMBAI 400 001

160

THIS AIRCRAFT IS OWNED BY INTERNATIONAL LEASE FINANCE CORPORATION
 MANUFACTURER'S SERIAL NO: 30722
 OWNER'S ADDRESS:
 INTERNATIONAL LEASE FINANCE CORPORATION
 10250 CONSTELLATION BOULEVARD,
 SUITE 3400
 LOS ANGELES, CALIFORNIA 90067
 UNITED STATES OF AMERICA
 FAX: 310-788-1990

170

THIS AIRCRAFT IS OWNED BY PANDA AVIATION LIMITED AND IS SUBJECT TO A FIRST PRIORITY MORTGAGE IN FAVOUR OF NORDDEUTSCHE LANDESBANK GIROZENTRALE AS SECURITY AGENT AND TRUSTEE.

175

B-KXG

HONG KONG EXPRESS AIRWAYS LIMITED

7th FLOOR, ONE CRYGOTA
 20 TAI TUNG ROAD
 TUNG CHUNG, LONTOW, HONG KONG

200

THIS AIRCRAFT IS OWNED BY INTERNATIONAL LEASE FINANCE CORPORATION
 MANUFACTURER'S SERIAL NO: 30688
 OWNER'S ADDRESS:
 INTERNATIONAL LEASE FINANCE CORPORATION
 10250 CONSTELLATION BOULEVARD,
 SUITE 3400
 LOS ANGELES, CALIFORNIA 90067
 UNITED STATES OF AMERICA
 FAX: 310-788-1990

E 11325285D SHT 3 REV 132

NAMEPLATE INSTL-OWNERSHIP FWD DOOR SILL PLACARDS (INTERIOR PLACARDS ONLY)
 FIGURE 85D (SHEET 3)

HAP
 OCT 10/07

11-32-52-85D

11-32-52-85D
 PAGE 0B

BOEING
737-600/700/800/900
PARTS CATALOG (MAINTENANCE)

210

THIS AIRCRAFT IS OWNED BY SALE
CAYMAN (35075) LIMITED AND IS
MORTGAGED TO HSH NORDBANK AG
SINGAPORE BRANCH AS MORTGAGEE.

220

THIS AIRCRAFT IS OWNED BY INTERNATIONAL
LEASE FINANCE CORPORATION
MANUFACTURER'S SERIAL NO: 30724
OWNER'S ADDRESS:

INTERNATIONAL LEASE
FINANCE CORPORATION
10250 CONSTELLATION BOULEVARD,
SUITE 3400
LOS ANGELES, CALIFORNIA 90067
UNITED STATES OF AMERICA
FAX: 310-788-1990

230

THIS AIRCRAFT IS OWNED BY RBS
AEROSPACE LIMITED AND IS LEASED
TO SHANDONG AIRLINES COMPANY
LIMITED AND MAY NOT BE OR REMAIN
IN THE POSSESSION OF, OR OPERATED
BY, ANY OTHER PERSON WITHOUT
THE PRIOR WRITTEN CONSENT OF RBS
AEROSPACE LIMITED

E 11-32-52-85D SHT 4 REV 133

NAMEPLATE INSTL-OWNERSHIP FWD DOOR SILL PLACARDS (INTERIOR PLACARDS ONLY)
FIGURE 85D (SHEET 4)

HAP
OCT 10/07

11-32-52-85D

11-32-52-85D
PAGE 0C

BOEING
737-600/700/800/900
PARTS CATALOG (MAINTENANCE)

FIG ITEM	PART NUMBER	1 2 3 4 5 6 7	NOMENCLATURE	EFFECT FROM TO	UNITS PER ASSY
85D			NAMEPLATE INSTL-OWNERSHIP FWD DOOR SILL PLACARDS (INTERIOR PLACARDS ONLY)	039040 042043	
- 2	MODREF336732		NAMEPLATE INSTL-OWNERSHIP FWD DOOR SILL PLACARDS MODULE NUMBER: 414A5203-551 REV A	042042	1
- 2	MODREF337435		NAMEPLATE INSTL-OWNERSHIP FWD DOOR SILL PLACARDS MODULE NUMBER: 414A5203-555 REV A	039039	1
- 2	MODREF337911		NAMEPLATE INSTL-OWNERSHIP FWD DOOR SILL PLACARDS MODULE NUMBER: 414A5203-556 REV A	040040	1
- 2	MODREF341053		NAMEPLATE INSTL-OWNERSHIP FWD DOOR SILL PLACARDS MODULE NUMBER: 414A5203-575 REV A	043043	1
115	BAC29PPS61199		.MARKER- PLACARD CONTENT: G-FDZB	042042	1
120	BAC29PPS61212		.MARKER- PLACARD CONTENT: D-ATUA B737-8K5 S/N: 34.691 BOEING 2007	039039	1
125	BAC29PPS61213		.MARKER- PLACARD CONTENT: D-ATUB B737-8K5 S/N: 34.692 BOEING 2007	040040	1
190	BAC29PPS61400		.MARKER- PLACARD CONTENT: G-FDZD	043043	1
- 400	BACR15DR3PAC		ATTACHING PARTS .RIVET- SIZE DETERMINED ON INSTL. -----*-----	039040 042043	4

MISSING ITEM NUMBERS NOT APPLICABLE

- ITEM NOT ILLUSTRATED

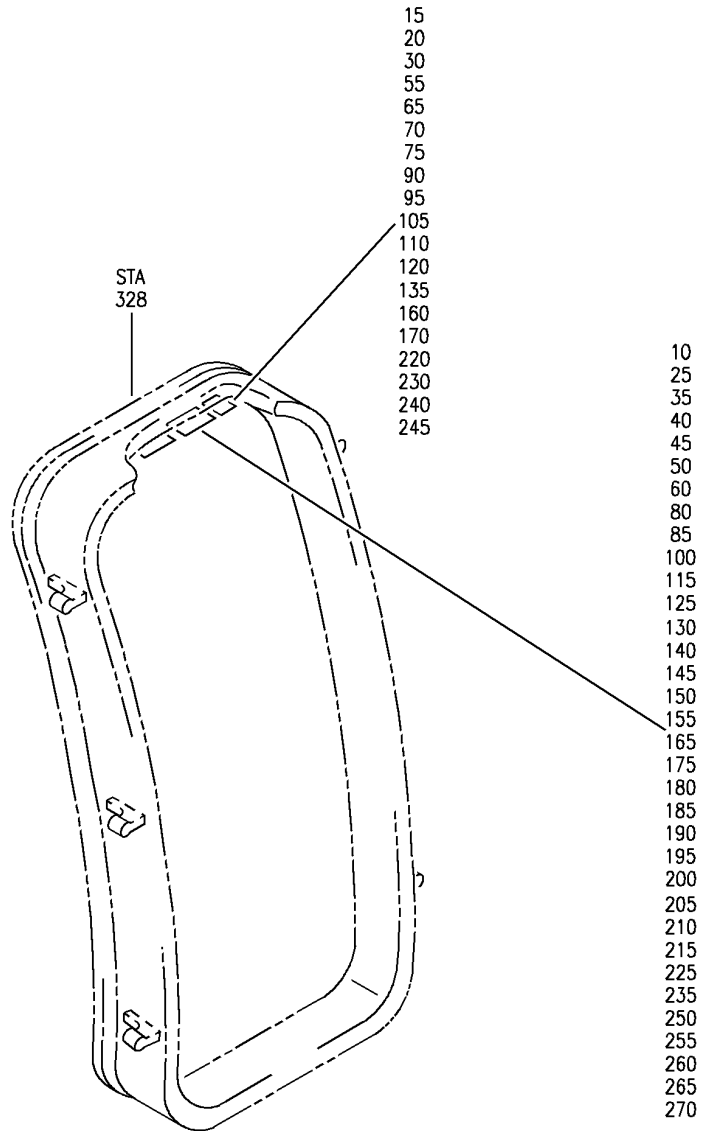
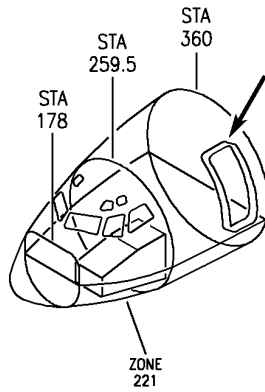
HAP

11-32-52-85D

BOEING PROPRIETARY - Copyright © - Unpublished Work - See title page for details.

11-32-52
FIG. 85D
PAGE 1
OCT 10/07

BOEING
 737-600/700/800/900
 PARTS CATALOG (MAINTENANCE)



E 11325285E SHT 1 REV 137

For Details See Subsequent Pages

NAMEPLATE INSTL-OWNERSHIP FWD DOOR SILL PLACARDS (INTERIOR PLACARDS ONLY)
 FIGURE 85E (SHEET 1)

HAP
 FEB 15/08

11-32-52-85E

11-32-52-85E
 PAGE 0


BOEING
 737-600/700/800/900
PARTS CATALOG (MAINTENANCE)

10

THIS AIRCRAFT IS OWNED BY CELESTIAL AVIATION TRADING 71 LIMITED AND IS LEASED TO SPICEJET LIMITED AND MAY NOT BE OR REMAIN IN THE POSSESSION OF, OR BE OPERATED BY, ANY OTHER PERSON WITHOUT THE PRIOR WRITTEN CONSENT OF CELESTIAL AVIATION TRADING 71 LIMITED

25

THIS AIRCRAFT IS OWNED BY SFL-4 LIMITED, MORTGAGED TO CHINA DEVELOPMENT BANK AS SECURITY TRUSTEE FOR ITSELF AND OTHER BANKS AND LEASED TO CHINA SOUTHERN AIRLINES COMPANY LIMITED.

35

VT-AXT

THIS AIRCRAFT IS OWNED BY AIR INDIA CHARTERS LTD
 MANUFACTURER'S SERIAL NO. 36331
 OWNER'S ADDRESS:
 21ST FLOOR
 AIR INDIA BUILDING
 NARIMAN POINT
 MUMBAI 400 001

40

REGISTRY : OO-JAF
 OPERATOR : TUI AIRLINES
 : BELGIUM
 I.A.W.
 BELGISCH LUCHTVAART WETBOEK/CODE DE L'AIR BOLGE ART. 18 (KB/AR 31 AUG. 1979)

45

THIS AIRFRAME (MSN 35502) IS OWNED BY HFLP FINANCE V LIMITED, SUBJECT TO A CONDITIONAL SALE AGREEMENT TO WESTJET, AND IS SUBJECT TO A MORTGAGE IN FAVOR OF WELLS FARGO BANK NORTHWEST, NATIONAL ASSOCIATION, AS SECURITY TRUSTEE ACTING ON BEHALF OF CERTAIN SECURED PARTIES.

85

THIS AIRCRAFT (MSN 36845) IS OWNED BY SC AIR 737N CO., LTD., AND IS HELD UNDER LEASE BY SKYMARK AIRLINES INC, AND IS SUBJECT TO A MORTGAGE IN FAVOUR OF WELLS FARGO BANK NORTHWEST, N.A., AS OWNER TRUSTEE

E 11-32-52-85E SHT 2 REV 135

NAMEPLATE INSTL-OWNERSHIP FWD DOOR SILL PLACARDS (INTERIOR PLACARDS ONLY)
 FIGURE 85E (SHEET 2)

HAP
 OCT 10/07

11-32-52-85E

11-32-52-85E
 PAGE 0A

BOEING
737-600/700/800/900
PARTS CATALOG (MAINTENANCE)

80

VT-AXU

THIS AIRCRAFT IS OWNED BY
 AIR INDIA CHARTERS LTD
 MANUFACTURER'S SERIAL NO. 36332
 OWNER'S ADDRESS:
 21ST FLOOR
 AIR INDIA BUILDING
 NARIMAN POINT
 MUMBAI 400 001

85

THIS AIRCRAFT (MSN 36845) IS OWNED
 BY SC AIR 737N CO., LTD., AND IS HELD
 UNDER LEASE BY SKYMARK AIRLINES INC,
 AND IS SUBJECT TO A MORTGAGE IN
 FAVOUR OF WELLS FARGO BANK
 NORTHWEST, N.A., AS OWNER TRUSTEE

100

THIS AIRFRAME IS OWNED
 BY VBNC9 PTY LTD AND IS
 SUBJECT TO A MORTGAGE
 IN FAVOR OF ING BANK
 N.V., AS SECURITY TRUSTEE

130

THIS AIRCRAFT IS OWNED BY CHINA
 MARIE FINANCE1 SAS AND IS
 MORTGAGED TO BNP PARIBAS AS
 SECURITY TRUSTEE AND TO SOCIETE
 GENERALE AS FACILITY SECURITY
 TRUSTEE AND LEASED TO CHINA
 SOUTHERN AIRLINES COMPANY LIMITED

155

THIS AIRFRAME IS OWNED
 BY VBNC9 PTY LTD AND IS
 SUBJECT TO A MORTGAGE
 IN FAVOUR OF ING BANK
 N.V., AS SECURITY TRUSTEE

165

THIS AIRCRAFT IS OWNED BY INTERNATIONAL
 LEASE FINANCE CORPORATION

MANUFACTURER'S SERIAL NO: 30728
 OWNER'S ADDRESS

INTERNATIONAL LEASE
 FINANCE CORPORATION
 10250 CONSTELLATION BOULEVARD,
 SUITE 3400
 LOS ANGELES, CALIFORNIA 90067
 UNITED STATES OF AMERICA
 FAX. (310) 788-1990

E 11-32-52-85E SHT 3 REV 137

NAMEPLATE INSTL-OWNERSHIP FWD DOOR SILL PLACARDS (INTERIOR PLACARDS ONLY)
 FIGURE 85E (SHEET 3)

HAP
 FEB 15/08

11-32-52-85E

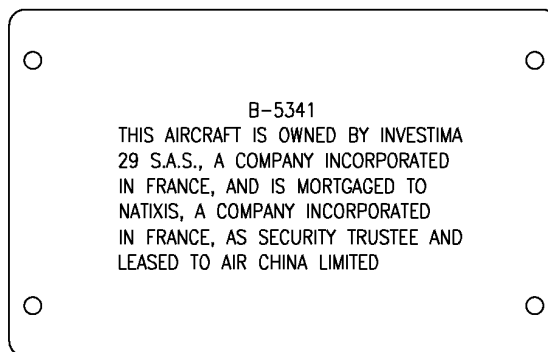
11-32-52-85E
 PAGE 0B

BOEING
737-600/700/800/900
PARTS CATALOG (MAINTENANCE)

225



235



E 11325285E SHT 4 REV 137

NAMEPLATE INSTL-OWNERSHIP FWD DOOR SILL PLACARDS (INTERIOR PLACARDS ONLY)
FIGURE 85E (SHEET 4)

HAP
FEB 15/08

11-32-52-85E

11-32-52-85E
PAGE 0C

BOEING
737-600/700/800/900
PARTS CATALOG (MAINTENANCE)

FIG ITEM	PART NUMBER	1 2 3 4 5 6 7	NOMENCLATURE	EFFECT FROM TO	UNITS PER ASSY
85E			NAMEPLATE INSTL-OWNERSHIP FWD DOOR SILL PLACARDS (INTERIOR PLACARDS ONLY)	041041	
- 1	MODREF347942		NAMEPLATE INSTL-OWNERSHIP FWD DOOR SILL PLACARDS (INTERIOR PLACARDS ONLY) MODULE NUMBER: 414A5203-609 REV A FOR OTHER SYS DETAILS SEE: 11-25-03-85C FOR ADDITIONAL DETAILS SEE: 11-32-02-85C	041041	1
40	BAC29PPS61792		.MARKER ATTACHING PARTS	041041	1
- 400	BACR15DR3PAC		.RIVET- SIZE DETERMINED ON INSTL. -----*-----	041041	4

MISSING ITEM NUMBERS NOT APPLICABLE

- ITEM NOT ILLUSTRATED

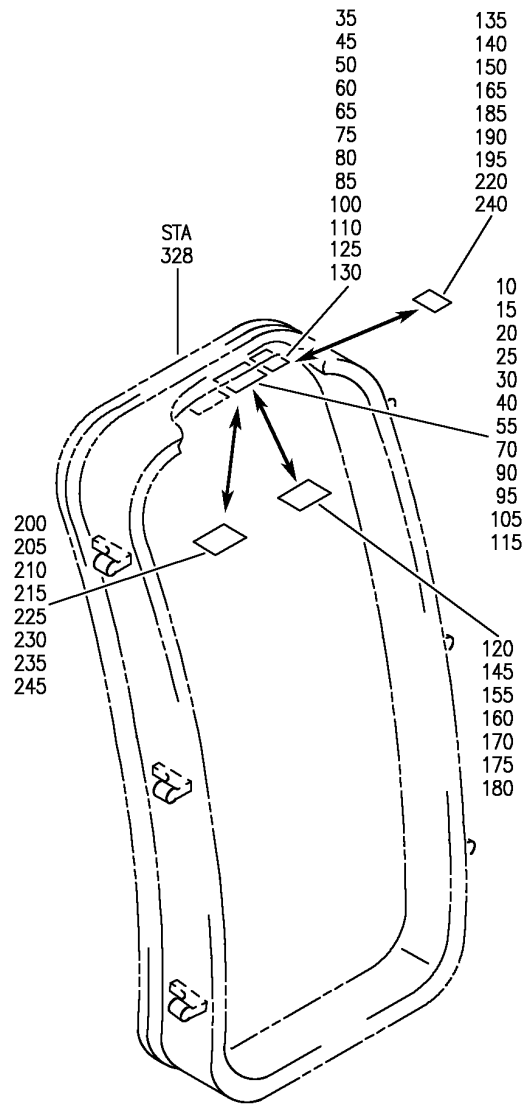
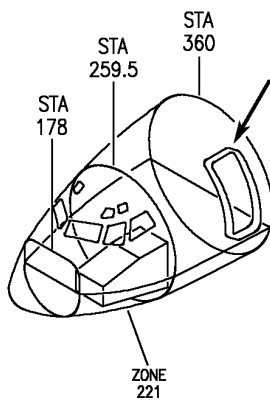
HAP

11-32-52-85E

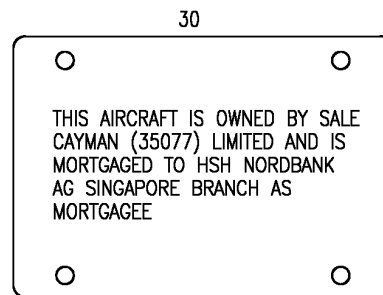
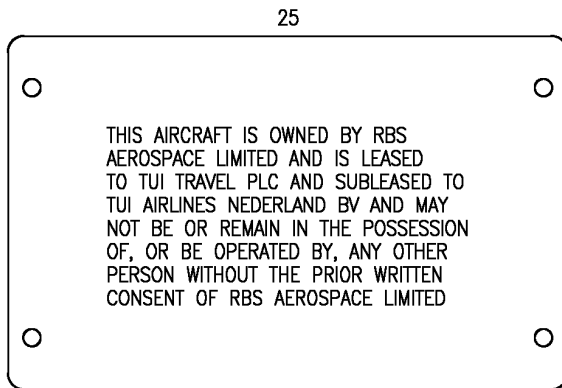
BOEING PROPRIETARY - Copyright © - Unpublished Work - See title page for details.

11-32-52
FIG. 85E
PAGE 1
OCT 10/07

BOEING
 737-600/700/800/900
 PARTS CATALOG (MAINTENANCE)



E 11325285F SH1 1 REV 141



NAMEPLATE INSTL-OWNERSHIP FWD DOOR SILL PLACARDS (INTERIOR PLACARDS ONLY)
 FIGURE 85F

HAP
 JUN 15/08

11-32-52-85F

11-32-52-85F
 PAGE 0

BOEING
 737-600/700/800/900
 PARTS CATALOG (MAINTENANCE)

55

THIS AIRCRAFT IS OWNED BY AWAS 35793
 C/- AWAS (IRELAND) LIMITED AND LEASED
 TO OKAY AIRWAYS COMPANY LIMITED
 WITH A MORTGAGE IN FAVOUR OF HSH
 NORDBANK AG SINGAPORE BRANCH

70

THIS AIRCRAFT IS OWNED BY INVESTIMA
 30 S.A.S., A COMPANY INCORPORATED
 IN FRANCE, AND IS MORTGAGED TO
 NATIXIS, A COMPANY INCORPORATED
 IN FRANCE, AS SECURITY TRUSTEE AND
 LEASED TO AIR CHINA LIMITED.

105

THIS AIRCRAFT IS OWNED BY INTERNATIONAL
 LEASE FINANCE CORPORATION

MANUFACTURER'S SERIAL NO: 30733
 OWNER'S ADDRESS:

INTERNATIONAL LEASE
 FINANCE CORPORATION
 10250 CONSTELLATION BOULEVARD,
 SUITE 3400
 LOS ANGELES, CALIFORNIA 90067
 UNITED STATES OF AMERICA
 FAX: (310) 788-1990

145

THIS AIRCRAFT IS OWNED BY
 RBS AEROSPACE LIMITED AND
 IS LEASED TO XIAMEN AIRLINES
 AND MAY NOT BE OR REMAIN IN
 THE POSSESSION OF, OR OPERATED
 BY, ANY OTHER PERSON WITHOUT
 THE PRIOR WRITTEN CONSENT OF
 RBS AEROSPACE LIMITED

160

THIS AIRCRAFT IS OWNED BY SFL-5
 LIMITED, MORTGAGED TO CHINA
 DEVELOPMENT BANK AS SECURITY
 TRUSTEE FOR ITSELF AND OTHER
 BANK AND LEASED TO CHINA
 SOUTHERN AIRLINES COMPANY
 LIMITED

180

THIS AIRCRAFT (MSN 29681) IS OWNED
 BY SC AIR 737P CO., LTD., AND IS HELD
 UNDER LEASE BY SKYMARK AIRLINES
 INC. AND IS SUBJECT TO A MORTGAGE
 IN FAVOUR OF WELLS FARGO BANK
 NORTHWEST, N.A., AS OWNER TRUSTEE,
 299 SOUTH MAIN STREET, SALT LAKE
 CITY, UTAH 84111, U.S.A.

E 11325285F SHT 2 REV 140

NAMEPLATE INSTL-OWNERSHIP FWD DOOR SILL PLACARDS (INTERIOR PLACARDS ONLY)
 FIGURE 85F

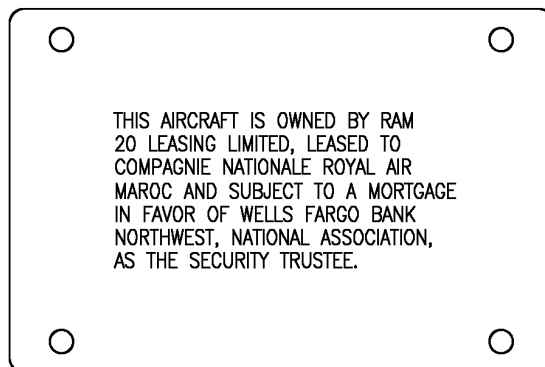
HAP
 JUN 15/08

11-32-52-85F

11-32-52-85F
 PAGE 0A

BOEING
737-600/700/800/900
PARTS CATALOG (MAINTENANCE)

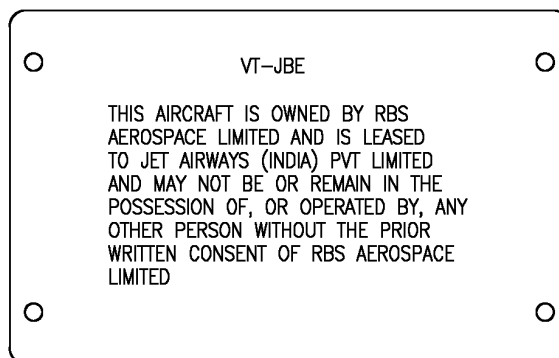
200



215



245



E 11325285F SH1 3 REV 141

NAMEPLATE INSTL-OWNERSHIP FWD DOOR SILL PLACARDS (INTERIOR PLACARDS ONLY)
FIGURE 85F

HAP
JUN 15/08

11-32-52-85F

11-32-52-85F
PAGE 08

BOEING
737-600/700/800/900
PARTS CATALOG (MAINTENANCE)

FIG ITEM	PART NUMBER	1 2 3 4 5 6 7	NOMENCLATURE	EFFECT FROM TO	UNITS PER ASSY
85 F			NAMEPLATE INSTL-OWNERSHIP FWD DOOR SILL PLACARDS (INTERIOR PLACARDS ONLY)	044045 054100	
- 1	MODREF360236		NAMEPLATE INSTL-OWNERSHIP FWD DOOR SILL PLACARDS (INTERIOR PLACARDS ONLY) MODULE NUMBER: 414A5203-672 REV A FOR OTHER SYS DETAILS SEE: 11-25-03-85C FOR ADDITIONAL DETAILS SEE: 11-32-02-85C	054100	1
- 2	MODREF367052		NAMEPLATE INSTL-OWNERSHIP FWD DOOR SILL PLACARDS MODULE NUMBER: 414A5203-704 REV A	044044	1
- 2	MODREF369267		NAMEPLATE INSTL-OWNERSHIP FWD DOOR SILL PLACARDS MODULE NUMBER: 414A5203-720 REV A	045045	1
25	BAC29PPS62411		.MARKER	054100	1
140	BAC29PPS62585		.MARKER- PLACARD CONTENT: G-FDZE	044044	1
190	BAC29PPS62691		.MARKER- PLACARD CONTENT: G-FDZF	045045	1
- 300	BACR15DR3PAC		ATTACHING PARTS .RIVET- SIZE DETERMINED ON INSTL. -----*-----	044045 054100	4

MISSING ITEM NUMBERS NOT APPLICABLE

- ITEM NOT ILLUSTRATED

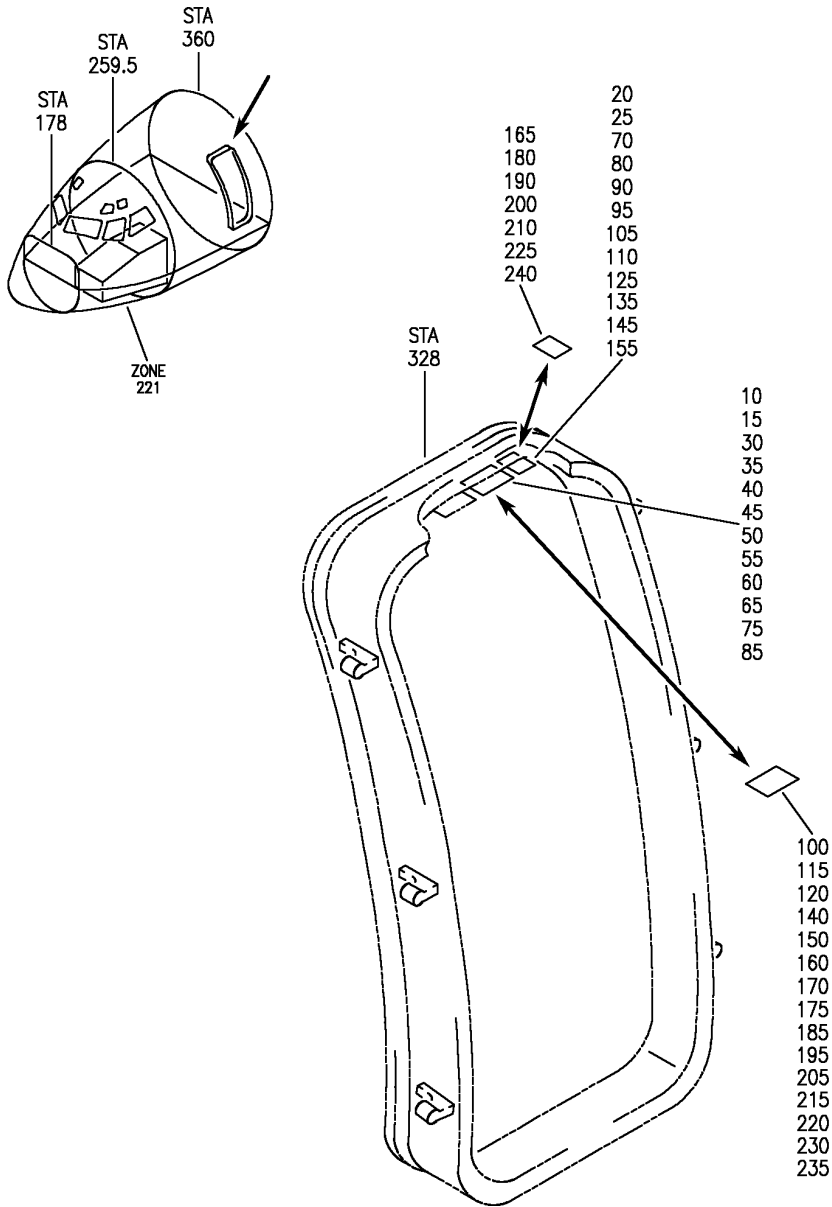
HAP

11-32-52-85F

BOEING PROPRIETARY - Copyright © - Unpublished Work - See title page for details.

11-32-52
FIG. 85F
PAGE 1
FEB 15/09

BOEING
 737-600/700/800/900
 PARTS CATALOG (MAINTENANCE)



E 11325285G SHT 1 REV 149

For Details See Subsequent Pages

NAMEPLATE INSTL-OWNERSHIP FWD DOOR SILL PLACARDS (INTERIOR PLACARDS ONLY)
 FIGURE 85G (SHEET 1)

11-32-52-85G

HAP
 FEB 15/09

11-32-52-85G
 PAGE 0


BOEING
 737-600/700/800/900
PARTS CATALOG (MAINTENANCE)

15

THIS AIRFRAME IS OWNED BY VBNC9 PTY LTD AND IS SUBJECT TO A MORTGAGE IN FAVOUR OF ING BANK N. V., SECURITY TRUSTEE

45

THIS AIRCRAFT (MSN 29684) IS OWNED BY AVIATION CAPITAL GROUP CORP., 610 NEWPORT CENTER DRIVE, CALIFORNIA 92660, U.S.A.

50

THIS AIRCRAFT IS OWNED BY PENGUIN LEASING LIMITED, IS SUBLEASED TO PENGUIN LEASING (IRELAND) LIMITED AND MORTGAGED TO UNITED OVERSEAS BANK LIMITED AS SECURITY TRUSTEE FOR ITSELF AND OTHER BANKS.

65

THIS AIRCRAFT IS OWNED BY INTERNATIONAL LEASE FINANCE CORPORATION
 MANUFACTURER'S SERIAL NO:35271
 OWNER'S ADDRESS:
 INTERNATIONAL LEASE FINANCE CORPORATION
 10250 CONSTELLATION BOULEVARD, SUITE 3400
 LOS ANGELES, CALIFORNIA 90067
 UNITED STATES OF AMERICA
 FAX: (310) 788-1990

75

THIS AIRCRAFT IS OWNED BY DOLPHIN LEASING LIMITED, IS SUBLEASED TO DOLPHIN LEASING (IRELAND) LIMITED AND IS MORTGAGED TO UNITED OVERSEAS BANK LIMITED AS SECURITY TRUSTEE FOR ITSELF AND OTHER BANKS.

100

THIS AIRCRAFT IS OWNED BY INTERNATIONAL LEASE FINANCE CORPORATION
 MANUFACTURER'S SERIAL NO:35273
 OWNER'S ADDRESS:
 INTERNATIONAL LEASE FINANCE CORPORATION
 10250 CONSTELLATION BOULEVARD, SUITE 3400
 LOS ANGELES, CALIFORNIA 90067
 UNITED STATES OF AMERICA
 FAX: (310) 788-1990

E 11325285G SHT 2 REV 142

NAMEPLATE INSTL-OWNERSHIP FWD DOOR SILL PLACARDS (INTERIOR PLACARDS ONLY)
 FIGURE 85G (SHEET 2)

HAP
 JUN 15/08

11-32-52-85G

11-32-52-85G
 PAGE 0A


BOEING
 737-600/700/800/900
PARTS CATALOG (MAINTENANCE)

130

OWNED BY SHENZHEN
 AIRLINES COMPANY
 LIMITED

140

THIS AIRCRAFT IS OWNED BY INTERNATIONAL
 LEASE FINANCE CORPORATION

MANUFACTURER'S SERIAL NO:35275
 OWNER'S ADDRESS:

INTERNATIONAL LEASE
 FINANCE CORPORATION
 10250 CONSTELLATION BOULEVARD,
 SUITE 3400
 LOS ANGELES, CALIFORNIA 90067
 UNITED STATES OF AMERICA
 FAX: (310) 788-1990

175

THIS AIRCRAFT IS OWNED BY INTERNATIONAL
 LEASE FINANCE CORPORATION

MANUFACTURER'S SERIAL NO:35274
 OWNER'S ADDRESS:

INTERNATIONAL LEASE
 FINANCE CORPORATION
 10250 CONSTELLATION BOULEVARD,
 SUITE 3400
 LOS ANGELES, CALIFORNIA 90067
 UNITED STATES OF AMERICA
 FAX: (310) 788-1990

150

THIS AIRCRAFT IS OWNED BY SAS
 2008 PANDA FINANCE 6 AND IS
 MORTGAGED TO BNP PARIBAS AS
 SECURITY TRUSTEE AND LEASED
 TO AIR CHINA LIMITED.

165

B-KXG

HONG KONG
 EXPRESS AIRWAYS LIMITED

7th FLOOR, ONE CRYGOTA
 20 TAI TUNG ROAD
 TUNG CHUNG, LONTOW
 HONG KONG

160

THIS AIRCRAFT IS OWNED BY INTERNATIONAL
 LEASE FINANCE CORPORATION

MANUFACTURER'S SERIAL NO:35276
 OWNER'S ADDRESS:

INTERNATIONAL LEASE
 FINANCE CORPORATION
 10250 CONSTELLATION BOULEVARD,
 SUITE 3400
 LOS ANGELES, CALIFORNIA 90067
 UNITED STATES OF AMERICA
 FAX: (310) 788-1990

E 11325285G SH1 3 REV 144

NAMEPLATE INSTL-OWNERSHIP FWD DOOR SILL PLACARDS (INTERIOR PLACARDS ONLY)
 FIGURE 85G (SHEET 3)

HAP
 OCT 15/08

11-32-52-85G

11-32-52-85G
 PAGE 0B

BOEING
737-600/700/800/900
PARTS CATALOG (MAINTENANCE)

170

VT-AXW

THIS AIRCRAFT IS OWNED BY
 AIR INDIA CHARTERS LTD.

MANUFACTURER'S SERIAL NO:36334
 OWNER'S ADDRESS:
 21st FLOOR
 AIR INDIA BUILDING
 NARIMAN POINT
 MUMBAI 400 001

180

B-KXQ

HONG KONG
 EXPRESS AIRWAYS LIMITED
 7th FLOOR, ONE CRYGOTA
 20 TAI TUNG ROAD
 TUNG CHUNG, LONTOW,
 HONG KONG

185
 205

THIS ENGINE IS OWNED BY
 SHENZHEN AIRLINES COMPANY
 LIMITED

215

THIS ENGINE IS OWNED BY CELESTIAL AVIATION
 TRADING 24 LIMITED AND IS LEASED TO GUNES
 EKPRES HAVACILIK A.S. (TRADING AS SUN
 EXPRESS AIRLINES)AND MAY NOT BE OR REMAIN
 IN THE POSSESSION OF OR BE OPERATED BY, ANY
 OTHER PERSON WITHOUT THE PRIOR WRITTEN CONSENT
 OF CELESTIAL AVIATION TRADING 24 LIMITED

230

VT-AXX

THIS AIRCRAFT IS OWNED BY
 AIR INDIA CHARTERS LTD.

MANUFACTURER'S SERIAL NO:36335
 OWNER'S ADDRESS:
 21st FLOOR
 AIR INDIA BUILDING
 NARIMAN POINT
 MUMBAI 400 001

E 11325285G SHT 4 REV 147

NAMEPLATE INSTL-OWNERSHIP FWD DOOR SILL PLACARDS (INTERIOR PLACARDS ONLY)
 FIGURE 85G (SHEET 4)

HAP
 OCT 15/08

11-32-52-85G

11-32-52-85G
 PAGE 0C

BOEING
737-600/700/800/900
PARTS CATALOG (MAINTENANCE)

FIG ITEM	PART NUMBER	1 2 3 4 5 6 7	NOMENCLATURE	EFFECT FROM TO	UNITS PER ASSY
85G			NAMEPLATE INSTL-OWNERSHIP FWD DOOR SILL PLACARDS (INTERIOR PLACARDS ONLY)	046046	
- 1	MODREF374637		NAMEPLATE INSTL-OWNERSHIP FWD DOOR SILL PLACARDS MODULE NUMBER: 414A5203-727 REV A	046046	1
25	BAC29PPS62718		.MARKER ATTACHING PARTS	046046	1
- 300	BACR15DR3PAC		.RIVET- SIZE DETERMINED ON INSTL. -----*-----	046046	4

MISSING ITEM NUMBERS NOT APPLICABLE

- ITEM NOT ILLUSTRATED

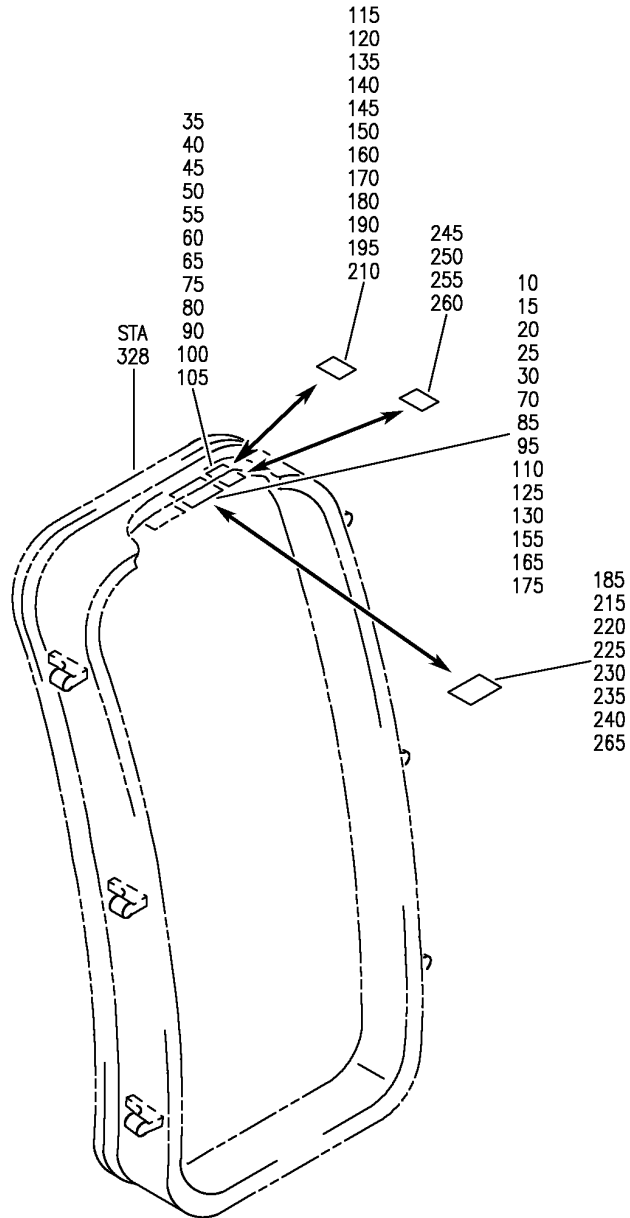
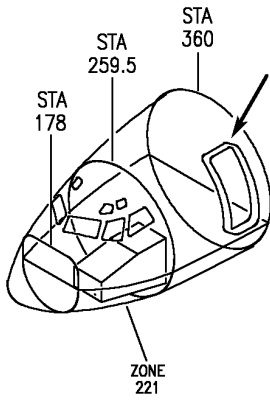
HAP

11-32-52-85G

BOEING PROPRIETARY - Copyright © - Unpublished Work - See title page for details.

11-32-52
FIG. 85G
PAGE 1
JUN 15/08

BOEING
 737-600/700/800/900
 PARTS CATALOG (MAINTENANCE)



For Details See Subsequent Pages

E 11325285H SHT 1 REV 149

NAMEPLATE INSTL-OWNERSHIP FWD DOOR SILL PLACARDS (INTERIOR PLACARDS ONLY)
 FIGURE 85H

HAP
 FEB 15/09

11-32-52-85H

11-32-52-85H
 PAGE 0



737-600/700/800/900
PARTS CATALOG (MAINTENANCE)

30

THIS AIRCRAFT IS OWNED BY SAS 2008 PANDA FINANCE 7 AND IS MORTGAGED TO BNP PARIBAS AS SECURITY TRUSTEE AND LEASED TO AIR CHINA LIMITED.

70

THIS AIRCRAFT (MSN 36552) IS OWNED BY AVIATION CAPITAL GROUP CORP., 610 NEWPORT CENTER DRIVE, 14th FLOOR, NEWPORT BEACH, CA 92660 U.S.A.

85

THIS AIRCRAFT IS OWNED BY SAS 2008 PANDA FINANCE 11 AND IS MORTGAGED TO BNP PARIBAS AS SECURITY TRUSTEE AND LEASED TO AIR CHINA LIMITED.

95

REGISTRY: 00-JBG
 OPERATOR: TUI AIRLINES
 BELGIUM
 I.A.W.
 BELGISCH LUCHTVAART WETBOEK / CODE DE L'AIR BELGE ART. 18 (KB/AR 31 AUG. 1979)

125

THIS AIRCRAFT IS OWNED BY IZADELL LIMITED AND IS LEASED TO TURK HAVA YOLLARI A.O. (THY TURKISH AIRLINES) AND MAY NOT BE OR REMAIN IN THE POSSESSION OF, OR BE OPERATED BY, ANY OTHER PERSON WITHOUT THE PRIOR WRITTEN CONSENT OF IZADELL LIMITED.

130

THIS AIRCRAFT IS OWNED BY INTERNATIONAL LEASE FINANCE CORPORATION
 MANUFACTURER'S SERIAL NO: 35281
 OWNER'S ADDRESS:
 INTERNATIONAL LEASE
 FINANCE CORPORATION
 10250 CONSTELLATION BOULEVARD,
 SUITE 3400
 LOS ANGELES, CALIFORNIA 90067
 UNITED STATES OF AMERICA
 FAX: 310-788-1990

155

THIS AIRCRAFT (MSN 36434) IS OWNED BY BANK OF UTAH, NOT IN ITS INDIVIDUAL CAPACITY BUT SOLELY AS OWNER TRUSTEE, 200 EAST SOUTH TEMPLE, SUITE 210, SALT LAKE CITY, UTAH, 84111, U.S.A.

E 11325285H SH 2 REV 147

NAMEPLATE INSTL-OWNERSHIP FWD DOOR SILL PLACARDS (INTERIOR PLACARDS ONLY)
 FIGURE 85H

 **BOEING**
737-600/700/800/900
PARTS CATALOG (MAINTENANCE)

175

○ THIS AIRCRAFT IS OWNED BY ○
YAMASA AIRCRAFT CA1 KUMIAI
AS LESSOR REPRESENTED BY ITS
MANAGING PARTNER YAMASA CO.,
LTD. AND IS SUBJECT TO A FIRST
PRIORITY MORTGAGE IN FAVOUR
OF BNP PARIBAS (TOKYO BRANCH)
AS SECURITY AGENT AND LEASED
○ TO AIR CHINA LIMITED. ○

185

○ THIS AIRCRAFT IS OWNED BY ○
YAMASA AIRCRAFT CA2 KUMIAI
AS LESSOR REPRESENTED BY ITS
MANAGING PARTNER YAMASA CO.,
LTD. AND IS SUBJECT TO A FIRST
PRIORITY MORTGAGE IN FAVOUR
OF BNP PARIBAS (TOKYO BRANCH)
AS SECURITY AGENT AND LEASED
○ TO AIR CHINA LIMITED. ○

215

○ This Aircraft is owned by Jacksonell ○
Limited and is leased to Turk Hava
Yollari A.O. (THY Turkish Airlines) and
may not be or remain in the possession
of, or be operated by, any other person
without the prior written consent of
Jacksonell Limited. ○

240

○ THIS AIRCRAFT IS OWNED BY ○
YAMASA AIRCRAFT CA3 KUMIAI
AS LESSOR REPRESENTED BY ITS
MANAGING PARTNER YAMASA CO.,
LTD. AND IS SUBJECT TO A FIRST
PRIORITY MORTGAGE IN FAVOUR
OF BNP PARIBAS (TOKYO BRANCH)
AS SECURITY AGENT AND LEASED
○ TO AIR CHINA LIMITED. ○

E 11-32-52-85H SHIT 3 REV 149

NAMEPLATE INSTL-OWNERSHIP FWD DOOR SILL PLACARDS (INTERIOR PLACARDS ONLY)
FIGURE 85H

HAP
FEB 15/09

11-32-52-85H

11-32-52-85H
PAGE 0B

BOEING
737-600/700/800/900
PARTS CATALOG (MAINTENANCE)

FIG ITEM	PART NUMBER	1 2 3 4 5 6 7	NOMENCLATURE	EFFECT FROM TO	UNITS PER ASSY
85H			NAMEPLATE INSTL-OWNERSHIP FWD DOOR SILL PLACARDS (INTERIOR PLACARDS ONLY)	047047	
- 1	MODREF391779		NAMEPLATE INSTL-OWNERSHIP FWD DOOR SILL PLACARDS MODULE NUMBER: 414A5203-829 REV A	047047	1
95	BAC29PPS63826		.MARKER ATTACHING PARTS	047047	1
- 300	BACR15DR3PAC		.RIVET- SIZE DETERMINED ON INSTL. -----*-----	047047	4

MISSING ITEM NUMBERS NOT APPLICABLE

- ITEM NOT ILLUSTRATED

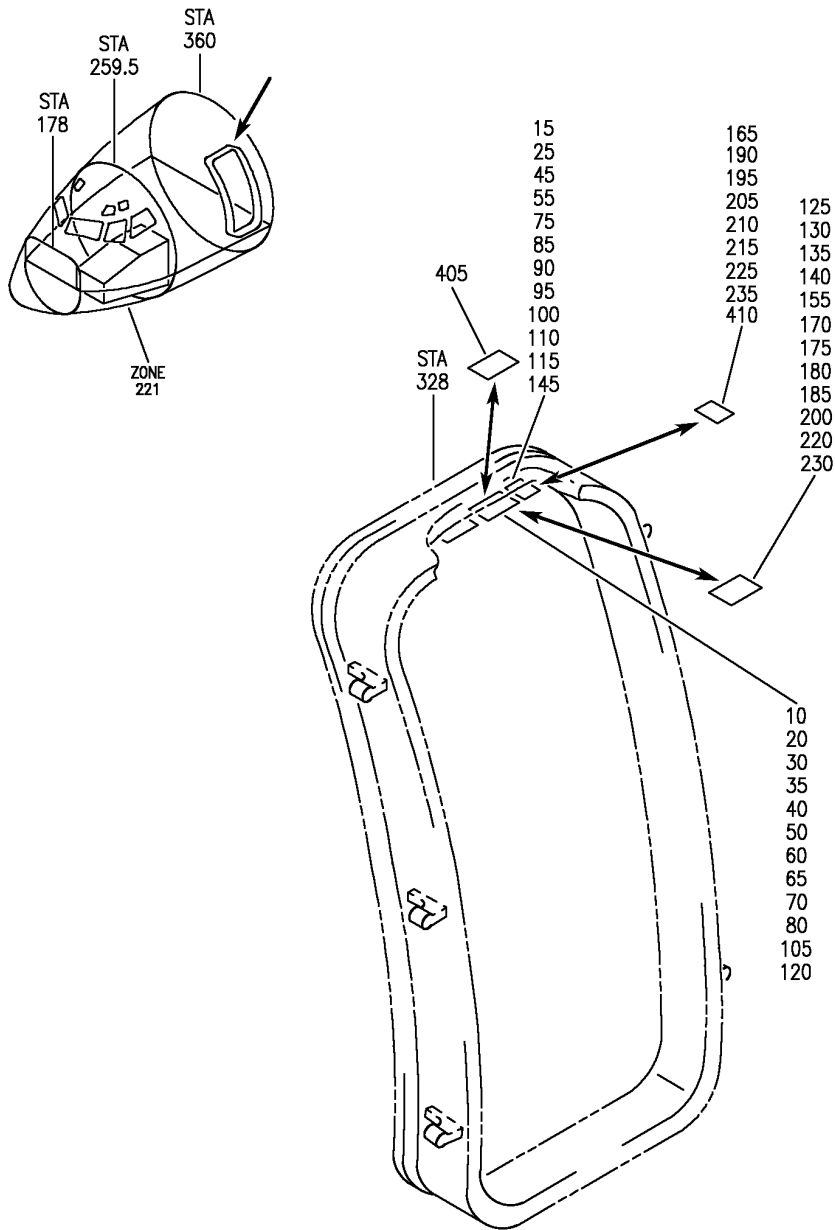
HAP

11-32-52-85H

BOEING PROPRIETARY - Copyright © - Unpublished Work - See title page for details.

11-32-52
FIG. 85H
PAGE 1
OCT 15/08

BOEING
 737-600/700/800/900
 PARTS CATALOG (MAINTENANCE)



For Details See Subsequent Pages

E 11325285J SHT 1 REV 153

NAMEPLATE INSTL-OWNERSHIP FWD DOOR SILL PLACARDS (INTERIOR PLACARDS ONLY)
 FIGURE 85J (SHEET 1)

HAP
 JUN 15/09

11-32-52-85J

11-32-52-85J
 PAGE 0



737-600/700/800/900
PARTS CATALOG (MAINTENANCE)

20

THIS AIRCRAFT IS OWNED BY INTERNATIONAL LEASE FINANCE CORPORATION
MANUFACTURER'S SERIAL NO: 35284
OWNER'S ADDRESS:

INTERNATIONAL LEASE FINANCE CORPORATION
10250 CONSTELLATION BOULEVARD,
SUITE 3400
LOS ANGELES, CALIFORNIA 90067
UNITED STATES OF AMERICA
FAX: (310) 788-1990

BAC29PP564128

25

⊕ **8737 - 81M A40-BC MSN 35284** ⊕
Name of Registered Operator:
Oman Air SAOC
Operating as Oman Air (Lessee).
Address:
PO Box 58, PC : 111
Muscat International Airport,
Muscat - Sultanate of Oman.

BAC29PP564130

35

This Aircraft (MSN 36434) is owned by Bank of Utah, not in its individual capacity but solely as owner trustee, 200 East South Temple, Suite 210, Salt Lake City, Utah, 84111, U.S.A.

BAC29PP563876

50

THIS AIRCRAFT IS OWNED BY INTERNATIONAL LEASE FINANCE CORPORATION
MANUFACTURER'S SERIAL NO: 35283
OWNER'S ADDRESS:

INTERNATIONAL LEASE FINANCE CORPORATION
10250 CONSTELLATION BOULEVARD,
SUITE 3400
LOS ANGELES, CALIFORNIA 90067
UNITED STATES OF AMERICA
FAX: (310) 788-1990

BAC29PP564157

70

THIS AIRCRAFT (MSN 35771) IS OWNED BY SAL 2008 Limited, A COMPANY INCORPORATED IN CAYMAN ISLANDS, AND IS MORTGAGED TO NATIXIS AS SECURITY TRUSTEE AND LEASED TO SHANGHAI AIRLINES COMPANY LIMITED.

BAC29PP564173

80

THIS AIRCRAFT IS OWNED BY INTERNATIONAL LEASE FINANCE CORPORATION
MANUFACTURER'S SERIAL NO: 35286
OWNER'S ADDRESS:

INTERNATIONAL LEASE FINANCE CORPORATION
10250 CONSTELLATION BOULEVARD,
SUITE 3400
LOS ANGELES, CALIFORNIA 90067
UNITED STATES OF AMERICA
FAX: (310) 788-1990

BAC29PP564164

105

THIS AIRCRAFT IS OWNED BY SINGAPORE AIRCRAFT LEASING ENTERPRISE PTE. LTD. AND IS MORTGAGED TO STANDARD CHARTERED BANK AS SECURITY TRUSTEE.

BAC29PP560275

140

THIS AIRCRAFT IS OWNED BY INTERNATIONAL LEASE FINANCE CORPORATION
MANUFACTURER'S SERIAL NO: 35285
OWNER'S ADDRESS:

INTERNATIONAL LEASE FINANCE CORPORATION
10250 CONSTELLATION BOULEVARD,
SUITE 3400
LOS ANGELES, CALIFORNIA 90067
UNITED STATES OF AMERICA
FAX: (310) 788-1990

BAC29PP564164

E 11325285J SHIT 2 REV 151

NAMEPLATE INSTL-OWNERSHIP FWD DOOR SILL PLACARDS (INTERIOR PLACARDS ONLY)
FIGURE 85J (SHEET 2)

HAP
FEB 15/09

11-32-52-85J

11-32-52-85J
PAGE 0A



737-600/700/800/900

PARTS CATALOG (MAINTENANCE)

155

+ THIS AIRCRAFT, MSN 29638, IS OWNED +
 BY BALBOA LEASING LLC, IS LEASED TO
 AVIATION CAPITAL GROUP CORP., 610
 NEWPORT CENTER DRIVE, SUITE 1400,
 NEWPORT BEACH, CALIFORNIA, U.S.A.
 92660-6465, PURSUANT TO A FINANCE
 LEASE AND IS SUBJECT TO A MORTGAGE
 IN FAVOR OF WILMINGTON TRUST
 COMPANY AS SECURITY TRUSTEE. +
BAC29PPS64325

160

+ THIS AIRCRAFT IS OWNED BY 2008 +
 NEWINE FINANCE 6 SAS AND IS
 MORTGAGED TO BNP PARIBAS AS
 SECURITY TRUSTEE/CALYON AS
 FACILITY SECURITY TRUSTEE AND
 LEASED TO CHINA EASTERN AIRLINES
 CORPORATION LIMITED. +
BAC29PPS64326

170

+ THIS AIRFRAME IS OWNED BY RAM +
 20 LEASING LIMITED, LEASED TO
 COMPAGNIE NATIONALE ROYAL AIR
 MAROC AND SUBJECT TO A MORTGAGE
 IN FAVOR OF WELLS FARGO BANK
 NORTHWEST, NATIONAL ASSOCIATION,
 AS THE SECURITY TRUSTEE. +
BAC29PPS64335

180

VT-AXZ
 + THIS AIRCRAFT IS OWNED BY +
 AIR INDIA CHARTERS LTD
 MANUFACTURER'S SERIAL NO. 36336
 OWNER'S ADDRESS:
 21st FLOOR
 AIR INDIA BUILDING
 NARIMAN POINT
 MUMBAI 400 001 +
BAC29PPS64357

185

+ THIS AIRCRAFT IS OWNED BY TUI AVIATION GMBH +
 MANUFACTURER'S SERIAL NO: 35146
 OWNER'S ADDRESS:
 TUI AVIATION GMBH
 KARL-WIECHERT-ALLEE 4
 30625 HANNOVER
 GERMANY +
BAC29PPS64508

200

+ THIS AIRCRAFT IS OWNED BY INTERNATIONAL +
 LEASE FINANCE CORPORATION
 MANUFACTURER'S SERIAL NO: 35288
 OWNER'S ADDRESS:
 INTERNATIONAL LEASE
 FINANCE CORPORATION
 10250 CONSTELLATION BOULEVARD,
 SUITE 3400
 LOS ANGELES, CALIFORNIA 90067
 UNITED STATES OF AMERICA
 FAX: (310) 788-1990 +
BAC29PPS64487

230

+ THIS AIRCRAFT IS OWNED BY INTERNATIONAL +
 LEASE FINANCE CORPORATION
 MANUFACTURER'S SERIAL NO: 35289
 OWNER'S ADDRESS:
 INTERNATIONAL LEASE
 FINANCE CORPORATION
 10250 CONSTELLATION BOULEVARD,
 SUITE 3400
 LOS ANGELES, CALIFORNIA 90067
 UNITED STATES OF AMERICA
 FAX: (310) 788-1990 +
BAC29PPS64531

405

+ THIS BOEING 737-800 AIRCRAFT REG NO YR-BGS, +
 SERIAL NUMBER 37360, BUILD YEAR 2009 IS OWNED
 BY WELLS FARGO BANK NORTHWEST, NATIONAL
 ASSOCIATION AS OWNER TRUSTEE AND IS LEASED
 TO B&B AIR ACQUISITION 37360 LEASING LIMITED
 AND SUBLEASED TO COMPANIA NATIONALA DE
 TRANSPORTURI AERIENE ROMANE- TAROM +
BAC29PPS64536

E 11-32-52-85J SH1 3 REV 153

NAMEPLATE INSTL-OWNERSHIP FWD DOOR SILL PLACARDS (INTERIOR PLACARDS ONLY)
FIGURE 85J (SHEET 3)

HAP
JUN 15/09

11-32-52-85J

11-32-52-85J
PAGE 0B

BOEING
737-600/700/800/900
PARTS CATALOG (MAINTENANCE)

FIG ITEM	PART NUMBER	1 2 3 4 5 6 7	NOMENCLATURE	EFFECT FROM TO	UNITS PER ASSY
R R R	85J		NAMEPLATE INSTL-OWNERSHIP FWD DOOR SILL PLACARDS (INTERIOR PLACARDS ONLY)	048048 053053	
-	1 MODREF400637		NAMEPLATE INSTL-OWNERSHIP FWD DOOR SILL PLACARDS MODULE NUMBER: 414A5203-880 REV A	048048	1
R R R R R R R	- 2 MODREF412753		NAMEPLATE INSTL-OWNERSHIP FWD DOOR SILL PLACARDS (INTERIOR PLACARDS ONLY) MODULE NUMBER: 414A5203-1009 REV A FOR OTHER SYS DETAILS SEE: 11-21-20-85A 11-25-03-85E FOR ADDITIONAL DETAILS SEE: 11-32-02-85E	053053	1
	90 BAC29PPS64220		.MARKER- PLACARD CONTENT: D-AHLK B737-8K5 S/N: 35.143 BOEING 2008	048048	1
R	185 BAC29PPS64508		.MARKER	053053	1
R R R R R	190 BAC29PPS64504		.MARKER- PLACARD CONTENT: REGISTRY: PH-TFC OPERATOR: ARKEFLY (TUI AIRLINES NEDERLAND B.V.) ATTACHING PARTS	053053	1
-	300 BACR15DR3PAC		.RIVET- SIZE DETERMINED ON INSTL.	048048	4
R R	- 305 BACR15DR3PAC		.RIVET- SIZE DETERMINED ON INSTL. -----*-----	053053	8

MISSING ITEM NUMBERS NOT APPLICABLE

- ITEM NOT ILLUSTRATED

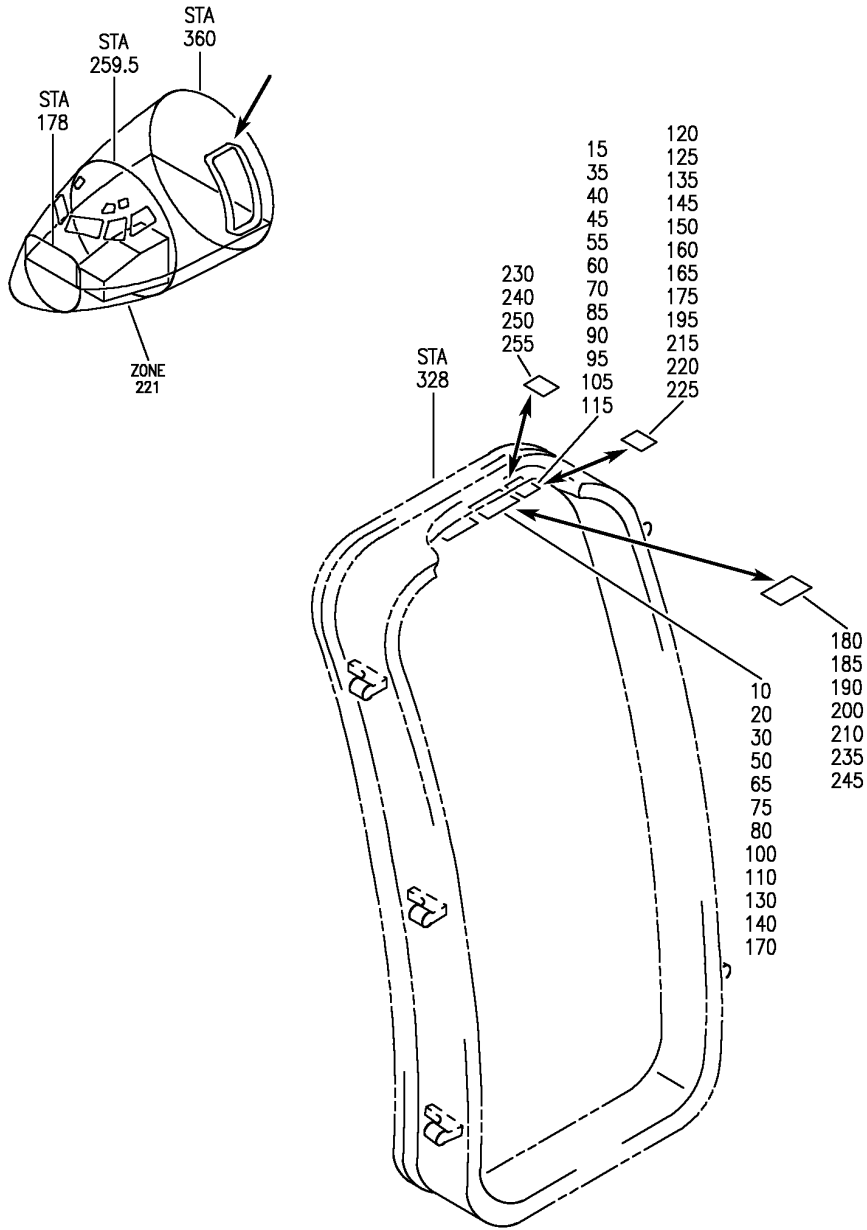
HAP

11-32-52-85J

BOEING PROPRIETARY - Copyright © - Unpublished Work - See title page for details.

11-32-52
FIG. 85J
PAGE 1
JUN 15/09

BOEING
 737-600/700/800/900
 PARTS CATALOG (MAINTENANCE)



E 11325285K SHT 1 REV 155

For Details See Subsequent Pages

NAMEPLATE INSTL-OWNERSHIP FWD DOOR SILL PLACARDS (INTERIOR PLACARDS ONLY)
 FIGURE 85K (SHEET 1)

HAP
 JUN 15/09

11-32-52-85K

11-32-52-85K
 PAGE 0


BOEING
 737-600/700/800/900
PARTS CATALOG (MAINTENANCE)

10

THIS AIRCRAFT IS OWNED BY CHINA
 EASTERN AIRLINES CORPORATION
 LIMITED AND LEASED TO CHINA
 EASTERN AIRLINES, WUHAN COMPANY

20

REGISTRY : OO-JAQ
 OPERATOR : TUI AIRLINES
 BELGIUM
 I.A.W.
 BELGISCH LUCHTVAART WETBOEK/CODE DE
 L'AIR BOLGE ART. 18 (KB/AR 31 AUG. 1979)

30

THIS AIRCRAFT IS OWNED BY TUI AVIATION GMBH
 MANUFACTURER'S SERIAL NO: 35149
 OWNER'S ADDRESS:
 TUI AVIATION GMBH
 KARL-WIECHERT-ALLEE 4
 30625 HANNOVER
 GERMANY

50

THIS AIRCRAFT IS OWNED BY
 YAMASA AIRCRAFT CA4 KUMIAI
 AS LESSOR REPRESENTED BY ITS
 MANAGING PARTNER YAMASA CO.,
 LTD. AND IS SUBJECT TO A FIRST
 PRIORITY MORTGAGE IN FAVOUR
 OF BNP PARIBAS (TOKYO BRANCH)
 AS SECURITY AGENT AND LEASED
 TO AIR CHINA LIMITED.

65

THIS AIRCRAFT IS OWNED BY INTERNATIONAL
 LEASE FINANCE CORPORATION
 MANUFACTURER'S SERIAL NO: 37158
 OWNER'S ADDRESS:
 INTERNATIONAL LEASE
 FINANCE CORPORATION
 10250 CONSTELLATION BOULEVARD,
 SUITE 3400
 LOS ANGELES, CALIFORNIA 90067
 UNITED STATES OF AMERICA
 FAX: (310) 788-1990

75

THIS AIRCRAFT IS OWNED BY SKY AIR 737T
 CO., LTD., TOKYO, JAPAN, AND IS SUBJECT
 TO A CONDITIONAL SALE AGREEMENT AND
 A MORTGAGE GRANTED TO INTERNATIONAL
 LEASE FINANCE CORPORATION, LOS ANGELES,
 CALIFORNIA USA
 MANUFACTURER'S SERIAL NO: 35290
 SECURED PARTY'S ADDRESS:
 INTERNATIONAL LEASE FINANCE CORPORATION
 10250 CONSTELLATION BOULEVARD, 34TH FLOOR
 LOS ANGELES, CALIFORNIA 90067 U.S.A.
 FAX: (310) 788-1990

E 11325285K SHT 2 REV 153

NAMEPLATE INSTL-OWNERSHIP FWD DOOR SILL PLACARDS (INTERIOR PLACARDS ONLY)
 FIGURE 85K (SHEET 2)

HAP
 JUN 15/09

11-32-52-85K

11-32-52-85K
 PAGE 0A

 **BOEING**
737-600/700/800/900
PARTS CATALOG (MAINTENANCE)

80

VT-AYA

THIS AIRCRAFT IS OWNED BY FOUR LIONS AIRCRAFTS LLC
LEASED TO ULSTER AVIATION LEASING LIMITED AS HEAD
LESSEE AND LEASED TO AIR INDIA CHARTERS LIMITED
AND SUBJECT TO MORTGAGE IN FAVOUR OF WELLS FARGO
BANK NORTHWEST, NATIONAL ASSOCIATION, USA.

MANUFACTURERS SERIAL NO: 36337

OWNERS ADDRESS:
FOUR LIONS AIRCRAFT LLC CO WILMINGTON TRUST COMPANY,
RODNEY SQUARE NORTH,
1100 NORTH MARKET STREET, WILMINGTON,
DELAWARE 19809 00001 USA

130

**THIS AIRCRAFT IS OWNED BY INTERNATIONAL
LEASE FINANCE CORPORATION**

MANUFACTURER'S SERIAL NO: 37159
OWNER'S ADDRESS:

INTERNATIONAL LEASE
FINANCE CORPORATION
10250 CONSTELLATION BOULEVARD,
SUITE 3400
LOS ANGELES, CALIFORNIA 90067
UNITED STATES OF AMERICA
FAX: (310) 788-1990

140

**This Aircraft (MSN 29647) is
owned by Aviation Capital
Group Corp., 610 Newport
Center Drive, Suite 1400,
Newport Beach, CA
92660-6465, U.S.A.**

180

**THIS AIRFRAME IS OWNED BY RAM
22 LEASING LIMITED, LEASED TO
COMPAGNIE NATIONALE ROYAL
AIR MAROC AND SUBJECT TO A
MORTGAGE IN FAVOR OF WELLS
FARGO BANK NORTHWEST, NATIONAL
ASSOCIATION, AS MORTGAGEE.**

200

**THIS AIRCRAFT IS OWNED BY INTERNATIONAL
LEASE FINANCE CORPORATION**

MANUFACTURER'S SERIAL NO: 37162
OWNER'S ADDRESS:

INTERNATIONAL LEASE
FINANCE CORPORATION
10250 CONSTELLATION BOULEVARD,
SUITE 3400
LOS ANGELES, CALIFORNIA 90067
UNITED STATES OF AMERICA
FAX: (310) 788-1990

210

**THIS AIRCRAFT IS OWNED BY SAS
2009 Koala Finance - MSN 36742
AND IS MORTGAGED TO BNP
PARIBAS AS SECURITY TRUSTEE
AND LEASED TO AIR CHINA LIMITED**

E 11325285K SHT 3 REV 155

NAMEPLATE INSTL-OWNERSHIP FWD DOOR SILL PLACARDS (INTERIOR PLACARDS ONLY)
FIGURE 85K (SHEET 3)

HAP
JUN 15/09

11-32-52-85K

11-32-52-85K
PAGE 0B

BOEING
737-600/700/800/900
PARTS CATALOG (MAINTENANCE)

235

**This airplane owned by Dubai
Aviation Corporation Flydubai,
PO Box 353 Dubai, UAE**

240

B737 - 81M A4O-BE MSN 37161
Name of Registered Operator:
Oman Air SAOC
Operating as Oman Air (Lessee).
Address:
PO Box 58, PC : 111
Muscat International Airport,
Muscat - Sultanate of Oman.

245

**THIS AIRCRAFT IS OWNED BY INTERNATIONAL
LEASE FINANCE CORPORATION**
MANUFACTURER'S SERIAL NO: 37161
OWNER'S ADDRESS:
**INTERNATIONAL LEASE
FINANCE CORPORATION
10250 CONSTELLATION BOULEVARD,
SUITE 3400
LOS ANGELES, CALIFORNIA 90067
UNITED STATES OF AMERICA
FAX: (310) 788-1990**

E 11325285K SHT 4 REV 155

NAMEPLATE INSTL-OWNERSHIP FWD DOOR SILL PLACARDS (INTERIOR PLACARDS ONLY)
FIGURE 85K (SHEET 4)

HAP
JUN 15/09

11-32-52-85K

11-32-52-85K
PAGE 0C

BOEING
737-600/700/800/900
PARTS CATALOG (MAINTENANCE)

FIG ITEM	PART NUMBER	1 2 3 4 5 6 7	NOMENCLATURE	EFFECT FROM TO	UNITS PER ASSY
R	85K		NAMEPLATE INSTL-OWNERSHIP	049052	
R			FWD DOOR SILL PLACARDS		
R			(INTERIOR PLACARDS ONLY)		
R	- 1	MODREF412418	NAMEPLATE INSTL-OWNERSHIP	049049	1
R			FWD DOOR SILL PLACARDS		
R			MODULE NUMBER:		
R			414A5203-898 REV A		
R	- 1	MODREF415022	NAMEPLATE INSTL-OWNERSHIP	050050	1
R			FWD DOOR SILL PLACARDS		
R			(INTERIOR PLACARDS ONLY)		
R			MODULE NUMBER:		
R			414A5203-1018 REV A		
R			FOR OTHER SYS DETAILS SEE:		
R			11-21-20-85A		
R			11-25-03-85E		
R			FOR ADDITIONAL DETAILS SEE:		
R			11-32-02-85E		
R	- 1	MODREF418125	NAMEPLATE INSTL-OWNERSHIP	051051	1
R			FWD DOOR SILL PLACARDS		
R			MODULE NUMBER:		
R			414A5203-1036 REV A		
R	- 2	MODREF419500	NAMEPLATE INSTL-OWNERSHIP	052052	1
R			FWD DOOR SILL PLACARDS		
R			MODULE NUMBER:		
R			414A5203-1046 REV A		
R	20	BAC29PPS64458	.MARKER	049049	1
R	30	BAC29PPS64541	.MARKER	050050	1
R	35	BAC29PPS64539	.MARKER-	050050	1
R			PLACARD CONTENT:		
R			REGISTRY: PH-TFB		
R			OPERATOR: ARKEFLY (TUI		
R			AIRLINES NEDERLAND B.V.)		
R	85	BAC29PPS64807	.MARKER-	051051	1
R			PLACARD CONTENT:		
R			G-FDZR		
R	120	BAC29PPS64822	.MARKER-	052052	1
R			PLACARD CONTENT:		
R			G-FDZS		
R			ATTACHING PARTS		
R	- 300	BACR15DR3PAC	.RIVET-	049049	4
R			SIZE DETERMINED ON INSTL.	051052	
R	- 305	BACR15DR3PAC	.RIVET-	050050	8
R			SIZE DETERMINED ON INSTL.		
			-----*-----		

MISSING ITEM NUMBERS NOT APPLICABLE

- ITEM NOT ILLUSTRATED

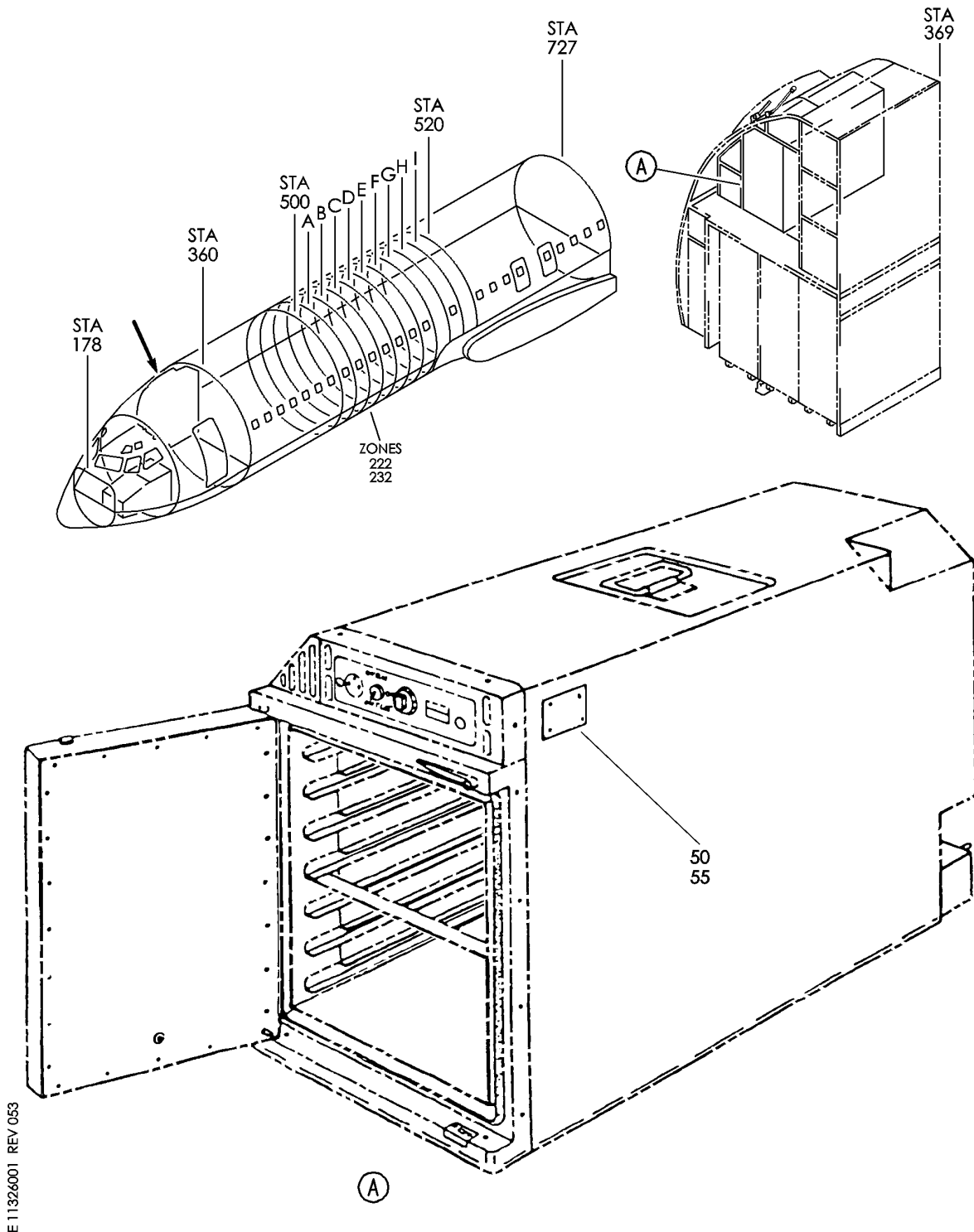
HAP

11-32-52-85K

BOEING PROPRIETARY - Copyright © - Unpublished Work - See title page for details.

11-32-52
FIG. 85K
PAGE 1
JUN 15/09

BOEING
 737-600/700/800/900
 PARTS CATALOG (MAINTENANCE)



E 11326001 REV 053

OVEN ASSY-GALLEY NO.2 (PLACARDS AND MARKINGS ONLY)(CUSTOMER FURNISHED)
 FIGURE 1

11-32-60-01

HAP
 OCT 10/06

11-32-60-01
 PAGE 0

BOEING
737-600/700/800/900
PARTS CATALOG (MAINTENANCE)

FIG ITEM	PART NUMBER	1 2 3 4 5 6 7	NOMENCLATURE	EFFECT FROM TO	UNITS PER ASSY
1			OVEN ASSY-GALLEY NO.2 (PLACARDDS AND MARKINGS ONLY)(CUSTOMER FURNISHED)	001011	
- 1	8203-12-0000		OVEN ASSY-GALLEY NO.2 (PLACARDS AND MARKINGS ONLY)(CUSTOMER FURNISHED) SUPPLIER CODE: VD2249 COMPONENT MAINT MANUAL REF: 25-36-34 FOR NHA/OTHER SYS DET SEE: 25-31-21-02	001011	RF
50	8203-12-0000-21		.PLACARD- SUPPLIER CODE: VD2249	001011	1
55	TPLDBS321		ATTACHING PARTS .RIVET-BLIND SUPPLIER CODE: VC1173	001011	4
- 60	MPE33-3-156SB		-----*----- .PLACARD- MODIFIED PER SERVICE BULLETIN E33-3-156SB SUPPLIER CODE: VD2249 SB DATA FROM A CMM: POST SB E33-3-156SB	001011	1
- 65	MPE33-3-169SB1		.PLACARD- MODIFIED TO PART NO. 8201-01-4200 PER SERVICE BULLETIN E33-3-169SB SUPPLIER CODE: VD2249 SB DATA FROM A CMM: POST SB E33-3-169SB	001011	1
- 65	MPE33-3-169SB5		.PLACARD- MODIFIED TO PART NO. 8201-51-4200 PER SERVICE BULLETIN E33-3-169SB SUPPLIER CODE: VD2249 SB DATA FROM A CMM: POST SB E33-3-169SB	001011	1

MISSING ITEM NUMBERS NOT APPLICABLE

- ITEM NOT ILLUSTRATED

HAP

11-32-60-01

11-32-60
FIG. 01
PAGE 1
OCT 10/06

BOEING
737-600/700/800/900
PARTS CATALOG (MAINTENANCE)

FIG ITEM	PART NUMBER	1 2 3 4 5 6 7	NOMENCLATURE	EFFECT FROM TO	UNITS PER ASSY
1 - 65	MPE33-3-169SB9		.PLACARD- MODIFIED TO PART NO. 8201-57-4200 PER SERVICE BULLETIN E33-3-169SB SUPPLIER CODE: VD2249 SB DATA FROM A CMM: POST SB E33-3-169SB	001011	1
- 70	MPE33-3-137SB2		.PLACARD- MODIFIED PER SERVICE BULLETIN E33-3-137SB TO PN 8201-57-4000 SUPPLIER CODE: VD2249 SB DATA FROM A CMM: POST SB E33-3-137SB	001011	1

MISSING ITEM NUMBERS NOT APPLICABLE

- ITEM NOT ILLUSTRATED

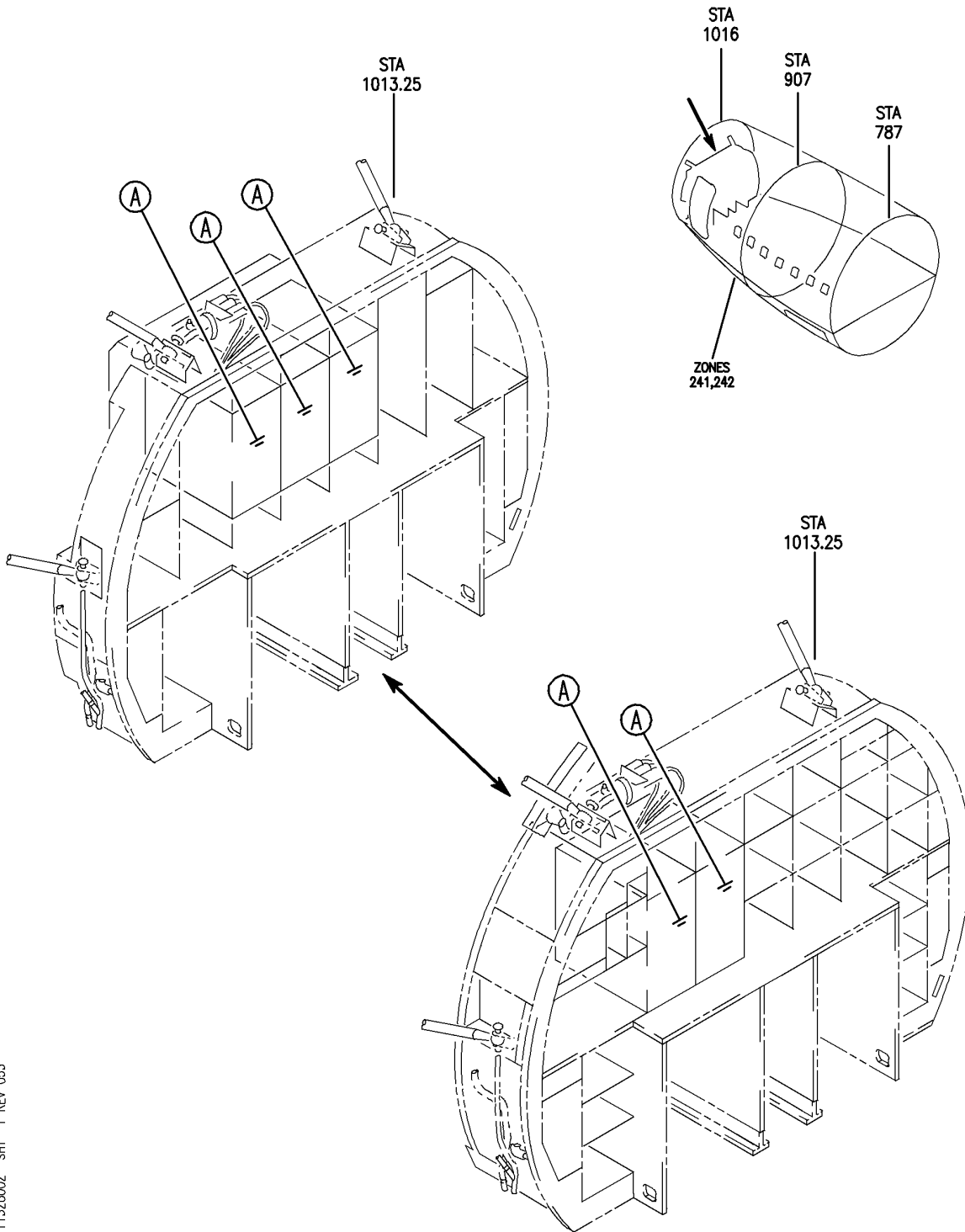
HAP

11-32-60-01

BOEING PROPRIETARY - Copyright © - Unpublished Work - See title page for details.

11-32-60
FIG. 01
PAGE 2
OCT 10/06

BOEING
 737-600/700/800/900
 PARTS CATALOG (MAINTENANCE)



E 11326002 SHT 1 REV 063

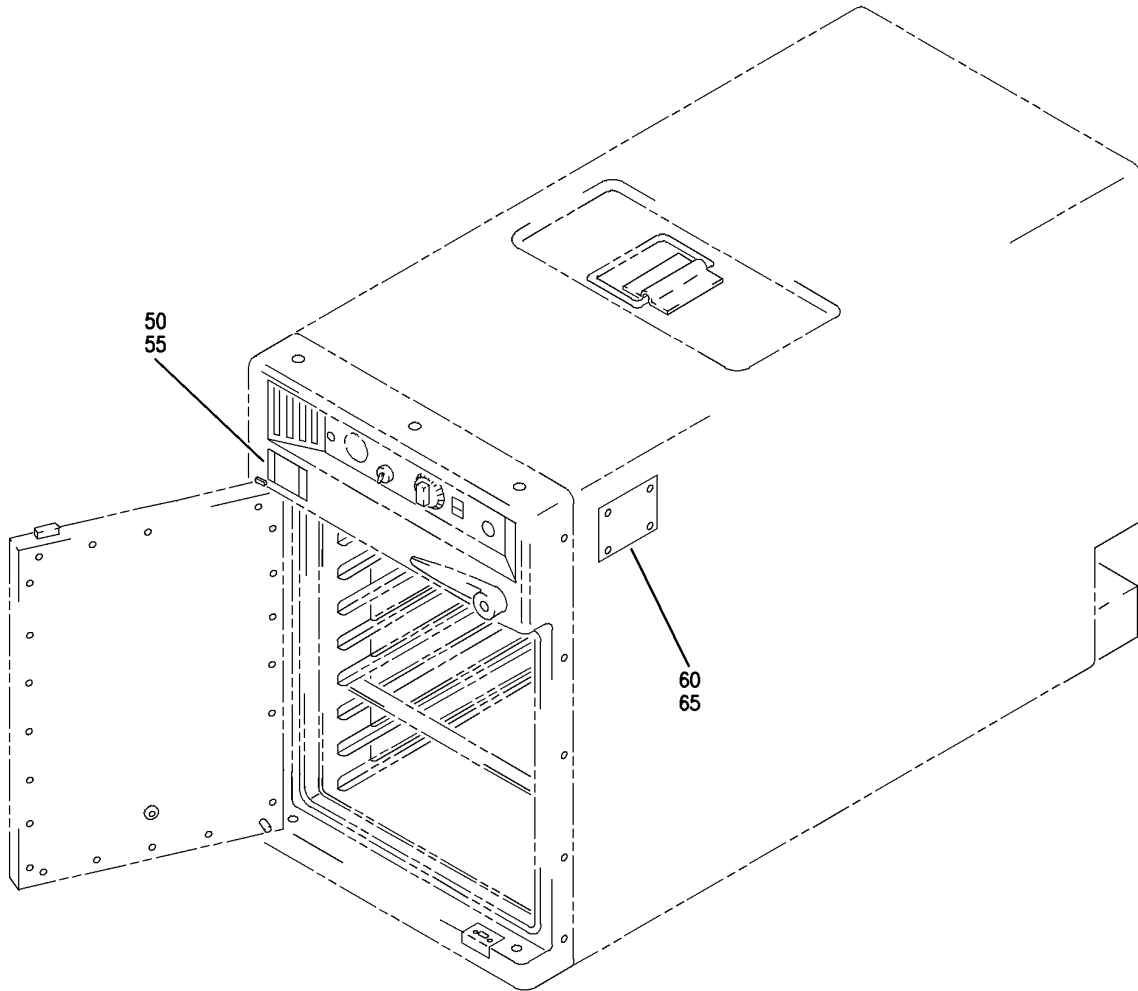
OVEN ASSY-EXTENDED 48 MEAL (PLACARDS AND MARKINGS ONLY)
 FIGURE 2 (SHEET 1)

11-32-60-02

HAP
 OCT 10/06

11-32-60-02
 PAGE 0

BOEING
737-600/700/800/900
PARTS CATALOG (MAINTENANCE)



E 11326002 SHT 2 REV 053

OVEN ASSY-EXTENDED 48 MEAL (PLACARDS AND MARKINGS ONLY)
FIGURE 2 (SHEET 2)

11-32-60-02

HAP
OCT 10/06

11-32-60-02
PAGE 0A

BOEING
737-600/700/800/900
PARTS CATALOG (MAINTENANCE)

FIG ITEM	PART NUMBER	1 2 3 4 5 6 7	NOMENCLATURE	EFFECT FROM TO	UNITS PER ASSY
2			OVEN ASSY-EXTENDED 48 MEAL (PLACARDS AND MARKINGS ONLY)	001011	
- 1	8203-11-0000		OVEN ASSY-EXTENDED 48 MEAL (PLACARDS AND MARKINGS ONLY)(CUSTOMER FURNISHED) SUPPLIER CODE: VD2249 COMPONENT MAINT MANUAL REF: 25-36-34 FOR NHA/OTHER SYS DET SEE: 25-31-21-02	001011	RF
50	8201-01-1030-07		.PLACARD- SUPPLIER CODE: VD2249	001011	1
55	LN9317-2432		.RIVET	001011	2
60	8203-11-0000-21		.PLACARD- SUPPLIER CODE: VD2249	001011	1
65	TPLDBS321		.RIVET-BLIND SUPPLIER CODE: VC1173	001011	4
- 70	MPE33-3-156SB		.PLACARD- SUPPLIER CODE: VD2249	001011	1
- 75	MPE33-3-137SB2		.PLACARD- SUPPLIER CODE: VD2249	001011	1
- 80	MPE33-3-137SB4		.PLACARD- SUPPLIER CODE: VD2249	001011	1
- 85	TPLDBS3		.RIVET-BLIND SUPPLIER CODE: VD2249	001011	4
- 90	MPE33-3-169SB1		.PLACARD- SUPPLIER CODE: VD2249	001011	1
- 95	MPE33-3-169SB5		.PLACARD- SUPPLIER CODE: VD2249	001011	1

MISSING ITEM NUMBERS NOT APPLICABLE

- ITEM NOT ILLUSTRATED

HAP

11-32-60-02

BOEING PROPRIETARY - Copyright © - Unpublished Work - See title page for details.

11-32-60
FIG. 02
PAGE 1
OCT 10/06