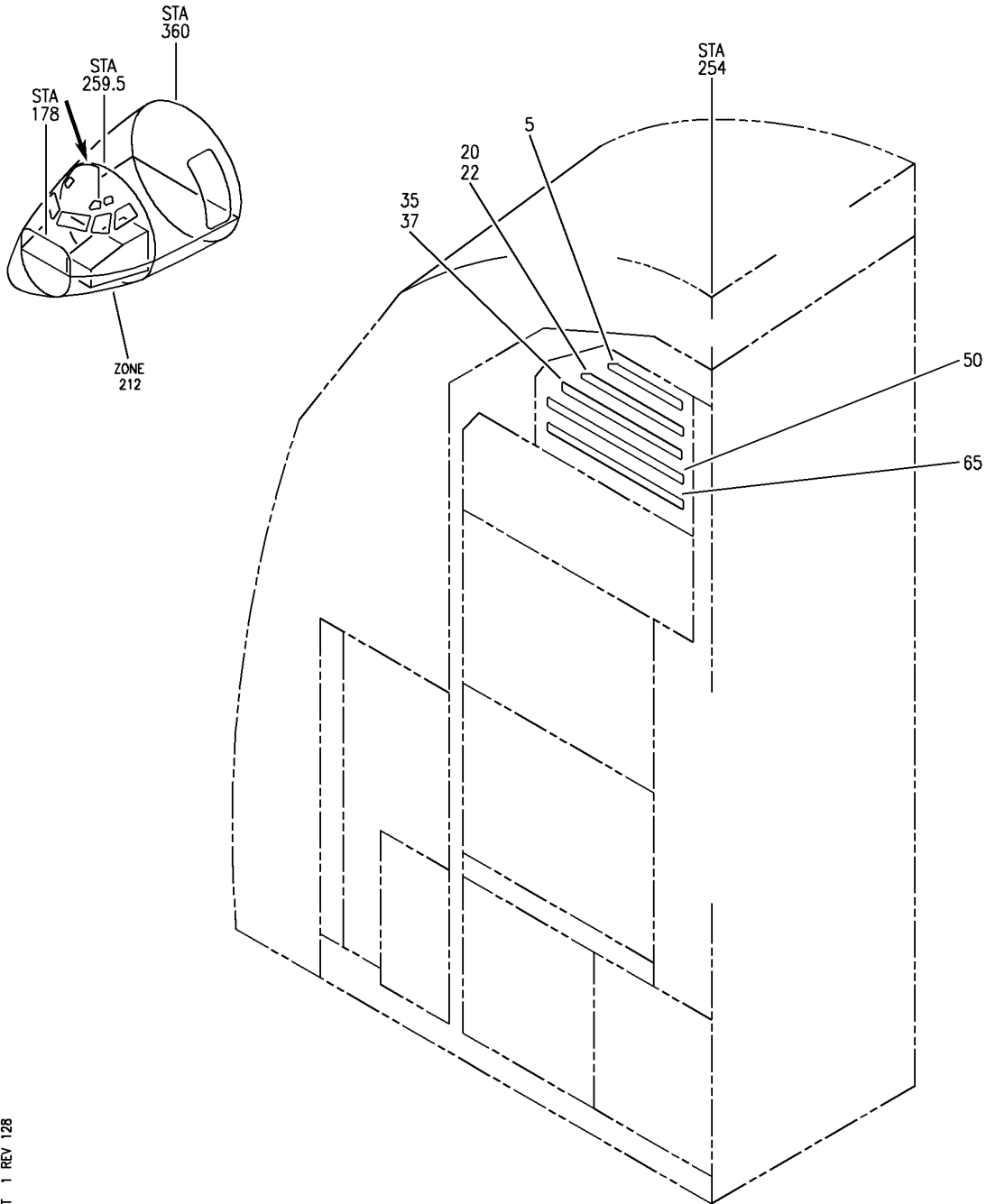


OVERHEAD CIRCUIT BREAKER PANELS

HAP
OCT 10/06

11-35-00
SECTION TITLE
PAGE 1

BOEING
737-600/700/800/900
PARTS CATALOG (MAINTENANCE)



E 11350101Y SHT 1 REV 128

For Details See Subsequent Pages

MARKER AND INOP INSTL-P6-1 PNL (PLACARDS AND MARKINGS ONLY)
FIGURE 1Y (SHEET 1)

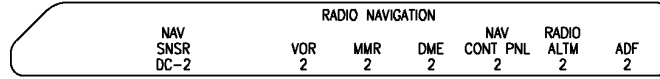
HAP
OCT 15/08

11-35-01-01Y

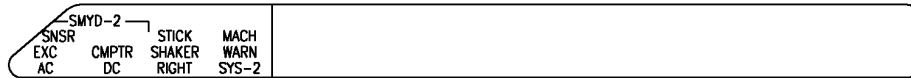
11-35-01-01Y
PAGE 0

BOEING
737-600/700/800/900
PARTS CATALOG (MAINTENANCE)

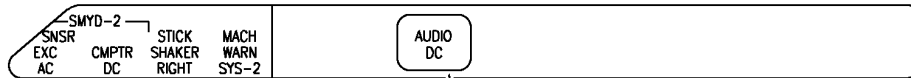
5



20



22



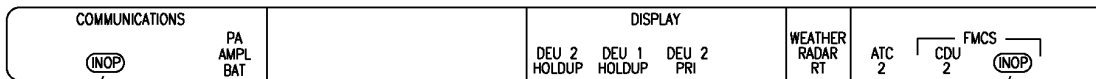
35



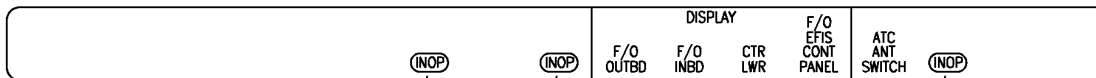
37



50



65



E 11350101Y SHT 2 REV 128

MARKER AND INOP INSTL-P6-1 PNL (PLACARDS AND MARKINGS ONLY)
 FIGURE 1Y (SHEET 2)

11-35-01-01Y

HAP
 OCT 15/08

11-35-01-01Y
 PAGE 0A

 **BOEING**
737-600/700/800/900
PARTS CATALOG (MAINTENANCE)

FIG ITEM	PART NUMBER	1 2 3 4 5 6 7	NOMENCLATURE	EFFECT FROM TO	UNITS PER ASSY
1Y			MARKER AND INOP INSTL-P6-1 PNL (PLACARDS AND MARKINGS ONLY)	201967	
- 1	233A5221-402898		MARKER INSTL-P6-1 ROW A FOR NHA SEE: 11-31-00-03B	201967	RF
5	BAC27DCC2898		.MARKER	201967	1
- 15	233A5221-402866		MARKER INSTL-P6-1 ROW B FOR NHA SEE: 11-31-00-03B	201967	RF
22	BAC27DCC2866		.MARKER- POST SERVICE BULLETIN: 23-1139	201967	1
24	BAC27DCC3213		.MARKER- POST SERVICE BULLETIN: 23-1139	201967	1
- 30	233A5221-402834		MARKER INSTL-P6-1 ROW C FOR NHA SEE: 11-31-00-03B	201967	RF
37	BAC27DCC2834		.MARKER- POST SERVICE BULLETIN: 23-1139	201967	1
40	BAC27DCC3214		.MARKER- POST SERVICE BULLETIN: 23-1139	201967	1
- 45	233A5221-402884		MARKER INSTL-P6-1 ROW D FOR NHA SEE: 11-31-00-03B	201967	RF
50	BAC27DCC2884		.MARKER	201967	1
- 60	233A5221-403035		MARKER INSTL-P6-1 ROW E FOR NHA SEE: 11-31-00-03B	201967	RF
65	BAC27DCC3035		.DECAL	201967	1
- 75	233A5221-501402		INOP INSTL-P6-1/D2 (PLACARDS AND MARKINGS ONLY) FOR NHA/OTHER SYS DET SEE: 24-50-00-03B	201967	RF
80	BAC27DCC3073		.MARKER- PLACARD CONTENT: INOP	201967	1
- 90	233A5221-501416		INOP INSTL-P6-1/D16 (PLACARDS AND MARKINGS ONLY) FOR NHA/OTHER SYS DET SEE: 24-50-00-03B	201967	RF
95	BAC27DCC3073		.MARKER- PLACARD CONTENT: INOP	201967	1

MISSING ITEM NUMBERS NOT APPLICABLE

- ITEM NOT ILLUSTRATED

HAP

11-35-01-01Y

11-35-01
FIG. 01Y
PAGE 1
OCT 15/08

BOEING
737-600/700/800/900
PARTS CATALOG (MAINTENANCE)

FIG ITEM	PART NUMBER	1 2 3 4 5 6 7	NOMENCLATURE	EFFECT FROM TO	UNITS PER ASSY
1Y - 105	233A5221-501507		INOP INSTL-P6-1/E7 (PLACARDS AND MARKINGS ONLY) FOR NHA/OTHER SYS DET SEE: 24-50-00-03B	201967	RF
110	BAC27DCC3073		.MARKER- PLACARD CONTENT: INOP	201967	1
- 120	233A5221-501509		INOP INSTL-P6-1/E9 (PLACARDS AND MARKINGS ONLY) FOR NHA/OTHER SYS DET SEE: 24-50-00-03B	201967	RF
125	BAC27DCC3073		.MARKER- PLACARD CONTENT: INOP	201967	1
- 135	233A5221-501515		INOP INSTL-P6-1/E15 (PLACARDS AND MARKINGS ONLY) FOR NHA/OTHER SYS DET SEE: 24-50-00-03B	201967	RF
140	BAC27DCC3073		.MARKER- PLACARD CONTENT: INOP	201967	1

MISSING ITEM NUMBERS NOT APPLICABLE

- ITEM NOT ILLUSTRATED

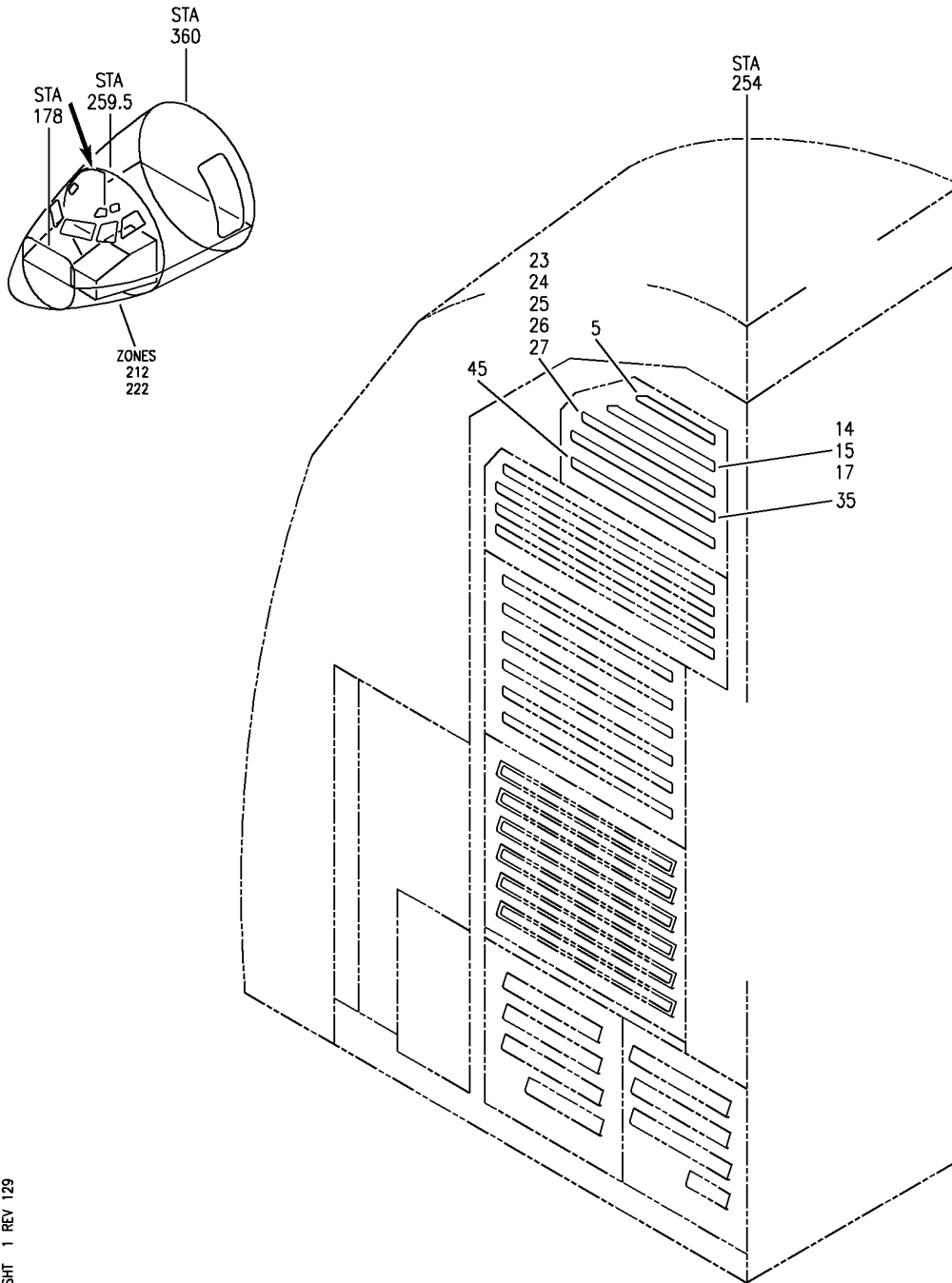
HAP

11-35-01-01Y

BOEING PROPRIETARY - Copyright © - Unpublished Work - See title page for details.

11-35-01
FIG. 01Y
PAGE 2
OCT 15/08

BOEING
 737-600/700/800/900
 PARTS CATALOG (MAINTENANCE)



For Details See Subsequent Pages

E 11350102A SHT 1 REV 129

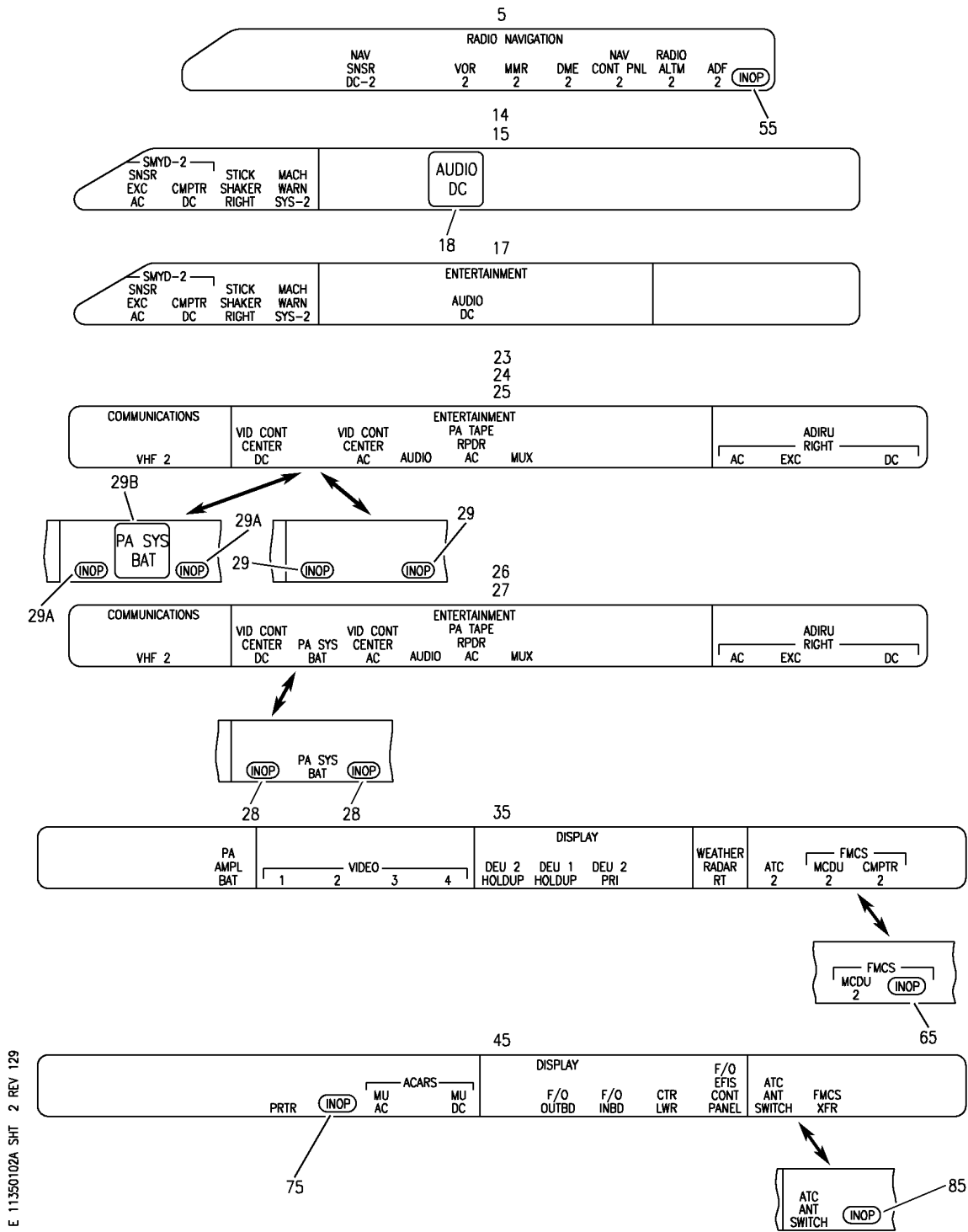
MARKER AND INOP INSTL-P6-1 (PLACARDS AND MARKINGS ONLY)
 FIGURE 2A (SHEET 1)

11-35-01-02A

HAP
 JUN 10/07

11-35-01-02A
 PAGE 0

BOEING
737-600/700/800/900
PARTS CATALOG (MAINTENANCE)



E 11350102A SHT 2 REV 129

MARKER AND INOP INSTL-P6-1 (PLACARDS AND MARKINGS ONLY)
FIGURE 2A (SHEET 2)

11-35-01-02A

HAP
JUN 10/07

11-35-01-02A
PAGE 0A

BOEING
737-600/700/800/900
PARTS CATALOG (MAINTENANCE)

FIG ITEM	PART NUMBER	1 2 3 4 5 6 7	NOMENCLATURE	EFFECT FROM TO	UNITS PER ASSY
2A			MARKER AND INOP INSTL-P6-1 (PLACARDS AND MARKINGS ONLY)	008030	
- 1	233A5221-402898		MARKER INSTL-P6-1 ROW A FOR NHA SEE: 11-31-00-03C	008030	RF
5	BAC27DCC2898		.MARKER	008030	1
- 10	233A5221-402866		MARKER INSTL-P6-1 ROW B FOR NHA SEE: 11-31-00-03C	008013	RF
- 10	233A5221-403156		MARKER INSTL-P6-1 ROW B FOR NHA SEE: 11-31-00-03C	014030	RF
14	BAC27DCC2866		.MARKER	009009	1
15	BAC27DCC2866		.MARKER-	008008	1
				010013	
17	BAC27DCC3156		.MARKER-	014030	1
18	BAC27DCC3213		.MARKER-	009009	1
			PLACARD CONTENT: AUDIO DC POST SERVICE BULLETIN: 23-1139R1		
- 20	233A5221-402926		MARKER INSTL-P6-1 ROW C FOR NHA SEE: 11-31-00-03C	008013	RF
- 20	233A5221-403168		MARKER INSTL-P6-1 ROW C FOR NHA SEE: 11-31-00-03C	014030	RF
23	BAC27DCC2926		.MARKER	008008	1
				010013	
24	BAC27DCC2926		.MARKER	009009	1
26	BAC27DCC3168		.MARKER	015015	1
				018018	
27	BAC27DCC3168		.MARKER-	014014	1
				016017	
				019030	
28	BAC27DCC3073		.MARKER-	014014	2
			PLACARD CONTENT: INOP POST SERVICE BULLETIN: 25-1542	016017	
				019030	
29	BAC27DCC3073		.MARKER-	008008	2
			PLACARD CONTENT: INOP POST SERVICE BULLETIN: 25-1542	010013	

MISSING ITEM NUMBERS NOT APPLICABLE

- ITEM NOT ILLUSTRATED

HAP

11-35-01-02A

BOEING PROPRIETARY - Copyright © - Unpublished Work - See title page for details.

11-35-01
FIG. 02A
PAGE 1
JUN 10/07

BOEING
737-600/700/800/900
PARTS CATALOG (MAINTENANCE)

FIG ITEM	PART NUMBER	1 2 3 4 5 6 7	NOMENCLATURE	EFFECT FROM TO	UNITS PER ASSY
2A					
29A	BAC27DCC3073		.MARKER- PLACARD CONTENT: INOP POST SERVICE BULLETIN: 25-1542	009009	2
29B	BAC27DCC3214		.MARKER- PLACARD CONTENT: PA SYS BAT POST SERVICE BULLETIN: 23-1139R1	009009	1
- 30	233A5221-402821		MARKER INSTL-P6-1 ROW D FOR NHA SEE: 11-31-00-03C	008030	RF
35	BAC27DCC2821		.MARKER	008030	1
- 40	233A5221-402823		MARKER INSTL-P6-1 ROW E FOR NHA SEE: 11-31-00-03C	008030	RF
45	BAC27DCC2823		.MARKER	008030	1
- 50	233A5221-501117		INOP INSTL-P6-1/A17 (PLACARDS AND MARKINGS ONLY) FOR NHA/OTHER SYS DET SEE: 24-50-00-03C	008030	RF
55	BAC27DCC3073		.MARKER- PLACARD CONTENT: INOP	008030	1
- 60	233A5221-501416		INOP INSTL-P6-1/D16 (PLACARDS AND MARKINGS ONLY) FOR NHA/OTHER SYS DET SEE: 24-50-00-03C	008030	RF
65	BAC27DCC3073		.MARKER- PLACARD CONTENT: INOP	008030	1
- 70	233A5221-501506		INOP INSTL-P6-1/E6 (PLACARDS AND MARKINGS ONLY) FOR NHA/OTHER SYS DET SEE: 24-50-00-03C	008030	RF
75	BAC27DCC3073		.MARKER- PLACARD CONTENT: INOP	008030	1
- 80	233A5221-501515		INOP INSTL-P6-1/E15 (PLACARDS AND MARKINGS ONLY) FOR NHA/OTHER SYS DET SEE: 24-50-00-03C	008030	RF

MISSING ITEM NUMBERS NOT APPLICABLE

- ITEM NOT ILLUSTRATED

HAP

11-35-01-02A

BOEING PROPRIETARY - Copyright © - Unpublished Work - See title page for details.

11-35-01
FIG. 02A
PAGE 2
OCT 10/07


BOEING
 737-600/700/800/900
PARTS CATALOG (MAINTENANCE)

FIG ITEM	PART NUMBER	1 2 3 4 5 6 7 NOMENCLATURE	EFFECT FROM TO	UNITS PER ASSY
2A 85	BAC27DCC3073	. MARKER- PLACARD CONTENT : INOP	008030	1

MISSING ITEM NUMBERS NOT APPLICABLE

— ITEM NOT ILLUSTRATED

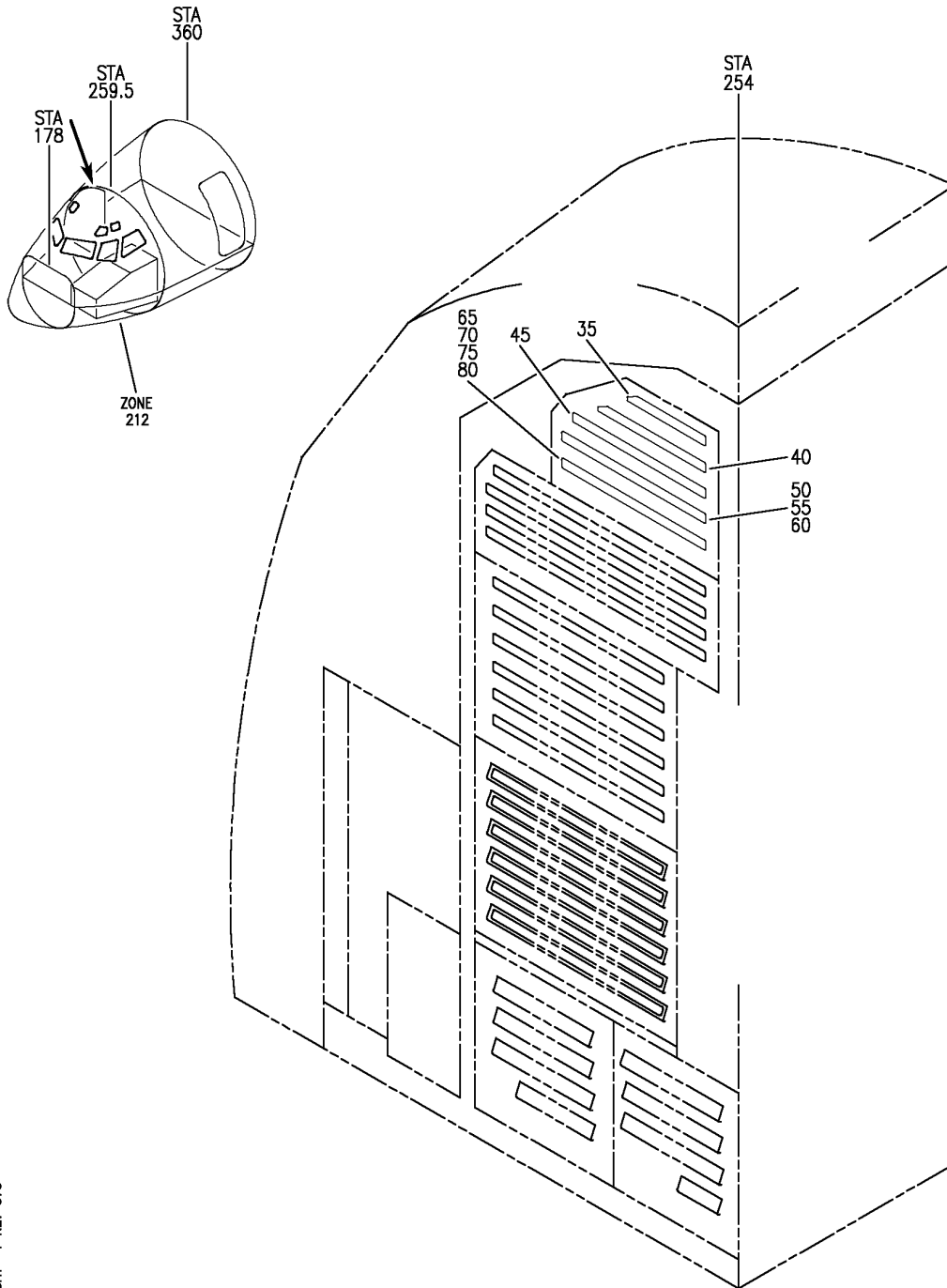
HAP

11-35-01-02A

BOEING PROPRIETARY - Copyright © - Unpublished Work - See title page for details.

11-35-01
 FIG. 02A
 PAGE 3
 OCT 10/07

BOEING
737-600/700/800/900
PARTS CATALOG (MAINTENANCE)



E 11350117 SHT 1 REV 070

For Details See Subsequent Pages

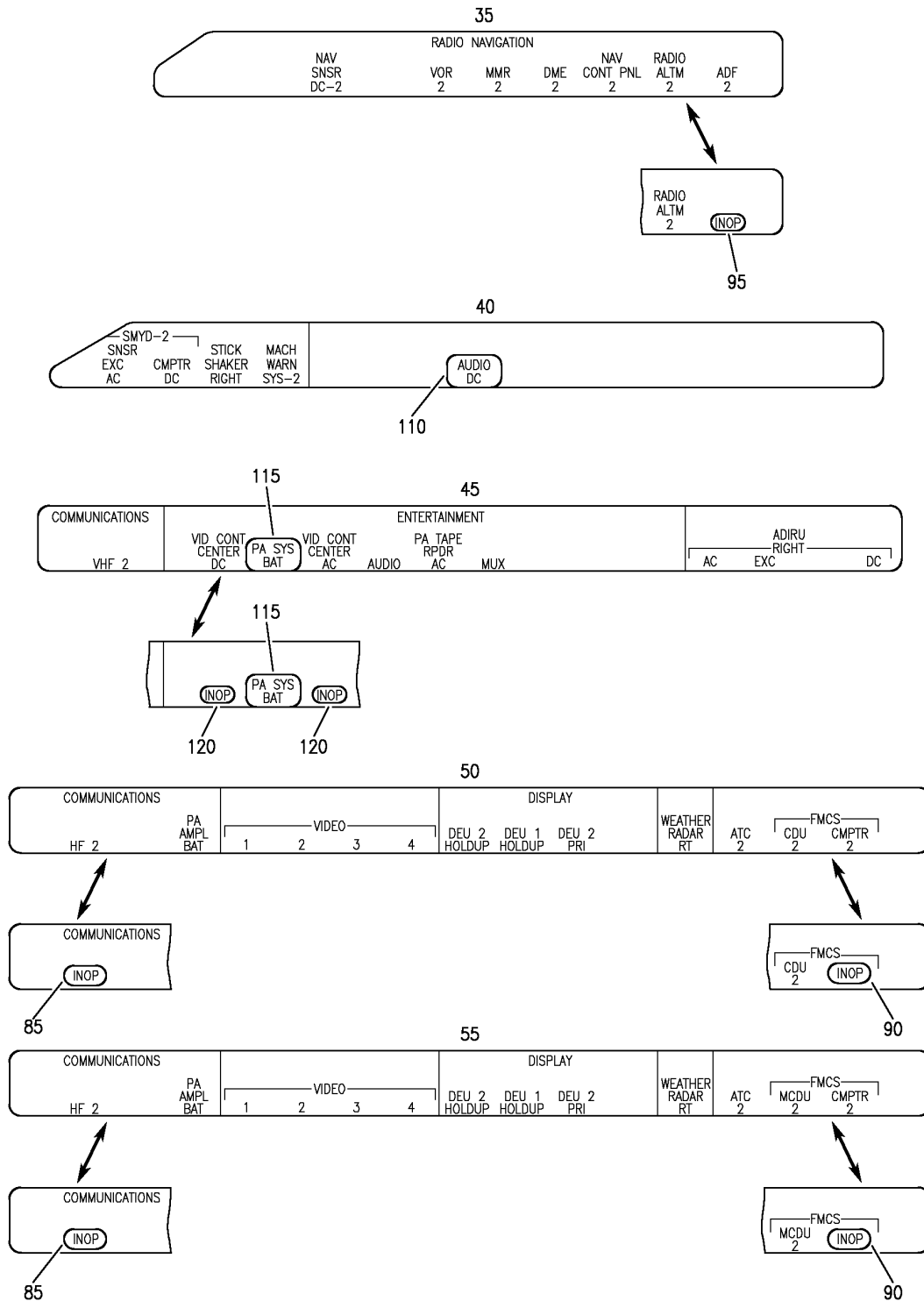
CIRCUIT BREAKER INSTL FLIGHT DECK P6-1 (PLACARDS AND MARKINGS ONLY)
FIGURE 17 (SHEET 1)

11-35-01-17

HAP
OCT 10/06

11-35-01-17
PAGE 0

BOEING
737-600/700/800/900
PARTS CATALOG (MAINTENANCE)



E 11350117 SHT 2 REV 099

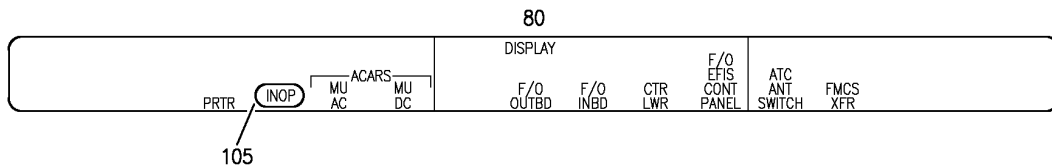
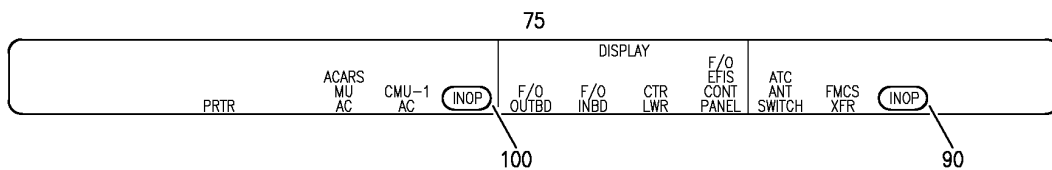
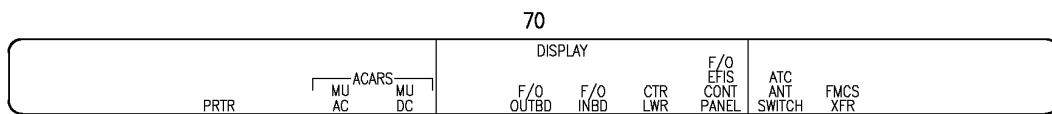
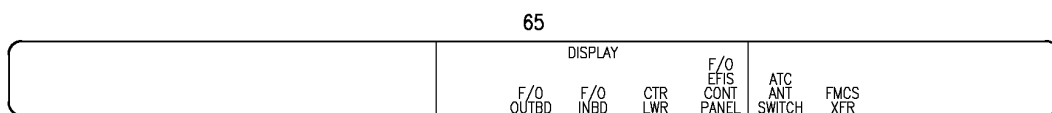
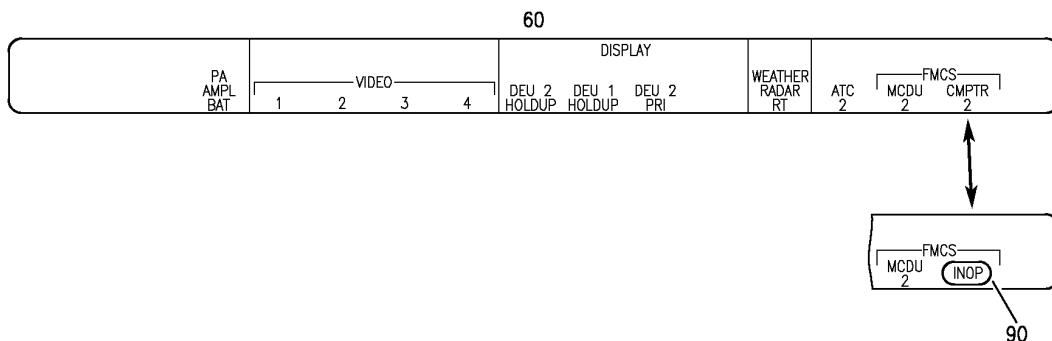
CIRCUIT BREAKER INSTL FLIGHT DECK P6-1 (PLACARDS AND MARKINGS ONLY)
FIGURE 17 (SHEET 2)

11-35-01-17

HAP
OCT 10/06

11-35-01-17
PAGE 0A


BOEING
 737-600/700/800/900
PARTS CATALOG (MAINTENANCE)



E 11350117 SHT 3 REV 070

CIRCUIT BREAKER INSTL FLIGHT DECK P6-1 (PLACARDS AND MARKINGS ONLY)
FIGURE 17 (SHEET 3)

11-35-01-17

HAP
OCT 10/06

11-35-01-17
PAGE 0B

BOEING
737-600/700/800/900
PARTS CATALOG (MAINTENANCE)

FIG ITEM	PART NUMBER	1 2 3 4 5 6 7	NOMENCLATURE	EFFECT FROM TO	UNITS PER ASSY
17			CIRCUIT BREAKER INSTL FLIGHT DECK P6-1 (PLACARDS AND MARKINGS ONLY)	001007	
- 1	233A5202-103001		CIRCUIT BREAKER INSTL- FLIGHT DECK P6-1 (PLACARDS AND MARKINGS ONLY) FOR NHA/OTHER SYS DET SEE: 24-50-00-01C	001007	RF
35	BAC27DCC2898		.MARKER	001007	1
40	BAC27DCC2866		.MARKER	001007	1
45	BAC27DCC2926		.MARKER	001007	1
60	BAC27DCC2821		.MARKER	001007	1
80	BAC27DCC2823		.MARKER	001007	1
90	BAC27DCC1242		.MARKER-ALUMINUM FOIL PLACARD CONTENT: INOP	001007	2
95	BAC27DCC1242		.MARKER-ALUMINUM FOIL PLACARD CONTENT: INOP	001007	1
105	BAC27DCC1242		.MARKER-ALUMINUM FOIL PLACARD CONTENT: INOP	001007	1
120	BAC27DCC3073		.MARKER- PLACARD CONTENT: INOP POST SERVICE BULLETIN: 25-1542	001007	2

MISSING ITEM NUMBERS NOT APPLICABLE

- ITEM NOT ILLUSTRATED

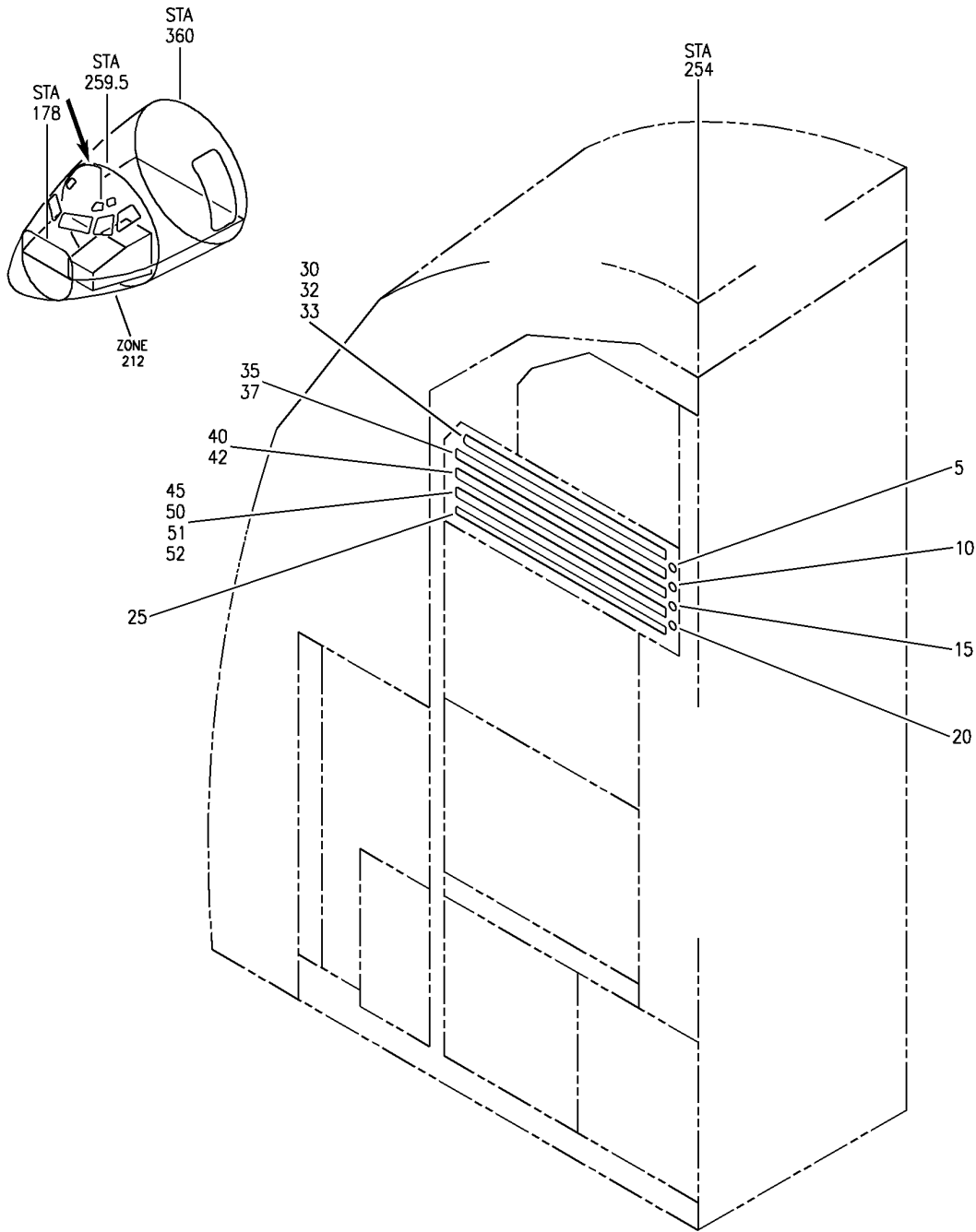
HAP

11-35-01-17

BOEING PROPRIETARY - Copyright © - Unpublished Work - See title page for details.

11-35-01
FIG. 17
PAGE 1
OCT 10/06

BOEING
 737-600/700/800/900
 PARTS CATALOG (MAINTENANCE)



For Details See Subsequent Pages

E 11350119 SHT 1 REV 116

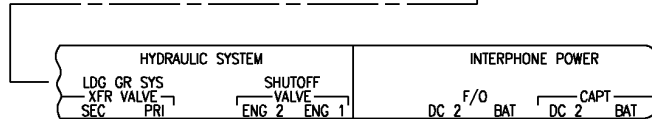
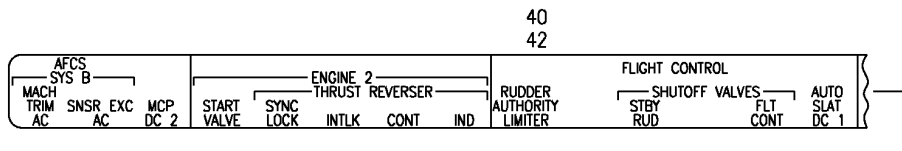
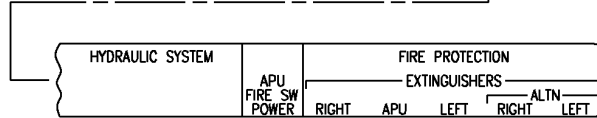
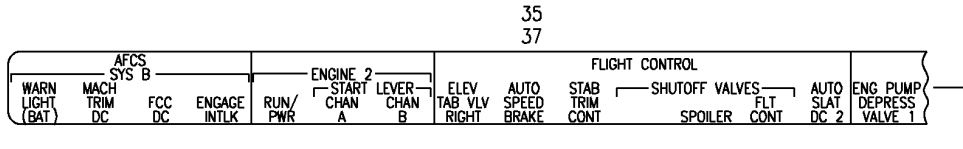
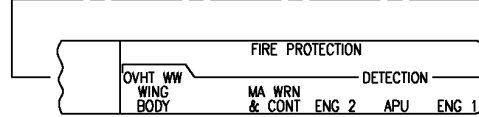
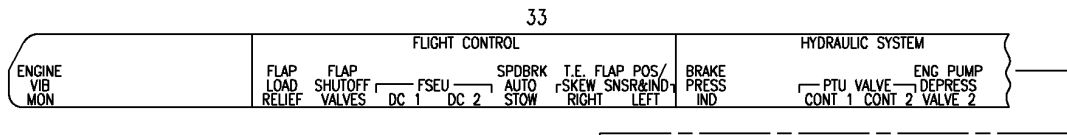
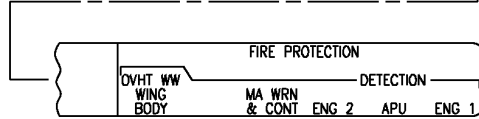
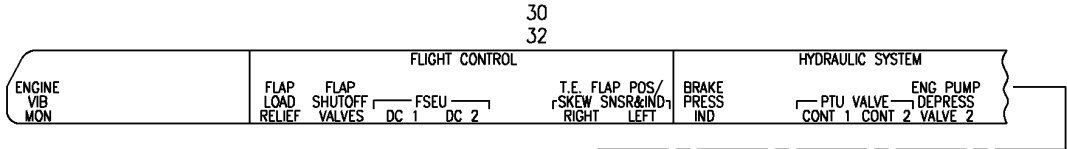
CIRCUIT BREAKER INSTL FLIGHT DECK P6-2 (PLACARDS AND MARKINGS ONLY)
 FIGURE 19 (SHEET 1)

11-35-01-19

HAP
 OCT 10/06

11-35-01-19
 PAGE 0


BOEING
 737-600/700/800/900
PARTS CATALOG (MAINTENANCE)



E 11350119 SHT 2 REV 116

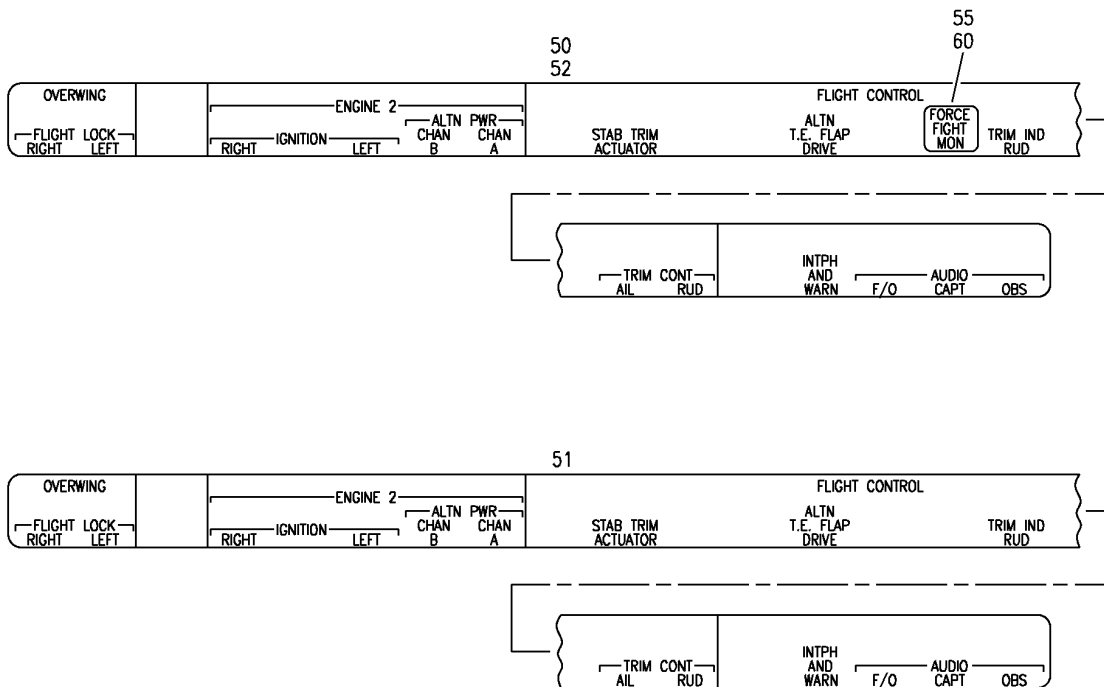
CIRCUIT BREAKER INSTL FLIGHT DECK P6-2 (PLACARDS AND MARKINGS ONLY)
FIGURE 19 (SHEET 2)

11-35-01-19

HAP
OCT 10/06

11-35-01-19
PAGE 0A


BOEING
 737-600/700/800/900
PARTS CATALOG (MAINTENANCE)



E 11350119 SH1 3 REV 116

CIRCUIT BREAKER INSTL FLIGHT DECK P6-2 (PLACARDS AND MARKINGS ONLY)
 FIGURE 19 (SHEET 3)

11-35-01-19

HAP
 OCT 10/06

11-35-01-19
 PAGE 0B


BOEING
737-600/700/800/900
PARTS CATALOG (MAINTENANCE)

FIG ITEM	PART NUMBER	1 2 3 4 5 6 7	NOMENCLATURE	EFFECT FROM TO	UNITS PER ASSY
19			CIRCUIT BREAKER INSTL FLIGHT DECK P6-2 (PLACARDS AND MARKINGS ONLY)	001007	
- 1	233A5202-202003		CIRCUIT BREAKER INSTL- FLIGHT DECK P6-2 (PLACARDS AND MARKINGS ONLY) MODIFICATION DRAWING REF: 737-8901-1 737-8901-5 737-8901-9 737-8901-11 737-8902-3 737-8922-1 REFERENCE AIRLINE MOD: E.O.APB737-8007 VHAP FOR NHA/OTHER SYS DET SEE: 24-50-00-01C	001007	RF
R	5	BAC27DEX4980	.MARKER-ALUMINUM FOIL PLACARD CONTENT: A	001007	1
R	10	BAC27DEX4981	.MARKER-ALUMINUM FOIL PLACARD CONTENT: B	001007	1
R	15	BAC27DEX4982	.MARKER-ALUMINUM FOIL PLACARD CONTENT: C	001007	1
R	20	BAC27DEX4983	.MARKER-ALUMINUM FOIL PLACARD CONTENT: D	001007	1
R	25	BAC27DCC2731	.MARKER- PLACARD CONTENT: 1 THRU 24	001007	1
R	30	BAC27DCC2735	.MARKER- PRE AIRLINE MOD: E.O.APB737-8007 VHAP	001007	1
R	33	BAC27DCC3256	.MARKER- POST AIRLINE MOD: E.O.APB737-8007 VHAP	001007	1
R	35	BAC27DCC2733	.MARKER	001007	1
R	40	BAC27DCC2743	.MARKER	001007	1
R	50	BAC27DCC2955	.MARKER-	001007	1

MISSING ITEM NUMBERS NOT APPLICABLE

- ITEM NOT ILLUSTRATED

HAP

11-35-01-19

11-35-01
 FIG. 19
 PAGE 1
 JUN 15/09


BOEING
 737-600/700/800/900
PARTS CATALOG (MAINTENANCE)

FIG ITEM	PART NUMBER	1 2 3 4 5 6 7 NOMENCLATURE	EFFECT FROM TO	UNITS PER ASSY
19 55	BAC27DCC3328	.MARKER- PLACARD CONTENT: FORCE FIGHT MON POST SERVICE BULLETIN: 27-1253R3	001007	1

MISSING ITEM NUMBERS NOT APPLICABLE

— ITEM NOT ILLUSTRATED

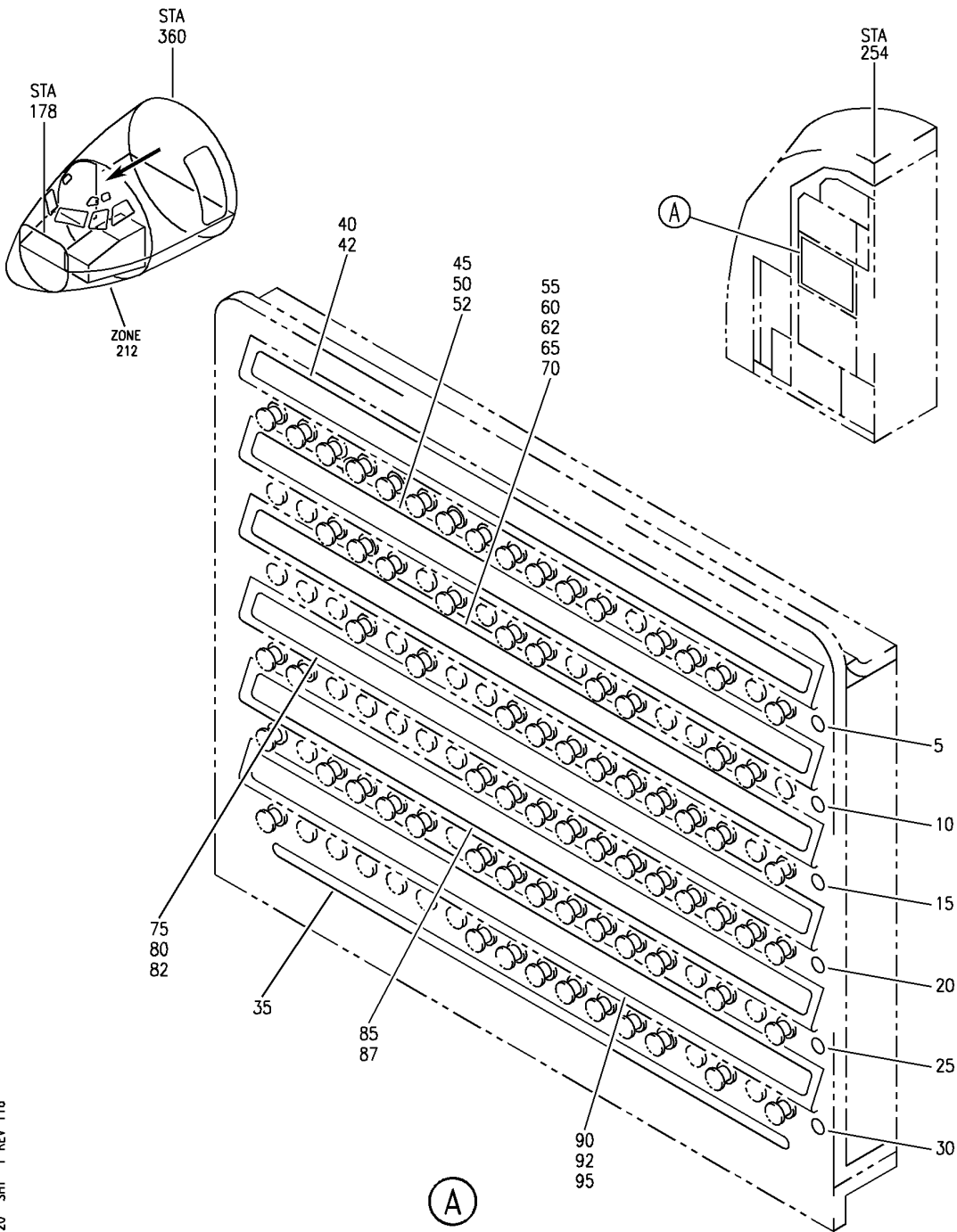
HAP

11-35-01-19

BOEING PROPRIETARY - Copyright © - Unpublished Work - See title page for details.

11-35-01
 FIG. 19
 PAGE 2
 JUN 15/09

BOEING
 737-600/700/800/900
 PARTS CATALOG (MAINTENANCE)



For Details See Subsequent Pages

E 11350120 SHT 1 REV 116

CIRCUIT BREAKER INSTL FLIGHT DECK P6-3 (PLACARDS AND MARKINGS ONLY)
 FIGURE 20 (SHEET 1)

11-35-01-20

HAP
 OCT 10/06

11-35-01-20
 PAGE 0

BOEING
737-600/700/800/900
PARTS CATALOG (MAINTENANCE)

40
42

MISC	FUEL				CONTROL CABIN LIGHTING						LANDING GEAR					
CLOCK DISPLAY	CLOCK	FUELING CONT IND		QTY 2	QTY 1	TEMP IND	CONT STAND	MAP & KIT	OBS READING	PANEL FLOOD CONT	PANEL FLOOD STBY	STBY COMPASS	DOVE WHITE	AUTOBRAKE BITE		CONT 1

45

PASS SEAT CONV CONT	FUEL			CROSS FEED VALVE	PANEL & INSTR		MASTER CAUTION		LANDING GEAR		
SPAR VALVE ENG 2	SPAR VALVE ENG 1	SPAR VALVE IND	28V PRI CAPT & CTR F/O		ANNUNCIATOR BUS 1 BAT		LATCH & PARKING PRESS BRAKE WARN				

50
52

				CROSS FEED VALVE	PANEL & INSTR		MASTER CAUTION		LANDING GEAR		
SPAR VALVE ENG 2	SPAR VALVE ENG 1	SPAR VALVE IND	28V PRI CAPT & CTR F/O		ANNUNCIATOR BUS 1 BAT		LATCH & PARKING PRESS BRAKE WARN				

55

(INOP)	EMERG EVAC SIGNAL	AUTO S/O BST PUMP CTR TANK L DC	FUEL			AUTO S/O BST PUMP CTR TANK R DC	PANEL & INSTR		TO DISCONNECT PULL (2) BREAKERS				LANDING GEAR		TAKEOFF WARNING CUTOFF
			SHUTOFF VALVES PWR PACK BUS				CB PANEL	ELEX PANEL	CONT 1	CONT 2	CONT 3	CONT 4	AIR/GND SYS 2	AIR/GND SYS 1	

100

60
62

(INOP)	AUTO S/O BST PUMP CTR TANK L DC	FUEL			AUTO S/O BST PUMP CTR TANK R DC	PANEL & INSTR		TO DISCONNECT PULL (2) BREAKERS				LANDING GEAR		TAKEOFF WARNING CUTOFF
		SHUTOFF VALVES PWR PACK BUS				CB PANEL	ELEX PANEL	CONT 1	CONT 2	CONT 3	CONT 4	AIR/GND SYS 2	AIR/GND SYS 1	

E 11350120 SHT 2 REV 117

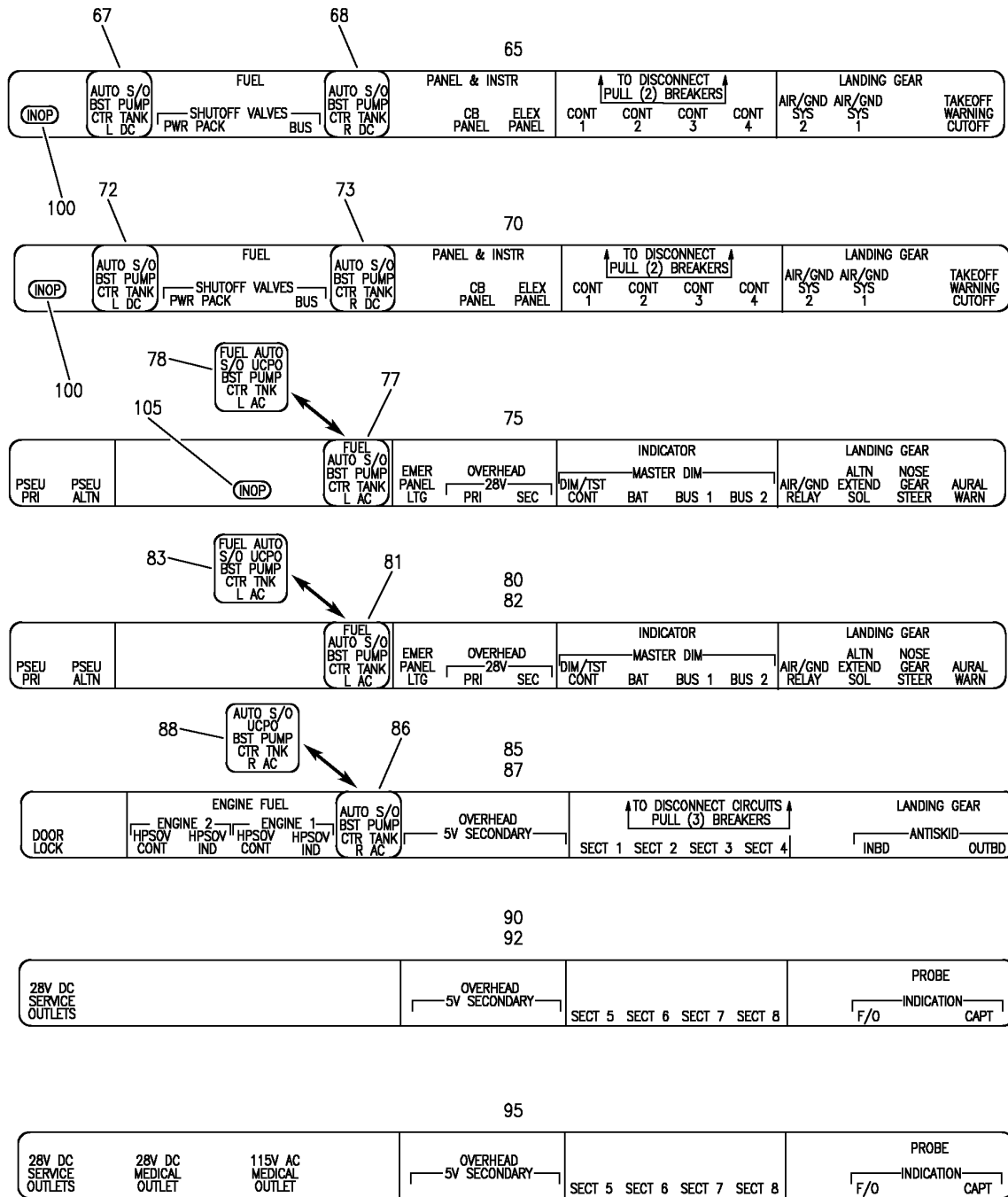
CIRCUIT BREAKER INSTL FLIGHT DECK P6-3 (PLACARDS AND MARKINGS ONLY)
FIGURE 20 (SHEET 2)

11-35-01-20

HAP
OCT 10/06

11-35-01-20
PAGE 0A

BOEING
737-600/700/800/900
PARTS CATALOG (MAINTENANCE)



E 11350120 SHT 3 REV 140

CIRCUIT BREAKER INSTL FLIGHT DECK P6-3 (PLACARDS AND MARKINGS ONLY)
FIGURE 20 (SHEET 3)

HAP
JUN 15/08

11-35-01-20

11-35-01-20
PAGE 0B

BOEING
737-600/700/800/900
PARTS CATALOG (MAINTENANCE)

FIG ITEM	PART NUMBER	1 2 3 4 5 6 7	NOMENCLATURE	EFFECT FROM TO	UNITS PER ASSY
20			CIRCUIT BREAKER INSTL FLIGHT DECK P6-3 (PLACARDS AND MARKINGS ONLY)	001007	
- 1	233A5202-303001		CIRCUIT BREAKER INSTL- FLIGHT DECK P6-3 (PLACARDS AND MARKINGS ONLY) FOR NHA/OTHER SYS DET SEE: 24-50-00-01C	001007	RF
5	BAC27DEX4980		.MARKER-ALUMINUM FOIL PLACARD CONTENT: A	001007	1
10	BAC27DEX4981		.MARKER-ALUMINUM FOIL PLACARD CONTENT: B	001007	1
15	BAC27DEX4982		.MARKER-ALUMINUM FOIL PLACARD CONTENT: C	001007	1
20	BAC27DEX4983		.MARKER-ALUMINUM FOIL PLACARD CONTENT: D	001007	1
25	BAC27DEX4984		.MARKER-ALUMINUM FOIL PLACARD CONTENT: E	001007	1
30	BAC27DEX4985		.MARKER-ALUMINUM FOIL PLACARD CONTENT: F	001007	1
35	BAC27DCC2744		.MARKER	001007	1
40	BAC27DCC2724		.MARKER	001007	1
50	BAC27DCC2725		.MARKER	001007	1
70	BAC27DCC3088		.MARKER	001007	1
72	BAC27DCC3397		.MARKER- PLACARD CONTENT: AUTO S/O BST PUMP CTR TNK L DC POST ALERT SB: 28A1206	001007	1
73	BAC27DCC3398		.MARKER- PLACARD CONTENT: AUTO S/O BST PUMP CTR TNK R DC POST ALERT SB: 28A1206	001007	1
80	BAC27DCC2930		.MARKER	001007	1

MISSING ITEM NUMBERS NOT APPLICABLE

- ITEM NOT ILLUSTRATED

HAP

11-35-01-20

BOEING PROPRIETARY - Copyright © - Unpublished Work - See title page for details.

11-35-01
FIG. 20
PAGE 1
OCT 10/06

BOEING
737-600/700/800/900
PARTS CATALOG (MAINTENANCE)

FIG ITEM	PART NUMBER	1 2 3 4 5 6 7	NOMENCLATURE	EFFECT FROM TO	UNITS PER ASSY
20 81	BAC27DCC3399		.MARKER- PLACARD CONTENT: FUEL AUTO S/O BST PUMP CTR TNK L AC POST ALERT SB: 28A1206 PRE ALERT SB: 28A1248R1	001007	1
83	BAC27DCC3564		.MARKER- PLACARD CONTENT: FUEL AUTO S/O UCPO BST PUMP CTR TNK L AC POST ALERT SB: 28A1248R1	001007	1
85	BAC27DCC2728		.MARKER	001007	1
86	BAC27DCC3400		.MARKER- PLACARD CONTENT: AUTO S/O BST PUMP CTR TNK R AC POST ALERT SB: 28A1206 PRE ALERT SB: 28A1248R1	001007	1
88	BAC27DCC3565		.MARKER- PLACARD CONTENT: AUTO S/O UCPO BST PUMP CTR TNK R AC POST ALERT SB: 28A1248R1	001007	1
90	BAC27DCC2729		.MARKER	001007	1
105	BAC27DCC1242		.MARKER-ALUMINUM FOIL PLACARD CONTENT: INOP	001007	1

MISSING ITEM NUMBERS NOT APPLICABLE

— ITEM NOT ILLUSTRATED

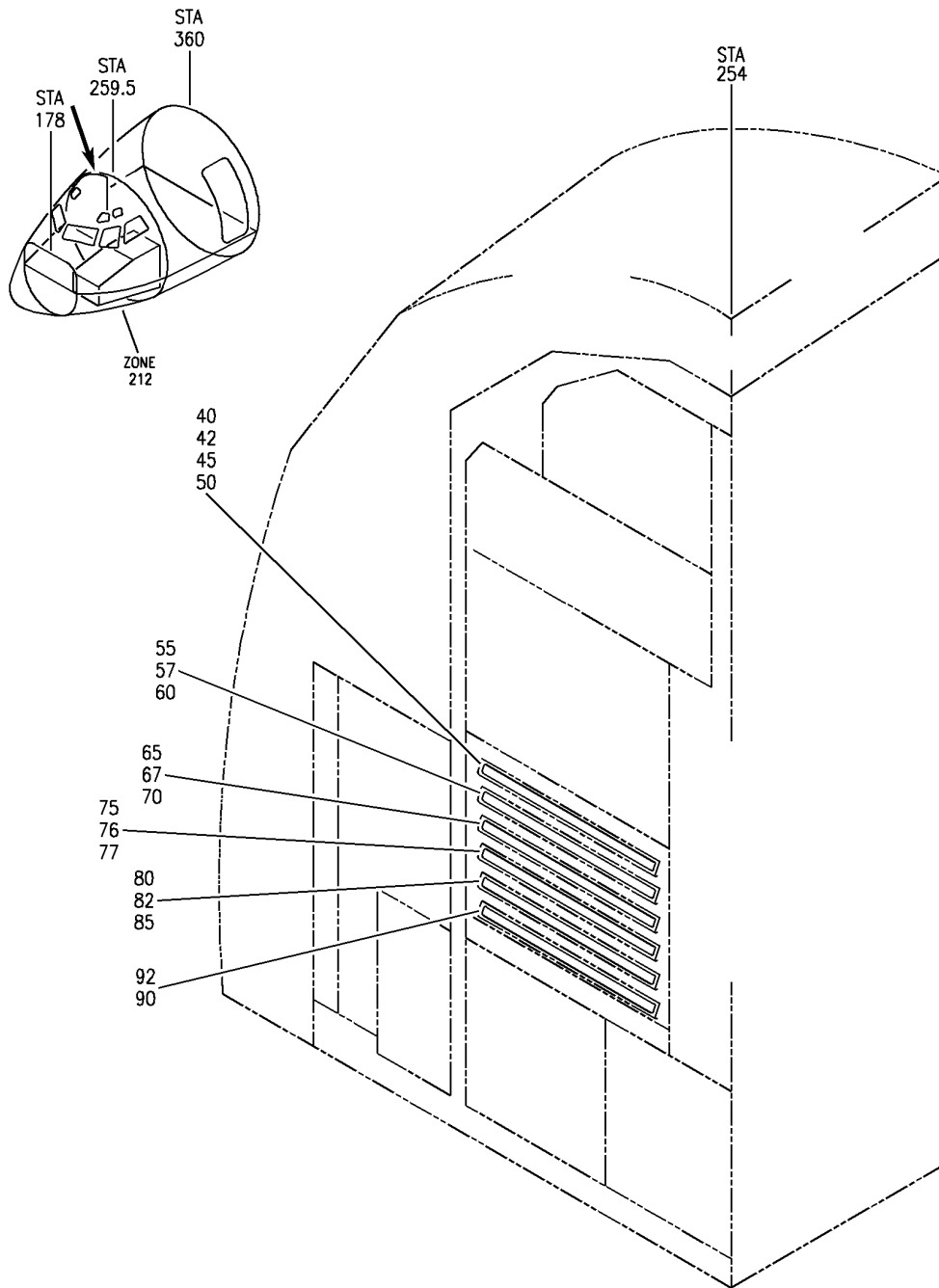
HAP

11-35-01-20

BOEING PROPRIETARY - Copyright © - Unpublished Work - See title page for details.

11-35-01
FIG. 20
PAGE 2
JUN 15/08

BOEING
 737-600/700/800/900
 PARTS CATALOG (MAINTENANCE)



For Details See Subsequent Pages

E 11350123 SHT 1 REV 116

CIRCUIT BREAKER INSTL FLIGHT DECK P6-4 (PLACARDS AND MARKINGS ONLY)
 FIGURE 23 (SHEET 1)

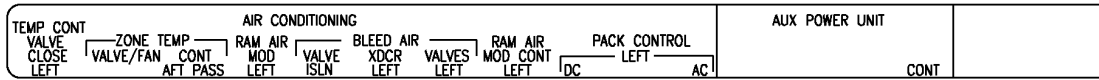
11-35-01-23

HAP
 OCT 10/06

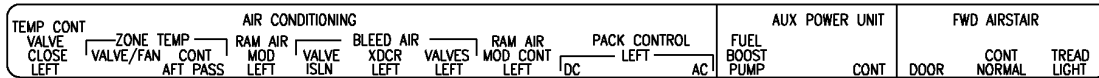
11-35-01-23
 PAGE 0


BOEING
 737-600/700/800/900
PARTS CATALOG (MAINTENANCE)

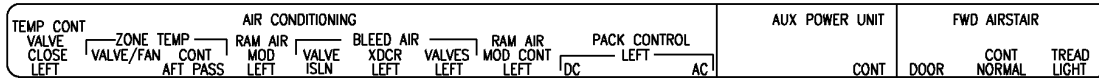
40
42



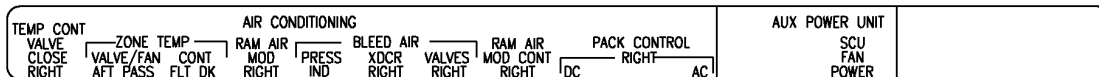
45



50



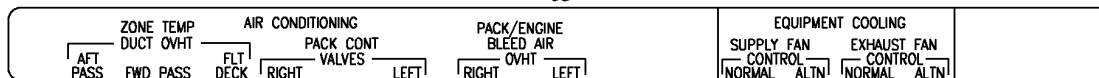
55
57



60



65



E 11350123 SH1 2 REV 116

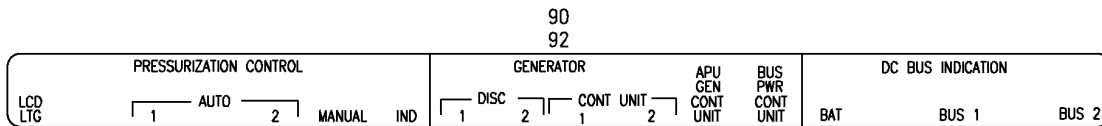
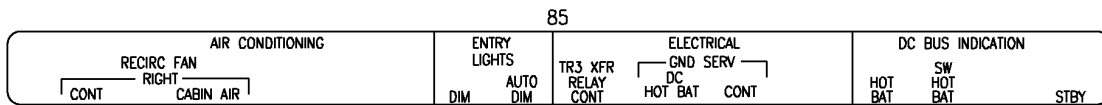
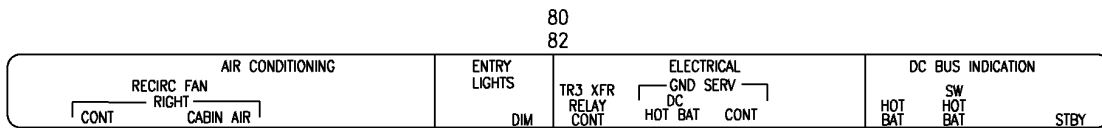
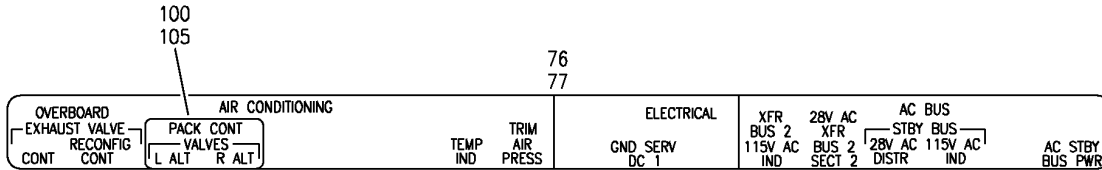
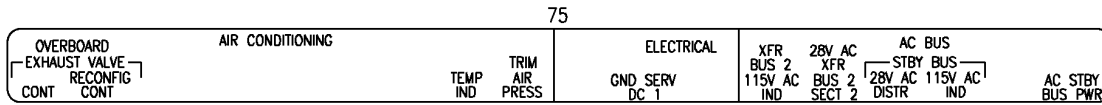
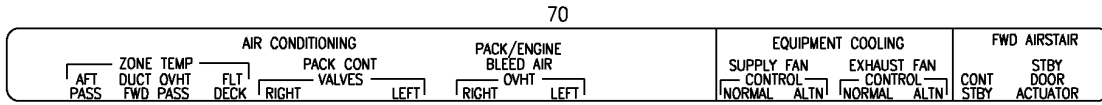
CIRCUIT BREAKER INSTL FLIGHT DECK P6-4 (PLACARDS AND MARKINGS ONLY)
FIGURE 23 (SHEET 2)

11-35-01-23

HAP
OCT 10/06

11-35-01-23
PAGE 0A


BOEING
 737-600/700/800/900
PARTS CATALOG (MAINTENANCE)



E 11350123 SHT 3 REV 116

CIRCUIT BREAKER INSTL FLIGHT DECK P6-4 (PLACARDS AND MARKINGS ONLY)
FIGURE 23 (SHEET 3)

11-35-01-23

HAP
OCT 10/06

11-35-01-23
PAGE 0B

BOEING
737-600/700/800/900
PARTS CATALOG (MAINTENANCE)

FIG ITEM	PART NUMBER	1 2 3 4 5 6 7	NOMENCLATURE	EFFECT FROM TO	UNITS PER ASSY
23			CIRCUIT BREAKER INSTL FLIGHT DECK P6-4 (PLACARDS AND MARKINGS ONLY)	001007	
- 1	233A5202-403001		CIRCUIT BREAKER INSTL- FLIGHT DECK P6-4 (PLACARDS AND MARKINGS ONLY) FOR NHA/OTHER SYS DET SEE: 24-50-00-01C	001007	RF
35	BAC27DCC2744		.MARKER- PLACARD CONTENT: 1 THRU 18	001007	1
40	BAC27DCC2847		.MARKER	001007	1
55	BAC27DCC2848		.MARKER	001007	1
65	BAC27DCC2849		.MARKER	001007	1
75	BAC27DCC2850		.MARKER	001007	1
80	BAC27DCC2891		.MARKER	001007	1
90	BAC27DCC2753		.MARKER	001007	1

MISSING ITEM NUMBERS NOT APPLICABLE

- ITEM NOT ILLUSTRATED

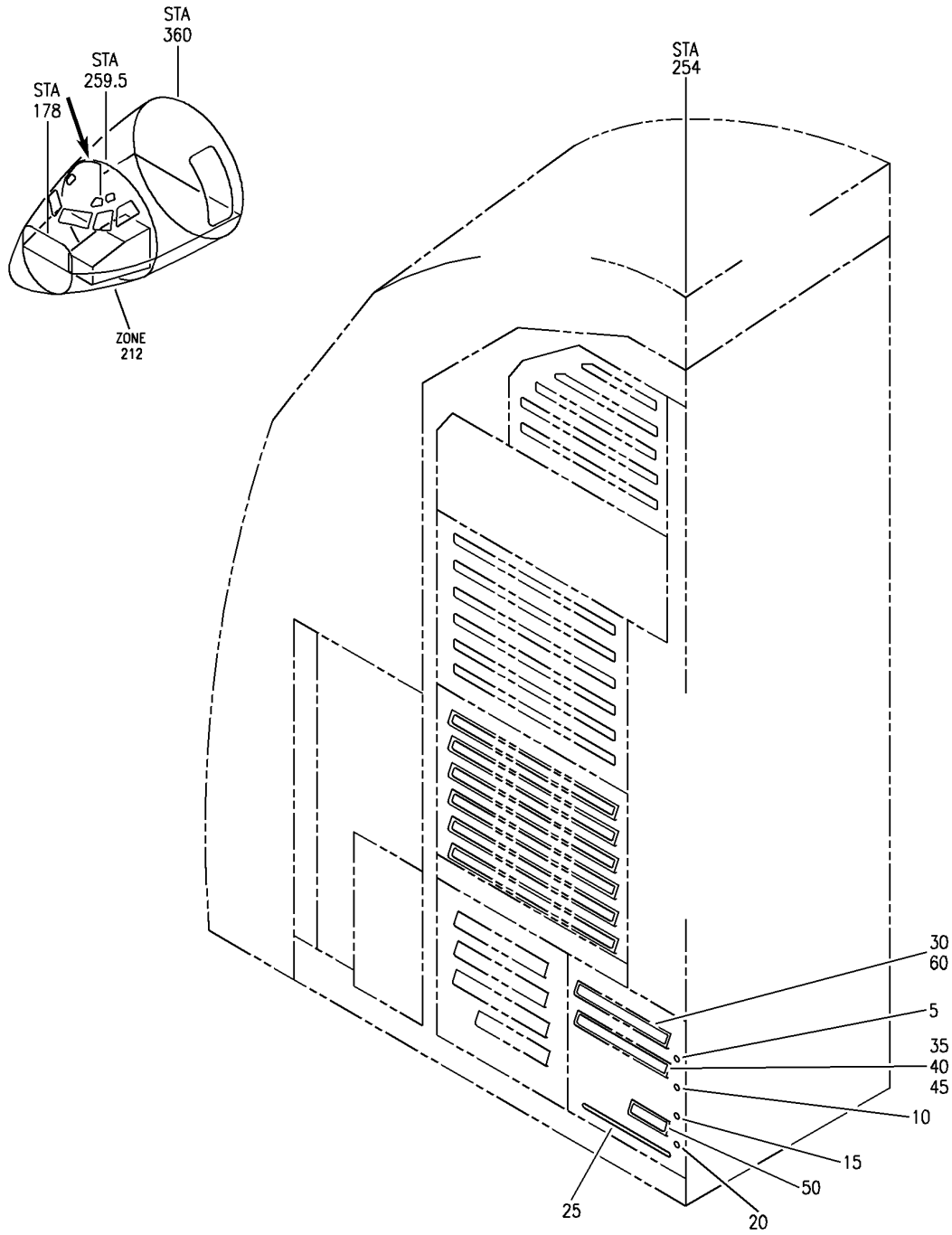
HAP

11-35-01-23

BOEING PROPRIETARY - Copyright © - Unpublished Work - See title page for details.

11-35-01
FIG. 23
PAGE 1
OCT 10/06

BOEING
 737-600/700/800/900
 PARTS CATALOG (MAINTENANCE)



For Details See Subsequent Pages

E 11350124 SHT 1 REV 104

CIRCUIT BREAKER INSTL FLIGHT DECK P6-11 (PLACARDS AND MARKINGS ONLY)
 FIGURE 24 (SHEET 1)

11-35-01-24

HAP
 OCT 10/06

11-35-01-24
 PAGE 0

BOEING
 737-600/700/800/900
 PARTS CATALOG (MAINTENANCE)

30

PASSENGER SEAT	ELEC	POWER OUTLETS
FWD RIGHT		FWD LEFT

35

PASSENGER SEAT	ELEC	POWER OUTLETS	WINDOW	HEAT	POWER
AFT RIGHT		AFT LEFT	L3,L4 & L5	RIGHT SIDE	LEFT FRONT

40

WINDOW	HEAT	POWER
L4,L5	RIGHT SIDE	LEFT FRONT

45

WINDOW	HEAT	POWER
L3,L4 & L5	RIGHT SIDE	LEFT FRONT

50

AFT CARGO LOADER CONT



INOP

55

60

CABIN UTIL RLY PWR

E 11350124 SH1 2 REV 104

CIRCUIT BREAKER INSTL FLIGHT DECK P6-11 (PLACARDS AND MARKINGS ONLY)
 FIGURE 24 (SHEET 2)

11-35-01-24

HAP
 OCT 10/06

11-35-01-24
 PAGE 0A

BOEING
737-600/700/800/900
PARTS CATALOG (MAINTENANCE)

FIG ITEM	PART NUMBER	1 2 3 4 5 6 7	NOMENCLATURE	EFFECT FROM TO	UNITS PER ASSY
24			CIRCUIT BREAKER INSTL FLIGHT DECK P6-11 (PLACARDS AND MARKINGS ONLY)	001007	
- 1	233A5202-702003		CIRCUIT BREAKER INSTL- FLIGHT DECK P6-11 (PLACARDS AND MARKINGS ONLY) FOR NHA/OTHER SYS DET SEE: 24-50-00-01C	001007	RF
5	BAC27DEX4980		.MARKER-ALUMINUM FOIL PLACARD CONTENT: A	001007	1
10	BAC27DEX4981		.MARKER-ALUMINUM FOIL PLACARD CONTENT: B	001007	1
15	BAC27DEX4982		.MARKER-ALUMINUM FOIL PLACARD CONTENT: C	001007	1
20	BAC27DEX4983		.MARKER-ALUMINUM FOIL PLACARD CONTENT: D	001007	1
25	BAC27DCC2755		.MARKER- PLACARD CONTENT: 1 THRU 9	001007	1
45	BAC27DCC2827		.MARKER	001007	1
50	BAC27DCC2840		.MARKER	001007	1

MISSING ITEM NUMBERS NOT APPLICABLE

- ITEM NOT ILLUSTRATED

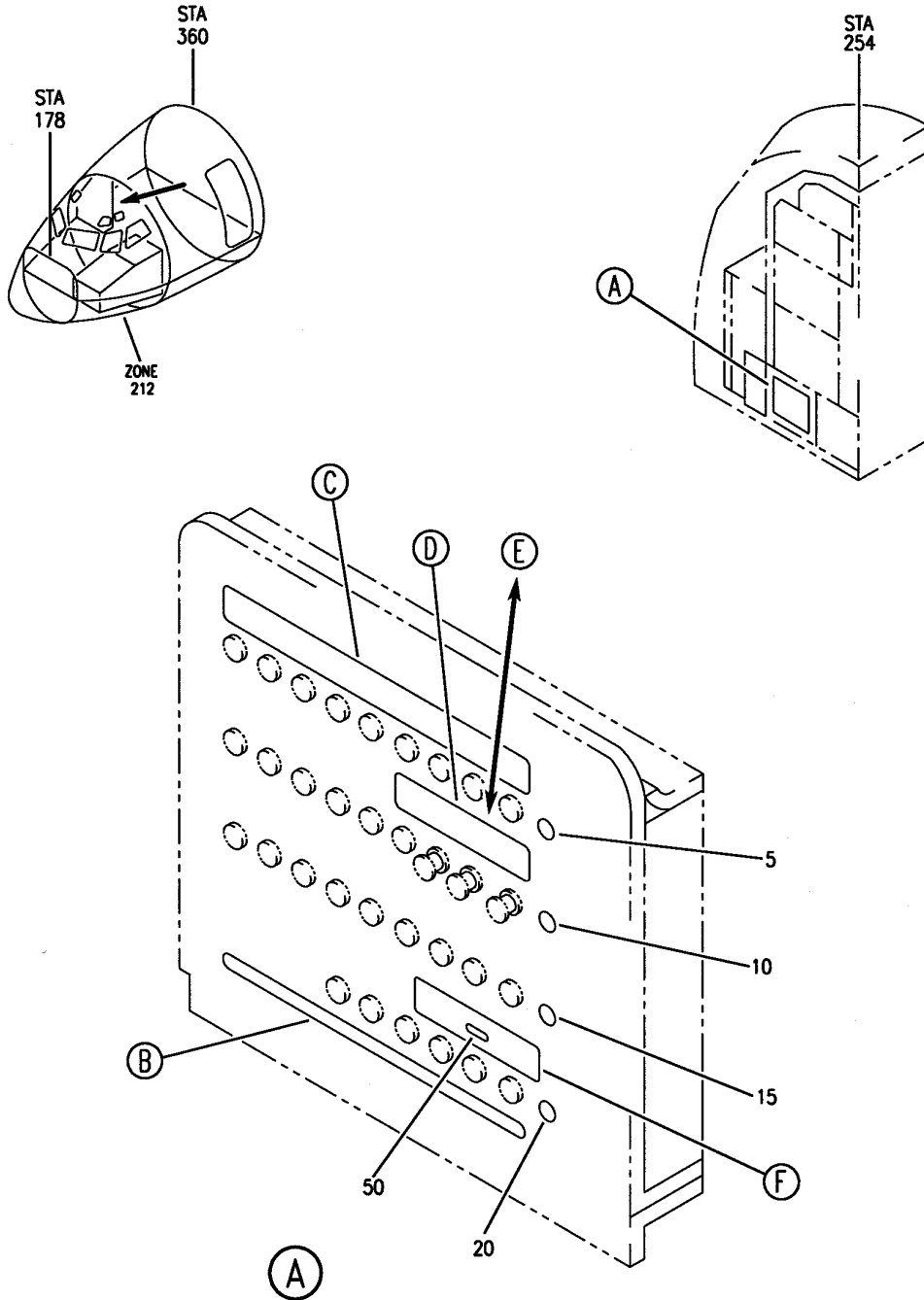
HAP

11-35-01-24

BOEING PROPRIETARY - Copyright © - Unpublished Work - See title page for details.

11-35-01
FIG. 24
PAGE 1
OCT 10/06

BOEING
 737-600/700/800/900
 PARTS CATALOG (MAINTENANCE)



E 11350125 SHT 1 REV 034

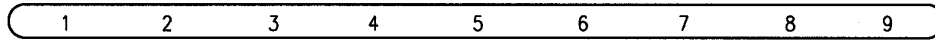
CIRCUIT BREAKER INSTL FLIGHT DECK P6-12 (PLACARDS AND MARKINGS ONLY)
 FIGURE 25 (SHEET 1)

11-35-01-25

HAP
 OCT 10/06

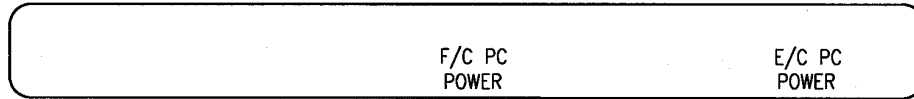
11-35-01-25
 PAGE 0

BOEING
 737-600/700/800/900
 PARTS CATALOG (MAINTENANCE)



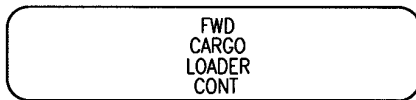
25

(B)



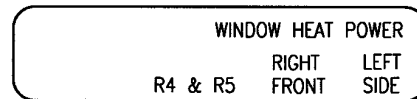
30

(C)



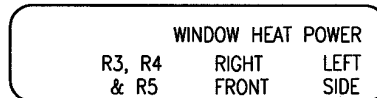
45

(F)



35

(D)



40

(E)

E 11350125 SHT 2 REV 034

CIRCUIT BREAKER INSTL FLIGHT DECK P6-12 (PLACARDS AND MARKINGS ONLY)
 FIGURE 25 (SHEET 2)

11-35-01-25

HAP
 OCT 10/06

11-35-01-25
 PAGE 0A

 **BOEING**
737-600/700/800/900
PARTS CATALOG (MAINTENANCE)

FIG ITEM	PART NUMBER	1 2 3 4 5 6 7	NOMENCLATURE	EFFECT FROM TO	UNITS PER ASSY
25			CIRCUIT BREAKER INSTL FLIGHT DECK P6-12 (PLACARDS AND MARKINGS ONLY)	001007	
- 1	233A5202-802003		CIRCUIT BREAKER INSTL- FLIGHT DECK P6-12 (PLACARDS AND MARKINGS ONLY) FOR NHA/OTHER SYS DET SEE: 24-50-00-01C	001007	RF
5	BAC27DEX4980		.MARKER-ALUMINUM FOIL PLACARD CONTENT: A	001007	1
10	BAC27DEX4981		.MARKER-ALUMINUM FOIL PLACARD CONTENT: B	001007	1
15	BAC27DEX4982		.MARKER-ALUMINUM FOIL PLACARD CONTENT: C	001007	1
20	BAC27DEX4983		.MARKER-ALUMINUM FOIL PLACARD CONTENT: D	001007	1
25	BAC27DCC2755		.MARKER	001007	1
40	BAC27DCC2826		.MARKER	001007	1

MISSING ITEM NUMBERS NOT APPLICABLE

- ITEM NOT ILLUSTRATED

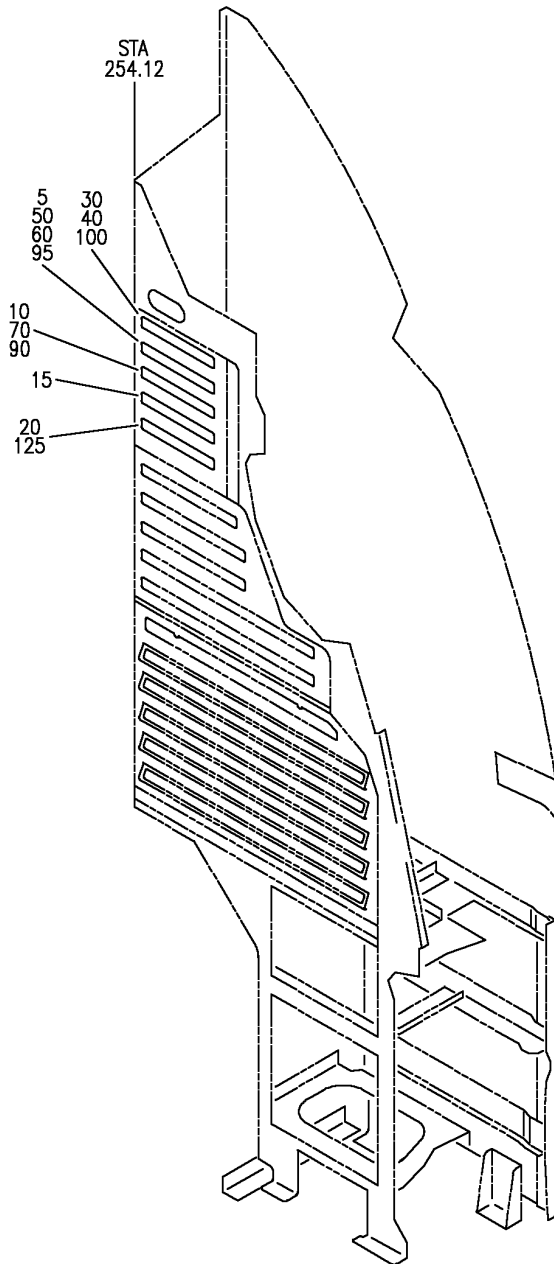
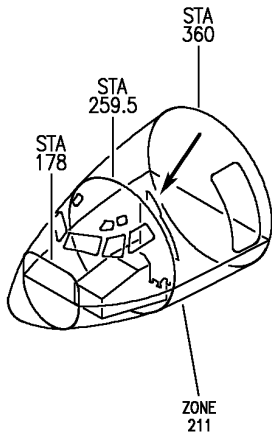
HAP

11-35-01-25

BOEING PROPRIETARY - Copyright © - Unpublished Work - See title page for details.

11-35-01
FIG. 25
PAGE 1
OCT 10/06

BOEING
 737-600/700/800/900
 PARTS CATALOG (MAINTENANCE)



For Details See Subsequent Pages

E 11350130 SH1 1 REV 084

CIRCUIT BREAKER, MARKER AND INOP INSTL-P18-1 (PLACARDS AND MARKINGS ONLY)
 FIGURE 30 (SHEET 1)

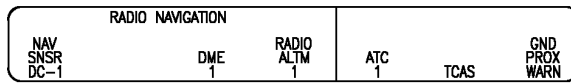
11-35-01-30

HAP
 OCT 10/06

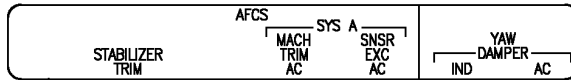
11-35-01-30
 PAGE 0

BOEING
737-600/700/800/900
PARTS CATALOG (MAINTENANCE)

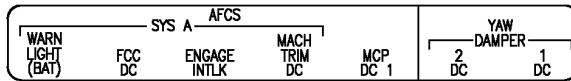
5
50



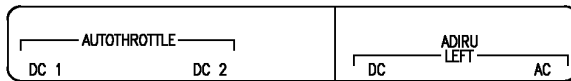
10



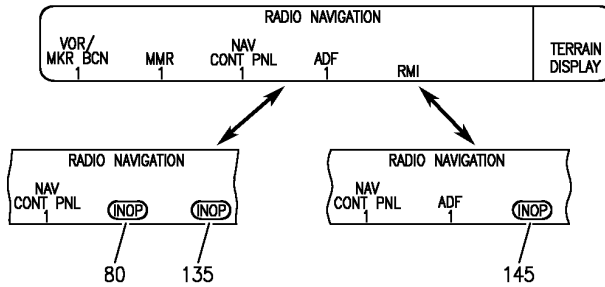
15



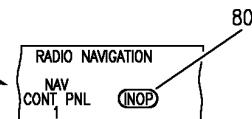
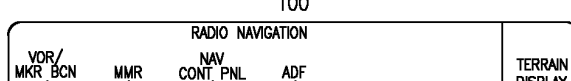
20



30



40



E 11350130 SH1 2 REV 143

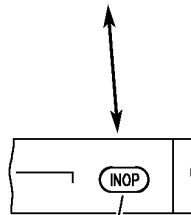
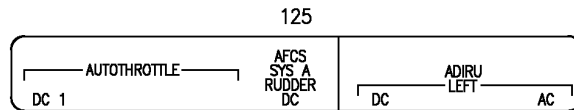
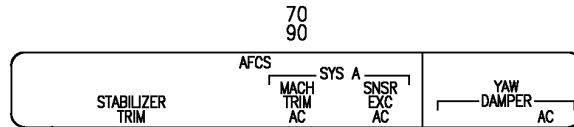
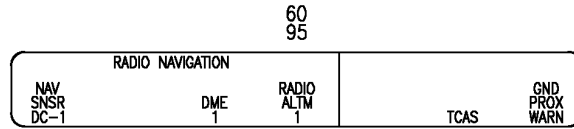
CIRCUIT BREAKER, MARKER AND INOP INSTL-P18-1 (PLACARDS AND MARKINGS ONLY)
FIGURE 30 (SHEET 2)

11-35-01-30

HAP
JUN 15/08

11-35-01-30
PAGE 0A

BOEING
 737-600/700/800/900
 PARTS CATALOG (MAINTENANCE)



E 11350130 SH1 3 REV 084

CIRCUIT BREAKER, MARKER AND INOP INSTL-P18-1 (PLACARDS AND MARKINGS ONLY)
 FIGURE 30 (SHEET 3)

11-35-01-30

HAP
OCT 10/06

11-35-01-30
PAGE 08

BOEING
737-600/700/800/900
PARTS CATALOG (MAINTENANCE)

FIG ITEM	PART NUMBER	1 2 3 4 5 6 7	NOMENCLATURE	EFFECT FROM TO	UNITS PER ASSY
30			CIRCUIT BREAKER, MARKER AND INOP INSTL-P18-1 (PLACARDS AND MARKINGS ONLY)	008030 201967	
- 1	233A5521-2		CIRCUIT BREAKER INSTL-P18-1 (PLACARDS AND MARKINGS ONLY) FOR NHA/OTHER SYS DET SEE: 24-50-00-11B 24-50-00-11C	008014 201967	RF
- 1	233A5521-3		CIRCUIT BREAKER INSTL-P18-1 (PLACARDS AND MARKINGS ONLY) FOR NHA/OTHER SYS DET SEE: 24-50-00-11C	015030	RF
5	BAC27DCC2734		.DECAL	008014 201967	1
10	BAC27DCC2736		.DECAL-	008030 201967	1
15	BAC27DCC2738		.DECAL	008030 201967	1
20	BAC27DCC2739		.DECAL-	008030 201967	1
- 25	233A5521-402975		MARKER INSTL-P18-1 ROW A FOR NHA SEE: 11-31-00-04B 11-31-00-04C	008030 201967	RF
30	BAC27DCC2975		.DECAL	008030 201967	1
- 45	233A5521-402734		MARKER INSTL-P18-1 ROW B FOR NHA SEE: 11-31-00-04C	015030	RF
50	BAC27DCC2734		.DECAL	015030	1

MISSING ITEM NUMBERS NOT APPLICABLE

- ITEM NOT ILLUSTRATED

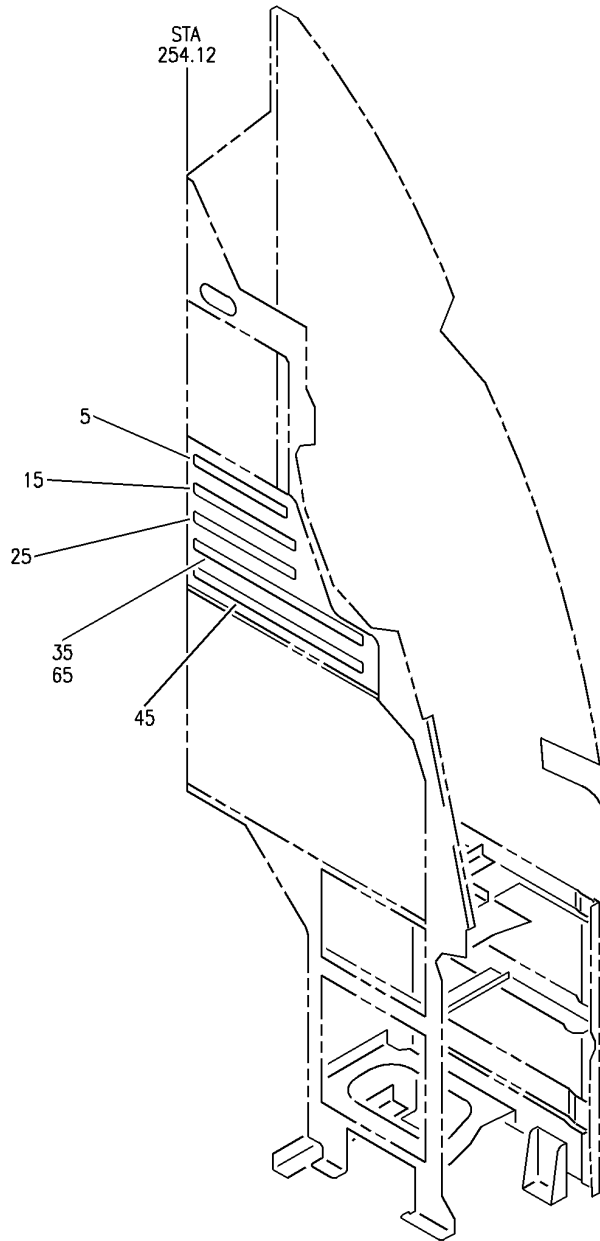
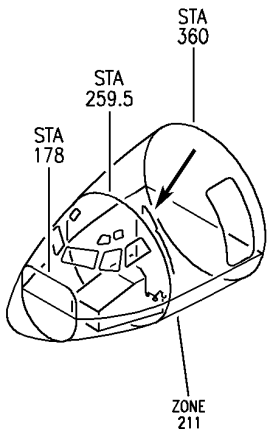
HAP

11-35-01-30

BOEING PROPRIETARY - Copyright © - Unpublished Work - See title page for details.

11-35-01
FIG. 30
PAGE 1
OCT 15/08

BOEING
737-600/700/800/900
PARTS CATALOG (MAINTENANCE)



For Details See Subsequent Pages

E 11350131P SHT 1 REV 119

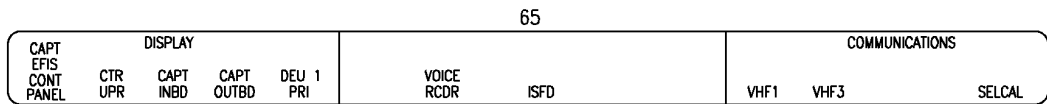
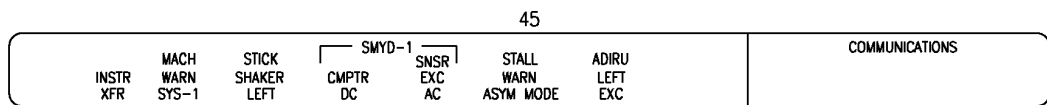
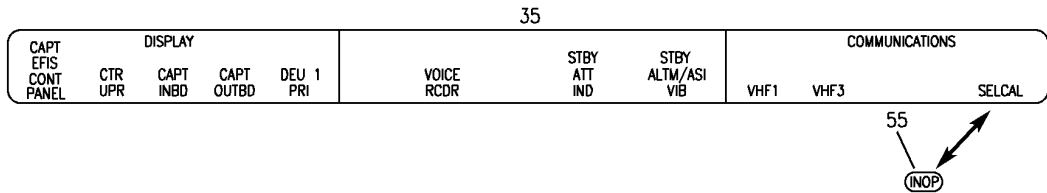
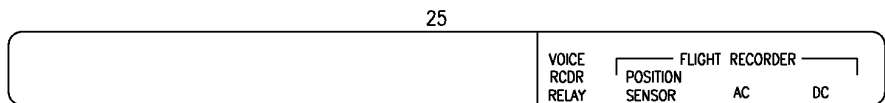
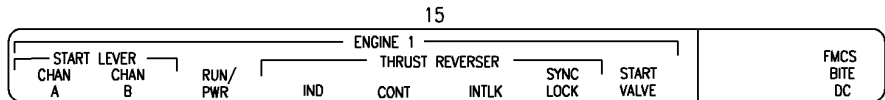
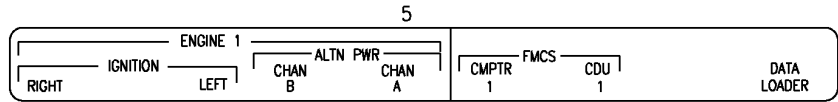
MARKER AND INOP INSTL-P18-2 (PLACARDS AND MARKINGS ONLY)
FIGURE 31P (SHEET 1)

HAP
OCT 10/06

11-35-01-31P

11-35-01-31P
PAGE 0


BOEING
 737-600/700/800/900
PARTS CATALOG (MAINTENANCE)



E 11350131P SHT 2 REV 119

MARKER AND INOP INSTL-P18-2 (PLACARDS AND MARKINGS ONLY)
FIGURE 31P (SHEET 2)

11-35-01-31P

HAP
OCT 10/06

11-35-01-31P
PAGE 0A

BOEING
737-600/700/800/900
PARTS CATALOG (MAINTENANCE)

FIG ITEM	PART NUMBER	1 2 3 4 5 6 7	NOMENCLATURE	EFFECT FROM TO	UNITS PER ASSY
31P			MARKER AND INOP INSTL-P18-2 (PLACARDS AND MARKINGS ONLY)	008030	
- 1	233A5522-402837		MARKER INSTL-P18-2 ROW A FOR NHA SEE: 11-31-00-04C	008030	RF
5	BAC27DCC2837		.DECAL	008030	1
- 10	233A5522-402832		MARKER INSTL-P18-2 ROW B FOR NHA SEE: 11-31-00-04C	008030	RF
15	BAC27DCC2832		.DECAL	008030	1
- 20	233A5522-403027		MARKER INSTL-P18-2 ROW C FOR NHA SEE: 11-31-00-04C	008030	RF
25	BAC27DCC3027		.DECAL	008030	1
- 30	233A5522-402829		MARKER INSTL-P18-2 ROW D FOR NHA SEE: 11-31-00-04C	008030	RF
35	BAC27DCC2829		.DECAL-	008030	1
- 40	233A5522-402747		MARKER INSTL-P18-2 ROW E FOR NHA SEE: 11-31-00-04C	008030	RF
45	BAC27DCC2747		.DECAL	008030	1
- 50	233A5522-582415		INOP INSTL-P18-2/D15 (PLACARDS AND MARKINGS ONLY) FOR NHA/OTHER SYS DET SEE: 24-50-00-12C	008030	RF
55	BAC27DCC3073		.MARKER- PLACARD CONTENT: INOP	008030	1

MISSING ITEM NUMBERS NOT APPLICABLE

- ITEM NOT ILLUSTRATED

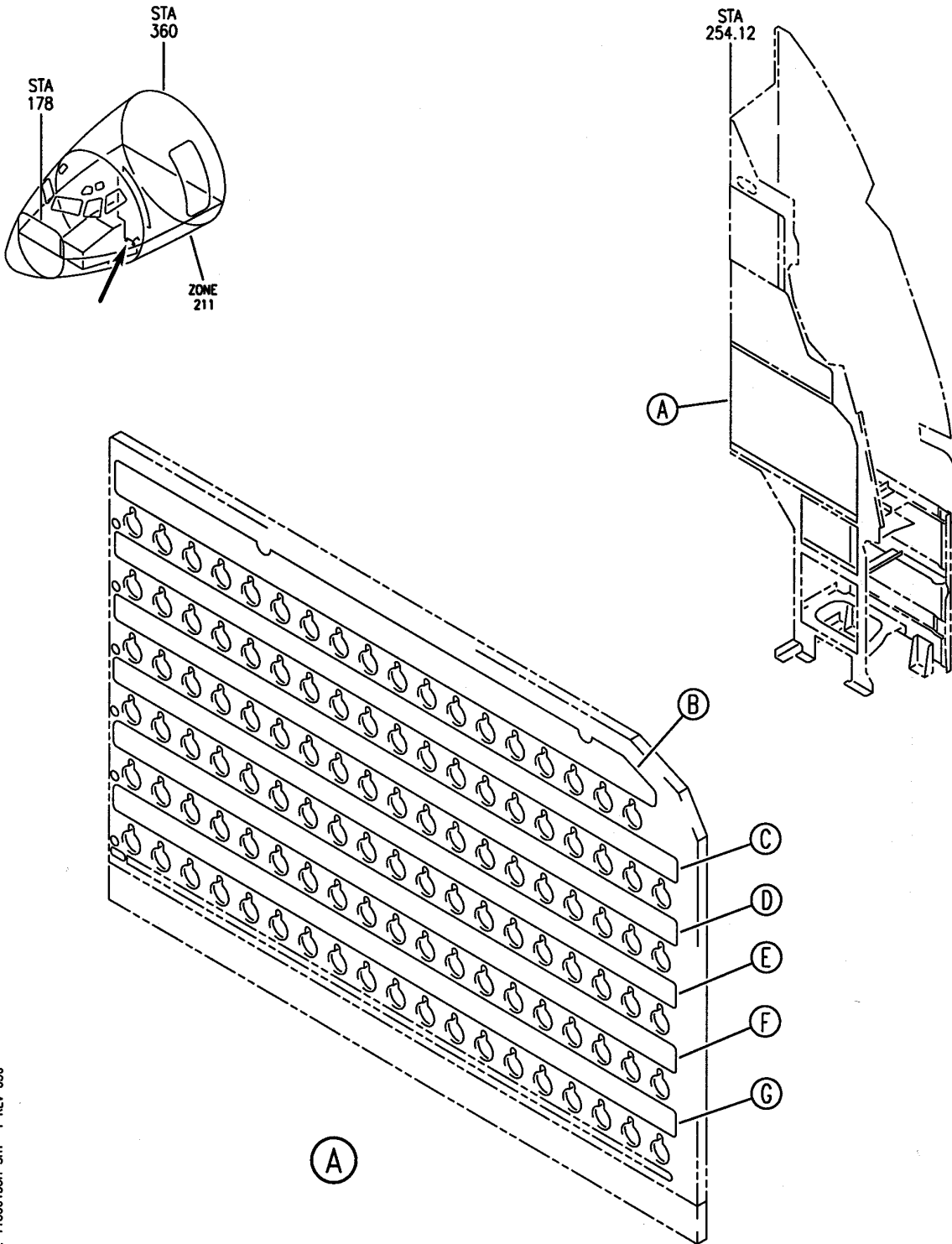
HAP

11-35-01-31P

BOEING PROPRIETARY - Copyright © - Unpublished Work - See title page for details.

11-35-01
FIG. 31P
PAGE 1
OCT 10/07

BOEING
737-600/700/800/900
PARTS CATALOG (MAINTENANCE)



E 11350133H SHT 1 REV 036

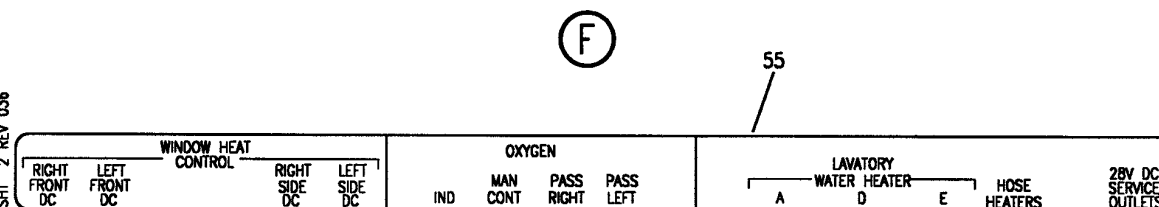
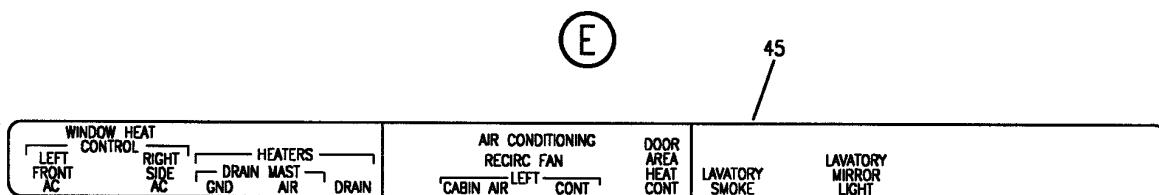
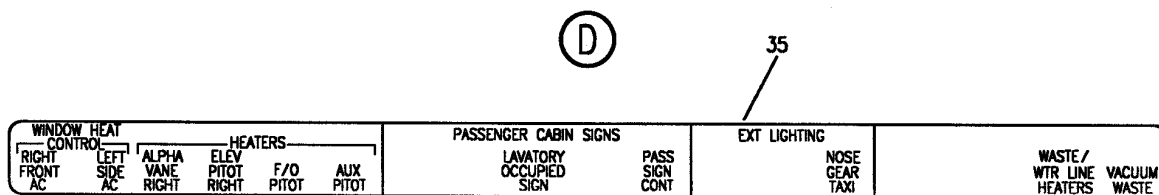
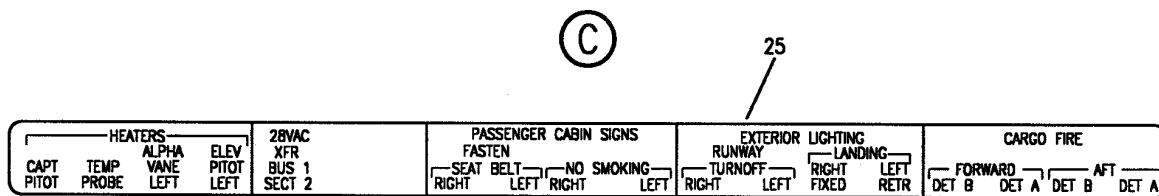
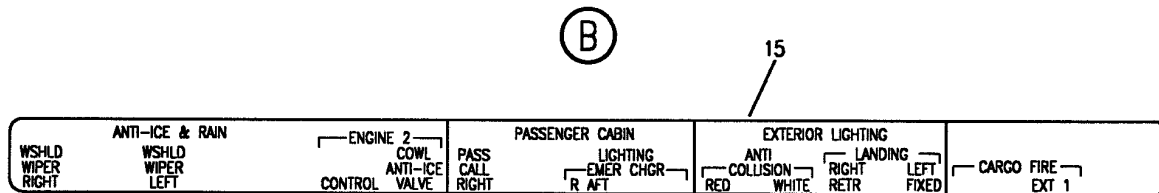
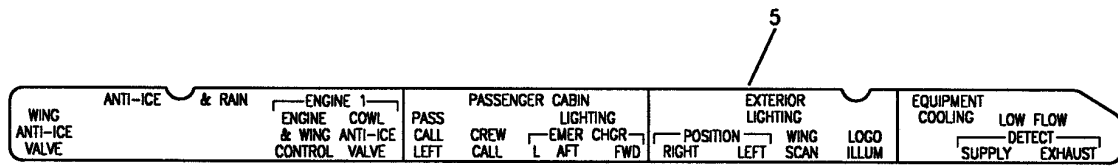
MARKER INSTL-P18-3
FIGURE 33H (SHEET 1)

11-35-01-33H

HAP
OCT 10/06

11-35-01-33H
PAGE 0

BOEING
737-600/700/800/900
PARTS CATALOG (MAINTENANCE)



E 11-3501-33H SHT. 2 REV 036

MARKER INSTL-P18-3
FIGURE 33H (SHEET 2)

11-35-01-33H

HAP
OCT 10/06

11-35-01-33H
PAGE 0A

BOEING
737-600/700/800/900
PARTS CATALOG (MAINTENANCE)

FIG ITEM	PART NUMBER	1 2 3 4 5 6 7	NOMENCLATURE	EFFECT FROM TO	UNITS PER ASSY
33H			MARKER INSTL-P18-3	008030	
- 1	233A5523-402758		MARKER INSTL-P18-3 ROW A FOR NHA SEE: 11-31-00-04C	008030	RF
5	BAC27DCC2758		.DECAL	008030	1
- 10	233A5523-403009		MARKER INSTL-P18-3 ROW B FOR NHA SEE: 11-31-00-04C	008030	RF
15	BAC27DCC3009		.MARKER	008030	1
- 20	233A5523-403010		MARKER INSTL-P18-3 ROW C FOR NHA SEE: 11-31-00-04C	008030	RF
25	BAC27DCC3010		.MARKER	008030	1
- 30	233A5523-402952		MARKER INSTL-P18-3 ROW D FOR NHA SEE: 11-31-00-04C	008030	RF
35	BAC27DCC2952		.DECAL	008030	1
- 40	233A5523-402890		MARKER INSTL-P18-3 ROW E FOR NHA SEE: 11-31-00-04C	008030	RF
45	BAC27DCC2890		.DECAL	008030	1
- 50	233A5523-403114		MARKER INSTL-P18-3 ROW F FOR NHA SEE: 11-31-00-04C	008030	RF
55	BAC27DCC3114		.DECAL	008030	1

MISSING ITEM NUMBERS NOT APPLICABLE

- ITEM NOT ILLUSTRATED

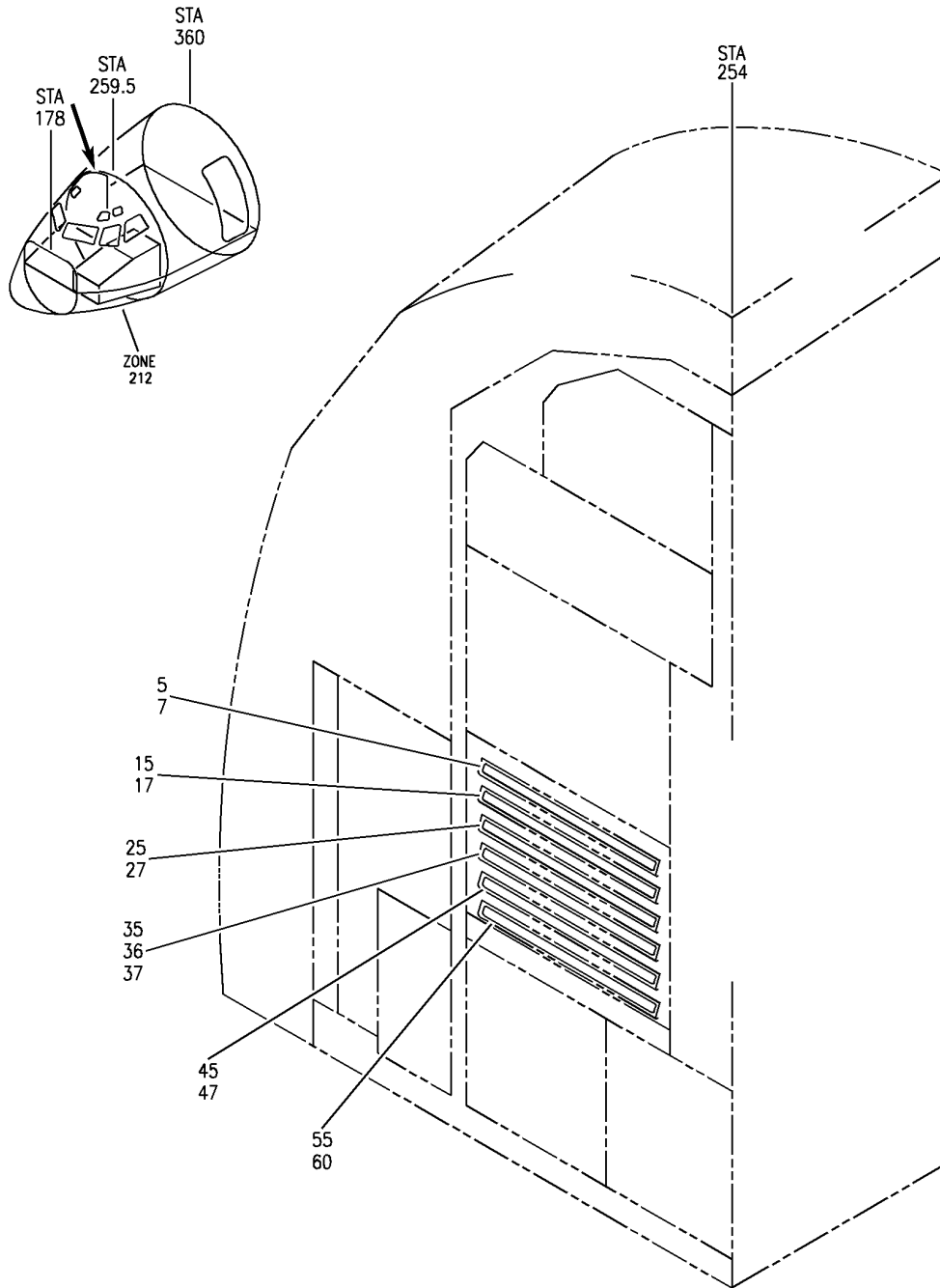
HAP

11-35-01-33H

BOEING PROPRIETARY - Copyright © - Unpublished Work - See title page for details.

11-35-01
FIG. 33H
PAGE 1
OCT 10/06

BOEING
 737-600/700/800/900
 PARTS CATALOG (MAINTENANCE)



E 11350140C SHT 1 REV 127

For Details See Subsequent Pages

MARKER, CIRCUIT BREAKER AND INOP INSTL-P6-4 (PLACARDS AND MARKINGS ONLY)
 FIGURE 40C (SHEET 1)

HAP
 OCT 15/08

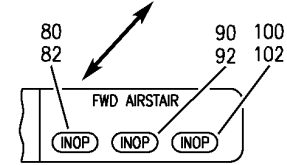
11-35-01-40C

11-35-01-40C
 PAGE 0

BOEING
737-600/700/800/900
PARTS CATALOG (MAINTENANCE)

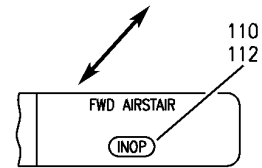
5
7

AIR CONDITIONING		AUX POWER UNIT	FWD AIRSTAIR
TEMP CONTROL 35°F LEFT AUTO LEFT MANUAL	RAM AIR MOD LEFT VALVE ISLN BLEED AIR XDCR LEFT VALVES LEFT RAM AIR MOD CONT LEFT	CONT	DOOR CONT NORMAL TREAD LIGHT



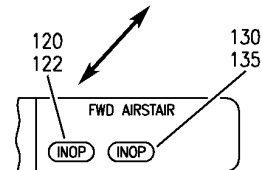
15
17

AIR CONDITIONING		AUX POWER UNIT	FWD AIRSTAIR
TEMP CONTROL 35°F RIGHT AUTO RIGHT	RAM AIR MOD RIGHT PRESS IND BLEED AIR XDCR RIGHT VALVES RIGHT RAM AIR MOD CONT RIGHT	SCU FAN POWER	ACTUATOR



25
27

AIR CONDITIONING		EQUIPMENT COOLING	FWD AIRSTAIR
OVER HEAT	PACK CONT VALVES RIGHT LEFT	SUPPLY FAN CONTROL NORMAL ALTN EXHAUST FAN CONTROL NORMAL ALTN	CONT STBY DOOR ACTUATOR



35
37

OVERBOARD EXHAUST VALVE RECONFIG CONT	AIR CONDITIONING	ELECTRICAL	XFR BUS 2 115V AC IND	28V AC XFR BUS 2 SECT 2	AC BUS STBY BUS 115V AC IND	AC STBY BUS PWR
	MIX VALVE POS IND	GND SERV DC 1				

33

36

OVERBOARD EXHAUST VALVE RECONFIG CONT	AIR CONDITIONING	ELECTRICAL	XFR BUS 2 115V AC IND	28V AC XFR BUS 2 SECT 2	AC BUS STBY BUS 115V AC IND	AC STBY BUS PWR
	PNEUMATIC PURGE VALVE LEFT PWR RIGHT PWR	GND SERV DC 1				

45
47

AIR CONDITIONING		ENTRY LIGHTS	ELECTRICAL	DC BUS INDICATION
RECIRC FAN CONT	CABIN AIR	DIM	TR3 XFR RELAY DC CONT GND SERV HOT BAT CONT	HOT BAT SW HOT BAT STBY

55
60

PRESSURIZATION CONTROL		GENERATOR		DC BUS INDICATION	
LCD LTG	AUTO 1 2 MANUAL IND	DISC 1 2	CONT UNIT 1 2	BAT	BUS 1 BUS 2

E 11-350140C SHT 2 REV 127

MARKER, CIRCUIT BREAKER AND INOP INSTL-P6-4 (PLACARDS AND MARKINGS ONLY)
FIGURE 40C (SHEET 2)

HAP
OCT 15/08

11-35-01-40C

11-35-01-40C
PAGE 0A

 **BOEING**
737-600/700/800/900
PARTS CATALOG (MAINTENANCE)

FIG ITEM	PART NUMBER	1 2 3 4 5 6 7	NOMENCLATURE	EFFECT FROM TO	UNITS PER ASSY
40C			MARKER, CIRCUIT BREAKER AND INOP INSTL-P6-4 (PLACARDS AND MARKINGS ONLY)	201967	
- 1	233A5224-402885		MARKER INSTL-P6-4 ROW A FOR NHA SEE: 11-31-00-03B	201967	RF
5	BAC27DCC2885		.MARKER	201967	1
7	BAC27DCC2885		.MARKER- POST SERVICE BULLETIN: 24-1161	201967	1
- 10	233A5224-402854		MARKER INSTL-P6-4 ROW B FOR NHA SEE: 11-31-00-03B	201967	RF
15	BAC27DCC2854		.MARKER	201967	1
17	BAC27DCC2854		.MARKER- POST SERVICE BULLETIN: 24-1161	201967	1
- 20	233A5224-402855		MARKER INSTL-P6-4 ROW C FOR NHA SEE: 11-31-00-03B	201967	RF
25	BAC27DCC2855		.MARKER	201967	1
27	BAC27DCC2855		.MARKER- POST SERVICE BULLETIN: 24-1161	201967	1
- 30	233A5224-402752		MARKER INSTL-P6-4 ROW D FOR NHA SEE: 11-31-00-03B	201967	RF
35	BAC27DCC2752		.MARKER	201967	1
37	BAC27DCC2752		.MARKER- POST SERVICE BULLETIN: 24-1161	201967	1
- 40	233A5224-402825		MARKER INSTL-P6-4 ROW E FOR NHA SEE: 11-31-00-03B	201967	RF
45	BAC27DCC2825		.MARKER	201967	1
47	BAC27DCC2825		.MARKER- POST SERVICE BULLETIN: 24-1161	201967	1
- 50	233A5224-2		CIRCUIT BREAKER INSTL-P6-4 (PLACARDS AND MARKINGS ONLY) FOR NHA/OTHER SYS DET SEE: 24-50-00-06B	201967	RF
55	BAC27DCC2753		.MARKER-ROW F	201967	1
60	BAC27DCC2753		.MARKER-ROW F POST SERVICE BULLETIN: 24-1161	201967	1

MISSING ITEM NUMBERS NOT APPLICABLE

- ITEM NOT ILLUSTRATED

HAP

11-35-01-40C

11-35-01
FIG. 40C
PAGE 1
OCT 15/08

BOEING
737-600/700/800/900
PARTS CATALOG (MAINTENANCE)

FIG ITEM	PART NUMBER	1 2 3 4 5 6 7	NOMENCLATURE	EFFECT FROM TO	UNITS PER ASSY
40C - 75	233A5224-504116		INOP INSTL-P6-4/A16 (PLACARDS AND MARKINGS ONLY) FOR NHA/OTHER SYS DET SEE: 24-50-00-06B	201967	RF
80	BAC27DCC3073		.MARKER- PLACARD CONTENT: INOP	201967	1
82	BAC27DCC3073		.MARKER- PLACARD CONTENT: INOP POST SERVICE BULLETIN: 24-1161	201967	1
- 85	233A5224-504117		INOP INSTL-P6-4/A17 (PLACARDS AND MARKINGS ONLY) FOR NHA/OTHER SYS DET SEE: 24-50-00-06B	201967	RF
90	BAC27DCC3073		.MARKER- PLACARD CONTENT: INOP	201967	1
92	BAC27DCC3073		.MARKER- PLACARD CONTENT: INOP POST SERVICE BULLETIN: 24-1161	201967	1
- 95	233A5224-504118		INOP INSTL-P6-4/A18 (PLACARDS AND MARKINGS ONLY) FOR NHA/OTHER SYS DET SEE: 24-50-00-06B	201967	RF
100	BAC27DCC3073		.MARKER- PLACARD CONTENT: INOP	201967	1
102	BAC27DCC3073		.MARKER- PLACARD CONTENT: INOP POST SERVICE BULLETIN: 24-1161	201967	1
- 105	233A5224-504217		INOP INSTL-P6-4/B17 (PLACARDS AND MARKINGS ONLY) FOR NHA/OTHER SYS DET SEE: 24-50-00-06B	201967	RF
110	BAC27DCC3073		.MARKER- PLACARD CONTENT: INOP	201967	1

MISSING ITEM NUMBERS NOT APPLICABLE

- ITEM NOT ILLUSTRATED

HAP

11-35-01-40C

BOEING PROPRIETARY - Copyright © - Unpublished Work - See title page for details.

11-35-01
FIG. 40C
PAGE 2
OCT 15/08

BOEING
737-600/700/800/900
PARTS CATALOG (MAINTENANCE)

FIG ITEM	PART NUMBER	1 2 3 4 5 6 7	NOMENCLATURE	EFFECT FROM TO	UNITS PER ASSY
40C 112	BAC27DCC3073		.MARKER- PLACARD CONTENT: INOP POST SERVICE BULLETIN: 24-1161	201967	1
- 115	233A5224-504316		INOP INSTL-P6-4/C16 (PLACARDS AND MARKINGS ONLY) FOR NHA/OTHER SYS DET SEE: 24-50-00-06B	201967	RF
120	BAC27DCC3073		.MARKER- PLACARD CONTENT: INOP	201967	1
122	BAC27DCC3073		.MARKER- PLACARD CONTENT: INOP POST SERVICE BULLETIN: 24-1161	201967	1
- 125	233A5224-504317		INOP INSTL-P6-4/C17 (PLACARDS AND MARKINGS ONLY) FOR NHA/OTHER SYS DET SEE: 24-50-00-06B	201967	RF
130	BAC27DCC3073		.MARKER- PLACARD CONTENT: INOP	201967	1
135	BAC27DCC3073		.MARKER- PLACARD CONTENT: INOP POST SERVICE BULLETIN: 24-1161	201967	1

MISSING ITEM NUMBERS NOT APPLICABLE

- ITEM NOT ILLUSTRATED

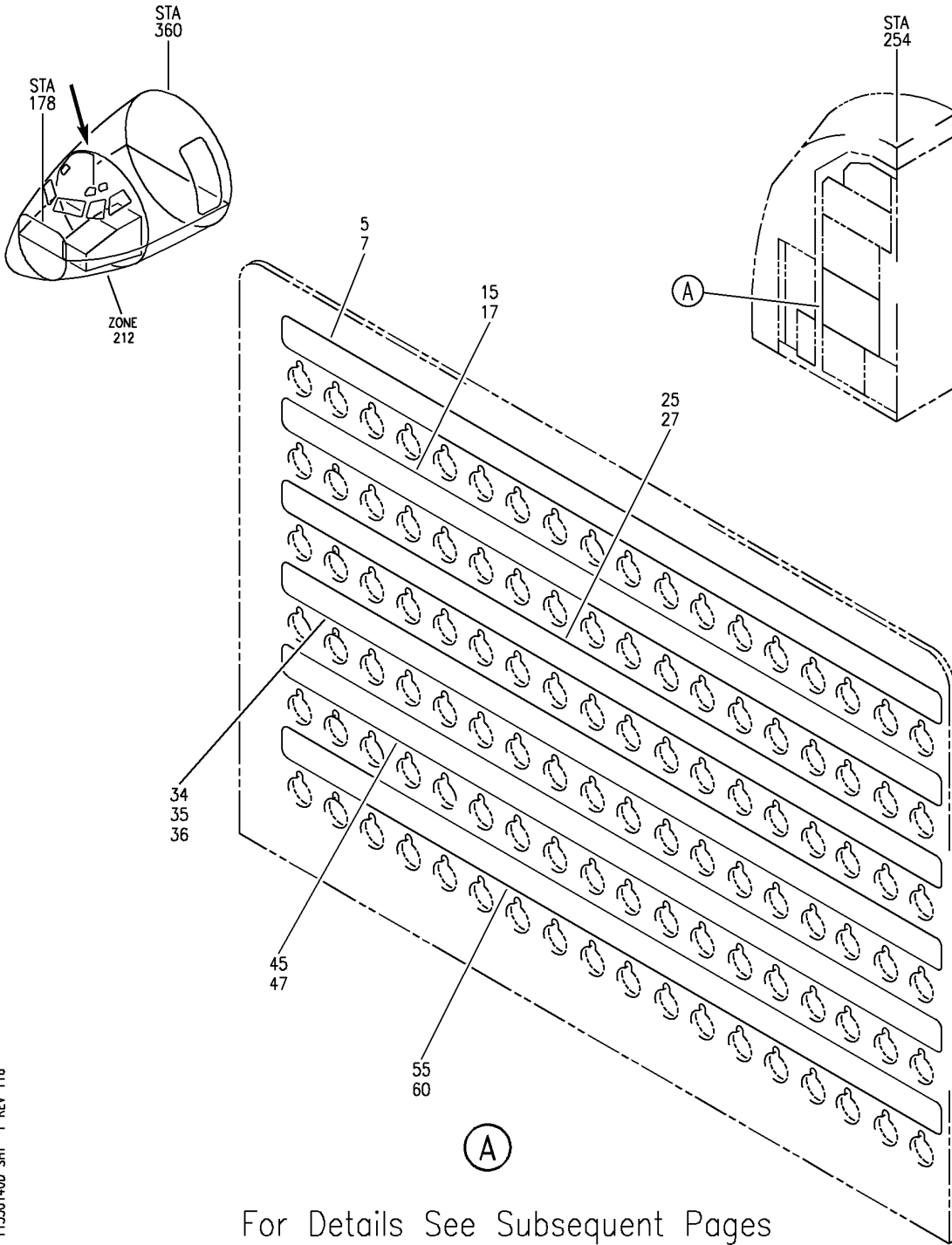
HAP

11-35-01-40C

BOEING PROPRIETARY - Copyright © - Unpublished Work - See title page for details.

11-35-01
FIG. 40C
PAGE 3
OCT 15/08

BOEING
 737-600/700/800/900
 PARTS CATALOG (MAINTENANCE)



E 11350140D SHT 1 REV 116

MARKER AND CIRCUIT BREAKER INSTL-P6-4
 FIGURE 40D (SHEET 1)

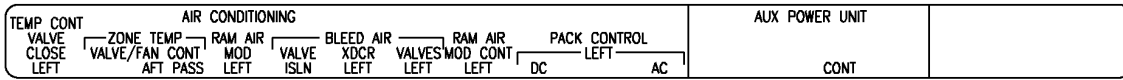
11-35-01-40D

HAP
 OCT 10/06

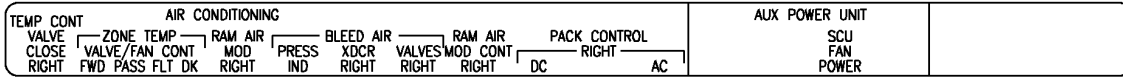
11-35-01-40D
 PAGE 0

BOEING
737-600/700/800/900
PARTS CATALOG (MAINTENANCE)

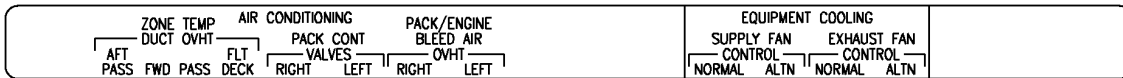
5
7



15
17



25
27



34

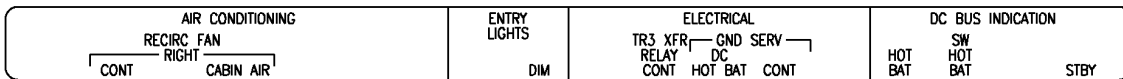


35
36

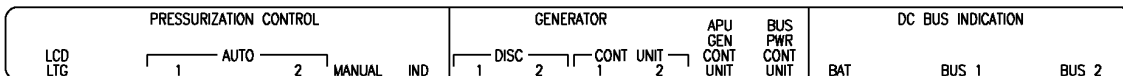


37
38

45
47



55
60



E 11350140D SHT 2 REV 116

MARKER AND CIRCUIT BREAKER INSTL-P6-4
FIGURE 40D (SHEET 2)

11-35-01-40D

HAP
OCT 10/06

11-35-01-40D
PAGE 0A

 **BOEING**
737-600/700/800/900
PARTS CATALOG (MAINTENANCE)

FIG ITEM	PART NUMBER	1 2 3 4 5 6 7	NOMENCLATURE	EFFECT FROM TO	UNITS PER ASSY
40D			MARKER AND CIRCUIT BREAKER INSTL-P6-4	008012	
- 1	233A5224-402847		MARKER INSTL-P6-4 ROW A FOR NHA SEE: 11-31-00-03C	008012	RF
5	BAC27DCC2847		.MARKER	008012	1
- 10	233A5224-402848		MARKER INSTL-P6-4 ROW B FOR NHA SEE: 11-31-00-03C	008012	RF
15	BAC27DCC2848		.MARKER	008012	1
- 20	233A5224-402849		MARKER INSTL-P6-4 ROW C FOR NHA SEE: 11-31-00-03C	008012	RF
25	BAC27DCC2849		.MARKER	008012	1
- 30	233A5224-402850		MARKER INSTL-P6-4 ROW D FOR NHA SEE: 11-31-00-03C	008012	RF
35	BAC27DCC2850		.MARKER	008012	1
37	BAC27DCC3259		.MARKER- POST SERVICE BULLETIN: 21-1133	008012	1
- 40	233A5224-402891		MARKER INSTL-P6-4 ROW E FOR NHA SEE: 11-31-00-03C	008012	RF
45	BAC27DCC2891		.MARKER	008012	1
- 50	233A5224-2		CIRCUIT BREAKER INSTL-P6-4 (PLACARDS AND MARKINGS ONLY) FOR NHA/OTHER SYS DET SEE: 24-50-00-06C	008012	RF
55	BAC27DCC2753		.MARKER-ROW F	008012	1

MISSING ITEM NUMBERS NOT APPLICABLE

- ITEM NOT ILLUSTRATED

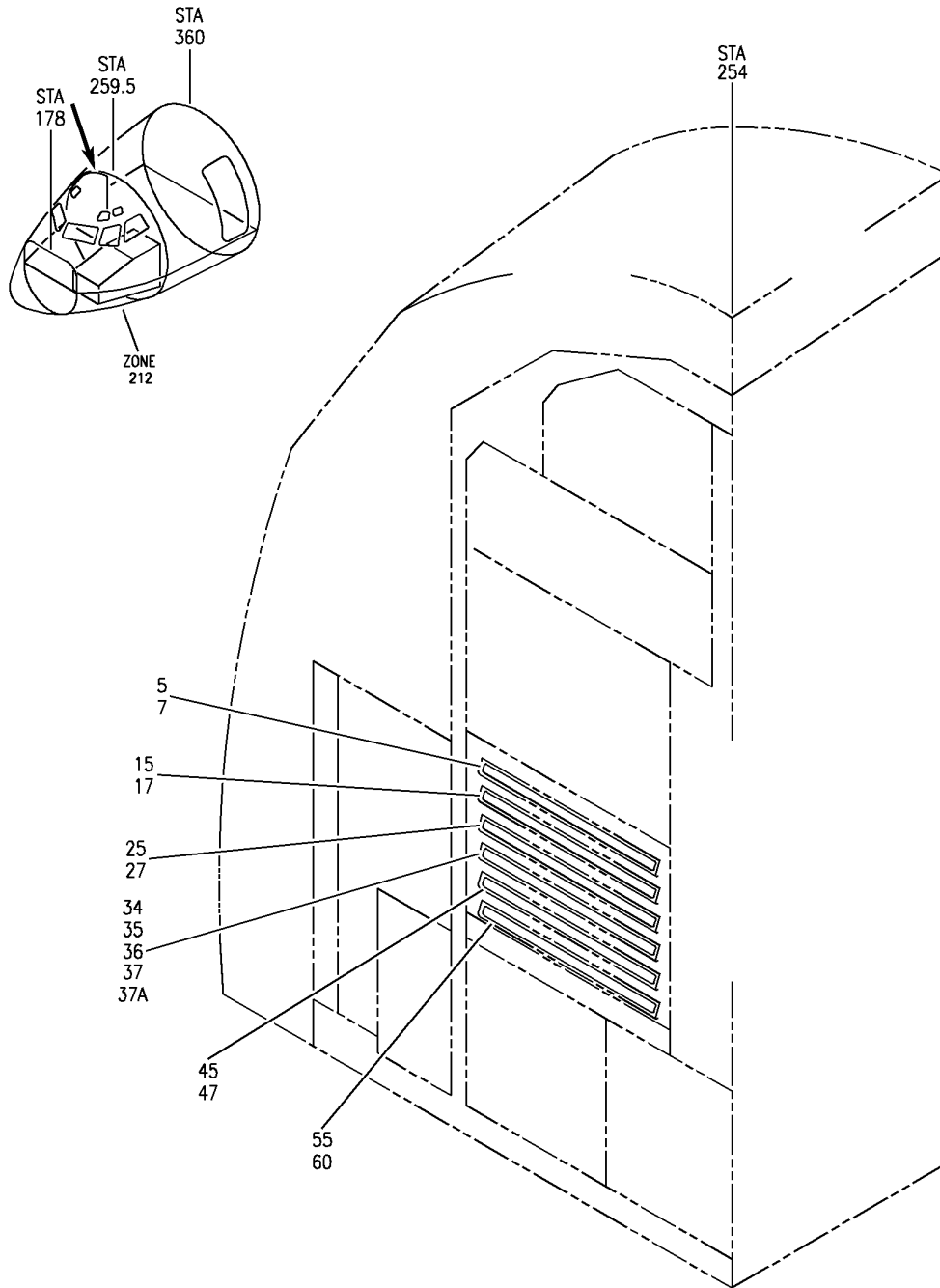
HAP

11-35-01-40D

BOEING PROPRIETARY - Copyright © - Unpublished Work - See title page for details.

11-35-01
FIG. 40D
PAGE 1
OCT 10/06

BOEING
 737-600/700/800/900
 PARTS CATALOG (MAINTENANCE)



E 11350140E SHT 1 REV 116

For Details See Subsequent Pages

MARKER AND CIRCUIT BREAKER INSTL-P6-4 (PLACARDS AND MARKINGS ONLY)
 FIGURE 40E (SHEET 1)

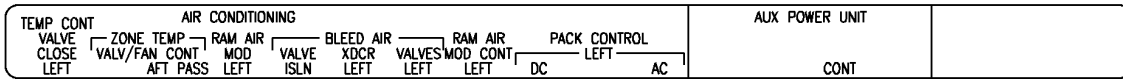
11-35-01-40E

HAP
 OCT 10/06

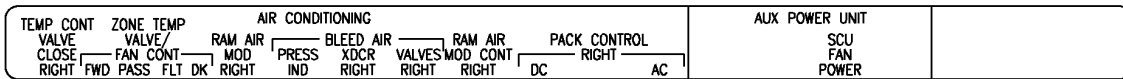
11-35-01-40E
 PAGE 0

BOEING
737-600/700/800/900
PARTS CATALOG (MAINTENANCE)

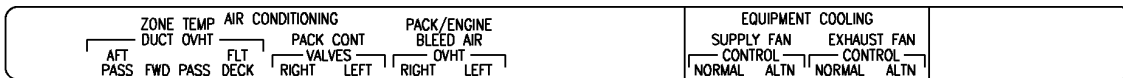
5
7



15
17



25
27



35



34
36

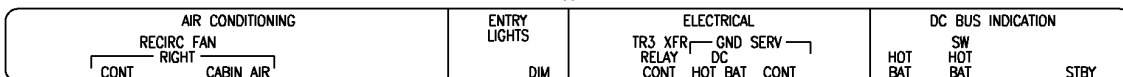


38
39

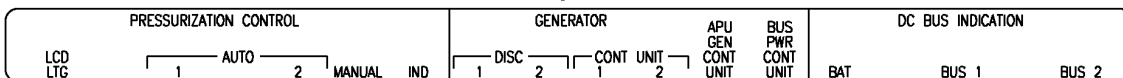
37
37A



45
47



55
57



E 11350140E SHT 2 REV 116

MARKER AND CIRCUIT BREAKER INSTL-P6-4 (PLACARDS AND MARKINGS ONLY)
FIGURE 40E (SHEET 2)

11-35-01-40E

HAP
OCT 10/06

11-35-01-40E
PAGE 0A

 **BOEING**
737-600/700/800/900
PARTS CATALOG (MAINTENANCE)

FIG ITEM	PART NUMBER	1 2 3 4 5 6 7	NOMENCLATURE	EFFECT FROM TO	UNITS PER ASSY
40E			MARKER AND CIRCUIT BREAKER INSTL-P6-4 (PLACARDS AND MARKINGS ONLY)	013030	
- 1	233A5224-402847		MARKER INSTL-P6-4 ROW A FOR NHA SEE: 11-31-00-03C	013030	RF
5	BAC27DCC2847		.MARKER	013030	1
- 10	233A5224-403202		MARKER INSTL-P6-4 ROW B FOR NHA SEE: 11-31-00-03C	013030	RF
15	BAC27DCC3202		.MARKER	013030	1
- 20	233A5224-402849		MARKER INSTL-P6-4 ROW C FOR NHA SEE: 11-31-00-03C	013030	RF
25	BAC27DCC2849		.MARKER	013030	1
- 30	233A5224-402850		MARKER INSTL-P6-4 ROW D FOR NHA SEE: 11-31-00-03C	013022	RF
34	BAC27DCC2850		.MARKER	013022	1
38	BAC27DCC3259		.MARKER- POST SERVICE BULLETIN: 21-1133	013022	1
- 40	233A5224-402891		MARKER INSTL-P6-4 ROW E FOR NHA SEE: 11-31-00-03C	013030	RF
45	BAC27DCC2891		.MARKER	013030	1
- 50	233A5224-2		CIRCUIT BREAKER INSTL-P6-4 (PLACARDS AND MARKINGS ONLY) FOR NHA/OTHER SYS DET SEE: 24-50-00-06C	013030	RF
55	BAC27DCC2753		.MARKER-ROW F	013030	1

MISSING ITEM NUMBERS NOT APPLICABLE

- ITEM NOT ILLUSTRATED

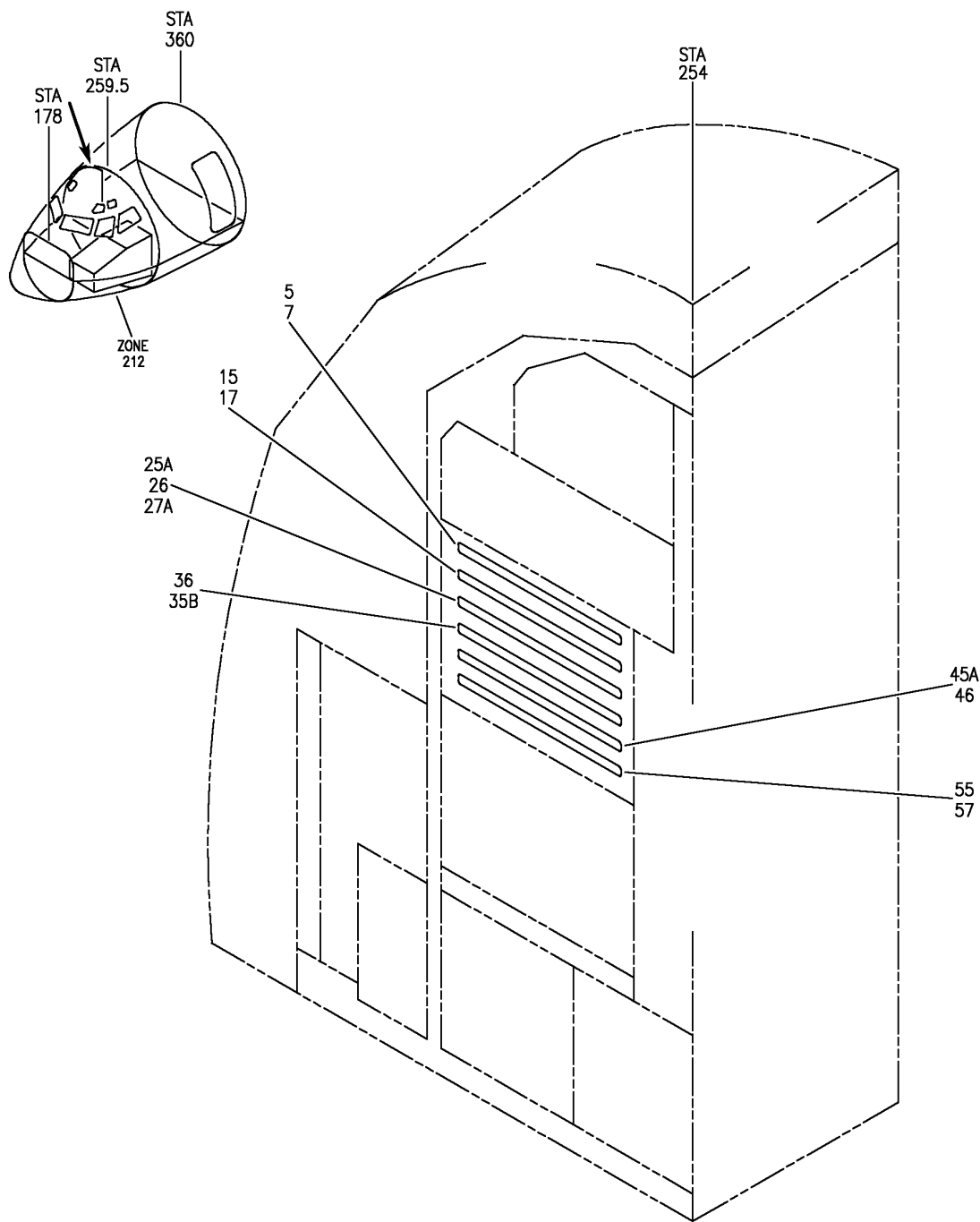
HAP

11-35-01-40E

BOEING PROPRIETARY - Copyright © - Unpublished Work - See title page for details.

11-35-01
FIG. 40E
PAGE 1
OCT 10/06

BOEING
 737-600/700/800/900
 PARTS CATALOG (MAINTENANCE)



For Details See Subsequent Pages

E 11350143 SH1 1 REV 140

MARKER, CIRCUIT BREAKER AND INOP INSTL-P6-3 (PLACARDS AND MARKINGS ONLY)
 FIGURE 43 (SHEET 1)

11-35-01-43

HAP
 OCT 15/08

11-35-01-43
 PAGE 0

BOEING
737-600/700/800/900
PARTS CATALOG (MAINTENANCE)

5
7

MISC	FUEL				CONTROL CABIN LIGHTING						LANDING GEAR AUTOBRAKE				
CLOCK DISPLAY CLOCK	FUELING CONT	IND	QTY 2	QTY 1	TEMP IND	CONT STAND	MAP & KIT	OBS READING	PANEL FLOOD CONT	PANEL FLOOD STBY	STBY COMPASS	DOME WHITE	CONT 2	BITE	CONT 1

15
17

SPAR VALVE ENG 2	SPAR VALVE ENG 1	FUEL VALVE IND	CROSS FEED VALVE	PANEL & INSTR 28V PRI CAPT & CTR F/O	MASTER CAUTION ANNUNCIATOR BUS 1 BAT	LANDING GEAR PARKING BRAKE	LATCH & PRESS WARN
------------------------	------------------------	----------------------	------------------------	--	---	----------------------------------	--------------------------

24
25B

25C
29

25A
26

AUTO S/O BST PUMP CTR TANK L DC	FUEL SHUTOFF VALVES PWR PACK BUS	AUTO S/O BST PUMP CTR TANK R DC	PANEL & INSTR CB PANEL ELEX PANEL	↑ TO DISCONNECT PULL (2) BREAKERS ↓ CONT 1 CONT 2 CONT 3 CONT 4	LANDING GEAR AIR/GND SYS 2 AIR/GND SYS 1	TAKEOFF WARNING CUTOFF
---	---	---	---	--	--	------------------------------

27B

27C

27A

ELT INTERFACE UNIT	AUTO S/O BST PUMP CTR TANK L DC	FUEL SHUTOFF VALVES PWR PACK BUS	AUTO S/O BST PUMP CTR TANK R DC	PANEL & INSTR CB PANEL ELEX PANEL	↑ TO DISCONNECT PULL (2) BREAKERS ↓ CONT 1 CONT 2 CONT 3 CONT 4	LANDING GEAR AIR/GND SYS 2 AIR/GND SYS 1	TAKEOFF WARNING CUTOFF
--------------------------	---	---	---	---	--	--	------------------------------

E 11350143 SH 2 REV 121

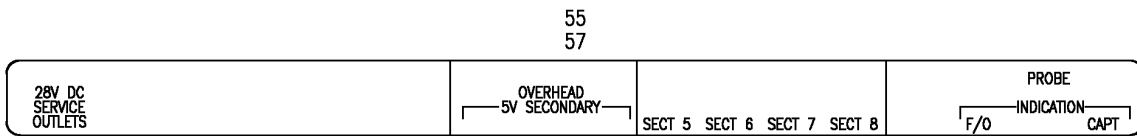
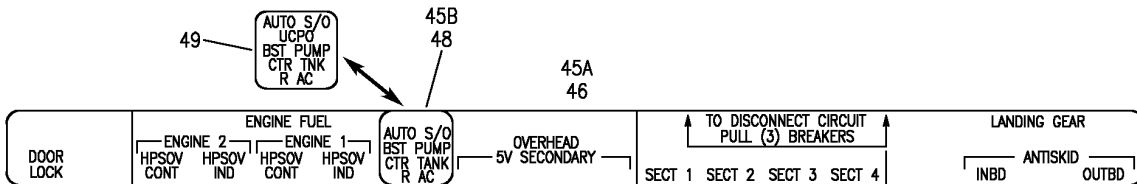
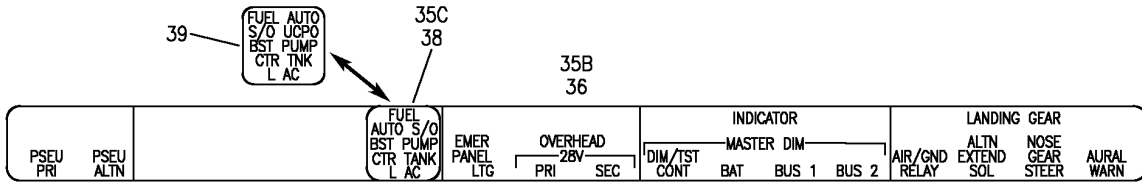
MARKER, CIRCUIT BREAKER AND INOP INSTL-P6-3 (PLACARDS AND MARKINGS ONLY)
FIGURE 43 (SHEET 2)

11-35-01-43

HAP
OCT 15/08

11-35-01-43
PAGE 0A


BOEING
 737-600/700/800/900
PARTS CATALOG (MAINTENANCE)



E 11350143 SH1 3 REV 140

MARKER, CIRCUIT BREAKER AND INOP INSTL-P6-3 (PLACARDS AND MARKINGS ONLY)
 FIGURE 43 (SHEET 3)

HAP
OCT 15/08

11-35-01-43

11-35-01-43
 PAGE 0B

 **BOEING**
737-600/700/800/900
PARTS CATALOG (MAINTENANCE)

FIG ITEM	PART NUMBER	1 2 3 4 5 6 7	NOMENCLATURE	EFFECT FROM TO	UNITS PER ASSY
43			MARKER, CIRCUIT BREAKER AND INOP INSTL-P6-3 (PLACARDS AND MARKINGS ONLY)	201967	
- 1	233A5223-2		CIRCUIT BREAKER INSTL-P6-3 FOR NHA/OTHER SYS DET SEE: 24-50-00-05B	201967	RF
5	BAC27DCC2724		.MARKER	201967	1
7	BAC27DCC2724		.MARKER- POST SERVICE BULLETIN: 24-1161	201967	1
- 10	233A5223-402725		MARKER INSTL-P6-3 ROW B FOR NHA SEE: 11-31-00-03B	201967	RF
15	BAC27DCC2725		.MARKER	201967	1
17	BAC27DCC2725		.MARKER- POST SERVICE BULLETIN: 24-1161	201967	1
- 20	233A5223-402726		MARKER INSTL-P6-3 ROW C FOR NHA SEE: 11-31-00-03B	201967	RF
24	BAC27DCC3397		.MARKER- PLACARD CONTENT: AUTO S/O BST PUMP CTR TNK L DC POST SERVICE BULLETIN: 24-1161	201967	1
25A	BAC27DCC2726		.MARKER	201967	1
25B	BAC27DCC3397		.MARKER- PLACARD CONTENT: AUTO S/O BST PUMP CTR TNK L DC POST ALERT SB: 28A1206	201967	1
25C	BAC27DCC3398		.MARKER- PLACARD CONTENT: AUTO S/O BST PUMP CTR TNK R DC POST ALERT SB: 28A1206	201967	1
26	BAC27DCC2726		.MARKER- POST SERVICE BULLETIN: 24-1161	201967	1
29	BAC27DCC3398		.MARKER- PLACARD CONTENT: AUTO S/O BST PUMP CTR TNK R DC POST SERVICE BULLETIN: 24-1161	201967	1

MISSING ITEM NUMBERS NOT APPLICABLE

- ITEM NOT ILLUSTRATED

HAP

11-35-01-43

11-35-01
FIG. 43
PAGE 1
OCT 15/08

BOEING
737-600/700/800/900
PARTS CATALOG (MAINTENANCE)

FIG ITEM	PART NUMBER	1 2 3 4 5 6 7	NOMENCLATURE	EFFECT FROM TO	UNITS PER ASSY
43					
- 30	233A5223-402930		MARKER INSTL-P6-3 ROW D FOR NHA SEE: 11-31-00-03B	201967	RF
35B	BAC27DCC2930		.MARKER	201967	1
35C	BAC27DCC3399		.MARKER- PLACARD CONTENT: FUEL AUTO S/O BST PUMP CTR TNK L AC POST ALERT SB: 28A1206 PRE ALERT SB: 28A1248R1	201967	1
36	BAC27DCC2930		.MARKER- POST SERVICE BULLETIN: 24-1161	201967	1
38	BAC27DCC3399		.MARKER- PLACARD CONTENT: FUEL AUTO S/O BST PUMP CTR TNK L AC POST SERVICE BULLETIN: 24-1161	201967	1
39	BAC27DCC3564		.MARKER- PLACARD CONTENT: FUEL AUTO S/O UCPO BST PUMP CTR TNK L AC POST ALERT SB: 28A1248R1	201967	1
- 40	233A5223-402728		MARKER INSTL-P6-3 ROW E FOR NHA SEE: 11-31-00-03B	201967	RF
45A	BAC27DCC2728		.MARKER	201967	1
45B	BAC27DCC3400		.MARKER- PLACARD CONTENT: AUTO S/O BST PUMP CTR TNK R AC POST ALERT SB: 28A1206 PRE ALERT SB: 28A1248R1	201967	1
46	BAC27DCC2728		.MARKER- POST SERVICE BULLETIN: 24-1161	201967	1
48	BAC27DCC3400		.MARKER- PLACARD CONTENT: AUTO S/O BST PUMP CTR TNK R AC POST SERVICE BULLETIN: 24-1161	201967	1

MISSING ITEM NUMBERS NOT APPLICABLE

- ITEM NOT ILLUSTRATED

HAP

11-35-01-43

11-35-01
FIG. 43
PAGE 2
OCT 15/08

BOEING
737-600/700/800/900
PARTS CATALOG (MAINTENANCE)

FIG ITEM	PART NUMBER	1 2 3 4 5 6 7	NOMENCLATURE	EFFECT FROM TO	UNITS PER ASSY
43 49	BAC27DCC3565		.MARKER- PLACARD CONTENT: AUTO S/O UCPO BST PUMP CTR TNK R AC POST ALERT SB: 28A1248R1	201967	1
- 50	233A5223-402729		MARKER INSTL-P6-3 ROW F FOR NHA SEE: 11-31-00-03B	201967	RF
55	BAC27DCC2729		.MARKER	201967	1
57	BAC27DCC2729		.MARKER- POST SERVICE BULLETIN: 24-1161	201967	1

MISSING ITEM NUMBERS NOT APPLICABLE

- ITEM NOT ILLUSTRATED

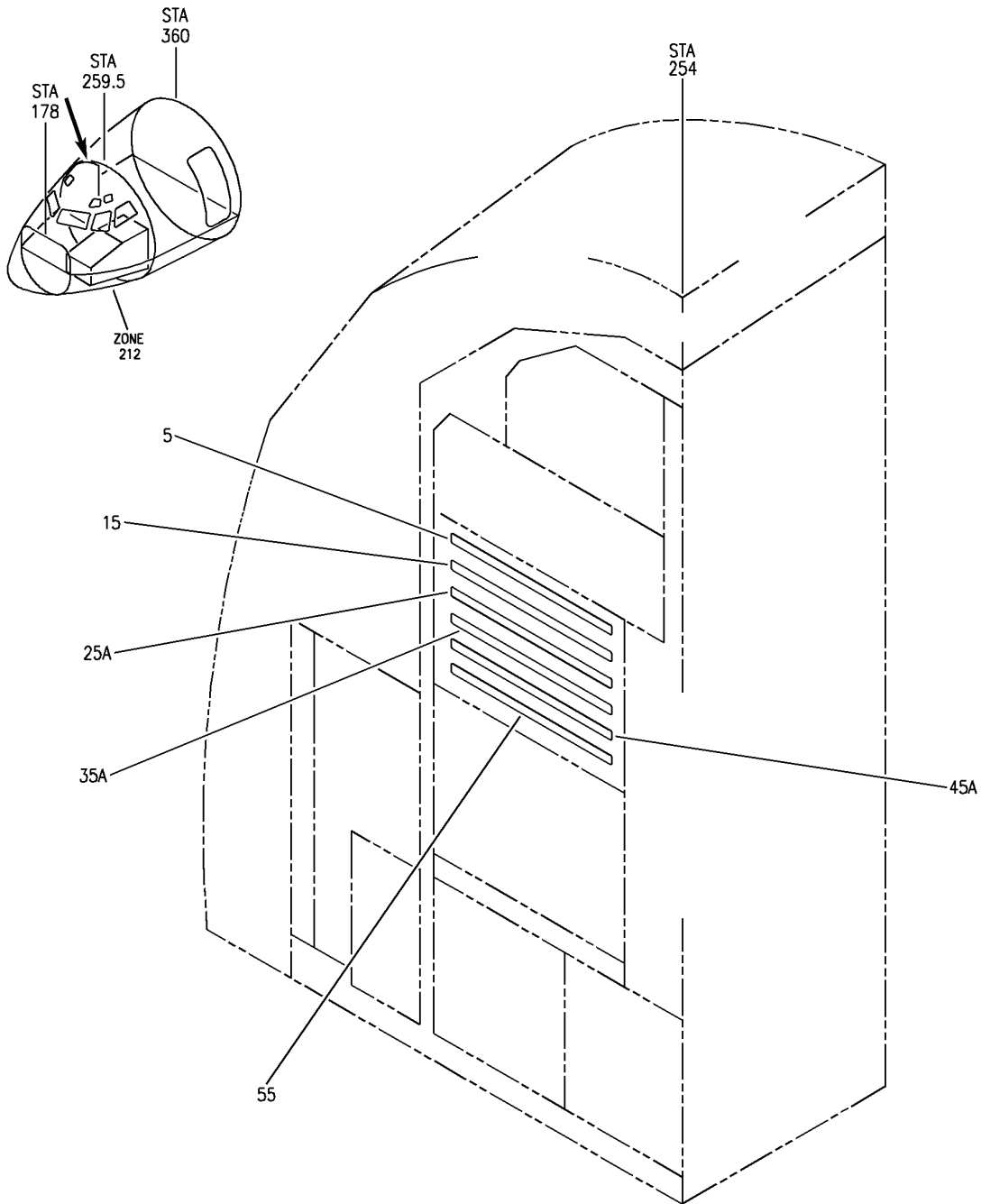
HAP

11-35-01-43

BOEING PROPRIETARY - Copyright © - Unpublished Work - See title page for details.

11-35-01
FIG. 43
PAGE 3
OCT 15/08

BOEING
737-600/700/800/900
PARTS CATALOG (MAINTENANCE)



For Details See Subsequent Pages

E 11350143B SHT 1 REV 122

MARKER AND CIRCUIT BREAKER AND INOP INSTL-P6-3 (PLACARDS AND MARKINGS ONLY)
FIGURE 43B (SHEET 1)

HAP
OCT 10/06

11-35-01-43B

11-35-01-43B
PAGE 0

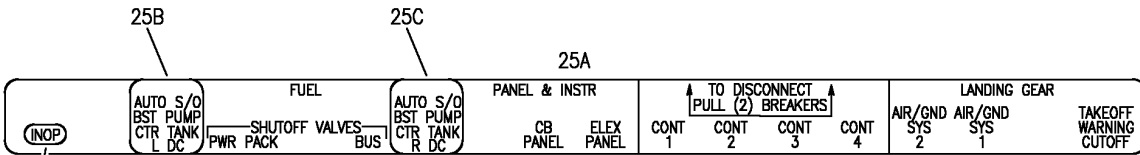
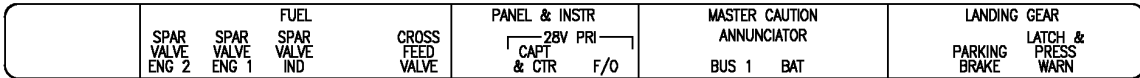
BOEING PROPRIETARY - Copyright © - Unpublished Work - See title page for details.

BOEING
737-600/700/800/900
PARTS CATALOG (MAINTENANCE)

5



15

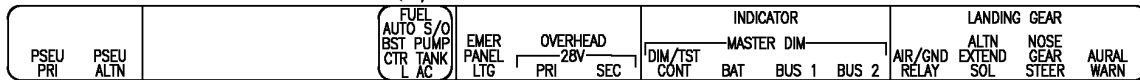


80

37

35B

35A



47

45B

45A



55



E 11350143B SHT 2 REV 140

MARKER AND CIRCUIT BREAKER AND INOP INSTL-P6-3 (PLACARDS AND MARKINGS ONLY)
FIGURE 43B (SHEET 2)

11-35-01-43B

HAP
JUN 15/08

11-35-01-43B
PAGE 0A

BOEING
737-600/700/800/900
PARTS CATALOG (MAINTENANCE)

FIG ITEM	PART NUMBER	1 2 3 4 5 6 7	NOMENCLATURE	EFFECT FROM TO	UNITS PER ASSY
43B			MARKER AND CIRCUIT BREAKER AND INOP INSTL-P6-3 (PLACARDS AND MARKINGS ONLY)	008030	
- 1	233A5223-2		CIRCUIT BREAKER INSTL-P6-3 (PLACARDS AND MARKINGS ONLY) FOR NHA/OTHER SYS DET SEE: 24-50-00-05C	008030	RF
5	BAC27DCC2724		.MARKER	008030	1
- 10	233A5223-402725		MARKER INSTL-P6-3 ROW B FOR NHA SEE: 11-31-00-03C	008030	RF
15	BAC27DCC2725		.MARKER	008030	1
- 20	233A5223-403088		MARKER INSTL-P6-3 ROW C FOR NHA SEE: 11-31-00-03C	008030	RF
25A	BAC27DCC3088		.MARKER	008030	1
25B	BAC27DCC3397		.MARKER- PLACARD CONTENT: AUTO S/O BST PUMP CTR TNK L DC POST ALERT SB: 28A1206	008030	1
25C	BAC27DCC3398		.MARKER- PLACARD CONTENT: AUTO S/O BST PUMP CTR TNK R DC POST ALERT SB: 28A1206	008030	1
- 30	233A5223-402930		MARKER INSTL-P6-3 ROW D FOR NHA SEE: 11-31-00-03C	008030	RF
35A	BAC27DCC2930		.MARKER	008030	1
35B	BAC27DCC3399		.MARKER- PLACARD CONTENT: FUEL AUTO S/O BST PUMP CTR TNK L AC POST ALERT SB: 28A1206 PRE ALERT SB: 28A1248R1	008030	1
37	BAC27DCC3564		.MARKER- PLACARD CONTENT: FUEL AUTO S/O UCPO BST PUMP CTR TNK L AC POST ALERT SB: 28A1248R1	008030	1

MISSING ITEM NUMBERS NOT APPLICABLE

- ITEM NOT ILLUSTRATED

HAP

11-35-01-43B

BOEING PROPRIETARY - Copyright © - Unpublished Work - See title page for details.

11-35-01
FIG. 43B
PAGE 1
JUN 15/08

BOEING
737-600/700/800/900
PARTS CATALOG (MAINTENANCE)

FIG ITEM	PART NUMBER	1 2 3 4 5 6 7	NOMENCLATURE	EFFECT FROM TO	UNITS PER ASSY
43B					
- 40	233A5223-402728		MARKER INSTL-P6-3 ROW E FOR NHA SEE: 11-31-00-03C	008030	RF
45A	BAC27DCC2728		.MARKER	008030	1
45B	BAC27DCC3400		.MARKER-	008030	1
			PLACARD CONTENT: AUTO S/O BST PUMP CTR TNK R AC POST ALERT SB: 28A1206 PRE ALERT SB: 28A1248R1		
47	BAC27DCC3565		.MARKER-	008030	1
			PLACARD CONTENT: AUTO S/O UCPO BST PUMP CTR TNK R AC POST ALERT SB: 28A1248R1		
- 50	233A5223-402729		MARKER INSTL-P6-3 ROW F FOR NHA SEE: 11-31-00-03C	008030	RF
55	BAC27DCC2729		.MARKER	008030	1
- 75	233A5223-503301		INOP INSTL-P6-3/C1 (PLACARDS AND MARKINGS ONLY) FOR NHA/OTHER SYS DET SEE: 24-50-00-05C	008030	RF
80	BAC27DCC3073		.MARKER-	008030	1
			PLACARD CONTENT: INOP		

MISSING ITEM NUMBERS NOT APPLICABLE

- ITEM NOT ILLUSTRATED

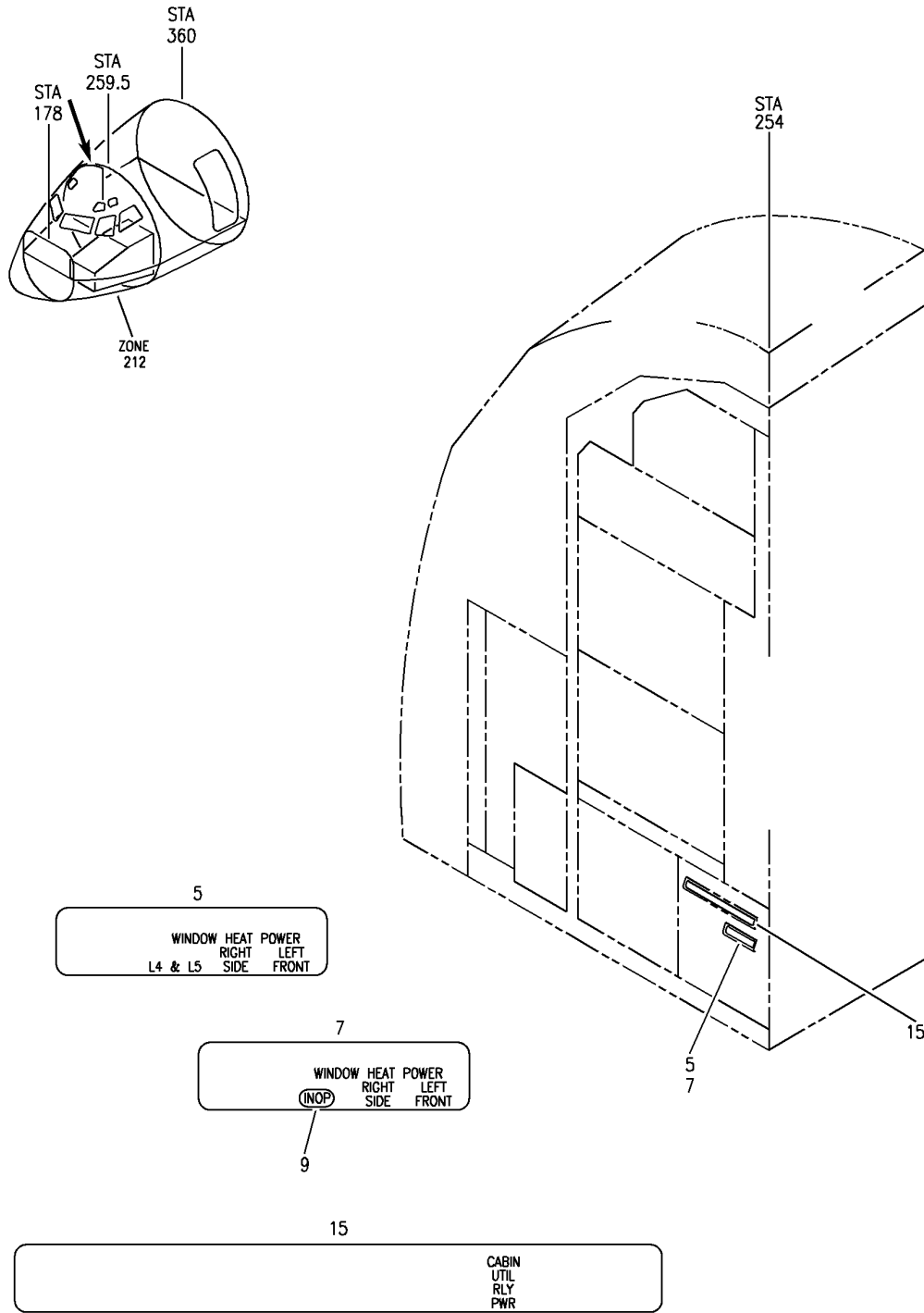
HAP

11-35-01-43B

BOEING PROPRIETARY - Copyright © - Unpublished Work - See title page for details.

11-35-01
FIG. 43B
PAGE 2
JUN 15/08

BOEING
 737-600/700/800/900
 PARTS CATALOG (MAINTENANCE)



E 11350145 REV 127

MARKER INSTL-P6-11
 FIGURE 45

11-35-01-45

HAP
 OCT 15/08

11-35-01-45
 PAGE 0


BOEING
 737-600/700/800/900
PARTS CATALOG (MAINTENANCE)

FIG ITEM	PART NUMBER	1 2 3 4 5 6 7	NOMENCLATURE	EFFECT FROM TO	UNITS PER ASSY
45					
- 1	233A5225-402757		MARKER INSTL-P6-11 MARKER INSTL-P6-11 ROW B FOR NHA SEE: 11-31-00-03B	201967 201967	RF
5	BAC27DCC2757		.MARKER	201967	1

MISSING ITEM NUMBERS NOT APPLICABLE

- ITEM NOT ILLUSTRATED

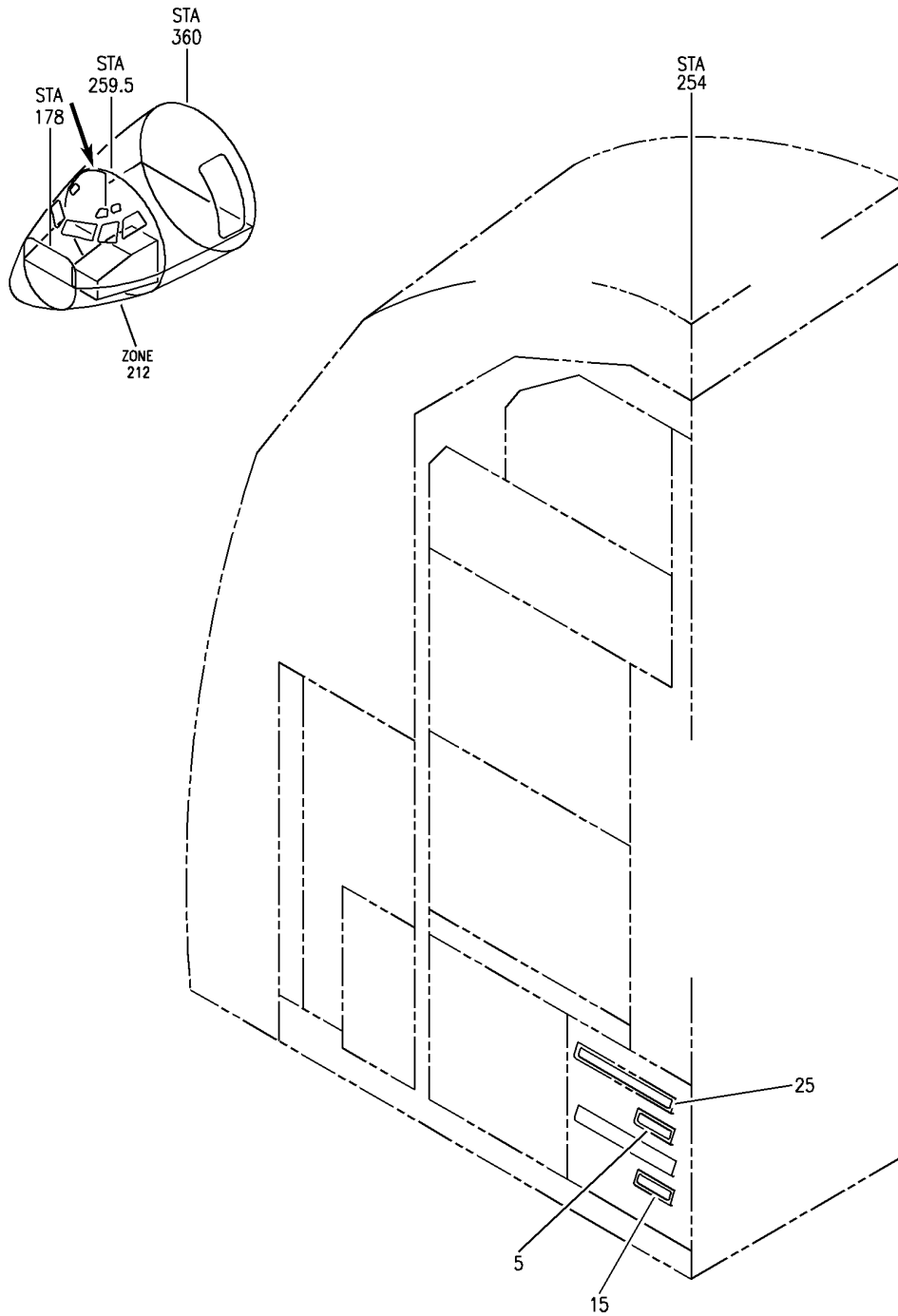
HAP

11-35-01-45

BOEING PROPRIETARY - Copyright © - Unpublished Work - See title page for details.

11-35-01
 FIG. 45
 PAGE 1
 OCT 15/08

BOEING
737-600/700/800/900
PARTS CATALOG (MAINTENANCE)



E 11350145D SHT 1 REV 109

MARKER AND INOP INSTL-P6-11 (PLACARDS AND MARKINGS ONLY)
FIGURE 45D (SHEET 1)

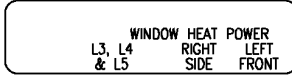
HAP
OCT 10/06

11-35-01-45D

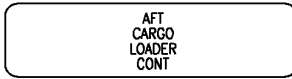
11-35-01-45D
PAGE 0

BOEING
737-600/700/800/900
PARTS CATALOG (MAINTENANCE)

5



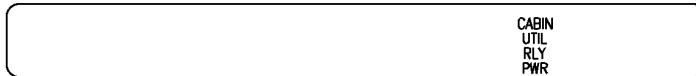
15



55

15
ref

25



E 11350145D SHT 2 REV 109

MARKER AND INOP INSTL-P6-11 (PLACARDS AND MARKINGS ONLY)
FIGURE 45D (SHEET 2)

11-35-01-45D

HAP
OCT 10/06

11-35-01-45D
PAGE 0A

 **BOEING**
737-600/700/800/900
PARTS CATALOG (MAINTENANCE)

FIG ITEM	PART NUMBER	1 2 3 4 5 6 7	NOMENCLATURE	EFFECT FROM TO	UNITS PER ASSY
45D			MARKER AND INOP INSTL-P6-11 (PLACARDS AND MARKINGS ONLY)	008030	
- 1	233A5225-402827		MARKER INSTL-P6-11 ROW B FOR NHA SEE: 11-31-00-03C	008030	RF
5	BAC27DCC2827		.MARKER	008030	1
- 10	233A5225-402840		MARKER INSTL-P6-11 ROW D FOR NHA SEE: 11-31-00-03C	008030	RF
15	BAC27DCC2840		.MARKER	008030	1

MISSING ITEM NUMBERS NOT APPLICABLE

- ITEM NOT ILLUSTRATED

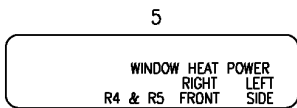
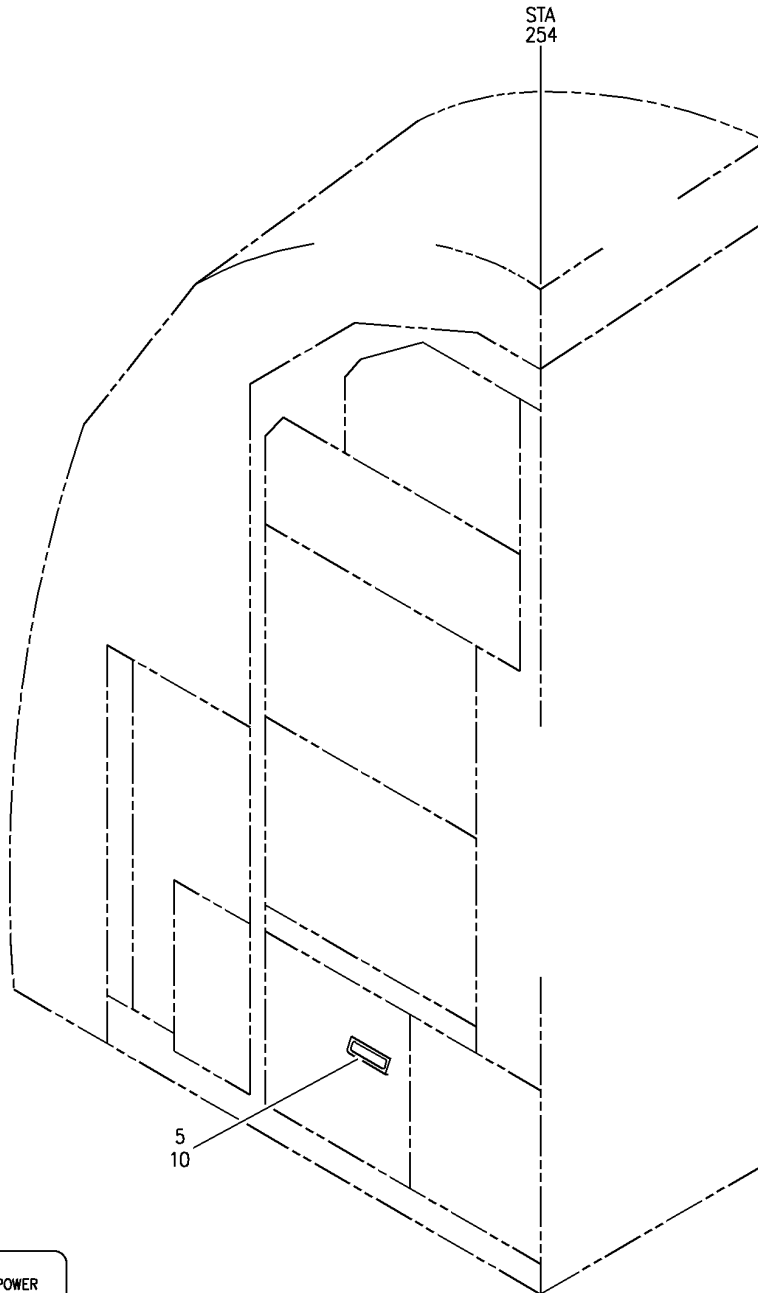
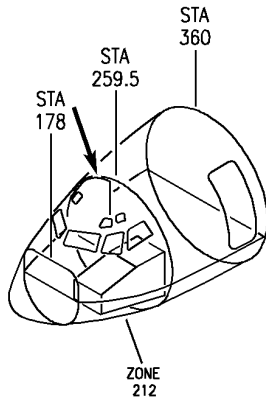
HAP

11-35-01-45D

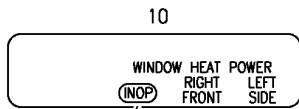
BOEING PROPRIETARY - Copyright © - Unpublished Work - See title page for details.

11-35-01
FIG. 45D
PAGE 1
OCT 10/06

BOEING
 737-600/700/800/900
 PARTS CATALOG (MAINTENANCE)



5
 10



15

E 11350146 REV 127

MARKER INSTL-P6-12
 FIGURE 46

11-35-01-46

HAP
 OCT 15/08

11-35-01-46
 PAGE 0

BOEING
737-600/700/800/900
PARTS CATALOG (MAINTENANCE)

FIG ITEM	PART NUMBER	1 2 3 4 5 6 7	NOMENCLATURE	EFFECT FROM TO	UNITS PER ASSY
46					
- 1	233A5226-402756		MARKER INSTL-P6-12 MARKER INSTL-P6-12 ROW B FOR NHA SEE: 11-31-00-03B	201967 201967	RF
5	BAC27DCC2756		.MARKER	201967	1

MISSING ITEM NUMBERS NOT APPLICABLE

- ITEM NOT ILLUSTRATED

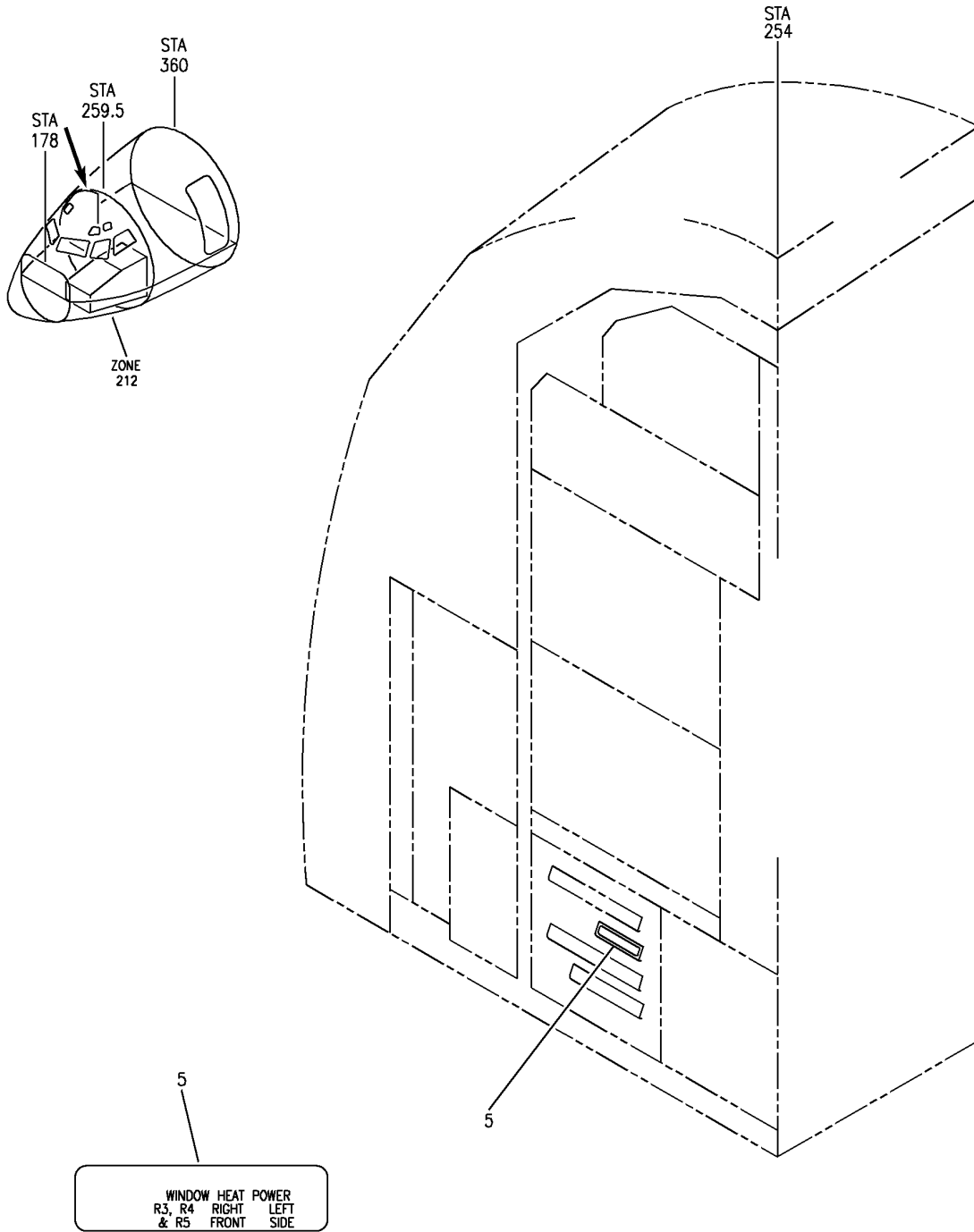
HAP

11-35-01-46

BOEING PROPRIETARY - Copyright © - Unpublished Work - See title page for details.

11-35-01
FIG. 46
PAGE 1
OCT 15/08

BOEING
 737-600/700/800/900
 PARTS CATALOG (MAINTENANCE)



E 11350146A REV 110

MARKER INSTL-P6-12
 FIGURE 46A

HAP
 OCT 10/06

11-35-01-46A

11-35-01-46A
 PAGE 0

BOEING
737-600/700/800/900
PARTS CATALOG (MAINTENANCE)

FIG ITEM	PART NUMBER	1 2 3 4 5 6 7	NOMENCLATURE	EFFECT FROM TO	UNITS PER ASSY
46A					
- 1	233A5226-402826		MARKER INSTL-P6-12 MARKER INSTL-P6-12 ROW B FOR NHA SEE: 11-31-00-03C	008030 008030	RF
5	BAC27DCC2826		.MARKER	008030	1

MISSING ITEM NUMBERS NOT APPLICABLE

- ITEM NOT ILLUSTRATED

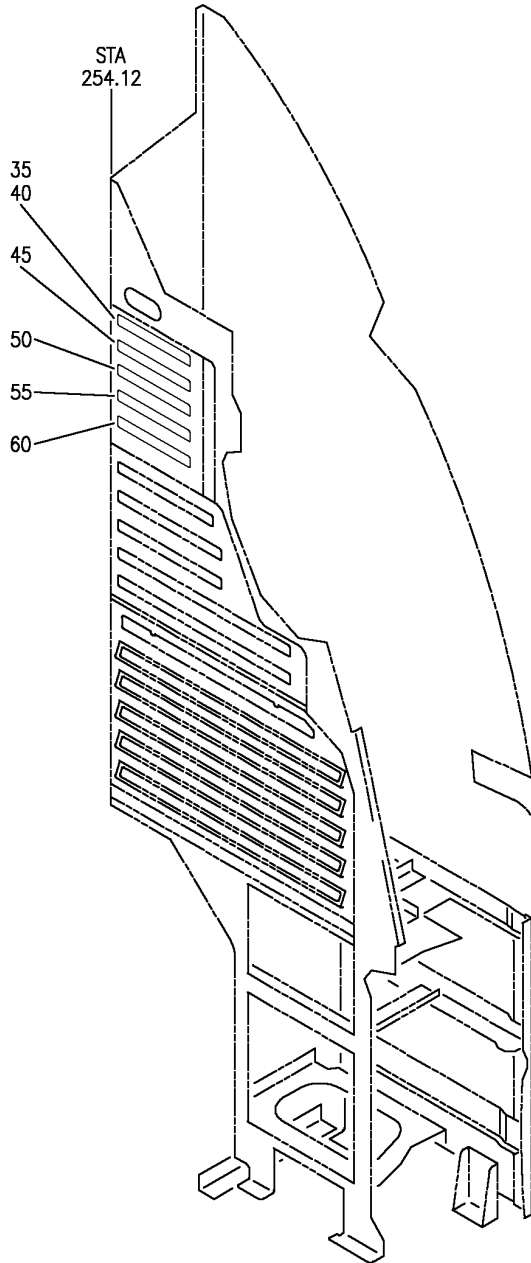
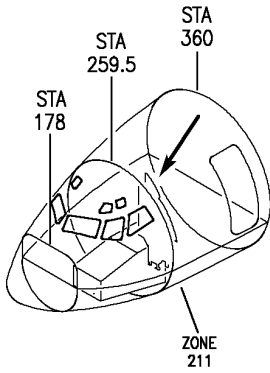
HAP

11-35-01-46A

BOEING PROPRIETARY - Copyright © - Unpublished Work - See title page for details.

11-35-01
 FIG. 46A
 PAGE 1
 OCT 10/06

BOEING
737-600/700/800/900
PARTS CATALOG (MAINTENANCE)



For Details See Subsequent Pages

E 11350158 SHT 1 REV 086

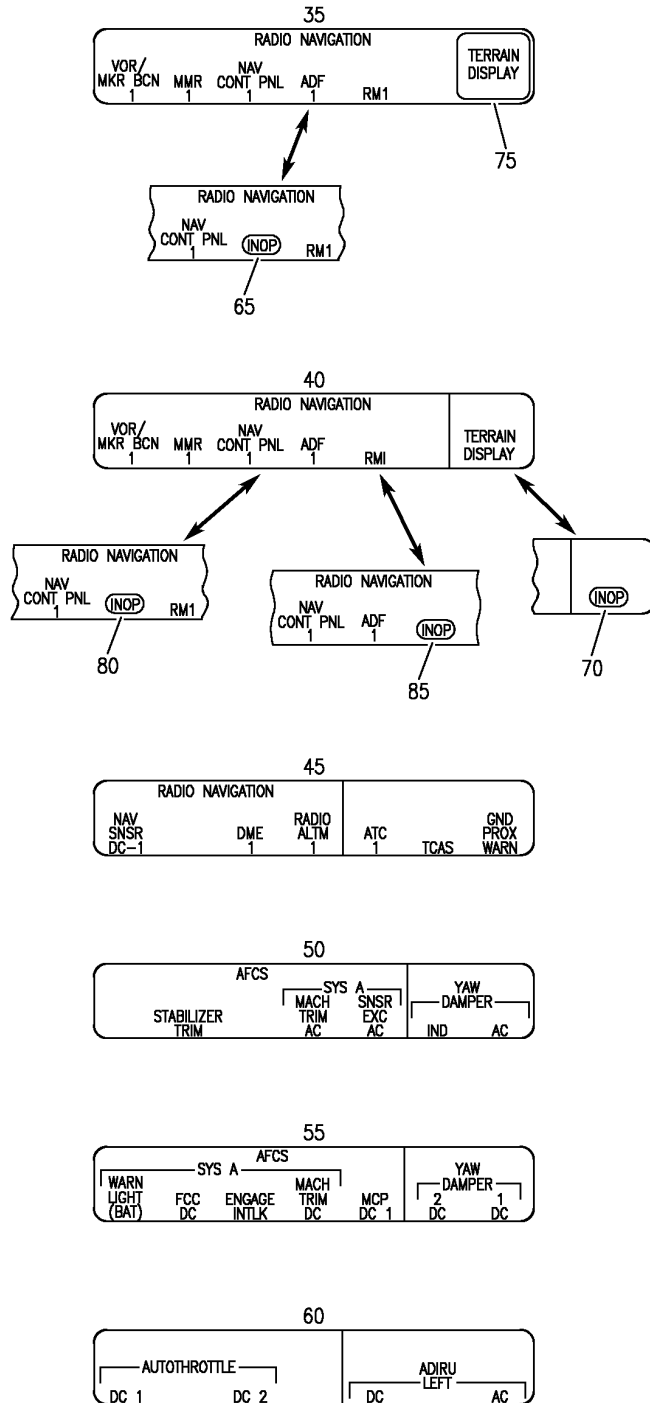
CIRCUIT BREAKER INSTL FLIGHT DECK P18-1 (PLACARDS AND MARKINGS ONLY)
FIGURE 58 (SHEET 1)

HAP
OCT 10/06

11-35-01-58

11-35-01-58
PAGE 0

BOEING
 737-600/700/800/900
 PARTS CATALOG (MAINTENANCE)



E 11350158 SH1 2 REV 143

CIRCUIT BREAKER INSTL FLIGHT DECK P18-1 (PLACARDS AND MARKINGS ONLY)
 FIGURE 58 (SHEET 2)

11-35-01-58

HAP
 JUN 15/08

11-35-01-58
 PAGE 0A

BOEING
737-600/700/800/900
PARTS CATALOG (MAINTENANCE)

FIG ITEM	PART NUMBER	1 2 3 4 5 6 7	NOMENCLATURE	EFFECT FROM TO	UNITS PER ASSY
58			CIRCUIT BREAKER INSTL FLIGHT DECK P18-1 (PLACARDS AND MARKINGS ONLY)	001007	
- 1	233A5502-103001		CIRCUIT BREAKER INSTL- FLIGHT DECK P18-1 (PLACARDS AND MARKINGS ONLY) FOR NHA/OTHER SYS DET SEE: 24-50-00-01C	001004	RF
- 1	233A5502-113001		CIRCUIT BREAKER INSTL- FLIGHT DECK P18-1 (PLACARDS AND MARKINGS ONLY) FOR NHA/OTHER SYS DET SEE: 24-50-00-01C	005007	RF
35	BAC27DCC2899		.DECAL-	001004	1
40	BAC27DCC2975		.DECAL-	005007	1
45	BAC27DCC2734		.DECAL	001007	1
50	BAC27DCC2736		.DECAL	001007	1
55	BAC27DCC2738		.DECAL	001007	1
60	BAC27DCC2739		.DECAL	001007	1
70	BAC27DCC1242		.MARKER- PLACARD CONTENT: INOP POST SERVICE BULLETIN: 34-1472	005007	1

MISSING ITEM NUMBERS NOT APPLICABLE

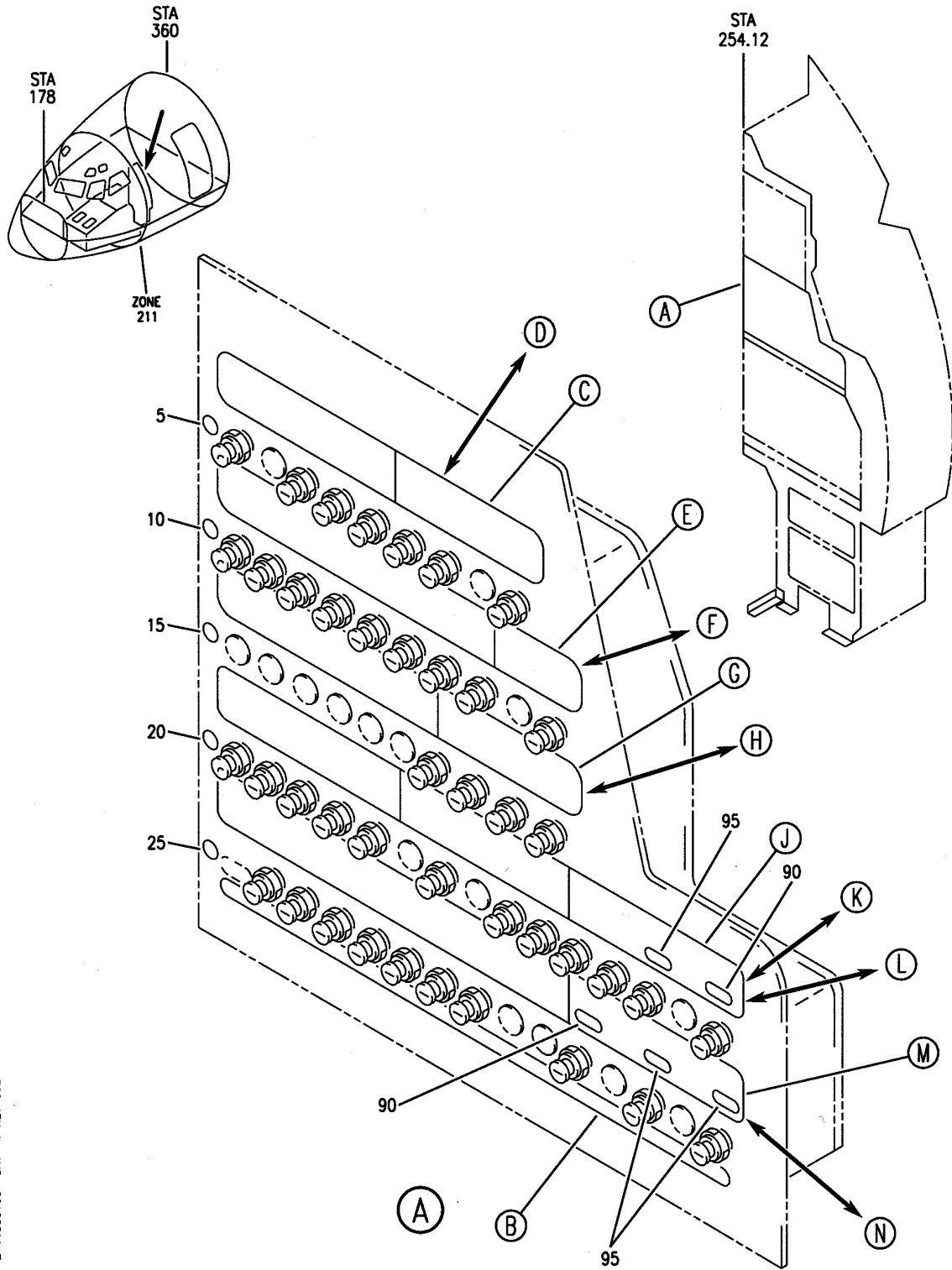
- ITEM NOT ILLUSTRATED

HAP

11-35-01-58

11-35-01
FIG. 58
PAGE 1
OCT 10/06

BOEING
 737-600/700/800/900
 PARTS CATALOG (MAINTENANCE)



E 11350160 SHT 1 REV 032

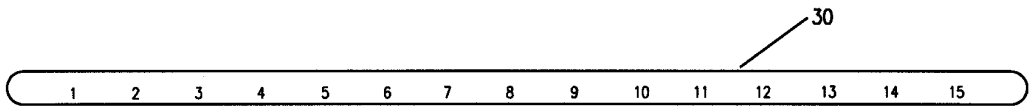
CIRCUIT BREAKER INSTL FLIGHT DECK P18-2 (PLACARDS AND MARKINGS ONLY)
 FIGURE 60 (SHEET 1)

11-35-01-60

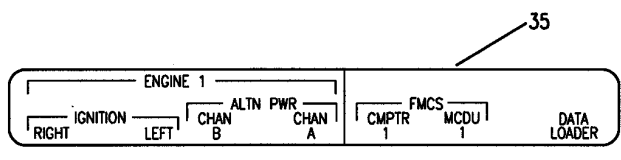
HAP
 OCT 10/06

11-35-01-60
 PAGE 0

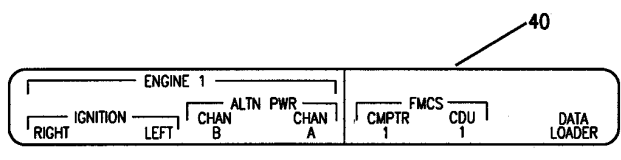
BOEING
 737-600/700/800/900
 PARTS CATALOG (MAINTENANCE)



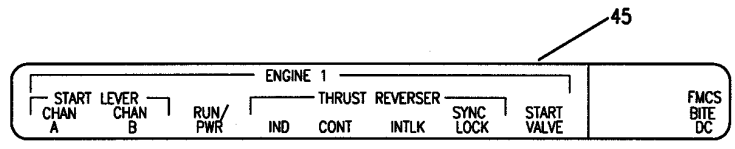
(B)



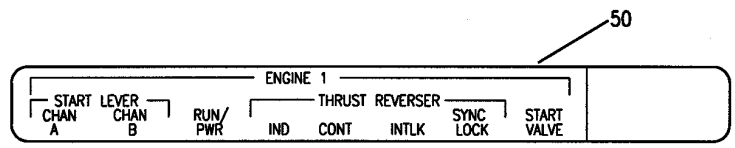
(C)



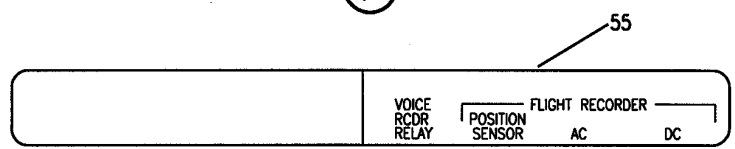
(D)



(E)



(F)



(G)

E 11350160 SHT 2 REV 032

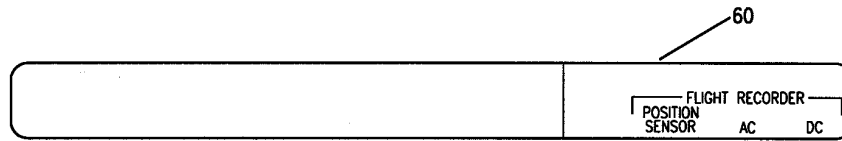
CIRCUIT BREAKER INSTL FLIGHT DECK P18-2 (PLACARDS AND MARKINGS ONLY)
 FIGURE 60 (SHEET 2)

11-35-01-60

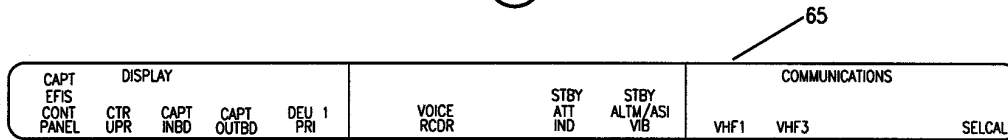
HAP
 OCT 10/06

11-35-01-60
 PAGE 0A

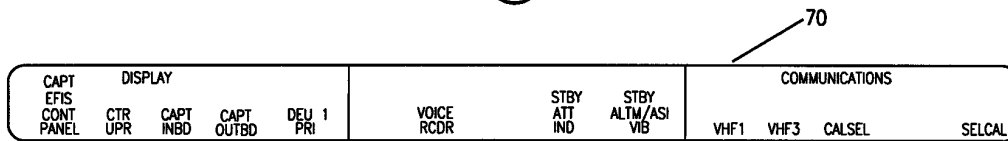
BOEING
737-600/700/800/900
PARTS CATALOG (MAINTENANCE)



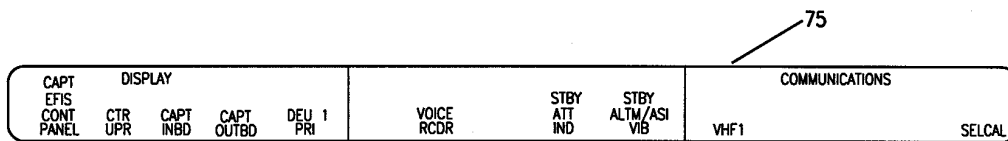
(H)



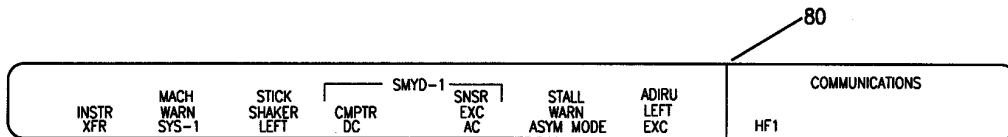
(J)



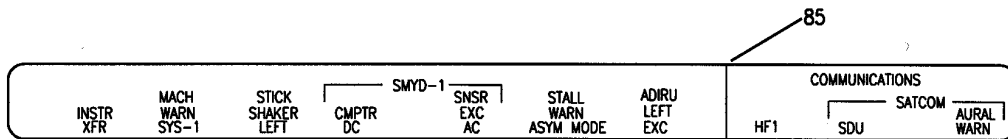
(K)



(L)



(M)



(N)

E 11350160 SHT 3 REV 032

CIRCUIT BREAKER INSTL FLIGHT DECK P18-2 (PLACARDS AND MARKINGS ONLY)
FIGURE 60 (SHEET 3)

11-35-01-60

HAP
OCT 10/06

11-35-01-60
PAGE 0B

 **BOEING**
737-600/700/800/900
PARTS CATALOG (MAINTENANCE)

FIG ITEM	PART NUMBER	1 2 3 4 5 6 7	NOMENCLATURE	EFFECT FROM TO	UNITS PER ASSY
60			CIRCUIT BREAKER INSTL FLIGHT DECK P18-2 (PLACARDS AND MARKINGS ONLY)	001007	
- 1	233A5502-203001		CIRCUIT BREAKER INSTL- FLIGHT DECK P18-2 (PLACARDS AND MARKINGS ONLY) FOR NHA/OTHER SYS DET SEE: 24-50-00-01C	001007	RF
5	BAC27DEX4980		.MARKER-ALUMINUM FOIL PLACARD CONTENT: A	001007	1
10	BAC27DEX4981		.MARKER-ALUMINUM FOIL PLACARD CONTENT: B	001007	1
15	BAC27DEX4982		.MARKER-ALUMINUM FOIL PLACARD CONTENT: C	001007	1
20	BAC27DEX4983		.MARKER-ALUMINUM FOIL PLACARD CONTENT: D	001007	1
25	BAC27DEX4984		.MARKER-ALUMINUM FOIL PLACARD CONTENT: E	001007	1
30	BAC27DCC2748		.MARKER	001007	1
35	BAC27DCC2837		.DECAL	001007	1
45	BAC27DCC2832		.DECAL-	001007	1
55	BAC27DCC3027		.DECAL	001007	1
65	BAC27DCC2829		.DECAL	001007	1
80	BAC27DCC2828		.DECAL	001007	1
90	BAC27DCC1242		.MARKER-ALUMINUM FOIL PLACARD CONTENT: INOP	001007	2

MISSING ITEM NUMBERS NOT APPLICABLE

- ITEM NOT ILLUSTRATED

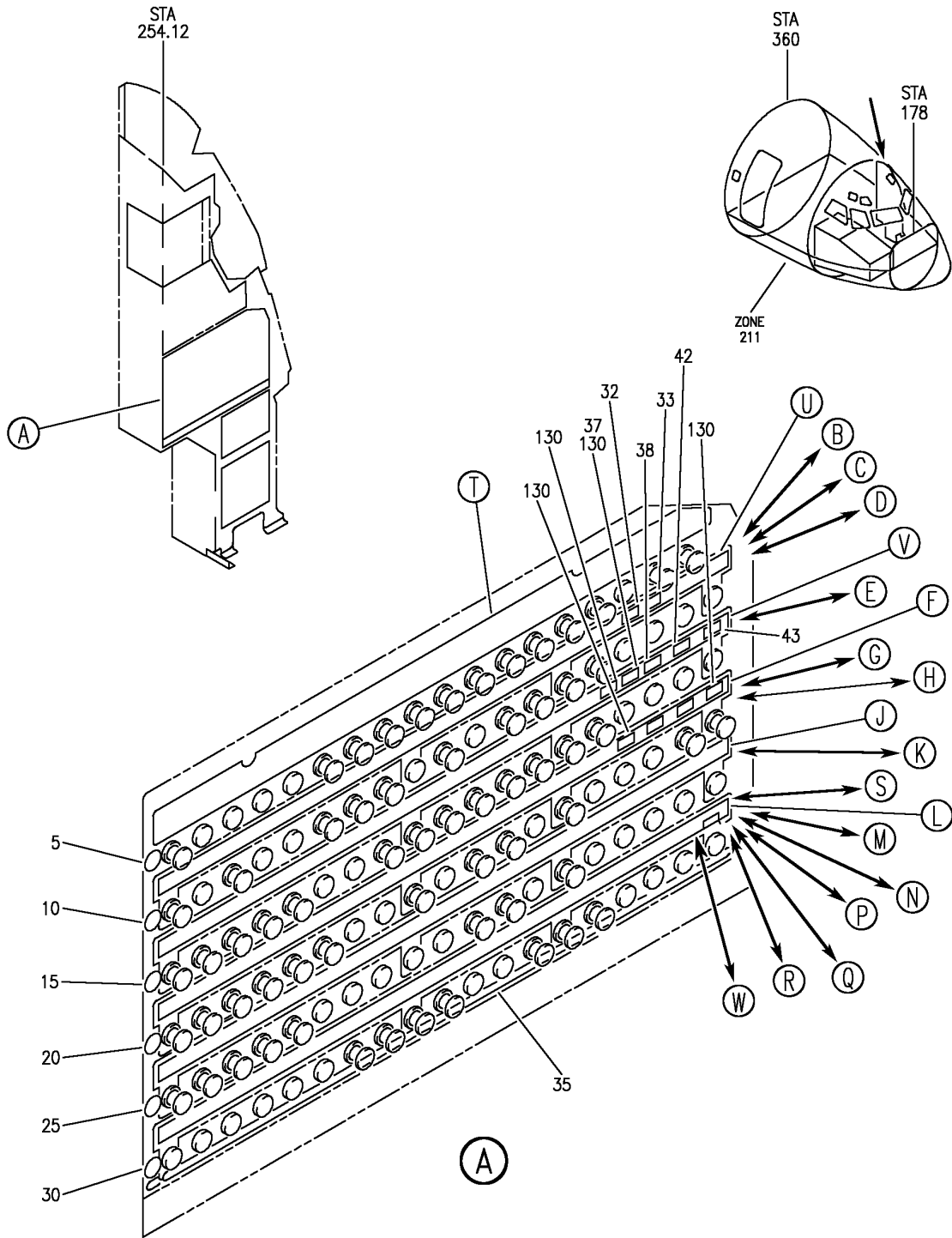
HAP

11-35-01-60

BOEING PROPRIETARY - Copyright © - Unpublished Work - See title page for details.

11-35-01
FIG. 60
PAGE 1
OCT 10/06

BOEING
 737-600/700/800/900
 PARTS CATALOG (MAINTENANCE)



E 11350162 SHT 1 REV 155

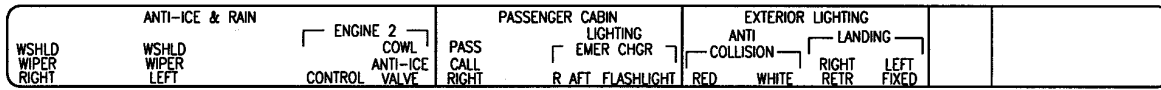
CIRCUIT BREAKER INSTL FLIGHT DECK P18-3 (PLACARDS AND MARKINGS ONLY)
 FIGURE 62 (SHEET 1)

11-35-01-62

HAP
 JUN 15/09

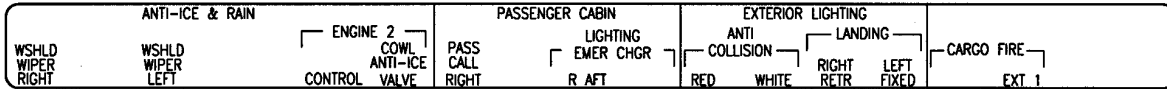
11-35-01-62
 PAGE 0

BOEING
737-600/700/800/900
PARTS CATALOG (MAINTENANCE)



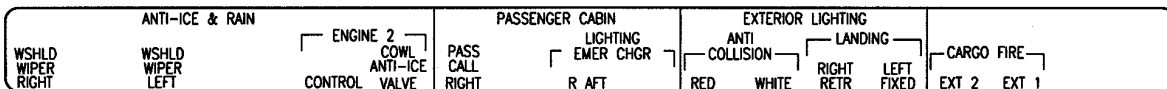
(B)

50



(C)

55



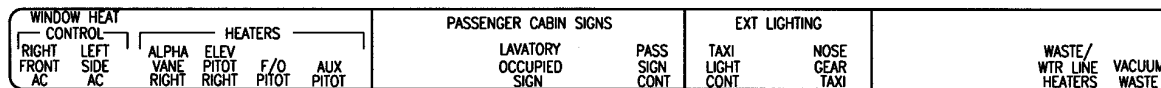
(D)

60



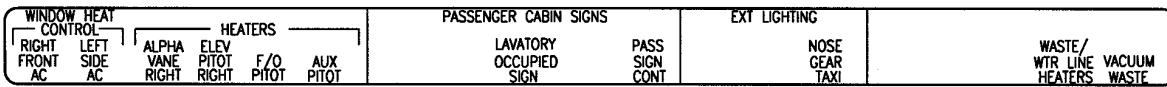
(E)

70



(F)

75



(G)

80

E 11-350162 SH1 2 REV 032

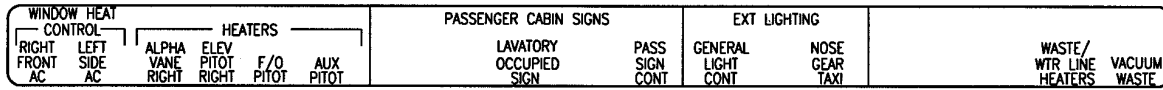
CIRCUIT BREAKER INSTL FLIGHT DECK P18-3 (PLACARDS AND MARKINGS ONLY)
FIGURE 62 (SHEET 2)

11-35-01-62

HAP
OCT 10/06

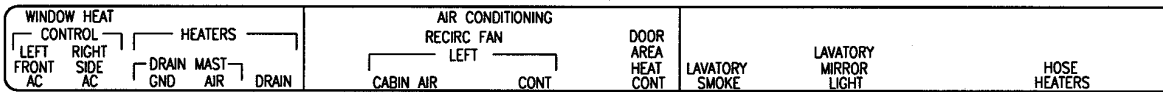
11-35-01-62
PAGE 0A


BOEING
 737-600/700/800/900
PARTS CATALOG (MAINTENANCE)



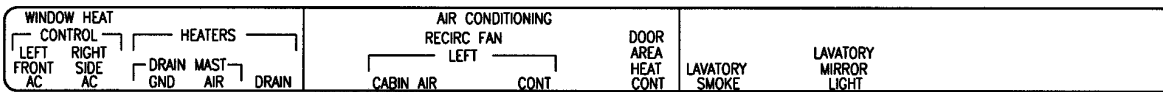
(H)

85



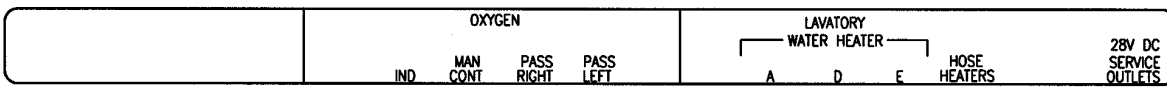
(J)

90



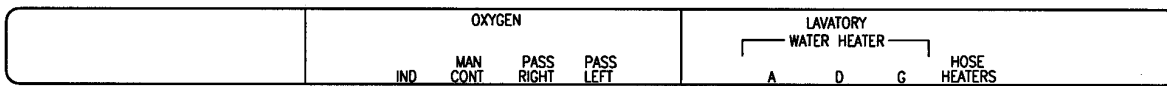
(K)

95



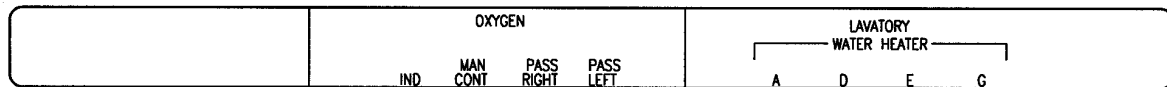
(L)

100



(M)

105



(N)

110

E 11350162 SH1 3 REV 032

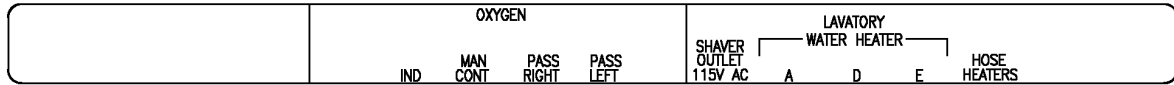
CIRCUIT BREAKER INSTL FLIGHT DECK P18-3 (PLACARDS AND MARKINGS ONLY)
 FIGURE 62 (SHEET 3)

11-35-01-62

HAP
 OCT 10/06

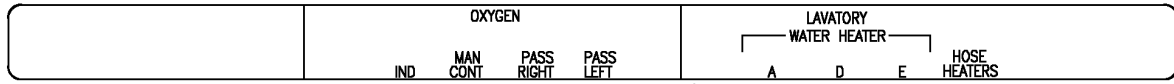
11-35-01-62
 PAGE 0B


BOEING
 737-600/700/800/900
PARTS CATALOG (MAINTENANCE)



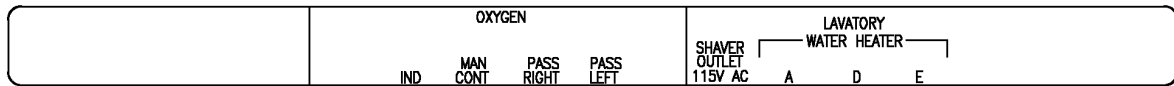
Ⓟ

115



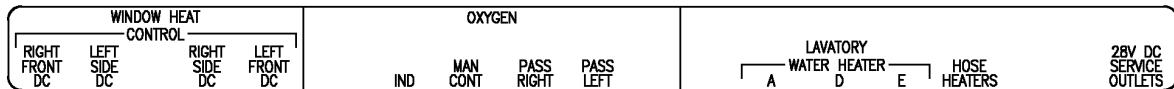
Ⓠ

120



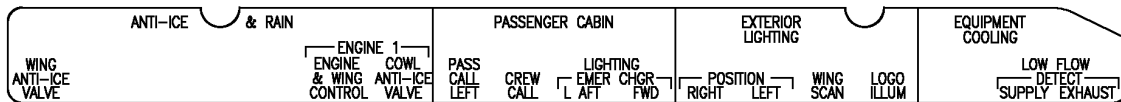
Ⓡ

125



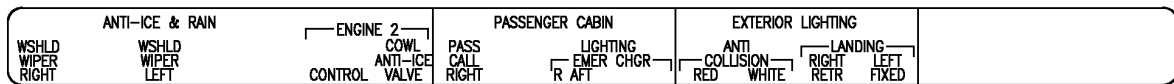
Ⓢ

103



Ⓣ

40



Ⓤ

45

E 11350162 SHT 4 REV 155

CIRCUIT BREAKER INSTL FLIGHT DECK P18-3 (PLACARDS AND MARKINGS ONLY)
FIGURE 62 (SHEET 4)

11-35-01-62

HAP
JUN 15/09

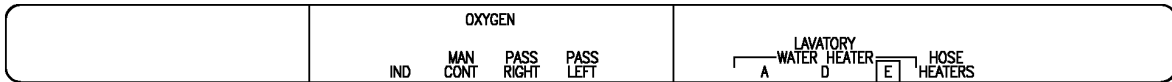
11-35-01-62
PAGE 0C

BOEING
 737-600/700/800/900
 PARTS CATALOG (MAINTENANCE)



Ⓥ

65



Ⓦ

107

E 11350162 SH1 5 REV 155

CIRCUIT BREAKER INSTL FLIGHT DECK P18-3 (PLACARDS AND MARKINGS ONLY)
 FIGURE 62 (SHEET 5)

11-35-01-62

HAP
 JUN 15/09

11-35-01-62
 PAGE 0D

 **BOEING**
737-600/700/800/900
PARTS CATALOG (MAINTENANCE)

FIG ITEM	PART NUMBER	1 2 3 4 5 6 7	NOMENCLATURE	EFFECT FROM TO	UNITS PER ASSY
62			CIRCUIT BREAKER INSTL FLIGHT DECK P18-3 (PLACARDS AND MARKINGS ONLY)	001007	
- 1	233A5502-303001		CIRCUIT BREAKER INSTL- FLIGHT DECK P18-3 (PLACARDS AND MARKINGS ONLY) FOR NHA/OTHER SYS DET SEE: 24-50-00-01C	001007	RF
5	BAC27DEX4980		.MARKER-ALUMINUM FOIL PLACARD CONTENT: A	001007	1
10	BAC27DEX4981		.MARKER-ALUMINUM FOIL PLACARD CONTENT: B	001007	1
15	BAC27DEX4982		.MARKER-ALUMINUM FOIL PLACARD CONTENT: C	001007	1
20	BAC27DEX4983		.MARKER-ALUMINUM FOIL PLACARD CONTENT: D	001007	1
25	BAC27DEX4984		.MARKER-ALUMINUM FOIL PLACARD CONTENT: E	001007	1
30	BAC27DEX4985		.MARKER-ALUMINUM FOIL PLACARD CONTENT: F	001007	1
33	BAC27DCC2967		.MARKER- PLACARD CONTENT: CARGO FIRE EXT 1 POST ALERT SB: 26A1083R1	001007	1
35	BAC27DCC2764		.DECAL- PLACARD CONTENT: 1 THRU 19	001007	1
37	BAC27DCC2981		.MARKER- PLACARD CONTENT: CARGO FIRE FWD DET B POST ALERT SB: 26A1083R1	001007	1
38	BAC27DCC2980		.MARKER- PLACARD CONTENT: CARGO FIRE FWD DET A POST ALERT SB: 26A1083R1	001007	1
40	BAC27DCC2758		.DECAL	001007	1

MISSING ITEM NUMBERS NOT APPLICABLE

- ITEM NOT ILLUSTRATED

HAP

11-35-01-62

BOEING PROPRIETARY - Copyright © - Unpublished Work - See title page for details.

11-35-01
FIG. 62
PAGE 1
OCT 10/06

BOEING
737-600/700/800/900
PARTS CATALOG (MAINTENANCE)

FIG ITEM	PART NUMBER	1 2 3 4 5 6 7	NOMENCLATURE	EFFECT FROM TO	UNITS PER ASSY
62					
42	BAC27DCC2983		.MARKER- PLACARD CONTENT: CARGO FIRE AFT DET B POST ALERT SB: 26A1083R1	001007	1
43	BAC27DCC2982		.MARKER- PLACARD CONTENT: CARGO FIRE AFT DET A POST ALERT SB: 26A1083R1	001007	1
45	BAC27DCC2788		.MARKER-	001007	1
65	BAC27DCC2789		.DECAL-	001007	1
80	BAC27DCC2952		.DECAL-	001007	1
95	BAC27DCC2890		.DECAL-	001007	1
103	BAC27DCC3114		.DECAL- POST SERVICE BULLETIN: 30-1047	001007	1

MISSING ITEM NUMBERS NOT APPLICABLE

— ITEM NOT ILLUSTRATED

HAP

11-35-01-62

BOEING PROPRIETARY - Copyright © - Unpublished Work - See title page for details.

11-35-01
FIG. 62
PAGE 2
OCT 10/06