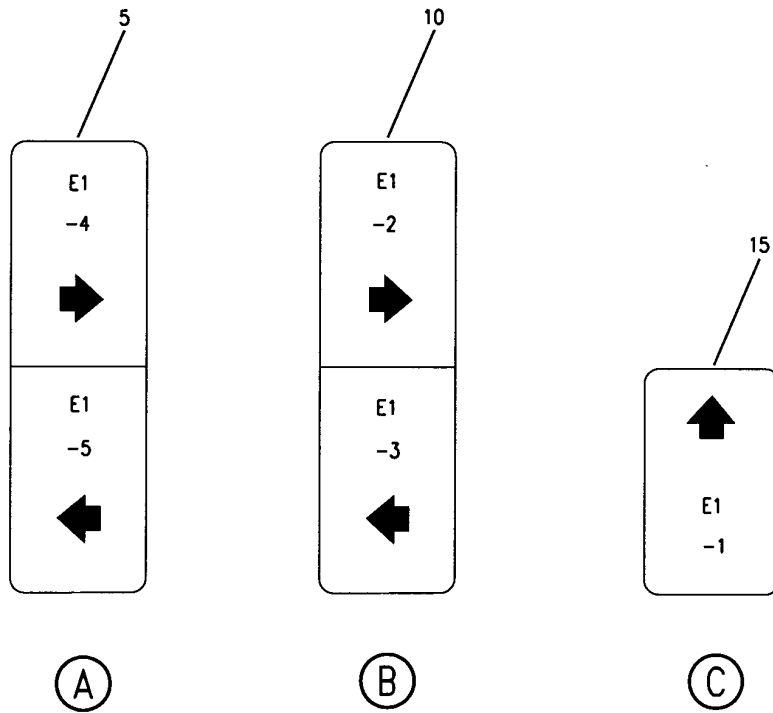
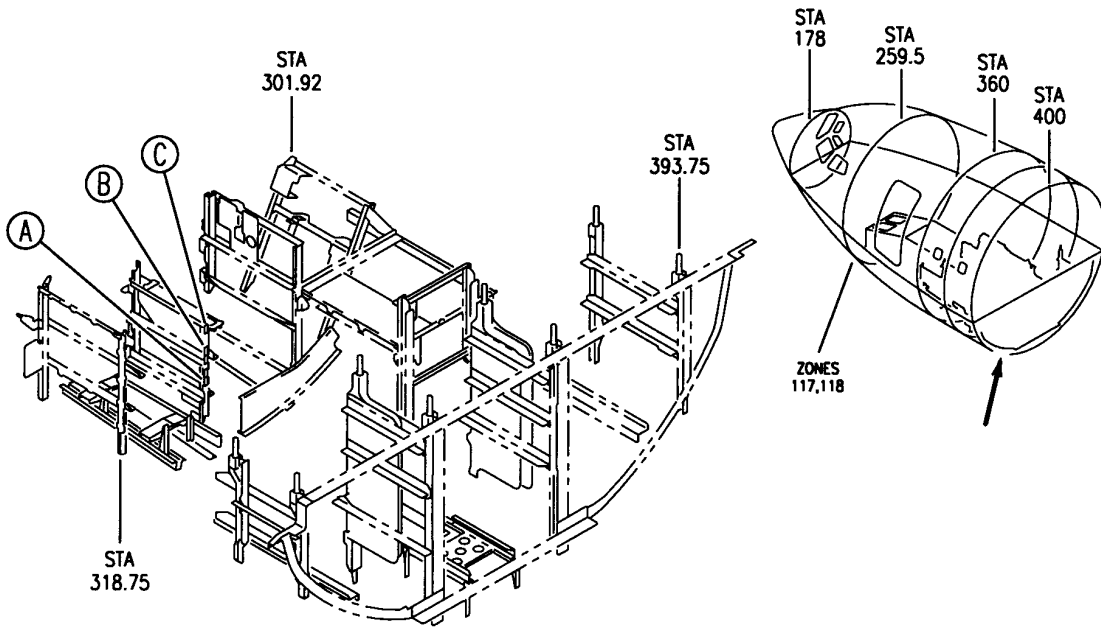


ELECTRICAL EQUIPMENT

HAP
OCT 10/06

11-36-00
SECTION TITLE
PAGE 1

BOEING
 737-600/700/800/900
 PARTS CATALOG (MAINTENANCE)



E 11360101 REV 014

STANCHION ASSY-E1 RACK, CTR (PLACARDS AND MARKINGS ONLY)
 FIGURE 1

11-36-01-01

HAP
 OCT 10/06

11-36-01-01
 PAGE 0

BOEING
737-600/700/800/900
PARTS CATALOG (MAINTENANCE)

FIG ITEM	PART NUMBER	1 2 3 4 5 6 7	NOMENCLATURE	EFFECT FROM TO	UNITS PER ASSY
1			STANCHION ASSY-E1 RACK, CTR (PLACARDS AND MARKINGS ONLY)	031200 968999	
- 1	284A1601-12		STANCHION ASSY- (PLACARDS AND MARKINGS ONLY) POSITION DATA: E1 RACK, CTR FOR NHA/OTHER SYS DET SEE: 25-50-52-51A	039041 043200 970999	RF
- 1	284A1601-7		STANCHION ASSY- (PLACARDS AND MARKINGS ONLY) POSITION DATA: E1 RACK, CTR FOR NHA/OTHER SYS DET SEE: 25-50-52-80M	031038 042042 968969	RF
5	BAC27DEX6272		.DECAL	031200 968999	1
10	BAC27DEX6273		.DECAL	031200 968999	1
15	BAC27DEX6274		.DECAL	031200 968999	1

MISSING ITEM NUMBERS NOT APPLICABLE

- ITEM NOT ILLUSTRATED

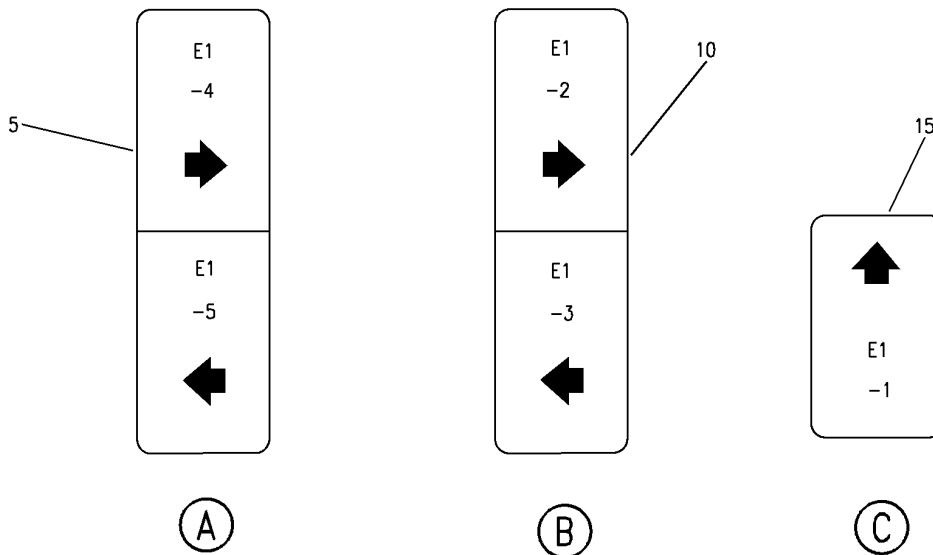
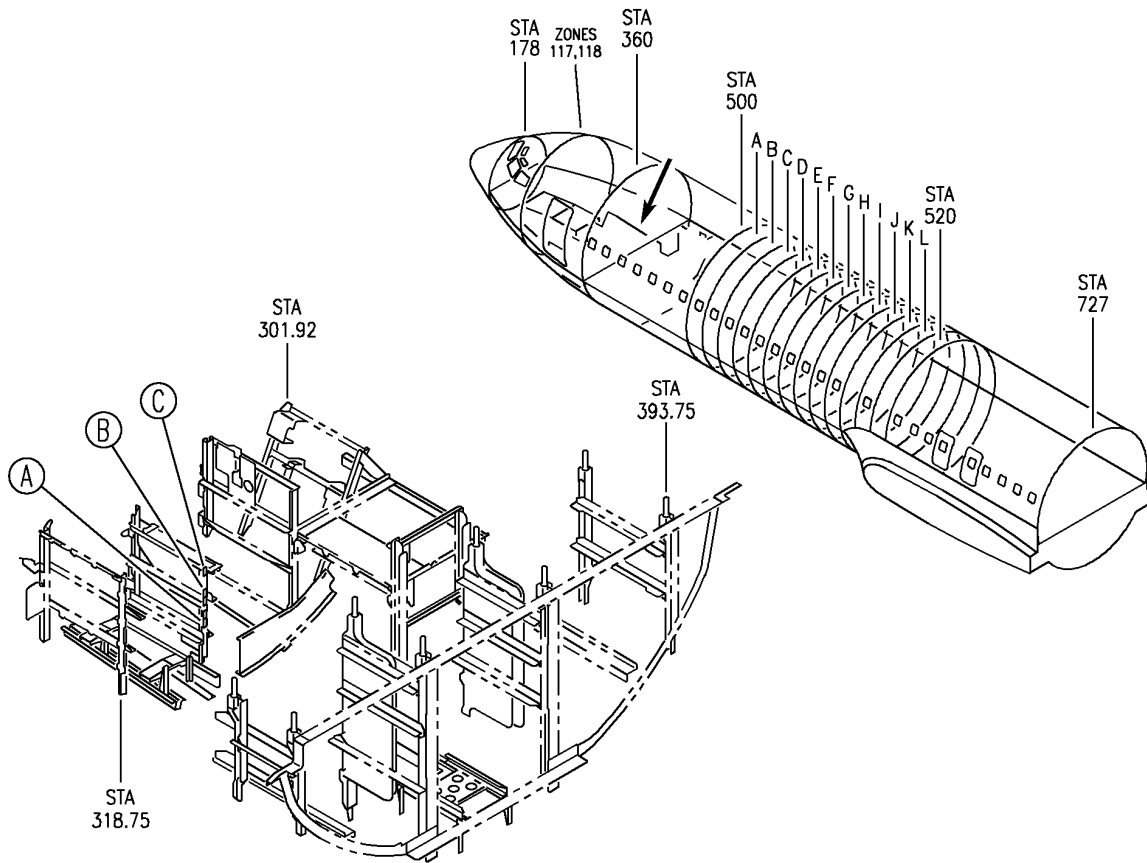
HAP

11-36-01-01

BOEING PROPRIETARY - Copyright © - Unpublished Work - See title page for details.

11-36-01
FIG. 01
PAGE 1
OCT 15/08

BOEING
 737-600/700/800/900
 PARTS CATALOG (MAINTENANCE)



E 11360101A REV 126

STANCHION ASSY-E1 RACK, CTR (PLACARDS AND MARKINGS ONLY)
 FIGURE 1A

HAP
 FEB 10/07

11-36-01-01A

11-36-01-01A
 PAGE 0

 **BOEING**
737-600/700/800/900
PARTS CATALOG (MAINTENANCE)

FIG ITEM	PART NUMBER	1 2 3 4 5 6 7	NOMENCLATURE	EFFECT FROM TO	UNITS PER ASSY
1 A			STANCHION ASSY-E1 RACK, CTR (PLACARDS AND MARKINGS ONLY)	001030 201967	
- 1	284A1601-7		STANCHION ASSY- (PLACARDS AND MARKINGS ONLY) POSITION DATA: E1 RACK, CTR FOR NHA/OTHER SYS DET SEE: 25-50-51-51A	001030 201967	RF
	5 BAC27DEX6272		.DECAL	001030 201967	1
	10 BAC27DEX6273		.DECAL	001030 201967	1
	15 BAC27DEX6274		.DECAL	001030 201967	1

MISSING ITEM NUMBERS NOT APPLICABLE

- ITEM NOT ILLUSTRATED

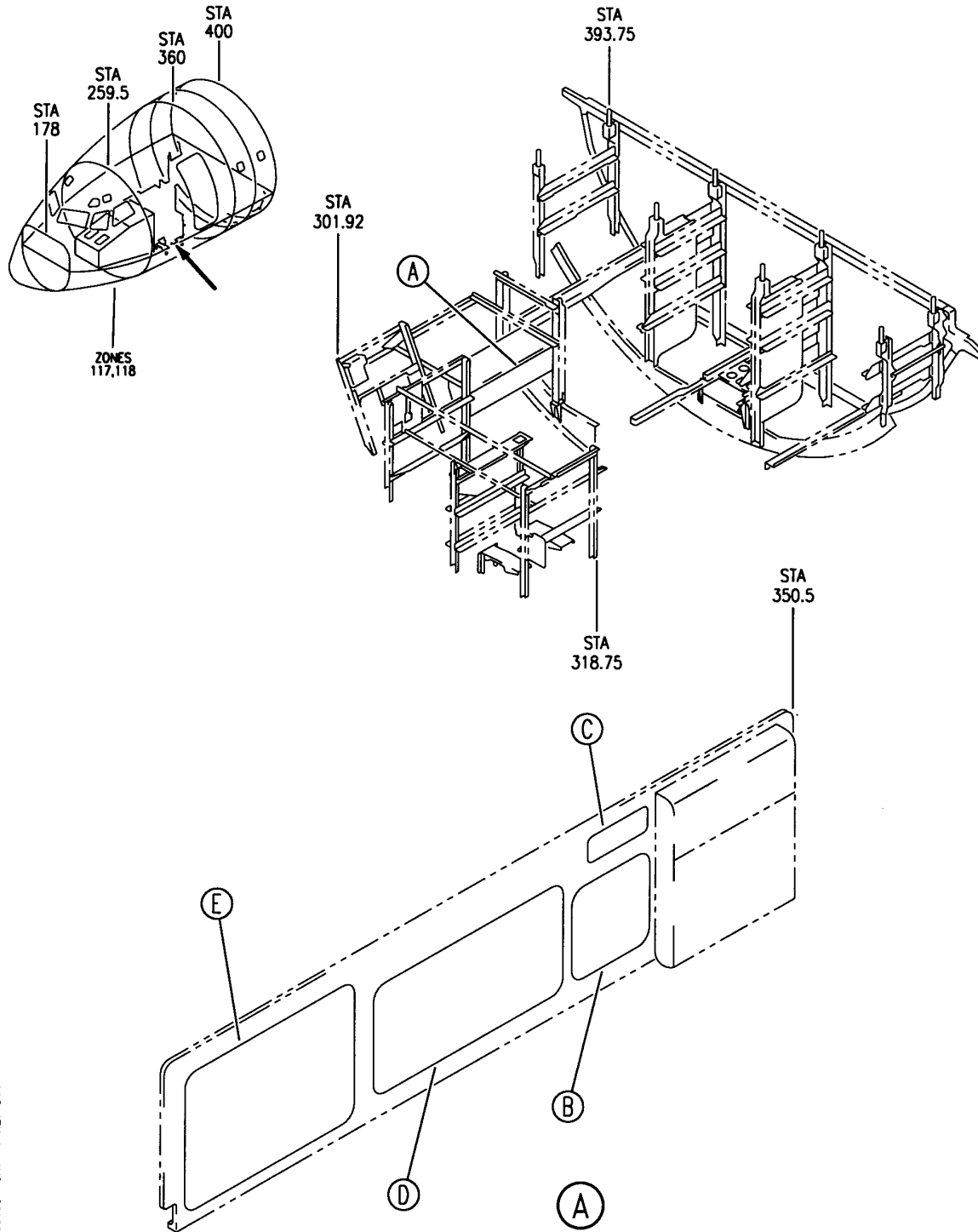
HAP

11-36-01-01A

BOEING PROPRIETARY - Copyright © - Unpublished Work - See title page for details.

11-36-01
FIG. 01A
PAGE 1
OCT 15/08

BOEING
 737-600/700/800/900
 PARTS CATALOG (MAINTENANCE)



E 11360103 SHT 1 REV 014

COVER ASSY-E5 RACK (PLACARDS AND MARKINGS ONLY)
 FIGURE 3 (SHEET 1)

11-36-01-03

HAP
 OCT 10/06

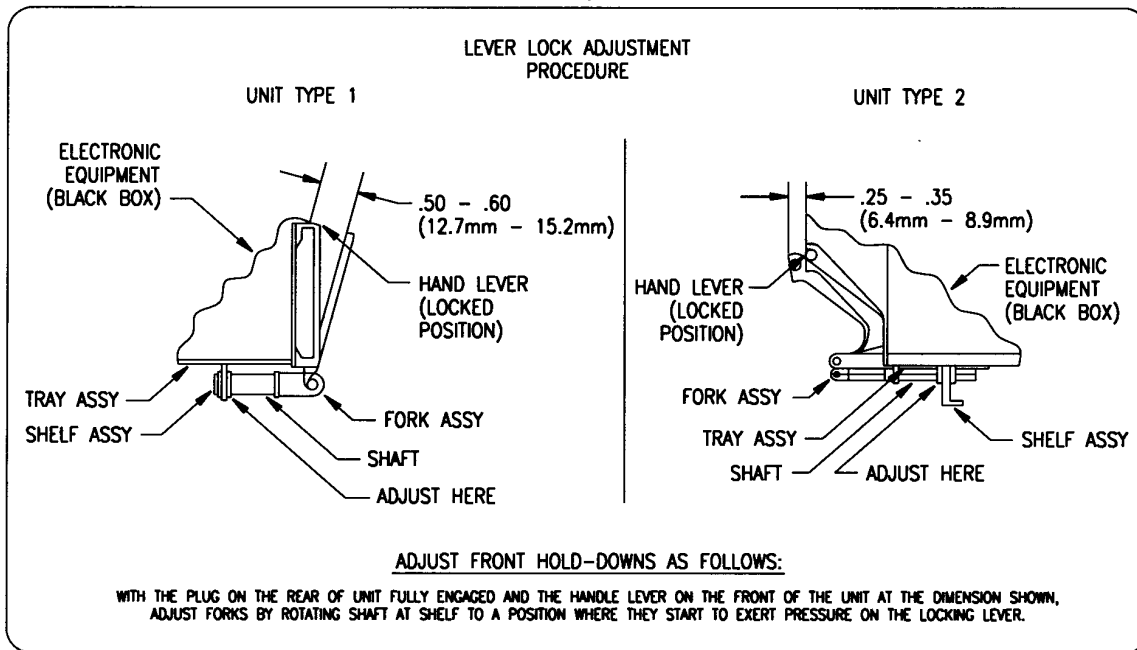
11-36-01-03
 PAGE 0



(C)

(B)

20



(D)

E 11360103 SH1 2 REV 014

COVER ASSY-E5 RACK (PLACARDS AND MARKINGS ONLY)
FIGURE 3 (SHEET 2)

11-36-01-03

HAP
OCT 10/06

11-36-01-03
PAGE 0A

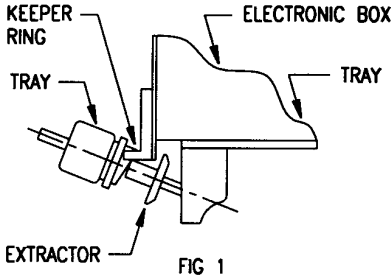


FIG 1

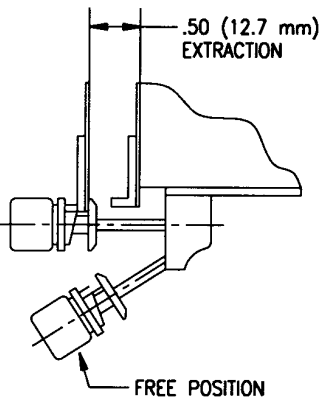


FIG 2

**INSTRUCTIONS FOR INSTALLATION
AND REMOVAL OF ELEC/ELEX BOXES**

CAUTION: ELECTROSTATIC SENSITIVE DEVICE (REFERENCE BAC54B5)

1. TO INSTALL BOX

A. TO POSITION THE BOX: PLACE BOX ON THE TRAY. GENTLY SLIDE BOX TO PARTIALLY ENGAGE THE REAR CONNECTOR.

B. TO ENGAGE THE HOLD-DOWN: PLACE THE DEEP SLOT OF THE KEEPER RING OVER THE HOOK ON THE BOX, ROTATE THE KEEPER RING 1/2 TURN TO SECURE THE HOLD-DOWN (SEE FIG 1).

NOTE:
 -ON A HOLD-DOWN THAT HAS A LATCH, ROTATE THE LATCH CCW (OPEN POSITION). PLACE THE LATCH OVER THE HOOK, ROTATE THE LATCH CW (CLOSED POSITION) TO SECURE THE HOLD-DOWN.
 -ON A HOLD-DOWN WITHOUT A LATCH OR SLOT, COMPRESS THE KEEPER RING OVER THE HOOK AND RELEASE TO SECURE THE HOLD-DOWN.

C. TO SECURE THE BOX: ROTATE HOLD-DOWN KNOB CW UNTIL CLUTCH LIMIT IS REACHED (REPEATED CLICKING NOISE INDICATES CLUTCH LIMIT IS REACHED). IF THE BOX HAS MORE THAN ONE HOLD-DOWN, ROTATE THE KNOBS AT THE SAME TIME.

2. TO REMOVE BOX

A. ROTATE KNOB CCW WHILE APPLYING DOWNWARD PRESSURE TO THE BOX HANDLE. BACK THE BOX OUT OF THE CONNECTOR APPROX. .50 INCH (SEE FIG 2). IF THE BOX HAS MORE THAN ONE HOLD-DOWN, ROTATE THE KNOBS AT THE SAME TIME.

B. ROTATE AND/OR COMPRESS KEEPER RING OR ROTATE LATCH TO RELEASE HOLD-DOWN AND GENTLY SLIDE BOX FROM TRAY.

15



E 11360103 SH1 3 REV 014

COVER ASSY-E5 RACK (PLACARDS AND MARKINGS ONLY)
FIGURE 3 (SHEET 3)

11-36-01-03

HAP
OCT 10/06

11-36-01-03
PAGE 0B

BOEING
737-600/700/800/900
PARTS CATALOG (MAINTENANCE)

FIG ITEM	PART NUMBER	1 2 3 4 5 6 7	NOMENCLATURE	EFFECT FROM TO	UNITS PER ASSY
3			COVER ASSY-E5 RACK (PLACARDS AND MARKINGS ONLY)	001007	
- 1	284A2642-1		COVER ASSY-E5 RACK (PLACARDS AND MARKINGS ONLY) FOR NHA/OTHER SYS DET SEE: 25-50-51-63	001007	RF
5	BAC27EEL21633		.DECAL	001007	1
10	BAC27NEX1735		.DECAL	001007	1
15	BAC27DEX6614		.DECAL	001007	1
20	BAC27DEX6615		.DECAL	001007	1

MISSING ITEM NUMBERS NOT APPLICABLE

- ITEM NOT ILLUSTRATED

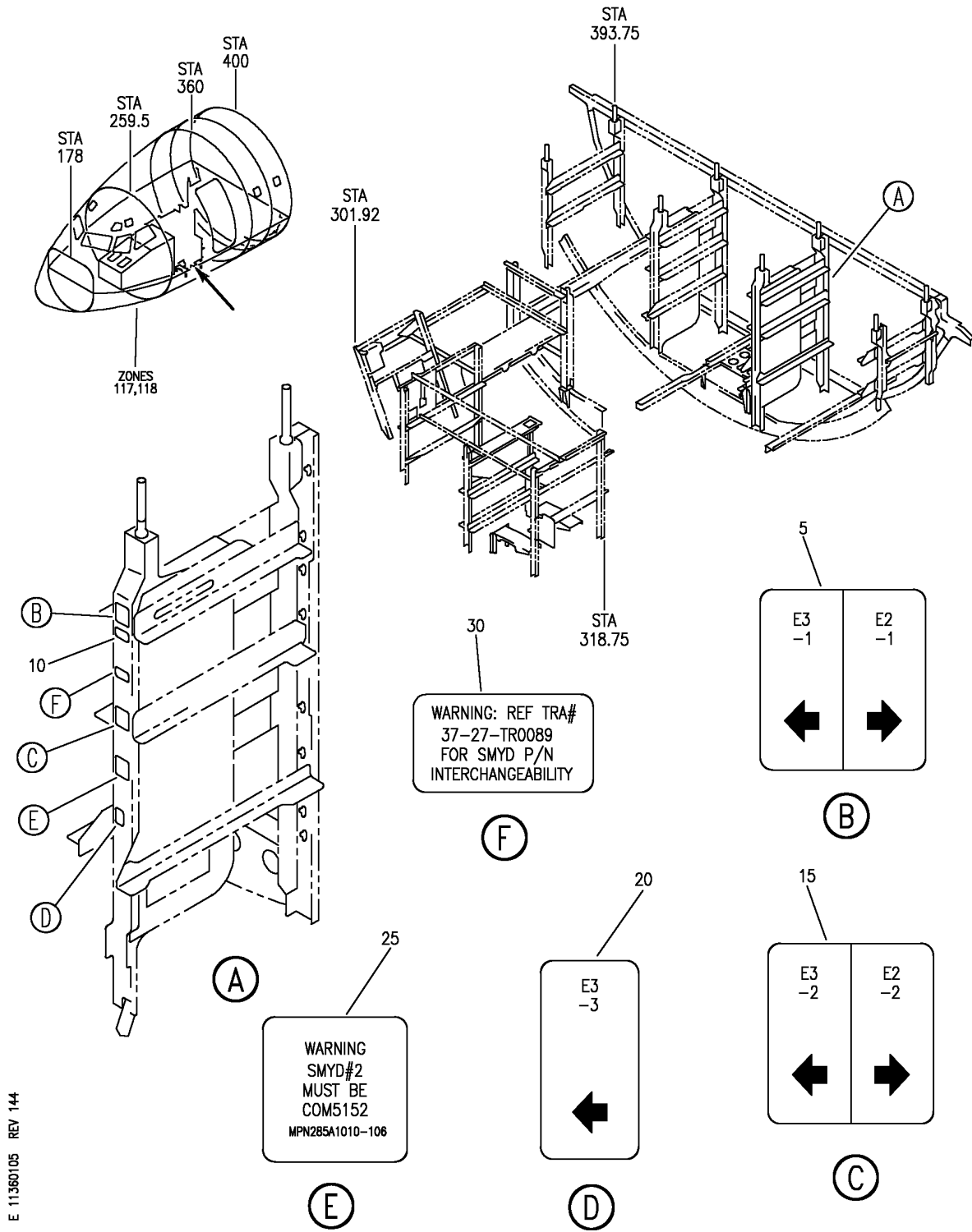
HAP

11-36-01-03

BOEING PROPRIETARY - Copyright © - Unpublished Work - See title page for details.

11-36-01
FIG. 03
PAGE 1
OCT 10/06

BOEING
737-600/700/800/900
PARTS CATALOG (MAINTENANCE)



E 11360105 REV 144

STANCHION ASSY-E2/E3/E4 RACK (PLACARDS AND MARKINGS ONLY)
FIGURE 5

11-36-01-05

HAP
OCT 15/08

11-36-01-05
PAGE 0

BOEING
737-600/700/800/900
PARTS CATALOG (MAINTENANCE)

FIG ITEM	PART NUMBER	1 2 3 4 5 6 7	NOMENCLATURE	EFFECT FROM TO	UNITS PER ASSY
5			STANCHION ASSY-E2/E3/E4 RACK (PLACARDS AND MARKINGS ONLY)	001030 041041 044045 054103 201971	
- 1	284A1603-5		STANCHION ASSY- (PLACARDS AND MARKINGS ONLY) POSITION DATA: E2/E3/E4 RACK FOR NHA/OTHER SYS DET SEE: 25-50-52-80	001011 201967	RF
- 1	284A1603-16		STANCHION ASSY- (PLACARDS AND MARKINGS ONLY) POSITION DATA: E2/E3/E4 RACK FOR NHA/OTHER SYS DET SEE: 25-50-52-80	012030 041041 044045 054103 968971	RF
5	BAC27DEX6240		.DECAL	001030 041041 044045 054103 201971	1
10	BAC27DEX6242		.DECAL- PLACARD CONTENT: E2-1 TEST PORT IS LOCATED ON BOTTOM OF SHELF	001030 041041 044045 054103 201971	1
15	BAC27DEX6241		.DECAL	001030 041041 044045 054103 201971	1
20	BAC27DEX6243		.DECAL	001030 041041 044045 054103 201971	1

MISSING ITEM NUMBERS NOT APPLICABLE

- ITEM NOT ILLUSTRATED

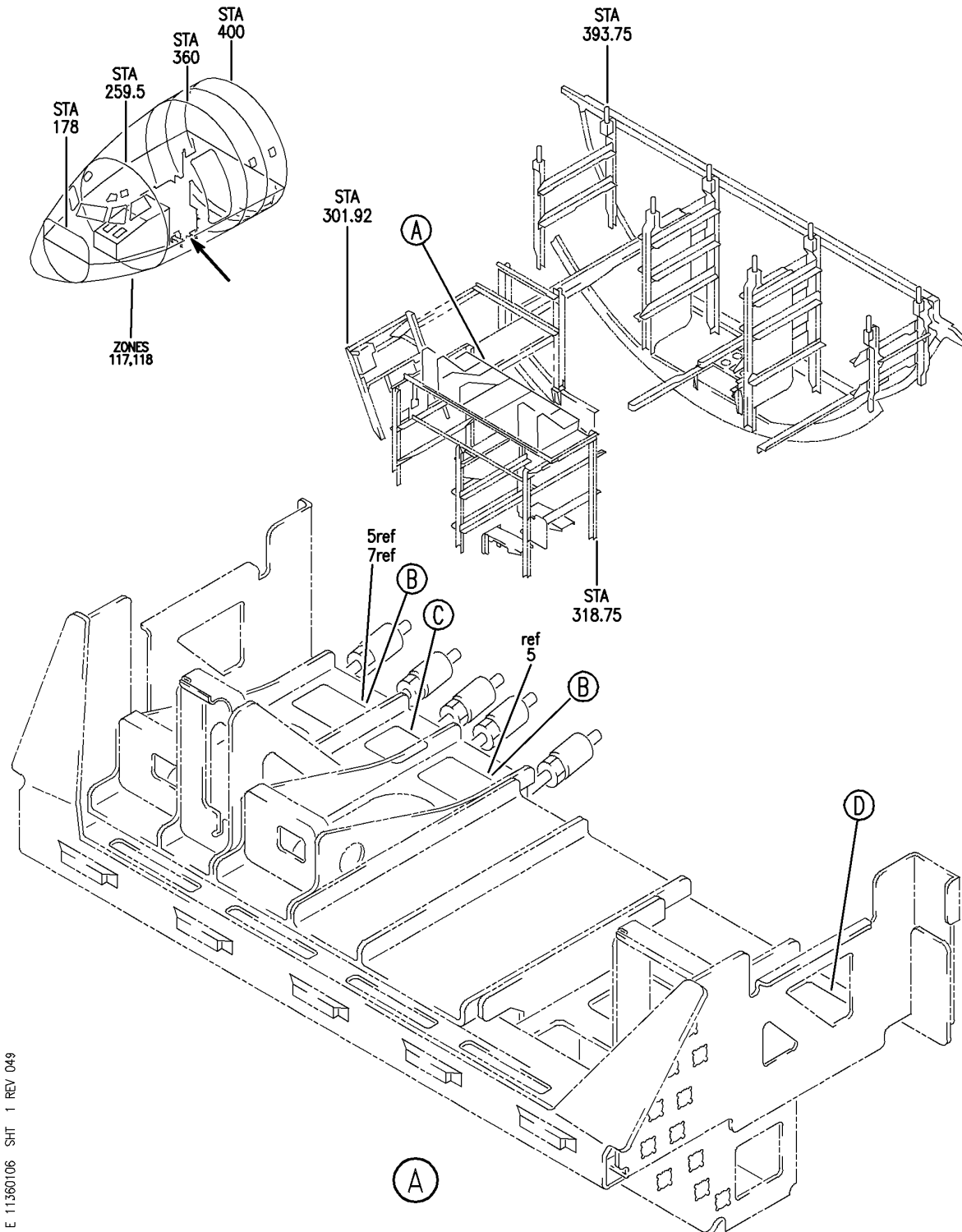
HAP

11-36-01-05

BOEING PROPRIETARY - Copyright © - Unpublished Work - See title page for details.

11-36-01
FIG. 05
PAGE 1
FEB 15/09

BOEING
 737-600/700/800/900
 PARTS CATALOG (MAINTENANCE)



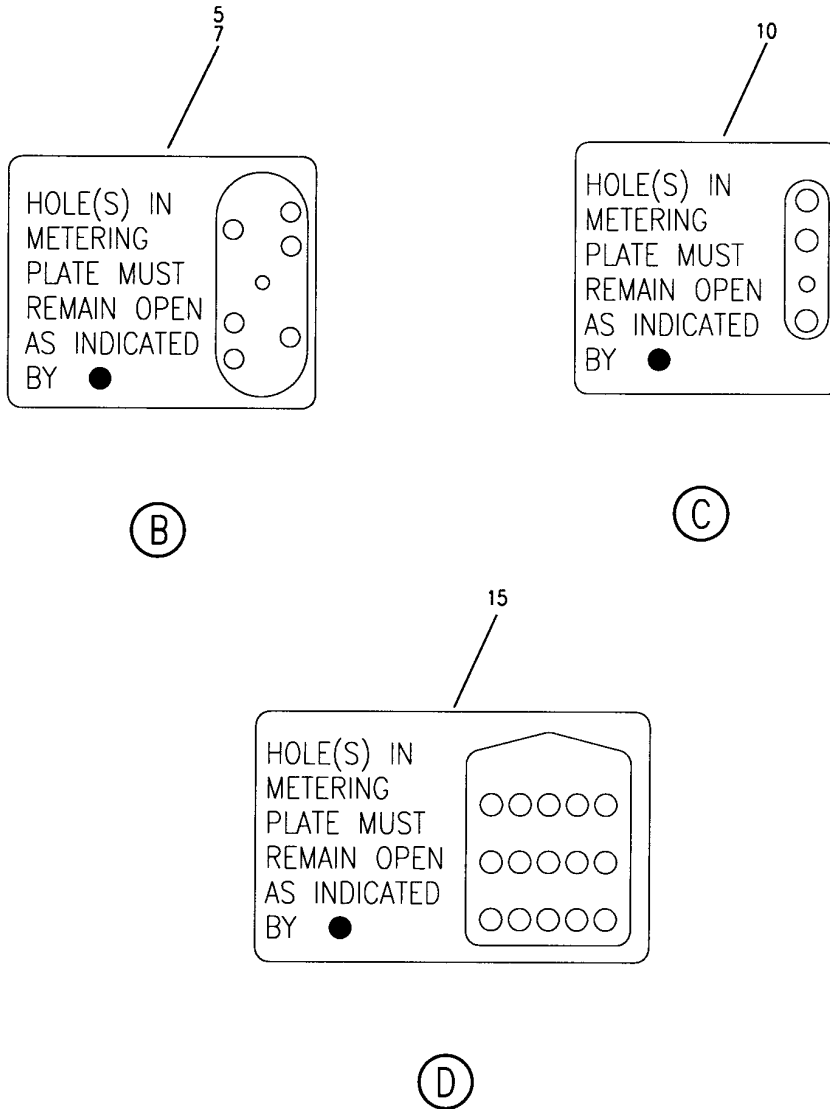
E 11360106 SHT 1 REV 049

SHELF ASSY-E/E EQPT E8-1 RACK (PLACARDS AND MARKINGS ONLY)
 FIGURE 6 (SHEET 1)

11-36-01-06

HAP
 OCT 10/06

11-36-01-06
 PAGE 0



E 11360106 SH1 2 REV 018

SHELF ASSY-E/E EQPT E8-1 RACK (PLACARDS AND MARKINGS ONLY)
 FIGURE 6 (SHEET 2)

11-36-01-06

HAP
 OCT 10/06

11-36-01-06
 PAGE 0A

BOEING
737-600/700/800/900
PARTS CATALOG (MAINTENANCE)

FIG ITEM	PART NUMBER	1 2 3 4 5 6 7	NOMENCLATURE	EFFECT FROM TO	UNITS PER ASSY
6			SHELF ASSY-E/E EQPT E8-1 RACK (PLACARDS AND MARKINGS ONLY)	001004 006007	
- 1	284A1781-5		SHELF ASSY-E/E EQPT (PLACARDS AND MARKINGS ONLY) POSITION DATA: E8-1 RACK FOR NHA/OTHER SYS DET SEE: 25-50-52-60	001004 006007	RF
	5 BAC27TEX2034		.DECAL	001004 006007	2
	10 BAC27TEX2032		.DECAL	001004 006007	1
	15 BAC27TEX2086		.DECAL	001004 006007	1

MISSING ITEM NUMBERS NOT APPLICABLE

- ITEM NOT ILLUSTRATED

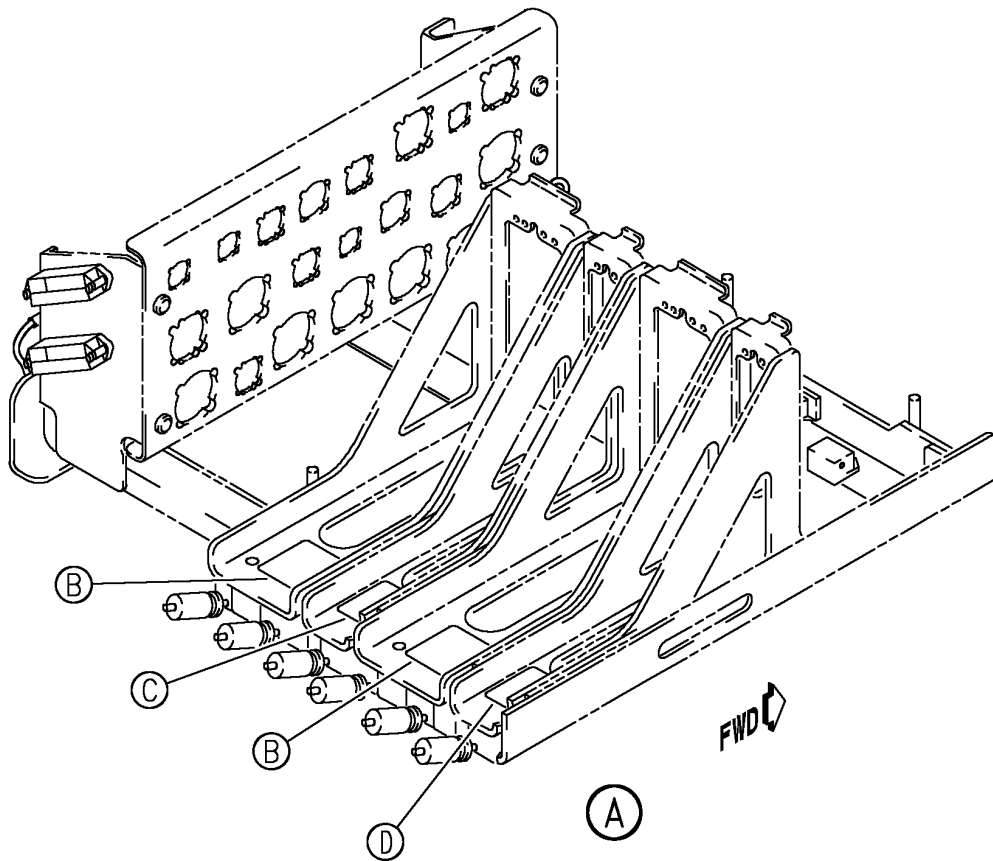
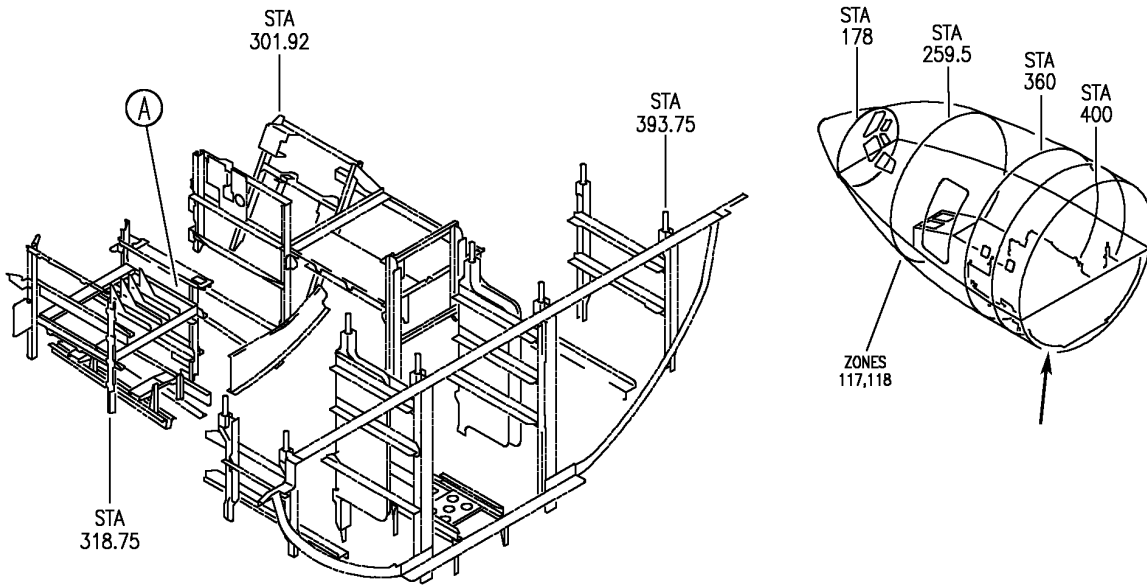
HAP

11-36-01-06

BOEING PROPRIETARY - Copyright © - Unpublished Work - See title page for details.

11-36-01
FIG. 06
PAGE 1
OCT 10/06

BOEING
 737-600/700/800/900
 PARTS CATALOG (MAINTENANCE)



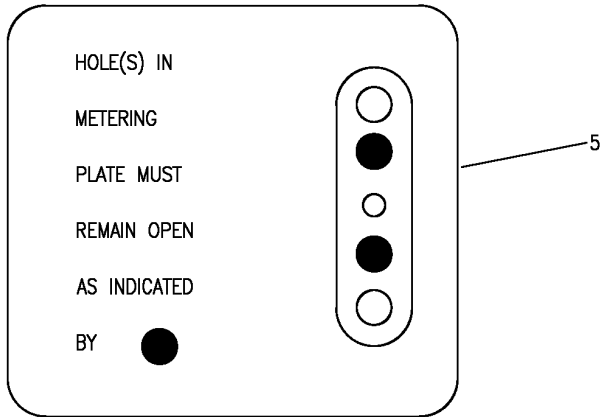
E 11360107 SHT 1 REV 155

SHELF ASSY-E1-3 RACK, E/E EQPT (PLACARDS AND MARKINGS ONLY)
 FIGURE 7 (SHEET 1)

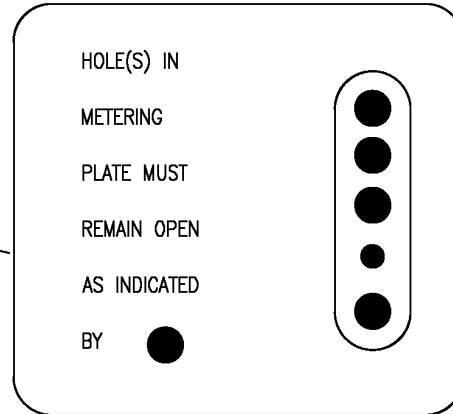
11-36-01-07

HAP
 JUN 15/09

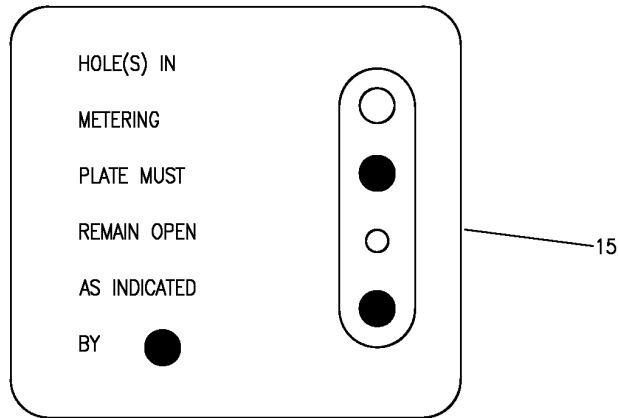
11-36-01-07
 PAGE 0



(B)



(C)



(D)

E 11360107 SHT 2 REV 155

SHELF ASSY-E1-3 RACK, E/E EQPT (PLACARDS AND MARKINGS ONLY)
 FIGURE 7 (SHEET 2)

11-36-01-07

HAP
 JUN 15/09

11-36-01-07
 PAGE 0A

BOEING
737-600/700/800/900
PARTS CATALOG (MAINTENANCE)

FIG ITEM	PART NUMBER	1 2 3 4 5 6 7	NOMENCLATURE	EFFECT FROM TO	UNITS PER ASSY
7			SHELF ASSY-E1-3 RACK, E/E EQPT (PLACARDS AND MARKINGS ONLY)	001200 968999	
- 1	284A1713-3		SHELF ASSY-E/E EQPT E1-3 (PLACARDS AND MARKINGS ONLY) FOR NHA/OTHER SYS DET SEE: 25-50-51-99	001001 006007	RF
- 1	284A1713-7		SHELF ASSY-E/E EQPT E1-3 (PLACARDS AND MARKINGS ONLY) FOR NHA/OTHER SYS DET SEE: 25-50-51-99 25-50-51-99A 25-50-51-66	002005 008200 968999	RF
5	BAC27TEX2033		.DECAL	001200 968999	2
10	BAC27TEX2032		.DECAL	001200 968999	1

MISSING ITEM NUMBERS NOT APPLICABLE

- ITEM NOT ILLUSTRATED

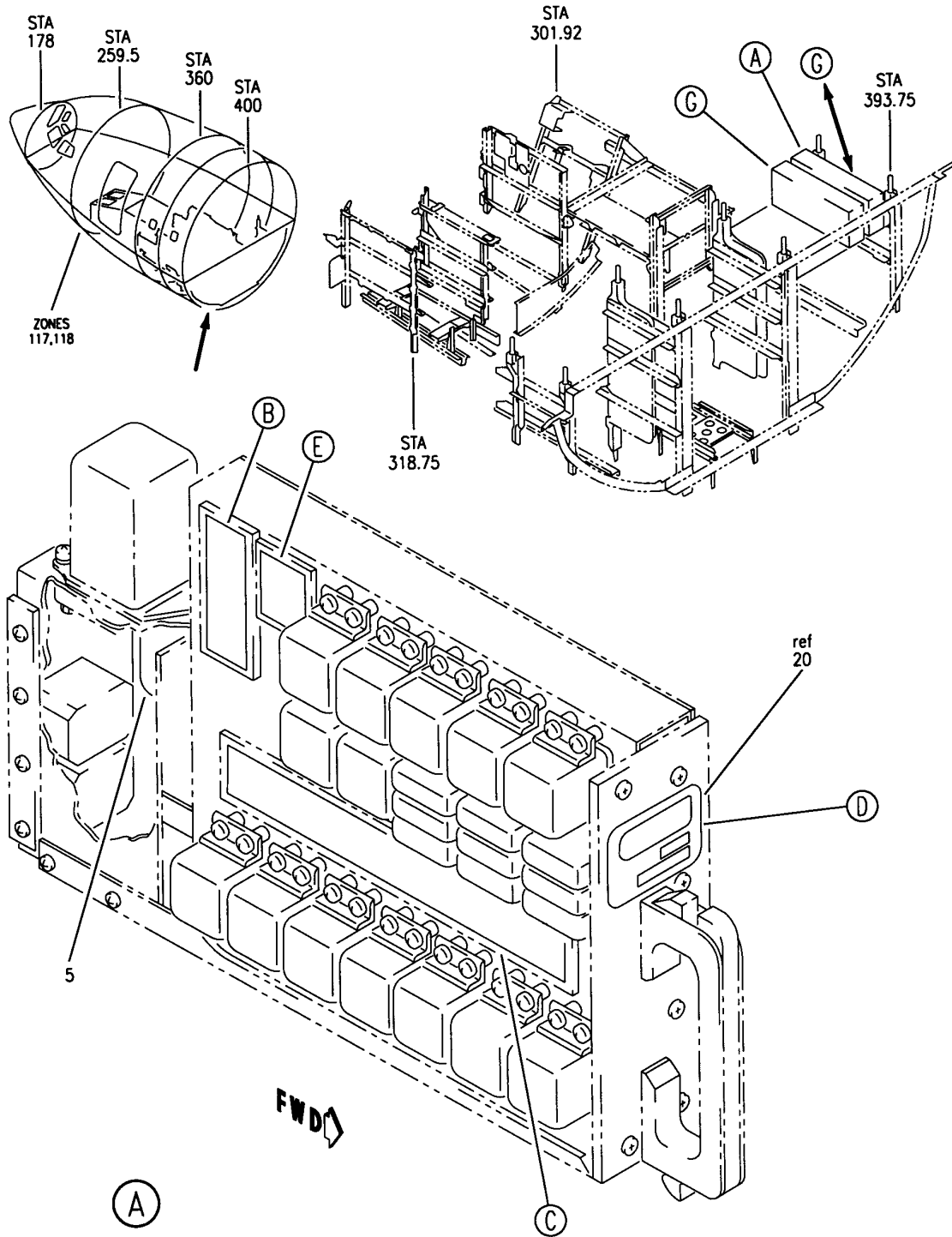
HAP

11-36-01-07

BOEING PROPRIETARY - Copyright © - Unpublished Work - See title page for details.

11-36-01
FIG. 07
PAGE 1
FEB 15/09

BOEING
 737-600/700/800/900
 PARTS CATALOG (MAINTENANCE)



E 11360108 SH1 1 REV 014

ACCESSORY UNIT ASSY-AIR CONDITIONING (PLACARDS AND MARKINGS ONLY)
 FIGURE 8 (SHEET 1)

11-36-01-08

HAP
 OCT 10/06

11-36-01-08
 PAGE 0

BOEING
 737-600/700/800/900
 PARTS CATALOG (MAINTENANCE)

67	70	71	74	75
CR	CR	CR	CR	
33	34	35	36	
▲	▼	▲	▼	
68	69	72	73	76

15 (B)

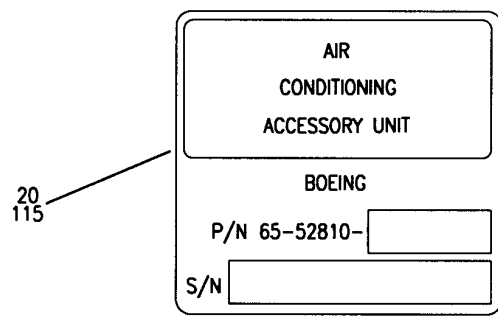
1	3	5	7	9	11	13	15	17	19	21	23	25	27	29	31	33	35	37	39
CR	CR	CR	CR	CR	CR	CR	CR	CR	CR	CR	CR	CR	CR	CR	CR	CR	CR	CR	CR
1	2	3	4	5	6	7	8	9	10	11	12	13	14	15	16	17	18	19	20
▲	▲	▲	▲	▲	▲	▲	▲	▲	▲	▲	▲	▲	▲	▲	▲	▲	▲	▲	▲
2	4	6	8	10	12	14	16	18	20	22	24	26	28	30	32	34	36	38	40

41	43	45	47	49	51	53	55	57	59	61	63	65
CR	CR	CR	CR	CR	CR	CR	CR	CR	CR	CR	CR	CR
21	22	23	24	25	26	27	28	29	30	31	32	37
▲	▲	▲	▲	▲	▲	▲	▲	▲	▲	▲	▲	▲
42	44	46	48	50	52	54	56	58	60	62	64	66

10

10 ref

(C)



20
115

(D)

E 11360108 SH1 2 REV 014

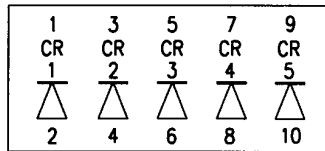
ACCESSORY UNIT ASSY-AIR CONDITIONING (PLACARDS AND MARKINGS ONLY)
 FIGURE 8 (SHEET 2)

11-36-01-08

HAP
 OCT 10/06

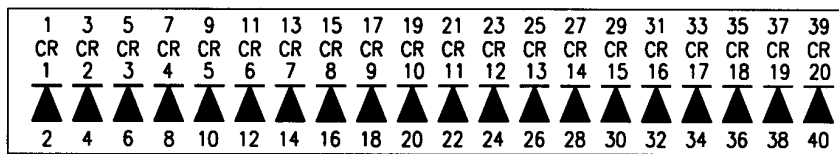
11-36-01-08
 PAGE 0A

BOEING
 737-600/700/800/900
 PARTS CATALOG (MAINTENANCE)

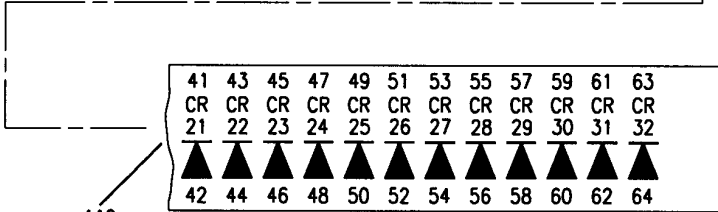


30

(E)



110



110
ref

(F)

E 11360108 SH1 3 REV 014

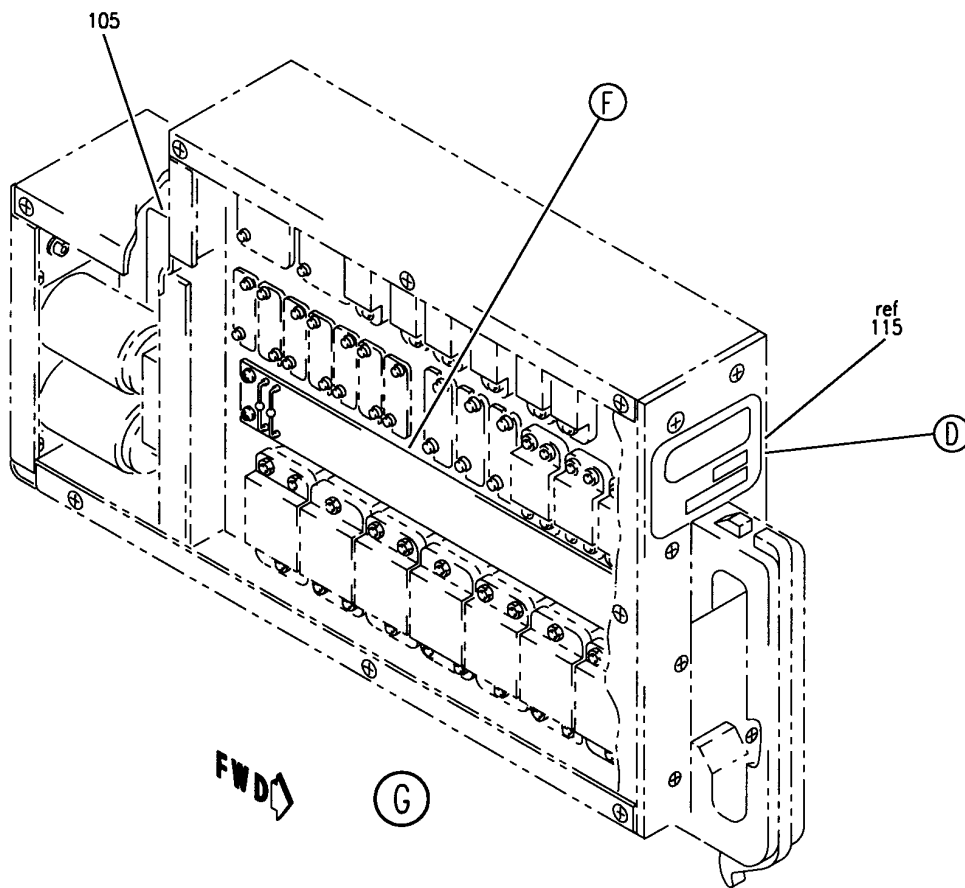
ACCESSORY UNIT ASSY-AIR CONDITIONING (PLACARDS AND MARKINGS ONLY)
 FIGURE 8 (SHEET 3)

11-36-01-08

HAP
 OCT 10/06

11-36-01-08
 PAGE 08

BOEING
737-600/700/800/900
PARTS CATALOG (MAINTENANCE)



E 11360108 SH1 4 REV 014

ACCESSORY UNIT ASSY-AIR CONDITIONING (PLACARDS AND MARKINGS ONLY)
FIGURE 8 (SHEET 4)

11-36-01-08

HAP
OCT 10/06

11-36-01-08
PAGE 0C

BOEING
737-600/700/800/900
PARTS CATALOG (MAINTENANCE)

FIG ITEM	PART NUMBER	1 2 3 4 5 6 7	NOMENCLATURE	EFFECT FROM TO	UNITS PER ASSY
8			ACCESSORY UNIT ASSY-AIR CONDITIONING (PLACARDS AND MARKINGS ONLY)	001011 031999	
- 1	65-52810-57		ACCESSORY UNIT ASSY-AIR CONDITIONING (PLACARDS AND MARKINGS ONLY) SUPPLIER CODE: V89954 ELECTRICAL EQUIP NUMBER: M00324 COMPONENT MAINT MANUAL REF: 21-09-02 FOR NHA/OTHER SYS DET SEE: 21-51-02-01 21-51-02-02	101999	RF
- 1	65-52810-59		ACCESSORY UNIT ASSY-AIR CONDITIONING (PLACARDS AND MARKINGS ONLY) SUPPLIER CODE: V89954 ELECTRICAL EQUIP NUMBER: M00324 COMPONENT MAINT MANUAL REF: 21-09-02 FOR NHA/OTHER SYS DET SEE: 21-51-02-01 21-51-02-02	101999	RF
5	BAC27DEX1216		.DECAL- PLACARD CONTENT: PARTIAL REFERENCE DESIGNATIONS ARE SHOWN. FOR COMPLETE DESIGNATION, PREFIX WITH UNIT OR SUBASSEMBLY DESIGNATIONS(S).	101999	1
10	BAC27DEX5929		.DECAL	101999	1
15	BAC27DEX931		.DECAL- SUPPLIER CODE: V89954	101999	1
20	BAC27DEX5051		.MARKER-ALUMINUM FOIL SUPPLIER CODE: V89954	101999	1
- 25	69-63592-5		.COMPONENT ASSY-TERM. BOARD SUPPLIER CODE: V89954 COMPONENT MAINT MANUAL REF: 34-21-17	101999	RF

MISSING ITEM NUMBERS NOT APPLICABLE

- ITEM NOT ILLUSTRATED

HAP

11-36-01-08

BOEING PROPRIETARY - Copyright © - Unpublished Work - See title page for details.

11-36-01
FIG. 08
PAGE 1
OCT 15/08

BOEING
737-600/700/800/900
PARTS CATALOG (MAINTENANCE)

FIG ITEM	PART NUMBER	1 2 3 4 5 6 7	NOMENCLATURE	EFFECT FROM TO	UNITS PER ASSY
8 30 - 100	BAC27DEX1167 65-52810-46		.DECAL ACCESSORY UNIT ASSY-AIR CONDITIONING (PLACARDS AND MARKINGS ONLY) SUPPLIER CODE: V89954 ELECTRICAL EQUIP NUMBER: M00324 M01455 COMPONENT MAINT MANUAL REF: 21-09-02 QUALIFIED I/W DATA: 65-52810-46 IS INTERCHANGEABLE AND INTERMIXABLE WITH 65-52810-64 EXCEPT INSTALLATION OF 65-52810-46 NEGATES THE INTENT OF SB 737-21-1133 AND MAY CAUSE NUISANCE ZONE TEMP LIGHT ILLUMINATION DURING MASTER CAUTION RECALL PRE SERVICE BULLETIN: 21-1133 FOR NHA/OTHER SYS DET SEE: 21-51-02-01	101999 001011	1 RF

MISSING ITEM NUMBERS NOT APPLICABLE

- ITEM NOT ILLUSTRATED

HAP

11-36-01-08

BOEING PROPRIETARY - Copyright © - Unpublished Work - See title page for details.

11-36-01
FIG. 08
PAGE 2
OCT 15/08

BOEING
737-600/700/800/900
PARTS CATALOG (MAINTENANCE)

FIG ITEM	PART NUMBER	1 2 3 4 5 6 7	NOMENCLATURE	EFFECT FROM TO	UNITS PER ASSY
8 - 100	65-52810-64		ACCESSORY UNIT ASSY-AIR CONDITIONING (PLACARDS AND MARKINGS ONLY) SUPPLIER CODE: V89954 ELECTRICAL EQUIP NUMBER: M00324 M01455 COMPONENT MAINT MANUAL REF: 21-09-02 QUALIFIED I/W DATA: 65-52810-46 IS INTERCHANGEABLE AND INTERMIXABLE WITH 65-52810-64 EXCEPT INSTALLATION OF 65-52810-46 NEGATES THE INTENT OF SB 737-21-1133 AND MAY CAUSE NUISANCE ZONE TEMP LIGHT ILLUMINATION DURING MASTER CAUTION RECALL POST SERVICE BULLETIN: 21-1133 FOR NHA/OTHER SYS DET SEE: 21-51-02-01 21-51-02-02	001011 031100	RF
105	BAC27DEX1216		.DECAL- PLACARD CONTENT: PARTIAL REFERENCE DESIGNATIONS ARE SHOWN. FOR COMPLETE DESIGNATION, PREFIX WITH UNIT OR SUBASSEMBLY DESIGNATIONS(S).	001011 031100	1
110	BAC27DEX925		.DECAL	001011 031100	1
115	BAC27DEX5051		.MARKER-ALUMINUM FOIL SUPPLIER CODE: V89954	001011 031100	1

MISSING ITEM NUMBERS NOT APPLICABLE

- ITEM NOT ILLUSTRATED

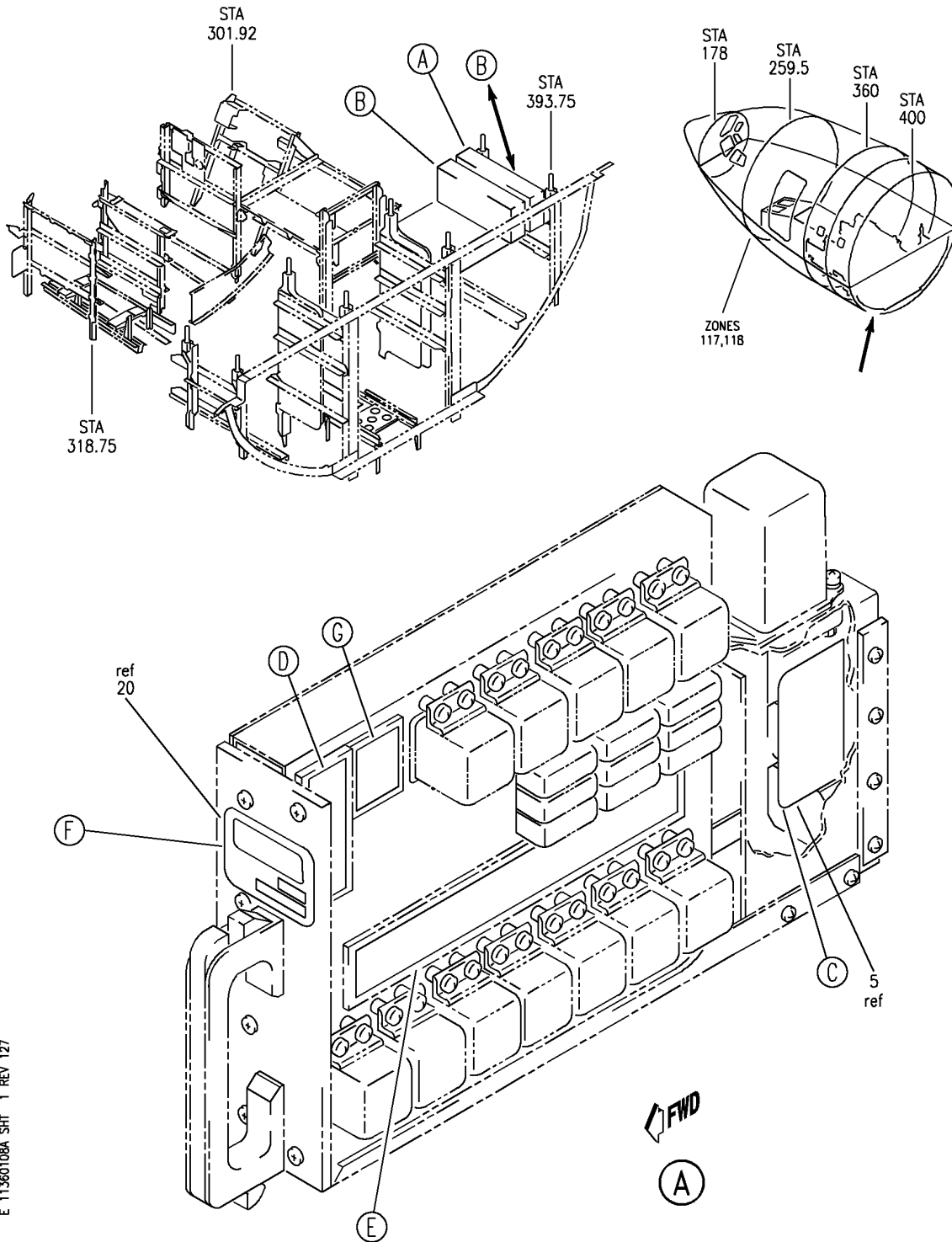
HAP

11-36-01-08

BOEING PROPRIETARY - Copyright © - Unpublished Work - See title page for details.

11-36-01
FIG. 08
PAGE 3
FEB 10/07

BOEING
 737-600/700/800/900
 PARTS CATALOG (MAINTENANCE)



E 11360108A SHT 1 REV 127

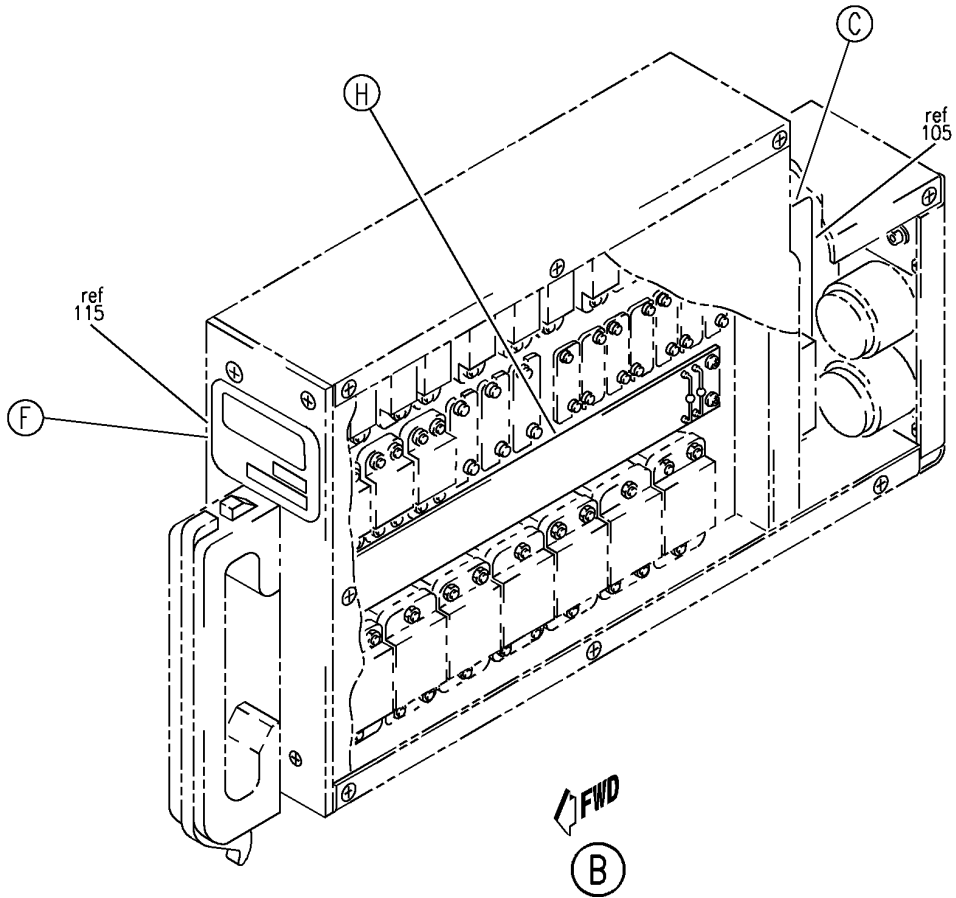
ACCESSORY UNIT ASSY-AIR CONDITIONING (PLACARDS AND MARKINGS ONLY)
 FIGURE 8A (SHEET 1)

11-36-01-08A

HAP
 FEB 10/07

11-36-01-08A
 PAGE 0

BOEING
737-600/700/800/900
PARTS CATALOG (MAINTENANCE)



E 11360108A SHT 2 REV 127

ACCESSORY UNIT ASSY-AIR CONDITIONING (PLACARDS AND MARKINGS ONLY)
FIGURE 8A (SHEET 2)

HAP
FEB 10/07

11-36-01-08A

11-36-01-08A
PAGE 0A

BOEING
737-600/700/800/900
PARTS CATALOG (MAINTENANCE)

5
105

PARTIAL REFERENCE
DESIGNATIONS ARE SHOWN.
FOR COMPLETE DESIGNATIONS,
PREFIX WITH UNIT OR SUB-
ASSEMBLY DESIGNATION(S).

(C)

67	70	71	74	75
CR	CR	CR	CR	
<u>33</u>	<u>34</u>	<u>35</u>	<u>36</u>	
▲	▼	▲	▼	
68	69	72	73	76

15

(D)

1	3	5	7	9	11	13	15	17	19	21	23	25	27	29	31	33	35	37	39
CR	CR	CR	CR	CR	CR	CR	CR	CR	CR	CR	CR	CR	CR	CR	CR	CR	CR	CR	CR
<u>1</u>	<u>2</u>	<u>3</u>	<u>4</u>	<u>5</u>	<u>6</u>	<u>7</u>	<u>8</u>	<u>9</u>	<u>10</u>	<u>11</u>	<u>12</u>	<u>13</u>	<u>14</u>	<u>15</u>	<u>16</u>	<u>17</u>	<u>18</u>	<u>19</u>	<u>20</u>
▲	▲	▲	▲	▲	▲	▲	▲	▲	▲	▲	▲	▲	▲	▲	▲	▲	▲	▲	▲
2	4	6	8	10	12	14	16	18	20	22	24	26	28	30	32	34	36	38	40

10

41	43	45	47	49	51	53	55	57	59	61	63	65
CR	CR	CR	CR	CR	CR	CR	CR	CR	CR	CR	CR	CR
<u>21</u>	<u>22</u>	<u>23</u>	<u>24</u>	<u>25</u>	<u>26</u>	<u>27</u>	<u>28</u>	<u>29</u>	<u>30</u>	<u>31</u>	<u>32</u>	<u>37</u>
▲	▲	▲	▲	▲	▲	▲	▲	▲	▲	▲	▲	▲
42	44	46	48	50	52	54	56	58	60	62	64	66

10
ref

(E)

E 11360108A SHT 3 REV 127

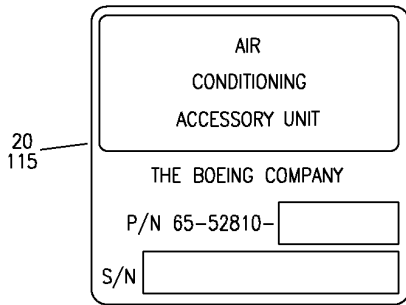
ACCESSORY UNIT ASSY-AIR CONDITIONING (PLACARDS AND MARKINGS ONLY)
FIGURE 8A (SHEET 3)

HAP
FEB 10/07

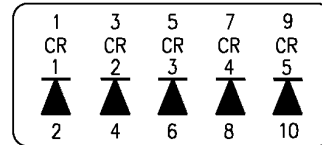
11-36-01-08A

11-36-01-08A
PAGE 0B

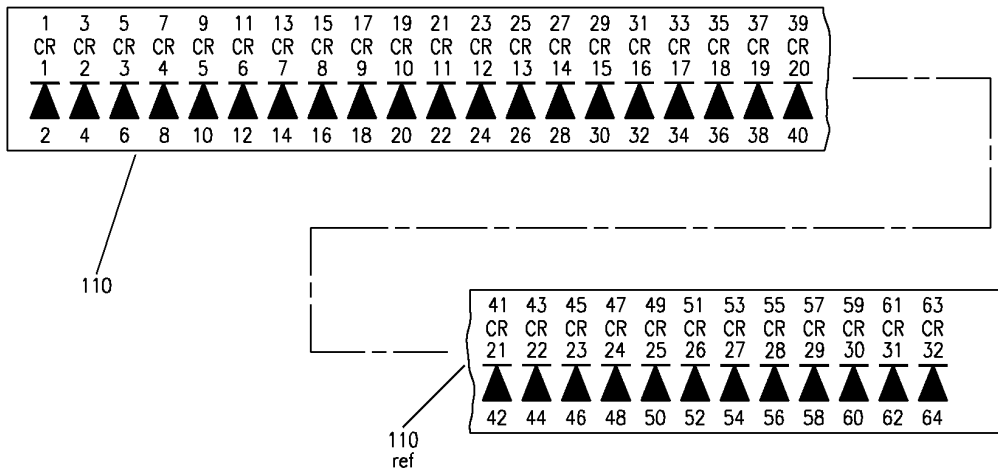
BOEING
737-600/700/800/900
PARTS CATALOG (MAINTENANCE)



F



G



H

E 11360108A SHT 4 REV 127

ACCESSORY UNIT ASSY-AIR CONDITIONING (PLACARDS AND MARKINGS ONLY)
FIGURE 8A (SHEET 4)

11-36-01-08A

HAP
FEB 10/07

11-36-01-08A
PAGE 0C

BOEING
737-600/700/800/900
PARTS CATALOG (MAINTENANCE)

FIG ITEM	PART NUMBER	1 2 3 4 5 6 7	NOMENCLATURE	EFFECT FROM TO	UNITS PER ASSY
8A			ACCESSORY UNIT ASSY-AIR CONDITIONING (PLACARDS AND MARKINGS ONLY)	012030	
- 100	65-52810-46		ACCESSORY UNIT ASSY-AIR CONDITIONING (PLACARDS AND MARKINGS ONLY) SUPPLIER CODE: V89954 ELECTRICAL EQUIP NUMBER: M00324 M01455 COMPONENT MAINT MANUAL REF: 21-09-02 QUALIFIED I/W DATA: 65-52810-46 IS INTERCHANGEABLE AND INTERMIXABLE WITH 65-52810-64 EXCEPT INSTALLATION OF 65-52810-46 NEGATES THE INTENT OF SB 737-21-1133 AND MAY CAUSE NUISANCE ZONE TEMP LIGHT ILLUMINATION DURING MASTER CAUTION RECALL PRE SERVICE BULLETIN: 21-1133 FOR NHA/OTHER SYS DET SEE: 21-51-02-02A	012022	RF

MISSING ITEM NUMBERS NOT APPLICABLE

- ITEM NOT ILLUSTRATED

HAP

11-36-01-08A

BOEING PROPRIETARY - Copyright © - Unpublished Work - See title page for details.

11-36-01
FIG. 08A
PAGE 1
FEB 10/07

BOEING
737-600/700/800/900
PARTS CATALOG (MAINTENANCE)

FIG ITEM	PART NUMBER	1 2 3 4 5 6 7	NOMENCLATURE	EFFECT FROM TO	UNITS PER ASSY
8A - 100	65-52810-64		ACCESSORY UNIT ASSY-AIR CONDITIONING (PLACARDS AND MARKINGS ONLY) SUPPLIER CODE: V89954 ELECTRICAL EQUIP NUMBER: M00324 M01455 COMPONENT MAINT MANUAL REF: 21-09-02 QUALIFIED I/W DATA: 65-52810-46 IS INTERCHANGEABLE AND INTERMIXABLE WITH 65-52810-64 EXCEPT INSTALLATION OF 65-52810-46 NEGATES THE INTENT OF SB 737-21-1133 AND MAY CAUSE NUISANCE ZONE TEMP LIGHT ILLUMINATION DURING MASTER CAUTION RECALL POST SERVICE BULLETIN: 21-1133 FOR NHA/OTHER SYS DET SEE: 21-51-02-02A	012030	RF
105	BAC27DEX1216	.	DECAL	012030	1
110	BAC27DEX925	.	DECAL	012030	1
115	BAC27DEX5051	.	MARKER-ALUMINUM FOIL SUPPLIER CODE: V89954	012030	1

MISSING ITEM NUMBERS NOT APPLICABLE

- ITEM NOT ILLUSTRATED

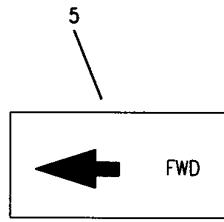
HAP

11-36-01-08A

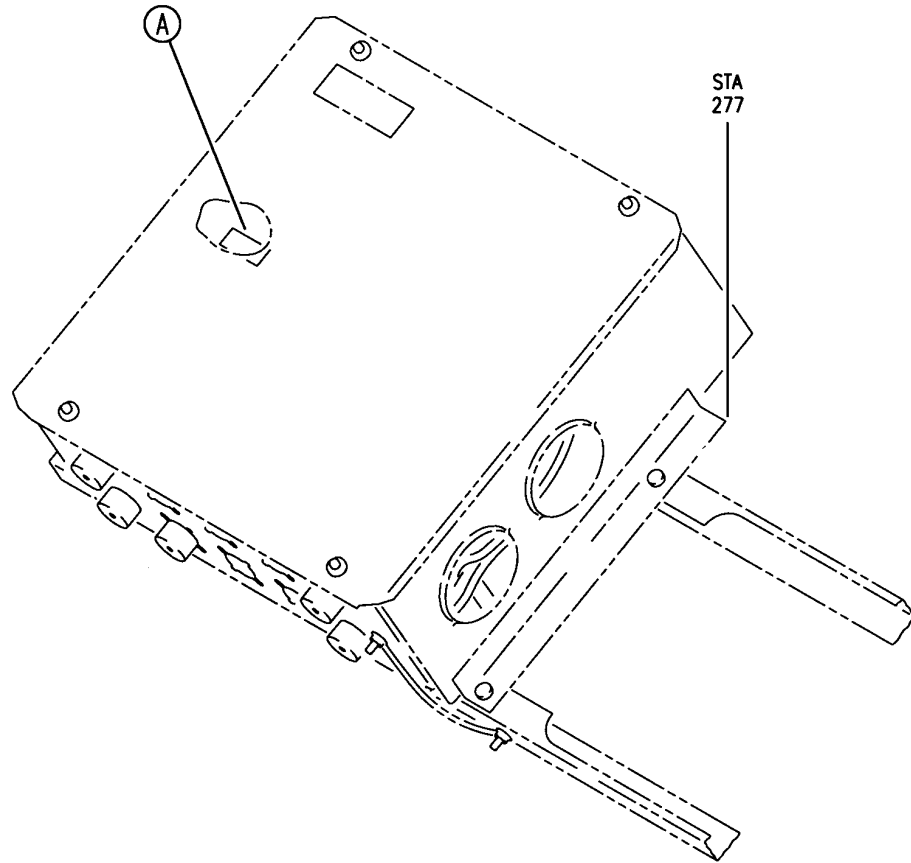
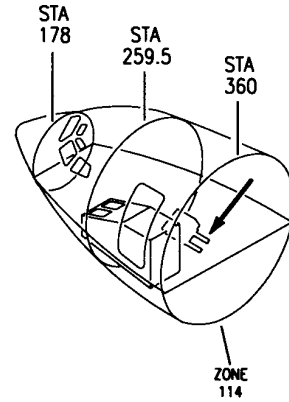
BOEING PROPRIETARY - Copyright © - Unpublished Work - See title page for details.

11-36-01
FIG. 08A
PAGE 2
FEB 10/07

BOEING
 737-600/700/800/900
 PARTS CATALOG (MAINTENANCE)



(A)



E 11360111 REV 016

JUNCTION BOX ASSY-J4 (PLACARDS AND MARKINGS ONLY)
 FIGURE 11

11-36-01-11

HAP
 OCT 10/06

11-36-01-11
 PAGE 0

BOEING
737-600/700/800/900
PARTS CATALOG (MAINTENANCE)

FIG ITEM	PART NUMBER	1 2 3 4 5 6 7	NOMENCLATURE	EFFECT FROM TO	UNITS PER ASSY
11			JUNCTION BOX ASSY-J4 (PLACARDS AND MARKINGS ONLY)	001007	
- 1	284A1204-1		JUNCTION BOX ASSY-J4 (PLACARDS AND MARKINGS ONLY) PRE ALERT SB: 28A1206 FOR NHA/OTHER SYS DET SEE: 27-41-00-01	001001 006007	RF
- 1	284A1204-4		JUNCTION BOX ASSY-J4 (PLACARDS AND MARKINGS ONLY) PRE ALERT SB: 28A1206 FOR NHA/OTHER SYS DET SEE: 27-41-00-01	002005	RF
- 1	284A9200-56		JUNCTION BOX ASSY-J4 (PLACARDS AND MARKINGS ONLY) ALTERED FROM PART NUMBER: 284A1204-1 POST ALERT SB: 28A1206 FOR NHA/OTHER SYS DET SEE: 27-41-00-01	001001 006007	RF
- 1	284A9200-58		JUNCTION BOX INSTL-J4 (PLACARDS AND MARKINGS ONLY) POST ALERT SB: 28A1206 FOR NHA/OTHER SYS DET SEE: 27-41-00-01	002005	RF
5	BACM9L10APM		.MARKER-	001007	1

MISSING ITEM NUMBERS NOT APPLICABLE

- ITEM NOT ILLUSTRATED

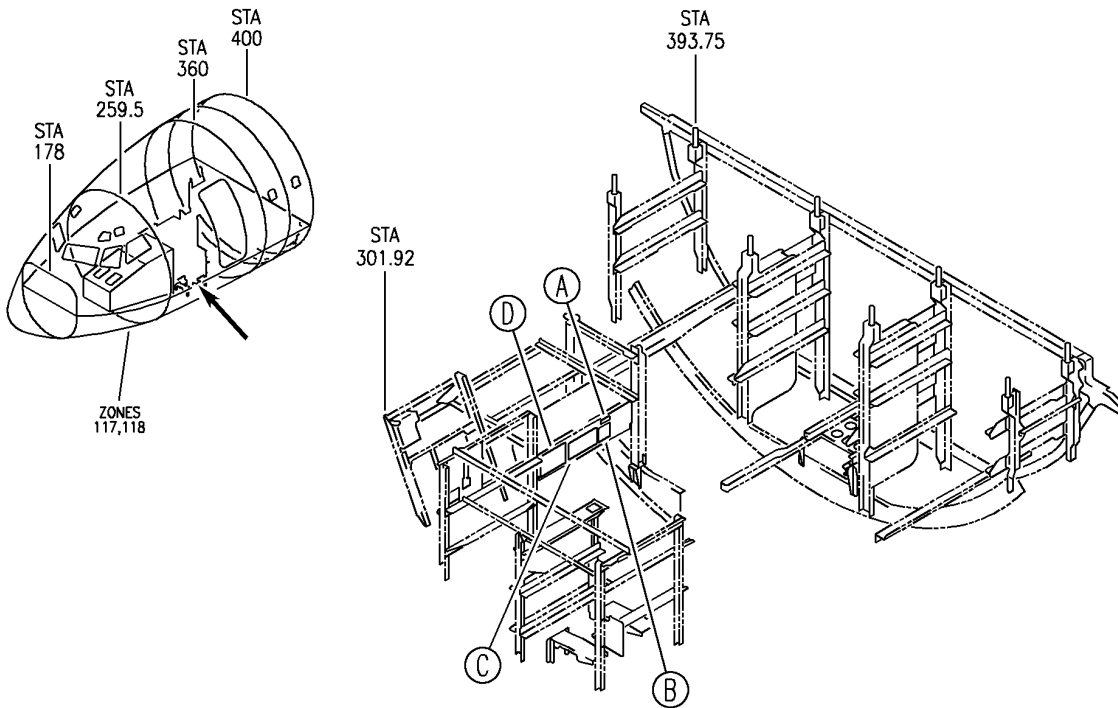
HAP

11-36-01-11

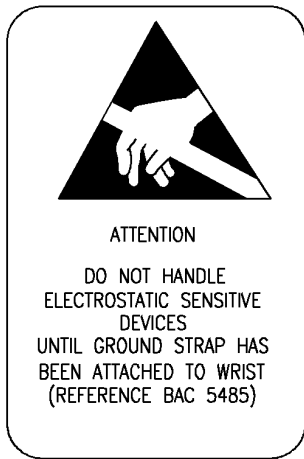
BOEING PROPRIETARY - Copyright © - Unpublished Work - See title page for details.

11-36-01
FIG. 11
PAGE 1
FEB 10/07

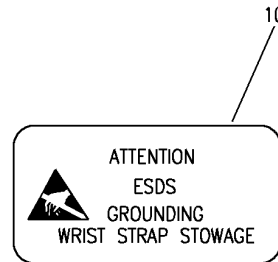
BOEING
 737-600/700/800/900
 PARTS CATALOG (MAINTENANCE)



E 11360117 SHT 1 REV 101



(B)



(A)

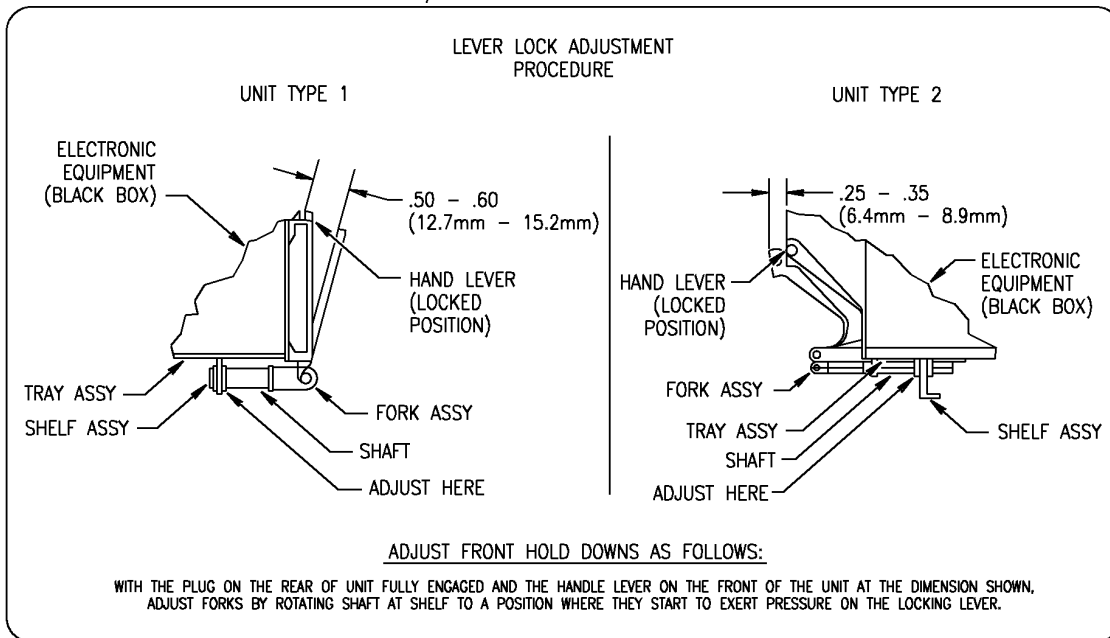
COVER ASSY-E5 RACK (PLACARDS AND MARKINGS ONLY)
 FIGURE 17 (SHEET 1)

11-36-01-17

HAP
 OCT 10/06

11-36-01-17
 PAGE 0

20



(C)

E 11360117 SHT 2 REV 101

COVER ASSY-E5 RACK (PLACARDS AND MARKINGS ONLY)
 FIGURE 17 (SHEET 2)

11-36-01-17

HAP
 OCT 10/06

11-36-01-17
 PAGE 0A

25

INSTRUCTIONS FOR INSTALLATION
 AND REMOVAL OF ELEC/ELEX BOXES

CAUTION: ELECTROSTATIC SENSITIVE DEVICE (REFERENCE BACS485)

1. TO INSTALL BOX

A. TO POSITION THE BOX: PLACE BOX ON TRAY.
 GENTLY SLIDE BOX TO PARTIALLY ENGAGE THE REAR CONNECTOR.

B. TO ENGAGE THE HOLD-DOWN: PLACE THE DEEP SLOT OF THE KEEPER RING OVER THE HOOK ON THE BOX, ROTATE KEEPER RING 1/2 TURN TO SECURE THE HOLD-DOWN (SEE FIG 1).

NOTE:
 -ON A HOLD-DOWN THAT HAS A LATCH, ROTATE THE LATCH CCW (OPEN POSITION). PLACE THE LATCH OVER THE HOOK, ROTATE THE LATCH CW (CLOSED POSITION) TO SECURE THE HOLD-DOWN,
 -ON A HOLD-DOWN WITHOUT A LATCH OR SLOT, COMPRESS THE KEEPER RING OVER THE HOOK AND RELEASE TO SECURE THE HOLD-DOWN.

C. TO SECURE THE BOX: ROTATE HOLD-DOWN KNOB CW UNTIL CLUTCH LIMIT IS REACHED (REPEATED CLICKING NOISE INDICATES CLUTCH LIMIT IS REACHED). IF THE BOX HAS MORE THAN ONE HOLD-DOWN, ROTATE THE KNOBS AT THE SAME TIME.

2. TO REMOVE BOX

A. ROTATE KNOB CCW WHILE APPLYING DOWNWARD PRESSURE TO THE BOX HANDLE. BACK THE BOX OUT OF THE CONNECTOR APPROX. .50 INCH (SEE FIG 2). IF THE BOX HAS MORE THAN ONE HOLD-DOWN, ROTATE THE KNOBS AT THE SAME TIME.

B. ROTATE AND/OR COMPRESS KEEPER RING OR ROTATE LATCH TO RELEASE HOLD-DOWN AND GENTLY SLIDE BOX FROM TRAY.

E 11360117 SH1 3 REV 101

D

COVER ASSY-E5 RACK (PLACARDS AND MARKINGS ONLY)
 FIGURE 17 (SHEET 3)

11-36-01-17

HAP
 OCT 10/06

11-36-01-17
 PAGE 0B

BOEING
737-600/700/800/900
PARTS CATALOG (MAINTENANCE)

FIG ITEM	PART NUMBER	1 2 3 4 5 6 7	NOMENCLATURE	EFFECT FROM TO	UNITS PER ASSY
17			COVER ASSY-E5 RACK (PLACARDS AND MARKINGS ONLY)	008999	
- 1	284A2642-4		COVER ASSY-E5 RACK (PLACARDS AND MARKINGS ONLY) FOR NHA/OTHER SYS DET SEE: 25-50-51-35 25-50-51-35A 25-50-51-35B 25-50-51-35C 25-50-51-48	008999	RF
10	BAC27NEX1735	.DECAL		008999	1
15	BAC27EEL21633	.DECAL		008999	1
20	BAC27DEX6615	.DECAL		008999	1
25	BAC27DEX6614	.DECAL		008999	1

MISSING ITEM NUMBERS NOT APPLICABLE

- ITEM NOT ILLUSTRATED

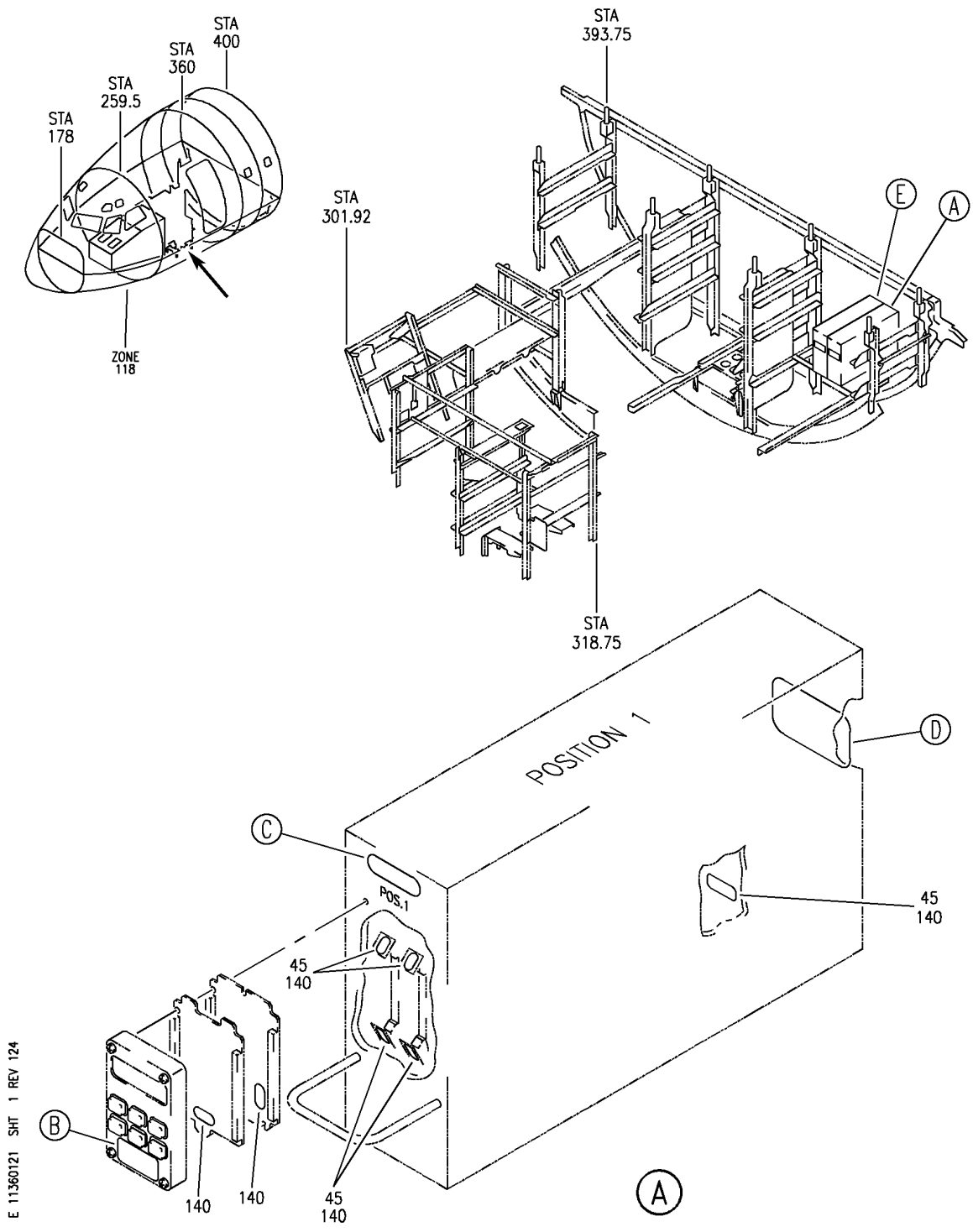
HAP

11-36-01-17

BOEING PROPRIETARY - Copyright © - Unpublished Work - See title page for details.

11-36-01
FIG. 17
PAGE 1
OCT 10/06

BOEING
 737-600/700/800/900
 PARTS CATALOG (MAINTENANCE)



E 11360121 SHT 1 REV 124

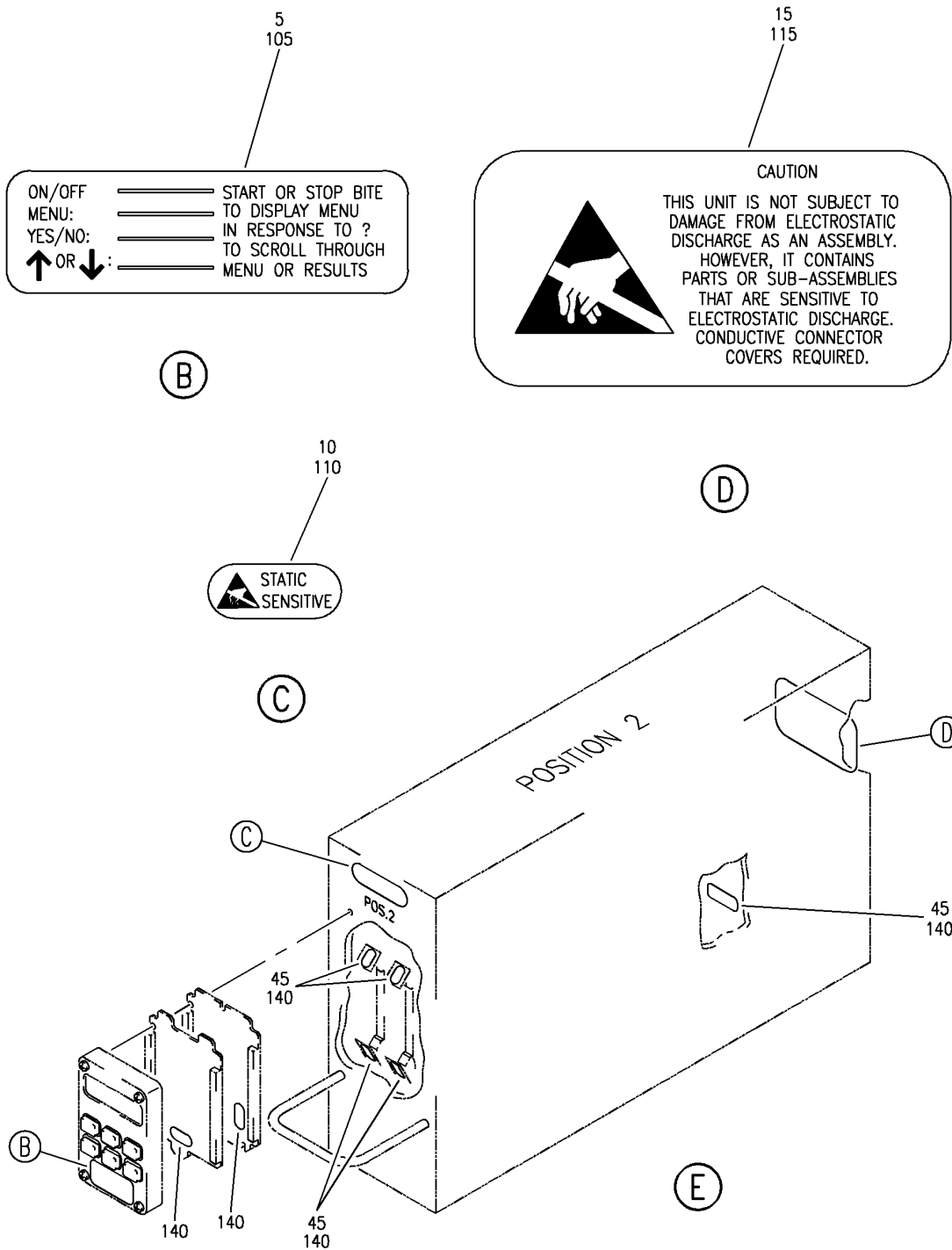
MODULE ASSY-STALL MANAGEMENT/YAW DAMPER (PLACARDS AND MARKINGS ONLY)
 FIGURE 21 (SHEET 1)

11-36-01-21

HAP
 FEB 10/07

11-36-01-21
 PAGE 0

BOEING
737-600/700/800/900
PARTS CATALOG (MAINTENANCE)



E 11360121 SHT 2 REV 124

MODULE ASSY-STALL MANAGEMENT/YAW DAMPER (PLACARDS AND MARKINGS ONLY)
FIGURE 21 (SHEET 2)

11-36-01-21

HAP
FEB 10/07

11-36-01-21
PAGE 0A

BOEING
737-600/700/800/900
PARTS CATALOG (MAINTENANCE)

FIG ITEM	PART NUMBER	1 2 3 4 5 6 7	NOMENCLATURE	EFFECT FROM TO	UNITS PER ASSY
21			MODULE ASSY-STALL MANAGEMENT/YAW DAMPER (PLACARDS AND MARKINGS ONLY)	001036 101101 201971	
- 1	285A1010-2		MODULE ASSY-STALL MANAGEMENT/YAW DAMPER (PLACARDS AND MARKINGS ONLY) SUPPLIER CODE: V89954 MISCELLANEOUS DATA: CONSULT 737-SL-27-193 AND INTERCHANGEABLE PARTS DOCUMENT S241A502 FOR PARTS INTERCHANGEABILITY. ELECTRICAL EQUIP NUMBER: M01747 M01748 WIRING DIAGRAM REF: 273211 273221 COMPONENT MAINT MANUAL REF: 27-32-55 VARIABLE DRAWING REF: 285A1010-5002 QUALIFIED I/W DATA: 285A1010-2 MAY REPLACE 285A1010-1 IN SHIPSETS ONLY. PRE SERVICE BULLETIN: 27-1220 PRE COMPONENT SB: 285A1010-27-03 PRE AIRLINE MOD: E.O.APB737-8007 VHAP FOR NHA/OTHER SYS DET SEE: 27-32-42-01	001007	RF

MISSING ITEM NUMBERS NOT APPLICABLE

- ITEM NOT ILLUSTRATED

HAP

11-36-01-21

BOEING PROPRIETARY - Copyright © - Unpublished Work - See title page for details.

11-36-01
FIG. 21
PAGE 1
FEB 15/09

BOEING
737-600/700/800/900
PARTS CATALOG (MAINTENANCE)

FIG ITEM	PART NUMBER	1 2 3 4 5 6 7	NOMENCLATURE	EFFECT FROM TO	UNITS PER ASSY
21 - 1	285A1010-4		MODULE ASSY-STALL MANAGEMENT/YAW DAMPER (PLACARDS AND MARKINGS ONLY) SUPPLIER CODE: V89954 MISCELLANEOUS DATA: CONSULT 737-SL-27-193 AND INTERCHANGEABLE PARTS DOCUMENT S241A502 FOR PARTS INTERCHANGEABILITY. ELECTRICAL EQUIP NUMBER: M01747 M01748 WIRING DIAGRAM REF: 273211 273221 COMPONENT MAINT MANUAL REF: 27-32-55 QUALIFIED I/W DATA: 285A1010-4 INTERCHANGABLE WITH 285A1010-3 EXCEPT AIRCRAFT CONFIGURED TO JAA REQUIREMENTS WITH ELEVATOR FEEL SHIFT MODULE INSTALLED MUST USE 285A1010-4 285A1010-4 MAY REPLACE 285A1010-1 IN SHIPSETS ONLY. POST SERVICE BULLETIN: 27-1220 PRE SERVICE BULLETIN: 27-1251 POST COMPONENT SB: 285A1010-27-03 PRE COMPONENT SB: 285A1010-27-04 PRE AIRLINE MOD: E.O.APB737-8007 VHAP FOR NHA/OTHER SYS DET SEE: 27-32-42-01	001011 202967	RF

MISSING ITEM NUMBERS NOT APPLICABLE

- ITEM NOT ILLUSTRATED

HAP

11-36-01-21

BOEING PROPRIETARY - Copyright © - Unpublished Work - See title page for details.

11-36-01
FIG. 21
PAGE 2
FEB 15/09

BOEING
737-600/700/800/900
PARTS CATALOG (MAINTENANCE)

FIG ITEM	PART NUMBER	1 2 3 4 5 6 7	NOMENCLATURE	EFFECT FROM TO	UNITS PER ASSY
21 - 1	285A1010-4		MODULE ASSY-STALL MANAGEMENT YAW DAMPER COMPUTER (PLACARDS AND MARKINGS ONLY) SUPPLIER CODE: V89954 MISCELLANEOUS DATA: CONSULT 737-SL-27-193 AND INTERCHANGEABLE PARTS DOCUMENT S241A502 FOR PARTS INTERCHANGEABILITY. ELECTRICAL EQUIP NUMBER: M01747 M01748 COMPONENT MAINT MANUAL REF: 27-32-55 PRE AIRLINE MOD: E.O.APB737-8009 VHAP E.O.APB737-8007 VHAP FOR NHA/OTHER SYS DET SEE: 27-32-42-02	012027	RF
	5 BAC27DEX6627		.MARKER-ALUMINUM FOIL SUPPLIER CODE: V89954 POST SERVICE BULLETIN: 27-1220 POST COMPONENT SB: 285A1010-27-03	001027 202967	1
	10 BAC27EEL18632		.DECAL	001027 202967	1
	15 BAC27DEX6075		.MARKER	001027 202967	1
- 20	285A1011-3		.WIRING ASSY-PRINTED MOTHER BOARD SUPPLIER CODE: V89954	001027 202967	RF
- 30	285A1015-2		.WIRING ASSY-PRINTED CENTRAL PROCESSING UNIT SUPPLIER CODE: V89954 OPTIONAL PART: 285A1015-3 V89954 285A1015-5 V89954	001027 202967	RF

MISSING ITEM NUMBERS NOT APPLICABLE

- ITEM NOT ILLUSTRATED

HAP

11-36-01-21

BOEING PROPRIETARY - Copyright © - Unpublished Work - See title page for details.

11-36-01
FIG. 21
PAGE 3
FEB 15/09

BOEING
737-600/700/800/900
PARTS CATALOG (MAINTENANCE)

FIG ITEM	PART NUMBER	1 2 3 4 5 6 7	NOMENCLATURE	EFFECT FROM TO	UNITS PER ASSY
21 - 30	285A1015-3		.WIRING ASSY-PRINTED CENTRAL PROCESSING UNIT SUPPLIER CODE: V89954 OPTIONAL PART: 285A1015-2 V89954 285A1015-5 V89954	001027 202967	RF
- 30	285A1015-5		.WIRING ASSY-PRINTED CENTRAL PROCESSING UNIT SUPPLIER CODE: V89954 OPTIONAL PART: 285A1015-2 V89954 285A1015-3 V89954	001027 202967	RF
- 40	285A1017-4		.WIRING ASSY-PRINTED ANALOG SUPPLIER CODE: V89954 OPTIONAL PART: 285A1017-5 V89954	001027 202967	RF
- 40	285A1017-5		.WIRING ASSY-PRINTED ANALOG SUPPLIER CODE: V89954 OPTIONAL PART: 285A1017-4 V89954	001027 202967	RF
45	BAC27TEX1486		.DECAL- PLACARD CONTENT: STATIC SENSITIVE	001027 202967	4
- 100	285A1010-6		MODULE ASSY-STALL MANAGEMENT YAW/DAMPER COMPUTER (PLACARDS AND MARKINGS ONLY) SUPPLIER CODE: V89954 MISCELLANEOUS DATA: CONSULT 737-SL-27-193 AND INTERCHANGEABLE PARTS DOCUMENT S241A502 FOR PARTS INTERCHANGEABILITY. ELECTRICAL EQUIP NUMBER: M01747	031036	RF

MISSING ITEM NUMBERS NOT APPLICABLE

- ITEM NOT ILLUSTRATED

HAP

11-36-01-21

BOEING PROPRIETARY - Copyright © - Unpublished Work - See title page for details.

11-36-01
FIG. 21
PAGE 4
FEB 15/09

BOEING
737-600/700/800/900
PARTS CATALOG (MAINTENANCE)

FIG ITEM	PART NUMBER	1 2 3 4 5 6 7	NOMENCLATURE	EFFECT FROM TO	UNITS PER ASSY
21			<p>M01748 COMPONENT MAINT MANUAL REF: 27-32-55 VARIABLE DRAWING REF: 285A1010-5005 285A1010-5007 QUALIFIED I/W DATA: FOR SMYD POSITION #1 285A1010-106 CAN REPLACE OR BE REPLACED BY 285A1010-6, FOR SMYD #2 285A1010-106 CAN REPLACE BUT NOT BE REPLACED BY 285A1010-6. 285A1010-9 CAN REPLACE OR BE REPLACED BY 285A1010-6 EXCEPT FOR 737-900ER AND AIRCRAFT WITHOUT SHORT FIELD PERFORMANCE PROGRAM, WHERE 285A1010-9 IN SHIPSETS IS REQUIRED. REFER TO INTERCHANGEABLE PART DRAWING S241A502. 285A1010-7 CAN REPLACE OR BE REPLACED BY 285A1010-6 FOR AIRCRAFT WITHOUT SHORT FIELD PERFORMANCE, BUT ONLY IN SHIPSETS. AIRCRAFT WITH SHORT FIELD PERFORMANCE REQUIRE THE 285A1010-7 IN SHIPSETS. REFER TO DRAWING S241A502 285A1010-109 CAN REPLACE OR BE REPLACED BY 285A1010-6 EXCEPT 737-900ER, AIRCRAFT AFTER LINE NUMBER 778 AND WITHOUT SHORT FIELD PERFORMANCE, WHERE 285A1010-109 IN SHIPSETS IS REQUIRED. REFER TO INTERCHANGEABLE PART 285A1010-107 CAN REPLACE OR BE REPLACED BY 285A1010-6 FOR AIRCRAFT BEFORE LINE NUMBER 778 AND WITHOUT SHORT FIELD</p>		

MISSING ITEM NUMBERS NOT APPLICABLE

— ITEM NOT ILLUSTRATED

HAP

11-36-01-21

11-36-01
FIG. 21
PAGE 5
FEB 15/09

BOEING
737-600/700/800/900
PARTS CATALOG (MAINTENANCE)

FIG ITEM	PART NUMBER	1 2 3 4 5 6 7	NOMENCLATURE	EFFECT FROM TO	UNITS PER ASSY
21 - 100	285A1010-6		<p>PERFORMANCE, WHERE THE 285A1010-107 IS REQUIRED IN SHIPSET ONLY. REFER TO DRAWING S241A502. FOR NHA/OTHER SYS DET SEE: 27-32-42-02</p> <p>MODULE ASSY-STALL MANAGEMENT YAW/DAMPER COMPUTER (PLACARDS AND MARKINGS ONLY) SUPPLIER CODE: V89954</p> <p>MISCELLANEOUS DATA: CONSULT 737-SL-27-193 AND INTERCHANGEABLE PARTS DOCUMENT S241A502 FOR PARTS INTERCHANGEABILITY. ELECTRICAL EQUIP NUMBER: M01747 M01748</p> <p>COMPONENT MAINT MANUAL REF: 27-32-55</p> <p>VARIABLE DRAWING REF: 285A1010-5005</p> <p>POST SERVICE BULLETIN: 27-1251</p> <p>POST COMPONENT SB: 285A1010-27-04</p> <p>FOR NHA/OTHER SYS DET SEE: 27-32-42-01</p>	201967	RF

MISSING ITEM NUMBERS NOT APPLICABLE

- ITEM NOT ILLUSTRATED

HAP

11-36-01-21

BOEING PROPRIETARY - Copyright © - Unpublished Work - See title page for details.

11-36-01
FIG. 21
PAGE 6
FEB 15/09

BOEING
737-600/700/800/900
PARTS CATALOG (MAINTENANCE)

FIG ITEM	PART NUMBER	1 2 3 4 5 6 7	NOMENCLATURE	EFFECT FROM TO	UNITS PER ASSY
21 - 100	285A1010-107		MODULE ASSY-STALL MANAGEMENT YAW/DAMPER COMPUTER (PLACARDS AND MARKINGS ONLY) SUPPLIER CODE: V89954 MISCELLANEOUS DATA: CONSULT 737-SL-27-193 AND INTERCHANGEABLE PARTS DOCUMENT S241A502 FOR PARTS INTERCHANGEABILITY. ELECTRICAL EQUIP NUMBER: M01747 M01748 COMPONENT MAINT MANUAL REF: 27-32-55 VARIABLE DRAWING REF: 285A1010-5010 POST AIRLINE MOD: E.O.APB737-8007 VHAP FOR NHA/OTHER SYS DET SEE: 27-32-42-01	001011	RF
- 100	285A1010-6		MODULE ASSY-STALL MANAGEMENT YAW/DAMPER COMPUTER (PLACARDS AND MARKINGS ONLY) SUPPLIER CODE: V89954 MISCELLANEOUS DATA: CONSULT 737-SL-27-193 AND INTERCHANGEABLE PARTS DOCUMENT S241A502 FOR PARTS INTERCHANGEABILITY. ELECTRICAL EQUIP NUMBER: M01747 M01748 COMPONENT MAINT MANUAL REF: 27-32-55 VARIABLE DRAWING REF: 285A1010-5005 285A1010-5007 QUALIFIED I/W DATA: FOR SMYD POSITION #1 285A1010-106 CAN REPLACE OR BE REPLACED BY 285A1010-6, FOR SMYD #2	024030	RF

MISSING ITEM NUMBERS NOT APPLICABLE

- ITEM NOT ILLUSTRATED

HAP

11-36-01-21

BOEING PROPRIETARY - Copyright © - Unpublished Work - See title page for details.

11-36-01
FIG. 21
PAGE 7
FEB 15/09

 **BOEING**
737-600/700/800/900
PARTS CATALOG (MAINTENANCE)

FIG ITEM	PART NUMBER	1 2 3 4 5 6 7 NOMENCLATURE	EFFECT FROM TO	UNITS PER ASSY
21		<p>285A1010-106 CAN REPLACE BUT NOT BE REPLACED BY 285A1010-6. 285A1010-9 CAN REPLACE OR BE REPLACED BY 285A1010-6 EXCEPT FOR 737-900ER AND AIRCRAFT WITHOUT SHORT FIELD PERFORMANCE PROGRAM, WHERE 285A1010-9 IN SHIPSETS IS REQUIRED. REFER TO INTERCHANGEABLE PART DRAWING S241A502. 285A1010-7 CAN REPLACE OR BE REPLACED BY 285A1010-6 FOR AIRCRAFT WITHOUT SHORT FIELD PERFORMANCE, BUT ONLY IN SHIPSETS. AIRCRAFT WITH SHORT FIELD PERFORMANCE REQUIRE THE 285A1010-7 IN SHIPSETS. REFER TO DRAWING S241A502 285A1010-109 CAN REPLACE OR BE REPLACED BY 285A1010-6 EXCEPT 737-900ER, AIRCRAFT AFTER LINE NUMBER 778 AND WITHOUT SHORT FIELD PERFORMANCE, WHERE 285A1010-109 IN SHIPSETS IS REQUIRED. REFER TO INTERCHANGEABLE PART DRAWING S241A502. 285A1010-107 CAN REPLACE OR BE REPLACED BY 285A1010-6 FOR AIRCRAFT BEFORE LINE NUMBER 778 AND WITHOUT SHORT FIELD PERFORMANCE, WHERE THE 285A1010-107 IS REQUIRED IN SHIPSET ONLY. REFER TO DRAWING S241A502. PRE AIRLINE MOD: E.O.APB737-8009 VHAP FOR NHA/OTHER SYS DET SEE: 27-32-42-02</p>		
- 100	285A1010-6	MODULE ASSY-STALL	012023	RF

MISSING ITEM NUMBERS NOT APPLICABLE

- ITEM NOT ILLUSTRATED

HAP

11-36-01-21

BOEING PROPRIETARY - Copyright © - Unpublished Work - See title page for details.

11-36-01
FIG. 21
PAGE 8
FEB 15/09

BOEING
737-600/700/800/900
PARTS CATALOG (MAINTENANCE)

FIG ITEM	PART NUMBER	1 2 3 4 5 6 7	NOMENCLATURE	EFFECT FROM TO	UNITS PER ASSY
21			<p>MANAGEMENT YAW/DAMPER COMPUTER (PLACARDS AND MARKINGS ONLY) SUPPLIER CODE: V89954 MISCELLANEOUS DATA: CONSULT 737-SL-27-193 AND INTERCHANGEABLE PARTS DOCUMENT S241A502 FOR PARTS INTERCHANGEABILITY. ELECTRICAL EQUIP NUMBER: M01747 M01748 COMPONENT MAINT MANUAL REF: 27-32-55 VARIABLE DRAWING REF: 285A1010-5005 285A1010-5007 QUALIFIED I/W DATA: FOR SMYD POSITION #1 285A1010-106 CAN REPLACE OR BE REPLACED BY 285A1010-6, FOR SMYD #2 285A1010-106 CAN REPLACE BUT NOT BE REPLACED BY 285A1010-6. 285A1010-9 CAN REPLACE OR BE REPLACED BY 285A1010-6 EXCEPT FOR 737-900ER AND AIRCRAFT WITHOUT SHORT FIELD PERFORMANCE PROGRAM, WHERE 285A1010-9 IN SHIPSETS IS REQUIRED. REFER TO INTERCHANGEABLE PART DRAWING S241A502. 285A1010-7 CAN REPLACE OR BE REPLACED BY 285A1010-6 FOR AIRCRAFT WITHOUT SHORT FIELD PERFORMANCE, BUT ONLY IN SHIPSETS. AIRCRAFT WITH SHORT FIELD PERFORMANCE REQUIRE THE 285A1010-7 IN SHIPSETS. REFER TO DRAWING S241A502 285A1010-109 CAN REPLACE OR BE REPLACED BY</p>		

MISSING ITEM NUMBERS NOT APPLICABLE

— ITEM NOT ILLUSTRATED

HAP

11-36-01-21

11-36-01
FIG. 21
PAGE 9
FEB 15/09

BOEING
737-600/700/800/900
PARTS CATALOG (MAINTENANCE)

FIG ITEM	PART NUMBER	1 2 3 4 5 6 7	NOMENCLATURE	EFFECT FROM TO	UNITS PER ASSY
21			<p>285A1010-6 EXCEPT 737-900ER, AIRCRAFT AFTER LINE NUMBER 778 AND WITHOUT SHORT FIELD PERFORMANCE, WHERE 285A1010-109 IN SHIPSETS IS REQUIRED. REFER TO INTERCHANGEABLE PART DRAWING S241A502. 285A1010-107 CAN REPLACE OR BE REPLACED BY 285A1010-6 FOR AIRCRAFT BEFORE LINE NUMBER 778 AND WITHOUT SHORT FIELD PERFORMANCE, WHERE THE 285A1010-107 IS REQUIRED IN SHIPSET ONLY. REFER TO DRAWING S241A502. PRE AIRLINE MOD: E.O.APB737-8007 VHAP FOR NHA/OTHER SYS DET SEE: 27-32-42-02 MODULE ASSY-STALL MANAGEMENT YAW/DAMPER COMPUTER (PLACARDS AND MARKINGS ONLY) SUPPLIER CODE: V89954 MISCELLANEOUS DATA: CONSULT 737-SL-27-193 AND INTERCHANGEABLE PARTS DOCUMENT S241A502 FOR PARTS INTERCHANGEABILITY. ELECTRICAL EQUIP NUMBER: M01747 M01748 COMPONENT MAINT MANUAL REF: 27-32-55 VARIABLE DRAWING REF: 285A1010-5010 QUALIFIED I/W DATA: 285A1010-107 CAN REPLACE OR BE REPLACED BY 285A1010-7 FOR AIRCRAFT AFTER LINE NUMBER 778, WHERE THE 285A1010-107 IS REQUIRED IN SHIPSET</p>		
- 100	285A1010-107		<p>MISSING ITEM NUMBERS NOT APPLICABLE</p>	101101 968971	RF

- ITEM NOT ILLUSTRATED

HAP

11-36-01-21

BOEING PROPRIETARY - Copyright © - Unpublished Work - See title page for details.

11-36-01
FIG. 21
PAGE 10
FEB 15/09

BOEING
737-600/700/800/900
PARTS CATALOG (MAINTENANCE)

FIG ITEM	PART NUMBER	1 2 3 4 5 6 7	NOMENCLATURE	EFFECT FROM TO	UNITS PER ASSY
21			<p>ONLY. REFER TO INTERCHANGEABLE PART DRAWING S241A502. 285A1010-9 CAN REPLACE OR BE REPLACED BY 285A1010-107 EXCEPT FOR 737-900ER, WHERE THE 285A1010-9 IS REQUIRED IN SHIPSET ONLY. REFER TO INTERCHANGEABLE PART DRAWING S241A502. 285A1010-109 CAN REPLACE OR BE REPLACED BY 285A1010-107 EXCEPT 737-900ER, WHERE 285A1010-109 IN SHIPSETS IS REQUIRED. REFER TO INTERCHANGEABLE PART DRAWING S241A502. 285A1010-107 CAN REPLACE OR BE REPLACED BY 285A1010-6 FOR AIRCRAFT BEFORE LINE NUMBER 778 AND WITHOUT SHORT FIELD PERFORMANCE, WHERE THE 285A1010-107 IS REQUIRED IN SHIPSET ONLY. REFER TO DRAWING S241A502. 285A1010-107 CAN REPLACE OR BE REPLACED BY 285A1010-106 FOR AIRCRAFT WITHOUT SHORT FIELD PERFORMANCE, WHERE THE 285A1010-107 IS REQUIRED IN SHIPSET ONLY. REFER TO DRAWING S241A502.</p> <p>FOR NHA/OTHER SYS DET SEE: 27-32-42-02</p> <p>MODULE ASSY-STALL MANAGEMENT YAW/DAMPER COMPUTER (PLACARDS AND MARKINGS ONLY) SUPPLIER CODE: V89954</p> <p>MISCELLANEOUS DATA: CONSULT 737-SL-27-193 AND INTERCHANGEABLE PARTS DOCUMENT S241A502</p>		
- 100	285A1010-107		<p>MISSING ITEM NUMBERS NOT APPLICABLE</p>	012023	RF

- ITEM NOT ILLUSTRATED

HAP

11-36-01-21

BOEING PROPRIETARY - Copyright © - Unpublished Work - See title page for details.

11-36-01
FIG. 21
PAGE 11
FEB 15/09

BOEING
737-600/700/800/900
PARTS CATALOG (MAINTENANCE)

FIG ITEM	PART NUMBER	1 2 3 4 5 6 7	NOMENCLATURE	EFFECT FROM TO	UNITS PER ASSY
21			<p>FOR PARTS INTERCHANGEABILITY. ELECTRICAL EQUIP NUMBER: M01747 M01748 COMPONENT MAINT MANUAL REF: 27-32-55 VARIABLE DRAWING REF: 285A1010-5010 QUALIFIED I/W DATA: 285A1010-107 CAN REPLACE OR BE REPLACED BY 285A1010-7 FOR AIRCRAFT AFTER LINE NUMBER 778, WHERE THE 285A1010-107 IS REQUIRED IN SHIPSET ONLY. REFER TO INTERCHANGEABLE PART DRAWING S241A502. 285A1010-9 CAN REPLACE OR BE REPLACED BY 285A1010-107 EXCEPT FOR 737-900ER, WHERE THE 285A1010-9 IS REQUIRED IN SHIPSET ONLY. REFER TO INTERCHANGEABLE PART DRAWING S241A502. 285A1010-109 CAN REPLACE OR BE REPLACED BY 285A1010-107 EXCEPT 737-900ER, WHERE 285A1010-109 IN SHIPSETS IS REQUIRED. REFER TO INTERCHANGEABLE PART DRAWING S241A502. 285A1010-107 CAN REPLACE OR BE REPLACED BY 285A1010-6 FOR AIRCRAFT BEFORE LINE NUMBER 778 AND WITHOUT SHORT FIELD PERFORMANCE, WHERE THE 285A1010-107 IS REQUIRED IN SHIPSET ONLY. REFER TO DRAWING S241A502. 285A1010-107 CAN REPLACE OR BE REPLACED BY 285A1010-106 FOR AIRCRAFT WITHOUT SHORT FIELD PERFORMANCE, WHERE</p>		

MISSING ITEM NUMBERS NOT APPLICABLE

— ITEM NOT ILLUSTRATED

HAP

11-36-01-21

11-36-01
FIG. 21
PAGE 12
FEB 15/09

BOEING
737-600/700/800/900
PARTS CATALOG (MAINTENANCE)

FIG ITEM	PART NUMBER	1 2 3 4 5 6 7	NOMENCLATURE	EFFECT FROM TO	UNITS PER ASSY
21			<p>THE 285A1010-107 IS REQUIRED IN SHIPSET ONLY. REFER TO DRAWING S241A502.</p> <p>POST AIRLINE MOD: E.O.APB737-8007 VHAP</p> <p>FOR NHA/OTHER SYS DET SEE: 27-32-42-02</p> <p>MODULE ASSY-STALL MANAGEMENT YAW/DAMPER COMPUTER (PLACARDS AND MARKINGS ONLY)</p> <p>SUPPLIER CODE: V89954</p> <p>MISCELLANEOUS DATA: CONSULT 737-SL-27-193 AND INTERCHANGEABLE PARTS DOCUMENT S241A502 FOR PARTS INTERCHANGEABILITY.</p> <p>ELECTRICAL EQUIP NUMBER: M01747 M01748</p> <p>COMPONENT MAINT MANUAL REF: 27-32-55</p> <p>VARIABLE DRAWING REF: 285A1010-5010</p> <p>QUALIFIED I/W DATA: 285A1010-107 CAN REPLACE OR BE REPLACED BY 285A1010-7 FOR AIRCRAFT AFTER LINE NUMBER 778, WHERE THE 285A1010-107 IS REQUIRED IN SHIPSET ONLY. REFER TO INTERCHANGEABLE PART DRAWING S241A502.</p> <p>285A1010-9 CAN REPLACE OR BE REPLACED BY 285A1010-107 EXCEPT FOR 737-900ER, WHERE THE 285A1010-9 IS REQUIRED IN SHIPSET ONLY. REFER TO INTERCHANGEABLE PART DRAWING S241A502.</p> <p>285A1010-109 CAN REPLACE OR BE REPLACED BY 285A1010-107 EXCEPT</p>	024030	RF

MISSING ITEM NUMBERS NOT APPLICABLE

— ITEM NOT ILLUSTRATED

HAP

11-36-01-21

11-36-01
FIG. 21
PAGE 13
FEB 15/09

BOEING
737-600/700/800/900
PARTS CATALOG (MAINTENANCE)

FIG ITEM	PART NUMBER	1 2 3 4 5 6 7	NOMENCLATURE	EFFECT FROM TO	UNITS PER ASSY
21			737-900ER, WHERE 285A1010-109 IN SHIPSETS IS REQUIRED. REFER TO INTERCHANGEABLE PART DRAWING S241A502. 285A1010-107 CAN REPLACE OR BE REPLACED BY 285A1010-6 FOR AIRCRAFT BEFORE LINE NUMBER 778 AND WITHOUT SHORT FIELD PERFORMANCE, WHERE THE 285A1010-107 IS REQUIRED IN SHIPSET ONLY. REFER TO DRAWING S241A502. 285A1010-107 CAN REPLACE OR BE REPLACED BY 285A1010-106 FOR AIRCRAFT WITHOUT SHORT FIELD PERFORMANCE, WHERE THE 285A1010-107 IS REQUIRED IN SHIPSET ONLY. REFER TO DRAWING S241A502. POST AIRLINE MOD: E.O.APB737-8009 VHAP FOR NHA/OTHER SYS DET SEE: 27-32-42-02		
105	BAC27DEX6627		.MARKER-ALUMINUM FOIL SUPPLIER CODE: V89954	001036 101101 201971	1
110	BAC27EEL18632		.DECAL	001036 101101 201971	1
115	BAC27DEX6075		.MARKER	001036 101101 201971	1
- 120	285A1011-3		.WIRING ASSY-PRINTED MOTHER BOARD SUPPLIER CODE: V89954 USED ON: 285A1010-5 285A1010-6	012036 201967	RF

MISSING ITEM NUMBERS NOT APPLICABLE

- ITEM NOT ILLUSTRATED

HAP

11-36-01-21

BOEING PROPRIETARY - Copyright © - Unpublished Work - See title page for details.

11-36-01
FIG. 21
PAGE 14
FEB 15/09

BOEING
737-600/700/800/900
PARTS CATALOG (MAINTENANCE)

FIG ITEM	PART NUMBER	1 2 3 4 5 6 7	NOMENCLATURE	EFFECT FROM TO	UNITS PER ASSY
21 - 120	285A1011-4		.WIRING ASSY-PRINTED MOTHER BOARD SUPPLIER CODE: V89954 USED ON: 285A1010-106 285A1010-107	001030 101101 968971	RF
- 130	285A1015-3		.WIRING ASSY-PRINTED CPU SUPPLIER CODE: V89954 OPTIONAL PART: 285A1015-5 V89954 285A1015-2 V89954	001036 101101 201971	RF
- 130	285A1015-5		.WIRING ASSY-PRINTED CPU SUPPLIER CODE: V89954 OPTIONAL PART: 285A1015-3 V89954 285A1015-2 V89954	001036 101101 201971	RF
- 130	285A1015-2		.WIRING ASSY-PRINTED CPU SUPPLIER CODE: V89954 OPTIONAL PART: 285A1015-3 V89954 285A1015-5 V89954	001036 101101 201971	RF
- 135	285A1017-4		.WIRING ASSY-PRINTED ANALOG SUPPLIER CODE: V89954 OPTIONAL PART: 285A1017-5 V89954 USED ON: 285A1010-5 285A1010-6	012036 201967	RF

MISSING ITEM NUMBERS NOT APPLICABLE

- ITEM NOT ILLUSTRATED

HAP

11-36-01-21

BOEING PROPRIETARY - Copyright © - Unpublished Work - See title page for details.

11-36-01
FIG. 21
PAGE 15
FEB 15/09

BOEING
737-600/700/800/900
PARTS CATALOG (MAINTENANCE)

FIG ITEM	PART NUMBER	1 2 3 4 5 6 7	NOMENCLATURE	EFFECT FROM TO	UNITS PER ASSY
21 - 135	285A1017-5		.WIRING ASSY-PRINTED ANALOG SUPPLIER CODE: V89954 OPTIONAL PART: 285A1017-4 V89954 USED ON: 285A1010-5 285A1010-6	012036 201967	RF
- 135	285A1017-6		.WIRING ASSY-PRINTED ANALOG SUPPLIER CODE: V89954 USED ON: 285A1010-106 285A1010-107	001030 101101 968971	RF
140	BAC27TEX1486		.DECAL- PLACARD CONTENT: STATIC SENSITIVE	001036 101101 201971	7

MISSING ITEM NUMBERS NOT APPLICABLE

- ITEM NOT ILLUSTRATED

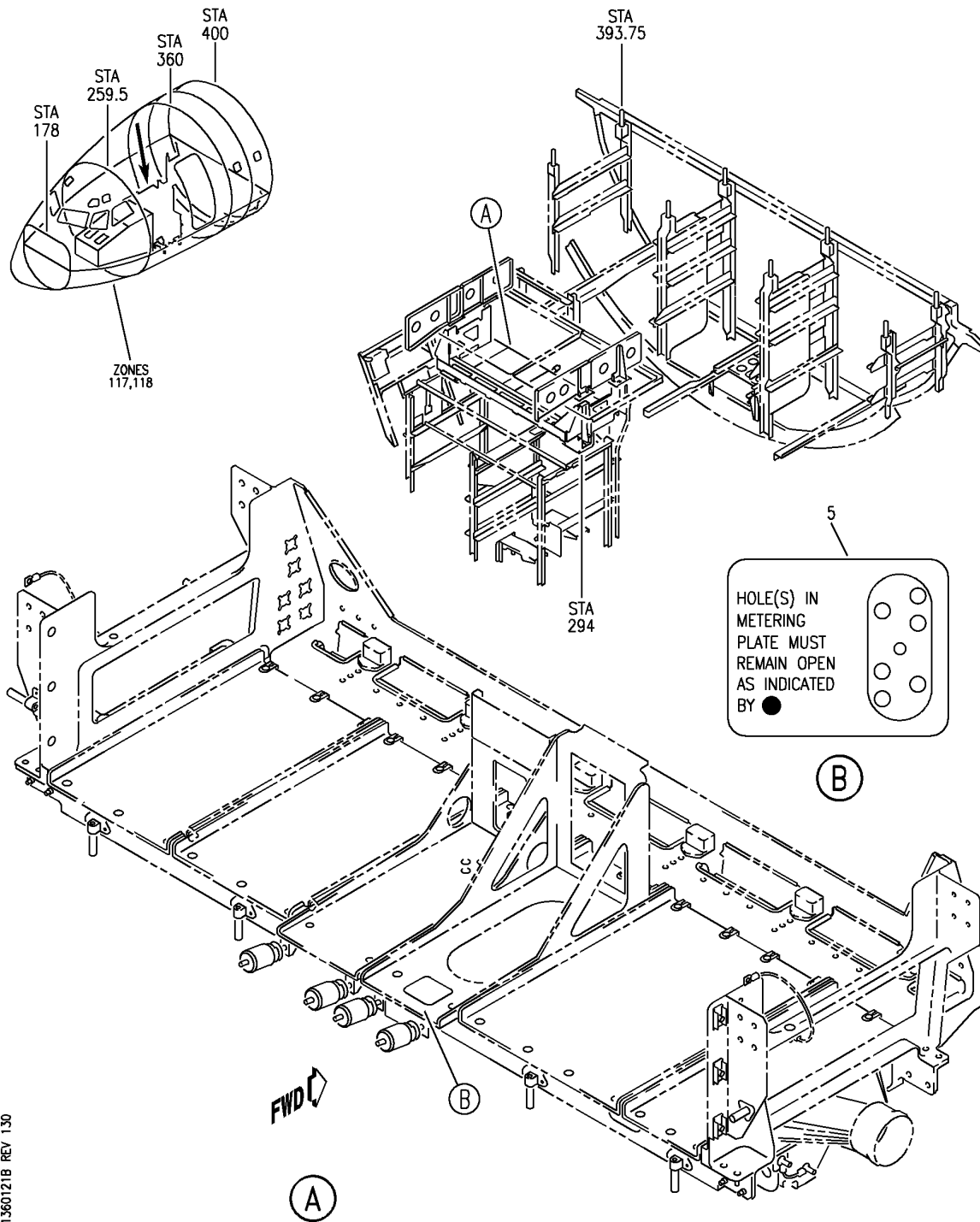
HAP

11-36-01-21

BOEING PROPRIETARY - Copyright © - Unpublished Work - See title page for details.

11-36-01
FIG. 21
PAGE 16
FEB 15/09

BOEING
 737-600/700/800/900
 PARTS CATALOG (MAINTENANCE)



E 11360121B REV 130

SHELF INSTL-E8-1 E/E EQPT (PLACARDS AND MARKINGS ONLY)
 FIGURE 21B

HAP
 JUN 10/07

11-36-01-21B

11-36-01-21B
 PAGE 0

BOEING
737-600/700/800/900
PARTS CATALOG (MAINTENANCE)

FIG ITEM	PART NUMBER	1 2 3 4 5 6 7	NOMENCLATURE	EFFECT FROM TO	UNITS PER ASSY
21B			SHELF INSTL-E8-1 E/E EQPT (PLACARDS AND MARKINGS ONLY)	101103 970971	
- 1	284A1781-50		SHELF SUBASSY- (PLACARDS AND MARKINGS ONLY) FOR NHA/OTHER SYS DET SEE: 25-50-51-21B	101103 970971	RF
5	BAC27TEX2034		.DECAL	101103 970971	1

MISSING ITEM NUMBERS NOT APPLICABLE

- ITEM NOT ILLUSTRATED

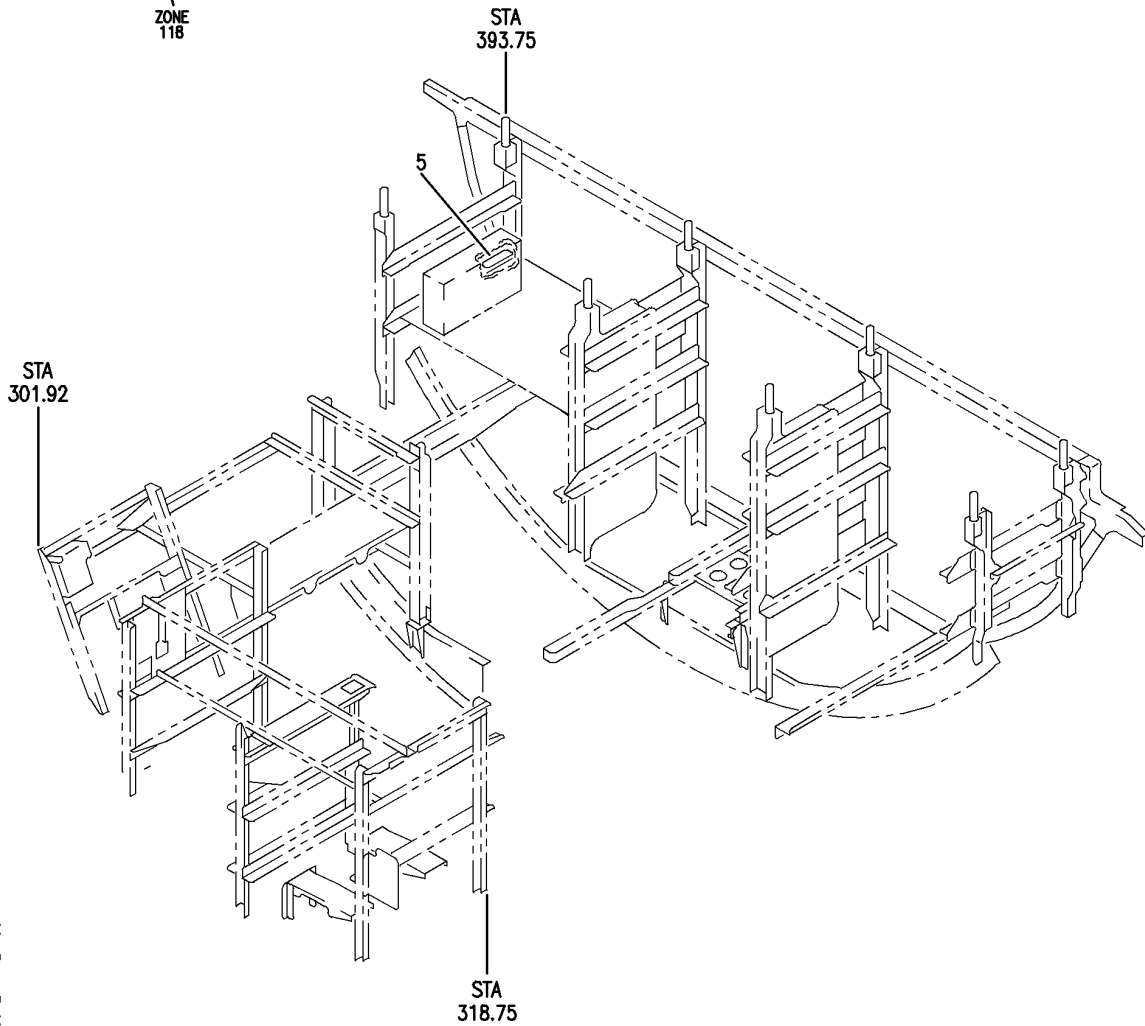
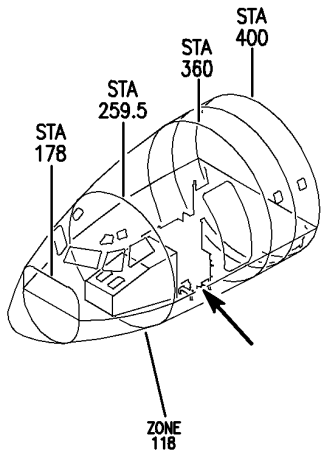
HAP

11-36-01-21B

BOEING PROPRIETARY - Copyright © - Unpublished Work - See title page for details.

11-36-01
FIG. 21B
PAGE 1
FEB 15/08

BOEING
737-600/700/800/900
PARTS CATALOG (MAINTENANCE)



E 11360123 REV 064

ACCESSORY UNIT ASSY-AUTO SPEED BRAKE CONT (PLACARDS AND MARKINGS ONLY)
FIGURE 23

HAP
OCT 10/06

11-36-01-23

11-36-01-23
PAGE 0

BOEING
737-600/700/800/900
PARTS CATALOG (MAINTENANCE)

FIG ITEM	PART NUMBER	1 2 3 4 5 6 7	NOMENCLATURE	EFFECT FROM TO	UNITS PER ASSY
23			ACCESSORY UNIT ASSY-AUTO SPEED BRAKE CONT (PLACARDS AND MARKINGS ONLY)	001011 031999	
- 1	65-84209-21		ACCESSORY UNIT ASSY-AUTO SPEED BRAKE CONT (PLACARDS AND MARKINGS ONLY) SUPPLIER CODE: V89954 ELECTRICAL EQUIP NUMBER: M00980 COMPONENT MAINT MANUAL REF: 27-62-51 FOR NHA/OTHER SYS DET SEE: 27-62-35-02 27-62-35-02A	001011 031999	RF
5	BAC27DEX1929		.MARKER-ALUMINUM FOIL SUPPLIER CODE: V89954 PLACARD CONTENT: CAUTION-OBSERVE POLARITY OF K6 & K7, BLUE BEAD IN PIN 2	001011 031999	1

MISSING ITEM NUMBERS NOT APPLICABLE

- ITEM NOT ILLUSTRATED

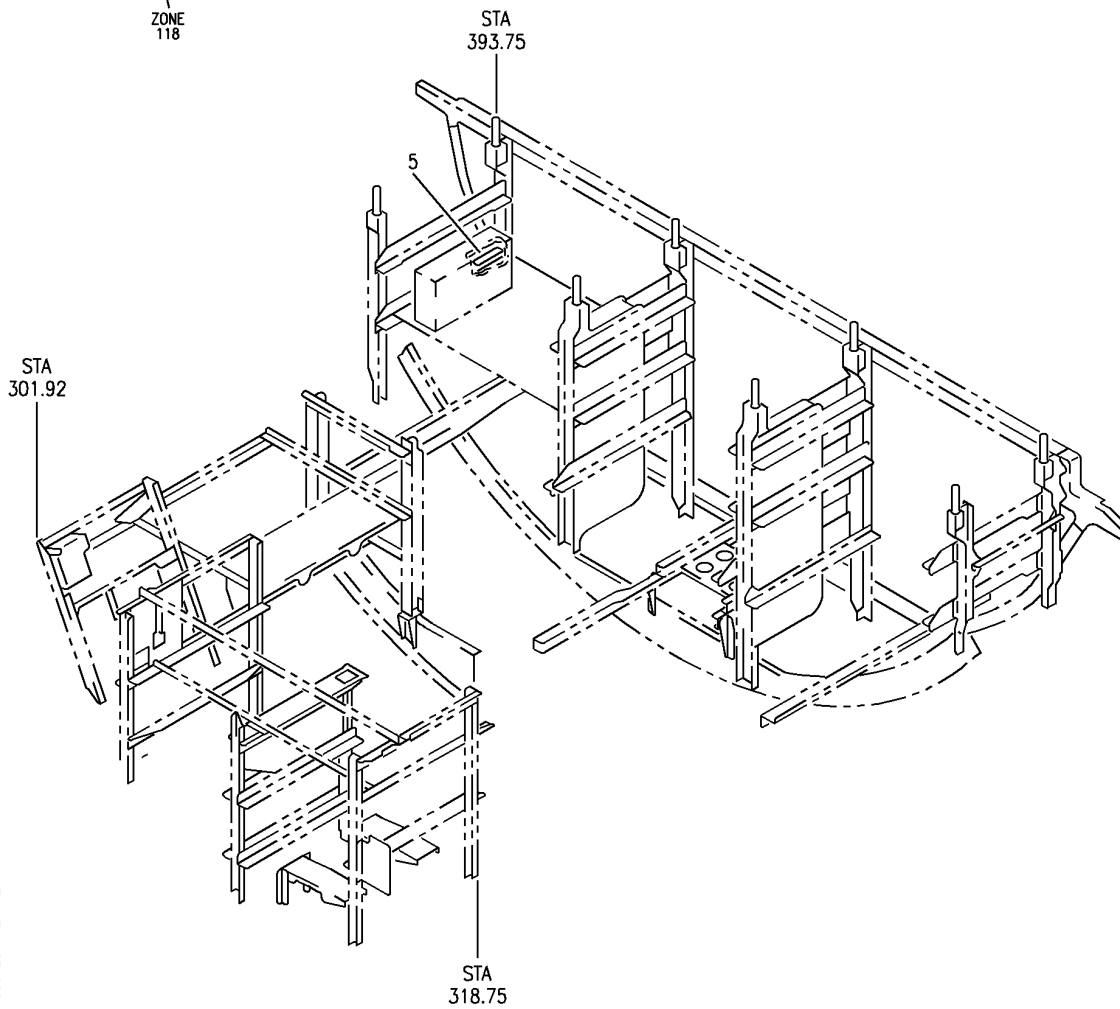
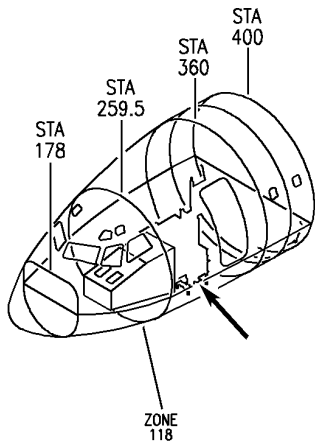
HAP

11-36-01-23

BOEING PROPRIETARY - Copyright © - Unpublished Work - See title page for details.

11-36-01
FIG. 23
PAGE 1
FEB 10/07

BOEING
737-600/700/800/900
PARTS CATALOG (MAINTENANCE)



E 11360123A REV 127

ACCESSORY UNIT ASSY-AUTO SPEED BRAKE CONT (PLACARDS AND MARKINGS ONLY)
FIGURE 23A

HAP
FEB 10/07

11-36-01-23A

11-36-01-23A
PAGE 0

BOEING
737-600/700/800/900
PARTS CATALOG (MAINTENANCE)

FIG ITEM	PART NUMBER	1 2 3 4 5 6 7	NOMENCLATURE	EFFECT FROM TO	UNITS PER ASSY
23A			ACCESSORY UNIT ASSY-AUTO SPEED BRAKE CONT (PLACARDS AND MARKINGS ONLY)	012030	
- 1	65-84209-21		ACCESSORY UNIT ASSY-AUTO SPEED BRAKE CONT (PLACARDS AND MARKINGS ONLY) SUPPLIER CODE: V89954 ELECTRICAL EQUIP NUMBER: M00980 COMPONENT MAINT MANUAL REF: 27-62-51 FOR NHA/OTHER SYS DET SEE: 27-62-35-03	012030	RF
5	BAC27DEX1929		.MARKER-ALUMINUM FOIL SUPPLIER CODE: V89954 PLACARD CONTENT: CAUTION-OBSERVE POLARITY OF K6 & K7, BLUE BEAD IN PIN 2	012030	1

MISSING ITEM NUMBERS NOT APPLICABLE

- ITEM NOT ILLUSTRATED

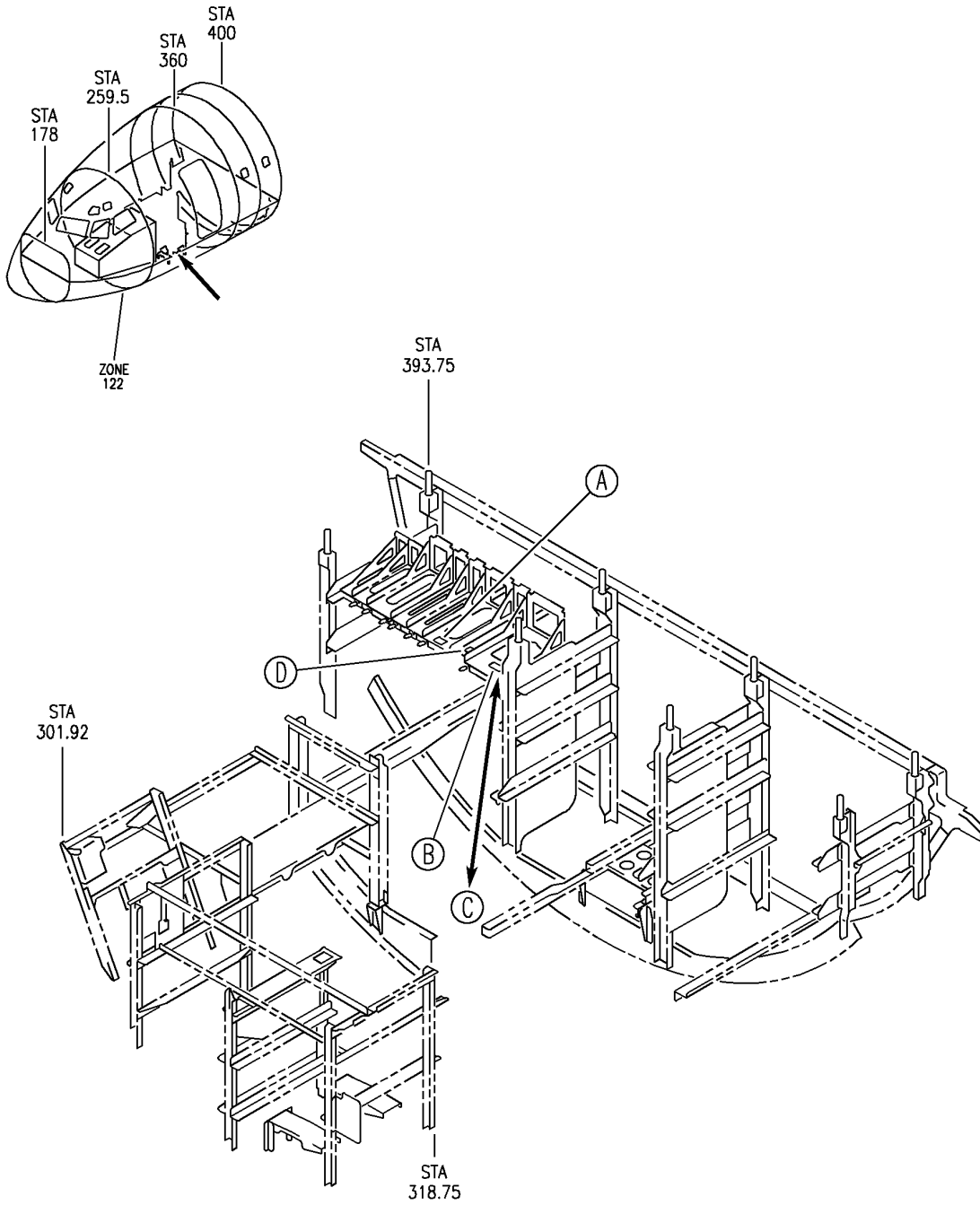
HAP

11-36-01-23A

BOEING PROPRIETARY - Copyright © - Unpublished Work - See title page for details.

11-36-01
FIG. 23A
PAGE 1
FEB 10/07

BOEING
 737-600/700/800/900
 PARTS CATALOG (MAINTENANCE)



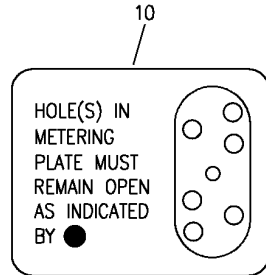
E 11360124 SHT 1 REV 118

SHELF SUBASSY-E/E EQPT E4-1 (PLACARDS AND MARKINGS ONLY)
 FIGURE 24 (SHEET 1)

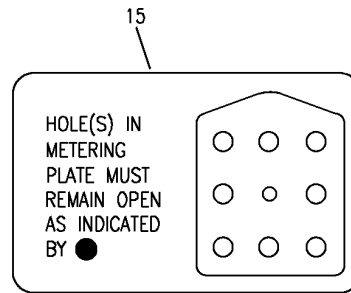
11-36-01-24

HAP
 OCT 10/06

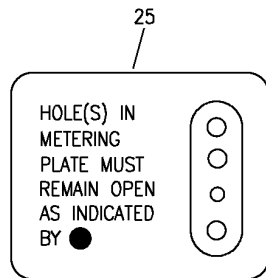
11-36-01-24
 PAGE 0



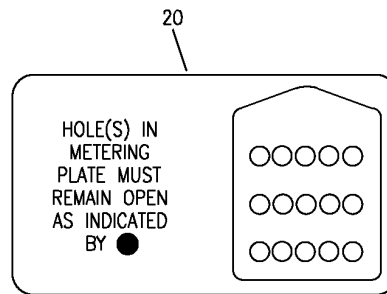
(A)



(B)



(D)



(C)

E 11360124 SHT 2 REV 118

SHELF SUBASSY-E/E EQPT E4-1 (PLACARDS AND MARKINGS ONLY)
 FIGURE 24 (SHEET 2)

11-36-01-24

HAP
 OCT 10/06

11-36-01-24
 PAGE 0A

BOEING
737-600/700/800/900
PARTS CATALOG (MAINTENANCE)

FIG ITEM	PART NUMBER	1 2 3 4 5 6 7	NOMENCLATURE	EFFECT FROM TO	UNITS PER ASSY
24			SHELF SUBASSY-E/E EQPT E4-1 (PLACARDS AND MARKINGS ONLY)	031200 968999	
- 1	284A1741-118		SHELF SUBASSY-E/E EQPT E4-1 (PLACARDS AND MARKINGS ONLY) FOR NHA/OTHER SYS DET SEE: 25-50-52-13A	101200 968999	RF
- 1	284A1741-128		SHELF SUBASSY-E/E EQPT E4-1 (PLACARDS AND MARKINGS ONLY) FOR NHA/OTHER SYS DET SEE: 25-50-52-31A	037100	RF
- 1	284A1741-144		SHELF SUBASSY-E/E EQPT E4-1 (PLACARDS AND MARKINGS ONLY) FOR NHA/OTHER SYS DET SEE: 25-50-51-19A	031036	RF
10	BAC27TEX2034		.DECAL	031200 968999	1
25	BAC27TEX2032		.DECAL	031036	1

MISSING ITEM NUMBERS NOT APPLICABLE

- ITEM NOT ILLUSTRATED

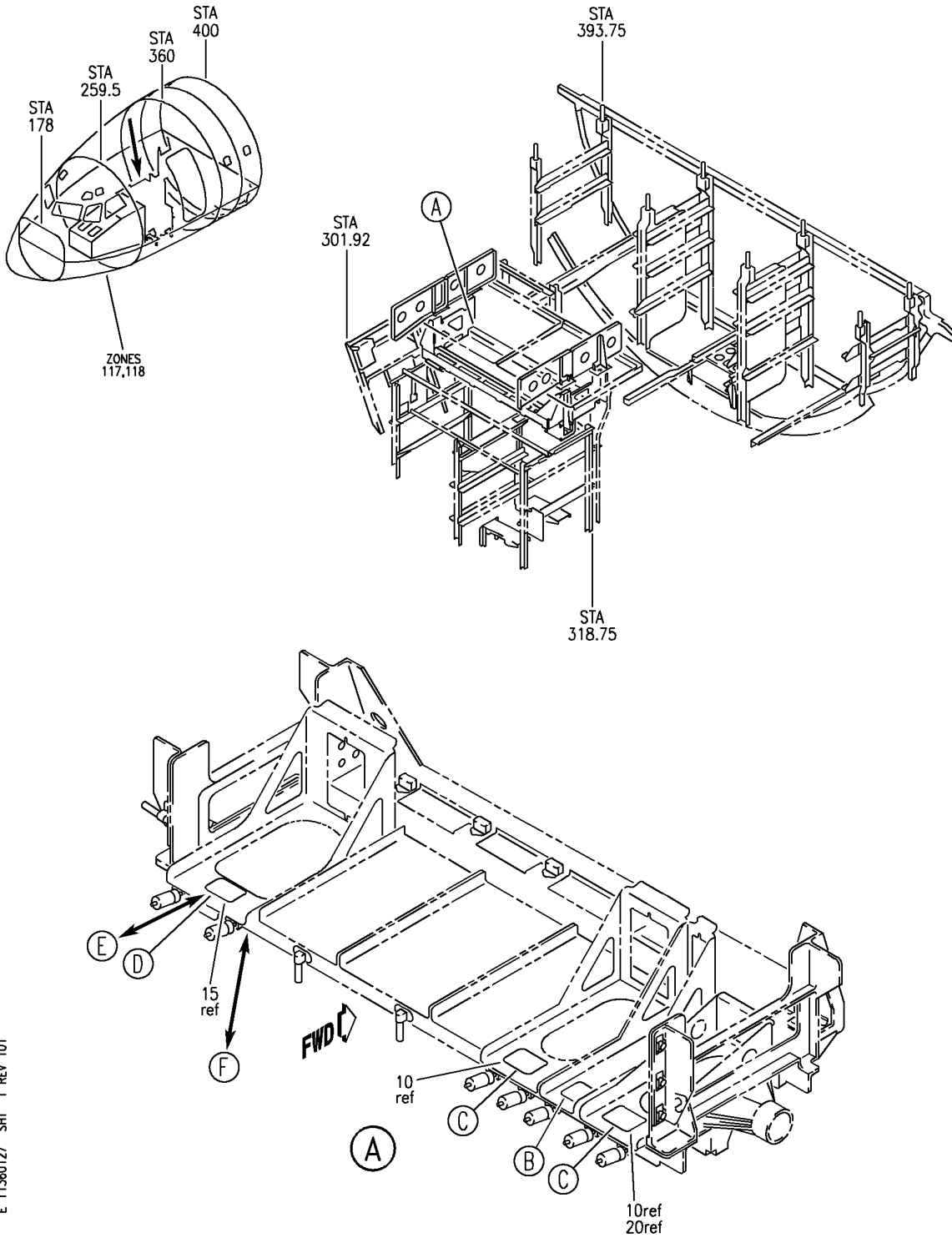
HAP

11-36-01-24

BOEING PROPRIETARY - Copyright © - Unpublished Work - See title page for details.

11-36-01
FIG. 24
PAGE 1
OCT 15/08

BOEING
 737-600/700/800/900
 PARTS CATALOG (MAINTENANCE)



E 11360127 SHT 1 REV 101

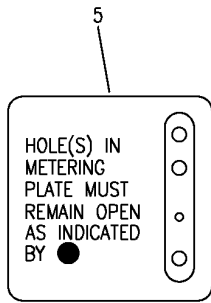
SHELF ASSY-E8-1 E/E EQPT (PLACARDS AND MARKINGS MARKINGS ONLY)
 FIGURE 27 (SHEET 1)

11-36-01-27

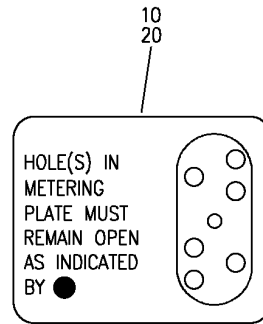
HAP
 OCT 10/06

11-36-01-27
 PAGE 0

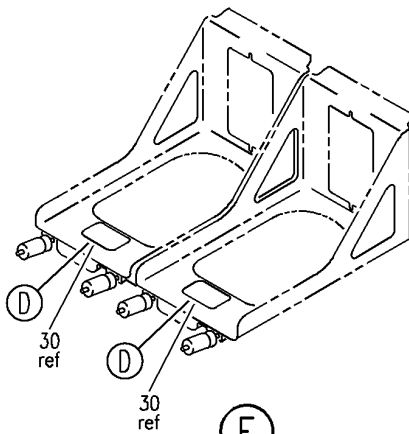
BOEING
 737-600/700/800/900
 PARTS CATALOG (MAINTENANCE)



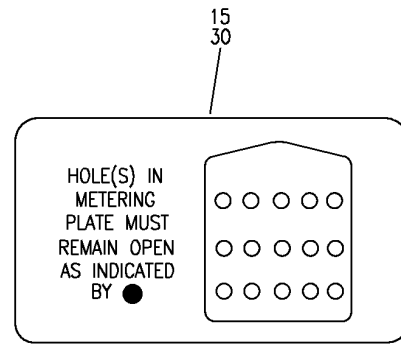
(B)



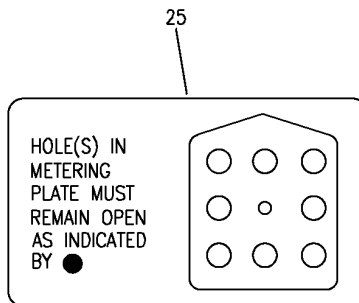
(C)



(F)



(D)



(E)

E 11360127 SH1 2 REV 101

SHELF ASSY-E8-1 E/E EQPT (PLACARDS AND MARKINGS MARKINGS ONLY)
 FIGURE 27 (SHEET 2)

11-36-01-27

HAP
 OCT 10/06

11-36-01-27
 PAGE 0A

BOEING
737-600/700/800/900
PARTS CATALOG (MAINTENANCE)

FIG ITEM	PART NUMBER	1 2 3 4 5 6 7	NOMENCLATURE	EFFECT FROM TO	UNITS PER ASSY
27			SHELF ASSY-E8-1 E/E EQPT (PLACARDS AND MARKINGS MARKINGS ONLY)	005005 008030	
- 1	284A1781-6		SHELF ASSY-E8-1 E/E EQPT (PLACARDS AND MARKINGS ONLY) FOR NHA/OTHER SYS DET SEE: 25-50-52-36	005005	RF
- 1	284A1781-18		SHELF ASSY-E8-1 E/E EQPT FOR NHA/OTHER SYS DET SEE: 25-50-51-31	008011	RF
- 1	284A1781-30		SHELF ASSY-E8-1 E/E EQPT FOR NHA/OTHER SYS DET SEE: 25-50-51-31	012030	RF
5	BAC27TEX2032		.DECAL	005005 008030	1
10	BAC27TEX2034		.DECAL	005005 008030	2
25	BAC27TEX2036		.DECAL	005005	1

MISSING ITEM NUMBERS NOT APPLICABLE

- ITEM NOT ILLUSTRATED

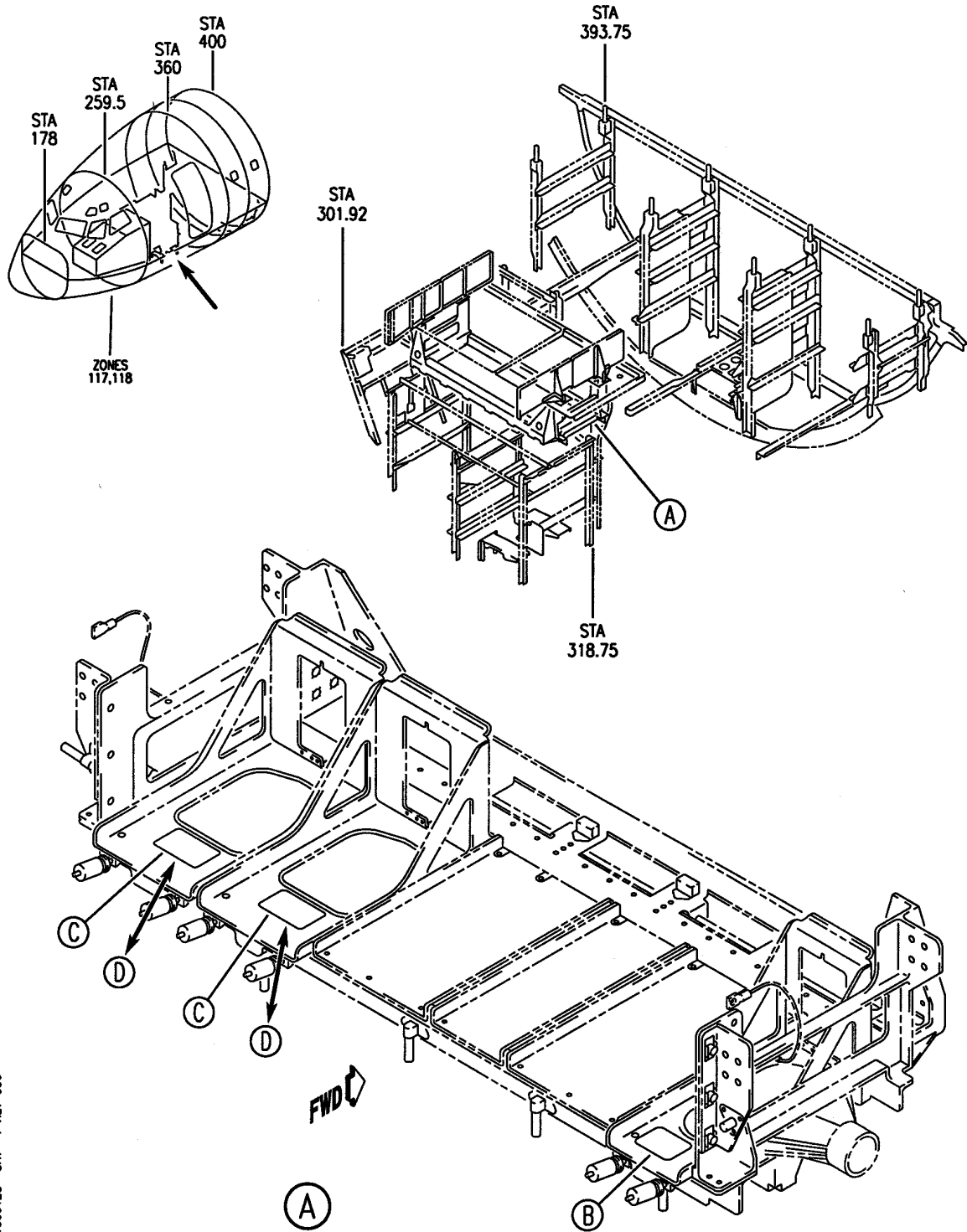
HAP

11-36-01-27

BOEING PROPRIETARY - Copyright © - Unpublished Work - See title page for details.

11-36-01
FIG. 27
PAGE 1
OCT 10/06

BOEING
 737-600/700/800/900
 PARTS CATALOG (MAINTENANCE)



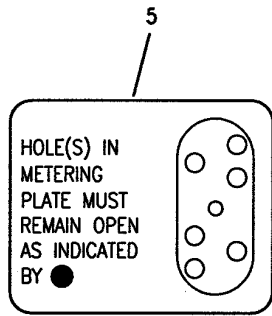
E 11.360128 SHT 1 REV 036

SHELF ASSY- E/E EQPT E8-1 RACK (PLACARDS AND MARKINGS ONLY)
 FIGURE 28 (SHEET 1)

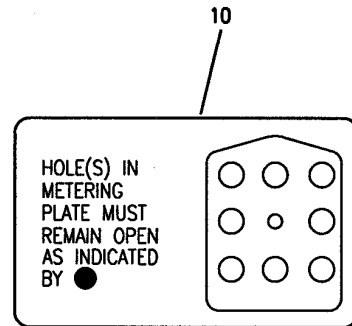
11-36-01-28

HAP
 FEB 10/07

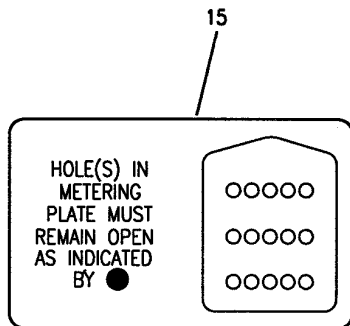
11-36-01-28
 PAGE 0



(B)



(C)



(D)

E 11360128 SHT 2 REV 036

SHELF ASSY- E/E EQPT E8-1 RACK(PLACARDS AND MARKINGS ONLY)
 FIGURE 28 (SHEET 2)

11-36-01-28

HAP
 FEB 10/07

11-36-01-28
 PAGE 0A


BOEING
 737-600/700/800/900
PARTS CATALOG (MAINTENANCE)

FIG ITEM	PART NUMBER	1 2 3 4 5 6 7	NOMENCLATURE	EFFECT FROM TO	UNITS PER ASSY
28			SHELF ASSY- E/E EQPT E8-1 RACK (PLACARDS AND MARKINGS ONLY)	037037 039040	
- 1	284A1781-38		SHELF ASSY-E/E EQPT E8-1 RACK (PLACARDS AND MARKINGS ONLY) FOR NHA/OTHER SYS DET SEE: 25-50-52-36A	037037 039040	RF
15	BAC27TEX2086		.DECAL-	037037 039040	2

MISSING ITEM NUMBERS NOT APPLICABLE

- ITEM NOT ILLUSTRATED

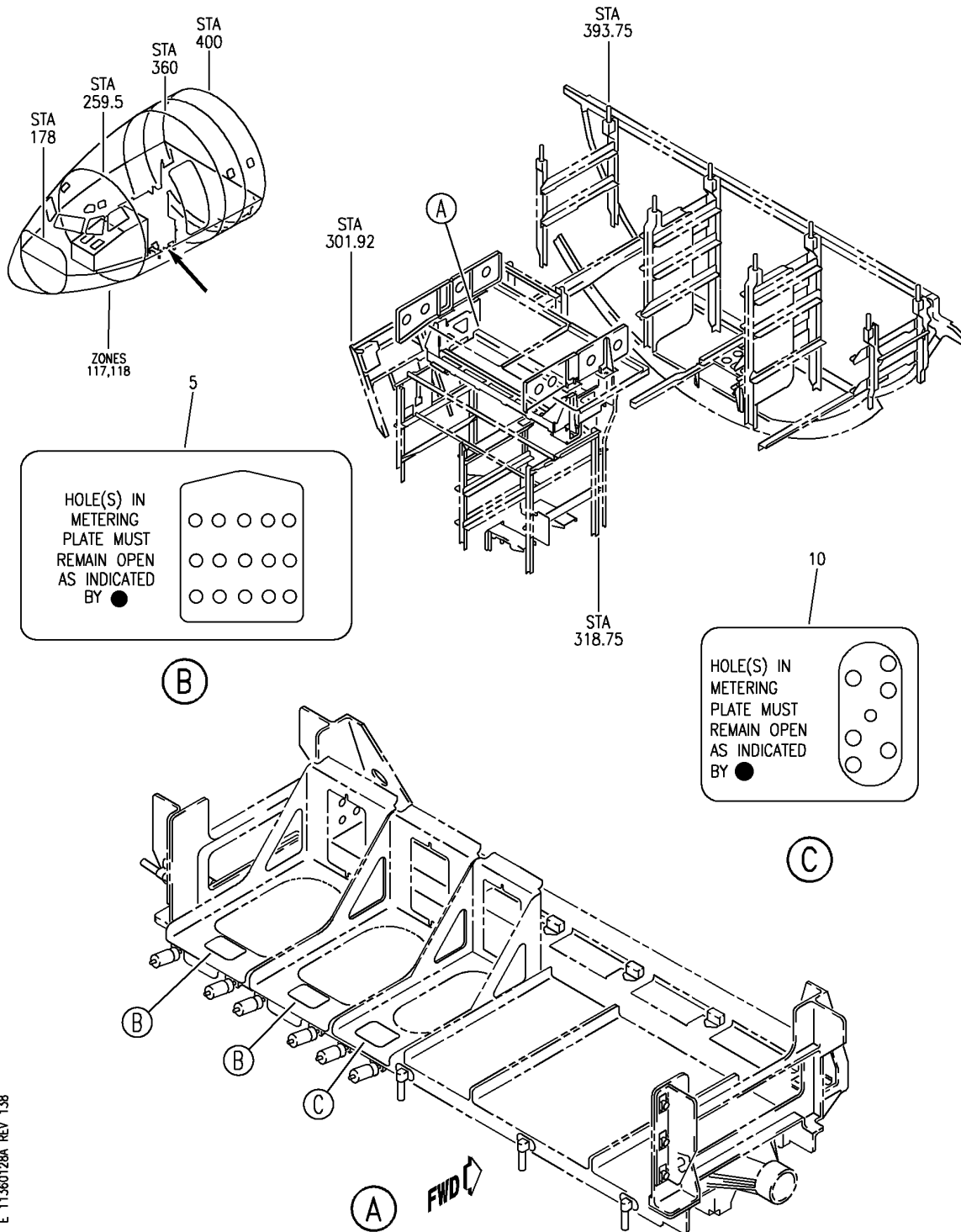
HAP

11-36-01-28

BOEING PROPRIETARY - Copyright © - Unpublished Work - See title page for details.

11-36-01
 FIG. 28
 PAGE 1
 FEB 10/07

BOEING
 737-600/700/800/900
 PARTS CATALOG (MAINTENANCE)



E 11360128A REV 138

SHELF SUBASSY-E8-1 E/E EQPT (PLACARDS AND MARKINGS ONLY)
 FIGURE 28A

HAP
 JUN 15/08

11-36-01-28A

11-36-01-28A
 PAGE 0

BOEING
737-600/700/800/900
PARTS CATALOG (MAINTENANCE)

FIG ITEM	PART NUMBER	1 2 3 4 5 6 7	NOMENCLATURE	EFFECT FROM TO	UNITS PER ASSY
28A			SHELF SUBASSY-E8-1 E/E EQPT (PLACARDS AND MARKINGS ONLY)	048048	
- 1	284A1781-49		SHELF SUBASSY-E8-1 E/E EQPT (PLACARDS AND MARKINGS ONLY) FOR NHA/OTHER SYS DET SEE: 25-50-51-21C	048048	RF
5	BAC27TEX2086		.DECAL	048048	2
10	BAC27TEX2034		.DECAL	048048	1

MISSING ITEM NUMBERS NOT APPLICABLE

- ITEM NOT ILLUSTRATED

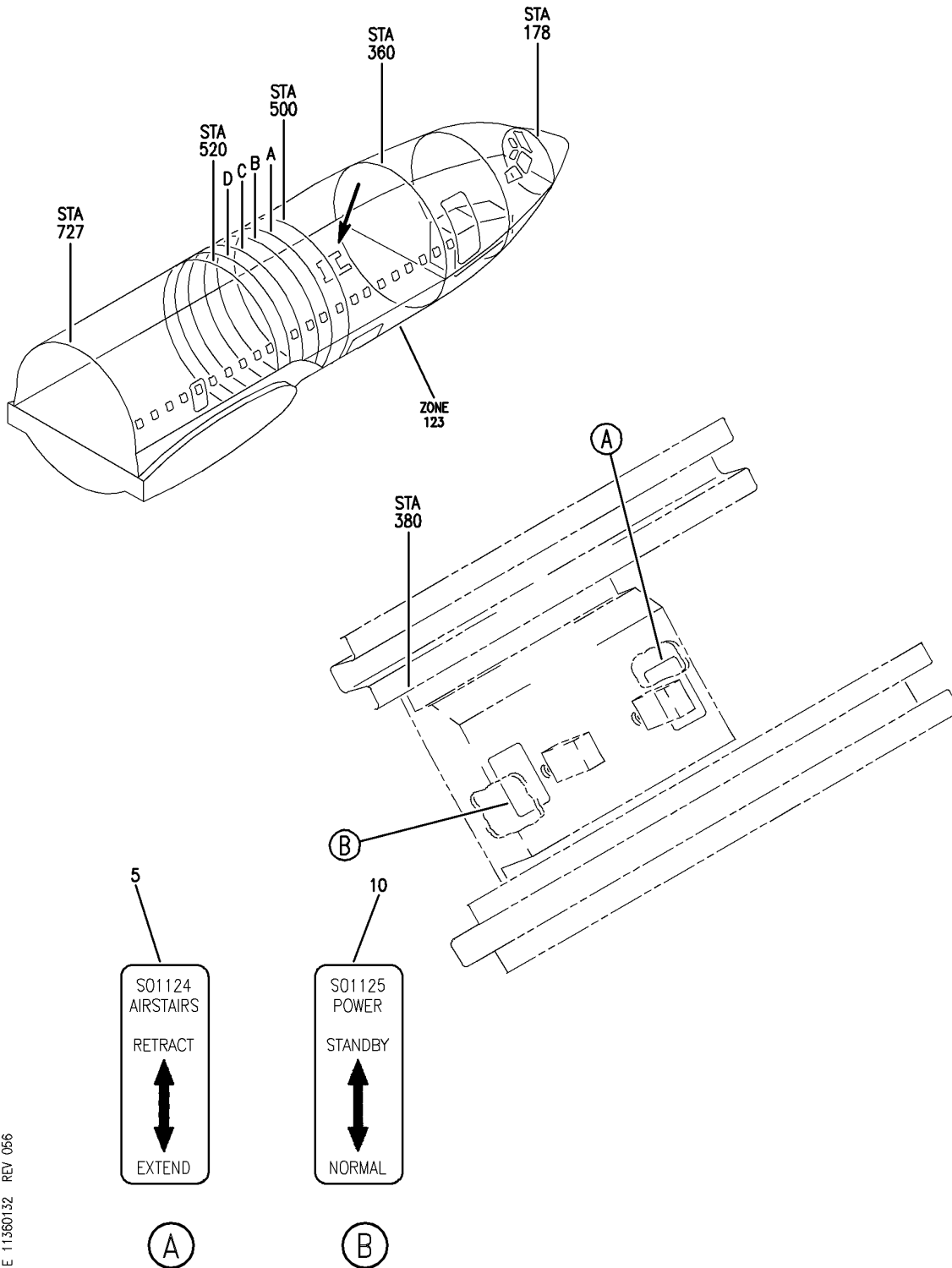
HAP

11-36-01-28A

BOEING PROPRIETARY - Copyright © - Unpublished Work - See title page for details.

11-36-01
FIG. 28A
PAGE 1
JUN 15/08

BOEING
 737-600/700/800/900
 PARTS CATALOG (MAINTENANCE)



E 11360132 REV 056

SWITCH INSTL-FWD AIRSTAIRS ACTIVATION (PLACARDS AND MARKINGS ONLY)
 FIGURE 32

11-36-01-32

HAP
 OCT 15/08

11-36-01-32
 PAGE 0

BOEING
737-600/700/800/900
PARTS CATALOG (MAINTENANCE)

FIG ITEM	PART NUMBER	1 2 3 4 5 6 7	NOMENCLATURE	EFFECT FROM TO	UNITS PER ASSY
32			SWITCH INSTL-FWD AIRSTAIRS ACTIVATION (PLACARDS AND MARKINGS ONLY)	201967	
- 1	284A0304-1		SWITCH INSTL-AIRSTAIRS ACTIVATION (PLACARDS AND MARKINGS ONLY) POSITION DATA: FWD FOR NHA/OTHER SYS DET SEE: 52-60-00-03	201967	RF
5	BAC27DEX6363		.DECAL	201967	1
10	BAC27DEX6364		.DECAL	201967	1

MISSING ITEM NUMBERS NOT APPLICABLE

- ITEM NOT ILLUSTRATED

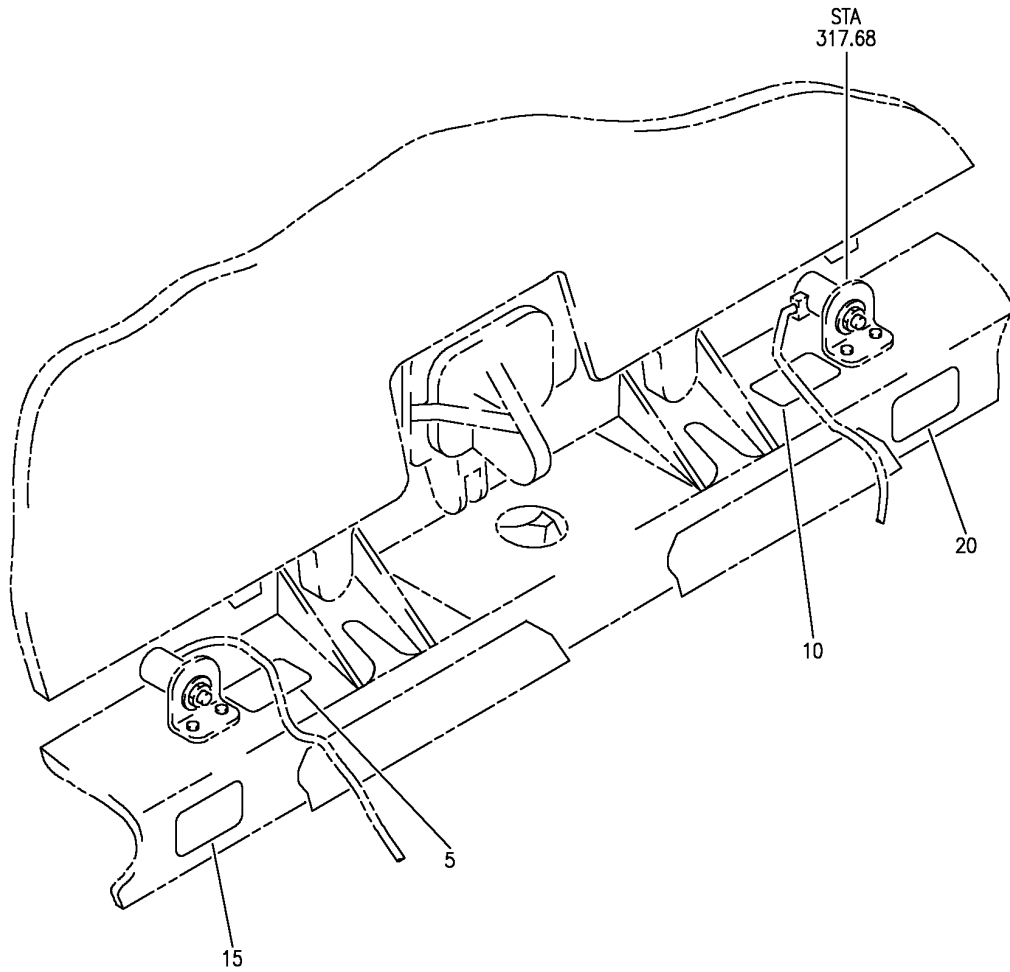
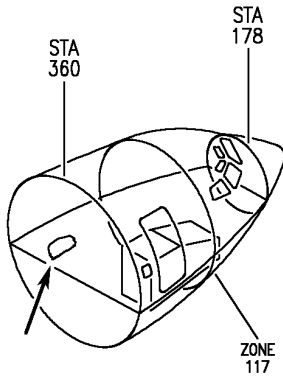
HAP

11-36-01-32

BOEING PROPRIETARY - Copyright © - Unpublished Work - See title page for details.

11-36-01
FIG. 32
PAGE 1
OCT 15/08

BOEING
737-600/700/800/900
PARTS CATALOG (MAINTENANCE)



E 11360133 REV 154

SWITCH INSTL-FWD AIRSTAIRS DOOR CLOSED INDICATING (PLACARDS AND MARKINGS ONLY)
FIGURE 33

HAP
JUN 15/09

11-36-01-33

11-36-01-33
PAGE 0

BOEING
737-600/700/800/900
PARTS CATALOG (MAINTENANCE)

FIG ITEM	PART NUMBER	1 2 3 4 5 6 7	NOMENCLATURE	EFFECT FROM TO	UNITS PER ASSY
33			SWITCH INSTL-FWD AIRSTAIRS DOOR CLOSED INDICATING (PLACARDS AND MARKINGS ONLY)	201967	
- 1	284A0314-2		SWITCH INSTL-AIRSTAIRS DOOR CLOSED INDICATING (PLACARDS AND MARKINGS ONLY) POSITION DATA: FWD FOR NHA/OTHER SYS DET SEE: 52-60-00-03	201967	RF
5	BACM10L1EKP		.DECAL- PLACARD CONTENT: S208 FWD AIRSTAIRS AUX DOOR WARNING	201967	1
10	BACM10L1EKN		.DECAL- PLACARD CONTENT: S207 FWD AIRSTAIRS DOOR CLOSED	201967	1

MISSING ITEM NUMBERS NOT APPLICABLE

- ITEM NOT ILLUSTRATED

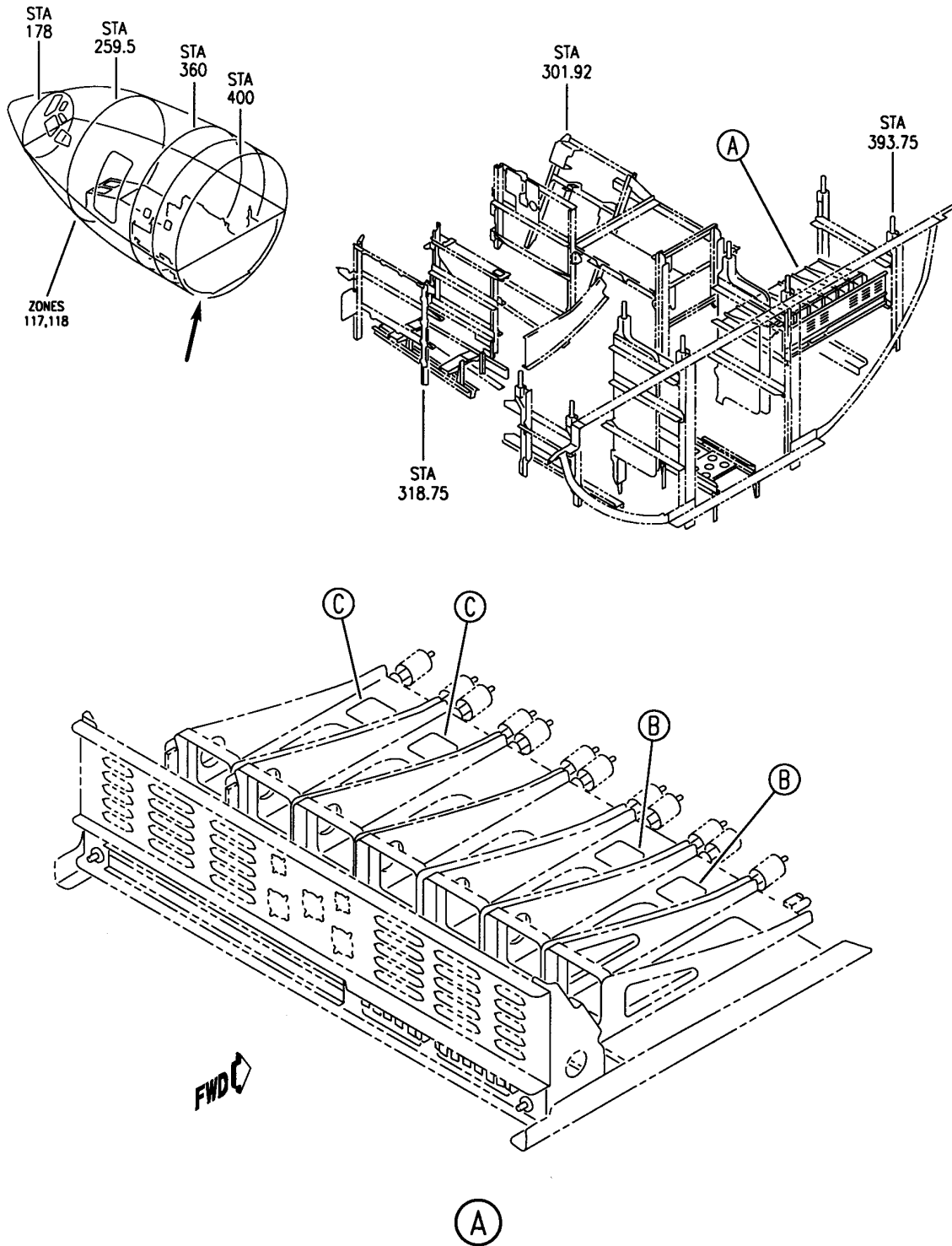
HAP

11-36-01-33

BOEING PROPRIETARY - Copyright © - Unpublished Work - See title page for details.

11-36-01
FIG. 33
PAGE 1
OCT 15/08

BOEING
 737-600/700/800/900
 PARTS CATALOG (MAINTENANCE)



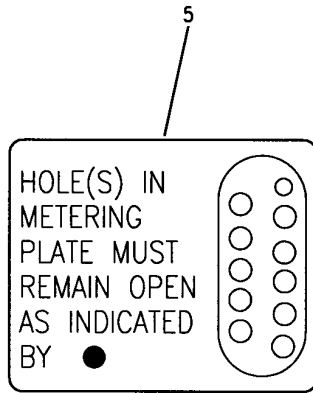
E 11360138 SHT 1 REV 030

SHELF ASSY-E/E EQPT E4-2 RACK (PLACARDS AND MARKINGS ONLY)
 FIGURE 38 (SHEET 1)

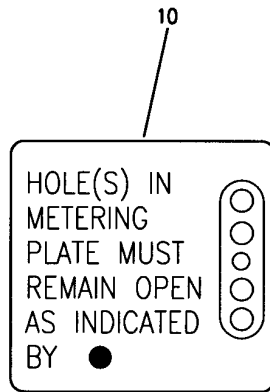
11-36-01-38

HAP
 OCT 10/06

11-36-01-38
 PAGE 0



(B)



(C)

E 11360138 SHT 2 REV 030

SHELF ASSY-E/E EQPT E4-2 RACK (PLACARDS AND MARKINGS ONLY)
FIGURE 38 (SHEET 2)

11-36-01-38

HAP
OCT 10/06

11-36-01-38
PAGE 0A

BOEING
737-600/700/800/900
PARTS CATALOG (MAINTENANCE)

FIG ITEM	PART NUMBER	1 2 3 4 5 6 7	NOMENCLATURE	EFFECT FROM TO	UNITS PER ASSY
38			SHELF ASSY-E/E EQPT E4-2 RACK (PLACARDS AND MARKINGS ONLY)		
- 1	284A1742-1		SHELF ASSY-E/E EQPT E4-2 RACK (PLACARDS AND MARKINGS ONLY) FOR NHA/OTHER SYS DET SEE: 25-50-52-21 25-50-52-21A	001009 201967	RF
- 1	284A1742-4		SHELF ASSY-E/E EQPT E4-2 RACK (PLACARDS AND MARKINGS ONLY) FOR NHA/OTHER SYS DET SEE: 25-50-51-39	010030	RF
- 1	284A1742-6		SHELF ASSY-E/E EQPT E4-2 RACK (PLACARDS AND MARKINGS ONLY) FOR NHA/OTHER SYS DET SEE: 25-50-52-21A	031200 968999	RF
5	BAC27DEX6544		.DECAL		2
10	BAC27TEX2033		.DECAL		2

MISSING ITEM NUMBERS NOT APPLICABLE

- ITEM NOT ILLUSTRATED

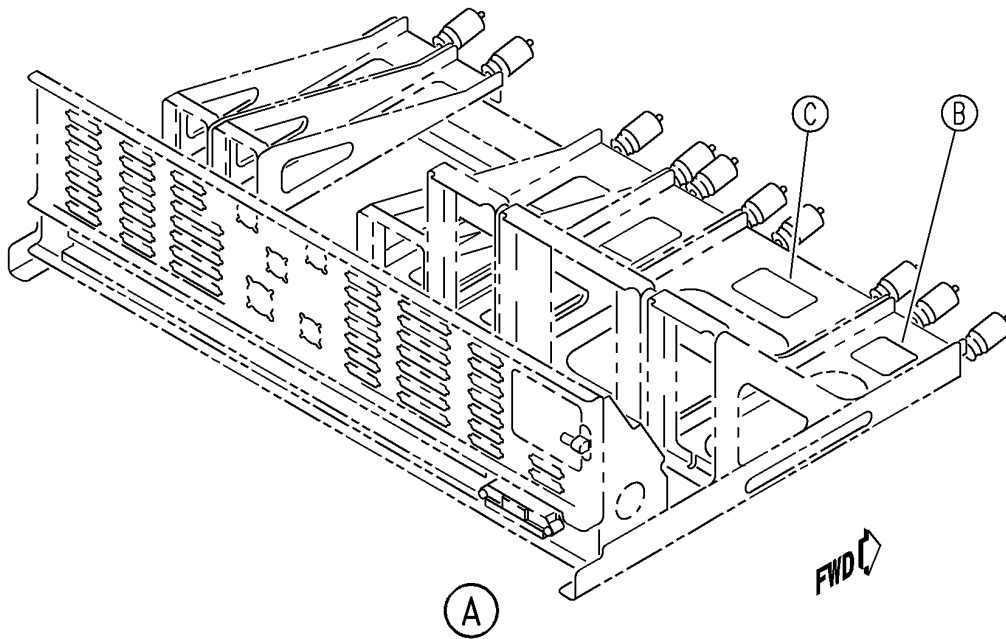
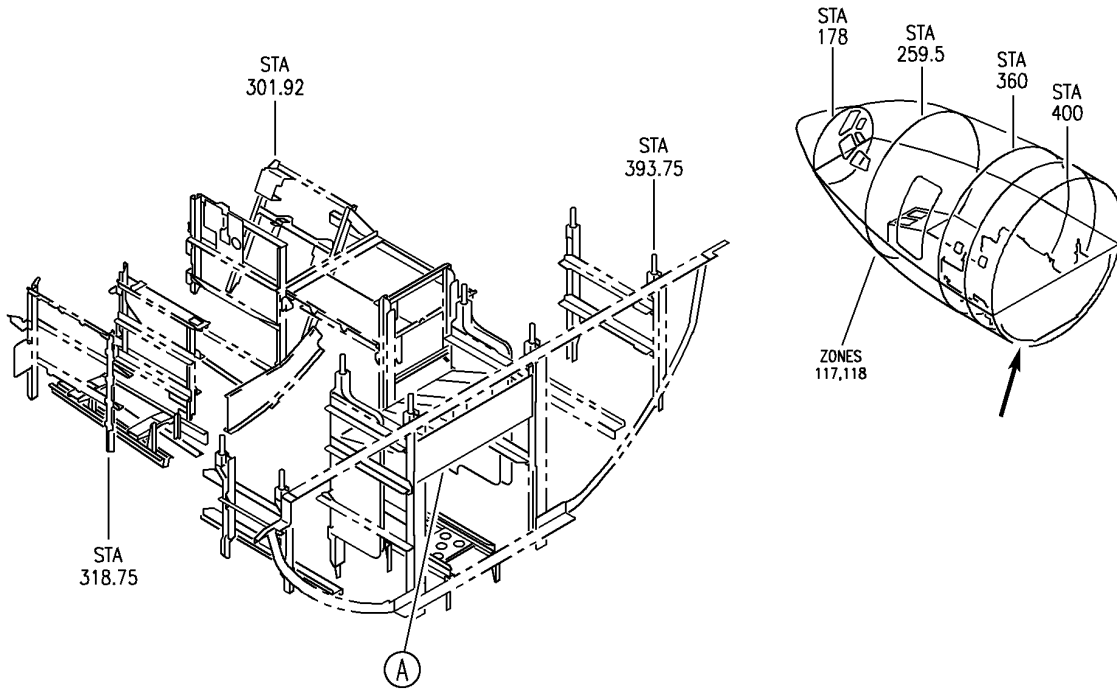
HAP

11-36-01-38

BOEING PROPRIETARY - Copyright © - Unpublished Work - See title page for details.

11-36-01
FIG. 38
PAGE 1
OCT 15/08

BOEING
 737-600/700/800/900
 PARTS CATALOG (MAINTENANCE)



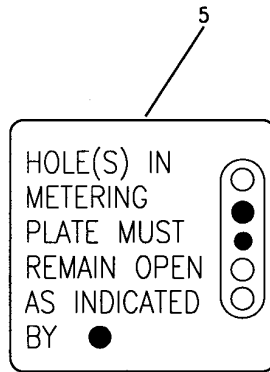
E 11360139 SHT 1 REV 107

SHELF ASSY-E3-2, E/E EQPT (PLACARDS AND MARKINGS ONLY)
 FIGURE 39 (SHEET 1)

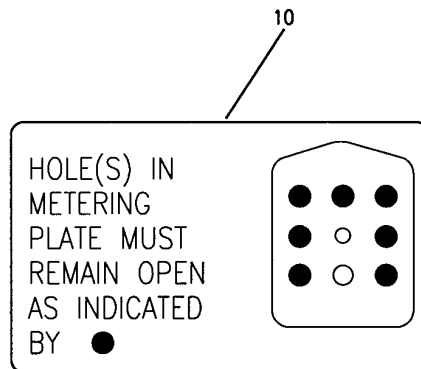
11-36-01-39

HAP
 OCT 15/08

11-36-01-39
 PAGE 0



(B)



(C)

E 11360139 SH1 2 REV 028

SHELF ASSY-E3-2, E/E EQPT (PLACARDS AND MARKINGS ONLY)
FIGURE 39 (SHEET 2)

11-36-01-39

HAP
OCT 15/08

11-36-01-39
PAGE 0A

BOEING
737-600/700/800/900
PARTS CATALOG (MAINTENANCE)

FIG ITEM	PART NUMBER	1 2 3 4 5 6 7	NOMENCLATURE	EFFECT FROM TO	UNITS PER ASSY
39			SHELF ASSY-E3-2, E/E EQPT (PLACARDS AND MARKINGS ONLY)	201967	
- 1	284A1732-1		SHELF ASSY-E/E EQPT,E3-2 (PLACARDS AND MARKINGS ONLY) RACK FOR NHA/OTHER SYS DET SEE: 25-50-52-23A	201967	RF
5	BAC27TEX2033		.DECAL	201967	1
10	BAC27TEX2036		.DECAL	201967	1

MISSING ITEM NUMBERS NOT APPLICABLE

- ITEM NOT ILLUSTRATED

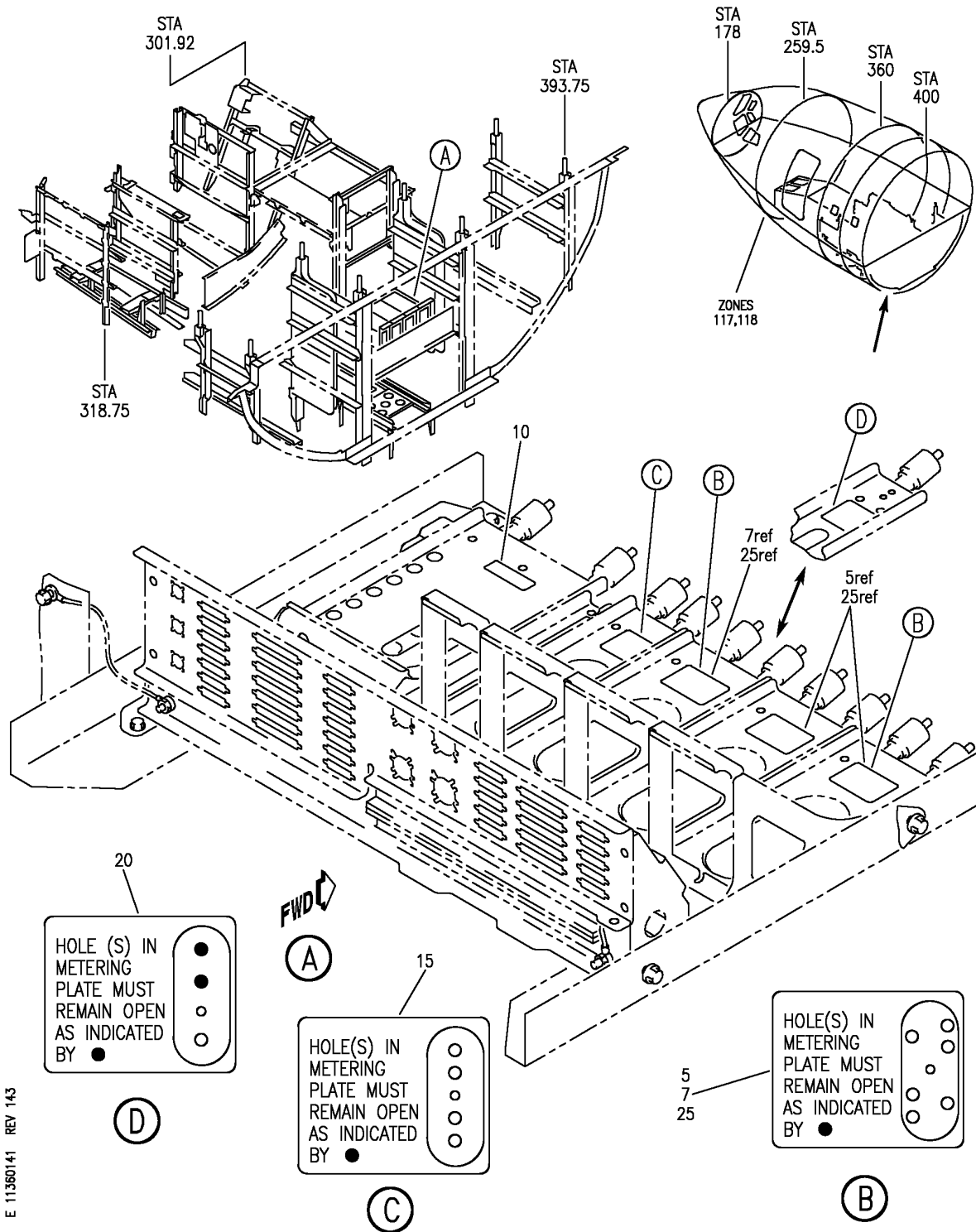
HAP

11-36-01-39

BOEING PROPRIETARY - Copyright © - Unpublished Work - See title page for details.

11-36-01
FIG. 39
PAGE 1
OCT 15/08

BOEING
737-600/700/800/900
PARTS CATALOG (MAINTENANCE)



E 11360141 REV 143

SHELF SUBASSY-E/E EQPT E3-3 (PLACARDS AND MARKINGS ONLY)
FIGURE 41

11-36-01-41

HAP
JUN 15/08

11-36-01-41
PAGE 0

BOEING
737-600/700/800/900
PARTS CATALOG (MAINTENANCE)

FIG ITEM	PART NUMBER	1 2 3 4 5 6 7	NOMENCLATURE	EFFECT FROM TO	UNITS PER ASSY
R R R R	41		SHELF SUBASSY-E/E EQPT E3-3 (PLACARDS AND MARKINGS ONLY)	001030	
	- 1	284A1733-3	SHELF SUBASSY-E/E EQPT E3-3 (PLACARDS AND MARKINGS ONLY) FOR NHA/OTHER SYS DET SEE: 25-50-52-25 25-50-52-25C	001030	RF
	10	BAC27DEX5580	.DECAL- PLACARD CONTENT: METERING PLATE NOT REQUIRED	001030	1
	15 25	BAC27TEX2033 BAC27TEX2034	.DECAL .DECAL	001030 001030	1 3

MISSING ITEM NUMBERS NOT APPLICABLE

- ITEM NOT ILLUSTRATED

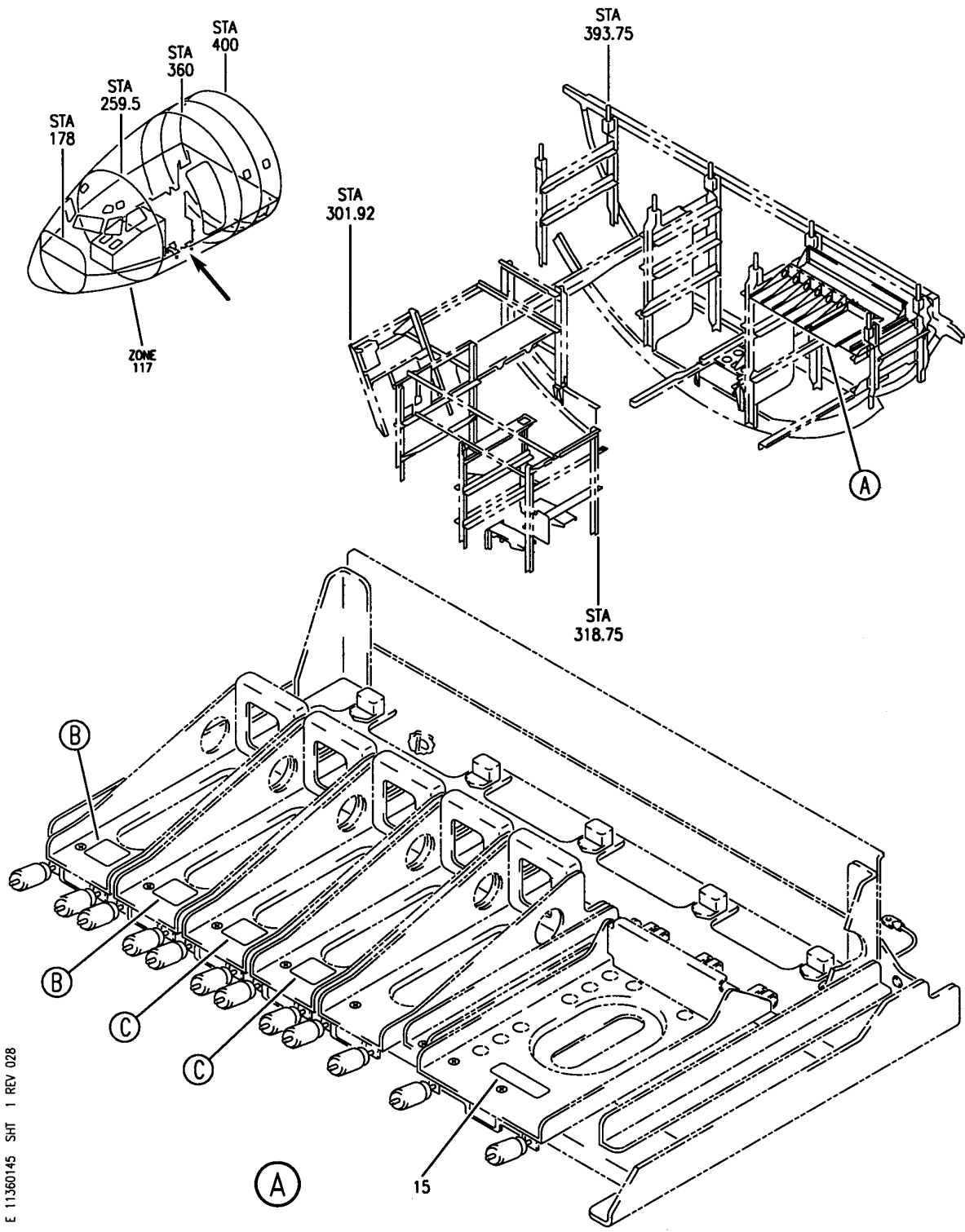
HAP

11-36-01-41

BOEING PROPRIETARY - Copyright © - Unpublished Work - See title page for details.

11-36-01
FIG. 41
PAGE 1
JUN 15/09

BOEING
 737-600/700/800/900
 PARTS CATALOG (MAINTENANCE)



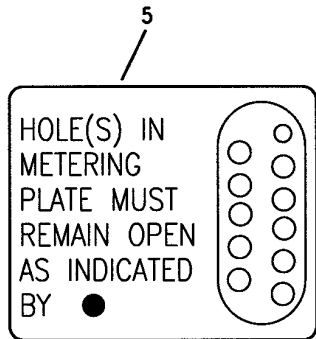
E 11360145 SHT 1 REV 028

SHELF ASSY-E/E EQPT E2-1 RACK (PLACARDS AND MARKINGS ONLY)
 FIGURE 45 (SHEET 1)

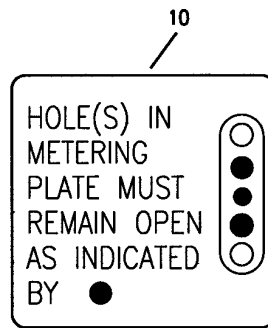
11-36-01-45

HAP
 OCT 10/06

11-36-01-45
 PAGE 0



(B)



(C)

E 11360145 SHT 2 REV 028

SHELF ASSY-E/E EQPT E2-1 RACK (PLACARDS AND MARKINGS ONLY)
FIGURE 45 (SHEET 2)

HAP
OCT 10/06

11-36-01-45

11-36-01-45
PAGE 0A

BOEING
737-600/700/800/900
PARTS CATALOG (MAINTENANCE)

FIG ITEM	PART NUMBER	1 2 3 4 5 6 7	NOMENCLATURE	EFFECT FROM TO	UNITS PER ASSY
45			SHELF ASSY-E/E EQPT E2-1 RACK (PLACARDS AND MARKINGS ONLY)	001030 201967	
- 1	284A1721-2		SHELF ASSY-E/E EQPT (PLACARDS AND MARKINGS ONLY) POSITION DATA: E2-1 RACK FOR NHA/OTHER SYS DET SEE: 25-50-52-18 25-50-52-18B	001030 201967	RF
	5 BAC27DEX6544		.DECAL	001030 201967	2
	10 BAC27TEX2033		.DECAL	001030 201967	2
	15 BAC27DEX5580		.DECAL- PLACARD CONTENT: METERING PLATE NOT REQUIRED	001030 201967	1

MISSING ITEM NUMBERS NOT APPLICABLE

- ITEM NOT ILLUSTRATED

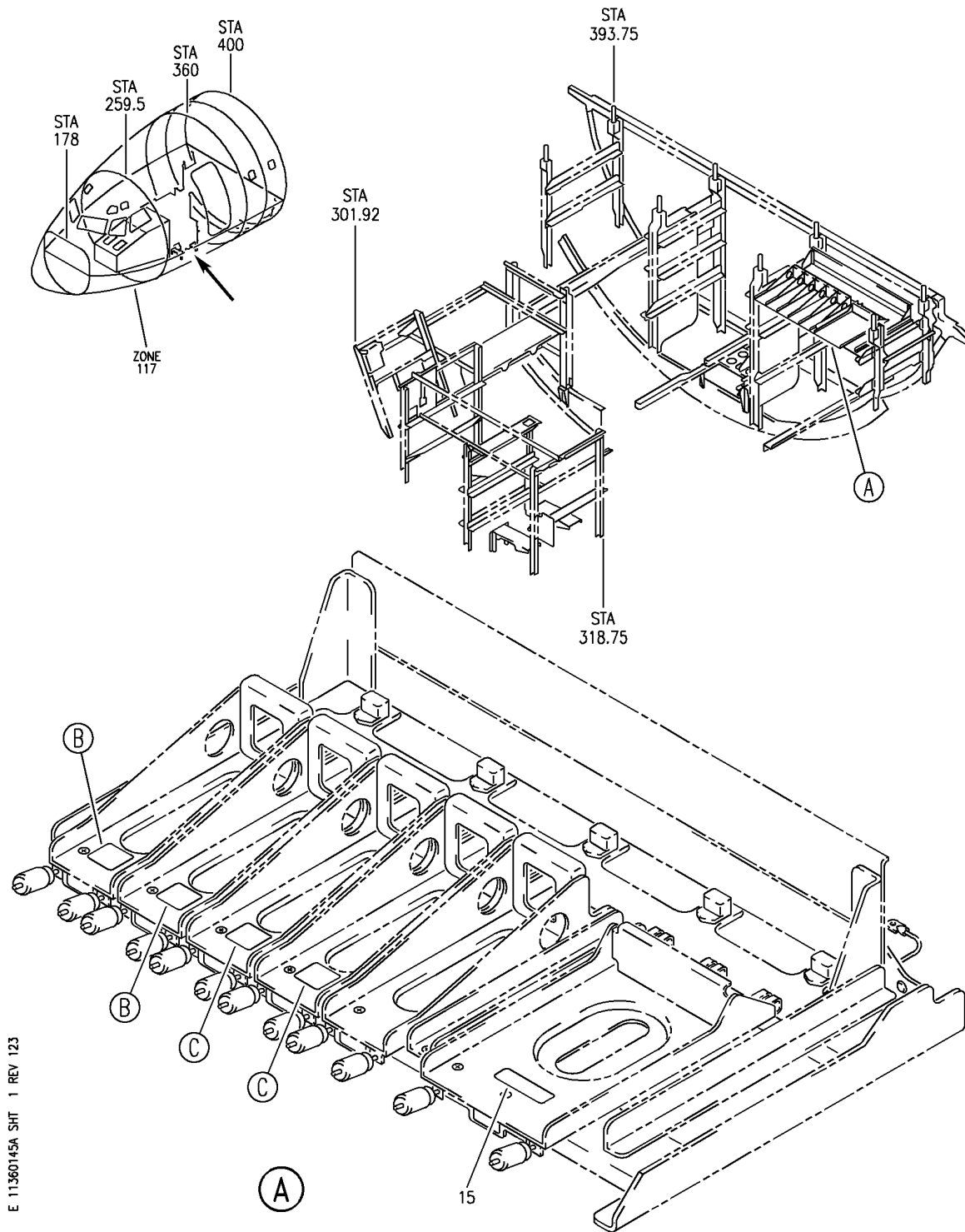
HAP

11-36-01-45

BOEING PROPRIETARY - Copyright © - Unpublished Work - See title page for details.

11-36-01
FIG. 45
PAGE 1
OCT 15/08

BOEING
 737-600/700/800/900
 PARTS CATALOG (MAINTENANCE)



E 11360145A SHT 1 REV 123

SHELF ASSY-E2-1 E/E EQPT (PLACARDS AND MARKINGS ONLY)
 FIGURE 45A (SHEET 1)

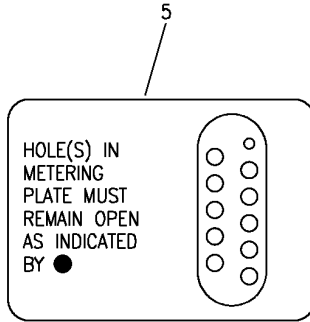
11-36-01-45A

HAP
 FEB 10/07

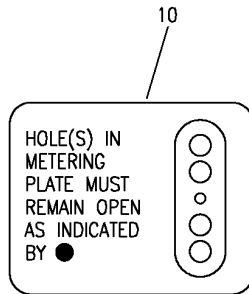
11-36-01-45A
 PAGE 0

BOEING PROPRIETARY - Copyright © - Unpublished Work - See title page for details.

BOEING
737-600/700/800/900
PARTS CATALOG (MAINTENANCE)



(B)



(C)

E 11360145A SHT 2 REV 123

SHELF ASSY-E2-1 E/E EQPT (PLACARDS AND MARKINGS ONLY)
FIGURE 45A (SHEET 2)

11-36-01-45A

HAP
FEB 10/07

11-36-01-45A
PAGE 0A

BOEING
737-600/700/800/900
PARTS CATALOG (MAINTENANCE)

FIG ITEM	PART NUMBER	1 2 3 4 5 6 7	NOMENCLATURE	EFFECT FROM TO	UNITS PER ASSY
45A			SHELF ASSY-E2-1 E/E EQPT (PLACARDS AND MARKINGS ONLY)	031200 968999	
- 1	284A1721-2		SHELF ASSY-E/E EQPT (PLACARDS AND MARKINGS ONLY) POSITION DATA: E2-1 RACK FOR NHA/OTHER SYS DET SEE: 25-50-52-18E	031200 968999	RF
	5 BAC27DEX6544		.DECAL	031200 968999	2
	10 BAC27TEX2033		.DECAL	031200 968999	2
	15 BAC27DEX5580		.DECAL- PLACARD CONTENT: METERING PLATE NOT REQUIRED	031200 968999	1

MISSING ITEM NUMBERS NOT APPLICABLE

- ITEM NOT ILLUSTRATED

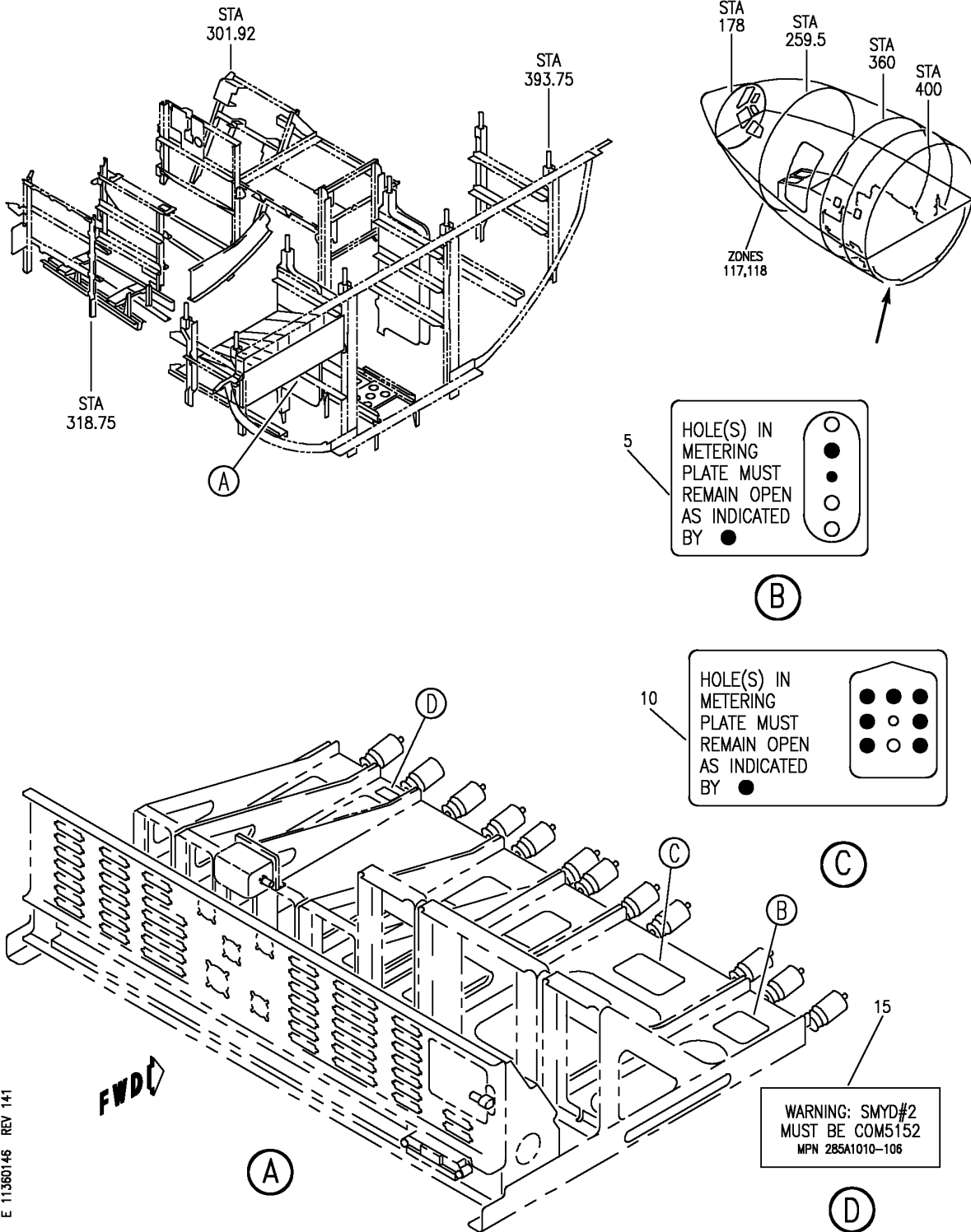
HAP

11-36-01-45A

BOEING PROPRIETARY - Copyright © - Unpublished Work - See title page for details.

11-36-01
FIG. 45A
PAGE 1
OCT 15/08

BOEING
737-600/700/800/900
PARTS CATALOG (MAINTENANCE)



E 11360146 REV 141

SHELF ASSY-E/E EQPT E3-2 RACK (PLACARDS AND MARKINGS ONLY)
FIGURE 46

11-36-01-46

HAP
JUN 15/08

11-36-01-46
PAGE 0

BOEING
737-600/700/800/900
PARTS CATALOG (MAINTENANCE)

FIG ITEM	PART NUMBER	1 2 3 4 5 6 7	NOMENCLATURE	EFFECT FROM TO	UNITS PER ASSY
46			SHELF ASSY-E/E EQPT E3-2 RACK (PLACARDS AND MARKINGS ONLY)	001200 968999	
- 1	284A1732-3		SHELF ASSY-E/E EQPT E3-2 RACK (PLACARDS AND MARKINGS ONLY)	031200 968999	RF
- 1	284A1732-4		FOR NHA/OTHER SYS DET SEE: 25-50-52-23A SHELF ASSY-E/E EQPT E3-2 RACK (PLACARDS AND MARKINGS ONLY)	001030	RF
	5 BAC27TEX2033		.DECAL	001200 968999	1
	10 BAC27TEX2036		.DECAL	001200 968999	1

MISSING ITEM NUMBERS NOT APPLICABLE

- ITEM NOT ILLUSTRATED

HAP

11-36-01-46

BOEING PROPRIETARY - Copyright © - Unpublished Work - See title page for details.

11-36-01
FIG. 46
PAGE 1
OCT 15/08

BOEING
737-600/700/800/900
PARTS CATALOG (MAINTENANCE)

FIG ITEM	PART NUMBER	1 2 3 4 5 6 7	NOMENCLATURE	EFFECT FROM TO	UNITS PER ASSY
46A			SHELF INSTL-E8-1 E/E EQPT (PLACARDS AND MARKINGS ONLY)	104200 968969 972999	
- 1	284A1781-47		SHELF SUBASSY- (PLACARDS AND MARKINGS ONLY)	104200 968969 972999	RF
5	BAC27TEX2034		FOR NHA/OTHER SYS DET SEE: 25-50-51-46A .DECAL	104200 968969 972999	2

MISSING ITEM NUMBERS NOT APPLICABLE

- ITEM NOT ILLUSTRATED

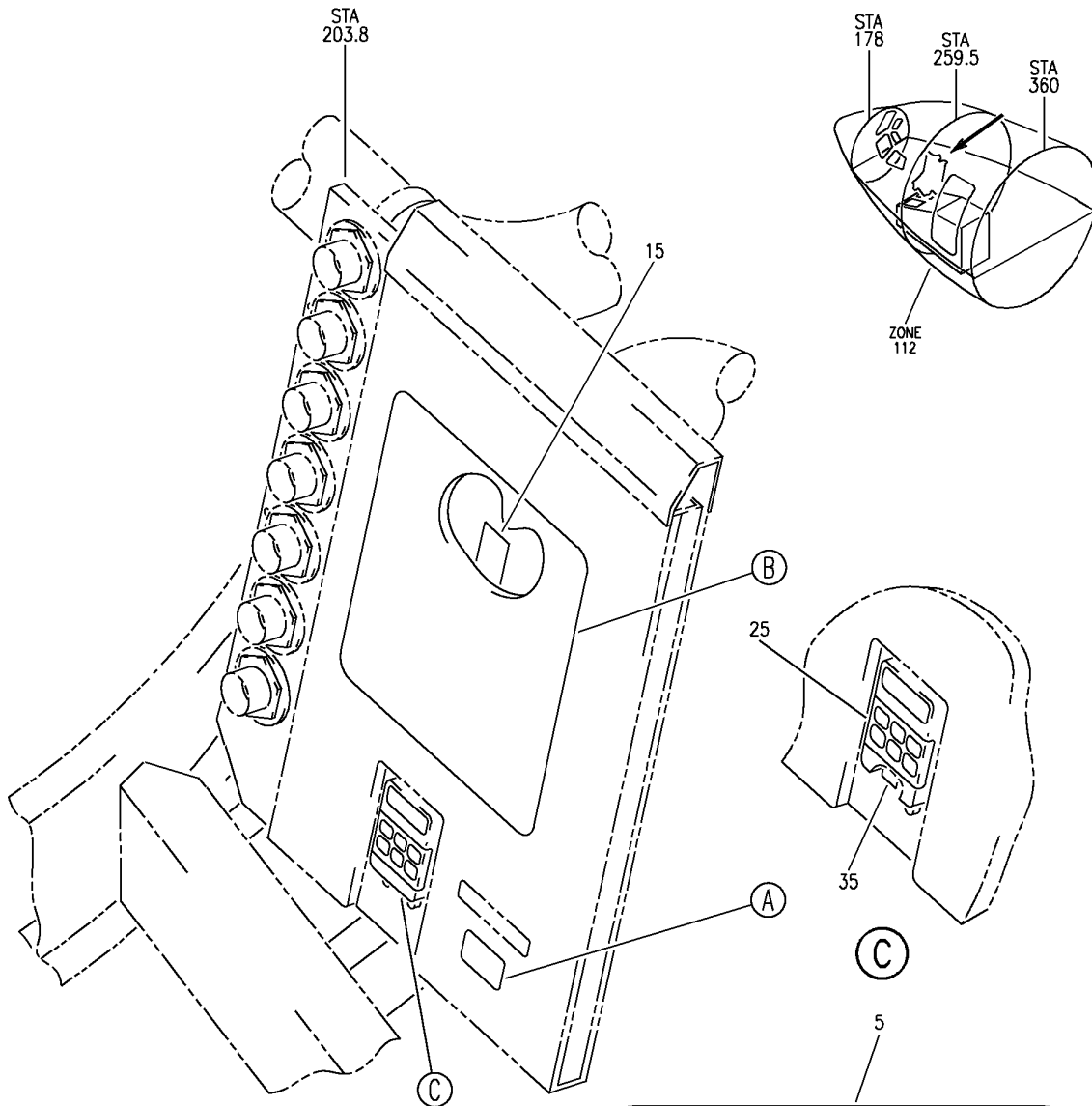
HAP

11-36-01-46A

BOEING PROPRIETARY - Copyright © - Unpublished Work - See title page for details.

11-36-01
FIG. 46A
PAGE 1
OCT 15/08

BOEING
 737-600/700/800/900
 PARTS CATALOG (MAINTENANCE)



E 11360150 SHT 1 REV 123

CAUTION
 THIS UNIT IS NOT SUBJECT TO
 DAMAGE FROM ELECTROSTATIC
 DISCHARGE AS AN ASSEMBLY.
 HOWEVER, IT CONTAINS
 PARTS OR SUB-ASSEMBLIES
 THAT ARE SENSITIVE TO
 ELECTROSTATIC DISCHARGE.
 CONDUCTIVE CONNECTOR
 COVERS REQUIRED.

(A)

UNIT ASSY-LINE REPLACEABLE PROXIMITY SWITCH ELECT. E-11 (PLACARDS AND MARKINGS ONLY)
 FIGURE 50 (SHEET 1)

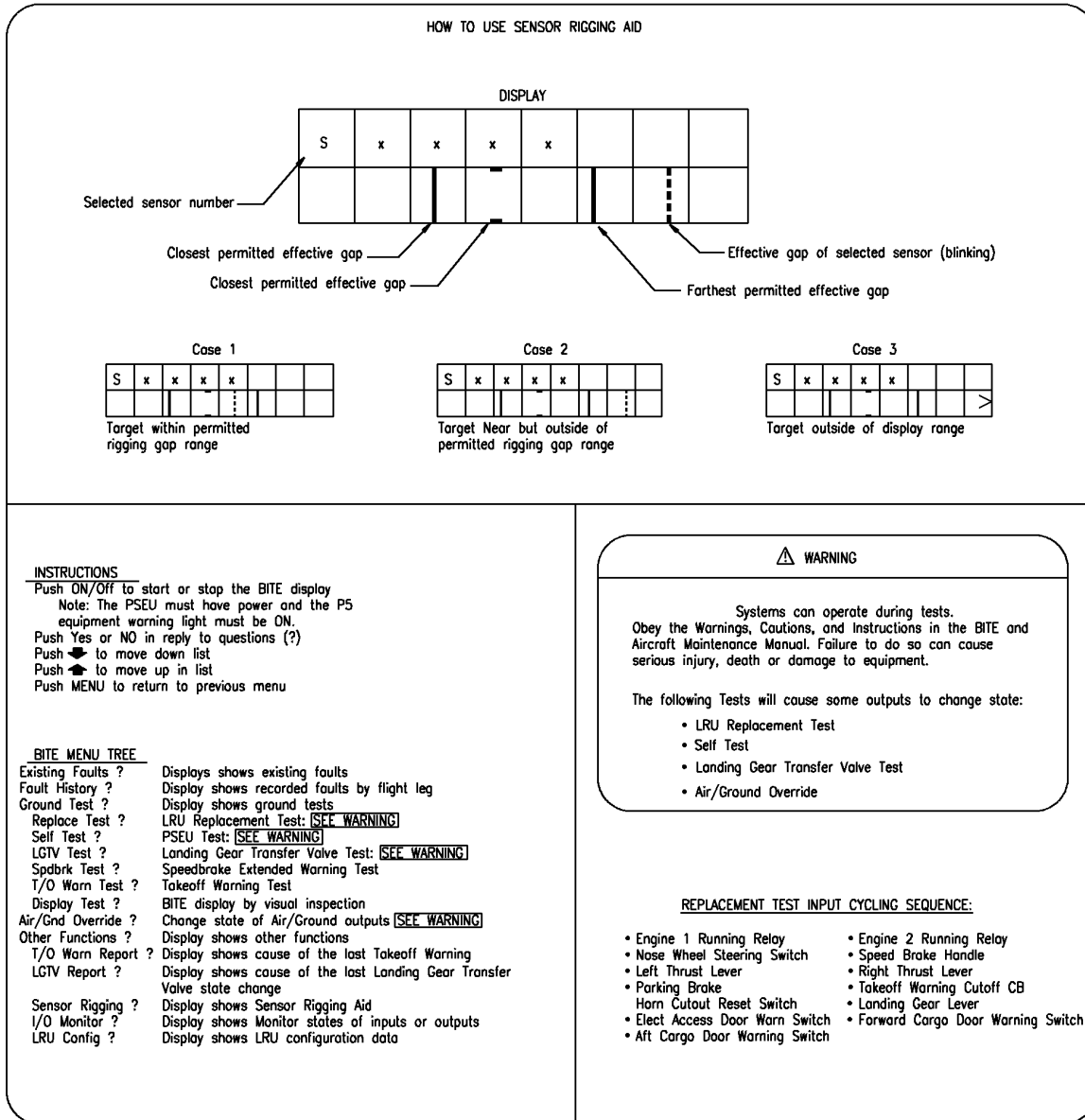
11-36-01-50

HAP
 FEB 10/07

11-36-01-50
 PAGE 0

BOEING

737-600/700/800/900
PARTS CATALOG (MAINTENANCE)



E 11360150 SH 2 REV 123

20
30

(B)

UNIT ASSY-LINE REPLACEABLE PROXIMITY SWITCH ELECT. E-11 (PLACARDS AND MARKINGS ONLY)
FIGURE 50 (SHEET 2)

HAP
FEB 10/07

11-36-01-50

11-36-01-50
PAGE 0A

BOEING
737-600/700/800/900
PARTS CATALOG (MAINTENANCE)

FIG ITEM	PART NUMBER	1 2 3 4 5 6 7	NOMENCLATURE	EFFECT FROM TO	UNITS PER ASSY
50			UNIT ASSY-LINE REPLACEABLE PROXIMITY SWITCH ELECT. E-11 (PLACARDS AND MARKINGS ONLY)		
- 1	285A1600-4		ELECTRONIC UNIT ASSY-LINE REPLACEABLE PROXIMITY SWITCH ELECT. E-11 (PLACARDS AND MARKINGS ONLY) SUPPLIER CODE: V89954 POST ALERT SB: 32A1343 FOR NHA/OTHER SYS DET SEE: 32-09-10-01 32-09-10-02		RF
- 1	285A1600-5		ELECTRONIC UNIT ASSY-LINE REPLACEABLE PROXIMITY SWITCH ELECT. E-11 (PLACARDS AND MARKINGS ONLY) SUPPLIER CODE: V89954 FOR NHA/OTHER SYS DET SEE: 32-09-10-01 32-09-10-02		RF
5	BAC27DEX6075		.MARKER		1
15	BAC27DEX6734		.MARKER- SUPPLIER CODE: V89954 PLACARD CONTENT: SCREWS DESIGNATED "1" AND "2" ATTACH PWA'S TO CHASSIS		1
30	BAC27DEX6811		.DECAL- POST ALERT SB: 32A1343 POST SERVICE LETTER: 32-088A		1
35	BAC27TEX1486		.DECAL- PLACARD CONTENT: STATIC SENSITIVE		1

MISSING ITEM NUMBERS NOT APPLICABLE

- ITEM NOT ILLUSTRATED

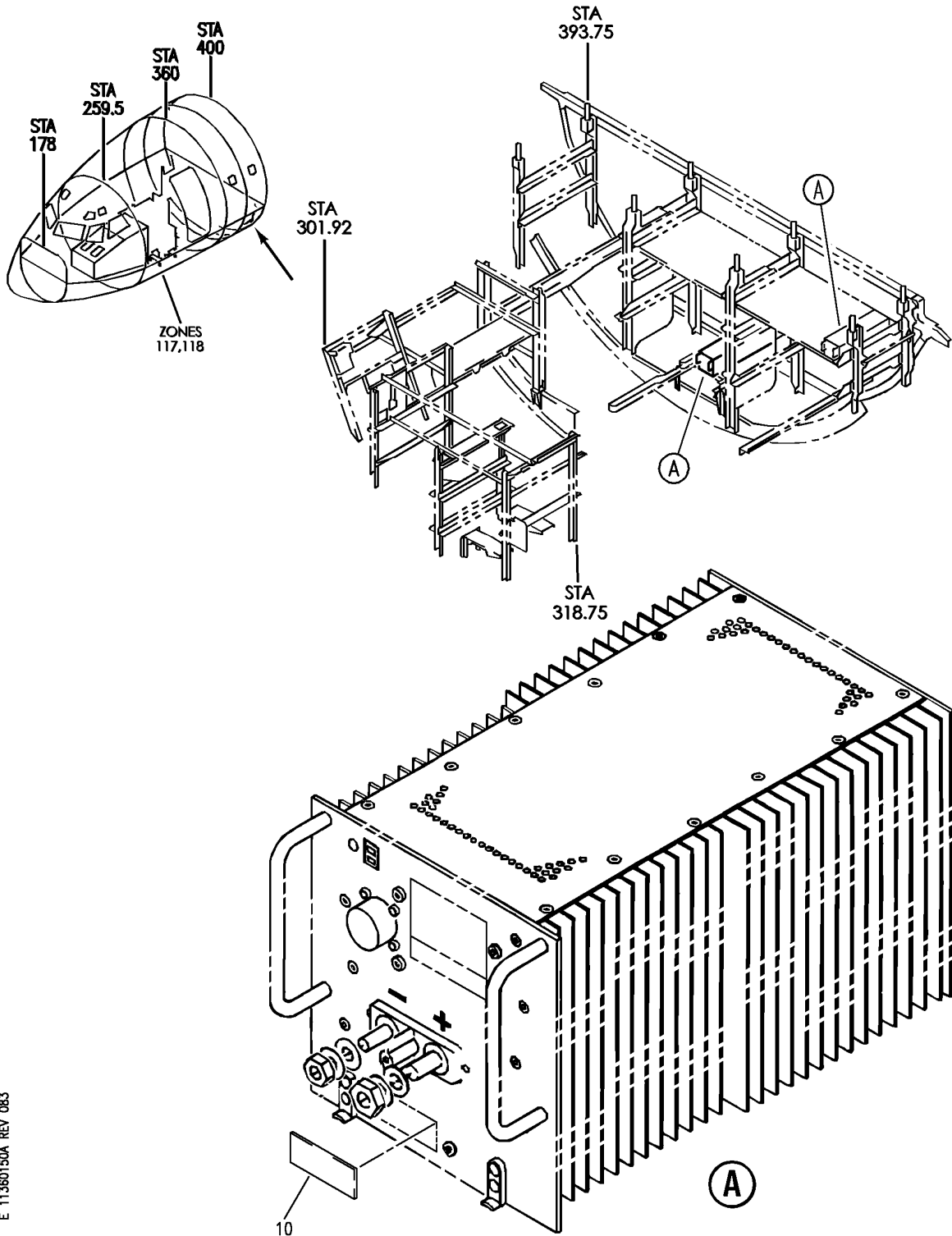
HAP

11-36-01-50

BOEING PROPRIETARY - Copyright © - Unpublished Work - See title page for details.

11-36-01
FIG. 50
PAGE 1
JUN 15/09

BOEING
 737-600/700/800/900
 PARTS CATALOG (MAINTENANCE)



E 11360150A REV 083

CHARGER ASSY-MAIN BATTERY E/E BAY E2 RACK (PLACARDS AND MARKINGS ONLY)
 FIGURE 50A

HAP
 OCT 10/06

11-36-01-50A

11-36-01-50A
 PAGE 0

BOEING
737-600/700/800/900
PARTS CATALOG (MAINTENANCE)

FIG ITEM	PART NUMBER	1 2 3 4 5 6 7	NOMENCLATURE	EFFECT FROM TO	UNITS PER ASSY
50A					
R R	- 1 8-930-03		CHARGER ASSY-MAIN BATTERY E/E BAY E2 RACK (PLACARDS AND MARKINGS ONLY) CHARGER ASSY-MAIN BATTERY E/E BAY E2 RACK (PLACARDS AND MARKINGS ONLY) SUPPLIER CODE: V08748 FUNCTIONAL DESCRIPTION: CHARGES THE MAIN AND APU BATTERIES SPECIFICATION NUMBER: S282T003-3 ELECTRICAL EQUIP NUMBER: M00005 M03055 COMPONENT MAINT MANUAL REF: 24-31-06 FOR NHA/OTHER SYS DET SEE: 24-31-21-01 24-31-31-02	001043 054103 201971	RF
	10 8-736047-01		.LABEL-CAUTION, ESD SUPPLIER CODE: V08748	031200 968999	1
	10 8-736047-01		.LABEL-CAUTION, ESD SUPPLIER CODE: V08748	001030 041041 044100 102967 970999	1

MISSING ITEM NUMBERS NOT APPLICABLE

- ITEM NOT ILLUSTRATED

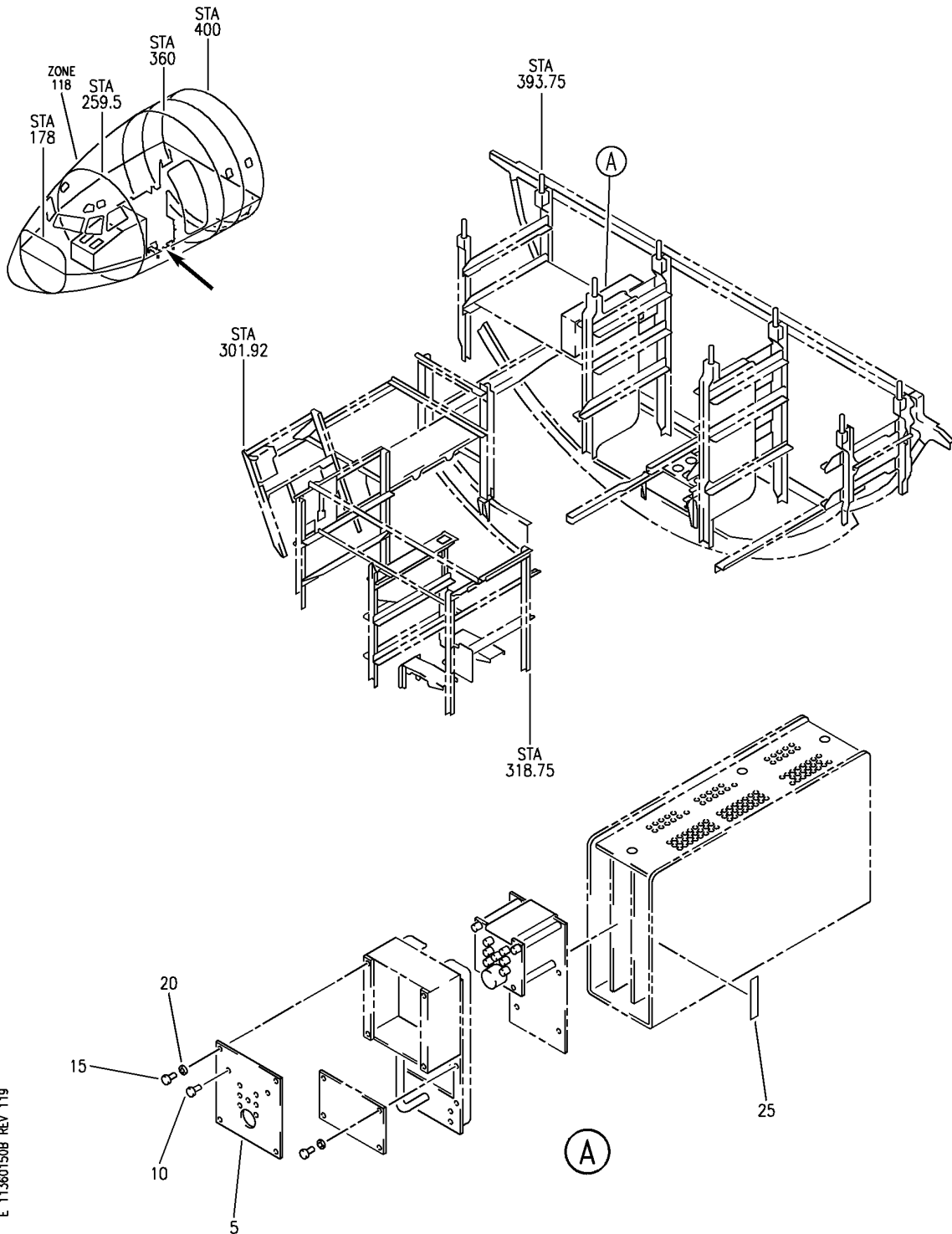
HAP

11-36-01-50A

BOEING PROPRIETARY - Copyright © - Unpublished Work - See title page for details.

11-36-01
FIG. 50A
PAGE 1
JUN 15/09

BOEING
 737-600/700/800/900
 PARTS CATALOG (MAINTENANCE)



E 11360150B REV 119

UNIT ASSY (PLACARDS AND MARKINGS ONLY)
 FIGURE 50B

11-36-01-50B

HAP
 OCT 10/06

11-36-01-50B
 PAGE 0

BOEING
737-600/700/800/900
PARTS CATALOG (MAINTENANCE)

FIG ITEM	PART NUMBER	1 2 3 4 5 6 7	NOMENCLATURE	EFFECT FROM TO	UNITS PER ASSY
50B			UNIT ASSY (PLACARDS AND MARKINGS ONLY)	001011 031999	
- 1	762187E		UNIT ASSY-CONT BUS PWR E4-2 SHELF (PLACARDS AND MARKINGS ONLY) SUPPLIER CODE: V99167 FUNCTIONAL DESCRIPTION: PROVIDES CONTRACTOR CONTROL FOR THE EXTERNAL POWER SOURCE AND SYSTEM PROTECTION FOR THE TIE BUS AND TRANSFER DISTRIBUTION BUSES. SPECIFICATION NUMBER: S281A001-301 NOT APPROVED FOR ETOPS WITHOUT INCORP OF SB: SB90EGS02BP242REV1 MISCELLANEOUS DATA: APPROVED FOR 120 AND 180 MINUTES ETOPS AFTER S/B 90EGS02BP-24-2 REV 1 FOR S/N 0032 TO S/N 0108. ELECTRICAL EQUIP NUMBER: G00015 COMPONENT MAINT MANUAL REF: 24-23-17 QUALIFIED I/W DATA: 762187F I/W 762187E EXCEPT AIRCRAFT CONDUCTING 180 MINUTE ETOPS OPERATIONS MUST HAVE 762187F INSTALLED FOR NHA/OTHER SYS DET SEE: 24-41-21-01	001011 202967	RF

MISSING ITEM NUMBERS NOT APPLICABLE

- ITEM NOT ILLUSTRATED

HAP

11-36-01-50B

BOEING PROPRIETARY - Copyright © - Unpublished Work - See title page for details.

11-36-01
FIG. 50B
PAGE 1
OCT 15/08

BOEING
737-600/700/800/900
PARTS CATALOG (MAINTENANCE)

FIG ITEM	PART NUMBER	1 2 3 4 5 6 7	NOMENCLATURE	EFFECT FROM TO	UNITS PER ASSY
50B - 1	762187F		UNIT ASSY-CONT BUS PWR E4-2 SHELF (PLACARDS AND MARKINGS ONLY) SUPPLIER CODE: V99167 FUNCTIONAL DESCRIPTION: PROVIDES CONTRACTOR CONTROL FOR THE EXTERNAL POWER SOURCE AND SYSTEM PROTECTION FOR THE TIE BUS AND TRANSFER DISTRIBUTION BUSES. SPECIFICATION NUMBER: S281A001-302 ELECTRICAL EQUIP NUMBER: G00015 COMPONENT MAINT MANUAL REF: 24-23-17 QUALIFIED I/W DATA: 762187F I/W 762187E EXCEPT AIRCRAFT CONDUCTING 180 MINUTE ETOPS OPERATIONS MUST HAVE 762187F INSTALLED POST SERVICE LETTER: 24-147 FOR NHA/OTHER SYS DET SEE: 24-41-21-01 24-41-21-02	031201 968999	RF
	5 799802		.PLATE-FRONT INTRUCTION SUPPLIER CODE: V99167 ATTACHING PARTS	001011 031999	1
	10 MS24693C2		.SCREW	001011 031999	2
	15 MS51957-14		.SCREW	001011 031999	4
	20 NAS620C4L		.WASHER	001011 031999	4
	25 740917		-----*----- .LABEL-SENSITIVE ELECTRONIC DEVICE SUPPLIER CODE: V99167	001011 031999	1

MISSING ITEM NUMBERS NOT APPLICABLE

- ITEM NOT ILLUSTRATED

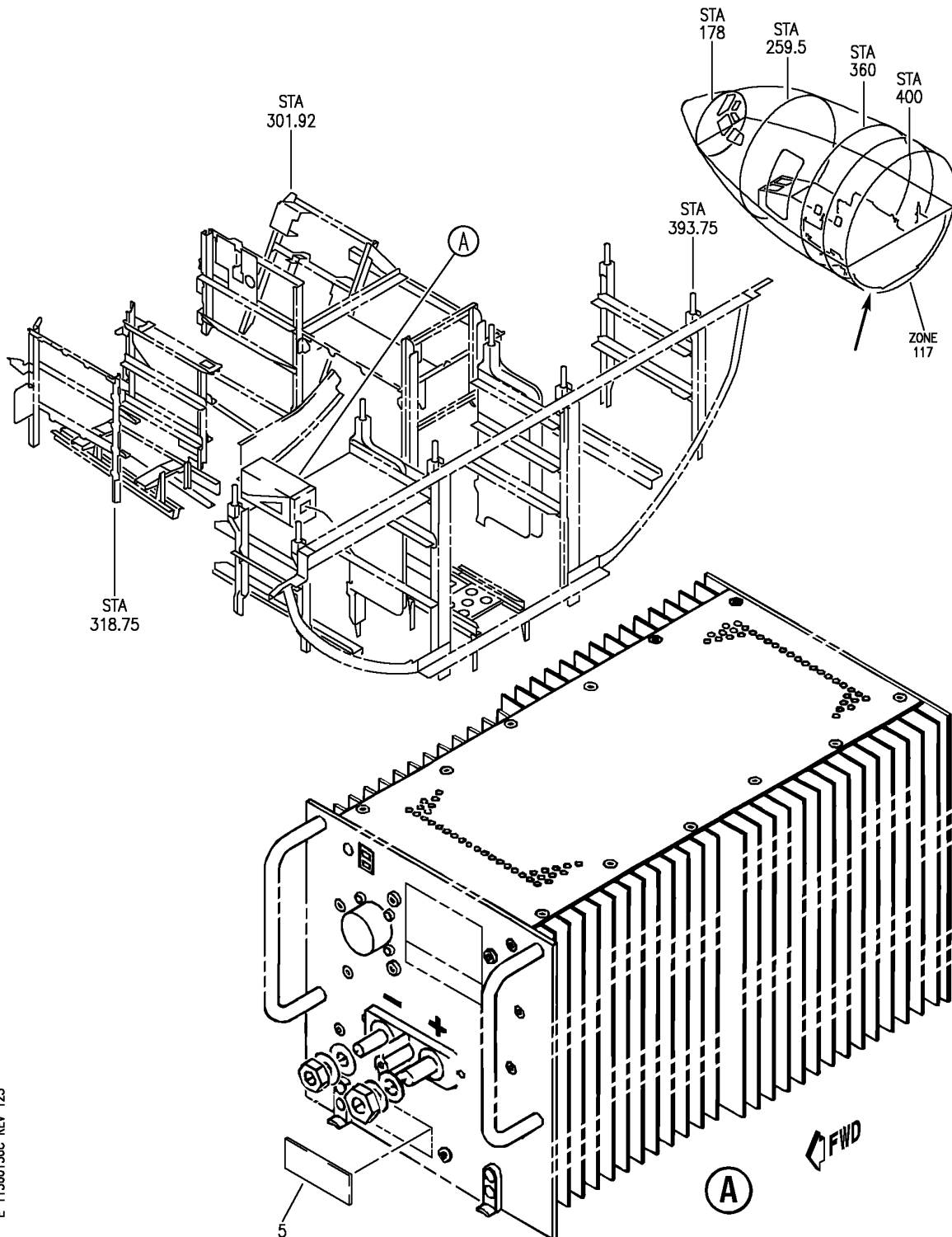
HAP

11-36-01-50B

BOEING PROPRIETARY - Copyright © - Unpublished Work - See title page for details.

11-36-01
FIG. 50B
PAGE 2
OCT 15/08

BOEING
 737-600/700/800/900
 PARTS CATALOG (MAINTENANCE)



E 11360150C REV 123

CHARGER ASSY-MAIN BATTERY E/E BAY E2 RACK (PLACARDS AND MARKINGS ONLY)
 FIGURE 50C

HAP
 OCT 10/06

11-36-01-50C

11-36-01-50C
 PAGE 0

BOEING
737-600/700/800/900
PARTS CATALOG (MAINTENANCE)

FIG ITEM	PART NUMBER	1 2 3 4 5 6 7	NOMENCLATURE	EFFECT FROM TO	UNITS PER ASSY
50C					
- 1	8-930-03		CHARGER ASSY-MAIN BATTERY E/E BAY E2 RACK (PLACARDS AND MARKINGS ONLY)	031200 968999	
- 1	8-930-03MODA		CHARGER ASSY-MAIN BATTERY E/E BAY E2 RACK (PLACARDS AND MARKINGS ONLY) SUPPLIER CODE: V08748 FUNCTIONAL DESCRIPTION: CHARGES THE MAIN AND APU BATTERIES SPECIFICATION NUMBER: S282T003-3 ELECTRICAL EQUIP NUMBER: M00005 COMPONENT MAINT MANUAL REF: 24-31-06 FOR NHA/OTHER SYS DET SEE: 24-31-21-01J	031200 968999	RF
5	8-736047-01		CHARGER ASSY-BATTERY (PLACARDS AND MARKINGS ONLY) SUPPLIER CODE: V08748 ELECTRICAL EQUIP NUMBER: M00005 FOR NHA/OTHER SYS DET SEE: 24-31-21-01J . LABEL-CAUTION, ESD SUPPLIER CODE: V08748	031200 968999	RF 1

MISSING ITEM NUMBERS NOT APPLICABLE

- ITEM NOT ILLUSTRATED

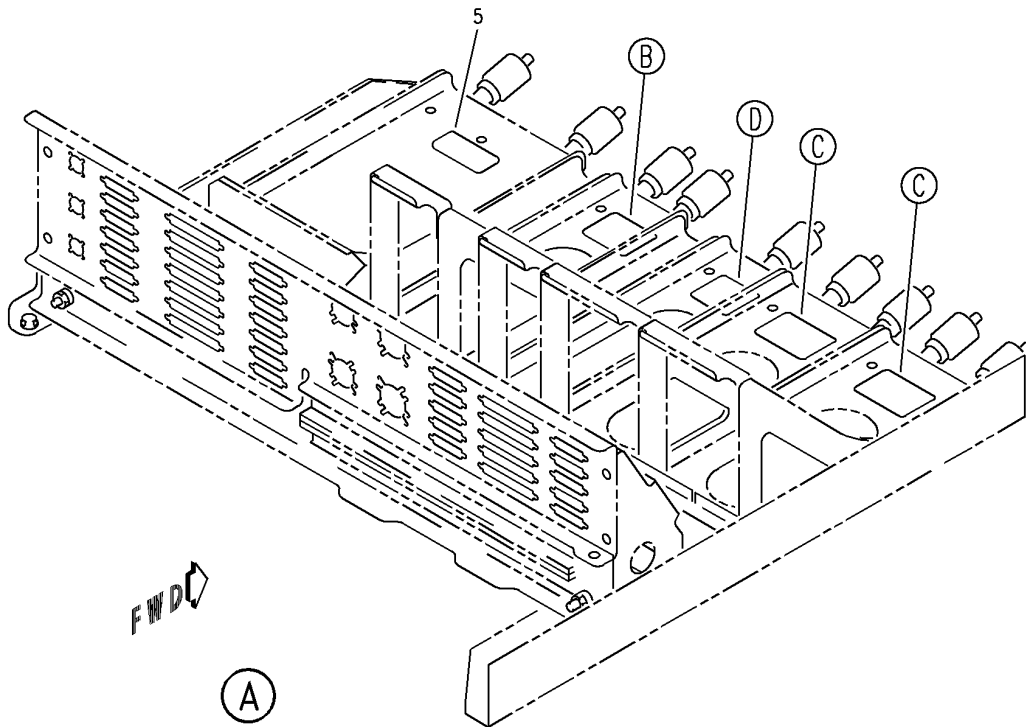
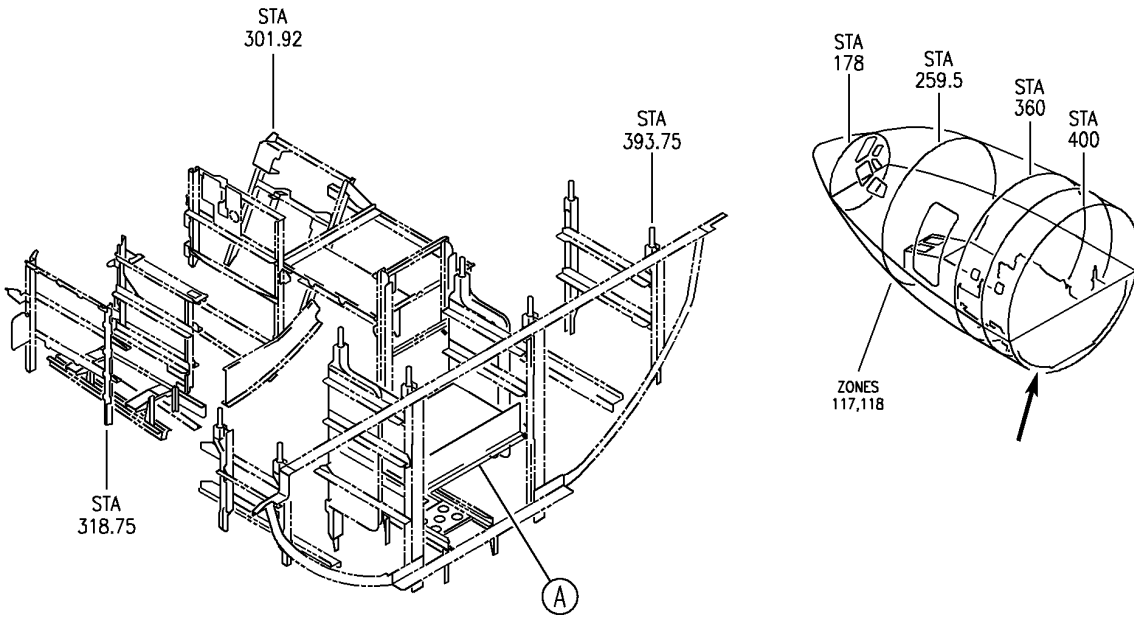
HAP

11-36-01-50C

BOEING PROPRIETARY - Copyright © - Unpublished Work - See title page for details.

11-36-01
FIG. 50C
PAGE 1
OCT 15/08

BOEING
 737-600/700/800/900
 PARTS CATALOG (MAINTENANCE)



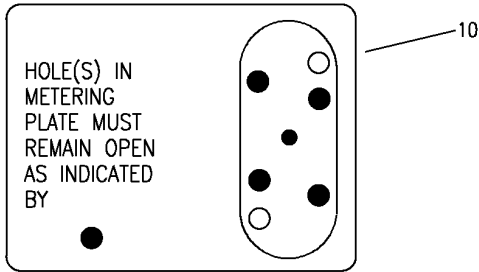
E 11360151 SHT 1 REV 127

SHELF SUBASSY-E/E EQPT E3-3 (PLACARDS AND MARKINGS ONLY)
 FIGURE 51 (SHEET 1)

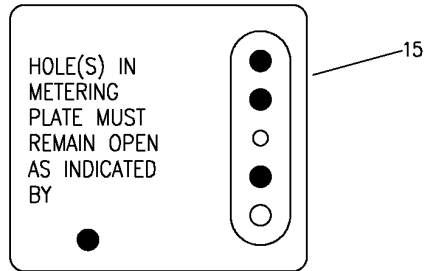
11-36-01-51

HAP
 FEB 10/07

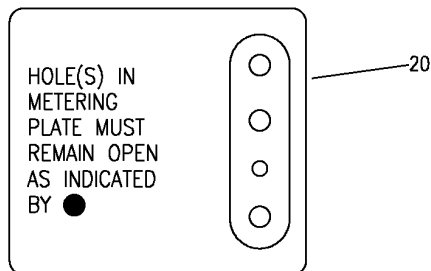
11-36-01-51
 PAGE 0



(B)



(C)



(D)

E 11360151 SHT 2 REV 127

SHELF SUBASSY-E/E EQPT E3-3 (PLACARDS AND MARKINGS ONLY)
 FIGURE 51 (SHEET 2)

11-36-01-51

HAP
 FEB 10/07

11-36-01-51
 PAGE 0A

BOEING
737-600/700/800/900
PARTS CATALOG (MAINTENANCE)

FIG ITEM	PART NUMBER	1 2 3 4 5 6 7	NOMENCLATURE	EFFECT FROM TO	UNITS PER ASSY
51			SHELF SUBASSY-E/E EQPT E3-3 (PLACARDS AND MARKINGS ONLY)	031100	
- 1	284A1733-18		SHELF SUBASSY-E/E EQPT E3-3 FOR NHA/OTHER SYS DET SEE: 25-50-52-28D	031100	RF
5	BAC27DEX5580		.DECAL- PLACARD CONTENT: METERING PLATE NOT REQUIRED	031100	1
10	BAC27TEX2033		.DECAL	031100	1
15	BAC27TEX2034		.DECAL	031100	2

MISSING ITEM NUMBERS NOT APPLICABLE

- ITEM NOT ILLUSTRATED

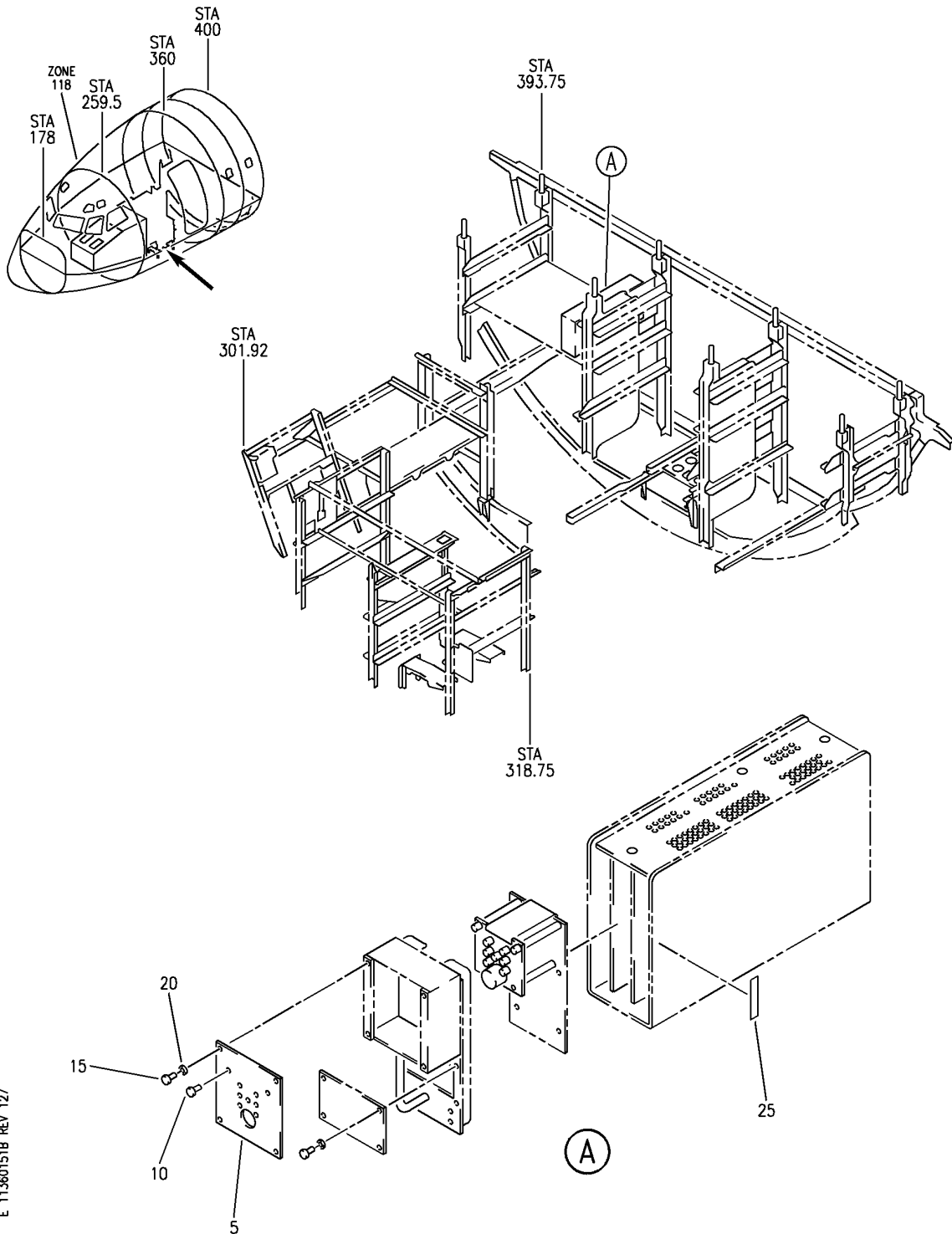
HAP

11-36-01-51

BOEING PROPRIETARY - Copyright © - Unpublished Work - See title page for details.

11-36-01
FIG. 51
PAGE 1
JUN 10/07

BOEING
 737-600/700/800/900
 PARTS CATALOG (MAINTENANCE)



E 11360151B REV 127

UNIT ASSY-(PLACARDS AND MARKINGS ONLY)
 FIGURE 51B

11-36-01-51B

HAP
 FEB 10/07

11-36-01-51B
 PAGE 0

BOEING
737-600/700/800/900
PARTS CATALOG (MAINTENANCE)

FIG ITEM	PART NUMBER	1 2 3 4 5 6 7	NOMENCLATURE	EFFECT FROM TO	UNITS PER ASSY
51B			UNIT ASSY-	012030	
- 1	762187E		(PLACARDS AND MARKINGS ONLY) UNIT ASSY-CONT BUS PWR E4-2 SHELF (PLACARDS AND MARKINGS ONLY) SUPPLIER CODE: V99167 FUNCTIONAL DESCRIPTION: PROVIDES CONTRACTOR CONTROL FOR THE EXTERNAL POWER SOURCE AND SYSTEM PROTECTION FOR THE TIE BUS AND TRANSFER DISTRIBUTION BUSES. SPECIFICATION NUMBER: S281A001-301 NOT APPROVED FOR ETOPS WITHOUT INCORP OF SB: SB90EGS02BP242REV1 MISCELLANEOUS DATA: APPROVED FOR 120 AND 180 MINUTES ETOPS AFTER S/B 90EGS02BP-24-2 REV 1 FOR S/N 0032 TO S/N 0108. ELECTRICAL EQUIP NUMBER: G00015 COMPONENT MAINT MANUAL REF: 24-23-17 QUALIFIED I/W DATA: 762187F I/W 762187E EXCEPT AIRCRAFT CONDUCTING 180 MINUTE ETOPS OPERATIONS MUST HAVE 762187F INSTALLED FOR NHA/OTHER SYS DET SEE: 24-41-21-03	012022	RF

MISSING ITEM NUMBERS NOT APPLICABLE

- ITEM NOT ILLUSTRATED

HAP

11-36-01-51B

BOEING PROPRIETARY - Copyright © - Unpublished Work - See title page for details.

11-36-01
FIG. 51B
PAGE 1
FEB 10/07

BOEING
737-600/700/800/900
PARTS CATALOG (MAINTENANCE)

FIG ITEM	PART NUMBER	1 2 3 4 5 6 7	NOMENCLATURE	EFFECT FROM TO	UNITS PER ASSY
R R	51B - 1	762187F	UNIT ASSY-CONT BUS PWR E4-2 SHELF (PLACARDS AND MARKINGS ONLY) SUPPLIER CODE: V99167 FUNCTIONAL DESCRIPTION: PROVIDES CONTRACTOR CONTROL FOR THE EXTERNAL POWER SOURCE AND SYSTEM PROTECTION FOR THE TIE BUS AND TRANSFER DISTRIBUTION BUSES. SPECIFICATION NUMBER: S281A001-302 ELECTRICAL EQUIP NUMBER: G00015 COMPONENT MAINT MANUAL REF: 24-23-17 QUALIFIED I/W DATA: 762187F I/W 762187E EXCEPT AIRCRAFT CONDUCTING 180 MINUTE ETOPS OPERATIONS MUST HAVE 762187F INSTALLED POST SERVICE LETTER: 24-147 FOR NHA/OTHER SYS DET SEE: 24-41-21-03	023030	RF
	5	799802	.PLATE-FRONT INTRUCTION SUPPLIER CODE: V99167 ATTACHING PARTS	012030	1
	10	MS24693C2	.SCREW	012030	2
	15	MS51957-14	.SCREW	012030	4
	20	NAS620C4L	.WASHER	012030	4
25	740917	-----*----- .LABEL-SENSITIVE ELECTRONIC DEVICE SUPPLIER CODE: V99167	012030	1	

MISSING ITEM NUMBERS NOT APPLICABLE

- ITEM NOT ILLUSTRATED

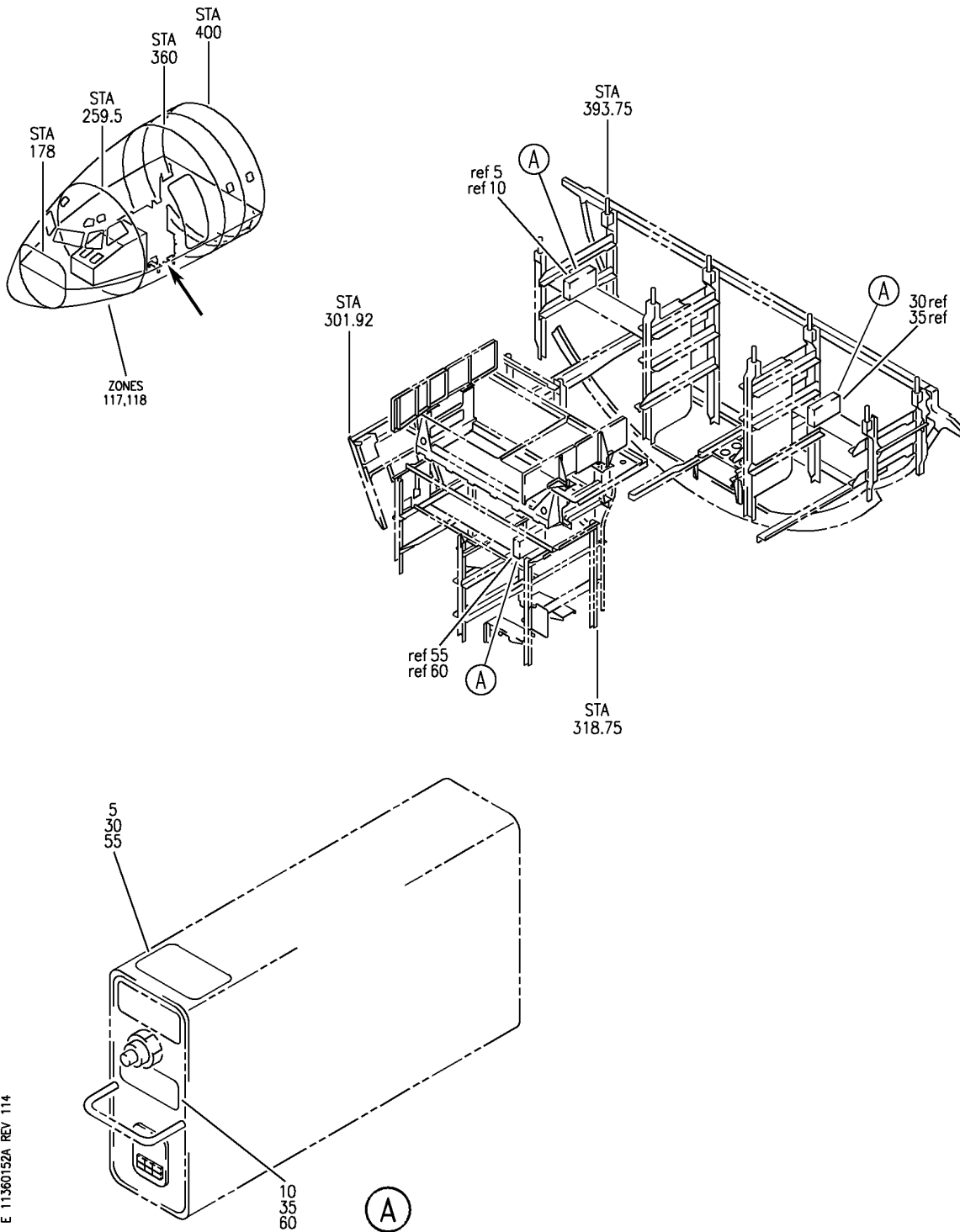
HAP

11-36-01-51B

BOEING PROPRIETARY - Copyright © - Unpublished Work - See title page for details.

11-36-01
FIG. 51B
PAGE 2
JUN 15/09

BOEING
 737-600/700/800/900
 PARTS CATALOG (MAINTENANCE)



E 11360152A REV 114

CONTROLLER ASSY-CAB. E/E BAY RACK E2 AND E4 (PLACARDS AND MARKINGS ONLY)
 FIGURE 52A

HAP
 OCT 10/06

11-36-01-52A

11-36-01-52A
 PAGE 0

BOEING
737-600/700/800/900
PARTS CATALOG (MAINTENANCE)

FIG ITEM	PART NUMBER	1 2 3 4 5 6 7	NOMENCLATURE	EFFECT FROM TO	UNITS PER ASSY
52A	1 7121-19971-01AB		CONTROLLER ASSY-CAB. E/E BAY RACK E2 AND E4 (PLACARDS AND MARKINGS ONLY)	001030 201967	
			CONTROLLER ASSY-CAB. E/E BAY RACK E2 AND E4 (PLACARDS AND MARKINGS ONLY) SUPPLIER CODE: VC0002 FUNCTIONAL DESCRIPTION: AUTOMATICALLY CONTROLS CABIN PRESSURIZATION FOR ALL PHASES OF FLIGHT. SPECIFICATION NUMBER: 10-62231-12 ELECTRICAL EQUIP NUMBER: M01654 COMPONENT MAINT MANUAL REF: 21-33-20 QUALIFIED I/W DATA: THE 7121-19971-01AB CAN ALWAYS REPLACE THE 7121-19971-01BA. THE 7121-19971-01BA CAN ONLY REPLACE THE 7121-19971-01AB ON AIRPLANES CERTIFIED FOR THE 6,500FT LOWER CABIN ALTITUDE OPERATION. 21933-01AC OR 21933-01AB OR 21933-01AA ARE FULLY INTERCHANGEABLE AND INTERMIXABLE WITH 7121-19971-01AB EXCEPT 21933-01AC OR 21933-01AB OR 21933-01AA ARE REQUIRED FOR AIRCRAFT CONFIGURED FOR HIGH ALTITUDE OPERATION WHERE LANDING FIELD ELEVATION MAY EXCEED 14000 FT. 7121-19971-01AB/ 10-62231-12 IS FULLY INTERCHANGEABLE AND INTERMIXABLE WITH 21933-01AA/10-62231-42 OR 21933-01AB/10-62231-42	001030 201967	RF

MISSING ITEM NUMBERS NOT APPLICABLE

— ITEM NOT ILLUSTRATED

HAP

11-36-01-52A

BOEING PROPRIETARY - Copyright © - Unpublished Work - See title page for details.

11-36-01
FIG. 52A
PAGE 1
JUN 15/09

BOEING
737-600/700/800/900
PARTS CATALOG (MAINTENANCE)

FIG ITEM	PART NUMBER	1 2 3 4 5 6 7	NOMENCLATURE	EFFECT FROM TO	UNITS PER ASSY
52A			ENABLED AIRCRAFT OR A BBJ TYPICALLY TWO-WAY INTERCHANGEABLE. THE 21933-01AA (BOEING P/N 10-62231-42) CAN ALWAYS REPLACE THE 7121-19971-01AC (BOEING P/N 10-62231-22). THE 21933-01AA CAN BE REPLACED BY THE 7121-19971-01AC EXCEPT ON A 14500FT LANDING ENABLED AIRCRAFT OR A BBJ TYPICALLY TWO-WAY INTERCHANGEABLE. THE 21933-01AB (BOEING P/N 10-62231-42) CAN ALWAYS REPLACE THE 7121-19971-01AC (BOEING P/N 10-62231-22). THE 21933-01AB CAN BE REPLACED BY THE 7121-19971-01AC EXCEPT ON A 14500FT LANDING ENABLED AIRCRAFT OR A BBJ. POST SERVICE LETTER: SL-21-051 FOR NHA/OTHER SYS DET SEE: 21-31-02-01 21-31-02-03		
	5	3229-20450-1	.LABEL-CAUTION SUPPLIER CODE: VC0002	001030 201967	1
	10	3210-20347-1	.LABEL-BITE INSTRUCTIONS SUPPLIER CODE: VC0002	001030 201967	1
- 25	7121-19971-01AB	CONTROLLER ASSY-CAB. SUPPLIER CODE: VC0002 FUNCTIONAL DESCRIPTION: AUTOMATICALLY CONTROLS CABIN PRESSURIZATION FOR ALL PHASES OF FLIGHT. SPECIFICATION NUMBER: 10-62231-12 ELECTRICAL EQUIP NUMBER:	001030 201967	RF	

MISSING ITEM NUMBERS NOT APPLICABLE

- ITEM NOT ILLUSTRATED

HAP

11-36-01-52A

BOEING PROPRIETARY - Copyright © - Unpublished Work - See title page for details.

11-36-01
FIG. 52A
PAGE 3
JUN 15/09

BOEING
737-600/700/800/900
PARTS CATALOG (MAINTENANCE)

FIG ITEM	PART NUMBER	1 2 3 4 5 6 7	NOMENCLATURE	EFFECT FROM TO	UNITS PER ASSY
52A			<p>M01653 COMPONENT MAINT MANUAL REF: 21-33-20 QUALIFIED I/W DATA: 7121-19971-01AB/10-62231 -12 IS FULLY INTERCHANGEABLE AND INTERMIXABLE WITH 21933-01AA/10-62231-42 OR 21933-01AB/10-62231-42 EXCEPT FOR AIRCRAFT CONFIGURED FOR HIGH ALTITUDE OPERATIONS (LANDING GREATER THAN 14,500 FEET) WHICH REQUIRES A SHIPSET OF 21933-01AA/10-62231-42 OR 21933-01AB/10-62231-42. THE 7121-19971-01AB CAN ALWAYS REPLACE THE 7121-19971-01BA. THE 7121-19971-01BA CAN ONLY REPLACE THE 7121-19971-01AB ON AIRPLANES CERTIFIED FOR THE 6,500FT LOWER CABIN ALTITUDE OPERATION. 21933-01AC OR 21933-01AB OR 21933-01AA ARE FULLY INTERCHANGEABLE AND INTERMIXABLE WITH 7121-19971-01AB EXCEPT 21933-01AC OR 21933-01AB OR 21933-01AA ARE REQUIRED FOR AIRCRAFT CONFIGURED FOR HIGH ALTITUDE OPERATION WHERE LANDING FIELD ELEVATION MAY EXCEED 14000 FT. FOR NHA/OTHER SYS DET SEE: 21-31-01-02 21-31-01-02A</p>		
- 25	7121-19971-01AC		<p>CONTROLLER ASSY-CAB. SUPPLIER CODE: VC0002 FUNCTIONAL DESCRIPTION: AUTOMATICALLY CONTROLS</p>	001030 201967	RF
MISSING ITEM NUMBERS NOT APPLICABLE					

- ITEM NOT ILLUSTRATED

HAP

11-36-01-52A

BOEING PROPRIETARY - Copyright © - Unpublished Work - See title page for details.

11-36-01
FIG. 52A
PAGE 4
OCT 15/08

 **BOEING**
737-600/700/800/900
PARTS CATALOG (MAINTENANCE)

FIG ITEM	PART NUMBER	1 2 3 4 5 6 7 NOMENCLATURE	EFFECT FROM TO	UNITS PER ASSY
52A		<p>CABIN PRESSURIZATION FOR ALL PHASES OF FLIGHT. SPECIFICATION NUMBER: 10-62231-22 ELECTRICAL EQUIP NUMBER: M01653 COMPONENT MAINT MANUAL REF: 21-33-20 QUALIFIED I/W DATA: THE 7121-19971-01AC CAN ALWAYS REPLACE THE 7121-19971-01BA. THE 7121-19971-01BA CAN ONLY REPLACE THE 7121-19971-01AC ON AIRPLANES CERTIFIED FOR THE 6,500FT LOWER CABIN ALTITUDE OPERATION. TYPICALLY TWO-WAY INTERCHANGEABLE. THE 21933-01AC (BOEING P/N 10-62231-42) CAN ALWAYS REPLACE THE 7121-19971-01AC (BOEING P/N 10-62231-22). THE 21933-01AC CAN BE REPLACED BY THE 7121-19971-01AC EXCEPT ON A 14500FT LANDING ENABLED AIRCRAFT OR A BBJ TYPICALLY TWO-WAY INTERCHANGEABLE. THE 21933-01AA (BOEING P/N 10-62231-42) CAN ALWAYS REPLACE THE 7121-19971-01AC (BOEING P/N 10-62231-22). THE 21933-01AA CAN BE REPLACED BY THE 7121-19971-01AC EXCEPT ON A 14500FT LANDING ENABLED AIRCRAFT OR A BBJ TYPICALLY TWO-WAY INTERCHANGEABLE. THE 21933-01AB (BOEING P/N 10-62231-42) CAN ALWAYS REPLACE THE</p>		

MISSING ITEM NUMBERS NOT APPLICABLE

— ITEM NOT ILLUSTRATED

HAP

11-36-01-52A

BOEING PROPRIETARY - Copyright © - Unpublished Work - See title page for details.

11-36-01
FIG. 52A
PAGE 5
OCT 15/08

BOEING
737-600/700/800/900
PARTS CATALOG (MAINTENANCE)

FIG ITEM	PART NUMBER	1 2 3 4 5 6 7	NOMENCLATURE	EFFECT FROM TO	UNITS PER ASSY
52A			7121-19971-01AC (BOEING P/N 10-62231-22). THE 21933-01AB CAN BE REPLACED BY THE 7121-19971-01AC EXCEPT ON A 14500FT LANDING ENABLED AIRCRAFT OR A BBJ. POST SERVICE LETTER: SL-21-051 FOR NHA/OTHER SYS DET SEE: 21-31-01-02 21-31-01-02A		
30	3229-20450-1	.	LABEL-CAUTION SUPPLIER CODE: VC0002	001030 201967	1
35	3210-20347-1	.	LABEL-BITE INSTRUCTIONS SUPPLIER CODE: VC0002	001030 201967	1

MISSING ITEM NUMBERS NOT APPLICABLE

— ITEM NOT ILLUSTRATED

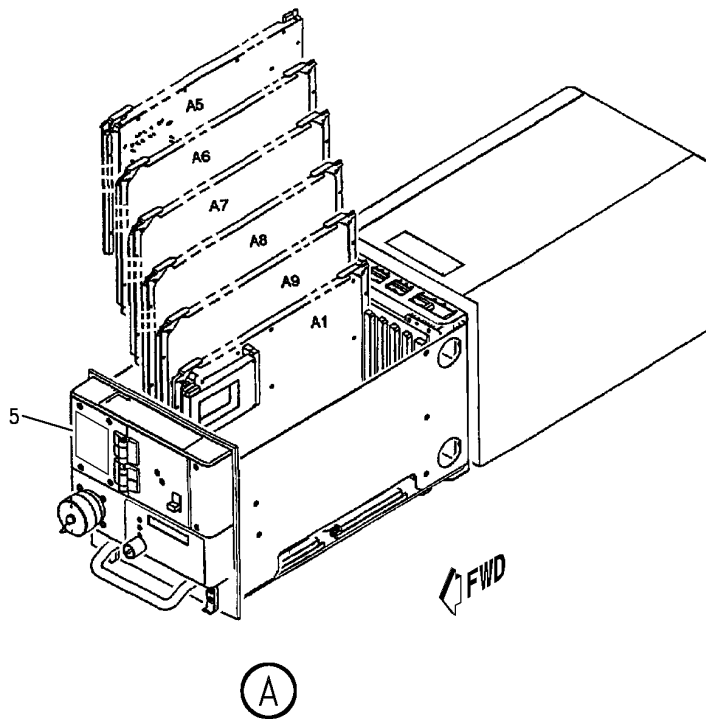
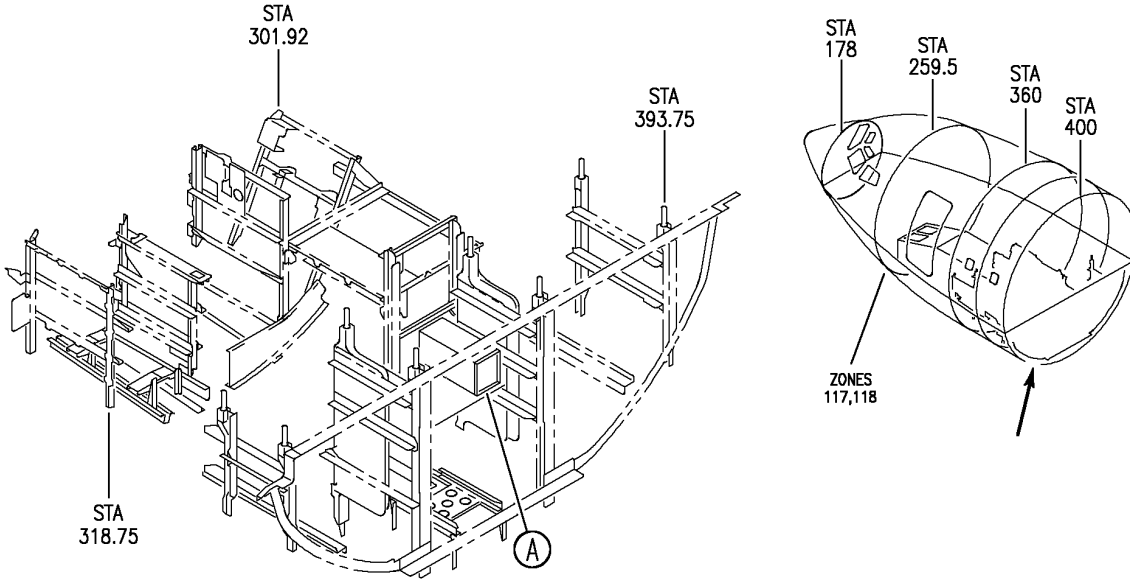
HAP

11-36-01-52A

BOEING PROPRIETARY - Copyright © - Unpublished Work - See title page for details.

11-36-01
FIG. 52A
PAGE 6
OCT 15/08

BOEING
 737-600/700/800/900
 PARTS CATALOG (MAINTENANCE)



E 11360156 REV 139

UNIT ASSY-DIGITAL FLIGHT DATA AQUISION (PLACARDS AND MARKINGS ONLY)
 FIGURE 56

11-36-01-56

HAP
 FEB 15/08

11-36-01-56
 PAGE 0

BOEING
737-600/700/800/900
PARTS CATALOG (MAINTENANCE)

FIG ITEM	PART NUMBER	1 2 3 4 5 6 7	NOMENCLATURE	EFFECT FROM TO	UNITS PER ASSY
56			UNIT ASSY-DIGITAL FLIGHT DATA AQUISITION (PLACARDS AND MARKINGS ONLY)	036037 039041 044200 968999	
- 1	967-0212-050		UNIT ASSY-DIGITAL FLIGHT DATA ACQUISITION (PLACARDS AND MARKINGS ONLY) SUPPLIER CODE: V97896 FUNCTIONAL DESCRIPTION: RECEIVES DATA FROM VARIOUS AIRPLANE SYSTEMS AND OUTPUTS FORMATTED DATA TO THE FLIGHT DATA RECORDER. ELECTRICAL EQUIP NUMBER: M00675 COMPONENT MAINT MANUAL REF: 31-70-07 QUALIFIED I/W DATA: 967-0212-050 IS INTERCHANGEABLE WITH 967-0212-002 PER CUSTOMER REQUIREMENT. 967-0212-050 OFFERS ENHANCED AIRCRAFT MONITORING SYSTEM (ACMS) FUNCTIONALITY. SOFTWARE DRAWING REF: 31-31-22-08 POST RAPID REVISION: RR97237-5B FOR NHA/OTHER SYS DET SEE: 31-31-22-04	036037 039041 044200 968999	RF
5	620-1920-003		. LABEL-CAUTION SUPPLIER CODE: V97896	036037 039041 044200 968999	1

MISSING ITEM NUMBERS NOT APPLICABLE

- ITEM NOT ILLUSTRATED

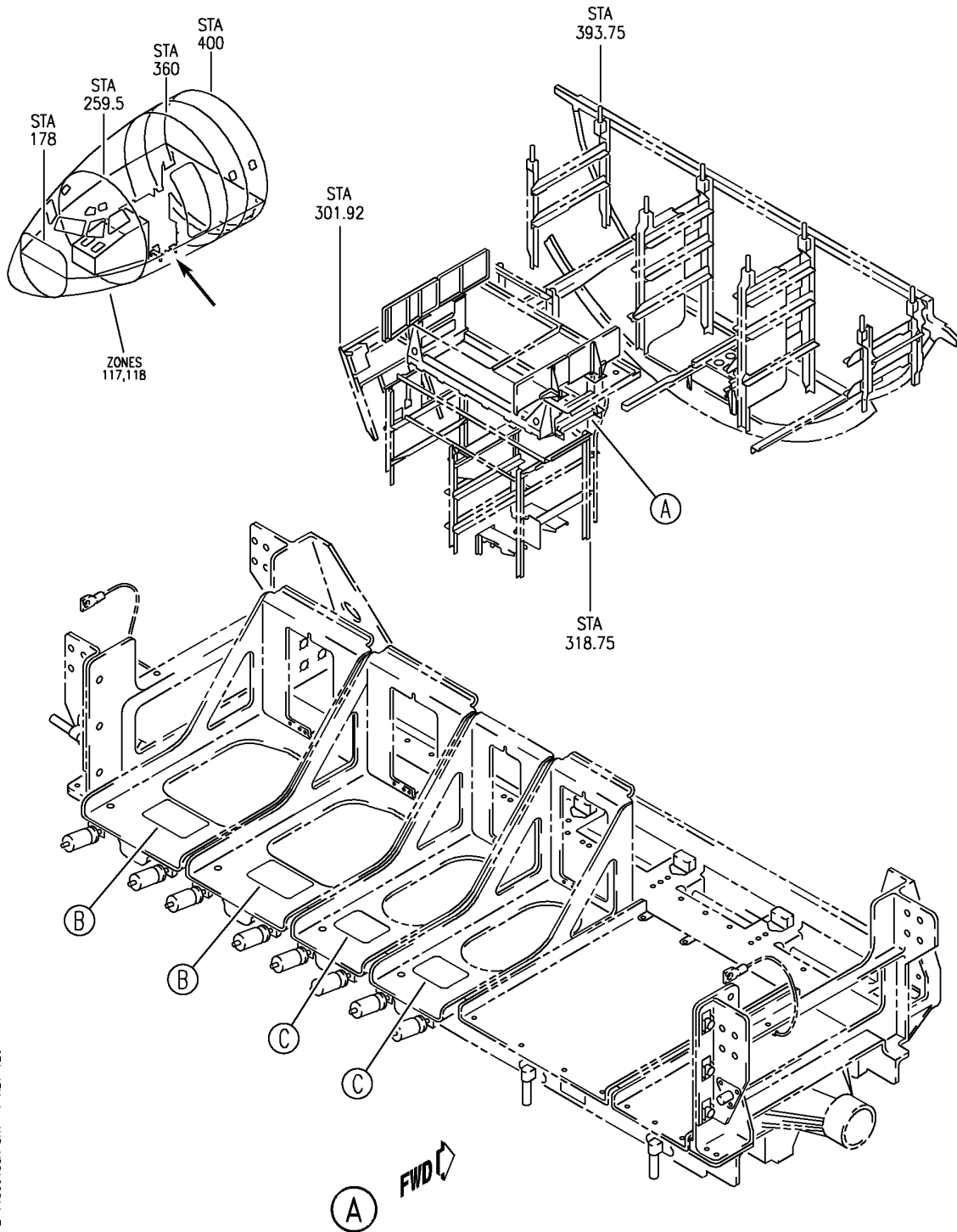
HAP

11-36-01-56

BOEING PROPRIETARY - Copyright © - Unpublished Work - See title page for details.

11-36-01
FIG. 56
PAGE 1
FEB 15/09

BOEING
 737-600/700/800/900
 PARTS CATALOG (MAINTENANCE)



E 11360158A SHT 1 REV 126

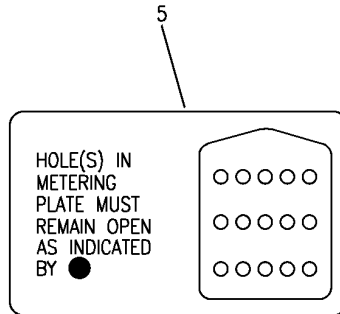
SHELF INSTL-E8-1 E/E EQPT (PLACARDS AND MARKINGS ONLY)
 FIGURE 58A (SHEET 1)

HAP
 FEB 10/07

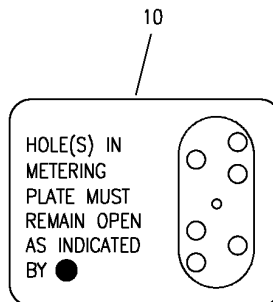
11-36-01-58A

11-36-01-58A
 PAGE 0

BOEING
737-600/700/800/900
PARTS CATALOG (MAINTENANCE)



(B)



(C)

E 11360158A SHT 2 REV 126

SHELF INSTL-E8-1 E/E EQPT (PLACARDS AND MARKINGS ONLY)
FIGURE 58A (SHEET 2)

HAP
FEB 10/07

11-36-01-58A

11-36-01-58A
PAGE 0A

BOEING
737-600/700/800/900
PARTS CATALOG (MAINTENANCE)

FIG ITEM	PART NUMBER	1 2 3 4 5 6 7	NOMENCLATURE	EFFECT FROM TO	UNITS PER ASSY
58A			SHELF INSTL-E8-1 E/E EQPT (PLACARDS AND MARKINGS ONLY)	038038 041047 049100	
- 1	284A1781-46		SHELF SUBASSY- (PLACARDS AND MARKINGS ONLY) FOR NHA/OTHER SYS DET SEE: 25-50-51-40A	038038 041047 054100	RF
- 1	284A1781-53		SHELF SUBASSY- (PLACARDS AND MARKINGS ONLY) FOR NHA/OTHER SYS DET SEE: 25-50-51-40B	049053	RF
5	BAC27TEX2086		.DECAL	038038 041047 049100	2
10	BAC27TEX2034		.DECAL	038038 041047 049100	2

MISSING ITEM NUMBERS NOT APPLICABLE

- ITEM NOT ILLUSTRATED

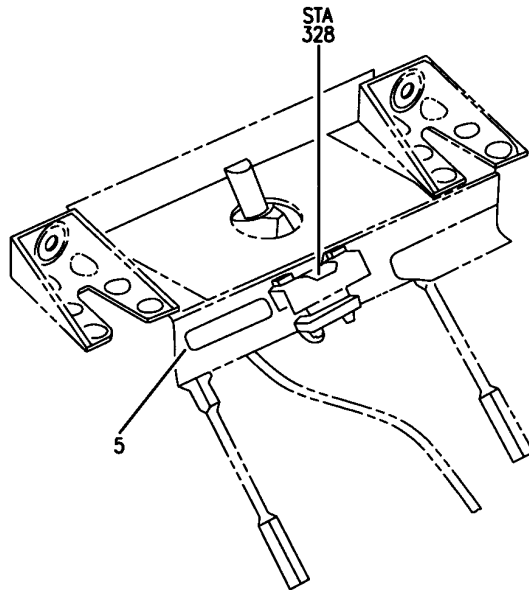
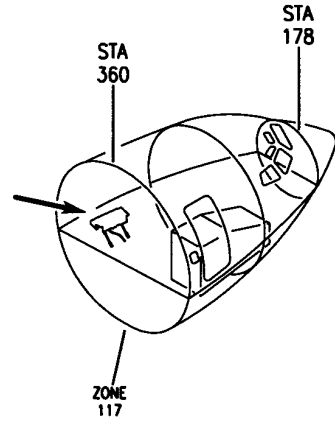
HAP

11-36-01-58A

BOEING PROPRIETARY - Copyright © - Unpublished Work - See title page for details.

11-36-01
FIG. 58A
PAGE 1
FEB 15/09

BOEING
737-600/700/800/900
PARTS CATALOG (MAINTENANCE)



E 11360159 REV 024

SENSOR INSTL-LOCKPIN INDICATING, FWD AIRSTAIRS (PLACARDS AND MARKINGS ONLY)
FIGURE 59

HAP
OCT 15/08

11-36-01-59

11-36-01-59
PAGE 0

BOEING
737-600/700/800/900
PARTS CATALOG (MAINTENANCE)

FIG ITEM	PART NUMBER	1 2 3 4 5 6 7	NOMENCLATURE	EFFECT FROM TO	UNITS PER ASSY
59			SENSOR INSTL-LOCKPIN INDICATING, FWD AIRSTAIRS (PLACARDS AND MARKINGS ONLY)	201967	
- 1	284A0315-2		SENSOR INSTL-LOCKPIN INDICATING (PLACARDS AND MARKINGS ONLY) POSITION DATA: FWD AIRSTAIRS FOR NHA/OTHER SYS DET SEE: 52-70-00-03	201967	RF
5	BACM10W2ACV		.MARKER-ALUMINUM FOIL PLACARD CONTENT: S282 DOOR LOCKPIN WARN	201967	1

MISSING ITEM NUMBERS NOT APPLICABLE

- ITEM NOT ILLUSTRATED

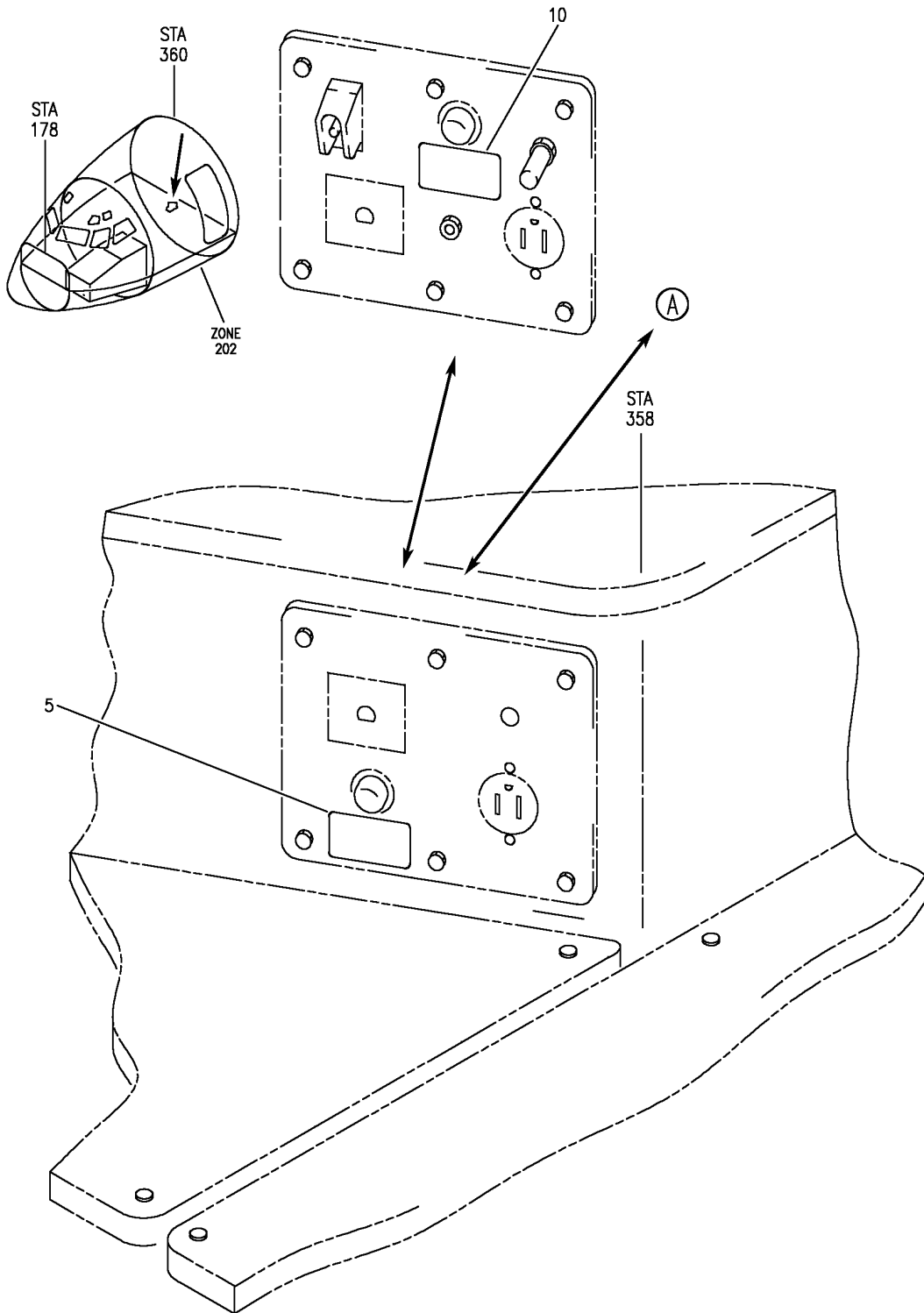
HAP

11-36-01-59

BOEING PROPRIETARY - Copyright © - Unpublished Work - See title page for details.

11-36-01
FIG. 59
PAGE 1
OCT 15/08

BOEING
737-600/700/800/900
PARTS CATALOG (MAINTENANCE)



E 11360165 SHT 1 REV 154

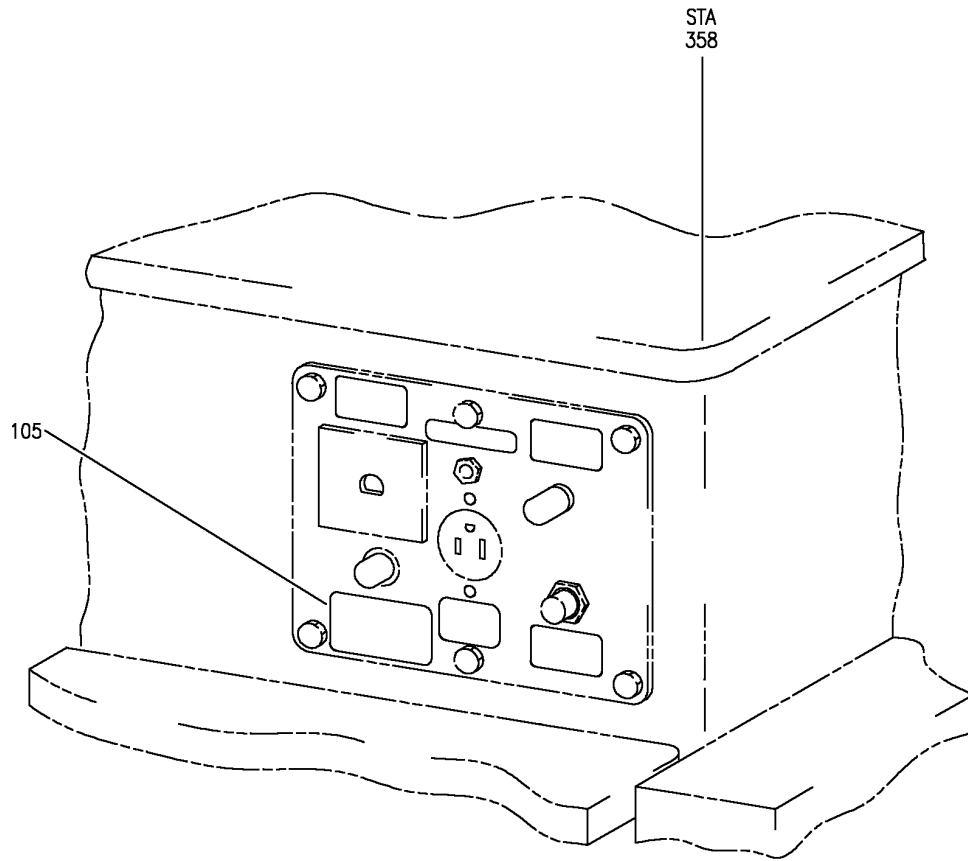
PANEL ASSY-E/E COMPARTMENT (PLACARDS AND MARKINGS ONLY)
FIGURE 65

11-36-01-65

HAP
JUN 15/09

11-36-01-65
PAGE 0

BOEING
737-600/700/800/900
PARTS CATALOG (MAINTENANCE)



(A)

E 11360165 SH1 2 REV 154

PANEL ASSY-E/E COMPARTMENT (PLACARDS AND MARKINGS ONLY)
FIGURE 65

11-36-01-65

HAP
JUN 15/09

11-36-01-65
PAGE 0A

BOEING
737-600/700/800/900
PARTS CATALOG (MAINTENANCE)

FIG ITEM	PART NUMBER	1 2 3 4 5 6 7	NOMENCLATURE	EFFECT FROM TO	UNITS PER ASSY
65			PANEL ASSY-E/E COMPARTMENT (PLACARDS AND MARKINGS ONLY)		
- 1	284A2211-1		PANEL ASSY-E/E COMPARTMENT (PLACARDS AND MARKINGS ONLY) FOR NHA/OTHER SYS DET SEE: 25-50-51-65	001030 201967	RF
- 1	284A2211-10		PANEL ASSY-E/E COMPARTMENT (PLACARDS AND MARKINGS ONLY) FOR NHA/OTHER SYS DET SEE: 25-50-51-65	031200 968999	RF
5	BAC27DEX6170		.DECAL- PLACARD CONTENT: S85 E/E COMPT LIGHT SWITCH (PUSH ON) (PUSH OFF)	001030 201967	1
10	BAC27DEX6378		.DECAL- PLACARD CONTENT: E/E COMPT LIGHT SWITCH (PUSH ON/OFF)	031200 968999	1

MISSING ITEM NUMBERS NOT APPLICABLE

- ITEM NOT ILLUSTRATED

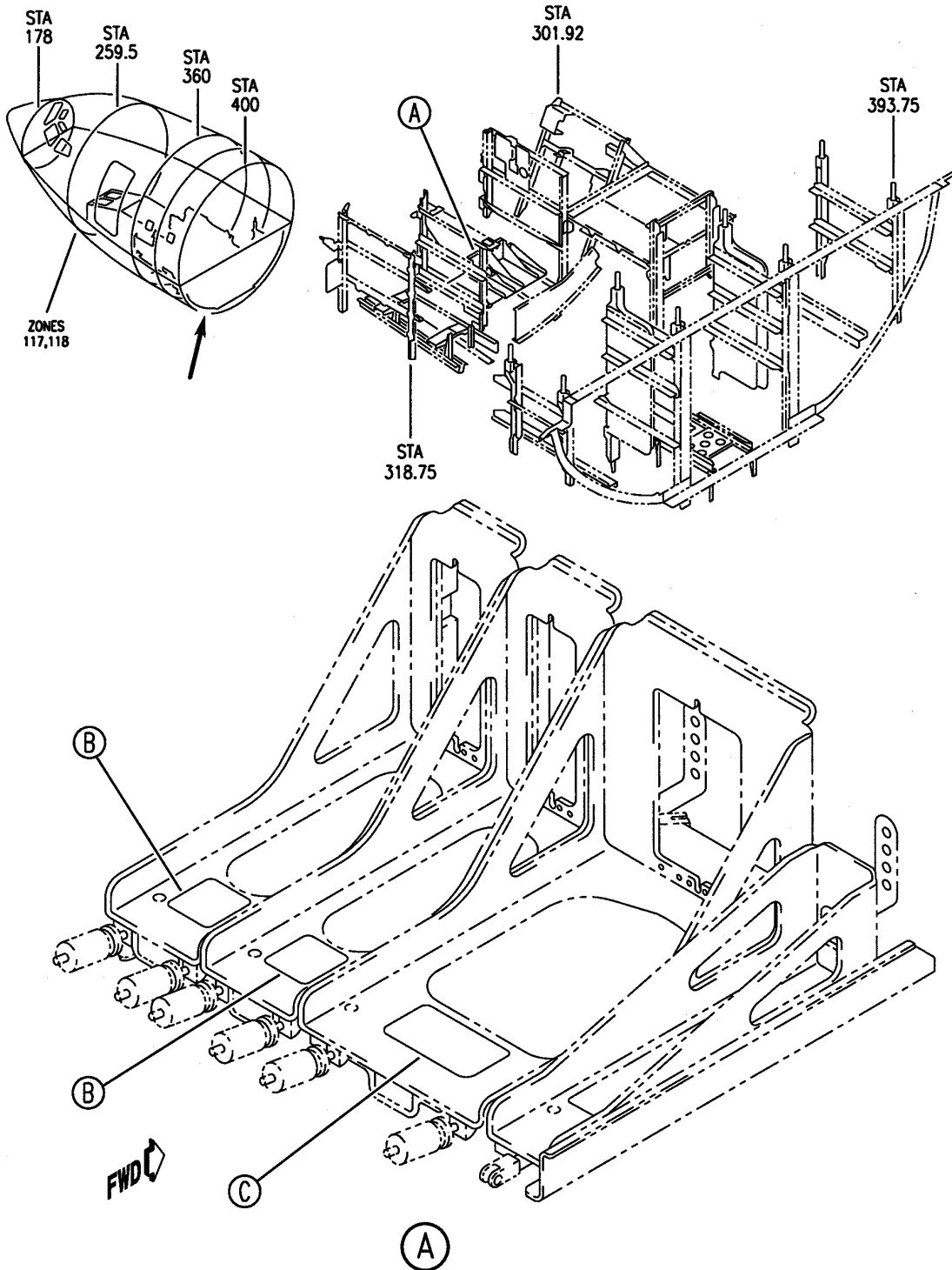
HAP

11-36-01-65

BOEING PROPRIETARY - Copyright © - Unpublished Work - See title page for details.

11-36-01
FIG. 65
PAGE 1
OCT 15/08

BOEING
 737-600/700/800/900
 PARTS CATALOG (MAINTENANCE)



E 11360166 SHT 1 REV 031

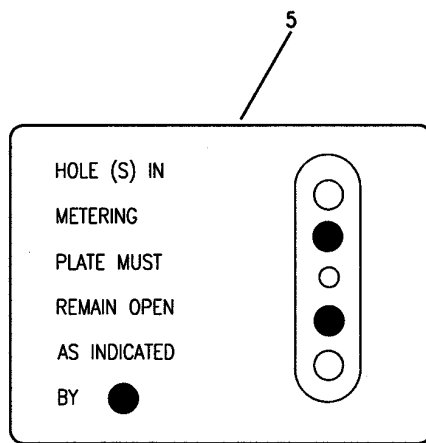
SHELF ASSY-E1-4 RACK E/E EQPT (PLACARDS AND MARKINGS ONLY)
 FIGURE 66 (SHEET 1)

11-36-01-66

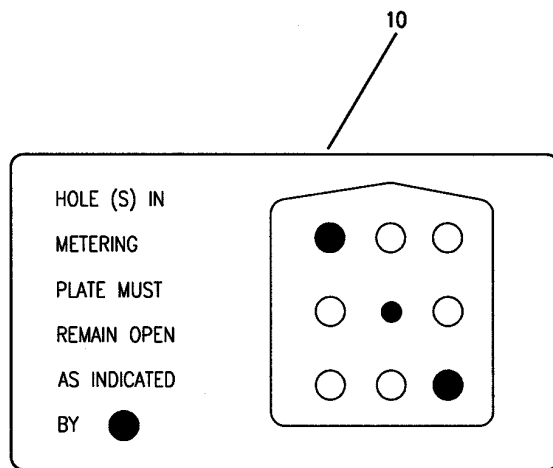
HAP
 OCT 10/06

11-36-01-66
 PAGE 0

BOEING
 737-600/700/800/900
 PARTS CATALOG (MAINTENANCE)



(B)



(C)

E 11360166 SHT 2 REV 031

SHELF ASSY-E1-4 RACK E/E EQPT (PLACARDS AND MARKINGS ONLY)
 FIGURE 66 (SHEET 2)

11-36-01-66

HAP
 OCT 10/06

11-36-01-66
 PAGE 0A

BOEING
737-600/700/800/900
PARTS CATALOG (MAINTENANCE)

FIG ITEM	PART NUMBER	1 2 3 4 5 6 7	NOMENCLATURE	EFFECT FROM TO	UNITS PER ASSY
66			SHELF ASSY-E1-4 RACK E/E EQPT (PLACARDS AND MARKINGS ONLY)		
- 1	284A1714-3		SHELF ASSY-E/E EQPT (PLACARDS AND MARKINGS ONLY) POSITION DATA: E1-4 RACK FOR NHA/OTHER SYS DET SEE: 25-50-52-15 25-50-52-15A	001030 201967	RF
- 1	284A1714-6		SHELF SUBASSY-E1-4 (PLACARDS AND MARKINGS ONLY) FOR NHA/OTHER SYS DET SEE: 25-50-52-15A	031200 968999	RF
5	BAC27TEX2033		.DECAL-		2
10	BAC27TEX2036		.DECAL		1

MISSING ITEM NUMBERS NOT APPLICABLE

- ITEM NOT ILLUSTRATED

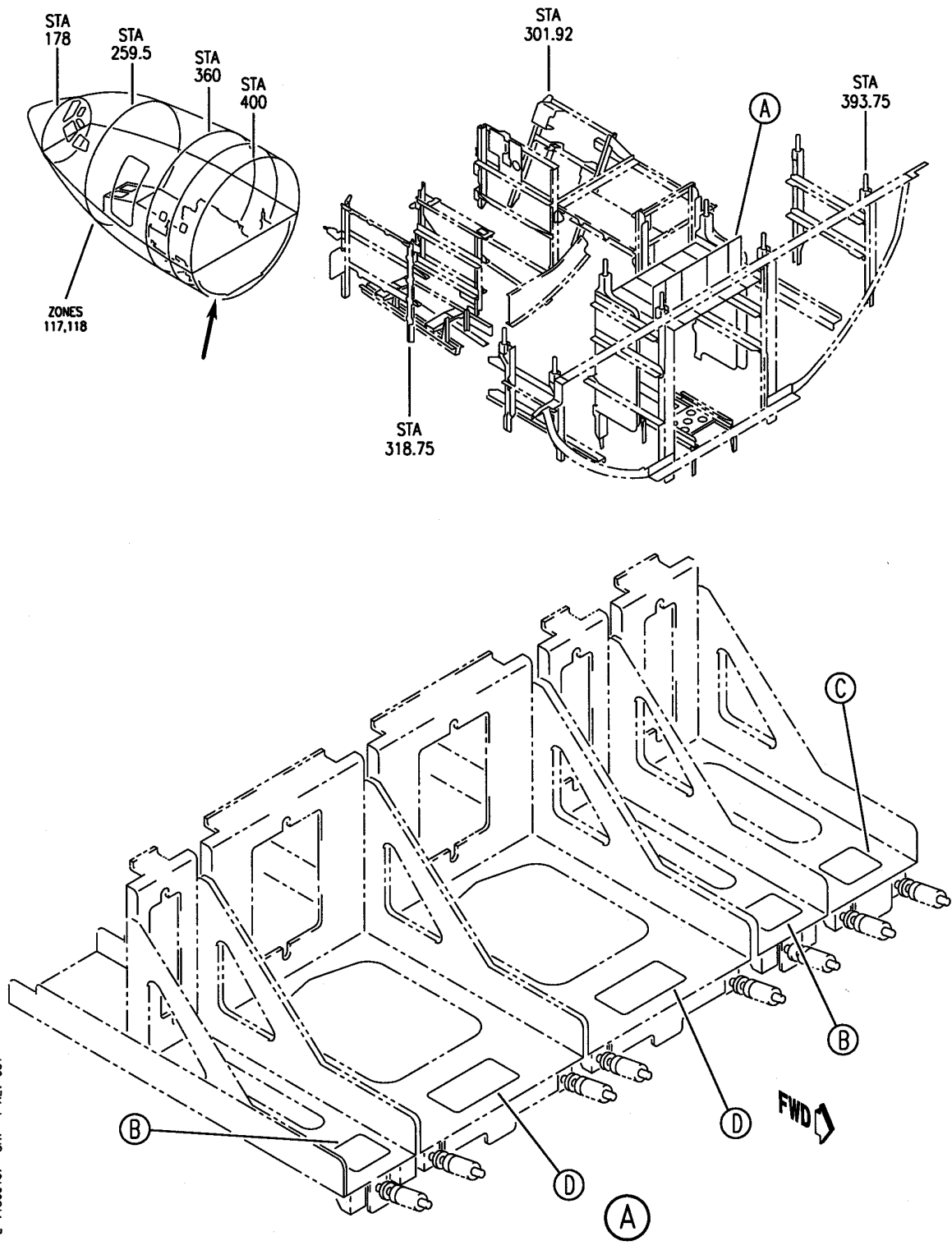
HAP

11-36-01-66

BOEING PROPRIETARY - Copyright © - Unpublished Work - See title page for details.

11-36-01
FIG. 66
PAGE 1
OCT 15/08

BOEING
 737-600/700/800/900
 PARTS CATALOG (MAINTENANCE)



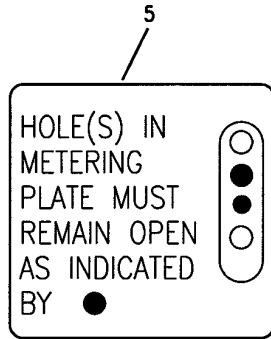
SHELF SUBASSY-E3-1 RACK E/E EQPT (PLACARDS AND MARKINGS ONLY)
 FIGURE 67 (SHEET 1)

11-36-01-67

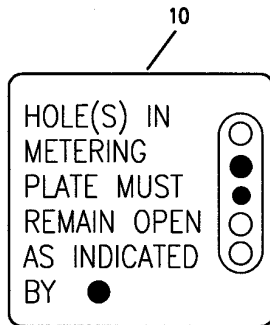
HAP
 JUN 10/07

11-36-01-67
 PAGE 0

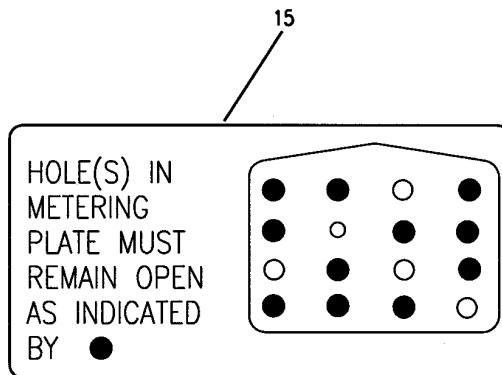
BOEING
 737-600/700/800/900
 PARTS CATALOG (MAINTENANCE)



(B)



(C)



(D)

E 11360167 SH1 2 REV 031

SHELF SUBASSY-E3-1 RACK E/E EQPT (PLACARDS AND MARKINGS ONLY)
 FIGURE 67 (SHEET 2)

11-36-01-67

HAP
 JUN 10/07

11-36-01-67
 PAGE 0A

BOEING
737-600/700/800/900
PARTS CATALOG (MAINTENANCE)

FIG ITEM	PART NUMBER	1 2 3 4 5 6 7	NOMENCLATURE	EFFECT FROM TO	UNITS PER ASSY
67			SHELF SUBASSY-E3-1 RACK E/E EQPT (PLACARDS AND MARKINGS ONLY)		
- 1	284A1731-2		SHELF SUBASSY-E3-1 RACK E/E EQPT (PLACARDS AND MARKING ONLY) FOR NHA/OTHER SYS DET SEE: 25-50-52-19 25-50-52-19A		RF
5	BAC27TEX2032		.DECAL		2
10	BAC27TEX2033		.DECAL		1
15	BAC27TEX3273		.DECAL		2

MISSING ITEM NUMBERS NOT APPLICABLE

- ITEM NOT ILLUSTRATED

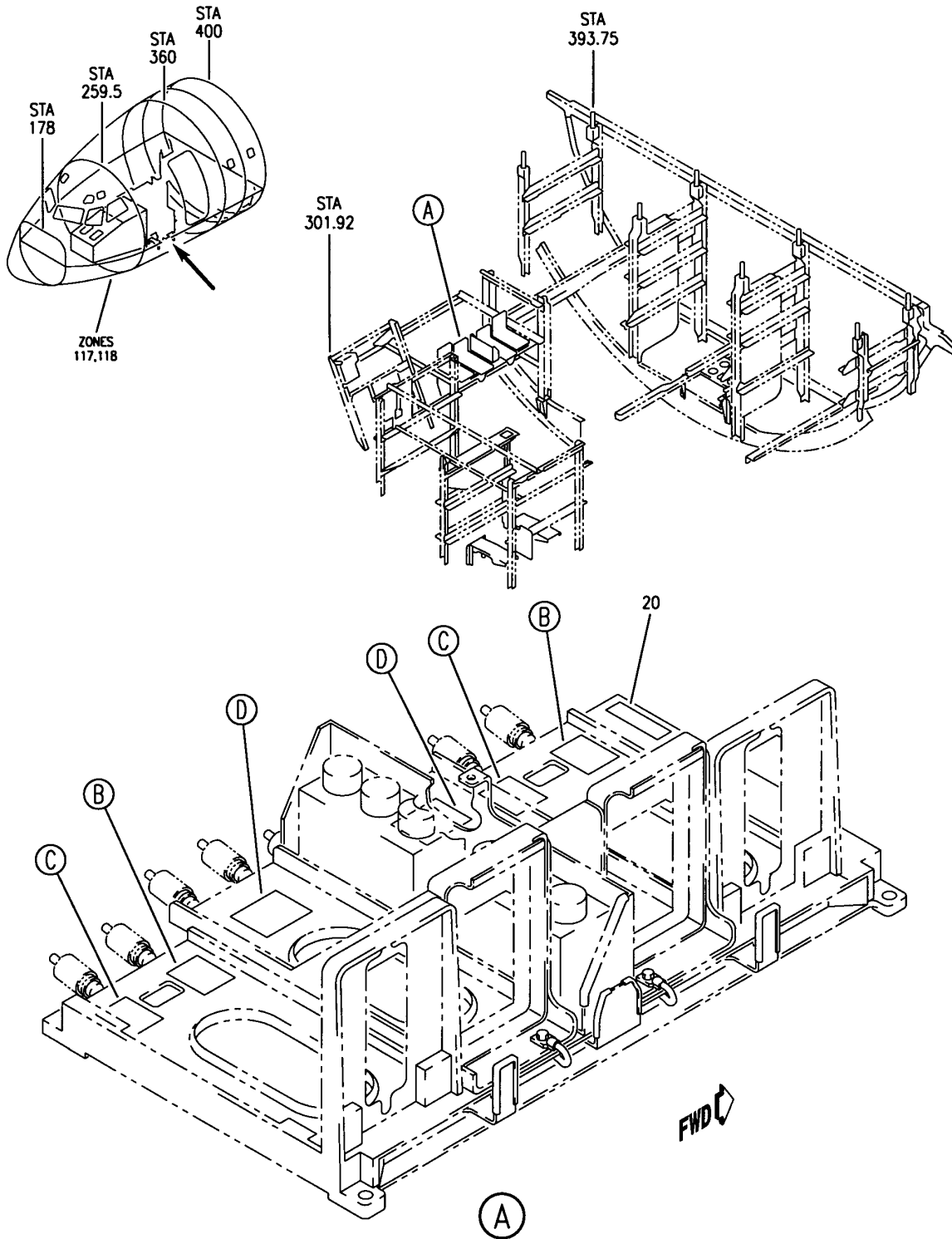
HAP

11-36-01-67

BOEING PROPRIETARY - Copyright © - Unpublished Work - See title page for details.

11-36-01
FIG. 67
PAGE 1
OCT 15/08

BOEING
 737-600/700/800/900
 PARTS CATALOG (MAINTENANCE)



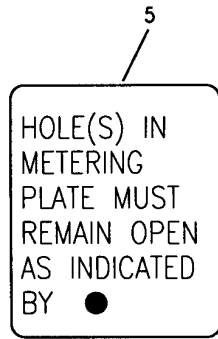
E 11360171 SH1 1 REV 031

SHELF ASSY-E/E EQPT E5-2 RACK (PLACARDS AND MARKINGS ONLY)
 FIGURE 71 (SHEET 1)

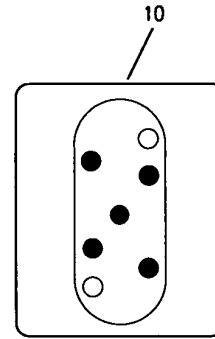
11-36-01-71

HAP
 OCT 10/06

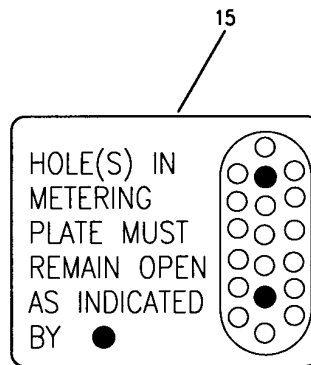
11-36-01-71
 PAGE 0



(B)



(C)



(D)

E 11360171 SH1 2 REV 031

SHELF ASSY-E/E EQPT E5-2 RACK (PLACARDS AND MARKINGS ONLY)
 FIGURE 71 (SHEET 2)

11-36-01-71

HAP
 OCT 10/06

11-36-01-71
 PAGE 0A

BOEING
737-600/700/800/900
PARTS CATALOG (MAINTENANCE)

FIG ITEM	PART NUMBER	1 2 3 4 5 6 7	NOMENCLATURE	EFFECT FROM TO	UNITS PER ASSY
71			SHELF ASSY-E/E EQPT E5-2 RACK (PLACARDS AND MARKINGS ONLY)		
- 1	284A1752-1		SHELF ASSY-E/E EQPT (PLACARDS AND MARKINGS ONLY)	001001 005007	RF
- 1	284A1752-2		POSITION DATA: E5-2 RACK FOR NHA/OTHER SYS DET SEE: 25-50-52-22		
			SHELF ASSY-E/E EQPT (PLACARDS AND MARKINGS ONLY)	002004 008999	RF
			POSITION DATA: E5-2 RACK FOR NHA/OTHER SYS DET SEE: 25-50-52-22 25-50-52-22A		
5	BAC27DEX6515		.DECAL		2
10	BAC27DEX6516		.DECAL		2
15	BAC27TEX2217		.DECAL-	001001 005007	2
15	BAC27TEX2034		.DECAL-	002004 008999	2
20	BAC27TEX0954		.DECAL-	002004 008999	1
			PLACARD CONTENT: NO STEP CRITICALLY ALIGNED ITEM DO NOT ABUSE		

MISSING ITEM NUMBERS NOT APPLICABLE

- ITEM NOT ILLUSTRATED

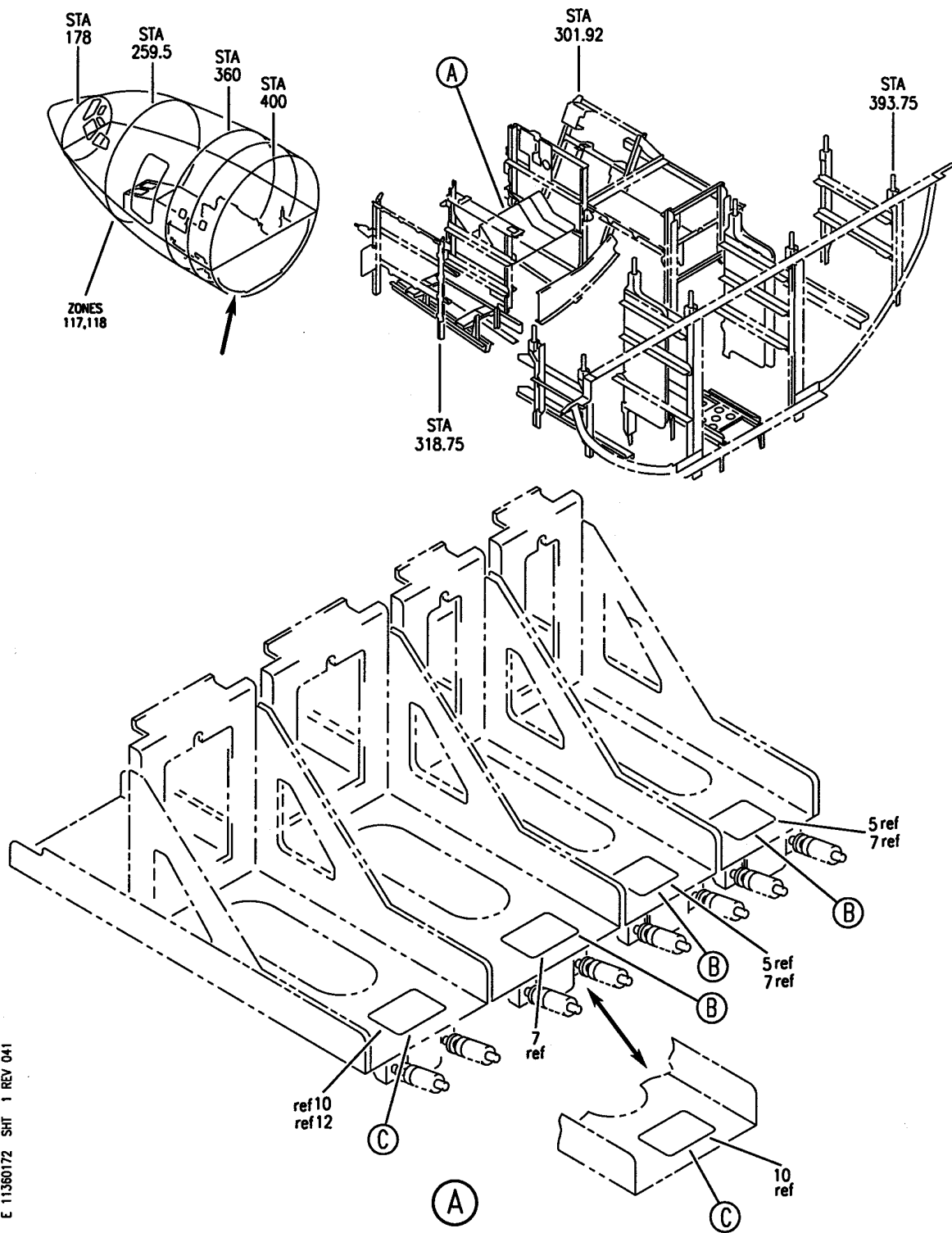
HAP

11-36-01-71

BOEING PROPRIETARY - Copyright © - Unpublished Work - See title page for details.

11-36-01
FIG. 71
PAGE 1
OCT 10/06

BOEING
 737-600/700/800/900
 PARTS CATALOG (MAINTENANCE)



E 11360172 SHT 1 REV 041

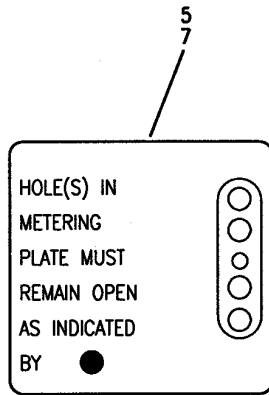
SHELF ASSY-E1-2, E/E EQPT (PLACARDS AND MARKINGS ONLY)
 FIGURE 72 (SHEET 1)

11-36-01-72

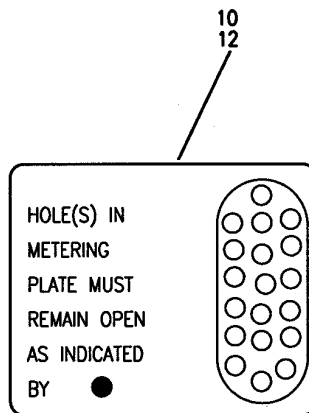
HAP
 OCT 10/06

11-36-01-72
 PAGE 0

BOEING
737-600/700/800/900
PARTS CATALOG (MAINTENANCE)



(B)



(C)

E 11360172 SHIT 2 REV 041

SHELF ASSY-E1-2, E/E EQPT (PLACARDS AND MARKINGS ONLY)
FIGURE 72 (SHEET 2)

11-36-01-72

HAP
OCT 10/06

11-36-01-72
PAGE 0A

BOEING
737-600/700/800/900
PARTS CATALOG (MAINTENANCE)

FIG ITEM	PART NUMBER	1 2 3 4 5 6 7	NOMENCLATURE	EFFECT FROM TO	UNITS PER ASSY
72			SHELF ASSY-E1-2, E/E EQPT (PLACARDS AND MARKINGS ONLY)		
- 1	284A1712-2		SHELF ASSY-E1-2, E/E EQPT (PLACARDS AND MARKINGS ONLY)		RF
			FOR NHA/OTHER SYS DET SEE: 25-50-52-14 25-50-52-14A		
5	BAC27TEX2033		.DECAL		2
10	BAC27TEX2217		.DECAL		2

MISSING ITEM NUMBERS NOT APPLICABLE

- ITEM NOT ILLUSTRATED

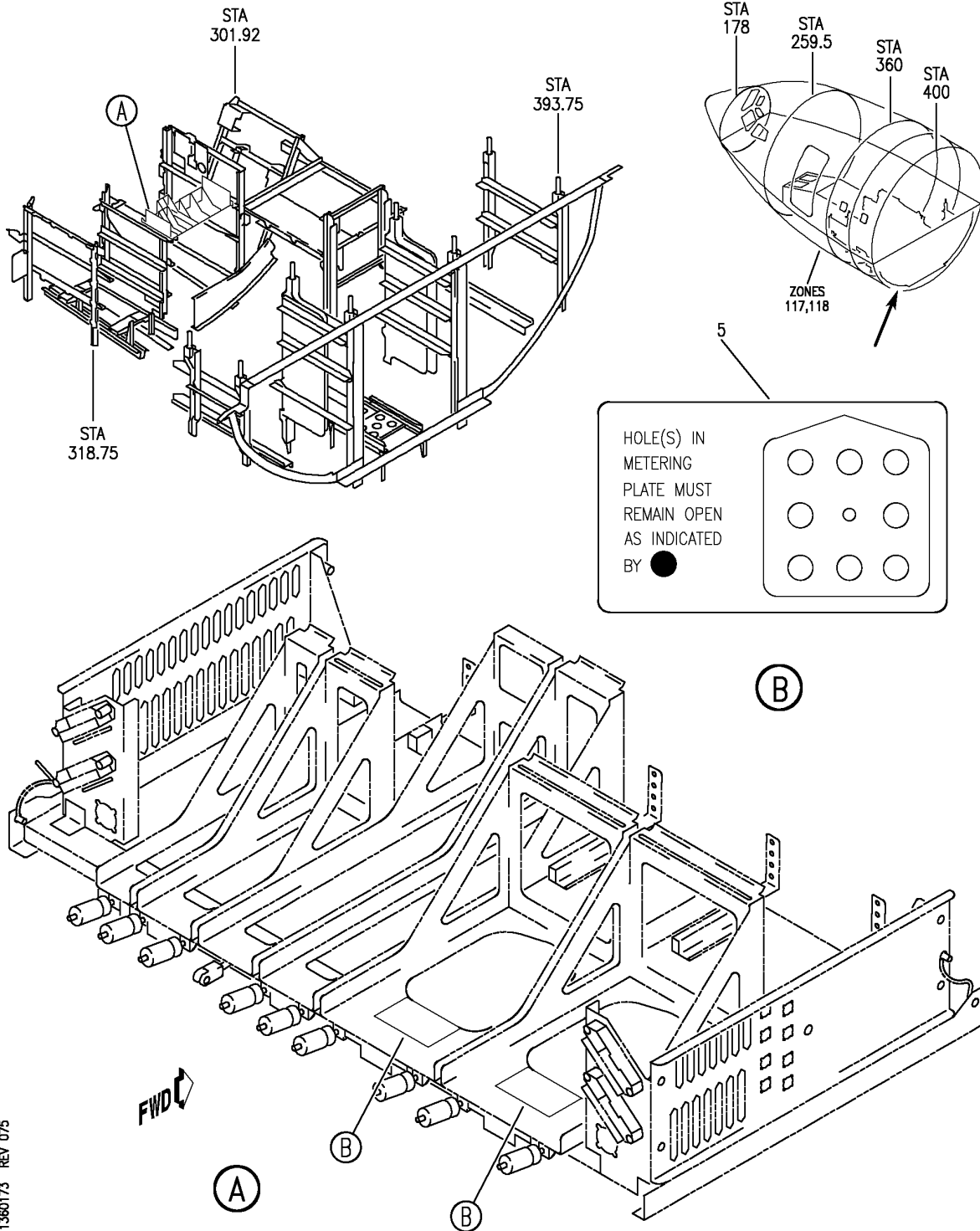
HAP

11-36-01-72

BOEING PROPRIETARY - Copyright © - Unpublished Work - See title page for details.

11-36-01
FIG. 72
PAGE 1
OCT 10/06

BOEING
 737-600/700/800/900
 PARTS CATALOG (MAINTENANCE)



E 11360173 REV 075

SHELF ASSY-E1-1, E/E EQUIP (PLACARDS AND MARKINGS ONLY)
 FIGURE 73

11-36-01-73

HAP
 OCT 10/06

11-36-01-73
 PAGE 0

BOEING
737-600/700/800/900
PARTS CATALOG (MAINTENANCE)

FIG ITEM	PART NUMBER	1 2 3 4 5 6 7	NOMENCLATURE	EFFECT FROM TO	UNITS PER ASSY
73					
- 1	284A1711-1		SHELF ASSY-E1-1, E/E EQUIP (PLACARDS AND MARKINGS ONLY)	001007	RF
- 1	284A1711-2		SHELF ASSY-E1-1, E/E EQUIP (PLACARDS AND MARKINGS ONLY) FOR NHA/OTHER SYS DET SEE: 25-50-51-92A	008011 201967	RF
- 1	284A1711-3		SHELF ASSY-E1-1, E/E EQUIP (PLACARDS AND MARKINGS ONLY) FOR NHA/OTHER SYS DET SEE: 25-50-51-92	012030	RF
- 1	284A1711-8		SHELF ASSY-E1-1, E/E EQUIP (PLACARDS AND MARKINGS ONLY) FOR NHA/OTHER SYS DET SEE: 25-50-51-92	031200 968999	RF
5	BAC27TEX2036		.DECAL		2

MISSING ITEM NUMBERS NOT APPLICABLE

- ITEM NOT ILLUSTRATED

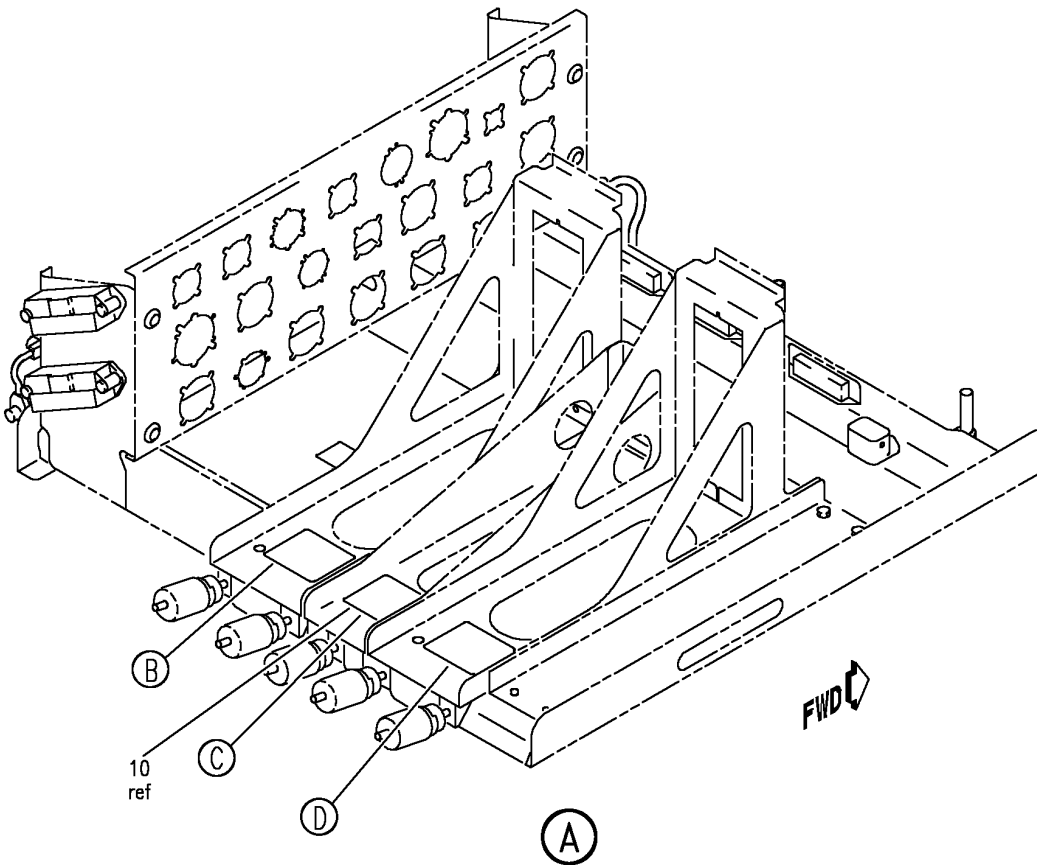
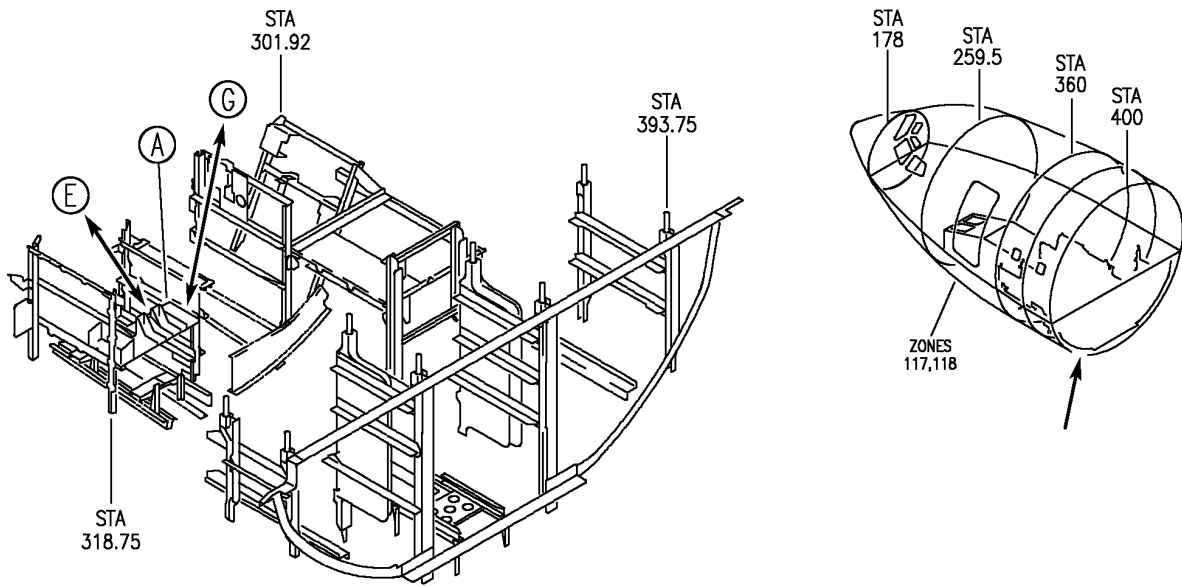
HAP

11-36-01-73

BOEING PROPRIETARY - Copyright © - Unpublished Work - See title page for details.

11-36-01
FIG. 73
PAGE 1
OCT 15/08

BOEING
 737-600/700/800/900
 PARTS CATALOG (MAINTENANCE)



E 11360174 SHT 1 REV 155

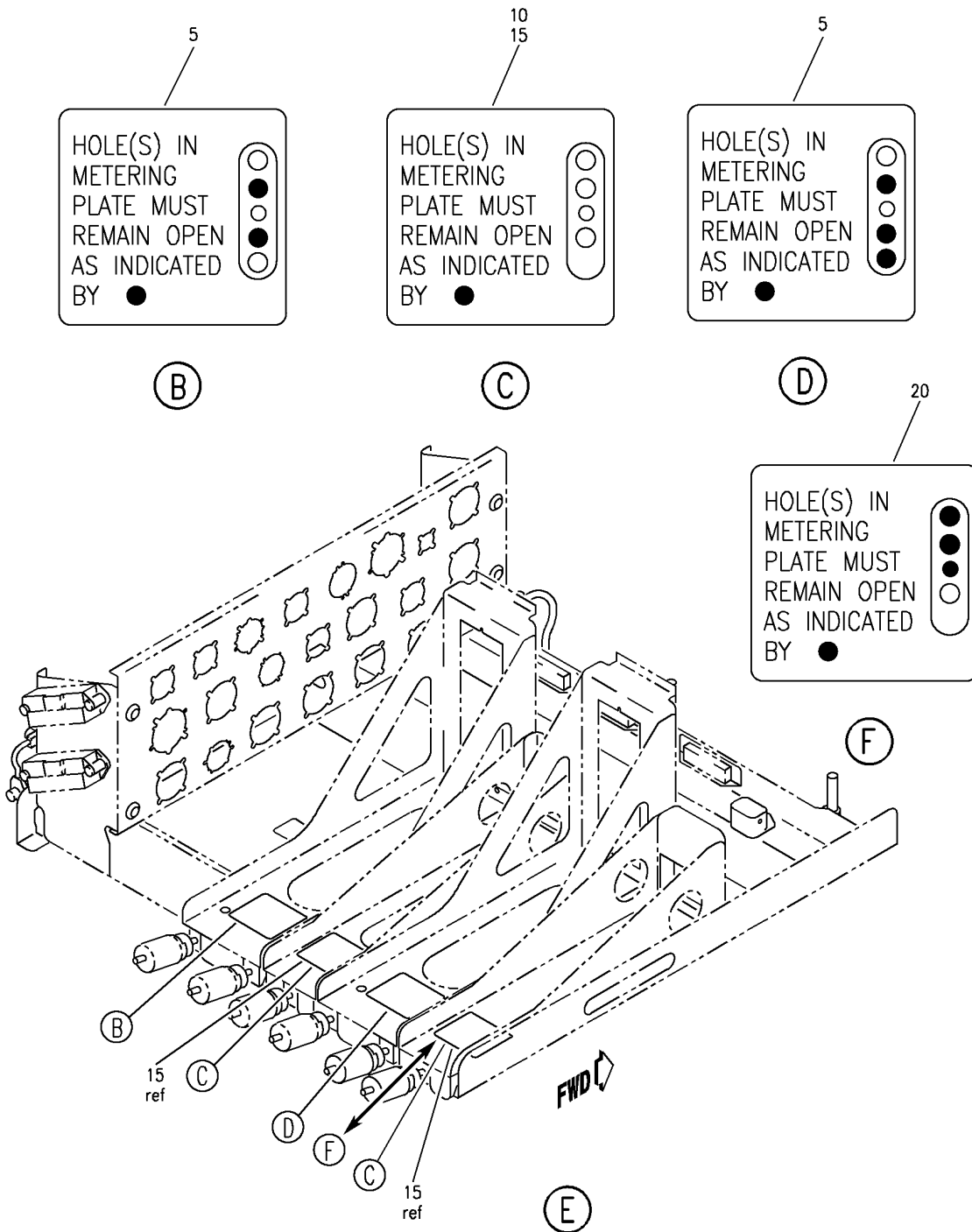
SHELF ASSY-E1-3 RACK, E/E EQPT (PLACARDS AND MARKINGS ONLY)
 FIGURE 74 (SHEET 1)

11-36-01-74

HAP
 JUN 15/09

11-36-01-74
 PAGE 0

BOEING
737-600/700/800/900
PARTS CATALOG (MAINTENANCE)



E 11360174 SH 2 REV 129

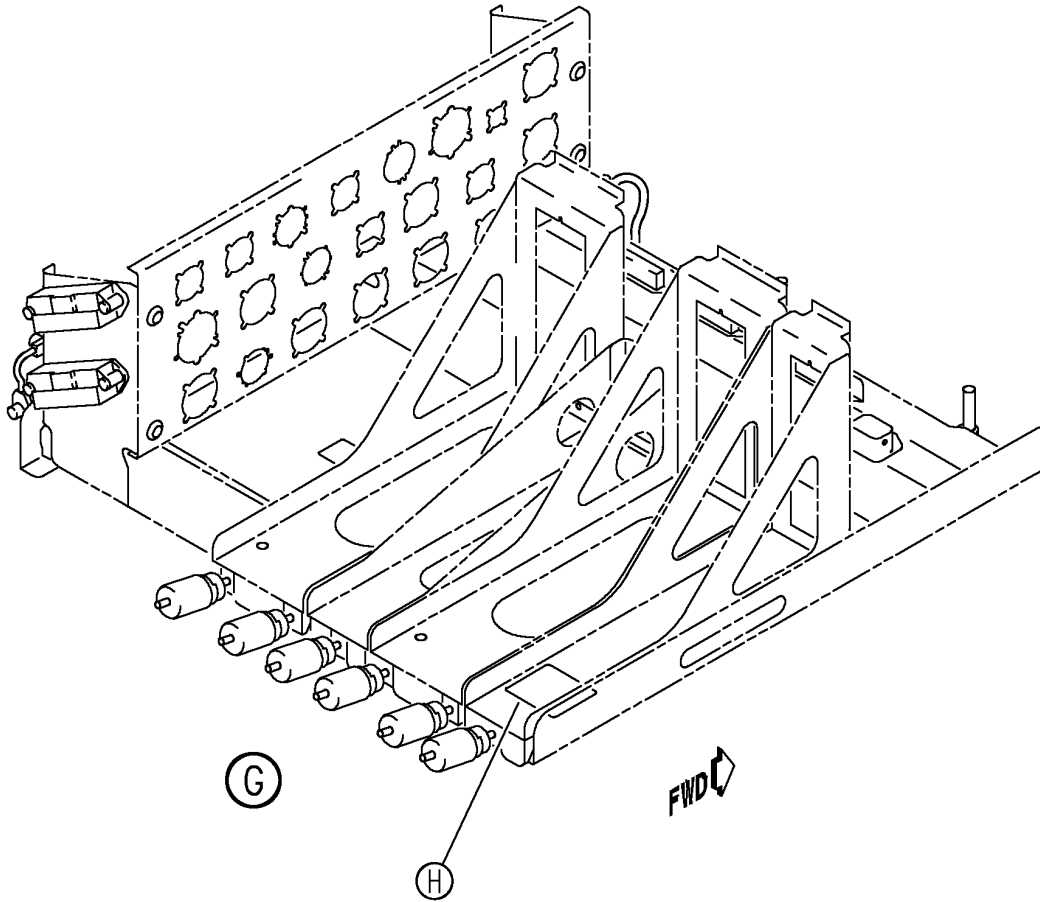
SHELF ASSY-E1-3 RACK, E/E EQPT (PLACARDS AND MARKINGS ONLY)
FIGURE 74 (SHEET 2)

HAP
OCT 15/08

11-36-01-74

11-36-01-74
PAGE 0A

BOEING
 737-600/700/800/900
 PARTS CATALOG (MAINTENANCE)



HOLE(S) IN
 METERING
 PLATE MUST
 REMAIN OPEN
 AS INDICATED
 BY ●

25

(H)

E 11360174 SH1 3 REV 155

SHELF ASSY-E1-3 RACK, E/E EQPT (PLACARDS AND MARKINGS ONLY)
 FIGURE 74 (SHEET 3)

11-36-01-74

HAP
 JUN 15/09

11-36-01-74
 PAGE 0B

BOEING
737-600/700/800/900
PARTS CATALOG (MAINTENANCE)

FIG ITEM	PART NUMBER	1 2 3 4 5 6 7	NOMENCLATURE	EFFECT FROM TO	UNITS PER ASSY
74			SHELF ASSY-E1-3 RACK, E/E EQPT (PLACARDS AND MARKINGS ONLY)	201967	
- 1	284A1713-8		SHELF ASSY-E/E EQPT E1-3 (PLACARDS AND MARKINGS ONLY) FOR NHA/OTHER SYS DET SEE: 25-50-51-99A	201967	RF
5	BAC27TEX2033		.DECAL	201967	2
10	BAC27TEX2032		.DECAL	201967	1

MISSING ITEM NUMBERS NOT APPLICABLE

- ITEM NOT ILLUSTRATED

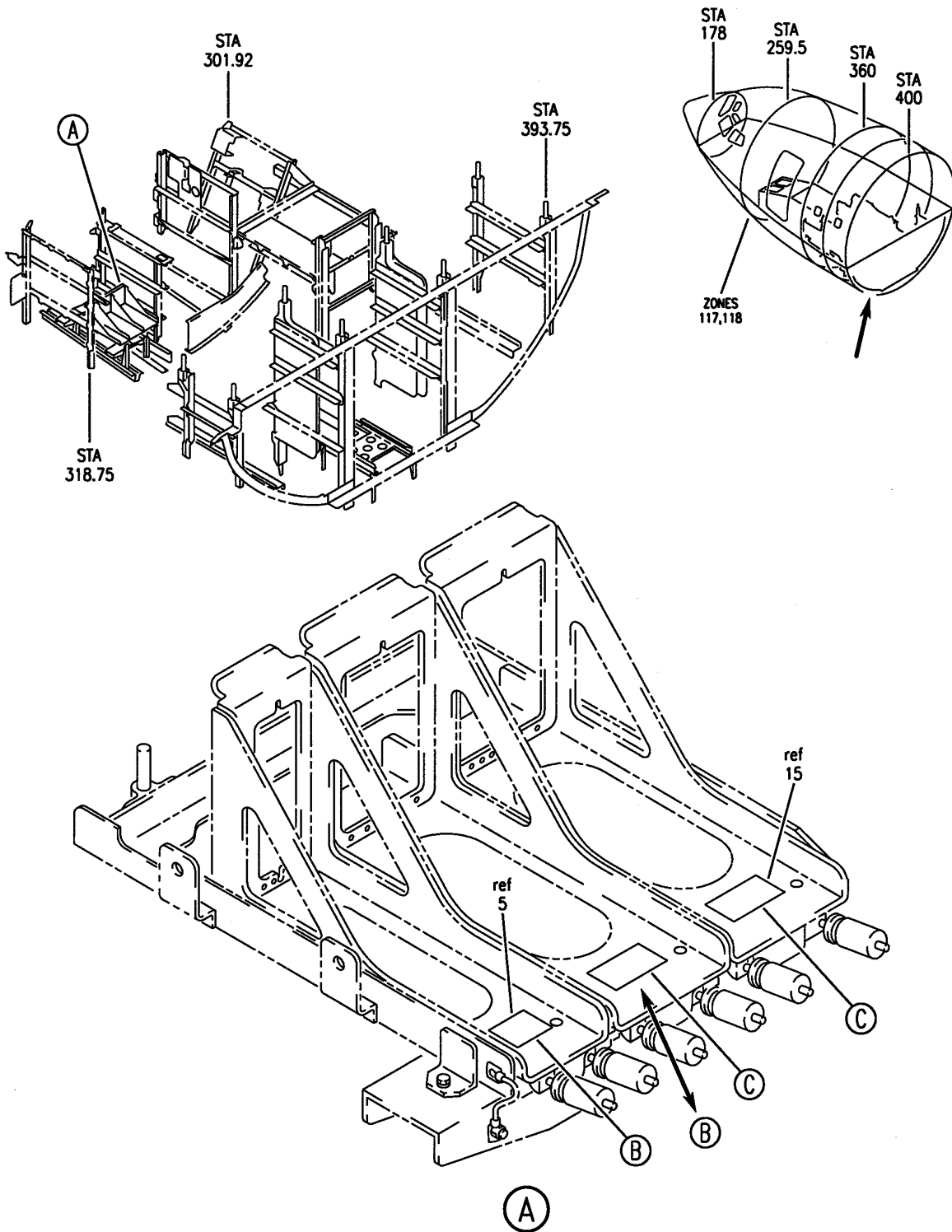
HAP

11-36-01-74

BOEING PROPRIETARY - Copyright © - Unpublished Work - See title page for details.

11-36-01
FIG. 74
PAGE 1
OCT 15/08

BOEING
 737-600/700/800/900
 PARTS CATALOG (MAINTENANCE)



E 11360176 SHT 1 REV 041

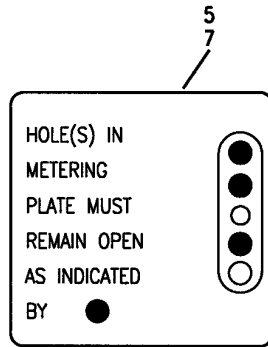
SHELF ASSY-E1-5 RACK, E/E EQPT (PLACARDS AND AND MARKINGS ONLY)
 FIGURE 76 (SHEET 1)

11-36-01-76

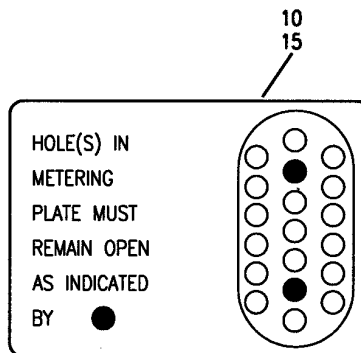
HAP
 OCT 10/06

11-36-01-76
 PAGE 0

BOEING
737-600/700/800/900
PARTS CATALOG (MAINTENANCE)



(B)



(C)

E 11360176 SHT 2 REV 041

SHELF ASSY-E1-5 RACK, E/E EQPT (PLACARDS AND AND MARKINGS ONLY)
FIGURE 76 (SHEET 2)

HAP
OCT 10/06

11-36-01-76

11-36-01-76
PAGE 0A

BOEING
737-600/700/800/900
PARTS CATALOG (MAINTENANCE)

FIG ITEM	PART NUMBER	1 2 3 4 5 6 7	NOMENCLATURE	EFFECT FROM TO	UNITS PER ASSY
76					
- 1	284A1715-1		SHELF ASSY-E1-5 RACK, E/E EQPT (PLACARDS AND AND MARKINGS ONLY)		RF
5	BAC27TEX2033		SHELF ASSY-E1-5 RACK, E/E EQPT (PLACARDS AND AND MARKINGS ONLY)		
10	BAC27TEX2217		FOR NHA/OTHER SYS DET SEE: 25-50-52-16 25-50-52-16A		
			.DECAL		1
			.DECAL		2

MISSING ITEM NUMBERS NOT APPLICABLE

- ITEM NOT ILLUSTRATED

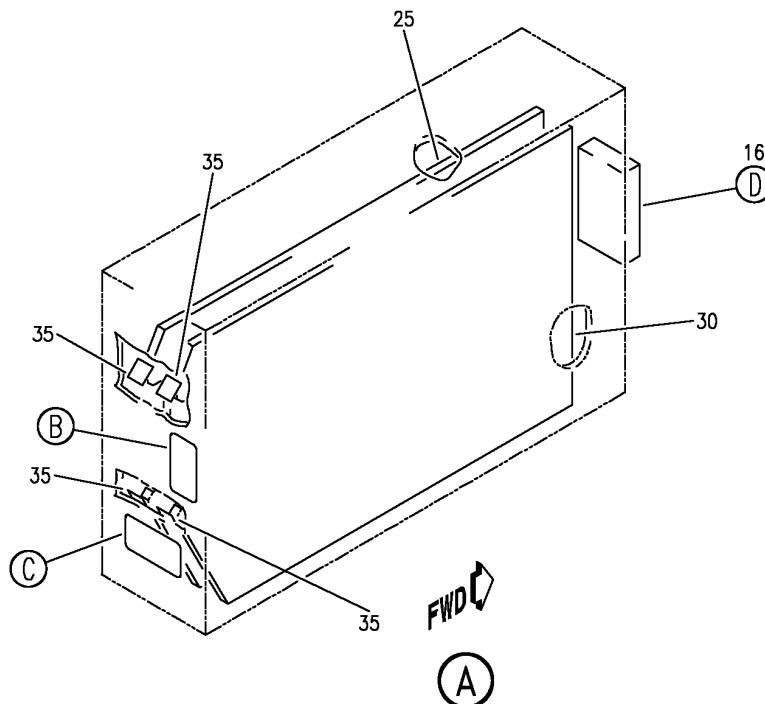
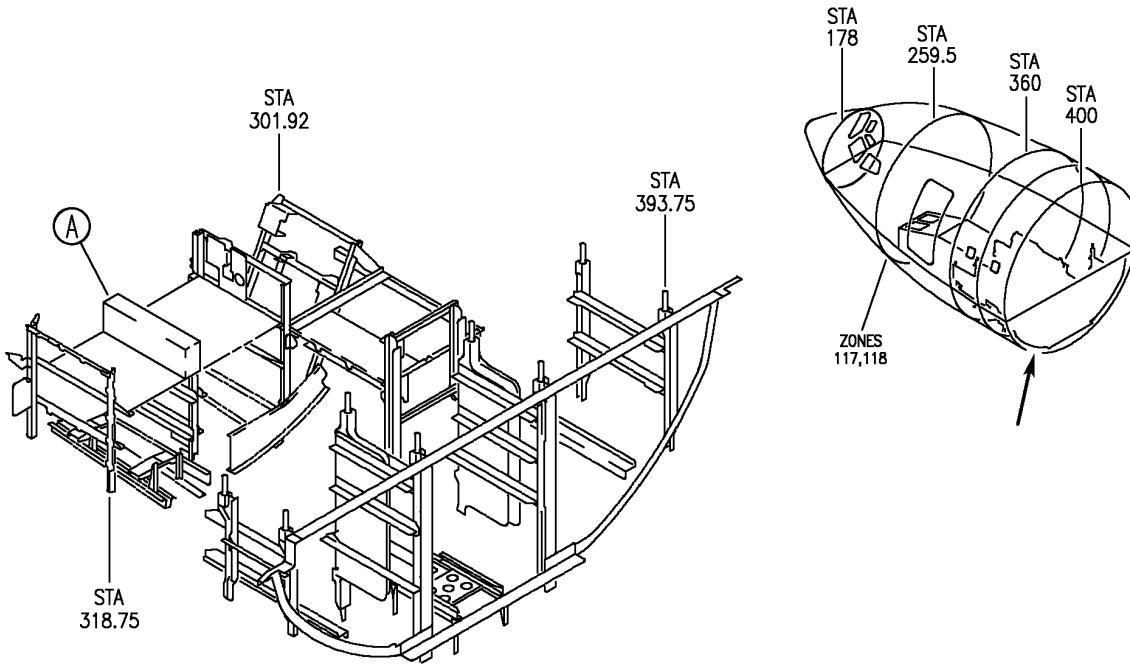
HAP

11-36-01-76

BOEING PROPRIETARY - Copyright © - Unpublished Work - See title page for details.

11-36-01
FIG. 76
PAGE 1
OCT 10/06

BOEING
 737-600/700/800/900
 PARTS CATALOG (MAINTENANCE)



E 11360177 SHT 1 REV 087

ELECTRONICS UNIT ASSY-FLAP/SLAT (PLACARDS AND MARKINGS ONLY)
 FIGURE 77 (SHEET 1)

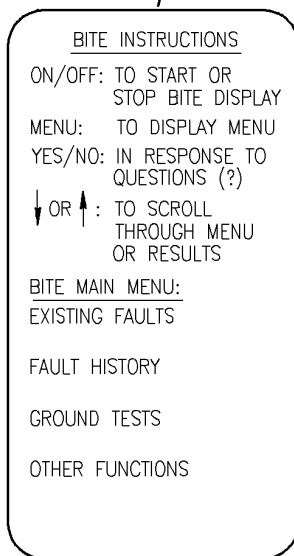
11-36-01-77

HAP
 OCT 10/06

11-36-01-77
 PAGE 0

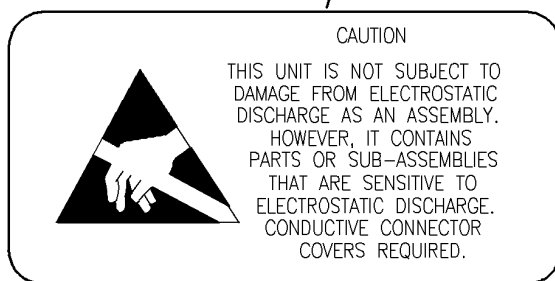
 **BOEING**
737-600/700/800/900
PARTS CATALOG (MAINTENANCE)

10



(B)

15



(C)

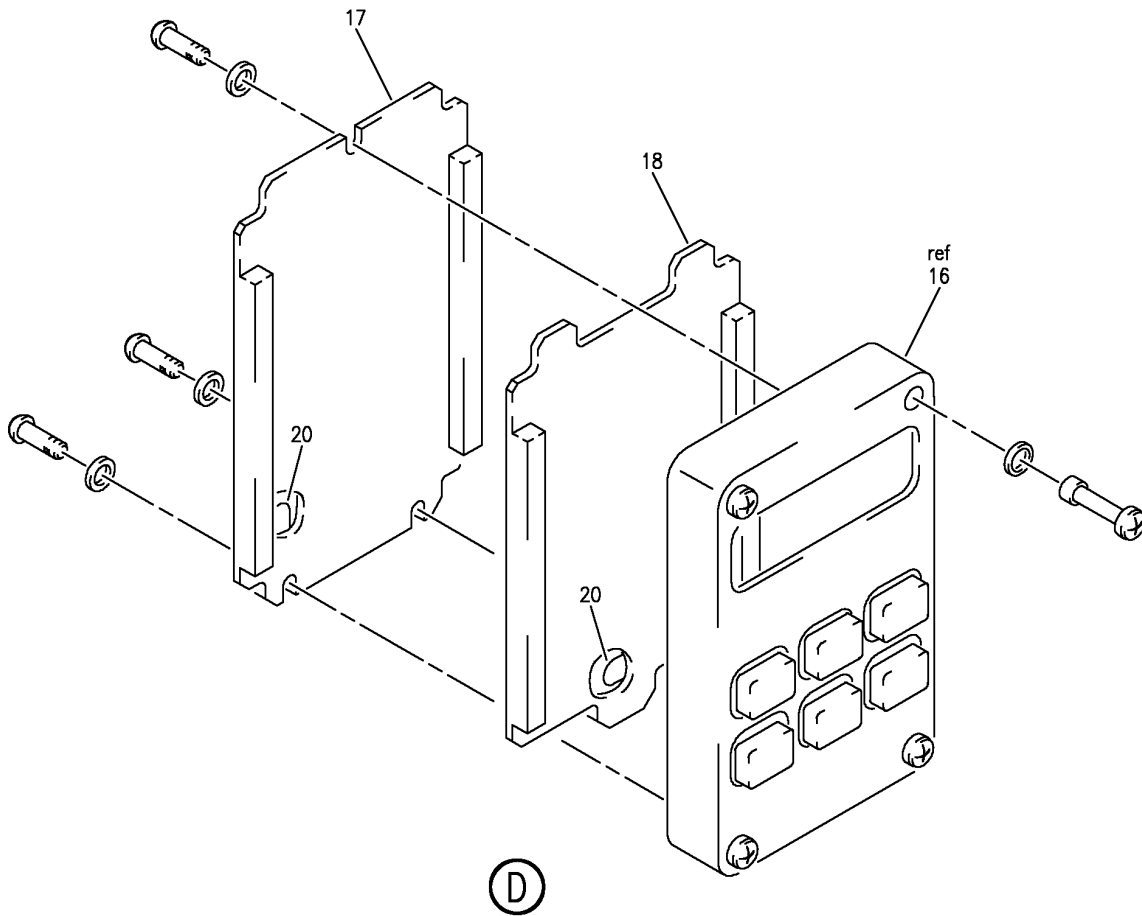
E 11360177 SHT 2 REV 061

ELECTRONICS UNIT ASSY-FLAP/SLAT (PLACARDS AND MARKINGS ONLY)
FIGURE 77 (SHEET 2)

11-36-01-77

HAP
OCT 10/06

11-36-01-77
PAGE 0A



E 11360177 SHT 3 REV 087

ELECTRONICS UNIT ASSY-FLAP/SLAT (PLACARDS AND MARKINGS ONLY)
FIGURE 77 (SHEET 3)

11-36-01-77

HAP
OCT 10/06

11-36-01-77
PAGE 0B

BOEING
737-600/700/800/900
PARTS CATALOG (MAINTENANCE)

FIG ITEM	PART NUMBER	1 2 3 4 5 6 7	NOMENCLATURE	EFFECT FROM TO	UNITS PER ASSY
77			ELECTRONICS UNIT ASSY- FLAP/SLAT (PLACARDS AND MARKINGS ONLY)	001036 201967	
- 1	285A1200-1		ELECTRONICS UNIT ASSY- FLAP/SLAT (PLACARDS AND MARKINGS ONLY) SUPPLIER CODE: V89954 ELECTRICAL EQUIP NUMBER: M01746 COMPONENT MAINT MANUAL REF: 27-59-11 QUALIFIED I/W DATA: 285A1200-2 I/W 285A1200-1 FOR 737-700 AND 737-800 WITHOUT SHORT FIELD PERFORMANCE OPTION WHERE THE 285A1200-2 IS REQUIRED. FOR NHA/OTHER SYS DET SEE: 27-51-01-01	001036 201967	RF
- 5	285A1200-5001		.KIT-SUBSTITUTION SUPPLIER CODE: V89954 OPTIONAL PART: 285A1200-5002 V89954	001036 201967	RF
- 5	285A1200-5002		.KIT-SUBSTITUTION SUPPLIER CODE: V89954 OPTIONAL PART: 285A1200-5001 V89954	001036 201967	RF
10	BAC27DEX6705		..MARKER-ALUMINUM FOIL SUPPLIER CODE: V89954	001036 201967	1
15	BAC27DEX6075		..MARKER	001036 201967	1
16	69-73010-2		..MODULE ASSY-BITE SUPPLIER CODE: V89954	001036 201967	1
17	69-73027-3		...CIRCUIT ASSY-PRINTED SUPPLIER CODE: V89954	001036 201967	1
18	69-73028-3		...CIRCUIT ASSY-PRINTED SUPPLIER CODE: V89954	001036 201967	1

MISSING ITEM NUMBERS NOT APPLICABLE

- ITEM NOT ILLUSTRATED

HAP

11-36-01-77

11-36-01
FIG. 77
PAGE 1
OCT 15/08

BOEING
737-600/700/800/900
PARTS CATALOG (MAINTENANCE)

FIG ITEM	PART NUMBER	1 2 3 4 5 6 7	NOMENCLATURE	EFFECT FROM TO	UNITS PER ASSY
77					
20	BAC27TEX1486	DECAL- PLACARD CONTENT: STATIC SENSITIVE	001036 201967	1
25	285A1202-1	..	WIRING ASSY-PRINTED CONT SUPPLIER CODE: V89954 COMPONENT MAINT MANUAL REF: 27-59-12 USED ON: 285A1200-5001	001036 201967	RF
25	285A1202-2	..	WIRING ASSY-PRINTED CONT SUPPLIER CODE: V89954 COMPONENT MAINT MANUAL REF: 27-59-12 USED ON: 285A1200-5002	001036 201967	RF
25	285A1202-3	..	WIRING ASSY-PRINTED CONT SUPPLIER CODE: V89954 USED ON: 285A1200-5002	001036 201967	RF
30	285A1203-3	..	WIRING ASSY-PRINTED SENSOR INTERMEDIATE FREQUENCY SUPPLIER CODE: V89954 COMPONENT MAINT MANUAL REF: 27-59-13 OPTIONAL PART: 285A1203-4 V89954	001036 201967	RF
30	285A1203-4	..	WIRING ASSY-PRINTED SENSOR INTERMEDIATE FREQUENCY SUPPLIER CODE: V89954 COMPONENT MAINT MANUAL REF: 27-59-13 OPTIONAL PART: 285A1203-3 V89954 285A1203-5 V89954	001036 201967	RF

MISSING ITEM NUMBERS NOT APPLICABLE

— ITEM NOT ILLUSTRATED

HAP

11-36-01-77

BOEING PROPRIETARY - Copyright © - Unpublished Work - See title page for details.

11-36-01
FIG. 77
PAGE 2
OCT 15/08

BOEING
737-600/700/800/900
PARTS CATALOG (MAINTENANCE)

FIG ITEM	PART NUMBER	1 2 3 4 5 6 7	NOMENCLATURE	EFFECT FROM TO	UNITS PER ASSY
77 30	285A1203-5		..WIRING ASSY-PRINTED SENSOR INTERMEDIATE FREQUENCY SUPPLIER CODE: V89954 COMPONENT MAINT MANUAL REF: 27-59-13 OPTIONAL PART: 285A1203-4 V89954	001036 201967	RF
35	BAC27TEX1486		...DECAL- PLACARD CONTENT: STATIC SENSITIVE	001036 201967	2

MISSING ITEM NUMBERS NOT APPLICABLE

— ITEM NOT ILLUSTRATED

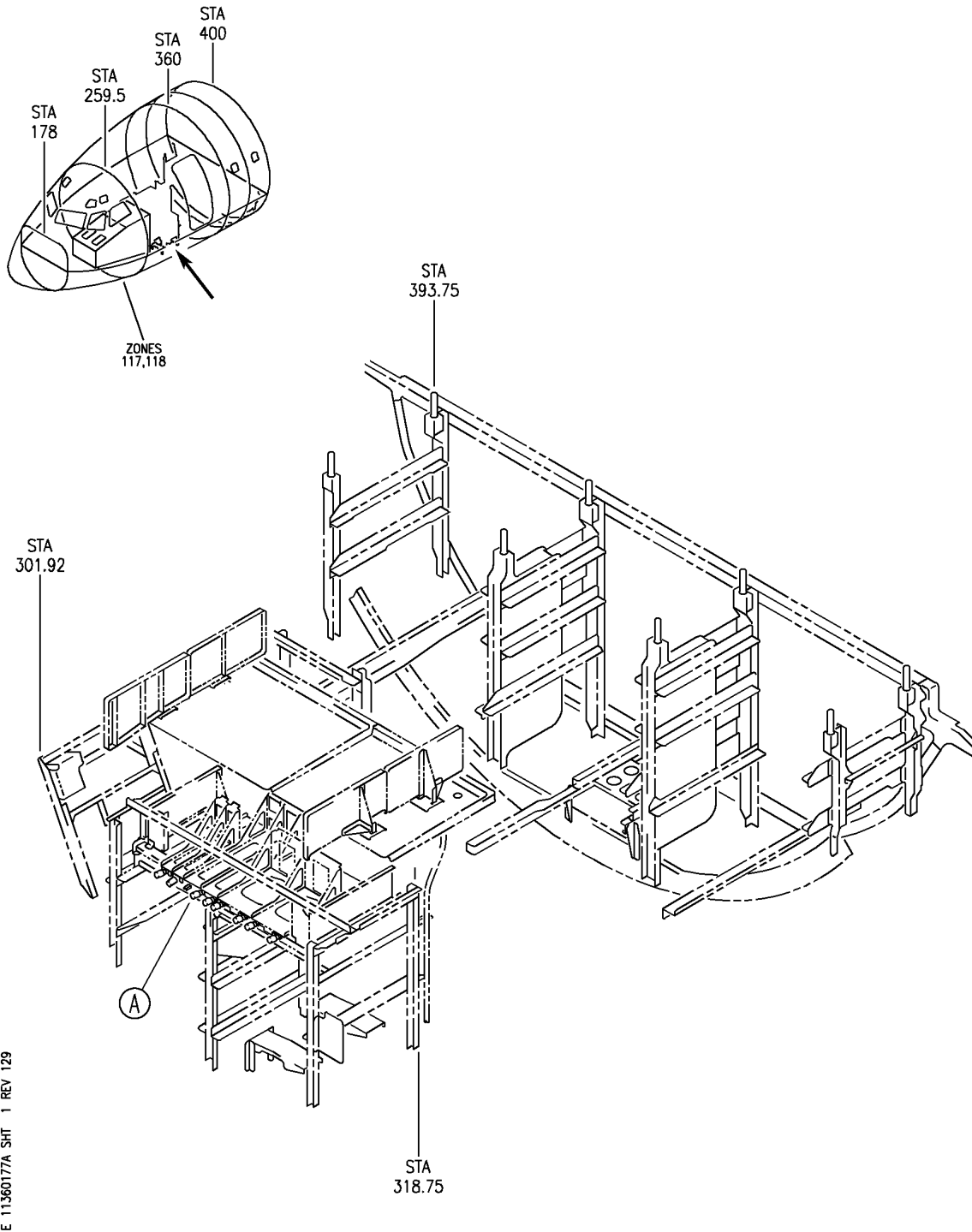
HAP

11-36-01-77

BOEING PROPRIETARY - Copyright © - Unpublished Work - See title page for details.

11-36-01
FIG. 77
PAGE 3
OCT 15/08

BOEING
737-600/700/800/900
PARTS CATALOG (MAINTENANCE)



E 11360177A SHT 1 REV 129

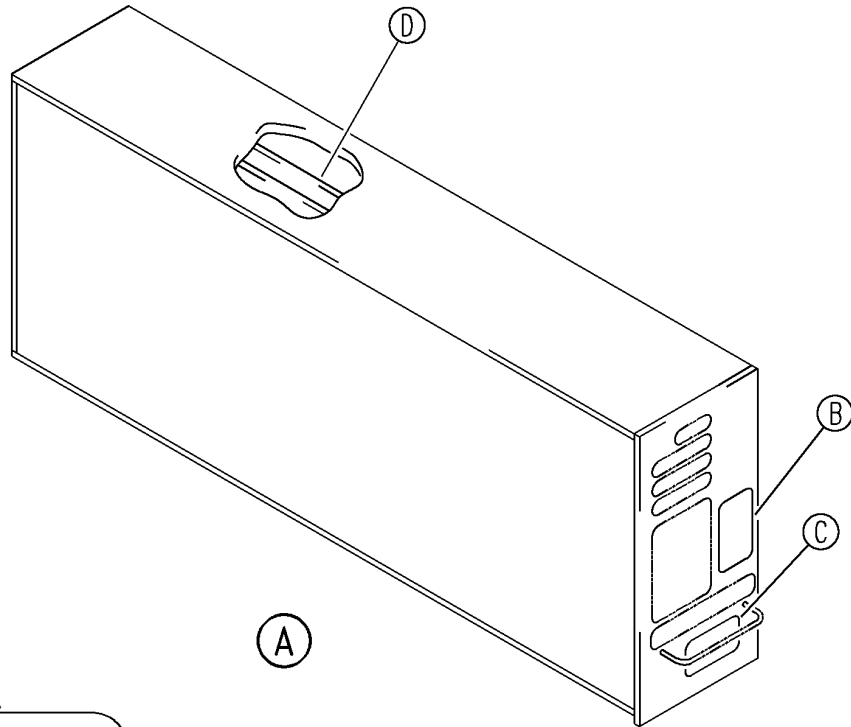
ELECTRONICS UNIT ASSY-FLAP/SLAT (PLACARDS AND MARKINGS ONLY)
FIGURE 77A (SHEET 1)

HAP
JUN 10/07

11-36-01-77A

11-36-01-77A
PAGE 0

BOEING
 737-600/700/800/900
 PARTS CATALOG (MAINTENANCE)



5

BITE INSTRUCTIONS

ON/OFF: TO START OR
 STOP BITE DISPLAY

MENU: TO DISPLAY MENU

YES/NO: IN RESPONSE TO
 QUESTIONS (?)

↓ OR ↑ : TO SCROLL
 THROUGH MENU
 OR RESULTS

BITE MAIN MENU:

EXISTING FAULTS

FAULT HISTORY

GROUND TESTS

OTHER FUNCTIONS

(B)

E 11360177A SHT 2 REV 129

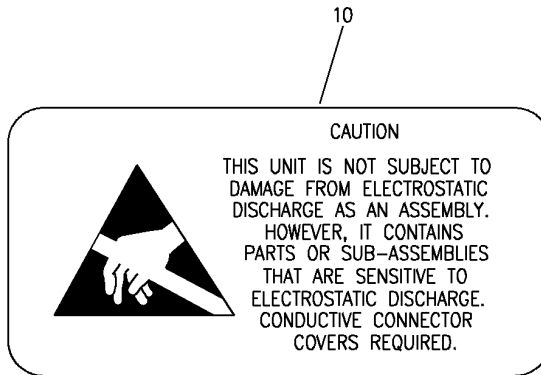
ELECTRONICS UNIT ASSY-FLAP/SLAT (PLACARDS AND MARKINGS ONLY)
 FIGURE 77A (SHEET 2)

11-36-01-77A

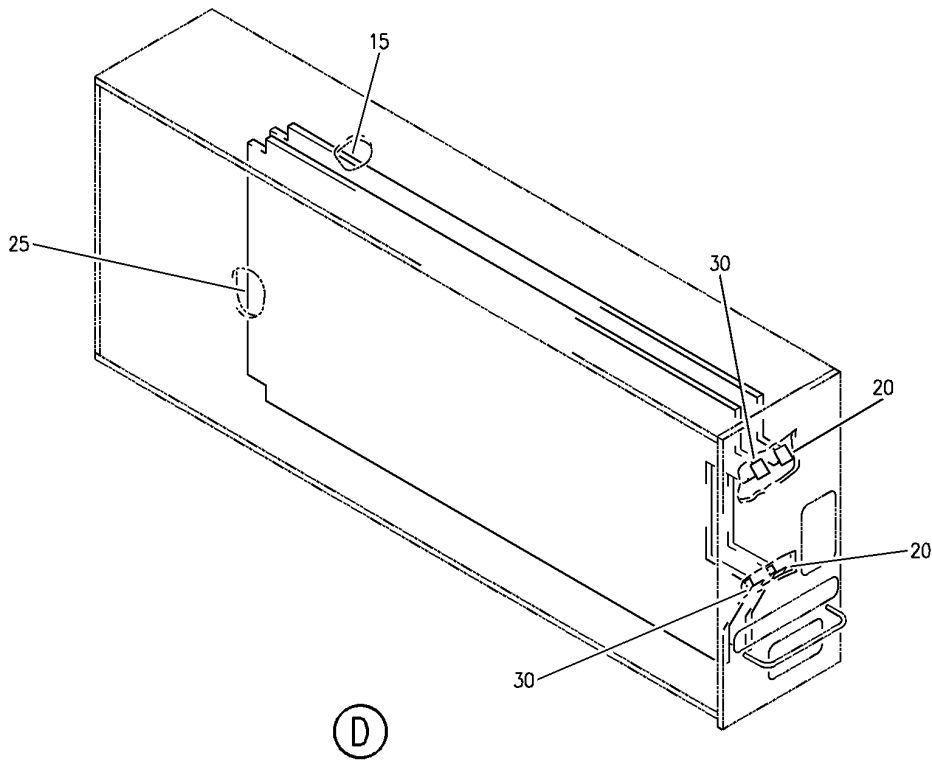
HAP
 JUN 10/07

11-36-01-77A
 PAGE 0A

BOEING
 737-600/700/800/900
 PARTS CATALOG (MAINTENANCE)



(C)



E 11360177A SHT 3 REV 129

ELECTRONICS UNIT ASSY-FLAP/SLAT (PLACARDS AND MARKINGS ONLY)
 FIGURE 77A (SHEET 3)

11-36-01-77A

HAP
 JUN 10/07

11-36-01-77A
 PAGE 0B

BOEING
737-600/700/800/900
PARTS CATALOG (MAINTENANCE)

FIG ITEM	PART NUMBER	1 2 3 4 5 6 7	NOMENCLATURE	EFFECT FROM TO	UNITS PER ASSY
77A			ELECTRONICS UNIT ASSY- FLAP/SLAT (PLACARDS AND MARKINGS ONLY)	037200 968999	
- 1	285A1200-2		ELECTRONICS UNIT ASSY- FLAP/SLAT (PLACARDS AND MARKINGS ONLY) SUPPLIER CODE: V89954 ELECTRICAL EQUIP NUMBER: M01746 COMPONENT MAINT MANUAL REF: 27-59-11 QUALIFIED I/W DATA: 285A1200-1 & 285A1200-2 ARE NOT INTERCHANGEABLE ON AIRPLANES W/SHORT FIELD PERFORMANCE OPTION, THE 737-900ER, OR THE 737-800A (P8A). THE 285A1200-1 & 285A1200-2 ARE 2-WAY INTERCHANGEABLE ON ALL OTHER 737NG AIRPLANES (737-600,-700,-800 W/OUT SF & -900). FOR NHA/OTHER SYS DET SEE: 27-51-01-02	037200 968999	RF
	5 BAC27DEX6705		.MARKER-ALUMINUM FOIL SUPPLIER CODE: V89954	037200 968999	1
	10 BAC27DEX6075		.MARKER	037200 968999	1
	15 285A1202-1		.WIRING ASSY-PRINTED CONT SUPPLIER CODE: V89954 COMPONENT MAINT MANUAL REF: 27-59-12	037200 968999	RF
	20 BAC27TEX1486		..DECAL- PLACARD CONTENT: STATIC SENSITIVE	037200 968999	2

MISSING ITEM NUMBERS NOT APPLICABLE

- ITEM NOT ILLUSTRATED

HAP

11-36-01-77A

BOEING PROPRIETARY - Copyright © - Unpublished Work - See title page for details.

11-36-01
FIG. 77A
PAGE 1
OCT 15/08

BOEING
737-600/700/800/900
PARTS CATALOG (MAINTENANCE)

FIG ITEM	PART NUMBER	1 2 3 4 5 6 7	NOMENCLATURE	EFFECT FROM TO	UNITS PER ASSY
77A 25	285A1203-3		.WIRING ASSY-PRINTED SENSOR INTERMEDIATE FREQUENCY SUPPLIER CODE: V89954 COMPONENT MAINT MANUAL REF: 27-59-13 OPTIONAL PART: 285A1203-4 V89954 285A1203-5 V89954	037200 968999	RF
25	285A1203-4		.WIRING ASSY-PRINTED SENSOR INTERMEDIATE FREQUENCY SUPPLIER CODE: V89954 COMPONENT MAINT MANUAL REF: 27-59-13 OPTIONAL PART: 285A1203-3 V89954 285A1203-5 V89954	037200 968999	RF
25	285A1203-5		.WIRING ASSY-PRINTED SENSOR INTERMEDIATE FREQUENCY SUPPLIER CODE: V89954 COMPONENT MAINT MANUAL REF: 27-59-13 OPTIONAL PART: 285A1203-3 V89954 285A1203-4 V89954	037200 968999	RF
30	BAC27TEX1486		..DECAL- PLACARD CONTENT: STATIC SENSITIVE	037200 968999	2

MISSING ITEM NUMBERS NOT APPLICABLE

— ITEM NOT ILLUSTRATED

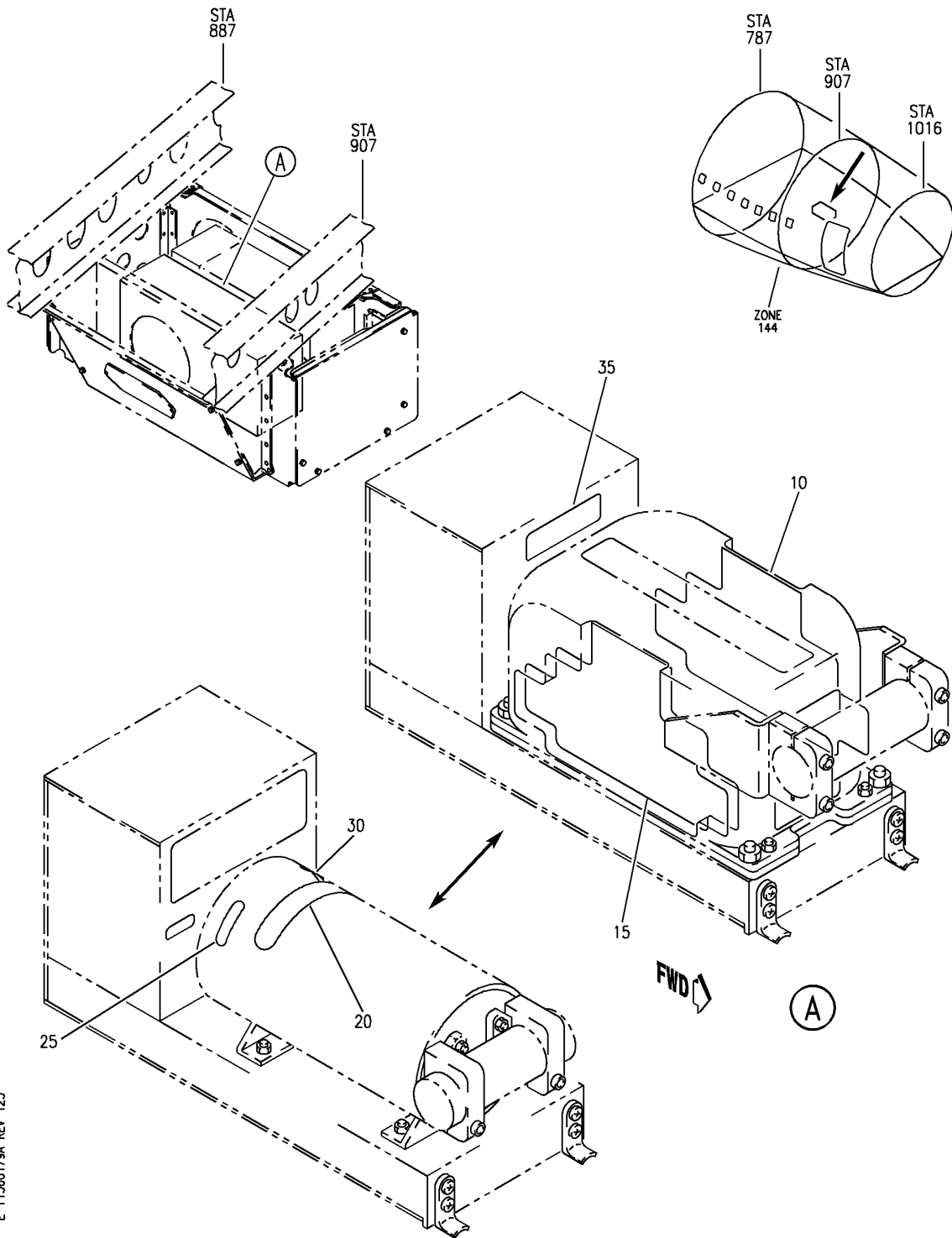
HAP

11-36-01-77A

BOEING PROPRIETARY - Copyright © - Unpublished Work - See title page for details.

11-36-01
FIG. 77A
PAGE 2
OCT 15/08

BOEING
 737-600/700/800/900
 PARTS CATALOG (MAINTENANCE)



E 11360179A REV 125

EQUIPMENT INSTL-CVR (PLACARDS AND MARKINGS ONLY)
 FIGURE 79A

11-36-01-79A

HAP
 FEB 10/07

11-36-01-79A
 PAGE 0

BOEING
737-600/700/800/900
PARTS CATALOG (MAINTENANCE)

FIG ITEM	PART NUMBER	1 2 3 4 5 6 7	NOMENCLATURE	EFFECT FROM TO	UNITS PER ASSY
79A			EQUIPMENT INSTL-CVR (PLACARDS AND MARKINGS ONLY)	031200 968999	
- 1	980-6022-001		RECORDER ASSY-VOICE (PLACARDS AND MARKINGS ONLY) SUPPLIER CODE: V97896 FUNCTIONAL DESCRIPTION: RECORDS FOUR SEPARATE CHANNELS OF COCKPIT AUDIO SIMULTANEOUSLY USING SOLID-STATE MEMORY. ELECTRICAL EQUIP NUMBER: M00383 COMPONENT MAINT MANUAL REF: 23-70-44 QUALIFIED I/W DATA: 980-6020-001 (30 MIN) AND 980-6022-001 (2 HOUR) RECORDERS ARE INTERCHANGEABLE PER CUSTOMER REQUIREMENTS. FOR NHA/OTHER SYS DET SEE: 23-71-11-03	031200 968999	RF
10	402-6061-002		.LABEL-WARNING SUPPLIER CODE: V97896	031200 968999	1
15	402-6061-001		.LABEL-WARNING SUPPLIER CODE: V97896	031200 968999	1
20	402-6061-007		.LABEL-WARNING SUPPLIER CODE: V97896	031200 968999	1
25	402-6061-004		.LABEL-WARNING (ENGLISH) SUPPLIER CODE: V97896	031200 968999	1
30	402-6061-005		.LABEL-WARNING (FRENCH) SUPPLIER CODE: V97896	031200 968999	1
35	402-6036-001		.LABEL-ESD SUPPLIER CODE: V97896	031200 968999	1

MISSING ITEM NUMBERS NOT APPLICABLE

- ITEM NOT ILLUSTRATED

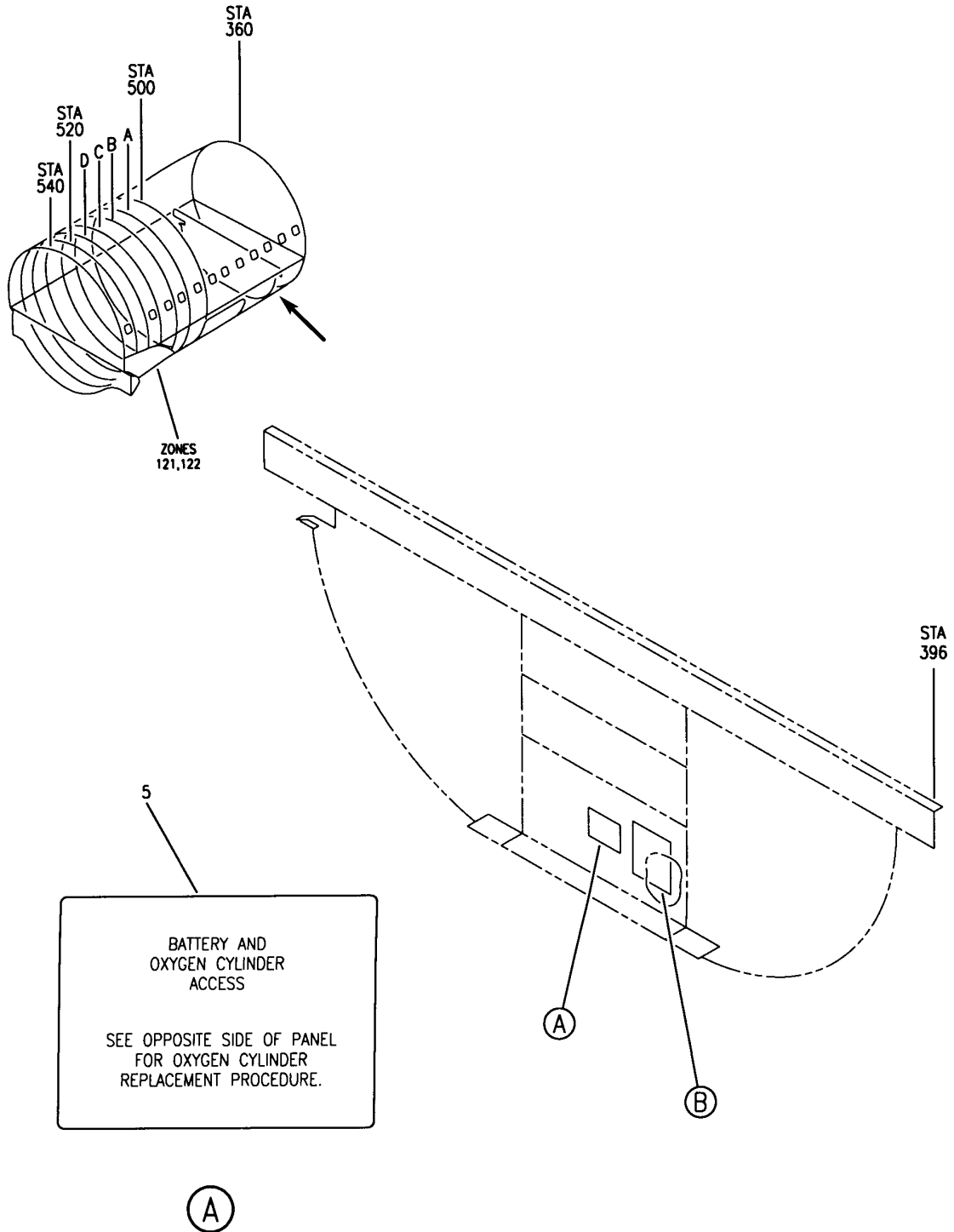
HAP

11-36-01-79A

BOEING PROPRIETARY - Copyright © - Unpublished Work - See title page for details.

11-36-01
FIG. 79A
PAGE 1
OCT 15/08

BOEING
 737-600/700/800/900
 PARTS CATALOG (MAINTENANCE)



E 11360180 SHT 1 REV 031

PANEL ASSY-STA 396 (PLACARDS AND MARKINGS ONLY)
 FIGURE 80 (SHEET 1)

11-36-01-80

HAP
 OCT 10/06

11-36-01-80
 PAGE 0

 **BOEING**
737-600/700/800/900
PARTS CATALOG (MAINTENANCE)

10

OXYGEN CYLINDER REPLACEMENT PROCEDURE

WARNING: AIRPLANE OXYGEN FITTINGS AND CAPS MUST BE KEPT SCRUPULOUSLY CLEAN AND FREE OF OIL AND GREASE. AIRPLANE MUST BE ELECTROSTATICALLY GROUNDED. USE PROPER EQUIPMENT AND MATERIALS. SEE MAINTENANCE MANUAL CHAPTER 35.

1. CLOSE CYLINDER SHUT-OFF VALVES HAND TIGHT.
2. DISCONNECT THE OVERBOARD DISCHARGE CONNECTION.
3. LOOSEN SLIGHTLY THE LARGE NUT AT THE VALVE ON THE COUPLING ASSEMBLY TO BLEED SYSTEM PRESSURE.
4. DISCONNECT COUPLING ASSEMBLY LARGE NUT FROM THE CYLINDER. LOOSEN TUBE CONNECTIONS WHERE NECESSARY TO ENABLE ROTATION OF REGULATOR ASSEMBLY TO CLEAR CYLINDER.
5. CAP ALL PLUMBING OPEN ENDS WITH CLEAN CAPS WHERE CYLINDER PRESSURE CAP IS PROVIDED ON OUTLET PORT. INSTALL AND TORQUE TO 350-400 IN-LBS.
6. RELEASE CLAMPS AND REMOVE CYLINDER.
7. ENSURE HYDROSTATIC TEST DATE ON REPLACEMENT CYLINDER HAS NOT EXPIRED AND CYLINDER IS IN GOOD CONDITION.
8. REMOVE PROTECTIVE CAPS WHERE PRESSURE CAP HAS BEEN FITTED. REMOVE AND STOW ON VALVE BODY UTILIZING SNAP FASTENER. PLACE CHARGED CYLINDER IN RACK AND ALIGN CONNECTIONS WITH RESPECTIVE ENDS OF TUBING.

WARNING: CONNECTIONS SHALL BE SCRUPULOUSLY CLEAN AND FREE OF ALL TRACES OF OIL, DIRT, ETC.

9. CONNECT AND TIGHTEN ALL FITTINGS AND CLAMPS.

WARNING: NO OIL, LUBRICANT OR GASKETS SHALL BE USED IN MAKING THESE CONNECTIONS.

10. SLOWLY OPEN ALL CYLINDER SHUT-OFF VALVES INDIVIDUALLY TO THE FULL OPEN POSITION. CLOSE VALVES ONE-FOURTH TURN AND LOCK-WIRE VALVES IN THIS POSITION. VALVES MUST BE OPENED SLOWLY OR EXCESSIVE TEMPERATURE MAY RESULT.
11. CHECK FOR LEAKS USING APPROVED LEAK TEST SOLUTION. WIPE OFF TEST SOLUTION WITH CLEAN CLOTH IMMEDIATELY AFTER TESTING.
12. CHECK IMMEDIATELY FOR SYSTEM PRESSURE INDICATION ON THE FLIGHT DECK.

E 11360180 SH1 2 REV 031

(B)

PANEL ASSY-STA 396 (PLACARDS AND MARKINGS ONLY)
FIGURE 80 (SHEET 2)

11-36-01-80

HAP
OCT 10/06

11-36-01-80
PAGE 0A

BOEING
737-600/700/800/900
PARTS CATALOG (MAINTENANCE)

FIG ITEM	PART NUMBER	1 2 3 4 5 6 7	NOMENCLATURE	EFFECT FROM TO	UNITS PER ASSY
80			PANEL ASSY-STA 396 (PLACARDS AND MARKINGS ONLY)		
- 1	284A1841-4		PANEL ASSY- (PLACARDS AND MARKINGS ONLY) POSITION DATA: STA 396 FOR NHA/OTHER SYS DET SEE: 25-52-16-01	001030 201967	RF
- 1	284A1841-38		PANEL ASSY- (PLACARDS AND MARKINGS ONLY) POSITION DATA: STA 396 FOR NHA/OTHER SYS DET SEE: 25-52-16-01	031200 968999	RF
5	BAC27DEX6259		.DECAL		1
10	BAC27EPPS6787		.DECAL		1

MISSING ITEM NUMBERS NOT APPLICABLE

- ITEM NOT ILLUSTRATED

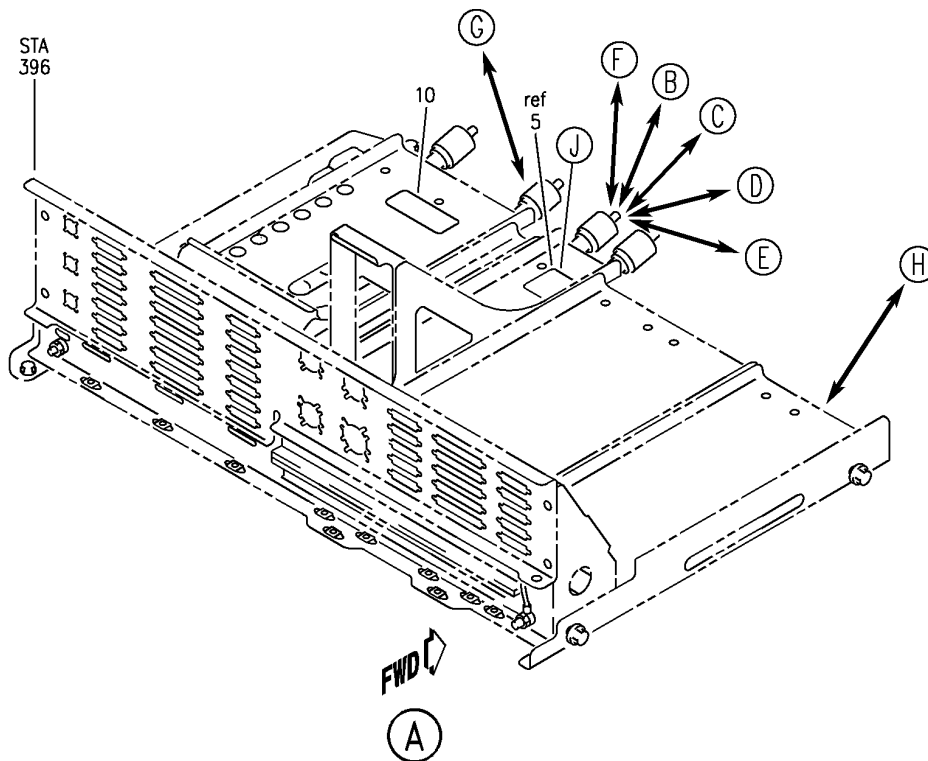
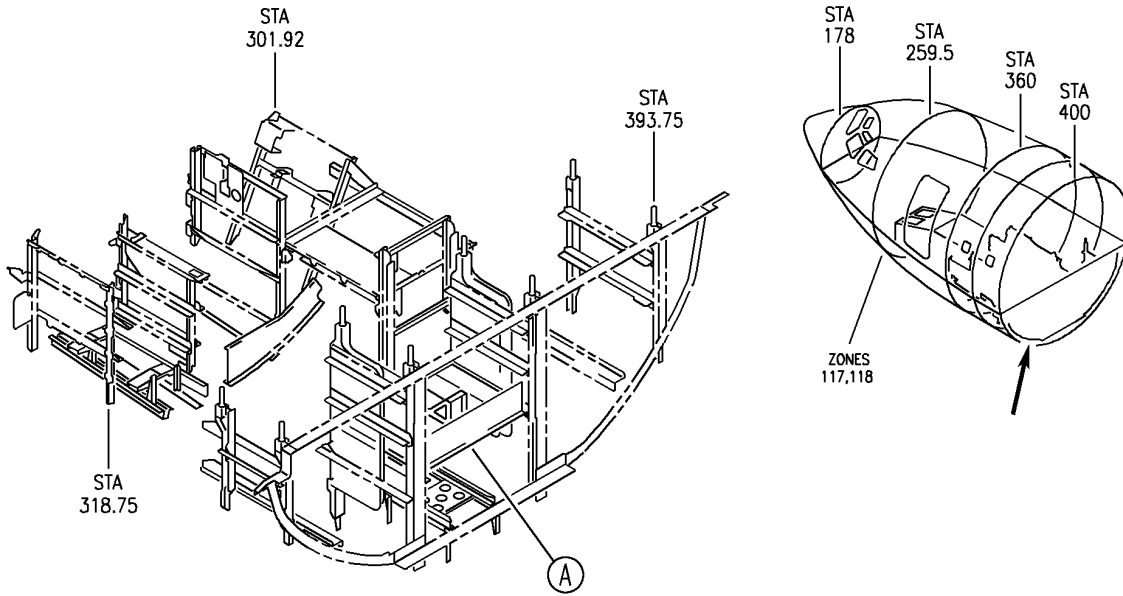
HAP

11-36-01-80

BOEING PROPRIETARY - Copyright © - Unpublished Work - See title page for details.

11-36-01
FIG. 80
PAGE 1
OCT 15/08

BOEING
 737-600/700/800/900
 PARTS CATALOG (MAINTENANCE)



E 11360181 SHT 1 REV 124

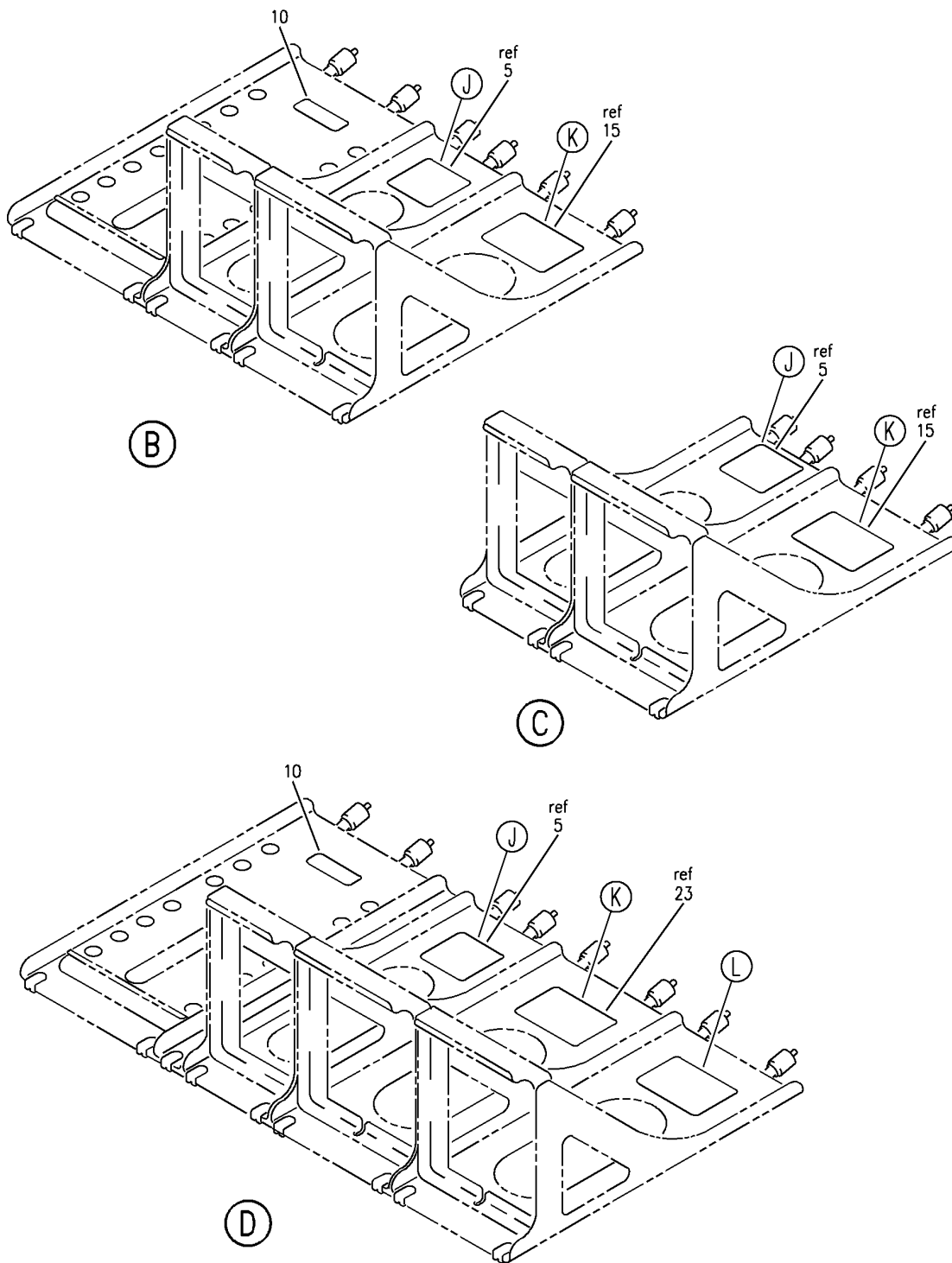
SHELF SUBASSY-E/E EQPT E3-3 (PLACARDS AND MARKINGS ONLY)
 FIGURE 81 (SHEET 1)

11-36-01-81

HAP
 FEB 10/07

11-36-01-81
 PAGE 0

BOEING
 737-600/700/800/900
 PARTS CATALOG (MAINTENANCE)



E 11360181 SHT 2 REV 124

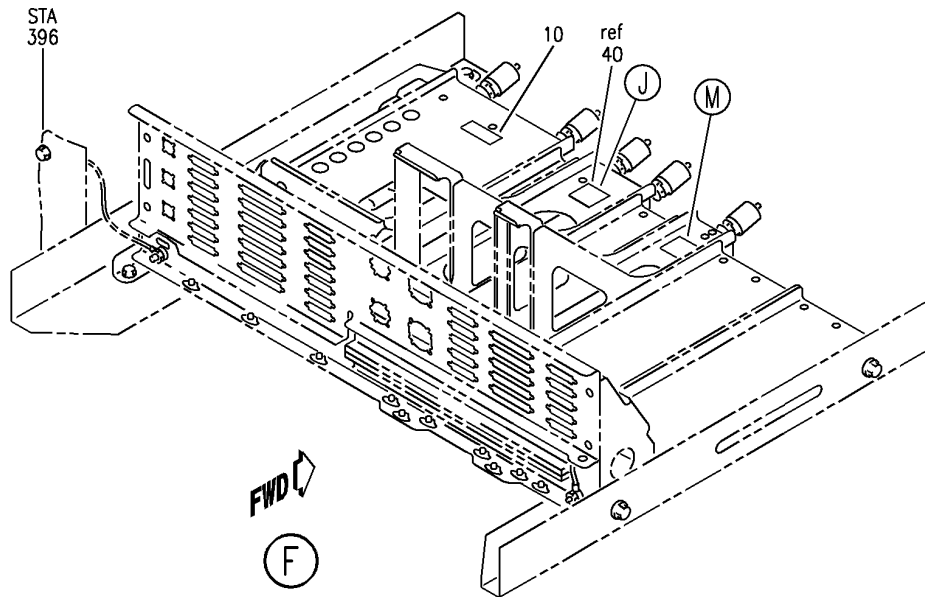
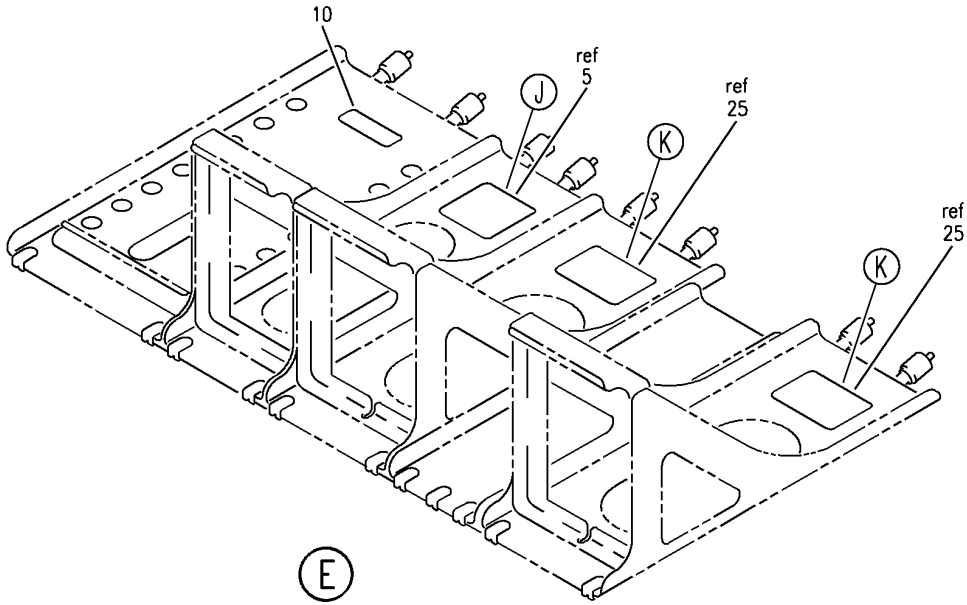
SHELF SUBASSY-E/E EQPT E3-3 (PLACARDS AND MARKINGS ONLY)
 FIGURE 81 (SHEET 2)

11-36-01-81

HAP
 FEB 10/07

11-36-01-81
 PAGE 0A

BOEING
 737-600/700/800/900
 PARTS CATALOG (MAINTENANCE)



E 11360181 SHT 3 REV 124

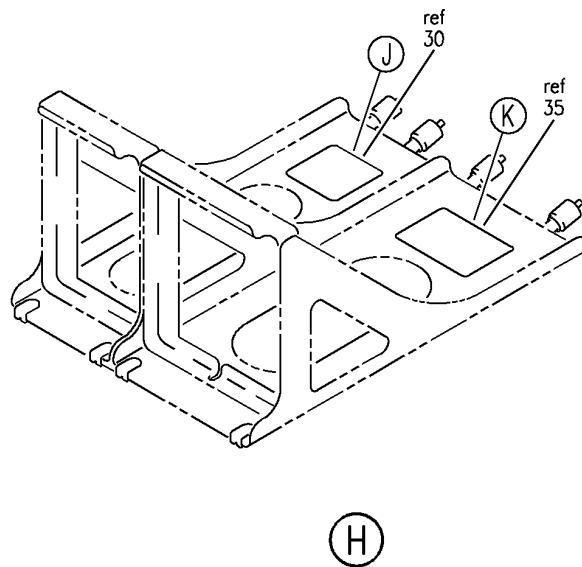
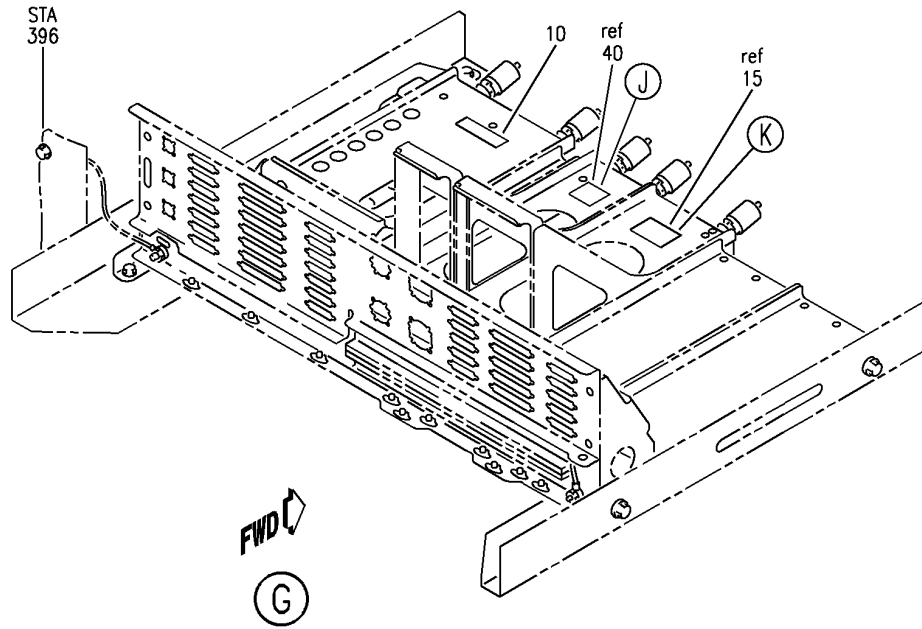
SHELF SUBASSY-E/E EQPT E3-3 (PLACARDS AND MARKINGS ONLY)
 FIGURE 81 (SHEET 3)

11-36-01-81

HAP
 FEB 10/07

11-36-01-81
 PAGE 0B

BOEING
737-600/700/800/900
PARTS CATALOG (MAINTENANCE)



E 11360181 SHT 4 REV 124

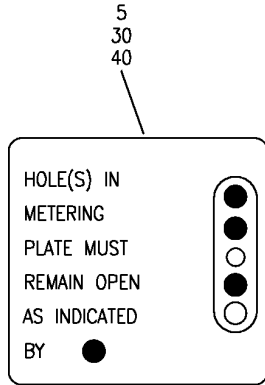
SHELF SUBASSY-E/E EQPT E3-3 (PLACARDS AND MARKINGS ONLY)
FIGURE 81 (SHEET 4)

HAP
FEB 10/07

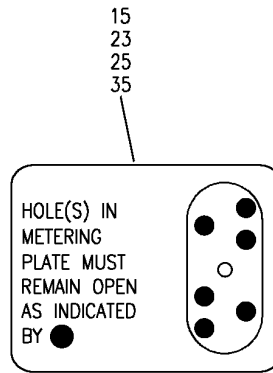
11-36-01-81

11-36-01-81
PAGE 0C

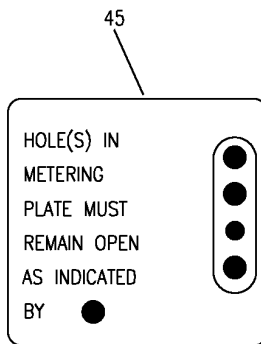
BOEING
 737-600/700/800/900
 PARTS CATALOG (MAINTENANCE)



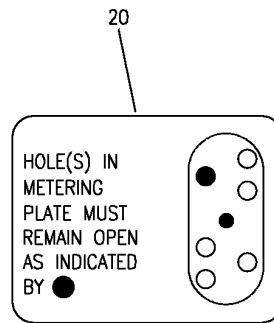
(J)



(K)



(M)



(L)

E 11360181 SHT 5 REV 124

SHELF SUBASSY-E/E EQPT E3-3 (PLACARDS AND MARKINGS ONLY)
 FIGURE 81 (SHEET 5)

11-36-01-81

HAP
 FEB 10/07

11-36-01-81
 PAGE 0D

BOEING
737-600/700/800/900
PARTS CATALOG (MAINTENANCE)

FIG ITEM	PART NUMBER	1 2 3 4 5 6 7	NOMENCLATURE	EFFECT FROM TO	UNITS PER ASSY
81			SHELF SUBASSY-E/E EQPT E3-3 (PLACARDS AND MARKINGS ONLY)	101999	
- 1	284A1733-5		SHELF SUBASSY-E/E EQPT E3-3 (PLACARDS AND MARKINGS ONLY) FOR NHA/OTHER SYS DET SEE: 25-50-52-26A	101200 968999	RF
- 1	284A1733-17		SHELF SUBASSY-E/E EQPT E3-3 (PLACARDS AND MARKINGS ONLY) FOR NHA/OTHER SYS DET SEE: 25-50-52-26A	201967	RF
5	BAC27TEX2033		.DECAL	101999	1
10	BAC27DEX5580		.DECAL- PLACARD CONTENT: METERING PLATE NOT REQUIRED	101999	1
15	BAC27TEX2034		.DECAL	201967	1

MISSING ITEM NUMBERS NOT APPLICABLE

- ITEM NOT ILLUSTRATED

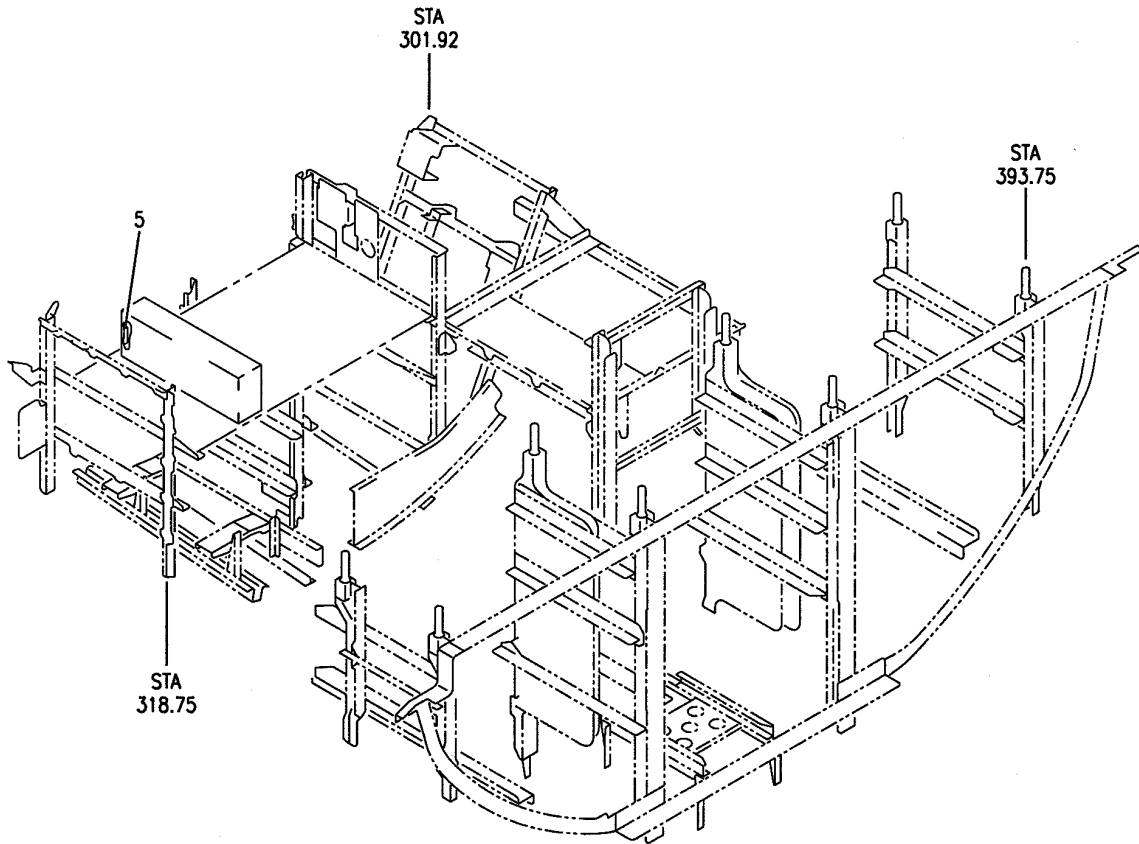
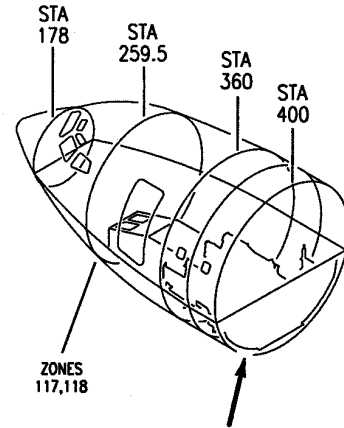
HAP

11-36-01-81

BOEING PROPRIETARY - Copyright © - Unpublished Work - See title page for details.

11-36-01
FIG. 81
PAGE 1
FEB 15/09

BOEING
737-600/700/800/900
PARTS CATALOG (MAINTENANCE)



E 11360187 REV 036

BACKPLANE ASSY (PLACARDS AND MARKINGS ONLY)
FIGURE 87

11-36-01-87

HAP
OCT 10/06

11-36-01-87
PAGE 0

BOEING
737-600/700/800/900
PARTS CATALOG (MAINTENANCE)

FIG ITEM	PART NUMBER	1 2 3 4 5 6 7	NOMENCLATURE	EFFECT FROM TO	UNITS PER ASSY
87			BACKPLANE ASSY (PLACARDS AND MARKINGS ONLY)	001030 032999	
- 1	69-73646-4		BACKPLANE ASSY- (PLACARDS AND MARKINGS ONLY) SUPPLIER CODE: V89954 OPTIONAL PART: 69-73646-8 V89954 69-73646-6 V89954 FOR NHA/OTHER SYS DET SEE: 22-11-37-01	001030 032999	RF
- 1	69-73646-6		BACKPLANE ASSY- (PLACARDS AND MARKINGS ONLY) SUPPLIER CODE: V89954 OPTIONAL PART: 69-73646-8 V89954 69-73646-4 V89954 FOR NHA/OTHER SYS DET SEE: 22-11-37-01	001030 032999	RF
- 1	69-73646-8		BACKPLANE ASSY- (PLACARDS AND MARKINGS ONLY) SUPPLIER CODE: V89954 OPTIONAL PART: 69-73646-4 V89954 69-73646-6 V89954 FOR NHA/OTHER SYS DET SEE: 22-11-37-01	001030 032999	RF
5	BAC27TEX3321		.DECAL- SUPPLIER CODE: V89954 PLACARD CONTENT: CAUTION ELECTROSTATIC SENSITIVE DEVICE CONDUCTIVE CONNECTOR DUST COVER REQUIRED	001030 032999	1

MISSING ITEM NUMBERS NOT APPLICABLE

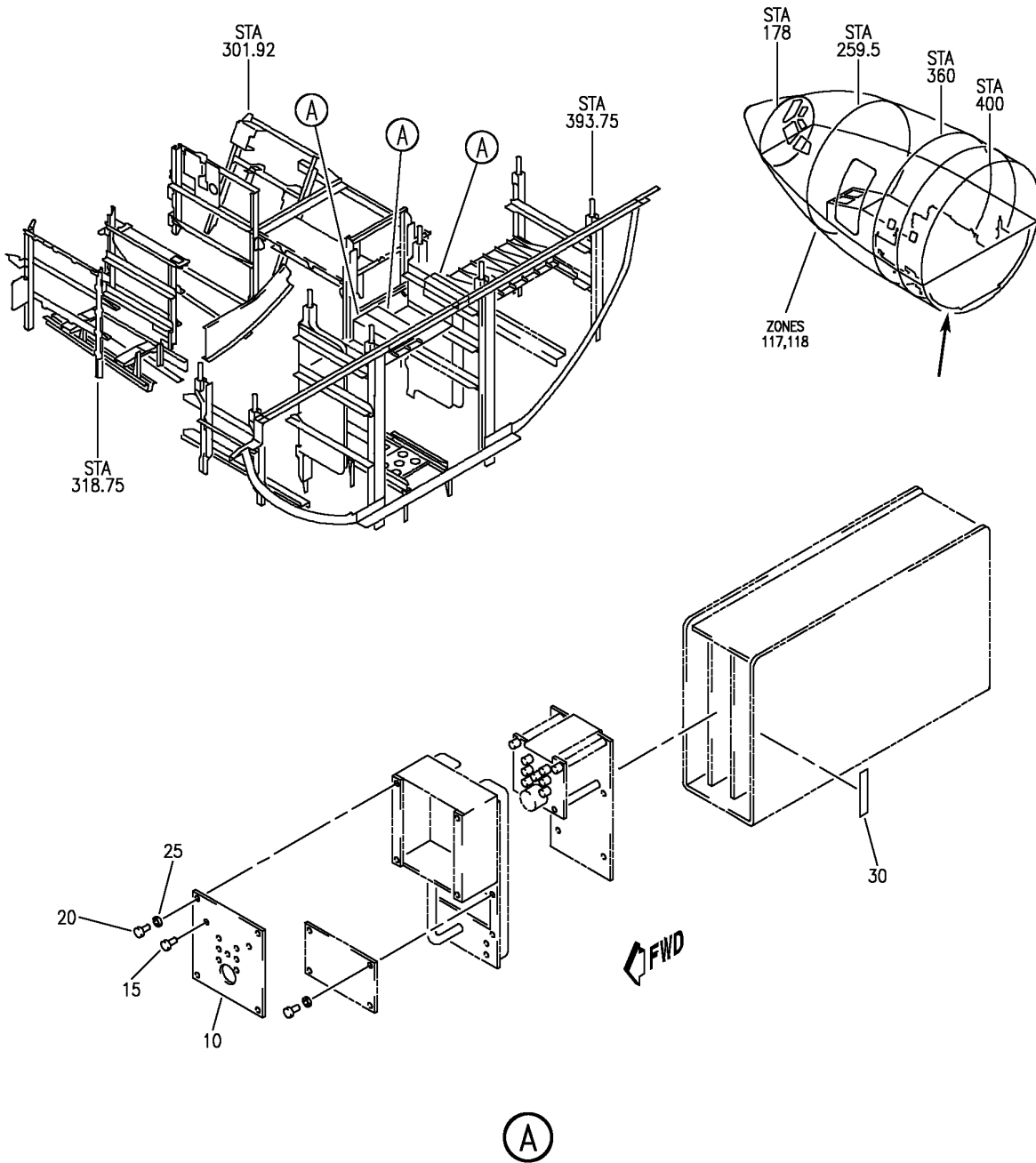
- ITEM NOT ILLUSTRATED

HAP

11-36-01-87

11-36-01
FIG. 87
PAGE 1
JUN 15/08

BOEING
 737-600/700/800/900
 PARTS CATALOG (MAINTENANCE)



E 11360194 REV 085

UNIT ASSY-CONT GEN E/E BAY E2 AND E4 RACK (PLACARDS AND MARKINGS ONLY)
 FIGURE 94

HAP
 OCT 10/06

11-36-01-94

11-36-01-94
 PAGE 0

BOEING
737-600/700/800/900
PARTS CATALOG (MAINTENANCE)

FIG ITEM	PART NUMBER	1 2 3 4 5 6 7	NOMENCLATURE	EFFECT FROM TO	UNITS PER ASSY
94			UNIT ASSY-CONT GEN E/E BAY E2 AND E4 RACK (PLACARDS AND MARKINGS ONLY)	001030 201967	
- 1	762185E		UNIT ASSY-CONT GEN E/E BAY E2 AND E4 RACK (PLACARDS AND MARKINGS ONLY) SUPPLIER CODE: V99167 FUNCTIONAL DESCRIPTION: MONITORS INTEGRATED DRIVE GENERATOR PARAMETERS AND PROVIDES CONTROL AND PROTECTION FOR THE ENTIRE MAIN AC POWER SYSTEM. SPECIFICATION NUMBER: S281A001-201 NOT APPROVED FOR ETOPS WITHOUT INCORP OF SB: SB90EGS02G242REV1 MISCELLANEOUS DATA: APPROVED FOR 120 AND 180 MINUTE ETOPS AFTER S/B 90EGS02G-24-2 REV 1 FOR S/N 0062-S/N 0320. ELECTRICAL EQUIP NUMBER: G00012 COMPONENT MAINT MANUAL REF: 24-23-16 QUALIFIED I/W DATA: 762185H I/W 762185E EXCEPT 762185H IS REQUIRED FOR CATEGORY IIIB AUTOLAND CAPABLE AIRPLANES. 762185G I/W 762185E EXCEPT 762185G IS REQUIRED FOR CATEGORY IIIB AUTOLAND CAPABLE AIRPLANES. FOR NHA/OTHER SYS DET SEE: 24-21-81-01 24-21-81-02 24-21-81-03	001027 201967	RF

MISSING ITEM NUMBERS NOT APPLICABLE

- ITEM NOT ILLUSTRATED

HAP

11-36-01-94

BOEING PROPRIETARY - Copyright © - Unpublished Work - See title page for details.

11-36-01
FIG. 94
PAGE 1
OCT 15/08

BOEING
737-600/700/800/900
PARTS CATALOG (MAINTENANCE)

FIG ITEM	PART NUMBER	1 2 3 4 5 6 7	NOMENCLATURE	EFFECT FROM TO	UNITS PER ASSY
94 - 1	762185F		UNIT ASSY-CONT GEN E/E BAY E2 AND E4 RACK (PLACARDS AND MARKINGS ONLY) SUPPLIER CODE: V99167 FUNCTIONAL DESCRIPTION: MONITORS INTEGRATED DRIVE GENERATOR PARAMETERS AND PROVIDES CONTROL AND PROTECTION FOR THE ENTIRE MAIN AC POWER SYSTEM. SPECIFICATION NUMBER: S281A001-202 COMPONENT MAINT MANUAL REF: 24-23-16 QUALIFIED I/W DATA: 762185H I/W 762185F EXCEPT 762185H IS REQUIRED FOR CATEGORY IIIB AUTOLAND CAPABLE 762185G I/W 762185F EXCEPT 762185G IS REQUIRED FOR CATEGORY IIIB AUTOLAND CAPABLE AIRPLANES. FOR NHA/OTHER SYS DET SEE: 24-21-81-01 24-21-81-02 24-21-81-03	001027 201967	RF

MISSING ITEM NUMBERS NOT APPLICABLE

- ITEM NOT ILLUSTRATED

HAP

11-36-01-94

BOEING PROPRIETARY - Copyright © - Unpublished Work - See title page for details.

11-36-01
FIG. 94
PAGE 2
OCT 15/08

BOEING
737-600/700/800/900
PARTS CATALOG (MAINTENANCE)

FIG ITEM	PART NUMBER	1 2 3 4 5 6 7	NOMENCLATURE	EFFECT FROM TO	UNITS PER ASSY
94 - 1	762185G		UNIT ASSY-CONT GEN E/E BAY E2 AND E4 RACK (PLACARDS AND MARKINGS ONLY) SUPPLIER CODE: V99167 FUNCTIONAL DESCRIPTION: MONITORS INTEGRATED DRIVE GENERATOR PARAMETERS AND PROVIDES CONTROL AND PROTECTION FOR THE ENTIRE MAIN AC POWER SYSTEM. SPECIFICATION NUMBER: S281A001-203 ELECTRICAL EQUIP NUMBER: G00010 G00014 COMPONENT MAINT MANUAL REF: 24-23-16 QUALIFIED I/W DATA: 762185G I/W 762185F EXCEPT 762185G IS REQUIRED FOR CATEGORY IIIB AUTOLAND CAPABLE AIRPLANES. 762185G I/W 762185E EXCEPT 762185G IS REQUIRED FOR CATEGORY IIIB AUTOLAND CAPABLE AIRPLANES. FOR NHA/OTHER SYS DET SEE: 24-21-81-02 24-21-81-03	028030	RF

MISSING ITEM NUMBERS NOT APPLICABLE

- ITEM NOT ILLUSTRATED

HAP

11-36-01-94

BOEING PROPRIETARY - Copyright © - Unpublished Work - See title page for details.

11-36-01
FIG. 94
PAGE 3
OCT 10/06

BOEING
737-600/700/800/900
PARTS CATALOG (MAINTENANCE)

FIG ITEM	PART NUMBER	1 2 3 4 5 6 7	NOMENCLATURE	EFFECT FROM TO	UNITS PER ASSY
94 - 1	762185H		UNIT ASSY-CONT GEN E/E BAY E2 AND E4 RACK (PLACARDS AND MARKINGS ONLY) SUPPLIER CODE: V99167 FUNCTIONAL DESCRIPTION: MONITORS INTEGRATED DRIVE GENERATOR PARAMETERS AND PROVIDES CONTROL AND PROTECTION FOR THE ENTIRE MAIN AC POWER SYSTEM. SPECIFICATION NUMBER: S281A001-204 ELECTRICAL EQUIP NUMBER: G00012 COMPONENT MAINT MANUAL REF: 24-23-16 QUALIFIED I/W DATA: 762185H I/W 762185E EXCEPT 762185H IS REQUIRED FOR CATEGORY IIIB AUTOLAND CAPABLE AIRPLANES. 762185H I/W 762185F EXCEPT 762185H IS REQUIRED FOR CATEGORY IIIB AUTOLAND CAPABLE AIRPLANES. FOR NHA/OTHER SYS DET SEE: 24-21-81-02 24-21-81-03	028030	RF
10	766801		.PLATE-FRONT INTRUCTION SUPPLIER CODE: V99167 CONFIG CHG DATA FROM A CMM: REPLD BY 1704161	001030 201967	1
10	1704161		.PLATE-FRONT INTRUCTION SUPPLIER CODE: V99167 CONFIG CHG DATA FROM A CMM: REPLS 766801	001030 201967	1
15	MS24693C2		ATTACHING PARTS .SCREW	001030 201967	2
20	MS51957-14		.SCREW	001030 201967	4

MISSING ITEM NUMBERS NOT APPLICABLE

- ITEM NOT ILLUSTRATED

HAP

11-36-01-94

BOEING PROPRIETARY - Copyright © - Unpublished Work - See title page for details.

11-36-01
FIG. 94
PAGE 4
OCT 15/08

BOEING
737-600/700/800/900
PARTS CATALOG (MAINTENANCE)

FIG ITEM	PART NUMBER	1 2 3 4 5 6 7	NOMENCLATURE	EFFECT FROM TO	UNITS PER ASSY
94 25	NAS620C4L	.	WASHER	001030 201967	4
30	740917	-----*-----	. LABEL-SENSITIVE ELECTRONIC DEVICE SUPPLIER CODE: V99167	001030 201967	1

MISSING ITEM NUMBERS NOT APPLICABLE

— ITEM NOT ILLUSTRATED

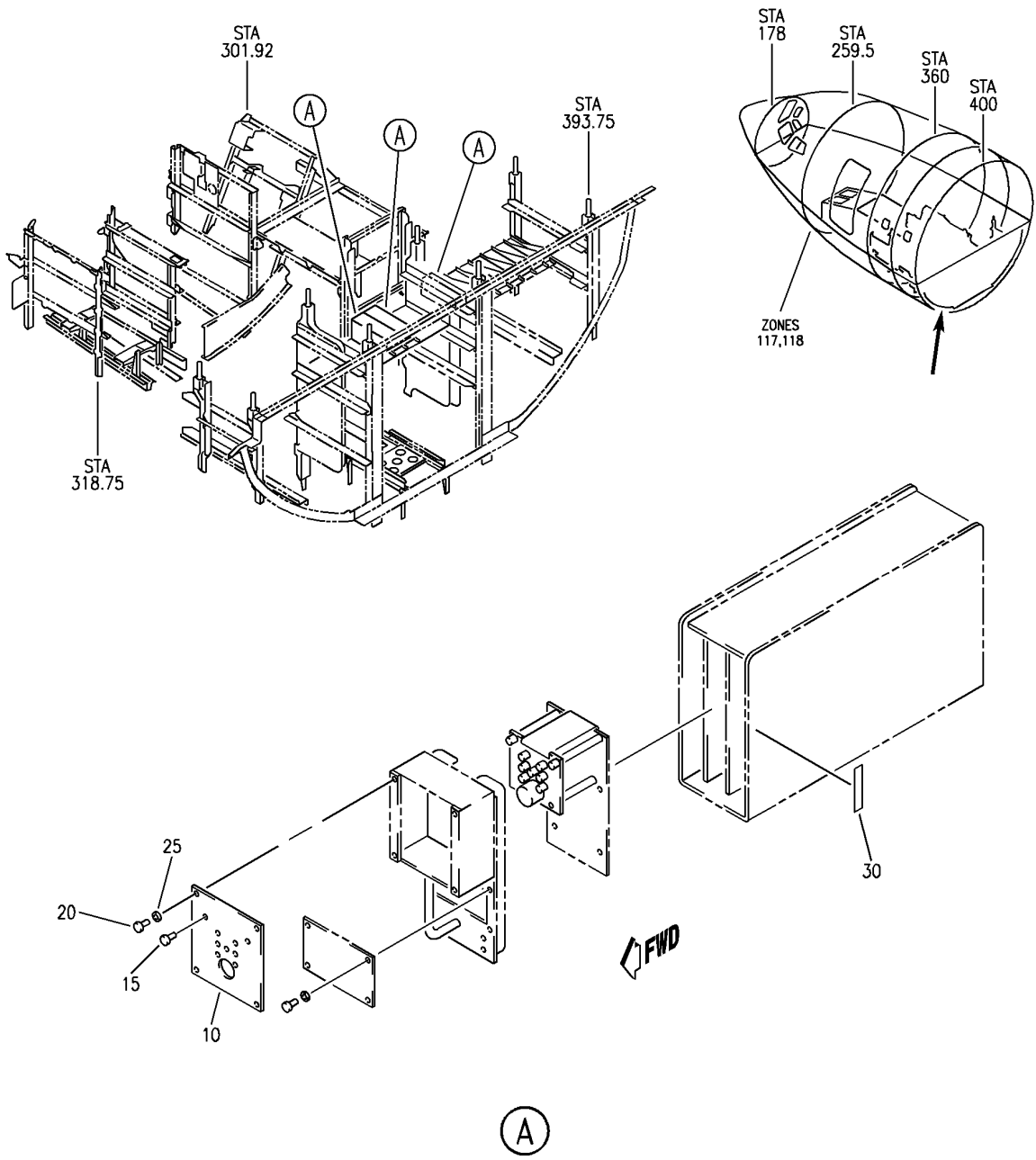
HAP

11-36-01-94

BOEING PROPRIETARY - Copyright © - Unpublished Work - See title page for details.

11-36-01
FIG. 94
PAGE 5
OCT 15/08

BOEING
 737-600/700/800/900
 PARTS CATALOG (MAINTENANCE)



E 11360194A REV 122

UNIT ASSY-CONT GEN E/E BAY E2 AND E4 RACK (PLACARDS AND MARKINGS ONLY)
 FIGURE 94A

11-36-01-94A

HAP
 OCT 10/06

11-36-01-94A
 PAGE 0

BOEING
737-600/700/800/900
PARTS CATALOG (MAINTENANCE)

FIG ITEM	PART NUMBER	1 2 3 4 5 6 7	NOMENCLATURE	EFFECT FROM TO	UNITS PER ASSY
94A					
- 1	762185H		UNIT ASSY-CONT GEN E/E BAY E2 AND E4 RACK (PLACARDS AND MARKINGS ONLY) UNIT ASSY-CONT GEN SUPPLIER CODE: V99167 FUNCTIONAL DESCRIPTION: MONITORS INTEGRATED DRIVE GENERATOR PARAMETERS AND PROVIDES CONTROL AND PROTECTION FOR THE ENTIRE MAIN AC POWER SYSTEM. SPECIFICATION NUMBER: S281A001-204 ELECTRICAL EQUIP NUMBER: G00010 G00012 G00014 COMPONENT MAINT MANUAL REF: 24-23-16 QUALIFIED I/W DATA: 762185H I/W 762185E EXCEPT 762185H IS REQUIRED FOR CATEGORY IIIB AUTOLAND CAPABLE AIRPLANES. 762185H I/W 762185F EXCEPT 762185H IS REQUIRED FOR CATEGORY IIIB AUTOLAND CAPABLE AIRPLANES. FOR NHA/OTHER SYS DET SEE: 24-21-81-02A 24-21-81-03A	031200 968999 031200 968999	RF

MISSING ITEM NUMBERS NOT APPLICABLE

- ITEM NOT ILLUSTRATED

HAP

11-36-01-94A

BOEING PROPRIETARY - Copyright © - Unpublished Work - See title page for details.

11-36-01
FIG. 94A
PAGE 1
OCT 15/08

BOEING
737-600/700/800/900
PARTS CATALOG (MAINTENANCE)

FIG ITEM	PART NUMBER	1 2 3 4 5 6 7	NOMENCLATURE	EFFECT FROM TO	UNITS PER ASSY
94A - 1	762185G		UNIT ASSY-CONT GEN E/E BAY E2 AND E4 RACK (PLACARDS AND MARKINGS ONLY) SUPPLIER CODE: V99167 FUNCTIONAL DESCRIPTION: MONITORS INTEGRATED DRIVE GENERATOR PARAMETERS AND PROVIDES CONTROL AND PROTECTION FOR THE ENTIRE MAIN AC POWER SYSTEM. SPECIFICATION NUMBER: S281A001-203 ELECTRICAL EQUIP NUMBER: G00010 G00012 G00014 COMPONENT MAINT MANUAL REF: 24-23-16 QUALIFIED I/W DATA: 762185G I/W 762185F EXCEPT 762185G IS REQUIRED FOR CATEGORY IIIB AUTOLAND CAPABLE AIRPLANES. 762185G I/W 762185E EXCEPT 762185G IS REQUIRED FOR CATEGORY IIIB AUTOLAND CAPABLE AIRPLANES. FOR NHA/OTHER SYS DET SEE: 24-21-81-02A 24-21-81-03A	031200 968999	RF
10	766801		.PLATE-FRONT INTRUCTION SUPPLIER CODE: V99167 CONFIG CHG DATA FROM A CMM: REPLD BY 1704161	031200 968999	1
10	1704161		.PLATE-FRONT INTRUCTION SUPPLIER CODE: V99167 CONFIG CHG DATA FROM A CMM: REPLS 766801	031200 968999	1
15	MS24693C2		ATTACHING PARTS .SCREW	031200 968999	2

MISSING ITEM NUMBERS NOT APPLICABLE

- ITEM NOT ILLUSTRATED

HAP

11-36-01-94A

BOEING PROPRIETARY - Copyright © - Unpublished Work - See title page for details.

11-36-01
FIG. 94A
PAGE 2
OCT 15/08


BOEING
 737-600/700/800/900
PARTS CATALOG (MAINTENANCE)

FIG ITEM	PART NUMBER	1 2 3 4 5 6 7	NOMENCLATURE	EFFECT FROM TO	UNITS PER ASSY
94A					
20	MS51957-14	.	SCREW	031200 968999	4
25	NAS620C4L	.	WASHER	031200 968999	4
30	740917	-----*-----	. LABEL-SENSITIVE ELECT DEVICE SUPPLIER CODE: V99167	031200 968999	1

MISSING ITEM NUMBERS NOT APPLICABLE

— ITEM NOT ILLUSTRATED

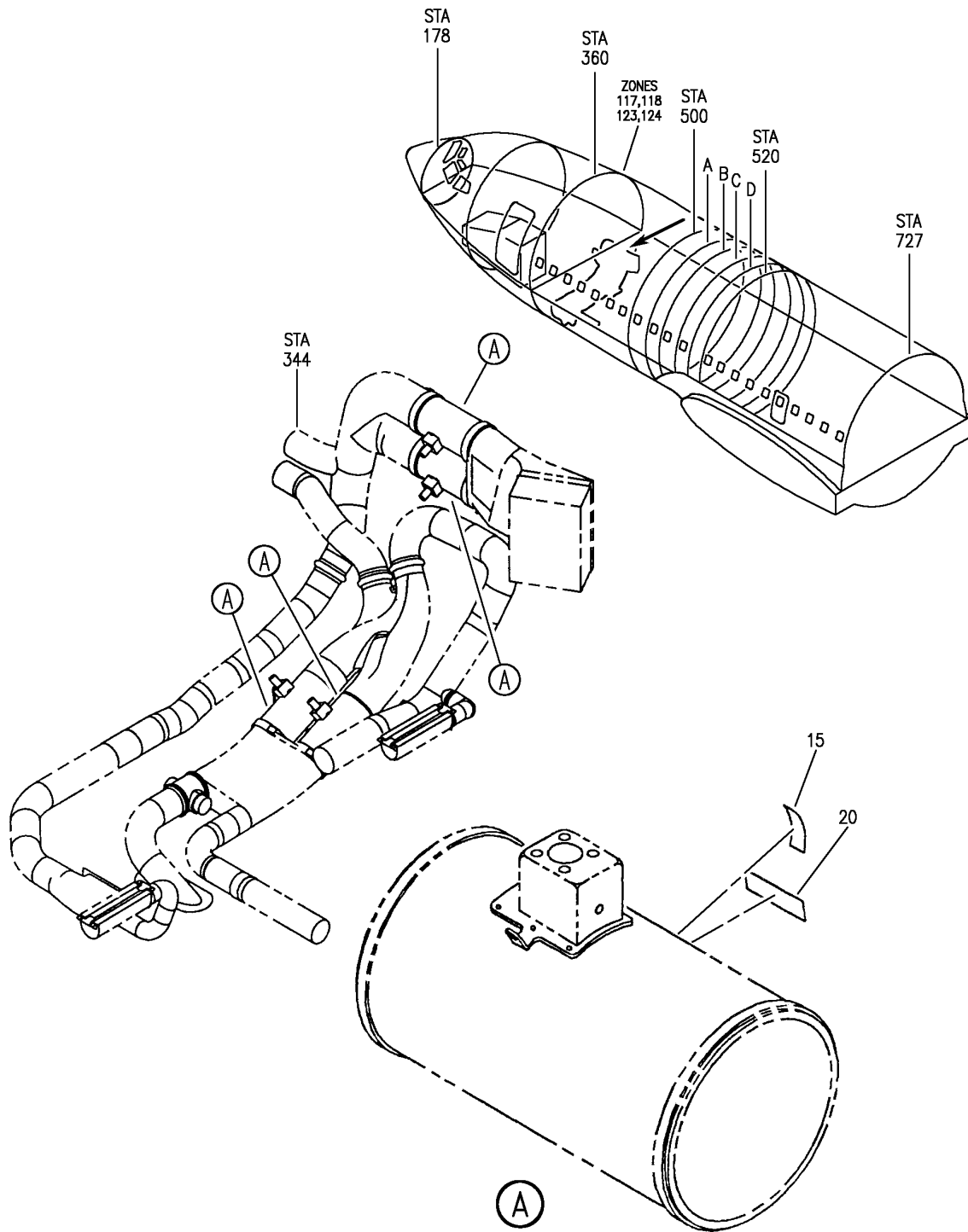
HAP

11-36-01-94A

BOEING PROPRIETARY - Copyright © - Unpublished Work - See title page for details.

11-36-01
 FIG. 94A
 PAGE 3
 OCT 15/08

BOEING
 737-600/700/800/900
 PARTS CATALOG (MAINTENANCE)



E 11360195 REV 085

FAN ASSY-SECT. 43 AFT E/E COOLING EXH AND SUPPLY
 FIGURE 95

11-36-01-95

HAP
 OCT 10/06

11-36-01-95
 PAGE 0

BOEING
737-600/700/800/900
PARTS CATALOG (MAINTENANCE)

FIG ITEM	PART NUMBER	1 2 3 4 5 6 7	NOMENCLATURE	EFFECT FROM TO	UNITS PER ASSY
95					
R R	- 1 4101054		FAN ASSY-SECT. 43 AFT E/E COOLING EXH AND SUPPLY FAN ASSY-SECT. 43 AFT E/E COOLING EXH AND SUPPLY SUPPLIER CODE: V45153 FUNCTIONAL DESCRIPTION: USED TO CIRCULATE VENTILATING AIR TO THE FORWARD AND AFT GALLEYS AND LAVATORIES BY DIRECTING THE EXHAUST AIR OVERBOARD THROUGH THE CABIN PRESSURIZATION AND FLOW VALVES. SPECIFICATION NUMBER: S210N701-38 ELECTRICAL EQUIP NUMBER: M00098 M00099 M01322 M01323 COMPONENT MAINT MANUAL REF: 21-20-04 FOR NHA SEE: 21-21-01-02 21-27-04-03 21-27-51-07 21-27-51-07B		RF
	15 X10055		. INSTRUCTION PLATE- ROTATION		1
	20 X10056		. INSTRUCTION PLATE- AIR FLOW		1
MISSING ITEM NUMBERS NOT APPLICABLE					

- ITEM NOT ILLUSTRATED

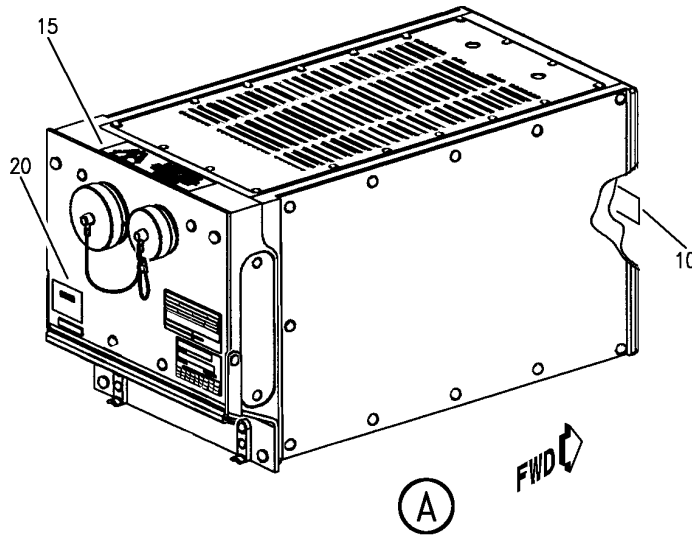
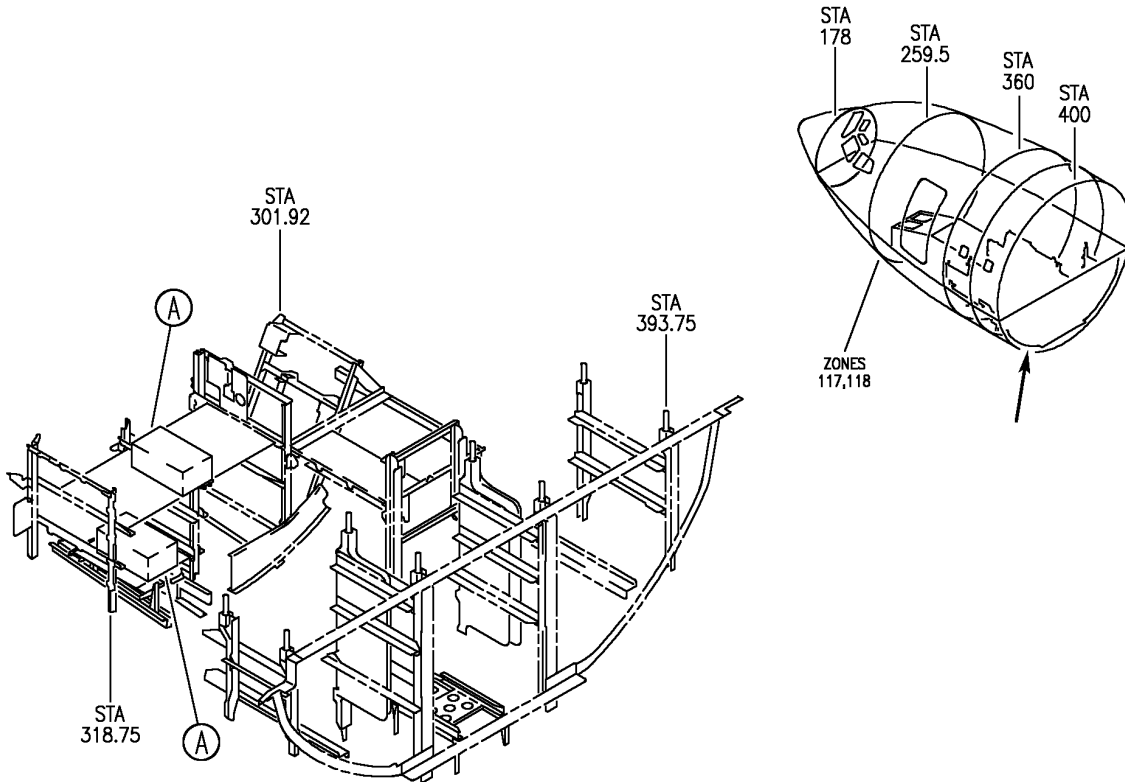
HAP

11-36-01-95

BOEING PROPRIETARY - Copyright © - Unpublished Work - See title page for details.

11-36-01
FIG. 95
PAGE 1
JUN 15/09

BOEING
 737-600/700/800/900
 PARTS CATALOG (MAINTENANCE)



E 11360197 REV 089

COMPUTER ASSY-FLIGHT CONT (PLACARDS AND MARKINGS ONLY)
 FIGURE 97

11-36-01-97

HAP
 OCT 10/06

11-36-01-97
 PAGE 0

BOEING
737-600/700/800/900
PARTS CATALOG (MAINTENANCE)

FIG ITEM	PART NUMBER	1 2 3 4 5 6 7	NOMENCLATURE	EFFECT FROM TO	UNITS PER ASSY
97			COMPUTER ASSY-FLIGHT CONT (PLACARDS AND MARKINGS ONLY)	031200 968999	
- 1	822-1604-101		COMPUTER ASSY-FLIGHT CONT (PLACARDS AND MARKINGS ONLY) SUPPLIER CODE: V4V792 FUNCTIONAL DESCRIPTION: SENDS AUTOPILOT COMMANDS TO THE CONTROL SURFACE ACTUATORS AND PROVIDES INFORMATION TO THE COMMON DISPLAY SYSTEM. SPECIFICATION NUMBER: S241A100-101 ELECTRICAL EQUIP NUMBER: M01875 M01876 COMPONENT MAINT MANUAL REF: 22-12-93 QUALIFIED I/W DATA: 822-1604-101 MAY REPLACE 4082499-903 ONE-WAY I/W IN SHIPSETS ONLY. 822-1604-151 IS INTERCHANGEABLE WITH 822-1604-101 PROVIDED THE CORRECT SOFTWARE IS INSTALLED, SEE FCC INTERCHANGE DOCUMENT 241A0001 FOR GUIDELINES. FOR NHA/OTHER SYS DET SEE: 22-11-33-03	031045 047047 049050 054103 968971	RF

MISSING ITEM NUMBERS NOT APPLICABLE

- ITEM NOT ILLUSTRATED

HAP

11-36-01-97

BOEING PROPRIETARY - Copyright © - Unpublished Work - See title page for details.

11-36-01
FIG. 97
PAGE 1
FEB 15/09

BOEING
737-600/700/800/900
PARTS CATALOG (MAINTENANCE)

FIG ITEM	PART NUMBER	1 2 3 4 5 6 7	NOMENCLATURE	EFFECT FROM TO	UNITS PER ASSY
97 - 1	822-1604-151		COMPUTER ASSY-FLIGHT CONT (PLACARDS AND MARKINGS ONLY) SUPPLIER CODE: V4V792 FUNCTIONAL DESCRIPTION: SENDS AUTOPILOT COMMANDS TO THE CONTROL SURFACE ACTUATORS AND PROVIDES INFORMATION TO THE COMMON DISPLAY SYSTEM. SPECIFICATION NUMBER: S241A100-151 ELECTRICAL EQUIP NUMBER: M01875 M01876 COMPONENT MAINT MANUAL REF: 22-12-93 QUALIFIED I/W DATA: 822-1604-151 MAY REPLACE 4082499-903 ONE-WAY I/W IN SHIPSETS ONLY. 822-1604-151 IS INTERCHANGEABLE WITH 822-1604-101 PROVIDED THE CORRECT SOFTWARE IS INSTALLED, SEE FCC INTERCHANGE DOCUMENT 241A0001 FOR GUIDELINES. FOR NHA/OTHER SYS DET SEE: 22-11-33-03	038038 042046 048048 051053 104200 968969 972999	RF
10	838-7020-010		.LABEL-CAUTION SUPPLIER CODE: V12998	031200 968999	1
15	280-2745-030		.LABEL-ESDS WARNING SUPPLIER CODE: V12998	031200 968999	1
20	280-3859-080		.LABEL-DANGER SUPPLIER CODE: V12998	031200 968999	1

MISSING ITEM NUMBERS NOT APPLICABLE

- ITEM NOT ILLUSTRATED

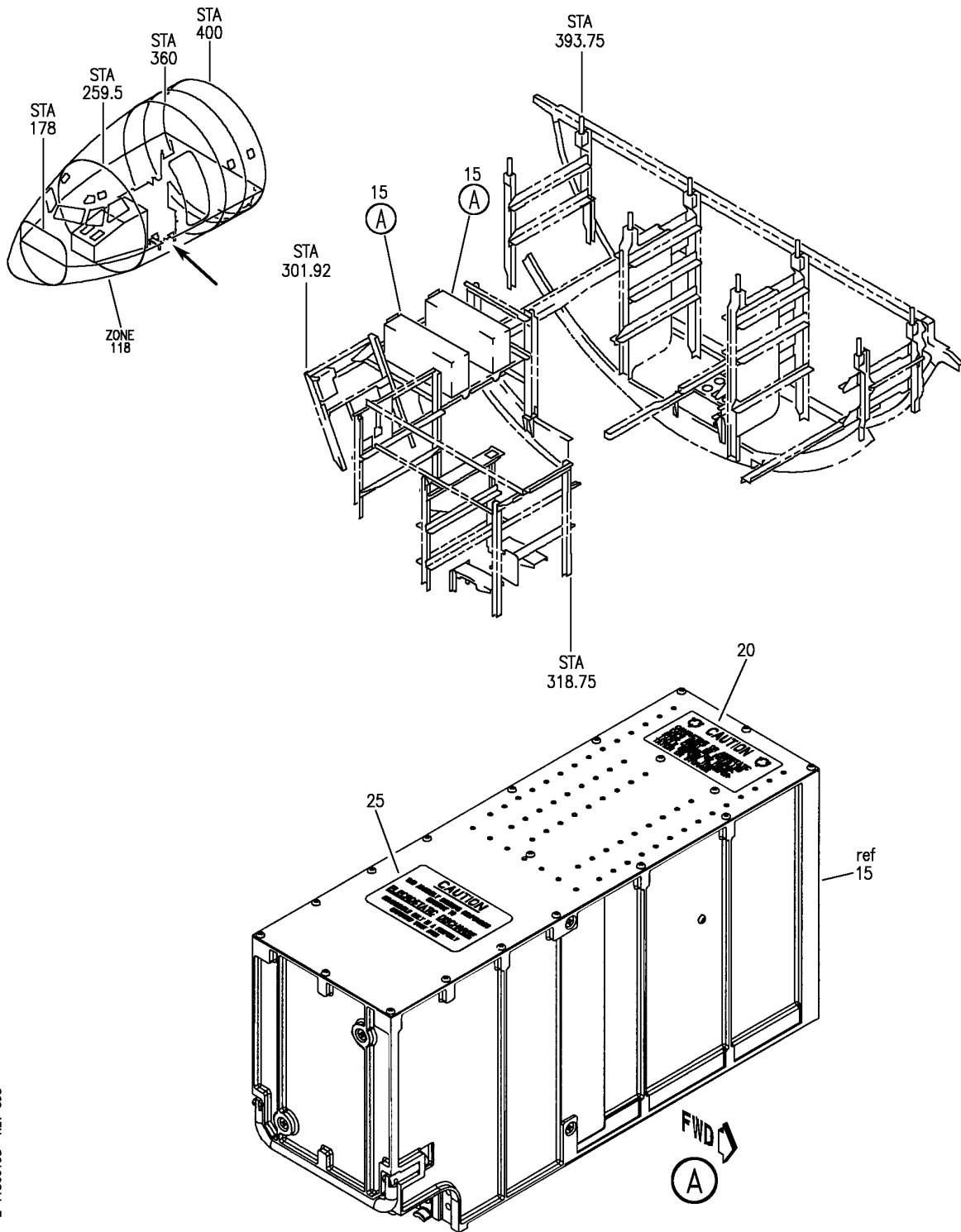
HAP

11-36-01-97

BOEING PROPRIETARY - Copyright © - Unpublished Work - See title page for details.

11-36-01
FIG. 97
PAGE 2
FEB 15/09

BOEING
 737-600/700/800/900
 PARTS CATALOG (MAINTENANCE)



E 11360198 REV 093

UNIT ASSY-AIR DATA INERTIA REF E/E BAY E5 RACK (PLACARDS AND MARKINGS ONLY)
 FIGURE 98

11-36-01-98

HAP
 OCT 10/06

11-36-01-98
 PAGE 0

BOEING
737-600/700/800/900
PARTS CATALOG (MAINTENANCE)

FIG ITEM	PART NUMBER	1 2 3 4 5 6 7	NOMENCLATURE	EFFECT FROM TO	UNITS PER ASSY
98			UNIT ASSY-AIR DATA INERTIA REF E/E BAY E5 RACK (PLACARDS AND MARKINGS ONLY)		
- 1	HG2050AC03		UNIT ASSY-AIR DATA INERTIA REF E/E BAY E5 RACK (PLACARDS AND MARKINGS ONLY) SUPPLIER CODE: V65507 FUNCTIONAL DESCRIPTION: COMPUTES INERTIAL NAVIGATION PARAMETERS USING ACCELEROMETERS AND RING LASER GYROS. SPECIFICATION NUMBER: S242A101-002 ELECTRICAL EQUIP NUMBER: M01749 M01752 COMPONENT MAINT MANUAL REF: 34-26-93 QUALIFIED I/W DATA: ALL 737 ACFT LINE NUMBER 1128 AND ON AND THOSE HAVING SB 737-34-1721 INCORPORATED WHICH ACTIVATES THE MAGVAR 2005 MODEL REQUIRE P/N HG2050AC07. 737 ACFT PRIOR TO LINE NUMBER 1128 WHICH HAVE NOT HAD SB 737-34-1721 INCORPORATED MAY BE FITTED WITH A REPLACEMENT ADIRU ACCORDING TO THE FOLLOWING GUIDELINES: 737-700 ACFT REQUIRE HG2050AC02 OR HIGHER. 737-800 ACFT REQUIRE P/N HG2050AC03 OR HIGHER. 737-600 ACFT REQUIRE P/N HG2050AC04 OR HIGHER. 737-700C ACFT REQUIRE P/N HG2050AC06 OR HIGHER. 737-900 ACFT REQUIRE P/N HG2050AC07 OR HIGHER.	001007	RF
MISSING ITEM NUMBERS NOT APPLICABLE					

- ITEM NOT ILLUSTRATED

HAP

11-36-01-98

BOEING PROPRIETARY - Copyright © - Unpublished Work - See title page for details.

11-36-01
FIG. 98
PAGE 1
OCT 10/06

BOEING
737-600/700/800/900
PARTS CATALOG (MAINTENANCE)

FIG ITEM	PART NUMBER	1 2 3 4 5 6 7	NOMENCLATURE	EFFECT FROM TO	UNITS PER ASSY
98 - 1	HG2050AC04		<p>OPTIONAL PART: HG2050AC04 V65507 FOR NHA/OTHER SYS DET SEE: 34-21-01-01 UNIT ASSY-AIR DATA INERTIA REF E/E BAY E5 RACK (PLACARDS AND MARKINGS ONLY) SUPPLIER CODE: V65507 FUNCTIONAL DESCRIPTION: COMPUTES INERTIAL NAVIGATION PARAMETERS USING ACCELEROMETERS AND RING LASER GYROS. SPECIFICATION NUMBER: S242A101-003 ELECTRICAL EQUIP NUMBER: M01749 M01752 COMPONENT MAINT MANUAL REF: 34-26-93 QUALIFIED I/W DATA: ALL 737 ACFT LINE NUMBER 1128 AND ON AND THOSE HAVING SB 737-34-1721 INCORPORATED WHICH ACTIVATES THE MAGVAR 2005 MODEL REQUIRE P/N HG2050AC07. 737 ACFT PRIOR TO LINE NUMBER 1128 WHICH HAVE NOT HAD SB 737-34-1721 INCORPORATED MAY BE FITTED WITH A REPLACEMENT ADIRU ACCORDING TO THE FOLLOWING GUIDELINES: 737-700 ACFT REQUIRE P/N HG2050AC02 OR HIGHER. 737-800 ACFT REQUIRE P/N HG2050AC03 OR HIGHER. 737-600 ACFT REQUIRE P/N HG2050AC04 OR HIGHER. 737-700C ACFT REQUIRE P/N HG2050AC06 OR HIGHER. 737-900 ACFT REQUIRE P/N HG2050AC07</p>	001013 201967	RF

MISSING ITEM NUMBERS NOT APPLICABLE

- ITEM NOT ILLUSTRATED

HAP

11-36-01-98

BOEING PROPRIETARY - Copyright © - Unpublished Work - See title page for details.

11-36-01
FIG. 98
PAGE 2
OCT 15/08

BOEING
 737-600/700/800/900
 PARTS CATALOG (MAINTENANCE)

FIG ITEM	PART NUMBER	1 2 3 4 5 6 7 NOMENCLATURE	EFFECT FROM TO	UNITS PER ASSY
98		OR HIGHER. OPTIONAL PART: HG2050AC03 V65507 USED ON: 284A0450-5 284A0450-6 284A0452-1 PRE SERVICE LETTER: 34-161 34-161C FOR NHA/OTHER SYS DET SEE: 34-21-01-01		

MISSING ITEM NUMBERS NOT APPLICABLE

— ITEM NOT ILLUSTRATED

HAP

11-36-01-98

BOEING PROPRIETARY - Copyright © - Unpublished Work - See title page for details.

11-36-01
 FIG. 98
 PAGE 3
 OCT 15/08

BOEING
737-600/700/800/900
PARTS CATALOG (MAINTENANCE)

FIG ITEM	PART NUMBER	1 2 3 4 5 6 7	NOMENCLATURE	EFFECT FROM TO	UNITS PER ASSY
98 - 1	HG2050AC06		UNIT ASSY-AIR DATA INERTIA REF E/E BAY E5 RACK (PLACARDS AND MARKINGS ONLY) SUPPLIER CODE: V65507 FUNCTIONAL DESCRIPTION: COMPUTES INERTIAL NAVIGATION PARAMETERS USING ACCELEROMETERS AND RING LASER GYROS. SPECIFICATION NUMBER: S242A101-005 ELECTRICAL EQUIP NUMBER: M01749 M01752 COMPONENT MAINT MANUAL REF: 34-26-93 QUALIFIED I/W DATA: ALL 737 ACFT LINE NUMBER 1128 AND ON AND THOSE HAVING SB 737-34-1721 INCORPORATED WHICH ACTIVATES THE MAGVAR 2005 MODEL REQUIRE P/N HG2050AC07. 737 ACFT PRIOR TO LINE NUMBER 1128 WHICH HAVE NOT HAD SB 737-34-1721 INCORPORATED MAY BE FITTED WITH A REPLACEMENT ADIRU ACCORDING TO THE FOLLOWING GUIDELINES: 737-700 ACFT REQUIRE P/N HG2050AC02 OR HIGHER. 737-800 ACFT REQUIRE P/N HG2050AC03 OR HIGHER. 737-600 ACFT REQUIRE P/N HG2050AC04 OR HIGHER. 737-700C ACFT REQUIRE P/N HG2050AC06 OR HIGHER. 737-900 ACFT REQUIRE P/N HG2050AC07 OR HIGHER. FOR NHA/OTHER SYS DET SEE: 34-21-01-01	022027	RF
R - R 1	HG2050AC07		UNIT ASSY-AIR DATA INERTIA REF E/E BAY E5 RACK	028999	RF

MISSING ITEM NUMBERS NOT APPLICABLE

- ITEM NOT ILLUSTRATED

HAP

11-36-01-98

BOEING PROPRIETARY - Copyright © - Unpublished Work - See title page for details.

11-36-01
FIG. 98
PAGE 4
JUN 15/09

BOEING
737-600/700/800/900
PARTS CATALOG (MAINTENANCE)

FIG ITEM	PART NUMBER	1 2 3 4 5 6 7	NOMENCLATURE	EFFECT FROM TO	UNITS PER ASSY
98 - 1	HG2050AC05		UNIT ASSY-AIR DATA INERTIA REF E/E BAY E5 RACK (PLACARDS AND MARKINGS ONLY) SUPPLIER CODE: V65507 FUNCTIONAL DESCRIPTION: COMPUTES INERTIAL NAVIGATION PARAMETERS USING ACCELEROMETERS AND RING LASER GYROS. SPECIFICATION NUMBER: S242A101-004 ELECTRICAL EQUIP NUMBER: M01749 M01752 COMPONENT MAINT MANUAL REF: 34-26-93 QUALIFIED I/W DATA: ALL 737 ACFT LINE NUMBER 1128 AND ON AND THOSE HAVING SB 737-34-1721 INCORPORATED WHICH ACTIVATES THE MAGVAR 2005 MODEL REQUIRE P/N HG2050AC07. 737 ACFT PRIOR TO LINE NUMBER 1128 WHICH HAVE NOT HAD SB 737-34-1721 INCORPORATED MAY BE FITTED WITH A REPLACEMENT ADIRU ACCORDING TO THE FOLLOWING GUIDELINES: 737-700 ACFT REQUIRE P/N HG2050AC02 OR HIGHER. 737-800 ACFT REQUIRE P/N HG2050AC03 OR HIGHER. 737-600 ACFT REQUIRE P/N HG2050AC04 OR HIGHER. 737-700C ACFT REQUIRE P/N HG2050AC06 OR HIGHER. 737-900 ACFT REQUIRE P/N HG2050AC07 OR HIGHER. FOR NHA/OTHER SYS DET SEE: 34-21-01-01	014021	RF

MISSING ITEM NUMBERS NOT APPLICABLE

- ITEM NOT ILLUSTRATED

HAP

11-36-01-98

BOEING PROPRIETARY - Copyright © - Unpublished Work - See title page for details.

11-36-01
FIG. 98
PAGE 6
JUN 15/09

BOEING
737-600/700/800/900
PARTS CATALOG (MAINTENANCE)

FIG ITEM	PART NUMBER	1 2 3 4 5 6 7	NOMENCLATURE	EFFECT FROM TO	UNITS PER ASSY
98					
15	26016215-201		.UNIT ASSY- SUPPLIER CODE: V65507 OPTIONAL PART: 26016215-202 V65507 26016215-203 V65507	001007	RF
15	26016215-202		.UNIT ASSY- SUPPLIER CODE: V65507 OPTIONAL PART: 26016215-201 V65507 26016215-203 V65507	001007	RF
15	26016215-203		.UNIT ASSY- SUPPLIER CODE: V65507 OPTIONAL PART: 26016215-201 V65507 26016215-202 V65507	001007	RF
15	26016215-301		.UNIT ASSY- SUPPLIER CODE: V65507 OPTIONAL PART: 26016215-302 V65507 26016215-303 V65507	008013 201967	RF
15	26016215-302		.UNIT ASSY- SUPPLIER CODE: V65507 OPTIONAL PART: 26016215-301 V65507 26016215-303 V65507	008013 201967	RF
15	26016215-303		.UNIT ASSY- SUPPLIER CODE: V65507 OPTIONAL PART: 26016215-301 V65507 26016215-302 V65507	008013 201967	RF

MISSING ITEM NUMBERS NOT APPLICABLE

— ITEM NOT ILLUSTRATED

HAP

11-36-01-98

BOEING PROPRIETARY - Copyright © - Unpublished Work - See title page for details.

11-36-01
FIG. 98
PAGE 7
OCT 15/08

BOEING
737-600/700/800/900
PARTS CATALOG (MAINTENANCE)

FIG ITEM	PART NUMBER	1 2 3 4 5 6 7	NOMENCLATURE	EFFECT FROM TO	UNITS PER ASSY
98					
15	26016215-401		.UNIT ASSY- SUPPLIER CODE: V65507 OPTIONAL PART: 26016215-402 V65507 26016215-403 V65507	014021	RF
15	26016215-402		.UNIT ASSY- SUPPLIER CODE: V65507 OPTIONAL PART: 26016215-401 V65507 26016215-403 V65507	014021	RF
15	26016215-403		.UNIT ASSY- SUPPLIER CODE: V65507 OPTIONAL PART: 26016215-401 V65507 26016215-402 V65507	014021	RF
15	26016215-502		.UNIT ASSY- SUPPLIER CODE: V65507 OPTIONAL PART: 26016215-503 V65507	022027	RF
15	26016215-503		.UNIT ASSY- SUPPLIER CODE: V65507 OPTIONAL PART: 26016215-502 V65507	022027	RF
15	26016215-602		.UNIT ASSY- SUPPLIER CODE: V65507 OPTIONAL PART: 26016215-603 V65507	028999	RF
15	26016215-603		.UNIT ASSY- SUPPLIER CODE: V65507 OPTIONAL PART: 26016215-602 V65507	028999	RF

MISSING ITEM NUMBERS NOT APPLICABLE

— ITEM NOT ILLUSTRATED

HAP

11-36-01-98

BOEING PROPRIETARY - Copyright © - Unpublished Work - See title page for details.

11-36-01
FIG. 98
PAGE 8
OCT 10/06


BOEING
 737-600/700/800/900
PARTS CATALOG (MAINTENANCE)

FIG ITEM	PART NUMBER	1 2 3 4 5 6 7	NOMENCLATURE	EFFECT FROM TO	UNITS PER ASSY
98	20 10093591-101		.. PLATE-INSTRUCTION SUPPLIER CODE: V65507		1
	25 10068381-102		.. PLATE-INFORMATION SUPPLIER CODE: V65507		1
MISSING ITEM NUMBERS NOT APPLICABLE					

— ITEM NOT ILLUSTRATED

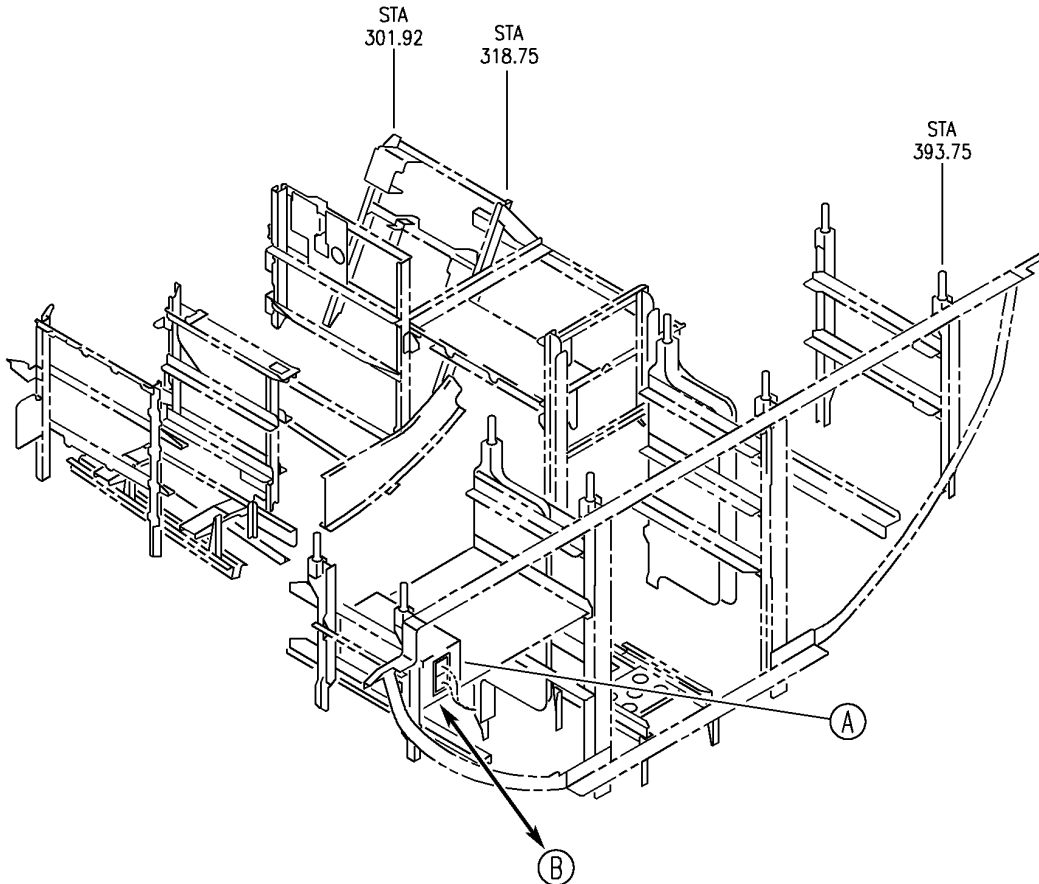
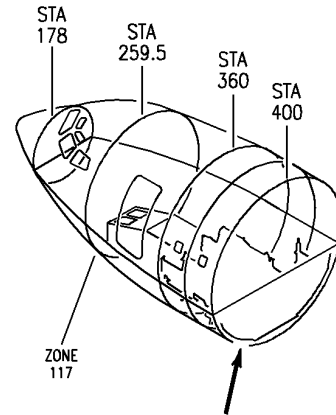
HAP

11-36-01-98

BOEING PROPRIETARY - Copyright © - Unpublished Work - See title page for details.

11-36-01
 FIG. 98
 PAGE 9
 OCT 10/06

BOEING
 737-600/700/800/900
 PARTS CATALOG (MAINTENANCE)



E 11360199 SHT 1 REV 111

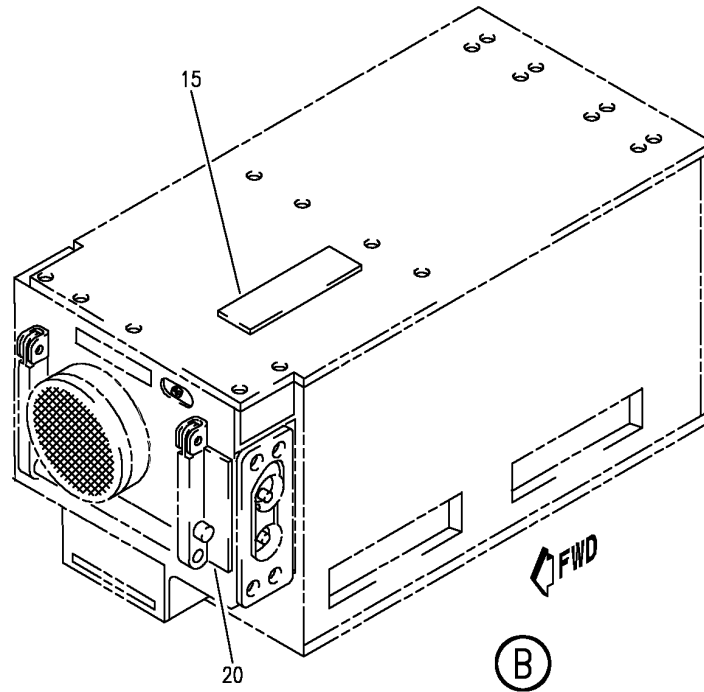
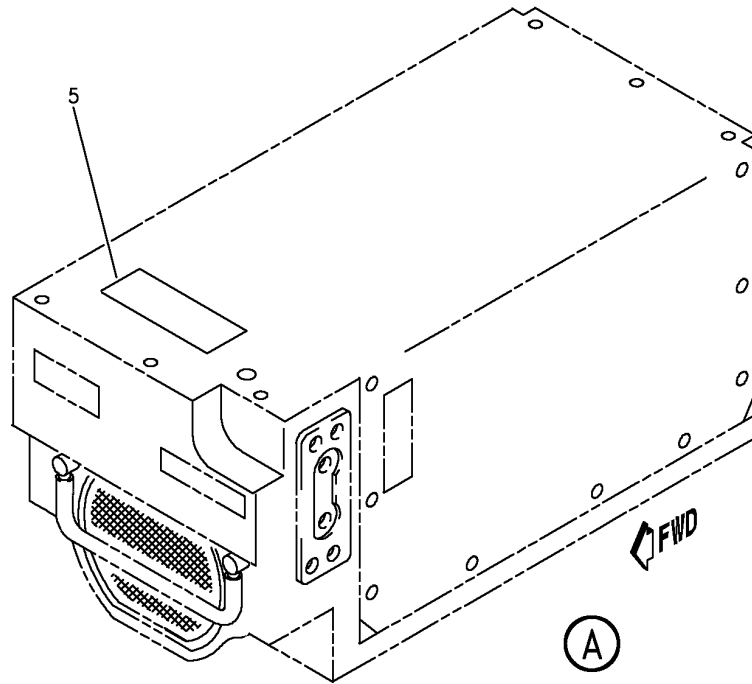
UNIT ASSY-START PWR E/E BAY E2 RACK (PLACARDS AND MARKINGS ONLY)
 FIGURE 99 (SHEET 1)

11-36-01-99

HAP
 OCT 10/06

11-36-01-99
 PAGE 0

BOEING
737-600/700/800/900
PARTS CATALOG (MAINTENANCE)



E 11360199 SH1 2 REV 111

UNIT ASSY-START PWR E/E BAY E2 RACK (PLACARDS AND MARKINGS ONLY)
FIGURE 99 (SHEET 2)

11-36-01-99

HAP
OCT 10/06

11-36-01-99
PAGE 0A

BOEING
737-600/700/800/900
PARTS CATALOG (MAINTENANCE)

FIG ITEM	PART NUMBER	1 2 3 4 5 6 7	NOMENCLATURE	EFFECT FROM TO	UNITS PER ASSY
99			UNIT ASSY-START PWR E/E BAY E2 RACK (PLACARDS AND MARKINGS ONLY)		
- 1	1152464-265		UNIT ASSY-START PWR E/E BAY E2 RACK (PLACARDS AND MARKINGS ONLY) SUPPLIER CODE: V07217 FUNCTIONAL DESCRIPTION: POWERS THE APU DRIVE GENERATOR AS A MOTOR SPECIFICATION NUMBER: S351A401-265 ELECTRICAL EQUIP NUMBER: M01850 COMPONENT MAINT MANUAL REF: 49-40-08 FOR NHA/OTHER SYS DET SEE: 49-41-71-01		RF
	5 1032061-1		. LABEL-CAUTION ESD SUPPLIER CODE: V07217		1
- 10	1151984-261		UNIT ASSY-START PWR E/E BAY E2 RACK (PLACARDS AND MARKINGS ONLY) SUPPLIER CODE: V07217 FUNCTIONAL DESCRIPTION: POWERS THE APU DRIVE GENERATOR AS A MOTOR SPECIFICATION NUMBER: S351A401-261 ELECTRICAL EQUIP NUMBER: M01850 COMPONENT MAINT MANUAL REF: 49-40-04 FOR NHA/OTHER SYS DET SEE: 49-41-71-01		RF
	15 1032061-1		. LABEL-CAUTION ESD SUPPLIER CODE: V07217		1
	20 1031821-1		. LABEL-WARNING POLARITY SUPPLIER CODE: V07217		1

MISSING ITEM NUMBERS NOT APPLICABLE

- ITEM NOT ILLUSTRATED

HAP

11-36-01-99

BOEING PROPRIETARY - Copyright © - Unpublished Work - See title page for details.

11-36-01
FIG. 99
PAGE 1
OCT 10/06