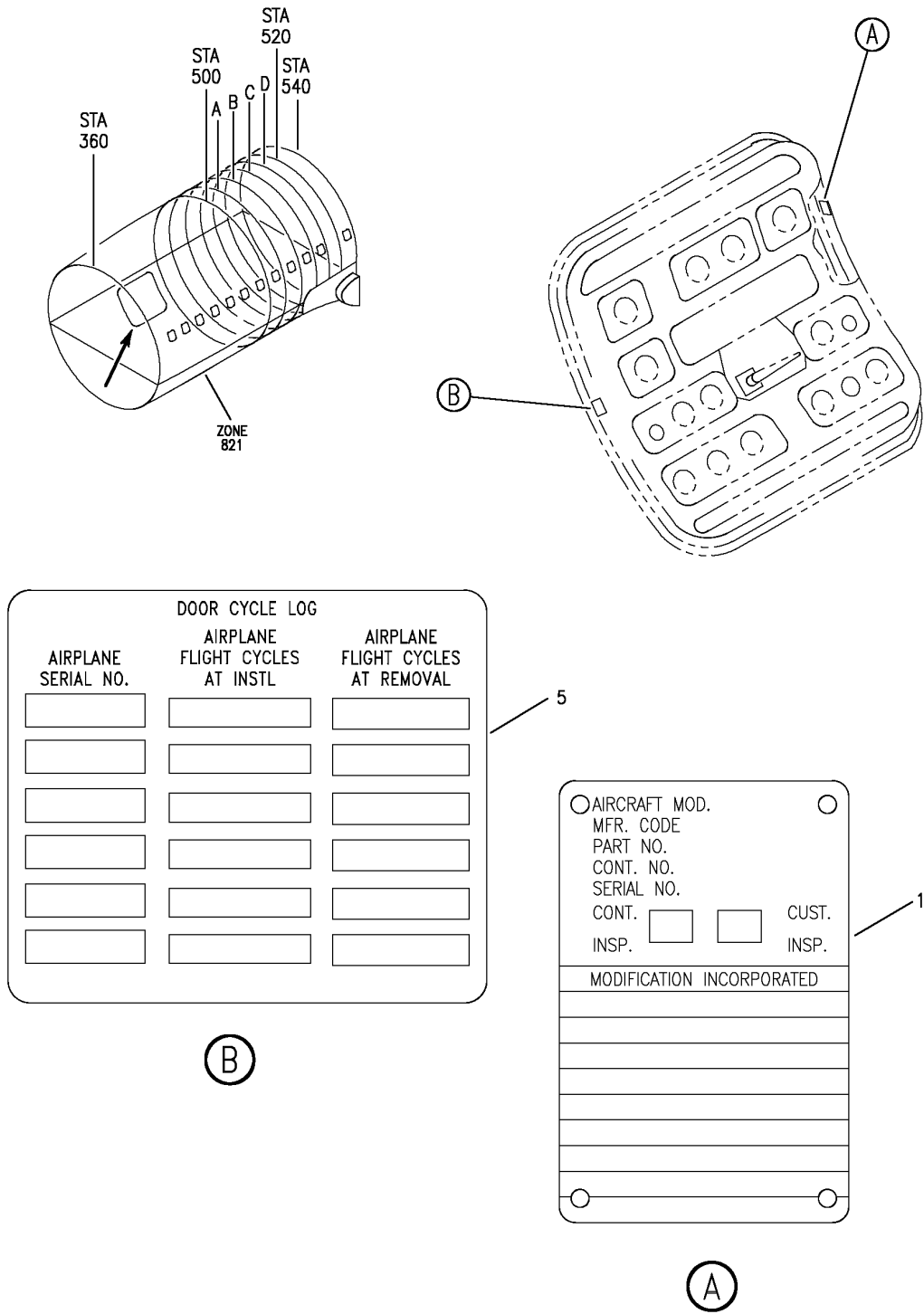


CARGO COMPARTMENT

HAP
OCT 10/06

11-37-00
SECTION TITLE
PAGE 1

BOEING
737-600/700/800/900
PARTS CATALOG (MAINTENANCE)



DOOR CYCLE LOG

AIRPLANE SERIAL NO.	AIRPLANE FLIGHT CYCLES AT INSTL	AIRPLANE FLIGHT CYCLES AT REMOVAL

AIRCRAFT MOD.
 MFR. CODE
 PART NO.
 CONT. NO.
 SERIAL NO.
 CONT. CUST.
 INSP. INSP.

MODIFICATION INCORPORATED

E 11370101 REV 078

DOOR ASSY-FWD CARGO (PLACARDS AND MARKINGS ONLY)
FIGURE 1

11-37-01-01

HAP
OCT 15/08

11-37-01-01
PAGE 0

BOEING
737-600/700/800/900
PARTS CATALOG (MAINTENANCE)

FIG ITEM	PART NUMBER	1 2 3 4 5 6 7	NOMENCLATURE	EFFECT FROM TO	UNITS PER ASSY
1			DOOR ASSY-FWD CARGO (PLACARDS AND MARKINGS ONLY)	201967	
- 1	143A6110-17		DOOR ASSY-CARGO (PLACARDS AND MARKINGS ONLY) POSITION DATA: FWD COMPONENT MAINT MANUAL REF: 52-31-15 FOR NHA/OTHER SYS DET SEE: 52-31-00-01	201967	RF
- 1	143A6110-5		DOOR ASSY-CARGO (PLACARDS AND MARKINGS ONLY) POSITION DATA: FWD COMPONENT MAINT MANUAL REF: 52-31-15 FOR NHA/OTHER SYS DET SEE: 52-31-00-01	201967	RF
- 1	143A6110-7		DOOR ASSY-CARGO (PLACARDS AND MARKINGS ONLY) POSITION DATA: FWD COMPONENT MAINT MANUAL REF: 52-31-15 FOR NHA/OTHER SYS DET SEE: 52-31-00-01	201967	RF
- 1	143A6110-9		DOOR ASSY-CARGO (PLACARDS AND MARKINGS ONLY) POSITION DATA: FWD COMPONENT MAINT MANUAL REF: 52-31-15 FOR NHA/OTHER SYS DET SEE: 52-31-00-01	201967	RF
- 1	143A6110-13		DOOR ASSY-CARGO (PLACARDS AND MARKINGS ONLY) POSITION DATA: FWD COMPONENT MAINT MANUAL REF: 52-31-15 FOR NHA/OTHER SYS DET SEE: 52-31-00-01	201967	RF

MISSING ITEM NUMBERS NOT APPLICABLE

- ITEM NOT ILLUSTRATED

HAP

11-37-01-01

11-37-01
FIG. 01
PAGE 1
OCT 15/08

BOEING
737-600/700/800/900
PARTS CATALOG (MAINTENANCE)

FIG ITEM	PART NUMBER	1 2 3 4 5 6 7	NOMENCLATURE	EFFECT FROM TO	UNITS PER ASSY
1					
- 2	143A6110-21		DOOR ASSY-CARGO (PLACARDS AND MARKINGS ONLY) POSITION DATA: FWD COMPONENT MAINT MANUAL REF: 52-31-15 FOR NHA/OTHER SYS DET SEE: 52-31-00-01	201967	RF
- 2	143A6110-25		DOOR ASSY-CARGO (PLACARDS AND MARKINGS ONLY) POSITION DATA: FWD COMPONENT MAINT MANUAL REF: 52-31-15 FOR NHA/OTHER SYS DET SEE: 52-31-00-01	201967	RF
- 2	143A6110-28		DOOR ASSY-CARGO (PLACARDS AND MARKINGS ONLY) POSITION DATA: FWD COMPONENT MAINT MANUAL REF: 52-31-15 FOR NHA/OTHER SYS DET SEE: 52-31-00-01	201967	RF
R R	- 2	143A6110-33	DOOR ASSY-CARGO (PLACARDS AND MARKINGS ONLY) POSITION DATA: FWD COMPONENT MAINT MANUAL REF: 52-31-15 FOR NHA/OTHER SYS DET SEE: 52-31-00-01	201967	RF
- 2	143A6110-37		DOOR ASSY-CARGO (PLACARDS AND MARKINGS ONLY) POSITION DATA: FWD FOR NHA/OTHER SYS DET SEE: 52-31-00-01	201967	RF
5	BAC27DBY191		.MARKER-ALUMINUM FOIL	201967	1
10	MS27253F1		.PLATE	201967	1

MISSING ITEM NUMBERS NOT APPLICABLE

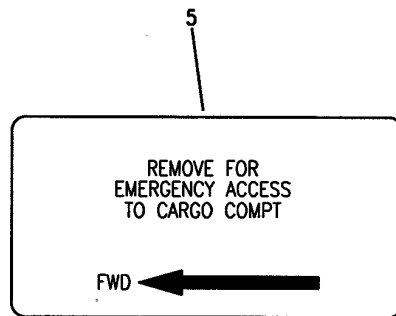
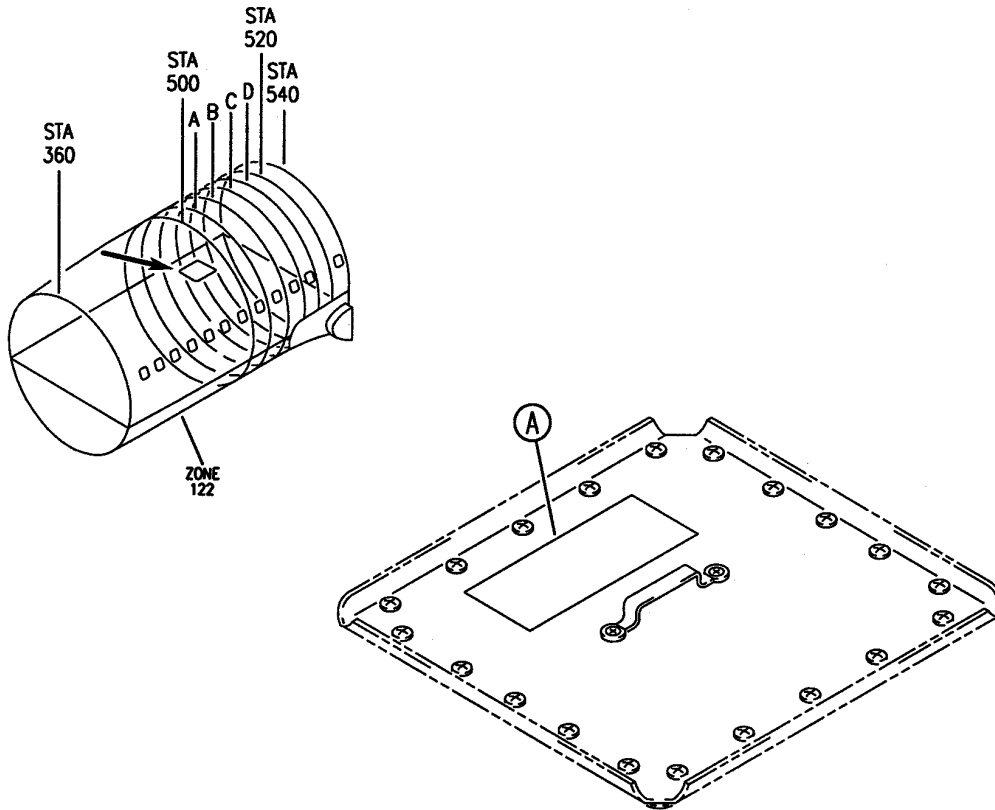
- ITEM NOT ILLUSTRATED

HAP

11-37-01-01

11-37-01
FIG. 01
PAGE 2
JUN 15/09

BOEING
 737-600/700/800/900
 PARTS CATALOG (MAINTENANCE)



(A)

E 11.370101A REV 0.38

DOOR ASSY-CARGO COMPT (PLACARDS AND MARKINGS ONLY)
 FIGURE 1A

11-37-01-01A

HAP
 OCT 10/06

11-37-01-01A
 PAGE 0

BOEING
737-600/700/800/900
PARTS CATALOG (MAINTENANCE)

FIG ITEM	PART NUMBER	1 2 3 4 5 6 7	NOMENCLATURE	EFFECT FROM TO	UNITS PER ASSY
1 A			DOOR ASSY-CARGO COMPT (PLACARDS AND MARKINGS ONLY)		
- 1	453A1211-1		DOOR ASSY-CARGO COMPT (PLACARDS AND MARKINGS ONLY) FOR NHA/OTHER SYS DET SEE: 25-52-06-19	001030 201967	RF
- 1	453A1211-46		DOOR ASSY-CARGO COMPT (PLACARDS AND MARKINGS ONLY) FOR NHA/OTHER SYS DET SEE: 25-52-06-19	031200 968999	RF
5	BAC27DCA699		.MARKER-ALUMINUM FOIL		1

MISSING ITEM NUMBERS NOT APPLICABLE

- ITEM NOT ILLUSTRATED

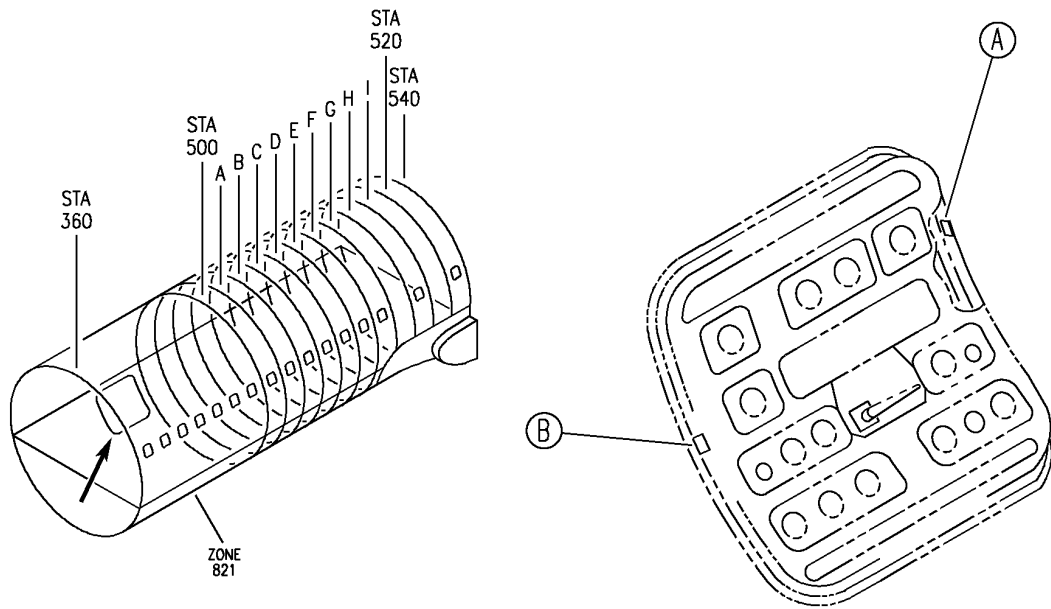
HAP

11-37-01-01A

BOEING PROPRIETARY - Copyright © - Unpublished Work - See title page for details.

11-37-01
FIG. 01A
PAGE 1
OCT 15/08

BOEING
737-600/700/800/900
PARTS CATALOG (MAINTENANCE)



DOOR CYCLE LOG

AIRPLANE SERIAL NO.	AIRPLANE FLIGHT CYCLES AT INSTL	AIRPLANE FLIGHT CYCLES AT REMOVAL

5

<input type="checkbox"/> AIRCRAFT MOD.	<input type="checkbox"/>
MFR. CODE	
PART NO.	
CONT. NO.	
SERIAL NO.	
CONT. <input type="checkbox"/>	CUST. <input type="checkbox"/>
INSP. <input type="checkbox"/>	INSP. <input type="checkbox"/>
MODIFICATION INCORPORATED	

10

B

A

E 11370101B REV 123

DOOR ASSY-FWD CARGO (PLACARDS AND MARKINGS ONLY)
FIGURE 1B

11-37-01-01B

HAP
JUN 15/08

11-37-01-01B
PAGE 0

BOEING
737-600/700/800/900
PARTS CATALOG (MAINTENANCE)

FIG ITEM	PART NUMBER	1 2 3 4 5 6 7	NOMENCLATURE	EFFECT FROM TO	UNITS PER ASSY
1B			DOOR ASSY-FWD CARGO (PLACARDS AND MARKINGS ONLY)	001030	
- 1	143A6110-5		DOOR ASSY-CARGO (PLACARDS AND MARKINGS ONLY) POSITION DATA: FWD COMPONENT MAINT MANUAL REF: 52-31-15 FOR NHA/OTHER SYS DET SEE: 52-31-00-01A	001011	RF
- 1	143A6110-7		DOOR ASSY-CARGO (PLACARDS AND MARKINGS ONLY) POSITION DATA: FWD COMPONENT MAINT MANUAL REF: 52-31-15 FOR NHA/OTHER SYS DET SEE: 52-31-00-01A	001011	RF
- 1	143A6110-9		DOOR ASSY-CARGO (PLACARDS AND MARKINGS ONLY) POSITION DATA: FWD COMPONENT MAINT MANUAL REF: 52-31-15 FOR NHA/OTHER SYS DET SEE: 52-31-00-01A	001011	RF
- 1	143A6110-10		DOOR ASSY-CARGO (PLACARDS AND MARKINGS ONLY) POSITION DATA: FWD COMPONENT MAINT MANUAL REF: 52-31-15 FOR NHA/OTHER SYS DET SEE: 52-31-00-01A	012030	RF
- 1	143A6110-13		DOOR ASSY-CARGO (PLACARDS AND MARKINGS ONLY) POSITION DATA: FWD COMPONENT MAINT MANUAL REF: 52-31-15 FOR NHA/OTHER SYS DET SEE: 52-31-00-01A	001011	RF

MISSING ITEM NUMBERS NOT APPLICABLE

- ITEM NOT ILLUSTRATED

HAP

11-37-01-01B

BOEING PROPRIETARY - Copyright © - Unpublished Work - See title page for details.

11-37-01
FIG. 01B
PAGE 1
JUN 15/08

 **BOEING**
737-600/700/800/900
PARTS CATALOG (MAINTENANCE)

FIG ITEM	PART NUMBER	1 2 3 4 5 6 7	NOMENCLATURE	EFFECT FROM TO	UNITS PER ASSY
1B					
- 1	143A6110-14		DOOR ASSY-CARGO (PLACARDS AND MARKINGS ONLY) POSITION DATA: FWD COMPONENT MAINT MANUAL REF: 52-31-15 FOR NHA/OTHER SYS DET SEE: 52-31-00-01A	012030	RF
- 1	143A6110-17		DOOR ASSY-CARGO (PLACARDS AND MARKINGS ONLY) POSITION DATA: FWD COMPONENT MAINT MANUAL REF: 52-31-15 FOR NHA/OTHER SYS DET SEE: 52-31-00-01A	001011	RF
- 1	143A6110-18		DOOR ASSY-CARGO (PLACARDS AND MARKINGS ONLY) POSITION DATA: FWD COMPONENT MAINT MANUAL REF: 52-31-15 FOR NHA/OTHER SYS DET SEE: 52-31-00-01A	012030	RF
- 1	143A6110-21		DOOR ASSY-CARGO (PLACARDS AND MARKINGS ONLY) POSITION DATA: FWD COMPONENT MAINT MANUAL REF: 52-31-15 FOR NHA/OTHER SYS DET SEE: 52-31-00-01A	001011	RF
- 2	143A6110-22		DOOR ASSY-CARGO (PLACARDS AND MARKINGS ONLY) POSITION DATA: FWD COMPONENT MAINT MANUAL REF: 52-31-15 FOR NHA/OTHER SYS DET SEE: 52-31-00-01A	012030	RF
- 2	143A6110-25		DOOR ASSY-CARGO (PLACARDS AND MARKINGS ONLY) POSITION DATA: FWD COMPONENT MAINT MANUAL REF: 52-31-15 FOR NHA/OTHER SYS DET SEE: 52-31-00-01A	001011	RF

MISSING ITEM NUMBERS NOT APPLICABLE

- ITEM NOT ILLUSTRATED

HAP

11-37-01-01B

BOEING PROPRIETARY - Copyright © - Unpublished Work - See title page for details.

11-37-01
FIG. 01B
PAGE 2
JUN 15/08

BOEING
737-600/700/800/900
PARTS CATALOG (MAINTENANCE)

FIG ITEM	PART NUMBER	1 2 3 4 5 6 7	NOMENCLATURE	EFFECT FROM TO	UNITS PER ASSY
1B					
- 2	143A6110-28		DOOR ASSY-CARGO (PLACARDS AND MARKINGS ONLY) POSITION DATA: FWD COMPONENT MAINT MANUAL REF: 52-31-15 FOR NHA/OTHER SYS DET SEE: 52-31-00-01A	001011	RF
- 2	143A6110-29		DOOR ASSY-CARGO (PLACARDS AND MARKINGS ONLY) POSITION DATA: FWD COMPONENT MAINT MANUAL REF: 52-31-15 FOR NHA/OTHER SYS DET SEE: 52-31-00-01A	012030	RF
- 2	143A6110-8		DOOR ASSY-CARGO (PLACARDS AND MARKINGS ONLY) POSITION DATA: FWD COMPONENT MAINT MANUAL REF: 52-31-15 FOR NHA/OTHER SYS DET SEE: 52-31-00-01A	012030	RF
- 2	143A6110-6		DOOR ASSY-CARGO (PLACARDS AND MARKINGS ONLY) POSITION DATA: FWD COMPONENT MAINT MANUAL REF: 52-31-15 FOR NHA/OTHER SYS DET SEE: 52-31-00-01A	012030	RF
- 2	143A6110-26		DOOR ASSY-CARGO (PLACARDS AND MARKINGS ONLY) POSITION DATA: FWD COMPONENT MAINT MANUAL REF: 52-31-15 FOR NHA/OTHER SYS DET SEE: 52-31-00-01A	012030	RF
R R R R R R R	- 2	143A6110-33	DOOR ASSY-CARGO (PLACARDS AND MARKINGS ONLY) POSITION DATA: FWD COMPONENT MAINT MANUAL REF: 52-31-15 FOR NHA/OTHER SYS DET SEE: 52-31-00-01A	001011	RF

MISSING ITEM NUMBERS NOT APPLICABLE

- ITEM NOT ILLUSTRATED

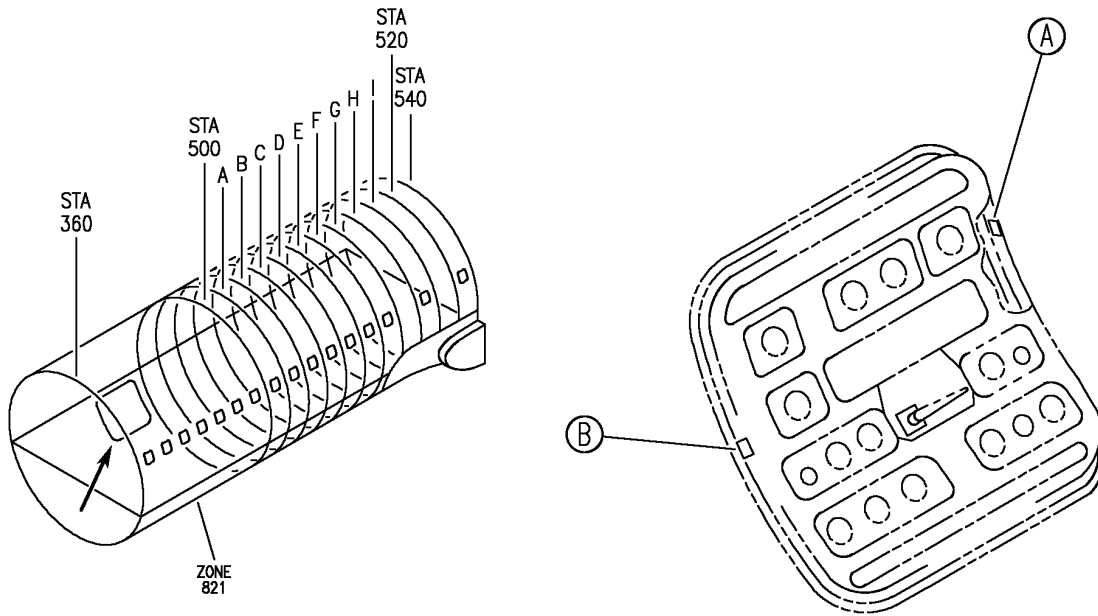
HAP

11-37-01-01B

BOEING PROPRIETARY - Copyright © - Unpublished Work - See title page for details.

11-37-01
FIG. 01B
PAGE 3
JUN 15/09

BOEING
737-600/700/800/900
PARTS CATALOG (MAINTENANCE)



DOOR CYCLE LOG

AIRPLANE SERIAL NO.	AIRPLANE FLIGHT CYCLES AT INSTL	AIRPLANE FLIGHT CYCLES AT REMOVAL

5

B

AIRCRAFT MOD.
 MFR. CODE
 PART NO.
 CONT. NO.
 SERIAL NO.
 CONT. CUST.
 INSP. INSP.

MODIFICATION INCORPORATED

10

A

E 11370101C REV 140

DOOR ASSY-FWD CARGO (PLACARDS AND MARKINGS ONLY)
FIGURE 1C

11-37-01-01C

HAP
JUN 15/08

11-37-01-01C
PAGE 0

BOEING
737-600/700/800/900
PARTS CATALOG (MAINTENANCE)

FIG ITEM	PART NUMBER	1 2 3 4 5 6 7	NOMENCLATURE	EFFECT FROM TO	UNITS PER ASSY
1C			DOOR ASSY-FWD CARGO (PLACARDS AND MARKINGS ONLY)	031200 968999	
- 1	143A6110-29		DOOR ASSY-CARGO (PLACARDS AND MARKINGS ONLY) POSITION DATA: FWD COMPONENT MAINT MANUAL REF: 52-31-15 FOR NHA/OTHER SYS DET SEE: 52-31-00-01B	031043 101101 968971	RF
- 1	143A6110-34		DOOR ASSY-CARGO (PLACARDS AND MARKINGS ONLY) POSITION DATA: FWD COMPONENT MAINT MANUAL REF: 52-31-15 FOR NHA/OTHER SYS DET SEE: 52-31-00-01B	031200 968999	RF
- 1	143A6110-26		DOOR ASSY-CARGO (PLACARDS AND MARKINGS ONLY) POSITION DATA: FWD COMPONENT MAINT MANUAL REF: 52-31-15 FOR NHA/OTHER SYS DET SEE: 52-31-00-01B	031043 101101 968971	RF
- 2	143A6110-22		DOOR ASSY-CARGO (PLACARDS AND MARKINGS ONLY) POSITION DATA: FWD COMPONENT MAINT MANUAL REF: 52-31-15 FOR NHA/OTHER SYS DET SEE: 52-31-00-01B	031043 101101 968971	RF
- 2	143A6110-18		DOOR ASSY-CARGO (PLACARDS AND MARKINGS ONLY) POSITION DATA: FWD COMPONENT MAINT MANUAL REF: 52-31-15 FOR NHA/OTHER SYS DET SEE: 52-31-00-01B	031043 101101 968971	RF

MISSING ITEM NUMBERS NOT APPLICABLE

- ITEM NOT ILLUSTRATED

HAP

11-37-01-01C

BOEING PROPRIETARY - Copyright © - Unpublished Work - See title page for details.

11-37-01
FIG. 01C
PAGE 1
OCT 15/08

BOEING
737-600/700/800/900
PARTS CATALOG (MAINTENANCE)

FIG ITEM	PART NUMBER	1 2 3 4 5 6 7	NOMENCLATURE	EFFECT FROM TO	UNITS PER ASSY
1C					
- 2	143A6110-14		DOOR ASSY-CARGO (PLACARDS AND MARKINGS ONLY) POSITION DATA: FWD COMPONENT MAINT MANUAL REF: 52-31-15 FOR NHA/OTHER SYS DET SEE: 52-31-00-01B	031043 101101 968971	RF
- 2	143A6110-10		DOOR ASSY-CARGO (PLACARDS AND MARKINGS ONLY) POSITION DATA: FWD COMPONENT MAINT MANUAL REF: 52-31-15 FOR NHA/OTHER SYS DET SEE: 52-31-00-01B	031043 101101 968971	RF
- 2	143A6110-8		DOOR ASSY-CARGO (PLACARDS AND MARKINGS ONLY) POSITION DATA: FWD COMPONENT MAINT MANUAL REF: 52-31-15 FOR NHA/OTHER SYS DET SEE: 52-31-00-01B	031043 101101 968971	RF
- 2	143A6110-6		DOOR ASSY-CARGO (PLACARDS AND MARKINGS ONLY) POSITION DATA: FWD COMPONENT MAINT MANUAL REF: 52-31-15 FOR NHA/OTHER SYS DET SEE: 52-31-00-01B	031043 101101 968971	RF
R R R R R	- 2	143A6110-38	DOOR ASSY-CARGO (PLACARDS AND MARKINGS ONLY) POSITION DATA: FWD FOR NHA/OTHER SYS DET SEE: 52-31-00-01B	031200 968999	RF
	5	BAC27DBY191	.MARKER-ALUMINUM FOIL	031200 968999	1
	10	MS27253F1	.PLATE	031200 968999	1

MISSING ITEM NUMBERS NOT APPLICABLE

- ITEM NOT ILLUSTRATED

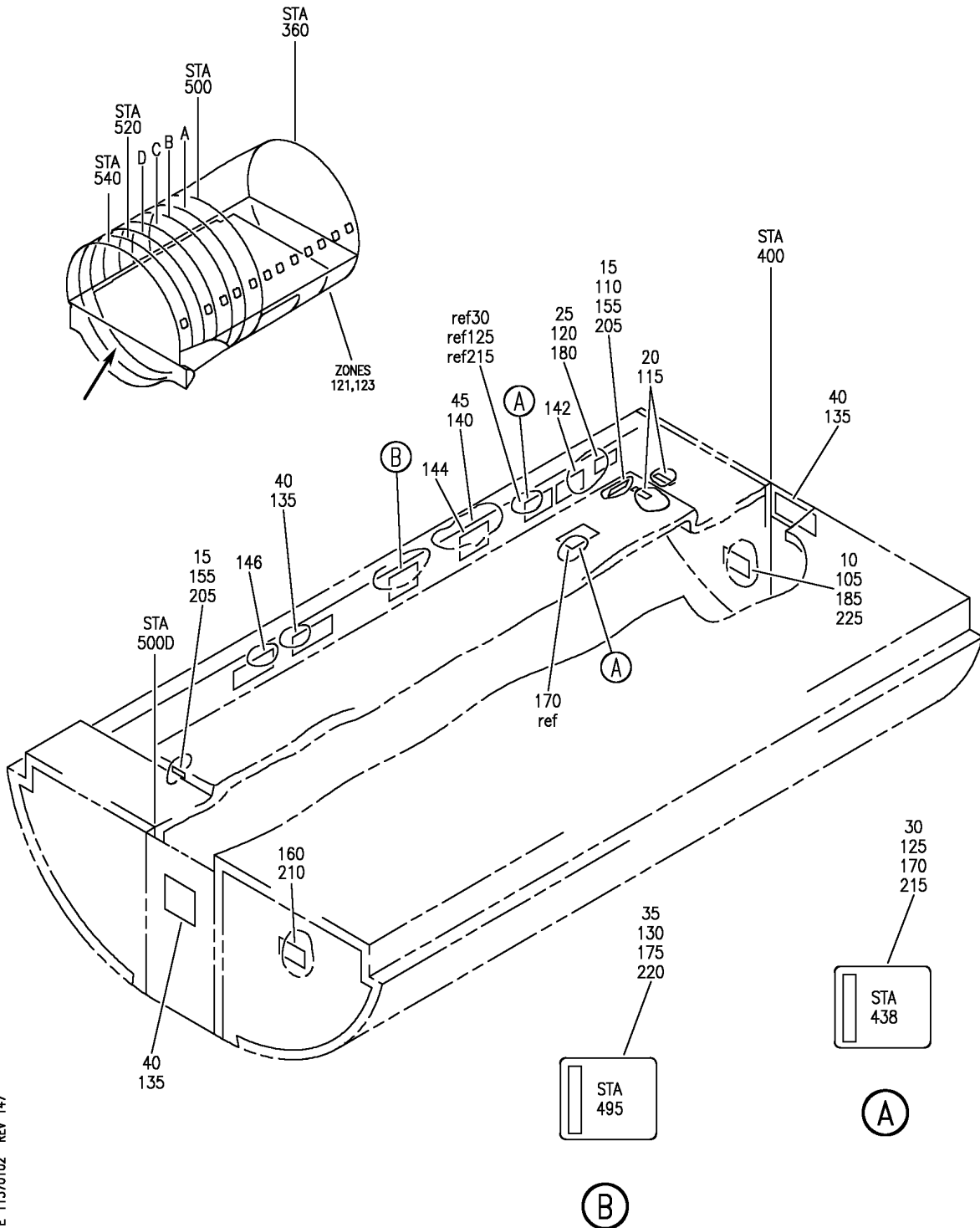
HAP

11-37-01-01C

BOEING PROPRIETARY - Copyright © - Unpublished Work - See title page for details.

11-37-01
FIG. 01C
PAGE 2
JUN 15/09

BOEING
 737-600/700/800/900
 PARTS CATALOG (MAINTENANCE)



E 11370102 REV 147

MARKER INSTL-FWD CARGO COMPT
 FIGURE 2

11-37-01-02

HAP
 OCT 15/08

11-37-01-02
 PAGE 0

BOEING
737-600/700/800/900
PARTS CATALOG (MAINTENANCE)

FIG ITEM	PART NUMBER	1 2 3 4 5 6 7	NOMENCLATURE	EFFECT FROM TO	UNITS PER ASSY
2			MARKER INSTL-FWD CARGO COMPT		
- 1	453A1700-5		MARKER INSTL-CARGO COMPT POSITION DATA: FWD FOR NHA SEE: 11-30-00-02A 11-30-00-02B	001030 201967	1
- 5	453A1700-205		.MARKER ASSY-KIT	001030 201967	1
10	BAC27DCA529		..MARKER- PLACARD CONTENT: BHD 396	001030 201967	1
15	BAC27DCA522		..MARKER- PLACARD CONTENT: WASTE TUBE ACCESS	001030 201967	2
20	BAC27WFDE109		..MARKER- PLACARD CONTENT: AIR DATA MODULE (ADM)	001030 201967	2
25	BAC27DCA538		..MARKER- PLACARD CONTENT: PRIMARY STATIC SYSTEM DRAINS ACCESS	001030 201967	1
30	BAC27DCA533		..MARKER	001030 201967	1
35	BAC27DCA534		..MARKER	001030 201967	1
- 100	MODREF282663		MARKER INSTL-CARGO COMPT MODULE NUMBER: 453A1700-5 REV E POSITION DATA: FWD	031200 968999	1
105	BAC27DCA529		.MARKER- PLACARD CONTENT: BHD 396	031200 968999	1
110	BAC27DCA522		.MARKER- PLACARD CONTENT: WASTE TUBE ACCESS	031200 968999	1
115	BAC27WFDE109		.MARKER- PLACARD CONTENT: AIR DATA MODULE (ADM)	031200 968999	2
120	BAC27DCA538		.MARKER- PLACARD CONTENT: PRIMARY STATIC SYSTEM DRAINS ACCESS	031200 968999	1
125	BAC27DCA533		.MARKER	031200 968999	1
130	BAC27DCA534		.MARKER	031200 968999	1

MISSING ITEM NUMBERS NOT APPLICABLE

- ITEM NOT ILLUSTRATED

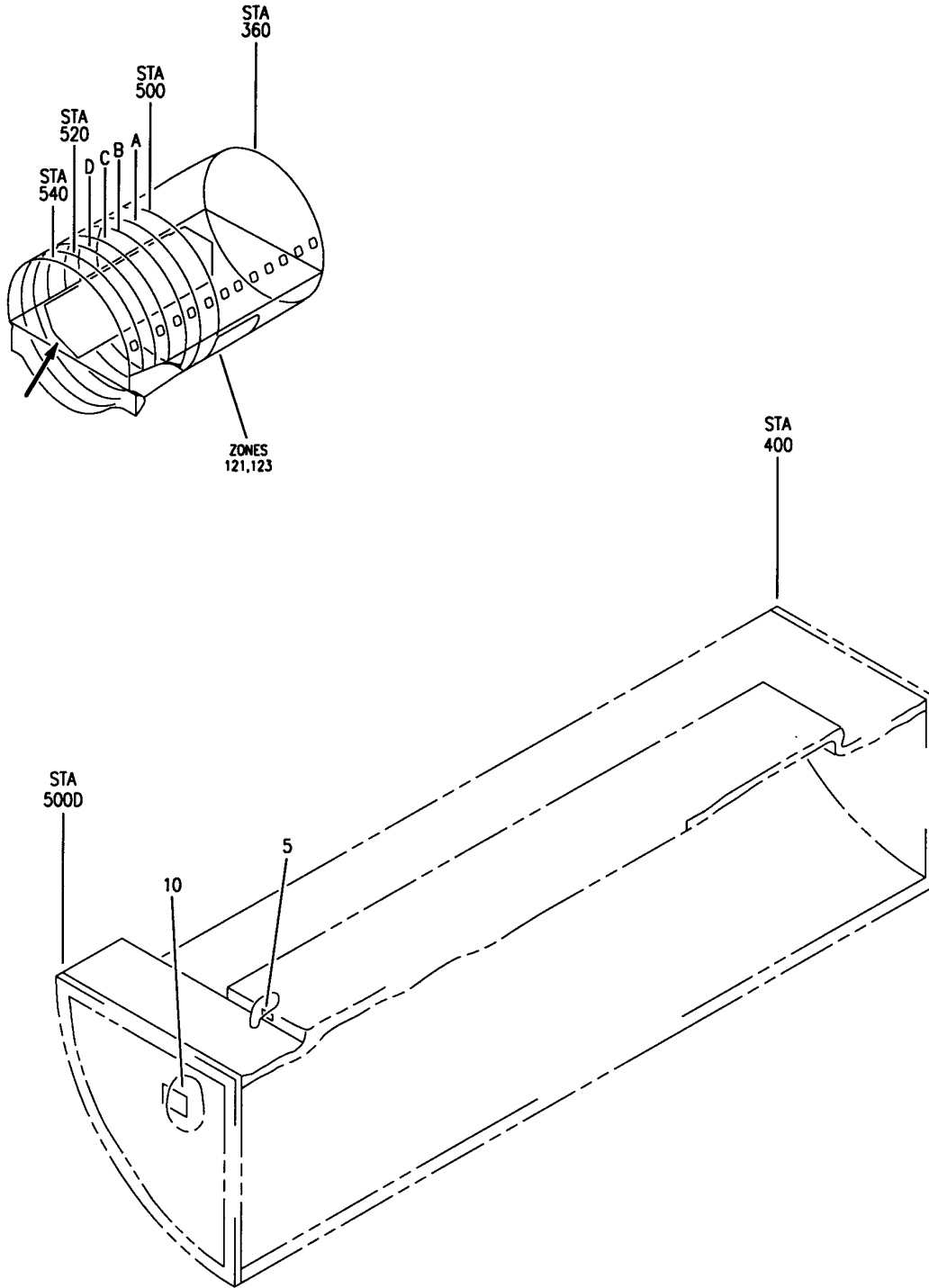
HAP

11-37-01-02

BOEING PROPRIETARY - Copyright © - Unpublished Work - See title page for details.

11-37-01
FIG. 02
PAGE 1
OCT 15/08

BOEING
737-600/700/800/900
PARTS CATALOG (MAINTENANCE)



E 11370103 REV 014

MARKER INSTL-FWD CARGO COMPT
FIGURE 3

11-37-01-03

HAP
FEB 10/07

11-37-01-03
PAGE 0

 **BOEING**
737-600/700/800/900
PARTS CATALOG (MAINTENANCE)

FIG ITEM	PART NUMBER	1 2 3 4 5 6 7	NOMENCLATURE	EFFECT FROM TO	UNITS PER ASSY
3			MARKER INSTL-FWD CARGO COMPT	101999	
- 1	453A1700-7		MARKER INSTL-CARGO COMPT POSITION DATA: FWD FOR NHA SEE: 11-30-00-02A	201967	RF
- 1	MODREF222381		MARKER INSTL-CARGO COMPT MODULE NUMBER: 453A1700-7 REV B POSITION DATA: FWD	101200 968999	1
5	BAC27DCA522		.MARKER- PLACARD CONTENT: WASTE TUBE ACCESS	101999	1
10	BAC27DCA530		.MARKER- PLACARD CONTENT: BHD 500D	101999	1

MISSING ITEM NUMBERS NOT APPLICABLE

- ITEM NOT ILLUSTRATED

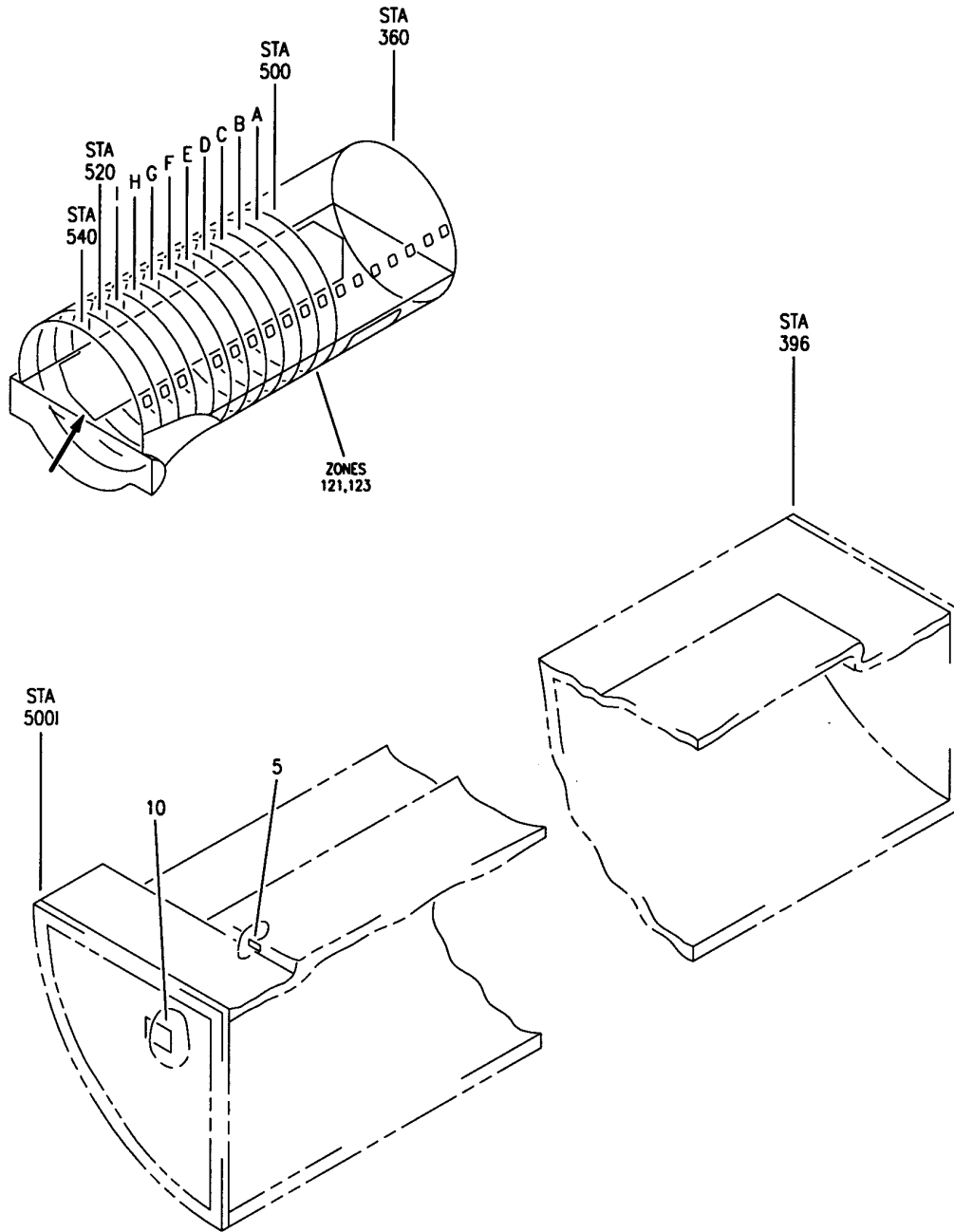
HAP

11-37-01-03

BOEING PROPRIETARY - Copyright © - Unpublished Work - See title page for details.

11-37-01
FIG. 03
PAGE 1
OCT 15/08

BOEING
 737-600/700/800/900
 PARTS CATALOG (MAINTENANCE)



E 11370104 REV 014

MARKER INSTL-FWD CARGO
 FIGURE 4

11-37-01-04

HAP
 OCT 10/06

11-37-01-04
 PAGE 0

BOEING
737-600/700/800/900
PARTS CATALOG (MAINTENANCE)

FIG ITEM	PART NUMBER	1 2 3 4 5 6 7	NOMENCLATURE	EFFECT FROM TO	UNITS PER ASSY
4					
- 1	453A1700-8		MARKER INSTL-FWD CARGO MARKER INSTL-CARGO COMPT POSITION DATA: FWD FOR NHA SEE: 11-30-00-02B	001100 001030	RF
- 1	MODREF222382		MARKER INSTL-CARGO COMPT MODULE NUMBER: 453A1700-8 REV B POSITION DATA: FWD	031100	1
5	BAC27DCA522		.MARKER- PLACARD CONTENT: WASTE TUBE ACCESS	001100	1
10	BAC27DCA545		.MARKER- PLACARD CONTENT: BHD 500 I	001100	1

MISSING ITEM NUMBERS NOT APPLICABLE

- ITEM NOT ILLUSTRATED

HAP

11-37-01-04

BOEING PROPRIETARY - Copyright © - Unpublished Work - See title page for details.

11-37-01
FIG. 04
PAGE 1
JUN 10/07

BOEING
737-600/700/800/900
PARTS CATALOG (MAINTENANCE)

FIG ITEM	PART NUMBER	1 2 3 4 5 6 7	NOMENCLATURE	EFFECT FROM TO	UNITS PER ASSY
8			DETECTOR INSTL-SMOKE CARGO COMPT FWD (PLACARDS AND MARKINGS ONLY)	101999	
- 1	218A4310-2		DETECTOR INSTL-SMOKE CARGO COMPT (PLACARDS AND MARKINGS ONLY) POSITION DATA: FWD FOR NHA/OTHER SYS DET SEE: 26-10-00-01B	201967	RF
- 1	MODREF243335		DETECTOR INSTL-SMOKE CARGO COMPT (PLACARDS AND MARKINGS ONLY) MODULE NUMBER: 218A4310-7 REV C POSITION DATA: FWD FOR OTHER SYS DETAILS SEE: 26-16-01-04	101200 968999	1
5	BAC27NEC261		.DECAL-	101103 201971	4

MISSING ITEM NUMBERS NOT APPLICABLE

- ITEM NOT ILLUSTRATED

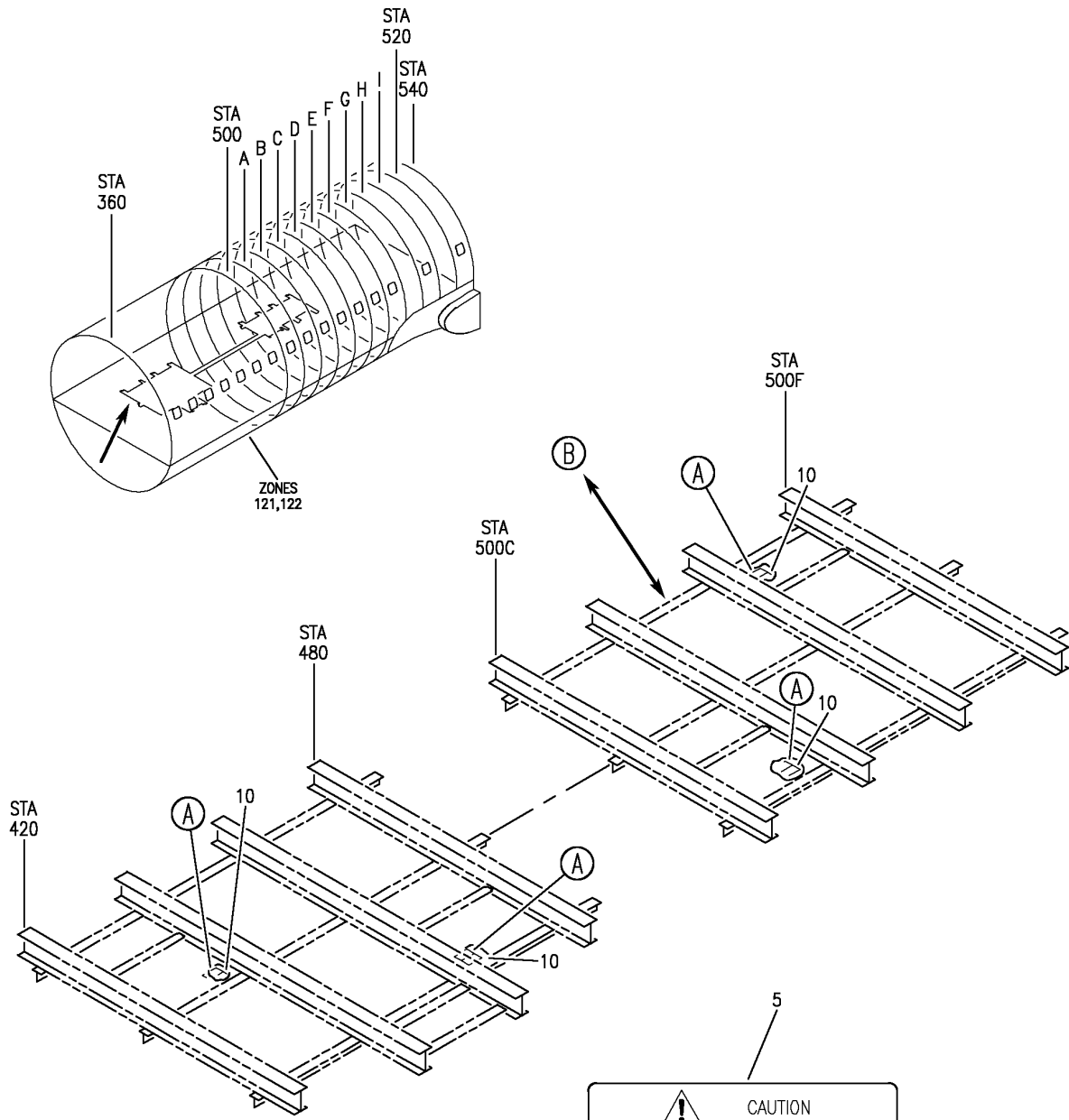
HAP

11-37-01-08

BOEING PROPRIETARY - Copyright © - Unpublished Work - See title page for details.

11-37-01
FIG. 08
PAGE 1
OCT 15/08

BOEING
 737-600/700/800/900
 PARTS CATALOG (MAINTENANCE)



E 11370109 SHT 1 REV 067

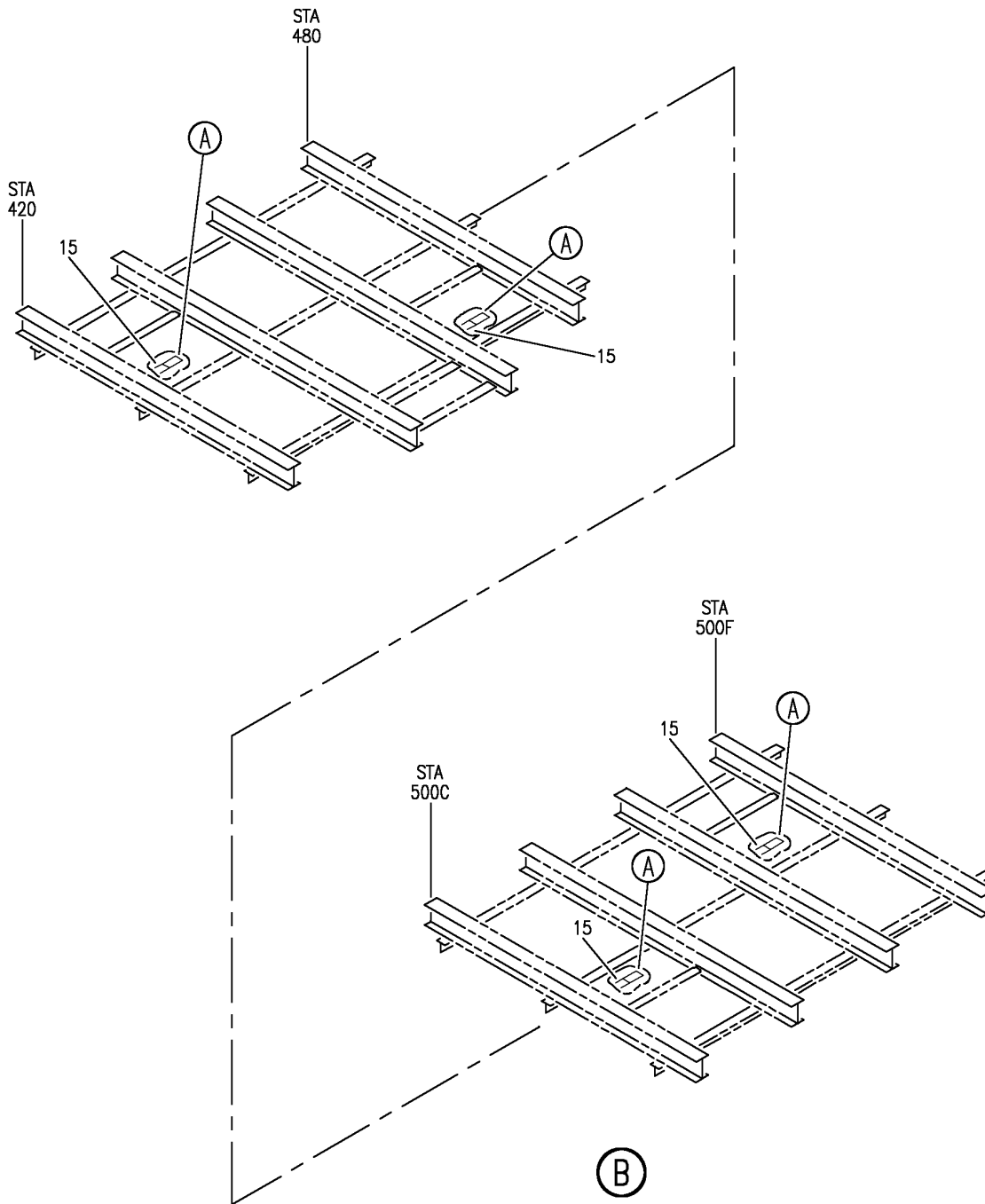
DETECTOR INSTL-SMOKE CARGO COMPT (PLACARDS AND MARKINGS ONLY) FWD
 FIGURE 9 (SHEET 1)

11-37-01-09

HAP
 OCT 10/06

11-37-01-09
 PAGE 0

BOEING
 737-600/700/800/900
 PARTS CATALOG (MAINTENANCE)



E 11370109 SHT 2 REV 067

DETECTOR INSTL-SMOKE CARGO COMPT (PLACARDS AND MARKINGS ONLY) FWD
 FIGURE 9 (SHEET 2)

HAP
 OCT 10/06

11-37-01-09

11-37-01-09
 PAGE 0A

BOEING
737-600/700/800/900
PARTS CATALOG (MAINTENANCE)

FIG ITEM	PART NUMBER	1 2 3 4 5 6 7	NOMENCLATURE	EFFECT FROM TO	UNITS PER ASSY
9			DETECTOR INSTL-SMOKE CARGO COMPT (PLACARDS AND MARKINGS ONLY) FWD	001100	
- 1	218A4310-3		DETECTOR INSTL-SMOKE CARGO COMPT (PLACARDS AND MARKINGS ONLY) POSITION DATA: FWD FOR NHA/OTHER SYS DET SEE: 26-10-00-01C	008011	RF
- 1	218A4310-8		DETECTOR INSTL-SMOKE CARGO COMPT (PLACARDS AND MARKINGS ONLY) POSITION DATA: FWD POST ALERT SB: 26A1083R1 FOR NHA/OTHER SYS DET SEE: 26-10-00-01C	001007 012030	RF
- 1	MODREF243336		DETECTOR INSTL-SMOKE CARGO COMPT (PLACARDS AND MARKINGS ONLY) MODULE NUMBER: 218A4310-8 REV C POSITION DATA: FWD FOR OTHER SYS DETAILS SEE: 26-16-01-05	031100	1
5	BAC27NEC261		.DECAL- POST ALERT SB: 26A1083R1	001100	4

MISSING ITEM NUMBERS NOT APPLICABLE

- ITEM NOT ILLUSTRATED

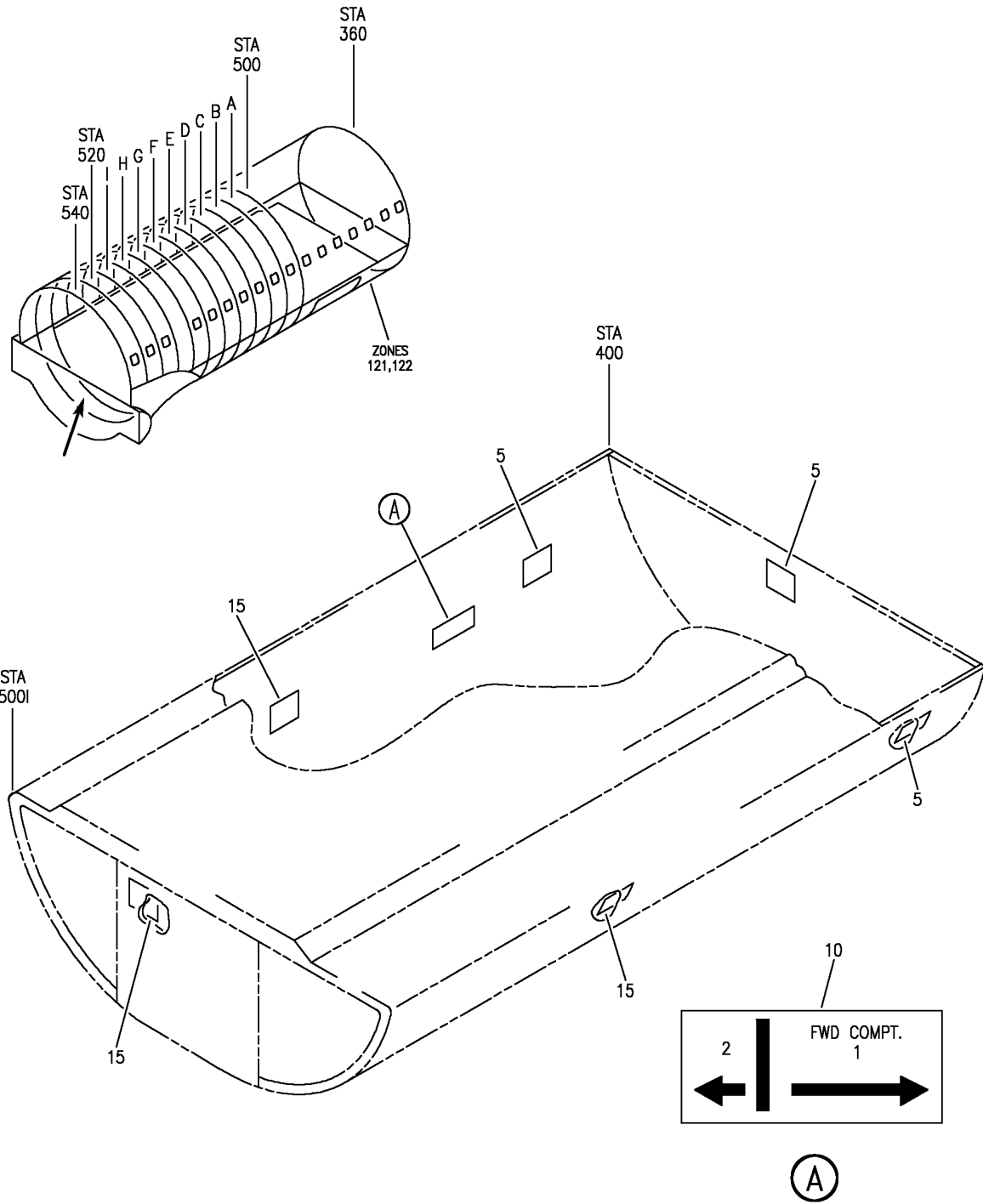
HAP

11-37-01-09

BOEING PROPRIETARY - Copyright © - Unpublished Work - See title page for details.

11-37-01
FIG. 09
PAGE 1
FEB 10/07

BOEING
 737-600/700/800/900
 PARTS CATALOG (MAINTENANCE)



E 11370115 REV 151

MARKER INSTL-FWD CARGO COMPT
 FIGURE 15

11-37-01-15

HAP
 FEB 15/09

11-37-01-15
 PAGE 0


BOEING
 737-600/700/800/900
PARTS CATALOG (MAINTENANCE)

FIG ITEM	PART NUMBER	1 2 3 4 5 6 7	NOMENCLATURE	EFFECT FROM TO	UNITS PER ASSY
15			MARKER INSTL-FWD CARGO COMPT	051052	
- 1	MODREF408314		MARKER INSTL-CARGO COMPT MODULE NUMBER: 453A1700-16 REV A POSITION DATA: FWD	051052	1
5	BAC27DCA864		.MARKER- PLACARD CONTENT: FWD COMPT. 1	051052	3
10	BAC27DCA865		.MARKER	051052	1
15	BAC27DCA866		.MARKER- PLACARD CONTENT: FWD COMPT. 2	051052	3

MISSING ITEM NUMBERS NOT APPLICABLE

- ITEM NOT ILLUSTRATED

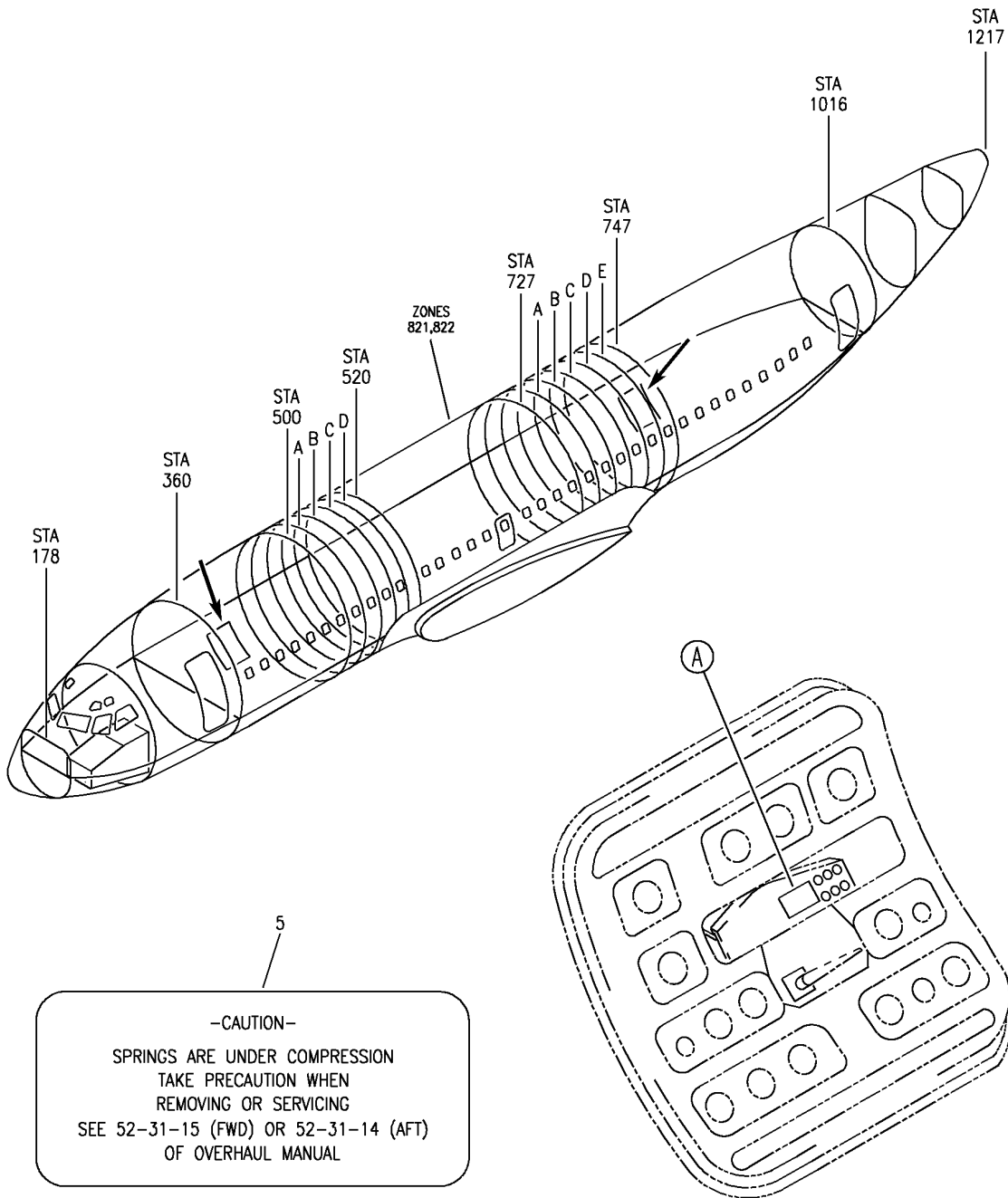
HAP

11-37-01-15

BOEING PROPRIETARY - Copyright © - Unpublished Work - See title page for details.

11-37-01
 FIG. 15
 PAGE 1
 FEB 15/09

BOEING
 737-600/700/800/900
 PARTS CATALOG (MAINTENANCE)



5

—CAUTION—
 SPRINGS ARE UNDER COMPRESSION
 TAKE PRECAUTION WHEN
 REMOVING OR SERVICING
 SEE 52-31-15 (FWD) OR 52-31-14 (AFT)
 OF OVERHAUL MANUAL

(A)

E 11370201 REV 127

COUNTERBALANCE ASSY-FWD AND AFT CARGO DOOR (PLACARDS AND MARKINGS ONLY)
 FIGURE 1

11-37-02-01

HAP
 JUN 10/07

11-37-02-01
 PAGE 0

BOEING
737-600/700/800/900
PARTS CATALOG (MAINTENANCE)

FIG ITEM	PART NUMBER	1 2 3 4 5 6 7	NOMENCLATURE	EFFECT FROM TO	UNITS PER ASSY
1			COUNTERBALANCE ASSY- FWD AND AFT CARGO DOOR (PLACARDS AND MARKINGS ONLY)	201967	
- 1	65C33684-13		COUNTERBALANCE ASSY-FWD AND AFT CARGO DOOR (PLACARDS AND MARKINGS ONLY) QUALIFIED I/W DATA: 65C33684-13 IS FUNCTIONALLY INTERCHANGEABLE WITH 65C33684-12, HOWEVER THE WARNING DECAL BAC27DBY193 ON THE 65C33684-13 REFERS TO THE 737NG MAINTENANCE MANUAL WHILE THE WARNING DECAL BAC27DBY0184 ON THE 65C33684-12 REFERS TO THE CLASSIC MAINTENANCE MANUAL. CHANGE DECAL AND REPARTMARK AS REQUIRED. FOR NHA/OTHER SYS DET SEE: 52-31-00-05 52-31-00-09	201967	RF
5	BAC27DBY193		.MARKER-ALUMINUM FOIL	201967	1

MISSING ITEM NUMBERS NOT APPLICABLE

- ITEM NOT ILLUSTRATED

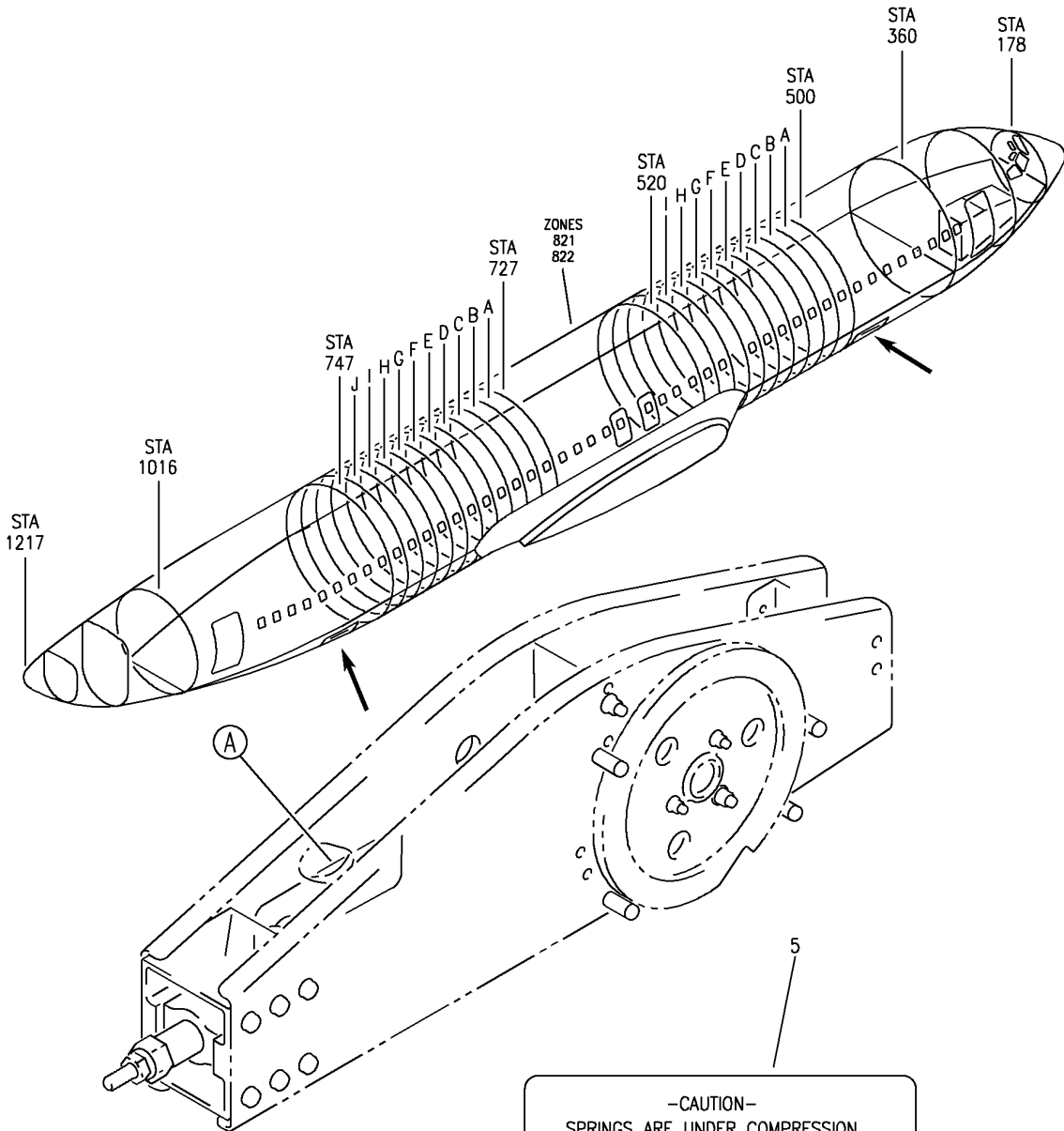
HAP

11-37-02-01

BOEING PROPRIETARY - Copyright © - Unpublished Work - See title page for details.

11-37-02
FIG. 01
PAGE 1
OCT 15/08

BOEING
 737-600/700/800/900
 PARTS CATALOG (MAINTENANCE)



-CAUTION-
 SPRINGS ARE UNDER COMPRESSION
 TAKE PRECAUTION WHEN
 REMOVING OR SERVICING
 SEE 52-31-15 (FWD) OR 52-31-14 (AFT)
 OF OVERHAUL MANUAL

(A)

E 11370201A REV 123

COUNTERBALANCE ASSY FWD AND AFT CARGO DOOR (PLACARDS AND MARKINGS ONLY)
 FIGURE 1A

11-37-02-01A

HAP
 JUN 10/07

11-37-02-01A
 PAGE 0

BOEING
737-600/700/800/900
PARTS CATALOG (MAINTENANCE)

FIG ITEM	PART NUMBER	1 2 3 4 5 6 7	NOMENCLATURE	EFFECT FROM TO	UNITS PER ASSY
1 A			COUNTERBALANCE ASSY FWD AND AFT CARGO DOOR (PLACARDS AND MARKINGS ONLY)	001030	
- 1	65C33684-13		COUNTERBALANCE ASSY-FWD AND AFT CARGO DOOR (PLACARDS AND MARKINGS ONLY) QUALIFIED I/W DATA: 65C33684-13 IS FUNCTIONALLY INTERCHANGEABLE WITH 65C33684-12, HOWEVER THE WARNING DECAL BAC27DBY193 ON THE 65C33684-13 REFERS TO THE 737NG MAINTENANCE MANUAL WHILE THE WARNING DECAL BAC27DBY0184 ON THE 65C33684-12 REFERS TO THE CLASSIC MAINTENANCE MANUAL. CHANGE DECAL AND REPARTMARK AS REQUIRED. FOR NHA/OTHER SYS DET SEE: 52-31-00-05A 52-31-00-09A	001030	RF
5	BAC27DBY193		.MARKER-ALUMINUM FOIL	001030	1

MISSING ITEM NUMBERS NOT APPLICABLE

- ITEM NOT ILLUSTRATED

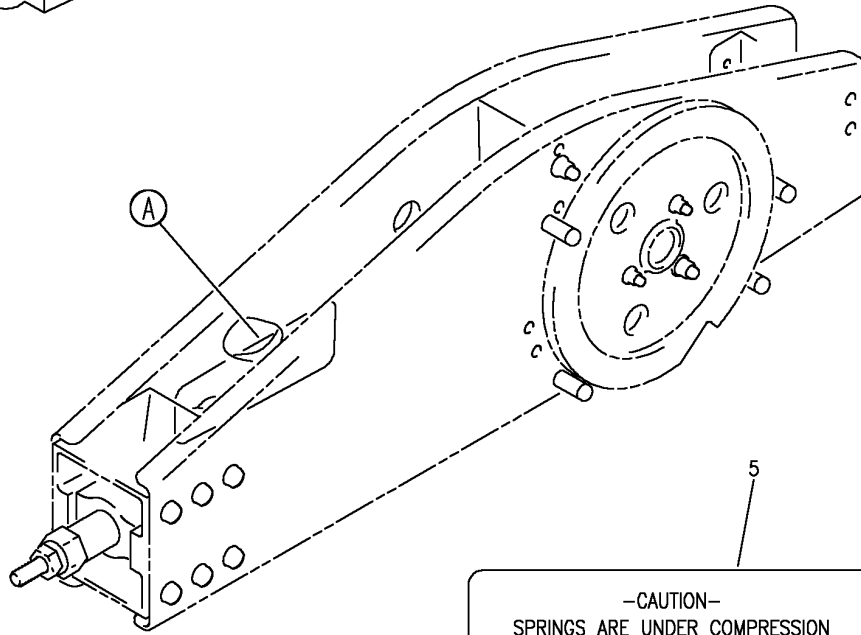
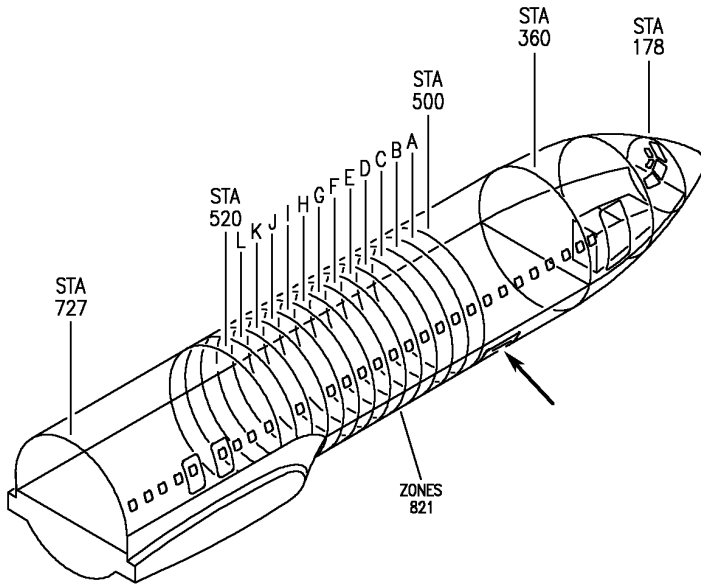
HAP

11-37-02-01A

BOEING PROPRIETARY - Copyright © - Unpublished Work - See title page for details.

11-37-02
FIG. 01A
PAGE 1
OCT 15/08

BOEING
 737-600/700/800/900
 PARTS CATALOG (MAINTENANCE)



-CAUTION-
 SPRINGS ARE UNDER COMPRESSION
 TAKE PRECAUTION WHEN
 REMOVING OR SERVICING
 SEE 52-31-15 (FWD) OR 52-31-14 (AFT)
 OF OVERHAUL MANUAL

(A)

E 11370201B REV 140

COUNTERBALANCE ASSY-FWD CARGO DOOR (PLACARDS MARKINGS ONLY)
 FIGURE 1B

11-37-02-01B

HAP
 JUN 15/08

11-37-02-01B
 PAGE 0

BOEING
737-600/700/800/900
PARTS CATALOG (MAINTENANCE)

FIG ITEM	PART NUMBER	1 2 3 4 5 6 7	NOMENCLATURE	EFFECT FROM TO	UNITS PER ASSY
1B			COUNTERBALANCE ASSY-FWD CARGO DOOR (PLACARDS MARKINGS ONLY)	031200 968999	
- 1	65C33684-13		COUNTERBALANCE ASSY-CARGO DOOR (PLACARDS AND MARKINGS ONLY) POSITION DATA: FWD QUALIFIED I/W DATA: 65C33684-13 IS FUNCTIONALLY INTERCHANGEABLE WITH 65C33684-12, HOWEVER THE WARNING DECAL BAC27DBY193 ON THE 65C33684-13 REFERS TO THE 737NG MAINTENANCE MANUAL WHILE THE WARNING DECAL BAC27DBY0184 ON THE 65C33684-12 REFERS TO THE CLASSIC MAINTENANCE MANUAL. CHANGE DECAL AND REPARTMARK AS REQUIRED. FOR NHA/OTHER SYS DET SEE: 52-31-00-09B	031200 968999	RF
5	BAC27DBY193		.MARKER-ALUMINUM FOIL	031200 968999	1

MISSING ITEM NUMBERS NOT APPLICABLE

- ITEM NOT ILLUSTRATED

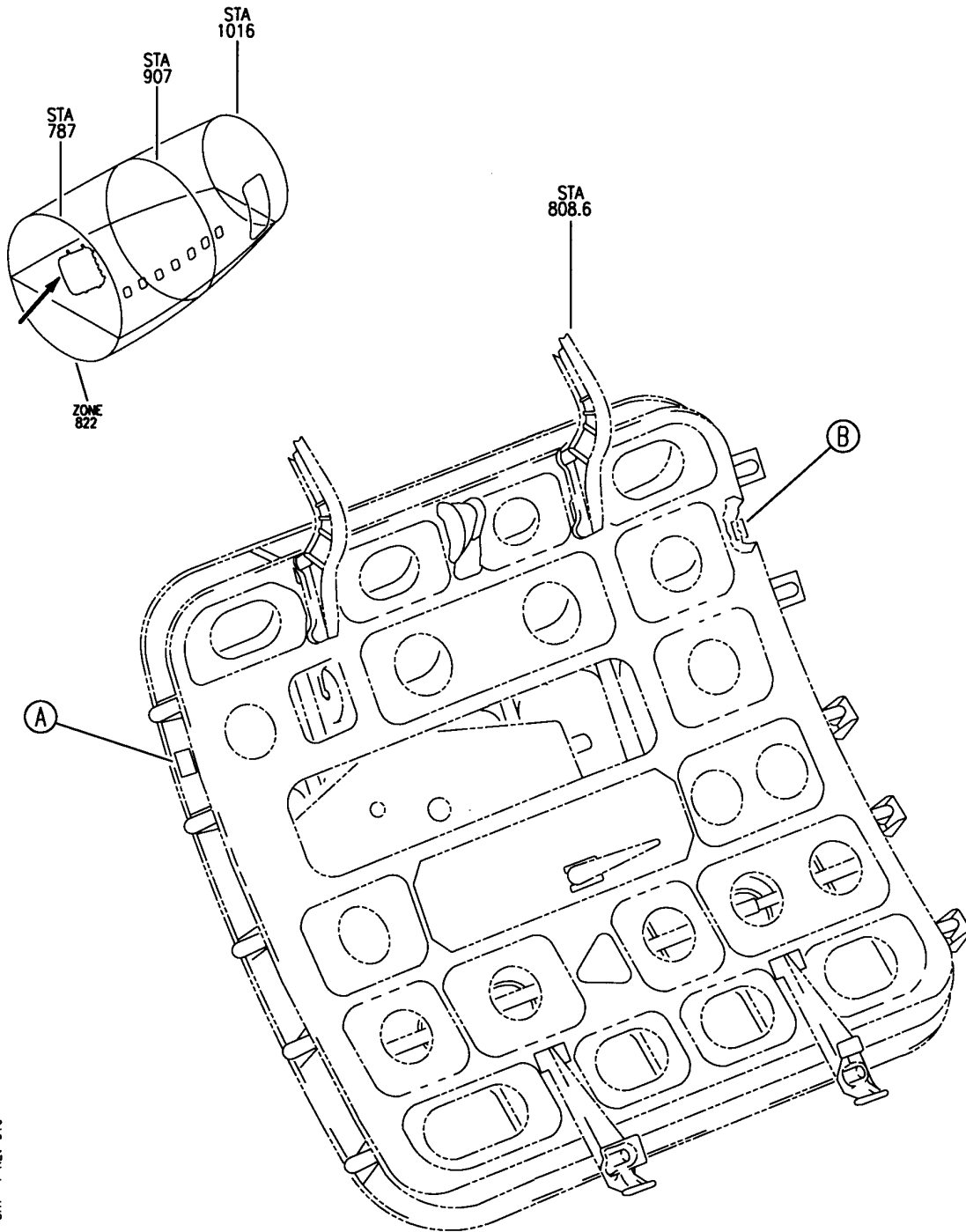
HAP

11-37-02-01B

BOEING PROPRIETARY - Copyright © - Unpublished Work - See title page for details.

11-37-02
FIG. 01B
PAGE 1
OCT 15/08

BOEING
 737-600/700/800/900
 PARTS CATALOG (MAINTENANCE)



E 11370202 SH1 1 REV 016

DOOR ASSY-AFT CARGO (PLACARDS AND MARKINGS ONLY)
 FIGURE 2 (SHEET 1)

11-37-02-02

HAP
 OCT 15/08

11-37-02-02
 PAGE 0

BOEING
 737-600/700/800/900
 PARTS CATALOG (MAINTENANCE)

5

DOOR CYCLE LOG

AIRPLANE SERIAL NO.	AIRPLANE FLIGHT CYCLES AT INSTL	AIRPLANE FLIGHT CYCLES AT REMOVAL

(A)

○ AIRCRAFT MOD.

MFR. CODE

PART NO.

CONT. NO.

SERIAL NO.

CONT. CUST.

INSP. INSP.

MODIFICATION INCORPORATED

10

(B)

E 11370202 SHT 2 REV 016

DOOR ASSY-AFT CARGO (PLACARDS AND MARKINGS ONLY)
 FIGURE 2 (SHEET 2)

11-37-02-02

HAP
 OCT 15/08

11-37-02-02
 PAGE 0A

 **BOEING**
737-600/700/800/900
PARTS CATALOG (MAINTENANCE)

FIG ITEM	PART NUMBER	1 2 3 4 5 6 7	NOMENCLATURE	EFFECT FROM TO	UNITS PER ASSY
2			DOOR ASSY-AFT CARGO (PLACARDS AND MARKINGS ONLY)	201967	
- 1	146A6110-21		DOOR ASSY-CARGO (PLACARDS AND MARKINGS ONLY) POSITION DATA: AFT COMPONENT MAINT MANUAL REF: 52-31-14 FOR NHA/OTHER SYS DET SEE: 52-31-00-04	201967	RF
- 1	146A6110-13		DOOR ASSY-CARGO (PLACARDS AND MARKINGS ONLY) POSITION DATA: AFT COMPONENT MAINT MANUAL REF: 52-31-14 FOR NHA/OTHER SYS DET SEE: 52-31-00-04	201967	RF
- 1	146A6110-17		DOOR ASSY-CARGO POSITION DATA: AFT COMPONENT MAINT MANUAL REF: 52-31-14 FOR NHA/OTHER SYS DET SEE: 52-31-00-04	201967	RF
- 2	146A6110-25		DOOR ASSY-CARGO POSITION DATA: AFT COMPONENT MAINT MANUAL REF: 52-31-14 FOR NHA/OTHER SYS DET SEE: 52-31-00-04	201967	RF
- 2	146A6110-28		DOOR ASSY-CARGO (PLACARDS AND MARKINGS ONLY) POSITION DATA: AFT COMPONENT MAINT MANUAL REF: 52-31-14 FOR NHA/OTHER SYS DET SEE: 52-31-00-04	201967	RF

MISSING ITEM NUMBERS NOT APPLICABLE

- ITEM NOT ILLUSTRATED

HAP

11-37-02-02

BOEING PROPRIETARY - Copyright © - Unpublished Work - See title page for details.

11-37-02
FIG. 02
PAGE 1
JUN 15/09

BOEING
737-600/700/800/900
PARTS CATALOG (MAINTENANCE)

FIG ITEM	PART NUMBER	1 2 3 4 5 6 7	NOMENCLATURE	EFFECT FROM TO	UNITS PER ASSY
R R R R R	2				
	- 2	146A6110-32	DOOR ASSY-CARGO (PLACARDS AND MARKINGS ONLY) POSITION DATA: AFT FOR NHA/OTHER SYS DET SEE: 52-31-00-04	201967	RF
	5	BAC27DBY191	.MARKER-ALUMINUM FOIL	201967	1
	10	MS27253F1	.PLATE	201967	1

MISSING ITEM NUMBERS NOT APPLICABLE

- ITEM NOT ILLUSTRATED

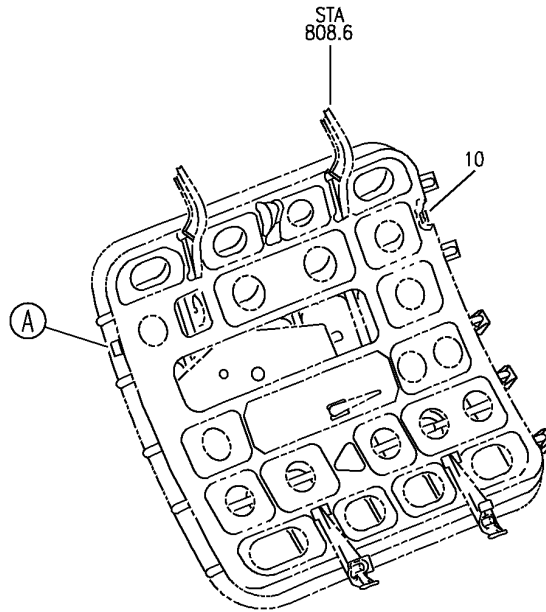
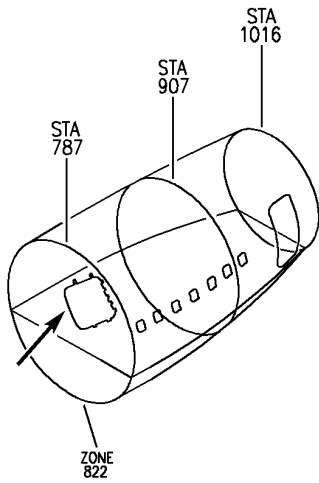
HAP

11-37-02-02

BOEING PROPRIETARY - Copyright © - Unpublished Work - See title page for details.

11-37-02
FIG. 02
PAGE 2
JUN 15/09

BOEING
 737-600/700/800/900
 PARTS CATALOG (MAINTENANCE)



5

DOOR CYCLE LOG		
AIRPLANE SERIAL NO.	AIRPLANE FLIGHT CYCLES AT INSTL	AIRPLANE FLIGHT CYCLES AT REMOVAL

A

E 11370202A REV 122

DOOR ASSY-AFT CARGO (PLACARDS AND MARKINGS ONLY)
 FIGURE 2A

11-37-02-02A

HAP
 OCT 15/08

11-37-02-02A
 PAGE 0

BOEING
737-600/700/800/900
PARTS CATALOG (MAINTENANCE)

FIG ITEM	PART NUMBER	1 2 3 4 5 6 7	NOMENCLATURE	EFFECT FROM TO	UNITS PER ASSY
2A			DOOR ASSY-AFT CARGO (PLACARDS AND MARKINGS ONLY)	001030	
- 1	146A6110-4		DOOR ASSY-CARGO (PLACARDS AND MARKINGS ONLY) POSITION DATA: AFT COMPONENT MAINT MANUAL REF: 52-31-14 OPTIONAL PART: 146A6110-11 FOR NHA/OTHER SYS DET SEE: 52-31-00-04A	001007	RF
- 1	146A6110-11		DOOR ASSY-CARGO (PLACARDS AND MARKINGS ONLY) POSITION DATA: AFT COMPONENT MAINT MANUAL REF: 52-31-14 OPTIONAL PART: 146A6110-4 FOR NHA/OTHER SYS DET SEE: 52-31-00-04A	001007	RF
- 1	146A6110-13		DOOR ASSY-CARGO (PLACARDS AND MARKINGS ONLY) POSITION DATA: AFT COMPONENT MAINT MANUAL REF: 52-31-14 FOR NHA/OTHER SYS DET SEE: 52-31-00-04A	001011	RF
- 1	146A6110-14		DOOR ASSY-CARGO (PLACARDS AND MARKINGS ONLY) POSITION DATA: AFT COMPONENT MAINT MANUAL REF: 52-31-14 FOR NHA/OTHER SYS DET SEE: 52-31-00-04A	012030	RF
- 1	146A6110-17		DOOR ASSY-CARGO (PLACARDS AND MARKINGS ONLY) POSITION DATA: AFT COMPONENT MAINT MANUAL REF: 52-31-14 FOR NHA/OTHER SYS DET SEE: 52-31-00-04A	001011	RF

MISSING ITEM NUMBERS NOT APPLICABLE

- ITEM NOT ILLUSTRATED

HAP

11-37-02-02A

BOEING PROPRIETARY - Copyright © - Unpublished Work - See title page for details.

11-37-02
FIG. 02A
PAGE 1
OCT 15/08

BOEING
737-600/700/800/900
PARTS CATALOG (MAINTENANCE)

FIG ITEM	PART NUMBER	1 2 3 4 5 6 7	NOMENCLATURE	EFFECT FROM TO	UNITS PER ASSY
2A					
- 1	146A6110-18		DOOR ASSY-CARGO (PLACARDS AND MARKINGS ONLY) POSITION DATA: AFT COMPONENT MAINT MANUAL REF: 52-31-14 FOR NHA/OTHER SYS DET SEE: 52-31-00-04A	012030	RF
- 1	146A6110-21		DOOR ASSY-CARGO (PLACARDS AND MARKINGS ONLY) POSITION DATA: AFT COMPONENT MAINT MANUAL REF: 52-31-14 FOR NHA/OTHER SYS DET SEE: 52-31-00-04A	001011	RF
- 1	146A6110-22		DOOR ASSY-CARGO (PLACARDS AND MARKINGS ONLY) POSITION DATA: AFT COMPONENT MAINT MANUAL REF: 52-31-14 FOR NHA/OTHER SYS DET SEE: 52-31-00-04A	012030	RF
- 1	146A6110-25		DOOR ASSY-CARGO (PLACARDS AND MARKINGS ONLY) POSITION DATA: AFT COMPONENT MAINT MANUAL REF: 52-31-14 FOR NHA/OTHER SYS DET SEE: 52-31-00-04A	001011	RF
- 2	146A6110-28		DOOR ASSY-CARGO (PLACARDS AND MARKINGS ONLY) POSITION DATA: AFT COMPONENT MAINT MANUAL REF: 52-31-14 FOR NHA/OTHER SYS DET SEE: 52-31-00-04A	001011	RF
- 2	146A6110-29		DOOR ASSY-CARGO (PLACARDS AND MARKINGS ONLY) POSITION DATA: AFT COMPONENT MAINT MANUAL REF: 52-31-14 FOR NHA/OTHER SYS DET SEE: 52-31-00-04A	012030	RF

MISSING ITEM NUMBERS NOT APPLICABLE

- ITEM NOT ILLUSTRATED

HAP

11-37-02-02A

BOEING PROPRIETARY - Copyright © - Unpublished Work - See title page for details.

11-37-02
FIG. 02A
PAGE 2
OCT 15/08

BOEING
737-600/700/800/900
PARTS CATALOG (MAINTENANCE)

FIG ITEM	PART NUMBER	1 2 3 4 5 6 7	NOMENCLATURE	EFFECT FROM TO	UNITS PER ASSY
2A					
- 2	146A6110-6		DOOR ASSY-CARGO (PLACARDS AND MARKINGS ONLY) POSITION DATA: AFT COMPONENT MAINT MANUAL REF: 52-31-14 FOR NHA/OTHER SYS DET SEE: 52-31-00-04A	001007	RF
- 2	146A6110-26		DOOR ASSY-CARGO (PLACARDS AND MARKINGS ONLY) POSITION DATA: AFT COMPONENT MAINT MANUAL REF: 52-31-14 FOR NHA/OTHER SYS DET SEE: 52-31-00-04A	012030	RF
R R R R R R R R R R R	- 2	146A6110-32	DOOR ASSY-CARGO (PLACARDS AND MARKINGS ONLY) POSITION DATA: AFT FOR NHA/OTHER SYS DET SEE: 52-31-00-04A	001011	RF
R R R R R R R R	- 2	146A6110-33	DOOR ASSY-CARGO (PLACARDS AND MARKINGS ONLY) POSITION DATA: AFT FOR NHA/OTHER SYS DET SEE: 52-31-00-04A	012030	RF
	5	BAC27DBY191	.MARKER-ALUMINUM FOIL	001030	1
	10	MS27253F1	.PLATE	001030	1

MISSING ITEM NUMBERS NOT APPLICABLE

- ITEM NOT ILLUSTRATED

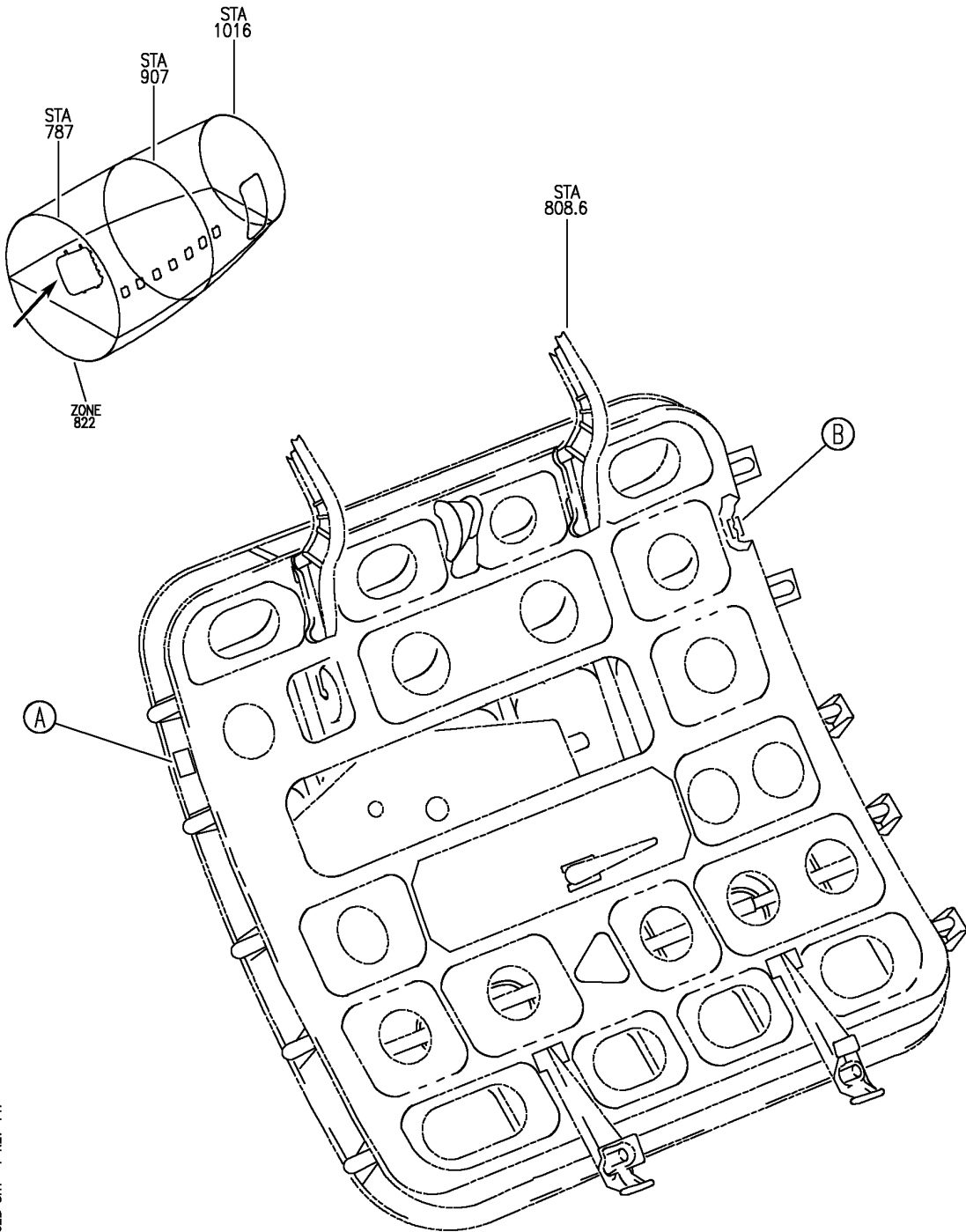
HAP

11-37-02-02A

BOEING PROPRIETARY - Copyright © - Unpublished Work - See title page for details.

11-37-02
FIG. 02A
PAGE 3
JUN 15/09

BOEING
 737-600/700/800/900
 PARTS CATALOG (MAINTENANCE)



E 11370202B SHT 1 REV 147

DOOR ASSY-AFT CARGO (PLACARDS AND MARKINGS ONLY)
 FIGURE 2B (SHEET 1)

11-37-02-02B

HAP
 OCT 15/08

11-37-02-02B
 PAGE 0

BOEING
 737-600/700/800/900
 PARTS CATALOG (MAINTENANCE)

5

DOOR CYCLE LOG		
AIRPLANE SERIAL NO.	AIRPLANE FLIGHT CYCLES AT INSTL	AIRPLANE FLIGHT CYCLES AT REMOVAL

(A)

10

○ AIRCRAFT MOD. _____ ○	
MFR. CODE _____	
PART NO. _____	
CONT. NO. _____	
SERIAL NO. _____	
CONT. <input type="checkbox"/>	CUST. <input type="checkbox"/>
INSP. <input type="checkbox"/>	INSP. <input type="checkbox"/>
_____ MODIFICATION INCORPORATED _____	

(B)

E 11370202B SHT 2 REV 147

DOOR ASSY-AFT CARGO (PLACARDS AND MARKINGS ONLY)
 FIGURE 2B (SHEET 2)

11-37-02-02B

HAP
 OCT 15/08

11-37-02-02B
 PAGE 0A

BOEING
737-600/700/800/900
PARTS CATALOG (MAINTENANCE)

FIG ITEM	PART NUMBER	1 2 3 4 5 6 7	NOMENCLATURE	EFFECT FROM TO	UNITS PER ASSY
2B			DOOR ASSY-AFT CARGO (PLACARDS AND MARKINGS ONLY)	031200 968999	
- 1	146A6110-29		DOOR ASSY-CARGO (PLACARDS AND MARKINGS ONLY) POSITION DATA: AFT COMPONENT MAINT MANUAL REF: 52-31-14 FOR NHA/OTHER SYS DET SEE: 52-31-00-14	031200 968999	RF
- 1	146A6110-26		DOOR ASSY-CARGO (PLACARDS AND MARKINGS ONLY) POSITION DATA: AFT COMPONENT MAINT MANUAL REF: 52-31-14 FOR NHA/OTHER SYS DET SEE: 52-31-00-14	031200 968999	RF
- 1	146A6110-22		DOOR ASSY-CARGO (PLACARDS AND MARKINGS ONLY) POSITION DATA: AFT COMPONENT MAINT MANUAL REF: 52-31-14 FOR NHA/OTHER SYS DET SEE: 52-31-00-14	031200 968999	RF
- 1	146A6110-18		DOOR ASSY-CARGO (PLACARDS AND MARKINGS ONLY) POSITION DATA: AFT COMPONENT MAINT MANUAL REF: 52-31-14 FOR NHA/OTHER SYS DET SEE: 52-31-00-14	031200 968999	RF
- 1	146A6110-14		DOOR ASSY-CARGO (PLACARDS AND MARKINGS ONLY) POSITION DATA: AFT COMPONENT MAINT MANUAL REF: 52-31-14 FOR NHA/OTHER SYS DET SEE: 52-31-00-14	031200 968999	RF
R R R R R	- 2	146A6110-33	DOOR ASSY-CARGO (PLACARDS AND MARKINGS ONLY) POSITION DATA: AFT FOR NHA/OTHER SYS DET SEE: 52-31-00-14	031200 968999	RF

MISSING ITEM NUMBERS NOT APPLICABLE

- ITEM NOT ILLUSTRATED

HAP

11-37-02-02B

BOEING PROPRIETARY - Copyright © - Unpublished Work - See title page for details.

11-37-02
FIG. 02B
PAGE 1
JUN 15/09


BOEING
 737-600/700/800/900
PARTS CATALOG (MAINTENANCE)

FIG ITEM	PART NUMBER	1 2 3 4 5 6 7	NOMENCLATURE	EFFECT FROM TO	UNITS PER ASSY
2B	5	BAC27DBY191	.MARKER-ALUMINUM FOIL	031200 968999	1
	10	MS27253F1	.PLATE	031200 968999	1
MISSING ITEM NUMBERS NOT APPLICABLE					

— ITEM NOT ILLUSTRATED

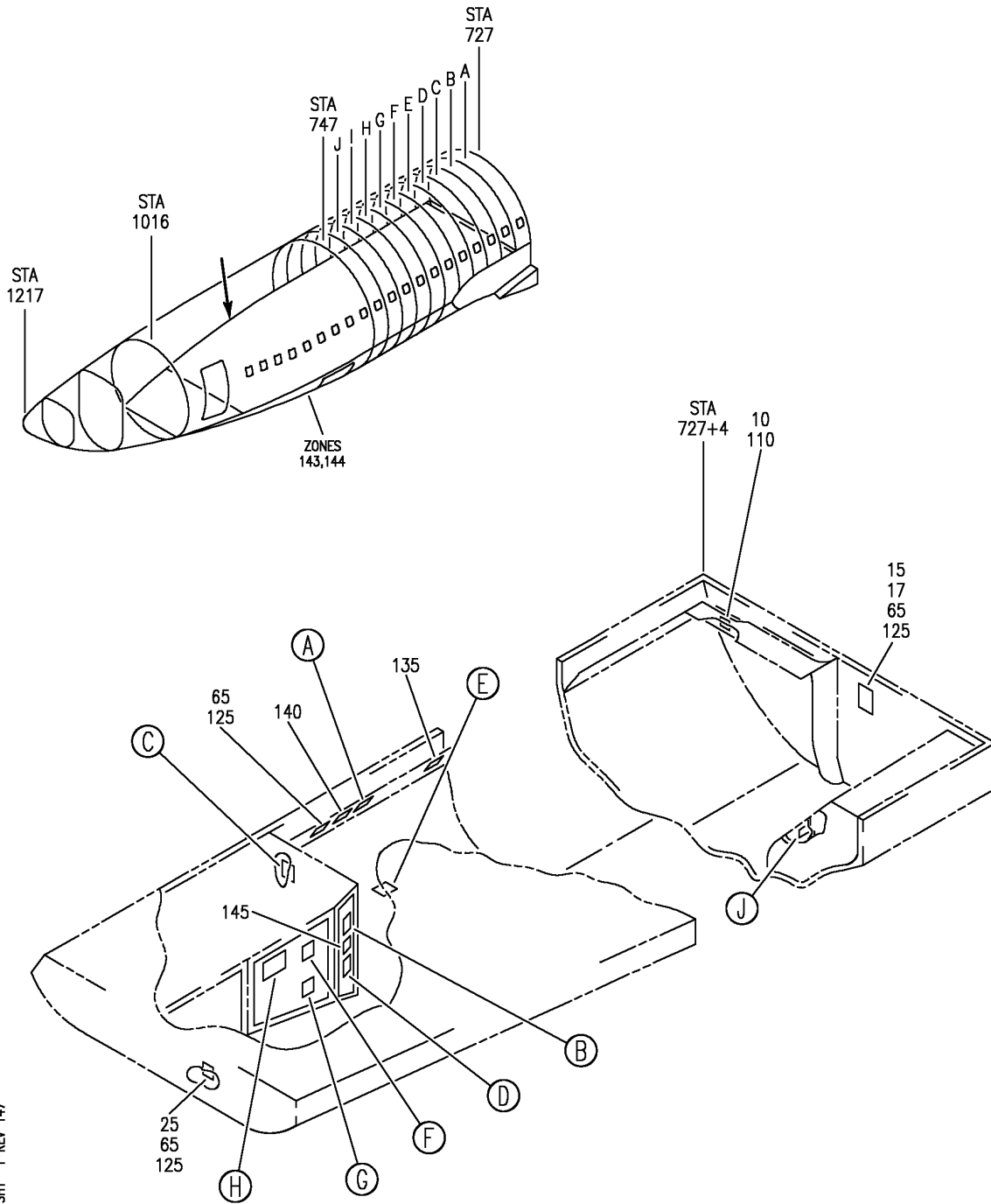
HAP

11-37-02-02B

BOEING PROPRIETARY - Copyright © - Unpublished Work - See title page for details.

11-37-02
 FIG. 02B
 PAGE 2
 JUN 15/09

BOEING
 737-600/700/800/900
 PARTS CATALOG (MAINTENANCE)



E 11370203 SH1 1 REV 147

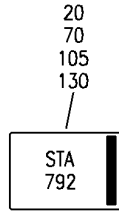
MARKER INSTL-CARGO COMPT AFT
 FIGURE 3 (SHEET 1)

11-37-02-03

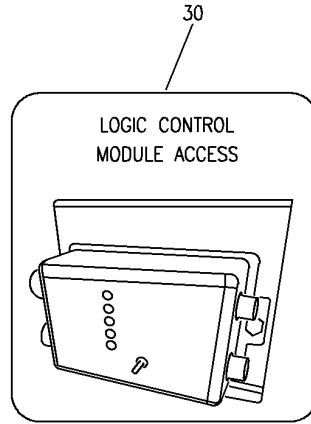
HAP
 OCT 15/08

11-37-02-03
 PAGE 0

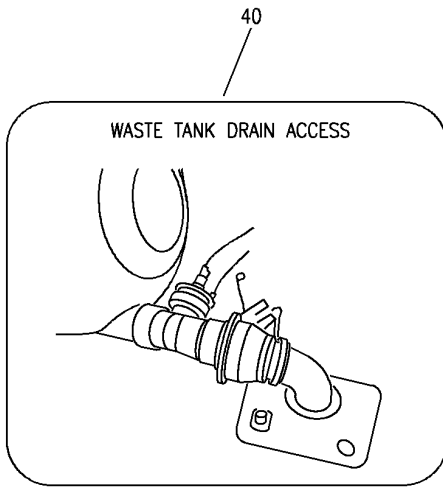
BOEING
 737-600/700/800/900
 PARTS CATALOG (MAINTENANCE)



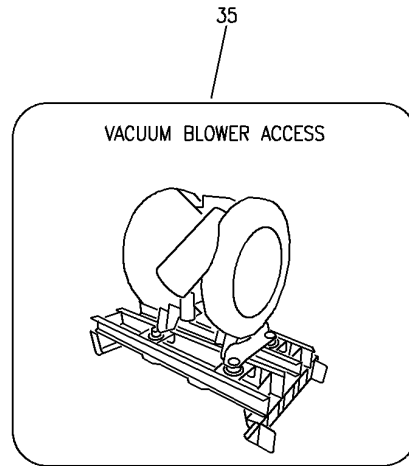
(A)



(B)



(D)



(C)

E 11370203 SH1 2 REV 126

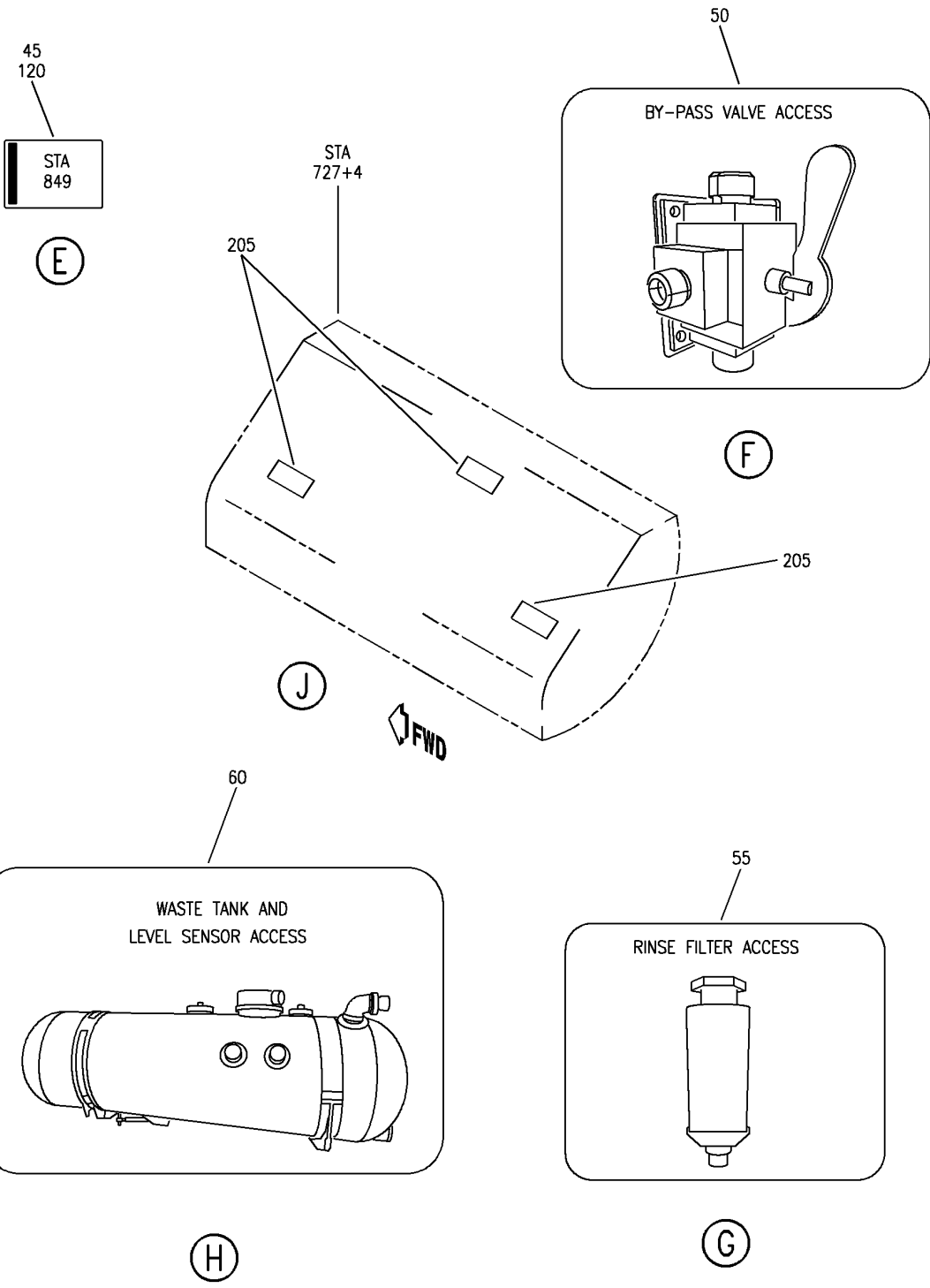
MARKER INSTL-CARGO COMPT AFT
 FIGURE 3 (SHEET 2)

11-37-02-03

HAP
 FEB 10/07

11-37-02-03
 PAGE 0A

BOEING
 737-600/700/800/900
 PARTS CATALOG (MAINTENANCE)



E 11370203 SHT 3 REV 115

MARKER INSTL-CARGO COMPT AFT
 FIGURE 3 (SHEET 3)

11-37-02-03

HAP
 OCT 10/06

11-37-02-03
 PAGE 0B

BOEING
737-600/700/800/900
PARTS CATALOG (MAINTENANCE)

FIG ITEM	PART NUMBER	1 2 3 4 5 6 7	NOMENCLATURE	EFFECT FROM TO	UNITS PER ASSY
3			MARKER INSTL-CARGO COMPT AFT		
- 1	453A2700-5		MARKER INSTL-CARGO COMPT POSITION DATA: AFT FOR NHA SEE: 11-30-00-06	001004 006007	RF
- 1	453A2700-6		MARKER INSTL-CARGO COMPT POSITION DATA: AFT FOR NHA SEE: 11-30-00-06	005005 008030 201967	RF
- 5	453A2700-205		.MARKER ASSY-KIT	001004 006007	1
- 5	453A2700-206		.MARKER ASSY-KIT	005005 008030 201967	1
10	BAC27DCA522		..MARKER- PLACARD CONTENT: WASTE TUBE ACCESS	001030 201967	1
15	BAC27DCA531		..MARKER- PLACARD CONTENT: BHD 731	001004 006007	1
17	BAC27DCA577		..MARKER- PLACARD CONTENT: BHD 731+4	005005 008030 201967	1
20	BAC27DCA535		..MARKER	001030 201967	1
25	BAC27DCA532		..MARKER- PLACARD CONTENT: BHD 947	001030 201967	1
30	BAC27DCA523		..MARKER	001030 201967	1
35	BAC27DCA524		..MARKER	001030 201967	1
40	BAC27DCA525		..MARKER	001030 201967	1
45	BAC27DCA536		..MARKER	001030 201967	1
50	BAC27DCA546		..MARKER	001030 201967	1
55	BAC27DCA528		..MARKER	001030 201967	1
60	BAC27DCA526		..MARKER	001030 201967	1

MISSING ITEM NUMBERS NOT APPLICABLE

- ITEM NOT ILLUSTRATED

HAP

11-37-02-03

11-37-02
FIG. 03
PAGE 1
OCT 15/08

BOEING
737-600/700/800/900
PARTS CATALOG (MAINTENANCE)

FIG ITEM	PART NUMBER	1 2 3 4 5 6 7	NOMENCLATURE	EFFECT FROM TO	UNITS PER ASSY
3					
- 100	MODREF222384		MARKER INSTL-CARGO COMPT MODULE NUMBER: 453A2700-8 REV B POSITION DATA: AFT	031200 968999	1
105	BAC27DCA535		.MARKER	031200 968999	1
110	BAC27DCA522		.MARKER- PLACARD CONTENT: WASTE TUBE ACCESS	031200 968999	1
115	BAC27DCA577		.MARKER- PLACARD CONTENT: BHD 727+4	031200 968999	1
120	BAC27DCA536		.MARKER	031200 968999	1

MISSING ITEM NUMBERS NOT APPLICABLE

- ITEM NOT ILLUSTRATED

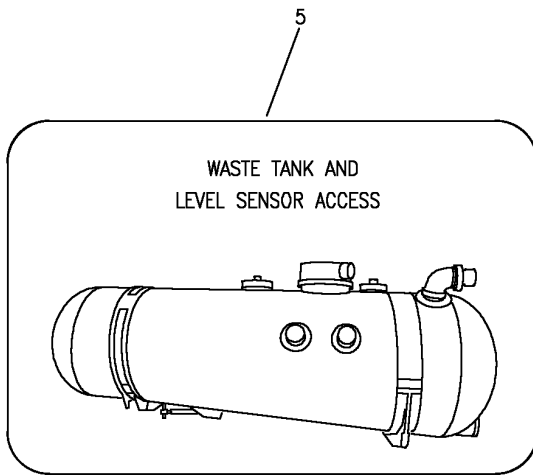
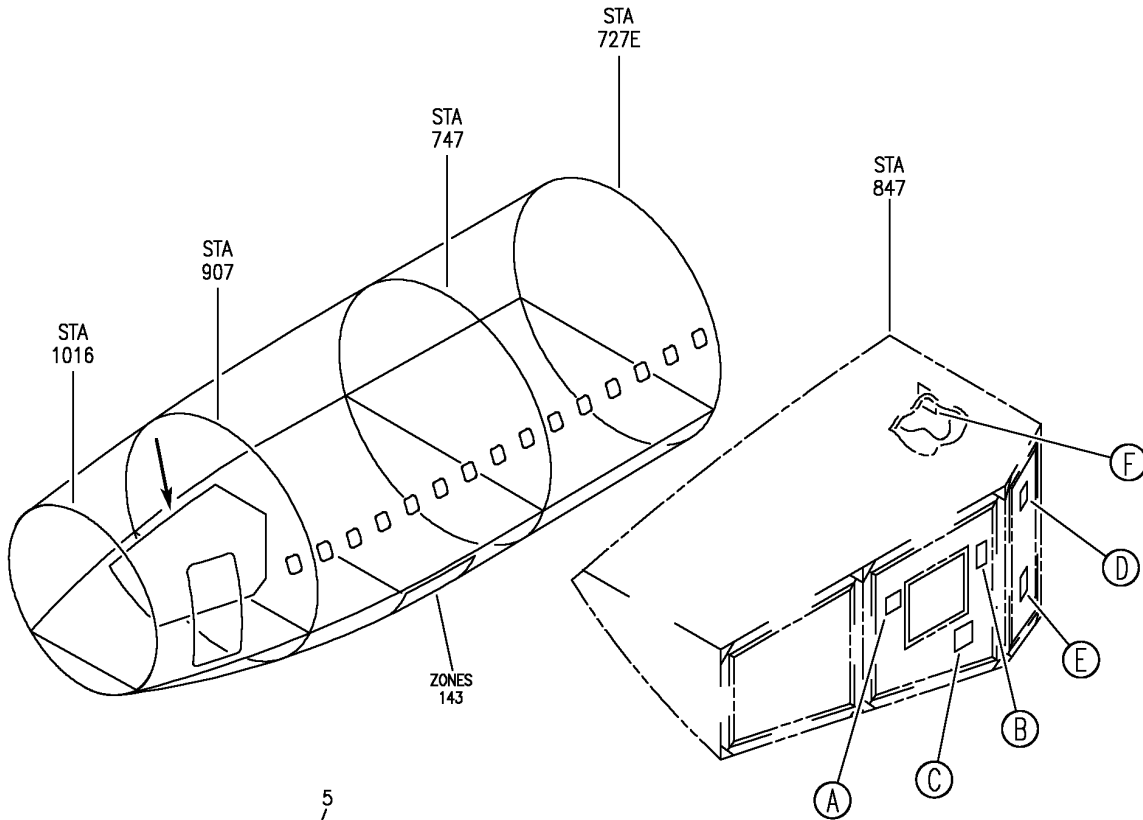
HAP

11-37-02-03

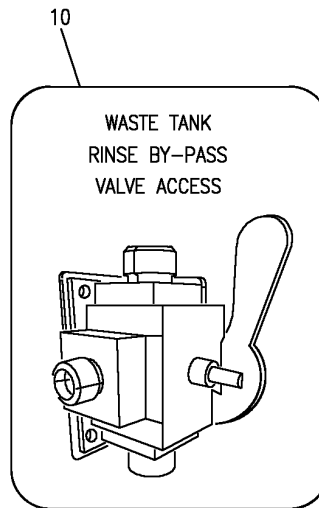
BOEING PROPRIETARY - Copyright © - Unpublished Work - See title page for details.

11-37-02
FIG. 03
PAGE 2
OCT 15/08

BOEING
 737-600/700/800/900
 PARTS CATALOG (MAINTENANCE)



(A)



(B)

E 11370203A SHT 1 REV 097

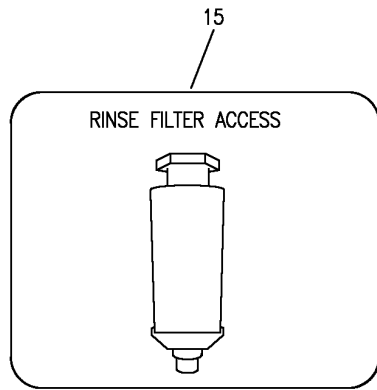
PANEL ASSY-BHD (PLACARDS AND MARKINGS ONLY)
 FIGURE 3A (SHEET 1)

11-37-02-03A

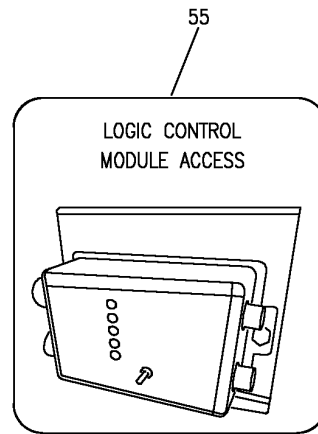
HAP
 OCT 10/06

11-37-02-03A
 PAGE 0

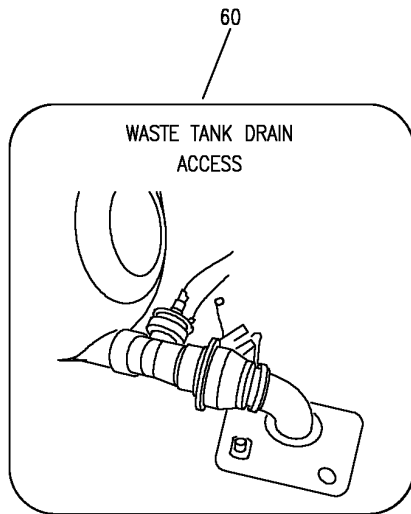
BOEING
737-600/700/800/900
PARTS CATALOG (MAINTENANCE)



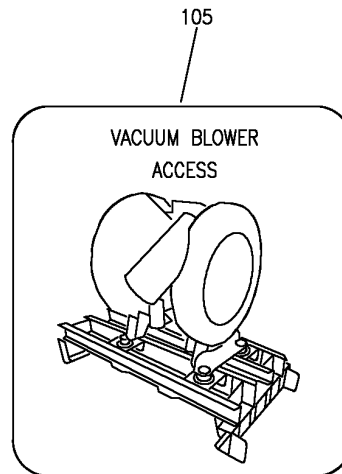
(C)



(D)



(E)



(F)

E 11370203A SHT 2 REV 097

PANEL ASSY-BHD (PLACARDS AND MARKINGS ONLY)
FIGURE 3A (SHEET 2)

11-37-02-03A

HAP
OCT 10/06

11-37-02-03A
PAGE 0A

BOEING
737-600/700/800/900
PARTS CATALOG (MAINTENANCE)

FIG ITEM	PART NUMBER	1 2 3 4 5 6 7	NOMENCLATURE	EFFECT FROM TO	UNITS PER ASSY
3A			PANEL ASSY-BHD (PLACARDS AND MARKINGS ONLY)	031200 968999	
- 1	453A2910-20		PANEL ASSY-BHD (PLACARDS AND MARKINGS ONY) FOR NHA/OTHER SYS DET SEE: 25-52-20-01B	031200 968999	RF
	5 BAC27DCA526		.MARKER	031200 968999	1
	10 BAC27DCA546		.MARKER	031200 968999	1
	15 BAC27DCA528		.MARKER	031200 968999	1
- 50	453A2910-19		PANEL ASSY-BHD (PLACARDS AND MARKINGS ONLY) FOR NHA/OTHER SYS DET SEE: 25-52-20-01B	031200 968999	RF
	55 BAC27DCA523		.MARKER	031200 968999	1
	60 BAC27DCA525		.MARKER	031200 968999	1
- 100	453A2910-21		PANEL ASSY-BHD (PLACARDS AND MARKINGS ONLY) FOR NHA/OTHER SYS DET SEE: 25-52-20-01B	031200 968999	RF
	105 BAC27DCA524		.MARKER	031200 968999	1

MISSING ITEM NUMBERS NOT APPLICABLE

- ITEM NOT ILLUSTRATED

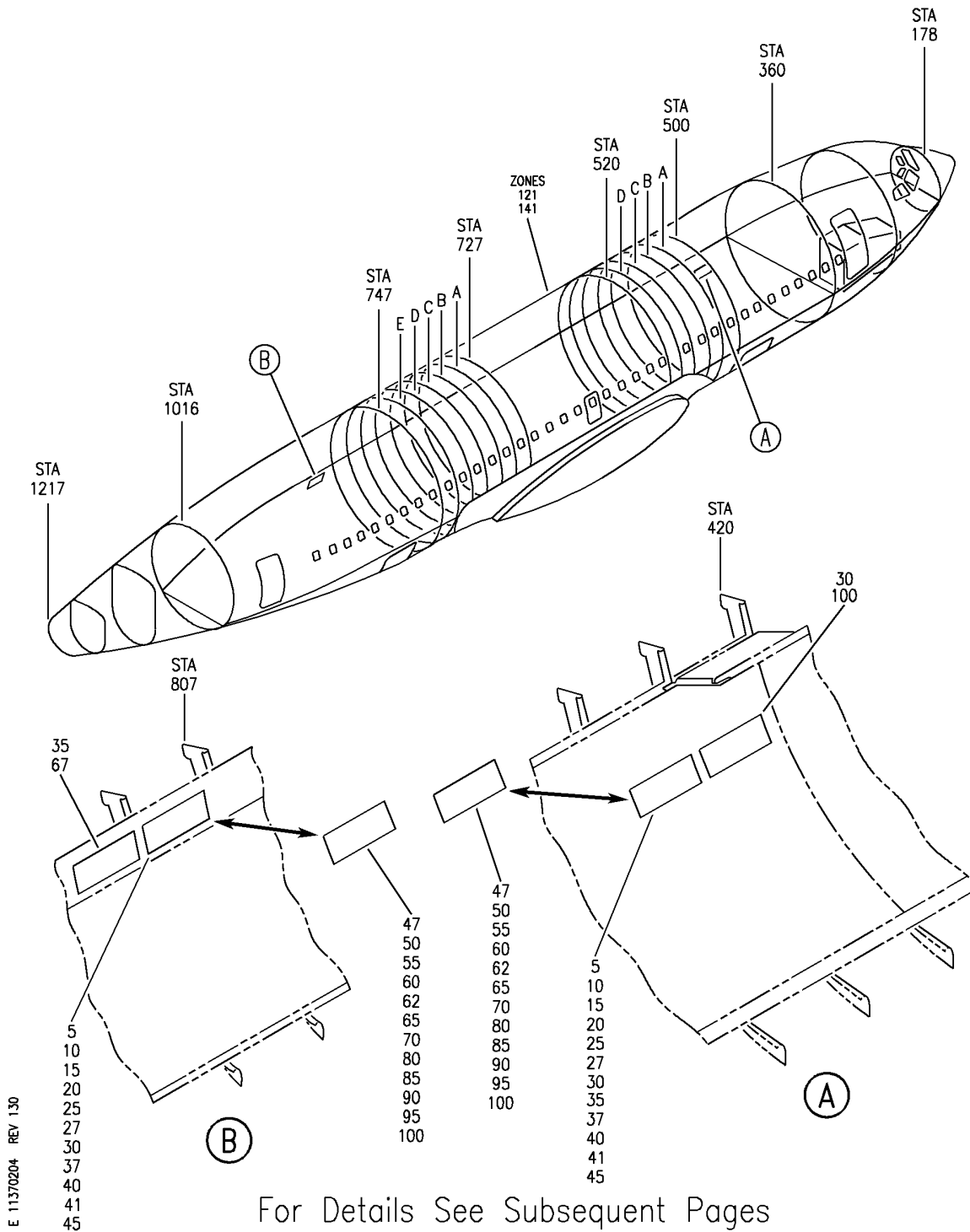
HAP

11-37-02-03A

BOEING PROPRIETARY - Copyright © - Unpublished Work - See title page for details.

11-37-02
FIG. 03A
PAGE 1
OCT 15/08

BOEING
 737-600/700/800/900
 PARTS CATALOG (MAINTENANCE)



MARKER INSTL-CARGO COMPT LOADING 737-700
 FIGURE 4 (SHEET 1)

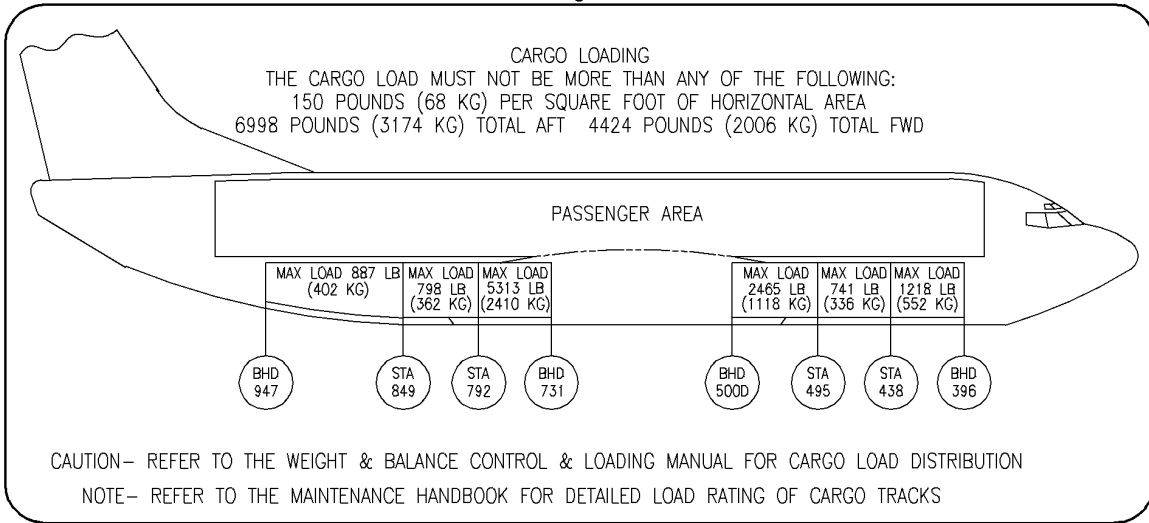
11-37-02-04

HAP
 OCT 15/08

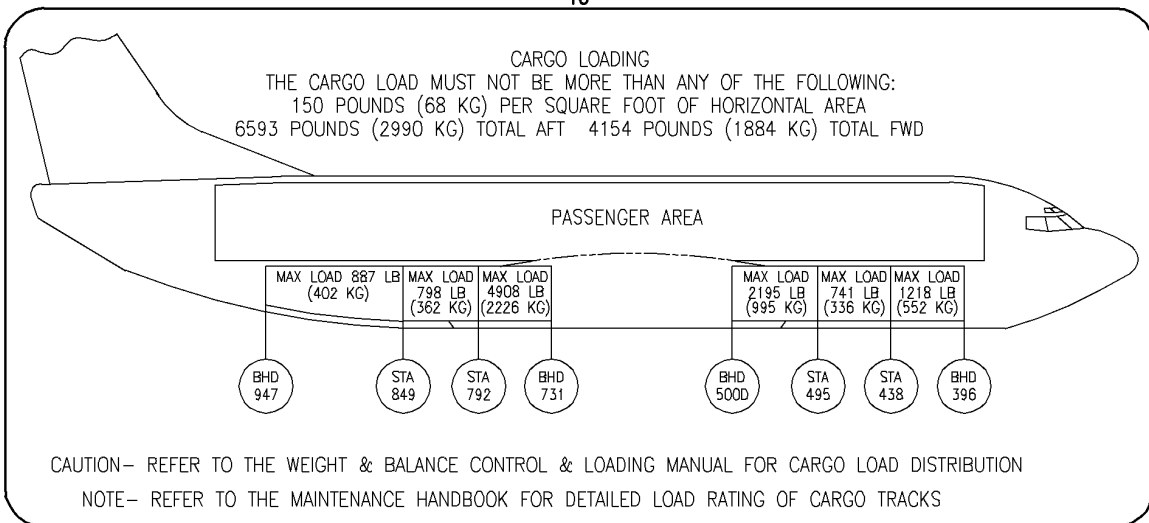
11-37-02-04
 PAGE 0

BOEING
737-600/700/800/900
PARTS CATALOG (MAINTENANCE)

5



10



E 11370204_SHT 2_REV 054

MARKER INSTL-CARGO COMPT LOADING 737-700
 FIGURE 4 (SHEET 2)

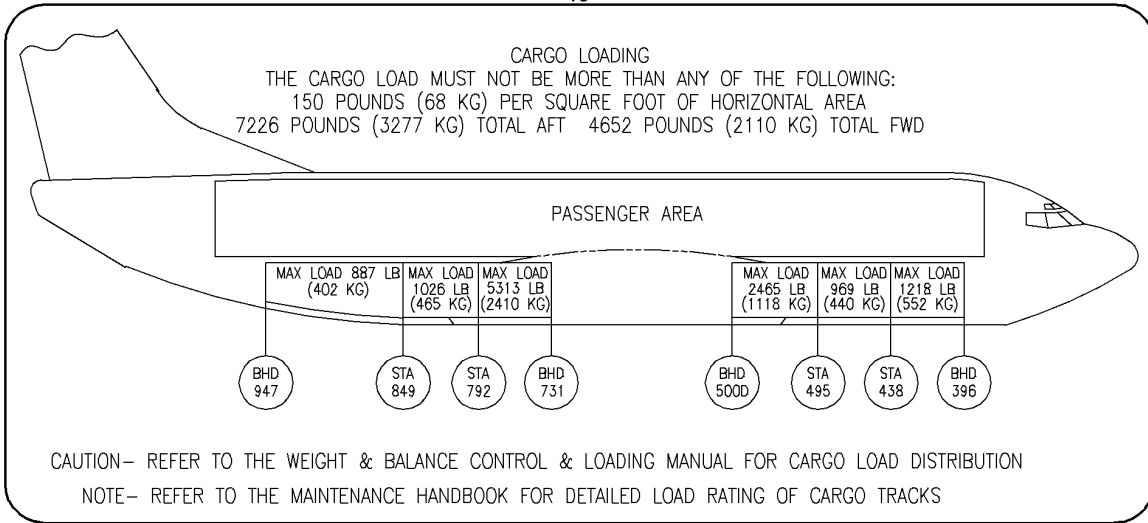
11-37-02-04

HAP
 OCT 15/08

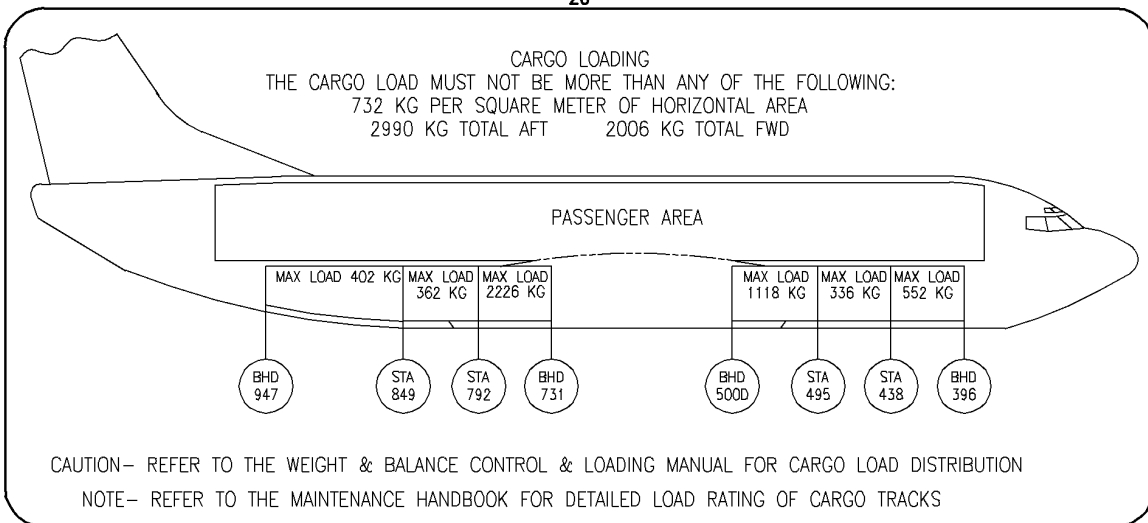
11-37-02-04
 PAGE 0A

BOEING
737-600/700/800/900
PARTS CATALOG (MAINTENANCE)

15



20



E 11370204_SHT_3_REV_054

MARKER INSTL-CARGO COMPT LOADING 737-700
 FIGURE 4 (SHEET 3)

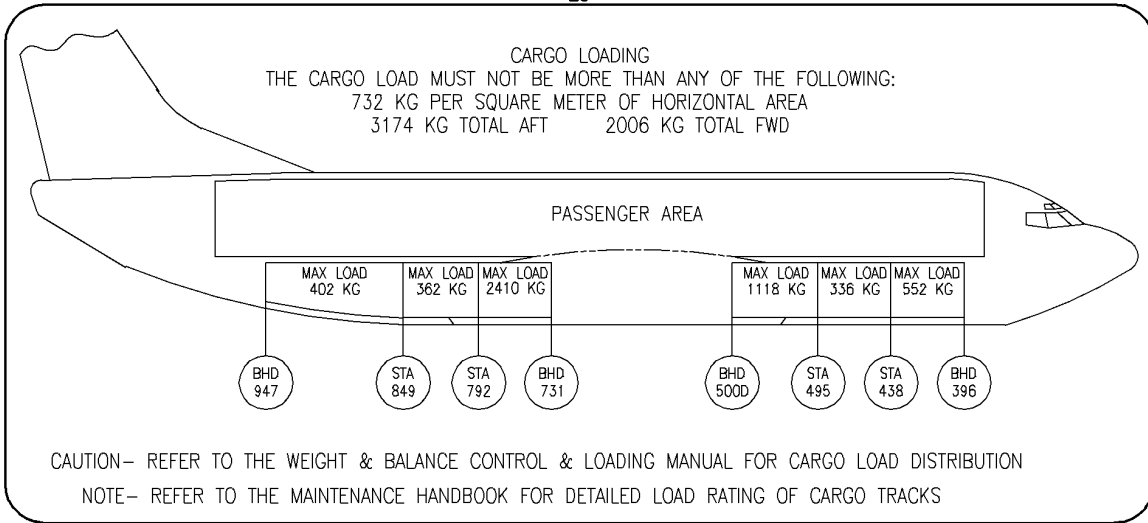
11-37-02-04

HAP
 OCT 15/08

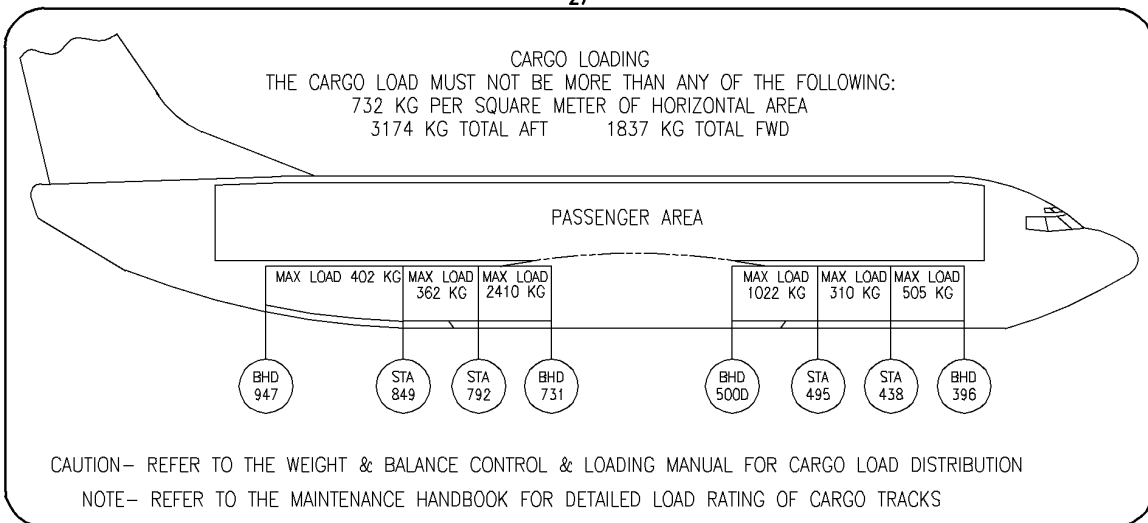
11-37-02-04
 PAGE 0B

BOEING
737-600/700/800/900
PARTS CATALOG (MAINTENANCE)

25



27



E 11370204_SHT 4_REV 054

MARKER INSTL-CARGO COMPT LOADING 737-700
 FIGURE 4 (SHEET 4)

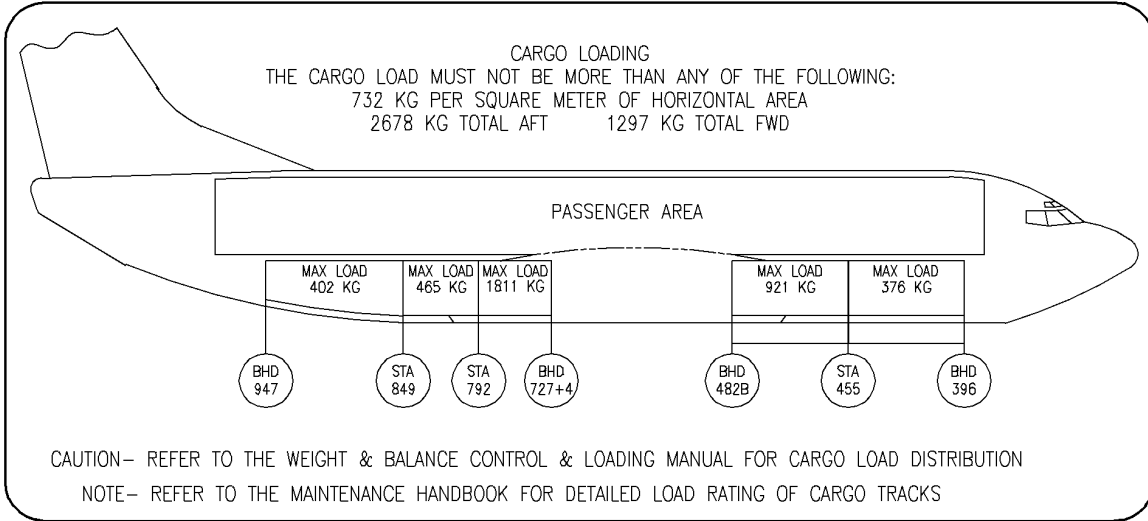
11-37-02-04

HAP
 OCT 15/08

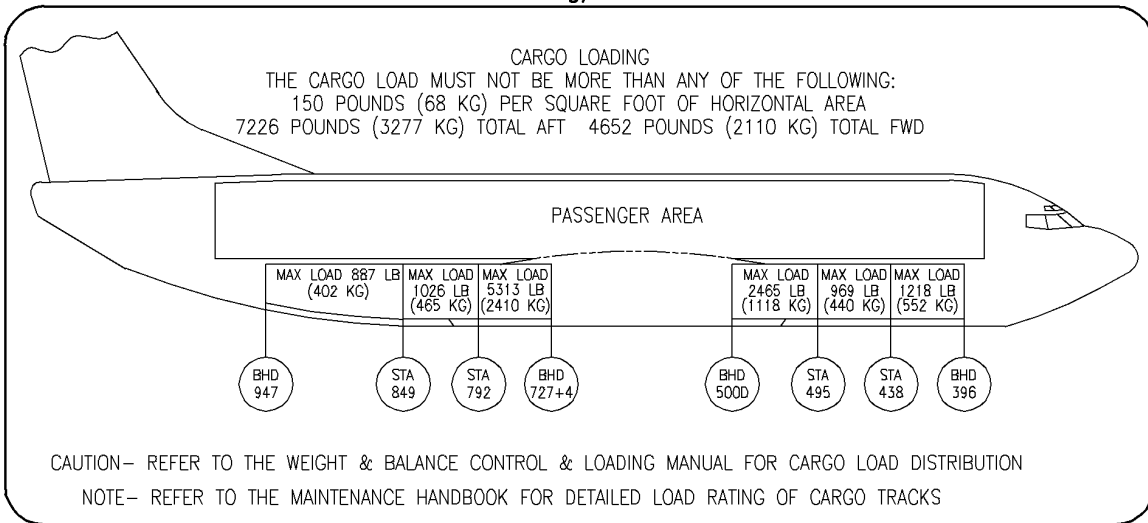
11-37-02-04
 PAGE 0C

BOEING
737-600/700/800/900
PARTS CATALOG (MAINTENANCE)

30



37



E 11370204_SHT_5_REV_054

MARKER INSTL-CARGO COMPT LOADING 737-700
 FIGURE 4 (SHEET 5)

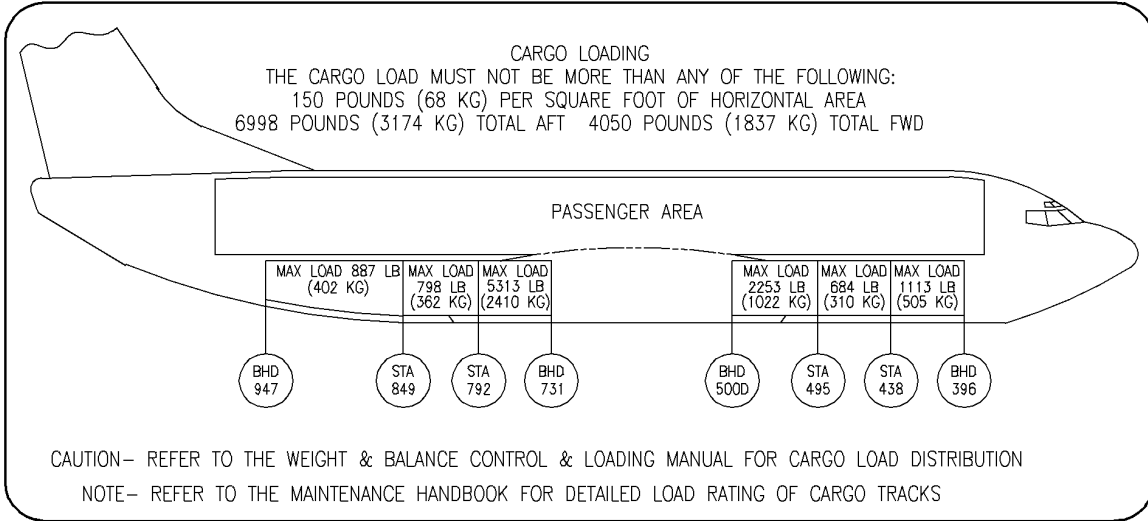
11-37-02-04

HAP
 OCT 15/08

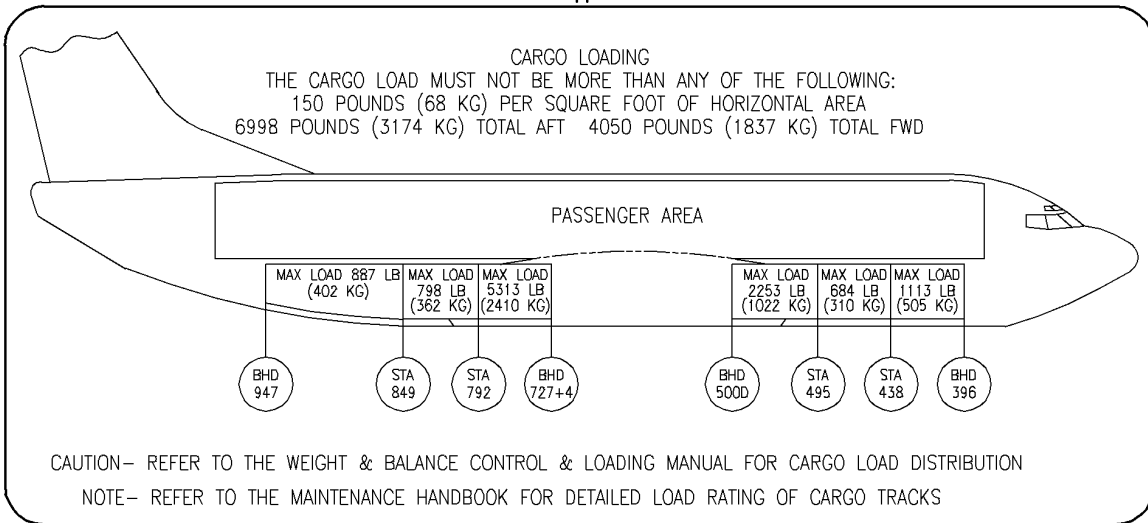
11-37-02-04
 PAGE 0D

BOEING
737-600/700/800/900
PARTS CATALOG (MAINTENANCE)

40



41



E 11370204_SHT 6_REV 054

MARKER INSTL-CARGO COMPT LOADING 737-700
 FIGURE 4 (SHEET 6)

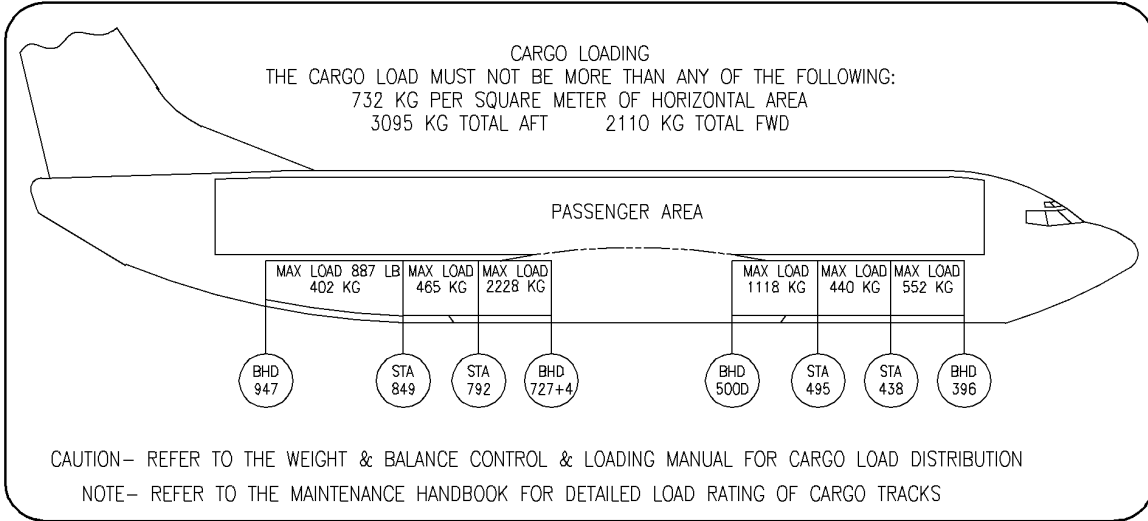
11-37-02-04

HAP
 OCT 15/08

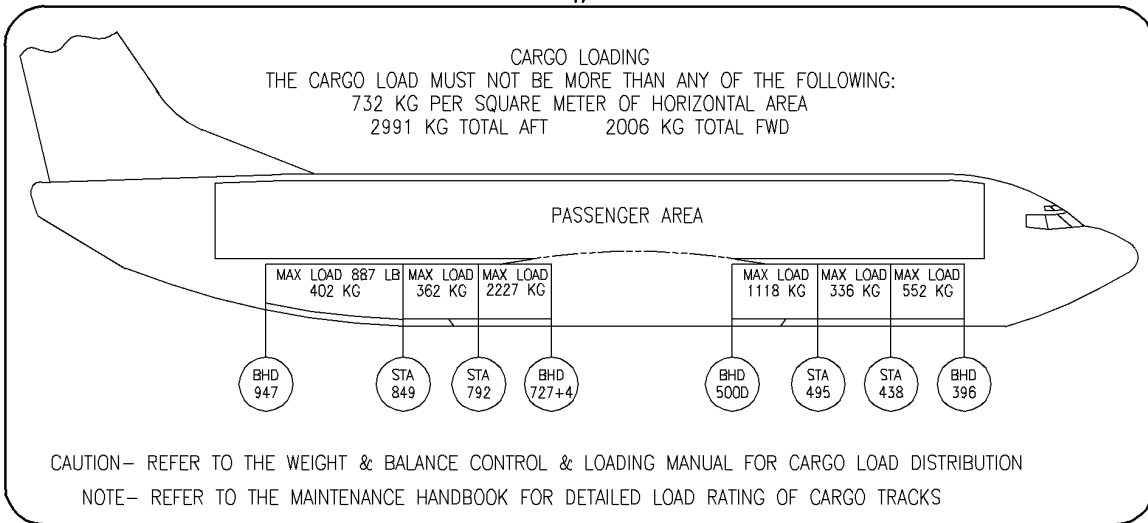
11-37-02-04
 PAGE 0E

BOEING
737-600/700/800/900
PARTS CATALOG (MAINTENANCE)

45



47



E 11370204_SHT 7_REV 054

MARKER INSTL-CARGO COMPT LOADING 737-700
 FIGURE 4 (SHEET 7)

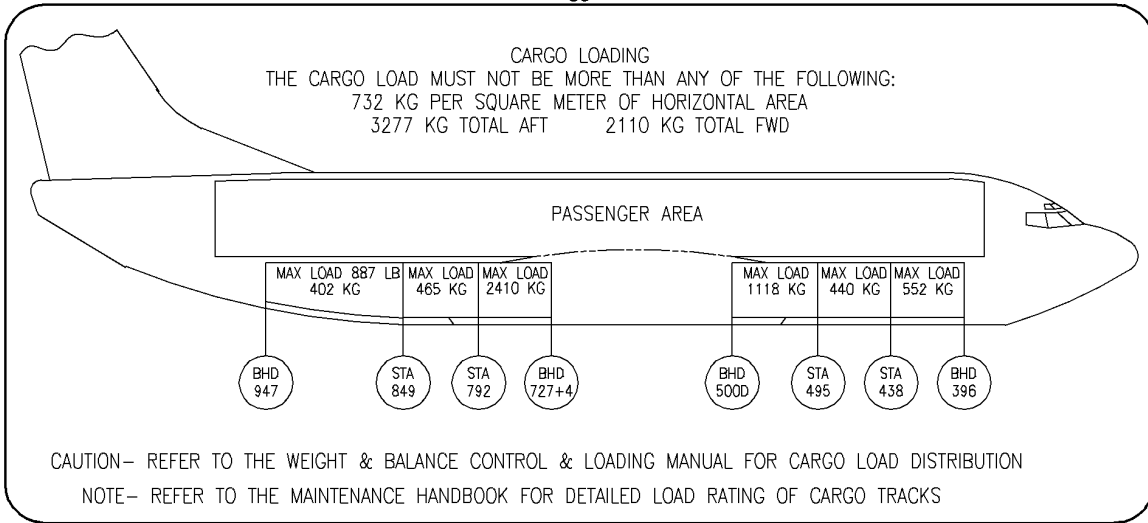
11-37-02-04

HAP
 OCT 15/08

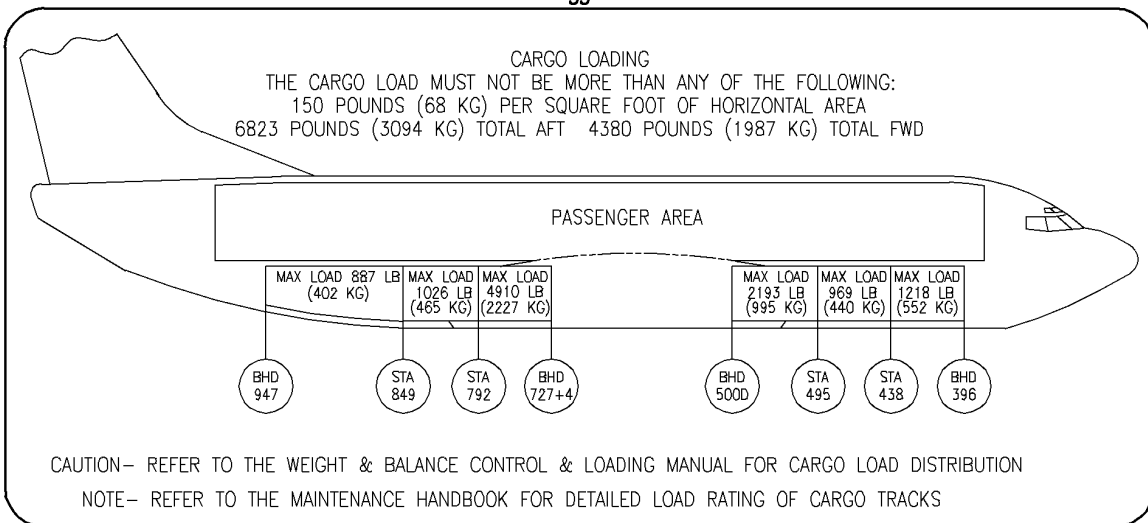
11-37-02-04
 PAGE OF

BOEING
737-600/700/800/900
PARTS CATALOG (MAINTENANCE)

50



55



E 11370204_SHT_8_REV_054

MARKER INSTL-CARGO COMPT LOADING 737-700
 FIGURE 4 (SHEET 8)

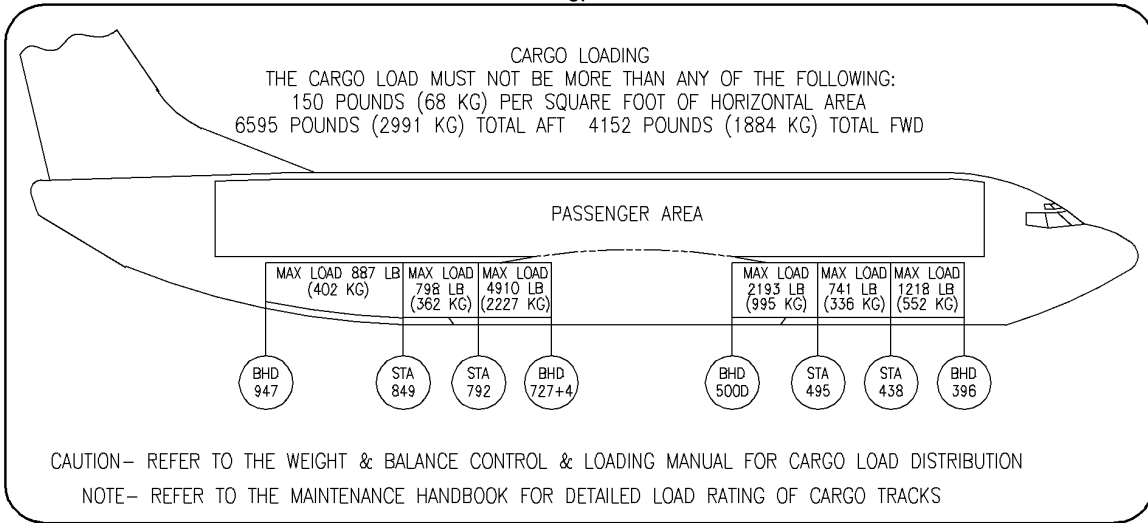
11-37-02-04

HAP
 OCT 15/08

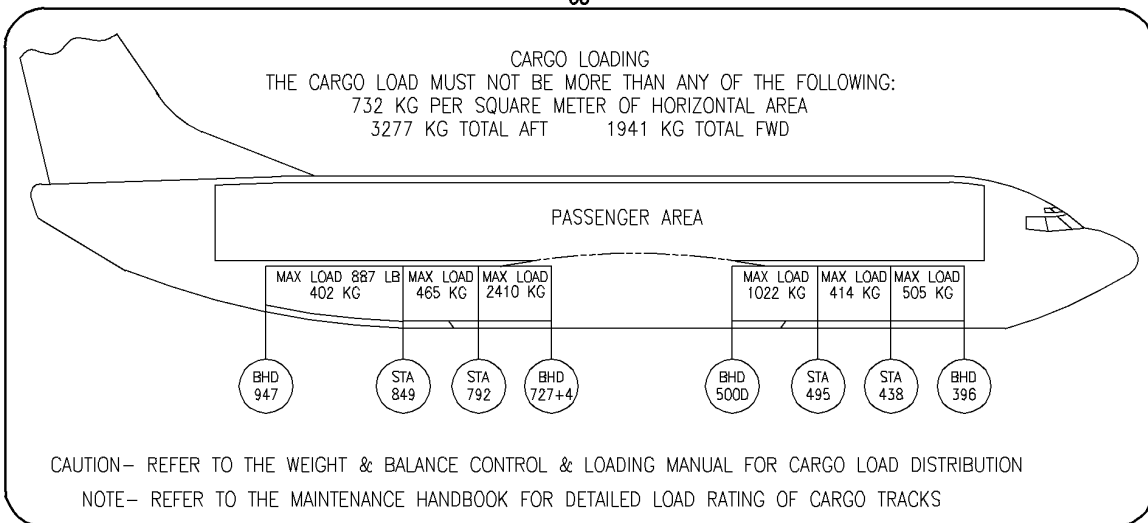
11-37-02-04
 PAGE 06

BOEING
737-600/700/800/900
PARTS CATALOG (MAINTENANCE)

57



60



E 11370204 SH1 9 REV 054

MARKER INSTL-CARGO COMPT LOADING 737-700
 FIGURE 4 (SHEET 9)

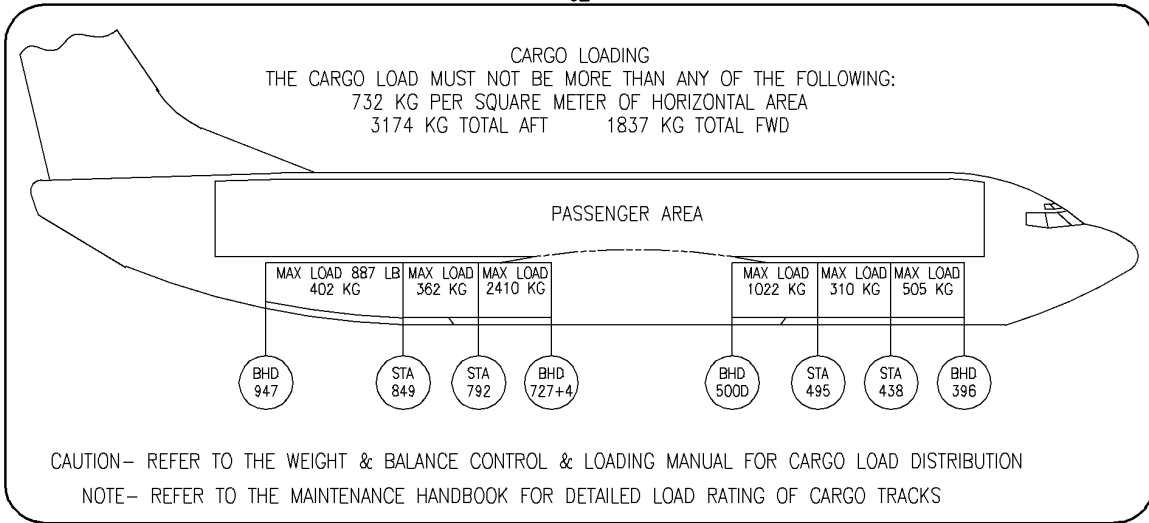
11-37-02-04

HAP
 OCT 15/08

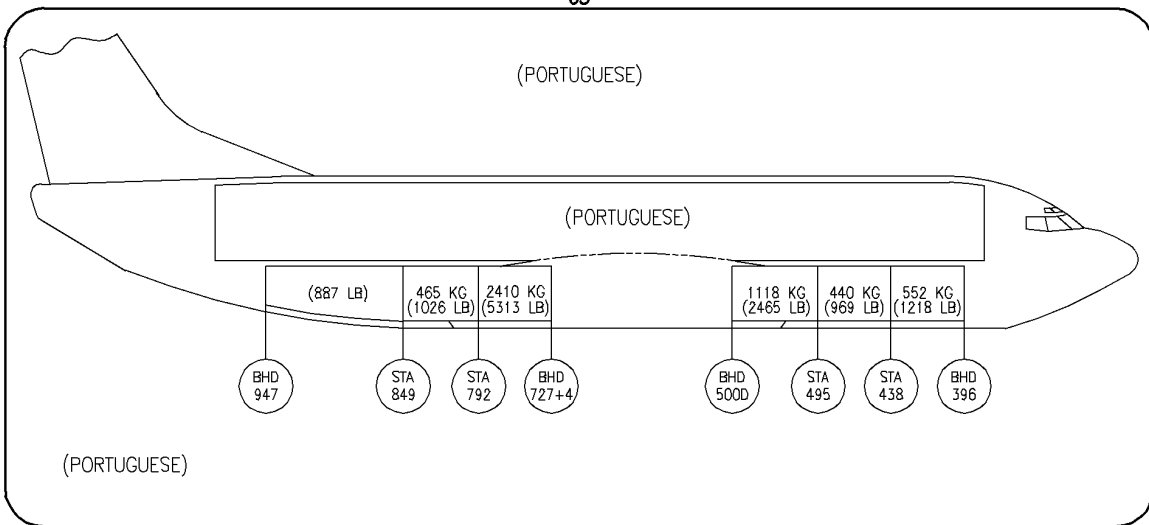
11-37-02-04
 PAGE 0H

BOEING
737-600/700/800/900
PARTS CATALOG (MAINTENANCE)

62



65



E 11370204 SHT 10 REV 064

MARKER INSTL-CARGO COMPT LOADING 737-700
 FIGURE 4 (SHEET 10)

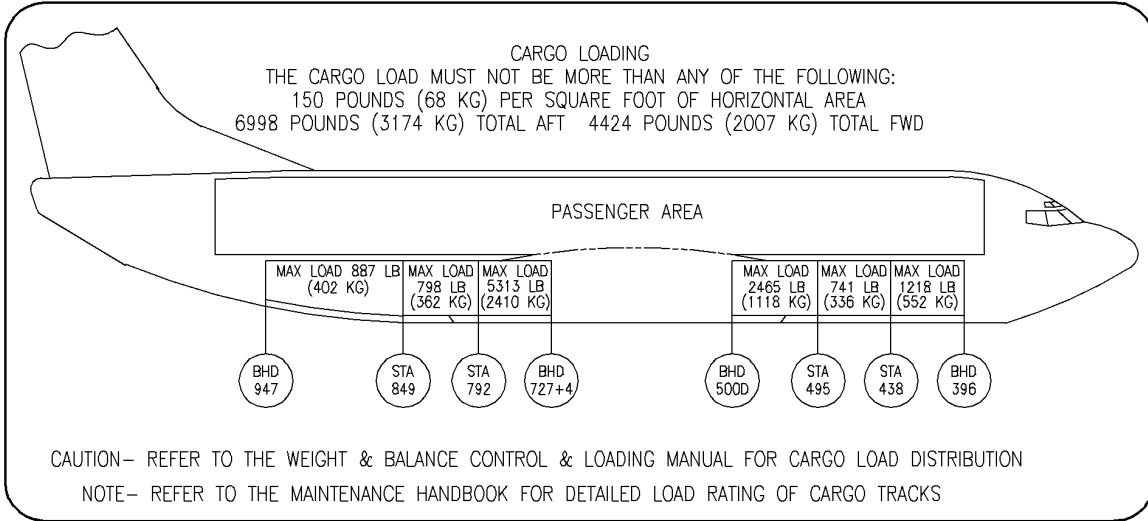
11-37-02-04

HAP
 OCT 15/08

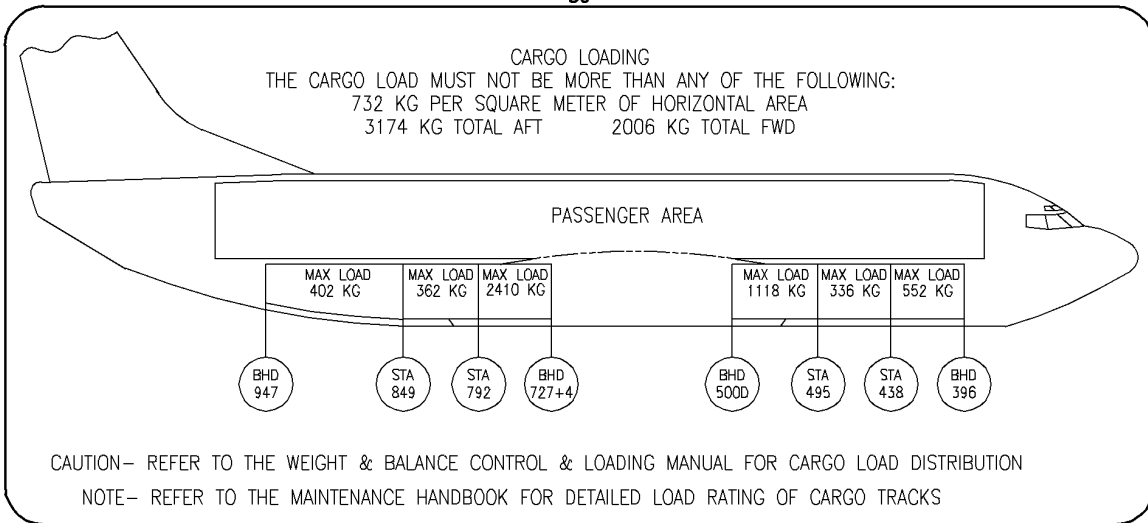
11-37-02-04
 PAGE 01

BOEING
737-600/700/800/900
PARTS CATALOG (MAINTENANCE)

70



80



E 11370204 SHT 11 REV 064

MARKER INSTL-CARGO COMPT LOADING 737-700
 FIGURE 4 (SHEET 11)

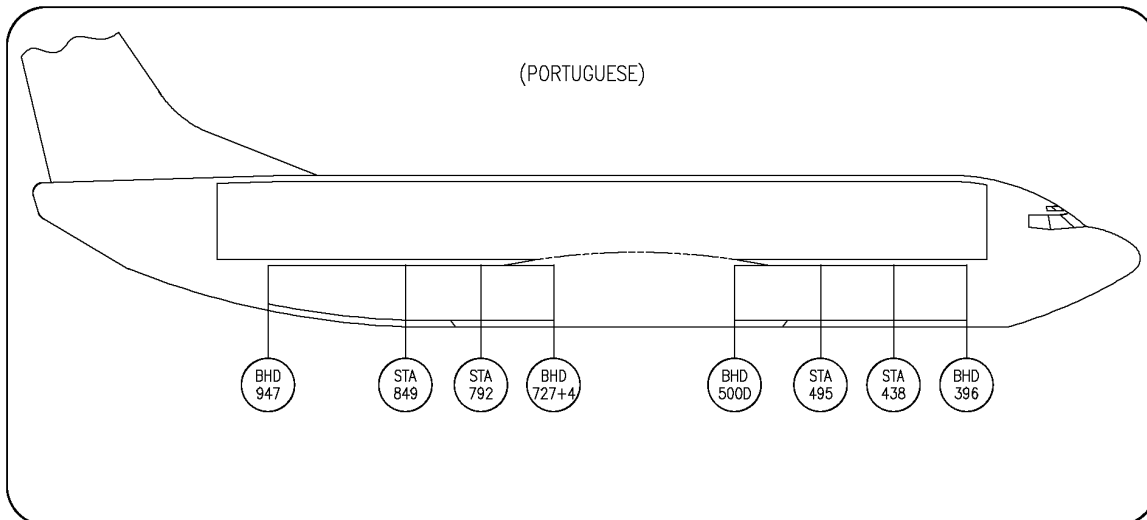
11-37-02-04

HAP
 OCT 15/08

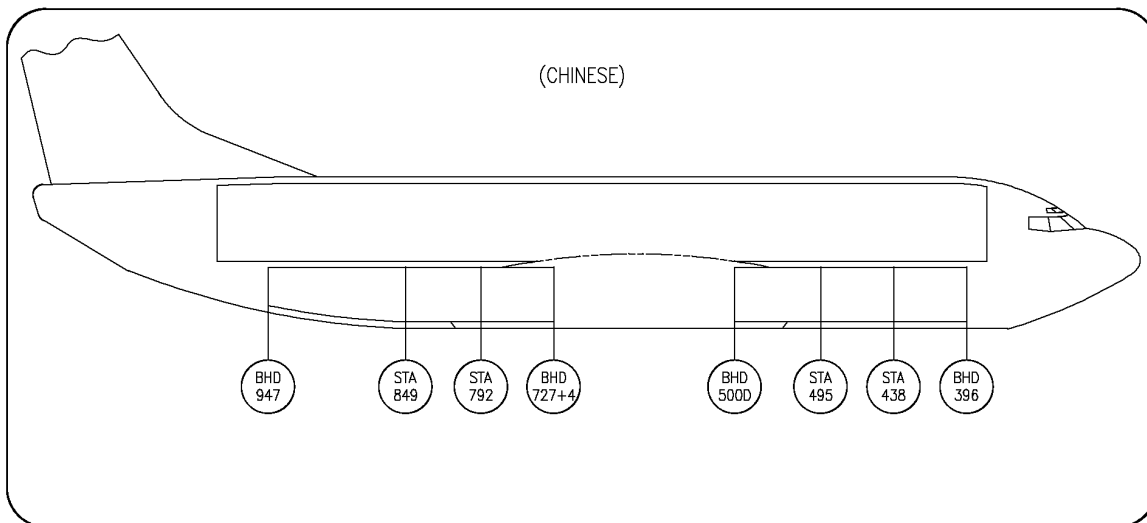
11-37-02-04
 PAGE 0J

BOEING
737-600/700/800/900
PARTS CATALOG (MAINTENANCE)

67



35
85



E 11370204 SH1 12 REV 085

MARKER INSTL-CARGO COMPT LOADING 737-700
 FIGURE 4 (SHEET 12)

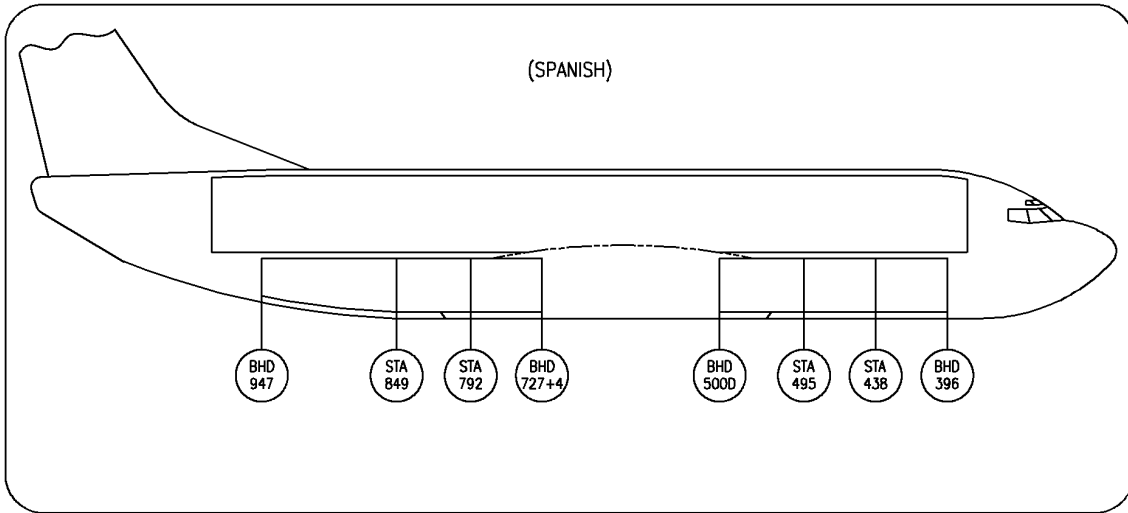
11-37-02-04

HAP
 OCT 15/08

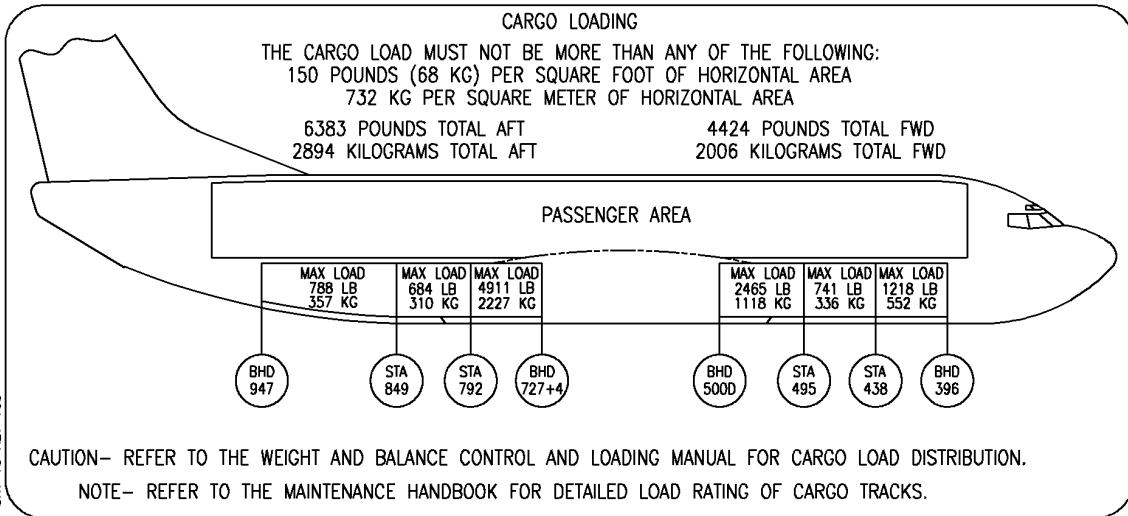
11-37-02-04
 PAGE OK

BOEING
737-600/700/800/900
PARTS CATALOG (MAINTENANCE)

90



95



E 11370204 SH1 13 REV 108

MARKER INSTL-CARGO COMPT LOADING 737-700
 FIGURE 4 (SHEET 13)

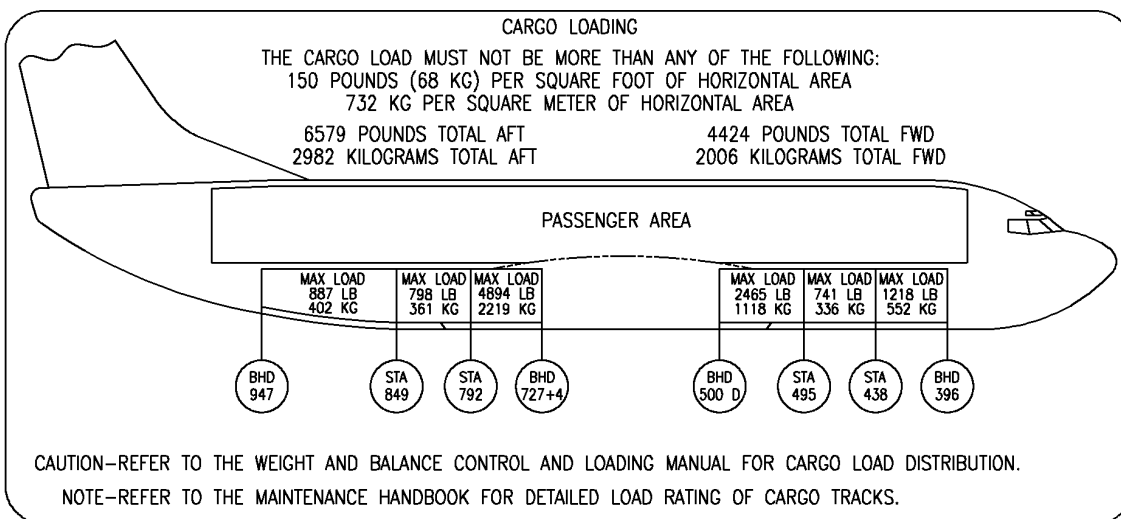
11-37-02-04

HAP
 OCT 15/08

11-37-02-04
 PAGE 01

BOEING
 737-600/700/800/900
 PARTS CATALOG (MAINTENANCE)

100



E 11370204 SH1 14 REV 110

MARKER INSTL-CARGO COMPT LOADING 737-700
 FIGURE 4 (SHEET 14)

11-37-02-04

HAP
 OCT 15/08

11-37-02-04
 PAGE 0M

BOEING
737-600/700/800/900
PARTS CATALOG (MAINTENANCE)

FIG ITEM	PART NUMBER	1 2 3 4 5 6 7	NOMENCLATURE	EFFECT FROM TO	UNITS PER ASSY
4			MARKER INSTL-CARGO COMPT LOADING 737-700	201967	
- 1	453A3700-16		MARKER INSTL-CARGO COMPT LOADING 737-700 FOR NHA SEE: 11-30-00-01B	201967	RF
37	BAC27DCA578		.MARKER-	201967	2

MISSING ITEM NUMBERS NOT APPLICABLE

- ITEM NOT ILLUSTRATED

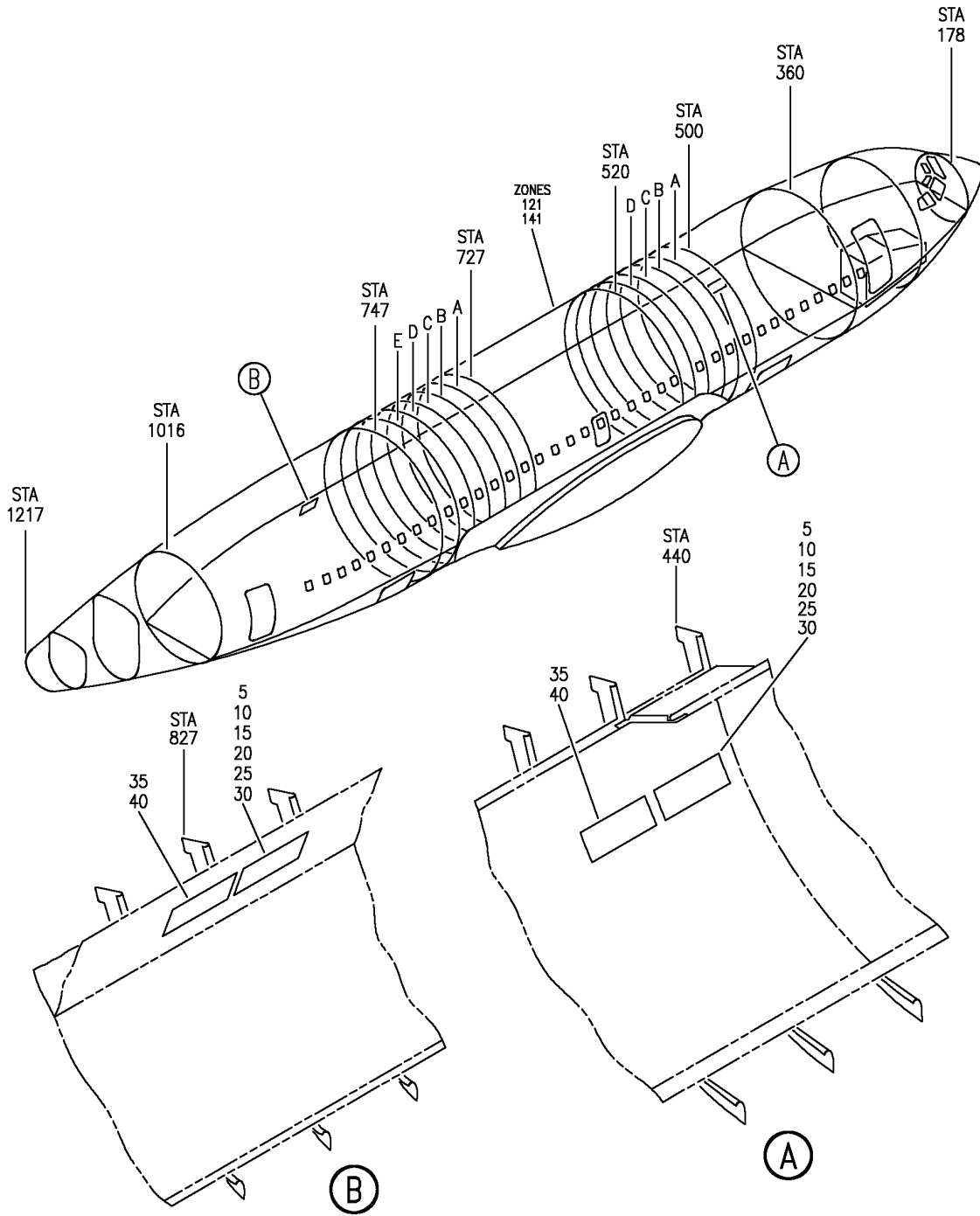
HAP

11-37-02-04

BOEING PROPRIETARY - Copyright © - Unpublished Work - See title page for details.

11-37-02
FIG. 04
PAGE 1
OCT 15/08

BOEING
 737-600/700/800/900
 PARTS CATALOG (MAINTENANCE)



E 11370204A SHT 1 REV 155

For Details See Subsequent Pages

MARKER INSTL-CARGO COMPT LOADING
 FIGURE 4A (SHEET 1)

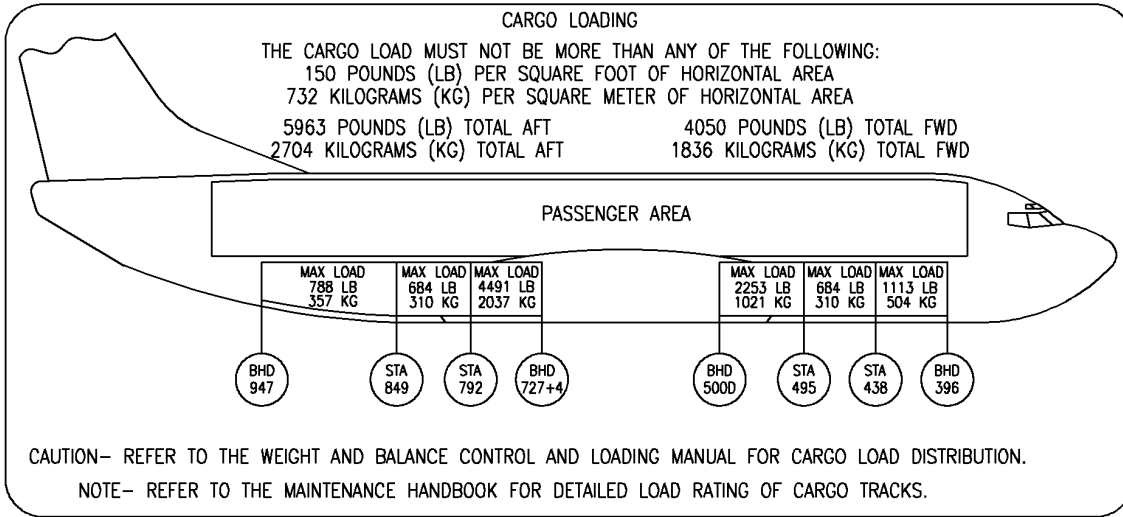
11-37-02-04A

HAP
 JUN 15/09

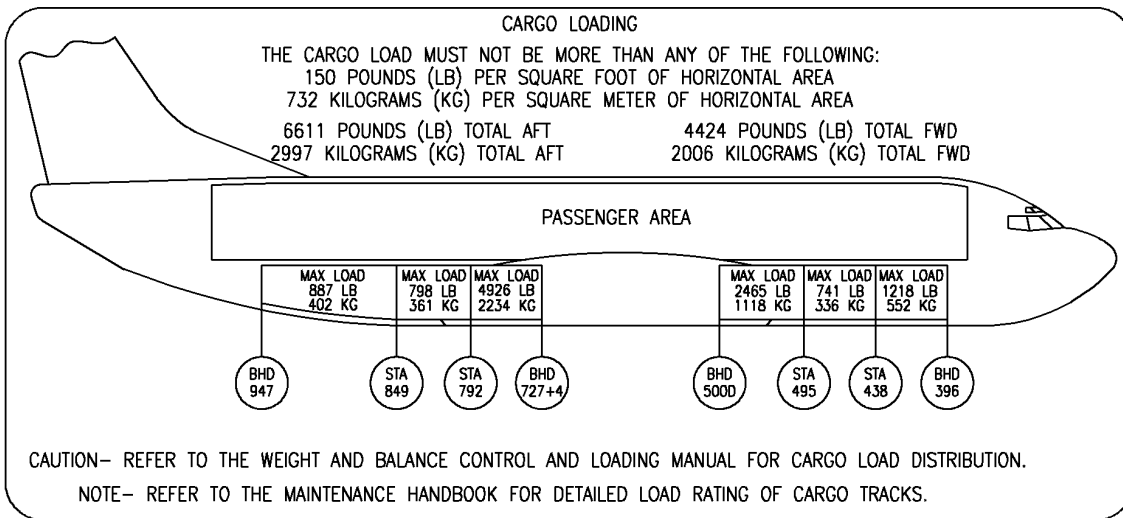
11-37-02-04A
 PAGE 0

BOEING
737-600/700/800/900
PARTS CATALOG (MAINTENANCE)

5



10



E 11370204A SHT 2 REV 130

MARKER INSTL-CARGO COMPT LOADING
 FIGURE 4A (SHEET 2)

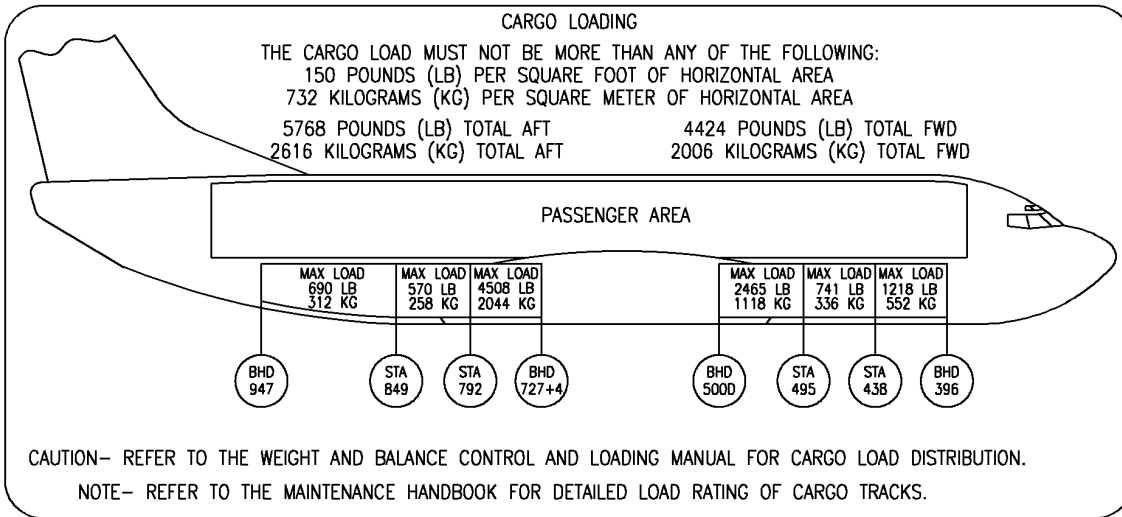
HAP
 JUN 10/07

11-37-02-04A

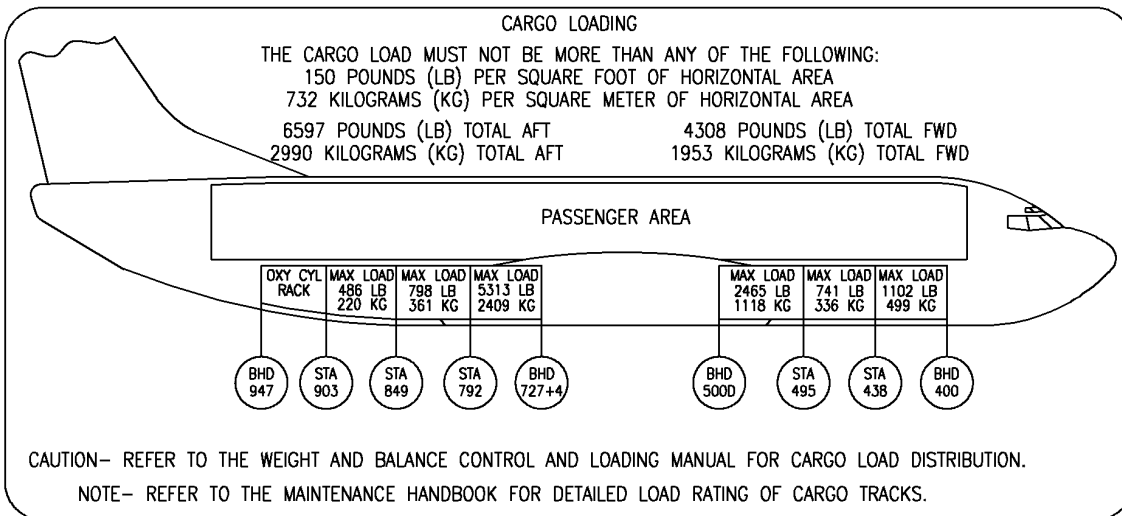
11-37-02-04A
 PAGE 0A

BOEING
737-600/700/800/900
PARTS CATALOG (MAINTENANCE)

15



20



E 11370204A SHT 3 REV 134

MARKER INSTL-CARGO COMPT LOADING
 FIGURE 4A (SHEET 3)

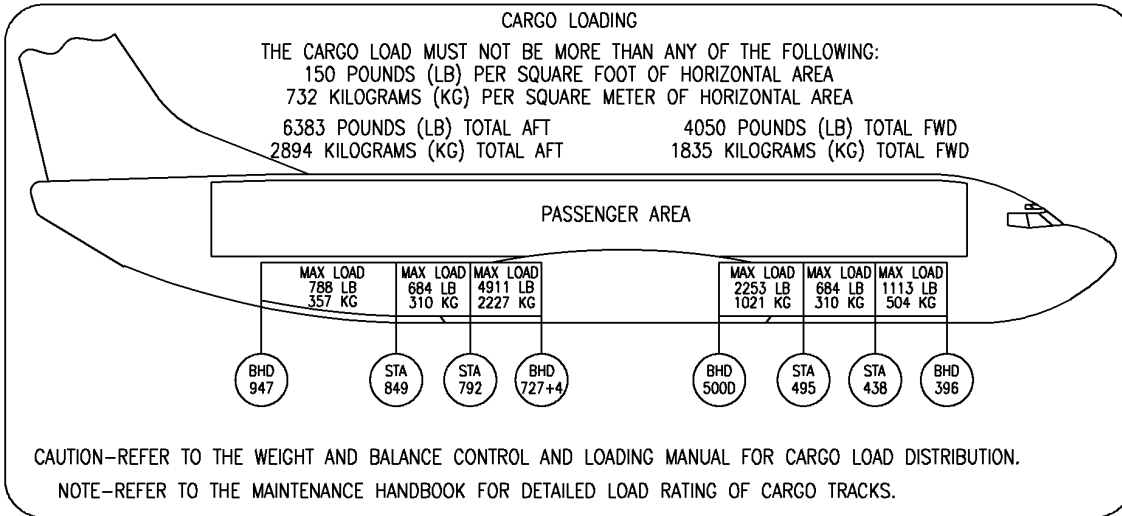
11-37-02-04A

HAP
 OCT 10/07

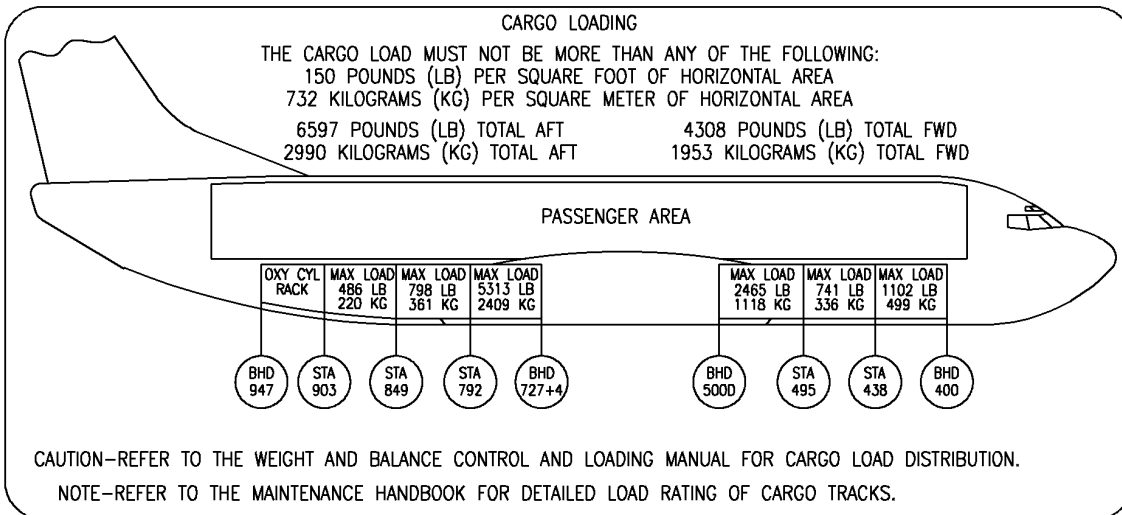
11-37-02-04A
 PAGE 0B

BOEING
737-600/700/800/900
PARTS CATALOG (MAINTENANCE)

25



30



E 11370204A SHT 4 REV 139

MARKER INSTL-CARGO COMPT LOADING
 FIGURE 4A (SHEET 4)

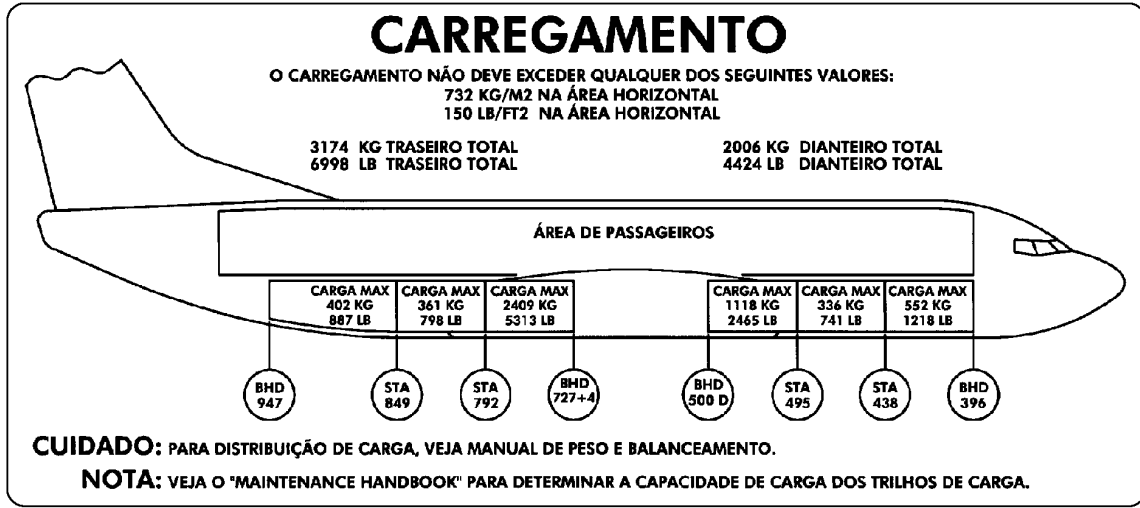
11-37-02-04A

HAP
 FEB 15/08

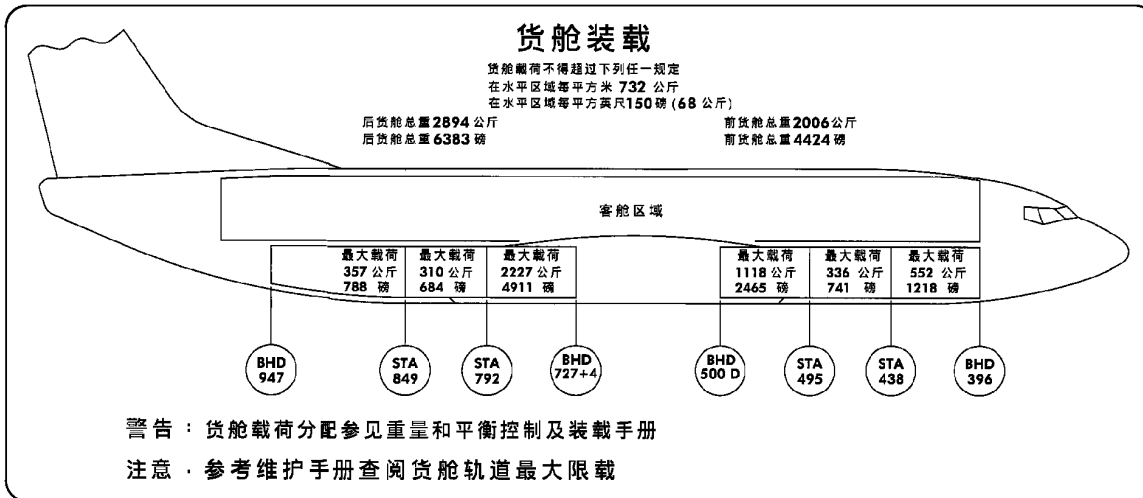
11-37-02-04A
 PAGE 0C

BOEING
737-600/700/800/900
PARTS CATALOG (MAINTENANCE)

35



40



E 11370204A SH1 5 REV 155

MARKER INSTL-CARGO COMPT LOADING
FIGURE 4A (SHEET 5)

11-37-02-04A

HAP
JUN 15/09

11-37-02-04A
PAGE 0D

BOEING PROPRIETARY - Copyright © - Unpublished Work - See title page for details.

BOEING
737-600/700/800/900
PARTS CATALOG (MAINTENANCE)

FIG ITEM	PART NUMBER	1 2 3 4 5 6 7	NOMENCLATURE	EFFECT FROM TO	UNITS PER ASSY
4 A			MARKER INSTL-CARGO COMPT LOADING	101200 968999	
- 1	MODREF323362		MARKER INSTL-CARGO COMPT LOADING	101200 968999	1
5	BAC27DCA825		MODULE NUMBER: 453A3700-110 REV A .MARKER	101200 968999	2

MISSING ITEM NUMBERS NOT APPLICABLE

- ITEM NOT ILLUSTRATED

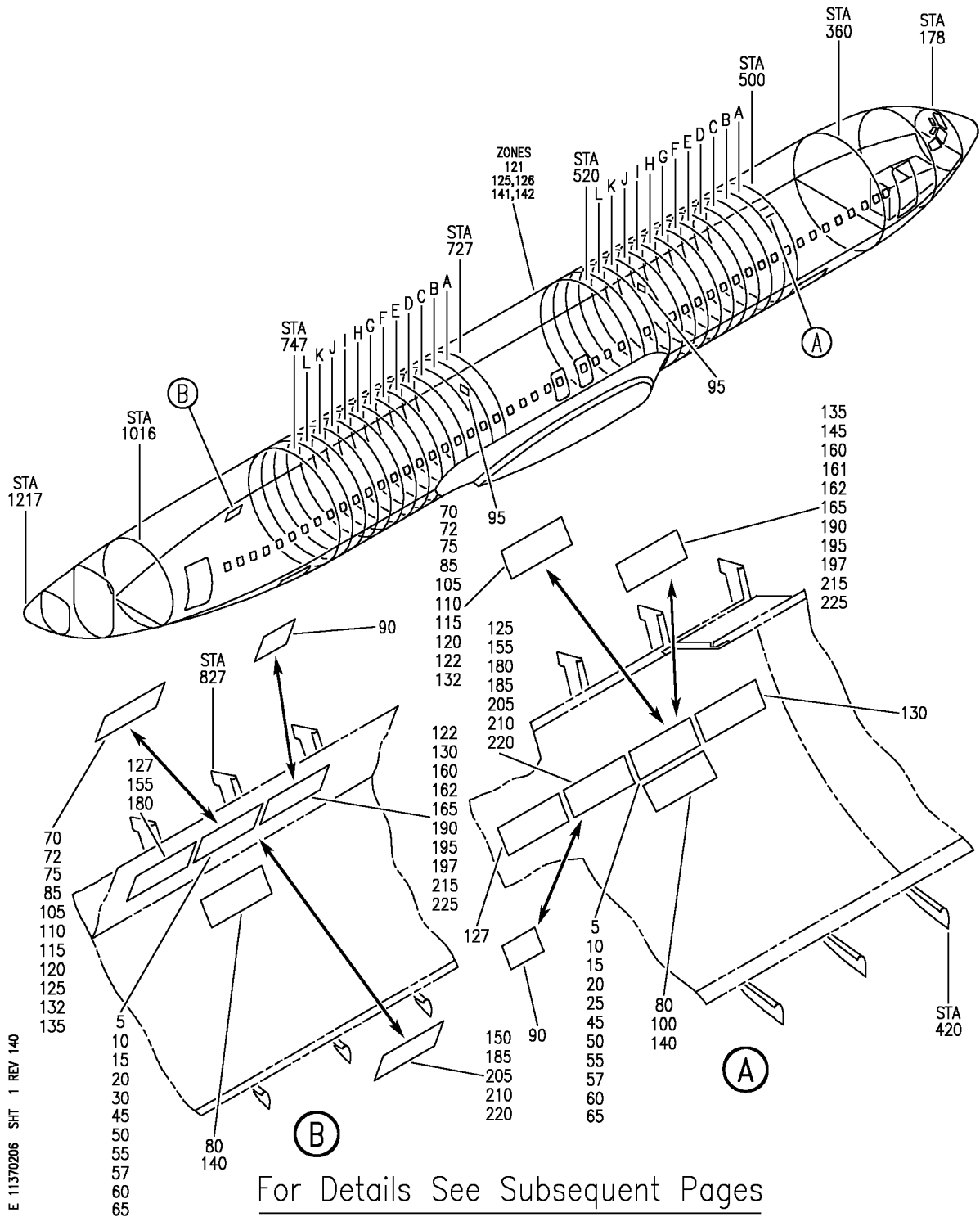
HAP

11-37-02-04A

BOEING PROPRIETARY - Copyright © - Unpublished Work - See title page for details.

11-37-02
FIG. 04A
PAGE 1
OCT 15/08

BOEING
737-600/700/800/900
PARTS CATALOG (MAINTENANCE)



E 11370206 SHT 1 REV 140

MARKER INSTL-CARGO COMPT LOADING 737-800 ONLY
 FIGURE 6 (SHEET 1)

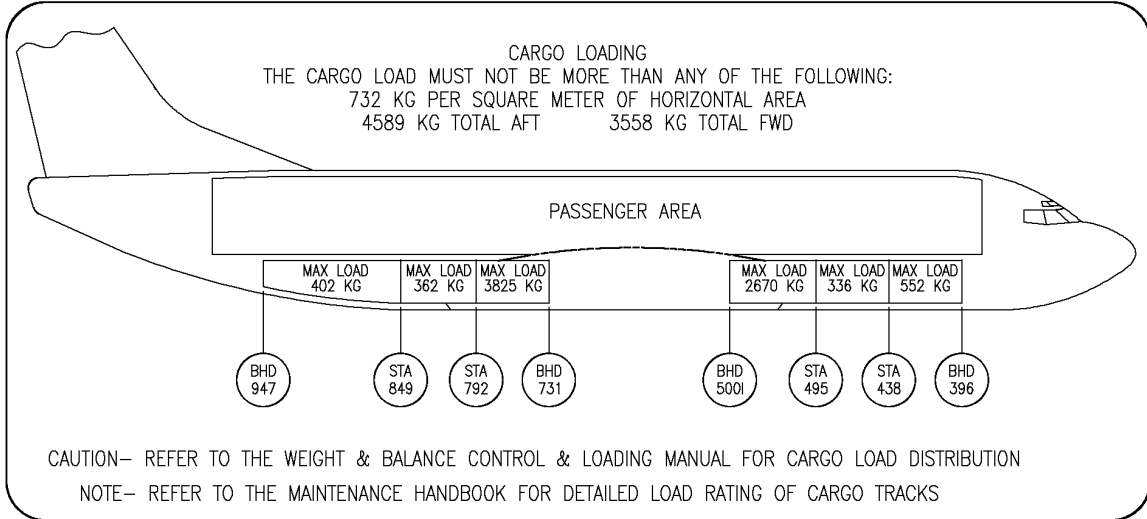
11-37-02-06

HAP
 JUN 15/08

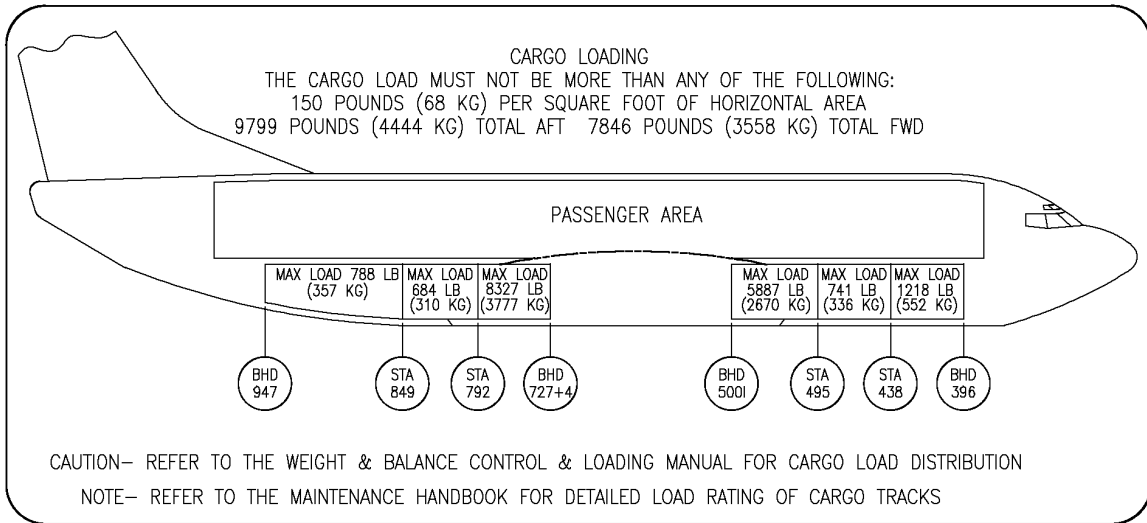
11-37-02-06
 PAGE 0

BOEING
737-600/700/800/900
PARTS CATALOG (MAINTENANCE)

5



10



E 11370206 SH 2 REV 068

MARKER INSTL-CARGO COMPT LOADING 737-800 ONLY
 FIGURE 6 (SHEET 2)

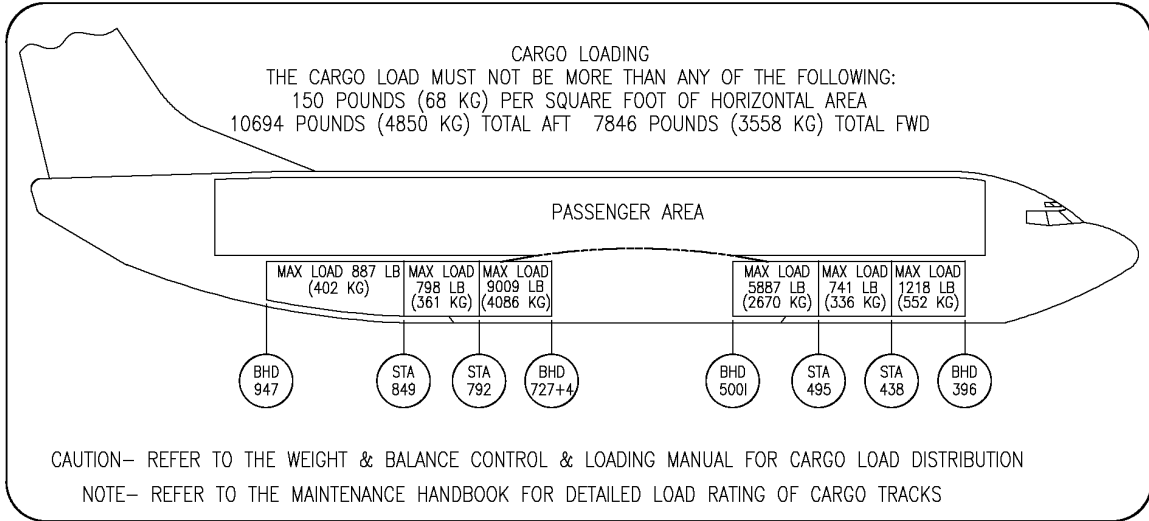
11-37-02-06

HAP
 OCT 10/06

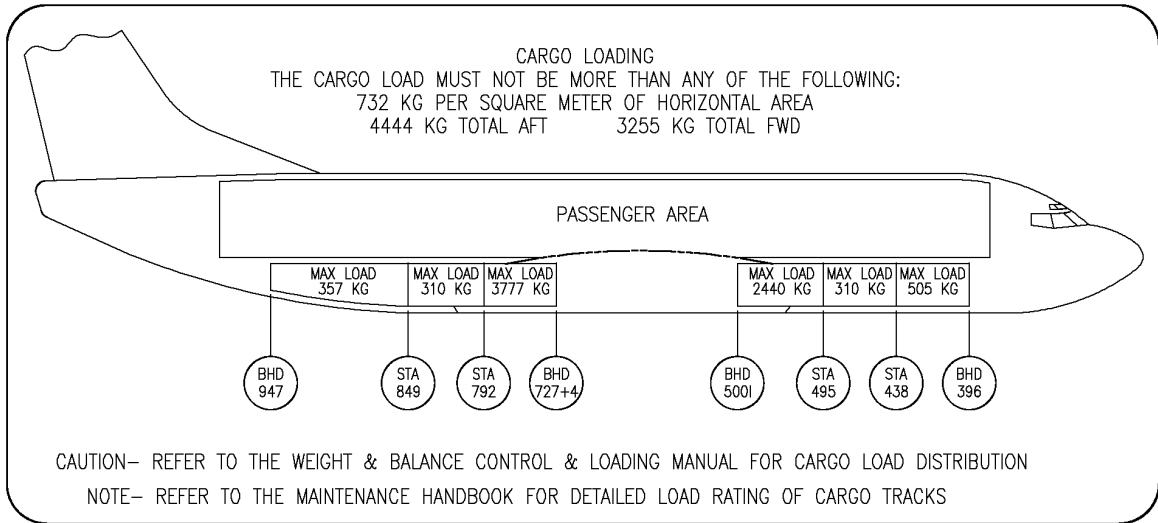
11-37-02-06
 PAGE 0A

BOEING
737-600/700/800/900
PARTS CATALOG (MAINTENANCE)

15



20



E 11370206 SH 3 REV 069

MARKER INSTL-CARGO COMPT LOADING 737-800 ONLY
 FIGURE 6 (SHEET 3)

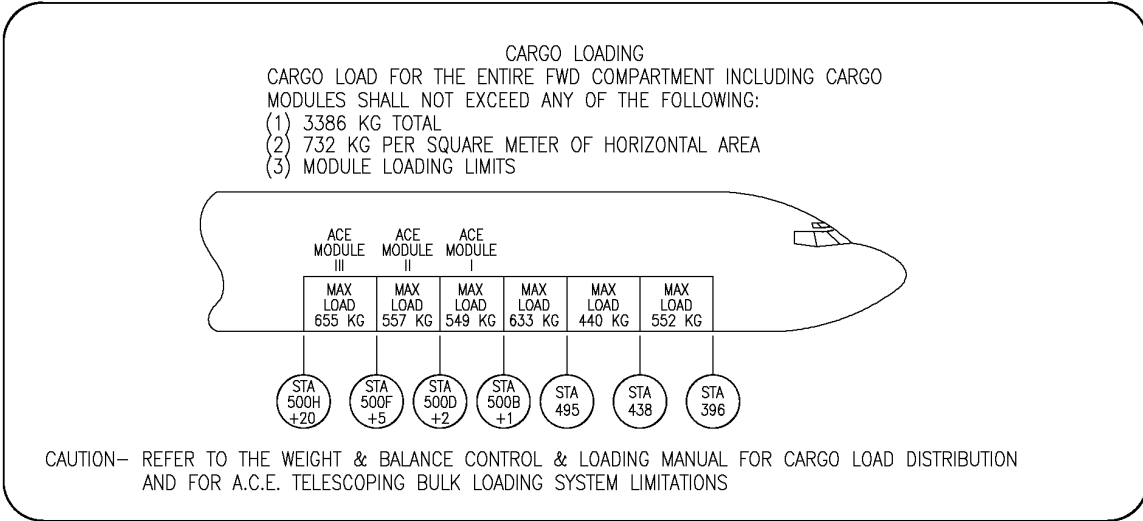
11-37-02-06

HAP
 OCT 10/06

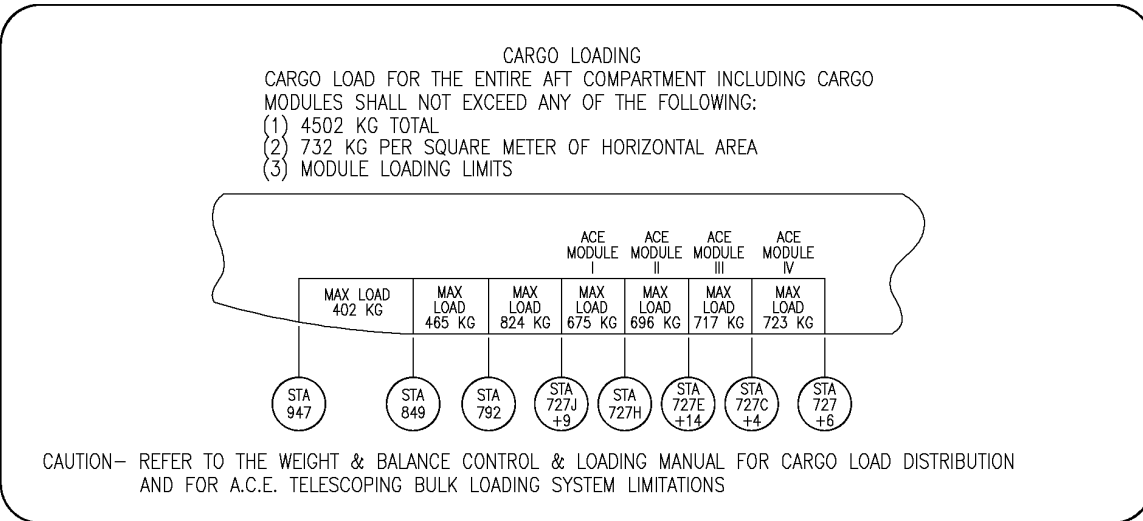
11-37-02-06
 PAGE 08

BOEING
737-600/700/800/900
PARTS CATALOG (MAINTENANCE)

25



30



E 11370206 SHT 4 REV 069

MARKER INSTL-CARGO COMPT LOADING 737-800 ONLY
 FIGURE 6 (SHEET 4)

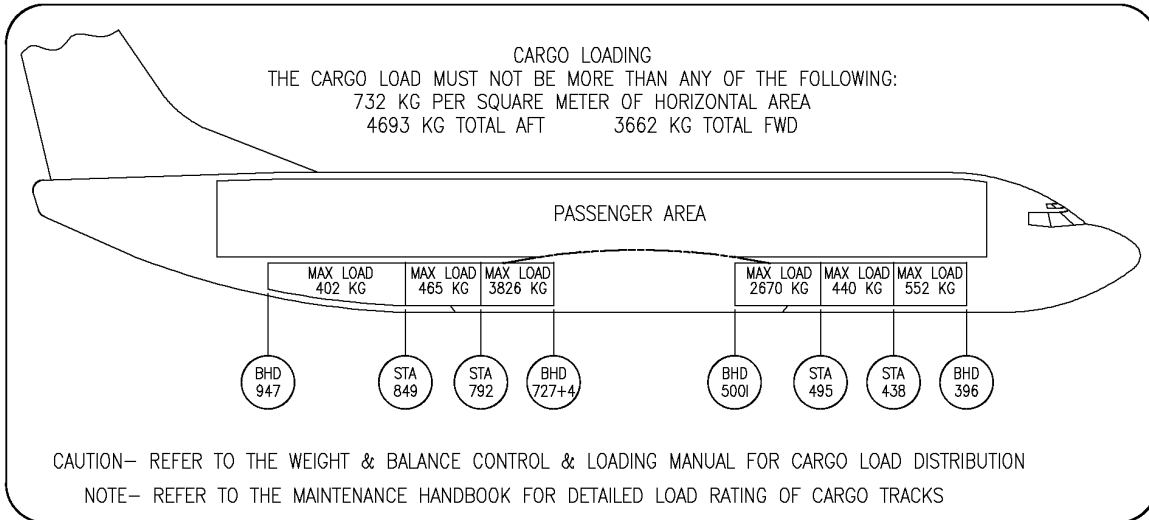
11-37-02-06

HAP
 OCT 10/06

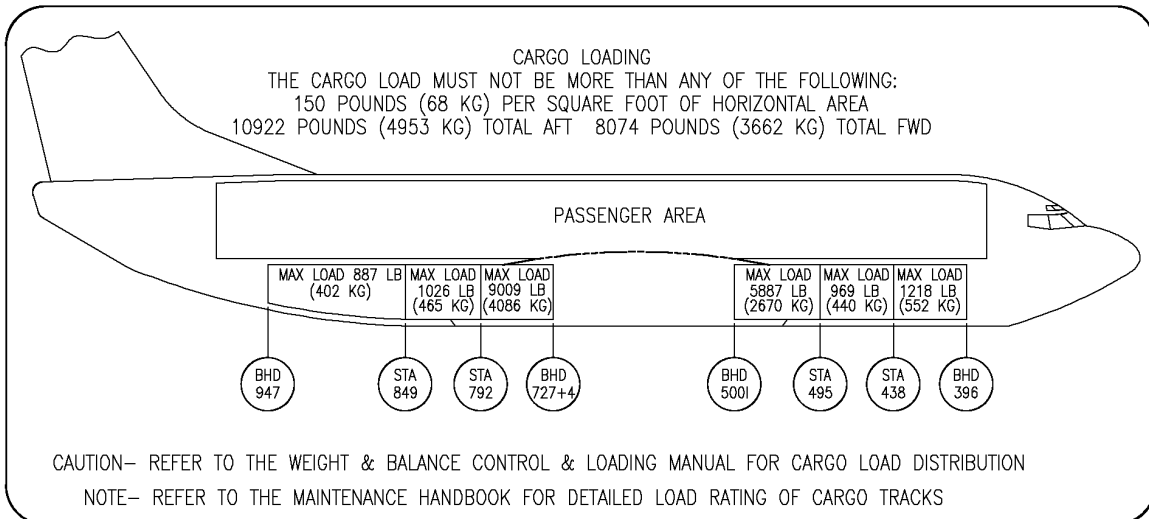
11-37-02-06
 PAGE 0C

BOEING
737-600/700/800/900
PARTS CATALOG (MAINTENANCE)

45



50



E 11-37-02-06 SH 5 REV 071

MARKER INSTL-CARGO COMPT LOADING 737-800 ONLY
 FIGURE 6 (SHEET 5)

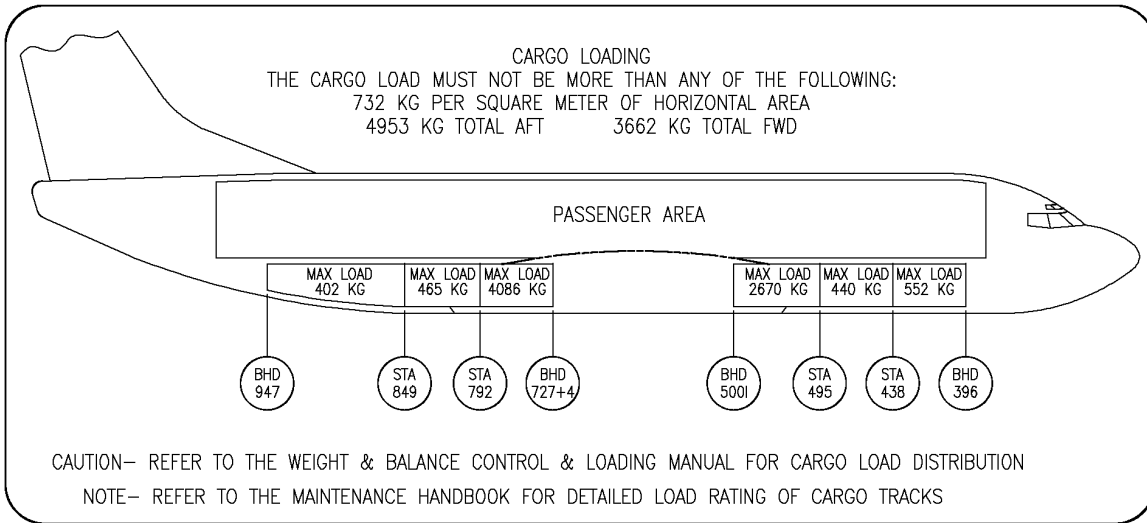
11-37-02-06

HAP
 OCT 10/06

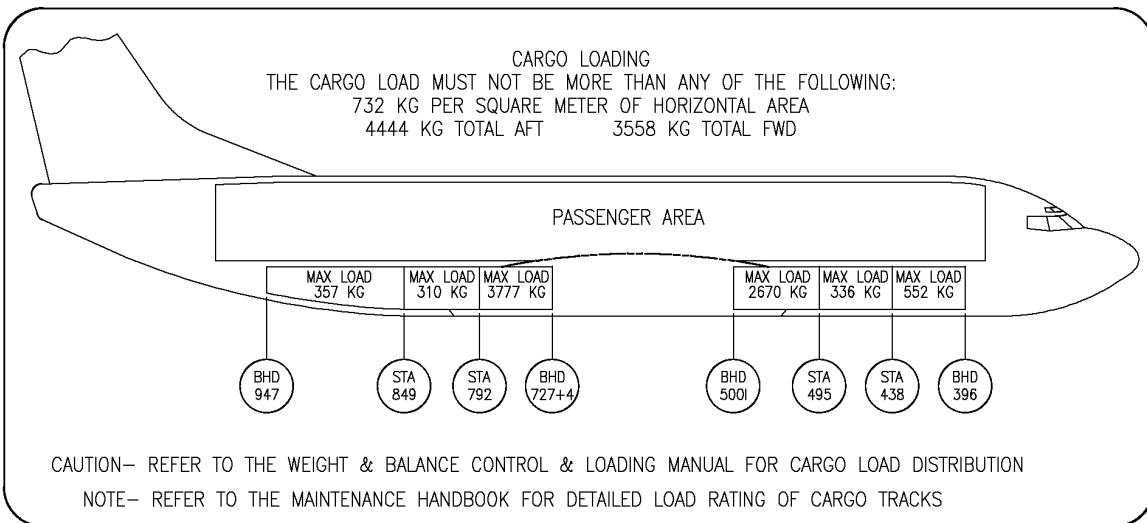
11-37-02-06
 PAGE 0D

BOEING
737-600/700/800/900
PARTS CATALOG (MAINTENANCE)

55



57
125



E 11370206 SHT 6 REV 071

MARKER INSTL-CARGO COMPT LOADING 737-800 ONLY
 FIGURE 6 (SHEET 6)

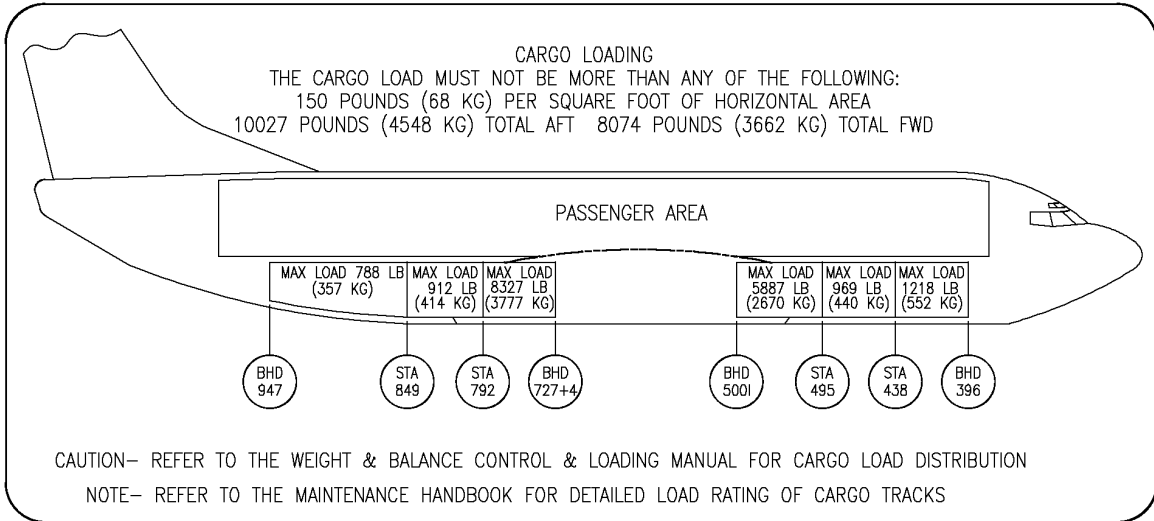
11-37-02-06

HAP
OCT 10/06

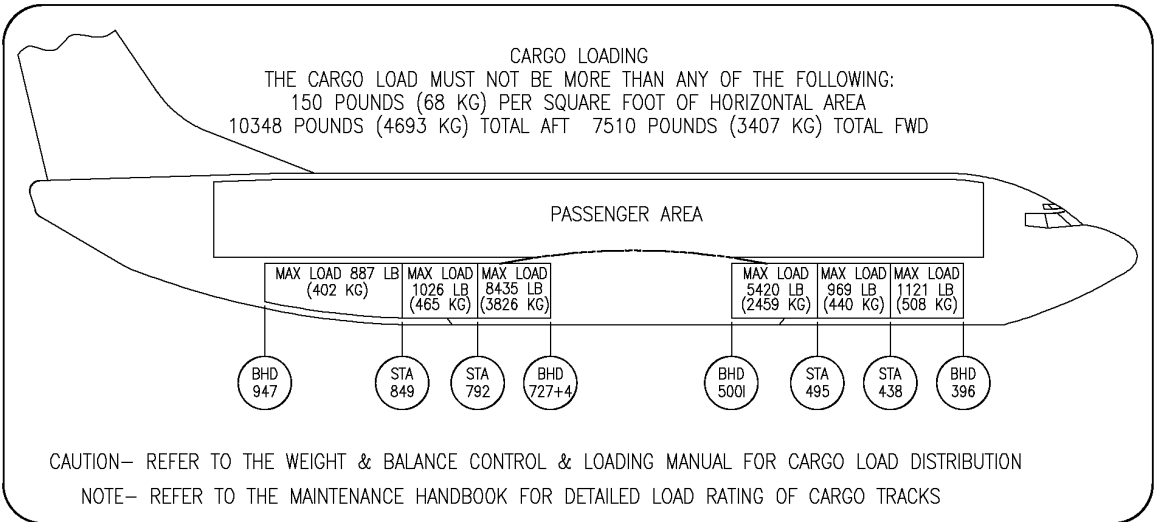
11-37-02-06
PAGE 0E

BOEING
737-600/700/800/900
PARTS CATALOG (MAINTENANCE)

60



65



E 11370206 SHT 7 REV 071

MARKER INSTL-CARGO COMPT LOADING 737-800 ONLY
 FIGURE 6 (SHEET 7)

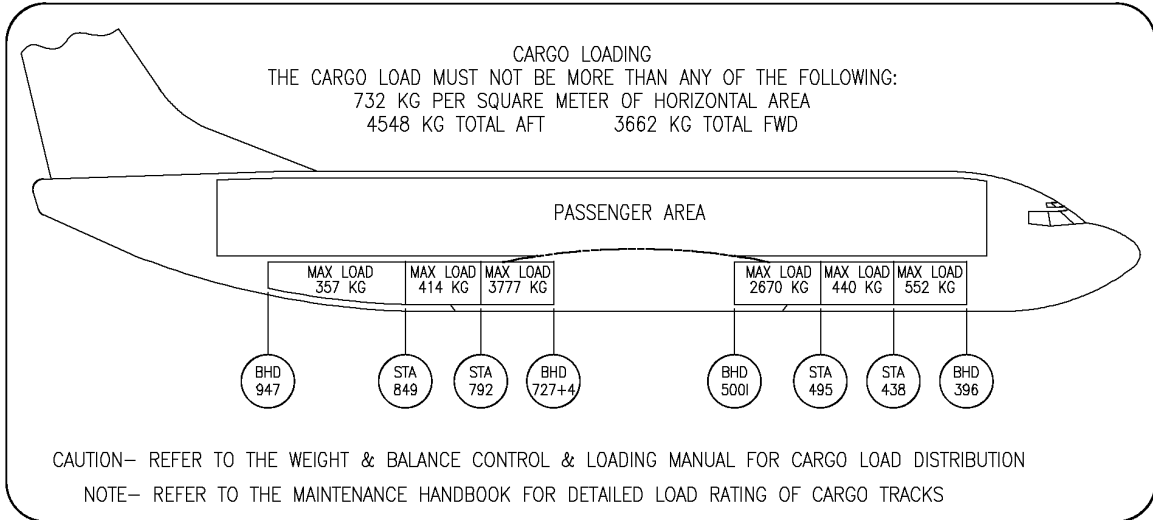
11-37-02-06

HAP
 OCT 10/06

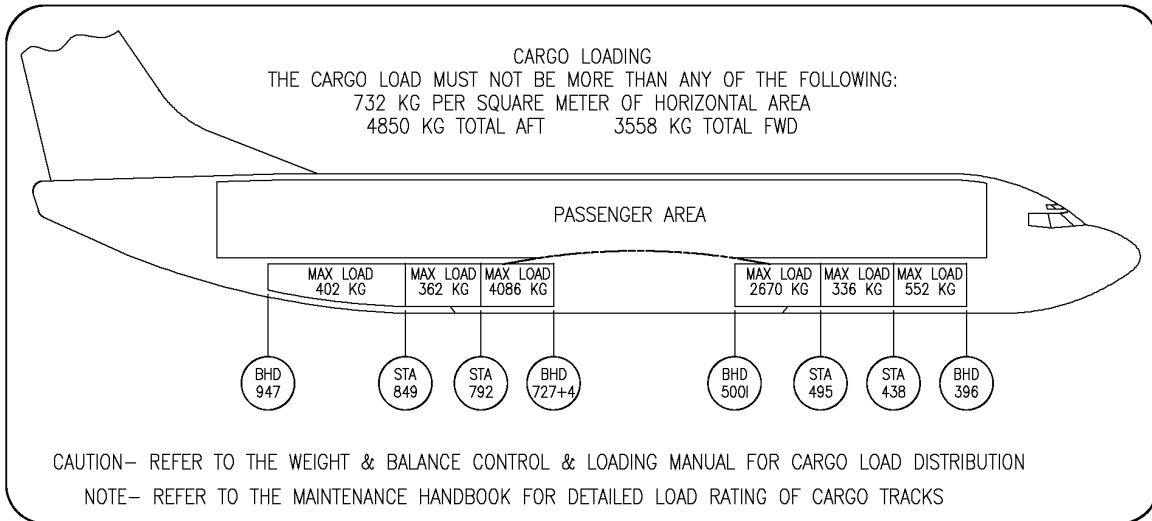
11-37-02-06
 PAGE OF

BOEING
737-600/700/800/900
PARTS CATALOG (MAINTENANCE)

70



72
120



E 11370206 SH1 8 REV 071

MARKER INSTL-CARGO COMPT LOADING 737-800 ONLY
 FIGURE 6 (SHEET 8)

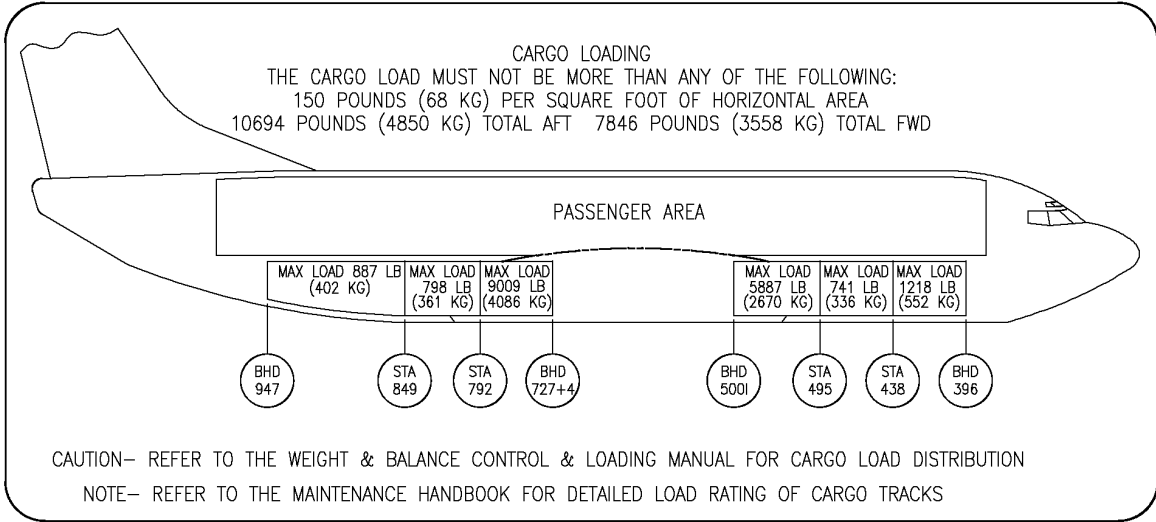
11-37-02-06

HAP
OCT 10/06

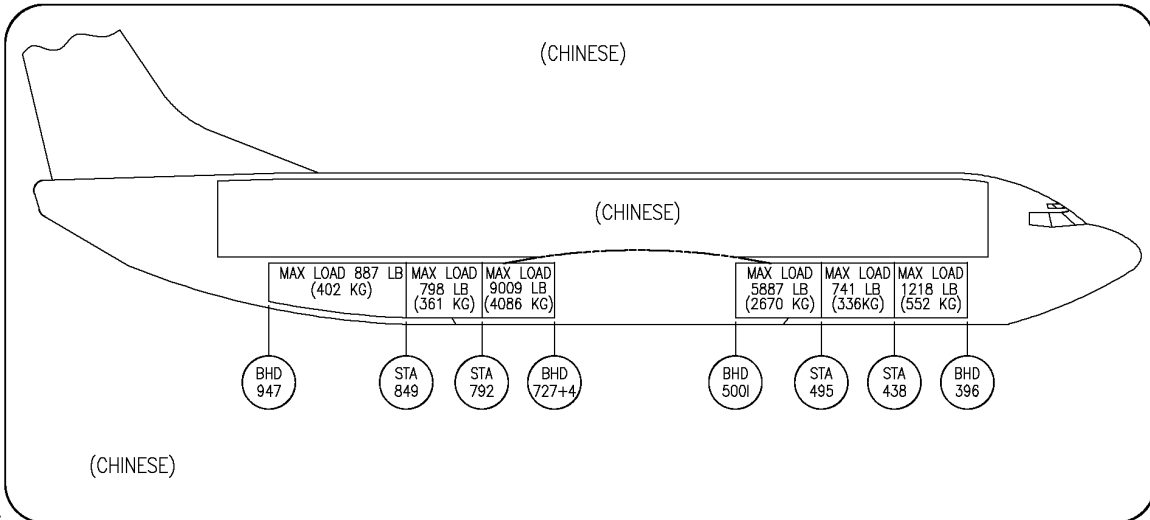
11-37-02-06
PAGE 06

BOEING
737-600/700/800/900
PARTS CATALOG (MAINTENANCE)

75



80



E 11370206 SHT 9 REV 071

MARKER INSTL-CARGO COMPT LOADING 737-800 ONLY
 FIGURE 6 (SHEET 9)

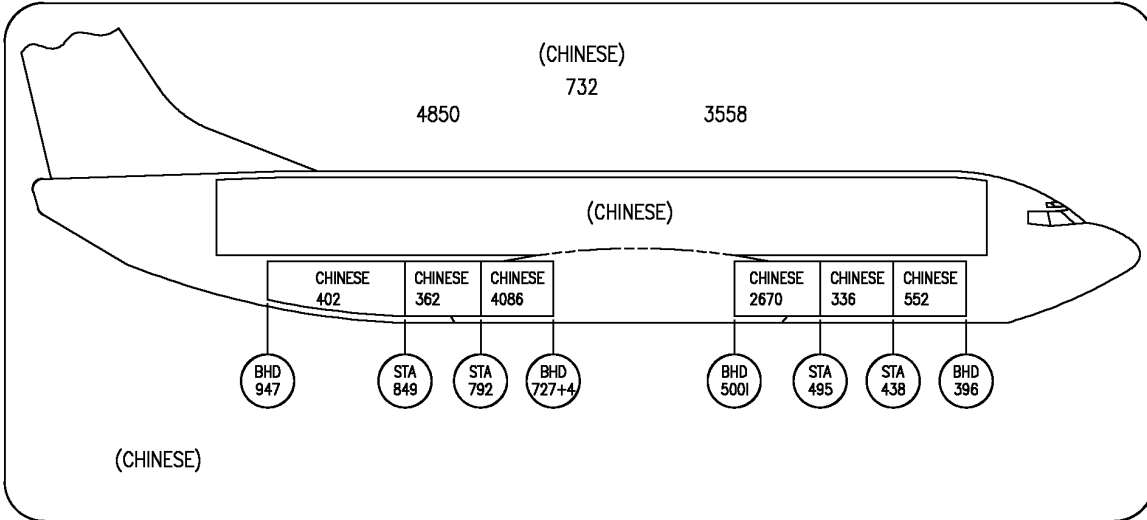
11-37-02-06

HAP
 OCT 10/06

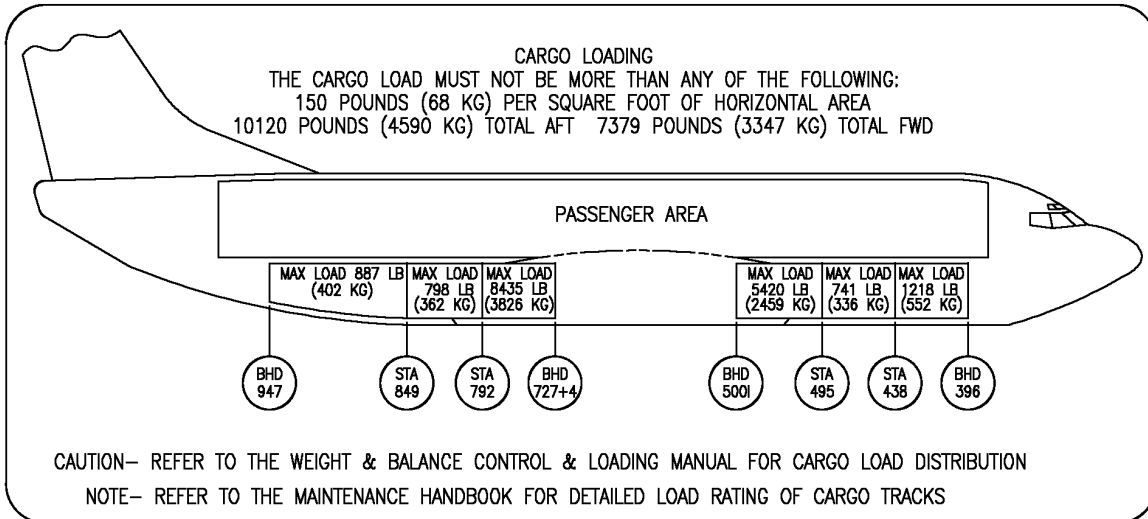
11-37-02-06
 PAGE 0H

BOEING
737-600/700/800/900
PARTS CATALOG (MAINTENANCE)

85



105



E 11370206 SHT 10 REV 089

MARKER INSTL-CARGO COMPT LOADING 737-800 ONLY
 FIGURE 6 (SHEET 10)

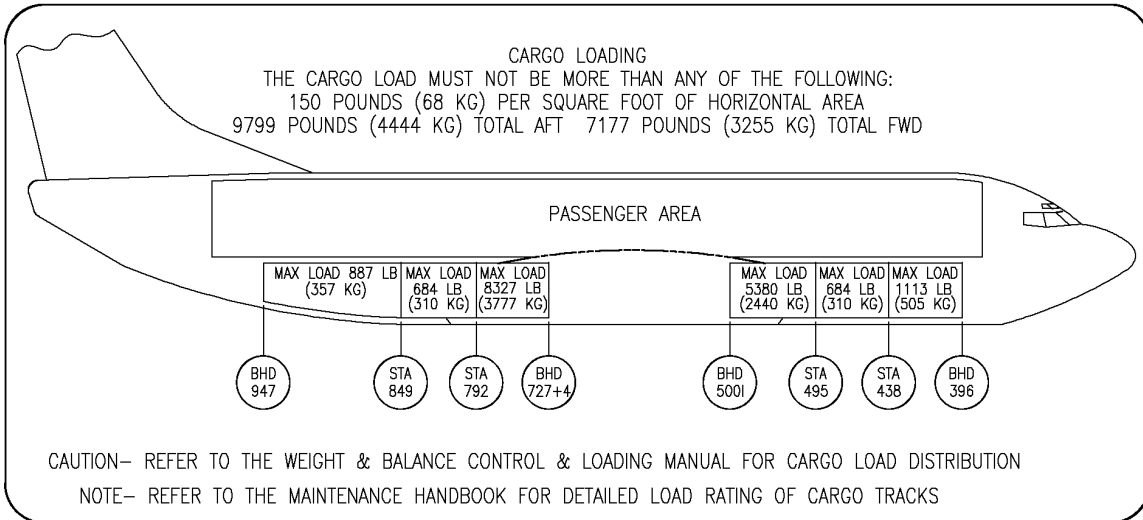
11-37-02-06

HAP
 OCT 10/06

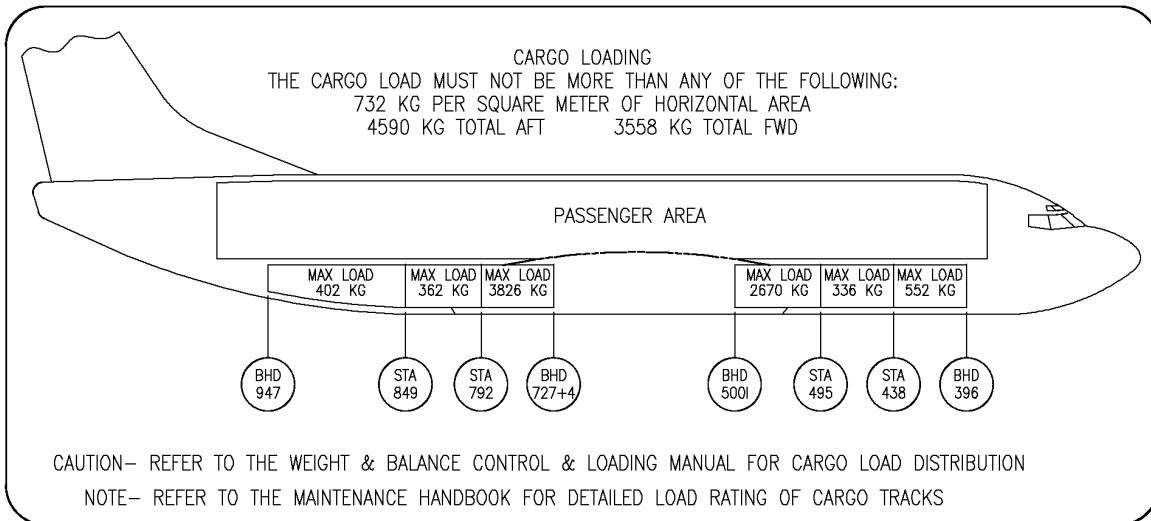
11-37-02-06
 PAGE 01

BOEING
737-600/700/800/900
PARTS CATALOG (MAINTENANCE)

110



115



E 11370206 SHT 11 REV 071

MARKER INSTL-CARGO COMPT LOADING 737-800 ONLY
 FIGURE 6 (SHEET 11)

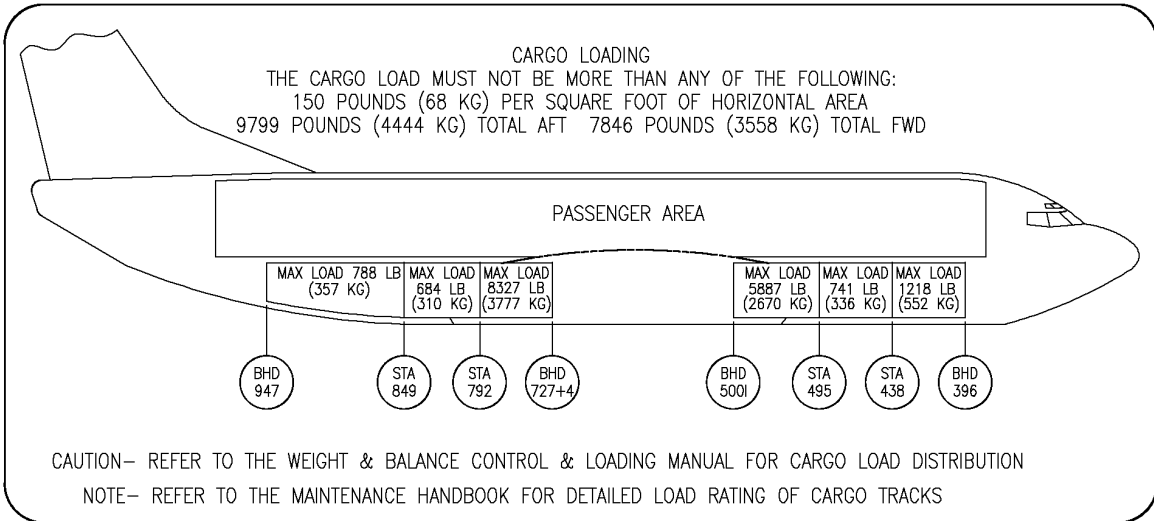
11-37-02-06

HAP
 OCT 10/06

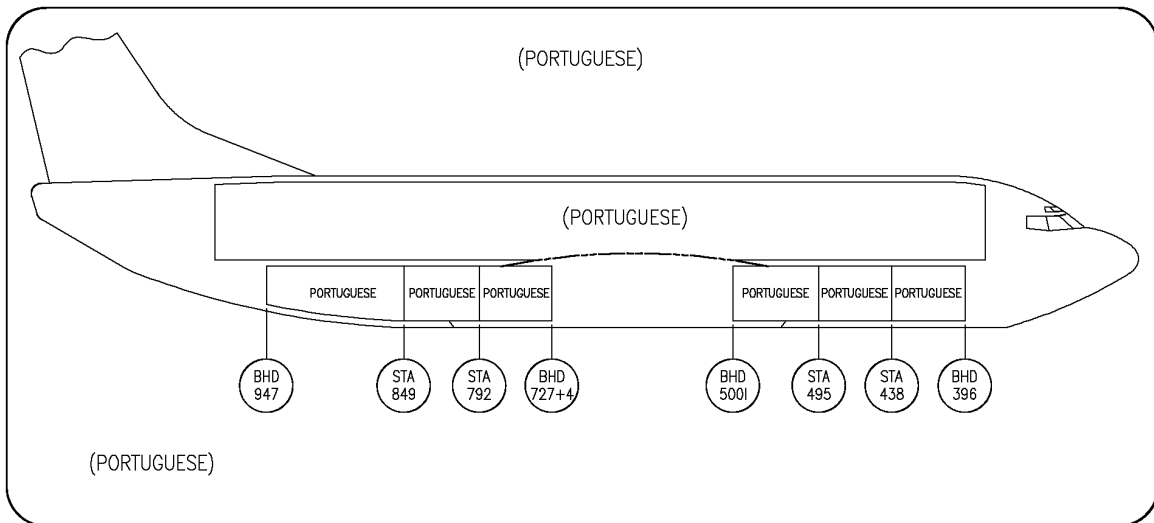
11-37-02-06
 PAGE 0J

BOEING
737-600/700/800/900
PARTS CATALOG (MAINTENANCE)

130



132



E 11370206 SHT 12 REV 071

MARKER INSTL-CARGO COMPT LOADING 737-800 ONLY
 FIGURE 6 (SHEET 12)

11-37-02-06

HAP
 OCT 10/06

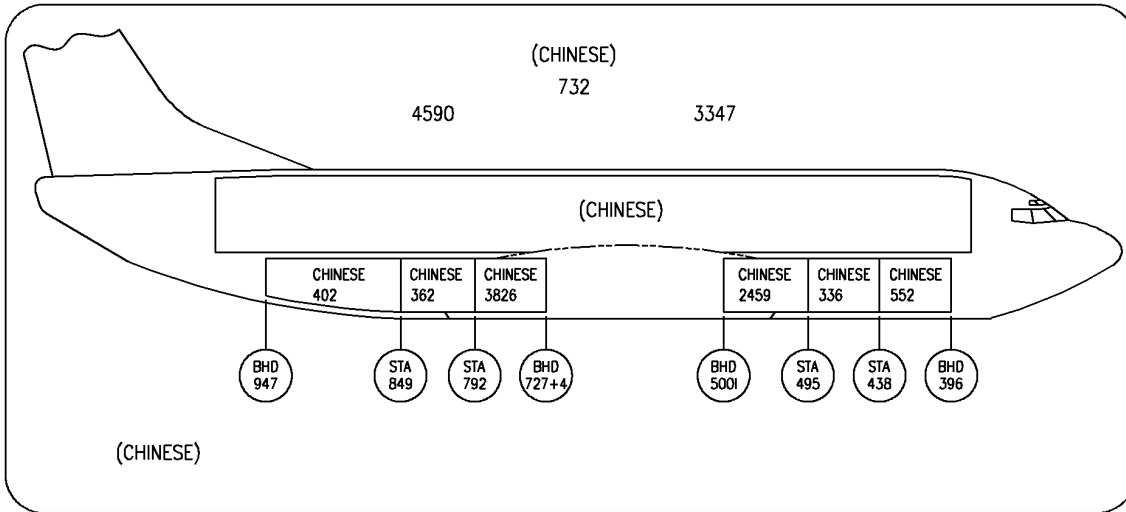
11-37-02-06
 PAGE OK

BOEING

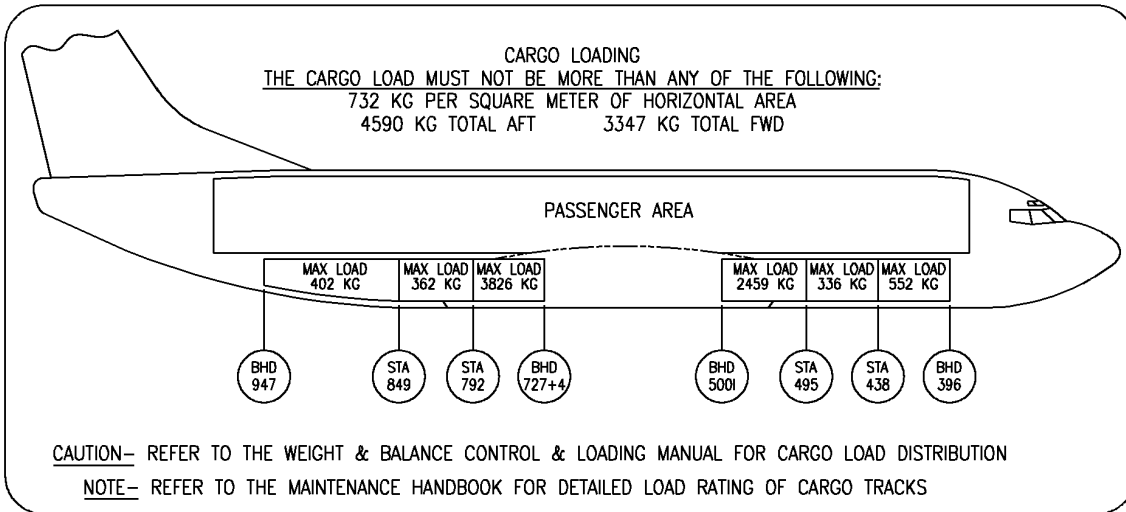
737-600/700/800/900

PARTS CATALOG (MAINTENANCE)

135
180



140



E 11370206 SHT 13 REV 111

MARKER INSTL-CARGO COMPT LOADING 737-800 ONLY
 FIGURE 6 (SHEET 13)

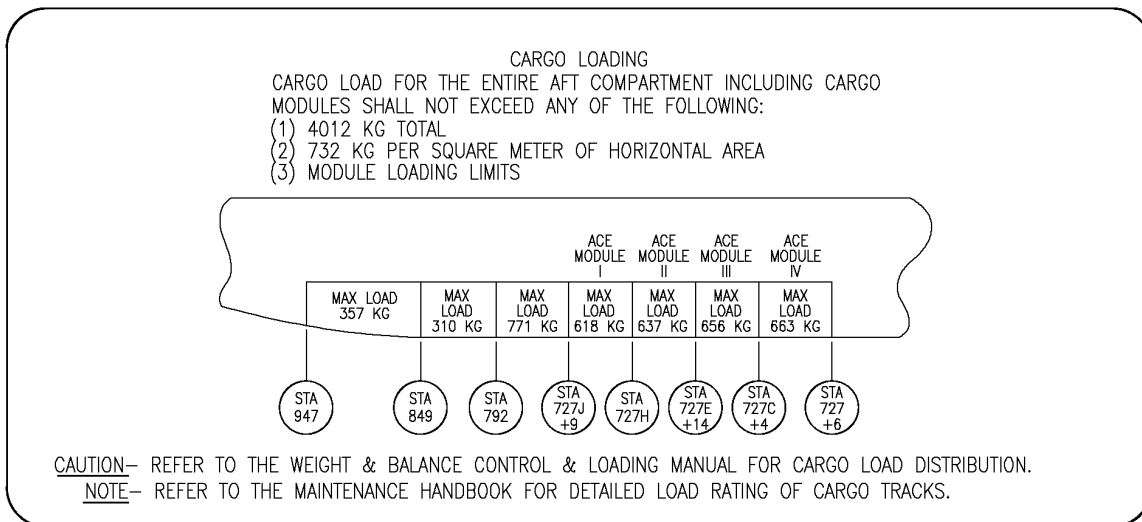
11-37-02-06

HAP
 OCT 10/06

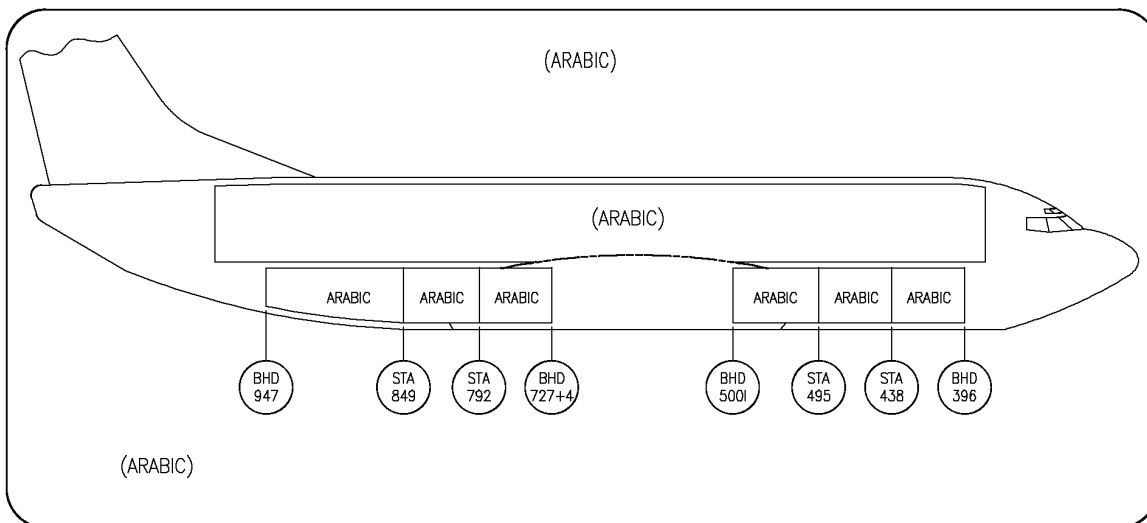
11-37-02-06
 PAGE 01

BOEING
737-600/700/800/900
PARTS CATALOG (MAINTENANCE)

150



155



E 11370206 SHT 14 REV 071

MARKER INSTL-CARGO COMPT LOADING 737-800 ONLY
 FIGURE 6 (SHEET 14)

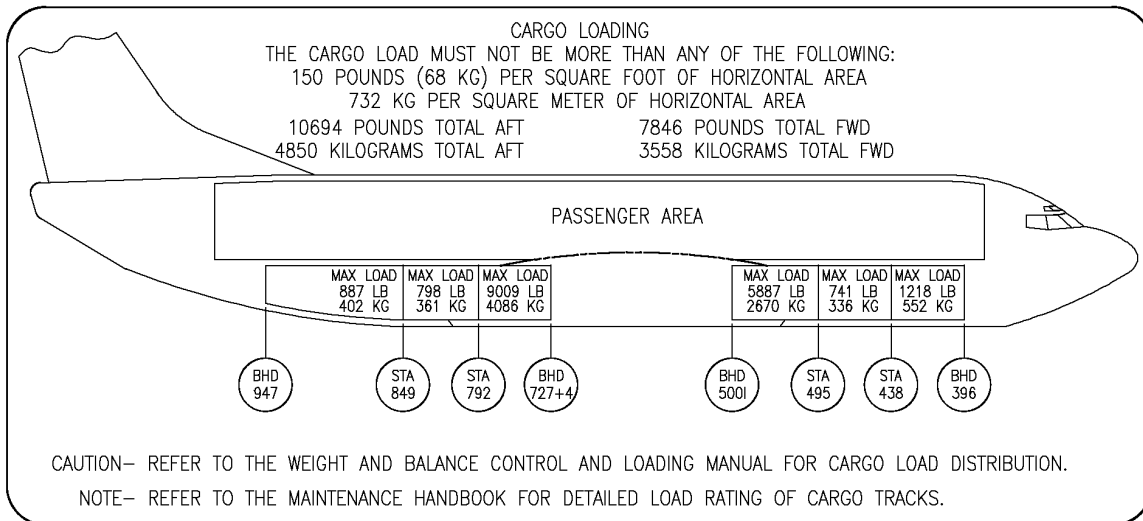
11-37-02-06

HAP
OCT 10/06

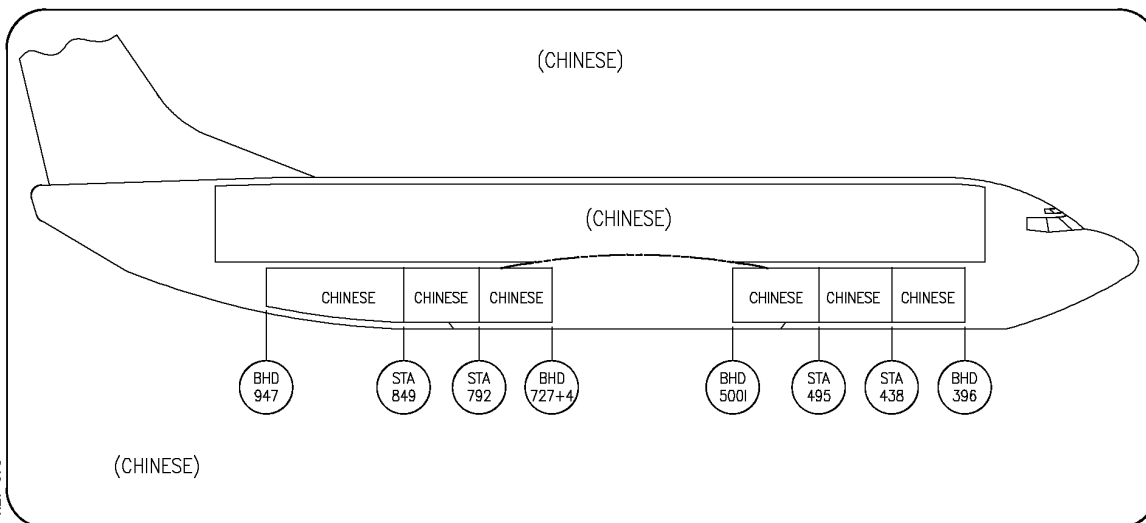
11-37-02-06
PAGE 0M

BOEING
737-600/700/800/900
PARTS CATALOG (MAINTENANCE)

160



205



E 11370206 SH1 15 REV 073

MARKER INSTL-CARGO COMPT LOADING 737-800 ONLY
 FIGURE 6 (SHEET 15)

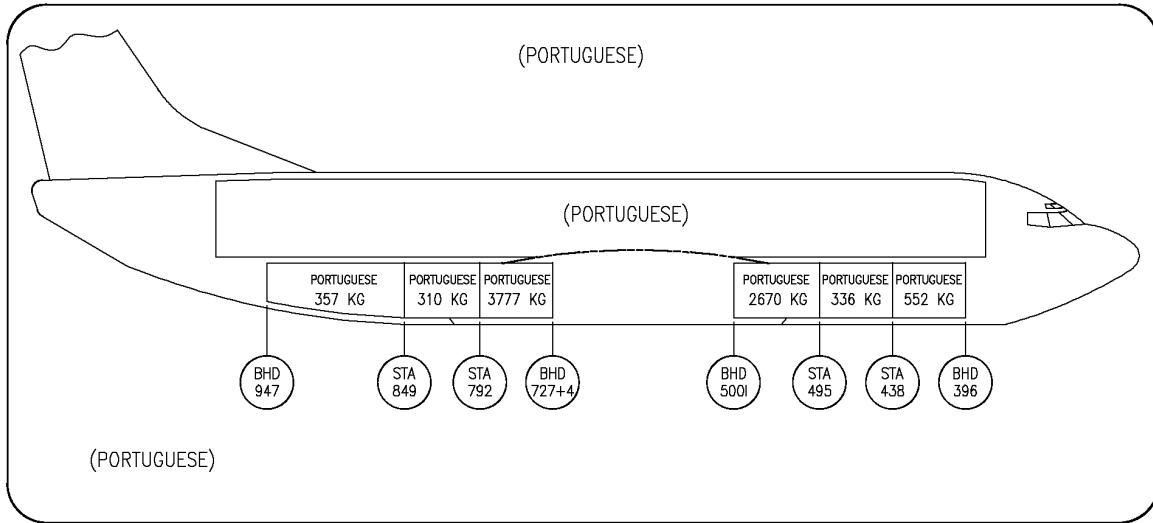
11-37-02-06

HAP
 OCT 10/06

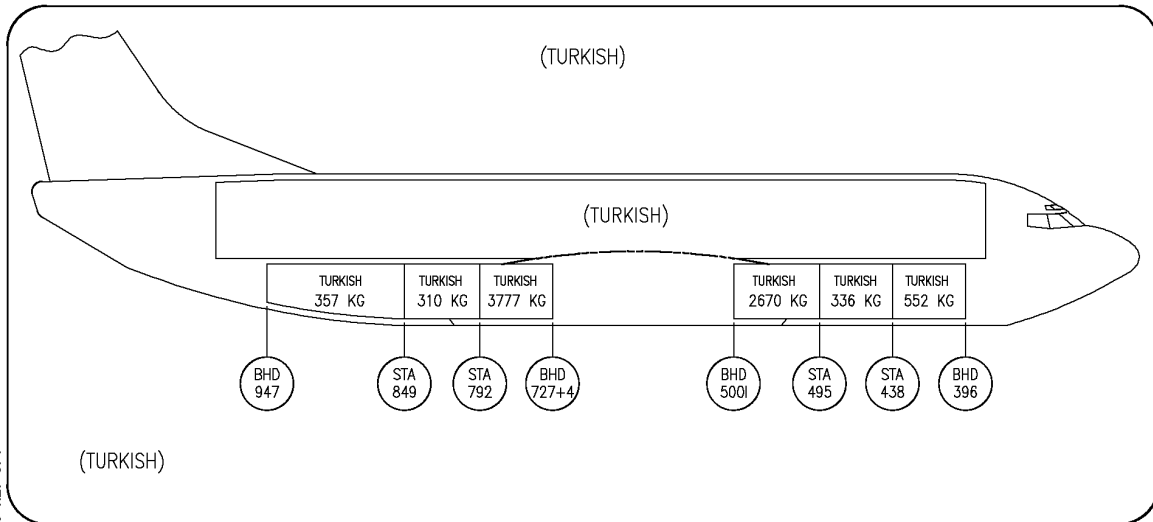
11-37-02-06
 PAGE ON

BOEING
737-600/700/800/900
PARTS CATALOG (MAINTENANCE)

210



122



E 11370206 SH1 16 REV 074

MARKER INSTL-CARGO COMPT LOADING 737-800 ONLY
 FIGURE 6 (SHEET 16)

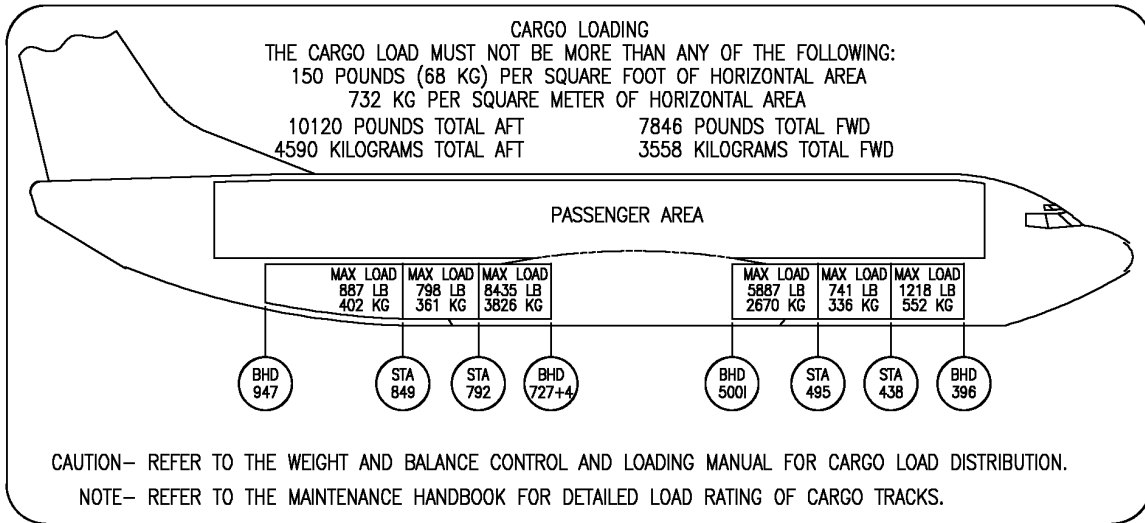
11-37-02-06

HAP
 OCT 10/06

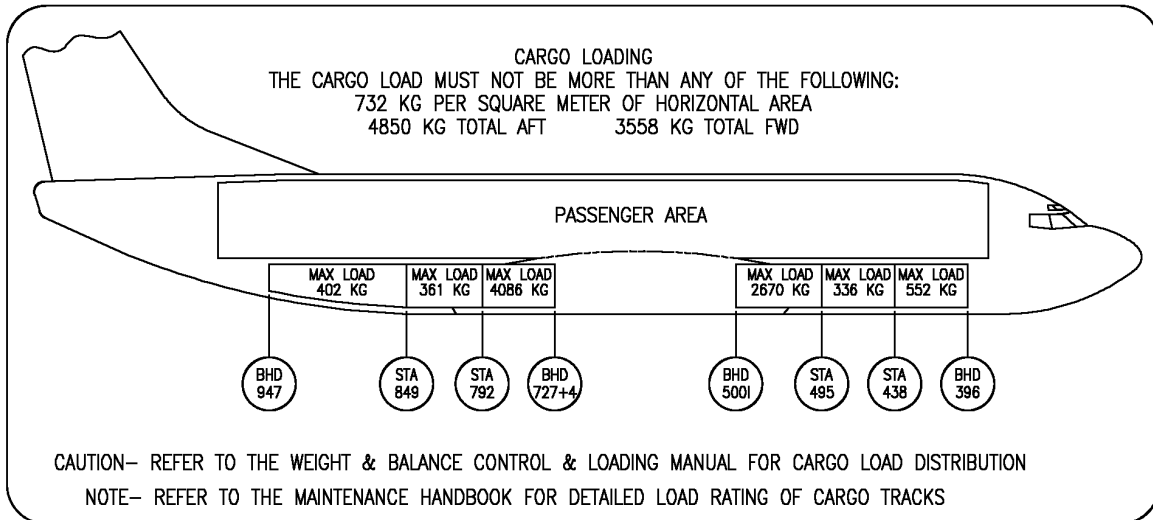
11-37-02-06
 PAGE 00

BOEING
737-600/700/800/900
PARTS CATALOG (MAINTENANCE)

162



165



E 11370206 SH1 17 REV 083

MARKER INSTL-CARGO COMPT LOADING 737-800 ONLY
 FIGURE 6 (SHEET 17)

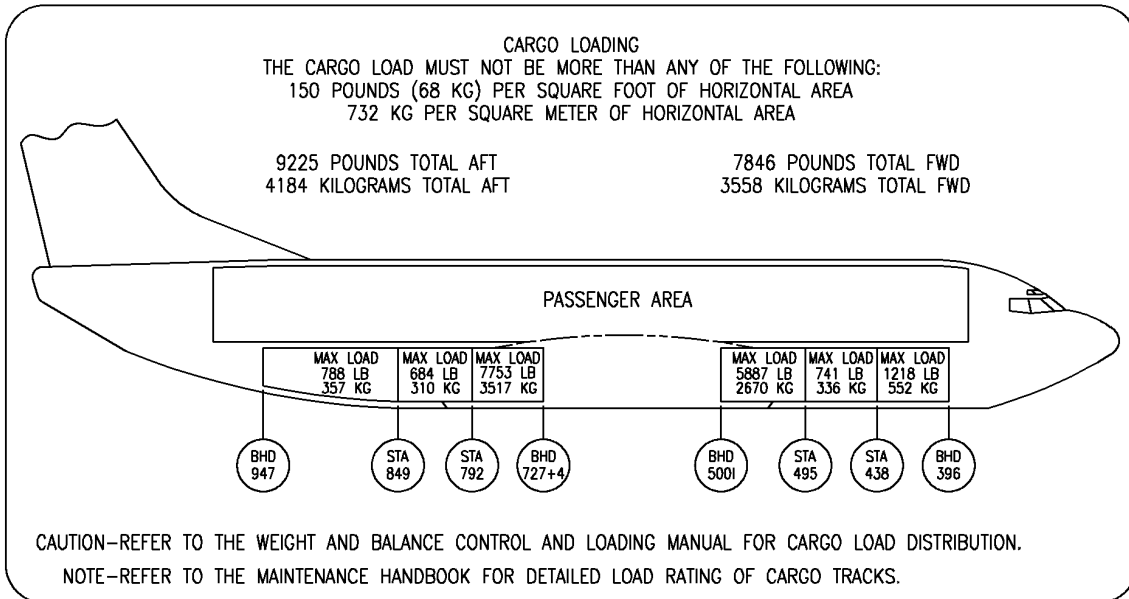
11-37-02-06

HAP
 OCT 10/06

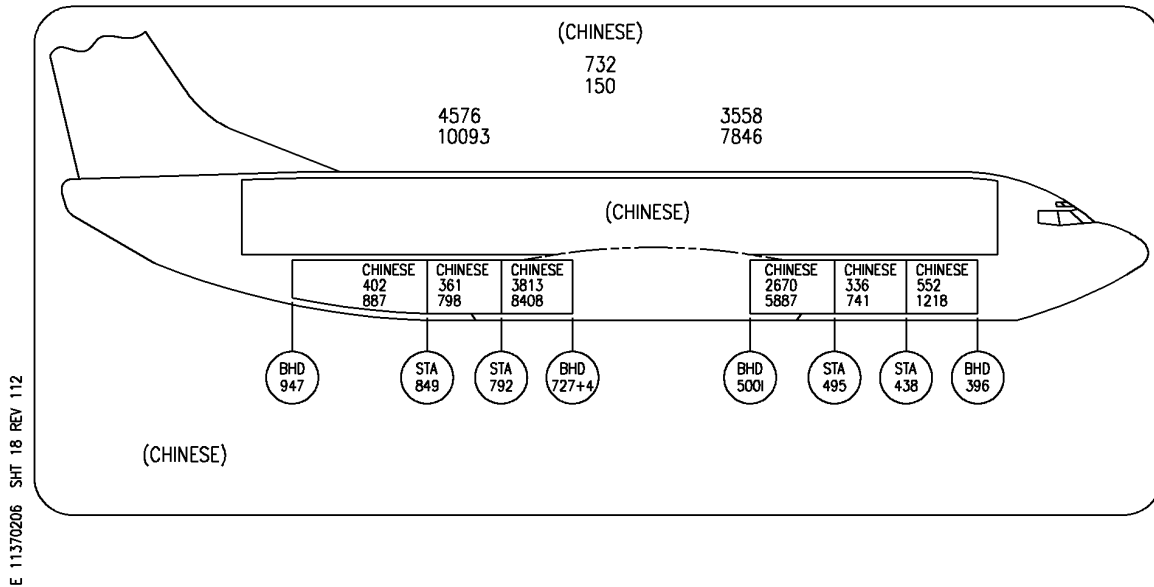
11-37-02-06
 PAGE 0P

BOEING
737-600/700/800/900
PARTS CATALOG (MAINTENANCE)

161



185



MARKER INSTL-CARGO COMPT LOADING 737-800 ONLY
 FIGURE 6 (SHEET 18)

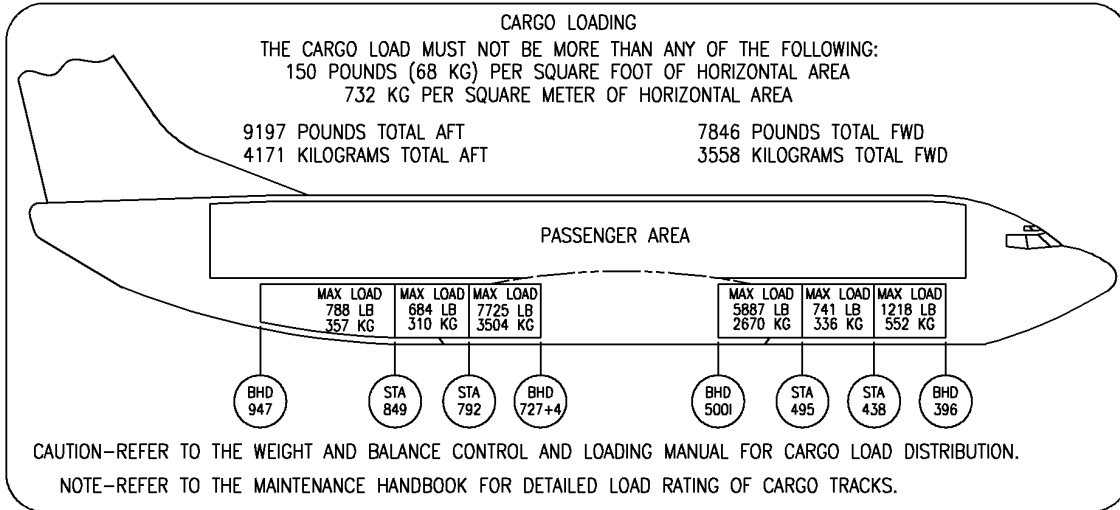
11-37-02-06

HAP
 OCT 10/06

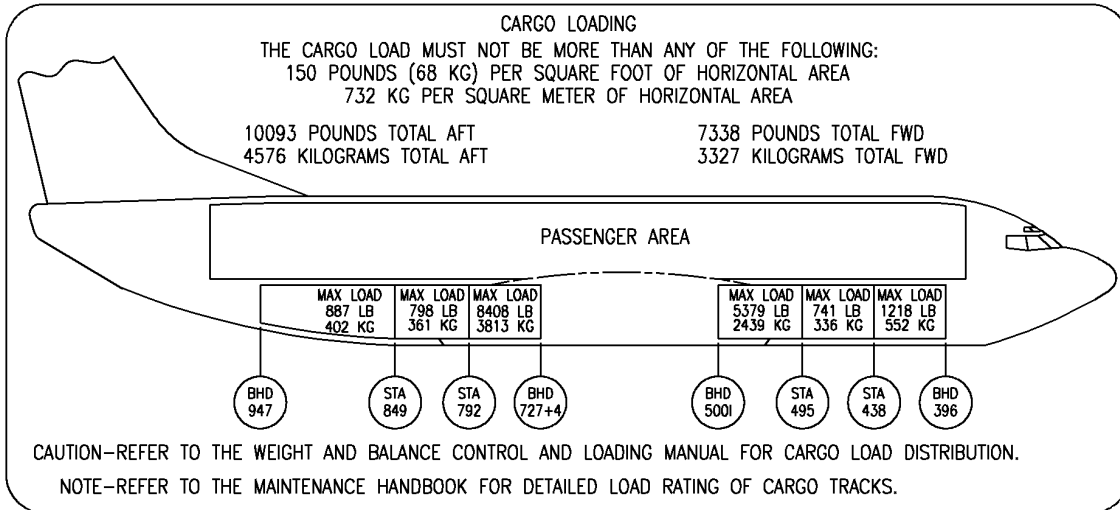
11-37-02-06
 PAGE 00

BOEING
737-600/700/800/900
PARTS CATALOG (MAINTENANCE)

190



215



E 11370206 SH1 19 REV 112

MARKER INSTL-CARGO COMPT LOADING 737-800 ONLY
 FIGURE 6 (SHEET 19)

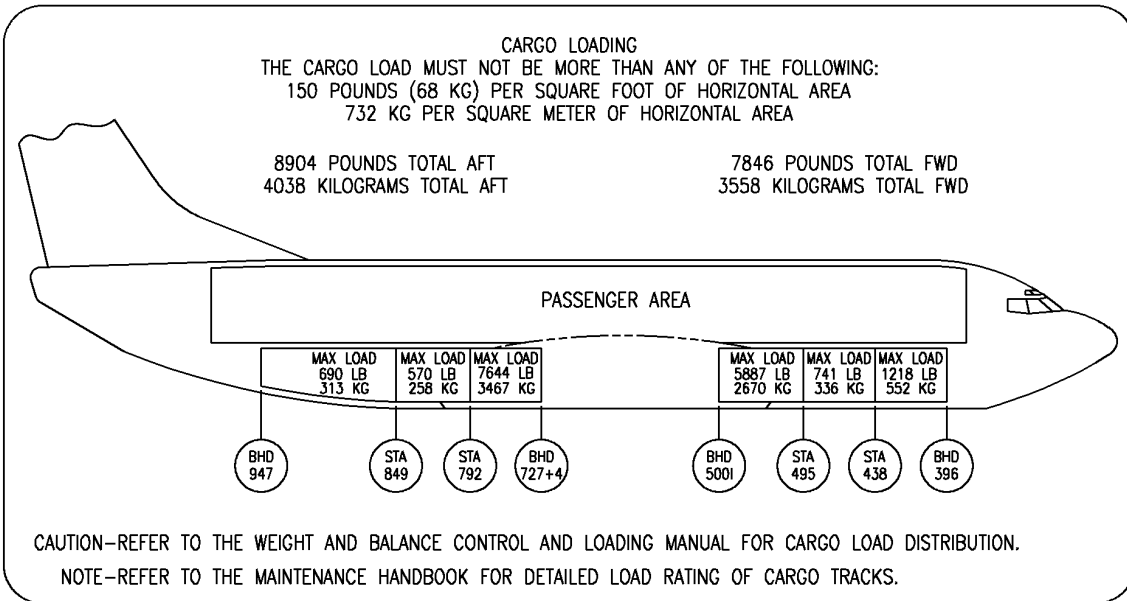
11-37-02-06

HAP
 OCT 10/06

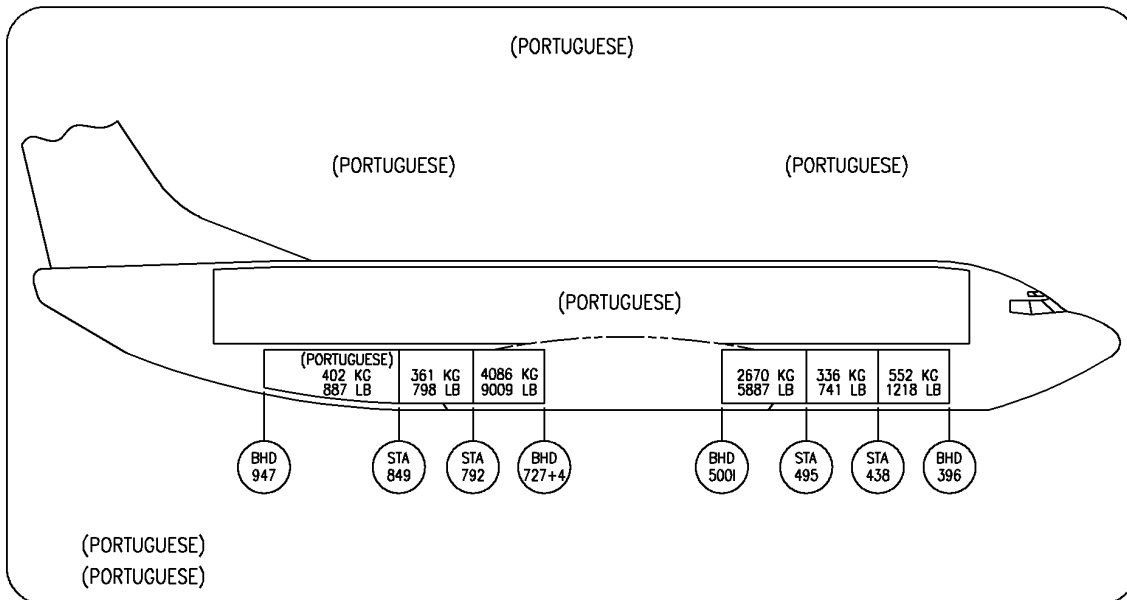
11-37-02-06
 PAGE OR

BOEING
737-600/700/800/900
PARTS CATALOG (MAINTENANCE)

195



220



E 11370206 SH 20 REV 124

MARKER INSTL-CARGO COMPT LOADING 737-800 ONLY
 FIGURE 6 (SHEET 20)

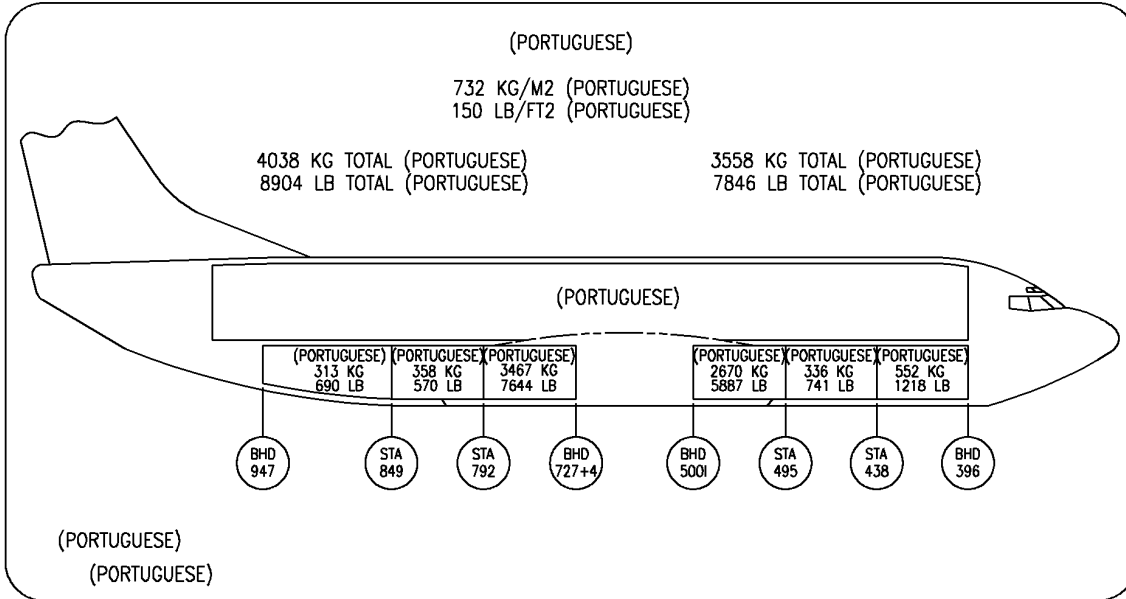
11-37-02-06

HAP
 FEB 10/07

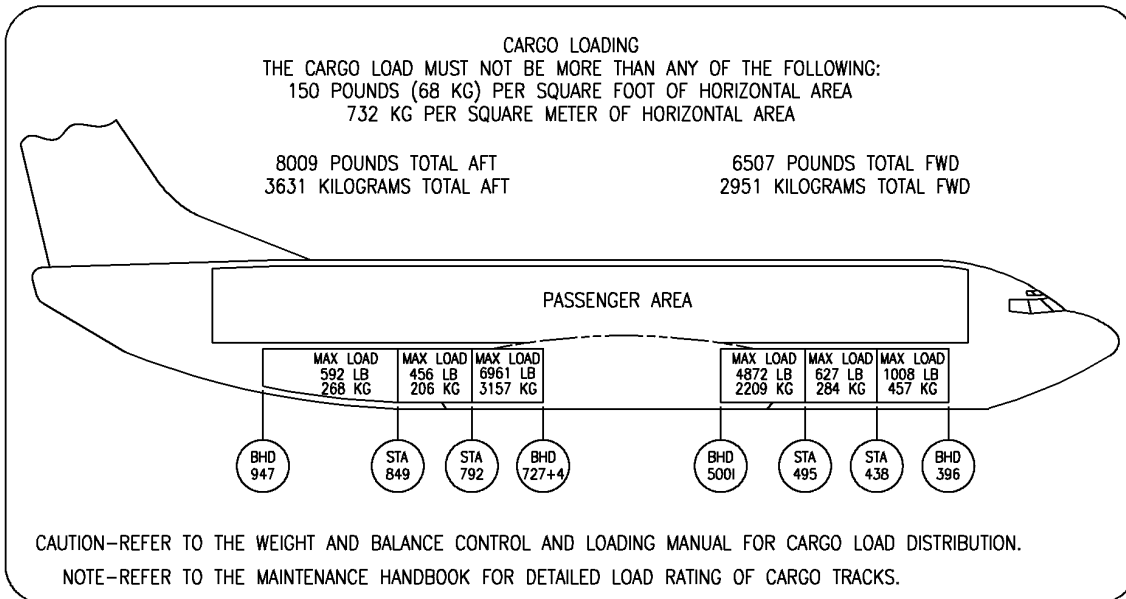
11-37-02-06
 PAGE 05

BOEING
737-600/700/800/900
PARTS CATALOG (MAINTENANCE)

197



225



E 11370206 SHT 21 REV 119

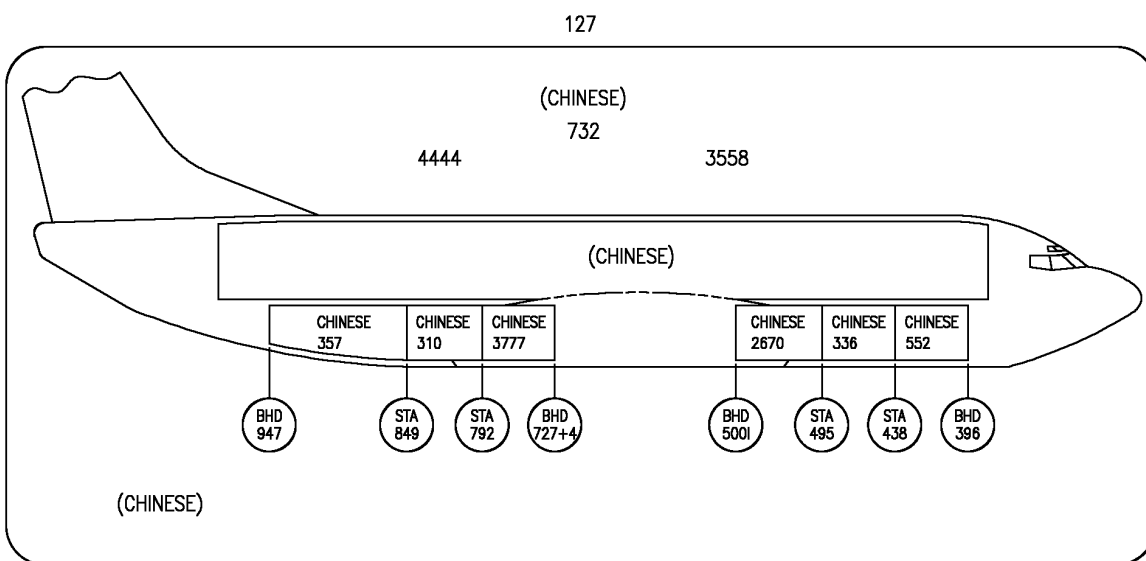
MARKER INSTL-CARGO COMPT LOADING 737-800 ONLY
 FIGURE 6 (SHEET 21)

11-37-02-06

HAP
 OCT 10/06

11-37-02-06
 PAGE 0T

BOEING
 737-600/700/800/900
 PARTS CATALOG (MAINTENANCE)



E 11370206 SHT 22 REV 140

MARKER INSTL-CARGO COMPT LOADING 737-800 ONLY
 FIGURE 6 (SHEET 22)

11-37-02-06

HAP
 JUN 15/08

11-37-02-06
 PAGE 00

BOEING
737-600/700/800/900
PARTS CATALOG (MAINTENANCE)

FIG ITEM	PART NUMBER	1 2 3 4 5 6 7	NOMENCLATURE	EFFECT FROM TO	UNITS PER ASSY
6			MARKER INSTL-CARGO COMPT LOADING 737-800 ONLY	001030	
- 1	453A3700-4		MARKER INSTL-CARGO COMPT LOADING 737-800 FOR NHA SEE: 11-30-00-01C	001004	RF
- 1	453A3700-41		MARKER INSTL-CARGO COMPT LOADING 737-800 FOR NHA SEE: 11-30-00-01C	012030	RF
- 1	453A3700-21		MARKER INSTL-CARGO COMPT LOADING 737-800 FOR NHA SEE: 11-30-00-01C	005011	RF
- 3	453A3700-4		MARKER INSTL-CARGO COMPT LOADING 737-800 FOR NHA SEE: 11-30-00-01C	001004	RF
5	BAC27DCA542		.MARKER	001004	2
45	BAC27DCA593		.MARKER-	005011	2
115	BAC27DCA583		.MARKER-	012030	2

MISSING ITEM NUMBERS NOT APPLICABLE

- ITEM NOT ILLUSTRATED

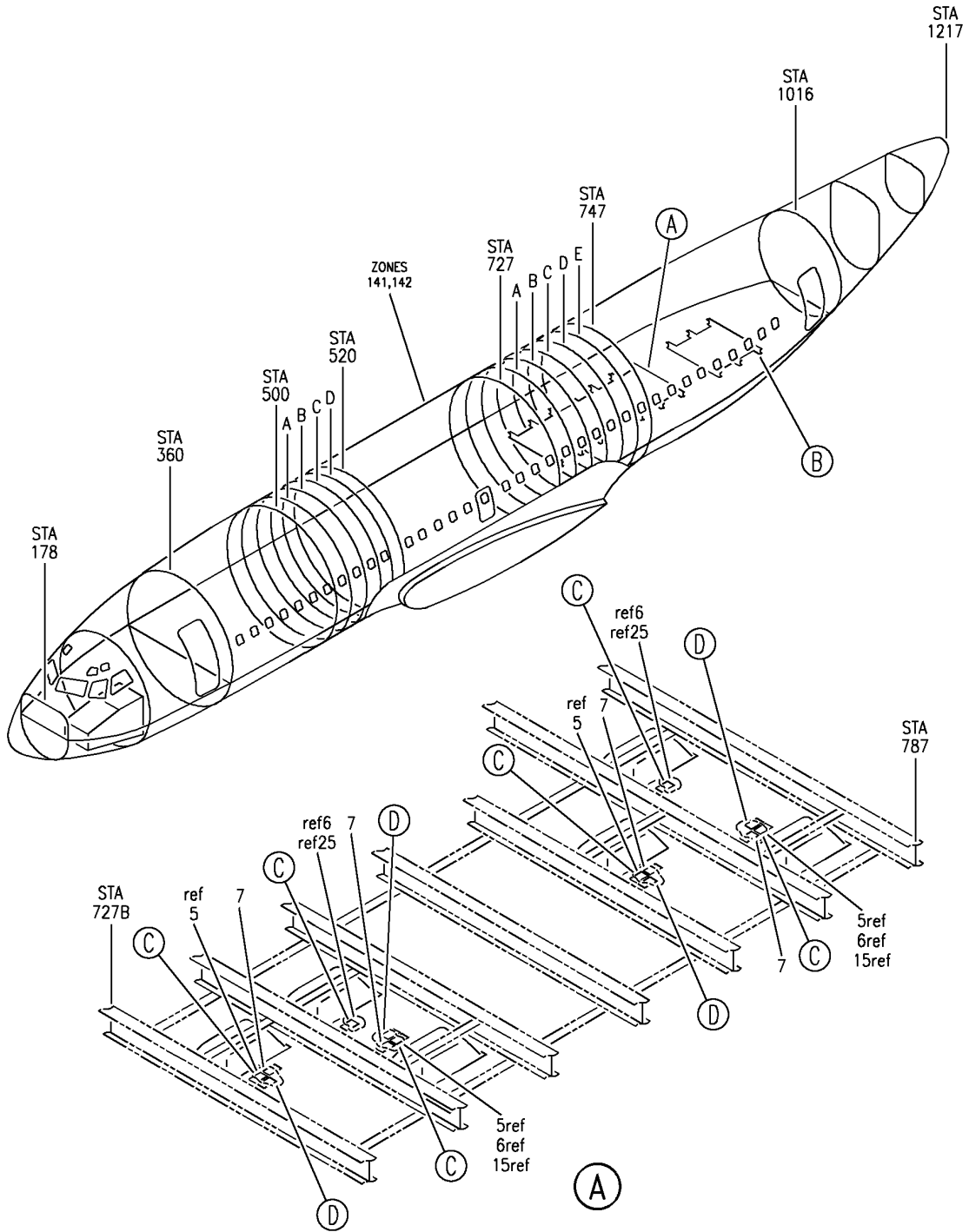
HAP

11-37-02-06

BOEING PROPRIETARY - Copyright © - Unpublished Work - See title page for details.

11-37-02
FIG. 06
PAGE 1
OCT 15/08

BOEING
 737-600/700/800/900
 PARTS CATALOG (MAINTENANCE)



E 11370207 SHT 1 REV 134

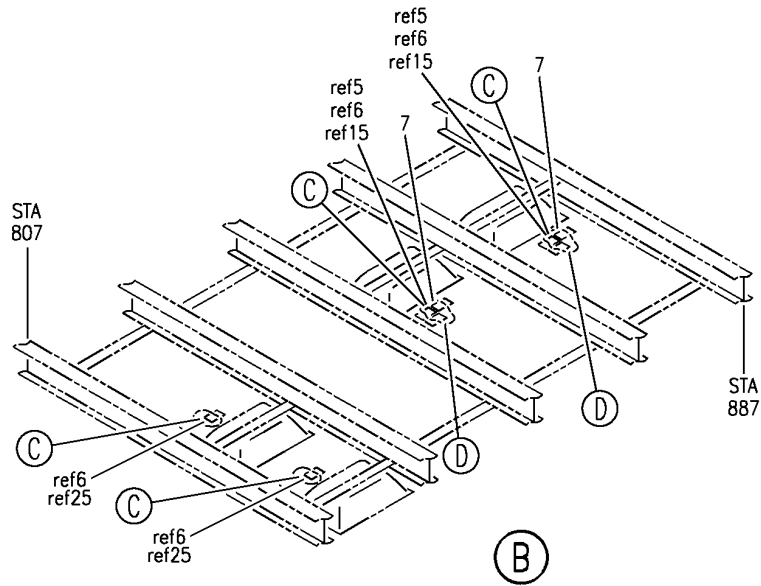
DETECTOR INSTL-AFT CARGO COMPT (PLACARDS AND MARKINGS ONLY)
 FIGURE 7 (SHEET 1)

11-37-02-07

HAP
 OCT 10/07

11-37-02-07
 PAGE 0

BOEING
 737-600/700/800/900
 PARTS CATALOG (MAINTENANCE)



5
6
15
25

⚠	CAUTION
SMOKE DETECTOR-DO NOT BLOCK. BLOCKAGE WILL PREVENT FIRE DETECTION.	

10

⚠	MULTI-LANGUAGE
MULTI-LANGUAGE	

(C)

(D)

E 11370207 SH1 2 REV 134

DETECTOR INSTL-AFT CARGO COMPT (PLACARDS AND MARKINGS ONLY)
 FIGURE 7 (SHEET 2)

11-37-02-07

HAP
 OCT 10/07

11-37-02-07
 PAGE 0A

BOEING
737-600/700/800/900
PARTS CATALOG (MAINTENANCE)

FIG ITEM	PART NUMBER	1 2 3 4 5 6 7	NOMENCLATURE	EFFECT FROM TO	UNITS PER ASSY
7			DETECTOR INSTL-AFT CARGO COMPT (PLACARDS AND MARKINGS ONLY)	101999	
- 1	218A4610-2		DETECTOR INSTL-CARGO COMPT (PLACARDS AND MARKINGS ONLY) POSITION DATA: AFT FOR NHA/OTHER SYS DET SEE: 26-10-00-01B	201967	RF
- 1	MODREF243996		DETECTOR INSTL-CARGO COMPT (PLACARDS AND MARKINGS ONLY) MODULE NUMBER: 218A4610-7 REV C POSITION DATA: AFT FOR OTHER SYS DETAILS SEE: 26-16-01-07	101200 968999	1
5	BAC27NEC261		.DECAL-	101999	6
15	BAC27NEC261		.DECAL	101200 968999	4

MISSING ITEM NUMBERS NOT APPLICABLE

- ITEM NOT ILLUSTRATED

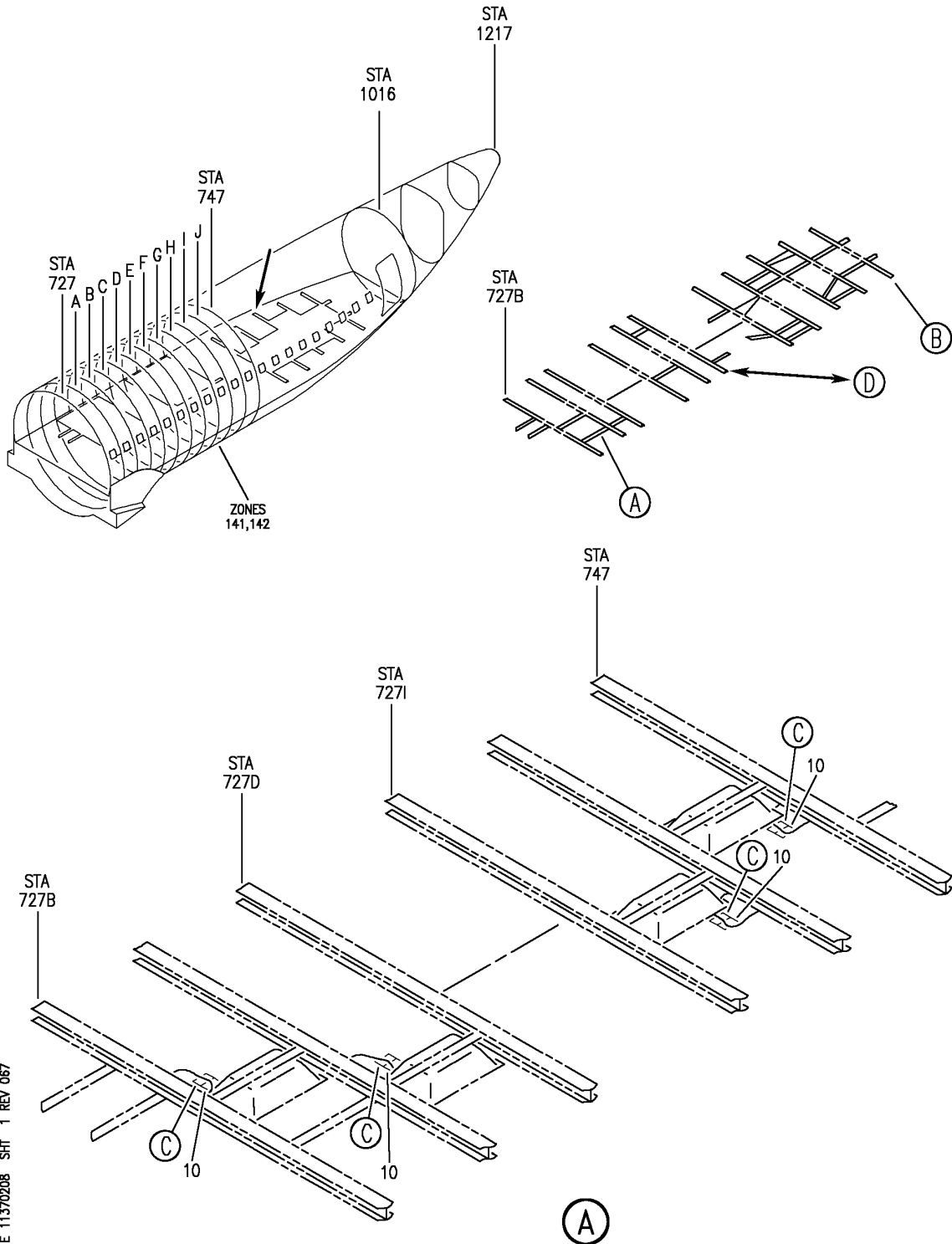
HAP

11-37-02-07

BOEING PROPRIETARY - Copyright © - Unpublished Work - See title page for details.

11-37-02
FIG. 07
PAGE 1
FEB 15/09

BOEING
 737-600/700/800/900
 PARTS CATALOG (MAINTENANCE)



E 11370208 SHT 1 REV 067

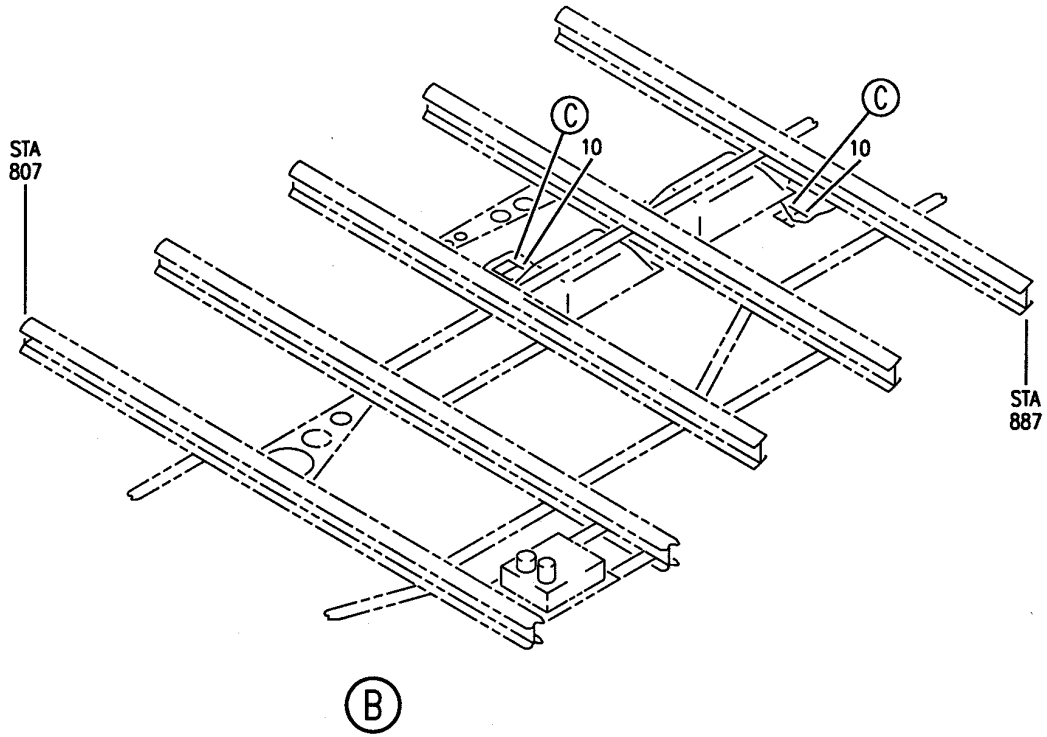
DETECTOR INSTL-SMOKE (PLACARDS AND MARKINGS ONLY)
 FIGURE 8 (SHEET 1)

11-37-02-08

HAP
 OCT 10/06

11-37-02-08
 PAGE 0

BOEING
737-600/700/800/900
PARTS CATALOG (MAINTENANCE)



5

	CAUTION
SMOKE DETECTOR—DO NOT BLOCK. BLOCKAGE WILL PREVENT FIRE DETECTION.	

(C)

E 11370208 SHT 2 REV 038

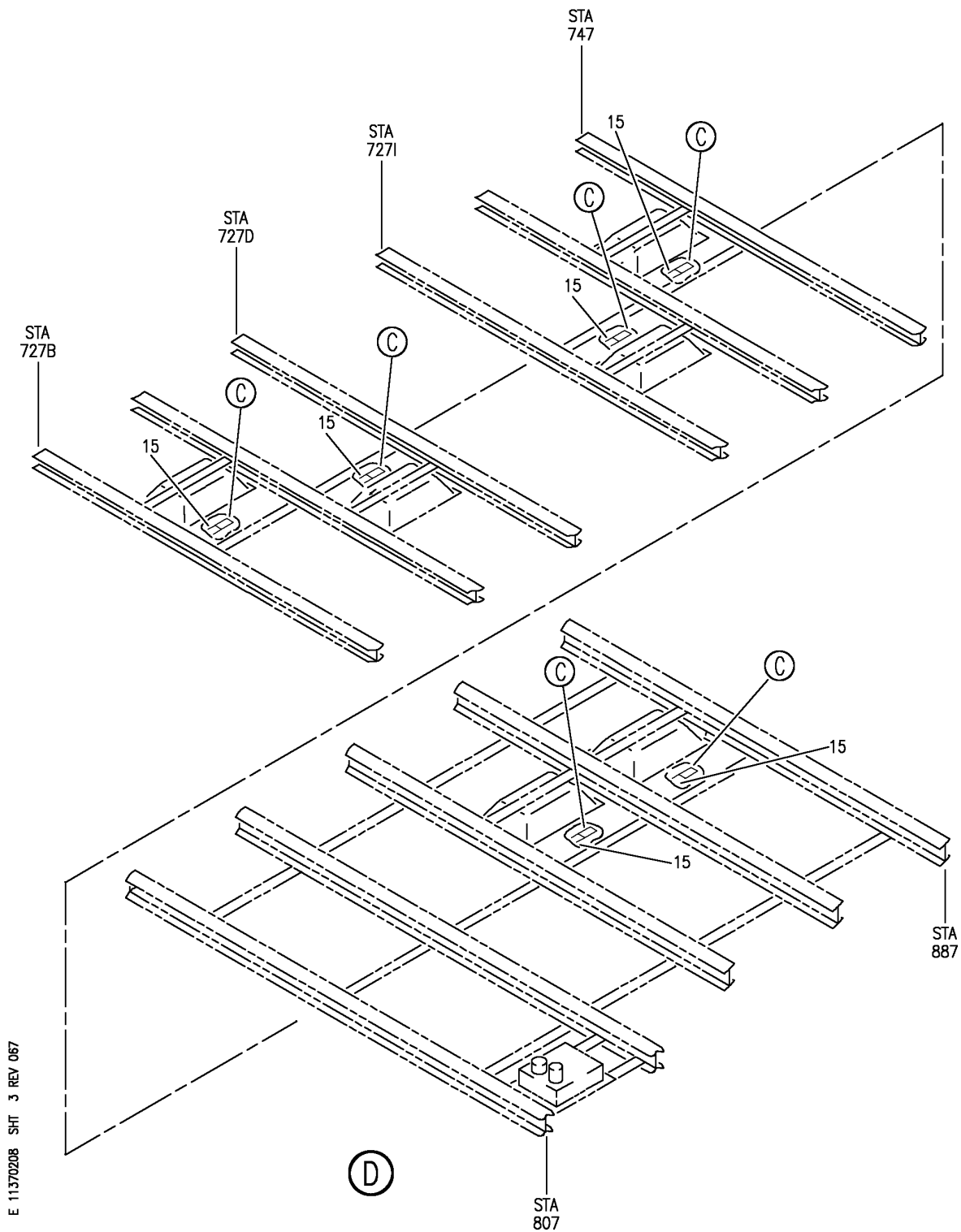
DETECTOR INSTL-SMOKE (PLACARDS AND MARKINGS ONLY)
FIGURE 8 (SHEET 2)

11-37-02-08

HAP
OCT 10/06

11-37-02-08
PAGE 0A

BOEING
 737-600/700/800/900
 PARTS CATALOG (MAINTENANCE)



E 11370208 SHT 3 REV 067

DETECTOR INSTL-SMOKE (PLACARDS AND MARKINGS ONLY)
 FIGURE 8 (SHEET 3)

11-37-02-08

HAP
 OCT 10/06

11-37-02-08
 PAGE 08

BOEING
737-600/700/800/900
PARTS CATALOG (MAINTENANCE)

FIG ITEM	PART NUMBER	1 2 3 4 5 6 7	NOMENCLATURE	EFFECT FROM TO	UNITS PER ASSY
8			DETECTOR INSTL-SMOKE (PLACARDS AND MARKINGS ONLY)	001100	
- 1	218A4610-3		DETECTOR INSTL-SMOKE (PLACARDS AND MARKINGS ONLY) FOR NHA/OTHER SYS DET SEE: 26-10-00-01C	008011	RF
- 1	218A4610-8		DETECTOR INSTL-SMOKE (PLACARDS AND MARKINGS ONLY) POST ALERT SB: 26A1083R1 FOR NHA/OTHER SYS DET SEE: 26-10-00-01C	001007 012030	RF
- 1	MODREF243997		DETECTOR INSTL-SMOKE (PLACARDS AND MARKINGS ONLY) MODULE NUMBER: 218A4610-8 REV C FOR OTHER SYS DETAILS SEE: 26-16-01-08	031100	1
5	BAC27NEC261		.DECAL- POST ALERT SB: 26A1083R1	001100	6

MISSING ITEM NUMBERS NOT APPLICABLE

- ITEM NOT ILLUSTRATED

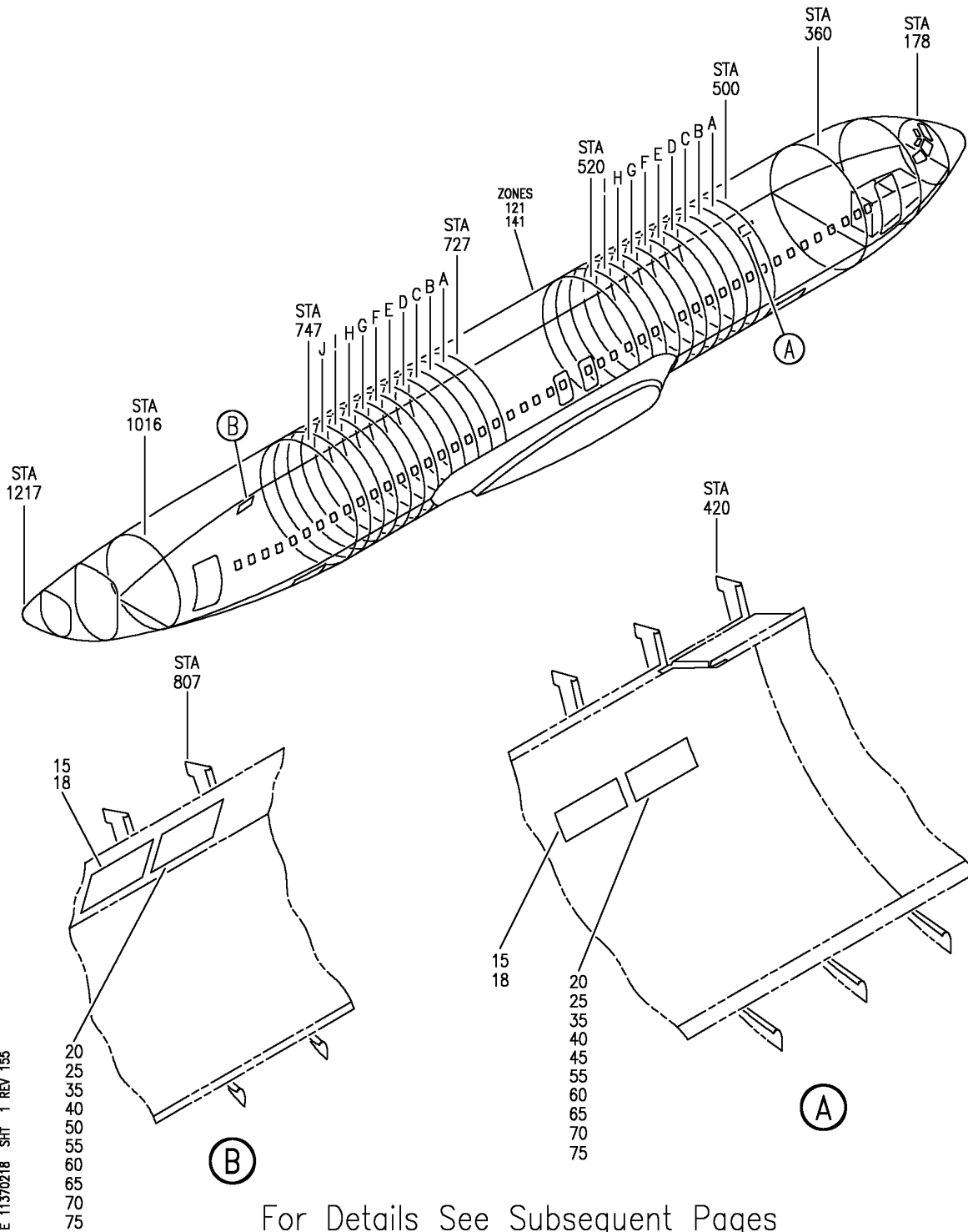
HAP

11-37-02-08

BOEING PROPRIETARY - Copyright © - Unpublished Work - See title page for details.

11-37-02
FIG. 08
PAGE 1
FEB 10/07

BOEING
 737-600/700/800/900
 PARTS CATALOG (MAINTENANCE)



For Details See Subsequent Pages

MARKER INSTL-LOADING CARGO COMPT 737-800
 FIGURE 18 (SHEET 1)

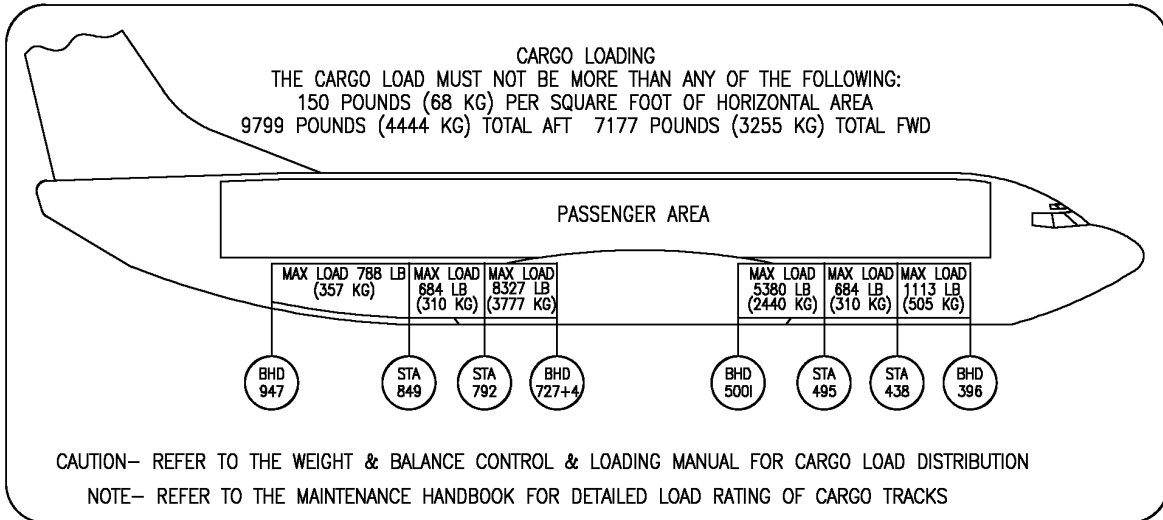
11-37-02-18

HAP
 JUN 15/09

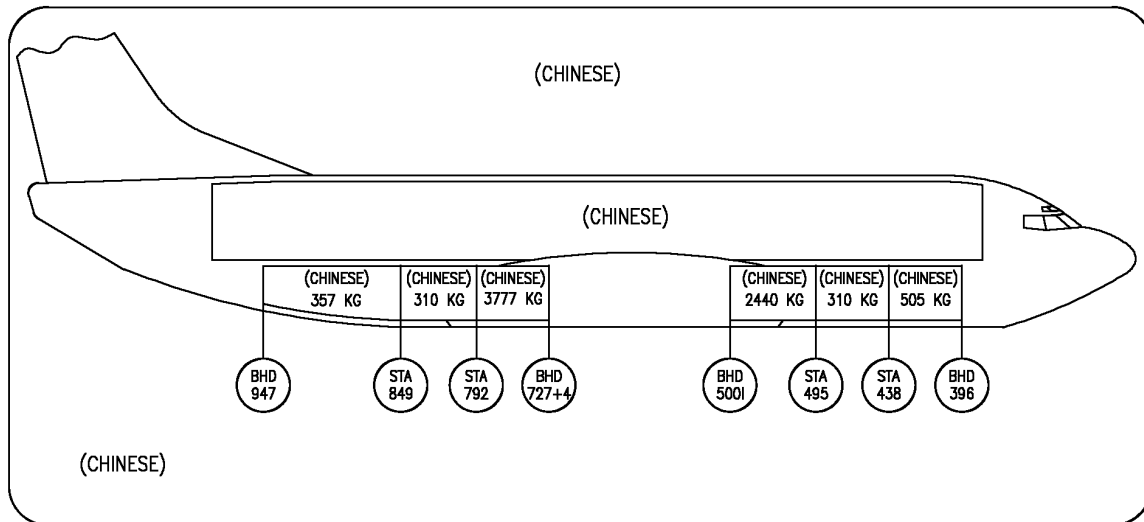
11-37-02-18
 PAGE 0

BOEING
737-600/700/800/900
PARTS CATALOG (MAINTENANCE)

15



18



E 11370218 SH1 2 REV 147

MARKER INSTL-LOADING CARGO COMPT 737-800
 FIGURE 18 (SHEET 2)

11-37-02-18

HAP
 OCT 15/08

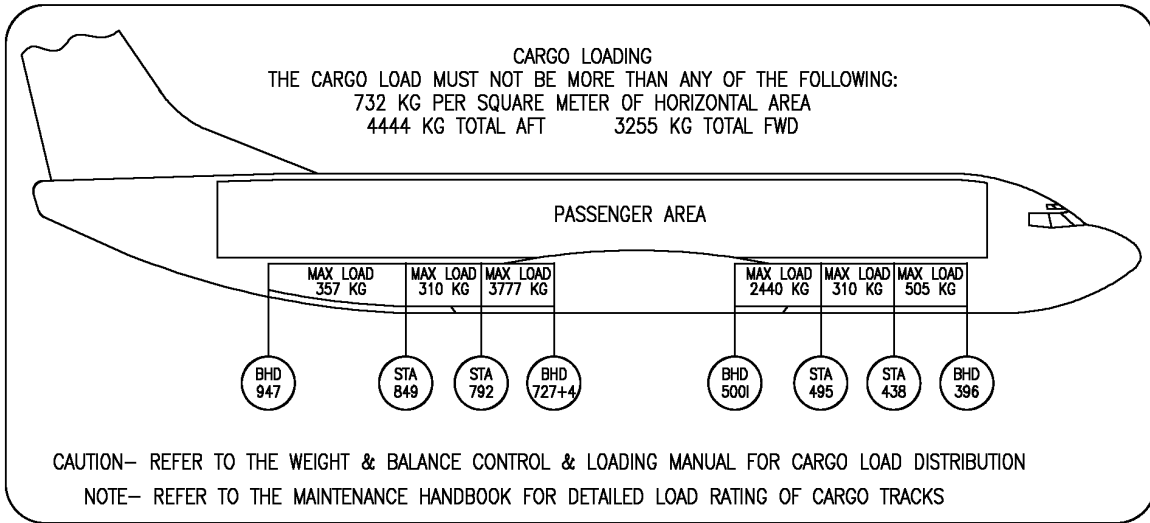
11-37-02-18
 PAGE 0A



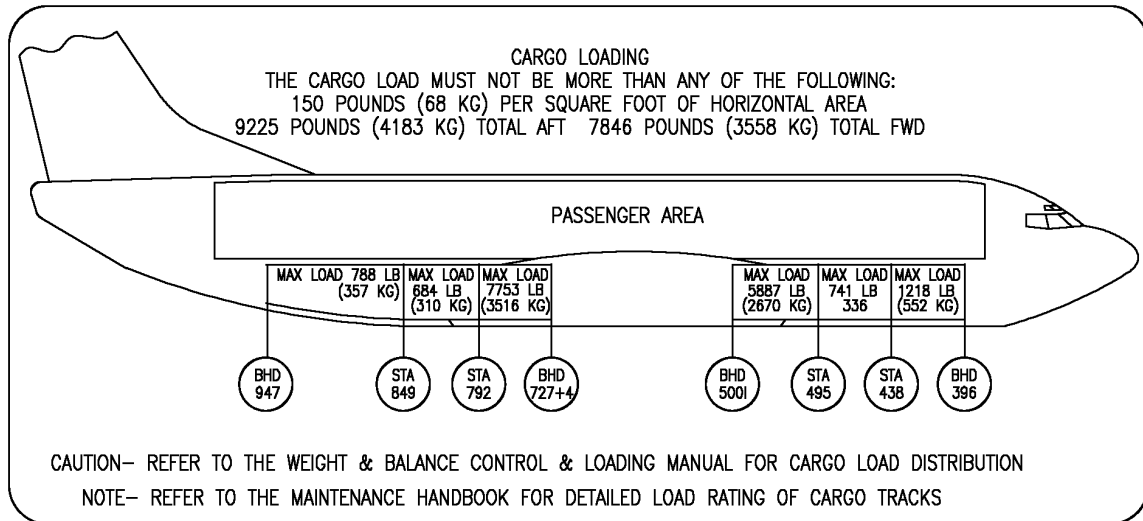
737-600/700/800/900

PARTS CATALOG (MAINTENANCE)

20



25



E 11370218 SH1 3 REV 147

MARKER INSTL-LOADING CARGO COMPT 737-800
 FIGURE 18 (SHEET 3)

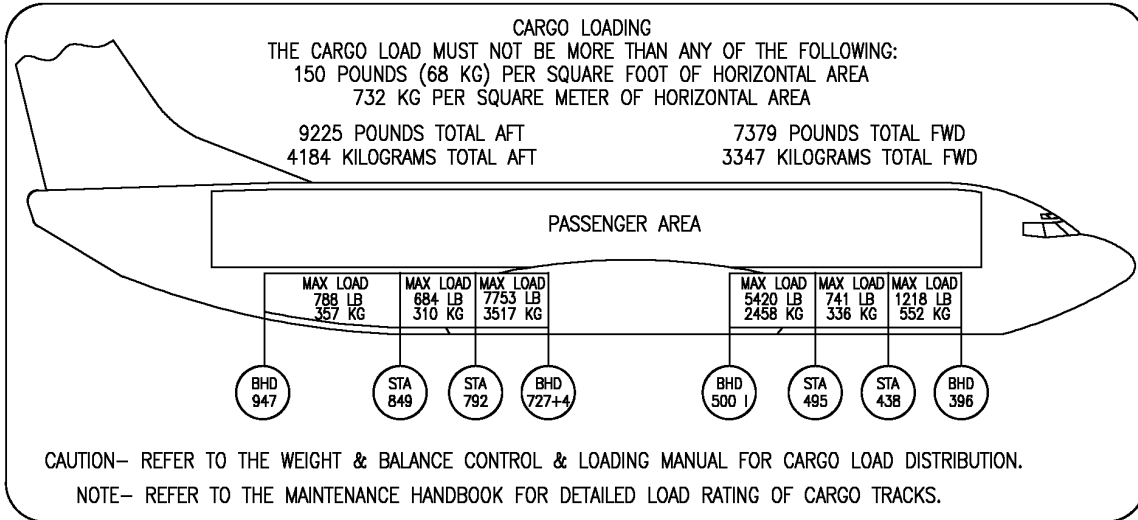
11-37-02-18

HAP
OCT 15/08

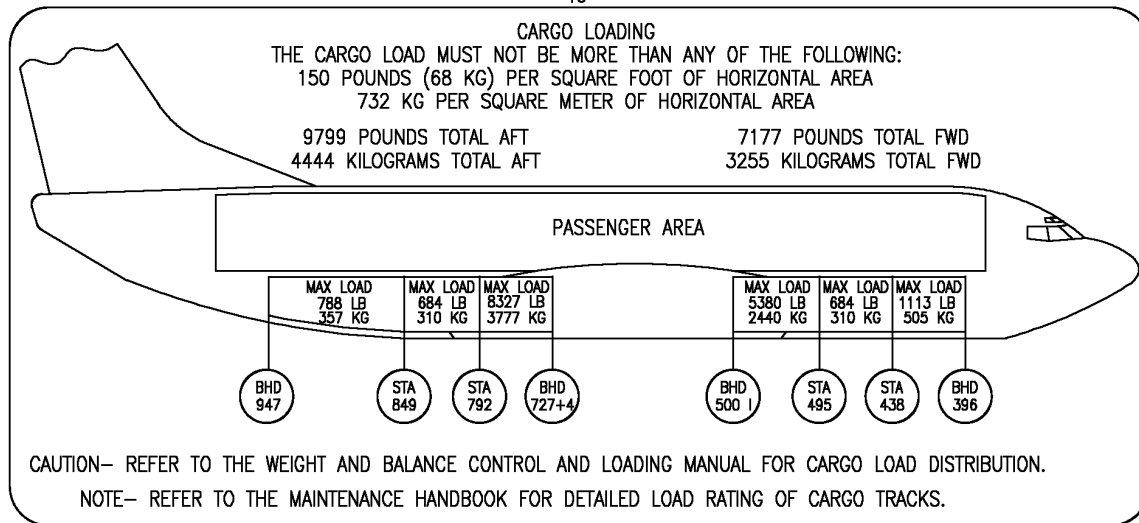
11-37-02-18
PAGE 0B

BOEING
737-600/700/800/900
PARTS CATALOG (MAINTENANCE)

35



40



E 11370218 SHT 4 REV 147

MARKER INSTL-LOADING CARGO COMPT 737-800
 FIGURE 18 (SHEET 4)

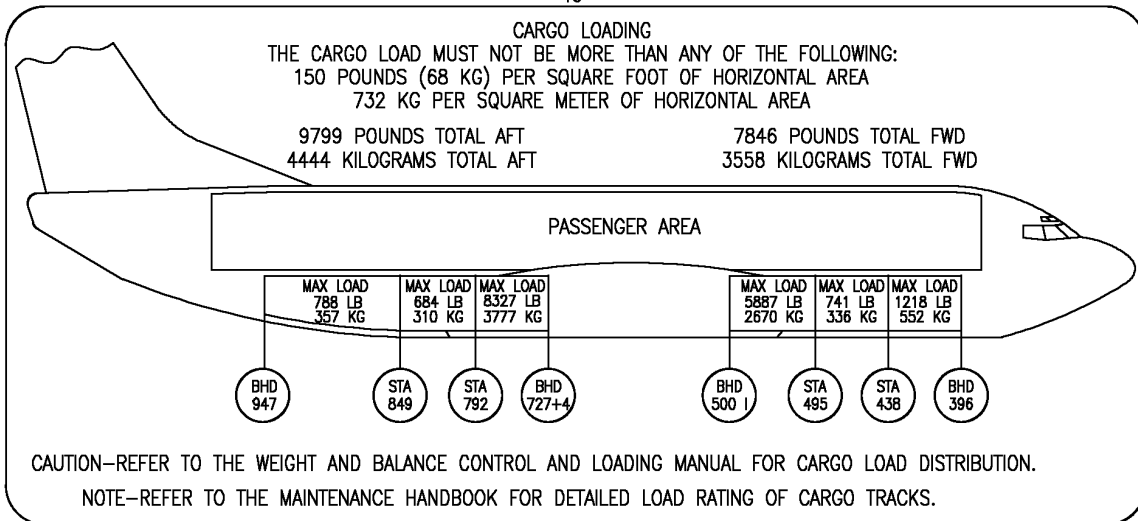
11-37-02-18

HAP
 OCT 15/08

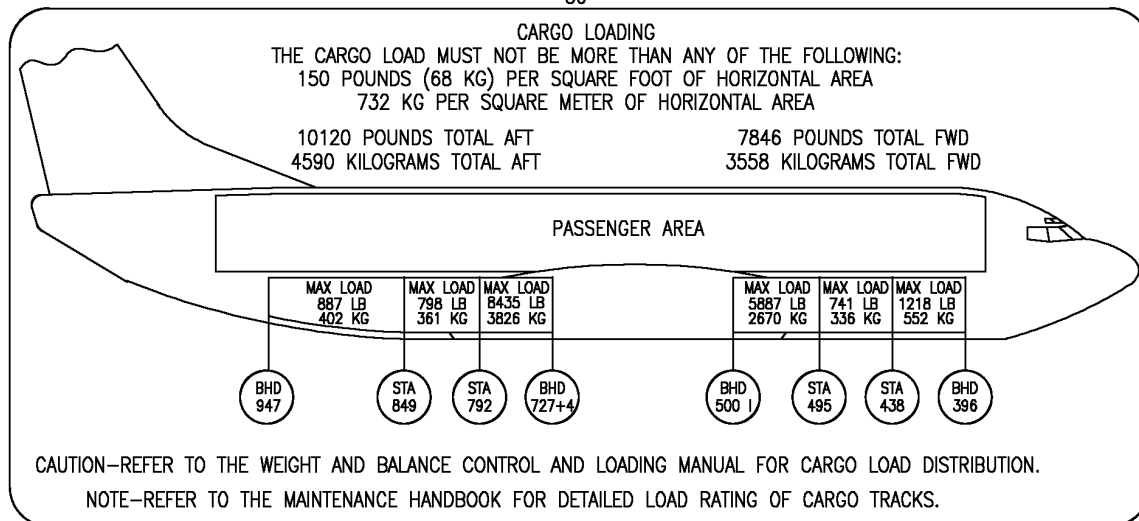
11-37-02-18
 PAGE 0C

BOEING
737-600/700/800/900
PARTS CATALOG (MAINTENANCE)

45



50



E 11/370218 SH 5 REV 147

MARKER INSTL-LOADING CARGO COMPT 737-800
 FIGURE 18 (SHEET 5)

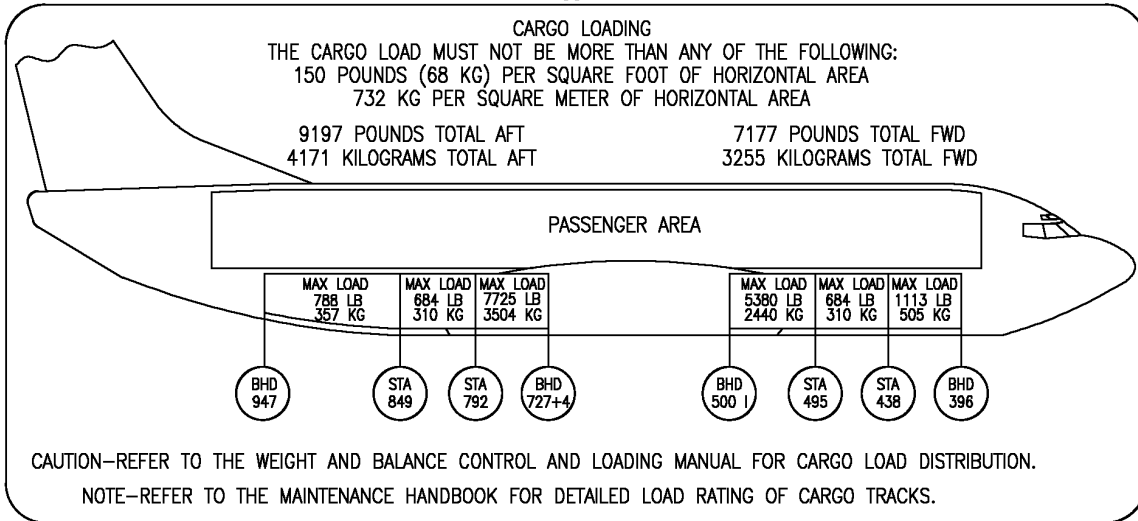
11-37-02-18

HAP
 OCT 15/08

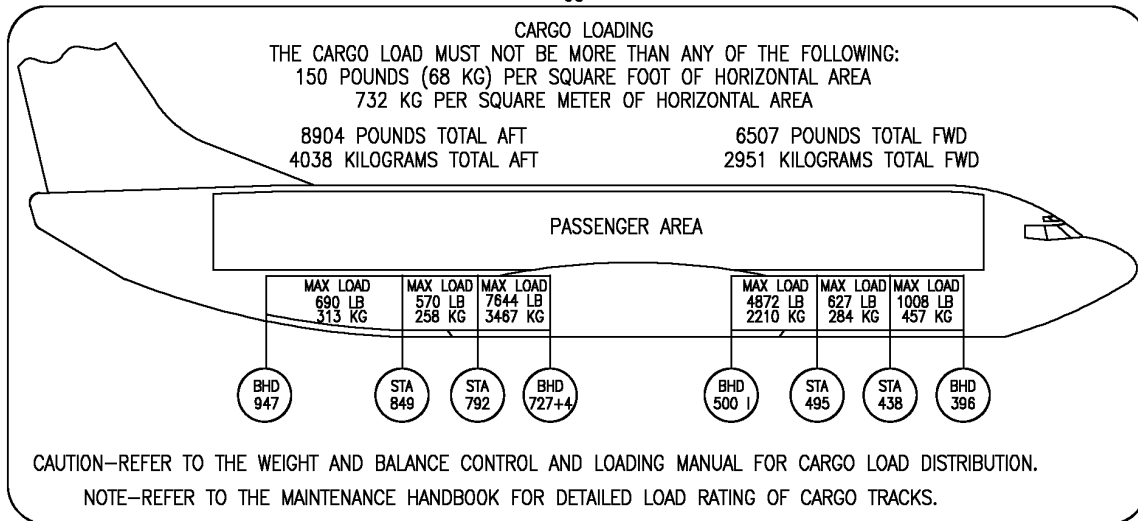
11-37-02-18
 PAGE 0D

BOEING
737-600/700/800/900
PARTS CATALOG (MAINTENANCE)

55



60



E 11/37/02/18 SH 6 REV 147

MARKER INSTL-LOADING CARGO COMPT 737-800
 FIGURE 18 (SHEET 6)

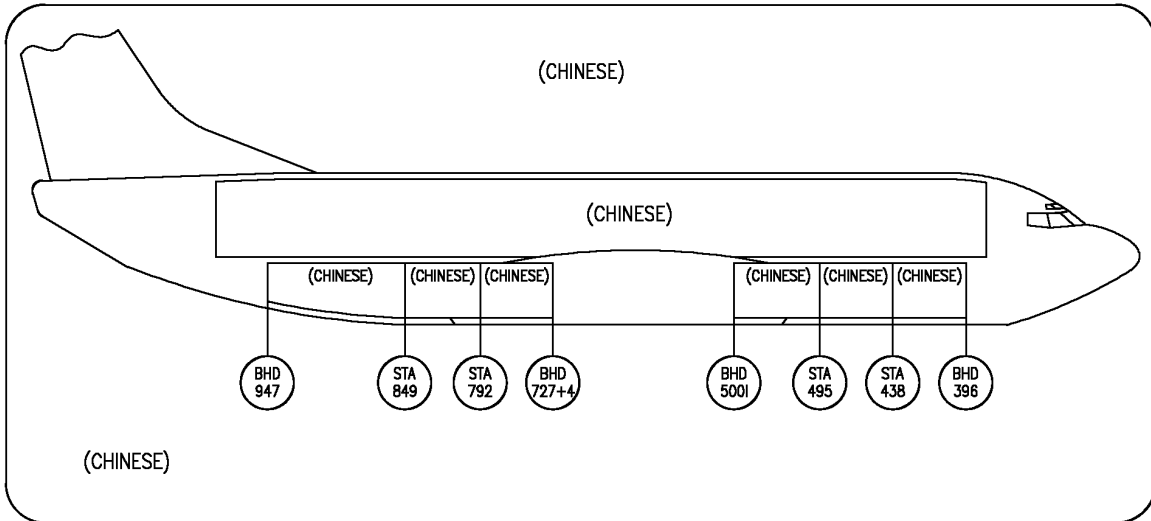
11-37-02-18

HAP
 OCT 15/08

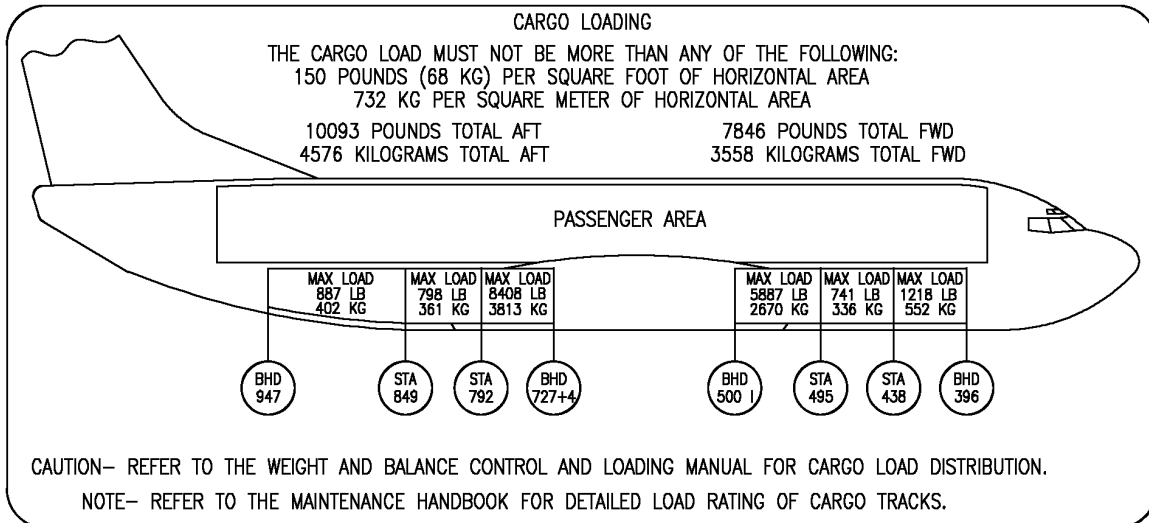
11-37-02-18
 PAGE 0E

BOEING
737-600/700/800/900
PARTS CATALOG (MAINTENANCE)

65



70



E 11370218 SHT 7 REV 150

MARKER INSTL-LOADING CARGO COMPT 737-800
 FIGURE 18 (SHEET 7)

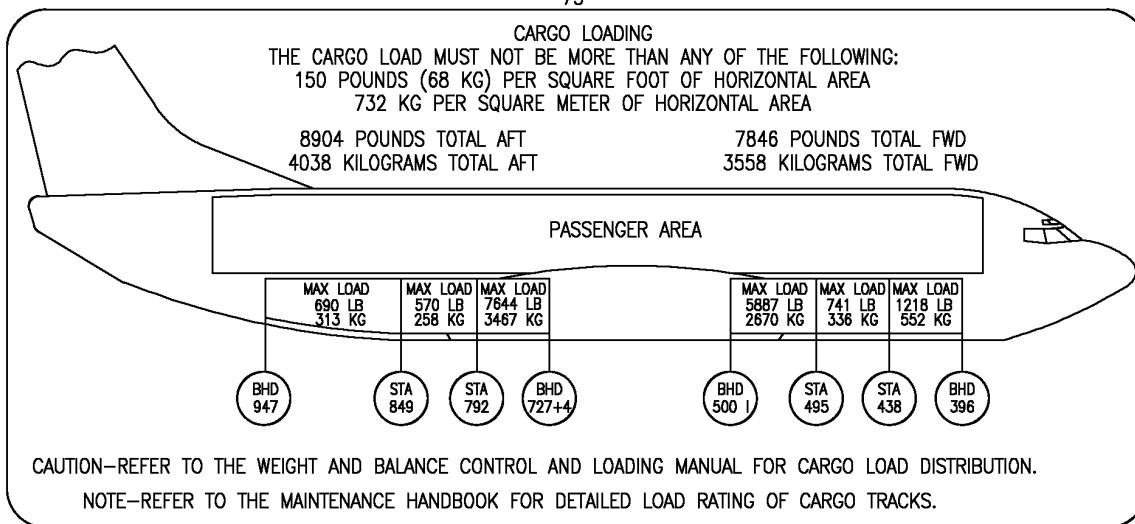
11-37-02-18

HAP
 FEB 15/09

11-37-02-18
 PAGE OF

BOEING
737-600/700/800/900
PARTS CATALOG (MAINTENANCE)

75



E 11370218 SH 8 REV 155

MARKER INSTL-LOADING CARGO COMPT 737-800
 FIGURE 18 (SHEET 8)

11-37-02-18

HAP
 JUN 15/09

11-37-02-18
 PAGE 06

BOEING
737-600/700/800/900
PARTS CATALOG (MAINTENANCE)

FIG ITEM	PART NUMBER	1 2 3 4 5 6 7	NOMENCLATURE	EFFECT FROM TO	UNITS PER ASSY
18			MARKER INSTL-LOADING CARGO COMPT 737-800	031100	
R	- 2	MODREF246225	MARKER INSTL-LOADING CARGO COMPT	031049 051052	1
R			MODULE NUMBER: 453A3700-82 REV C		
R	- 2	MODREF260183	MARKER INSTL-LOADING CARGO COMPT	050050 053100	1
R			MODULE NUMBER: 453A3700-92 REV C		
R	55	BAC27DCA793	.MARKER	031049 051052	2
R	70	BAC27DCA798	.MARKER	050050 053100	2

MISSING ITEM NUMBERS NOT APPLICABLE

- ITEM NOT ILLUSTRATED

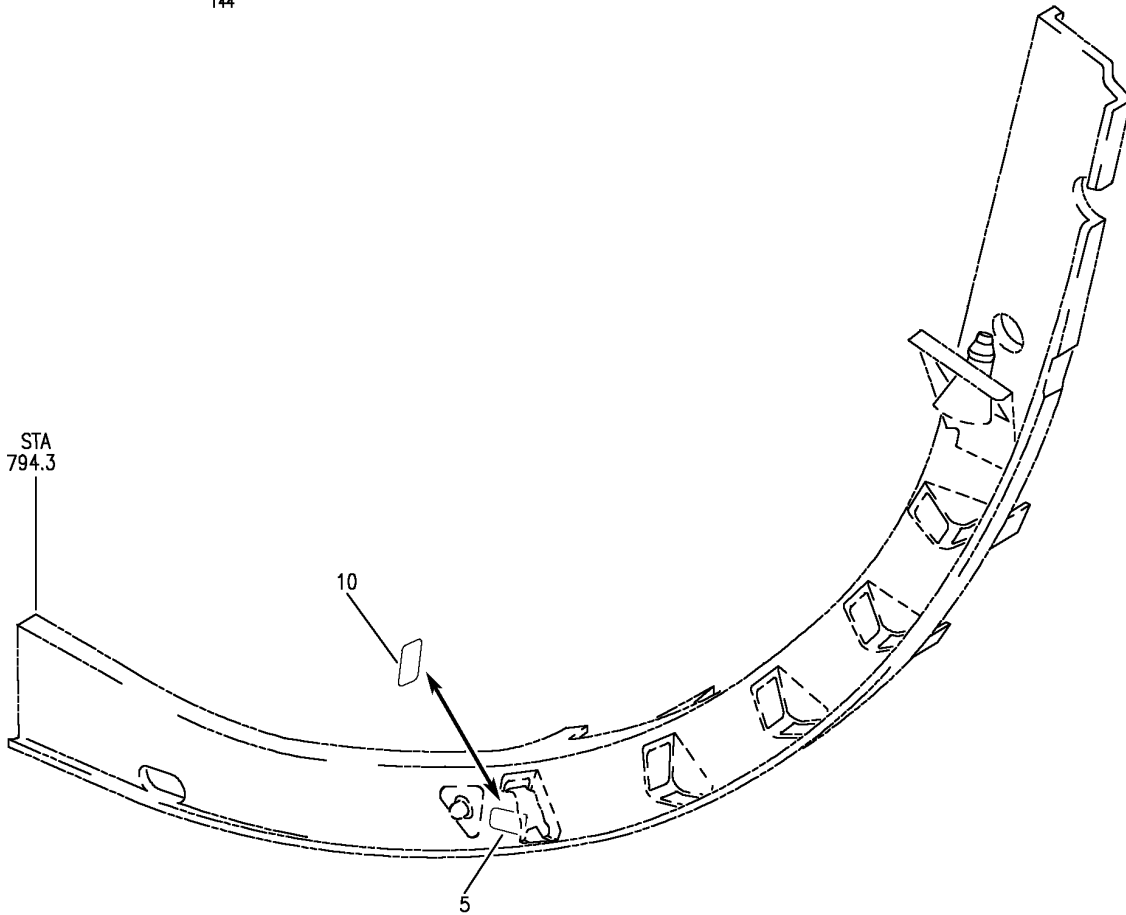
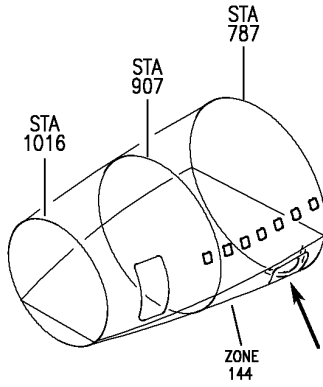
HAP

11-37-02-18

BOEING PROPRIETARY - Copyright © - Unpublished Work - See title page for details.

11-37-02
FIG. 18
PAGE 1
JUN 15/09

BOEING
737-600/700/800/900
PARTS CATALOG (MAINTENANCE)



E 11370220 REV 070

DECAL INSTL-E/E EQPT BODY SECT. 46 (PLACARDS AND MARKINGS ONLY)
FIGURE 20

HAP
OCT 10/06

11-37-02-20

11-37-02-20
PAGE 0

BOEING
737-600/700/800/900
PARTS CATALOG (MAINTENANCE)

FIG ITEM	PART NUMBER	1 2 3 4 5 6 7	NOMENCLATURE	EFFECT FROM TO	UNITS PER ASSY
20			DECAL INSTL-E/E EQPT BODY SECT. 46 (PLACARDS AND MARKINGS ONLY)		
- 1	284A0835-5		DECAL INSTL-E/E EQPT BODY SECT. 46 (PLACARDS AND MARKINGS ONLY) FOR NHA/OTHER SYS DET SEE: 25-00-00-17A	201967	RF
- 1	284A0835-12		DECAL INSTL-E/E EQPT BODY SECT. 46 (PLACARDS AND MARKINGS ONLY) FOR NHA/OTHER SYS DET SEE: 25-00-00-17A	001030	RF
- 1	MODREF86160		DECAL INSTL-E/E EQPT BODY SECT. 46 (PLACARDS AND MARKINGS ONLY) MODULE NUMBER: 284A0835-32 REV A FOR OTHER SYS DETAILS SEE: 33-51-04-05	031036	1
- 1	MODREF287735		DECAL INSTL-E/E EQPT BODY SECT. 46 (PLACARDS AND MARKINGS ONLY) MODULE NUMBER: 284A0835-31 REV C FOR OTHER SYS DETAILS SEE: 33-51-04-05 33-51-04-08	101200 968999	1
- 1	MODREF287736		DECAL INSTL-E/E EQPT BODY SECT. 46 (PLACARDS AND MARKINGS ONLY) MODULE NUMBER: 284A0835-32 REV B FOR OTHER SYS DETAILS SEE: 33-51-04-05 33-51-04-07	037100	1
5	BACM10L20-4NE		.MARKER-ALUMINUM FOIL PLACARD CONTENT: CARGO LIGHTS PUSH ON PUSH OFF	001030 201967	1
10	BAC27DEX7000		.MARKER-ALUMINUM FOIL PLACARD CONTENT: S68 CARGO LIGHTS PUSH ON/OFF	031200 968999	1

MISSING ITEM NUMBERS NOT APPLICABLE

- ITEM NOT ILLUSTRATED

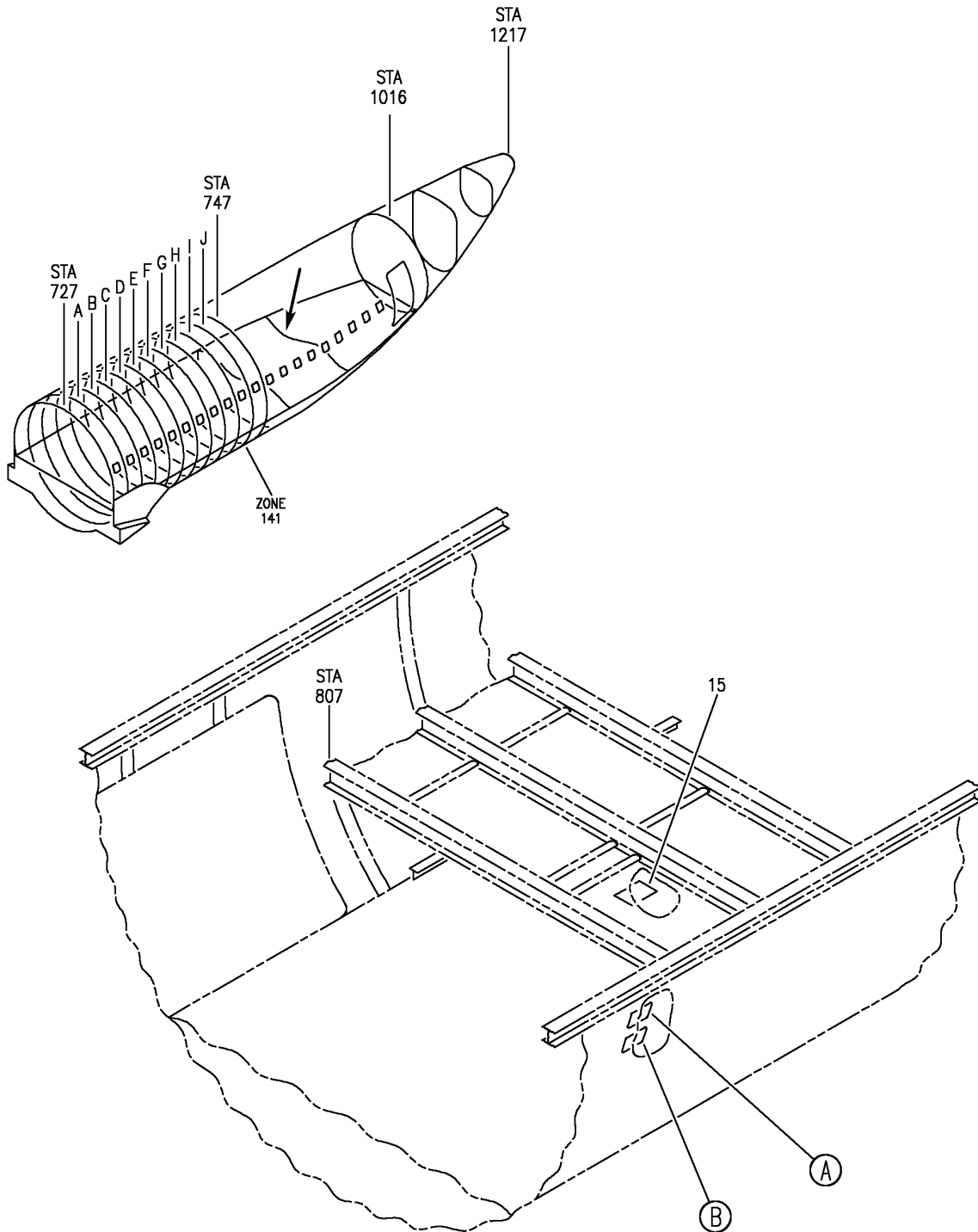
HAP

11-37-02-20

BOEING PROPRIETARY - Copyright © - Unpublished Work - See title page for details.

11-37-02
FIG. 20
PAGE 1
OCT 15/08

BOEING
 737-600/700/800/900
 PARTS CATALOG (MAINTENANCE)



E 11370221 SHT 1 REV 083

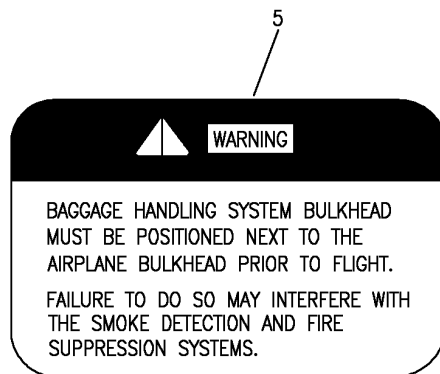
PLACARD INSTL
 FIGURE 21 (SHEET 1)

11-37-02-21

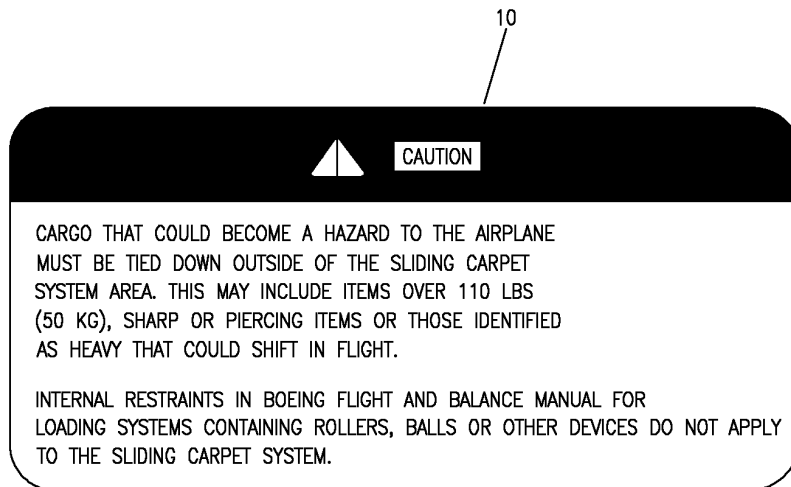
HAP
 FEB 10/07

11-37-02-21
 PAGE 0

 **BOEING**
737-600/700/800/900
PARTS CATALOG (MAINTENANCE)



(A)



(B)

E 11370221 SH1 2 REV 083

PLACARD INSTL
FIGURE 21 (SHEET 2)

11-37-02-21

HAP
FEB 10/07

11-37-02-21
PAGE 0A

BOEING
737-600/700/800/900
PARTS CATALOG (MAINTENANCE)

FIG ITEM	PART NUMBER	1 2 3 4 5 6 7	NOMENCLATURE	EFFECT FROM TO	UNITS PER ASSY
21			PLACARD INSTL	101200 968999	
- 1	790628		PLACARD INSTL- SUPPLIER CODE: VSG296 OPTIONAL SUPPLIER CODE: S9836 FOR NHA SEE: 25-51-01-01C	101200 968999	RF
5	711281		.PLACARD- SUPPLIER CODE: VSG296 OPTIONAL SUPPLIER CODE: S9836	101200 968999	1
10	710609		.PLACARD- SUPPLIER CODE: VSG296 OPTIONAL SUPPLIER CODE: S9836	101200 968999	1
15	711403		.PLACARD- SUPPLIER CODE: VSG296 OPTIONAL SUPPLIER CODE: S9836	101200 968999	1

MISSING ITEM NUMBERS NOT APPLICABLE

- ITEM NOT ILLUSTRATED

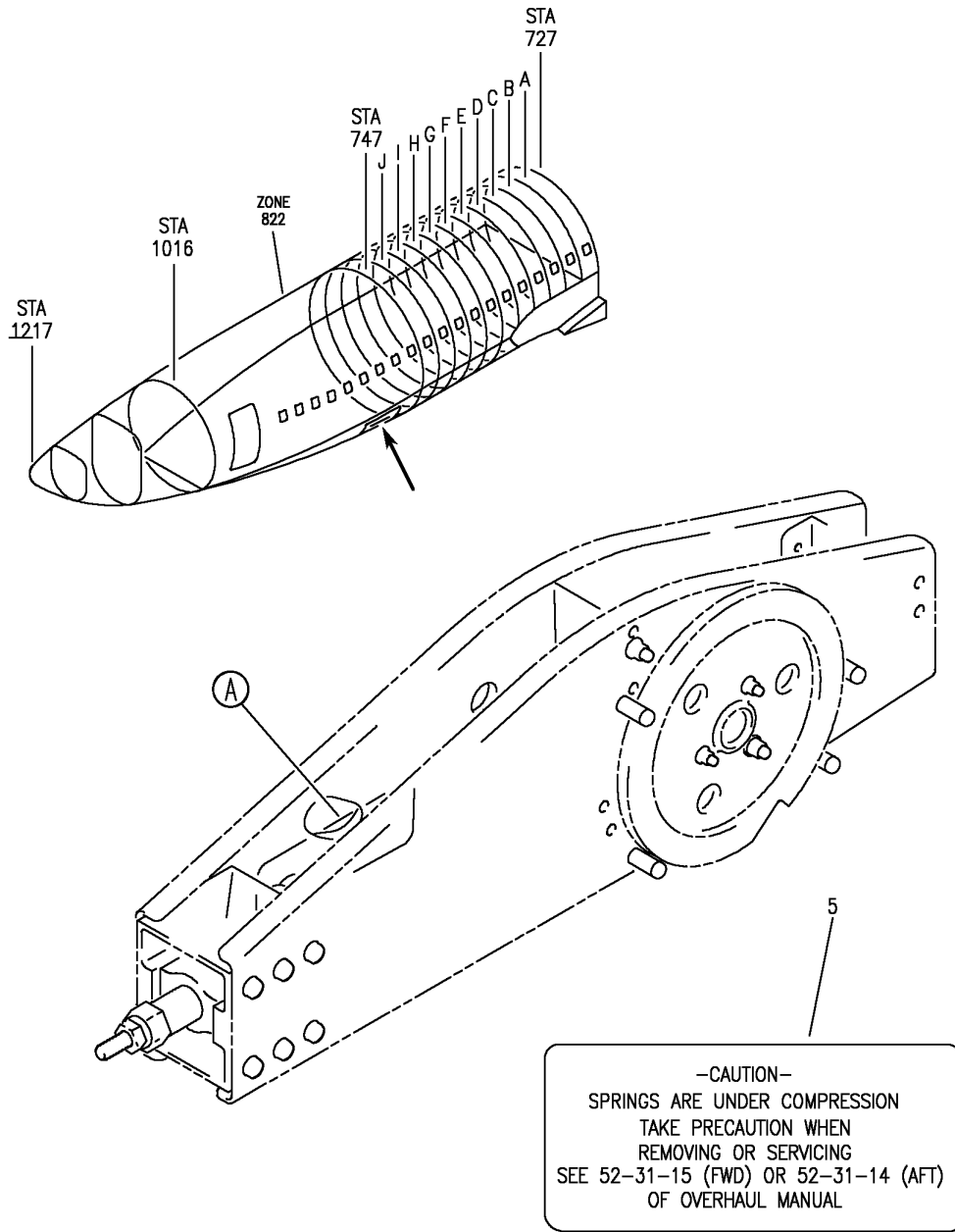
HAP

11-37-02-21

BOEING PROPRIETARY - Copyright © - Unpublished Work - See title page for details.

11-37-02
FIG. 21
PAGE 1
OCT 15/08

BOEING
 737-600/700/800/900
 PARTS CATALOG (MAINTENANCE)



(A)

E 11370224 REV 147

COUNTERBALANCE ASSY-AFT CARGO DOOR (PLACARDS AND MARKINGS ONLY)
 FIGURE 24

11-37-02-24

HAP
 OCT 15/08

11-37-02-24
 PAGE 0

BOEING
737-600/700/800/900
PARTS CATALOG (MAINTENANCE)

FIG ITEM	PART NUMBER	1 2 3 4 5 6 7	NOMENCLATURE	EFFECT FROM TO	UNITS PER ASSY
24			COUNTERBALANCE ASSY-AFT CARGO DOOR (PLACARDS AND MARKINGS ONLY)	031200 968999	
- 1	65C33684-13		COUNTERBALANCE ASSY-CARGO DOOR (PLACARDS AND MARKINGS ONLY)	031200 968999	RF
			POSITION DATA: AFT		
			QUALIFIED I/W DATA: 65C33684-13 IS FUNCTIONALLY INTERCHANGEABLE WITH 65C33684-12, HOWEVER THE WARNING DECAL BAC27DBY193 ON THE 65C33684-13 REFERS TO THE 737NG MAINTENANCE MANUAL WHILE THE WARNING DECAL BAC27DBY0184 ON THE 65C33684-12 REFERS TO THE CLASSIC MAINTENANCE MANUAL. CHANGE DECAL AND REPARTMARK AS REQUIRED.		
			FOR NHA/OTHER SYS DET SEE: 52-31-00-15		
5	BAC27DBY193		.MARKER-ALUMINUM FOIL	031200 968999	1

MISSING ITEM NUMBERS NOT APPLICABLE

- ITEM NOT ILLUSTRATED

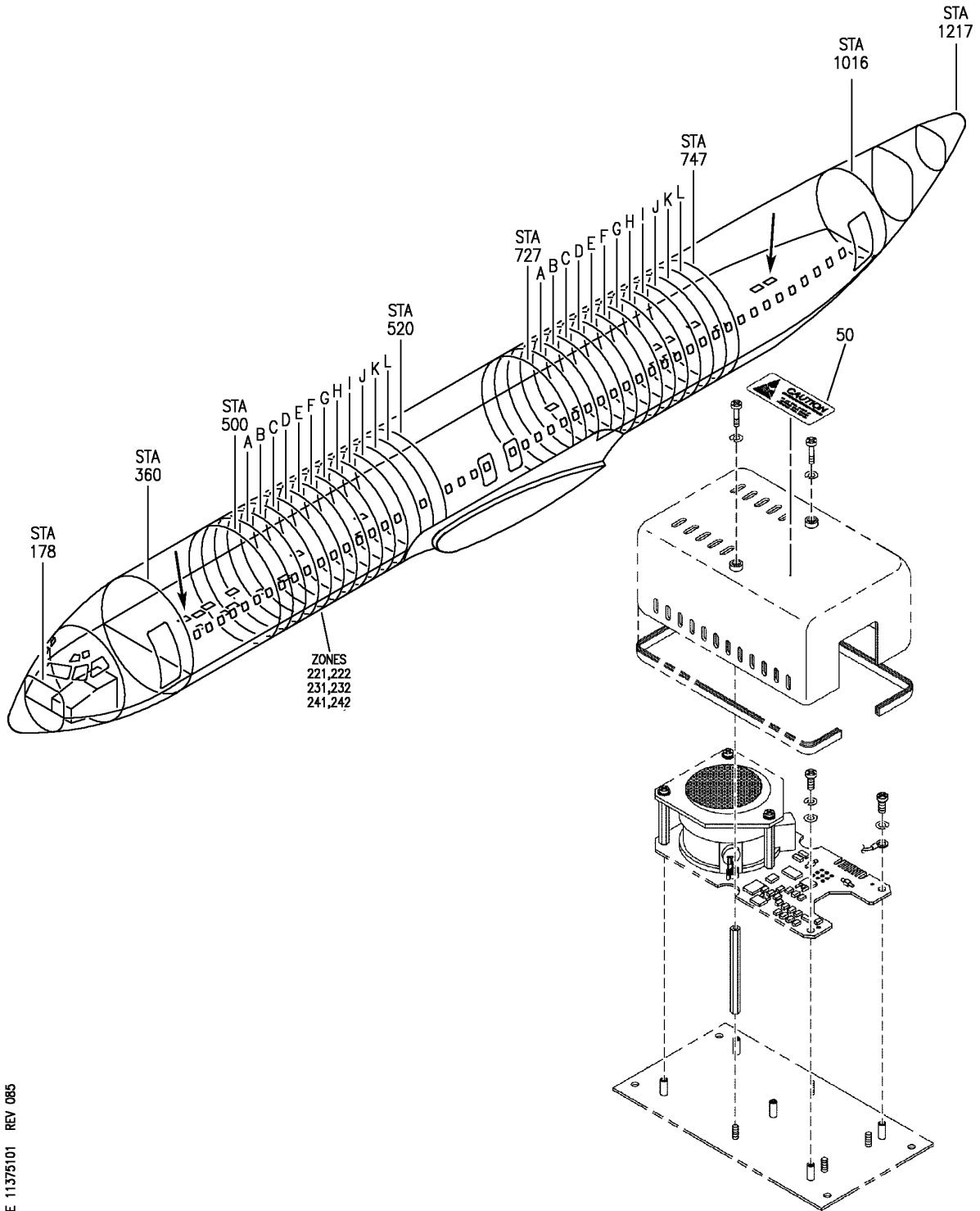
HAP

11-37-02-24

BOEING PROPRIETARY - Copyright © - Unpublished Work - See title page for details.

11-37-02
FIG. 24
PAGE 1
OCT 15/08

BOEING
 737-600/700/800/900
 PARTS CATALOG (MAINTENANCE)



E 11375101 REV 085

DETECTOR ASSY-SMOKE CARGO COMPT FWD, AFT (PLACARDS AND MARKINGS ONLY)
 FIGURE 1

11-37-51-01

HAP
 OCT 10/06

11-37-51-01
 PAGE 0

BOEING
737-600/700/800/900
PARTS CATALOG (MAINTENANCE)

FIG ITEM	PART NUMBER	1 2 3 4 5 6 7	NOMENCLATURE	EFFECT FROM TO	UNITS PER ASSY
1			DETECTOR ASSY-SMOKE CARGO COMPT FWD, AFT (PLACARDS AND MARKINGS ONLY)	001100 201967	
- 1	473597-5		DETECTOR ASSY-SMOKE CARGO COMPT (PLACARDS AND MARKINGS ONLY) SUPPLIER CODE: V61423 POSITION DATA: AFT, FWD ELECTRICAL EQUIP NUMBER: M02238 M02239 M02240 M02241 M02242 M02243 M02244 M02445 M02446 M02447 D12766 D12768 D12770 D12772 D12778 D12780 D12782 D12784 D12786 D12788 COMPONENT MAINT MANUAL REF: 26-10-66 FOR NHA/OTHER SYS DET SEE: 26-10-00-01 26-10-00-02 26-16-01-11 26-16-01-10 26-16-01-05 26-16-01-08	008100 201967	RF

MISSING ITEM NUMBERS NOT APPLICABLE

- ITEM NOT ILLUSTRATED

HAP

11-37-51-01

BOEING PROPRIETARY - Copyright © - Unpublished Work - See title page for details.

11-37-51
FIG. 01
PAGE 1
JUN 15/09

BOEING
737-600/700/800/900
PARTS CATALOG (MAINTENANCE)

FIG ITEM	PART NUMBER	1 2 3 4 5 6 7	NOMENCLATURE	EFFECT FROM TO	UNITS PER ASSY
1					
- 1	473597-5		DETECTOR ASSY-SMOKE CARGO COMPT (PLACARDS AND MARKINGS ONLY) (CUSTOMER FURNISHED) SUPPLIER CODE: V61423 POSITION DATA: AFT, FWD ELECTRICAL EQUIP NUMBER: M02238 M02239 M02240 M02241 M02242 M02243 M02244 M02245 M02246 M02247 COMPONENT MAINT MANUAL REF: 26-10-66 SERVICE BULLETIN OPT DATA: 2156-45 V03972 8550-10 V25693 CGAB1400-00 VF4885 POST ALERT SB: 26A1083R1 FOR NHA/OTHER SYS DET SEE: 26-16-01-05 26-16-01-08	001007	RF
50	304452		. LABEL-ESD CAUTION SUPPLIER CODE: V61423	001100 201967	1

R
R
R

MISSING ITEM NUMBERS NOT APPLICABLE

- ITEM NOT ILLUSTRATED

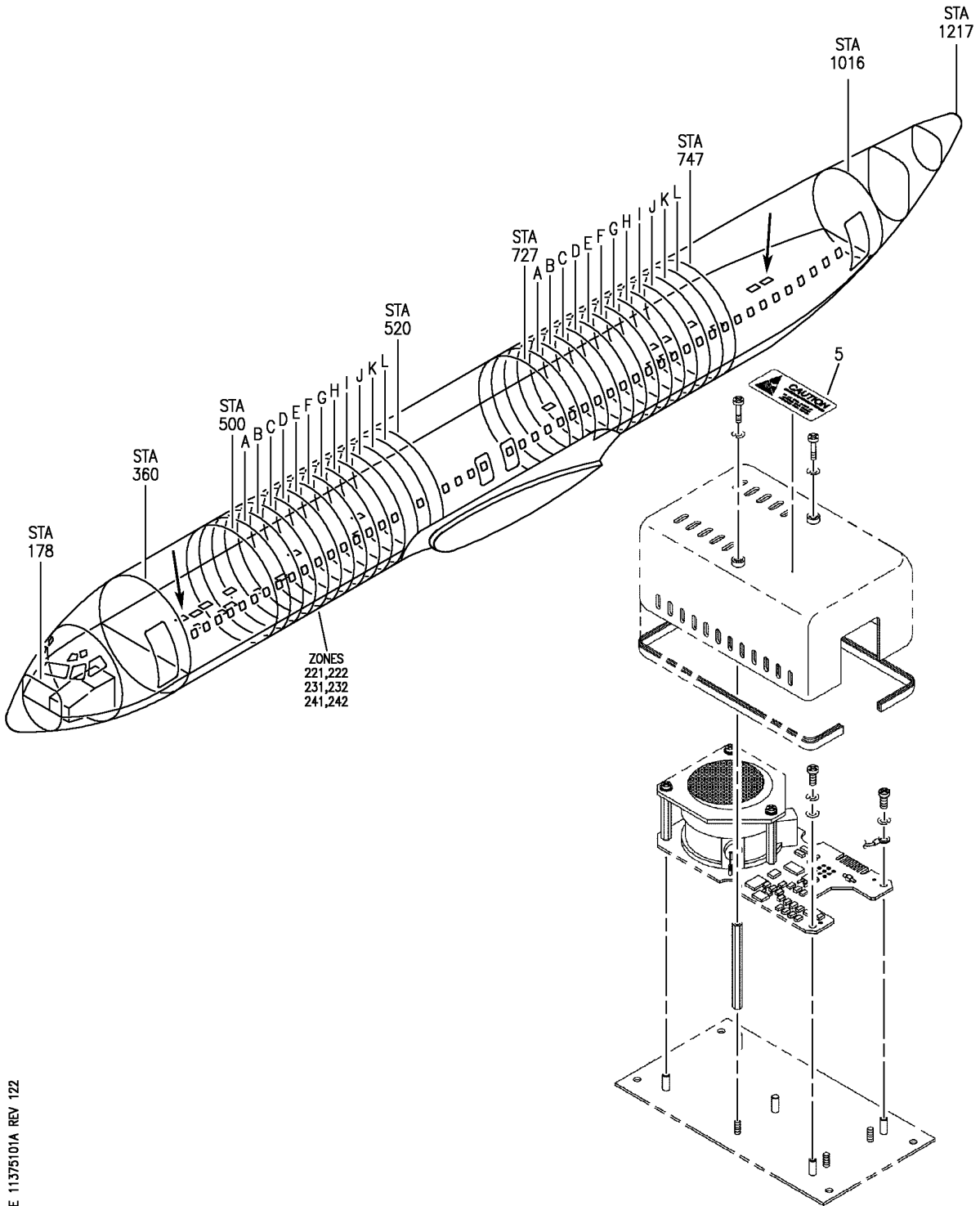
HAP

11-37-51-01

BOEING PROPRIETARY - Copyright © - Unpublished Work - See title page for details.

11-37-51
FIG. 01
PAGE 2
JUN 15/09

BOEING
 737-600/700/800/900
 PARTS CATALOG (MAINTENANCE)



E 11375101A REV 122

DETECTOR ASSY-SMOKE CARGO COMPT FWD, AFT (PLACARDS AND MARKINGS ONLY)
 FIGURE 1A

HAP
 FEB 15/09

11-37-51-01A

11-37-51-01A
 PAGE 0

BOEING
737-600/700/800/900
PARTS CATALOG (MAINTENANCE)

FIG ITEM	PART NUMBER	1 2 3 4 5 6 7	NOMENCLATURE	EFFECT FROM TO	UNITS PER ASSY
1 A			DETECTOR ASSY-SMOKE CARGO COMPT FWD, AFT (PLACARDS AND MARKINGS ONLY)	101200 968999	
- 1	473597-5		DETECTOR ASSY-SMOKE CARGO COMPT (PLACARDS AND MARKINGS ONLY) SUPPLIER CODE: V61423 POSITION DATA: AFT, FWD ELECTRICAL EQUIP NUMBER: M02238 M02239 M02240 M02241 M02242 M02243 M02244 M02445 M02446 M02447 D12766 D12768 D12770 D12772 D12778 D12780 D12782 D12784 D12786 D12788 COMPONENT MAINT MANUAL REF: 26-10-66	101200 968999	RF
5	304452		. LABEL-ESD CAUTION SUPPLIER CODE: V61423	101200 968999	1

MISSING ITEM NUMBERS NOT APPLICABLE

- ITEM NOT ILLUSTRATED

HAP

11-37-51-01A

BOEING PROPRIETARY - Copyright © - Unpublished Work - See title page for details.

11-37-51
FIG. 01A
PAGE 1
FEB 15/09

NON-ILLUSTRATED FIGURE

THE ITEMS REFLECTED IN THIS FIGURE ARE INTENTIONALLY
NON-ILLUSTRATED. THEY ARE REFERENCED TO EITHER A
NEXT HIGHER OR NEXT LOWER ASSEMBLY/INSTALLATION FIGURE.

E 11375102 REV 087

BULKHEAD ASSY-MOVEABLE AFT SYS (PLACARDS AND MARKINGS ONLY)
FIGURE 2

11-37-51-02

HAP
OCT 10/06

11-37-51-02
PAGE 0

BOEING
737-600/700/800/900
PARTS CATALOG (MAINTENANCE)

FIG ITEM	PART NUMBER	1 2 3 4 5 6 7	NOMENCLATURE	EFFECT FROM TO	UNITS PER ASSY
2			BULKHEAD ASSY-MOVEABLE AFT SYS (PLACARDS AND MARKINGS ONLY)	001100	
- 1	790400		BULKHEAD ASSY-MOVEABLE AFT SYS (PLACARDS AND MARKINGS ONLY) SUPPLIER CODE: VSG296 COMPONENT MAINT MANUAL REF: 25-53-03 OPTIONAL SUPPLIER CODE: S9836 FOR NHA/OTHER SYS DET SEE: 25-51-01-01E	001011	RF
- 1	790515		BULKHEAD ASSY-MOVEABLE AFT SYS (CUSTOMER FURNISHED) (PLACARDS AND MARKINGS ONLY) SUPPLIER CODE: VSG296 OPTIONAL SUPPLIER CODE: S9836 FOR NHA/OTHER SYS DET SEE: 25-51-01-01E	012100	RF
- 10	711281		.PLACARD-WARNING SUPPLIER CODE: VSG296 OPTIONAL SUPPLIER CODE: S9836	001100	1
- 15	710609		.PLACARD-CAUTION SUPPLIER CODE: VSG296 OPTIONAL SUPPLIER CODE: S9836	001100	1

MISSING ITEM NUMBERS NOT APPLICABLE

- ITEM NOT ILLUSTRATED

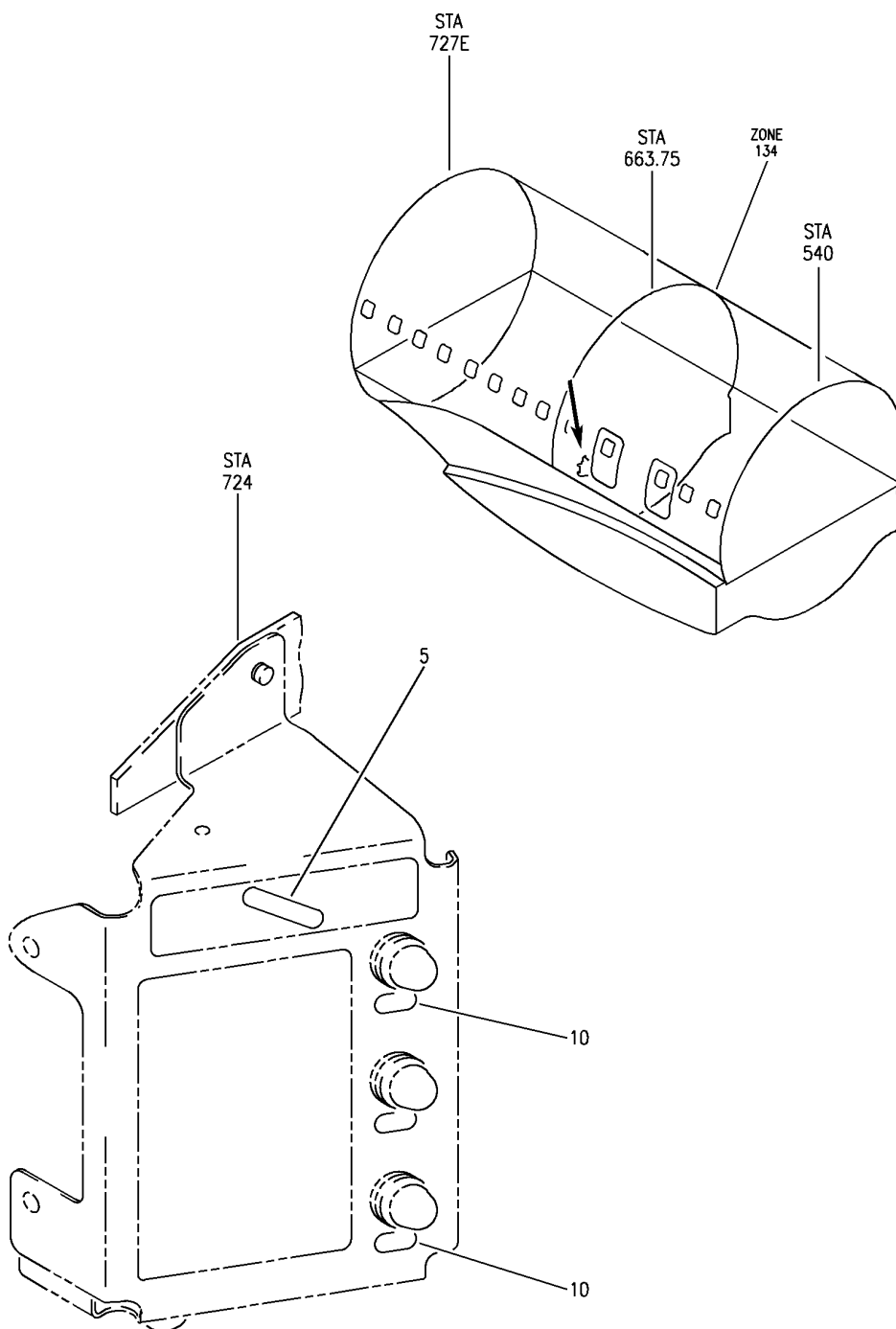
HAP

11-37-51-02

BOEING PROPRIETARY - Copyright © - Unpublished Work - See title page for details.

11-37-51
FIG. 02
PAGE 1
JUN 15/08

BOEING
737-600/700/800/900
PARTS CATALOG (MAINTENANCE)



E 11375103 REV 122

PLACARD INSTL-NITROGEN GENERATION SYS INDICATION P63
FIGURE 3

11-37-51-03

HAP
OCT 10/06

11-37-51-03
PAGE 0

BOEING
737-600/700/800/900
PARTS CATALOG (MAINTENANCE)

FIG ITEM	PART NUMBER	1 2 3 4 5 6 7	NOMENCLATURE	EFFECT FROM TO	UNITS PER ASSY
3			PLACARD INSTL-NITROGEN GENERATION SYS INDICATION P63	037046 054105 968999	
- 1	MODREF305863		PLACARD INSTL-NITROGEN GENERATION SYS INDICATION MODULE NUMBER: 284A0810-2 REV A POSITION DATA: P63	037046 054105 968999	1
5	BAC27DCC355		.DECAL- PLACARD CONTENT: INOPERATIVE	037046 054105 968999	1
10	BAC27DCC3073		.MARKER- PLACARD CONTENT: INOP	037046 054105 968999	3

MISSING ITEM NUMBERS NOT APPLICABLE

- ITEM NOT ILLUSTRATED

HAP

11-37-51-03

BOEING PROPRIETARY - Copyright © - Unpublished Work - See title page for details.

11-37-51
FIG. 03
PAGE 1
FEB 15/09