

AIR CONDITIONING (GENERAL)

HAP
OCT 10/06

21-00-00
SECTION TITLE
PAGE 1

NON-ILLUSTRATED FIGURE

THE ITEMS REFLECTED IN THIS FIGURE ARE INTENTIONALLY
NON-ILLUSTRATED. THEY ARE REFERENCED TO EITHER A
NEXT HIGHER OR NEXT LOWER ASSEMBLY/INSTALLATION FIGURE.

PRODUCT COLLECTOR-MAJOR MODEL BASIC AND STABLE (AIR CONDITIONING ONLY)
FIGURE 33

21-00-00-33

HAP
OCT 10/06

21-00-00-33
PAGE 0

BOEING
737-600/700/800/900
PARTS CATALOG (MAINTENANCE)

FIG ITEM	PART NUMBER	1 2 3 4 5 6 7	NOMENCLATURE	EFFECT FROM TO	UNITS PER ASSY
33			PRODUCT COLLECTOR-MAJOR MODEL BASIC AND STABLE (AIR CONDITIONING ONLY)	001030 201967	
- 1	001A0101-678		PRODUCT COLLECTOR-MAJOR MODEL BASIC AND STABLE (AIR CONDITIONING ONLY)	001030 201967	RF
			FOR OTHER SYS DETAILS SEE: 11-00-00-11 23-00-00-07 24-00-00-05 25-00-00-01 26-00-00-10 27-00-00-17 28-00-00-01A 29-00-00-11 30-00-00-01A 31-00-00-03 32-00-00-17 33-00-00-10C 34-00-00-11 35-00-00-06 36-00-00-02 38-00-00-01C 49-00-00-01A 51-00-00-08 52-00-00-01 53-00-00-14 54-00-00-01 55-00-00-06 56-00-00-05C 57-00-00-17 78-00-00-03		
- 5	210A0001-678		.FUNCTIONAL COLLECTOR- FOR DETAILS SEE: 21-20-00-04 21-30-00-01A 21-40-00-02 21-50-00-01 21-60-00-01E	001030 201967	1

MISSING ITEM NUMBERS NOT APPLICABLE

- ITEM NOT ILLUSTRATED

HAP

21-00-00-33

BOEING PROPRIETARY - Copyright © - Unpublished Work - See title page for details.

21-00-00
FIG. 33
PAGE 1
OCT 15/08

NON-ILLUSTRATED FIGURE

THE ITEMS REFLECTED IN THIS FIGURE ARE INTENTIONALLY
NON-ILLUSTRATED. THEY ARE REFERENCED TO EITHER A
NEXT HIGHER OR NEXT LOWER ASSEMBLY/INSTALLATION FIGURE.

PRODUCT COLLECTOR-MAJOR MODEL BASIC AND STABLE (AIR CONDITIONING ONLY)
FIGURE 33A

HAP
OCT 10/06

21-00-00-33A

21-00-00-33A
PAGE 0

BOEING
737-600/700/800/900
PARTS CATALOG (MAINTENANCE)

FIG ITEM	PART NUMBER	1 2 3 4 5 6 7	NOMENCLATURE	EFFECT FROM TO	UNITS PER ASSY
33A			PRODUCT COLLECTOR-MAJOR MODEL BASIC AND STABLE (AIR CONDITIONING ONLY)	001030 201967	
- 1	001A4001-678		PRODUCT COLLECTOR-MAJOR MODEL BASIC AND STABLE (AIR CONDITIONING ONLY) FOR OTHER SYS DETAILS SEE: 11-00-00-10 25-00-00-68H 26-00-00-06 27-00-00-24 29-00-00-01 30-00-00-01 31-00-00-02 32-00-00-40 33-00-00-08 34-00-00-05 38-00-00-02D 49-00-00-01F 51-00-00-07 52-00-00-20A 53-00-00-02D 55-00-00-13 56-00-00-05C 57-00-00-15	001030 201967	1
- 5	210A0002-678		.FUNCTIONAL COLLECTOR- FOR DETAILS SEE: 21-20-00-04 21-30-00-01A	001030 201967	1
- 10	140A9100-678		.FUNCTIONAL COLLECTOR- FOR DETAILS SEE: 21-27-00-14	001030 201967	1

MISSING ITEM NUMBERS NOT APPLICABLE

- ITEM NOT ILLUSTRATED

HAP

21-00-00-33A

BOEING PROPRIETARY - Copyright © - Unpublished Work - See title page for details.

21-00-00
FIG. 33A
PAGE 1
OCT 15/08

NON-ILLUSTRATED FIGURE

THE ITEMS REFLECTED IN THIS FIGURE ARE INTENTIONALLY
NON-ILLUSTRATED. THEY ARE REFERENCED TO EITHER A
NEXT HIGHER OR NEXT LOWER ASSEMBLY/INSTALLATION FIGURE.

PRODUCT COLLECTOR-MINOR MODEL BASIC AND STABLE (AIR CONDITIONING ONLY)
FIGURE 37

21-00-00-37

HAP
OCT 15/08

21-00-00-37
PAGE 0

BOEING
737-600/700/800/900
PARTS CATALOG (MAINTENANCE)

FIG ITEM	PART NUMBER	1 2 3 4 5 6 7	NOMENCLATURE	EFFECT FROM TO	UNITS PER ASSY
37			PRODUCT COLLECTOR-MINOR MODEL BASIC AND STABLE (AIR CONDITIONING ONLY)	201967	
- 1	001A0101-700		PRODUCT COLLECTOR-MINOR MODEL BASIC AND STABLE (AIR CONDITIONING ONLY)	201967	1
			FOR OTHER SYS DETAILS SEE: 11-00-00-07A 23-00-00-06A 25-00-00-06D 26-00-00-12A 27-00-00-30 28-00-00-06 29-00-00-05A 31-00-00-06 32-00-00-21A 33-00-00-10E 34-00-00-11B 35-00-00-02 36-00-00-01B 38-00-00-01D 51-00-00-03 52-00-00-22 53-00-00-01 54-00-00-03 57-00-00-17B		
- 5	210A0001-700		.FUNCTIONAL COLLECTOR- FOR DETAILS SEE: 21-20-00-04B 21-40-00-02B 21-50-00-01B 21-60-00-01B	201967	1

MISSING ITEM NUMBERS NOT APPLICABLE

- ITEM NOT ILLUSTRATED

HAP

21-00-00-37

BOEING PROPRIETARY - Copyright © - Unpublished Work - See title page for details.

21-00-00
FIG. 37
PAGE 1
OCT 15/08

NON-ILLUSTRATED FIGURE

THE ITEMS REFLECTED IN THIS FIGURE ARE INTENTIONALLY
NON-ILLUSTRATED. THEY ARE REFERENCED TO EITHER A
NEXT HIGHER OR NEXT LOWER ASSEMBLY/INSTALLATION FIGURE.

PRODUCT COLLECTOR-MINOR MODEL BASIC AND STABLE (AIR CONDITIONING ONLY)
FIGURE 38

21-00-00-38

HAP
OCT 10/06

21-00-00-38
PAGE 0

BOEING
737-600/700/800/900
PARTS CATALOG (MAINTENANCE)

FIG ITEM	PART NUMBER	1 2 3 4 5 6 7	NOMENCLATURE	EFFECT FROM TO	UNITS PER ASSY
38			PRODUCT COLLECTOR-MINOR MODEL BASIC AND STABLE (AIR CONDITIONING ONLY)	001030	
- 1	001A0101-800		PRODUCT COLLECTOR-MINOR MODEL BASIC AND STABLE (AIR CONDITIONING ONLY) FOR OTHER SYS DETAILS SEE: 11-00-00-07B 23-00-00-06B 25-00-00-06B 26-00-00-12B 27-00-00-32 28-00-00-01F 29-00-00-13 31-00-00-07 32-00-00-21 33-00-00-10F 34-00-00-11C 35-00-00-03 36-00-00-01C 38-00-00-01E 51-00-00-11 52-00-00-08 53-00-00-04 54-00-00-05 57-00-00-17C	001030	1
- 5	210A0001-800		.FUNCTIONAL COLLECTOR- FOR DETAILS SEE: 21-20-00-04C 21-40-00-02C 21-50-00-01C 21-60-00-01C	001030	1
- 10	284A0012-800		.FUNCTIONAL COLLECTOR- FOR DETAILS SEE: 21-60-00-03	001030	1

MISSING ITEM NUMBERS NOT APPLICABLE

- ITEM NOT ILLUSTRATED

HAP

21-00-00-38

BOEING PROPRIETARY - Copyright © - Unpublished Work - See title page for details.

21-00-00
FIG. 38
PAGE 1
OCT 10/06

NON-ILLUSTRATED FIGURE

THE ITEMS REFLECTED IN THIS FIGURE ARE INTENTIONALLY
NON-ILLUSTRATED. THEY ARE REFERENCED TO EITHER A
NEXT HIGHER OR NEXT LOWER ASSEMBLY/INSTALLATION FIGURE.

PRODUCT COLLECTOR-CUSTOMER UNIQUE (AIR CONDITIONING ONLY)
FIGURE 42

21-00-00-42

HAP
OCT 15/08

21-00-00-42
PAGE 0

BOEING
737-600/700/800/900
PARTS CATALOG (MAINTENANCE)

FIG ITEM	PART NUMBER	1 2 3 4 5 6 7	NOMENCLATURE	EFFECT FROM TO	UNITS PER ASSY
42			PRODUCT COLLECTOR-CUSTOMER UNIQUE (AIR CONDITIONING ONLY)	201967	
- 15	001A0101-2610		PRODUCT COLLECTOR-CUSTOMER UNIQUE (AIR CONDITIONING ONLY) FOR OTHER SYS DETAILS SEE: 11-00-00-01A 23-00-00-02 24-00-00-04 25-00-00-02B 26-00-00-08 30-00-00-04 31-00-00-01A 33-00-00-10A 34-00-00-08 35-00-00-10 38-00-00-01A 52-00-00-03 53-00-00-01B 71-00-00-03 77-00-00-01	201967	1
- 141	210A0001-2610		.FUNCTIONAL COLLECTOR- FOR DETAILS SEE: 21-20-00-09B	201967	1
- 241	400A9101-2610		.FUNCTIONAL COLLECTOR- FOR DETAILS SEE: 21-23-00-15A	201967	1

MISSING ITEM NUMBERS NOT APPLICABLE

- ITEM NOT ILLUSTRATED

HAP

21-00-00-42

BOEING PROPRIETARY - Copyright © - Unpublished Work - See title page for details.

21-00-00
FIG. 42
PAGE 1
OCT 15/08

 **BOEING**
737-600/700/800/900
PARTS CATALOG (MAINTENANCE)

NON-ILLUSTRATED FIGURE

THE ITEMS REFLECTED IN THIS FIGURE ARE INTENTIONALLY
NON-ILLUSTRATED. THEY ARE REFERENCED TO EITHER A
NEXT HIGHER OR NEXT LOWER ASSEMBLY/INSTALLATION FIGURE.

PRODUCT COLLECTOR-CUSTOMER UNIQUE (AIR CONDITIONING ONLY)
FIGURE 43

21-00-00-43

HAP
OCT 10/06

21-00-00-43
PAGE 0

BOEING
737-600/700/800/900
PARTS CATALOG (MAINTENANCE)

FIG ITEM	PART NUMBER	1 2 3 4 5 6 7	NOMENCLATURE	EFFECT FROM TO	UNITS PER ASSY
43			PRODUCT COLLECTOR-CUSTOMER UNIQUE (AIR CONDITIONING ONLY)	001030	
- 1	001A0101-3001		PRODUCT COLLECTOR-CUSTOMER UNIQUE (AIR CONDITIONING ONLY) FOR OTHER SYS DETAILS SEE: 11-00-00-01B 23-00-00-03 24-00-00-08 25-00-00-02C 26-00-00-09 27-00-00-03A 30-00-00-05 31-00-00-01C 33-00-00-10B 34-00-00-09 35-00-00-15 38-00-00-01B 52-00-00-03A 53-00-00-01C 71-00-00-05 77-00-00-02	001030	1
- 100	210A0001-3001		.FUNCTIONAL COLLECTOR- FOR DETAILS SEE: 21-20-00-09C	001030	1
- 200	400A9101-3001		.FUNCTIONAL COLLECTOR- FOR DETAILS SEE: 21-23-00-15B	001017 019019	1
- 250	400A0028-3001		.FUNCTIONAL COLLECTOR- FOR DETAILS SEE: 21-23-00-15B	018018 020030	1
- 270	284A0012-3001		.FUNCTIONAL COLLECTOR- FOR DETAILS SEE: 21-27-00-12	001030	1

MISSING ITEM NUMBERS NOT APPLICABLE

- ITEM NOT ILLUSTRATED

HAP

21-00-00-43

BOEING PROPRIETARY - Copyright © - Unpublished Work - See title page for details.

21-00-00
FIG. 43
PAGE 1
OCT 10/06

NON-ILLUSTRATED FIGURE

THE ITEMS REFLECTED IN THIS FIGURE ARE INTENTIONALLY
NON-ILLUSTRATED. THEY ARE REFERENCED TO EITHER A
NEXT HIGHER OR NEXT LOWER ASSEMBLY/INSTALLATION FIGURE.

PRODUCT COLLECTOR-CUSTOMER UNIQUE (AIR CONDITIONING ONLY)
FIGURE 43A

21-00-00-43A

HAP
OCT 10/06

21-00-00-43A
PAGE 0

BOEING
737-600/700/800/900
PARTS CATALOG (MAINTENANCE)

FIG ITEM	PART NUMBER	1 2 3 4 5 6 7	NOMENCLATURE	EFFECT FROM TO	UNITS PER ASSY
43A			PRODUCT COLLECTOR-CUSTOMER UNIQUE (AIR CONDITIONING ONLY)	001030	
- 1	001A4001-3001		PRODUCT COLLECTOR-CUSTOMER UNIQUE (AIR CONDITIONING ONLY)	001030	1
			FOR OTHER SYS DETAILS SEE: 25-00-00-07E 31-00-00-10 38-00-00-02B 52-00-00-20F 53-00-00-01E 56-00-00-04A		
- 100	210A0002-3001		.FUNCTIONAL COLLECTOR- FOR DETAILS SEE: 21-20-00-49B	001030	1

MISSING ITEM NUMBERS NOT APPLICABLE

- ITEM NOT ILLUSTRATED

HAP

21-00-00-43A

BOEING PROPRIETARY - Copyright © - Unpublished Work - See title page for details.

21-00-00
FIG. 43A
PAGE 1
OCT 10/06

NON-ILLUSTRATED FIGURE

THE ITEMS REFLECTED IN THIS FIGURE ARE INTENTIONALLY
NON-ILLUSTRATED. THEY ARE REFERENCED TO EITHER A
NEXT HIGHER OR NEXT LOWER ASSEMBLY/INSTALLATION FIGURE.

PRODUCT COLLECTOR-OPT FEATURE
FIGURE 46

21-00-00-46

HAP
OCT 10/06

21-00-00-46
PAGE 0


BOEING
 737-600/700/800/900
PARTS CATALOG (MAINTENANCE)

FIG ITEM	PART NUMBER	1 2 3 4 5 6 7	NOMENCLATURE	EFFECT FROM TO	UNITS PER ASSY
46			PRODUCT COLLECTOR-OPT FEATURE	001030 201967	
- 1	001A0101-6400		PRODUCT COLLECTOR-OPT FEATURE 2170DM3003 NO CATALYTIC CONVERTER INSTL	001030 201967	1
- 5	210A0001-6400		.FUNCTIONAL COLLECTOR- FOR DETAILS SEE: 21-51-00-02	001030 201967	1

MISSING ITEM NUMBERS NOT APPLICABLE

- ITEM NOT ILLUSTRATED

HAP

21-00-00-46

BOEING PROPRIETARY - Copyright © - Unpublished Work - See title page for details.

21-00-00
 FIG. 46
 PAGE 1
 OCT 15/08

NON-ILLUSTRATED FIGURE

THE ITEMS REFLECTED IN THIS FIGURE ARE INTENTIONALLY
NON-ILLUSTRATED. THEY ARE REFERENCED TO EITHER A
NEXT HIGHER OR NEXT LOWER ASSEMBLY/INSTALLATION FIGURE.

PRODUCT COLLECTOR-OPT FEATURE (AIR CONDITIONING ONLY)
FIGURE 46A

21-00-00-46A

HAP
OCT 15/08

21-00-00-46A
PAGE 0

BOEING
737-600/700/800/900
PARTS CATALOG (MAINTENANCE)

FIG ITEM	PART NUMBER	1 2 3 4 5 6 7	NOMENCLATURE	EFFECT FROM TO	UNITS PER ASSY
46A			PRODUCT COLLECTOR-OPT FEATURE (AIR CONDITIONING ONLY)	201967	
- 1	001A4001-6515		PRODUCT COLLECTOR-OPT FEATURE DEPENDENT MODULE (AIR CONDITIONING ONLY) 2562DM3092 NO CLG MOUNTED, STOWAGE UNIT PASS. CAB. POSITION DATA: FWD	201967	RF
- 5	210A0002-6515		.FUNCTIONAL COLLECTOR- DEPENDENT MODULE 2562DM3092 NO CLG MOUNTED, STOWAGE UNIT PASS. CAB. POSITION DATA: FWD	201967	1
- 50	001A4001-6516		PRODUCT COLLECTOR-OPT FEATURE DEPENDENT MODULE (AIR CONDITIONING ONLY) 2562DM3093 NO CLG MOUNTED, STOWAGE UNIT PASS. CAB. POSITION DATA: MIDDLE	201967	RF
- 55	210A0002-6516		.FUNCTIONAL COLLECTOR- DEPENDENT MODULE 2562DM3093 NO CLG MOUNTED, STOWAGE UNIT PASS. CAB. POSITION DATA: MIDDLE	201967	1
- 100	001A4001-6517		PRODUCT COLLECTOR-OPT FEATURE DEPENDENT MODULE (AIR CONDITIONING ONLY) 2562DM3094 NO CLG MOUNTED, STOWAGE UNIT PASS. CAB. POSITION DATA: AFT	201967	RF

MISSING ITEM NUMBERS NOT APPLICABLE

- ITEM NOT ILLUSTRATED

HAP

21-00-00-46A

BOEING PROPRIETARY - Copyright © - Unpublished Work - See title page for details.

21-00-00
FIG. 46A
PAGE 1
OCT 15/08


BOEING
 737-600/700/800/900
PARTS CATALOG (MAINTENANCE)

FIG ITEM	PART NUMBER	1 2 3 4 5 6 7 NOMENCLATURE	EFFECT FROM TO	UNITS PER ASSY
46A - 105	210A0002-6517	.FUNCTIONAL COLLECTOR- DEPENDENT MODULE 2562DM3094 NO CLG MOUNTED, STOWAGE UNIT PASS. CAB. POSITION DATA: AFT FOR DETAILS SEE: 21-20-00-49C	201967	1

MISSING ITEM NUMBERS NOT APPLICABLE

- ITEM NOT ILLUSTRATED

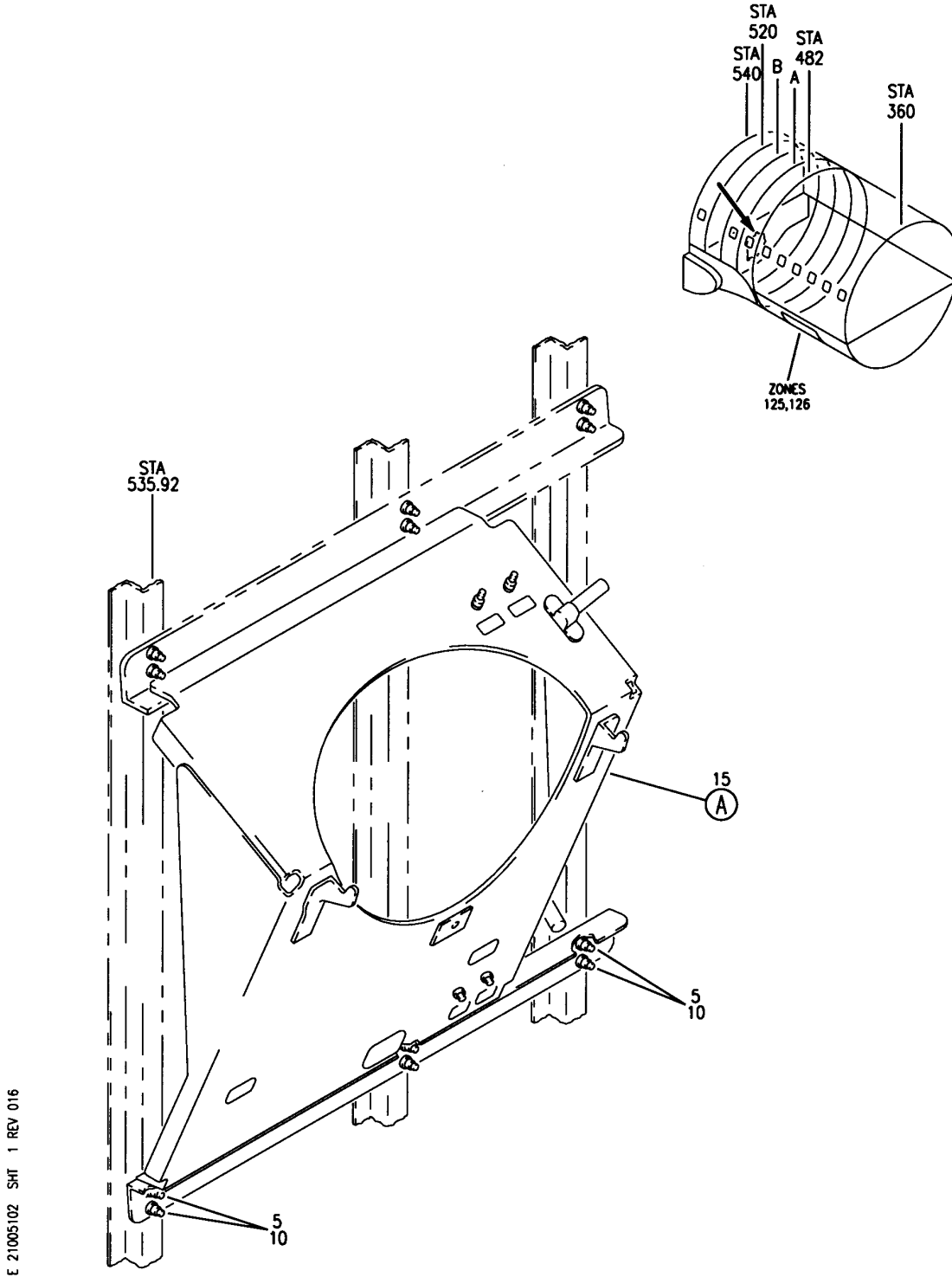
HAP

21-00-00-46A

BOEING PROPRIETARY - Copyright © - Unpublished Work - See title page for details.

21-00-00
 FIG. 46A
 PAGE 2
 OCT 15/08

BOEING
737-600/700/800/900
PARTS CATALOG (MAINTENANCE)



E 21005102 SHT 1 REV 016

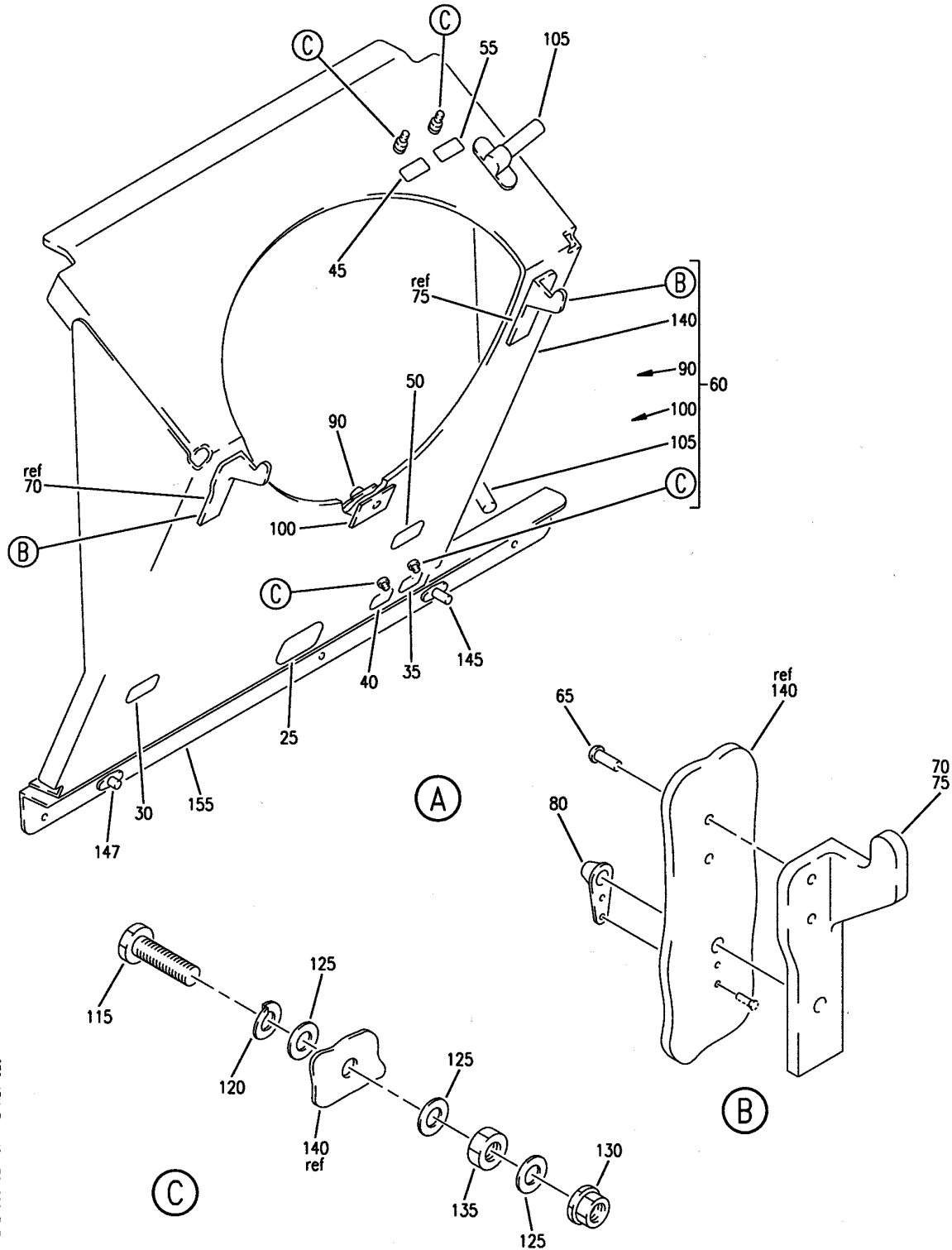
SUPPORT INSTL
FIGURE 2 (SHEET 1)

21-00-51-02

HAP
OCT 15/08

21-00-51-02
PAGE 0

BOEING
 737-600/700/800/900
 PARTS CATALOG (MAINTENANCE)



E 21005102 SHT 2 REV 029

SUPPORT INSTL
 FIGURE 2 (SHEET 2)

21-00-51-02

HAP
 OCT 15/08

21-00-51-02
 PAGE 0A

BOEING
737-600/700/800/900
PARTS CATALOG (MAINTENANCE)

FIG ITEM	PART NUMBER	1 2 3 4 5 6 7	NOMENCLATURE	EFFECT FROM TO	UNITS PER ASSY
2			SUPPORT INSTL	201967	
- 1	218A6120-2		SUPPORT INSTL- (ETOPS) POSITION DATA: RH FOR NHA SEE: 26-20-00-09B	201967	RF
	5 BACB30NX6K		.BOLT- SIZE DETERMINED ON INSTL.	201967	6
	10 BACC3BH6		.COLLAR-	201967	6
	15 218A6130-5		.BRACKET ASSY- ATTACHING PARTS	201967	1
- 20	BACR15FT5AD		.RIVET- SIZE DETERMINED ON INSTL. -----*-----	201967	8
	25 BAC27NEC268		..MARKER- PLACARD CONTENT: CARGO EXT BTL 2 M2263	201967	1
	30 BAC27NEC269		..MARKER- PLACARD CONTENT: FWD YELLOW D12818	201967	1
	35 BAC27NEC274		..MARKER- PLACARD CONTENT: GD5066DC	201967	1
	40 BAC27NEC273		..MARKER- PLACARD CONTENT: GD5064S	201967	1
	45 BAC27NEC272		..MARKER- PLACARD CONTENT: GD5062S	201967	1
	50 BAC27NEC270		..MARKER- PLACARD CONTENT: AFT BLUE D12820	201967	1
	55 BAC27NEC271		..MARKER- PLACARD CONTENT: GD5060DC	201967	1
	60 218A6130-3		..BRACKET ASSY- OPTIONAL PART: 218A6130-17	201967	1
	60 218A6130-17		..BRACKET ASSY- OPTIONAL PART: 218A6130-3	201967	1
	65 BACR15FT5AD		...RIVET- SIZE DETERMINED ON INSTL.	201967	4
	70 218A6131-1		...ANGLE-SPRT USED ON: 218A6130-3	201967	1

MISSING ITEM NUMBERS NOT APPLICABLE

- ITEM NOT ILLUSTRATED

HAP

21-00-51-02

21-00-51
FIG. 02
PAGE 1
OCT 15/08

BOEING
737-600/700/800/900
PARTS CATALOG (MAINTENANCE)

FIG ITEM	PART NUMBER	1 2 3 4 5 6 7	NOMENCLATURE	EFFECT FROM TO	UNITS PER ASSY
2	70 218A6131-9		... ANGLE-SPRT USED ON: 218A6130-17	201967	1
	75 218A6131-2		... ANGLE-SPRT USED ON: 218A6130-3	201967	1
	75 218A6131-10		... ANGLE-SPRT USED ON: 218A6130-17	201967	1
	80 F2000-4		... NUTPLATE- SUPPLIER CODE: V15653 SPECIFICATION NUMBER: BACN10KB4F OPTIONAL PART: NS103185-048 V80539 RMF9207-4 V72962 T8114S428S V11815 VN151A1-048 V92215 BRF100A4 V52828 USED ON: 218A6130-3 ATTACHING PARTS	201967	2
-	85 BACR15BA3ADC		... RIVET- SIZE DETERMINED ON INSTL. -----*-----	201967	4
	90 BRF200A4		... NUTPLATE- SUPPLIER CODE: V52828 SPECIFICATION NUMBER: BACN10JR4F OPTIONAL PART: NS103203-048 V80539 RMF9201-4 V72962 VN152A1-048 V92215 T8091S428 V11815 F5000-4BAC V15653 USED ON: 218A6130-3	201967	1

MISSING ITEM NUMBERS NOT APPLICABLE

- ITEM NOT ILLUSTRATED

HAP

21-00-51-02

BOEING PROPRIETARY - Copyright © - Unpublished Work - See title page for details.

21-00-51
FIG. 02
PAGE 2
OCT 15/08

BOEING
737-600/700/800/900
PARTS CATALOG (MAINTENANCE)

FIG ITEM	PART NUMBER	1 2 3 4 5 6 7	NOMENCLATURE	EFFECT FROM TO	UNITS PER ASSY
2			ATTACHING PARTS		
- 95	BACR15BA3ADC	...	RIVET- SIZE DETERMINED ON INSTL. -----*-----	201967	2
100	BACF3F007L012AG	...	FILLER- USED ON: 218A6130-3	201967	1
105	BACN10GH3A12	...	NUTPLATE ATTACHING PARTS	201967	2
- 110	BACR15FT4AD	...	RIVET- SIZE DETERMINED ON INSTL. -----*-----	201967	4
115	NAS1801-3-12	...	SCREW	201967	4
120	MS35338-43	...	WASHER	201967	4
125	NAS1149D0316H	...	WASHER	201967	12
130	PLH53CD	...	NUT SUPPLIER CODE: VFO224 SPECIFICATION NUMBER: BACN10YR3CD OPTIONAL PART: H52732-3CD V15653	201967	4
135	MS35650-305T	...	NUT	201967	4
140	218A6130-2	...	BRACKET- USED ON: 218A6130-3	201967	1
140	218A6130-26	...	BRACKET- USED ON: 218A6130-17	201967	1
145	WSI4A16	..	NUTPLATE SUPPLIER CODE: V04169 SPECIFICATION NUMBER: BACN10TL3A16	201967	1
147	WS1-4A6	..	NUTPLATE SUPPLIER CODE: V04169 SPECIFICATION NUMBER: BACN10TL3A6	201967	1
- 150	BACR15FT4AD	..	RIVET- SIZE DETERMINED ON INSTL. -----*-----	201967	4
155	218A6131-6	..	ANGLE-SPRT	201967	1

MISSING ITEM NUMBERS NOT APPLICABLE

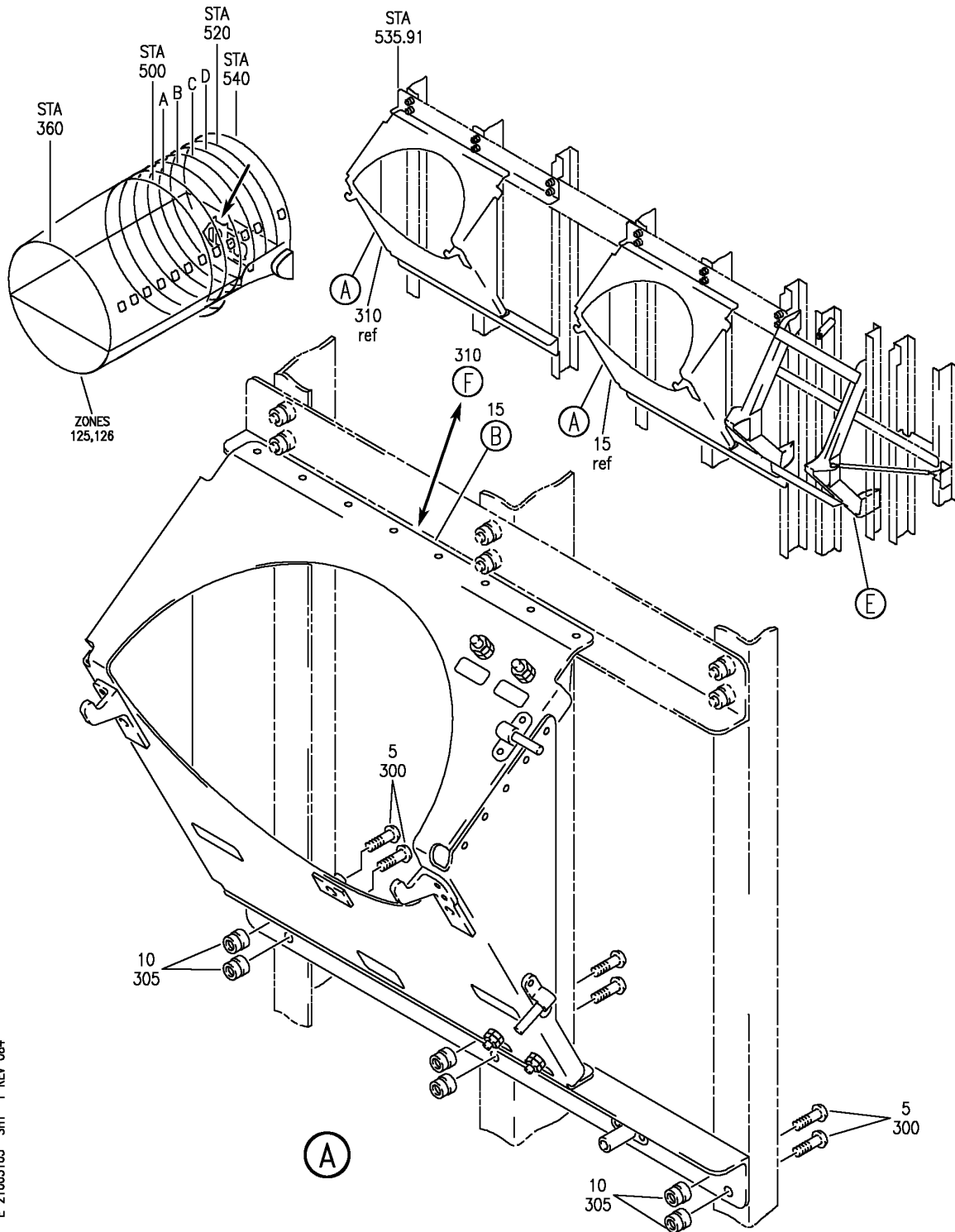
- ITEM NOT ILLUSTRATED

HAP

21-00-51-02

21-00-51
FIG. 02
PAGE 3
FEB 15/09

BOEING
 737-600/700/800/900
 PARTS CATALOG (MAINTENANCE)



E 21005103 SHT 1 REV 084

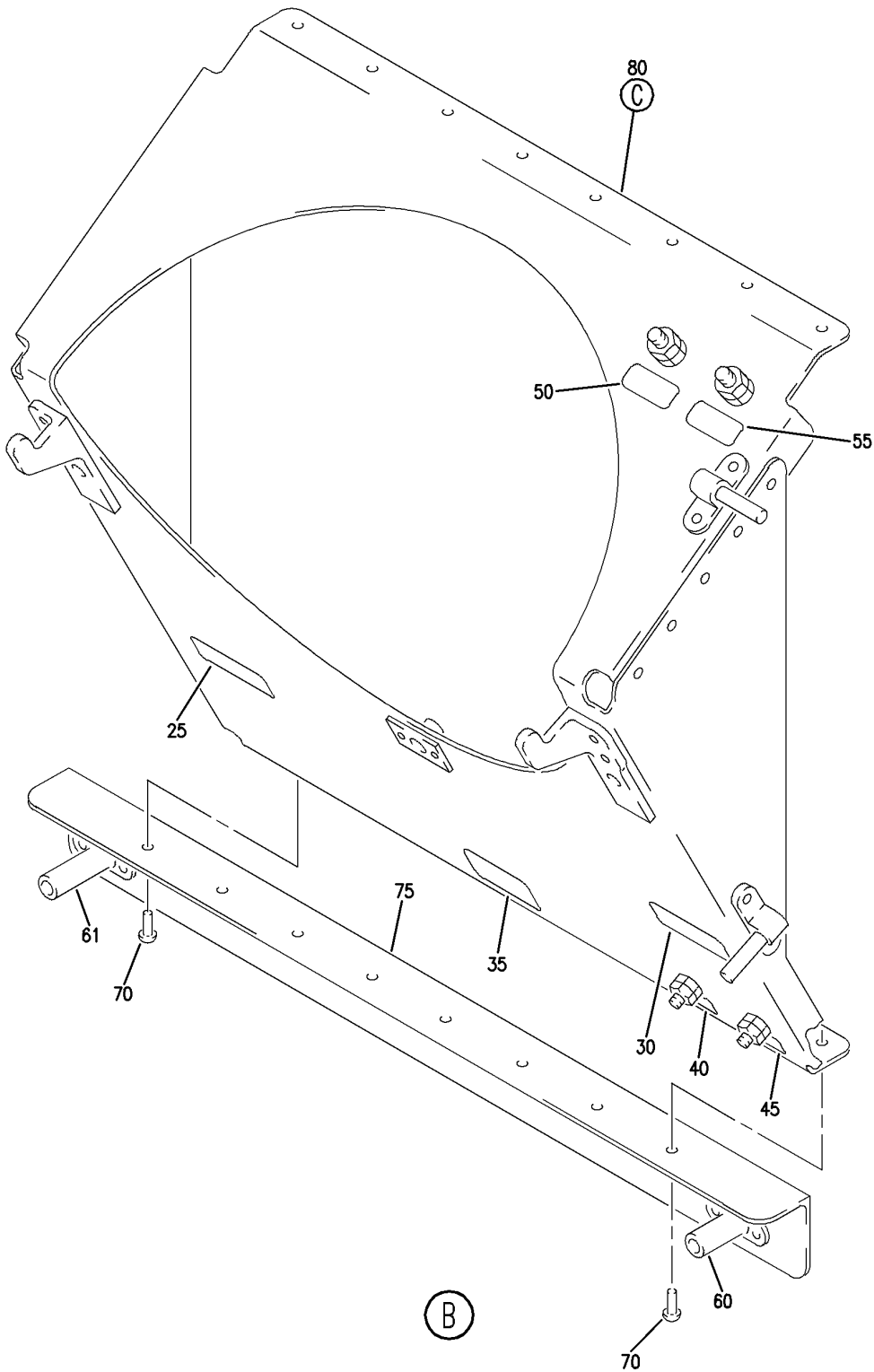
SUPPORT INSTL
 FIGURE 3 (SHEET 1)

21-00-51-03

HAP
 FEB 10/07

21-00-51-03
 PAGE 0

BOEING
737-600/700/800/900
PARTS CATALOG (MAINTENANCE)



E 21005103 SHT 2 REV 051

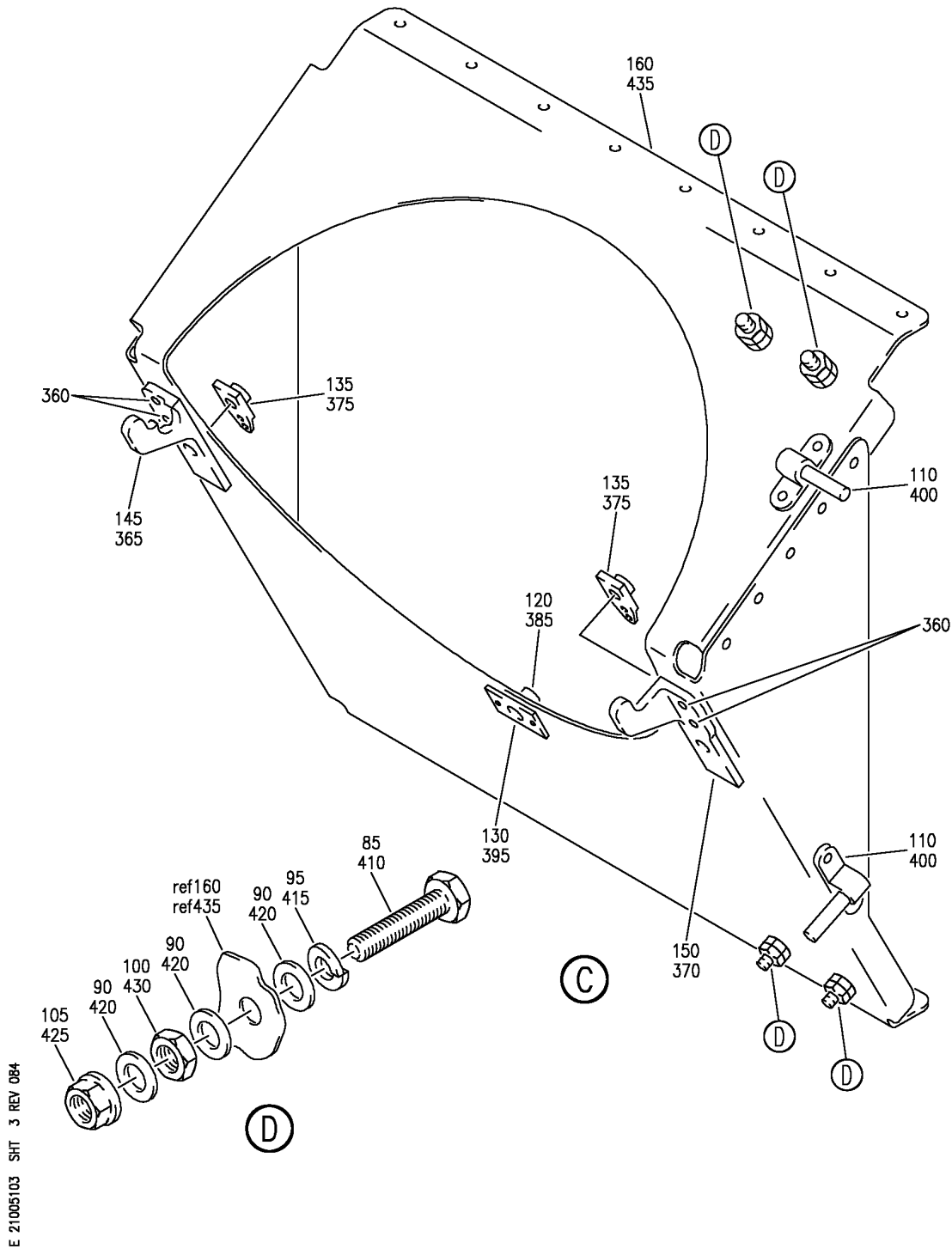
SUPPORT INSTL
FIGURE 3 (SHEET 2)

21-00-51-03

HAP
FEB 10/07

21-00-51-03
PAGE 0A

BOEING
 737-600/700/800/900
 PARTS CATALOG (MAINTENANCE)



E 21005103 SHT 3 REV 084

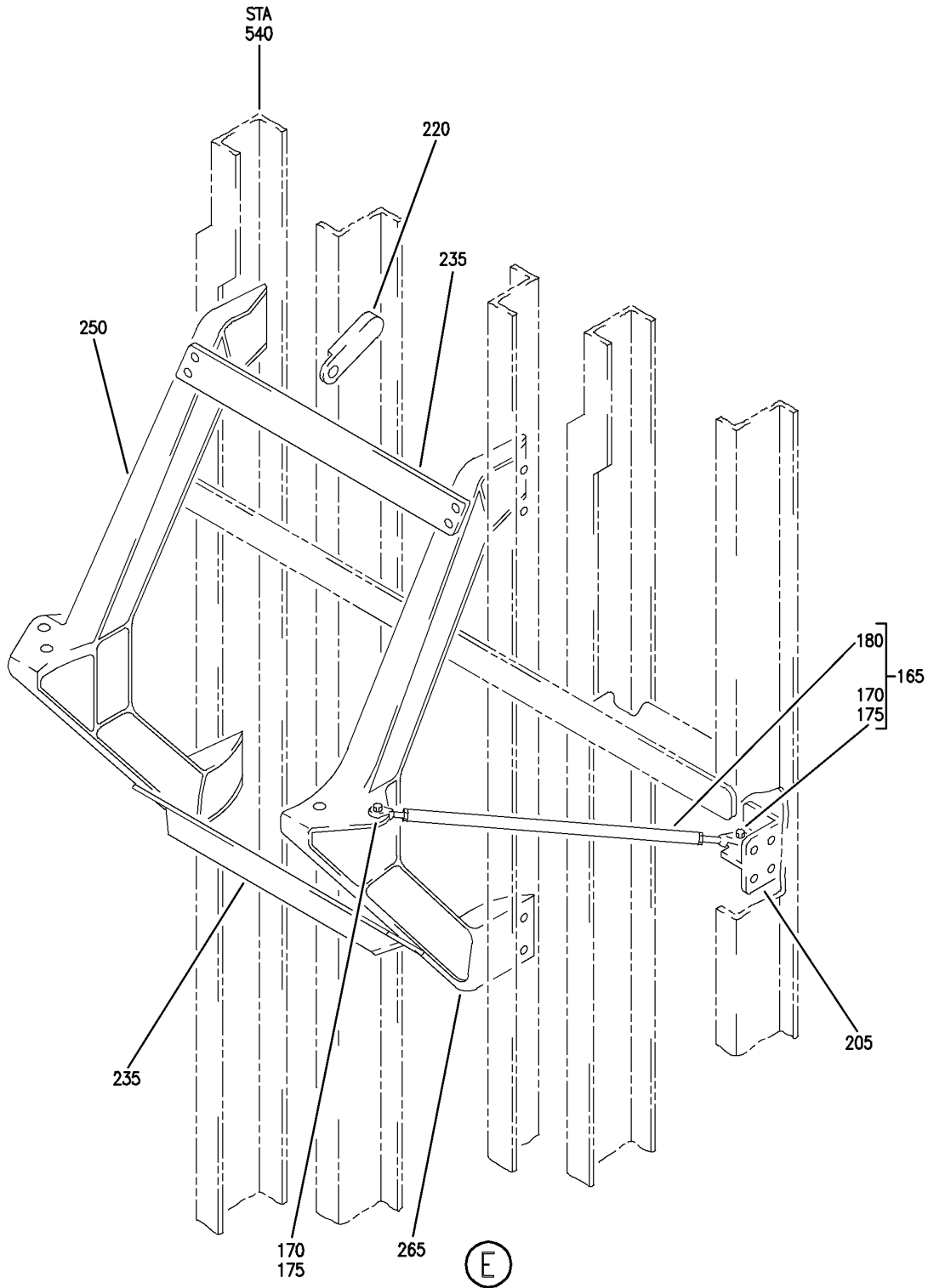
SUPPORT INSTL
 FIGURE 3 (SHEET 3)

21-00-51-03

HAP
 FEB 10/07

21-00-51-03
 PAGE 0B

BOEING
 737-600/700/800/900
 PARTS CATALOG (MAINTENANCE)



E 21005103 SHT 4 REV 051

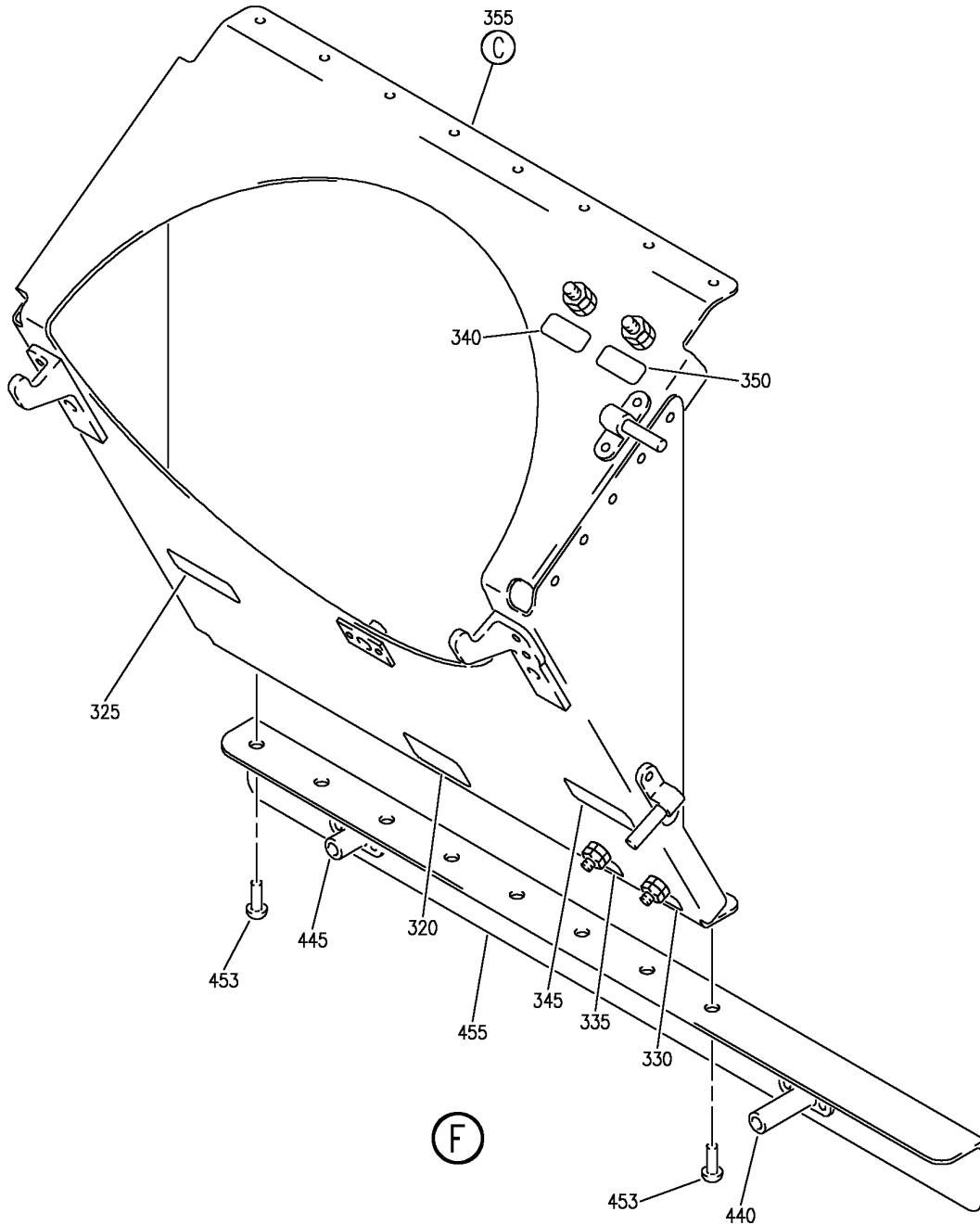
SUPPORT INSTL
 FIGURE 3 (SHEET 4)

21-00-51-03

HAP
 FEB 10/07

21-00-51-03
 PAGE 0C

BOEING
737-600/700/800/900
PARTS CATALOG (MAINTENANCE)



E 21005103 SHT 5 REV 084

SUPPORT INSTL
FIGURE 3 (SHEET 5)

21-00-51-03

HAP
FEB 10/07

21-00-51-03
PAGE 0D

BOEING
737-600/700/800/900
PARTS CATALOG (MAINTENANCE)

FIG ITEM	PART NUMBER	1 2 3 4 5 6 7	NOMENCLATURE	EFFECT FROM TO	UNITS PER ASSY
3			SUPPORT INSTL	101999	
- 1	218A6120-1		SUPPORT INSTL- FOR NHA SEE: 26-20-00-12B	201967	RF
- 1	MODREF81571		SUPPORT INSTL- MODULE NUMBER: 218A6120-1 REV A	101200 968999	1
5	BACB30NX6K		.BOLT- SIZE DETERMINED ON INSTL.	101999	6
10	HL1087-6		.COLLAR- SUPPLIER CODE: V73197 SPECIFICATION NUMBER: BACC30BH6 OPTIONAL PART: HL1087-6 V56878 HL1087-6 V92215 HL1087-6 V9N513	101999	6
15	218A6130-4		.BRACKET ASSY- ATTACHING PARTS	101999	1
- 20	BACR15FT5AD4		.RIVET -----*-----	101999	8
25	BAC27NEC239		..MARKER- PLACARD CONTENT: FWD YELLOW D12794	101999	1
30	BAC27NEC240		..MARKER- PLACARD CONTENT: AFT BLUE D12796	101999	1
35	BAC27NEC267		..MARKER- PLACARD CONTENT: CARGO EXT BTL 1 M2248	101999	1
40	BAC27NEC243		..MARKER- PLACARD CONTENT: GD4838S	101999	1
45	BAC27NEC244		..MARKER- PLACARD CONTENT: GD4840DC	101999	1
50	BAC27NEC242		..MARKER- PLACARD CONTENT: GD4836S	101999	1
55	BAC27NEC241		..MARKER- PLACARD CONTENT: GD4834DC	101999	1

MISSING ITEM NUMBERS NOT APPLICABLE

- ITEM NOT ILLUSTRATED

HAP

21-00-51-03

BOEING PROPRIETARY - Copyright © - Unpublished Work - See title page for details.

21-00-51
FIG. 03
PAGE 1
OCT 15/08

BOEING
737-600/700/800/900
PARTS CATALOG (MAINTENANCE)

FIG ITEM	PART NUMBER	1 2 3 4 5 6 7	NOMENCLATURE	EFFECT FROM TO	UNITS PER ASSY
3					
60	WSI4A16	..	NUTPLATE SUPPLIER CODE: V04169 SPECIFICATION NUMBER: BACN10TL3A16	101999	1
61	BACN10TL3A14	..	NUTPLATE ATTACHING PARTS	101999	1
- 65	BACR15FT4AD	..	RIVET- SIZE DETERMINED ON INSTL. -----*-----	101999	4
70	BACR15FT5AD	..	RIVET- SIZE DETERMINED ON INSTL.	101999	8
75	218A6131-4	..	ANGLE-SPRT	101999	1
80	218A6130-3	..	BRACKET ASSY- OPTIONAL PART: 218A6130-17	101999	1
80	218A6130-17	..	BRACKET ASSY- OPTIONAL PART: 218A6130-3	101999	1
85	NAS1801-3-12	...	SCREW	101999	4
90	NAS1149D0316H	...	WASHER	101999	12
95	MS35338-43	...	WASHER	101999	4
100	MS35650-305T	...	NUT	101999	4
105	PLH53CD	...	NUT SUPPLIER CODE: VFO224 SPECIFICATION NUMBER: BACN10YR3CD OPTIONAL PART: H52732-3CD V15653	101999	4
110	BACN10GH3A12	...	NUTPLATE ATTACHING PARTS	101999	2
- 115	BACR15FT4AD	...	RIVET- SIZE DETERMINED ON INSTL. -----*-----	101999	4

MISSING ITEM NUMBERS NOT APPLICABLE

- ITEM NOT ILLUSTRATED

HAP

21-00-51-03

BOEING PROPRIETARY - Copyright © - Unpublished Work - See title page for details.

21-00-51
FIG. 03
PAGE 2
FEB 15/09

BOEING
737-600/700/800/900
PARTS CATALOG (MAINTENANCE)

FIG ITEM	PART NUMBER	1 2 3 4 5 6 7	NOMENCLATURE	EFFECT FROM TO	UNITS PER ASSY
3 120	BRF200A4		...NUTPLATE- SUPPLIER CODE: V52828 SPECIFICATION NUMBER: BACN10JR4F OPTIONAL PART: NS103203-048 V80539 RMF9201-4 V72962 VN152A1-048 V92215 T8091S428 V11815 F5000-4BAC V15653 USED ON: 218A6130-3 ATTACHING PARTS	101999	1
- 125	BACR15BA3ADC		...RIVET- SIZE DETERMINED ON INSTL. -----*-----	101999	2
130	BACF3F007L012AG		...FILLER- USED ON: 218A6130-3	101999	1
135	F2000-4		...NUTPLATE- SUPPLIER CODE: V15653 SPECIFICATION NUMBER: BACN10KB4F OPTIONAL PART: NS103185-048 V80539 RMF9207-4 V72962 T8114S428S V11815 VN151A1-048 V92215 BRF100A4 V52828 USED ON: 218A6130-3 ATTACHING PARTS	101999	2
- 140	BACR15BA3ADC		...RIVET- SIZE DETERMINED ON INSTL. -----*-----	101999	4

MISSING ITEM NUMBERS NOT APPLICABLE

- ITEM NOT ILLUSTRATED

HAP

21-00-51-03

BOEING PROPRIETARY - Copyright © - Unpublished Work - See title page for details.

21-00-51
FIG. 03
PAGE 3
OCT 15/08

BOEING
737-600/700/800/900
PARTS CATALOG (MAINTENANCE)

FIG ITEM	PART NUMBER	1 2 3 4 5 6 7	NOMENCLATURE	EFFECT FROM TO	UNITS PER ASSY
3					
145	218A6131-1		... ANGLE-SPRT USED ON: 218A6130-3	101999	1
145	218A6131-9		... ANGLE-SPRT USED ON: 218A6130-17	101999	1
150	218A6131-2		... ANGLE-SPRT USED ON: 218A6130-3	101999	1
150	218A6131-10		... ANGLE-SPRT USED ON: 218A6130-17	101999	1
- 155	BACR15FT5AD		ATTACHING PARTS ... RIVET- SIZE DETERMINED ON INSTL. -----*-----	101999	4
160	218A6130-2		... BRACKET- USED ON: 218A6130-3	101999	1
160	218A6130-26		... BRACKET- USED ON: 218A6130-17	101999	1

MISSING ITEM NUMBERS NOT APPLICABLE

- ITEM NOT ILLUSTRATED

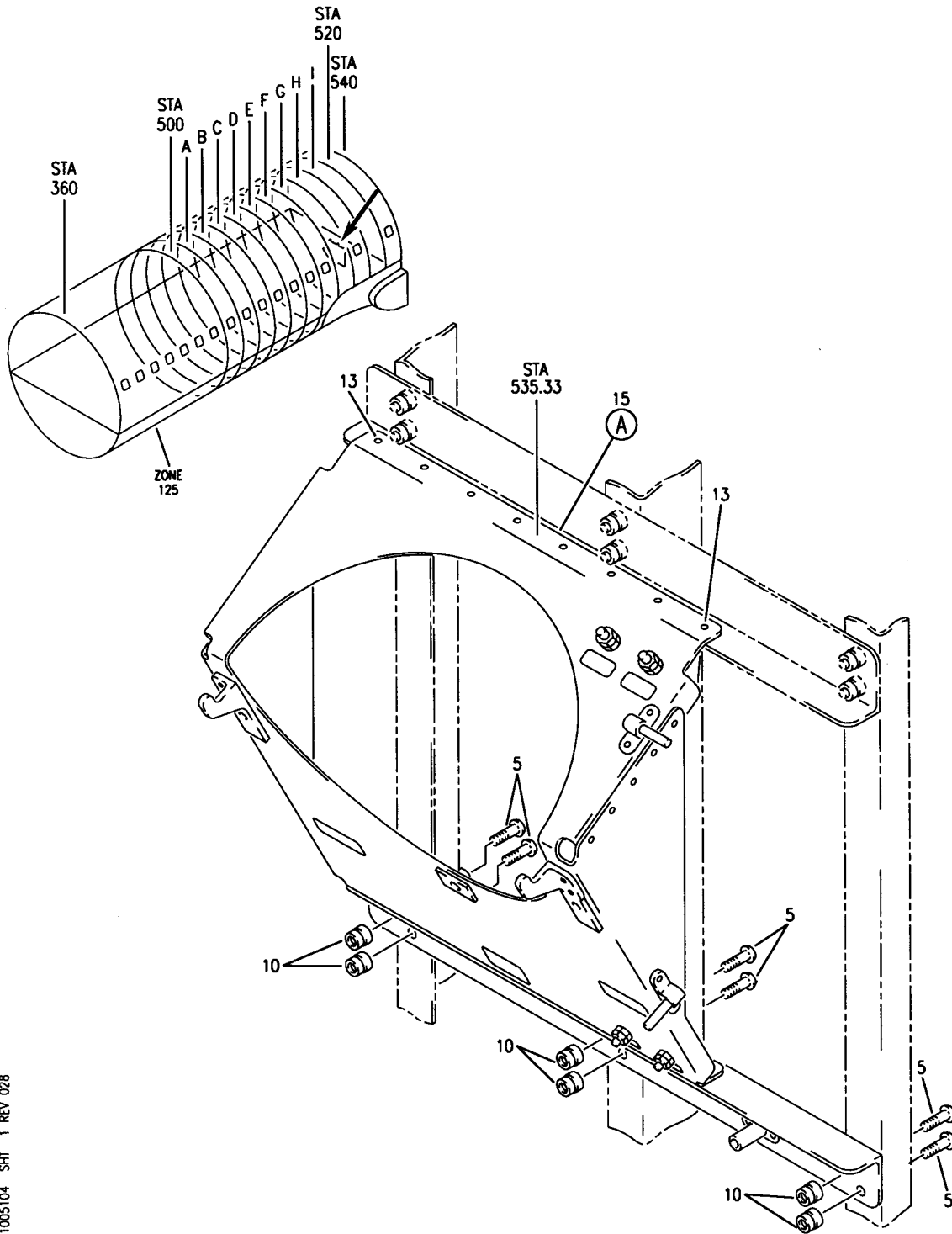
HAP

21-00-51-03

BOEING PROPRIETARY - Copyright © - Unpublished Work - See title page for details.

21-00-51
FIG. 03
PAGE 4
OCT 15/08

BOEING
737-600/700/800/900
PARTS CATALOG (MAINTENANCE)



E 21005104 SHT 1 REV 028

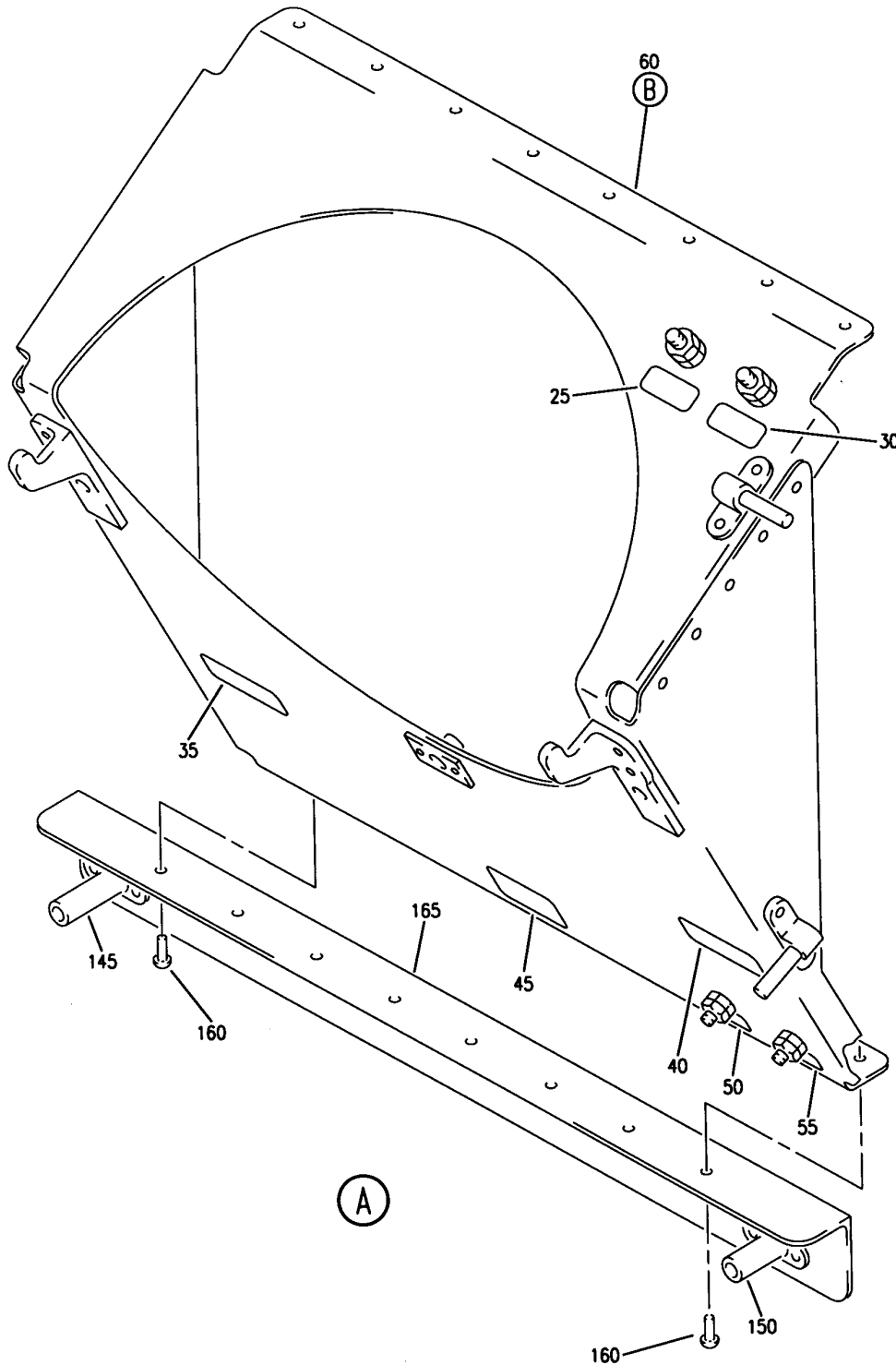
SUPPORT INSTL
FIGURE 4 (SHEET 1)

21-00-51-04

HAP
OCT 10/06

21-00-51-04
PAGE 0

BOEING
737-600/700/800/900
PARTS CATALOG (MAINTENANCE)



E 21005104 SH1 2 REV 028

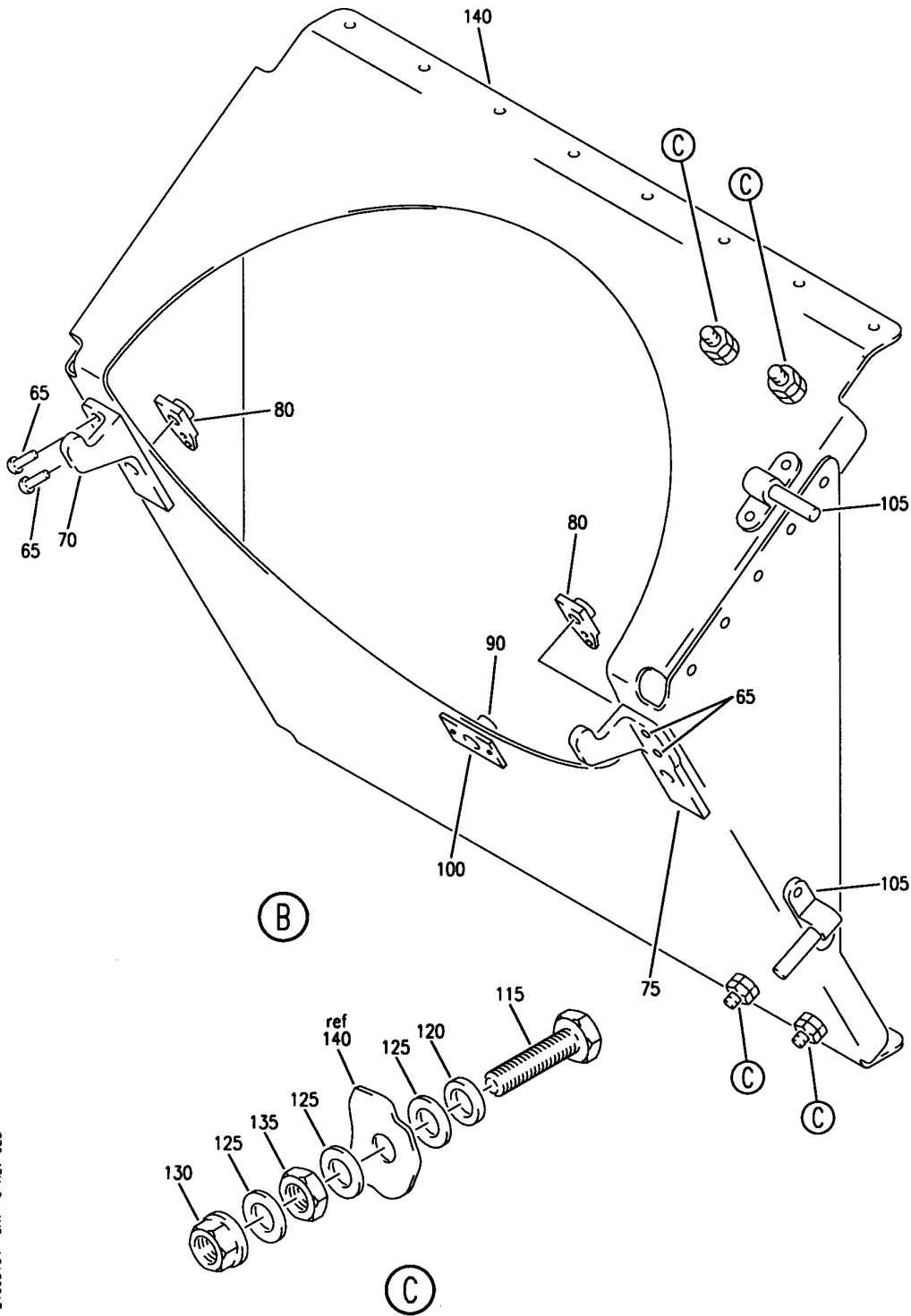
SUPPORT INSTL
FIGURE 4 (SHEET 2)

21-00-51-04

HAP
OCT 10/06

21-00-51-04
PAGE 0A

BOEING
 737-600/700/800/900
 PARTS CATALOG (MAINTENANCE)



E 21005104 SHT 3 REV 028

SUPPORT INSTL
 FIGURE 4 (SHEET 3)

21-00-51-04

HAP
 OCT 10/06

21-00-51-04
 PAGE 0B

BOEING
737-600/700/800/900
PARTS CATALOG (MAINTENANCE)

FIG ITEM	PART NUMBER	1 2 3 4 5 6 7	NOMENCLATURE	EFFECT FROM TO	UNITS PER ASSY
4			SUPPORT INSTL	001100	
- 1	218A6120-3		SUPPORT INSTL- POSITION DATA: LH POST ALERT SB: 26A1083R1 FOR NHA SEE: 26-20-00-12C	001030	RF
- 1	MODREF81573		SUPPORT INSTL- MODULE NUMBER: 218A6120-3 REV A POSITION DATA: LH	031100	1
5	BACB30NX6K		.BOLT- SIZE DETERMINED ON INSTL. POST ALERT SB: 26A1083R1	001100	6
10	BACC3BH6		.COLLAR- SIZE DETERMINED ON INSTL. POST ALERT SB: 26A1083R1	001100	6
13	BACR15FT5AD		.RIVET- SIZE DETERMINED ON INSTL. POST ALERT SB: 26A1083R1	001100	8
15	218A6130-10		.BRACKET ASSY- POST ALERT SB: 26A1083R1	001100	1
25	BAC27NEC242		..MARKER- PLACARD CONTENT: GD4836S	001100	1
30	BAC27NEC241		..MARKER- PLACARD CONTENT: GD4834DC	001100	1
35	BAC27NEC239		..MARKER- PLACARD CONTENT: FWD YELLOW D12794	001100	1
40	BAC27NEC240		..MARKER- PLACARD CONTENT: AFT BLUE D12796	001100	1
45	BAC27NEC267		..MARKER- PLACARD CONTENT: CARGO EXT BTL 1 M2248	001100	1
50	BAC27NEC243		..MARKER- PLACARD CONTENT: GD4838S	001100	1
55	BAC27NEC244		..MARKER- PLACARD CONTENT: GD4840DC	001100	1

MISSING ITEM NUMBERS NOT APPLICABLE

- ITEM NOT ILLUSTRATED

HAP

21-00-51-04

21-00-51
FIG. 04
PAGE 1
JUN 10/07

BOEING
737-600/700/800/900
PARTS CATALOG (MAINTENANCE)

FIG ITEM	PART NUMBER	1 2 3 4 5 6 7	NOMENCLATURE	EFFECT FROM TO	UNITS PER ASSY
4	60 218A6130-3		..BRACKET ASSY- OPTIONAL PART: 218A6130-17	001100	1
	60 218A6130-17		..BRACKET ASSY- OPTIONAL PART: 218A6130-3	001100	1
	65 BACR15FT5AD		...RIVET- SIZE DETERMINED ON INSTL.	001100	4
	70 218A6131-1		...ANGLE-SPRT USED ON: 218A6130-3	001100	1
	70 218A6131-9		...ANGLE-SPRT USED ON: 218A6130-17	001100	1
	75 218A6131-2		...ANGLE-SPRT USED ON: 218A6130-3	001100	1
	75 218A6131-10		...ANGLE-SPRT USED ON: 218A6130-17	001100	1
	80 F2000-4		...NUTPLATE- SUPPLIER CODE: V15653 SPECIFICATION NUMBER: BACN10KB4F OPTIONAL PART: NS103185-048 V80539 RMF9207-4 V72962 T8114S428S V11815 VN151A1-048 V92215 BRF100A4 V52828 USED ON: 218A6130-3	001100	2
-	85 BACR15BA3ADC		ATTACHING PARTS ...RIVET- SIZE DETERMINED ON INSTL. -----*-----	001100	4

MISSING ITEM NUMBERS NOT APPLICABLE

- ITEM NOT ILLUSTRATED

HAP

21-00-51-04

BOEING PROPRIETARY - Copyright © - Unpublished Work - See title page for details.

21-00-51
FIG. 04
PAGE 2
OCT 10/07

BOEING
737-600/700/800/900
PARTS CATALOG (MAINTENANCE)

FIG ITEM	PART NUMBER	1 2 3 4 5 6 7	NOMENCLATURE	EFFECT FROM TO	UNITS PER ASSY
4 90	BRF200A4		...NUTPLATE- SUPPLIER CODE: V52828 SPECIFICATION NUMBER: BACN10JR4F OPTIONAL PART: NS103203-048 V80539 RMF9201-4 V72962 VN152A1-048 V92215 T8091S428 V11815 F5000-4BAC V15653 USED ON: 218A6130-3 ATTACHING PARTS	001100	1
- 95	BACR15BA3ADC		...RIVET- SIZE DETERMINED ON INSTL. -----*-----	001100	2
100	BACF3F007L012AG		...FILLER- USED ON: 218A6130-3	001100	1
105	BACN10GH3A12		...NUTPLATE ATTACHING PARTS	001100	2
- 110	BACR15FT4AD		...RIVET- SIZE DETERMINED ON INSTL. -----*-----	001100	4
115	NAS1801-3-12		...SCREW	001100	4
120	MS35338-43		...WASHER	001100	4
125	NAS1149D0316H		...WASHER	001100	12
130	PLH53CD		...NUT SUPPLIER CODE: VF0224 SPECIFICATION NUMBER: BACN10YR3CD OPTIONAL PART: H52732-3CD V15653	001100	4
135	MS35650-305T		...NUT	001100	4
140	218A6130-2		...BRACKET- USED ON: 218A6130-3	001100	1
140	218A6130-26		...BRACKET- USED ON: 218A6130-17	001100	1

MISSING ITEM NUMBERS NOT APPLICABLE

- ITEM NOT ILLUSTRATED

HAP

21-00-51-04

BOEING PROPRIETARY - Copyright © - Unpublished Work - See title page for details.

21-00-51
FIG. 04
PAGE 3
FEB 15/09


BOEING
 737-600/700/800/900
PARTS CATALOG (MAINTENANCE)

FIG ITEM	PART NUMBER	1 2 3 4 5 6 7	NOMENCLATURE	EFFECT FROM TO	UNITS PER ASSY
4 145	WSI4A16		..NUTPLATE SUPPLIER CODE: V04169 SPECIFICATION NUMBER: BACN10TL3A16	001100	1
150	BACN10TL3A14		..NUTPLATE ATTACHING PARTS	001100	1
- 155	BACR15FT4AD		..RIVET- SIZE DETERMINED ON INSTL. -----*-----	001100	4
160	BACR15FT5AD		..RIVET- SIZE DETERMINED ON INSTL.	001100	8
165	218A6131-4		..ANGLE-SPRT	001100	1

MISSING ITEM NUMBERS NOT APPLICABLE

- ITEM NOT ILLUSTRATED

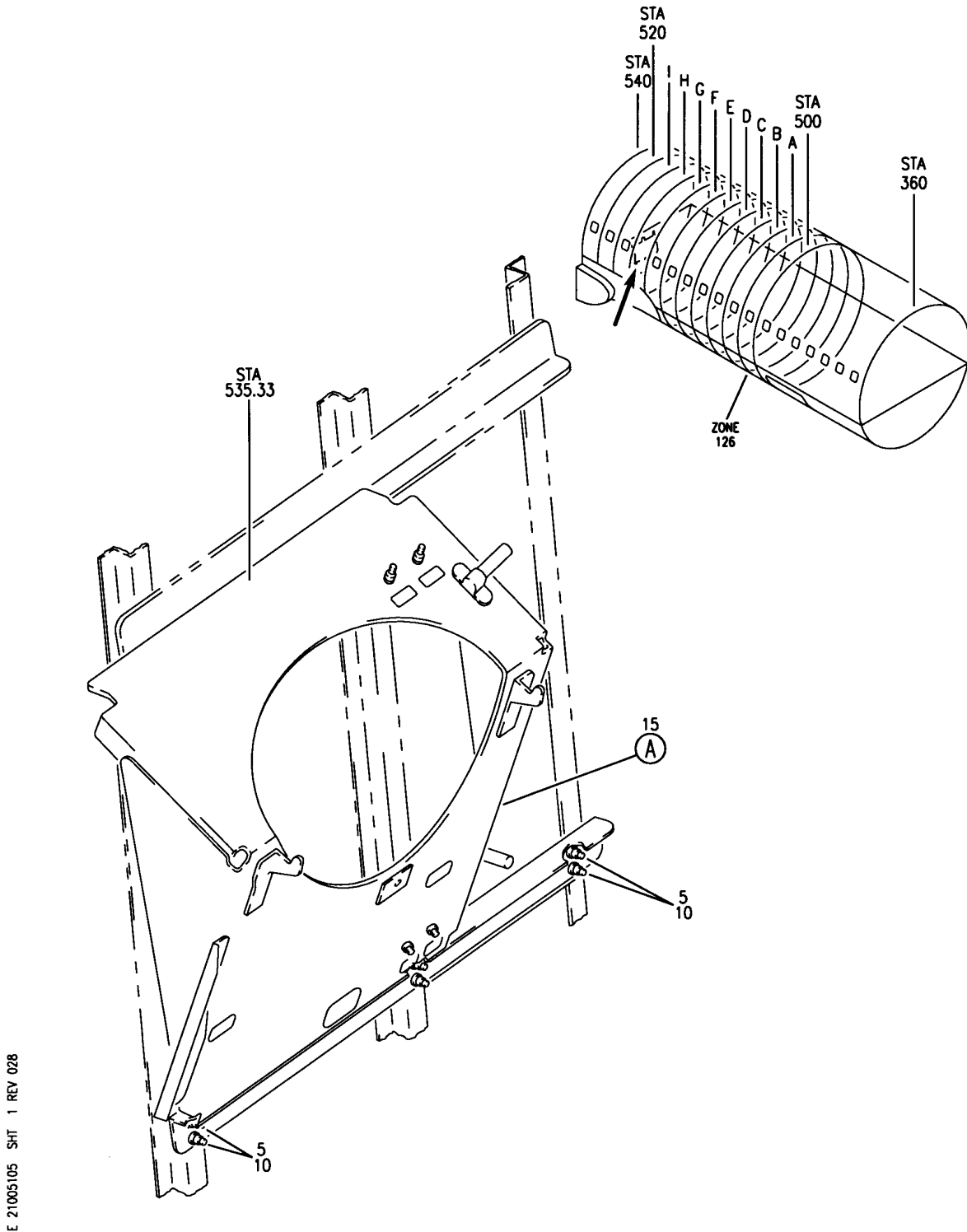
HAP

21-00-51-04

BOEING PROPRIETARY - Copyright © - Unpublished Work - See title page for details.

21-00-51
 FIG. 04
 PAGE 4
 OCT 10/07

BOEING
737-600/700/800/900
PARTS CATALOG (MAINTENANCE)



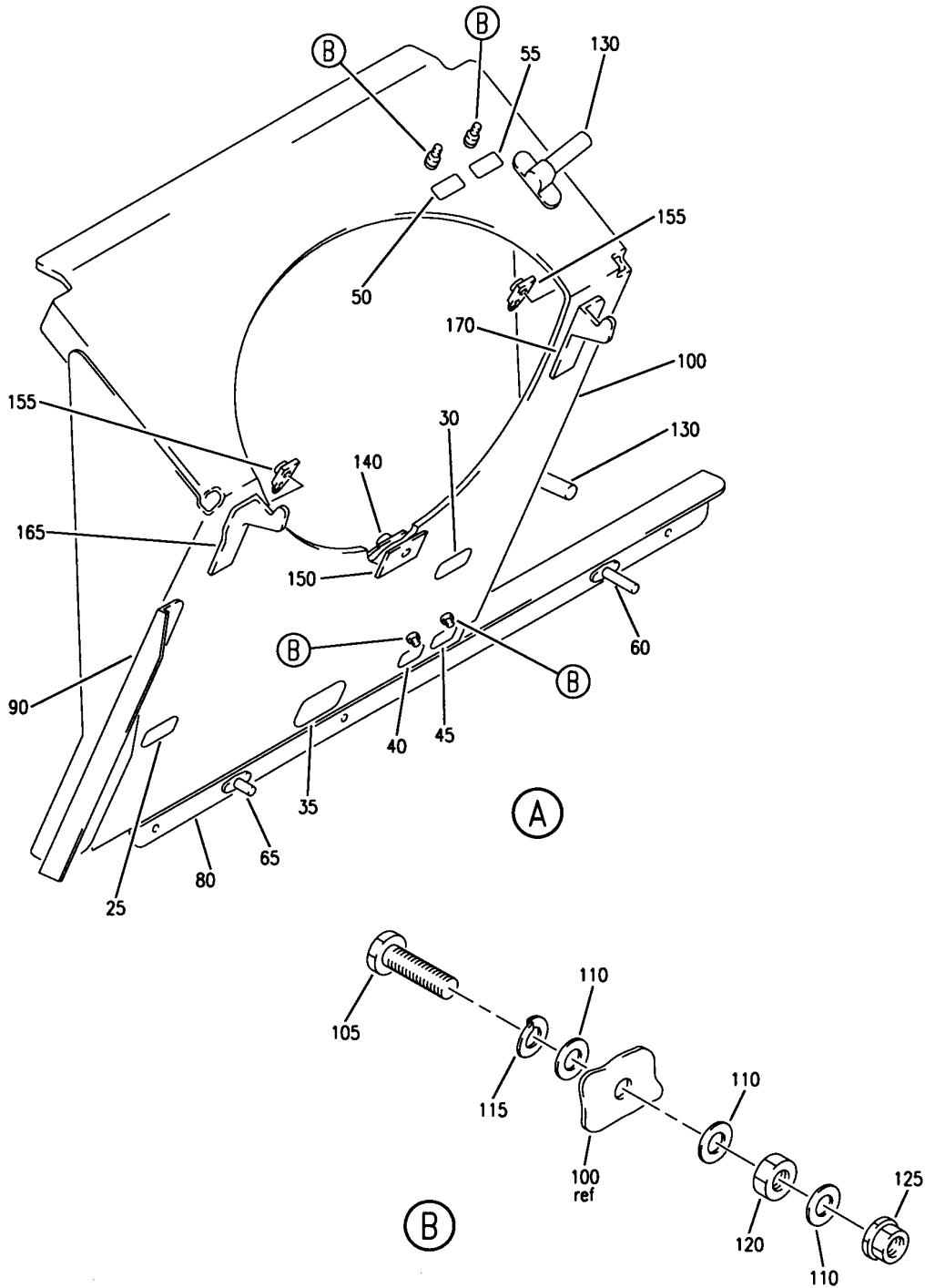
SUPPORT INSTL
FIGURE 5 (SHEET 1)

21-00-51-05

HAP
JUN 15/08

21-00-51-05
PAGE 0

BOEING
 737-600/700/800/900
 PARTS CATALOG (MAINTENANCE)



E 21005105 SHT 2 REV 028

SUPPORT INSTL
 FIGURE 5 (SHEET 2)

21-00-51-05

HAP
 JUN 15/08

21-00-51-05
 PAGE 0A

BOEING
737-600/700/800/900
PARTS CATALOG (MAINTENANCE)

FIG ITEM	PART NUMBER	1 2 3 4 5 6 7	NOMENCLATURE	EFFECT FROM TO	UNITS PER ASSY
5			SUPPORT INSTL	048048 050050 053100	
- 1	MODREF347549		SUPPORT INSTL- MODULE NUMBER: 218A6120-4 REV B POSITION DATA: RH	048048 050050 053100	1
5	BACB30NX6K		.BOLT- SIZE DETERMINED ON INSTL.	048048 050050 053100	6
10	HL1087-6		.COLLAR- SUPPLIER CODE: V73197 SPECIFICATION NUMBER: BACC30BH6 OPTIONAL PART: HL1087-6 V56878 HL1087-6 V92215 HL1087-6 V9N513	048048 050050 053100	6
15	218A6130-9		.BRACKET ASSY- OPTIONAL PART: 218A6130-19	048048 050050 053100	1
15	218A6130-19		.BRACKET ASSY- OPTIONAL PART: 218A6130-9 ATTACHING PARTS	048048 050050 053100	1
- 20	BACR15FT5AD		.RIVET-	048048 050050 053100	7
25	BAC27NEC269		-----*----- ..MARKER- PLACARD CONTENT: FWD YELLOW D12818	048048 050050 053100	1
30	BAC27NEC270		..MARKER- PLACARD CONTENT: AFT BLUE D12820	048048 050050 053100	1
35	BAC27NEC268		..MARKER- PLACARD CONTENT: CARGO EXT BTL 2 M2263	048048 050050 053100	1
40	BAC27NEC273		..MARKER- PLACARD CONTENT: GD5064S	048048 050050 053100	1
45	BAC27NEC274		..MARKER- PLACARD CONTENT: GD5066DC	048048 050050 053100	1

MISSING ITEM NUMBERS NOT APPLICABLE

- ITEM NOT ILLUSTRATED

HAP

21-00-51-05

21-00-51
FIG. 05
PAGE 1
FEB 15/09

BOEING
737-600/700/800/900
PARTS CATALOG (MAINTENANCE)

FIG ITEM	PART NUMBER	1 2 3 4 5 6 7	NOMENCLATURE	EFFECT FROM TO	UNITS PER ASSY
5					
50	BAC27NEC272	..	MARKER- PLACARD CONTENT: GD5062S	048048 050050 053100	1
55	BAC27NEC271	..	MARKER- PLACARD CONTENT: GD5060DC	048048 050050 053100	1
60	WSI4A16	..	NUTPLATE SUPPLIER CODE: V04169 SPECIFICATION NUMBER: BACN10TL3A16	048048 050050 053100	1
65	WS1-4A6	..	NUTPLATE SUPPLIER CODE: V04169 SPECIFICATION NUMBER: BACN10TL3A6	048048 050050 053100	1
- 70	BACR15BB4AD	..	RIVET- SIZE DETERMINED ON INSTL.	048048 050050 053100	4
- 75	BACR15FT5AD	..	RIVET- SIZE DETERMINED ON INSTL.	048048 050050 053100	7
			-----*-----		
80	218A6131-6	..	ANGLE-SPRT	048048 050050 053100	1
			ATTACHING PARTS		
- 85	BACR15FT5AD	..	RIVET- SIZE DETERMINED ON INSTL.	048048 050050 053100	10
			-----*-----		
90	218A6131-7	..	STIFFENER-SPRT	048048 050050 053100	1
			ATTACHING PARTS		
- 95	BACR15FT5AD	..	RIVET- SIZE DETERMINED ON INSTL.	048048 050050 053100	10
			-----*-----		
100	218A6130-28	..	BRACKET ASSY	048048 050050 053100	1
105	NAS1801-3-12	..	SCREW	048048 050050 053100	4
110	NAS1149D0316H	..	WASHER	048048 050050 053100	12

MISSING ITEM NUMBERS NOT APPLICABLE

- ITEM NOT ILLUSTRATED

HAP

21-00-51-05

21-00-51
FIG. 05
PAGE 2
FEB 15/09

BOEING
737-600/700/800/900
PARTS CATALOG (MAINTENANCE)

FIG ITEM	PART NUMBER	1 2 3 4 5 6 7	NOMENCLATURE	EFFECT FROM TO	UNITS PER ASSY
5					
115	MS35338-43	..	WASHER	048048 050050 053100	4
120	MS35650-305T	..	NUT	048048 050050 053100	4
125	PLH53CD	..	NUT SUPPLIER CODE: VFO224 SPECIFICATION NUMBER: BACN10YR3CD OPTIONAL PART: H52732-3CD V15653	048048 050050 053100	4
130	BACN10GH3A12	..	NUTPLATE	048048 050050 053100	2
- 135	BACR15BB4AD	..	ATTACHING PARTS RIVET- SIZE DETERMINED ON INSTL. -----*-----	048048 050050 053100	4
165	218A6131-9	..	ANGLE-SPRT	048048 050050 053100	1
170	218A6131-10	..	ANGLE-SPRT	048048 050050 053100	1
- 175	BACR15FT5AD	..	ATTACHING PARTS RIVET- SIZE DETERMINED ON INSTL. -----*-----	048048 050050 053100	4

MISSING ITEM NUMBERS NOT APPLICABLE

- ITEM NOT ILLUSTRATED

HAP

21-00-51-05

BOEING PROPRIETARY - Copyright © - Unpublished Work - See title page for details.

21-00-51
FIG. 05
PAGE 3
FEB 15/09