

DISTRIBUTION

HAP
OCT 10/06

21-20-00
SECTION TITLE
PAGE 1

NON-ILLUSTRATED FIGURE

THE ITEMS REFLECTED IN THIS FIGURE ARE INTENTIONALLY
NON-ILLUSTRATED. THEY ARE REFERENCED TO EITHER A
NEXT HIGHER OR NEXT LOWER ASSEMBLY/INSTALLATION FIGURE.

E 21200004 REV 055

FUNCTIONAL COLLECTOR-AIR CONT SYS FINAL ASSY MAJOR MODEL BASIC AND STABLE (DISTRIBUTION ONLY)

FIGURE 4

21-20-00-04

HAP
OCT 10/06

21-20-00-04
PAGE 0

BOEING
737-600/700/800/900
PARTS CATALOG (MAINTENANCE)

FIG ITEM	PART NUMBER	1 2 3 4 5 6 7	NOMENCLATURE	EFFECT FROM TO	UNITS PER ASSY
4			FUNCTIONAL COLLECTOR-AIR CONT SYS FINAL ASSY MAJOR MODEL BASIC AND STABLE (DISTRIBUTION ONLY)	001030 201967	
- 1	210A0001-678		FUNCTIONAL COLLECTOR-AIR CONT SYS FINAL ASSY MAJOR MODEL BASIC AND STABLE (DISTRIBUTION ONLY)	001030 201967	RF
- 30	214A1001-1		. DUCT INSTL-GASPER/ WINDSHIELD DEFOG FOOT AIR OUTLET INSTR PNL CAB. FLIGHT DECK AIR DISTR SYS FOR DETAILS SEE: 21-00-00-33	001030 201967	1
- 35	214A1001-2		. DUCT INSTL-FLIGHT DECK AIR DISTRIBUTION SYS CAB., SHOULDER AND OVHD FOR DETAILS SEE: 21-22-51-03	001027 201967	1
- 35	214A1001-5		. DUCT INSTL-FLIGHT DECK AIR DISTRIBUTION SYS CAB., SHOULDER AND OVHD FOR DETAILS SEE: 21-22-51-05	028030	1
- 40	214A1001-3		. DUCT INSTL-CAB., INSTR PNL,PUSH/PULL CABLE AND FT AIR/WSHLD DEFOG PNL FOR DETAILS SEE: 21-22-01-01 21-22-02-01	001019 201967	1
- 45	214A1001-4		. DUCT INSTL-CAB., INSTR PNL,PUSH/PULL CABLE AND FT AIR/WSHLD DEFOG PNL FOR DETAILS SEE: 21-22-01-01 21-22-02-01	020030	1
- 50	215A1002-2		. DUCT INSTL-LAV/GALLEY VENT POSITION DATA: AFT FOR DETAILS SEE: 21-26-51-02	001007	1
- 60	215A1002-4		. DUCT INSTL-LAV/GALLEY VENT FOR DETAILS SEE: 21-26-51-09B	008030 201967	1

MISSING ITEM NUMBERS NOT APPLICABLE

- ITEM NOT ILLUSTRATED

HAP

21-20-00-04

BOEING PROPRIETARY - Copyright © - Unpublished Work - See title page for details.

21-20-00
FIG. 04
PAGE 1
OCT 15/08

BOEING
737-600/700/800/900
PARTS CATALOG (MAINTENANCE)

FIG ITEM	PART NUMBER	1 2 3 4 5 6 7	NOMENCLATURE	EFFECT FROM TO	UNITS PER ASSY
4					
- 65	217A1001-5		. DUCT INSTL-E/E COOLING SUPPLY POSITION DATA: SECT. 41 FWD FOR DETAILS SEE: 21-27-51-47	012030	1
- 70	217A1002-4		. DUCT INSTL-E/E COOLING EXH POSITION DATA: SECT. 41 FWD FOR DETAILS SEE: 21-27-51-47	012028	1
- 70	217A1002-7		. DUCT INSTL-E/E COOLING EXH POSITION DATA: SECT. 41 FWD FOR DETAILS SEE: 21-27-51-50	029030	1
- 75	217A1003-10		. DUCT INSTL-E/E COOLING EXH POSITION DATA: SECT. 43 AFT FOR DETAILS SEE: 21-27-51-50	021027	1
- 75	217A1003-6		. DUCT INSTL-E/E COOLING EXH POSITION DATA: SECT. 43 AFT FOR DETAILS SEE: 21-21-01-02	005005 008020 201967	1
- 75	217A1003-11		. DUCT INSTL-E/E COOLING EXH POSITION DATA: SECT. 43 AFT FOR DETAILS SEE: 21-21-01-02	028030	1
- 80	217A1004-1		. DUCT INSTL-E/E COOLING SUPPLY POSITION DATA: SECT. 43 AFT FOR DETAILS SEE: 21-27-51-07	001030 201967	1
- 90	217A2001-1		. DUCT INSTL-FLIGHT DECK E/E COOLING SUPPLY FOR DETAILS SEE: 21-27-51-02	001001 006007	1
- 95	217A2002-1		. DUCT INSTL-FLIGHT DECK E/E COOLING EXH FOR DETAILS SEE: 21-27-51-01	001001 006007	1
- 100	217A2002-2		. DUCT INSTL-FLIGHT DECK E/E COOLING EXH FOR DETAILS SEE: 21-27-51-03	001007	1

MISSING ITEM NUMBERS NOT APPLICABLE

- ITEM NOT ILLUSTRATED

HAP

21-20-00-04

21-20-00
FIG. 04
PAGE 2
OCT 15/08

BOEING
737-600/700/800/900
PARTS CATALOG (MAINTENANCE)

FIG ITEM	PART NUMBER	1 2 3 4 5 6 7	NOMENCLATURE	EFFECT FROM TO	UNITS PER ASSY
4 - 105	217A2002-5		.DUCT INSTL-FLIGHT DECK E/E COOLING EXH FOR DETAILS SEE: 21-27-51-03	008030 201967	1
- 300	210A0002-678		FUNCTIONAL COLLECTOR-AIR CONT SYS FINAL ASSY MAJOR MODEL BASIC AND STABLE (DISTRIBUTION ONLY) FOR NHA/OTHER SYS DET SEE: 21-00-00-33A	023030	RF
- 305	214A9001-3		.SUPPORT INSTL- FOR DETAILS SEE: 21-23-51-25B	023030	1

MISSING ITEM NUMBERS NOT APPLICABLE

- ITEM NOT ILLUSTRATED

HAP

21-20-00-04

BOEING PROPRIETARY - Copyright © - Unpublished Work - See title page for details.

21-20-00
FIG. 04
PAGE 3
OCT 15/08

NON-ILLUSTRATED FIGURE

THE ITEMS REFLECTED IN THIS FIGURE ARE INTENTIONALLY
NON-ILLUSTRATED. THEY ARE REFERENCED TO EITHER A
NEXT HIGHER OR NEXT LOWER ASSEMBLY/INSTALLATION FIGURE.

E 21200004B REV 055

FUNCTIONAL COLLECTOR-AIR CONT SYS FINAL ASSY MINOR MODEL BASIC AND STABLE (DISTRIBUTION ONLY)

FIGURE 4B

HAP
OCT 15/08

21-20-00-04B

21-20-00-04B
PAGE 0

BOEING
737-600/700/800/900
PARTS CATALOG (MAINTENANCE)

FIG ITEM	PART NUMBER	1 2 3 4 5 6 7	NOMENCLATURE	EFFECT FROM TO	UNITS PER ASSY
4B			FUNCTIONAL COLLECTOR-AIR CONT SYS FINAL ASSY MINOR MODEL BASIC AND STABLE (DISTRIBUTION ONLY)	201967	
- 1	210A0001-700		FUNCTIONAL COLLECTOR-AIR CONT SYS FINAL ASSY MINOR MODEL BASIC AND STABLE (DISTRIBUTION ONLY)	201967	RF
- 20	214A1002-1		FOR NHA/OTHER SYS DET SEE: 21-00-00-37 . DUCT INSTL-E/E BAY POSITION DATA: STA 181 TO STA 262 FWD FOR DETAILS SEE: 21-27-51-16	201967	1
- 30	214A1002-6		. DUCT INSTL-E/E BAY WITH DUCT SENSORS POSITION DATA: STA 262 TO STA 350 AFT FOR DETAILS SEE: 21-20-00-05	201967	1
- 40	214A1003-1		. DUCT INSTL-FLIGHT DECK AIR DISTR SYS FOR DETAILS SEE: 21-22-51-06	201967	1
- 110	214A2009-3		. DUCT INSTL-AIR DISTR SYS SIDEWALL RISER POSITION DATA: LH FOR DETAILS SEE: 21-23-52-31	201967	1
- 115	214A2009-4		. DUCT INSTL-AIR DISTR SYS SIDEWALL RISER POSITION DATA: RH FOR DETAILS SEE: 21-23-52-31	201967	1
- 130	214A3001-2		. DUCT INSTL-AIR DISTR SYS MIX BAY BASELINE FOR DETAILS SEE: 21-21-02-04 21-21-51-05 21-25-01-04 21-25-02-06 21-25-03-06 21-61-03-03	201967	1

MISSING ITEM NUMBERS NOT APPLICABLE

- ITEM NOT ILLUSTRATED

HAP

21-20-00-04B

BOEING PROPRIETARY - Copyright © - Unpublished Work - See title page for details.

21-20-00
FIG. 04B
PAGE 1
OCT 15/08

BOEING
737-600/700/800/900
PARTS CATALOG (MAINTENANCE)

FIG ITEM	PART NUMBER	1 2 3 4 5 6 7	NOMENCLATURE	EFFECT FROM TO	UNITS PER ASSY
4B					
- 135	214A3002-2		.CONNECTOR INSTL- FOR DETAILS SEE: 21-21-01-10	201967	1
- 145	214A4001-1		.DUCT INSTL-COLD AIR POSITION DATA: LAV A FOR DETAILS SEE: 21-26-50-01	201967	1
- 155	215A1001-1		.DUCT INSTL-GALLEY VENT POSITION DATA: FWD FOR DETAILS SEE: 21-26-51-01	201967	1
- 160	215A1002-5		.DUCT INSTL-WITH GALLEY VENT ONLY FOR DETAILS SEE: 21-26-51-10	201967	1
- 165	217A1001-1		.DUCT INSTL-E/E COOLING SUPPLY POSITION DATA: SECT. 41 FWD FOR DETAILS SEE: 21-27-51-04	201967	1
- 170	217A1001-2		.DUCT INSTL-E/E COOLING SUPPLY POSITION DATA: SECT. 41 FWD FOR DETAILS SEE: 21-27-51-33	201967	1
- 175	217A1001-4		.DUCT INSTL-E/E COOLING SUPPLY POSITION DATA: SECT. 41 FWD FOR DETAILS SEE: 21-27-51-45	201967	1
- 195	217A1002-1		.DUCT INSTL-E/E COOLING EXH POSITION DATA: SECT. 41 FWD FOR DETAILS SEE: 21-27-51-05	201967	1
- 205	217A1003-3		.DUCT INSTL-E/E COOLING EXH POSITION DATA: SECT. 43 AFT FOR DETAILS SEE: 21-27-04-01	201967	1

MISSING ITEM NUMBERS NOT APPLICABLE

- ITEM NOT ILLUSTRATED

HAP

21-20-00-04B

BOEING PROPRIETARY - Copyright © - Unpublished Work - See title page for details.

21-20-00
FIG. 04B
PAGE 2
OCT 15/08

BOEING
737-600/700/800/900
PARTS CATALOG (MAINTENANCE)

FIG ITEM	PART NUMBER	1 2 3 4 5 6 7	NOMENCLATURE	EFFECT FROM TO	UNITS PER ASSY
4B - 210	217A1003-5		. DUCT INSTL-E/E COOLING EXH POSITION DATA: SECT. 43 AFT FOR DETAILS SEE: 21-21-01-03	201967	1
- 215	217A1003-7		. DUCT INSTL-E/E COOLING EXH POSITION DATA: SECT. 43 AFT FOR DETAILS SEE: 21-27-04-04	201967	1
- 225	217A1005-1		. PLUG INSTL-E/E COOLING POSITION DATA: SECT. 41 FWD FOR DETAILS SEE: 11-30-01-47	201967	1
- 230	217A2001-2		. DUCT INSTL-FLIGHT DECK E/E COOLING SUPPLY POSITION DATA: SECT. 41 FOR DETAILS SEE: 21-27-51-41	201967	1
- 235	217A2001-3		. DUCT INSTL-FLIGHT DECK E/E COOLING SUPPLY POSITION DATA: SECT. 41 FOR DETAILS SEE: 21-27-51-02	201967	1
- 240	217A2002-3		. DUCT INSTL-FLIGHT DECK E/E COOLING EXH FOR DETAILS SEE: 21-27-51-42	201967	1
- 245	217A2002-4		. DUCT INSTL-FLIGHT DECK E/E COOLING EXH FOR DETAILS SEE: 21-27-51-01	201967	1

MISSING ITEM NUMBERS NOT APPLICABLE

- ITEM NOT ILLUSTRATED

HAP

21-20-00-04B

BOEING PROPRIETARY - Copyright © - Unpublished Work - See title page for details.

21-20-00
FIG. 04B
PAGE 3
OCT 15/08

NON-ILLUSTRATED FIGURE

THE ITEMS REFLECTED IN THIS FIGURE ARE INTENTIONALLY
NON-ILLUSTRATED. THEY ARE REFERENCED TO EITHER A
NEXT HIGHER OR NEXT LOWER ASSEMBLY/INSTALLATION FIGURE.

E 21200004C REV 055

FUNCTIONAL COLLECTOR-AIR CONT SYS FINAL ASSY MINOR MODEL BASIC AND STABLE (DISTRIBUTION ONLY)

FIGURE 4C

HAP
OCT 10/06

21-20-00-04C

21-20-00-04C
PAGE 0

BOEING
737-600/700/800/900
PARTS CATALOG (MAINTENANCE)

FIG ITEM	PART NUMBER	1 2 3 4 5 6 7	NOMENCLATURE	EFFECT FROM TO	UNITS PER ASSY
4C			FUNCTIONAL COLLECTOR-AIR CONT SYS FINAL ASSY MINOR MODEL BASIC AND STABLE (DISTRIBUTION ONLY)	001030	
- 1	210A0001-800		FUNCTIONAL COLLECTOR-AIR CONT SYS FINAL ASSY MINOR MODEL BASIC AND STABLE (DISTRIBUTION ONLY)	001030	RF
- 10	214A1001-7		. DUCT INSTL-FLIGHT DECK AIR DISTR SYS FOR DETAILS SEE: 21-00-00-38	028030	1
- 20	214A1002-3		. DUCT INSTL-E/E BAY FLIGHT DECK AIR DISTR SYS POSITION DATA: STA 262 TO STA 350 AFT FOR DETAILS SEE: 21-22-51-05	001001 006007	1
- 25	214A1002-5		. DUCT INSTL-E/E BAY FLIGHT DECK AIR DISTR SYS POSITION DATA: STA 181 TO STA 262 FWD FOR DETAILS SEE: 21-27-51-21	001011	1
- 30	214A1002-7		. DUCT INSTL-E/E BAY FLIGHT DECK AIR DISTR SYS POSITION DATA: STA 262 TO STA 350 AFT FOR DETAILS SEE: 21-27-51-21 21-61-04-02 21-61-05-04 21-61-30-02	002005 008011	1
- 35	214A1002-10		. DUCT INSTL-E/E BAY FLIGHT DECK WITH DUCK SENSORS POSITION DATA: STA 262 TO STA 350 SECT. 41 AFT FOR DETAILS SEE: 21-22-00-05	012030	1

MISSING ITEM NUMBERS NOT APPLICABLE

- ITEM NOT ILLUSTRATED

HAP

21-20-00-04C

BOEING PROPRIETARY - Copyright © - Unpublished Work - See title page for details.

21-20-00
FIG. 04C
PAGE 1
OCT 10/06

BOEING
737-600/700/800/900
PARTS CATALOG (MAINTENANCE)

FIG ITEM	PART NUMBER	1 2 3 4 5 6 7	NOMENCLATURE	EFFECT FROM TO	UNITS PER ASSY
4C					
- 40	214A1002-12		. DUCT INSTL-E/E BAY FLIGHT DECK AIR DISTR SYS POSITION DATA: STA 181 TO STA 262 FWD FOR DETAILS SEE: 21-22-00-06	012030	1
- 45	214A1003-2		. DUCT INSTL-FLIGHT DECK FOR DETAILS SEE: 21-22-00-02	001030	1
- 50	214A2003-9SP		. DUCT INSTL-OVHD AIR DISTR SYS POSITION DATA: SECT. 46 FOR DETAILS SEE: 21-23-01-28A	012030	1
- 65	214A2011-5SP		. DUCT INSTL-OVHD AIR DISTR SYS POSITION DATA: SECT. 43 FOR DETAILS SEE: 21-23-01-05 21-61-04-05 21-61-05-05 21-61-30-05	012029	1
- 65	214A2011-7B		. DUCT INSTL-OVHD AIR DISTR SYS POSITION DATA: SECT. 43 FOR DETAILS SEE: 21-23-01-05 21-61-04-05 21-61-05-05 21-61-30-05	030030	1
- 70	214A2012-9SP		. DUCT INSTL-OVHD AIR DISTR SYS FOR DETAILS SEE: 21-23-01-22 21-61-04-22 21-61-05-22 21-61-30-22	012019	1
- 80	214A2012-17SP		. DUCT INSTL-OVERHEAD AIR DISTR SYS FOR DETAILS SEE: 21-23-01-22 21-61-04-22 21-61-05-22 21-61-30-22	020029	1

MISSING ITEM NUMBERS NOT APPLICABLE

- ITEM NOT ILLUSTRATED

HAP

21-20-00-04C

BOEING PROPRIETARY - Copyright © - Unpublished Work - See title page for details.

21-20-00
FIG. 04C
PAGE 2
OCT 10/06

BOEING
737-600/700/800/900
PARTS CATALOG (MAINTENANCE)

FIG ITEM	PART NUMBER	1 2 3 4 5 6 7	NOMENCLATURE	EFFECT FROM TO	UNITS PER ASSY
4C					
- 80	214A2012-21B		. DUCT INSTL-OVERHEAD AIR DISTR SYS FOR DETAILS SEE: 21-23-01-22 21-61-04-22 21-61-05-22 21-61-30-22	030030	1
- 100	214A2019-1		. DUCT INSTL-SIDEWALL RISER AIR DISTR SYS FOR DETAILS SEE: 21-23-00-16B	001027	1
- 100	214A2019-5		. DUCT INSTL-SIDEWALL RISER AIR DISTR SYS FOR DETAILS SEE: 21-23-00-16B	028030	1
- 105	214A2019-2		. DUCT INSTL-SIDEWALL RISER AIR DISTR SYS FOR DETAILS SEE: 21-23-00-16C	001027	1
- 105	214A2019-6		. DUCT INSTL-SIDEWALL RISER AIR DISTR SYS FOR DETAILS SEE: 21-23-00-16C	028030	1
- 120	214A3003-1		. SYSTEM INSTL-DISTR AND PACK OUTLET DUCTS MIX MANIFOLD FOR DETAILS SEE: 21-21-01-01 21-25-02-08 21-51-42-01 21-51-51-02	001007	1
- 120	214A3003-5		. SYSTEM INSTL-AIR DISTR MIX BAY FOR DETAILS SEE: 21-21-01-01 21-25-02-08 21-51-42-01 21-51-51-02	008029	1
- 120	214A3003-9		. SYSTEM INSTL-AIR DISTR MIX BAY FOR DETAILS SEE: 21-25-02-08 21-51-42-01 21-51-51-02	030030	1

MISSING ITEM NUMBERS NOT APPLICABLE

- ITEM NOT ILLUSTRATED

HAP

21-20-00-04C

BOEING PROPRIETARY - Copyright © - Unpublished Work - See title page for details.

21-20-00
FIG. 04C
PAGE 3
FEB 15/08

 **BOEING**
737-600/700/800/900
PARTS CATALOG (MAINTENANCE)

FIG ITEM	PART NUMBER	1 2 3 4 5 6 7	NOMENCLATURE	EFFECT FROM TO	UNITS PER ASSY
4C - 125	214A3003-2		.SYSTEM INSTL-AIR DISTR MIX BAY, RECIRC FOR DETAILS SEE: 21-25-01-01 21-25-02-08 21-25-03-01	001011	1
- 125	214A3003-6		.SYSTEM INSTL-AIR DISTR MIX BAY, RECIRC FOR DETAILS SEE: 21-25-01-01 21-25-02-08 21-25-03-01	012027	1
- 125	214A3003-8		.SYSTEM INSTL-AIR DISTR MIX BAY, RECIRC FOR DETAILS SEE: 21-25-01-01 21-25-02-08 21-25-03-01	028029	1
- 125	214A3003-11		.SYSTEM INSTL-AIR DISTR MIX BAY, RECIRC FOR DETAILS SEE: 21-25-01-01 21-25-02-08 21-25-03-01	030030	1
- 130	214A3003-3		.SYSTEM INSTL-TRIM DUCTING FOR DETAILS SEE: 21-21-01-05	001030	1
- 140	214A4001-1		.DUCT INSTL-COLD AIR POSITION DATA: LAV A FOR DETAILS SEE: 21-26-50-01	001030	1
- 142	214A9001-4		.SUPPORT INSTL- FOR DETAILS SEE: 21-23-51-25B	023030	1
- 145	215A1001-1		.DUCT INSTL-GALLEY VENT POSITION DATA: FWD FOR DETAILS SEE: 21-26-51-01	001030	1
- 150	215A1002-5		.DUCT INSTL-WITH GALLEY VENT ONLY FOR DETAILS SEE: 21-26-51-10	008030	1

MISSING ITEM NUMBERS NOT APPLICABLE

- ITEM NOT ILLUSTRATED

HAP

21-20-00-04C

BOEING PROPRIETARY - Copyright © - Unpublished Work - See title page for details.

21-20-00
FIG. 04C
PAGE 4
FEB 15/08

 **BOEING**
737-600/700/800/900
PARTS CATALOG (MAINTENANCE)

FIG ITEM	PART NUMBER	1 2 3 4 5 6 7	NOMENCLATURE	EFFECT FROM TO	UNITS PER ASSY
4C - 155	217A1001-1		. DUCT INSTL-E/E COOLING SUPPLY POSITION DATA: SECT. 41 FWD FOR DETAILS SEE: 21-27-51-04	001011	1
- 170	217A1001-6		. DUCT INSTL-E/E COOLING SUPPLY POSITION DATA: SECT. 41 FWD FOR DETAILS SEE: 21-27-51-48	012030	1
- 175	217A1002-1		. DUCT INSTL-E/E COOLING EXH POSITION DATA: SECT. 41 FWD FOR DETAILS SEE: 21-27-51-05	001011	1
- 175	217A1002-5		. DUCT INSTL-E/E COOLING EXH POSITION DATA: SECT. 41 FWD FOR DETAILS SEE: 21-27-51-51	012030	1
- 180	217A1003-3		. DUCT INSTL-E/E COOLING EXH POSITION DATA: SECT. 43 AFT FOR DETAILS SEE: 21-27-04-01	001030	1
- 185	217A1003-5		. DUCT INSTL-E/E COOLING EXH POSITION DATA: SECT. 43 AFT FOR DETAILS SEE: 21-21-01-03	005005 008030	1
- 190	217A1003-9		. DUCT INSTL-E/E COOLING EXH POSITION DATA: SECT. 43 AFT FOR DETAILS SEE: 21-27-04-03 21-27-05-01 21-27-51-09	001004 006007	1
- 200	217A2001-2		. DUCT INSTL-FLIGHT DECK E/E COOLING SUPPLY FOR DETAILS SEE: 21-27-51-41	002005 008028	1
- 200	217A2001-8		. DUCT INSTL-FLIGHT DECK E/E COOLING SUPPLY FOR DETAILS SEE: 21-27-51-41	029030	1

MISSING ITEM NUMBERS NOT APPLICABLE

- ITEM NOT ILLUSTRATED

HAP

21-20-00-04C

BOEING PROPRIETARY - Copyright © - Unpublished Work - See title page for details.

21-20-00
FIG. 04C
PAGE 5
FEB 15/08

BOEING
737-600/700/800/900
PARTS CATALOG (MAINTENANCE)

FIG ITEM	PART NUMBER	1 2 3 4 5 6 7	NOMENCLATURE	EFFECT FROM TO	UNITS PER ASSY
4C					
- 205	217A2001-3		.DUCT INSTL-FLIGHT DECK E/E COOLING SUPPLY FOR DETAILS SEE: 21-27-51-02	002005 008030	1
- 210	217A2002-4		.DUCT INSTL-FLIGHT DECK E/E COOLING EXH FOR DETAILS SEE: 21-27-51-01	002005 008030	1
- 215	217A1003-7		.DUCT INSTL-E/E COOLING EXH POSITION DATA: SECT. 43 AFT FOR DETAILS SEE: 21-27-04-04	005005 008030	1
- 220	217A2002-3		.DUCT INSTL-FLIGHT DECK E/E COOLING EXH FOR DETAILS SEE: 21-27-51-42	002005 008030	1

MISSING ITEM NUMBERS NOT APPLICABLE

- ITEM NOT ILLUSTRATED

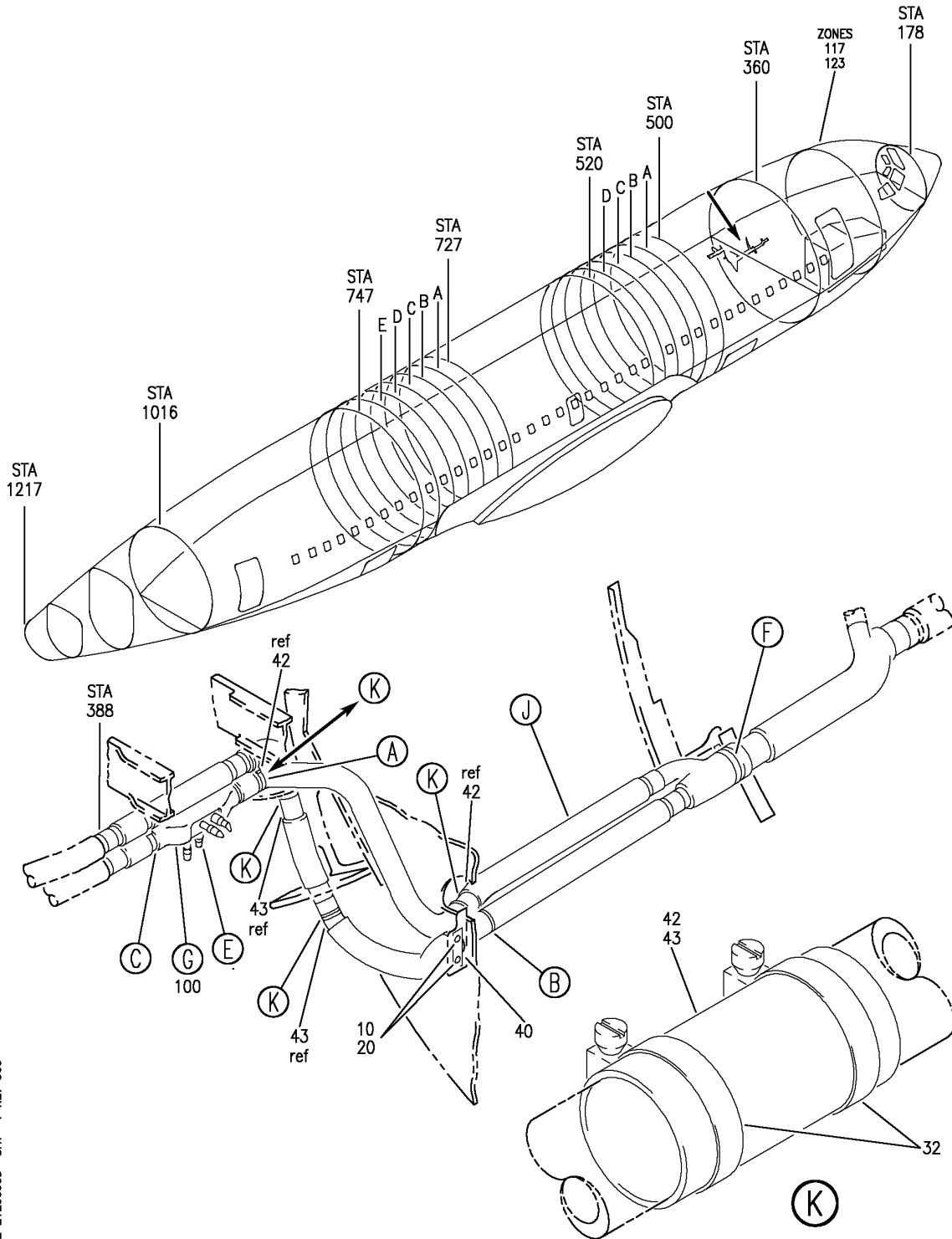
HAP

21-20-00-04C

BOEING PROPRIETARY - Copyright © - Unpublished Work - See title page for details.

21-20-00
FIG. 04C
PAGE 6
FEB 15/08

BOEING
 737-600/700/800/900
 PARTS CATALOG (MAINTENANCE)



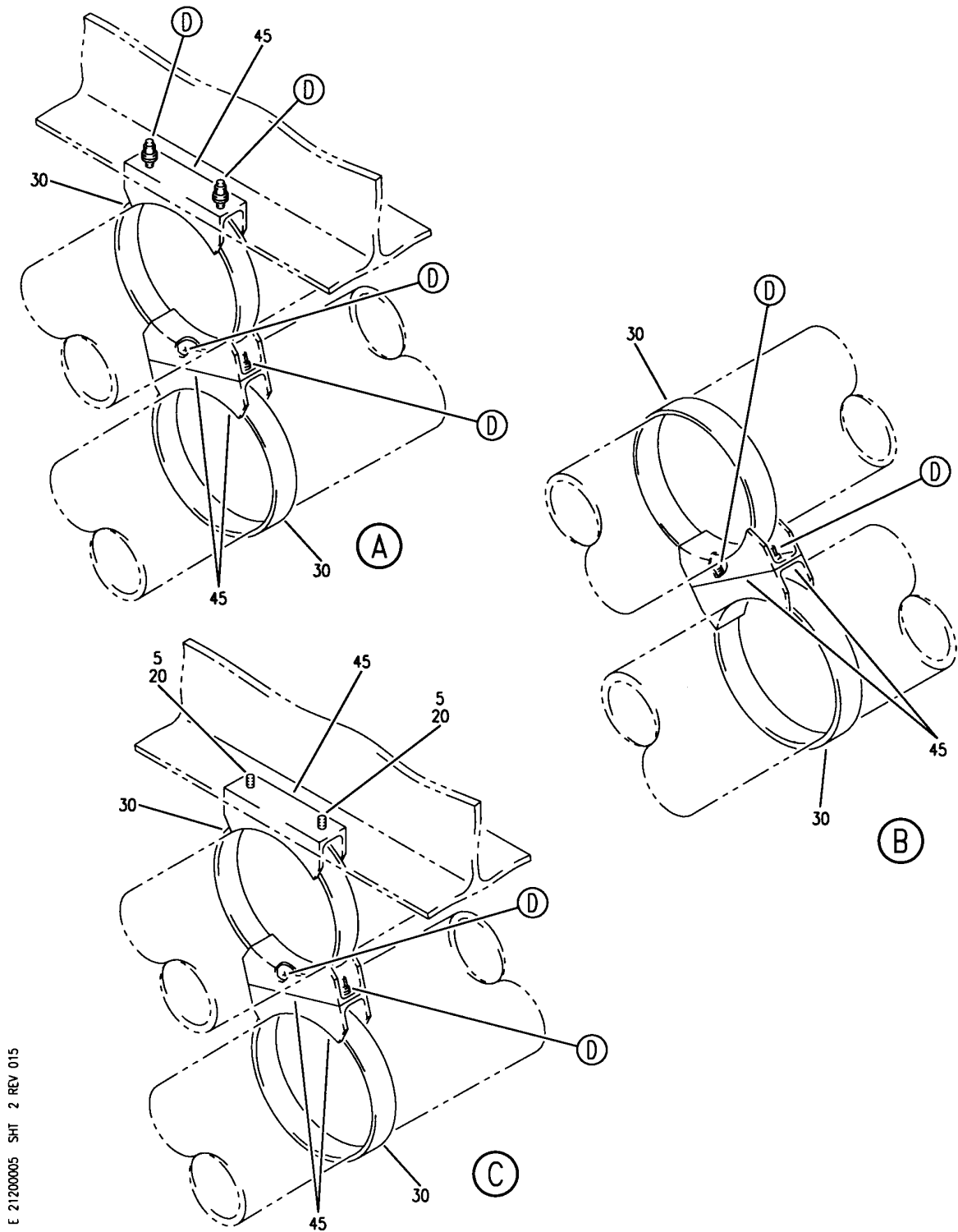
E 21200005 SHT 1 REV 066

DUCT INSTL-AFT EE BAY STA 350 TO STA 388 FLIGHT DECK AIR DISTR SYS
 FIGURE 5 (SHEET 1)

21-20-00-05

HAP
 OCT 15/08

21-20-00-05
 PAGE 0



E 21200005 SHT 2 REV 015

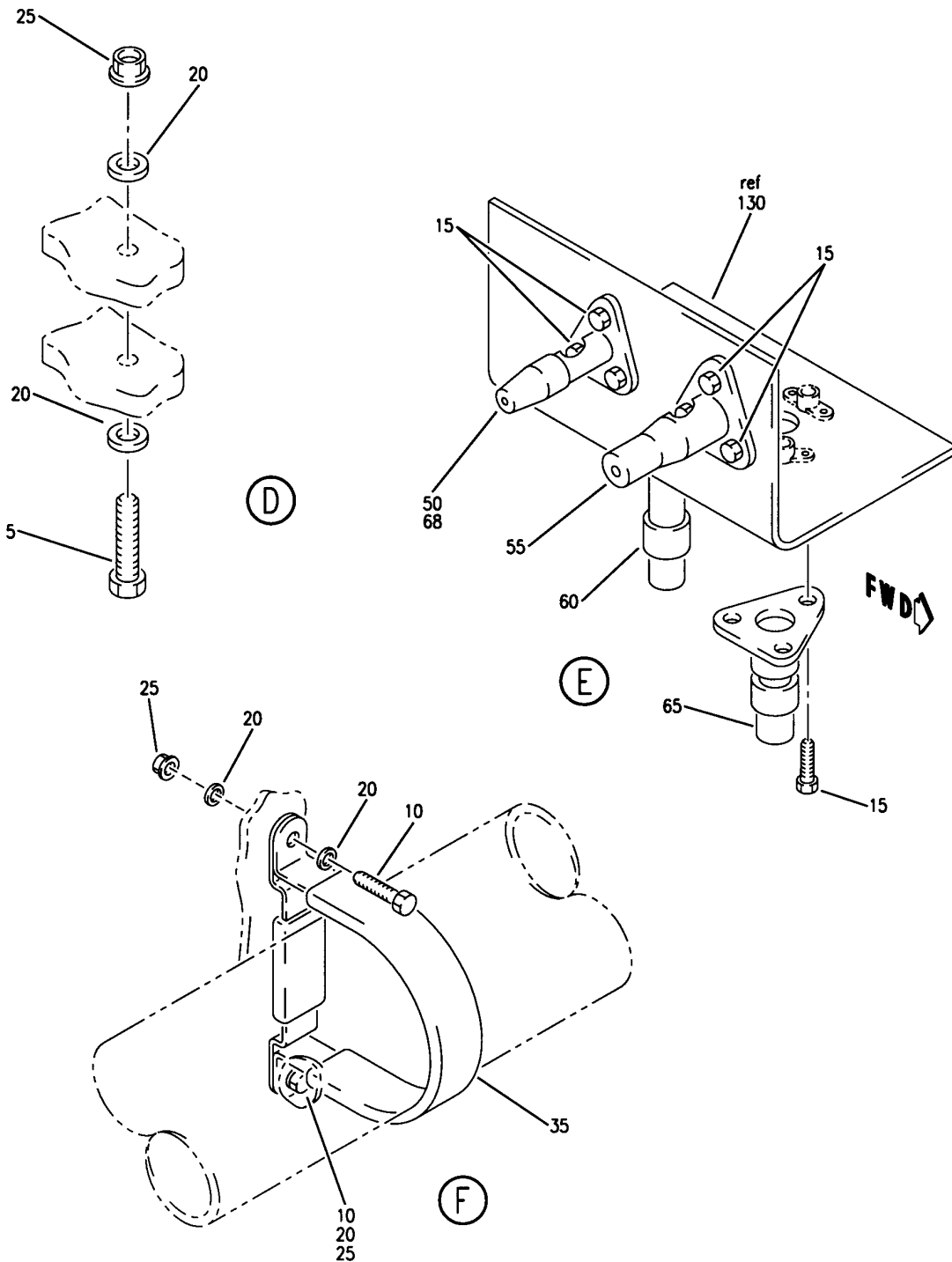
DUCT INSTL-AFT EE BAY STA 350 TO STA 388 FLIGHT DECK AIR DISTR SYS
 FIGURE 5 (SHEET 2)

21-20-00-05

HAP
 OCT 15/08

21-20-00-05
 PAGE 0A

BOEING
 737-600/700/800/900
 PARTS CATALOG (MAINTENANCE)



E 21200005 SHT 3 REV 019

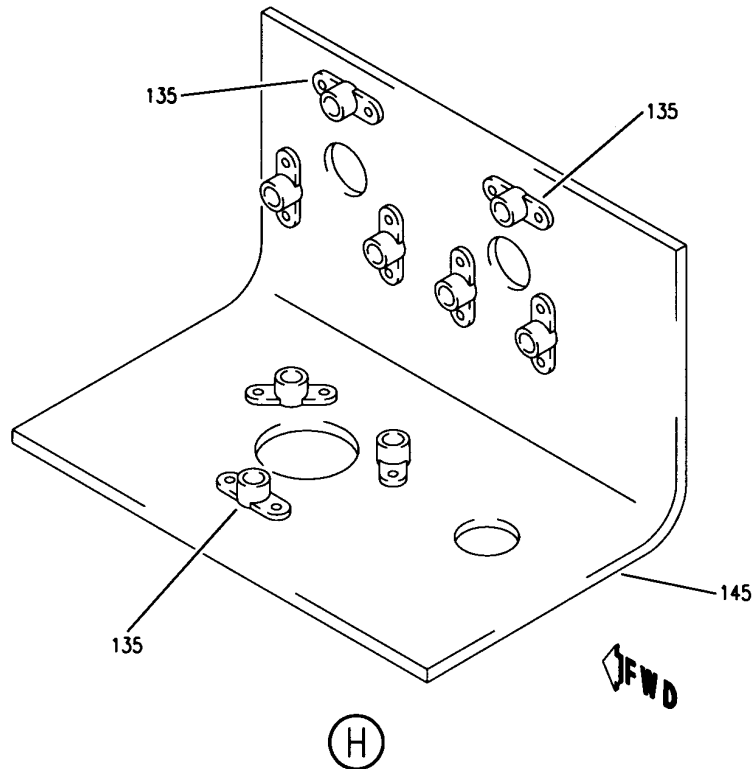
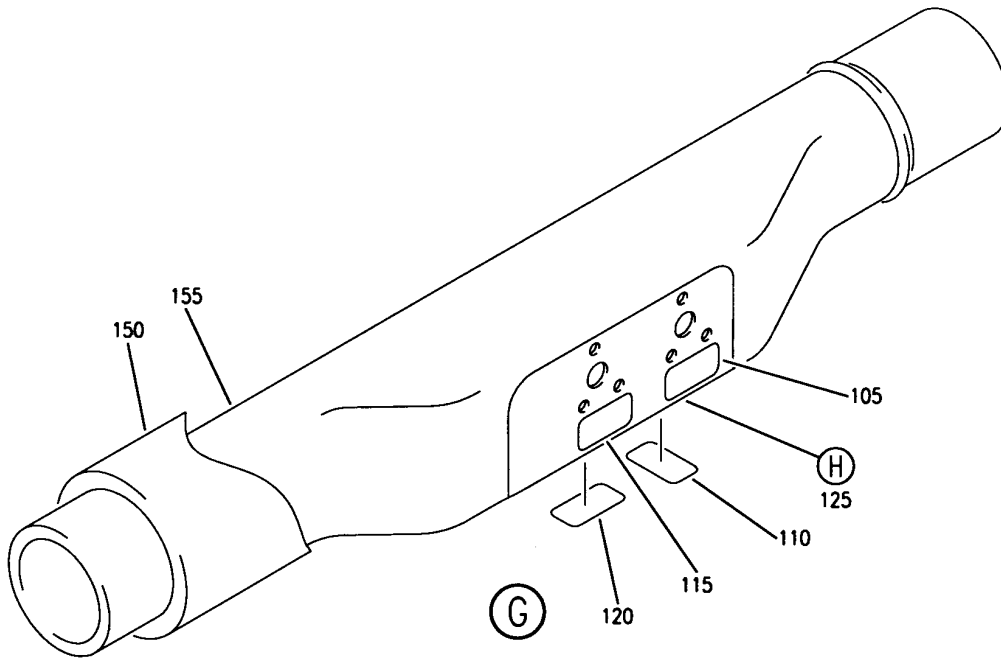
DUCT INSTL-AFT EE BAY STA 350 TO STA 388 FLIGHT DECK AIR DISTR SYS
 FIGURE 5 (SHEET 3)

21-20-00-05

HAP
 OCT 15/08

21-20-00-05
 PAGE 0B

BOEING
 737-600/700/800/900
 PARTS CATALOG (MAINTENANCE)



E 21200005 SHT 4 REV 015

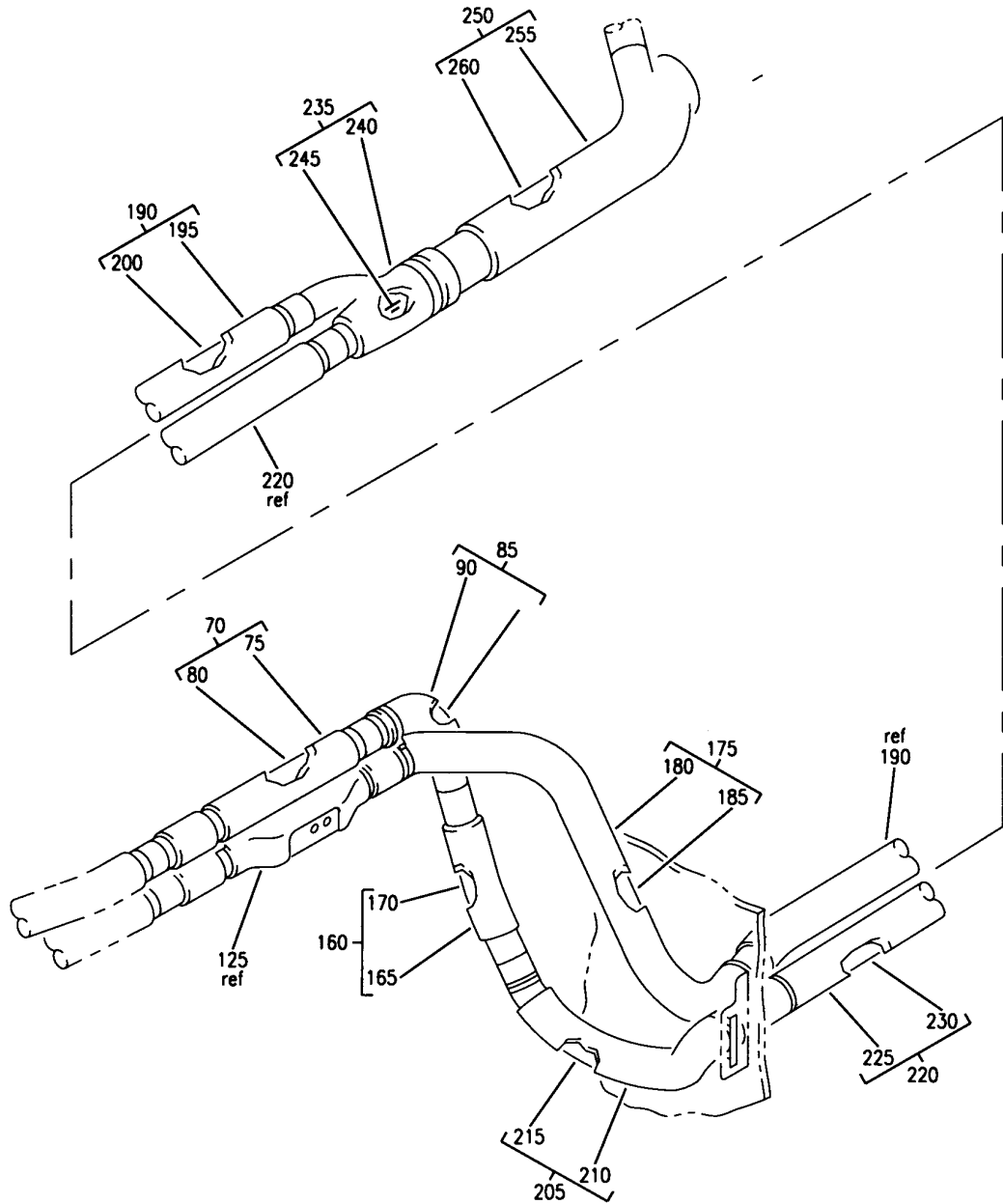
DUCT INSTL-AFT EE BAY STA 350 TO STA 388 FLIGHT DECK AIR DISTR SYS
 FIGURE 5 (SHEET 4)

21-20-00-05

HAP
 OCT 15/08

21-20-00-05
 PAGE 0C

BOEING
 737-600/700/800/900
 PARTS CATALOG (MAINTENANCE)



E 21200005 SH1 5 REV 015

J

DUCT INSTL-AFT EE BAY STA 350 TO STA 388 FLIGHT DECK AIR DISTR SYS
 FIGURE 5 (SHEET 5)

21-20-00-05

HAP
 OCT 15/08

21-20-00-05
 PAGE 00

BOEING
737-600/700/800/900
PARTS CATALOG (MAINTENANCE)

FIG ITEM	PART NUMBER	1 2 3 4 5 6 7	NOMENCLATURE	EFFECT FROM TO	UNITS PER ASSY
5			DUCT INSTL-AFT EE BAY STA 350 TO STA 388 FLIGHT DECK AIR DISTR SYS	201967	
- 1	214A1002-6		DUCT INSTL-FLIGHT DECK AIR DISTR SYS POSITION DATA: AFT EE BAY STA 350 TO STA 388 FOR NHA SEE: 21-20-00-04B	201967	RF
5	BACS12GU3K10	.SCREW		201967	10
10	BACS12GU3K9	.SCREW		201967	4
15	BACS12GU3K7	.SCREW		201967	9
20	NAS1149D0332J	.WASHER		201967	24
25	PLH53CD	.NUT		201967	10
			SUPPLIER CODE: VF0224 SPECIFICATION NUMBER: BACN10YR3CD OPTIONAL PART: H52732-3CD V15653		
30	PLT3SM	.STRAP		201967	6
			SUPPLIER CODE: V06383 SPECIFICATION NUMBER: BACS38K7 OPTIONAL PART: T0510 V53421		
32	NAS1922-0275-3	.CLAMP-		201201	8
			POST SERVICE BULLETIN: 21-1125		
35	421-64	.CLAMP		201967	1
			SUPPLIER CODE: V83930 SPECIFICATION NUMBER: BACC10CC64 OPTIONAL PART: JM45SC3D64T V22175 TA04C36-64 V84971 421A64 V83930		

MISSING ITEM NUMBERS NOT APPLICABLE

- ITEM NOT ILLUSTRATED

HAP

21-20-00-05

BOEING PROPRIETARY - Copyright © - Unpublished Work - See title page for details.

21-20-00
FIG. 05
PAGE 1
FEB 15/09

BOEING
737-600/700/800/900
PARTS CATALOG (MAINTENANCE)

FIG ITEM	PART NUMBER	1 2 3 4 5 6 7	NOMENCLATURE	EFFECT FROM TO	UNITS PER ASSY
5 40	421-40		.CLAMP SUPPLIER CODE: V83930 SPECIFICATION NUMBER: BACC10CC40 OPTIONAL PART: JM45SC3D40T V22175 TA04C36-07 V84971 421A40 V83930	201967	1
42	AS1506-10D42		.HOSE- POST SERVICE BULLETIN: 21-1125	201201	2
43	AS1506-10D50		.HOSE- POST SERVICE BULLETIN: 21-1125	201201	2
45	214T3424-3		.SUPPORT	201967	8
50	67321-27-250		.SWITCH- SUPPLIER CODE: V73168 SPECIFICATION NUMBER: 10-60924-1 ELECTRICAL EQUIP NUMBER: S00003 MAINTENANCE MANUAL REF: 21-51-42 OPTIONAL PART: 67321-15-250 V73168 1173T212 V98087	201967	1
55	548388-1		.SENSOR- SUPPLIER CODE: V07217 SPECIFICATION NUMBER: 10-60498-7 ELECTRICAL EQUIP NUMBER: T00419	201967	1

MISSING ITEM NUMBERS NOT APPLICABLE

— ITEM NOT ILLUSTRATED

HAP

21-20-00-05

BOEING PROPRIETARY - Copyright © - Unpublished Work - See title page for details.

21-20-00
FIG. 05
PAGE 2
OCT 15/08

BOEING
737-600/700/800/900
PARTS CATALOG (MAINTENANCE)

FIG ITEM	PART NUMBER	1 2 3 4 5 6 7	NOMENCLATURE	EFFECT FROM TO	UNITS PER ASSY
5					
60	641121-1	.	SWITCH ASSY- SUPPLIER CODE: V07217 FUNCTIONAL DESCRIPTION: DETECTS OVERHEAT CONDITIONS IN THE AIR CONDITIONING PNEUMATIC DUCTING. SPECIFICATION NUMBER: S210T130-18 ELECTRICAL EQUIP NUMBER: S00011 COMPONENT MAINT MANUAL REF: 21-51-46 MAINTENANCE MANUAL REF: 21-61-05	201967	1
- 62	MS9385-05	..	PACKING MAINTENANCE MANUAL REF: 21-61-05	201967	1
65	548384-1	.	ANTICIPATOR-TEMP SUPPLIER CODE: V07217 SPECIFICATION NUMBER: 10-60498-4 ELECTRICAL EQUIP NUMBER: T00420 MAINTENANCE MANUAL REF: 21-61-08	201967	1
68	66-3478-3	.	GASKET- MAINTENANCE MANUAL REF: 21-51-42 MANUFACTURED FROM: SHEET RUBBER BMS1-11 GRADE 60 .062IN 1.50IN 1.70IN SPARES ORDER MATERIAL CODE: 5210623070	201967	1
70	214A1138-1	.	DUCT ASSY	201967	1
75	214A1138-3	..	INSULATION	201967	AR
80	214A1138-2	..	DUCT	201967	1
85	214A1147-1	.	DUCT ASSY	201967	1
90	214A1147-4	..	INSULATION	201967	AR
95	214A1147-2	..	DUCT	201967	1
100	214A1113-1	.	DUCT ASSY	201967	1
105	BAC27DAC90	..	DECAL- PLACARD CONTENT: DUCT LIMIT SENSOR T00419-D00512	201967	1

MISSING ITEM NUMBERS NOT APPLICABLE

- ITEM NOT ILLUSTRATED

HAP

21-20-00-05

BOEING PROPRIETARY - Copyright © - Unpublished Work - See title page for details.

21-20-00
FIG. 05
PAGE 3
JUN 15/09

BOEING
737-600/700/800/900
PARTS CATALOG (MAINTENANCE)

FIG ITEM	PART NUMBER	1 2 3 4 5 6 7	NOMENCLATURE	EFFECT FROM TO	UNITS PER ASSY
5					
110	BAC27DAC91	..	DECAL- PLACARD CONTENT: DUCT ANTICIPATOR T00420-D00514	201967	1
115	BAC27DAC92	..	DECAL- PLACARD CONTENT: DUCT OVERHEAT SWITCH 250F S00003-D00534	201967	1
120	BAC27DAC93	..	DECAL- PLACARD CONTENT: DUCT OVERHEAT SWITCH 190F S11-D11360	201967	1
125	214A1502-4	..	PLATE ASSY ATTACHING PARTS	201967	1
- 130	BACR15BA3ADC	..	RIVET- SIZE DETERMINED ON INSTL. OPTIONAL PART: BACR15DR3-3	201967	6
- 130	AF5171-3-3	..	RIVET- SUPPLIER CODE: V53551 SPECIFICATION NUMBER: BACR15DR3-3 OPTIONAL PART: CCR264SS3-3 V11815 RV571A3-3 V98996 BACR15BA3ADC -----*-----	201967	6
135	BACN10JP3ACD	...	NUTPLATE ATTACHING PARTS	201967	9
- 140	BACR15BA3AD	...	RIVET- SIZE DETERMINED ON INSTL. -----*-----	201967	18
145	214A1502-5	...	PLATE	201967	1
150	214A1113-3	..	INSULATION	201967	AR
155	214A1113-2	..	DUCT	201967	1
160	214A1136-1	.D	DUCT ASSY	201967	1
165	214A1136-4	..	INSULATION	201967	AR
170	214A1136-2	..	DUCT	201967	1
175	214A1148-1	.D	DUCT ASSY	201967	1
180	214A1148-4	..	INSULATION	201967	AR
185	214A1148-2	..	DUCT	201967	1
190	214A1137-1	.D	DUCT ASSY	201967	1
195	214A1137-4	..	INSULATION	201967	AR
200	214A1137-2	..	DUCT	201967	1
205	214A1149-1	.D	DUCT ASSY	201967	1
210	214A1149-4	..	INSULATION	201967	AR

MISSING ITEM NUMBERS NOT APPLICABLE

- ITEM NOT ILLUSTRATED

HAP

21-20-00-05

21-20-00
FIG. 05
PAGE 4
JUN 15/09


BOEING
 737-600/700/800/900
PARTS CATALOG (MAINTENANCE)

FIG ITEM	PART NUMBER	1 2 3 4 5 6 7	NOMENCLATURE	EFFECT FROM TO	UNITS PER ASSY
5					
215	214A1149-2	. .	DUCT	201967	1
220	214A1135-1	. DUCT	ASSY	201967	1
225	214A1135-3	. .	INSULATION	201967	AR
230	214A1135-2	. .	DUCT	201967	1
235	214A1112-1	. DUCT	ASSY	201967	1
240	214A1112-3	. .	INSULATION	201967	AR
245	214A1112-2	. .	DUCT	201967	1
250	214A1114-5	. DUCT	ASSY	201967	1
255	214A1114-4	. .	INSULATION	201967	AR
260	214A1114-2	. .	DUCT	201967	1
265	214T3436-56	. ORIFICE	ASSY	201967	1

MISSING ITEM NUMBERS NOT APPLICABLE

— ITEM NOT ILLUSTRATED

HAP

21-20-00-05

BOEING PROPRIETARY - Copyright © - Unpublished Work - See title page for details.

21-20-00
 FIG. 05
 PAGE 5
 JUN 15/09

NON-ILLUSTRATED FIGURE

THE ITEMS REFLECTED IN THIS FIGURE ARE INTENTIONALLY
NON-ILLUSTRATED. THEY ARE REFERENCED TO EITHER A
NEXT HIGHER OR NEXT LOWER ASSEMBLY/INSTALLATION FIGURE.

E 21200009B REV 055

FUNCTIONAL COLLECTOR-AIR CONT SYS FINAL ASSY CUSTOMER UNIQUE (DISTRIBUTION ONLY)
FIGURE 9B

HAP
OCT 15/08

21-20-00-09B

21-20-00-09B
PAGE 0

BOEING
737-600/700/800/900
PARTS CATALOG (MAINTENANCE)

FIG ITEM	PART NUMBER	1 2 3 4 5 6 7	NOMENCLATURE	EFFECT FROM TO	UNITS PER ASSY
9B			FUNCTIONAL COLLECTOR-AIR CONT SYS FINAL ASSY CUSTOMER UNIQUE (DISTRIBUTION ONLY)	201967	
- 15	210A0001-2610		FUNCTIONAL COLLECTOR-AIR CONT SYS FINAL ASSY CUSTOMER UNIQUE (DISTRIBUTION ONLY)	201967	RF
- 25	214A2001-1SP		. DUCT INSTL-OVHD AIR DISTR SYS POSITION DATA: FWD FOR DETAILS SEE: 21-00-00-42	201967	1
- 30	214A2002-5SP		. DUCT INSTL-OVHD AIR DISTR SYS POSITION DATA: MID FOR DETAILS SEE: 21-23-01-01	201967	1
- 35	214A2003-5SP		. DUCT INSTL-OVHD AIR DISTR SYS POSITION DATA: AFT FOR DETAILS SEE: 21-23-01-03	201967	1
- 40	214A2005-13		. DUCT INSTL-SIDEWALL AIR DISTR SYS POSITION DATA: SECT. 43 FOR DETAILS SEE: 21-23-51-43A	201967	1
- 45	214A2006-7		. DUCT INSTL-SIDEWALL AIR DISTR SYS POSITION DATA: SECT. 44 FOR DETAILS SEE: 21-23-52-21	201967	1
- 50	214A2007-5		. DUCT INSTL-SIDEWALL AIR DISTR SYS FOR DETAILS SEE: 21-23-51-29A	201967	1

MISSING ITEM NUMBERS NOT APPLICABLE

- ITEM NOT ILLUSTRATED

HAP

21-20-00-09B

BOEING PROPRIETARY - Copyright © - Unpublished Work - See title page for details.

21-20-00
FIG. 09B
PAGE 1
OCT 15/08

BOEING
737-600/700/800/900
PARTS CATALOG (MAINTENANCE)

FIG ITEM	PART NUMBER	1 2 3 4 5 6 7	NOMENCLATURE	EFFECT FROM TO	UNITS PER ASSY
9B - 55	214A2008-11		. DUCT INSTL-SIDEWALL AIR DISTR SYS POSITION DATA: STA 887 TO STA 990 FOR DETAILS SEE: 21-23-51-13B	201967	1
- 86	214A4002-21		. HOSE INSTL-PSU GASPER POSITION DATA: SECT. 43, 44 AND 46 FOR DETAILS SEE: 21-24-51-19	201967	1
- 110	214A4008-4		. DUCT INSTL-SUPPLY AIR POSITION DATA: LAV D FOR DETAILS SEE: 21-23-52-46	201967	1
- 115	214A4008-5		. DUCT INSTL-SUPPLY AIR POSITION DATA: LAV E FOR DETAILS SEE: 21-23-52-48	201967	1

MISSING ITEM NUMBERS NOT APPLICABLE

- ITEM NOT ILLUSTRATED

HAP

21-20-00-09B

BOEING PROPRIETARY - Copyright © - Unpublished Work - See title page for details.

21-20-00
FIG. 09B
PAGE 2
OCT 15/08

NON-ILLUSTRATED FIGURE

THE ITEMS REFLECTED IN THIS FIGURE ARE INTENTIONALLY
NON-ILLUSTRATED. THEY ARE REFERENCED TO EITHER A
NEXT HIGHER OR NEXT LOWER ASSEMBLY/INSTALLATION FIGURE.

E 21200009C REV 055

FUNCTIONAL COLLECTOR-AIR CONT SYS FINAL ASSY CUSTOMER UNIQUE (DISTRIBUTION ONLY)
FIGURE 9C

HAP
OCT 10/06

21-20-00-09C

21-20-00-09C
PAGE 0

BOEING
737-600/700/800/900
PARTS CATALOG (MAINTENANCE)

FIG ITEM	PART NUMBER	1 2 3 4 5 6 7	NOMENCLATURE	EFFECT FROM TO	UNITS PER ASSY
9C			FUNCTIONAL COLLECTOR-AIR CONT SYS FINAL ASSY CUSTOMER UNIQUE (DISTRIBUTION ONLY)	001030	
- 1	210A0001-3001		FUNCTIONAL COLLECTOR-AIR CONT SYS FINAL ASSY CUSTOMER UNIQUE (DISTRIBUTION ONLY) FOR NHA/OTHER SYS DET SEE: 21-00-00-43	001030	RF
- 20	214A2001-7		.DUCT INSTL-OVHD AIR DISTR SYS FOR DETAILS SEE: 21-23-01-16	012030	1
- 25	214A2003-7SP		.DUCT INSTL-OVHD AIR DISTR SYS POSITION DATA: AFT FOR DETAILS SEE: 21-23-01-04A	001011	1
- 30	214A2003-11		.DUCT INSTL-OVHD AIR DISTR SYS POSITION DATA: AFT FOR DETAILS SEE: 21-23-01-29	012030	1
- 40	214A2008-11		.DUCT INSTL-SIDEWALL AIR DISTR SYS FOR DETAILS SEE: 21-23-51-13B	001030	1
- 60	214A2011-1SP		.DUCT INSTL-OVHD AIR DISTR SYS FOR DETAILS SEE: 21-23-01-05 21-61-04-05 21-61-05-05 21-61-30-05	001011	1
- 75	214A2012-3SP		.DUCT INSTL-OVHD AIR DISTR SYS POSITION DATA: MID FOR DETAILS SEE: 21-23-01-06 21-61-05-01B 21-61-10-01B 21-61-31-01A	001011	1

MISSING ITEM NUMBERS NOT APPLICABLE

- ITEM NOT ILLUSTRATED

HAP

21-20-00-09C

BOEING PROPRIETARY - Copyright © - Unpublished Work - See title page for details.

21-20-00
FIG. 09C
PAGE 1
OCT 10/06

 **BOEING**
737-600/700/800/900
PARTS CATALOG (MAINTENANCE)

FIG ITEM	PART NUMBER	1 2 3 4 5 6 7	NOMENCLATURE	EFFECT FROM TO	UNITS PER ASSY
9C					
- 85	214A2012-11		. DUCT INSTL-OVHD AIR DISTR SYS FOR DETAILS SEE: 21-23-01-23	012030	1
- 95	214A2015-7		. DUCT INSTL-SIDEWALL AIR DISTR SYS FOR DETAILS SEE: 21-23-52-33	001030	1
- 110	214A2016-3		. DUCT INSTL-SIDEWALL AIR DISTR SYS FOR DETAILS SEE: 21-23-51-28A	001030	1
- 120	214A2017-7		. DUCT INSTL-SIDEWALL AIR DISTR SYS FOR DETAILS SEE: 21-23-51-35B	001030	1
- 170	214A4002-6		. HOSE INSTL-PSU GASPER POSITION DATA: STA 390 TO STA 897 FOR DETAILS SEE: 21-24-51-43	001007	1
- 230	214A4002-75		. HOSE INSTL-GASPER 184 PASS. FOR DETAILS SEE: 21-24-51-43	008030	1
- 250	214A4008-4		. DUCT INSTL-SUPPLY AIR POSITION DATA: LAV D FOR DETAILS SEE: 21-23-52-46	001030	1
- 255	214A4008-5		. DUCT INSTL-SUPPLY AIR POSITION DATA: LAV E FOR DETAILS SEE: 21-23-52-48	001030	1
- 290	217A1001-2		. DUCT INSTL-E/E COOLING SUPPLY POSITION DATA: SECT. 41 FWD FOR DETAILS SEE: 21-27-51-33	001030	1
- 310	217A1005-2		. PLUG INSTL-E/E COOLING POSITION DATA: SECT. 41 FWD FOR DETAILS SEE: 11-30-01-47	001011	1

MISSING ITEM NUMBERS NOT APPLICABLE

- ITEM NOT ILLUSTRATED

HAP

21-20-00-09C

BOEING PROPRIETARY - Copyright © - Unpublished Work - See title page for details.

21-20-00
FIG. 09C
PAGE 2
OCT 10/06


BOEING
 737-600/700/800/900
PARTS CATALOG (MAINTENANCE)

FIG ITEM	PART NUMBER	1 2 3 4 5 6 7 NOMENCLATURE	EFFECT FROM TO	UNITS PER ASSY
9C - 310	217A1005-6	.PLUG INSTL-E/E COOLING POSITION DATA: SECT. 41 FWD FOR DETAILS SEE: 11-30-01-47B	012030	1

MISSING ITEM NUMBERS NOT APPLICABLE

- ITEM NOT ILLUSTRATED

HAP

21-20-00-09C

BOEING PROPRIETARY - Copyright © - Unpublished Work - See title page for details.

21-20-00
 FIG. 09C
 PAGE 3
 OCT 10/06

NON-ILLUSTRATED FIGURE

THE ITEMS REFLECTED IN THIS FIGURE ARE INTENTIONALLY
NON-ILLUSTRATED. THEY ARE REFERENCED TO EITHER A
NEXT HIGHER OR NEXT LOWER ASSEMBLY/INSTALLATION FIGURE.

FUNCTIONAL COLLECTOR-BODY AIR CONT SYS CUSTOMER UNIQUE FOR 737-800
FIGURE 49B

HAP
OCT 10/06

21-20-00-49B

21-20-00-49B
PAGE 0

BOEING
737-600/700/800/900
PARTS CATALOG (MAINTENANCE)

FIG ITEM	PART NUMBER	1 2 3 4 5 6 7	NOMENCLATURE	EFFECT FROM TO	UNITS PER ASSY
49B			FUNCTIONAL COLLECTOR-BODY AIR CONT SYS CUSTOMER UNIQUE FOR 737-800	001030	
- 1	210A0002-3001		FUNCTIONAL COLLECTOR-BODY AIR CONT SYS CUSTOMER UNIQUE FOR HAP FOR NHA SEE: 21-00-00-43A	001030	RF
- 100	214A9008-2		.PROVISION INSTL-OVHD AIR DISTR SYS, WITH LIFERAFTS POSITION DATA: SECT. 46 AFT FOR DETAILS SEE: 21-23-01-51	001030	1
- 105	214A9013-1		.PROVISION INSTL-OVHD AIR DISTR SYS WITH LIFERAFTS POSITION DATA: SECT.43 FOR DETAILS SEE: 21-23-01-52	001030	1

MISSING ITEM NUMBERS NOT APPLICABLE

- ITEM NOT ILLUSTRATED

HAP

21-20-00-49B

BOEING PROPRIETARY - Copyright © - Unpublished Work - See title page for details.

21-20-00
FIG. 49B
PAGE 1
OCT 10/06

NON-ILLUSTRATED FIGURE

THE ITEMS REFLECTED IN THIS FIGURE ARE INTENTIONALLY
NON-ILLUSTRATED. THEY ARE REFERENCED TO EITHER A
NEXT HIGHER OR NEXT LOWER ASSEMBLY/INSTALLATION FIGURE.

FUNCTIONAL COLLECTOR-BODY AIR CONT SYS OPT FEATURE
FIGURE 49C

21-20-00-49C

HAP
OCT 15/08

21-20-00-49C
PAGE 0

BOEING
737-600/700/800/900
PARTS CATALOG (MAINTENANCE)

FIG ITEM	PART NUMBER	1 2 3 4 5 6 7	NOMENCLATURE	EFFECT FROM TO	UNITS PER ASSY
49C					
- 1	210A0002-6515		FUNCTIONAL COLLECTOR-BODY AIR CONT SYS OPT FEATURE	201967	
			FUNCTIONAL COLLECTOR-BODY AIR CONT SYS OPT FEATURE DEPENDENT MODULE 2562DM3092 NO CLG MOUNTED, STOWAGE UNIT PASS. CAB. POSITION DATA: FWD FOR NHA SEE: 21-00-00-46A	201967	RF
- 5	210A0002-6516		FUNCTIONAL COLLECTOR-BODY AIR CONT SYS OPT FEATURE DEPENDENT MODULE 2562DM3093 NO CLG MOUNTED, STOWAGE UNIT PASS. CAB. POSITION DATA: MIDDLE FOR NHA SEE: 21-00-00-46A	201967	RF
- 10	210A0002-6517		FUNCTIONAL COLLECTOR-BODY AIR CONT SYS OPT FEATURE DEPENDENT MODULE 2562DM3094 NO CLG MOUNTED, STOWAGE UNIT PASS. CAB. POSITION DATA: AFT FOR NHA SEE: 21-00-00-46A	201967	RF
- 50	214A9003-1		.PROVISION INSTL-OVHD AIR DISTR SYS POSITION DATA: SECT. 43 FOR DETAILS SEE: 21-23-01-55	201967	1
- 55	214A9004-1		.PROVISION INSTL-OVHD AIR DISTR SYS. POSITION DATA: SECT. 44 FOR DETAILS SEE: 21-23-01-56	201967	1

MISSING ITEM NUMBERS NOT APPLICABLE

- ITEM NOT ILLUSTRATED

HAP

21-20-00-49C

BOEING PROPRIETARY - Copyright © - Unpublished Work - See title page for details.

21-20-00
FIG. 49C
PAGE 1
OCT 15/08

BOEING
737-600/700/800/900
PARTS CATALOG (MAINTENANCE)

FIG ITEM	PART NUMBER	1 2 3 4 5 6 7	NOMENCLATURE	EFFECT FROM TO	UNITS PER ASSY
49C - 60	214A9008-1		.PROVISION INSTL-OVHD AIR DISTR SYS, LOWERED CLG POSITION DATA: SECT. 46, AFT FOR DETAILS SEE: 21-23-01-57	201967	1
- 70	214A9006-1		.PROVISION INSTL-OVHD AIR DISTR SYS, LOWERED CLG DEPENDENT MODULE POSITION DATA: SECT. 46 MID FOR DETAILS SEE: 21-23-01-58	201967	1

MISSING ITEM NUMBERS NOT APPLICABLE

- ITEM NOT ILLUSTRATED

HAP

21-20-00-49C

BOEING PROPRIETARY - Copyright © - Unpublished Work - See title page for details.

21-20-00
FIG. 49C
PAGE 2
OCT 15/08