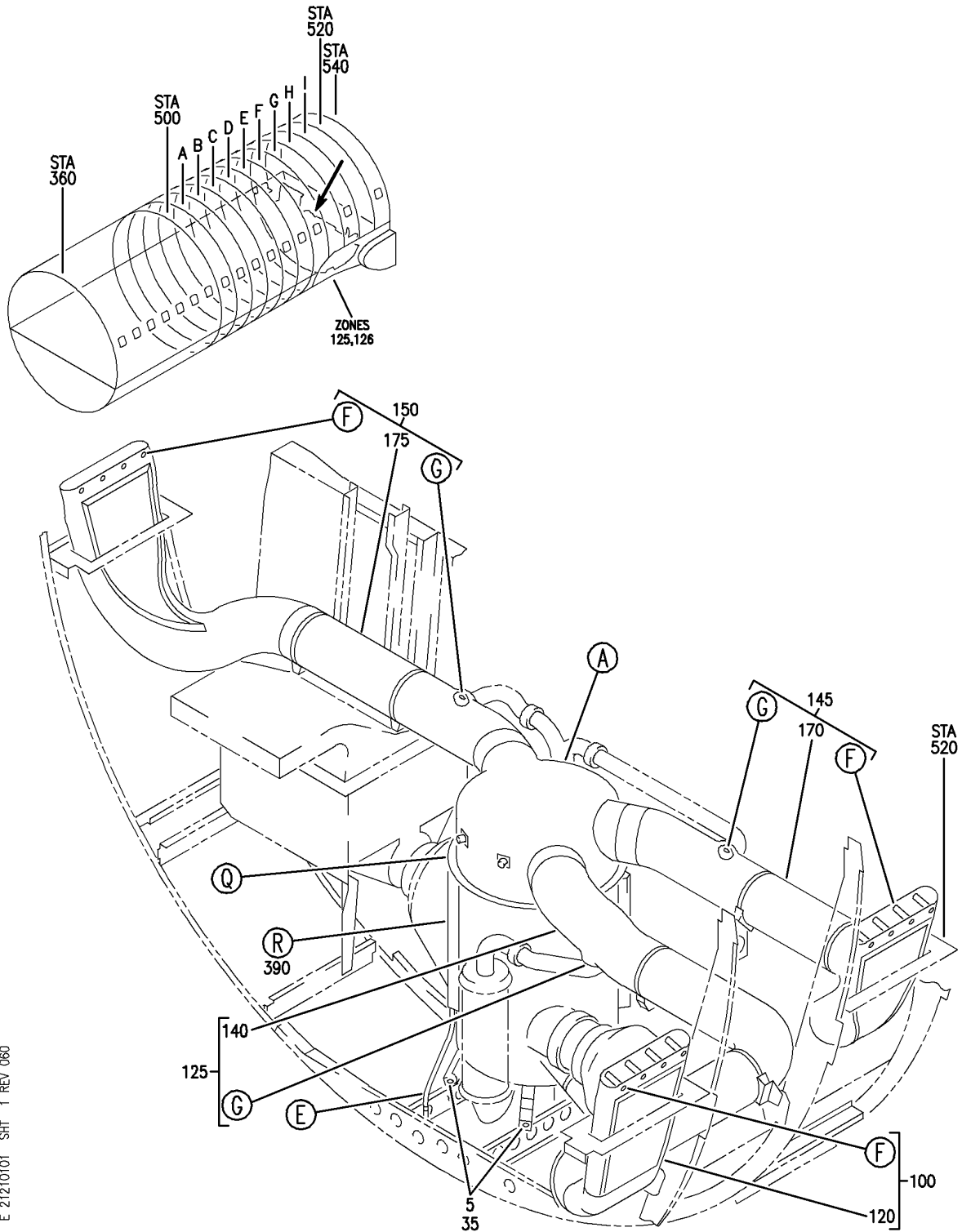


MAIN AIR DISTRIBUTION

HAP
OCT 10/06

21-21-00
SECTION TITLE
PAGE 1

BOEING
 737-600/700/800/900
 PARTS CATALOG (MAINTENANCE)



E 21210101 SHT 1 REV 060

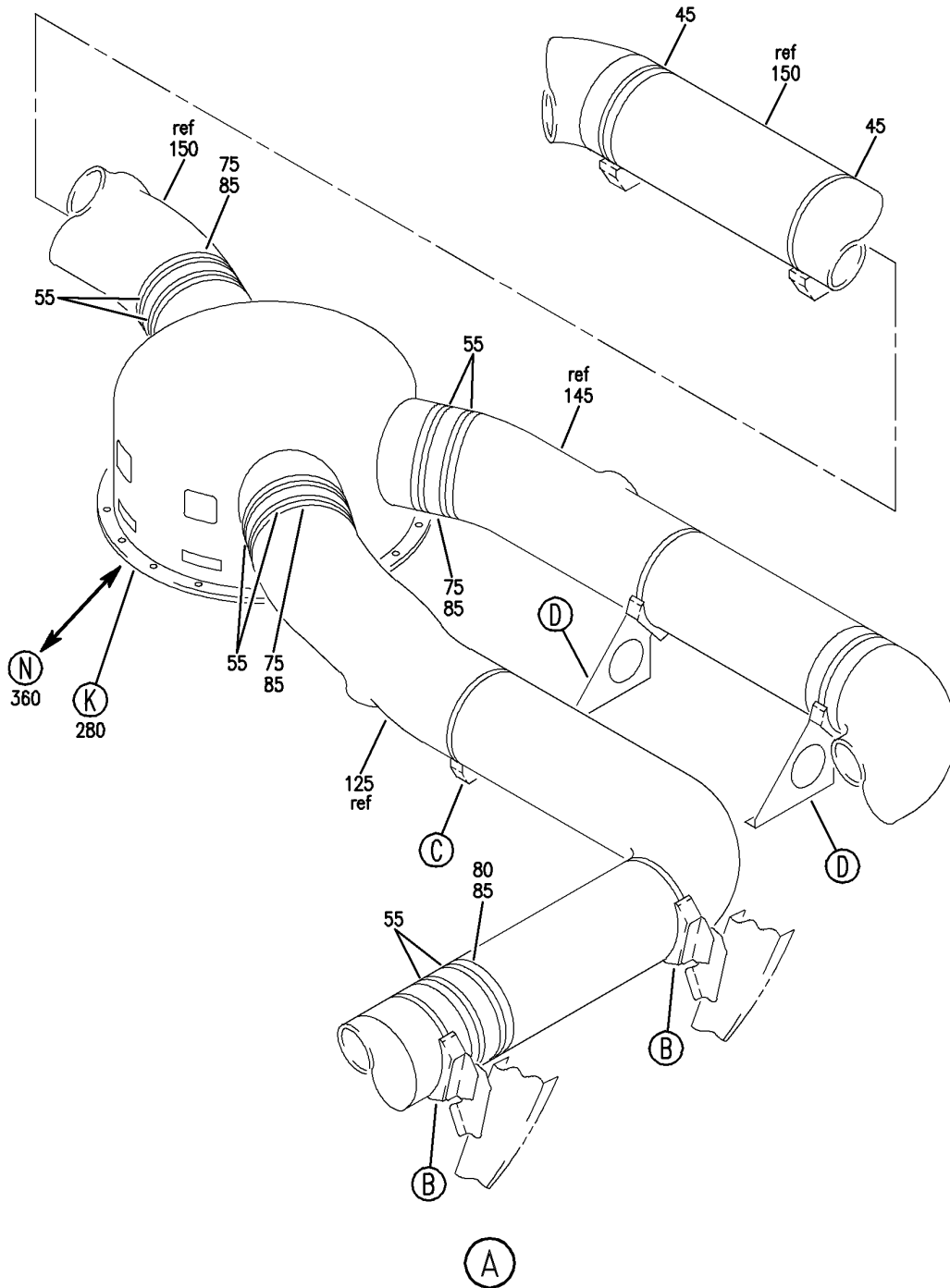
SYSTEM INSTL-AIR DISTR MIX BAY (MAIN AIR DISTRIBUTION ONLY)
 FIGURE 1 (SHEET 1)

21-21-01-01

HAP
 OCT 10/06

21-21-01-01
 PAGE 0

BOEING
 737-600/700/800/900
 PARTS CATALOG (MAINTENANCE)



E 21210101 SH1 2 REV 060

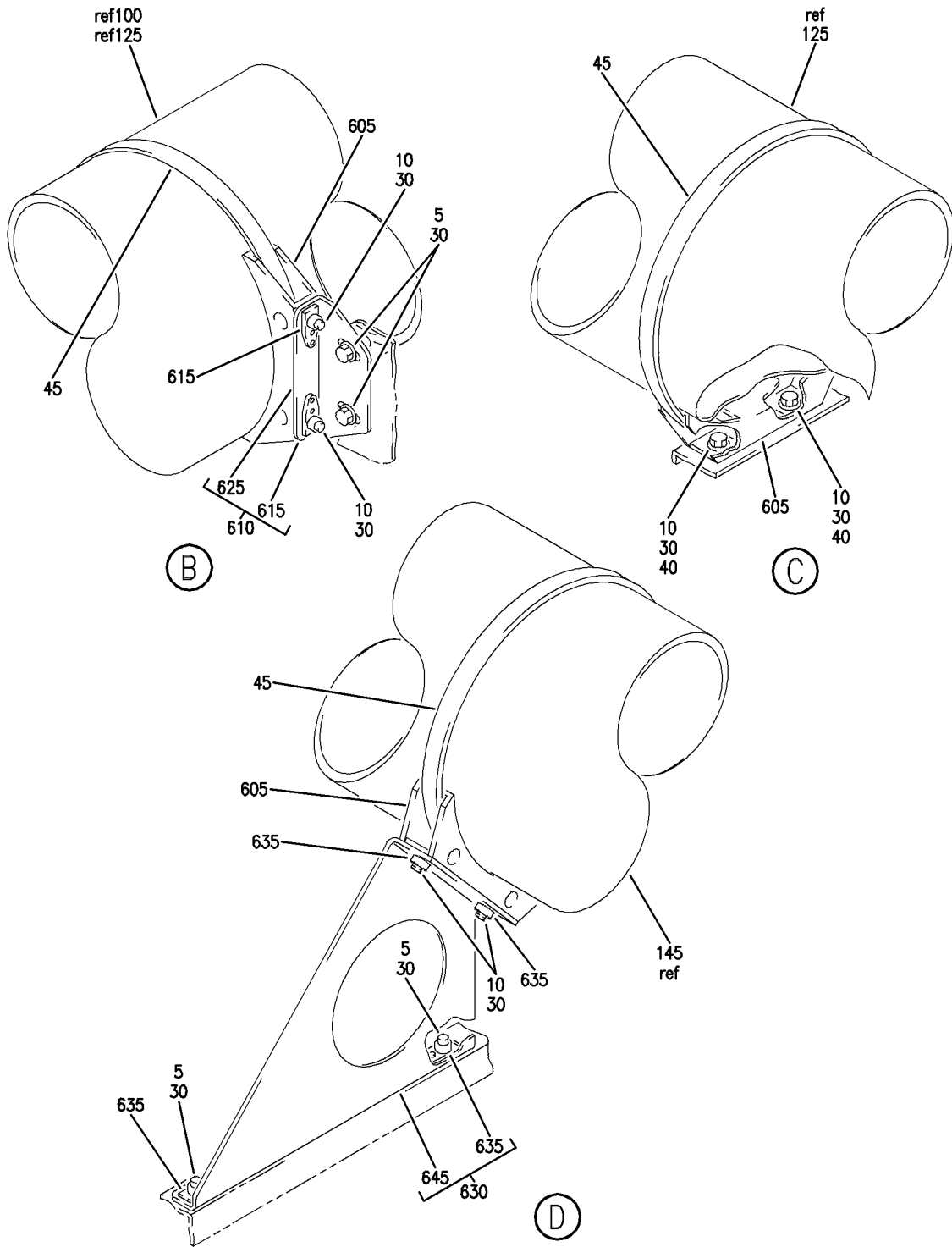
SYSTEM INSTL-AIR DISTR MIX BAY (MAIN AIR DISTRIBUTION ONLY)
 FIGURE 1 (SHEET 2)

21-21-01-01

HAP
 OCT 10/06

21-21-01-01
 PAGE 0A

BOEING
 737-600/700/800/900
 PARTS CATALOG (MAINTENANCE)



E 21210101 SHIT 3 REV 060

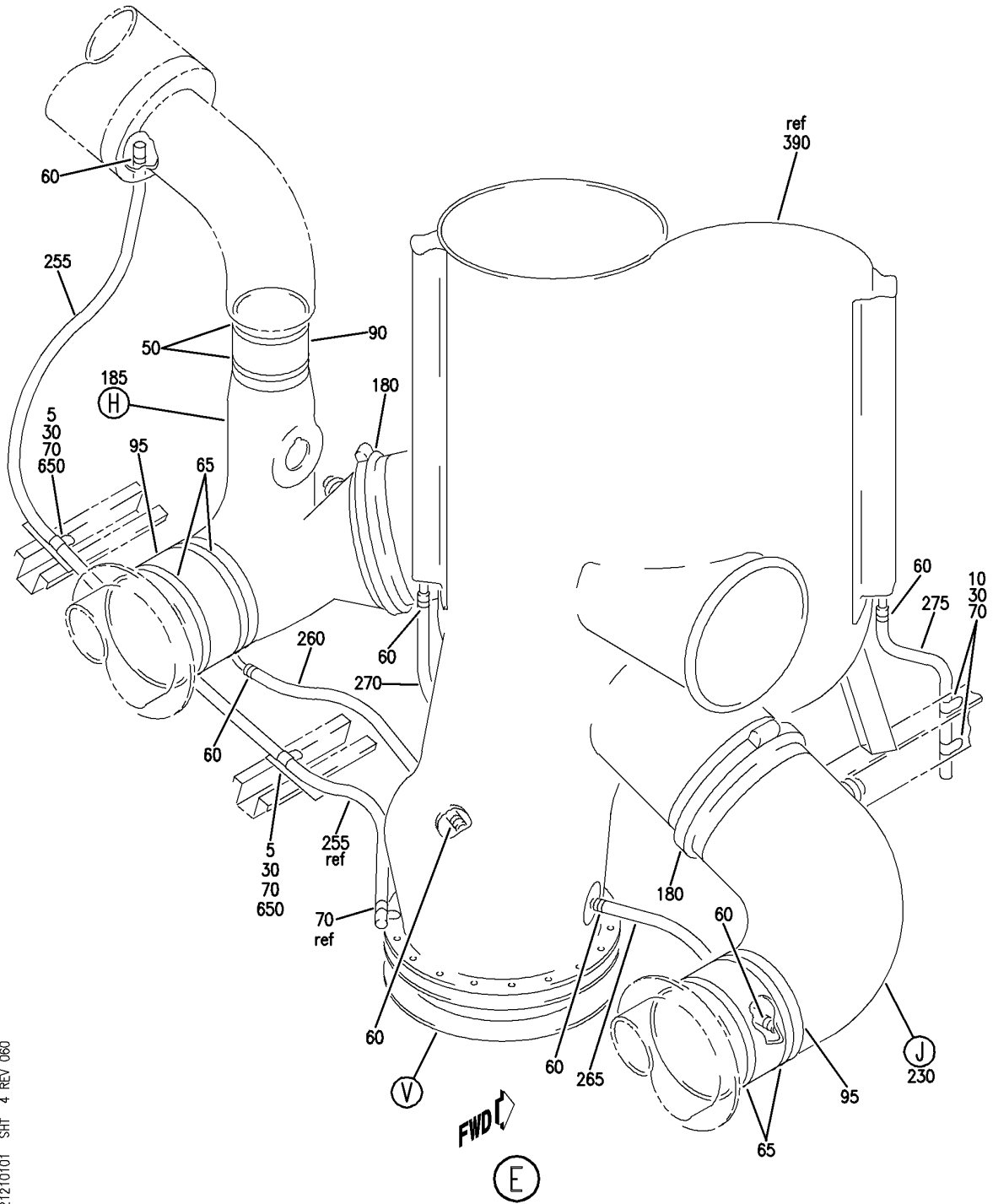
SYSTEM INSTL-AIR DISTR MIX BAY (MAIN AIR DISTRIBUTION ONLY)
 FIGURE 1 (SHEET 3)

21-21-01-01

HAP
 OCT 10/06

21-21-01-01
 PAGE 0B

BOEING
 737-600/700/800/900
 PARTS CATALOG (MAINTENANCE)



E 21210101 SHIT 4 REV 060

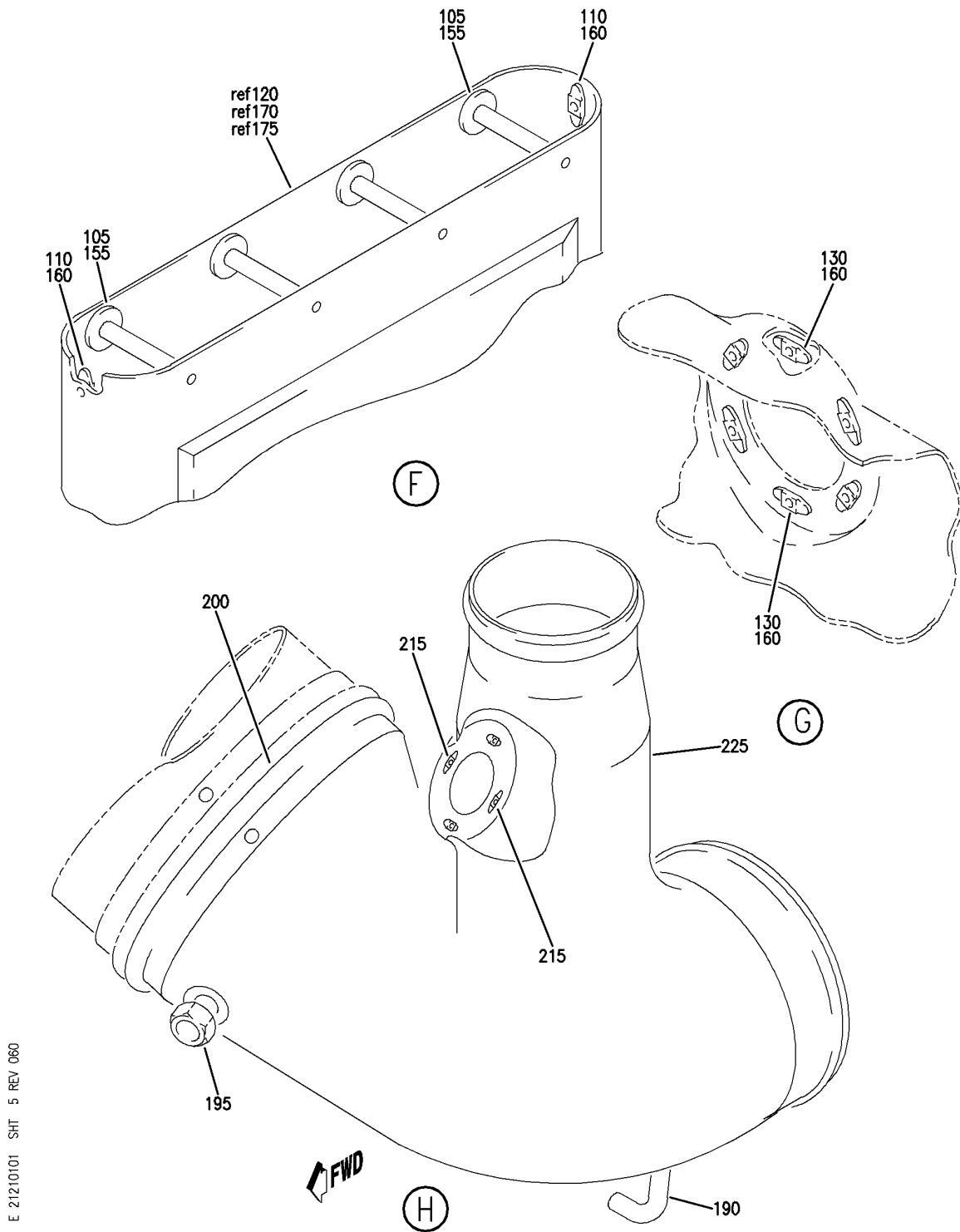
SYSTEM INSTL-AIR DISTR MIX BAY (MAIN AIR DISTRIBUTION ONLY)
 FIGURE 1 (SHEET 4)

21-21-01-01

HAP
 OCT 10/06

21-21-01-01
 PAGE 0C

BOEING
 737-600/700/800/900
 PARTS CATALOG (MAINTENANCE)



E 21210101 SH1 5 REV 060

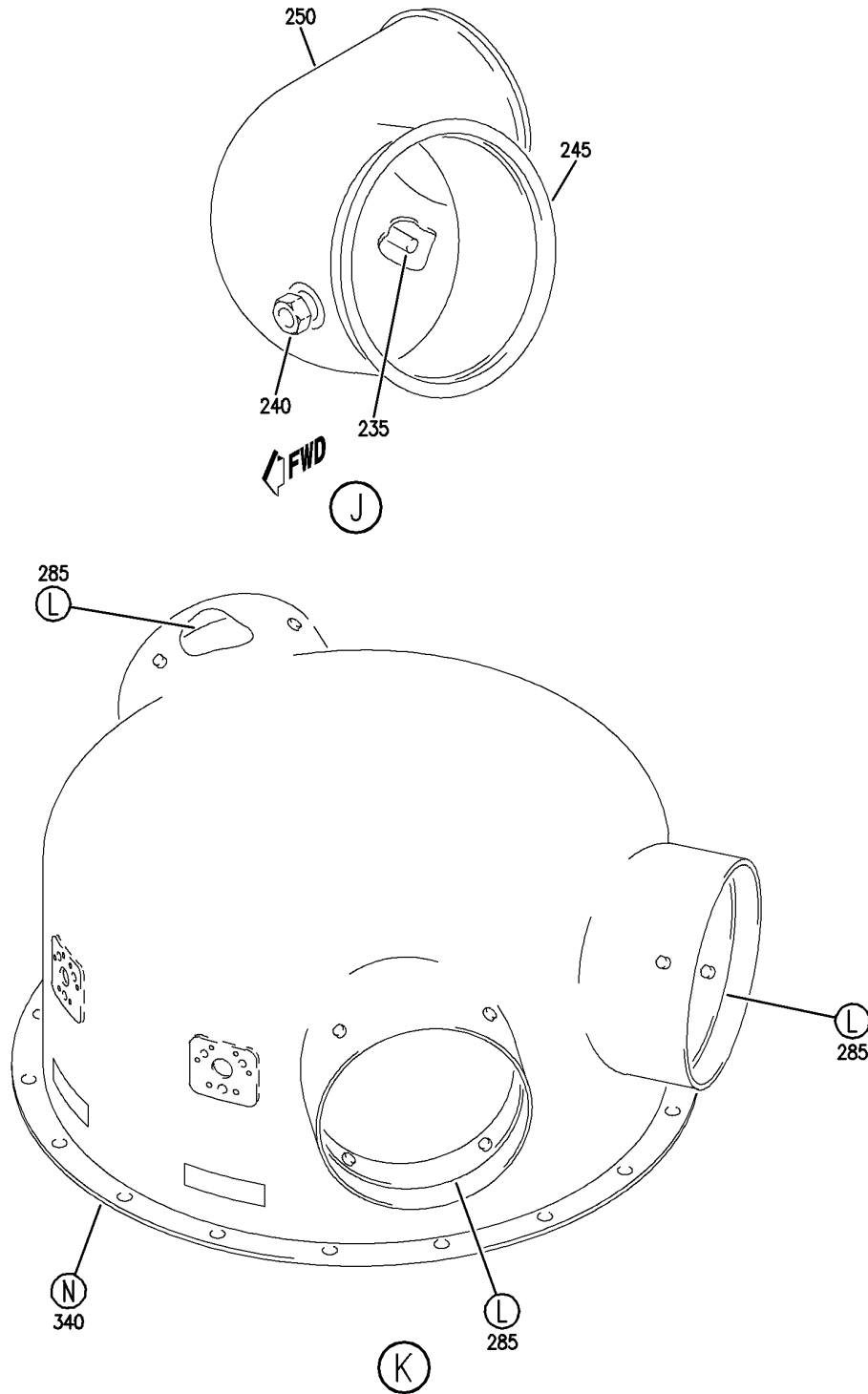
SYSTEM INSTL-AIR DISTR MIX BAY (MAIN AIR DISTRIBUTION ONLY)
 FIGURE 1 (SHEET 5)

21-21-01-01

HAP
 OCT 10/06

21-21-01-01
 PAGE 00

BOEING
 737-600/700/800/900
 PARTS CATALOG (MAINTENANCE)



E 21210101 SHIT 6 REV 060

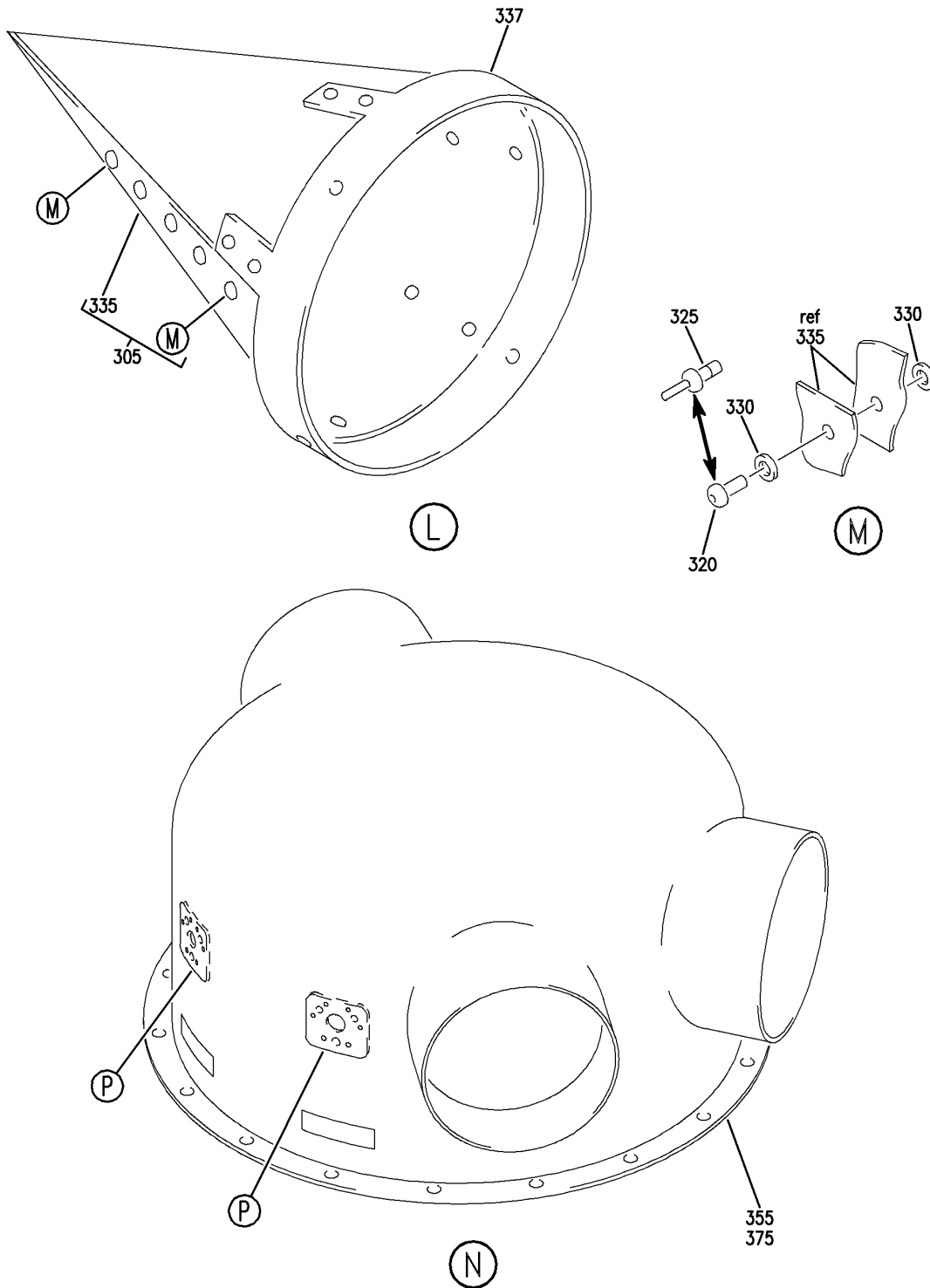
SYSTEM INSTL-AIR DISTR MIX BAY (MAIN AIR DISTRIBUTION ONLY)
 FIGURE 1 (SHEET 6)

21-21-01-01

HAP
 OCT 10/06

21-21-01-01
 PAGE 0E

BOEING
 737-600/700/800/900
 PARTS CATALOG (MAINTENANCE)



E 21210101 SHIT 7 REV 060

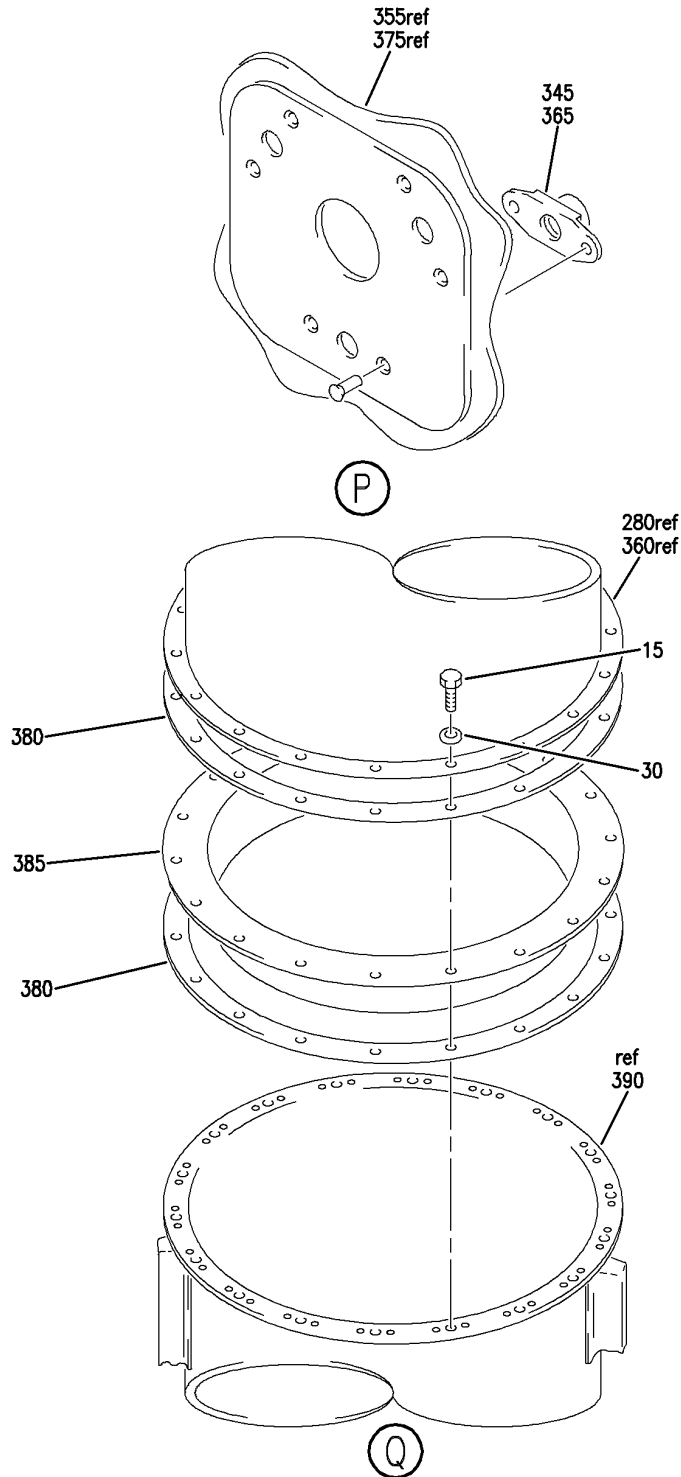
SYSTEM INSTL-AIR DISTR MIX BAY (MAIN AIR DISTRIBUTION ONLY)
 FIGURE 1 (SHEET 7)

21-21-01-01

HAP
 OCT 10/06

21-21-01-01
 PAGE OF

BOEING
737-600/700/800/900
PARTS CATALOG (MAINTENANCE)



E 21210101 SHIT 8 REV 060

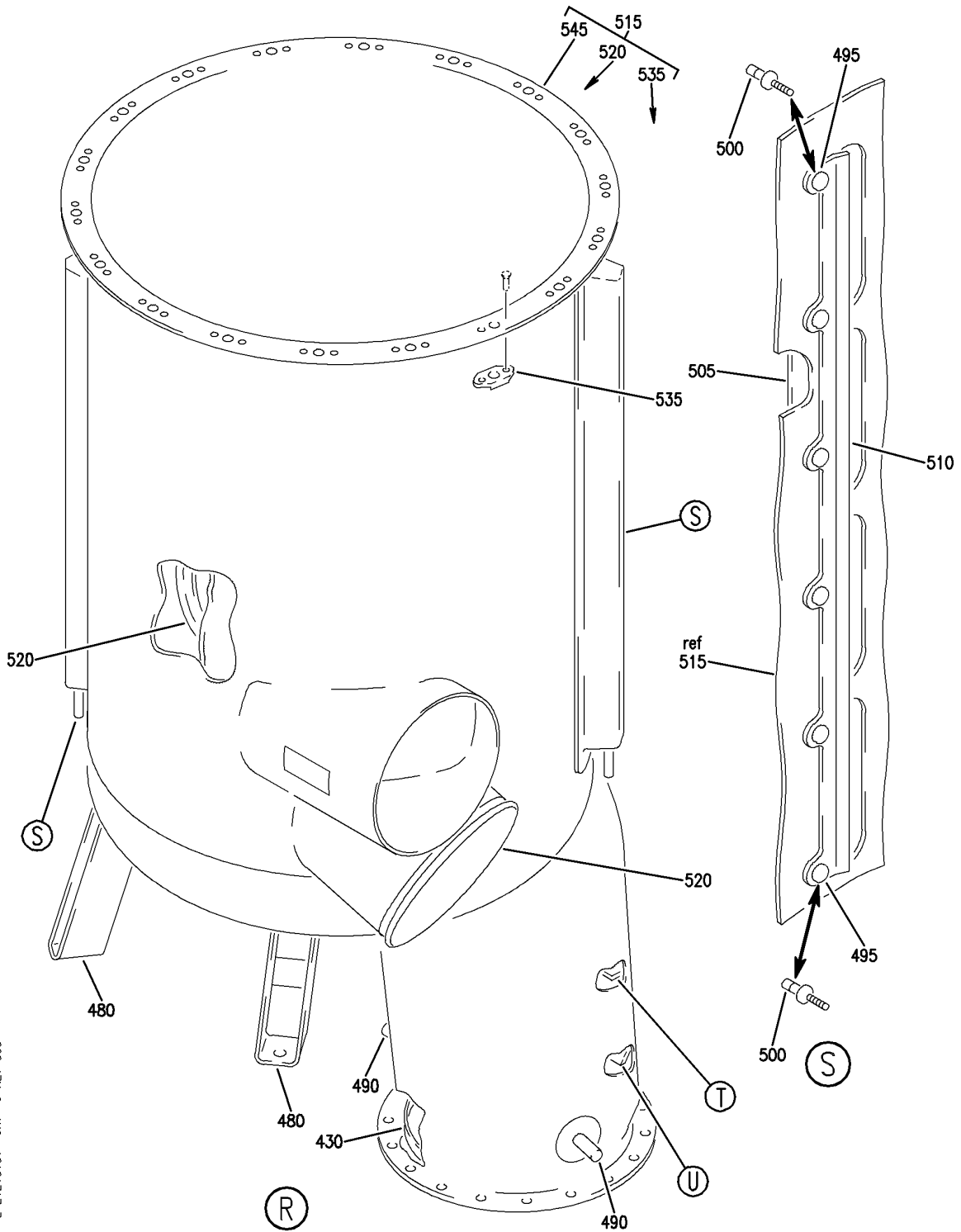
SYSTEM INSTL-AIR DISTR MIX BAY (MAIN AIR DISTRIBUTION ONLY)
FIGURE 1 (SHEET 8)

21-21-01-01

HAP
OCT 10/06

21-21-01-01
PAGE 06

BOEING
 737-600/700/800/900
 PARTS CATALOG (MAINTENANCE)



E 21210101 SHT 9 REV 060

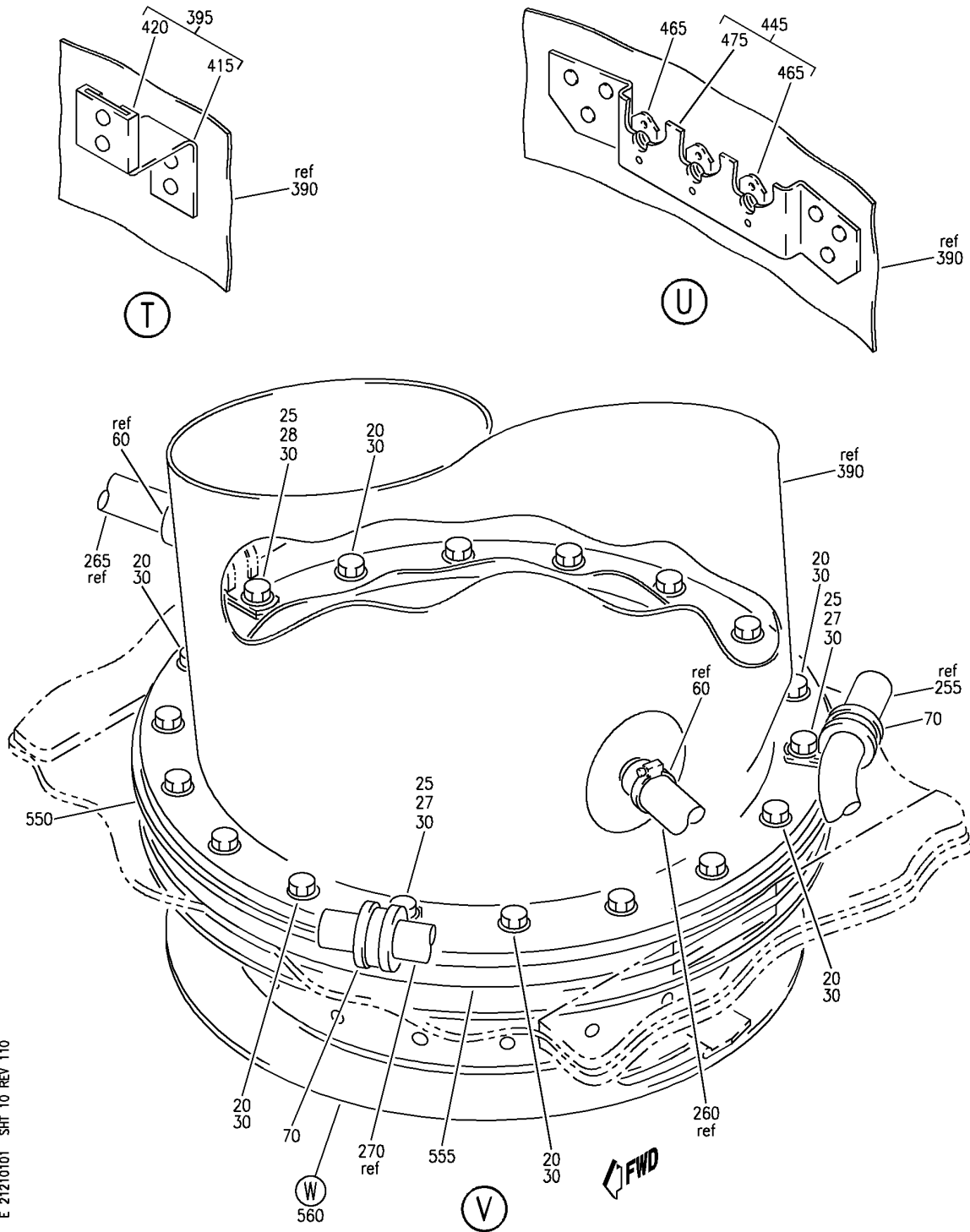
SYSTEM INSTL-AIR DISTR MIX BAY (MAIN AIR DISTRIBUTION ONLY)
 FIGURE 1 (SHEET 9)

21-21-01-01

HAP
 OCT 10/06

21-21-01-01
 PAGE 0H

BOEING
 737-600/700/800/900
 PARTS CATALOG (MAINTENANCE)



E 21210101 SHT 10 REV 110

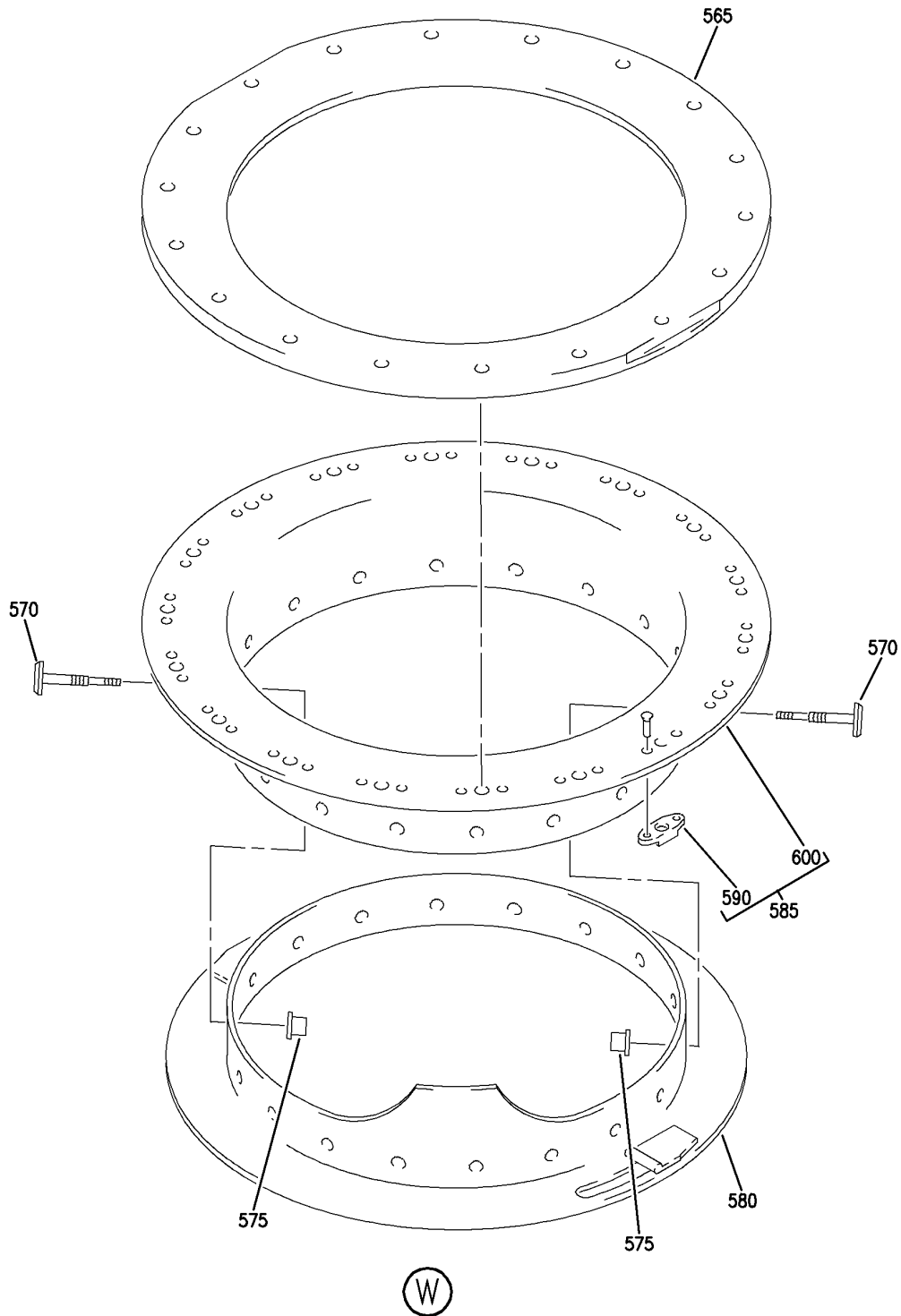
SYSTEM INSTL-AIR DISTR MIX BAY (MAIN AIR DISTRIBUTION ONLY)
 FIGURE 1 (SHEET 10)

21-21-01-01

HAP
 OCT 10/06

21-21-01-01
 PAGE 01

BOEING
737-600/700/800/900
PARTS CATALOG (MAINTENANCE)



E 21210101 SHT 11 REV 060

SYSTEM INSTL-AIR DISTR MIX BAY (MAIN AIR DISTRIBUTION ONLY)
FIGURE 1 (SHEET 11)

21-21-01-01

HAP
OCT 10/06

21-21-01-01
PAGE 0J

BOEING
737-600/700/800/900
PARTS CATALOG (MAINTENANCE)

FIG ITEM	PART NUMBER	1 2 3 4 5 6 7	NOMENCLATURE	EFFECT FROM TO	UNITS PER ASSY
1			SYSTEM INSTL-AIR DISTR MIX BAY (MAIN AIR DISTRIBUTION ONLY)	001100	
- 1	214A3003-1		SYSTEM INSTL-AIR DISTR MIX BAY (MAIN AIR DISTRIBUTION ONLY) FOR NHA/OTHER SYS DET SEE: 21-20-00-04C	001007	RF
- 1	214A3003-5		SYSTEM INSTL-AIR DISTR MIX BAY (MAIN AIR DISTRIBUTION ONLY) FOR NHA/OTHER SYS DET SEE: 21-20-00-04C	008029	RF
- 1	214A3003-9		SYSTEM INSTL-AIR DISTR MIX BAY (MAIN AIR DISTRIBUTION ONLY) FOR NHA/OTHER SYS DET SEE: 21-20-00-04C	030030	RF
- 1	MODREF272954		SYSTEM INSTL-AIR DISTR MIX BAY (MAIN AIR DISTRIBUTION ONLY) MODULE NUMBER: 214A3003-12 REV D FOR OTHER SYS DETAILS SEE: 21-25-02-08 21-51-42-01 21-51-51-02	031043	1
- 1	MODREF349763		SYSTEM INSTL-AIR DISTR MIX BAY (MAIN AIR DISTRIBUTION ONLY) MODULE NUMBER: 214A3003-12 REV E FOR OTHER SYS DETAILS SEE: 21-25-02-08 21-51-42-01 21-51-51-02	044100	1
5	BACS12GU3K7	.SCREW		001100	12
10	BACS12GU3K8	.SCREW		001100	12
15	BACS12GU3K9	.SCREW		001100	18
20	BACB30NM3K15	.BOLT		001100	15
25	BACB30NM3K17	.BOLT		001030	3
27	BACB30NM3K17	.BOLT		031100	2
28	BACB30NM3K20	.BOLT		031100	1
30	NAS1149D0332J	.WASHER		001100	60
35	BACW10P44AL	.WASHER		001100	2

MISSING ITEM NUMBERS NOT APPLICABLE

- ITEM NOT ILLUSTRATED

HAP

21-21-01-01

21-21-01
FIG. 01
PAGE 1
OCT 10/07

BOEING
737-600/700/800/900
PARTS CATALOG (MAINTENANCE)

FIG ITEM	PART NUMBER	1 2 3 4 5 6 7	NOMENCLATURE	EFFECT FROM TO	UNITS PER ASSY
1					
40	PLH53CD	.	NUT- SUPPLIER CODE: VF0224 SPECIFICATION NUMBER: BACN10YR3CD OPTIONAL PART: H52732-3CD V15653	001100	2
45	SLT8LHC6	.	STRAP- SUPPLIER CODE: V06383	001100	7
50	PLT4SM	.	STRAP- SUPPLIER CODE: V06383 SPECIFICATION NUMBER: BACS38K2 OPTIONAL PART: T05LO V53421	001100	2
55	NAS1922-0700-3	.	CLAMP	001100	8
60	NAS1922-0075-3	.	CLAMP- OPTIONAL PART: NAS1922-0050-3	001100	7
60	NAS1922-0050-3	.	CLAMP- OPTIONAL PART: NAS1922-0075-3	008100	7
65	NAS1922-0575-3	.	CLAMP	001100	4
70	MS21919WDG10	.	CLAMP	001100	6
75	AS1506-28D30	.	SLEEVE	001007	3
80	AS1506-28D32	.	SLEEVE	001007	1
85	AS1506-28D32	.	SLEEVE	008100	4
90	AS1506-14D32	.	SLEEVE	001100	1
95	AS1506-22D32	.	SLEEVE	001100	2
100	65C33530-13	.	DUCT ASSY	001100	1
105	69-77300-2	..	SPACER	001100	4

MISSING ITEM NUMBERS NOT APPLICABLE

— ITEM NOT ILLUSTRATED

HAP

21-21-01-01

BOEING PROPRIETARY - Copyright © - Unpublished Work - See title page for details.

21-21-01
FIG. 01
PAGE 2
FEB 15/09

BOEING
737-600/700/800/900
PARTS CATALOG (MAINTENANCE)

FIG ITEM	PART NUMBER	1 2 3 4 5 6 7	NOMENCLATURE	EFFECT FROM TO	UNITS PER ASSY
1 110	BRF200A3		..NUTPLATE- SUPPLIER CODE: V52828 SPECIFICATION NUMBER: BACN10JR3F OPTIONAL PART: NS103203-02 V80539 RMF9201-3 V72962 VN152A1-02 V92215 T8091S1032 V11815 F5000-3BAC V15653 ATTACHING PARTS	001100	2
- 115	BACR15BA3A		..RIVET- MISCELLANEOUS DATA: SIZE DETERMINED ON INSTL SIZE DETERMINED ON INSTL. -----*-----	001100	4
120	65C33530-11		..DUCT	001100	1
125	214A3402-1		.DUCT ASSY	001100	1
130	BRF200C3D		..NUTPLATE- SUPPLIER CODE: V52828 SPECIFICATION NUMBER: BACN10JR3CFD OPTIONAL PART: K51602-3BAC V15653 NS202476-02 V80539 102F9201-3 V72962 T8092C1032CD V11815 ATTACHING PARTS	001100	6
- 135	BACR15BA3AC		..RIVET- SIZE DETERMINED ON INSTL. -----*-----	001100	12
140	214A3402-2		..DUCT	001100	1
145	214A3106-1		.DUCT ASSY	001100	1
150	214A3106-2		.DUCT ASSY	001100	1
155	69-77300-2		..SPACER	001100	4

MISSING ITEM NUMBERS NOT APPLICABLE

- ITEM NOT ILLUSTRATED

HAP

21-21-01-01

BOEING PROPRIETARY - Copyright © - Unpublished Work - See title page for details.

21-21-01
FIG. 01
PAGE 3
OCT 10/07

BOEING
737-600/700/800/900
PARTS CATALOG (MAINTENANCE)

FIG ITEM	PART NUMBER	1 2 3 4 5 6 7	NOMENCLATURE	EFFECT FROM TO	UNITS PER ASSY
1 160	BRF200C3D		..NUTPLATE- SUPPLIER CODE: V52828 SPECIFICATION NUMBER: BACN10JR3CFD OPTIONAL PART: K51602-3BAC V15653 NS202476-02 V80539 102F9201-3 V72962 T8092C1032CD V11815 ATTACHING PARTS	001100	8
- 165	BACR15BA3AC		..RIVET- SIZE DETERMINED ON INSTL. -----*-----	001100	16
170	214A3106-3		..DUCT- USED ON: 214A3106-1	001100	1
175	214A3106-4		..DUCT- USED ON: 214A3106-2	001100	1
180	NH135008-0700		.COUPLING- SUPPLIER CODE: V00624 SPECIFICATION NUMBER: BACC10HX700	001100	2
185	214A3114-1		.DUCT ASSY	001100	1
190	217N1102-9		..TUBE ASSY	001100	1
195	217N1098-3		..BOSS	001100	1
200	NK130004-0700		..FLANGE- SUPPLIER CODE: V8W928 SPECIFICATION NUMBER: BACF22BC700 OPTIONAL PART: NK130004-0700 V00624 ATTACHING PARTS	001100	1
- 205	BACR15BA4AC		..RIVET- SIZE DETERMINED ON INSTL.	001100	4
- 210	NAS1149DN432J		..WASHER- OPTIONAL PART: BACW10P401AZ	001100	4

MISSING ITEM NUMBERS NOT APPLICABLE

- ITEM NOT ILLUSTRATED

HAP

21-21-01-01

BOEING PROPRIETARY - Copyright © - Unpublished Work - See title page for details.

21-21-01
FIG. 01
PAGE 4
OCT 10/07

BOEING
737-600/700/800/900
PARTS CATALOG (MAINTENANCE)

FIG ITEM	PART NUMBER	1 2 3 4 5 6 7	NOMENCLATURE	EFFECT FROM TO	UNITS PER ASSY
1					
- 210	BACW10P401AZ		.. WASHER- OPTIONAL PART: NAS1149DN432J -----*-----	001100	4
215	BRF200C3D		.. NUTPLATE- SUPPLIER CODE: V52828 SPECIFICATION NUMBER: BACN10JR3CFD OPTIONAL PART: K51602-3BAC V15653 NS202476-02 V80539 102F9201-3 V72962 T8092C1032CD V11815 ATTACHING PARTS	001100	4
- 220	BACR15BA3AC		.. RIVET- SIZE DETERMINED ON INSTL. -----*-----	001100	8
225	214A3114-2		.. DUCT	001100	1
230	65C33293-1		. DUCT ASSY	001100	1
235	217N1102-9		.. TUBE ASSY	001100	1
240	217N1098-3		.. BOSS	001100	1
245	NK130004-0700		.. FLANGE- SUPPLIER CODE: V98625 OPTIONAL PART: 15J03-700 V00672	001100	1
245	15J03-700		.. FLANGE- SUPPLIER CODE: V00672 OPTIONAL PART: NK130004-0700 V98625	001100	1
250	65C33293-2		.. DUCT	001100	1
255	214A3003-105		. TUBE-DRAIN	001100	1
260	214A3003-101		. TUBE-DRAIN	001100	1
265	214A3003-102		. TUBE-DRAIN	001100	1
270	214A3003-103		. TUBE-DRAIN	001100	1
275	214A3003-104		. TUBE-DRAIN	001100	1
280	214A3102-3		. MANIFOLD ASSY- POSITION DATA: UPPER	001007	1
285	214W3221-2		.. CONE ASSY-WIRE MESH	001007	3

MISSING ITEM NUMBERS NOT APPLICABLE

- ITEM NOT ILLUSTRATED

HAP

21-21-01-01

BOEING PROPRIETARY - Copyright © - Unpublished Work - See title page for details.

21-21-01
FIG. 01
PAGE 5
OCT 10/07

BOEING
737-600/700/800/900
PARTS CATALOG (MAINTENANCE)

FIG ITEM	PART NUMBER	1 2 3 4 5 6 7	NOMENCLATURE	EFFECT FROM TO	UNITS PER ASSY
1			ATTACHING PARTS		
- 290	NAS1802-3-7	..	SCREW	001007	12
- 295	NAS1149C0332R	..	WASHER	001007	24
- 300	BRH10C3M	..	NUT	001007	12
			SUPPLIER CODE: V52828		
			SPECIFICATION NUMBER: BACN10JC3CM		
			OPTIONAL PART: T6C1032JM		
			V11815		
			97E02		
			V80539		
			109LH9075-3W		
			V72962		
			VN303D02		
			V92215		
			NS202101SE02		
			V80539		
			H01-3BAC		
			V15653		
			-----*-----		
305	214W3525-3	...	SCREEN ASSY	001007	1
			ATTACHING PARTS		
- 310	MS20615-6M4	...	RIVET-	001007	10
			OPTIONAL PART: NAS1398M6A2		
- 310	NAS1398M6A2	...	RIVET-	001007	10
			OPTIONAL PART: MS20615-6M4		
- 315	NAS1149C0332R	...	WASHER	001007	20
			-----*-----		
320	MS20615-6M4	RIVET-	001007	5
			OPTIONAL PART: NAS1398M6A4		
325	NAS1398M6A4	RIVET-	001007	5
			OPTIONAL PART: MS20615-6M4		
330	NAS1149C0332R	WASHER	001007	10
335	214W3525-4	SCREEN	001007	1
337	214W3526-2	...	RING	001007	1
340	214A3102-4	..	MANIFOLD ASSY	001007	1

MISSING ITEM NUMBERS NOT APPLICABLE

- ITEM NOT ILLUSTRATED

HAP

21-21-01-01

21-21-01
FIG. 01
PAGE 6
OCT 10/07

BOEING
737-600/700/800/900
PARTS CATALOG (MAINTENANCE)

FIG ITEM	PART NUMBER	1 2 3 4 5 6 7	NOMENCLATURE	EFFECT FROM TO	UNITS PER ASSY
1 345	BRF200C3D		...NUTPLATE SUPPLIER CODE: V52828 SPECIFICATION NUMBER: BACN10JR3CFD OPTIONAL PART: K51602-3BAC V15653 NS202476-02 V80539 102F9201-3 V72962 T8092C1032CD V11815 ATTACHING PARTS	001007	6
- 350	BACR15BA3AC		...RIVET- SIZE DETERMINED ON INSTL. -----*-----	001007	12
355	214A3102-5		...MANIFOLD	001007	1
360	214A3102-4		.MANIFOLD ASSY- POSITION DATA: UPPER	008100	1
365	BRF200C3D		..NUTPLATE- SUPPLIER CODE: V52828 SPECIFICATION NUMBER: BACN10JR3CFD OPTIONAL PART: K51602-3BAC V15653 NS202476-02 V80539 102F9201-3 V72962 T8092C1032CD V11815 ATTACHING PARTS	008100	6
- 370	BACR15BA3AC		..RIVET- SIZE DETERMINED ON INSTL. -----*-----	008100	12
375	214A3102-5		..MANIFOLD	008100	1
380	65C28008-2		.GASKET MAINTENANCE MANUAL REF: 21-21-01	001100	2
385	65C33020-2		.RING	001100	1
390	214A3105-1		.MANIFOLD ASSY- POSITION DATA: LOWER	001029	1
390	214A3105-2		.MANIFOLD ASSY-	030030	1

MISSING ITEM NUMBERS NOT APPLICABLE

- ITEM NOT ILLUSTRATED

HAP

21-21-01-01

BOEING PROPRIETARY - Copyright © - Unpublished Work - See title page for details.

21-21-01
FIG. 01
PAGE 7
OCT 10/07

BOEING
737-600/700/800/900
PARTS CATALOG (MAINTENANCE)

FIG ITEM	PART NUMBER	1 2 3 4 5 6 7	NOMENCLATURE	EFFECT FROM TO	UNITS PER ASSY
1					
390	214A3105-3	.	MANIFOLD ASSY-	001029 031100	1
395	69-2880-1	..	STOP ASSY-VALVE ATTACHING PARTS	001100	1
- 400	BACR15BB4AD	..	RIVET- SIZE DETERMINED ON INSTL. OPTIONAL PART: BACR15FR4E	001100	2
- 405	BACR15FR4E	..	RIVET- SIZE DETERMINED ON INSTL. OPTIONAL PART: BACR15BB4AD	001100	2
- 410	NAS1149DN632J	..	WASHER -----*-----	001100	2
415	69-2880-4	...	STOP-VALVE	001100	1
420	69-2880-9	...	STOP-RUBBER ATTACHING PARTS	001100	1
- 425	MS20470A3	...	RIVET- SIZE DETERMINED ON INSTL. -----*-----	001100	2
430	69-2914-15	..	VALVE ASSY- COMPONENT MAINT MANUAL REF: 21-23-20 MAINTENANCE MANUAL REF: 21-21-01 OPTIONAL PART: 69-2914-24	001100	1
430	69-2914-24	..	VALVE ASSY- FUNCTIONAL DESCRIPTION: AIR FROM THE GROUND SERVICE CART PUSHES THE SWING CHECK VALVE OPEN, TO LET CONDITIONED AIR INTO THE AIRPLANE WHILE THE AIRPLANE IS PARKED. MAINTENANCE MANUAL REF: 21-21-01 OPTIONAL PART: 69-2914-15 ATTACHING PARTS	001100	1
- 435	BACB30NT2K3	..	BOLT	001100	3
- 440	NAS1149DN832J	..	WASHER -----*-----	001100	3
445	69-2880-0	..	BRACKET ASSY-VALVE	001029	1
445	69-2880-13	..	BRACKET ASSY-VALVE	030100	1

MISSING ITEM NUMBERS NOT APPLICABLE

- ITEM NOT ILLUSTRATED

HAP

21-21-01-01

21-21-01
FIG. 01
PAGE 8
OCT 15/08

BOEING
737-600/700/800/900
PARTS CATALOG (MAINTENANCE)

FIG ITEM	PART NUMBER	1 2 3 4 5 6 7	NOMENCLATURE	EFFECT FROM TO	UNITS PER ASSY
1			ATTACHING PARTS		
- 450	BACR15BB4AD	..	RIVET- SIZE DETERMINED ON INSTL. OPTIONAL PART: BACR15FR4E	001100	6
- 455	BACR15FR4E	..	RIVET- MISCELLANEOUS DATA: SIZE DETERMINED ON INSTL SIZE DETERMINED ON INSTL. OPTIONAL PART: BACR15BB4AD	001100	6
- 460	NAS1149DN632J	..	WASHER -----*-----	001100	6
465	BACN10FM5A08	...	NUTPLATE- ATTACHING PARTS	001100	3
- 470	MS20426D3	...	RIVET -----*-----	001100	6
475	69-2880-3	...	BRACKET-	001029	1
475	69-2880-14	...	BRACKET-	030100	1
480	65C33314-41	..	BRACKET ASSY ATTACHING PARTS	001100	2
- 485	BACR15FR5E	..	RIVET- SIZE DETERMINED ON INSTL. -----*-----	001100	8
490	69-77454-2	..	TUBE-DRAIN	001100	2
495	BACR15BB5AC	..	RIVET- SIZE DETERMINED ON INSTL. OPTIONAL PART: BACR15FR5E	001100	12
500	BACR15FR5E	..	RIVET- SIZE DETERMINED ON INSTL. OPTIONAL PART: BACR15BB5A	001100	12
505	65C33447-4	..	MANIFOLD ASSY-DRAIN	001100	2
510	214A3416-1	..	FLANGE	001100	2
515	214A3415-1	..	MANIFOLD ASSY-MIX	001100	1
520	NK130004-0700	...	FLANGE- SUPPLIER CODE: V8W928 SPECIFICATION NUMBER: BACF22BC700 OPTIONAL PART: NK130004-0700 V00624	001100	2
- 525	BACR15BA4AC	...	RIVET- ATTACHING PARTS SIZE DETERMINED ON INSTL.	001100	8

MISSING ITEM NUMBERS NOT APPLICABLE

- ITEM NOT ILLUSTRATED

HAP

21-21-01-01

BOEING PROPRIETARY - Copyright © - Unpublished Work - See title page for details.

21-21-01
FIG. 01
PAGE 9
OCT 15/08

BOEING
737-600/700/800/900
PARTS CATALOG (MAINTENANCE)

FIG ITEM	PART NUMBER	1 2 3 4 5 6 7	NOMENCLATURE	EFFECT FROM TO	UNITS PER ASSY
1					
- 530	NAS1149DN432J	...	WASHER- OPTIONAL PART: BACW10P401AZ	001100	8
- 530	BACW10P401AZ	...	WASHER- OPTIONAL PART: NAS1149DN432J	001100	8
			-----*-----		
535	BRF200C3D	...	NUTPLATE- SUPPLIER CODE: V52828 SPECIFICATION NUMBER: BACN10JR3CFD OPTIONAL PART: K51602-3BAC V15653 NS202476-02 V80539 102F9201-3 V72962 T8092C1032CD V11815 ATTACHING PARTS	001100	18
- 540	BACR15BA3A	...	RIVET- SIZE DETERMINED ON INSTL. -----*-----	001100	36
545	214A3415-2	...	MANIFOLD	001100	1
550	214A3406-1	.	GASKET MAINTENANCE MANUAL REF: 21-21-01	001100	1
555	214A3401-1	.	SPACER	001100	1
560	214A3110-1	.	DUCT ASSY MAINTENANCE MANUAL REF: 21-21-01	001100	1
565	214A3401-2	..	SPACER	001100	1
570	BACB30XC5HK3	..	BOLT-	001100	18
575	SLFCMV5	..	COLLAR- SUPPLIER CODE: V17446 SPECIFICATION NUMBER: BACC30BN5L OPTIONAL PART: SLFCMV5 V92215 SLFCMV5 V98524	001100	18
580	65-25674-21	..	FLANGE ASSY	001100	1
585	214A3410-1	..	DUCT ASSY	001100	1

MISSING ITEM NUMBERS NOT APPLICABLE

- ITEM NOT ILLUSTRATED

HAP

21-21-01-01

21-21-01
FIG. 01
PAGE 10
OCT 15/08

BOEING
737-600/700/800/900
PARTS CATALOG (MAINTENANCE)

FIG ITEM	PART NUMBER	1 2 3 4 5 6 7	NOMENCLATURE	EFFECT FROM TO	UNITS PER ASSY
1 590	BRF200C3D		...NUTPLATE- SUPPLIER CODE: V52828 SPECIFICATION NUMBER: BACN10JR3CFD OPTIONAL PART: K51602-3BAC V15653 NS202476-02 V80539 102F9201-3 V72962 T8092C1032CD V11815 ATTACHING PARTS	001100	18
- 595	BACR15BA3AD		...RIVET- SIZE DETERMINED ON INSTL. -----*-----	001100	36
600	214A3410-2		...DUCT	001100	1
605	214T3424-10		.SUPPORT-DUCT	001100	5
610	65C33314-38		.BRACKET ASSY	001100	2
615	F2000-3		..NUTPLATE- SUPPLIER CODE: V15653 SPECIFICATION NUMBER: BACN10KB3F OPTIONAL PART: NS103185-02 V80539 RMF9207-3 V72962 T8114S1032S V11815 VN151A1-02 V92215 BRF100A3 V52828 ATTACHING PARTS	001100	2
- 620	BACR15BA3D		..RIVET- SIZE DETERMINED ON INSTL. -----*-----	001100	4
625	65C33314-40		..BRACKET	001100	1
630	214A3404-3		.BRACKET ASSY	001100	2

MISSING ITEM NUMBERS NOT APPLICABLE

- ITEM NOT ILLUSTRATED

HAP

21-21-01-01

BOEING PROPRIETARY - Copyright © - Unpublished Work - See title page for details.

21-21-01
FIG. 01
PAGE 11
OCT 10/07

BOEING
737-600/700/800/900
PARTS CATALOG (MAINTENANCE)

FIG ITEM	PART NUMBER	1 2 3 4 5 6 7	NOMENCLATURE	EFFECT FROM TO	UNITS PER ASSY
1 635	BRF100C3D		..NUTPLATE- SUPPLIER CODE: V52828 SPECIFICATION NUMBER: BACN10KB3CFD OPTIONAL PART: NS202478-02 V80539 102F9207P3 V72962 F51604-3 V15653 ATTACHING PARTS	001100	4
- 640	BACR15BA3AC		..RIVET- SIZE DETERMINED ON INSTL. -----*-----	001100	8
645	214A3404-4		..BRACKET	001100	1
650	BACS38P5		.SUPPORT ASSY	001100	2

MISSING ITEM NUMBERS NOT APPLICABLE

- ITEM NOT ILLUSTRATED

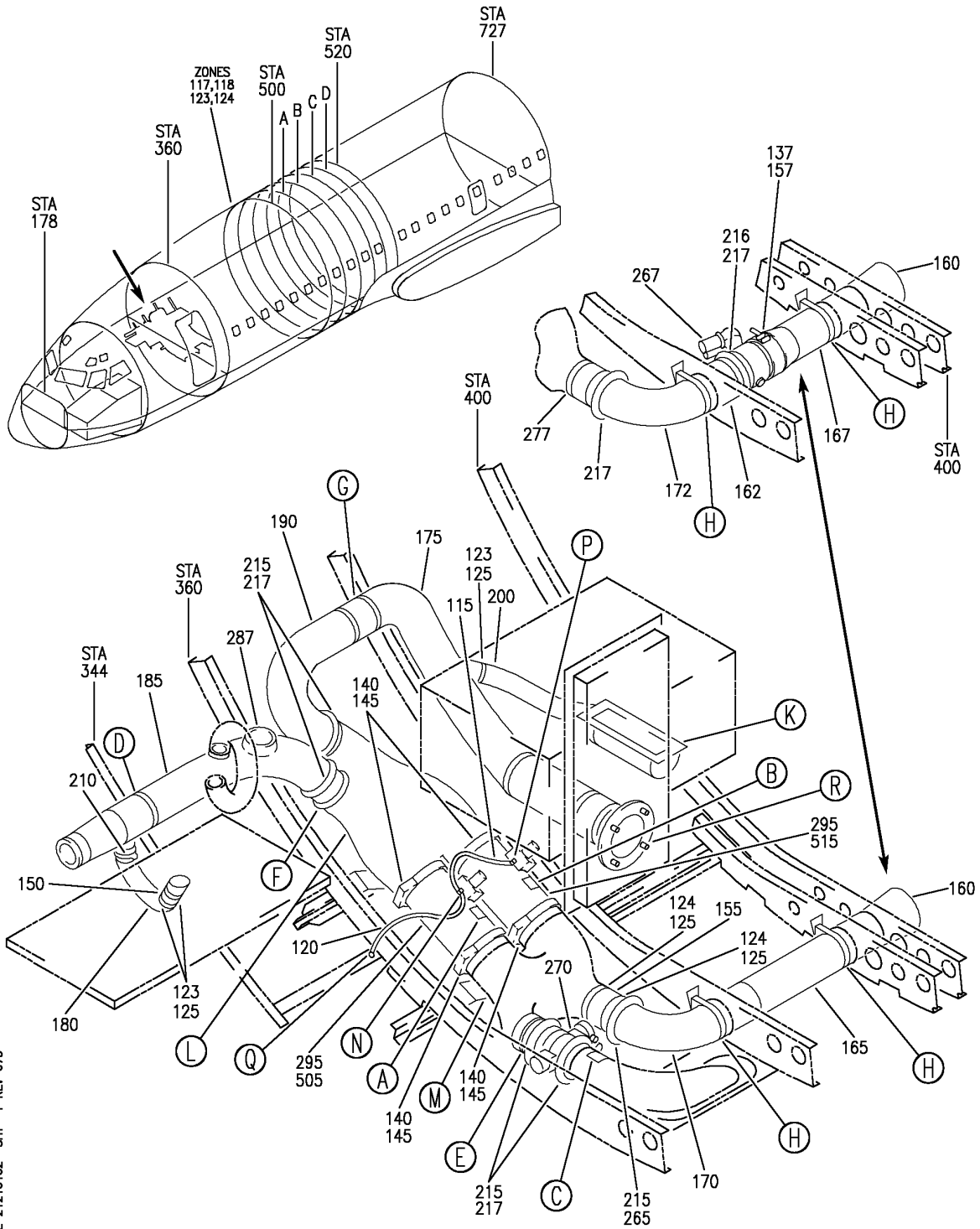
HAP

21-21-01-01

BOEING PROPRIETARY - Copyright © - Unpublished Work - See title page for details.

21-21-01
FIG. 01
PAGE 12
OCT 10/07


BOEING
 737-600/700/800/900
PARTS CATALOG (MAINTENANCE)



E 21210102 SHT 1 REV 073

DUCT INSTL-SECT. 43 AFT E/E COOLING EXH
 FIGURE 2 (SHEET 1)

21-21-01-02

HAP
OCT 10/06

21-21-01-02
 PAGE 0

BOEING
 737-600/700/800/900
 PARTS CATALOG (MAINTENANCE)

M98
 NORMAL
 EXHAUST FAN
 (EQUIP COOLING)

5

(A)

M99
 ALTERNATE
 EXHAUST FAN
 (EQUIP COOLING)

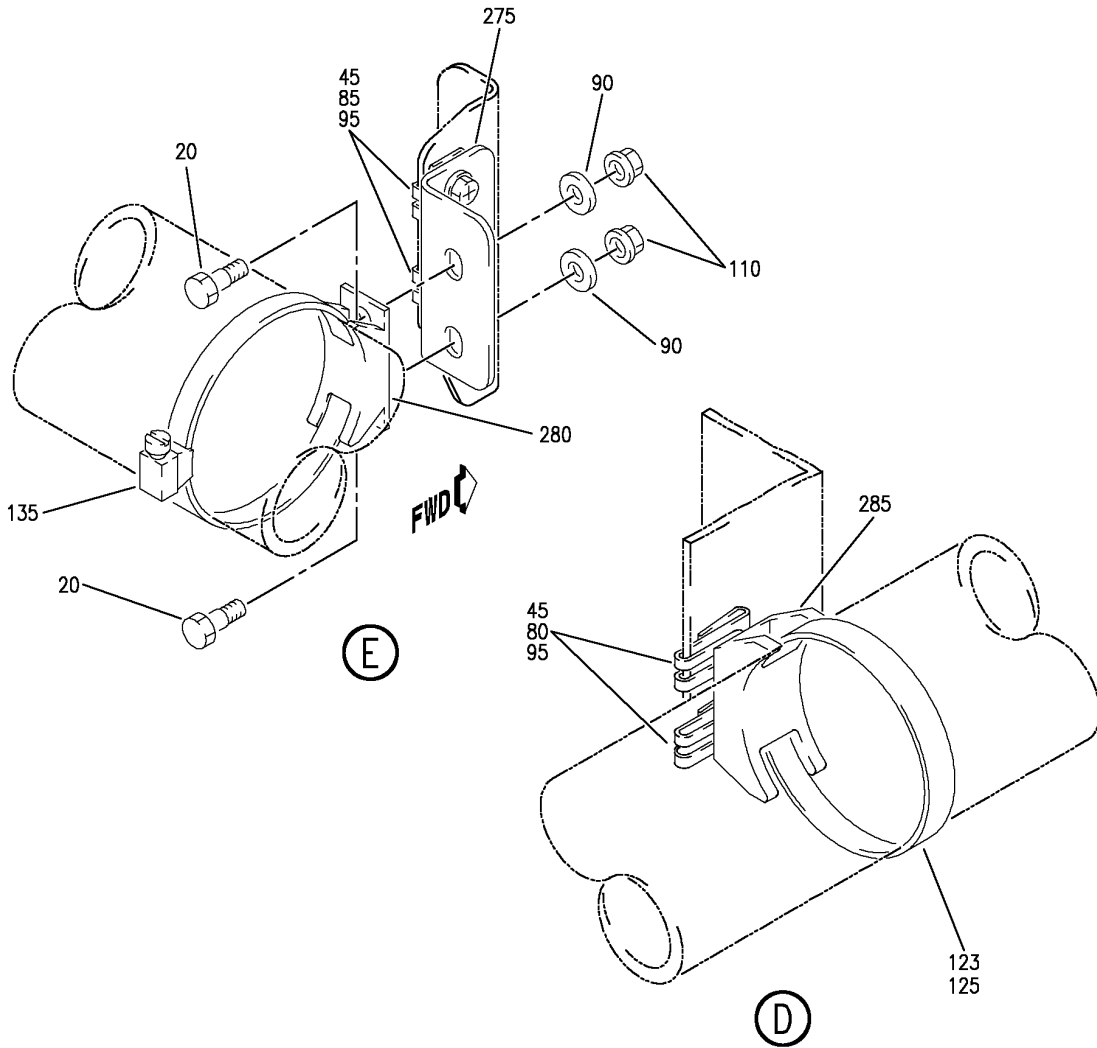
10

(B)

V157
 OVERBOARD
 EXHAUST VALVE
 (EQUIP COOLING)

15

(C)



E 21210102 SH1 2 REV 071

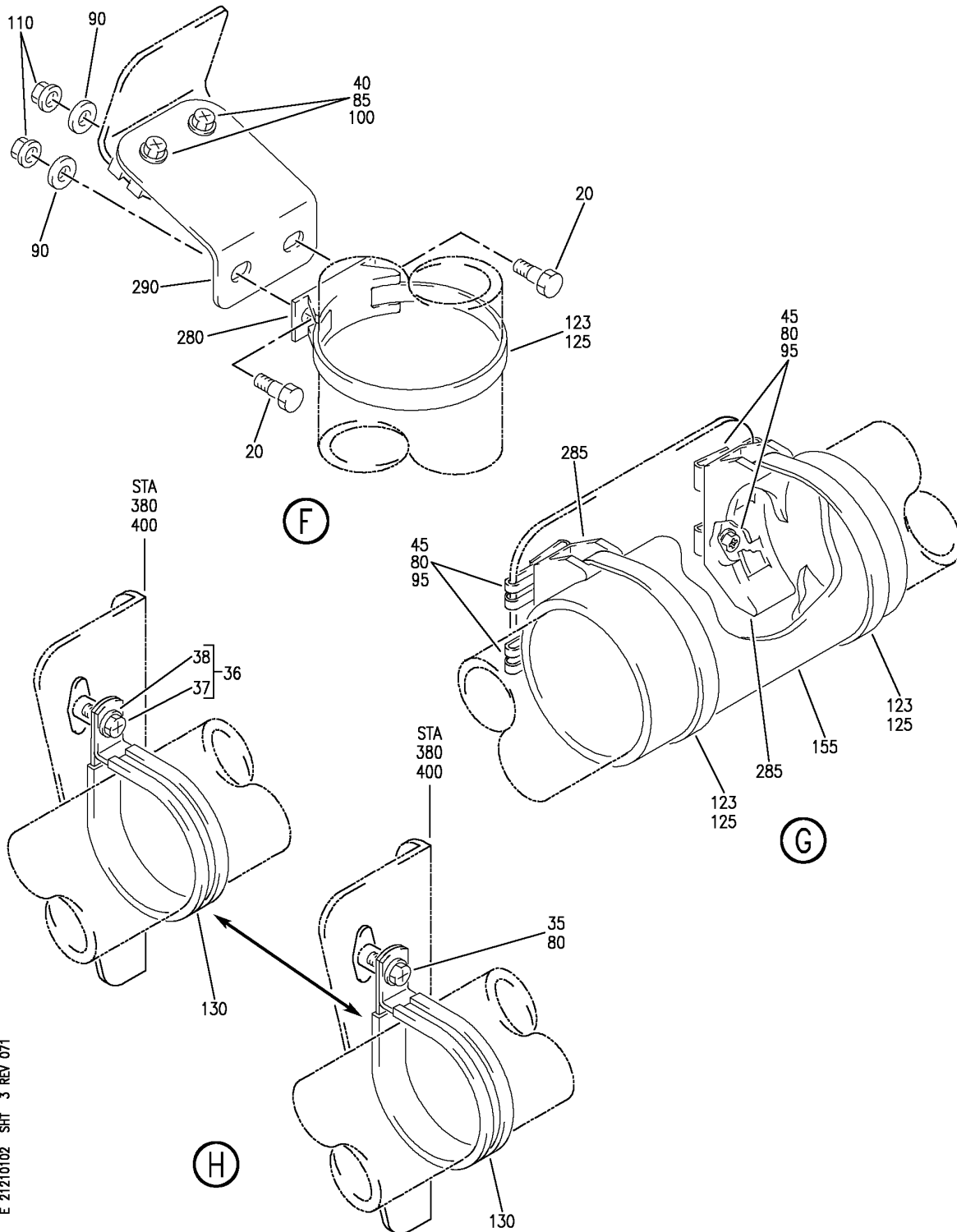
DUCT INSTL-SECT. 43 AFT E/E COOLING EXH
 FIGURE 2 (SHEET 2)

21-21-01-02

HAP
 OCT 10/06

21-21-01-02
 PAGE 0A

BOEING
 737-600/700/800/900
 PARTS CATALOG (MAINTENANCE)



E 21210102 SHT 3 REV 071

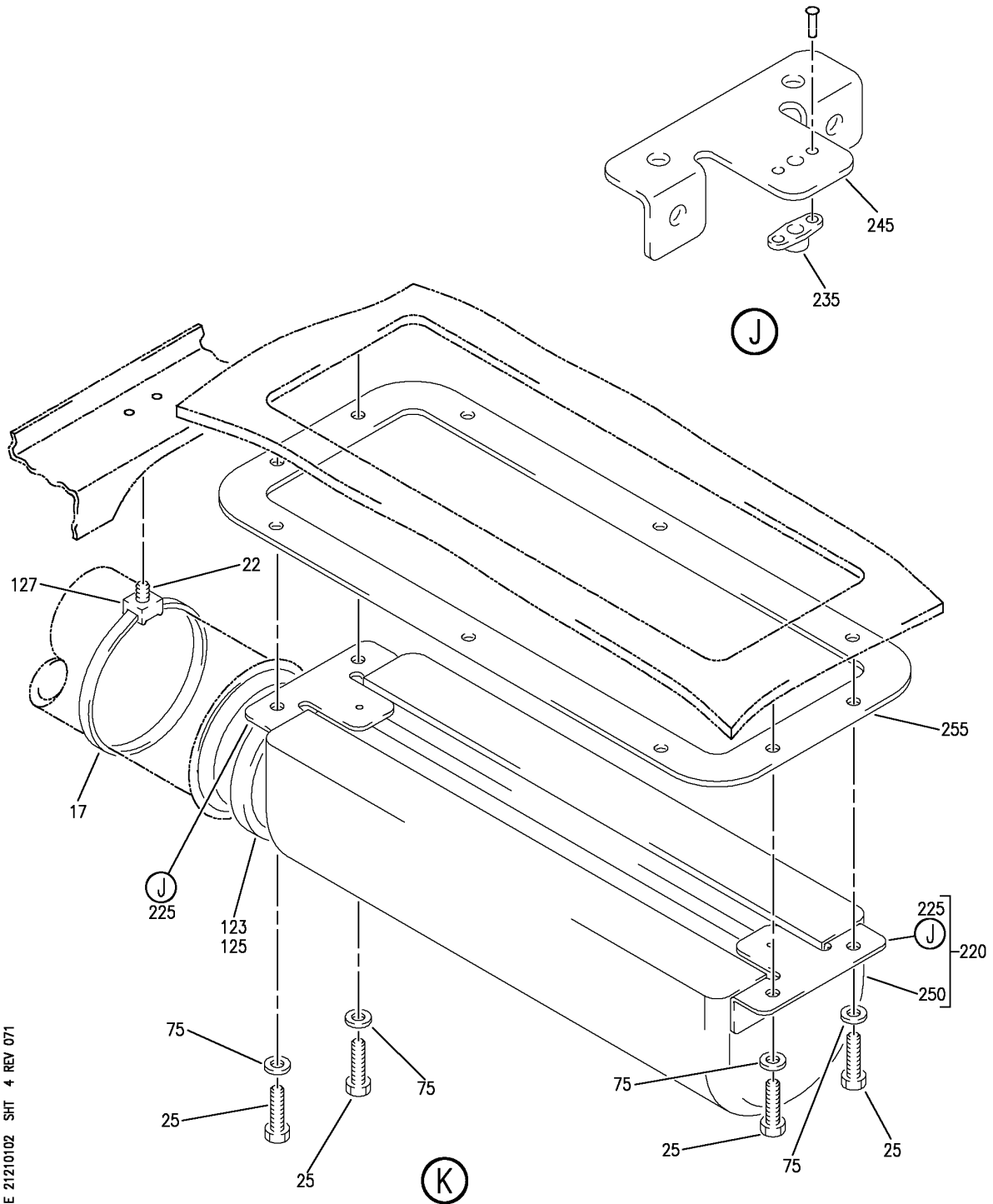
DUCT INSTL-SECT. 43 AFT E/E COOLING EXH
 FIGURE 2 (SHEET 3)

21-21-01-02

HAP
 OCT 10/06

21-21-01-02
 PAGE 0B

BOEING
737-600/700/800/900
PARTS CATALOG (MAINTENANCE)



E 21210102 SHT 4 REV 071

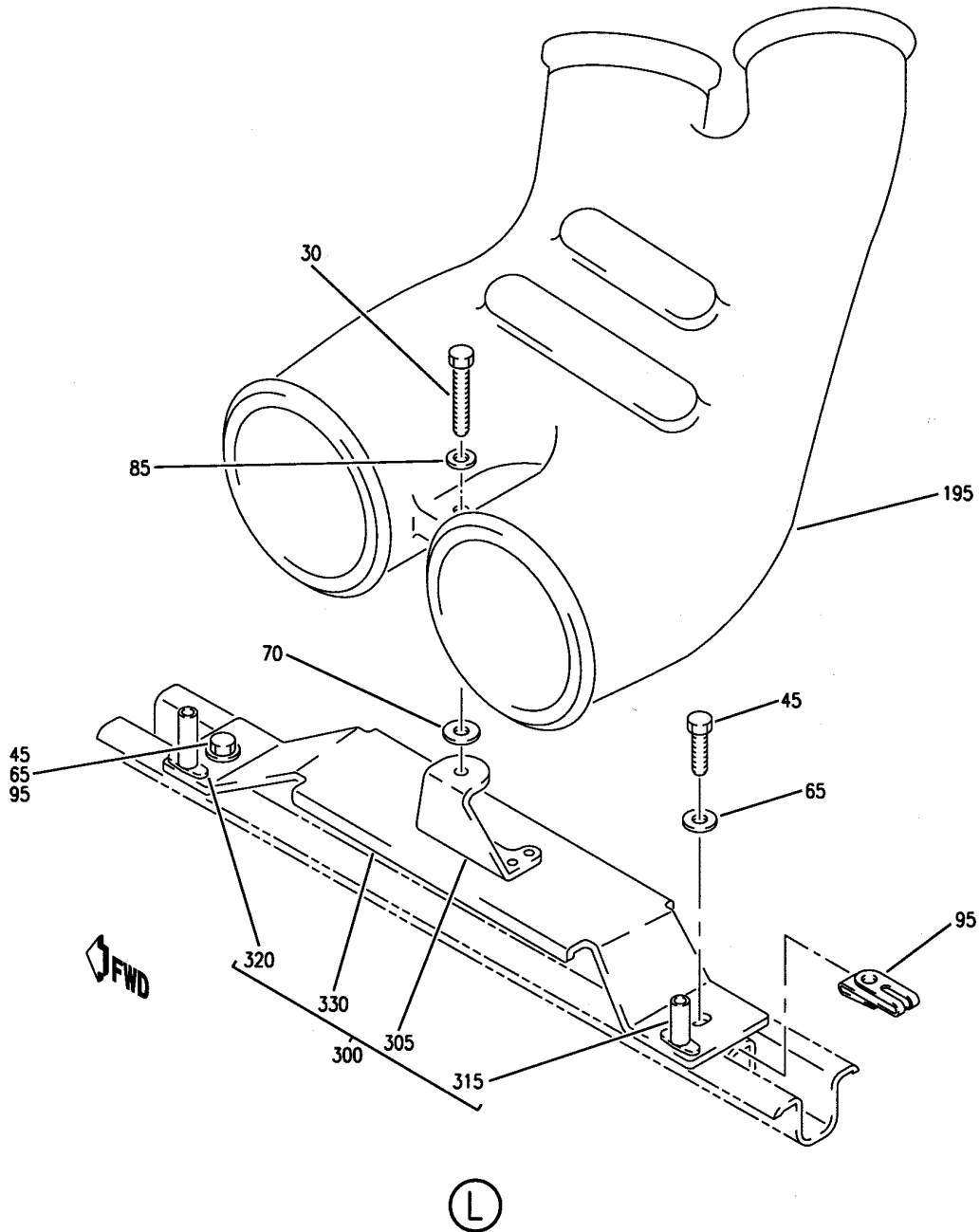
DUCT INSTL-SECT. 43 AFT E/E COOLING EXH
FIGURE 2 (SHEET 4)

21-21-01-02

HAP
OCT 10/06

21-21-01-02
PAGE 0C

BOEING
 737-600/700/800/900
 PARTS CATALOG (MAINTENANCE)



E 21210102 SHIT 5 REV 031

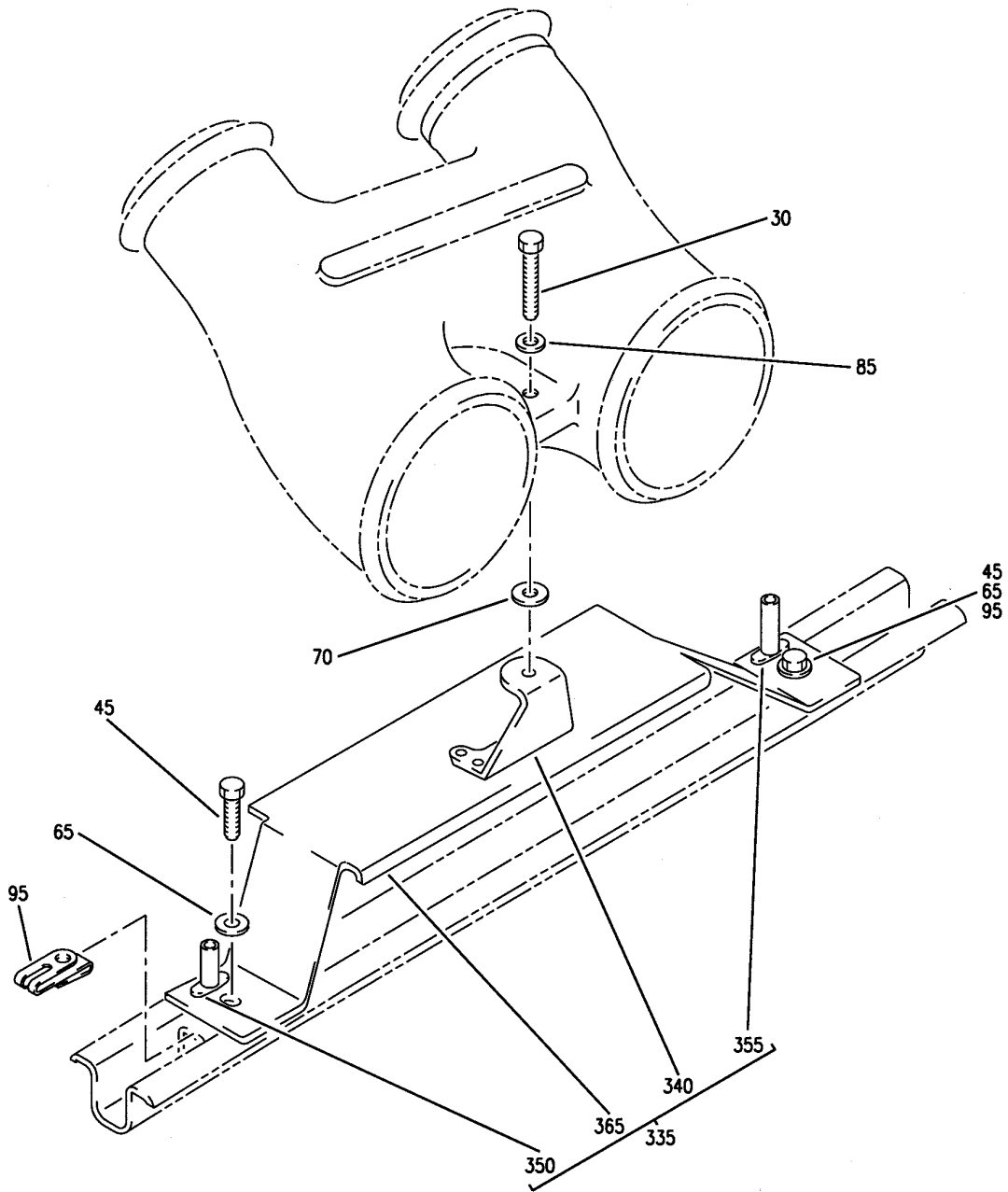
DUCT INSTL-SECT. 43 AFT E/E COOLING EXH
 FIGURE 2 (SHEET 5)

21-21-01-02

HAP
 OCT 10/06

21-21-01-02
 PAGE 0D

BOEING
 737-600/700/800/900
 PARTS CATALOG (MAINTENANCE)



E 21210102 SHT 6 REV 031

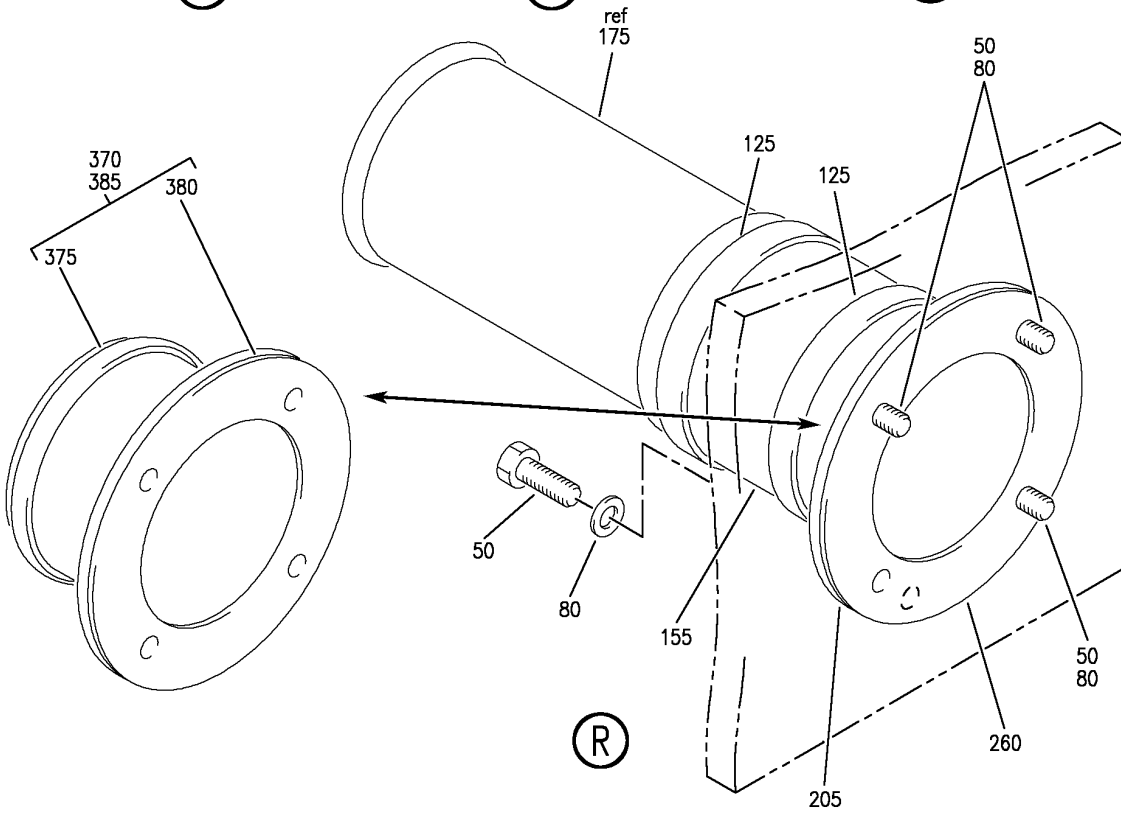
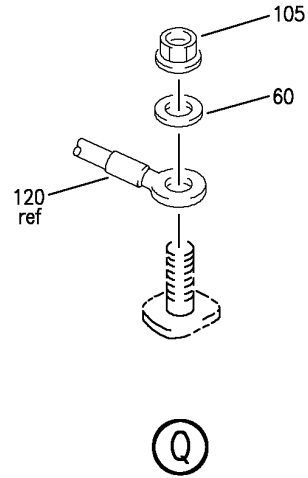
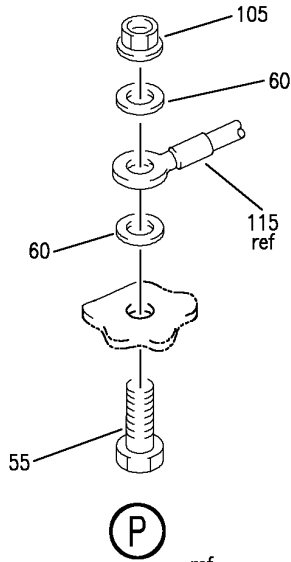
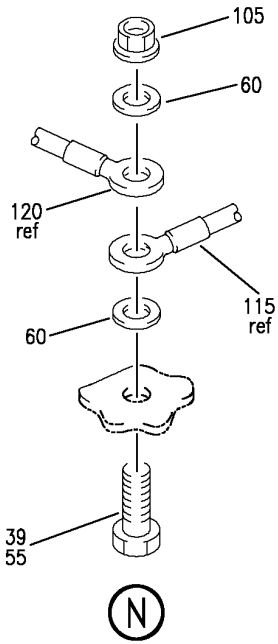
DUCT INSTL-SECT. 43 AFT E/E COOLING EXH
 FIGURE 2 (SHEET 6)

21-21-01-02

HAP
 OCT 10/06

21-21-01-02
 PAGE 0E

BOEING
 737-600/700/800/900
 PARTS CATALOG (MAINTENANCE)



E 21210102 SHT 7 REV 071

DUCT INSTL-SECT. 43 AFT E/E COOLING EXH
 FIGURE 2 (SHEET 7)

21-21-01-02

HAP
 OCT 10/06

21-21-01-02
 PAGE OF

BOEING
737-600/700/800/900
PARTS CATALOG (MAINTENANCE)

FIG ITEM	PART NUMBER	1 2 3 4 5 6 7	NOMENCLATURE	EFFECT FROM TO	UNITS PER ASSY
2			DUCT INSTL-SECT. 43 AFT E/E COOLING EXH	005005 008030 201967	
- 1	217A1003-6		DUCT INSTL-E/E COOLING EXH POSITION DATA: SECT. 43 AFT FOR NHA SEE: 21-20-00-04	005005 008020 201967	RF
- 1	217A1003-10		DUCT INSTL-E/E COOLING EXH POSITION DATA: SECT. 43 AFT FOR NHA SEE: 21-20-00-04	021027	RF
- 1	217A1003-11		DUCT INSTL-E/E COOLING EXH POSITION DATA: SECT. 43 AFT FOR NHA SEE: 21-20-00-04	028030	RF
5	BAC27DAC81		.MARKER-ALUMINUM FOIL	005005 008030 201967	1
10	BAC27DAC82		.MARKER-ALUMINUM FOIL	005005 008030 201967	1
15	BAC27DAC83		.MARKER-ALUMINUM FOIL	005005 008030 201967	1
17	PLT4SM		.STRAP SUPPLIER CODE: V06383 SPECIFICATION NUMBER: BACS38K2 OPTIONAL PART: T05L0 V53421	005005 008030 201967	1
20	BACB30NR4K3		.BOLT	005005 008030 201967	4
22	BACS12GU3K4		.SCREW	005005 008030 201967	1
25	BACS12GU3K12		.SCREW	005005 008030 201967	4
30	BACS12GU3K17		.SCREW	005005 008030 201967	2

MISSING ITEM NUMBERS NOT APPLICABLE

- ITEM NOT ILLUSTRATED

HAP

21-21-01-02

21-21-01
FIG. 02
PAGE 1
OCT 15/08

BOEING
737-600/700/800/900
PARTS CATALOG (MAINTENANCE)

FIG ITEM	PART NUMBER	1 2 3 4 5 6 7	NOMENCLATURE	EFFECT FROM TO	UNITS PER ASSY
2					
35	BACS12GU3K6	.SCREW-	QUALIFIED OPTIONAL DATA: 217A1003-201 IF A RIDING CONDITION EXISTS AT STA 380 AND STA 396 WITH E/E COOLING EXHAUST DUCTS - USE OPTIONAL SUB ASSY -201	005005 008030 201967	2
36	217A1003-201	.SUB ASSY-	QUALIFIED OPTIONAL DATA: BACS12GU3K6 IF A RIDING CONDITION EXISTS AT STA 380 AND STA 396 WITH E/E COOLING EXHAUST DUCTS- USE OPTIONAL SUB ASSY -201	005005 008030 201967	2
37	BACS12GU3K7	..SCREW		005005 008030 201967	1
38	NAS43DD3-7FC	..SPACER		005005 008030 201967	1
39	BACS12HN3-8	.SCREW-		028030	1
40	BACS12GU3K8	.SCREW		005005 008030 201967	2
45	BACS12GU3K9	.SCREW		005005 008030 201967	12
50	BACS12GU3K10	.SCREW-		005005 008027 201967	4
50	BACS12GU3K11	.SCREW-		028030	4
55	NAS1801-3-8	.SCREW		005005 008027 201967	2
60	BACW10BP3NDP	.WASHER		005005 008030 201967	5
65	BACW10P43AL	.WASHER		005005 008030 201967	4
70	BACW10P44AL	.WASHER		005005 008030 201967	2
75	NAS1149D0316J	.WASHER		005005 008030 201967	4

MISSING ITEM NUMBERS NOT APPLICABLE

- ITEM NOT ILLUSTRATED

HAP

21-21-01-02

BOEING PROPRIETARY - Copyright © - Unpublished Work - See title page for details.

21-21-01
FIG. 02
PAGE 2
OCT 15/08

 **BOEING**
737-600/700/800/900
PARTS CATALOG (MAINTENANCE)

FIG ITEM	PART NUMBER	1 2 3 4 5 6 7	NOMENCLATURE	EFFECT FROM TO	UNITS PER ASSY
2	80	NAS1149D0332J	.WASHER	005005 008030 201967	12
	85	NAS1149D0363J	.WASHER	005005 008030 201967	6
	90	NAS1149D0463J	.WASHER	005005 008030 201967	4
	95	BRC600-8-3GP	.CLIPNUT SUPPLIER CODE: V52828 SPECIFICATION NUMBER: BACN10YD1G OPTIONAL PART: 130120G V60119	005005 008030 201967	12
	100	BRC600-10-3GP	.NUT SUPPLIER CODE: V52828 SPECIFICATION NUMBER: BACN10YD2G OPTIONAL PART: 130121G V60119	005005 008030 201967	2
	105	PLH53CD	.NUT SUPPLIER CODE: VF0224 SPECIFICATION NUMBER: BACN10YR3CD OPTIONAL PART: H52732-3CD V15653	005005 008030 201967	3
	110	PLH54CD	.NUT SUPPLIER CODE: VF0224 SPECIFICATION NUMBER: BACN10YR4CD OPTIONAL PART: H52732-4CD V15653	005005 008030 201967	4
	115	BACJ40A20-11	.JUMPER	005005 008030 201967	1

MISSING ITEM NUMBERS NOT APPLICABLE

— ITEM NOT ILLUSTRATED

HAP

21-21-01-02

BOEING PROPRIETARY - Copyright © - Unpublished Work - See title page for details.

21-21-01
FIG. 02
PAGE 3
FEB 15/09

BOEING
737-600/700/800/900
PARTS CATALOG (MAINTENANCE)

FIG ITEM	PART NUMBER	1 2 3 4 5 6 7	NOMENCLATURE	EFFECT FROM TO	UNITS PER ASSY
2 120	740A20-15		. JUMPER SUPPLIER CODE: V91812 SPECIFICATION NUMBER: BACJ40A20-15 OPTIONAL PART: TJEJ40A20-15 V33483 RBEJ20-15 V1GK47	005005 008030 201967	1
125	SLT8LHC6		. STRAP- SUPPLIER CODE: V06383	005005 008027 201967	12
125	SLT10LHC6		. STRAP- SUPPLIER CODE: V06383	028030	12
127	STBP19M12		. PLATE- SUPPLIER CODE: V1B249	005005 008030 201967	1
130	S392DH56		. CLAMP- SUPPLIER CODE: V18076 SPECIFICATION NUMBER: BACC10BU56DH OPTIONAL PART: 393-56HT V83930 JM44LC24D56BW V22175 TA04C44D56HA V84971 393A56HT V83930	005005 008030 201967	2
135	NAS1922-0400-3		. CLAMP	005005 008030 201967	1
140	601-550SH		. CLAMP- SUPPLIER CODE: V00624	005005 008030 201967	4
145	504-550		. SLEEVE- SUPPLIER CODE: V00624 OPTIONAL PART: BACS13N550A	005005 008027 201967	4

MISSING ITEM NUMBERS NOT APPLICABLE

— ITEM NOT ILLUSTRATED

HAP

21-21-01-02

BOEING PROPRIETARY - Copyright © - Unpublished Work - See title page for details.

21-21-01
FIG. 02
PAGE 4
FEB 15/09

 **BOEING**
737-600/700/800/900
PARTS CATALOG (MAINTENANCE)

FIG ITEM	PART NUMBER	1 2 3 4 5 6 7	NOMENCLATURE	EFFECT FROM TO	UNITS PER ASSY
2 145	SS4-550A		.SLEEVE- SUPPLIER CODE: V94581 SPECIFICATION NUMBER: BACS13N550A OPTIONAL PART: 42737-550A V98625 504-550 V00624	005005 008030 201967	4
150	AS1506-07D23		.SLEEVE	005005 008030 201967	1
155	AS1506-16D32		.SLEEVE-	021030	3
155	BOE2027-16D0032		.SLEEVE- SUPPLIER CODE: V16632 SPECIFICATION NUMBER: AS1503-16D0032	005005 008027 201967	3
160	217A1106-1		.DUCT	005005 008030 201967	1
165	217A1114-1		.DUCT-	005005 008030 201967	1
170	217A1101-1		.DUCT-	005005 008030 201967	1
175	217A1115-1		.DUCT	005005 008030 201967	1
180	217A1117-1		.DUCT	005005 008030 201967	1
185	217A1118-1		.DUCT ASSY	005005 008030 201967	1
190	217A1128-1		.DUCT	005005 008030 201967	1
195	217A1134-1		.DUCT ASSY	005005 008030 201967	1
200	BOE2022-09A0161		.HOSE- SUPPLIER CODE: V16632 SPECIFICATION NUMBER: AS1544-09A0161	005005 008030 201967	1

MISSING ITEM NUMBERS NOT APPLICABLE

- ITEM NOT ILLUSTRATED

HAP

21-21-01-02

BOEING PROPRIETARY - Copyright © - Unpublished Work - See title page for details.

21-21-01
FIG. 02
PAGE 5
FEB 15/09

BOEING
737-600/700/800/900
PARTS CATALOG (MAINTENANCE)

FIG ITEM	PART NUMBER	1 2 3 4 5 6 7	NOMENCLATURE	EFFECT FROM TO	UNITS PER ASSY
2					
205	217A1119-1	.	FLANGE-	005005 008027 201967	1
210	NH135008-0175	.	CLAMP SUPPLIER CODE: V00624 SPECIFICATION NUMBER: BACC10HX175	005005 008030 201967	1
215	NH135008-0400	.	COUPLING SUPPLIER CODE: V00624 SPECIFICATION NUMBER: BACC10HX400	005005 008030 201967	5
220	214N3023-4	.	PLENUM ASSY	005005 008030 201967	1
225	214N3027-3	..	BRACKET ASSY	005005 008030 201967	2
- 230	BACR15BB5AC	..	ATTACHING PARTS RIVET- SIZE DETERMINED ON INSTL.	005005 008030 201967	4
		-----*			
235	BRF200C3D	...	NUTPLATE SUPPLIER CODE: V52828 SPECIFICATION NUMBER: BACN10JR3CFD OPTIONAL PART: K51602-3BAC V15653 NS202476-02 V80539 102F9201-3 V72962 T8092C1032CD V11815 ATTACHING PARTS	005005 008030 201967	1
- 240	BACR15BA3ADC	...	RIVET- SIZE DETERMINED ON INSTL.	005005 008030 201967	2
		-----*			
245	214N3027-2	...	BRACKET	005005 008030 201967	1
250	214N3060-4	..	HOUSING- SUPPLIER CODE: V89954	005005 008030 201967	1

MISSING ITEM NUMBERS NOT APPLICABLE

- ITEM NOT ILLUSTRATED

HAP

21-21-01-02

21-21-01
FIG. 02
PAGE 6
FEB 15/09

BOEING
737-600/700/800/900
PARTS CATALOG (MAINTENANCE)

FIG ITEM	PART NUMBER	1 2 3 4 5 6 7	NOMENCLATURE	EFFECT FROM TO	UNITS PER ASSY
2					
255	217A1401-4	.	GASKET	005005 008030 201967	1
260	217A1401-3	.	GASKET	005005 008027 201967	1
265	2810015-101	.	VALVE-CHECK SUPPLIER CODE: V92003 SPECIFICATION NUMBER: S210N701-18	005005 008030 201967	1
270	20798-01	.	VALVE-EXHAUST OVERBOARD PRESS OPERATED EXHAUST PORT EQUIP COOLING SYS SUPPLIER CODE: VC0002 FUNCTIONAL DESCRIPTION: ALLOWS SMOKE AND AIR FROM THE ELECTRICAL AND ELECTRONIC EQUIPMENT COOLING SYSTEM TO BE EXHAUSTED OVERBOARD. SPECIFICATION NUMBER: 60B40041-5 ELECTRICAL EQUIP NUMBER: V00157 COMPONENT MAINT MANUAL REF: 21-23-22 MAINTENANCE MANUAL REF: 21-27-05	005005 008030 201967	1
275	217A1137-6	.	BRACKET	005005 008030 201967	1
280	214N1051-6	.	SUPPORT	005005 008030 201967	2
285	214T3424-6	.	SUPPORT	005005 008030 201967	3
287	214T3436-698	.	ORIFICE ASSY	005005 008030 201967	1
290	217A1137-5	.	BRACKET	005005 008030 201967	1

MISSING ITEM NUMBERS NOT APPLICABLE

— ITEM NOT ILLUSTRATED

HAP

21-21-01-02

BOEING PROPRIETARY - Copyright © - Unpublished Work - See title page for details.

21-21-01
FIG. 02
PAGE 7
JUN 15/09

BOEING
737-600/700/800/900
PARTS CATALOG (MAINTENANCE)

FIG ITEM	PART NUMBER	1 2 3 4 5 6 7	NOMENCLATURE	EFFECT FROM TO	UNITS PER ASSY	
R R R R R R R R R R R	2 295	4101054	.FAN ASSY- SUPPLIER CODE: V45153 FUNCTIONAL DESCRIPTION: USED TO CIRCULATE VENTILATING AIR TO THE FORWARD AND AFT GALLEYS AND LAVATORIES BY DIRECTING THE EXHAUST AIR OVERBOARD THROUGH THE CABIN PRESSURIZATION AND FLOW VALVES. SPECIFICATION NUMBER: S210N701-38 ELECTRICAL EQUIP NUMBER: M00098 M00099 COMPONENT MAINT MANUAL REF: 21-20-04 MAINTENANCE MANUAL REF: 21-27-04 FOR DETAILS SEE: 11-36-01-95	005005 008030 201967	2	
	300	217A1138-3	.BRACKET ASSY	005005 008030 201967	1	
	305	217A1137-2	.BRACKET	005005 008030 201967	1	
	- 310	BACR15FT5AD	ATTACHING PARTS .RIVET- SIZE DETERMINED ON INSTL.	005005 008030 201967	4	
	315	WSI4-10	-----*----- .NUTPLATE SUPPLIER CODE: V04169 SPECIFICATION NUMBER: BACN10TL3-10	005005 008030 201967	1	
	320	WSI4-12	.NUTPLATE SUPPLIER CODE: V04169 SPECIFICATION NUMBER: BACN10TL3-12	005005 008030 201967	1	
	- 325	BACR15BA3ADC	ATTACHING PARTS .RIVET- SIZE DETERMINED ON INSTL. -----*-----	005005 008030 201967	4	
	MISSING ITEM NUMBERS NOT APPLICABLE					

- ITEM NOT ILLUSTRATED

HAP

21-21-01-02

BOEING PROPRIETARY - Copyright © - Unpublished Work - See title page for details.

21-21-01
FIG. 02
PAGE 8
JUN 15/09

BOEING
737-600/700/800/900
PARTS CATALOG (MAINTENANCE)

FIG ITEM	PART NUMBER	1 2 3 4 5 6 7	NOMENCLATURE	EFFECT FROM TO	UNITS PER ASSY
2					
330	217A1137-9	..	BRACKET	005005 008030 201967	1
335	217A1138-4	.BRACKET ASSY		005005 008030 201967	1
340	217A1137-4	..	BRACKET	005005 008030 201967	1
- 345	BACR15FT5AD	..	ATTACHING PARTS RIVET- SIZE DETERMINED ON INSTL.	005005 008030 201967	4
		-----*			
350	WSI4-10	..	NUTPLATE SUPPLIER CODE: V04169 SPECIFICATION NUMBER: BACN10TL3-10	005005 008030 201967	1
355	WSI4-12	..	NUTPLATE SUPPLIER CODE: V04169 SPECIFICATION NUMBER: BACN10TL3-12	005005 008030 201967	1
- 360	BACR15BA3ADC	..	ATTACHING PARTS RIVET- SIZE DETERMINED ON INSTL.	005005 008030 201967	4
		-----*			
365	217A1137-10	..	BRACKET	005005 008030 201967	1
370	217A1119-2	.FLANGE ASSY-		028030	1
375	217A1119-1	..	FLANGE	028030	1
380	217A1401-5	..	GASKET	028030	1
385	217A1145-2	.BRACKET		028030	1
- 500	286A6110-008	WIRE BUNDLE ASSY-P91 DISC TO E/E BAY POSITION DATA: FWD		005005	RF
- 500	286A6110-016	WIRE BUNDLE ASSY-P91 DISC TO E/E BAY POSITION DATA: FWD		008019	RF
- 500	286A6110-017	WIRE BUNDLE ASSY-P91 DISC TO E/E BAY POSITION DATA: FWD		201967	RF

MISSING ITEM NUMBERS NOT APPLICABLE

- ITEM NOT ILLUSTRATED

HAP

21-21-01-02

21-21-01
FIG. 02
PAGE 9
JUN 15/09

 **BOEING**
737-600/700/800/900
PARTS CATALOG (MAINTENANCE)

FIG ITEM	PART NUMBER	1 2 3 4 5 6 7	NOMENCLATURE	EFFECT FROM TO	UNITS PER ASSY
2					
- 500	286A6110-023		WIRE BUNDLE ASSY-P91 DISC TO E/E BAY POSITION DATA: FWD	020029	RF
- 501	286A6110-031		WIRE BUNDLE ASSY-	030030	RF
505	BACC45FT14-7S		.CONNECTOR- ELECTRICAL EQUIP NUMBER: D00160 WIRING DIAGRAM REF: 212721	005005 008030 201967	1
- 510	286A6414-005		WIRE BUNDLE ASSY-AP0600B TO E/E BAY RB2	005005	RF
- 510	286A6414-016		WIRE BUNDLE ASSY-AP0600B TO E/E BAY RB2	008030	RF
- 510	286A6414-018		WIRE BUNDLE ASSY-AP0600B TO E/E BAY RB2	201967	RF
515	BACC45FT14-7S		.CONNECTOR- ELECTRICAL EQUIP NUMBER: D00162 WIRING DIAGRAM REF: 212721	005005 008030 201967	1

MISSING ITEM NUMBERS NOT APPLICABLE

- ITEM NOT ILLUSTRATED

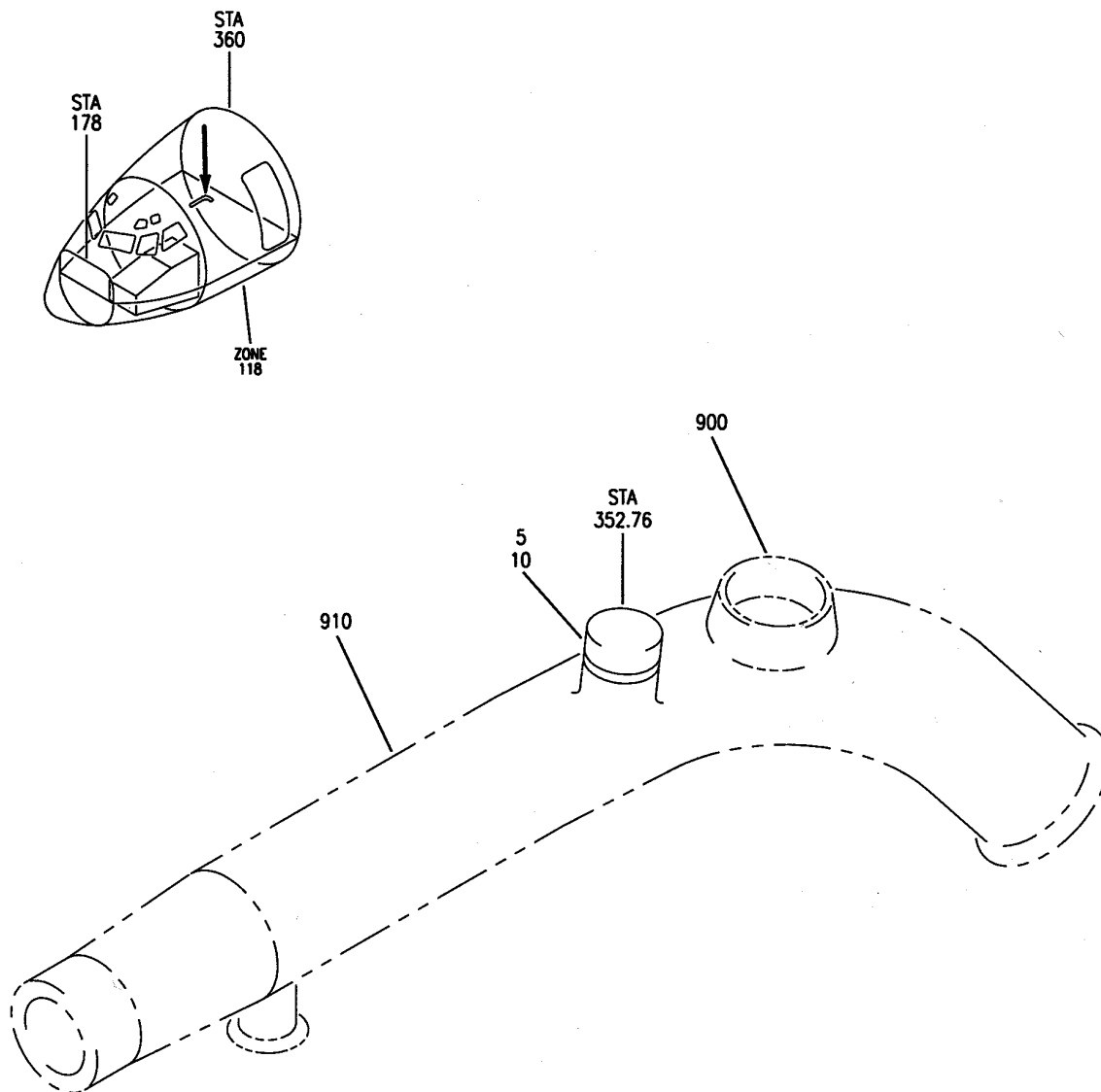
HAP

21-21-01-02

BOEING PROPRIETARY - Copyright © - Unpublished Work - See title page for details.

21-21-01
FIG. 02
PAGE 10
JUN 15/09

BOEING
737-600/700/800/900
PARTS CATALOG (MAINTENANCE)



E 21210103 REV 029

DUCT INSTL-SECT. 43 AFT E/E COOLING EXH
FIGURE 3

HAP
OCT 10/06

21-21-01-03

21-21-01-03
PAGE 0

BOEING
737-600/700/800/900
PARTS CATALOG (MAINTENANCE)

FIG ITEM	PART NUMBER	1 2 3 4 5 6 7	NOMENCLATURE	EFFECT FROM TO	UNITS PER ASSY
3			DUCT INSTL-SECT. 43 AFT E/E COOLING EXH	005005 008999	
- 1	217A1003-5		DUCT INSTL-E/E COOLING EXH POSITION DATA: SECT. 43 AFT FOR NHA SEE: 21-20-00-04B 21-20-00-04C	005005 008030 201967	RF
- 1	MODREF81503		DUCT INSTL-E/E COOLING EXH MODULE NUMBER: 217A1003-5 REV A POSITION DATA: SECT. 43 AFT	031200 968999	1
5	BOE2221-0002		.CAP- SUPPLIER CODE: V16632	005005 008999	1
10	SLT8LHC6		.STRAP- SUPPLIER CODE: V06383	005005 008999	1
900			ILLUSTRATION REFERENCE: DUCT INSTL-SECT. 43 AFT E/E COOLING EXH 21-21-01-02	005005 008030 201967	RF
910			ILLUSTRATION REFERENCE: DUCT INSTL-SECT. 43 AFT E/E COOLING EXH 21-21-01-02	005005 008030 201967	RF

MISSING ITEM NUMBERS NOT APPLICABLE

- ITEM NOT ILLUSTRATED

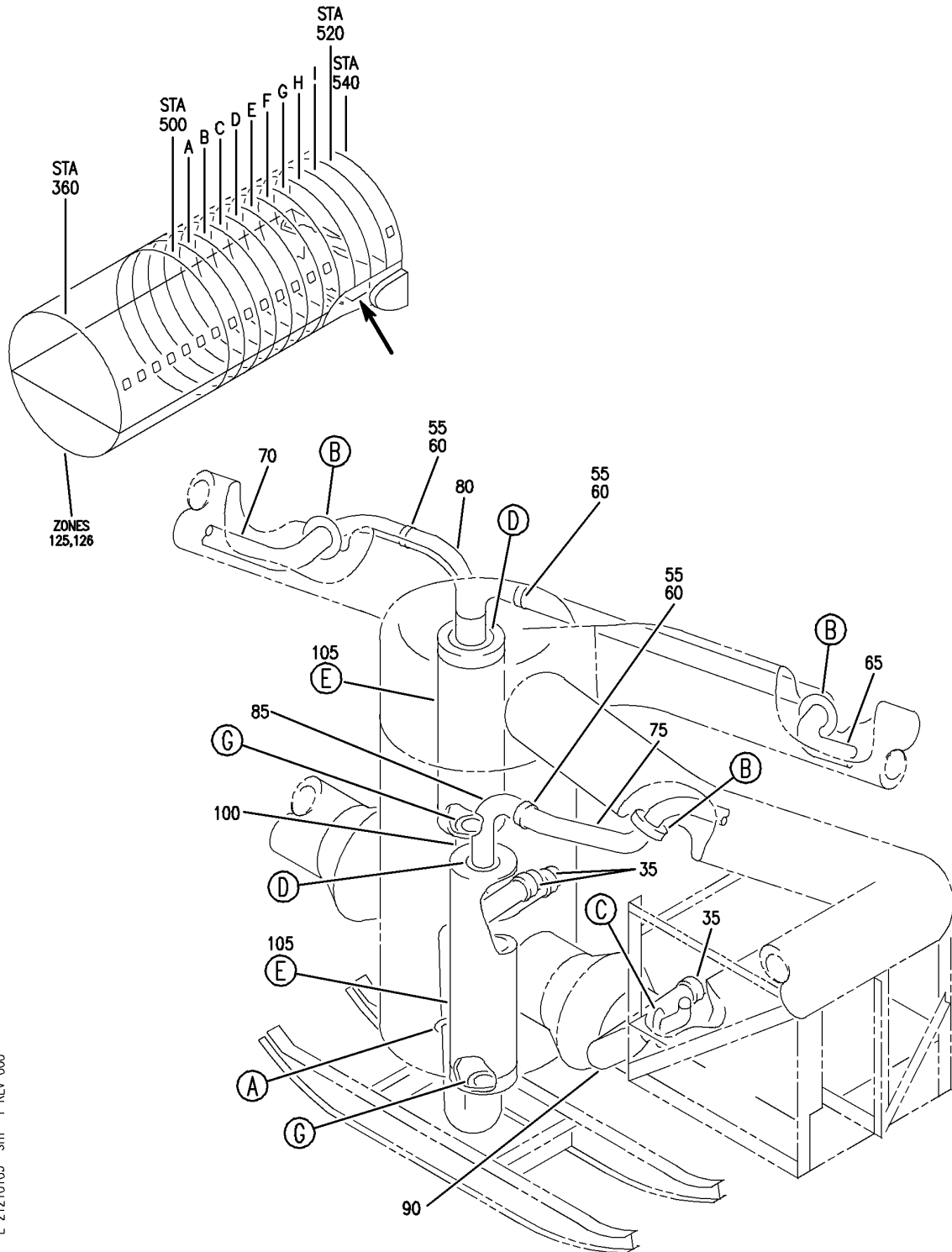
HAP

21-21-01-03

BOEING PROPRIETARY - Copyright © - Unpublished Work - See title page for details.

21-21-01
FIG. 03
PAGE 1
OCT 15/08

BOEING
 737-600/700/800/900
 PARTS CATALOG (MAINTENANCE)



E 21210105 SH1 1 REV 060

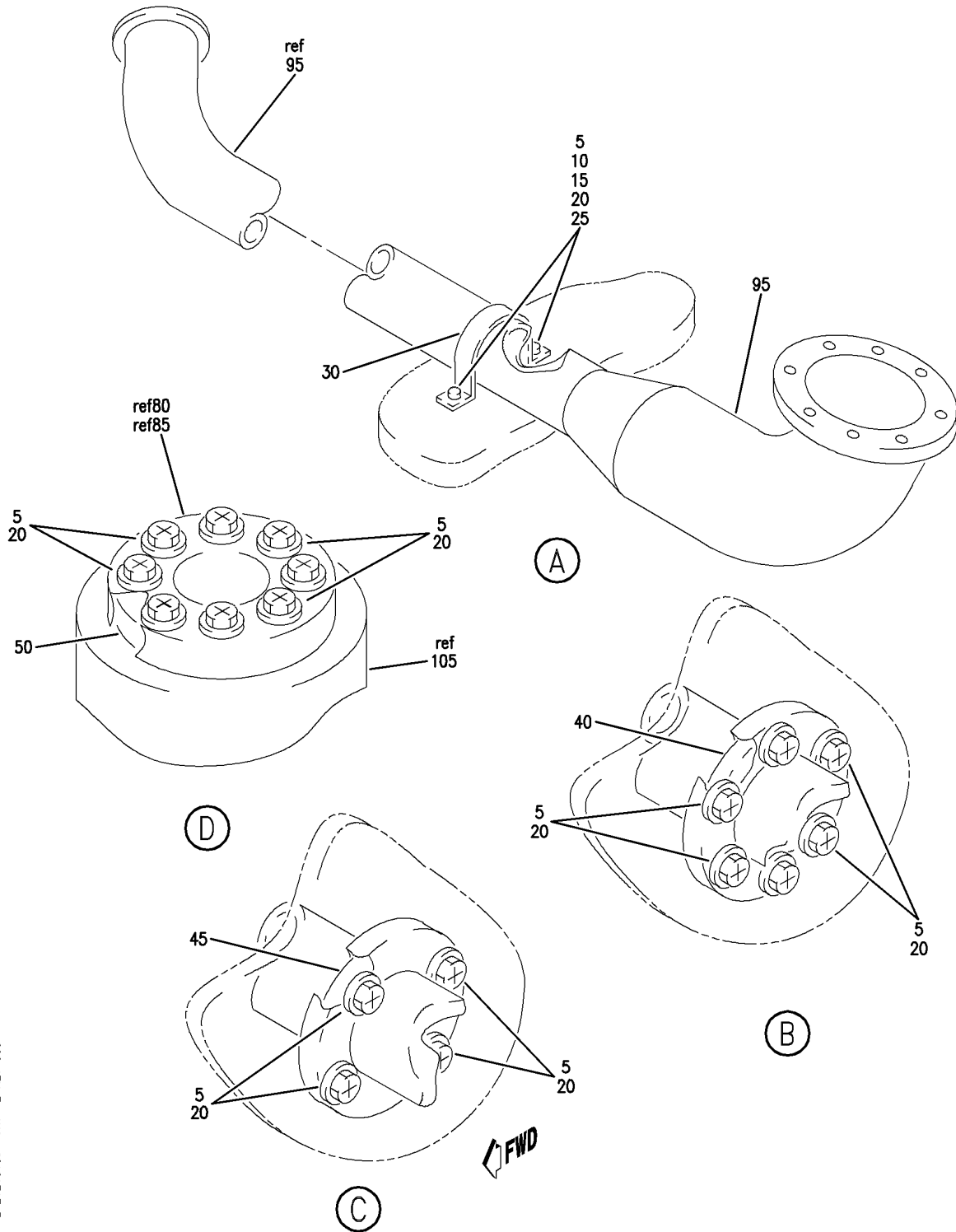
SYSTEM INSTL-AIR DISTR MIX BAY TRIM DUCTING
 FIGURE 5 (SHEET 1)

21-21-01-05

HAP
 OCT 10/06

21-21-01-05
 PAGE 0

BOEING
 737-600/700/800/900
 PARTS CATALOG (MAINTENANCE)



E 21210105 SHIT 2 REV 060

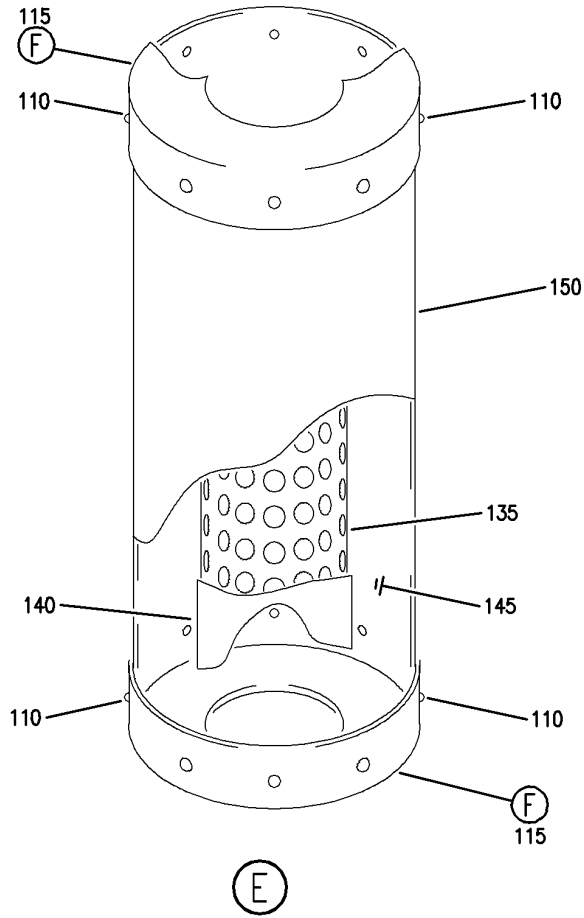
SYSTEM INSTL-AIR DISTR MIX BAY TRIM DUCTING
 FIGURE 5 (SHEET 2)

21-21-01-05

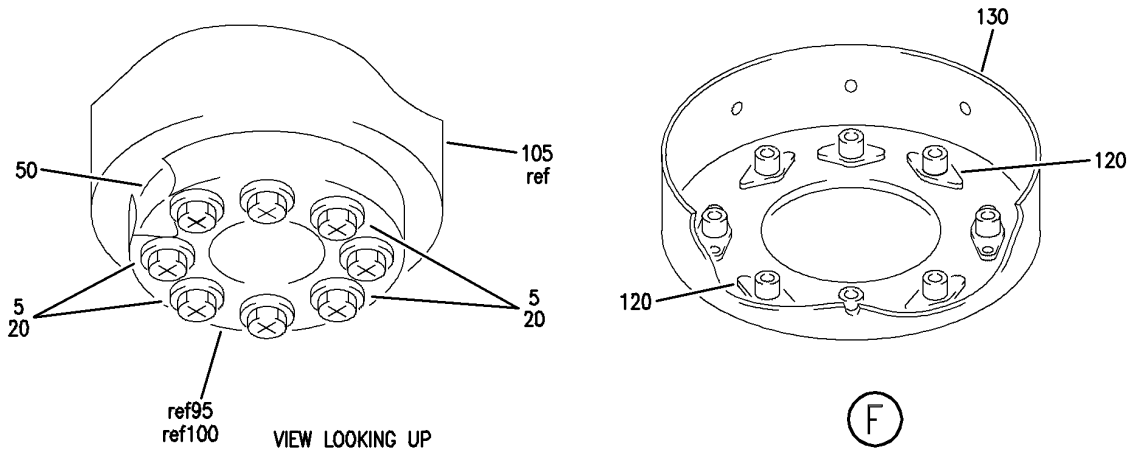
HAP
 OCT 10/06

21-21-01-05
 PAGE 0A

BOEING
 737-600/700/800/900
 PARTS CATALOG (MAINTENANCE)



(E)



(G)

E 21210105 SHT 3 REV 060

SYSTEM INSTL-AIR DISTR MIX BAY TRIM DUCTING
 FIGURE 5 (SHEET 3)

21-21-01-05

HAP
 OCT 10/06

21-21-01-05
 PAGE 0B

BOEING
737-600/700/800/900
PARTS CATALOG (MAINTENANCE)

FIG ITEM	PART NUMBER	1 2 3 4 5 6 7	NOMENCLATURE	EFFECT FROM TO	UNITS PER ASSY
5			SYSTEM INSTL-AIR DISTR MIX BAY TRIM DUCTING	001100	
- 1	214A3003-3		SYSTEM INSTL-TRIM DUCTING FOR NHA SEE: 21-20-00-04C	001030	RF
- 1	MODREF81320		SYSTEM INSTL-TRIM DUCTING MODULE NUMBER: 214A3003-3 REV A	031100	1
5	BACS12GU3K8		.SCREW	001100	56
10	NAS43DD3-7FC		.SPACER	001100	2
15	BACW10P219TF		.WASHER	001100	4
20	NAS1149D0332J		.WASHER	001100	56
25	BRH10C3M		.NUT	001100	2
			SUPPLIER CODE: V52828		
			SPECIFICATION NUMBER: BACN10JC3CM		
			OPTIONAL PART: T6C1032JM V11815 97E02 V80539 109LH9075-3W V72962 VN303D02 V92215 NS202101SE02 V80539 H01-3BAC V15653		
30	421CS32		.CLAMP SUPPLIER CODE: V83930 SPECIFICATION NUMBER: BACC10CC32S OPTIONAL PART: JM45SC3S32T V22175 TA04C36S06 V84971	001100	1
35	BACC10DU200ABE		.CLAMP	001100	3
40	213N2015-2		.GASKET	001100	3
45	213N2015-4		.GASKET	001100	1
50	215N3081-3		.GASKET	001100	4
55	NH103404-0200		.COUPLING- SUPPLIER CODE: V00624	001100	3

MISSING ITEM NUMBERS NOT APPLICABLE

- ITEM NOT ILLUSTRATED

HAP

21-21-01-05

BOEING PROPRIETARY - Copyright © - Unpublished Work - See title page for details.

21-21-01
FIG. 05
PAGE 1
FEB 10/07

BOEING
737-600/700/800/900
PARTS CATALOG (MAINTENANCE)

FIG ITEM	PART NUMBER	1 2 3 4 5 6 7	NOMENCLATURE	EFFECT FROM TO	UNITS PER ASSY
5					
60	SS4-200A		.SLEEVE- SUPPLIER CODE: V94581 SPECIFICATION NUMBER: BACS13N200A OPTIONAL PART: 42737-200A V98625 504-200 V00624	001100	3
60	504-200		.SLEEVE- SUPPLIER CODE: V00624 OPTIONAL PART: BACS13N200A	001100	3
65	65C33522-6		.NOZZLE ASSY	001100	1
70	65C33522-1		.NOZZLE ASSY	001100	1
75	65C33522-11		.NOZZLE ASSY	001100	1
80	213N2230-5		.DUCT ASSY	001100	1
85	214A3112-1		.DUCT ASSY	001100	1
90	214A3112-3		.DUCT ASSY	001100	1
95	65C33486-6		.DUCT ASSY	001100	1
100	65C33486-1		.DUCT ASSY	001100	1
105	213N2232-11		.MUFFLER ASSY	001100	2
110	NAS1398M5		..RIVET- SIZE DETERMINED ON INSTL. OPTIONAL PART: NAS1398C5	001100	16
110	NAS1398C5		..RIVET- SIZE DETERMINED ON INSTL. OPTIONAL PART: NAS1398M5	001100	16
115	213N2231-1		..CAP ASSY-END	001100	2
120	BRF200C3M		...NUTPLATE SUPPLIER CODE: V52828 SPECIFICATION NUMBER: BACN10JR3CFM OPTIONAL PART: F5001-3BAC V15653 NS103203SE02 V80539 VN152D1-02 V92215 109F9201-3 V72962 T8092C1032 V11815	001100	8

MISSING ITEM NUMBERS NOT APPLICABLE

- ITEM NOT ILLUSTRATED

HAP

21-21-01-05

21-21-01
FIG. 05
PAGE 2
FEB 10/07

BOEING
737-600/700/800/900
PARTS CATALOG (MAINTENANCE)

FIG ITEM	PART NUMBER	1 2 3 4 5 6 7	NOMENCLATURE	EFFECT FROM TO	UNITS PER ASSY
5			ATTACHING PARTS		
- 125	MS20427M3		...RIVET- SIZE DETERMINED ON INSTL. -----*-----	001100	16
130	213N2231-2		...CAP	001100	1
135	213N2232-12		..DUCT	001100	1
140	213N2232-5		..SLEEVE	001100	1
145	213N2232-6		..BATTING-ACCOUSTIC	001100	1
150	213N2232-4		..SHELL- POSITION DATA: OUTER	001100	1

MISSING ITEM NUMBERS NOT APPLICABLE

- ITEM NOT ILLUSTRATED

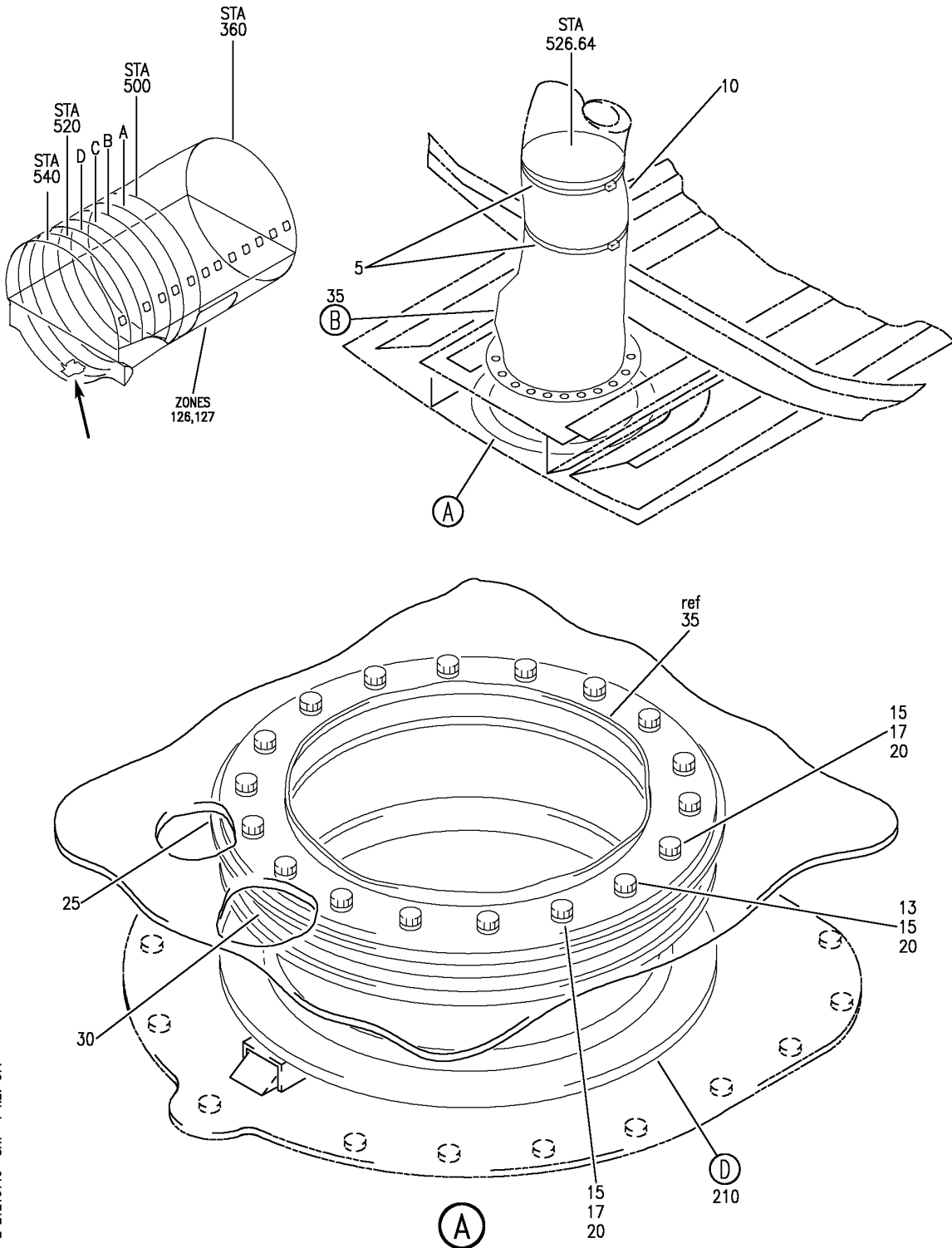
HAP

21-21-01-05

BOEING PROPRIETARY - Copyright © - Unpublished Work - See title page for details.

21-21-01
FIG. 05
PAGE 3
FEB 10/07

BOEING
 737-600/700/800/900
 PARTS CATALOG (MAINTENANCE)



E 21210110 SHT 1 REV 077

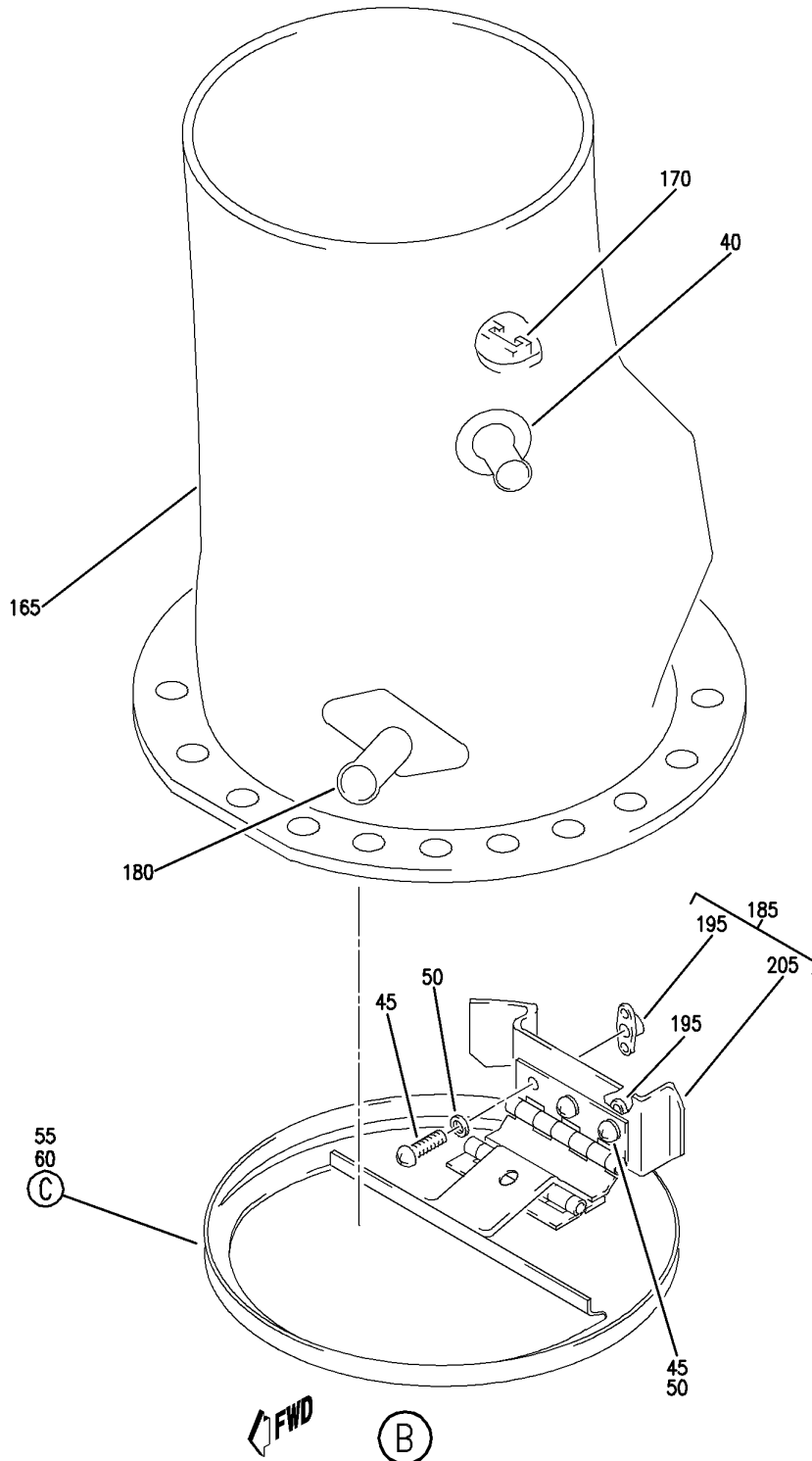
CONNECTOR INSTL-AIR DISTR GND SVCE
 FIGURE 10 (SHEET 1)

21-21-01-10

HAP
 FEB 10/07

21-21-01-10
 PAGE 0

BOEING
 737-600/700/800/900
 PARTS CATALOG (MAINTENANCE)



E 21210110 SHT 2 REV 052

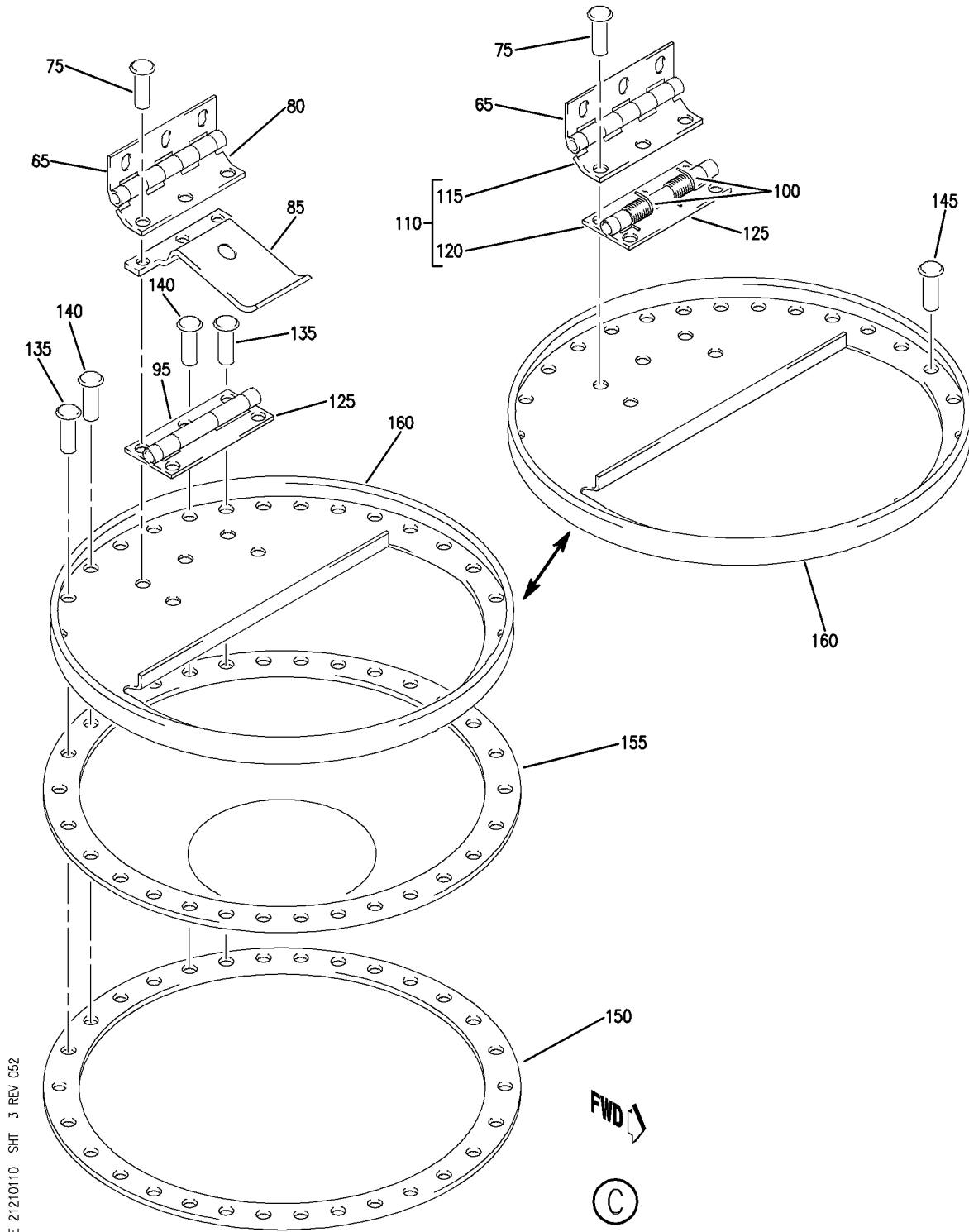
CONNECTOR INSTL-AIR DISTR GND SVCE
 FIGURE 10 (SHEET 2)

21-21-01-10

HAP
 FEB 10/07

21-21-01-10
 PAGE 0A

BOEING
 737-600/700/800/900
 PARTS CATALOG (MAINTENANCE)



E 21210110 SHT 3 REV 052

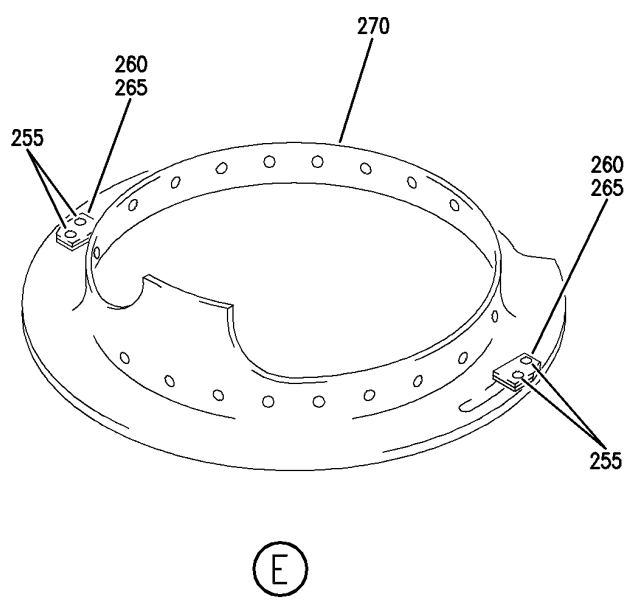
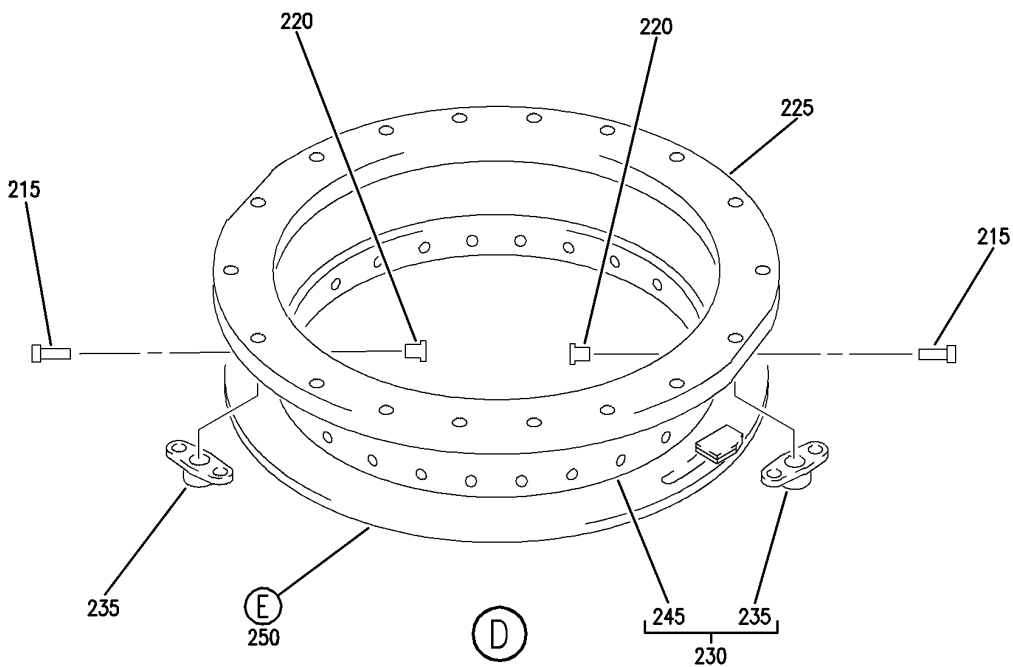
CONNECTOR INSTL-AIR DISTR GND SVCE
 FIGURE 10 (SHEET 3)

21-21-01-10

HAP
 FEB 10/07

21-21-01-10
 PAGE 0B

BOEING
 737-600/700/800/900
 PARTS CATALOG (MAINTENANCE)



E 21210110 SHT 4 REV 052

CONNECTOR INSTL-AIR DISTR GND SVCE
 FIGURE 10 (SHEET 4)

21-21-01-10

HAP
 FEB 10/07

21-21-01-10
 PAGE 0C

BOEING
737-600/700/800/900
PARTS CATALOG (MAINTENANCE)

FIG ITEM	PART NUMBER	1 2 3 4 5 6 7	NOMENCLATURE	EFFECT FROM TO	UNITS PER ASSY
10			CONNECTOR INSTL-AIR DISTR GND SVCE	101999	
- 1	214A3002-2		CONNECTOR INSTL-AIR DISTR GND SVCE FOR NHA SEE: 21-20-00-04B	201967	RF
- 1	MODREF81315		CONNECTOR INSTL-AIR DISTR GND SVCE MODULE NUMBER: 214A3002-6 REV A	101200 968999	1
5	NAS1922-0825-3		.CLAMP	101999	2
10	AS1505-32B0071		.HOSE	101999	1
13	BACB30NM3K18		.BOLT	101200 968999	1
15	BACB30NM3K15		.BOLT	201967	18
17	BACB30NM3K15		.BOLT	101200 968999	17
20	NAS1149D0332J		.WASHER	101999	18
25	213N2045-2		.GASKET MAINTENANCE MANUAL REF: 21-21-01	101999	1
30	214A3401-1		.SPACER	101999	1
35	214A3113-2		.DUCT ASSY- MAINTENANCE MANUAL REF: 21-21-01	201967	1
35	214A3113-4		.DUCT ASSY- MAINTENANCE MANUAL REF: 21-21-01	101200 968999	1
40	69-77454-2		..TUBE	101999	1
45	BACB30NT2K3		..BOLT	101999	3
50	NAS1149DN832J		..WASHER	101999	3
55	69-2914-25		..VALVE ASSY-	101999	1
55	69-2914-24		..VALVE ASSY- FUNCTIONAL DESCRIPTION: AIR FROM THE GROUND SERVICE CART PUSHES THE SWING CHECK VALVE OPEN, TO LET CONDITIONED AIR INTO THE AIRPLANE WHILE THE AIRPLANE IS PARKED.	101999	1
60	69-2914-20		..VALVE ASSY-	101999	1
60	69-2914-15		..VALVE ASSY- COMPONENT MAINT MANUAL REF: 21-23-20	101999	1
60	69-2914-13		..VALVE ASSY-	101999	1
65	69-2914-17		...HINGE- USED ON: 69-2914-20 69-2914-15	101999	1

MISSING ITEM NUMBERS NOT APPLICABLE

- ITEM NOT ILLUSTRATED

HAP

21-21-01-10

21-21-01
FIG. 10
PAGE 1
FEB 15/09

BOEING
737-600/700/800/900
PARTS CATALOG (MAINTENANCE)

FIG ITEM	PART NUMBER	1 2 3 4 5 6 7	NOMENCLATURE	EFFECT FROM TO	UNITS PER ASSY	
10						
65	69-2914-28		...HINGE- USED ON: 69-2914-25 69-2914-24	101999	1	
R	65	69-2914-5	...HINGE- MANUFACTURED FROM: EXTR CRES SRF-8.51 MATL QTY : .25, MATL UOM : FT MATL DIMENSIONS : MS20257YC5-5 3.00 IN LONG SPARES ORDER MATERIAL CODE: 5875110040 USED ON: 69-2914-20 69-2914-15 ATTACHING PARTS	101999	1	
R						
R						
R						
R						
R						
R						
R						
R						
R						
R						
-	70	69-2914-8	...PIN- MANUFACTURED FROM: ROD CRES .25FT MS20253-4 2.90 IN LONG SPARES ORDER MATERIAL CODE: 5878118120 -----*-----	101999	1	
R						
R						
R						
R						
R						
R						
R						
	75	MS20427M4	...RIVET- SIZE DETERMINED ON INSTL.	101999	3	
	80	69-2914-16	...HINGE- USED ON: 69-2914-15 69-2914-20	101999	1	
	85	66-3157-1	...SPRING- USED ON: 69-2914-20 69-2914-15	101999	1	
	85	66-3157	...SPRING- USED ON: 69-2914-20 69-2914-15 ATTACHING PARTS	101999	1	
R	-	90	69-2914-9	...PIN- MANUFACTURED FROM: ROD CRES .25FT MS20253-3 2.90 IN LONG SPARES ORDER MATERIAL CODE: 5878118120 -----*-----	101999	1
R						
R						
R						
R						
R						

MISSING ITEM NUMBERS NOT APPLICABLE

- ITEM NOT ILLUSTRATED

HAP

21-21-01-10

BOEING PROPRIETARY - Copyright © - Unpublished Work - See title page for details.

21-21-01
FIG. 10
PAGE 2
JUN 15/09

BOEING
737-600/700/800/900
PARTS CATALOG (MAINTENANCE)

FIG ITEM	PART NUMBER	1 2 3 4 5 6 7	NOMENCLATURE	EFFECT FROM TO	UNITS PER ASSY
10					
95	69-2914-19		...HINGE- USED ON: 69-2914-20 69-2914-15	101999	1
100	66-3157-2		...SPRING- USED ON: 69-2914-25 69-2914-24 ATTACHING PARTS	101999	2
R R R R R R	- 105	69-2914-9	...PIN- MANUFACTURED FROM: ROD CRES .25FT MS20253-3 2.90 IN LONG SPARES ORDER MATERIAL CODE: 5878118120 -----*-----	101999	1
110	69-2914-27		...HINGE ASSY- OPTIONAL PART: 69-2914-22 USED ON: 69-2914-25 69-2914-24	101999	1
110	69-2914-22		...HINGE- OPTIONAL PART: 69-2914-27 USED ON: 69-2914-25 69-2914-24	101999	1
115	69-2914-16	HINGE-HALF USED ON: 69-2914-27	101999	1
120	69-2914-26	HINGE-HALF USED ON: 69-2914-27	101999	1
125	69-2914-18		...HINGE- USED ON: 69-2914-20 69-2914-15	101999	1
125	69-2914-23		...HINGE- USED ON: 69-2914-25 69-2914-24	101999	1

MISSING ITEM NUMBERS NOT APPLICABLE

- ITEM NOT ILLUSTRATED

HAP

21-21-01-10

BOEING PROPRIETARY - Copyright © - Unpublished Work - See title page for details.

21-21-01
FIG. 10
PAGE 3
JUN 15/09

BOEING
737-600/700/800/900
PARTS CATALOG (MAINTENANCE)

FIG ITEM	PART NUMBER	1 2 3 4 5 6 7	NOMENCLATURE	EFFECT FROM TO	UNITS PER ASSY
10					
R R R R R R R R R	125 69-2914-6		...HINGE- MANUFACTURED FROM: EXTR CRES SRF-8.51 MATL QTY : .25, MATL UOM : FT MATL DIMENSIONS : MS20257XC4 3.00 IN LONG SPARES ORDER MATERIAL CODE: 5875110040 USED ON: 69-2914-20 69-2914-15 ATTACHING PARTS	101999	1
-	130 MS20615-4MP		...RIVET- SIZE DETERMINED ON INSTL. -----*-----	101999	3
	135 MS20426D4		...RIVET- SIZE DETERMINED ON INSTL. USED ON: 69-2914-20 69-2914-15	101999	26
	140 MS20426D4		...RIVET- SIZE DETERMINED ON INSTL. OPTIONAL PART: NAS1399D4 USED ON: 69-2914-20 69-2914-15	101999	4
	140 NAS1399D4		...RIVET- SIZE DETERMINED ON INSTL. OPTIONAL PART: MS20426D4 USED ON: 69-2914-20 69-2914-15	101999	4
	145 BACR15BA4ADC		...RIVET- SIZE DETERMINED ON INSTL. USED ON: 69-2914-25 69-2914-24	101999	30
	150 69-2914-3		...RING	101999	1
	155 69-2914-2		...DISH	101999	1
	160 69-2914-1		...FLANGE	101999	1
	165 214A3113-3		..DUCT ASSY	101999	1
	170 69-2880-1		..STOP ASSY ATTACHING PARTS	101999	1
-	175 BACR15BB4ADC		..RIVET- SIZE DETERMINED ON INSTL. -----*-----	101999	2
	180 69-73732-5		..DRAIN ASSY	101999	1

MISSING ITEM NUMBERS NOT APPLICABLE

- ITEM NOT ILLUSTRATED

HAP

21-21-01-10

BOEING PROPRIETARY - Copyright © - Unpublished Work - See title page for details.

21-21-01
FIG. 10
PAGE 4
JUN 15/09

BOEING
737-600/700/800/900
PARTS CATALOG (MAINTENANCE)

FIG ITEM	PART NUMBER	1 2 3 4 5 6 7	NOMENCLATURE	EFFECT FROM TO	UNITS PER ASSY
10					
185	69-2880	..	BRACKET ASSY-	201967	1
185	69-2880-13	..	BRACKET ASSY-	101200	1
				968999	
			ATTACHING PARTS		
- 190	BACR15BB4ADC	..	RIVET-	101999	6
			SIZE DETERMINED ON INSTL.		
			-----*-----		
195	BACN10FM5A08	...	NUTPLATE	101999	3
			ATTACHING PARTS		
- 200	MS20426D3	...	RIVET-	101999	6
			SIZE DETERMINED ON INSTL.		
			-----*-----		
205	69-2880-3	...	BRACKET-	201967	1
205	69-2880-14	...	BRACKET-	101200	1
				968999	
210	214A3110-1	.	DUCT ASSY	101999	1
215	BACB30XC5HK3	..	BOLT	101999	18
220	SLFCMV5	..	COLLAR	101999	18
			SUPPLIER CODE:		
			V17446		
			SPECIFICATION NUMBER:		
			BACC30BN5L		
			OPTIONAL PART:		
			SLFCMV5		
			V92215		
			SLFCMV5		
			V98524		
225	214A3401-2	..	SPACER	101999	1
230	214A3410-1	..	DUCT ASSY	101999	1
235	BRF200C3D	...	NUTPLATE	101999	18
			SUPPLIER CODE:		
			V52828		
			SPECIFICATION NUMBER:		
			BACN10JR3CFD		
			OPTIONAL PART:		
			K51602-3BAC		
			V15653		
			NS202476-02		
			V80539		
			102F9201-3		
			V72962		
			T8092C1032CD		
			V11815		
			ATTACHING PARTS		
- 240	BACR15BA3ADC	...	RIVET-	101999	36
			SIZE DETERMINED ON INSTL.		
			-----*-----		
245	214A3410-2	...	DUCT	101999	1
250	65-25674-21	..	FLANGE ASSY	101999	1

MISSING ITEM NUMBERS NOT APPLICABLE

- ITEM NOT ILLUSTRATED

HAP

21-21-01-10

21-21-01
FIG. 10
PAGE 5
JUN 15/09


BOEING
 737-600/700/800/900
PARTS CATALOG (MAINTENANCE)

FIG ITEM	PART NUMBER	1 2 3 4 5 6 7	NOMENCLATURE	EFFECT FROM TO	UNITS PER ASSY
10					
255	MS20427F5		...RIVET- SIZE DETERMINED ON INSTL.	101999	4
260	66-15424-1		...PLATE	101999	2
265	69-2913-6		...SHIM	101999	2
270	65-25674-22		...FLANGE	101999	1
MISSING ITEM NUMBERS NOT APPLICABLE					

— ITEM NOT ILLUSTRATED

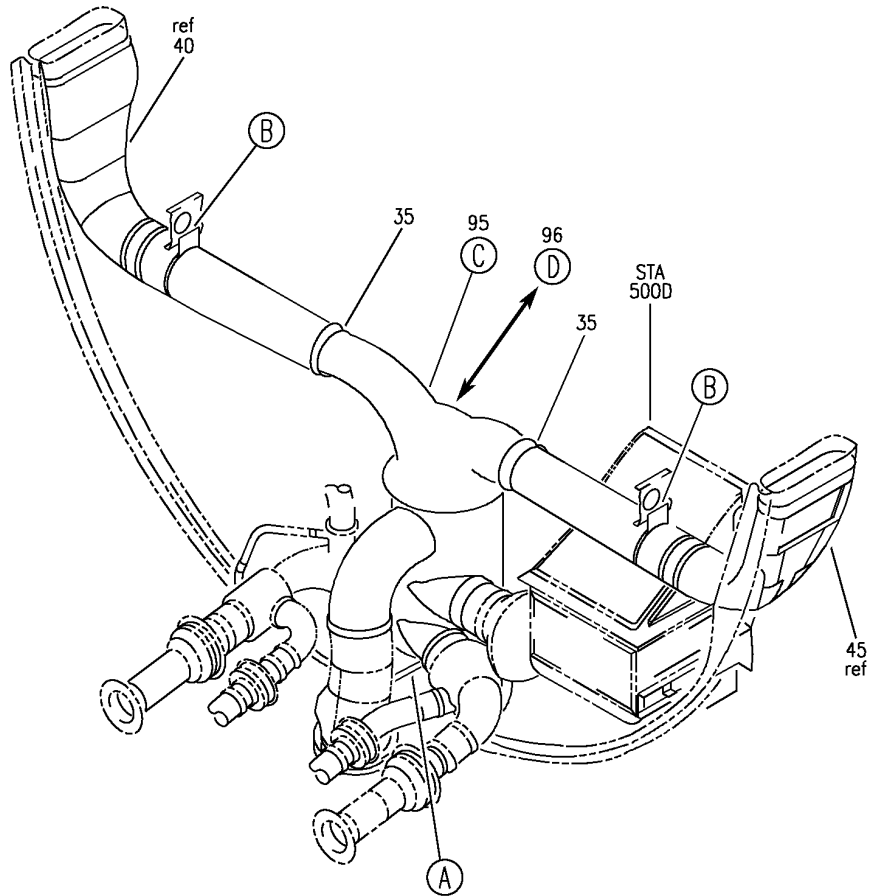
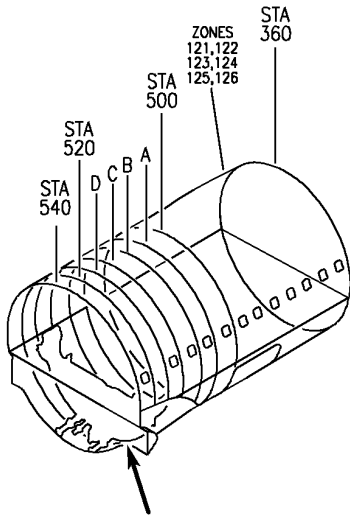
HAP

21-21-01-10

BOEING PROPRIETARY - Copyright © - Unpublished Work - See title page for details.

21-21-01
 FIG. 10
 PAGE 6
 JUN 15/09

BOEING
 737-600/700/800/900
 PARTS CATALOG (MAINTENANCE)



E 21210204 SHT 1 REV 121

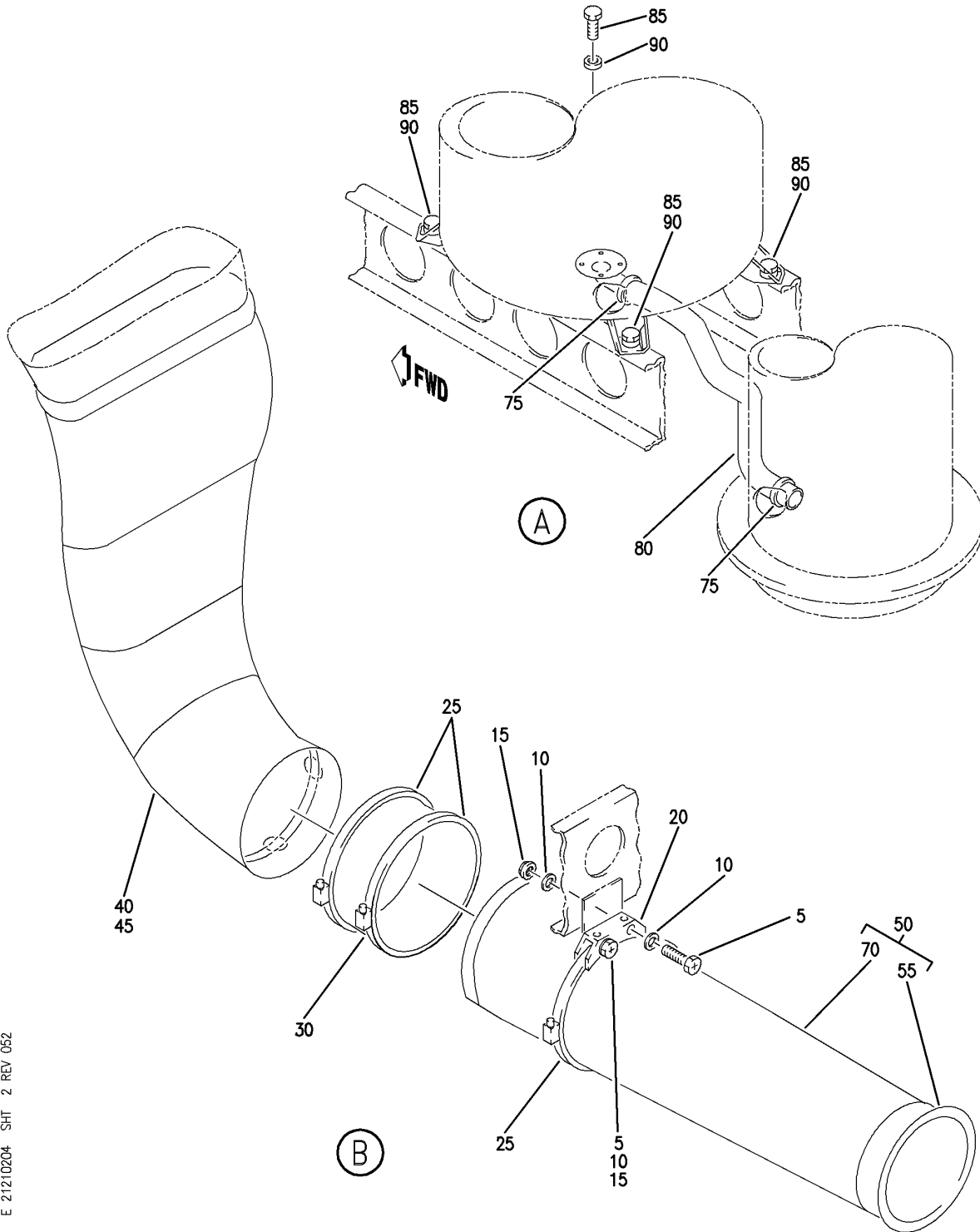
DUCT INSTL-AIR DISTR MIX BAY SYS BASELINE CONFIGURATION FOR 737-700 (MIX CHAMBER ONLY)
 FIGURE 4 (SHEET 1)

HAP
 FEB 10/07

21-21-02-04

21-21-02-04
 PAGE 0

BOEING
 737-600/700/800/900
 PARTS CATALOG (MAINTENANCE)



E 21210204 SHT 2 REV 062

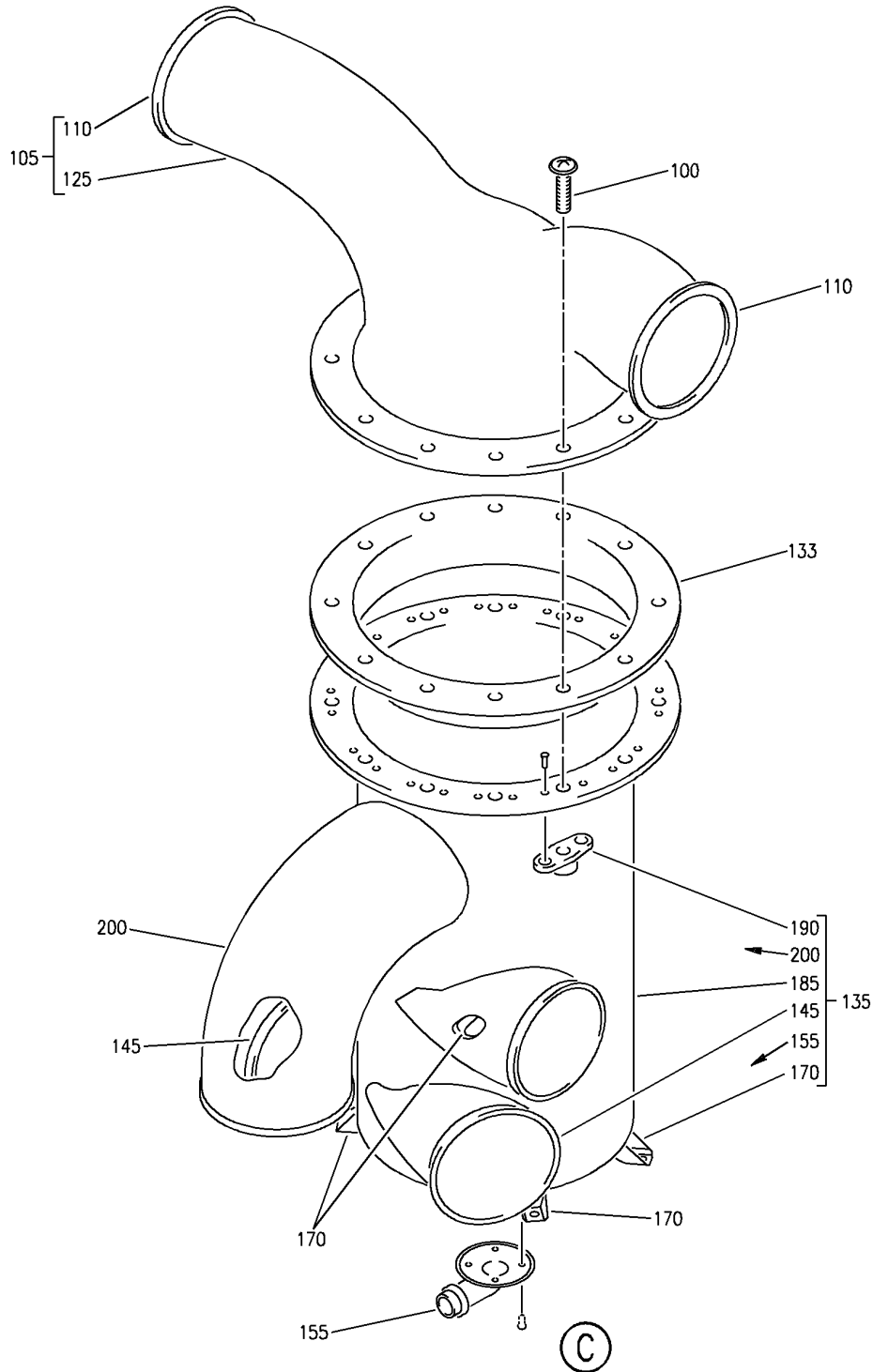
DUCT INSTL-AIR DISTR MIX BAY SYS BASELINE CONFIGURATION FOR 737-700 (MIX CHAMBER ONLY)
 FIGURE 4 (SHEET 2)

HAP
 FEB 10/07

21-21-02-04

21-21-02-04
 PAGE 0A

BOEING
 737-600/700/800/900
 PARTS CATALOG (MAINTENANCE)



E 21210204 SHT 3 REV 121

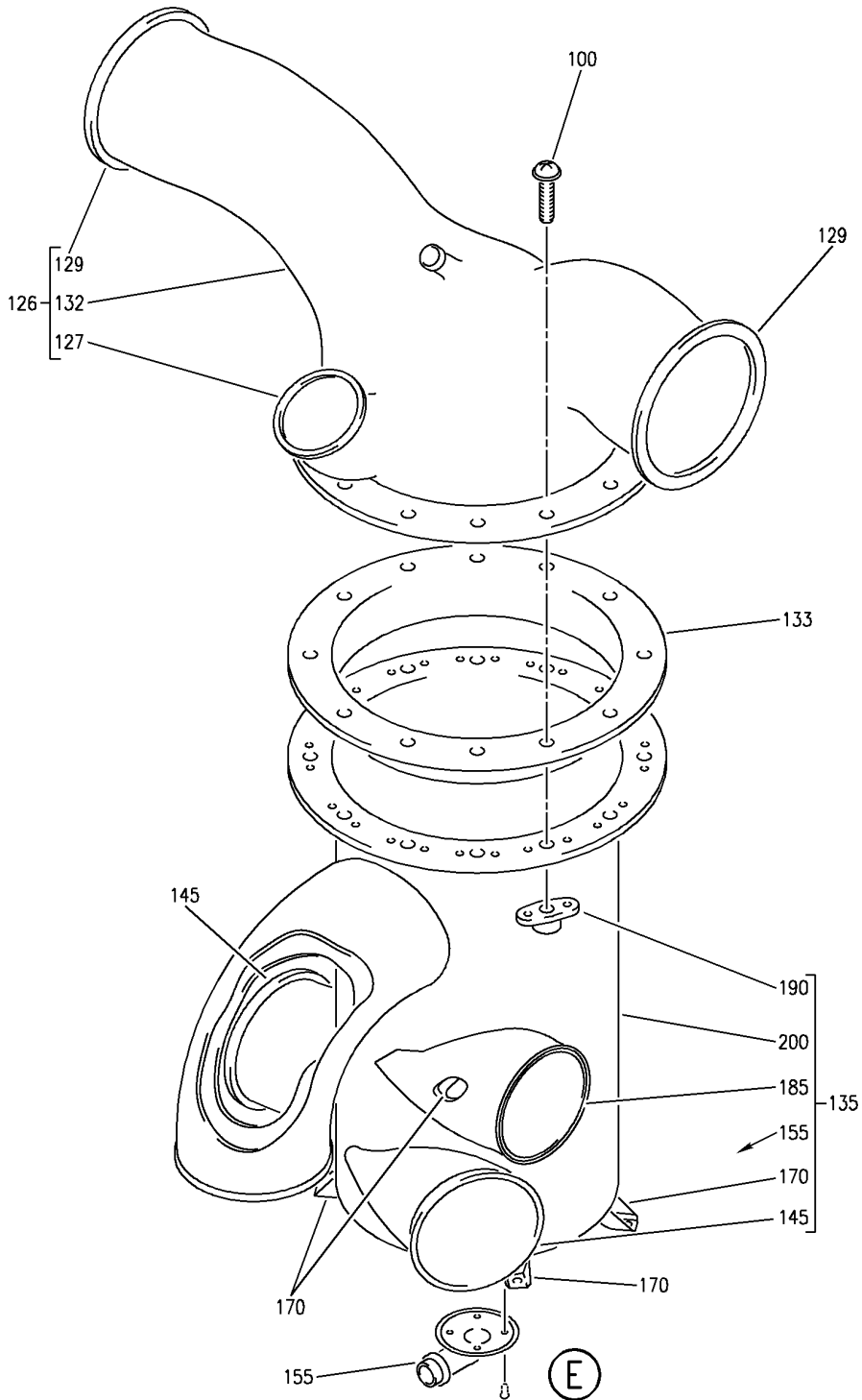
DUCT INSTL-AIR DISTR MIX BAY SYS BASELINE CONFIGURATION FOR 737-700 (MIX CHAMBER ONLY)
 FIGURE 4 (SHEET 3)

HAP
 FEB 10/07

21-21-02-04

21-21-02-04
 PAGE 0B

BOEING
737-600/700/800/900
PARTS CATALOG (MAINTENANCE)



E 21210204 SHT 4 REV 121

DUCT INSTL-AIR DISTR MIX BAY SYS BASELINE CONFIGURATION FOR 737-700 (MIX CHAMBER ONLY)
 FIGURE 4 (SHEET 4)

HAP
 FEB 10/07

21-21-02-04

21-21-02-04
 PAGE 0C

BOEING
737-600/700/800/900
PARTS CATALOG (MAINTENANCE)

FIG ITEM	PART NUMBER	1 2 3 4 5 6 7	NOMENCLATURE	EFFECT FROM TO	UNITS PER ASSY
4			DUCT INSTL-AIR DISTR MIX BAY SYS BASELINE CONFIGURATION FOR 737-700 (MIX CHAMBER ONLY)	101999	
- 1	214A3001-2		DUCT INSTL-AIR DISTR SYS MIX BAY BASELINE CONFIGURATION FOR 737-700 (MIX CHAMBER ONLY)	201967	RF
- 1	MODREF251484		FOR NHA/OTHER SYS DET SEE: 21-20-00-04B DUCT INSTL-AIR DISTR SYS MIX BAY BASELINE CONFIGURATION FOR 737-700 (MIX CHAMBER ONLY)	101101 968971	1
- 1	MODREF357285		MODULE NUMBER: 214A3001-14 REV D FOR OTHER SYS DETAILS SEE: 21-25-01-04 21-25-02-06 21-25-03-06 21-61-03-03 FOR ADDITIONAL DETAILS SEE: 21-21-51-05 DUCT INSTL-AIR DISTR SYS MIX BAY BASELINE CONFIGURATION FOR 737-700 (MIX CHAMBER ONLY)	102106 972999	1
- 1	MODREF394945		MODULE NUMBER: 214A3001-14 REV F FOR OTHER SYS DETAILS SEE: 21-25-01-04 21-25-02-06 21-25-03-06 21-61-03-03 FOR ADDITIONAL DETAILS SEE: 21-21-51-05B DUCT INSTL-AIR DISTR SYS MIX BAY BASELINE CONFIGURATION FOR 737-700 (MIX CHAMBER ONLY)	107200	1
			MODULE NUMBER: 214A3001-14 REV G FOR OTHER SYS DETAILS SEE: 21-25-01-04 21-25-02-06 21-25-03-06 21-61-03-03 FOR ADDITIONAL DETAILS SEE: 21-21-51-05B		

MISSING ITEM NUMBERS NOT APPLICABLE

- ITEM NOT ILLUSTRATED

HAP

21-21-02-04

BOEING PROPRIETARY - Copyright © - Unpublished Work - See title page for details.

21-21-02
FIG. 04
PAGE 1
OCT 15/08

BOEING
737-600/700/800/900
PARTS CATALOG (MAINTENANCE)

FIG ITEM	PART NUMBER	1 2 3 4 5 6 7	NOMENCLATURE	EFFECT FROM TO	UNITS PER ASSY
4					
5	BACS12GU3K19	.	SCREW	101999	4
10	NAS1149D0332J	.	WASHER	101999	8
15	PLH53CD	.	NUT	101999	4
			SUPPLIER CODE: VF0224		
			SPECIFICATION NUMBER: BACN10YR3CD		
			OPTIONAL PART: H52732-3CD V15653		
20	214T3424-10	.	SUPPORT	101999	2
25	NAS1922-0700-3	.	CLAMP	101999	6
30	AS1506-28D32	.	SLEEVE	101999	2
35	NH135008-0700	.	COUPLING	101999	2
			SUPPLIER CODE: V00624		
			SPECIFICATION NUMBER: BACC10HX700		
40	65C28384-25	.	DUCT ASSY	101999	1
45	65C28384-26	.	DUCT ASSY	101999	1
50	65C28015-1	.	DUCT ASSY	101999	2
55	15J03-700	..	FLANGE-	101999	1
			SUPPLIER CODE: V00672		
55	NK130004-0700	..	FLANGE-	101999	1
			SUPPLIER CODE: V8W928		
			SPECIFICATION NUMBER: BACF22BC700		
			OPTIONAL PART: NK130004-0700 V00624 15J03-700 V00672		
			ATTACHING PARTS		
- 60	BACR15BA4A	..	RIVET-	101999	8
			SIZE DETERMINED ON INSTL.		
- 65	AN960PD4	..	WASHER-	101999	8
			OPTIONAL PART: BACW10P401AZ		
- 65	BACW10P401AZ	..	WASHER-	101999	8
			OPTIONAL PART: AN960PD4		
			-----*-----		
70	65C28015-2	..	DUCT	101999	1
75	NAS1922-0050-3	.	CLAMP-	101999	2
			OPTIONAL PART: NAS1922-0075-3		

MISSING ITEM NUMBERS NOT APPLICABLE

- ITEM NOT ILLUSTRATED

HAP

21-21-02-04

BOEING PROPRIETARY - Copyright © - Unpublished Work - See title page for details.

21-21-02
FIG. 04
PAGE 2
FEB 15/09

BOEING
737-600/700/800/900
PARTS CATALOG (MAINTENANCE)

FIG ITEM	PART NUMBER	1 2 3 4 5 6 7	NOMENCLATURE	EFFECT FROM TO	UNITS PER ASSY
4					
75	NAS1922-0075-3	.CLAMP-		101101	2
		OPTIONAL PART:		968971	
		NAS1922-0050-3			
80	BOE2013-0347	.HOSE ASSY-		101999	1
		SUPPLIER CODE:			
		V16632			
		SPECIFICATION NUMBER:			
		69-27191-347			
		OPTIONAL PART:			
		713488-347			
		V70628			
		IT4350-347			
		V26831			
85	BACS12GU3K7	.SCREW		101999	2
90	BACW10P44AL	.WASHER		101999	2
95	214A3101-2	.MANIFOLD ASSY-		101999	1
100	BACS12FA3K7	..SCREW		101999	12
105	65C28009-1	..MANIFOLD ASSY-		101999	1
110	NK130004-0700	...FLANGE-		101999	2
		SUPPLIER CODE:			
		V98625			
		OPTIONAL PART:			
		15J03-700			
		V00672			
110	15J03-700	...FLANGE-		101999	2
		SUPPLIER CODE:			
		V00672			
		OPTIONAL PART:			
		NK130004-0700			
		V98625			
		ATTACHING PARTS			
- 115	BACR15BA4A	...RIVET-		101999	16
		SIZE DETERMINED ON INSTL.			
- 120	AN960PD4	...WASHER-		101999	16
		OPTIONAL PART:			
		BACW10P181AL			
- 120	BACW10P181AL	...WASHER-		101999	16
		OPTIONAL PART:			
		AN960PD4			
		-----*-----			
125	65C28009-2	...MANIFOLD		101999	1
133	65C33020-1	..RING		101999	1
135	65C28007-4	..MIX ASSY		101999	1
- 140	BAC27DAC0053	...DECAL		101999	RF

MISSING ITEM NUMBERS NOT APPLICABLE

- ITEM NOT ILLUSTRATED

HAP

21-21-02-04

BOEING PROPRIETARY - Copyright © - Unpublished Work - See title page for details.

21-21-02
FIG. 04
PAGE 3
OCT 15/08

BOEING
737-600/700/800/900
PARTS CATALOG (MAINTENANCE)

FIG ITEM	PART NUMBER	1 2 3 4 5 6 7	NOMENCLATURE	EFFECT FROM TO	UNITS PER ASSY
4 145	VFS103110-700	...	FLANGE SUPPLIER CODE: V14242 SPECIFICATION NUMBER: BACF22AA700A OPTIONAL PART: 56408-1-700 V8W928 10120-700 V06689 56408-1-700 V98625 2909AC700 V94581 ATTACHING PARTS	101999	2
- 150	BACR15CE4M	...	RIVET -----*-----	101999	16
155	69-73763-1	...	DRAIN ATTACHING PARTS	101999	1
- 160	BACR15FR4E	...	RIVET- SIZE DETERMINED ON INSTL.	101999	4
- 165	NAS1149DN362J	...	WASHER -----*-----	101999	8
170	69-73751-2	...	BRACKET ATTACHING PARTS	101999	4
- 175	BACR15FR5E	...	RIVET- SIZE DETERMINED ON INSTL.	101999	16
- 180	NAS1149D0363J	...	WASHER -----*-----	101999	16
185	65C30991-1	...	INSERT	101999	1
190	BRF200A3	...	NUTPLATE SUPPLIER CODE: V52828 SPECIFICATION NUMBER: BACN10JR3F OPTIONAL PART: NS103203-02 V80539 RMF9201-3 V72962 VN152A1-02 V92215 T8091S1032 V11815 F5000-3BAC V15653	101999	12

MISSING ITEM NUMBERS NOT APPLICABLE

- ITEM NOT ILLUSTRATED

HAP

21-21-02-04

BOEING PROPRIETARY - Copyright © - Unpublished Work - See title page for details.

21-21-02
FIG. 04
PAGE 4
OCT 15/08


BOEING
 737-600/700/800/900
PARTS CATALOG (MAINTENANCE)

FIG ITEM	PART NUMBER	1 2 3 4 5 6 7	NOMENCLATURE	EFFECT FROM TO	UNITS PER ASSY
4					
- 195	BACR15BA3A		ATTACHING PARTS ...RIVET-	101999	24
			SIZE DETERMINED ON INSTL. -----*-----		
200	65C28007-5		...MANIFOLD	101999	1

MISSING ITEM NUMBERS NOT APPLICABLE

- ITEM NOT ILLUSTRATED

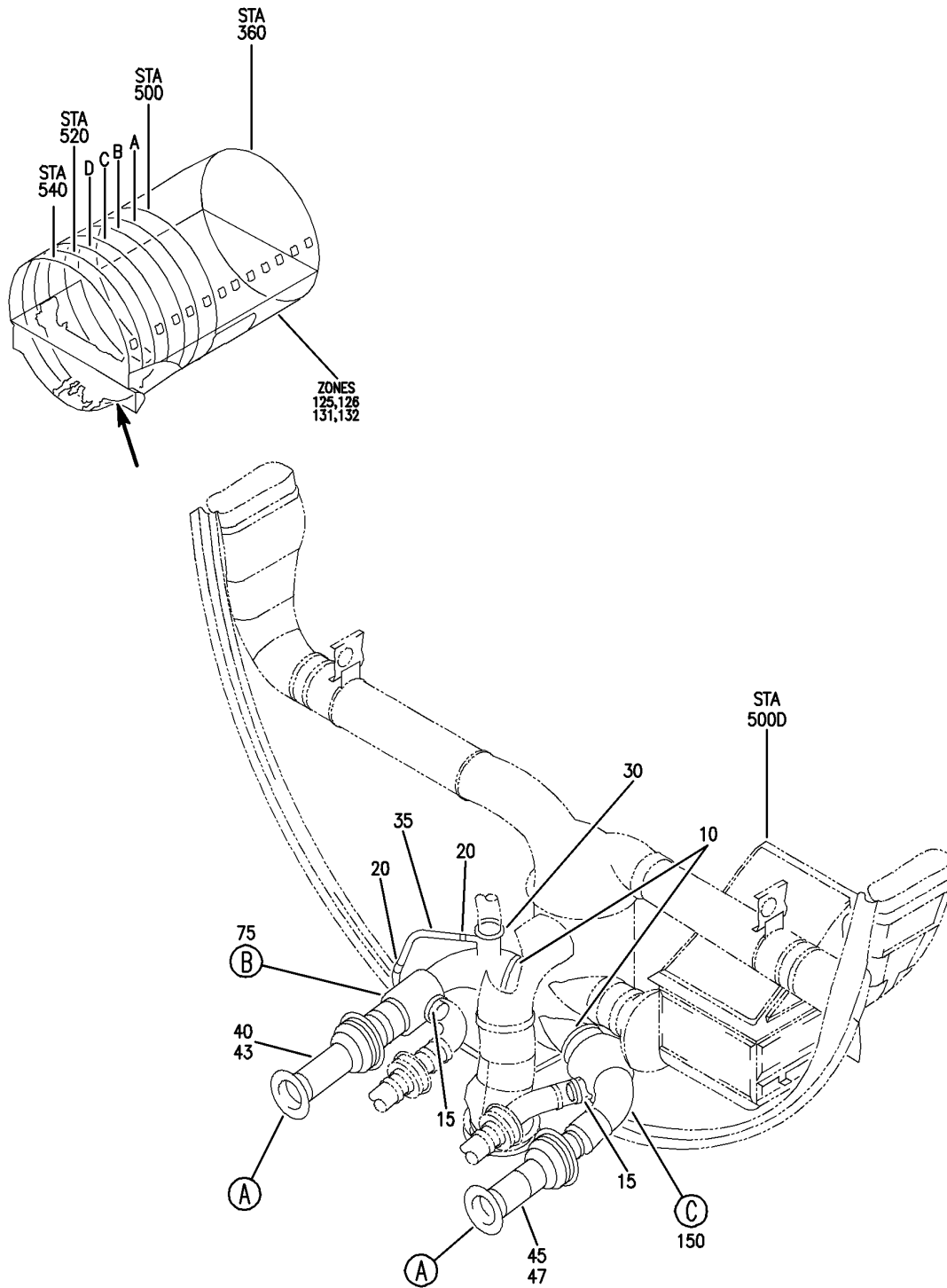
HAP

21-21-02-04

BOEING PROPRIETARY - Copyright © - Unpublished Work - See title page for details.

21-21-02
 FIG. 04
 PAGE 5
 OCT 15/08

BOEING
 737-600/700/800/900
 PARTS CATALOG (MAINTENANCE)



E 21215105 SHT 1 REV 059

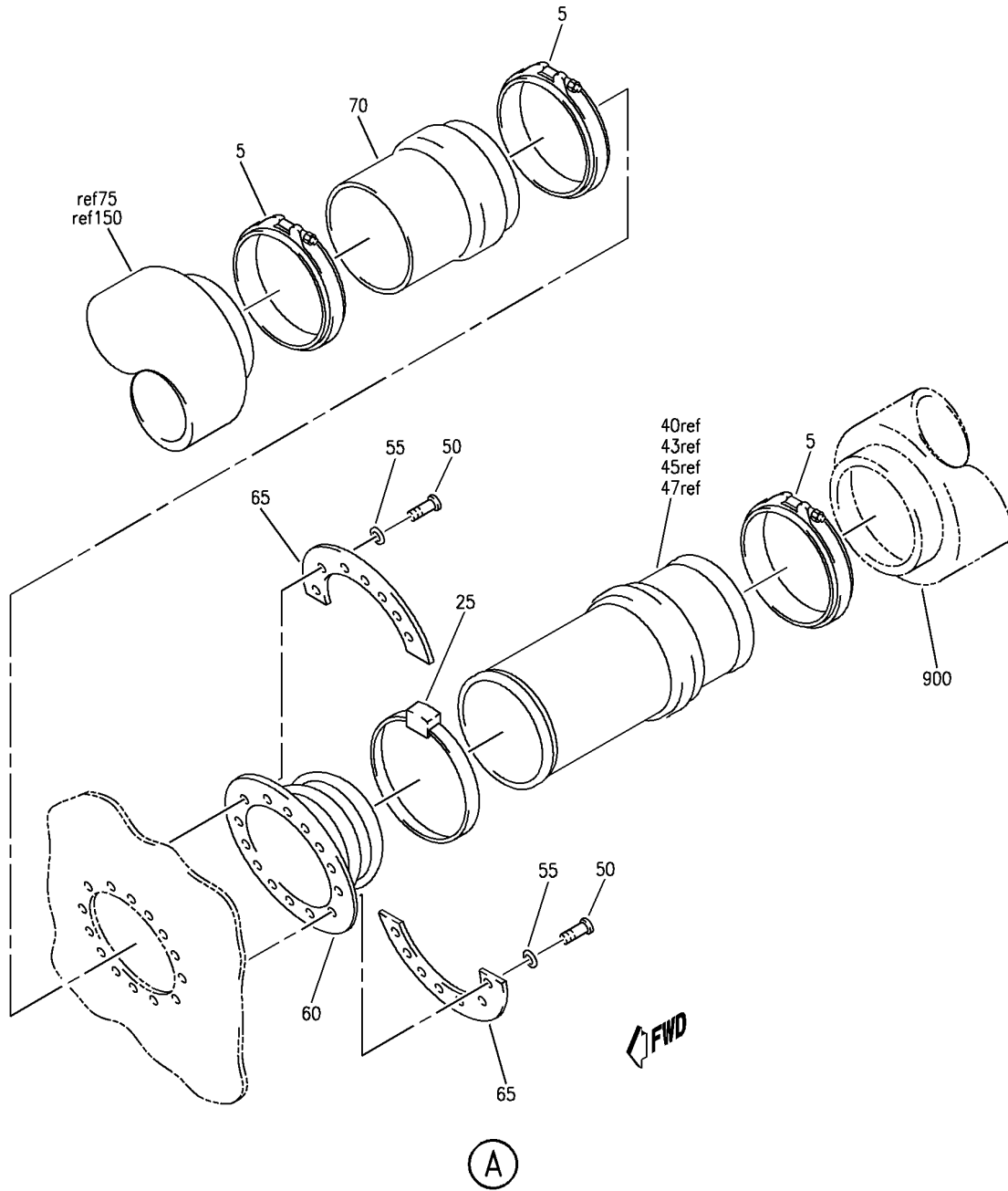
DUCT INSTL-AIR DISTR MIX BAY SYS BASELINE CONFIGURATION FOR 737-700 (COLD AIR CHECK VALVE ONLY)
 FIGURE 5 (SHEET 1)

HAP
 FEB 10/07

21-21-51-05

21-21-51-05
 PAGE 0

BOEING
 737-600/700/800/900
 PARTS CATALOG (MAINTENANCE)



E 21215105 SHT 2 REV 124

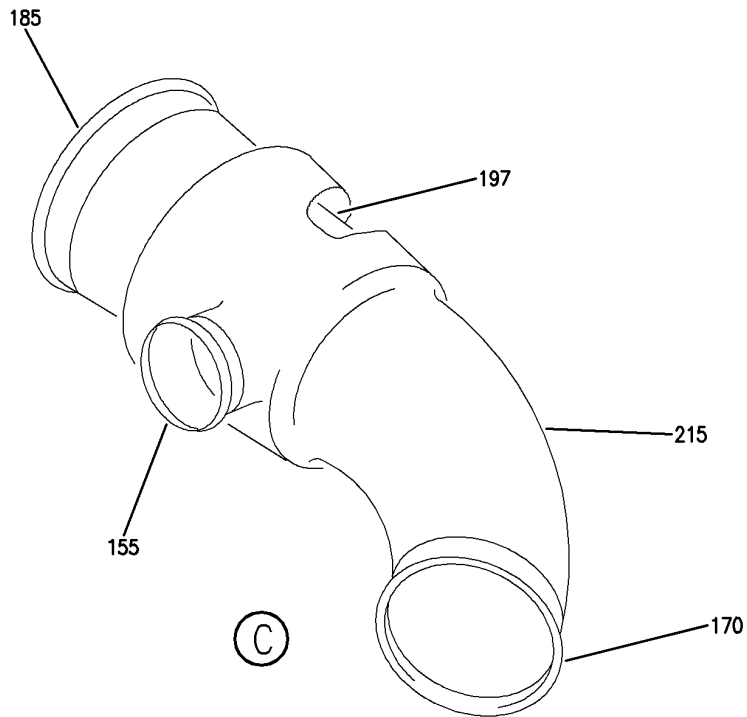
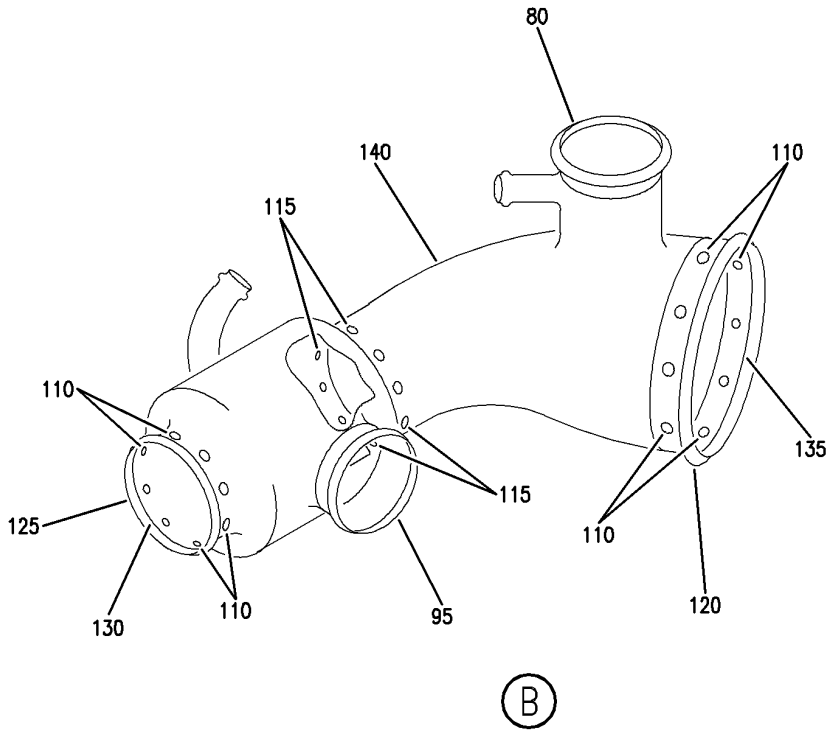
DUCT INSTL-AIR DISTR MIX BAY SYS BASELINE CONFIGURATION FOR 737-700 (COLD AIR CHECK VALVE ONLY)
 FIGURE 5 (SHEET 2)

HAP
 FEB 10/07

21-21-51-05

21-21-51-05
 PAGE 0A

BOEING
 737-600/700/800/900
 PARTS CATALOG (MAINTENANCE)



E 21215105 SHT 3 REV 054

DUCT INSTL-AIR DISTR MIX BAY SYS BASELINE CONFIGURATION FOR 737-700 (COLD AIR CHECK VALVE ONLY)
 FIGURE 5 (SHEET 3)

HAP
 FEB 10/07

21-21-51-05

21-21-51-05
 PAGE 0B

BOEING
737-600/700/800/900
PARTS CATALOG (MAINTENANCE)

FIG ITEM	PART NUMBER	1 2 3 4 5 6 7	NOMENCLATURE	EFFECT FROM TO	UNITS PER ASSY
5			DUCT INSTL-AIR DISTR MIX BAY SYS BASELINE CONFIGURATION FOR 737-700 (COLD AIR CHECK VALVE ONLY)	101101 201971	
- 1	214A3001-2		DUCT INSTL-AIR DISTR SYS MIX BAY BASELINE CONFIGURATION FOR 737-700 (COLD AIR CHECK VALVE ONLY)	201967	RF
- 1	MODREF251484		FOR NHA/OTHER SYS DET SEE: 21-20-00-04B DUCT INSTL-AIR DISTR SYS MIX BAY BASELINE CONFIGURATION FOR 737-700 (COLD AIR CHECK VALVE ONLY)	101101 968971	1
			MODULE NUMBER: 214A3001-14 REV D FOR OTHER SYS DETAILS SEE: 21-25-01-04 21-25-02-06 21-25-03-06 21-61-03-03 FOR ADDITIONAL DETAILS SEE: 21-21-02-04		
5	BACC10DU450ABE		.CLAMP	101101 201971	6
10	BACC10DU700ABE		.CLAMP	101101 201971	2
15	BACC10DU350ABE		.CLAMP	101101 201971	RF
20	NAS1922-0100-3		.CLAMP	101101 201971	2
25	NAS1922-0525-3		.CLAMP-	202967	2
25	BACC10BN550L5ME		.CLAMP- POST SERVICE BULLETIN: 21-1127	101101 201201 968971	2
30	NH135008-0350		.COUPLING SUPPLIER CODE: V00624 SPECIFICATION NUMBER: BACC10HX350	101101 201971	1
35	AS1503-04F0151		.DUCT-	201967	1
35	AS1503-04F0152		.DUCT-	101101 968971	1
40	214A3111-1		.DUCT ASSY-	201967	1
43	214A3111-15		.DUCT ASSY-	101101 968971	1

MISSING ITEM NUMBERS NOT APPLICABLE

- ITEM NOT ILLUSTRATED

HAP

21-21-51-05

BOEING PROPRIETARY - Copyright © - Unpublished Work - See title page for details.

21-21-51
FIG. 05
PAGE 1
OCT 15/08

BOEING
737-600/700/800/900
PARTS CATALOG (MAINTENANCE)

FIG ITEM	PART NUMBER	1 2 3 4 5 6 7	NOMENCLATURE	EFFECT FROM TO	UNITS PER ASSY
5					
45	214A3111-3	.	DUCT ASSY-	201967	1
47	214A3111-16	.	DUCT ASSY-	101101 968971	1
50	BACB30NM3K6	.	BOLT	101101	28
55	NAS1149D0332J	.	WASHER	201971 101101	28
60	D1859-37	.	SEAL-FLEX SUPPLIER CODE: V75345 SPECIFICATION NUMBER: 10-3274-37 OPTIONAL PART: BOE2003-0037 V16632 OPTIONAL PART: 0420-0000-0126 V04927 1301058 V14711	201967	2
60	BOE2003-0037	.	SEAL-FLEX SUPPLIER CODE: V16632 SPECIFICATION NUMBER: 10-3274-37 OPTIONAL PART: D1859-37 V75345 OPTIONAL PART: 0420-0000-0126 V04927 1301058 V14711	201967	2
60	0420-0000-0126	.	SEAL-FLEX SUPPLIER CODE: V04927 OPTIONAL PART: D1859-37 V75345 BOE2003-0037 V16632 1301058 V14711	201967	2

MISSING ITEM NUMBERS NOT APPLICABLE

— ITEM NOT ILLUSTRATED

HAP

21-21-51-05

BOEING PROPRIETARY - Copyright © - Unpublished Work - See title page for details.

21-21-51
FIG. 05
PAGE 2
OCT 15/08

BOEING
737-600/700/800/900
PARTS CATALOG (MAINTENANCE)

FIG ITEM	PART NUMBER	1 2 3 4 5 6 7	NOMENCLATURE	EFFECT FROM TO	UNITS PER ASSY
5 60	1301058		.SEAL-FLEX SUPPLIER CODE: V14711 OPTIONAL PART: D1859-37 V75345 BOE2003-0037 V16632 0420-0000-0126 V04927	201967	2
60	BOE2236-0017		.SEAL-FLEX SUPPLIER CODE: V16632 SPECIFICATION NUMBER: S212W301-17	101101 201971	2
65	66-13618-3		.RING- MANUFACTURED FROM: SHEET AL ALLOY 2024-T3 CLAD QQ-A-250/5 F-18.06 PLUS F-21.03 .10IN 3.8IN 7.7IN	101101 201971	4
70	123268-1-1		.VALVE- SUPPLIER CODE: V59364 FUNCTIONAL DESCRIPTION: PREVENTS LOSS OF AIR FROM DISTRIBUTION SYSTEM SHOULD A FAILURE OCCUR IN THE AIR CYCLE SYSTEM. SPECIFICATION NUMBER: 10-60508-2 COMPONENT MAINT MANUAL REF: 21-61-31 MAINTENANCE MANUAL REF: 21-51-07	101101 201971	2
75	214A3109-2		.DUCT ASSY MAINTENANCE MANUAL REF: 21-21-02	101101 201971	1
80	NK130004-0350		..FLANGE SUPPLIER CODE: V8W928 SPECIFICATION NUMBER: BACF22BC350 OPTIONAL PART: NK130004-0350 V00624	101101 201971	1

MISSING ITEM NUMBERS NOT APPLICABLE

— ITEM NOT ILLUSTRATED

HAP

21-21-51-05

BOEING PROPRIETARY - Copyright © - Unpublished Work - See title page for details.

21-21-51
FIG. 05
PAGE 3
OCT 15/08

BOEING
737-600/700/800/900
PARTS CATALOG (MAINTENANCE)

FIG ITEM	PART NUMBER	1 2 3 4 5 6 7	NOMENCLATURE	EFFECT FROM TO	UNITS PER ASSY
5			ATTACHING PARTS		
- 85	BACR15BA4AC	..	RIVET- SIZE DETERMINED ON INSTL.	101101 201971	8
- 90	NAS1149DN432J	..	WASHER	101101 201971	8
			-----*-----		
95	VFS103110-350	..	FLANGE SUPPLIER CODE: V14242 SPECIFICATION NUMBER: BACF22AA350A OPTIONAL PART: 56408-1-350 V98625 10120-350 V06689 56408-1-350 V8W928 2909AC350 V94581	101101 201971	1
			ATTACHING PARTS		
- 100	MS20427M	..	RIVET- SIZE DETERMINED ON INSTL.	101101 201971	8
- 105	NAS1149CN532R	..	WASHER- POSITION DATA: FAR SIDE	101101 201971	8
			-----*-----		
110	MS20427M	..	RIVET- SIZE DETERMINED ON INSTL.	101101 201971	16
115	MS20615-4M	..	RIVET- SIZE DETERMINED ON INSTL.	101101 201971	8
120	VFS103110-700	..	FLANGE SUPPLIER CODE: V14242 SPECIFICATION NUMBER: BACF22AA700A OPTIONAL PART: 56408-1-700 V8W928 10120-700 V06689 56408-1-700 V98625 2909AC700 V94581	101101 201971	1

MISSING ITEM NUMBERS NOT APPLICABLE

- ITEM NOT ILLUSTRATED

HAP

21-21-51-05

BOEING PROPRIETARY - Copyright © - Unpublished Work - See title page for details.

21-21-51
FIG. 05
PAGE 4
OCT 15/08

BOEING
737-600/700/800/900
PARTS CATALOG (MAINTENANCE)

FIG ITEM	PART NUMBER	1 2 3 4 5 6 7	NOMENCLATURE	EFFECT FROM TO	UNITS PER ASSY
5 125	VFS103110-450	..	FLANGE SUPPLIER CODE: V14242 SPECIFICATION NUMBER: BACF22AA450A OPTIONAL PART: 56408-1-450 V98625 10120-450 V06689 56408-1-450 V8W928 2909AC450 V94581	101101 201971	1
130	65-55392-4	..	INSERT	101101 201971	1
135	214A3419-2	..	RESTRICTOR	101101 201971	1
140	214A3409-1	..	DUCT	101101 201971	1
150	65C30960-1	.	DUCT ASSY-	101101 201971	1
155	VFS103110-350	..	FLANGE SUPPLIER CODE: V14242 SPECIFICATION NUMBER: BACF22AA350A OPTIONAL PART: 56408-1-350 V98625 10120-350 V06689 56408-1-350 V8W928 2909AC350 V94581	101101 201971	1
- 160	BACR15CE4M	..	ATTACHING PARTS RIVET- SIZE DETERMINED ON INSTL.	101101 201971	8
- 165	AN960C4	..	WASHER- POSITION DATA: FAR SIDE -----*-----	101101 201971	8

MISSING ITEM NUMBERS NOT APPLICABLE

- ITEM NOT ILLUSTRATED

HAP

21-21-51-05

BOEING PROPRIETARY - Copyright © - Unpublished Work - See title page for details.

21-21-51
FIG. 05
PAGE 5
OCT 15/08

BOEING
737-600/700/800/900
PARTS CATALOG (MAINTENANCE)

FIG ITEM	PART NUMBER	1 2 3 4 5 6 7	NOMENCLATURE	EFFECT FROM TO	UNITS PER ASSY
5 170	VFS103110-450	..	FLANGE SUPPLIER CODE: V14242 SPECIFICATION NUMBER: BACF22AA450A OPTIONAL PART: 56408-1-450 V98625 10120-450 V06689 56408-1-450 V8W928 2909AC450 V94581 ATTACHING PARTS	101101 201971	1
- 175	BACR15CE4M	..	RIVET- SIZE DETERMINED ON INSTL.	101101 201971	8
- 180	AN960C4	..	WASHER- POSITION DATA: FAR SIDE -----*-----	101101 201971	8
185	VFS103110-700	..	FLANGE SUPPLIER CODE: V14242 SPECIFICATION NUMBER: BACF22AA700A OPTIONAL PART: 56408-1-700 V8W928 10120-700 V06689 56408-1-700 V98625 2909AC700 V94581 ATTACHING PARTS	101101 201971	1
- 190	BACR15CE4M	..	RIVET- SIZE DETERMINED ON INSTL.	101101 201971	8
- 195	AN960C4	..	WASHER- POSITION DATA: FAR SIDE -----*-----	101101 201971	8
197	65C30977-1	..	INSERT	101101 201971	1
- 200	MS20615-4M	..	RIVET- SIZE DETERMINED ON INSTL.	101101 201971	16
- 205	AN960C4	..	WASHER- POSITION DATA: NEAR SIDE	101101 201971	16

MISSING ITEM NUMBERS NOT APPLICABLE

- ITEM NOT ILLUSTRATED

HAP

21-21-51-05

BOEING PROPRIETARY - Copyright © - Unpublished Work - See title page for details.

21-21-51
FIG. 05
PAGE 6
OCT 15/08


BOEING
 737-600/700/800/900
PARTS CATALOG (MAINTENANCE)

FIG ITEM	PART NUMBER	1 2 3 4 5 6 7	NOMENCLATURE	EFFECT FROM TO	UNITS PER ASSY
5	65C30960-2		. . DUCT	101101 201971	1
215			ILLUSTRATION REFERENCE: SEPARATOR INSTL-AIR CONDITIONING WATER (WATER SEPARATOR AND COALESCER (BAG) ONLY) 21-51-05-01	101101 201971	RF
900					

MISSING ITEM NUMBERS NOT APPLICABLE

— ITEM NOT ILLUSTRATED

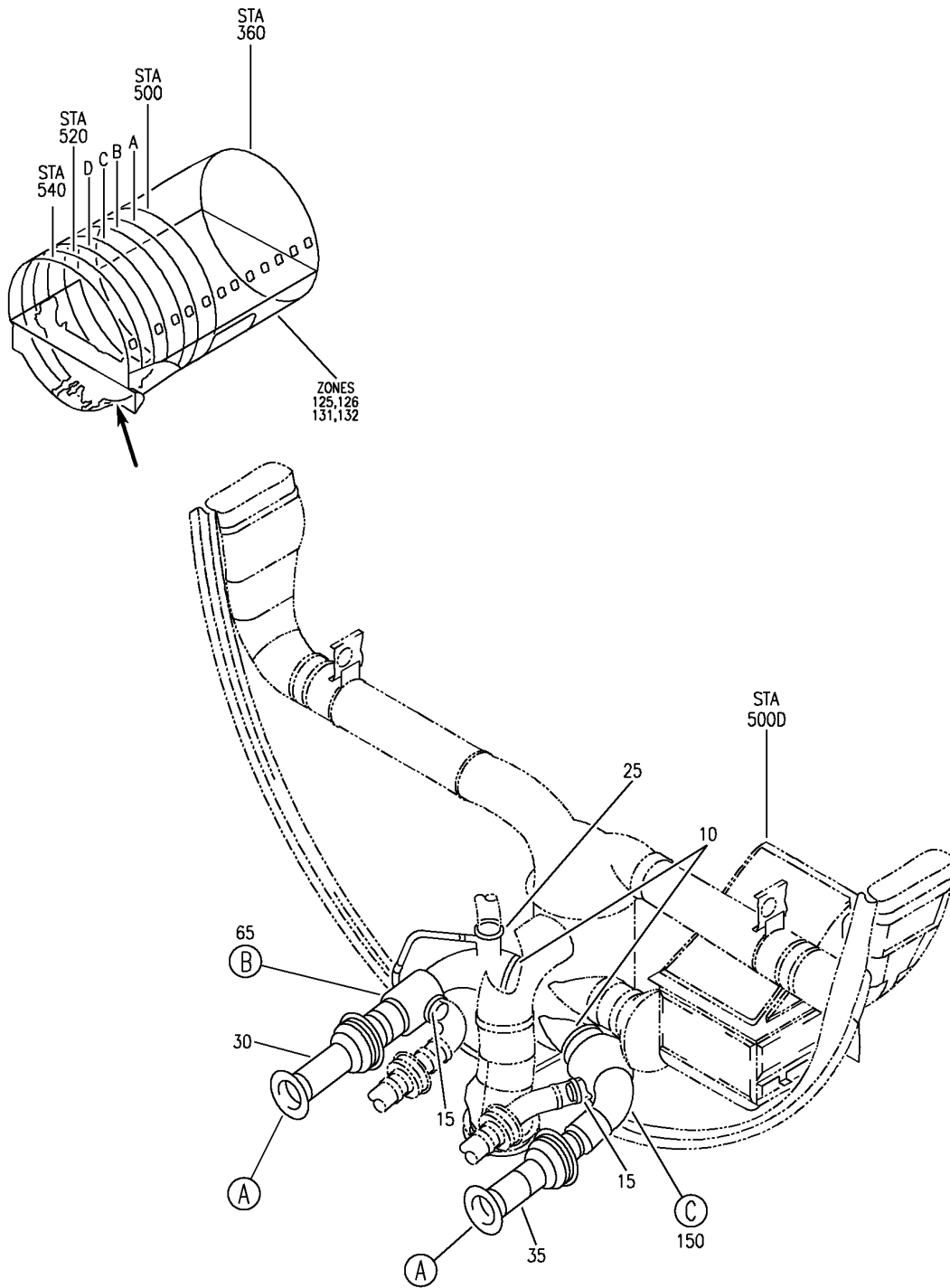
HAP

21-21-51-05

BOEING PROPRIETARY - Copyright © - Unpublished Work - See title page for details.

21-21-51
 FIG. 05
 PAGE 7
 OCT 15/08

BOEING
 737-600/700/800/900
 PARTS CATALOG (MAINTENANCE)



E 21215105B SHT 1 REV 136

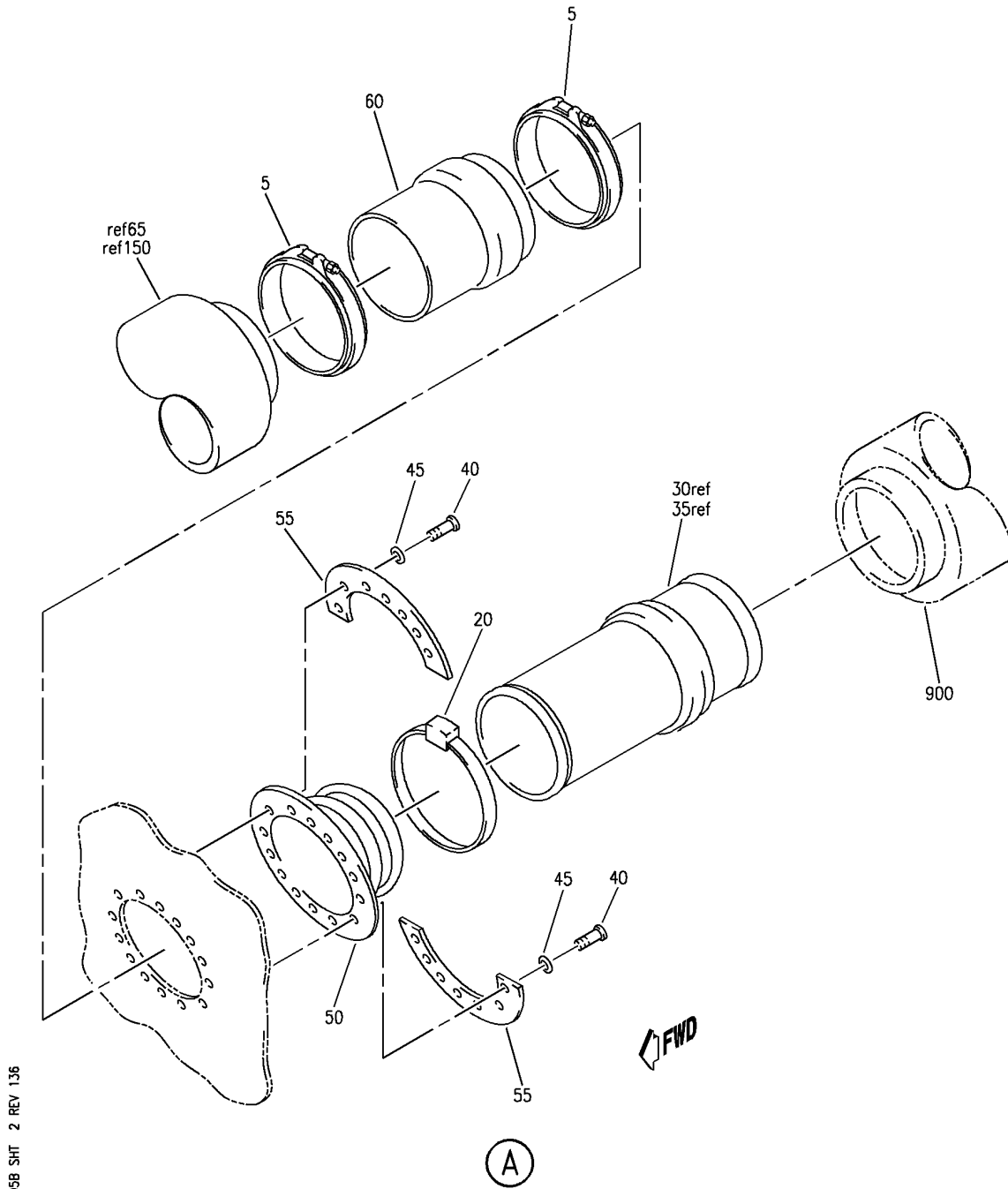
DUCT INSTL-AIR DISTR MIX BAY SYS BASELINE CONFIGURATION FOR 737-700 (COLD AIR CHECK VALVE ONLY)
 FIGURE 5B (SHEET 1)

HAP
 FEB 15/08

21-21-51-05B

21-21-51-05B
 PAGE 0

BOEING
 737-600/700/800/900
 PARTS CATALOG (MAINTENANCE)



E 21215105B SHT 2 REV 136

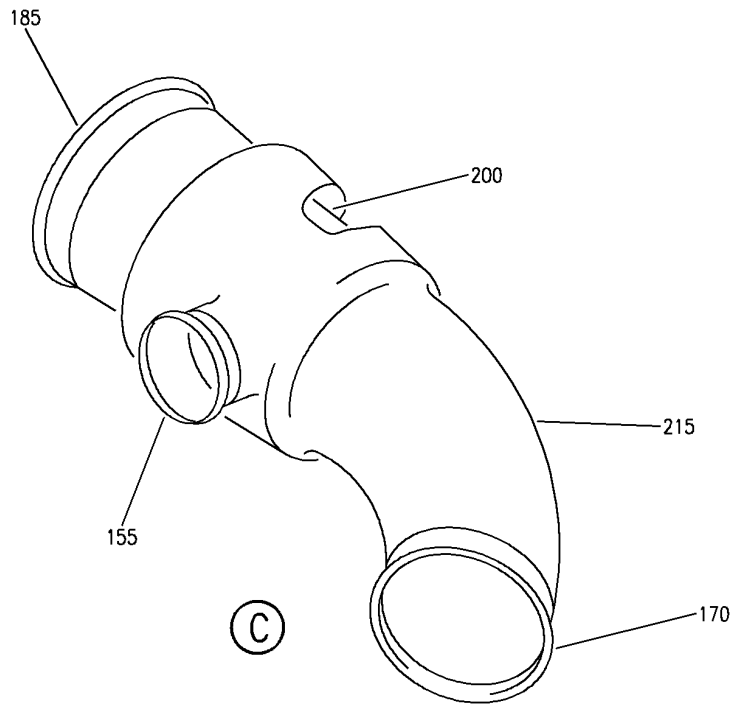
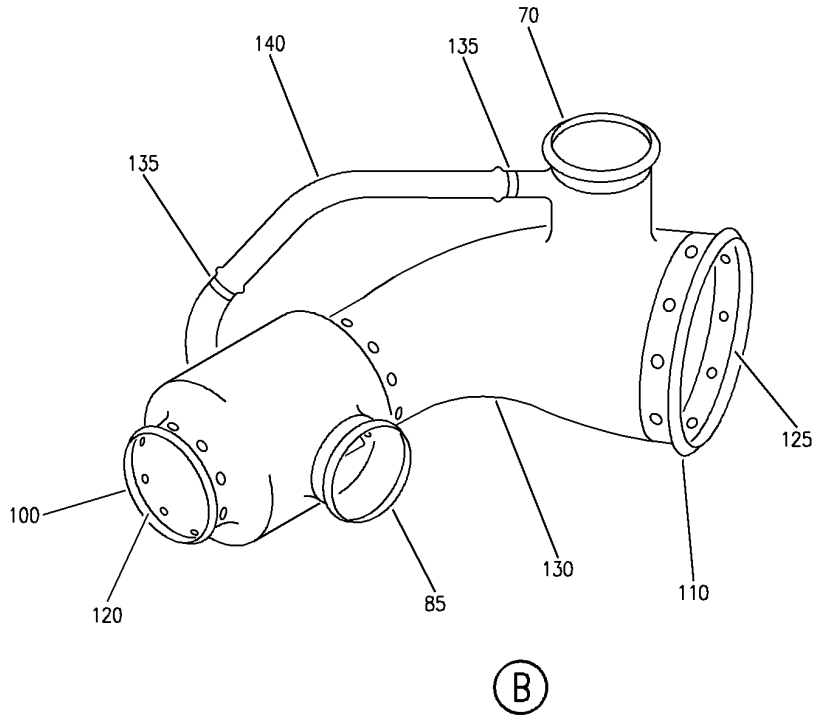
DUCT INSTL-AIR DISTR MIX BAY SYS BASELINE CONFIGURATION FOR 737-700 (COLD AIR CHECK VALVE ONLY)
 FIGURE 5B (SHEET 2)

HAP
 FEB 15/08

21-21-51-05B

21-21-51-05B
 PAGE 0A

BOEING
 737-600/700/800/900
 PARTS CATALOG (MAINTENANCE)



E 21215105B SHT 3 REV 136

DUCT INSTL-AIR DISTR MIX BAY SYS BASELINE CONFIGURATION FOR 737-700 (COLD AIR CHECK VALVE ONLY)
 FIGURE 5B (SHEET 3)

HAP
 FEB 15/08

21-21-51-05B

21-21-51-05B
 PAGE 0B

BOEING
737-600/700/800/900
PARTS CATALOG (MAINTENANCE)

FIG ITEM	PART NUMBER	1 2 3 4 5 6 7	NOMENCLATURE	EFFECT FROM TO	UNITS PER ASSY
5B			DUCT INSTL-AIR DISTR MIX BAY SYS BASELINE CONFIGURATION FOR 737-700 (COLD AIR CHECK VALVE ONLY)	102200 972999	
- 1	MODREF357285		DUCT INSTL-AIR DISTR SYS MIX BAY BASELINE CONFIGURATION FOR 737-700 (COLD AIR CHECK VALVE ONLY) MODULE NUMBER: 214A3001-14 REV F FOR OTHER SYS DETAILS SEE: 21-25-01-04 21-25-02-06 21-25-03-06 21-61-03-03 FOR ADDITIONAL DETAILS SEE: 21-21-02-04	102106 972999	1
- 1	MODREF394945		DUCT INSTL-AIR DISTR SYS MIX BAY BASELINE CONFIGURATION FOR 737-700 (COLD AIR CHECK VALVE ONLY) MODULE NUMBER: 214A3001-14 REV G FOR OTHER SYS DETAILS SEE: 21-25-01-04 21-25-02-06 21-25-03-06 21-61-03-03 FOR ADDITIONAL DETAILS SEE: 21-21-02-04	107200	1
5	BACC10DU450ABE		.CLAMP	102200 972999	4
10	BACC10DU700ABE		.CLAMP	102200 972999	2
15	BACC10DU350ABE		.CLAMP	102200 972999	RF
20	BACC10BN550L5ME		.CLAMP	102200 972999	2
25	NH135008-0350		.COUPLING SUPPLIER CODE: V00624 SPECIFICATION NUMBER: BACC10HX350	102200 972999	1
30	214A3111-15		.DUCT ASSY	102200 972999	1

MISSING ITEM NUMBERS NOT APPLICABLE

- ITEM NOT ILLUSTRATED

HAP

21-21-51-05B

BOEING PROPRIETARY - Copyright © - Unpublished Work - See title page for details.

21-21-51
FIG. 05B
PAGE 1
OCT 15/08

BOEING
737-600/700/800/900
PARTS CATALOG (MAINTENANCE)

FIG ITEM	PART NUMBER	1 2 3 4 5 6 7	NOMENCLATURE	EFFECT FROM TO	UNITS PER ASSY
5B					
35	214A3111-16	.	DUCT ASSY	102200 972999	1
40	BACB30NM3K6	.	BOLT	102200 972999	28
45	NAS1149D0332J	.	WASHER	102200 972999	28
50	BOE2236-0017	.	SEAL-FLEX SUPPLIER CODE: V16632 SPECIFICATION NUMBER: S212W301-17	102200 972999	2
55	66-13618-3	.	RING- MANUFACTURED FROM: SHEET AL ALLOY 2024-T3 CLAD QQ-A-250/5 F-18.06 PLUS F-21.03 .10IN 3.8IN 7.7IN	102200 972999	4
60	123268-1-1	.	VALVE- SUPPLIER CODE: V59364 FUNCTIONAL DESCRIPTION: PREVENTS LOSS OF AIR FROM DISTRIBUTION SYSTEM SHOULD A FAILURE OCCUR IN THE AIR CYCLE SYSTEM. SPECIFICATION NUMBER: 10-60508-2 COMPONENT MAINT MANUAL REF: 21-61-31	102200 972999	2
65	214A3109-4	.	DUCT ASSY	102200 972999	1
70	NK130004-0350	..	FLANGE SUPPLIER CODE: V8W928 SPECIFICATION NUMBER: BACF22BC350 OPTIONAL PART: NK130004-0350 V00624 ATTACHING PARTS	102200 972999	1
- 75	BACR15BA4AC	..	RIVET- SIZE DETERMINED ON INSTL.	102200 972999	8
- 80	NAS1149DN432J	..	WASHER	102200 972999	8
			-----*-----		

MISSING ITEM NUMBERS NOT APPLICABLE

- ITEM NOT ILLUSTRATED

HAP

21-21-51-05B

BOEING PROPRIETARY - Copyright © - Unpublished Work - See title page for details.

21-21-51
FIG. 05B
PAGE 2
OCT 15/08

BOEING
737-600/700/800/900
PARTS CATALOG (MAINTENANCE)

FIG ITEM	PART NUMBER	1 2 3 4 5 6 7	NOMENCLATURE	EFFECT FROM TO	UNITS PER ASSY
5B 85	VFS103110-350		.. FLANGE SUPPLIER CODE: V14242 SPECIFICATION NUMBER: BACF22AA350A OPTIONAL PART: 56408-1-350 V98625 10120-350 V06689 56408-1-350 V8W928 2909AC350 V94581 ATTACHING PARTS	102200 972999	1
- 90	MS20427M		.. RIVET- SIZE DETERMINED ON INSTL.	102200 972999	8
- 95	NAS1149CN532R		.. WASHER- POSITION DATA: FAR SIDE -----*-----	102200 972999	8
100	VFS103110-450		.. FLANGE SUPPLIER CODE: V14242 SPECIFICATION NUMBER: BACF22AA450A OPTIONAL PART: 56408-1-450 V98625 10120-450 V06689 56408-1-450 V8W928 2909AC450 V94581 ATTACHING PARTS	102200 972999	1
- 105	MS20427M		.. RIVET- SIZE DETERMINED ON INSTL. -----*-----	102200 972999	8

MISSING ITEM NUMBERS NOT APPLICABLE

- ITEM NOT ILLUSTRATED

HAP

21-21-51-05B

BOEING PROPRIETARY - Copyright © - Unpublished Work - See title page for details.

21-21-51
FIG. 05B
PAGE 3
OCT 15/08

BOEING
737-600/700/800/900
PARTS CATALOG (MAINTENANCE)

FIG ITEM	PART NUMBER	1 2 3 4 5 6 7	NOMENCLATURE	EFFECT FROM TO	UNITS PER ASSY
5B 110	VFS103110-700	..	FLANGE SUPPLIER CODE: V14242 SPECIFICATION NUMBER: BACF22AA700A OPTIONAL PART: 56408-1-700 V8W928 10120-700 V06689 56408-1-700 V98625 2909AC700 V94581 ATTACHING PARTS	102200 972999	1
- 115	MS20427M	..	RIVET- SIZE DETERMINED ON INSTL. -----*-----	102200 972999	8
120	65-55392-4	..	INSERT ATTACHING PARTS	102200 972999	1
- 123	MS20615-4M	..	RIVET- SIZE DETERMINED ON INSTL. -----*-----	102200 972999	8
125	214A3419-2	..	RESTRICTOR	102200 972999	1
130	214A3409-2	..	DUCT	102200 972999	1
135	NAS1922-0100-3	..	CLAMP	102200 972999	2
140	AS1503-04F0152	..	DUCT	102200 972999	1
150	65C30960-1	.	DUCT ASSY	102200 972999	1
155	VFS103110-350	..	FLANGE SUPPLIER CODE: V14242 SPECIFICATION NUMBER: BACF22AA350A OPTIONAL PART: 56408-1-350 V98625 10120-350 V06689 56408-1-350 V8W928 2909AC350 V94581	102200 972999	1

MISSING ITEM NUMBERS NOT APPLICABLE

- ITEM NOT ILLUSTRATED

HAP

21-21-51-05B

BOEING PROPRIETARY - Copyright © - Unpublished Work - See title page for details.

21-21-51
FIG. 05B
PAGE 4
OCT 15/08

BOEING
737-600/700/800/900
PARTS CATALOG (MAINTENANCE)

FIG ITEM	PART NUMBER	1 2 3 4 5 6 7	NOMENCLATURE	EFFECT FROM TO	UNITS PER ASSY
5B			ATTACHING PARTS		
- 160	BACR15CE4M		..RIVET- SIZE DETERMINED ON INSTL.	102200 972999	8
- 165	AN960C4		..WASHER- POSITION DATA: FAR SIDE -----*-----	102200 972999	8
170	VFS103110-450		.. FLANGE SUPPLIER CODE: V14242 SPECIFICATION NUMBER: BACF22AA450A OPTIONAL PART: 56408-1-450 V98625 10120-450 V06689 56408-1-450 V8W928 2909AC450 V94581 ATTACHING PARTS	102200 972999	1
- 175	BACR15CE4M		..RIVET- SIZE DETERMINED ON INSTL.	102200 972999	8
- 180	AN960C4		..WASHER- POSITION DATA: FAR SIDE -----*-----	102200 972999	8
185	VFS103110-700		.. FLANGE SUPPLIER CODE: V14242 SPECIFICATION NUMBER: BACF22AA700A OPTIONAL PART: 56408-1-700 V8W928 10120-700 V06689 56408-1-700 V98625 2909AC700 V94581 ATTACHING PARTS	102200 972999	1
- 190	BACR15CE4M		..RIVET- SIZE DETERMINED ON INSTL.	102200 972999	8
- 195	AN960C4		..WASHER- POSITION DATA: FAR SIDE -----*-----	102200 972999	8

MISSING ITEM NUMBERS NOT APPLICABLE

- ITEM NOT ILLUSTRATED

HAP

21-21-51-05B

BOEING PROPRIETARY - Copyright © - Unpublished Work - See title page for details.

21-21-51
FIG. 05B
PAGE 5
OCT 15/08

BOEING
737-600/700/800/900
PARTS CATALOG (MAINTENANCE)

FIG ITEM	PART NUMBER	1 2 3 4 5 6 7	NOMENCLATURE	EFFECT FROM TO	UNITS PER ASSY
5B 200	65C30977-1		.. INSERT	102200 972999	1
- 205	MS20615-4M		.. RIVET- SIZE DETERMINED ON INSTL.	102200 972999	16
- 210	AN960C4		.. WASHER- POSITION DATA: NEAR SIDE	102200 972999	16
215	65C30960-2		.. DUCT	102200 972999	1
900			ILLUSTRATION REFERENCE: SEPARATOR INSTL-AIR CONDITIONING WATER (WATER SEPARATOR AND COALESCER (BAG) ONLY) 21-51-05-01	102105 972999	RF

MISSING ITEM NUMBERS NOT APPLICABLE

- ITEM NOT ILLUSTRATED

HAP

21-21-51-05B

BOEING PROPRIETARY - Copyright © - Unpublished Work - See title page for details.

21-21-51
FIG. 05B
PAGE 6
OCT 15/08