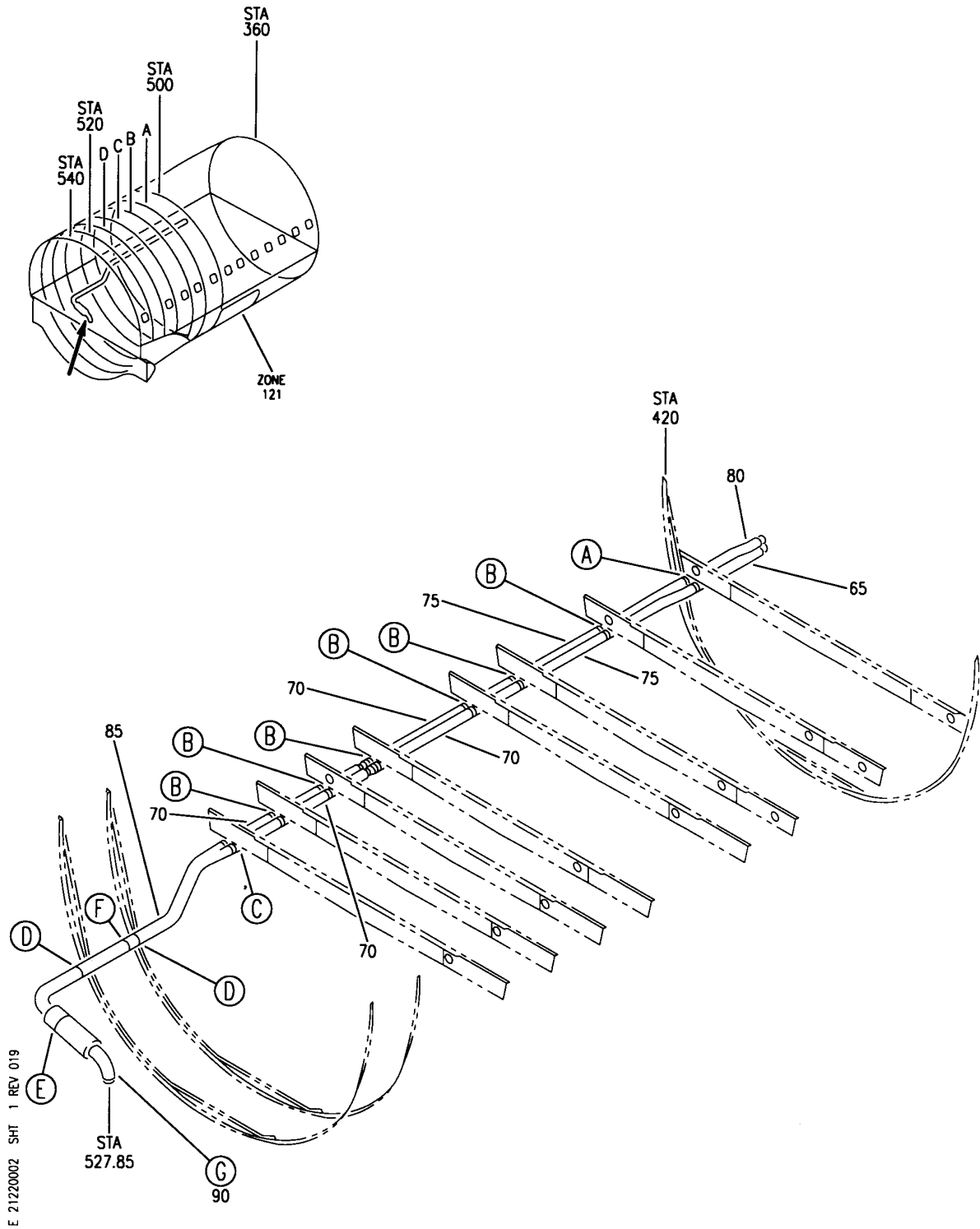


FLIGHT COMPARTMENT CONDITIONED AIR DISTRIBUTION

HAP
OCT 10/06

21-22-00
SECTION TITLE
PAGE 1

BOEING
 737-600/700/800/900
 PARTS CATALOG (MAINTENANCE)



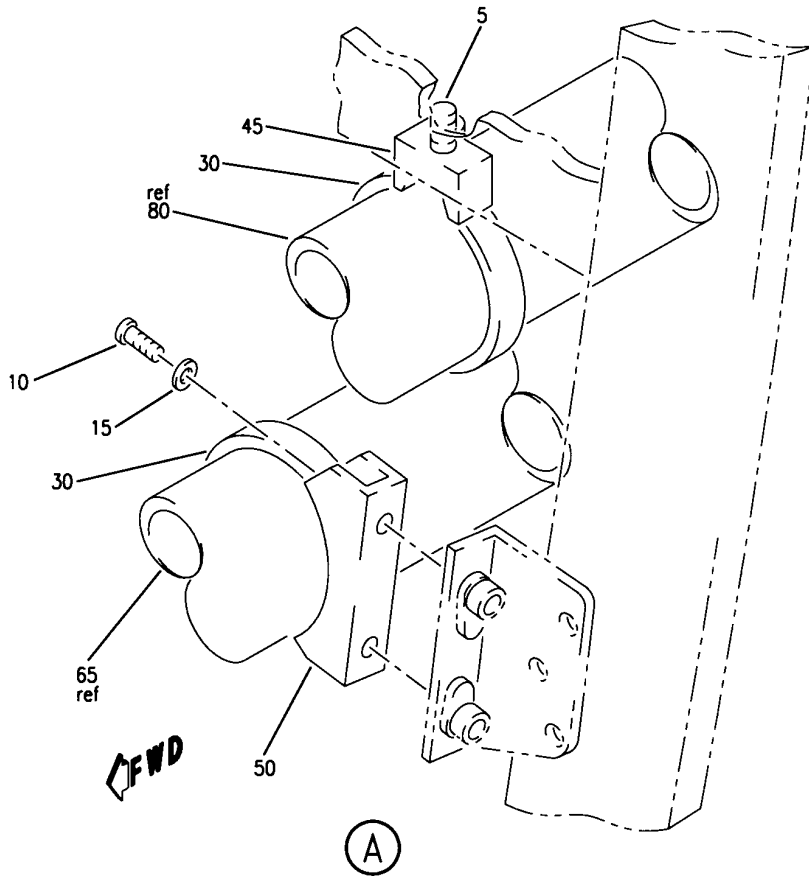
DUCT INSTL-SECT. 43 AIR DISTR SYS FLIGHT DECK 737-800 BASELINE
 FIGURE 2 (SHEET 1)

HAP
 OCT 10/06

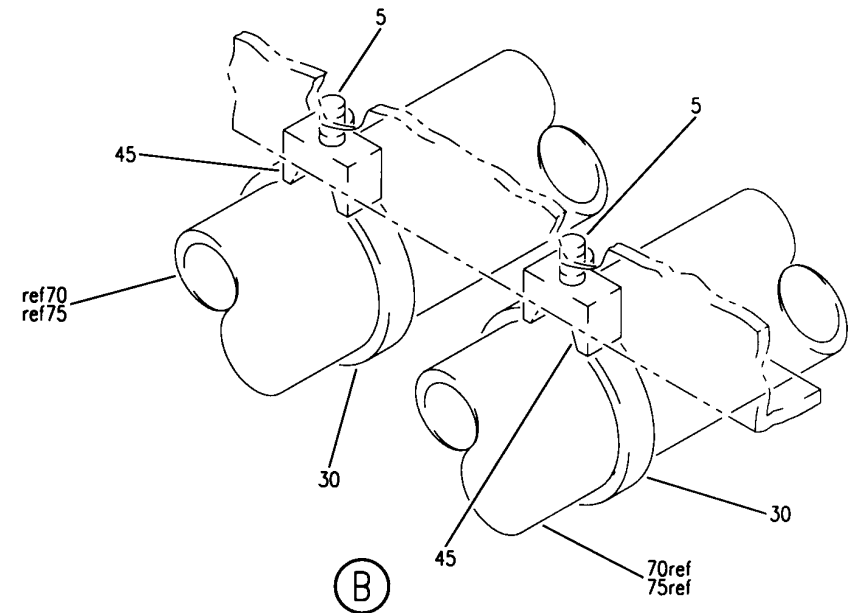
21-22-00-02

21-22-00-02
 PAGE 0

BOEING
 737-600/700/800/900
 PARTS CATALOG (MAINTENANCE)



(A)



(B)

E 21220002 SHT 2 REV 019

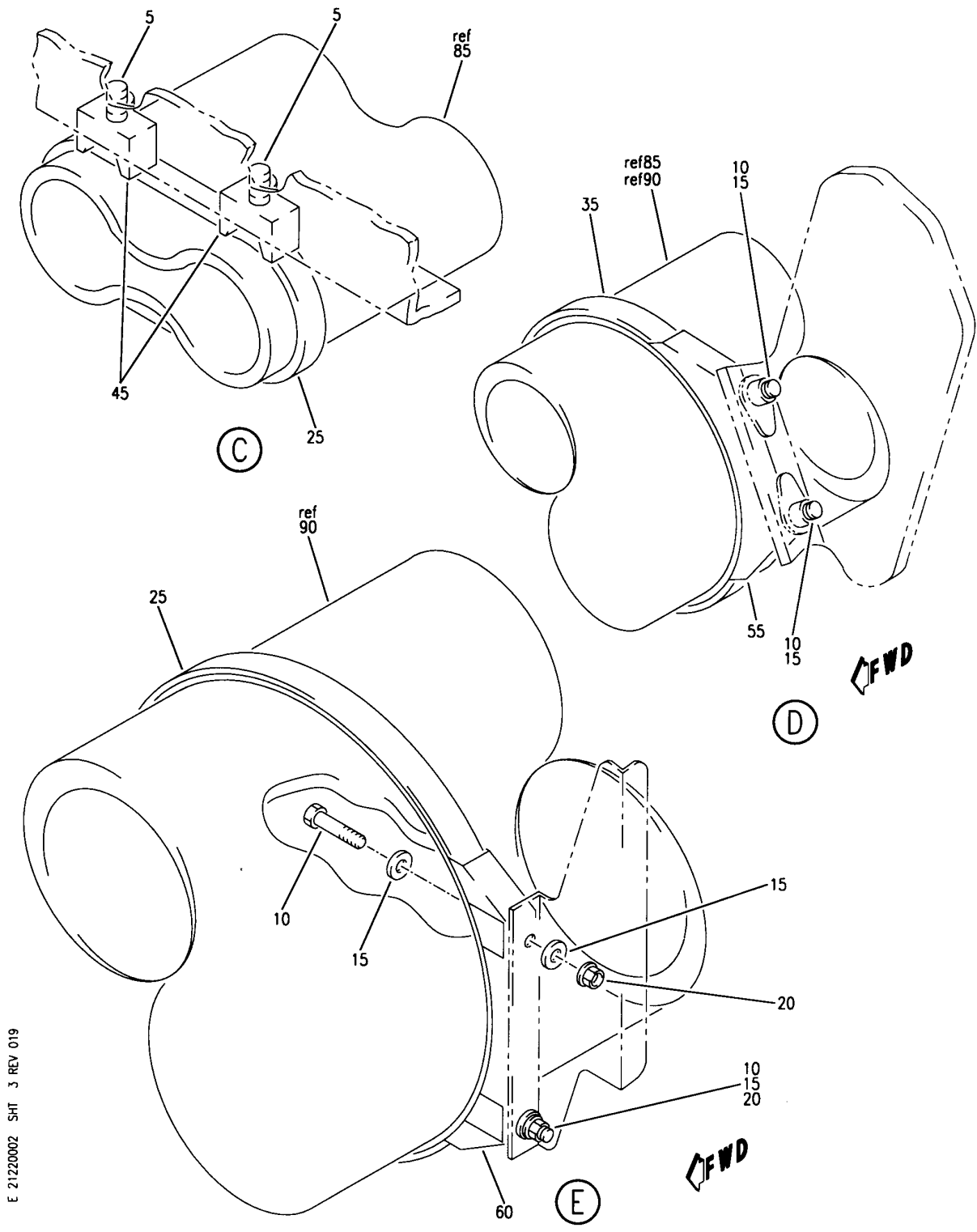
DUCT INSTL-SECT. 43 AIR DISTR SYS FLIGHT DECK 737-800 BASELINE
 FIGURE 2 (SHEET 2)

HAP
 OCT 10/06

21-22-00-02

21-22-00-02
 PAGE 0A

BOEING
 737-600/700/800/900
 PARTS CATALOG (MAINTENANCE)



E 2122002 SHT 3 REV 019

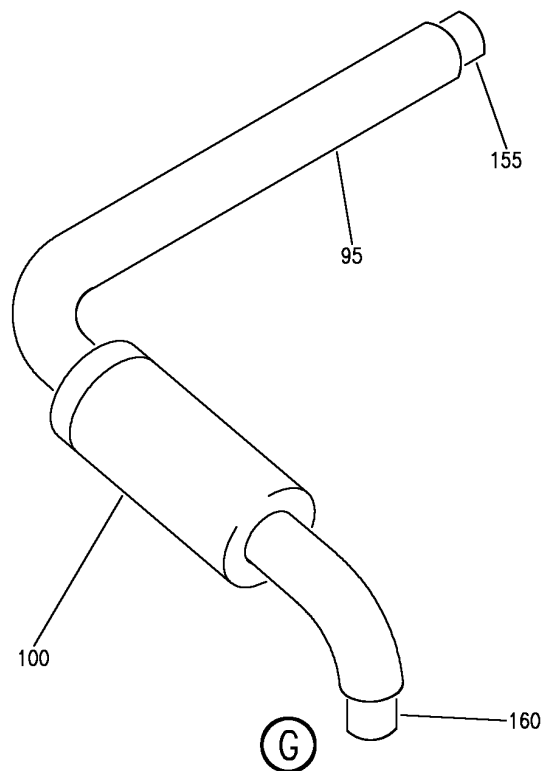
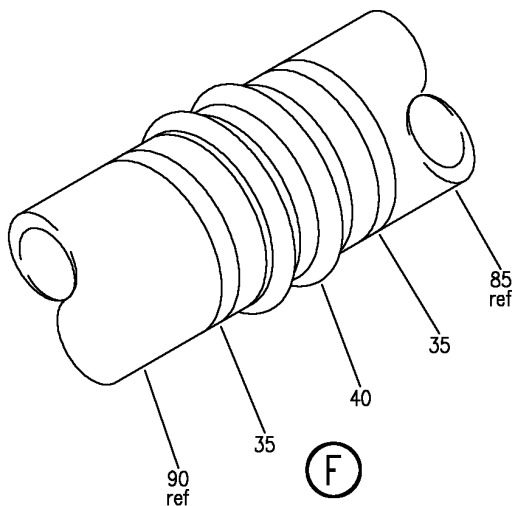
DUCT INSTL-SECT. 43 AIR DISTR SYS FLIGHT DECK 737-800 BASELINE
 FIGURE 2 (SHEET 3)

21-22-00-02

HAP
 OCT 10/06

21-22-00-02
 PAGE 08

BOEING
 737-600/700/800/900
 PARTS CATALOG (MAINTENANCE)



E 21220002 SH1 4 REV 151

DUCT INSTL-SECT. 43 AIR DISTR SYS FLIGHT DECK 737-800 BASELINE
 FIGURE 2 (SHEET 4)

HAP
 FEB 15/09

21-22-00-02

21-22-00-02
 PAGE 0C

BOEING
737-600/700/800/900
PARTS CATALOG (MAINTENANCE)

FIG ITEM	PART NUMBER	1 2 3 4 5 6 7	NOMENCLATURE	EFFECT FROM TO	UNITS PER ASSY
2			DUCT INSTL-SECT. 43 AIR DISTR SYS FLIGHT DECK 737-800 BASELINE	001100	
- 1	214A1003-2		DUCT INSTL-AIR DISTR SYS FLIGHT DECK 737-800 BASELINE POSITION DATA: SECT. 43 FOR NHA SEE: 21-20-00-04C	001030	RF
- 1	MODREF234534		DUCT INSTL-AIR DISTR SYS FLIGHT DECK 737-800 BASELINE MODULE NUMBER: 214A1003-2 REV D POSITION DATA: SECT. 43	031046 054100	1
- 1	MODREF362501		DUCT INSTL-AIR DISTR SYS FLIGHT DECK 737-800 BASELINE MODULE NUMBER: 214A1003-2 REV E POSITION DATA: SECT. 43	047053	1
5	BACS12GU3K9		.SCREW	001100	15
10	BACS12GU3K8		.SCREW	001100	8
15	NAS1149D0332J		.WASHER	001100	10
20	PLH53CD		.NUT	001100	2
			SUPPLIER CODE: VF0224 SPECIFICATION NUMBER: BACN10YR3CD OPTIONAL PART: H52732-3CD V15653		
25	T012L0		.STRAP SUPPLIER CODE: V53421 SPECIFICATION NUMBER: BACS38K6	001100	2
30	PLT3SM		.STRAP SUPPLIER CODE: V06383 SPECIFICATION NUMBER: BACS38K7 OPTIONAL PART: T05I0 V53421	001100	14

MISSING ITEM NUMBERS NOT APPLICABLE

- ITEM NOT ILLUSTRATED

HAP

21-22-00-02

BOEING PROPRIETARY - Copyright © - Unpublished Work - See title page for details.

21-22-00
FIG. 02
PAGE 1
FEB 15/09

BOEING
737-600/700/800/900
PARTS CATALOG (MAINTENANCE)

FIG ITEM	PART NUMBER	1 2 3 4 5 6 7	NOMENCLATURE	EFFECT FROM TO	UNITS PER ASSY
2					
35	PLT4SM	.	STRAP SUPPLIER CODE: V06383 SPECIFICATION NUMBER: BACS38K2 OPTIONAL PART: T05L0 V53421	001100	4
40	AS1506-14D32	.	SLEEVE	001100	1
45	STBP19M12	.	PLATE- SUPPLIER CODE: V1B249	001100	15
50	214T3424-3	.	SUPPORT	001100	1
55	214T3424-5	.	SUPPORT	001100	2
60	214T3424-10	.	SUPPORT	001100	1
65	214A1101-4	.	DUCT ASSY-	001030	1
65	214A1101-12	.	DUCT ASSY-	031046 054100	1
65	214A1101-15	.	DUCT ASSY	047053	1
70	214A1102-4	.	DUCT ASSY-	001030	4
70	214A1102-9	.	DUCT ASSY-	031046 054100	4
70	214A1102-12	.	DUCT ASSY	047053	4
75	214A1102-1	.	DUCT ASSY-	001030	2
75	214A1102-8	.	DUCT ASSY-	031046 054100	2
75	214A1102-11	.	DUCT ASSY	047053	2
80	214A1101-1	.	DUCT ASSY-	001030	1
80	214A1101-11	.	DUCT ASSY-	031046 054100	1
80	214A1101-14	.	DUCT ASSY	047053	1
85	214A1101-8	.	DUCT ASSY-	001030	1
85	214A1101-13	.	DUCT ASSY-	031046 054100	1
85	214A1101-16	.	DUCT ASSY	047053	1
90	214A1103-8	.	DUCT ASSY-	001030	1
90	214A1103-5	.	DUCT ASSY-	001030	1
90	214A1103-11	.	DUCT ASSY-	001046 054100	1
90	214A1103-16	.	DUCT ASSY-	001100	1
95	214A1103-2	..	INSULATION	001046 054100	AR
95	210N0013-10	..	INSULATION	047053	AR
100	65C25629-85	..	MUFFLER ASSY-	001030	1
100	65C25629-94	..	MUFFLER ASSY-	001100	1
155	214A1101-7	..	ELBOW	001100	1
160	214A1402-3	..	ELBOW	001100	1

MISSING ITEM NUMBERS NOT APPLICABLE

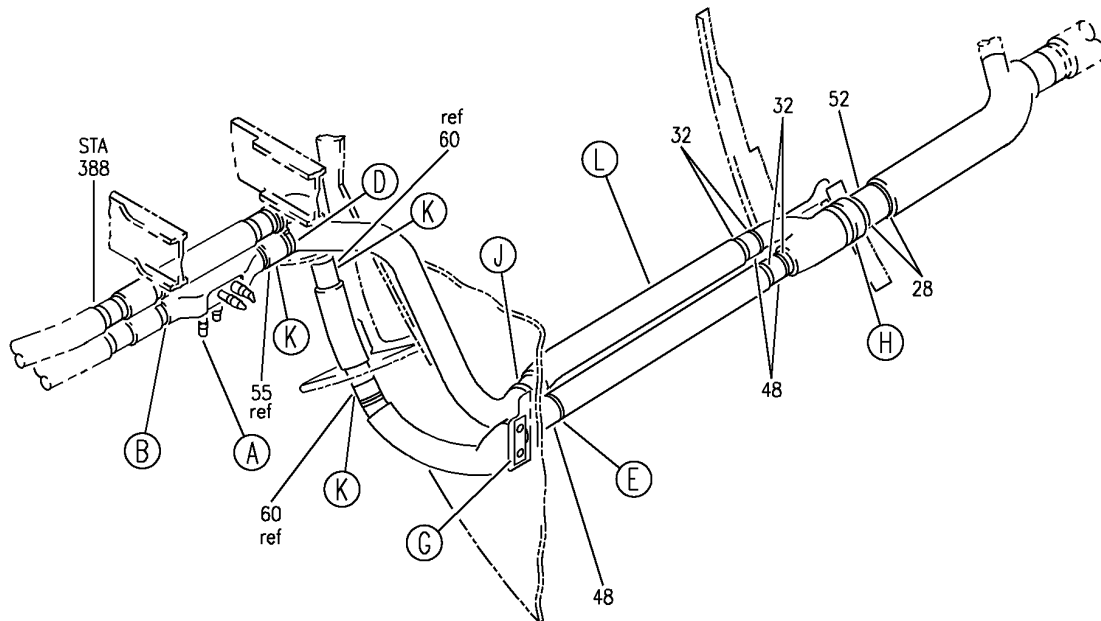
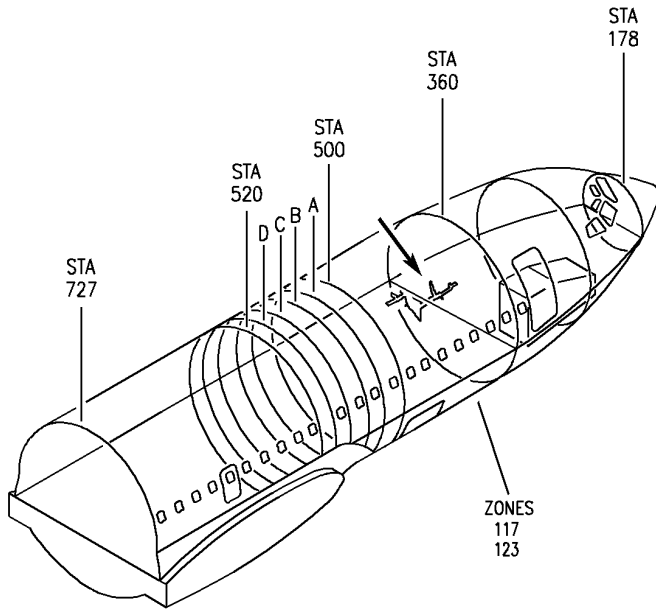
- ITEM NOT ILLUSTRATED

HAP

21-22-00-02

21-22-00
FIG. 02
PAGE 2
FEB 15/09

BOEING
 737-600/700/800/900
 PARTS CATALOG (MAINTENANCE)



E 21220004 SHT 1 REV 107

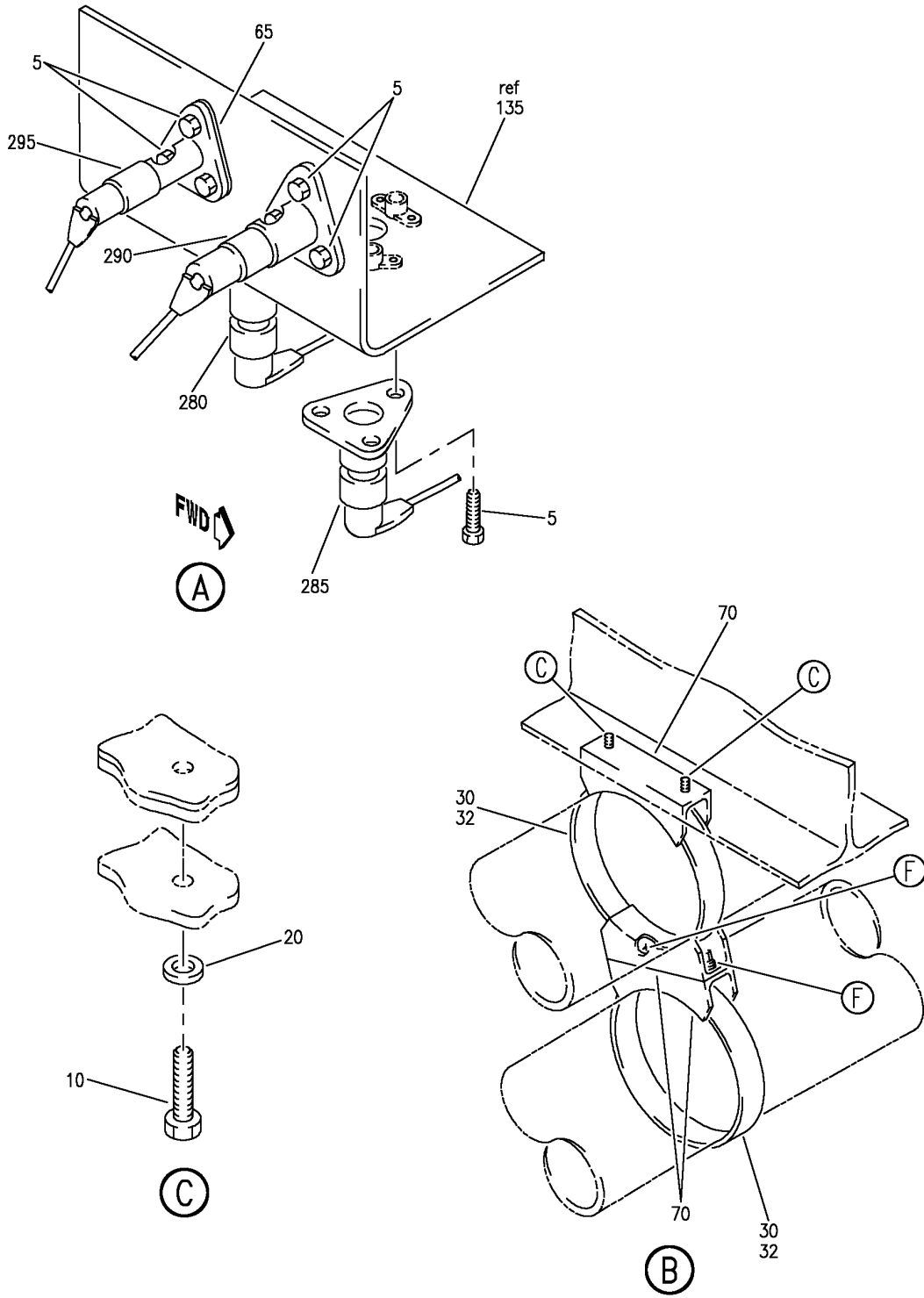
DUCT INSTL-FLIGHT DECK AIR DISTR SYS, WITH DUCT SENSORS SECT. 41, AFT, STA 262 TO 388
 FIGURE 4 (SHEET 1)

HAP
 FEB 10/07

21-22-00-04

21-22-00-04
 PAGE 0

BOEING
737-600/700/800/900
PARTS CATALOG (MAINTENANCE)



E 21220004 SHT 2 REV 150

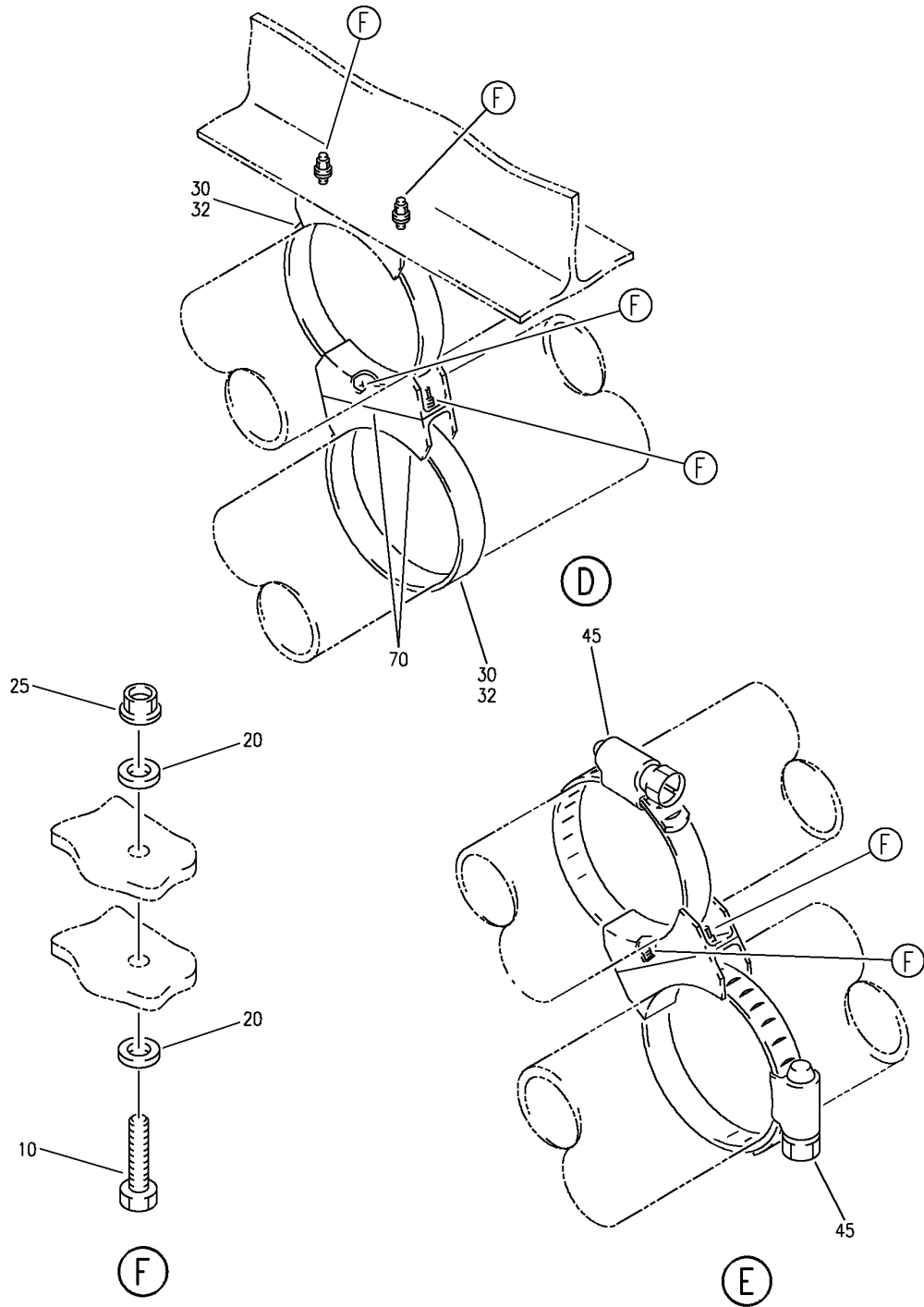
DUCT INSTL-FLIGHT DECK AIR DISTR SYS, WITH DUCT SENSORS SECT. 41, AFT, STA 262 TO 388
FIGURE 4 (SHEET 2)

HAP
FEB 15/09

21-22-00-04

21-22-00-04
PAGE 0A

BOEING
 737-600/700/800/900
 PARTS CATALOG (MAINTENANCE)



E 21220004 SHT 3 REV 107

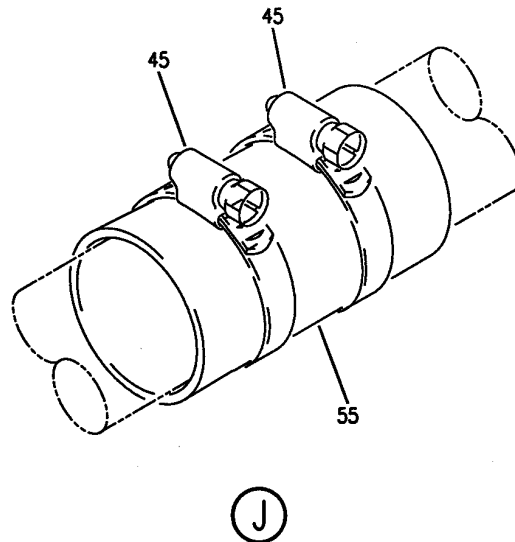
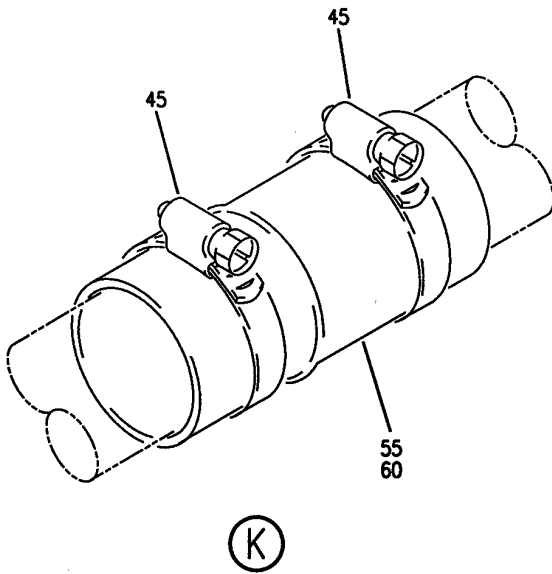
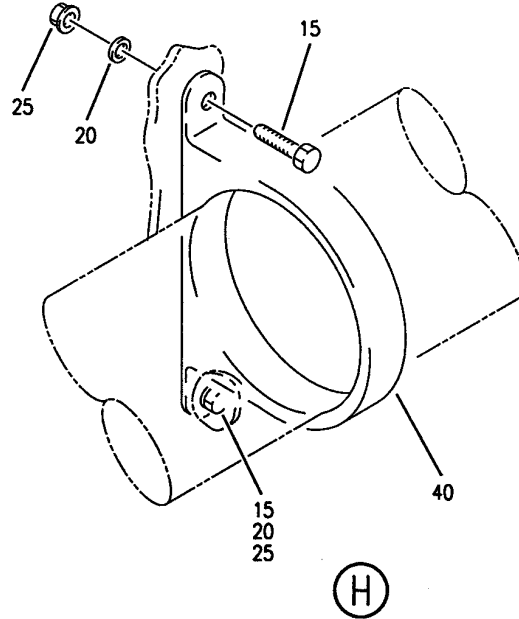
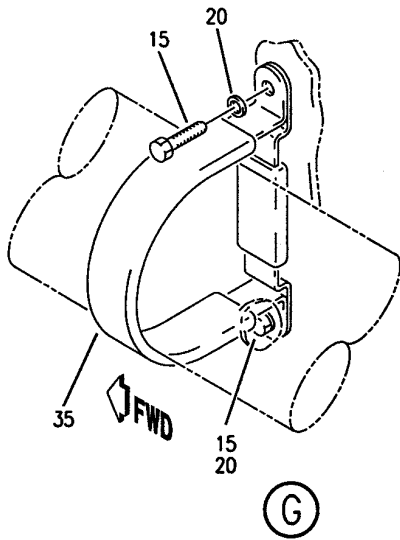
DUCT INSTL-FLIGHT DECK AIR DISTR SYS, WITH DUCT SENSORS SECT. 41, AFT, STA 262 TO 388
 FIGURE 4 (SHEET 3)

HAP
 FEB 10/07

21-22-00-04

21-22-00-04
 PAGE 0B

BOEING
 737-600/700/800/900
 PARTS CATALOG (MAINTENANCE)



E 21220004 SH1 4 REV 039

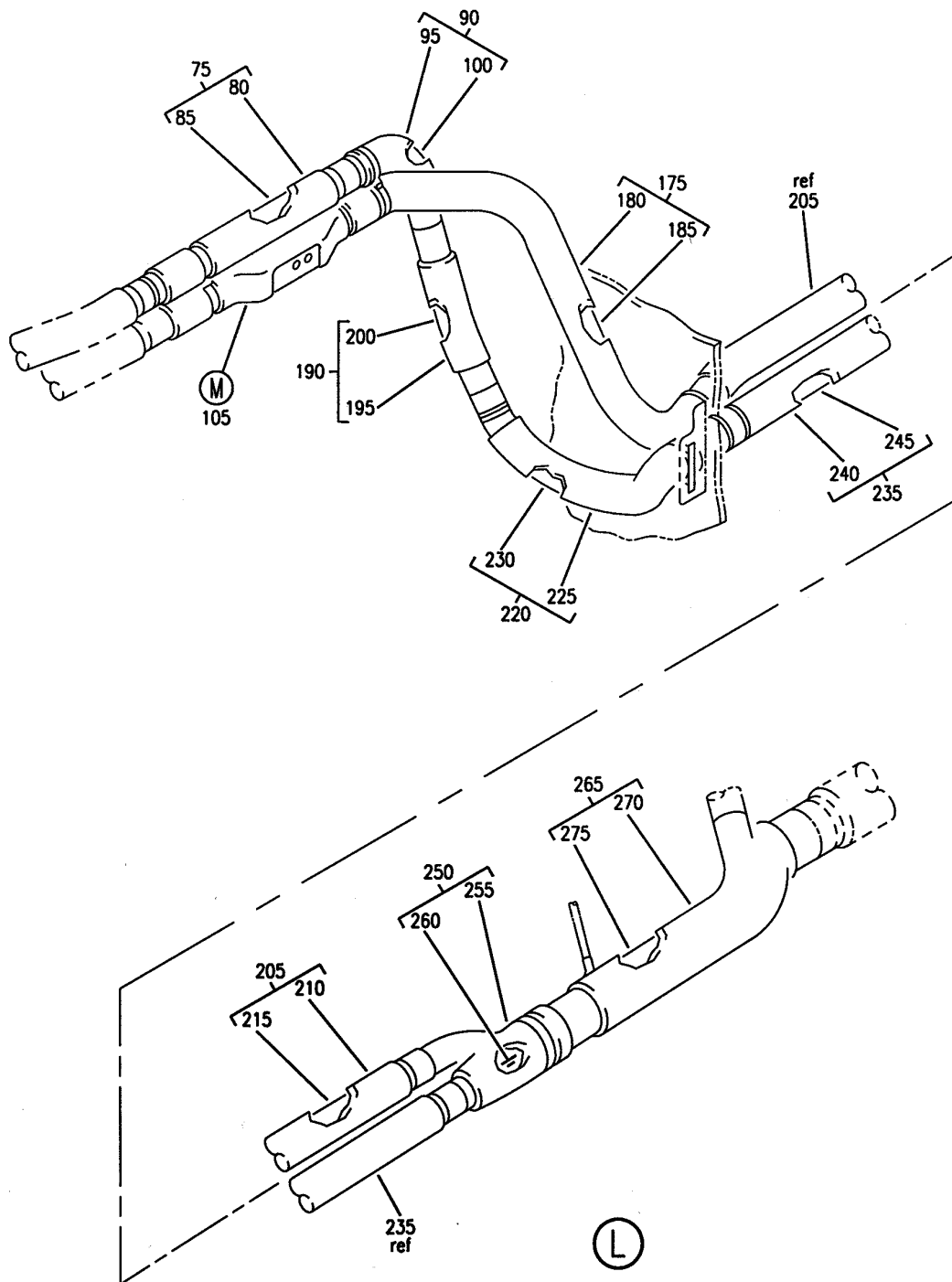
DUCT INSTL-FLIGHT DECK AIR DISTR SYS, WITH DUCT SENSORS SECT. 41, AFT, STA 262 TO 388
 FIGURE 4 (SHEET 4)

HAP
 FEB 10/07

21-22-00-04

21-22-00-04
 PAGE 0C

BOEING
 737-600/700/800/900
 PARTS CATALOG (MAINTENANCE)



E 21220004 SHT 5 REV 039

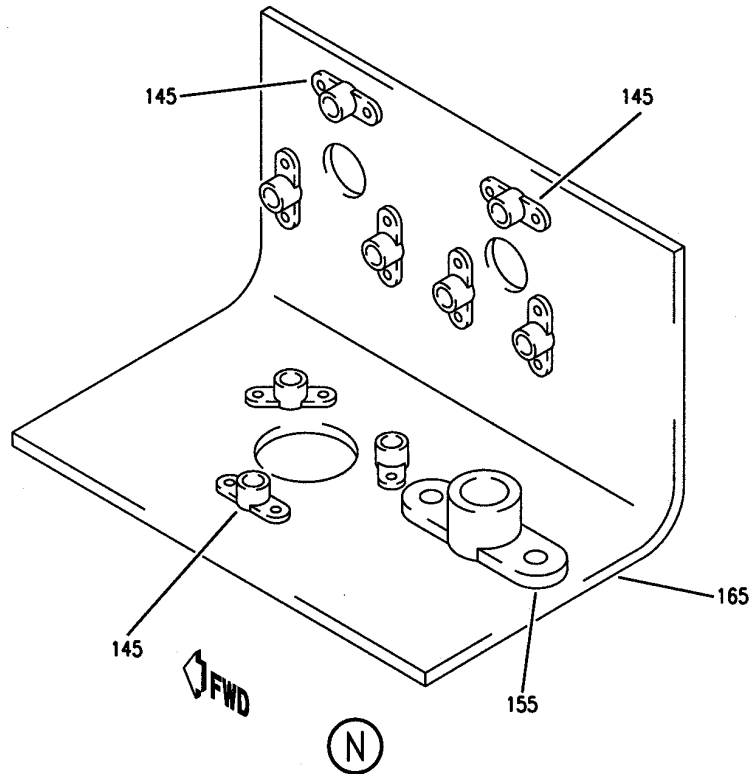
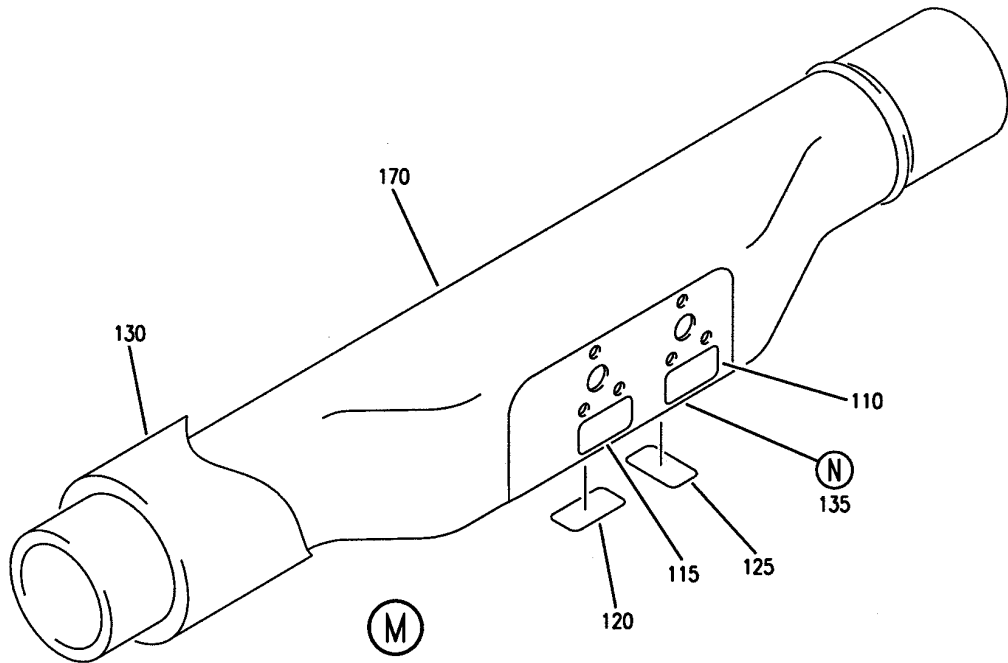
DUCT INSTL-FLIGHT DECK AIR DISTR SYS, WITH DUCT SENSORS SECT. 41, AFT, STA 262 TO 388
 FIGURE 4 (SHEET 5)

HAP
 FEB 10/07

21-22-00-04

21-22-00-04
 PAGE 04

BOEING
 737-600/700/800/900
 PARTS CATALOG (MAINTENANCE)



E 21220004 SHT 6 REV 038

DUCT INSTL-FLIGHT DECK AIR DISTR SYS, WITH DUCT SENSORS SECT. 41, AFT, STA 262 TO 388
 FIGURE 4 (SHEET 6)

HAP
 FEB 10/07

21-22-00-04

21-22-00-04
 PAGE 0E

BOEING
737-600/700/800/900
PARTS CATALOG (MAINTENANCE)

FIG ITEM	PART NUMBER	1 2 3 4 5 6 7	NOMENCLATURE	EFFECT FROM TO	UNITS PER ASSY
4			DUCT INSTL-FLIGHT DECK AIR DISTR SYS, WITH DUCT SENSORS SECT. 41, AFT, STA 262 TO 388	101200 968999	
- 1	MODREF254897		DUCT INSTL-FLIGHT DECK AIR DISTR SYS, WITH DUCT SENSORS MODULE NUMBER: 214A1002-13 REV C POSITION DATA: SECT. 41, AFT, STA 262 TO STA 388	101105 968999	1
- 1	MODREF363254		DUCT INSTL-FLIGHT DECK AIR DISTR SYS, WITH DUCT SENSORS MODULE NUMBER: 214A1002-13 REV D POSITION DATA: SECT. 41, AFT, STA 262 TO STA 388	106200	1
5	BACS12GU3K7		.SCREW	101200 968999	9
10	BACS12GU3K10		.SCREW	101200 968999	10
15	BACS12GU3K9		.SCREW	101200 968999	4
20	NAS1149D0332J		.WASHER	101200 968999	22
25	PLH53CD		.NUT SUPPLIER CODE: VF0224 SPECIFICATION NUMBER: BACN10YR3CD OPTIONAL PART: H52732-3CD V15653	101200 968999	10
28	T012L0		.STRAP SUPPLIER CODE: V53421 SPECIFICATION NUMBER: BACS38K6	101200 968999	2

MISSING ITEM NUMBERS NOT APPLICABLE

- ITEM NOT ILLUSTRATED

HAP

21-22-00-04

BOEING PROPRIETARY - Copyright © - Unpublished Work - See title page for details.

21-22-00
FIG. 04
PAGE 1
FEB 15/09

BOEING
737-600/700/800/900
PARTS CATALOG (MAINTENANCE)

FIG ITEM	PART NUMBER	1 2 3 4 5 6 7	NOMENCLATURE	EFFECT FROM TO	UNITS PER ASSY
4	32 PLT3SM	.	STRAP SUPPLIER CODE: V06383 SPECIFICATION NUMBER: BACS38K7 OPTIONAL PART: T0510 V53421	101200 968999	8
	35 421-40	.	CLAMP SUPPLIER CODE: V83930 SPECIFICATION NUMBER: BACC10CC40 OPTIONAL PART: JM45SC3D40T V22175 TA04C36-07 V84971 421A40 V83930	101200 968999	1
	40 421-64	.	CLAMP SUPPLIER CODE: V83930 SPECIFICATION NUMBER: BACC10CC64 OPTIONAL PART: JM45SC3D64T V22175 TA04C36-64 V84971 421A64 V83930	101200 968999	1
	45 NAS1922-0275-3	.	CLAMP	101200 968999	10
	48 AS1506-10D32	.	SLEEVE	101200 968999	3
	52 AS1506-16D42	.	HOSE	101200 968999	1
	55 AS1506-10D42	.	HOSE	101200 968999	2
	60 AS1506-10D50	.	HOSE	101200 968999	2

MISSING ITEM NUMBERS NOT APPLICABLE

— ITEM NOT ILLUSTRATED

HAP

21-22-00-04

BOEING PROPRIETARY - Copyright © - Unpublished Work - See title page for details.

21-22-00
FIG. 04
PAGE 2
JUN 15/09

BOEING
737-600/700/800/900
PARTS CATALOG (MAINTENANCE)

FIG ITEM	PART NUMBER	1 2 3 4 5 6 7	NOMENCLATURE	EFFECT FROM TO	UNITS PER ASSY
R R R R R R R R R R R R R R R R R R R R	4 65	66-3478-3	.GASKET- MAINTENANCE MANUAL REF: 21-51-42 MANUFACTURED FROM: SHEET RUBBER BMS1-11 GRADE 60 .062IN 1.50IN 1.70IN SPARES ORDER MATERIAL CODE: 5210623070	101200 968999	1
	70	214T3424-3	.SUPPORT-DUCT	101200 968999	7
	75	214A1138-5	.DUCT ASSY-	101105 968999	1
	75	214A1138-7	.DUCT ASSY	106200	1
	80	214A1138-3	..INSULATION	101105 968999	AR
	80	210N0013-10	..INSULATION	106200	AR
	85	214A1138-2	..DUCT	101200 968999	1
	90	214A1147-5	.DUCT ASSY-	101105 968999	1
	90	214A1147-7	.DUCT ASSY	106200	1
	95	214A1147-4	..INSULATION-BLANKET	101105 968999	AR
	95	210N0013-10	..INSULATION	106200	AR
	100	214A1147-2	..DUCT	101200 968999	1
	105	214A1113-10	.DUCT ASSY-	101105 968999	1
	105	214A1113-12	.DUCT ASSY	106200	1
	110	BAC27DAC90	..DECAL- PLACARD CONTENT: DUCT LIMIT SENSOR T0419-D00512	101200 968999	1
	115	BAC27DAC92	..DECAL- PLACARD CONTENT: DUCT OVERHEAT SWITCH 2500F S00003-D00534	101200 968999	1
	120	BAC27DAC93	..DECAL- PLACARD CONTENT: DUCT OVERHEAT SWITCH 1900F S00011-D11360	101200 968999	1
	125	BAC27DAC91	..DECAL- PLACARD CONTENT: ANTICIPATOR T00420-D00514	101200 968999	1

MISSING ITEM NUMBERS NOT APPLICABLE

- ITEM NOT ILLUSTRATED

HAP

21-22-00-04

21-22-00
FIG. 04
PAGE 3
JUN 15/09

BOEING
737-600/700/800/900
PARTS CATALOG (MAINTENANCE)

FIG ITEM	PART NUMBER	1 2 3 4 5 6 7	NOMENCLATURE	EFFECT FROM TO	UNITS PER ASSY
4					
130	214A1113-3	..	INSULATION-BLANKET	101105 968999	1
130	210N0013-10	..	INSULATION	106200	1
135	214A1502-4	..	PLATE ASSY	101200 968999	1
			ATTACHING PARTS		
- 140	BACR15BA3ADC	..	RIVET- SIZE DETERMINED ON INSTL. OPTIONAL PART: BACR15DR3-3	101200 968999	6
- 140	AF5171-3-3	..	RIVET- SUPPLIER CODE: V53551 SPECIFICATION NUMBER: BACR15DR3-3 OPTIONAL PART: CCR264SS3-3 V11815 RV571A3-3 V98996 BACR15BA3ADC -----*-----	101200 968999	6
145	BACN10JP3ACD	...	NUTPLATE	101200 968999	9
			ATTACHING PARTS		
- 150	BACR15BA3AD	...	RIVET- SIZE DETERMINED ON INSTL. -----*-----	101200 968999	18
155	F52NA1080	...	NUT-ANCHOR SUPPLIER CODE: V72962 OPTIONAL PART: MS21078-8	101200 968999	1
155	MS21078-8	...	NUTPLATE- OPTIONAL PART: F52NA1080 V72962	101200 968999	1
			ATTACHING PARTS		
- 160	BACR15BBAD	...	RIVET- SIZE DETERMINED ON INSTL. -----*-----	101200 968999	2
165	214A1502-5	...	PLATE	101200 968999	1
170	214A1113-8	..	DUCT-	101200 968999	1
175	214A1148-5	.	DUCT ASSY-	101105 968999	1
175	214A1148-7	.	DUCT ASSY	106200	1

MISSING ITEM NUMBERS NOT APPLICABLE

- ITEM NOT ILLUSTRATED

HAP

21-22-00-04

21-22-00
FIG. 04
PAGE 4
JUN 15/09

BOEING
737-600/700/800/900
PARTS CATALOG (MAINTENANCE)

FIG ITEM	PART NUMBER	1 2 3 4 5 6 7	NOMENCLATURE	EFFECT FROM TO	UNITS PER ASSY
4					
180	214A1148-4	..	INSULATION-BLANKET	101105 968999	AR
180	210N0013-10	..	INSULATION	106200	AR
185	214A1148-2	..	DUCT	101200 968999	1
190	214A1136-5	.DUCT	ASSY-	101105 968999	1
190	214A1136-7	.DUCT	ASSY	106200	1
195	214A1136-4	..	INSULATION-BLANKET	101105 968999	AR
195	210N0013-10	..	INSULATION	106200	AR
200	214A1136-2	..	DUCT	101200 968999	1
205	214A1137-5	.DUCT	ASSY-	101105 968999	1
205	214A1137-7	.DUCT	ASSY	106200	1
210	214A1137-4	..	INSULATION-BLANKET	101105 968999	AR
210	210N0013-10	..	INSULATION	106200	AR
215	214A1137-2	..	DUCT	101200 968999	1
220	214A1149-5	.DUCT	ASSY-	101105 968999	1
220	214A1149-7	.DUCT	ASSY	106200	1
225	214A1149-4	..	INSULATION-BLANKET	101105 968999	AR
225	210N0013-10	..	INSULATION	106200	AR
230	214A1149-2	..	DUCT	101200 968999	1
235	214A1135-8	.DUCT	ASSY-	101105 968999	1
235	214A1135-10	.DUCT	ASSY	106200	1
240	214A1135-3	..	INSULATION	101105 968999	AR
240	210N0013-10	..	INSULATION	106200	AR
245	214A1135-2	..	DUCT	101200 968999	1
250	214A1112-7	.DUCT	ASSY-	101105 968999	1
250	214A1112-9	.DUCT	ASSY	106200	1
255	214A1112-3	..	INSULATION-BLANKET	101105 968999	1
255	210N0013-10	..	INSULATION	106200	1
260	214A1112-2	..	DUCT	101200 968999	1
265	214A1114-6	.DUCT	ASSY-	101105 968999	1
265	214A1114-8	.DUCT	ASSY	106200	1

MISSING ITEM NUMBERS NOT APPLICABLE

— ITEM NOT ILLUSTRATED

HAP

21-22-00-04

21-22-00
FIG. 04
PAGE 5
JUN 15/09

BOEING
737-600/700/800/900
PARTS CATALOG (MAINTENANCE)

FIG ITEM	PART NUMBER	1 2 3 4 5 6 7	NOMENCLATURE	EFFECT FROM TO	UNITS PER ASSY
4					
270	214A1114-4	..	INSULATION-BLANKET	101105 968999	AR
270	210N0013-10	..	INSULATION	106200	AR
275	214A1114-2	..	DUCT	101200 968999	1
280	641121-1	.SWITCH ASSY-	SUPPLIER CODE: V07217 FUNCTIONAL DESCRIPTION: DETECTS OVERHEAT CONDITIONS IN THE AIR CONDITIONING PNEUMATIC DUCTING. SPECIFICATION NUMBER: S210T130-18 ELECTRICAL EQUIP NUMBER: S00011 COMPONENT MAINT MANUAL REF: 21-51-46 MAINTENANCE MANUAL REF: 21-61-05	101200 968999	1
- 283	MS9385-05	..	PACKING MAINTENANCE MANUAL REF: 21-61-05	101200 968999	1
285	548384-1	.ANTICIPATOR-	SUPPLIER CODE: V07217 SPECIFICATION NUMBER: 10-60498-4 ELECTRICAL EQUIP NUMBER: T00420 MAINTENANCE MANUAL REF: 21-61-08	101200 968999	2
290	548388-1	.SENSOR-	SUPPLIER CODE: V07217 SPECIFICATION NUMBER: 10-60498-7 ELECTRICAL EQUIP NUMBER: T00419	101200 968999	1

MISSING ITEM NUMBERS NOT APPLICABLE

- ITEM NOT ILLUSTRATED

HAP

21-22-00-04

BOEING PROPRIETARY - Copyright © - Unpublished Work - See title page for details.

21-22-00
FIG. 04
PAGE 6
JUN 15/09


BOEING
 737-600/700/800/900
PARTS CATALOG (MAINTENANCE)

FIG ITEM	PART NUMBER	1 2 3 4 5 6 7 NOMENCLATURE	EFFECT FROM TO	UNITS PER ASSY
4 295	67321-27-250	.SWITCH-THERMAL SUPPLIER CODE: V73168 SPECIFICATION NUMBER: 10-60924-1 ELECTRICAL EQUIP NUMBER: S00003 MAINTENANCE MANUAL REF: 21-51-42 OPTIONAL PART: 1173T212 V98087 67321-15-250 V73168	101200 968999	1

MISSING ITEM NUMBERS NOT APPLICABLE

— ITEM NOT ILLUSTRATED

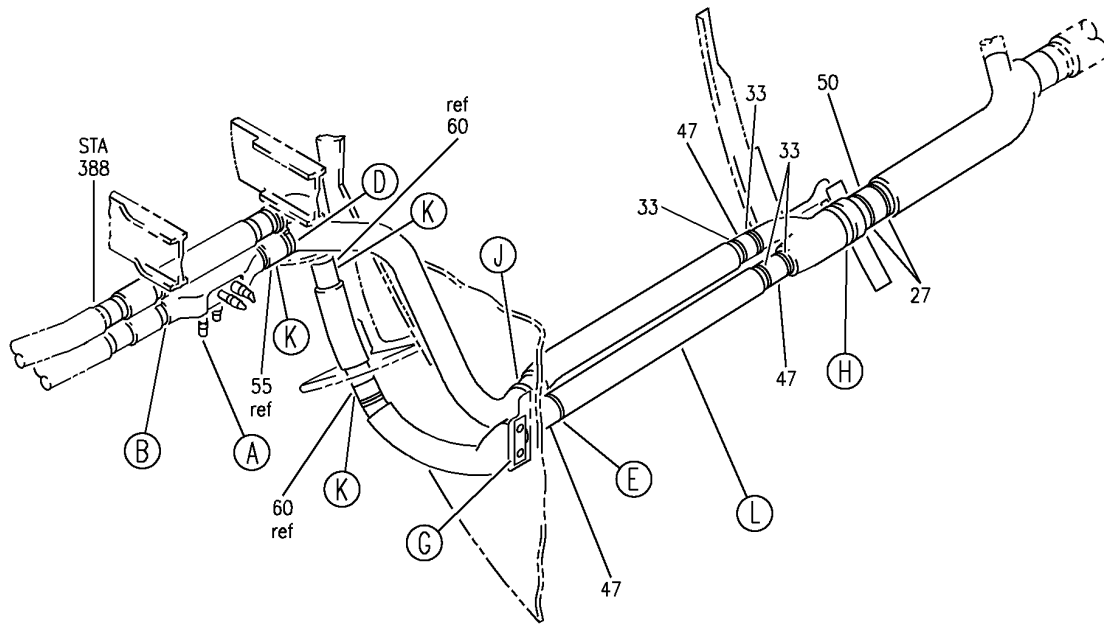
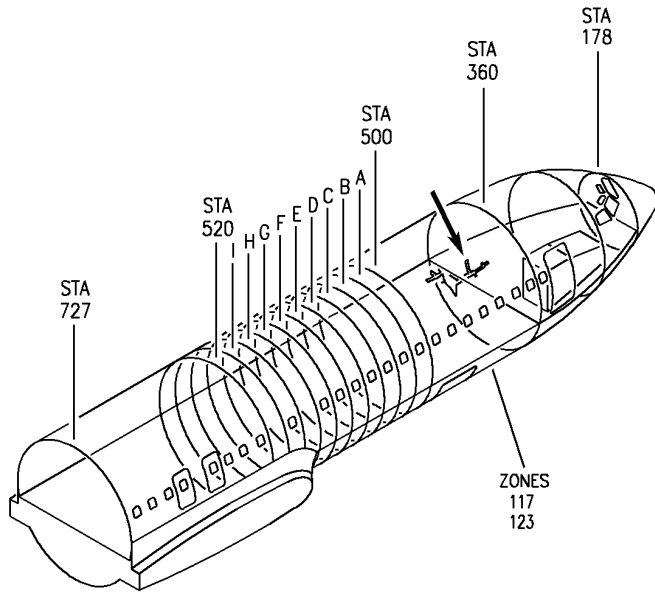
HAP

21-22-00-04

BOEING PROPRIETARY - Copyright © - Unpublished Work - See title page for details.

21-22-00
 FIG. 04
 PAGE 7
 JUN 15/09

BOEING
 737-600/700/800/900
 PARTS CATALOG (MAINTENANCE)



E 21220005 SHT 1 REV 107

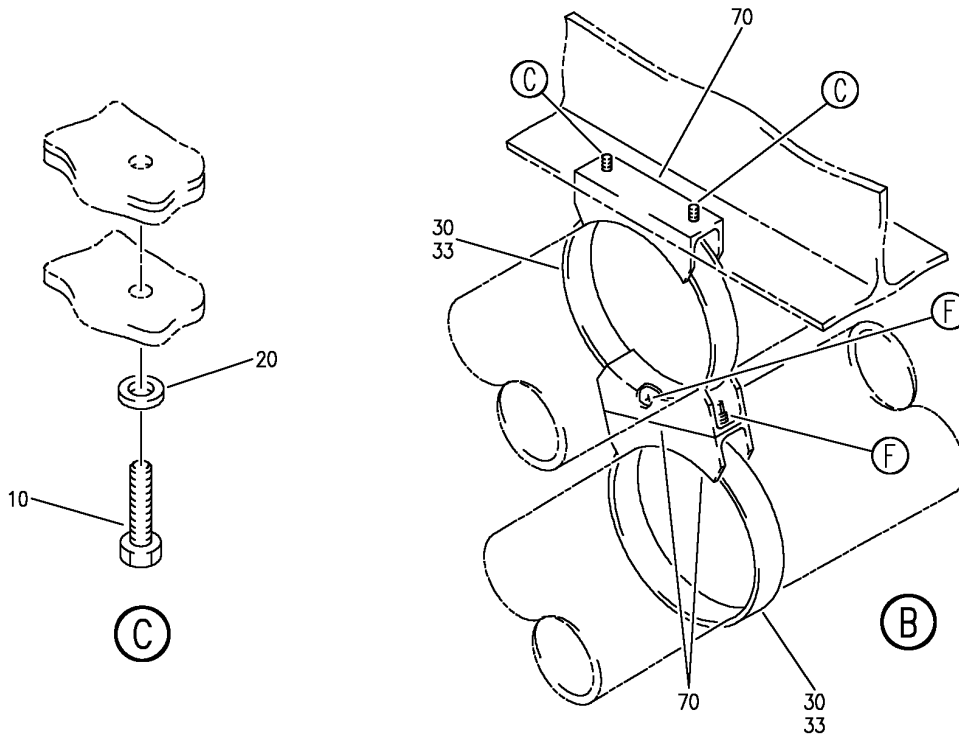
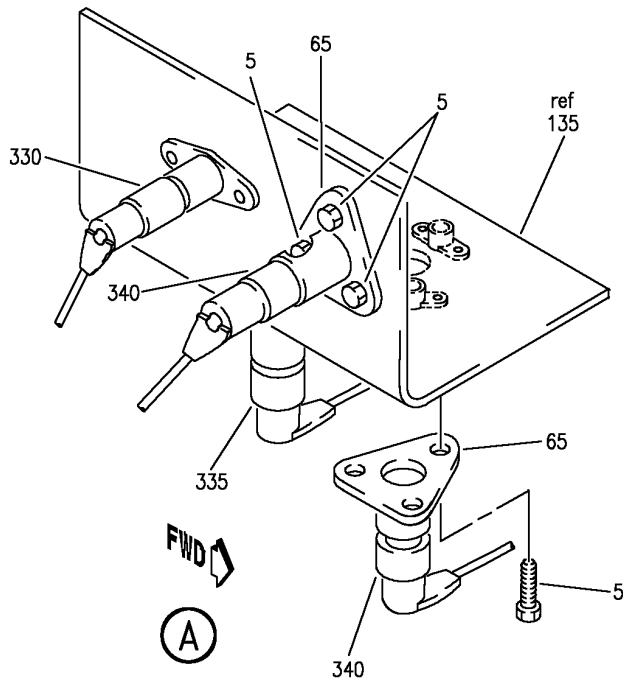
DUCT INSTL-FLIGHT DECK AIR DISTR SYS, WITH DUCT SENSORS SECT. 41, AFT, STA 262 TO 388
 FIGURE 5 (SHEET 1)

HAP
 OCT 10/06

21-22-00-05

21-22-00-05
 PAGE 0

BOEING
 737-600/700/800/900
 PARTS CATALOG (MAINTENANCE)



E 21220005 SHT 2 REV 150

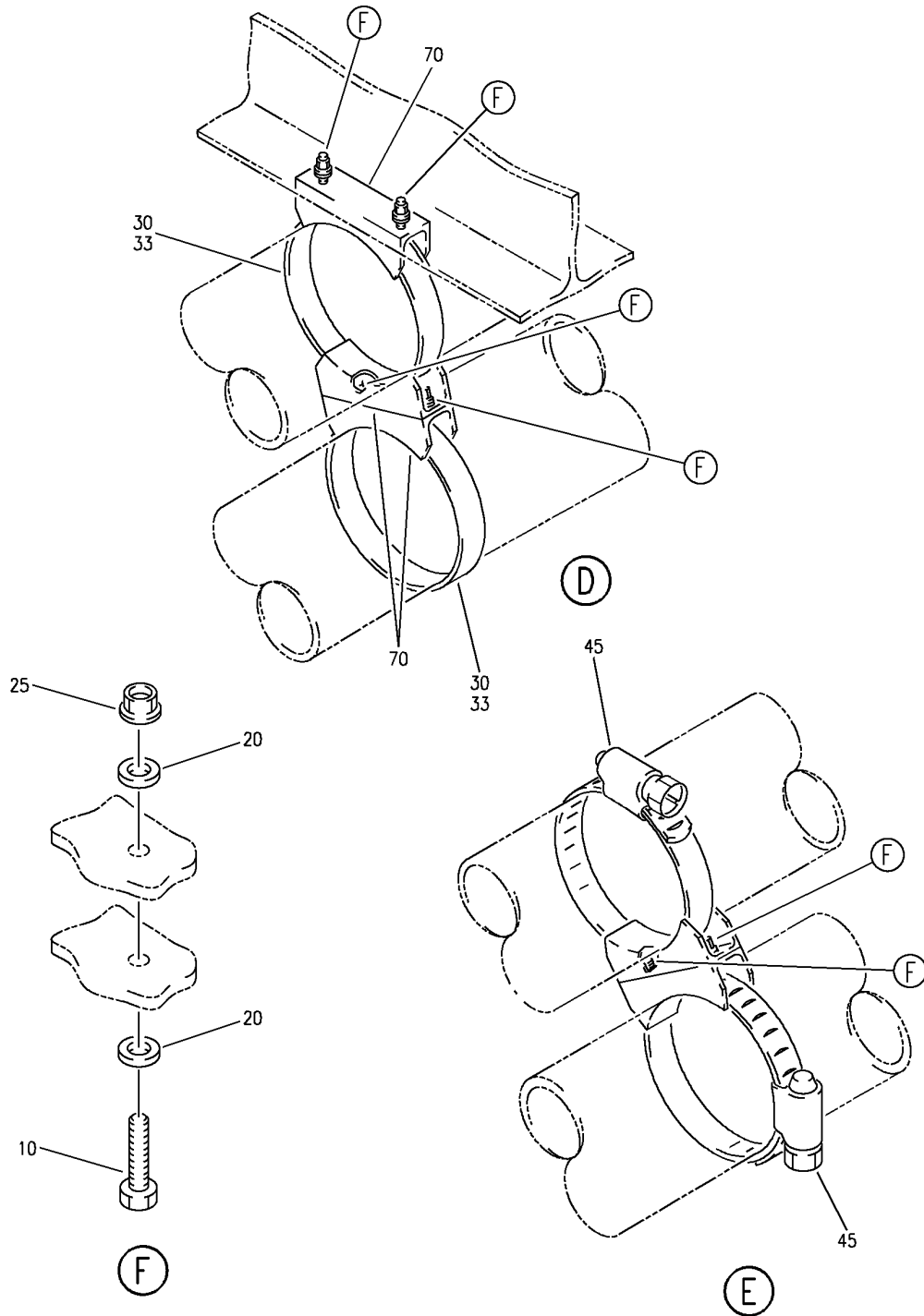
DUCT INSTL-FLIGHT DECK AIR DISTR SYS, WITH DUCT SENSORS SECT. 41, AFT, STA 262 TO 388
 FIGURE 5 (SHEET 2)

HAP
 FEB 15/09

21-22-00-05

21-22-00-05
 PAGE 0A

BOEING
 737-600/700/800/900
 PARTS CATALOG (MAINTENANCE)



E 21220005 SHT 3 REV 107

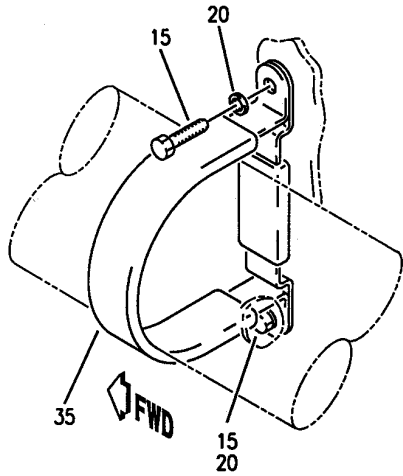
DUCT INSTL-FLIGHT DECK AIR DISTR SYS, WITH DUCT SENSORS SECT. 41, AFT, STA 262 TO 388
 FIGURE 5 (SHEET 3)

HAP
 OCT 10/06

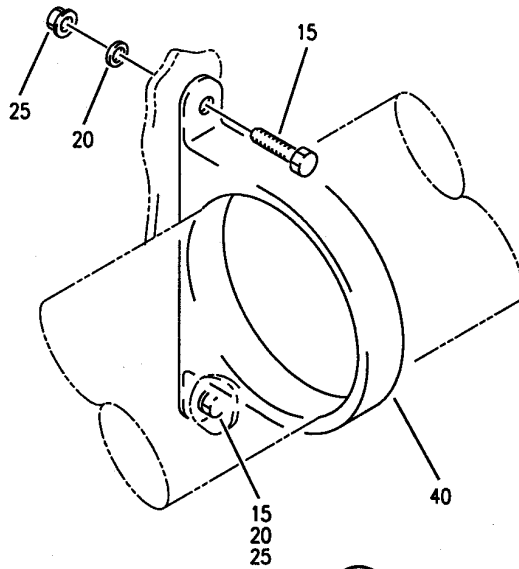
21-22-00-05

21-22-00-05
 PAGE 0B

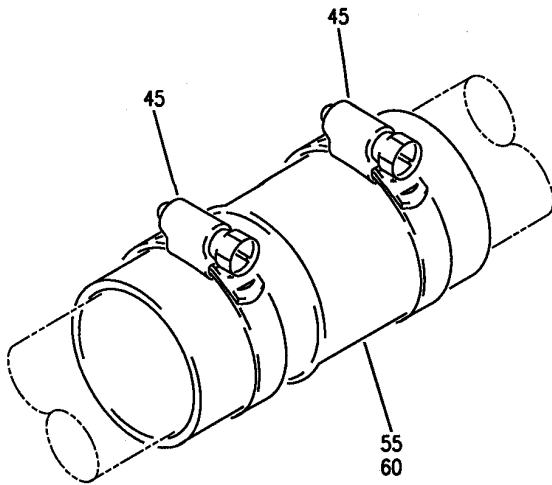
BOEING
 737-600/700/800/900
 PARTS CATALOG (MAINTENANCE)



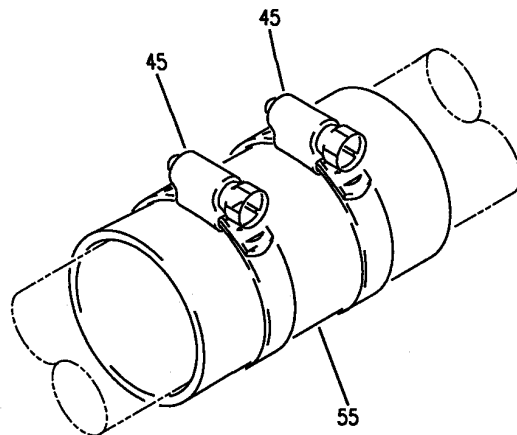
(G)



(H)



(K)



(J)

E 21220005 SHT 4 REV 039

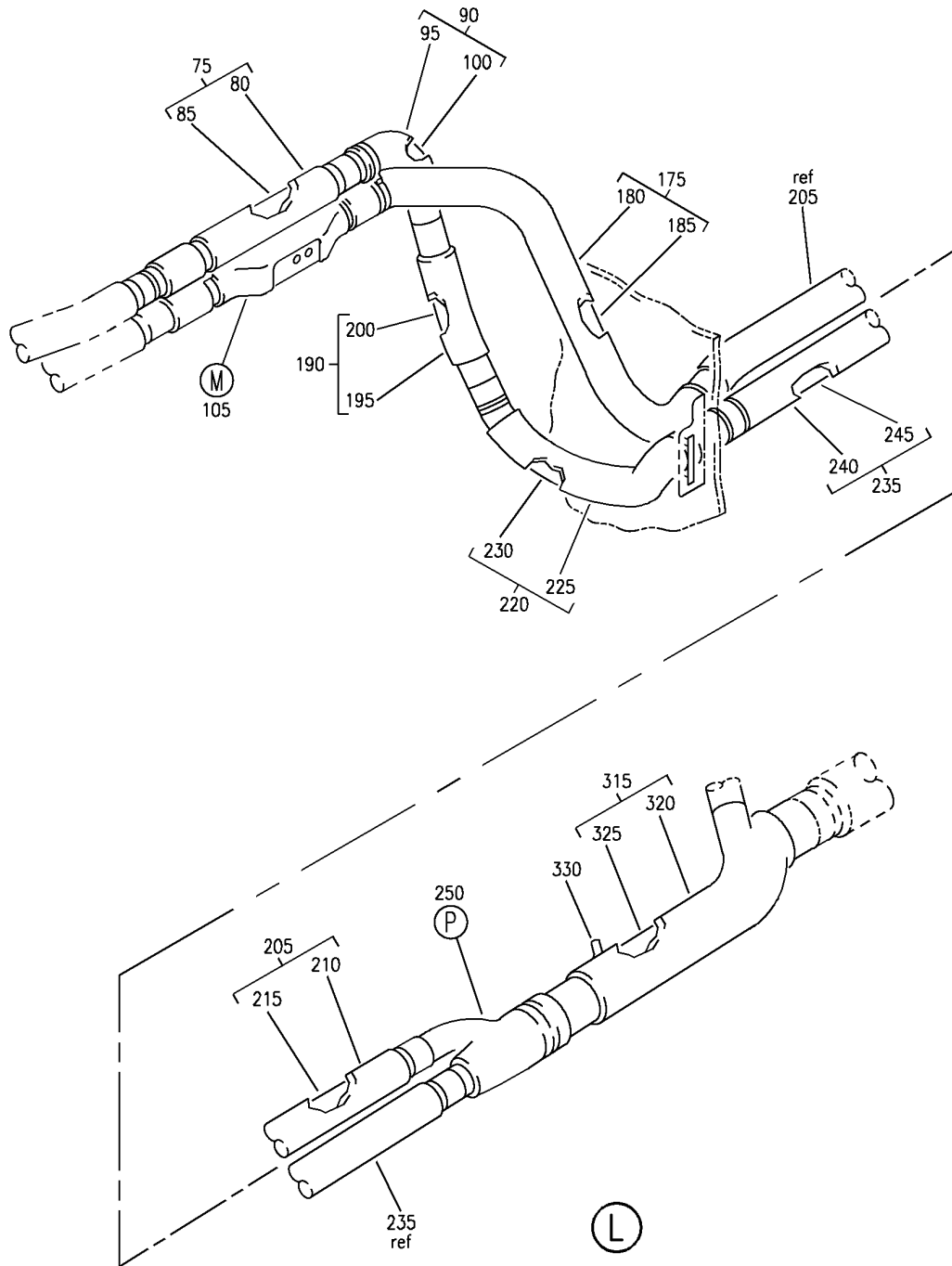
DUCT INSTL-FLIGHT DECK AIR DISTR SYS, WITH DUCT SENSORS SECT. 41, AFT, STA 262 TO 388
 FIGURE 5 (SHEET 4)

HAP
 OCT 10/06

21-22-00-05

21-22-00-05
 PAGE 0C

BOEING
 737-600/700/800/900
 PARTS CATALOG (MAINTENANCE)



E 21220005 SHT 5 REV 107

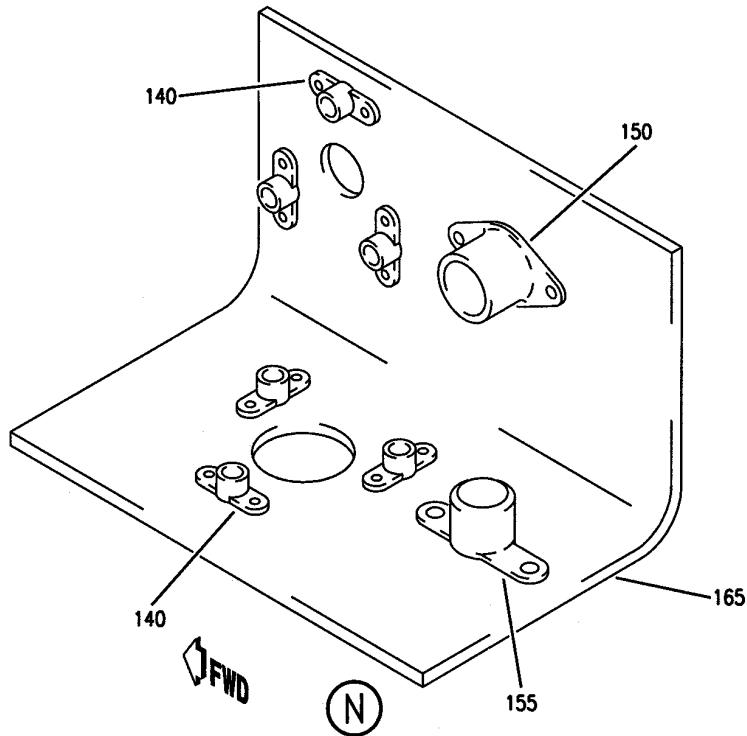
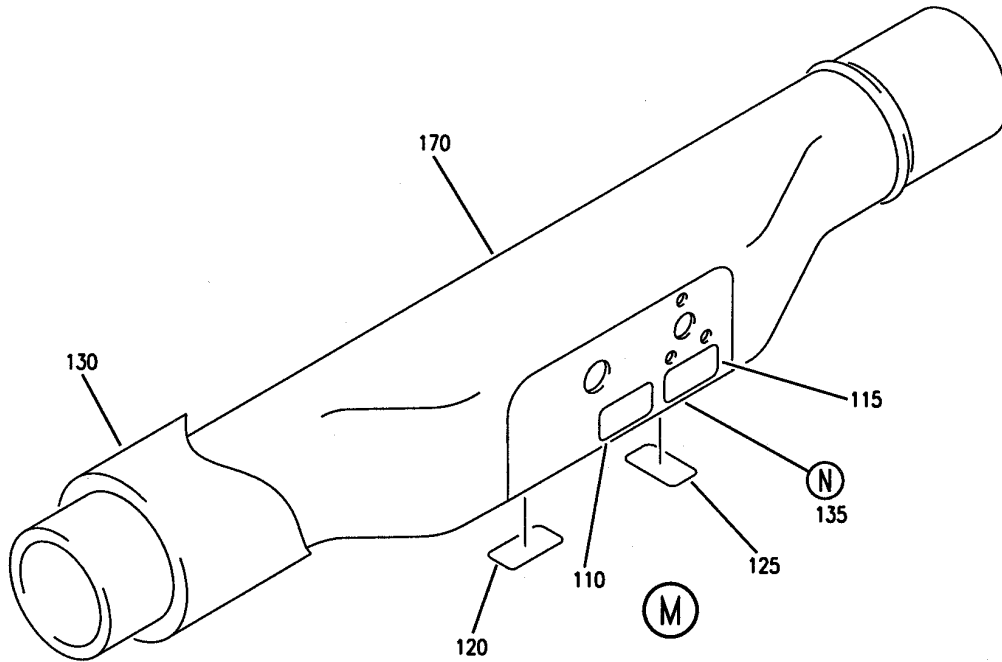
DUCT INSTL-FLIGHT DECK AIR DISTR SYS, WITH DUCT SENSORS SECT. 41, AFT, STA 262 TO 388
 FIGURE 5 (SHEET 5)

HAP
 OCT 10/06

21-22-00-05

21-22-00-05
 PAGE 00

BOEING
 737-600/700/800/900
 PARTS CATALOG (MAINTENANCE)



E 21220005 SHT 6 REV 038

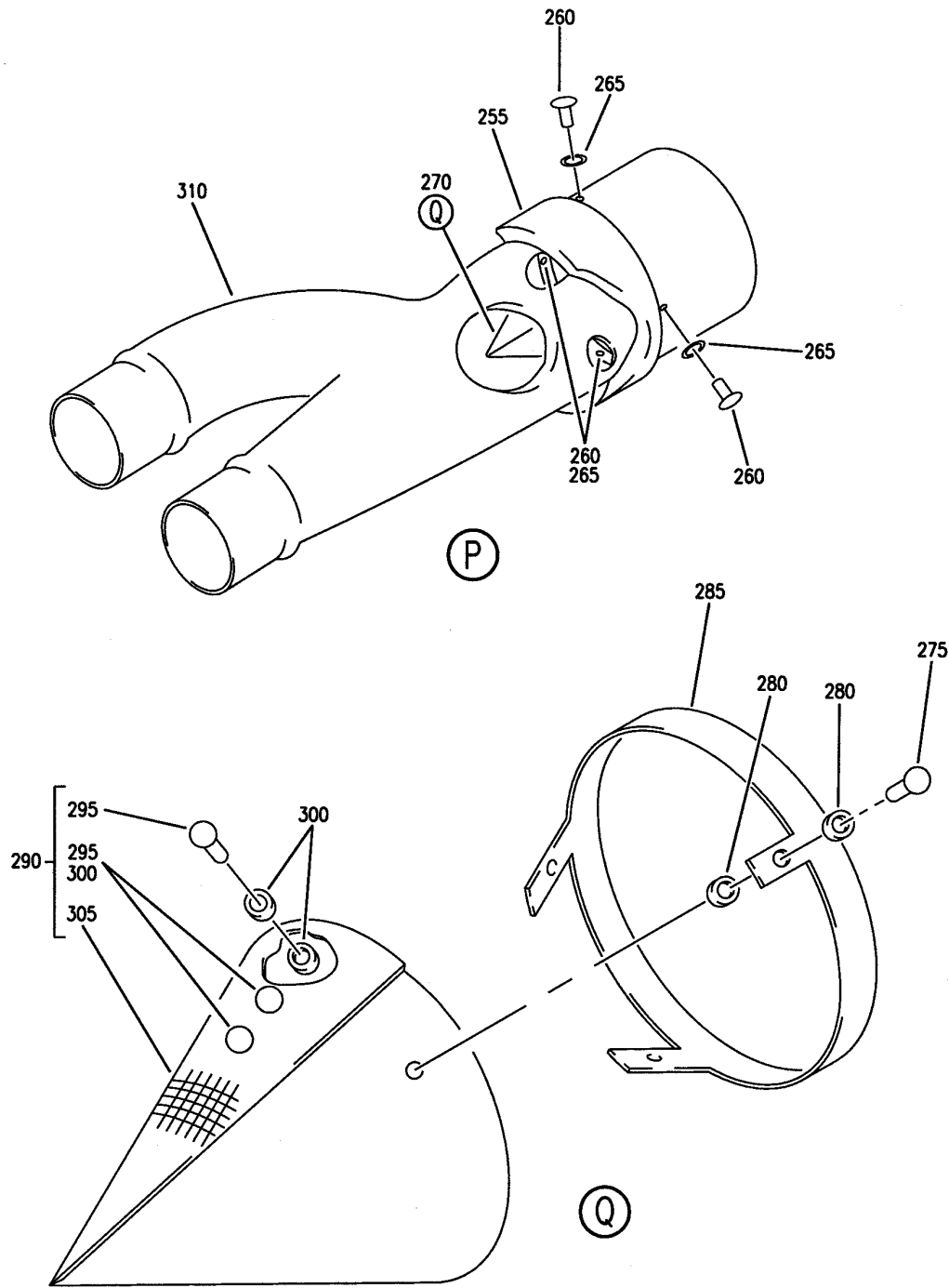
DUCT INSTL-FLIGHT DECK AIR DISTR SYS, WITH DUCT SENSORS SECT. 41, AFT, STA 262 TO 388
 FIGURE 5 (SHEET 6)

HAP
 OCT 10/06

21-22-00-05

21-22-00-05
 PAGE 0E

BOEING
 737-600/700/800/900
 PARTS CATALOG (MAINTENANCE)



E 21220005 SHT 7 REV 03B

DUCT INSTL-FLIGHT DECK AIR DISTR SYS, WITH DUCT SENSORS SECT. 41, AFT, STA 262 TO 388
 FIGURE 5 (SHEET 7)

HAP
 OCT 10/06

21-22-00-05

21-22-00-05
 PAGE OF

BOEING
737-600/700/800/900
PARTS CATALOG (MAINTENANCE)

FIG ITEM	PART NUMBER	1 2 3 4 5 6 7	NOMENCLATURE	EFFECT FROM TO	UNITS PER ASSY
5			DUCT INSTL-FLIGHT DECK AIR DISTR SYS, WITH DUCT SENSORS SECT. 41, AFT, STA 262 TO 388	012100	
- 1	214A1002-10		DUCT INSTL-FLIGHT DECK AIR DISTR SYS, WITH DUCT SENSORS POSITION DATA: SECT. 41, AFT, STA 262 TO 388 FOR NHA SEE: 21-20-00-04C	012030	RF
- 1	MODREF254898		DUCT INSTL-FLIGHT DECK AIR DISTR SYS, WITH DUCT SENSORS MODULE NUMBER: 214A1002-14 REV C POSITION DATA: SECT. 41, AFT, STA 262 TO 388	031046 054100	1
- 1	MODREF363256		DUCT INSTL-FLIGHT DECK AIR DISTR SYS, WITH DUCT SENSORS MODULE NUMBER: 214A1002-14 REV D POSITION DATA: SECT. 41, AFT, STA 262 TO STA 388	047053	1
5	BACS12GU3K7		.SCREW	012100	6
10	BACS12GU3K10		.SCREW	012100	10
15	BACS12GU3K9		.SCREW	012100	4
20	NAS1149D0332J		.WASHER	012100	22
25	PLH53CD		.NUT	012100	10
			SUPPLIER CODE: VF0224 SPECIFICATION NUMBER: BACN10YR3CD OPTIONAL PART: H52732-3CD V15653		
27	T012L0		.STRAP SUPPLIER CODE: V53421 SPECIFICATION NUMBER: BACS38K6	031100	2

MISSING ITEM NUMBERS NOT APPLICABLE

- ITEM NOT ILLUSTRATED

HAP

21-22-00-05

BOEING PROPRIETARY - Copyright © - Unpublished Work - See title page for details.

21-22-00
FIG. 05
PAGE 1
FEB 15/09

BOEING
737-600/700/800/900
PARTS CATALOG (MAINTENANCE)

FIG ITEM	PART NUMBER	1 2 3 4 5 6 7	NOMENCLATURE	EFFECT FROM TO	UNITS PER ASSY
5					
30	PLT3SM	.	STRAP SUPPLIER CODE: V06383 SPECIFICATION NUMBER: BACS38K7 OPTIONAL PART: T0510 V53421	012030	4
33	PLT3SM	.	STRAP SUPPLIER CODE: V06383 SPECIFICATION NUMBER: BACS38K7 OPTIONAL PART: T0510 V53421	031100	8
35	421-40	.	CLAMP SUPPLIER CODE: V83930 SPECIFICATION NUMBER: BACC10CC40 OPTIONAL PART: JM45SC3D40T V22175 TA04C36-07 V84971 421A40 V83930	012100	1
40	421-64	.	CLAMP SUPPLIER CODE: V83930 SPECIFICATION NUMBER: BACC10CC64 OPTIONAL PART: JM45SC3D64T V22175 TA04C36-64 V84971 421A64 V83930	012100	1
45	NAS1922-0275-3	.	CLAMP	012100	10
47	AS1506-10D32	.	SLEEVE	031100	3
50	AS1506-16D42	.	HOSE	031100	1
55	AS1506-10D42	.	HOSE	012100	2
60	AS1506-10D50	.	HOSE	012100	2

MISSING ITEM NUMBERS NOT APPLICABLE

— ITEM NOT ILLUSTRATED

HAP

21-22-00-05

BOEING PROPRIETARY - Copyright © - Unpublished Work - See title page for details.

21-22-00
FIG. 05
PAGE 2
JUN 15/09

BOEING
737-600/700/800/900
PARTS CATALOG (MAINTENANCE)

FIG ITEM	PART NUMBER	1 2 3 4 5 6 7	NOMENCLATURE	EFFECT FROM TO	UNITS PER ASSY
R R	5				
	65	66-3478-3	.GASKET- MAINTENANCE MANUAL REF: 21-61-04 MANUFACTURED FROM: SHEET RUBBER BMS1-11 GRADE 60 .062IN 1.50IN 1.70IN SPARES ORDER MATERIAL CODE: 5210623070	012030	2
	70	214T3424-3	.SUPPORT	012100	8
	75	214A1138-1	.DUCT ASSY-	012030	1
	75	214A1138-5	.DUCT ASSY-	031046	1
				054100	
	75	214A1138-7	.DUCT ASSY	047053	1
	80	214A1138-3	..INSULATION	012046	AR
				054100	
	80	210N0013-10	..INSULATION	047053	AR
	85	214A1138-2	..DUCT	012100	1
	90	214A1147-1	.DUCT ASSY-	012030	1
	90	214A1147-5	.DUCT ASSY-	031046	1
				054100	
	90	214A1147-7	.DUCT ASSY	047053	1
	95	214A1147-4	..INSULATION-BLANKET	012046	AR
				054100	
	95	210N0013-10	..INSULATION	047053	AR
	100	214A1147-2	..DUCT	012100	1
	105	214A1113-5	.DUCT ASSY-	012030	1
	105	214A1113-11	.DUCT ASSY-	031046	1
				054100	
	105	214A1113-13	.DUCT ASSY	047053	1
	110	BAC27DAC99	..MARKER- PLACARD CONTENT: CONTROL CABIN SUPPLY TEMP BULB T00485-D03924	012100	1
	115	BAC27DAC97	..MARKER- PLACARD CONTENT: CONTROL CABIN DUCT TEMP SENSOR-PRIMARY T00478-D03884	012100	1
120	BAC27DAC100	..MARKER- PLACARD CONTENT: CONTROL CABIN DUCT OVERHEAT SWITCH S00931-D03892	012100	1	
125	BAC27DAC98	..MARKER- PLACARD CONTENT: CONTROL CABIN DUCT TEMP SENSOR-BACKUP T00477-D03882	012100	1	

MISSING ITEM NUMBERS NOT APPLICABLE

— ITEM NOT ILLUSTRATED

HAP

21-22-00-05

BOEING PROPRIETARY - Copyright © - Unpublished Work - See title page for details.

21-22-00
FIG. 05
PAGE 3
JUN 15/09

BOEING
737-600/700/800/900
PARTS CATALOG (MAINTENANCE)

FIG ITEM	PART NUMBER	1 2 3 4 5 6 7	NOMENCLATURE	EFFECT FROM TO	UNITS PER ASSY
5					
130	214A1113-3	..	INSULATION-BLANKET	012046 054100	1
130	210N0013-10	..	INSULATION	047053	1
135	214A1502-6	..	PLATE ASSY	012100	1
- 137	BACR15BA3ADC	..	RIVET	012100	6
		-----*			
140	BACN10JP3ACD	...	NUTPLATE	012100	6
			ATTACHING PARTS		
- 145	BACR15BA3ADC	...	RIVET-	012100	12
			SIZE DETERMINED ON INSTL.		
		-----*			
150	F52NA1108	...	NUT-ANCHOR	012100	1
			SUPPLIER CODE: V72962		
			ATTACHING PARTS		
- 152	BACR15BB4ADC	...	RIVET-	012100	2
			SIZE DETERMINED ON INSTL.		
		-----*			
155	F52NA1080	...	NUT-ANCHOR	012100	1
			SUPPLIER CODE: V72962		
			ATTACHING PARTS		
- 160	BACR15BB4ADC	...	RIVET-	012100	2
			SIZE DETERMINED ON INSTL.		
		-----*			
165	214A1502-7	...	PLATE	012100	1
170	214A1113-2	..	DUCT-	012030	1
175	214A1148-1	.DUCT	ASSY-	012030	1
175	214A1148-5	.DUCT	ASSY-	031046 054100	1
175	214A1148-7	.DUCT	ASSY	047053	1
180	214A1148-4	..	INSULATION	012046 054100	AR
180	210N0013-10	..	INSULATION	047053	AR
185	214A1148-2	..	DUCT	012100	1
190	214A1136-1	.DUCT	ASSY-	012030	1
190	214A1136-5	.DUCT	ASSY-	031046 054100	1
190	214A1136-7	.DUCT	ASSY	047053	1
195	214A1136-4	..	INSULATION-BLANKET	012046 054100	AR
195	210N0013-10	..	INSULATION	047053	AR
200	214A1136-2	..	DUCT	012100	1
205	214A1137-1	.DUCT	ASSY-	012030	1
205	214A1137-5	.DUCT	ASSY-	031046 054100	1
205	214A1137-7	.DUCT	ASSY	047053	1

MISSING ITEM NUMBERS NOT APPLICABLE

- ITEM NOT ILLUSTRATED

HAP

21-22-00-05

21-22-00
FIG. 05
PAGE 4
JUN 15/09

BOEING
737-600/700/800/900
PARTS CATALOG (MAINTENANCE)

FIG ITEM	PART NUMBER	1 2 3 4 5 6 7	NOMENCLATURE	EFFECT FROM TO	UNITS PER ASSY
5					
210	214A1137-4	..	INSULATION-BLANKET	012046 054100	AR
210	210N0013-10	..	INSULATION-BLANKET	047053	AR
215	214A1137-2	..	DUCT	012046 048048 054100	1
220	214A1149-1	.DUCT	ASSY-	012030	1
220	214A1149-5	.DUCT	ASSY-	031046 054100	1
220	214A1149-7	.DUCT	ASSY	047053	1
225	214A1149-4	..	INSULATION-BLANKET	012046 054100	AR
225	2110N0013-10	..	INSULATION	047053	AR
230	214A1149-2	..	DUCT	012100	1
235	214A1135-1	.DUCT	ASSY-	012030	1
235	214A1135-8	.DUCT	ASSY-	031046 054100	1
235	214A1135-10	.DUCT	ASSY	047053	1
240	214A1135-3	..	INSULATION	012046 054100	AR
240	210N0013-10	..	INSULATION	047053	AR
245	214A1135-2	..	DUCT	012100	1
250	214A1112-5	.DUCT	ASSY-	012030	1
250	214A1112-8	.DUCT	ASSY-	031046 054100	1
250	214A1112-10	.DUCT	ASSY MAINTENANCE MANUAL REF: 21-22-07	047053	1
255	214A1112-3	..	INSULATION-BLANKET	012046 054100	1
255	210N0013-10	..	INSULATION	047053	1
260	BACR15FR4MR	..	RIVET- SIZE DETERMINED ON INSTL.	012100	4
265	NAS1149CN516R	..	WASHER- OPTIONAL PART: NAS1149CN616R	012100	4
265	NAS1149CN616R	..	WASHER- OPTIONAL PART: NAS1149CN516R	012100	4
270	214W3221-5	..	CONE ASSY-WIRE MESH	012100	1
275	MS20615-6M4	...	RIVET	012100	3
280	NAS1149C0332R	...	WASHER	012100	6
285	214W3526-5	...	RING	012100	1
290	214W3525-7	...	SCREEN ASSY	012100	1
295	MS20615-6M4	RIVET	012100	3
300	NAS1149C0332R	WASHER	012100	6
305	214W3525-8	SCREEN	012100	1
310	214A1112-2	..	DUCT	012100	1
315	214A1114-5	.DUCT	ASSY-	012030	1

MISSING ITEM NUMBERS NOT APPLICABLE

— ITEM NOT ILLUSTRATED

HAP

21-22-00-05

BOEING PROPRIETARY - Copyright © - Unpublished Work - See title page for details.

21-22-00
FIG. 05
PAGE 5
JUN 15/09

BOEING
737-600/700/800/900
PARTS CATALOG (MAINTENANCE)

FIG ITEM	PART NUMBER	1 2 3 4 5 6 7	NOMENCLATURE	EFFECT FROM TO	UNITS PER ASSY
5					
315	214A1114-6	.	DUCT ASSY-	031046 054100	1
315	214A1114-8	.	DUCT ASSY	047053	1
320	214A1114-4	..	INSULATION	012046 054100	AR
320	210N0013-10	..	INSULATION	047053	AR
325	214A1114-2	..	DUCT	012100	1
330	MS28034-1	.	BULB-	012100	1
			ELECTRICAL EQUIP NUMBER: T00485		
			MAINTENANCE MANUAL REF: 21-61-30		
335	641121-1	.	SWITCH ASSY-	012100	1
			SUPPLIER CODE: V07217		
			FUNCTIONAL DESCRIPTION: DETECTS OVERHEAT CONDITIONS IN THE AIR CONDITIONING PNEUMATIC DUCTING.		
			SPECIFICATION NUMBER: S210T130-18		
			ELECTRICAL EQUIP NUMBER: S00931		
			COMPONENT MAINT MANUAL REF: 21-51-46		
			MAINTENANCE MANUAL REF: 21-61-05		
- 337	MS9385-05	..	PACKING	012100	1
			MAINTENANCE MANUAL REF: 21-61-05		
340	622878-2	.	SENSOR-	012100	2
			SUPPLIER CODE: V07217		
			SPECIFICATION NUMBER: 10-62091-14		
			ELECTRICAL EQUIP NUMBER: T00478 T00477		
			COMPONENT MAINT MANUAL REF: 21-65-02		
			MAINTENANCE MANUAL REF: 21-61-04		

MISSING ITEM NUMBERS NOT APPLICABLE

- ITEM NOT ILLUSTRATED

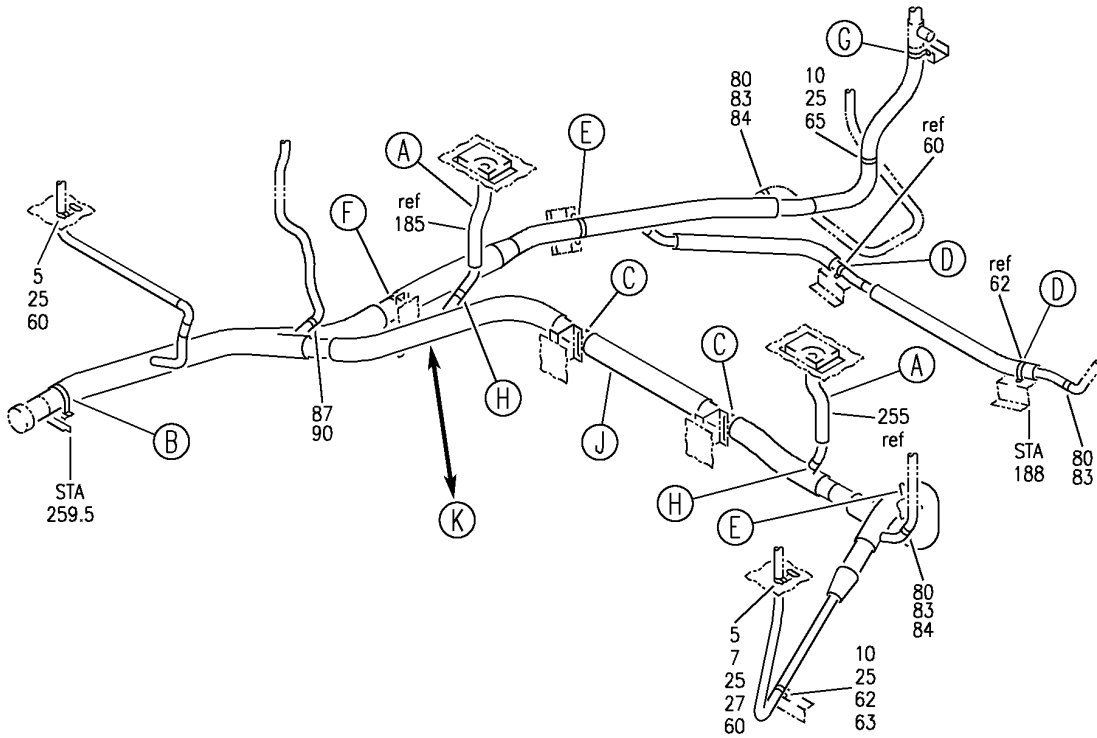
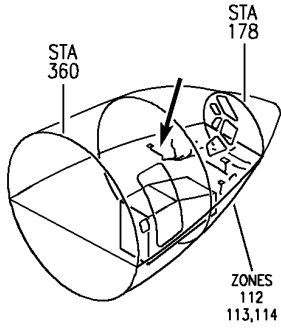
HAP

21-22-00-05

BOEING PROPRIETARY - Copyright © - Unpublished Work - See title page for details.

21-22-00
FIG. 05
PAGE 6
JUN 15/09

BOEING
 737-600/700/800/900
 PARTS CATALOG (MAINTENANCE)



E 21220006 SHT 1 REV 115

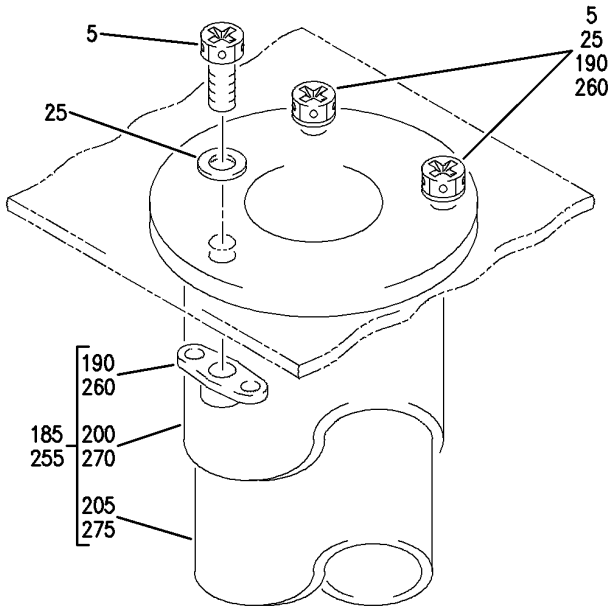
DUCT INSTL- E/E BAY STA 181 TO STA 262 FWD
 FIGURE 6 (SHEET 1)

21-22-00-06

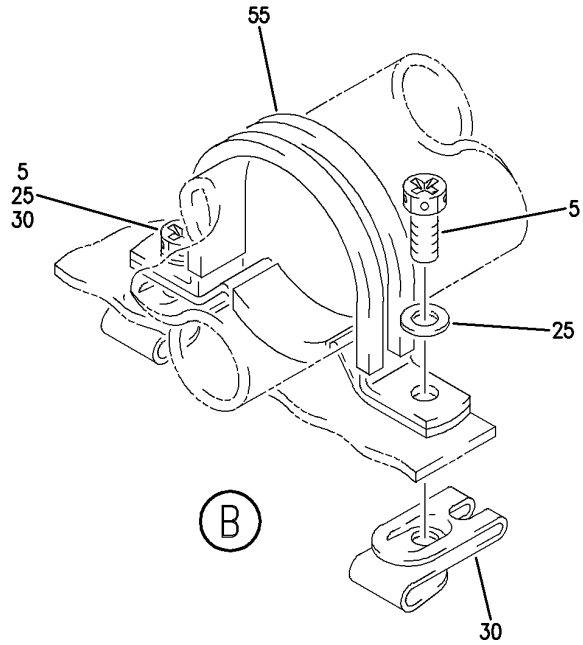
HAP
 OCT 10/06

21-22-00-06
 PAGE 0

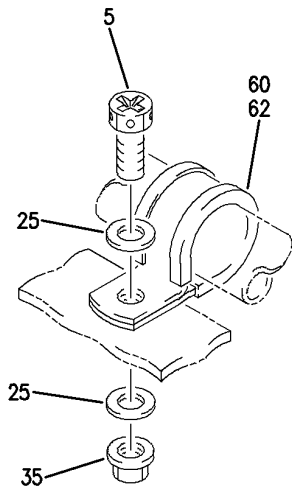
BOEING
 737-600/700/800/900
 PARTS CATALOG (MAINTENANCE)



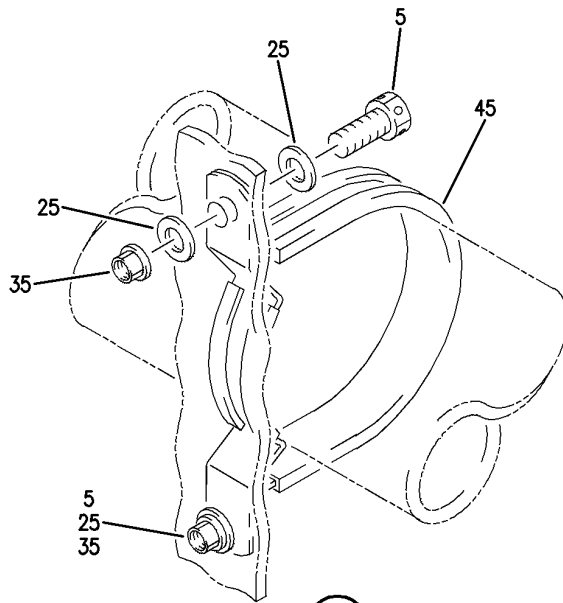
(A)



(B)



(D)



(C)

E 21220006 SHT 2 REV 046

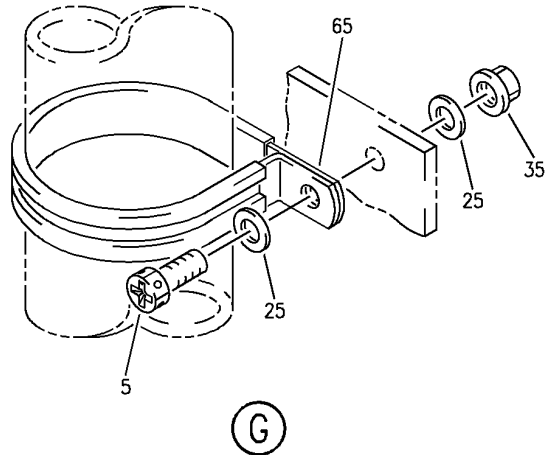
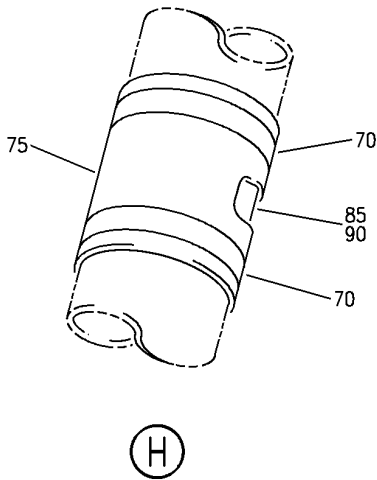
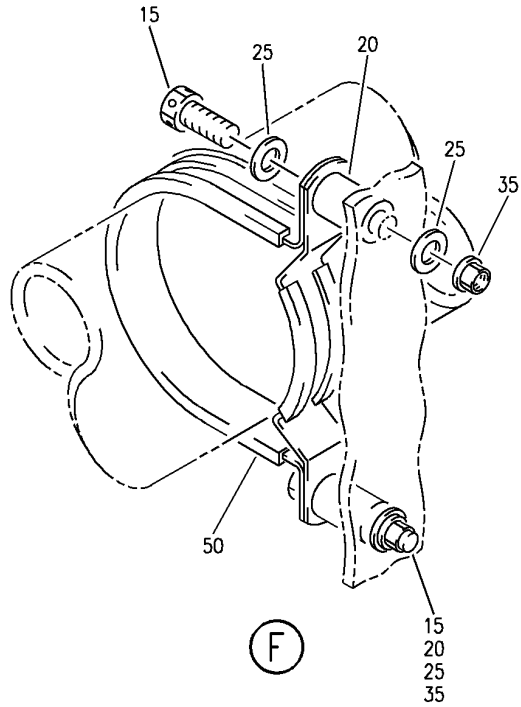
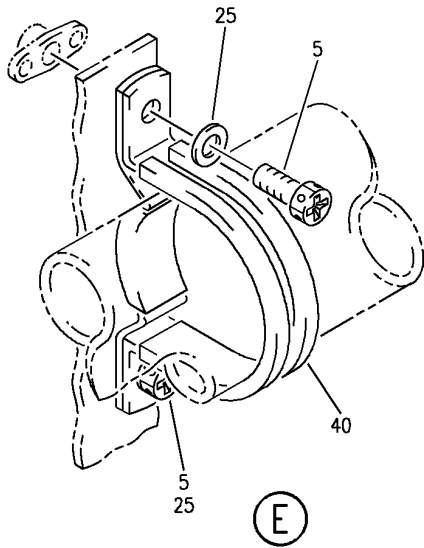
DUCT INSTL- E/E BAY STA 181 TO STA 262 FWD
 FIGURE 6 (SHEET 2)

21-22-00-06

HAP
 OCT 10/06

21-22-00-06
 PAGE 0A

BOEING
 737-600/700/800/900
 PARTS CATALOG (MAINTENANCE)



E 21220006 SHT 3 REV 110

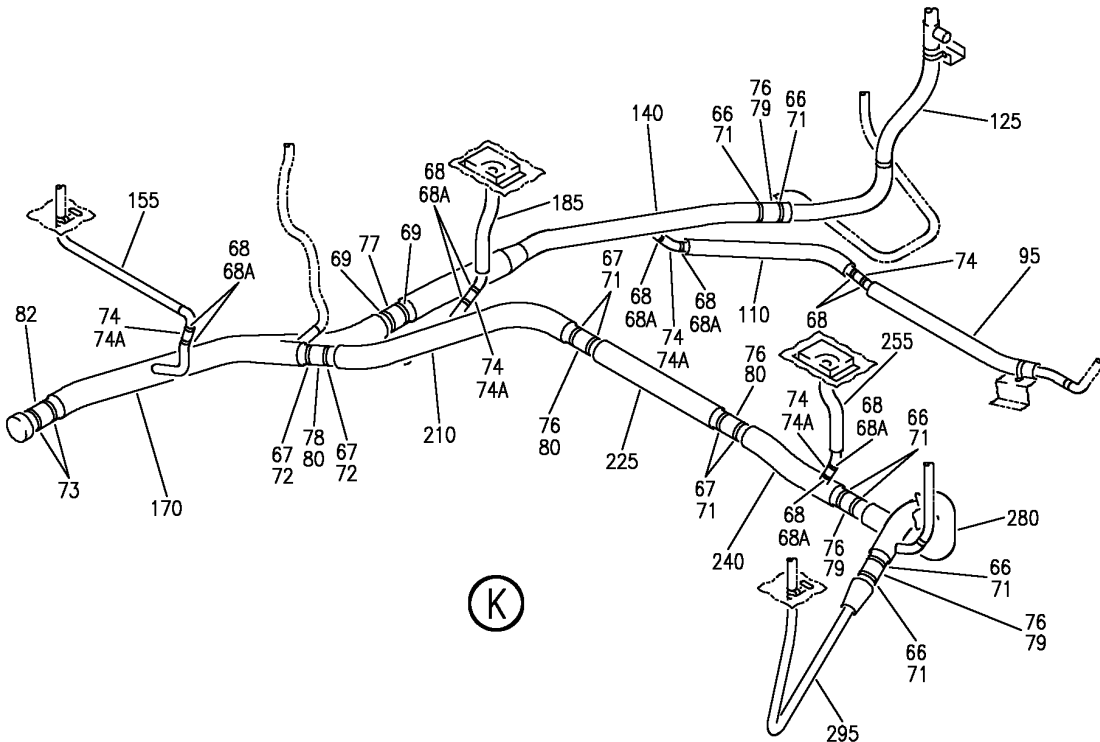
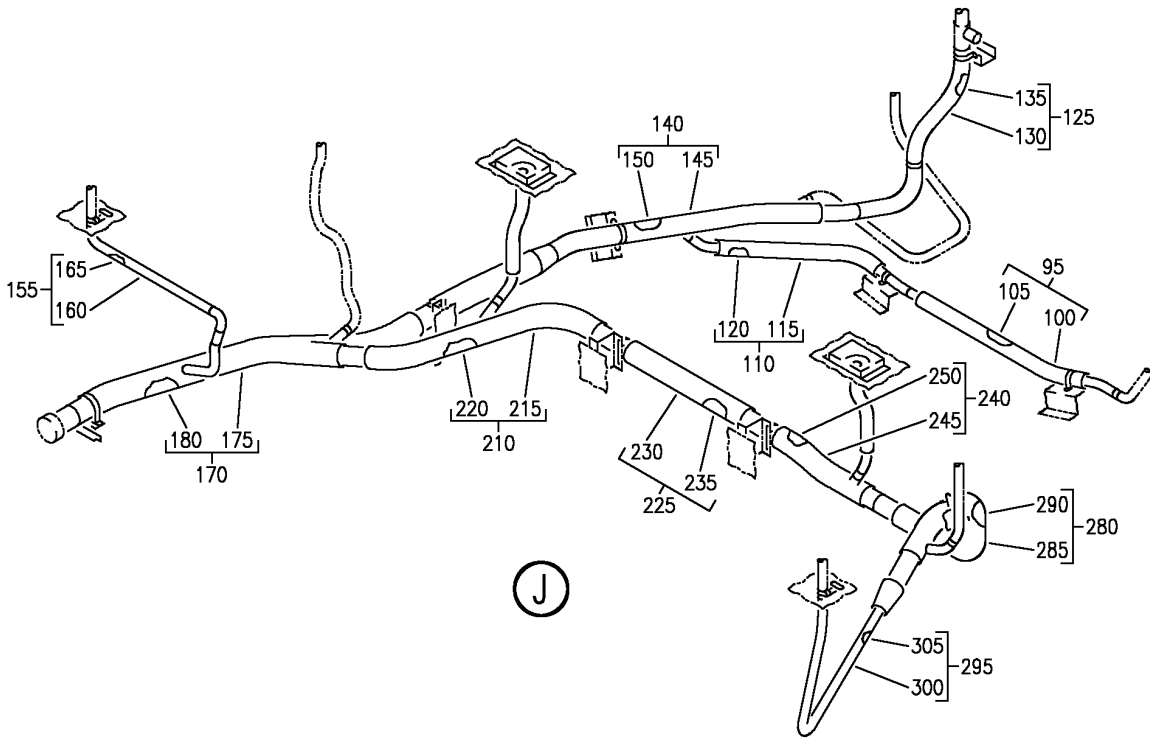
DUCT INSTL- E/E BAY STA 181 TO STA 262 FWD
 FIGURE 6 (SHEET 3)

21-22-00-06

HAP
 OCT 10/06

21-22-00-06
 PAGE 0B

BOEING
 737-600/700/800/900
 PARTS CATALOG (MAINTENANCE)



E 21220006 SHT 4 REV 149

DUCT INSTL- E/E BAY STA 181 TO STA 262 FWD
 FIGURE 6 (SHEET 4)

21-22-00-06

HAP
 FEB 15/09

21-22-00-06
 PAGE 0C

BOEING
737-600/700/800/900
PARTS CATALOG (MAINTENANCE)

FIG ITEM	PART NUMBER	1 2 3 4 5 6 7	NOMENCLATURE	EFFECT FROM TO	UNITS PER ASSY
6			DUCT INSTL- E/E BAY STA 181 TO STA 262 FWD	012200 968999	
- 1	214A1002-12		DUCT INSTL-E/E BAY POSITION DATA: STA 181 TO STA 262 FWD	012030	RF
- 1	MODREF265876		FOR NHA SEE: 21-20-00-04C DUCT INSTL-E/E BAY MODULE NUMBER: 214A1002-11 REV D POSITION DATA: STA 181 TO STA 262 FWD	101105 968999	1
- 1	MODREF265877		DUCT INSTL-E/E BAY MODULE NUMBER: 214A1002-12 REV E POSITION DATA: STA 181 TO STA 262 FWD	031036	1
- 1	MODREF283129		DUCT INSTL-E/E BAY MODULE NUMBER: 214A1002-12 REV F POSITION DATA: STA 181 TO STA 262 FWD	037046 054100	1
- 1	MODREF363253		DUCT INSTL-E/E BAY MODULE NUMBER: 214A1002-11 REV E POSITION DATA: STA 181 TO STA 262 FWD	106200	1
- 1	MODREF363257		DUCT INSTL-E/E BAY MODULE NUMBER: 214A1002-12 REV G POSITION DATA: STA 181 TO STA 262 FWD	047047	1
- 1	MODREF391316		DUCT INSTL-E/E BAY MODULE NUMBER: 214A1002-12 REV H POSITION DATA: STA 181 TO STA 262 FWD	048049	1

MISSING ITEM NUMBERS NOT APPLICABLE

- ITEM NOT ILLUSTRATED

HAP

21-22-00-06

BOEING PROPRIETARY - Copyright © - Unpublished Work - See title page for details.

21-22-00
FIG. 06
PAGE 1
FEB 15/09

BOEING
737-600/700/800/900
PARTS CATALOG (MAINTENANCE)

FIG ITEM	PART NUMBER	1 2 3 4 5 6 7	NOMENCLATURE	EFFECT FROM TO	UNITS PER ASSY
6					
- 2	MODREF398171		DUCT INSTL-E/E BAY MODULE NUMBER: 214A1002-12 REV J POSITION DATA: STA 181 TO STA 262 FWD	050053	1
5	BACS12GU3K8		.SCREW	012200 968999	20
7	BACS12GU08K8		.SCREW	012200 968999	1
10	BACS12GU3K9		.SCREW	012200 968999	2
15	BACS12GU3K18		.SCREW	012200 968999	2
20	NAS43DD3-40FC		.SPACER	012200 968999	2
25	NAS1149D0332J		.WASHER	012200 968999	33
27	NAS1149DN832J		.WASHER	012200 968999	1
30	BRC600-8-3GP		.CLIPNUT SUPPLIER CODE: V52828 SPECIFICATION NUMBER: BACN10YD1G OPTIONAL PART: 130120G V60119	012200 968999	2
35	PLH53CD		.NUT SUPPLIER CODE: VF0224 SPECIFICATION NUMBER: BACN10YR3CD OPTIONAL PART: H52732-3CD V15653	012200 968999	9
40	421-40		.CLAMP SUPPLIER CODE: V83930 SPECIFICATION NUMBER: BACC10CC40 OPTIONAL PART: JM45SC3D40T V22175 TA04C36-07 V84971 421A40 V83930	012200 968999	2

MISSING ITEM NUMBERS NOT APPLICABLE

- ITEM NOT ILLUSTRATED

HAP

21-22-00-06

BOEING PROPRIETARY - Copyright © - Unpublished Work - See title page for details.

21-22-00
FIG. 06
PAGE 2
FEB 15/09

BOEING
737-600/700/800/900
PARTS CATALOG (MAINTENANCE)

FIG ITEM	PART NUMBER	1 2 3 4 5 6 7	NOMENCLATURE	EFFECT FROM TO	UNITS PER ASSY
6	45 JM45SC3D48T		.CLAMP SUPPLIER CODE: V22175 SPECIFICATION NUMBER: BACC10CC48 OPTIONAL PART: TA04C36-11 V84971 421A48 V83930 421-48 V83930	012200 968999	2
	50 421-56		.CLAMP SUPPLIER CODE: V83930 SPECIFICATION NUMBER: BACC10CC56 OPTIONAL PART: JM45SC3D56T V22175 TA04C36-56 V84971 421A56 V83930	012200 968999	1
	55 421-64		.CLAMP SUPPLIER CODE: V83930 SPECIFICATION NUMBER: BACC10CC64 OPTIONAL PART: JM45SC3D64T V22175 TA04C36-64 V84971 421A64 V83930	012200 968999	1
	60 MS21919WDG24		.CLAMP	012200 968999	3
	62 MS21919WDG27		.CLAMP- OPTIONAL PART: MS21919WDG24	012036 101200 968999	2
	62 MS21919WDG24		.CLAMP- OPTIONAL PART: MS21919WDG27	012036 101200 968999	2
	63 MS21919WDG27		.CLAMP- OPTIONAL PART: MS21919WDG24	037100	1

MISSING ITEM NUMBERS NOT APPLICABLE

— ITEM NOT ILLUSTRATED

HAP

21-22-00-06

BOEING PROPRIETARY - Copyright © - Unpublished Work - See title page for details.

21-22-00
FIG. 06
PAGE 3
FEB 15/09

BOEING
737-600/700/800/900
PARTS CATALOG (MAINTENANCE)

FIG ITEM	PART NUMBER	1 2 3 4 5 6 7	NOMENCLATURE	EFFECT FROM TO	UNITS PER ASSY
6					
63	MS21919WDG24	.CLAMP-	OPTIONAL PART: MS21919WDG27	037100	1
65	MS21919WDG40	.CLAMP		012200 968999	2
66	PLT3SM	.STRAP	SUPPLIER CODE: V06383 SPECIFICATION NUMBER: BACS38K7 OPTIONAL PART: T0510 V53421	031200 968999	6
67	PLT4SM	.STRAP	SUPPLIER CODE: V06383 SPECIFICATION NUMBER: BACS38K2 OPTIONAL PART: T05L0 V53421	031200 968999	6
68	T05R0	.STRAP	SUPPLIER CODE: V53421 SPECIFICATION NUMBER: BACS38K1 OPTIONAL PART: PLT2SM V06383	031036 048049 101200 968999	10
68A	T05R0	.STRAP	SUPPLIER CODE: V53421 SPECIFICATION NUMBER: BACS38K1 OPTIONAL PART: PLT2SM V06383	037047 050100	8
69	PLT4HTL	.STRAP	SUPPLIER CODE: V06383 SPECIFICATION NUMBER: BACS38K3 OPTIONAL PART: T012R0 V53421	031200 968999	2

MISSING ITEM NUMBERS NOT APPLICABLE

— ITEM NOT ILLUSTRATED

HAP

21-22-00-06

BOEING PROPRIETARY - Copyright © - Unpublished Work - See title page for details.

21-22-00
FIG. 06
PAGE 4
FEB 15/09

BOEING
737-600/700/800/900
PARTS CATALOG (MAINTENANCE)

FIG ITEM	PART NUMBER	1 2 3 4 5 6 7	NOMENCLATURE	EFFECT FROM TO	UNITS PER ASSY
6					
70	T05R0	.	STRAP SUPPLIER CODE: V53421 SPECIFICATION NUMBER: BACS38K1 OPTIONAL PART: PLT2SM V06383	012030	4
73	T012L0	.	STRAP SUPPLIER CODE: V53421 SPECIFICATION NUMBER: BACS38K6	031200 968999	2
74	AS1506-06D23	.	SLEEVE	031036 048049 101200 968999	5
74A	AS1506-06D23	.	SLEEVE	037047 050100	4
75	AS1506-06D23	.	SLEEVE	012030	2
77	AS1506-14D32	.	SLEEVE	031200 968999	1
79	AS1506-10D32	.	SLEEVE	031200 968999	3
80	AS1506-12D32	.	SLEEVE	031200 968999	3
82	AS1506-16D42	.	HOSE	031200 968999	1
83	214T3436-616	.	ORIFICE ASSY	012036 101200 968999	3
84	214T3436-616	.	ORIFICE ASSY	037100	2
85	214T3436-1570	.	ORIFICE ASSY	101200 968999	2
87	214T3436-1585	.	ORIFICE ASSY	101200 968999	1
90	214T3436-1585	.	ORIFICE ASSY	012049 054100	3
95	214A1128-1	.	DUCT ASSY-	012030	1
95	214A1128-5	.	DUCT ASSY-	031036 101105 968999	1
95	214A1128-9	.	DUCT ASSY	106200	1
100	214A1128-3	..	INSULATION	012036 101105 968999	AR
100	210N0013-10	..	INSULATION	106200	AR

MISSING ITEM NUMBERS NOT APPLICABLE

— ITEM NOT ILLUSTRATED

HAP

21-22-00-06

BOEING PROPRIETARY - Copyright © - Unpublished Work - See title page for details.

21-22-00
FIG. 06
PAGE 5
FEB 15/09

BOEING
737-600/700/800/900
PARTS CATALOG (MAINTENANCE)

FIG ITEM	PART NUMBER	1 2 3 4 5 6 7	NOMENCLATURE	EFFECT FROM TO	UNITS PER ASSY
6					
105	214A1128-2	. .	DUCT	012036 101200 968999	1
110	214A1132-1	. .	DUCT ASSY-	012030	1
110	214A1132-5	. .	DUCT ASSY-	031046 054105 968999	1
110	214A1132-7	. .	DUCT ASSY	047053 106200	1
115	214A1132-3	. .	INSULATION	012046 054105 968999	AR
115	210N0013-10	. .	INSULATION	047053 106200	AR
120	214A1132-2	. .	DUCT	012200 968999	1
125	214A1130-6	. .	DUCT ASSY-	012030	1
125	214A1130-8	. .	DUCT ASSY-	031046 054105 968999	1
125	214A1130-9	. .	DUCT ASSY	047053 106200	1
130	214A1130-4	. .	BLANKET-INSULATION	012046 054105 968999	AR
130	210N0013-10	. .	INSULATION	047053 106200	AR
135	214A1130-2	. .	DUCT	012200 968999	1
140	214A1123-1	. .	DUCT ASSY-	012030	1
140	214A1123-5	. .	DUCT ASSY-	031046 054105 968999	1
140	214A1123-7	. .	DUCT ASSY	047053 106200	1
145	214A1123-4	. .	BLANKET-INSULATION	012046 054105 968999	AR
145	210N0013-10	. .	INSULATION	047053 106200	AR
150	214A1123-2	. .	DUCT	012200 968999	1
155	214A1117-1	. .	DUCT ASSY-	012030	1
155	214A1117-5	. .	DUCT ASSY-	031046 054105 968999	1
155	214A1117-7	. .	DUCT ASSY	047053 106200	1

MISSING ITEM NUMBERS NOT APPLICABLE

— ITEM NOT ILLUSTRATED

HAP

21-22-00-06

21-22-00
FIG. 06
PAGE 6
FEB 15/09

BOEING
737-600/700/800/900
PARTS CATALOG (MAINTENANCE)

FIG ITEM	PART NUMBER	1 2 3 4 5 6 7	NOMENCLATURE	EFFECT FROM TO	UNITS PER ASSY
6					
160	214A1117-3	..	INSULATION	012046 054105 968999	AR
160	210N0013-10	..	INSULATION	047053 106200	AR
165	214A1117-2	..	DUCT	012200 968999	1
170	214A1116-1	.DUCT	ASSY-	012030	1
170	214A1116-5	.DUCT	ASSY-	031046 054105 968999	1
170	214A1116-7	.DUCT	ASSY	047053 106200	1
175	214A1116-4	..	BLANKET-INSULATION	012046 054105 968999	AR
175	210N0013-10	..	INSULATION	047053 106200	AR
180	214A1116-2	..	DUCT	012200 968999	1
185	214A1124-1	.DUCT	ASSY-	012030	1
185	214A1124-5	.DUCT	ASSY-	031046 054105 968999	1
185	214A1124-7	.DUCT	ASSY	047053 106200	1
190	BRF200A3	..	NUTPLATE SUPPLIER CODE: V52828 SPECIFICATION NUMBER: BACN10JR3F OPTIONAL PART: NS103203-02 V80539 RMF9201-3 V72962 VN152A1-02 V92215 T8091S1032 V11815 F5000-3BAC V15653 ATTACHING PARTS	012200 968999	3
- 195	BACR15BA3AD3C	..	RIVET- SIZE DETERMINED ON INSTL. -----*-----	012200 968999	6
200	214A1124-4	..	BLANKET-INSULATION	012046 054105 968999	AR

MISSING ITEM NUMBERS NOT APPLICABLE

- ITEM NOT ILLUSTRATED

HAP

21-22-00-06

21-22-00
FIG. 06
PAGE 7
FEB 15/09

BOEING
737-600/700/800/900
PARTS CATALOG (MAINTENANCE)

FIG ITEM	PART NUMBER	1 2 3 4 5 6 7	NOMENCLATURE	EFFECT FROM TO	UNITS PER ASSY
6					
200	210N0013-10	..	INSULATION	047053 106200	AR
205	214A1124-2	..	DUCT	012200 968999	1
210	214A1125-1	.DUCT	ASSY-	012030	1
210	214A1125-5	.DUCT	ASSY-	031046 054105 968999	1
210	214A1125-7	.DUCT	ASSY	047053 106200	1
215	214A1125-4	..	BLANKET-INSULATION	012046 054105 968999	AR
215	210N0013-10	..	INSULATION	047053 106200	AR
220	214A1125-2	..	DUCT	012200 968999	1
225	214A1155-1	.DUCT	ASSY-	012030	1
225	214A1155-5	.DUCT	ASSY-	031046 054105 968999	1
225	214A1155-7	.DUCT	ASSY	047053 106200	1
230	214A1155-2	..	INSULATION	012046 054105 968999	1
230	210N0013-10	..	INSULATION	047053 106200	1
235	214A1155-3	..	DUCT	012200 968999	1
240	214A1150-1	.DUCT	ASSY-	012030	1
240	214A1150-5	.DUCT	ASSY-	031046 054105 968999	1
240	214A1150-7	.DUCT	ASSY	047053 106200	1
245	214A1150-4	..	BLANKET-INSULATION	012046 054105 968999	AR
245	210N0013-10	..	INSULATION	047053 106200	AR
250	214A1150-2	..	DUCT	012200 968999	1
255	214A1133-1	.DUCT	ASSY-	012030	1
255	214A1133-5	.DUCT	ASSY-	031046 054105 968999	1
255	214A1133-7	.DUCT	ASSY	047053 106200	1

MISSING ITEM NUMBERS NOT APPLICABLE

— ITEM NOT ILLUSTRATED

HAP

21-22-00-06

21-22-00
FIG. 06
PAGE 8
FEB 15/09

BOEING
737-600/700/800/900
PARTS CATALOG (MAINTENANCE)

FIG ITEM	PART NUMBER	1 2 3 4 5 6 7	NOMENCLATURE	EFFECT FROM TO	UNITS PER ASSY
6 260	BRF200A3		..NUTPLATE SUPPLIER CODE: V52828 SPECIFICATION NUMBER: BACN10JR3F OPTIONAL PART: NS103203-02 V80539 RMF9201-3 V72962 VN152A1-02 V92215 T8091S1032 V11815 F5000-3BAC V15653 ATTACHING PARTS	012200 968999	3
- 265	BACR15BA3AD3C		..RIVET- SIZE DETERMINED ON INSTL. -----*-----	012200 968999	6
270	214A1133-4		..BLANKET-INSULATION	012046 054105 968999	AR
270	210N0013-10		..INSULATION	047053 106200	AR
275	214A1133-2		..DUCT	012200 968999	1
280	214A1134-1		.DUCT ASSY-	012030	1
280	214A1134-5		.DUCT ASSY-	031046 054105 968999	1
280	214A1134-7		.DUCT ASSY	047053 106200	1
285	214A1134-4		..BLANKET-INSULATION	012046 054105 968999	AR
285	210N0013-10		..INSULATION	047053 106200	AR
290	214A1134-2		..DUCT	012200 968999	1
295	214A1120-1		.DUCT ASSY-	012030	1
295	214A1120-5		.DUCT ASSY-	031046 054105 968999	1
295	214A1120-7		.DUCT ASSY	047053 106200	1
300	214A1120-4		..BLANKET-INSULATION	012046 054105 968999	AR

MISSING ITEM NUMBERS NOT APPLICABLE

- ITEM NOT ILLUSTRATED

HAP

21-22-00-06

21-22-00
FIG. 06
PAGE 9
FEB 15/09


BOEING
 737-600/700/800/900
PARTS CATALOG (MAINTENANCE)

FIG ITEM	PART NUMBER	1 2 3 4 5 6 7	NOMENCLATURE	EFFECT FROM TO	UNITS PER ASSY
6					
300	210N0013-10		. . INSULATION	047053 106200	AR
305	214A1120-2		. . DUCT	012200 968999	1
MISSING ITEM NUMBERS NOT APPLICABLE					

— ITEM NOT ILLUSTRATED

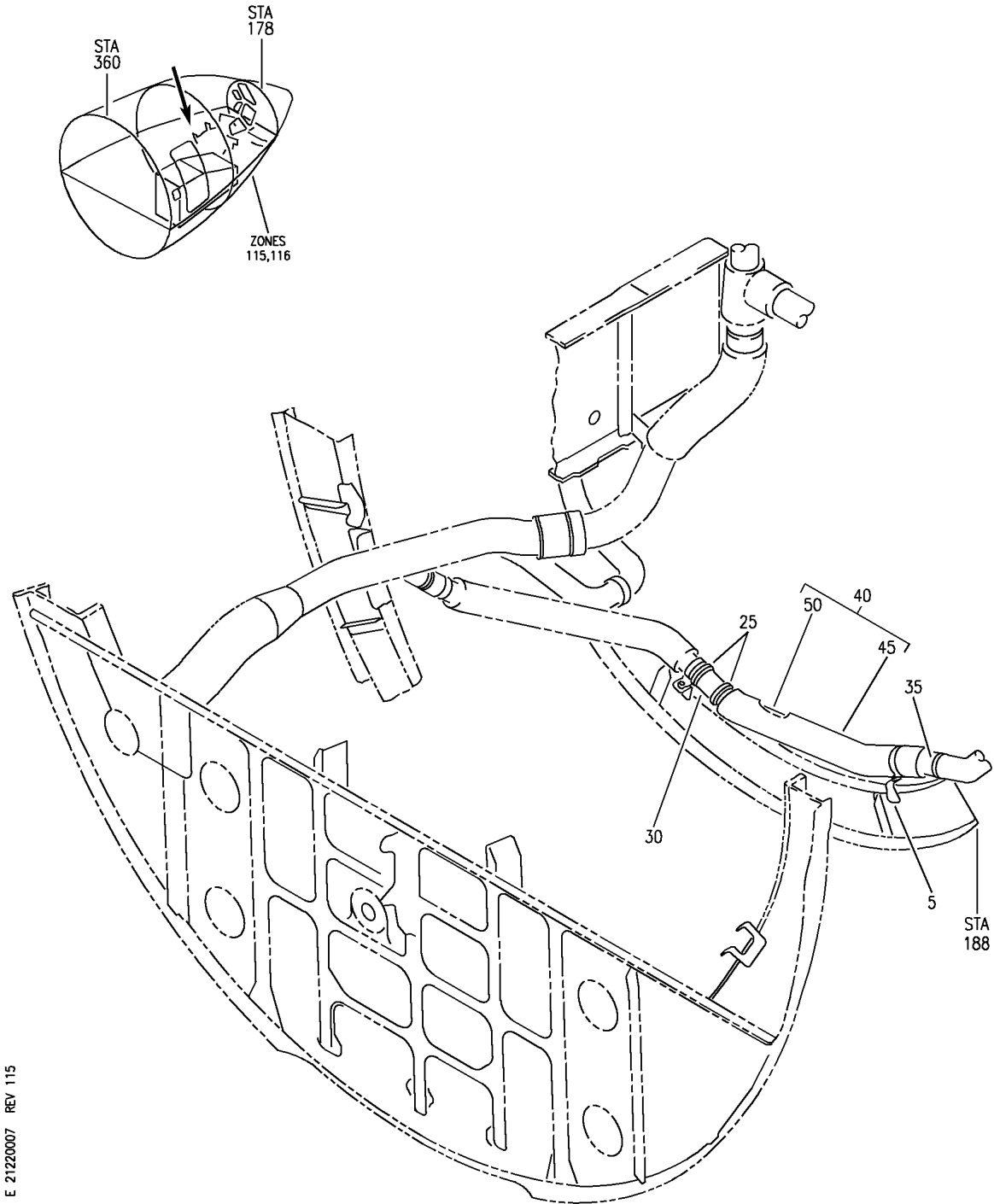
HAP

21-22-00-06

BOEING PROPRIETARY - Copyright © - Unpublished Work - See title page for details.

21-22-00
 FIG. 06
 PAGE 10
 FEB 15/09

BOEING
737-600/700/800/900
PARTS CATALOG (MAINTENANCE)



E 21220007 REV 115

DUCT INSTL-FLIGHT DECK AIR DISTR SYS
FIGURE 7

21-22-00-07

HAP
OCT 10/06

21-22-00-07
PAGE 0

BOEING
737-600/700/800/900
PARTS CATALOG (MAINTENANCE)

FIG ITEM	PART NUMBER	1 2 3 4 5 6 7	NOMENCLATURE	EFFECT FROM TO	UNITS PER ASSY
7			DUCT INSTL-FLIGHT DECK AIR DISTR SYS	037100	
- 1	MODREF283131		DUCT INSTL-FLIGHT DECK AIR DISTR SYS	037046 054100	1
- 1	MODREF363255		MODULE NUMBER: 214A1002-19 REV A DUCT INSTL-FLIGHT DECK AIR DISTR SYS	047053	1
	5 MS21919WDG27		MODULE NUMBER: 214A1002-19 REV B .CLAMP	037100	1
- 10	BACS12GU3K8		ATTACHING PARTS		
- 15	NAS1149D0332J		.SCREW	037100	1
- 20	PLH53CD		.WASHER	037100	2
			.NUT	037100	1
			SUPPLIER CODE: VF0224		
			SPECIFICATION NUMBER: BACN10YR3CD		
			OPTIONAL PART: H52732-3CD V15653		
			-----*-----		
25	T05R0		.STRAP	037100	2
			SUPPLIER CODE: V53421		
			SPECIFICATION NUMBER: BACS38K1		
			OPTIONAL PART: PLT2SM V06383		
30	AS1506-06D23		.SLEEVE	037100	1
35	214T3436-616		.ORIFICE ASSY	037100	1
40	214A1128-5		.DUCT ASSY	037046 054100	1
40	214A1128-9		.DUCT ASSY	047053	1
45	214A1128-3		..INSULATION	037046 054100	AR
45	210N0013-10		..INSULATION	047053	AR
50	214A1128-2		..DUCT	037100	1

MISSING ITEM NUMBERS NOT APPLICABLE

- ITEM NOT ILLUSTRATED

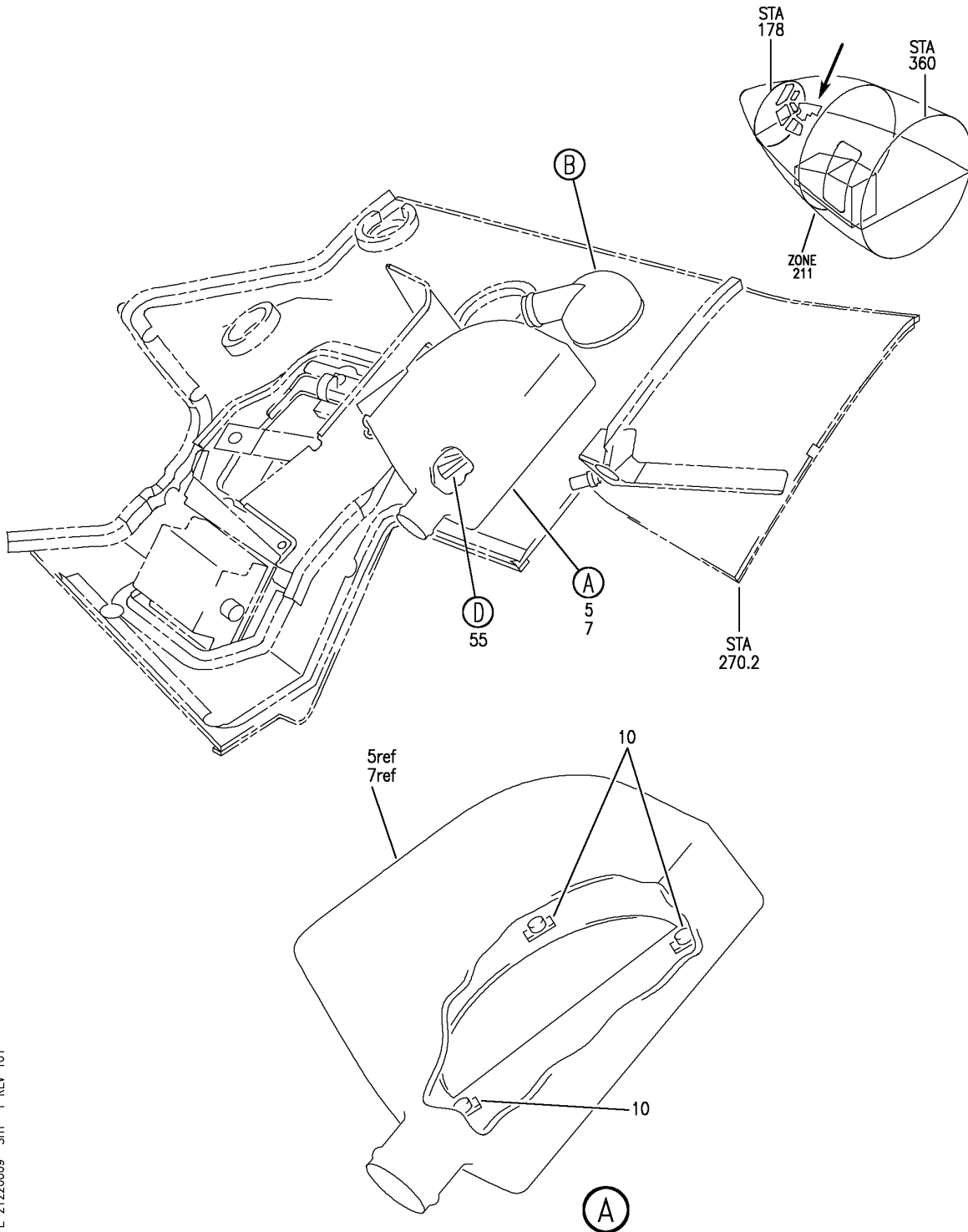
HAP

21-22-00-07

BOEING PROPRIETARY - Copyright © - Unpublished Work - See title page for details.

21-22-00
FIG. 07
PAGE 1
FEB 15/09

BOEING
 737-600/700/800/900
 PARTS CATALOG (MAINTENANCE)



E 21220009 SHT 1 REV 101

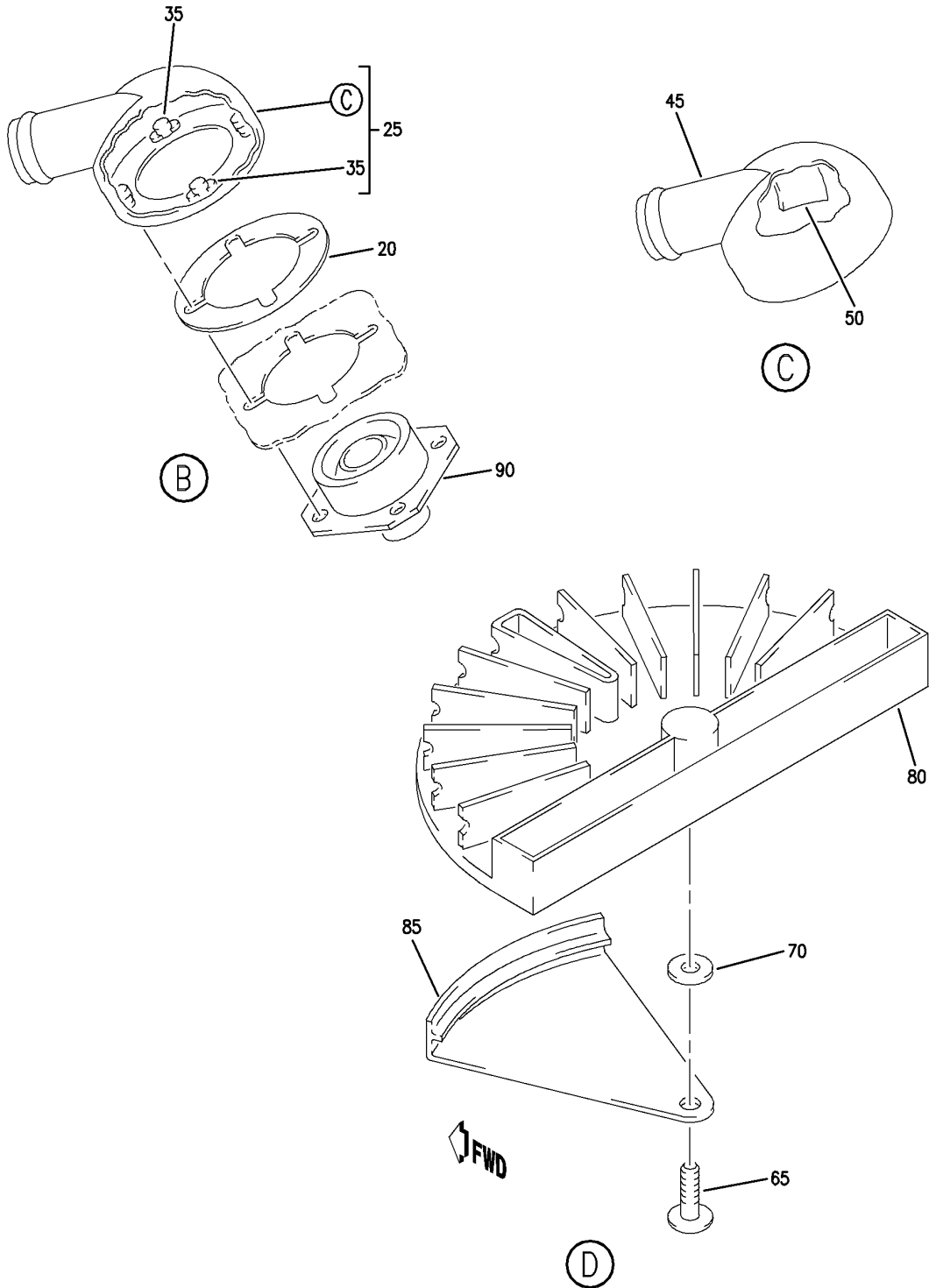
LINING ASSY-LH CEILING FWD (AIR CONDITIONING ONLY)
 FIGURE 9 (SHEET 1)

21-22-00-09

HAP
 OCT 10/06

21-22-00-09
 PAGE 0

BOEING
 737-600/700/800/900
 PARTS CATALOG (MAINTENANCE)



E 21220009 SHIT 2 REV 060

LINING ASSY-LH CEILING FWD (AIR CONDITIONING ONLY)
 FIGURE 9 (SHEET 2)

21-22-00-09

HAP
 OCT 10/06

21-22-00-09
 PAGE 0A

BOEING
737-600/700/800/900
PARTS CATALOG (MAINTENANCE)

FIG ITEM	PART NUMBER	1 2 3 4 5 6 7	NOMENCLATURE	EFFECT FROM TO	UNITS PER ASSY
9			LINING ASSY-LH CEILING FWD (AIR CONDITIONING ONLY)	028200 968999	
- 1	232A1401-41		LINING ASSY-CEILING (AIR CONDITIONING ONLY) POSITION DATA: LH FWD FOR NHA/OTHER SYS DET SEE: 25-11-21-04	028030	RF
- 1	232A1401-62		LINING ASSY-CEILING (AIR CONDITIONING ONLY) POSITION DATA: LH FWD FOR NHA/OTHER SYS DET SEE: 25-11-21-04	031200 968999	RF
5	214A1140-1		.PLENUM ASSY-	028030	1
7	214A1140-5		.PLENUM ASSY-	031200 968999	1
10	MF53050-3CD		..NUTPLATE SUPPLIER CODE: V15653 SPECIFICATION NUMBER: BACN10JN3CD OPTIONAL PART: BRFM20C3D V52828 102F9201M3 V72962 NS202487-02 V80539 MF51637-3 V15653 ATTACHING PARTS	028200 968999	3
- 15	BACR14BA3ADC		..RIVET- SIZE DETERMINED ON INSTL.	028030	6
- 15	AF5141-3C2		..RIVET- SUPPLIER CODE: V53551 SPECIFICATION NUMBER: BACR15DR3AC2 OPTIONAL PART: CCR264CS3-2IT V11815 RV541A3C2 V98996	031200 968999	6
20	69-73123-7		-----*----- .GASKET	028030	1

MISSING ITEM NUMBERS NOT APPLICABLE

- ITEM NOT ILLUSTRATED

HAP

21-22-00-09

BOEING PROPRIETARY - Copyright © - Unpublished Work - See title page for details.

21-22-00
FIG. 09
PAGE 1
OCT 15/08

BOEING
737-600/700/800/900
PARTS CATALOG (MAINTENANCE)

FIG ITEM	PART NUMBER	1 2 3 4 5 6 7	NOMENCLATURE	EFFECT FROM TO	UNITS PER ASSY
9					
25	214U1102-16	.	PLENUM ASSY	028200 968999	1
35	T8076S832	..	NUTPLATE SUPPLIER CODE: V11815 SPECIFICATION NUMBER: BACN10JP08A OPTIONAL PART: MK1000-08BAC V15653 NS103197-82 V80539 RMA9201M82 V72962 VN202A1-82 V92215 BRM200A08 V52828 ATTACHING PARTS	028200 968999	4
- 40	BACR15BA3AC	..	RIVET- SIZE DETERMINED ON INSTL. -----*-----	028200 968999	8
45	214U1102-10	..	PLENUM-	028200 968999	1
50	214A2450-5	..	LINING	028200 968999	1
55	214A1122-1	.	OVERHEAD ASSY-OUTLET	028030	1
55	214A1122-7	.	OVERHEAD ASSY-OUTLET	031200 968999	1
- 60	FH10F22DL16GY	.	SCREW- SUPPLIER CODE: V12324 -----*-----	028200 968999	3
65	WHS10F7TPKL16GY	..	SCREW-	028030	1
65	WHS10F4TPKL16GY	..	SCREW- SUPPLIER CODE: V12324	031200 968999	1
70	NAS1149D0332J	..	WASHER	028200 968999	1
- 75	SL5214	..	INSERT- SUPPLIER CODE: V97393 OPTIONAL PART: 6041-3BR225 V01556	028200 968999	1

MISSING ITEM NUMBERS NOT APPLICABLE

- ITEM NOT ILLUSTRATED

HAP

21-22-00-09

BOEING PROPRIETARY - Copyright © - Unpublished Work - See title page for details.

21-22-00
FIG. 09
PAGE 2
OCT 15/08

BOEING
737-600/700/800/900
PARTS CATALOG (MAINTENANCE)

FIG ITEM	PART NUMBER	1 2 3 4 5 6 7	NOMENCLATURE	EFFECT FROM TO	UNITS PER ASSY
9					
- 75	6041-3BR225		.. INSERT- SUPPLIER CODE: V01556 OPTIONAL PART: SL5214 V97393	028200 968999	1
80	214A1122-3		.. DIFFUSER	028200 968999	1
85	214A1122-5		.. PLATE-BLOCKER	028200 968999	1
90	1292-3		. OUTLET- SUPPLIER CODE: VOACH0 SPECIFICATION NUMBER: S214W001-3B ATTACHING PARTS	028200 968999	1
- 95	FH8C7DL16GY		. SCREW- SUPPLIER CODE: V12324	028030	4
- 95	BACS12ER08K7		. SCREW- -----*-----	031200 968999	4

MISSING ITEM NUMBERS NOT APPLICABLE

- ITEM NOT ILLUSTRATED

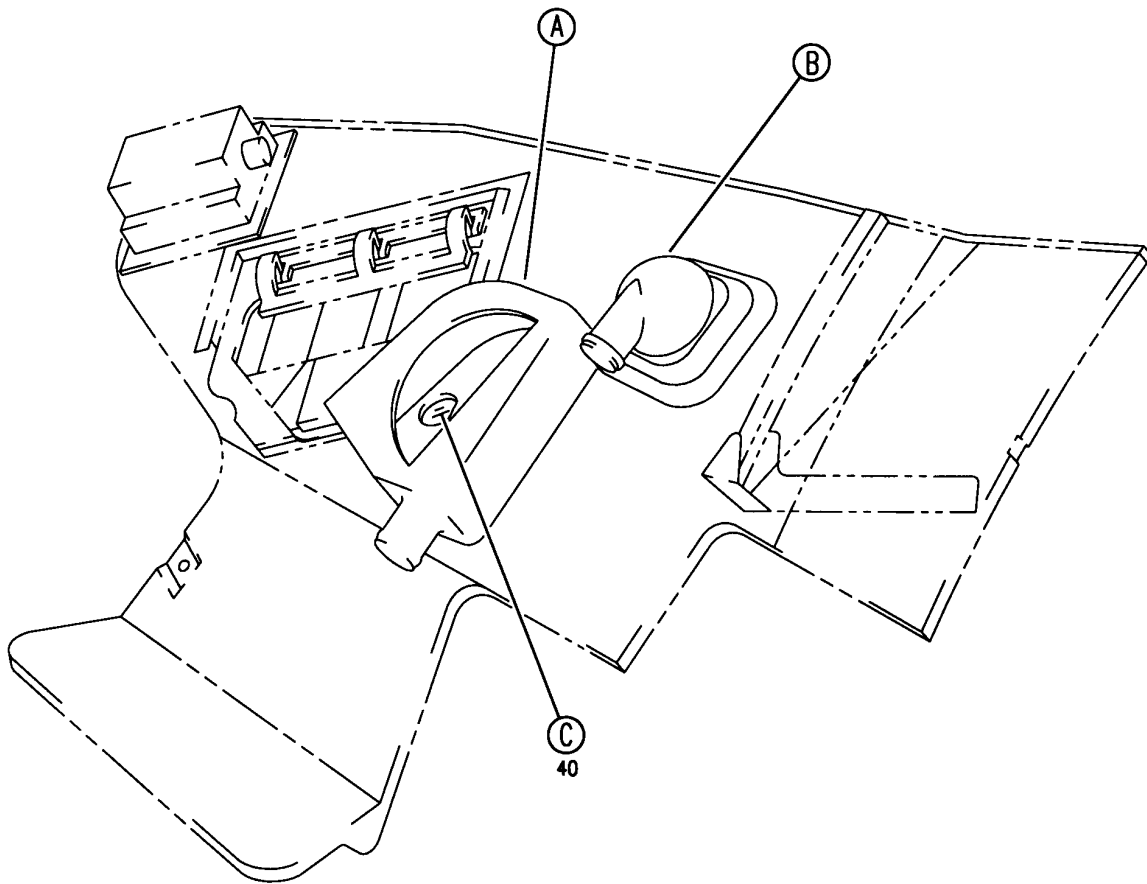
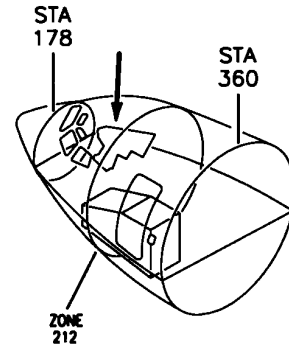
HAP

21-22-00-09

BOEING PROPRIETARY - Copyright © - Unpublished Work - See title page for details.

21-22-00
FIG. 09
PAGE 3
OCT 15/08

BOEING
737-600/700/800/900
PARTS CATALOG (MAINTENANCE)



E 21220010 SHT 1 REV 002

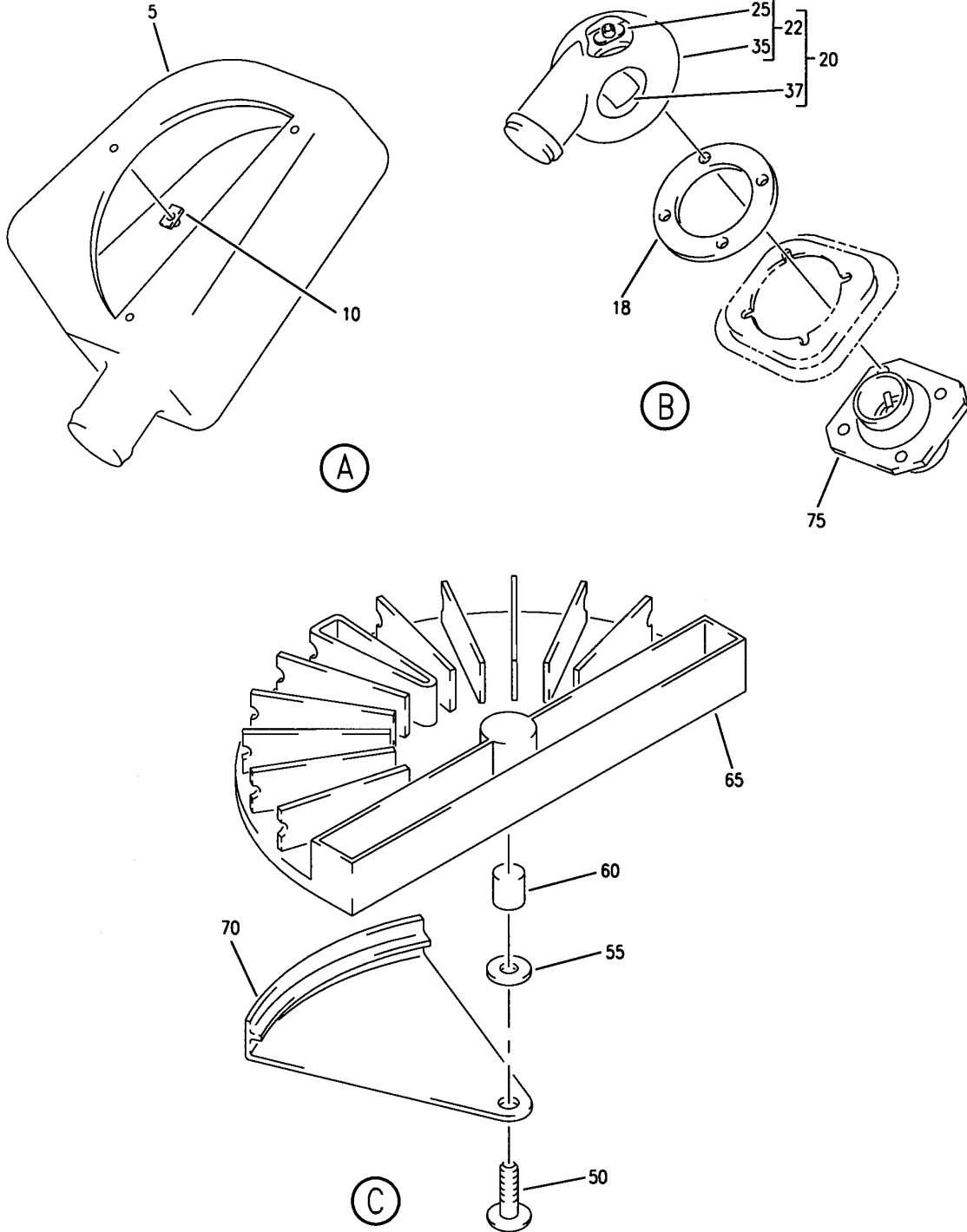
LINING ASSY-LH CEILING FWD (AIR CONDITIONING ONLY)
FIGURE 10 (SHEET 1)

21-22-00-10

HAP
OCT 10/06

21-22-00-10
PAGE 0

BOEING
 737-600/700/800/900
 PARTS CATALOG (MAINTENANCE)



E 21220010 SH1 2 REV 025

LINING ASSY-LH CEILING FWD (AIR CONDITIONING ONLY)
 FIGURE 10 (SHEET 2)

21-22-00-10

HAP
 OCT 10/06

21-22-00-10
 PAGE 0A

BOEING
737-600/700/800/900
PARTS CATALOG (MAINTENANCE)

FIG ITEM	PART NUMBER	1 2 3 4 5 6 7	NOMENCLATURE	EFFECT FROM TO	UNITS PER ASSY
10			LINING ASSY-LH CEILING FWD (AIR CONDITIONING ONLY)	001027 201967	
- 1	232A1401-28		LINING ASSY-CEILING (AIR CONDITIONING ONLY) POSITION DATA: LH FWD FOR NHA/OTHER SYS DET SEE: 25-11-21-02	001027 201967	RF
5	214A1140-1		.PLENUM ASSY	001027 201967	1
10	MF53050-3CD		..NUTPLATE SUPPLIER CODE: V15653 SPECIFICATION NUMBER: BACN10JN3CD OPTIONAL PART: BRFM20C3D V52828 102F9201M3 V72962 NS202487-02 V80539 MF51637-3 V15653	001027 201967	3
- 15	BACR14BA3ADC		ATTACHING PARTS ..RIVET- SIZE DETERMINED ON INSTL. -----*-----	001027 201967	6
18	69-73123-7		.GASKET	001027 201967	1
20	214U1102-15		.PLENUM ASSY-	001027 201967	1
22	214U1102-9		..PLENUM ASSY	001027 201967	1

MISSING ITEM NUMBERS NOT APPLICABLE

- ITEM NOT ILLUSTRATED

HAP

21-22-00-10

BOEING PROPRIETARY - Copyright © - Unpublished Work - See title page for details.

21-22-00
FIG. 10
PAGE 1
OCT 15/08

BOEING
737-600/700/800/900
PARTS CATALOG (MAINTENANCE)

FIG ITEM	PART NUMBER	1 2 3 4 5 6 7	NOMENCLATURE	EFFECT FROM TO	UNITS PER ASSY
10					
25	T8076S832		...NUTPLATE SUPPLIER CODE: V11815 SPECIFICATION NUMBER: BACN10JP08A OPTIONAL PART: MK1000-08BAC V15653 NS103197-82 V80539 RMA9201M82 V72962 VN202A1-82 V92215 BRM200A08 V52828 ATTACHING PARTS	001027 201967	4
- 30	BACR15BA3A		...RIVET- SIZE DETERMINED ON INSTL. -----*-----	001027 201967	8
35	214U1102-10		...PLENUM	001027 201967	1
37	214A2450-5		..LINING	001027 201967	1
40	214A1122-1		.OVERHEAD ASSY-OUTLET ATTACHING PARTS	001027 201967	1
- 45	FH10F22TPKL16GY		.SCREW- SUPPLIER CODE: V12324 -----*-----	001027 201967	3
50	WHS10F7TPKL16GY		..SCREW-	001027 201967	1
55	NAS1149D0332J		..WASHER	001027 201967	1
60	SL5214		..INSERT- SUPPLIER CODE: V97393 OPTIONAL PART: 6041-3BR225 V01556	001027 201967	1
60	6041-3BR225		..INSERT- SUPPLIER CODE: V01556 OPTIONAL PART: SL5214 V97393	001027 201967	1
65	214A1122-3		..DIFFUSER	001027 201967	1

MISSING ITEM NUMBERS NOT APPLICABLE

- ITEM NOT ILLUSTRATED

HAP

21-22-00-10

BOEING PROPRIETARY - Copyright © - Unpublished Work - See title page for details.

21-22-00
FIG. 10
PAGE 2
OCT 15/08


BOEING
 737-600/700/800/900
PARTS CATALOG (MAINTENANCE)

FIG ITEM	PART NUMBER	1 2 3 4 5 6 7	NOMENCLATURE	EFFECT FROM TO	UNITS PER ASSY
10					
70	214A1122-5	.	PLATE-BLOCKER	001027 201967	1
75	1292-3	.	OUTLET- SUPPLIER CODE: VOACH0 SPECIFICATION NUMBER: S214W001-3B ATTACHING PARTS	001027 201967	1
- 80	FH8C7DL16GY	.	SCREW- SUPPLIER CODE: V12324 -----*-----	001027 201967	4

MISSING ITEM NUMBERS NOT APPLICABLE

- ITEM NOT ILLUSTRATED

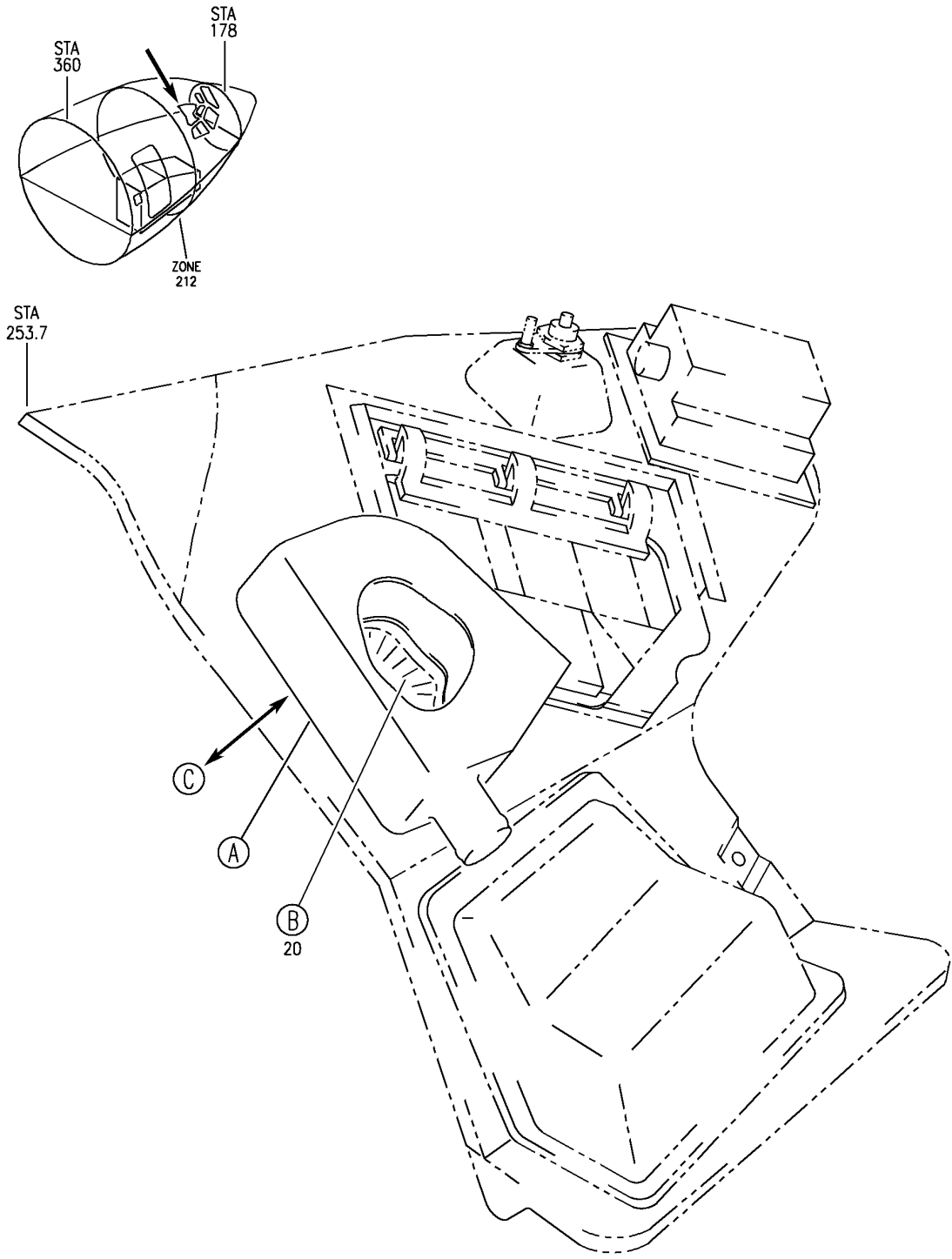
HAP

21-22-00-10

BOEING PROPRIETARY - Copyright © - Unpublished Work - See title page for details.

21-22-00
 FIG. 10
 PAGE 3
 OCT 15/08

BOEING
737-600/700/800/900
PARTS CATALOG (MAINTENANCE)



E 21220011 SHT 1 REV 103

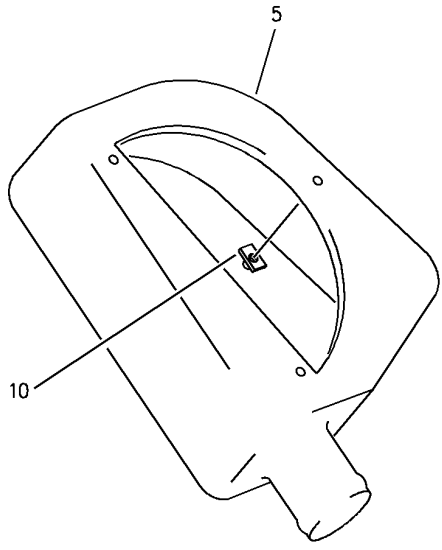
LINING ASSY-R FWD CLG (AIR CONDITIONING ONLY)
FIGURE 11 (SHEET 1)

21-22-00-11

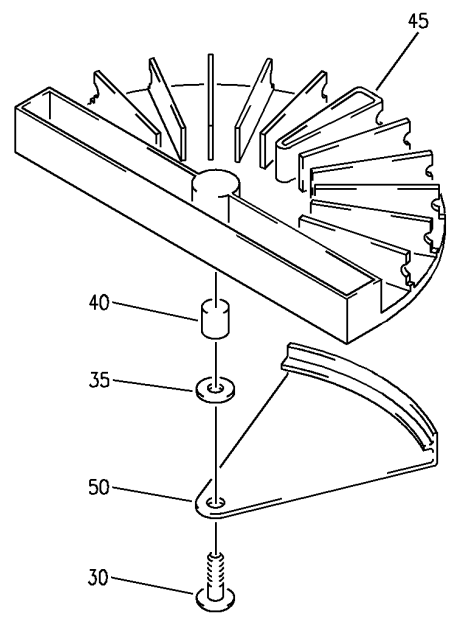
HAP
OCT 10/06

21-22-00-11
PAGE 0

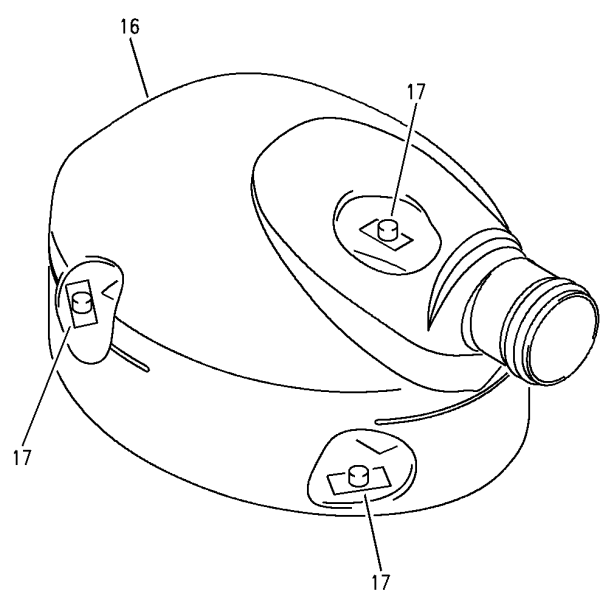
BOEING
 737-600/700/800/900
 PARTS CATALOG (MAINTENANCE)



(A)



(B)



(C)

E 21220011 SHT 2 REV 103

LINING ASSY-R FWD CLG (AIR CONDITIONING ONLY)
 FIGURE 11 (SHEET 2)

21-22-00-11

HAP
 OCT 10/06

21-22-00-11
 PAGE 0A

BOEING
737-600/700/800/900
PARTS CATALOG (MAINTENANCE)

FIG ITEM	PART NUMBER	1 2 3 4 5 6 7	NOMENCLATURE	EFFECT FROM TO	UNITS PER ASSY
11			LINING ASSY-R FWD CLG (AIR CONDITIONING ONLY)	031200 968999	
- 1	232A1401-63		LINING ASSY-CLG (AIR CONDITIONING ONLY) POSITION DATA: FWD RH FOR NHA/OTHER SYS DET SEE: 25-11-21-03	031200 968999	RF
16	214A1140-6		.PLENUM ASSY	031200 968999	1
17	MF53050-3CD		..NUTPLATE SUPPLIER CODE: V15653 SPECIFICATION NUMBER: BACN10JN3CD OPTIONAL PART: BRFM20C3D V52828 102F9201M3 V72962 NS202487-02 V80539 MF51637-3 V15653	031200 968999	3
- 18	BACR15BA3AC2		ATTACHING PARTS ..RIVET	031200 968999	6
			-----*-----		
20	214A1122-8		.OVERHEAD ASSY-OUTLET	031200 968999	1
			ATTACHING PARTS		
- 25	FH10F22TPKL16GY		.SCREW- SUPPLIER CODE: V12324	031200 968999	3
			-----*-----		
30	WHS10F4TPKL16GY		..SCREW- SUPPLIER CODE: V12324	031200 968999	1
35	NAS1149D0332J		..WASHER	031200 968999	1
40	SL5214		..INSERT- SUPPLIER CODE: V97393	031200 968999	1
45	214A1122-4		..DIFFUSER-	031200 968999	1
50	214A1122-5		..PLATE-BLOCKER	031200 968999	1

MISSING ITEM NUMBERS NOT APPLICABLE

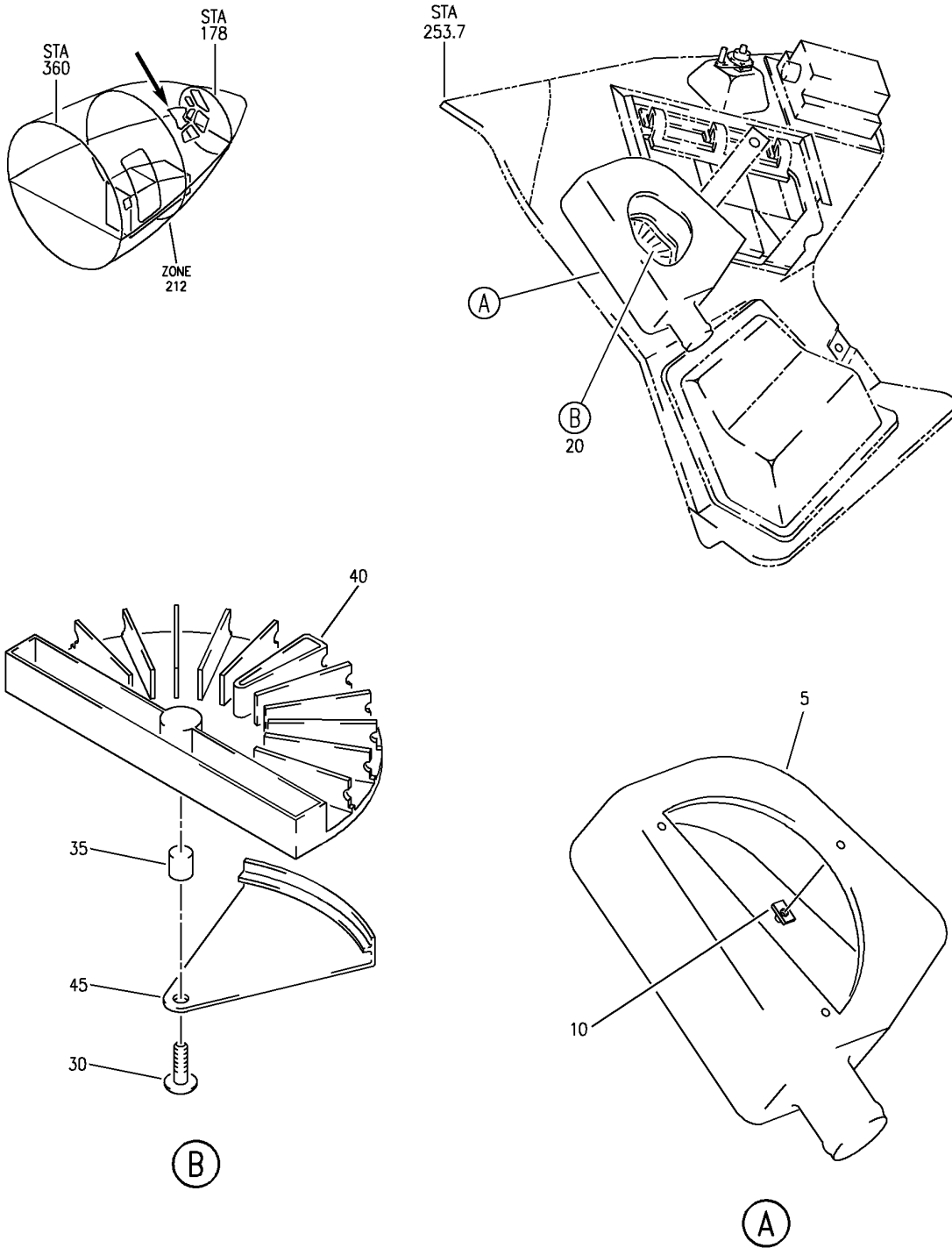
- ITEM NOT ILLUSTRATED

HAP

21-22-00-11

21-22-00
FIG. 11
PAGE 1
OCT 15/08

BOEING
 737-600/700/800/900
 PARTS CATALOG (MAINTENANCE)



E 21220011A REV 125

LINING ASSY-R FWD CLG (AIR CONDITIONING ONLY)
 FIGURE 11A

21-22-00-11A

HAP
 FEB 10/07

21-22-00-11A
 PAGE 0

BOEING
737-600/700/800/900
PARTS CATALOG (MAINTENANCE)

FIG ITEM	PART NUMBER	1 2 3 4 5 6 7	NOMENCLATURE	EFFECT FROM TO	UNITS PER ASSY
11A					
- 1	232A1401-2		LINING ASSY-R FWD CLG (AIR CONDITIONING ONLY) LINING ASSY-CLG (AIR CONDITIONING ONLY) POSITION DATA: R FWD FOR NHA/OTHER SYS DET SEE: 25-11-21-35	001030 201967 001011 201967	RF
- 1	232A1401-30		LINING ASSY-CLG (AIR CONDITIONING ONLY) POSITION DATA: R FWD FOR NHA/OTHER SYS DET SEE: 25-11-21-35	012023	RF
- 1	232A1401-38		LINING ASSY-CLG (AIR CONDITIONING ONLY) POSITION DATA: R FWD FOR NHA/OTHER SYS DET SEE: 25-11-21-35	024027	RF
- 1	232A1401-48		LINING ASSY-CLG (AIR CONDITIONING ONLY) POSITION DATA: FWD RH FOR NHA/OTHER SYS DET SEE: 25-11-21-35	028030	RF
5	214A1140-2		.PLENUM ASSY	001030 201967	1
10	MF53050-3CD		..NUTPLATE SUPPLIER CODE: V15653 SPECIFICATION NUMBER: BACN10JN3CD OPTIONAL PART: BRFM20C3D V52828 102F9201M3 V72962 NS202487-02 V80539 MF51637-3 V15653 ATTACHING PARTS	001030 201967	3
- 15	BACR15BA3ADC		..RIVET- SIZE DETERMINED ON INSTL. -----*-----	001030 201967	6
20	214A1122-2		.OVERHEAD ASSY-OUTLET	001030 201967	1

MISSING ITEM NUMBERS NOT APPLICABLE

- ITEM NOT ILLUSTRATED

HAP

21-22-00-11A

BOEING PROPRIETARY - Copyright © - Unpublished Work - See title page for details.

21-22-00
FIG. 11A
PAGE 1
OCT 15/08

BOEING
737-600/700/800/900
PARTS CATALOG (MAINTENANCE)

FIG ITEM	PART NUMBER	1 2 3 4 5 6 7	NOMENCLATURE	EFFECT FROM TO	UNITS PER ASSY
11A			ATTACHING PARTS		
- 25	FH10F22TPKL16GY	.	SCREW-	001030	3
			SUPPLIER CODE:	201967	
			V12324		
			-----*-----		
30	WHS10F7TPKL16GY	..	SCREW	001030	1
				201967	
35	SL5214	..	INSERT-	001030	1
			SUPPLIER CODE:	201967	
			V97393		
			OPTIONAL PART:		
			6041-3BR225		
			V01556		
35	6041-3BR225	..	INSERT-	001030	1
			SUPPLIER CODE:	201967	
			V01556		
			OPTIONAL PART:		
			SL5214		
			V97393		
40	214A1122-4	..	DIFFUSER	001030	1
				201967	
45	214A1122-5	..	PLATE-BLOCKER	001030	1
				201967	

MISSING ITEM NUMBERS NOT APPLICABLE

- ITEM NOT ILLUSTRATED

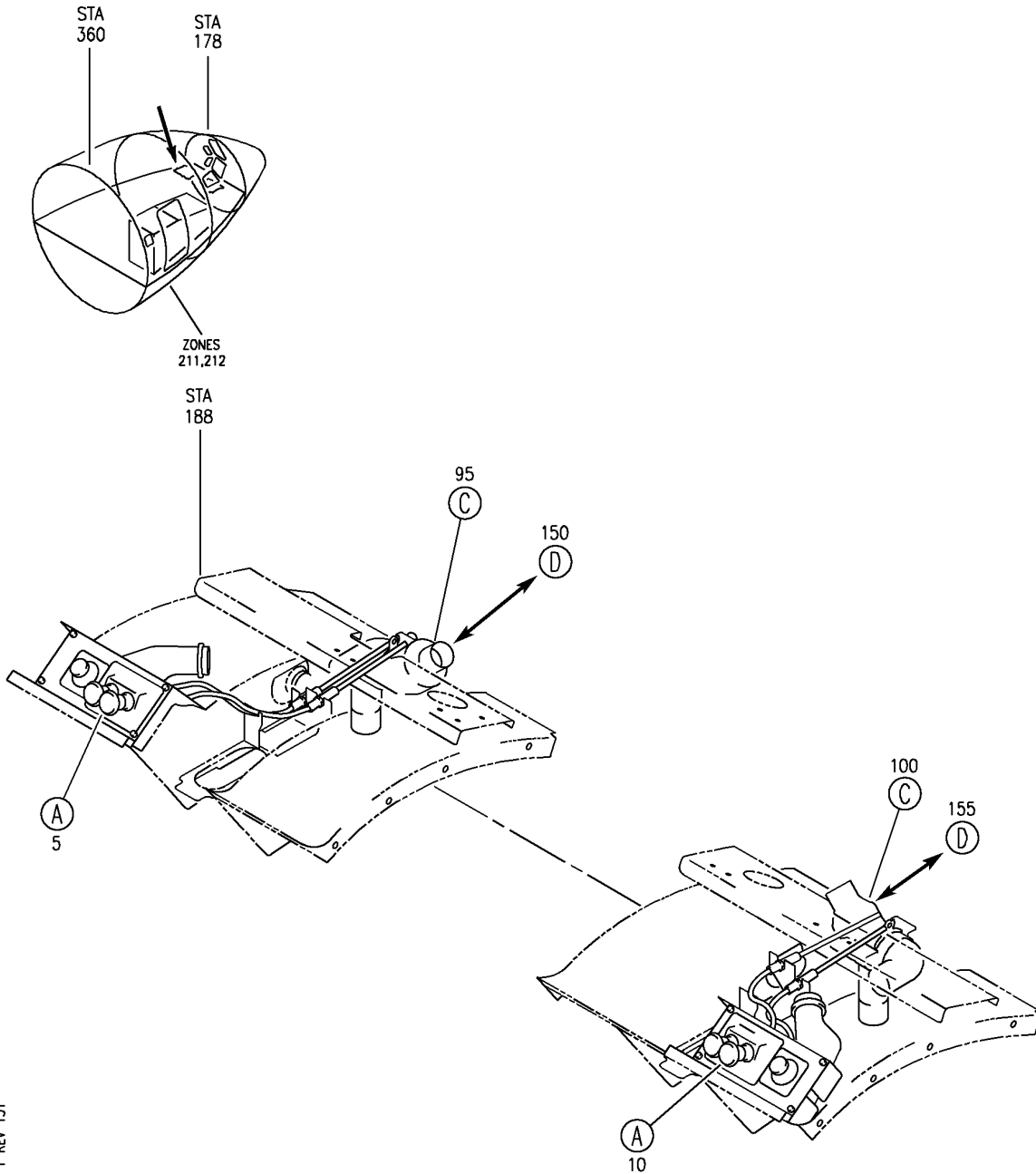
HAP

21-22-00-11A

BOEING PROPRIETARY - Copyright © - Unpublished Work - See title page for details.

21-22-00
FIG. 11A
PAGE 2
OCT 15/08

BOEING
 737-600/700/800/900
 PARTS CATALOG (MAINTENANCE)



E 21220101 SHT 1 REV 131

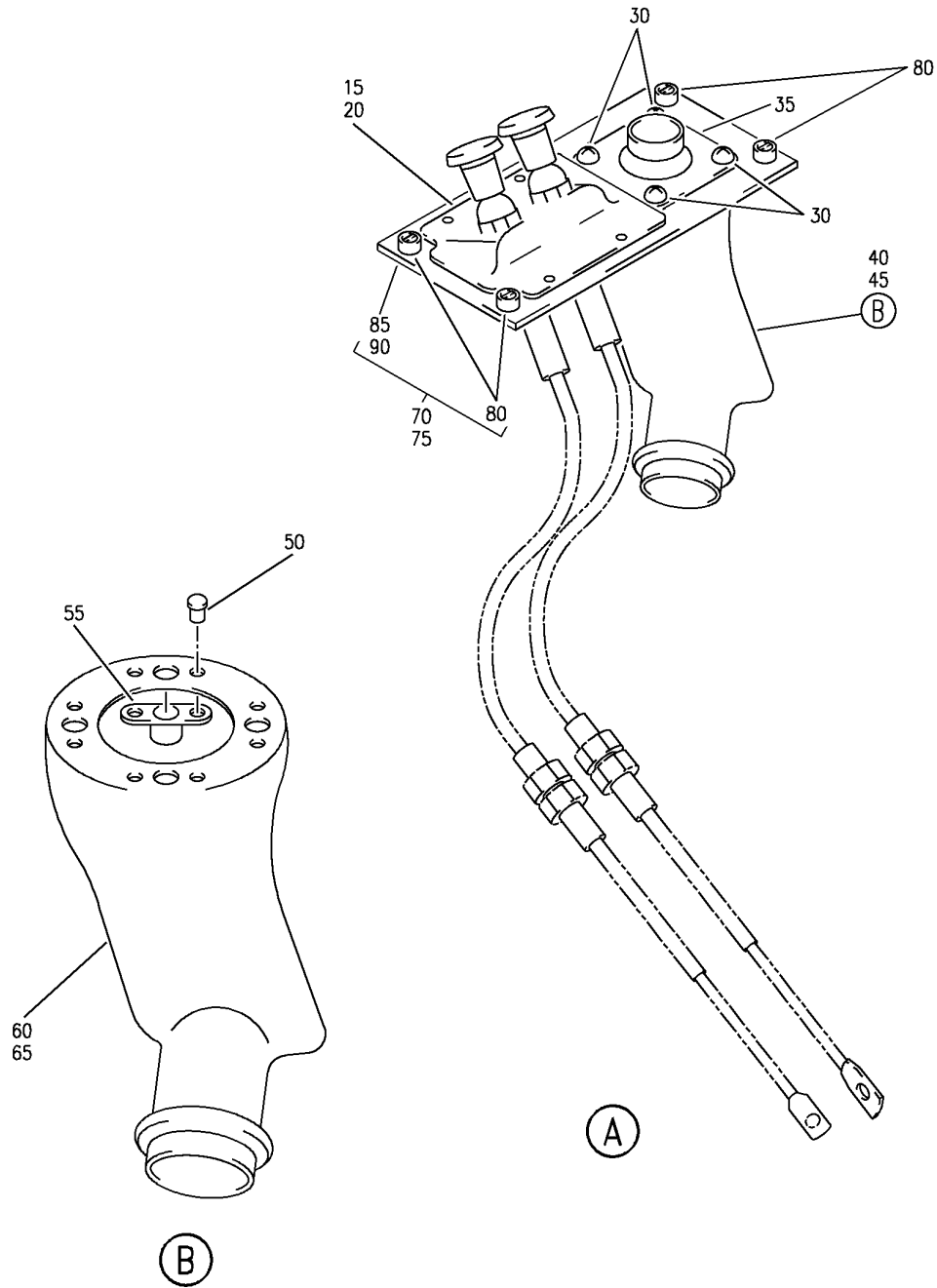
DUCT INSTL-PUSH/PULL CABLE AND FT AIR/WSHLD DEFOG PNL (WINDSHIELD AND FOOT AIR OUTLET VALVE ONLY)
 FIGURE 1 (SHEET 1)

HAP
 JUN 10/07

21-22-01-01

21-22-01-01
 PAGE 0

BOEING
 737-600/700/800/900
 PARTS CATALOG (MAINTENANCE)



E 21220101 SHT 2 REV 131

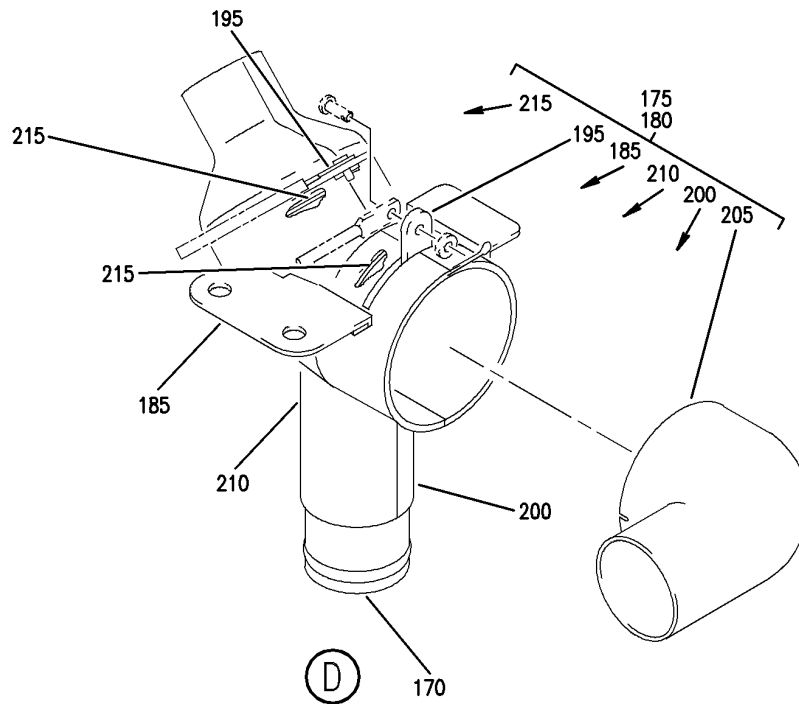
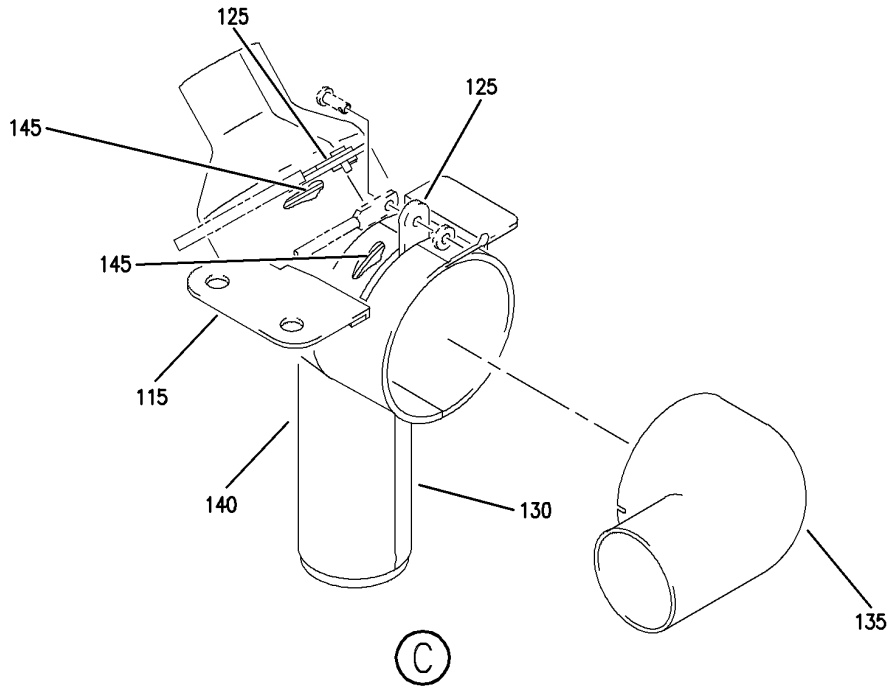
DUCT INSTL-PUSH/PULL CABLE AND FT AIR/WSHLD DEFOG PNL (WINDSHIELD AND FOOT AIR OUTLET VALVE ONLY)
 FIGURE 1 (SHEET 2)

21-22-01-01

HAP
 JUN 10/07

21-22-01-01
 PAGE 0A

BOEING
 737-600/700/800/900
 PARTS CATALOG (MAINTENANCE)



E 21220101 SHT 3 REV 064

DUCT INSTL-PUSH/PULL CABLE AND FT AIR/WSHLD DEFOG PNL (WINDSHIELD AND FOOT AIR OUTLET VALVE ONLY)
 FIGURE 1 (SHEET 3)

HAP
 OCT 10/06

21-22-01-01

21-22-01-01
 PAGE 0B

BOEING
737-600/700/800/900
PARTS CATALOG (MAINTENANCE)

FIG ITEM	PART NUMBER	1 2 3 4 5 6 7	NOMENCLATURE	EFFECT FROM TO	UNITS PER ASSY
1			DUCT INSTL-PUSH/PULL CABLE AND FT AIR/WSHLD DEFOG PNL (WINDSHIELD AND FOOT AIR OUTLET VALVE ONLY)	001030 201967	
- 1	214A1001-3		DUCT INSTL-PUSH/PULL CABLE AND FT AIR/WSHLD DEFOG PNL (WINDSHIELD AND FOOT AIR OUTLET VALVE ONLY)	001019 201967	RF
- 1	214A1001-4		FOR NHA/ADDITIONAL DET SEE: 21-20-00-04 DUCT INSTL-PUSH/PULL CABLE AND FT AIR/WSHLD DEFOG PNL (WINDSHIELD AND FOOT AIR OUTLET VALVE ONLY)	020030	RF
	5 214A1127-3		.PANEL ASSY- OPTIONAL PART: 214A1127-5	001030 201967	1
	5 214A1127-5		.PANEL ASSY- OPTIONAL PART: 214A1127-3	001030 201967	1
	10 214A1127-4		.PANEL ASSY- OPTIONAL PART: 214A1127-6	001019 201967	1
	10 214A1127-6		.PANEL ASSY- OPTIONAL PART: 214A1127-4	001030 201967	1
	15 214A1501-1		..PANEL- USED ON: 214A1127-3 214A1127-5 214A1127-7	001030 201967	1
	20 214A1501-2		..PANEL- USED ON: 214A1127-4 214A1127-6 214A1127-8	001030 201967	1
- 25	BACR15GF3D		ATTACHING PARTS ..RIVET- SIZE DETERMINED ON INSTL. -----*-----	001030 201967	4
	30 FH8C8TPKL10GY		..SCREW- SUPPLIER CODE: V12324	001030 201967	4

MISSING ITEM NUMBERS NOT APPLICABLE

- ITEM NOT ILLUSTRATED

HAP

21-22-01-01

BOEING PROPRIETARY - Copyright © - Unpublished Work - See title page for details.

21-22-01
FIG. 01
PAGE 1
OCT 15/08

BOEING
737-600/700/800/900
PARTS CATALOG (MAINTENANCE)

FIG ITEM	PART NUMBER	1 2 3 4 5 6 7	NOMENCLATURE	EFFECT FROM TO	UNITS PER ASSY
1					
35	1292-3		..OUTLET- SUPPLIER CODE: VOACH0 SPECIFICATION NUMBER: S214W001-3B	001030 201967	1
40	214A1129-1		..PLENUM ASSY- USED ON: 214A1127-3	001019 201967	1
40	214A1129-5		..PLENUM ASSY- USED ON: 214A1127-5 214A1127-7	001030 201967	1
45	214A1129-2		..PLENUM ASSY- USED ON: 214A1127-4	001019 201967	1
45	214A1129-6		..PLENUM ASSY- USED ON: 214A1127-6 214A1127-8	001030 201967	1
50	BACR15BA3ADC		...RIVET- SIZE DETERMINED ON INSTL.	001030 201967	8
55	BACN10JP3ACD		...NUTPLATE- USED ON: 214A1129-1 214A1129-2	001019 201967	4
55	BACN10JP08ACD		...NUTPLATE- USED ON: 214A1129-5 214A1129-6	001030 201967	4
60	214A1129-3		...PLENUM- USED ON: 214A1129-1 214A1129-5	001030 201967	1
65	214A1129-4		...PLENUM- USED ON: 214A1129-2 214A1129-6	001030 201967	1
70	214A1154-5		..PLATE ASSY- USED ON: 214A1127-3 214A1127-5 214A1127-7	001030 201967	1
75	214A1154-6		..PLATE ASSY- USED ON: 214A1127-4 214A1127-6 214A1127-8	001030 201967	1
80	BACS21DX1D		...STUD ASSY	001030 201967	4

MISSING ITEM NUMBERS NOT APPLICABLE

— ITEM NOT ILLUSTRATED

HAP

21-22-01-01

BOEING PROPRIETARY - Copyright © - Unpublished Work - See title page for details.

21-22-01
FIG. 01
PAGE 2
OCT 15/08

BOEING
737-600/700/800/900
PARTS CATALOG (MAINTENANCE)

FIG ITEM	PART NUMBER	1 2 3 4 5 6 7	NOMENCLATURE	EFFECT FROM TO	UNITS PER ASSY
1					
85	214A1154-3	...	PLATE- USED ON: 214A1154-5	001030 201967	1
90	214A1154-4	...	PLATE- USED ON: 214A1154-6	001030 201967	1
95	69-42775-49	.	VALVE ASSY-CAPT FT OUTLET MAINTENANCE MANUAL REF: 21-22-01	001030 201967	1
95	69-42775-55	.	VALVE ASSY-CAPT FT OUTLET MAINTENANCE MANUAL REF: 21-22-01	001030 201967	1
95	69-42775-57	.	VALVE ASSY-CAPT FT OUTLET MAINTENANCE MANUAL REF: 21-22-01	001030 201967	1
100	69-42775-50	.	VALVE ASSY-FIRST OFFICER FT OUTLET MAINTENANCE MANUAL REF: 21-22-01	001030 201967	1
100	69-42775-56	.	VALVE ASSY-FIRST OFFICER FT OUTLET MAINTENANCE MANUAL REF: 21-22-01	001030 201967	1
100	69-42775-58	.	VALVE ASSY-FIRST OFFICER FT OUTLET MAINTENANCE MANUAL REF: 21-22-01	001030 201967	1
- 105	BACS12GU3K7	.	SCREW- POSITION DATA: FAR SIDE	001030 201967	4
- 110	NAS1149D0332J	.	WASHER- POSITION DATA: FAR SIDE -----*-----	001030 201967	4
115	214A1502-3	..	PLATE ATTACHING PARTS	001030 201967	1
- 120	BACR15BA5ADC	..	RIVET- SIZE DETERMINED ON INSTL. -----*-----	001030 201967	2
125	69-42775-35	..	VALVE-MOVING	001030 201967	2
130	69-42775-39	..	VALVE-HALF	001030 201967	1
135	69-42775-43	..	DUCT-ELBOW	001030 201967	1
140	69-42775-47	..	VALVE-HALF INDEXED	001030 201967	1

MISSING ITEM NUMBERS NOT APPLICABLE

- ITEM NOT ILLUSTRATED

HAP

21-22-01-01

21-22-01
FIG. 01
PAGE 3
FEB 15/09

BOEING
737-600/700/800/900
PARTS CATALOG (MAINTENANCE)

FIG ITEM	PART NUMBER	1 2 3 4 5 6 7	NOMENCLATURE	EFFECT FROM TO	UNITS PER ASSY
1					
145	69-42775-48	..	VALVE-STATIONARY	001030 201967	2
150	69-42775-53	.VALVE ASSY-CAPT FT OUTLET MAINTENANCE MANUAL REF: 21-22-01		001030 201967	1
155	69-42775-54	.VALVE ASSY-FIRST OFFICER FT OUTLET MAINTENANCE MANUAL REF: 21-22-01		001030 201967	1
- 160	BACS12GU3K7	ATTACHING PARTS .SCREW- POSITION DATA: FAR SIDE		020030	4
- 165	NAS1149D0332J	.WASHER- POSITION DATA: FAR SIDE -----*-----		020030	4
170	214T3488-265	..SPUD		001030 201967	1
175	69-42775-49	..VALVE ASSY		001030 201967	1
180	69-42775-50	..VALVE ASSY		001030 201967	1
185	214A1502-3	...PLATE ATTACHING PARTS		001030 201967	1
- 190	BACR15BA5ADC	...RIVET- SIZE DETERMINED ON INSTL. -----*-----		001030 201967	2
195	69-42775-35	...VALVE-MOVING		001030 201967	2
200	69-42775-39	...VALVE-HALF		001030 201967	1
205	69-42775-43	...DUCT-ELBOW		001030 201967	1
210	69-42775-47	...VALVE-HALF INDEXED		001030 201967	1
215	69-42775-48	...VALVE-STATIONARY		001030 201967	2

MISSING ITEM NUMBERS NOT APPLICABLE

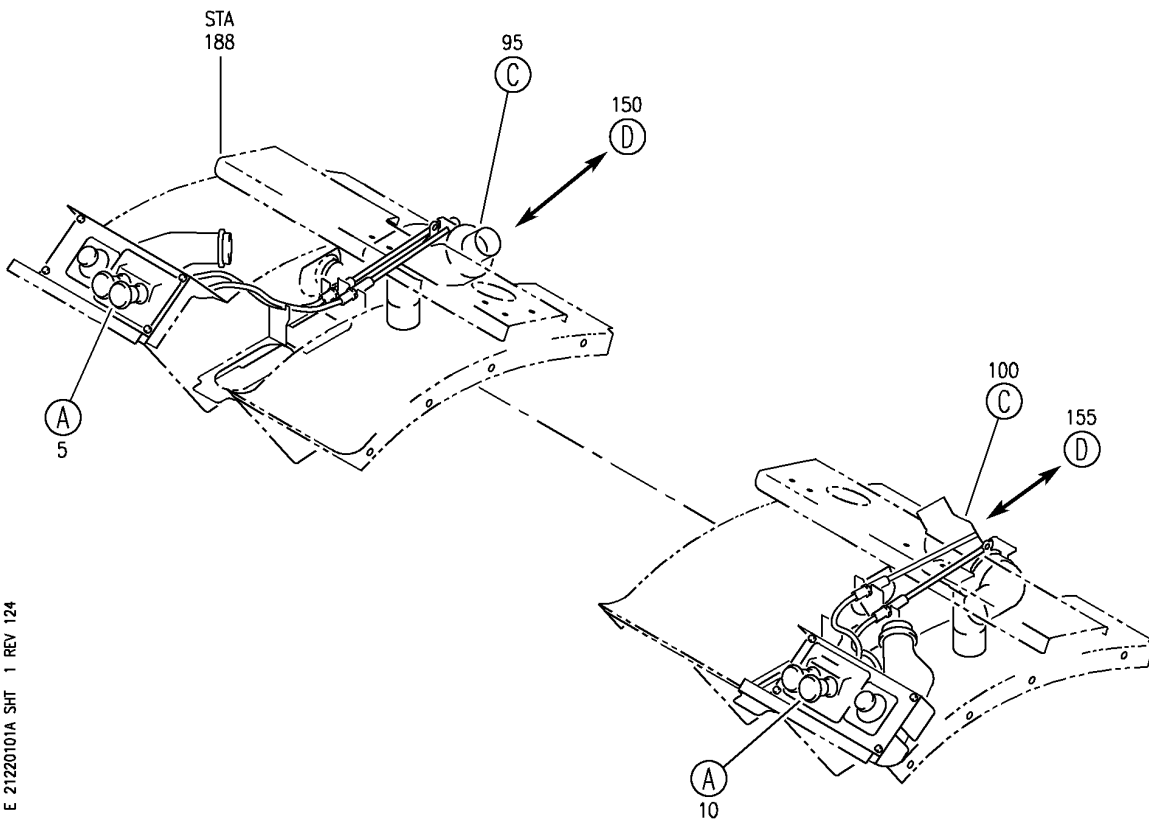
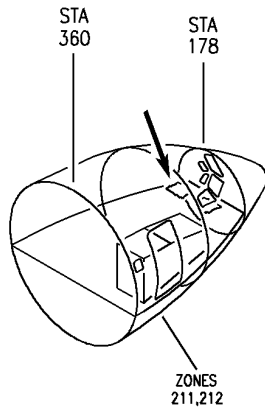
- ITEM NOT ILLUSTRATED

HAP

21-22-01-01

21-22-01
FIG. 01
PAGE 4
OCT 15/08

BOEING
 737-600/700/800/900
 PARTS CATALOG (MAINTENANCE)



E 21220101A SHT 1 REV 124

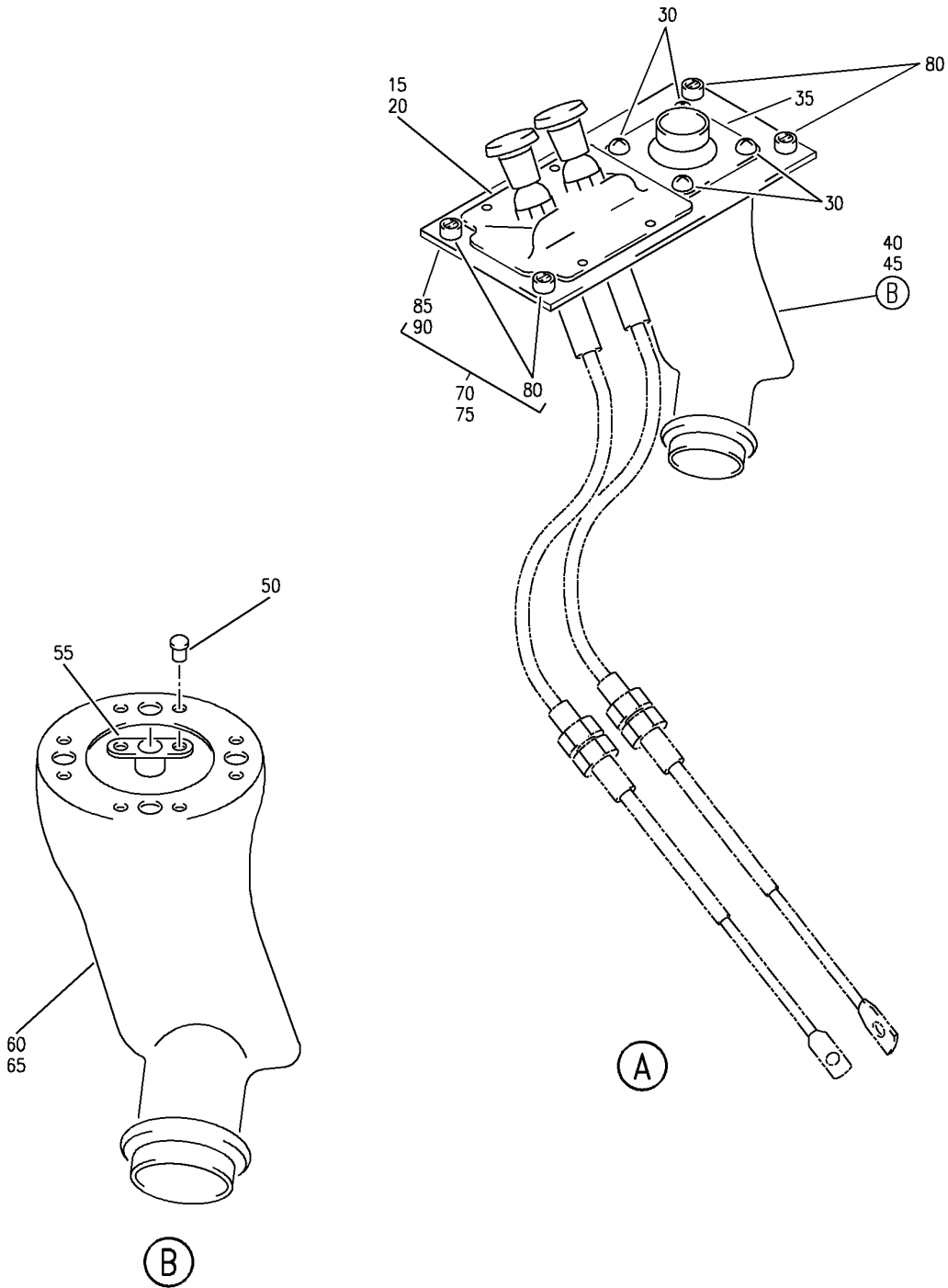
DUCT INSTL-PUSH/PULL CABLE AND FT AIR/WSHLD DEFOG PNL (WINDSHIELD AND FOOT AIR OUTLET VALVE ONLY)
 FIGURE 1A (SHEET 1)

HAP
 FEB 10/07

21-22-01-01A

21-22-01-01A
 PAGE 0

BOEING
 737-600/700/800/900
 PARTS CATALOG (MAINTENANCE)



E 21220101A SHT 2 REV 124

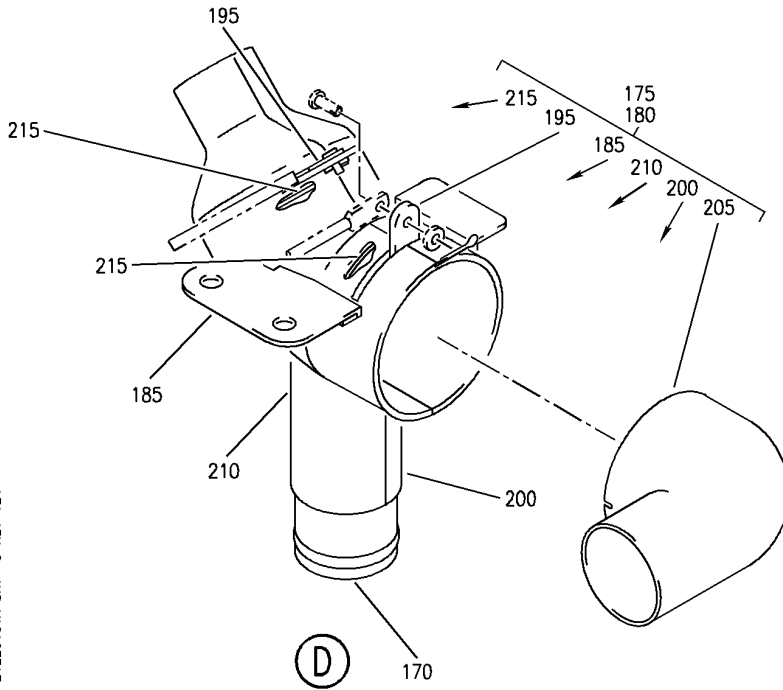
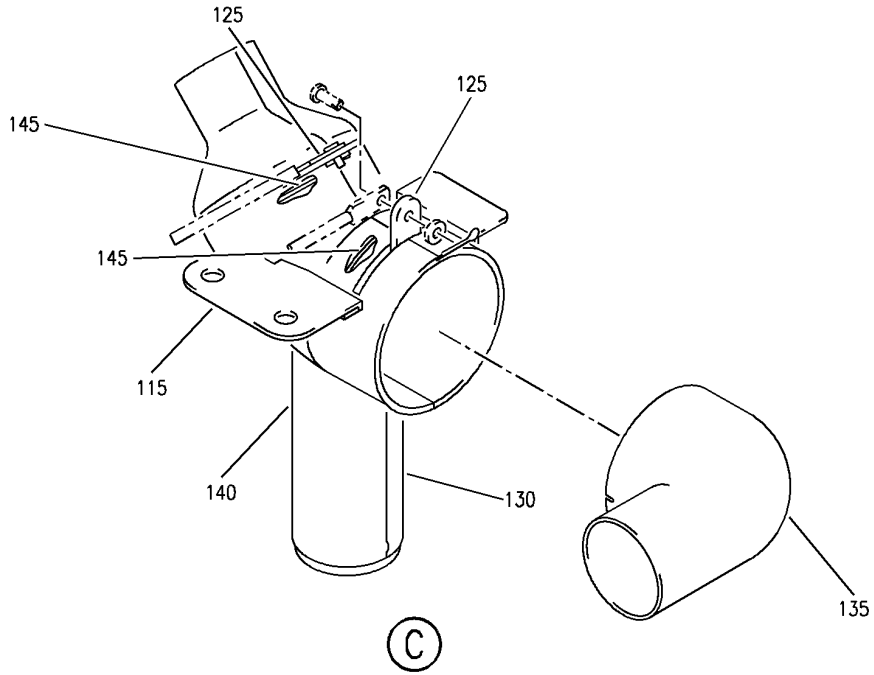
DUCT INSTL-PUSH/PULL CABLE AND FT AIR/WSHLD DEFOG PNL (WINDSHIELD AND FOOT AIR OUTLET VALVE ONLY)
 FIGURE 1A (SHEET 2)

HAP
 FEB 10/07

21-22-01-01A

21-22-01-01A
 PAGE 0A

BOEING
 737-600/700/800/900
 PARTS CATALOG (MAINTENANCE)



E 21220101A SHT 3 REV 124

DUCT INSTL-PUSH/PULL CABLE AND FT AIR/WSHLD DEFOG PNL (WINDSHIELD AND FOOT AIR OUTLET VALVE ONLY)
 FIGURE 1A (SHEET 3)

HAP
 FEB 10/07

21-22-01-01A

21-22-01-01A
 PAGE 0B

BOEING
737-600/700/800/900
PARTS CATALOG (MAINTENANCE)

FIG ITEM	PART NUMBER	1 2 3 4 5 6 7	NOMENCLATURE	EFFECT FROM TO	UNITS PER ASSY
1 A			DUCT INSTL-PUSH/PULL CABLE AND FT AIR/WSHLD DEFOG PNL (WINDSHIELD AND FOOT AIR OUTLET VALVE ONLY)	031046 054104 968972	
- 1	MODREF271206		DUCT INSTL-PUSH/PULL CABLE AND FT AIR/WSHLD DEFOG PNL (WINDSHIELD AND FOOT AIR OUTLET VALVE ONLY)	031038 968968	1
- 1	MODREF327104		MODULE NUMBER: 214A1001-9 REV D FOR ADDITIONAL DETAILS SEE: 21-22-02-01A		
			DUCT INSTL-PUSH/PULL CABLE AND FT AIR/WSHLD DEFOG PNL (WINDSHIELD AND FOOT AIR OUTLET VALVE ONLY)	039046 054104 969972	1
			MODULE NUMBER: 214A1001-9 REV E FOR ADDITIONAL DETAILS SEE: 21-22-02-01A		
5	214A1127-7		.PANEL ASSY	031046 054104 968972	1
10	214A1127-8		.PANEL ASSY	031046 054104 968972	1
15	214A1501-1		..PANEL- USED ON: 214A1127-7	031046 054104 968972	1
20	214A1501-2		..PANEL- USED ON: 214A1127-8	031046 054104 968972	1
- 25	BACR15GF3D		ATTACHING PARTS ..RIVET- SIZE DETERMINED ON INSTL.	031046 054104 968972	4
			-----*-----		
30	FH8C8TPKL10GY		..SCREW- SUPPLIER CODE: V12324	031046 054104 968972	4
35	1292-3		..OUTLET- SUPPLIER CODE: VOACHO	031046 054104 968972	1
			SPECIFICATION NUMBER: S214W001-3B		
40	214A1129-5		..PLENUM ASSY- USED ON: 214A1127-7	031046 054104 968972	1

MISSING ITEM NUMBERS NOT APPLICABLE

- ITEM NOT ILLUSTRATED

HAP

21-22-01-01A

BOEING PROPRIETARY - Copyright © - Unpublished Work - See title page for details.

21-22-01
FIG. 01A
PAGE 1
FEB 15/09

BOEING
737-600/700/800/900
PARTS CATALOG (MAINTENANCE)

FIG ITEM	PART NUMBER	1 2 3 4 5 6 7	NOMENCLATURE	EFFECT FROM TO	UNITS PER ASSY
1A					
45	214A1129-6	..	PLENUM ASSY- USED ON: 214A1127-8	031046 054104 968972	1
50	BACR15BA3ADC	...	RIVET- SIZE DETERMINED ON INSTL.	031046 054104 968972	8
55	BACN10JP08ACD	...	NUTPLATE	031046 054104 968972	4
60	214A1129-3	...	PLENUM- USED ON: 214A1129-5	031046 054104 968972	1
65	214A1129-4	...	PLENUM- USED ON: 214A1129-6	031046 054104 968972	1
70	214A1154-5	..	PLATE ASSY- USED ON: 214A1127-7	031046 054104 968972	1
75	214A1154-6	..	PLATE ASSY- USED ON: 214A1127-8	031046 054104 968972	1
80	BACS21DX1D	...	STUD ASSY	031046 054104 968972	4
85	214A1154-3	...	PLATE- USED ON: 214A1154-5	031046 054104 968972	1
90	214A1154-4	...	PLATE- USED ON: 214A1154-6	031046 054104 968972	1
95	69-42775-55	.VALVE ASSY-CAPT FT OUTLET MAINTENANCE MANUAL REF: 21-22-01		031038 968968	1
95	69-42775-57	.VALVE ASSY-BODY MAINTENANCE MANUAL REF: 21-22-01		031046 054104 968972	1
100	69-42775-56	.VALVE ASSY-CAPT FT OUTLET MAINTENANCE MANUAL REF: 21-22-01		031038 968968	1
100	69-42775-58	.VALVE ASSY-BODY MAINTENANCE MANUAL REF: 21-22-01		031046 054104 968972	1
- 105	BACS12GU3K7	ATTACHING PARTS .SCREW- POSITION DATA: FAR SIDE		031046 054104 968972	4

MISSING ITEM NUMBERS NOT APPLICABLE

- ITEM NOT ILLUSTRATED

HAP

21-22-01-01A

BOEING PROPRIETARY - Copyright © - Unpublished Work - See title page for details.

21-22-01
FIG. 01A
PAGE 2
FEB 15/09

BOEING
737-600/700/800/900
PARTS CATALOG (MAINTENANCE)

FIG ITEM	PART NUMBER	1 2 3 4 5 6 7	NOMENCLATURE	EFFECT FROM TO	UNITS PER ASSY
1A					
- 110	NAS1149D0332J		.WASHER- POSITION DATA: FAR SIDE -----*-----	031046 054104 968972	4
115	214A1502-3		..PLATE	031046 054104 968972	1
			ATTACHING PARTS		
- 120	BACR15BA5ADC		..RIVET- SIZE DETERMINED ON INSTL. -----*-----	031046 054104 968972	2
125	69-42775-35		..VALVE-MOVING	031046 054104 968972	2
130	69-42775-39		..VALVE-HALF	031046 054104 968972	1
135	69-42775-43		..DUCT-ELBOW	031046 054104 968972	1
140	69-42775-47		..VALVE-HALF INDEXED	031046 054104 968972	1
145	69-42775-48		..VALVE-STATIONARY	031046 054104 968972	2
150	69-42775-53		.VALVE ASSY-CAPT FT OUTLET	031038 968968	1
150	69-42775-49		.VALVE ASSY-CAPT FT OUTLET	031040 042043 101101 968969	1
155	69-42775-54		.VALVE ASSY-FIRST OFFICER FT OUTLET	031038 968968	1
155	69-42775-50		.VALVE ASSY-FIRST OFFICER FT OUTLET	031040 042043 101101 968969	1
			ATTACHING PARTS		
- 160	BACS12GU3K7		.SCREW- POSITION DATA: FAR SIDE	031038 968968	4
- 165	NAS1149D0332J		.WASHER- POSITION DATA: FAR SIDE -----*-----	031038 968968	4
170	214T3488-265		..SPUD	031038 968968	1

MISSING ITEM NUMBERS NOT APPLICABLE

- ITEM NOT ILLUSTRATED

HAP

21-22-01-01A

BOEING PROPRIETARY - Copyright © - Unpublished Work - See title page for details.

21-22-01
FIG. 01A
PAGE 3
FEB 15/09


BOEING
 737-600/700/800/900
PARTS CATALOG (MAINTENANCE)

FIG ITEM	PART NUMBER	1 2 3 4 5 6 7	NOMENCLATURE	EFFECT FROM TO	UNITS PER ASSY
1A					
175	69-42775-49	..	VALVE ASSY	031038 968968	1
180	69-42775-50	..	VALVE ASSY	031038 968968	1
185	214A1502-3	...	PLATE	031038 968968	1
			ATTACHING PARTS		
- 190	BACR15BA5ADC	...	RIVET- SIZE DETERMINED ON INSTL. -----*-----	031038 968968	2
195	69-42775-35	...	VALVE-MOVING	031038 968968	2
200	69-42775-39	...	VALVE-HALF	031038 968968	1
205	69-42775-43	...	DUCT-ELBOW	031038 968968	1
210	69-42775-47	...	VALVE-HALF INDEXED	031038 968968	1
215	69-42775-48	...	VALVE-STATIONARY	031038 968968	2

MISSING ITEM NUMBERS NOT APPLICABLE

- ITEM NOT ILLUSTRATED

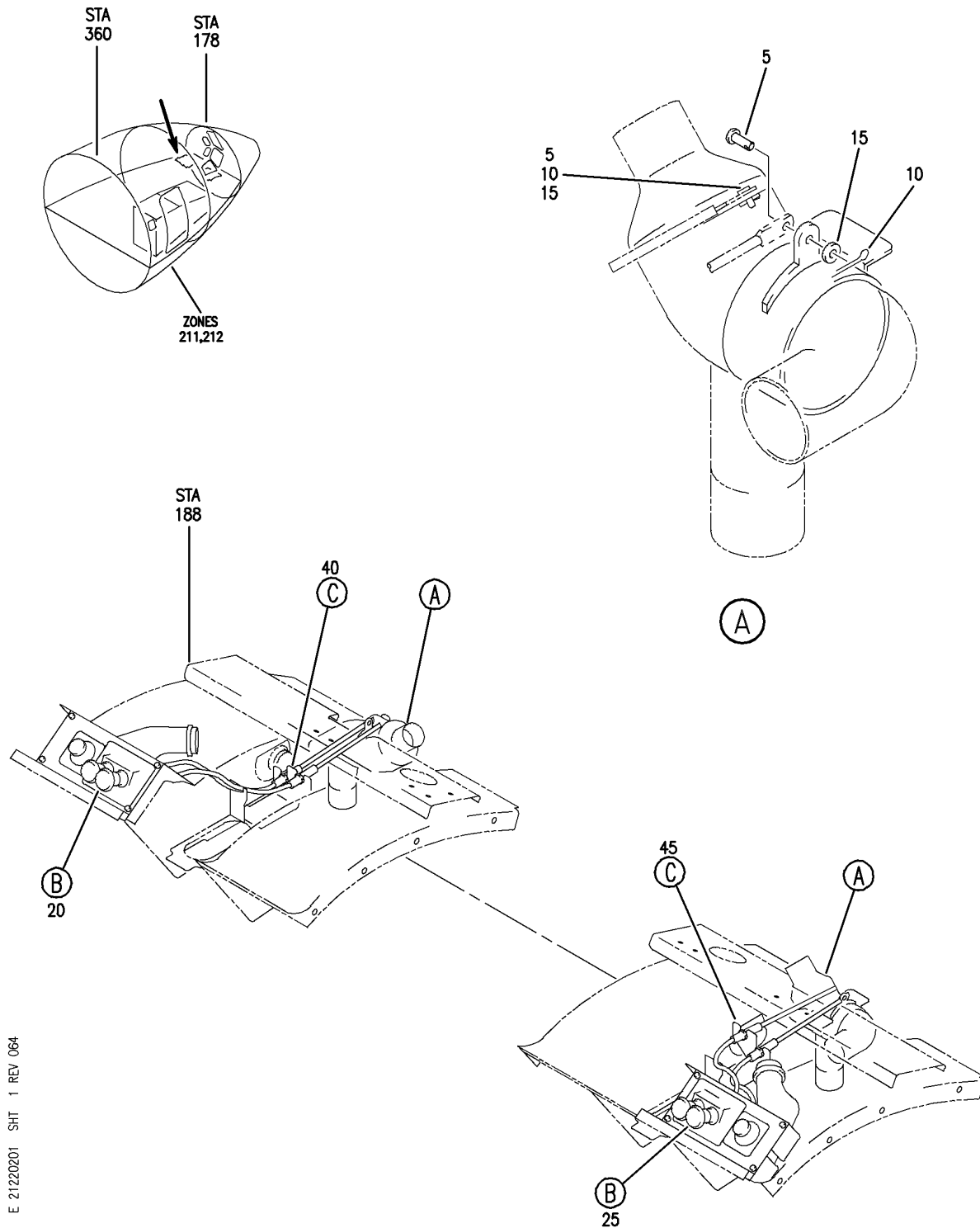
HAP

21-22-01-01A

BOEING PROPRIETARY - Copyright © - Unpublished Work - See title page for details.

21-22-01
 FIG. 01A
 PAGE 4
 JUN 15/08

BOEING
 737-600/700/800/900
 PARTS CATALOG (MAINTENANCE)



E 21220201 SH1 1 REV 064

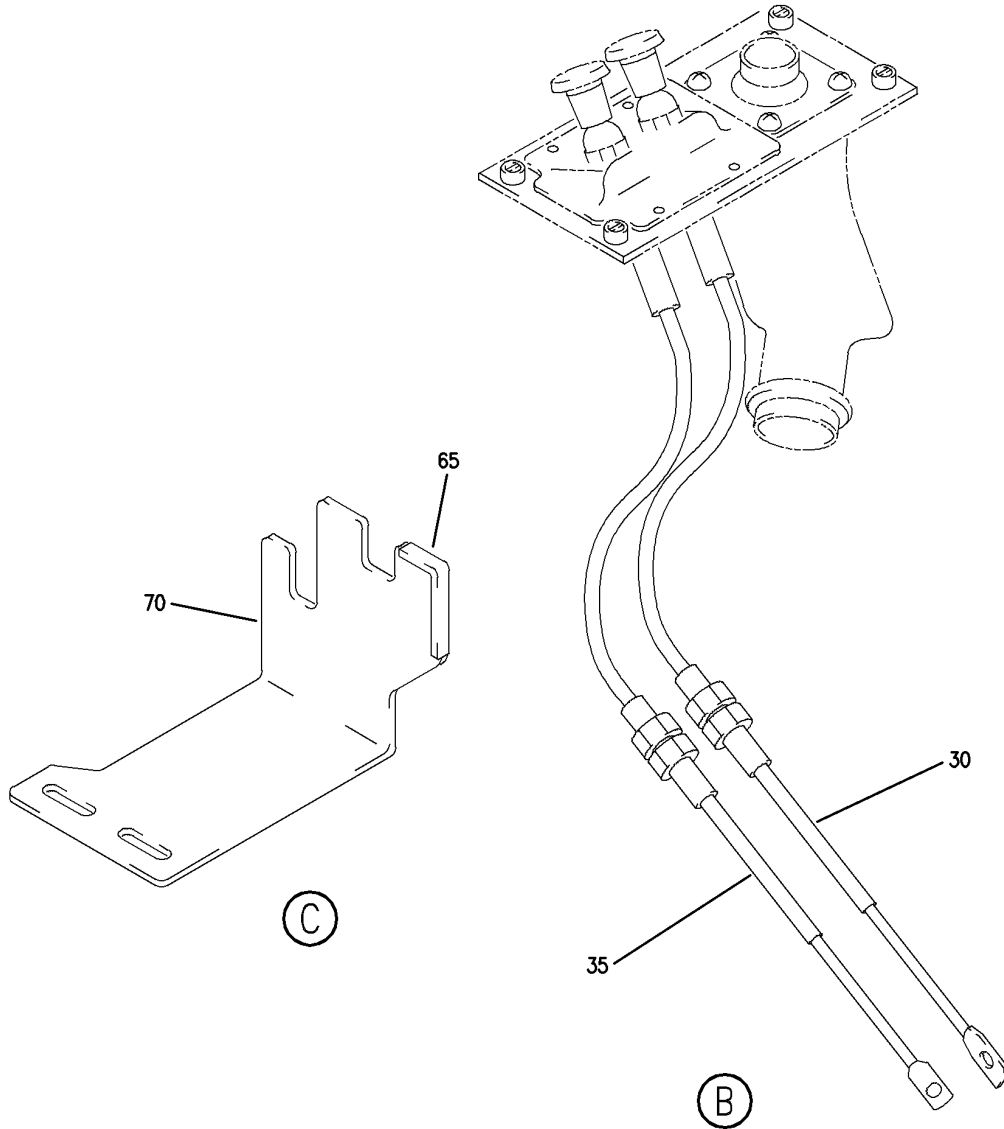
DUCT INSTL-PUSH/PULL CABLE AND FT AIR/WSHLD DEFOG PNL (AIR OUTLET VALVE CONTROL CABLES ONLY)
 FIGURE 1 (SHEET 1)

HAP
 OCT 10/06

21-22-02-01

21-22-02-01
 PAGE 0

BOEING
737-600/700/800/900
PARTS CATALOG (MAINTENANCE)



E 21220201 SHT 2 REV 064

DUCT INSTL-PUSH/PULL CABLE AND FT AIR/WSHLD DEFOG PNL (AIR OUTLET VALVE CONTROL CABLES ONLY)
FIGURE 1 (SHEET 2)

HAP
OCT 10/06

21-22-02-01

21-22-02-01
PAGE 0A

BOEING
737-600/700/800/900
PARTS CATALOG (MAINTENANCE)

FIG ITEM	PART NUMBER	1 2 3 4 5 6 7	NOMENCLATURE	EFFECT FROM TO	UNITS PER ASSY
1			DUCT INSTL-PUSH/PULL CABLE AND FT AIR/WSHLD DEFOG PNL (AIR OUTLET VALVE CONTROL CABLES ONLY)	001030 201967	
- 1	214A1001-3		DUCT INSTL-PUSH/PULL CABLE AND FT AIR/WSHLD DEFOG PNL (AIR OUTLET VALVE CONTROL CABLES ONLY) FOR NHA/ADDITIONAL DET SEE: 21-20-00-04	001019 201967	RF
- 1	214A1001-4		DUCT INSTL-PUSH/PULL CABLE AND FT AIR/WSHLD DEFOG PNL (AIR OUTLET VALVE CONTROL CABLES ONLY) FOR NHA/ADDITIONAL DET SEE: 21-20-00-04	020030	RF
5	MS20392-2C9		.PIN	001030 201967	4
10	MS24665-132		.PIN MAINTENANCE MANUAL REF: 21-22-01 21-22-02	001030 201967	4
15	NAS1149C0332R		.WASHER	001030 201967	4
20	214A1127-3		.PANEL ASSY- OPTIONAL PART: 214A1127-5	001030 201967	RF
20	214A1127-5		.PANEL ASSY- OPTIONAL PART: 214A1127-3	001030 201967	RF
25	214A1127-4		.PANEL ASSY- OPTIONAL PART: 214A1127-6	001019 201967	RF
25	214A1127-6		.PANEL ASSY- OPTIONAL PART: 214A1127-4	001030 201967	RF
30	565-813-002		..CABLE ASSY- SUPPLIER CODE: V06970 MAINTENANCE MANUAL REF: 21-22-02	001030 201967	1
30	565-813-005		..CABLE ASSY- SUPPLIER CODE: V06970 MAINTENANCE MANUAL REF: 21-22-02	001030 201967	1

MISSING ITEM NUMBERS NOT APPLICABLE

- ITEM NOT ILLUSTRATED

HAP

21-22-02-01

21-22-02
FIG. 01
PAGE 1
OCT 15/08

BOEING
737-600/700/800/900
PARTS CATALOG (MAINTENANCE)

FIG ITEM	PART NUMBER	1 2 3 4 5 6 7	NOMENCLATURE	EFFECT FROM TO	UNITS PER ASSY
1					
35	565-813-003		..CABLE ASSY- SUPPLIER CODE: V06970 MAINTENANCE MANUAL REF: 21-22-02	001030 201967	1
35	565-813-006		..CABLE ASSY- SUPPLIER CODE: V06970 MAINTENANCE MANUAL REF: 21-22-02	001030 201967	1
40	214A1502-8		.BRACKET ASSY-SPRT	001030 201967	1
45	214A1502-9		.BRACKET ASSY-SPRT	001030 201967	1
			ATTACHING PARTS		
- 50	BACS12GU3K8		.SCREW	001030 201967	4
- 55	NAS1149D0316J		.WASHER	001030 201967	8
- 60	PLH53CD		.NUT SUPPLIER CODE: VF0224 SPECIFICATION NUMBER: BACN10YR3CD OPTIONAL PART: H52732-3CD V15653 -----*-----	001030 201967	4
65	BACG20ZB000132		..GROMMET	001030 201967	1
70	214A1502-1		..BRACKET	001030 201967	1

MISSING ITEM NUMBERS NOT APPLICABLE

- ITEM NOT ILLUSTRATED

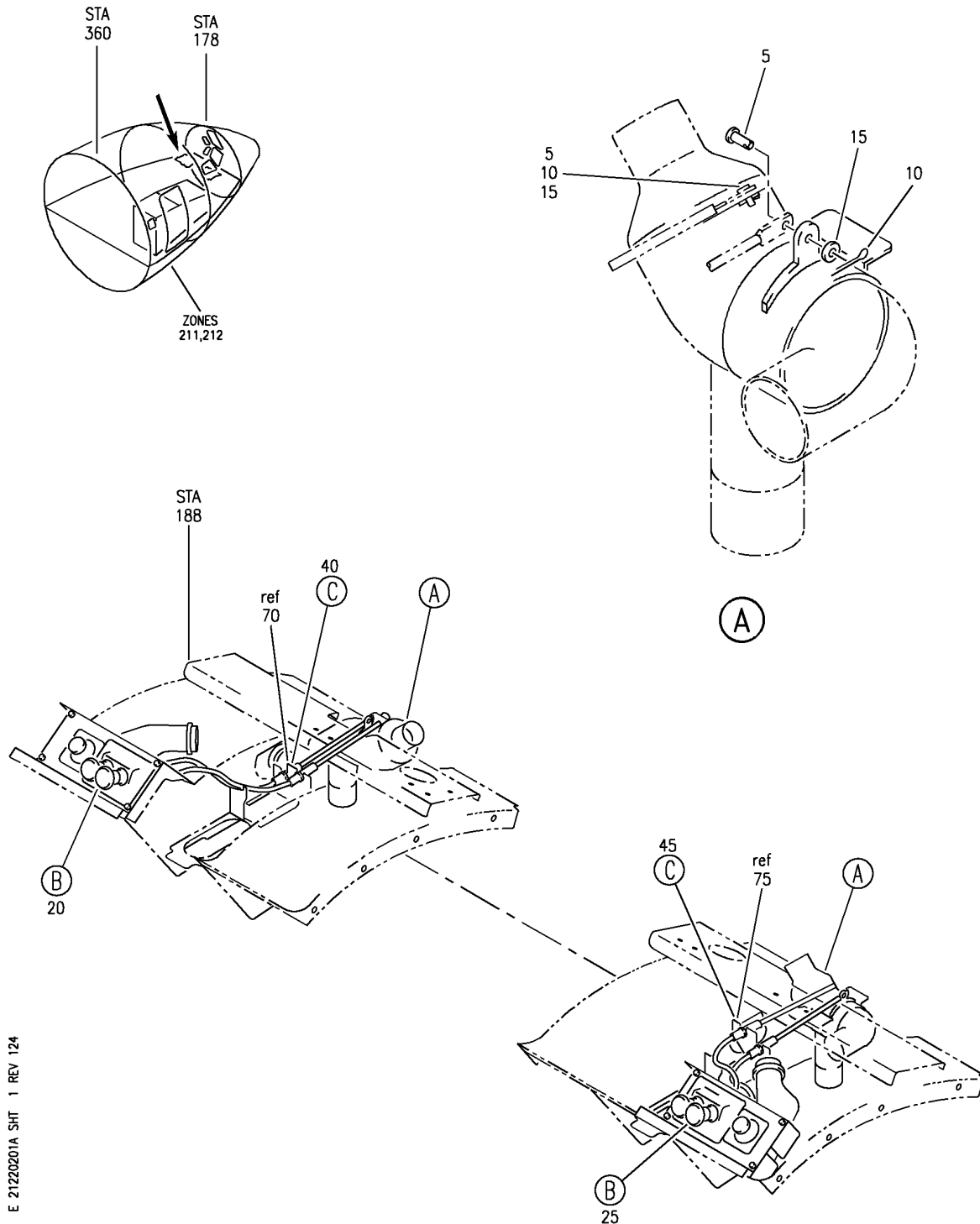
HAP

21-22-02-01

BOEING PROPRIETARY - Copyright © - Unpublished Work - See title page for details.

21-22-02
FIG. 01
PAGE 2
FEB 15/09

BOEING
 737-600/700/800/900
 PARTS CATALOG (MAINTENANCE)



E 21220201A SHT 1 REV 124

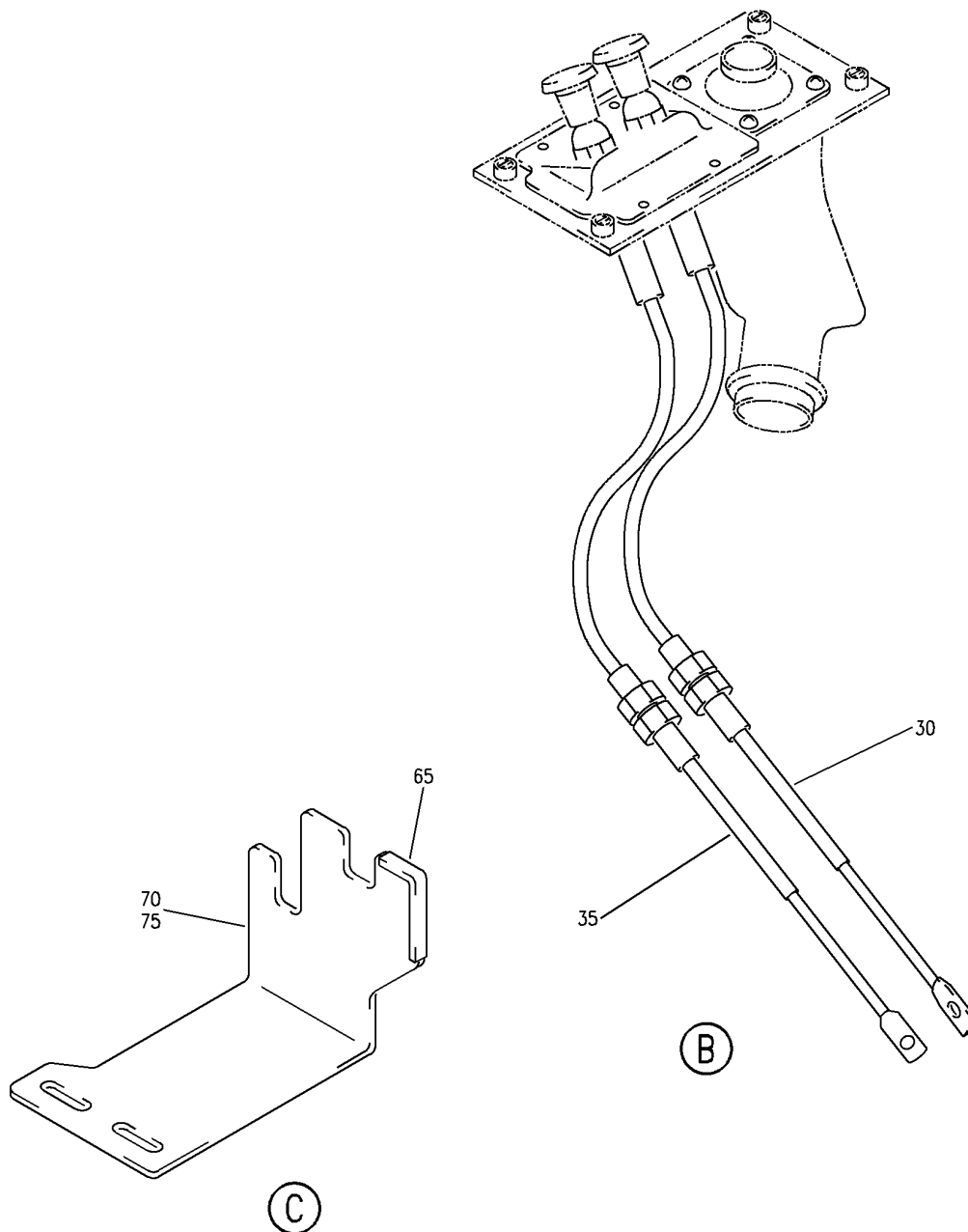
DUCT INSTL-PUSH/PULL CABLE AND FT AIR/WSHLD DEFOG PNL (AIR OUTLET VALVE CONTROL CABLES ONLY)
 FIGURE 1A (SHEET 1)

HAP
 FEB 10/07

21-22-02-01A

21-22-02-01A
 PAGE 0

BOEING
 737-600/700/800/900
 PARTS CATALOG (MAINTENANCE)



E 21220201A SHT 2 REV 124

DUCT INSTL-PUSH/PULL CABLE AND FT AIR/WSHLD DEFOG PNL (AIR OUTLET VALVE CONTROL CABLES ONLY)
 FIGURE 1A (SHEET 2)

HAP
 FEB 10/07

21-22-02-01A

21-22-02-01A
 PAGE 0A

BOEING
737-600/700/800/900
PARTS CATALOG (MAINTENANCE)

FIG ITEM	PART NUMBER	1 2 3 4 5 6 7	NOMENCLATURE	EFFECT FROM TO	UNITS PER ASSY
1 A			DUCT INSTL-PUSH/PULL CABLE AND FT AIR/WSHLD DEFOG PNL (AIR OUTLET VALVE CONTROL CABLES ONLY)	031046 054104 968972	
- 1	MODREF271206		DUCT INSTL-PUSH/PULL CABLE AND FT AIR/WSHLD DEFOG PNL (AIR OUTLET VALVE CONTROL CABLES ONLY) MODULE NUMBER: 214A1001-9 REV D FOR ADDITIONAL DETAILS SEE: 21-22-01-01A	031038 968968	1
- 1	MODREF327104		DUCT INSTL-PUSH/PULL CABLE AND FT AIR/WSHLD DEFOG PNL (AIR OUTLET VALVE CONTROL CABLES ONLY) MODULE NUMBER: 214A1001-9 REV E FOR ADDITIONAL DETAILS SEE: 21-22-01-01A	039046 054104 969972	1
5	MS20392-2C9		.PIN	031046 054104 968972	4
10	MS24665-132		.PIN MAINTENANCE MANUAL REF: 21-22-01 21-22-02	031046 054104 968972	4
15	NAS1149C0332R		.WASHER	031046 054104 968972	4
20	214A1127-7		.PANEL ASSY	031046 054104 968972	RF
25	214A1127-8		.PANEL ASSY	031046 054104 968972	RF
30	565-813-005		..CABLE ASSY- SUPPLIER CODE: V06970 MAINTENANCE MANUAL REF: 21-22-02	031046 054104 968972	1
35	565-813-006		..CABLE ASSY- SUPPLIER CODE: V06970 MAINTENANCE MANUAL REF: 21-22-02	031046 054104 968972	1
40	214A1502-8		.BRACKET ASSY-SPRT	031046 054104 968972	1

MISSING ITEM NUMBERS NOT APPLICABLE

- ITEM NOT ILLUSTRATED

HAP

21-22-02-01A

BOEING PROPRIETARY - Copyright © - Unpublished Work - See title page for details.

21-22-02
FIG. 01A
PAGE 1
FEB 15/09

BOEING
737-600/700/800/900
PARTS CATALOG (MAINTENANCE)

FIG ITEM	PART NUMBER	1 2 3 4 5 6 7	NOMENCLATURE	EFFECT FROM TO	UNITS PER ASSY
1A					
45	214A1502-9		.BRACKET ASSY-SPRT	031046 054104 968972	1
- 50	BACS12GU3K8		ATTACHING PARTS .SCREW	031046 054104 968972	4
- 55	NAS1149D0316J		.WASHER	031046 054104 968972	8
- 60	PLH53CD		.NUT SUPPLIER CODE: VF0224 SPECIFICATION NUMBER: BACN10YR3CD OPTIONAL PART: H52732-3CD V15653 -----*-----	031046 054104 968972	4
65	BACG20ZB000132		..GROMMET	031046 054104 968972	1
70	214A1502-1		..BRACKET- USED ON: 214A1502-8	031046 054104 968972	1
75	214A1502-2		..BRACKET- USED ON: 214A1502-9	031046 054104 968972	1

MISSING ITEM NUMBERS NOT APPLICABLE

- ITEM NOT ILLUSTRATED

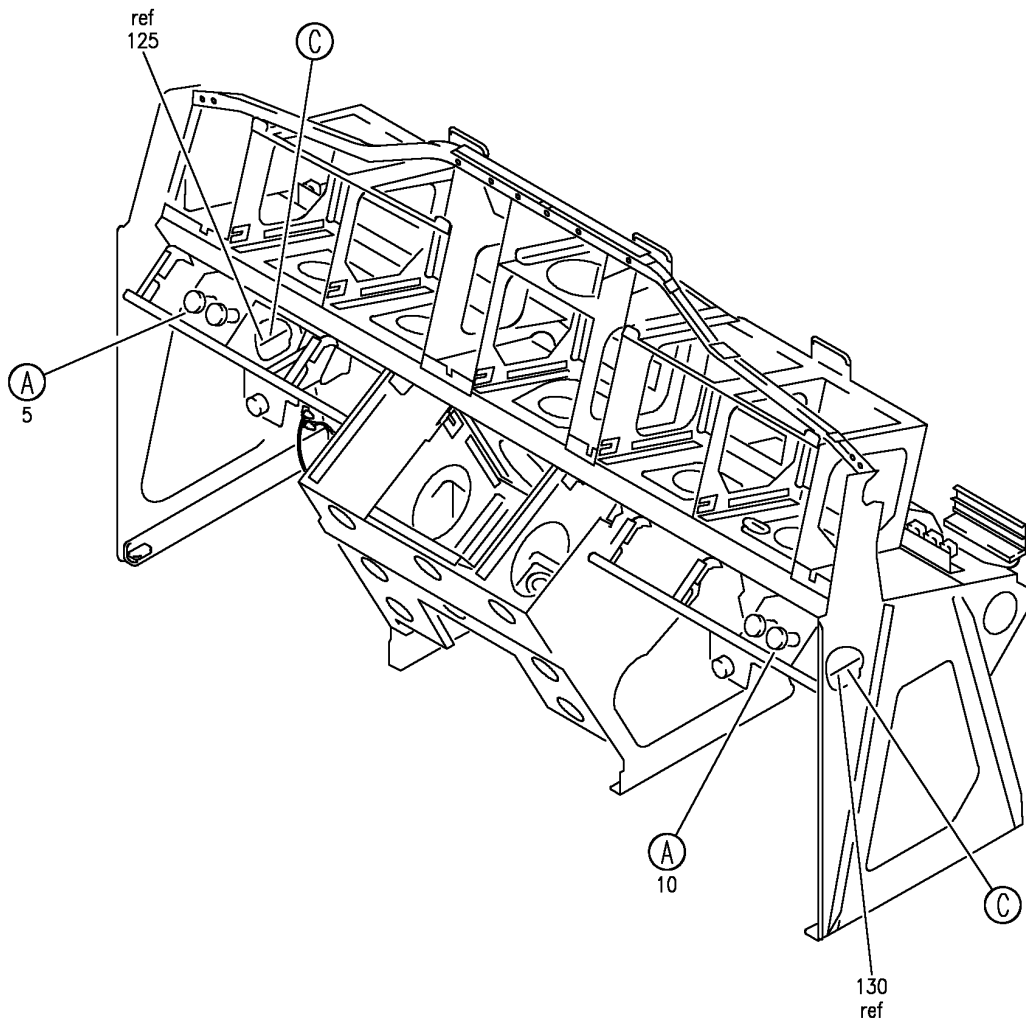
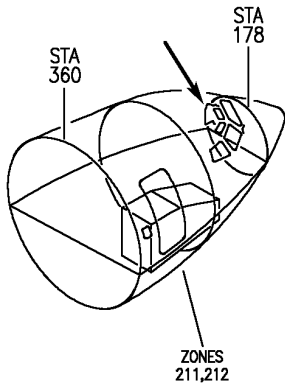
HAP

21-22-02-01A

BOEING PROPRIETARY - Copyright © - Unpublished Work - See title page for details.

21-22-02
FIG. 01A
PAGE 2
FEB 15/09

BOEING
737-600/700/800/900
PARTS CATALOG (MAINTENANCE)



E 21220202 SHT 1 REV 154

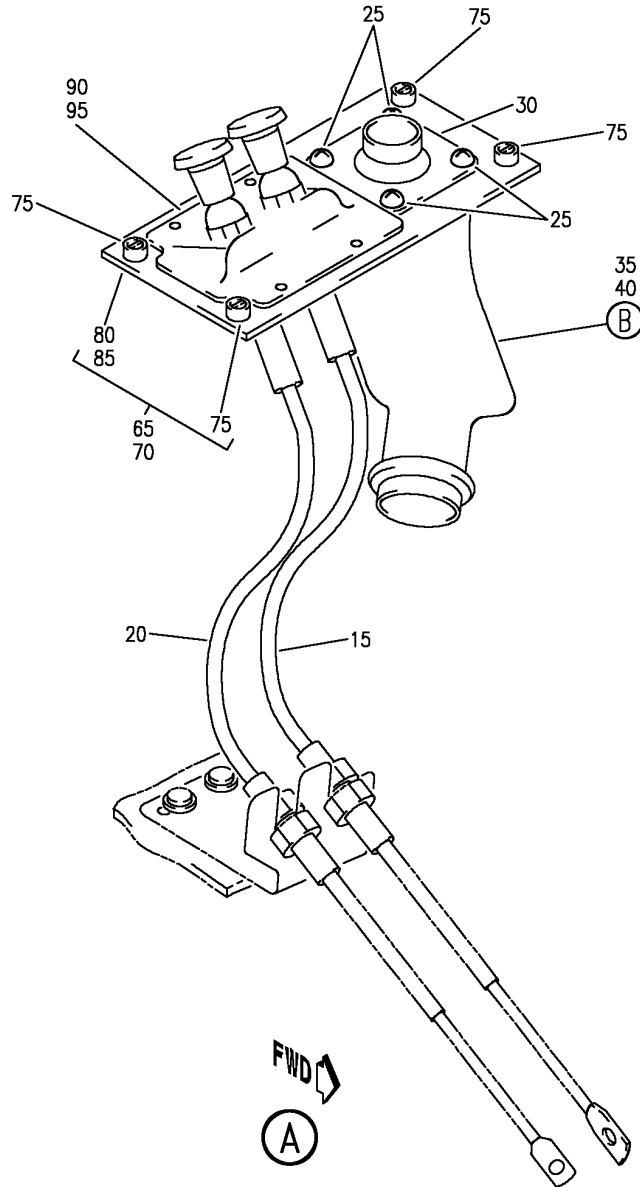
SUPPORT ASSY-FWD PNL (FLIGHT COMPARTMENT CONDITIONED AIR DISTRIBUTION ONLY)
FIGURE 2 (SHEET 1)

HAP
JUN 15/09

21-22-02-02

21-22-02-02
PAGE 0

BOEING
 737-600/700/800/900
 PARTS CATALOG (MAINTENANCE)



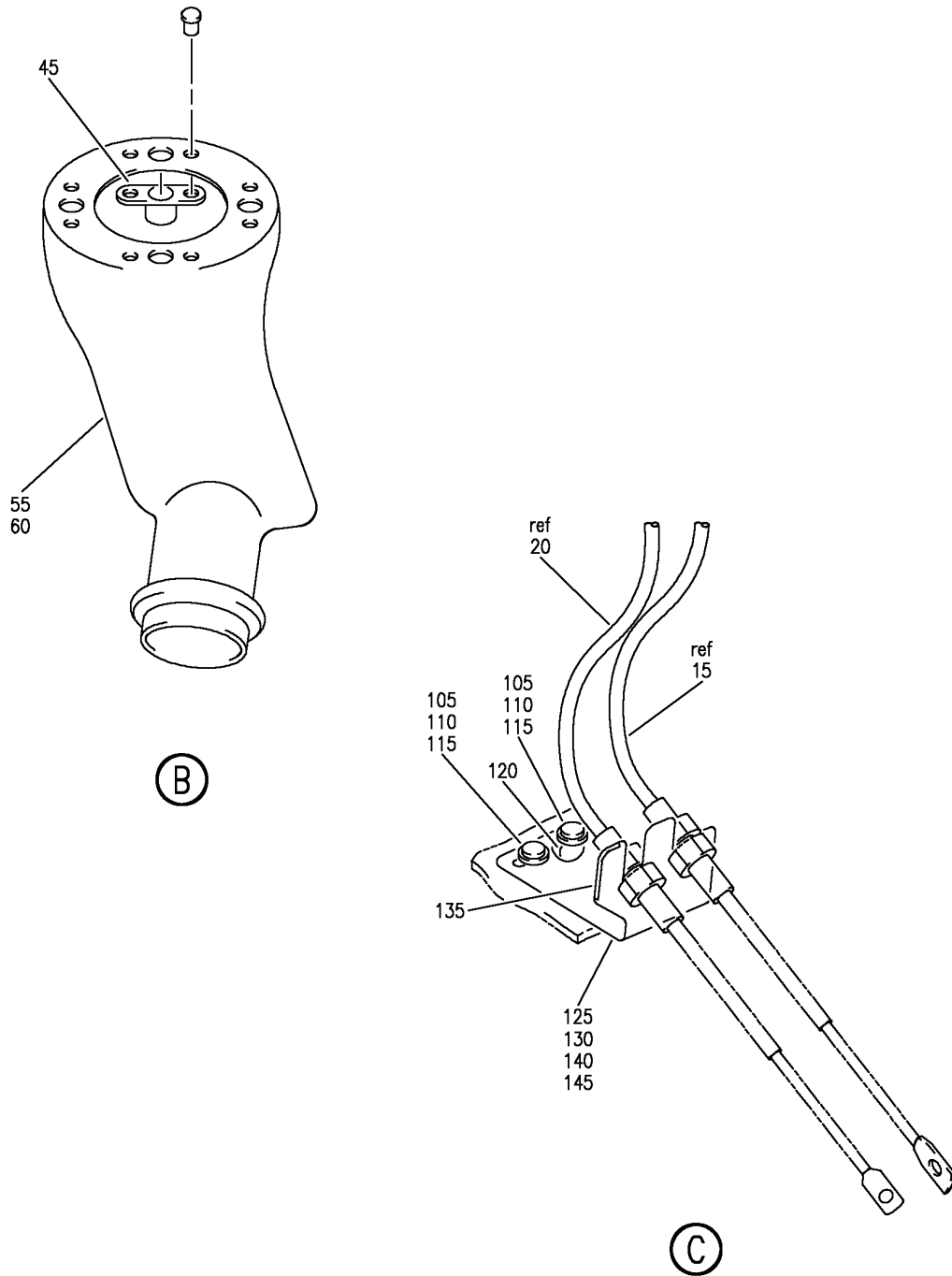
E 21220202 SHT 2 REV 154

SUPPORT ASSY-FWD PNL (FLIGHT COMPARTMENT CONDITIONED AIR DISTRIBUTION ONLY)
 FIGURE 2 (SHEET 2)

21-22-02-02

HAP
 JUN 15/09

21-22-02-02
 PAGE 0A



E 21220202 SHT 3 REV 154

SUPPORT ASSY-FWD PNL (FLIGHT COMPARTMENT CONDITIONED AIR DISTRIBUTION ONLY)
 FIGURE 2 (SHEET 3)

HAP
 JUN 15/09

21-22-02-02

21-22-02-02
 PAGE 0B

BOEING
737-600/700/800/900
PARTS CATALOG (MAINTENANCE)

FIG ITEM	PART NUMBER	1 2 3 4 5 6 7	NOMENCLATURE	EFFECT FROM TO	UNITS PER ASSY
R R R R R R R R R R R R R R R	2		SUPPORT ASSY-FWD PNL (FLIGHT COMPARTMENT CONDITIONED AIR DISTRIBUTION ONLY)	047053 105200 973999	
	- 1	233A2302-20	SUPPORT ASSY-PNL (FLIGHT COMPARTMENT CONDITIONED AIR DISTRIBUTION ONLY) POSITION DATA: FWD FOR NHA/OTHER SYS DET SEE: 53-42-00-15B	047047 105106 973999	RF
	- 1	233A2302-21	SUPPORT ASSY-PNL (FLIGHT COMPARTMENT CONDITIONED AIR DISTRIBUTION ONLY) POSITION DATA: FWD FOR NHA/OTHER SYS DET SEE: 53-42-00-15B	048053 107200	RF
	5	214A1127-7	.PANEL ASSY- OPTIONAL PART: 214A1127-9	047053 105200 973999	1
	5	214A1127-9	.PANEL ASSY- OPTIONAL PART: 214A1127-7	047053 105200 973999	1
	10	214A1127-8	.PANEL ASSY- OPTIONAL PART: 214A1127-10	047053 105200 973999	1
	10	214A1127-10	.PANEL ASSY- OPTIONAL PART: 214A1127-8	047053 105200 973999	1
	15	565-813-005	..CABLE ASSY- SUPPLIER CODE: V06970 USED ON: 214A1127-7 214A1127-8	047053 105200 973999	1
	15	565-813-007	..CABLE ASSY- SUPPLIER CODE: V06970 USED ON: 214A1127-9 214A1127-10	047053 105200 973999	1
	20	565-813-006	..CABLE ASSY- SUPPLIER CODE: V06970 USED ON: 214A1127-7 214A1127-8	047053 105200 973999	1

MISSING ITEM NUMBERS NOT APPLICABLE

- ITEM NOT ILLUSTRATED

HAP

21-22-02-02

21-22-02
FIG. 02
PAGE 1
JUN 15/09

BOEING
737-600/700/800/900
PARTS CATALOG (MAINTENANCE)

FIG ITEM	PART NUMBER	1 2 3 4 5 6 7	NOMENCLATURE	EFFECT FROM TO	UNITS PER ASSY	
R R R R R R R R R R R R R R R	20	565-813-008	..CABLE ASSY- SUPPLIER CODE: V06970 USED ON: 214A1127-9 214A1127-10	047053 105200 973999	1	
	25	FH8C8TPKL10GY	..SCREW- SUPPLIER CODE: V12324	047053 105200 973999	4	
	30	1292-3	..OUTLET- SUPPLIER CODE: VOACH0 SPECIFICATION NUMBER: S214W001-3B	047053 105200 973999	1	
	35	214A1129-5	..PLENUM ASSY- USED ON: 214A1127-7 214A1127-9	047053 105200 973999	1	
	40	214A1129-6	..PLENUM ASSY- USED ON: 214A1127-8 214A1127-10	047053 105200 973999	1	
	45	BACN10JP08ACD	...NUTPLATE	047053 105200 973999	4	
			ATTACHING PARTS			
	-	50	BACR15BA3ADC	...RIVET- SIZE DETERMINED ON INSTL. -----*-----	047053 105200 973999	8
		55	214A1129-3	...PLENUM- USED ON: 214A1129-5	047053 105200 973999	1
		60	214A1129-4	...PLENUM- USED ON: 214A1129-6	047053 105200 973999	1
		65	214A1154-5	..PLATE ASSY- USED ON: 214A1127-7 214A1127-9	047053 105200 973999	1
		70	214A1154-6	..PLATE ASSY- USED ON: 214A1127-8 214A1127-10	047053 105200 973999	1
		75	BACs21DX1D	...STUD ASSY	047053 105200 973999	4

MISSING ITEM NUMBERS NOT APPLICABLE

- ITEM NOT ILLUSTRATED

HAP

21-22-02-02

21-22-02
FIG. 02
PAGE 2
JUN 15/09

BOEING
737-600/700/800/900
PARTS CATALOG (MAINTENANCE)

FIG ITEM	PART NUMBER	1 2 3 4 5 6 7	NOMENCLATURE	EFFECT FROM TO	UNITS PER ASSY	
R R R R R R R R R R R R R R R	2					
	80	214A1154-3	...	PLATE- USED ON: 214A1154-5	047053 105200 973999	1
	85	214A1154-4	...	PLATE- USED ON: 214A1154-6	047053 105200 973999	1
	90	214A1501-1	..	PANEL- USED ON: 214A1127-7 214A1127-9	047053 105200 973999	1
	95	214A1501-2	..	PANEL- USED ON: 214A1127-8 214A1127-10 ATTACHING PARTS	047053 105200 973999	1
	- 100	BACR15GF3D	..	RIVET- SIZE DETERMINED ON INSTL. -----*-----	047053 105200 973999	4
	105	BACS12GU3K8	.	SCREW	047053 105200 973999	4
	110	NAS1149D0332J	.	WASHER	047053 105200 973999	8
	115	PLH53CD	.	NUT SUPPLIER CODE: VF0224 SPECIFICATION NUMBER: BACN10YR3CD OPTIONAL PART: H52732-3CD V15653	047053 105200 973999	4
	120	JM44LC13WD10R	.	CLAMP SUPPLIER CODE: V22175 SPECIFICATION NUMBER: BACC10GE10A OPTIONAL PART: S369WHD10 V18076 TA12C32WD10 V84971 509A10 V83930	047053 105200 973999	2
	125	214A1502-8	.	BRACKET ASSY	047053 105200 973999	1

MISSING ITEM NUMBERS NOT APPLICABLE

- ITEM NOT ILLUSTRATED

HAP

21-22-02-02

21-22-02
FIG. 02
PAGE 3
JUN 15/09

BOEING
737-600/700/800/900
PARTS CATALOG (MAINTENANCE)

FIG ITEM	PART NUMBER	1 2 3 4 5 6 7	NOMENCLATURE	EFFECT FROM TO	UNITS PER ASSY	
R R R R R R R R R R R R	2 130	214A1502-9	.BRACKET ASSY	047053 105200 973999	1	
	135	BACG20ZB000132B	..GROMMET	047053 105200 973999	1	
	140	214A1502-1	..BRACKET- USED ON: 214A1502-8	047053 105200 973999	1	
	145	214A1502-2	..BRACKET- USED ON: 214A1502-9	047053 105200 973999	1	
	MISSING ITEM NUMBERS NOT APPLICABLE					

- ITEM NOT ILLUSTRATED

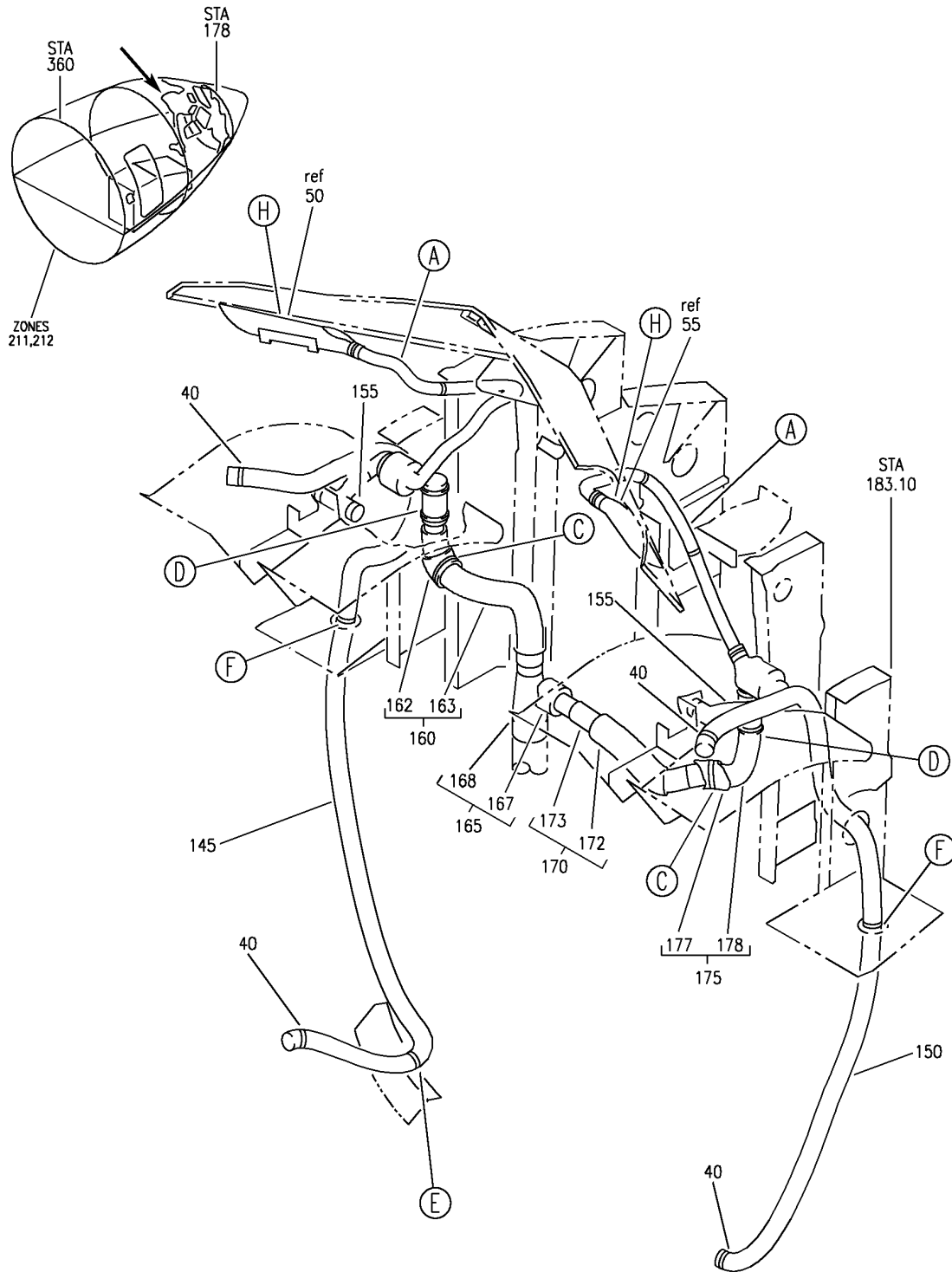
HAP

21-22-02-02

BOEING PROPRIETARY - Copyright © - Unpublished Work - See title page for details.

21-22-02
FIG. 02
PAGE 4
JUN 15/09

BOEING
 737-600/700/800/900
 PARTS CATALOG (MAINTENANCE)



E 21225103 SH1 1 REV 124

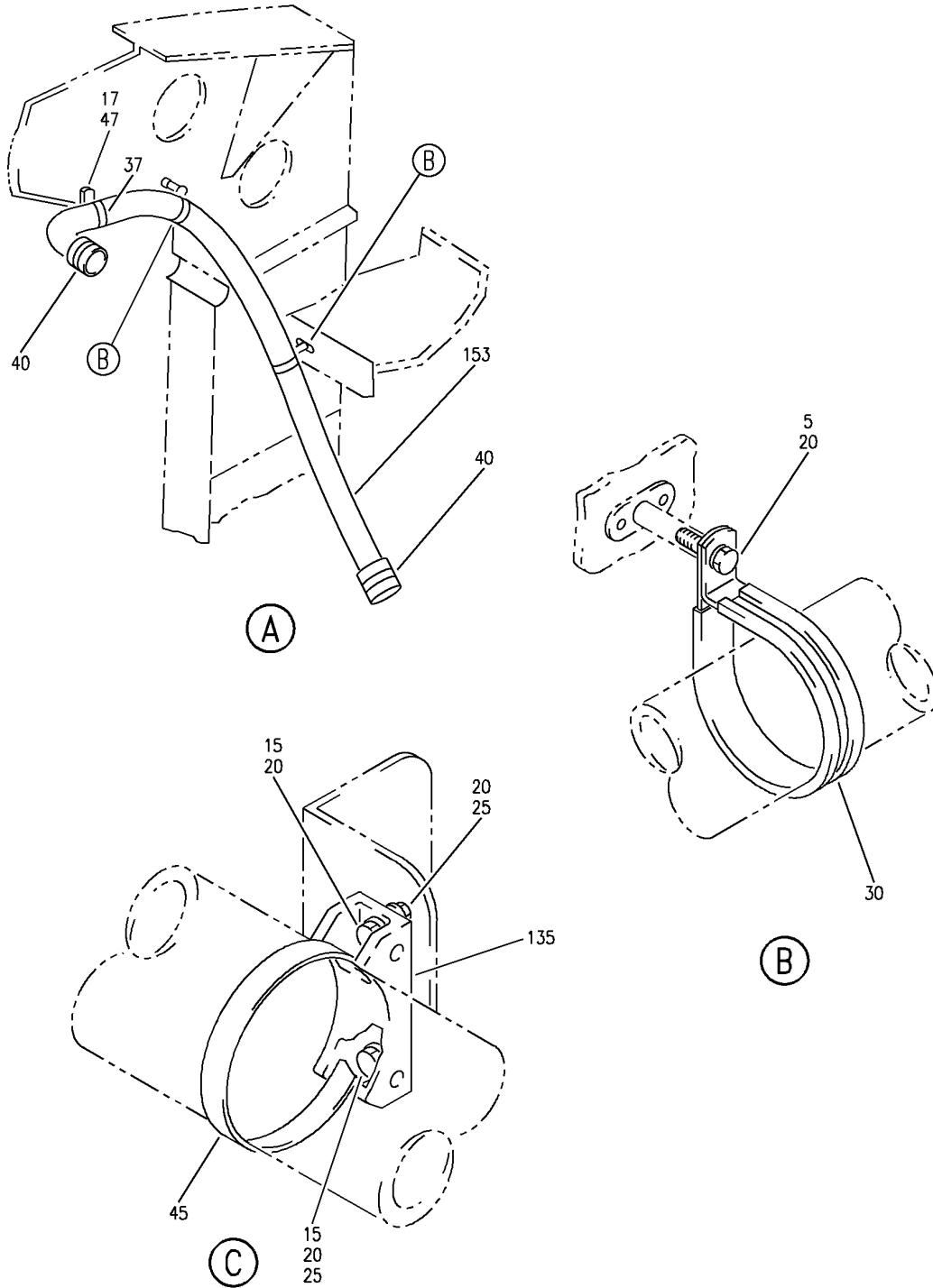
DUCT INSTL-CAB., INSTR PNL, GASPER/WSHLD DEFOG FT AIR OUTLET
 FIGURE 3 (SHEET 1)

21-22-51-03

HAP
 FEB 10/07

21-22-51-03
 PAGE 0

BOEING
 737-600/700/800/900
 PARTS CATALOG (MAINTENANCE)



E 21225103 SH1 2 REV 124

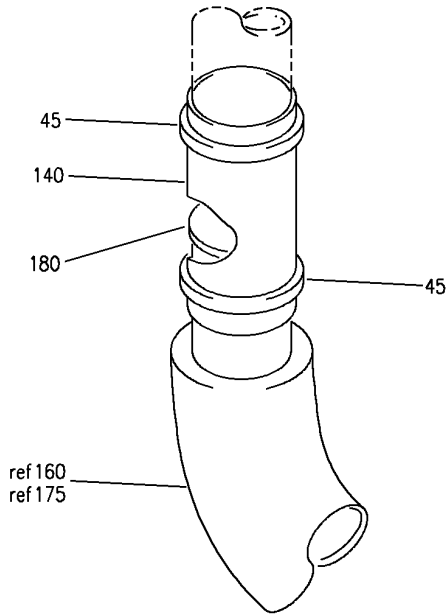
DUCT INSTL-CAB., INSTR PNL, GASPER/WSHLD DEFOG FT AIR OUTLET
 FIGURE 3 (SHEET 2)

21-22-51-03

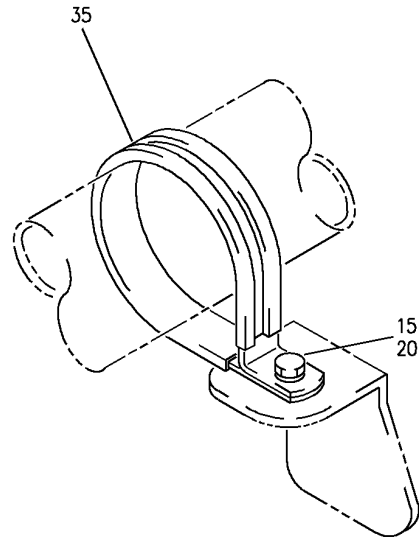
HAP
 FEB 10/07

21-22-51-03
 PAGE 0A

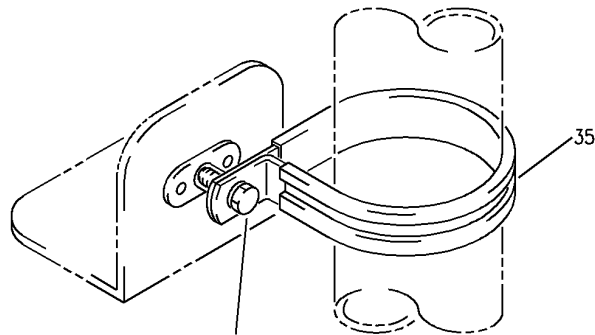
BOEING
 737-600/700/800/900
 PARTS CATALOG (MAINTENANCE)



(D)



(E)



(F)

E 21225103 SH1 3 REV 109

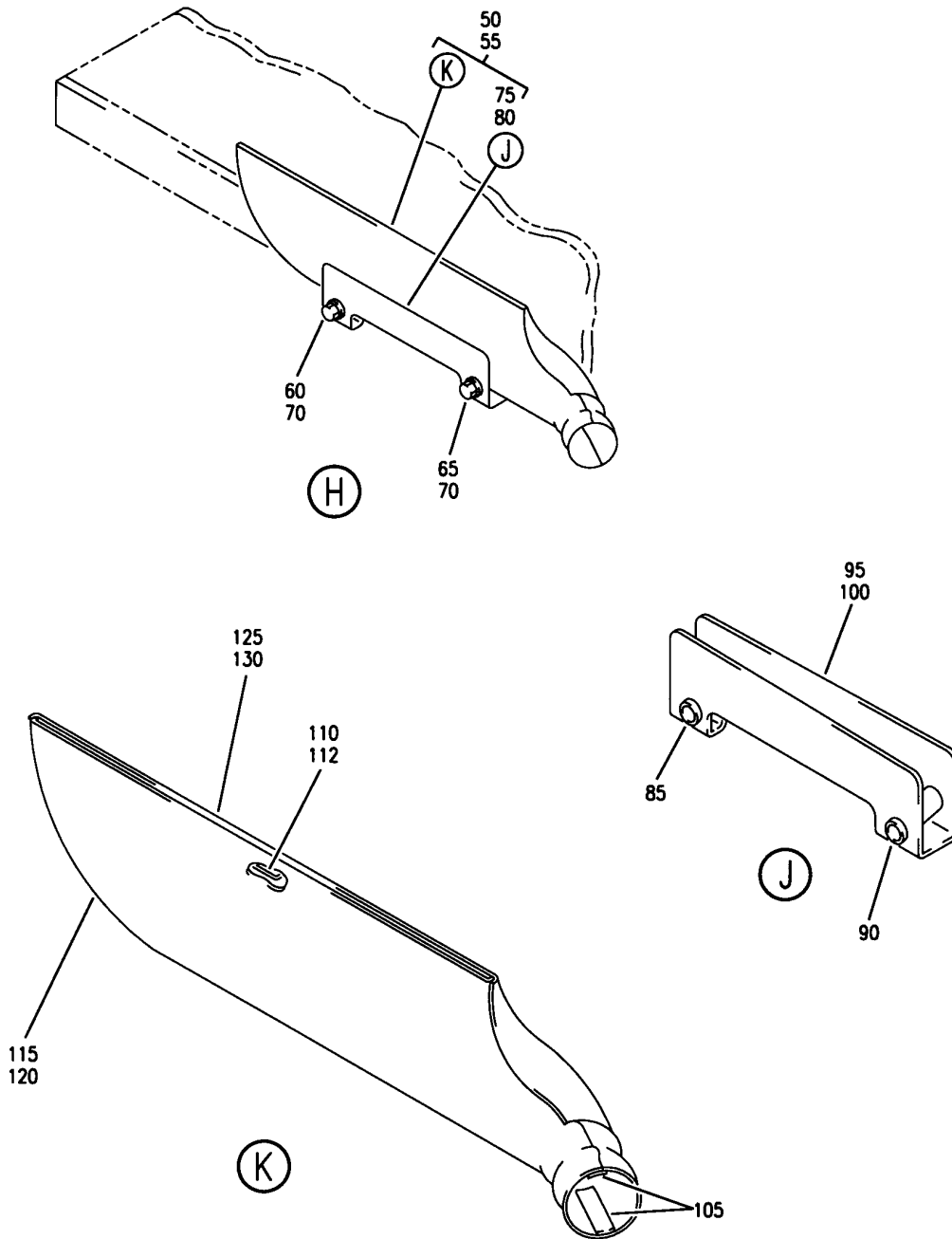
DUCT INSTL-CAB., INSTR PNL, GASPER/WSHLD DEFOG FT AIR OUTLET
 FIGURE 3 (SHEET 3)

HAP
 OCT 10/06

21-22-51-03

21-22-51-03
 PAGE 0B

BOEING
 737-600/700/800/900
 PARTS CATALOG (MAINTENANCE)



E 21225103 SHT 4 REV 002

DUCT INSTL-CAB., INSTR PNL, GASPER/WSHLD DEFOG FT AIR OUTLET
 FIGURE 3 (SHEET 4)

21-22-51-03

HAP
 OCT 10/06

21-22-51-03
 PAGE 0C

BOEING
737-600/700/800/900
PARTS CATALOG (MAINTENANCE)

FIG ITEM	PART NUMBER	1 2 3 4 5 6 7	NOMENCLATURE	EFFECT FROM TO	UNITS PER ASSY
3			DUCT INSTL-CAB., INSTR PNL, GASPER/WSHLD DEFOG FT AIR OUTLET	001030 201967	
- 1	214A1001-1		DUCT INSTL-CAB., INSTR PNL, GASPER/WSHLD DEFOG FT AIR OUTLET FOR NHA SEE: 21-20-00-04	001030 201967	RF
	5 BACS12GU3K9		.SCREW-	001030 201967	4
	10 BACS12GU3K5		.SCREW-	001030 201967	2
	15 BACS12GU3K8		.SCREW-	001030 201967	5
	17 NAS8203A5		.SCREW-	001030 201967	2
	20 NAS1149D0332J		.WASHER-	001030 201967	15
	25 PLH53CD		.NUT- SUPPLIER CODE: VF0224 SPECIFICATION NUMBER: BACN10YR3CD OPTIONAL PART: H52732-3CD V15653	001030 201967	4
	30 S369WDH23		.CLAMP- SUPPLIER CODE: V18076 SPECIFICATION NUMBER: BACC10GE23A OPTIONAL PART: 509A23 V83930 TA12C32WD23 V84971 JM44LC13WD23R V22175	001030 201967	4

MISSING ITEM NUMBERS NOT APPLICABLE

- ITEM NOT ILLUSTRATED

HAP

21-22-51-03

BOEING PROPRIETARY - Copyright © - Unpublished Work - See title page for details.

21-22-51
FIG. 03
PAGE 1
FEB 15/09

BOEING
737-600/700/800/900
PARTS CATALOG (MAINTENANCE)

FIG ITEM	PART NUMBER	1 2 3 4 5 6 7	NOMENCLATURE	EFFECT FROM TO	UNITS PER ASSY
3					
35	S258DT27		.CLAMP- SUPPLIER CODE: V18076 SPECIFICATION NUMBER: BACC10DW27D OPTIONAL PART: TA4C4JD27T V84971 475A27 V83930 8084D27T V72285 475-27 V83930	001030 201967	3
37	PLT2IC		.STRAP- SUPPLIER CODE: V06383 SPECIFICATION NUMBER: BACS38K10	001030 201967	2
40	T05RO		.STRAP- SUPPLIER CODE: V53421 SPECIFICATION NUMBER: BACS38K1 OPTIONAL PART: PLT2SM V06383 MAINTENANCE MANUAL REF: 21-22-01	001030 201967	8
45	PLT3SM		.STRAP- SUPPLIER CODE: V06383 SPECIFICATION NUMBER: BACS38K7 OPTIONAL PART: T05IO V53421 MAINTENANCE MANUAL REF: 21-22-01	001030 201967	6
47	STBP19M12		.PLATE- SUPPLIER CODE: V1B249	001030 201967	2
50	214A1145-1		.NOZZLE ASSY-	001030 201967	1
55	214A1145-2		.NOZZLE ASSY-	001030 201967	1
60	BACS12GU3K19		ATTACHING PARTS .SCREW-	001030 201967	2

MISSING ITEM NUMBERS NOT APPLICABLE

— ITEM NOT ILLUSTRATED

HAP

21-22-51-03

BOEING PROPRIETARY - Copyright © - Unpublished Work - See title page for details.

21-22-51
FIG. 03
PAGE 2
OCT 15/08

BOEING
737-600/700/800/900
PARTS CATALOG (MAINTENANCE)

FIG ITEM	PART NUMBER	1 2 3 4 5 6 7	NOMENCLATURE	EFFECT FROM TO	UNITS PER ASSY
3					
65	BACS12GU3K24	.	SCREW-	001030 201967	2
70	NAS1149D0332J	.	WASHER-	001030 201967	4
			-----*-----		
75	214A1139-1	..	BRACKET ASSY- USED ON: 214A1145-1	001030 201967	1
80	214A1139-2	..	BRACKET ASSY- USED ON: 214A1145-2	001030 201967	1
85	NAS43DD3-52FC	...	SPACER-	001030 201967	1
90	NAS43DD3-72FC	...	SPACER-	001030 201967	1
95	214A1139-3	...	BRACKET- USED ON: 214A1139-1	001030 201967	1
100	214A1139-4	...	BRACKET- USED ON: 214A1139-2	001030 201967	1
105	65-55348-17	..	STRIP-SEAL	001030 201967	2
110	65-55348-19	..	VANE- USED ON: 214A1145-1	001030 201967	1
112	65-55348-20	..	VANE- USED ON: 214A1145-2	001030 201967	1
115	214A1145-3	..	NOZZLE- USED ON: 214A1145-1	001030 201967	1
120	214A1145-4	..	NOZZLE- USED ON: 214A1145-2	001030 201967	1
125	214A1145-5	..	NOZZLE- USED ON: 214A1145-1	001030 201967	1
130	214A1145-6	..	NOZZLE- USED ON: 214A1145-2	001030 201967	1
135	214T3424-2	.	SUPPORT-	001030 201967	2
140	AS1506-08D40	.	SLEEVE-	001030 201967	2
145	AS1591-06-0900A	.	HOSE-	001030 201967	1
150	AS1591-06-0760A	.	HOSE-	001030 201967	1

MISSING ITEM NUMBERS NOT APPLICABLE

— ITEM NOT ILLUSTRATED

HAP

21-22-51-03

21-22-51
FIG. 03
PAGE 3
OCT 15/08

BOEING
737-600/700/800/900
PARTS CATALOG (MAINTENANCE)

FIG ITEM	PART NUMBER	1 2 3 4 5 6 7	NOMENCLATURE	EFFECT FROM TO	UNITS PER ASSY
3					
153	AD1762		.HOSE- SUPPLIER CODE: V21868 OPTIONAL PART: BCREF130699 V16632	001030 201967	2
153	BCREF130699		.HOSE- SUPPLIER CODE: V16632 OVERLENGTH PART NUMBER: BOE2355A12B10148 OPTIONAL PART: AD1762 V21868	001030 201967	2
155	BOE2349-0001		.T DUCT- SUPPLIER CODE: V16632 OPTIONAL PART: AD1723 V21868	001030 201967	2
155	AD1723		.T DUCT- SUPPLIER CODE: V21868 OPTIONAL PART: BOE2349-0001 V16632	001030 201967	2
160	214A1143-1		.DUCT ASSY-	001030 201967	1
162	214A1143-3		..BLANKET-INSULATION	001030 201967	AR
163	214A1143-2		..DUCT-	001030 201967	1
165	214A1110-1		.DUCT ASSY-	001030 201967	1
167	214A1110-3		..BLANKET-INSULATION	001030 201967	AR
168	214A1110-2		..DUCT-	001030 201967	1
170	214A1144-1		.DUCT ASSY-	001030 201967	1
172	214A1144-3		..BLANKET-INSULATION	001030 201967	AR
173	214A1144-2		..DUCT-	001030 201967	1
175	214A1152-1		.DUCT ASSY-	001030 201967	1
177	214A1152-3		..BLANKET-INSULATION	001030 201967	AR

MISSING ITEM NUMBERS NOT APPLICABLE

— ITEM NOT ILLUSTRATED

HAP

21-22-51-03

21-22-51
FIG. 03
PAGE 4
OCT 15/08


BOEING
 737-600/700/800/900
PARTS CATALOG (MAINTENANCE)

FIG ITEM	PART NUMBER	1 2 3 4 5 6 7	NOMENCLATURE	EFFECT FROM TO	UNITS PER ASSY
3					
178	214A1152-2	. .	DUCT-	001030 201967	1
180	214T3436-1561	.0	RIFICE ASSY-	001030 201967	2

MISSING ITEM NUMBERS NOT APPLICABLE

— ITEM NOT ILLUSTRATED

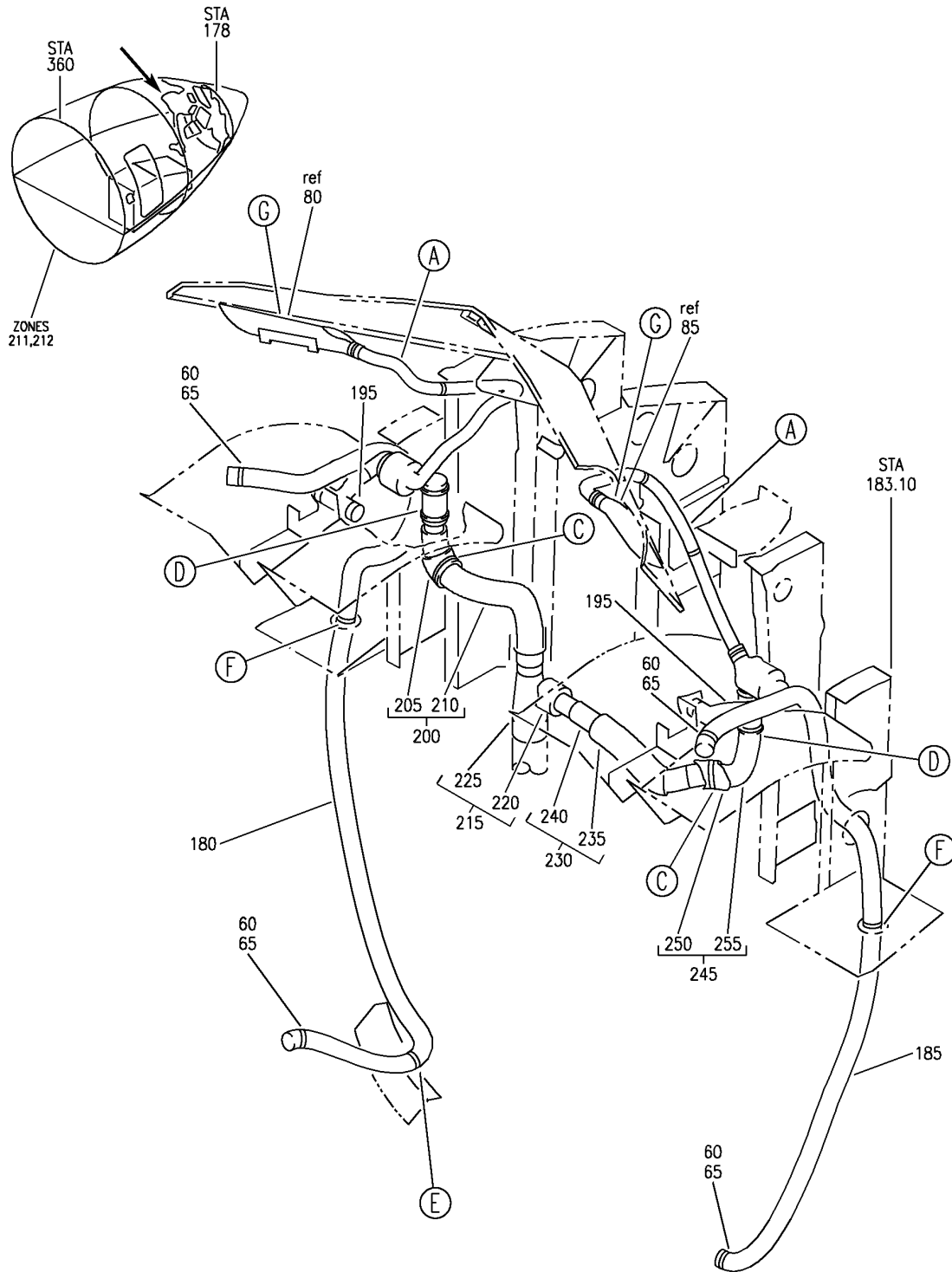
HAP

21-22-51-03

BOEING PROPRIETARY - Copyright © - Unpublished Work - See title page for details.

21-22-51
 FIG. 03
 PAGE 5
 OCT 15/08

BOEING
 737-600/700/800/900
 PARTS CATALOG (MAINTENANCE)



E 21225103A SHT 1 REV 124

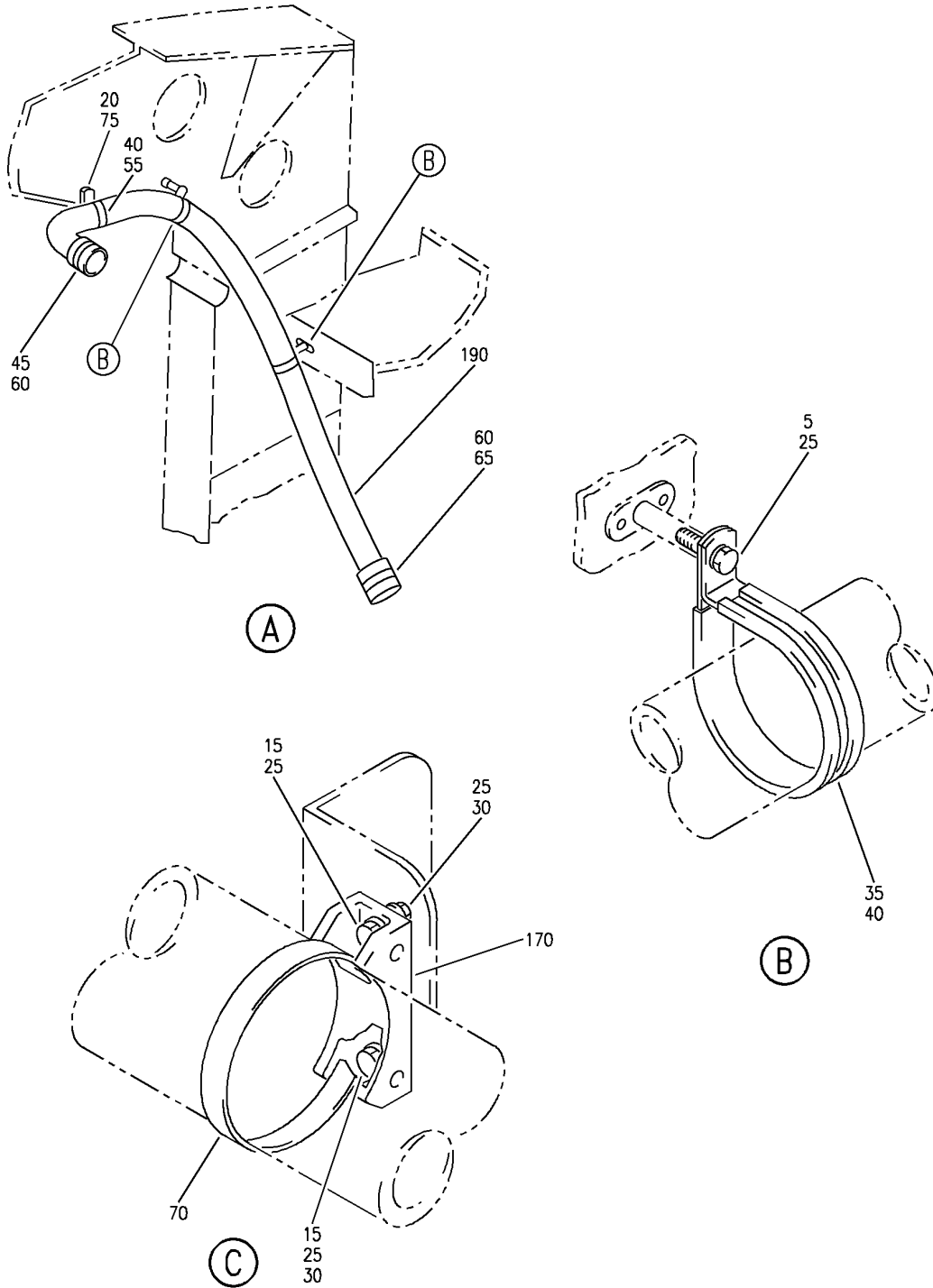
DUCT INSTL-CAB. INSTR PNL GASPER/WSHLD DEFOG FT AIR OUTLET
 FIGURE 3A (SHEET 1)

21-22-51-03A

HAP
 FEB 10/07

21-22-51-03A
 PAGE 0

BOEING
 737-600/700/800/900
 PARTS CATALOG (MAINTENANCE)



E 21225103A SHT 2 REV 124

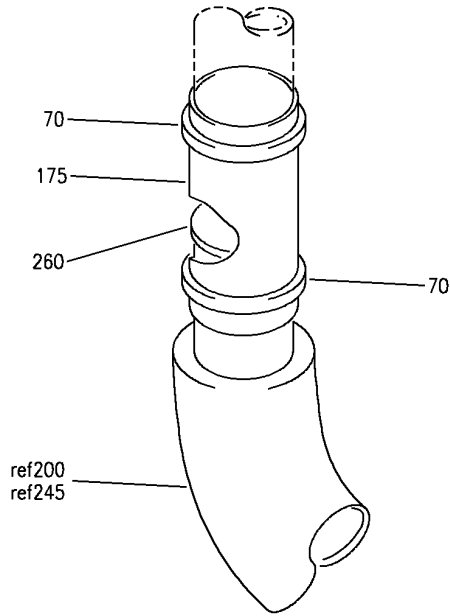
DUCT INSTL-CAB. INSTR PNL GASPER/WSHLD DEFOG FT AIR OUTLET
 FIGURE 3A (SHEET 2)

21-22-51-03A

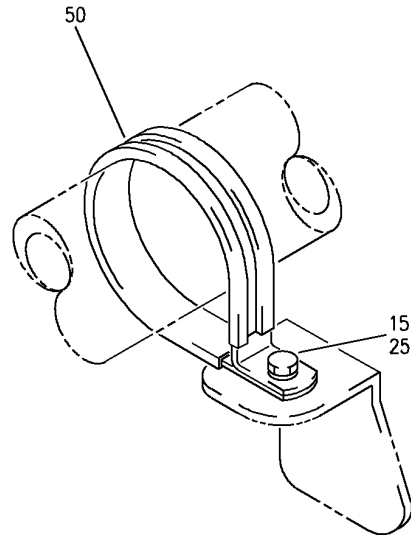
HAP
 FEB 10/07

21-22-51-03A
 PAGE 0A

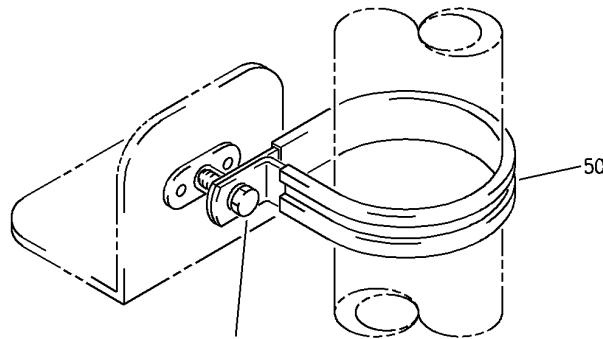
BOEING
 737-600/700/800/900
 PARTS CATALOG (MAINTENANCE)



(D)



(E)



(F)

E 21225103A SHT 3 REV 124

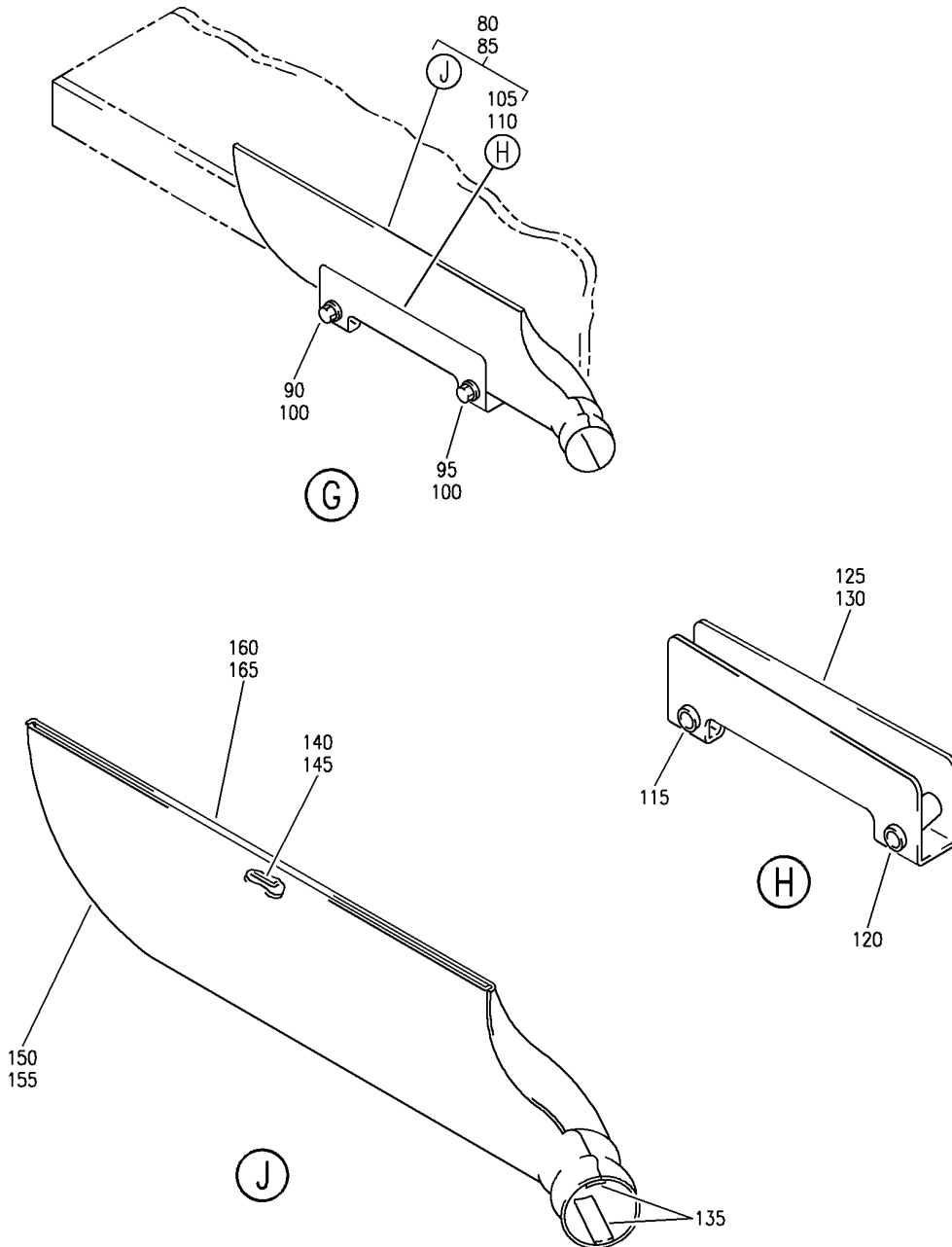
DUCT INSTL-CAB. INSTR PNL GASPER/WSHLD DEFOG FT AIR OUTLET
 FIGURE 3A (SHEET 3)

HAP
 FEB 10/07

21-22-51-03A

21-22-51-03A
 PAGE 0B

BOEING
 737-600/700/800/900
 PARTS CATALOG (MAINTENANCE)



E 21225103A SHT 4 REV 124

DUCT INSTL-CAB. INSTR PNL GASPER/WSHLD DEFOG FT AIR OUTLET
 FIGURE 3A (SHEET 4)

HAP
 FEB 10/07

21-22-51-03A

21-22-51-03A
 PAGE 0C

BOEING
737-600/700/800/900
PARTS CATALOG (MAINTENANCE)

FIG ITEM	PART NUMBER	1 2 3 4 5 6 7	NOMENCLATURE	EFFECT FROM TO	UNITS PER ASSY
3A			DUCT INSTL-CAB. INSTR PNL GASPER/WSHLD DEFOG FT AIR OUTLET	031200 968999	
- 1	MODREF261499		DUCT INSTL-CAB. INSTR PNL GASPER/WSHLD DEFOG FT AIR OUTLET	031046 054105 968999	1
- 1	MODREF363250		MODULE NUMBER: 214A1001-1 REV C DUCT INSTL-CAB. INSTR PNL GASPER/WSHLD DEFOG FT AIR OUTLET	047053 106200	1
	5 BACS12GU3K9		.SCREW	031200 968999	4
	10 BACS12GU3K5		.SCREW	031200 968999	2
	15 BACS12GU3K8		.SCREW	031200 968999	5
	20 NAS8203A5		.SCREW	031200 968999	2
	25 NAS1149D0332J		.WASHER	031200 968999	15
	30 PLH53CD		.NUT	031200 968999	4
			SUPPLIER CODE: VF0224		
			SPECIFICATION NUMBER: BACN10YR3CD		
			OPTIONAL PART: H52732-3CD V15653		
	40 S369WDH23		.CLAMP	031200 968999	6
			SUPPLIER CODE: V18076		
			SPECIFICATION NUMBER: BACC10GE23A		
			OPTIONAL PART: 509A23 V83930 TA12C32WD23 V84971 JM44LC13WD23R V22175		
	45 NAS1922-0150-3		.CLAMP	031200 968999	2

MISSING ITEM NUMBERS NOT APPLICABLE

- ITEM NOT ILLUSTRATED

HAP

21-22-51-03A

BOEING PROPRIETARY - Copyright © - Unpublished Work - See title page for details.

21-22-51
FIG. 03A
PAGE 1
FEB 15/09

BOEING
737-600/700/800/900
PARTS CATALOG (MAINTENANCE)

FIG ITEM	PART NUMBER	1 2 3 4 5 6 7	NOMENCLATURE	EFFECT FROM TO	UNITS PER ASSY
3A 50	S258DT27		.CLAMP SUPPLIER CODE: V18076 SPECIFICATION NUMBER: BACC10DW27D OPTIONAL PART: TA4C4JD27T V84971 475A27 V83930 8084D27T V72285 475-27 V83930	031200 968999	3
65	T05R0		.STRAP SUPPLIER CODE: V53421 SPECIFICATION NUMBER: BACS38K1 OPTIONAL PART: PLT2SM V06383 MAINTENANCE MANUAL REF: 21-22-01	031200 968999	6
70	PLT3SM		.STRAP SUPPLIER CODE: V06383 SPECIFICATION NUMBER: BACS38K7 OPTIONAL PART: T05I0 V53421 MAINTENANCE MANUAL REF: 21-22-01	031200 968999	6
80	214A1145-1		.NOZZLE ASSY	031200 968999	1
85	214A1145-2		.NOZZLE ASSY	031200 968999	1
90	BACS12GU3K19		ATTACHING PARTS .SCREW	031200 968999	2
95	BACS12GU3K24		.SCREW	031200 968999	2
100	NAS1149D0332J		.WASHER	031200 968999	4
105	214A1139-1		-----*----- ..BRACKET ASSY- USED ON: 214A1145-1	031200 968999	1

MISSING ITEM NUMBERS NOT APPLICABLE

— ITEM NOT ILLUSTRATED

HAP

21-22-51-03A

BOEING PROPRIETARY - Copyright © - Unpublished Work - See title page for details.

21-22-51
FIG. 03A
PAGE 2
OCT 15/08

 **BOEING**
737-600/700/800/900
PARTS CATALOG (MAINTENANCE)

FIG ITEM	PART NUMBER	1 2 3 4 5 6 7	NOMENCLATURE	EFFECT FROM TO	UNITS PER ASSY
3A					
110	214A1139-2	..	BRACKET ASSY- USED ON: 214A1145-2	031200 968999	1
115	NAS43DD3-52FC	...	SPACER	031200 968999	1
120	NAS43DD3-72FC	...	SPACER	031200 968999	1
125	214A1139-3	...	BRACKET- USED ON: 214A1139-1	031200 968999	1
130	214A1139-4	...	BRACKET- USED ON: 214A1139-2	031200 968999	1
135	65-55348-17	..	STRIP-SEAL	031200 968999	2
140	65-55348-19	..	VANE- USED ON: 214A1145-1	031200 968999	1
145	65-55348-20	..	VANE- USED ON: 214A1145-2	031200 968999	1
150	214A1145-3	..	NOZZLE- USED ON: 214A1145-1	031200 968999	1
155	214A1145-4	..	NOZZLE- USED ON: 214A1145-2	031200 968999	1
160	214A1145-5	..	NOZZLE- USED ON: 214A1145-1	031200 968999	1
165	214A1145-6	..	NOZZLE- USED ON: 214A1145-2	031200 968999	1
170	214T3424-2	.	SUPPORT	031200 968999	2
175	AS1506-08D40	.	SLEEVE	031200 968999	2
180	AS1591-06-0900A	.	HOSE	031200 968999	1
185	AS1591-06-0760A	.	HOSE	031200 968999	1
190	AD1762	.	HOSE- SUPPLIER CODE: V21868 OPTIONAL PART: BCREF130699 V16632	031200 968999	2

MISSING ITEM NUMBERS NOT APPLICABLE

— ITEM NOT ILLUSTRATED

HAP

21-22-51-03A

BOEING PROPRIETARY - Copyright © - Unpublished Work - See title page for details.

21-22-51
FIG. 03A
PAGE 3
OCT 15/08

BOEING
737-600/700/800/900
PARTS CATALOG (MAINTENANCE)

FIG ITEM	PART NUMBER	1 2 3 4 5 6 7	NOMENCLATURE	EFFECT FROM TO	UNITS PER ASSY
3A 190	BCREF130699	.HOSE-	SUPPLIER CODE: V16632 OVERLENGTH PART NUMBER: BOE2355A12B10148 OPTIONAL PART: AD1762 V21868	031200 968999	2
195	BOE2349-0001	.T DUCT-	SUPPLIER CODE: V16632 OPTIONAL PART: AD1723 V21868	031200 968999	2
195	AD1723	.T DUCT-	SUPPLIER CODE: V21868 OPTIONAL PART: BOE2349-0001 V16632	031200 968999	2
200	214A1143-5	.DUCT ASSY		031046 054105 968999	1
200	214A1143-7	.DUCT ASSY		047053 106200	1
205	214A1143-3	..BLANKET-INSULATION		031046 054105 968999	AR
205	210N0013-10	..INSULATION		047053 106200	AR
210	214A1143-2	..DUCT		031200 968999	1
215	214A1110-6	.DUCT ASSY		031046 054105 968999	1
215	214A1110-7	.DUCT ASSY		047053 106200	1
220	214A1110-3	..BLANKET-INSULATION		031046 054105 968999	AR
220	210N0013-10	..INSULATION		047053 106200	AR
225	214A1110-2	..DUCT		031200 968999	1
230	214A1144-5	.DUCT ASSY		031046 054105 968999	1
230	214A1144-7	.DUCT ASSY		047053 106200	1

MISSING ITEM NUMBERS NOT APPLICABLE

— ITEM NOT ILLUSTRATED

HAP

21-22-51-03A

BOEING PROPRIETARY - Copyright © - Unpublished Work - See title page for details.

21-22-51
FIG. 03A
PAGE 4
FEB 15/09

BOEING
737-600/700/800/900
PARTS CATALOG (MAINTENANCE)

FIG ITEM	PART NUMBER	1 2 3 4 5 6 7	NOMENCLATURE	EFFECT FROM TO	UNITS PER ASSY
3A					
235	214A1144-3	..	BLANKET-INSULATION	031046 054105 968999	AR
235	210N0013-10	..	INSULATION	047053 106200	AR
240	214A1144-2	..	DUCT	031200 968999	1
245	214A1152-5	.DUCT	ASSY	031046 054105 968999	1
245	214A1152-7	.DUCT	ASSY	047053 106200	1
250	214A1152-3	..	BLANKET-INSULATION	031046 054105 968999	AR
250	210N0013-10	..	INSULATION	047053 106200	AR
255	214A1152-2	..	DUCT	031200 968999	1
260	214T3436-1561	.ORIFICE	ASSY	031200 968999	2

MISSING ITEM NUMBERS NOT APPLICABLE

— ITEM NOT ILLUSTRATED

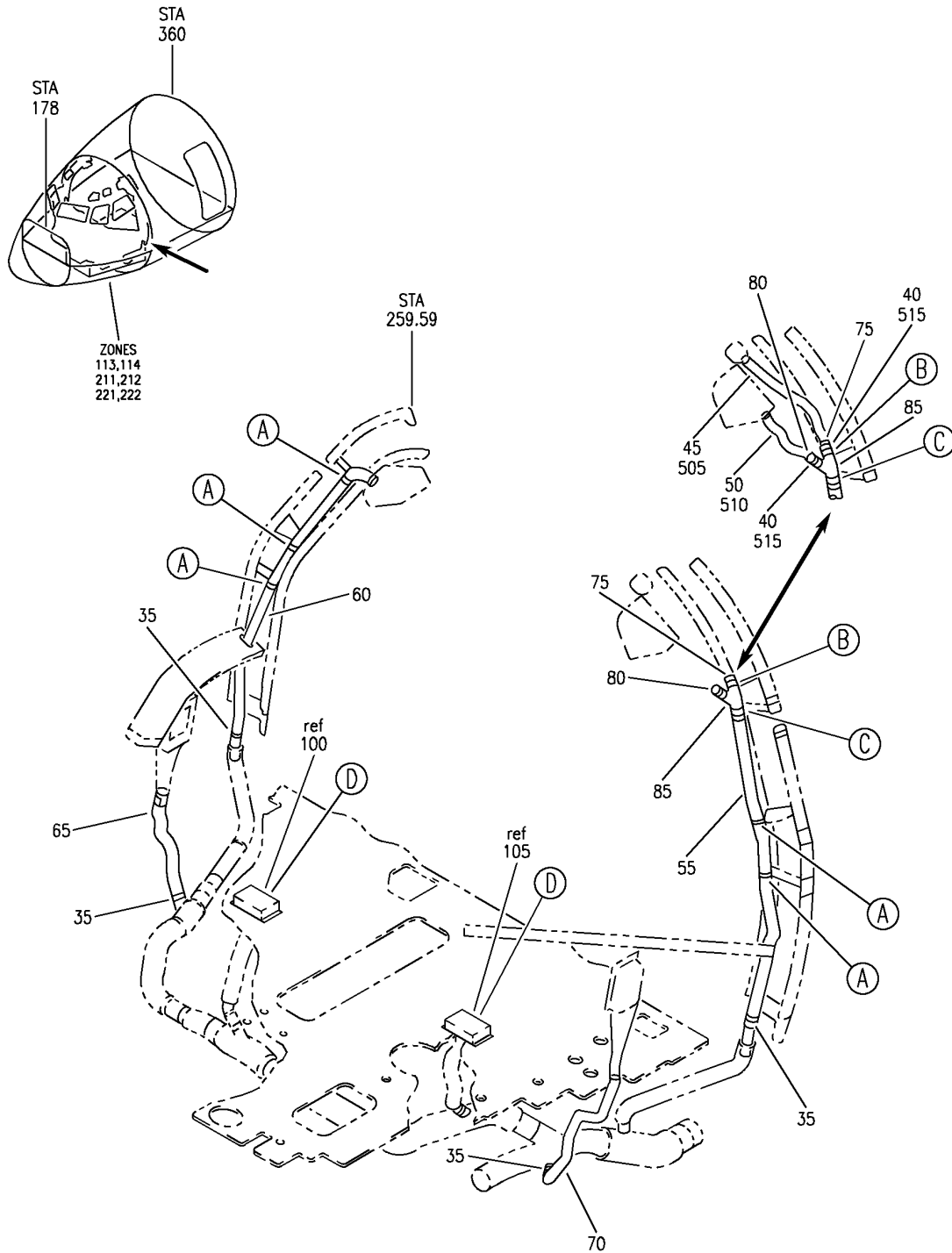
HAP

21-22-51-03A

BOEING PROPRIETARY - Copyright © - Unpublished Work - See title page for details.

21-22-51
FIG. 03A
PAGE 5
FEB 15/09

BOEING
 737-600/700/800/900
 PARTS CATALOG (MAINTENANCE)



E 21225105 SHT 1 REV 124

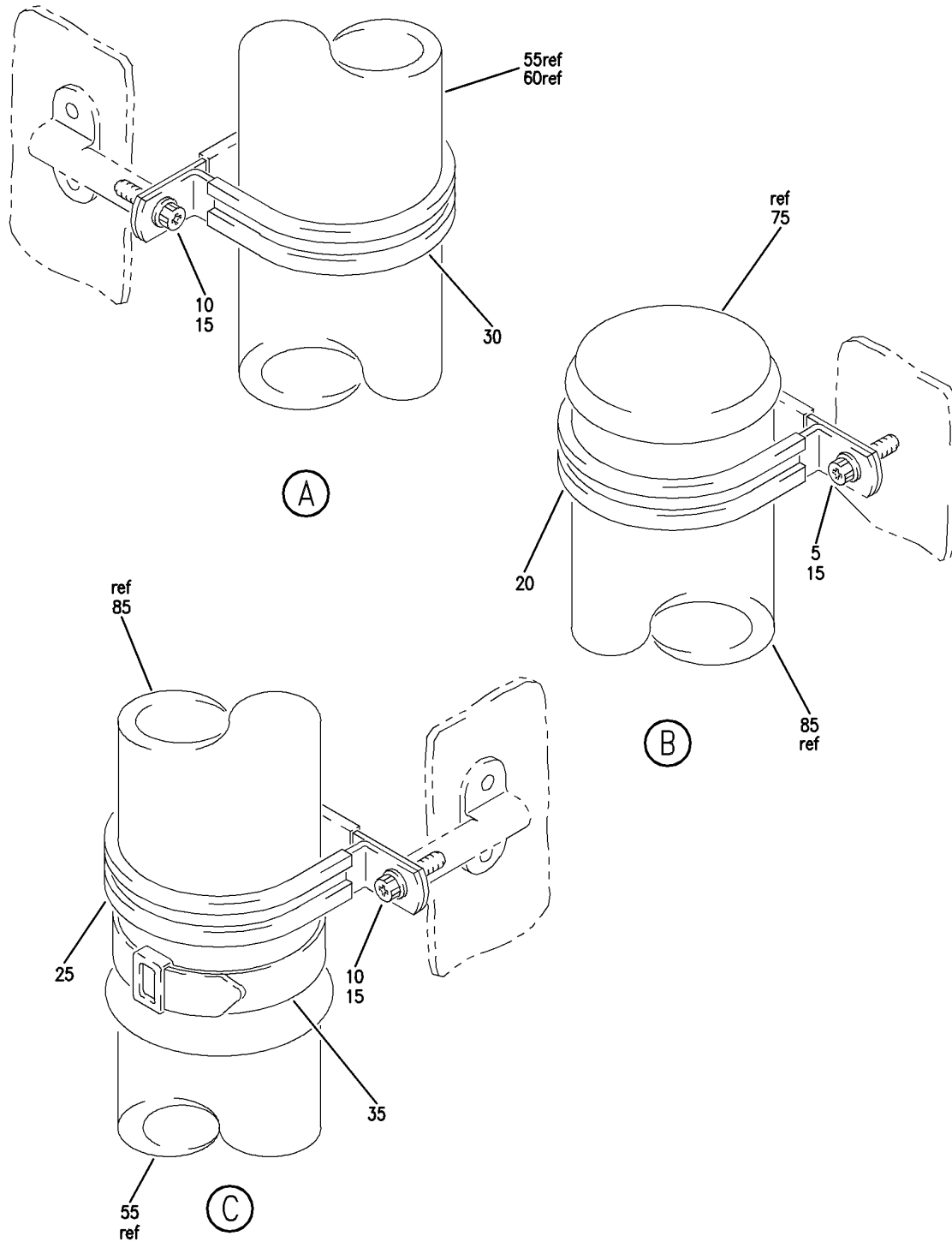
DUCT INSTL-FLIGHT DECK AIR DISTR SYS
 FIGURE 5 (SHEET 1)

21-22-51-05

HAP
 FEB 10/07

21-22-51-05
 PAGE 0

BOEING
 737-600/700/800/900
 PARTS CATALOG (MAINTENANCE)



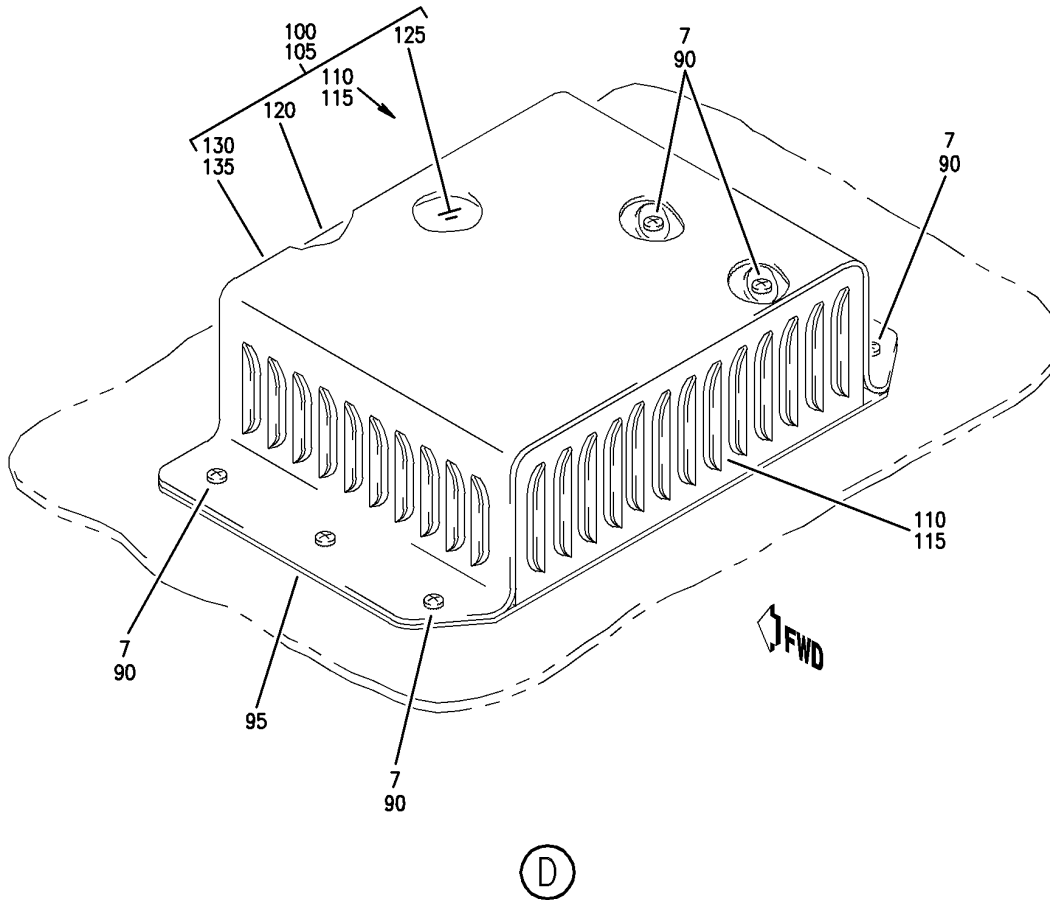
E 21225105 SHT 2 REV 060

DUCT INSTL-FLIGHT DECK AIR DISTR SYS
 FIGURE 5 (SHEET 2)

21-22-51-05

HAP
 OCT 10/06

21-22-51-05
 PAGE 0A



E 21225105 SHT 3 REV 063

DUCT INSTL-FLIGHT DECK AIR DISTR SYS
 FIGURE 5 (SHEET 3)

21-22-51-05

HAP
 OCT 10/06

21-22-51-05
 PAGE 0B

BOEING
737-600/700/800/900
PARTS CATALOG (MAINTENANCE)

FIG ITEM	PART NUMBER	1 2 3 4 5 6 7	NOMENCLATURE	EFFECT FROM TO	UNITS PER ASSY
5			DUCT INSTL-FLIGHT DECK AIR DISTR SYS	001030 201967	
- 1	214A1001-2		DUCT INSTL-FLIGHT DECK AIR DISTR SYS SHOULDER AND OVHD OUTLETS CAB. FOR NHA SEE: 21-20-00-04	001027 201967	RF
- 1	214A1001-5		DUCT INSTL-FLIGHT DECK AIR DISTR SYS FOR NHA SEE: 21-20-00-04	028030	RF
5	BACS12GU3K9		.SCREW	001030 201967	1
7	BACS12FA3K7		.SCREW	001030 201967	12
10	BACS12GU3K10		.SCREW	001030 201967	6
15	NAS1149D0332J		.WASHER	001030 201967	7
20	S258DT20		.CLAMP SUPPLIER CODE: V18076 SPECIFICATION NUMBER: BACC10DW20D OPTIONAL PART: TA4C44D20T V84971 475-20 V83930 8084D20T V72285 475A20 V83930	001030 201967	1
25	S258DT24		.CLAMP SUPPLIER CODE: V18076 SPECIFICATION NUMBER: BACC10DW24D OPTIONAL PART: TA4C44D24T V84971 475-24 V83930 8084D24T V72285 475A24 V83930	001030 201967	1

MISSING ITEM NUMBERS NOT APPLICABLE

- ITEM NOT ILLUSTRATED

HAP

21-22-51-05

BOEING PROPRIETARY - Copyright © - Unpublished Work - See title page for details.

21-22-51
FIG. 05
PAGE 1
OCT 15/08

BOEING
737-600/700/800/900
PARTS CATALOG (MAINTENANCE)

FIG ITEM	PART NUMBER	1 2 3 4 5 6 7	NOMENCLATURE	EFFECT FROM TO	UNITS PER ASSY
5					
30	S258DT27	.	CLAMP SUPPLIER CODE: V18076 SPECIFICATION NUMBER: BACC10DW27D OPTIONAL PART: TA4C4JD27T V84971 475A27 V83930 8084D27T V72285 475-27 V83930	001030 201967	5
35	T05R0	.	STRAP SUPPLIER CODE: V53421 SPECIFICATION NUMBER: BACS38K1 OPTIONAL PART: PLT2SM V06383	001030 201967	5
40	T05R0	.	STRAP SUPPLIER CODE: V53421 SPECIFICATION NUMBER: BACS38K1 OPTIONAL PART: PLT2SM V06383	001027 201967	2
45	AS1591-05-0260A	.	HOSE	001027 201967	1
50	AS1591-06-0220A	.	HOSE	001027 201967	1
55	AS1591-06-0570A	.	HOSE	001030 201967	1
60	AS1591-06-0780A	.	HOSE	001030 201967	1
65	AS1591-06-0240A	.	HOSE	001030 201967	1
70	AS1591-06-0410A	.	HOSE	001030 201967	1
75	214T3436-1579	.	ORIFICE	001030 201967	1
80	214T3436-467	.	ORIFICE	001030 201967	1
85	214A1111-1	.	DUCT	001030 201967	1

MISSING ITEM NUMBERS NOT APPLICABLE

— ITEM NOT ILLUSTRATED

HAP

21-22-51-05

BOEING PROPRIETARY - Copyright © - Unpublished Work - See title page for details.

21-22-51
FIG. 05
PAGE 2
OCT 15/08

BOEING
737-600/700/800/900
PARTS CATALOG (MAINTENANCE)

FIG ITEM	PART NUMBER	1 2 3 4 5 6 7	NOMENCLATURE	EFFECT FROM TO	UNITS PER ASSY
5					
90	BACS12FA3K7	.	SCREW	001030 201967	12
95	69-47866-2	.	GASKET	001030 201967	2
100	69-41717-19	.	OUTLET ASSY	001030 201967	1
105	69-41717-20	.	OUTLET ASSY	001030 201967	1
110	69-41717-13	..	PLATE- USED ON: 69-41717-19	001030 201967	1
115	69-41717-14	..	PLATE- USED ON: 69-41717-20	001030 201967	1
120	69-41717-17	..	DIFFUSER SIDE	001030 201967	1
125	69-41717-18	..	INSULATION	001030 201967	1
130	69-41717-15	..	DIFFUSER- USED ON: 69-41717-19	001030 201967	1
135	69-41717-16	..	DIFFUSER- USED ON: 69-41717-20	001030 201967	1
- 500	214A1001-7		DUCT INSTL-FLIGHT DECK AIR DISTR SYS FOR NHA SEE: 21-20-00-04C	028030	RF
505	AS1591-05-0260A	.	HOSE	028030	1
510	AS1591-06-0220A	.	HOSE	028030	1
515	T05R0	.	STRAP SUPPLIER CODE: V53421 SPECIFICATION NUMBER: BACS38K1 OPTIONAL PART: PLT2SM V06383	028030	2

MISSING ITEM NUMBERS NOT APPLICABLE

- ITEM NOT ILLUSTRATED

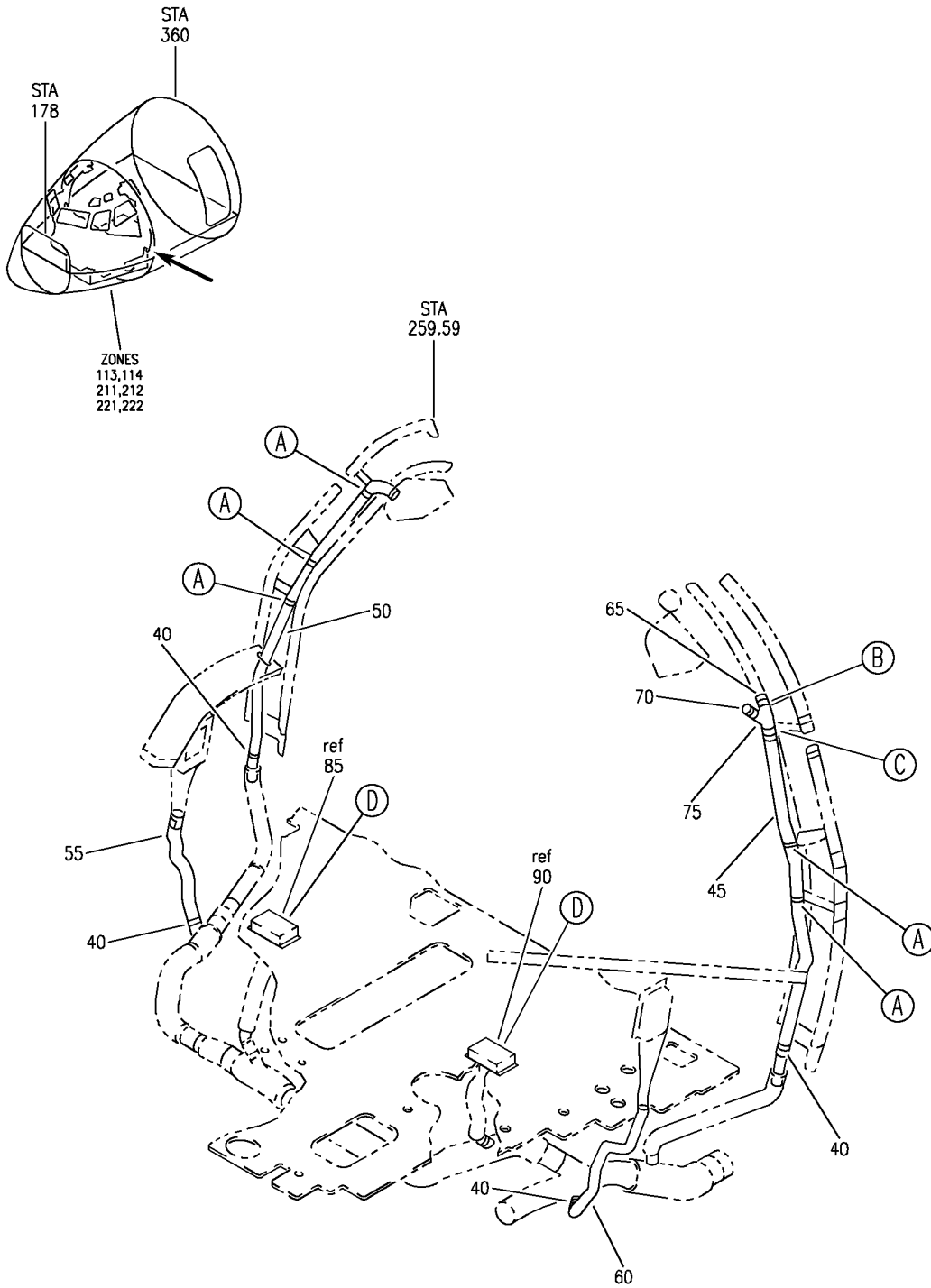
HAP

21-22-51-05

BOEING PROPRIETARY - Copyright © - Unpublished Work - See title page for details.

21-22-51
FIG. 05
PAGE 3
OCT 15/08

BOEING
 737-600/700/800/900
 PARTS CATALOG (MAINTENANCE)



E 21225105A SHT 1 REV 124

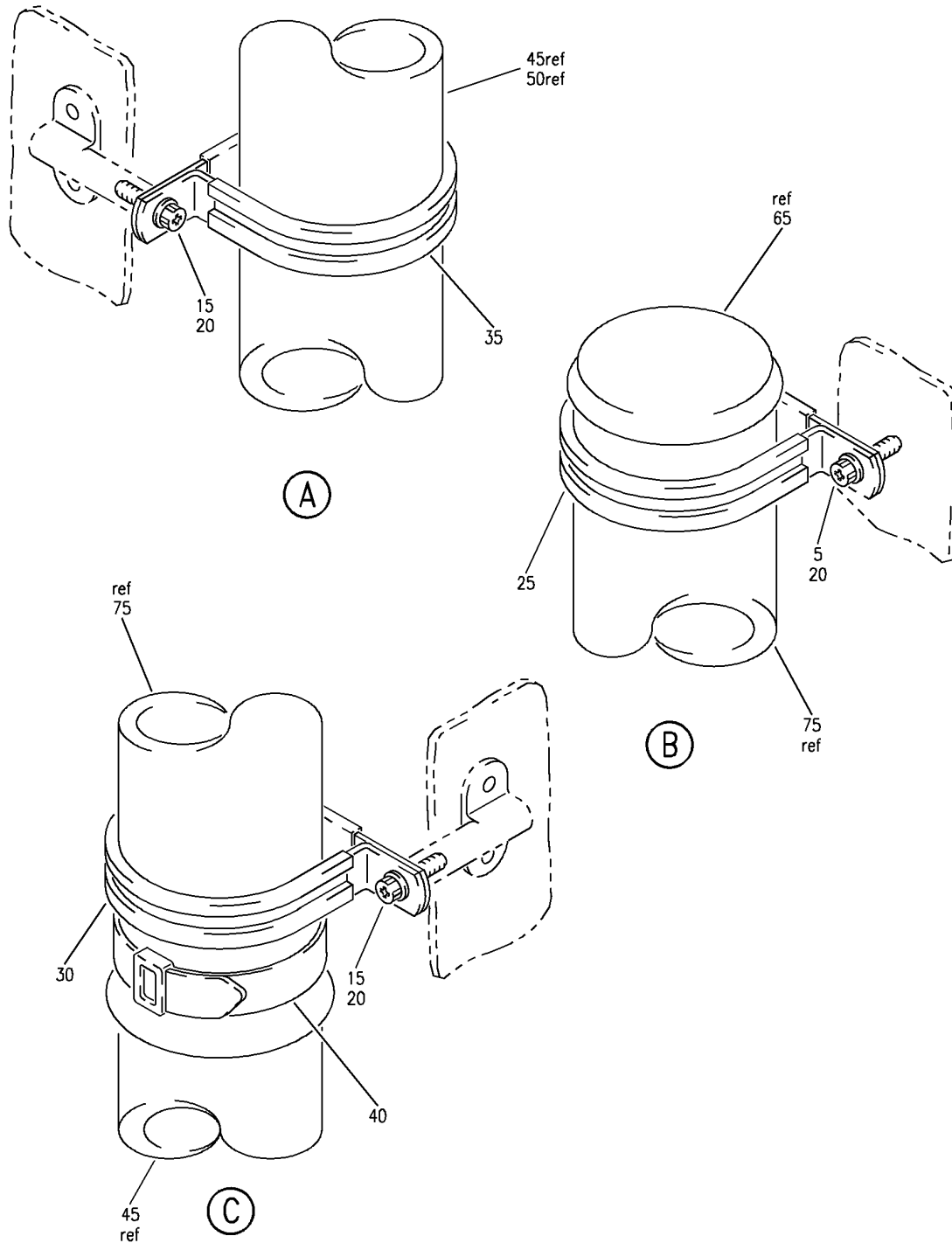
DUCT INSTL-FLIGHT DECK AIR DISTR SYS
 FIGURE 5A (SHEET 1)

21-22-51-05A

HAP
 FEB 10/07

21-22-51-05A
 PAGE 0

BOEING
 737-600/700/800/900
 PARTS CATALOG (MAINTENANCE)



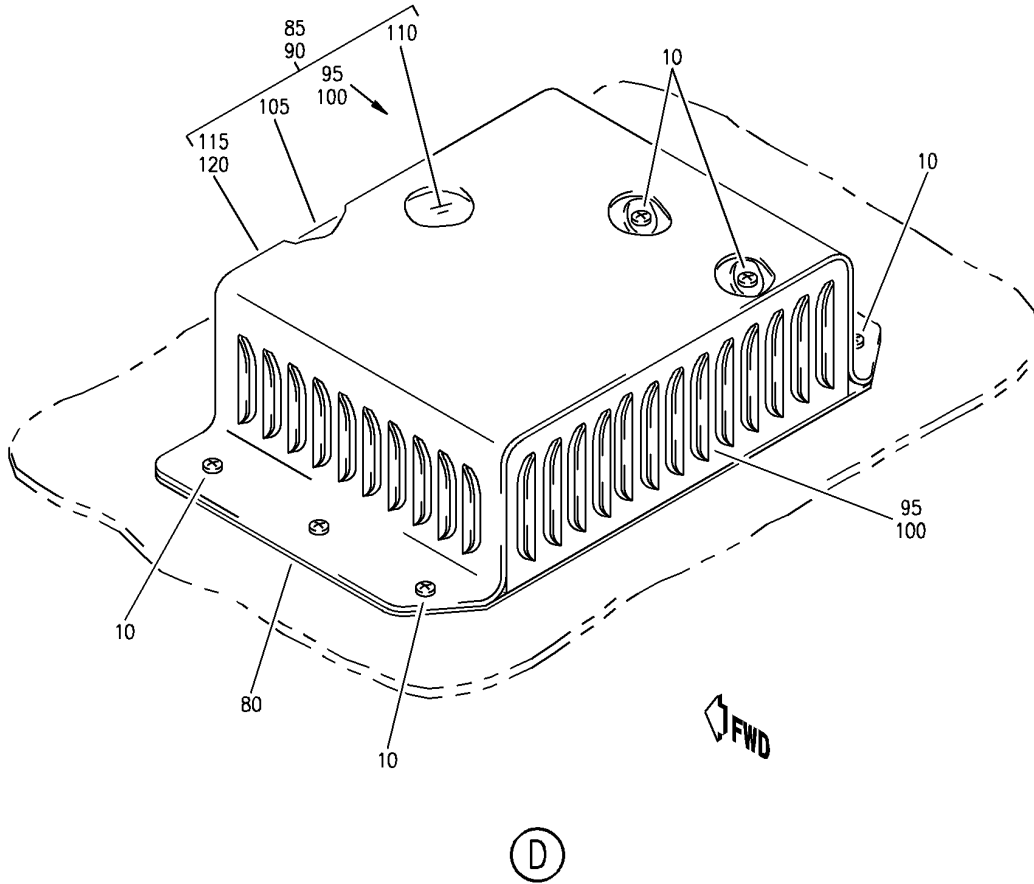
E 21225105A SHT 2 REV 124

DUCT INSTL-FLIGHT DECK AIR DISTR SYS
 FIGURE 5A (SHEET 2)

21-22-51-05A

HAP
 FEB 10/07

21-22-51-05A
 PAGE 0A



E 21225105A SHT 3 REV 124

DUCT INSTL-FLIGHT DECK AIR DISTR SYS
FIGURE 5A (SHEET 3)

HAP
FEB 10/07

21-22-51-05A

21-22-51-05A
PAGE 0B

BOEING
737-600/700/800/900
PARTS CATALOG (MAINTENANCE)

FIG ITEM	PART NUMBER	1 2 3 4 5 6 7	NOMENCLATURE	EFFECT FROM TO	UNITS PER ASSY
5A			DUCT INSTL-FLIGHT DECK AIR DISTR SYS	031200 968999	
- 1	MODREF258914		DUCT INSTL-FLIGHT DECK AIR DISTR SYS MODULE NUMBER: 214A1001-8 REV D	031200 968999	1
5	BACS12GU3K9		.SCREW	031200 968999	1
10	BACS12FA3K7		.SCREW	031200 968999	12
15	BACS12GU3K10		.SCREW	031200 968999	6
20	NAS1149D0332J		.WASHER	031200 968999	7
25	S258DT20		.CLAMP SUPPLIER CODE: V18076 SPECIFICATION NUMBER: BACC10DW20D OPTIONAL PART: TA4C44D20T V84971 475-20 V83930 8084D20T V72285 475A20 V83930	031200 968999	1
30	S258DT24		.CLAMP SUPPLIER CODE: V18076 SPECIFICATION NUMBER: BACC10DW24D OPTIONAL PART: TA4C44D24T V84971 475-24 V83930 8084D24T V72285 475A24 V83930	031200 968999	1

MISSING ITEM NUMBERS NOT APPLICABLE

- ITEM NOT ILLUSTRATED

HAP

21-22-51-05A

BOEING PROPRIETARY - Copyright © - Unpublished Work - See title page for details.

21-22-51
FIG. 05A
PAGE 1
OCT 15/08

BOEING
737-600/700/800/900
PARTS CATALOG (MAINTENANCE)

FIG ITEM	PART NUMBER	1 2 3 4 5 6 7	NOMENCLATURE	EFFECT FROM TO	UNITS PER ASSY
5A 35	S258DT30	.	CLAMP SUPPLIER CODE: V18076 SPECIFICATION NUMBER: BACC10DW30D OPTIONAL PART: TA4C44D30T V84971 475-30 V83930 8084D30T V72285 475A30 V83930	031200 968999	5
40	T05R0	.	STRAP SUPPLIER CODE: V53421 SPECIFICATION NUMBER: BACS38K1 OPTIONAL PART: PLT2SM V06383	031200 968999	5
45	BOE2022-06A0560	.	HOSE SUPPLIER CODE: V16632 SPECIFICATION NUMBER: AS1544-06A0560	031200 968999	1
50	BOE2022-06A0780	.	HOSE SUPPLIER CODE: V16632 SPECIFICATION NUMBER: AS1544-06A0780	031200 968999	1
55	AS1591-06-0240A	.	HOSE	031200 968999	1
60	AS1591-06-0410A	.	HOSE	031200 968999	1
65	214T3436-1579	.	ORIFICE	031200 968999	1
70	214T3436-467	.	ORIFICE	031200 968999	1
75	214A1111-1	.	DUCT	031200 968999	1
80	69-47866-2	.	GASKET	031200 968999	2
85	69-41717-19	.	OUTLET ASSY	031200 968999	1
90	69-41717-20	.	OUTLET ASSY	031200 968999	1

MISSING ITEM NUMBERS NOT APPLICABLE

— ITEM NOT ILLUSTRATED

HAP

21-22-51-05A

BOEING PROPRIETARY - Copyright © - Unpublished Work - See title page for details.

21-22-51
FIG. 05A
PAGE 2
OCT 15/08


BOEING
 737-600/700/800/900
PARTS CATALOG (MAINTENANCE)

FIG ITEM	PART NUMBER	1 2 3 4 5 6 7	NOMENCLATURE	EFFECT FROM TO	UNITS PER ASSY
5A					
95	69-41717-13	..	PLATE- USED ON: 69-41717-19	031200 968999	1
100	69-41717-14	..	PLATE- USED ON: 69-41717-20	031200 968999	1
105	69-41717-17	..	DIFFUSER SIDE	031200 968999	1
110	69-41717-18	..	INSULATION	031200 968999	1
115	69-41717-15	..	DIFFUSER- USED ON: 69-41717-19	031200 968999	1
120	69-41717-16	..	DIFFUSER- USED ON: 69-41717-20	031200 968999	1

MISSING ITEM NUMBERS NOT APPLICABLE

— ITEM NOT ILLUSTRATED

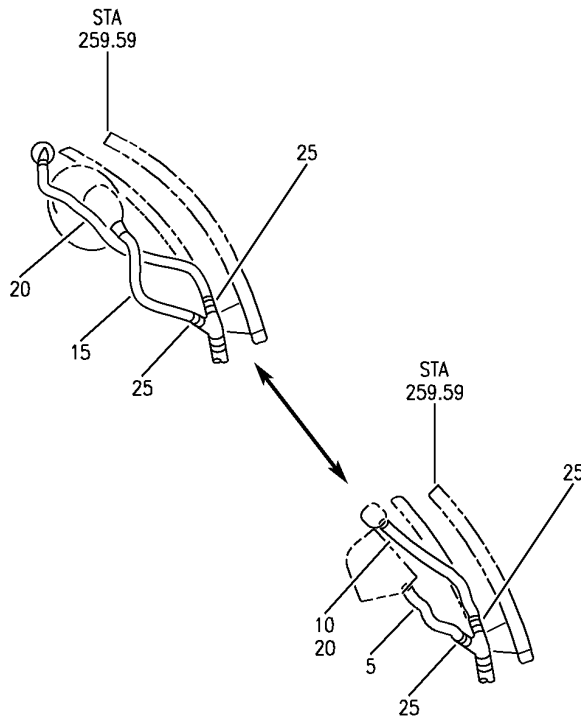
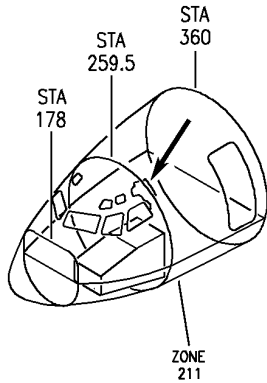
HAP

21-22-51-05A

BOEING PROPRIETARY - Copyright © - Unpublished Work - See title page for details.

21-22-51
 FIG. 05A
 PAGE 3
 OCT 15/08

BOEING
737-600/700/800/900
PARTS CATALOG (MAINTENANCE)



E 21225105B REV 124

DUCT INSTL-FLIGHT DECK AIR DISTR SYS
FIGURE 5B

HAP
FEB 10/07

21-22-51-05B

21-22-51-05B
PAGE 0

 **BOEING**
737-600/700/800/900
PARTS CATALOG (MAINTENANCE)

FIG ITEM	PART NUMBER	1 2 3 4 5 6 7	NOMENCLATURE	EFFECT FROM TO	UNITS PER ASSY
5B			DUCT INSTL-FLIGHT DECK AIR DISTR SYS	031200 968999	
- 1	MODREF254580		DUCT INSTL-FLIGHT DECK AIR DISTR SYS MODULE NUMBER: 214A1001-7 REV C	031200 968999	1
15	AS1544-06A0190		.HOSE	031200 968999	1
20	BOE2022-05A0260		.HOSE SUPPLIER CODE: V16632 SPECIFICATION NUMBER: AS1544-05A0260	031200 968999	1
25	T05R0		.STRAP SUPPLIER CODE: V53421 SPECIFICATION NUMBER: BACS38K1 OPTIONAL PART: PLT2SM V06383	031200 968999	2

MISSING ITEM NUMBERS NOT APPLICABLE

- ITEM NOT ILLUSTRATED

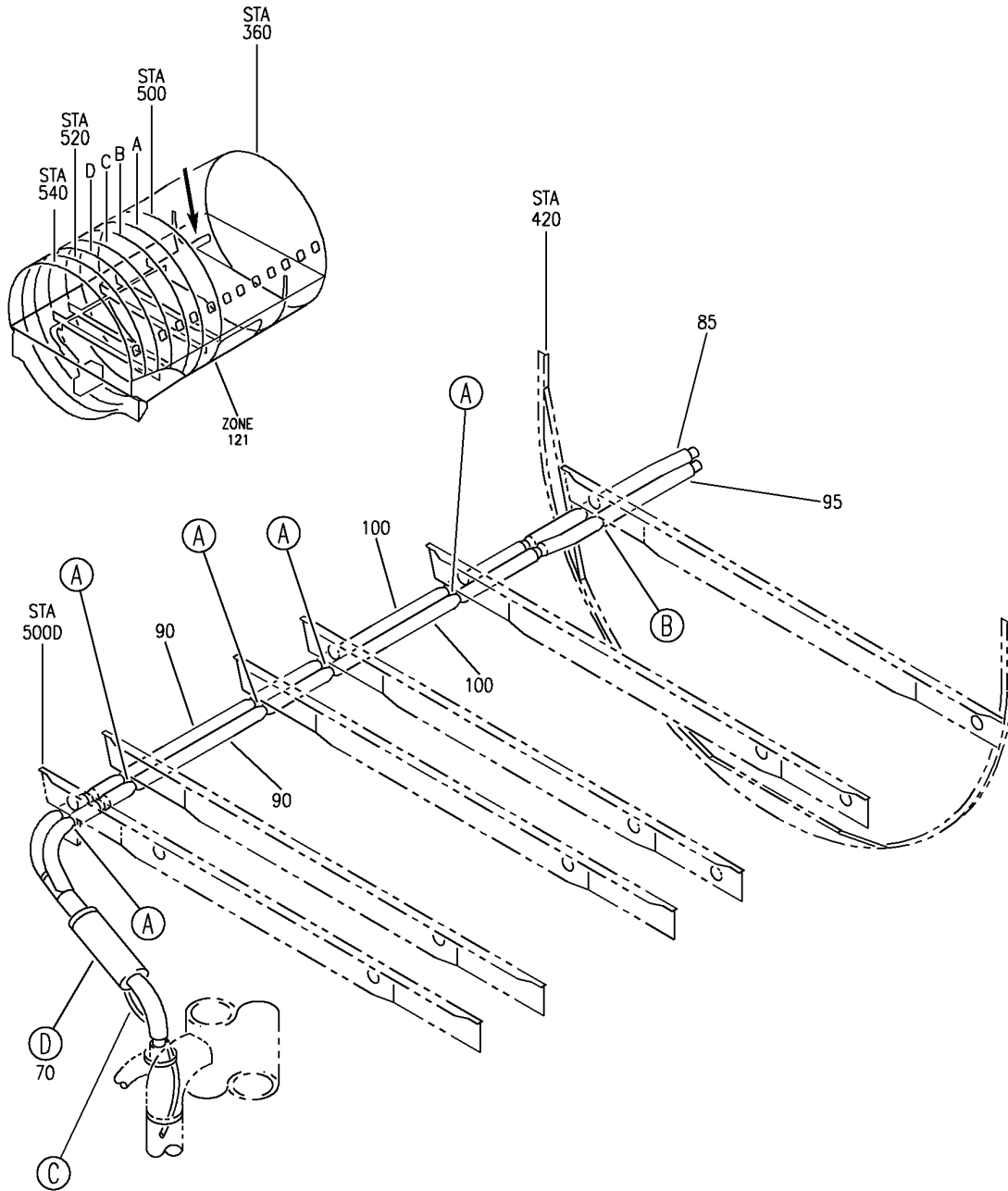
HAP

21-22-51-05B

BOEING PROPRIETARY - Copyright © - Unpublished Work - See title page for details.

21-22-51
FIG. 05B
PAGE 1
OCT 15/08

BOEING
737-600/700/800/900
PARTS CATALOG (MAINTENANCE)



E 21225106 SHT 1 REV 108

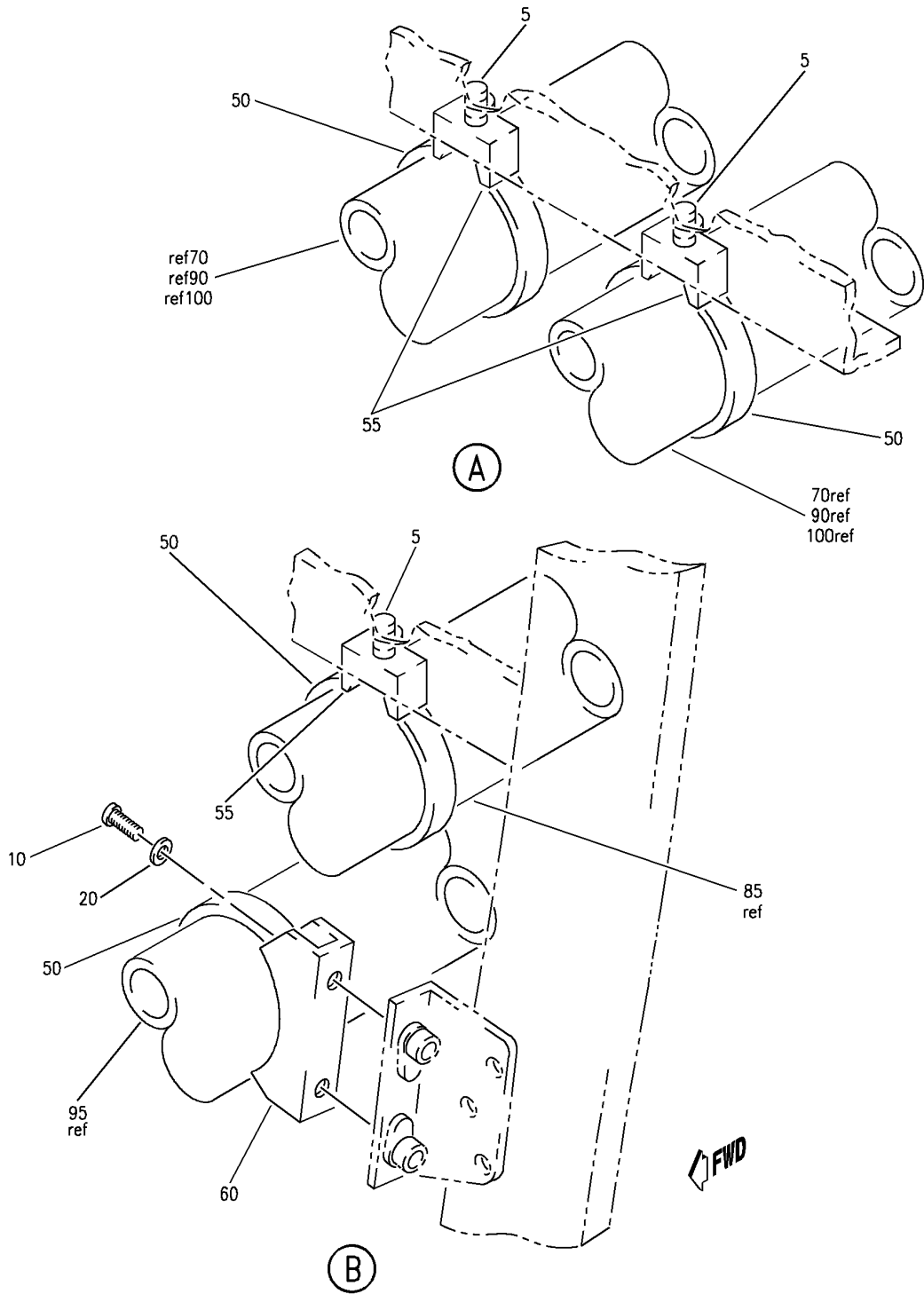
DUCT INSTL-FLIGHT DECK AIR DISTR SYS
FIGURE 6 (SHEET 1)

21-22-51-06

HAP
OCT 15/08

21-22-51-06
PAGE 0

BOEING
 737-600/700/800/900
 PARTS CATALOG (MAINTENANCE)



E 21225106 SHT 2 REV 108

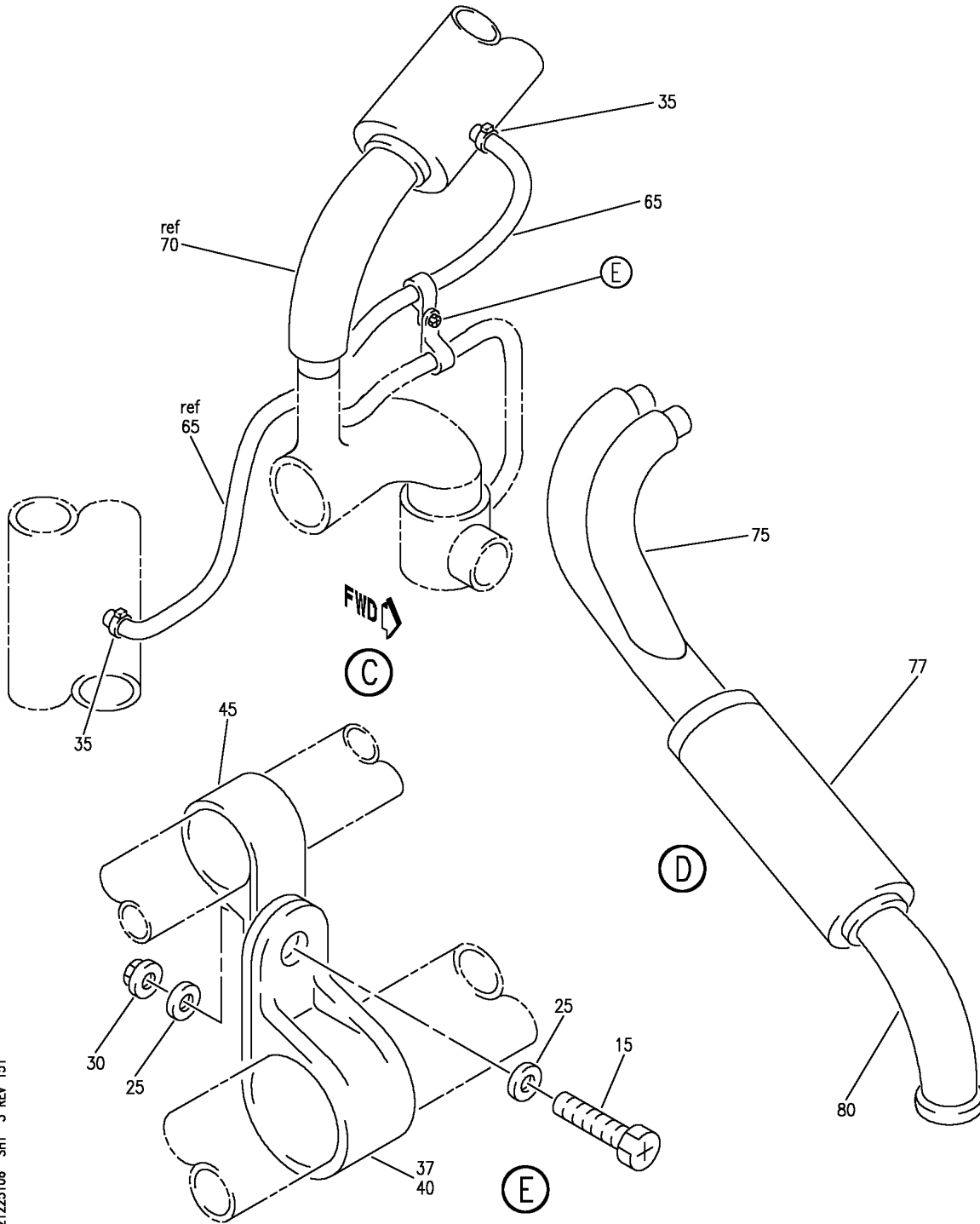
DUCT INSTL-FLIGHT DECK AIR DISTR SYS
 FIGURE 6 (SHEET 2)

21-22-51-06

HAP
 OCT 15/08

21-22-51-06
 PAGE 0A

BOEING
 737-600/700/800/900
 PARTS CATALOG (MAINTENANCE)



E 21225106 SHT 3 REV 151

DUCT INSTL-FLIGHT DECK AIR DISTR SYS
 FIGURE 6 (SHEET 3)

21-22-51-06

HAP
 FEB 15/09

21-22-51-06
 PAGE 0B

BOEING
737-600/700/800/900
PARTS CATALOG (MAINTENANCE)

FIG ITEM	PART NUMBER	1 2 3 4 5 6 7	NOMENCLATURE	EFFECT FROM TO	UNITS PER ASSY
6			DUCT INSTL-FLIGHT DECK AIR DISTR SYS	201967	
- 1	214A1003-1		DUCT INSTL-FLIGHT DECK AIR DISTR SYS FOR NHA SEE: 21-20-00-04B	201967	RF
5	BACS12GU3K9		.SCREW	201967	11
10	BACS12GU3K7		.SCREW	201967	2
15	BACS12GU3K12		.SCREW	201967	1
20	NAS1149D0332J		.WASHER	201967	2
25	NAS1149D0316J		.WASHER	201967	2
30	PLH53CD		.NUT	201967	1
			SUPPLIER CODE: VF0224		
			SPECIFICATION NUMBER: BACN10YR3CD		
			OPTIONAL PART: H52732-3CD V15653		
35	NAS1922-0075-3		.CLAMP	201967	2
37	BACC10DK17		.CLAMP	201967	1
45	BACC10DK10		.CLAMP	201967	1
50	PLT3SM		.STRAP	201967	12
			SUPPLIER CODE: V06383		
			SPECIFICATION NUMBER: BACS38K7		
			OPTIONAL PART: T0510 V53421		
55	STBP19M12		.PLATE-	201967	11
			SUPPLIER CODE: V1B249		
60	214T3424-3		.SUPPORT	201967	1
65	214A1003-100		.HOSE-DRAIN	201967	1
70	214A1103-1		.DUCT ASSY-	201967	1
			PRE SERVICE LETTER: 21-067		
70	214A1103-10		.DUCT ASSY-	201967	1
			POST SERVICE LETTER: 21-067		
70	214A1103-14		.DUCT ASSY-	201967	1
70	214A1103-17		.DUCT ASSY-	201967	1
75	214A1403-1		..Y DUCT	201967	1
77	65C25629-85		..MUFFLER ASSY-	201967	1
77	65C25629-94		..MUFFLER ASSY-	201967	1
80	214A1402-1		..DUCT ASSY	201967	1
85	214A1101-1		.DUCT ASSY	201967	1
90	214A1102-4		.DUCT ASSY	201967	2

MISSING ITEM NUMBERS NOT APPLICABLE

- ITEM NOT ILLUSTRATED

HAP

21-22-51-06

21-22-51
FIG. 06
PAGE 1
FEB 15/09


BOEING
 737-600/700/800/900
PARTS CATALOG (MAINTENANCE)

FIG ITEM	PART NUMBER	1 2 3 4 5 6 7	NOMENCLATURE	EFFECT FROM TO	UNITS PER ASSY
6					
95	214A1101-4	.	DUCT ASSY	201967	1
100	214A1102-1	.	DUCT ASSY	201967	2
MISSING ITEM NUMBERS NOT APPLICABLE					

— ITEM NOT ILLUSTRATED

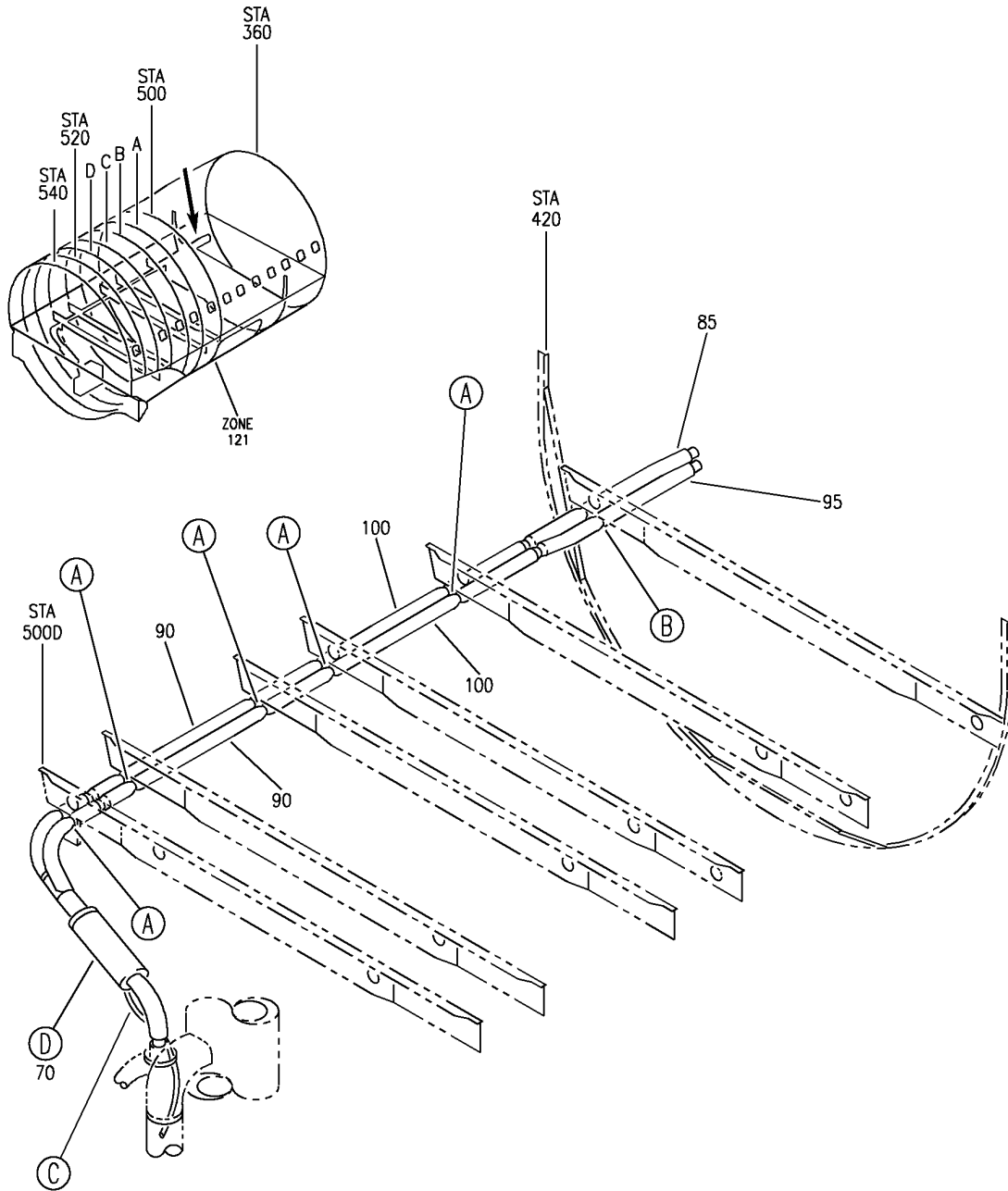
HAP

21-22-51-06

BOEING PROPRIETARY - Copyright © - Unpublished Work - See title page for details.

21-22-51
 FIG. 06
 PAGE 2
 FEB 15/09

BOEING
 737-600/700/800/900
 PARTS CATALOG (MAINTENANCE)



E 21225106A SHT 1 REV 124

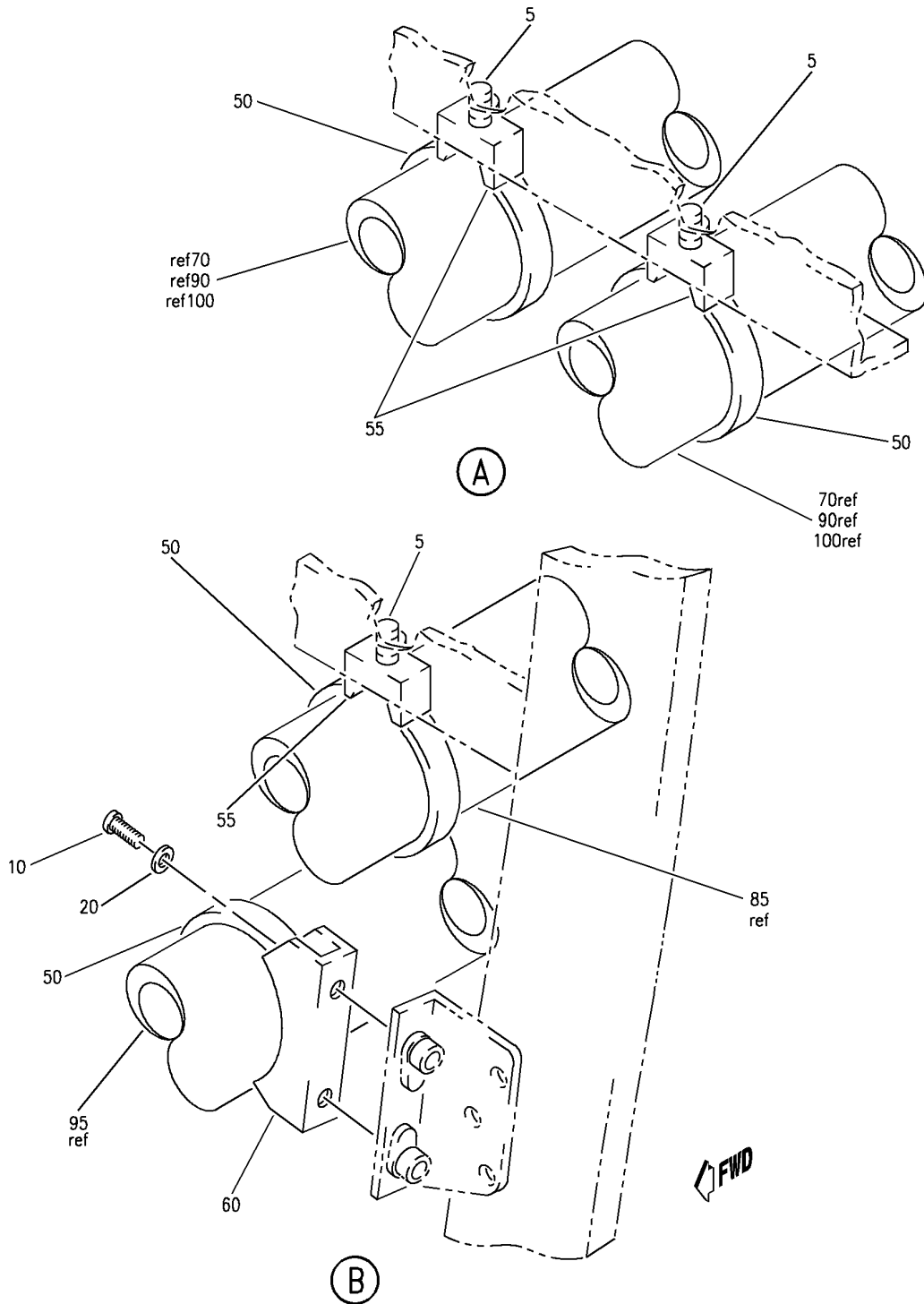
DUCT INSTL-FLIGHT DECK AIR DISTR SYS
 FIGURE 6A (SHEET 1)

21-22-51-06A

HAP
 FEB 10/07

21-22-51-06A
 PAGE 0

BOEING
 737-600/700/800/900
 PARTS CATALOG (MAINTENANCE)



E 21225106A SHT 2 REV 124

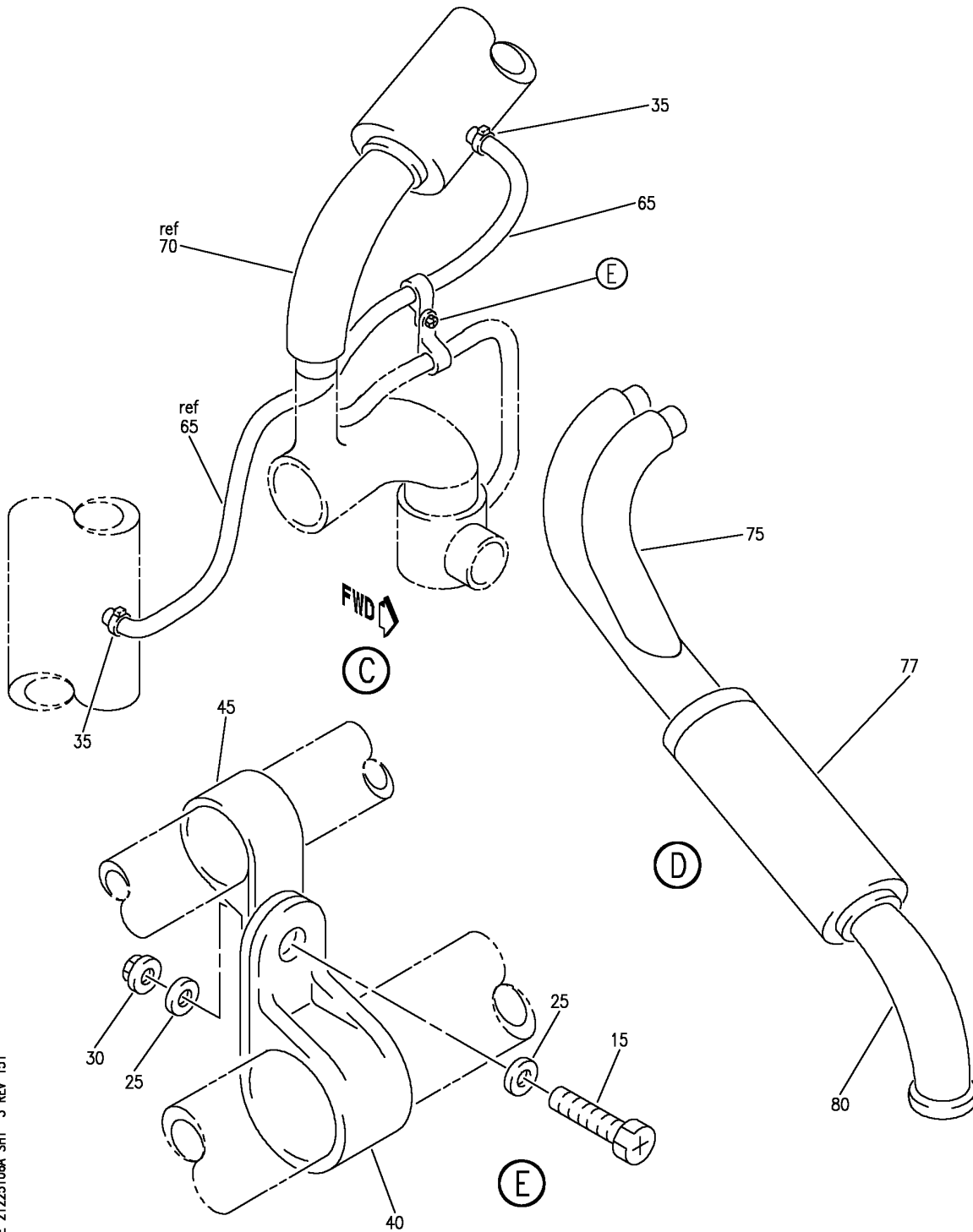
DUCT INSTL-FLIGHT DECK AIR DISTR SYS
 FIGURE 6A (SHEET 2)

21-22-51-06A

HAP
 FEB 10/07

21-22-51-06A
 PAGE 0A

BOEING
 737-600/700/800/900
 PARTS CATALOG (MAINTENANCE)



E 21225106A SHT 3 REV 151

DUCT INSTL-FLIGHT DECK AIR DISTR SYS
 FIGURE 6A (SHEET 3)

21-22-51-06A

HAP
 FEB 15/09

21-22-51-06A
 PAGE 0B

BOEING
737-600/700/800/900
PARTS CATALOG (MAINTENANCE)

FIG ITEM	PART NUMBER	1 2 3 4 5 6 7	NOMENCLATURE	EFFECT FROM TO	UNITS PER ASSY
6A			DUCT INSTL-FLIGHT DECK AIR DISTR SYS	101200 968999	
- 1	MODREF261340		DUCT INSTL-FLIGHT DECK AIR DISTR SYS	101105 968999	1
- 1	MODREF362503		MODULE NUMBER: 214A1003-6 REV E DUCT INSTL-FLIGHT DECK AIR DISTR SYS	106200	1
5	BACS12GU3K9		.SCREW	101200 968999	11
10	BACS12GU3K7		.SCREW	101200 968999	2
15	BACS12GU3K12		.SCREW	101200 968999	1
20	NAS1149D0332J		.WASHER	101200 968999	2
25	NAS1149D0316J		.WASHER	101200 968999	2
30	PLH53CD		.NUT SUPPLIER CODE: VF0224 SPECIFICATION NUMBER: BACN10YR3CD OPTIONAL PART: H52732-3CD V15653	101200 968999	1
35	NAS1922-0075-3		.CLAMP	101200 968999	2
40	BACC10DK18		.CLAMP	101200 968999	1
45	BACC10DK10		.CLAMP	101200 968999	1
50	PLT3SM		.STRAP SUPPLIER CODE: V06383 SPECIFICATION NUMBER: BACS38K7 OPTIONAL PART: T0510 V53421	101200 968999	12
55	STBP19M12		.PLATE- SUPPLIER CODE: V1B249	101200 968999	11
60	214T3424-3		.SUPPORT	101200 968999	1
65	214A1003-100		.HOSE-DRAIN	101200 968999	1

MISSING ITEM NUMBERS NOT APPLICABLE

- ITEM NOT ILLUSTRATED

HAP

21-22-51-06A

BOEING PROPRIETARY - Copyright © - Unpublished Work - See title page for details.

21-22-51
FIG. 06A
PAGE 1
FEB 15/09

BOEING
737-600/700/800/900
PARTS CATALOG (MAINTENANCE)

FIG ITEM	PART NUMBER	1 2 3 4 5 6 7	NOMENCLATURE	EFFECT FROM TO	UNITS PER ASSY
6A					
70	214A1103-14	.	DUCT ASSY-	101105 968999	1
70	214A1103-17	.	DUCT ASSY-	101200 968999	1
75	214A1403-1	..	Y DUCT	101200 968999	1
77	65C25629-94	..	MUFFLER ASSY-	101200 968999	1
80	214A1402-1	..	DUCT ASSY	101200 968999	1
85	214A1101-11	.	DUCT ASSY	101105 968999	1
85	214A1101-14	.	DUCT ASSY	106200	1
90	214A1102-9	.	DUCT ASSY	101105 968999	2
90	214A1102-12	.	DUCT ASSY	106200	2
95	214A1101-12	.	DUCT ASSY	101105 968999	1
95	214A1101-15	.	DUCT ASSY	106200	1
100	214A1102-8	.	DUCT ASSY	101105 968999	2
100	214A1102-11	.	DUCT ASSY	106200	2

MISSING ITEM NUMBERS NOT APPLICABLE

- ITEM NOT ILLUSTRATED

HAP

21-22-51-06A

BOEING PROPRIETARY - Copyright © - Unpublished Work - See title page for details.

21-22-51
FIG. 06A
PAGE 2
FEB 15/09