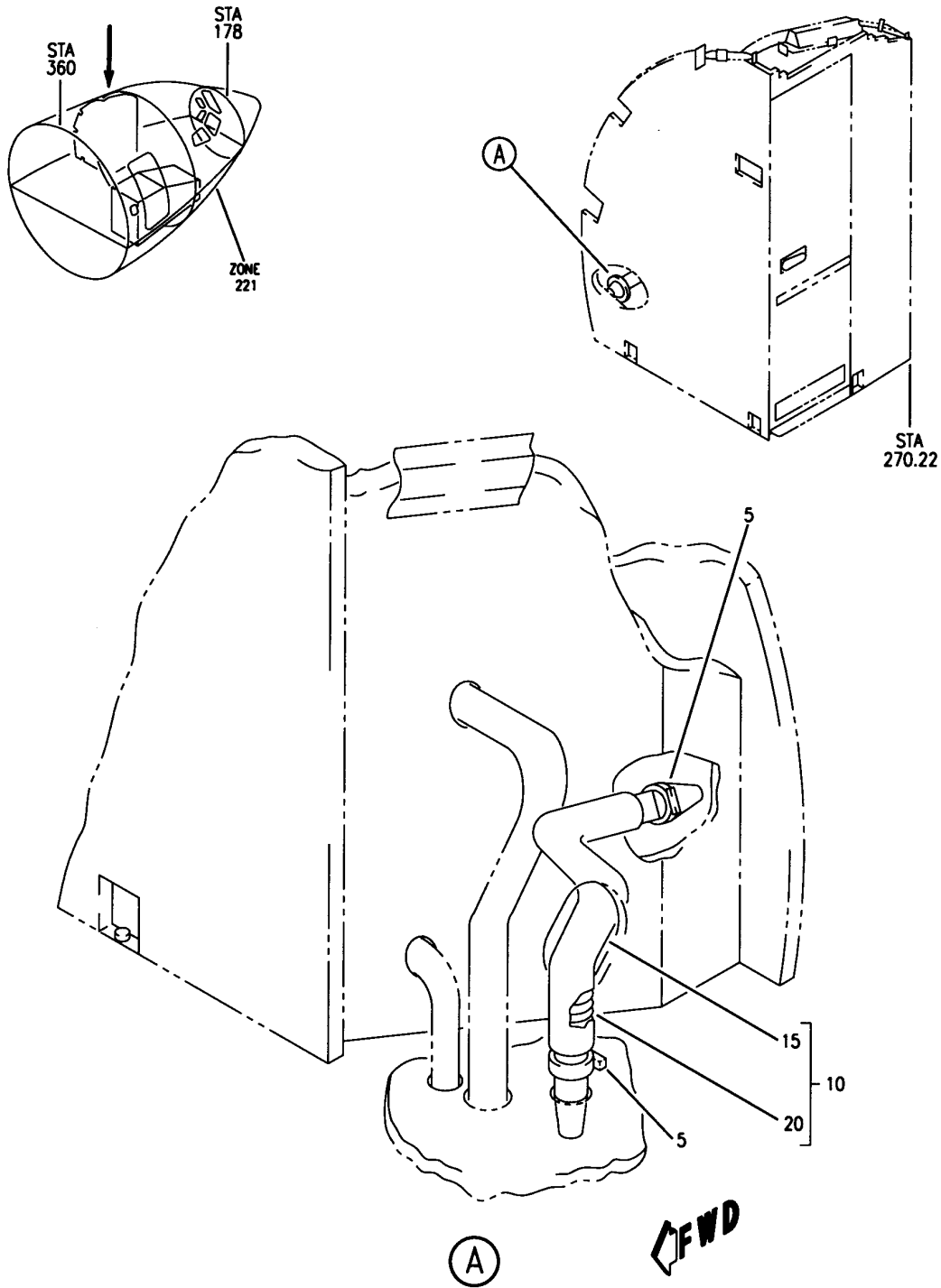


PASSENGER CABIN CONDITIONED AIR DISTRIBUTION

HAP
OCT 10/06

21-23-00
SECTION TITLE
PAGE 1

BOEING
 737-600/700/800/900
 PARTS CATALOG (MAINTENANCE)



E 21230013 REV 003

HARDWARE INSTL-LAV A (AIR CONDITIONING ONLY)
 FIGURE 13

21-23-00-13

HAP
 OCT 10/06

21-23-00-13
 PAGE 0

BOEING
737-600/700/800/900
PARTS CATALOG (MAINTENANCE)

FIG ITEM	PART NUMBER	1 2 3 4 5 6 7	NOMENCLATURE	EFFECT FROM TO	UNITS PER ASSY
13			HARDWARE INSTL-LAV A (AIR CONDITIONING ONLY)		
- 1	417A1140-43		HARDWARE INSTL-LAV A (AIR CONDITIONING ONLY) FOR NHA/OTHER SYS DET SEE: 25-40-00-01B	030030	RF
- 1	417A1140-1		HARDWARE INSTL-LAV A (AIR CONDITIONING ONLY) FOR NHA/OTHER SYS DET SEE: 25-40-00-01B	001001 006007	RF
- 1	417A1140-27		HARDWARE INSTL-LAV A (AIR CONDITIONING ONLY) FOR NHA/OTHER SYS DET SEE: 25-40-00-02 25-40-00-01B	008015 201967	RF
- 1	417A1140-41		HARDWARE INSTL-LAV A (AIR CONDITIONING ONLY) FOR NHA/OTHER SYS DET SEE: 25-40-00-01B	016029	RF
- 2	MODREF233914		HARDWARE INSTL-LAV A (AIR CONDITIONING ONLY) MODULE NUMBER: 417A1158-1 REV D FOR OTHER SYS DETAILS SEE: 25-40-00-22 38-31-00-01	031043 101101 968971	1
- 2	417A1140-16		HARDWARE INSTL-LAV A (AIR CONDITIONING ONLY) FOR NHA/OTHER SYS DET SEE: 25-40-00-01B	002005	RF
- 2	MODREF347416		HARDWARE INSTL-LAV A (AIR CONDITIONING ONLY) MODULE NUMBER: 417A1158-1 REV E FOR OTHER SYS DETAILS SEE: 25-40-00-22 38-31-00-01	044046 054100 102105 972999	1
- 2	MODREF359409		HARDWARE INSTL-LAV A (AIR CONDITIONING ONLY) MODULE NUMBER: 417A1158-1 REV G FOR OTHER SYS DETAILS SEE: 25-40-00-22 38-31-00-01	047053 106200	1
5	BACC10JB046C060		.CLAMP- OPTIONAL PART: NAS1922-0175-3	001030 201967	2

MISSING ITEM NUMBERS NOT APPLICABLE

- ITEM NOT ILLUSTRATED

HAP

21-23-00-13

21-23-00
FIG. 13
PAGE 1
FEB 15/09

BOEING
737-600/700/800/900
PARTS CATALOG (MAINTENANCE)

FIG ITEM	PART NUMBER	1 2 3 4 5 6 7	NOMENCLATURE	EFFECT FROM TO	UNITS PER ASSY
13					
5	NAS1922-0175-3	.CLAMP-		030200	2
		OPTIONAL PART:		968999	
		BACC10JB046C060			
10	214A8405-9	.HOSE ASSY-		001030	1
				201967	
10	214A8405-17	.HOSE ASSY-		031046	1
				054105	
				968999	
10	214A8405-40	.HOSE ASSY		047053	1
				106200	
15	214A8405-100	..INSULATION		001046	1
				054105	
				201999	
15	210N0013-10	..INSULATION		047053	1
				106200	
20	AS4804-06-0250A	..HOSE-FLEX			1

MISSING ITEM NUMBERS NOT APPLICABLE

— ITEM NOT ILLUSTRATED

HAP

21-23-00-13

BOEING PROPRIETARY - Copyright © - Unpublished Work - See title page for details.

21-23-00
FIG. 13
PAGE 2
FEB 15/09

NON-ILLUSTRATED FIGURE

THE ITEMS REFLECTED IN THIS FIGURE ARE INTENTIONALLY
NON-ILLUSTRATED. THEY ARE REFERENCED TO EITHER A
NEXT HIGHER OR NEXT LOWER ASSEMBLY/INSTALLATION FIGURE.

E 21230015A REV 052

FUNCTIONAL COLLECTOR CUSTOMER UNIQUE (PASSENGER CABIN CONDITIONED AIR DISTRIBUTION ONLY)
FIGURE 15A

HAP
OCT 15/08

21-23-00-15A

21-23-00-15A
PAGE 0

BOEING
737-600/700/800/900
PARTS CATALOG (MAINTENANCE)

FIG ITEM	PART NUMBER	1 2 3 4 5 6 7	NOMENCLATURE	EFFECT FROM TO	UNITS PER ASSY
15A			FUNCTIONAL COLLECTOR CUSTOMER UNIQUE (PASSENGER CABIN CONDITIONED AIR DISTRIBUTION ONLY)	201967	
- 2	400A9101-2610		FUNCTIONAL COLLECTOR- CUSTOMER UNIQUE FOR NHA SEE: 21-00-00-42	201967	RF
- 50	411A1110-2005SP		.GRILLE INSTL-PASS. CAB. AIR RETURN POSITION DATA: LH FOR DETAILS SEE: 25-21-47-18	201967	1
- 55	411A1110-2028SP		.GRILLE INSTL-PASS. CAB. AIR RETURN POSITION DATA: RH FOR DETAILS SEE: 25-21-47-37C	201967	1

MISSING ITEM NUMBERS NOT APPLICABLE

- ITEM NOT ILLUSTRATED

HAP

21-23-00-15A

BOEING PROPRIETARY - Copyright © - Unpublished Work - See title page for details.

21-23-00
FIG. 15A
PAGE 1
OCT 15/08

NON-ILLUSTRATED FIGURE

THE ITEMS REFLECTED IN THIS FIGURE ARE INTENTIONALLY
NON-ILLUSTRATED. THEY ARE REFERENCED TO EITHER A
NEXT HIGHER OR NEXT LOWER ASSEMBLY/INSTALLATION FIGURE.

E 21230015B REV 052

FUNCTIONAL COLLECTOR CUSTOMER UNIQUE (PASSENGER CABIN CONDITIONED AIR DISTRIBUTION ONLY)
FIGURE 15B

HAP
OCT 10/06

21-23-00-15B

21-23-00-15B
PAGE 0

BOEING
737-600/700/800/900
PARTS CATALOG (MAINTENANCE)

FIG ITEM	PART NUMBER	1 2 3 4 5 6 7	NOMENCLATURE	EFFECT FROM TO	UNITS PER ASSY
15B			FUNCTIONAL COLLECTOR CUSTOMER UNIQUE (PASSENGER CABIN CONDITIONED AIR DISTRIBUTION ONLY)	001030	
- 1	400A9101-3001		FUNCTIONAL COLLECTOR- CUSTOMER UNIQUE FOR NHA SEE: 21-00-00-43	001017 019019	RF
- 5	400A0028-3001		FUNCTIONAL COLLECTOR- CUSTOMER UNIQUE FOR NHA SEE: 21-00-00-43	018018 020030	RF
- 50	411A1110-3001SP		.GRILLE INSTL-PASS. CAB. AIR RETURN POSITION DATA: LH FOR DETAILS SEE: 25-21-47-22B	001014	1
- 51	411A1110-3091C		.GRILLE INSTL-PASS. CAB. AIR RETURN POSITION DATA: LH FOR DETAILS SEE: 25-21-47-22C	015030	1
- 200	411A1110-3002SP		.GRILLE INSTL-PASS. CAB. AIR RETURN POSITION DATA: RH FOR DETAILS SEE: 25-21-47-22D	001014	1
- 201	411A1110-3092C		.GRILLE INSTL-PASS. CAB. AIR RETURN POSITION DATA: RH FOR DETAILS SEE: 25-21-47-22E	015030	1

MISSING ITEM NUMBERS NOT APPLICABLE

- ITEM NOT ILLUSTRATED

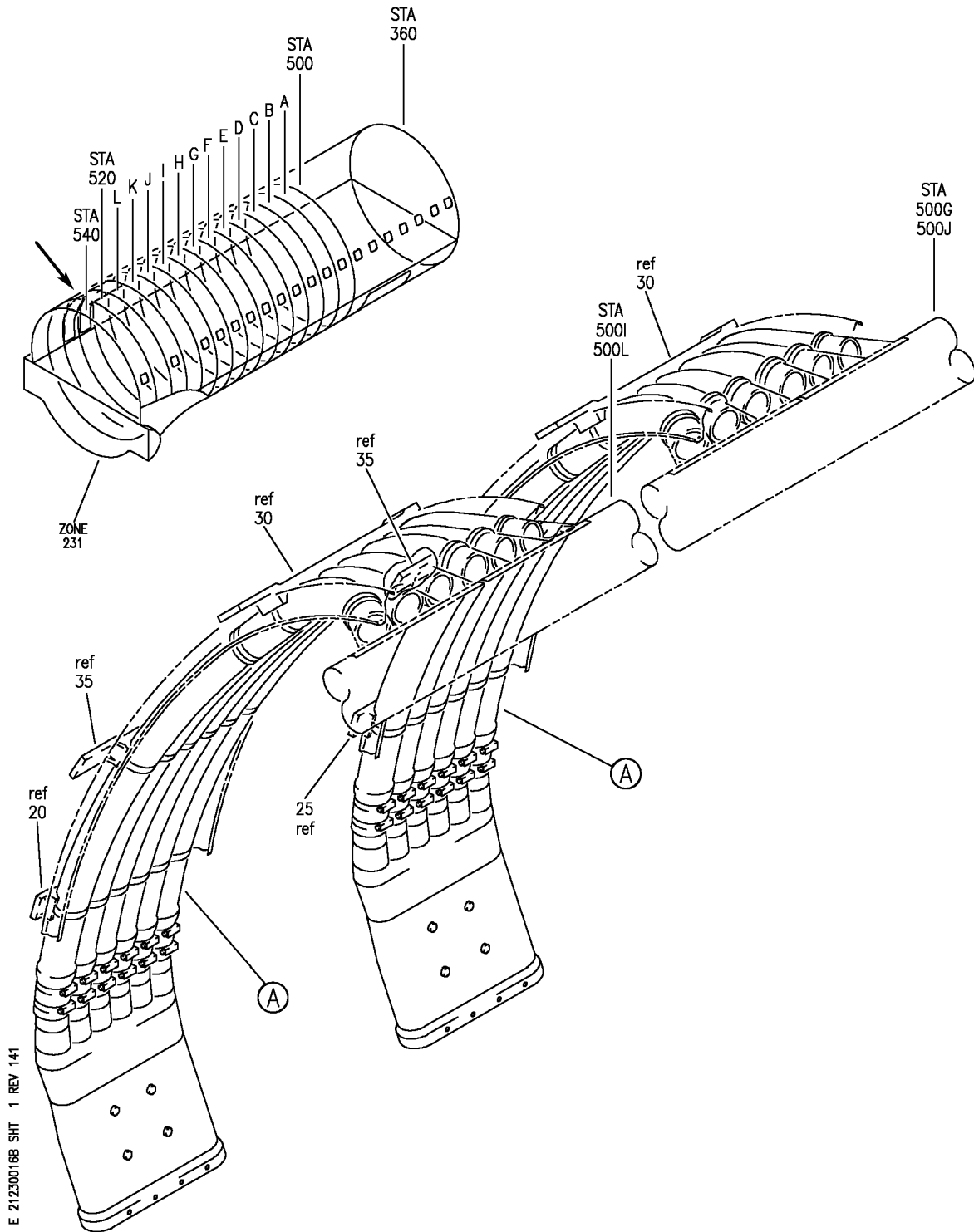
HAP

21-23-00-15B

BOEING PROPRIETARY - Copyright © - Unpublished Work - See title page for details.

21-23-00
FIG. 15B
PAGE 1
OCT 10/06

BOEING
 737-600/700/800/900
 PARTS CATALOG (MAINTENANCE)

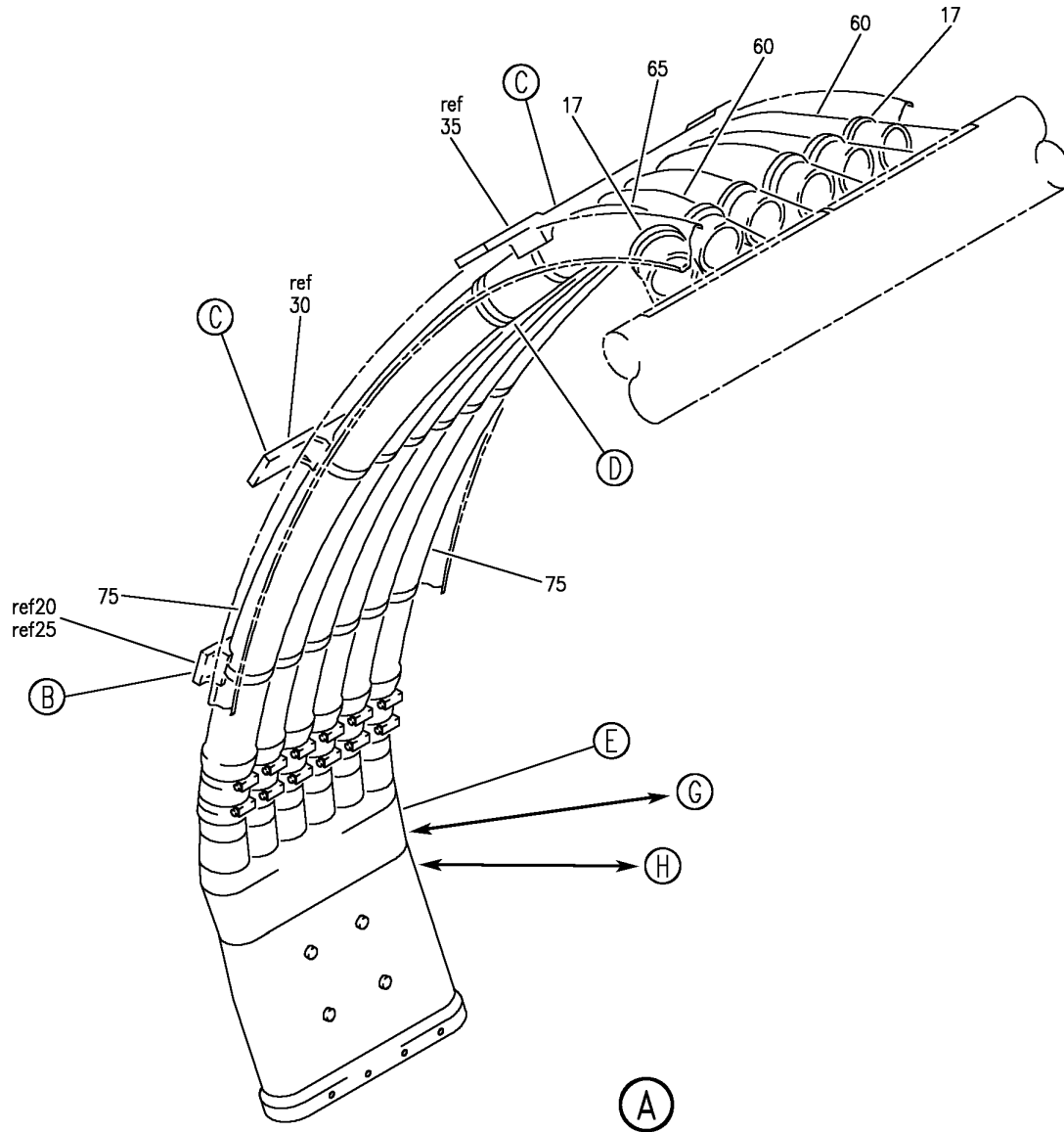


DUCT INSTL-SIDEWALL RISER AIR DISTR SYS SECT. 43
 FIGURE 16B (SHEET 1)

21-23-00-16B

HAP
 JUN 15/08

21-23-00-16B
 PAGE 0



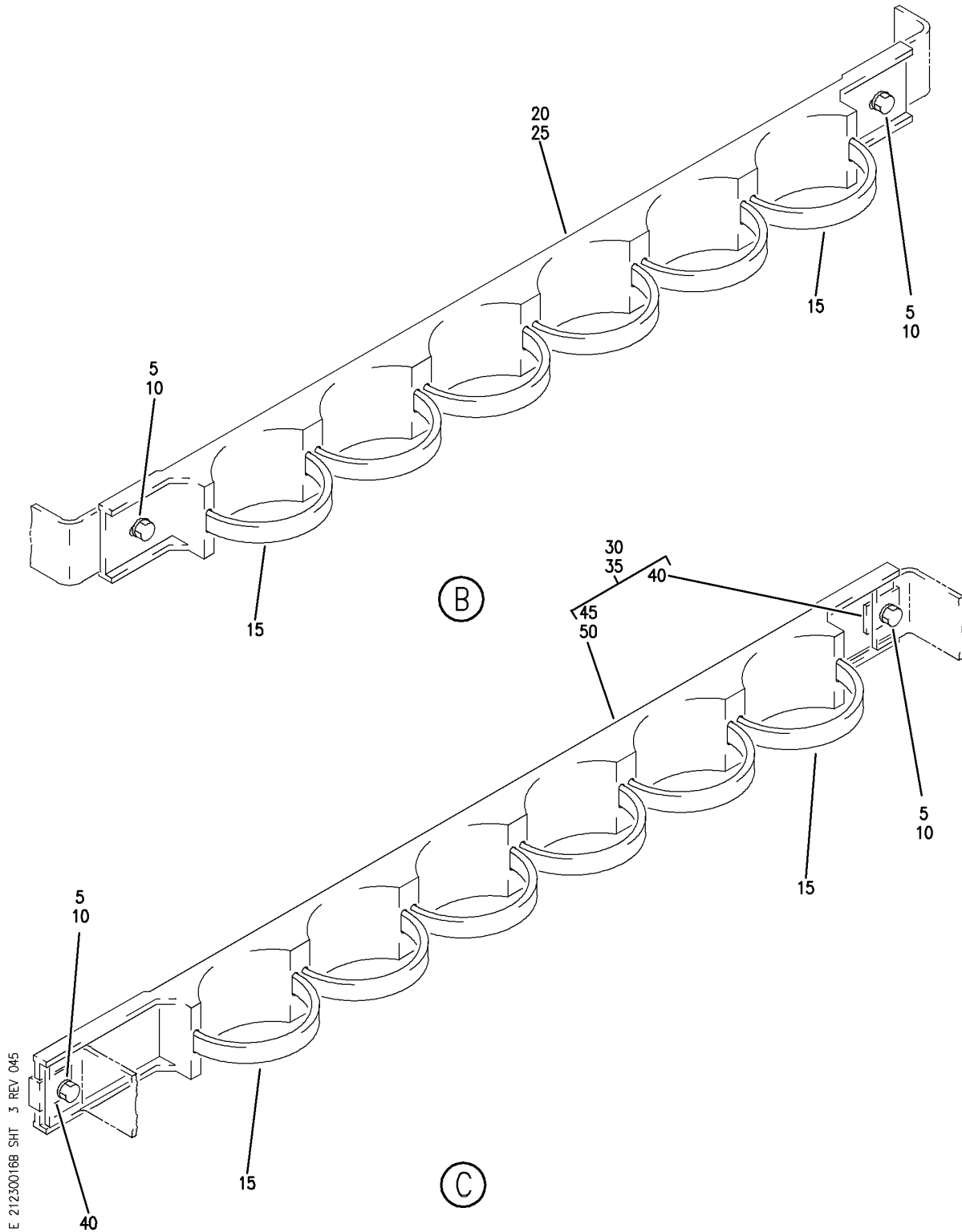
E 21230016B SHT 2 REV 141

DUCT INSTL-SIDEWALL RISER AIR DISTR SYS SECT. 43
 FIGURE 16B (SHEET 2)

21-23-00-16B

HAP
 JUN 15/08

21-23-00-16B
 PAGE 0A



E 21230016B SHIT 3 REV 045

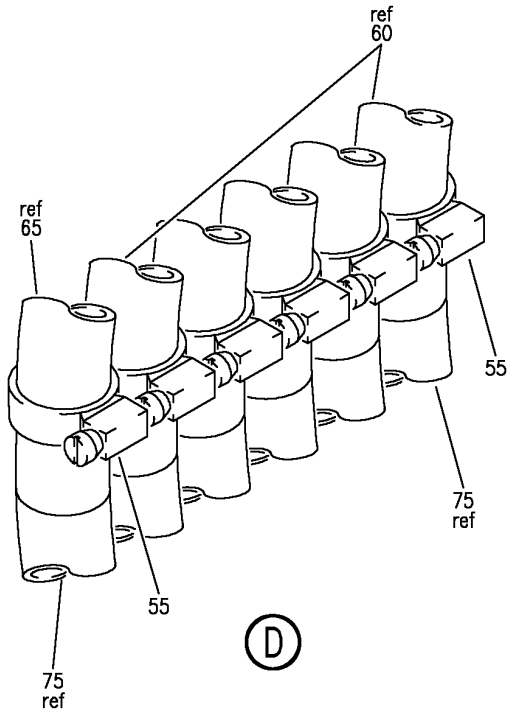
DUCT INSTL-SIDEWALL RISER AIR DISTR SYS SECT. 43
 FIGURE 16B (SHEET 3)

21-23-00-16B

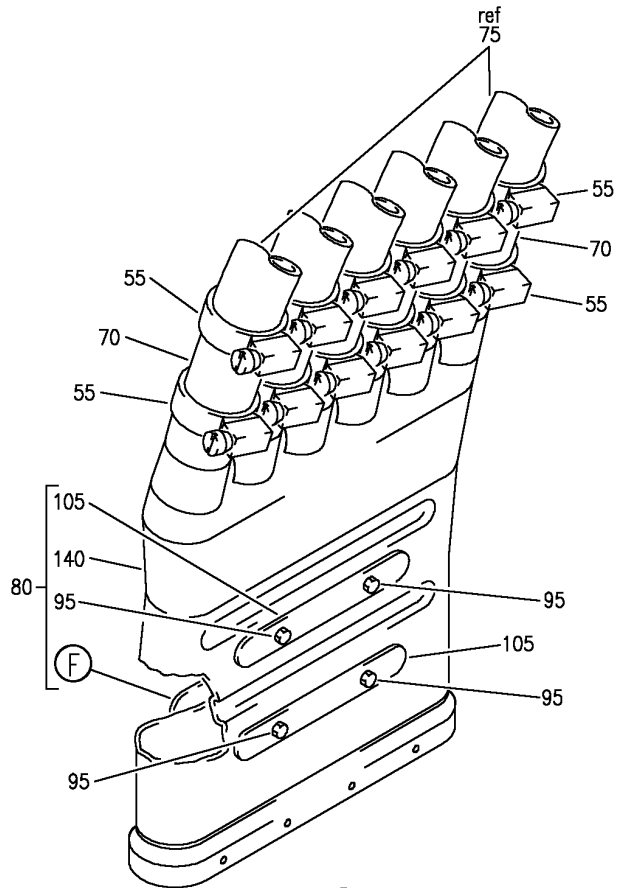
HAP
 JUN 10/07

21-23-00-16B
 PAGE 0B

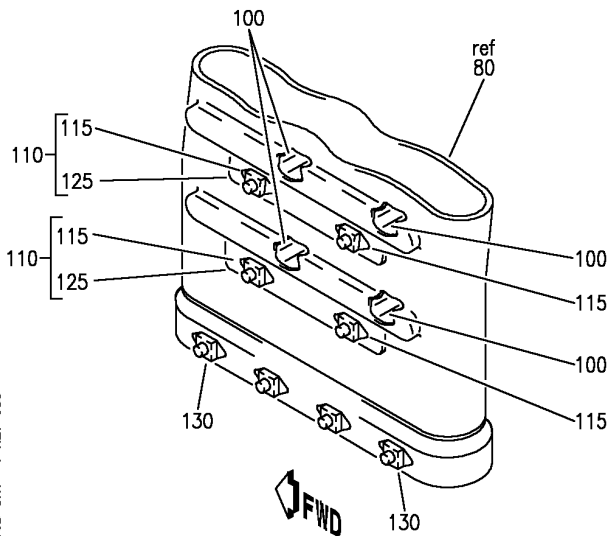
BOEING
 737-600/700/800/900
 PARTS CATALOG (MAINTENANCE)



(D)



(E)



(F)

E 21230016B SHT 4 REV 085

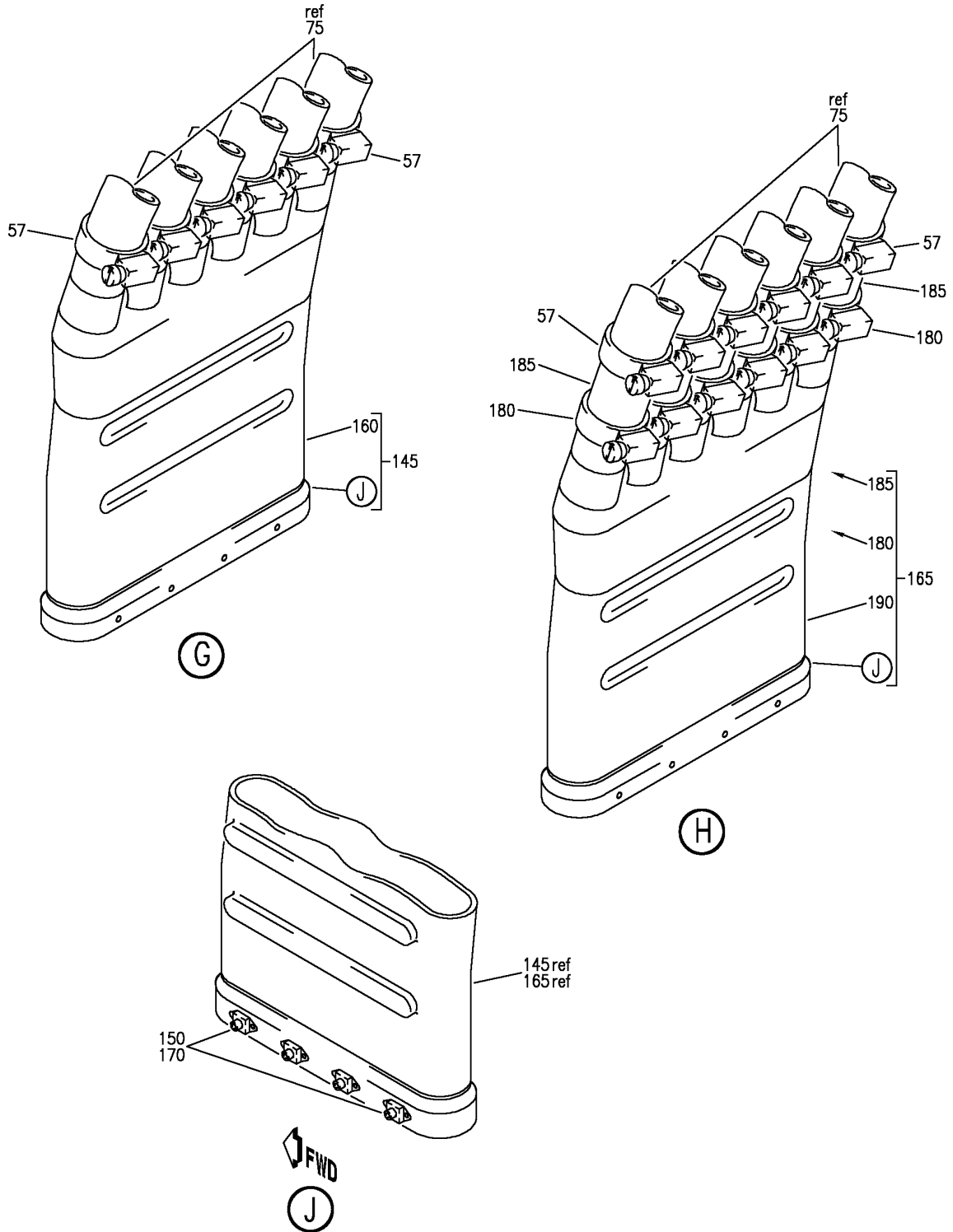
DUCT INSTL-SIDEWALL RISER AIR DISTR SYS SECT. 43
 FIGURE 16B (SHEET 4)

21-23-00-16B

HAP
 JUN 10/07

21-23-00-16B
 PAGE 0C

BOEING
 737-600/700/800/900
 PARTS CATALOG (MAINTENANCE)



E 21230016B SHT 5 REV 085

DUCT INSTL-SIDEWALL RISER AIR DISTR SYS SECT. 43
 FIGURE 16B (SHEET 5)

21-23-00-16B

HAP
 JUN 10/07

21-23-00-16B
 PAGE 0D

BOEING
737-600/700/800/900
PARTS CATALOG (MAINTENANCE)

FIG ITEM	PART NUMBER	1 2 3 4 5 6 7	NOMENCLATURE	EFFECT FROM TO	UNITS PER ASSY
16B			DUCT INSTL-SIDEWALL RISER	001100	
- 1	214A2019-1		AIR DISTR SYS SECT. 43 DUCT INSTL-SIDEWALL RISER	001027	RF
			AIR DISTR SYS POSITION DATA: SECT. 43 FOR NHA SEE: 21-20-00-04C		
- 1	214A2019-5		DUCT INSTL-SIDEWALL RISER	028030	RF
			AIR DISTR SYS POSITION DATA: SECT. 43 FOR NHA SEE: 21-20-00-04C		
- 1	MODREF219455		DUCT INSTL-SIDEWALL RISER	031045 054100	1
			AIR DISTR SYS MODULE NUMBER: 214A2019-5 REV C POSITION DATA: SECT. 43		
- 1	MODREF363899		DUCT INSTL-SIDEWALL RISER	046046	1
			AIR DISTR SYS MODULE NUMBER: 214A2019-5 REV D POSITION DATA: SECT. 43		
- 1	MODREF369235		DUCT INSTL-SIDEWALL RISER	047053	1
			AIR DISTR SYS MODULE NUMBER: 214A2019-5 REV E POSITION DATA: SECT. 43		
R	5	BACS12GU3K8	.SCREW	001100	12
R	10	NAS1149D0316H	.WASHER	001045	12
R				047100	
R	15	PLT4SM	.STRAP	001100	36
R			SUPPLIER CODE: V06383		
R			SPECIFICATION NUMBER: BACS38K2		
R			OPTIONAL PART: T05L0		
R			V53421		

MISSING ITEM NUMBERS NOT APPLICABLE

- ITEM NOT ILLUSTRATED

HAP

21-23-00-16B

BOEING PROPRIETARY - Copyright © - Unpublished Work - See title page for details.

21-23-00
FIG. 16B
PAGE 1
JUN 15/09

BOEING
737-600/700/800/900
PARTS CATALOG (MAINTENANCE)

FIG ITEM	PART NUMBER	1 2 3 4 5 6 7	NOMENCLATURE	EFFECT FROM TO	UNITS PER ASSY
16B					
17	PLT4HTL		.STRAP SUPPLIER CODE: V06383 SPECIFICATION NUMBER: BACS38K3 OPTIONAL PART: T012R0 V53421	047053	12
R	20	65C37395-3	.SUPPORT	001100	1
R	25	65C37395-11	.SUPPORT	001100	1
R	30	65C37395-1	.SUPPORT ASSY	001100	2
R	35	65C37395-5	.SUPPORT ASSY	001100	2
	40	293163	..NUT SUPPLIER CODE: V60119 SPECIFICATION NUMBER: BACN10FX5D OPTIONAL PART: F19594-3-1 V15653	001100	2
	45	65C37395-2	..SUPPORT- USED ON: 65C37395-1	001100	1
	50	65C37395-4	..SUPPORT- USED ON: 65C37395-5	001100	1
	55	NAS1922-0225-3	.CLAMP	001027	36
	57	NAS1922-0225-3	.CLAMP	028100	24
R	60	AS1591-10-0232A	.DUCT	001100	10
R	65	AS1591-10-0260A	.DUCT	001100	2
	70	AS1506-10D20	.HOSE	001027	12
	75	65C37312-2	.DUCT ASSY-	001030	12
	75	65C37312-4	.DUCT ASSY-	031100	12
	80	65C37396-2	.DUCT ASSY-TRANSITION POSITION DATA: LWR OPTIONAL PART: 65C37396-8 ATTACHING PARTS	001030	2
-	85	BACS12GU3K53	.SCREW- POSITION DATA: FAR SIDE	001030	8
-	90	NAS1149D0332J	.WASHER- POSITION DATA: FAR SIDE -----*-----	001030	8
	95	BACS12GU3K50	..SCREW	001030	4
	100	NAS43DD3-165FC	..SPACER	001030	4
	105	65C37626-2	..PLATE	001030	2

MISSING ITEM NUMBERS NOT APPLICABLE

- ITEM NOT ILLUSTRATED

HAP

21-23-00-16B

BOEING PROPRIETARY - Copyright © - Unpublished Work - See title page for details.

21-23-00
FIG. 16B
PAGE 2
JUN 15/09

BOEING
737-600/700/800/900
PARTS CATALOG (MAINTENANCE)

FIG ITEM	PART NUMBER	1 2 3 4 5 6 7	NOMENCLATURE	EFFECT FROM TO	UNITS PER ASSY
16B					
110	65C37626-1	..	SUPPORT ASSY	001030	2
115	BRF200A3	...	NUTPLATE	001030	2
			SUPPLIER CODE: V52828		
			SPECIFICATION NUMBER: BACN10JR3F		
			OPTIONAL PART: NS103203-02		
			V80539		
			RMF9201-3		
			V72962		
			VN152A1-02		
			V92215		
			T8091S1032		
			V11815		
			F5000-3BAC		
			V15653		
			ATTACHING PARTS		
- 120	BACR15BA3A	...	RIVET-	001030	4
			SIZE DETERMINED ON INSTL. -----*-----		
125	65C37626-2	...	PLATE	001030	1
130	BRF200A3	..	NUTPLATE	001030	4
			SUPPLIER CODE: V52828		
			SPECIFICATION NUMBER: BACN10JR3F		
			OPTIONAL PART: NS103203-02		
			V80539		
			RMF9201-3		
			V72962		
			VN152A1-02		
			V92215		
			T8091S1032		
			V11815		
			F5000-3BAC		
			V15653		
			ATTACHING PARTS		
- 135	BACR15BA3A	..	RIVET-	001030	8
			SIZE DETERMINED ON INSTL. -----*-----		
140	65C37396-1	..	DUCT	001030	1
145	65C37396-8	.DUCT	ASSY-TRANSITION	001030	2
			POSITION DATA: LWR		
			OPTIONAL PART: 65C37396-2		

MISSING ITEM NUMBERS NOT APPLICABLE

- ITEM NOT ILLUSTRATED

HAP

21-23-00-16B

BOEING PROPRIETARY - Copyright © - Unpublished Work - See title page for details.

21-23-00
FIG. 16B
PAGE 3
JUN 15/09

BOEING
737-600/700/800/900
PARTS CATALOG (MAINTENANCE)

FIG ITEM	PART NUMBER	1 2 3 4 5 6 7	NOMENCLATURE	EFFECT FROM TO	UNITS PER ASSY
16B 150	BRF200A3		..NUTPLATE SUPPLIER CODE: V52828 SPECIFICATION NUMBER: BACN10JR3F OPTIONAL PART: NS103203-02 V80539 RMF9201-3 V72962 VN152A1-02 V92215 T8091S1032 V11815 F5000-3BAC V15653 ATTACHING PARTS	001030	4
- 155	BACR15BA3AC		..RIVET- SIZE DETERMINED ON INSTL. -----*-----	001030	8
160	65C37396-7		..DUCT ASSY	001030	1
165	65C37396-11		.DUCT ASSY-TRANSITION POSITION DATA: LWR ATTACHING PARTS	031100	2
- 167	BACS12GU3K53		.SCREW- POSITION DATA: FAR SIDE	031100	8
- 168	NAS1149D0332J		.WASHER- POSITION DATA: FAR SIDE -----*-----	031100	8
170	BRF200A3		..NUTPLATE SUPPLIER CODE: V52828 SPECIFICATION NUMBER: BACN10JR3F OPTIONAL PART: NS103203-02 V80539 RMF9201-3 V72962 VN152A1-02 V92215 T8091S1032 V11815 F5000-3BAC V15653	031100	4

MISSING ITEM NUMBERS NOT APPLICABLE

- ITEM NOT ILLUSTRATED

HAP

21-23-00-16B

BOEING PROPRIETARY - Copyright © - Unpublished Work - See title page for details.

21-23-00
FIG. 16B
PAGE 4
JUN 15/09

BOEING
737-600/700/800/900
PARTS CATALOG (MAINTENANCE)

FIG ITEM	PART NUMBER	1 2 3 4 5 6 7	NOMENCLATURE	EFFECT FROM TO	UNITS PER ASSY
16B			ATTACHING PARTS		
- 175	BACR15BA3A3C		..RIVET-	031100	8
			OPTIONAL PART:		
			BACR15DR3-3		
- 175	AF5171-3-3		..RIVET-	031100	8
			SUPPLIER CODE:		
			V53551		
			SPECIFICATION NUMBER:		
			BACR15DR3-3		
			OPTIONAL PART:		
			CCR264SS3-3		
			V11815		
			RV571A3-3		
			V98996		
			BACR15BA3A3C		
			-----*-----		
180	NAS1922-0225-3		..CLAMP	031100	6
185	AS1506-10D30		..SLEEVE	031100	6
190	65C37396-10		..DUCT	031100	1

MISSING ITEM NUMBERS NOT APPLICABLE

- ITEM NOT ILLUSTRATED

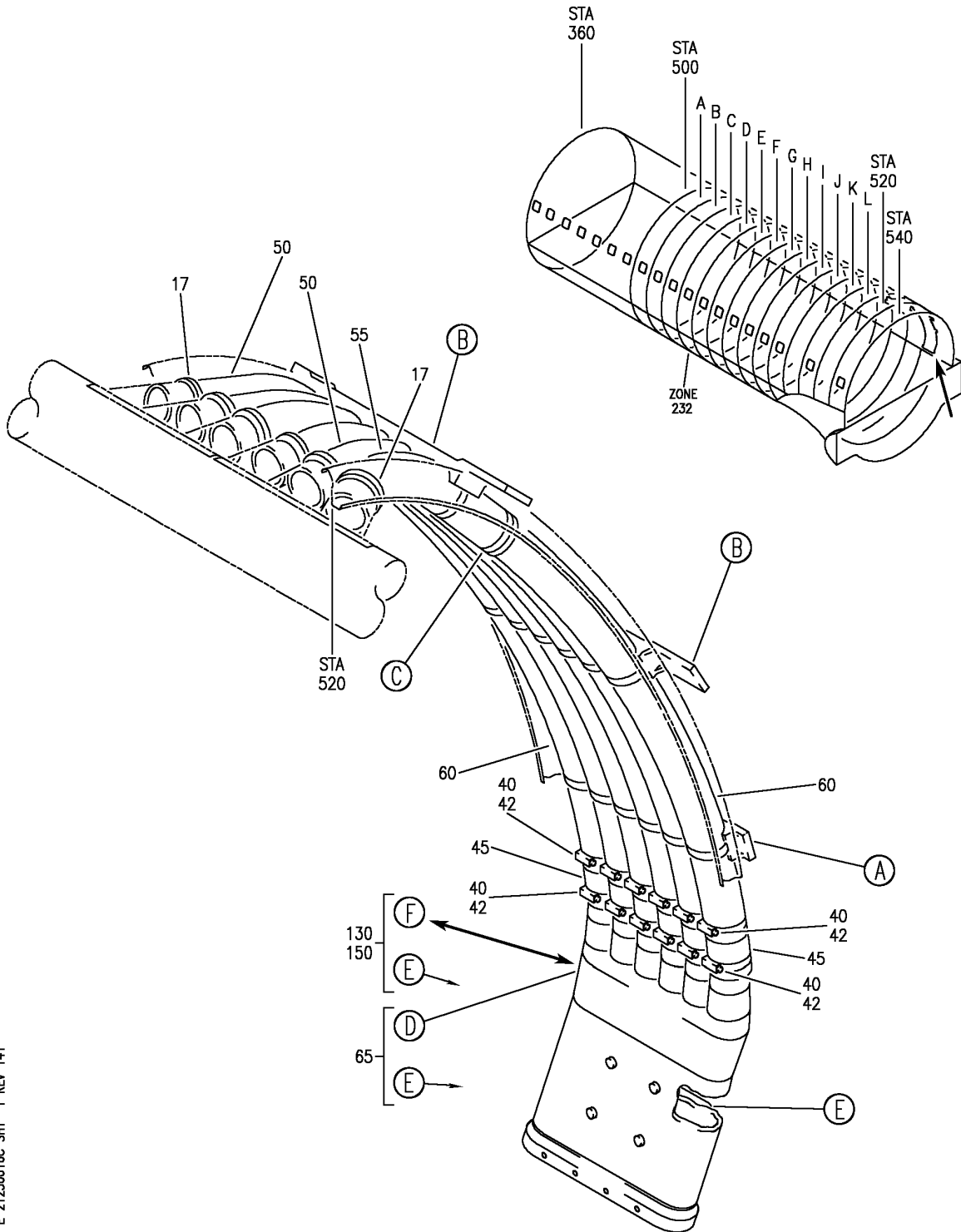
HAP

21-23-00-16B

BOEING PROPRIETARY - Copyright © - Unpublished Work - See title page for details.

21-23-00
FIG. 16B
PAGE 5
JUN 15/09

BOEING
 737-600/700/800/900
 PARTS CATALOG (MAINTENANCE)



E 21230016C SHT 1 REV 141

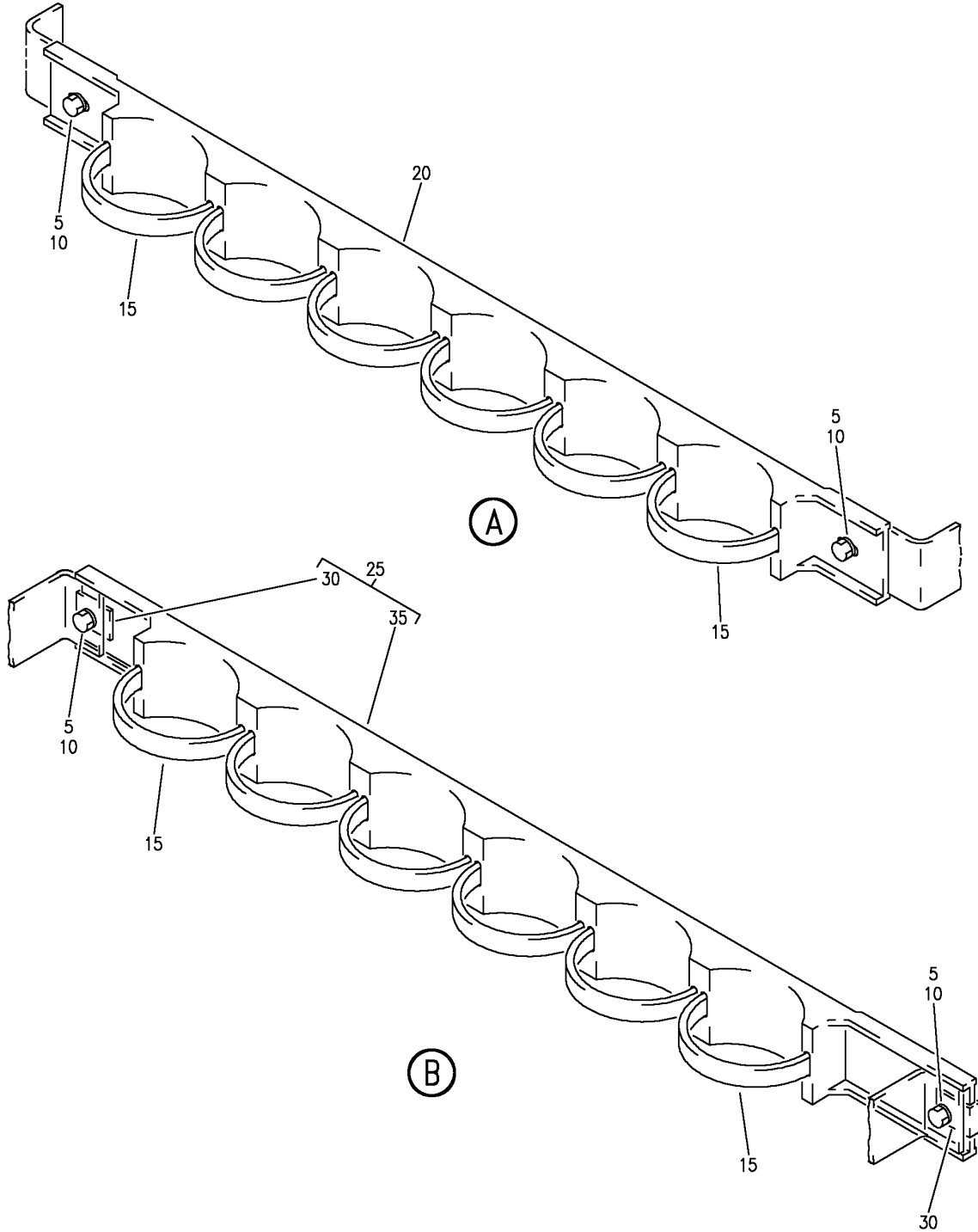
DUCT INSTL-SIDEWALL RISER AIR DISTR SYS SECT. 43
 FIGURE 16C (SHEET 1)

21-23-00-16C

HAP
 JUN 15/08

21-23-00-16C
 PAGE 0

BOEING
737-600/700/800/900
PARTS CATALOG (MAINTENANCE)



E 21230016C SHT 2 REV 089

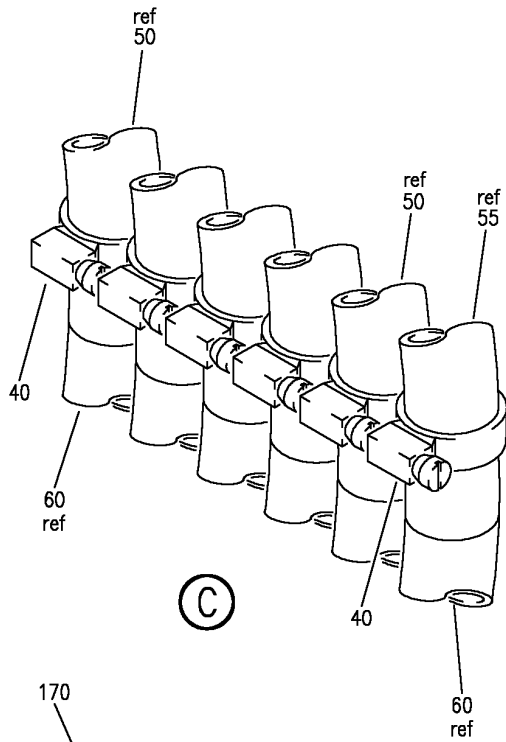
DUCT INSTL-SIDEWALL RISER AIR DISTR SYS SECT. 43
FIGURE 16C (SHEET 2)

21-23-00-16C

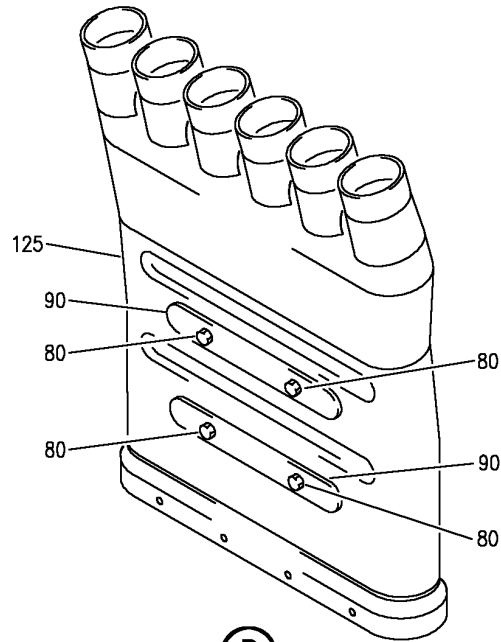
HAP
OCT 10/06

21-23-00-16C
PAGE 0A

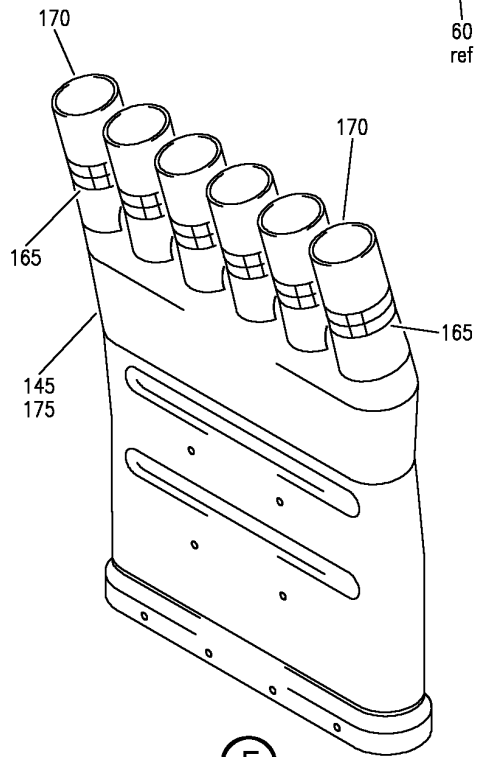
BOEING
 737-600/700/800/900
 PARTS CATALOG (MAINTENANCE)



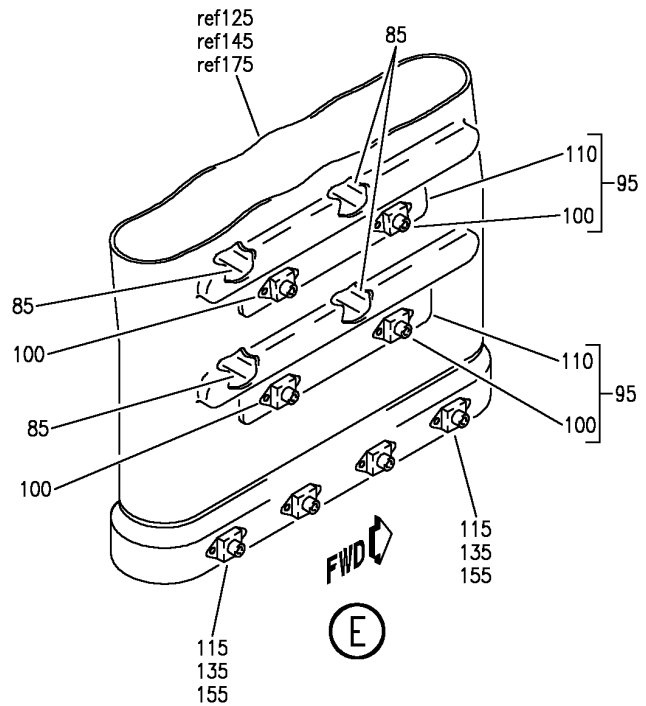
(C)



(D)



(F)



(E)

E 21230016C SHT 3 REV 089

DUCT INSTL-SIDEWALL RISER AIR DISTR SYS SECT. 43
 FIGURE 16C (SHEET 3)

21-23-00-16C

HAP
 OCT 10/06

21-23-00-16C
 PAGE 0B

BOEING
737-600/700/800/900
PARTS CATALOG (MAINTENANCE)

FIG ITEM	PART NUMBER	1 2 3 4 5 6 7	NOMENCLATURE	EFFECT FROM TO	UNITS PER ASSY
16C			DUCT INSTL-SIDEWALL RISER	001100	
- 1	214A2019-2		AIR DISTR SYS SECT. 43 DUCT INSTL-SIDEWALL RISER AIR DISTR SYS POSITION DATA: SECT. 43 FOR NHA SEE: 21-20-00-04C	001027	RF
- 1	214A2019-6		DUCT INSTL-SIDEWALL RISER AIR DISTR SYS POSITION DATA: SECT. 43 FOR NHA SEE: 21-20-00-04C	028030	RF
- 1	MODREF219456		DUCT INSTL-SIDEWALL RISER AIR DISTR SYS MODULE NUMBER: 214A2019-6 REV C POSITION DATA: SECT. 43	031045 054100	1
- 1	MODREF363900		DUCT INSTL-SIDEWALL RISER AIR DISTR SYS MODULE NUMBER: 214A2019-6 REV D POSITION DATA: SECT. 43	046046	1
- 1	MODREF369236		DUCT INSTL-SIDEWALL RISER AIR DISTR SYS MODULE NUMBER: 214A2019-6 REV E POSITION DATA: SECT. 43	047053	1
5	BACS12GU3K8		.SCREW	001100	6
10	NAS1149D0316H		.WASHER	001100	6
15	PLT4SM		.STRAP	001100	18
			SUPPLIER CODE: V06383 SPECIFICATION NUMBER: BACS38K2 OPTIONAL PART: T05L0 V53421		

MISSING ITEM NUMBERS NOT APPLICABLE

- ITEM NOT ILLUSTRATED

HAP

21-23-00-16C

BOEING PROPRIETARY - Copyright © - Unpublished Work - See title page for details.

21-23-00
FIG. 16C
PAGE 1
FEB 15/09

BOEING
737-600/700/800/900
PARTS CATALOG (MAINTENANCE)

FIG ITEM	PART NUMBER	1 2 3 4 5 6 7	NOMENCLATURE	EFFECT FROM TO	UNITS PER ASSY
16C 17	PLT4HTL	.	STRAP SUPPLIER CODE: V06383 SPECIFICATION NUMBER: BACS38K3 OPTIONAL PART: T012R0 V53421	047053	6
20	65C37395-3	.	SUPPORT	001100	1
25	65C37395-1	.	SUPPORT ASSY	001100	2
30	293163	..	NUT SUPPLIER CODE: V60119 SPECIFICATION NUMBER: BACN10FX5D OPTIONAL PART: F19594-3-1 V15653	001100	2
35	65C37395-2	..	SUPPORT	001100	1
40	NAS1922-0225-3	.	CLAMP	001027	18
42	NAS1922-0225-3	.	CLAMP	028100	12
45	AS1506-10D20	.	HOSE	001027	6
50	AS1591-10-0232A	.	DUCT	001100	5
55	AS1591-10-0260A	.	DUCT	001100	1
60	65C37312-2	.	DUCT ASSY-	001030	6
60	65C37312-4	.	DUCT ASSY-	031100	6
65	65C37396-2	.	DUCT ASSY-TRANSITION POSITION DATA: LWR OPTIONAL PART: 65C37396-8 ATTACHING PARTS	001030	1
- 70	BACS12GU3K53	.	SCREW	001030	4
- 75	NAS1149D0332J	.	WASHER -----*-----	001030	4
80	BACS12GU3K50	..	SCREW	001030	4
85	NAS43DD3-165FC	..	SPACER	001030	4
90	65C37626-2	..	PLATE	001030	2
95	65C37626-1	..	SUPPORT ASSY	001030	2

MISSING ITEM NUMBERS NOT APPLICABLE

- ITEM NOT ILLUSTRATED

HAP

21-23-00-16C

BOEING PROPRIETARY - Copyright © - Unpublished Work - See title page for details.

21-23-00
FIG. 16C
PAGE 2
FEB 15/09

BOEING
737-600/700/800/900
PARTS CATALOG (MAINTENANCE)

FIG ITEM	PART NUMBER	1 2 3 4 5 6 7	NOMENCLATURE	EFFECT FROM TO	UNITS PER ASSY
16C 100	BRF200A3		...NUTPLATE SUPPLIER CODE: V52828 SPECIFICATION NUMBER: BACN10JR3F OPTIONAL PART: NS103203-02 V80539 RMF9201-3 V72962 VN152A1-02 V92215 T8091S1032 V11815 F5000-3BAC V15653 ATTACHING PARTS	001030	2
- 105	BACR15BA3A		...RIVET- SIZE DETERMINED ON INSTL. -----*-----	001030	4
110	65C37626-2		...PLATE	001030	1
115	BRF200A3		..NUTPLATE SUPPLIER CODE: V52828 SPECIFICATION NUMBER: BACN10JR3F OPTIONAL PART: NS103203-02 V80539 RMF9201-3 V72962 VN152A1-02 V92215 T8091S1032 V11815 F5000-3BAC V15653 ATTACHING PARTS	001030	4
- 120	BACR15BA3A		..RIVET- SIZE DETERMINED ON INSTL. -----*-----	001030	8
125	65C37396-1		..DUCT	001030	1
130	65C37396-8		.DUCT ASSY-TRANSITION POSITION DATA: LWR OPTIONAL PART: 65C37396-2	001030	1

MISSING ITEM NUMBERS NOT APPLICABLE

- ITEM NOT ILLUSTRATED

HAP

21-23-00-16C

BOEING PROPRIETARY - Copyright © - Unpublished Work - See title page for details.

21-23-00
FIG. 16C
PAGE 3
JUN 15/08

BOEING
737-600/700/800/900
PARTS CATALOG (MAINTENANCE)

FIG ITEM	PART NUMBER	1 2 3 4 5 6 7	NOMENCLATURE	EFFECT FROM TO	UNITS PER ASSY
16C 135	BRF200A3		..NUTPLATE SUPPLIER CODE: V52828 SPECIFICATION NUMBER: BACN10JR3F OPTIONAL PART: NS103203-02 V80539 RMF9201-3 V72962 VN152A1-02 V92215 T8091S1032 V11815 F5000-3BAC V15653 ATTACHING PARTS	001030	4
- 140	BACR15BA3AC		..RIVET- SIZE DETERMINED ON INSTL. -----*-----	001030	8
145	65C37396-7		..DUCT ASSY	001030	1
150	65C37396-11		.DUCT ASSY-TRANSITION POSITION DATA: LWR ATTACHING PARTS	031100	1
- 152	BACS12GU3K53		.SCREW	031100	4
- 153	NAS1149D0332J		.WASHER -----*-----	031100	4
155	BRF200A3		..NUTPLATE SUPPLIER CODE: V52828 SPECIFICATION NUMBER: BACN10JR3F OPTIONAL PART: NS103203-02 V80539 RMF9201-3 V72962 VN152A1-02 V92215 T8091S1032 V11815 F5000-3BAC V15653 ATTACHING PARTS	031100	4
R R R - 160	BACR15BA3A3C		..RIVET- OPTIONAL PART: BACR15DR3-3	031100	8

MISSING ITEM NUMBERS NOT APPLICABLE

- ITEM NOT ILLUSTRATED

HAP

21-23-00-16C

BOEING PROPRIETARY - Copyright © - Unpublished Work - See title page for details.

21-23-00
FIG. 16C
PAGE 4
JUN 15/09

BOEING
737-600/700/800/900
PARTS CATALOG (MAINTENANCE)

FIG ITEM	PART NUMBER	1 2 3 4 5 6 7	NOMENCLATURE	EFFECT FROM TO	UNITS PER ASSY
R R R R R R R R R	16C - 160	AF5171-3-3	.. RIVET- SUPPLIER CODE: V53551 SPECIFICATION NUMBER: BACR15DR3-3 OPTIONAL PART: CCR264SS3-3 V11815 RV571A3-3 V98996 BACR15BA3A3C -----*-----	031100	8
	165	NAS1922-0225-3	.. CLAMP	031100	6
	170	AS1506-10D30	.. SLEEVE	031100	6
	175	65C37396-10	.. DUCT	031100	1

MISSING ITEM NUMBERS NOT APPLICABLE

- ITEM NOT ILLUSTRATED

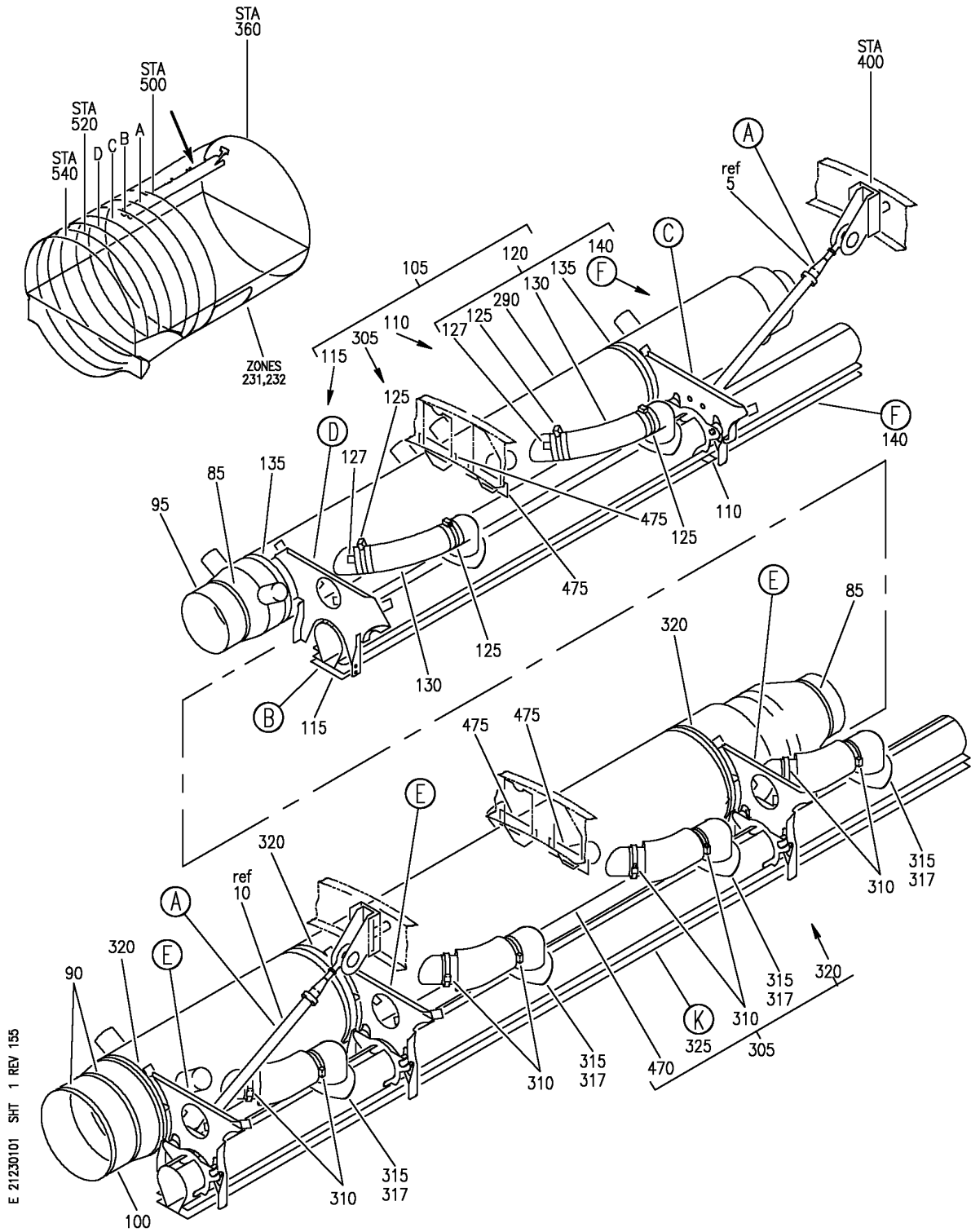
HAP

21-23-00-16C

BOEING PROPRIETARY - Copyright © - Unpublished Work - See title page for details.

21-23-00
FIG. 16C
PAGE 5
JUN 15/09

BOEING
 737-600/700/800/900
 PARTS CATALOG (MAINTENANCE)



E 21230101 SHT 1 REV 155

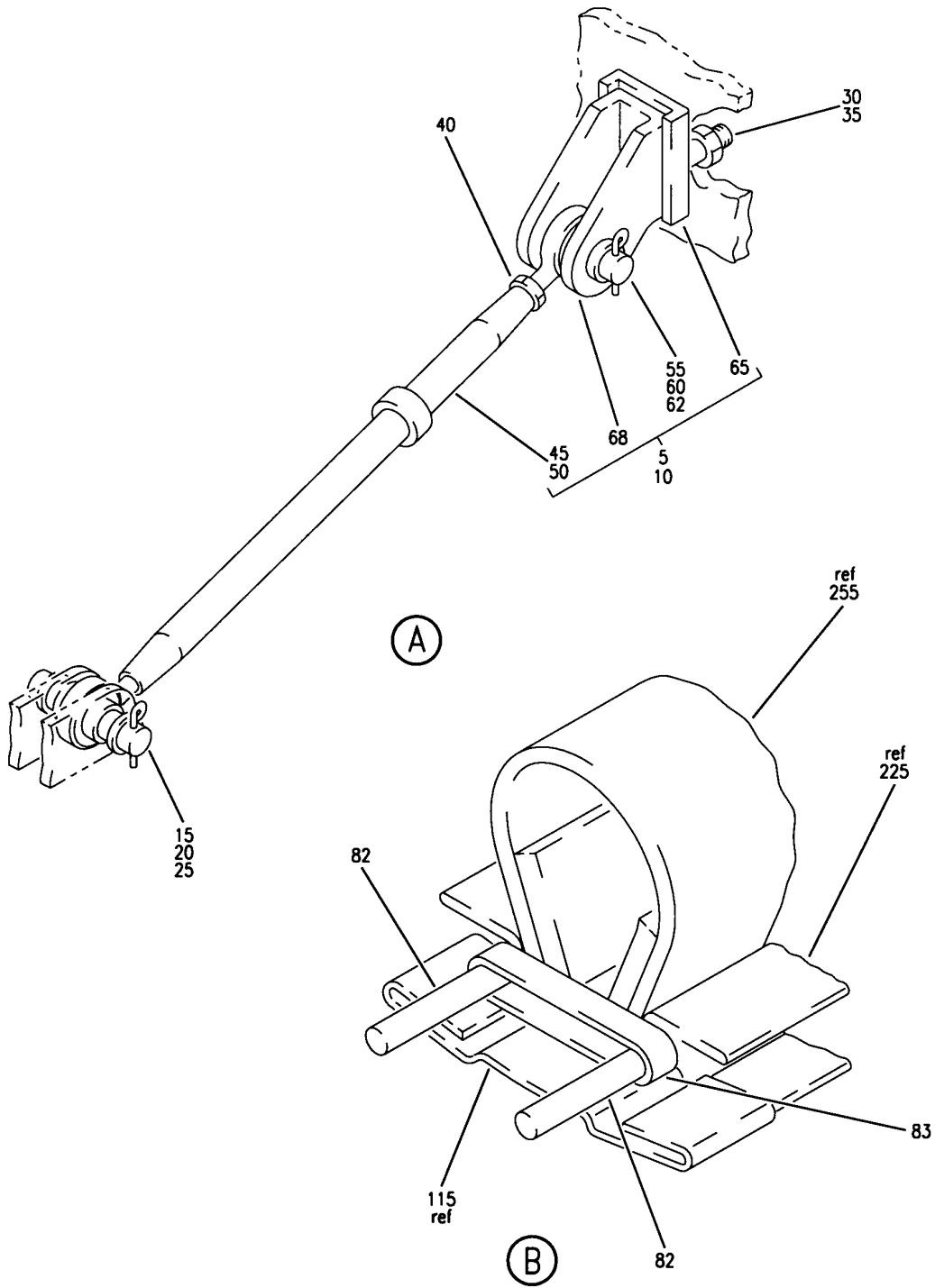
DUCT INSTL-FWD OVERHEAD AIR DISTR SYS
 FIGURE 1 (SHEET 1)

21-23-01-01

HAP
 JUN 15/09

21-23-01-01
 PAGE 0

BOEING
 737-600/700/800/900
 PARTS CATALOG (MAINTENANCE)



E 21230101 SH1 2 REV 003

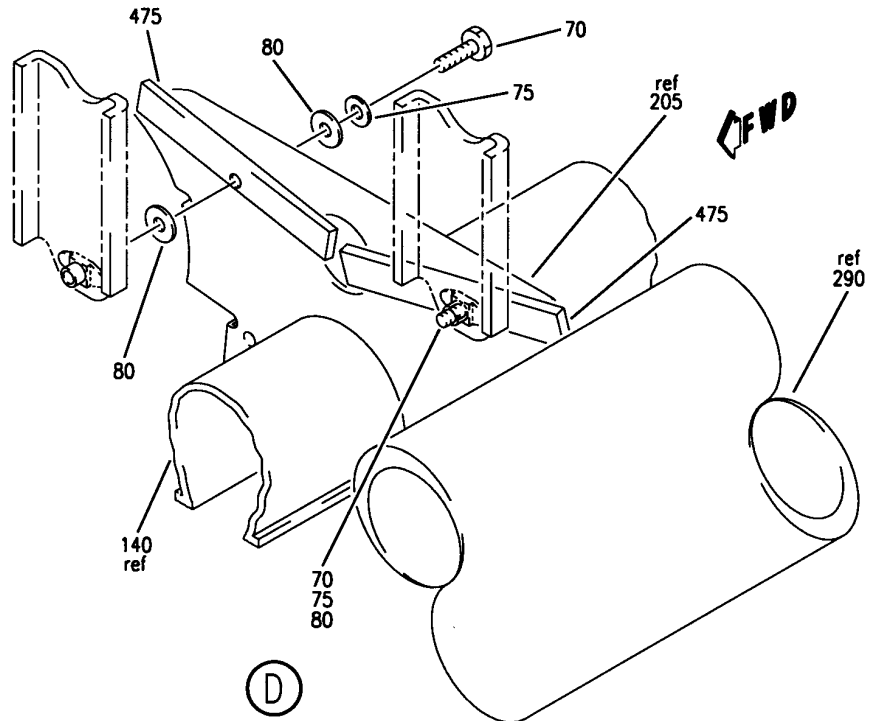
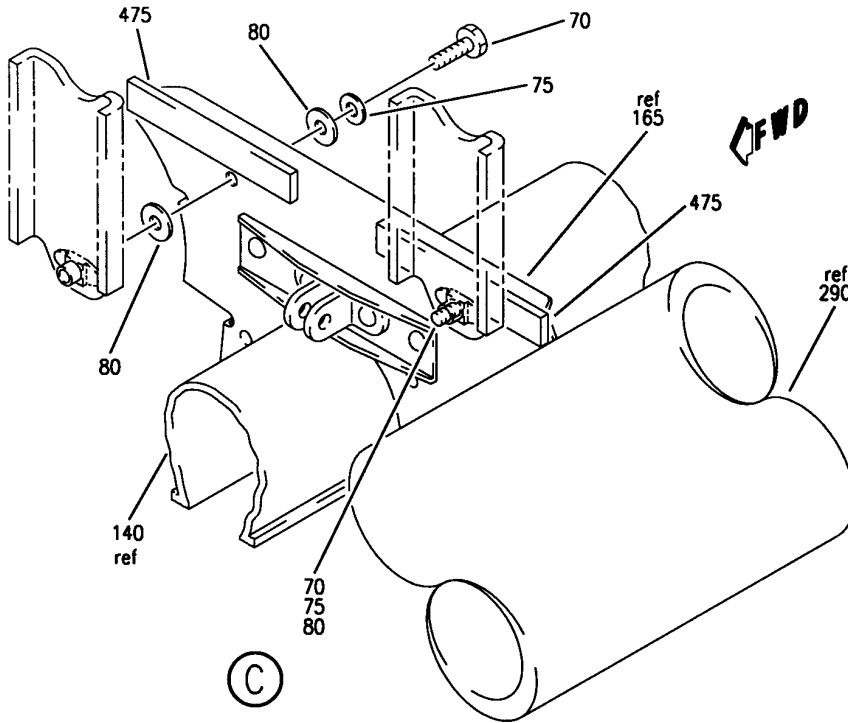
DUCT INSTL-FWD OVERHEAD AIR DISTR SYS
 FIGURE 1 (SHEET 2)

21-23-01-01

HAP
 OCT 15/08

21-23-01-01
 PAGE 0A

BOEING
 737-600/700/800/900
 PARTS CATALOG (MAINTENANCE)



E 21230101 SHT 3 REV 029

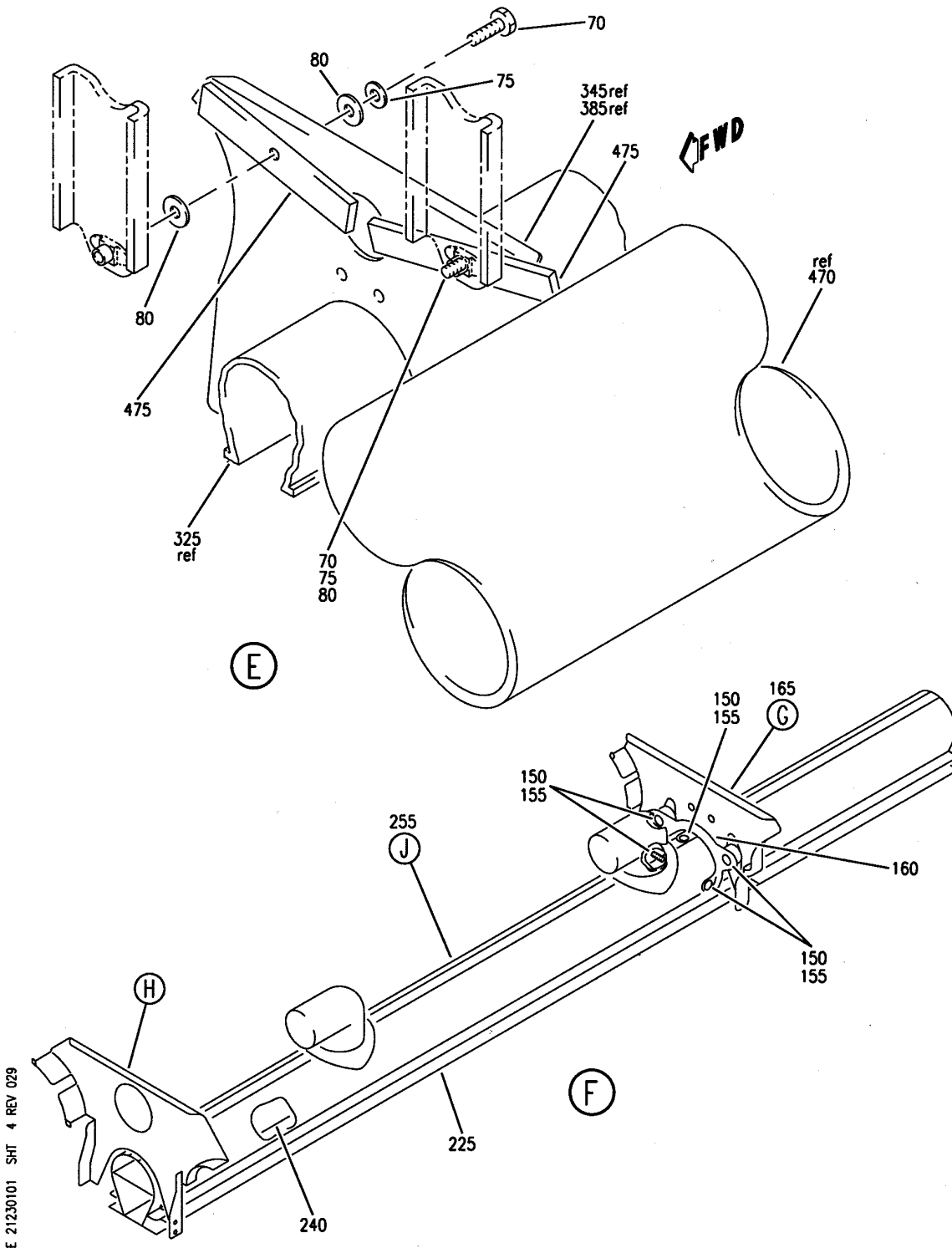
DUCT INSTL-FWD OVERHEAD AIR DISTR SYS
 FIGURE 1 (SHEET 3)

21-23-01-01

HAP
 OCT 15/08

21-23-01-01
 PAGE 08

BOEING
 737-600/700/800/900
 PARTS CATALOG (MAINTENANCE)



E 21230101 SHT 4 REV 029

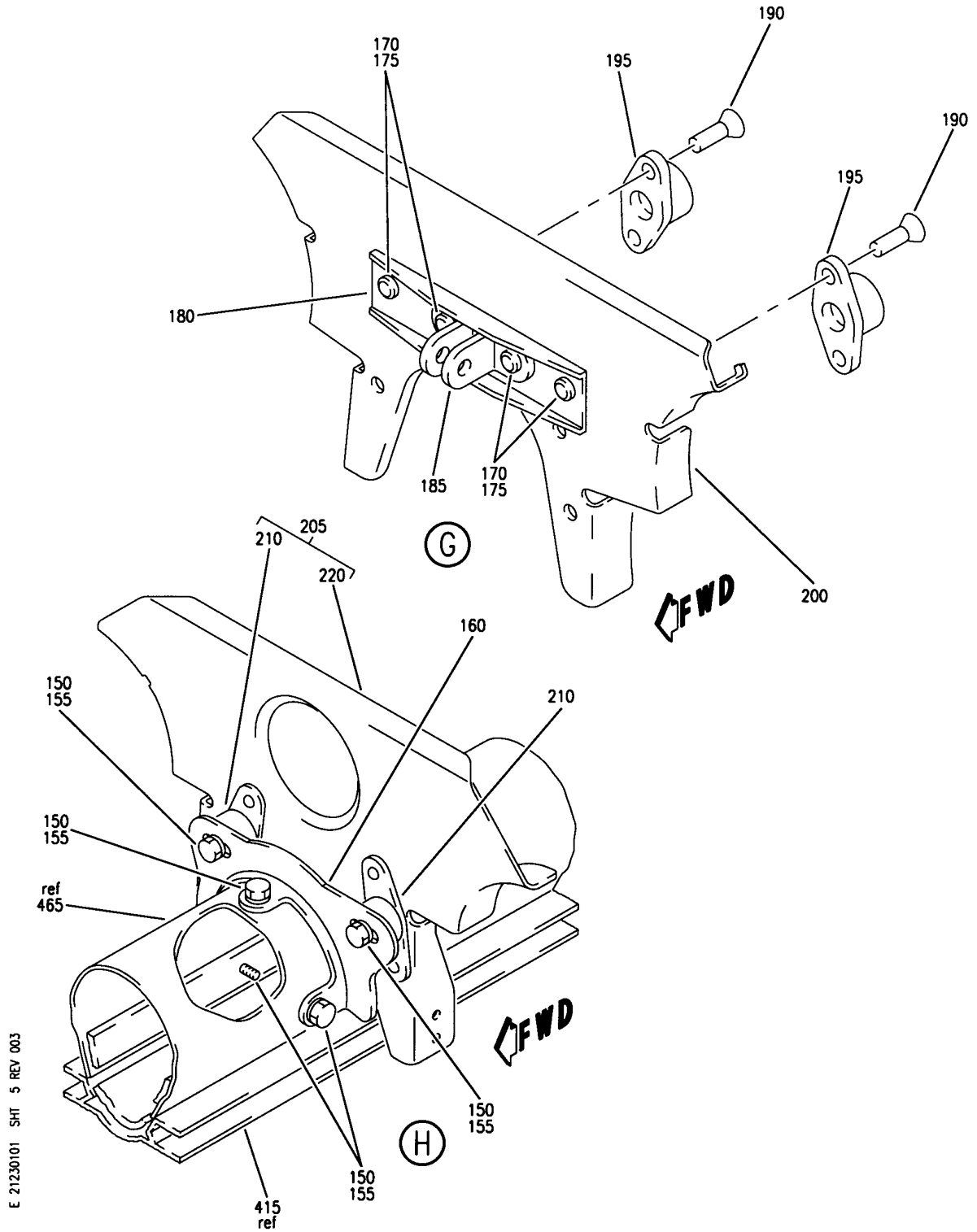
DUCT INSTL-FWD OVERHEAD AIR DISTR SYS
 FIGURE 1 (SHEET 4)

21-23-01-01

HAP
 OCT 15/08

21-23-01-01
 PAGE 0C

BOEING
 737-600/700/800/900
 PARTS CATALOG (MAINTENANCE)



E 21230101 SHT 5 REV 003

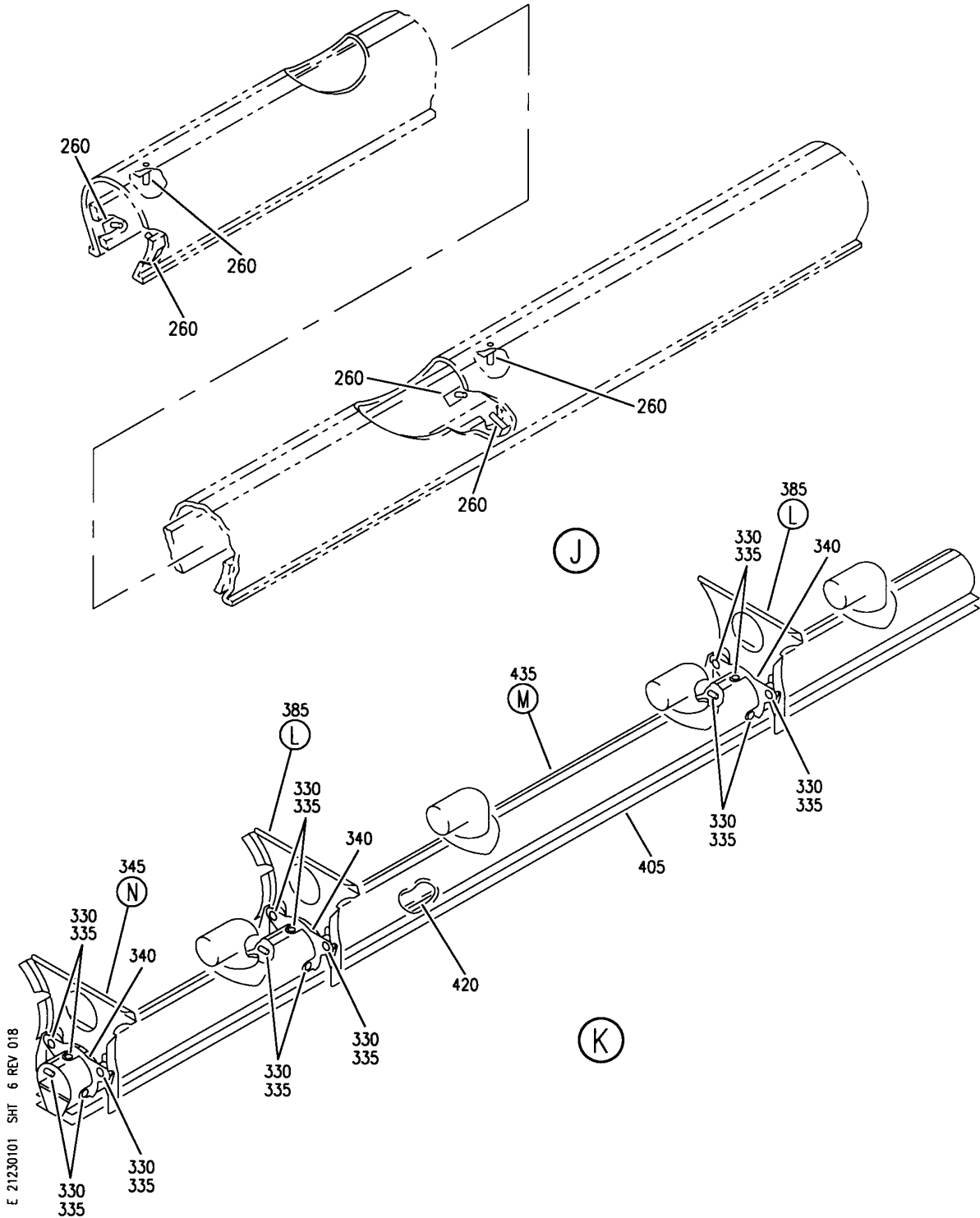
DUCT INSTL-FWD OVERHEAD AIR DISTR SYS
 FIGURE 1 (SHEET 5)

21-23-01-01

HAP
 OCT 15/08

21-23-01-01
 PAGE 00

BOEING
 737-600/700/800/900
 PARTS CATALOG (MAINTENANCE)



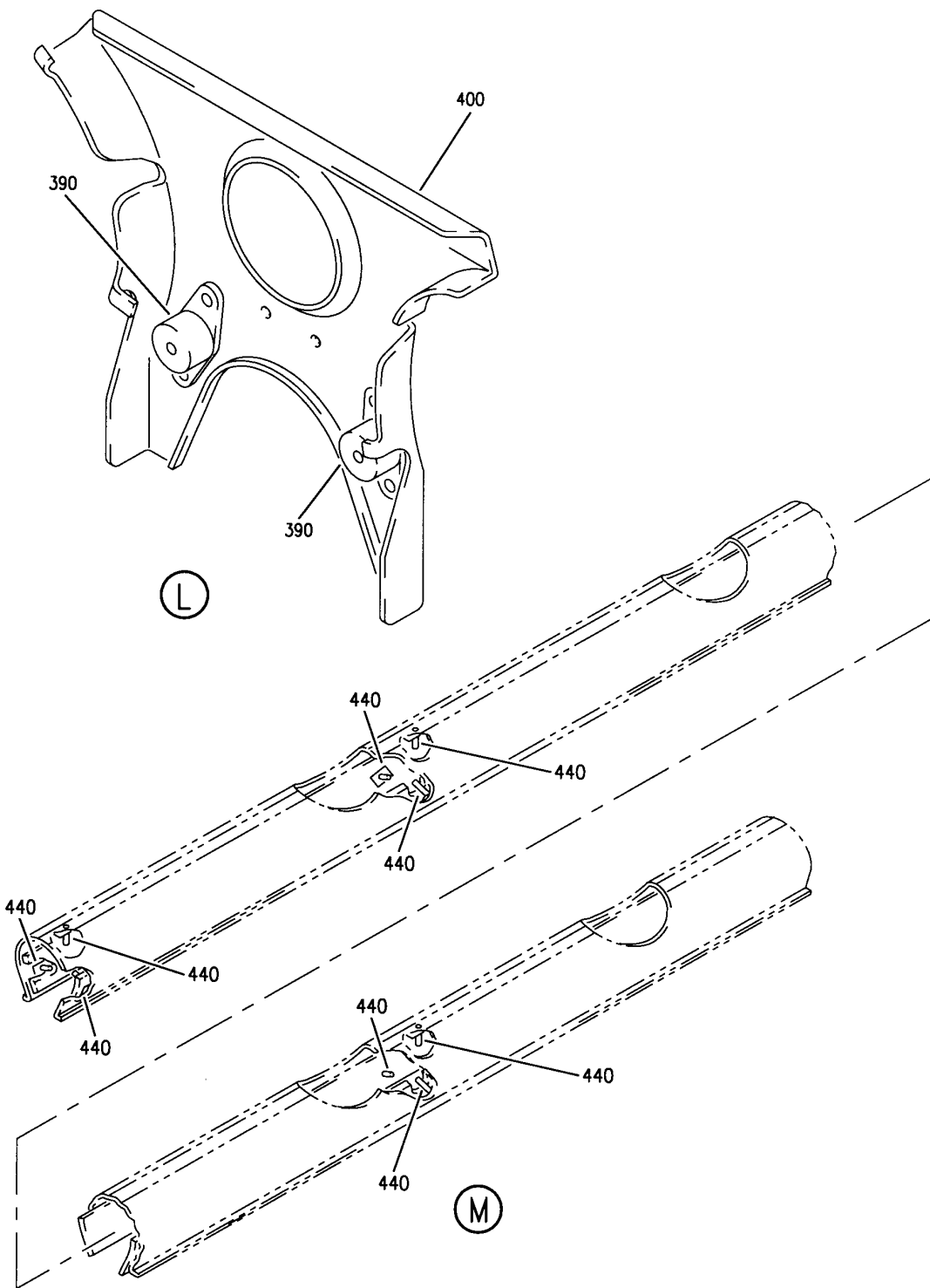
DUCT INSTL-FWD OVERHEAD AIR DISTR SYS
 FIGURE 1 (SHEET 6)

21-23-01-01

HAP
 OCT 15/08

21-23-01-01
 PAGE 0E

BOEING
737-600/700/800/900
PARTS CATALOG (MAINTENANCE)



E 21230101 SHT 7 REV 01B

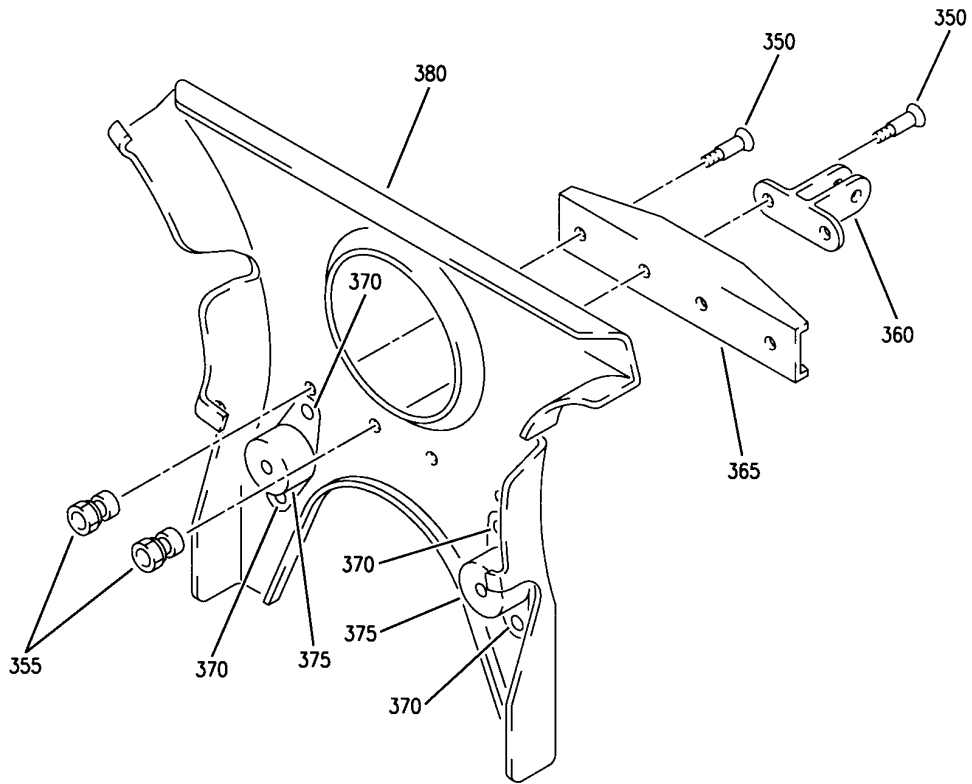
DUCT INSTL-FWD OVERHEAD AIR DISTR SYS
FIGURE 1 (SHEET 7)

21-23-01-01

HAP
OCT 15/08

21-23-01-01
PAGE OF

BOEING
737-600/700/800/900
PARTS CATALOG (MAINTENANCE)



(N)

E 21230101 SH 8 REV 01B

DUCT INSTL-FWD OVERHEAD AIR DISTR SYS
FIGURE 1 (SHEET 8)

21-23-01-01

HAP
OCT 15/08

21-23-01-01
PAGE 0G

BOEING
737-600/700/800/900
PARTS CATALOG (MAINTENANCE)

FIG ITEM	PART NUMBER	1 2 3 4 5 6 7	NOMENCLATURE	EFFECT FROM TO	UNITS PER ASSY
1			DUCT INSTL-FWD OVERHEAD AIR DISTR SYS	201967	
- 1	214A2001-1SP		DUCT INSTL-OVERHEAD AIR DISTR SYS POSITION DATA: FWD FOR NHA SEE: 21-20-00-09B	201967	RF
5	412N2030-49		.DIAGONAL ASSY	201967	1
10	412N2030-51		.DIAGONAL ASSY ATTACHING PARTS	201967	1
15	MS20392-3C21		.PIN	201967	2
20	BACP18BC02C04P		.PIN	201967	2
25	NAS1149D0416J		.WASHER	201967	2
30	NAS1149D0516J		.WASHER	201967	2
35	MS21042L5		.NUT-	201967	2
40	AN316-5R		.NUT	201967	2
			-----*-----		
45	1293-27		..ROD ASSY- SUPPLIER CODE: V34742 USED ON: 412N2030-49	201967	1
50	1293-29		..ROD ASSY- SUPPLIER CODE: V34742 USED ON: 412N2030-51 ATTACHING PARTS	201967	1
55	MS24665-132		..PIN	201967	1
60	MS20392-3C17		..PIN	201967	1
62	AN960PD416L		..WASHER	201967	1
			-----*-----		
65	412N2032-3		..INSULATOR- MANUFACTURED FROM: FIN F-6.10 COMPRESSION MOLDED PHENOLIC, GLASS FIBER FILLED PER BMS8-271A, TYPE 1	201967	1
65	412N2032-4		..INSULATOR- MANUFACTURED FROM: FIN F-6.10 COMPRESSION MOLDED PHENOLIC, GLASS FIBER FILLED PER BMS8-271A, TYPE 1	201967	1
68	412N2031-1		..CLEVIS- MANUFACTURED FROM: 412N2031-2	201967	1
70	BACB30NR4K5		.BOLT	201967	10

MISSING ITEM NUMBERS NOT APPLICABLE

- ITEM NOT ILLUSTRATED

HAP

21-23-01-01

BOEING PROPRIETARY - Copyright © - Unpublished Work - See title page for details.

21-23-01
FIG. 01
PAGE 1
OCT 15/08

BOEING
737-600/700/800/900
PARTS CATALOG (MAINTENANCE)

FIG ITEM	PART NUMBER	1 2 3 4 5 6 7	NOMENCLATURE	EFFECT FROM TO	UNITS PER ASSY
1					
75	NAS1149D0463J	.	WASHER	201967	10
80	BACW10P271TF	.	WASHER	201967	20
82	214N2035-1	.	PIN	201967	2
83	MLT2S	.	TIE-LOCKING	201967	1
			SUPPLIER CODE: V06383		
85	NAS1922-0525-3	.	CLAMP	201967	2
90	NAS1922-0750-3	.	CLAMP	201967	2
95	AS1506-20D30	.	SLEEVE	201967	1
100	AS1506-30D32	.	SLEEVE	201967	1
105	214A2001-2SP	.	DUCT ASSY-	201967	1
110	214A2110-1	..	COVER-	201967	1
115	69-42789-1	..	COVER-	201967	1
120	214A2107-1	..	SEGMENT ASSY-	201967	1
125	NAS1922-0200-3	...	CLAMP	201967	4
127	214T3436-1837	...	ORIFICE ASSY-	201967	2
			OPTIONAL PART: 214T3436-1549		
127	214T3436-1549	...	ORIFICE ASSY-	201967	2
			OPTIONAL PART: 214T3436-1837		
130	AS1591-08-0090A	...	DUCT	201967	2
135	T012L0	...	STRAP	201967	2
			SUPPLIER CODE: V53421		
			SPECIFICATION NUMBER: BACS38K6		
140	214A2101-1	...	PLENUM AND NOZZLE ASSY	201967	1
150	BACS12GU3K7	SCREW	201967	10
155	NAS1149D0332J	WASHER	201967	10
160	214A2111-1	BRACKET	201967	2
165	65C36910-4	BRACKET ASSY	201967	1
170	BACB30NX6K	BOLT	201967	4

MISSING ITEM NUMBERS NOT APPLICABLE

— ITEM NOT ILLUSTRATED

HAP

21-23-01-01

BOEING PROPRIETARY - Copyright © - Unpublished Work - See title page for details.

21-23-01
FIG. 01
PAGE 2
OCT 15/08

BOEING
737-600/700/800/900
PARTS CATALOG (MAINTENANCE)

FIG ITEM	PART NUMBER	1 2 3 4 5 6 7	NOMENCLATURE	EFFECT FROM TO	UNITS PER ASSY
1 175	HL1187-6	COLLAR SUPPLIER CODE: V5M902 SPECIFICATION NUMBER: BACC30X6 OPTIONAL PART: HL87-6 V92215 HL87-6 V73197 HL1187-6 V56878 HL1187-6 V92215 HL87-6 V56878 HL1187-6 V73197	201967	4
180	214N2161-3	BRACKET	201967	1
185	214N2161-2	BRACKET	201967	1
190	BACR15BA4D	RIVET- SIZE DETERMINED ON INSTL.	201967	4
195	SL8113-3	MOUNT- SUPPLIER CODE: V97393 SPECIFICATION NUMBER: S411T100-901 OPTIONAL PART: DE819 V71985	201967	2
200	65C36911-2	BRACKET	201967	1
205	65C36910-5	BRACKET ASSY	201967	1
210	SL8113-3	MOUNT- SUPPLIER CODE: V97393 SPECIFICATION NUMBER: S411T100-901 OPTIONAL PART: DE819 V71985	201967	2
- 215	BACR15BA4D	ATTACHING PARTS RIVET- SIZE DETERMINED ON INSTL. -----*-----	201967	4
220	65C36911-3	BRACKET	201967	1
225	214A2103-1	NOZZLE ASSY	201967	1
240	214A2104-1	RESTRICTOR ASSY	201967	1
255	214A2102-1	PLENUM ASSY	201967	1

MISSING ITEM NUMBERS NOT APPLICABLE

- ITEM NOT ILLUSTRATED

HAP

21-23-01-01

BOEING PROPRIETARY - Copyright © - Unpublished Work - See title page for details.

21-23-01
FIG. 01
PAGE 3
OCT 15/08

BOEING
737-600/700/800/900
PARTS CATALOG (MAINTENANCE)

FIG ITEM	PART NUMBER	1 2 3 4 5 6 7	NOMENCLATURE	EFFECT FROM TO	UNITS PER ASSY
1					
260	214N2178-1	NUTPLATE ASSY- OPTIONAL PART: CB2010CR3CRP V66530	201967	6
260	CB2010CR3CRP	NUTPLATE- SUPPLIER CODE: V66530 OPTIONAL PART: 214N2178-1	201967	6
290	214A2106-1	...	DUCT ASSY	201967	1
305	214A2107-2	..	SEGMENT ASSY-	201967	1
310	NAS1922-0200-3	...	CLAMP	201967	8
315	65C36915-1	...	MUFFLER ASSY-	201967	4
317	AS1591-08-0070A	...	HOSE-	201967	4
320	T012L0	...	STRAP SUPPLIER CODE: V53421 SPECIFICATION NUMBER: BACS38K6	201967	3
325	214A2101-2	...	PLENUM AND NOZZLE ASSY	201967	1
330	BACS12GU3K7	SCREW	201967	15
335	NAS1149D0332J	WASHER	201967	15
340	214A2111-1	BRACKET	201967	3
345	65C36910-2	BRACKET ASSY	201967	1
350	BACB30NX6K	BOLT	201967	4
355	HL1187-6	COLLAR SUPPLIER CODE: V5M902 SPECIFICATION NUMBER: BACC30X6 OPTIONAL PART: HL87-6 V92215 HL87-6 V73197 HL1187-6 V56878 HL1187-6 V92215 HL87-6 V56878 HL1187-6 V73197	201967	4
360	214N2161-2	BRACKET	201967	1
365	214N2161-3	BRACKET	201967	1
370	BACR15BA4D	RIVET- SIZE DETERMINED ON INSTL.	201967	4

MISSING ITEM NUMBERS NOT APPLICABLE

— ITEM NOT ILLUSTRATED

HAP

21-23-01-01

21-23-01
FIG. 01
PAGE 4
JUN 15/09

BOEING
737-600/700/800/900
PARTS CATALOG (MAINTENANCE)

FIG ITEM	PART NUMBER	1 2 3 4 5 6 7	NOMENCLATURE	EFFECT FROM TO	UNITS PER ASSY
1 375	SL8113-3	MOUNT- SUPPLIER CODE: V97393 SPECIFICATION NUMBER: S411T100-901 OPTIONAL PART: DE819 V71985	201967	2
380	65C36911-1	BRACKET	201967	1
385	65C36910-1	BRACKET ASSY	201967	2
390	SL8113-3	MOUNT- SUPPLIER CODE: V97393 SPECIFICATION NUMBER: S411T100-901 OPTIONAL PART: DE819 V71985	201967	2
- 395	BACR15BA4D	ATTACHING PARTS RIVET- SIZE DETERMINED ON INSTL. -----*-----	201967	4
400	65C36911-1	BRACKET	201967	1
405	214A2103-3	NOZZLE ASSY	201967	1
420	214A2104-3	RESTRICTOR ASSY	201967	1
435	214A2102-3	PLENUM ASSY	201967	1
440	214N2178-1	NUTPLATE ASSY- OPTIONAL PART: CB2010CR3CRP V66530	201967	9
440	CB2010CR3CRP	NUTPLATE- SUPPLIER CODE: V66530 OPTIONAL PART: 214N2178-1	201967	9
470	214A2106-3	...	DUCT ASSY	201967	1
475	411A4904-9	.STRIP-	FELT SEAL OPTIONAL PART: 214A2001-100 214A2001-101	201967	AR
475	214A2001-101	.STRIP-	FELT SEAL OPTIONAL PART: 411A4904-9 214A2001-100	201967	AR
- 480	214A2001-100	.TRAP-	MOISTURE OPTIONAL PART: 411A4904-9 214A2001-101	201967	AR

MISSING ITEM NUMBERS NOT APPLICABLE

- ITEM NOT ILLUSTRATED

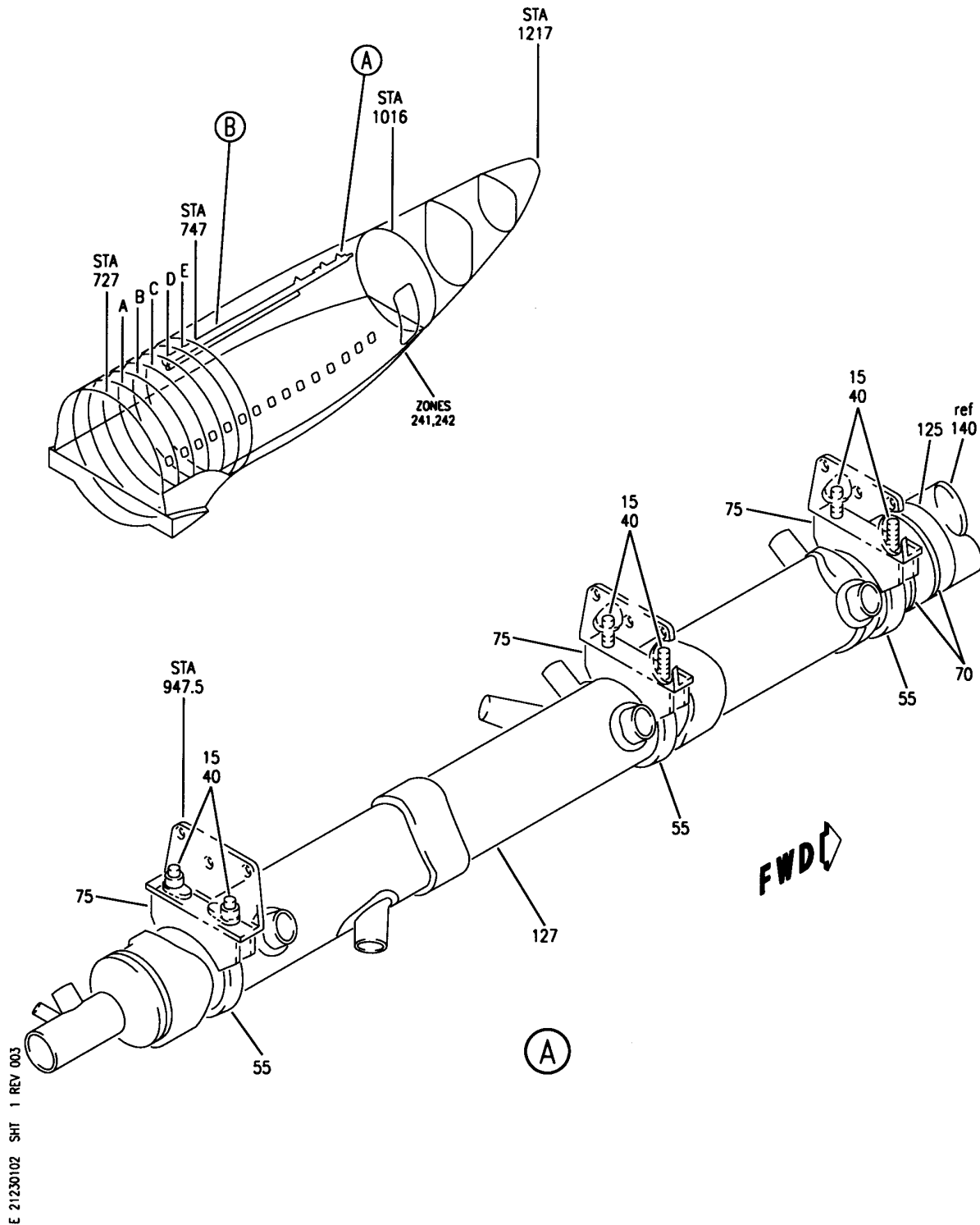
HAP

21-23-01-01

BOEING PROPRIETARY - Copyright © - Unpublished Work - See title page for details.

21-23-01
FIG. 01
PAGE 5
OCT 15/08

BOEING
 737-600/700/800/900
 PARTS CATALOG (MAINTENANCE)



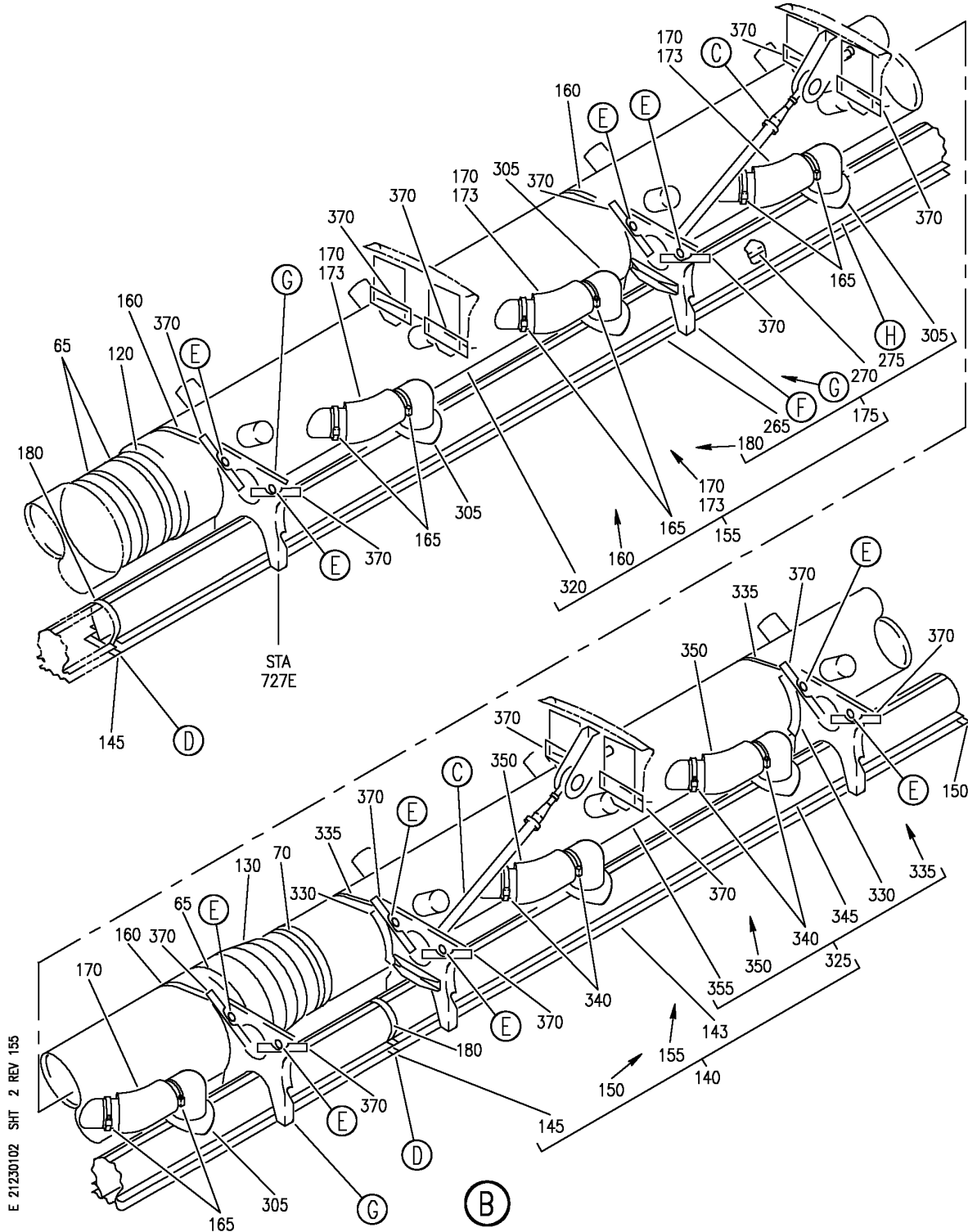
DUCT INSTL-OVERHEAD AIR DISTR SYS
 FIGURE 2 (SHEET 1)

21-23-01-02

HAP
 OCT 15/08

21-23-01-02
 PAGE 0

BOEING
 737-600/700/800/900
 PARTS CATALOG (MAINTENANCE)



E 21230102 SHT 2 REV 155

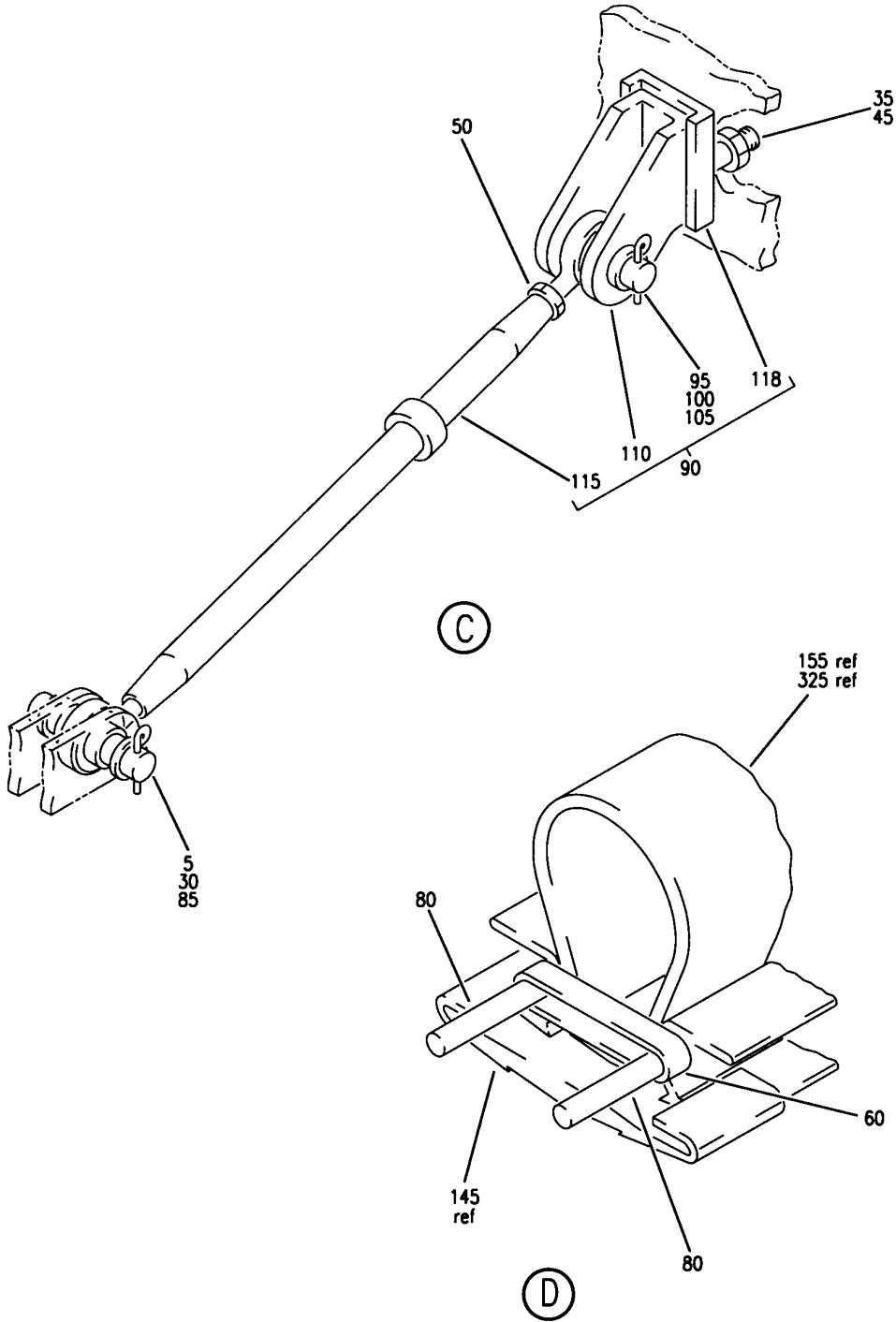
DUCT INSTL-OVERHEAD AIR DISTR SYS
 FIGURE 2 (SHEET 2)

21-23-01-02

HAP
 JUN 15/09

21-23-01-02
 PAGE 0A

BOEING
 737-600/700/800/900
 PARTS CATALOG (MAINTENANCE)



E 21230102 SH1 3 REV 003

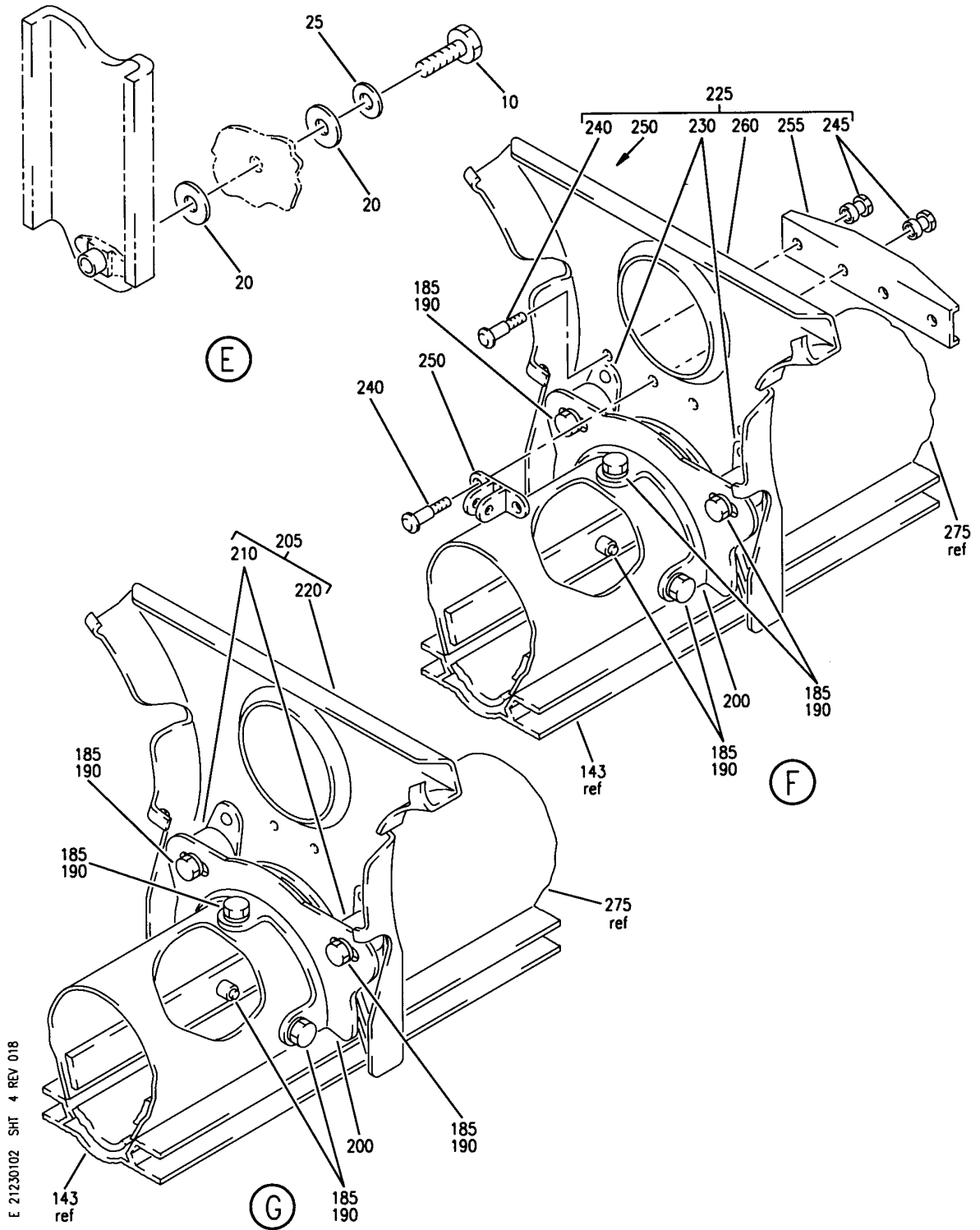
DUCT INSTL-OVERHEAD AIR DISTR SYS
 FIGURE 2 (SHEET 3)

21-23-01-02

HAP
 OCT 15/08

21-23-01-02
 PAGE 0B

BOEING
 737-600/700/800/900
 PARTS CATALOG (MAINTENANCE)



E 21230102 SH1 4 REV 018

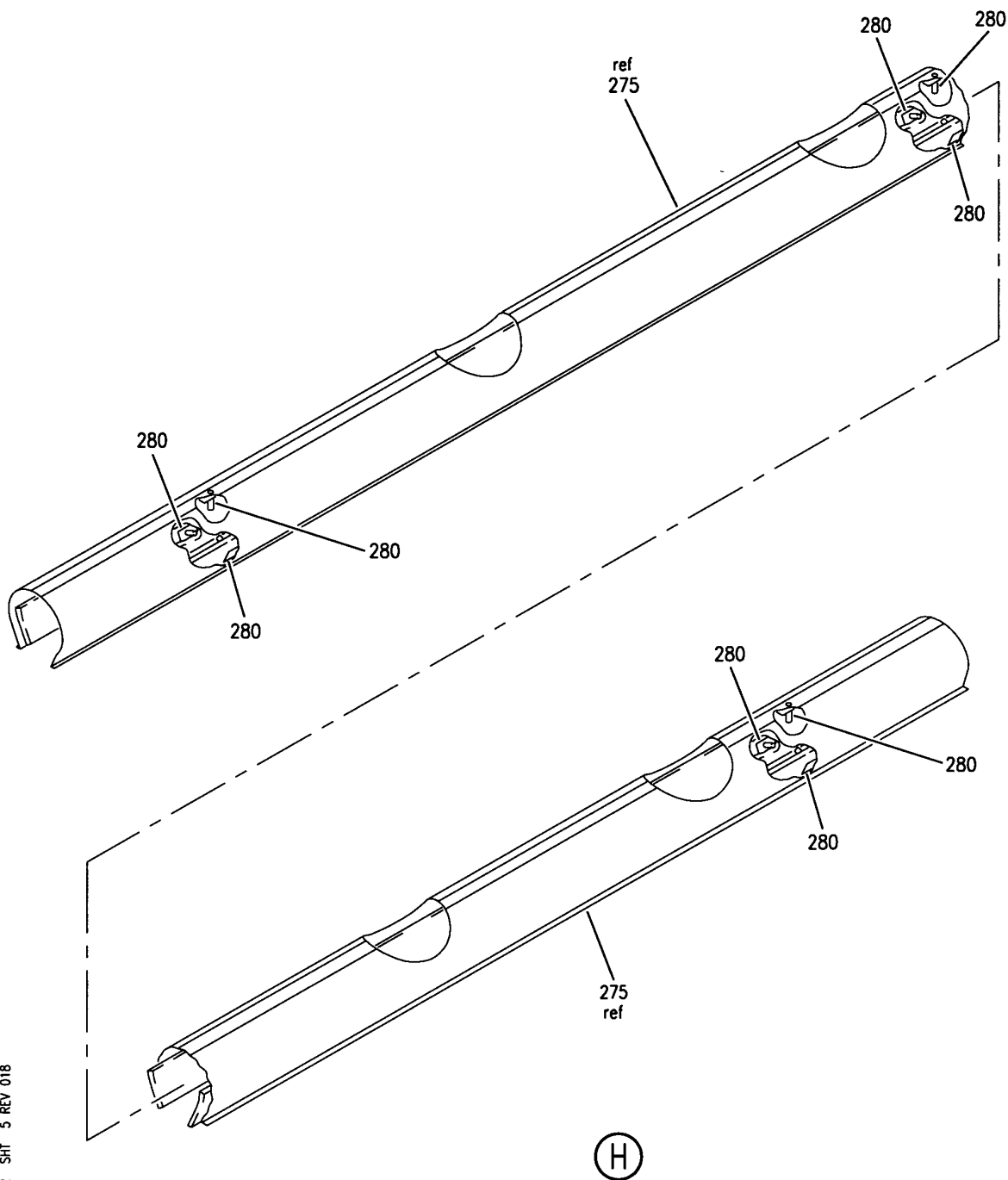
DUCT INSTL-OVERHEAD AIR DISTR SYS
 FIGURE 2 (SHEET 4)

21-23-01-02

HAP
 OCT 15/08

21-23-01-02
 PAGE 0C

BOEING
737-600/700/800/900
PARTS CATALOG (MAINTENANCE)



E 21230102 SHT 5 REV 018

DUCT INSTL-OVERHEAD AIR DISTR SYS
FIGURE 2 (SHEET 5)

21-23-01-02

HAP
OCT 15/08

21-23-01-02
PAGE 0D

BOEING
737-600/700/800/900
PARTS CATALOG (MAINTENANCE)

FIG ITEM	PART NUMBER	1 2 3 4 5 6 7	NOMENCLATURE	EFFECT FROM TO	UNITS PER ASSY
2			DUCT INSTL-OVERHEAD AIR DISTR SYS	201967	
- 1	214A2003-5SP		DUCT INSTL-OVERHEAD AIR DISTR SYS POSITION DATA: AFT FOR NHA SEE: 21-20-00-09B	201967	RF
5	BACP18BC02C04P		.PIN	201967	2
10	BACB30NR4K5		.BOLT	201967	10
15	BACB30NM3K4		.BOLT-	201967	6
20	BACW10P271TF		.WASHER	201967	20
25	NAS1149D0463J		.WASHER	201967	10
30	NAS1149D0416J		.WASHER	201967	2
35	NAS1149D0516J		.WASHER	201967	2
40	BACW10BN3AP		.WASHER	201967	6
45	MS21042L5		.NUT-	201967	2
50	AN316-5R		.NUT	201967	2
55	T012L0		.STRAP SUPPLIER CODE: V53421 SPECIFICATION NUMBER: BACS38K6	201967	3
60	MLT2S		.TIE- SUPPLIER CODE: V06383	201967	2
65	NAS1922-0750-3		.CLAMP	201967	3
70	NAS1922-0625-3		.CLAMP	201967	3
75	214T3424-11		.SUPPORT	201967	3
80	214N2035-1		.PIN	201967	4
85	MS20392-3C21		.PIN	201967	2
90	412N2030-51		.DIAGONAL ASSY	201967	2
95	MS24665-132		..PIN	201967	1
100	MS20392-3C17		..PIN	201967	1
105	AN960PD416L		..WASHER	201967	1
110	412N2031-1		..CLEVIS- MANUFACTURED FROM: 412N2031-2	201967	1
115	1293-29		..ROD ASSY- SUPPLIER CODE: V34742	201967	1
118	412N2032-3		..INSULATOR- MANUFACTURED FROM: FIN F-6.10 COMPRESSION MOLDED PHENOLIC, GLASS FIBER FILLED PER BMS8-271A, TYPE 1	201967	1

MISSING ITEM NUMBERS NOT APPLICABLE

- ITEM NOT ILLUSTRATED

HAP

21-23-01-02

21-23-01
FIG. 02
PAGE 1
OCT 15/08

BOEING
737-600/700/800/900
PARTS CATALOG (MAINTENANCE)

FIG ITEM	PART NUMBER	1 2 3 4 5 6 7	NOMENCLATURE	EFFECT FROM TO	UNITS PER ASSY
2					
118	412N2032-4		.. INSULATOR- MANUFACTURED FROM: FIN F-6.10 COMPRESSION MOLDED PHENOLIC, GLASS FIBER FILLED PER BMS8-271A, TYPE 1	201967	1
120	AS1506-30D32		. SLEEVE	201967	1
125	AS1506-24D32		. SLEEVE	201967	1
127	214A2106-15		. DUCT ASSY	201967	1
130	214N2166-2		. DUCT	201967	1
140	214A2003-6SP		. DUCT ASSY-	201967	1
145	69-42789-1SP		.. COVER	201967	2
150	214A2110-1SP		.. COVER	201967	1
155	214A2107-20		.. DUCT SEGMENT ASSY-	201967	1
160	T012LO		... STRAP SUPPLIER CODE: V53421 SPECIFICATION NUMBER: BACS38K6	201967	3
165	NAS1922-0200-3		... CLAMP	201967	8
170	65C36915-1		... MUFFLER ASSY-	201967	4
173	AS1591-08-0070A		... HOSE-	201967	4
175	214A2101-6		... PLENUM ASSY	201967	1
180	214N2169-1	 CAP	201967	2
185	BACS12GU3K7	 SCREW	201967	15
190	NAS1149D0332J	 WASHER	201967	15
200	214A2111-1	 BRACKET	201967	3
205	65C36910-1	 BRACKET ASSY	201967	2
210	SL8113-3	 MOUNT- SUPPLIER CODE: V97393 SPECIFICATION NUMBER: S411T100-901 OPTIONAL PART: DE819 V71985 ATTACHING PARTS	201967	2
- 215	BACR15BA4D	 RIVET- SIZE DETERMINED ON INSTL. -----*-----	201967	4
220	65C36911-1	 BRACKET	201967	1
225	65C36910-3	 BRACKET ASSY	201967	1

MISSING ITEM NUMBERS NOT APPLICABLE

- ITEM NOT ILLUSTRATED

HAP

21-23-01-02

BOEING PROPRIETARY - Copyright © - Unpublished Work - See title page for details.

21-23-01
FIG. 02
PAGE 2
JUN 15/09

BOEING
737-600/700/800/900
PARTS CATALOG (MAINTENANCE)

FIG ITEM	PART NUMBER	1 2 3 4 5 6 7	NOMENCLATURE	EFFECT FROM TO	UNITS PER ASSY
2					
230	SL8113-3	MOUNT- SUPPLIER CODE: V97393 SPECIFICATION NUMBER: S411T100-901 OPTIONAL PART: DE819 V71985 ATTACHING PARTS	201967	2
- 235	BACR15BA4D	RIVET- SIZE DETERMINED ON INSTL. -----*-----	201967	4
240	BACB30NX6K	BOLT- SIZE DETERMINED ON INSTL.	201967	4
245	BACC30X	COLLAR- SIZE DETERMINED ON INSTL.	201967	4
250	214N2161-2	BRACKET	201967	1
255	214N2161-3	BRACKET	201967	1
260	65C36911-1	BRACKET	201967	1
265	214A2103-9	NOZZLE ASSY	201967	1
270	214A2104-9	RESTRICTOR ASSY	201967	1
275	214A2102-9	PLENUM ASSY	201967	1
280	214N2178-1	NUTPLATE ASSY- OPTIONAL PART: CB2010CR3CRP V66530	201967	9
280	CB2010CR3CRP	NUTPLATE- SUPPLIER CODE: V66530 OPTIONAL PART: 214N2178-1	201967	9
305	65C36940-1	OUTLET ASSY	201967	4
320	214A2106-37	...	DUCT ASSY-	201967	1
325	214A2107-7	..	DUCT ASSY	201967	1
330	214N2184-1	...	SPACER	201967	2
335	T012L0	...	STRAP SUPPLIER CODE: V53421 SPECIFICATION NUMBER: BACS38K6	201967	2
340	NAS1922-0200-3	...	CLAMP	201967	4
345	214A2101-7	...	PLENUM ASSY	201967	1
350	AS1591-08-0090A	...	DUCT	201967	2
355	214A2106-13	...	DUCT ASSY	201967	1
370	411A4904-9	.	STRIP-FELT SEAL OPTIONAL PART: 214A2003-100 214A2003-101	201967	AR

MISSING ITEM NUMBERS NOT APPLICABLE

- ITEM NOT ILLUSTRATED

HAP

21-23-01-02

BOEING PROPRIETARY - Copyright © - Unpublished Work - See title page for details.

21-23-01
FIG. 02
PAGE 3
JUN 15/09


BOEING
 737-600/700/800/900
PARTS CATALOG (MAINTENANCE)

FIG ITEM	PART NUMBER	1 2 3 4 5 6 7	NOMENCLATURE	EFFECT FROM TO	UNITS PER ASSY
2 370	214A2003-101		.STRIP-FELT SEAL OPTIONAL PART: 411A4904-9 214A2003-100	201967	AR
- 375	214A2003-100		.TRAP-MOISTURE OPTIONAL PART: 411A4904-9 214A2003-101	201967	AR

MISSING ITEM NUMBERS NOT APPLICABLE

- ITEM NOT ILLUSTRATED

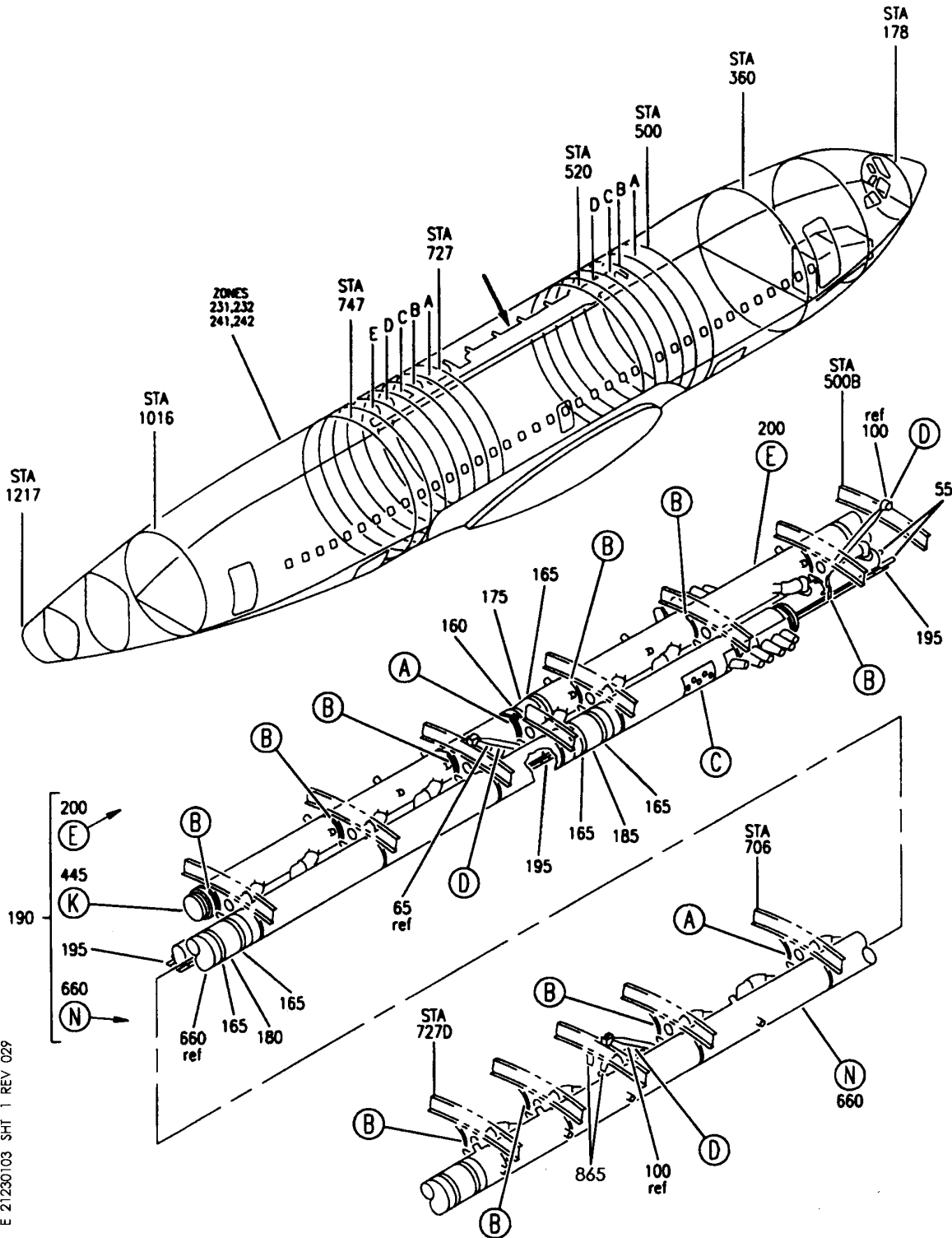
HAP

21-23-01-02

BOEING PROPRIETARY - Copyright © - Unpublished Work - See title page for details.

21-23-01
 FIG. 02
 PAGE 4
 JUN 15/09

BOEING
737-600/700/800/900
PARTS CATALOG (MAINTENANCE)



E 21230103 SHT 1 REV 029

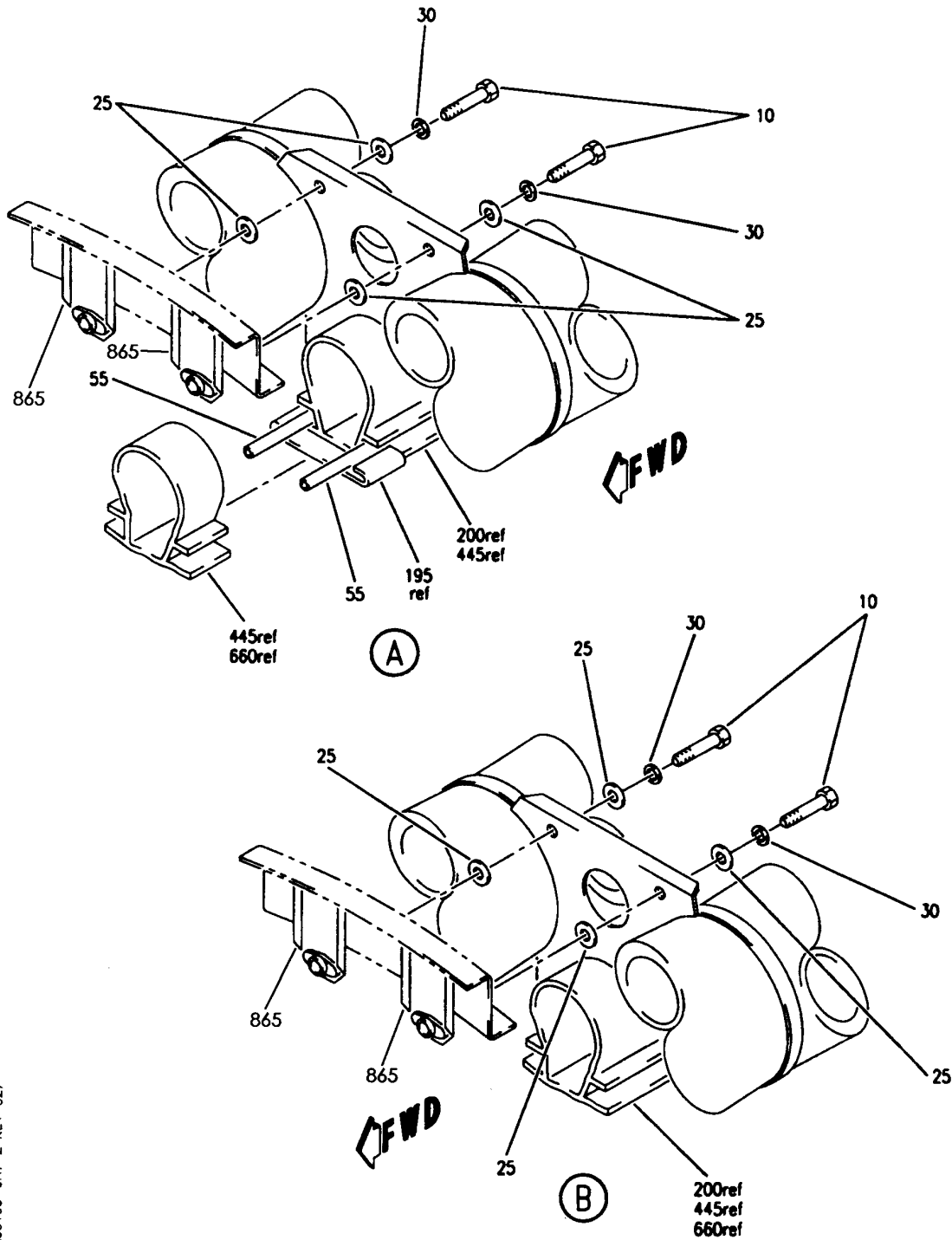
DUCT INSTL-MID OVERHEAD AIR DISTR SYS
FIGURE 3 (SHEET 1)

21-23-01-03

HAP
OCT 15/08

21-23-01-03
PAGE 0

BOEING
 737-600/700/800/900
 PARTS CATALOG (MAINTENANCE)



E 21230103 SHT 2 REV 029

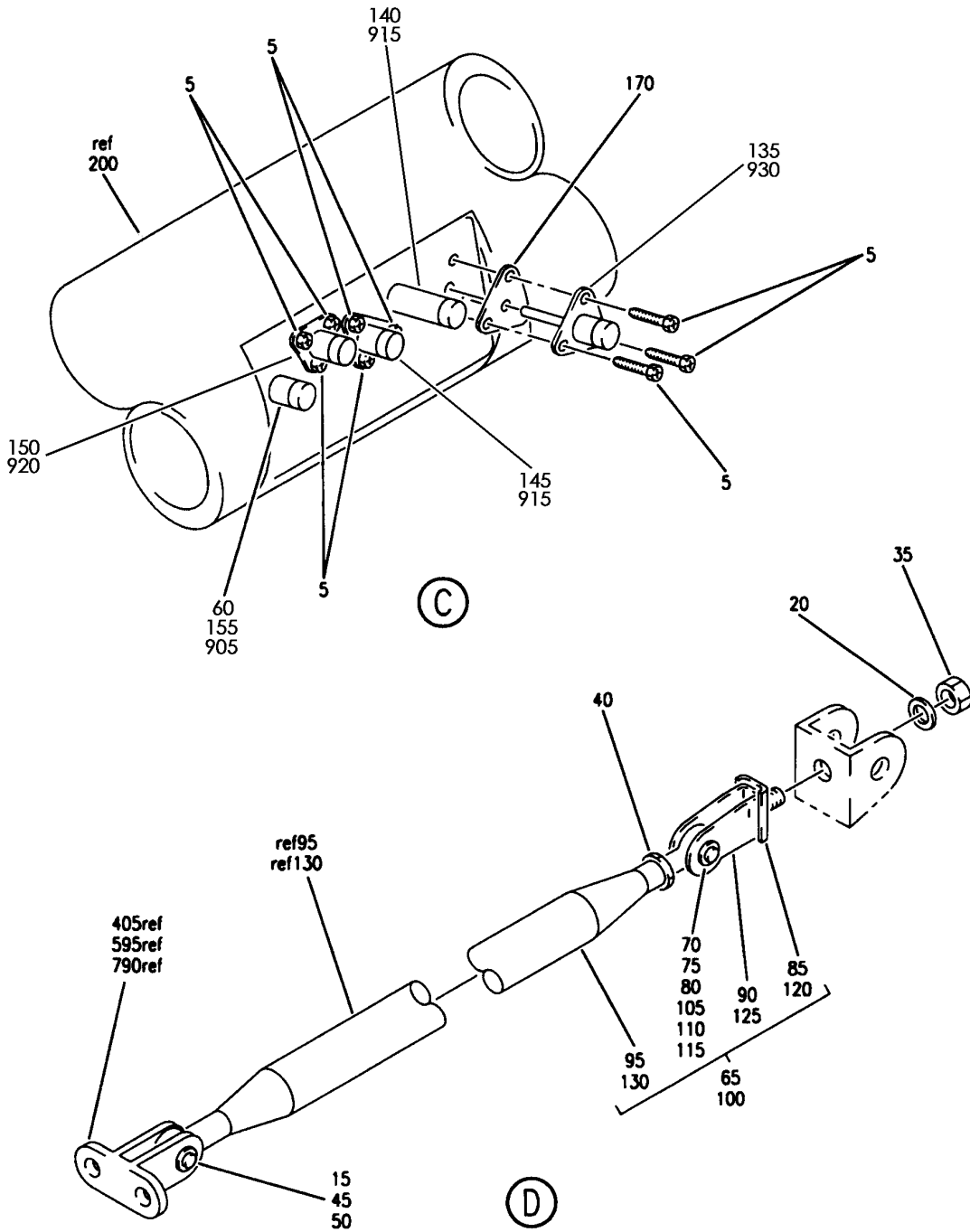
DUCT INSTL-MID OVERHEAD AIR DISTR SYS
 FIGURE 3 (SHEET 2)

21-23-01-03

HAP
 OCT 15/08

21-23-01-03
 PAGE 0A

BOEING
 737-600/700/800/900
 PARTS CATALOG (MAINTENANCE)



E 21230103 SHT 3 REV 034

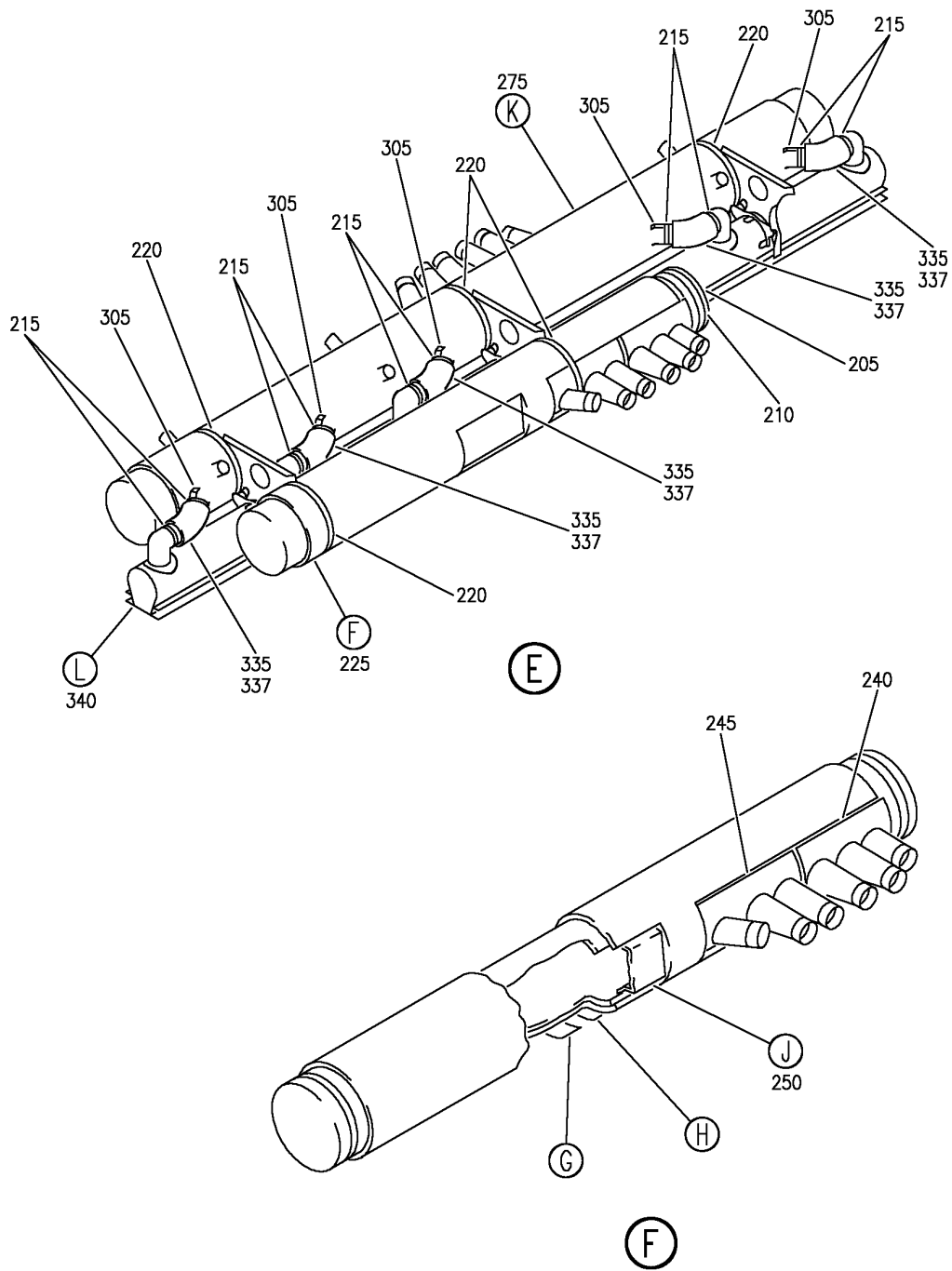
DUCT INSTL-MID OVERHEAD AIR DISTR SYS
 FIGURE 3 (SHEET 3)

21-23-01-03

HAP
 OCT 15/08

21-23-01-03
 PAGE 0B

BOEING
 737-600/700/800/900
 PARTS CATALOG (MAINTENANCE)



E 21230103 SH1 4 REV 155

DUCT INSTL-MID OVERHEAD AIR DISTR SYS
 FIGURE 3 (SHEET 4)

21-23-01-03

HAP
 JUN 15/09

21-23-01-03
 PAGE 0C

BOEING
737-600/700/800/900
PARTS CATALOG (MAINTENANCE)

235

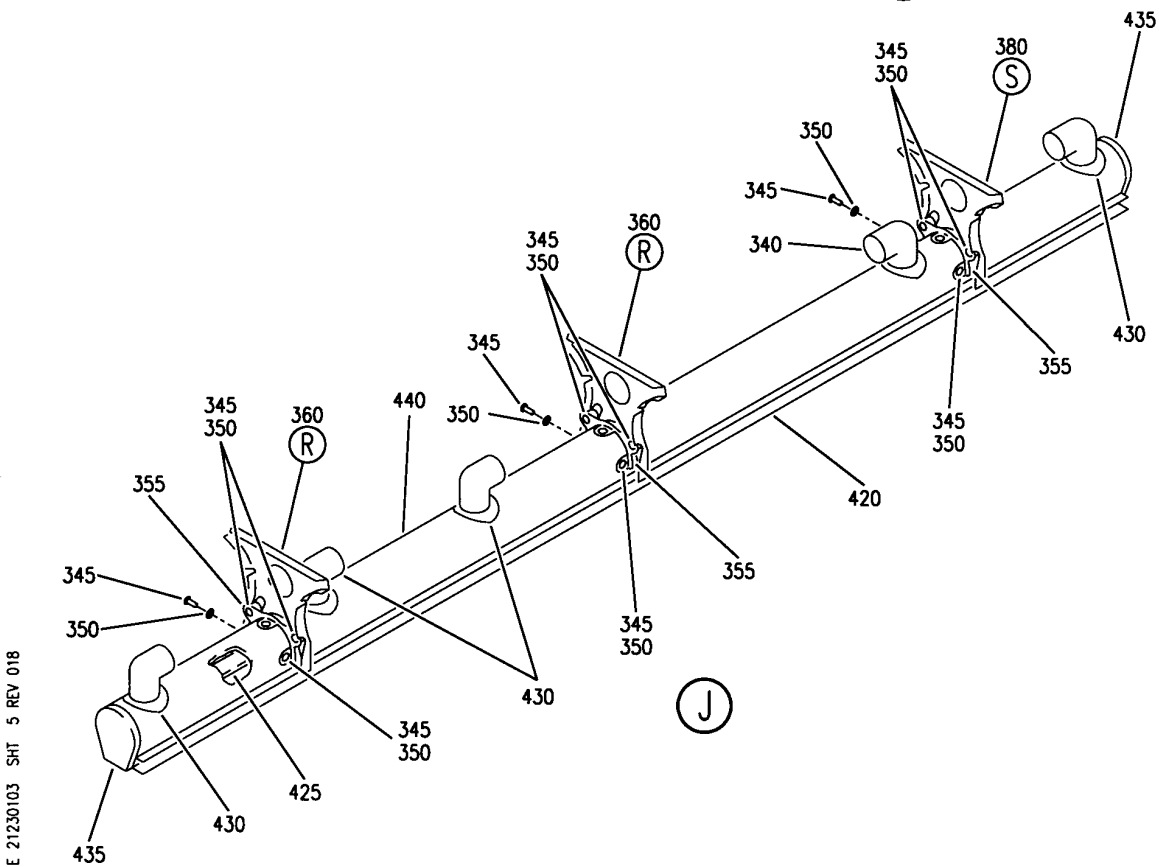
PASSENGER CABIN SUPPLY DUCT TEMP BULB	T00402 M/W D00094
PASSENGER CABIN DUCT ANTICIPATOR	T00417 M/W D00520

230

PASSENGER CABIN DUCT LIMIT SENSOR	T00416 M/W D00518
PASSENGER CABIN DUCT OVERHEAT SWITCH 190° F	S00014
PASSENGER CABIN DUCT OVERHEAT SWITCH 250° F	S00006 M/W D00540

G

H



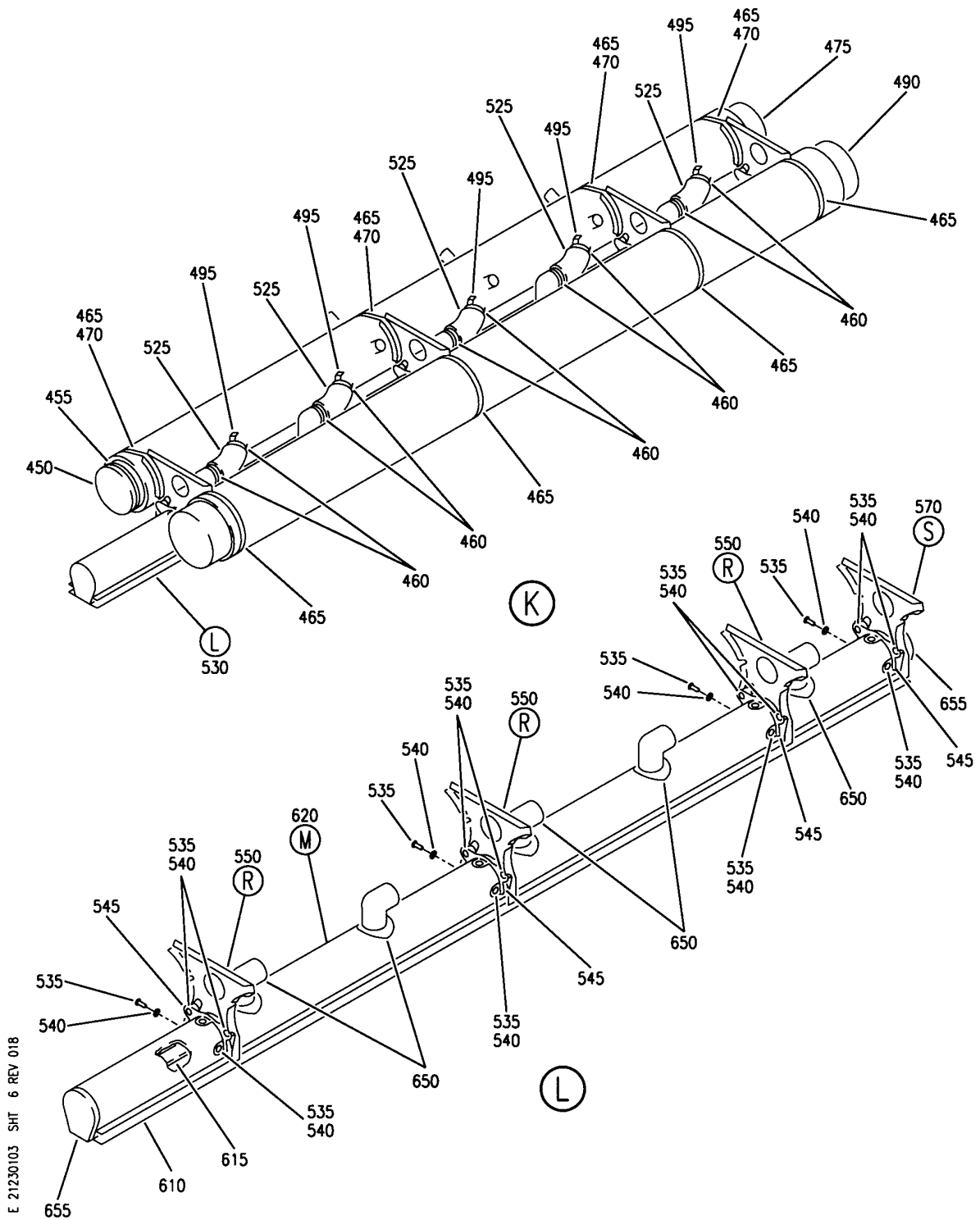
DUCT INSTL-MID OVERHEAD AIR DISTR SYS
FIGURE 3 (SHEET 5)

21-23-01-03

HAP
OCT 15/08

21-23-01-03
PAGE 0D

BOEING
 737-600/700/800/900
 PARTS CATALOG (MAINTENANCE)



E 21230103 SH1 6 REV 018

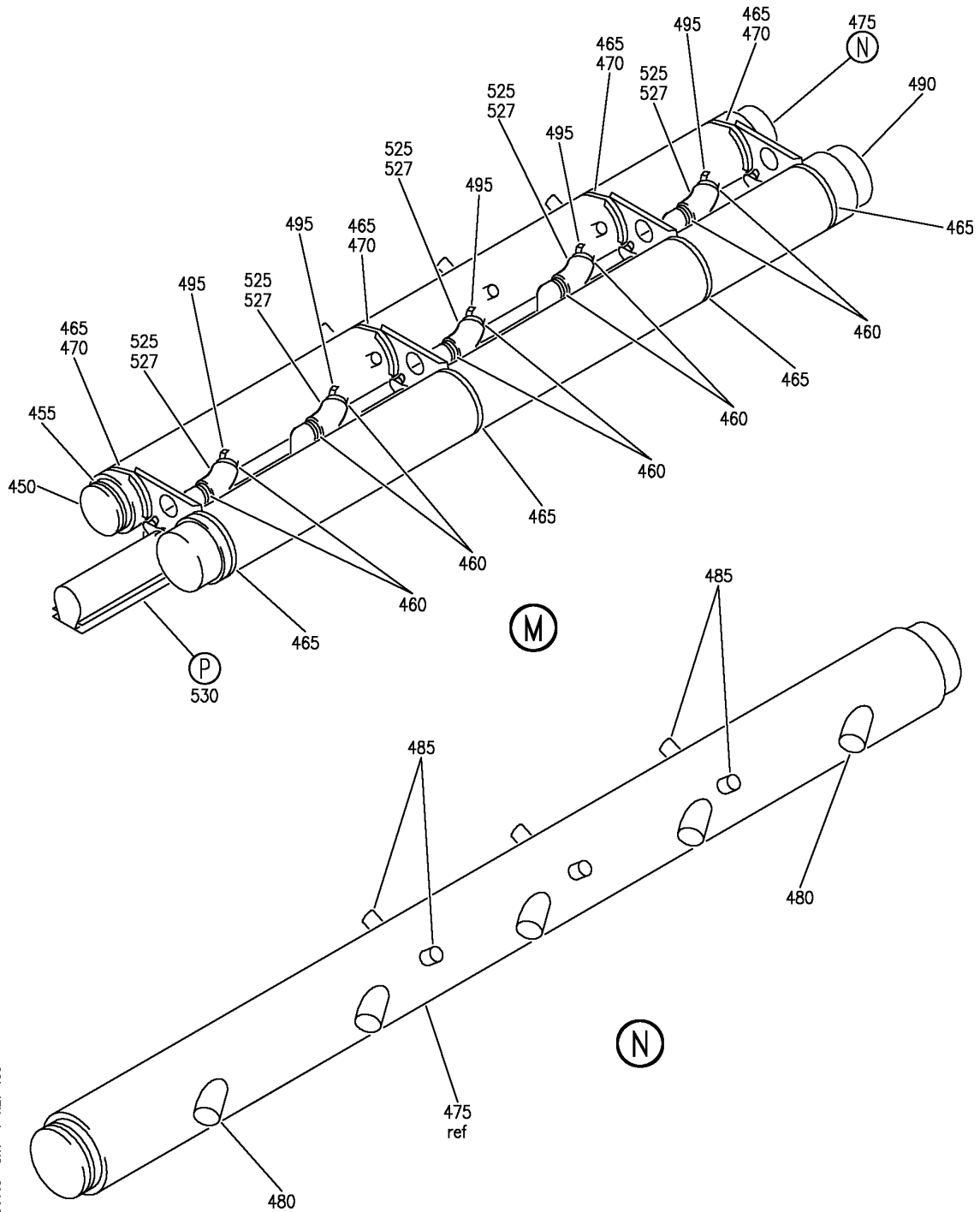
DUCT INSTL-MID OVERHEAD AIR DISTR SYS
 FIGURE 3 (SHEET 6)

21-23-01-03

HAP
 OCT 15/08

21-23-01-03
 PAGE 0E

BOEING
 737-600/700/800/900
 PARTS CATALOG (MAINTENANCE)



E 21230103 SHT 7 REV 155

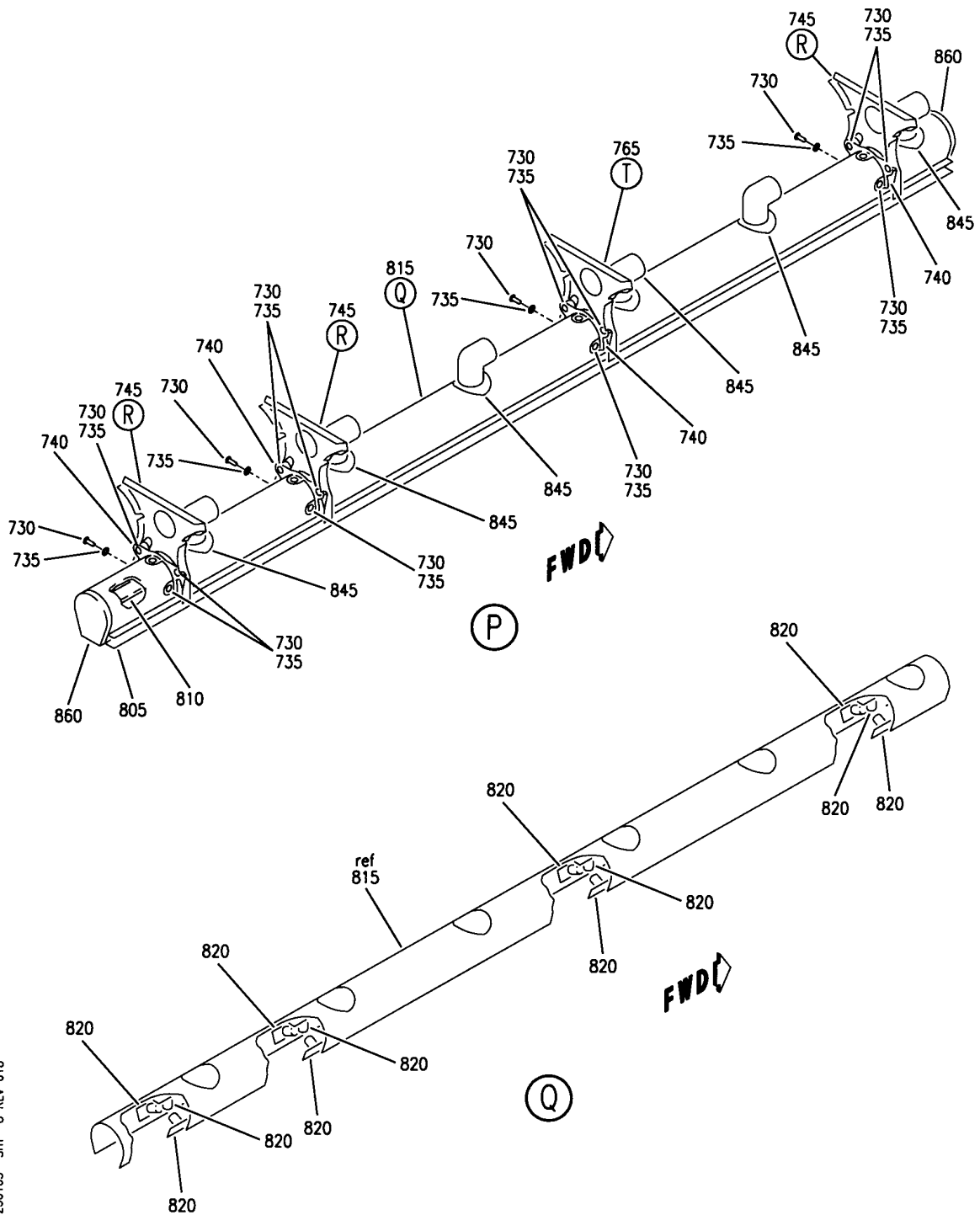
DUCT INSTL-MID OVERHEAD AIR DISTR SYS
 FIGURE 3 (SHEET 7)

21-23-01-03

HAP
 JUN 15/09

21-23-01-03
 PAGE OF

BOEING
 737-600/700/800/900
 PARTS CATALOG (MAINTENANCE)



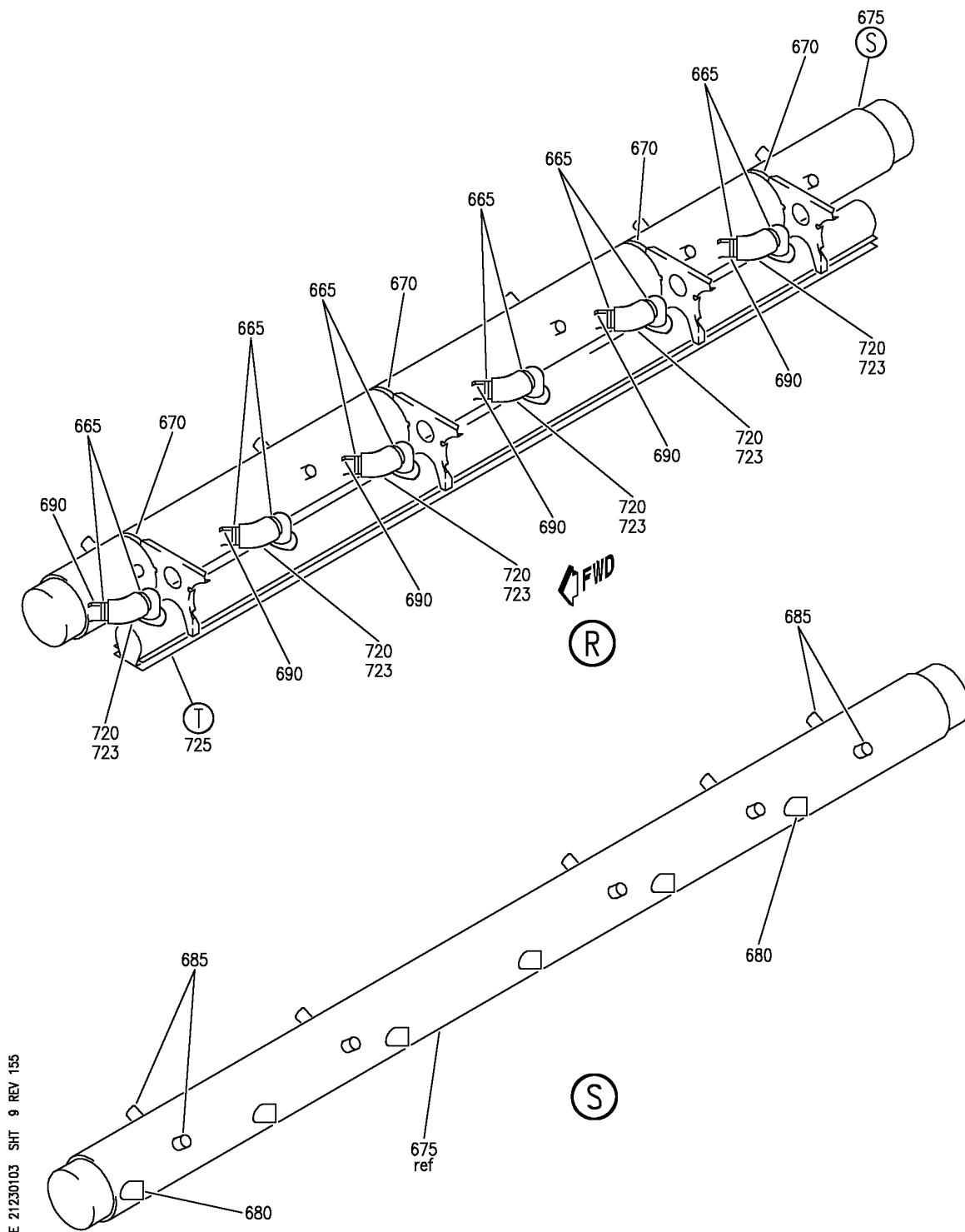
DUCT INSTL-MID OVERHEAD AIR DISTR SYS
 FIGURE 3 (SHEET 8)

21-23-01-03

HAP
 OCT 15/08

21-23-01-03
 PAGE 08

BOEING
 737-600/700/800/900
 PARTS CATALOG (MAINTENANCE)



E 21230103 SHT 9 REV 155

DUCT INSTL-MID OVERHEAD AIR DISTR SYS
 FIGURE 3 (SHEET 9)

21-23-01-03

HAP
 JUN 15/09

21-23-01-03
 PAGE 0H

BOEING
737-600/700/800/900
PARTS CATALOG (MAINTENANCE)

FIG ITEM	PART NUMBER	1 2 3 4 5 6 7	NOMENCLATURE	EFFECT FROM TO	UNITS PER ASSY
3			DUCT INSTL-MID OVERHEAD AIR DISTR SYS	201967	
- 1	214A2002-5SP		DUCT INSTL-MID OVERHEAD AIR DISTR SYS FOR NHA SEE: 21-20-00-09B	201967	RF
5	NAS1802-08-7P		.SCREW	201967	9
10	BACB30NR4K5		.BOLT	201967	22
15	NAS1149D0416J		.WASHER	201967	3
20	NAS1149D0516J		.WASHER	201967	3
25	BACW10P271TF		.WASHER	201967	44
30	NAS1149D0463J		.WASHER	201967	22
35	MS21042L5		.NUT-	201967	3
40	AN316-5R		.NUT	201967	3
45	BACP18BC02C04P		.PIN	201967	3
50	MS20392-3C21		.PIN	201967	3
55	214N2035-1		.PIN	201967	6
60	2-113S383-70		.PACKING SUPPLIER CODE: V02697 SPECIFICATION NUMBER: BACP11J113 OPTIONAL PART: A330-113 V95272 S7E183-113 V95272 13-06-113 V07096 S424-7-2-113 V02697 R1131-113 V57268 AS568-113S32 V11314	201967	1
65	412N2030-49		.DIAGONAL ASSY	201967	1
70	MS24665-132		..PIN	201967	1
75	MS20392-3C17		..PIN	201967	1
80	AN960PD416L		..WASHER	201967	1
85	412N2032-3		..INSULATOR- MANUFACTURED FROM: FIN F-6.10 COMPRESSION MOLDED PHENOLIC, GLASS FIBER FILLED PER BMS8-271A, TYPE 1	201967	1

MISSING ITEM NUMBERS NOT APPLICABLE

- ITEM NOT ILLUSTRATED

HAP

21-23-01-03

BOEING PROPRIETARY - Copyright © - Unpublished Work - See title page for details.

21-23-01
FIG. 03
PAGE 1
OCT 15/08

BOEING
737-600/700/800/900
PARTS CATALOG (MAINTENANCE)

FIG ITEM	PART NUMBER	1 2 3 4 5 6 7	NOMENCLATURE	EFFECT FROM TO	UNITS PER ASSY
3					
85	412N2032-4		.. INSULATOR- MANUFACTURED FROM: FIN F-6.10 COMPRESSION MOLDED PHENOLIC, GLASS FIBER FILLED PER BMS8-271A, TYPE 1	201967	1
90	412N2031-1		.. CLEVIS- MANUFACTURED FROM: 412N2031-2	201967	1
95	1293-27		.. ROD ASSY- SUPPLIER CODE: V34742	201967	1
100	412N2030-51		. DIAGONAL ASSY	201967	2
105	MS24665-132		.. PIN	201967	1
110	MS20392-3C17		.. PIN	201967	1
115	AN960PD416L		.. WASHER	201967	1
120	412N2032-3		.. INSULATOR- MANUFACTURED FROM: FIN F-6.10 COMPRESSION MOLDED PHENOLIC, GLASS FIBER FILLED PER BMS8-271A, TYPE 1	201967	1
120	412N2032-4		.. INSULATOR- MANUFACTURED FROM: FIN F-6.10 COMPRESSION MOLDED PHENOLIC, GLASS FIBER FILLED PER BMS8-271A, TYPE 1	201967	1
125	412N2031-1		.. CLEVIS- MANUFACTURED FROM: 412N2031-2	201967	1
130	1293-29		.. ROD ASSY- SUPPLIER CODE: V34742	201967	1
135	67321-27-250		. SWITCH- SUPPLIER CODE: V73168 SPECIFICATION NUMBER: 10-60924-1 ELECTRICAL EQUIP NUMBER: S00006 MAINTENANCE MANUAL REF: 21-51-42 OPTIONAL PART: 67321-15-250 V73168 1173T212 V98087	201967	1

MISSING ITEM NUMBERS NOT APPLICABLE

- ITEM NOT ILLUSTRATED

HAP

21-23-01-03

BOEING PROPRIETARY - Copyright © - Unpublished Work - See title page for details.

21-23-01
FIG. 03
PAGE 2
OCT 15/08

BOEING
737-600/700/800/900
PARTS CATALOG (MAINTENANCE)

FIG ITEM	PART NUMBER	1 2 3 4 5 6 7	NOMENCLATURE	EFFECT FROM TO	UNITS PER ASSY
3 140	641121-1		.SWITCH ASSY- SUPPLIER CODE: V07217 FUNCTIONAL DESCRIPTION: DETECTS OVERHEAT CONDITIONS IN THE AIR CONDITIONING PNEUMATIC DUCTING. SPECIFICATION NUMBER: S210T130-18 ELECTRICAL EQUIP NUMBER: S00014 COMPONENT MAINT MANUAL REF: 21-51-46 MAINTENANCE MANUAL REF: 21-61-05	201967	1
- 142	MS9385-05		..PACKING MAINTENANCE MANUAL REF: 21-61-05	201967	1
145	548388-1		.SENSOR- SUPPLIER CODE: V07217 SPECIFICATION NUMBER: 10-60498-7 ELECTRICAL EQUIP NUMBER: T00416	201967	1
150	548384-1		.ANTICIPATOR-TEMP SUPPLIER CODE: V07217 SPECIFICATION NUMBER: 10-60498-4 ELECTRICAL EQUIP NUMBER: T00417 MAINTENANCE MANUAL REF: 21-61-08	201967	1
155	MS28034-1		.BULB- ELECTRICAL EQUIP NUMBER: T00402 MAINTENANCE MANUAL REF: 21-61-30	201967	1
160	NAS1922-0625-3		.CLAMP	201967	1
165	NAS1922-0750-3		.CLAMP	201967	5

MISSING ITEM NUMBERS NOT APPLICABLE

- ITEM NOT ILLUSTRATED

HAP

21-23-01-03

BOEING PROPRIETARY - Copyright © - Unpublished Work - See title page for details.

21-23-01
FIG. 03
PAGE 3
JUN 15/09

BOEING
737-600/700/800/900
PARTS CATALOG (MAINTENANCE)

FIG ITEM	PART NUMBER	1 2 3 4 5 6 7	NOMENCLATURE	EFFECT FROM TO	UNITS PER ASSY
R R	3 170	66-3478-3	.GASKET- MAINTENANCE MANUAL REF: 21-51-42 MANUFACTURED FROM: SHEET RUBBER BMS1-11 GRADE 60 .062IN 1.50IN 1.70IN SPARES ORDER MATERIAL CODE: 5210623070	201967	1
	175	214N2166-2	.DUCT	201967	1
	180	AS1506-30D52	.SLEEVE-	201967	1
	185	AS1505-30B0083	.SLEEVE	201967	1
	190	214A2002-6SP	.DUCT ASSY-	201967	1
	195	69-42789-1	..COVER	201967	3
	200	214A2107-3	..DUCT ASSY	201967	1
	205	930810BC	...CAP- SUPPLIER CODE: V25205	201967	1
	210	NAS1922-0750-3	...CLAMP	201967	1
	215	NAS1922-0200-3	...CLAMP	201967	10
	220	T012L0	...STRAP SUPPLIER CODE: V53421 SPECIFICATION NUMBER: BACS38K6	201967	5
	225	214A2108-3	...DUCT ASSY	201967	1
	230	BAC27DAC0048DECAL- PLACARD CONTENT: PASSENGER CABIN DUCT OVERHEAT SWITCH 250 F S00006 M/W D00540	201967	1
	235	BAC27DAC0049DECAL	201967	1
	275	214A2108-1	...DUCT ASSY	201967	1
	305	214T3436-1831	...ORIFICE ASSY- OPTIONAL PART: 214T3436-601	201967	5
	305	214T3436-601	...ORIFICE ASSY- OPTIONAL PART: 214T3436-1831	201967	5
	335	65C36915-1	...MUFFLER ASSY-	201967	5
	337	AS1591-08-0070A	...HOSE-	201967	5
	340	214A2101-3	...PLENUM ASSY	201967	1
	345	BACS12GU3K7SCREW	201967	15
	350	NAS1149D0332JWASHER	201967	15
	355	214A2111-1BRACKET	201967	3
360	65C36910-1BRACKET ASSY	201967	2	

MISSING ITEM NUMBERS NOT APPLICABLE

- ITEM NOT ILLUSTRATED

HAP

21-23-01-03

21-23-01
FIG. 03
PAGE 4
JUN 15/09

BOEING
737-600/700/800/900
PARTS CATALOG (MAINTENANCE)

FIG ITEM	PART NUMBER	1 2 3 4 5 6 7	NOMENCLATURE	EFFECT FROM TO	UNITS PER ASSY
3					
365	SL8113-3	MOUNT- SUPPLIER CODE: V97393 SPECIFICATION NUMBER: S411T100-901 OPTIONAL PART: DE819 V71985 ATTACHING PARTS	201967	2
- 370	BACR15BA4D	RIVET- SIZE DETERMINED ON INSTL. -----*-----	201967	4
375	65C36911-1	BRACKET	201967	1
380	65C36910-2	BRACKET ASSY	201967	1
385	SL8113-3	MOUNT- SUPPLIER CODE: V97393 SPECIFICATION NUMBER: S411T100-901 OPTIONAL PART: DE819 V71985 ATTACHING PARTS	201967	2
- 390	BACR15BA4D	RIVET- SIZE DETERMINED ON INSTL. -----*-----	201967	4
395	BACB30NX6K	BOLT- SIZE DETERMINED ON INSTL.	201967	4
400	BACC30X	COLLAR	201967	4
405	214N2161-2	BRACKET	201967	1
410	214N2161-3	BRACKET	201967	1
415	65C36911-1	BRACKET	201967	1
420	65C36906-8	NOZZLE ASSY	201967	1
425	65C36907-15	RESTRICTOR ASSY	201967	1
430	65C36940-1	OUTLET ASSY	201967	5
435	214N2169-1	CAP	201967	2
440	65C36905-15	PLENUM ASSY	201967	1
445	214A2107-4	..	DUCT ASSY- OPTIONAL PART: 214A2107-18	201967	1
445	214A2107-18	..	DUCT ASSY- OPTIONAL PART: 214A2107-4	201967	1
450	841006-1	...	CAP- SUPPLIER CODE: V25205	201967	1
455	NAS1922-0625-3	...	CLAMP	201967	1
460	NAS1922-0200-3	...	CLAMP	201967	10

MISSING ITEM NUMBERS NOT APPLICABLE

- ITEM NOT ILLUSTRATED

HAP

21-23-01-03

21-23-01
FIG. 03
PAGE 5
JUN 15/09

BOEING
737-600/700/800/900
PARTS CATALOG (MAINTENANCE)

FIG ITEM	PART NUMBER	1 2 3 4 5 6 7	NOMENCLATURE	EFFECT FROM TO	UNITS PER ASSY
3					
465	T012L0	...	STRAP SUPPLIER CODE: V53421 SPECIFICATION NUMBER: BACS38K6	201967	8
470	214N2184-1	...	SPACER	201967	4
475	214A2106-5	...	DUCT ASSY	201967	1
490	214A2106-7	...	DUCT ASSY- USED ON: 214A2107-4	201967	1
490	214A2106-33	...	DUCT ASSY- USED ON: 214A2107-18	201967	1
495	214T3436-1834	...	ORIFICE ASSY- OPTIONAL PART: 214T3436-1546	201967	5
495	214T3436-1546	...	ORIFICE ASSY- OPTIONAL PART: 214T3436-1834	201967	5
R	525	65C36915-1	...MUFFLER ASSY-	201967	5
R	527	AS1591-08-0070A	...HOSE-	201967	5
	530	214A2101-4	...PLENUM ASSY	201967	1
	535	BACS12GU3K7SCREW	201967	20
	540	NAS1149D0332JWASHER	201967	20
	545	214A2111-1BRACKET	201967	4
	550	65C36910-1BRACKET ASSY	201967	3
	555	SL8113-3MOUNT- SUPPLIER CODE: V97393 SPECIFICATION NUMBER: S411T100-901 OPTIONAL PART: DE819 V71985 ATTACHING PARTS	201967	2
-	560	BACR15BA4DRIVET- SIZE DETERMINED ON INSTL. -----*-----	201967	4
	565	65C36911-1BRACKET	201967	1
	570	65C36910-3BRACKET ASSY-	201967	1
	575	SL8113-3MOUNT- SUPPLIER CODE: V97393 SPECIFICATION NUMBER: S411T100-901 OPTIONAL PART: DE819 V71985	201967	2

MISSING ITEM NUMBERS NOT APPLICABLE

- ITEM NOT ILLUSTRATED

HAP

21-23-01-03

21-23-01
FIG. 03
PAGE 6
JUN 15/09

BOEING
737-600/700/800/900
PARTS CATALOG (MAINTENANCE)

FIG ITEM	PART NUMBER	1 2 3 4 5 6 7	NOMENCLATURE	EFFECT FROM TO	UNITS PER ASSY
3			ATTACHING PARTS		
- 580	BACR15BA4D	RIVET- SIZE DETERMINED ON INSTL. -----*-----	201967	4
585	BACB30NX6K	BOLT- SIZE DETERMINED ON INSTL.	201967	4
590	BACC30X	COLLAR	201967	4
595	214N2161-2	BRACKET	201967	1
600	214N2161-3	BRACKET	201967	1
605	65C36911-1	BRACKET	201967	1
610	214A2103-5	NOZZLE ASSY	201967	1
615	214A2104-5	RESTRICTOR ASSY	201967	1
620	214A2102-5	PLENUM ASSY	201967	1
625	214N2178-1	NUTPLATE ASSY- OPTIONAL PART: CB2010CR3CRP V66530	201967	12
625	CB2010CR3CRP	NUTPLATE- SUPPLIER CODE: V66530 OPTIONAL PART: 214N2178-1	201967	12
650	65C36940-1	OUTLET ASSY	201967	5
655	214N2169-1	CAP	201967	2
660	214A2107-19	..	DUCT ASSY-	201967	1
665	NAS1922-0200-3	...	CLAMP	201967	12
670	T012L0	...	STRAP SUPPLIER CODE: V53421 SPECIFICATION NUMBER: BACS38K6	201967	4
675	214A2106-35	...	DUCT ASSY-	201967	1
690	214T3436-1754	...	ORIFICE ASSY- OPTIONAL PART: 214T3436-1828	201967	6
690	214T3436-1828	...	ORIFICE ASSY- OPTIONAL PART: 214T3436-1754	201967	6
R 720	65C36915-1	...	MUFFLER ASSY-	201967	6
R 723	AS1591-08-0070A	...	HOSE-	201967	6
725	214A2101-5	...	PLENUM ASSY	201967	1
730	BACS12GU3K7	SCREW	201967	20
735	NAS1149D0332J	WASHER	201967	20
740	214A2111-1	BRACKET	201967	4
745	65C36910-1	BRACKET ASSY	201967	3

MISSING ITEM NUMBERS NOT APPLICABLE

- ITEM NOT ILLUSTRATED

HAP

21-23-01-03

21-23-01
FIG. 03
PAGE 7
JUN 15/09

BOEING
737-600/700/800/900
PARTS CATALOG (MAINTENANCE)

FIG ITEM	PART NUMBER	1 2 3 4 5 6 7	NOMENCLATURE	EFFECT FROM TO	UNITS PER ASSY
3					
750	SL8113-3	MOUNT- SUPPLIER CODE: V97393 SPECIFICATION NUMBER: S411T100-901 OPTIONAL PART: DE819 V71985 ATTACHING PARTS	201967	2
- 755	BACR15BA4D	RIVET- SIZE DETERMINED ON INSTL. -----*-----	201967	4
760	65C36911-1	BRACKET	201967	1
765	65C36910-3	BRACKET ASSY	201967	1
770	SL8113-3	MOUNT- SUPPLIER CODE: V97393 SPECIFICATION NUMBER: S411T100-901 OPTIONAL PART: DE819 V71985 ATTACHING PARTS	201967	2
- 775	BACR15BA4D	RIVET- SIZE DETERMINED ON INSTL. -----*-----	201967	2
780	BACB30NX6K	BOLT- SIZE DETERMINED ON INSTL.	201967	4
785	BACC30X	COLLAR	201967	4
790	214N2161-2	BRACKET	201967	1
795	214N2161-3	BRACKET	201967	1
800	65C36911-1	BRACKET	201967	1
805	214A2103-7	NOZZLE ASSY	201967	1
810	214A2104-7	RESTRICTOR ASSY	201967	1
815	214A2102-7	PLENUM ASSY	201967	1
820	214N2178-1	NUTPLATE ASSY- OPTIONAL PART: CB2010CR3CRP V66530	201967	12
820	CB2010CR3CRP	NUTPLATE- SUPPLIER CODE: V66530 OPTIONAL PART: 214N2178-1	201967	12
845	65C36940-1	OUTLET ASSY	201967	6
860	214N2169-1	CAP	201967	2

MISSING ITEM NUMBERS NOT APPLICABLE

- ITEM NOT ILLUSTRATED

HAP

21-23-01-03

21-23-01
FIG. 03
PAGE 8
JUN 15/09

BOEING
737-600/700/800/900
PARTS CATALOG (MAINTENANCE)

FIG ITEM	PART NUMBER	1 2 3 4 5 6 7	NOMENCLATURE	EFFECT FROM TO	UNITS PER ASSY
3					
865	411A4904-9	.	STRIP-FELT SEAL OPTIONAL PART: 214A2002-100 214A2002-101	201967	AR
865	214A2002-100	.	TRAP-MOISTURE OPTIONAL PART: 411A4904-9 214A2002-101	201967	AR
865	214A2002-101	.	STRIP-FELT SEAL OPTIONAL PART: 411A4904-9 214A2002-100	201967	AR
- 900	286A4142-020		WIRE BUNDLE ASSY-EMER EXIT LT POSITION DATA: RH	201967	RF
905	BACC63CE12S3S	.	CONNECTOR- ELECTRICAL EQUIP NUMBER: D00094 WIRING DIAGRAM REF: 216151	201967	1
- 910	286A6230-005		WIRE BUNDLE ASSY-DISC	201967	RF
915	BACC45FT10-5S	.	CONNECTOR- ELECTRICAL EQUIP NUMBER: D00518 D11362 WIRING DIAGRAM REF: 216122	201967	1
920	BACC45FT12-3S	.	CONNECTOR- ELECTRICAL EQUIP NUMBER: D00520 WIRING DIAGRAM REF: 216122	201967	1
- 925	286A6528-003		WIRE BUNDLE ASSY-DISC	201967	RF
930	BACC63CB10-5S8	.	CONNECTOR- ELECTRICAL EQUIP NUMBER: D00540 WIRING DIAGRAM REF: 216125	201967	1

MISSING ITEM NUMBERS NOT APPLICABLE

- ITEM NOT ILLUSTRATED

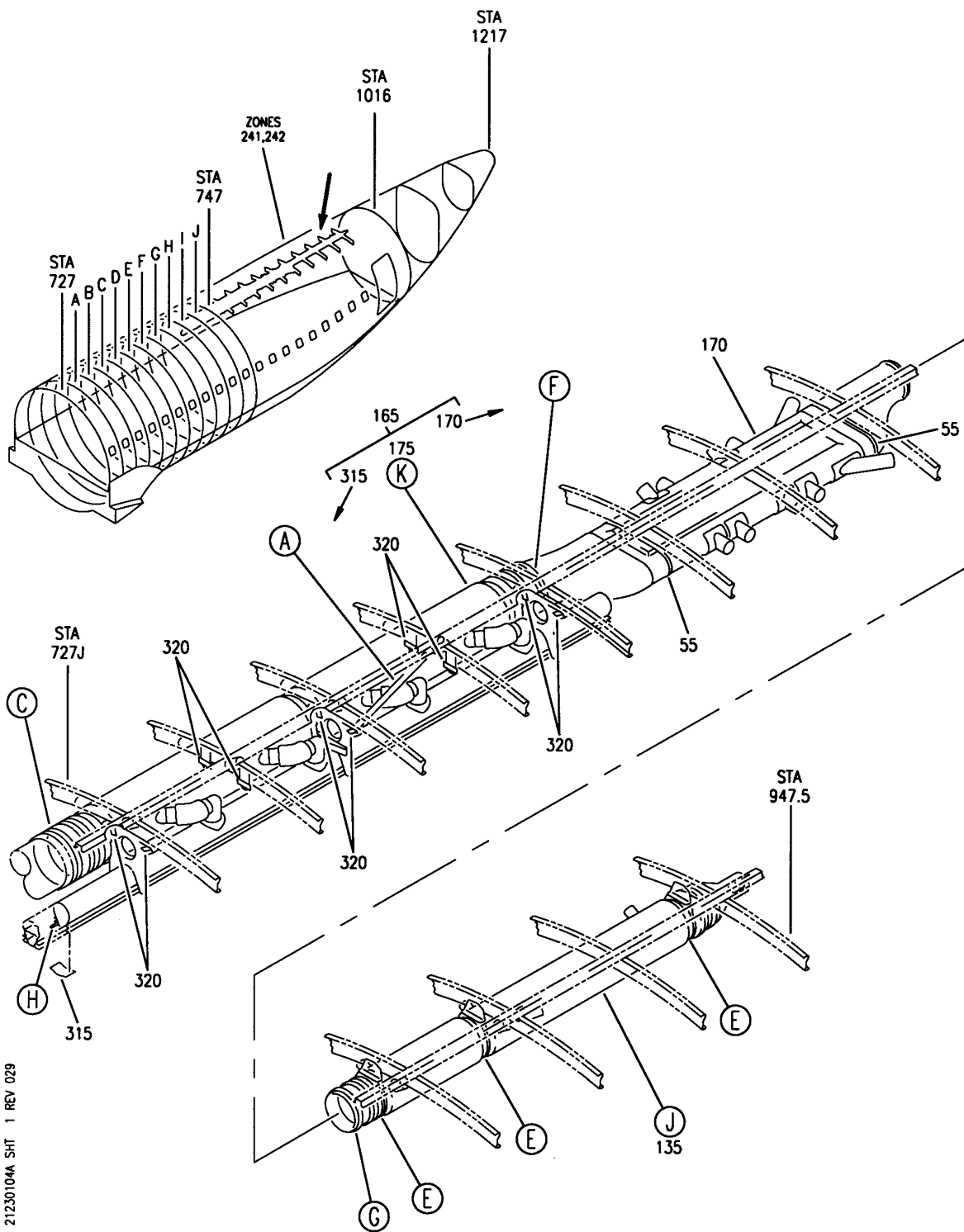
HAP

21-23-01-03

BOEING PROPRIETARY - Copyright © - Unpublished Work - See title page for details.

21-23-01
FIG. 03
PAGE 9
JUN 15/09

BOEING
 737-600/700/800/900
 PARTS CATALOG (MAINTENANCE)



E 21230104A SHT 1 REV 029

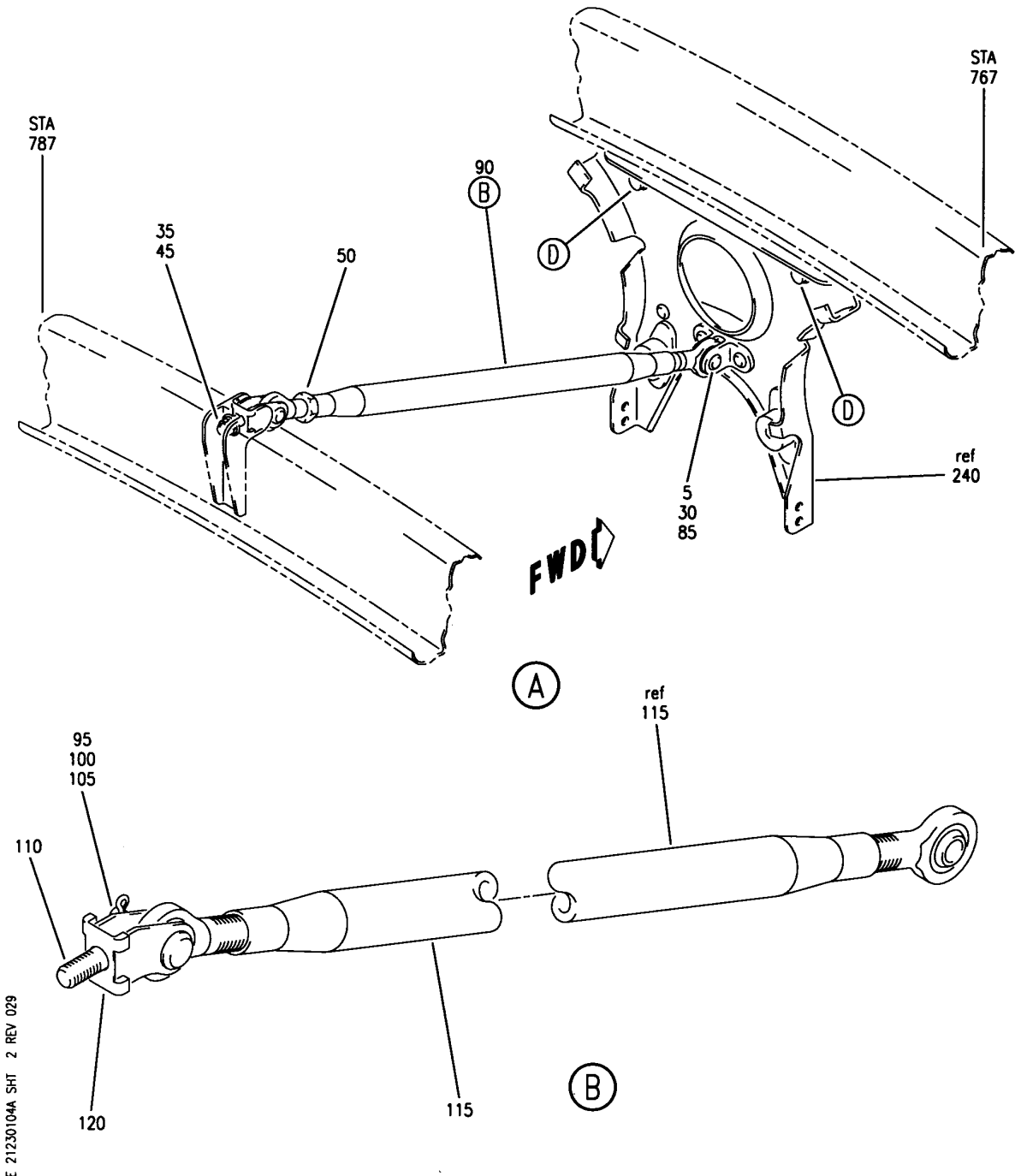
DUCT INSTL-SECT. 46 OVERHEAD AIR DISTR SYS
 FIGURE 4A (SHEET 1)

21-23-01-04A

HAP
 OCT 10/06

21-23-01-04A
 PAGE 0

BOEING
 737-600/700/800/900
 PARTS CATALOG (MAINTENANCE)



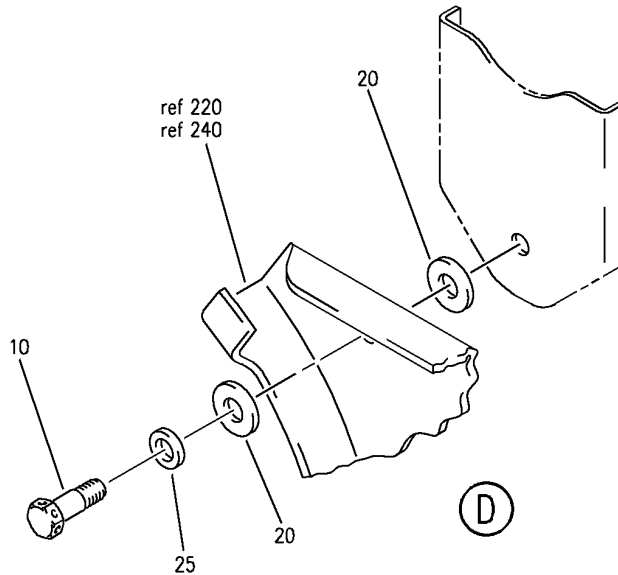
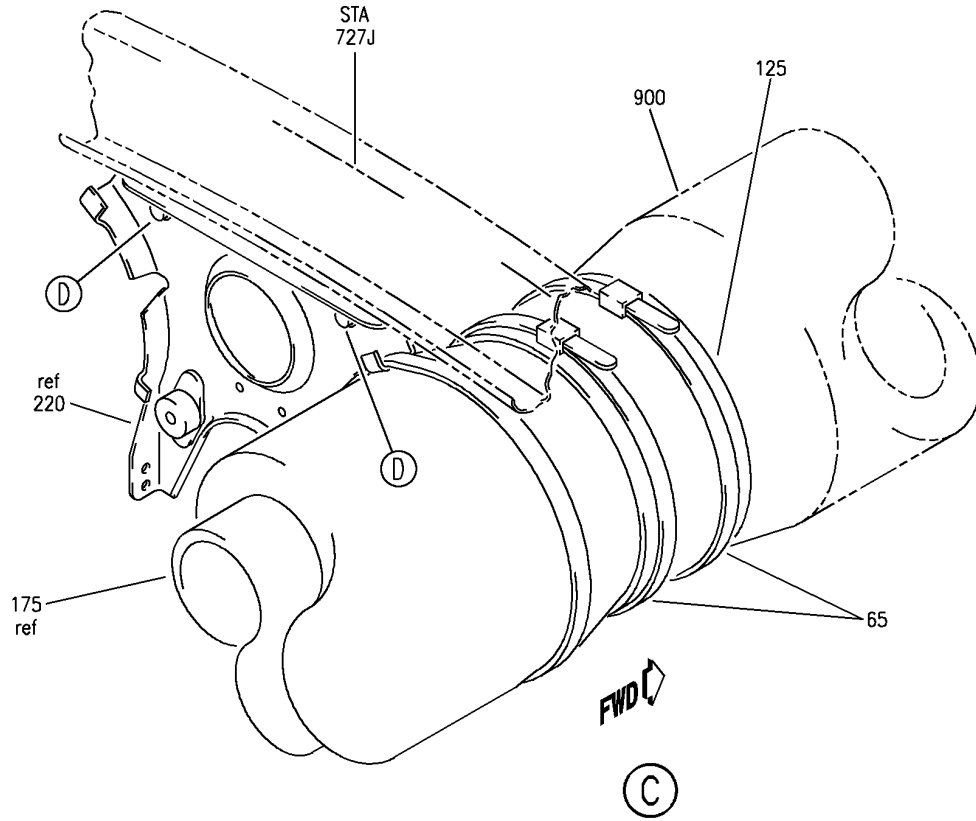
DUCT INSTL-SECT. 46 OVERHEAD AIR DISTR SYS
 FIGURE 4A (SHEET 2)

21-23-01-04A

HAP
 OCT 10/06

21-23-01-04A
 PAGE 0A

BOEING
 737-600/700/800/900
 PARTS CATALOG (MAINTENANCE)



E 21230104A SHT 3 REV 101

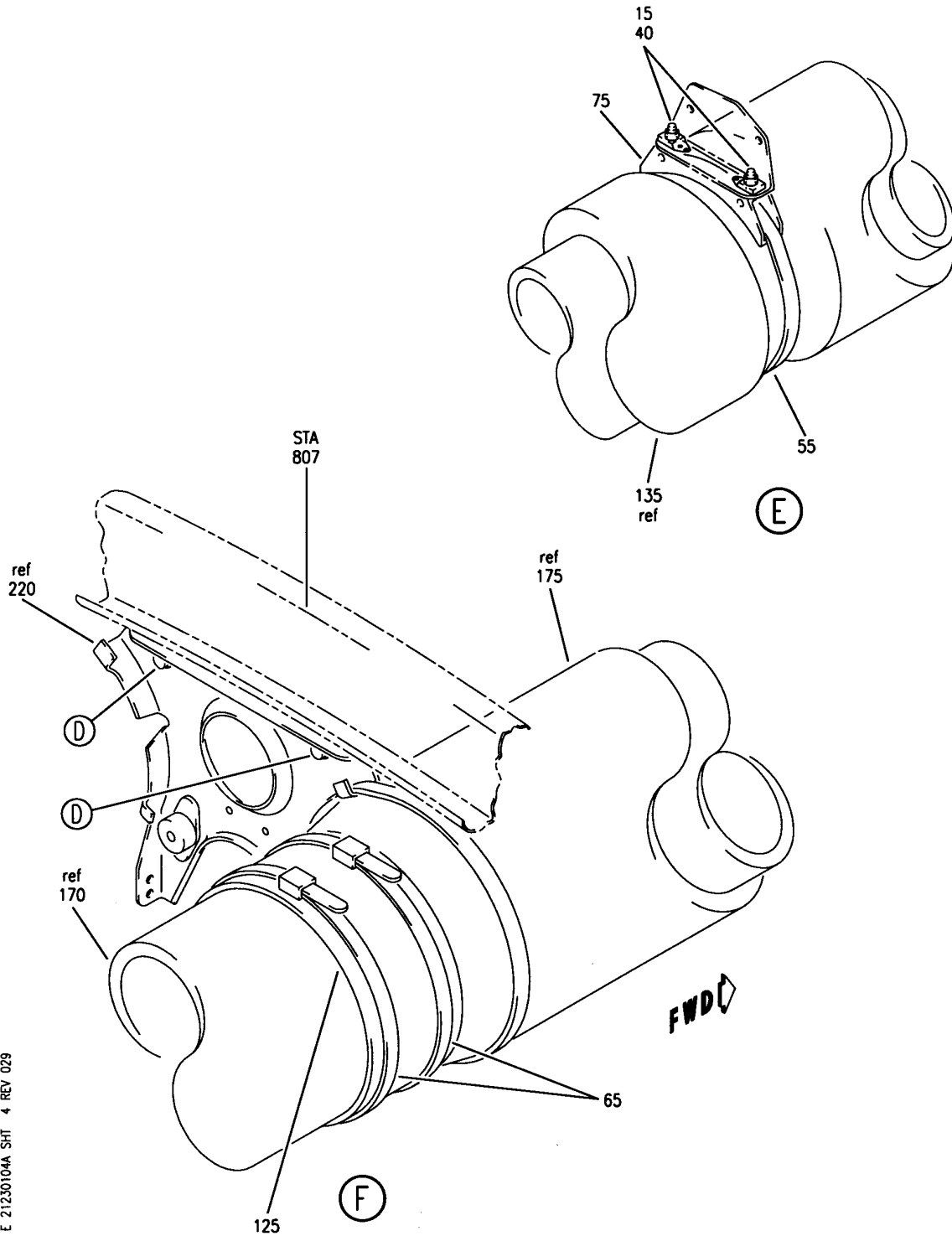
DUCT INSTL-SECT. 46 OVERHEAD AIR DISTR SYS
 FIGURE 4A (SHEET 3)

21-23-01-04A

HAP
 OCT 10/06

21-23-01-04A
 PAGE 0B

BOEING
 737-600/700/800/900
 PARTS CATALOG (MAINTENANCE)



E 21230104A SHT 4 REV 029

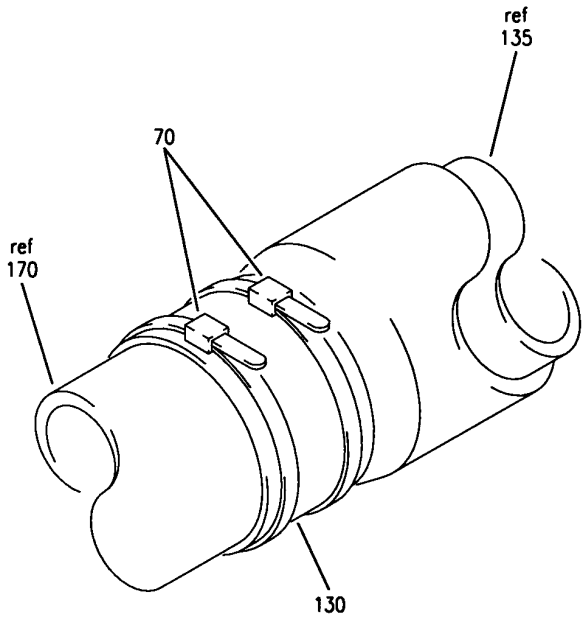
DUCT INSTL-SECT. 46 OVERHEAD AIR DISTR SYS
 FIGURE 4A (SHEET 4)

21-23-01-04A

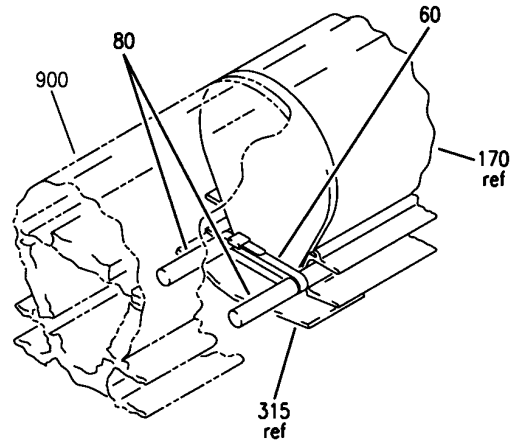
HAP
 OCT 10/06

21-23-01-04A
 PAGE 0C

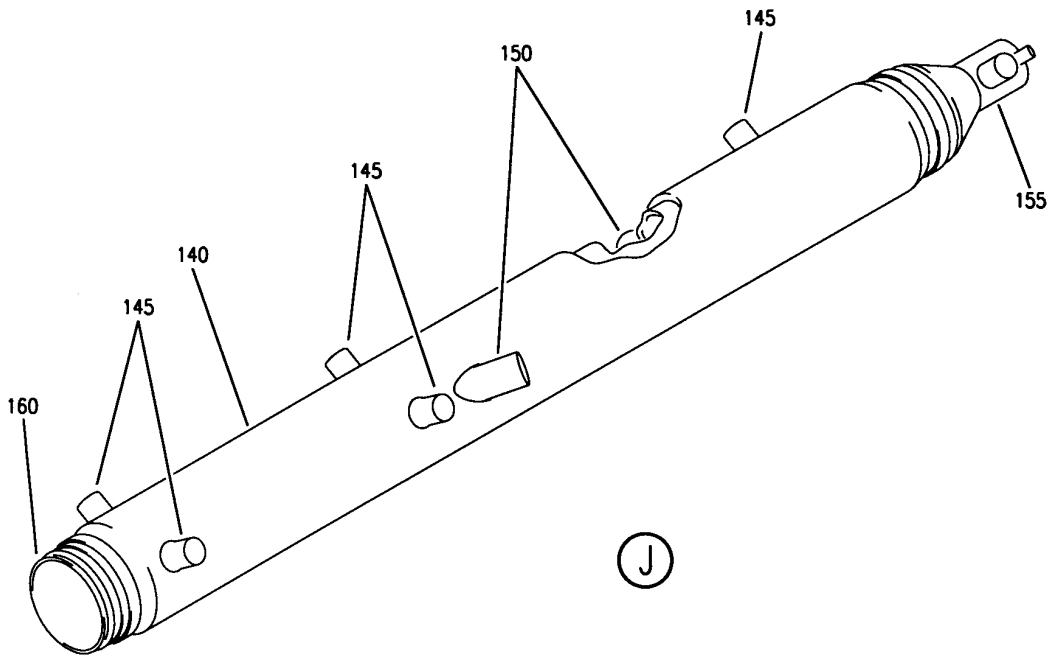
BOEING
 737-600/700/800/900
 PARTS CATALOG (MAINTENANCE)



(G)



(H)



(J)

E 21230104A SHT 5 REV 101

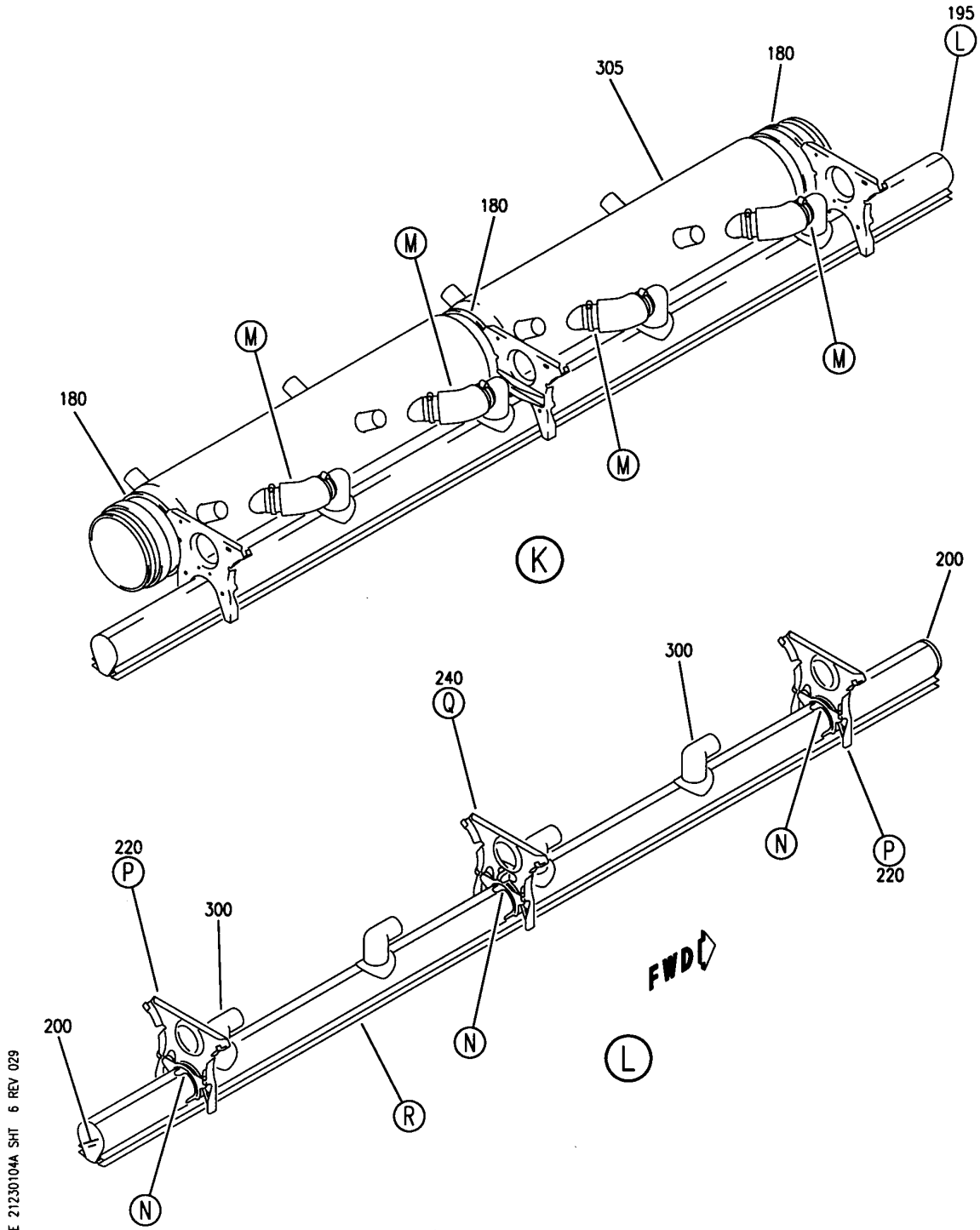
DUCT INSTL-SECT. 46 OVERHEAD AIR DISTR SYS
 FIGURE 4A (SHEET 5)

21-23-01-04A

HAP
 OCT 10/06

21-23-01-04A
 PAGE 0D

BOEING
 737-600/700/800/900
 PARTS CATALOG (MAINTENANCE)



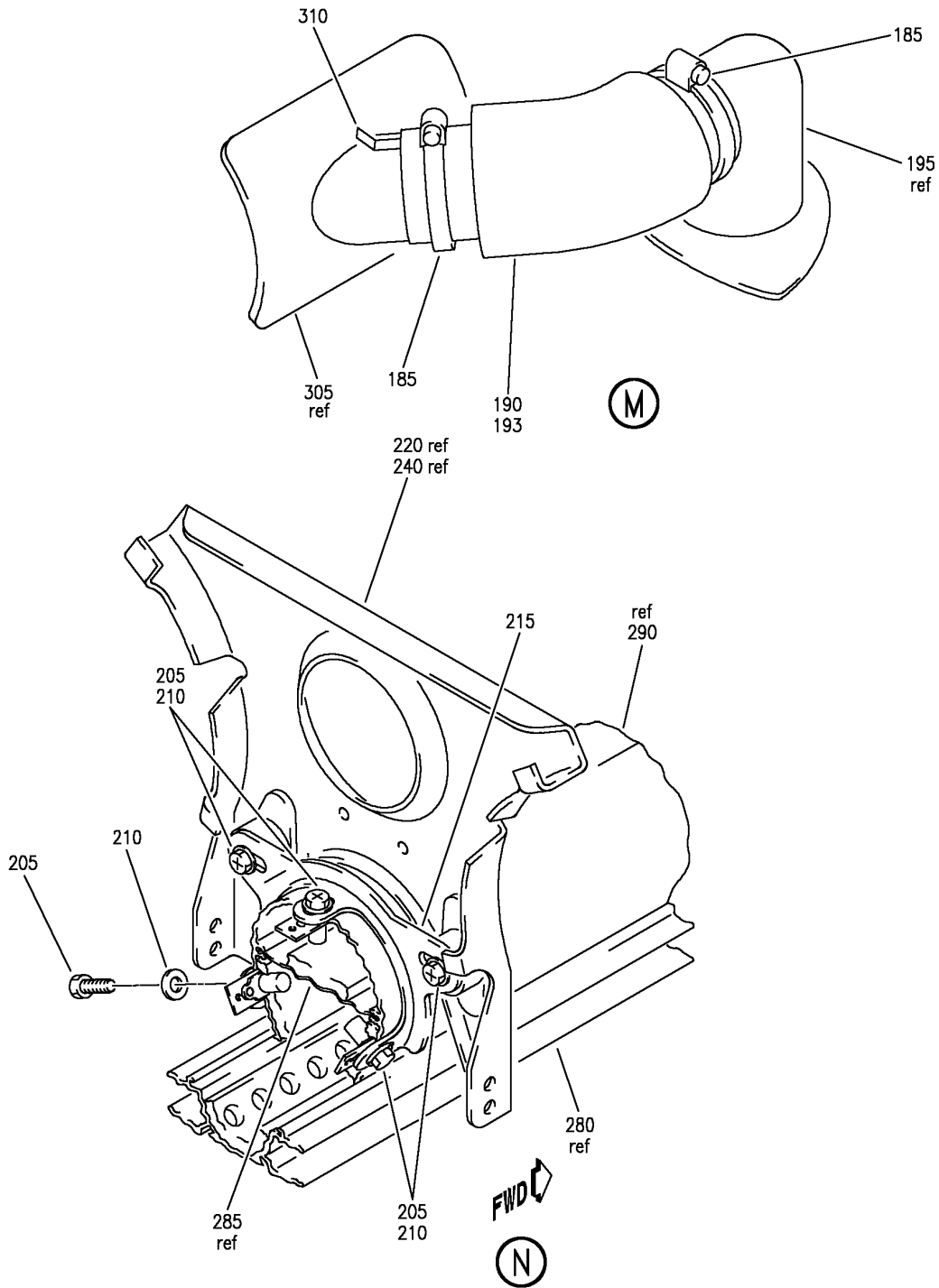
DUCT INSTL-SECT. 46 OVERHEAD AIR DISTR SYS
 FIGURE 4A (SHEET 6)

21-23-01-04A

HAP
 OCT 10/06

21-23-01-04A
 PAGE 0E

BOEING
 737-600/700/800/900
 PARTS CATALOG (MAINTENANCE)



E 21230104A SHT 7 REV 155

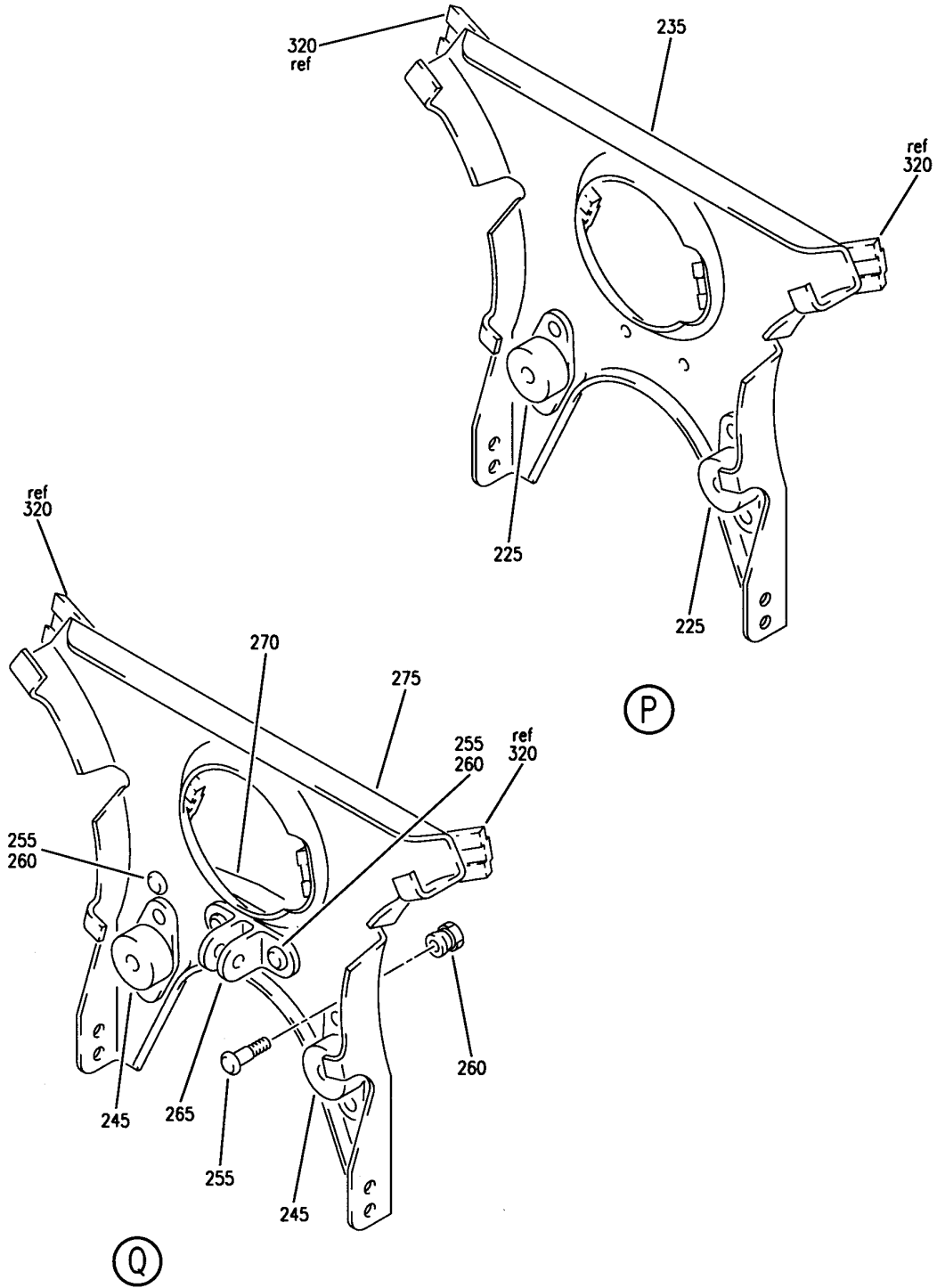
DUCT INSTL-SECT. 46 OVERHEAD AIR DISTR SYS
 FIGURE 4A (SHEET 7)

21-23-01-04A

HAP
 JUN 15/09

21-23-01-04A
 PAGE OF

BOEING
 737-600/700/800/900
 PARTS CATALOG (MAINTENANCE)



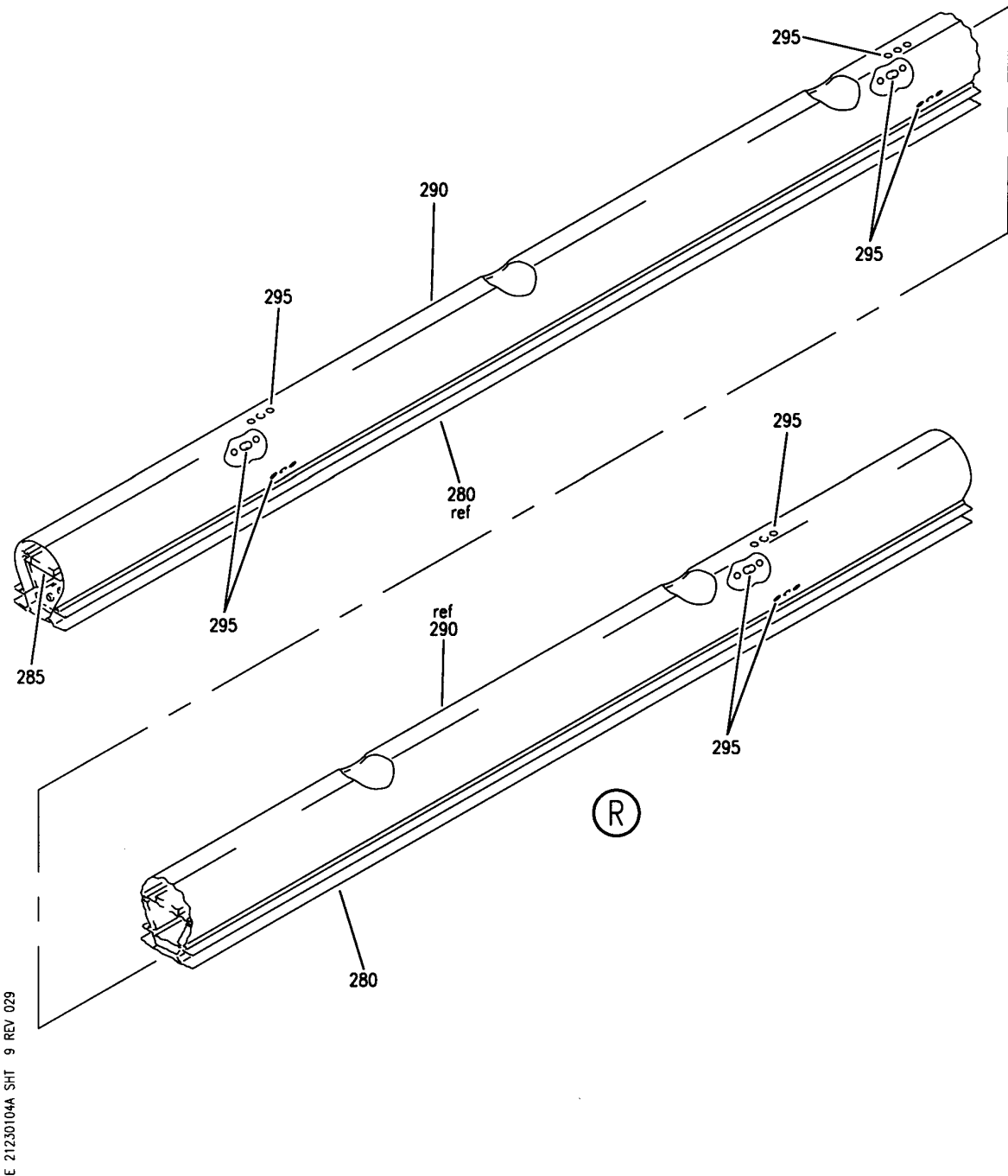
E 21230104A SHT 8 REV 029

DUCT INSTL-SECT. 46 OVERHEAD AIR DISTR SYS
 FIGURE 4A (SHEET 8)

21-23-01-04A

HAP
 OCT 10/06

21-23-01-04A
 PAGE 06



E 21230104A SHT 9 REV 029

DUCT INSTL-SECT. 46 OVERHEAD AIR DISTR SYS
FIGURE 4A (SHEET 9)

21-23-01-04A

HAP
OCT 10/06

21-23-01-04A
PAGE 0H

BOEING
737-600/700/800/900
PARTS CATALOG (MAINTENANCE)

FIG ITEM	PART NUMBER	1 2 3 4 5 6 7	NOMENCLATURE	EFFECT FROM TO	UNITS PER ASSY
4 A			DUCT INSTL-SECT. 46 OVERHEAD AIR DISTR SYS	001011	
- 1	214A2003-7SP		DUCT INSTL-OVERHEAD AIR DISTR SYS POSITION DATA: SECT. 46 AFT FOR NHA SEE: 21-20-00-09C	001011	RF
	5 BACP18BC02C04P		.PIN	001011	1
	10 BACB30NR4K5		.BOLT	001011	6
	15 BACB30NM3K4		.BOLT	001011	6
	20 BACW10P271TF		.WASHER	001011	12
	25 NAS1149D0463J		.WASHER	001011	6
	30 NAS1149D0416J		.WASHER	001011	1
	35 NAS1149D0516J		.WASHER	001011	1
	40 BACW10BN3AP		.WASHER	001011	6
	45 MS21042L5		.NUT	001011	1
	50 AN316-5R		.NUT	001011	1
	55 T012L0		.STRAP SUPPLIER CODE: V53421 SPECIFICATION NUMBER: BACS38K6	001011	AR
	60 MLT2S		.TIE- SUPPLIER CODE: V06383	001011	1
	65 NAS1922-0750-3		.CLAMP	001011	4
	70 NAS1922-0625-3		.CLAMP	001011	2
	75 214T3424-11		.SUPPORT	001011	3
	80 214N2035-1		.PIN	001011	2
	85 MS20392-3C21		.PIN	001011	1
	90 412N2030-51		.DIAGONAL ASSY	001011	1
	95 MS24665-132		..PIN	001011	1
	100 MS20392-3C17		..PIN	001011	1
	105 AN960PD416L		..WASHER	001011	1
	110 412N2031-1		..CLEVIS- MANUFACTURED FROM: 412N2031-2	001011	1
	115 1293-29		..ROD ASSY- SUPPLIER CODE: V34742	001011	1
	120 412N2032-3		..INSULATOR-CLEVIS MANUFACTURED FROM: FIN F-6.10 COMPRESSION MOLDED PHENOLIC, GLASS FIBER FILLED PER BMS8-271A, TYPE 1	001011	1

MISSING ITEM NUMBERS NOT APPLICABLE

- ITEM NOT ILLUSTRATED

HAP

21-23-01-04A

BOEING PROPRIETARY - Copyright © - Unpublished Work - See title page for details.

21-23-01
FIG. 04A
PAGE 1
FEB 10/07

BOEING
737-600/700/800/900
PARTS CATALOG (MAINTENANCE)

FIG ITEM	PART NUMBER	1 2 3 4 5 6 7	NOMENCLATURE	EFFECT FROM TO	UNITS PER ASSY
4 A					
120	412N2032-4	..	INSULATOR-CLEVIS MANUFACTURED FROM: FIN F-6.10 COMPRESSION MOLDED PHENOLIC, GLASS FIBER FILLED PER BMS8-271A, TYPE 1	001011	1
125	AS1506-30D32	.SLEEVE		001011	2
130	AS1506-24D32	.SLEEVE		001011	1
135	214A2106-15	.DUCT ASSY		001011	1
140	214A2106-100	..INSULATION		001011	1
145	214N2162-2	..OUTLET-AIR		001011	5
150	65C36913-3	..OUTLET-AIR		001011	2
155	65C36912-2	..REDUCER		001011	1
160	214A2106-16	..DUCT		001011	1
165	214A2003-8SP	.DUCT ASSY		001011	1
170	214A2020-3	..DUCT ASSY		001011	1
175	214A2107-20	..DUCT SEGMENT ASSY		001011	1
180	T012L0	...STRAP SUPPLIER CODE: V53421 SPECIFICATION NUMBER: BACS38K6		001011	3
185	NAS1922-0200-3	...CLAMP		001011	8
190	65C36915-1	...MUFFLER ASSY-		001011	4
193	AS1591-08-0070A	...HOSE-		001011	4
195	214A2101-6	...PLENUM ASSY		001011	1
200	214N2169-1CAP-END		001011	2
205	BACS12GU3K7SCREW		001011	15
210	NAS1149D0332JWASHER		001011	15
215	214A2111-1BRACKET		001011	3
220	65C36910-1BRACKET ASSY		001011	2
225	SL8113-3MOUNT-ISOLATOR SUPPLIER CODE: V97393 SPECIFICATION NUMBER: S411T100-901 OPTIONAL PART: DE819 V71985 ATTACHING PARTS		001011	2
- 230	BACR15BA4DRIVET- SIZE DETERMINED ON INSTL. -----*-----		001011	4
235	65C36911-1BRACKET		001011	1
240	65C36910-3BRACKET ASSY		001011	1

MISSING ITEM NUMBERS NOT APPLICABLE

- ITEM NOT ILLUSTRATED

HAP

21-23-01-04A

BOEING PROPRIETARY - Copyright © - Unpublished Work - See title page for details.

21-23-01
FIG. 04A
PAGE 2
JUN 15/09

BOEING
737-600/700/800/900
PARTS CATALOG (MAINTENANCE)

FIG ITEM	PART NUMBER	1 2 3 4 5 6 7	NOMENCLATURE	EFFECT FROM TO	UNITS PER ASSY
4 A 245	SL8113-3	MOUNT-ISOLATOR SUPPLIER CODE: V97393 SPECIFICATION NUMBER: S411T100-901 OPTIONAL PART: DE819 V71985 ATTACHING PARTS	001011	2
- 250	BACR15BA4D	RIVET- SIZE DETERMINED ON INSTL. -----*-----	001011	4
255	BACB30NX6K	BOLT- SIZE DETERMINED ON INSTL.	001011	4
260	BACC30X	COLLAR	001011	4
265	214N2161-2	BRACKET	001011	1
270	214N2161-3	BRACKET	001011	1
275	65C36911-1	BRACKET	001011	1
280	214A2103-9	NOZZLE ASSY	001011	1
285	214A2104-9	RESTRICTOR ASSY	001011	1
290	214A2102-9	PLENUM ASSY	001011	1
295	214N2178-1	NUTPLATE ASSY- OPTIONAL PART: CB2010CR3CRP V66530	001011	9
295	CB2010CR3CRP	NUTPLATE- SUPPLIER CODE: V66530 OPTIONAL PART: 214N2178-1	001011	9
300	65C36940-1	OUTLET ASSY	001011	4
305	214A2106-37	DUCT ASSY	001011	1
310	214T3436-1834	ORIFICE ASSY- OPTIONAL PART: 214T3436-1546	001011	4
310	214T3436-1546	ORIFICE ASSY- OPTIONAL PART: 214T3436-1834	001011	4
315	69-42789-1	COVER-NOZZLE GAP	001011	1
320	411A4904-9	STRIP-FELT SEAL OPTIONAL PART: 214A2003-101 214A2003-100	001011	AR
320	214A2003-101	STRIP-FELT SEAL OPTIONAL PART: 411A4904-9 214A2003-100	001011	AR

MISSING ITEM NUMBERS NOT APPLICABLE

- ITEM NOT ILLUSTRATED

HAP

21-23-01-04A

BOEING PROPRIETARY - Copyright © - Unpublished Work - See title page for details.

21-23-01
FIG. 04A
PAGE 3
FEB 10/07

BOEING
737-600/700/800/900
PARTS CATALOG (MAINTENANCE)

FIG ITEM	PART NUMBER	1 2 3 4 5 6 7	NOMENCLATURE	EFFECT FROM TO	UNITS PER ASSY
4 A - 325	214A2003-100		. TRAP-MOISTURE OPTIONAL PART: 411A4904-9 214A2003-101	001011	AR
900			ILLUSTRATION REFERENCE: DUCT INSTL-MID OVHD AIR DISTR SYS (DISTRIBUTION ONLY) 21-23-01-06	011011	RF

MISSING ITEM NUMBERS NOT APPLICABLE

- ITEM NOT ILLUSTRATED

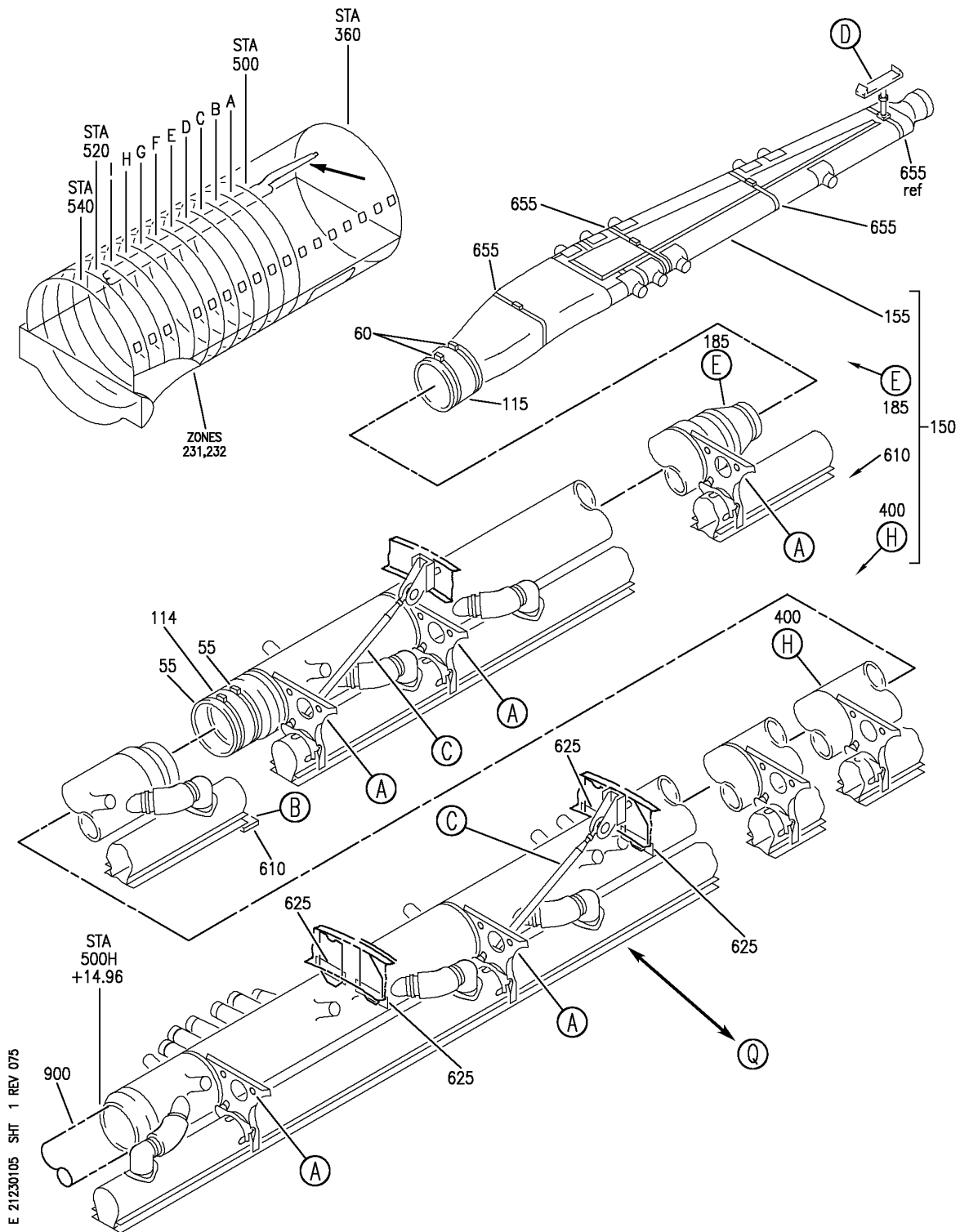
HAP

21-23-01-04A

BOEING PROPRIETARY - Copyright © - Unpublished Work - See title page for details.

21-23-01
FIG. 04A
PAGE 4
FEB 10/07

BOEING
737-600/700/800/900
PARTS CATALOG (MAINTENANCE)



E 21230105 SHT 1 REV 075

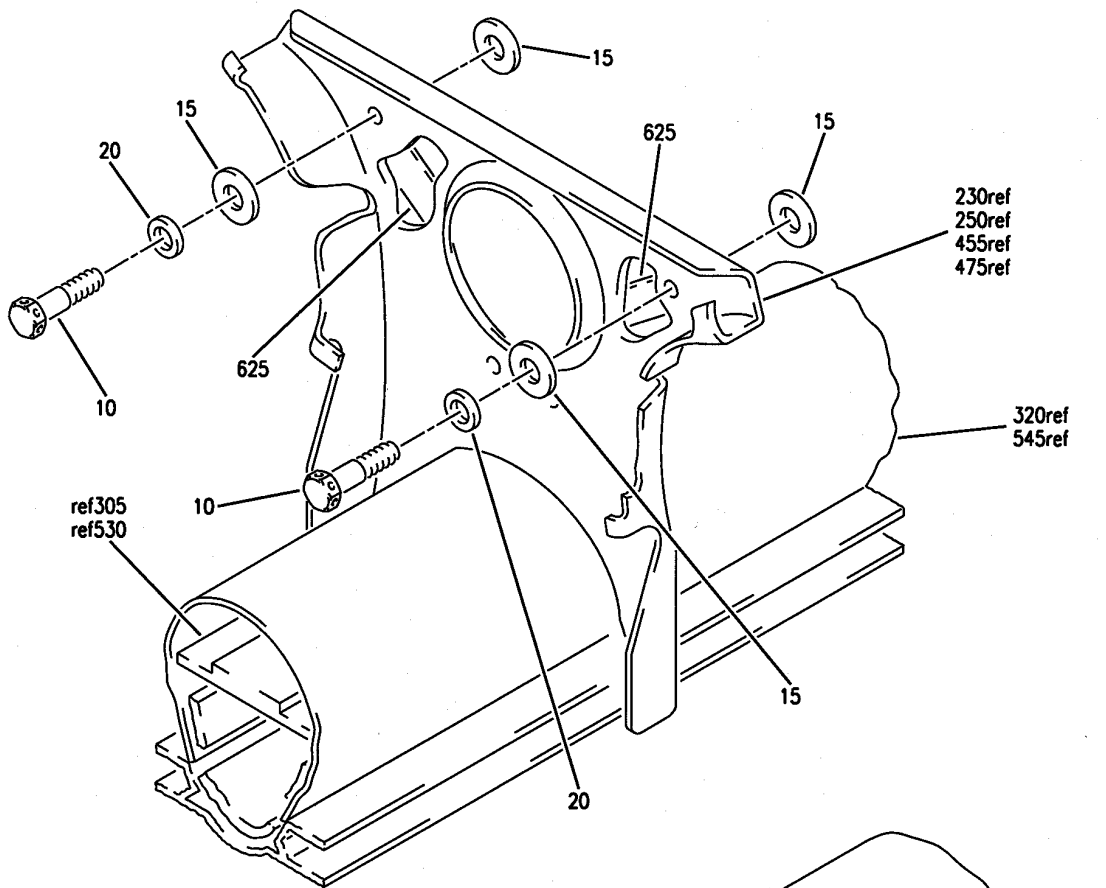
DUCT INSTL-OVERHEAD AIR DISTR SYS (PASSENGER CABIN CONDITIONED AIR DISTRIBUTION ONLY)
FIGURE 5 (SHEET 1)

21-23-01-05

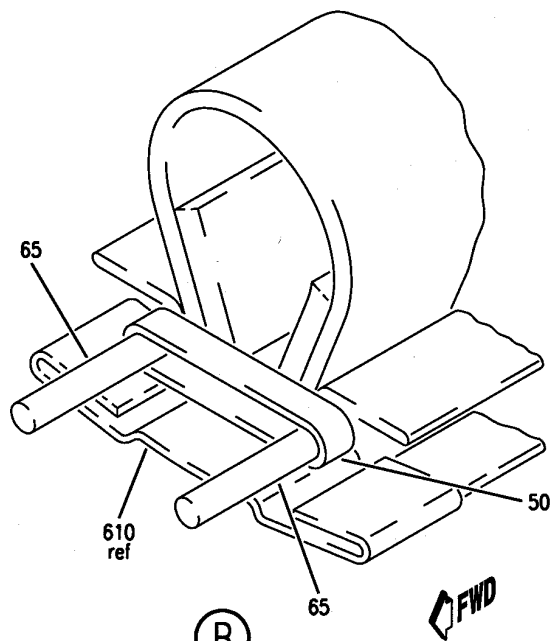
HAP
OCT 10/06

21-23-01-05
PAGE 0

BOEING
 737-600/700/800/900
 PARTS CATALOG (MAINTENANCE)



(A)



(B)

E 21230105 SHT 2 REV 033

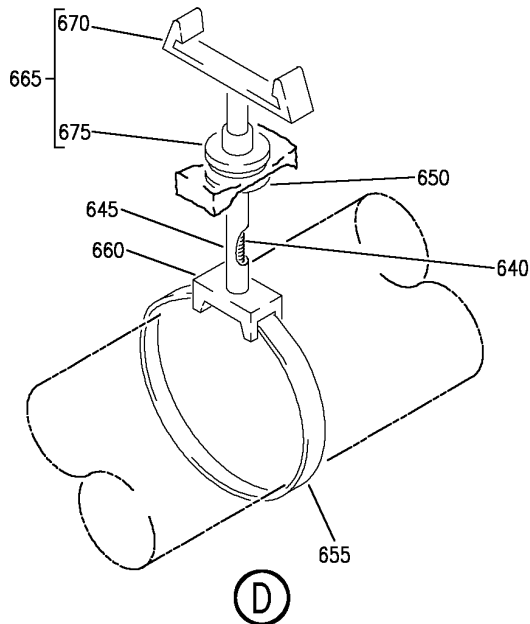
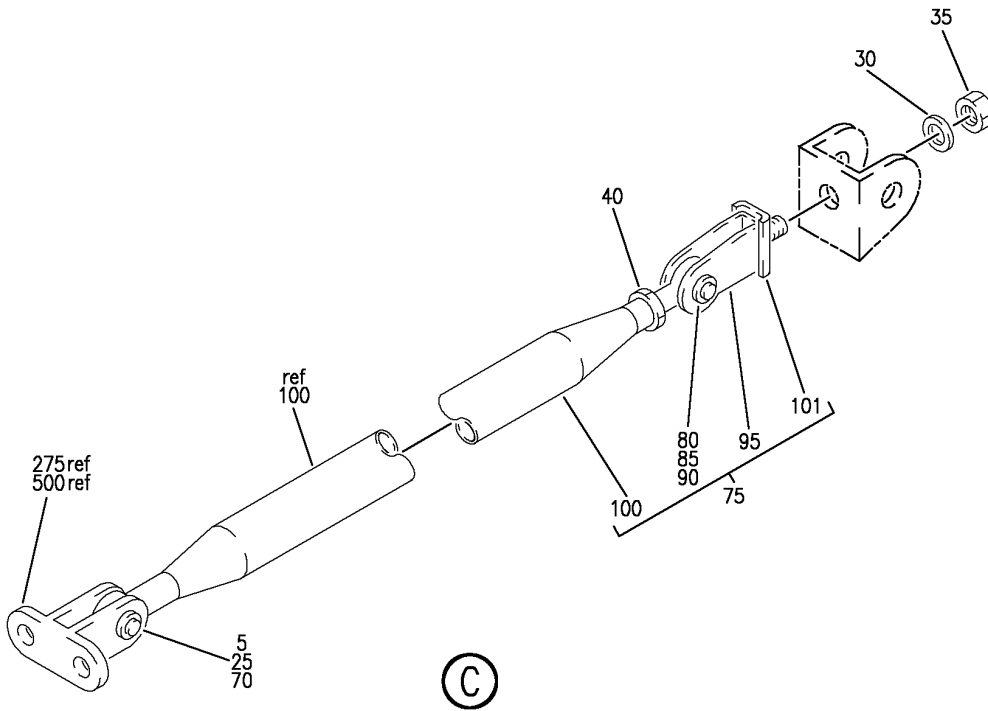
DUCT INSTL-OVERHEAD AIR DISTR SYS (PASSENGER CABIN CONDITIONED AIR DISTRIBUTION ONLY)
 FIGURE 5 (SHEET 2)

HAP
 OCT 10/06

21-23-01-05

21-23-01-05
 PAGE 0A

BOEING
 737-600/700/800/900
 PARTS CATALOG (MAINTENANCE)



E 21230105 SH1 3 REV 075

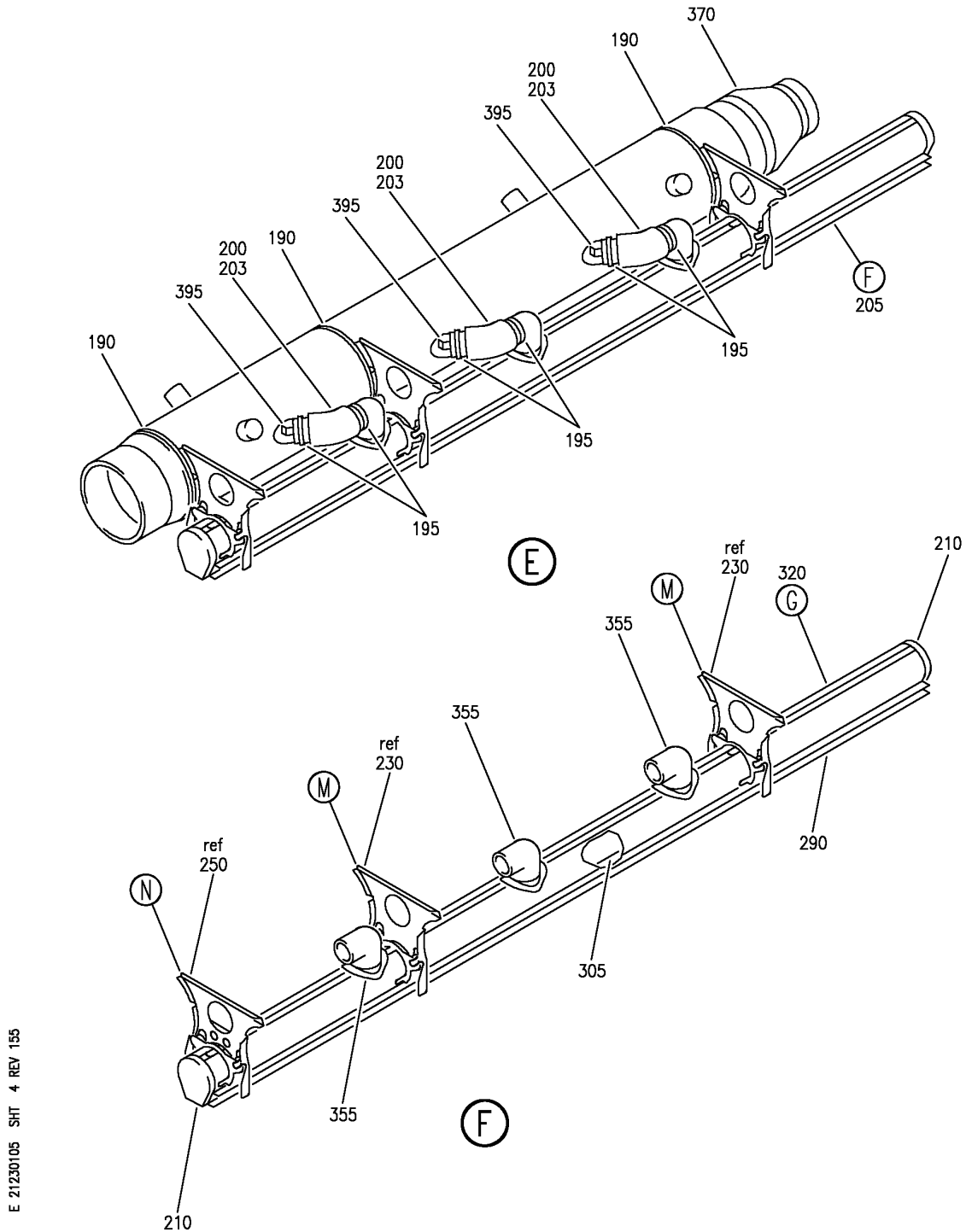
DUCT INSTL-OVERHEAD AIR DISTR SYS (PASSENGER CABIN CONDITIONED AIR DISTRIBUTION ONLY)
 FIGURE 5 (SHEET 3)

HAP
 OCT 10/06

21-23-01-05

21-23-01-05
 PAGE 0B

BOEING
 737-600/700/800/900
 PARTS CATALOG (MAINTENANCE)



E 21230105 SHT 4 REV 155

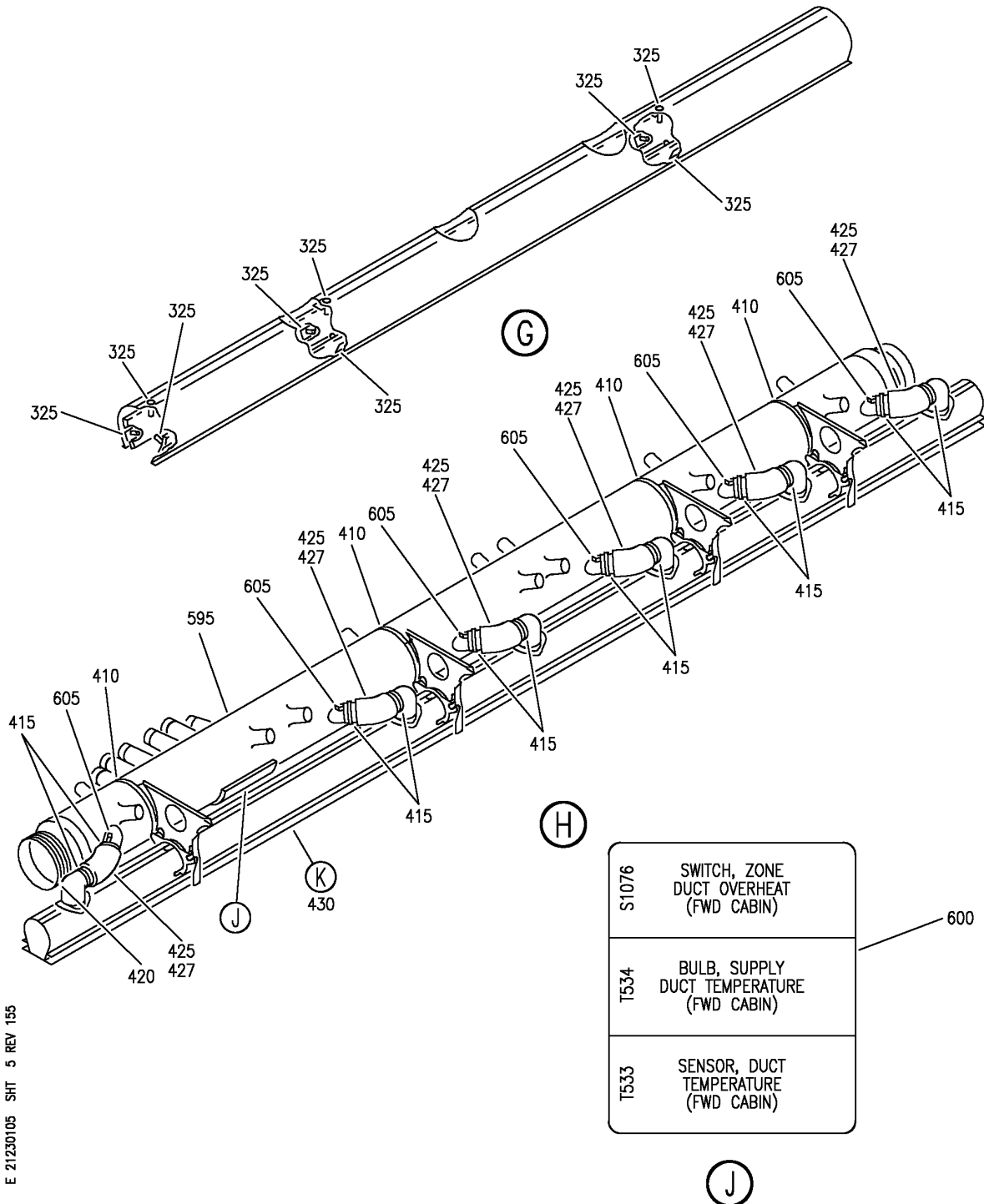
DUCT INSTL-OVERHEAD AIR DISTR SYS (PASSENGER CABIN CONDITIONED AIR DISTRIBUTION ONLY)
 FIGURE 5 (SHEET 4)

HAP
 JUN 15/09

21-23-01-05

21-23-01-05
 PAGE 0C

BOEING
 737-600/700/800/900
 PARTS CATALOG (MAINTENANCE)



E 21230105 SHT 5 REV 155

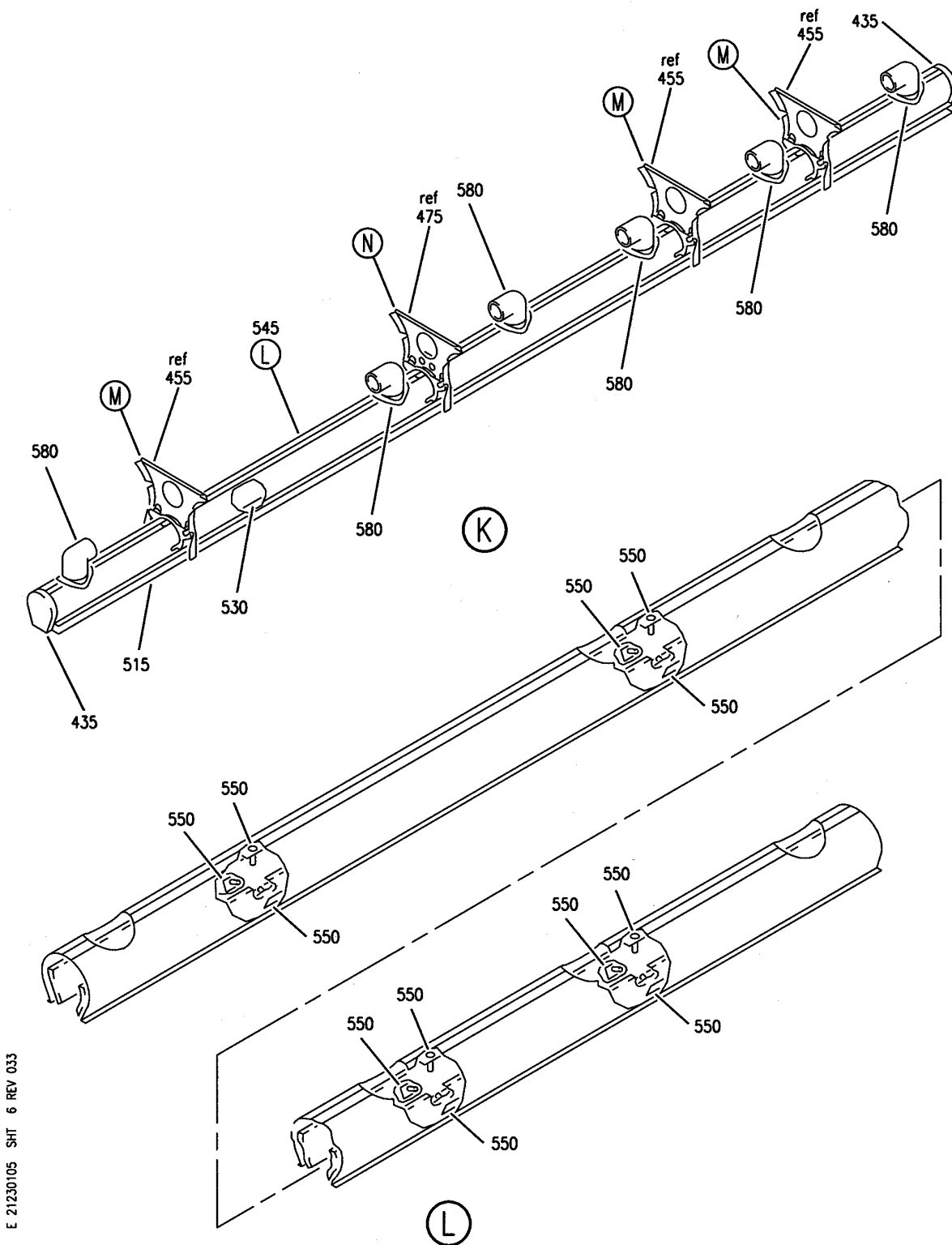
DUCT INSTL-OVERHEAD AIR DISTR SYS (PASSENGER CABIN CONDITIONED AIR DISTRIBUTION ONLY)
 FIGURE 5 (SHEET 5)

21-23-01-05

HAP
 JUN 15/09

21-23-01-05
 PAGE 0D

BOEING
 737-600/700/800/900
 PARTS CATALOG (MAINTENANCE)



E 21230105 SHT 6 REV 033

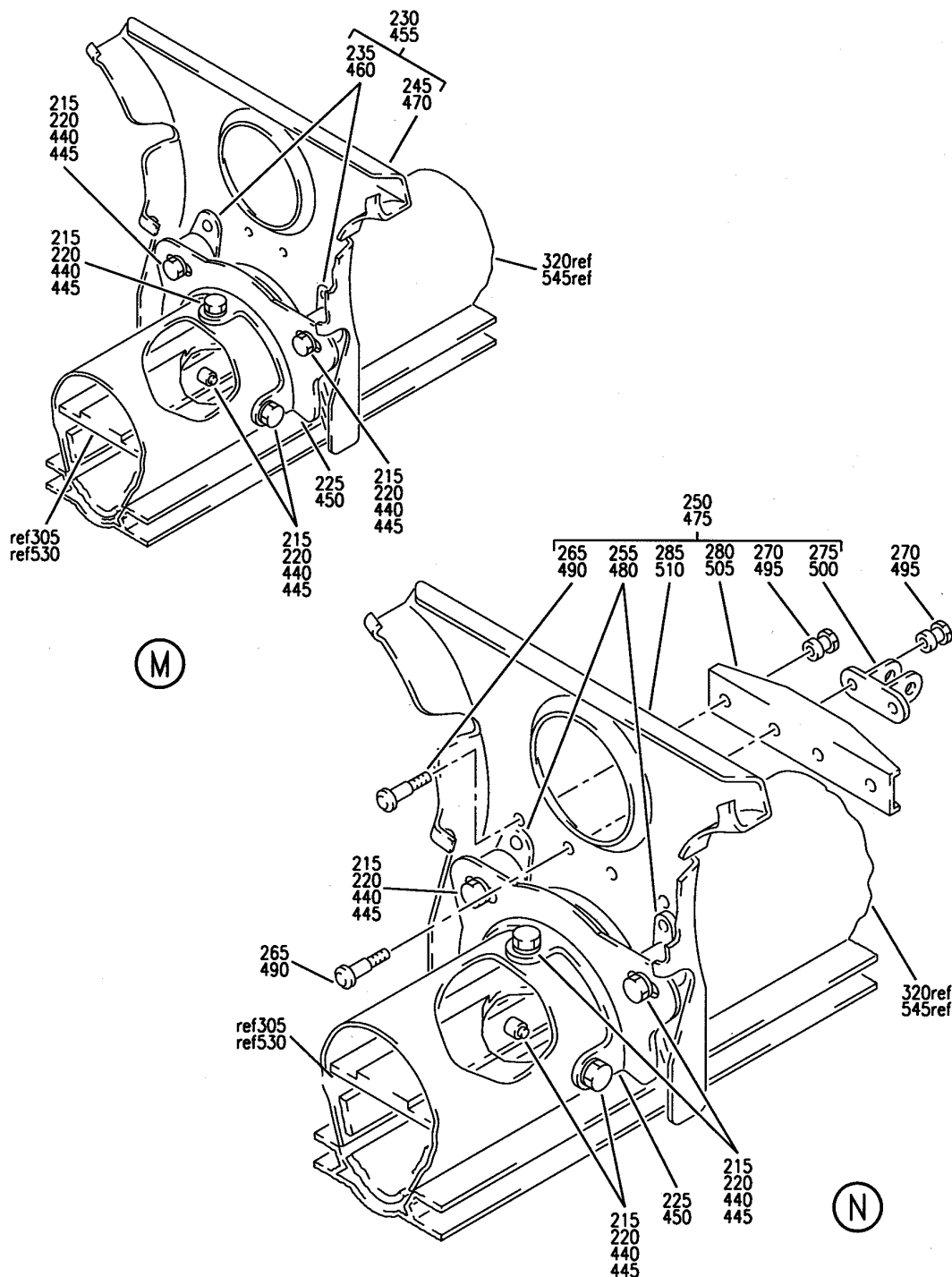
DUCT INSTL-OVERHEAD AIR DISTR SYS (PASSENGER CABIN CONDITIONED AIR DISTRIBUTION ONLY)
 FIGURE 5 (SHEET 6)

21-23-01-05

HAP
 OCT 10/06

21-23-01-05
 PAGE 0E

BOEING
 737-600/700/800/900
 PARTS CATALOG (MAINTENANCE)



E 21230105 SH 7 REV 033

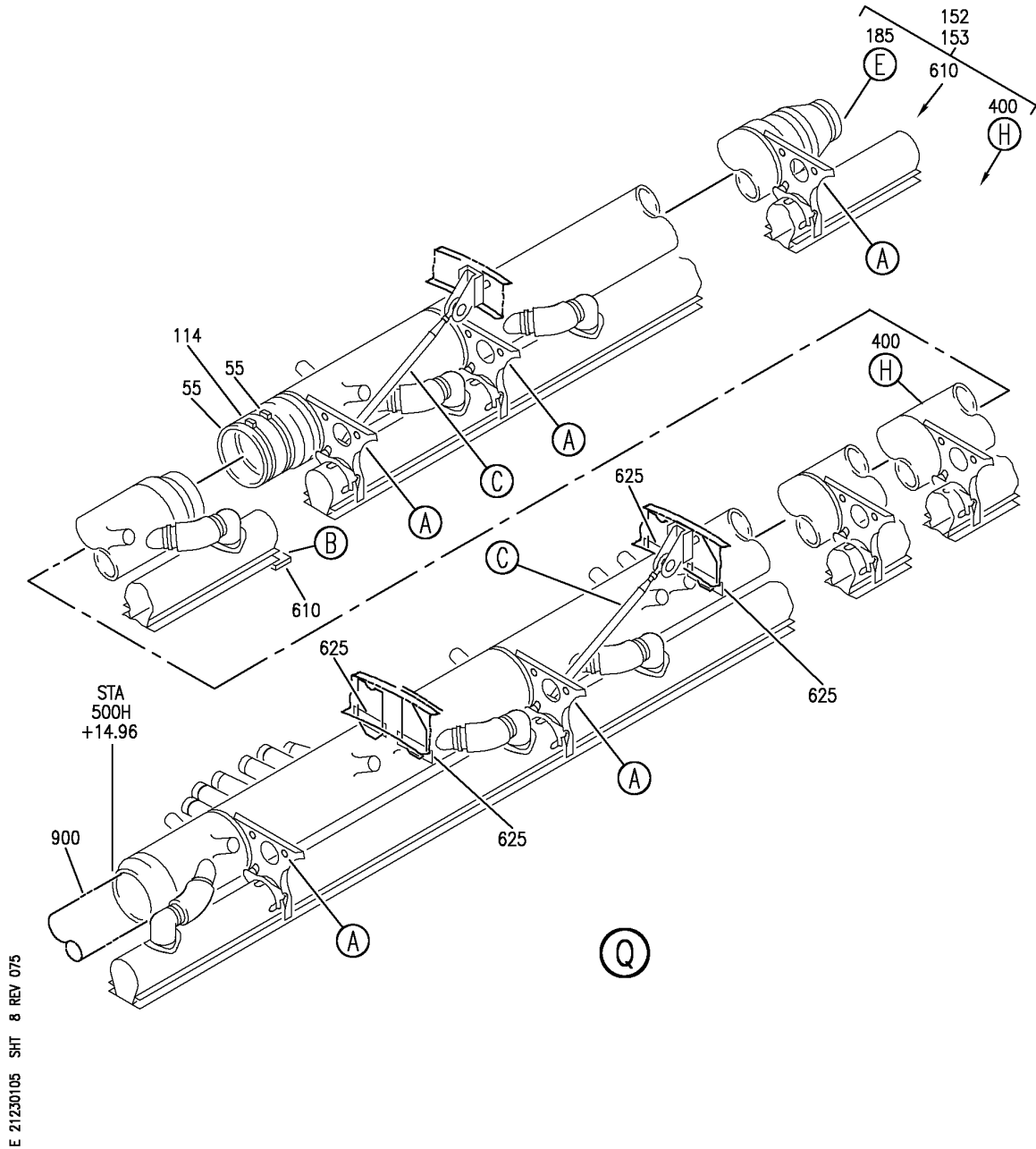
DUCT INSTL-OVERHEAD AIR DISTR SYS (PASSENGER CABIN CONDITIONED AIR DISTRIBUTION ONLY)
 FIGURE 5 (SHEET 7)

21-23-01-05

HAP
 OCT 10/06

21-23-01-05
 PAGE OF

BOEING
 737-600/700/800/900
 PARTS CATALOG (MAINTENANCE)



DUCT INSTL-OVERHEAD AIR DISTR SYS (PASSENGER CABIN CONDITIONED AIR DISTRIBUTION ONLY)
 FIGURE 5 (SHEET 8)

HAP
 OCT 10/06

21-23-01-05

21-23-01-05
 PAGE 06

BOEING
737-600/700/800/900
PARTS CATALOG (MAINTENANCE)

FIG ITEM	PART NUMBER	1 2 3 4 5 6 7	NOMENCLATURE	EFFECT FROM TO	UNITS PER ASSY
5			DUCT INSTL-OVERHEAD AIR DISTR SYS (PASSENGER CABIN CONDITIONED AIR DISTRIBUTION ONLY)	001030	
- 1	214A2011-1SP		DUCT INSTL-OVERHEAD AIR DISTR SYS (PASSENGER CABIN CONDITIONED AIR DISTRIBUTION ONLY) POSITION DATA: SECT. 43 FOR NHA/OTHER SYS DET SEE: 21-20-00-09C	001011	RF
- 1	214A2011-5SP		DUCT INSTL-OVERHEAD AIR DISTR SYS (PASSENGER CABIN CONDITIONED AIR DISTRIBUTION ONLY) POSITION DATA: SECT. 43 FOR NHA/OTHER SYS DET SEE: 21-20-00-04C	012029	RF
- 1	214A2011-7B		DUCT INSTL-OVRHD AIR DISTR SYS (PASSENGER CABIN CONDITIONED AIR DISTRIBUTION ONLY) POSITION DATA: SECT. 43 FOR NHA/OTHER SYS DET SEE: 21-20-00-04C	030030	RF
5	BACP18BC02C04P		.PIN	001030	2
10	BACB30NR4K5		.BOLT	001030	10
15	BACW10P271TF		.WASHER	001030	20
20	NAS1149D0463J		.WASHER- OPTIONAL PART: BACW10BN4AC	001030	10
20	BACW10BN4AC		.WASHER- OPTIONAL PART: NAS1149D0463J	012030	10
25	NAS1149D0416J		.WASHER- OPTIONAL PART: NAS1149E0416J	001030	2
25	NAS1149E0416P		.WASHER- OPTIONAL PART: NAS1149D0416J	012030	2
30	NAS1149D0516J		.WASHER	001030	2
35	MS21042L5		.NUT	001030	2
40	AN316-5R		.NUT	001030	2
50	MLT2S		.TIE-METAL LOCKING SUPPLIER CODE: V06383	001030	1

MISSING ITEM NUMBERS NOT APPLICABLE

- ITEM NOT ILLUSTRATED

HAP

21-23-01-05

BOEING PROPRIETARY - Copyright © - Unpublished Work - See title page for details.

21-23-01
FIG. 05
PAGE 1
OCT 10/07

BOEING
737-600/700/800/900
PARTS CATALOG (MAINTENANCE)

FIG ITEM	PART NUMBER	1 2 3 4 5 6 7	NOMENCLATURE	EFFECT FROM TO	UNITS PER ASSY
5					
55	NAS1922-0750-3	.CLAMP		001030	2
60	NAS1922-0525-3	.CLAMP		001011	2
65	214N2035-1	.PIN		001030	2
70	MS20392-3C21	.PIN-		001030	2
		OPTIONAL PART:			
		BACP18BD3C21			
70	BACP18D3C21	.PIN-		012030	2
		OPTIONAL PART:			
		MS20392-3C21			
75	412N2030-50	.DIAGONAL ASSY		001030	2
80	MS24665-132	..PIN		001030	1
85	MS20392-3C17	..PIN		001030	1
90	AN960PD416L	..WASHER		001030	1
95	412N2031-1	..CLEVIS-		001030	1
		MANUFACTURED FROM:			
		412N2031-2			
100	1293-29	..ROD ASSY-		001030	1
		SUPPLIER CODE:			
		V34742			
101	412N2032-3	..INSULATOR-CLEVIS		001030	1
		MANUFACTURED FROM:			
		FIN F-6.10 COMPRESSION			
		MOLDED PHENOLIC, GLASS			
		FIBER FILLED PER			
		BMS8-271A, TYPE 1			
101	412N2032-4	..INSULATOR-CLEVIS		001030	1
		MANUFACTURED FROM:			
		FIN F-6.10 COMPRESSION			
		MOLDED PHENOLIC, GLASS			
		FIBER FILLED PER			
		BMS8-271A, TYPE 1			
114	AS1506-30D32	.SLEEVE		001030	1
115	AS1506-20D30	.SLEEVE		001011	1
150	214A2011-2SP	.DUCT ASSY-		001011	1
152	214A2011-6SP	.DUCT ASSY-		012029	1
153	214A2011-8B	.DUCT ASSY-		030030	1
155	214A2020-1	..DUCT ASSY		001011	1
185	214A2107-8	..SEGMENT ASSY		001030	1
190	T012L0	...STRAP		001030	3
		SUPPLIER CODE:			
		V53421			
		SPECIFICATION NUMBER:			
		BACS38K6			
195	NAS1922-0200-3	...CLAMP		001030	6
200	65C36915-1	...MUFFLER ASSY-		001030	3
203	AS1591-08-0070A	...HOSE-		001030	3
205	214A2101-8	...PLENUM ASSY		001030	1
210	214N2169-1CAP-END		001030	2
215	BACS12GU3K7SCREW		001030	15

MISSING ITEM NUMBERS NOT APPLICABLE

— ITEM NOT ILLUSTRATED

HAP

21-23-01-05

BOEING PROPRIETARY - Copyright © - Unpublished Work - See title page for details.

21-23-01
FIG. 05
PAGE 2
JUN 15/09

BOEING
737-600/700/800/900
PARTS CATALOG (MAINTENANCE)

FIG ITEM	PART NUMBER	1 2 3 4 5 6 7	NOMENCLATURE	EFFECT FROM TO	UNITS PER ASSY
5					
220	NAS1149D0332J	WASHER	001030	15
225	214A2111-1	BRACKET	001030	3
230	65C36910-1	BRACKET ASSY	001030	2
235	SL8113-3	MOUNT-ISOLATOR SUPPLIER CODE: V97393 SPECIFICATION NUMBER: S411T100-901 OPTIONAL PART: DE819 V71985	001030	2
235	DE819	MOUNT-ISOLATOR SUPPLIER CODE: V71985 SPECIFICATION NUMBER: S411T100-901 OPTIONAL PART: SL8113-3 V97393 ATTACHING PARTS	001030	2
- 240	BACR15BA4D	RIVET- SIZE DETERMINED ON INSTL. -----*-----	001030	4
245	65C36911-1	BRACKET	001030	1
250	65C36910-2	BRACKET ASSY	001030	1
255	SL8113-3	MOUNT-ISOLATOR SUPPLIER CODE: V97393 SPECIFICATION NUMBER: S411T100-901 OPTIONAL PART: DE819 V71985	001030	2
255	DE819	MOUNT-ISOLATOR SUPPLIER CODE: V71985 SPECIFICATION NUMBER: S411T100-901 OPTIONAL PART: SL8113-3 V97393 ATTACHING PARTS	001030	2
- 260	BACR15BA4D	RIVET- SIZE DETERMINED ON INSTL. -----*-----	001030	4
265	BACB30NX6K	BOLT- SIZE DETERMINED ON INSTL.	001030	4
270	BACC30X	COLLAR	001030	4
275	214N2161-2	BRACKET	001030	1

MISSING ITEM NUMBERS NOT APPLICABLE

- ITEM NOT ILLUSTRATED

HAP

21-23-01-05

BOEING PROPRIETARY - Copyright © - Unpublished Work - See title page for details.

21-23-01
FIG. 05
PAGE 3
JUN 15/09

BOEING
737-600/700/800/900
PARTS CATALOG (MAINTENANCE)

FIG ITEM	PART NUMBER	1 2 3 4 5 6 7	NOMENCLATURE	EFFECT FROM TO	UNITS PER ASSY
5					
280	214N2161-3	BRACKET	001030	1
285	65C36911-1	BRACKET	001030	1
290	214A2103-11	NOZZLE ASSY	001030	1
305	214A2104-11	RESTRICTOR ASSY	001030	1
320	214A2102-13	PLENUM ASSY	001030	1
325	214N2178-1	NUTPLATE ASSY- OPTIONAL PART: CB2010CR3CRP V66530	001030	9
325	CB2010CR3CRP	NUTPLATE- SUPPLIER CODE: V66530 OPTIONAL PART: 214N2178-1	001030	9
355	65C36940-1	OUTLET ASSY-AIR	001030	3
370	214A2106-17	...	DUCT ASSY	001030	1
395	214T3436-1837	...	ORIFICE ASSY- OPTIONAL PART: 214T3436-1549	001030	3
395	214T3436-1549	...	ORIFICE ASSY- OPTIONAL PART: 214T3436-1837	001030	3
400	214A2107-9	..	SEGMENT ASSY-	001029	1
400	214A2107-41	..	SEGMENT ASSY-	030030	1
410	T012L0	...	STRAP- SUPPLIER CODE: V53421 SPECIFICATION NUMBER: BACS38K6	001029	4
410	SLT10LHC6	...	STRAP- SUPPLIER CODE: V06383	030030	4
415	NAS1922-0200-3	...	CLAMP	001030	12
420	NAS1922-0750-3	...	CLAMP	001030	1
425	65C36915-1	...	MUFFLER ASSY-	001030	6
427	AS1591-08-0070A	...	HOSE-	001030	6
430	214A2101-9	...	PLENUM ASSY	001030	1
435	214N2169-1	CAP-END	001030	2
440	BACS12GU3K7	SCREW	001030	20
445	NAS1149D0332J	WASHER	001030	20
450	214A2111-1	BRACKET	001030	4
455	65C36910-1	BRACKET ASSY	001030	3

MISSING ITEM NUMBERS NOT APPLICABLE

- ITEM NOT ILLUSTRATED

HAP

21-23-01-05

BOEING PROPRIETARY - Copyright © - Unpublished Work - See title page for details.

21-23-01
FIG. 05
PAGE 4
JUN 15/09

BOEING
737-600/700/800/900
PARTS CATALOG (MAINTENANCE)

FIG ITEM	PART NUMBER	1 2 3 4 5 6 7	NOMENCLATURE	EFFECT FROM TO	UNITS PER ASSY
5					
460	SL8113-3	MOUNT-ISOLATOR SUPPLIER CODE: V97393 SPECIFICATION NUMBER: S411T100-901 OPTIONAL PART: DE819 V71985	001030	2
460	DE819	MOUNT-ISOLATOR SUPPLIER CODE: V71985 SPECIFICATION NUMBER: S411T100-901 OPTIONAL PART: SL8113-3 V97393	001030	2
- 465	BACR15BA4D	RIVET- SIZE DETERMINED ON INSTL. -----*-----	001030	4
470	65C36911-1	BRACKET	001030	1
475	65C36910-2	BRACKET ASSY	001030	1
480	SL8113-3	MOUNT-ISOLATOR SUPPLIER CODE: V97393 SPECIFICATION NUMBER: S411T100-901 OPTIONAL PART: DE819 V71985	001030	2
480	DE819	MOUNT-ISOLATOR SUPPLIER CODE: V71985 SPECIFICATION NUMBER: S411T100-901 OPTIONAL PART: SL8113-3 V97393	001030	2
- 485	BACR15BA4D	RIVET- SIZE DETERMINED ON INSTL. -----*-----	001030	4
490	BACB30NX6K	BOLT- SIZE DETERMINED ON INSTL.	001030	4
495	BACC30X	COLLAR	001030	4
500	214N2161-2	BRACKET	001030	1
505	214N2161-3	BRACKET	001030	1
510	65C36911-1	BRACKET	001030	1
515	214A2103-13	NOZZLE ASSY	001030	1

MISSING ITEM NUMBERS NOT APPLICABLE

- ITEM NOT ILLUSTRATED

HAP

21-23-01-05

BOEING PROPRIETARY - Copyright © - Unpublished Work - See title page for details.

21-23-01
FIG. 05
PAGE 5
JUN 15/09

BOEING
737-600/700/800/900
PARTS CATALOG (MAINTENANCE)

FIG ITEM	PART NUMBER	1 2 3 4 5 6 7	NOMENCLATURE	EFFECT FROM TO	UNITS PER ASSY
5					
530	214A2104-13	RESTRICTOR ASSY	001030	1
545	214A2102-15	PLENUM ASSY	001030	1
550	214N2178-1	NUTPLATE ASSY- OPTIONAL PART: CB2010CR3CRP V66530	001030	12
550	CB2010CR3CRP	NUTPLATE- SUPPLIER CODE: V66530 OPTIONAL PART: 214N2178-1	001030	12
580	65C36940-1	OUTLET ASSY	001030	6
595	214A2108-5	...	DUCT ASSY-	001029	1
595	214A2108-22	...	DUCT ASSY-	030030	1
600	BAC27DAC86	MARKER	001030	1
605	214T3436-1834	...	ORIFICE ASSY- OPTIONAL PART: 214T3436-1546	001030	6
605	214T3436-1546	...	ORIFICE ASSY- OPTIONAL PART: 214T3436-1834	001030	6
610	69-42789-1	..	COVER-NOZZLE GAP	001030	1
625	411A4904-9	.STRIP-	FELT SEAL OPTIONAL PART: 214A2011-101	001030	AR
625	214A2011-101	.STRIP-	FELT SEAL OPTIONAL PART: 411A4904-9	001011	AR
640	BACS12GP3L37	.SCREW-	OPTIONAL PART: BACS12ER3K37	001011	1
640	BACS12ER3K37	.SCREW-	OPTIONAL PART: BACS12GP3L37	001011	1
645	NAS43DD3-108FC	.SPACER		001011	1
650	BACW10DZ3	.WASHER		001011	1
655	T012L0	.STRAP	SUPPLIER CODE: V53421 SPECIFICATION NUMBER: BACS38K6	001011	4
660	STBP19M12	.PLATE-MTG	SUPPLIER CODE: V1B249	001011	1
665	214N5054-8	.SUPPORT ASSY		001011	1
670	2055155-7A	..CLIP-STGR	SUPPLIER CODE: V04169	001011	1

MISSING ITEM NUMBERS NOT APPLICABLE

- ITEM NOT ILLUSTRATED

HAP

21-23-01-05

BOEING PROPRIETARY - Copyright © - Unpublished Work - See title page for details.

21-23-01
FIG. 05
PAGE 6
JUN 15/09

BOEING
737-600/700/800/900
PARTS CATALOG (MAINTENANCE)

FIG ITEM	PART NUMBER	1 2 3 4 5 6 7	NOMENCLATURE	EFFECT FROM TO	UNITS PER ASSY
5					
675	411N4026-2		..CAP ASSY- OPTIONAL PART: 411N4026-10	001011	1
675	411N4026-10		..CAP ASSY- OPTIONAL PART: 411N4026-2	001011	1
900			ILLUSTRATION REFERENCE: DUCT INSTL-MID OVHD AIR DISTR SYS (DISTRIBUTION ONLY) 21-23-01-06	001011	RF
900			ILLUSTRATION REFERENCE: DUCT INSTL-OVHD AIR DISTR SYS (PASSENGER CABIN CONDITIONED AIR DISTRIBUTION ONLY) 21-23-01-22	012030	RF

MISSING ITEM NUMBERS NOT APPLICABLE

— ITEM NOT ILLUSTRATED

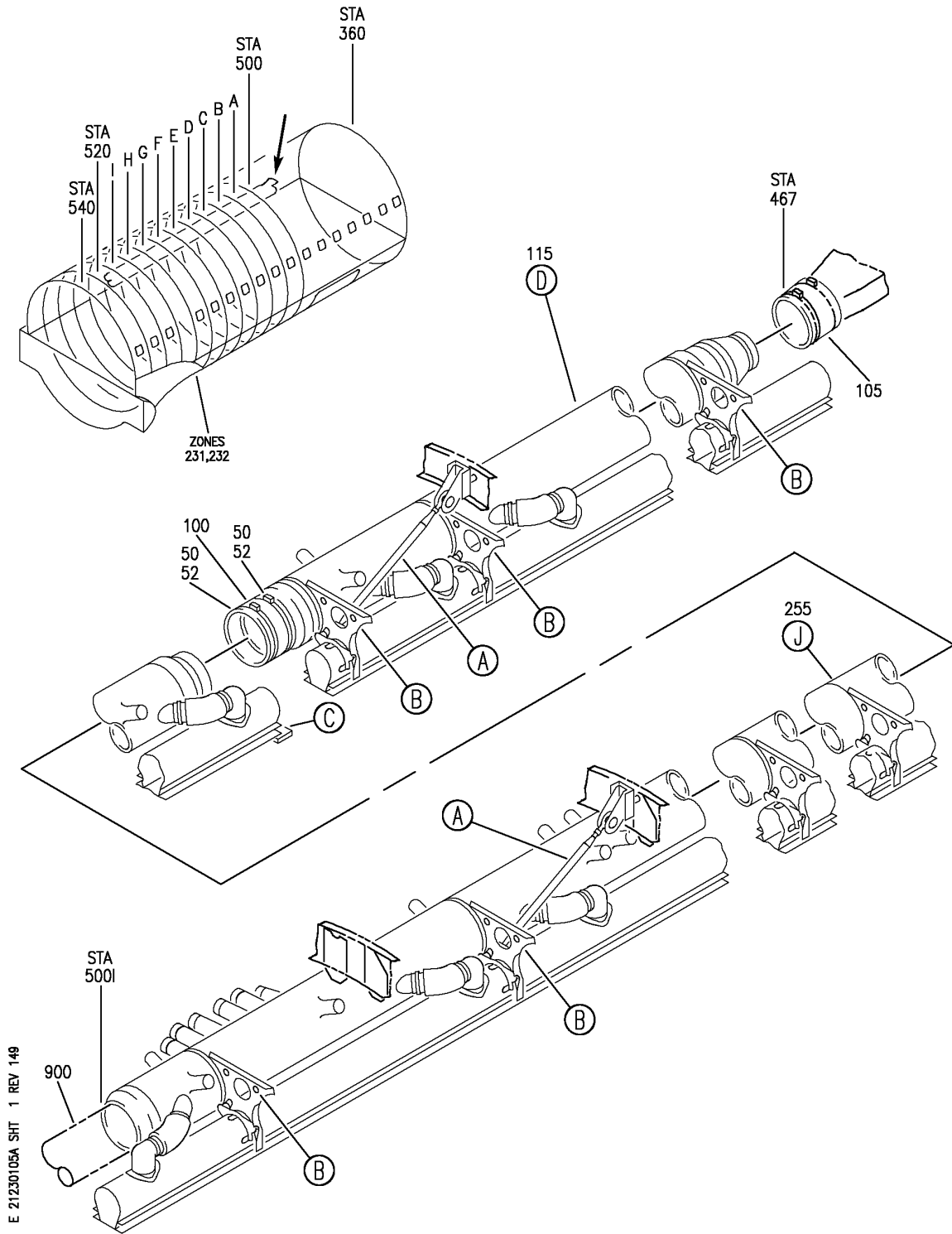
HAP

21-23-01-05

BOEING PROPRIETARY - Copyright © - Unpublished Work - See title page for details.

21-23-01
FIG. 05
PAGE 7
JUN 15/09

BOEING
 737-600/700/800/900
 PARTS CATALOG (MAINTENANCE)



E 21230105A SHT 1 REV 149

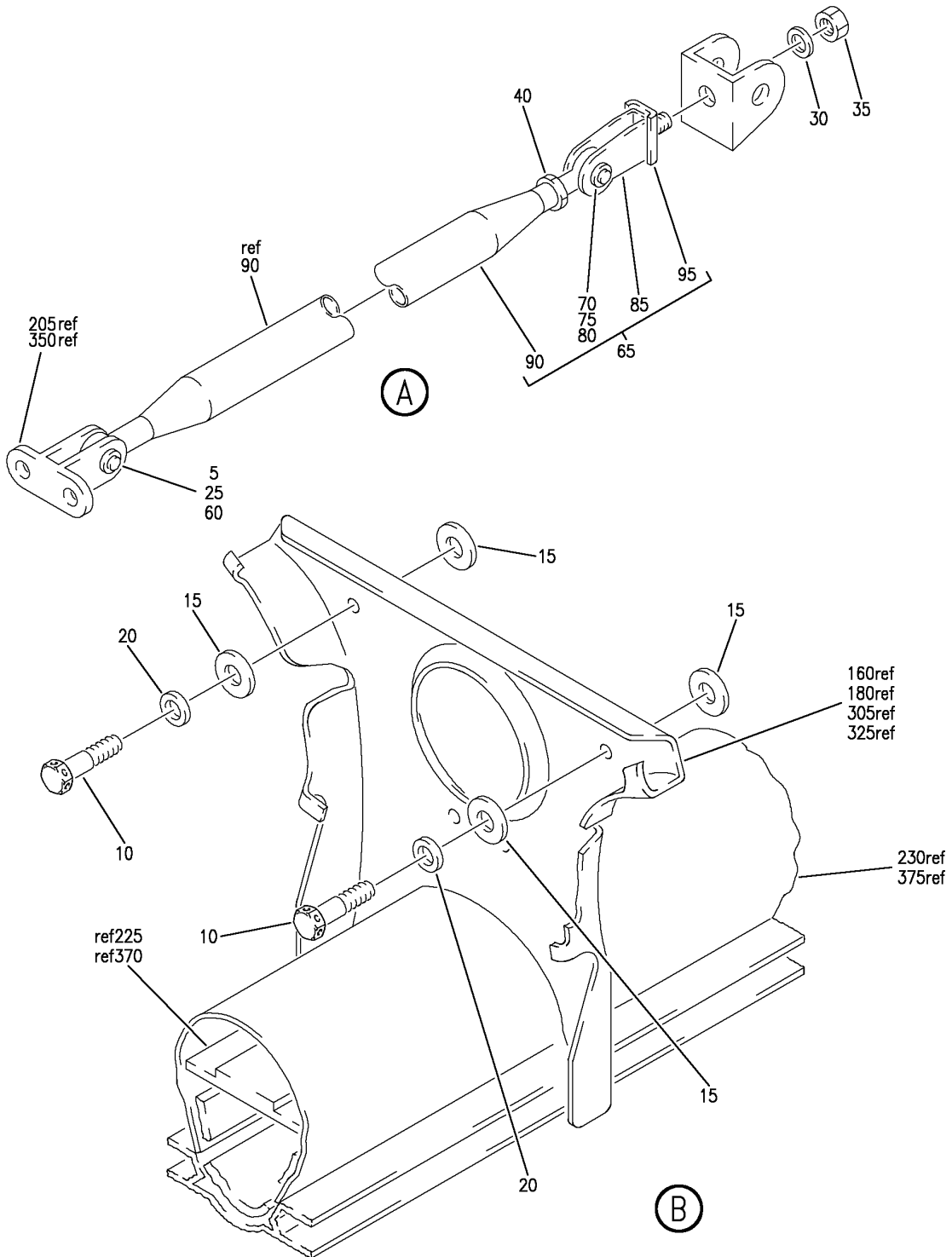
DUCT INSTL-OVHD AIR DISTR SYS (PASSENGER CABIN CONDITIONED AIR DISTRIBUTION ONLY)
 FIGURE 5A (SHEET 1)

21-23-01-05A

HAP
 FEB 15/09

21-23-01-05A
 PAGE 0

BOEING
 737-600/700/800/900
 PARTS CATALOG (MAINTENANCE)



E 21230105A SHT 2 REV 101

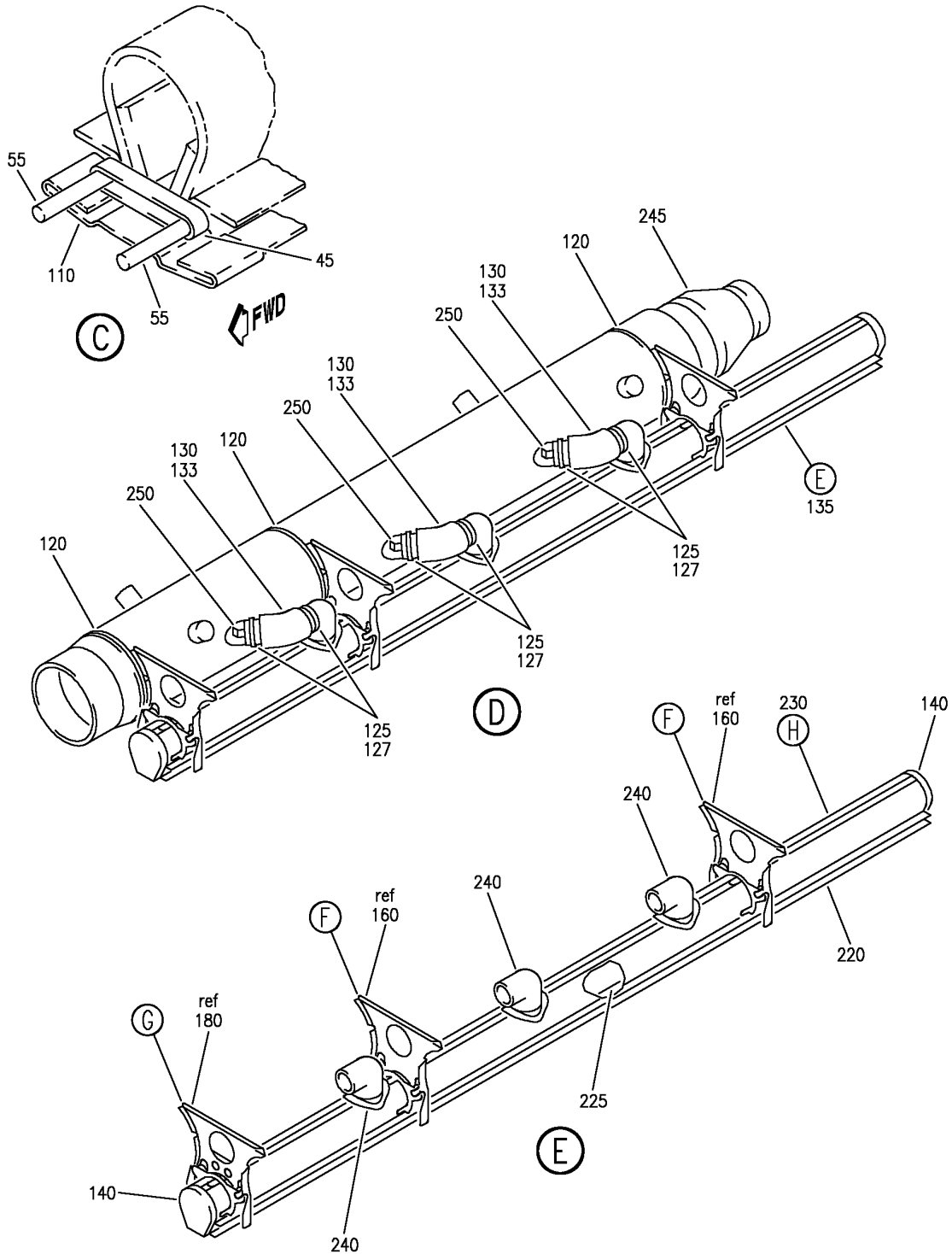
DUCT INSTL-OVHD AIR DISTR SYS (PASSENGER CABIN CONDITIONED AIR DISTRIBUTION ONLY)
 FIGURE 5A (SHEET 2)

21-23-01-05A

HAP
 OCT 10/06

21-23-01-05A
 PAGE 0A

BOEING
 737-600/700/800/900
 PARTS CATALOG (MAINTENANCE)



E 21230105A SHT 3 REV 153

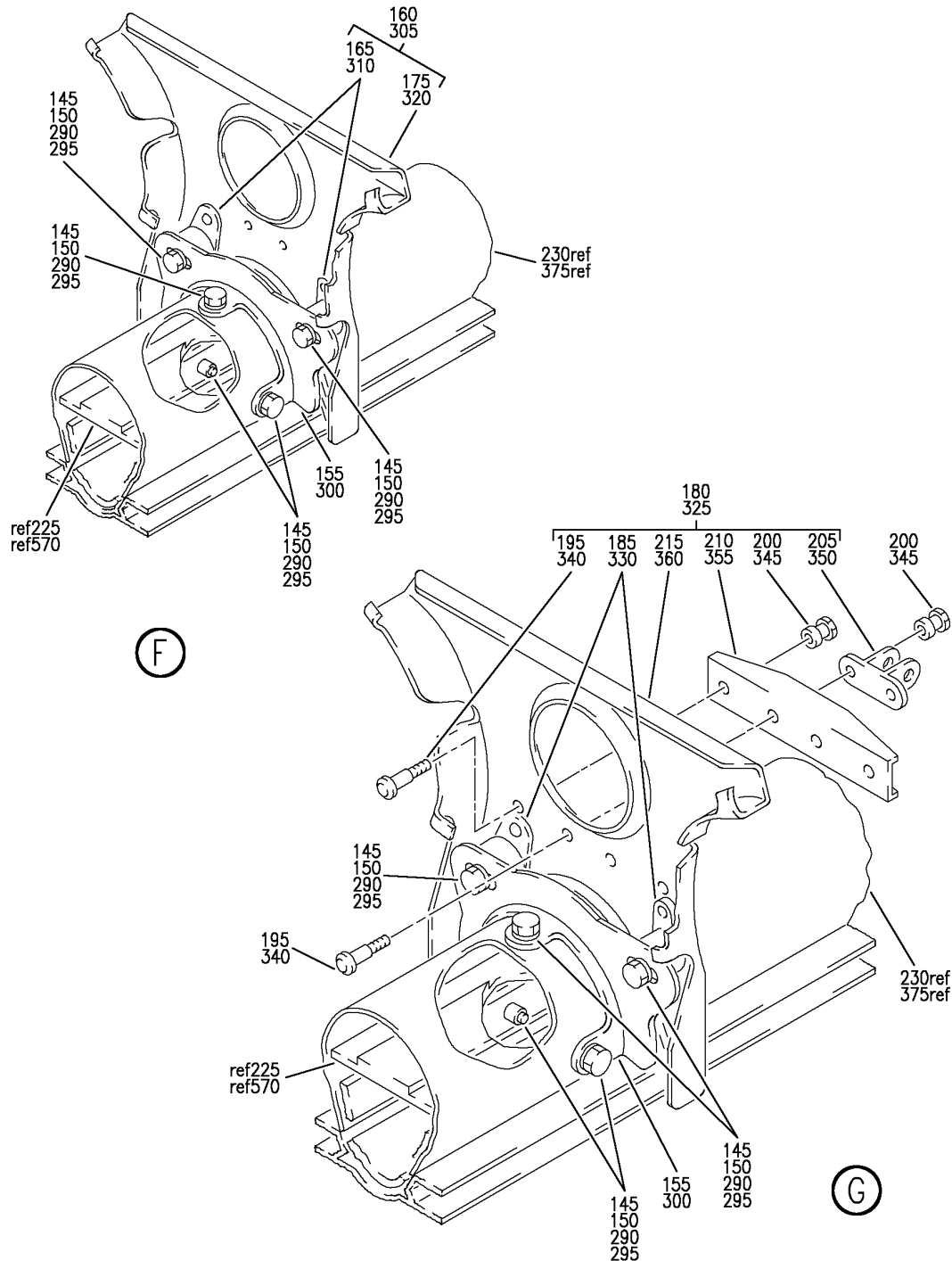
DUCT INSTL-OVHD AIR DISTR SYS (PASSENGER CABIN CONDITIONED AIR DISTRIBUTION ONLY)
 FIGURE 5A (SHEET 3)

HAP
 JUN 15/09

21-23-01-05A

21-23-01-05A
 PAGE 0B

BOEING
737-600/700/800/900
PARTS CATALOG (MAINTENANCE)



E 21230105A SHT 4 REV 101

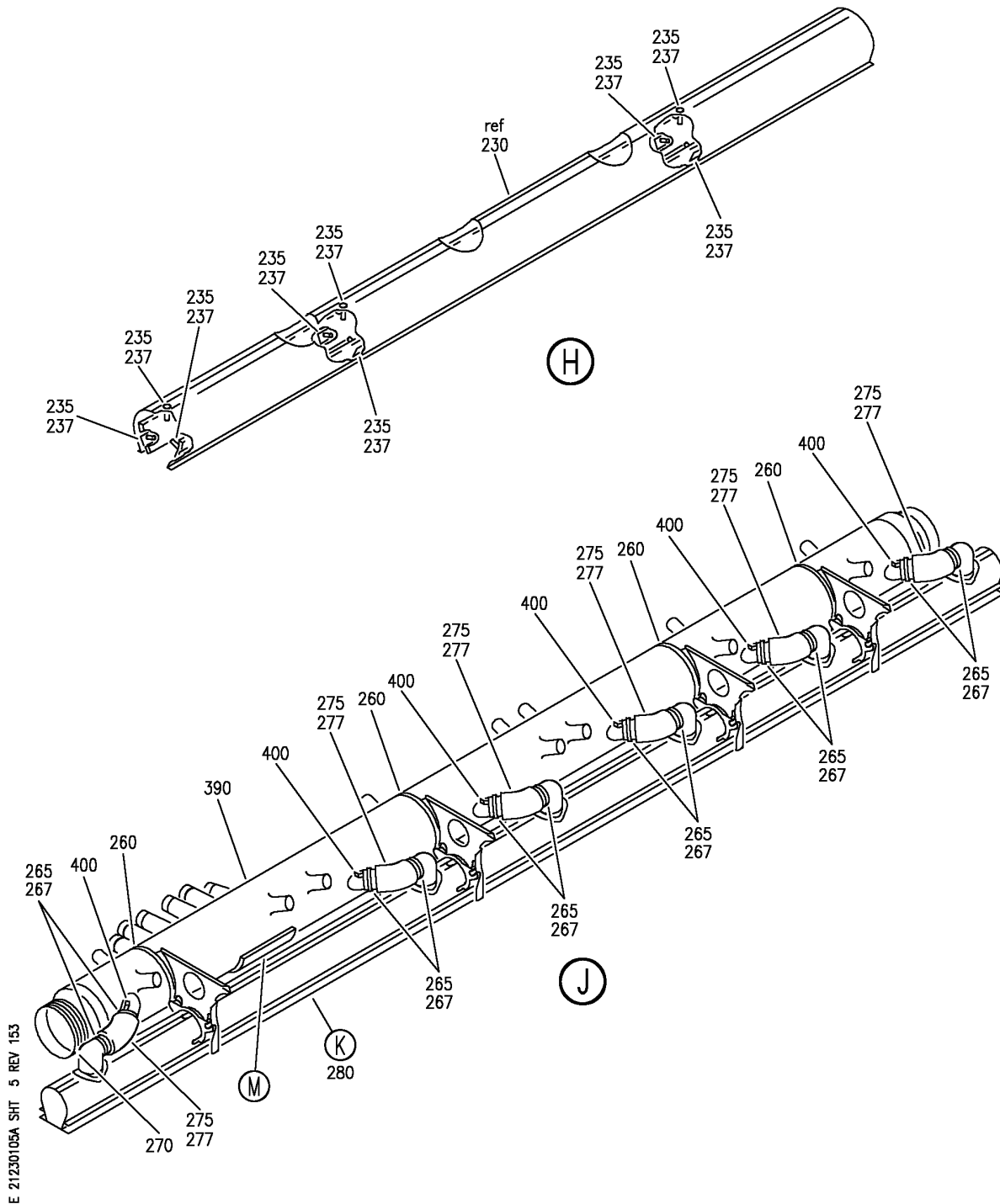
DUCT INSTL-OVHD AIR DISTR SYS (PASSENGER CABIN CONDITIONED AIR DISTRIBUTION ONLY)
 FIGURE 5A (SHEET 4)

HAP
 OCT 10/06

21-23-01-05A

21-23-01-05A
 PAGE 0C

BOEING
 737-600/700/800/900
 PARTS CATALOG (MAINTENANCE)



E 21230105A SHT 5 REV 153

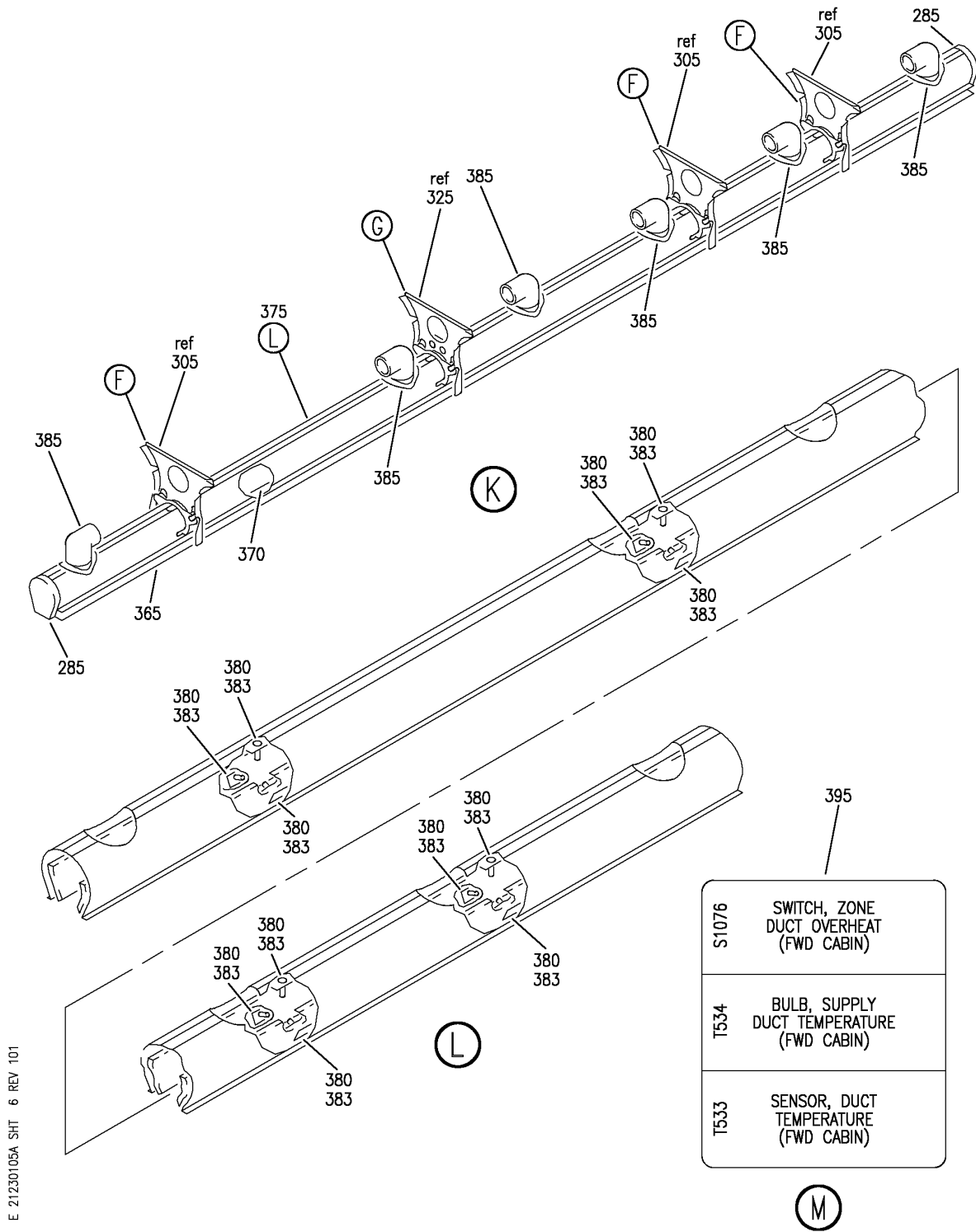
DUCT INSTL-OVHD AIR DISTR SYS (PASSENGER CABIN CONDITIONED AIR DISTRIBUTION ONLY)
 FIGURE 5A (SHEET 5)

21-23-01-05A

HAP
 JUN 15/09

21-23-01-05A
 PAGE 0D

BOEING
737-600/700/800/900
PARTS CATALOG (MAINTENANCE)



E 21230105A SH1 6 REV 101

DUCT INSTL-OVHD AIR DISTR SYS (PASSENGER CABIN CONDITIONED AIR DISTRIBUTION ONLY)
FIGURE 5A (SHEET 6)

HAP
OCT 10/06

21-23-01-05A

21-23-01-05A
PAGE 0E

BOEING
737-600/700/800/900
PARTS CATALOG (MAINTENANCE)

FIG ITEM	PART NUMBER	1 2 3 4 5 6 7	NOMENCLATURE	EFFECT FROM TO	UNITS PER ASSY
5A			DUCT INSTL-OVHD AIR DISTR SYS (PASSENGER CABIN CONDITIONED AIR DISTRIBUTION ONLY)	031100	
- 1	MODREF231659		DUCT INSTL-OVHD AIR DISTR SYS (PASSENGER CABIN CONDITIONED AIR DISTRIBUTION ONLY) MODULE NUMBER: 214A2011-9B REV B FOR OTHER SYS DETAILS SEE: 21-61-04-05 21-61-05-05 21-61-30-05	031036	1
- 1	MODREF291252		DUCT INSTL-OVHD AIR DISTR SYS (PASSENGER CABIN CONDITIONED AIR DISTRIBUTION ONLY) MODULE NUMBER: 214A2011-9B REV C FOR OTHER SYS DETAILS SEE: 21-61-04-05 21-61-05-05 21-61-30-05	037046 054100	1
- 1	MODREF363241		DUCT INSTL-OVHD AIR DISTR SYS (PASSENGER CABIN CONDITIONED AIR DISTRIBUTION ONLY) MODULE NUMBER: 214A2011-9B REV D FOR OTHER SYS DETAILS SEE: 21-61-04-05 21-61-05-05 21-61-30-05	047048	1
- 1	MODREF402168		DUCT INSTL-OVHD AIR DISTR SYS (PASSENGER CABIN CONDITIONED AIR DISTRIBUTION ONLY) MODULE NUMBER: 214A2011-9B REV E FOR OTHER SYS DETAILS SEE: 21-61-04-05 21-61-05-05 21-61-30-05	049053	1
5	BACP18BC02C04P	.PIN		031100	2
10	BACB30NR4K5	.BOLT		031100	10
15	BACW10P271TF	.WASHER		031100	20
20	BACW10BN4AC	.WASHER		031100	10
25	NAS1149E0416P	.WASHER		031100	2

MISSING ITEM NUMBERS NOT APPLICABLE

- ITEM NOT ILLUSTRATED

HAP

21-23-01-05A

BOEING PROPRIETARY - Copyright © - Unpublished Work - See title page for details.

21-23-01
FIG. 05A
PAGE 1
FEB 15/09

BOEING
737-600/700/800/900
PARTS CATALOG (MAINTENANCE)

FIG ITEM	PART NUMBER	1 2 3 4 5 6 7	NOMENCLATURE	EFFECT FROM TO	UNITS PER ASSY
5A					
30	NAS1149D0516J	.	WASHER	031100	2
35	MS21042L5	.	NUT	031100	2
40	AN316-5R	.	NUT	031100	2
45	MLT2S	.	TIE-METAL LOCKING	031100	1
			SUPPLIER CODE: V06383		
50	NAS1922-0750-3	.	CLAMP-	031100	2
			OPTIONAL PART: BACS38K6		
52	T012L0	.	STRAP-	049053	2
			SUPPLIER CODE: V53421		
			SPECIFICATION NUMBER: BACS38K6		
			OPTIONAL PART: NAS1922-0750-3		
55	214N2035-1	.	PIN	031100	2
60	BACP18D3C21	.	PIN	031100	2
65	412N2030-50	.	DIAGONAL ASSY	031100	2
70	MS24665-132	..	PIN	031100	1
75	MS20392-3C17	..	PIN	031100	1
80	AN960PD416L	..	WASHER	031100	1
85	412N2031-1	..	CLEVIS-	031100	1
			MANUFACTURED FROM: 412N2031-2		
90	1293-109	..	ROD ASSY-	031100	1
			SUPPLIER CODE: V34742		
95	412N2032-3	..	INSULATOR-CLEVIS	031100	1
			MANUFACTURED FROM: FIN F-6.10 COMPRESSION MOLDED PHENOLIC, GLASS FIBER FILLED PER BMS8-271A, TYPE 1		
95	412N2032-4	..	INSULATOR-CLEVIS	031100	1
			MANUFACTURED FROM: FIN F-6.10 COMPRESSION MOLDED PHENOLIC, GLASS FIBER FILLED PER BMS8-271A, TYPE 1		
100	AS1506-30D32	.	SLEEVE	031100	1
105	AS1506-20D30	.	SLEEVE	031100	1
110	69-42789-4B	.	COVER	031100	1
115	214A2107-51B	.	DUCT ASSY-	031036	1
115	214A2107-82B	.	DUCT SEGMENT ASSY-	037046	1
				054100	
115	214A2107-113B	.	DUCT SEGMENT ASSY	047053	1

MISSING ITEM NUMBERS NOT APPLICABLE

- ITEM NOT ILLUSTRATED

HAP

21-23-01-05A

BOEING PROPRIETARY - Copyright © - Unpublished Work - See title page for details.

21-23-01
FIG. 05A
PAGE 2
FEB 15/09

BOEING
737-600/700/800/900
PARTS CATALOG (MAINTENANCE)

FIG ITEM	PART NUMBER	1 2 3 4 5 6 7	NOMENCLATURE	EFFECT FROM TO	UNITS PER ASSY
5A 120	T012L0	..	STRAP SUPPLIER CODE: V53421 SPECIFICATION NUMBER: BACS38K6	031100	3
125	NAS1922-0200-3	..	CLAMP- OPTIONAL PART: BACS38K2	031100	6
127	PLT4SM	..	STRAP- SUPPLIER CODE: V06383 SPECIFICATION NUMBER: BACS38K2 OPTIONAL PART: T05L0 V53421 NAS1922-0200-3	037100	6
R 130	65C36915-1	..	MUFFLER ASSY-	031100	3
R 133	AS1591-08-0070A	..	HOSE-	031100	3
135	214A2101-8	..	PLENUM ASSY	031100	1
140	214N2169-1	...	CAP-END	031100	2
145	BACS12GU3K7	...	SCREW	031100	15
150	NAS1149D0332J	...	WASHER	031100	15
155	214A2111-1	...	BRACKET	031100	3
160	65C36910-1	...	BRACKET ASSY	031100	2
165	SL8113-3	MOUNT-ISOLATOR SUPPLIER CODE: V97393 SPECIFICATION NUMBER: S411T100-901 OPTIONAL PART: DE819 V71985	031100	2
165	DE819	MOUNT-ISOLATOR SUPPLIER CODE: V71985 SPECIFICATION NUMBER: S411T100-901 OPTIONAL PART: SL8113-3 V97393 ATTACHING PARTS	031100	2
- 170	BACR15BA4D	RIVET- SIZE DETERMINED ON INSTL. -----*-----	031100	4
175	65C36911-1	BRACKET	031100	1
180	65C36910-2	...	BRACKET ASSY	031100	1

MISSING ITEM NUMBERS NOT APPLICABLE

- ITEM NOT ILLUSTRATED

HAP

21-23-01-05A

BOEING PROPRIETARY - Copyright © - Unpublished Work - See title page for details.

21-23-01
FIG. 05A
PAGE 3
JUN 15/09

BOEING
737-600/700/800/900
PARTS CATALOG (MAINTENANCE)

FIG ITEM	PART NUMBER	1 2 3 4 5 6 7	NOMENCLATURE	EFFECT FROM TO	UNITS PER ASSY
5A 185	SL8113-3	MOUNT-ISOLATOR SUPPLIER CODE: V97393 SPECIFICATION NUMBER: S411T100-901 OPTIONAL PART: DE819 V71985	031100	2
185	DE819	MOUNT-ISOLATOR SUPPLIER CODE: V71985 SPECIFICATION NUMBER: S411T100-901 OPTIONAL PART: SL8113-3 V97393 ATTACHING PARTS	031100	2
- 190	BACR15BA4D	RIVET- SIZE DETERMINED ON INSTL. -----*-----	031100	4
195	BACB30NX6K	BOLT	031100	4
200	BACC30X	COLLAR	031100	4
205	214N2161-2	BRACKET	031100	1
210	214N2161-3	BRACKET	031100	1
215	65C36911-1	BRACKET	031100	1
220	214A2103-11	...	NOZZLE ASSY	031100	1
225	214A2104-11	...	RESTRICTOR ASSY	031100	1
230	214A2102-13	...	PLENUM ASSY	031100	1
235	214N2178-1	NUTPLATE ASSY- OPTIONAL PART: CB2010CR3CRP V66530	031100	9
237	CB2010CR3CRP	NUTPLATE- SUPPLIER CODE: V66530 OPTIONAL PART: 214N2178-1	031100	9
240	65C36940-1	...	OUTLET ASSY-AIR	031100	3
245	214A2106-64	..	DUCT ASSY-	031036	1
245	214A2106-83	..	DUCT ASSY-	037046	1
245	214A2106-111	..	DUCT ASSY	054100	1
250	214T3436-1837	..	ORIFICE ASSY- OPTIONAL PART: 214T3436-1549	047053	1
250	214T3436-1549	..	ORIFICE ASSY- OPTIONAL PART: 214T3436-1837	031100	3
255	214A2107-55B	.	SEGMENT ASSY-	031036	1

MISSING ITEM NUMBERS NOT APPLICABLE

- ITEM NOT ILLUSTRATED

21-23-01-05A

21-23-01
FIG. 05A
PAGE 4
FEB 15/09

HAP

BOEING PROPRIETARY - Copyright © - Unpublished Work - See title page for details.

BOEING
737-600/700/800/900
PARTS CATALOG (MAINTENANCE)

FIG ITEM	PART NUMBER	1 2 3 4 5 6 7	NOMENCLATURE	EFFECT FROM TO	UNITS PER ASSY
5A					
255	214A2107-85B	.	DUCT SEGMENT ASSY-	037046 054100	1
255	214A2107-116B	.	DUCT SEGMENT ASSY	047053	1
260	T012L0	..	STRAP SUPPLIER CODE: V53421 SPECIFICATION NUMBER: BACS38K6	031100	4
265	NAS1922-0200-3	..	CLAMP- OPTIONAL PART: BACS38K2	031100	12
267	PLT4SM	..	STRAP- SUPPLIER CODE: V06383 SPECIFICATION NUMBER: BACS38K2 OPTIONAL PART: T05L0 V53421 NAS1922-0200-3	037100	12
270	NAS1922-0750-3	..	CLAMP	031100	1
275	65C36915-1	..	MUFFLER ASSY-	031100	6
277	AS1591-08-0070A	..	HOSE-	031100	6
280	214A2101-9	..	PLENUM ASSY	031100	1
285	214N2169-1	...	CAP-END	031100	2
290	BACS12GU3K7	...	SCREW	031100	20
295	NAS1149D0332J	...	WASHER	031100	20
300	214A2111-1	...	BRACKET	031100	4
305	65C36910-1	...	BRACKET ASSY	031100	3
310	SL8113-3	MOUNT-ISOLATOR SUPPLIER CODE: V97393 SPECIFICATION NUMBER: S411T100-901 OPTIONAL PART: DE819 V71985	031100	2
310	DE819	MOUNT-ISOLATOR SUPPLIER CODE: V71985 SPECIFICATION NUMBER: S411T100-901 OPTIONAL PART: SL8113-3 V97393	031100	2
- 315	BACR15BA4D	RIVET- SIZE DETERMINED ON INSTL. -----*-----	031100	4

MISSING ITEM NUMBERS NOT APPLICABLE

- ITEM NOT ILLUSTRATED

HAP

21-23-01-05A

BOEING PROPRIETARY - Copyright © - Unpublished Work - See title page for details.

21-23-01
FIG. 05A
PAGE 5
JUN 15/09

BOEING
737-600/700/800/900
PARTS CATALOG (MAINTENANCE)

FIG ITEM	PART NUMBER	1 2 3 4 5 6 7	NOMENCLATURE	EFFECT FROM TO	UNITS PER ASSY
5A					
320	65C36911-1	BRACKET	031100	1
325	65C36910-2	...	BRACKET ASSY	031100	1
330	SL8113-3	MOUNT-ISOLATOR	031100	2
			SUPPLIER CODE: V97393		
			SPECIFICATION NUMBER: S411T100-901		
			OPTIONAL PART: DE819		
			V71985		
330	DE819	MOUNT-ISOLATOR	031100	2
			SUPPLIER CODE: V71985		
			SPECIFICATION NUMBER: S411T100-901		
			OPTIONAL PART: SL8113-3		
			V97393		
			ATTACHING PARTS		
- 335	BACR15BA4D	RIVET-	031100	4
			SIZE DETERMINED ON INSTL. -----*-----		
340	BACB30NX6K	...	BOLT-	031100	4
			SIZE DETERMINED ON INSTL.		
345	BACC30X	COLLAR	031100	4
350	214N2161-2	BRACKET	031100	1
355	214N2161-3	BRACKET	031100	1
360	65C36911-1	BRACKET	031100	1
365	214A2103-13	...	NOZZLE ASSY	031100	1
370	214A2104-13	...	RESTRICTOR ASSY	031100	1
375	214A2102-15	...	PLENUM ASSY	031100	1
380	214N2178-1	NUTPLATE ASSY-	031100	12
			OPTIONAL PART: CB2010CR3CRP		
			V66530		
383	CB2010CR3CRP	NUTPLATE-	031100	12
			SUPPLIER CODE: V66530		
			OPTIONAL PART: 214N2178-1		
385	65C36940-1	...	OUTLET ASSY	031100	6
390	214A2108-32	..	DUCT ASSY-	031036	1
390	214A2108-42	..	DUCT ASSY-	037046	1
			054100		
390	214A2108-52	..	DUCT ASSY	047053	1
395	BAC27DAC86	...	MARKER	031100	1
400	214T3436-1834	..	ORIFICE ASSY-	031100	6
			OPTIONAL PART: 214T3436-1546		

MISSING ITEM NUMBERS NOT APPLICABLE

- ITEM NOT ILLUSTRATED

HAP

21-23-01-05A

21-23-01
FIG. 05A
PAGE 6
JUN 15/09

BOEING PROPRIETARY - Copyright © - Unpublished Work - See title page for details.


BOEING
 737-600/700/800/900
PARTS CATALOG (MAINTENANCE)

FIG ITEM	PART NUMBER	1 2 3 4 5 6 7	NOMENCLATURE	EFFECT FROM TO	UNITS PER ASSY
5A 400	214T3436-1546		..ORIFICE ASSY- OPTIONAL PART: 214T3436-1834	031100	6
900			ILLUSTRATION REFERENCE: DUCT INSTL-OVHD AIR DISTR SYS (PASSENGER CABIN CONDITIONED AIR DISTRIBUTION ONLY) 21-23-01-22A	031036	RF

MISSING ITEM NUMBERS NOT APPLICABLE

— ITEM NOT ILLUSTRATED

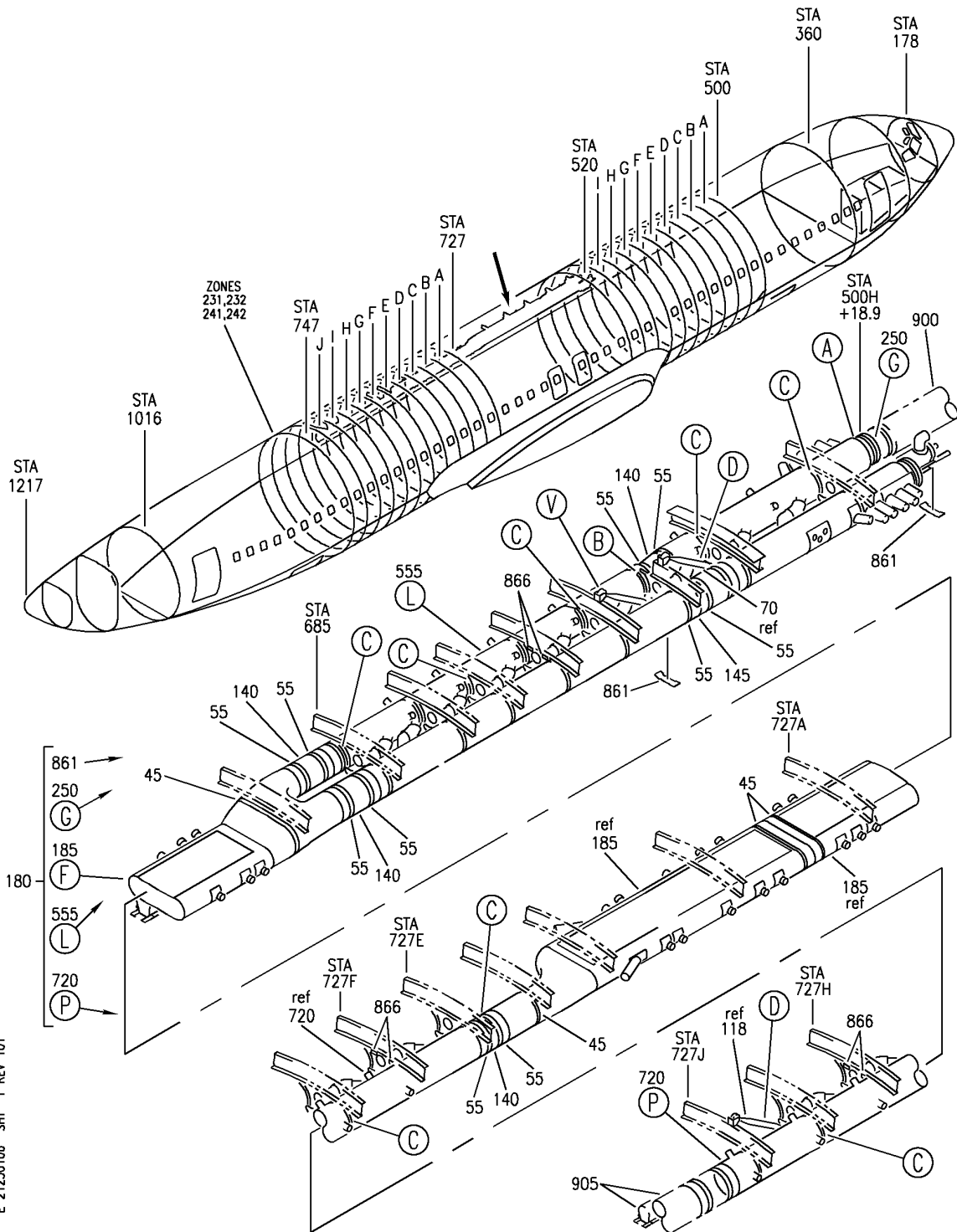
HAP

21-23-01-05A

BOEING PROPRIETARY - Copyright © - Unpublished Work - See title page for details.

21-23-01
 FIG. 05A
 PAGE 7
 FEB 15/09

BOEING
737-600/700/800/900
PARTS CATALOG (MAINTENANCE)



E 21230106 SHT 1 REV 101

DUCT INSTL-MID OVHD AIR DISTR SYS (DISTRIBUTION ONLY)
 FIGURE 6 (SHEET 1)

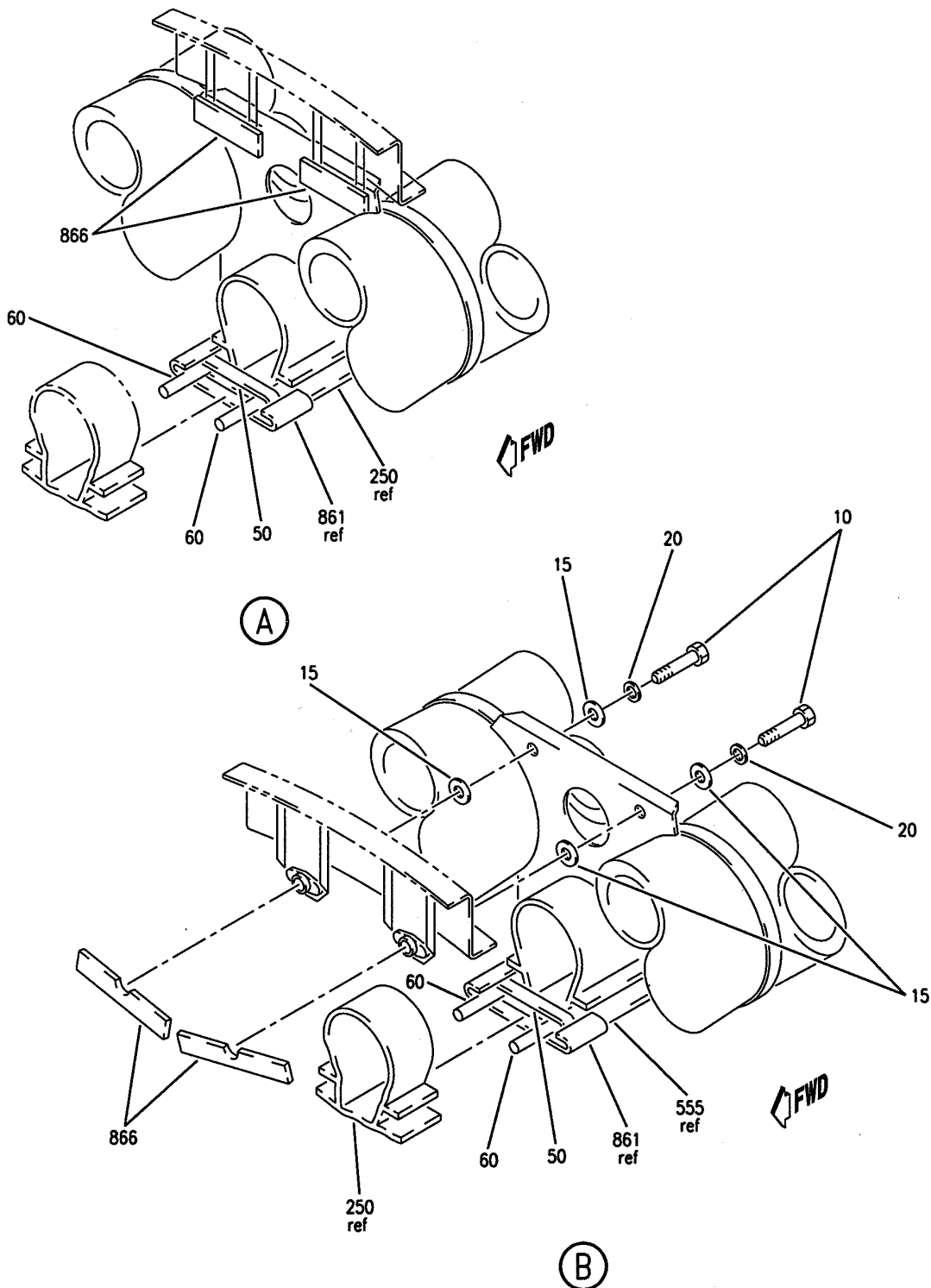
21-23-01-06

HAP
 OCT 10/06

21-23-01-06
 PAGE 0

BOEING PROPRIETARY - Copyright © - Unpublished Work - See title page for details.

BOEING
 737-600/700/800/900
 PARTS CATALOG (MAINTENANCE)



E 21230106 SHT 2 REV 034

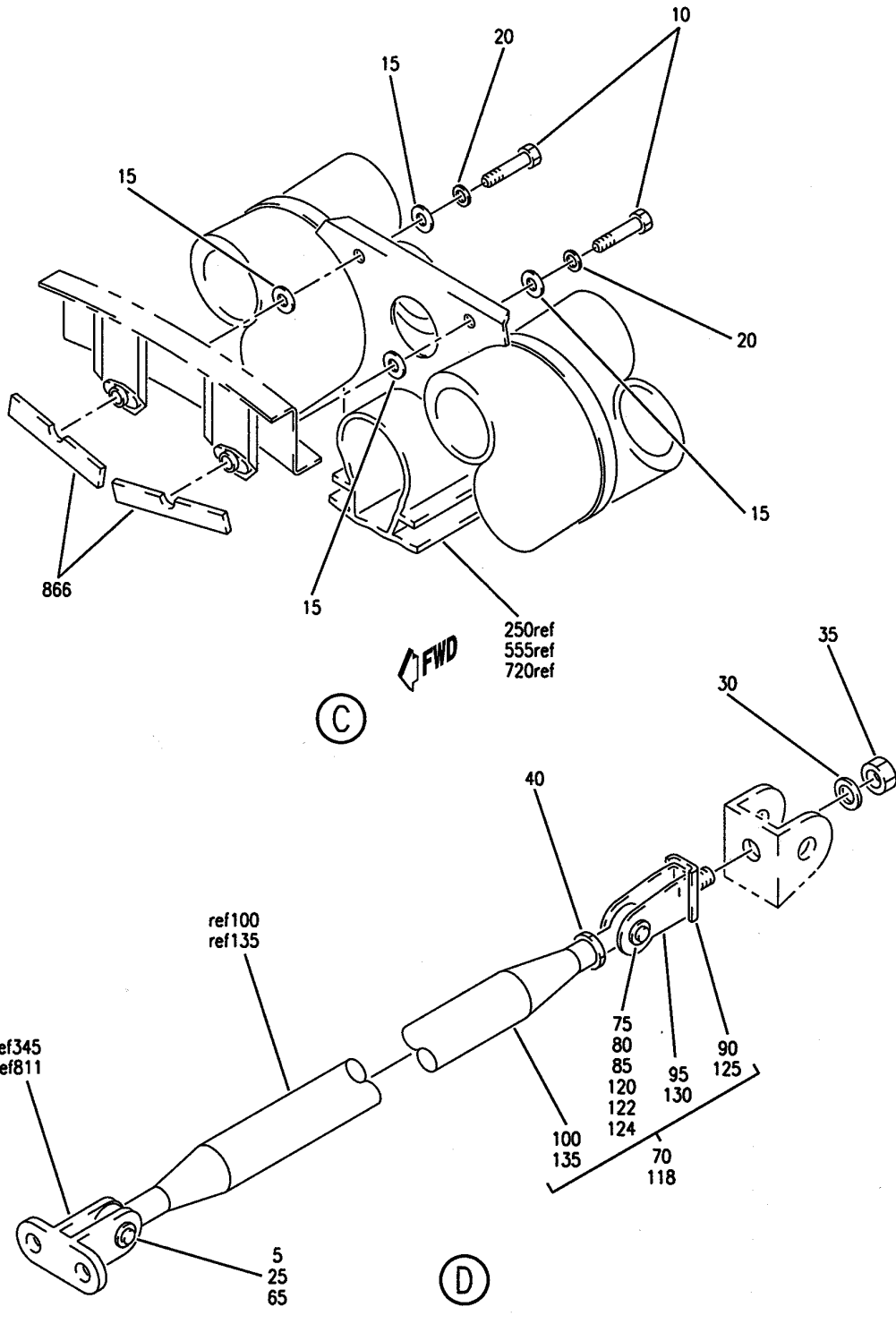
DUCT INSTL-MID OVHD AIR DISTR SYS (DISTRIBUTION ONLY)
 FIGURE 6 (SHEET 2)

21-23-01-06

HAP
 OCT 10/06

21-23-01-06
 PAGE 0A

BOEING
 737-600/700/800/900
 PARTS CATALOG (MAINTENANCE)



E 21230106 SHT 3 REV 034

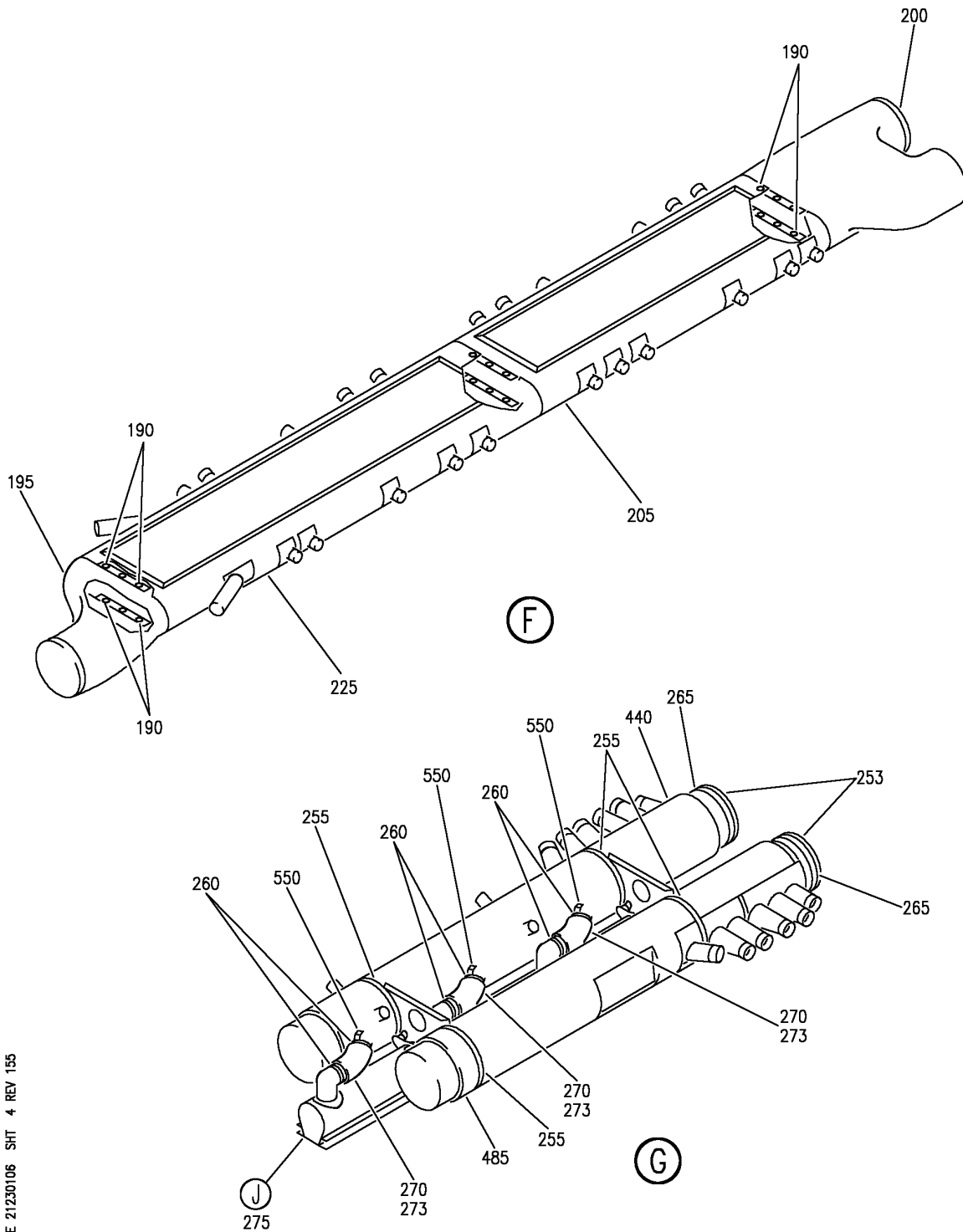
DUCT INSTL-MID OVHD AIR DISTR SYS (DISTRIBUTION ONLY)
 FIGURE 6 (SHEET 3)

21-23-01-06

HAP
 OCT 10/06

21-23-01-06
 PAGE 0B

BOEING
 737-600/700/800/900
 PARTS CATALOG (MAINTENANCE)



E 21230106 SHT 4 REV 155

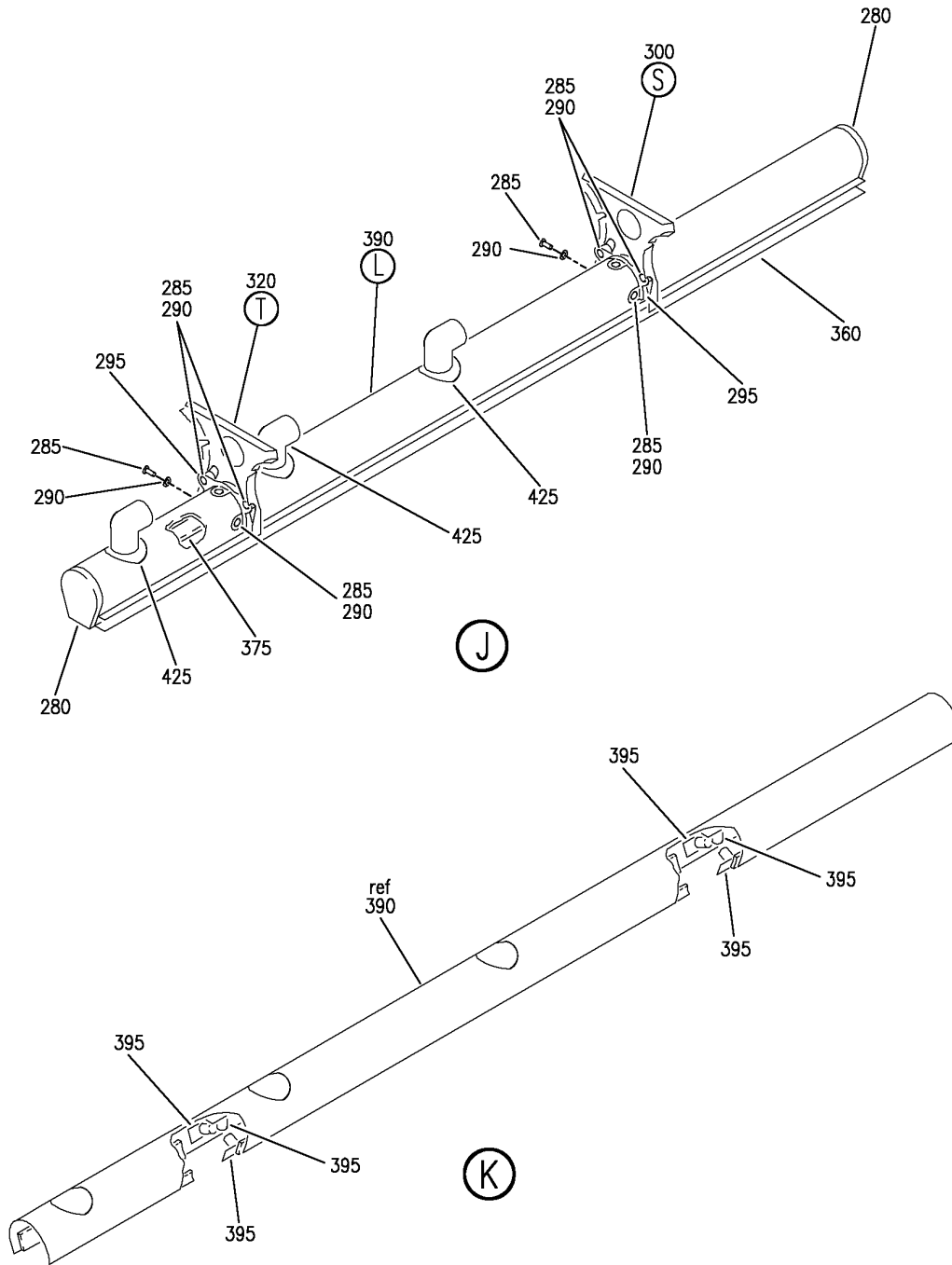
DUCT INSTL-MID OVHD AIR DISTR SYS (DISTRIBUTION ONLY)
 FIGURE 6 (SHEET 4)

21-23-01-06

HAP
 JUN 15/09

21-23-01-06
 PAGE 0C

BOEING
 737-600/700/800/900
 PARTS CATALOG (MAINTENANCE)



E 21230106 SH 5 REV 076

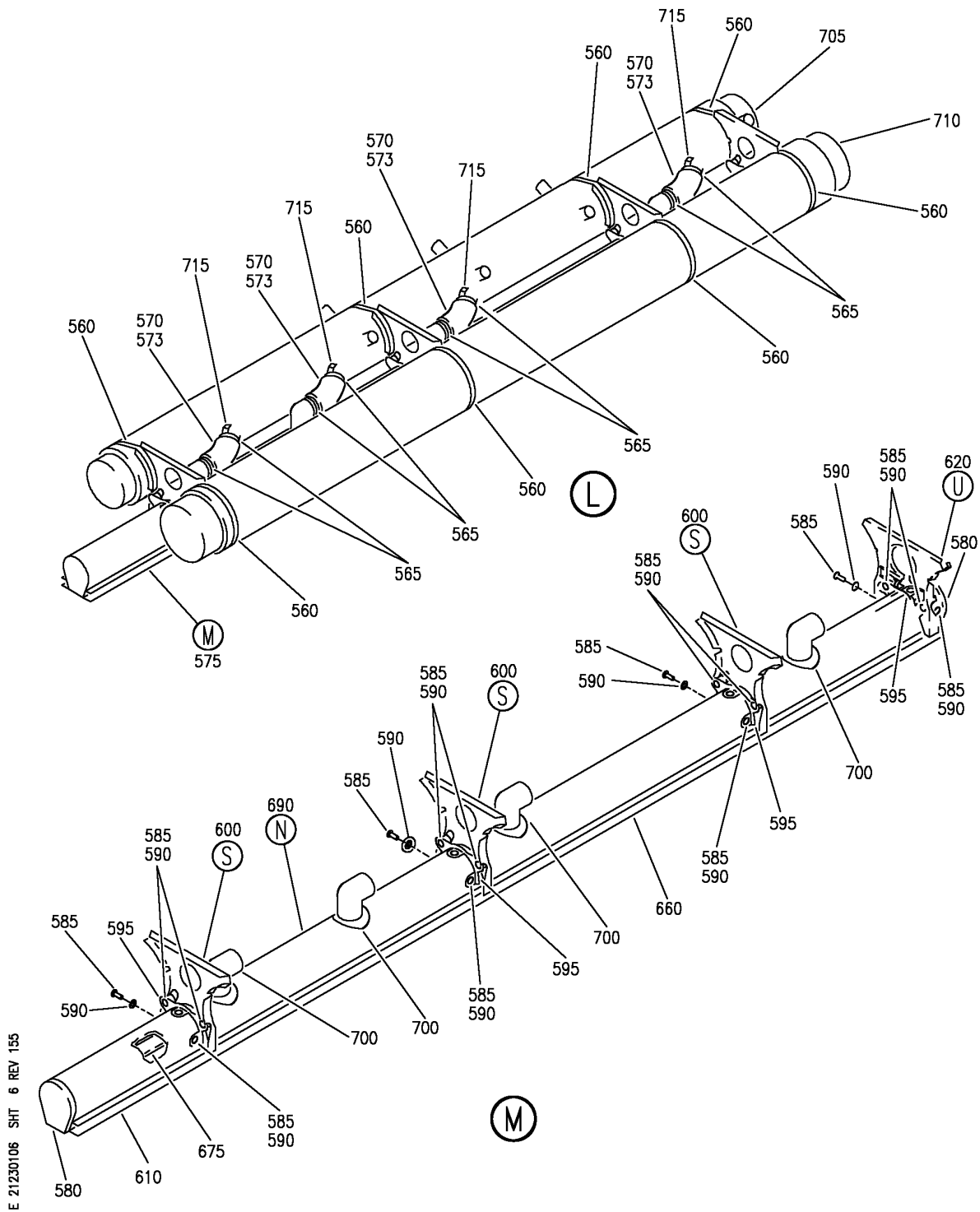
DUCT INSTL-MID OVHD AIR DISTR SYS (DISTRIBUTION ONLY)
 FIGURE 6 (SHEET 5)

21-23-01-06

HAP
 OCT 10/06

21-23-01-06
 PAGE 0D

BOEING
 737-600/700/800/900
 PARTS CATALOG (MAINTENANCE)



E 21230106 SHT 6 REV 155

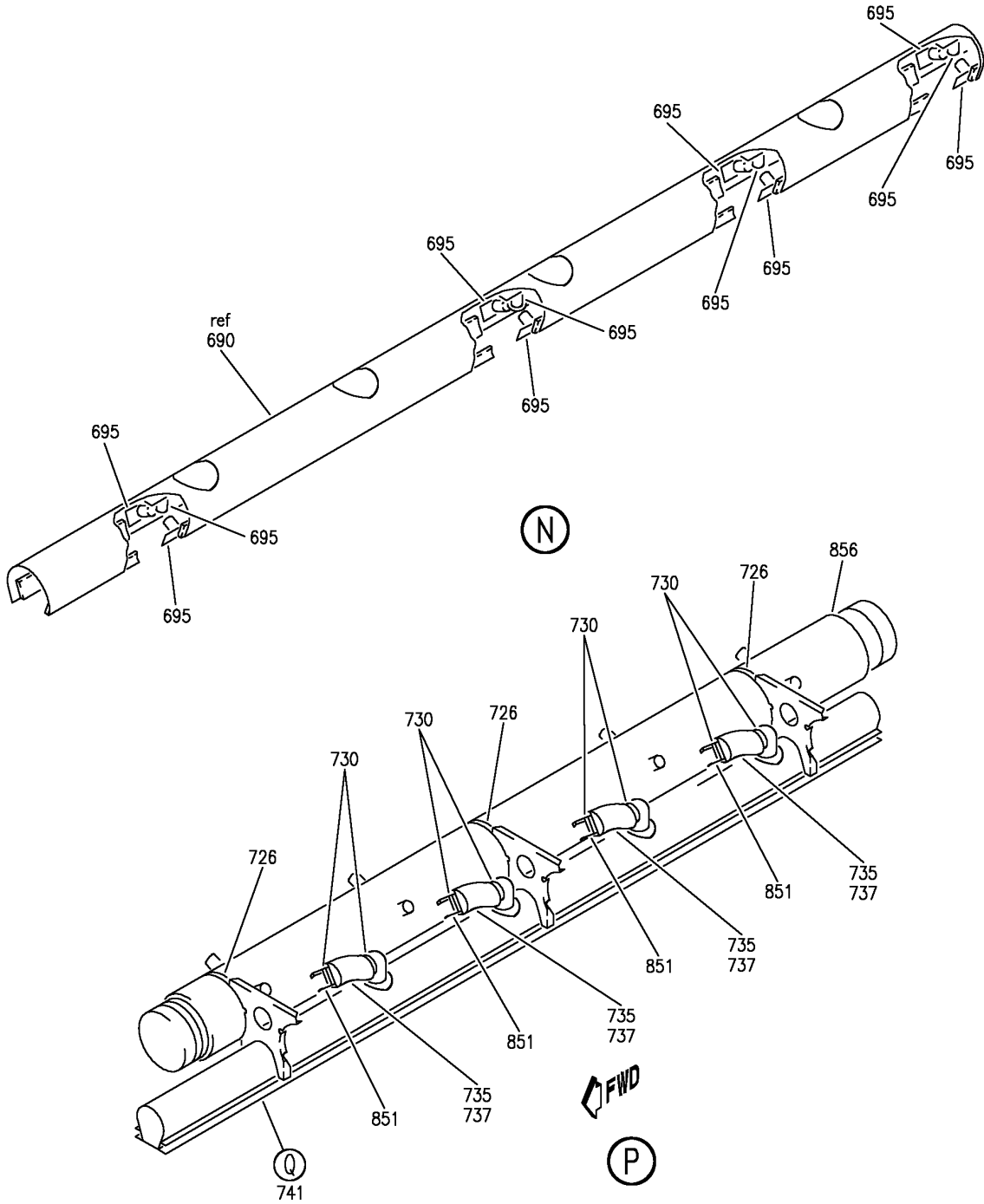
DUCT INSTL-MID OVHD AIR DISTR SYS (DISTRIBUTION ONLY)
 FIGURE 6 (SHEET 6)

21-23-01-06

HAP
 JUN 15/09

21-23-01-06
 PAGE 0E

BOEING
 737-600/700/800/900
 PARTS CATALOG (MAINTENANCE)



E 21230106 SHT 7 REV 155

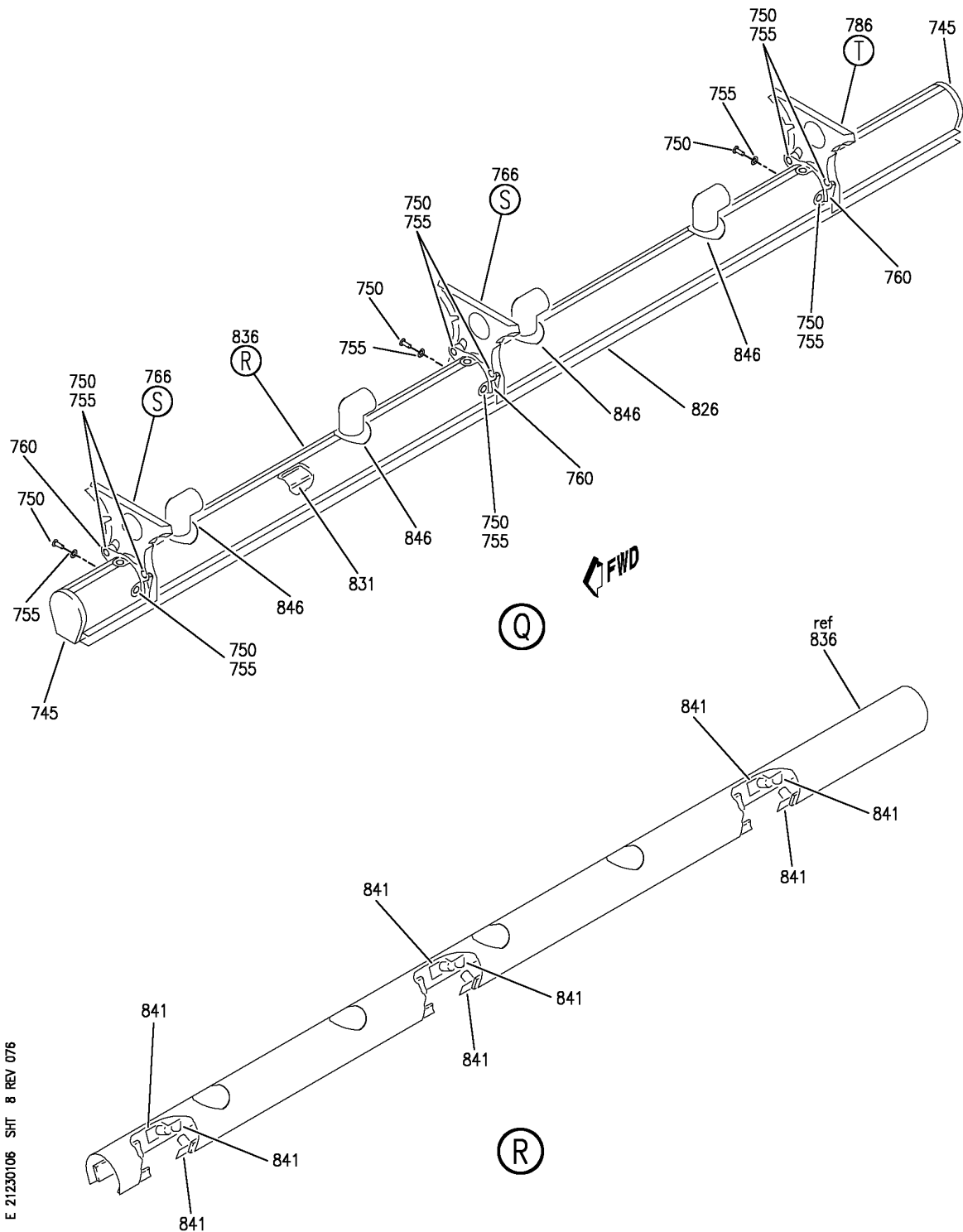
DUCT INSTL-MID OVHD AIR DISTR SYS (DISTRIBUTION ONLY)
 FIGURE 6 (SHEET 7)

21-23-01-06

HAP
 JUN 15/09

21-23-01-06
 PAGE OF

BOEING
 737-600/700/800/900
 PARTS CATALOG (MAINTENANCE)



E 21230106 SH1 8 REV 076

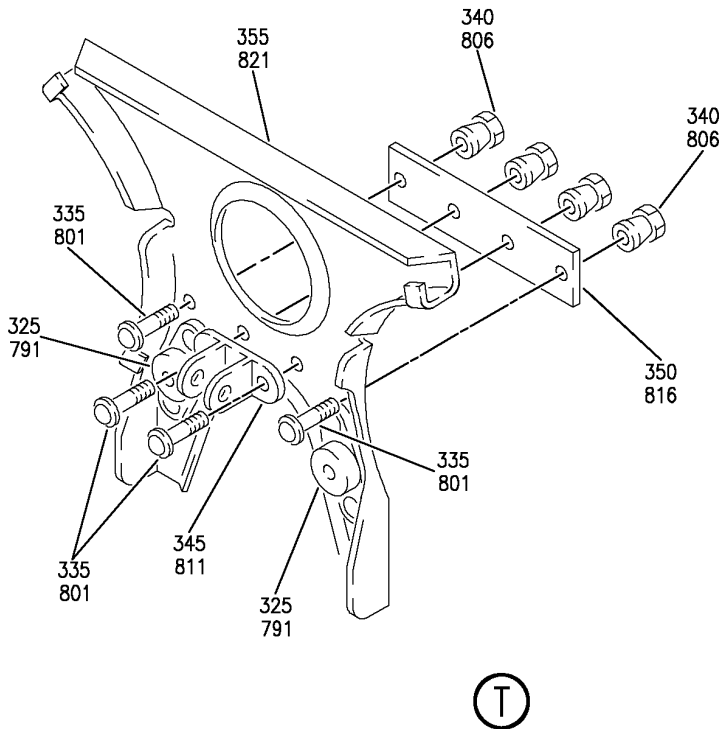
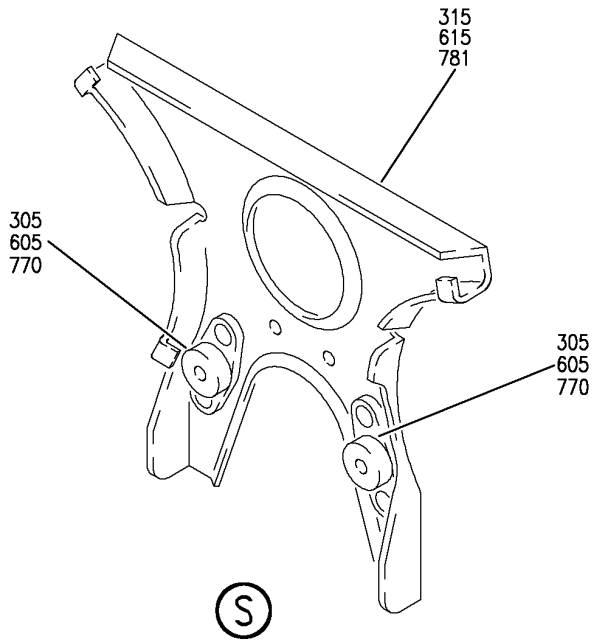
DUCT INSTL-MID OVHD AIR DISTR SYS (DISTRIBUTION ONLY)
 FIGURE 6 (SHEET 8)

21-23-01-06

HAP
 OCT 10/06

21-23-01-06
 PAGE 06

BOEING
 737-600/700/800/900
 PARTS CATALOG (MAINTENANCE)



E 21230106 SH 9 REV 076

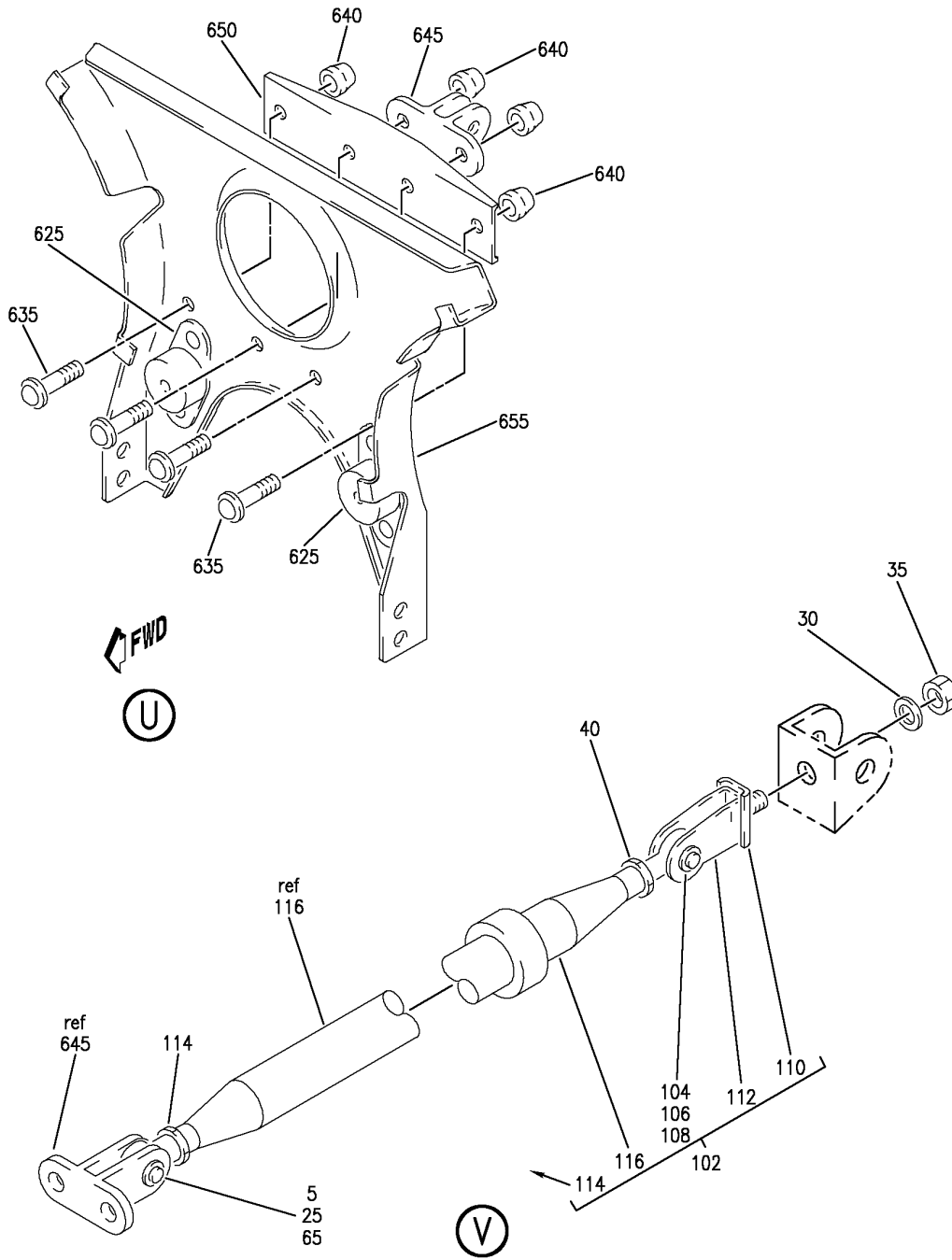
DUCT INSTL-MID OVHD AIR DISTR SYS (DISTRIBUTION ONLY)
 FIGURE 6 (SHEET 9)

21-23-01-06

HAP
 OCT 10/06

21-23-01-06
 PAGE 0H

BOEING
 737-600/700/800/900
 PARTS CATALOG (MAINTENANCE)



E 21230106 SHT 10 REV 076

DUCT INSTL-MID OVHD AIR DISTR SYS (DISTRIBUTION ONLY)
 FIGURE 6 (SHEET 10)

21-23-01-06

HAP
 OCT 10/06

21-23-01-06
 PAGE 01

BOEING
737-600/700/800/900
PARTS CATALOG (MAINTENANCE)

FIG ITEM	PART NUMBER	1 2 3 4 5 6 7	NOMENCLATURE	EFFECT FROM TO	UNITS PER ASSY
6			DUCT INSTL-MID OVHD AIR DISTR SYS (DISTRIBUTION ONLY)	001011	
- 1	214A2012-3SP		DUCT INSTL-OVHD AIR DISTR SYS (DISTRIBUTION ONLY) POSITION DATA: MID FOR NHA/OTHER SYS DET SEE: 21-20-00-09C	001011	RF
5	BACP18BC02C04P		.PIN	001011	3
10	BACB30NR4K5		.BOLT	001011	18
15	BACW10P271TF		.WASHER	001011	36
20	NAS1149D0463J		.WASHER	001011	18
25	NAS1149D0416J		.WASHER	001011	3
30	NAS1149D0516J		.WASHER	001011	3
35	MS21042L5		.NUT	001011	3
40	AN316-5R		.NUT	001011	3
45	T012L0		.STRAP SUPPLIER CODE: V53421 SPECIFICATION NUMBER: BACS38K6	001011	AR
50	MLT2S		.TIE-METAL LOCKING SUPPLIER CODE: V06383	001011	2
55	NAS1922-0750-3		.CLAMP	001011	10
60	214N2035-1		.PIN	001011	4
65	MS20392-3C21		.PIN	001011	3
70	412N2030-49		.DIAGONAL ASSY	001011	1
75	MS24665-132		..PIN	001011	1
80	MS20392-3C17		..PIN	001011	1
85	AN960PD416L		..WASHER	001011	1
90	412N2032-3		..INSULATOR- MANUFACTURED FROM: FIN F-6.10 COMPRESSION MOLDED PHENOLIC, GLASS FIBER FILLED PER BMS8-271A, TYPE 1	001011	1
90	412N2032-4		..INSULATOR- MANUFACTURED FROM: FIN F-6.10 COMPRESSION MOLDED PHENOLIC, GLASS FIBER FILLED PER BMS8-271A, TYPE 1	001011	1
95	412N2031-1		..CLEVIS- MANUFACTURED FROM: 412N2031-2	001011	1

MISSING ITEM NUMBERS NOT APPLICABLE

- ITEM NOT ILLUSTRATED

HAP

21-23-01-06

BOEING PROPRIETARY - Copyright © - Unpublished Work - See title page for details.

21-23-01
FIG. 06
PAGE 1
FEB 10/07

BOEING
737-600/700/800/900
PARTS CATALOG (MAINTENANCE)

FIG ITEM	PART NUMBER	1 2 3 4 5 6 7	NOMENCLATURE	EFFECT FROM TO	UNITS PER ASSY
6					
100	1293-27	..	ROD ASSY- SUPPLIER CODE: V34742	001011	1
102	412N2030-56	.	DIAGONAL ASSY	001011	1
104	MS24665-132	..	PIN- OPTIONAL PART: BACP18BC02A06P	001011	1
104	BACP18BC02A06P	..	PIN- OPTIONAL PART: MS24665-132	001011	1
106	MS20392-3C17	..	PIN- OPTIONAL PART: BACP18BD3R17	001011	1
106	BACP18BD3R17	..	PIN- OPTIONAL PART: MS20392-3C17	001011	1
108	NAS1149D0416J	..	WASHER- OPTIONAL PART: BACW10P273L	001011	1
108	BACW10P273L	..	WASHER- OPTIONAL PART: NAS1149D0416J	001011	1
110	412N2032-4	..	INSULATOR- MANUFACTURED FROM: FIN F-6.10 COMPRESSION MOLDED PHENOLIC, GLASS FIBER FILLED PER BMS8-271A, TYPE 1 OPTIONAL PART: 412N2032-6	001011	1
110	412N2032-6	..	INSULATOR- MANUFACTURED FROM: FIN F-25.01 COMPRESSION MOLDED PHENOLIC, GLASS FIBER FILLED PER BMS8-271A, TYPE 1. OPTIONAL PART: 412N2032-4	001011	1
112	412N2031-1	..	CLEVIS- MANUFACTURED FROM: 412N2031-2	001011	1
114	AN316-5R	..	NUT	001011	1
116	1293-41	..	ROD ASSY- SUPPLIER CODE: V34742	001011	1
118	412N2030-51	.	DIAGONAL ASSY	001011	1
120	MS24665-132	..	PIN	001011	1
122	MS20392-3C17	..	PIN	001011	1
124	AN960PD416L	..	WASHER	001011	1

MISSING ITEM NUMBERS NOT APPLICABLE

— ITEM NOT ILLUSTRATED

HAP

21-23-01-06

21-23-01
FIG. 06
PAGE 2
FEB 10/07

 **BOEING**
737-600/700/800/900
PARTS CATALOG (MAINTENANCE)

FIG ITEM	PART NUMBER	1 2 3 4 5 6 7	NOMENCLATURE	EFFECT FROM TO	UNITS PER ASSY
6					
125	412N2032-3	..	INSULATOR- MANUFACTURED FROM: FIN F-6.10 COMPRESSION MOLDED PHENOLIC, GLASS FIBER FILLED PER BMS8-271A, TYPE 1	001011	1
125	412N2032-4	..	INSULATOR- MANUFACTURED FROM: FIN F-6.10 COMPRESSION MOLDED PHENOLIC, GLASS FIBER FILLED PER BMS8-271A, TYPE 1	001011	1
130	412N2031-1	..	CLEVIS- MANUFACTURED FROM: 412N2031-2	001011	1
135	1293-29	..	ROD ASSY- SUPPLIER CODE: V34742	001011	1
140	AS1506-30D32	.	SLEEVE	001011	4
145	AS1505-30B0083	.	SLEEVE	001011	1
180	214A2012-4SP	.	DUCT ASSY-	001011	1
185	214A2020-5	..	DUCT ASSY-	001011	1
190	BACR15FR4MR	...	RIVET- SIZE DETERMINED ON INSTL.	001011	18
195	214A2122-1	...	DUCT-OFFSET	001011	1
200	214A2122-2	...	DUCT-OFFSET	001011	1
205	214A2121-2	...	DUCT ASSY	001011	1
225	214A2121-16	...	DUCT ASSY-	001011	1
250	214A2107-10	..	DUCT SEGMENT ASSY	001011	1
253	930810BC	...	CAP- SUPPLIER CODE: V25205	001011	2
255	T012L0	...	STRAP SUPPLIER CODE: V53421 SPECIFICATION NUMBER: BACS38K6	001011	4
260	NAS1922-0200-3	...	CLAMP	001011	6
265	NAS1922-0750-3	...	CLAMP	001011	2
270	65C36915-1	...	MUFFLER ASSY-	001011	3
273	AS1591-08-0070A	...	HOSE-	001011	3
275	214A2101-10	...	PLENUM ASSY	001011	1
280	214N2169-1	CAP-END	001011	2
285	BACS12GU3K7	SCREW	001011	10
290	NAS1149D0332J	WASHER	001011	10
295	214A2111-1	BRACKET	001011	2
300	65C36910-1	BRACKET ASSY	001011	1

MISSING ITEM NUMBERS NOT APPLICABLE

- ITEM NOT ILLUSTRATED

HAP

21-23-01-06

BOEING PROPRIETARY - Copyright © - Unpublished Work - See title page for details.

21-23-01
FIG. 06
PAGE 3
JUN 15/09

BOEING
737-600/700/800/900
PARTS CATALOG (MAINTENANCE)

FIG ITEM	PART NUMBER	1 2 3 4 5 6 7	NOMENCLATURE	EFFECT FROM TO	UNITS PER ASSY
6 305	DE819	MOUNT-ISOLATOR SUPPLIER CODE: V71985 SPECIFICATION NUMBER: S411T100-901 OPTIONAL PART: SL8113-3 V97393 ATTACHING PARTS	001011	2
- 310	BACR15BA4D	RIVET- SIZE DETERMINED ON INSTL. -----*-----	001011	4
315	65C36911-1	BRACKET	001011	1
320	65C36910-3	BRACKET ASSY	001011	1
325	DE819	MOUNT-ISOLATOR SUPPLIER CODE: V71985 SPECIFICATION NUMBER: S411T100-901 OPTIONAL PART: SL8113-3 V97393 ATTACHING PARTS	001011	2
- 330	BACR15BA4D	RIVET- SIZE DETERMINED ON INSTL. -----*-----	001011	4
335	BACB30NX6K	BOLT- SIZE DETERMINED ON INSTL.	001011	4
340	BACC30X	COLLAR	001011	4
345	214N2161-2	BRACKET	001011	1
350	214N2161-3	BRACKET	001011	1
355	65C36911-1	BRACKET	001011	1
360	214A2103-15	NOZZLE ASSY	001011	1
375	214A2104-15	RESTRICTOR ASSY	001011	1
390	214A2102-17	PLENUM ASSY	001011	1
395	214N2178-1	NUTPLATE ASSY- OPTIONAL PART: CB2010CR3CRP V66530	001011	6
395	CB2010CR3CRP	NUTPLATE- SUPPLIER CODE: V66530 OPTIONAL PART: 214N2178-1	001011	6
425	65C36940-1	OUTLET ASSY	001011	3
440	214A2108-7	DUCT ASSY- POSITION DATA: L	001011	1

MISSING ITEM NUMBERS NOT APPLICABLE

- ITEM NOT ILLUSTRATED

HAP

21-23-01-06

BOEING PROPRIETARY - Copyright © - Unpublished Work - See title page for details.

21-23-01
FIG. 06
PAGE 4
FEB 10/07

BOEING
737-600/700/800/900
PARTS CATALOG (MAINTENANCE)

FIG ITEM	PART NUMBER	1 2 3 4 5 6 7	NOMENCLATURE	EFFECT FROM TO	UNITS PER ASSY
6					
485	214A2108-9	...	DUCT ASSY- POSITION DATA: R	001011	1
550	214T3436-1834	...	ORIFICE ASSY- OPTIONAL PART: 214T3436-1546	001011	3
550	214T3436-1546	...	ORIFICE ASSY- OPTIONAL PART: 214T3436-1834	001011	3
555	214A2107-21	..	DUCT SEGMENT ASSY-	001011	1
560	T012LO	...	STRAP SUPPLIER CODE: V53421 SPECIFICATION NUMBER: BACS38K6	001011	8
565	NAS1922-0200-3	...	CLAMP	001011	8
570	65C36915-1	...	MUFFLER ASSY-	001011	4
573	AS1591-08-0070A	...	HOSE-	001011	4
575	214A2101-17	...	PLENUM ASSY-	001011	1
580	214N2169-1	CAP-END	001011	2
585	BACS12GU3K7	SCREW	001011	20
590	NAS1149D0332J	WASHER	001011	20
595	214A2111-1	BRACKET	001011	4
600	65C36910-1	BRACKET ASSY	001011	3
605	DE819	MOUNT-ISOLATOR SUPPLIER CODE: V71985 SPECIFICATION NUMBER: S411T100-901 OPTIONAL PART: SL8113-3 V97393 ATTACHING PARTS	001011	2
- 610	BACR15BA4D	RIVET- SIZE DETERMINED ON INSTL. -----*-----	001011	4
615	65C36911-1	BRACKET	001011	1
620	65C36910-2	BRACKET ASSY	001011	1
625	DE819	MOUNT-ISOLATOR SUPPLIER CODE: V71985 SPECIFICATION NUMBER: S411T100-901 OPTIONAL PART: SL8113-3 V97393	001011	2

MISSING ITEM NUMBERS NOT APPLICABLE

- ITEM NOT ILLUSTRATED

HAP

21-23-01-06

21-23-01
FIG. 06
PAGE 5
JUN 15/09

BOEING
737-600/700/800/900
PARTS CATALOG (MAINTENANCE)

FIG ITEM	PART NUMBER	1 2 3 4 5 6 7	NOMENCLATURE	EFFECT FROM TO	UNITS PER ASSY
6			ATTACHING PARTS		
- 630	BACR15BA4D	RIVET- SIZE DETERMINED ON INSTL. -----*-----	001011	4
635	BACB30NX6K	BOLT- SIZE DETERMINED ON INSTL.	001011	4
640	BACC30X	COLLAR	001011	4
645	214N2161-2	BRACKET	001011	1
650	214N2161-3	BRACKET	001011	1
655	65C36911-1	BRACKET	001011	1
660	214A2103-17	NOZZLE ASSY	001011	1
675	214A2104-17	RESTRICTOR ASSY	001011	1
690	214A2102-19	PLENUM ASSY	001011	1
695	214N2178-1	NUTPLATE ASSY- OPTIONAL PART: CB2010CR3CRP V66530	001011	12
695	CB2010CR3CRP	NUTPLATE- SUPPLIER CODE: V66530 OPTIONAL PART: 214N2178-1	001011	12
700	65C36940-1	OUTLET ASSY-AIR	001011	4
705	214A2106-19	...	DUCT ASSY	001011	1
710	214A2106-7	...	DUCT ASSY	001011	1
715	214T3436-1837	...	ORIFICE ASSY- OPTIONAL PART: 214T3436-1549	001011	4
715	214T3436-1549	...	ORIFICE ASSY- OPTIONAL PART: 214T3436-1837	001011	4
720	214A2107-22	..	DUCT SEGMENT ASSY-	001011	1
726	T012L0	...	STRAP SUPPLIER CODE: V53421 SPECIFICATION NUMBER: BACS38K6	001011	3
730	NAS1922-0200-3	...	CLAMP	001011	8
735	65C36915-1	...	MUFFLER ASSY-	001011	4
737	AS1591-08-0070A	...	HOSE-	001011	4
741	214A2101-12	...	PLENUM ASSY	001011	1
745	214N2169-1	CAP-END	001011	2
750	BACS12GU3K7	SCREW	001011	15
755	NAS1149D0332J	WASHER	001011	15
760	214A2111-1	BRACKET	001011	3
766	65C36910-1	BRACKET ASSY	001011	2

MISSING ITEM NUMBERS NOT APPLICABLE

- ITEM NOT ILLUSTRATED

HAP

21-23-01-06

BOEING PROPRIETARY - Copyright © - Unpublished Work - See title page for details.

21-23-01
FIG. 06
PAGE 6
JUN 15/09

BOEING
737-600/700/800/900
PARTS CATALOG (MAINTENANCE)

FIG ITEM	PART NUMBER	1 2 3 4 5 6 7	NOMENCLATURE	EFFECT FROM TO	UNITS PER ASSY
6					
770	DE819	MOUNT-ISOLATOR SUPPLIER CODE: V71985 SPECIFICATION NUMBER: S411T100-901 OPTIONAL PART: SL8113-3 V97393 ATTACHING PARTS	001011	2
- 775	BACR15BA4D	RIVET- SIZE DETERMINED ON INSTL. -----*-----	001011	4
781	65C36911-1	BRACKET	001011	1
786	65C36910-3	BRACKET ASSY	001011	1
791	DE819	MOUNT-ISOLATOR SUPPLIER CODE: V71985 SPECIFICATION NUMBER: S411T100-901 OPTIONAL PART: SL8113-3 V97393 ATTACHING PARTS	001011	2
- 796	BACR15BA4D	RIVET- SIZE DETERMINED ON INSTL. -----*-----	001011	4
801	BACB30NX6K	BOLT- SIZE DETERMINED ON INSTL.	001011	4
806	BACC30X	COLLAR	001011	4
811	214N2161-2	BRACKET	001011	1
816	214N2161-3	BRACKET	001011	1
821	65C36911-1	BRACKET	001011	1
826	214A2103-21	NOZZLE ASSY	001011	1
831	214A2104-21	RESTRICTOR ASSY	001011	1
836	214A2102-25	PLENUM ASSY	001011	1
841	214N2178-1	NUTPLATE ASSY- OPTIONAL PART: CB2010CR3CRP V66530	001011	9
841	CB2010CR3CRP	NUTPLATE- SUPPLIER CODE: V66530 OPTIONAL PART: 214N2178-1	001011	9
846	65C36940-1	OUTLET ASSY	001011	4
851	214T3436-1837	ORIFICE ASSY- OPTIONAL PART: 214T3436-1549	001011	4

MISSING ITEM NUMBERS NOT APPLICABLE

- ITEM NOT ILLUSTRATED

HAP

21-23-01-06

21-23-01
FIG. 06
PAGE 7
JUN 15/09

BOEING
737-600/700/800/900
PARTS CATALOG (MAINTENANCE)

FIG ITEM	PART NUMBER	1 2 3 4 5 6 7	NOMENCLATURE	EFFECT FROM TO	UNITS PER ASSY
6					
851	214T3436-1549	...	ORIFICE ASSY- OPTIONAL PART: 214T3436-1837	001011	4
856	214A2106-39	...	DUCT ASSY-	001011	1
861	69-42789-1	..	COVER-NOZZLE GAP	001011	2
866	411A4904-9	.STRIP-	FELT SEAL OPTIONAL PART: 214A2012-100 214A2012-101	001011	AR
866	214A2012-100	.TRAP-	MOISTURE OPTIONAL PART: 411A4904-9 214A2012-101	001011	AR
866	214A2012-101	.STRIP-	FELT SEAL OPTIONAL PART: 411A4904-9 214A2012-100	001011	AR
900			ILLUSTRATION REFERENCE: DUCT INSTL-OVERHEAD AIR DISTR SYS (PASSENGER CABIN CONDITIONED AIR DISTRIBUTION ONLY) 21-23-01-05	001011	RF
905			ILLUSTRATION REFERENCE: DUCT INSTL-SECT. 46 OVERHEAD AIR DISTR SYS 21-23-01-04A	011011	RF

MISSING ITEM NUMBERS NOT APPLICABLE

— ITEM NOT ILLUSTRATED

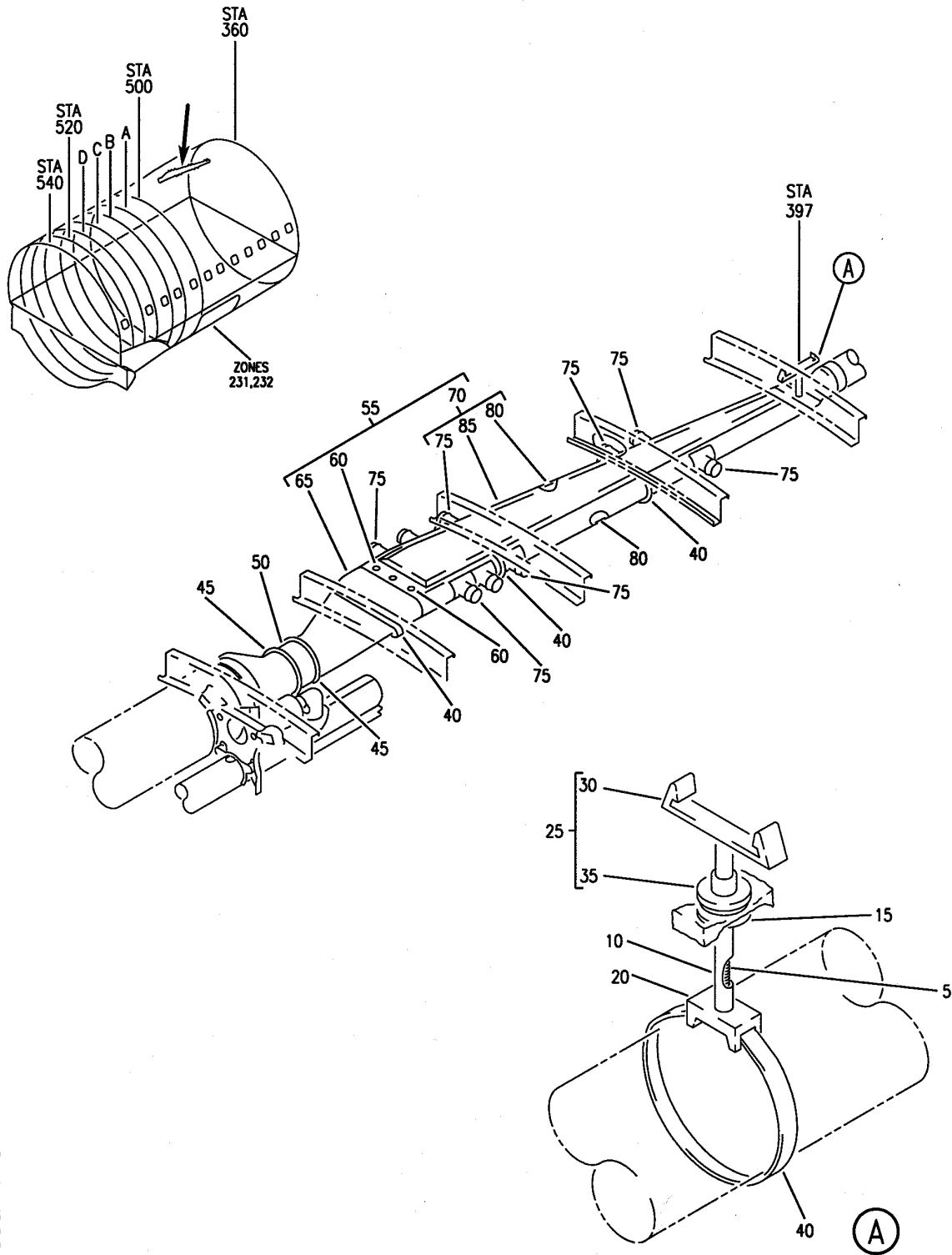
HAP

21-23-01-06

BOEING PROPRIETARY - Copyright © - Unpublished Work - See title page for details.

21-23-01
FIG. 06
PAGE 8
JUN 15/09

BOEING
 737-600/700/800/900
 PARTS CATALOG (MAINTENANCE)



E 21230116 REV 033

DUCT INSTL-OVHD AIR DISTR SYS
 FIGURE 16

21-23-01-16

HAP
 OCT 10/06

21-23-01-16
 PAGE 0

BOEING
737-600/700/800/900
PARTS CATALOG (MAINTENANCE)

FIG ITEM	PART NUMBER	1 2 3 4 5 6 7	NOMENCLATURE	EFFECT FROM TO	UNITS PER ASSY
16			DUCT INSTL-OVHD AIR DISTR SYS	012036 101200 968999	
- 1	214A2001-7		DUCT INSTL-OVHD AIR DISTR SYS FOR NHA SEE: 21-20-00-09C	012030	RF
- 1	MODREF81186		DUCT INSTL-OVHD AIR DISTR SYS MODULE NUMBER: 214A2001-7 REV A	031031 101200 968999	1
- 1	MODREF291544		DUCT INSTL-OVHD AIR DISTR SYS MODULE NUMBER: 214A2001-17 REV A	032036	1
5	BACS12GP3L37		.SCREW- OPTIONAL PART: BACS12ER3K37	012036 101200 968999	1
5	BACS12ER3K37		.SCREW- OPTIONAL PART: BACS12GP3L37	012036 101200 968999	1
10	NAS43DD3-108FC		.SPACER-	012036 101200 968999	1
15	BACW10DZ3		.WASHER-	012036 101200 968999	1
20	STBP19M12		.PLATE-MTG SUPPLIER CODE: V1B249	012036 101200 968999	1
25	214N5054-8		.SUPPORT ASSY-	012036 101200 968999	1
30	2055155-7A		..CLIP-STGR SUPPLIER CODE: V04169	012036 101200 968999	1
35	411N4026-10		..CAP ASSY- OPTIONAL PART: 411N4026-2	012036 101200 968999	1
35	411N4026-2		..CAP ASSY- OPTIONAL PART: 411N4026-10	012036 101200 968999	1
40	T012L0		.STRAP- SUPPLIER CODE: V53421 SPECIFICATION NUMBER: BACS38K6	012036 101200 968999	4

MISSING ITEM NUMBERS NOT APPLICABLE

- ITEM NOT ILLUSTRATED

HAP

21-23-01-16

21-23-01
FIG. 16
PAGE 1
OCT 15/08

BOEING
737-600/700/800/900
PARTS CATALOG (MAINTENANCE)

FIG ITEM	PART NUMBER	1 2 3 4 5 6 7	NOMENCLATURE	EFFECT FROM TO	UNITS PER ASSY
16					
45	NAS1922-0525-3	.	CLAMP-	012036 101200 968999	2
50	AS1506-20D30	.	SLEEVE-	012036 101200 968999	1
55	214A2020-1	.	DUCT ASSY-	012036 101200 968999	1
60	BACR15FR4MR	..	RIVET- SIZE DETERMINED ON INSTL.	012036 101200 968999	3
65	65C37824-1	..	DUCT	012036 101200 968999	1
70	214A2121-1	..	DUCT ASSY	012036 101200 968999	1
75	214T3488-5	...	SPUD-	012036 101200 968999	9
80	65C37829-1	...	PLATE	012036 101200 968999	2
85	214A2121-11	...	DUCT ASSY	012036 101200 968999	1

MISSING ITEM NUMBERS NOT APPLICABLE

— ITEM NOT ILLUSTRATED

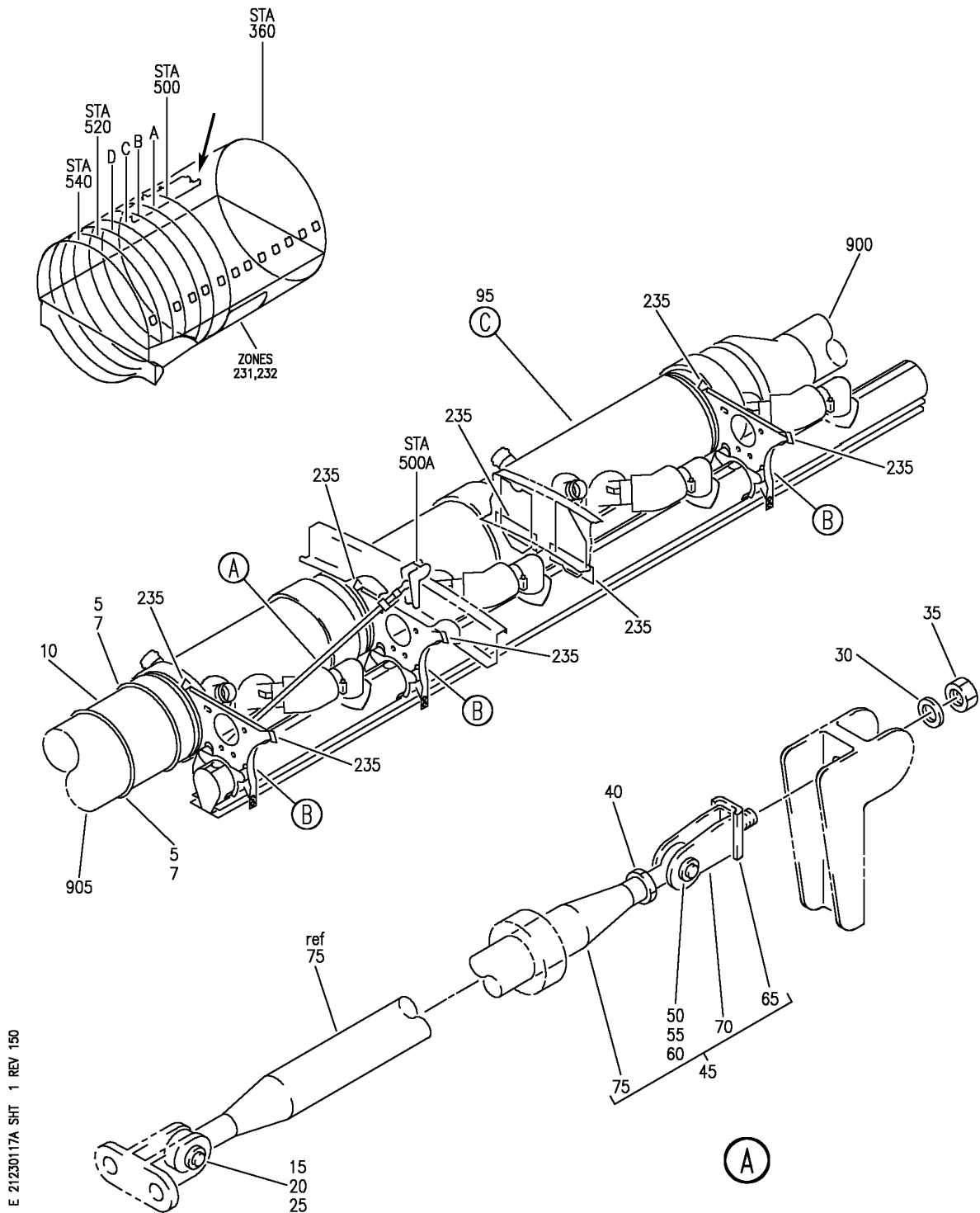
HAP

21-23-01-16

BOEING PROPRIETARY - Copyright © - Unpublished Work - See title page for details.

21-23-01
FIG. 16
PAGE 2
OCT 15/08

BOEING
737-600/700/800/900
PARTS CATALOG (MAINTENANCE)



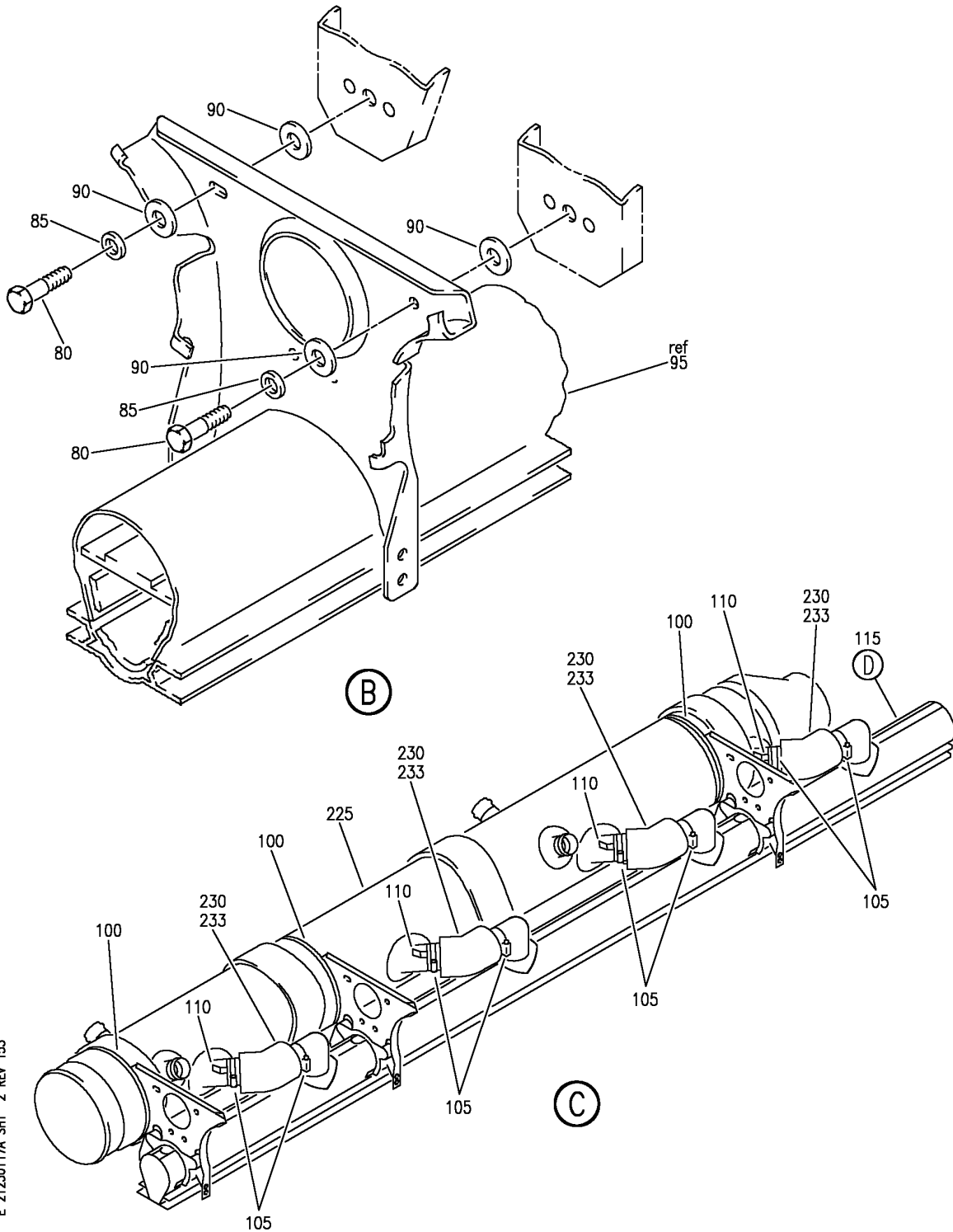
DUCT INSTL-OVHD AIR DISTR SYS
 FIGURE 17A (SHEET 1)

21-23-01-17A

HAP
 FEB 15/09

21-23-01-17A
 PAGE 0

BOEING
 737-600/700/800/900
 PARTS CATALOG (MAINTENANCE)



E 21230117A SHT 2 REV 153

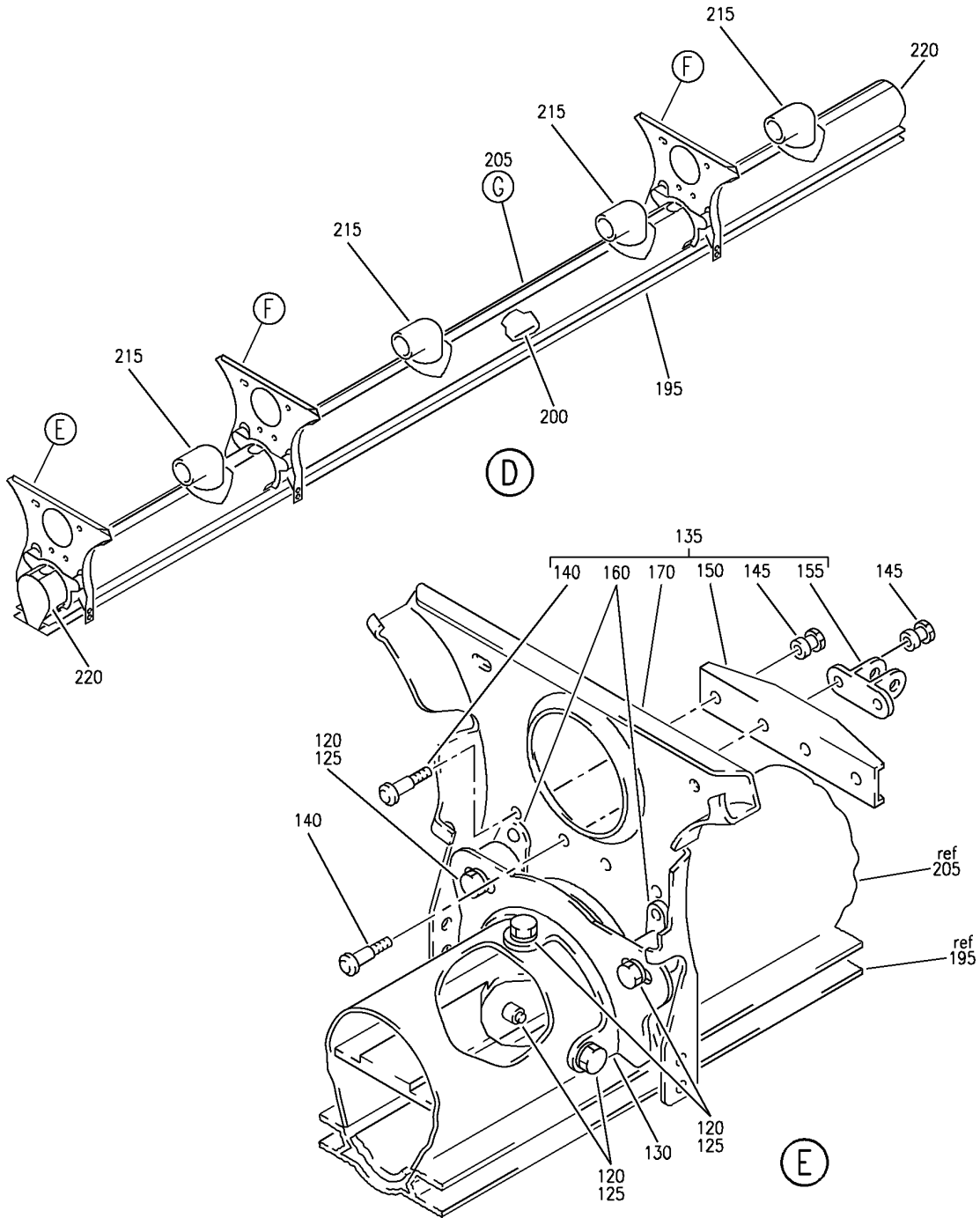
DUCT INSTL-OVHD AIR DISTR SYS
 FIGURE 17A (SHEET 2)

21-23-01-17A

HAP
 JUN 15/09

21-23-01-17A
 PAGE 0A

BOEING
 737-600/700/800/900
 PARTS CATALOG (MAINTENANCE)



E 21230117A SHT 3 REV 101

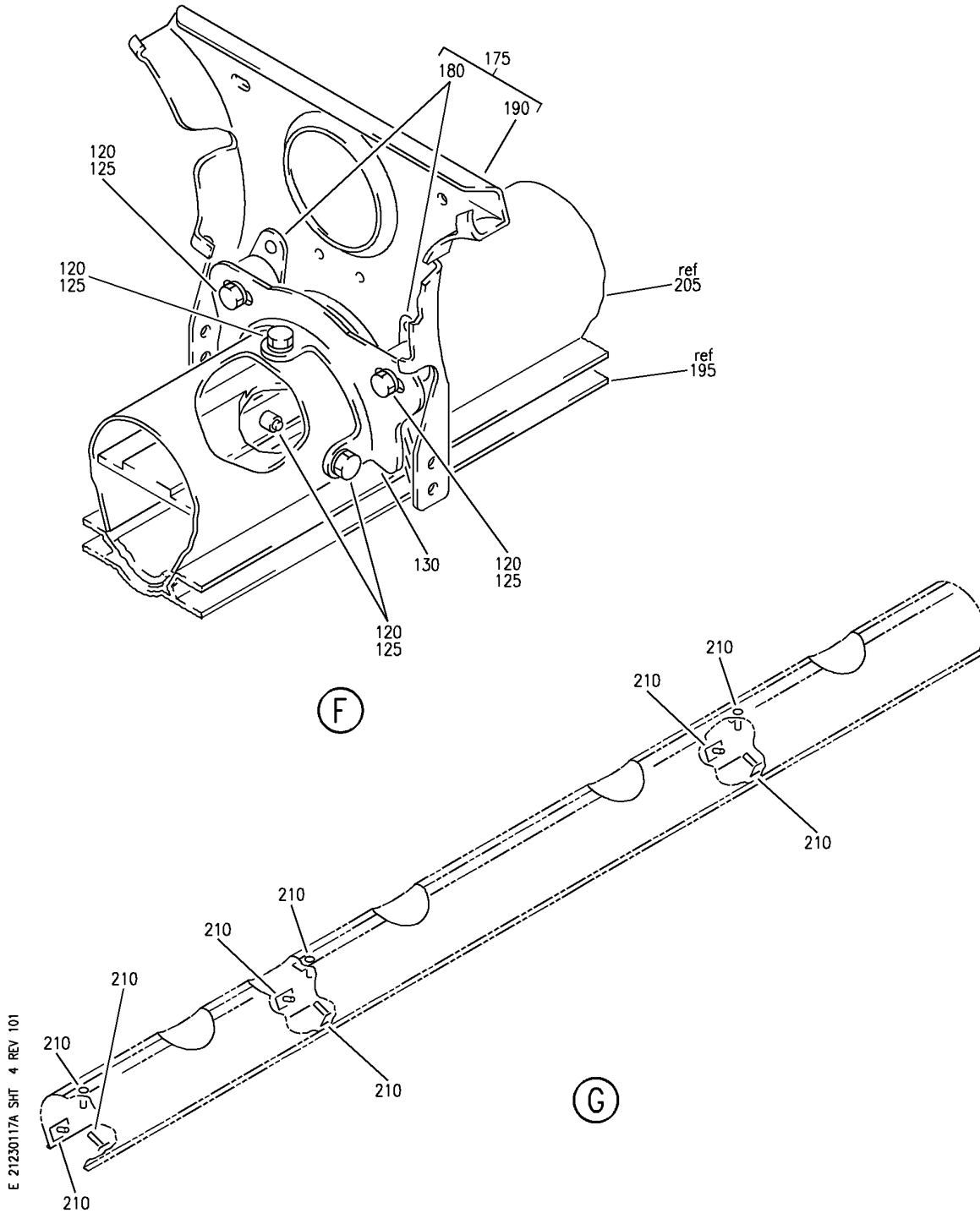
DUCT INSTL-OVHD AIR DISTR SYS
 FIGURE 17A (SHEET 3)

21-23-01-17A

HAP
 FEB 10/07

21-23-01-17A
 PAGE 0B

BOEING
 737-600/700/800/900
 PARTS CATALOG (MAINTENANCE)



DUCT INSTL-OVHD AIR DISTR SYS
 FIGURE 17A (SHEET 4)

21-23-01-17A

HAP
 FEB 10/07

21-23-01-17A
 PAGE 0C

BOEING
737-600/700/800/900
PARTS CATALOG (MAINTENANCE)

FIG ITEM	PART NUMBER	1 2 3 4 5 6 7	NOMENCLATURE	EFFECT FROM TO	UNITS PER ASSY
17A			DUCT INSTL-OVHD AIR DISTR SYS	101200 968999	
- 1	MODREF231654		DUCT INSTL-OVHD AIR DISTR SYS	101105 968999	1
- 1	MODREF363239		MODULE NUMBER: 214A2001-8A REV B DUCT INSTL-OVHD AIR DISTR SYS	106106	1
- 1	MODREF402165		MODULE NUMBER: 214A2001-8A REV C DUCT INSTL-OVHD AIR DISTR SYS	107200	1
5	NAS1922-0750-3		MODULE NUMBER: 214A2001-8A REV D .CLAMP-	101200 968999	2
7	T012L0		OPTIONAL PART: BACS38K6 .STRAP-	107200	2
			SUPPLIER CODE: V53421 SPECIFICATION NUMBER: BACS38K6 OPTIONAL PART: NAS1922-0750-3		
10	AS1506-30D32		.SLEEVE	101200 968999	1
15	MS20392-3C21		.PIN	101105 968999	1
15	BACP18BD3C21		.PIN	106200	1
20	BACP18BC02C04P		.PIN	101200 968999	1
25	NAS1149D0416J		.WASHER	101105 968999	1
25	NAS1149E0416P		.WASHER	106200	1
30	NAS1149D0516J		.WASHER	101200 968999	1
35	MS21042L5		.NUT	101105 968999	1
35	BACN11Z5CD		.NUT	106200	1
40	AN316-5R		.NUT	101105 968999	1
40	BACN11U5CD2N		.NUT	106200	1
45	412N2030-51		.DIAGONAL ASSY	101200 968999	1
50	MS24665-132		..PIN	101200 968999	1
55	MS20392-3C17		..PIN	101200 968999	1

MISSING ITEM NUMBERS NOT APPLICABLE

- ITEM NOT ILLUSTRATED

HAP

21-23-01-17A

BOEING PROPRIETARY - Copyright © - Unpublished Work - See title page for details.

21-23-01
FIG. 17A
PAGE 1
FEB 15/09

BOEING
737-600/700/800/900
PARTS CATALOG (MAINTENANCE)

FIG ITEM	PART NUMBER	1 2 3 4 5 6 7	NOMENCLATURE	EFFECT FROM TO	UNITS PER ASSY
17A					
60	AN960PD416L	..	WASHER	101200 968999	1
65	412N2032-3	..	INSULATOR-CLEVIS MANUFACTURED FROM: FIN F-6.10 COMPRESSION MOLDED PHENOLIC, GLASS FIBER FILLED PER BMS8-271A, TYPE 1	101200 968999	1
65	412N2032-4	..	INSULATOR-CLEVIS MANUFACTURED FROM: FIN F-6.10 COMPRESSION MOLDED PHENOLIC, GLASS FIBER FILLED PER BMS8-271A, TYPE 1	101200 968999	1
70	412N2031-1	..	CLEVIS- MANUFACTURED FROM: 412N2031-2	101200 968999	1
75	1293-29	..	ROD ASSY- SUPPLIER CODE: V34742	101200 968999	1
80	BACB30NR4K5	.	BOLT	101200 968999	6
85	NAS1149D0463J	.	WASHER	101200 968999	6
90	BACW10P271TF	.	WASHER	101200 968999	12
95	214A2107-48B	.	SEGMENT ASSY-DUCT	101105 968999	1
95	214A2107-94B	.	SEGMENT ASSY-DUCT	106200	1
100	T012L0	..	STRAP SUPPLIER CODE: V53421 SPECIFICATION NUMBER: BACS38K6	101200 968999	3
105	NAS1922-0200-3	..	CLAMP- OPTIONAL PART: BACS38K2	101200 968999	8
105	PLT4SM	..	STRAP- SUPPLIER CODE: V06383 SPECIFICATION NUMBER: BACS38K2 OPTIONAL PART: T05L0 V53421 NAS1922-0200-3	101200 968999	8
110	214T3436-1828	..	ORIFICE ASSY	101200 968999	4

MISSING ITEM NUMBERS NOT APPLICABLE

— ITEM NOT ILLUSTRATED

HAP

21-23-01-17A

BOEING PROPRIETARY - Copyright © - Unpublished Work - See title page for details.

21-23-01
FIG. 17A
PAGE 2
FEB 15/09

BOEING
737-600/700/800/900
PARTS CATALOG (MAINTENANCE)

FIG ITEM	PART NUMBER	1 2 3 4 5 6 7	NOMENCLATURE	EFFECT FROM TO	UNITS PER ASSY
17A					
115	214A2101-24	..	PLENUM AND NOZZLE ASSY	101200 968999	1
120	BACS12GU3K7	...	SCREW	101200 968999	15
125	NAS1149D0332J	...	WASHER	101200 968999	15
130	214A2111-1	...	BRACKET	101200 968999	3
135	65C36910-2	...	BRACKET ASSY	101200 968999	1
140	BACB30NX6K	BOLT-	101200	4
			SIZE DETERMINED ON INSTL.	968999	
145	HL1187-6	COLLAR	101200	4
			SUPPLIER CODE:	968999	
			V5M902		
			SPECIFICATION NUMBER:		
			BACC30X6		
			OPTIONAL PART:		
			HL87-6		
			V92215		
			HL87-6		
			V73197		
			HL1187-6		
			V56878		
			HL1187-6		
			V92215		
			HL87-6		
			V56878		
			HL1187-6		
			V73197		
150	214N2161-3	BRACKET	101200 968999	1
155	214N2161-2	BRACKET	101200 968999	1
160	DE819	MOUNT-	101200	2
			SUPPLIER CODE:	968999	
			V71985		
			SPECIFICATION NUMBER:		
			S411T100-901		
			OPTIONAL PART:		
			SL8113-3		
			V97393		
			ATTACHING PARTS		
- 165	BACR15BA4D	RIVET-	101200	4
			SIZE DETERMINED ON INSTL.	968999	
			-----*-----		
170	65C36911-1	BRACKET	101200 968999	1

MISSING ITEM NUMBERS NOT APPLICABLE

- ITEM NOT ILLUSTRATED

HAP

21-23-01-17A

BOEING PROPRIETARY - Copyright © - Unpublished Work - See title page for details.

21-23-01
FIG. 17A
PAGE 3
FEB 15/09

BOEING
737-600/700/800/900
PARTS CATALOG (MAINTENANCE)

FIG ITEM	PART NUMBER	1 2 3 4 5 6 7	NOMENCLATURE	EFFECT FROM TO	UNITS PER ASSY
17A					
175	65C36910-1	...	BRACKET ASSY	101200 968999	2
180	DE819	MOUNT- SUPPLIER CODE: V71985 SPECIFICATION NUMBER: S411T100-901 OPTIONAL PART: SL8113-3 V97393 ATTACHING PARTS	101200 968999	2
- 185	BACR15BA4D	RIVET- SIZE DETERMINED ON INSTL. -----*-----	101200 968999	4
190	65C36911-1	BRACKET	101200 968999	1
195	214A2103-3	...	NOZZLE ASSY	101200 968999	1
200	214A2104-3	...	RESTRICTOR ASSY	101200 968999	1
205	214A2102-43	...	PLENUM ASSY	101200 968999	1
210	214N2178-1	NUTPLATE ASSY- OPTIONAL PART: CB2010CR3CRP V66530	101200 968999	9
210	CB2010CR3CRP	NUTPLATE- SUPPLIER CODE: V66530 OPTIONAL PART: 214N2178-1	101200 968999	9
215	65C36940-1	...	OUTLET ASSY-AIR	101200 968999	4
220	214N2169-1	...	CAP-END	101200 968999	2
225	214A2106-62	..	DUCT ASSY	101105 968999	1
225	214A2106-96	..	DUCT ASSY	106200	1
230	65C36915-1	..	MUFFLER ASSY-	101200 968999	4
233	AS1591-08-0070A	..	HOSE-	101200 968999	4
235	411A4904-9	.	STRIP-FELT SEAL	101200 968999	8

R
R
R
R

MISSING ITEM NUMBERS NOT APPLICABLE

- ITEM NOT ILLUSTRATED

HAP

21-23-01-17A

BOEING PROPRIETARY - Copyright © - Unpublished Work - See title page for details.

21-23-01
FIG. 17A
PAGE 4
JUN 15/09

BOEING
737-600/700/800/900
PARTS CATALOG (MAINTENANCE)

FIG ITEM	PART NUMBER	1 2 3 4 5 6 7 NOMENCLATURE	EFFECT FROM TO	UNITS PER ASSY
17A 905		ILLUSTRATION REFERENCE: DUCT INSTL-OVHD AIR DISTR SYS (PASSENGER CABIN CONDITIONED AIR DISTRIBUTION ONLY) 21-23-01-20A	101105 968999	RF

MISSING ITEM NUMBERS NOT APPLICABLE

— ITEM NOT ILLUSTRATED

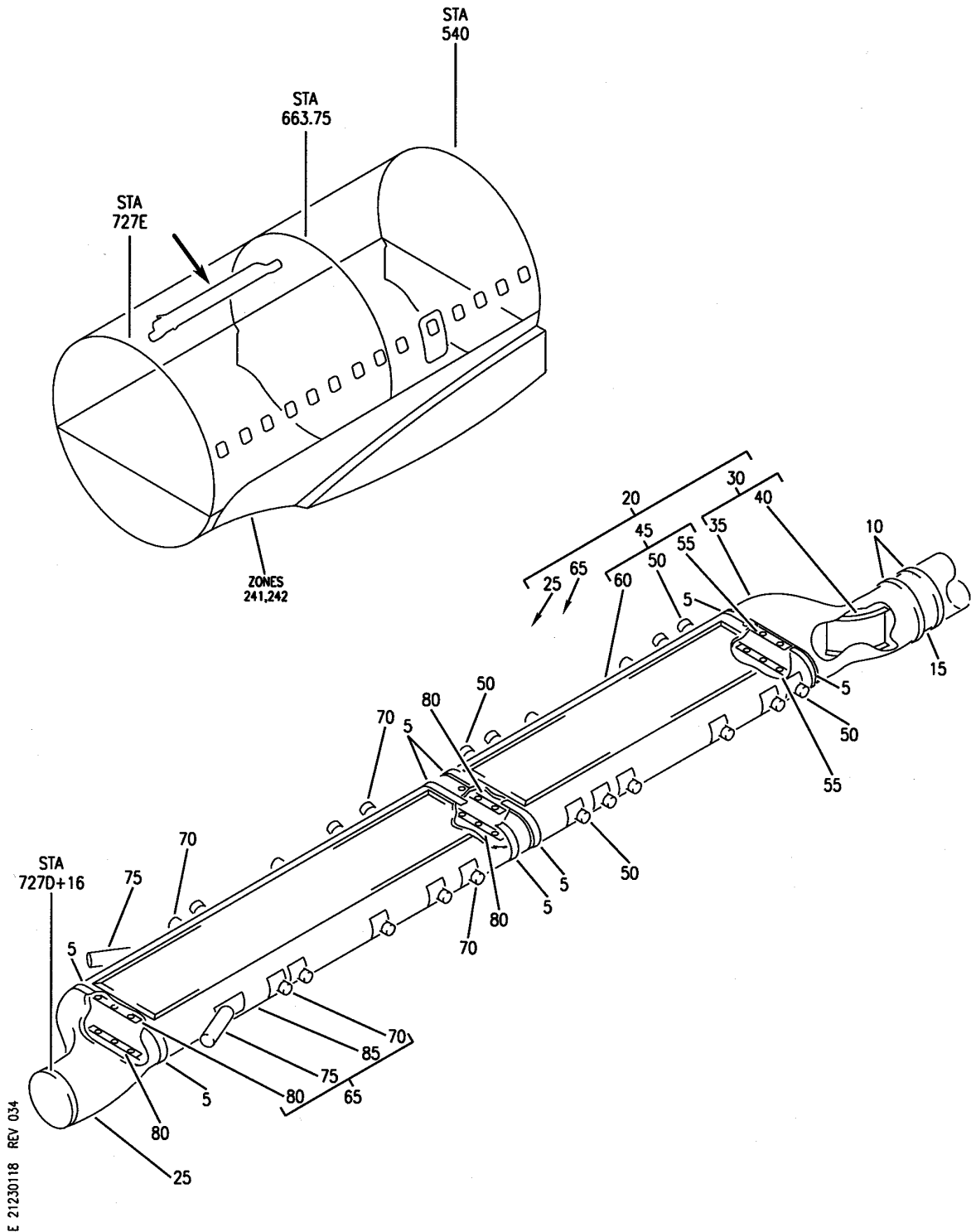
HAP

21-23-01-17A

BOEING PROPRIETARY - Copyright © - Unpublished Work - See title page for details.

21-23-01
FIG. 17A
PAGE 5
JUN 15/09

BOEING
 737-600/700/800/900
 PARTS CATALOG (MAINTENANCE)



DUCT INSTL-OVHD AIR DISTR SYS
 FIGURE 18

21-23-01-18

HAP
 FEB 10/07

21-23-01-18
 PAGE 0

BOEING
737-600/700/800/900
PARTS CATALOG (MAINTENANCE)

FIG ITEM	PART NUMBER	1 2 3 4 5 6 7	NOMENCLATURE	EFFECT FROM TO	UNITS PER ASSY
18			DUCT INSTL-OVHD AIR	101200	
			DISTR SYS	968999	
- 1	MODREF81188		DUCT INSTL-OVHD AIR	101200	1
			DISTR SYS	968999	
			MODULE NUMBER:		
			214A2002-11 REV A		
5	T012L0		.STRAP	101200	8
			SUPPLIER CODE:	968999	
			V53421		
			SPECIFICATION NUMBER:		
			BACS38K6		
10	NAS1922-0750-3		.CLAMP	101200	2
				968999	
15	AS1506-30D32		.SLEEVE	101200	1
				968999	
20	214A2020-4		.DUCT ASSY	101200	1
				968999	
25	214A2122-2		..DUCT	101200	1
				968999	
30	214A2122-5		..DUCT ASSY	101200	1
				968999	
35	214A2122-6		...DUCT	101200	1
				968999	
40	214A2122-7		...DEFLECTOR-VANE	101200	1
				968999	
45	214A2121-2		..DUCT ASSY	101200	1
				968999	
50	214T3488-165		...SPUD	101200	12
				968999	
55	65C37829-1		...PLATE	101200	2
				968999	
60	214A2121-5		...DUCT ASSY	101200	1
				968999	
65	214A2121-16		..DUCT ASSY	101200	1
				968999	
70	214T3488-165		...SPUD	101200	10
				968999	
75	214T3488-169		...SPUD	101200	2
				968999	
80	65C37829-1		...PLATE	101200	4
				968999	
85	214A2121-7		...DUCT ASSY	101200	1
				968999	
			ATTACHING PARTS		
- 90	BACR15FR4MR		...RIVET-	101200	28
			SIZE DETERMINED ON INSTL.	968999	
			-----*-----		

MISSING ITEM NUMBERS NOT APPLICABLE

- ITEM NOT ILLUSTRATED

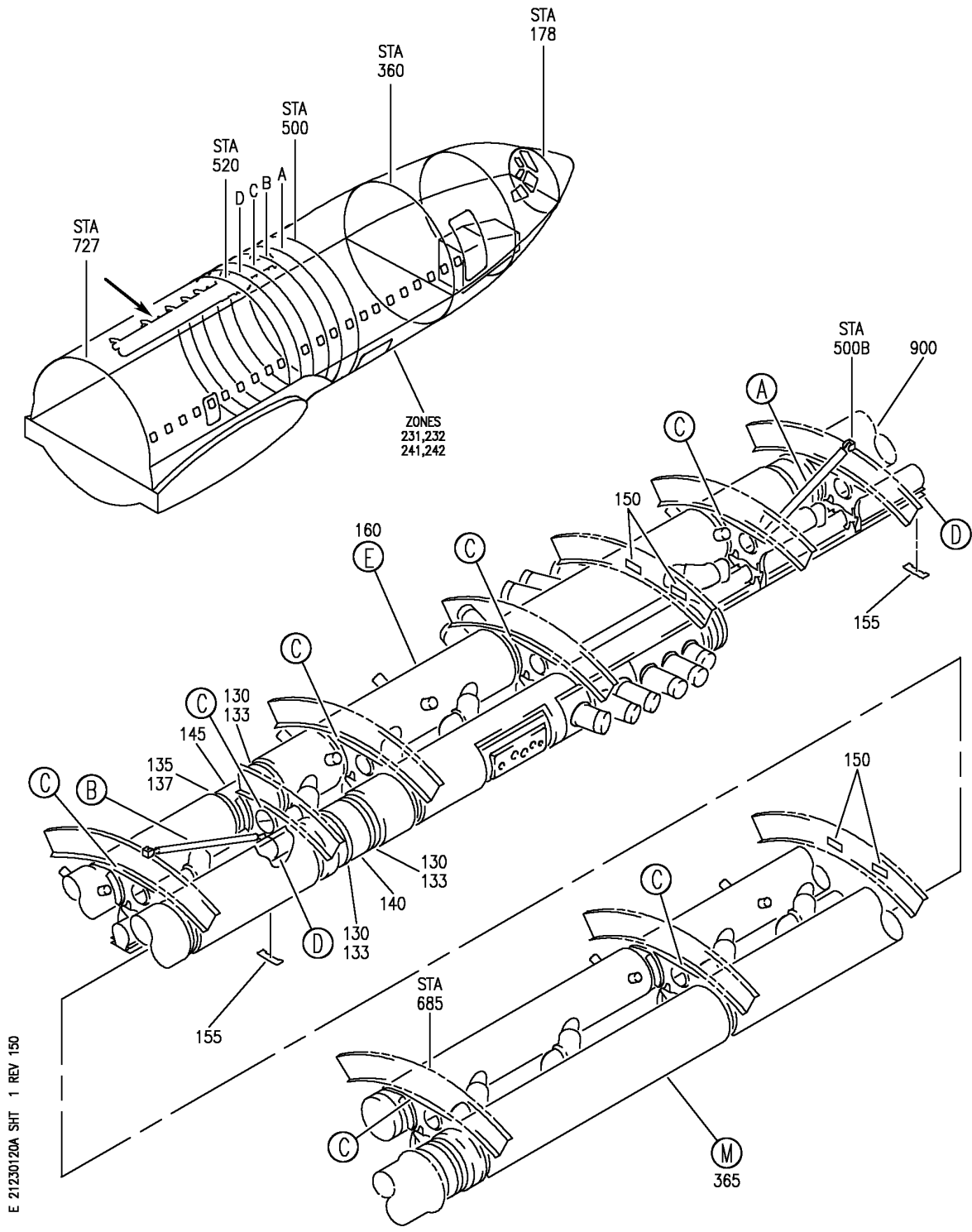
HAP

21-23-01-18

BOEING PROPRIETARY - Copyright © - Unpublished Work - See title page for details.

21-23-01
FIG. 18
PAGE 1
OCT 15/08

BOEING
737-600/700/800/900
PARTS CATALOG (MAINTENANCE)



E 21230120A SHT 1 REV 150

DUCT INSTL-OVHD AIR DISTR SYS (PASSENGER CABIN CONDITIONED AIR DISTRIBUTION ONLY)
 FIGURE 20A (SHEET 1)

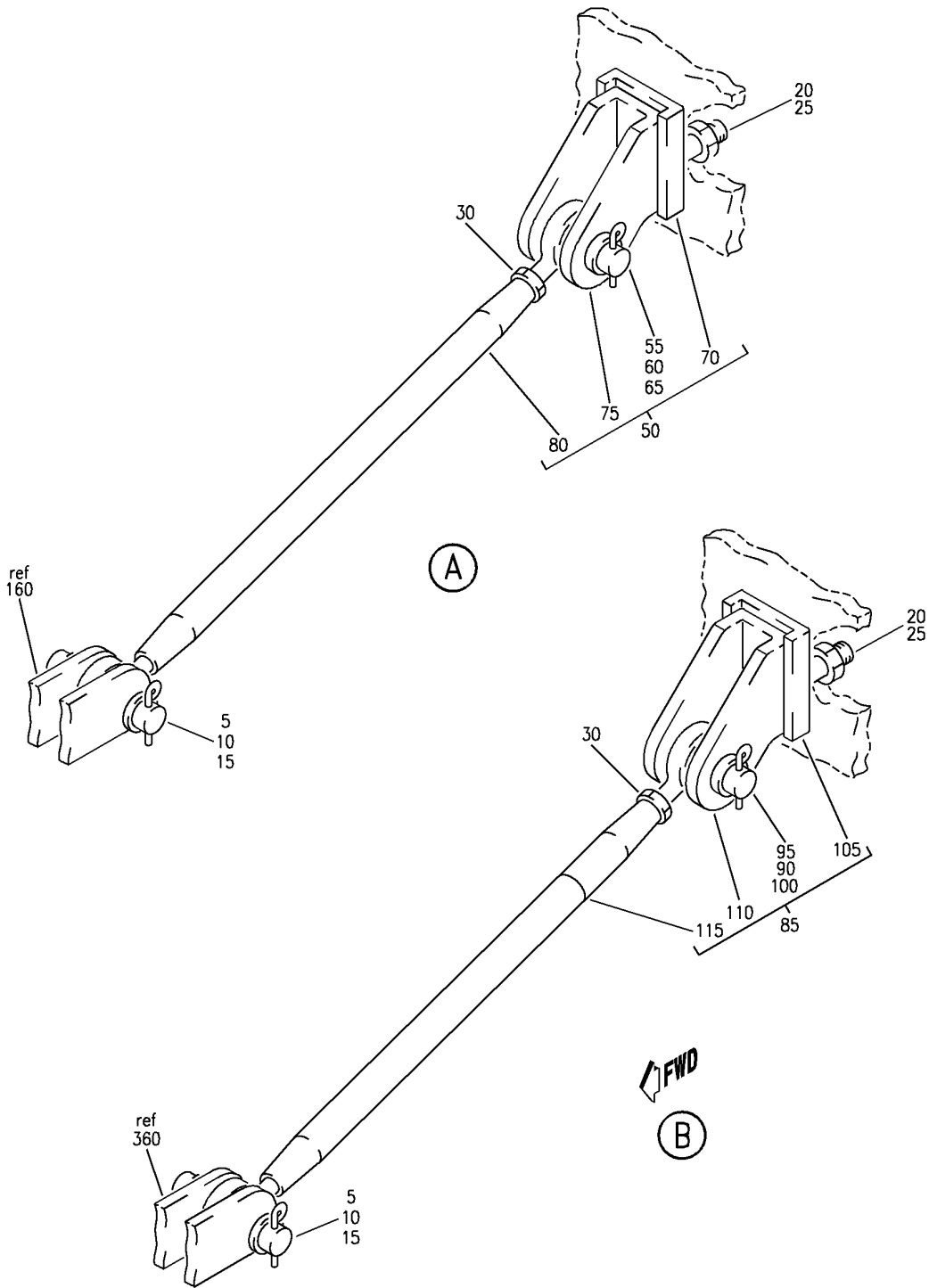
21-23-01-20A

HAP
 FEB 15/09

21-23-01-20A
 PAGE 0

BOEING PROPRIETARY - Copyright © - Unpublished Work - See title page for details.

BOEING
 737-600/700/800/900
 PARTS CATALOG (MAINTENANCE)



E 21230120A SHT 2 REV 102

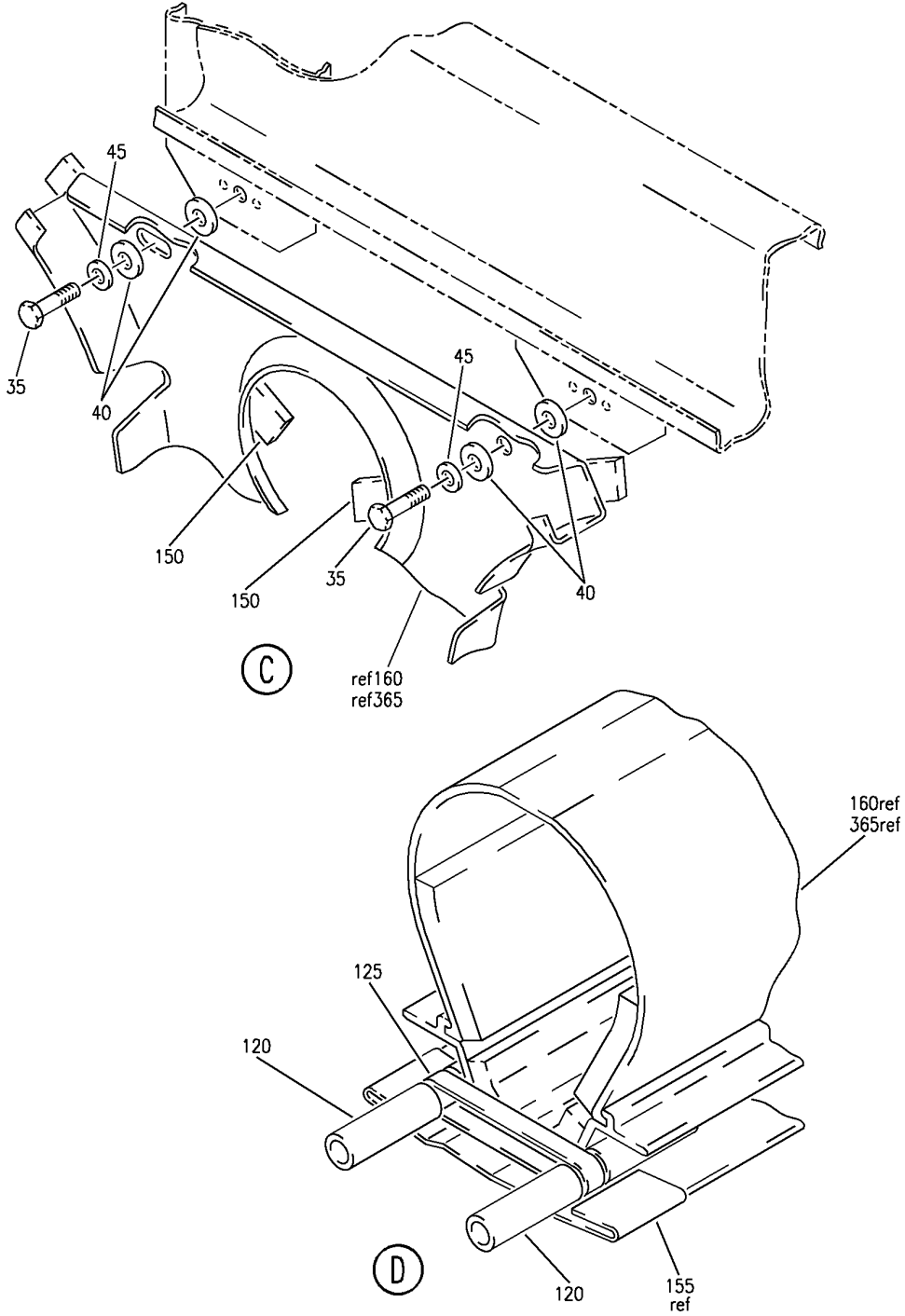
DUCT INSTL-OVHD AIR DISTR SYS (PASSENGER CABIN CONDITIONED AIR DISTRIBUTION ONLY)
 FIGURE 20A (SHEET 2)

HAP
 FEB 10/07

21-23-01-20A

21-23-01-20A
 PAGE 0A

BOEING
 737-600/700/800/900
 PARTS CATALOG (MAINTENANCE)



E 21230120A SHT 3 REV 102

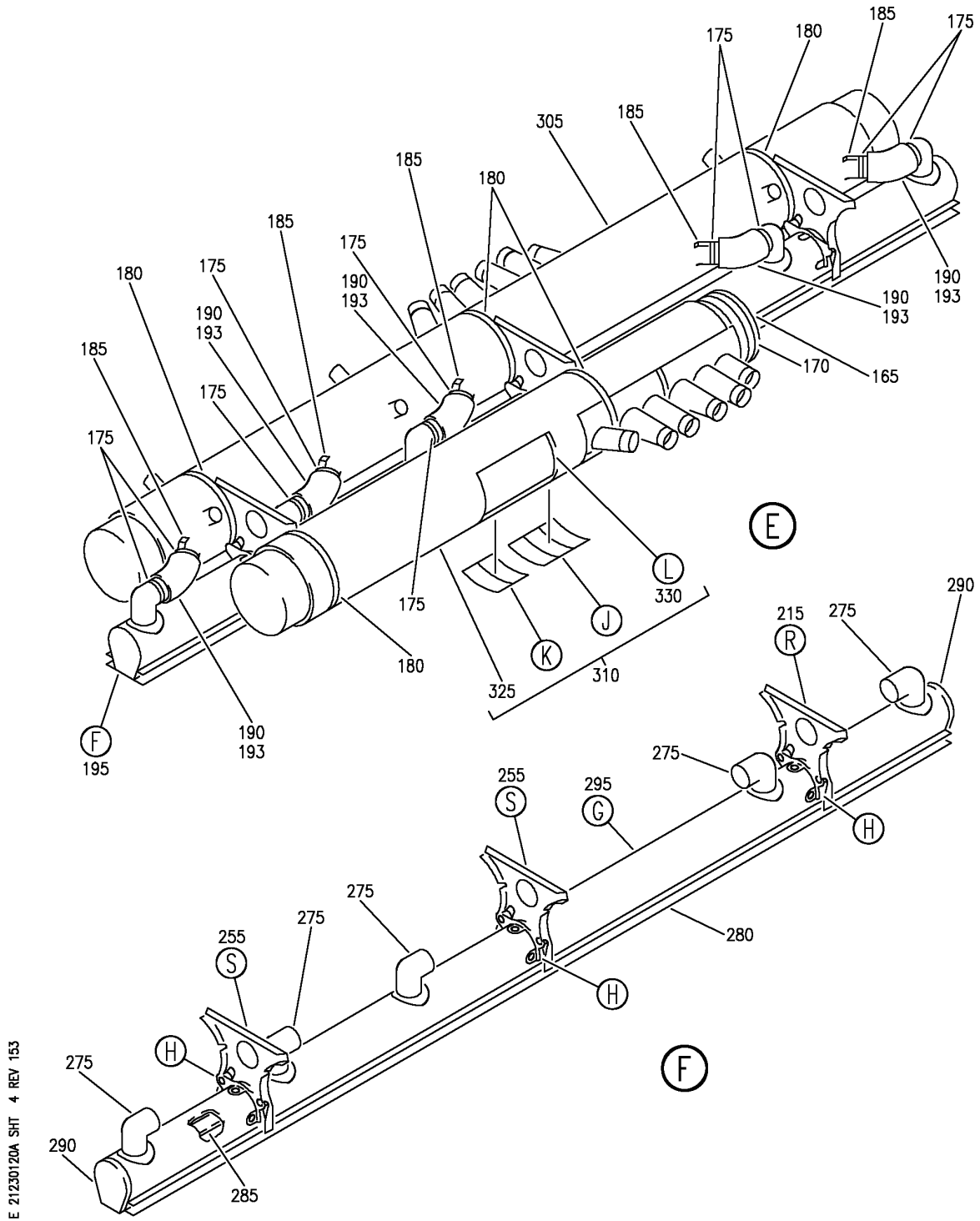
DUCT INSTL-OVHD AIR DISTR SYS (PASSENGER CABIN CONDITIONED AIR DISTRIBUTION ONLY)
 FIGURE 20A (SHEET 3)

HAP
 FEB 10/07

21-23-01-20A

21-23-01-20A
 PAGE 0B

BOEING
 737-600/700/800/900
 PARTS CATALOG (MAINTENANCE)



E 21230120A SHT 4 REV 153

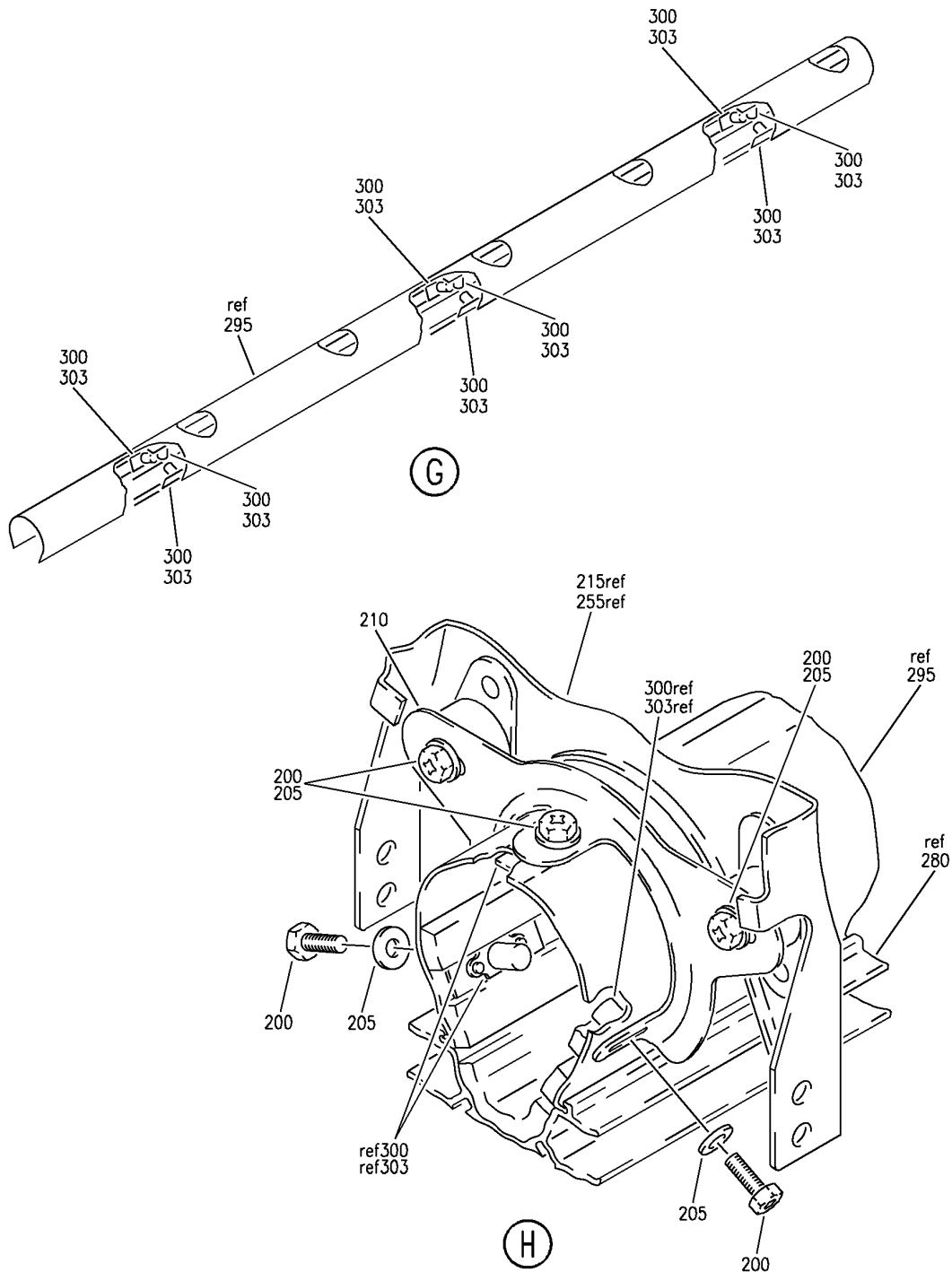
DUCT INSTL-OVHD AIR DISTR SYS (PASSENGER CABIN CONDITIONED AIR DISTRIBUTION ONLY)
 FIGURE 20A (SHEET 4)

HAP
 JUN 15/09

21-23-01-20A

21-23-01-20A
 PAGE 0C

BOEING
 737-600/700/800/900
 PARTS CATALOG (MAINTENANCE)



E 21230120A SHT 5 REV 102

DUCT INSTL-OVHD AIR DISTR SYS (PASSENGER CABIN CONDITIONED AIR DISTRIBUTION ONLY)
 FIGURE 20A (SHEET 5)

HAP
 FEB 10/07

21-23-01-20A

21-23-01-20A
 PAGE 0D


BOEING
 737-600/700/800/900
PARTS CATALOG (MAINTENANCE)

315

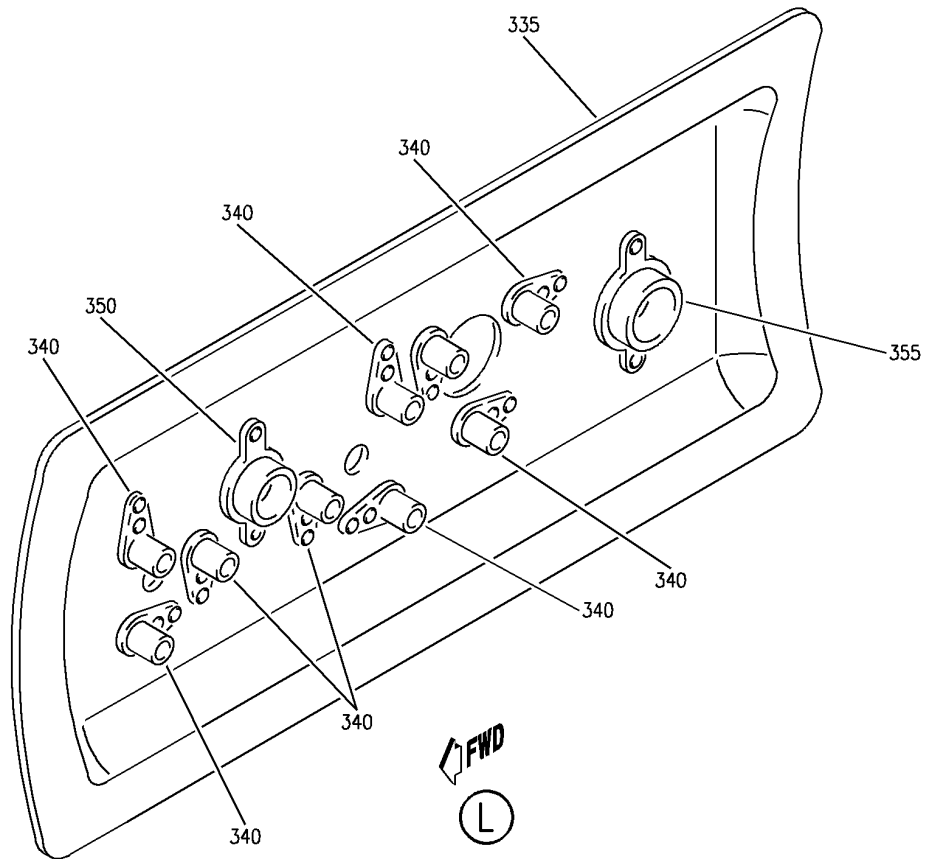
PASSENGER CABIN DUCT LIMIT SENSOR	T00416 M/W D0051B
PASSENGER CABIN DUCT OVERHEAT SWITCH 190° F	S00014
PASSENGER CABIN DUCT OVERHEAT SWITCH 250° F	S00006 M/W D00540

320

PASSENGER CABIN SUPPLY DUCT TEMP BULB	T00402 M/W D00094
PASSENGER CABIN DUCT ANTICIPATOR	T00417 M/W D00520

J

K



E 21230120A SHT 6 REV 102

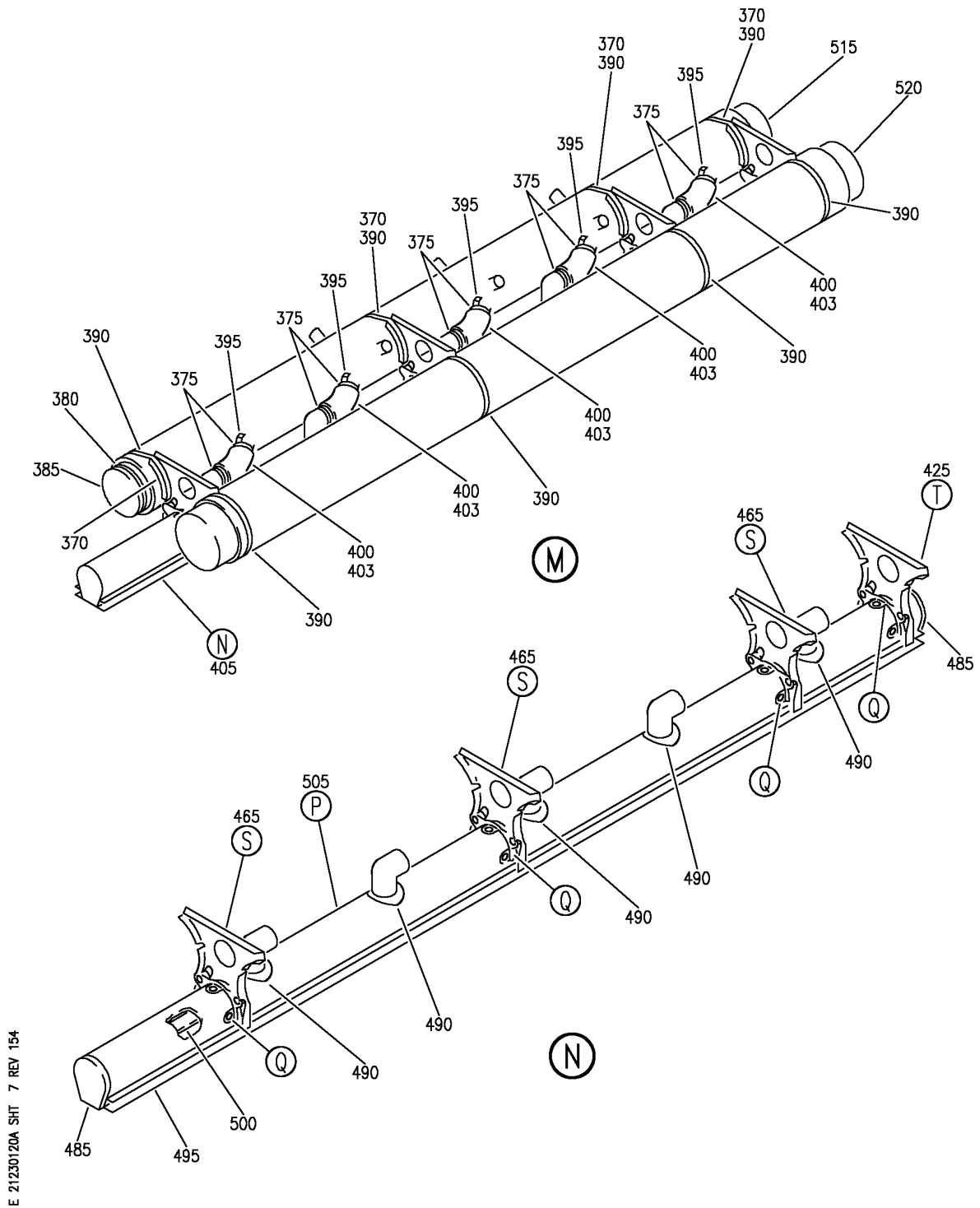
DUCT INSTL-OVHD AIR DISTR SYS (PASSENGER CABIN CONDITIONED AIR DISTRIBUTION ONLY)
 FIGURE 20A (SHEET 6)

HAP
FEB 10/07

21-23-01-20A

21-23-01-20A
 PAGE 0E

BOEING
 737-600/700/800/900
 PARTS CATALOG (MAINTENANCE)



E 21230120A SHT 7 REV 154

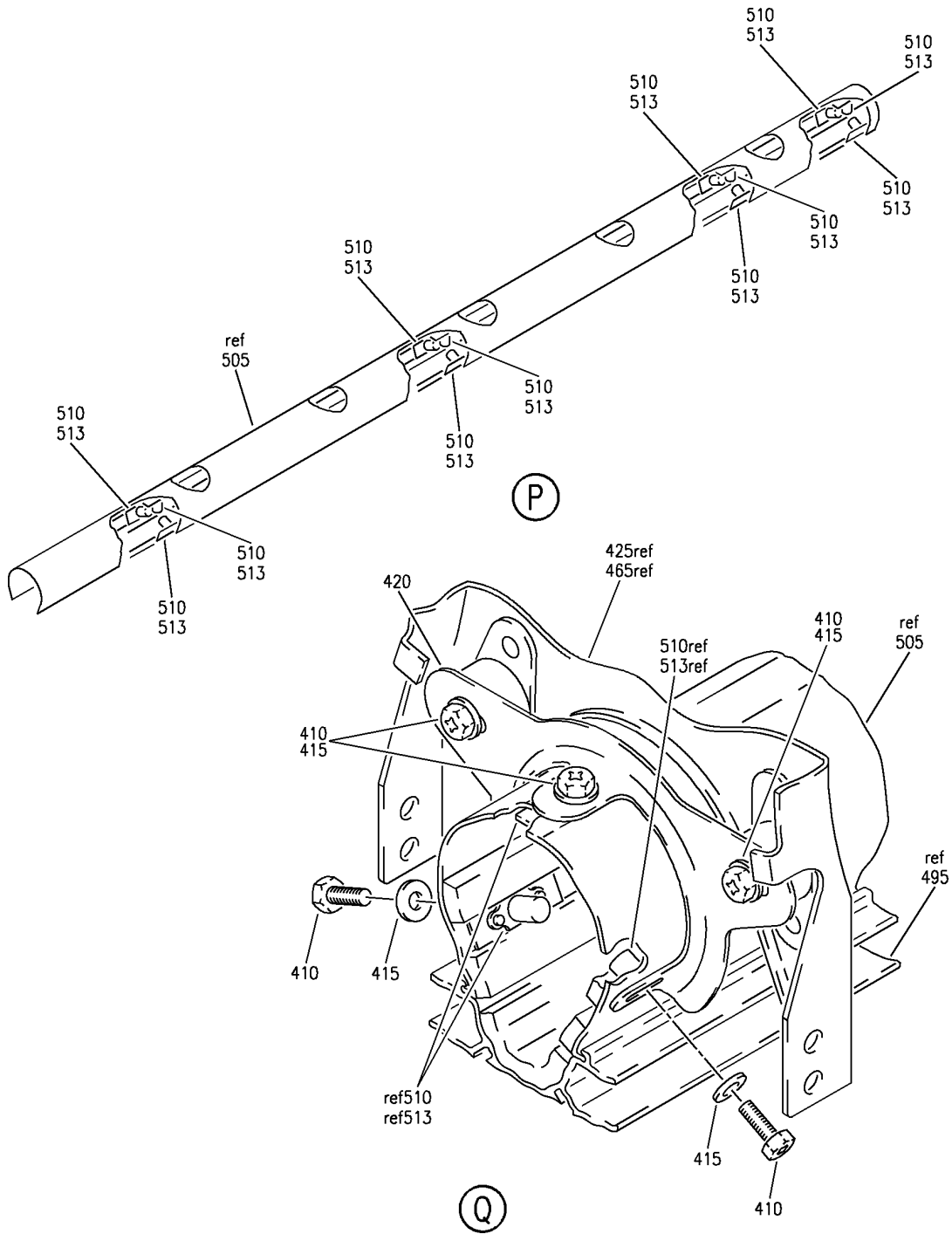
DUCT INSTL-OVHD AIR DISTR SYS (PASSENGER CABIN CONDITIONED AIR DISTRIBUTION ONLY)
 FIGURE 20A (SHEET 7)

HAP
 JUN 15/09

21-23-01-20A

21-23-01-20A
 PAGE OF

BOEING
 737-600/700/800/900
 PARTS CATALOG (MAINTENANCE)



E 21230120A SHT 8 REV 102

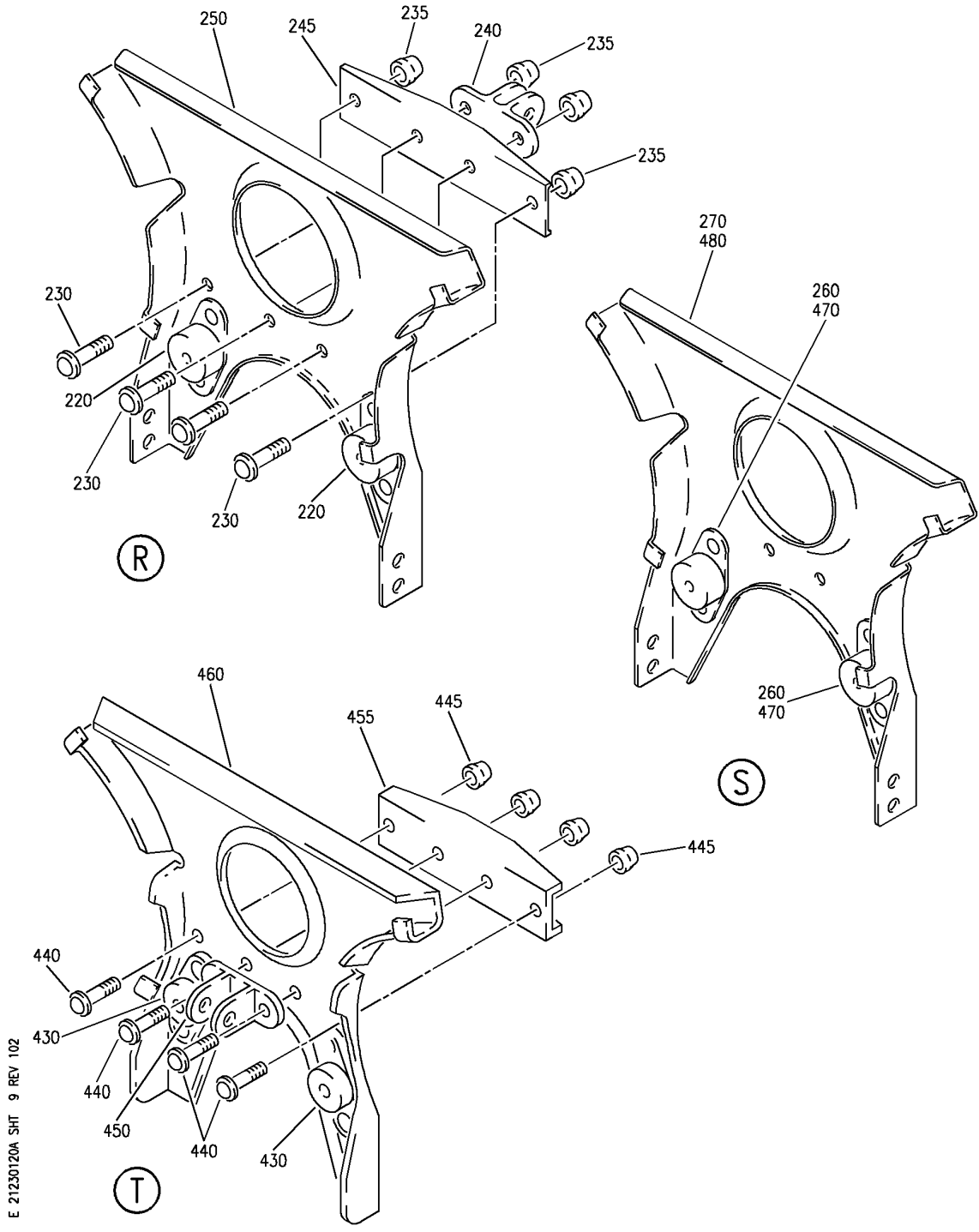
DUCT INSTL-OVHD AIR DISTR SYS (PASSENGER CABIN CONDITIONED AIR DISTRIBUTION ONLY)
 FIGURE 20A (SHEET 8)

21-23-01-20A

HAP
 FEB 10/07

21-23-01-20A
 PAGE 0G

BOEING
 737-600/700/800/900
 PARTS CATALOG (MAINTENANCE)



E 21230120A SHT 9 REV 102

DUCT INSTL-OVHD AIR DISTR SYS (PASSENGER CABIN CONDITIONED AIR DISTRIBUTION ONLY)
 FIGURE 20A (SHEET 9)

HAP
 FEB 10/07

21-23-01-20A

21-23-01-20A
 PAGE 0H

BOEING
737-600/700/800/900
PARTS CATALOG (MAINTENANCE)

FIG ITEM	PART NUMBER	1 2 3 4 5 6 7	NOMENCLATURE	EFFECT FROM TO	UNITS PER ASSY
20A			DUCT INSTL-OVHD AIR DISTR SYS (PASSENGER CABIN CONDITIONED AIR DISTRIBUTION ONLY)	101200 968999	
- 1	MODREF232298		DUCT INSTL-OVHD AIR DISTR SYS (PASSENGER CABIN CONDITIONED AIR DISTRIBUTION ONLY) MODULE NUMBER: 214A2002-25B REV B FOR OTHER SYS DETAILS SEE: 21-61-04-20 21-61-05-20 21-61-08-20 21-61-30-20	101105 968999	1
- 1	MODREF362511		DUCT INSTL-OVHD AIR DISTR SYS (PASSENGER CABIN CONDITIONED AIR DISTRIBUTION ONLY) MODULE NUMBER: 214A2002-25B REV C FOR OTHER SYS DETAILS SEE: 21-61-04-20 21-61-05-20 21-61-08-20 21-61-30-20	106106	1
- 1	MODREF402147		DUCT INSTL-OVHD AIR DISTR SYS (PASSENGER CABIN CONDITIONED AIR DISTRIBUTION ONLY) MODULE NUMBER: 214A2002-25B REV D FOR OTHER SYS DETAILS SEE: 21-61-04-20 21-61-05-20 21-61-08-20 21-61-30-20	107200	1
5	BACP18BC02C04P	.PIN		101200 968999	2
10	BACP18BD3C21	.PIN		101200 968999	2
15	NAS1149E0416P	.WASHER		101200 968999	2
20	NAS1149D0516J	.WASHER		101200 968999	2
25	MS21042L5	.NUT		101200 968999	2
30	AN316-5R	.NUT		101200 968999	2

MISSING ITEM NUMBERS NOT APPLICABLE

- ITEM NOT ILLUSTRATED

HAP

21-23-01-20A

BOEING PROPRIETARY - Copyright © - Unpublished Work - See title page for details.

21-23-01
FIG. 20A
PAGE 1
FEB 15/09

BOEING
737-600/700/800/900
PARTS CATALOG (MAINTENANCE)

FIG ITEM	PART NUMBER	1 2 3 4 5 6 7	NOMENCLATURE	EFFECT FROM TO	UNITS PER ASSY
20A					
35	BACB30NR4K5	.	BOLT	101200 968999	14
40	BACW10P271TF	.	WASHER	101200 968999	28
45	BACW10BN4AC	.	WASHER	101200 968999	14
50	412N2030-51	.	DIAGONAL ASSY	101200 968999	1
55	MS24665-132	..	PIN	101200 968999	1
60	MS20392-3C17	..	PIN	101200 968999	1
65	AN960PD416L	..	WASHER	101200 968999	1
70	412N2032-3	..	INSULATOR- MANUFACTURED FROM: FIN F-6.10 COMPRESSION MOLDED PHENOLIC, GLASS FIBER FILLED PER BMS8-271A, TYPE 1	101200 968999	1
70	412N2032-4	..	INSULATOR- MANUFACTURED FROM: FIN F-6.10 COMPRESSION MOLDED PHENOLIC, GLASS FIBER FILLED PER BMS8-271A, TYPE 1	101200 968999	1
75	412N2031-1	..	CLEVIS- MANUFACTURED FROM: 412N2031-2	101200 968999	1
80	1293-29	..	ROD ASSY- SUPPLIER CODE: V34742	101200 968999	1
85	412N2030-49	.	DIAGONAL ASSY	101200 968999	1
90	MS24665-132	..	PIN	101200 968999	1
95	MS20392-3C17	..	PIN	101200 968999	1
100	AN960PD416L	..	WASHER	101200 968999	1
105	412N2032-3	..	INSULATOR- MANUFACTURED FROM: FIN F-6.10 COMPRESSION MOLDED PHENOLIC, GLASS FIBER FILLED PER BMS8-271A, TYPE 1	101200 968999	1

MISSING ITEM NUMBERS NOT APPLICABLE

— ITEM NOT ILLUSTRATED

HAP

21-23-01-20A

BOEING PROPRIETARY - Copyright © - Unpublished Work - See title page for details.

21-23-01
FIG. 20A
PAGE 2
FEB 15/09

BOEING
737-600/700/800/900
PARTS CATALOG (MAINTENANCE)

FIG ITEM	PART NUMBER	1 2 3 4 5 6 7	NOMENCLATURE	EFFECT FROM TO	UNITS PER ASSY
20A 105	412N2032-4		.. INSULATOR- MANUFACTURED FROM: FIN F-6.10 COMPRESSION MOLDED PHENOLIC, GLASS FIBER FILLED PER BMS8-271A, TYPE 1	101200 968999	1
110	412N2031-1		.. CLEVIS- MANUFACTURED FROM: 412N2031-2	101200 968999	1
115	1293-27		.. ROD ASSY- SUPPLIER CODE: V34742	101200 968999	1
120	214N2035-1		. PIN	101200 968999	4
125	MLT2S		. TIE- SUPPLIER CODE: V06383	101200 968999	2
130	NAS1922-0750-3		. CLAMP- OPTIONAL PART: BACS38K6	101200 968999	3
133	T012L0		. STRAP- SUPPLIER CODE: V53421 SPECIFICATION NUMBER: BACS38K6 OPTIONAL PART: NAS1922-0750-3	107200	3
135	NAS1922-0625-3		. CLAMP- OPTIONAL PART: BACS38K6	101200 968999	1
137	T012L0		. STRAP- SUPPLIER CODE: V53421 SPECIFICATION NUMBER: BACS38K6 OPTIONAL PART: NAS1922-0625-3	107200	1
140	AS1505-30B0083		. SLEEVE	101200 968999	1
145	214N2166-2		. DUCT	101200 968999	1
150	411A4904-9		. STRIP-FELT SEAL	101200 968999	18
155	69-42789-4B		. COVER	101200 968999	2
160	214A2107-52B		. DUCT SEGMENT ASSY	101105 968999	1
160	214A2107-97B		. DUCT SEGMENT ASSY	106200	1

MISSING ITEM NUMBERS NOT APPLICABLE

— ITEM NOT ILLUSTRATED

HAP

21-23-01-20A

BOEING PROPRIETARY - Copyright © - Unpublished Work - See title page for details.

21-23-01
FIG. 20A
PAGE 3
FEB 15/09

BOEING
737-600/700/800/900
PARTS CATALOG (MAINTENANCE)

FIG ITEM	PART NUMBER	1 2 3 4 5 6 7	NOMENCLATURE	EFFECT FROM TO	UNITS PER ASSY
20A 165	930810BC	..	CAP- SUPPLIER CODE: V25205	101200 968999	1
170	NAS1922-0750-3	..	CLAMP	101200 968999	1
175	NAS1922-0200-3	..	CLAMP- OPTIONAL PART: BACS38K2	101200 968999	10
175	PLT4SM	..	STRAP- SUPPLIER CODE: V06383 SPECIFICATION NUMBER: BACS38K2 OPTIONAL PART: T05LO V53421 NAS1922-0200-3	101200 968999	10
180	T012LO	..	STRAP SUPPLIER CODE: V53421 SPECIFICATION NUMBER: BACS38K6	101200 968999	5
185	214T3436-1831	..	ORIFICE ASSY- OPTIONAL PART: 214T3436-601	101200 968999	5
185	214T3436-601	..	ORIFICE ASSY- OPTIONAL PART: 214T3436-1831	101200 968999	5
190	65C36915-1	..	MUFFLER ASSY-	101200 968999	5
193	AS1591-08-0070A	..	HOSE-	101200 968999	5
195	214A2101-3	..	PLENUM ASSY	101200 968999	1
200	BACS12GU3K7	...	SCREW	101200 968999	15
205	NAS1149D0332J	...	WASHER	101200 968999	15
210	214A2111-1	...	BRACKET	101200 968999	3
215	65C36910-2	...	BRACKET ASSY	101200 968999	1

MISSING ITEM NUMBERS NOT APPLICABLE

- ITEM NOT ILLUSTRATED

HAP

21-23-01-20A

BOEING PROPRIETARY - Copyright © - Unpublished Work - See title page for details.

21-23-01
FIG. 20A
PAGE 4
JUN 15/09

BOEING
737-600/700/800/900
PARTS CATALOG (MAINTENANCE)

FIG ITEM	PART NUMBER	1 2 3 4 5 6 7	NOMENCLATURE	EFFECT FROM TO	UNITS PER ASSY
20A 220	SL8113-3	MOUNT-ISOLATOR SUPPLIER CODE: V97393 SPECIFICATION NUMBER: S411T100-901 OPTIONAL PART: DE819 V71985	101200 968999	2
220	DE819	MOUNT-ISOLATOR SUPPLIER CODE: V71985 SPECIFICATION NUMBER: S411T100-901 OPTIONAL PART: SL8113-3 V97393 ATTACHING PARTS	101200 968999	2
- 225	BACR15BA4D	RIVET- SIZE DETERMINED ON INSTL. -----*-----	101200 968999	4
230	BACB30NX6K	BOLT	101200 968999	4
235	BACC30X	COLLAR	101200 968999	4
240	214N2161-2	BRACKET	101200 968999	1
245	214N2161-3	BRACKET	101200 968999	1
250	65C36911-1	BRACKET	101200 968999	1
255	65C36910-1	...	BRACKET ASSY	101200 968999	2
260	SL8113-3	MOUNT-ISOLATOR SUPPLIER CODE: V97393 SPECIFICATION NUMBER: S411T100-901 OPTIONAL PART: DE819 V71985	101200 968999	2
260	DE819	MOUNT-ISOLATOR SUPPLIER CODE: V71985 SPECIFICATION NUMBER: S411T100-901 OPTIONAL PART: SL8113-3 V97393	101200 968999	2

MISSING ITEM NUMBERS NOT APPLICABLE

- ITEM NOT ILLUSTRATED

HAP

21-23-01-20A

BOEING PROPRIETARY - Copyright © - Unpublished Work - See title page for details.

21-23-01
FIG. 20A
PAGE 5
JUN 15/09

BOEING
737-600/700/800/900
PARTS CATALOG (MAINTENANCE)

FIG ITEM	PART NUMBER	1 2 3 4 5 6 7	NOMENCLATURE	EFFECT FROM TO	UNITS PER ASSY
20A			ATTACHING PARTS		
- 265	BACR15BA4D	RIVET- SIZE DETERMINED ON INSTL. -----*-----	101200 968999	4
270	65C36911-1	BRACKET	101200 968999	1
275	65C36940-1	...	OUTLET ASSY	101200 968999	5
280	65C36906-8	...	NOZZLE ASSY	101200 968999	1
285	65C36907-15	...	RESTRICTOR ASSY	101200 968999	1
290	214N2169-1	...	CAP	101200 968999	2
295	65C36905-15	...	PLENUM ASSY	101200 968999	1
300	214N2178-1	NUTPLATE ASSY	101200 968999	9
303	CB2010CR3CRP	NUTPLATE- SUPPLIER CODE: V66530 OPTIONAL PART: 214N2178-1	101200 968999	9
305	214A2108-35	..	DUCT ASSY	101105 968999	1
305	214A2108-48	..	DUCT ASSY	106200	1
310	214A2108-39	..	DUCT ASSY	101105 968999	1
310	214A2108-50	..	DUCT ASSY	106200	1
315	BAC27DAC0048	...	DECAL	101200 968999	1
320	BAC27DAC0049	...	DECAL	101200 968999	1
325	214A2108-4	...	DUCT	101200 968999	1
330	214A2114-1	...	PLATE ASSY	101200 968999	1
335	214A2114-2	PLATE	101200 968999	1

MISSING ITEM NUMBERS NOT APPLICABLE

- ITEM NOT ILLUSTRATED

HAP

21-23-01-20A

BOEING PROPRIETARY - Copyright © - Unpublished Work - See title page for details.

21-23-01
FIG. 20A
PAGE 6
JUN 15/09

BOEING
737-600/700/800/900
PARTS CATALOG (MAINTENANCE)

FIG ITEM	PART NUMBER	1 2 3 4 5 6 7	NOMENCLATURE	EFFECT FROM TO	UNITS PER ASSY
20A 340	T8077S832	NUTPLATE SUPPLIER CODE: V11815 SPECIFICATION NUMBER: BACN10JP08B OPTIONAL PART: MK2000-08BAC V15653 NS103198-82 V80539 RMA9207M82 V72962 VN201A1-82 V92215 BRM100A08 V52828 ATTACHING PARTS	101200 968999	9
- 345	BACR15BA3ADC	RIVET- SIZE DETERMINED ON INSTL. -----*-----	101200 968999	18
350	52NA1-080	NUTPLATE- SUPPLIER CODE: V72962 OPTIONAL PART: MS21078-8 52NA1Q080 V72962	101200 968999	1
350	MS21078-8	NUTPLATE- OPTIONAL PART: 52NA1-080 V72962 52NA1Q080 V72962	101200 968999	1
350	52NA1Q080	NUTPLATE- SUPPLIER CODE: V72962 OPTIONAL PART: 52NA1-080 V72962 MS21078-8	101200 968999	1
355	52NA1-108	NUTPLATE- SUPPLIER CODE: V72962 OPTIONAL PART: MS21078-10 52NA1Q108 V72962	101200 968999	1

MISSING ITEM NUMBERS NOT APPLICABLE

- ITEM NOT ILLUSTRATED

HAP

21-23-01-20A

BOEING PROPRIETARY - Copyright © - Unpublished Work - See title page for details.

21-23-01
FIG. 20A
PAGE 7
JUN 15/09

BOEING
737-600/700/800/900
PARTS CATALOG (MAINTENANCE)

FIG ITEM	PART NUMBER	1 2 3 4 5 6 7	NOMENCLATURE	EFFECT FROM TO	UNITS PER ASSY
20A 355	MS21078-10	NUTPLATE- OPTIONAL PART: 52NA1-108 V72962 52NA1Q108 V72962	101200 968999	1
355	52NA1Q108	NUTPLATE- SUPPLIER CODE: V72962 OPTIONAL PART: 52NA1-108 V72962 MS21078-10 ATTACHING PARTS	101200 968999	1
- 360	BACR15BA4ADC	RIVET	101200 968999	4
365	214A2107-63B	*----- DUCT SEGMENT ASSY	101105 968999	1
365	214A2107-107B	DUCT SEGMENT ASSY	106200	1
370	214N2184-1	..	SPACER	101200 968999	4
375	NAS1922-0200-3	..	CLAMP- OPTIONAL PART: BACS38K2	101200 968999	10
375	PLT4SM	..	STRAP- SUPPLIER CODE: V06383 SPECIFICATION NUMBER: BACS38K2 OPTIONAL PART: T05L0 V53421 NAS1922-0200-3	101200 968999	10
380	NAS1922-0625-3	..	CLAMP	101200 968999	1
385	841006-1	..	CAP- SUPPLIER CODE: V25205	101200 968999	1
390	T012L0	..	STRAP SUPPLIER CODE: V53421 SPECIFICATION NUMBER: BACS38K6	101200 968999	8
395	214T3436-1834	..	ORIFICE ASSY- OPTIONAL PART: 214T3436-1546	101200 968999	5

MISSING ITEM NUMBERS NOT APPLICABLE

- ITEM NOT ILLUSTRATED

HAP

21-23-01-20A

BOEING PROPRIETARY - Copyright © - Unpublished Work - See title page for details.

21-23-01
FIG. 20A
PAGE 8
JUN 15/09

BOEING
737-600/700/800/900
PARTS CATALOG (MAINTENANCE)

FIG ITEM	PART NUMBER	1 2 3 4 5 6 7	NOMENCLATURE	EFFECT FROM TO	UNITS PER ASSY
20A					
395	214T3436-1546	..	ORIFICE ASSY- OPTIONAL PART: 214T3436-1834	101200 968999	5
400	65C36915-1	..	MUFFLER ASSY-	101200 968999	5
403	AS1591-08-0070A	..	HOSE-	101200 968999	5
405	214A2101-4	..	PLENUM ASSY	101200 968999	1
410	BACS12GU3K7	...	SCREW	101200 968999	20
415	NAS1149D0332J	...	WASHER	101200 968999	20
420	214A2111-1	...	BRACKET	101200 968999	4
425	65C36910-3	...	BRACKET ASSY	101200 968999	1
430	SL8113-3	MOUNT- SUPPLIER CODE: V97393 SPECIFICATION NUMBER: S411T100-901 OPTIONAL PART: DE819 V71985	101200 968999	2
430	DE819	MOUNT- SUPPLIER CODE: V71985 SPECIFICATION NUMBER: S411T100-901 OPTIONAL PART: SL8113-3 V97393 ATTACHING PARTS	101200 968999	2
- 435	BACR15BA4D	RIVET- SIZE DETERMINED ON INSTL. -----*-----	101200 968999	4
440	BACB30NX6K	BOLT	101200 968999	4
445	BACC30X	COLLAR	101200 968999	4
450	214N2161-2	BRACKET	101200 968999	1
455	214N2161-3	BRACKET	101200 968999	1
460	65C36911-1	BRACKET	101200 968999	1
465	65C36910-1	...	BRACKET ASSY	101200 968999	3

MISSING ITEM NUMBERS NOT APPLICABLE

- ITEM NOT ILLUSTRATED

HAP

21-23-01-20A

BOEING PROPRIETARY - Copyright © - Unpublished Work - See title page for details.

21-23-01
FIG. 20A
PAGE 9
JUN 15/09

BOEING
737-600/700/800/900
PARTS CATALOG (MAINTENANCE)

FIG ITEM	PART NUMBER	1 2 3 4 5 6 7	NOMENCLATURE	EFFECT FROM TO	UNITS PER ASSY
20A 470	SL8113-3	MOUNT- SUPPLIER CODE: V97393 SPECIFICATION NUMBER: S411T100-901 OPTIONAL PART: DE819 V71985	101200 968999	2
470	DE819	MOUNT- SUPPLIER CODE: V71985 SPECIFICATION NUMBER: S411T100-901 OPTIONAL PART: SL8113-3 V97393 ATTACHING PARTS	101200 968999	2
- 475	BACR15BA4D	RIVET- SIZE DETERMINED ON INSTL. -----*-----	101200 968999	4
480	65C36911-1	BRACKET	101200 968999	1
485	214N2169-1	...	CAP	101200 968999	2
490	65C36940-1	...	OUTLET ASSY	101200 968999	5
495	214A2103-5	...	NOZZLE ASSY	101200 968999	1
500	214A2104-5	...	RESTRICTOR ASSY	101200 968999	1
505	214A2102-5	...	PLENUM ASSY	101200 968999	1
510	214N2178-1	NUTPLATE ASSY- OPTIONAL PART: CB2010CR3CRP V66530	101200 968999	12
513	CB2010CR3CRP	NUTPLATE- SUPPLIER CODE: V66530 OPTIONAL PART: 214N2178-1	101200 968999	12
515	214A2106-70	..	DUCT ASSY	101105 968999	1
515	214A2106-103	..	DUCT ASSY	106200	1
520	214A2106-81	..	DUCT ASSY	101105 968999	1
520	214A2106-110	..	DUCT ASSY	106200	1

MISSING ITEM NUMBERS NOT APPLICABLE

- ITEM NOT ILLUSTRATED

HAP

21-23-01-20A

BOEING PROPRIETARY - Copyright © - Unpublished Work - See title page for details.

21-23-01
FIG. 20A
PAGE 10
JUN 15/09


BOEING
 737-600/700/800/900
PARTS CATALOG (MAINTENANCE)

FIG ITEM	PART NUMBER	1 2 3 4 5 6 7 NOMENCLATURE	EFFECT FROM TO	UNITS PER ASSY
20A 900		ILLUSTRATION REFERENCE: DUCT INSTL-OVHD AIR DISTR SYS 21-23-01-17A	101105 968999	

MISSING ITEM NUMBERS NOT APPLICABLE

— ITEM NOT ILLUSTRATED

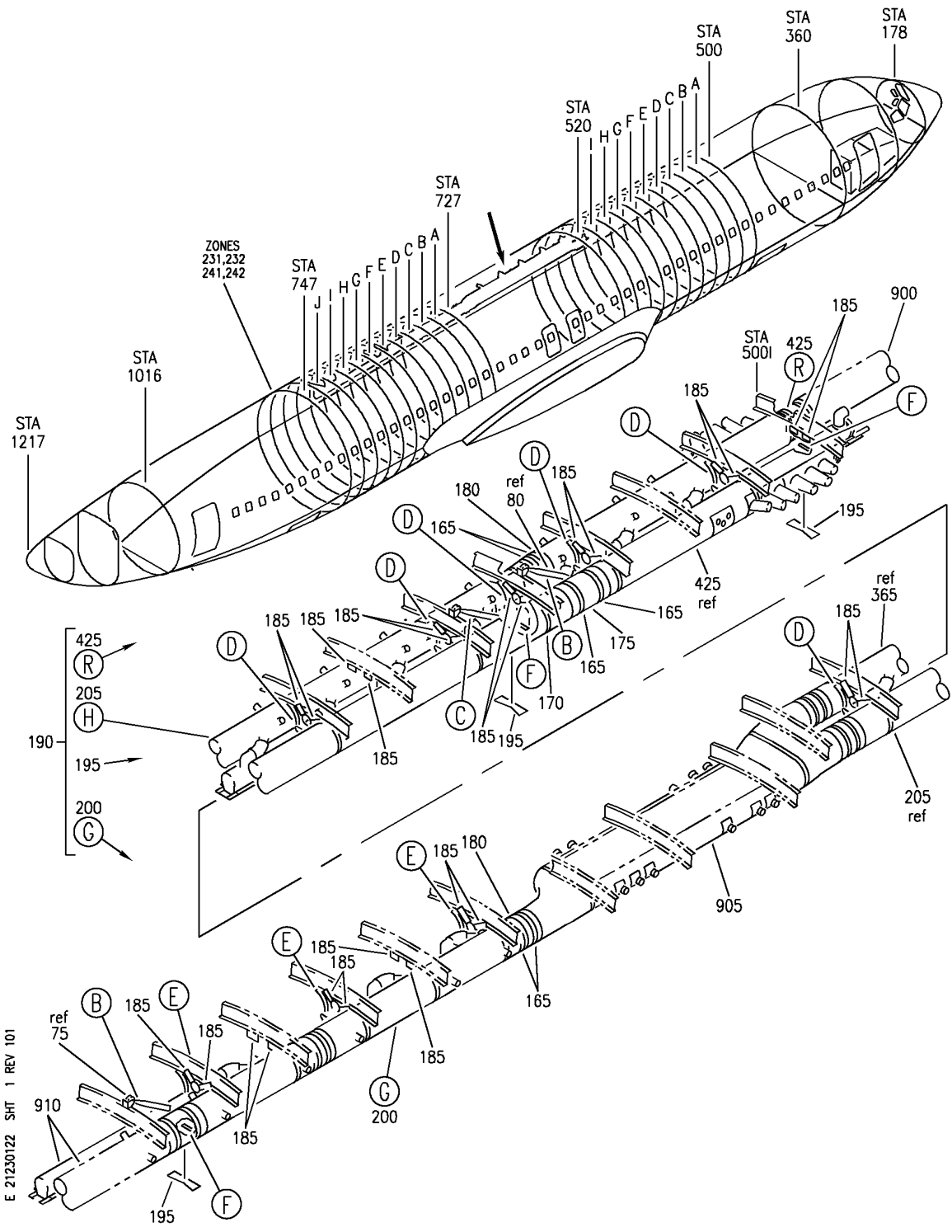
HAP

21-23-01-20A

BOEING PROPRIETARY - Copyright © - Unpublished Work - See title page for details.

21-23-01
 FIG. 20A
 PAGE 11
 JUN 15/09

BOEING
737-600/700/800/900
PARTS CATALOG (MAINTENANCE)



E 21230122 SHT 1 REV 101

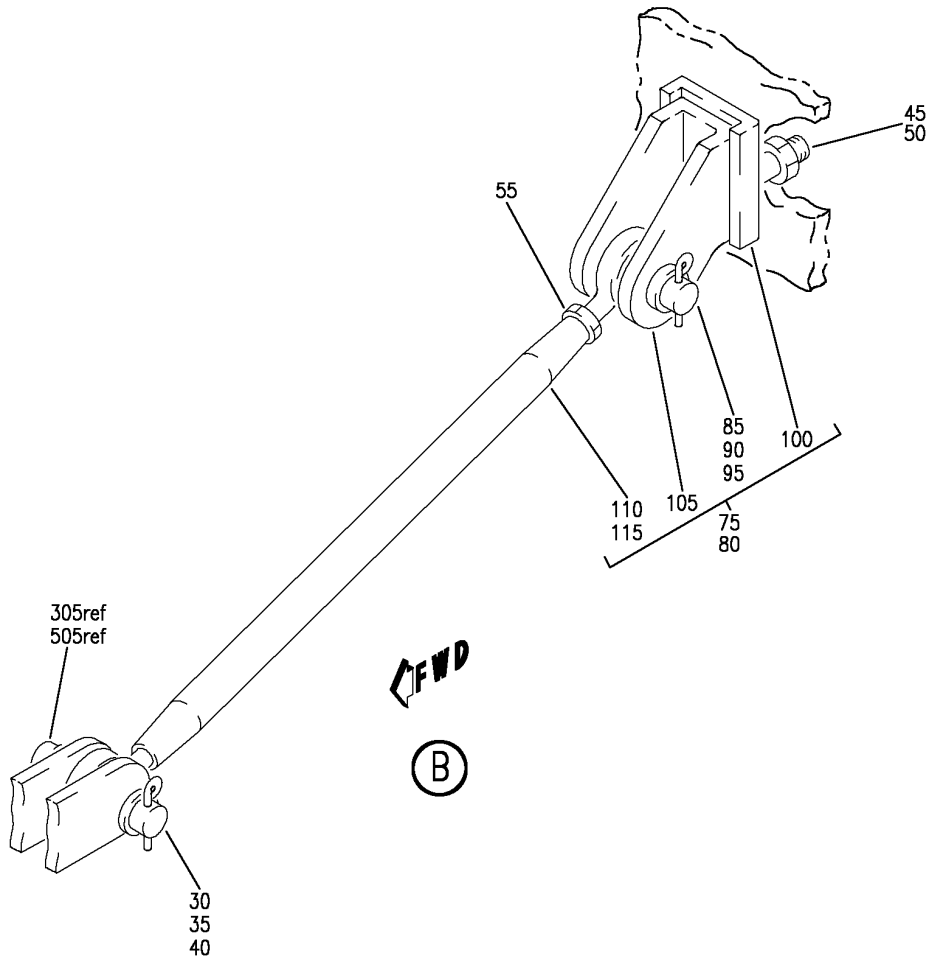
DUCT INSTL-OVHD AIR DISTR SYS (PASSENGER CABIN CONDITIONED AIR DISTRIBUTION ONLY)
 FIGURE 22 (SHEET 1)

HAP
 OCT 10/06

21-23-01-22

21-23-01-22
 PAGE 0

BOEING
 737-600/700/800/900
 PARTS CATALOG (MAINTENANCE)



E 21230122 SHT 2 REV 066

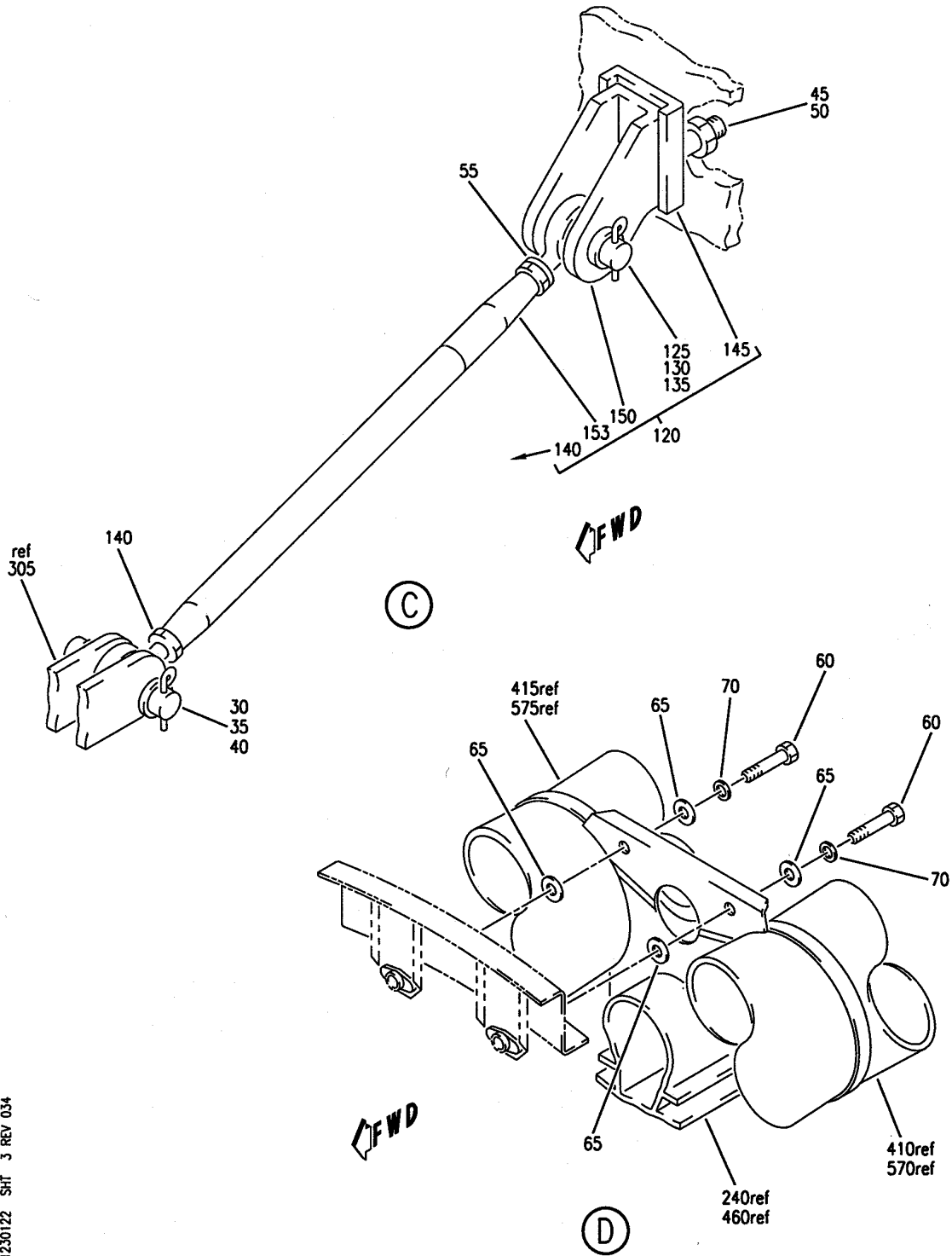
DUCT INSTL-OVHD AIR DISTR SYS (PASSENGER CABIN CONDITIONED AIR DISTRIBUTION ONLY)
 FIGURE 22 (SHEET 2)

HAP
 OCT 10/06

21-23-01-22

21-23-01-22
 PAGE 0A

BOEING
 737-600/700/800/900
 PARTS CATALOG (MAINTENANCE)



E 21230122 SHT 3 REV 034

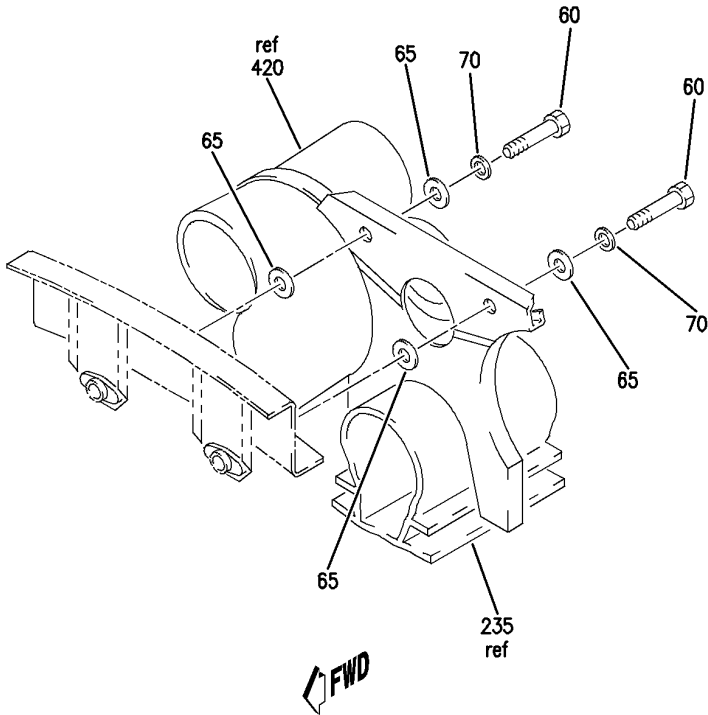
DUCT INSTL-OVHD AIR DISTR SYS (PASSENGER CABIN CONDITIONED AIR DISTRIBUTION ONLY)
 FIGURE 22 (SHEET 3)

HAP
 OCT 10/06

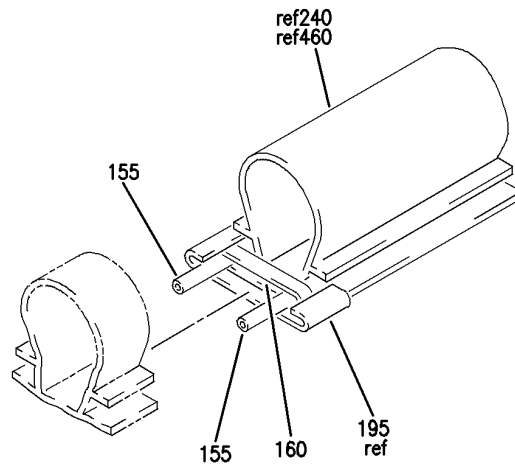
21-23-01-22

21-23-01-22
 PAGE 0B

BOEING
 737-600/700/800/900
 PARTS CATALOG (MAINTENANCE)



(E)



(F)

E 21230122 SH1 4 REV 050

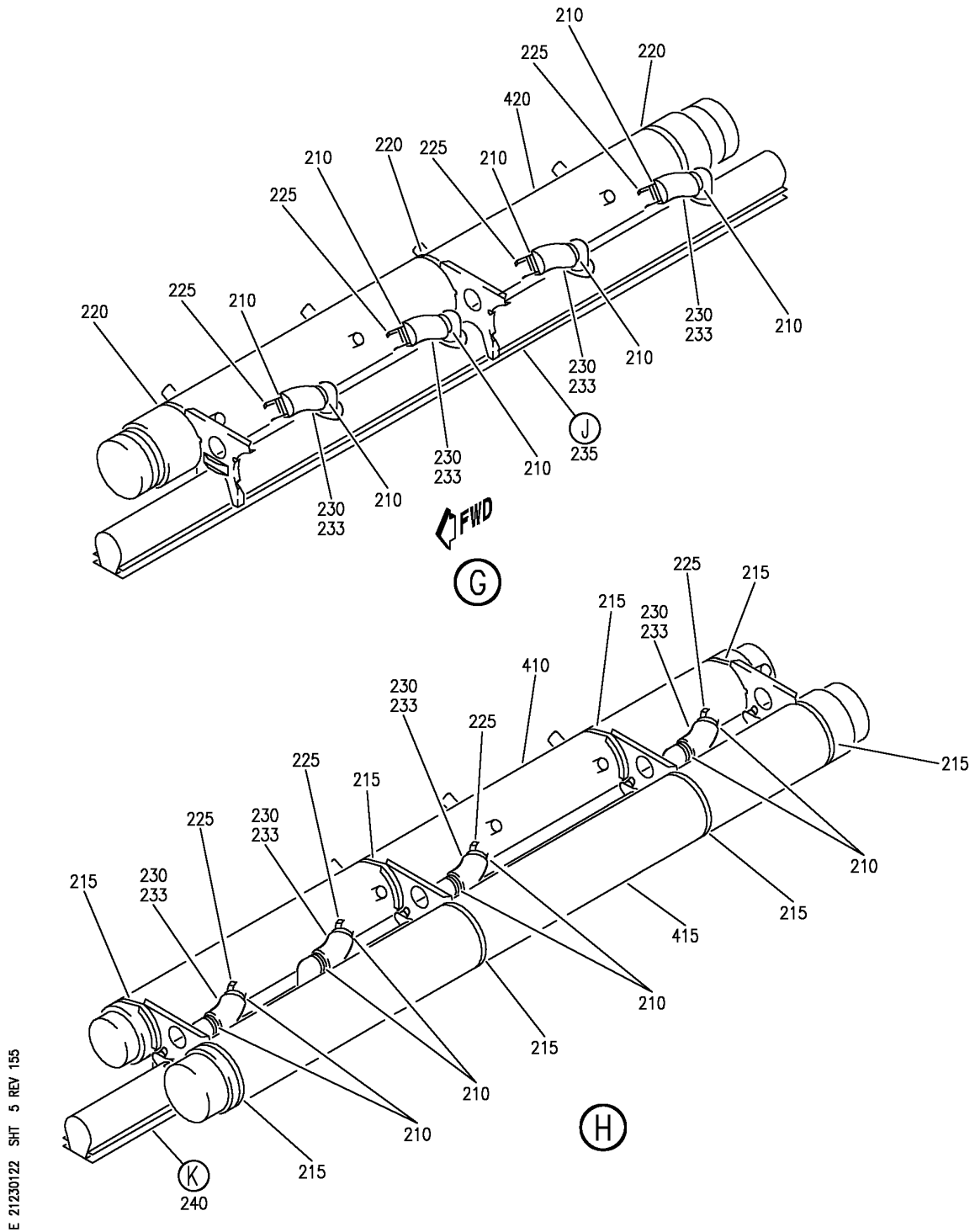
DUCT INSTL-OVHD AIR DISTR SYS (PASSENGER CABIN CONDITIONED AIR DISTRIBUTION ONLY)
 FIGURE 22 (SHEET 4)

HAP
 OCT 10/06

21-23-01-22

21-23-01-22
 PAGE 0C

BOEING
737-600/700/800/900
PARTS CATALOG (MAINTENANCE)



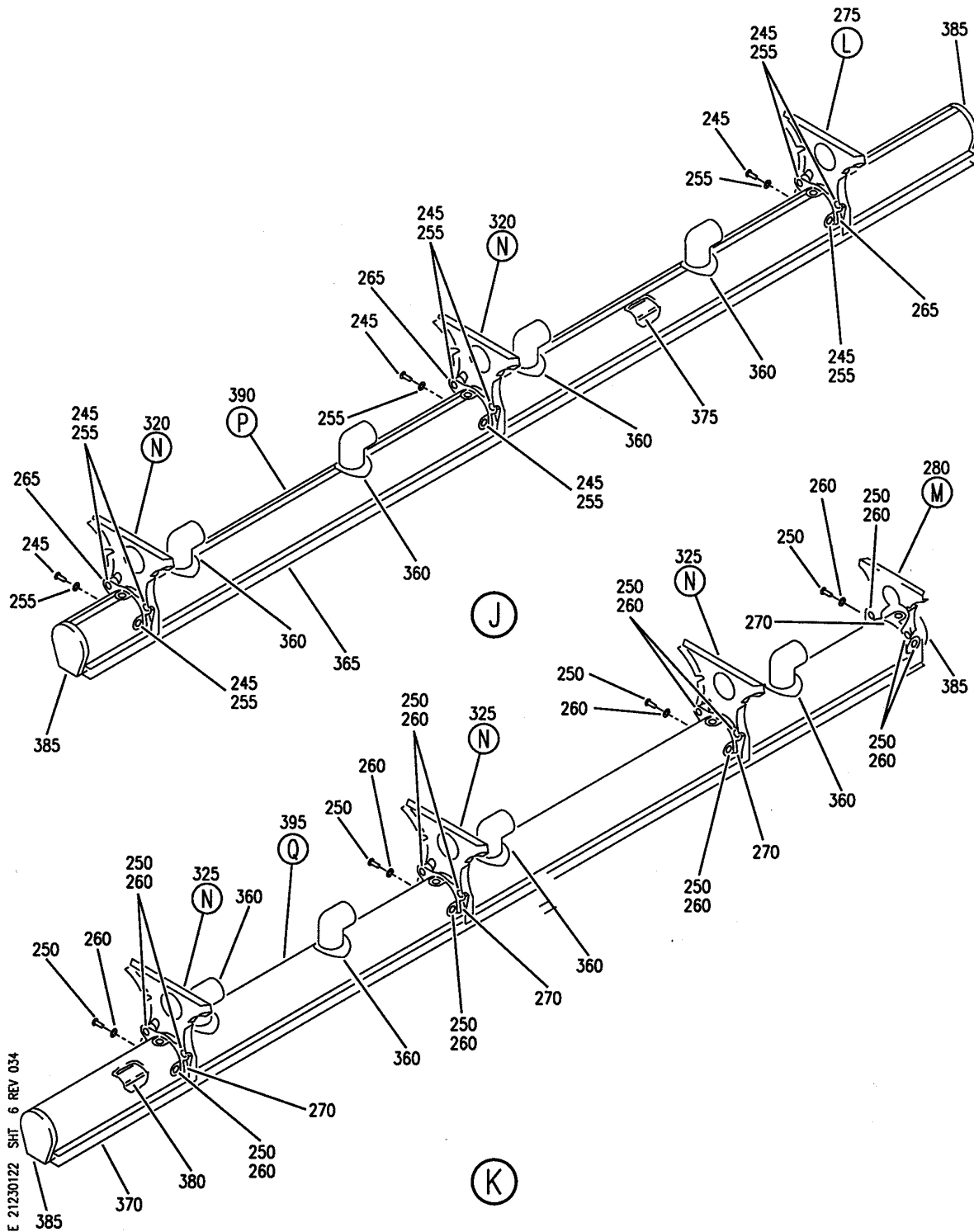
DUCT INSTL-OVHD AIR DISTR SYS (PASSENGER CABIN CONDITIONED AIR DISTRIBUTION ONLY)
 FIGURE 22 (SHEET 5)

HAP
 JUN 15/09

21-23-01-22

21-23-01-22
 PAGE 0D

BOEING
 737-600/700/800/900
 PARTS CATALOG (MAINTENANCE)



E 21230122 SH1 6 REV 034

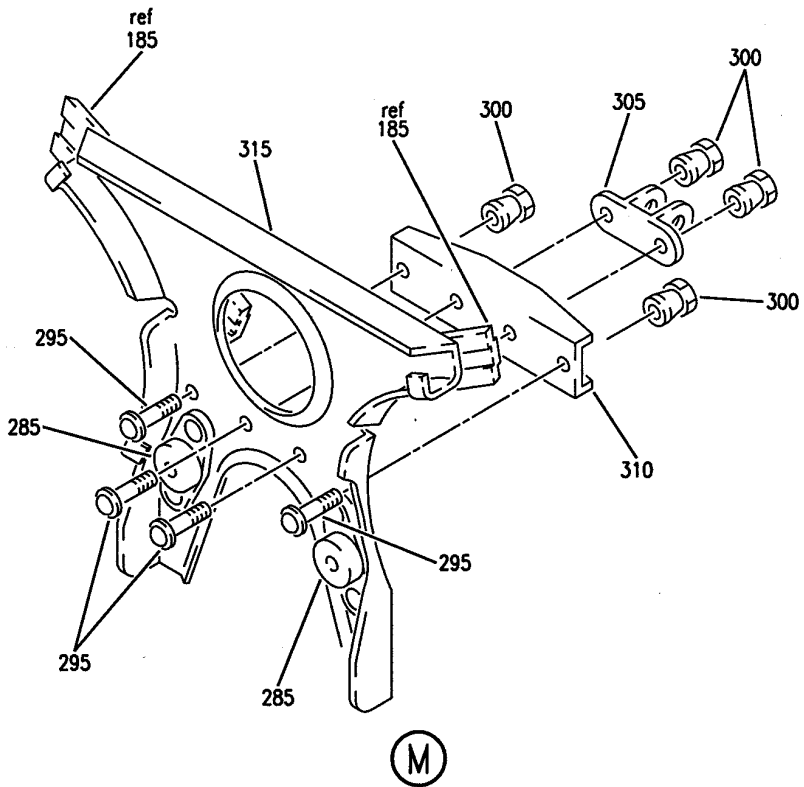
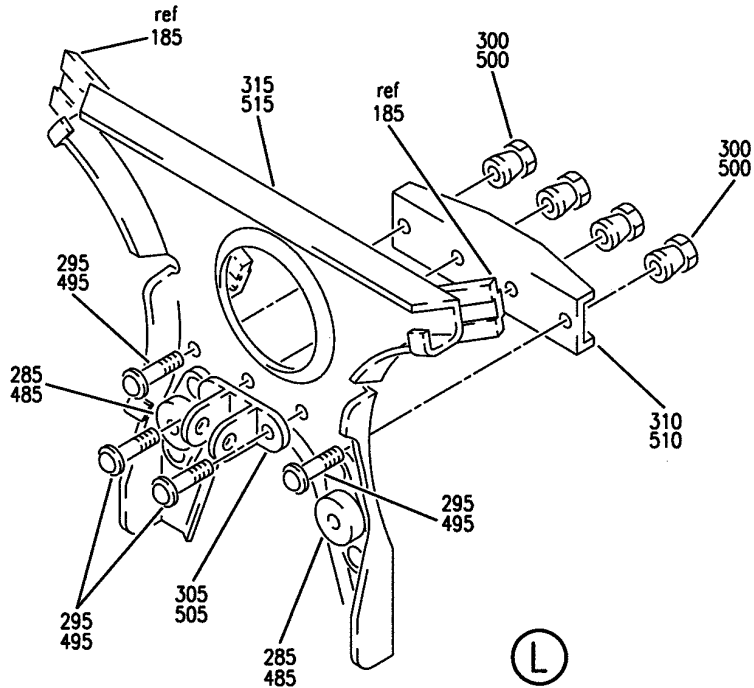
DUCT INSTL-OVHD AIR DISTR SYS (PASSENGER CABIN CONDITIONED AIR DISTRIBUTION ONLY)
 FIGURE 22 (SHEET 6)

HAP
 OCT 10/06

21-23-01-22

21-23-01-22
 PAGE 0E

BOEING
 737-600/700/800/900
 PARTS CATALOG (MAINTENANCE)



E 21230122 SH1 7 REV 034

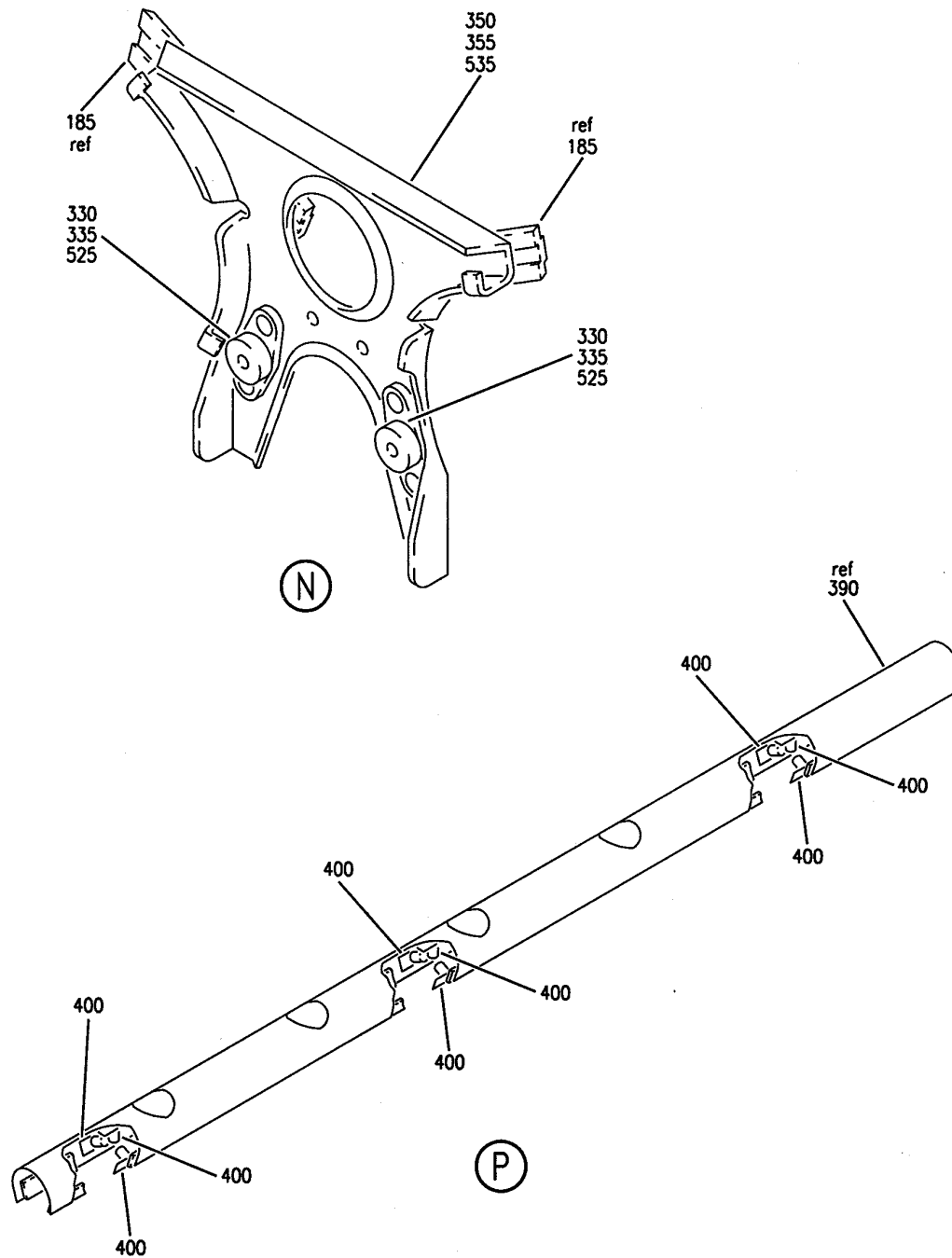
DUCT INSTL-OVHD AIR DISTR SYS (PASSENGER CABIN CONDITIONED AIR DISTRIBUTION ONLY)
 FIGURE 22 (SHEET 7)

HAP
 OCT 10/06

21-23-01-22

21-23-01-22
 PAGE OF

BOEING
 737-600/700/800/900
 PARTS CATALOG (MAINTENANCE)



E 21230122 SH1 8 REV 034

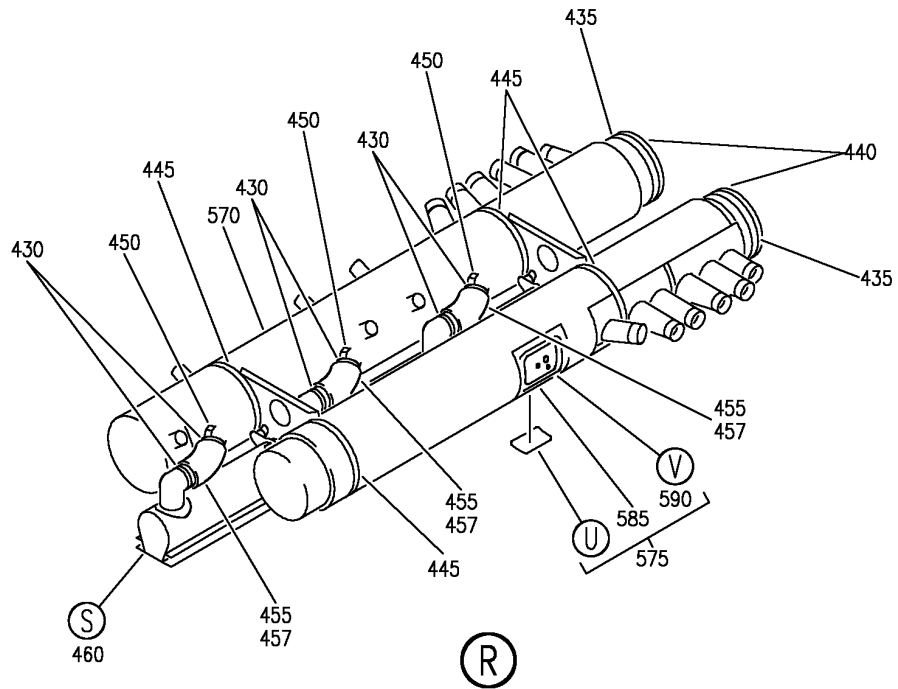
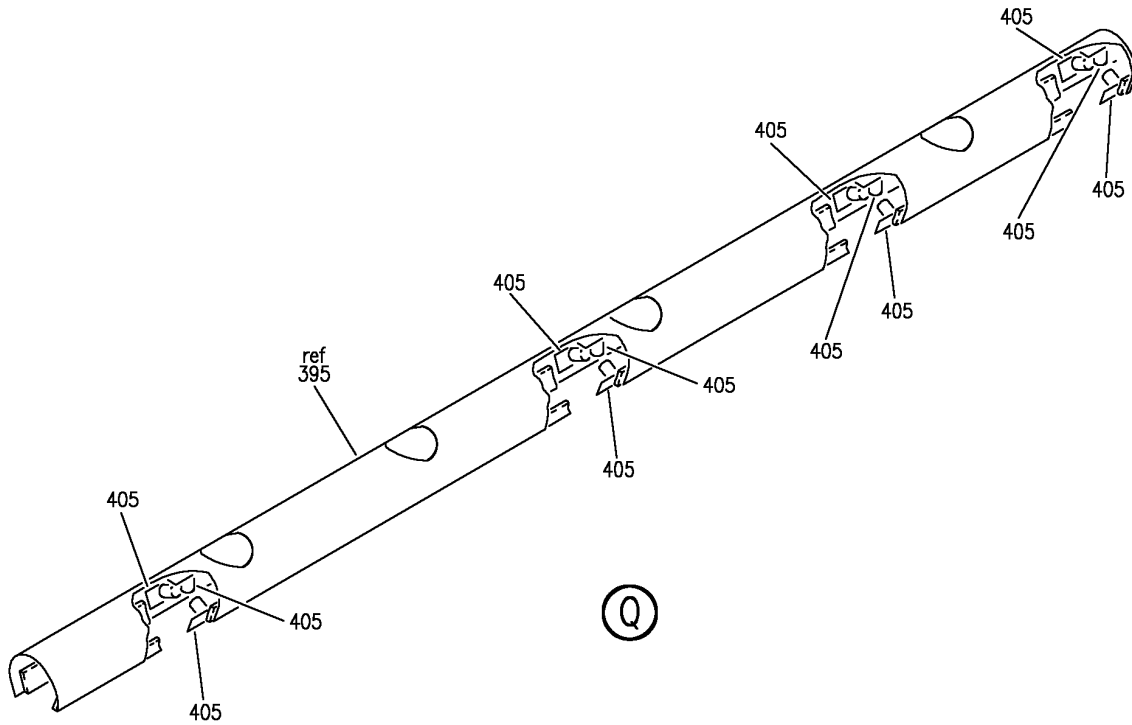
DUCT INSTL-OVHD AIR DISTR SYS (PASSENGER CABIN CONDITIONED AIR DISTRIBUTION ONLY)
 FIGURE 22 (SHEET 8)

HAP
 OCT 10/06

21-23-01-22

21-23-01-22
 PAGE 06

BOEING
 737-600/700/800/900
 PARTS CATALOG (MAINTENANCE)



E 21230122 SH1 9 REV 155

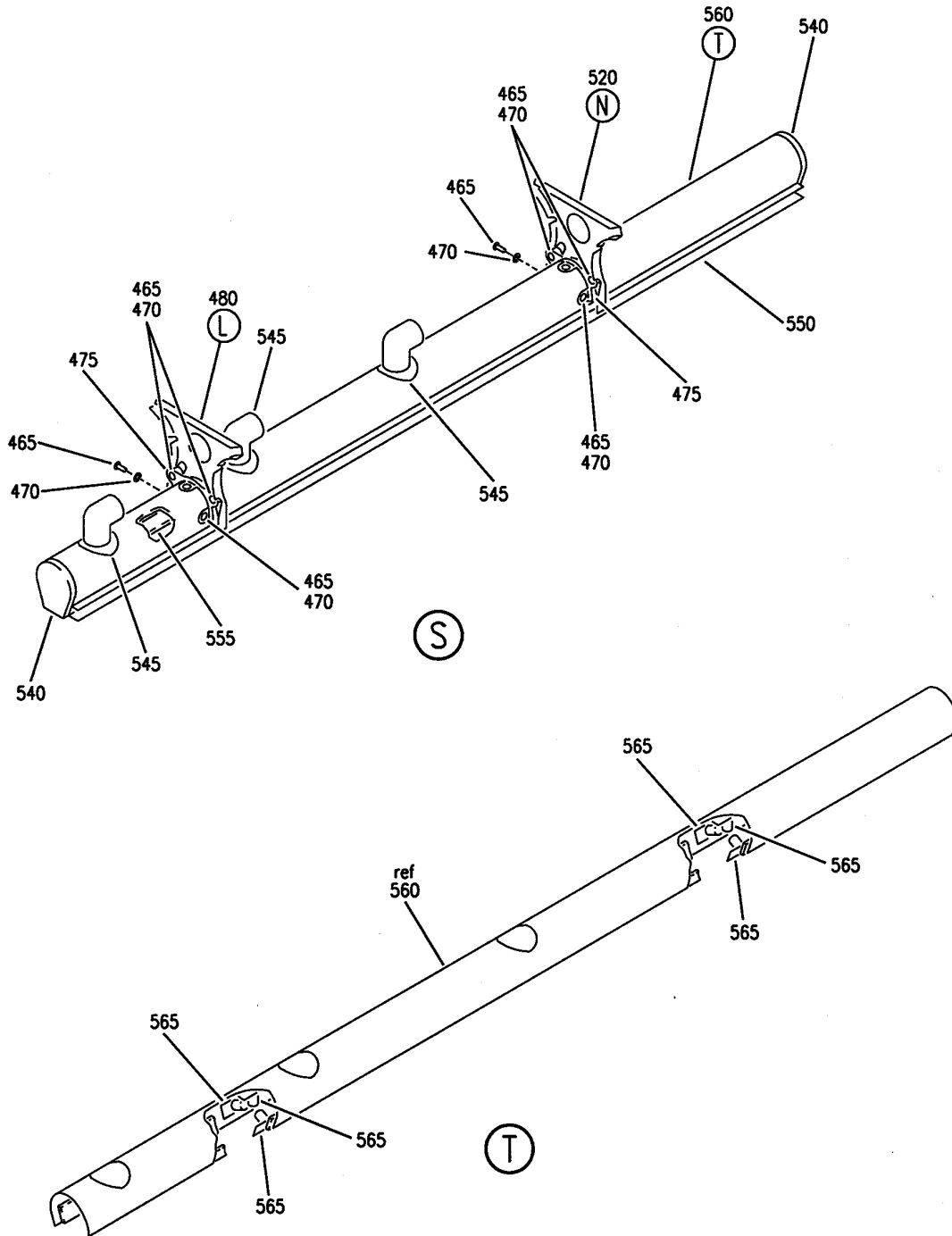
DUCT INSTL-OVHD AIR DISTR SYS (PASSENGER CABIN CONDITIONED AIR DISTRIBUTION ONLY)
 FIGURE 22 (SHEET 9)

HAP
 JUN 15/09

21-23-01-22

21-23-01-22
 PAGE 0H

BOEING
 737-600/700/800/900
 PARTS CATALOG (MAINTENANCE)



E 21230122 SHT 10 REV 034

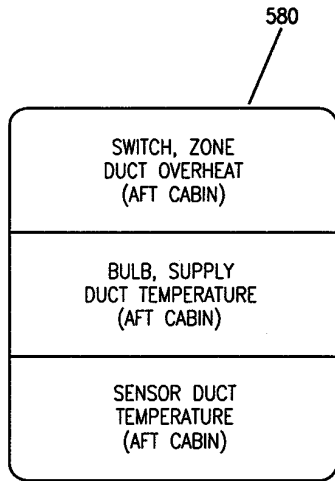
DUCT INSTL-OVHD AIR DISTR SYS (PASSENGER CABIN CONDITIONED AIR DISTRIBUTION ONLY)
 FIGURE 22 (SHEET 10)

HAP
 OCT 10/06

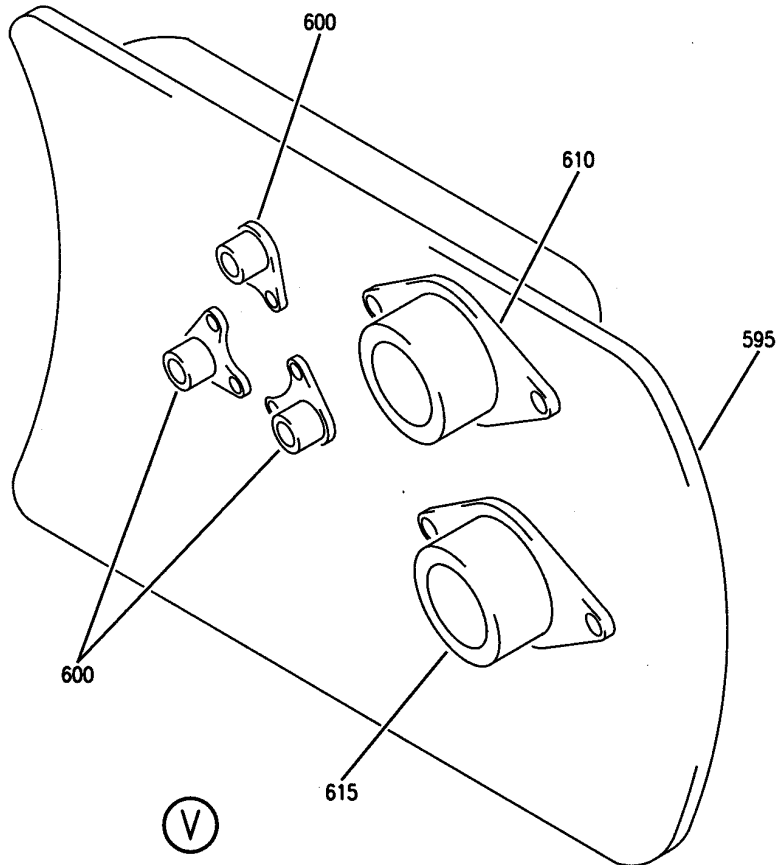
21-23-01-22

21-23-01-22
 PAGE 01

BOEING
 737-600/700/800/900
 PARTS CATALOG (MAINTENANCE)



U



E 21230122 SHT 11 REV 034

DUCT INSTL-OVHD AIR DISTR SYS (PASSENGER CABIN CONDITIONED AIR DISTRIBUTION ONLY)
 FIGURE 22 (SHEET 11)

HAP
 OCT 10/06

21-23-01-22

21-23-01-22
 PAGE 0J

BOEING
737-600/700/800/900
PARTS CATALOG (MAINTENANCE)

FIG ITEM	PART NUMBER	1 2 3 4 5 6 7	NOMENCLATURE	EFFECT FROM TO	UNITS PER ASSY
22			DUCT INSTL-OVHD AIR DISTR SYS (PASSENGER CABIN CONDITIONED AIR DISTRIBUTION ONLY)	012030	
- 1	214A2012-9SP		DUCT INSTL-OVHD AIR DISTR SYS (PASSENGER CABIN CONDITIONED AIR DISTRIBUTION ONLY) FOR NHA/OTHER SYS DET SEE: 21-20-00-04C	012019	RF
- 1	214A2012-17SP		DUCT INSTL-OVHD AIR DISTR SYS (PASSENGER CABIN CONDITIONED AIR DISTRIBUTION ONLY) FOR NHA/OTHER SYS DET SEE: 21-20-00-04C	020029	RF
- 1	214A2012-21B		DUCT INSTL-OVHD AIR DISTR SYS (PASSENGER CABIN CONDITIONED AIR DISTRIBUTION ONLY) FOR NHA/OTHER SYS DET SEE: 21-20-00-04C	030030	RF
30	BACP18BC02C04P		.PIN	012030	3
35	MS20392-3C21		.PIN-	012019	3
35	BACP18BD3C21		.PIN-	020029	3
40	NAS1149D0416J		.WASHER	012019	3
40	NAS1149E0416P		.WASHER	020029	3
45	NAS1149D0516J		.WASHER	012030	3
50	MS21042L5		.NUT	012030	3
55	AN316-5R		.NUT	012030	3
60	BACB30NR4K5		.BOLT	012030	18
65	BACW10P271TF		.WASHER	012030	36
70	NAS1149D0463J		.WASHER	012019	18
70	BACW10BN4AC		.WASHER	020029	18
75	412N2030-51		.DIAGONAL ASSY	012030	1
80	412N2030-49		.DIAGONAL ASSY	012030	1
85	MS24665-132		..PIN	012030	1
90	MS20392-3C17		..PIN	012030	1
95	AN960PD416L		..WASHER	012030	1
100	412N2032-3		..INSULATOR-	012030	1
			MANUFACTURED FROM: FIN F-6.10 COMPRESSION MOLDED PHENOLIC, GLASS FIBER FILLED PER BMS8-271A, TYPE 1		

MISSING ITEM NUMBERS NOT APPLICABLE

- ITEM NOT ILLUSTRATED

HAP

21-23-01-22

21-23-01
FIG. 22
PAGE 1
OCT 10/07

BOEING
737-600/700/800/900
PARTS CATALOG (MAINTENANCE)

FIG ITEM	PART NUMBER	1 2 3 4 5 6 7	NOMENCLATURE	EFFECT FROM TO	UNITS PER ASSY
22 100	412N2032-4	..	INSULATOR- MANUFACTURED FROM: FIN F-6.10 COMPRESSION MOLDED PHENOLIC, GLASS FIBER FILLED PER BMS8-271A, TYPE 1	012030	1
105	412N2031-1	..	CLEVIS- MANUFACTURED FROM: 412N2031-2	012030	1
110	1293-29	..	ROD ASSY- SUPPLIER CODE: V34742 USED ON: 412N2030-51	012030	1
115	1293-27	..	ROD ASSY- SUPPLIER CODE: V34742 USED ON: 412N2030-49	012030	1
120	412N2030-56	.	DIAGONAL ASSY	012030	1
125	BACP18BC02A06P	..	PIN- OPTIONAL PART: MS24665-132	012030	1
125	MS24665-132	..	PIN- OPTIONAL PART: BACP18BC02A06P	012030	1
130	BACP18BD3R17	..	PIN- OPTIONAL PART: MS20392-3C17	012030	1
130	MS20392-3C17	..	PIN- OPTIONAL PART: BACP18BD3R17	012030	1
135	BACW10P273L	..	WASHER- OPTIONAL PART: NAS1149D0416J	012030	1
135	NAS1149D0416J	..	WASHER- OPTIONAL PART: BACW10P273L	012030	1
140	AN316-5R	..	NUT	012030	1
145	412N2032-6	..	INSULATOR- MANUFACTURED FROM: FIN F-25.01 COMPRESSION MOLDED PHENOLIC, GLASS FIBER FILLED PER BMS8-271A, TYPE 1. OPTIONAL PART: 412N2032-4	012030	1

MISSING ITEM NUMBERS NOT APPLICABLE

— ITEM NOT ILLUSTRATED

HAP

21-23-01-22

21-23-01
FIG. 22
PAGE 2
JUN 10/07

BOEING
737-600/700/800/900
PARTS CATALOG (MAINTENANCE)

FIG ITEM	PART NUMBER	1 2 3 4 5 6 7	NOMENCLATURE	EFFECT FROM TO	UNITS PER ASSY
22 145	412N2032-4		.. INSULATOR- MANUFACTURED FROM: FIN F-6.10 COMPRESSION MOLDED PHENOLIC, GLASS FIBER FILLED PER BMS8-271A, TYPE 1 OPTIONAL PART: 412N2032-6	012030	1
150	412N2031-1		.. CLEVIS- MANUFACTURED FROM: 412N2031-2	012030	1
153	1293-41		.. ROD ASSY- SUPPLIER CODE: V34742	012030	1
155 160	214N2035-1 MLT2S		.PIN .TIE- SUPPLIER CODE: V06383	012030 012030	6 3
165 170	NAS1922-0750-3 T012L0		.CLAMP .STRAP SUPPLIER CODE: V53421 SPECIFICATION NUMBER: BACS38K6	012030 012030	6 1
175	AS1505-30B0083		.SLEEVE	012030	1
180	AS1506-30D32		.SLEEVE	012030	2
185	411A4904-9		.STRIP-FELT SEAL	012030	26
190	214A2012-10SP		.DUCT ASSY	012019	1
190	214A2012-18		.DUCT ASSY-	020029	1
190	214A2012-22B		.DUCT ASSY-	030030	1
195	69-42789-1		.. COVER	012030	3
200	214A2107-22		.. DUCT SEGMENT ASSY-	012030	1
205	214A2107-21		.. DUCT SEGMENT ASSY-	012029	1
205	214A2107-38		.. DUCT SEGMENT ASSY-	030030	1
210	NAS1922-0200-3		... CLAMP-	012030	8
215	T012L0		... STRAP- SUPPLIER CODE: V53421 SPECIFICATION NUMBER: BACS38K6 USED ON: 214A2107-21	012030	8
220	T012L0		... STRAP- SUPPLIER CODE: V53421 SPECIFICATION NUMBER: BACS38K6 USED ON: 214A2107-22	012030	3

MISSING ITEM NUMBERS NOT APPLICABLE

- ITEM NOT ILLUSTRATED

HAP

21-23-01-22

21-23-01
FIG. 22
PAGE 3
JUN 15/08

BOEING
737-600/700/800/900
PARTS CATALOG (MAINTENANCE)

FIG ITEM	PART NUMBER	1 2 3 4 5 6 7	NOMENCLATURE	EFFECT FROM TO	UNITS PER ASSY
22					
225	214T3436-1837	...	ORIFICE ASSY- OPTIONAL PART: 214T3436-1549	012030	4
225	214T3436-1549	...	ORIFICE ASSY- OPTIONAL PART: 214T3436-1837	012030	4
230	65C36915-1	...	MUFFLER ASSY-	012030	4
233	AS1591-08-0070A	...	HOSE-	012030	4
235	214A2101-12	...	PLENUM ASSY- USED ON: 214A2107-22	012030	1
240	214A2101-17	...	PLENUM ASSY- USED ON: 214A2107-21 214A2107-38	012030	1
245	BACS12GU3K7	SCREW- USED ON: 214A2101-12	012030	15
250	BACS12GU3K7	SCREW- USED ON: 214A2101-17	012030	20
255	NAS1149D0332J	WASHER- USED ON: 214A2101-12	012030	15
260	NAS1149D0332J	WASHER- USED ON: 214A2101-17	012030	20
265	214A2111-1	BRACKET- USED ON: 214A2101-12	012030	3
270	214A2111-1	BRACKET- USED ON: 214A2101-17	012030	4
275	65C36910-3	BRACKET ASSY- USED ON: 214A2101-12	012030	1
280	65C36910-2	BRACKET ASSY- USED ON: 214A2101-17	012030	1
285	SL8113-3	MOUNT-ISOLATOR SUPPLIER CODE: V97393 SPECIFICATION NUMBER: S411T100-901 OPTIONAL PART: DE819 V71985	012030	2

MISSING ITEM NUMBERS NOT APPLICABLE

— ITEM NOT ILLUSTRATED

HAP

21-23-01-22

21-23-01
FIG. 22
PAGE 4
JUN 15/09

BOEING
737-600/700/800/900
PARTS CATALOG (MAINTENANCE)

FIG ITEM	PART NUMBER	1 2 3 4 5 6 7	NOMENCLATURE	EFFECT FROM TO	UNITS PER ASSY
22 285	DE819	MOUNT-ISOLATOR SUPPLIER CODE: V71985 SPECIFICATION NUMBER: S411T100-901 OPTIONAL PART: SL8113-3 V97393 ATTACHING PARTS	012030	2
- 290	BACR15BA4D	RIVET- SIZE DETERMINED ON INSTL. -----*-----	012030	4
295	BACB30NX6K	BOLT	012030	4
300	BACC30X	COLLAR	012030	4
305	214N2161-2	BRACKET	012030	1
310	214N2161-3	BRACKET	012030	1
315	65C36911-1	BRACKET	012030	1
320	65C36910-1	BRACKET ASSY- USED ON: 214A2101-12	012030	2
325	65C36910-1	BRACKET ASSY- USED ON: 214A2101-17	012030	3
330	SL8113-3	MOUNT-ISOLATOR SUPPLIER CODE: V97393 SPECIFICATION NUMBER: S411T100-901 OPTIONAL PART: DE819 V71985 USED ON: 214A2101-12	012030	2
330	DE819	MOUNT-ISOLATOR SUPPLIER CODE: V71985 SPECIFICATION NUMBER: S411T100-901 OPTIONAL PART: SL8113-3 V97393 USED ON: 214A2101-12	012030	2

MISSING ITEM NUMBERS NOT APPLICABLE

- ITEM NOT ILLUSTRATED

HAP

21-23-01-22

BOEING PROPRIETARY - Copyright © - Unpublished Work - See title page for details.

21-23-01
FIG. 22
PAGE 5
JUN 10/07

BOEING
737-600/700/800/900
PARTS CATALOG (MAINTENANCE)

FIG ITEM	PART NUMBER	1 2 3 4 5 6 7	NOMENCLATURE	EFFECT FROM TO	UNITS PER ASSY
22 335	SL8113-3	MOUNT-ISOLATOR SUPPLIER CODE: V97393 SPECIFICATION NUMBER: S411T100-901 OPTIONAL PART: DE819 V71985 USED ON: 214A2101-17	012030	2
335	DE819	MOUNT-ISOLATOR SUPPLIER CODE: V71985 SPECIFICATION NUMBER: S411T100-901 OPTIONAL PART: SL8113-3 V97393 USED ON: 214A2101-17	012030	2
- 340	BACR15BA4D	ATTACHING PARTS RIVET- SIZE DETERMINED ON INSTL. USED ON: 214A2101-12	012030	4
- 345	BACR15BA4D	RIVET- SIZE DETERMINED ON INSTL. USED ON: 214A2101-17	012030	4
350	65C36911-1	*----- BRACKET- USED ON: 214A2101-12	012030	1
355	65C36911-1	BRACKET- USED ON: 214A2101-17	012030	1
360	65C36940-1	OUTLET ASSY	012030	8
365	214A2103-21	NOZZLE ASSY- USED ON: 214A2101-12	012030	1
370	214A2103-17	NOZZLE ASSY- USED ON: 214A2101-17	012030	1
375	214A2104-21	RESTRICTOR ASSY- USED ON: 214A2101-12	012030	1
380	214A2104-17	RESTRICTOR ASSY- USED ON: 214A2101-17	012030	1

MISSING ITEM NUMBERS NOT APPLICABLE

- ITEM NOT ILLUSTRATED

HAP

21-23-01-22

21-23-01
FIG. 22
PAGE 6
JUN 10/07

BOEING
737-600/700/800/900
PARTS CATALOG (MAINTENANCE)

FIG ITEM	PART NUMBER	1 2 3 4 5 6 7	NOMENCLATURE	EFFECT FROM TO	UNITS PER ASSY
22					
385	214N2169-1	CAP	012030	4
390	214A2102-25	PLENUM ASSY- USED ON: 214A2101-12	012030	1
395	214A2102-19	PLENUM ASSY- USED ON: 214A2101-17	012030	1
400	214N2178-1	NUTPLATE ASSY- OPTIONAL PART: CB2010CR3CRP V66530 USED ON: 214A2102-25	012030	9
400	CB2010CR3CRP	NUTPLATE- SUPPLIER CODE: V66530 OPTIONAL PART: 214N2178-1 USED ON: 214A2102-25	012030	9
405	214N2178-1	NUTPLATE ASSY- OPTIONAL PART: CB2010CR3CRP V66530 USED ON: 214A2102-19	012030	12
405	CB2010CR3CRP	NUTPLATE- SUPPLIER CODE: V66530 OPTIONAL PART: 214N2178-1 USED ON: 214A2102-19	012030	12
410	214A2106-19	...	DUCT ASSY- USED ON: 214A2107-21 214A2107-38	012030	1
415	214A2106-7	...	DUCT ASSY- USED ON: 214A2107-21	012030	1
420	214A2106-39	...	DUCT ASSY- USED ON: 214A2107-22	012030	1
425	214A2107-10	..	DUCT SEGMENT ASSY-	012029	1
425	214A2107-42	..	DUCT SEGMENT ASSY-	030030	1
430	NAS1922-0200-3	...	CLAMP-	012030	6
435	NAS1922-0750-3	...	CLAMP	012030	2

MISSING ITEM NUMBERS NOT APPLICABLE

- ITEM NOT ILLUSTRATED

HAP

21-23-01-22

21-23-01
FIG. 22
PAGE 7
JUN 15/08

BOEING
737-600/700/800/900
PARTS CATALOG (MAINTENANCE)

FIG ITEM	PART NUMBER	1 2 3 4 5 6 7	NOMENCLATURE	EFFECT FROM TO	UNITS PER ASSY
22					
440	930810BC	...	CAP- SUPPLIER CODE: V25205	012030	2
445	T012L0	...	STRAP- SUPPLIER CODE: V53421 SPECIFICATION NUMBER: BACS38K6	012029	4
445	SLT10LHC6	...	STRAP- SUPPLIER CODE: V06383	030030	4
450	214T3436-1834	...	ORIFICE ASSY- OPTIONAL PART: 214T3436-1546	012030	3
450	214T3436-1546	...	ORIFICE ASSY- OPTIONAL PART: 214T3436-1834	012030	3
455	65C36915-1	...	MUFFLER ASSY-	012030	3
457	AS1591-08-0070A	...	HOSE-	012030	3
460	214A2101-10	...	PLENUM ASSY	012030	1
465	BACS12GU3K7	SCREW	012030	10
470	NAS1149D0332J	WASHER	012030	10
475	214A2111-1	BRACKET	012030	2
480	65C36910-3	BRACKET ASSY	012030	1
485	SL8113-3	MOUNT- SUPPLIER CODE: V97393 SPECIFICATION NUMBER: S411T100-901 OPTIONAL PART: DE819 V71985	012030	2
485	DE819	MOUNT- SUPPLIER CODE: V71985 SPECIFICATION NUMBER: S411T100-901 OPTIONAL PART: SL8113-3 V97393 ATTACHING PARTS	012030	2
- 490	BACR15BA4D	RIVET- SIZE DETERMINED ON INSTL. -----*-----	012030	4
495	BACB30NX6K	BOLT	012030	4
500	BACC30X	COLLAR	012030	4
505	214N2161-2	BRACKET	012030	1
510	214N2161-3	BRACKET	012030	1
515	65C36911-1	BRACKET	012030	1

MISSING ITEM NUMBERS NOT APPLICABLE

- ITEM NOT ILLUSTRATED

HAP

21-23-01-22

21-23-01
FIG. 22
PAGE 8
JUN 15/09

BOEING
737-600/700/800/900
PARTS CATALOG (MAINTENANCE)

FIG ITEM	PART NUMBER	1 2 3 4 5 6 7	NOMENCLATURE	EFFECT FROM TO	UNITS PER ASSY
22					
520	65C36910-1	BRACKET ASSY	012030	1
525	SL8113-3	MOUNT-	012030	2
			SUPPLIER CODE: V97393		
			SPECIFICATION NUMBER: S411T100-901		
			OPTIONAL PART: DE819		
			V71985		
525	DE819	MOUNT-	012030	2
			SUPPLIER CODE: V71985		
			SPECIFICATION NUMBER: S411T100-901		
			OPTIONAL PART: SL8113-3		
			V97393		
			ATTACHING PARTS		
- 530	BACR15BA4D	RIVET-	012030	4
			SIZE DETERMINED ON INSTL. -----*-----		
535	65C36911-1	BRACKET	012030	1
540	214N2169-1	CAP	012030	2
545	65C36940-1	OUTLET ASSY	012030	3
550	214A2103-15	NOZZLE ASSY	012030	1
555	214A2104-15	RESTRICTOR ASSY	012030	1
560	214A2102-17	PLENUM ASSY	012030	1
565	214N2178-1	NUTPLATE ASSY-	012030	6
			OPTIONAL PART: CB2010CR3CRP		
			V66530		
565	CB2010CR3CRP	NUTPLATE-	012030	6
			SUPPLIER CODE: V66530		
			OPTIONAL PART: 214N2178-1		
570	214A2108-7	...DUCT ASSY-		012029	1
			POSITION DATA: LH		
570	214A2108-23	...DUCT ASSY-		030030	1
			POSITION DATA: LH		
575	214A2108-9	...DUCT ASSY-		012029	1
			POSITION DATA: RH		
575	214A2108-24	...DUCT ASSY-		030030	1
			POSITION DATA: RH		
580	BAC27DAC87	MARKER	012030	1

MISSING ITEM NUMBERS NOT APPLICABLE

- ITEM NOT ILLUSTRATED

HAP

21-23-01-22

21-23-01
FIG. 22
PAGE 9
JUN 15/09

BOEING
737-600/700/800/900
PARTS CATALOG (MAINTENANCE)

FIG ITEM	PART NUMBER	1 2 3 4 5 6 7	NOMENCLATURE	EFFECT FROM TO	UNITS PER ASSY
22					
585	214A2108-10	DUCT	012030	1
590	214N2046-1	PLATE ASSY	012030	1
595	214A2046-2	PLATE	012030	1
600	F51754-3	NUTPLATE	012030	3
			SUPPLIER CODE: V15653		
			SPECIFICATION NUMBER: BACN10KE3D		
			OPTIONAL PART: NS103193-02		
			V80539		
			ATTACHING PARTS		
- 605	BACR15BA3B	RIVET-	012030	6
			SIZE DETERMINED ON INSTL.		
			-----*-----		
610	F52NA1-080	NUTPLATE-	012030	1
			SUPPLIER CODE: V72962		
			OPTIONAL PART: MS21078-8		
610	MS21078-8	NUTPLATE-	012030	1
			OPTIONAL PART: F52NA1-080		
			V72962		
615	F52NA1-108	NUTPLATE-	012030	1
			SUPPLIER CODE: V72962		
			OPTIONAL PART: MS21078-10		
615	MS21078-10	NUTPLATE-	012030	1
			OPTIONAL PART: F52NA1-108		
			V72962		
			ATTACHING PARTS		
- 620	BACR15BA4B	RIVET	012030	4
			-----*-----		
905			ILLUSTRATION REFERENCE: DUCT INSTL-OVHD AIR	012030	RF
			DISTR SYS		
			21-23-01-23		
910			ILLUSTRATION REFERENCE: DUCT INSTL-OVHD AIR DISTR	012030	RF
			SYS		
			STA 727I TO 947.5		
			21-23-01-28A		

MISSING ITEM NUMBERS NOT APPLICABLE

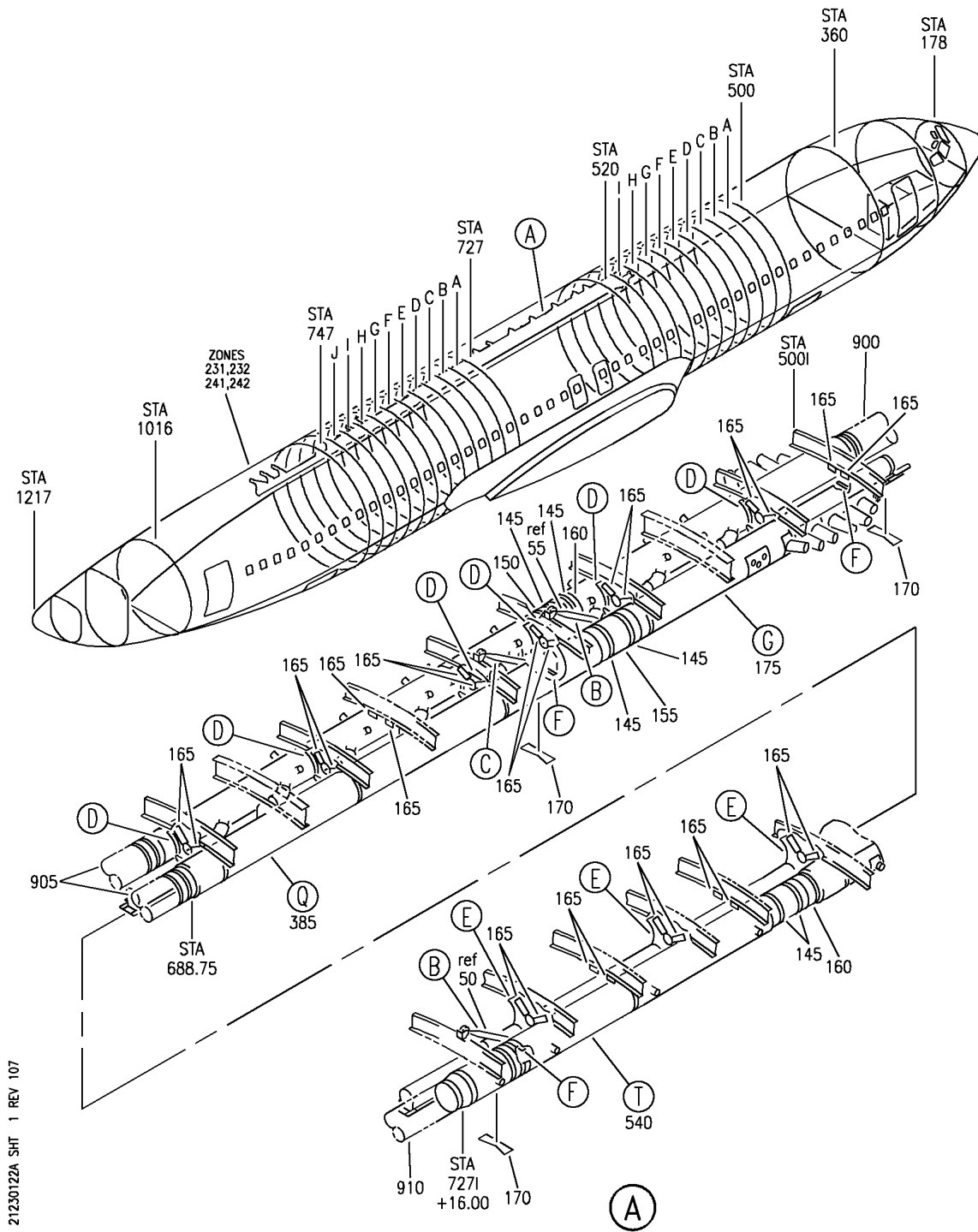
- ITEM NOT ILLUSTRATED

HAP

21-23-01-22

21-23-01
FIG. 22
PAGE 10
JUN 15/09

BOEING
737-600/700/800/900
PARTS CATALOG (MAINTENANCE)



E 21230122A SHT 1 REV 107

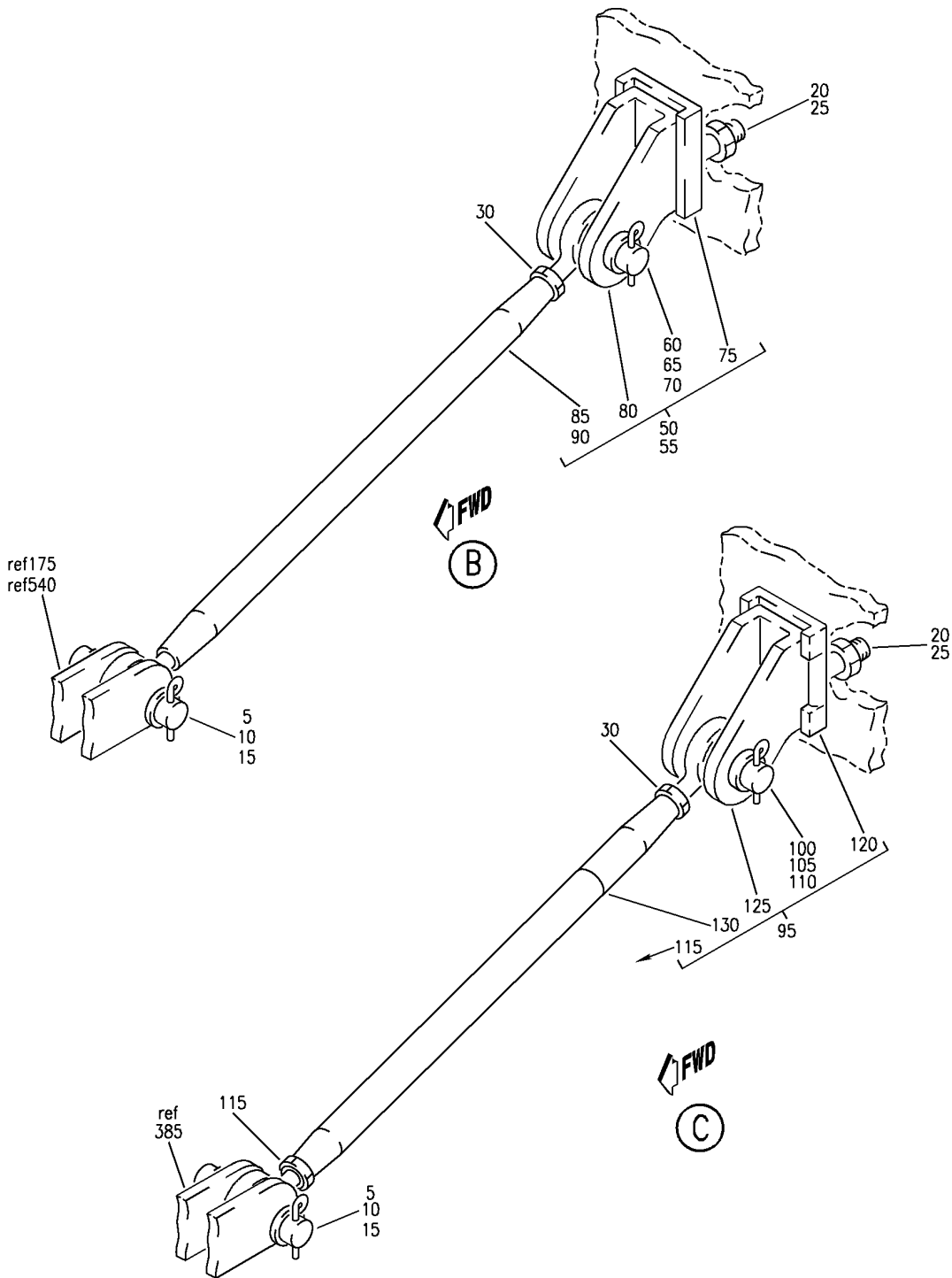
DUCT INSTL-OVHD AIR DISTR SYS (PASSENGER CABIN CONDITIONED AIR DISTRIBUTION ONLY)
 FIGURE 22A (SHEET 1)

21-23-01-22A

HAP
 OCT 10/06

21-23-01-22A
 PAGE 0

BOEING
 737-600/700/800/900
 PARTS CATALOG (MAINTENANCE)



E 21230122A SHT 2 REV 107

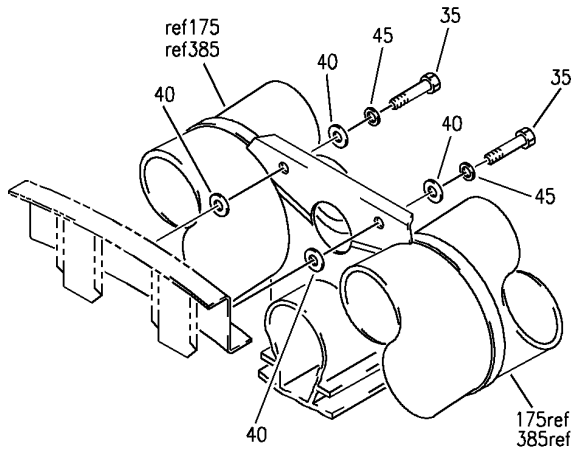
DUCT INSTL-OVHD AIR DISTR SYS (PASSENGER CABIN CONDITIONED AIR DISTRIBUTION ONLY)
 FIGURE 22A (SHEET 2)

21-23-01-22A

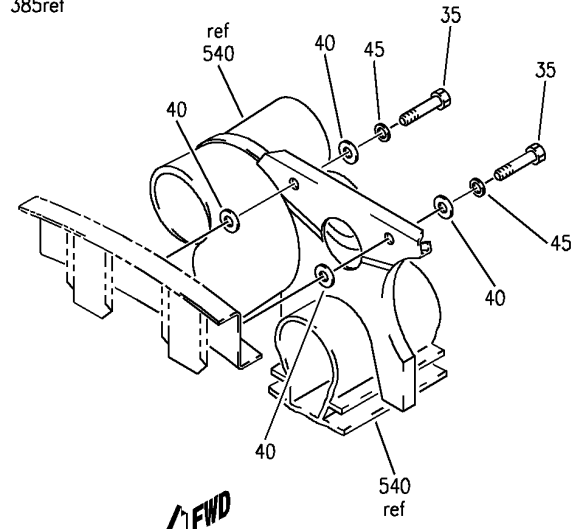
HAP
 OCT 10/06

21-23-01-22A
 PAGE 0A

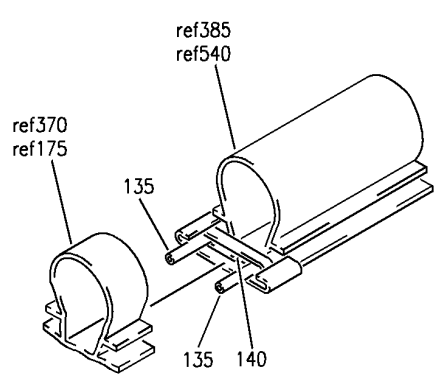
BOEING
 737-600/700/800/900
 PARTS CATALOG (MAINTENANCE)



FWD
 (D)



FWD
 (E)



FWD
 (F)

E 21230122A SHT 3 REV 107

DUCT INSTL-OVHD AIR DISTR SYS (PASSENGER CABIN CONDITIONED AIR DISTRIBUTION ONLY)
 FIGURE 22A (SHEET 3)

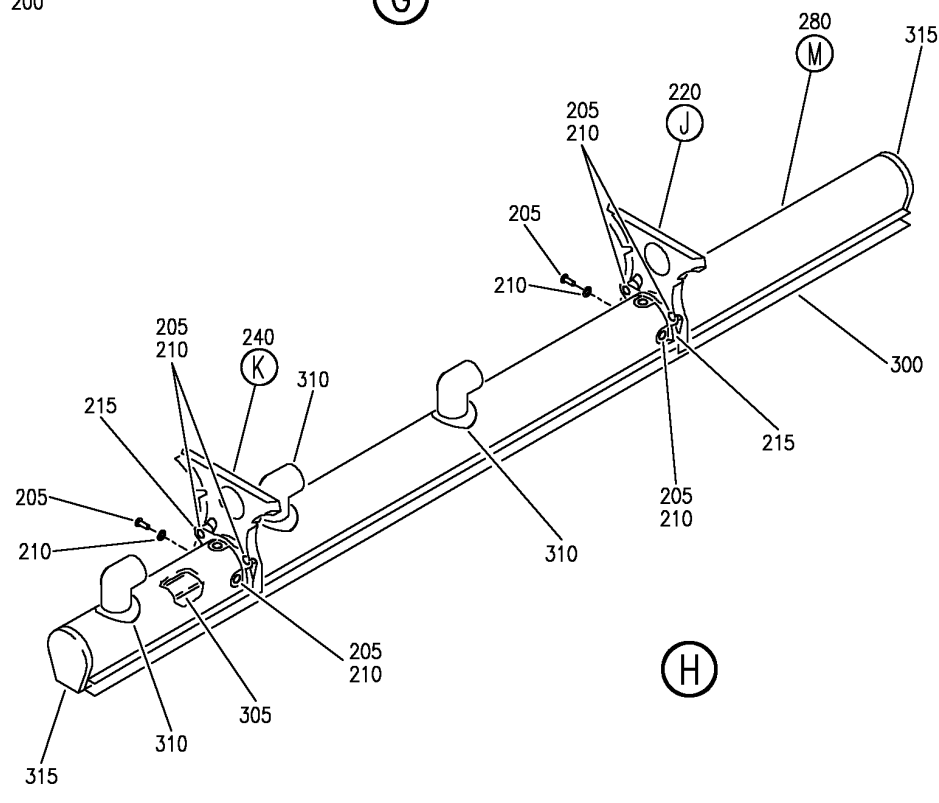
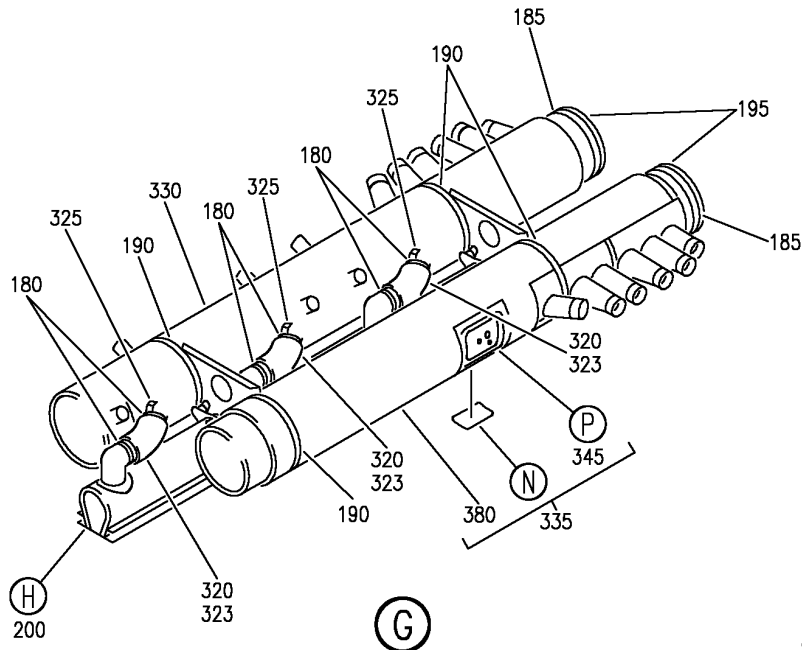
HAP
 OCT 10/06

21-23-01-22A

21-23-01-22A
 PAGE 0B

BOEING PROPRIETARY - Copyright © - Unpublished Work - See title page for details.

BOEING
 737-600/700/800/900
 PARTS CATALOG (MAINTENANCE)



E 21230122A SHT 4 REV 155

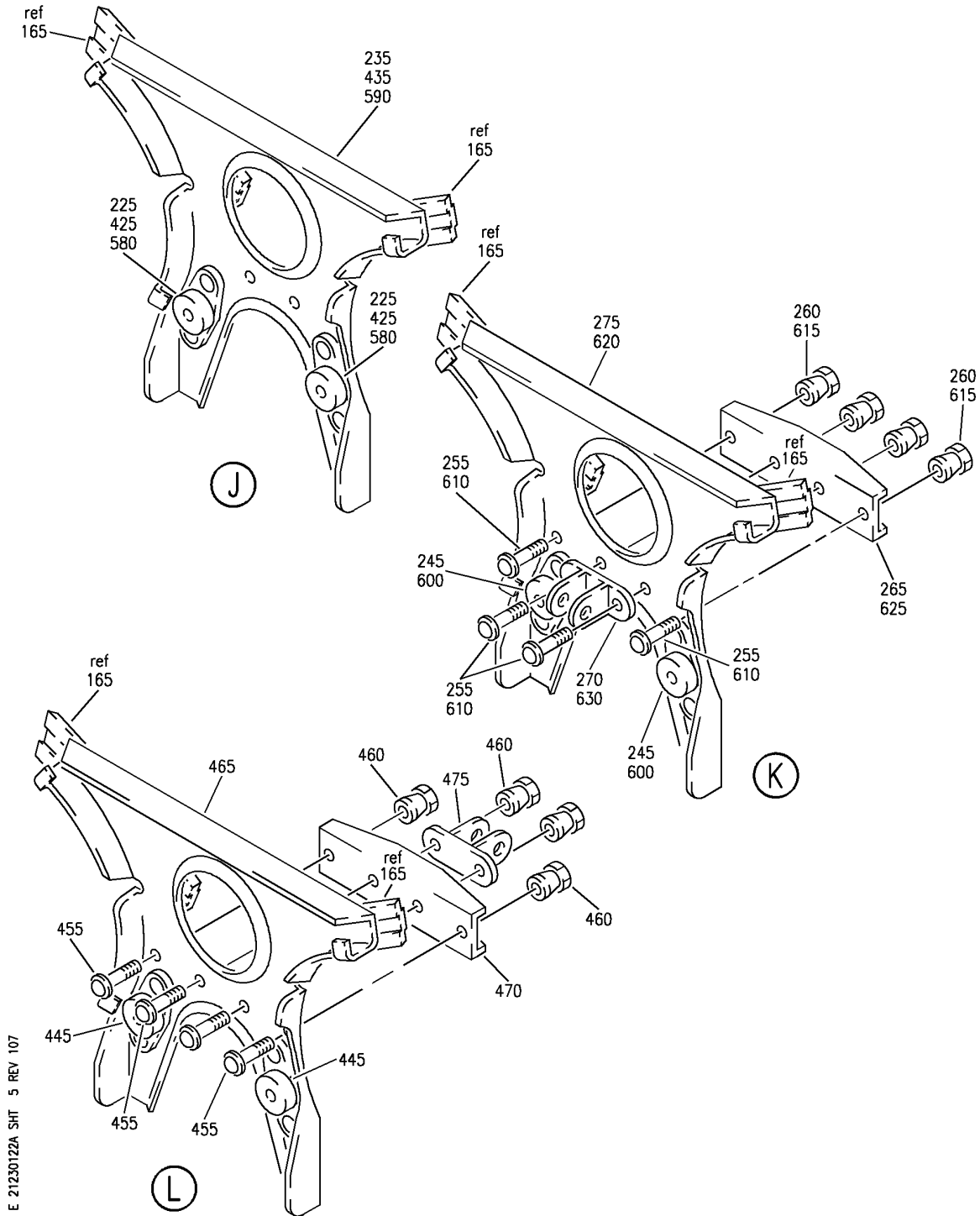
DUCT INSTL-OVHD AIR DISTR SYS (PASSENGER CABIN CONDITIONED AIR DISTRIBUTION ONLY)
 FIGURE 22A (SHEET 4)

21-23-01-22A

HAP
 JUN 15/09

21-23-01-22A
 PAGE 0C


BOEING
 737-600/700/800/900
PARTS CATALOG (MAINTENANCE)



E 21230122A SHT 5 REV 107

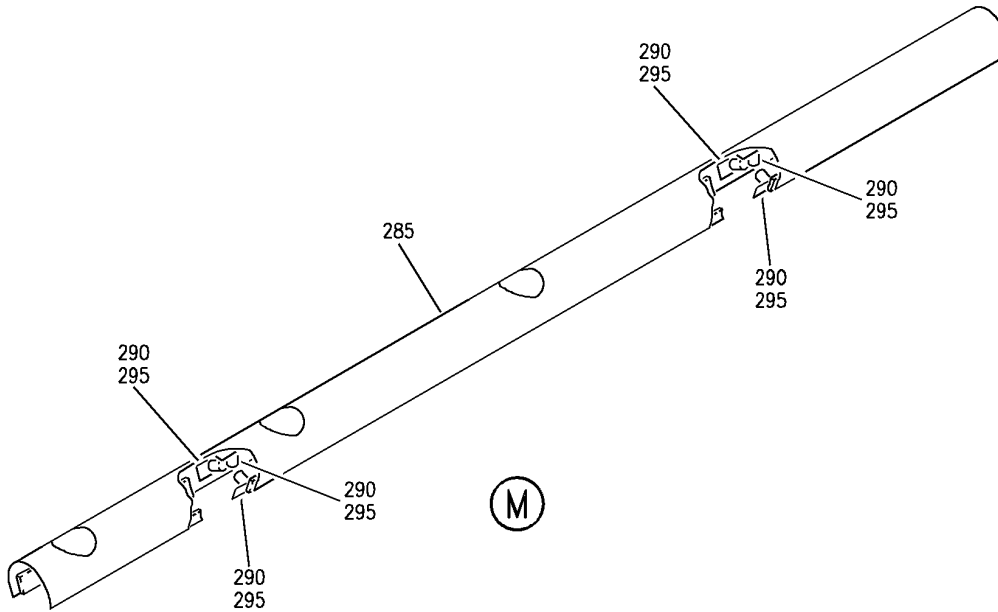
DUCT INSTL-OVHD AIR DISTR SYS (PASSENGER CABIN CONDITIONED AIR DISTRIBUTION ONLY)
 FIGURE 22A (SHEET 5)

21-23-01-22A

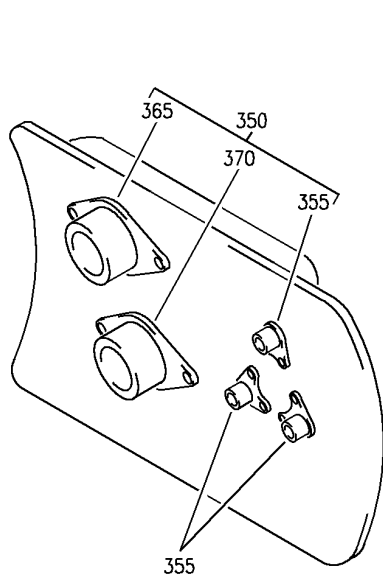
HAP
OCT 10/06

21-23-01-22A
PAGE 0D

BOEING
 737-600/700/800/900
 PARTS CATALOG (MAINTENANCE)



(M)



FWD

(P)

SWITCH, ZONE DUCT OVERHEAT (AFT CABIN)	S1077
BULB, SUPPLY DUCT TEMPERATURE (AFT CABIN)	T535
SENSOR DUCT TEMPERATURE (AFT CABIN)	T536

(N)

E 21230122A SHT 6 REV 107

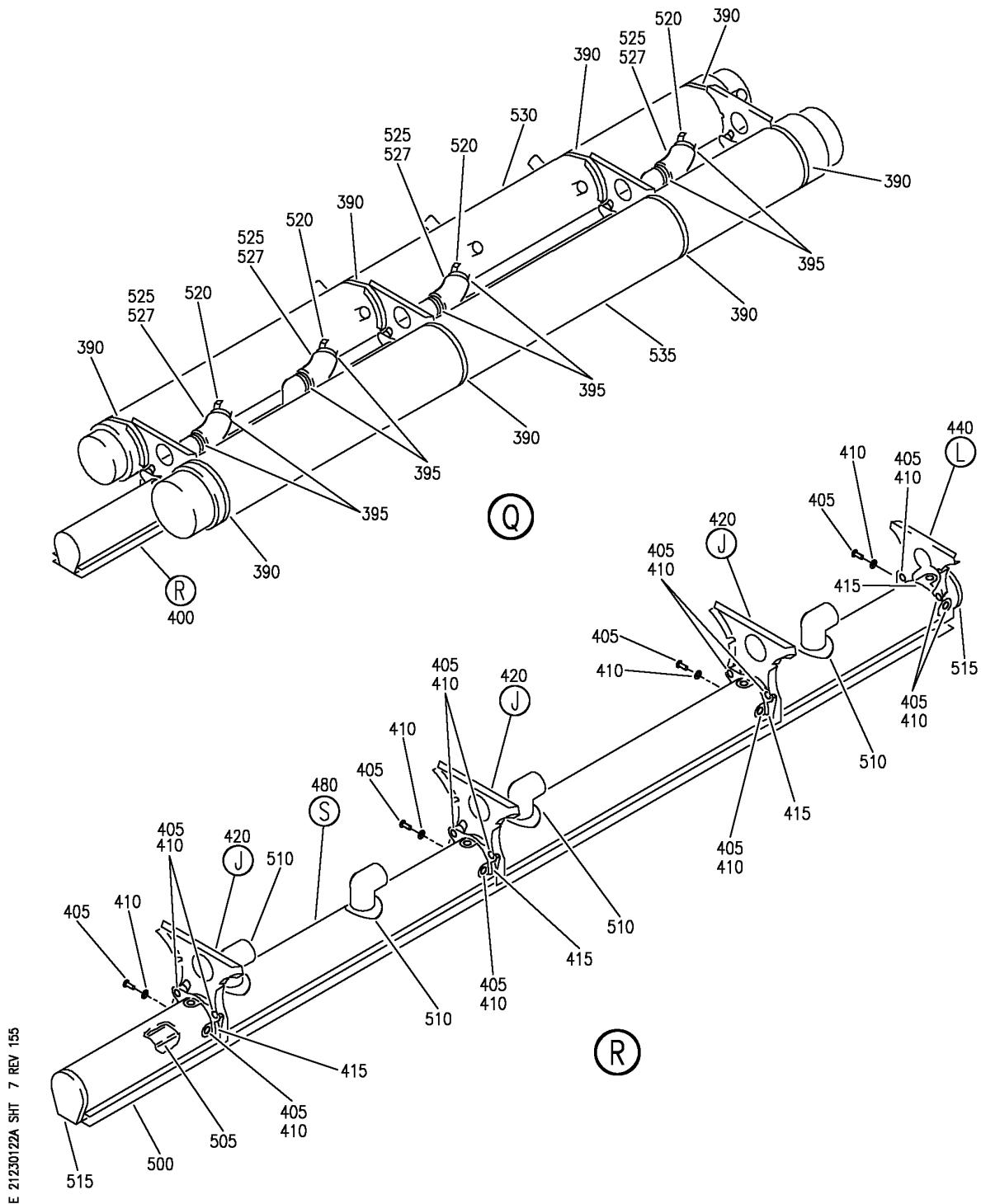
DUCT INSTL-OVHD AIR DISTR SYS (PASSENGER CABIN CONDITIONED AIR DISTRIBUTION ONLY)
 FIGURE 22A (SHEET 6)

21-23-01-22A

HAP
 OCT 10/06

21-23-01-22A
 PAGE 0E


BOEING
 737-600/700/800/900
PARTS CATALOG (MAINTENANCE)



E 21230122A SHT 7 REV 155

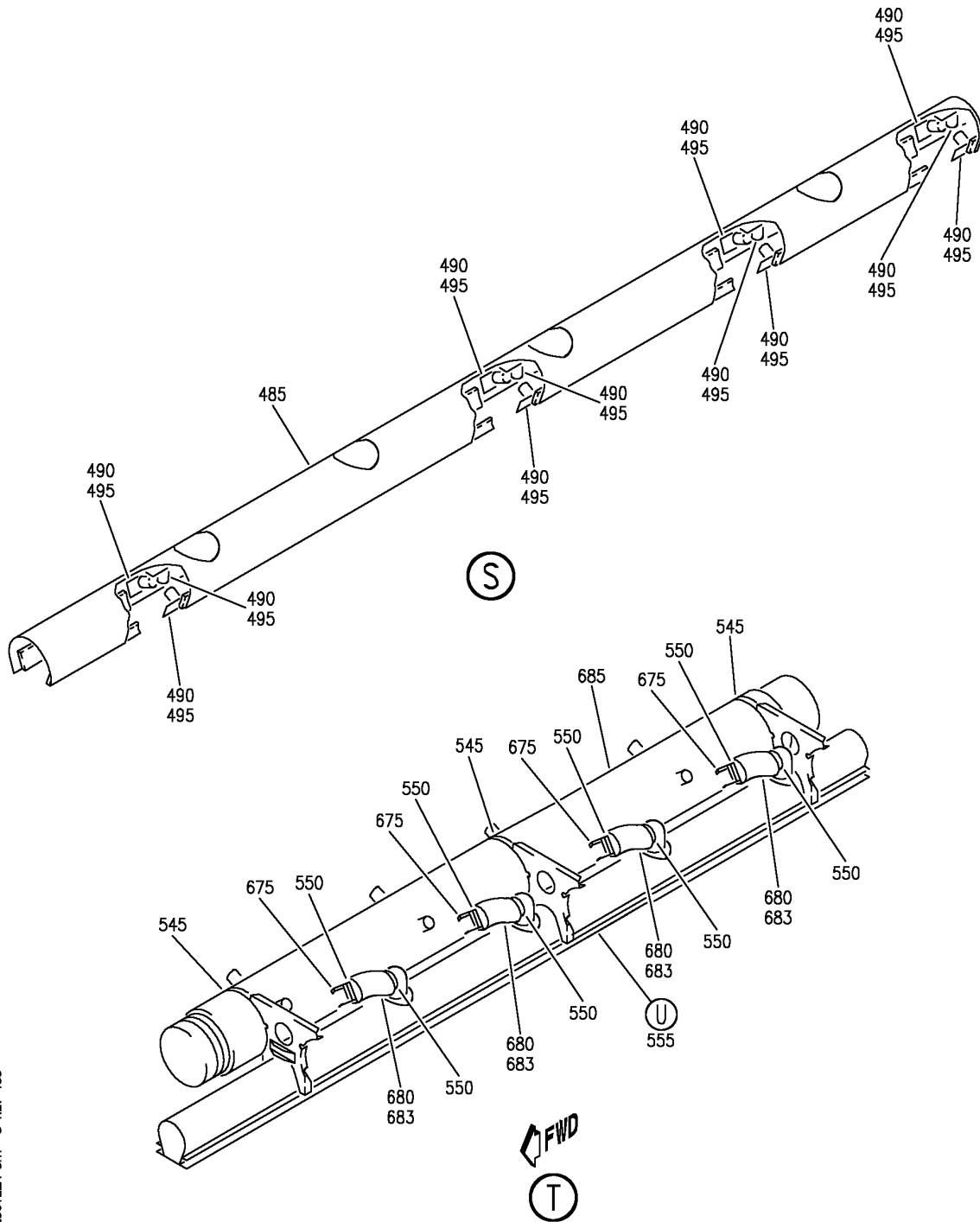
DUCT INSTL-OVHD AIR DISTR SYS (PASSENGER CABIN CONDITIONED AIR DISTRIBUTION ONLY)
 FIGURE 22A (SHEET 7)

21-23-01-22A

HAP
JUN 15/09

21-23-01-22A
PAGE OF

BOEING
 737-600/700/800/900
 PARTS CATALOG (MAINTENANCE)



E 21230122A SHT 8 REV 155

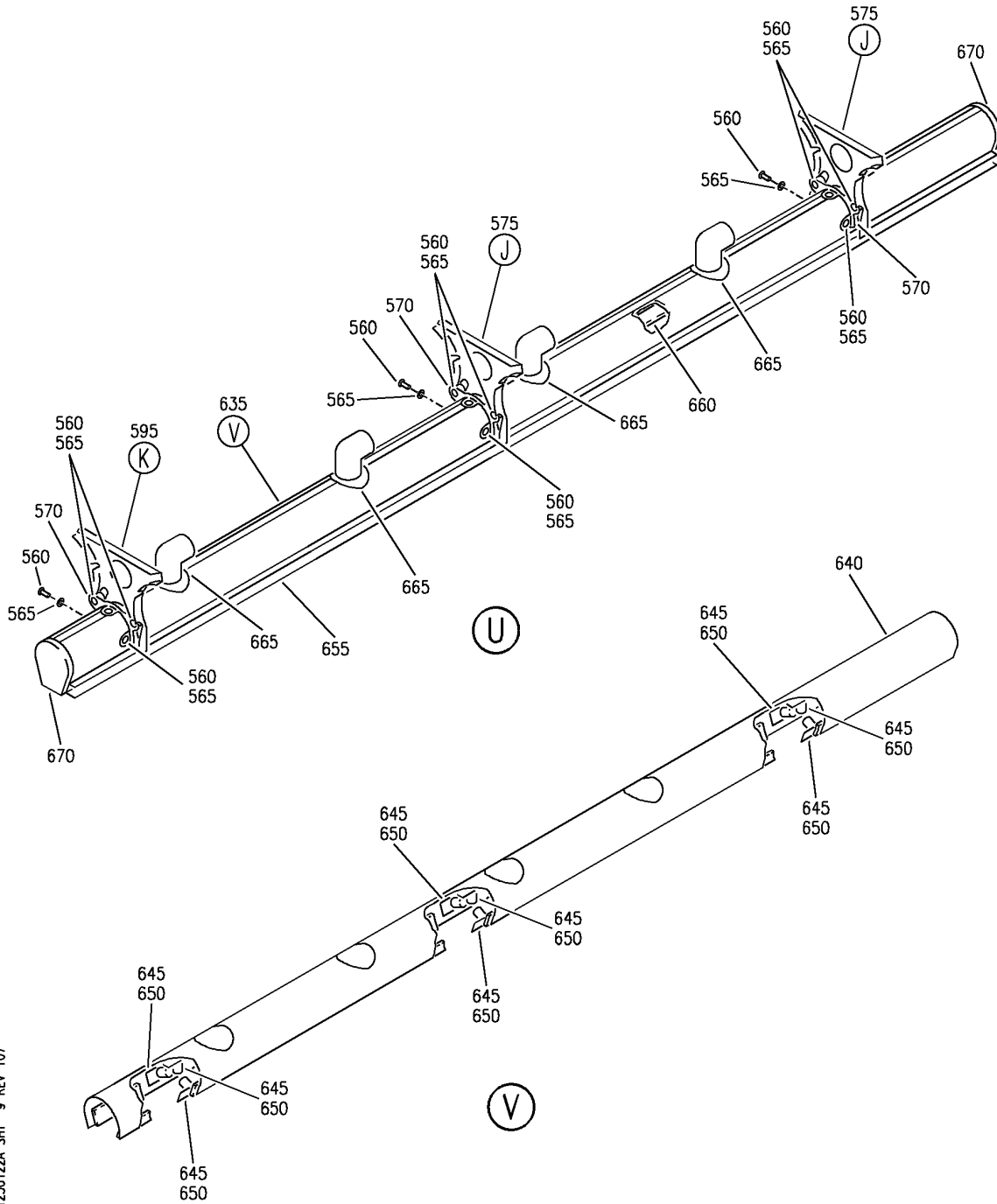
DUCT INSTL-OVHD AIR DISTR SYS (PASSENGER CABIN CONDITIONED AIR DISTRIBUTION ONLY)
 FIGURE 22A (SHEET 8)

HAP
 JUN 15/09

21-23-01-22A

21-23-01-22A
 PAGE 08

BOEING
 737-600/700/800/900
 PARTS CATALOG (MAINTENANCE)



E 21230122A SHT 9 REV 107

DUCT INSTL-OVHD AIR DISTR SYS (PASSENGER CABIN CONDITIONED AIR DISTRIBUTION ONLY)
 FIGURE 22A (SHEET 9)

HAP
 OCT 10/06

21-23-01-22A

21-23-01-22A
 PAGE 0H

BOEING
737-600/700/800/900
PARTS CATALOG (MAINTENANCE)

FIG ITEM	PART NUMBER	1 2 3 4 5 6 7	NOMENCLATURE	EFFECT FROM TO	UNITS PER ASSY
22A			DUCT INSTL-OVHD AIR	031036	
			DISTR SYS (PASSENGER CABIN CONDITIONED AIR DISTRIBUTION ONLY)		
- 1	MODREF232091		DUCT INSTL-OVHD AIR DISTR SYS (PASSENGER CABIN CONDITIONED AIR DISTRIBUTION ONLY)	031036	1
			MODULE NUMBER: 214A2012-23B REV B FOR OTHER SYS DETAILS SEE: 21-61-04-22 21-61-05-22 21-61-30-22		
5	BACP18BC02C04P	.PIN		031036	3
10	BACP18BD3C21	.PIN		031036	3
15	NAS1149E0416P	.WASHER		031036	3
20	NAS1149D0516J	.WASHER		031036	3
25	MS21042L5	.NUT		031036	3
30	AN316-5R	.NUT		031036	3
35	BACB30NR4K5	.BOLT		031036	18
40	BACW10P271TF	.WASHER		031036	36
45	BACW10BN4AC	.WASHER		031036	18
50	412N2030-51	.DIAGONAL ASSY		031036	1
55	412N2030-49	.DIAGONAL ASSY		031036	1
60	MS24665-132	..PIN		031036	1
65	MS20392-3C17	..PIN		031036	1
70	AN960PD416L	..WASHER		031036	1
75	412N2032-3	..INSULATOR-	MANUFACTURED FROM: FIN F-6.10 COMPRESSION MOLDED PHENOLIC, GLASS FIBER FILLED PER BMS8-271A, TYPE 1	031036	1
75	412N2032-4	..INSULATOR-	MANUFACTURED FROM: FIN F-6.10 COMPRESSION MOLDED PHENOLIC, GLASS FIBER FILLED PER BMS8-271A, TYPE 1	031036	1
80	412N2031-1	..CLEVIS-	MANUFACTURED FROM: 412N2031-2	031036	1
85	1293-29	..ROD ASSY-	SUPPLIER CODE: V34742 USED ON: 412N2030-51	031036	1

MISSING ITEM NUMBERS NOT APPLICABLE

- ITEM NOT ILLUSTRATED

HAP

21-23-01-22A

BOEING PROPRIETARY - Copyright © - Unpublished Work - See title page for details.

21-23-01
FIG. 22A
PAGE 1
FEB 10/07

BOEING
737-600/700/800/900
PARTS CATALOG (MAINTENANCE)

FIG ITEM	PART NUMBER	1 2 3 4 5 6 7	NOMENCLATURE	EFFECT FROM TO	UNITS PER ASSY
22A 90	1293-27		..ROD ASSY- SUPPLIER CODE: V34742 USED ON: 412N2030-49	031036	1
95 100	412N2030-56 BACP18BC02A06P		.DIAGONAL ASSY ..PIN- OPTIONAL PART: MS24665-132	031036 031036	1 1
100	MS24665-132		..PIN- OPTIONAL PART: BACP18BC02A06P	031036	1
105	BACP18BD3R17		..PIN- OPTIONAL PART: MS20392-3C17	031036	1
105	MS20392-3C17		..PIN- OPTIONAL PART: BACP18BD3R17	031036	1
110	BACW10P273L		..WASHER- OPTIONAL PART: NAS1149D0416J	031036	1
110	NAS1149D0416J		..WASHER- OPTIONAL PART: BACW10P273L	031036	1
115 120	AN316-5R 412N2032-6		..NUT ..INSULATOR- MANUFACTURED FROM: FIN F-25.01 COMPRESSION MOLDED PHENOLIC, GLASS FIBER FILLED PER BMS8-271A, TYPE 1. OPTIONAL PART: 412N2032-4	031036 031036	1 1
120	412N2032-4		..INSULATOR- MANUFACTURED FROM: FIN F-6.10 COMPRESSION MOLDED PHENOLIC, GLASS FIBER FILLED PER BMS8-271A, TYPE 1 OPTIONAL PART: 412N2032-6	031036	1
125	412N2031-1		..CLEVIS- MANUFACTURED FROM: 412N2031-2	031036	1
130	1293-41		..ROD ASSY- SUPPLIER CODE: V34742	031036	1

MISSING ITEM NUMBERS NOT APPLICABLE

— ITEM NOT ILLUSTRATED

HAP

21-23-01-22A

BOEING PROPRIETARY - Copyright © - Unpublished Work - See title page for details.

21-23-01
FIG. 22A
PAGE 2
FEB 10/07

BOEING
737-600/700/800/900
PARTS CATALOG (MAINTENANCE)

FIG ITEM	PART NUMBER	1 2 3 4 5 6 7	NOMENCLATURE	EFFECT FROM TO	UNITS PER ASSY
22A 130	USC1325-23		..ROD ASSY- SUPPLIER CODE: V31293 OPTIONAL PART: 1293-41 V34742	031036	1
135	214N2035-1		.PIN	031036	6
140	MLT2S		.TIE- SUPPLIER CODE: V06383	031036	3
145	NAS1922-0750-3		.CLAMP	031036	6
150	T012LO		.STRAP SUPPLIER CODE: V53421 SPECIFICATION NUMBER: BACS38K6	031036	1
155	AS1505-30B0083		.SLEEVE	031036	1
160	AS1506-30D32		.SLEEVE	031036	2
165	411A4904-9		.STRIP-FELT SEAL	031036	26
170	69-42789-4B		.COVER	031036	3
175	214A2107-68B		.DUCT SEGMENT ASSY-	031036	1
180	NAS1922-0200-3		..CLAMP- OPTIONAL PART: BACS38K2	031036	6
180	PLT4SM		..STRAP- SUPPLIER CODE: V06383 SPECIFICATION NUMBER: BACS38K2 OPTIONAL PART: T05LO V53421 NAS1922-0200-3	031036	6
185	NAS1922-0750-3		..CLAMP	031036	2
190	T012LO		..STRAP SUPPLIER CODE: V53421 SPECIFICATION NUMBER: BACS38K6	031036	4
195	930810BC		..CAP- SUPPLIER CODE: V25205	031036	2
200	214A2101-10		..PLENUM ASSY	031036	1
205	BACS12GU3K7		...SCREW	031036	10
210	NAS1149D0332J		...WASHER	031036	10
215	214A2111-1		...BRACKET	031036	2
220	65C36910-1		...BRACKET ASSY	031036	1

MISSING ITEM NUMBERS NOT APPLICABLE

- ITEM NOT ILLUSTRATED

HAP

21-23-01-22A

BOEING PROPRIETARY - Copyright © - Unpublished Work - See title page for details.

21-23-01
FIG. 22A
PAGE 3
FEB 10/07

BOEING
737-600/700/800/900
PARTS CATALOG (MAINTENANCE)

FIG ITEM	PART NUMBER	1 2 3 4 5 6 7	NOMENCLATURE	EFFECT FROM TO	UNITS PER ASSY
22A 225	DE819	MOUNT- SUPPLIER CODE: V71985 SPECIFICATION NUMBER: S411T100-901 OPTIONAL PART: SL8113-3 V97393	031036	2
225	SL8113-3	MOUNT- SUPPLIER CODE: V97393 SPECIFICATION NUMBER: S411T100-901 OPTIONAL PART: DE819 V71985 ATTACHING PARTS	031036	2
- 230	BACR15BA4D	RIVET- SIZE DETERMINED ON INSTL. -----*-----	031036	4
235	65C36911-1	BRACKET	031036	1
240	65C36910-3	...	BRACKET ASSY	031036	1
245	DE819	MOUNT- SUPPLIER CODE: V71985 SPECIFICATION NUMBER: S411T100-901 OPTIONAL PART: SL8113-3 V97393	031036	2
245	SL8113-3	MOUNT- SUPPLIER CODE: V97393 SPECIFICATION NUMBER: S411T100-901 OPTIONAL PART: DE819 V71985 ATTACHING PARTS	031036	2
- 250	BACR15BA4D	RIVET- SIZE DETERMINED ON INSTL. -----*-----	031036	4
255	BACB30NX6K	BOLT	031036	4

MISSING ITEM NUMBERS NOT APPLICABLE

- ITEM NOT ILLUSTRATED

HAP

21-23-01-22A

BOEING PROPRIETARY - Copyright © - Unpublished Work - See title page for details.

21-23-01
FIG. 22A
PAGE 4
FEB 10/07

BOEING
737-600/700/800/900
PARTS CATALOG (MAINTENANCE)

FIG ITEM	PART NUMBER	1 2 3 4 5 6 7	NOMENCLATURE	EFFECT FROM TO	UNITS PER ASSY
22A 260	HL1187-6	COLLAR SUPPLIER CODE: V5M902 SPECIFICATION NUMBER: BACC30X6 OPTIONAL PART: HL87-6 V92215 HL87-6 V73197 HL1187-6 V56878 HL1187-6 V92215 HL87-6 V56878 HL1187-6 V73197	031036	4
265	214N2161-3	BRACKET	031036	1
270	214N2161-2	BRACKET	031036	1
275	65C36911-1	BRACKET	031036	1
280	214A2102-17	...	PLENUM ASSY	031036	1
285	214A2102-18	PLENUM	031036	1
290	214N2178-1	NUTPLATE ASSY- OPTIONAL PART: CB2010CR3CRP V66530	031036	6
295	CB2010CR3CRP	NUTPLATE- SUPPLIER CODE: V66530 OPTIONAL PART: 214N2178-1	031036	6
300	214A2103-15	...	NOZZLE ASSY	031036	1
305	214A2104-15	...	RESTRICTOR ASSY	031036	1
310	65C36940-1	...	OUTLET ASSY-AIR	031036	3
315	214N2169-1	...	CAP-END	031036	2
320	65C36915-1	..	MUFFLER ASSY-	031036	3
323	AS1591-08-0070A	..	HOSE-	031036	3
325	214T3436-1834	..	ORIFICE ASSY- OPTIONAL PART: 214T3436-1546	031036	3
325	214T3436-1546	..	ORIFICE ASSY- OPTIONAL PART: 214T3436-1834	031036	3
330	214A2108-36	..	DUCT ASSY-	031036	1
335	214A2108-38	..	DUCT ASSY-	031036	1
340	BAC27DAC87	...	MARKER	031036	1
345	214N2046-1	...	PLATE ASSY-SENSOR	031036	1
350	214N2046-2	PLATE ASSY	031036	1

MISSING ITEM NUMBERS NOT APPLICABLE

- ITEM NOT ILLUSTRATED

HAP

21-23-01-22A

BOEING PROPRIETARY - Copyright © - Unpublished Work - See title page for details.

21-23-01
FIG. 22A
PAGE 5
JUN 15/09

BOEING
737-600/700/800/900
PARTS CATALOG (MAINTENANCE)

FIG ITEM	PART NUMBER	1 2 3 4 5 6 7	NOMENCLATURE	EFFECT FROM TO	UNITS PER ASSY
22A 355	F51754-3	NUTPLATE SUPPLIER CODE: V15653 SPECIFICATION NUMBER: BACN10KE3D OPTIONAL PART: NS103193-02 V80539 ATTACHING PARTS	031036	3
- 360	BACR15BA3B	RIVET- SIZE DETERMINED ON INSTL. -----*-----	031036	6
365	F52NA1-108	NUTPLATE- SUPPLIER CODE: V72962 OPTIONAL PART: MS21078-10	031036	1
365	MS21078-10	NUTPLATE- OPTIONAL PART: F52NA1-108 V72962	031036	1
370	F52NA1-080	NUTPLATE- SUPPLIER CODE: V72962 OPTIONAL PART: MS21078-8	031036	1
370	MS21078-8	NUTPLATE- OPTIONAL PART: F52NA1-080 V72962 ATTACHING PARTS	031036	1
- 375	BACR15BA4B	RIVET- SIZE DETERMINED ON INSTL. -----*-----	031036	4
380	214A2108-10	...	DUCT	031036	1
385	214A2107-67B	. . .	DUCT SEGMENT ASSY-	031036	1
390	T012L0	..	STRAP SUPPLIER CODE: V53421 SPECIFICATION NUMBER: BACS38K6	031036	8
395	NAS1922-0200-3	..	CLAMP- OPTIONAL PART: BACS38K2	031036	8

MISSING ITEM NUMBERS NOT APPLICABLE

- ITEM NOT ILLUSTRATED

HAP

21-23-01-22A

BOEING PROPRIETARY - Copyright © - Unpublished Work - See title page for details.

21-23-01
FIG. 22A
PAGE 6
FEB 10/07

BOEING
737-600/700/800/900
PARTS CATALOG (MAINTENANCE)

FIG ITEM	PART NUMBER	1 2 3 4 5 6 7	NOMENCLATURE	EFFECT FROM TO	UNITS PER ASSY
22A 395	PLT4SM		.. STRAP- SUPPLIER CODE: V06383 SPECIFICATION NUMBER: BACS38K2 OPTIONAL PART: T05L0 V53421 NAS1922-0200-3	031036	8
400	214A2101-17		.. PLENUM ASSY	031036	1
405	BACS12GU3K7		... SCREW	031036	20
410	NAS1149D0332J		... WASHER	031036	20
415	214A2111-1		... BRACKET	031036	4
420	65C36910-1		... BRACKET ASSY	031036	3
425	DE819	 MOUNT- SUPPLIER CODE: V71985 SPECIFICATION NUMBER: S411T100-901 OPTIONAL PART: SL8113-3 V97393	031036	2
425	SL8113-3	 MOUNT- SUPPLIER CODE: V97393 SPECIFICATION NUMBER: S411T100-901 OPTIONAL PART: DE819 V71985 ATTACHING PARTS	031036	2
- 430	BACR15BA4D	 RIVET- SIZE DETERMINED ON INSTL. -----*-----	031036	4
435	65C36911-1	 BRACKET	031036	1
440	65C36910-2		... BRACKET ASSY	031036	1
445	DE819	 MOUNT- SUPPLIER CODE: V71985 SPECIFICATION NUMBER: S411T100-901 OPTIONAL PART: SL8113-3 V97393	031036	2

MISSING ITEM NUMBERS NOT APPLICABLE

- ITEM NOT ILLUSTRATED

HAP

21-23-01-22A

BOEING PROPRIETARY - Copyright © - Unpublished Work - See title page for details.

21-23-01
FIG. 22A
PAGE 7
FEB 10/07

BOEING
737-600/700/800/900
PARTS CATALOG (MAINTENANCE)

FIG ITEM	PART NUMBER	1 2 3 4 5 6 7	NOMENCLATURE	EFFECT FROM TO	UNITS PER ASSY
22A 445	SL8113-3	MOUNT- SUPPLIER CODE: V97393 SPECIFICATION NUMBER: S411T100-901 OPTIONAL PART: DE819 V71985 ATTACHING PARTS	031036	2
- 450	BACR15BA4D	RIVET- SIZE DETERMINED ON INSTL. -----*-----	031036	4
455	BACB30NX6K	BOLT	031036	4
460	HL1187-6	COLLAR SUPPLIER CODE: V5M902 SPECIFICATION NUMBER: BACC30X6 OPTIONAL PART: HL87-6 V92215 HL87-6 V73197 HL1187-6 V56878 HL1187-6 V92215 HL87-6 V56878 HL1187-6 V73197	031036	4
465	65C36911-1	BRACKET	031036	1
470	214N2161-3	BRACKET	031036	1
475	214N2161-2	BRACKET	031036	1
480	214A2102-19	PLENUM ASSY	031036	1
485	214A2102-20	PLENUM	031036	1
490	214N2178-1	NUTPLATE ASSY- OPTIONAL PART: CB2010CR3CRP V66530	031036	12
495	CB2010CR3CRP	NUTPLATE- SUPPLIER CODE: V66530 OPTIONAL PART: 214N2178-1	031036	12
500	214A2103-17	NOZZLE ASSY	031036	1
505	214A2104-17	RESTRICTOR ASSY	031036	1
510	65C36940-1	OUTLET ASSY-AIR	031036	4
515	214N2169-1	CAP-END	031036	2

MISSING ITEM NUMBERS NOT APPLICABLE

- ITEM NOT ILLUSTRATED

HAP

21-23-01-22A

BOEING PROPRIETARY - Copyright © - Unpublished Work - See title page for details.

21-23-01
FIG. 22A
PAGE 8
FEB 10/07

BOEING
737-600/700/800/900
PARTS CATALOG (MAINTENANCE)

FIG ITEM	PART NUMBER	1 2 3 4 5 6 7	NOMENCLATURE	EFFECT FROM TO	UNITS PER ASSY
R R	22A 520	214T3436-1837	..ORIFICE ASSY- OPTIONAL PART: 214T3436-1549	031036	4
	520	214T3436-1549	..ORIFICE ASSY- OPTIONAL PART: 214T3436-1837	031036	4
	525	65C36915-1	..MUFFLER ASSY-	031036	4
	527	AS1591-08-0070A	..HOSE-	031036	4
	530	214A2106-72	..DUCT ASSY-	031036	1
	535	214A2106-80	..DUCT ASSY	031036	1
	540	214A2107-66B	.DUCT SEGMENT ASSY-	031036	1
	545	T012L0	..STRAP SUPPLIER CODE: V53421 SPECIFICATION NUMBER: BACS38K6	031036	3
	550	NAS1922-0200-3	..CLAMP	031036	8
	555	214A2101-12	..PLENUM ASSY	031036	1
	560	BACS12GU3K7	...SCREW	031036	15
	565	NAS1149D0332J	...WASHER	031036	15
	570	214A2111-1	...BRACKET	031036	3
	575	65C36910-1	...BRACKET ASSY	031036	2
	580	DE819MOUNT- SUPPLIER CODE: V71985 SPECIFICATION NUMBER: S411T100-901 OPTIONAL PART: SL8113-3 V97393	031036	2
	580	SL8113-3MOUNT- SUPPLIER CODE: V97393 SPECIFICATION NUMBER: S411T100-901 OPTIONAL PART: DE819 V71985	031036	2
	- 585	BACR15BA4DRIVET- SIZE DETERMINED ON INSTL. -----*-----	031036	4
	590	65C36911-1BRACKET	031036	1
595	65C36910-3	...BRACKET ASSY	031036	1	

MISSING ITEM NUMBERS NOT APPLICABLE

- ITEM NOT ILLUSTRATED

HAP

21-23-01-22A

BOEING PROPRIETARY - Copyright © - Unpublished Work - See title page for details.

21-23-01
FIG. 22A
PAGE 9
JUN 15/09

BOEING
737-600/700/800/900
PARTS CATALOG (MAINTENANCE)

FIG ITEM	PART NUMBER	1 2 3 4 5 6 7	NOMENCLATURE	EFFECT FROM TO	UNITS PER ASSY
22A 600	DE819	MOUNT- SUPPLIER CODE: V71985 SPECIFICATION NUMBER: S411T100-901 OPTIONAL PART: SL8113-3 V97393	031036	2
600	SL8113-3	MOUNT- SUPPLIER CODE: V97393 SPECIFICATION NUMBER: S411T100-901 OPTIONAL PART: DE819 V71985 ATTACHING PARTS	031036	2
- 605	BACR15BA4D	RIVET- SIZE DETERMINED ON INSTL. -----*-----	031036	4
610	BACB30NX6K	BOLT	031036	4
615	HL1187-6	COLLAR SUPPLIER CODE: V5M902 SPECIFICATION NUMBER: BACC30X6 OPTIONAL PART: HL87-6 V92215 HL87-6 V73197 HL1187-6 V56878 HL1187-6 V92215 HL87-6 V56878 HL1187-6 V73197	031036	4
620	65C36911-1	BRACKET	031036	1
625	214N2161-3	BRACKET	031036	1
630	214N2161-2	BRACKET	031036	1
635	214A2102-25	...	PLENUM ASSY	031036	1
640	214A2102-26	PLENUM	031036	1
645	214N2178-1	NUTPLATE ASSY- OPTIONAL PART: CB2010CR3CRP V66530	031036	9

MISSING ITEM NUMBERS NOT APPLICABLE

- ITEM NOT ILLUSTRATED

HAP

21-23-01-22A

BOEING PROPRIETARY - Copyright © - Unpublished Work - See title page for details.

21-23-01
FIG. 22A
PAGE 10
FEB 10/07

BOEING
737-600/700/800/900
PARTS CATALOG (MAINTENANCE)

FIG ITEM	PART NUMBER	1 2 3 4 5 6 7	NOMENCLATURE	EFFECT FROM TO	UNITS PER ASSY
22A 650	CB2010CR3CRP	NUTPLATE- SUPPLIER CODE: V66530 OPTIONAL PART: 214N2178-1	031036	9
655	214A2103-21	...	NOZZLE ASSY	031036	1
660	214A2104-21	...	RESTRICTOR ASSY	031036	1
665	65C36940-1	...	OUTLET ASSY-AIR	031036	4
670	214N2169-1	...	CAP-END	031036	2
675	214T3436-1837	..	ORIFICE ASSY- OPTIONAL PART: 214T3436-1549	031036	4
675	214T3436-1549	..	ORIFICE ASSY- OPTIONAL PART: 214T3436-1837	031036	4
R R 680	65C36915-1	..	MUFFLER ASSY-	031036	4
683	AS1591-08-0070A	..	HOSE-	031036	4
685	214A2106-71	..	DUCT ASSY-	031036	1
900			ILLUSTRATION REFERENCE: DUCT INSTL-OVHD AIR DISTR SYS (PASSENGER CABIN CONDITIONED AIR DISTRIBUTION ONLY) 21-23-01-05A	031036	RF
905			ILLUSTRATION REFERENCE: DUCT INSTL-OVHD AIR DISTR SYS 21-23-01-23	031036	RF
910			ILLUSTRATION REFERENCE: DUCT INSTL-OVHD AIR DISTR SYS STA 727I TO 947.5 21-23-01-28D	031031	RF

MISSING ITEM NUMBERS NOT APPLICABLE

— ITEM NOT ILLUSTRATED

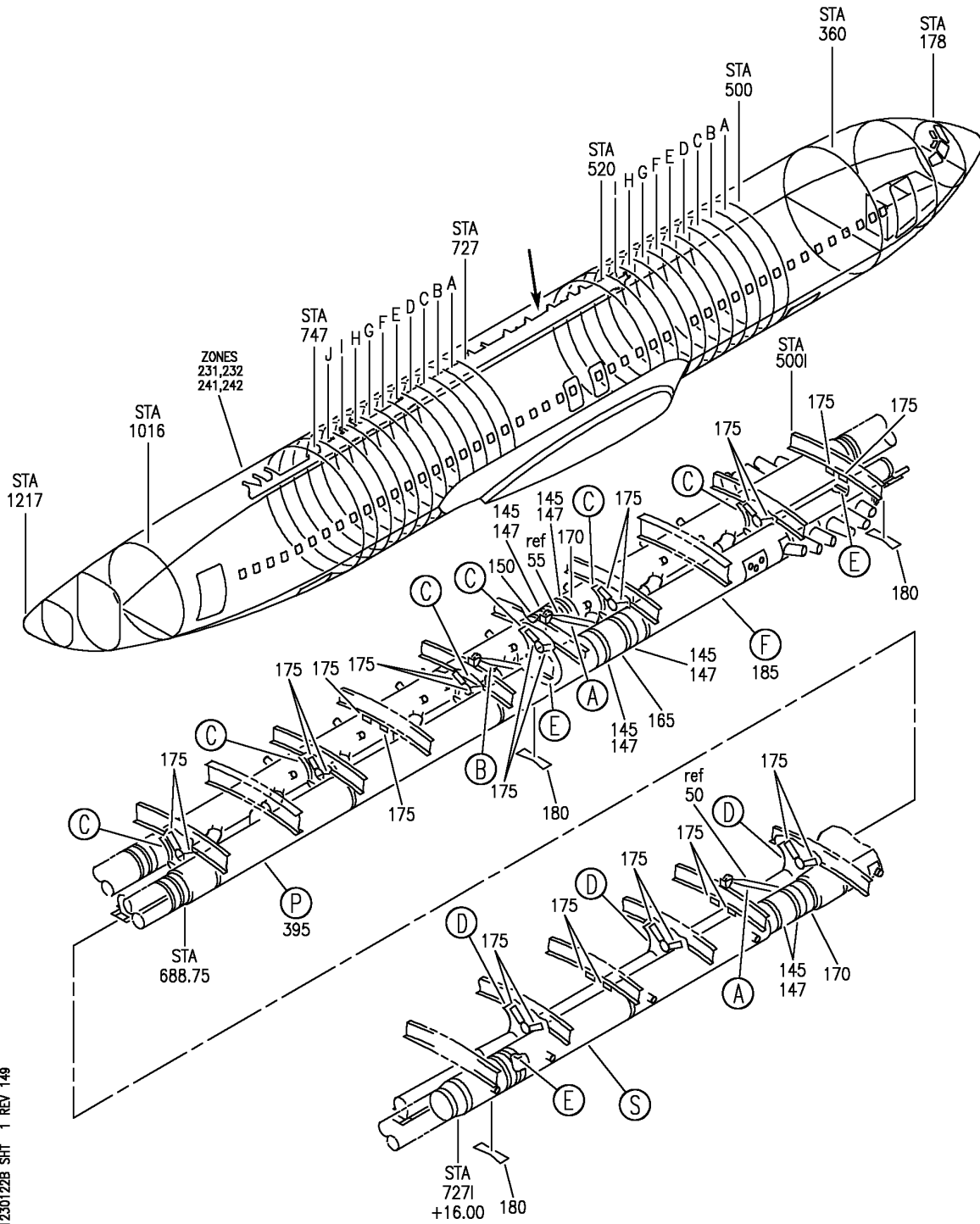
HAP

21-23-01-22A

BOEING PROPRIETARY - Copyright © - Unpublished Work - See title page for details.

21-23-01
FIG. 22A
PAGE 11
JUN 15/09

BOEING
737-600/700/800/900
PARTS CATALOG (MAINTENANCE)



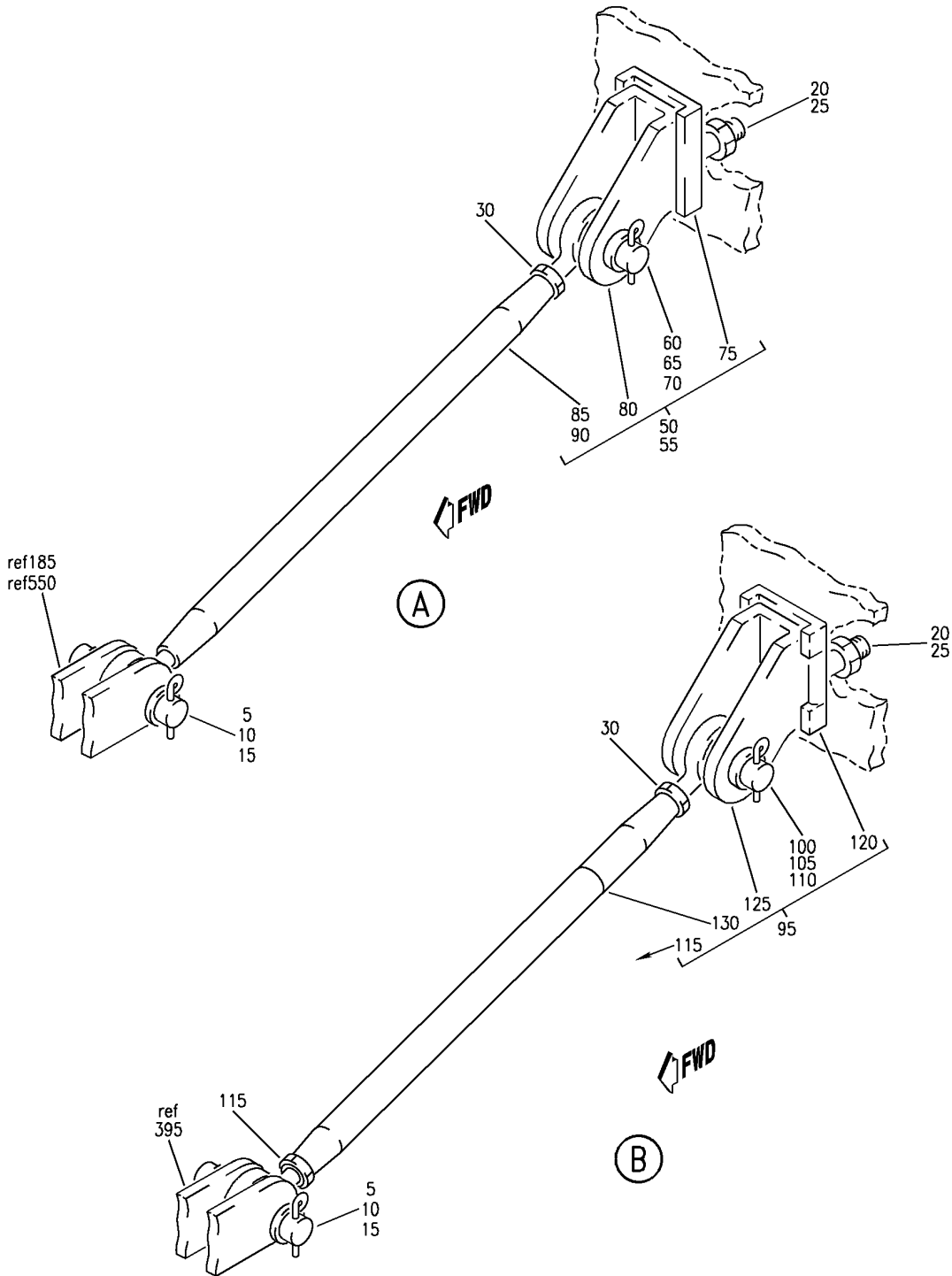
DUCT INSTL-OVHD AIR DISTR SYS (PASSENGER CABIN CONDITIONED AIR DISTRIBUTION ONLY)
 FIGURE 22B (SHEET 1)

HAP
 FEB 15/09

21-23-01-22B

21-23-01-22B
 PAGE 0

BOEING
 737-600/700/800/900
 PARTS CATALOG (MAINTENANCE)



E 21230122B SHT 2 REV 125

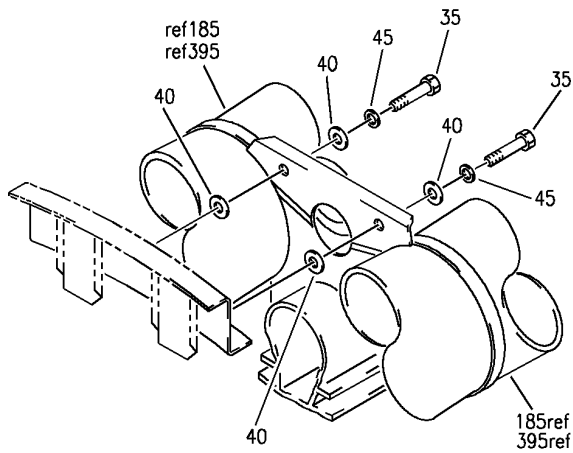
DUCT INSTL-OVHD AIR DISTR SYS (PASSENGER CABIN CONDITIONED AIR DISTRIBUTION ONLY)
 FIGURE 22B (SHEET 2)

HAP
 FEB 10/07

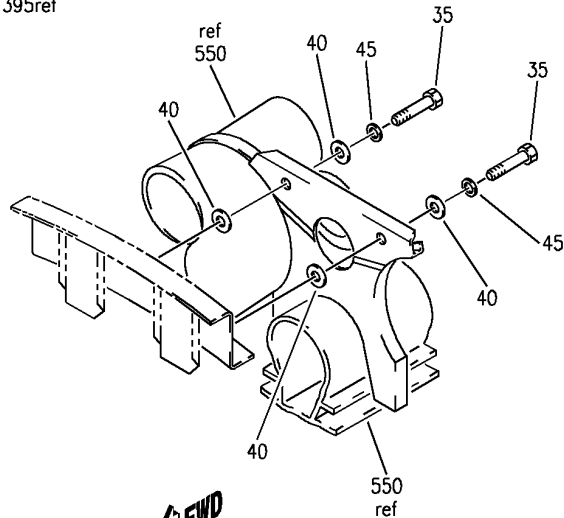
21-23-01-22B

21-23-01-22B
 PAGE 0A

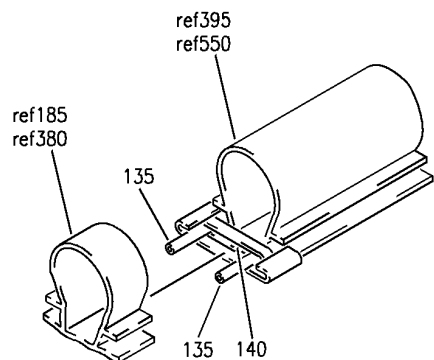
BOEING
 737-600/700/800/900
 PARTS CATALOG (MAINTENANCE)



(C)



(D)



(E)

E 21230122B SHT 3 REV 125

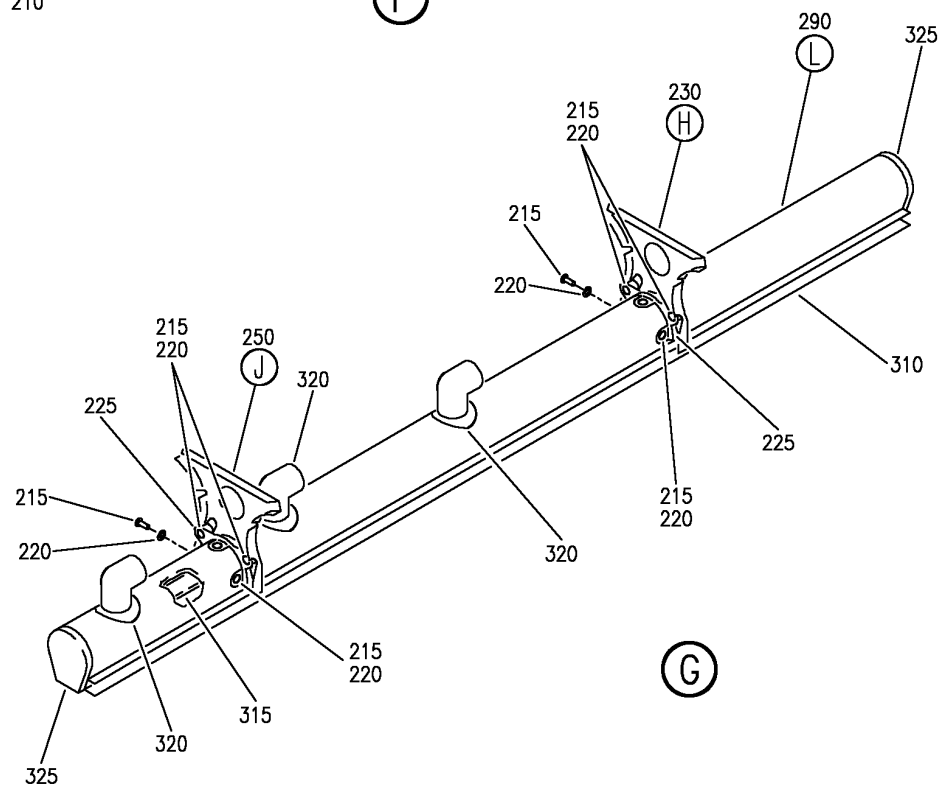
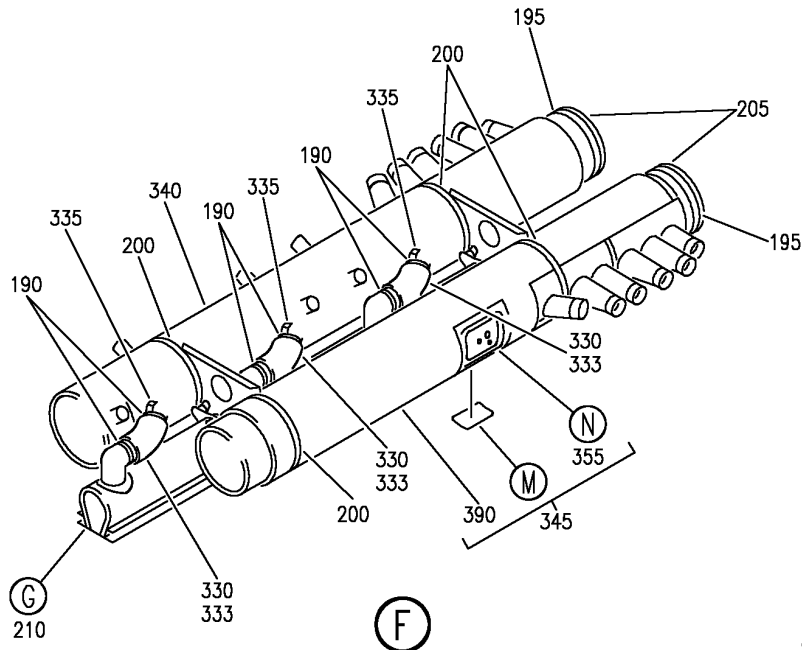
DUCT INSTL-OVHD AIR DISTR SYS (PASSENGER CABIN CONDITIONED AIR DISTRIBUTION ONLY)
 FIGURE 22B (SHEET 3)

HAP
 FEB 10/07

21-23-01-22B

21-23-01-22B
 PAGE 0B

BOEING
 737-600/700/800/900
 PARTS CATALOG (MAINTENANCE)



E 21230122B SHT 4 REV 153

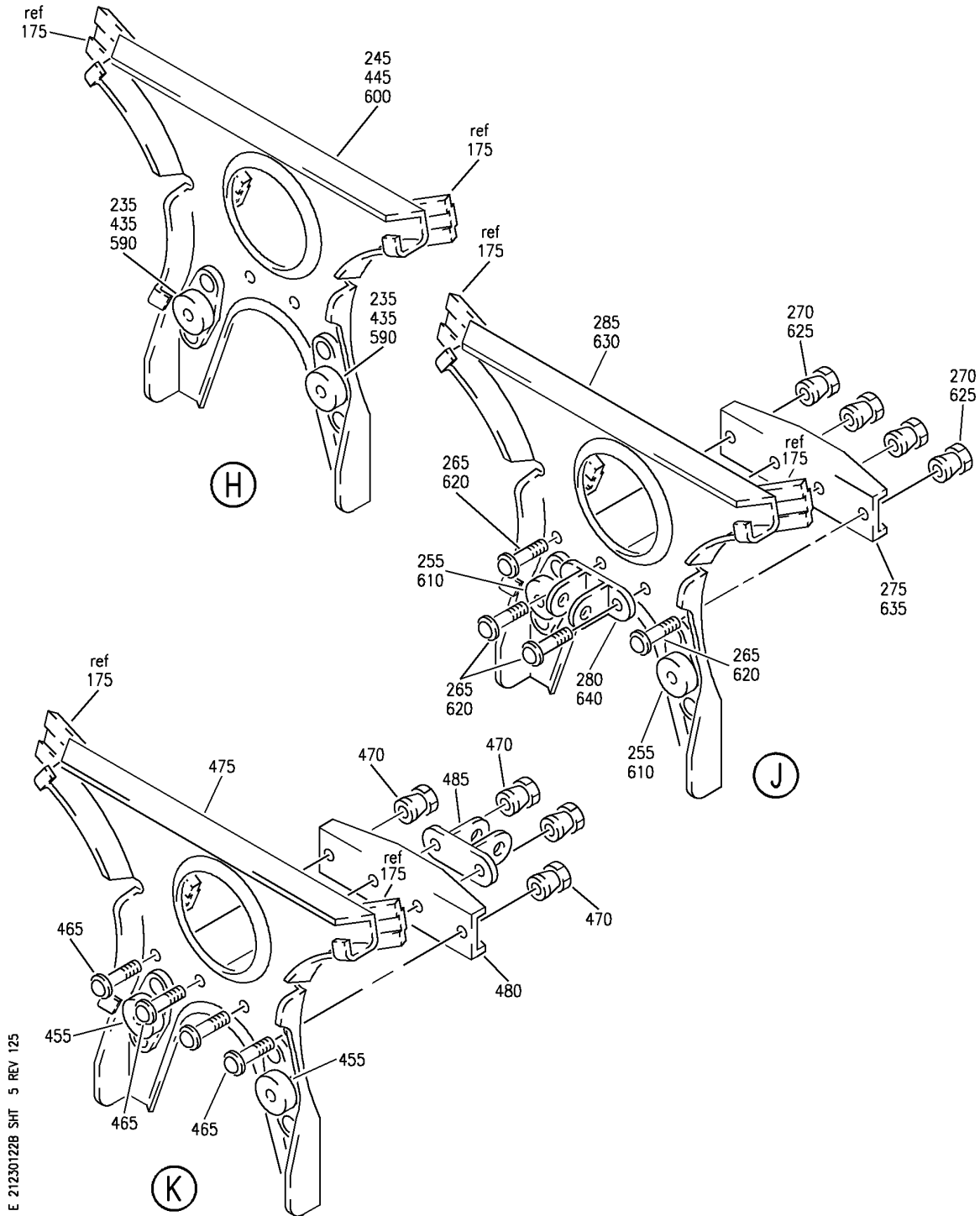
DUCT INSTL-OVHD AIR DISTR SYS (PASSENGER CABIN CONDITIONED AIR DISTRIBUTION ONLY)
 FIGURE 22B (SHEET 4)

21-23-01-22B

HAP
 JUN 15/09

21-23-01-22B
 PAGE 0C

BOEING
737-600/700/800/900
PARTS CATALOG (MAINTENANCE)



E 21230122B SHT 5 REV 125

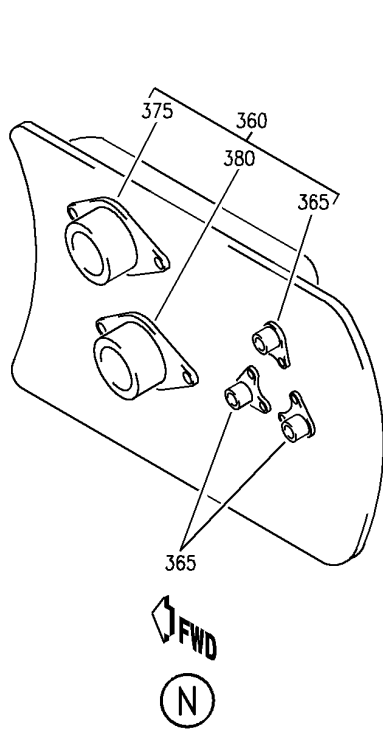
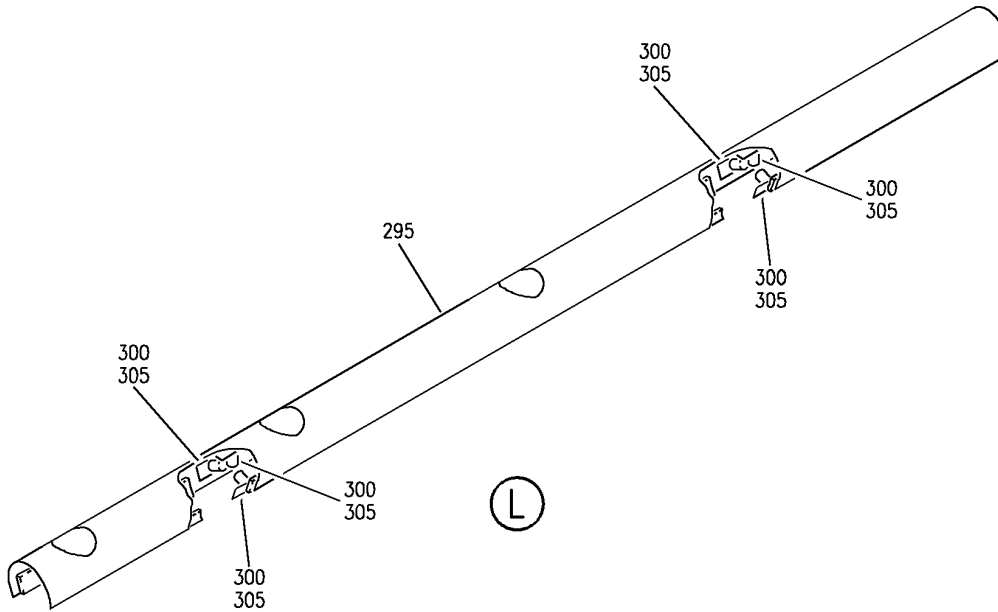
DUCT INSTL-OVHD AIR DISTR SYS (PASSENGER CABIN CONDITIONED AIR DISTRIBUTION ONLY)
FIGURE 22B (SHEET 5)

21-23-01-22B

HAP
FEB 10/07

21-23-01-22B
PAGE 0D

BOEING
 737-600/700/800/900
 PARTS CATALOG (MAINTENANCE)



350

SWITCH, ZONE DUCT OVERHEAT (AFT CABIN)	S1077
BULB, SUPPLY DUCT TEMPERATURE (AFT CABIN)	T535
SENSOR DUCT TEMPERATURE (AFT CABIN)	T536

(M)

E 21230122B SHT 6 REV 125

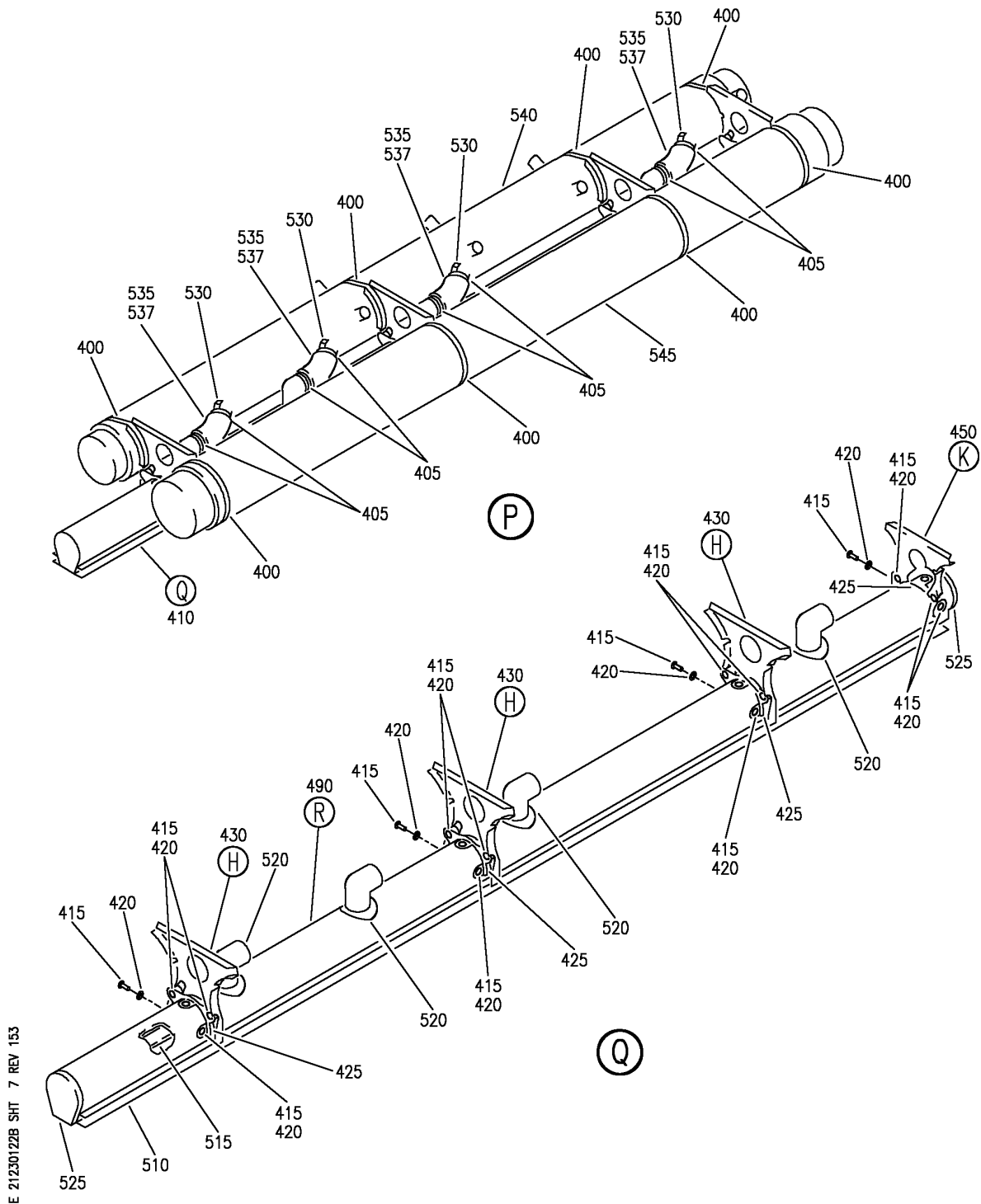
DUCT INSTL-OVHD AIR DISTR SYS (PASSENGER CABIN CONDITIONED AIR DISTRIBUTION ONLY)
 FIGURE 22B (SHEET 6)

21-23-01-22B

HAP
 FEB 10/07

21-23-01-22B
 PAGE 0E


BOEING
 737-600/700/800/900
PARTS CATALOG (MAINTENANCE)



E 21230122B SHT 7 REV 153

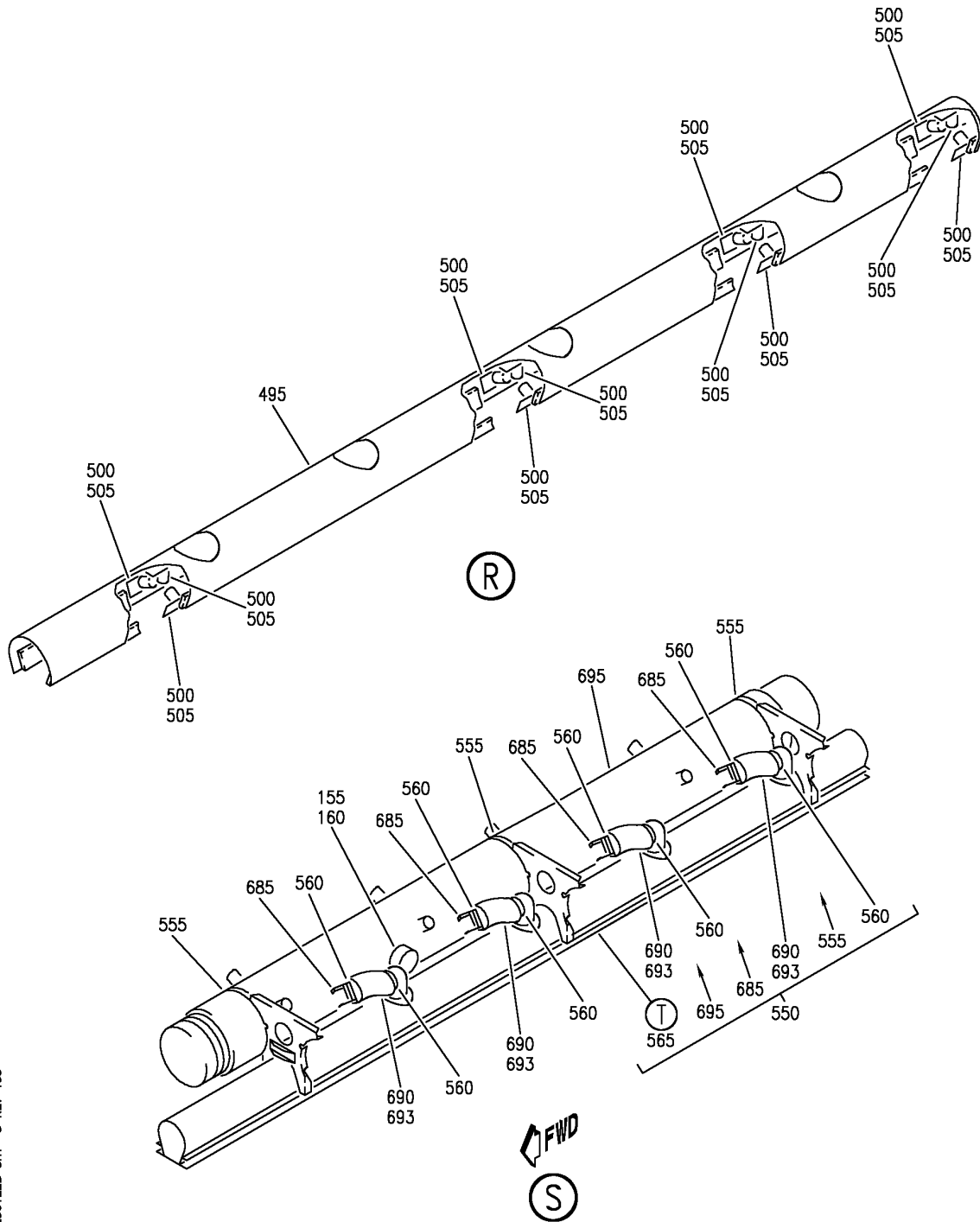
DUCT INSTL-OVHD AIR DISTR SYS (PASSENGER CABIN CONDITIONED AIR DISTRIBUTION ONLY)
 FIGURE 22B (SHEET 7)

21-23-01-22B

HAP
JUN 15/09

21-23-01-22B
PAGE OF

BOEING
 737-600/700/800/900
 PARTS CATALOG (MAINTENANCE)



E 21230122B SHT 8 REV 153

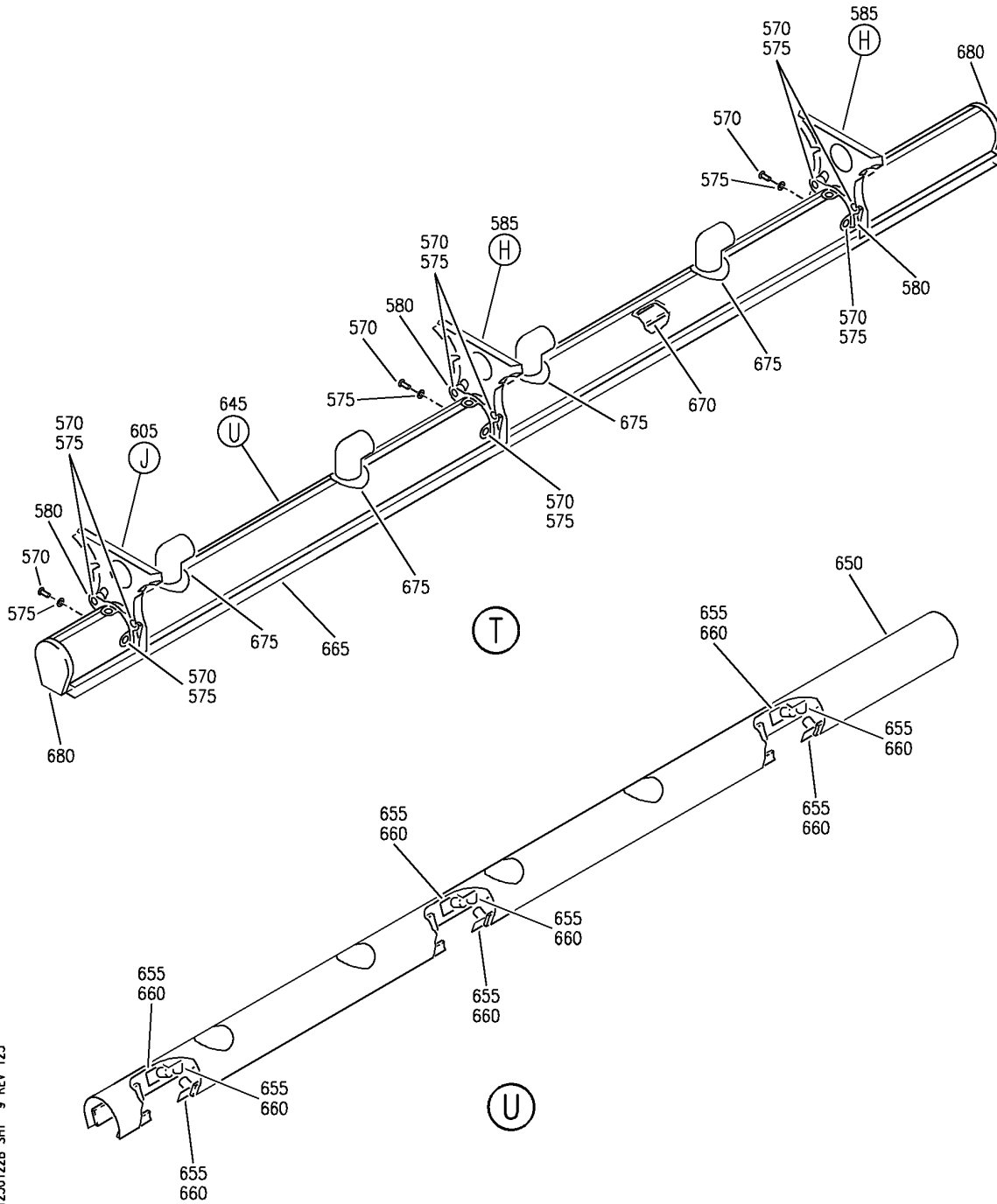
DUCT INSTL-OVHD AIR DISTR SYS (PASSENGER CABIN CONDITIONED AIR DISTRIBUTION ONLY)
 FIGURE 22B (SHEET 8)

21-23-01-22B

HAP
 JUN 15/09

21-23-01-22B
 PAGE 08

BOEING
 737-600/700/800/900
 PARTS CATALOG (MAINTENANCE)



E 21230122B SHT 9 REV 125

DUCT INSTL-OVHD AIR DISTR SYS (PASSENGER CABIN CONDITIONED AIR DISTRIBUTION ONLY)
 FIGURE 22B (SHEET 9)

HAP
 FEB 10/07

21-23-01-22B

21-23-01-22B
 PAGE 0H

BOEING
737-600/700/800/900
PARTS CATALOG (MAINTENANCE)

FIG ITEM	PART NUMBER	1 2 3 4 5 6 7	NOMENCLATURE	EFFECT FROM TO	UNITS PER ASSY
22B			DUCT INSTL-OVHD AIR DISTR SYS (PASSENGER CABIN CONDITIONED AIR DISTRIBUTION ONLY)	037100	
- 1	MODREF317963		DUCT INSTL-OVHD AIR DISTR SYS (PASSENGER CABIN CONDITIONED AIR DISTRIBUTION ONLY) MODULE NUMBER: 214A2012-23B REV E FOR OTHER SYS DETAILS SEE: 21-61-04-22 21-61-05-22 21-61-30-22	037046 054100	1
- 1	MODREF362512		DUCT INSTL-OVHD AIR DISTR SYS (PASSENGER CABIN CONDITIONED AIR DISTRIBUTION ONLY) MODULE NUMBER: 214A2012-23B REV F FOR OTHER SYS DETAILS SEE: 21-61-04-22 21-61-05-22 21-61-30-22	047048	1
- 1	MODREF402149		DUCT INSTL-OVHD AIR DISTR SYS (PASSENGER CABIN CONDITIONED AIR DISTRIBUTION ONLY) MODULE NUMBER: 214A2012-23B REV G FOR OTHER SYS DETAILS SEE: 21-61-04-22 21-61-05-22 21-61-30-22	049053	1
5	BACP18BC02C04P	.PIN		037100	3
10	BACP18BD3C21	.PIN		037100	3
15	NAS1149E0416P	.WASHER		037100	3
20	NAS1149D0516J	.WASHER		037100	3
25	MS21042L5	.NUT		037100	3
30	AN316-5R	.NUT		037100	3
35	BACB30NR4K5	.BOLT		037100	18
40	BACW10P271TF	.WASHER		037100	36
45	BACW10BN4AC	.WASHER		037100	18
50	412N2030-50	.DIAGONAL ASSY		037100	1
55	412N2030-49	.DIAGONAL ASSY		037100	1
60	MS24665-132	..PIN		037100	1
65	MS20392-3C17	..PIN		037100	1
70	AN960PD416L	..WASHER		037100	1

MISSING ITEM NUMBERS NOT APPLICABLE

- ITEM NOT ILLUSTRATED

HAP

21-23-01-22B

BOEING PROPRIETARY - Copyright © - Unpublished Work - See title page for details.

21-23-01
FIG. 22B
PAGE 1
FEB 15/09

BOEING
737-600/700/800/900
PARTS CATALOG (MAINTENANCE)

FIG ITEM	PART NUMBER	1 2 3 4 5 6 7	NOMENCLATURE	EFFECT FROM TO	UNITS PER ASSY
22B 75	412N2032-3	..	INSULATOR- MANUFACTURED FROM: FIN F-6.10 COMPRESSION MOLDED PHENOLIC, GLASS FIBER FILLED PER BMS8-271A, TYPE 1	037100	1
75	412N2032-4	..	INSULATOR- MANUFACTURED FROM: FIN F-6.10 COMPRESSION MOLDED PHENOLIC, GLASS FIBER FILLED PER BMS8-271A, TYPE 1	037100	1
80	412N2031-1	..	CLEVIS- MANUFACTURED FROM: 412N2031-2	037100	1
85	1293-109	..	ROD ASSY- SUPPLIER CODE: V34742 USED ON: 412N2030-50	037100	1
90	1293-27	..	ROD ASSY- SUPPLIER CODE: V34742 USED ON: 412N2030-49	037100	1
95	412N2030-56	.	DIAGONAL ASSY	037046 054100	1
95	412N2030-256	.	DIAGONAL ASSY	047048	1
95	412N2030-257	.	DIAGONAL ASSY	049053	1
100	BACP18BC02A06P	..	PIN- OPTIONAL PART: MS24665-132	037100	1
100	MS24665-132	..	PIN- OPTIONAL PART: BACP18BC02A06P	037100	1
105	BACP18BD3R17	..	PIN- OPTIONAL PART: MS20392-3C17	037100	1
105	MS20392-3C17	..	PIN- OPTIONAL PART: BACP18BD3R17	037100	1
110	BACW10P273L	..	WASHER- OPTIONAL PART: NAS1149D0416J	037046 054100	1
110	NAS1149D0416J	..	WASHER- OPTIONAL PART: BACW10P273L	037046 054100	1
110	BACW10P361LA	..	WASHER	047053	1
115	AN316-5R	..	NUT	037100	1

MISSING ITEM NUMBERS NOT APPLICABLE

— ITEM NOT ILLUSTRATED

HAP

21-23-01-22B

BOEING PROPRIETARY - Copyright © - Unpublished Work - See title page for details.

21-23-01
FIG. 22B
PAGE 2
FEB 15/09

BOEING
737-600/700/800/900
PARTS CATALOG (MAINTENANCE)

FIG ITEM	PART NUMBER	1 2 3 4 5 6 7	NOMENCLATURE	EFFECT FROM TO	UNITS PER ASSY
22B 120	412N2032-6		.. INSULATOR- MANUFACTURED FROM: FIN F-25.01 COMPRESSION MOLDED PHENOLIC, GLASS FIBER FILLED PER BMS8-271A, TYPE 1. OPTIONAL PART: 412N2032-4	037100	1
120	412N2032-4		.. INSULATOR- MANUFACTURED FROM: FIN F-6.10 COMPRESSION MOLDED PHENOLIC, GLASS FIBER FILLED PER BMS8-271A, TYPE 1 OPTIONAL PART: 412N2032-6	037100	1
125	412N2031-1		.. CLEVIS- MANUFACTURED FROM: 412N2031-2	037100	1
130	1293-41		.. ROD ASSY- SUPPLIER CODE: V34742	037100	1
135	214N2035-1		.PIN	037100	6
140	MLT2S		.TIE- SUPPLIER CODE: V06383	037100	3
145	NAS1922-0750-3		.CLAMP- OPTIONAL PART: BACS38K6	037100	6
147	T012L0		.STRAP- SUPPLIER CODE: V53421 SPECIFICATION NUMBER: BACS38K6 OPTIONAL PART: NAS1922-0750-3	049053	6
150	T012L0		.STRAP SUPPLIER CODE: V53421 SPECIFICATION NUMBER: BACS38K6	037100	1
155	PLT3SM		.STRAP SUPPLIER CODE: V06383 SPECIFICATION NUMBER: BACS38K7 OPTIONAL PART: T0510 V53421	037100	1

MISSING ITEM NUMBERS NOT APPLICABLE

— ITEM NOT ILLUSTRATED

HAP

21-23-01-22B

BOEING PROPRIETARY - Copyright © - Unpublished Work - See title page for details.

21-23-01
FIG. 22B
PAGE 3
FEB 15/09

BOEING
737-600/700/800/900
PARTS CATALOG (MAINTENANCE)

FIG ITEM	PART NUMBER	1 2 3 4 5 6 7	NOMENCLATURE	EFFECT FROM TO	UNITS PER ASSY
22B 160	BOE2221-0005	.CAP-	SUPPLIER CODE: V16632 OPTIONAL PART: 40-1500 V25205	037100	1
160	40-1500	.CAP-	SUPPLIER CODE: V25205 OPTIONAL PART: BOE2221-0005 V16632	037100	1
165	AS1505-30B0083	.SLEEVE		037100	1
170	AS1506-30D32	.SLEEVE		037100	2
175	411A4904-9	.STRIP-FELT SEAL		037100	26
180	69-42789-4B	.COVER		037100	3
185	214A2107-89B	.DUCT SEGMENT ASSY		037046 054100	1
185	214A2107-120B	.DUCT SEGMENT ASSY		047053	1
190	NAS1922-0200-3	..CLAMP-	OPTIONAL PART: BACS38K2	037100	6
190	PLT4SM	..STRAP-	SUPPLIER CODE: V06383 SPECIFICATION NUMBER: BACS38K2 OPTIONAL PART: T05L0 V53421 NAS1922-0200-3	037100	6
195	NAS1922-0750-3	..CLAMP		037100	2
200	T012L0	..STRAP	SUPPLIER CODE: V53421 SPECIFICATION NUMBER: BACS38K6	037100	4
205	930810BC	..CAP-	SUPPLIER CODE: V25205	037100	2
210	214A2101-10	..PLENUM ASSY		037100	1
215	BACS12GU3K7	...SCREW		037100	10
220	NAS1149D0332J	...WASHER		037100	10
225	214A2111-1	...BRACKET		037100	2
230	65C36910-1	...BRACKET ASSY		037100	1

MISSING ITEM NUMBERS NOT APPLICABLE

— ITEM NOT ILLUSTRATED

HAP

21-23-01-22B

BOEING PROPRIETARY - Copyright © - Unpublished Work - See title page for details.

21-23-01
FIG. 22B
PAGE 4
FEB 15/09

BOEING
737-600/700/800/900
PARTS CATALOG (MAINTENANCE)

FIG ITEM	PART NUMBER	1 2 3 4 5 6 7	NOMENCLATURE	EFFECT FROM TO	UNITS PER ASSY
22B 235	DE819	MOUNT- SUPPLIER CODE: V71985 SPECIFICATION NUMBER: S411T100-901 OPTIONAL PART: SL8113-3 V97393	037100	2
235	SL8113-3	MOUNT- SUPPLIER CODE: V97393 SPECIFICATION NUMBER: S411T100-901 OPTIONAL PART: DE819 V71985 ATTACHING PARTS	037100	2
- 240	BACR15BA4D	RIVET- SIZE DETERMINED ON INSTL. -----*-----	037100	4
245	65C36911-1	BRACKET	037100	1
250	65C36910-3	...	BRACKET ASSY	037100	1
255	DE819	MOUNT- SUPPLIER CODE: V71985 SPECIFICATION NUMBER: S411T100-901 OPTIONAL PART: SL8113-3 V97393	037100	2
255	SL8113-3	MOUNT- SUPPLIER CODE: V97393 SPECIFICATION NUMBER: S411T100-901 OPTIONAL PART: DE819 V71985 ATTACHING PARTS	037100	2
- 260	BACR15BA4D	RIVET- SIZE DETERMINED ON INSTL. -----*-----	037100	4
265	BACB30NX6K	BOLT	037100	4

MISSING ITEM NUMBERS NOT APPLICABLE

- ITEM NOT ILLUSTRATED

HAP

21-23-01-22B

BOEING PROPRIETARY - Copyright © - Unpublished Work - See title page for details.

21-23-01
FIG. 22B
PAGE 5
FEB 15/09

BOEING
737-600/700/800/900
PARTS CATALOG (MAINTENANCE)

FIG ITEM	PART NUMBER	1 2 3 4 5 6 7	NOMENCLATURE	EFFECT FROM TO	UNITS PER ASSY
22B 270	HL1187-6	COLLAR SUPPLIER CODE: V5M902 SPECIFICATION NUMBER: BACC30X6 OPTIONAL PART: HL87-6 V92215 HL87-6 V73197 HL1187-6 V56878 HL1187-6 V92215 HL87-6 V56878 HL1187-6 V73197	037100	4
275	214N2161-3	BRACKET	037100	1
280	214N2161-2	BRACKET	037100	1
285	65C36911-1	BRACKET	037100	1
290	214A2102-17	...	PLENUM ASSY	037100	1
295	214A2102-18	PLENUM	037100	1
300	214N2178-1	NUTPLATE ASSY- OPTIONAL PART: CB2010CR3CRP V66530	037100	6
305	CB2010CR3CRP	NUTPLATE- SUPPLIER CODE: V66530 OPTIONAL PART: 214N2178-1	037100	6
310	214A2103-15	...	NOZZLE ASSY	037100	1
315	214A2104-15	...	RESTRICTOR ASSY	037100	1
320	65C36940-1	...	OUTLET ASSY-AIR	037100	3
325	214N2169-1	...	CAP-END	037100	2
330	65C36915-1	..	MUFFLER ASSY-	037100	3
333	AS1591-08-0070A	..	HOSE-	037100	3
335	214T3436-1834	..	ORIFICE ASSY- OPTIONAL PART: 214T3436-1546	037100	3
335	214T3436-1546	..	ORIFICE ASSY- OPTIONAL PART: 214T3436-1834	037100	3
340	214A2108-43	..	DUCT ASSY	037046 054100	1
340	214A2108-53	..	DUCT ASSY	047053	1
345	214A2108-44	..	DUCT ASSY	037046 054100	1

MISSING ITEM NUMBERS NOT APPLICABLE

- ITEM NOT ILLUSTRATED

HAP

21-23-01-22B

21-23-01
FIG. 22B
PAGE 6
JUN 15/09

BOEING
737-600/700/800/900
PARTS CATALOG (MAINTENANCE)

FIG ITEM	PART NUMBER	1 2 3 4 5 6 7	NOMENCLATURE	EFFECT FROM TO	UNITS PER ASSY
22B					
345	214A2108-54	..	DUCT ASSY	047053	1
350	BAC27DAC87	...	MARKER	037100	1
355	214N2046-1	...	PLATE ASSY-SENSOR	037100	1
360	214N2046-2	PLATE ASSY	037100	1
365	F51754-3	NUTPLATE	037100	3
			SUPPLIER CODE: V15653		
			SPECIFICATION NUMBER: BACN10KE3D		
			OPTIONAL PART: NS103193-02 V80539		
			ATTACHING PARTS		
- 370	BACR15BA3B	RIVET-	037100	6
			SIZE DETERMINED ON INSTL. -----*-----		
375	F52NA1-108	NUTPLATE-	037100	1
			SUPPLIER CODE: V72962		
			OPTIONAL PART: MS21078-10		
375	MS21078-10	NUTPLATE-	037100	1
			OPTIONAL PART: F52NA1-108 V72962		
380	F52NA1-080	NUTPLATE-	037100	1
			SUPPLIER CODE: V72962		
			OPTIONAL PART: MS21078-8		
380	MS21078-8	NUTPLATE-	037100	1
			OPTIONAL PART: F52NA1-080 V72962		
			ATTACHING PARTS		
- 385	BACR15BA4B	RIVET-	037100	4
			SIZE DETERMINED ON INSTL. -----*-----		
390	214A2108-10	...	DUCT	037100	1
395	214A2107-88B	.DUCT	SEGMENT ASSY	037046	1
				054100	
395	214A2107-119B	.DUCT	SEGMENT ASSY	047053	1
400	T012LO	..	STRAP	037100	8
			SUPPLIER CODE: V53421		
			SPECIFICATION NUMBER: BACS38K6		

MISSING ITEM NUMBERS NOT APPLICABLE

- ITEM NOT ILLUSTRATED

HAP

21-23-01-22B

BOEING PROPRIETARY - Copyright © - Unpublished Work - See title page for details.

21-23-01
FIG. 22B
PAGE 7
JUN 15/09

BOEING
737-600/700/800/900
PARTS CATALOG (MAINTENANCE)

FIG ITEM	PART NUMBER	1 2 3 4 5 6 7	NOMENCLATURE	EFFECT FROM TO	UNITS PER ASSY
22B 405	NAS1922-0200-3	..	CLAMP- OPTIONAL PART: BACS38K2	037100	8
405	PLT4SM	..	STRAP- SUPPLIER CODE: V06383 SPECIFICATION NUMBER: BACS38K2 OPTIONAL PART: T05L0 V53421 NAS1922-0200-3	037100	8
410	214A2101-17	..	PLENUM ASSY	037100	1
415	BACS12GU3K7	...	SCREW	037100	20
420	NAS1149D0332J	...	WASHER	037100	20
425	214A2111-1	...	BRACKET	037100	4
430	65C36910-1	...	BRACKET ASSY	037100	3
435	DE819	MOUNT- SUPPLIER CODE: V71985 SPECIFICATION NUMBER: S411T100-901 OPTIONAL PART: SL8113-3 V97393	037100	2
435	SL8113-3	MOUNT- SUPPLIER CODE: V97393 SPECIFICATION NUMBER: S411T100-901 OPTIONAL PART: DE819 V71985 ATTACHING PARTS	037100	2
- 440	BACR15BA4D	RIVET- SIZE DETERMINED ON INSTL. -----*-----	037100	4
445	65C36911-1	BRACKET	037100	1
450	65C36910-2	...	BRACKET ASSY	037100	1
455	DE819	MOUNT- SUPPLIER CODE: V71985 SPECIFICATION NUMBER: S411T100-901 OPTIONAL PART: SL8113-3 V97393	037100	2

MISSING ITEM NUMBERS NOT APPLICABLE

- ITEM NOT ILLUSTRATED

HAP

21-23-01-22B

BOEING PROPRIETARY - Copyright © - Unpublished Work - See title page for details.

21-23-01
FIG. 22B
PAGE 8
JUN 15/09

BOEING
737-600/700/800/900
PARTS CATALOG (MAINTENANCE)

FIG ITEM	PART NUMBER	1 2 3 4 5 6 7	NOMENCLATURE	EFFECT FROM TO	UNITS PER ASSY
22B 455	SL8113-3	MOUNT- SUPPLIER CODE: V97393 SPECIFICATION NUMBER: S411T100-901 OPTIONAL PART: DE819 V71985 ATTACHING PARTS	037100	2
- 460	BACR15BA4D	RIVET- SIZE DETERMINED ON INSTL. -----*-----	037100	4
465	BACB30NX6K	BOLT	037100	4
470	HL1187-6	COLLAR SUPPLIER CODE: V5M902 SPECIFICATION NUMBER: BACC30X6 OPTIONAL PART: HL87-6 V92215 HL87-6 V73197 HL1187-6 V56878 HL1187-6 V92215 HL87-6 V56878 HL1187-6 V73197	037100	4
475	65C36911-1	BRACKET	037100	1
480	214N2161-3	BRACKET	037100	1
485	214N2161-2	BRACKET	037100	1
490	214A2102-19	PLENUM ASSY	037100	1
495	214A2102-20	PLENUM	037100	1
500	214N2178-1	NUTPLATE ASSY- OPTIONAL PART: CB2010CR3CRP V66530	037100	12
505	CB2010CR3CRP	NUTPLATE- SUPPLIER CODE: V66530 OPTIONAL PART: 214N2178-1	037100	12
510	214A2103-17	NOZZLE ASSY	037100	1
515	214A2104-17	RESTRICTOR ASSY	037100	1
520	65C36940-1	OUTLET ASSY-AIR	037100	4
525	214N2169-1	CAP-END	037100	2

MISSING ITEM NUMBERS NOT APPLICABLE

- ITEM NOT ILLUSTRATED

HAP

21-23-01-22B

BOEING PROPRIETARY - Copyright © - Unpublished Work - See title page for details.

21-23-01
FIG. 22B
PAGE 9
FEB 15/09

BOEING
737-600/700/800/900
PARTS CATALOG (MAINTENANCE)

FIG ITEM	PART NUMBER	1 2 3 4 5 6 7	NOMENCLATURE	EFFECT FROM TO	UNITS PER ASSY
22B 530	214T3436-1837	..	ORIFICE ASSY- OPTIONAL PART: 214T3436-1549	037100	4
530	214T3436-1549	..	ORIFICE ASSY- OPTIONAL PART: 214T3436-1837	037100	4
535	65C36915-1	..	MUFFLER ASSY-	037100	4
537	AS1591-08-0070A	..	HOSE-	037100	4
540	214A2106-88	..	DUCT ASSY	037046	1
540	214A2106-116	..	DUCT ASSY	054100	1
545	214A2106-94	..	DUCT ASSY-	047053	1
545	214A2106-122	..	DUCT ASSY-	037046	1
550	214A2107-136B	.	DUCT SEGMENT ASSY	054100	1
550	214A2107-118B	.	DUCT SEGMENT ASSY	047053	1
555	T012L0	..	STRAP SUPPLIER CODE: V53421 SPECIFICATION NUMBER: BACS38K6	037100	3
560	NAS1922-0200-3	..	CLAMP- OPTIONAL PART: BACS38K2	037100	8
560	PLT4SM	..	STRAP- SUPPLIER CODE: V06383 SPECIFICATION NUMBER: BACS38K2 OPTIONAL PART: T05L0 V53421 NAS1922-0200-3	037100	8
565	214A2101-31	..	PLENUM ASSY	037100	1
570	BACS12GU3K7	...	SCREW	037100	15
575	NAS1149D0332J	...	WASHER	037100	15
580	214A2111-1	...	BRACKET	037100	3
585	65C36910-1	...	BRACKET ASSY	037100	2
590	DE819	MOUNT- SUPPLIER CODE: V71985 SPECIFICATION NUMBER: S411T100-901 OPTIONAL PART: SL8113-3 V97393	037100	2

MISSING ITEM NUMBERS NOT APPLICABLE

- ITEM NOT ILLUSTRATED

HAP

21-23-01-22B

BOEING PROPRIETARY - Copyright © - Unpublished Work - See title page for details.

21-23-01
FIG. 22B
PAGE 10
JUN 15/09

BOEING
737-600/700/800/900
PARTS CATALOG (MAINTENANCE)

FIG ITEM	PART NUMBER	1 2 3 4 5 6 7	NOMENCLATURE	EFFECT FROM TO	UNITS PER ASSY
22B 590	SL8113-3	MOUNT- SUPPLIER CODE: V97393 SPECIFICATION NUMBER: S411T100-901 OPTIONAL PART: DE819 V71985 ATTACHING PARTS	037100	2
- 595	BACR15BA4D	RIVET- SIZE DETERMINED ON INSTL. -----*-----	037100	4
600	65C36911-1	BRACKET	037100	1
605	65C36910-3		...BRACKET ASSY	037100	1
610	DE819	MOUNT- SUPPLIER CODE: V71985 SPECIFICATION NUMBER: S411T100-901 OPTIONAL PART: SL8113-3 V97393	037100	2
610	SL8113-3	MOUNT- SUPPLIER CODE: V97393 SPECIFICATION NUMBER: S411T100-901 OPTIONAL PART: DE819 V71985 ATTACHING PARTS	037100	2
- 615	BACR15BA4D	RIVET- SIZE DETERMINED ON INSTL. -----*-----	037100	4
620	BACB30NX6K	BOLT	037100	4

MISSING ITEM NUMBERS NOT APPLICABLE

- ITEM NOT ILLUSTRATED

HAP

21-23-01-22B

BOEING PROPRIETARY - Copyright © - Unpublished Work - See title page for details.

21-23-01
FIG. 22B
PAGE 11
FEB 15/09

BOEING
737-600/700/800/900
PARTS CATALOG (MAINTENANCE)

FIG ITEM	PART NUMBER	1 2 3 4 5 6 7	NOMENCLATURE	EFFECT FROM TO	UNITS PER ASSY
22B 625	HL1187-6	COLLAR SUPPLIER CODE: V5M902 SPECIFICATION NUMBER: BACC30X6 OPTIONAL PART: HL87-6 V92215 HL87-6 V73197 HL1187-6 V56878 HL1187-6 V92215 HL87-6 V56878 HL1187-6 V73197	037100	4
630	65C36911-1	BRACKET	037100	1
635	214N2161-3	BRACKET	037100	1
640	214N2161-2	BRACKET	037100	1
645	214A2102-25	...	PLENUM ASSY	037100	1
650	214A2102-26	PLENUM	037100	1
655	214N2178-1	NUTPLATE ASSY- OPTIONAL PART: CB2010CR3CRP V66530	037100	9
660	CB2010CR3CRP	NUTPLATE- SUPPLIER CODE: V66530 OPTIONAL PART: 214N2178-1	037100	9
665	214A2103-21	...	NOZZLE ASSY	037100	1
670	214A2104-21	...	RESTRICTOR ASSY	037100	1
675	65C36940-1	...	OUTLET ASSY-AIR	037100	4
680	214N2169-1	...	CAP-END	037100	2
685	214T3436-1837	..	ORIFICE ASSY- OPTIONAL PART: 214T3436-1549	037100	4
685	214T3436-1549	..	ORIFICE ASSY- OPTIONAL PART: 214T3436-1837	037100	4
R 690	65C36915-1	..	MUFFLER ASSY-	037100	4
R 693	AS1591-08-0070A	..	HOSE-	037100	4
695	214A2106-87	..	DUCT ASSY	037046	1
695	214A2106-115	..	DUCT ASSY	054100 047053	1

MISSING ITEM NUMBERS NOT APPLICABLE

- ITEM NOT ILLUSTRATED

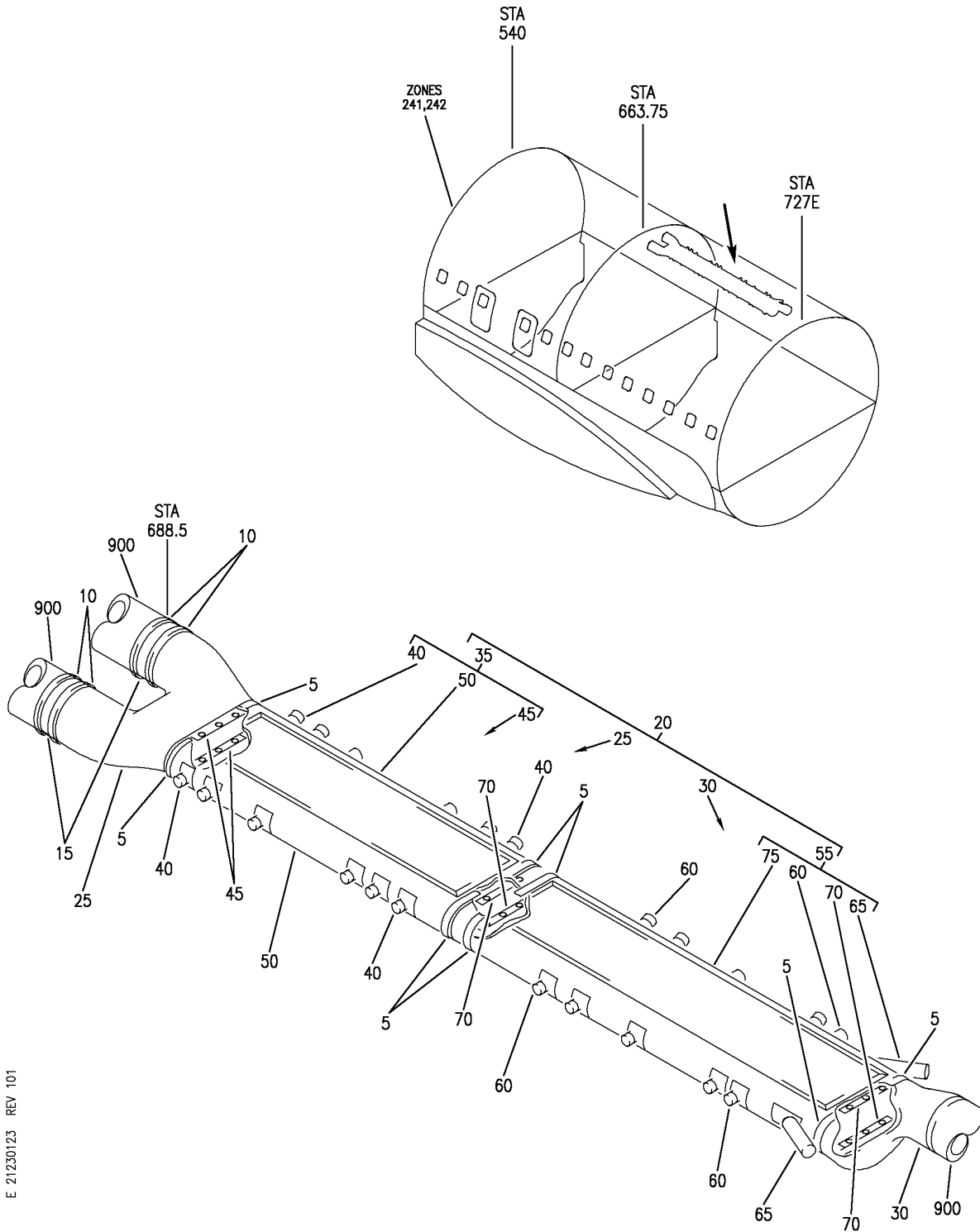
HAP

21-23-01-22B

BOEING PROPRIETARY - Copyright © - Unpublished Work - See title page for details.

21-23-01
FIG. 22B
PAGE 12
JUN 15/09

BOEING
 737-600/700/800/900
 PARTS CATALOG (MAINTENANCE)



E 21230123 REV 101

DUCT INSTL-OVHD AIR DISTR SYS
 FIGURE 23

21-23-01-23

HAP
 OCT 10/06

21-23-01-23
 PAGE 0

BOEING
737-600/700/800/900
PARTS CATALOG (MAINTENANCE)

FIG ITEM	PART NUMBER	1 2 3 4 5 6 7	NOMENCLATURE	EFFECT FROM TO	UNITS PER ASSY
23			DUCT INSTL-OVHD AIR DISTR SYS	012036	
- 1	214A2012-11		DUCT INSTL-OVHD AIR DISTR SYS	012030	RF
- 1	MODREF81250		FOR NHA SEE: 21-20-00-09C DUCT INSTL-OVHD AIR DISTR SYS	031036	1
5	T012L0		MODULE NUMBER: 214A2012-11 REV A .STRAP- SUPPLIER CODE: V53421 SPECIFICATION NUMBER: BACS38K6	012036	8
10	NAS1922-0750-3		.CLAMP-	012036	4
15	AS1506-30D32		.SLEEVE-	012036	2
20	214A2020-5		.DUCT ASSY-	012036	1
25	214A2122-1		..DUCT	012036	1
30	214A2122-2		..DUCT	012036	1
35	214A2121-2		..DUCT ASSY	012036	1
40	214T3488-165		...SPUD-	012036	12
45	65C37829-1		...PLATE	012036	2
50	214A2121-5		...DUCT ASSY	012036	1
55	214A2121-16		..DUCT ASSY	012036	1
60	214T3488-165		...SPUD-	012036	10
65	214T3488-169		...SPUD-	012036	2
70	65C37829-1		...PLATE	012036	4
75	214A2121-7		...DUCT ASSY	012036	1
- 80	BACR15FR4MR		ATTACHING PARTS ...RIVET-	012036	18
			SIZE DETERMINED ON INSTL. -----*-----		
900			ILLUSTRATION REFERENCE: DUCT INSTL-OVHD AIR DISTR SYS (PASSENGER CABIN CONDITIONED AIR DISTRIBUTION ONLY) 21-23-01-22	012030	RF
900			ILLUSTRATION REFERENCE: DUCT INSTL-OVHD AIR DISTR SYS (PASSENGER CABIN CONDITIONED AIR DISTRIBUTION ONLY) 21-23-01-22A	031036	RF

MISSING ITEM NUMBERS NOT APPLICABLE

- ITEM NOT ILLUSTRATED

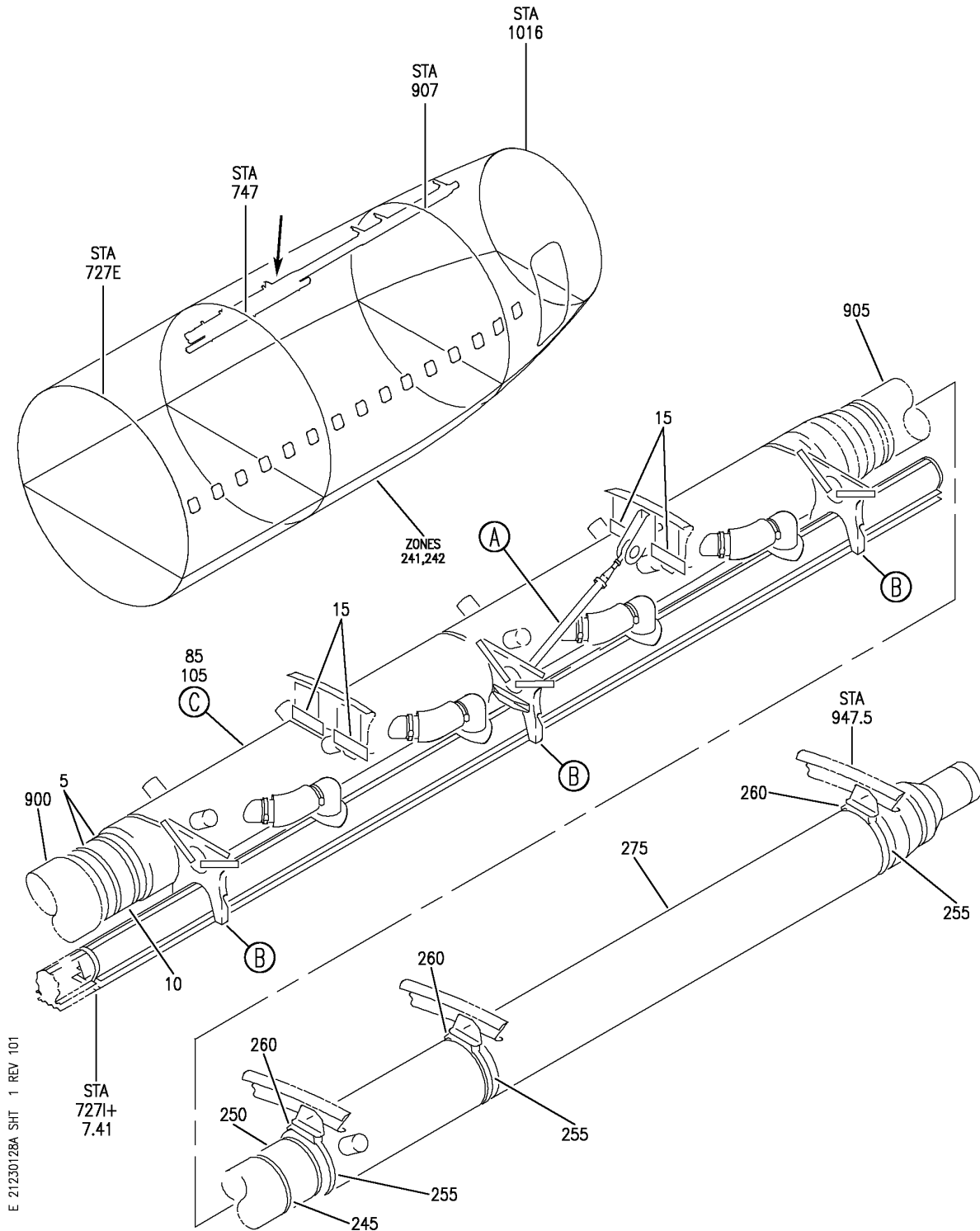
HAP

21-23-01-23

BOEING PROPRIETARY - Copyright © - Unpublished Work - See title page for details.

21-23-01
FIG. 23
PAGE 1
OCT 15/08

BOEING
 737-600/700/800/900
 PARTS CATALOG (MAINTENANCE)



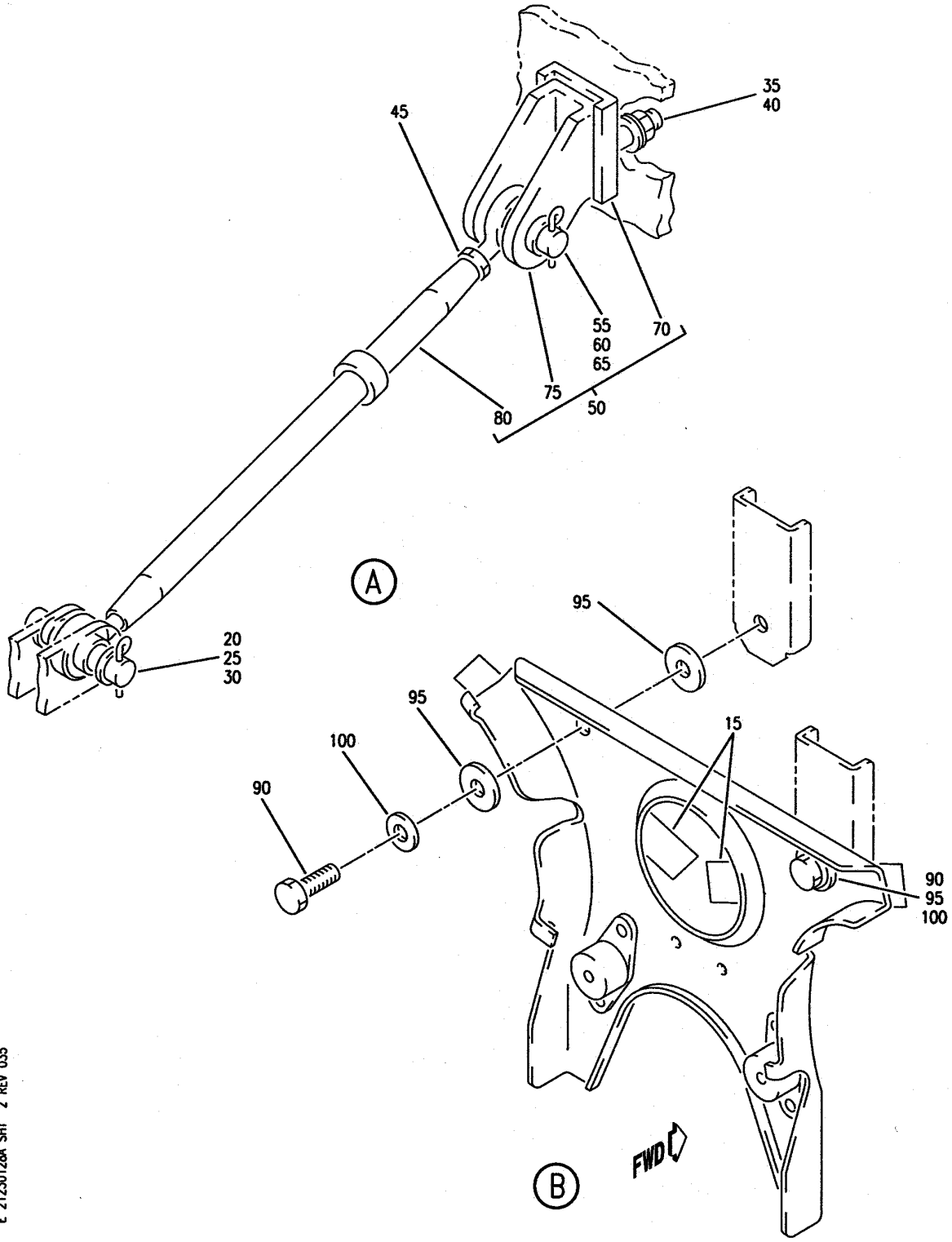
DUCT INSTL-OVHD AIR DISTR SYS STA 727I TO 947.5
 FIGURE 28A (SHEET 1)

21-23-01-28A

HAP
 OCT 10/06

21-23-01-28A
 PAGE 0

BOEING
 737-600/700/800/900
 PARTS CATALOG (MAINTENANCE)



E 21230128A SH1 2 REV 035

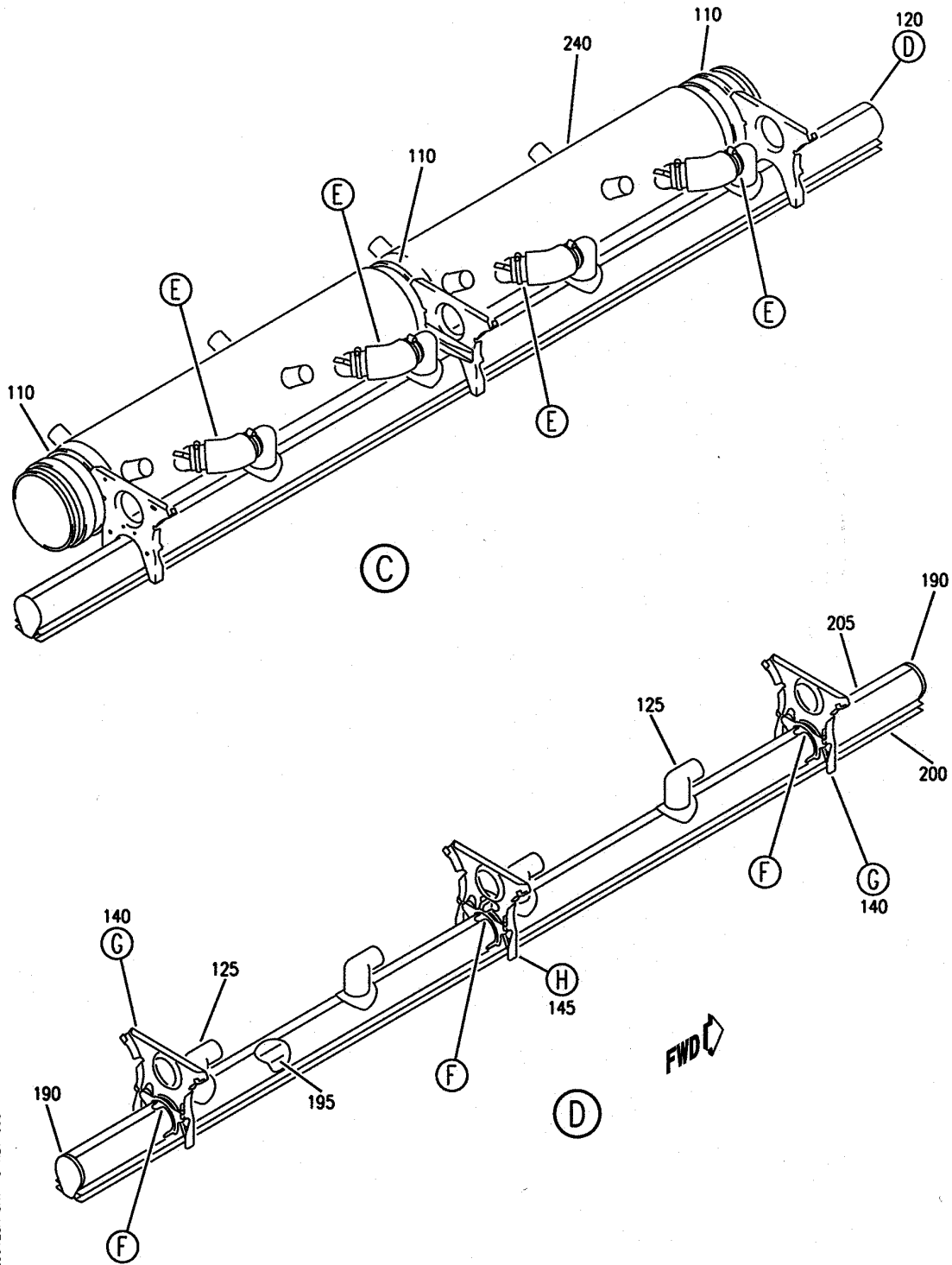
DUCT INSTL-OVHD AIR DISTR SYS STA 727I TO 947.5
 FIGURE 28A (SHEET 2)

21-23-01-28A

HAP
 OCT 10/06

21-23-01-28A
 PAGE 0A

BOEING
 737-600/700/800/900
 PARTS CATALOG (MAINTENANCE)



E 21230128A SHT 3 REV 035

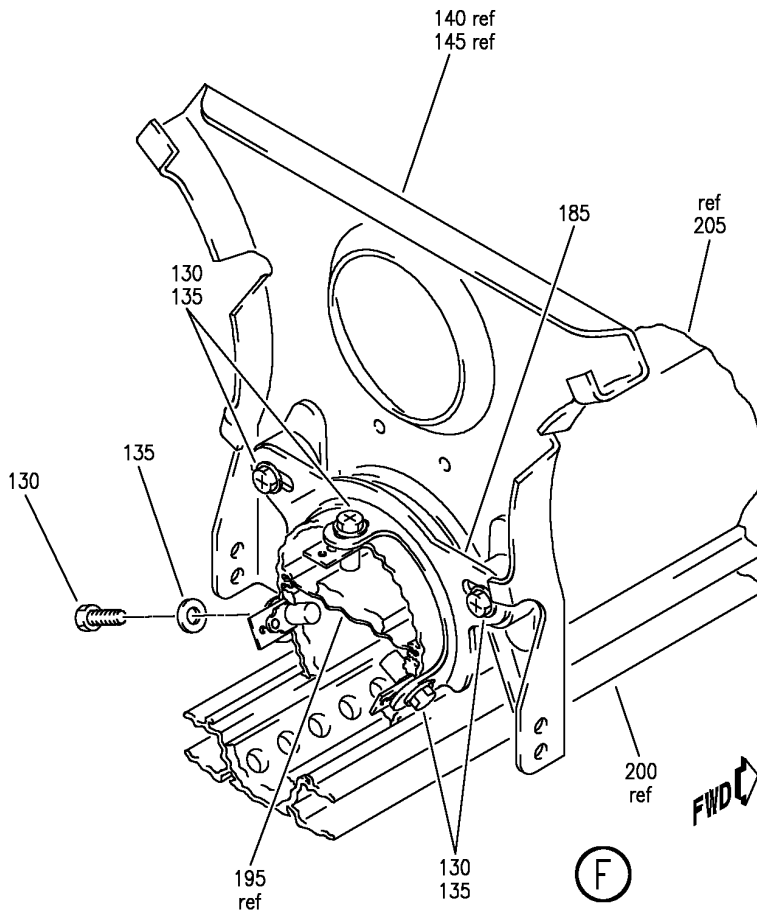
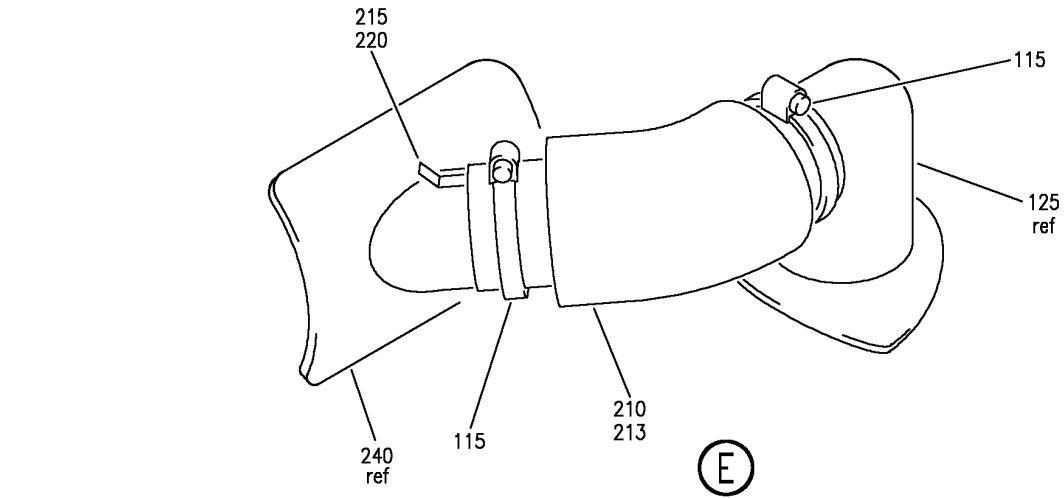
DUCT INSTL-OVHD AIR DISTR SYS STA 727I TO 947.5
 FIGURE 28A (SHEET 3)

21-23-01-28A

HAP
 OCT 10/06

21-23-01-28A
 PAGE 0B

BOEING
 737-600/700/800/900
 PARTS CATALOG (MAINTENANCE)



E 21230128A SHIT 4 REV 155

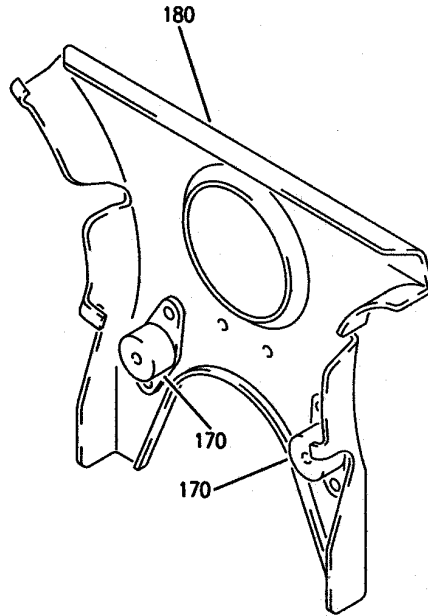
DUCT INSTL-OVHD AIR DISTR SYS STA 727I TO 947.5
 FIGURE 28A (SHEET 4)

21-23-01-28A

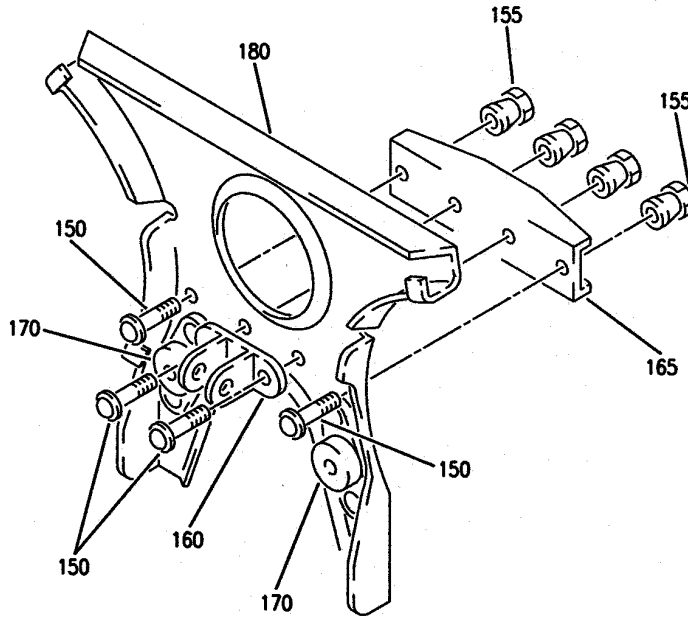
HAP
 JUN 15/09

21-23-01-28A
 PAGE 0C

BOEING
737-600/700/800/900
PARTS CATALOG (MAINTENANCE)



(G)



(H)

E 21230128A SHT 5 REV 035

DUCT INSTL-OVHD AIR DISTR SYS STA 727I TO 947.5
FIGURE 28A (SHEET 5)

21-23-01-28A

HAP
OCT 10/06

21-23-01-28A
PAGE 0D

BOEING
737-600/700/800/900
PARTS CATALOG (MAINTENANCE)

FIG ITEM	PART NUMBER	1 2 3 4 5 6 7	NOMENCLATURE	EFFECT FROM TO	UNITS PER ASSY
28A			DUCT INSTL-OVHD AIR DISTR SYS	012030	
- 1	214A2003-9SP		DUCT INSTL-OVHD AIR DISTR SYS POSITION DATA: STA 727I TO 947.5 FOR NHA SEE: 21-20-00-04C	012030	RF
5	NAS1922-0750-3	.CLAMP		012030	2
10	AS1506-30D32	.SLEEVE		012030	1
15	411A4904-9	.STRIP-FELT SEAL		012030	10
20	BACP18BC02C04P	.PIN		012030	1
25	MS20392-3C21	.PIN-		012030	1
		OPTIONAL PART: BACP18BD3C21			
25	BACP18BD3C21	.PIN-		012030	1
		OPTIONAL PART: MS20392-3C21			
30	NAS1149D0416J	.WASHER-		012030	1
		OPTIONAL PART: NAS1149E0416P			
30	NAS1149E0416P	.WASHER-		012030	1
		OPTIONAL PART: NAS1149D0416J			
35	NAS1149D0516J	.WASHER		012030	1
40	MS21042L5	.NUT		012030	1
45	AN316-5R	.NUT		012030	1
50	412N2030-51	.DIAGONAL ASSY		012030	1
55	MS24665-132	..PIN		012030	1
60	MS20392-3C17	..PIN		012030	1
65	AN960PD416L	..WASHER		012030	1
70	412N2032-3	..INSULATOR-CLEVIS		012030	1
		MANUFACTURED FROM: FIN F-6.10 COMPRESSION MOLDED PHENOLIC, GLASS FIBER FILLED PER BMS8-271A, TYPE 1			
70	412N2032-4	..INSULATOR-CLEVIS		012030	1
		MANUFACTURED FROM: FIN F-6.10 COMPRESSION MOLDED PHENOLIC, GLASS FIBER FILLED PER BMS8-271A, TYPE 1			
75	412N2031-1	..CLEVIS-		012030	1
		MANUFACTURED FROM: 412N2031-2			

MISSING ITEM NUMBERS NOT APPLICABLE

- ITEM NOT ILLUSTRATED

HAP

21-23-01-28A

BOEING PROPRIETARY - Copyright © - Unpublished Work - See title page for details.

21-23-01
FIG. 28A
PAGE 1
JUN 10/07

BOEING
737-600/700/800/900
PARTS CATALOG (MAINTENANCE)

FIG ITEM	PART NUMBER	1 2 3 4 5 6 7	NOMENCLATURE	EFFECT FROM TO	UNITS PER ASSY
28A					
80	1293-29		..ROD ASSY- SUPPLIER CODE: V34742	012030	1
85	214A2003-10SP		.DUCT ASSY- ATTACHING PARTS	012030	1
90	BACB30NR4K5		.BOLT	012030	6
95	BACW10P271TF		.WASHER	012030	12
100	NAS1149D0463J		.WASHER- OPTIONAL PART: BACW10BN4AC	012030	6
100	BACW10BN4AC		.WASHER- OPTIONAL PART: NAS1149D0463J -----*-----	012030	6
105	214A2107-20		..DUCT SEGMENT ASSY	012030	1
110	T012L0		...STRAP SUPPLIER CODE: V53421 SPECIFICATION NUMBER: BACS38K6	012030	3
115	NAS1922-0200-3		...CLAMP	012030	8
120	214A2101-6		...PLENUM ASSY	012030	1
125	65C36940-1	OUTLET ASSY-AIR	012030	4
130	BACS12GU3K7	SCREW	012030	15
135	NAS1149D0332J	WASHER	012030	15
140	65C36910-1	BRACKET ASSY	012030	2
145	65C36910-3	BRACKET ASSY	012030	1
150	BACB30NX6K	BOLT- SIZE DETERMINED ON INSTL. USED ON: 65C36910-3	012030	4

MISSING ITEM NUMBERS NOT APPLICABLE

— ITEM NOT ILLUSTRATED

HAP

21-23-01-28A

BOEING PROPRIETARY - Copyright © - Unpublished Work - See title page for details.

21-23-01
FIG. 28A
PAGE 2
JUN 10/07

BOEING
737-600/700/800/900
PARTS CATALOG (MAINTENANCE)

FIG ITEM	PART NUMBER	1 2 3 4 5 6 7	NOMENCLATURE	EFFECT FROM TO	UNITS PER ASSY
28A 155	HL1187-6	COLLAR- SUPPLIER CODE: V5M902 SPECIFICATION NUMBER: BACC30X6 OPTIONAL PART: HL87-6 V92215 HL87-6 V73197 HL1187-6 V56878 HL1187-6 V92215 HL87-6 V56878 HL1187-6 V73197 SIZE DETERMINED ON INSTL. USED ON: 65C36910-3	012030	4
160	214N2161-2	BRACKET- USED ON: 65C36910-3	012030	1
165	214N2161-3	BRACKET- USED ON: 65C36910-3	012030	1
170	DE819	MOUNT-ISOLATOR SUPPLIER CODE: V71985 SPECIFICATION NUMBER: S411T100-901 OPTIONAL PART: SL8113-3 V97393	012030	2
170	SL8113-3	MOUNT- SUPPLIER CODE: V97393 SPECIFICATION NUMBER: S411T100-901 OPTIONAL PART: DE819 V71985 ATTACHING PARTS	012030	2
- 175	BACR15BA4D	RIVET- SIZE DETERMINED ON INSTL. -----*-----	012030	4
180	65C36911-1	BRACKET	012030	1
185	214A2111-1	BRACKET	012030	3

MISSING ITEM NUMBERS NOT APPLICABLE

- ITEM NOT ILLUSTRATED

HAP

21-23-01-28A

BOEING PROPRIETARY - Copyright © - Unpublished Work - See title page for details.

21-23-01
FIG. 28A
PAGE 3
JUN 10/07

BOEING
737-600/700/800/900
PARTS CATALOG (MAINTENANCE)

FIG ITEM	PART NUMBER	1 2 3 4 5 6 7	NOMENCLATURE	EFFECT FROM TO	UNITS PER ASSY
28A					
190	214N2169-1	CAP	012030	2
195	214A2104-9	RESTRICTOR ASSY	012030	1
200	214A2103-9	NOZZLE ASSY	012030	1
205	214N2102-9	PLENUM ASSY	012030	1
210	65C36915-1	...	MUFFLER ASSY-	012030	4
213	AS1591-08-0070A	...	HOSE-	012030	4
215	214T3436-1834	...	ORIFICE ASSY-	012030	4
			OPTIONAL PART: 214T3436-1546		
220	214T3436-1546	...	ORIFICE ASSY-	012030	4
			OPTIONAL PART: 214T3436-1834		
240	214A2106-37	...	DUCT ASSY-	012030	1
245	NAS1922-0625-3	.	CLAMP	012030	2
250	AS1506-24D32	.	SLEEVE	012030	1
255	T012L0	.	STRAP	012030	3
			SUPPLIER CODE: V53421		
			SPECIFICATION NUMBER: BACS38K6		
260	214T3424-11	.	SUPPORT	012030	3
			ATTACHING PARTS		
- 265	BACB30NM3K4	.	BOLT	012030	6
- 270	BACW10BN3AP	.	WASHER	012030	6
			-----*-----		
275	214A2106-15	.	DUCT ASSY-	012030	1
900			ILLUSTRATION REFERENCE: DUCT INSTL-OVHD AIR	012030	RF
			DISTR SYS (PASSENGER CABIN CONDITIONED AIR DISTRIBUTION ONLY) 21-23-01-22		

MISSING ITEM NUMBERS NOT APPLICABLE

- ITEM NOT ILLUSTRATED

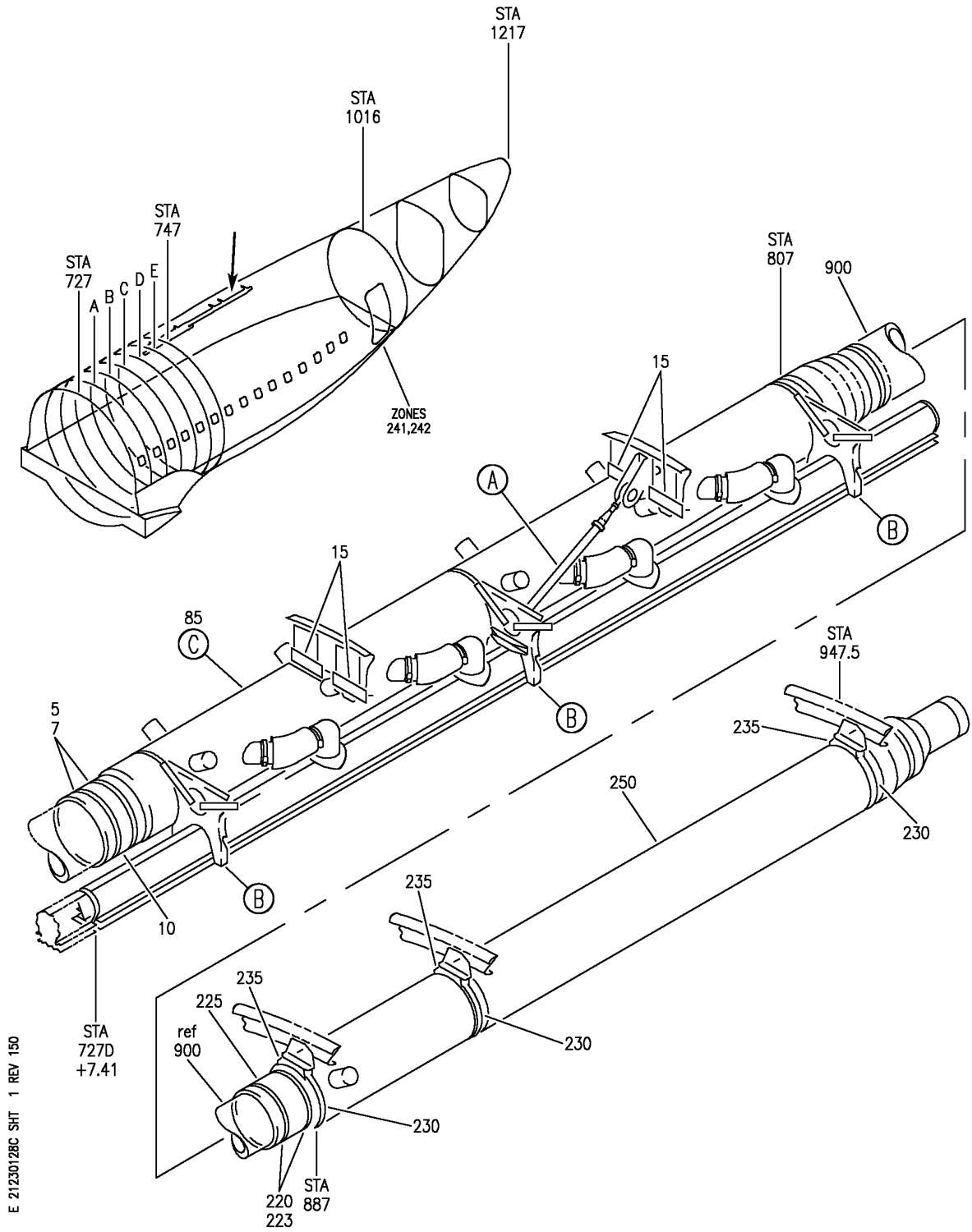
HAP

21-23-01-28A

BOEING PROPRIETARY - Copyright © - Unpublished Work - See title page for details.

21-23-01
FIG. 28A
PAGE 4
JUN 15/09

BOEING
 737-600/700/800/900
 PARTS CATALOG (MAINTENANCE)



E 21230128C SHT 1 REV 150

DUCT INSTL-OVHD AIR DISTR SYS STA 727D TO 947.5
 FIGURE 28C (SHEET 1)

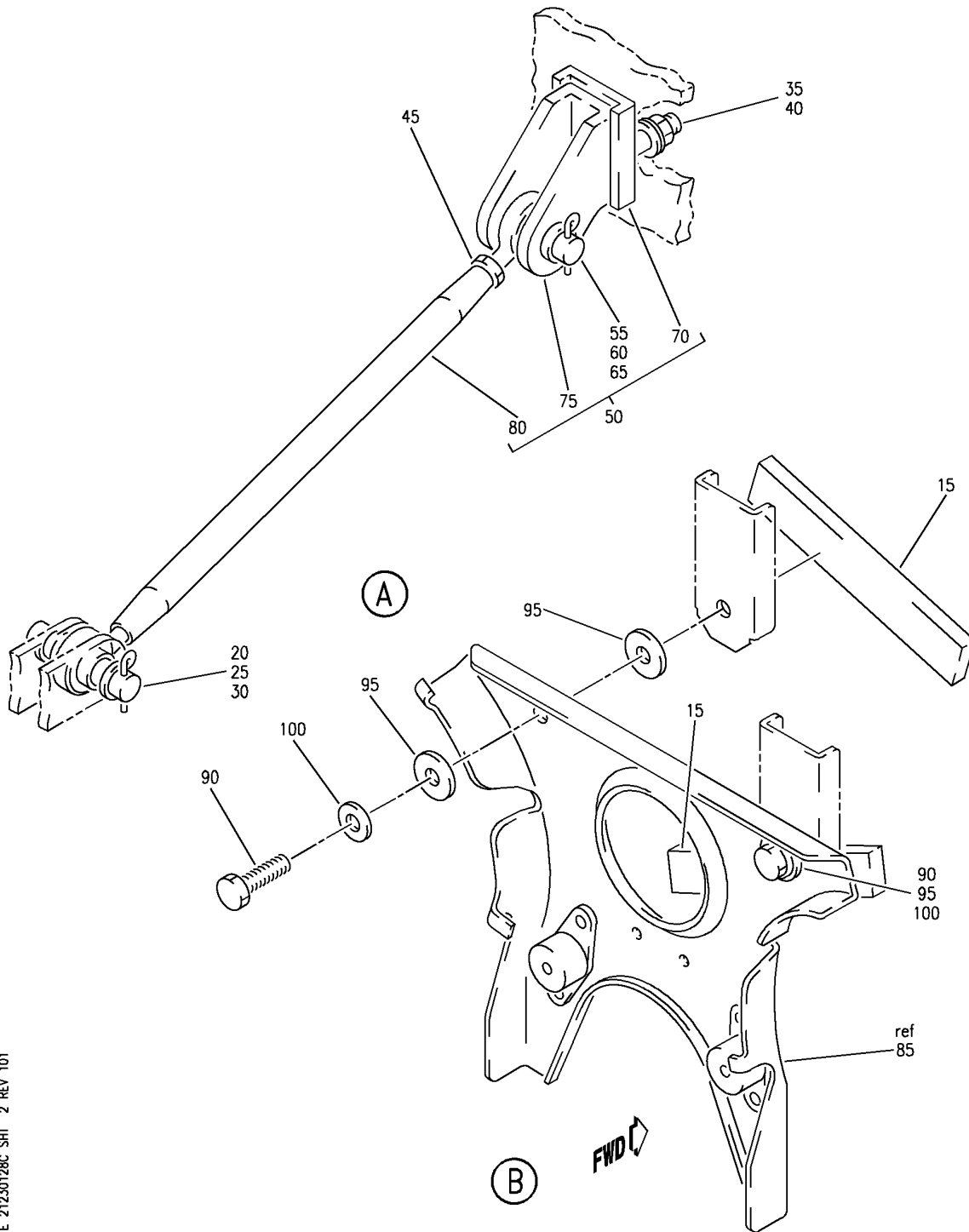
21-23-01-28C

HAP
 FEB 15/09

21-23-01-28C
 PAGE 0

BOEING PROPRIETARY - Copyright © - Unpublished Work - See title page for details.

BOEING
 737-600/700/800/900
 PARTS CATALOG (MAINTENANCE)



E 21230128C SHT 2 REV 101

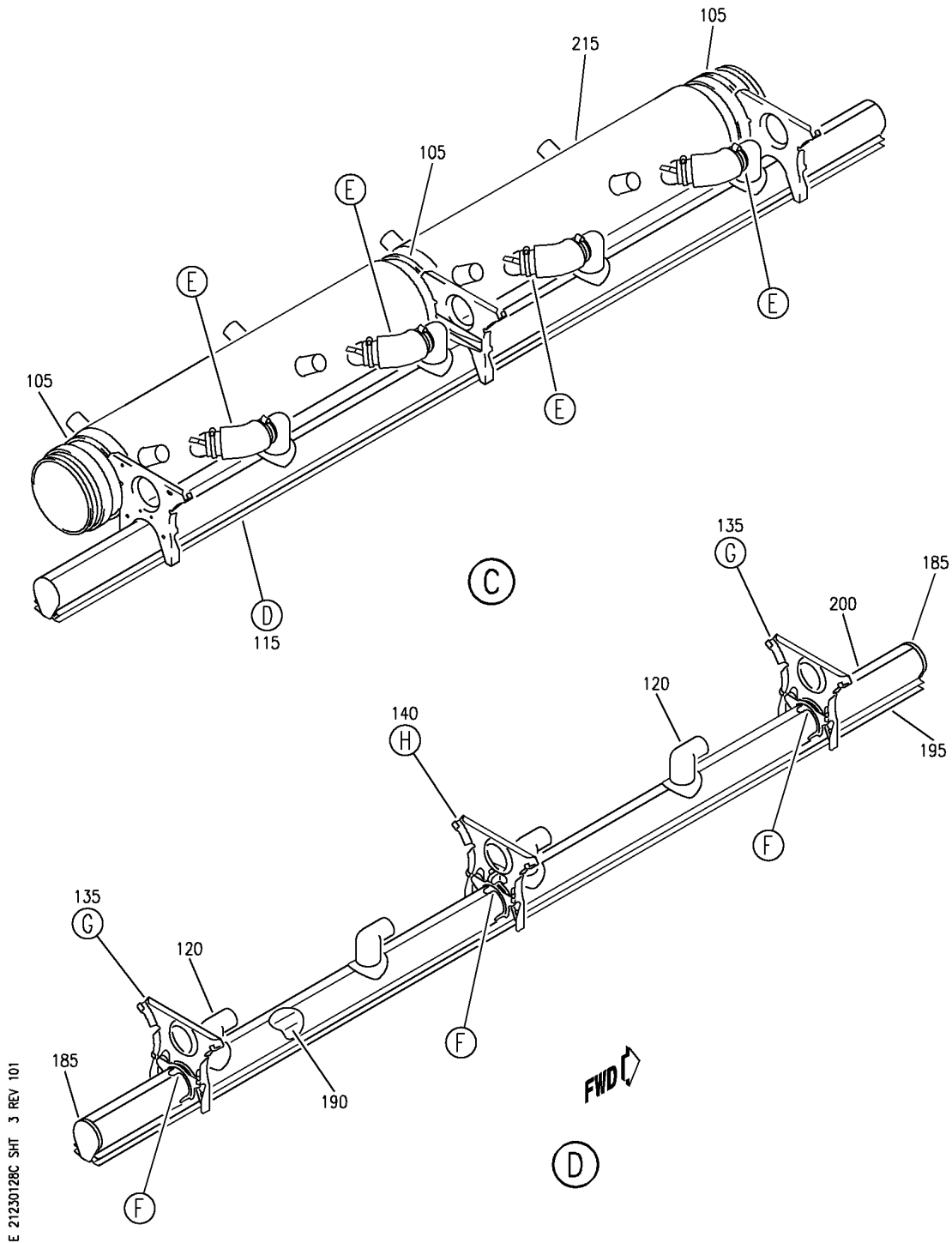
DUCT INSTL-OVHD AIR DISTR SYS STA 727D TO 947.5
 FIGURE 28C (SHEET 2)

21-23-01-28C

HAP
 FEB 10/07

21-23-01-28C
 PAGE 0A

BOEING
 737-600/700/800/900
 PARTS CATALOG (MAINTENANCE)



E 21230128C SHT 3 REV 101

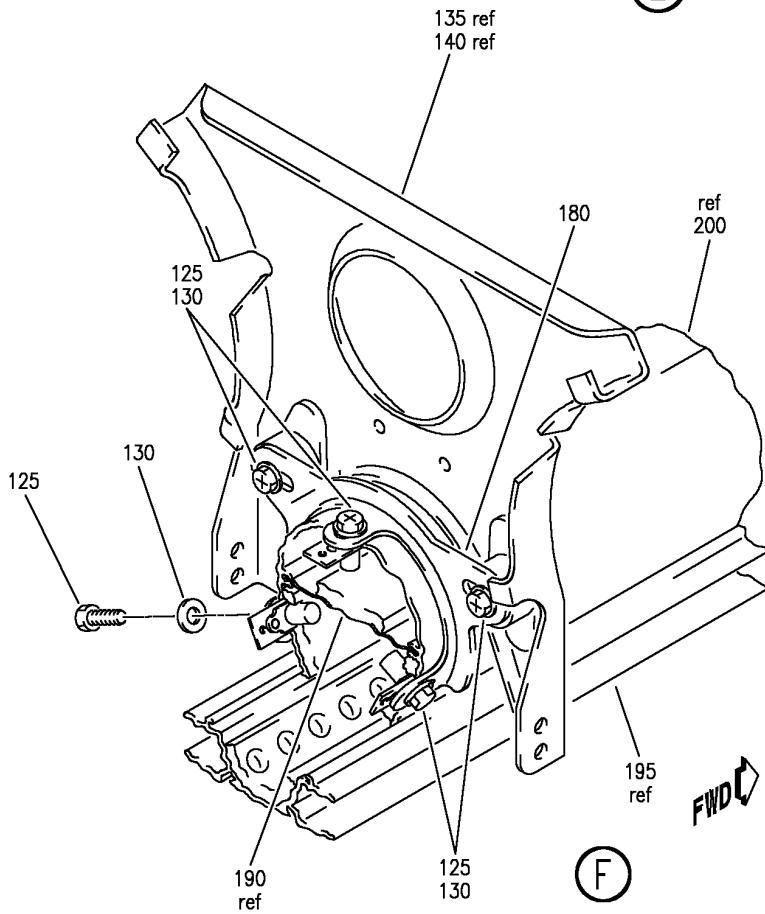
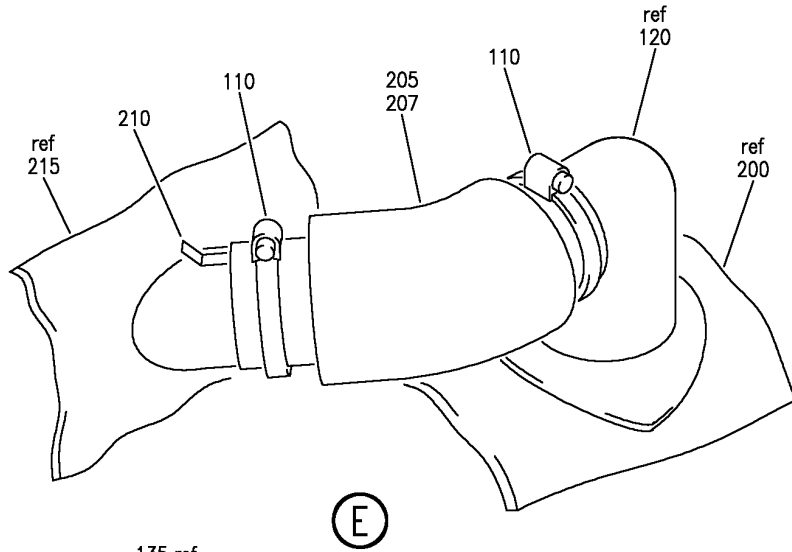
DUCT INSTL-OVHD AIR DISTR SYS STA 727D TO 947.5
 FIGURE 28C (SHEET 3)

21-23-01-28C

HAP
 FEB 10/07

21-23-01-28C
 PAGE 0B

BOEING
 737-600/700/800/900
 PARTS CATALOG (MAINTENANCE)



E 21230128C SHT 4 REV 153

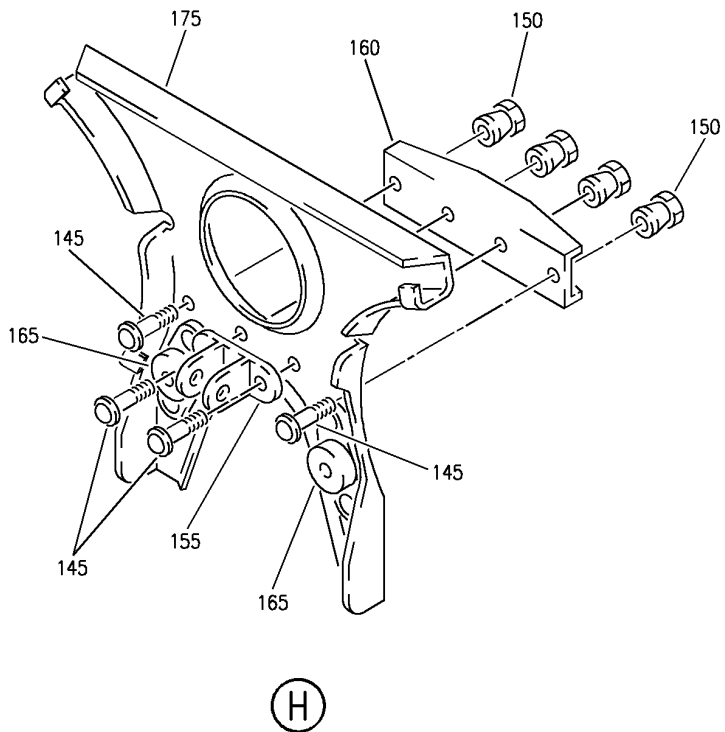
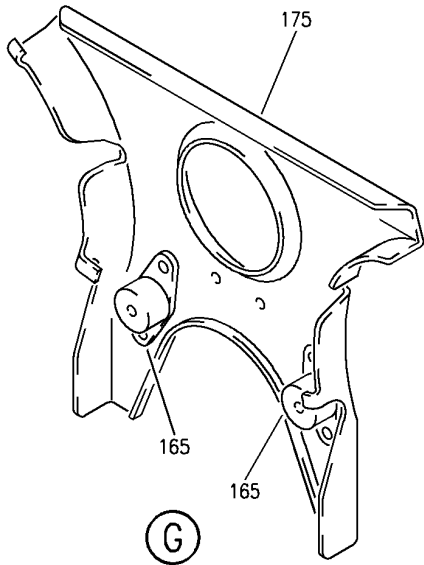
DUCT INSTL-OVHD AIR DISTR SYS STA 727D TO 947.5
 FIGURE 28C (SHEET 4)

21-23-01-28C

HAP
 JUN 15/09

21-23-01-28C
 PAGE 0C

BOEING
737-600/700/800/900
PARTS CATALOG (MAINTENANCE)



E 21230128C SHT 5 REV 101

DUCT INSTL-OVHD AIR DISTR SYS STA 727D TO 947.5
FIGURE 28C (SHEET 5)

21-23-01-28C

HAP
FEB 10/07

21-23-01-28C
PAGE 0D

BOEING
737-600/700/800/900
PARTS CATALOG (MAINTENANCE)

FIG ITEM	PART NUMBER	1 2 3 4 5 6 7	NOMENCLATURE	EFFECT FROM TO	UNITS PER ASSY
28C			DUCT INSTL-OVHD AIR DISTR SYS	101200 968999	
- 1	MODREF291251		STA 727D TO 947.5 DUCT INSTL-OVHD AIR DISTR SYS	101105 968999	1
- 1	MODREF363120		MODULE NUMBER: 214A2003-9A REV C POSITION DATA: STA 727D TO 947.5 DUCT INSTL-OVHD AIR DISTR SYS	106106	1
- 1	MODREF402154		MODULE NUMBER: 214A2003-9A REV D POSITION DATA: STA 727D TO 947.5 DUCT INSTL-OVHD AIR DISTR SYS	107200	1
5	NAS1922-0750-3		MODULE NUMBER: 214A2003-9A REV E POSITION DATA: STA 727D TO 947.5 .CLAMP-	101200 968999	2
7	T012L0		OPTIONAL PART: BACS38K6 .STRAP-	107200	2
			SUPPLIER CODE: V53421 SPECIFICATION NUMBER: BACS38K6 OPTIONAL PART: NAS1922-0750-3		
10	AS1506-30D32		.SLEEVE	101200 968999	1
15	411A4904-9		.STRIP-FELT SEAL	101200 968999	10
20	BACP18BC02C04P		.PIN	101200 968999	1
25	BACP18BD3C21		.PIN-	101200 968999	1
			OPTIONAL PART: MS20392-3C21		
25	MS20392-3C21		.PIN-	101200 968999	1
			OPTIONAL PART: BACP18BD3C21		
30	NAS1149E0416P		.WASHER-	101200 968999	1
			OPTIONAL PART: NAS1149D0416J		
30	NAS1149D0416J		.WASHER-	101200 968999	1
			OPTIONAL PART: NAS1149E0416P		

MISSING ITEM NUMBERS NOT APPLICABLE

- ITEM NOT ILLUSTRATED

HAP

21-23-01-28C

21-23-01
FIG. 28C
PAGE 1
FEB 15/09

BOEING PROPRIETARY - Copyright © - Unpublished Work - See title page for details.

BOEING
737-600/700/800/900
PARTS CATALOG (MAINTENANCE)

FIG ITEM	PART NUMBER	1 2 3 4 5 6 7	NOMENCLATURE	EFFECT FROM TO	UNITS PER ASSY
28C					
35	NAS1149D0516J	.	WASHER	101200 968999	1
40	MS21042L5	.	NUT	101200 968999	1
45	AN316-5R	.	NUT	101200 968999	1
50	412N2030-51	.	DIAGONAL ASSY	101200 968999	1
55	MS24665-132	..	PIN	101200 968999	1
60	MS20392-3C17	..	PIN	101200 968999	1
65	AN960PD416L	..	WASHER	101200 968999	1
70	412N2032-3	..	INSULATOR-CLEVIS MANUFACTURED FROM: FIN F-6.10 COMPRESSION MOLDED PHENOLIC, GLASS FIBER FILLED PER BMS8-271A, TYPE 1	101200 968999	1
70	412N2032-4	..	INSULATOR-CLEVIS MANUFACTURED FROM: FIN F-6.10 COMPRESSION MOLDED PHENOLIC, GLASS FIBER FILLED PER BMS8-271A, TYPE 1	101200 968999	1
75	412N2031-1	..	CLEVIS- MANUFACTURED FROM: 412N2031-2	101200 968999	1
80	1293-29	..	ROD ASSY- SUPPLIER CODE: V34742	101200 968999	1
85	214A2107-56B	.	SEGMENT ASSY-DUCT	101105 968999	1
85	214A2107-99B	.	SEGMENT ASSY-DUCT ATTACHING PARTS	106200	1
90	BACB30NR4K5	.	BOLT	101200 968999	6
95	BACW10P271TF	.	WASHER	101200 968999	12
100	BACW10BN4AC	.	WASHER- OPTIONAL PART: NAS1149D0463J	101200 968999	6
100	NAS1149D0463J	.	WASHER- OPTIONAL PART: BACW10BN4AC -----*-----	101200 968999	6

MISSING ITEM NUMBERS NOT APPLICABLE

— ITEM NOT ILLUSTRATED

HAP

21-23-01-28C

21-23-01
FIG. 28C
PAGE 2
FEB 15/09

BOEING PROPRIETARY - Copyright © - Unpublished Work - See title page for details.

BOEING
737-600/700/800/900
PARTS CATALOG (MAINTENANCE)

FIG ITEM	PART NUMBER	1 2 3 4 5 6 7	NOMENCLATURE	EFFECT FROM TO	UNITS PER ASSY
28C 105	T012L0	..	STRAP SUPPLIER CODE: V53421 SPECIFICATION NUMBER: BACS38K6	101200 968999	3
110	NAS1922-0200-3	..	CLAMP- OPTIONAL PART: BACS38K2	101200 968999	8
110	PLT4SM	..	STRAP- SUPPLIER CODE: V06383 SPECIFICATION NUMBER: BACS38K2 OPTIONAL PART: T05L0 V53421 NAS1922-0200-3	101200 968999	8
115	214A2101-6	..	PLENUM ASSY	101200 968999	1
120	65C36940-1	...	OUTLET ASSY-AIR	101200 968999	4
125	BACS12GU3K7	...	SCREW	101200 968999	15
130	NAS1149D0332J	...	WASHER	101200 968999	15
135	65C36910-1	...	BRACKET ASSY	101200 968999	2
140	65C36910-3	...	BRACKET ASSY	101200 968999	1
145	BACB30NX6K	BOLT- SIZE DETERMINED ON INSTL. USED ON: 65C36910-3	101200 968999	4

MISSING ITEM NUMBERS NOT APPLICABLE

— ITEM NOT ILLUSTRATED

HAP

21-23-01-28C

BOEING PROPRIETARY - Copyright © - Unpublished Work - See title page for details.

21-23-01
FIG. 28C
PAGE 3
FEB 15/09

BOEING
737-600/700/800/900
PARTS CATALOG (MAINTENANCE)

FIG ITEM	PART NUMBER	1 2 3 4 5 6 7	NOMENCLATURE	EFFECT FROM TO	UNITS PER ASSY
28C 150	HL1187-6	COLLAR- SUPPLIER CODE: V5M902 SPECIFICATION NUMBER: BACC30X6 OPTIONAL PART: HL87-6 V92215 HL87-6 V73197 HL1187-6 V56878 HL1187-6 V92215 HL87-6 V56878 HL1187-6 V73197 SIZE DETERMINED ON INSTL. USED ON: 65C36910-3	101200 968999	4
155	214N2161-2	BRACKET- USED ON: 65C36910-3	101200 968999	1
160	214N2161-3	BRACKET- USED ON: 65C36910-3	101200 968999	1
165	DE819	MOUNT-ISOLATOR SUPPLIER CODE: V71985 SPECIFICATION NUMBER: S411T100-901 OPTIONAL PART: SL8113-3 V97393 ATTACHING PARTS	101200 968999	2
- 170	BACR15BA4D	RIVET- SIZE DETERMINED ON INSTL. -----*-----	101200 968999	4
175	65C36911-1	BRACKET	101200 968999	1
180	214A2111-1	...	BRACKET	101200 968999	3
185	214N2169-1	...	CAP	101200 968999	2
190	214A2104-9	...	RESTRICTOR ASSY	101200 968999	1
195	214A2103-9	...	NOZZLE ASSY	101200 968999	1

MISSING ITEM NUMBERS NOT APPLICABLE

- ITEM NOT ILLUSTRATED

HAP

21-23-01-28C

BOEING PROPRIETARY - Copyright © - Unpublished Work - See title page for details.

21-23-01
FIG. 28C
PAGE 4
FEB 15/09

BOEING
737-600/700/800/900
PARTS CATALOG (MAINTENANCE)

FIG ITEM	PART NUMBER	1 2 3 4 5 6 7	NOMENCLATURE	EFFECT FROM TO	UNITS PER ASSY
28C					
200	214A2102-9	...	PLENUM ASSY	101200 968999	1
205	65C36915-1	..	MUFFLER ASSY-	101200 968999	4
207	AS1591-08-0070A	..	HOSE-	101200 968999	4
210	214T3436-1834	..	ORIFICE ASSY	101200 968999	4
215	214A2106-76	..	DUCT ASSY	101105 968999	1
215	214A2106-105	..	DUCT ASSY	106200	1
220	NAS1922-0625-3	.	CLAMP- OPTIONAL PART: BACS38K6	101200 968999	2
223	T012L0	.	STRAP- SUPPLIER CODE: V53421 SPECIFICATION NUMBER: BACS38K6 OPTIONAL PART: NAS1922-0625-3	107200	2
225	AS1506-24D32	.	SLEEVE	101200 968999	1
230	T012L0	.	STRAP SUPPLIER CODE: V53421 SPECIFICATION NUMBER: BACS38K6	101200 968999	3
235	214T3424-11	.	SUPPORT	101200 968999	3
- 240	BACB30NM3K4	.	ATTACHING PARTS BOLT	101200 968999	6
- 245	BACW10BN3AP	.	WASHER	101200 968999	6
		-----*			
250	214A2106-77	.	DUCT ASSY	101105 968999	1
250	214A2106-106	.	DUCT ASSY	106200	1

MISSING ITEM NUMBERS NOT APPLICABLE

- ITEM NOT ILLUSTRATED

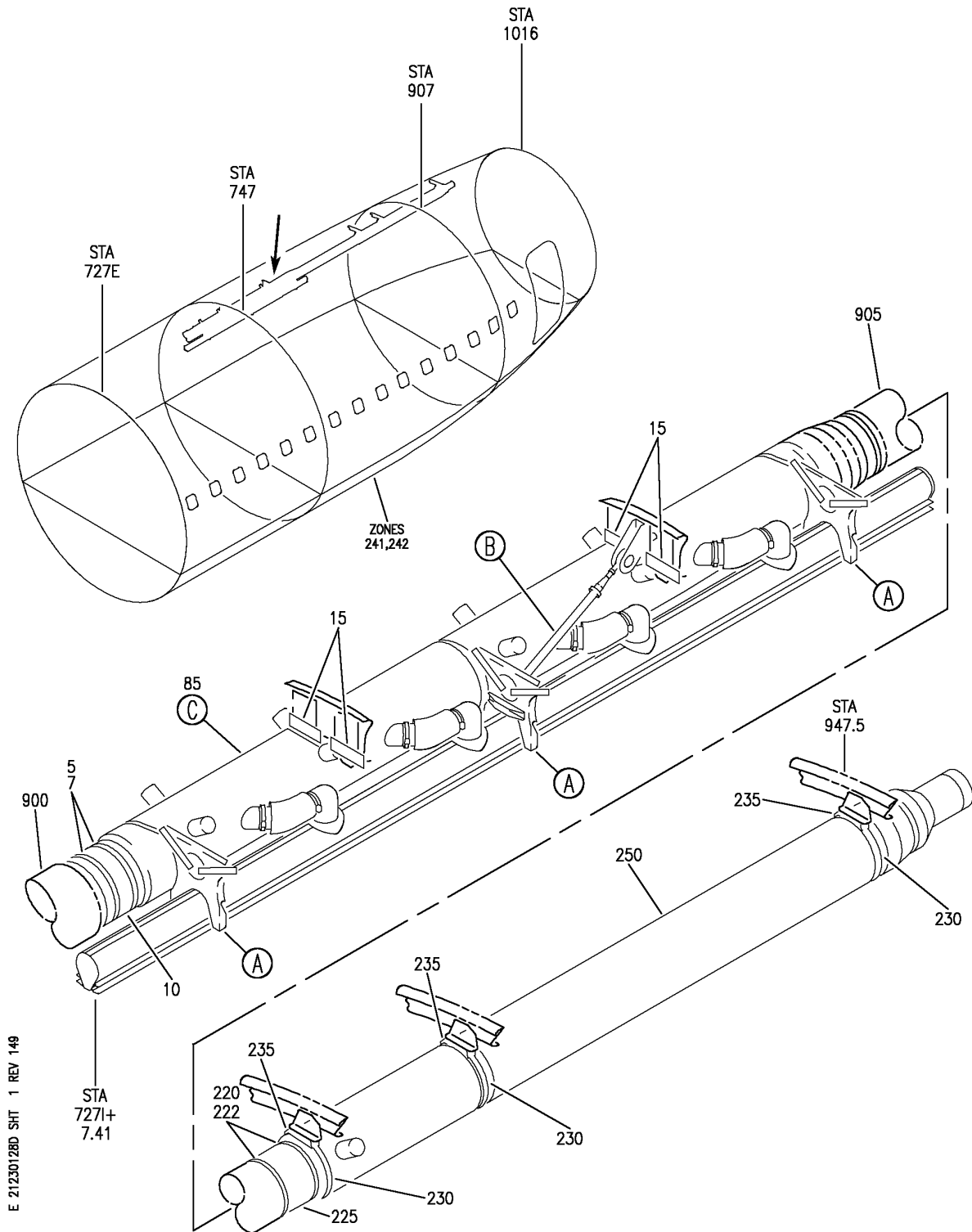
HAP

21-23-01-28C

BOEING PROPRIETARY - Copyright © - Unpublished Work - See title page for details.

21-23-01
FIG. 28C
PAGE 5
JUN 15/09

BOEING
 737-600/700/800/900
 PARTS CATALOG (MAINTENANCE)



E 21230128D SHT 1 REV 149

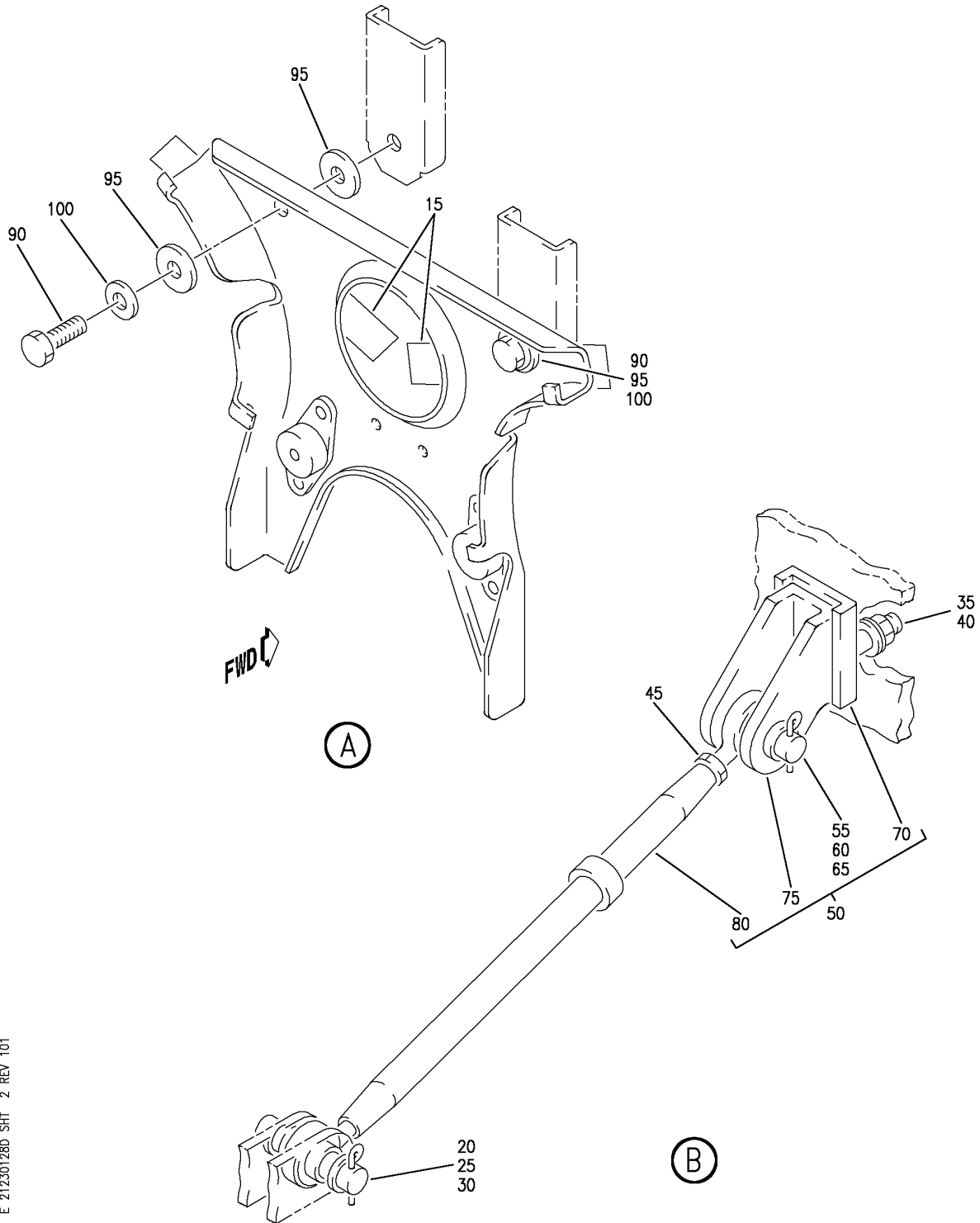
DUCT INSTL-OVHD AIR DISTR SYS STA 727I TO 947.5
 FIGURE 28D (SHEET 1)

21-23-01-28D

HAP
 FEB 15/09

21-23-01-28D
 PAGE 0

BOEING
 737-600/700/800/900
 PARTS CATALOG (MAINTENANCE)



E 21230128D SHT 2 REV 101

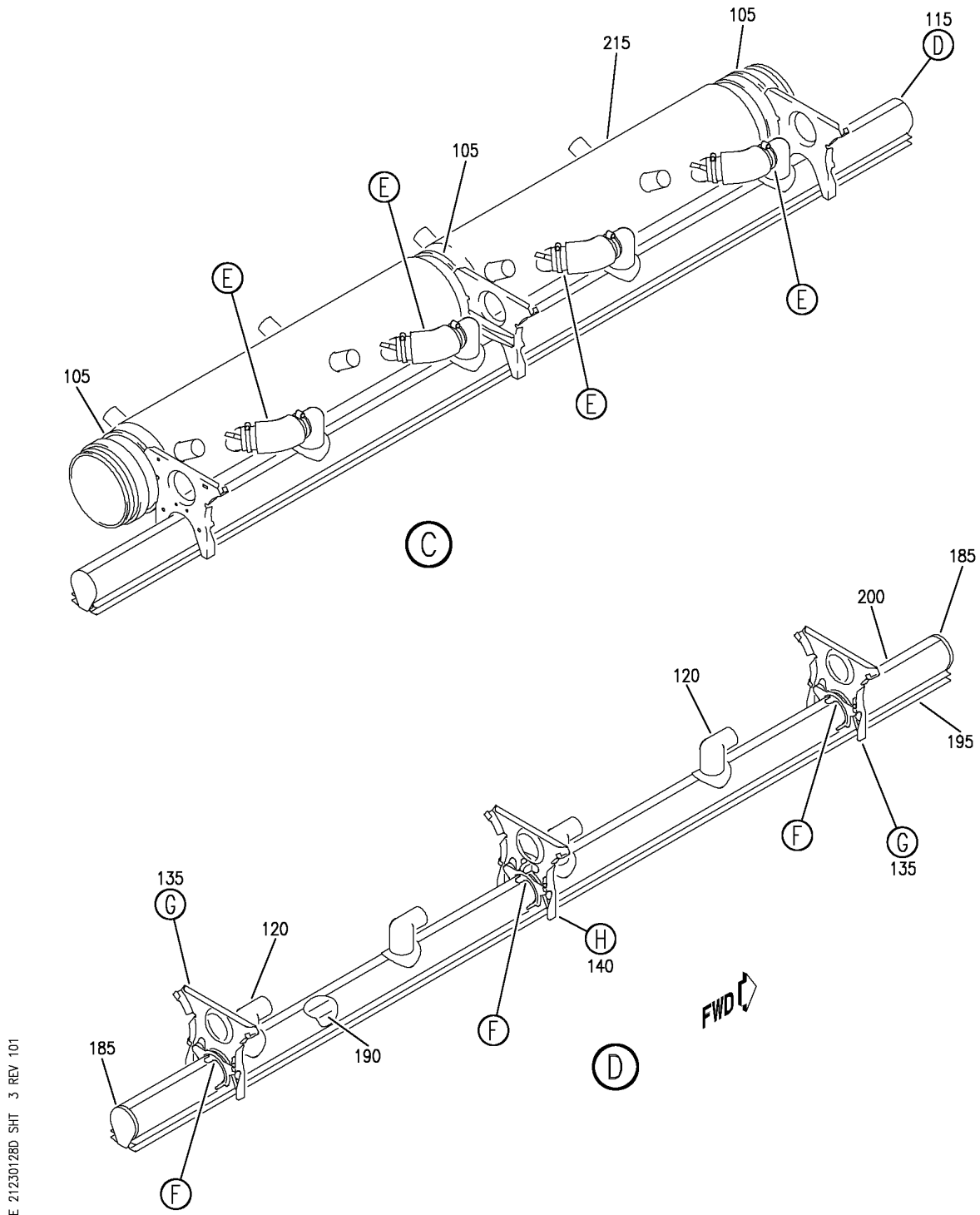
DUCT INSTL-OVHD AIR DISTR SYS STA 727I TO 947.5
 FIGURE 28D (SHEET 2)

21-23-01-28D

HAP
 OCT 10/06

21-23-01-28D
 PAGE 0A

BOEING
 737-600/700/800/900
 PARTS CATALOG (MAINTENANCE)



E 21230128D SHT 3 REV 101

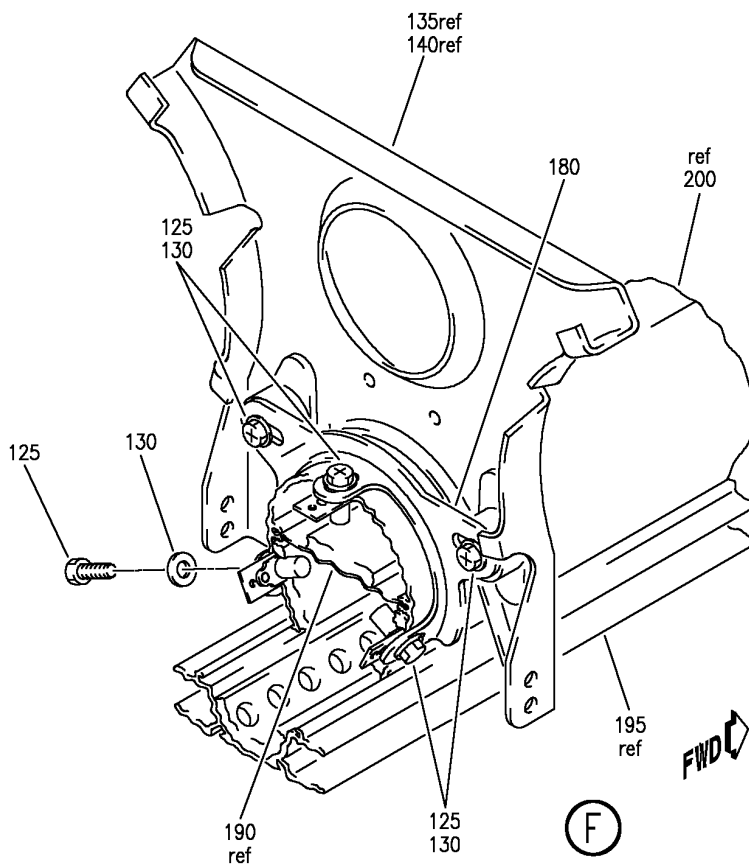
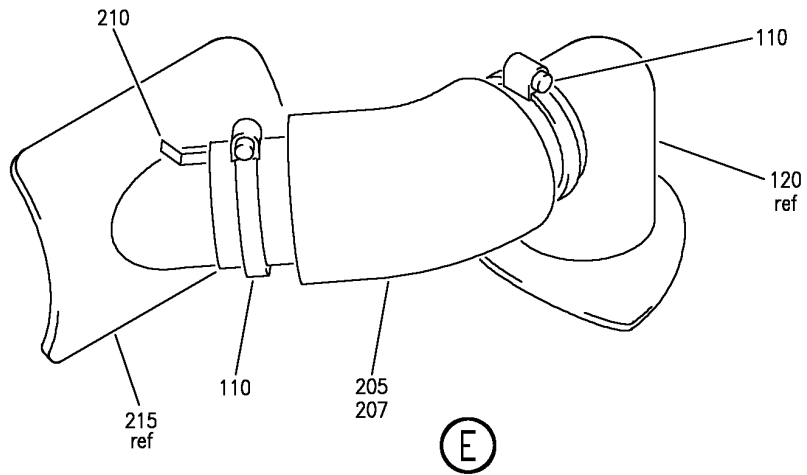
DUCT INSTL-OVHD AIR DISTR SYS STA 727I TO 947.5
 FIGURE 28D (SHEET 3)

21-23-01-28D

HAP
 OCT 10/06

21-23-01-28D
 PAGE 0B

BOEING
 737-600/700/800/900
 PARTS CATALOG (MAINTENANCE)



E 21230128D SHT 4 REV 153

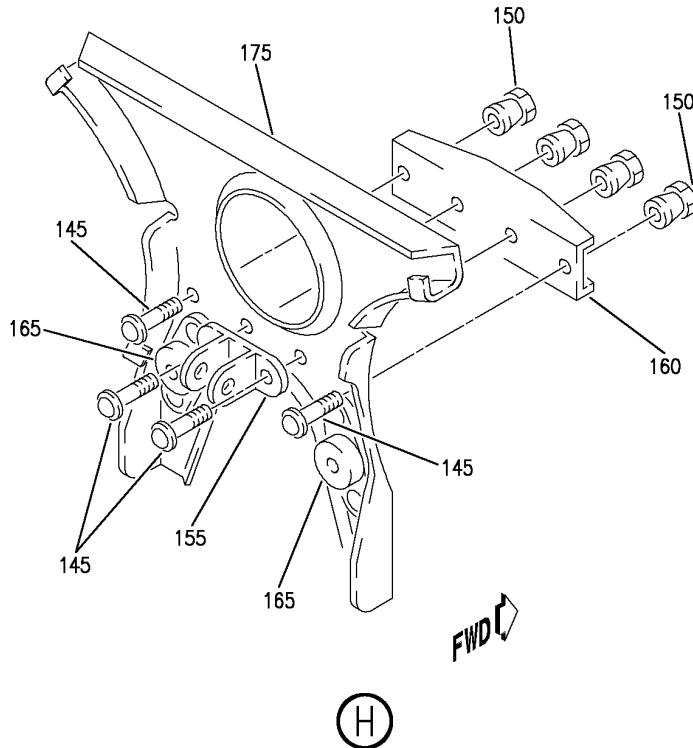
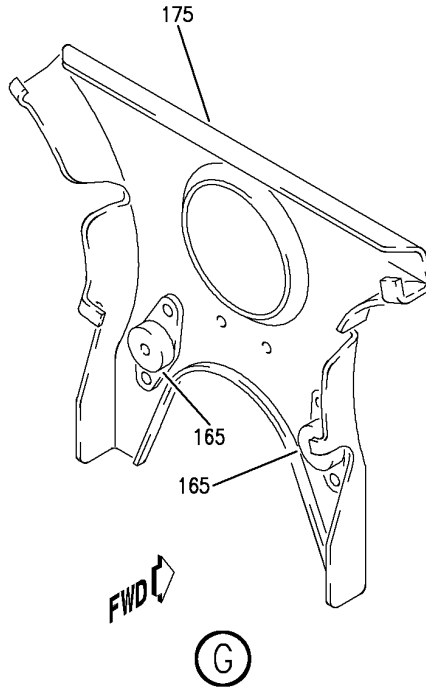
DUCT INSTL-OVHD AIR DISTR SYS STA 727I TO 947.5
 FIGURE 28D (SHEET 4)

21-23-01-28D

HAP
 JUN 15/09

21-23-01-28D
 PAGE 0C

BOEING
 737-600/700/800/900
 PARTS CATALOG (MAINTENANCE)



E 21230128D SHT 5 REV 101

DUCT INSTL-OVHD AIR DISTR SYS STA 727I TO 947.5
 FIGURE 28D (SHEET 5)

21-23-01-28D

HAP
 OCT 10/06

21-23-01-28D
 PAGE 0D

BOEING
737-600/700/800/900
PARTS CATALOG (MAINTENANCE)

FIG ITEM	PART NUMBER	1 2 3 4 5 6 7	NOMENCLATURE	EFFECT FROM TO	UNITS PER ASSY
28D			DUCT INSTL-OVHD AIR DISTR SYS	031100	
- 1	MODREF231658		STA 727I TO 947.5 DUCT INSTL-OVHD AIR DISTR SYS	031031	1
- 1	MODREF291547		MODULE NUMBER: 214A2003-9A REV B POSITION DATA: STA 727I TO 947.5 DUCT INSTL-OVHD AIR DISTR SYS	032036	1
- 1	MODREF291250		MODULE NUMBER: 214A2003-27B REV A POSITION DATA: STA 727I TO 947.5 DUCT INSTL-OVHD AIR DISTR SYS	037046 054100	1
- 1	MODREF363119		MODULE NUMBER: 214A2003-24B REV A POSITION DATA: STA 727I TO 947.5 DUCT INSTL-OVHD AIR DISTR SYS	047048	1
- 1	MODREF402156		MODULE NUMBER: 214A2003-24B REV B POSITION DATA: STA 727I TO 947.5 DUCT INSTL-OVHD AIR DISTR SYS	049053	1
	5 NAS1922-0750-3		MODULE NUMBER: 214A2003-24B REV C POSITION DATA: STA 727I TO 947.5 .CLAMP-	031100	2
	7 T012L0		OPTIONAL PART: BACS38K6 .STRAP-	049053	2
			SUPPLIER CODE: V53421 SPECIFICATION NUMBER: BACS38K6 OPTIONAL PART: NAS1922-0750-3		
10	AS1506-30D32		.SLEEVE	031100	1
15	411A4904-9		.STRIP-FELT SEAL	031100	10
20	BACP18BC02C04P		.PIN	031100	1
25	BACP18BD3C21		.PIN-	031100	1
			OPTIONAL PART: MS20392-3C21		

MISSING ITEM NUMBERS NOT APPLICABLE

- ITEM NOT ILLUSTRATED

HAP

21-23-01-28D

BOEING PROPRIETARY - Copyright © - Unpublished Work - See title page for details.

21-23-01
FIG. 28D
PAGE 1
FEB 15/09

BOEING
737-600/700/800/900
PARTS CATALOG (MAINTENANCE)

FIG ITEM	PART NUMBER	1 2 3 4 5 6 7	NOMENCLATURE	EFFECT FROM TO	UNITS PER ASSY
28D					
25	MS20392-3C21	.PIN-	OPTIONAL PART: BACP18BD3C21	031100	1
30	NAS1149E0416P	.WASHER-	OPTIONAL PART: NAS1149D0416J	031100	1
30	NAS1149D0416J	.WASHER-	OPTIONAL PART: NAS1149E0416P	031100	1
35	NAS1149D0516J	.WASHER		031100	1
40	MS21042L5	.NUT		031100	1
45	AN316-5R	.NUT		031100	1
50	412N2030-51	.DIAGONAL ASSY		031100	1
55	MS24665-132	..PIN		031100	1
60	MS20392-3C17	..PIN		031100	1
65	AN960PD416L	..WASHER		031100	1
70	412N2032-3	..INSULATOR-CLEVIS	MANUFACTURED FROM: FIN F-6.10 COMPRESSION MOLDED PHENOLIC, GLASS FIBER FILLED PER BMS8-271A, TYPE 1	031100	1
70	412N2032-4	..INSULATOR-CLEVIS	MANUFACTURED FROM: FIN F-6.10 COMPRESSION MOLDED PHENOLIC, GLASS FIBER FILLED PER BMS8-271A, TYPE 1	031100	1
75	412N2031-1	..CLEVIS-	MANUFACTURED FROM: 412N2031-2	031100	1
80	1293-29	..ROD ASSY-	SUPPLIER CODE: V34742	031100	1
85	214A2107-56B	.SEGMENT ASSY-DUCT		031036	1
85	214A2107-98B	.SEGMENT ASSY-DUCT		037046	1
				054100	
85	214A2107-125B	.SEGMENT ASSY-DUCT	ATTACHING PARTS	047048	1
90	BACB30NR4K5	.BOLT		031100	6
95	BACW10P271TF	.WASHER		031100	12
100	BACW10BN4C	.WASHER-	OPTIONAL PART: NAS1149D0463J	031100	6
100	NAS1149D0463J	.WASHER-	OPTIONAL PART: BACW10BN4C	031100	6
			-----*-----		

MISSING ITEM NUMBERS NOT APPLICABLE

— ITEM NOT ILLUSTRATED

HAP

21-23-01-28D

BOEING PROPRIETARY - Copyright © - Unpublished Work - See title page for details.

21-23-01
FIG. 28D
PAGE 2
FEB 15/09

BOEING
737-600/700/800/900
PARTS CATALOG (MAINTENANCE)

FIG ITEM	PART NUMBER	1 2 3 4 5 6 7	NOMENCLATURE	EFFECT FROM TO	UNITS PER ASSY
28D 105	T012L0	..	STRAP SUPPLIER CODE: V53421 SPECIFICATION NUMBER: BACS38K6	031100	3
110	NAS1922-0200-3	..	CLAMP- OPTIONAL PART: BACS38K2	031100	8
110	PLT4SM	..	STRAP- SUPPLIER CODE: V06383 SPECIFICATION NUMBER: BACS38K2 OPTIONAL PART: T05L0 V53421 NAS1922-0200-3	031100	8
115	214A2101-6	..	PLENUM ASSY	031100	1
120	65C36940-1	...	OUTLET ASSY-AIR	031100	4
125	BACS12GU3K7	...	SCREW	031100	15
130	NAS1149D0332J	...	WASHER	031100	15
135	65C36910-1	...	BRACKET ASSY	031100	2
140	65C36910-3	...	BRACKET ASSY	031100	1
145	BACB30NX6K	BOLT- SIZE DETERMINED ON INSTL. USED ON: 65C36910-3	031100	4
150	HL1187-6	COLLAR- SUPPLIER CODE: V5M902 SPECIFICATION NUMBER: BACC30X6 OPTIONAL PART: HL87-6 V92215 HL87-6 V73197 HL1187-6 V56878 HL1187-6 V92215 HL87-6 V56878 HL1187-6 V73197 SIZE DETERMINED ON INSTL. USED ON: 65C36910-3	031100	4

MISSING ITEM NUMBERS NOT APPLICABLE

— ITEM NOT ILLUSTRATED

HAP

21-23-01-28D

BOEING PROPRIETARY - Copyright © - Unpublished Work - See title page for details.

21-23-01
FIG. 28D
PAGE 3
FEB 15/09

BOEING
737-600/700/800/900
PARTS CATALOG (MAINTENANCE)

FIG ITEM	PART NUMBER	1 2 3 4 5 6 7	NOMENCLATURE	EFFECT FROM TO	UNITS PER ASSY
28D 155	214N2161-2	BRACKET- USED ON: 65C36910-3	031100	1
160	214N2161-3	BRACKET- USED ON: 65C36910-3	031100	1
165	DE819	MOUNT-ISOLATOR SUPPLIER CODE: V71985 SPECIFICATION NUMBER: S411T100-901 OPTIONAL PART: SL8113-3 V97393 ATTACHING PARTS	031100	2
- 170	BACR15BA4D	RIVET- SIZE DETERMINED ON INSTL. -----*-----	031100	4
175	65C36911-1	BRACKET	031100	1
180	214A2111-1	...	BRACKET	031100	3
185	214N2169-1	...	CAP	031100	2
190	214A2104-9	...	RESTRICTOR ASSY	031100	1
195	214A2103-9	...	NOZZLE ASSY	031100	1
200	214A2102-9	...	PLENUM ASSY	031100	1
R 205	65C36915-1	..	MUFFLER ASSY-	031100	4
R 207	AS1591-08-0070A	..	HOSE-	031100	4
210	214T3436-1834	..	ORIFICE ASSY	031100	4
215	214A2106-76	..	DUCT ASSY-	031036	1
215	214A2106-91	..	DUCT ASSY-	037046	1
215	214A2106-119	..	DUCT ASSY	054100	1
220	NAS1922-0625-3	.CLAMP-	OPTIONAL PART: BACS38K6	047048	1
222	T012L0	.STRAP-	SUPPLIER CODE: V53421 SPECIFICATION NUMBER: BACS38K6 OPTIONAL PART: NAS1922-0625-3	031100	2
225	AS1506-24D32	.SLEEVE		049053	2
230	T012L0	.STRAP	SUPPLIER CODE: V53421 SPECIFICATION NUMBER: BACS38K6	031100	3
235	214T3424-11	.SUPPORT		031100	3

MISSING ITEM NUMBERS NOT APPLICABLE

- ITEM NOT ILLUSTRATED

HAP

21-23-01-28D

BOEING PROPRIETARY - Copyright © - Unpublished Work - See title page for details.

21-23-01
FIG. 28D
PAGE 4
JUN 15/09

BOEING
737-600/700/800/900
PARTS CATALOG (MAINTENANCE)

FIG ITEM	PART NUMBER	1 2 3 4 5 6 7	NOMENCLATURE	EFFECT FROM TO	UNITS PER ASSY
28D			ATTACHING PARTS		
- 240	BACB30NM3K4		.BOLT	031100	6
- 245	BACW10BN3AP		.WASHER	031100	6
			-----*-----		
250	214A2106-77		.DUCT ASSY-	031036	1
250	214A2106-92		.DUCT ASSY-	037046	1
				054100	
250	214A2106-120		.DUCT ASSY	047048	1
900			ILLUSTRATION REFERENCE: DUCT INSTL-OVHD AIR DISTR SYS (PASSENGER CABIN CONDITIONED AIR DISTRIBUTION ONLY) 21-23-01-22A	031036	RF

MISSING ITEM NUMBERS NOT APPLICABLE

- ITEM NOT ILLUSTRATED

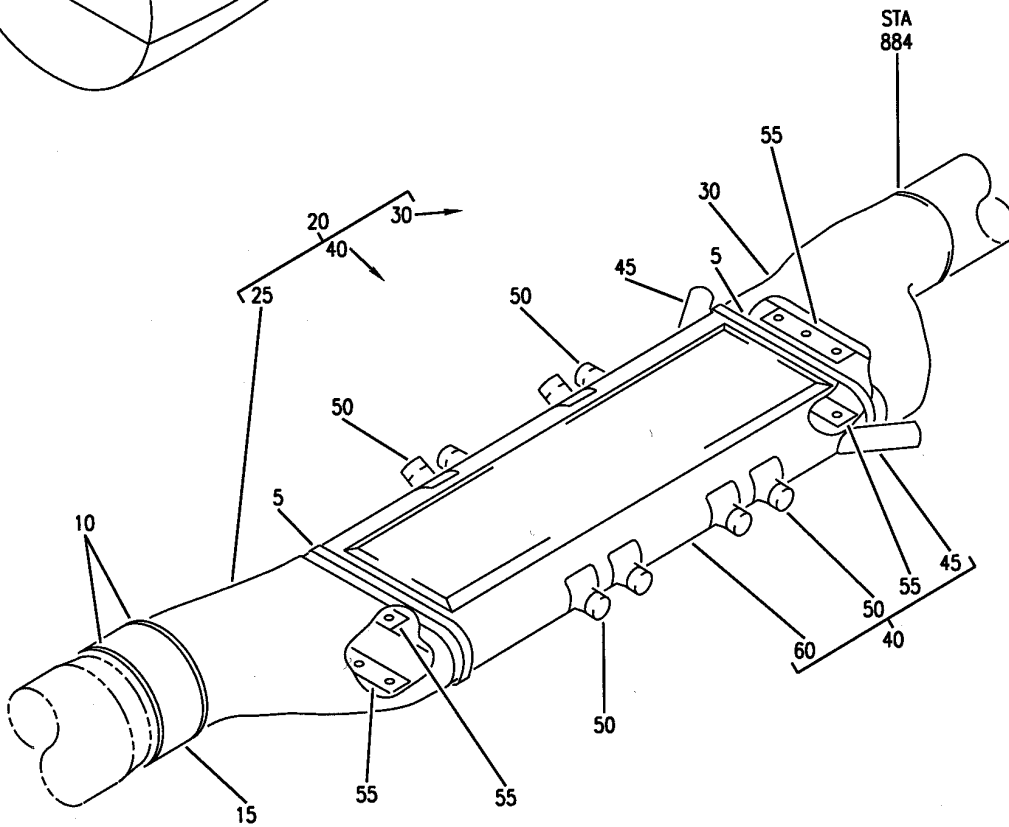
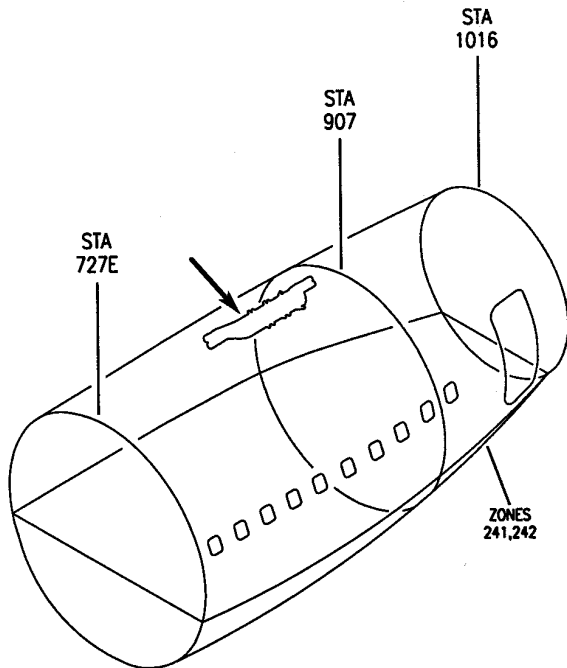
HAP

21-23-01-28D

BOEING PROPRIETARY - Copyright © - Unpublished Work - See title page for details.

21-23-01
FIG. 28D
PAGE 5
JUN 15/09

BOEING
737-600/700/800/900
PARTS CATALOG (MAINTENANCE)



E 21230129 REV 035

DUCT INSTL-OVERHEAD AIR DISTR SYS
FIGURE 29

HAP
OCT 10/06

21-23-01-29

21-23-01-29
PAGE 0

BOEING
737-600/700/800/900
PARTS CATALOG (MAINTENANCE)

FIG ITEM	PART NUMBER	1 2 3 4 5 6 7	NOMENCLATURE	EFFECT FROM TO	UNITS PER ASSY
29			DUCT INSTL-OVERHEAD AIR DISTR SYS	012100	
- 1	214A2003-11		DUCT INSTL-OVERHEAD AIR DISTR SYS FOR NHA SEE: 21-20-00-09C	012030	RF
- 1	MODREF81194		DUCT INSTL-OVERHEAD AIR DISTR SYS MODULE NUMBER: 214A2003-11 REV A	031031	1
- 1	MODREF284441		DUCT INSTL-OVERHEAD AIR DISTR SYS MODULE NUMBER: 214A2003-19 REV A	037100	1
- 1	MODREF291545		DUCT INSTL-OVHD AIR DISTR SYS MODULE NUMBER: 214A2003-25 REV A	032036	1
5	T012L0		.STRAP- SUPPLIER CODE: V53421 SPECIFICATION NUMBER: BACS38K6	012100	2
10	NAS1922-0750-3		.CLAMP	012100	2
15	AS1506-30D32		.SLEEVE	012100	1
20	214A2020-3		.DUCT ASSY	012036	1
20	214A2020-12		.DUCT ASSY	037100	1
25	214A2122-3		..DUCT	012100	1
30	214A2122-4		..DUCT	012100	1
			ATTACHING PARTS		
- 35	BACR15FR4MR		..RIVET- SIZE DETERMINED ON INSTL. -----*-----	012100	12
40	214A2121-4		..DUCT ASSY	012036	1
40	214A2121-29		..DUCT ASSY	037100	1
45	214T3488-170		...SPUD-	012100	2
50	214T3488-68		...SPUD-	012036	8
50	214T3488-299		...SPUD	037100	8
55	65C37829-1		...PLATE	012100	4
60	214A2121-9		...DUCT ASSY	012100	1

MISSING ITEM NUMBERS NOT APPLICABLE

- ITEM NOT ILLUSTRATED

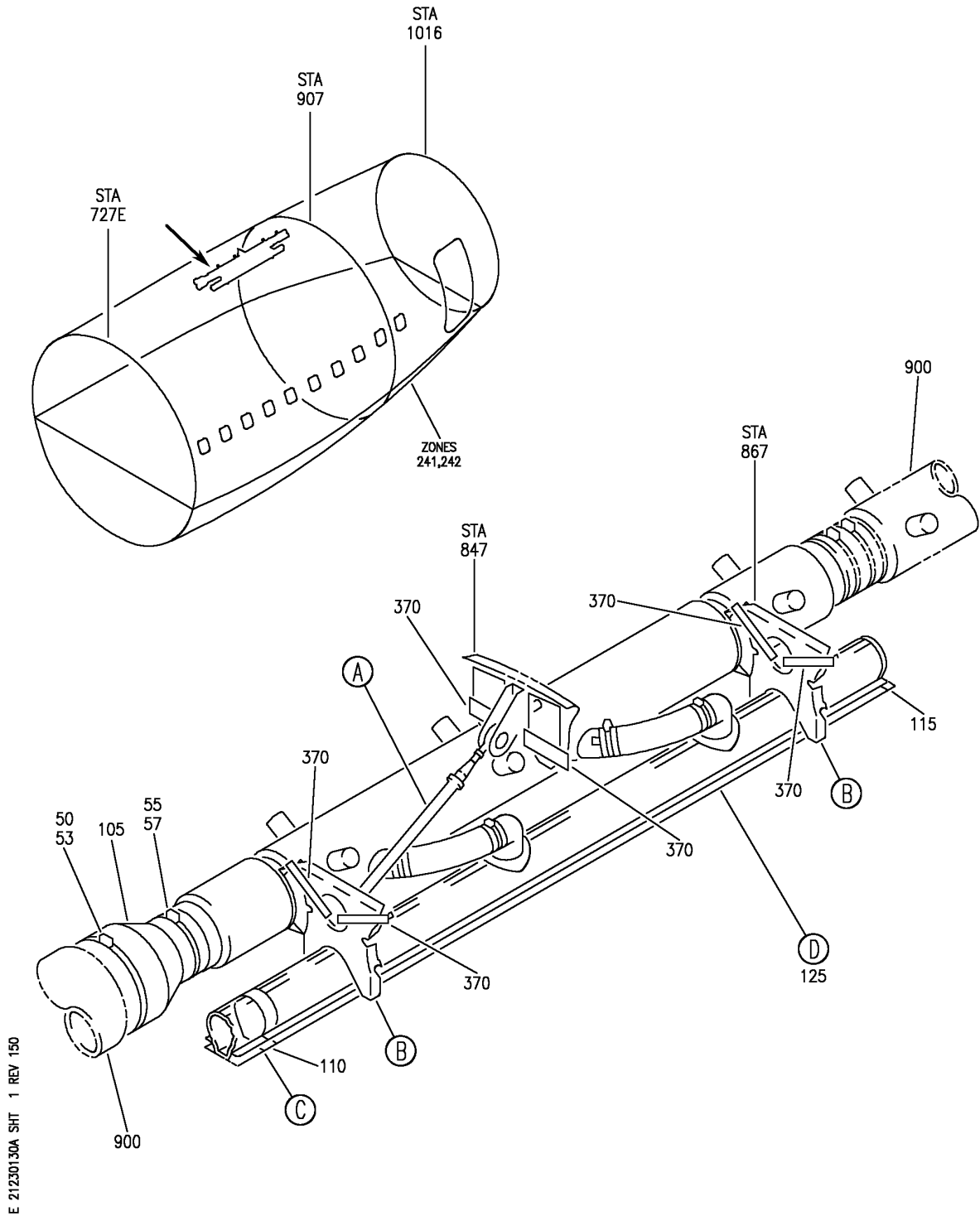
HAP

21-23-01-29

BOEING PROPRIETARY - Copyright © - Unpublished Work - See title page for details.

21-23-01
FIG. 29
PAGE 1
JUN 10/07

BOEING
 737-600/700/800/900
 PARTS CATALOG (MAINTENANCE)



E 21230130A SHT 1 REV 150

DUCT INSTL-OVHD AIR DISTR SYS
 FIGURE 30A (SHEET 1)

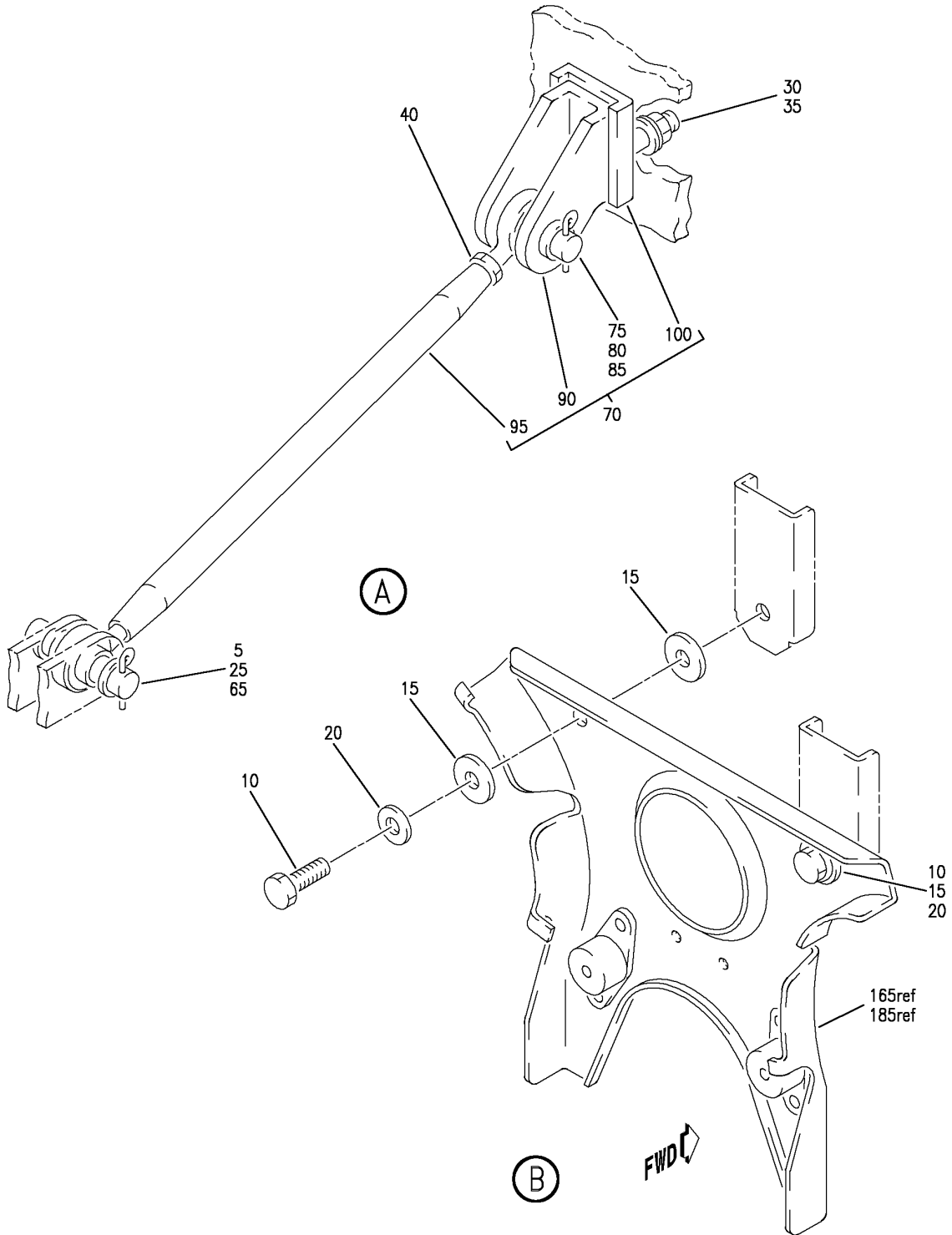
21-23-01-30A

HAP
 FEB 15/09

21-23-01-30A
 PAGE 0

BOEING PROPRIETARY - Copyright © - Unpublished Work - See title page for details.

BOEING
 737-600/700/800/900
 PARTS CATALOG (MAINTENANCE)



E 21230130A SH1 2 REV 101

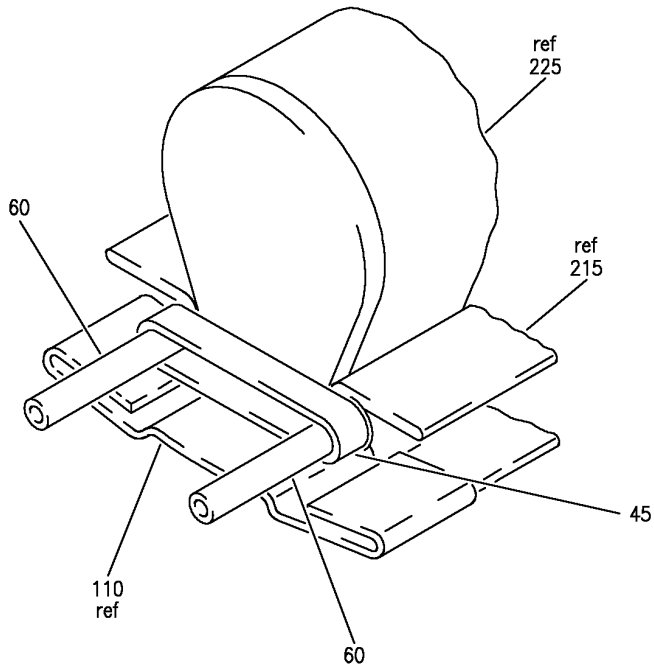
DUCT INSTL-OVHD AIR DISTR SYS
 FIGURE 30A (SHEET 2)

21-23-01-30A

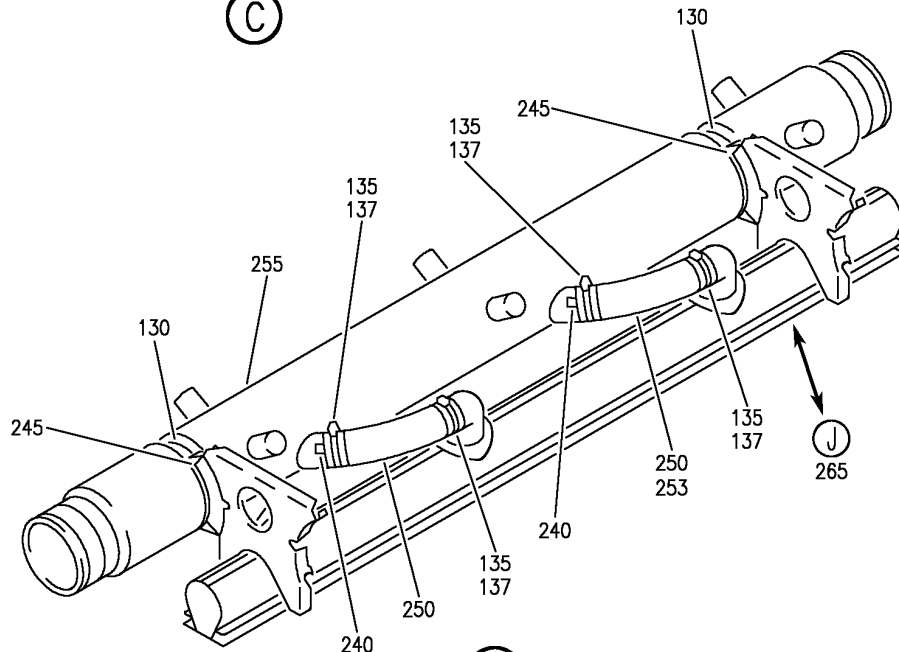
HAP
 FEB 10/07

21-23-01-30A
 PAGE 0A

BOEING
 737-600/700/800/900
 PARTS CATALOG (MAINTENANCE)



(C)



(D)

E 21230130A SHT 3 REV 150

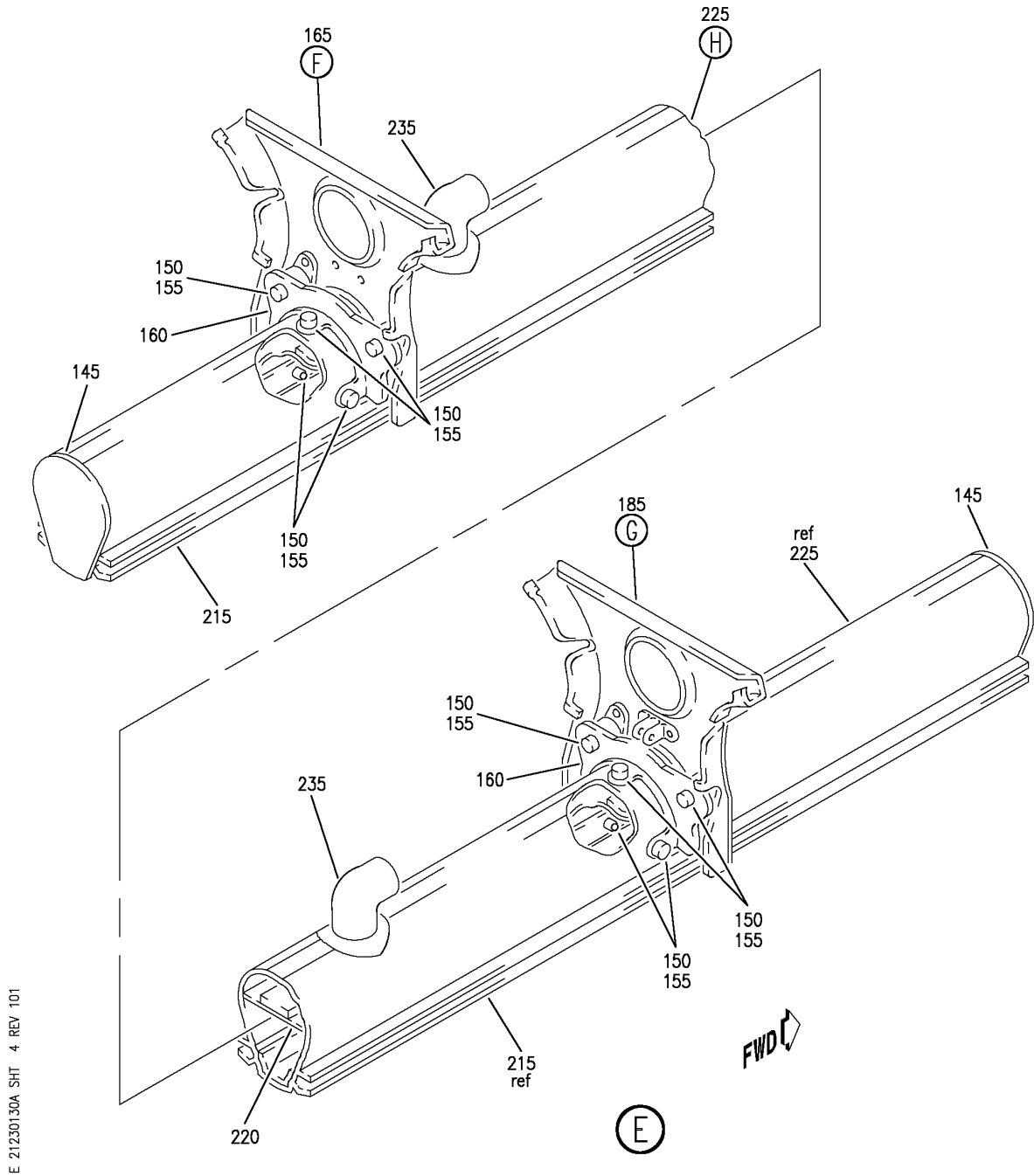
DUCT INSTL-OVHD AIR DISTR SYS
 FIGURE 30A (SHEET 3)

21-23-01-30A

HAP
 FEB 15/09

21-23-01-30A
 PAGE 0B

BOEING
 737-600/700/800/900
 PARTS CATALOG (MAINTENANCE)



E 21230130A SHIT 4 REV 101

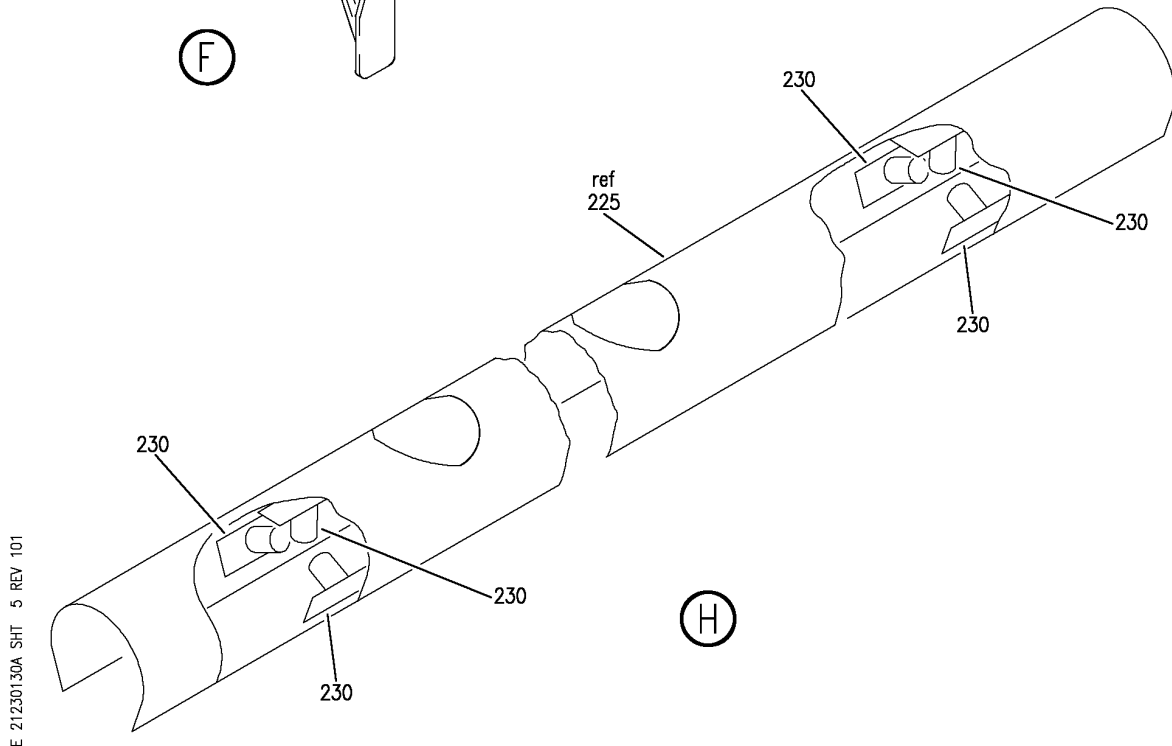
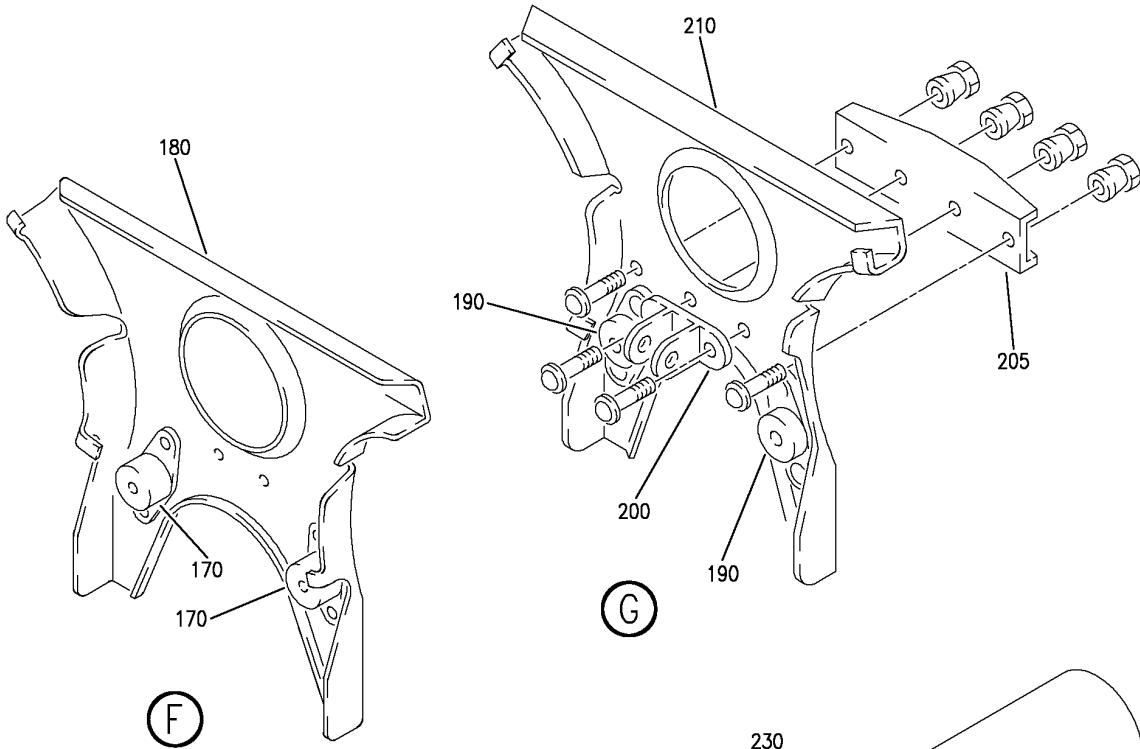
DUCT INSTL-OVHD AIR DISTR SYS
 FIGURE 30A (SHEET 4)

21-23-01-30A

HAP
 FEB 10/07

21-23-01-30A
 PAGE 0C

BOEING
 737-600/700/800/900
 PARTS CATALOG (MAINTENANCE)



E 21230130A SHT 5 REV 101

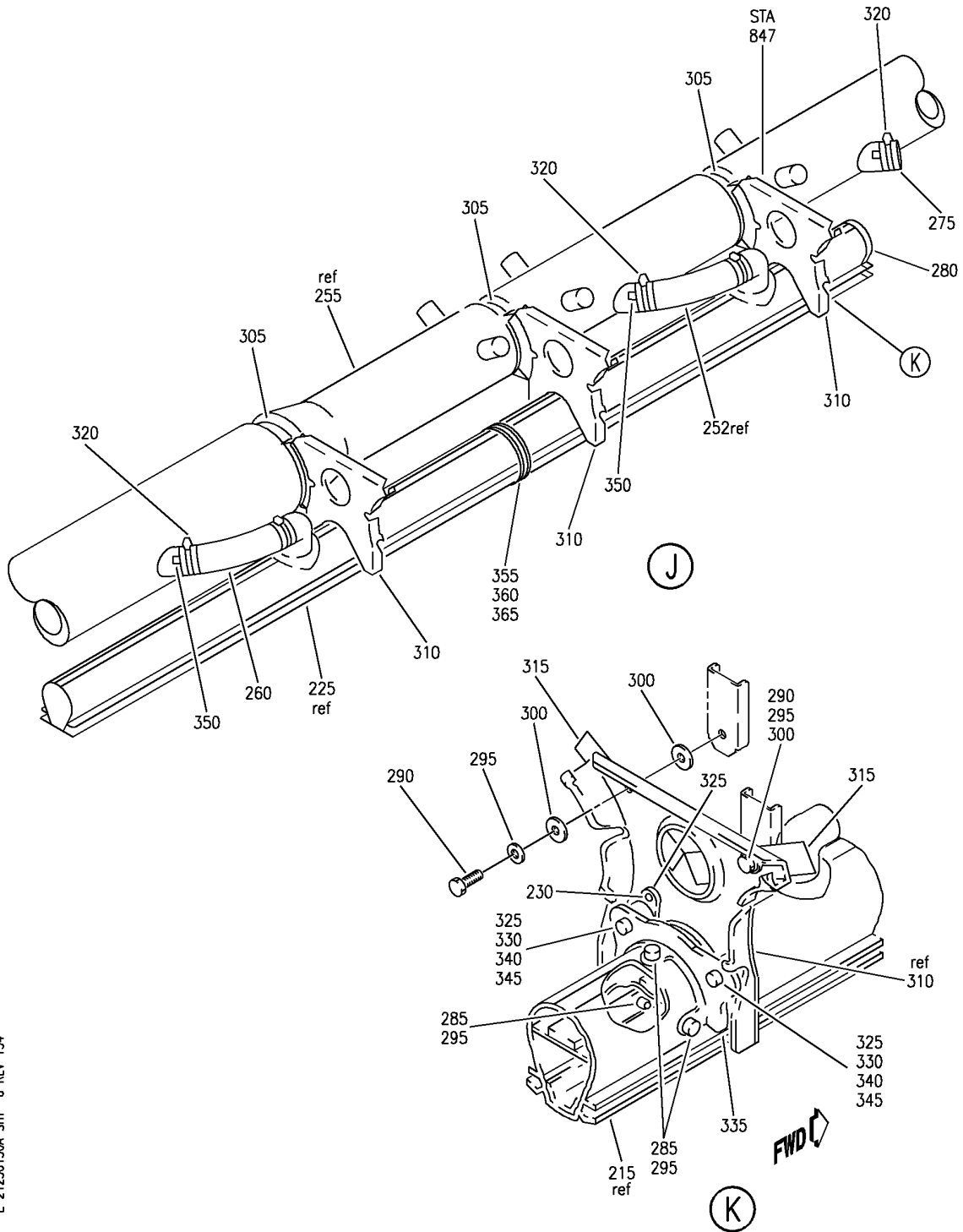
DUCT INSTL-OVHD AIR DISTR SYS
 FIGURE 30A (SHEET 5)

21-23-01-30A

HAP
 FEB 10/07

21-23-01-30A
 PAGE 0D

BOEING
 737-600/700/800/900
 PARTS CATALOG (MAINTENANCE)



E 21230130A SHT 6 REV 134

DUCT INSTL-OVHD AIR DISTR SYS
 FIGURE 30A (SHEET 6)

21-23-01-30A

HAP
 OCT 10/07

21-23-01-30A
 PAGE 0E

BOEING
737-600/700/800/900
PARTS CATALOG (MAINTENANCE)

FIG ITEM	PART NUMBER	1 2 3 4 5 6 7	NOMENCLATURE	EFFECT FROM TO	UNITS PER ASSY
30A			DUCT INSTL-OVHD AIR DISTR SYS	101200 968999	
- 1	MODREF291248		DUCT INSTL-OVHD AIR DISTR SYS	101105 968999	1
- 1	MODREF363230		MODULE NUMBER: 214A2003-13A REV D DUCT INSTL-OVHD AIR DISTR SYS	106106	1
- 1	MODREF402153		MODULE NUMBER: 214A2003-13A REV E DUCT INSTL-OVHD AIR DISTR SYS	107200	1
5	BACP18BC02C04P		MODULE NUMBER: 214A2003-13A REV F .PIN	101200 968999	1
10	BACB30NR4K5		.BOLT	101200 968999	4
15	BACW10P271TF		.WASHER	101200 968999	8
20	NAS1149D0463J		.WASHER- OPTIONAL PART: BACW10BN4AC	101200 968999	4
20	BACW10BN4AC		.WASHER- OPTIONAL PART: NAS1149D0463J	101200 968999	4
25	NAS1149D0416J		.WASHER- OPTIONAL PART: NAS1149E0416P	101200 968999	1
25	NAS1149E0416P		.WASHER- OPTIONAL PART: NAS1149D0416J	101200 968999	1
30	NAS1149D0516J		.WASHER	101200 968999	1
35	MS21042L5		.NUT	101200 968999	1
40	AN316-5R		.NUT	101200 968999	1
45	MLT2S		.TIE- SUPPLIER CODE: V06383	101200 968999	1
50	NAS1922-0750-3		.CLAMP- OPTIONAL PART: BACS38K6	101200 968999	1

MISSING ITEM NUMBERS NOT APPLICABLE

- ITEM NOT ILLUSTRATED

HAP

21-23-01-30A

BOEING PROPRIETARY - Copyright © - Unpublished Work - See title page for details.

21-23-01
FIG. 30A
PAGE 1
FEB 15/09

BOEING
737-600/700/800/900
PARTS CATALOG (MAINTENANCE)

FIG ITEM	PART NUMBER	1 2 3 4 5 6 7	NOMENCLATURE	EFFECT FROM TO	UNITS PER ASSY
30A 53	T012L0	.	STRAP- SUPPLIER CODE: V53421 SPECIFICATION NUMBER: BACS38K6 OPTIONAL PART: NAS1922-0750-3	107200	1
55	NAS1922-0625-3	.	CLAMP- OPTIONAL PART: BACS38K6	101200 968999	1
57	T012L0	.	STRAP- SUPPLIER CODE: V53421 SPECIFICATION NUMBER: BACS38K6 OPTIONAL PART: NAS1922-0625-3	107200	1
60	214N2035-1	.	PIN	101200 968999	2
65	MS20392-3C21	.	PIN- OPTIONAL PART: BACP18BD3C21	101200 968999	1
65	BACP18BD3C21	.	PIN- OPTIONAL PART: MS20392-3C21	101200 968999	1
70	412N2030-51	.	DIAGONAL ASSY	101200 968999	1
75	MS24665-132	..	PIN	101200 968999	1
80	MS20392-3C17	..	PIN	101200 968999	1
85	AN960PD416L	..	WASHER	101200 968999	1
90	412N2031-1	..	CLEVIS- MANUFACTURED FROM: 412N2031-2	101200 968999	1
95	1293-29	..	ROD ASSY- SUPPLIER CODE: V34742	101200 968999	1
100	412N2032-3	..	INSULATOR- MANUFACTURED FROM: FIN F-6.10 COMPRESSION MOLDED PHENOLIC, GLASS FIBER FILLED PER BMS8-271A, TYPE 1	101200 968999	1

MISSING ITEM NUMBERS NOT APPLICABLE

— ITEM NOT ILLUSTRATED

HAP

21-23-01-30A

BOEING PROPRIETARY - Copyright © - Unpublished Work - See title page for details.

21-23-01
FIG. 30A
PAGE 2
FEB 15/09

BOEING
737-600/700/800/900
PARTS CATALOG (MAINTENANCE)

FIG ITEM	PART NUMBER	1 2 3 4 5 6 7	NOMENCLATURE	EFFECT FROM TO	UNITS PER ASSY
30A 100	412N2032-4	..	INSULATOR- MANUFACTURED FROM: FIN F-6.10 COMPRESSION MOLDED PHENOLIC, GLASS FIBER FILLED PER BMS8-271A, TYPE 1	101200 968999	1
105	214N2166-2	.DUCT		101200 968999	1
110	69-42789-4B	.COVER		101200 968999	1
115	214A2110-1B	.COVER		101200 968999	1
125	214A2107-64B	.SEGMENT ASSY-DUCT		101105 968999	1
125	214A2107-108B	.SEGMENT ASSY-DUCT		106200	1
130	T012L0	..STRAP SUPPLIER CODE: V53421 SPECIFICATION NUMBER: BACS38K6		101200 968999	2
135	NAS1922-0200-3	..CLAMP- OPTIONAL PART: BACS38K2		101200 968999	4
137	PLT4SM	..STRAP- SUPPLIER CODE: V06383 SPECIFICATION NUMBER: BACS38K2 OPTIONAL PART: T05L0 V53421 NAS1922-0200-3		101200 968999	4
140	214A2101-7	..PLENUM ASSY-		101200 968999	1
145	214N2169-1	...CAP		101200 968999	2
150	BACS12GU3K7	...SCREW		101200 968999	10
155	NAS1149D0332J	...WASHER		101200 968999	10
160	214A2111-1	...BRACKET		101200 968999	2
165	65C36910-1	...BRACKET ASSY		101200 968999	1

MISSING ITEM NUMBERS NOT APPLICABLE

- ITEM NOT ILLUSTRATED

HAP

21-23-01-30A

BOEING PROPRIETARY - Copyright © - Unpublished Work - See title page for details.

21-23-01
FIG. 30A
PAGE 3
FEB 15/09

BOEING
737-600/700/800/900
PARTS CATALOG (MAINTENANCE)

FIG ITEM	PART NUMBER	1 2 3 4 5 6 7	NOMENCLATURE	EFFECT FROM TO	UNITS PER ASSY
30A 170	DE819	MOUNT- SUPPLIER CODE: V71985 SPECIFICATION NUMBER: S411T100-901 OPTIONAL PART: SL8113-3 V97393 ATTACHING PARTS	101200 968999	2
- 175	BACR15BA4D	RIVET- SIZE DETERMINED ON INSTL. -----*-----	101200 968999	4
180	65C36911-1	BRACKET	101200 968999	1
185	65C36910-3	...	BRACKET ASSY	101200 968999	1
190	DE819	MOUNT- SUPPLIER CODE: V71985 SPECIFICATION NUMBER: S411T100-901 OPTIONAL PART: SL8113-3 V97393 ATTACHING PARTS	101200 968999	2
- 195	BACR15BA4D	RIVET- SIZE DETERMINED ON INSTL. -----*-----	101200 968999	4
200	214N2161-2	BRACKET	101200 968999	1
205	214N2161-3	BRACKET	101200 968999	1
210	65C36911-1	BRACKET	101200 968999	1
215	214A2103-1	...	NOZZLE ASSY	101200 968999	1
220	214A2104-1	...	RESTRICTOR ASSY	101200 968999	1
225	214A2102-11	...	PLENUM ASSY	101200 968999	1
230	214N2178-1	NUTPLATE ASSY- OPTIONAL PART: CB2010CR3CRP V66530	101200 968999	6
230	CB2010CR3CRP	NUTPLATE- SUPPLIER CODE: V66530 OPTIONAL PART: 214N2178-1	101200 968999	6

MISSING ITEM NUMBERS NOT APPLICABLE

- ITEM NOT ILLUSTRATED

HAP

21-23-01-30A

BOEING PROPRIETARY - Copyright © - Unpublished Work - See title page for details.

21-23-01
FIG. 30A
PAGE 4
FEB 15/09

BOEING
737-600/700/800/900
PARTS CATALOG (MAINTENANCE)

FIG ITEM	PART NUMBER	1 2 3 4 5 6 7	NOMENCLATURE	EFFECT FROM TO	UNITS PER ASSY
30A					
235	65C36940-1	...	OUTLET ASSY	101200 968999	2
240	214T3436-1837	..	ORIFICE ASSY- OPTIONAL PART: 214T3436-1549	101200 968999	2
240	214T3436-1549	..	ORIFICE ASSY- OPTIONAL PART: 214T3436-1837	101200 968999	2
245	214N2184-1	..	SPACER-	101200 968999	2
250	AS1591-08-0090A	..	DUCT	101200 968999	2
255	214A2106-78	..	DUCT ASSY-	101105 968999	1
255	214A2106-107	..	DUCT ASSY	106200	1
370	411A4904-9	.	STRIP-FELT SEAL	101200 968999	6

MISSING ITEM NUMBERS NOT APPLICABLE

— ITEM NOT ILLUSTRATED

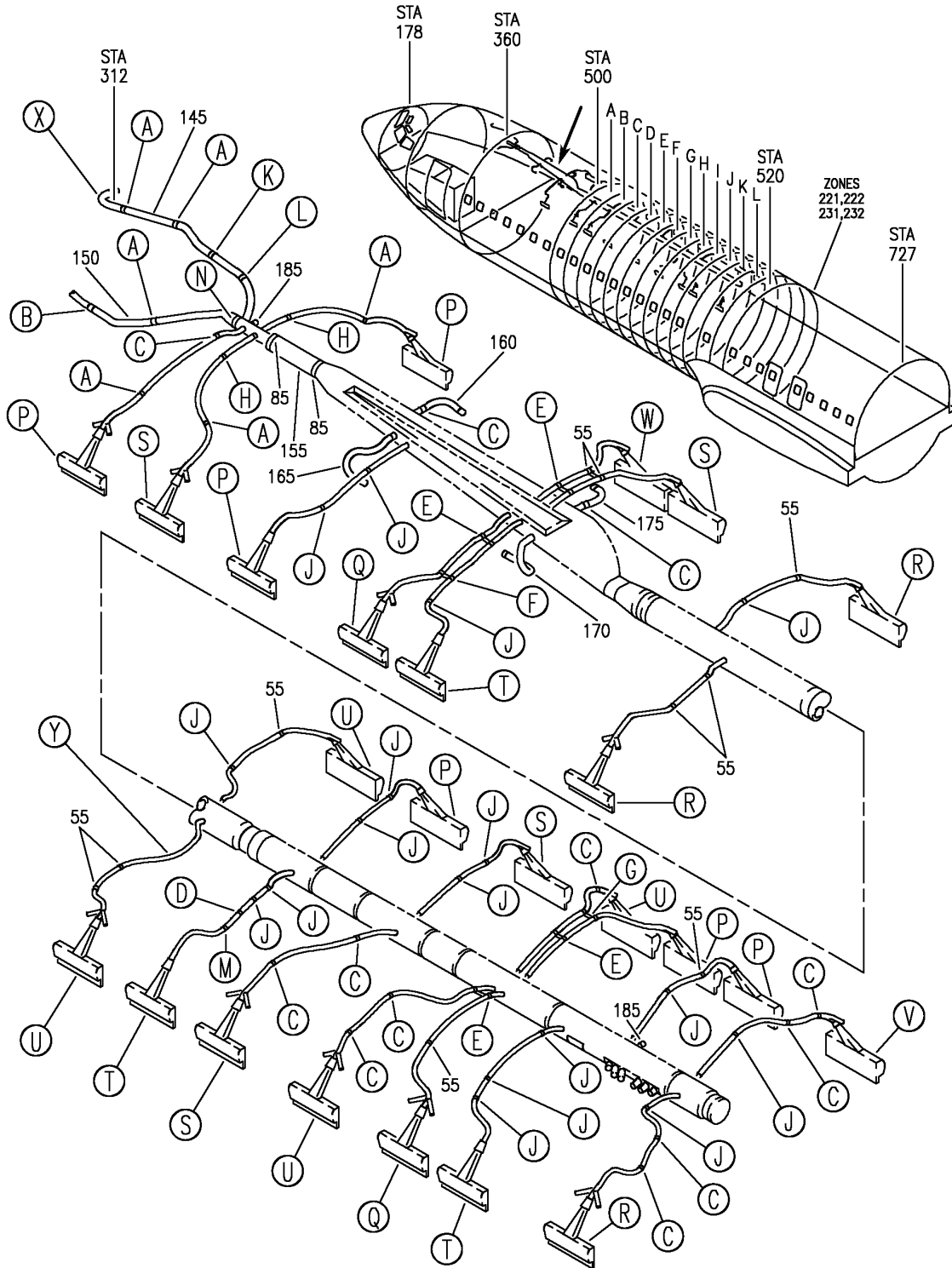
HAP

21-23-01-30A

BOEING PROPRIETARY - Copyright © - Unpublished Work - See title page for details.

21-23-01
FIG. 30A
PAGE 5
FEB 15/09

BOEING
737-600/700/800/900
PARTS CATALOG (MAINTENANCE)



E 21230132D SHT 1 REV 147

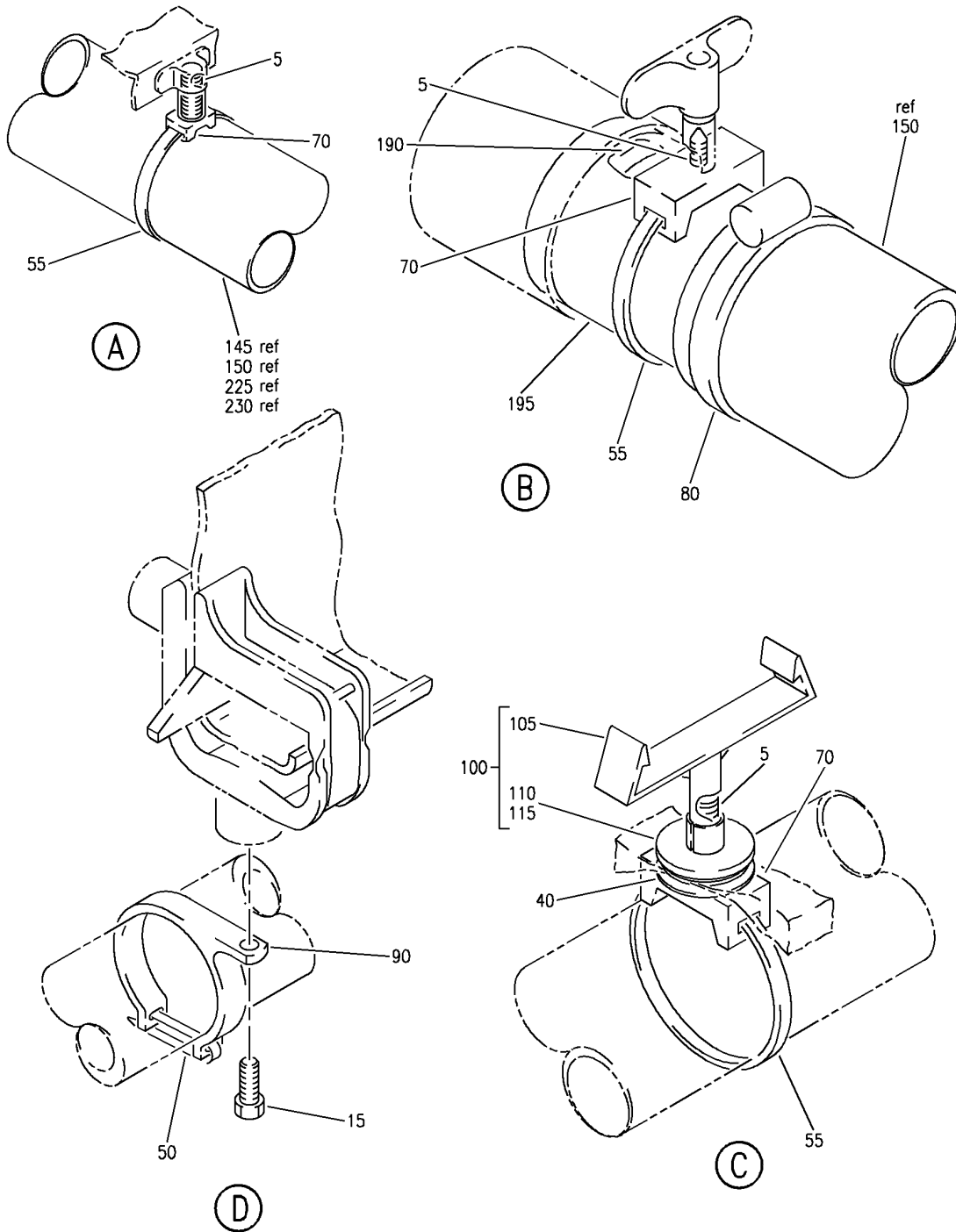
DUCT INSTL-SIDEWALL AIR DISTR SYS
FIGURE 32D (SHEET 1)

21-23-01-32D

HAP
OCT 15/08

21-23-01-32D
PAGE 0

BOEING
 737-600/700/800/900
 PARTS CATALOG (MAINTENANCE)



E 21230132D SHT 2 REV 121

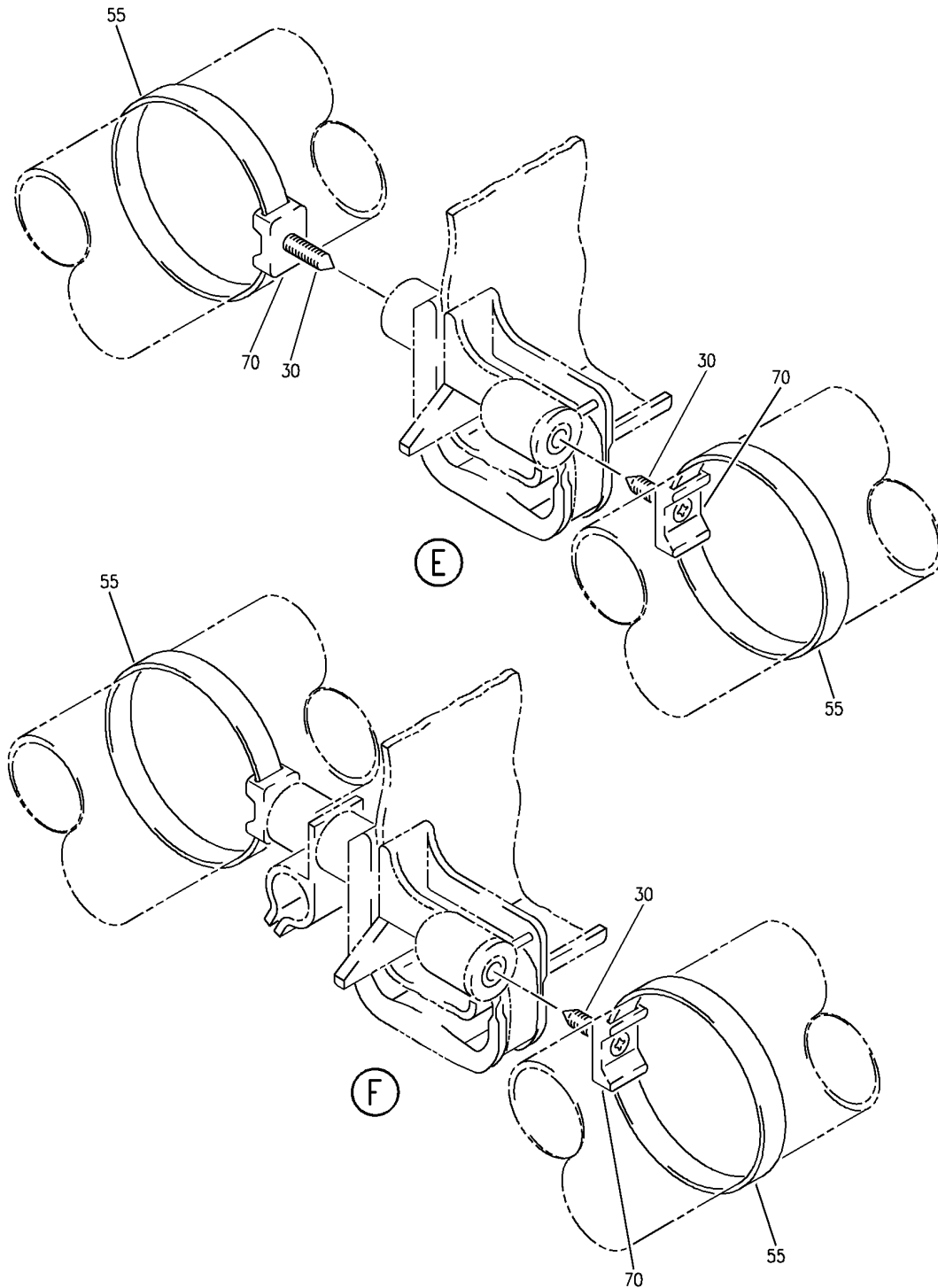
DUCT INSTL-SIDEWALL AIR DISTR SYS
 FIGURE 32D (SHEET 2)

21-23-01-32D

HAP
 OCT 10/06

21-23-01-32D
 PAGE 0A

BOEING
737-600/700/800/900
PARTS CATALOG (MAINTENANCE)



E 21230132D SHT 3 REV 121

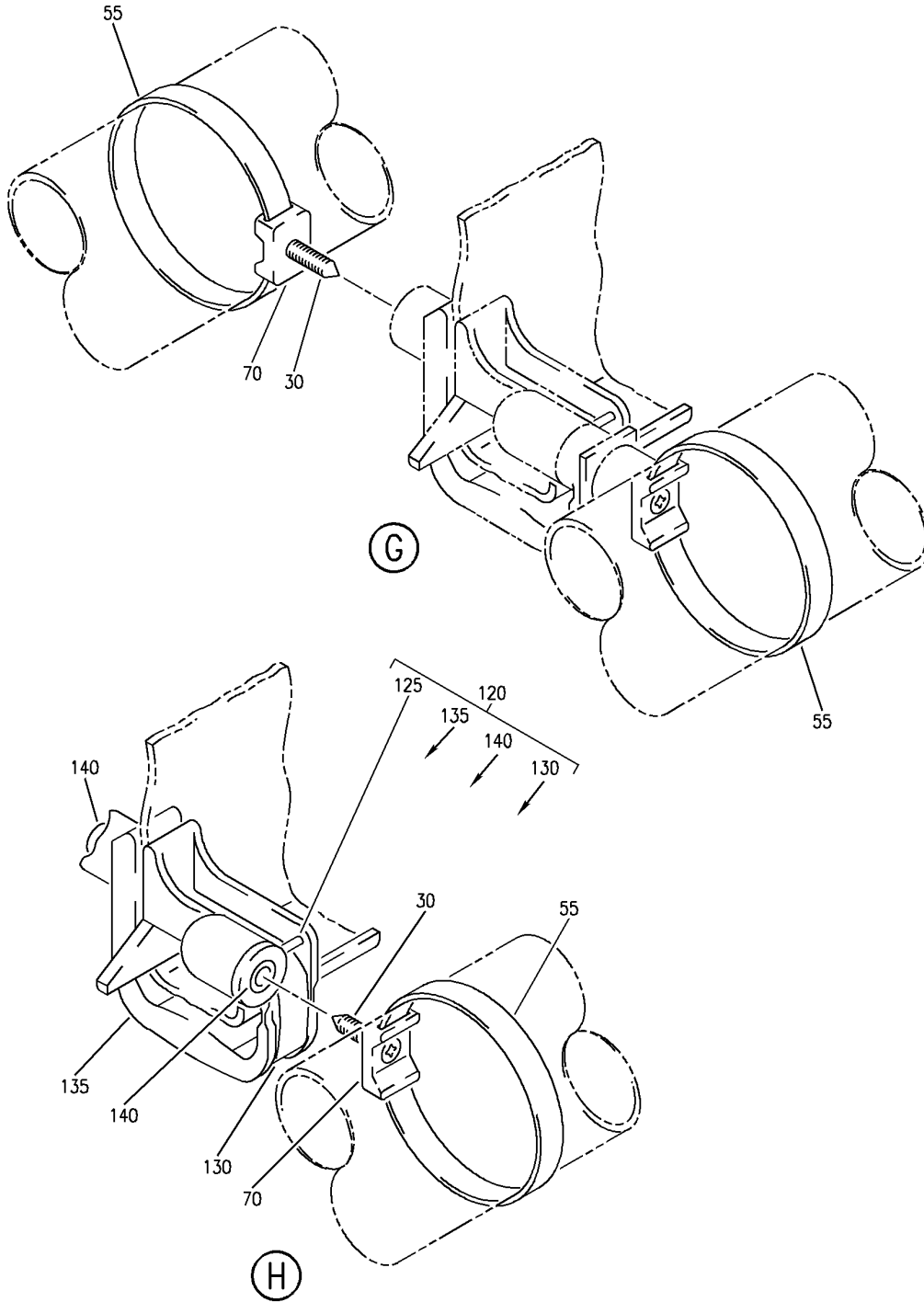
DUCT INSTL-SIDEWALL AIR DISTR SYS
FIGURE 32D (SHEET 3)

21-23-01-32D

HAP
OCT 10/06

21-23-01-32D
PAGE 0B

BOEING
 737-600/700/800/900
 PARTS CATALOG (MAINTENANCE)



E 21230132D SHT 4 REV 121

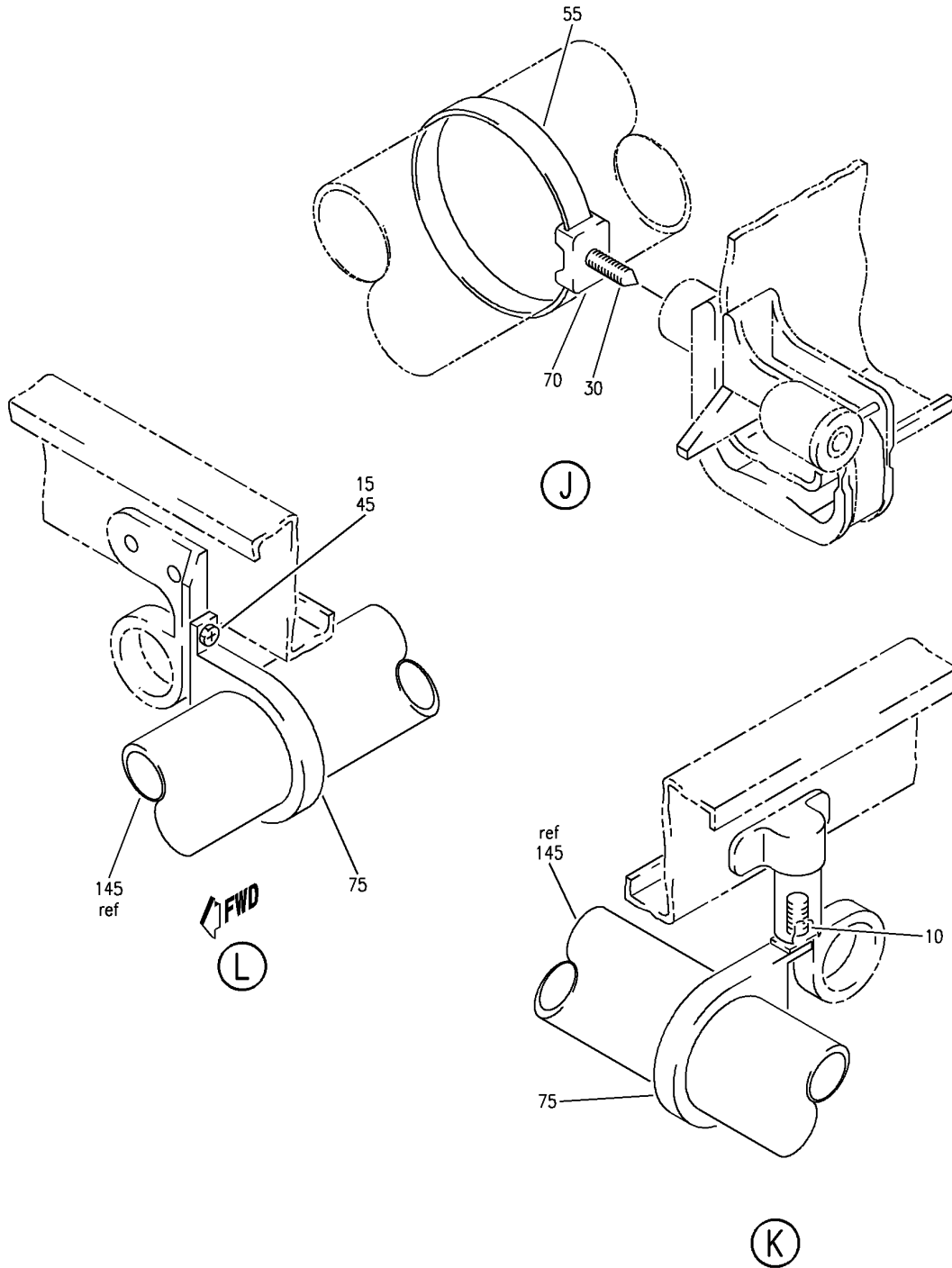
DUCT INSTL-SIDEWALL AIR DISTR SYS
 FIGURE 32D (SHEET 4)

21-23-01-32D

HAP
 OCT 10/06

21-23-01-32D
 PAGE 0C

BOEING
 737-600/700/800/900
 PARTS CATALOG (MAINTENANCE)



E 21230132D SHT 5 REV 121

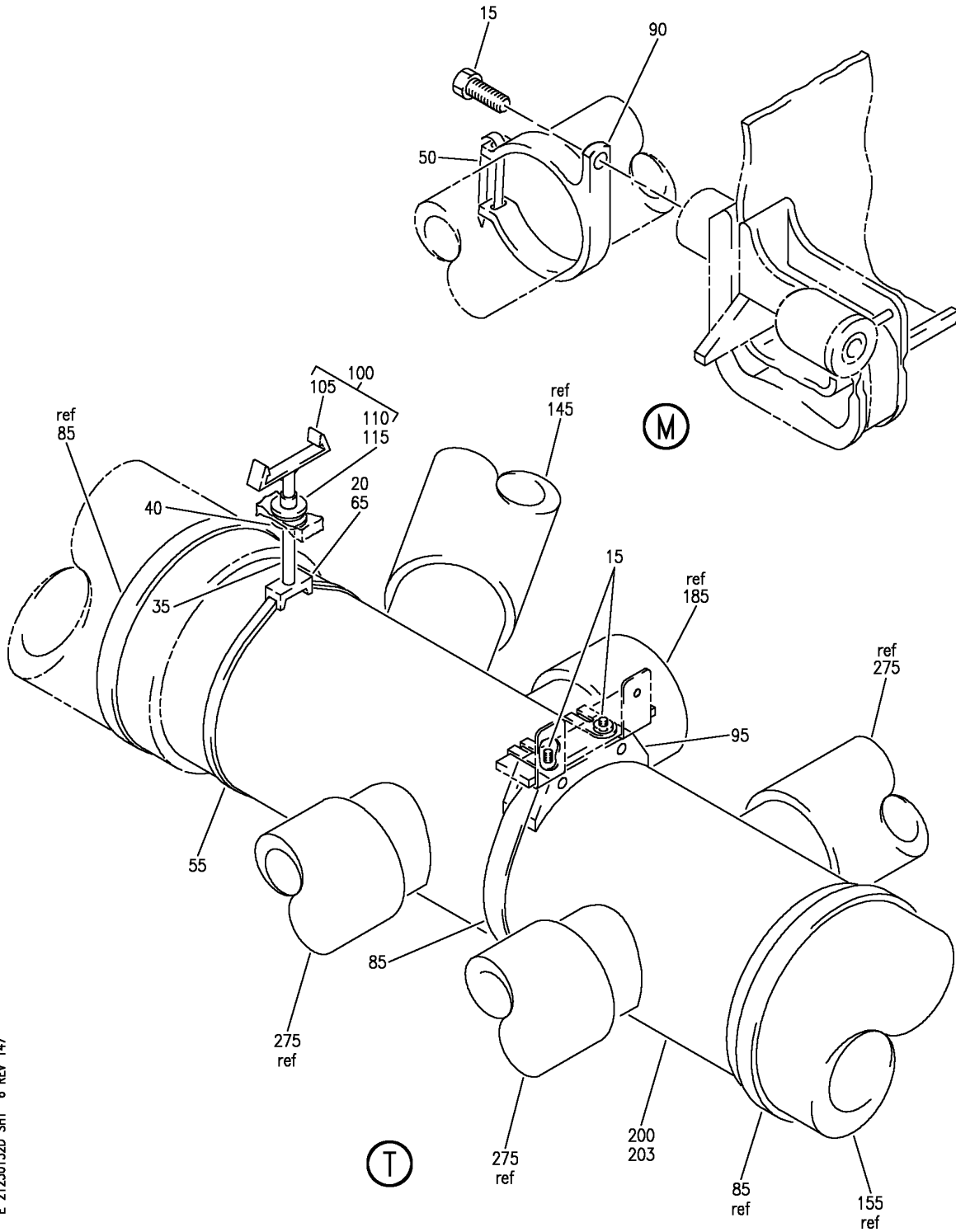
DUCT INSTL-SIDEWALL AIR DISTR SYS
 FIGURE 32D (SHEET 5)

21-23-01-32D

HAP
 OCT 10/06

21-23-01-32D
 PAGE 0D

BOEING
 737-600/700/800/900
 PARTS CATALOG (MAINTENANCE)



E 21230132D SHT 6 REV 147

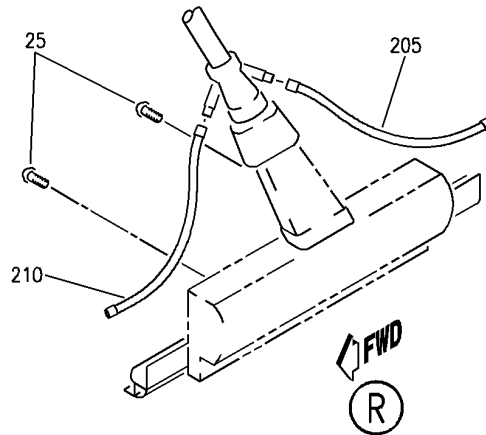
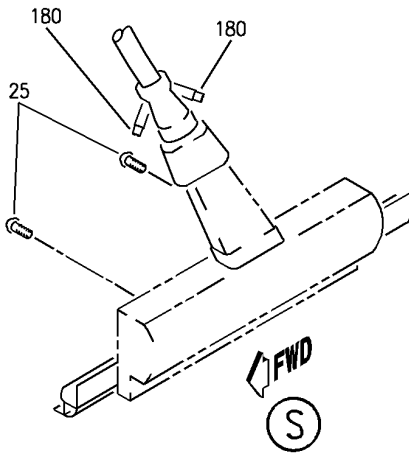
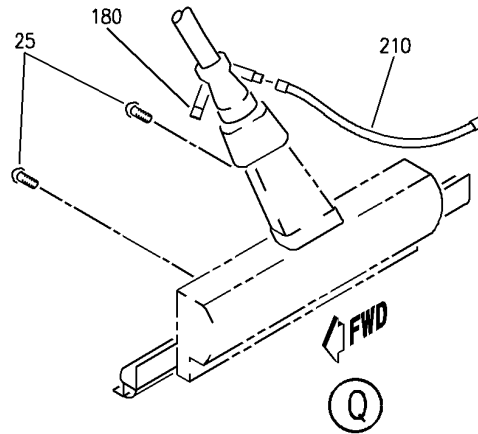
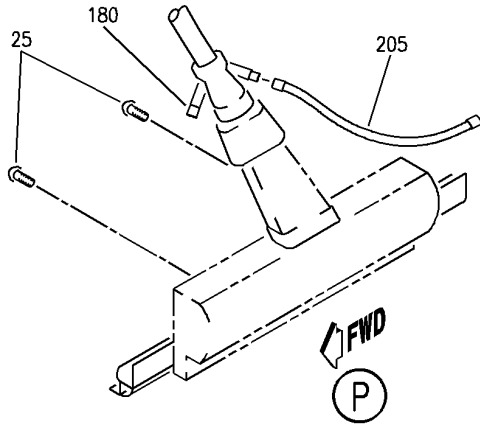
DUCT INSTL-SIDEWALL AIR DISTR SYS
 FIGURE 32D (SHEET 6)

21-23-01-32D

HAP
 OCT 15/08

21-23-01-32D
 PAGE 0E

BOEING
 737-600/700/800/900
 PARTS CATALOG (MAINTENANCE)



E 21230132D SHT 7 REV 121

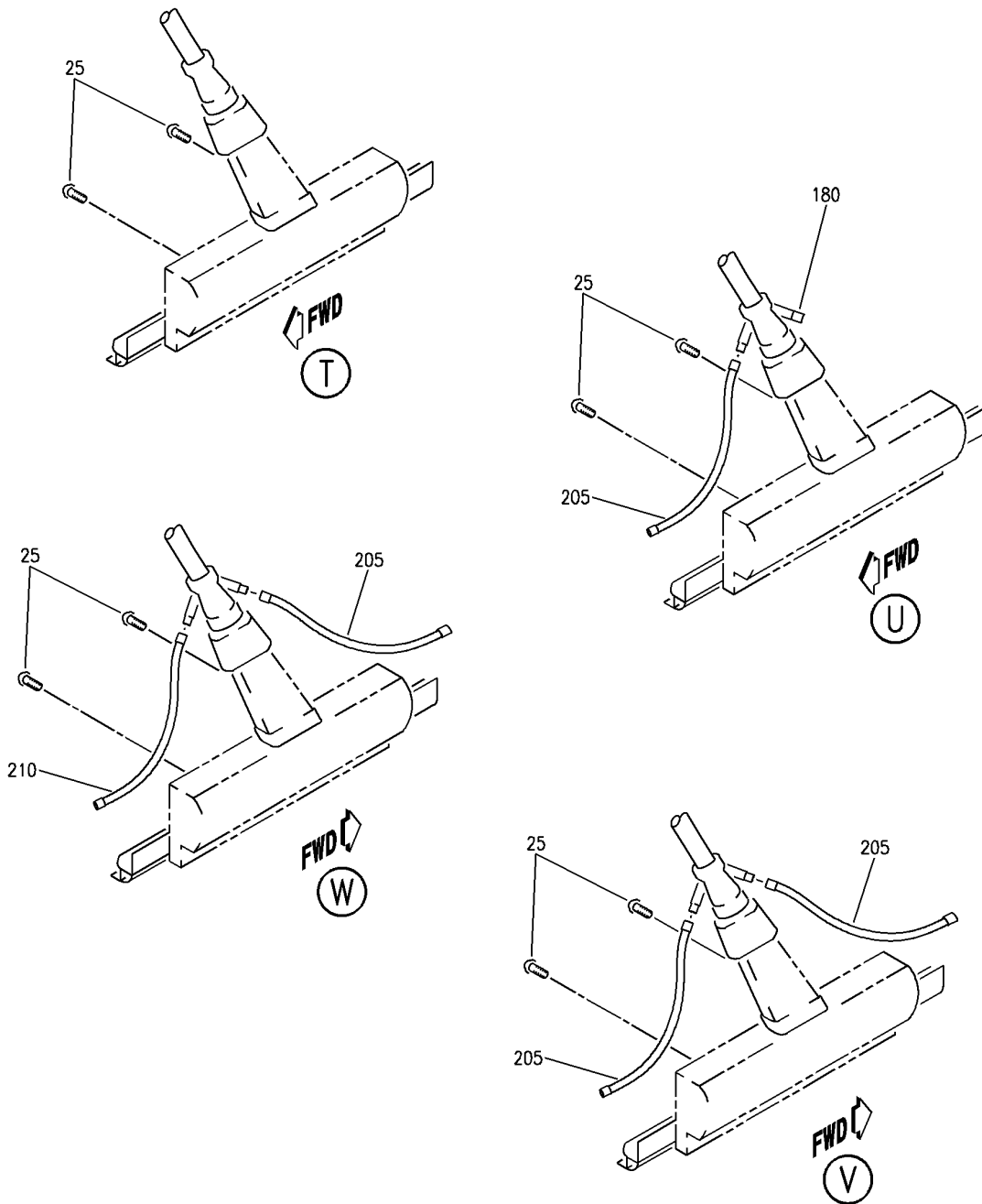
DUCT INSTL-SIDEWALL AIR DISTR SYS
 FIGURE 32D (SHEET 7)

21-23-01-32D

HAP
 OCT 10/06

21-23-01-32D
 PAGE OF

BOEING
 737-600/700/800/900
 PARTS CATALOG (MAINTENANCE)



E 21230132D SHT 8 REV 121

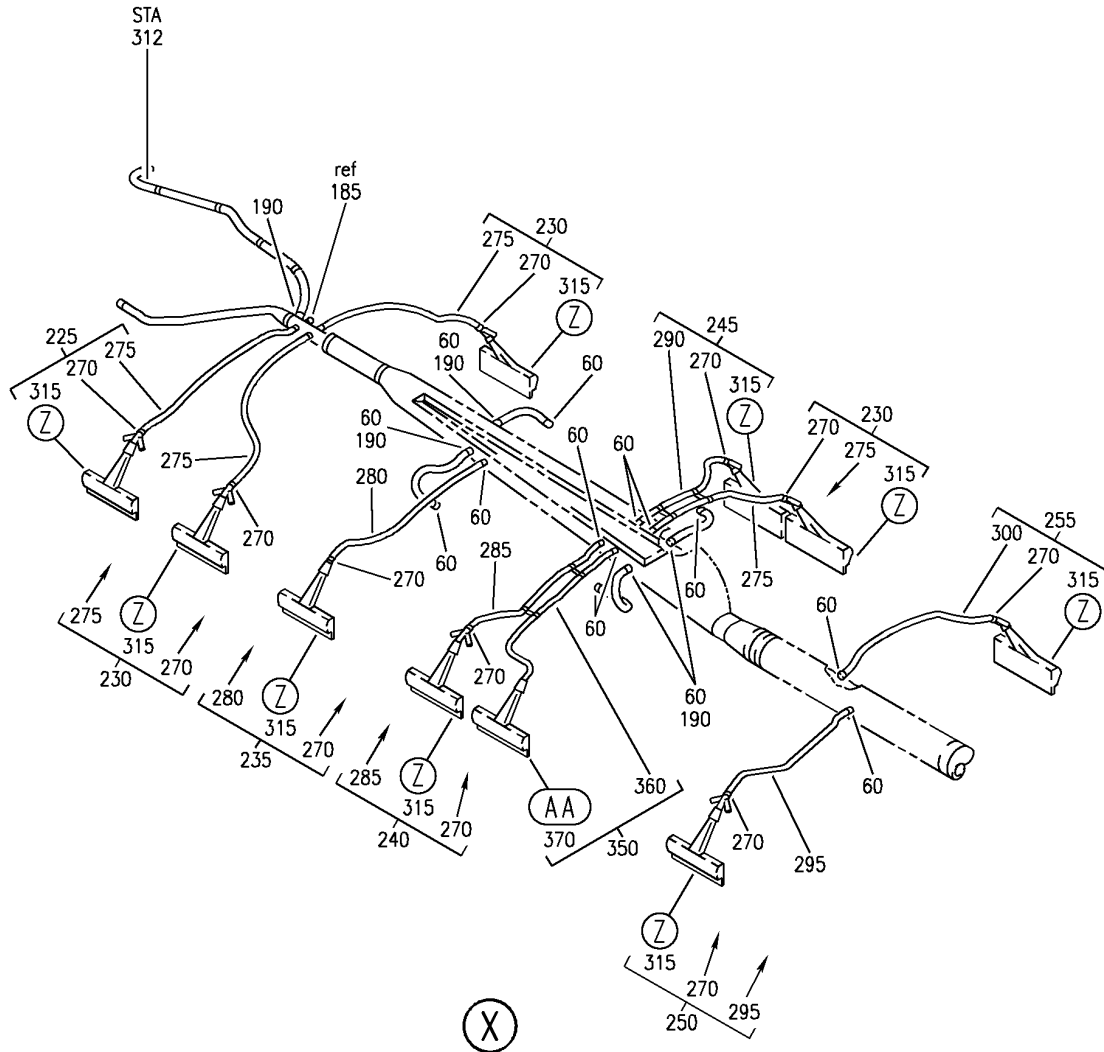
DUCT INSTL-SIDEWALL AIR DISTR SYS
 FIGURE 32D (SHEET 8)

21-23-01-32D

HAP
 OCT 10/06

21-23-01-32D
 PAGE 06

BOEING
 737-600/700/800/900
 PARTS CATALOG (MAINTENANCE)



E 21230132D SHT 9 REV 121

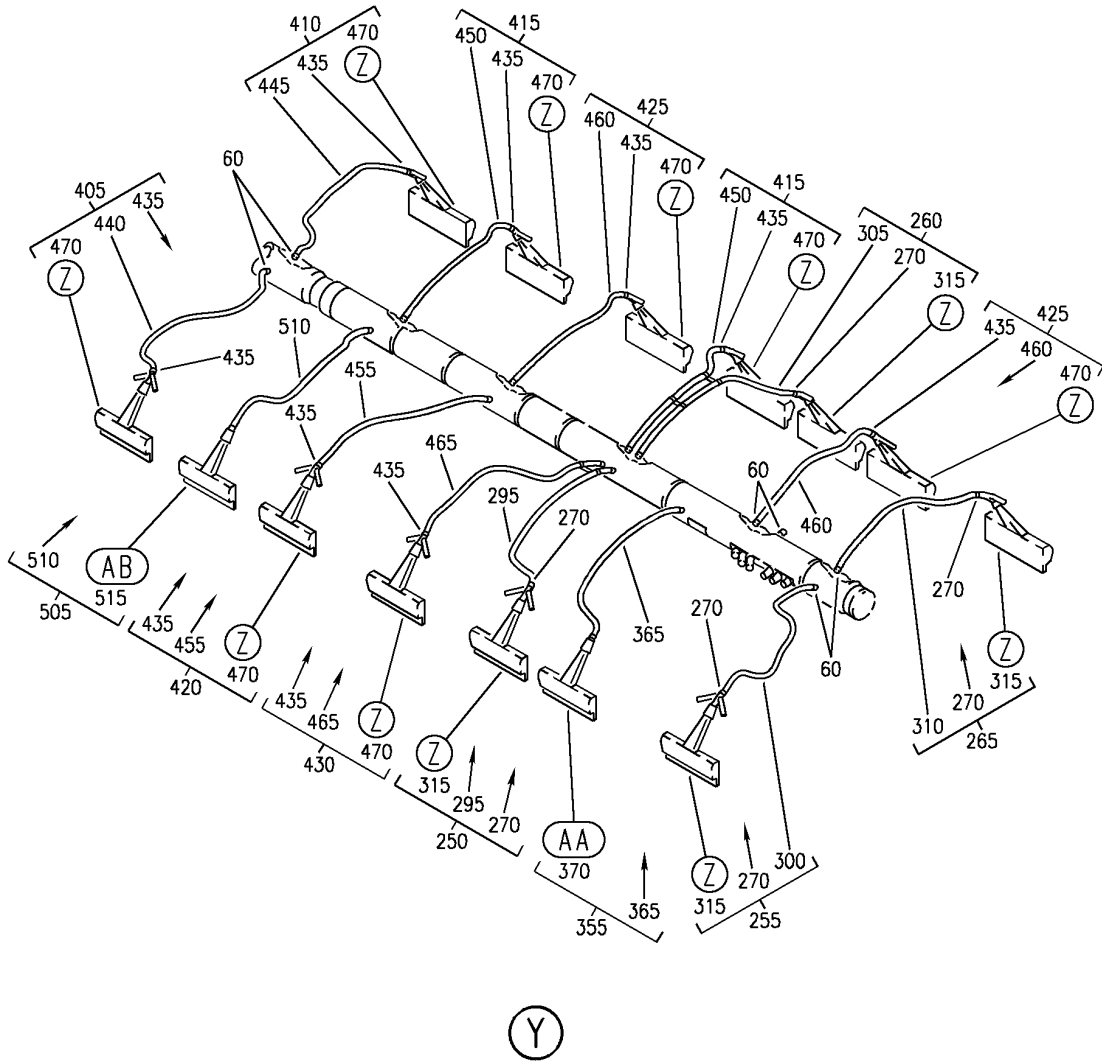
DUCT INSTL-SIDEWALL AIR DISTR SYS
 FIGURE 32D (SHEET 9)

21-23-01-32D

HAP
 OCT 10/06

21-23-01-32D
 PAGE 0H

BOEING
 737-600/700/800/900
 PARTS CATALOG (MAINTENANCE)



E 21230132D SHT 10 REV 121

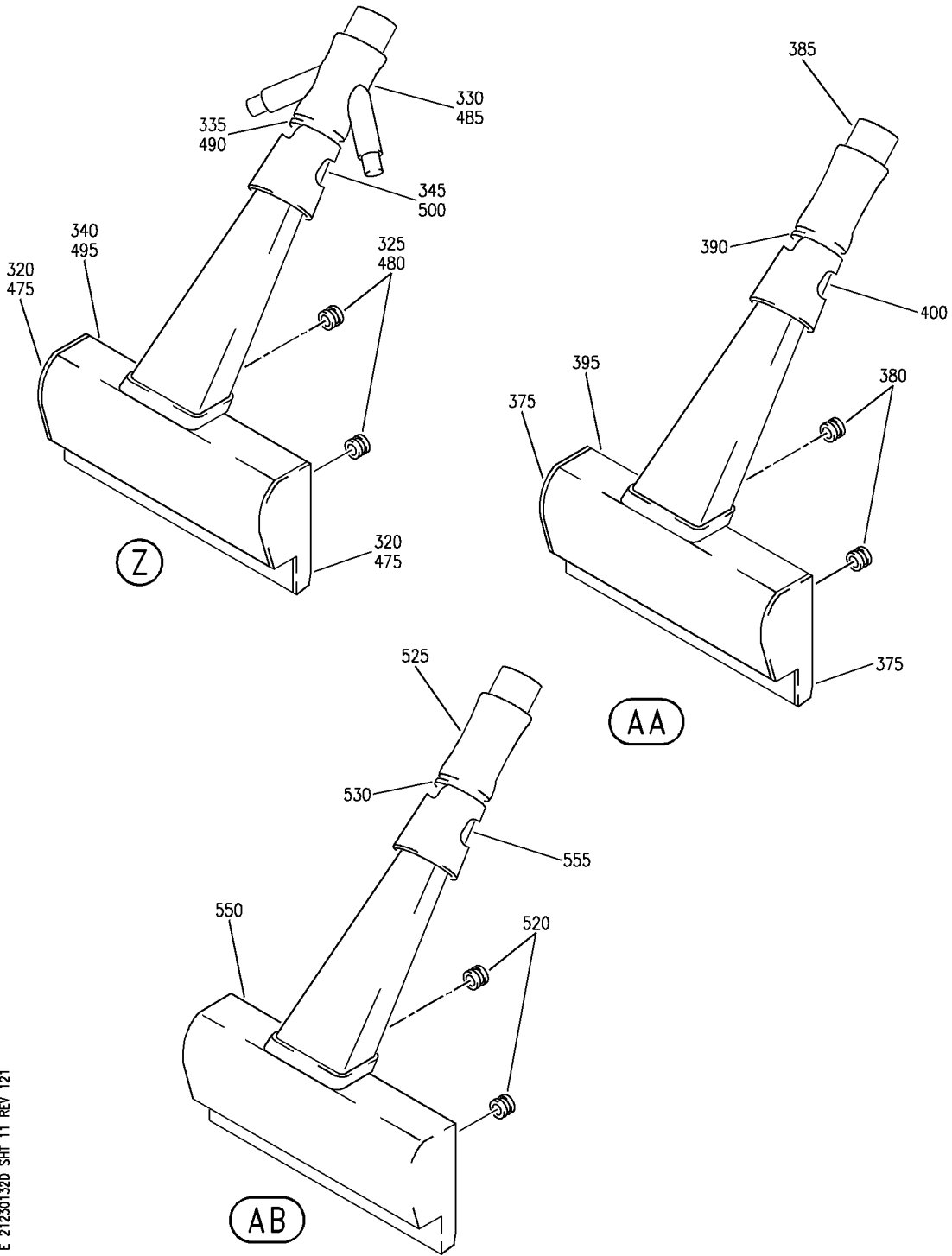
DUCT INSTL-SIDEWALL AIR DISTR SYS
 FIGURE 32D (SHEET 10)

21-23-01-32D

HAP
 OCT 10/06

21-23-01-32D
 PAGE 01

BOEING
 737-600/700/800/900
 PARTS CATALOG (MAINTENANCE)



E 21230132D SHT 11 REV 121

DUCT INSTL-SIDEWALL AIR DISTR SYS
 FIGURE 32D (SHEET 11)

21-23-01-32D

HAP
 OCT 10/06

21-23-01-32D
 PAGE 0J

BOEING
737-600/700/800/900
PARTS CATALOG (MAINTENANCE)

FIG ITEM	PART NUMBER	1 2 3 4 5 6 7	NOMENCLATURE	EFFECT FROM TO	UNITS PER ASSY
32D			DUCT INSTL-SIDEWALL AIR DISTR SYS	038038 042043	
- 1	MODREF297770		DUCT INSTL-SIDEWALL AIR DISTR SYS MODULE NUMBER: 214A2015-36 REV C	038038 042043	1
5	BACS12GP3L10		.SCREW	038038 042043	19
10	BACS12GU3K11		.SCREW	038038 042043	1
15	BACS12GU3K7		.SCREW	038038 042043	5
20	BACS12GP3L42		.SCREW	038038 042043	1
25	BACS12FA08K6		.SCREW	038038 042043	48
30	BACS12GP3L7		.SCREW	038038 042043	29
35	NAS43DD3-128FC		.SPACER	038038 042043	1
40	BACW10DZ3		.WASHER	038038 042043	13
45	PLH53CD		.NUT SUPPLIER CODE: VF0224 SPECIFICATION NUMBER: BACN10YR3CD OPTIONAL PART: H52732-3CD V15653	038038 042043	1
50	PLT1-5IM		.STRAP SUPPLIER CODE: V06383 SPECIFICATION NUMBER: BACS38K5 OPTIONAL PART: T03R0 V53421	038038 042043	2
55	PLT3SM		.STRAP SUPPLIER CODE: V06383 SPECIFICATION NUMBER: BACS38K7 OPTIONAL PART: T05I0 V53421	038038 042043	61

MISSING ITEM NUMBERS NOT APPLICABLE

- ITEM NOT ILLUSTRATED

HAP

21-23-01-32D

BOEING PROPRIETARY - Copyright © - Unpublished Work - See title page for details.

21-23-01
FIG. 32D
PAGE 1
FEB 15/09

BOEING
737-600/700/800/900
PARTS CATALOG (MAINTENANCE)

FIG ITEM	PART NUMBER	1 2 3 4 5 6 7	NOMENCLATURE	EFFECT FROM TO	UNITS PER ASSY
32D 60	PLT2IC	.STRAP	SUPPLIER CODE: V06383 SPECIFICATION NUMBER: BACS38K10	038038 042043	30
65	STBP19M12	.PLATE-MTG	SUPPLIER CODE: V1B249	038038 042043	1
70	TM2S8	.PLATE-MTG	SUPPLIER CODE: V06383 SPECIFICATION NUMBER: STBP19M9	038038 042043	48
75	S717-118	.CLAMP	SUPPLIER CODE: V18076 SPECIFICATION NUMBER: BACC10GU118 OPTIONAL PART: JM44LC39S118RG V22175 534CS118 V83930	038038 042043	2
80	NAS1922-0150-3	.CLAMP		038038 042043	1
85	NAS1922-0275-3	.CLAMP		038038 042043	4
90	NMC1005-7	.CLAMP-	SUPPLIER CODE: V03296	038038 042043	2
95	214T3424-4	.SUPPORT		038038 042043	1
100	214N5054-8	.SUPPORT ASSY		038038 042043	13
105	2055155-7A	..CLIP-STGR	SUPPLIER CODE: V04169	038038 042043	1
110	411N4026-2	..CAP ASSY-	OPTIONAL PART: 411N4026-10	038038 042043	1
110	411N4026-10	..CAP ASSY-	OPTIONAL PART: 411N4026-2	038038 042043	1
115	411N4026-5	...CAP-	USED ON: 411N4026-2	038038 042043	1
115	411N4026-11	...CAP-	USED ON: 411N4026-10	038038 042043	1

MISSING ITEM NUMBERS NOT APPLICABLE

— ITEM NOT ILLUSTRATED

HAP

21-23-01-32D

BOEING PROPRIETARY - Copyright © - Unpublished Work - See title page for details.

21-23-01
FIG. 32D
PAGE 2
OCT 10/07

BOEING
737-600/700/800/900
PARTS CATALOG (MAINTENANCE)

FIG ITEM	PART NUMBER	1 2 3 4 5 6 7 NOMENCLATURE	EFFECT FROM TO	UNITS PER ASSY
32D				
120	411A4902-6	.CLIP ASSY-RTNR	038038 042043	2
125	MS16562-194	..PIN-SPR	038038 042043	1
130	411A4902-8	..CLIP-SPR	038038 042043	1
135	411A4902-3	..BODY ASSY	038038 042043	1
140	H02030-2L	...INSERT- SUPPLIER CODE: V07EU2	038038 042043	2
145	BOE240312035205	.HOSE-FLEX	038038 042043	1
150	BCREF129513	.DUCT-FLEX OVERLENGTH PART NUMBER: BACD40V1206-0422	038038 042043	1
155	AS1591-12-0100A	.HOSE	038038 042043	1
160	AS1591-06-0240A	.HOSE	038038 042043	1
165	AS1591-06-0200A	.HOSE	038038 042043	1
170	AS1591-06-0220A	.HOSE	038038 042043	1
175	AS1591-06-0270A	.HOSE	038038 042043	1
180	12-1000	.CAP-END SUPPLIER CODE: V25205	038038 042043	20
185	24-1000	.CAP-END SUPPLIER CODE: V25205	038038 042043	2
190	214T3436-619	.ORIFICE ASSY	038038 042043	6
195	69B43325-13	.CONNECTOR	038038 042043	1
200	65C36914-3	.DUCT-BRANCH	038038 042043	1
203	65C36914-6	.DUCT-BRANCH	038038 042043	1
205	BACD40P3A180	.DUCT	038038 042043	16
210	BACD40P3A280	.DUCT	038038 042043	6
225	214A2113-365	.HOSE ASSY	038038 042043	1
230	214A2113-351	.HOSE ASSY	038038 042043	3

MISSING ITEM NUMBERS NOT APPLICABLE

— ITEM NOT ILLUSTRATED

HAP

21-23-01-32D

BOEING PROPRIETARY - Copyright © - Unpublished Work - See title page for details.

21-23-01
FIG. 32D
PAGE 3
OCT 15/08

BOEING
737-600/700/800/900
PARTS CATALOG (MAINTENANCE)

FIG ITEM	PART NUMBER	1 2 3 4 5 6 7	NOMENCLATURE	EFFECT FROM TO	UNITS PER ASSY
32D					
235	214A2113-347	.HOSE	ASSY	038038 042043	1
240	214A2113-345	.HOSE	ASSY	038038 042043	1
245	214A2113-349	.HOSE	ASSY	038038 042043	1
250	214A2113-344	.HOSE	ASSY	038038 042043	2
255	214A2113-355	.HOSE	ASSY	038038 042043	2
260	214A2113-356	.HOSE	ASSY	038038 042043	1
265	214A2113-358	.HOSE	ASSY	038038 042043	1
270	PLT2IC	..STRAP		038038 042043	1
			SUPPLIER CODE: V06383		
			SPECIFICATION NUMBER: BACS38K10		
275	AS1591-06-0530A	..HOSE-		038038 042043	1
			USED ON: 214A2113-351 214A2113-365		
280	AS1591-06-0480A	..HOSE-		038038 042043	1
			USED ON: 214A2113-347		
285	AS1591-06-0460A	..HOSE-		038038 042043	1
			USED ON: 214A2113-345		
290	AS1591-06-0510A	..HOSE-		038038 042043	1
			USED ON: 214A2113-349		
295	AS1591-06-0450A	..HOSE-		038038 042043	1
			USED ON: 214A2113-344		
300	AS1591-06-0590A	..HOSE-		038038 042043	1
			USED ON: 214A2113-355		
305	AS1591-06-0600A	..HOSE-		038038 042043	1
			USED ON: 214A2113-356		
310	AS1591-06-0660A	..HOSE-		038038 042043	1
			USED ON: 214A2113-358		
315	214N2520-145	..DIFFUSER	ASSY	038038 042043	1
320	214N2520-142	...PLATE-	END	038038 042043	2

MISSING ITEM NUMBERS NOT APPLICABLE

— ITEM NOT ILLUSTRATED

HAP

21-23-01-32D

BOEING PROPRIETARY - Copyright © - Unpublished Work - See title page for details.

21-23-01
FIG. 32D
PAGE 4
OCT 15/08

BOEING
737-600/700/800/900
PARTS CATALOG (MAINTENANCE)

FIG ITEM	PART NUMBER	1 2 3 4 5 6 7	NOMENCLATURE	EFFECT FROM TO	UNITS PER ASSY
32D					
325	6035-2BR185	...	INSERT- SUPPLIER CODE: V01556	038038 042043	2
330	214N2107-6	...	DUCT-BRANCH	038038 042043	1
335	214N2145-6	...	PLATE-RESTRICTOR	038038 042043	1
340	214N2520-91	...	DIFFUSER	038038 042043	1
345	214N2520-69	...	LINING	038038 042043	1
350	214A2113-385	.	HOSE ASSY	038038 042043	1
355	214A2113-386	.	HOSE ASSY	038038 042043	1
360	AS1591-06-0510A	..	HOSE- USED ON: 214A2113-385	038038 042043	1
365	AS1591-06-0500A	..	HOSE- USED ON: 214A2113-386	038038 042043	1
370	214N2520-90	..	DIFFUSER ASSY	038038 042043	1
375	214N2520-142	...	PLATE-END OPTIONAL PART: 214N2520-7	038038 042043	2
375	214N2520-7	...	PLATE-END OPTIONAL PART: 214N2520-142	038038 042043	2
380	6035-2BR185	...	INSERT- SUPPLIER CODE: V01556	038038 042043	2
385	214N2520-41	...	SLEEVE	038038 042043	1
390	214N2145-6	...	PLATE-RESTRICTOR	038038 042043	1
395	214N2520-98	...	DIFFUSER	038038 042043	1
400	214N2520-69	...	LINING	038038 042043	1
405	214A2113-304	.	HOSE ASSY	038038 042043	1
410	214A2113-316	.	HOSE ASSY	038038 042043	1
415	214A2113-309	.	HOSE ASSY	038038 042043	2
420	214A2113-293	.	HOSE ASSY	038038 042043	1

MISSING ITEM NUMBERS NOT APPLICABLE

— ITEM NOT ILLUSTRATED

HAP

21-23-01-32D

BOEING PROPRIETARY - Copyright © - Unpublished Work - See title page for details.

21-23-01
FIG. 32D
PAGE 5
OCT 15/08

BOEING
737-600/700/800/900
PARTS CATALOG (MAINTENANCE)

FIG ITEM	PART NUMBER	1 2 3 4 5 6 7	NOMENCLATURE	EFFECT FROM TO	UNITS PER ASSY
32D					
425	214A2113-308	.HOSE	ASSY	038038 042043	2
430	214A2113-299	.HOSE	ASSY	038038 042043	1
435	PLT2IC	..STRAP		038038 042043	1
			SUPPLIER CODE: V06383		
			SPECIFICATION NUMBER: BACS38K10		
440	AS1591-06-0560A	..HOSE-		038038 042043	1
			USED ON: 214A2113-304		
445	AS1591-06-0690A	..HOSE-		038038 042043	1
			USED ON: 214A2113-316		
450	AS1591-06-0610A	..HOSE-		038038 042043	1
			USED ON: 214A2113-309		
455	AS1591-06-0440A	..HOSE-		038038 042043	1
			USED ON: 214A2113-293		
460	AS1591-06-0600A	..HOSE-		038038 042043	1
			USED ON: 214A2113-308		
465	AS1591-06-0500A	..HOSE-		038038 042043	1
			USED ON: 214A2113-299		
470	214N2520-143	..DIFFUSER	ASSY	038038 042043	1
475	214N2520-142	...PLATE-END		038038 042043	2
480	6035-2BR185	...INSERT-		038038 042043	2
			SUPPLIER CODE: V01556		
485	214N2107-6	...DUCT-BRANCH		038038 042043	1
490	214N2145-5	...PLATE-RESTRICTOR		038038 042043	1
495	214N2520-91	...DIFFUSER		038038 042043	1
500	214N2520-69	...LINING		038038 042043	1
505	214A2113-392	.HOSE	ASSY	038038 042043	1
510	AS1591-06-0510A	..HOSE		038038 042043	1
515	214N2520-88	..DIFFUSER	ASSY	038038 042043	1

MISSING ITEM NUMBERS NOT APPLICABLE

— ITEM NOT ILLUSTRATED

HAP

21-23-01-32D

BOEING PROPRIETARY - Copyright © - Unpublished Work - See title page for details.

21-23-01
FIG. 32D
PAGE 6
OCT 15/08

BOEING
737-600/700/800/900
PARTS CATALOG (MAINTENANCE)

FIG ITEM	PART NUMBER	1 2 3 4 5 6 7	NOMENCLATURE	EFFECT FROM TO	UNITS PER ASSY
32D 520	6035-2BR185		...INSERT- SUPPLIER CODE: V01556	038038 042043	2
525	214N2107-4		...DUCT-BRANCH	038038 042043	1
530	214N2145-6		...PLATE-RESTRICTOR	038038 042043	1
- 535	214N2520-77		...INLET ASSY	038038 042043	1
- 540	214N2520-79	CAP-INLET	038038 042043	1
- 545	214N2520-78	INLET	038038 042043	1
550	214N2520-91		...DIFFUSER	038038 042043	1
555	214N2520-69		...LINING	038038 042043	1

MISSING ITEM NUMBERS NOT APPLICABLE

- ITEM NOT ILLUSTRATED

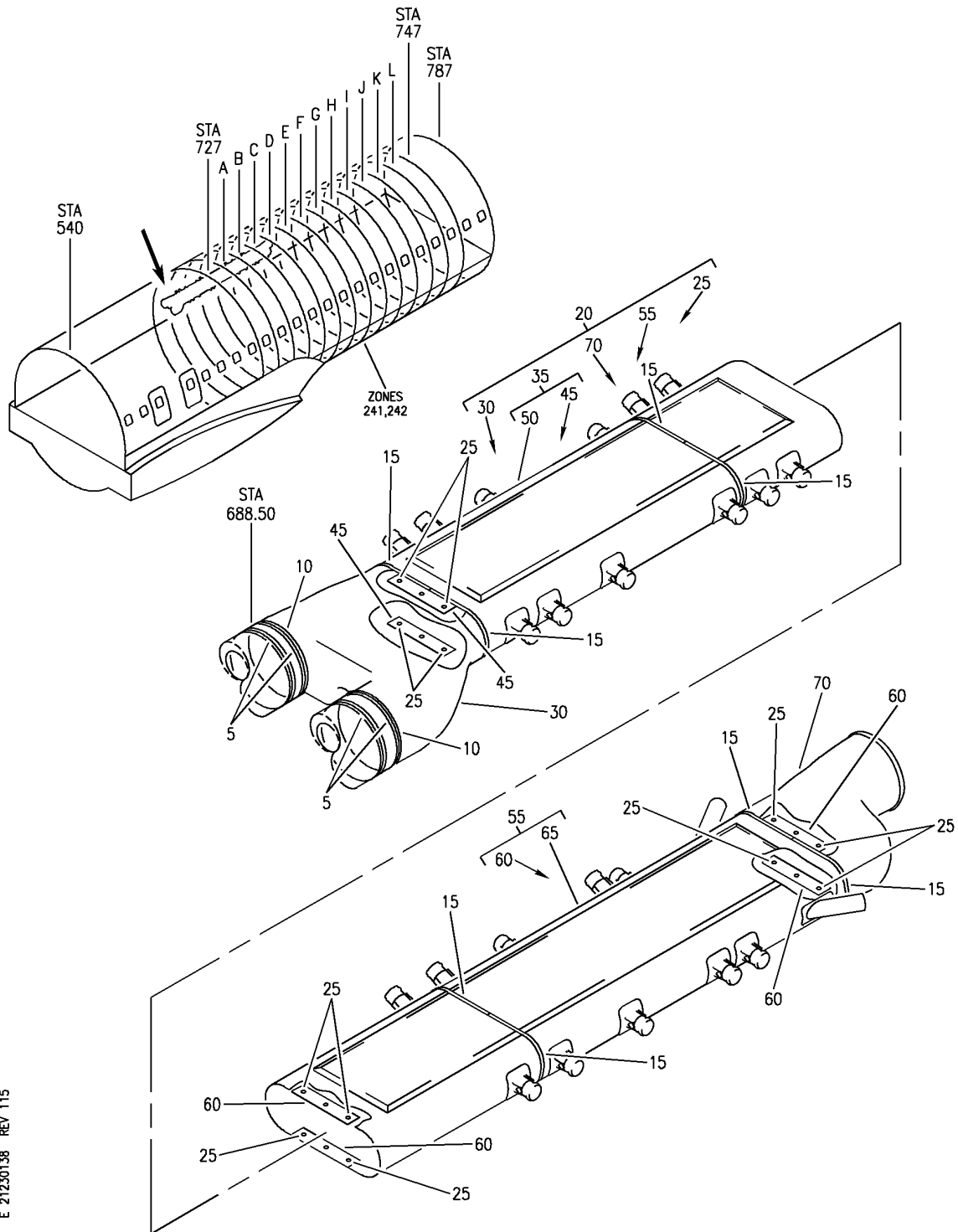
HAP

21-23-01-32D

BOEING PROPRIETARY - Copyright © - Unpublished Work - See title page for details.

21-23-01
FIG. 32D
PAGE 7
OCT 15/08


BOEING
 737-600/700/800/900
PARTS CATALOG (MAINTENANCE)



E 21230138 REV 115

DUCT INSTL-OVHD AIR DISTR SYS
 FIGURE 38

21-23-01-38

HAP
OCT 10/06

21-23-01-38
 PAGE 0

BOEING
737-600/700/800/900
PARTS CATALOG (MAINTENANCE)

FIG ITEM	PART NUMBER	1 2 3 4 5 6 7	NOMENCLATURE	EFFECT FROM TO	UNITS PER ASSY
38			DUCT INSTL-OVHD AIR DISTR SYS	037100	
- 1	MODREF283705		DUCT INSTL-OVHD AIR DISTR SYS	037100	1
5	NAS1922-0750-3		MODULE NUMBER: 214A2012-24 REV A		
10	AS1506-30D32		.CLAMP	037100	4
15	T012LO		.SLEEVE	037100	2
			.STRAP	037100	8
			SUPPLIER CODE: V53421		
			SPECIFICATION NUMBER: BACS38K6		
20	214A2020-13		.DUCT ASSY	037100	1
25	BACR15FR4MR		..RIVET-	037100	18
			SIZE DETERMINED ON INSTL.		
30	214A2122-1		..DUCT	037100	1
35	214A2121-27		..DUCT ASSY	037100	1
45	65C37829-1		...PLATE	037100	2
50	214A2121-5		...DUCT ASSY	037100	1
55	214A2121-26		..DUCT ASSY	037100	1
60	65C37829-1		...PLATE	037100	4
65	214A2121-7		...DUCT ASSY	037100	1
70	214A2122-2		..DUCT	037100	1

MISSING ITEM NUMBERS NOT APPLICABLE

- ITEM NOT ILLUSTRATED

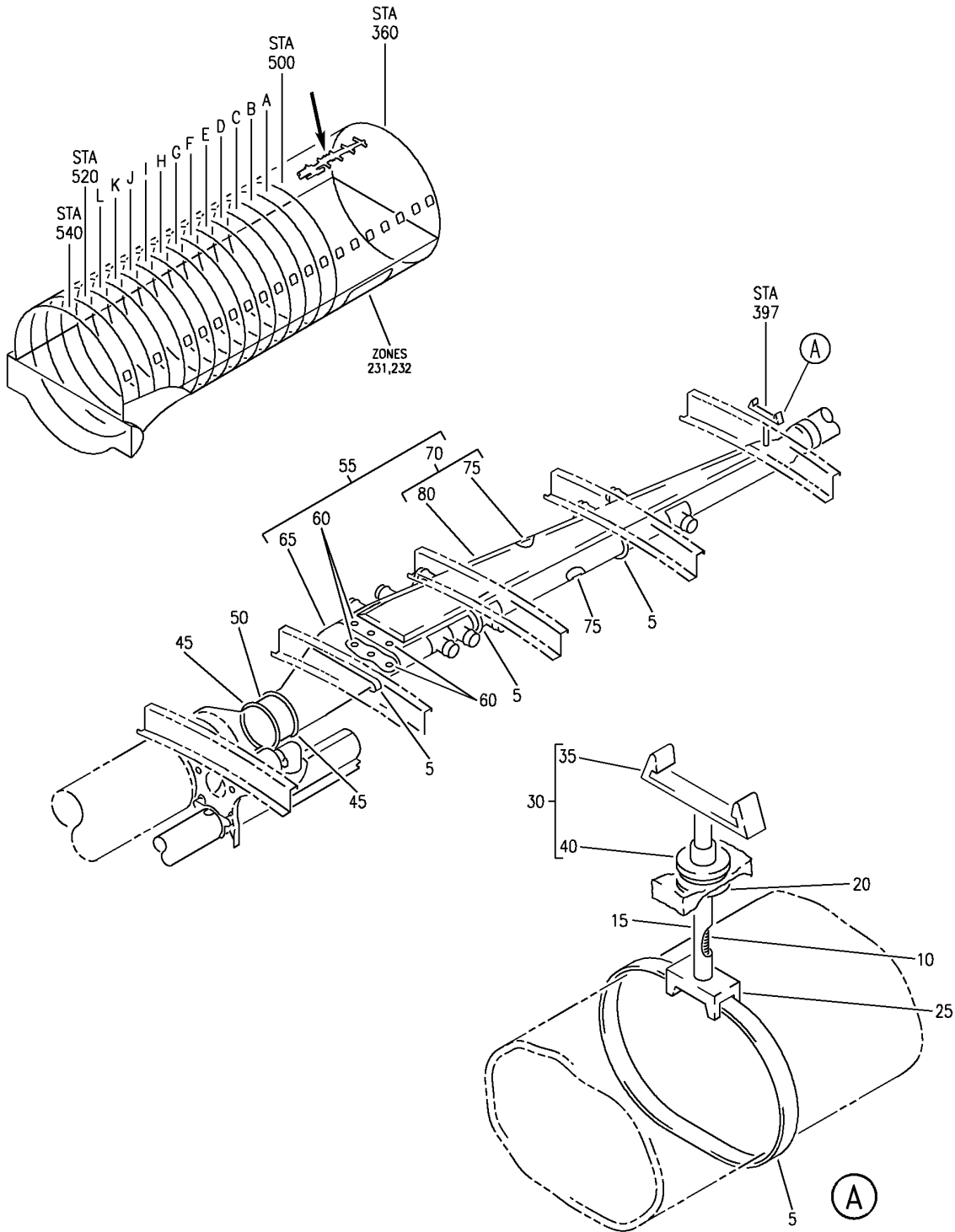
HAP

21-23-01-38

BOEING PROPRIETARY - Copyright © - Unpublished Work - See title page for details.

21-23-01
FIG. 38
PAGE 1
FEB 10/07

BOEING
 737-600/700/800/900
 PARTS CATALOG (MAINTENANCE)



E 21230140 REV 116

DUCT INSTL-OHVD AIR DISTR SYS
 FIGURE 40

21-23-01-40

HAP
 OCT 10/06

21-23-01-40
 PAGE 0

BOEING
737-600/700/800/900
PARTS CATALOG (MAINTENANCE)

FIG ITEM	PART NUMBER	1 2 3 4 5 6 7	NOMENCLATURE	EFFECT FROM TO	UNITS PER ASSY
40			DUCT INSTL-OHVD AIR DISTR SYS	037100	
- 1	MODREF284579		DUCT INSTL-OVHD AIR DISTR SYS	037100	1
5	T012L0		MODULE NUMBER: 214A2001-16 REV A .STRAP	037100	4
			SUPPLIER CODE: V53421		
			SPECIFICATION NUMBER: BACS38K6		
10	BACS12GP3L37		.SCREW-	037100	1
			OPTIONAL PART: BACS12ER3K37		
10	BACS12ER3K37		.SCREW-	037100	1
			OPTIONAL PART: BACS12GP3L37		
15	NAS43DD3-108FC		.SPACER	037100	1
20	BACW10DZ3		.WASHER	037100	1
25	STBP19M12		.PLATE-	037100	1
			SUPPLIER CODE: V1B249		
30	214N5054-8		.SUPPORT ASSY	037100	1
35	2055155-7A		..CLIP-STGR	037100	1
			SUPPLIER CODE: V04169		
40	411N4026-2		..CAP ASSY-	037100	1
			OPTIONAL PART: 411N4026-10		
40	411N4026-10		..CAP ASSY-	037100	1
			OPTIONAL PART: 411N4026-2		
45	NAS1922-0525-3		.CLAMP	037100	2
50	AS1506-20D30		.SLEEVE	037100	1
55	214A2020-11		.DUCT ASSY	037100	1
60	BACR15FR4MR		..RIVET-	037100	6
			SIZE DETERMINED ON INSTL.		
65	65C37824-1		..DUCT	037100	1
70	214A2121-25		..DUCT ASSY	037100	1
75	65C37829-1		...PLATE	037100	2
80	214A2121-11		...DUCT ASSY	037100	1

MISSING ITEM NUMBERS NOT APPLICABLE

- ITEM NOT ILLUSTRATED

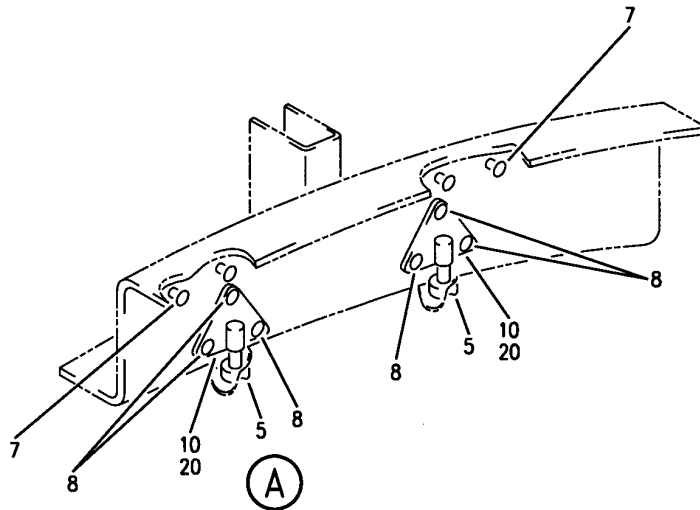
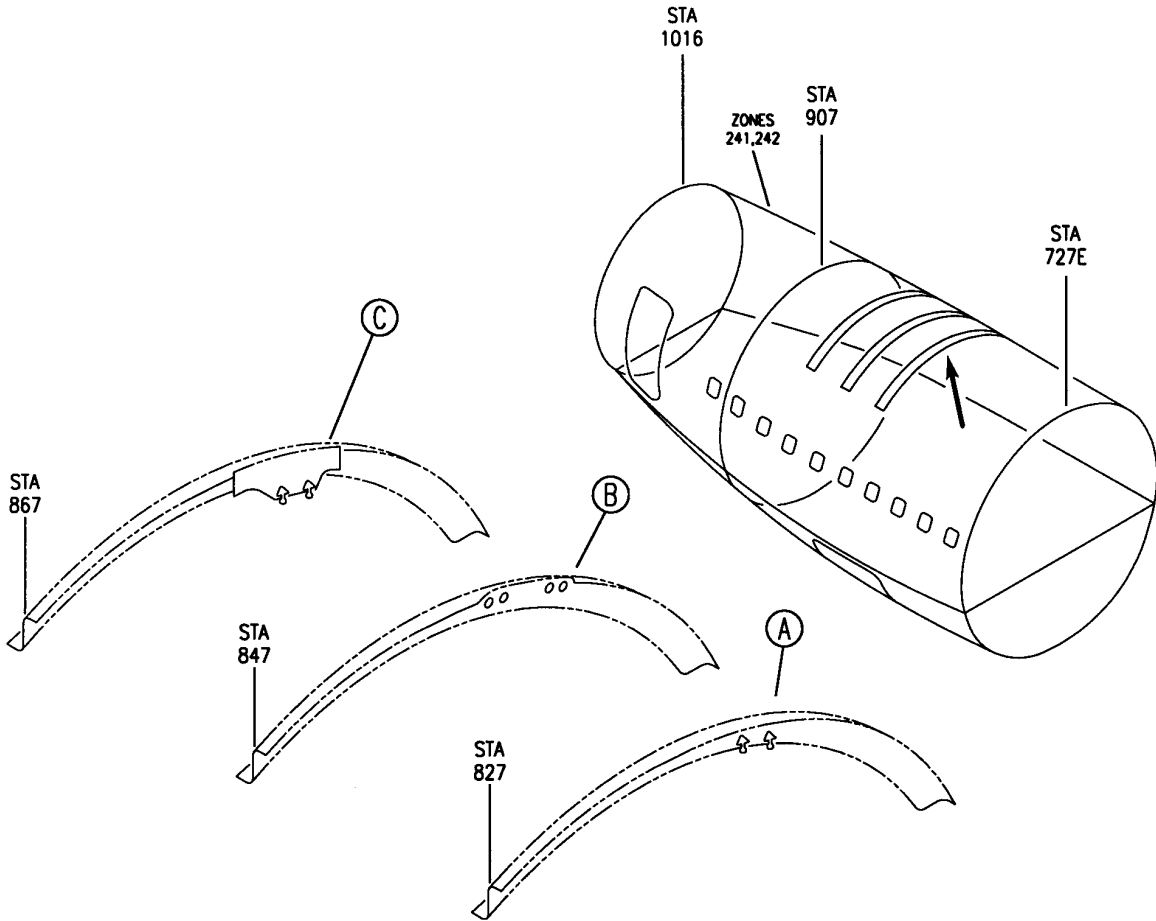
HAP

21-23-01-40

BOEING PROPRIETARY - Copyright © - Unpublished Work - See title page for details.

21-23-01
FIG. 40
PAGE 1
JUN 10/07

BOEING
 737-600/700/800/900
 PARTS CATALOG (MAINTENANCE)



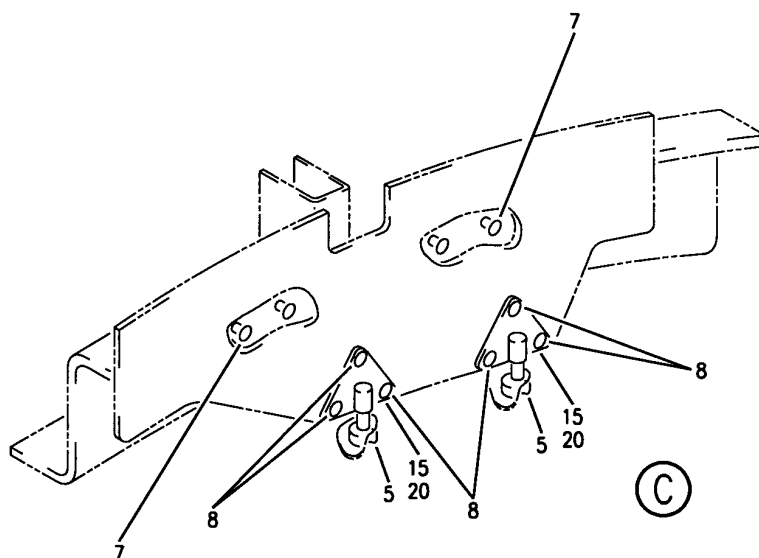
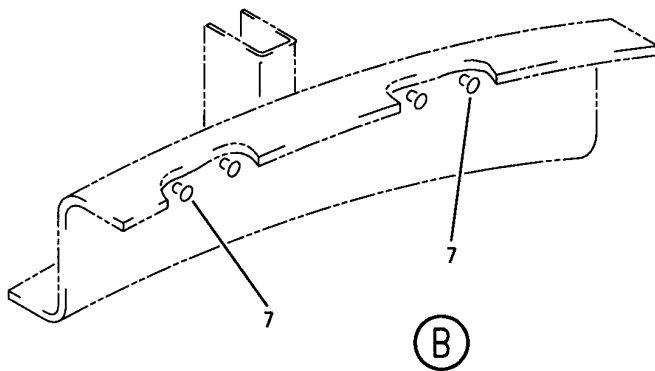
E 21230151 SHT 1 REV 029

PROVISIONS INSTL-OVHD AIR DISTR SYS
 FIGURE 51 (SHEET 1)

21-23-01-51

HAP
 OCT 10/06

21-23-01-51
 PAGE 0



E 21230151 SHT 2 REV 029

PROVISIONS INSTL-OVHD AIR DISTR SYS
 FIGURE 51 (SHEET 2)

21-23-01-51

HAP
 OCT 10/06

21-23-01-51
 PAGE 0A

BOEING
737-600/700/800/900
PARTS CATALOG (MAINTENANCE)

FIG ITEM	PART NUMBER	1 2 3 4 5 6 7	NOMENCLATURE	EFFECT FROM TO	UNITS PER ASSY
51			PROVISIONS INSTL-OVHD AIR DISTR SYS	001100	
- 1	214A9008-2		PROVISION INSTL-OVHD AIR DISTR SYS FOR NHA SEE: 21-20-00-49B	001030	RF
- 1	MODREF264298		PROVISION INSTL-OVHD AIR DISTR SYS MODULE NUMBER: 214A9008-2 REV B	031100	1
5	BACS12GU3K9		.SCREW	001100	4
7	BACR15FT5AD		.RIVET- SIZE DETERMINED ON INSTL.	001100	12
8	BACR15FT4AD		.RIVET- SIZE DETERMINED ON INSTL.	001100	12
10	WSI333-6		.NUTPLATE SUPPLIER CODE: V04169 SPECIFICATION NUMBER: BACN10TM3-6	001100	2
15	WSI333-8		.NUTPLATE SUPPLIER CODE: V04169 SPECIFICATION NUMBER: BACN10TM3-8	001100	2
20	STBP19M12		.PLATE-MTG SUPPLIER CODE: V1B249	001100	4

MISSING ITEM NUMBERS NOT APPLICABLE

- ITEM NOT ILLUSTRATED

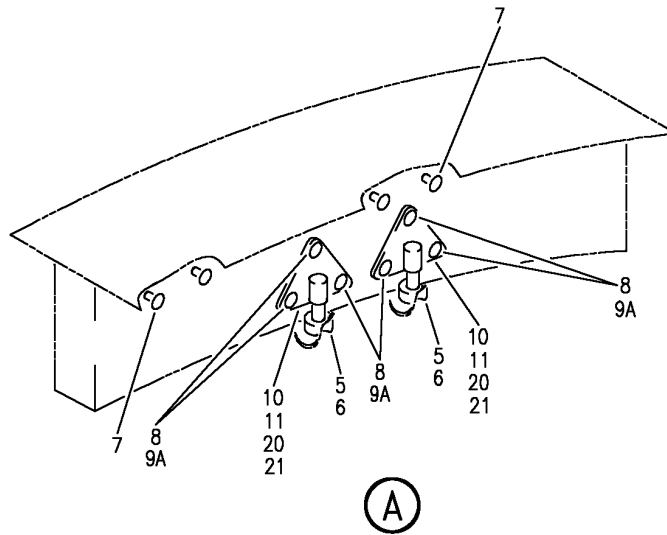
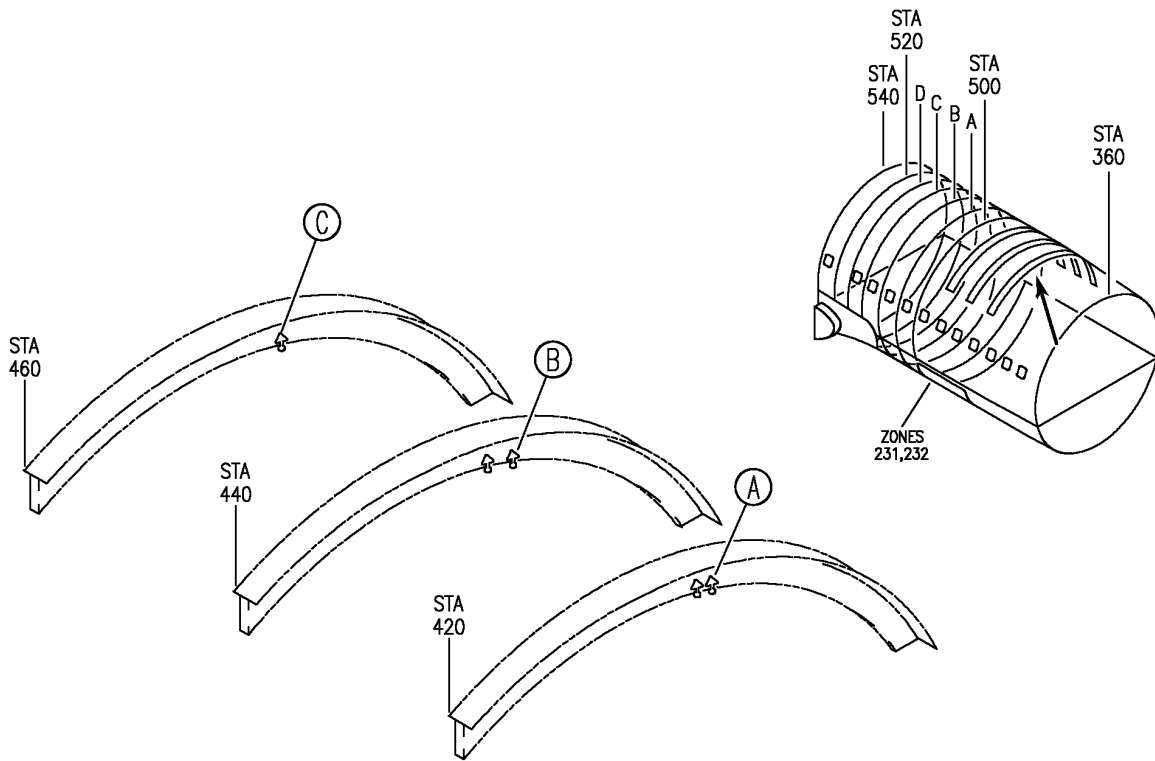
HAP

21-23-01-51

BOEING PROPRIETARY - Copyright © - Unpublished Work - See title page for details.

21-23-01
FIG. 51
PAGE 1
JUN 10/07

BOEING
 737-600/700/800/900
 PARTS CATALOG (MAINTENANCE)



E 21230152 SHT 1 REV 143

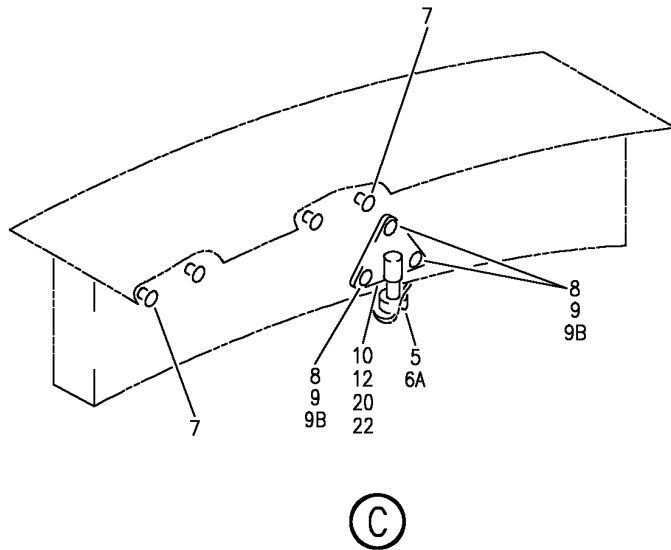
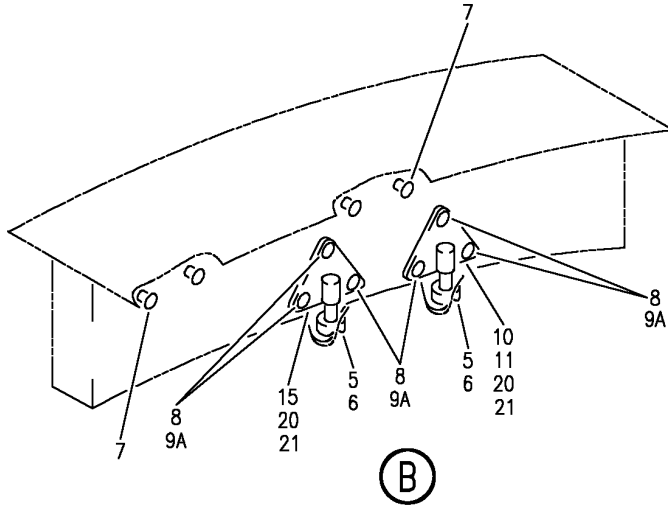
PROVISIONS INSTL-OVHD AIR DISTR SYS, SECT 43 WITH LIFERAFTS
 FIGURE 52 (SHEET 1)

21-23-01-52

HAP
 JUN 15/08

21-23-01-52
 PAGE 0

BOEING
 737-600/700/800/900
 PARTS CATALOG (MAINTENANCE)



E 21230152 SH1 2 REV 143

PROVISIONS INSTL-OVHD AIR DISTR SYS, SECT 43 WITH LIFERAFTS
 FIGURE 52 (SHEET 2)

21-23-01-52

HAP
 JUN 15/08

21-23-01-52
 PAGE 0A

BOEING
737-600/700/800/900
PARTS CATALOG (MAINTENANCE)

FIG ITEM	PART NUMBER	1 2 3 4 5 6 7	NOMENCLATURE	EFFECT FROM TO	UNITS PER ASSY
52			PROVISIONS INSTL-OVHD AIR DISTR SYS, SECT 43 WITH LIFERAFTS	001043 054200 968999	
- 1	214A9013-1		PROVISION INSTL-OVHD AIR DISTR SYS WITH LIFERAFTS POSITION DATA: SECT. 43 FOR NHA SEE: 21-20-00-49B	001030	RF
- 1	MODREF81470		PROVISION INSTL-OVHD AIR DISTR SYS WITH LIFERAFTS MODULE NUMBER: 214A9013-1 REV A POSITION DATA: SECT. 43	031043 054103 968971	1
- 1	MODREF360206		PROVISION INSTL-OVHD AIR DISTR SYS WITH LIFERAFTS MODULE NUMBER: 214A9013-3 REV A POSITION DATA: SECT. 43	104200 972999	1
5	BACS12GU3K9		.SCREW-	001043 054200 968999	5
7	BACR15FT5AD		.RIVET- SIZE DETERMINED ON INSTL.	001043 054200 968999	12
8	BACR15FT4AD		.RIVET- SIZE DETERMINED ON INSTL.	001043 054200 968999	15
10	WSI333-6		.NUTPLATE- SUPPLIER CODE: V04169 SPECIFICATION NUMBER: BACN10TM3-6	001043 054200 968999	4
15	WSI333-8		.NUTPLATE- SUPPLIER CODE: V04169 SPECIFICATION NUMBER: BACN10TM3-8	001043 054200 968999	1
20	STBP19M12		.PLATE-MTG SUPPLIER CODE: V1B249	001043 054103 968971	5
20	STBP19M14		.PLATE	104200 972999	5

MISSING ITEM NUMBERS NOT APPLICABLE

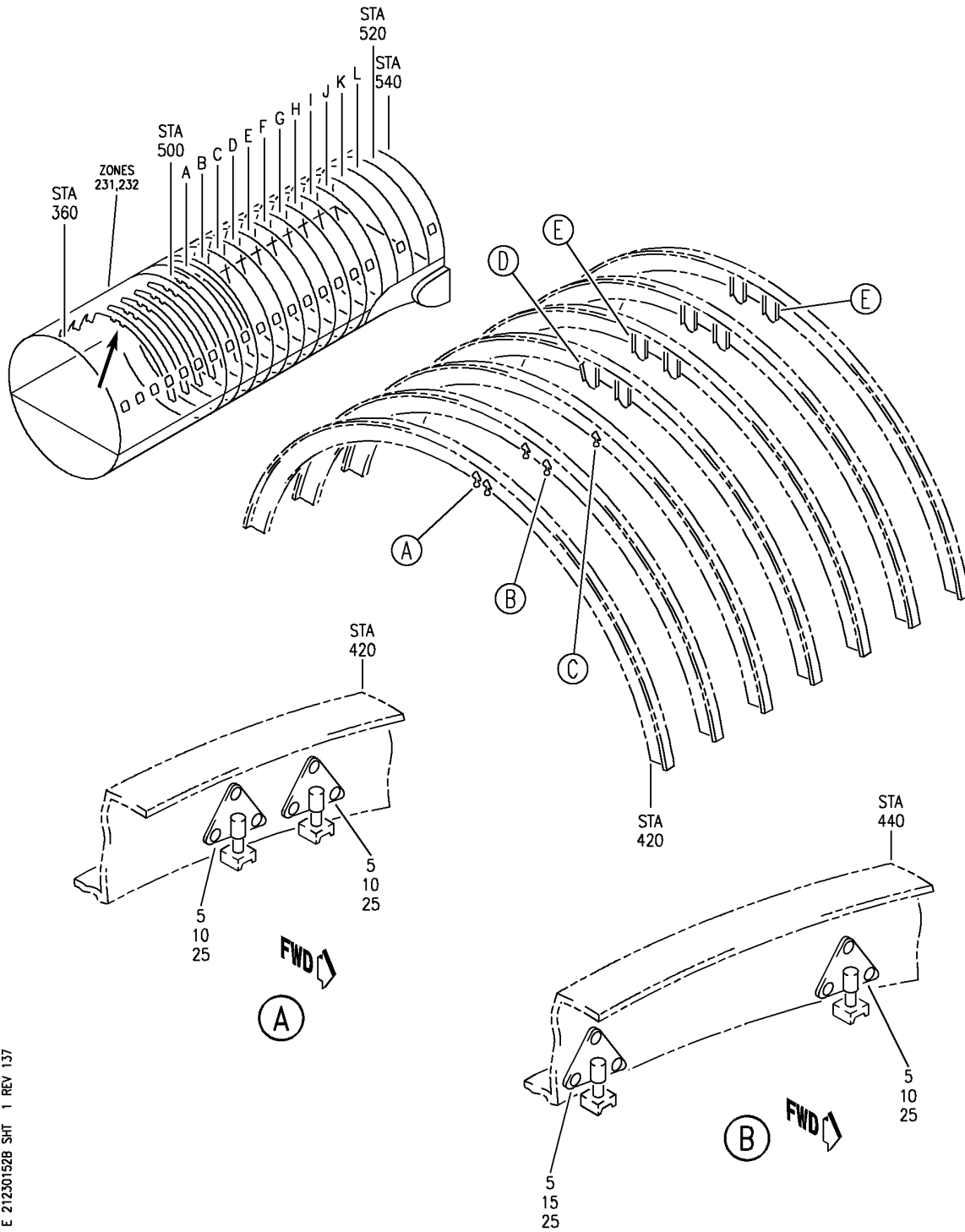
- ITEM NOT ILLUSTRATED

HAP

21-23-01-52

21-23-01
FIG. 52
PAGE 1
FEB 15/09

BOEING
 737-600/700/800/900
 PARTS CATALOG (MAINTENANCE)



E 21230152B SHT 1 REV 137

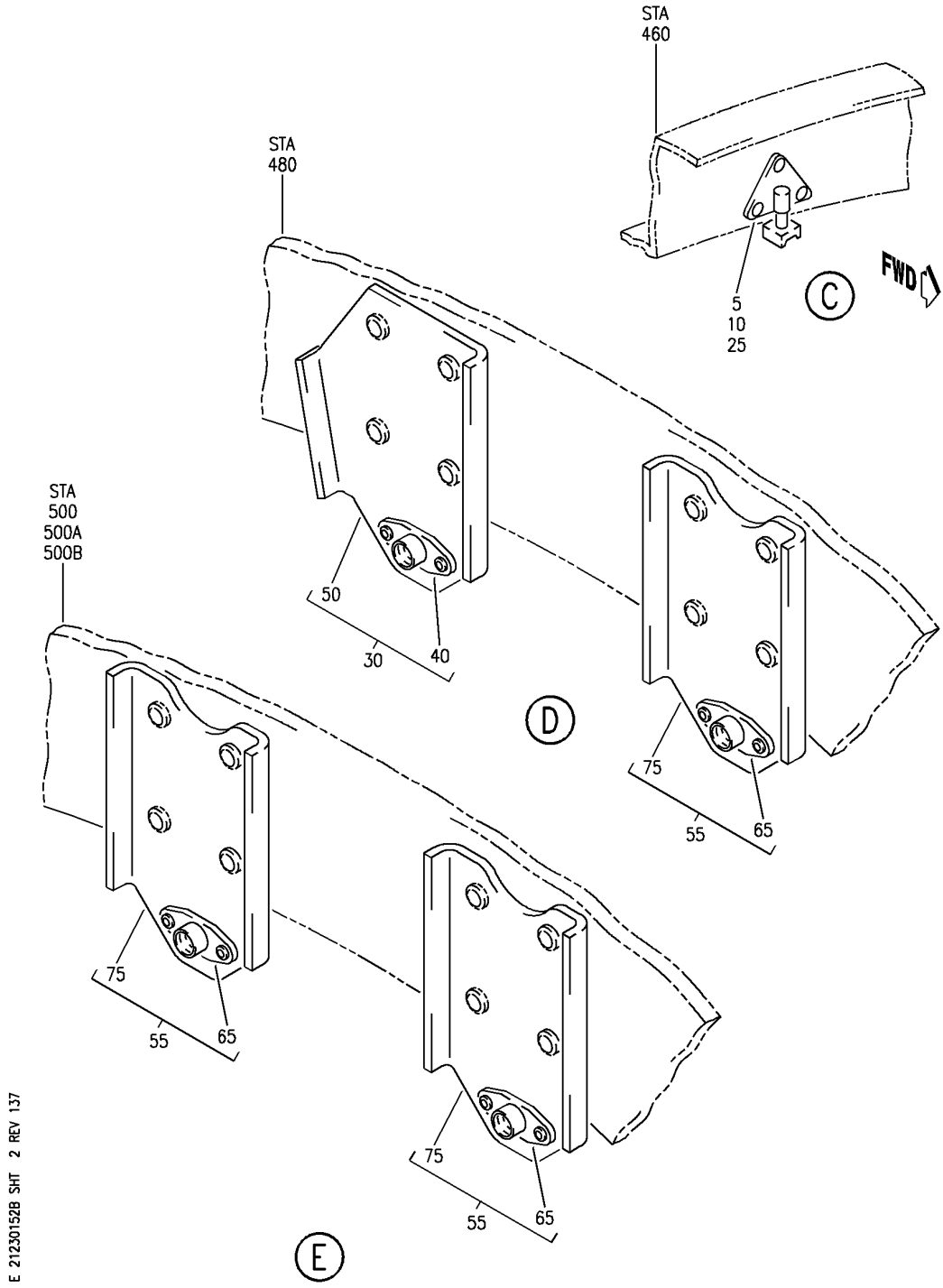
PROVISIONS INSTL-OVHD AIR DISTR SYS, SECT. 43
 FIGURE 52B (SHEET 1)

21-23-01-52B

HAP
 FEB 15/08

21-23-01-52B
 PAGE 0

BOEING
 737-600/700/800/900
 PARTS CATALOG (MAINTENANCE)



E 21230152B SHT 2 REV 137

PROVISIONS INSTL-OVHD AIR DISTR SYS, SECT. 43
 FIGURE 52B (SHEET 2)

21-23-01-52B

HAP
 FEB 15/08

21-23-01-52B
 PAGE 0A

BOEING
737-600/700/800/900
PARTS CATALOG (MAINTENANCE)

FIG ITEM	PART NUMBER	1 2 3 4 5 6 7	NOMENCLATURE	EFFECT FROM TO	UNITS PER ASSY
52B			PROVISIONS INSTL-OVHD AIR	044053	
- 1	MODREF360207		DISTR SYS, SECT. 43		
			PROVISION INSTL-OHVD AIR	044047	1
			DISTR SYS		
			MODULE NUMBER:		
			214A9013-4 REV A		
			POSITION DATA:		
			SECT. 43		
- 1	MODREF378531		PROVISION INSTL-OHVD AIR	048053	1
			DISTR SYS		
			MODULE NUMBER:		
			214A9013-4 REV B		
			POSITION DATA:		
			SECT. 43		
5	BACS12GU3K9		.SCREW	044053	5
10	WSI333-6		.NUTPLATE	044053	4
			SUPPLIER CODE:		
			V04169		
			SPECIFICATION NUMBER:		
			BACN10TM3-6		
15	WSI333-8		.NUTPLATE	044053	1
			SUPPLIER CODE:		
			V04169		
			SPECIFICATION NUMBER:		
			BACN10TM3-8		
			ATTACHING PARTS		
- 20	BACR15FT4AD		.RIVET-	044053	15
			SIZE DETERMINED ON INSTL.		
			-----*-----		
25	STBP19M14		.PLATE	044053	5
30	143A9803-17		.BRACKET ASSY-SPRT	044047	1
30	143A9803-64		.BRACKET ASSY-SPRT	048053	1
			ATTACHING PARTS		
- 35	BACR15FT6D		.RIVET-	044053	4
			SIZE DETERMINED ON INSTL.		
			-----*-----		

MISSING ITEM NUMBERS NOT APPLICABLE

- ITEM NOT ILLUSTRATED

HAP

21-23-01-52B

BOEING PROPRIETARY - Copyright © - Unpublished Work - See title page for details.

21-23-01
FIG. 52B
PAGE 1
FEB 15/09

BOEING
737-600/700/800/900
PARTS CATALOG (MAINTENANCE)

FIG ITEM	PART NUMBER	1 2 3 4 5 6 7	NOMENCLATURE	EFFECT FROM TO	UNITS PER ASSY
52B 40	BRF200C4D		..NUTPLATE SUPPLIER CODE: V52828 SPECIFICATION NUMBER: BACN10JR4CFD OPTIONAL PART: K51602-4BAC V15653 NS202476-048 V80539 102F9201-4 V72962 T8092C428CD V11815 ATTACHING PARTS	044053	1
- 45	BACR15BA3AD		..RIVET- SIZE DETERMINED ON INSTL. -----*-----	044053	2
50	143A9803-18		..BRACKET	044047	1
50	143A9803-65		..BRACKET	048053	1
55	143A9805-26		.BRACKET ASSY-SPRT	044047	7
55	143A9805-97		.BRACKET ASSY-SPRT ATTACHING PARTS	048053	7
- 60	BACR15FT6D		.RIVET- SIZE DETERMINED ON INSTL. -----*-----	044053	28
65	BRF200C4D		..NUTPLATE SUPPLIER CODE: V52828 SPECIFICATION NUMBER: BACN10JR4CFD OPTIONAL PART: K51602-4BAC V15653 NS202476-048 V80539 102F9201-4 V72962 T8092C428CD V11815 ATTACHING PARTS	044053	1
- 70	BACR15BA3AD		..RIVET- SIZE DETERMINED ON INSTL. -----*-----	044053	2
75	143A9805-25		..BRACKET	044047	1
75	143A9805-98		..BRACKET	048053	1

MISSING ITEM NUMBERS NOT APPLICABLE

- ITEM NOT ILLUSTRATED

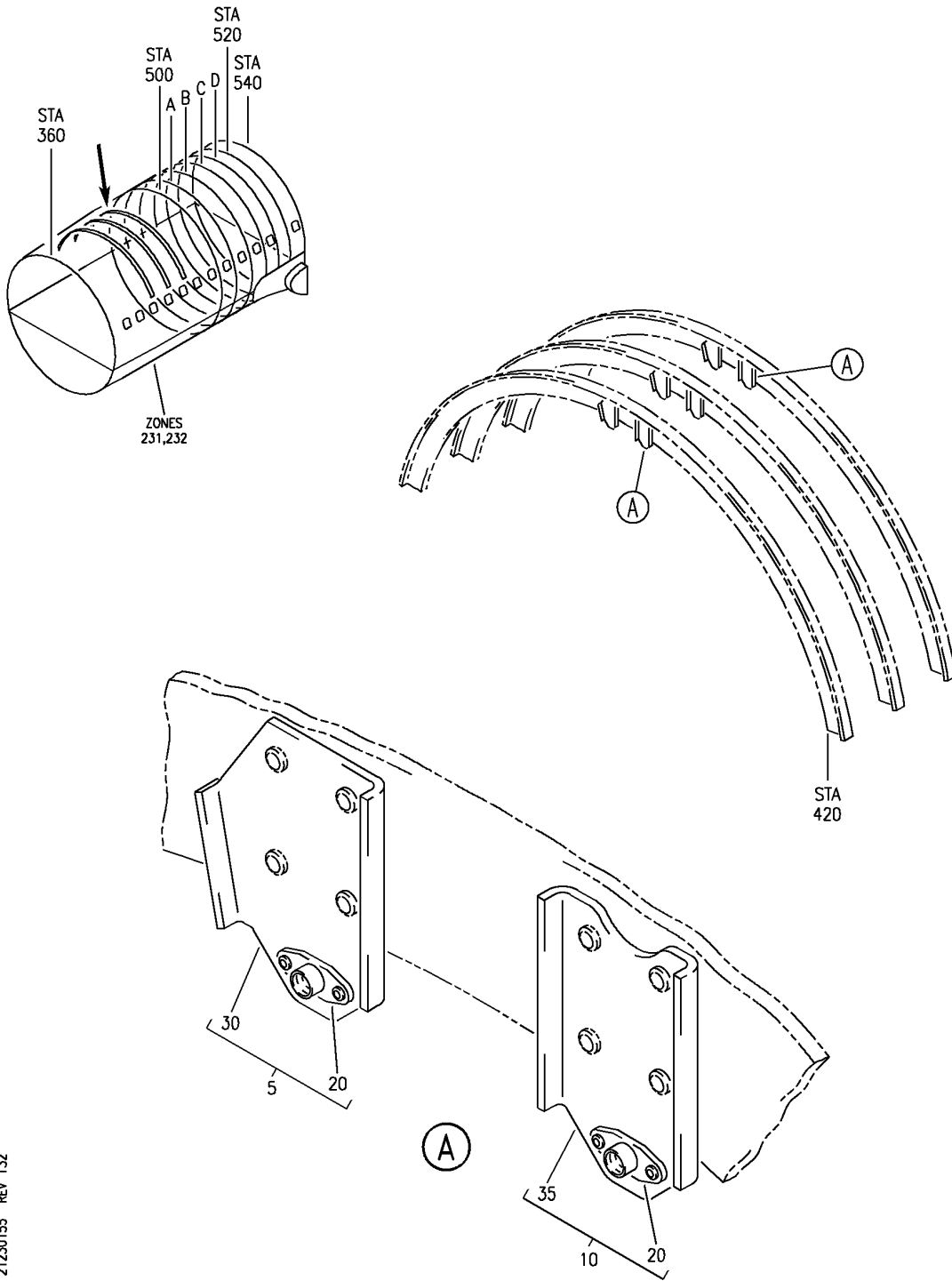
HAP

21-23-01-52B

BOEING PROPRIETARY - Copyright © - Unpublished Work - See title page for details.

21-23-01
FIG. 52B
PAGE 2
FEB 15/09

BOEING
 737-600/700/800/900
 PARTS CATALOG (MAINTENANCE)



E 21230155 REV 132

PROVISION INSTL-OVERHEAD AIR DISTRIBUTION SYSTEM SECTION 43
 FIGURE 55

21-23-01-55

HAP
 OCT 15/08

21-23-01-55
 PAGE 0

BOEING
737-600/700/800/900
PARTS CATALOG (MAINTENANCE)

FIG ITEM	PART NUMBER	1 2 3 4 5 6 7	NOMENCLATURE	EFFECT FROM TO	UNITS PER ASSY
55			PROVISION INSTL-OVERHEAD AIR DISTRIBUTION SYSTEM SECTION 43	201967	
- 1	214A9003-1		PROVISION INSTL-OVHD AIR DISTR SYS POSITION DATA: SECT. 43 FOR NHA SEE: 21-20-00-49C	201967	RF
5	143A9803-17		.BRACKET ASSY-SPRT	201967	3
10	143A9805-26		.BRACKET ASSY-SPRT ATTACHING PARTS	201967	3
- 15	BACR15FT6D		.RIVET- SIZE DETERMINED ON INSTL. -----*-----	201967	24
20	BRF200C4D		..NUTPLATE SUPPLIER CODE: V52828 SPECIFICATION NUMBER: BACN10JR4CFD OPTIONAL PART: K51602-4BAC V15653 NS202476-048 V80539 102F9201-4 V72962 T8092C428CD V11815 ATTACHING PARTS	201967	1
- 25	BACR15BA3AD		..RIVET- SIZE DETERMINED ON INSTL. -----*-----	201967	2
30	143A9803-18		..BRACKET- USED ON: 143A9803-17	201967	1
35	143A9805-25		..BRACKET- USED ON: 143A9805-26	201967	1

MISSING ITEM NUMBERS NOT APPLICABLE

- ITEM NOT ILLUSTRATED

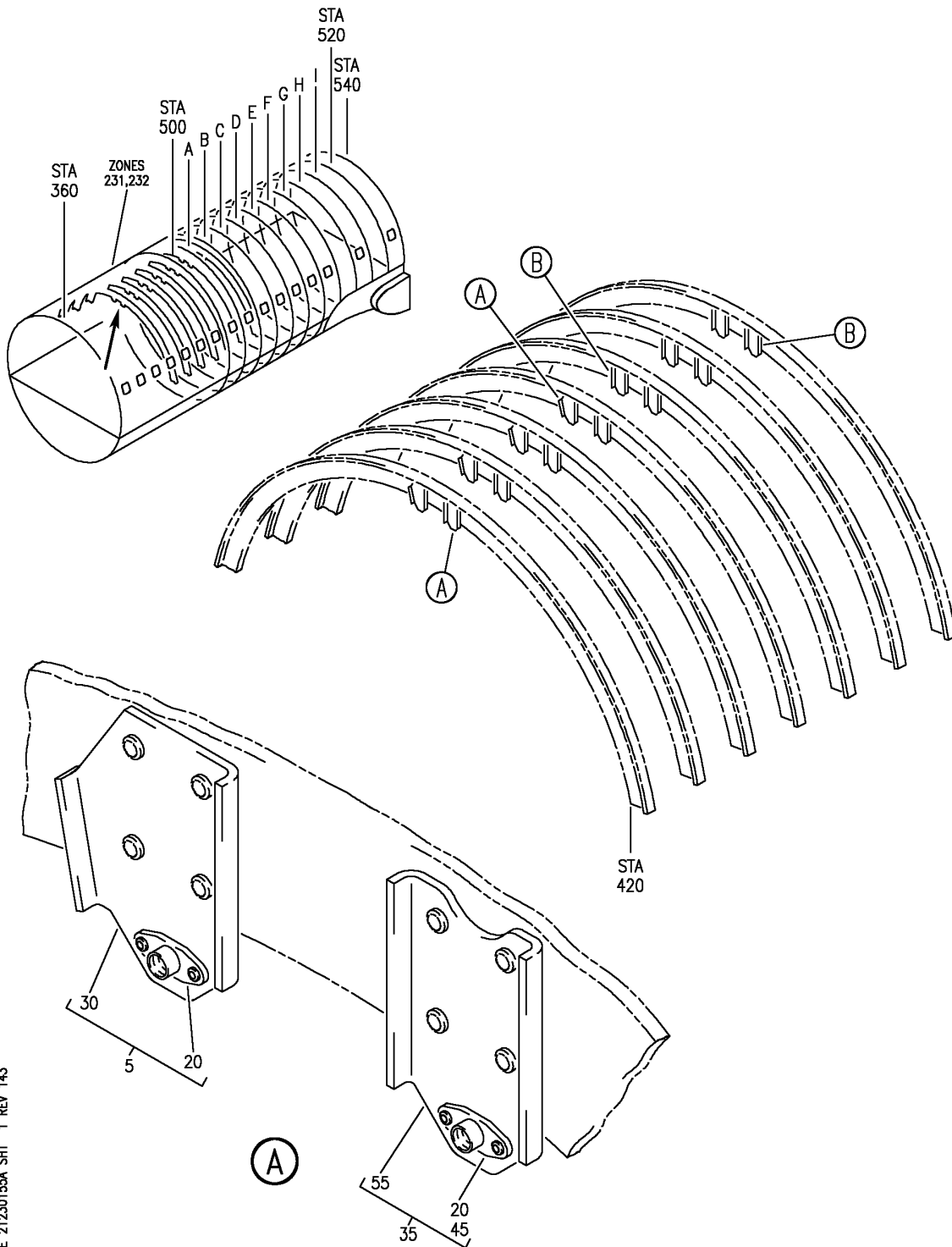
HAP

21-23-01-55

BOEING PROPRIETARY - Copyright © - Unpublished Work - See title page for details.

21-23-01
FIG. 55
PAGE 1
OCT 15/08

BOEING
 737-600/700/800/900
 PARTS CATALOG (MAINTENANCE)



E 21230155A SHT 1 REV 143

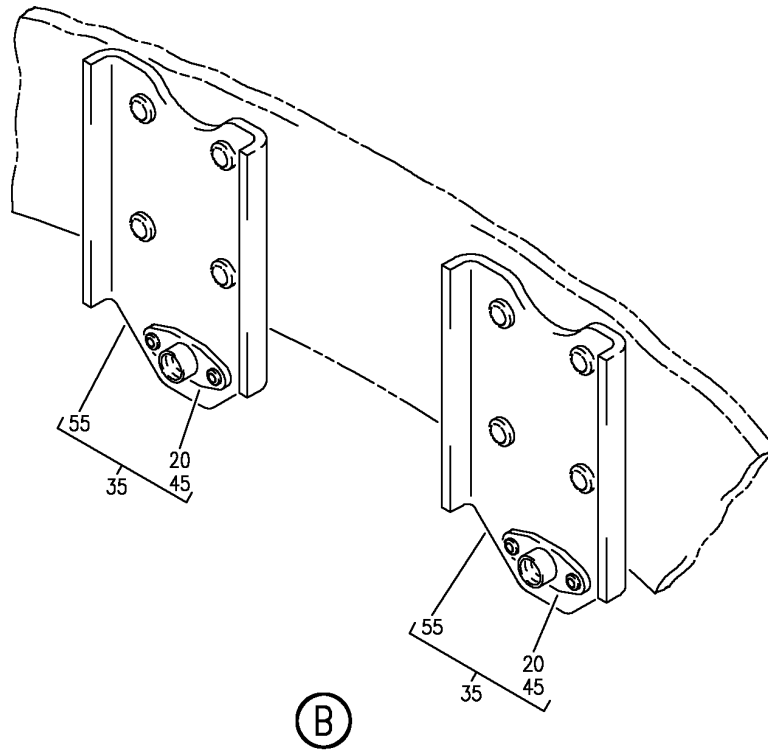
PROVISION INSTL-OVHD AIR DISTR SYS, SECT. 43
 FIGURE 55A (SHEET 1)

21-23-01-55A

HAP
 JUN 15/08

21-23-01-55A
 PAGE 0

BOEING
737-600/700/800/900
PARTS CATALOG (MAINTENANCE)



E 21230155A SHT 2 REV 143

PROVISION INSTL-OVHD AIR DISTR SYS, SECT. 43
FIGURE 55A (SHEET 2)

21-23-01-55A

HAP
JUN 15/08

21-23-01-55A
PAGE 0A

BOEING PROPRIETARY - Copyright © - Unpublished Work - See title page for details.

BOEING
737-600/700/800/900
PARTS CATALOG (MAINTENANCE)

FIG ITEM	PART NUMBER	1 2 3 4 5 6 7	NOMENCLATURE	EFFECT FROM TO	UNITS PER ASSY
55A			PROVISION INSTL-OVHD AIR DISTR SYS, SECT. 43	044046	
- 1	MODREF334216		PROVISION INSTL-OVHD AIR MODULE NUMBER: 214A9003-2 REV A POSITION DATA: SECT. 43	044046	1
5	143A9803-17		.BRACKET ASSY-SPRT ATTACHING PARTS	044046	4
- 15	BACR15FT6D		.RIVET- SIZE DETERMINED ON INSTL. -----*-----	044046	16
20	BRF200C4D		..NUTPLATE SUPPLIER CODE: V52828 SPECIFICATION NUMBER: BACN10JR4CFD OPTIONAL PART: K51602-4BAC V15653 NS202476-048 V80539 102F9201-4 V72962 T8092C428CD V11815 ATTACHING PARTS	044046	1
- 25	BACR15BA3AD		..RIVET- SIZE DETERMINED ON INSTL. -----*-----	044046	2
30	143A9803-18		..BRACKET	044046	1
35	143A9805-26		.BRACKET ASSY-SPRT ATTACHING PARTS	044046	10
- 40	BACR15FT6D		.RIVET- SIZE DETERMINED ON INSTL. -----*-----	044046	40

MISSING ITEM NUMBERS NOT APPLICABLE

- ITEM NOT ILLUSTRATED

HAP

21-23-01-55A

BOEING PROPRIETARY - Copyright © - Unpublished Work - See title page for details.

21-23-01
FIG. 55A
PAGE 1
JUN 15/08

BOEING
737-600/700/800/900
PARTS CATALOG (MAINTENANCE)

FIG ITEM	PART NUMBER	1 2 3 4 5 6 7	NOMENCLATURE	EFFECT FROM TO	UNITS PER ASSY
55A 45	BRF200C4D		..NUTPLATE SUPPLIER CODE: V52828 SPECIFICATION NUMBER: BACN10JR4CFD OPTIONAL PART: K51602-4BAC V15653 NS202476-048 V80539 102F9201-4 V72962 T8092C428CD V11815 ATTACHING PARTS	044046	1
- 50	BACR15BA3AD		..RIVET- SIZE DETERMINED ON INSTL. -----*-----	044046	2
55	143A9805-25		..BRACKET-	044046	1

MISSING ITEM NUMBERS NOT APPLICABLE

- ITEM NOT ILLUSTRATED

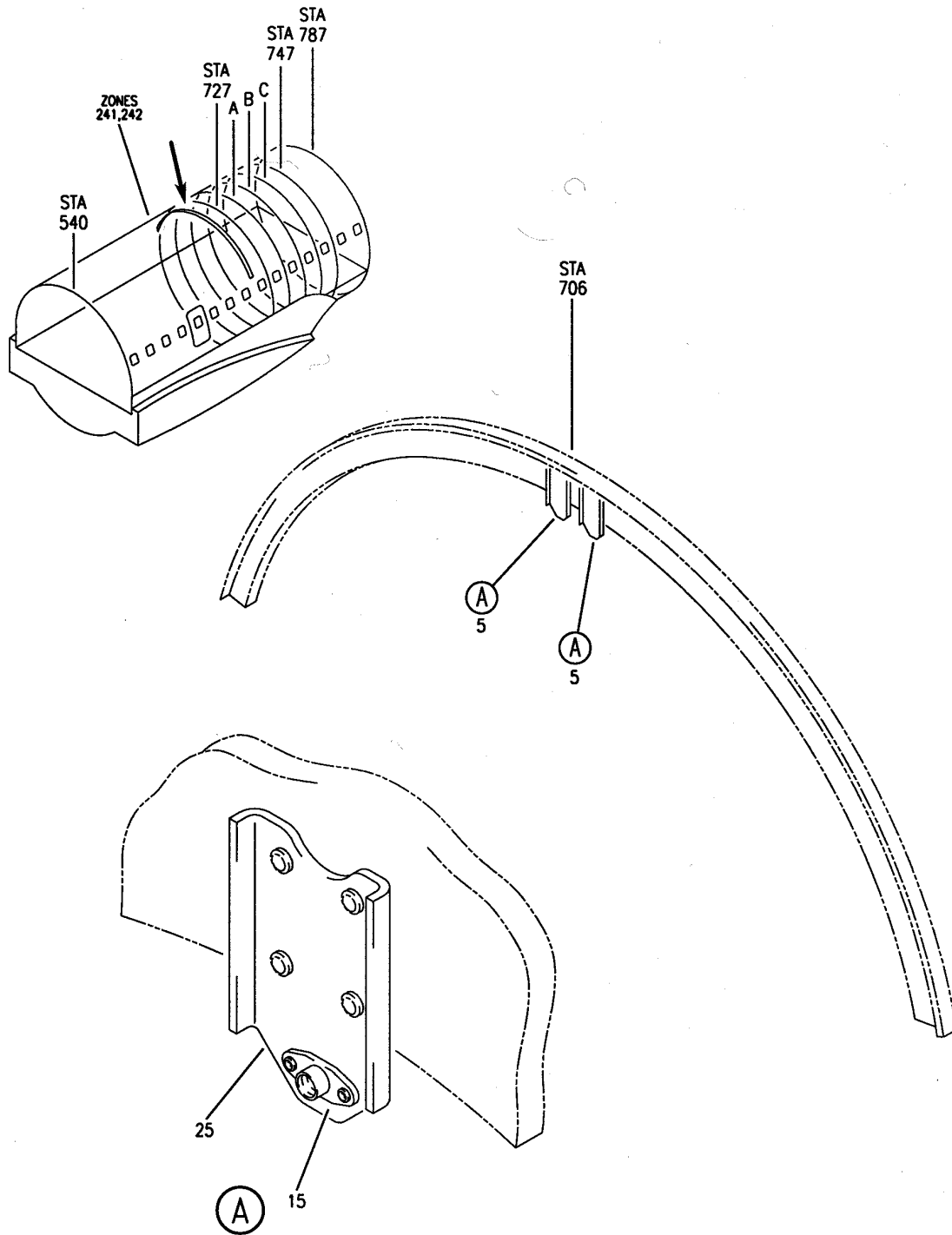
HAP

21-23-01-55A

BOEING PROPRIETARY - Copyright © - Unpublished Work - See title page for details.

21-23-01
FIG. 55A
PAGE 2
JUN 15/08

BOEING
 737-600/700/800/900
 PARTS CATALOG (MAINTENANCE)



E 21230156 REV 041

PROVISION INSTL-OVERHEAD AIR DISTRIBUTION SYSTEM SECTION 44
 FIGURE 56

21-23-01-56

HAP
 OCT 15/08

21-23-01-56
 PAGE 0

BOEING
737-600/700/800/900
PARTS CATALOG (MAINTENANCE)

FIG ITEM	PART NUMBER	1 2 3 4 5 6 7	NOMENCLATURE	EFFECT FROM TO	UNITS PER ASSY
R R R	56		PROVISION INSTL-OVERHEAD AIR DISTRIBUTION SYSTEM SECTION 44	031999	
	- 1	214A9004-1	PROVISION INSTL-OVHD AIR DISTR SYS. POSITION DATA: SECT. 44 FOR NHA SEE: 21-20-00-49C	201967	RF
R	5	143A9805-26	.BRACKET ASSY-SPRT ATTACHING PARTS	031999	2
-	10	BACR15FT6D	.RIVET- SIZE DETERMINED ON INSTL. -----*-----	201967	8
	15	BRF200C4D	..NUTPLATE SUPPLIER CODE: V52828 SPECIFICATION NUMBER: BACN10JR4CFD OPTIONAL PART: K51602-4BAC V15653 NS202476-048 V80539 102F9201-4 V72962 T8092C428CD V11815 ATTACHING PARTS	201967	1
-	20	BACR15BA3AD	..RIVET- SIZE DETERMINED ON INSTL. -----*-----	201967	2
R	25	413A9805-25	..BRACKET	031999	1

MISSING ITEM NUMBERS NOT APPLICABLE

- ITEM NOT ILLUSTRATED

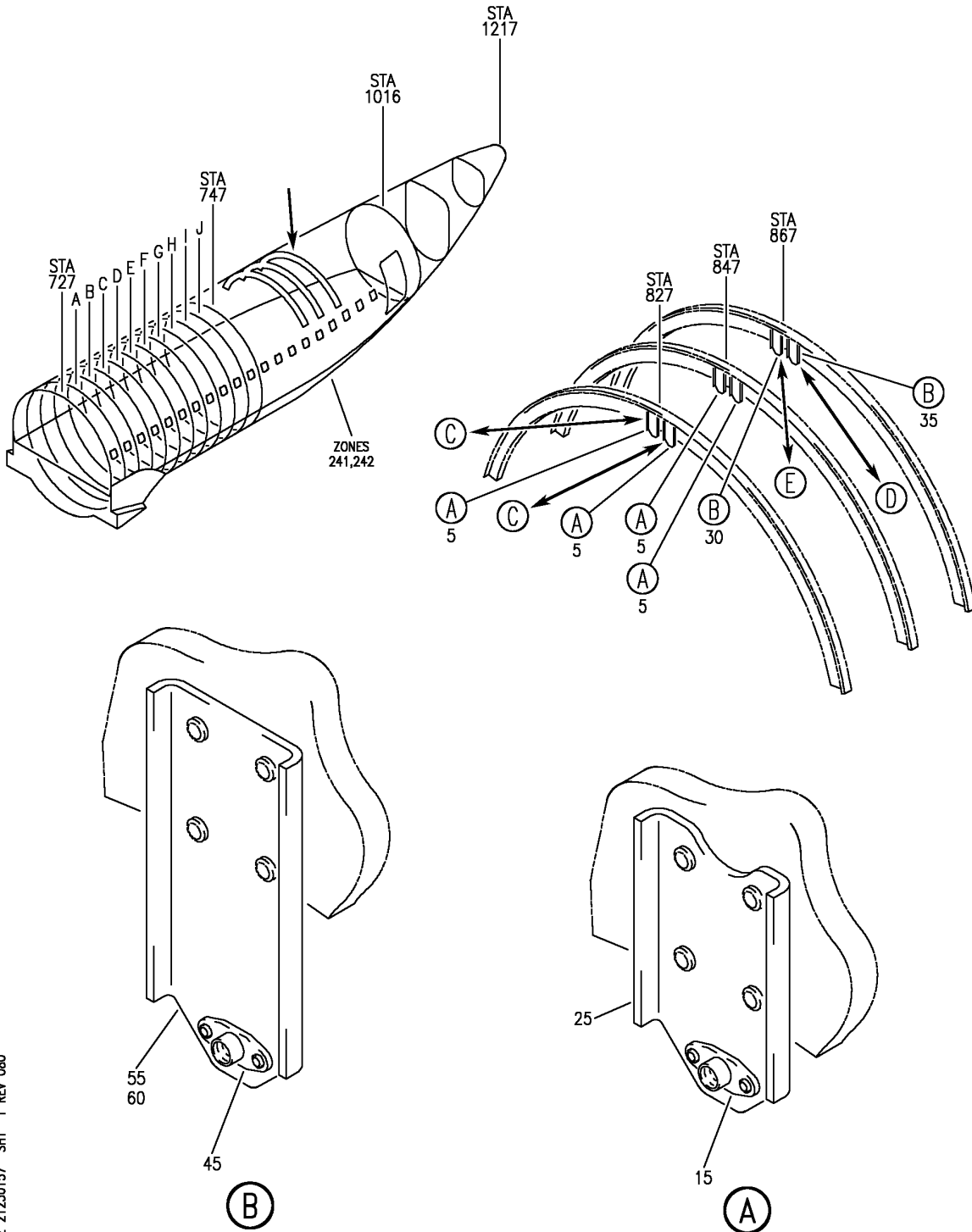
HAP

21-23-01-56

BOEING PROPRIETARY - Copyright © - Unpublished Work - See title page for details.

21-23-01
FIG. 56
PAGE 1
JUN 15/09

BOEING
 737-600/700/800/900
 PARTS CATALOG (MAINTENANCE)



E 21230157 SHT 1 REV 080

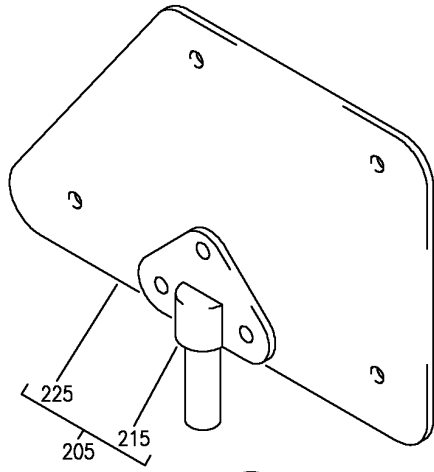
PROVISIONS INSTL-OVHD AIR DISTR SYS SECT 46, AFT
 FIGURE 57 (SHEET 1)

21-23-01-57

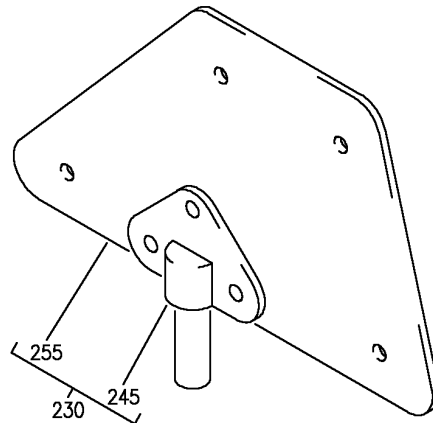
HAP
 FEB 10/07

21-23-01-57
 PAGE 0

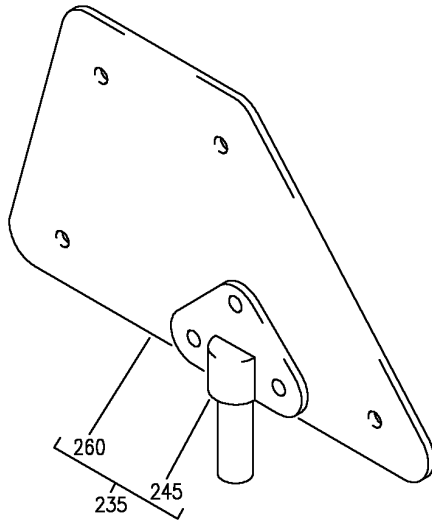
BOEING
737-600/700/800/900
PARTS CATALOG (MAINTENANCE)



(C)



(D)



(E)

E 21230157 SHT 2 REV 080

PROVISIONS INSTL-OVHD AIR DISTR SYS SECT 46, AFT
FIGURE 57 (SHEET 2)

21-23-01-57

HAP
FEB 10/07

21-23-01-57
PAGE 0A

BOEING
737-600/700/800/900
PARTS CATALOG (MAINTENANCE)

FIG ITEM	PART NUMBER	1 2 3 4 5 6 7	NOMENCLATURE	EFFECT FROM TO	UNITS PER ASSY
57			PROVISIONS INSTL-OVHD AIR DISTR SYS SECT 46, AFT	101999	
- 1	214A9008-1		PROVISION INSTL-OVHD AIR DISTR SYS, LWRD CEILING POSITION DATA: SECT. 46, AFT FOR NHA SEE: 21-20-00-49C	201967	RF
- 1	MODREF81468		PROVISION INSTL-OVHD AIR DISTR SYS, LWRD CEILING MODULE NUMBER: 214A9008-1 REV A POSITION DATA: SECT. 46, AFT	101106 968999	1
- 1	MODREF378529		PROVISION INSTL-OVHD AIR DISTR SYS, LWRD CEILING MODULE NUMBER: 214A9008-1 REV B POSITION DATA: SECT. 46, AFT	107200	1
5	143A9805-26		.BRACKET ASSY	101106 201999	4
5	143A9805-97		.BRACKET ASSY ATTACHING PARTS	107200	4
- 10	BACR15FT6D		.RIVET- SIZE DETERMINED ON INSTL. -----*-----	101999	16
15	BRF200C4D		..NUTPLATE SUPPLIER CODE: V52828 SPECIFICATION NUMBER: BACN10JR4CFD OPTIONAL PART: K51602-4BAC V15653 NS202476-048 V80539 102F9201-4 V72962 T8092C428CD V11815 ATTACHING PARTS	101999	1
- 20	BACR15BA3AD		..RIVET- SIZE DETERMINED ON INSTL. -----*-----	101999	2
25	143A9805-25		..BRACKET	101106 201999	1
25	143A9805-98		..BRACKET	107200	1

MISSING ITEM NUMBERS NOT APPLICABLE

- ITEM NOT ILLUSTRATED

HAP

21-23-01-57

BOEING PROPRIETARY - Copyright © - Unpublished Work - See title page for details.

21-23-01
FIG. 57
PAGE 1
OCT 15/08

BOEING
737-600/700/800/900
PARTS CATALOG (MAINTENANCE)

FIG ITEM	PART NUMBER	1 2 3 4 5 6 7	NOMENCLATURE	EFFECT FROM TO	UNITS PER ASSY
57					
30	416A9805-1	.	SUPPORT ASSY	101999	1
35	416A9805-2	.	SUPPORT ASSY	101999	1
- 40	BACR15FT6D	.	RIVET- ATTACHING PARTS SIZE DETERMINED ON INSTL. -----*-----	101999	8
45	BRF200C4D	..	NUTPLATE SUPPLIER CODE: V52828 SPECIFICATION NUMBER: BACN10JR4CFD OPTIONAL PART: K51602-4BAC V15653 NS202476-048 V80539 102F9201-4 V72962 T8092C428CD V11815 ATTACHING PARTS	101999	1
- 50	BACR15BA3AD	..	RIVET- ATTACHING PARTS SIZE DETERMINED ON INSTL. -----*-----	101999	2
55	416A9805-3	..	SUPPORT- USED ON: 416A9805-1	101999	1
60	416A9805-4	..	SUPPORT- USED ON: 416A9805-2	101999	1

MISSING ITEM NUMBERS NOT APPLICABLE

- ITEM NOT ILLUSTRATED

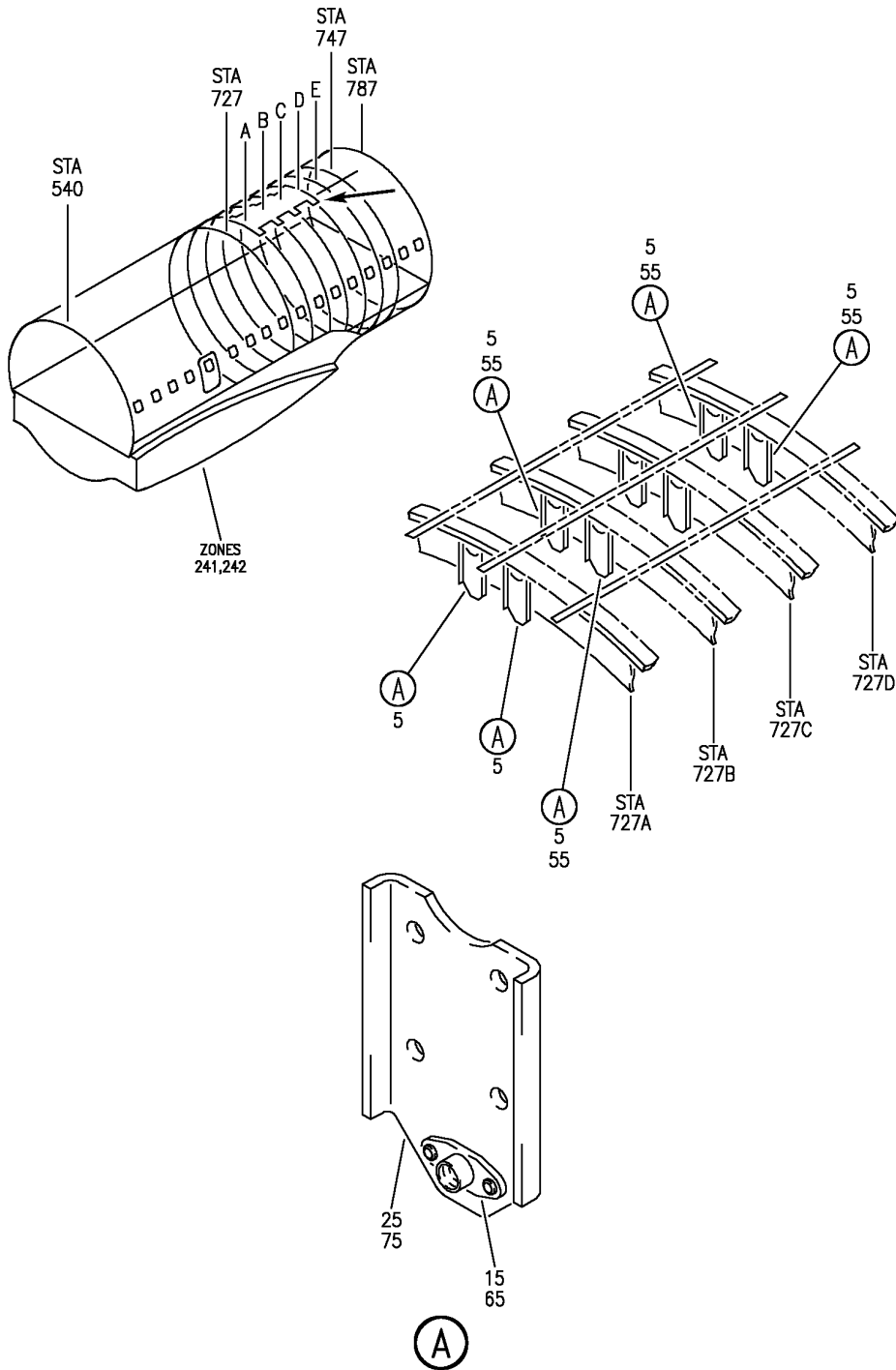
HAP

21-23-01-57

BOEING PROPRIETARY - Copyright © - Unpublished Work - See title page for details.

21-23-01
FIG. 57
PAGE 2
OCT 15/08

BOEING
 737-600/700/800/900
 PARTS CATALOG (MAINTENANCE)



E 21230158 REV 087

PROVISIONS INSTL-SECT. 46 MID OVHD AIR DISTR SYS
 FIGURE 58

21-23-01-58

HAP
 OCT 15/08

21-23-01-58
 PAGE 0

BOEING
737-600/700/800/900
PARTS CATALOG (MAINTENANCE)

FIG ITEM	PART NUMBER	1 2 3 4 5 6 7	NOMENCLATURE	EFFECT FROM TO	UNITS PER ASSY
58			PROVISIONS INSTL-SECT. 46	201967	
- 1	214A9006-1		MID OVHD AIR DISTR SYS PROVISION INSTL-OVHD AIR DISTR SYS, LOWERED CLG DEPENDENT MODULE POSITION DATA: SECT. 46 MID FOR NHA SEE: 21-20-00-49C	201967	RF
5	143A9805-26		.BRACKET ASSY ATTACHING PARTS	201967	8
- 10	BACR15FT6D		.RIVET- SIZE DETERMINED ON INSTL. -----*-----	201967	32
15	BRF200C4D		..NUTPLATE SUPPLIER CODE: V52828 SPECIFICATION NUMBER: BACN10JR4CFD OPTIONAL PART: K51602-4BAC V15653 NS202476-048 V80539 102F9201-4 V72962 T8092C428CD V11815 ATTACHING PARTS	201967	1
- 20	BACR15BA3AD		..RIVET- SIZE DETERMINED ON INSTL. -----*-----	201967	2
25	143A9805-25		..BRACKET	201967	1

MISSING ITEM NUMBERS NOT APPLICABLE

- ITEM NOT ILLUSTRATED

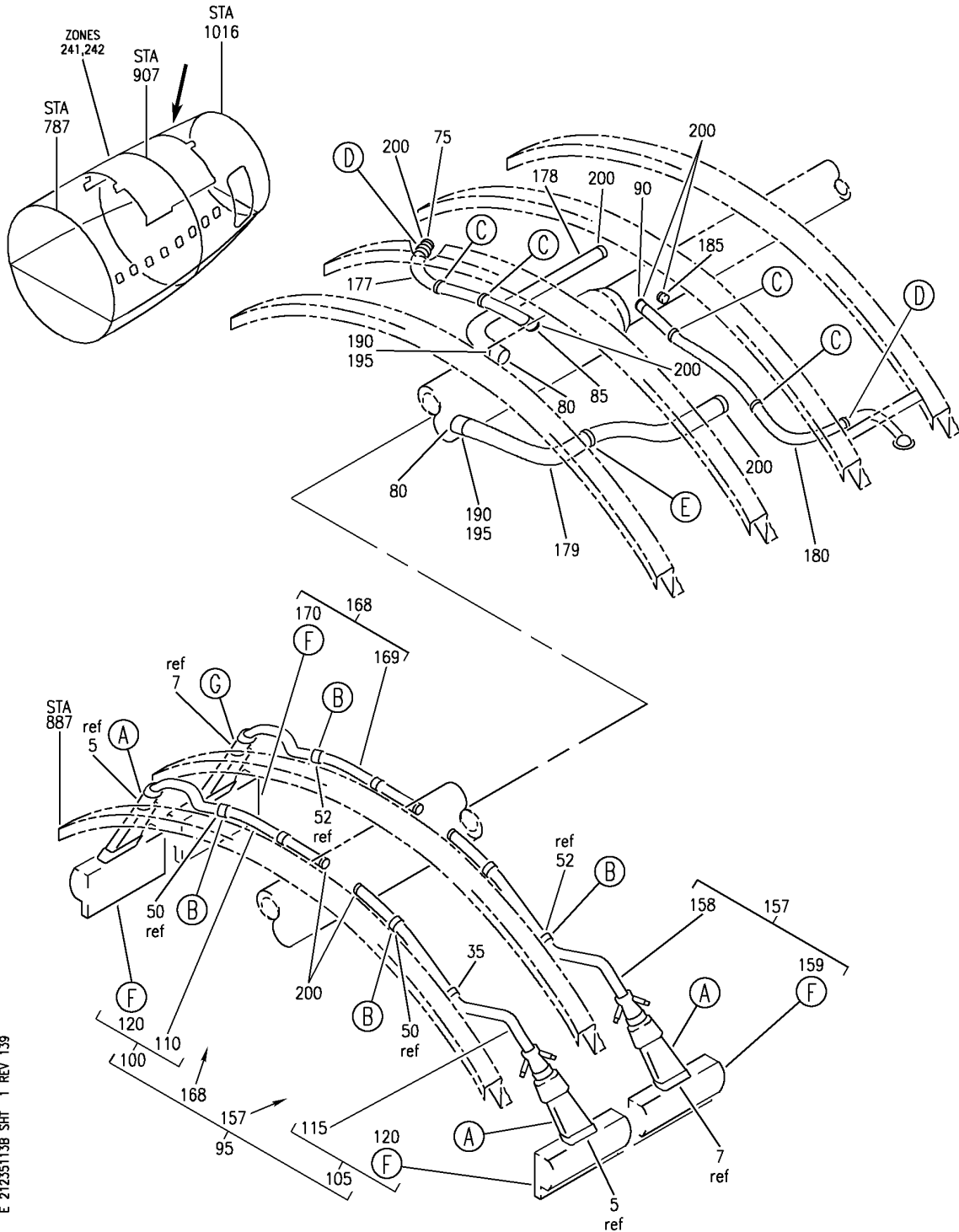
HAP

21-23-01-58

BOEING PROPRIETARY - Copyright © - Unpublished Work - See title page for details.

21-23-01
FIG. 58
PAGE 1
OCT 15/08

BOEING
737-600/700/800/900
PARTS CATALOG (MAINTENANCE)



E 21235113B SHT 1 REV 139

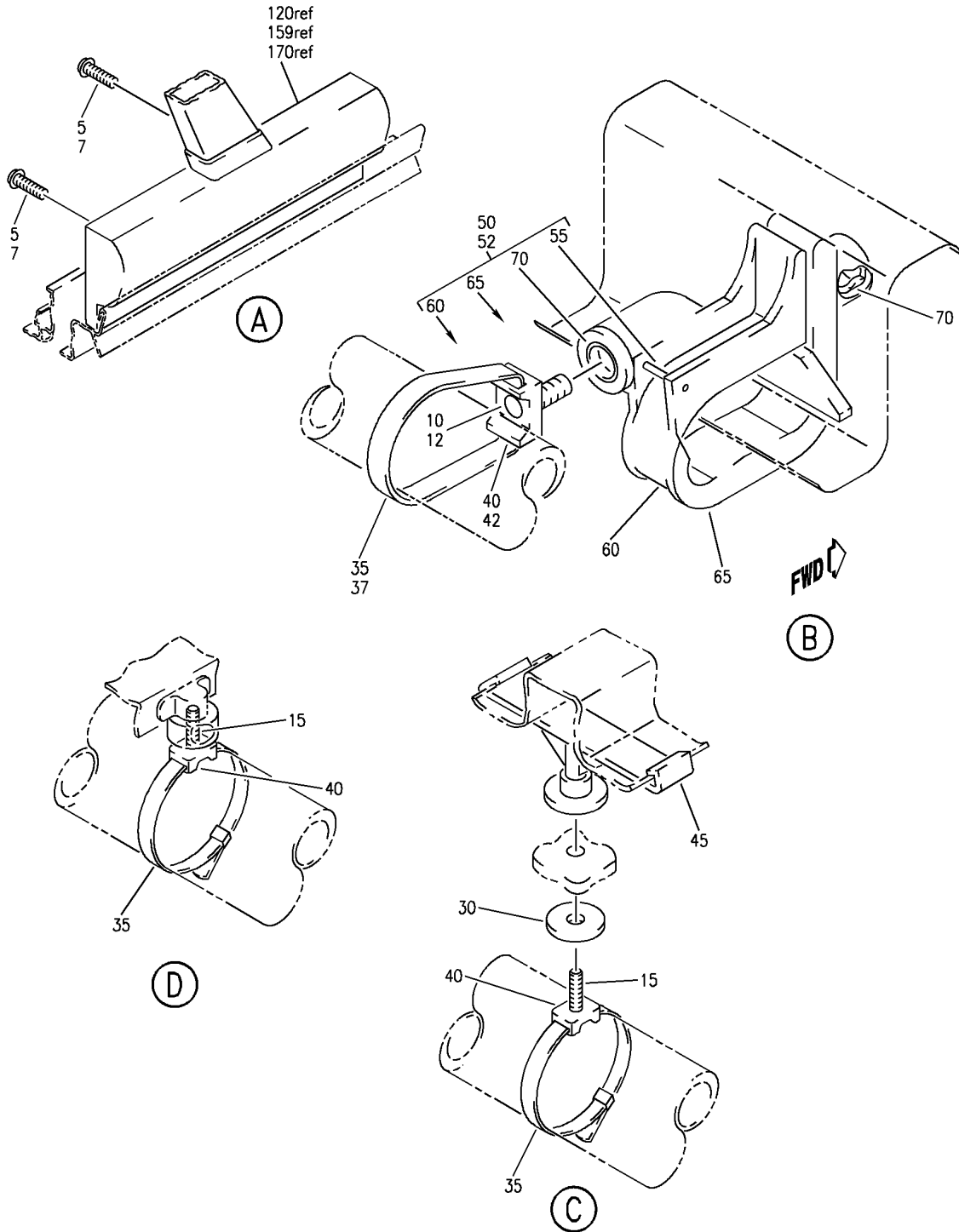
DUCT INSTL-SIDEWALL AIR DISTR SYS
 FIGURE 13B (SHEET 1)

21-23-51-13B

HAP
 FEB 15/08

21-23-51-13B
 PAGE 0

BOEING
 737-600/700/800/900
 PARTS CATALOG (MAINTENANCE)



E 21235113B SHT 2 REV 139

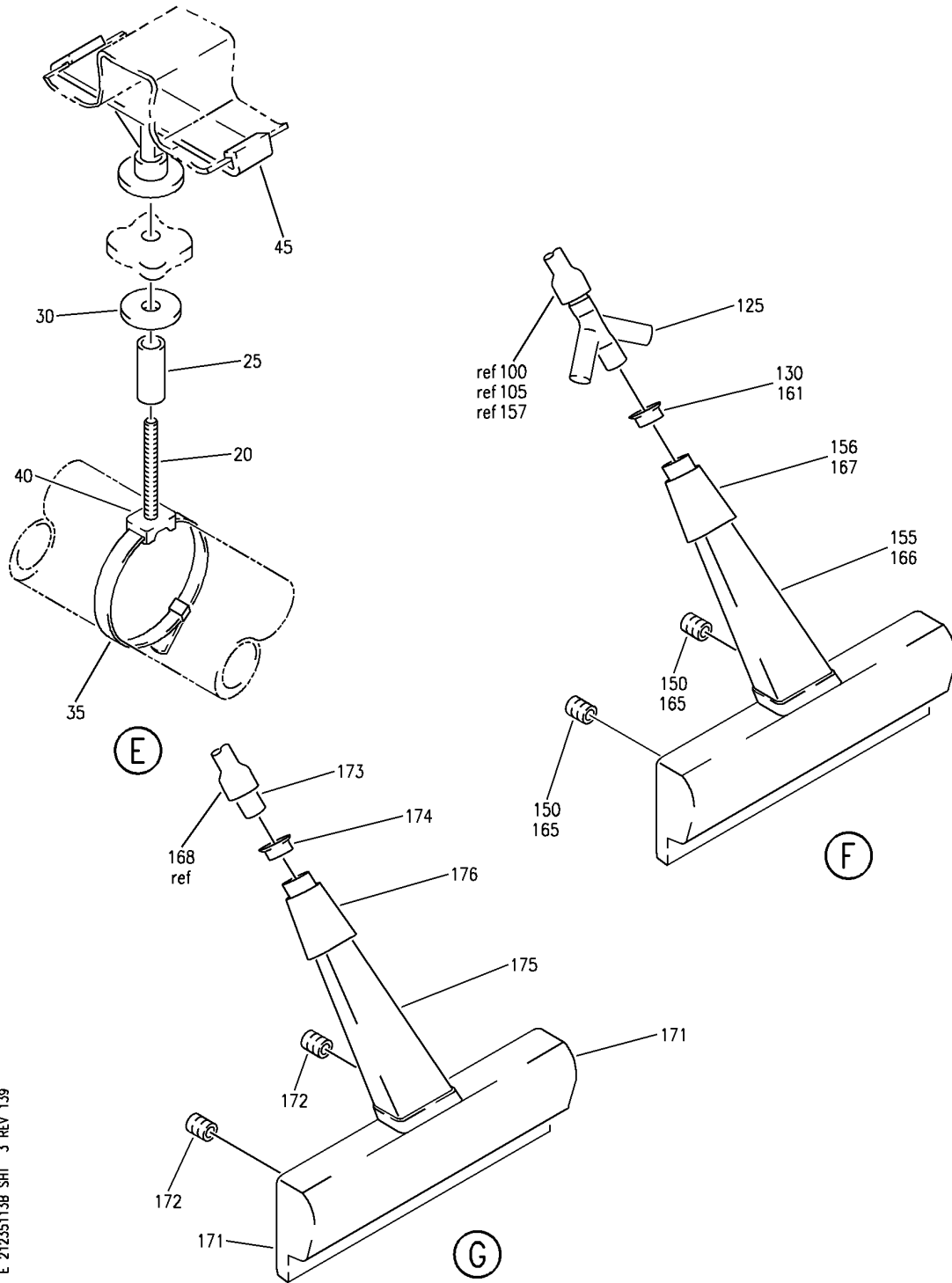
DUCT INSTL-SIDEWALL AIR DISTR SYS
 FIGURE 13B (SHEET 2)

21-23-51-13B

HAP
 FEB 15/08

21-23-51-13B
 PAGE 0A

BOEING
 737-600/700/800/900
 PARTS CATALOG (MAINTENANCE)



E 21235113B SHT 3 REV 139

DUCT INSTL-SIDEWALL AIR DISTR SYS
 FIGURE 13B (SHEET 3)

21-23-51-13B

HAP
 FEB 15/08

21-23-51-13B
 PAGE 0B

BOEING
737-600/700/800/900
PARTS CATALOG (MAINTENANCE)

FIG ITEM	PART NUMBER	1 2 3 4 5 6 7	NOMENCLATURE	EFFECT FROM TO	UNITS PER ASSY
13B			DUCT INSTL-SIDEWALL AIR DISTR SYS	001030 201967	
- 1	214A2008-11		DUCT INSTL-SIDEWALL AIR DISTR SYS POSITION DATA: STA 887 TO STA 990 FOR NHA SEE: 21-20-00-09B 21-20-00-09C	001030 201967	RF
5	BACS12FA08K6		.SCREW	001030 201967	4
10	BACS12GP3L5		.SCREW	001030 201967	3
15	BACS12GP3L10		.SCREW	001030 201967	6
20	BACS12GP3L42		.SCREW	001030 201967	1
25	NAS43DD3-128FC		.SPACER	001030 201967	1
30	BACW10DZ3		.WASHER	001030 201967	5
35	PLT3SM		.STRAP SUPPLIER CODE: V06383 SPECIFICATION NUMBER: BACS38K7 OPTIONAL PART: T0510 V53421	001030 201967	11
40	TM2S8		.PLATE-MTG SUPPLIER CODE: V06383 SPECIFICATION NUMBER: STBP19M9	001030 201967	10
45	BACS38P5		.SUPPORT ASSY	001030 201967	5
50	411A4902-6		.CLIP ASSY-RTNR	001030 201967	3
55	MS16562-194		..PIN	001030 201967	1
60	411A4902-8		..CLIP	001030 201967	1
65	411A4902-3		..BODY ASSY	001030 201967	1
70	H02030-2L		...INSERT- SUPPLIER CODE: V07EU2	001030 201967	2
75	69B43325-13		.CONNECTOR	001030 201967	1

MISSING ITEM NUMBERS NOT APPLICABLE

- ITEM NOT ILLUSTRATED

HAP

21-23-51-13B

BOEING PROPRIETARY - Copyright © - Unpublished Work - See title page for details.

21-23-51
FIG. 13B
PAGE 1
OCT 15/08

BOEING
737-600/700/800/900
PARTS CATALOG (MAINTENANCE)

FIG ITEM	PART NUMBER	1 2 3 4 5 6 7	NOMENCLATURE	EFFECT FROM TO	UNITS PER ASSY
13B					
80	214T3436-664	.	ORIFICE ASSY	001030 201967	2
85	214T3436-1903	.	ORIFICE ASSY	001030 201967	1
90	214T3436-619	.	ORIFICE ASSY	001030 201967	1
95	214A2008-12	.	HOSE ASSY	001030 201967	1
100	214A2113-204	..	HOSE ASSY	001030 201967	1
105	214A2113-216	..	HOSE ASSY	001030 201967	1
110	AS1591-06-0460A	...	HOSE- USED ON: 214A2113-204	001030 201967	1
115	AS1591-06-0590A	...	HOSE- USED ON: 214A2113-216	001030 201967	1
120	214N2520-80	...	DIFFUSER ASSY	001030 201967	1
125	214N2107-2	DUCT-BRANCH	001030 201967	1
130	214N2145-5	PLATE-RESTRICTOR	001030 201967	1
- 135	214N2520-77	INLET ASSY	001030 201967	1
- 140	214N2520-79	CAP	001030 201967	1
- 145	214N2520-78	INLET	001030 201967	1
150	6035-2BR185	INSERT- SUPPLIER CODE: V01556	001030 201967	2
155	214N2520-91	DIFFUSER	001030 201967	1
156	214N2520-69	LINING-	001030 201967	1
177	AS1591-06-0340A	.	HOSE-	001030 201967	1
178	AS1591-08-0200A	.	HOSE-	001030 201967	1
179	AS1591-08-0480A	.	HOSE-	001030 201967	1
180	BWT10-2120570F	.	HOSE-FLEX SUPPLIER CODE: VK2962	001030 201967	1
185	12-1000	.	CAP-END SUPPLIER CODE: V25205	001030 201967	1

MISSING ITEM NUMBERS NOT APPLICABLE

- ITEM NOT ILLUSTRATED

HAP

21-23-51-13B

BOEING PROPRIETARY - Copyright © - Unpublished Work - See title page for details.

21-23-51
FIG. 13B
PAGE 2
OCT 15/08

BOEING
737-600/700/800/900
PARTS CATALOG (MAINTENANCE)

FIG ITEM	PART NUMBER	1 2 3 4 5 6 7	NOMENCLATURE	EFFECT FROM TO	UNITS PER ASSY
13B 190	214A2008-201		.TAPE- OPTIONAL PART: NAS1922-0225-3	001030 201967	AR
195	NAS1922-0225-3		.CLAMP- OPTIONAL PART: 214A2008-201	001030 201967	AR
200	214A2008-201		.TAPE-	001030 201967	AR

MISSING ITEM NUMBERS NOT APPLICABLE

— ITEM NOT ILLUSTRATED

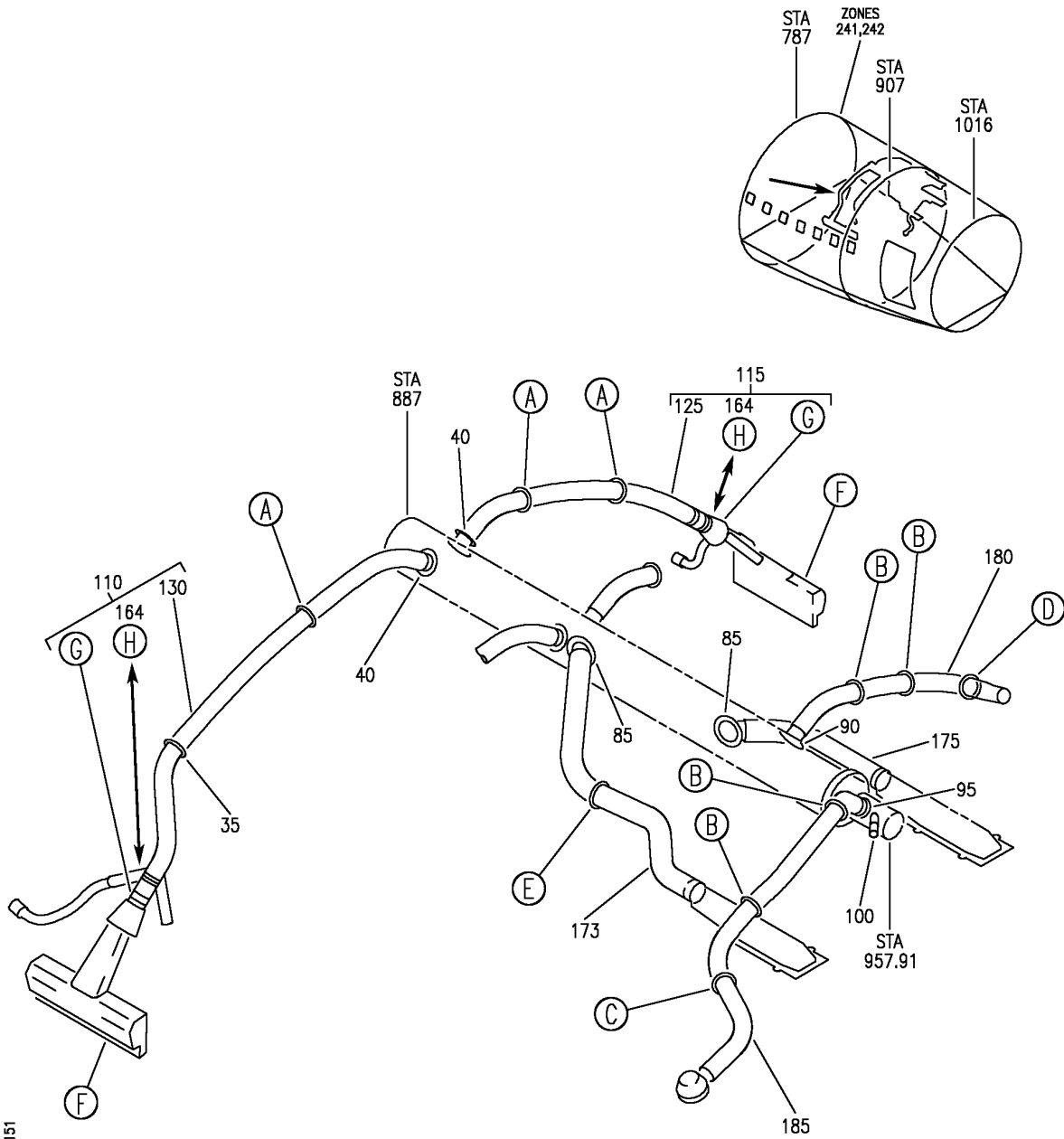
HAP

21-23-51-13B

BOEING PROPRIETARY - Copyright © - Unpublished Work - See title page for details.

21-23-51
FIG. 13B
PAGE 3
OCT 15/08

BOEING
 737-600/700/800/900
 PARTS CATALOG (MAINTENANCE)



E 21235113C SHT 1 REV 151

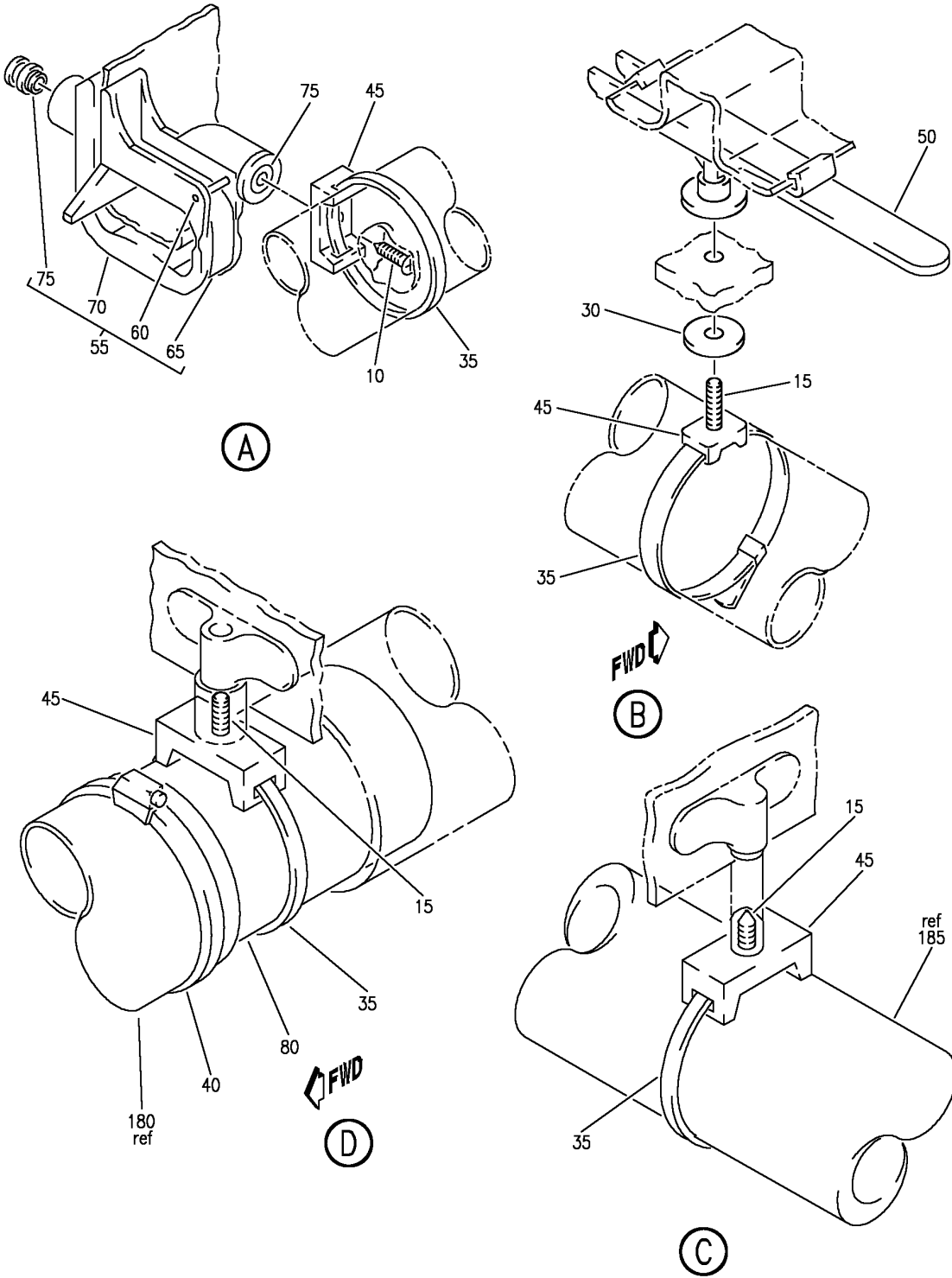
DUCT INSTL-SIDEWALL AIR DISTR SYS
 FIGURE 13C (SHEET 1)

21-23-51-13C

HAP
 FEB 15/09

21-23-51-13C
 PAGE 0

BOEING
 737-600/700/800/900
 PARTS CATALOG (MAINTENANCE)



E 21235113C SHT 2 REV 151

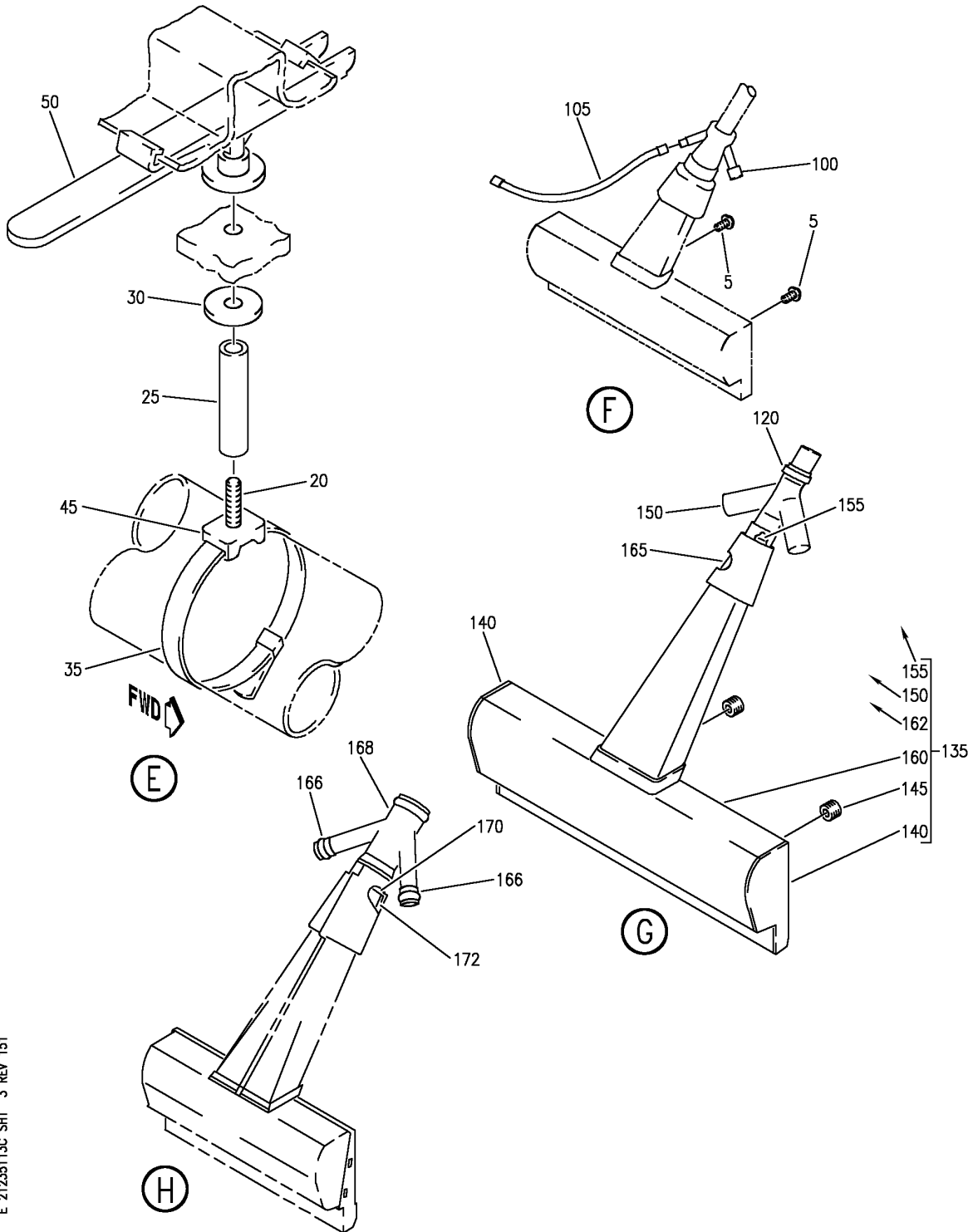
DUCT INSTL-SIDEWALL AIR DISTR SYS
 FIGURE 13C (SHEET 2)

21-23-51-13C

HAP
 FEB 15/09

21-23-51-13C
 PAGE 0A

BOEING
 737-600/700/800/900
 PARTS CATALOG (MAINTENANCE)



E 21235113C SHT 3 REV 151

DUCT INSTL-SIDEWALL AIR DISTR SYS
 FIGURE 13C (SHEET 3)

21-23-51-13C

HAP
 FEB 15/09

21-23-51-13C
 PAGE 0B

BOEING
737-600/700/800/900
PARTS CATALOG (MAINTENANCE)

FIG ITEM	PART NUMBER	1 2 3 4 5 6 7	NOMENCLATURE	EFFECT FROM TO	UNITS PER ASSY
13C			DUCT INSTL-SIDEWALL AIR DISTR SYS	031036 101101 968971	
- 1	MODREF244708		DUCT INSTL-SIDEWALL AIR DISTR SYS MODULE NUMBER: 214A2008-11 REV C POSITION DATA: STA 887 TO STA 990	031036 101101 968971	1
5	BACS12FA08K6		.SCREW	031036 101101 968971	4
10	BACS12GP3L5		.SCREW	031036 101101 968971	3
15	BACS12GP3L10		.SCREW	031036 101101 968971	6
20	BACS12GP3L42		.SCREW	031036 101101 968971	1
25	NAS43DD3-128FC		.SPACER	031036 101101 968971	1
30	BACW10DZ3		.WASHER	031036 101101 968971	5
35	PLT3SM		.STRAP SUPPLIER CODE: V06383 SPECIFICATION NUMBER: BACS38K7 OPTIONAL PART: T0510 V53421	031036 101101 968971	11
40	PLT2IC		.STRAP SUPPLIER CODE: V06383 SPECIFICATION NUMBER: BACS38K10	031036 101101 968971	3
45	TM2S8		.PLATE SUPPLIER CODE: V06383 SPECIFICATION NUMBER: STBP19M9	031036 101101 968971	10
50	BACS38P5		.SUPPORT ASSY	031036 101101 968971	5

MISSING ITEM NUMBERS NOT APPLICABLE

- ITEM NOT ILLUSTRATED

HAP

21-23-51-13C

BOEING PROPRIETARY - Copyright © - Unpublished Work - See title page for details.

21-23-51
FIG. 13C
PAGE 1
FEB 15/08

BOEING
737-600/700/800/900
PARTS CATALOG (MAINTENANCE)

FIG ITEM	PART NUMBER	1 2 3 4 5 6 7	NOMENCLATURE	EFFECT FROM TO	UNITS PER ASSY
13C					
55	411A4902-6	.	CLIP ASSY-RTNR	031036 101101 968971	3
60	MS16562-194	..	PIN	031036 101101 968971	1
65	411A4902-8	..	CLIP	031036 101101 968971	1
70	411A4902-3	..	BODY ASSY	031036 101101 968971	1
75	H02030-2L	...	INSERT- SUPPLIER CODE: V07EU2	031036 101101 968971	2
80	69B43325-13	.	CONNECTOR	031036 101101 968971	1
85	214T3436-664	.	ORIFICE ASSY	031036 101101 968971	2
90	214T3436-1903	.	ORIFICE ASSY	031036 101101 968971	1
95	214T3436-619	.	ORIFICE ASSY	031036 101101 968971	1
100	12-1000	.	CAP-END SUPPLIER CODE: V25205	031036 101101 968971	3
105	BACD40P3A180	.	DUCT	031036 101101 968971	2
110	214A2113-330	.	HOSE ASSY	031036 101101 968971	1
115	214A2113-320	.	HOSE ASSY	031036 101101 968971	1
120	PLT2IC	..	STRAP SUPPLIER CODE: V06383 SPECIFICATION NUMBER: BACS38K10	031036 101101 968971	1
125	AS1591-06-0590A	..	HOSE- USED ON: 214A2113-330	031036 101101 968971	1

MISSING ITEM NUMBERS NOT APPLICABLE

— ITEM NOT ILLUSTRATED

HAP

21-23-51-13C

BOEING PROPRIETARY - Copyright © - Unpublished Work - See title page for details.

21-23-51
FIG. 13C
PAGE 2
FEB 15/08

BOEING
737-600/700/800/900
PARTS CATALOG (MAINTENANCE)

FIG ITEM	PART NUMBER	1 2 3 4 5 6 7	NOMENCLATURE	EFFECT FROM TO	UNITS PER ASSY
13C					
130	AS1591-06-0460A	..	HOSE- USED ON: 214A2113-320	031036 101101 968971	1
135	214N2520-144	..	DIFFUSER ASSY-	031036 101101 968971	1
140	214N2520-142	...	PLATE-END	031036 101101 968971	2
145	6035-2BR185	...	INSERT- SUPPLIER CODE: V01556	031036 101101 968971	2
150	214N2107-6	...	DUCT-BRANCH	031036 101101 968971	1
155	214N2145-6	...	PLATE-RESTRICTOR	031036 101101 968971	1
160	214N2520-91	...	DIFFUSER	031036 101101 968971	1
162	214N2520-69	...	LINING	031036 101101 968971	1
164	214N2520-200	..	DIFFUSER ASSY-	031036 101101 968971	1
166	12-1000	...	CAP-END SUPPLIER CODE: V25205	031036 101101 968971	2
168	214N2107-11	...	DUCT-BRANCH	031036 101101 968971	1
170	214N2145-5	...	PLATE-RESTRICTOR	031036 101101 968971	1
172	214N2520-69	...	LINING	031036 101101 968971	1
173	AS1591-08-0480A	.H	HOSE	031036 101101 968971	1
175	AS1591-08-0200A	.H	HOSE	031036 101101 968971	1
180	AS1591-06-0340A	.H	HOSE	031036 101101 968971	1

MISSING ITEM NUMBERS NOT APPLICABLE

- ITEM NOT ILLUSTRATED

HAP

21-23-51-13C

BOEING PROPRIETARY - Copyright © - Unpublished Work - See title page for details.

21-23-51
FIG. 13C
PAGE 3
FEB 15/09

BOEING
737-600/700/800/900
PARTS CATALOG (MAINTENANCE)

FIG ITEM	PART NUMBER	1 2 3 4 5 6 7	NOMENCLATURE	EFFECT FROM TO	UNITS PER ASSY
13C 185	BWT10-2120570F	.	HOSE-FLEX SUPPLIER CODE: VK2962 OPTIONAL PART: BOE240312022805	031036 101101 968971	1
185	BOE240312022805	.	HOSE- OPTIONAL PART: BWT10-2120570F VK2962	031036 101101 968971	1

MISSING ITEM NUMBERS NOT APPLICABLE

— ITEM NOT ILLUSTRATED

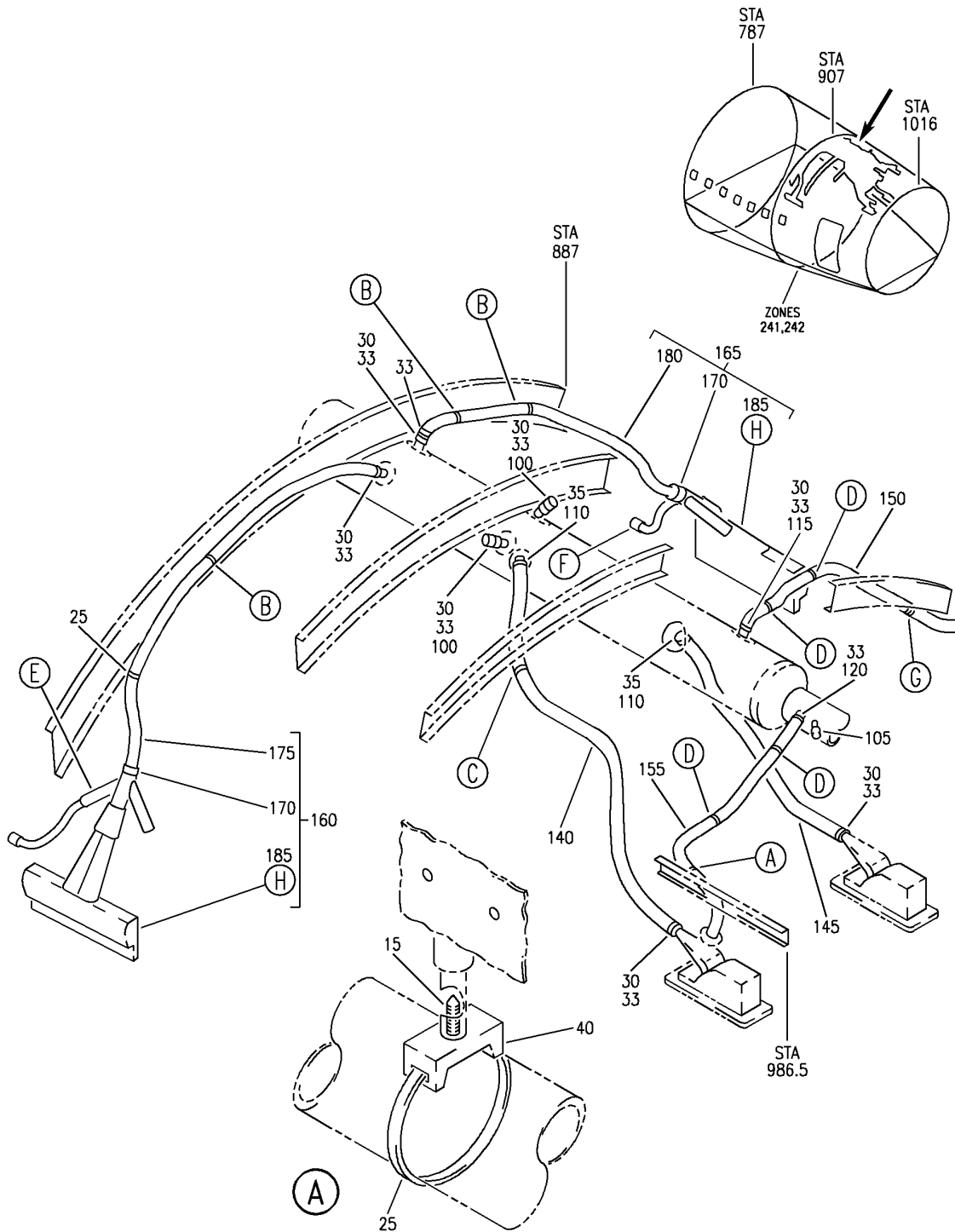
HAP

21-23-51-13C

BOEING PROPRIETARY - Copyright © - Unpublished Work - See title page for details.

21-23-51
FIG. 13C
PAGE 4
FEB 15/09

BOEING
 737-600/700/800/900
 PARTS CATALOG (MAINTENANCE)



E 21235115C SHT 1 REV 139

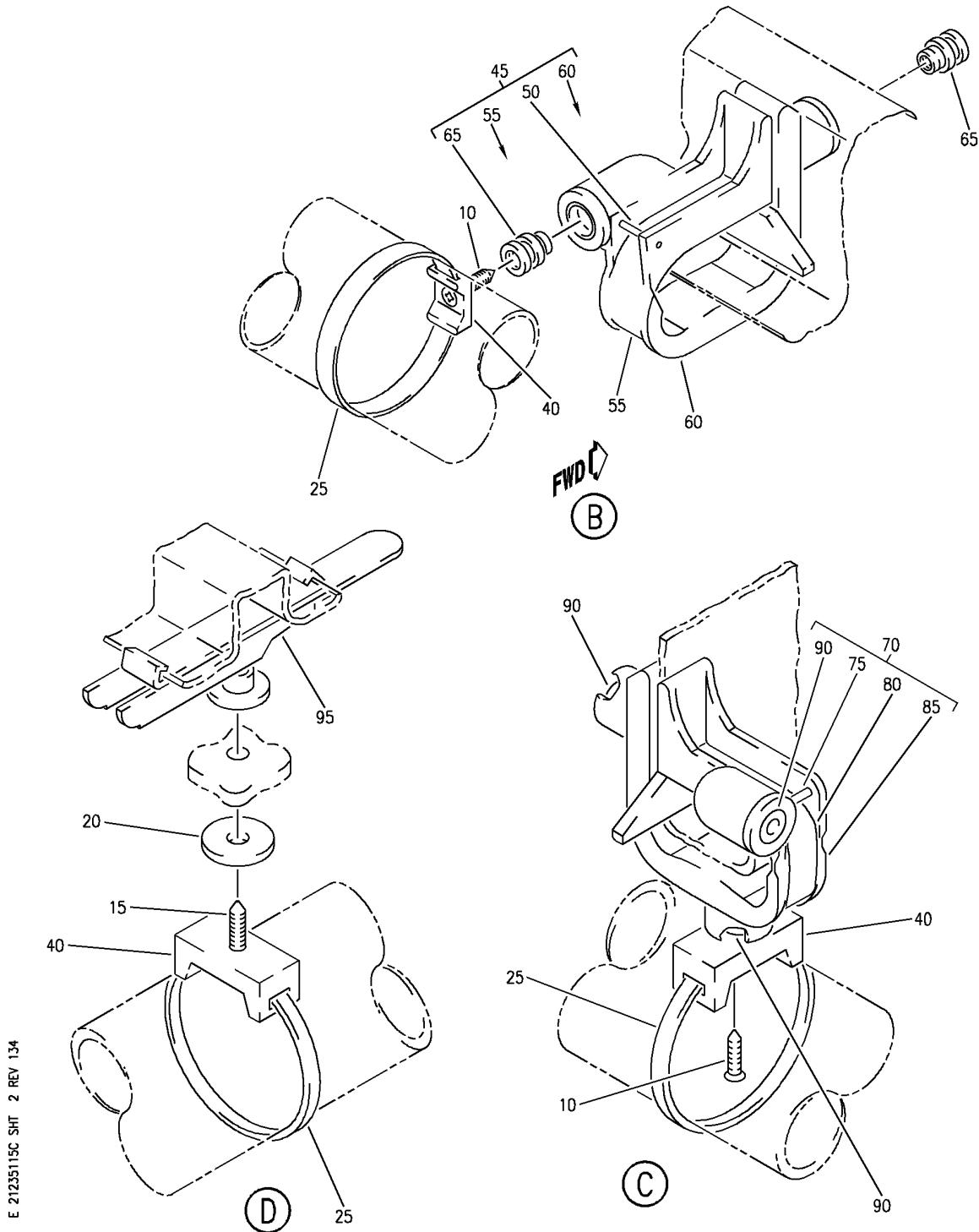
DUCT INSTL-SIDEWALL AIR DISTR SYS
 FIGURE 15C (SHEET 1)

21-23-51-15C

HAP
 FEB 15/08

21-23-51-15C
 PAGE 0

BOEING
 737-600/700/800/900
 PARTS CATALOG (MAINTENANCE)



E 21235115C SHT 2 REV 134

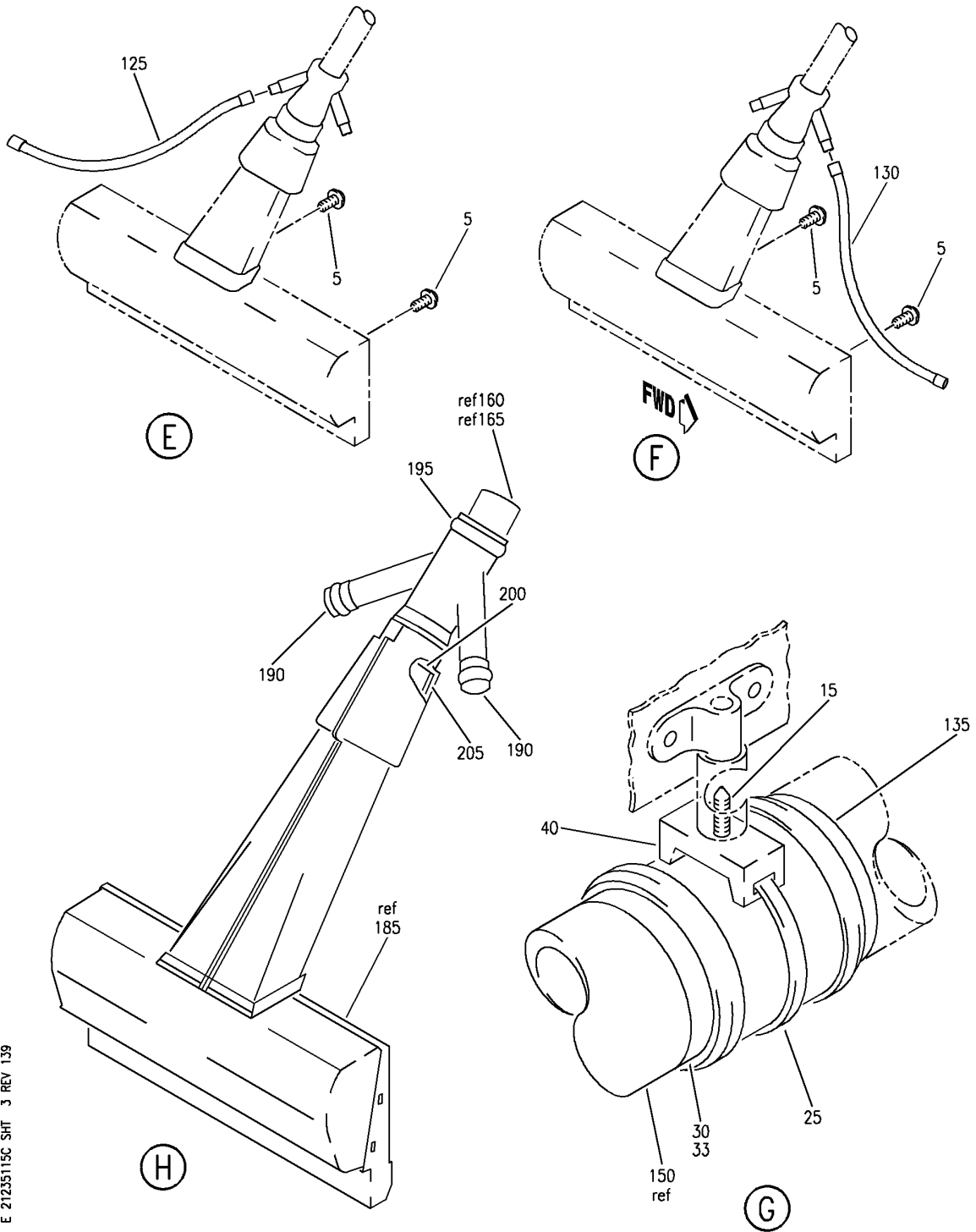
DUCT INSTL-SIDEWALL AIR DISTR SYS
 FIGURE 15C (SHEET 2)

21-23-51-15C

HAP
 OCT 10/07

21-23-51-15C
 PAGE 0A

BOEING
 737-600/700/800/900
 PARTS CATALOG (MAINTENANCE)



E 21235115C SHT 3 REV 139

DUCT INSTL-SIDEWALL AIR DISTR SYS
 FIGURE 15C (SHEET 3)

21-23-51-15C

HAP
 FEB 15/08

21-23-51-15C
 PAGE 0B

BOEING
737-600/700/800/900
PARTS CATALOG (MAINTENANCE)

FIG ITEM	PART NUMBER	1 2 3 4 5 6 7	NOMENCLATURE	EFFECT FROM TO	UNITS PER ASSY
15C			DUCT INSTL-SIDEWALL AIR DISTR SYS	044100 102200 972999	
- 1	MODREF346862		DUCT INSTL-SIDEWALL AIR DISTR SYS MODULE NUMBER: 214A2008-57 REV A	044046 054100 102105 972999	1
- 1	MODREF365559		DUCT INSTL-SIDEWALL AIR DISTR SYS MODULE NUMBER: 214A2008-57 REV B	047053 106200	1
5	BACS12FA08K6		.SCREW	044100 102200 972999	4
10	BACS12GP3L7		.SCREW	044100 102200 972999	4
15	BACS12GP3L10		.SCREW	044100 102200 972999	6
20	BACW10DZ3		.WASHER	044100 102200 972999	4
25	PLT3SM		.STRAP SUPPLIER CODE: V06383 SPECIFICATION NUMBER: BACS38K7 OPTIONAL PART: T0510 V53421	044100 102200 972999	11
30	PLT2IC		.STRAP SUPPLIER CODE: V06383 SPECIFICATION NUMBER: BACS38K10	044046 054100 102105 972999	8
33	PLT2IC		.STRAP SUPPLIER CODE: V06383 SPECIFICATION NUMBER: BACS38K10	047053 106200	10
35	NAS1922-0225-3		.CLAMP	044100 102200 972999	2
40	TM2S8		.PLATE SUPPLIER CODE: V06383 SPECIFICATION NUMBER: STBP19M9	044100 102200 972999	10

MISSING ITEM NUMBERS NOT APPLICABLE

- ITEM NOT ILLUSTRATED

HAP

21-23-51-15C

BOEING PROPRIETARY - Copyright © - Unpublished Work - See title page for details.

21-23-51
FIG. 15C
PAGE 1
FEB 15/09

BOEING
737-600/700/800/900
PARTS CATALOG (MAINTENANCE)

FIG ITEM	PART NUMBER	1 2 3 4 5 6 7	NOMENCLATURE	EFFECT FROM TO	UNITS PER ASSY
15C					
45	411A4902-6	.	CLIP ASSY-RTNR	044100 102200 972999	3
50	MS16562-194	..	PIN-SPR	044100 102200 972999	1
55	411A4902-8	..	CLIP-SPR	044100 102200 972999	1
60	411A4902-3	..	BODY ASSY	044100 102200 972999	1
65	H02030-2L	...	INSERT- SUPPLIER CODE: V07EU2	044100 102200 972999	2
70	411A4902-7	.	CLIP ASSY-RTNR	044100 102200 972999	1
75	MS16562-194	..	PIN-SPR	044100 102200 972999	1
80	411A4902-8	..	CLIP-SPR	044100 102200 972999	1
85	411A4902-4	..	RETAINER ASSY	044100 102200 972999	1
90	H02030-2L	...	INSERT- SUPPLIER CODE: V07EU2	044100 102200 972999	3
95	BACS38P5	.	SUPPORT ASSY	044100 102200 972999	4
100	24-1000	.	CAP-END SUPPLIER CODE: V25205	044100 102200 972999	2
105	12-1000	.	CAP-END SUPPLIER CODE: V25205	044100 102200 972999	1
110	214T3436-664	.	ORIFICE ASSY	044100 102200 972999	2
115	214T3436-1903	.	ORIFICE ASSY	044100 102200 972999	1
120	214T3436-619	.	ORIFICE ASSY	044100 102200 972999	1

MISSING ITEM NUMBERS NOT APPLICABLE

- ITEM NOT ILLUSTRATED

HAP

21-23-51-15C

BOEING PROPRIETARY - Copyright © - Unpublished Work - See title page for details.

21-23-51
FIG. 15C
PAGE 2
OCT 15/08

BOEING
737-600/700/800/900
PARTS CATALOG (MAINTENANCE)

FIG ITEM	PART NUMBER	1 2 3 4 5 6 7	NOMENCLATURE	EFFECT FROM TO	UNITS PER ASSY
15C					
125	BACD40P3A180	.DUCT		044100 102200 972999	1
130	BACD40P3A280	.DUCT		044100 102200 972999	1
135	69B43325-13	.CONNECTOR		044100 102200 972999	1
140	AS1591-08-0480A	.HOSE		044100 102200 972999	1
145	AS1591-08-0200A	.HOSE		044100 102200 972999	1
150	AS1591-06-0410A	.HOSE		044100 102200 972999	1
155	BOE240312022805	.HOSE		044100 102200 972999	1
160	214A2113-403	.HOSE ASSY		044100 102200 972999	1
165	214A2113-400	.HOSE ASSY		044100 102200 972999	1
170	PLT2IC	..STRAP SUPPLIER CODE: V06383 SPECIFICATION NUMBER: BACS38K10		044100 102200 972999	1
175	AS1591-06-0600A	..HOSE- USED ON: 214A2113-403		044100 102200 972999	1
180	AS1591-06-0450A	..HOSE- USED ON: 214A2113-400		044100 102200 972999	1
185	214N2520-200	..DIFFUSER ASSY		044100 102200 972999	1
190	12-1000	...CAP-END SUPPLIER CODE: V25205		044100 102200 972999	2
195	214N2107-11	...DUCT-BRANCH		044100 102200 972999	1

MISSING ITEM NUMBERS NOT APPLICABLE

— ITEM NOT ILLUSTRATED

HAP

21-23-51-15C

BOEING PROPRIETARY - Copyright © - Unpublished Work - See title page for details.

21-23-51
FIG. 15C
PAGE 3
OCT 15/08

BOEING
737-600/700/800/900
PARTS CATALOG (MAINTENANCE)

FIG ITEM	PART NUMBER	1 2 3 4 5 6 7	NOMENCLATURE	EFFECT FROM TO	UNITS PER ASSY
15C 200	214N2145-5		... PLATE-RESTRICTOR	044100 102200 972999	1
205	214N2520-69		... LINING	044100 102200 972999	1

MISSING ITEM NUMBERS NOT APPLICABLE

— ITEM NOT ILLUSTRATED

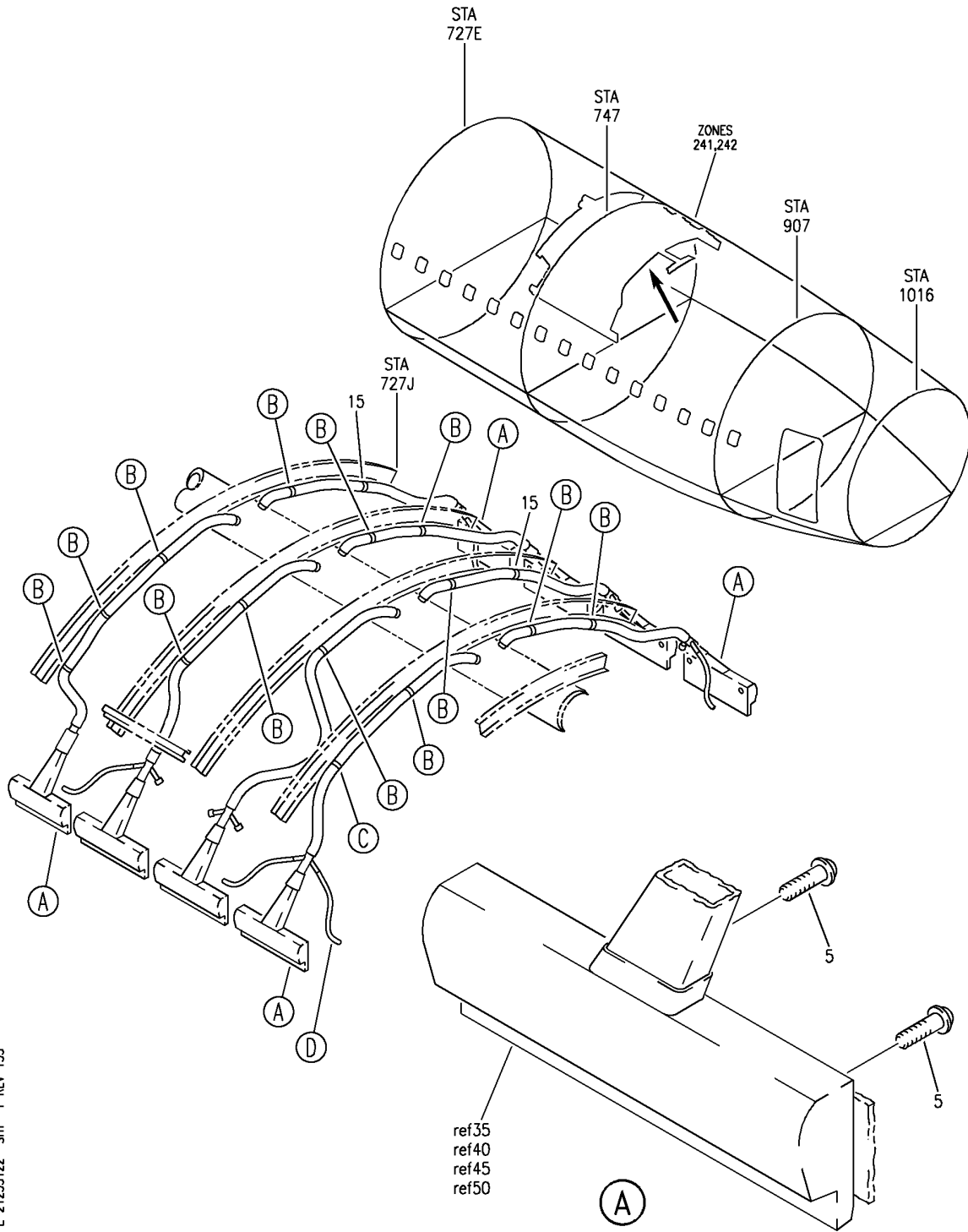
HAP

21-23-51-15C

BOEING PROPRIETARY - Copyright © - Unpublished Work - See title page for details.

21-23-51
FIG. 15C
PAGE 4
OCT 15/08

BOEING
 737-600/700/800/900
 PARTS CATALOG (MAINTENANCE)



E 21235122 SHT 1 REV 133

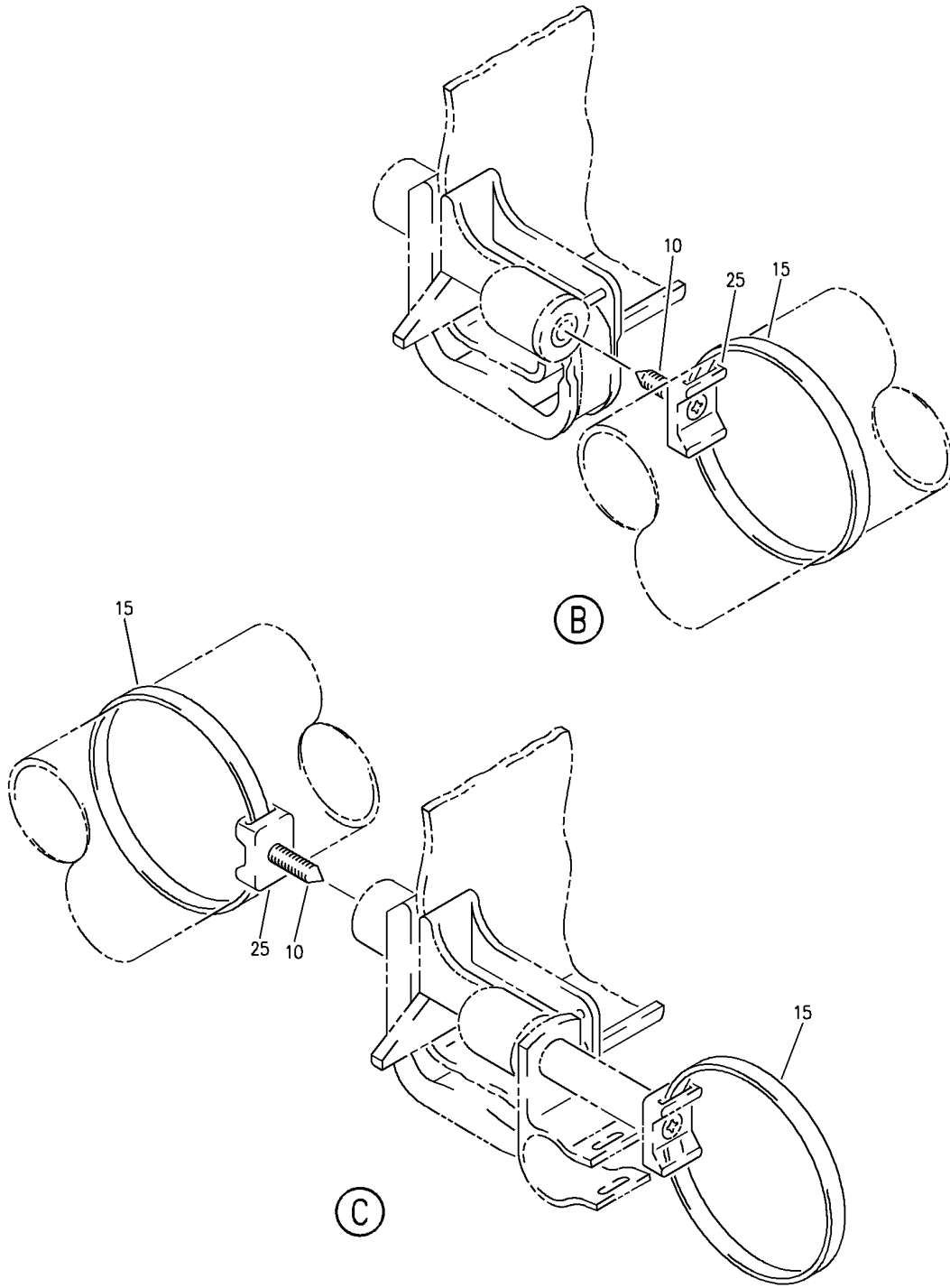
DUCT INSTL-SIDEWALL AIR DISTR SYS
 FIGURE 22 (SHEET 1)

21-23-51-22

HAP
 OCT 10/07

21-23-51-22
 PAGE 0

BOEING
737-600/700/800/900
PARTS CATALOG (MAINTENANCE)



E 21235122 SH1 2 REV 133

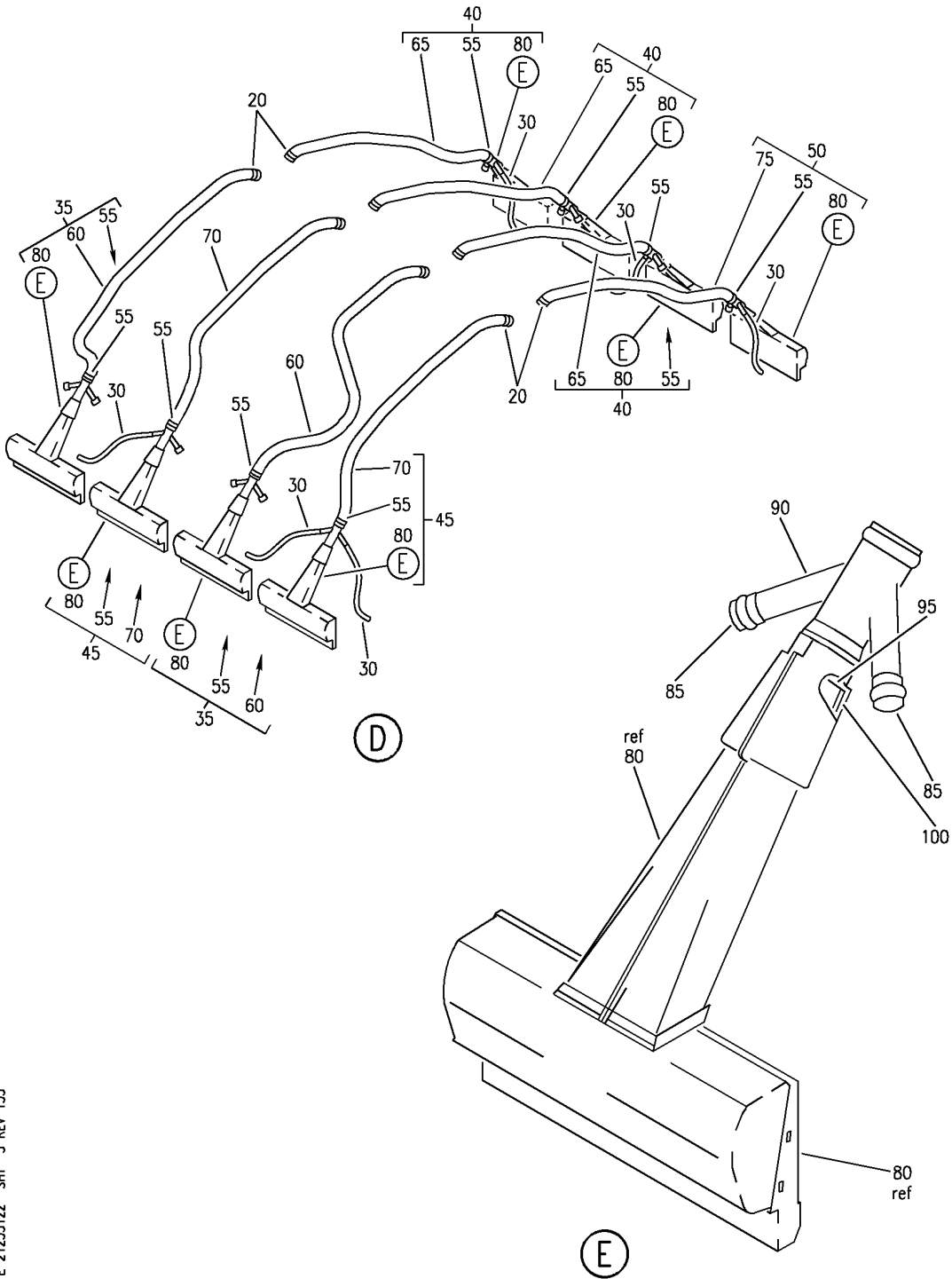
DUCT INSTL-SIDEWALL AIR DISTR SYS
FIGURE 22 (SHEET 2)

21-23-51-22

HAP
OCT 10/07

21-23-51-22
PAGE 0A

BOEING
 737-600/700/800/900
 PARTS CATALOG (MAINTENANCE)



E 21235122 SHT 3 REV 133

DUCT INSTL-SIDEWALL AIR DISTR SYS
 FIGURE 22 (SHEET 3)

21-23-51-22

HAP
 OCT 10/07

21-23-51-22
 PAGE 0B

BOEING
737-600/700/800/900
PARTS CATALOG (MAINTENANCE)

FIG ITEM	PART NUMBER	1 2 3 4 5 6 7	NOMENCLATURE	EFFECT FROM TO	UNITS PER ASSY
22			DUCT INSTL-SIDEWALL AIR DISTR SYS	044100	
- 1	MODREF343461		DUCT INSTL-SIDEWALL AIR DISTR SYS MODULE NUMBER: 214A2047-1 REV A	044100	1
5	BACS12FA08K6		.SCREW	044100	16
10	BACS12GP3L7		.SCREW	044100	14
15	PLT3SM		.STRAP SUPPLIER CODE: V06383 SPECIFICATION NUMBER: BACS38K7 OPTIONAL PART: T0510 V53421	044100	17
20	PLT2IC		.STRAP SUPPLIER CODE: V06383 SPECIFICATION NUMBER: BACS38K10	044100	8
25	TM2S8		.PLATE-MTG SUPPLIER CODE: V06383 SPECIFICATION NUMBER: STBP19M9	044100	14
30	BACD40P3A180		.DUCT	044100	6
35	214A2113-404		.HOSE ASSY	044100	2
40	214A2113-400		.HOSE ASSY	044100	3
45	214A2113-403		.HOSE ASSY	044100	2
50	214A2113-401		.HOSE ASSY	044100	1
55	PLT2IC		..STRAP SUPPLIER CODE: V06383 SPECIFICATION NUMBER: BACS38K10	044100	1
60	AS1591-06-0650A		..HOSE- USED ON: 214A2113-404	044100	1
65	AS1591-06-0450A		..HOSE- USED ON: 214A2113-400	044100	1
70	AS1591-06-0600A		..HOSE- USED ON: 214A2113-403	044100	1
75	AS1591-06-0500A		..HOSE- USED ON: 214A2113-401	044100	1
80	214N2520-200		..DIFFUSER ASSY	044100	1

MISSING ITEM NUMBERS NOT APPLICABLE

- ITEM NOT ILLUSTRATED

HAP

21-23-51-22

21-23-51
FIG. 22
PAGE 1
OCT 15/08


BOEING
 737-600/700/800/900
PARTS CATALOG (MAINTENANCE)

FIG ITEM	PART NUMBER	1 2 3 4 5 6 7	NOMENCLATURE	EFFECT FROM TO	UNITS PER ASSY
22					
85	12-1000	...	CAP-END SUPPLIER CODE: V25205	044100	2
90	214N2107-11	...	DUCT-BRANCH	044100	1
95	214N2145-5	...	PLATE-RESTRICTOR	044100	1
100	214N2520-69	...	LINING	044100	1

MISSING ITEM NUMBERS NOT APPLICABLE

— ITEM NOT ILLUSTRATED

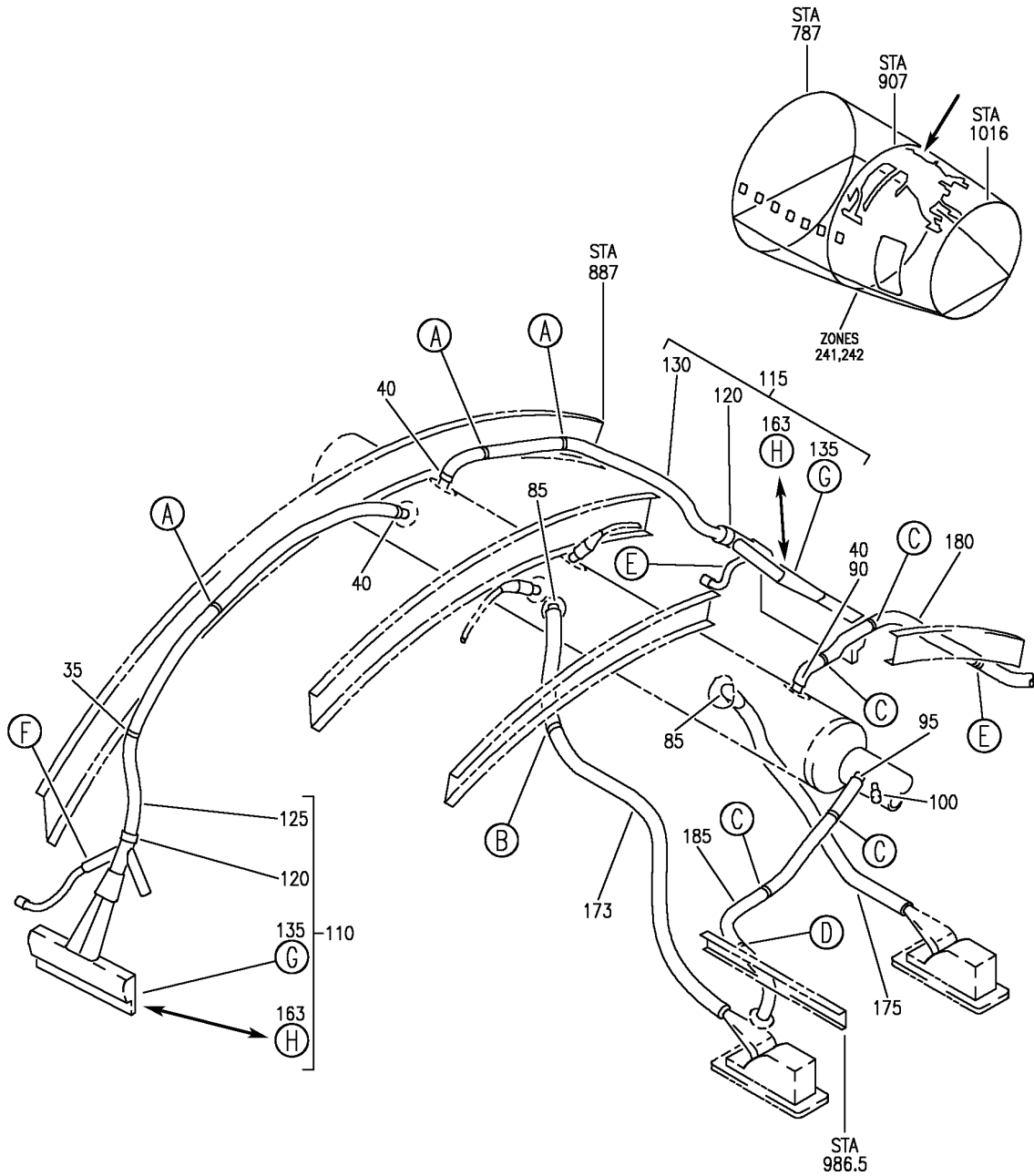
HAP

21-23-51-22

BOEING PROPRIETARY - Copyright © - Unpublished Work - See title page for details.

21-23-51
 FIG. 22
 PAGE 2
 OCT 15/08

BOEING
 737-600/700/800/900
 PARTS CATALOG (MAINTENANCE)



E 21235124 SHT 1 REV 151

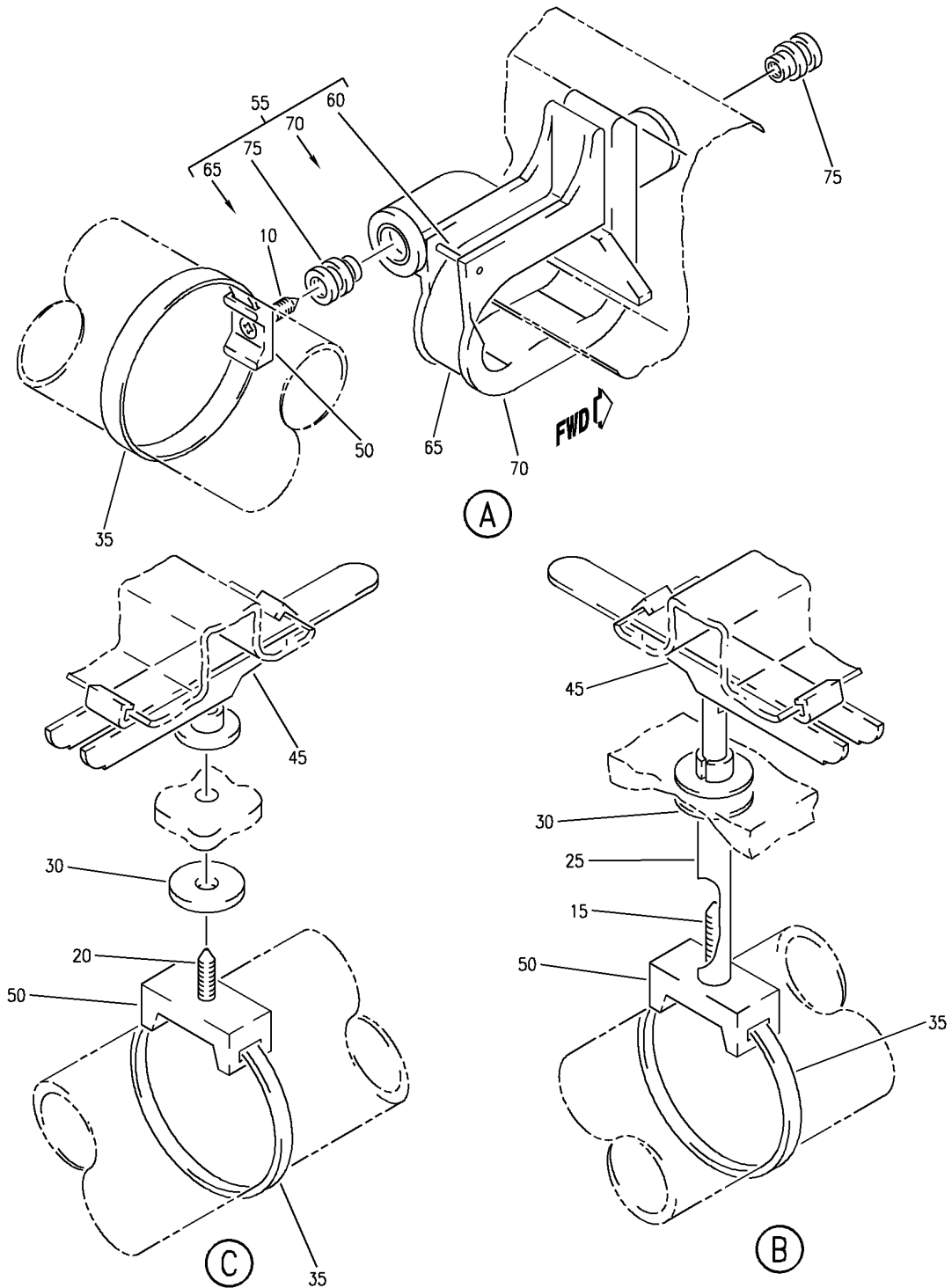
DUCT INSTL-SIDEWALL AIR DISTR SYS
 FIGURE 24 (SHEET 1)

21-23-51-24

HAP
 FEB 15/09

21-23-51-24
 PAGE 0

BOEING
 737-600/700/800/900
 PARTS CATALOG (MAINTENANCE)



E 21235124 SHT 2 REV 117

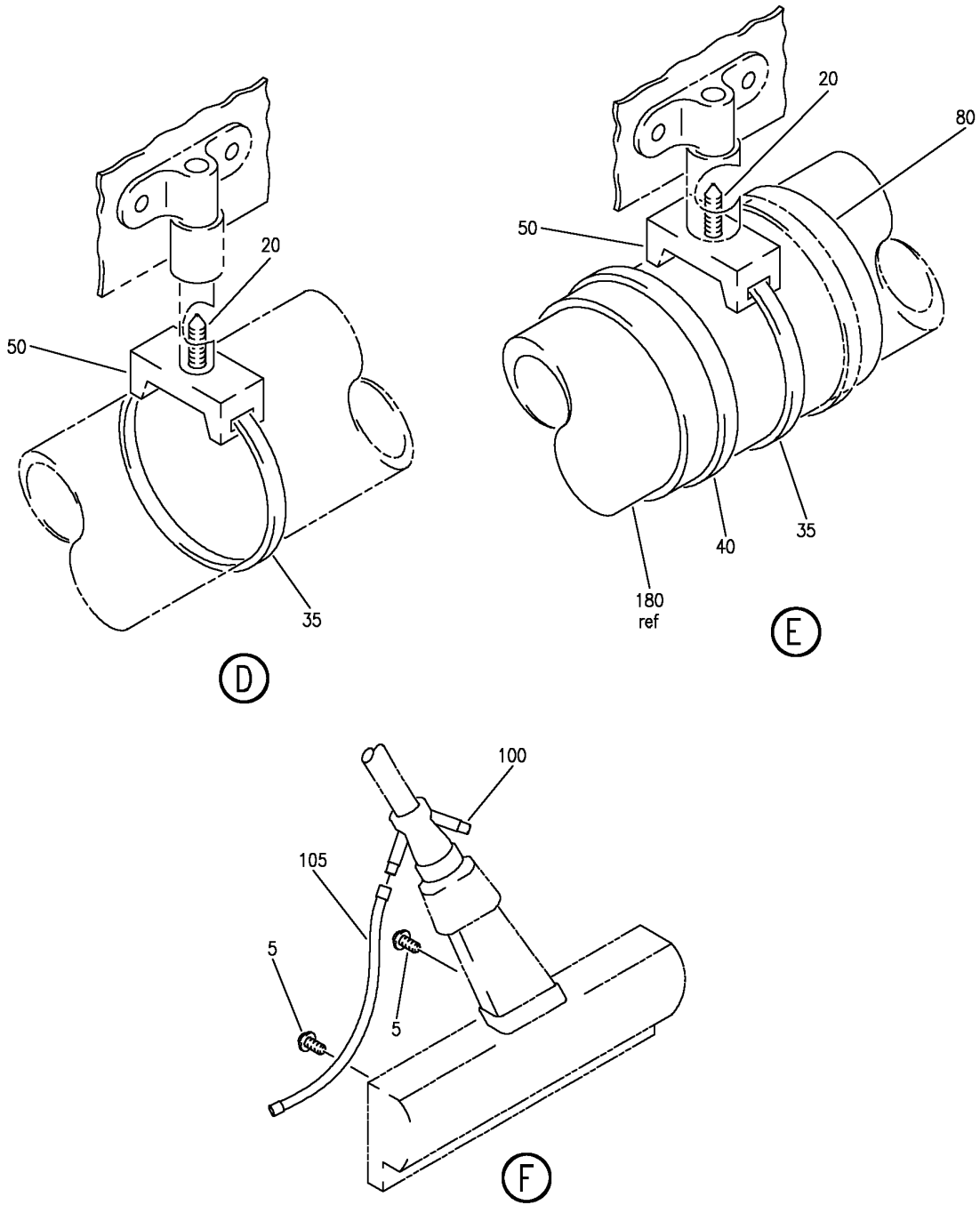
DUCT INSTL-SIDEWALL AIR DISTR SYS
 FIGURE 24 (SHEET 2)

21-23-51-24

HAP
 OCT 10/06

21-23-51-24
 PAGE 0A

BOEING
 737-600/700/800/900
 PARTS CATALOG (MAINTENANCE)



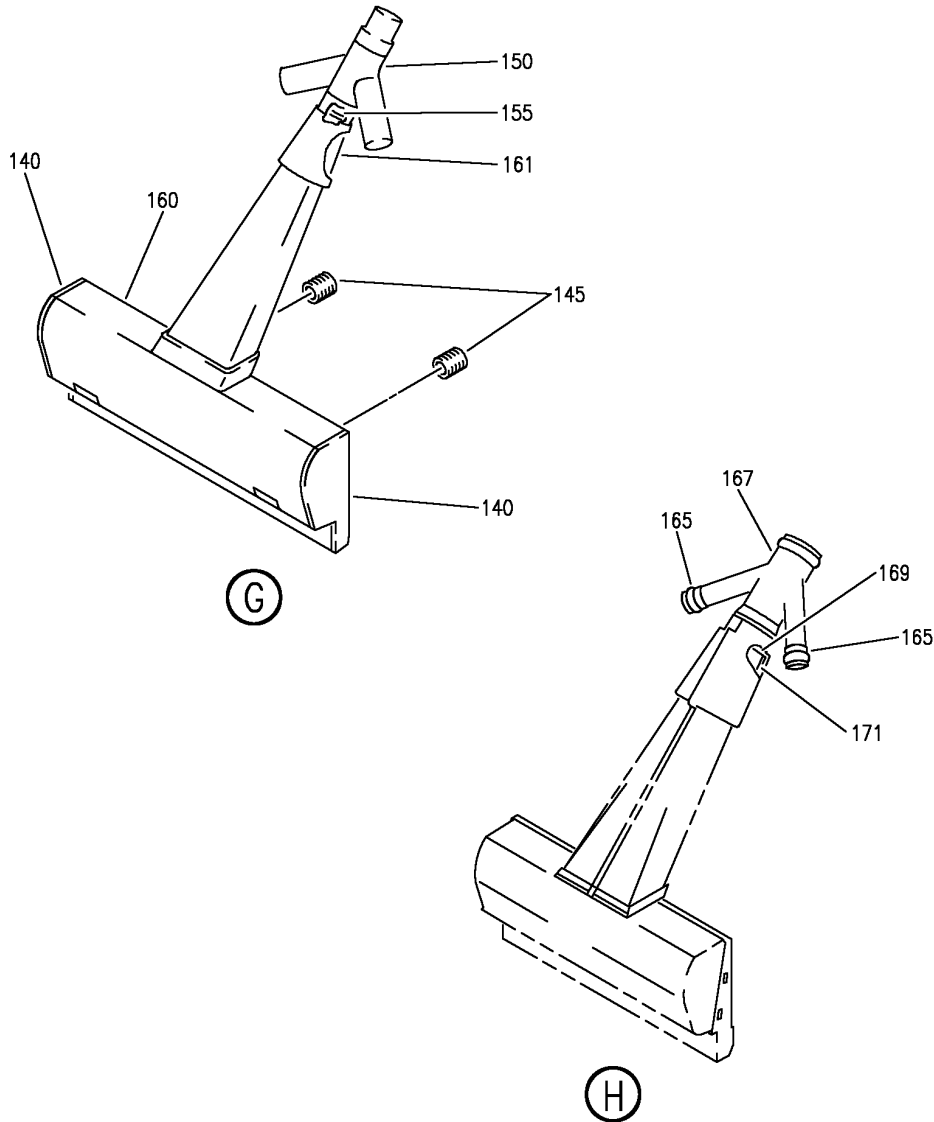
E 21235124 SHT 3 REV 151

DUCT INSTL-SIDEWALL AIR DISTR SYS
 FIGURE 24 (SHEET 3)

21-23-51-24

HAP
 FEB 15/09

21-23-51-24
 PAGE 0B



E 21235124 SH1 4 REV 151

DUCT INSTL-SIDEWALL AIR DISTR SYS
 FIGURE 24 (SHEET 4)

21-23-51-24

HAP
 FEB 15/09

21-23-51-24
 PAGE 0C

BOEING
737-600/700/800/900
PARTS CATALOG (MAINTENANCE)

FIG ITEM	PART NUMBER	1 2 3 4 5 6 7	NOMENCLATURE	EFFECT FROM TO	UNITS PER ASSY
24			DUCT INSTL-SIDEWALL AIR DISTR SYS	037043	
- 1	MODREF289111		DUCT INSTL-SIDEWALL AIR DISTR SYS MODULE NUMBER: 214A2008-46 REV A	037043	1
5	BACS12FA08K6		.SCREW	037043	4
10	BACS12GP3L5		.SCREW	037043	3
15	BACS12GP3L42		.SCREW	037043	1
20	BACS12GP3L10		.SCREW	037043	6
25	NAS43DD3-128FC		.SPACER	037043	1
30	BACW10DZ3		.WASHER	037043	5
35	PLT3SM		.STRAP SUPPLIER CODE: V06383 SPECIFICATION NUMBER: BACS38K7 OPTIONAL PART: T0510 V53421	037043	11
40	PLT2IC		.STRAP SUPPLIER CODE: V06383 SPECIFICATION NUMBER: BACS38K10	037043	4
45	BACS38P5		.SUPPORT ASSY	037043	5
50	TM2S8		.PLATE-MTG SUPPLIER CODE: V06383 SPECIFICATION NUMBER: STBP19M9	037043	10
55	411A4902-6		.CLIP ASSY-RTNR	037043	3
60	MS16562-194		..PIN-SPR	037043	1
65	411A4902-8		..CLIP-SPR	037043	1
70	411A4902-3		..BODY ASSY	037043	1
75	H02030-2L		...INSERT- SUPPLIER CODE: V07EU2	037043	2
80	69B43325-13		.CONNECTOR	037043	1
85	214T3436-664		.ORIFICE ASSY	037043	2
90	214T3436-1903		.ORIFICE ASSY	037043	1
95	214T3436-619		.ORIFICE ASSY	037043	1
100	12-1000		.CAP-END SUPPLIER CODE: V25205	037043	3
105	BACD40P3A180		.DUCT	037043	2
110	214A2113-330		.HOSE ASSY	037043	1
115	214A2113-320		.HOSE ASSY	037043	1

MISSING ITEM NUMBERS NOT APPLICABLE

- ITEM NOT ILLUSTRATED

HAP

21-23-51-24

21-23-51
FIG. 24
PAGE 1
OCT 10/07

BOEING
737-600/700/800/900
PARTS CATALOG (MAINTENANCE)

FIG ITEM	PART NUMBER	1 2 3 4 5 6 7	NOMENCLATURE	EFFECT FROM TO	UNITS PER ASSY
24 120	PLT2IC	..	STRAP SUPPLIER CODE: V06383 SPECIFICATION NUMBER: BACS38K10	037043	1
125	AS1591-06-0590A	..	HOSE- USED ON: 214A2113-330	037043	1
130	AS1591-06-0460A	..	HOSE- USED ON: 214A2113-320	037043	1
135	214N2520-144	..	DIFFUSER ASSY-	037043	1
140	214N2520-142	...	PLATE-END	037043	2
145	6035-2BR185	...	INSERT- SUPPLIER CODE: V01556	037043	2
150	214N2107-6	...	DUCT-BRANCH	037043	1
155	214N2145-6	...	PLATE-RESTRICTOR	037043	1
160	214N2520-91	...	DIFFUSER	037043	1
161	214N2520-69	...	LINING	037043	1
163	214N2520-200	..	DIFFUSER ASSY-	037043	1
165	12-1000	...	CAP-END SUPPLIER CODE: V25205	037043	2
167	214N2107-11	...	DUCT-BRANCH	037043	1
169	214N2145-5	...	PLATE-RESTRICTOR	037043	1
171	214N2520-69	...	LINING	037043	1
173	AS1591-08-0480A	.	HOSE	037043	1
175	AS1591-08-0200A	.	HOSE	037043	1
180	AS1591-06-0340A	.	HOSE	037043	1
185	BWT10-2120570F	.	HOSE-FLEX SUPPLIER CODE: VK2962 OPTIONAL PART: BOE240312022805	037043	1
185	BOE240312022805	.	HOSE- OPTIONAL PART: BWT10-2120570F VK2962	037043	1

MISSING ITEM NUMBERS NOT APPLICABLE

— ITEM NOT ILLUSTRATED

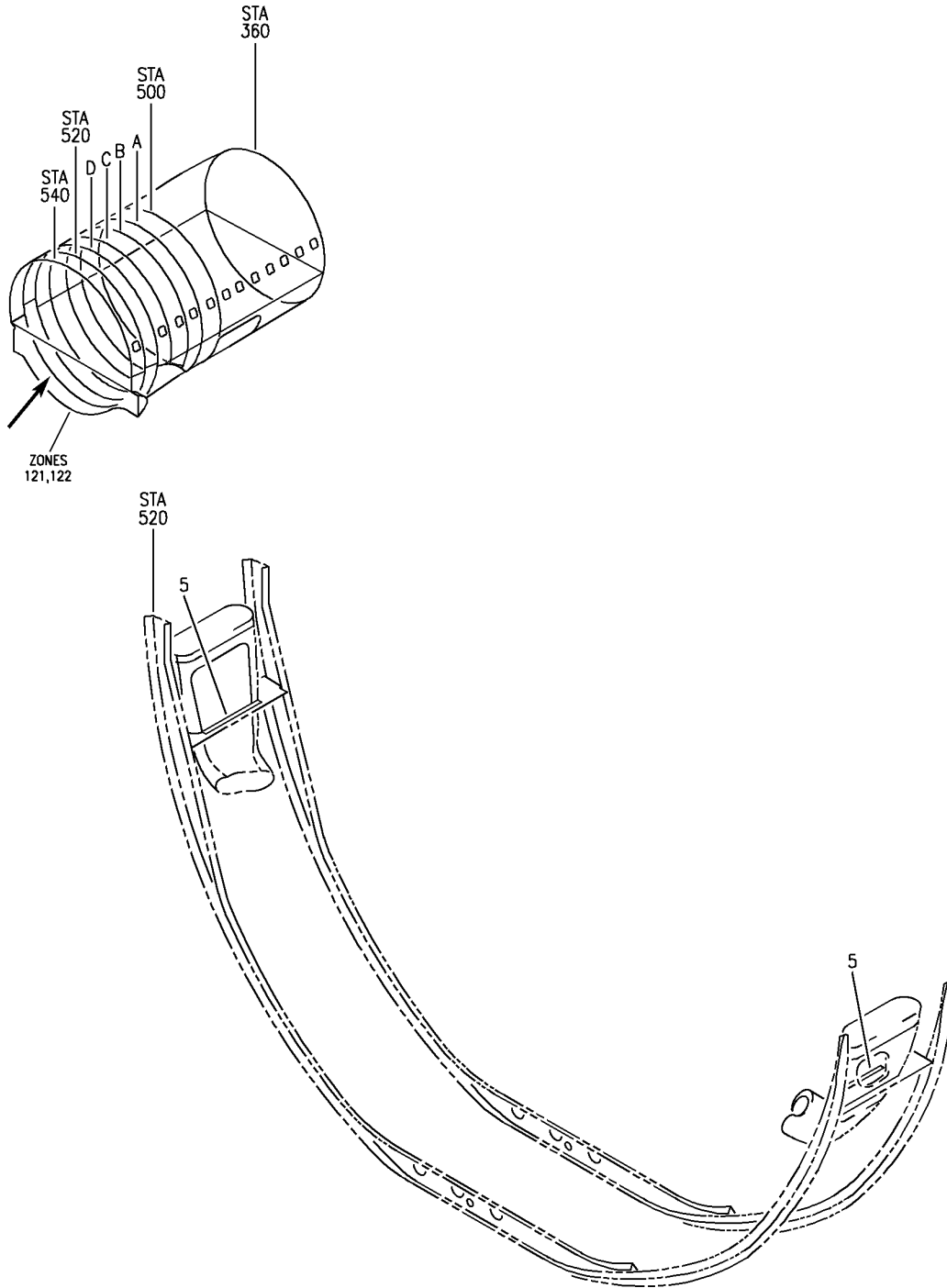
HAP

21-23-51-24

BOEING PROPRIETARY - Copyright © - Unpublished Work - See title page for details.

21-23-51
FIG. 24
PAGE 2
FEB 15/09

BOEING
737-600/700/800/900
PARTS CATALOG (MAINTENANCE)



E 21235125A REV 120

SUPPORT INSTL-AIR DISTR SYS
FIGURE 25A

HAP
FEB 10/07

21-23-51-25A

21-23-51-25A
PAGE 0

BOEING
737-600/700/800/900
PARTS CATALOG (MAINTENANCE)

FIG ITEM	PART NUMBER	1 2 3 4 5 6 7	NOMENCLATURE	EFFECT FROM TO	UNITS PER ASSY
25A			SUPPORT INSTL-AIR DISTR SYS	101200 968999	
- 1	MODREF81456		SUPPORT INSTL-AIR DISTR SYS MODULE NUMBER: 214A9001-3 REV A	101200 968999	1
5	BACG20ZD001153		.GROMMET	101200 968999	2

MISSING ITEM NUMBERS NOT APPLICABLE

- ITEM NOT ILLUSTRATED

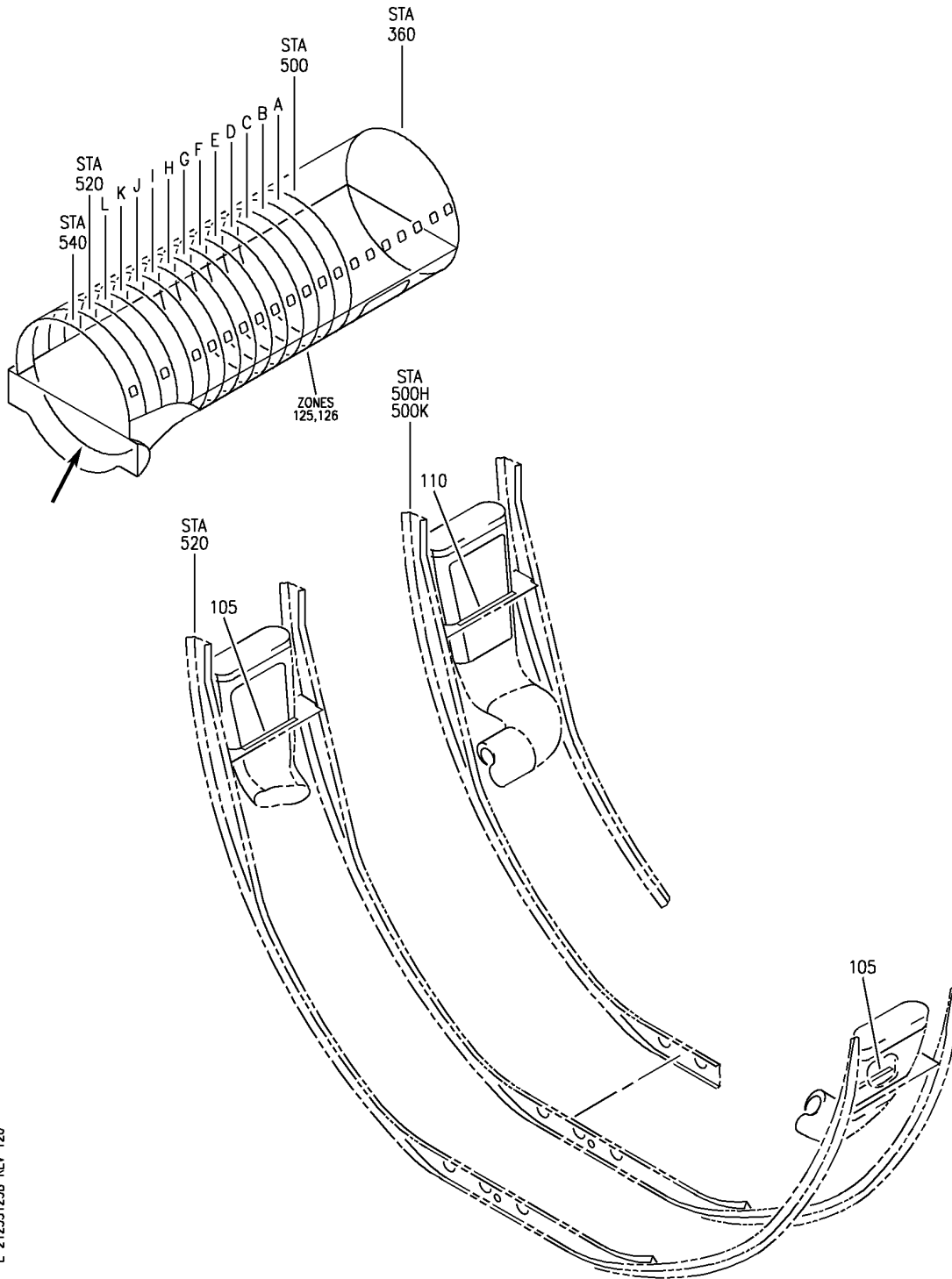
HAP

21-23-51-25A

BOEING PROPRIETARY - Copyright © - Unpublished Work - See title page for details.

21-23-51
FIG. 25A
PAGE 1
OCT 15/08

BOEING
737-600/700/800/900
PARTS CATALOG (MAINTENANCE)



E 21235125B REV 120

SUPPORT INSTL-AIR DISTR SYS
FIGURE 25B

21-23-51-25B

HAP
OCT 10/06

21-23-51-25B
PAGE 0

BOEING
737-600/700/800/900
PARTS CATALOG (MAINTENANCE)

FIG ITEM	PART NUMBER	1 2 3 4 5 6 7	NOMENCLATURE	EFFECT FROM TO	UNITS PER ASSY
25B					
- 1	214A9001-3		SUPPORT INSTL-AIR DISTR SYS SUPPORT INSTL-AIR DISTR SYS FOR NHA SEE: 21-20-00-04	023100 023030	RF
- 1	MODREF81456		SUPPORT INSTL-AIR DISTR SYS MODULE NUMBER: 214A9001-3 REV A	031036	1
5	BACG2OZD001153		.GROMMET	023036	2
- 100	214A9001-4		SUPPORT INSTL-AIR DISTR SYS FOR NHA SEE: 21-20-00-04C	023030	RF
- 100	MODREF81457		SUPPORT INSTL-AIR DISTR SYS MODULE NUMBER: 214A9001-4 REV A	031036	1
- 100	MODREF298471		SUPPORT INSTL-AIR DISTR SYS MODULE NUMBER: 214A9001-4 REV B	037100	1
105	BACG2OZD001153		.GROMMET	037100	2
110	BACG2OZD001175		.GROMMET	023100	1

MISSING ITEM NUMBERS NOT APPLICABLE

- ITEM NOT ILLUSTRATED

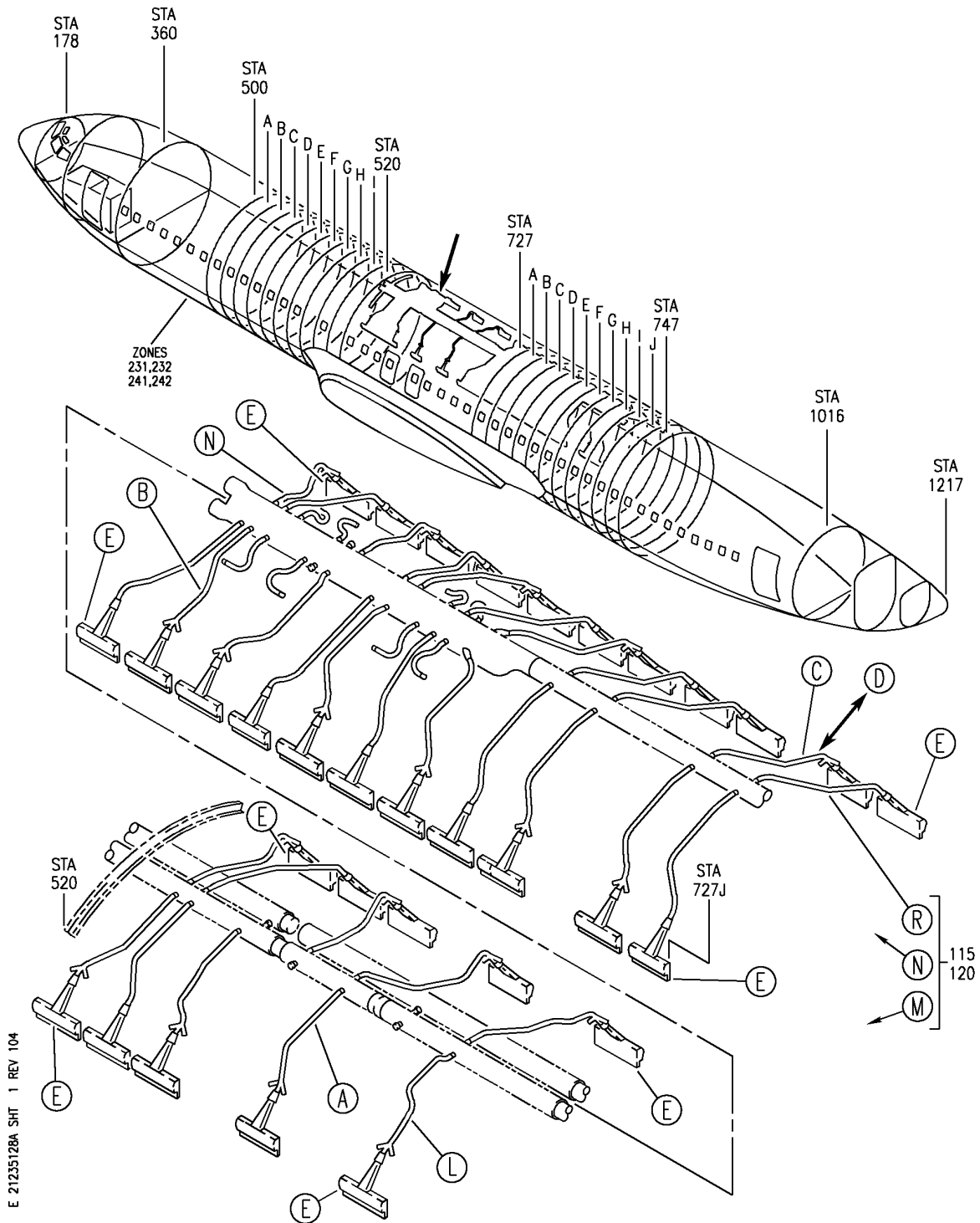
HAP

21-23-51-25B

BOEING PROPRIETARY - Copyright © - Unpublished Work - See title page for details.

21-23-51
FIG. 25B
PAGE 1
FEB 10/07

BOEING
737-600/700/800/900
PARTS CATALOG (MAINTENANCE)



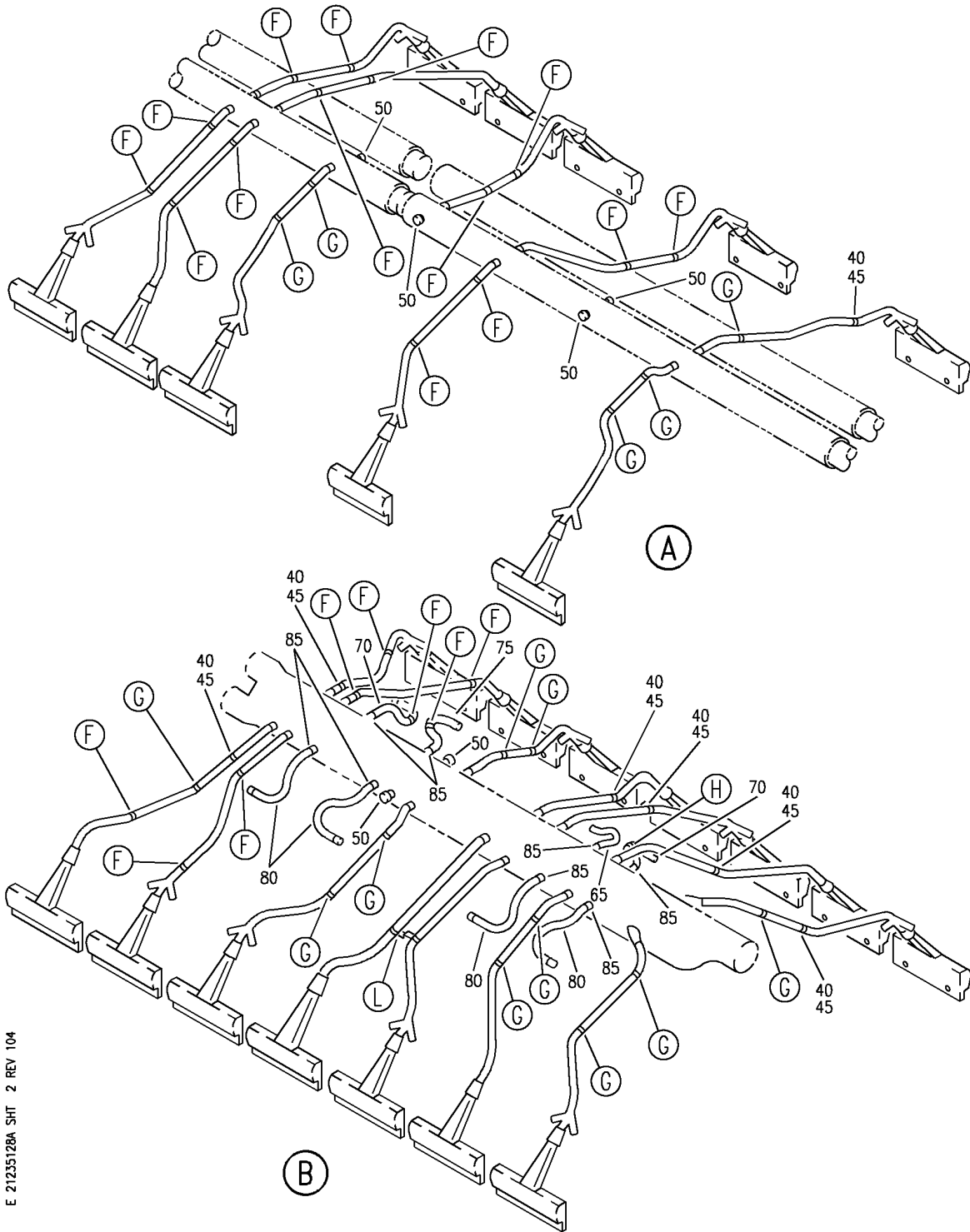
DUCT INSTL-SIDEWALL AIR DISTR SYS
 FIGURE 28A (SHEET 1)

21-23-51-28A

HAP
 OCT 10/06

21-23-51-28A
 PAGE 0

BOEING
737-600/700/800/900
PARTS CATALOG (MAINTENANCE)



E 21235128A SHT 2 REV 104

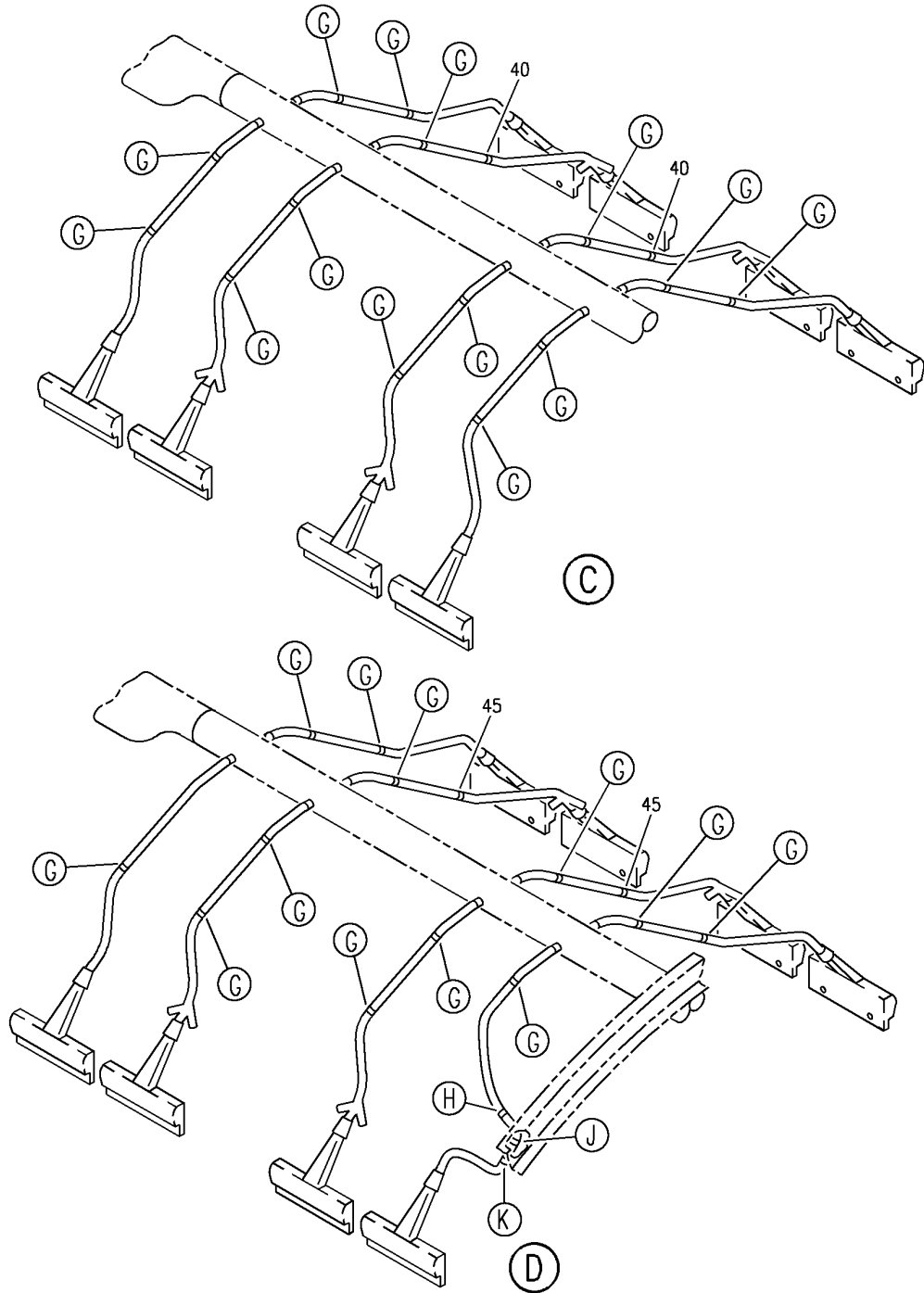
DUCT INSTL-SIDEWALL AIR DISTR SYS
FIGURE 28A (SHEET 2)

21-23-51-28A

HAP
OCT 10/06

21-23-51-28A
PAGE 0A

BOEING
737-600/700/800/900
PARTS CATALOG (MAINTENANCE)



E 21235128A SHT 3 REV 104

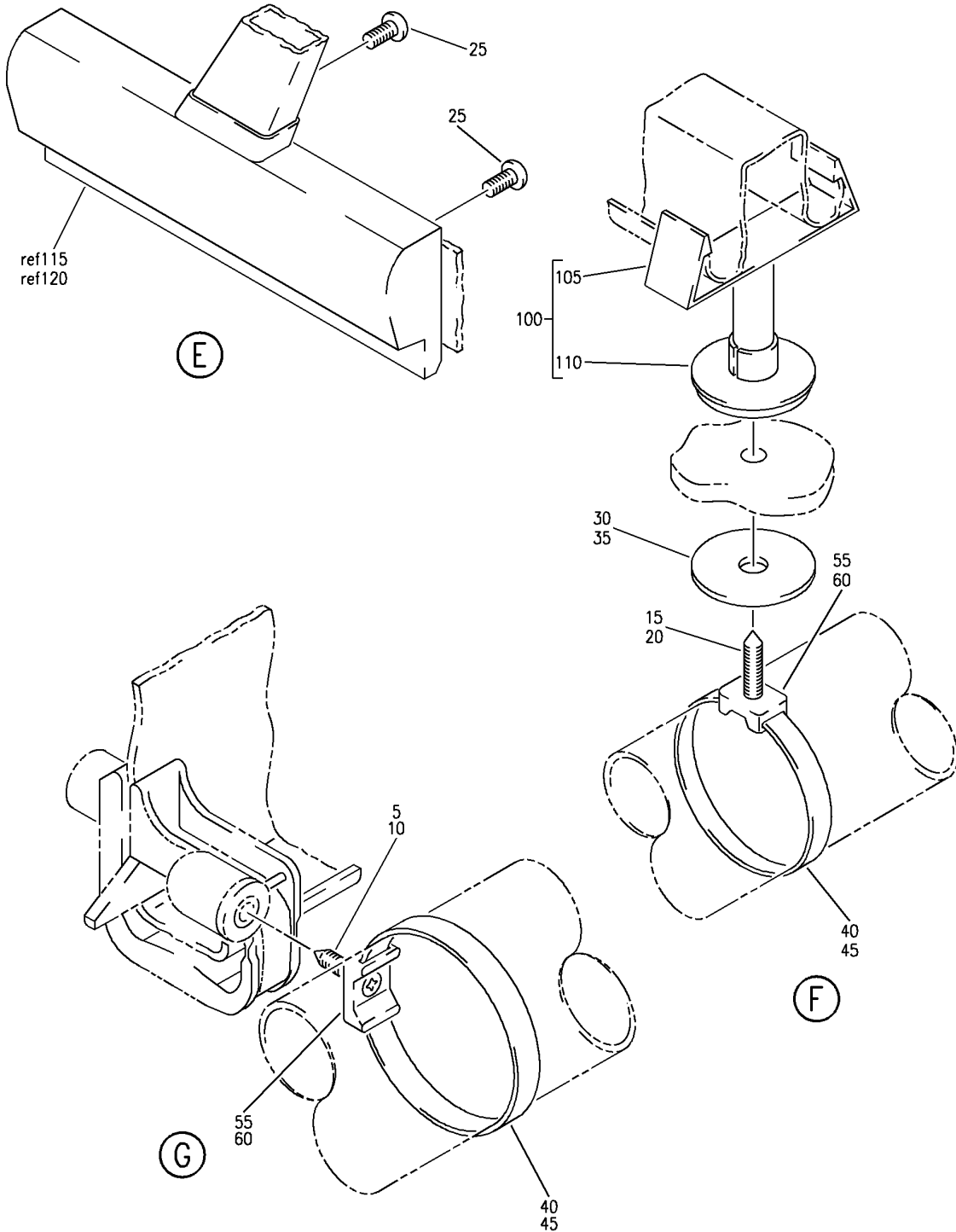
DUCT INSTL-SIDEWALL AIR DISTR SYS
FIGURE 28A (SHEET 3)

21-23-51-28A

HAP
OCT 10/06

21-23-51-28A
PAGE 0B

BOEING
 737-600/700/800/900
 PARTS CATALOG (MAINTENANCE)



E 21235128A SHT 4 REV 104

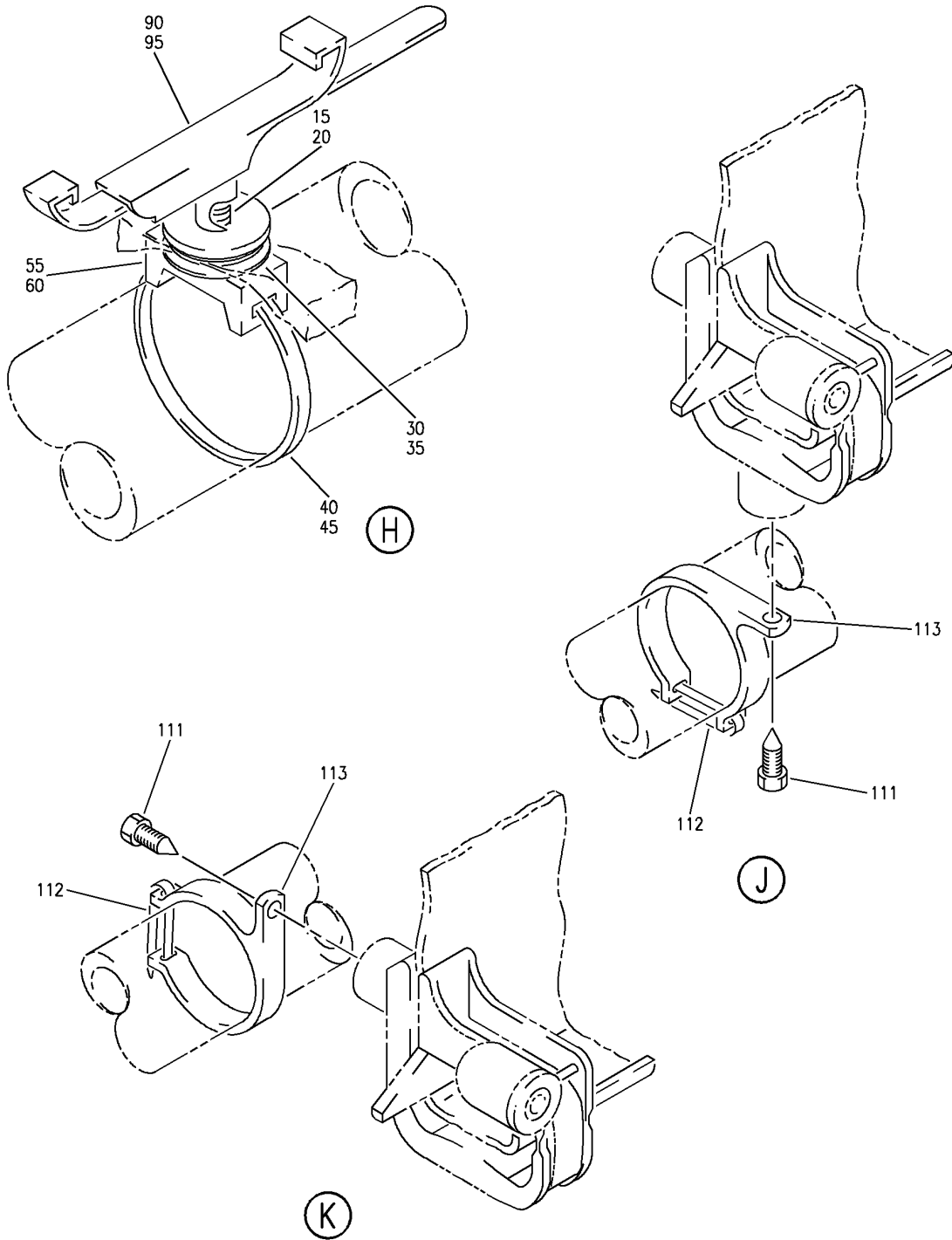
DUCT INSTL-SIDEWALL AIR DISTR SYS
 FIGURE 28A (SHEET 4)

21-23-51-28A

HAP
 OCT 10/06

21-23-51-28A
 PAGE 0C

BOEING
 737-600/700/800/900
 PARTS CATALOG (MAINTENANCE)



E 21235128A SHT 5 REV 104

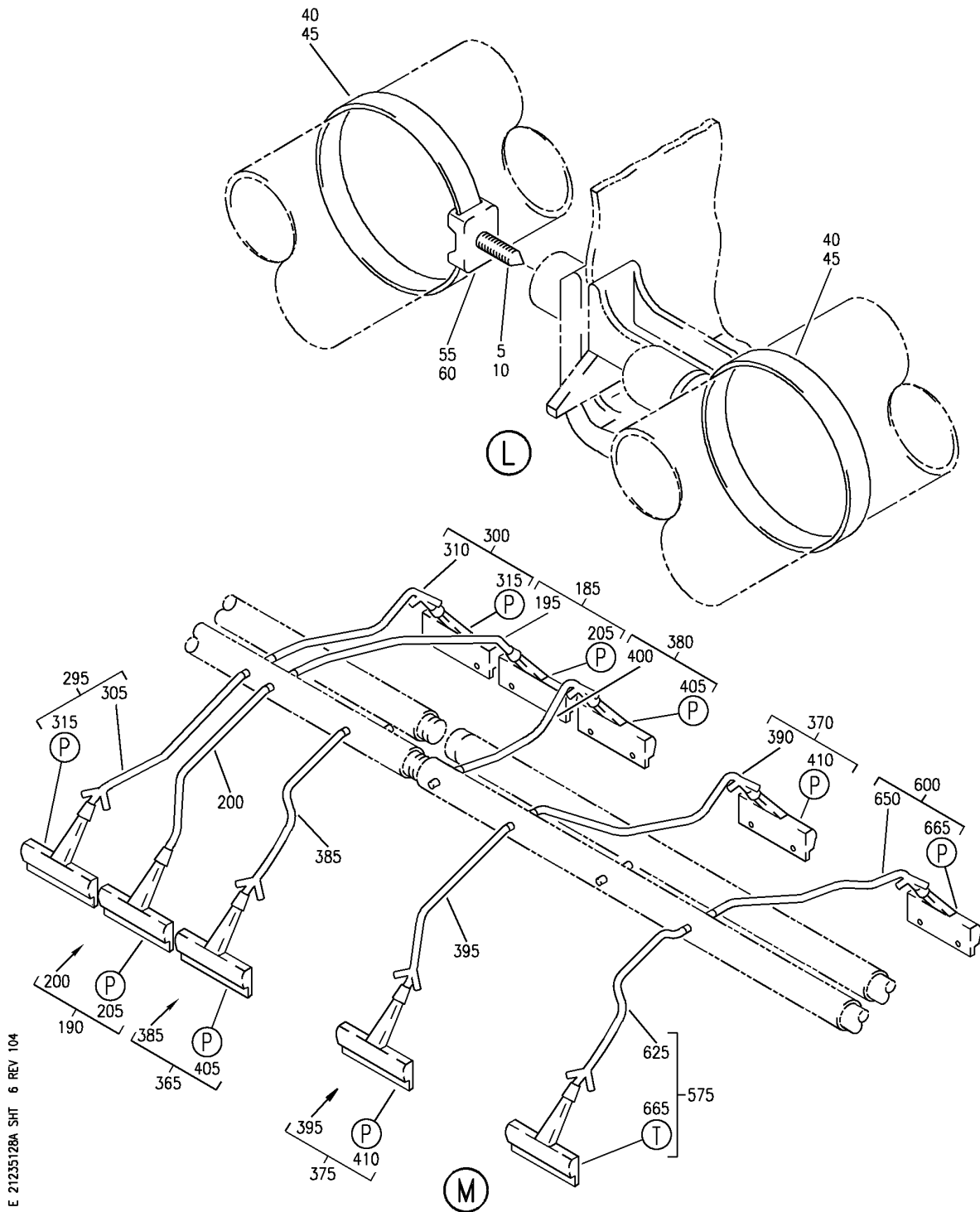
DUCT INSTL-SIDEWALL AIR DISTR SYS
 FIGURE 28A (SHEET 5)

21-23-51-28A

HAP
 OCT 10/06

21-23-51-28A
 PAGE 0D

BOEING
 737-600/700/800/900
 PARTS CATALOG (MAINTENANCE)



E 21235128A SHT 6 REV 104

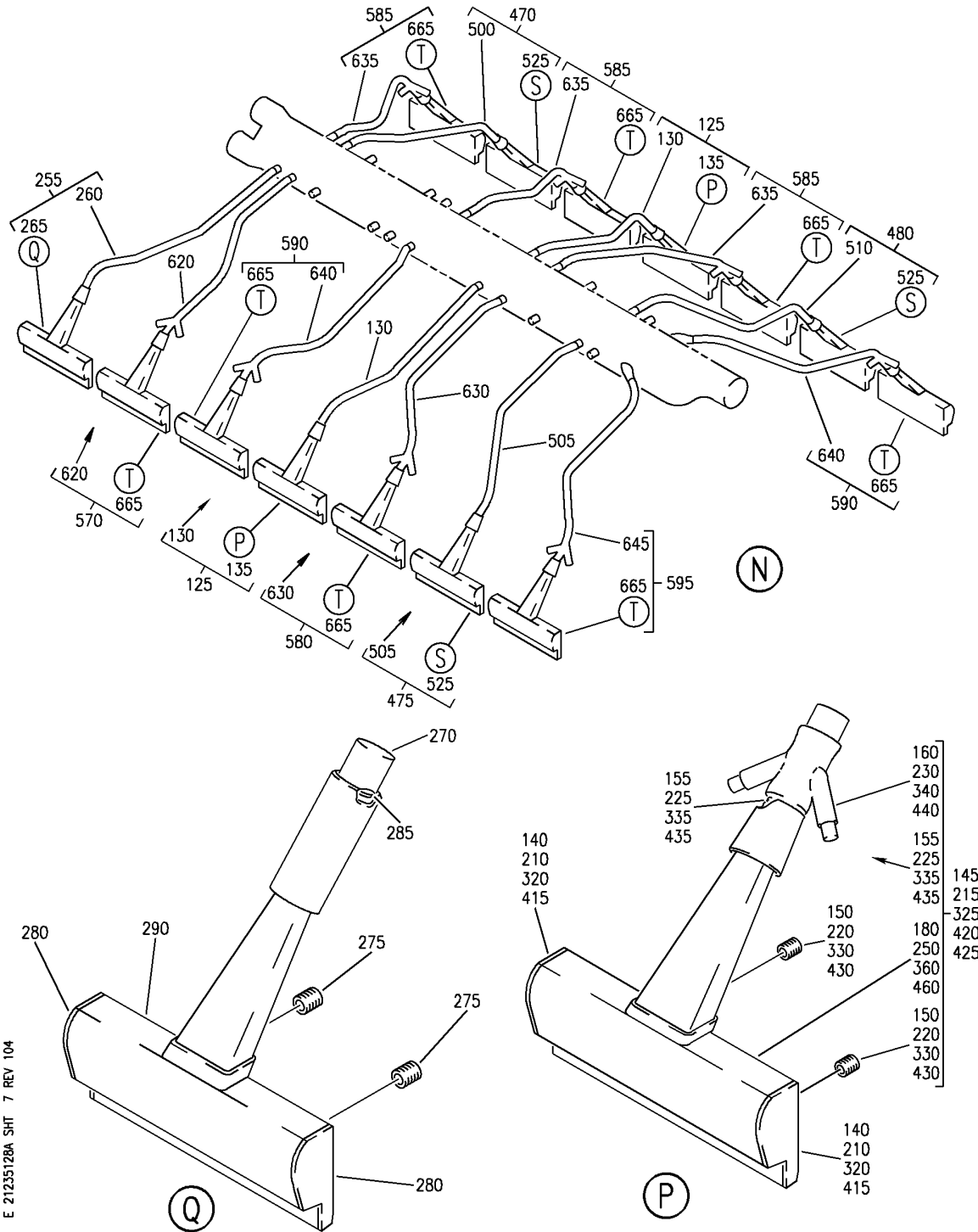
DUCT INSTL-SIDEWALL AIR DISTR SYS
 FIGURE 28A (SHEET 6)

21-23-51-28A

HAP
 OCT 10/06

21-23-51-28A
 PAGE 0E

BOEING
 737-600/700/800/900
 PARTS CATALOG (MAINTENANCE)



E 21235128A SHT 7 REV 104

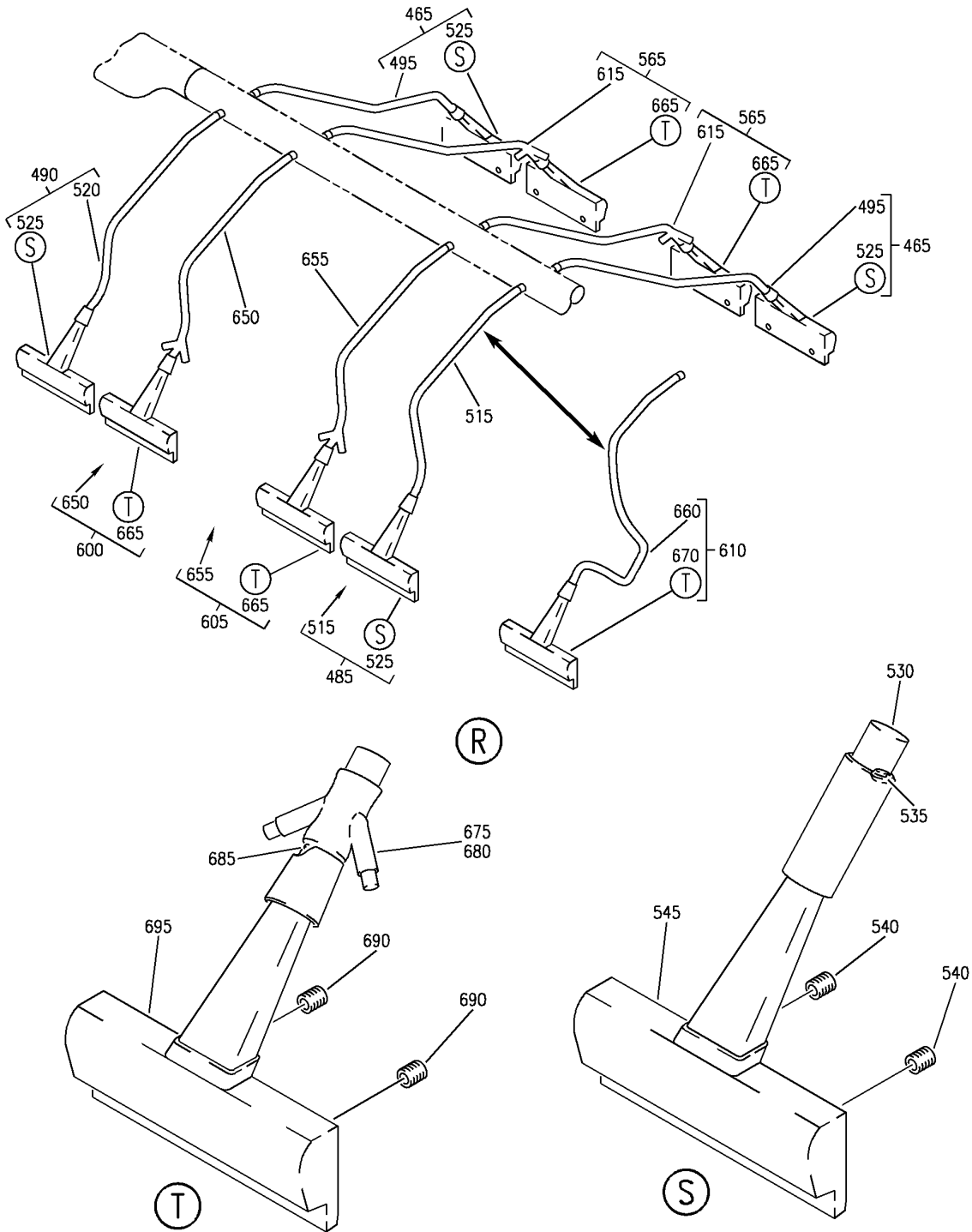
DUCT INSTL-SIDEWALL AIR DISTR SYS
 FIGURE 28A (SHEET 7)

21-23-51-28A

HAP
 OCT 10/06

21-23-51-28A
 PAGE OF

BOEING
 737-600/700/800/900
 PARTS CATALOG (MAINTENANCE)



E 21235128A SHT 8 REV 104

DUCT INSTL-SIDEWALL AIR DISTR SYS
 FIGURE 28A (SHEET 8)

21-23-51-28A

HAP
 OCT 10/06

21-23-51-28A
 PAGE 08

BOEING
737-600/700/800/900
PARTS CATALOG (MAINTENANCE)

FIG ITEM	PART NUMBER	1 2 3 4 5 6 7	NOMENCLATURE	EFFECT FROM TO	UNITS PER ASSY
28A			DUCT INSTL-SIDEWALL AIR DISTR SYS	001030	
- 1	214A2016-3		DUCT INSTL-SIDEWALL AIR DISTR SYS FOR NHA SEE: 21-20-00-09C	001030	RF
5	BACS12GP3L7	.SCREW		001030	30
15	BACS12GP3L10	.SCREW		001030	23
25	BACS12FA08K6	.SCREW		001030	64
30	BACW10DZ3	.WASHER		001030	23
40	PLT3SM	.STRAP		001030	63
			SUPPLIER CODE: V06383 SPECIFICATION NUMBER: BACS38K7 OPTIONAL PART: T0510 V53421		
50	24-1000	.CAP-END		001030	6
			SUPPLIER CODE: V25205		
55	TM2S8	.PLATE		001030	53
			SUPPLIER CODE: V06383 SPECIFICATION NUMBER: STBP19M9		
65	AS1591-06-0290A	.HOSE		001030	1
70	AS1591-06-0250A	.HOSE		001030	2
75	AS1591-06-0260A	.HOSE		001030	1
80	AS1591-06-0190A	.HOSE		001030	4
85	214T3436-619	.ORIFICE ASSY		001030	8
90	BACS38P5	.SUPPORT ASSY		001030	1
100	214N5054-8	.SUPPORT ASSY		001030	22
105	2055155-7A	..CLIP-		001030	1
			SUPPLIER CODE: V04169		
110	411N4026-2	..CAP ASSY-		001030	1
			OPTIONAL PART: 411N4026-10		
110	411N4026-10	..CAP ASSY-		001030	1
			OPTIONAL PART: 411N4026-2		
115	214A2016-4	.DUCT ASSY		001030	1
125	214A2113-18	..HOSE ASSY		001030	2
130	AS1591-06-0490A	...HOSE		001030	1
135	214N2520-85	...DIFFUSER ASSY		001030	1
140	214N2520-7PLATE-END		001030	2
			OPTIONAL PART: 214N2520-142		

MISSING ITEM NUMBERS NOT APPLICABLE

- ITEM NOT ILLUSTRATED

HAP

21-23-51-28A

BOEING PROPRIETARY - Copyright © - Unpublished Work - See title page for details.

21-23-51
FIG. 28A
PAGE 1
OCT 10/06

BOEING
737-600/700/800/900
PARTS CATALOG (MAINTENANCE)

FIG ITEM	PART NUMBER	1 2 3 4 5 6 7	NOMENCLATURE	EFFECT FROM TO	UNITS PER ASSY
28A 140	214N2520-142	PLATE-END OPTIONAL PART: 214N2520-7	001030	2
145	214N2520-97	DIFFUSER ASSY- ALTERED FROM PART NUMBER: 214N2520-88	001030	1
150	6035-2BR185	INSERT- SUPPLIER CODE: V01556	001030	2
155	214N2145-6	PLATE-RESTRICTOR	001030	1
160	214N2107-4	DUCT-BRANCH	001030	1
- 165	214N2520-77	INLET ASSY	001030	1
- 170	214N2520-79	CAP-INLET	001030	1
- 175	214N2520-78	INLET	001030	1
180	214N2520-91	DIFFUSER	001030	1
185	214A2113-84	..	HOSE ASSY	001030	1
190	214A2113-41	..	HOSE ASSY	001030	1
195	AS1591-06-0600A	...	HOSE- USED ON: 214A2113-84	001030	1
200	AS1591-06-0450A	...	HOSE- USED ON: 214A2113-41	001030	1
205	214N2520-89	...	DIFFUSER ASSY	001030	1
210	214N2520-7	PLATE-END	001030	2
215	214N2520-93	DIFFUSER ASSY- ALTERED FROM PART NUMBER: 214N2520-88	001030	1
220	6035-2BR185	INSERT- SUPPLIER CODE: V01556	001030	2
225	214N2145-6	PLATE-RESTRICTOR	001030	1
230	214N2107-4	DUCT-BRANCH	001030	1
- 235	214N2520-77	INLET ASSY	001030	1
- 240	214N2520-79	CAP-INLET	001030	1
- 245	214N2520-78	INLET	001030	1
250	214N2520-91	DIFFUSER	001030	1
255	214A2113-42	..	HOSE ASSY	001030	1
260	AS1591-06-0550A	...	HOSE	001030	1
265	214N2520-90	...	DIFFUSER ASSY	001030	1
270	214N2520-41	SLEEVE	001030	1
275	6035-2BR185	INSERT- SUPPLIER CODE: V01556	001030	2
280	214N2520-7	PLATE-END OPTIONAL PART: 214N2520-142	001030	2

MISSING ITEM NUMBERS NOT APPLICABLE

- ITEM NOT ILLUSTRATED

HAP

21-23-51-28A

BOEING PROPRIETARY - Copyright © - Unpublished Work - See title page for details.

21-23-51
FIG. 28A
PAGE 2
FEB 10/07

BOEING
737-600/700/800/900
PARTS CATALOG (MAINTENANCE)

FIG ITEM	PART NUMBER	1 2 3 4 5 6 7	NOMENCLATURE	EFFECT FROM TO	UNITS PER ASSY
28A					
280	214N2520-142	PLATE-END OPTIONAL PART: 214N2520-7	001030	2
285	214N2145-6	PLATE-RESTRICTOR	001030	1
290	214N2520-98	DIFFUSER	001030	1
295	214A2113-153	..	HOSE ASSY	001030	1
300	214A2113-167	..	HOSE ASSY	001030	1
305	AS1591-06-0450A	...	HOSE- USED ON: 214A2113-153	001030	1
310	AS1591-06-0590A	...	HOSE- USED ON: 214A2113-167	001030	1
315	214N2520-82	...	DIFFUSER ASSY	001030	1
320	214N2520-7	PLATE-END	001030	2
325	214N2520-96	DIFFUSER ASSY- ALTERED FROM PART NUMBER: 214N2520-86	001030	1
330	6035-2BR185	INSERT- SUPPLIER CODE: V01556	001030	2
335	214N2145-6	PLATE-RESTRICTOR	001030	1
340	214N2107-2	DUCT-BRANCH	001030	1
- 345	214N2520-77	INLET ASSY	001030	1
- 350	214N2520-79	CAP-INLET	001030	1
- 355	214N2520-78	INLET	001030	1
360	214N2520-91	DIFFUSER	001030	1
365	214A2113-101	..	HOSE ASSY	001030	1
370	214A2113-281	..	HOSE ASSY	001030	1
375	214A2113-282	..	HOSE ASSY	001030	1
380	214A2113-121	..	HOSE ASSY	001030	1
385	AS1591-06-0450A	...	HOSE- USED ON: 214A2113-101	001030	1
390	AS1591-06-0620A	...	HOSE- USED ON: 214A2113-281	001030	1
395	AS1591-06-0420A	...	HOSE- USED ON: 214A2113-282	001030	1
400	AS1591-06-0650A	...	HOSE- USED ON: 214A2113-121	001030	1
405	214N2520-87	...	DIFFUSER ASSY- USED ON: 214A2113-101 214A2113-121	001030	1

MISSING ITEM NUMBERS NOT APPLICABLE

- ITEM NOT ILLUSTRATED

HAP

21-23-51-28A

BOEING PROPRIETARY - Copyright © - Unpublished Work - See title page for details.

21-23-51
FIG. 28A
PAGE 3
FEB 10/07

BOEING
737-600/700/800/900
PARTS CATALOG (MAINTENANCE)

FIG ITEM	PART NUMBER	1 2 3 4 5 6 7	NOMENCLATURE	EFFECT FROM TO	UNITS PER ASSY
28A 410	214N2520-122	...	DIFFUSER ASSY- USED ON: 214A2113-281 214A2113-282	001030	1
415	214N2520-7	PLATE-END OPTIONAL PART: 214N2520-142	001030	2
415	214N2520-142	PLATE-END OPTIONAL PART: 214N2520-7	001030	2
420	214N2520-92	DIFFUSER ASSY- ALTERED FROM PART NUMBER: 214N2520-86 USED ON: 214N2520-87	001030	1
425	214N2520-123	DIFFUSER ASSY- ALTERED FROM PART NUMBER: 214N2520-86 USED ON: 214N2520-122	001030	1
430	6035-2BR185	INSERT- SUPPLIER CODE: V01556	001030	2
435	214N2145-6	PLATE-RESTRICTOR	001030	1
440	214N2107-2	DUCT-BRANCH	001030	1
- 445	214N2520-77	INLET ASSY	001030	1
- 450	214N2520-79	CAP-INLET	001030	1
- 455	214N2520-78	INLET	001030	1
460	214N2520-91	DIFFUSER	001030	1
465	214A2113-33	..	HOSE ASSY	001030	2
470	214A2113-43	..	HOSE ASSY	001030	1
475	214A2113-38	..	HOSE ASSY	001030	1
480	214A2113-39	..	HOSE ASSY	001030	1
485	214A2113-35	..	HOSE ASSY	001030	1
490	214A2113-36	..	HOSE ASSY	001030	1
495	AS1591-06-0450A	...	HOSE- USED ON: 214A2113-33	001030	1
500	AS1591-06-0460A	...	HOSE- USED ON: 214A2113-43	001030	1
505	AS1591-06-0470A	...	HOSE- USED ON: 214A2113-38	001030	1
510	AS1591-06-0500A	...	HOSE- USED ON: 214A2113-39	001030	1

MISSING ITEM NUMBERS NOT APPLICABLE

- ITEM NOT ILLUSTRATED

HAP

21-23-51-28A

21-23-51
FIG. 28A
PAGE 4
FEB 10/07

BOEING PROPRIETARY - Copyright © - Unpublished Work - See title page for details.

BOEING
737-600/700/800/900
PARTS CATALOG (MAINTENANCE)

FIG ITEM	PART NUMBER	1 2 3 4 5 6 7	NOMENCLATURE	EFFECT FROM TO	UNITS PER ASSY
28A					
515	AS1591-06-0590A	...	HOSE- USED ON: 214A2113-35	001030	1
520	AS1591-06-0600A	...	HOSE- USED ON: 214A2113-36	001030	1
525	214N2520-88	...	DIFFUSER ASSY	001030	1
530	214N2107-4	DUCT	001030	1
535	214N2145-6	PLATE-RESTRICTOR	001030	1
540	6035-2BR185	INSERT- SUPPLIER CODE: V01556	001030	2
545	214N2520-91	DIFFUSER	001030	1
- 550	214N2520-77	INLET ASSY	001030	1
- 555	214N2520-79	CAP-INLET	001030	1
- 560	214N2520-78	INLET	001030	1
565	214A2113-52	..	HOSE ASSY	001030	2
570	214A2113-53	..	HOSE ASSY	001030	1
575	214A2113-55	..	HOSE ASSY	001030	1
580	214A2113-56	..	HOSE ASSY	001030	1
585	214A2113-57	..	HOSE ASSY	001030	3
590	214A2113-58	..	HOSE ASSY	001030	2
595	214A2113-60	..	HOSE ASSY	001030	1
600	214A2113-67	..	HOSE ASSY	001030	2
605	214A2113-68	..	HOSE ASSY	001030	1
615	AS1591-06-0440A	...	HOSE- USED ON: 214A2113-52	001030	1
620	AS1591-06-0450A	...	HOSE- USED ON: 214A2113-53	001030	1
625	AS1591-06-0470A	...	HOSE- USED ON: 214A2113-55	001030	1
630	AS1591-06-0480A	...	HOSE- USED ON: 214A2113-56	001030	1
635	AS1591-06-0490A	...	HOSE- USED ON: 214A2113-57	001030	1
640	AS1591-06-0500A	...	HOSE- USED ON: 214A2113-58	001030	1
645	AS1591-06-0520A	...	HOSE- USED ON: 214A2113-60	001030	1
650	AS1591-06-0590A	...	HOSE- USED ON: 214A2113-67	001030	1

MISSING ITEM NUMBERS NOT APPLICABLE

- ITEM NOT ILLUSTRATED

HAP

21-23-51-28A

21-23-51
FIG. 28A
PAGE 5
FEB 10/07

BOEING
737-600/700/800/900
PARTS CATALOG (MAINTENANCE)

FIG ITEM	PART NUMBER	1 2 3 4 5 6 7	NOMENCLATURE	EFFECT FROM TO	UNITS PER ASSY
28A 655	AS1591-06-0600A		...HOSE- USED ON: 214A2113-68	001030	1
665	214N2520-86		...DIFFUSER ASSY	001030	1
675	214N2107-2	DUCT-BRANCH	001030	1
685	214N2145-6	PLATE-RESTRICTOR	001030	1
690	6035-2BR185	INSERT- SUPPLIER CODE: V01556	001030	2
695	214N2520-91	DIFFUSER	001030	1
- 700	214N2520-77	INLET ASSY	001030	1
- 705	214N2520-79	CAP-INLET	001030	1
- 710	214N2520-78	INLET	001030	1

MISSING ITEM NUMBERS NOT APPLICABLE

- ITEM NOT ILLUSTRATED

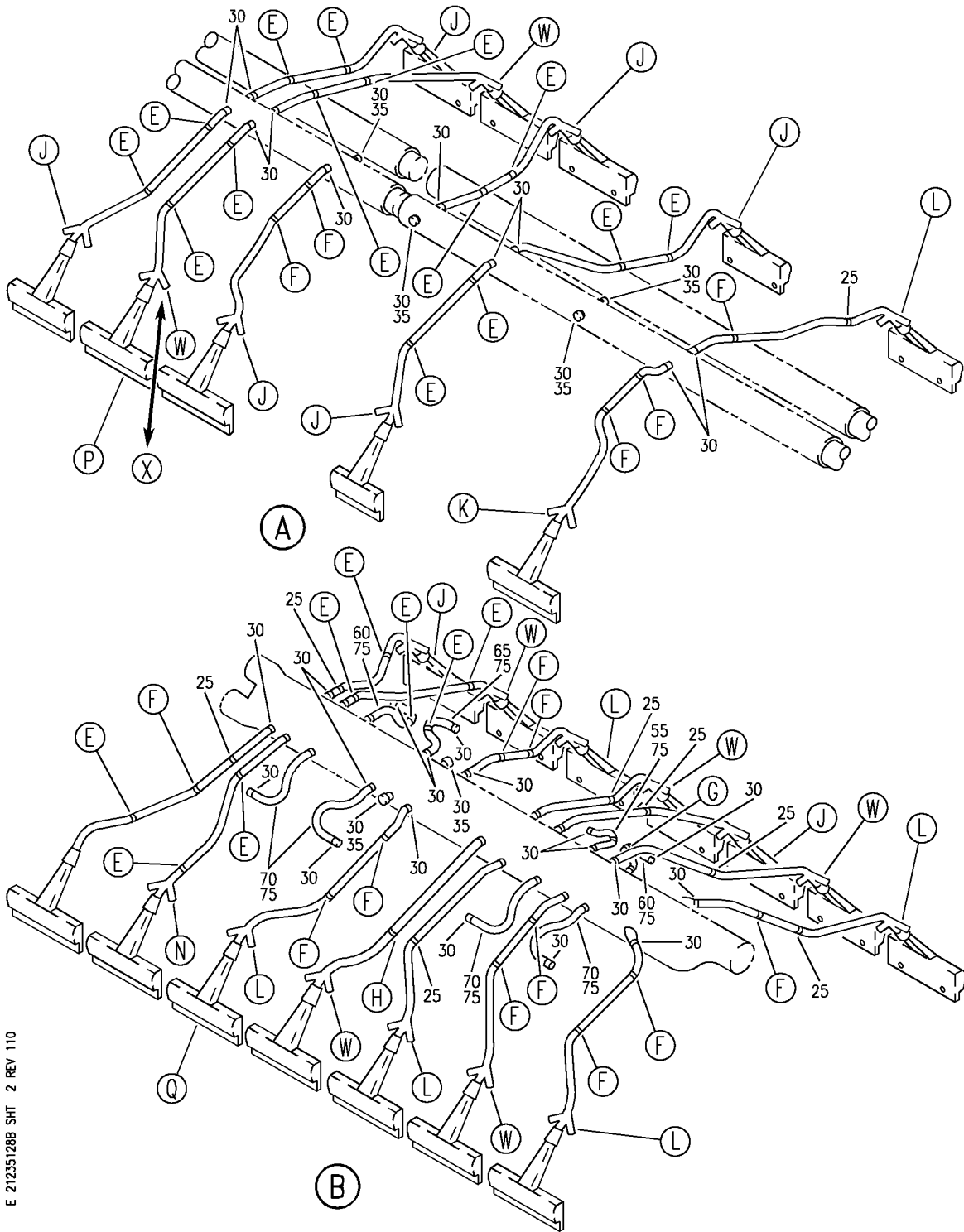
HAP

21-23-51-28A

BOEING PROPRIETARY - Copyright © - Unpublished Work - See title page for details.

21-23-51
FIG. 28A
PAGE 6
FEB 10/07

BOEING
 737-600/700/800/900
 PARTS CATALOG (MAINTENANCE)



E 21235128B SHT 2 REV 110

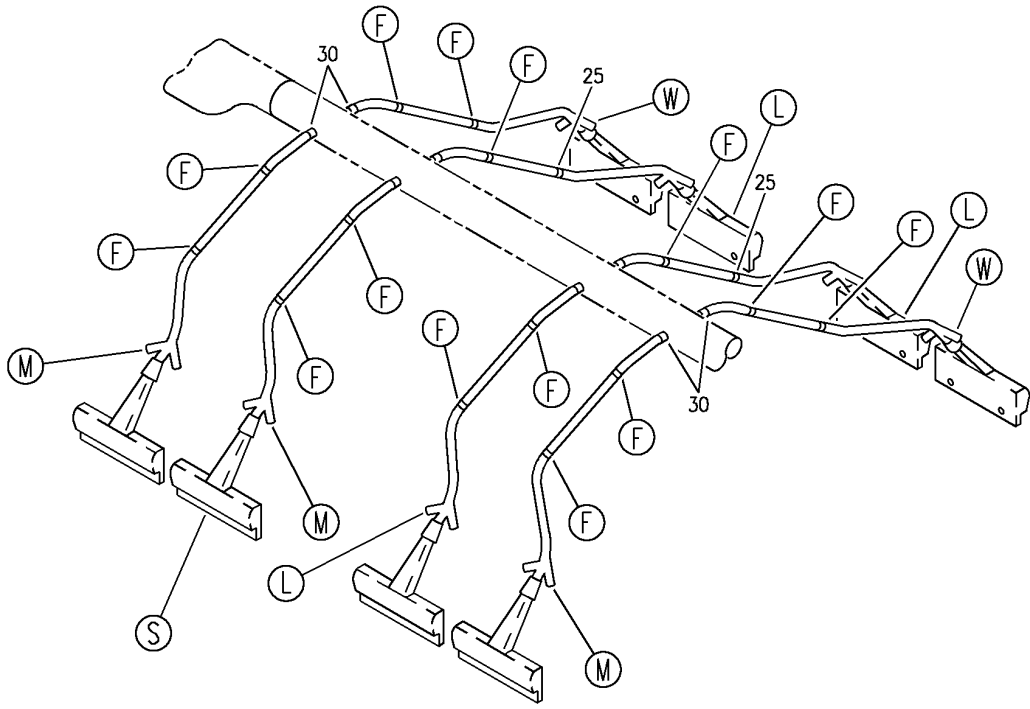
DUCT INSTL-SIDEWALL AIR DISTR SYS
 FIGURE 28B (SHEET 2)

21-23-51-28B

HAP
 OCT 10/06

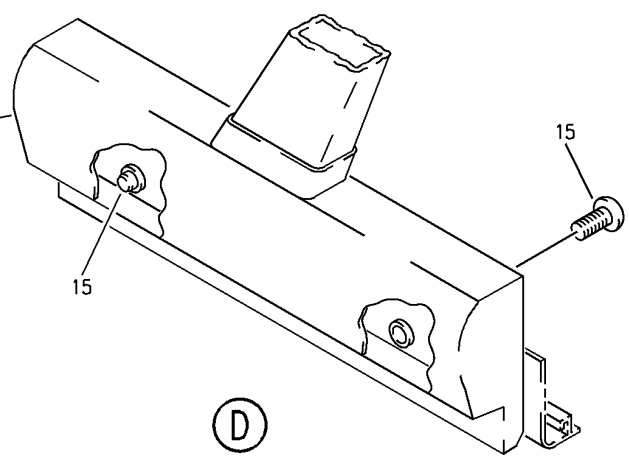
21-23-51-28B
 PAGE 0A

BOEING
 737-600/700/800/900
 PARTS CATALOG (MAINTENANCE)



(C)

- ref110
- ref115
- ref180
- ref185
- ref190
- ref195
- ref200
- ref250
- ref255
- ref300
- ref365
- ref370
- ref375
- ref380
- ref385
- ref430
- ref475



(D)

E 21235128B SHT 3 REV 106

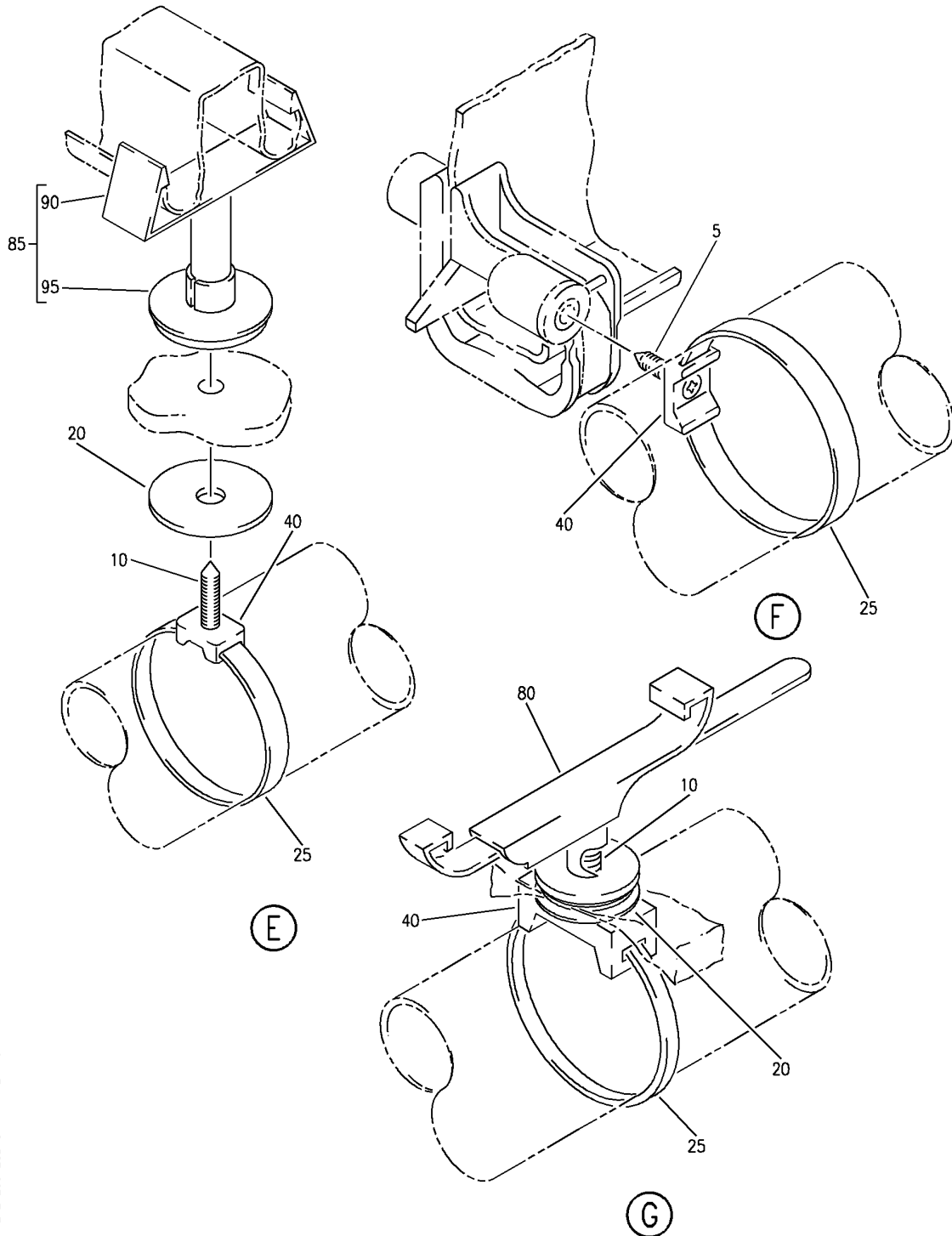
DUCT INSTL-SIDEWALL AIR DISTR SYS
 FIGURE 28B (SHEET 3)

21-23-51-28B

HAP
 OCT 10/06

21-23-51-28B
 PAGE 0B

BOEING
 737-600/700/800/900
 PARTS CATALOG (MAINTENANCE)



E 21235128B SHT 4 REV 104

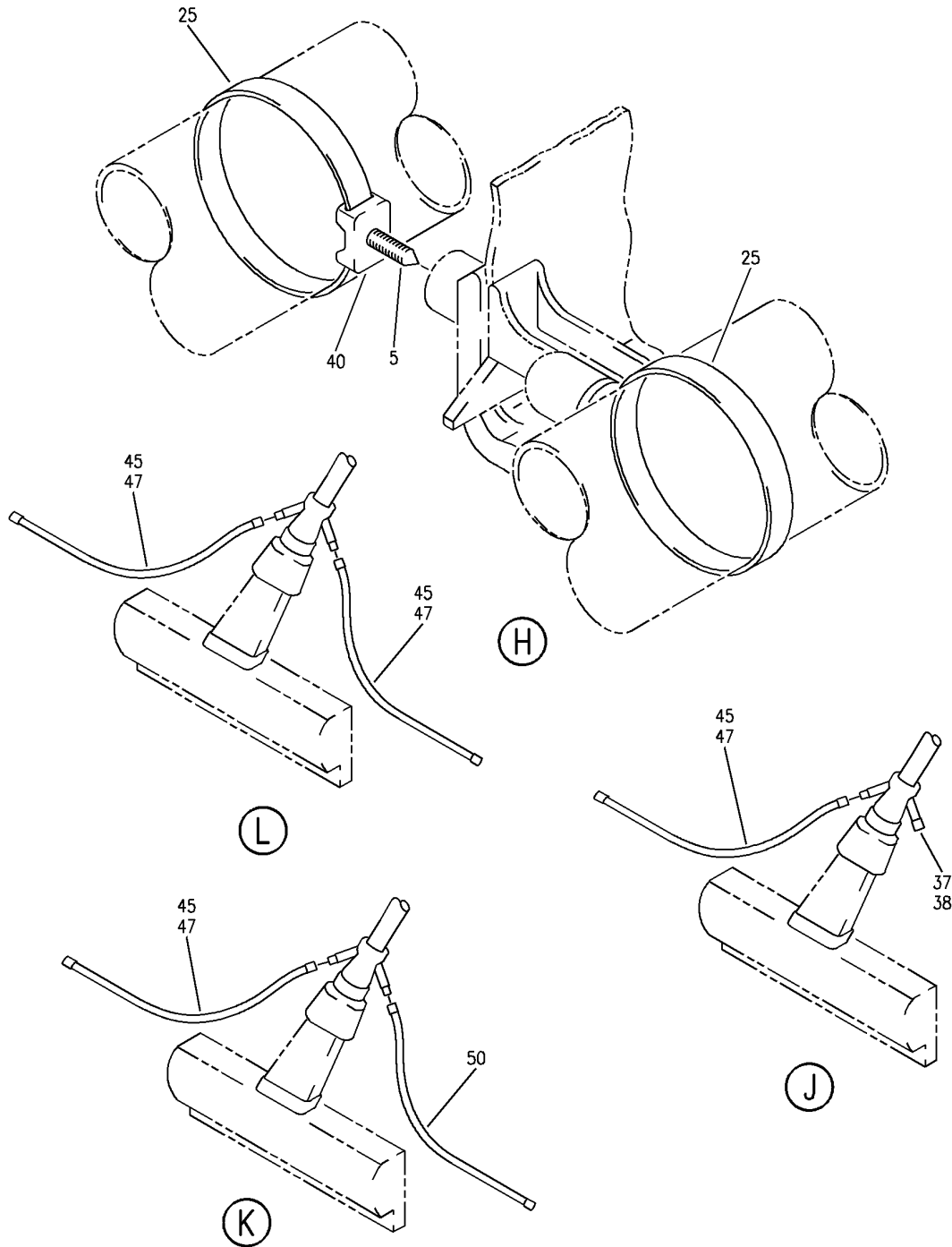
DUCT INSTL-SIDEWALL AIR DISTR SYS
 FIGURE 28B (SHEET 4)

21-23-51-28B

HAP
 OCT 10/06

21-23-51-28B
 PAGE 0C

BOEING
 737-600/700/800/900
 PARTS CATALOG (MAINTENANCE)



E 21235128B SHT 5 REV 110

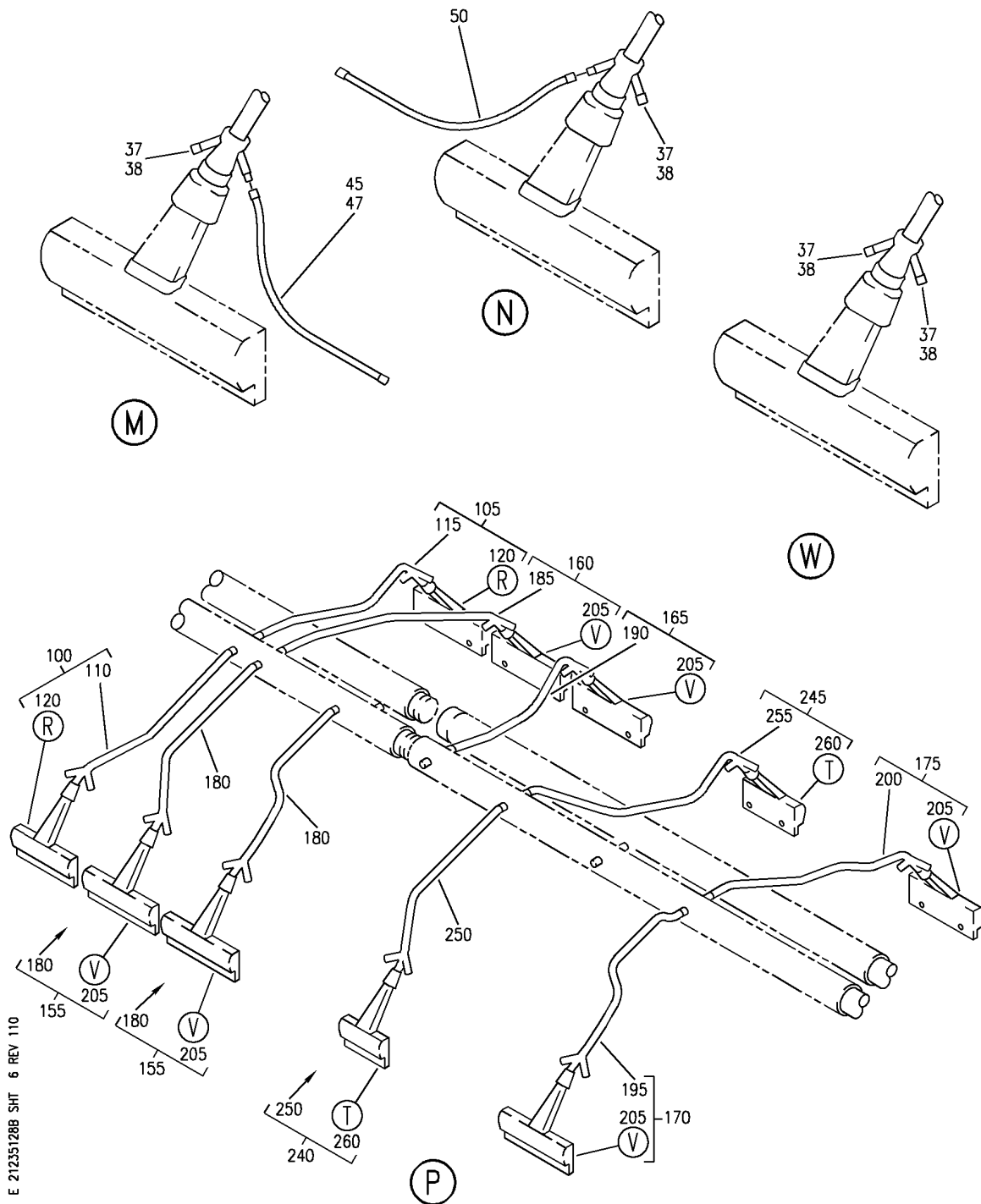
DUCT INSTL-SIDEWALL AIR DISTR SYS
 FIGURE 28B (SHEET 5)

21-23-51-28B

HAP
 OCT 10/06

21-23-51-28B
 PAGE 0D

BOEING
 737-600/700/800/900
 PARTS CATALOG (MAINTENANCE)



E 21235128B SHT 6 REV 110

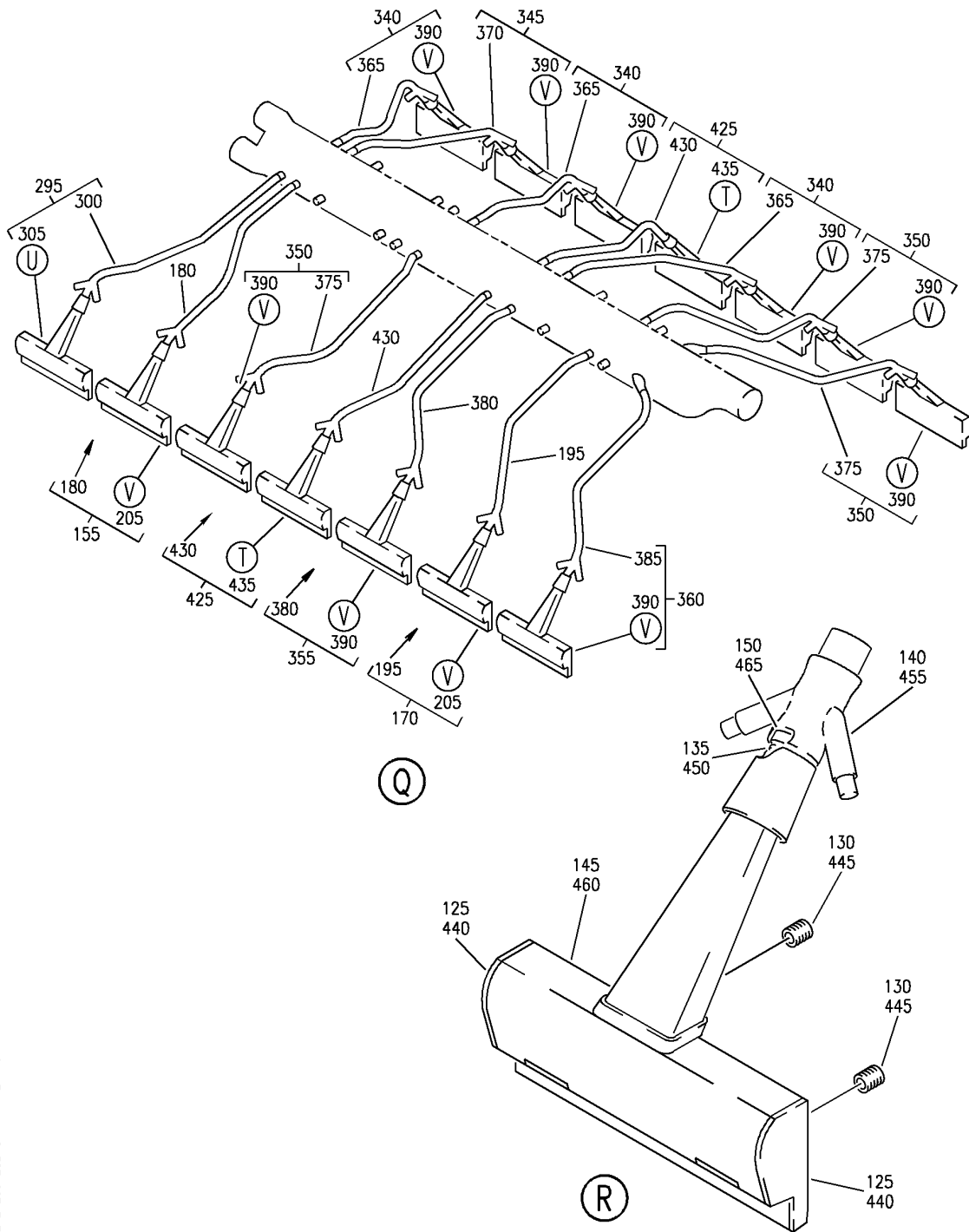
DUCT INSTL-SIDEWALL AIR DISTR SYS
 FIGURE 28B (SHEET 6)

21-23-51-28B

HAP
 OCT 10/06

21-23-51-28B
 PAGE 0E

BOEING
 737-600/700/800/900
 PARTS CATALOG (MAINTENANCE)



E 21235128B SHT 7 REV 104

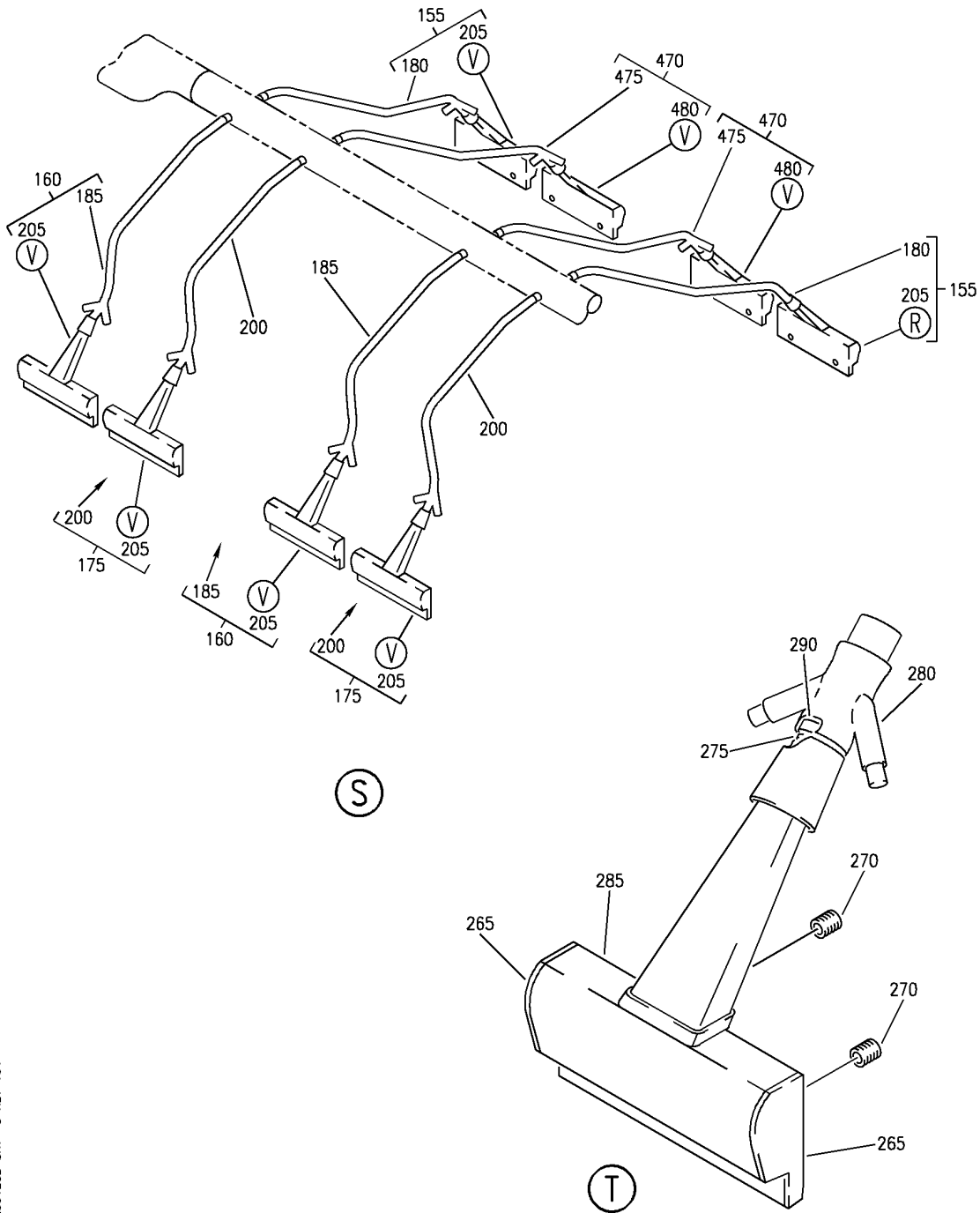
DUCT INSTL-SIDEWALL AIR DISTR SYS
 FIGURE 28B (SHEET 7)

21-23-51-28B

HAP
 OCT 10/06

21-23-51-28B
 PAGE OF

BOEING
 737-600/700/800/900
 PARTS CATALOG (MAINTENANCE)



E 21235128B SHT 8 REV 104

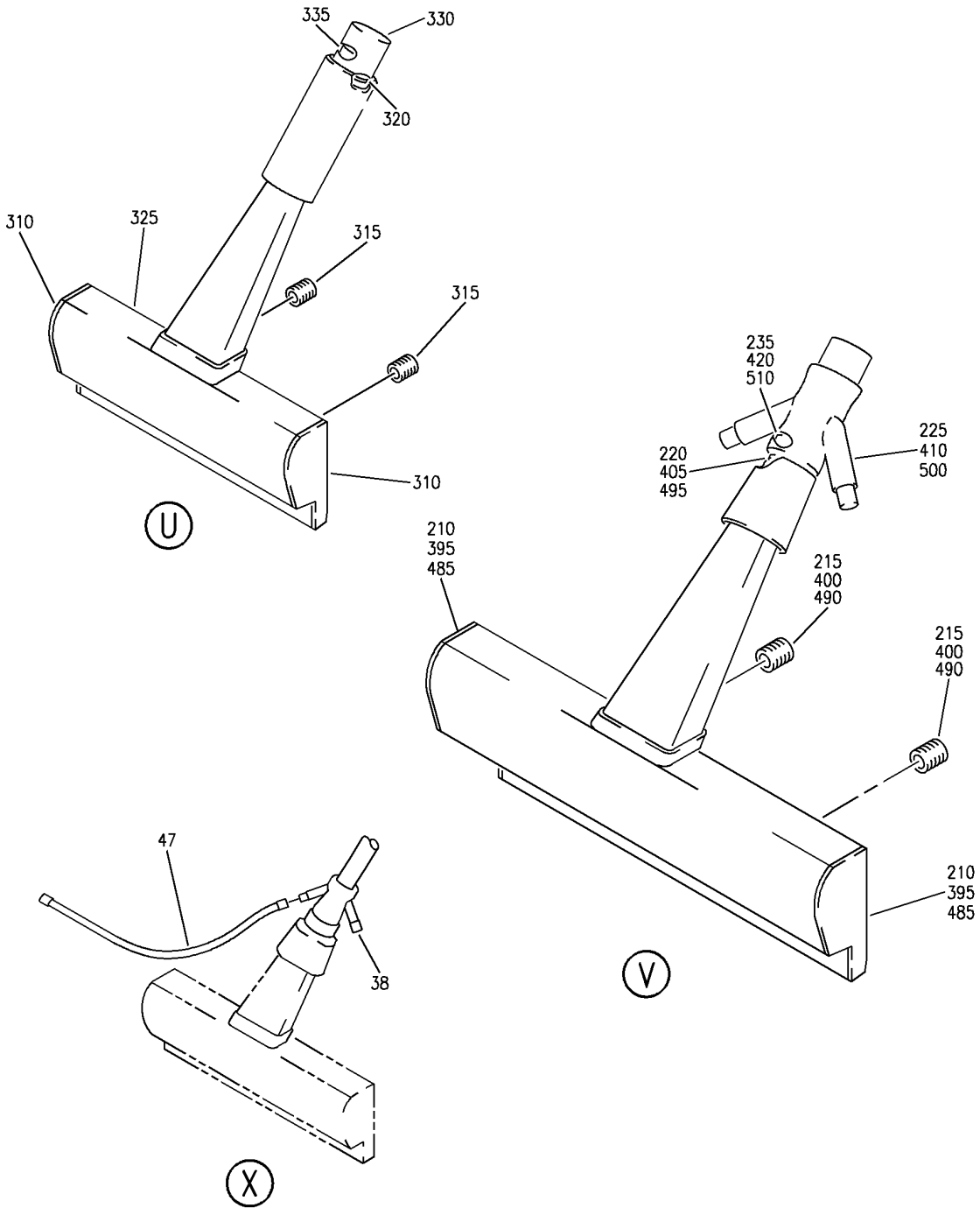
DUCT INSTL-SIDEWALL AIR DISTR SYS
 FIGURE 28B (SHEET 8)

21-23-51-28B

HAP
 OCT 10/06

21-23-51-28B
 PAGE 08

BOEING
 737-600/700/800/900
 PARTS CATALOG (MAINTENANCE)



E 21235128B SHT 9 REV 110

DUCT INSTL-SIDEWALL AIR DISTR SYS
 FIGURE 28B (SHEET 9)

21-23-51-28B

HAP
 OCT 10/06

21-23-51-28B
 PAGE 0H

BOEING
737-600/700/800/900
PARTS CATALOG (MAINTENANCE)

FIG ITEM	PART NUMBER	1 2 3 4 5 6 7	NOMENCLATURE	EFFECT FROM TO	UNITS PER ASSY
28B			DUCT INSTL-SIDEWALL AIR DISTR SYS	031043	
- 1	MODREF266587		DUCT INSTL-SIDEWALL AIR DISTR SYS	031036	1
- 1	MODREF297319		MODULE NUMBER: 214A2016-3 REV F DUCT INSTL-SIDEWALL AIR DISTR SYS	037043	1
			MODULE NUMBER: 214A2016-3 REV G		
5	BACS12GP3L7	.SCREW		031043	30
10	BACS12GP3L10	.SCREW		031043	23
15	BACS12FA08K6	.SCREW		031043	64
20	BACW10DZ3	.WASHER		031043	23
25	PLT3SM	.STRAP		031043	63
			SUPPLIER CODE: V06383		
			SPECIFICATION NUMBER: BACS38K7		
			OPTIONAL PART: T0510 V53421		
30	PLT2IC	.STRAP		031043	54
			SUPPLIER CODE: V06383		
			SPECIFICATION NUMBER: BACS38K10		
35	24-1000	.CAP-END		031043	6
			SUPPLIER CODE: V25205		
38	12-1000	.CAP-END		031043	29
			SUPPLIER CODE: V25205		
40	TM2S8	.PLATE		031043	53
			SUPPLIER CODE: V06383		
			SPECIFICATION NUMBER: STBP19M9		
47	BACD40P3A180	.DUCT		031043	31
50	BACD40P3A280	.DUCT		031043	2
55	AS1591-06-0290A	.HOSE		031043	1
60	AS1591-06-0250A	.HOSE		031043	2
65	AS1591-06-0260A	.HOSE		031043	1
70	AS1591-06-0190A	.HOSE		031043	4
75	214T3436-619	.ORIFICE ASSY		031043	8
80	BACS38P5	.SUPPORT ASSY		031043	1
85	214N5054-8	.SUPPORT ASSY		031043	22

MISSING ITEM NUMBERS NOT APPLICABLE

- ITEM NOT ILLUSTRATED

HAP

21-23-51-28B

BOEING PROPRIETARY - Copyright © - Unpublished Work - See title page for details.

21-23-51
FIG. 28B
PAGE 1
OCT 10/07

BOEING
737-600/700/800/900
PARTS CATALOG (MAINTENANCE)

FIG ITEM	PART NUMBER	1 2 3 4 5 6 7	NOMENCLATURE	EFFECT FROM TO	UNITS PER ASSY
28B					
90	2055155-7A	..	CLIP- SUPPLIER CODE: V04169	031043	1
95	411N4026-2	..	CAP ASSY- OPTIONAL PART: 411N4026-10	031043	1
95	411N4026-10	..	CAP ASSY- OPTIONAL PART: 411N4026-2	031043	1
100	214A2113-344	.	HOSE ASSY	031043	1
105	214A2113-355	.	HOSE ASSY	031043	1
110	AS1591-06-0450A	..	HOSE- USED ON: 214A2113-344	031043	1
115	AS1591-06-0590A	..	HOSE- USED ON: 214A2113-355	031043	1
120	214N2520-145	..	DIFFUSER ASSY	031043	1
125	214N2520-142	...	PLATE-END	031043	2
130	6035-2BR185	...	INSERT- SUPPLIER CODE: V01556	031043	2
135	214N2145-6	...	PLATE-RESTRICTOR	031043	1
140	214N2107-6	...	DUCT-BRANCH	031043	1
145	214N2520-91	...	DIFFUSER	031043	1
150	214N2520-69	...	LINING	031043	1
155	214A2113-294	.	HOSE ASSY	031043	5
160	214A2113-308	.	HOSE ASSY	031043	3
165	214A2113-313	.	HOSE ASSY	031043	1
170	214A2113-296	.	HOSE ASSY	031043	2
175	214A2113-307	.	HOSE ASSY	031043	3
180	AS1591-06-0450A	..	HOSE- USED ON: 214A2113-294	031043	1
185	AS1591-06-0600A	..	HOSE- USED ON: 214A2113-308	031043	1
190	AS1591-06-0650A	..	HOSE- USED ON: 214A2113-313	031043	1
195	AS1591-06-0470A	..	HOSE- USED ON: 214A2113-296	031043	1
200	AS1591-06-0590A	..	HOSE- USED ON: 214A2113-307	031043	1
205	214N2520-143	..	DIFFUSER ASSY	031043	1
210	214N2520-142	...	PLATE-END	031043	2

MISSING ITEM NUMBERS NOT APPLICABLE

— ITEM NOT ILLUSTRATED

HAP

21-23-51-28B

BOEING PROPRIETARY - Copyright © - Unpublished Work - See title page for details.

21-23-51
FIG. 28B
PAGE 2
OCT 10/07

BOEING
737-600/700/800/900
PARTS CATALOG (MAINTENANCE)

FIG ITEM	PART NUMBER	1 2 3 4 5 6 7	NOMENCLATURE	EFFECT FROM TO	UNITS PER ASSY
28B					
215	6035-2BR185	...	INSERT- SUPPLIER CODE: V01556	031043	2
220	214N2145-5	...	PLATE-RESTRICTOR	031043	1
225	214N2107-6	...	DUCT-BRANCH	031043	1
230	214N2520-91	...	DIFFUSER	031043	1
235	214N2520-69	...	LINING	031043	1
240	214A2113-369	.	HOSE ASSY	031043	1
245	214A2113-377	.	HOSE ASSY	031043	1
250	AS1591-06-0420A	..	HOSE- USED ON: 214A2113-369	031043	1
255	AS1591-06-0620A	..	HOSE- USED ON: 214A2113-377	031043	1
260	214N2520-147	..	DIFFUSER ASSY	031043	1
265	214N2520-142	...	PLATE-END	031043	2
270	6035-2BR185	...	INSERT- SUPPLIER CODE: V01556	031043	2
275	214N2145-6	...	PLATE-RESTRICTOR	031043	1
280	214N2107-6	...	DUCT-BRANCH	031043	1
285	214N2520-91	...	DIFFUSER	031043	1
290	214N2520-69	...	LINING	031043	1
295	214A2113-384	.	HOSE ASSY	031043	1
300	AS1591-06-0550A	..	HOSE	031043	1
305	214N2520-90	..	DIFFUSER ASSY	031043	1
310	214N2520-7	...	PLATE-END OPTIONAL PART: 214N2520-142	031043	2
310	214N2520-142	...	PLATE-END OPTIONAL PART: 214N2520-7	031043	2
315	6035-2BR185	...	INSERT- SUPPLIER CODE: V01556	031043	2
320	214N2145-6	...	PLATE-RESTRICTOR	031043	1
325	214N2520-98	...	DIFFUSER	031043	1
330	214N2520-41	...	SLEEVE	031043	1
335	214N2520-69	...	LINING	031043	1
340	214A2113-298	.	HOSE ASSY	031043	3
345	214A2113-295	.	HOSE ASSY	031043	1
350	214A2113-299	.	HOSE ASSY	031043	3
355	214A2113-297	.	HOSE ASSY	031043	1
360	214A2113-301	.	HOSE ASSY	031043	1
365	AS1591-06-0490A	..	HOSE- USED ON: 214A2113-298	031043	3

MISSING ITEM NUMBERS NOT APPLICABLE

- ITEM NOT ILLUSTRATED

HAP

21-23-51-28B

BOEING PROPRIETARY - Copyright © - Unpublished Work - See title page for details.

21-23-51
FIG. 28B
PAGE 3
OCT 10/07

 **BOEING**
737-600/700/800/900
PARTS CATALOG (MAINTENANCE)

FIG ITEM	PART NUMBER	1 2 3 4 5 6 7	NOMENCLATURE	EFFECT FROM TO	UNITS PER ASSY
28B 370	AS1591-06-0460A	..	HOSE- USED ON: 214A2113-295	031043	1
375	AS1591-06-0500A	..	HOSE- USED ON: 214A2113-299	031043	3
380	AS1591-06-0480A	..	HOSE- USED ON: 214A2113-297	031043	1
385	AS1591-06-0520A	..	HOSE- USED ON: 214A2113-301	031043	1
390	214N2520-143	..	DIFFUSER ASSY	031043	1
395	214N2520-142	...	PLATE	031043	2
400	6035-2BR185	...	INSERT- SUPPLIER CODE: V01556	031043	2
405	214N2145-5	...	PLATE-RESTRICTOR	031043	1
410	214N2107-6	...	DUCT-BRANCH	031043	1
415	214N2520-91	...	DIFFUSER	031043	1
420	214N2520-69	...	LINING	031043	1
425	214A2113-348	.	HOSE ASSY	031043	2
430	AS1591-06-0490A	..	HOSE	031043	1
435	214N2520-145	..	DIFFUSER ASSY	031043	1
440	214N2520-142	...	PLATE-END	031043	2
445	6035-2BR185	...	INSERT- SUPPLIER CODE: V01556	031043	2
450	214N2145-6	...	PLATE-RESTRICTOR	031043	1
455	214N2107-6	...	DUCT-BRANCH	031043	1
460	214N2520-91	...	DIFFUSER	031043	1
465	214N2520-69	...	LINING	031043	1
470	214A2113-293	.	HOSE ASSY	031043	2
475	AS1591-06-0440A	..	HOSE	031043	1
480	214N2520-143	..	DIFFUSER ASSY	031043	1
485	214N2520-142	...	PLATE	031043	2
490	6035-2BR185	...	INSERT- SUPPLIER CODE: V01556	031043	2
495	214N2145-5	...	PLATE-RESTRICTOR	031043	1
500	214N2107-6	...	DUCT-BRANCH	031043	1
505	214N2520-91	...	DIFFUSER	031043	1
510	214N2520-69	...	LINING	031043	1

MISSING ITEM NUMBERS NOT APPLICABLE

— ITEM NOT ILLUSTRATED

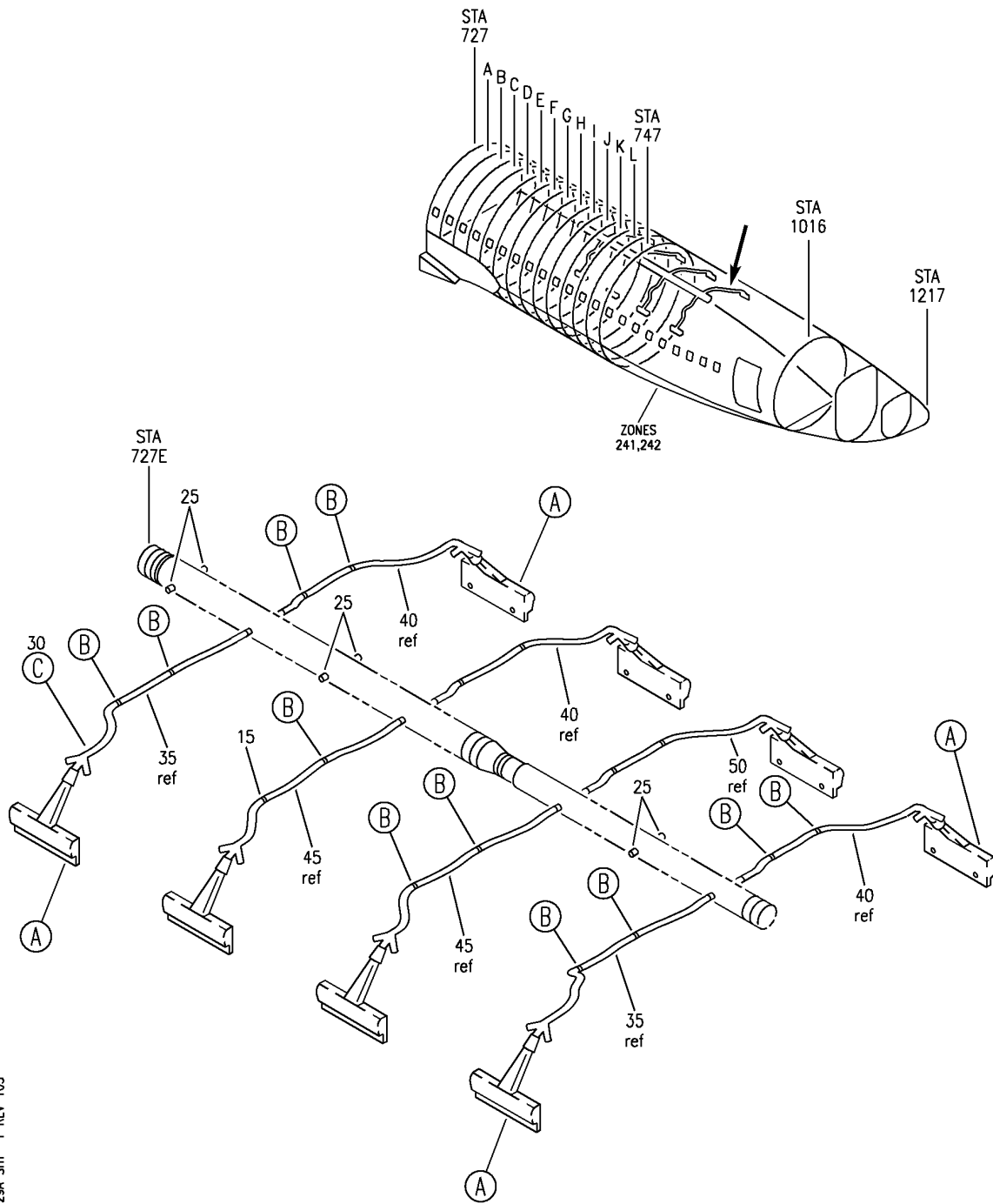
HAP

21-23-51-28B

BOEING PROPRIETARY - Copyright © - Unpublished Work - See title page for details.

21-23-51
FIG. 28B
PAGE 4
OCT 10/07

BOEING
 737-600/700/800/900
 PARTS CATALOG (MAINTENANCE)



E 21235129A SHT 1 REV 105

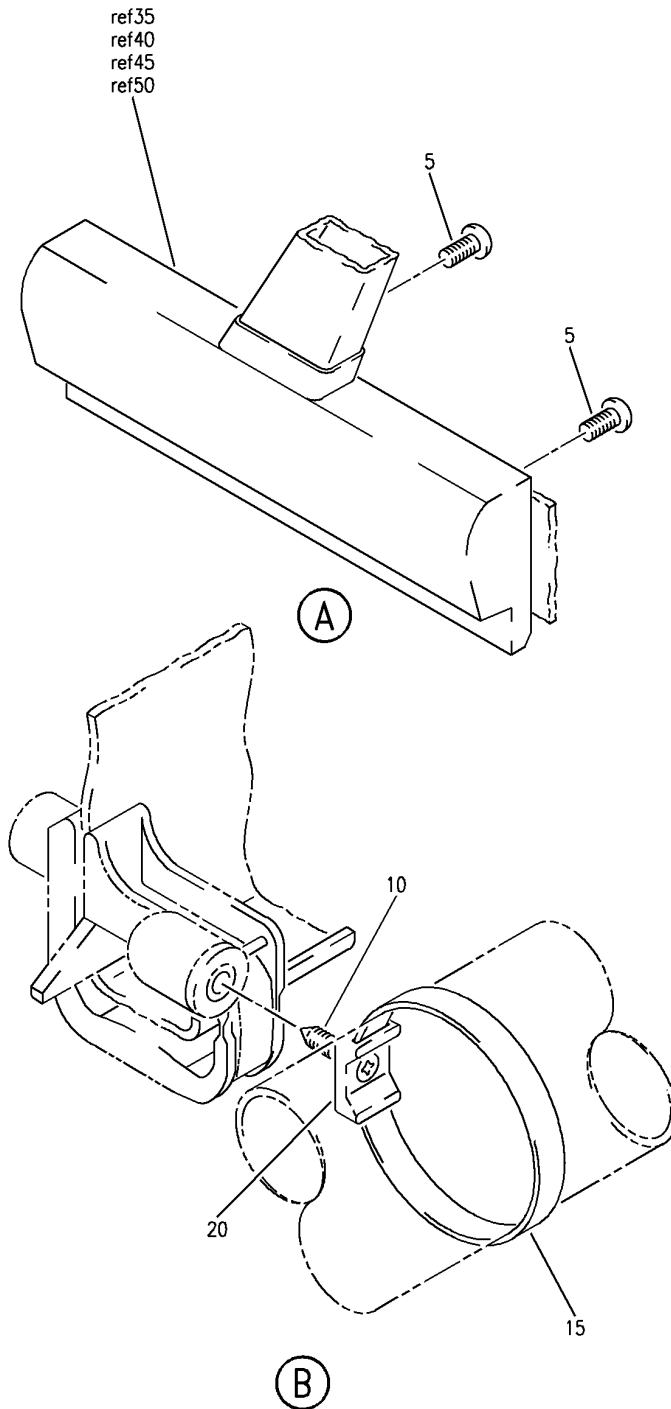
DUCT INSTL-SIDEWALL AIR DISTR SYS
 FIGURE 29A (SHEET 1)

21-23-51-29A

HAP
 OCT 15/08

21-23-51-29A
 PAGE 0

BOEING
737-600/700/800/900
PARTS CATALOG (MAINTENANCE)



E 21235129A SHT 2 REV 105

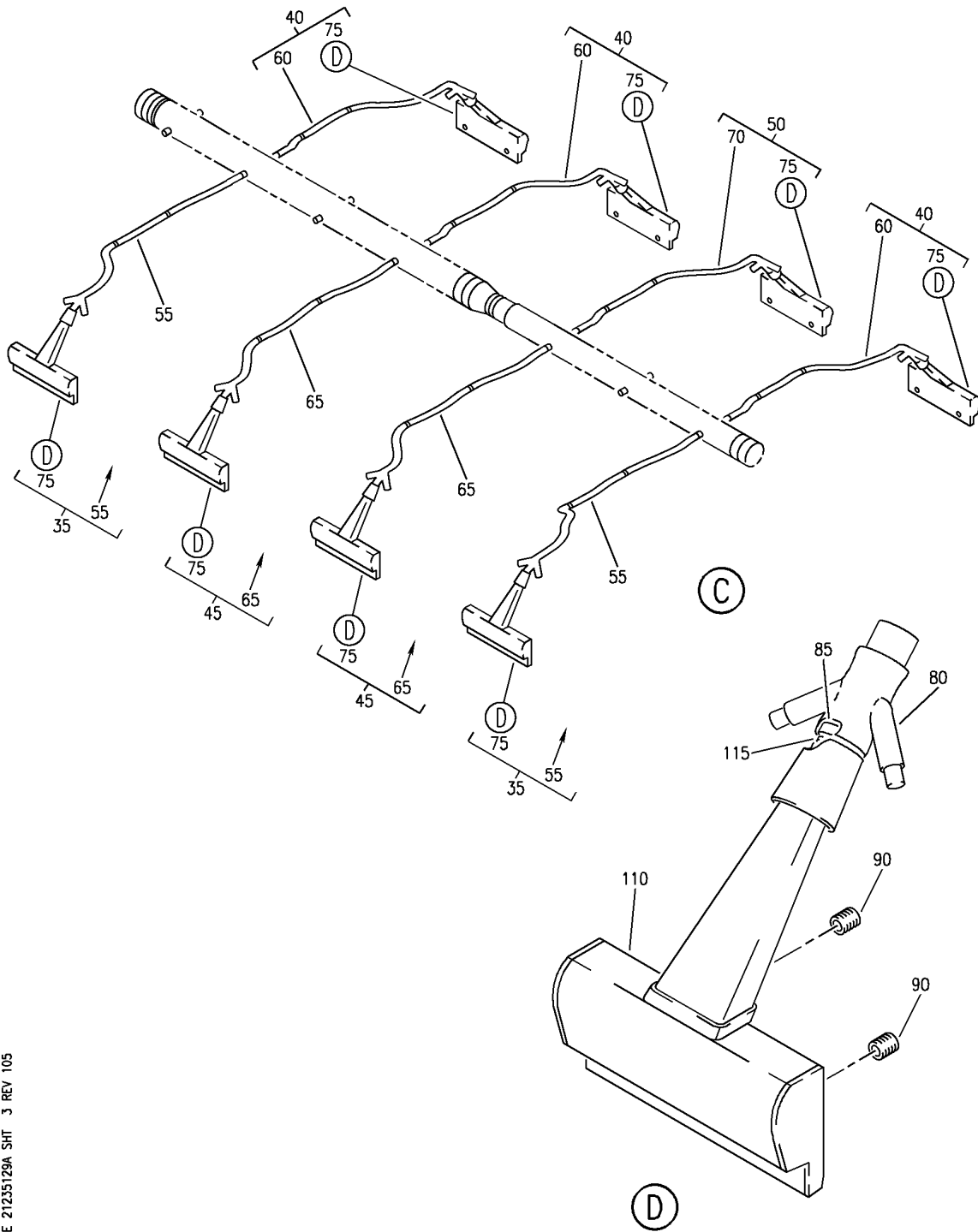
DUCT INSTL-SIDEWALL AIR DISTR SYS
FIGURE 29A (SHEET 2)

21-23-51-29A

HAP
OCT 15/08

21-23-51-29A
PAGE 0A

BOEING
 737-600/700/800/900
 PARTS CATALOG (MAINTENANCE)



E 21235129A SHT 3 REV 105

DUCT INSTL-SIDEWALL AIR DISTR SYS
 FIGURE 29A (SHEET 3)

21-23-51-29A

HAP
 OCT 15/08

21-23-51-29A
 PAGE 0B

BOEING
737-600/700/800/900
PARTS CATALOG (MAINTENANCE)

FIG ITEM	PART NUMBER	1 2 3 4 5 6 7	NOMENCLATURE	EFFECT FROM TO	UNITS PER ASSY
29A			DUCT INSTL-SIDEWALL AIR	201967	
- 1	214A2007-5		DISTR SYS DUCT INSTL-SIDEWALL AIR DISTR SYS FOR NHA SEE: 21-20-00-09B	201967	RF
5	BACS12FA08K6		.SCREW	201967	16
10	BACS12GP3L7		.SCREW	201967	15
15	PLT3SM		.STRAP SUPPLIER CODE: V06383 SPECIFICATION NUMBER: BACS38K7 OPTIONAL PART: T0510 V53421	201967	16
20	TM2S8		.PLATE-MTG SUPPLIER CODE: V06383 SPECIFICATION NUMBER: STBP19M9	201967	15
25	24-1000		.CAP-END SUPPLIER CODE: V25205	201967	6
30	214A2007-6		.HOSE ASSY	201967	1
35	214A2113-220		..HOSE ASSY	201967	2
40	214A2113-204		..HOSE ASSY	201967	3
45	214A2113-217		..HOSE ASSY	201967	2
50	214A2113-202		..HOSE ASSY	201967	1
55	AS1591-06-0630A		...HOSE- USED ON: 214A2113-220	201967	1
60	AS1591-06-0460A		...HOSE- USED ON: 214A2113-204	201967	1
65	AS1591-06-0600A		...HOSE- USED ON: 214A2113-217	201967	1
70	AS1591-06-0440A		...HOSE- USED ON: 214A2113-202	201967	1
75	214N2520-80		...DIFFUSER ASSY	201967	1
80	214N2107-2	DUCT	201967	1
85	214N2145-5	PLATE	201967	1
90	6035-2BR185	INSERT- SUPPLIER CODE: V01556	201967	2
- 95	214N2520-77	INLET ASSY	201967	1
- 100	214N2520-79	CAP	201967	1

MISSING ITEM NUMBERS NOT APPLICABLE

- ITEM NOT ILLUSTRATED

HAP

21-23-51-29A

BOEING PROPRIETARY - Copyright © - Unpublished Work - See title page for details.

21-23-51
FIG. 29A
PAGE 1
OCT 15/08


BOEING
 737-600/700/800/900
PARTS CATALOG (MAINTENANCE)

FIG ITEM	PART NUMBER	1 2 3 4 5 6 7	NOMENCLATURE	EFFECT FROM TO	UNITS PER ASSY
29A					
- 105	214N2520-78	INLET	201967	1
110	214N2520-91	DIFFUSER	201967	1
115	214N2520-69	LINING	201967	1
MISSING ITEM NUMBERS NOT APPLICABLE					

- ITEM NOT ILLUSTRATED

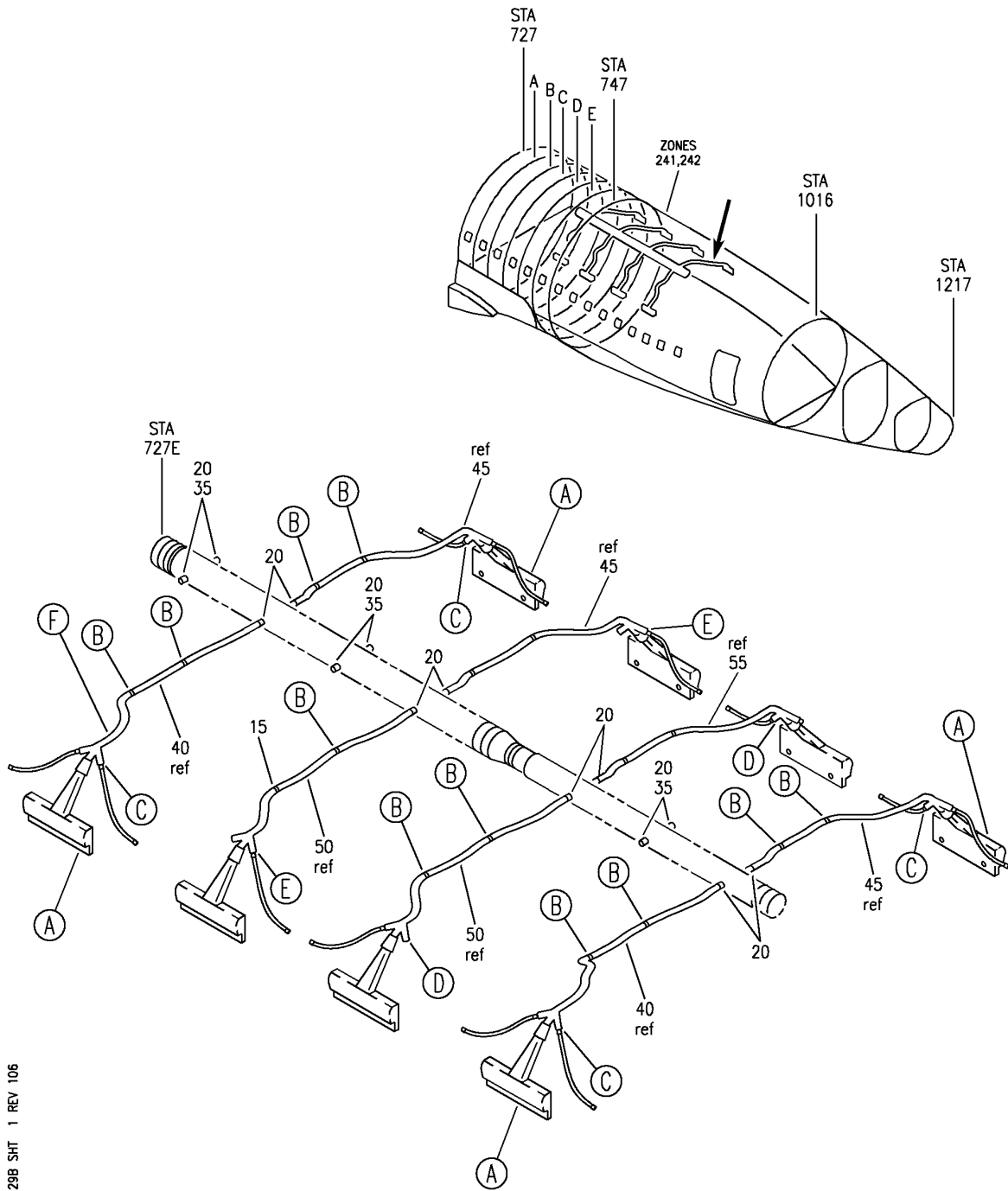
HAP

21-23-51-29A

BOEING PROPRIETARY - Copyright © - Unpublished Work - See title page for details.

21-23-51
 FIG. 29A
 PAGE 2
 OCT 15/08

BOEING
737-600/700/800/900
PARTS CATALOG (MAINTENANCE)



E 21235129B SHT 1 REV 106

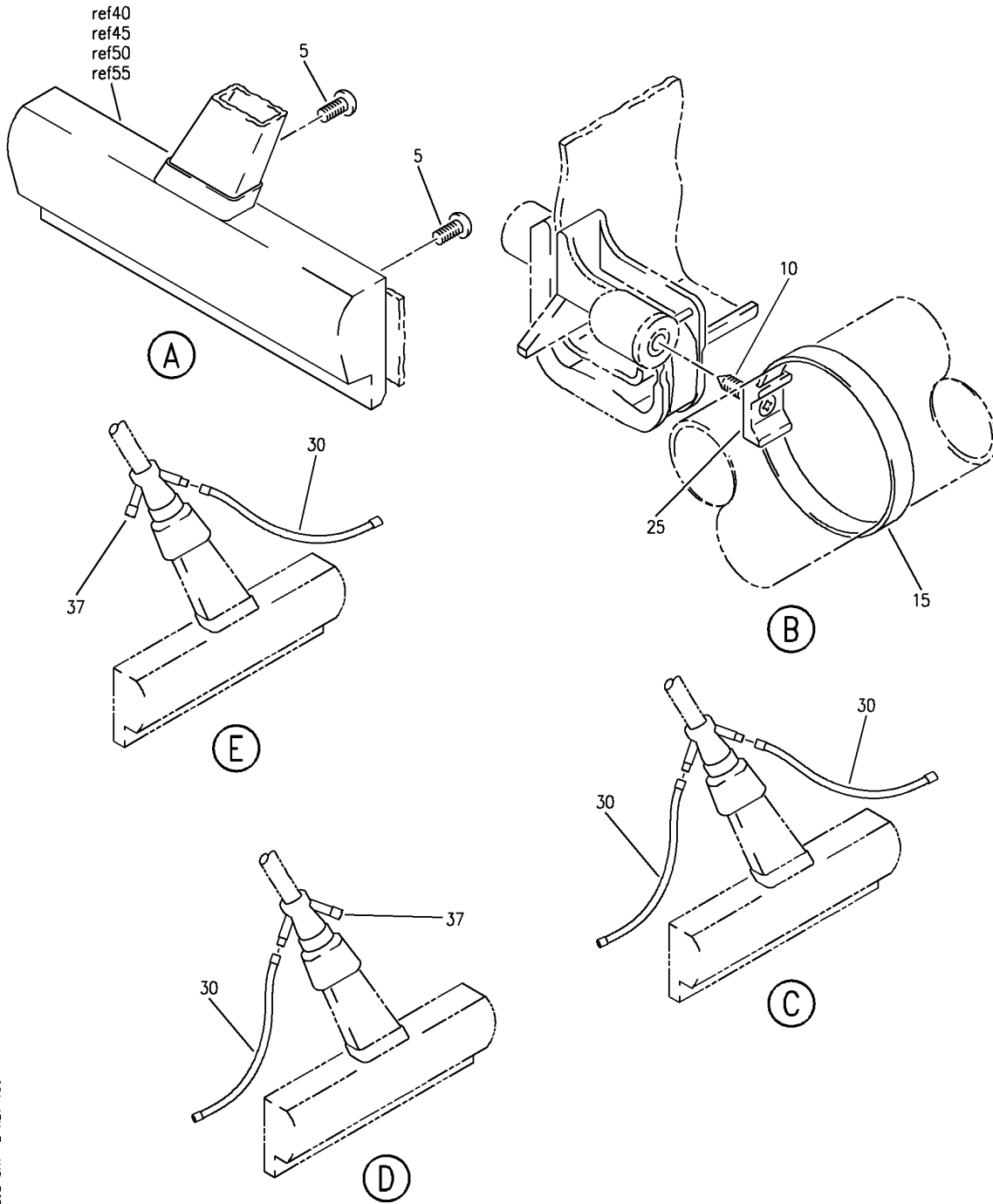
DUCT INSTL-SIDEWALL AIR DISTR SYS
 FIGURE 29B (SHEET 1)

21-23-51-29B

HAP
 FEB 10/07

21-23-51-29B
 PAGE 0

BOEING
 737-600/700/800/900
 PARTS CATALOG (MAINTENANCE)



E 21235129B SHT 2 REV 106

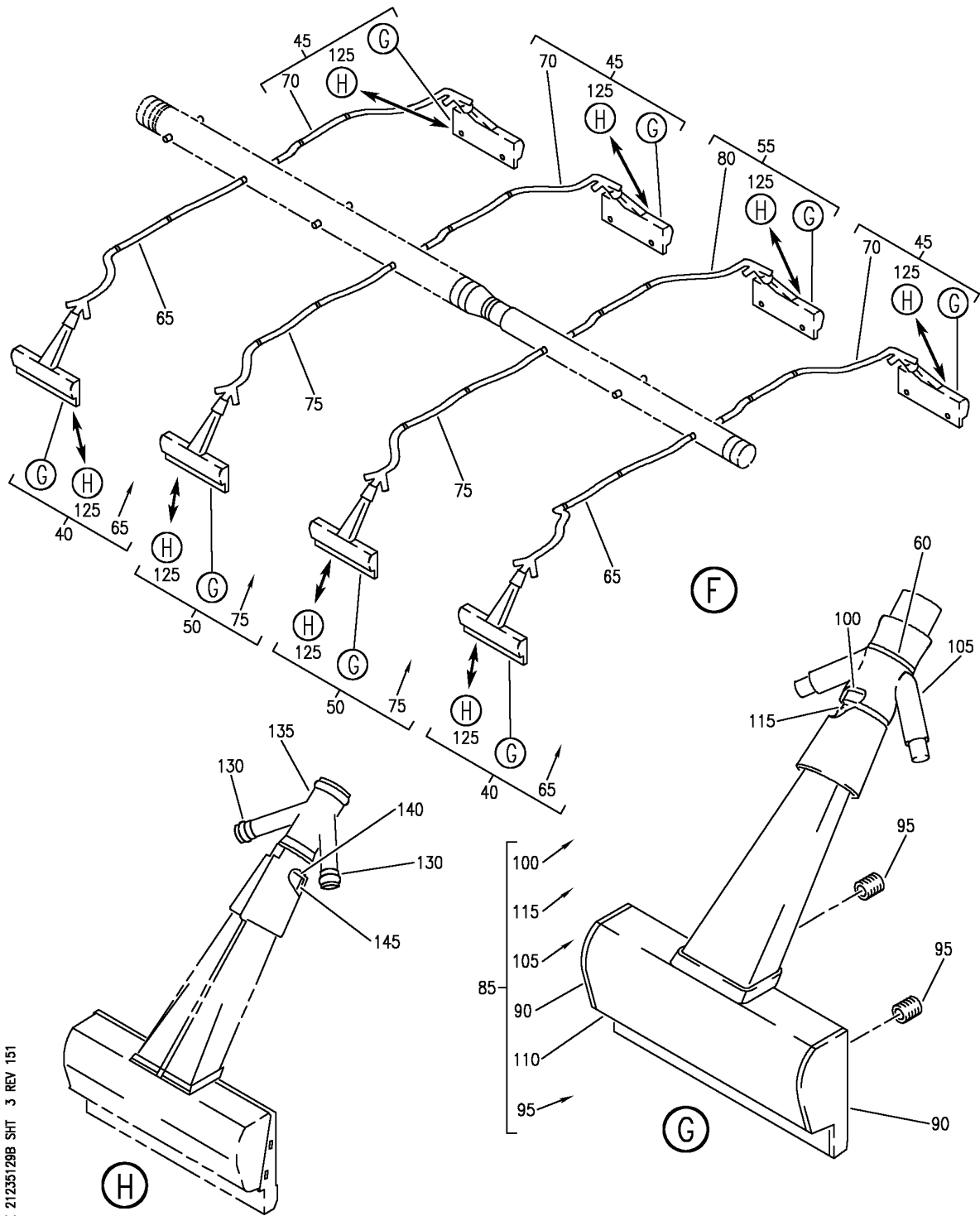
DUCT INSTL-SIDEWALL AIR DISTR SYS
 FIGURE 29B (SHEET 2)

21-23-51-29B

HAP
 FEB 10/07

21-23-51-29B
 PAGE 0A

BOEING
737-600/700/800/900
PARTS CATALOG (MAINTENANCE)



E 21235129B SHT 3 REV 151

DUCT INSTL-SIDEWALL AIR DISTR SYS
FIGURE 29B (SHEET 3)

21-23-51-29B

HAP
FEB 15/09

21-23-51-29B
PAGE 0B

BOEING
737-600/700/800/900
PARTS CATALOG (MAINTENANCE)

FIG ITEM	PART NUMBER	1 2 3 4 5 6 7	NOMENCLATURE	EFFECT FROM TO	UNITS PER ASSY
29B			DUCT INSTL-SIDEWALL AIR DISTR SYS	101101 968971	
- 1	MODREF248984		DUCT INSTL-SIDEWALL AIR DISTR SYS MODULE NUMBER: 214A2007-5 REV C	101101 968971	1
5	BACS12FA08K6		.SCREW	101101 968971	16
10	BACS12GP3L7		.SCREW	101101 968971	15
15	PLT3SM		.STRAP SUPPLIER CODE: V06383 SPECIFICATION NUMBER: BACS38K7 OPTIONAL PART: T0510 V53421	101101 968971	16
20	PLT2IC		.STRAP SUPPLIER CODE: V06383 SPECIFICATION NUMBER: BACS38K10	101101 968971	14
25	TM2S8		.PLATE-MTG SUPPLIER CODE: V06383 SPECIFICATION NUMBER: STBP19M9	101101 968971	15
30	BACD40P3A180		.DUCT	101101 968971	12
35	24-1000		.CAP-END SUPPLIER CODE: V25205	101101 968971	6
37	12-1000		.CAP-END SUPPLIER CODE: V25205	101101 968971	4
40	214A2113-334		.HOSE ASSY	101101 968971	2
45	214A2113-320		.HOSE ASSY	101101 968971	3
50	214A2113-331		.HOSE ASSY	101101 968971	2
55	214A2113-318		.HOSE ASSY	101101 968971	1
60	PLT2IC		. . STRAP SUPPLIER CODE: V06383 SPECIFICATION NUMBER: BACS38K10	101101 968971	1

MISSING ITEM NUMBERS NOT APPLICABLE

- ITEM NOT ILLUSTRATED

HAP

21-23-51-29B

BOEING PROPRIETARY - Copyright © - Unpublished Work - See title page for details.

21-23-51
FIG. 29B
PAGE 1
FEB 15/08

BOEING
737-600/700/800/900
PARTS CATALOG (MAINTENANCE)

FIG ITEM	PART NUMBER	1 2 3 4 5 6 7	NOMENCLATURE	EFFECT FROM TO	UNITS PER ASSY
29B					
65	AS1591-06-0630A	..	HOSE- USED ON: 214A2113-334	101101 968971	1
70	AS1591-06-0460A	..	HOSE- USED ON: 214A2113-320	101101 968971	1
75	AS1591-06-0600A	..	HOSE- USED ON: 214A2113-331	101101 968971	1
80	AS1591-06-0440A	..	HOSE- USED ON: 214A2113-318	101101 968971	1
85	214N2520-144	..	DIFFUSER ASSY-	101101 968971	1
90	214N2520-142	...	PLATE-END	101101 968971	2
95	6035-2BR185	...	INSERT- SUPPLIER CODE: V01556	101101 968971	2
100	214N2145-6	...	PLATE	101101 968971	1
105	214N2107-6	...	DUCT	101101 968971	1
110	214N2520-91	...	DIFFUSER	101101 968971	1
115	214N2520-69	...	LINING	101101 968971	1
125	214N2520-200	..	DIFFUSER ASSY-	101101 968971	1
130	12-1000	...	CAP-END SUPPLIER CODE: V25205	101101 968971	2
135	214N2107-11	...	DUCT-BRANCH	101101 968971	1
140	214N2145-5	...	PLATE-RESTRICTOR	101101 968971	1
145	214N2520-69	...	LINING	101101 968971	1

MISSING ITEM NUMBERS NOT APPLICABLE

- ITEM NOT ILLUSTRATED

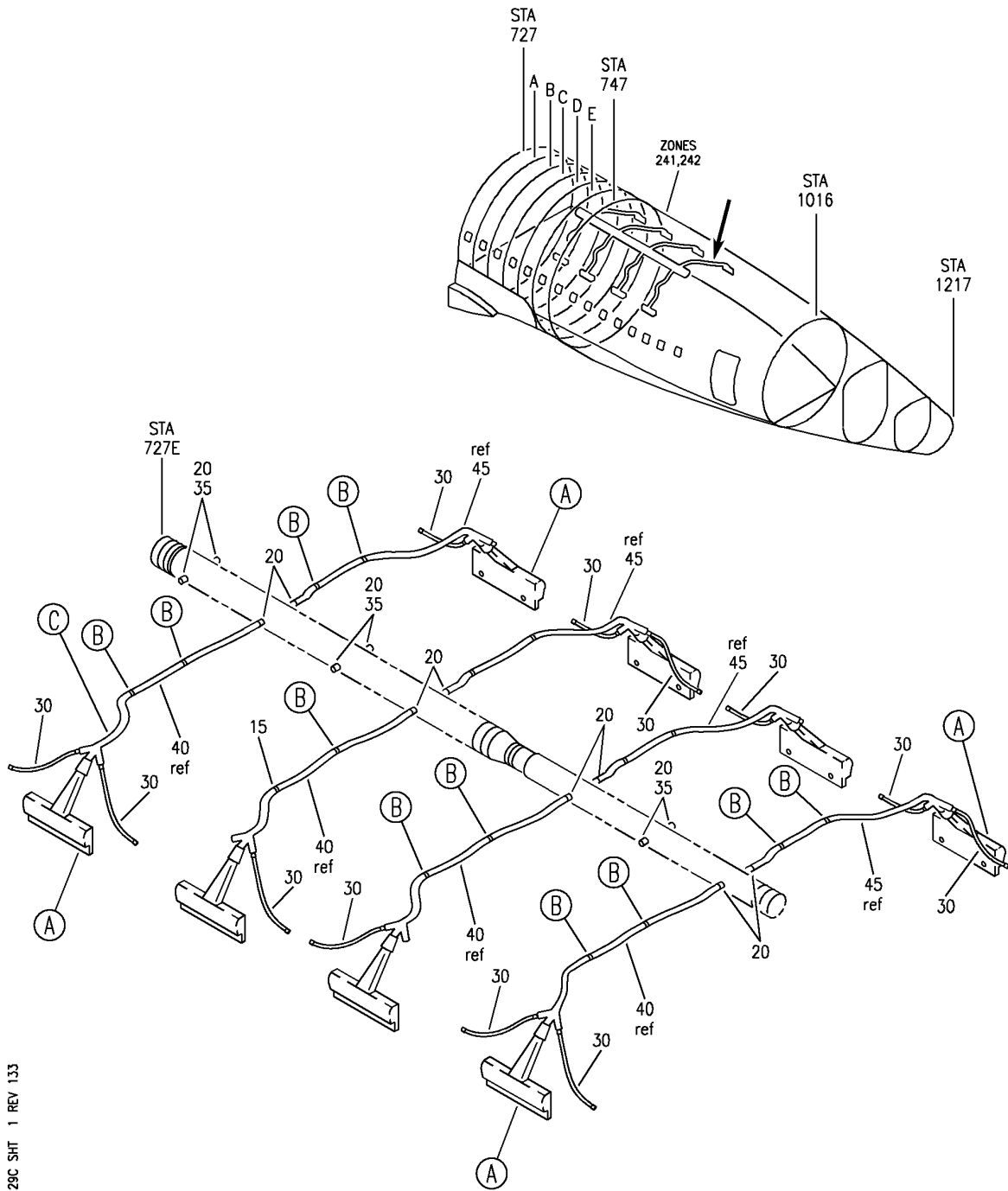
HAP

21-23-51-29B

BOEING PROPRIETARY - Copyright © - Unpublished Work - See title page for details.

21-23-51
FIG. 29B
PAGE 2
FEB 15/09

BOEING
 737-600/700/800/900
 PARTS CATALOG (MAINTENANCE)



E 21235129C SHT 1 REV 133

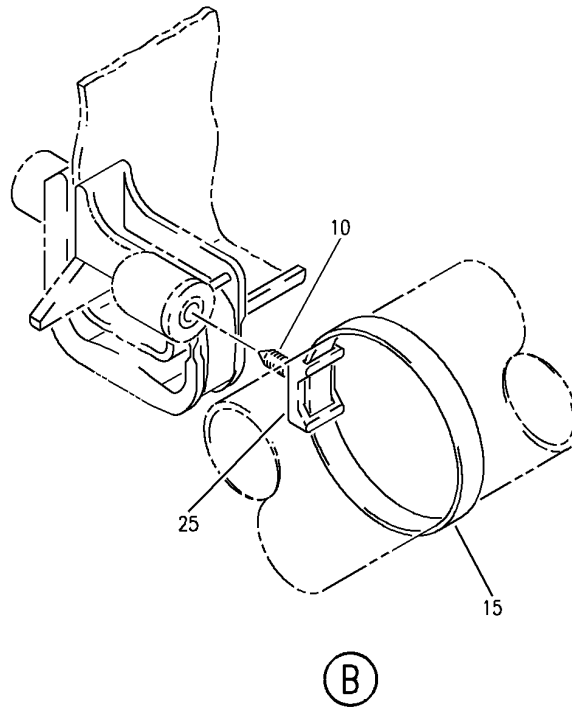
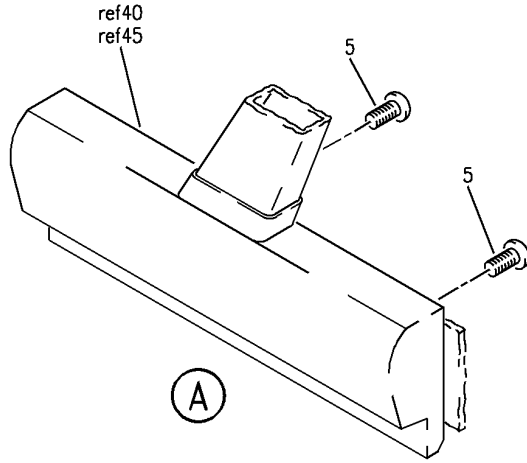
DUCT INSTL-SIDEWALL AIR DISTR SYS
 FIGURE 29C (SHEET 1)

21-23-51-29C

HAP
 OCT 10/07

21-23-51-29C
 PAGE 0

BOEING
737-600/700/800/900
PARTS CATALOG (MAINTENANCE)



E 21235129C SHT 2 REV 133

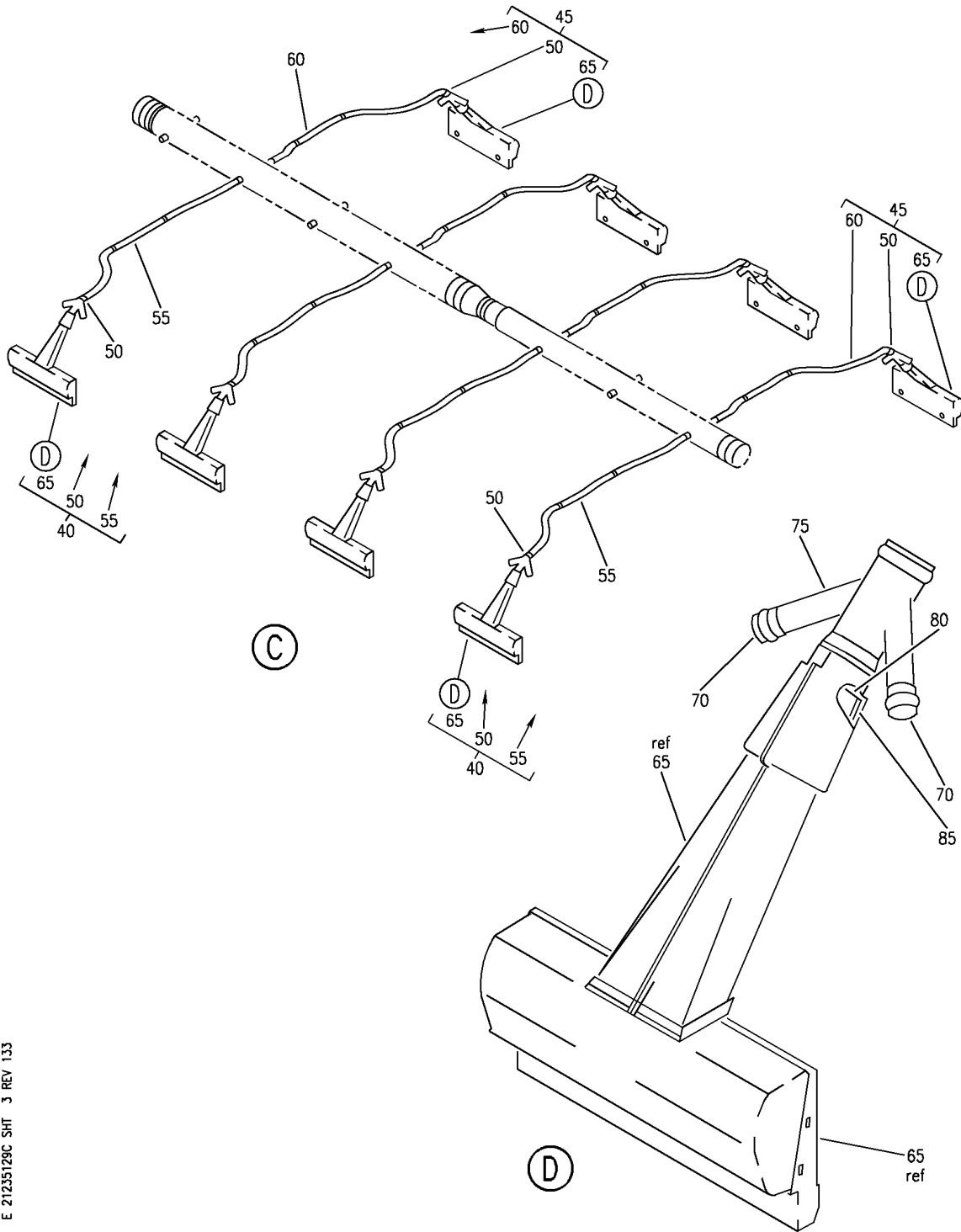
DUCT INSTL-SIDEWALL AIR DISTR SYS
FIGURE 29C (SHEET 2)

HAP
OCT 10/07

21-23-51-29C

21-23-51-29C
PAGE 0A

BOEING
 737-600/700/800/900
 PARTS CATALOG (MAINTENANCE)



E 21235129C SHT 3 REV 133

DUCT INSTL-SIDEWALL AIR DISTR SYS
 FIGURE 29C (SHEET 3)

21-23-51-29C

HAP
 OCT 10/07

21-23-51-29C
 PAGE 0B

BOEING
737-600/700/800/900
PARTS CATALOG (MAINTENANCE)

FIG ITEM	PART NUMBER	1 2 3 4 5 6 7	NOMENCLATURE	EFFECT FROM TO	UNITS PER ASSY
29C			DUCT INSTL-SIDEWALL AIR DISTR SYS	102200 972999	
- 1	MODREF343259		DUCT INSTL-SIDEWALL AIR DISTR SYS MODULE NUMBER: 214A2007-5 REV D	102200 972999	1
5	BACS12FA08K6		.SCREW	102200 972999	16
10	BACS12GP3L7		.SCREW	102200 972999	15
15	PLT3SM		.STRAP SUPPLIER CODE: V06383 SPECIFICATION NUMBER: BACS38K7 OPTIONAL PART: T0510 V53421	102200 972999	16
20	PLT2IC		.STRAP SUPPLIER CODE: V06383 SPECIFICATION NUMBER: BACS38K10	102200 972999	14
25	TM2S8		.PLATE-MTG SUPPLIER CODE: V06383 SPECIFICATION NUMBER: STBP19M9	102200 972999	15
30	BACD40P3A180		.DUCT	102200 972999	12
35	24-1000		.CAP-END SUPPLIER CODE: V25205	102200 972999	6
40	214A2113-403		.HOSE ASSY	102200 972999	4
45	214A2113-400		.HOSE ASSY	102200 972999	4
50	PLT2IC		..STRAP SUPPLIER CODE: V06383 SPECIFICATION NUMBER: BACS38K10	102200 972999	1
55	AS1591-06-0600A		..HOSE- USED ON: 214A2113-403	102200 972999	1
60	AS1591-06-0450A		..HOSE- USED ON: 214A2113-400	102200 972999	1

MISSING ITEM NUMBERS NOT APPLICABLE

- ITEM NOT ILLUSTRATED

HAP

21-23-51-29C

BOEING PROPRIETARY - Copyright © - Unpublished Work - See title page for details.

21-23-51
FIG. 29C
PAGE 1
OCT 15/08

BOEING
737-600/700/800/900
PARTS CATALOG (MAINTENANCE)

FIG ITEM	PART NUMBER	1 2 3 4 5 6 7	NOMENCLATURE	EFFECT FROM TO	UNITS PER ASSY
29C					
65	214N2520-200	..	DIFFUSER ASSY	102200 972999	1
70	12-1000	...	CAP-END SUPPLIER CODE: V25205	102200 972999	2
75	214N2107-11	...	DUCT-BRANCH	102200 972999	1
80	214N2145-5	...	PLATE-RESTRICTOR	102200 972999	1
85	214N2520-69	...	LINING	102200 972999	1

MISSING ITEM NUMBERS NOT APPLICABLE

— ITEM NOT ILLUSTRATED

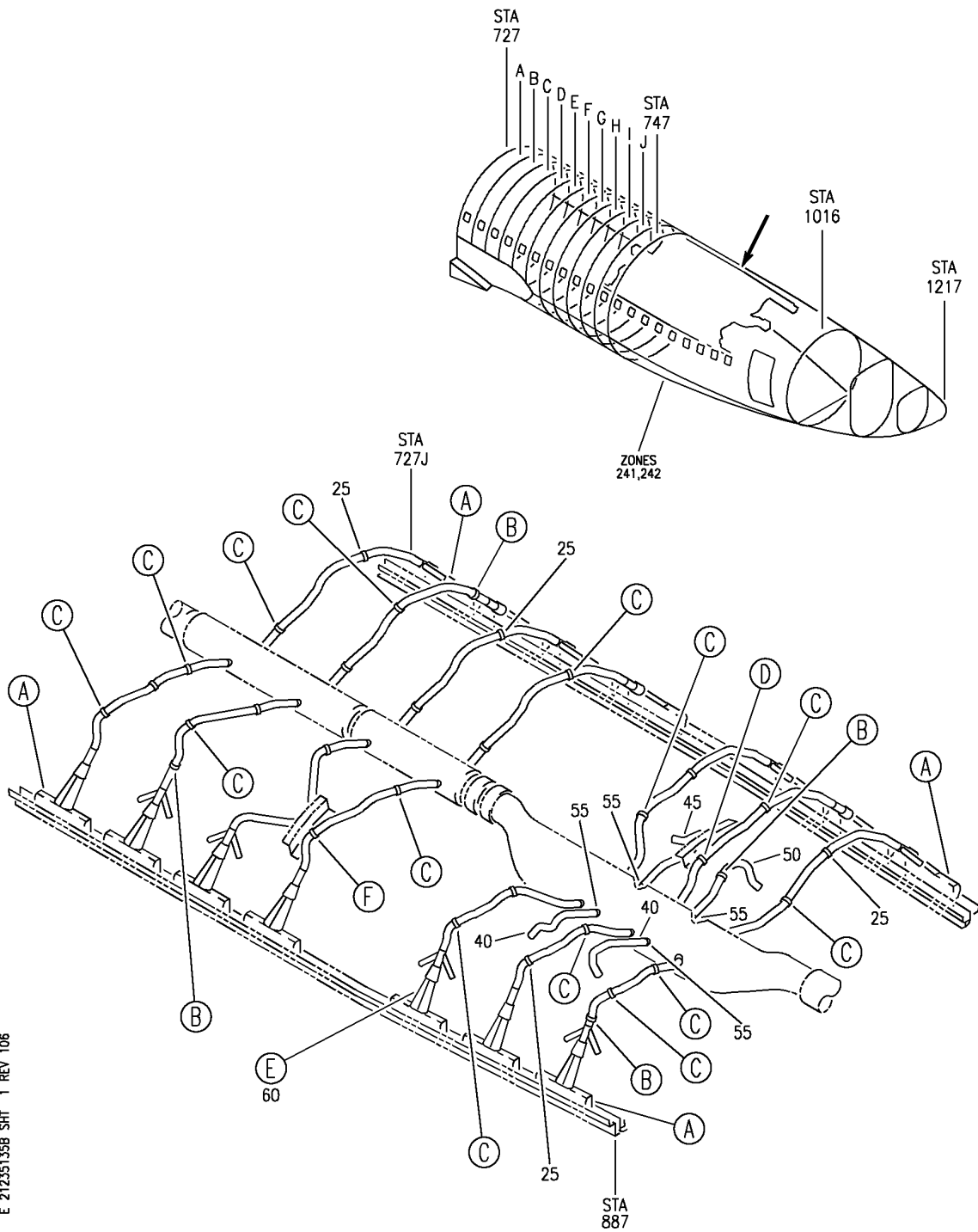
HAP

21-23-51-29C

BOEING PROPRIETARY - Copyright © - Unpublished Work - See title page for details.

21-23-51
FIG. 29C
PAGE 2
OCT 15/08

BOEING
 737-600/700/800/900
 PARTS CATALOG (MAINTENANCE)



E 21235135B SHT 1 REV 106

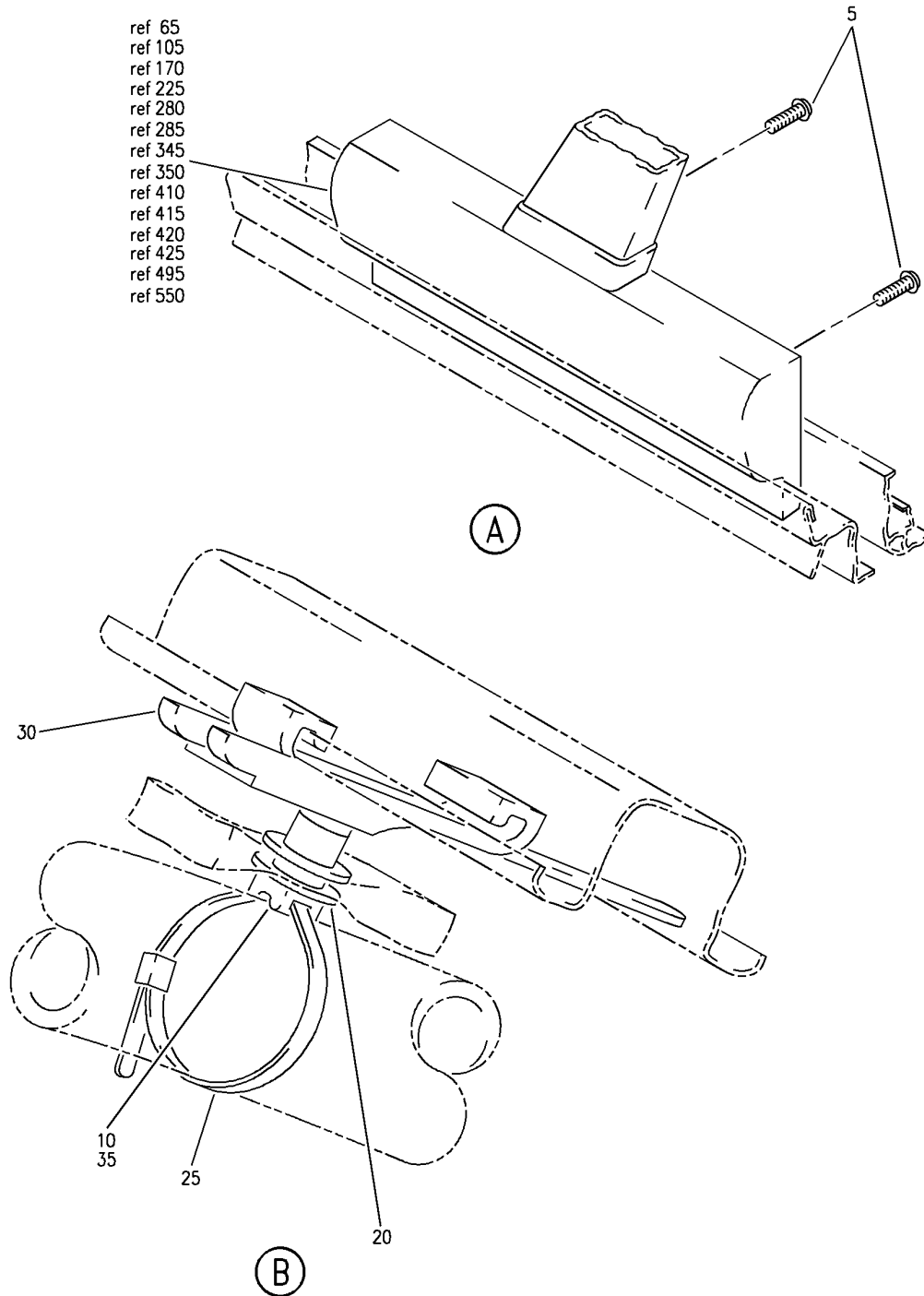
DUCT INSTL-SIDEWALL AIR DISTR SYS
 FIGURE 35B (SHEET 1)

21-23-51-35B

HAP
 OCT 10/06

21-23-51-35B
 PAGE 0

BOEING
 737-600/700/800/900
 PARTS CATALOG (MAINTENANCE)



E 21235135B SHT 2 REV 106

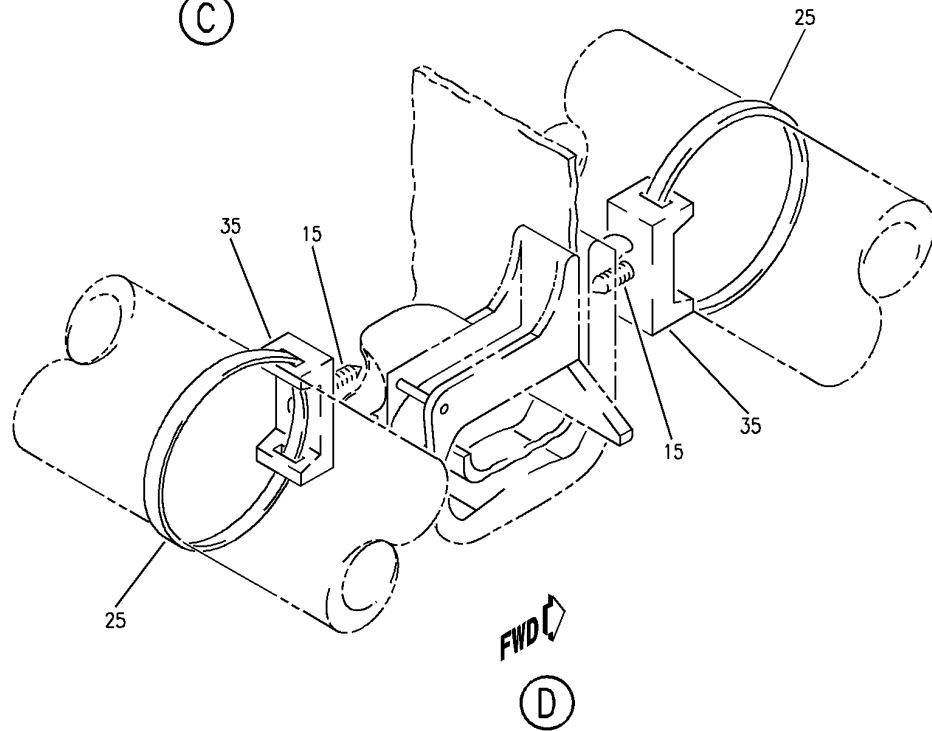
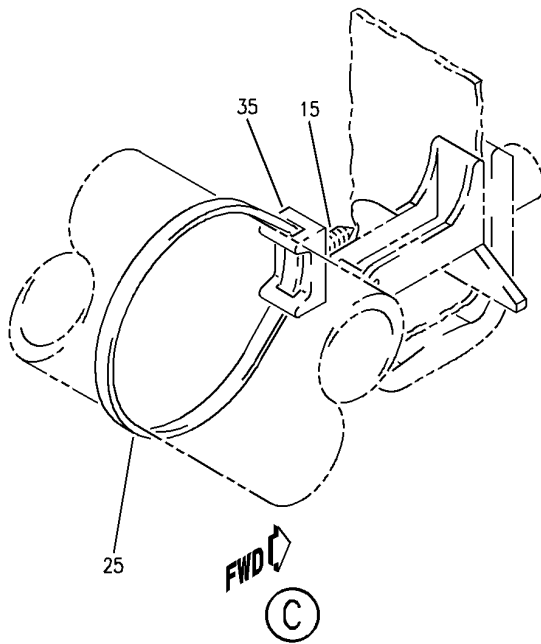
DUCT INSTL-SIDEWALL AIR DISTR SYS
 FIGURE 35B (SHEET 2)

21-23-51-35B

HAP
 OCT 10/06

21-23-51-35B
 PAGE 0A

BOEING
737-600/700/800/900
PARTS CATALOG (MAINTENANCE)



E 21235135B SHT 3 REV 106

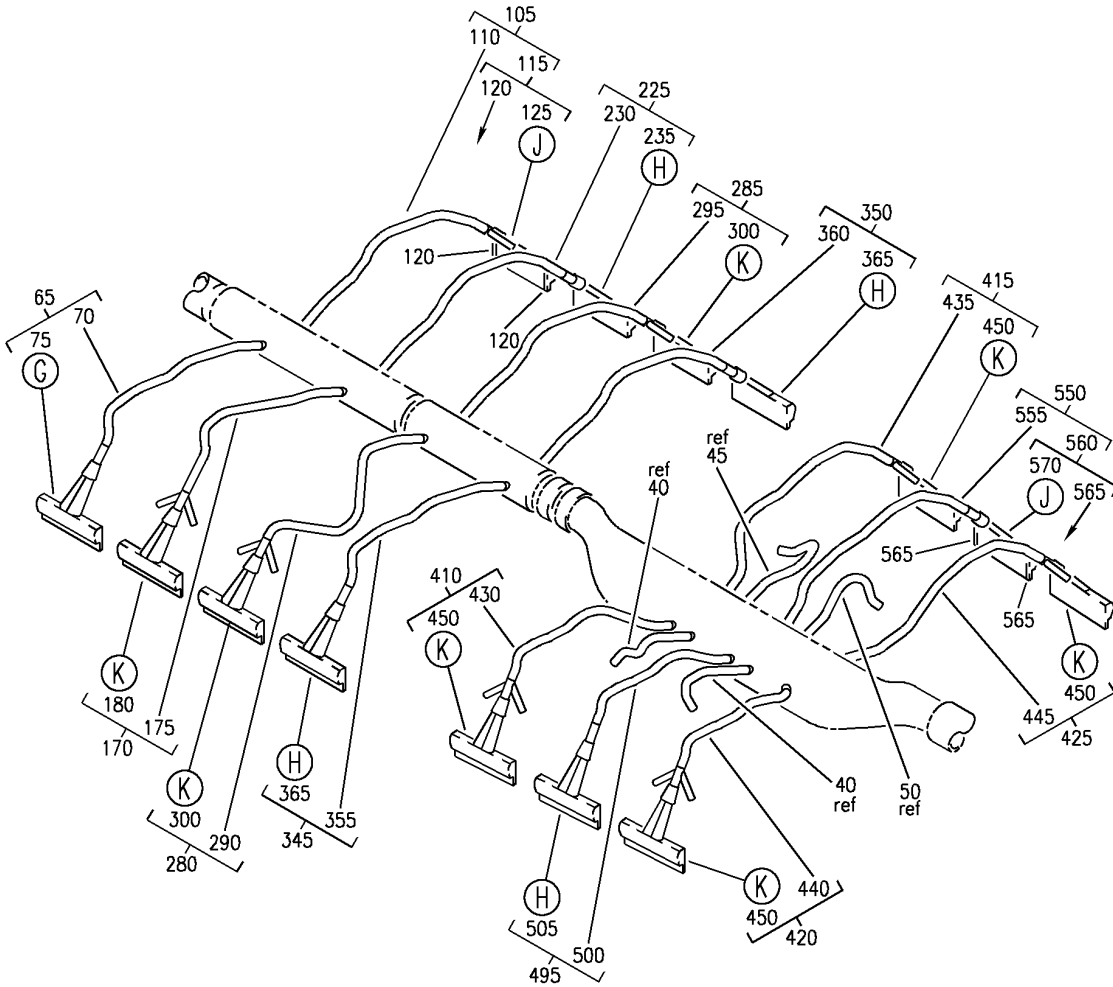
DUCT INSTL-SIDEWALL AIR DISTR SYS
FIGURE 35B (SHEET 3)

HAP
OCT 10/06

21-23-51-35B

21-23-51-35B
PAGE 0B

BOEING
 737-600/700/800/900
 PARTS CATALOG (MAINTENANCE)



E 21235135B SHT 4 REV 106

(E)

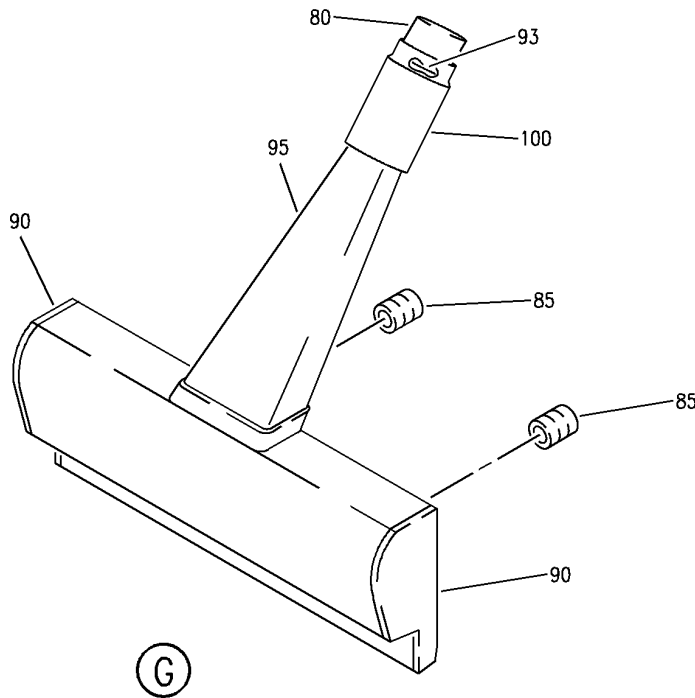
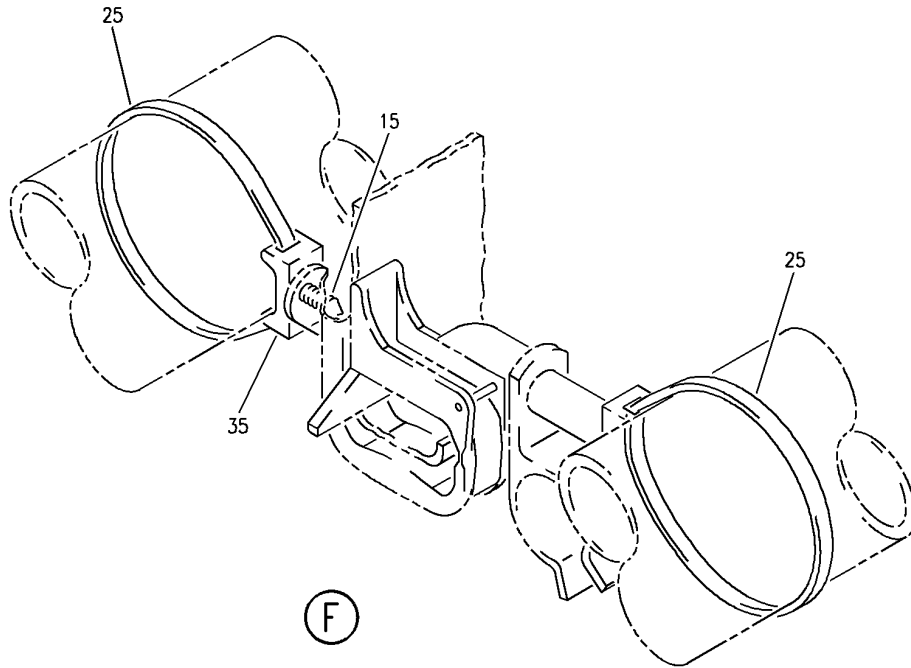
DUCT INSTL-SIDEWALL AIR DISTR SYS
 FIGURE 35B (SHEET 4)

21-23-51-35B

HAP
 OCT 10/06

21-23-51-35B
 PAGE 0C

BOEING
737-600/700/800/900
PARTS CATALOG (MAINTENANCE)



E 21235135B SHT 5 REV 106

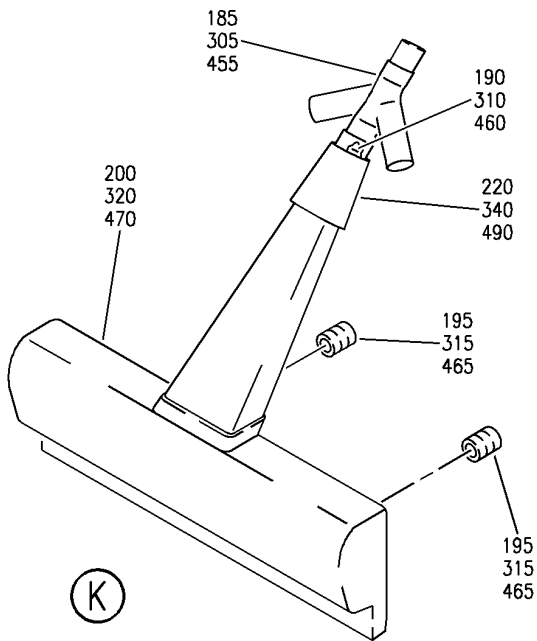
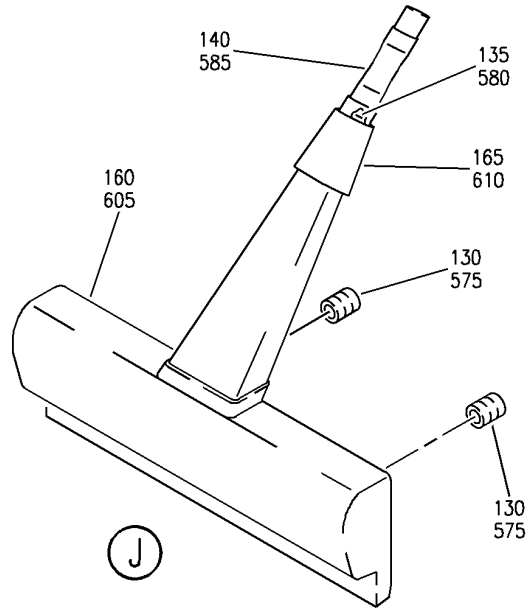
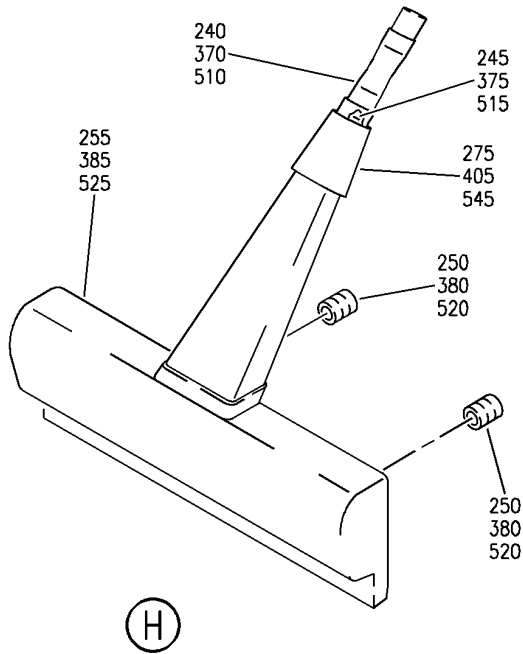
DUCT INSTL-SIDEWALL AIR DISTR SYS
FIGURE 35B (SHEET 5)

21-23-51-35B

HAP
OCT 10/06

21-23-51-35B
PAGE 0D

BOEING
 737-600/700/800/900
 PARTS CATALOG (MAINTENANCE)



E 21235135B SHT 6 REV 106

DUCT INSTL-SIDEWALL AIR DISTR SYS
 FIGURE 35B (SHEET 6)

21-23-51-35B

HAP
 OCT 10/06

21-23-51-35B
 PAGE 0E

BOEING
737-600/700/800/900
PARTS CATALOG (MAINTENANCE)

FIG ITEM	PART NUMBER	1 2 3 4 5 6 7	NOMENCLATURE	EFFECT FROM TO	UNITS PER ASSY
35B			DUCT INSTL-SIDEWALL AIR DISTR SYS	001030	
- 1	214A2017-7		DUCT INSTL-SIDEWALL AIR DISTR SYS FOR NHA SEE: 21-20-00-09C	001030	RF
5	BACS12FA08K6		.SCREW	001030	28
10	BACS12GP3L10		.SCREW	001030	4
15	BACS12GP3L7		.SCREW	001030	25
20	BACW10DZ3		.WASHER	001030	4
25	PLT3SM		.STRAP	001030	34
			SUPPLIER CODE: V06383		
			SPECIFICATION NUMBER: BACS38K7		
			OPTIONAL PART: T0510 V53421		
30	BACS38P5		.SUPPORT ASSY	001030	4
35	TM2S8		.PLATE-MTG	001030	29
			SUPPLIER CODE: V06383		
			SPECIFICATION NUMBER: STBP19M9		
40	AS1591-06-0180A		.HOSE-AIR DUCT	001030	2
45	AS1591-06-0270A		.HOSE-AIR DUCT	001030	1
50	AS1591-06-0250A		.HOSE-AIR DUCT	001030	1
55	214T3436-619		.ORIFICE ASSY	001030	4
60	214A2017-2		.DUCT ASSY	001030	1
65	214A2113-47		..HOSE ASSY	001030	1
70	AS1591-06-0660A		...HOSE	001030	1
75	214N2520-90		...DIFFUSER ASSY	001030	1
80	214N2520-41	SLEEVE	001030	1
85	6035-2BR185	INSERT-	001030	2
			SUPPLIER CODE: V01556		
90	214N2520-7	PLATE-END	001030	2
			OPTIONAL PART: 214N2520-142		
90	214N2520-142	PLATE-END	001030	2
			OPTIONAL PART: 214N2520-7		
93	214N2145-6	PLATE-RESTRICTOR	001030	1
95	214N2520-98	DIFFUSER	001030	1
100	214N2520-69	LINING	001030	1
105	214A2113-156		..HOSE ASSY	001030	1
110	AS1591-06-0480A		...HOSE	001030	1
115	214N2520-82		...DIFFUSER ASSY	001030	1
120	214N2520-7	PLATE-END	001030	2

MISSING ITEM NUMBERS NOT APPLICABLE

- ITEM NOT ILLUSTRATED

HAP

21-23-51-35B

BOEING PROPRIETARY - Copyright © - Unpublished Work - See title page for details.

21-23-51
FIG. 35B
PAGE 1
OCT 10/06

BOEING
737-600/700/800/900
PARTS CATALOG (MAINTENANCE)

FIG ITEM	PART NUMBER	1 2 3 4 5 6 7	NOMENCLATURE	EFFECT FROM TO	UNITS PER ASSY
35B					
125	214N2520-96	DIFFUSER ASSY- ALTERED FROM PART NUMBER: 214N2520-86	001030	1
130	6035-2BR185	INSERT- SUPPLIER CODE: V01556	001030	2
135	214N2145-6	PLATE-RESTRICTOR	001030	1
140	214N2107-4	DUCT-BRANCH	001030	1
- 145	214N2520-77	INLET ASSY	001030	1
- 150	214N2520-79	CAP-INLET	001030	1
- 155	214N2520-78	INLET	001030	1
160	214N2520-91	DIFFUSER	001030	1
165	214N2520-69	LINING	001030	1
170	214A2113-69	..	HOSE ASSY	001030	1
175	AS1591-06-0610A	...	HOSE	001030	1
180	214N2520-86	...	DIFFUSER ASSY	001030	1
185	214N2107-2	DUCT-BRANCH	001030	1
190	214N2145-6	PLATE-RESTRICTOR	001030	1
195	6035-2BR185	INSERT- SUPPLIER CODE: V01556	001030	2
200	214N2520-91	DIFFUSER- OPTIONAL PART: 214N2520-77	001030	1
- 205	214N2520-77	INLET ASSY- OPTIONAL PART: 214N2520-91	001030	1
- 210	214N2520-79	CAP-INLET	001030	1
- 215	214N2520-78	INLET	001030	1
220	214N2520-69	LINING	001030	1
225	214A2113-34	..	HOSE ASSY	001030	1
230	AS1591-06-0480A	...	HOSE	001030	1
235	214N2520-88	...	DIFFUSER ASSY	001030	1
240	214N2107-4	DUCT-BRANCH	001030	1
245	214N2145-6	PLATE-RESTRICTOR	001030	1
250	6035-2BR185	INSERT- SUPPLIER CODE: V01556	001030	2
255	214N2520-91	DIFFUSER- OPTIONAL PART: 214N2520-77	001030	1
- 260	214N2520-77	INLET ASSY- OPTIONAL PART: 214N2520-91	001030	1
- 265	214N2520-79	CAP-INLET	001030	1
- 270	214N2520-78	INLET	001030	1
275	214N2520-69	LINING	001030	1
280	214A2113-75	..	HOSE ASSY	001030	1
285	214A2113-54	..	HOSE ASSY	001030	1

MISSING ITEM NUMBERS NOT APPLICABLE

- ITEM NOT ILLUSTRATED

HAP

21-23-51-35B

BOEING PROPRIETARY - Copyright © - Unpublished Work - See title page for details.

21-23-51
FIG. 35B
PAGE 2
FEB 10/07

BOEING
737-600/700/800/900
PARTS CATALOG (MAINTENANCE)

FIG ITEM	PART NUMBER	1 2 3 4 5 6 7	NOMENCLATURE	EFFECT FROM TO	UNITS PER ASSY
35B					
290	AS1591-06-0670A	...	HOSE- USED ON: 214A2113-75	001030	1
295	AS1591-06-0460A	...	HOSE- USED ON: 214A2113-54	001030	1
300	214N2520-86	...	DIFFUSER ASSY	001030	1
305	214N2107-2	DUCT-BRANCH	001030	1
310	214N2145-6	PLATE-RESTRICTOR	001030	1
315	6035-2BR185	INSERT- SUPPLIER CODE: V01556	001030	2
320	214N2520-91	DIFFUSER- OPTIONAL PART: 214N2520-77	001030	1
- 325	214N2520-77	INLET ASSY- OPTIONAL PART: 214N2520-91	001030	1
- 330	214N2520-79	CAP-INLET	001030	1
- 335	214N2520-78	INLET	001030	1
340	214N2520-69	LINING	001030	1
345	214A2113-35	..	HOSE ASSY	001030	1
350	214A2113-38	..	HOSE ASSY	001030	1
355	AS1591-06-0590A	...	HOSE- USED ON: 214A2113-35	001030	1
360	AS1591-06-0470A	...	HOSE- USED ON: 214A2113-38	001030	1
365	214N2520-88	...	DIFFUSER ASSY	001030	1
370	214N2107-4	DUCT-BRANCH	001030	1
375	214N2145-6	PLATE-RESTRICTOR	001030	1
380	6035-2BR185	INSERT- SUPPLIER CODE: V01556	001030	2
385	214N2520-91	DIFFUSER- OPTIONAL PART: 214N2520-77	001030	1
- 390	214N2520-77	INLET ASSY- OPTIONAL PART: 214N2520-91	001030	1
- 395	214N2520-79	CAP-INLET	001030	1
- 400	214N2520-78	INLET	001030	1
405	214N2520-69	LINING	001030	1
410	214A2113-62	..	HOSE ASSY	001030	1
415	214A2113-61	..	HOSE ASSY	001030	1
420	214A2113-58	..	HOSE ASSY	001030	1
425	214A2113-55	..	HOSE ASSY	001030	1

MISSING ITEM NUMBERS NOT APPLICABLE

- ITEM NOT ILLUSTRATED

HAP

21-23-51-35B

BOEING PROPRIETARY - Copyright © - Unpublished Work - See title page for details.

21-23-51
FIG. 35B
PAGE 3
OCT 10/06

BOEING
737-600/700/800/900
PARTS CATALOG (MAINTENANCE)

FIG ITEM	PART NUMBER	1 2 3 4 5 6 7	NOMENCLATURE	EFFECT FROM TO	UNITS PER ASSY
35B					
430	AS1591-06-0540A	...	HOSE- USED ON: 214A2113-62	001030	1
435	AS1591-06-0530A	...	HOSE- USED ON: 214A2113-61	001030	1
440	AS1591-06-0500A	...	HOSE- USED ON: 214A2113-58	001030	1
445	AS1591-06-0470A	...	HOSE- USED ON: 214A2113-55	001030	1
450	214N2520-86	...	DIFFUSER ASSY	001030	1
455	214N2107-2	DUCT-BRANCH	001030	1
460	214N2145-6	PLATE-RESTRICTOR	001030	1
465	6035-2BR185	INSERT- SUPPLIER CODE: V01556	001030	2
470	214N2520-91	DIFFUSER- OPTIONAL PART: 214N2520-77	001030	1
- 475	214N2520-77	INLET ASSY- OPTIONAL PART: 214N2520-91	001030	1
- 480	214N2520-79	CAP-INLET	001030	1
- 485	214N2520-78	INLET	001030	1
490	214N2520-69	LINING	001030	1
495	214A2113-40	..	HOSE ASSY	001030	1
500	AS1591-06-0490A	...	HOSE	001030	1
505	214N2520-88	...	DIFFUSER ASSY	001030	1
510	214N2107-4	DUCT-BRANCH	001030	1
515	214N2145-6	PLATE-RESTRICTOR	001030	1
520	6035-2BR185	INSERT- SUPPLIER CODE: V01556	001030	2
525	214N2520-91	DIFFUSER- OPTIONAL PART: 214N2520-77	001030	1
- 530	214N2520-77	INLET ASSY- OPTIONAL PART: 214N2520-91	001030	1
- 535	214N2520-79	CAP-INLET	001030	1
- 540	214N2520-78	INLET	001030	1
545	214N2520-69	LINING	001030	1
550	214A2113-17	..	HOSE ASSY	001030	1
555	AS1591-06-0470A	...	HOSE	001030	1
560	214N2520-85	...	DIFFUSER ASSY	001030	1

MISSING ITEM NUMBERS NOT APPLICABLE

- ITEM NOT ILLUSTRATED

HAP

21-23-51-35B

BOEING PROPRIETARY - Copyright © - Unpublished Work - See title page for details.

21-23-51
FIG. 35B
PAGE 4
OCT 10/06

BOEING
737-600/700/800/900
PARTS CATALOG (MAINTENANCE)

FIG ITEM	PART NUMBER	1 2 3 4 5 6 7	NOMENCLATURE	EFFECT FROM TO	UNITS PER ASSY
35B 565	214N2520-7	PLATE-END OPTIONAL PART: 214N2520-142	001030	2
565	214N2520-142	PLATE-END OPTIONAL PART: 214N2520-7	001030	2
570	214N2520-97	DIFFUSER ASSY- ALTERED FROM PART NUMBER: 214N2520-88	001030	1
575	6035-2BR185	INSERT- SUPPLIER CODE: V01556	001030	2
580	214N2145-6	PLATE-RESTRICTOR	001030	1
585	214N2107-4	DUCT-BRANCH	001030	1
- 590	214N2520-77	INLET ASSY	001030	1
- 595	214N2520-79	CAP	001030	1
- 600	214N2520-78	INLET	001030	1
605	214N2520-91	DIFFUSER	001030	1
610	214N2520-69	LINING	001030	1

MISSING ITEM NUMBERS NOT APPLICABLE

- ITEM NOT ILLUSTRATED

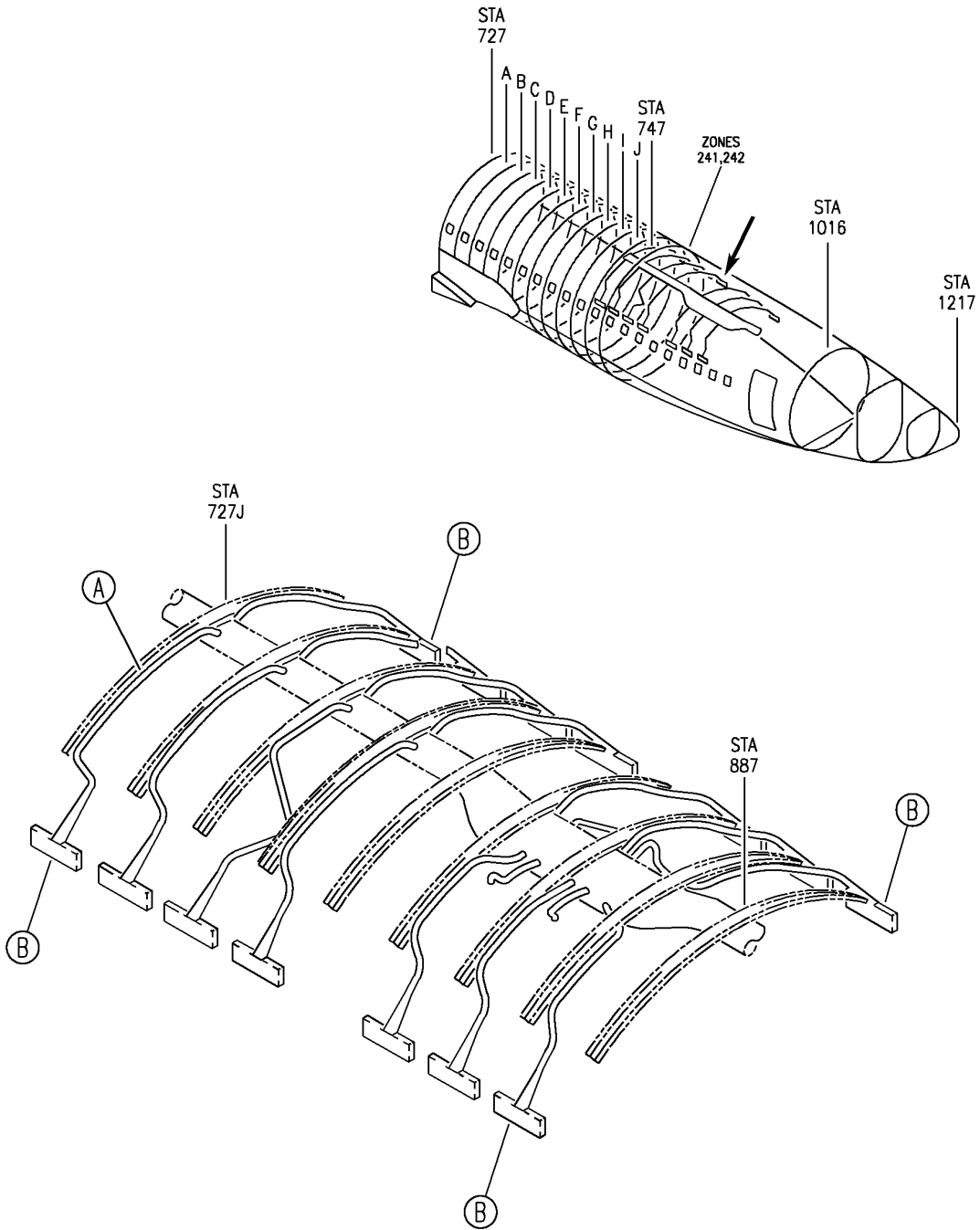
HAP

21-23-51-35B

BOEING PROPRIETARY - Copyright © - Unpublished Work - See title page for details.

21-23-51
FIG. 35B
PAGE 5
FEB 10/07

BOEING
737-600/700/800/900
PARTS CATALOG (MAINTENANCE)



E 21235135D SHT 1 REV 106

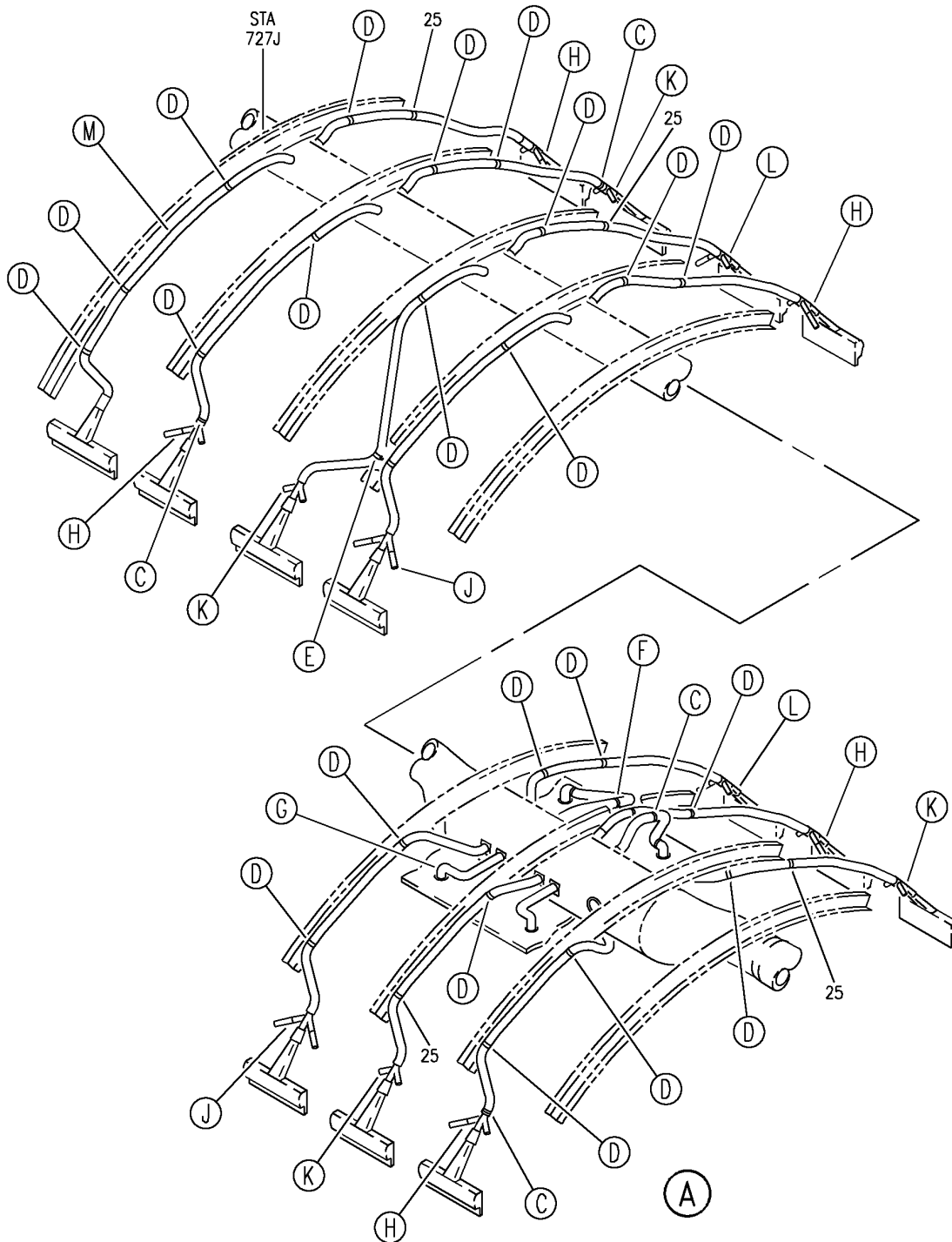
DUCT INSTL-SIDEWALL AIR DISTR SYS
FIGURE 35D (SHEET 1)

21-23-51-35D

HAP
OCT 10/06

21-23-51-35D
PAGE 0

BOEING
 737-600/700/800/900
 PARTS CATALOG (MAINTENANCE)



E 21235135D SHT 2 REV 106

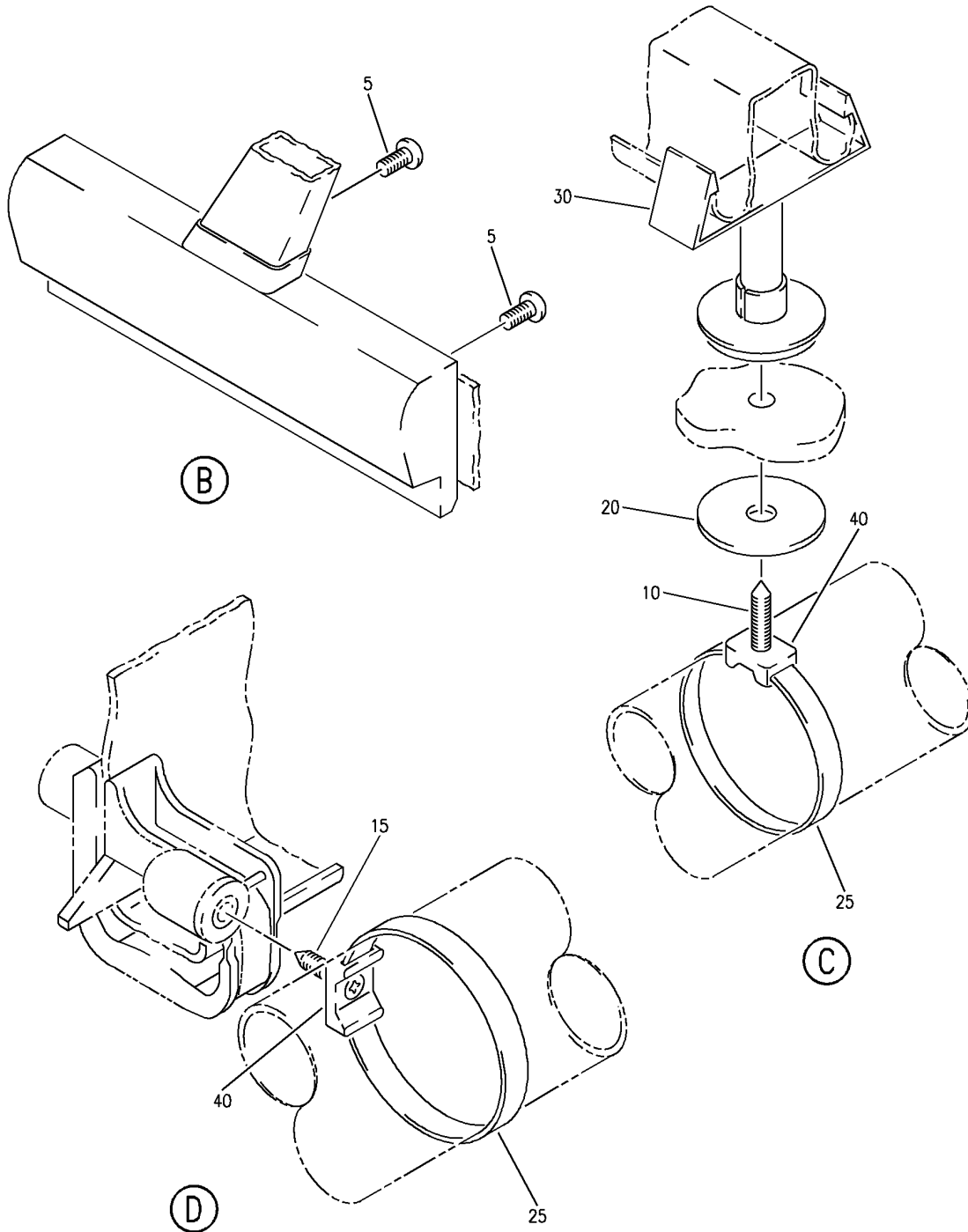
DUCT INSTL-SIDEWALL AIR DISTR SYS
 FIGURE 35D (SHEET 2)

21-23-51-35D

HAP
 OCT 10/06

21-23-51-35D
 PAGE 0A

BOEING
737-600/700/800/900
PARTS CATALOG (MAINTENANCE)



E 21235135D SHT 3 REV 106

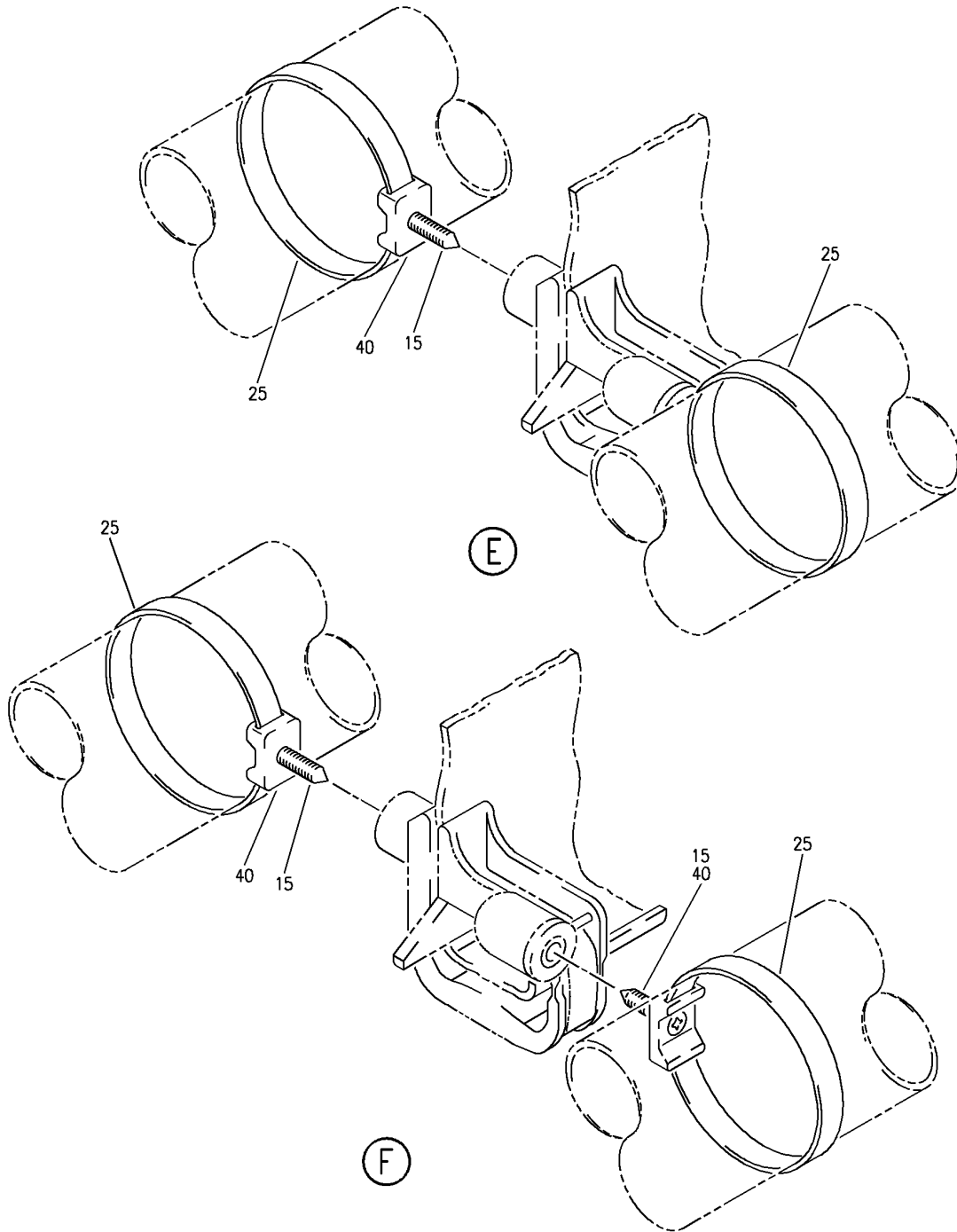
DUCT INSTL-SIDEWALL AIR DISTR SYS
FIGURE 35D (SHEET 3)

21-23-51-35D

HAP
OCT 10/06

21-23-51-35D
PAGE 0B

BOEING
737-600/700/800/900
PARTS CATALOG (MAINTENANCE)



E 21235135D SHT 4 REV 106

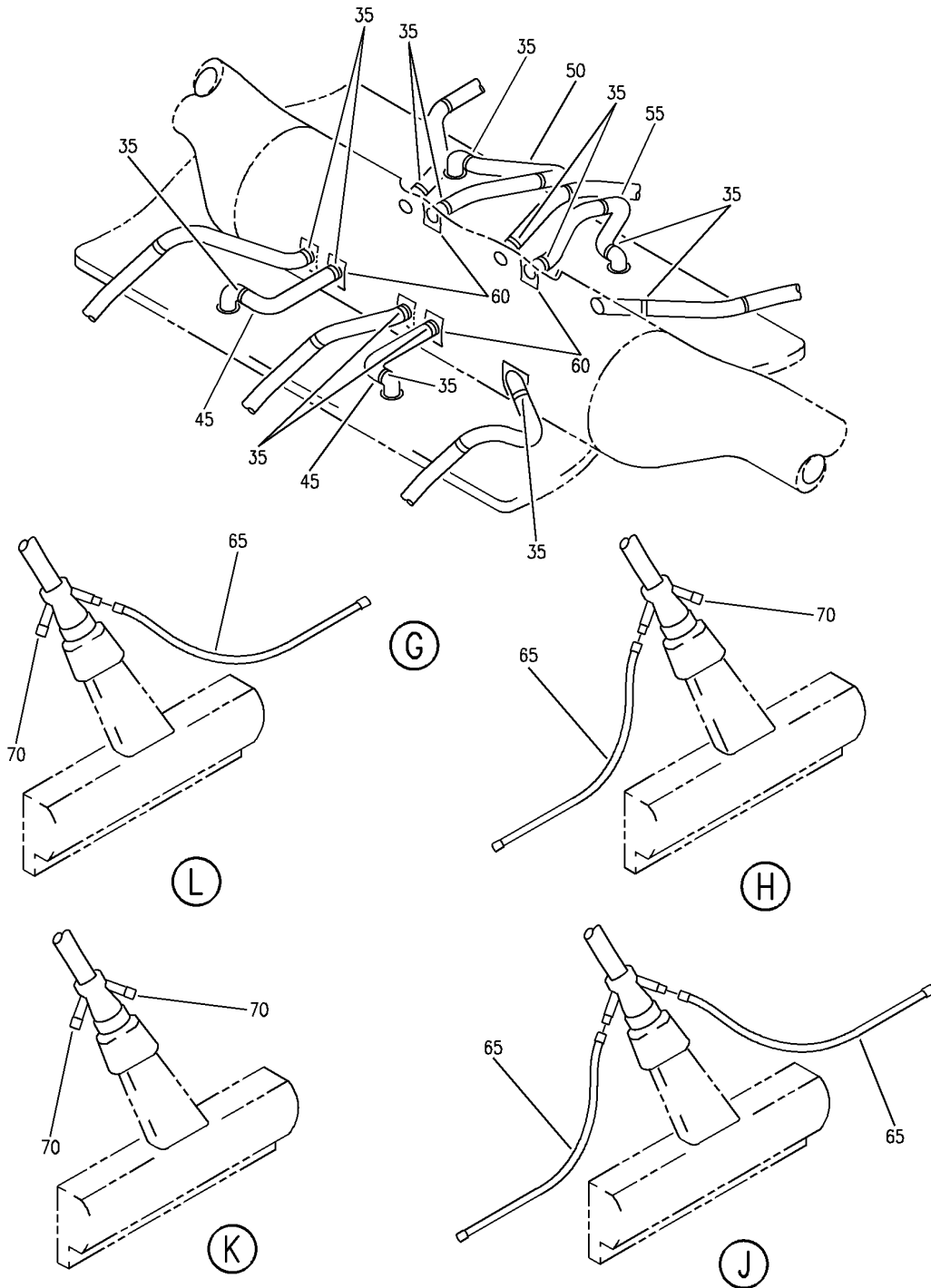
DUCT INSTL-SIDEWALL AIR DISTR SYS
FIGURE 35D (SHEET 4)

21-23-51-35D

HAP
OCT 10/06

21-23-51-35D
PAGE 0C

BOEING
 737-600/700/800/900
 PARTS CATALOG (MAINTENANCE)



E 21235135D SHT 5 REV 106

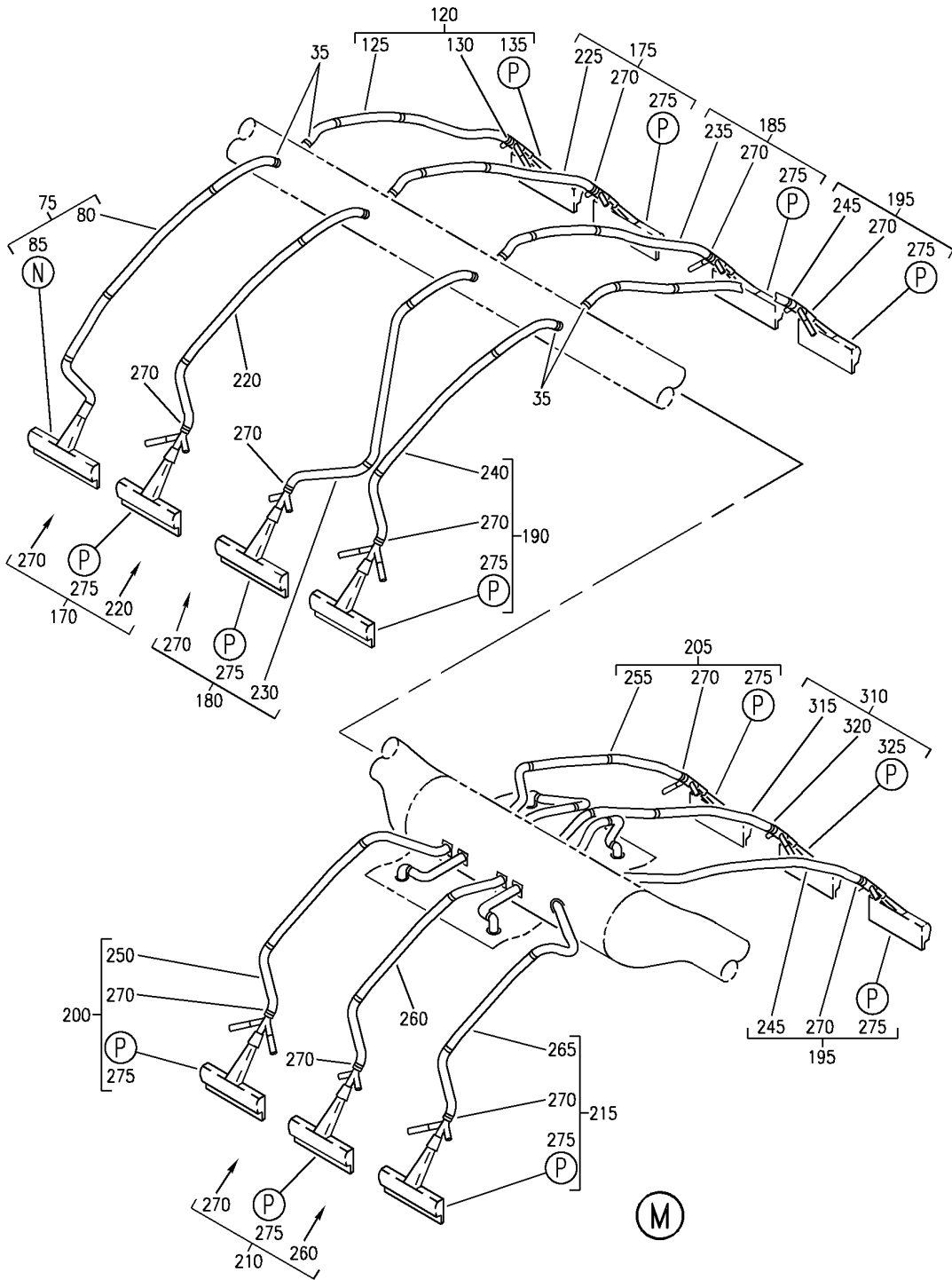
DUCT INSTL-SIDEWALL AIR DISTR SYS
 FIGURE 35D (SHEET 5)

21-23-51-35D

HAP
 OCT 10/06

21-23-51-35D
 PAGE 0D

BOEING
 737-600/700/800/900
 PARTS CATALOG (MAINTENANCE)



E 21235135D SHT 6 REV 106

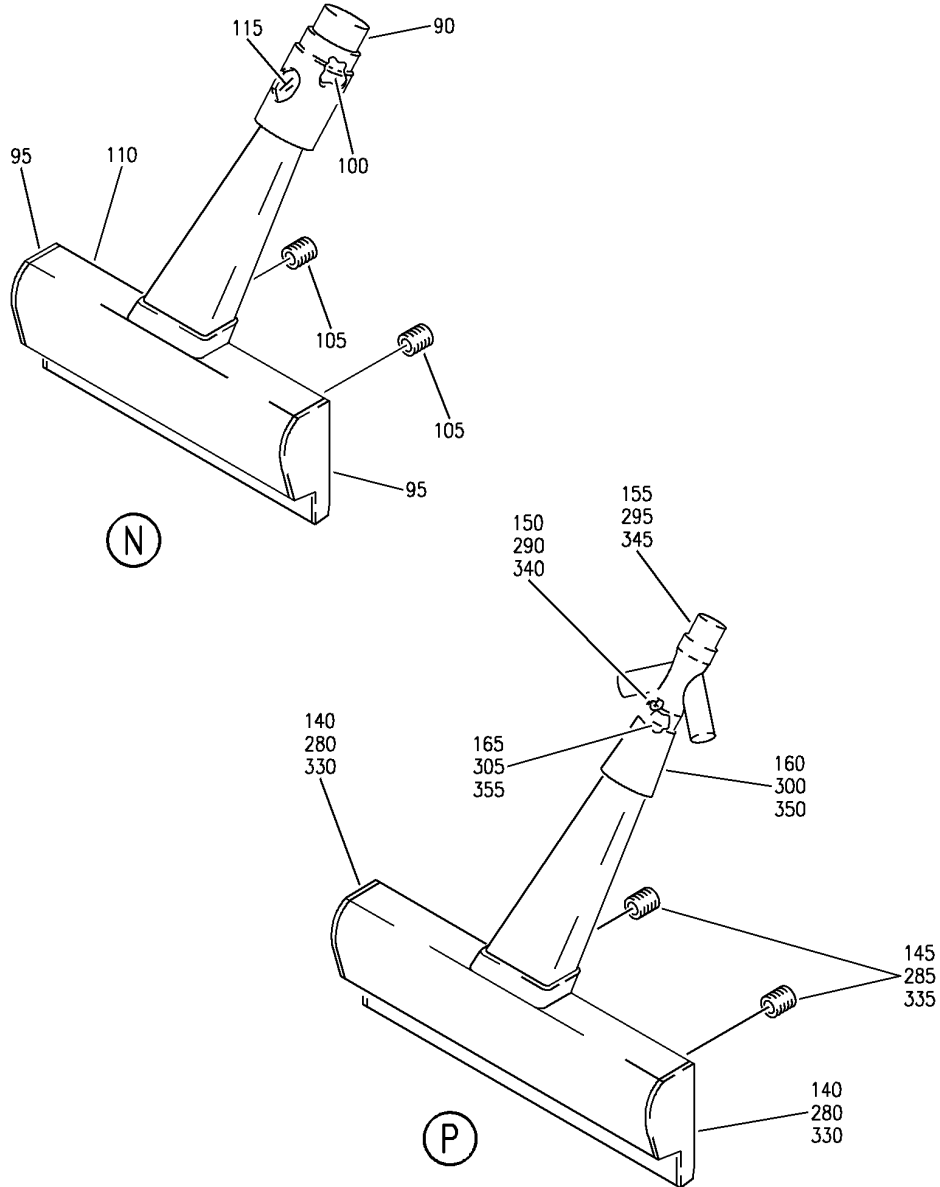
DUCT INSTL-SIDEWALL AIR DISTR SYS
 FIGURE 35D (SHEET 6)

21-23-51-35D

HAP
 OCT 10/06

21-23-51-35D
 PAGE 0E

BOEING
 737-600/700/800/900
 PARTS CATALOG (MAINTENANCE)



E 21235135D SHT 7 REV 106

DUCT INSTL-SIDEWALL AIR DISTR SYS
 FIGURE 35D (SHEET 7)

21-23-51-35D

HAP
 OCT 10/06

21-23-51-35D
 PAGE OF

BOEING
737-600/700/800/900
PARTS CATALOG (MAINTENANCE)

FIG ITEM	PART NUMBER	1 2 3 4 5 6 7	NOMENCLATURE	EFFECT FROM TO	UNITS PER ASSY
35D			DUCT INSTL-SIDEWALL AIR DISTR SYS	031043	
- 1	MODREF250115		DUCT INSTL-SIDEWALL AIR DISTR SYS	031036	1
- 1	MODREF297136		MODULE NUMBER: 214A2017-7 REV C DUCT INSTL-SIDEWALL AIR DISTR SYS	037043	1
5	BACS12FA08K6		.SCREW	031043	28
10	BACS12GP3L10		.SCREW	031043	4
15	BACS12GP3L7		.SCREW	031043	25
20	BACW10DZ3		.WASHER	031043	4
25	PLT3SM		.STRAP	031043	34
			SUPPLIER CODE: V06383 SPECIFICATION NUMBER: BACS38K7 OPTIONAL PART: T0510 V53421		
30	BACS38P5		.SUPPORT ASSY	031043	4
35	PLT2IC		.STRAP	031043	22
			SUPPLIER CODE: V06383 SPECIFICATION NUMBER: BACS38K10		
40	TM2S8		.PLATE-MTG	031043	29
			SUPPLIER CODE: V06383 SPECIFICATION NUMBER: STBP19M9		
45	AS1591-06-0180A		.HOSE-AIR DUCT	031043	2
50	AS1591-06-0270A		.HOSE-AIR DUCT	031043	1
55	AS1591-06-0250A		.HOSE-AIR DUCT	031043	1
60	214T3436-619		.ORIFICE ASSY	031043	4
65	BACD40P3A180		.DUCT	031043	11
70	12-1000		.CAP-END	031043	15
			SUPPLIER CODE: V25205		
75	214A2113-387		.HOSE ASSY	031043	1
80	AS1591-06-0660A		..HOSE	031043	1
85	214N2520-90		...DIFFUSER ASSY	031043	1
90	214N2520-41		...SLEEVE	031043	1
95	214N2520-7		...PLATE-END	031043	2
			OPTIONAL PART: 214N2520-142		

MISSING ITEM NUMBERS NOT APPLICABLE

- ITEM NOT ILLUSTRATED

HAP

21-23-51-35D

BOEING PROPRIETARY - Copyright © - Unpublished Work - See title page for details.

21-23-51
FIG. 35D
PAGE 1
OCT 10/07

 **BOEING**
737-600/700/800/900
PARTS CATALOG (MAINTENANCE)

FIG ITEM	PART NUMBER	1 2 3 4 5 6 7	NOMENCLATURE	EFFECT FROM TO	UNITS PER ASSY
35D					
95	214N2520-142	...	PLATE-END OPTIONAL PART: 214N2520-7	031043	2
100	214N2145-6	...	PLATE-RESTRICTOR	031043	1
105	6035-2BR185	...	INSERT- SUPPLIER CODE: V01556	031043	2
110	214N2520-98	...	DIFFUSER	031043	1
115	214N2520-69	...	LINING	031043	1
120	214A2113-347	.	HOSE ASSY	031043	1
125	AS1591-06-0480A	..	HOSE	031043	1
130	PLT2IC	..	STRAP SUPPLIER CODE: V06383 SPECIFICATION NUMBER: BACS38K10	031043	1
135	214N2520-145	..	DIFFUSER ASSY	031043	1
140	214N2520-142	...	PLATE-END	031043	2
145	6035-2BR185	...	INSERT- SUPPLIER CODE: V01556	031043	2
150	214N2145-6	...	PLATE-RESTRICTOR	031043	1
155	214N2107-6	...	DUCT-BRANCH	031043	1
160	214N2520-91	...	DIFFUSER	031043	1
165	214N2520-69	...	LINING	031043	1
170	214A2113-309	.	HOSE ASSY	031043	1
175	214A2113-297	.	HOSE ASSY	031043	1
180	214A2113-315	.	HOSE ASSY	031043	1
185	214A2113-295	.	HOSE ASSY	031043	1
190	214A2113-307	.	HOSE ASSY	031043	1
195	214A2113-296	.	HOSE ASSY	031043	2
200	214A2113-303	.	HOSE ASSY	031043	1
205	214A2113-302	.	HOSE ASSY	031043	1
210	214A2113-298	.	HOSE ASSY	031043	1
215	214A2113-299	.	HOSE ASSY	031043	1
220	AS1591-06-0610A	..	HOSE- USED ON: 214A2113-309	031043	1
225	AS1591-06-0480A	..	HOSE- USED ON: 214A2113-297	031043	1
230	AS1591-06-0670A	..	HOSE- USED ON: 214A2113-315	031043	1
235	AS1591-06-0460A	..	HOSE- USED ON: 214A2113-295	031043	1

MISSING ITEM NUMBERS NOT APPLICABLE

— ITEM NOT ILLUSTRATED

HAP

21-23-51-35D

BOEING PROPRIETARY - Copyright © - Unpublished Work - See title page for details.

21-23-51
FIG. 35D
PAGE 2
OCT 10/07

BOEING
737-600/700/800/900
PARTS CATALOG (MAINTENANCE)

FIG ITEM	PART NUMBER	1 2 3 4 5 6 7	NOMENCLATURE	EFFECT FROM TO	UNITS PER ASSY
35D					
240	AS1591-06-0590A	..	HOSE- USED ON: 214A2113-307	031043	1
245	AS1591-06-0470A	..	HOSE- USED ON: 214A2113-296	031043	1
250	AS1591-06-0540A	..	HOSE- USED ON: 214A2113-303	031043	1
255	AS1591-06-0530A	..	HOSE- USED ON: 214A2113-302	031043	1
260	AS1591-06-0490A	..	HOSE- USED ON: 214A2113-298	031043	1
265	AS1591-06-0500A	..	HOSE- USED ON: 214A2113-299	031043	1
270	PLT2IC	..	STRAP SUPPLIER CODE: V06383 SPECIFICATION NUMBER: BACS38K10	031043	1
275	214N2520-143	..	DIFFUSER ASSY	031043	1
280	214N2520-142	...	PLATE	031043	2
285	6035-2BR185	...	INSERT- SUPPLIER CODE: V01556	031043	2
290	214N2145-5	...	PLATE-RESTRICTOR	031043	1
295	214N2107-6	...	DUCT-BRANCH	031043	1
300	214N2520-91	...	DIFFUSER	031043	1
305	214N2520-69	...	LINING	031043	1
310	214A2113-346	.	HOSE ASSY	031043	1
315	AS1591-06-0470A	..	HOSE	031043	1
320	PLT2IC	..	STRAP SUPPLIER CODE: V06383 SPECIFICATION NUMBER: BACS38K10	031043	1
325	214N2520-145	..	DIFFUSER ASSY	031043	1
330	214N2520-142	...	PLATE-END	031043	2
335	6035-2BR185	...	INSERT- SUPPLIER CODE: V01556	031043	2
340	214N2145-6	...	PLATE-RESTRICTOR	031043	1
345	214N2107-6	...	DUCT-BRANCH	031043	1
350	214N2520-91	...	DIFFUSER	031043	1
355	214N2520-69	...	LINING	031043	1

MISSING ITEM NUMBERS NOT APPLICABLE

— ITEM NOT ILLUSTRATED

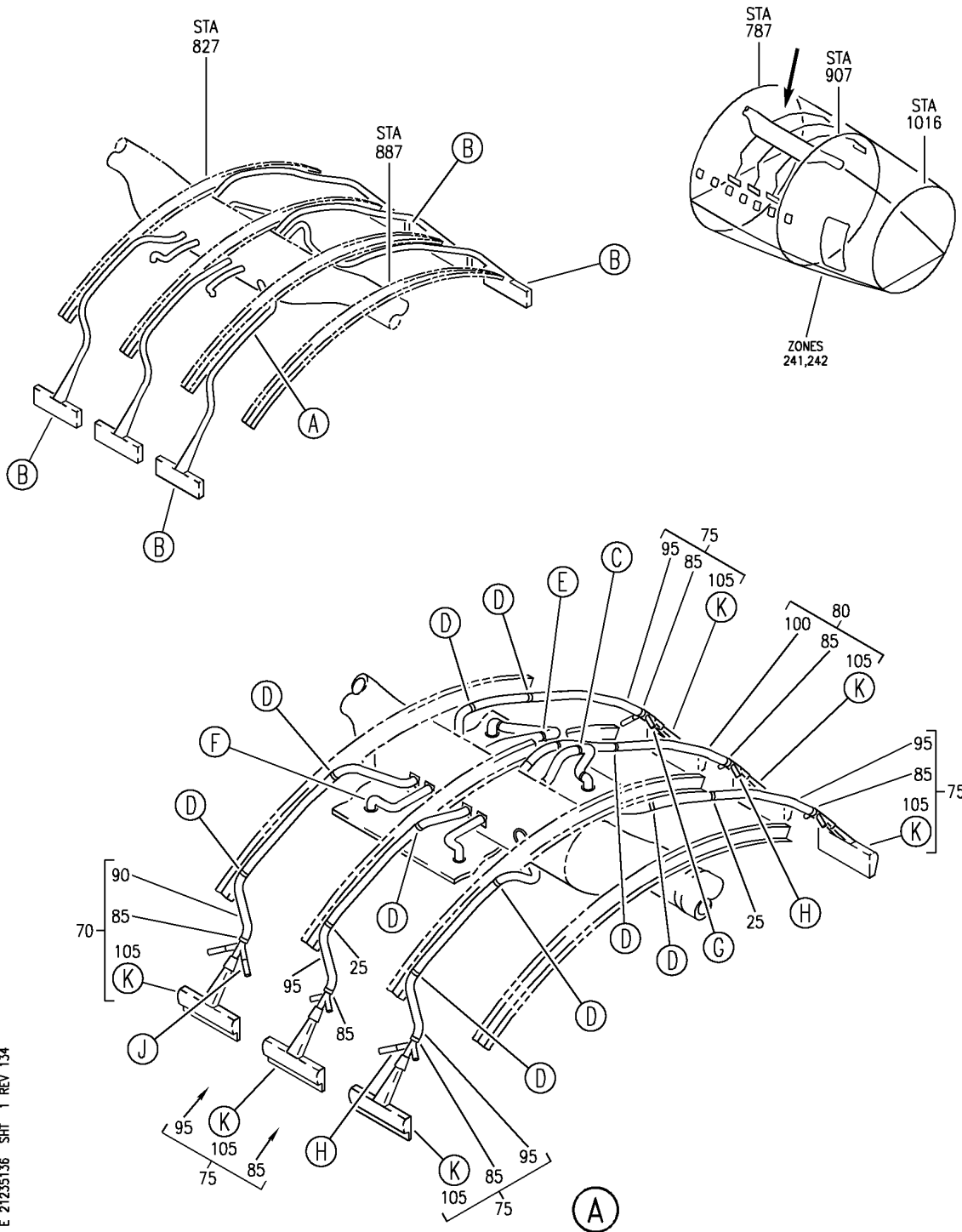
HAP

21-23-51-35D

BOEING PROPRIETARY - Copyright © - Unpublished Work - See title page for details.

21-23-51
FIG. 35D
PAGE 3
OCT 10/07

BOEING
 737-600/700/800/900
 PARTS CATALOG (MAINTENANCE)



E 21235136 SHT 1 REV 134

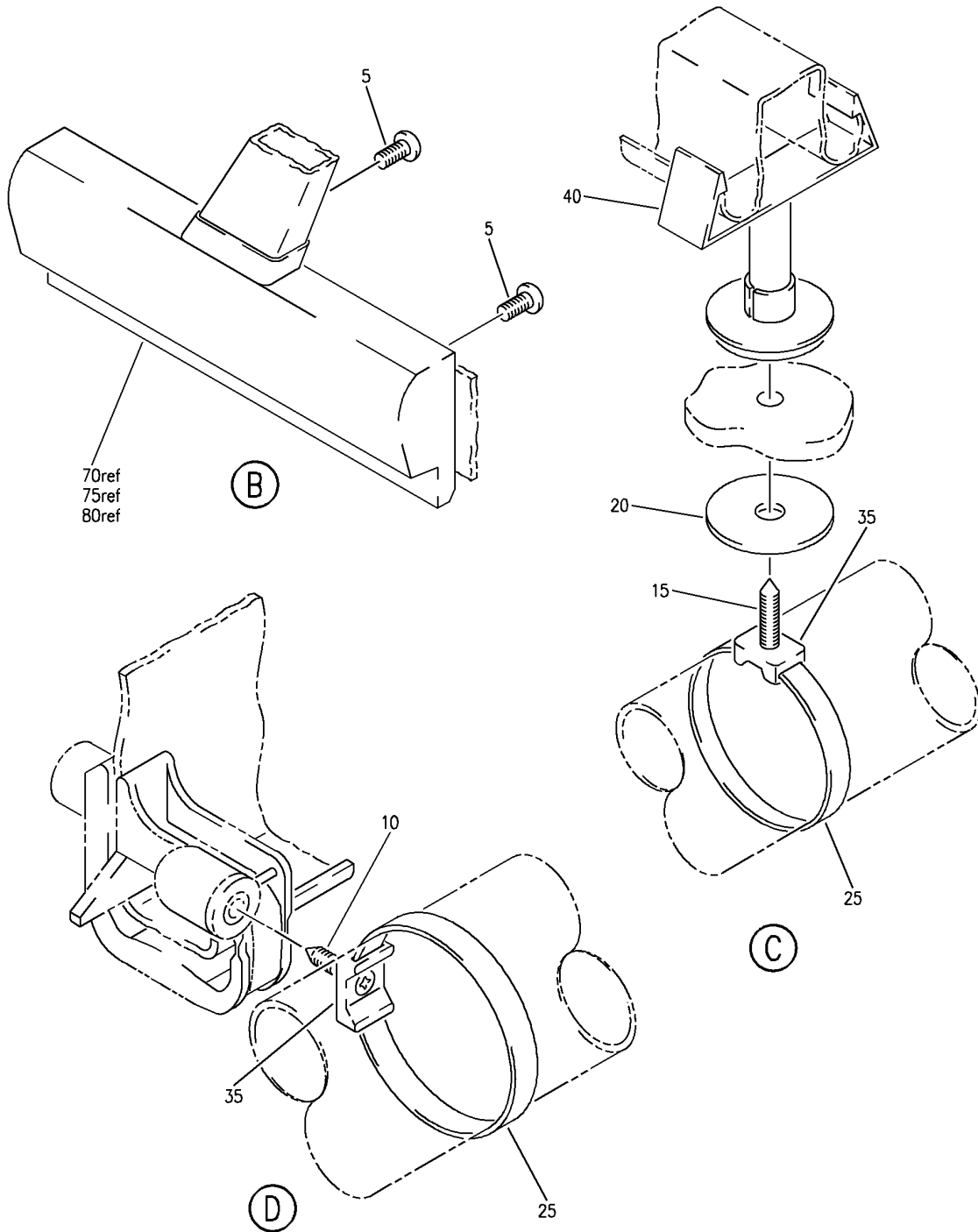
DUCT INSTL-SIDEWALL AIR DISTR SYS
 FIGURE 36 (SHEET 1)

21-23-51-36

HAP
 OCT 10/07

21-23-51-36
 PAGE 0

BOEING
737-600/700/800/900
PARTS CATALOG (MAINTENANCE)



E 21235136 SH1 2 REV 134

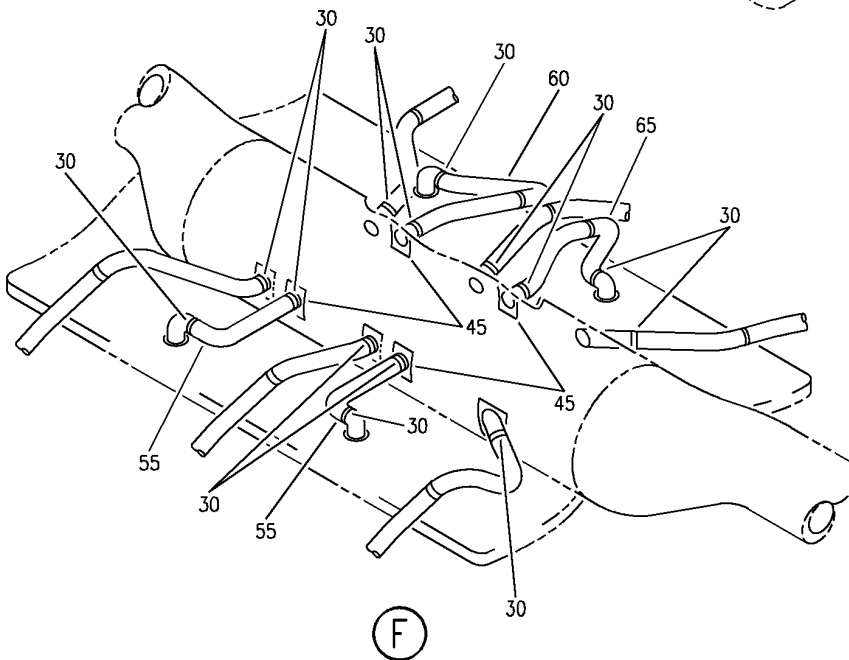
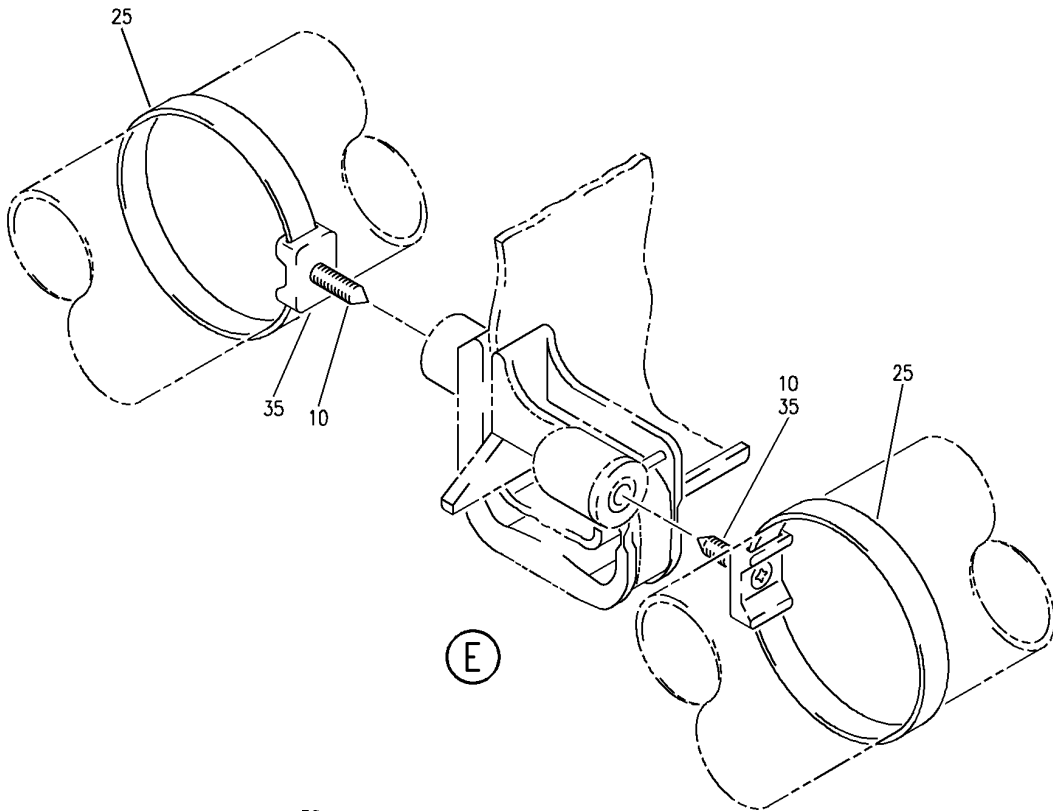
DUCT INSTL-SIDEWALL AIR DISTR SYS
FIGURE 36 (SHEET 2)

HAP
OCT 10/07

21-23-51-36

21-23-51-36
PAGE 0A

BOEING
 737-600/700/800/900
 PARTS CATALOG (MAINTENANCE)



E 21235136 SH1 3 REV 134

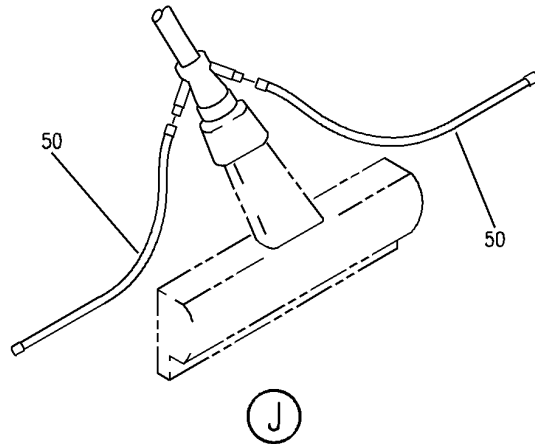
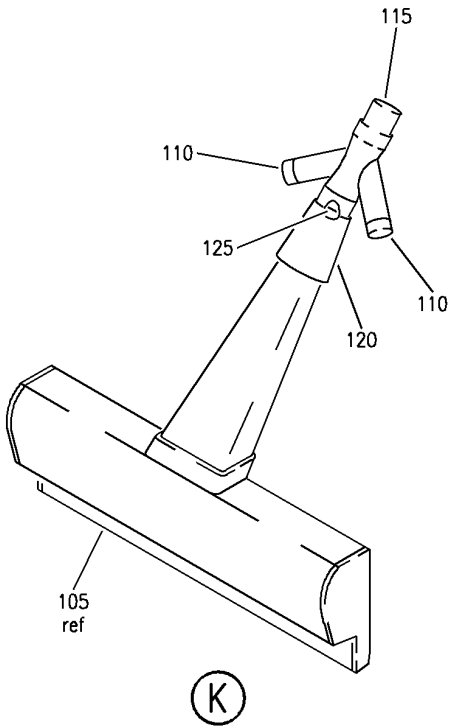
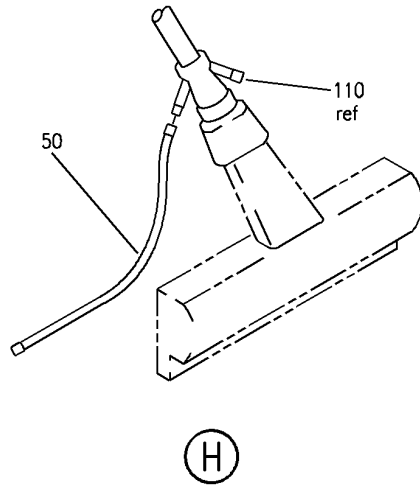
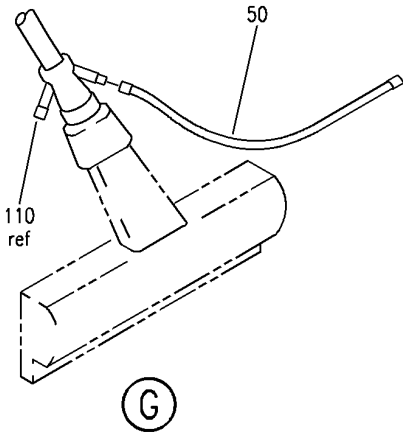
DUCT INSTL-SIDEWALL AIR DISTR SYS
 FIGURE 36 (SHEET 3)

21-23-51-36

HAP
 OCT 10/07

21-23-51-36
 PAGE 08

BOEING
 737-600/700/800/900
 PARTS CATALOG (MAINTENANCE)



E 21235136 SH1 4 REV 134

DUCT INSTL-SIDEWALL AIR DISTR SYS
 FIGURE 36 (SHEET 4)

21-23-51-36

HAP
 OCT 10/07

21-23-51-36
 PAGE 0C

BOEING
737-600/700/800/900
PARTS CATALOG (MAINTENANCE)

FIG ITEM	PART NUMBER	1 2 3 4 5 6 7	NOMENCLATURE	EFFECT FROM TO	UNITS PER ASSY
36			DUCT INSTL-SIDEWALL AIR DISTR SYS	044100	
- 1	MODREF343262		DUCT INSTL-SIDEWALL AIR DISTR SYS MODULE NUMBER: 214A2017-25 REV A	044100	1
5	BACS12FA08K6		.SCREW	044100	12
10	BACS12GP3L7		.SCREW	044100	11
15	BACS12GP3L10		.SCREW	044100	1
20	BACW10DZ3		.WASHER	044100	1
25	PLT3SM		.STRAP SUPPLIER CODE: V06383 SPECIFICATION NUMBER: BACS38K7 OPTIONAL PART: T0510 V53421	044100	14
30	PLT2IC		.STRAP SUPPLIER CODE: V06383 SPECIFICATION NUMBER: BACS38K10	044100	14
35	TM2S8		.PLATE SUPPLIER CODE: V06383 SPECIFICATION NUMBER: STBP19M9	044100	12
40	BACS38P5		.SUPPORT ASSY	044100	1
45	214T3436-619		.ORIFICE ASSY	044100	4
50	BACD40P3A180		.DUCT	044100	5
55	AS1591-06-0180A		.HOSE	044100	2
60	AS1591-06-0270A		.HOSE	044100	1
65	AS1591-06-0250A		.HOSE	044100	1
70	214A2113-402		.HOSE ASSY	044100	1
75	214A2113-401		.HOSE ASSY	044100	4
80	214A2113-400		.HOSE ASSY	044100	1
85	PLT2IC		..STRAP SUPPLIER CODE: V06383 SPECIFICATION NUMBER: BACS38K10	044100	1
90	AS1591-06-0550A		..HOSE- USED ON: 214A2113-402	044100	1
95	AS1591-06-0500A		..HOSE- USED ON: 214A2113-401	044100	1

MISSING ITEM NUMBERS NOT APPLICABLE

- ITEM NOT ILLUSTRATED

HAP

21-23-51-36

BOEING PROPRIETARY - Copyright © - Unpublished Work - See title page for details.

21-23-51
FIG. 36
PAGE 1
OCT 10/07

BOEING
737-600/700/800/900
PARTS CATALOG (MAINTENANCE)

FIG ITEM	PART NUMBER	1 2 3 4 5 6 7	NOMENCLATURE	EFFECT FROM TO	UNITS PER ASSY
36					
100	AS1591-06-0450A	..	HOSE- USED ON: 214A2113-400	044100	1
105	214N2520-200	..	DIFFUSER ASSY	044100	1
110	12-1000	...	CAP-END SUPPLIER CODE: V25205	044100	2
115	214N2107-11	...	DUCT-BRANCH	044100	1
120	214N2145-5	...	PLATE-RESTRICTOR	044100	1
125	214N2520-69	...	LINING	044100	1

MISSING ITEM NUMBERS NOT APPLICABLE

— ITEM NOT ILLUSTRATED

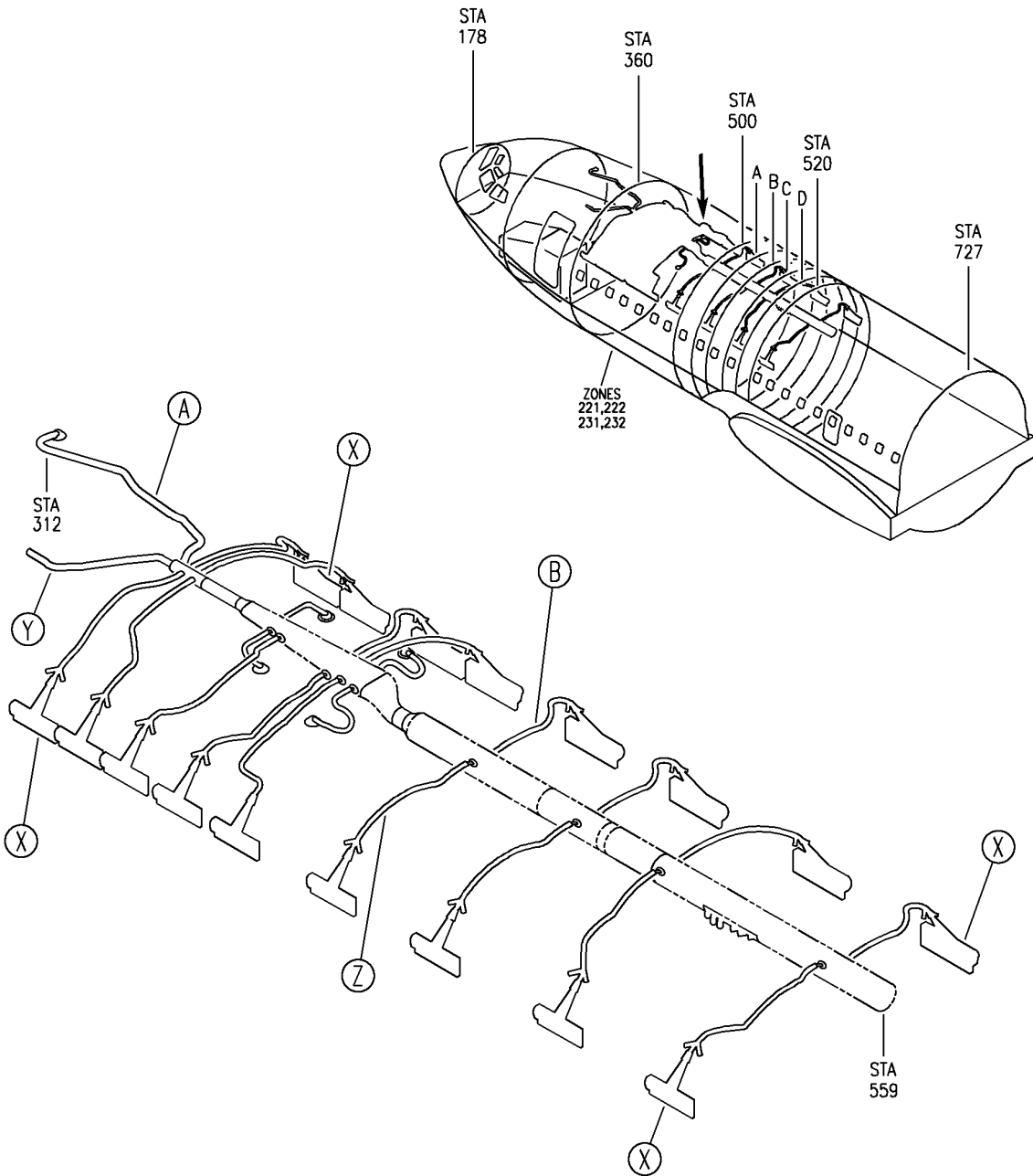
HAP

21-23-51-36

BOEING PROPRIETARY - Copyright © - Unpublished Work - See title page for details.

21-23-51
FIG. 36
PAGE 2
OCT 10/07

BOEING
 737-600/700/800/900
 PARTS CATALOG (MAINTENANCE)



E 21235142C SHT 1 REV 107

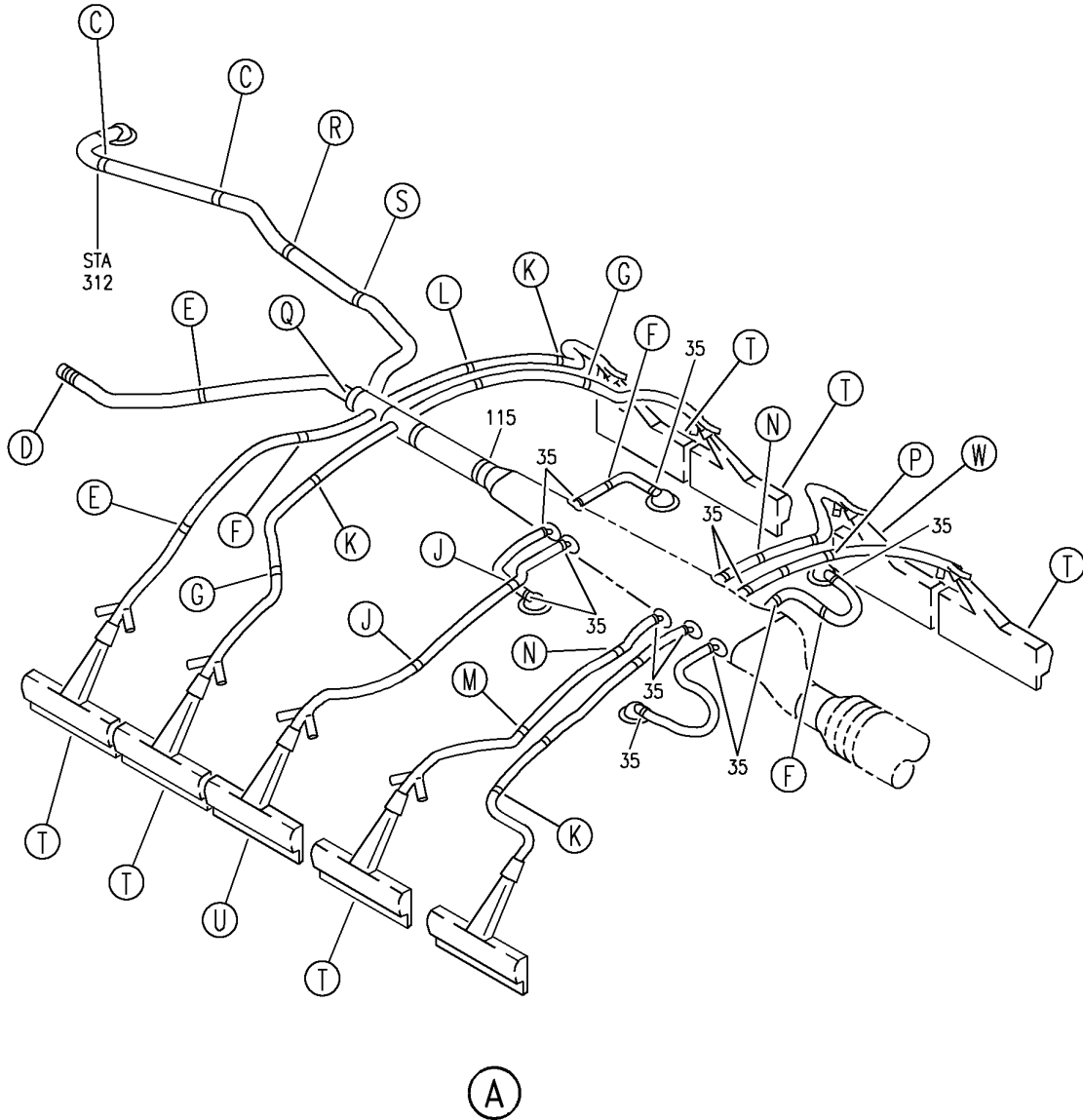
DUCT INSTL-SIDEWALL AIR DISTR SYS
 FIGURE 42C (SHEET 1)

21-23-51-42C

HAP
 FEB 10/07

21-23-51-42C
 PAGE 0

BOEING
 737-600/700/800/900
 PARTS CATALOG (MAINTENANCE)



E 21235142C SHT 2 REV 107

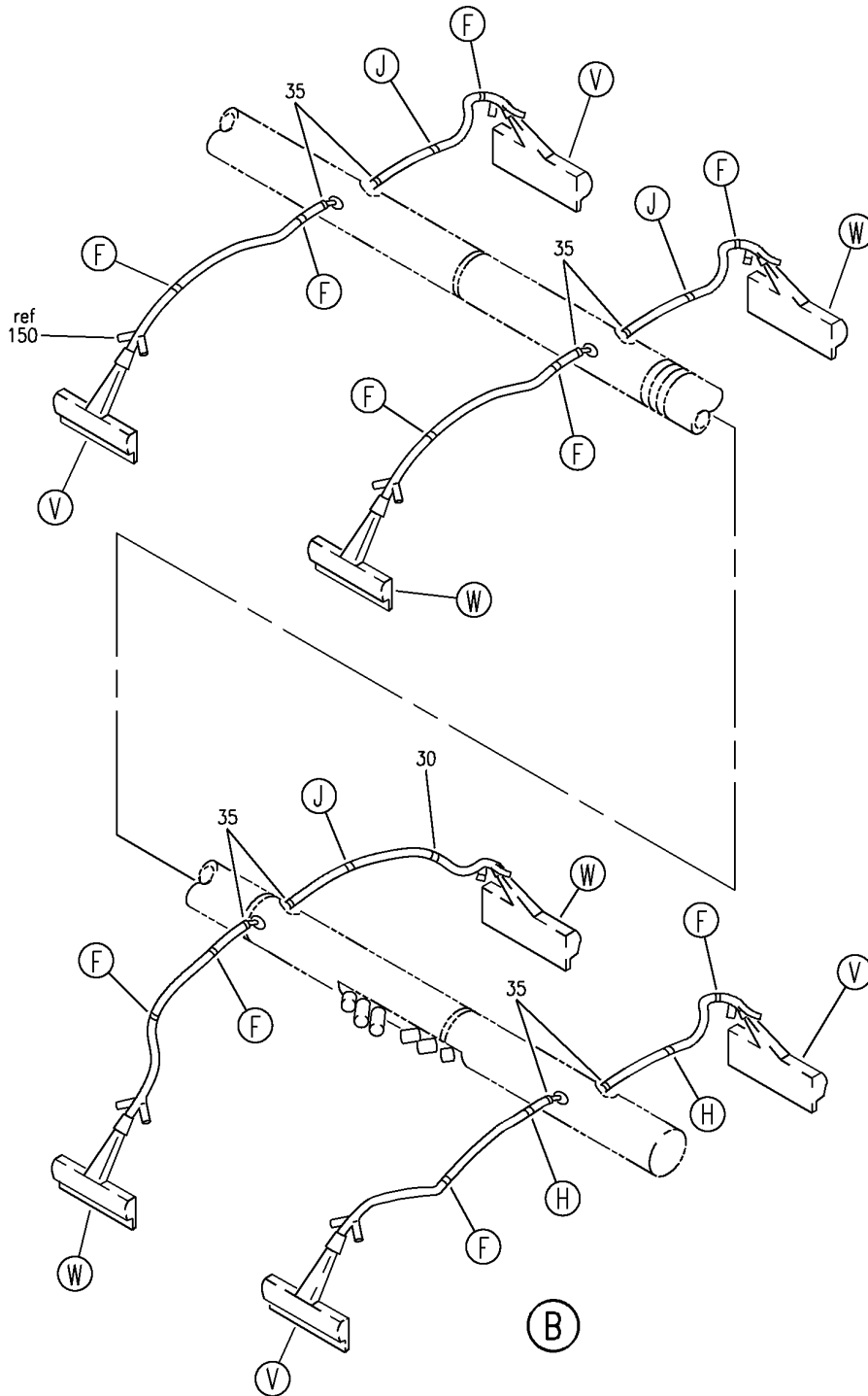
DUCT INSTL-SIDEWALL AIR DISTR SYS
 FIGURE 42C (SHEET 2)

21-23-51-42C

HAP
 FEB 10/07

21-23-51-42C
 PAGE 0A

BOEING
 737-600/700/800/900
 PARTS CATALOG (MAINTENANCE)



E 21235142C SHT 3 REV 107

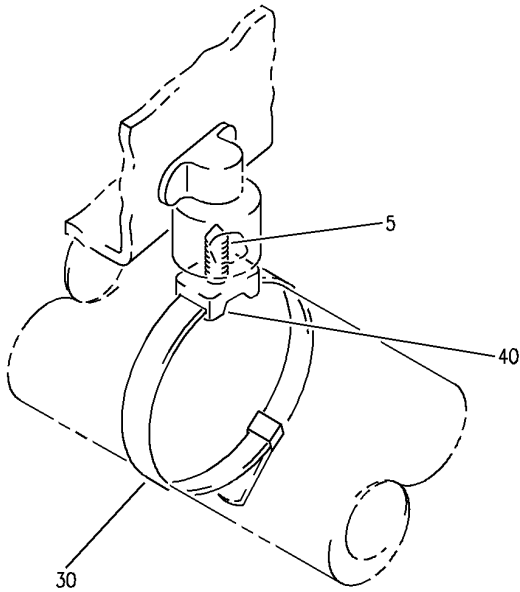
DUCT INSTL-SIDEWALL AIR DISTR SYS
 FIGURE 42C (SHEET 3)

21-23-51-42C

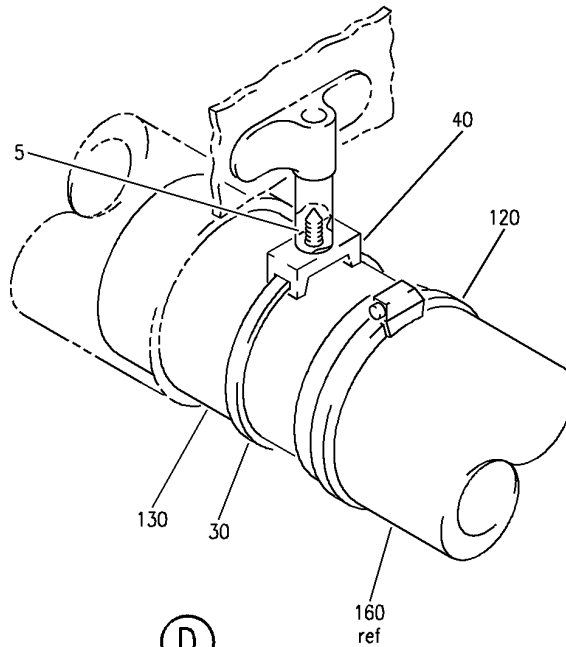
HAP
 FEB 10/07

21-23-51-42C
 PAGE 0B

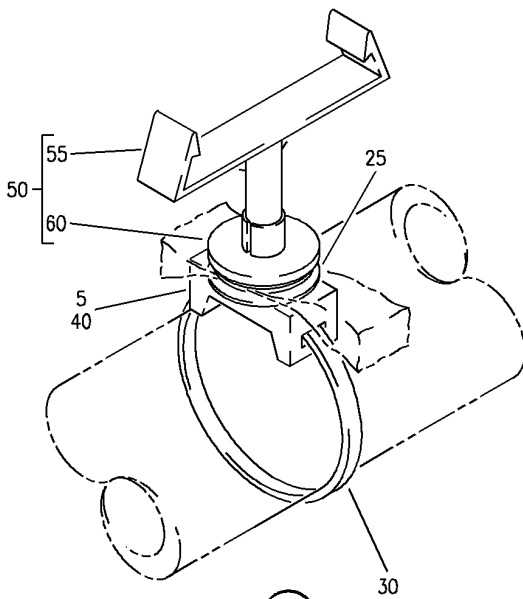
BOEING
 737-600/700/800/900
 PARTS CATALOG (MAINTENANCE)



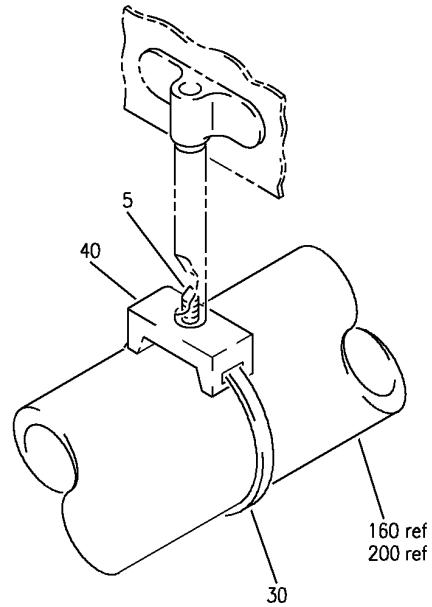
(C)



(D)



(F)



(E)

E 21235142C SHT 4 REV 107

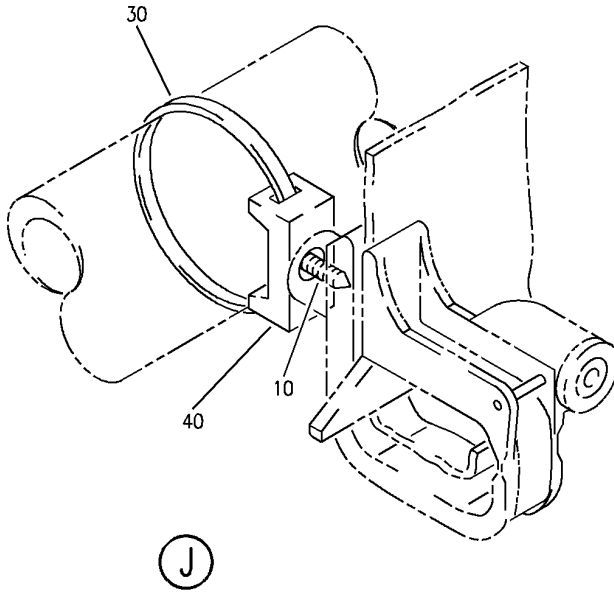
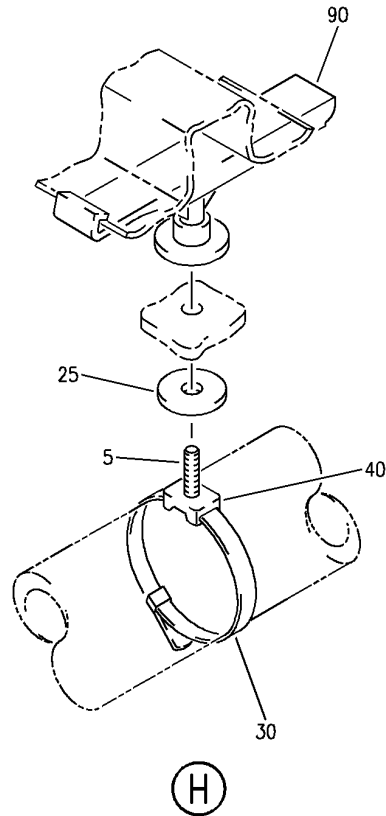
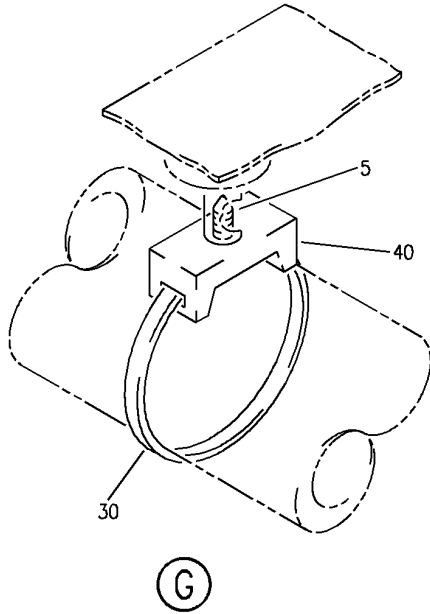
DUCT INSTL-SIDEWALL AIR DISTR SYS
 FIGURE 42C (SHEET 4)

21-23-51-42C

HAP
 FEB 10/07

21-23-51-42C
 PAGE 0C

BOEING
737-600/700/800/900
PARTS CATALOG (MAINTENANCE)



E 21235142C SHT 5 REV 107

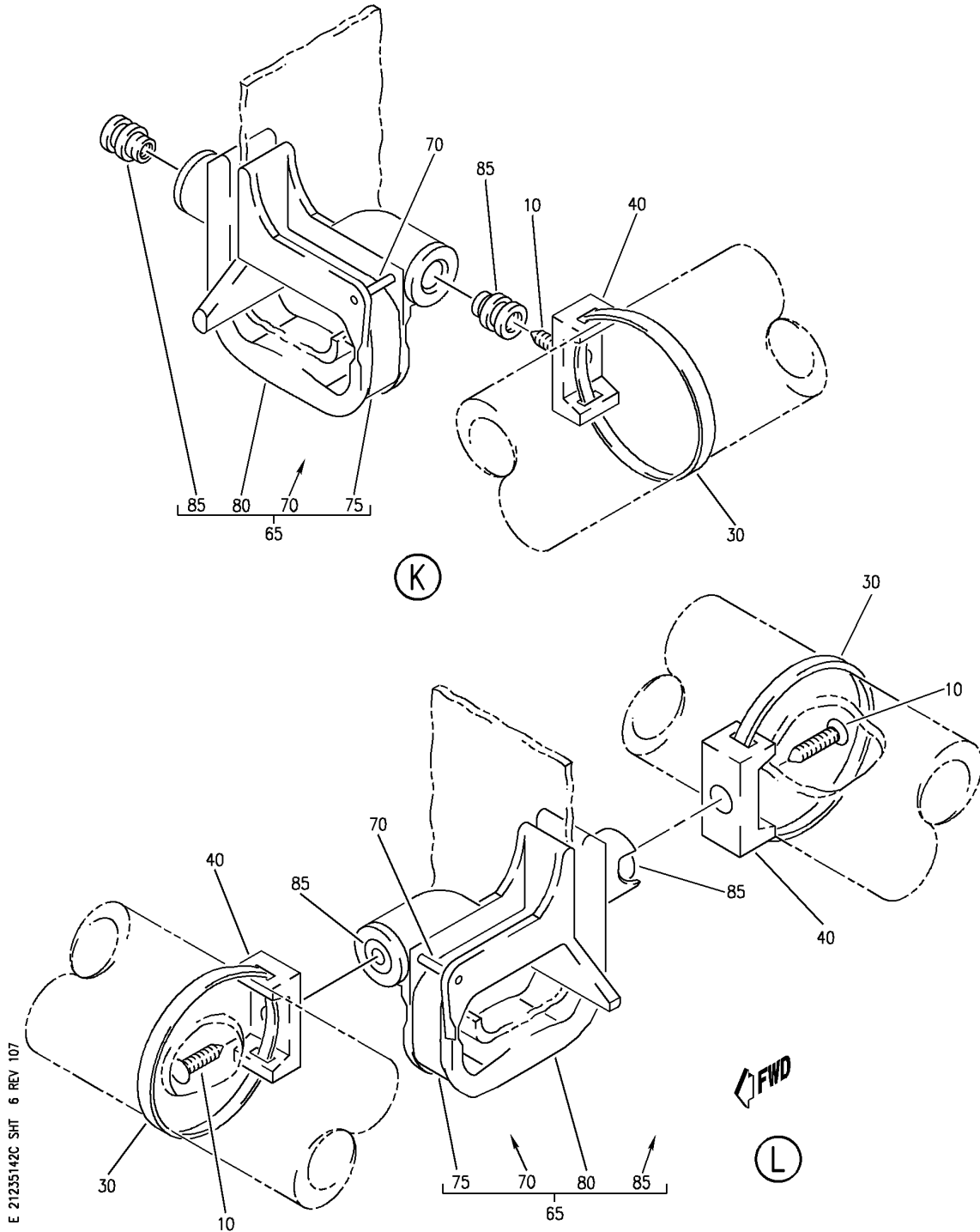
DUCT INSTL-SIDEWALL AIR DISTR SYS
FIGURE 42C (SHEET 5)

21-23-51-42C

HAP
FEB 10/07

21-23-51-42C
PAGE 0D

BOEING
 737-600/700/800/900
 PARTS CATALOG (MAINTENANCE)



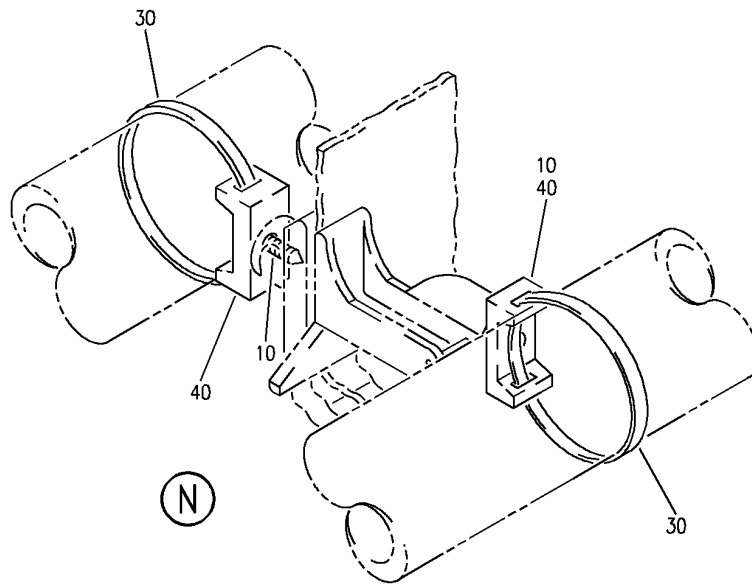
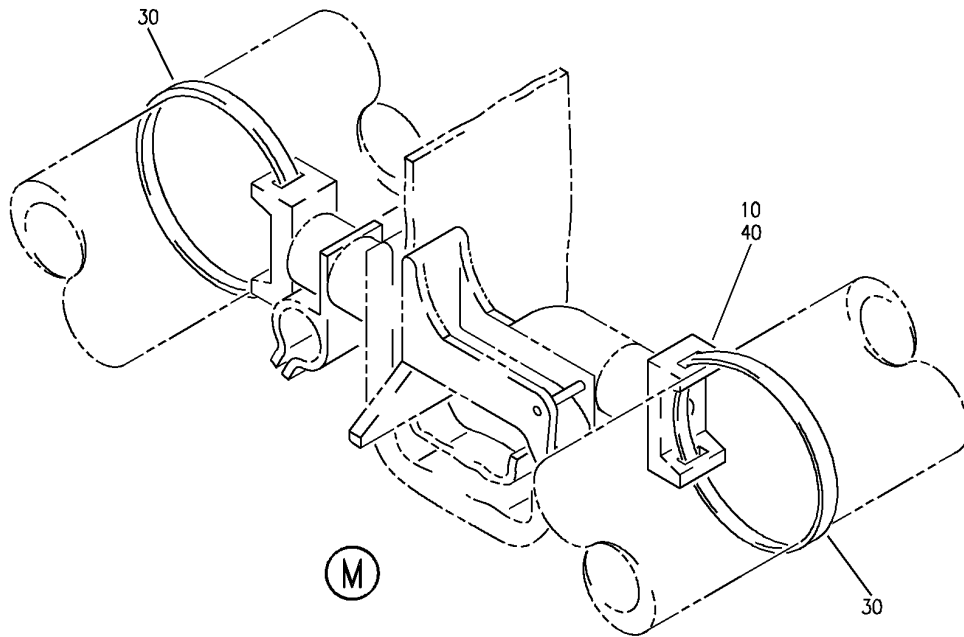
DUCT INSTL-SIDEWALL AIR DISTR SYS
 FIGURE 42C (SHEET 6)

21-23-51-42C

HAP
 FEB 10/07

21-23-51-42C
 PAGE 0E

BOEING
737-600/700/800/900
PARTS CATALOG (MAINTENANCE)



E 21235142C SHT 7 REV 107

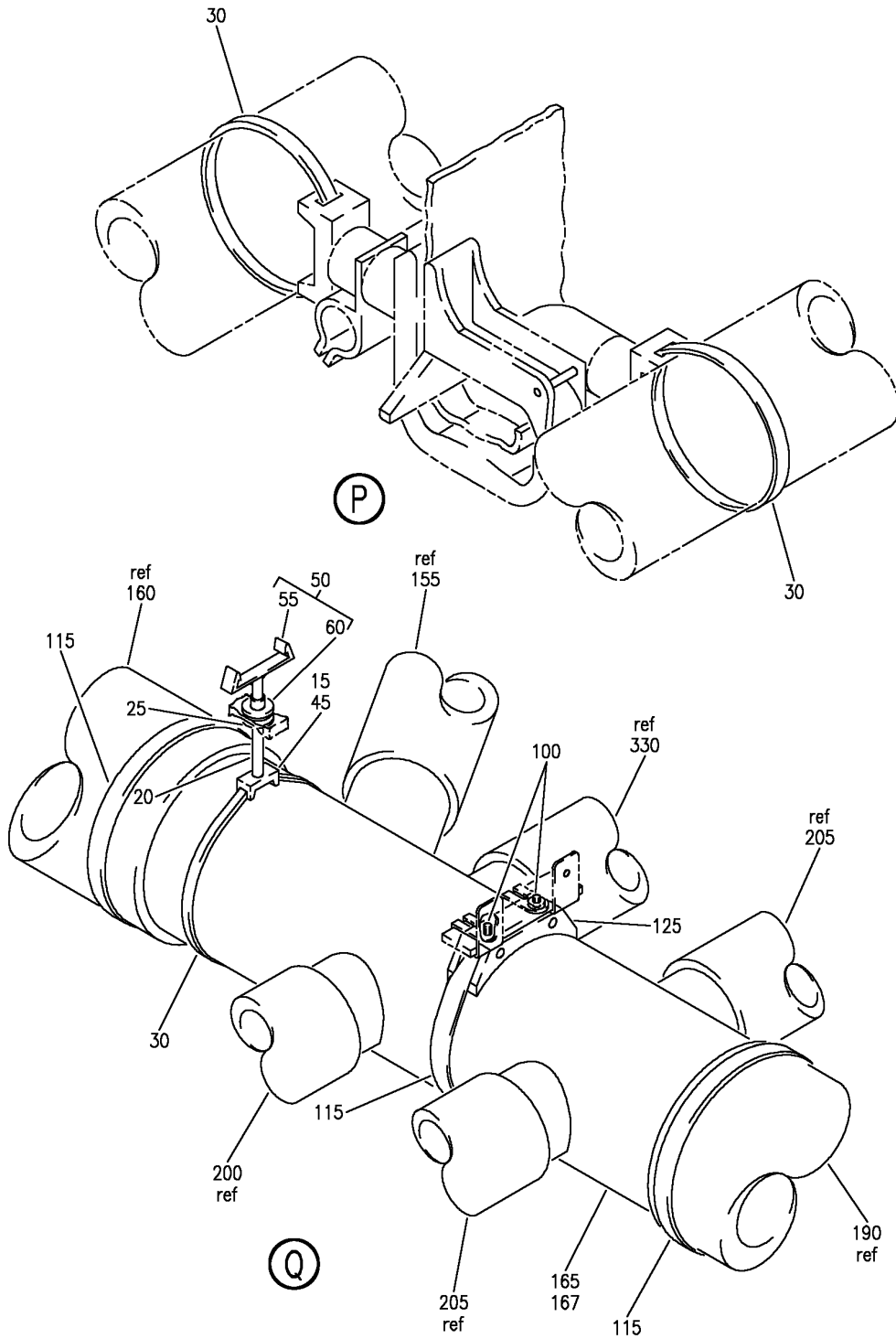
DUCT INSTL-SIDEWALL AIR DISTR SYS
FIGURE 42C (SHEET 7)

HAP
FEB 10/07

21-23-51-42C

21-23-51-42C
PAGE OF

BOEING
 737-600/700/800/900
 PARTS CATALOG (MAINTENANCE)



E 21235142C SHT 8 REV 147

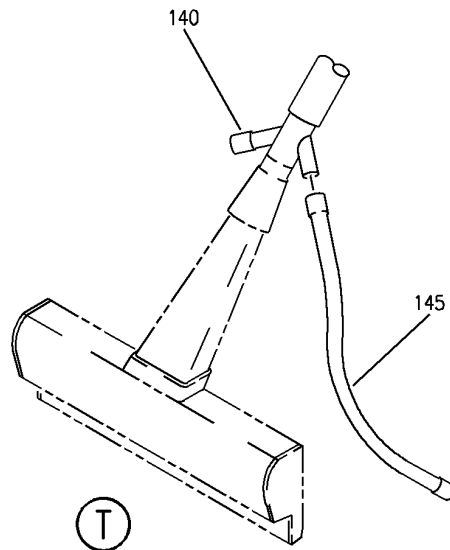
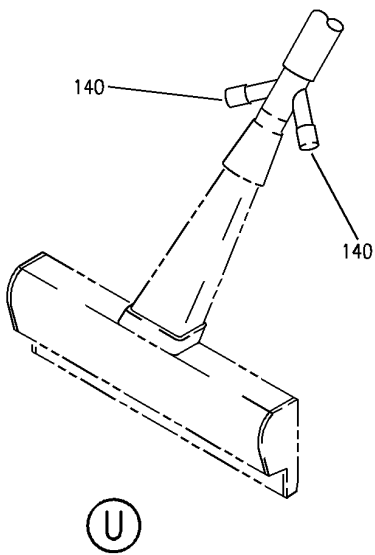
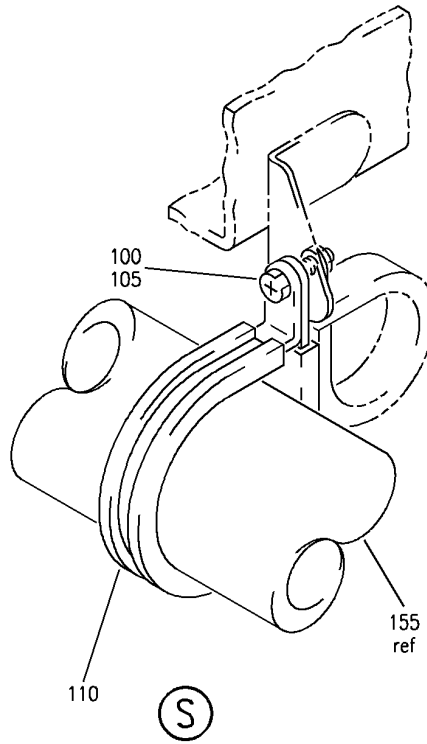
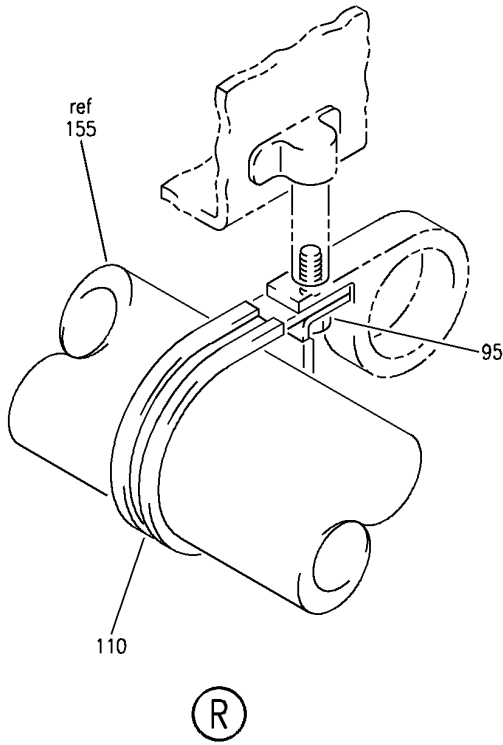
DUCT INSTL-SIDEWALL AIR DISTR SYS
 FIGURE 42C (SHEET 8)

21-23-51-42C

HAP
 OCT 15/08

21-23-51-42C
 PAGE 06

BOEING
 737-600/700/800/900
 PARTS CATALOG (MAINTENANCE)



E 21235142C SHT 9 REV 107

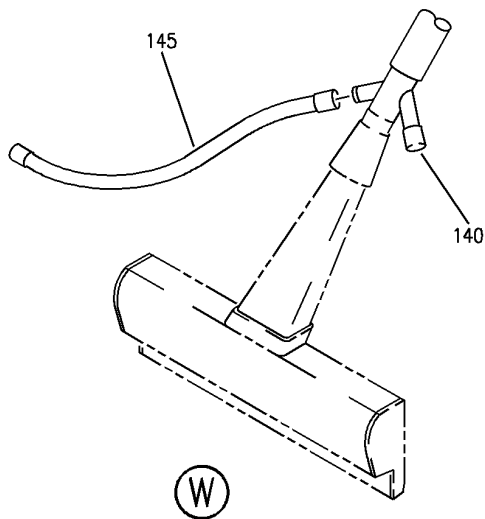
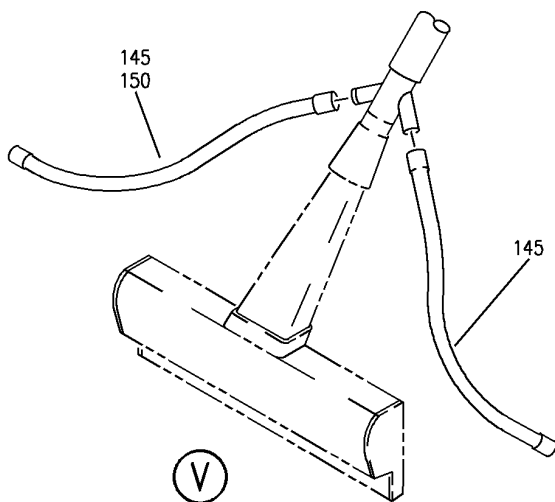
DUCT INSTL-SIDEWALL AIR DISTR SYS
 FIGURE 42C (SHEET 9)

21-23-51-42C

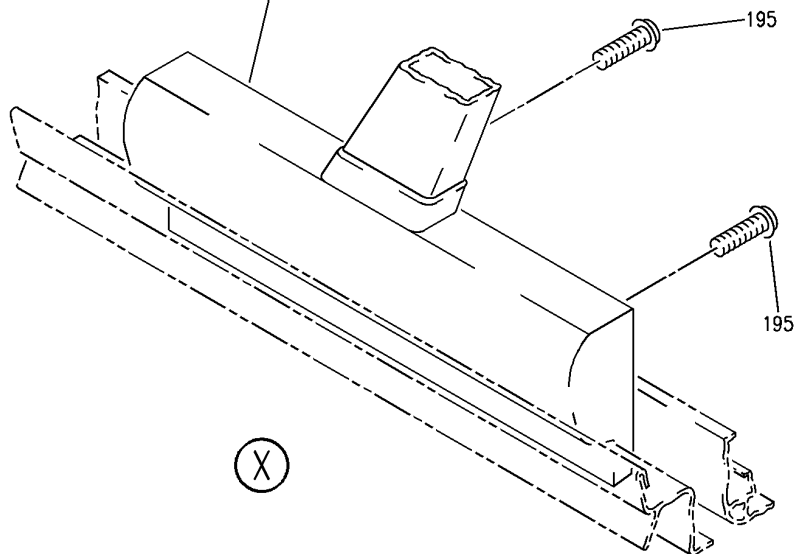
HAP
 FEB 10/07

21-23-51-42C
 PAGE 0H

BOEING
 737-600/700/800/900
 PARTS CATALOG (MAINTENANCE)



- 200 ref
- 205 ref
- 210 ref
- 215 ref
- 220 ref
- 285 ref
- 330 ref
- 335 ref
- 340 ref



E 21235142C SHT 10 REV 107

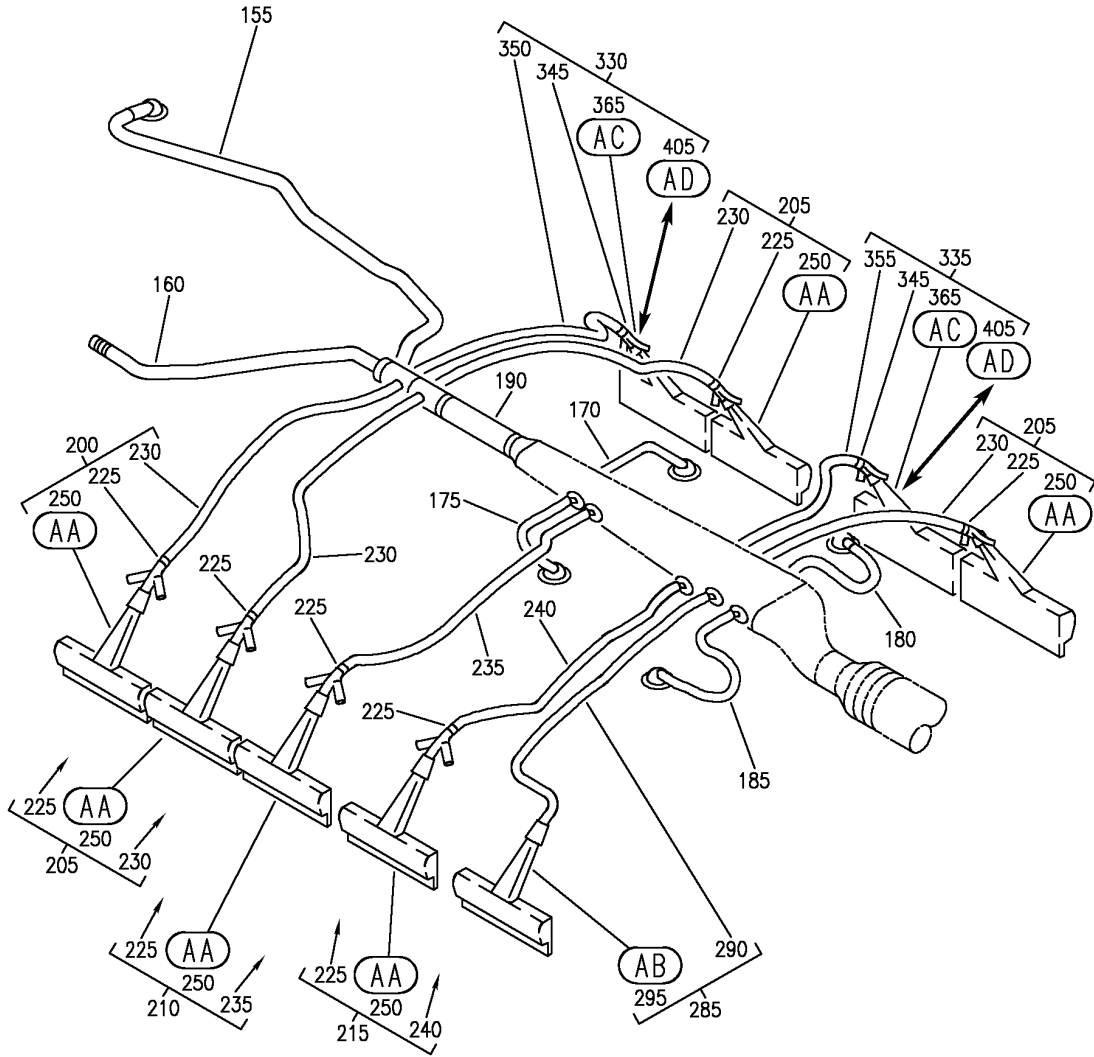
DUCT INSTL-SIDEWALL AIR DISTR SYS
 FIGURE 42C (SHEET 10)

21-23-51-42C

HAP
 FEB 10/07

21-23-51-42C
 PAGE 01

BOEING
 737-600/700/800/900
 PARTS CATALOG (MAINTENANCE)



(Y)

E 21235142C SHT 11 REV 151

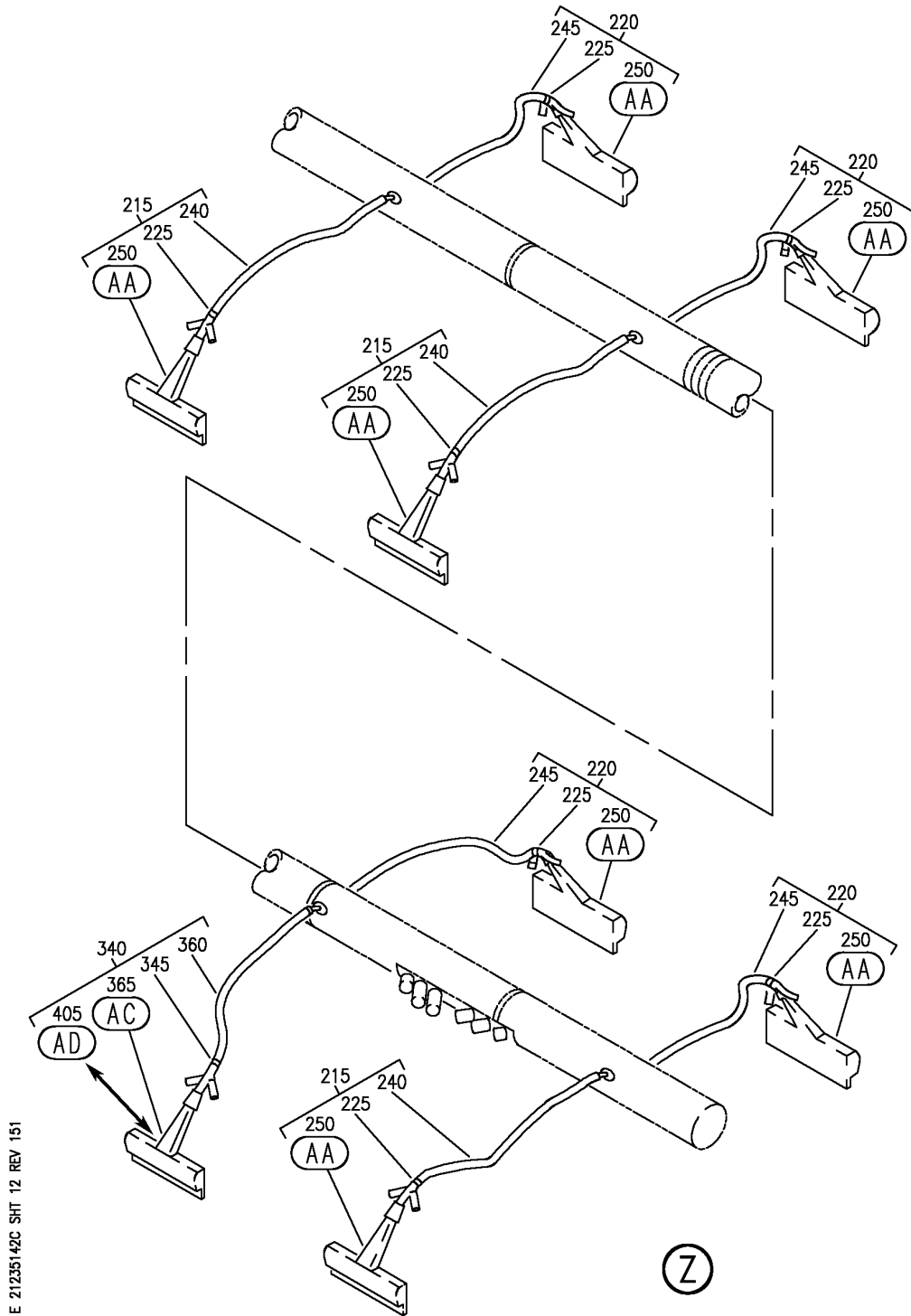
DUCT INSTL-SIDEWALL AIR DISTR SYS
 FIGURE 42C (SHEET 11)

21-23-51-42C

HAP
 FEB 15/09

21-23-51-42C
 PAGE 0J

BOEING
 737-600/700/800/900
 PARTS CATALOG (MAINTENANCE)



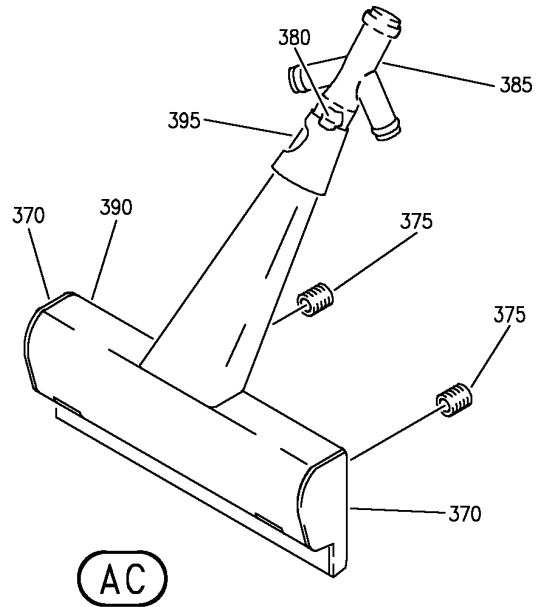
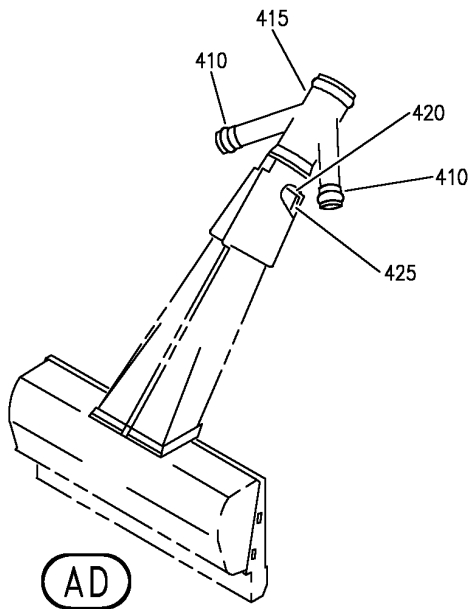
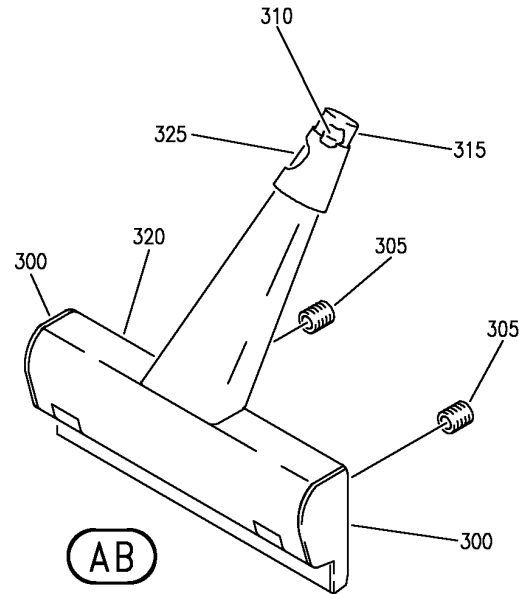
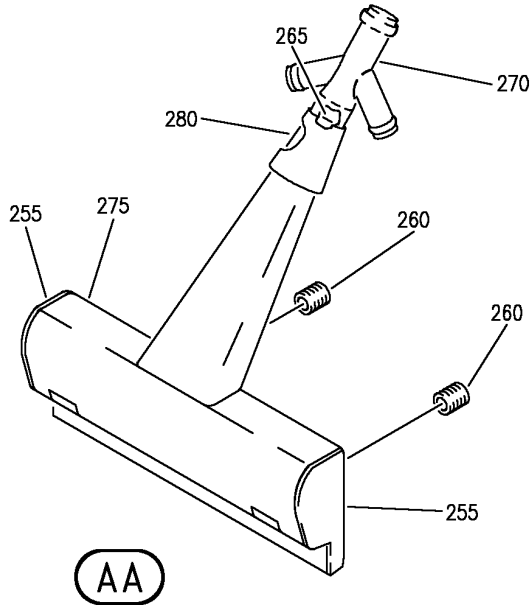
DUCT INSTL-SIDEWALL AIR DISTR SYS
 FIGURE 42C (SHEET 12)

21-23-51-42C

HAP
 FEB 15/09

21-23-51-42C
 PAGE OK

BOEING
 737-600/700/800/900
 PARTS CATALOG (MAINTENANCE)



E 212351-42C SHT 13 REV 151

DUCT INSTL-SIDEWALL AIR DISTR SYS
 FIGURE 42C (SHEET 13)

21-23-51-42C

HAP
 FEB 15/09

21-23-51-42C
 PAGE 01

BOEING
737-600/700/800/900
PARTS CATALOG (MAINTENANCE)

FIG ITEM	PART NUMBER	1 2 3 4 5 6 7	NOMENCLATURE	EFFECT FROM TO	UNITS PER ASSY
42C			DUCT INSTL-SIDEWALL AIR DISTR SYS	101101 968971	
- 1	MODREF246082		DUCT INSTL-SIDEWALL AIR DISTR SYS MODULE NUMBER: 214A2005-7 REV C	101101 968971	1
5	BACS12GP3L10		.SCREW	101101 968971	22
10	BACS12GP3L7		.SCREW	101101 968971	15
15	BACS12GP3L42		.SCREW	101101 968971	1
20	NAS43DD3-128FC		.SPACER	101101 968971	1
25	BACW10DZ3		.WASHER	101101 968971	16
30	PLT3SM		.STRAP SUPPLIER CODE: V06383 SPECIFICATION NUMBER: BACS38K7 OPTIONAL PART: T0510 V53421	101101 968971	42
35	PLT2IC		.STRAP SUPPLIER CODE: V06383 SPECIFICATION NUMBER: BACS38K10	101101 968971	21
40	TM2S8		.PLATE SUPPLIER CODE: V06383 SPECIFICATION NUMBER: STBP19M9	101101 968971	37
45	STBP19M12		.PLATE- SUPPLIER CODE: V1B249	101101 968971	1
50	214N5054-8		.SUPPORT ASSY	101101 968971	14
55	2055155-7A		..CLIP- SUPPLIER CODE: V04169	101101 968971	1
60	411N4026-2		..CAP ASSY- OPTIONAL PART: 411N4026-10	101101 968971	1
60	411N4026-10		..CAP ASSY- OPTIONAL PART: 411N4026-2	101101 968971	1

MISSING ITEM NUMBERS NOT APPLICABLE

- ITEM NOT ILLUSTRATED

HAP

21-23-51-42C

BOEING PROPRIETARY - Copyright © - Unpublished Work - See title page for details.

21-23-51
FIG. 42C
PAGE 1
FEB 15/08

BOEING
737-600/700/800/900
PARTS CATALOG (MAINTENANCE)

FIG ITEM	PART NUMBER	1 2 3 4 5 6 7	NOMENCLATURE	EFFECT FROM TO	UNITS PER ASSY
42C					
65	411A4902-6	.CLIP	ASSY	101101 968971	4
70	MS16562-194	..PIN		101101 968971	1
75	411A4902-8	..CLIP		101101 968971	1
80	411A4902-3	..BODY	ASSY	101101 968971	1
85	H02030-2L	...INSERT-		101101 968971	2
			SUPPLIER CODE: V07EU2		
90	BACS38P5	.SUPPORT	ASSY	101101 968971	2
95	BACS12GU3K11	.SCREW		101101 968971	1
100	BACS12GU3K7	.SCREW		101101 968971	3
105	PLH53CD	.NUT		101101 968971	1
			SUPPLIER CODE: VF0224		
			SPECIFICATION NUMBER: BACN10YR3CD		
			OPTIONAL PART: H52732-3CD		
			V15653		
110	S717-118	.CLAMP		101101 968971	2
			SUPPLIER CODE: V18076		
			SPECIFICATION NUMBER: BACC10GU118		
			OPTIONAL PART: JM44LC39S118RG		
			V22175		
			534CS118		
			V83930		
115	NAS1922-0275-3	.CLAMP		101101 968971	4
120	NAS1922-0150-3	.CLAMP		101101 968971	1
125	214T3424-4	.SUPPORT		101101 968971	1
130	69B43325-13	.CONNECTOR		101101 968971	1
140	12-1000	.CAP-END		101101 968971	13
			SUPPLIER CODE: V25205		
145	BACD40P3A180	.DUCT		101101 968971	18

MISSING ITEM NUMBERS NOT APPLICABLE

— ITEM NOT ILLUSTRATED

HAP

21-23-51-42C

BOEING PROPRIETARY - Copyright © - Unpublished Work - See title page for details.

21-23-51
FIG. 42C
PAGE 2
FEB 15/09

BOEING
737-600/700/800/900
PARTS CATALOG (MAINTENANCE)

FIG ITEM	PART NUMBER	1 2 3 4 5 6 7	NOMENCLATURE	EFFECT FROM TO	UNITS PER ASSY
42C					
150	BACD40P3A280	.DUCT		101101 968971	1
155	BOE240312035205	.HOSE-FLEX		101101 968971	1
160	BCREF129513	.DUCT-	OVERLENGTH PART NUMBER: BACD40V1206-0422	101101 968971	1
165	65C36914-3	.DUCT-		101101 968971	1
167	65C36914-6	.DUCT-		101101 968971	1
170	AS1591-06-0240A	.HOSE		101101 968971	1
175	AS1591-06-0200A	.HOSE		101101 968971	1
180	AS1591-06-0270A	.HOSE		101101 968971	1
185	AS1591-06-0220A	.HOSE		101101 968971	1
190	AS1591-12-0100A	.HOSE		101101 968971	1
195	BACS12FA08K6	.SCREW		101101 968971	34
200	214A2113-365	.HOSE ASSY		101101 968971	1
205	214A2113-351	.HOSE ASSY		101101 968971	3
210	214A2113-346	.HOSE ASSY		101101 968971	1
215	214A2113-344	.HOSE ASSY		101101 968971	4
220	214A2113-355	.HOSE ASSY		101101 968971	4
225	PLT2IC	..STRAP	SUPPLIER CODE: V06383 SPECIFICATION NUMBER: BACS38K10	101101 968971	1
230	AS1591-06-0530A	..HOSE-	USED ON: 214A2113-351 214A2113-365	101101 968971	1
235	AS1591-06-0470A	..HOSE-	USED ON: 214A2113-346	101101 968971	1
240	AS1591-06-0450A	..HOSE-	USED ON: 214A2113-344	101101 968971	1

MISSING ITEM NUMBERS NOT APPLICABLE

— ITEM NOT ILLUSTRATED

HAP

21-23-51-42C

BOEING PROPRIETARY - Copyright © - Unpublished Work - See title page for details.

21-23-51
FIG. 42C
PAGE 3
OCT 15/08

BOEING
737-600/700/800/900
PARTS CATALOG (MAINTENANCE)

FIG ITEM	PART NUMBER	1 2 3 4 5 6 7	NOMENCLATURE	EFFECT FROM TO	UNITS PER ASSY
42C					
245	AS1591-06-0590A	..	HOSE- USED ON: 214A2113-355	101101 968971	1
250	214N2520-145	..	DIFFUSER ASSY	101101 968971	1
255	214N2520-142	...	PLATE-END	101101 968971	2
260	6035-2BR185	...	INSERT- SUPPLIER CODE: V01556	101101 968971	2
265	214N2145-6	...	PLATE-RESTRICTOR	101101 968971	1
270	214N2107-6	...	DUCT-BRANCH	101101 968971	1
275	214N2520-91	...	DIFFUSER	101101 968971	1
280	214N2520-69	...	LINING	101101 968971	1
285	214A2113-385	.	HOSE ASSY	101101 968971	1
290	AS1591-06-0510A	..	HOSE	101101 968971	1
295	214N2520-90	..	DIFFUSER ASSY	101101 968971	1
300	214N2520-7	...	PLATE-END OPTIONAL PART: 214N2520-142	101101 968971	2
300	214N2520-142	...	PLATE-END OPTIONAL PART: 214N2520-7	101101 968971	2
305	6035-2BR185	...	INSERT- SUPPLIER CODE: V01556	101101 968971	2
310	214N2145-6	...	PLATE-RESTRICTOR	101101 968971	1
315	214N2520-41	...	SLEEVE	101101 968971	1
320	214N2520-98	...	DIFFUSER	101101 968971	1
325	214N2520-69	...	LINING	101101 968971	1
330	214A2113-322	.	HOSE ASSY	101101 968971	1
335	214A2113-326	.	HOSE ASSY	101101 968971	1
340	214A2113-319	.	HOSE ASSY	101101 968971	1

MISSING ITEM NUMBERS NOT APPLICABLE

— ITEM NOT ILLUSTRATED

HAP

21-23-51-42C

BOEING PROPRIETARY - Copyright © - Unpublished Work - See title page for details.

21-23-51
FIG. 42C
PAGE 4
OCT 15/08

 **BOEING**
737-600/700/800/900
PARTS CATALOG (MAINTENANCE)

FIG ITEM	PART NUMBER	1 2 3 4 5 6 7	NOMENCLATURE	EFFECT FROM TO	UNITS PER ASSY
42C 345	PLT2IC	..	STRAP SUPPLIER CODE: V06383 SPECIFICATION NUMBER: BACS38K10	101101 968971	1
350	AS1591-06-0480A	..	HOSE- USED ON: 214A2113-322	101101 968971	1
355	AS1591-06-0520A	..	HOSE- USED ON: 214A2113-326	101101 968971	1
360	AS1591-06-0450A	..	HOSE- USED ON: 214A2113-319	101101 968971	1
365	214N2520-144	..	DIFFUSER ASSY-	101101 968971	1
370	214N2520-142	...	PLATE-END	101101 968971	2
375	6035-2BR185	...	INSERT- SUPPLIER CODE: V01556	101101 968971	2
380	214N2145-6	...	PLATE-RESTRICTOR	101101 968971	1
385	214N2107-6	...	DUCT-BRANCH	101101 968971	1
390	214N2520-91	...	DIFFUSER	101101 968971	1
395	214N2520-69	...	LINING	101101 968971	1
405	214N2520-200	..	DIFFUSER ASSY-	101101 968971	1
410	12-1000	...	CAP-END SUPPLIER CODE: V25205	101101 968971	2
415	214N2107-11	...	DUCT-BRANCH	101101 968971	1
420	214N2145-5	...	PLATE-RESTRICTOR	101101 968971	1
425	214N2520-69	...	LINING	101101 968971	1

MISSING ITEM NUMBERS NOT APPLICABLE

- ITEM NOT ILLUSTRATED

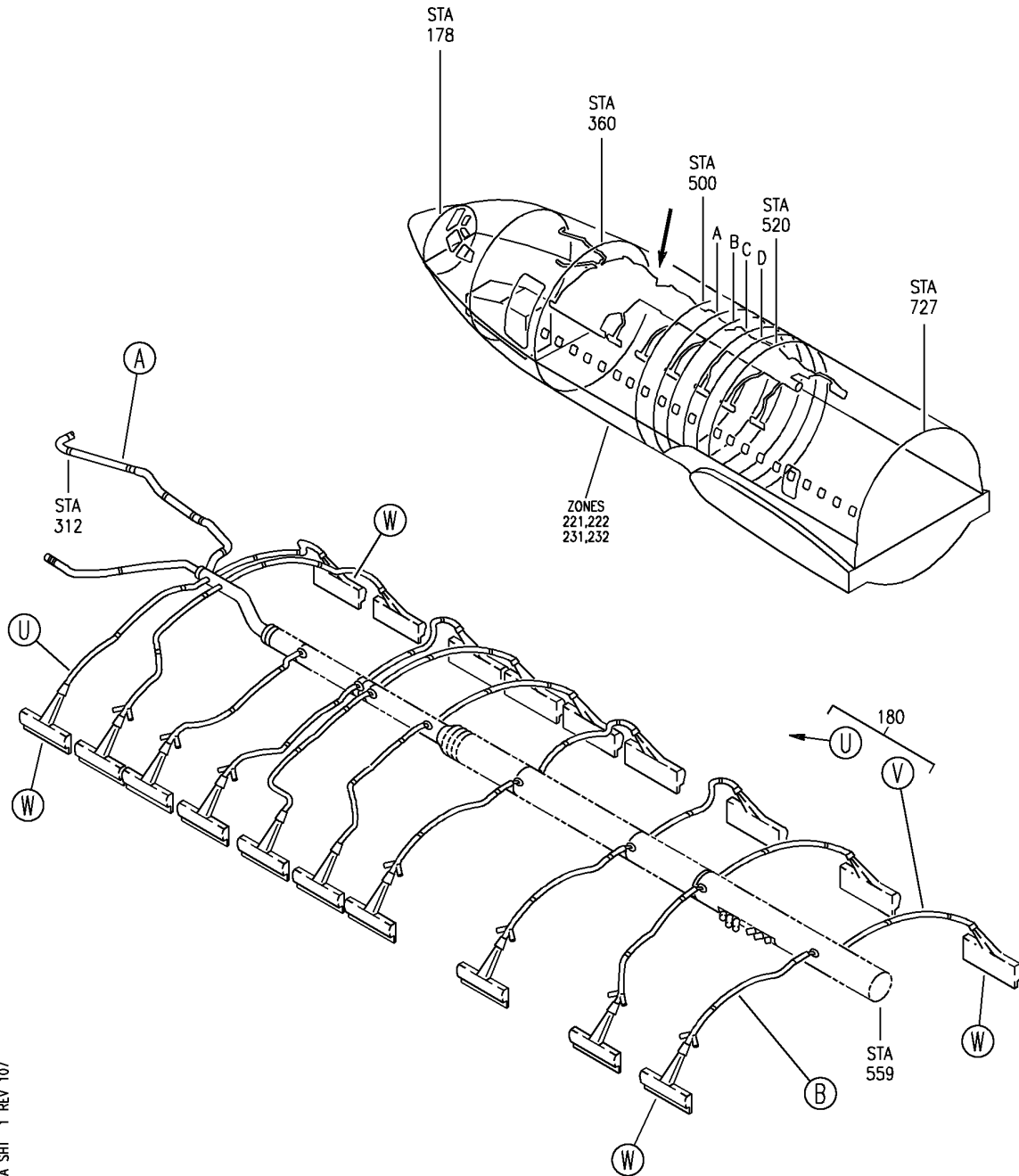
HAP

21-23-51-42C

BOEING PROPRIETARY - Copyright © - Unpublished Work - See title page for details.

21-23-51
FIG. 42C
PAGE 5
FEB 15/09

BOEING
 737-600/700/800/900
 PARTS CATALOG (MAINTENANCE)



E 21235143A SHT 1 REV 107

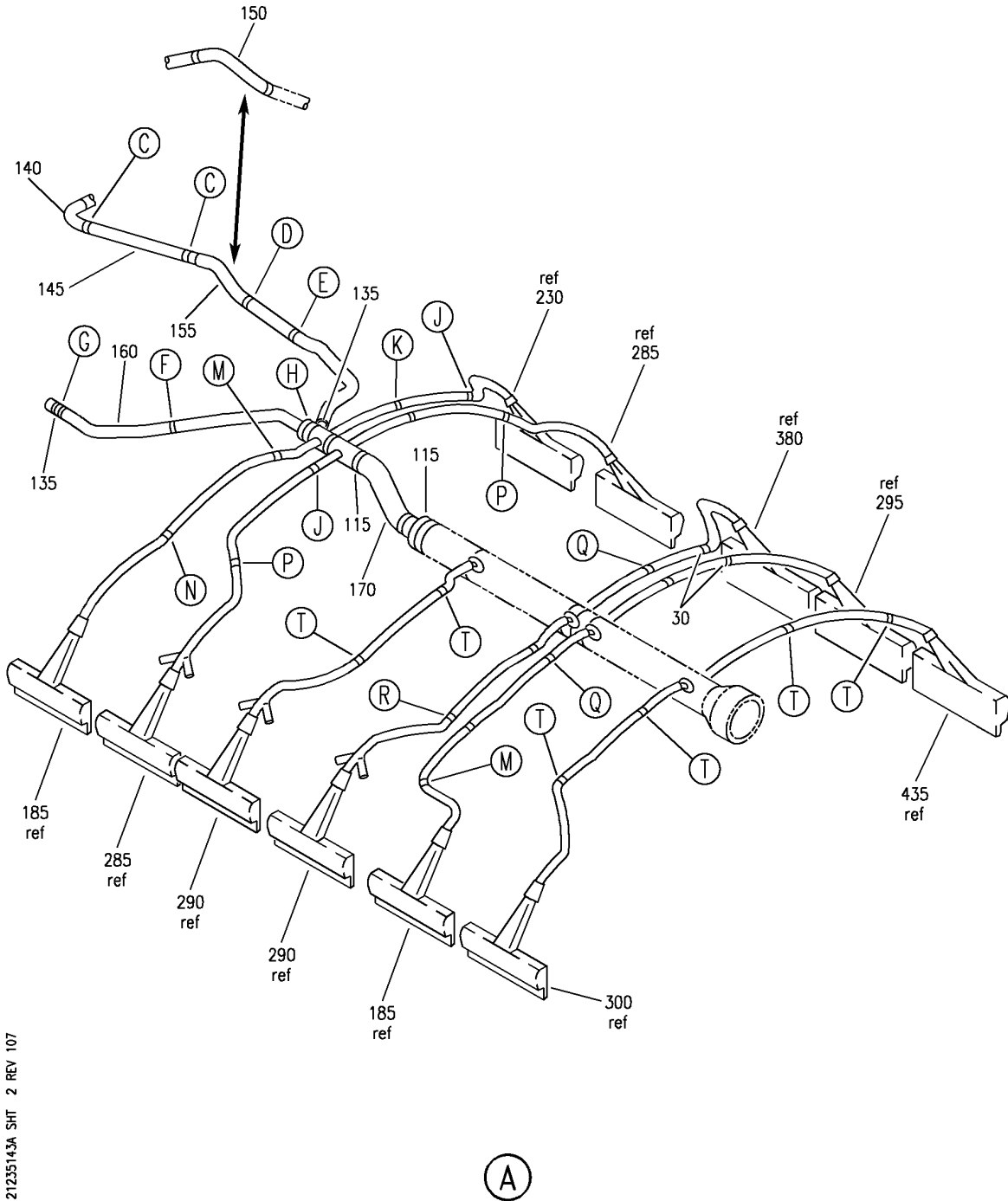
DUCT INSTL-SIDEWALL AIR DISTR SYS
 FIGURE 43A (SHEET 1)

21-23-51-43A

HAP
 OCT 15/08

21-23-51-43A
 PAGE 0

BOEING
 737-600/700/800/900
 PARTS CATALOG (MAINTENANCE)



E 21235143A SHT 2 REV 107

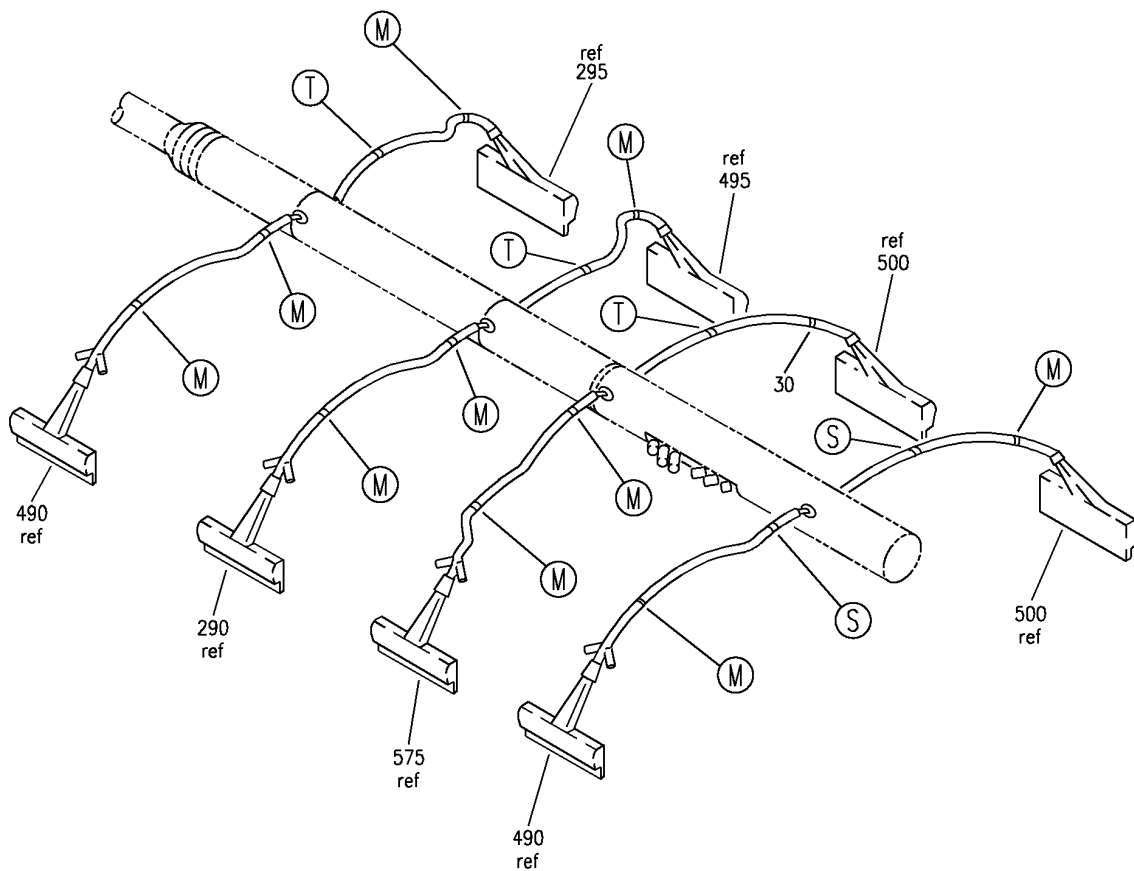
DUCT INSTL-SIDEWALL AIR DISTR SYS
 FIGURE 43A (SHEET 2)

21-23-51-43A

HAP
 OCT 15/08

21-23-51-43A
 PAGE 0A

BOEING
 737-600/700/800/900
 PARTS CATALOG (MAINTENANCE)



E 21235143A SHT 3 REV 107

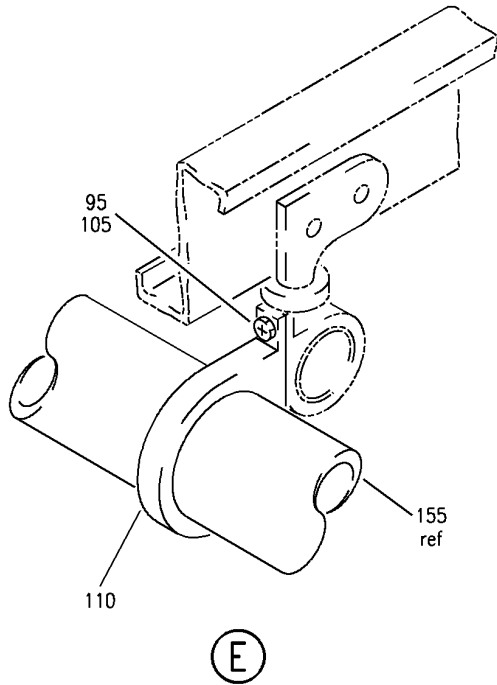
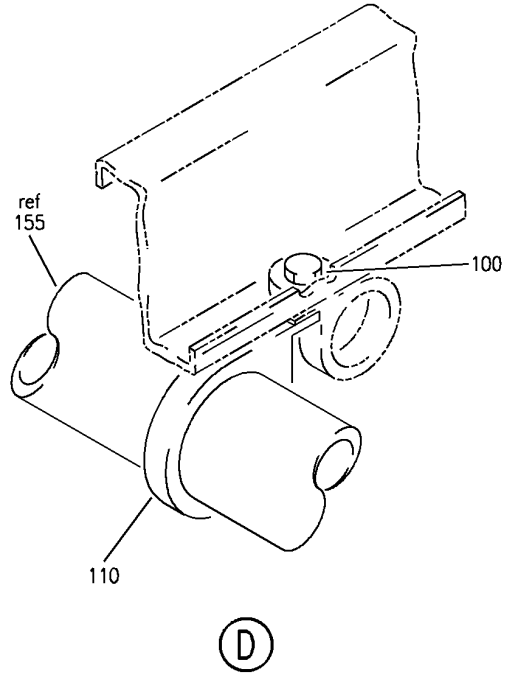
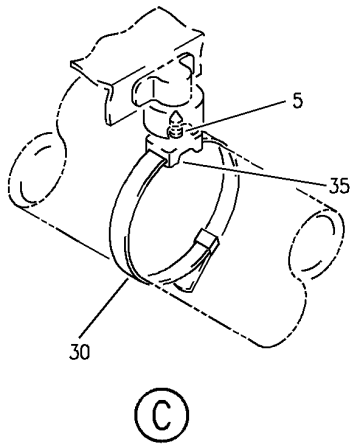
(B)

DUCT INSTL-SIDEWALL AIR DISTR SYS
 FIGURE 43A (SHEET 3)

21-23-51-43A

HAP
 OCT 15/08

21-23-51-43A
 PAGE 0B



E 21235143A SHT 4 REV 107

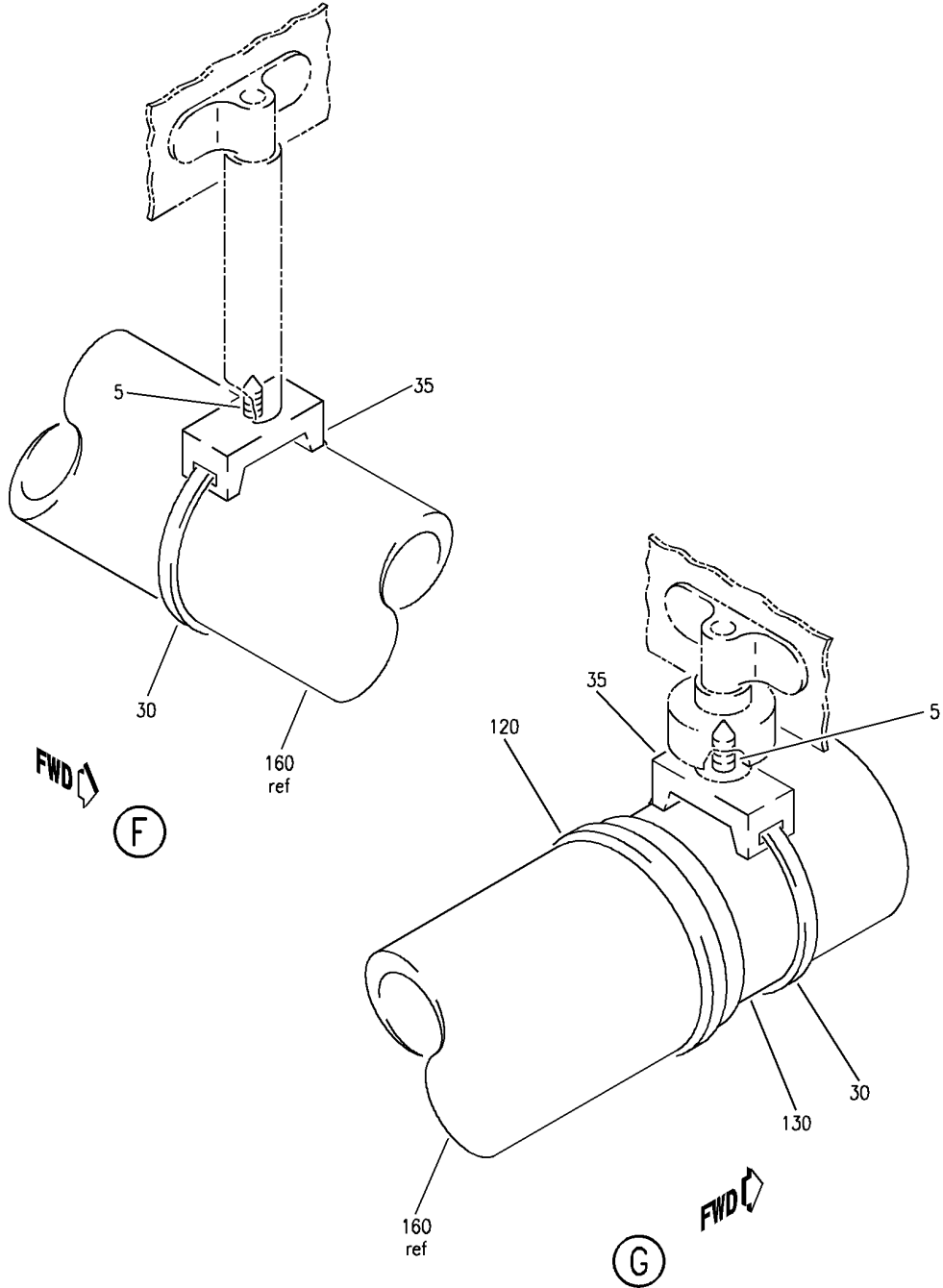
DUCT INSTL-SIDEWALL AIR DISTR SYS
 FIGURE 43A (SHEET 4)

21-23-51-43A

HAP
 OCT 15/08

21-23-51-43A
 PAGE 0C

BOEING
737-600/700/800/900
PARTS CATALOG (MAINTENANCE)



E 21235143A SHT 5 REV 107

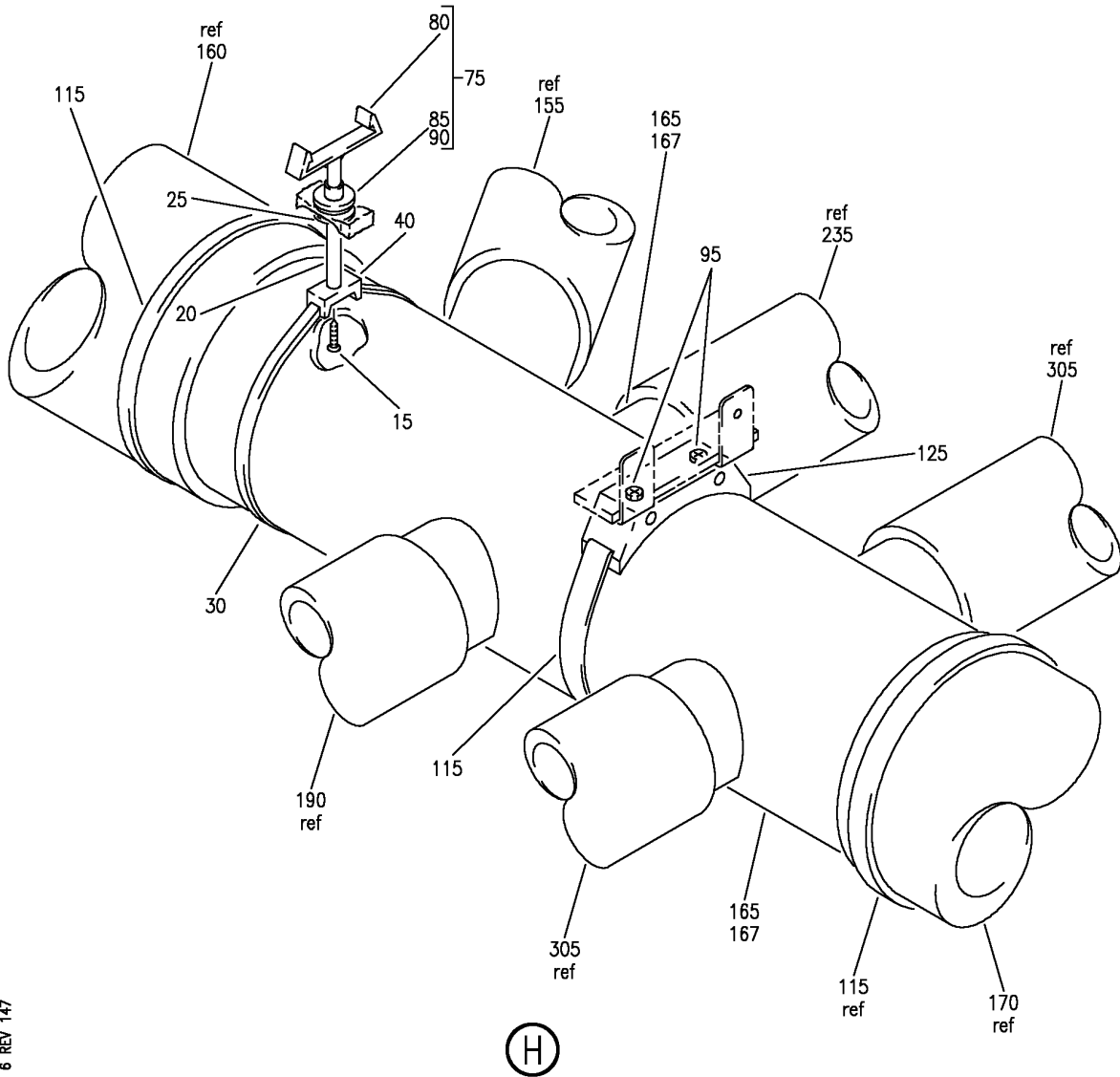
DUCT INSTL-SIDEWALL AIR DISTR SYS
FIGURE 43A (SHEET 5)

HAP
OCT 15/08

21-23-51-43A

21-23-51-43A
PAGE 0D

BOEING
 737-600/700/800/900
 PARTS CATALOG (MAINTENANCE)



E 21235143A SHIT 6 REV 147

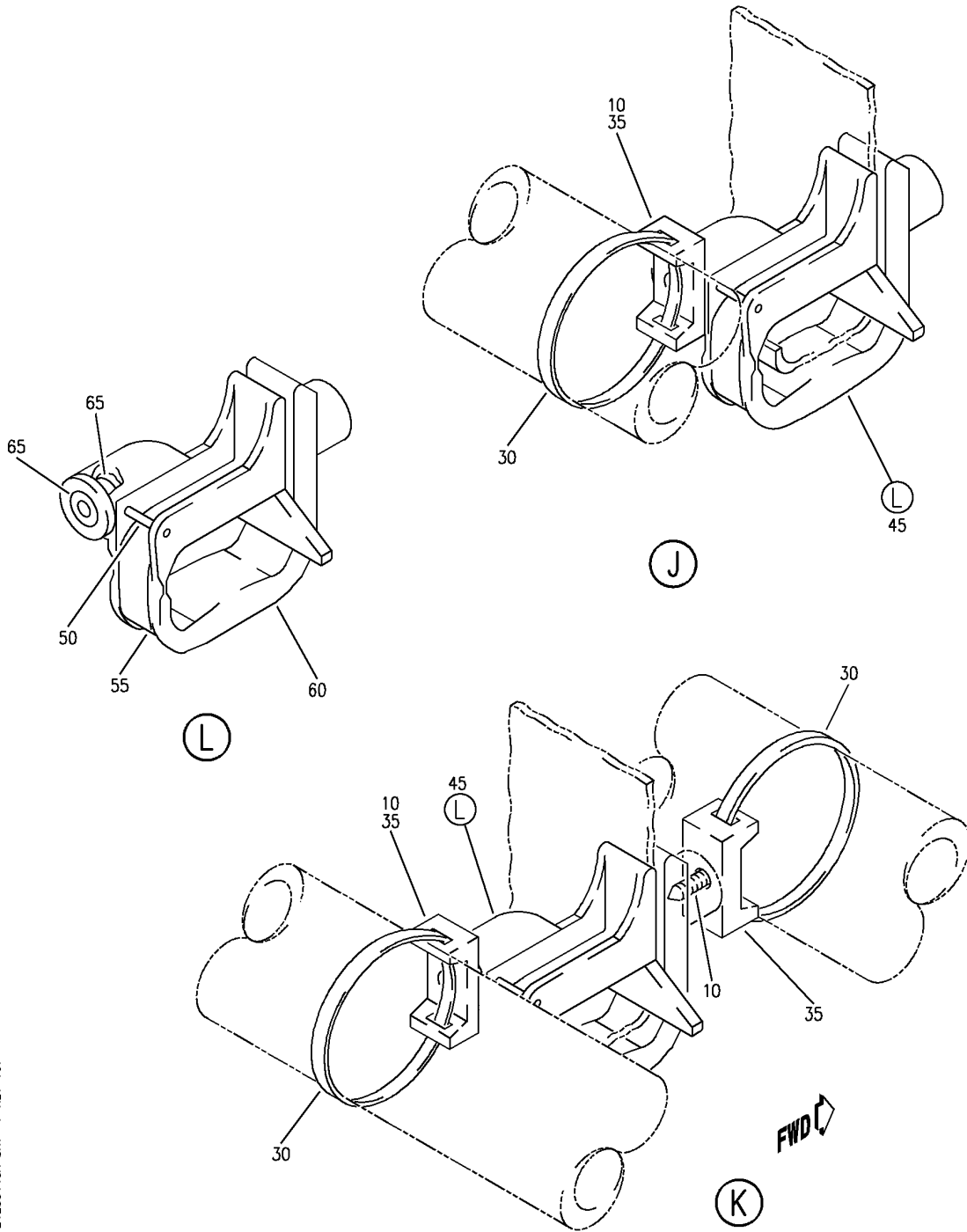
DUCT INSTL-SIDEWALL AIR DISTR SYS
 FIGURE 43A (SHEET 6)

21-23-51-43A

HAP
 OCT 15/08

21-23-51-43A
 PAGE 0E

BOEING
 737-600/700/800/900
 PARTS CATALOG (MAINTENANCE)



E 21235143A SHT 7 REV 107

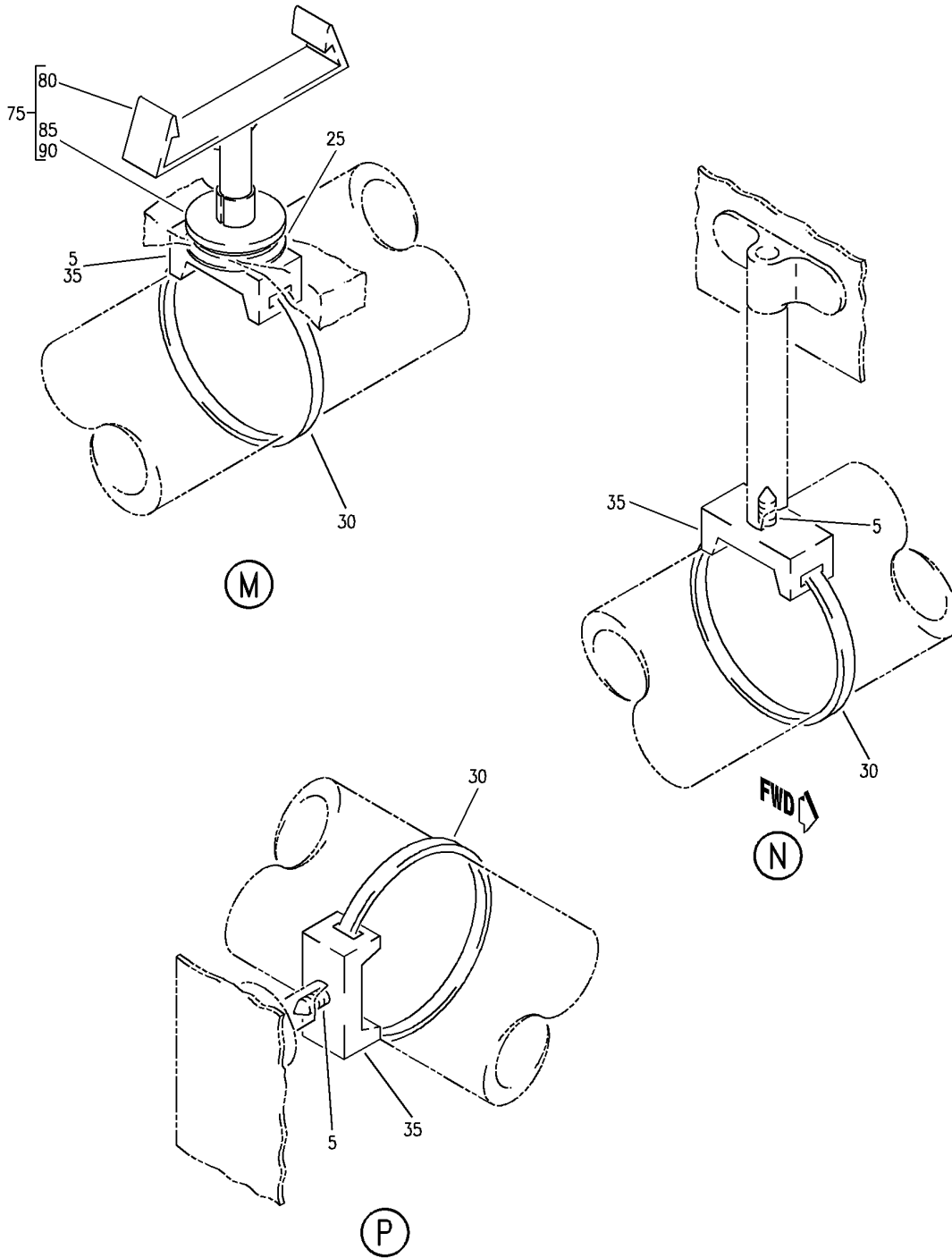
DUCT INSTL-SIDEWALL AIR DISTR SYS
 FIGURE 43A (SHEET 7)

21-23-51-43A

HAP
 OCT 15/08

21-23-51-43A
 PAGE OF

BOEING
 737-600/700/800/900
 PARTS CATALOG (MAINTENANCE)



E 21235143A SHT 8 REV 107

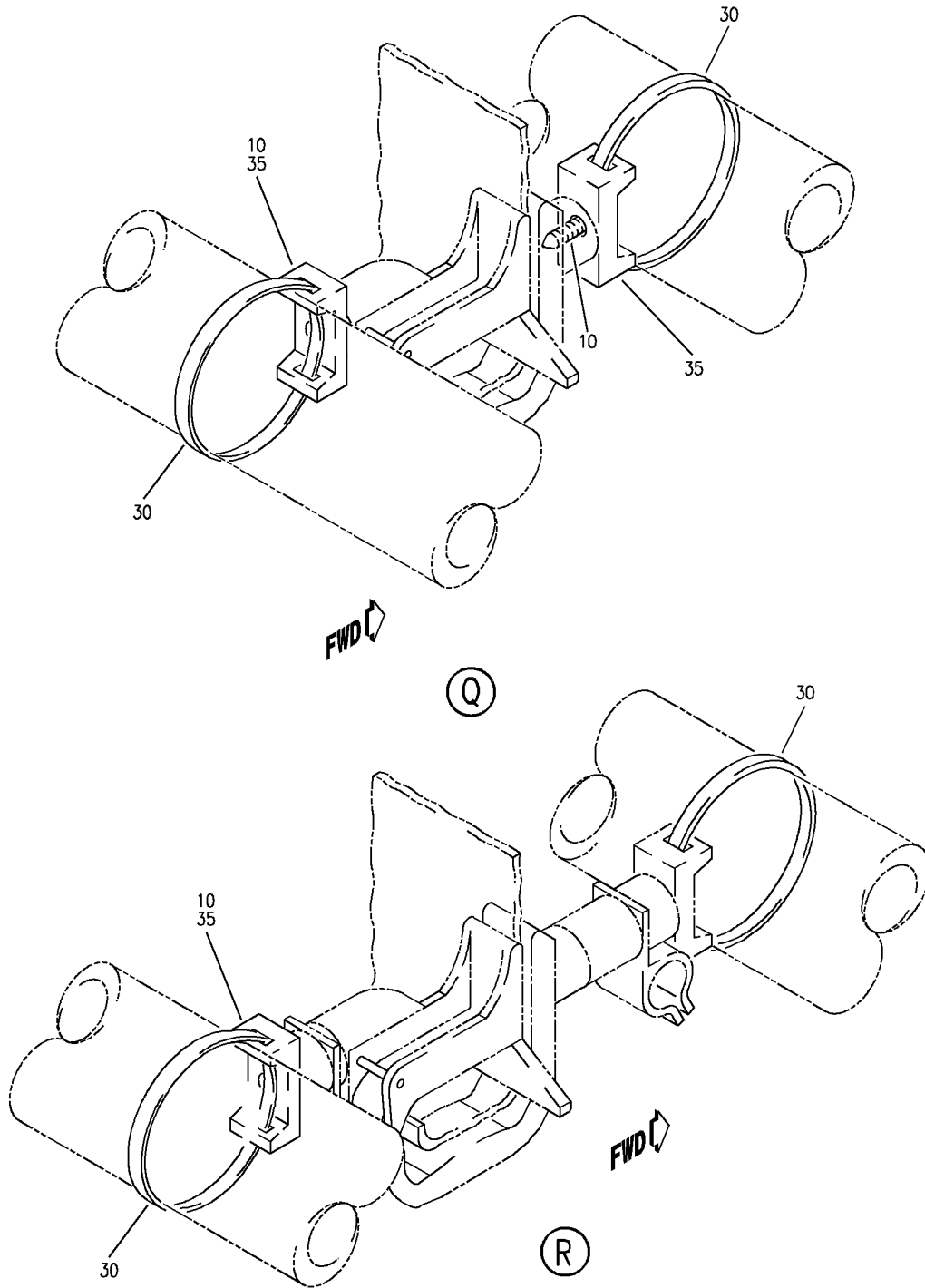
DUCT INSTL-SIDEWALL AIR DISTR SYS
 FIGURE 43A (SHEET 8)

21-23-51-43A

HAP
 OCT 15/08

21-23-51-43A
 PAGE 08

BOEING
737-600/700/800/900
PARTS CATALOG (MAINTENANCE)



E 21235143A SHT 9 REV 107

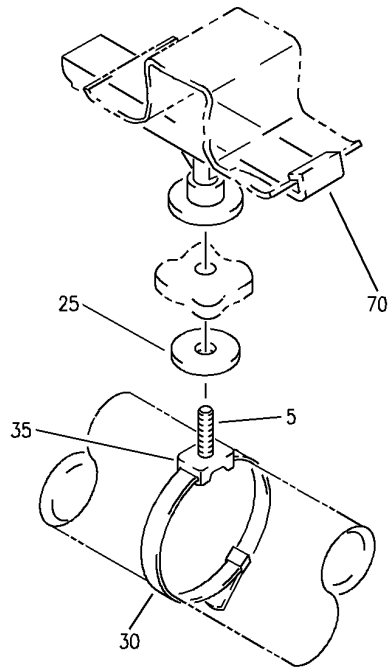
DUCT INSTL-SIDEWALL AIR DISTR SYS
FIGURE 43A (SHEET 9)

21-23-51-43A

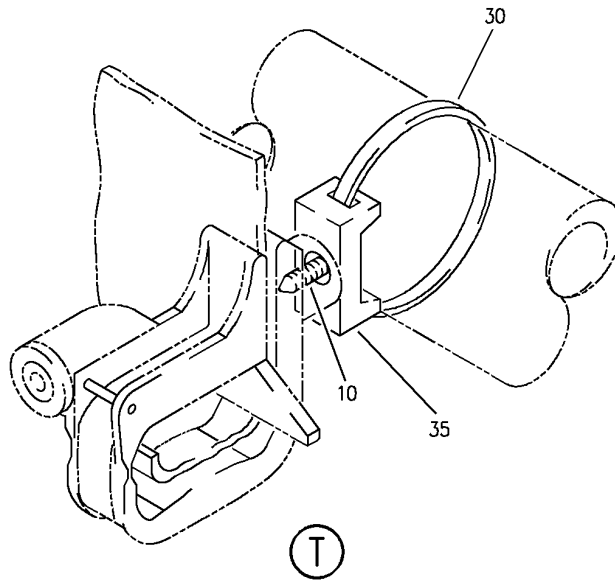
HAP
OCT 15/08

21-23-51-43A
PAGE 0H

BOEING
737-600/700/800/900
PARTS CATALOG (MAINTENANCE)



(S)



(T)

E 21235143A SHT 10 REV 107

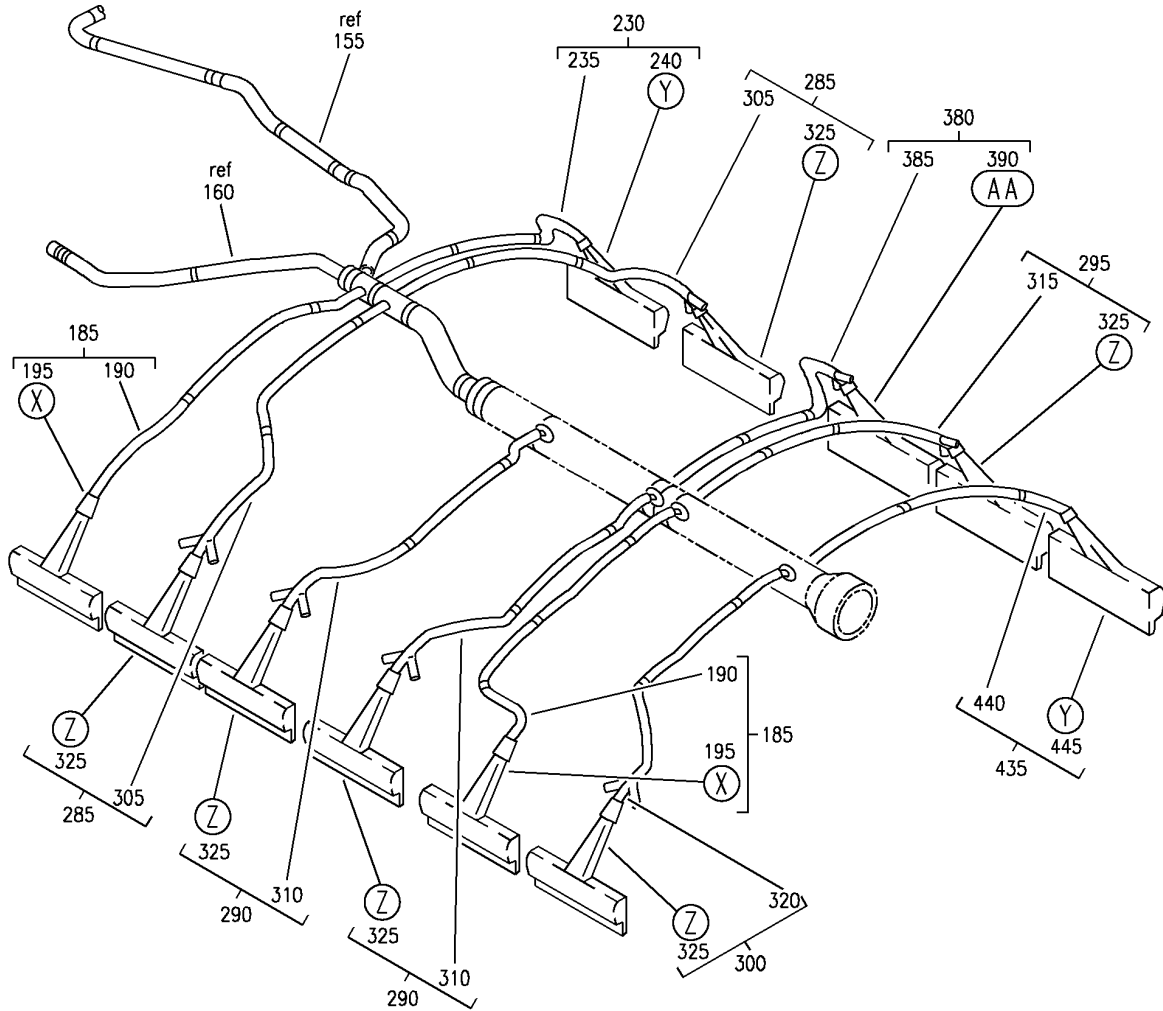
DUCT INSTL-SIDEWALL AIR DISTR SYS
FIGURE 43A (SHEET 10)

21-23-51-43A

HAP
OCT 15/08

21-23-51-43A
PAGE 01

BOEING
 737-600/700/800/900
 PARTS CATALOG (MAINTENANCE)



E 21235143A SHT 11 REV 107

U

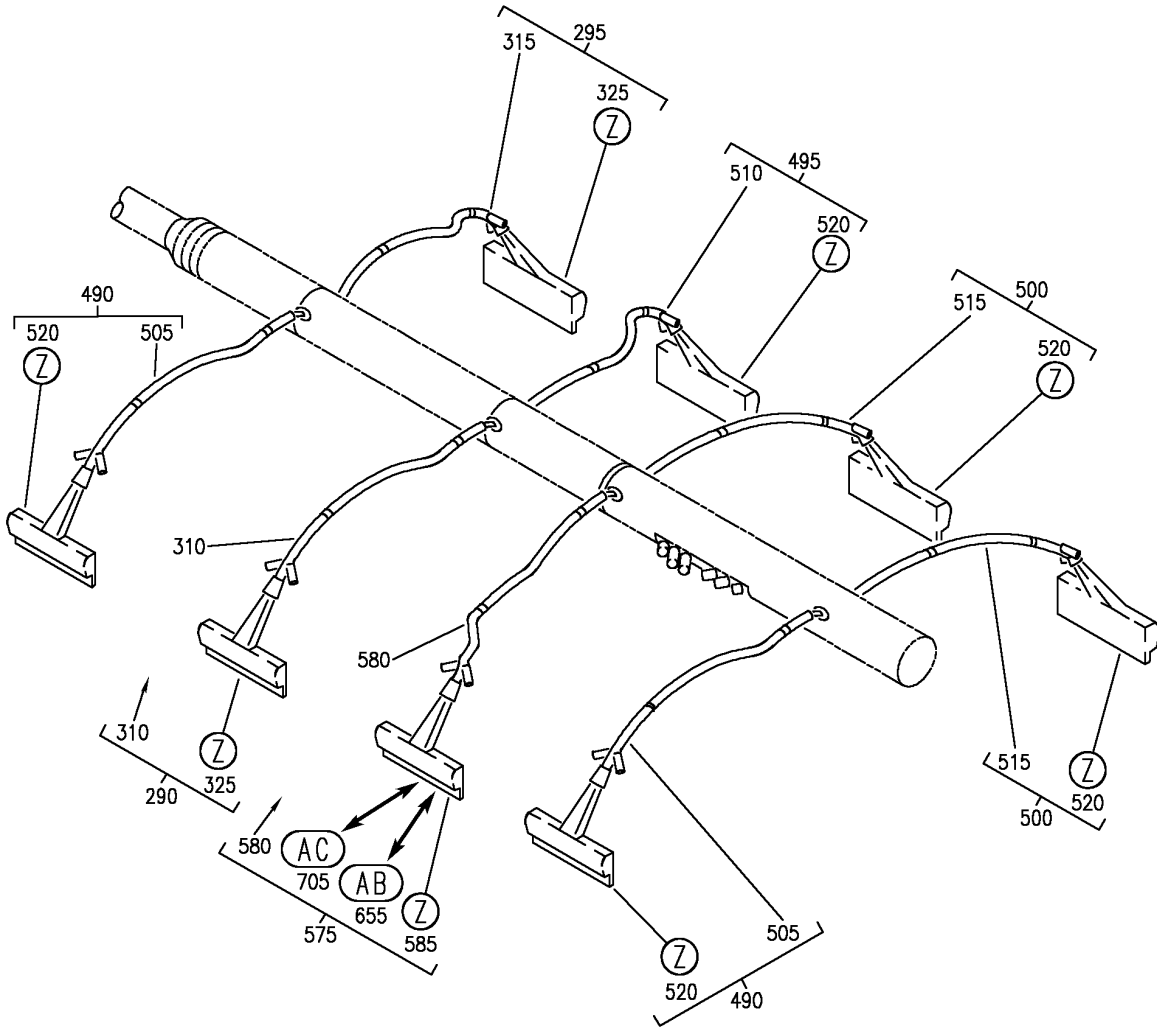
DUCT INSTL-SIDEWALL AIR DISTR SYS
 FIGURE 43A (SHEET 11)

21-23-51-43A

HAP
 OCT 15/08

21-23-51-43A
 PAGE 0J

BOEING
 737-600/700/800/900
 PARTS CATALOG (MAINTENANCE)



(V)

E 212351-43A SHT 12 REV 151

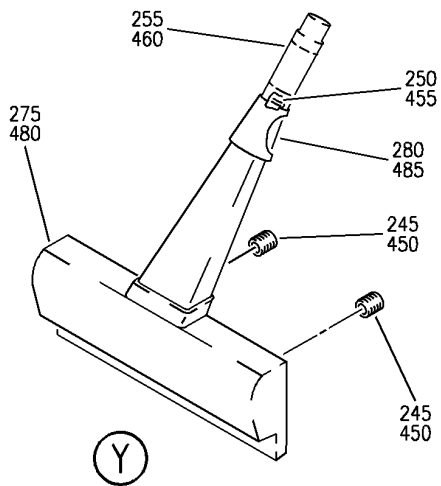
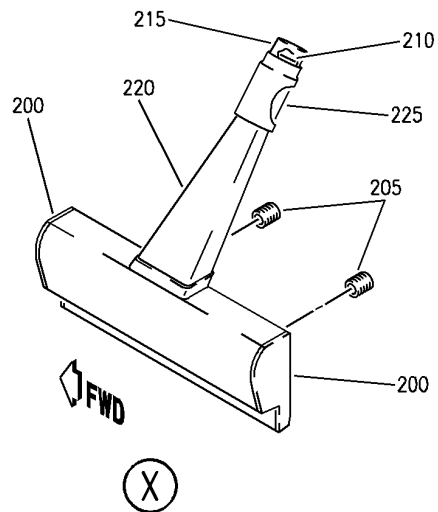
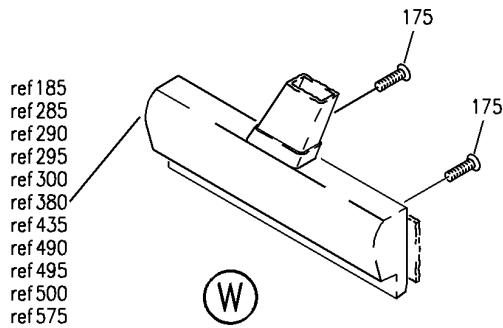
DUCT INSTL-SIDEWALL AIR DISTR SYS
 FIGURE 43A (SHEET 12)

21-23-51-43A

HAP
 FEB 15/09

21-23-51-43A
 PAGE OK

BOEING
 737-600/700/800/900
 PARTS CATALOG (MAINTENANCE)



E 21235143A SHT 13 REV 107

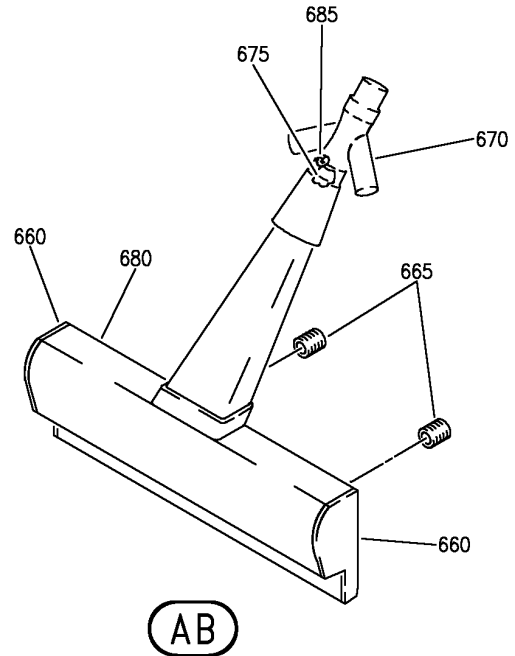
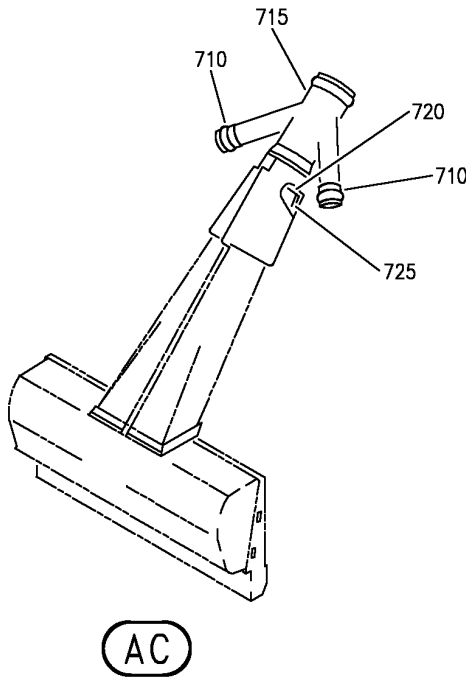
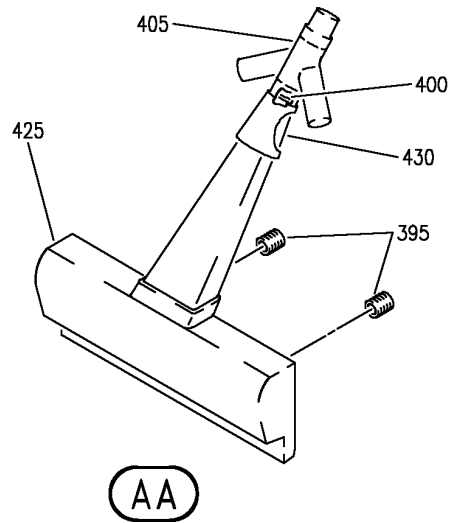
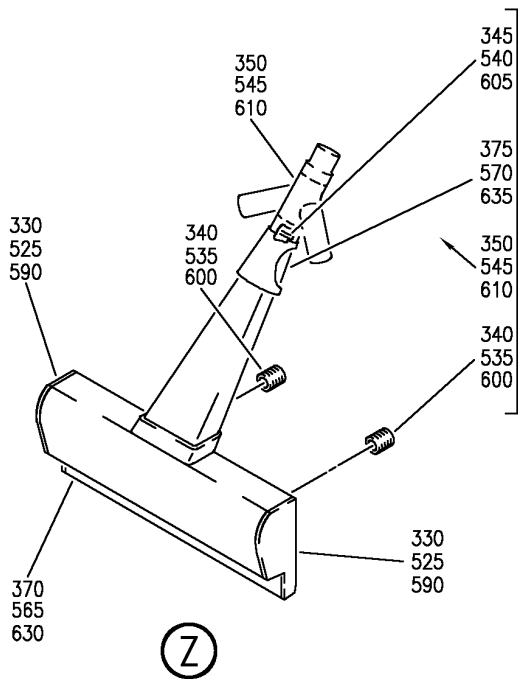
DUCT INSTL-SIDEWALL AIR DISTR SYS
 FIGURE 43A (SHEET 13)

21-23-51-43A

HAP
 OCT 15/08

21-23-51-43A
 PAGE 01

BOEING
 737-600/700/800/900
 PARTS CATALOG (MAINTENANCE)



E 21235143A SHT 14 REV 151

DUCT INSTL-SIDEWALL AIR DISTR SYS
 FIGURE 43A (SHEET 14)

21-23-51-43A

HAP
 FEB 15/09

21-23-51-43A
 PAGE 0M

BOEING
737-600/700/800/900
PARTS CATALOG (MAINTENANCE)

FIG ITEM	PART NUMBER	1 2 3 4 5 6 7	NOMENCLATURE	EFFECT FROM TO	UNITS PER ASSY
43A			DUCT INSTL-SIDEWALL AIR DISTR SYS	201967	
- 1	214A2005-13		DUCT INSTL-SIDEWALL AIR DISTR SYS FOR NHA SEE: 21-20-00-09B	201967	1
5	BACS12GP3L10		.SCREW	201967	21
10	BACS12GP3L7		.SCREW	201967	18
15	BACS12GP3L42		.SCREW	201967	1
20	NAS43DD3-128FC		.SPACER	201967	1
25	BACW10DZ3		.WASHER	201967	15
30	PLT3SM		.STRAP SUPPLIER CODE: V06383 SPECIFICATION NUMBER: BACS38K7 OPTIONAL PART: T0510 V53421	201967	44
35	TM2S8		.PLATE-MTG SUPPLIER CODE: V06383 SPECIFICATION NUMBER: STBP19M9	201967	39
40	STBP19M12		.PLATE-MTG SUPPLIER CODE: V1B249	201967	1
45	411A4902-6		.CLIP ASSY-RTNR	201967	3
50	MS16562-194		..PIN	201967	1
55	411A4902-8		..CLIP-SPR	201967	1
60	411A4902-3		..BODY ASSY-CLIP BODY	201967	1
65	H02030-2L		...INSERT- SUPPLIER CODE: V07EU2	201967	2
70	BACS38P5		.SUPPORT ASSY	201967	2
75	214N5054-8		.SUPPORT ASSY	201967	13
80	2055155-7A		..CLIP-STGR SUPPLIER CODE: V04169	201967	1
85	411N4026-2		..CAP ASSY- OPTIONAL PART: 411N4026-10	201967	1
85	411N4026-10		..CAP ASSY- OPTIONAL PART: 411N4026-2	201967	1
90	411N4026-5		...CAP- USED ON: 411N4026-2	201967	1

MISSING ITEM NUMBERS NOT APPLICABLE

- ITEM NOT ILLUSTRATED

HAP

21-23-51-43A

BOEING PROPRIETARY - Copyright © - Unpublished Work - See title page for details.

21-23-51
FIG. 43A
PAGE 1
OCT 15/08

BOEING
737-600/700/800/900
PARTS CATALOG (MAINTENANCE)

FIG ITEM	PART NUMBER	1 2 3 4 5 6 7	NOMENCLATURE	EFFECT FROM TO	UNITS PER ASSY
43A 90	411N4026-11	...	CAP- USED ON: 411N4026-10	201967	1
95	BACS12GU3K7	.	SCREW	201967	3
100	BACS12GU3K11	.	SCREW	201967	1
105	PLH53CD	.	NUT	201967	1
			SUPPLIER CODE: VF0224 SPECIFICATION NUMBER: BACN10YR3CD OPTIONAL PART: H52732-3CD V15653		
110	S717-118	.	CLAMP SUPPLIER CODE: V18076 SPECIFICATION NUMBER: BACC10GU118 OPTIONAL PART: JM44LC39S118RG V22175 534CS118 V83930	201967	2
115	NAS1922-0275-3	.	CLAMP	201967	4
120	NAS1922-0150-3	.	CLAMP	201967	1
125	214T3424-4	.	SUPPORT	201967	1
130	69B43325-13	.	CONNECTOR	201967	1
135	214T3436-619	.	ORIFICE ASSY	201967	2
140	BWT10-2120080F	.	HOSE-FLEX QUICK ATTACH CUFF SUPPLIER CODE: VK2962	201967	1
145	214A2112-1	.	DUCT	201967	1
150	AS1591-06-0600A	.	HOSE	201967	1
160	BCREF129513	.	DUCT- OVERLENGTH PART NUMBER: BACD40V1206-0422	201967	1
165	65C36914-3	.	DUCT-BRANCH	201967	1
167	65C36914-6	.	DUCT-BRANCH	201967	1
170	AS1591-12-0232A	.	DUCT	201967	1
175	BACS12FA08K6	.	SCREW	201967	38
180	214A2005-14	.	HOSE ASSY-SET	201967	1
185	214A2113-23	..	HOSE ASSY	201967	2
190	AS1591-06-0530A	...	HOSE	201967	1
195	214N2520-90	...	DIFFUSER ASSY	201967	1
200	214N2520-7	...	PLATE-END OPTIONAL PART: 214N2520-142	201967	2

MISSING ITEM NUMBERS NOT APPLICABLE

— ITEM NOT ILLUSTRATED

HAP

21-23-51-43A

BOEING PROPRIETARY - Copyright © - Unpublished Work - See title page for details.

21-23-51
FIG. 43A
PAGE 2
FEB 15/09

 **BOEING**
737-600/700/800/900
PARTS CATALOG (MAINTENANCE)

FIG ITEM	PART NUMBER	1 2 3 4 5 6 7	NOMENCLATURE	EFFECT FROM TO	UNITS PER ASSY
43A					
200	214N2520-142	...	PLATE-END OPTIONAL PART: 214N2520-7	201967	2
205	6035-2BR185	...	INSERT- SUPPLIER CODE: V01556	201967	2
210	214N2145-6	...	PLATE-RESTRICTOR	201967	1
215	214N2520-41	...	SLEEVE	201967	1
220	214N2520-98	...	DIFFUSER	201967	1
225	214N2520-69	...	LINING	201967	1
230	214A2113-4	..	HOSE ASSY	201967	1
235	AS1591-06-0480A	...	HOSE	201967	1
240	214N2520-83	...	DIFFUSER ASSY	201967	1
245	6035-2BR185	INSERT- SUPPLIER CODE: V01556	201967	2
250	214N2145-5	PLATE-RESTRICTOR	201967	1
255	214N2107-4	DUCT-BRANCH	201967	1
- 260	214N2520-77	INLET ASSY	201967	1
- 265	214N2520-79	CAP-INLET	201967	1
- 270	214N2520-78	INLET	201967	1
275	214N2520-91	DIFFUSER	201967	1
280	214N2520-69	LINING	201967	1
285	214A2113-161	..	HOSE ASSY	201967	2
290	214A2113-154	..	HOSE ASSY	201967	3
295	214A2113-168	..	HOSE ASSY	201967	2
300	214A2113-159	..	HOSE ASSY	201967	1
305	AS1591-06-0530A	...	HOSE- USED ON: 214A2113-161	201967	1
310	AS1591-06-0460A	...	HOSE- USED ON: 214A2113-154	201967	1
315	AS1591-06-0600A	...	HOSE- USED ON: 214A2113-168	201967	1
320	AS1591-06-0510A	...	HOSE- USED ON: 214A2113-159	201967	1
325	214N2520-82	...	DIFFUSER ASSY	201967	1
330	214N2520-7	PLATE-END	201967	2
335	214N2520-96	DIFFUSER ASSY- ALTERED FROM PART NUMBER: 214N2520-86	201967	1
340	6035-2BR185	INSERT- SUPPLIER CODE: V01556	201967	2
345	214N2145-6	PLATE-RESTRICTOR	201967	1
350	214N2107-2	DUCT-BRANCH	201967	1

MISSING ITEM NUMBERS NOT APPLICABLE

- ITEM NOT ILLUSTRATED

HAP

21-23-51-43A

21-23-51
FIG. 43A
PAGE 3
OCT 15/08

BOEING
737-600/700/800/900
PARTS CATALOG (MAINTENANCE)

FIG ITEM	PART NUMBER	1 2 3 4 5 6 7	NOMENCLATURE	EFFECT FROM TO	UNITS PER ASSY
43A					
- 355	214N2520-77	INLET ASSY	201967	1
- 360	214N2520-79	CAP	201967	1
- 365	214N2520-78	INLET	201967	1
370	214N2520-91	DIFFUSER	201967	1
375	214N2520-69	LINING	201967	1
380	214A2113-216	..	HOSE ASSY	201967	1
385	AS1591-06-0590A	...	HOSE	201967	1
390	214N2520-80	...	DIFFUSER ASSY	201967	1
395	6035-2BR185	INSERT-	201967	2
			SUPPLIER CODE: V01556		
400	214N2145-5	PLATE-RESTRICTOR	201967	1
405	214N2107-2	DUCT-BRANCH	201967	1
- 410	214N2520-77	INLET ASSY	201967	1
- 415	214N2520-79	CAP-INLET	201967	1
- 420	214N2520-78	INLET	201967	1
425	214N2520-91	DIFFUSER	201967	1
430	214N2520-69	LINING	201967	1
435	214A2113-28	..	HOSE ASSY	201967	1
440	AS1591-06-0620A	...	HOSE	201967	1
445	214N2520-83	...	DIFFUSER ASSY	201967	1
450	6035-2BR185	INSERT-	201967	2
			SUPPLIER CODE: V01556		
455	214N2145-5	PLATE-RESTRICTOR	201967	1
460	214N2107-4	DUCT-BRANCH	201967	1
- 465	214N2520-77	INLET ASSY	201967	1
- 470	214N2520-79	CAP	201967	1
- 475	214N2520-78	INLET	201967	1
480	214N2520-91	DIFFUSER	201967	1
485	214N2520-69	LINING	201967	1
490	214A2113-153	..	HOSE ASSY	201967	2
495	214A2113-170	..	HOSE ASSY	201967	1
500	214A2113-167	..	HOSE ASSY	201967	2
505	AS1591-06-0450A	...	HOSE-	201967	1
			USED ON: 214A2113-153		
510	AS1591-06-0620A	...	HOSE-	201967	1
			USED ON: 214A2113-170		
515	AS1591-06-0590A	...	HOSE-	201967	1
			USED ON: 214A2113-167		
520	214N2520-82	...	DIFFUSER ASSY	201967	1
525	214N2520-7	PLATE-END	201967	2
530	214N2520-96	DIFFUSER ASSY-	201967	1
			ALTERED FROM PART NUMBER: 214N2520-86		

MISSING ITEM NUMBERS NOT APPLICABLE

- ITEM NOT ILLUSTRATED

HAP

21-23-51-43A

BOEING PROPRIETARY - Copyright © - Unpublished Work - See title page for details.

21-23-51
FIG. 43A
PAGE 4
OCT 15/08

BOEING
737-600/700/800/900
PARTS CATALOG (MAINTENANCE)

FIG ITEM	PART NUMBER	1 2 3 4 5 6 7	NOMENCLATURE	EFFECT FROM TO	UNITS PER ASSY
43A					
535	6035-2BR185	INSERT- SUPPLIER CODE: V01556	201967	2
540	214N2145-6	PLATE-RESTRICTOR	201967	1
545	214N2107-2	DUCT-BRANCH	201967	1
- 550	214N2520-77	INLET ASSY	201967	1
- 555	214N2520-79	CAP	201967	1
- 560	214N2520-78	INLET	201967	1
565	214N2520-91	DIFFUSER	201967	1
570	214N2520-69	LINING	201967	1
575	214A2113-250	..	HOSE ASSY	201967	1
580	AS1591-06-0450A	...	HOSE-FLEX	201967	1
585	214N2520-81	...	DIFFUSER ASSY-	201967	1
590	214N2520-7	PLATE-END	201967	2
595	214N2520-94	DIFFUSER ASSY- ALTERED FROM PART NUMBER: 214N2520-80	201967	1
600	6035-2BR185	INSERT- SUPPLIER CODE: V01556	201967	2
605	214N2145-5	PLATE	201967	1
610	214N2107-2	DUCT	201967	1
- 615	214N2520-77	INLET ASSY	201967	1
- 620	214N2520-79	CAP	201967	1
- 625	214N2520-78	INLET	201967	1
630	214N2520-91	DIFFUSER	201967	1
635	214N2520-69	LINING	201967	1
655	214N2520-144	...	DIFFUSER ASSY-	201967	1
660	214N2520-142	PLATE-END	201967	2
665	6035-2BR185	INSERT- SUPPLIER CODE: V01556	201967	2
670	214N2107-6	DUCT-BRANCH	201967	1
675	214N2145-6	PLATE-RESTRICTOR	201967	1
680	214N2520-91	DIFFUSER	201967	1
685	214N2520-69	LINING	201967	1
705	214N2520-200	...	DIFFUSER ASSY-	201967	1
710	12-1000	CAP-END SUPPLIER CODE: V25205	201967	2
715	214N2107-11	DUCT-BRANCH	201967	1
720	214N2145-5	PLATE-RESTRICTOR	201967	1
725	214N2520-69	LINING	201967	1

MISSING ITEM NUMBERS NOT APPLICABLE

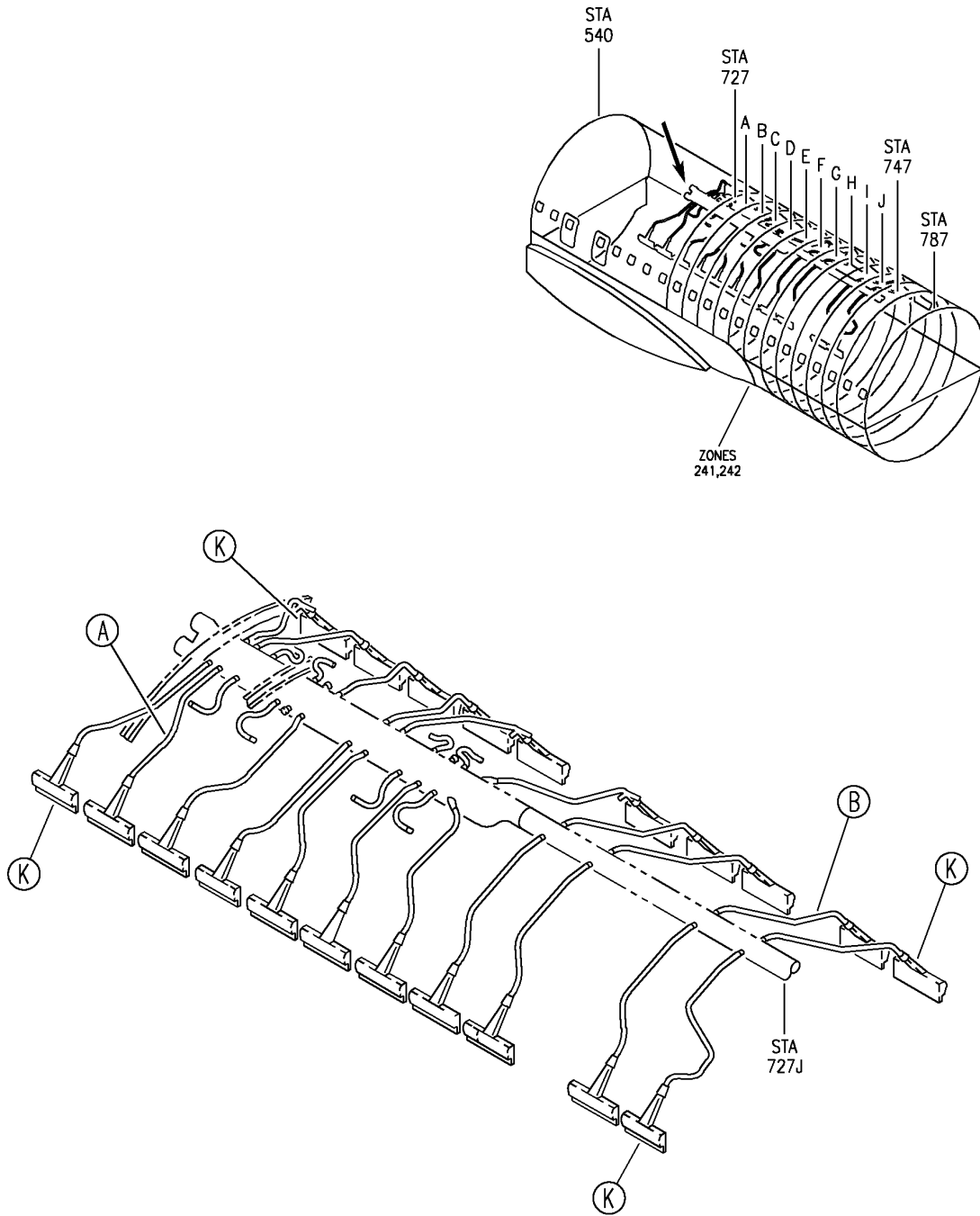
- ITEM NOT ILLUSTRATED

HAP

21-23-51-43A

21-23-51
FIG. 43A
PAGE 5
FEB 15/09

BOEING
 737-600/700/800/900
 PARTS CATALOG (MAINTENANCE)



E 21235187 SHT 1 REV 132

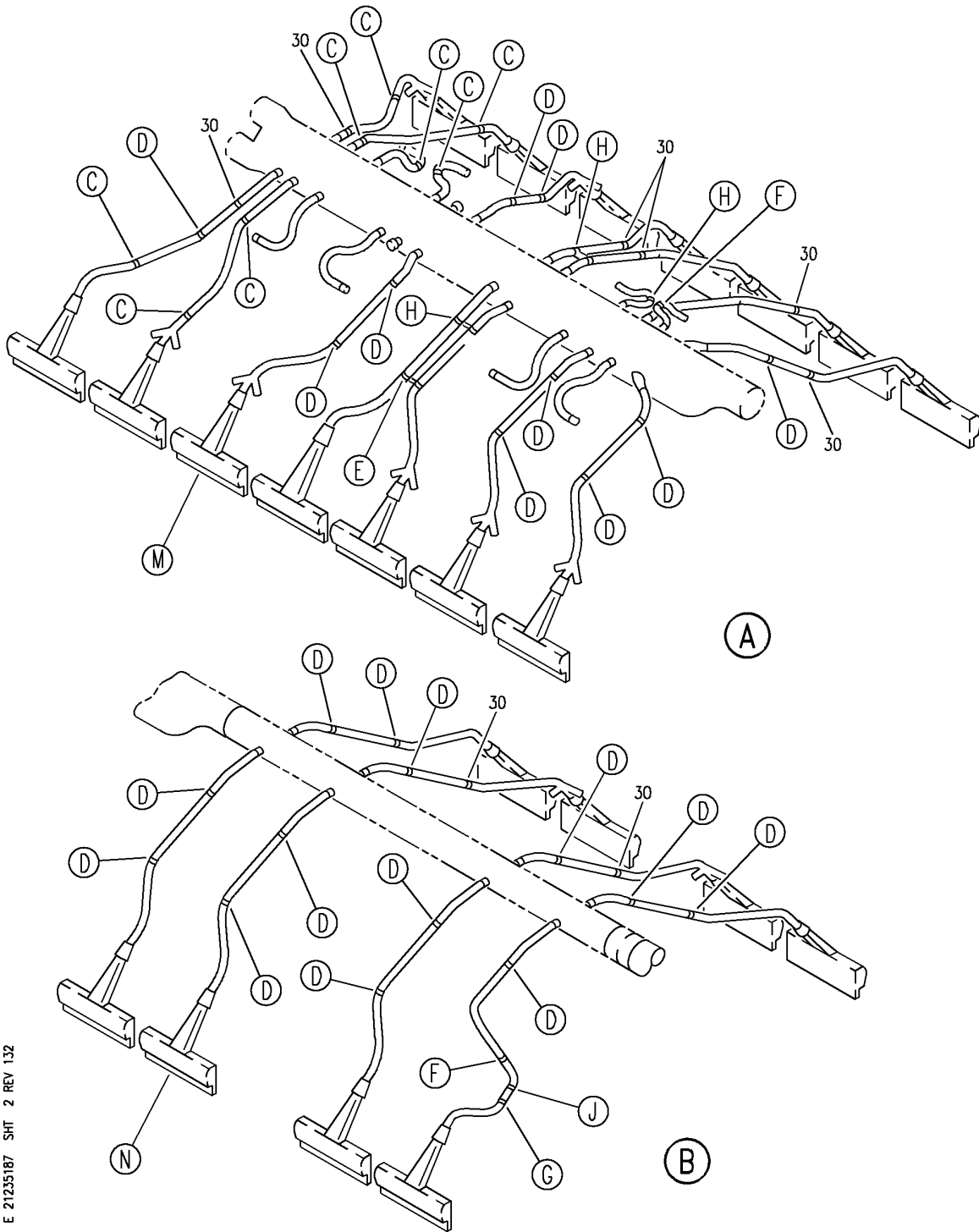
DUCT INSTL-SIDEWALL AIR DISTR SYS
 FIGURE 87 (SHEET 1)

21-23-51-87

HAP
 OCT 10/07

21-23-51-87
 PAGE 0

BOEING
737-600/700/800/900
PARTS CATALOG (MAINTENANCE)



E 21235187 SHT 2 REV 132

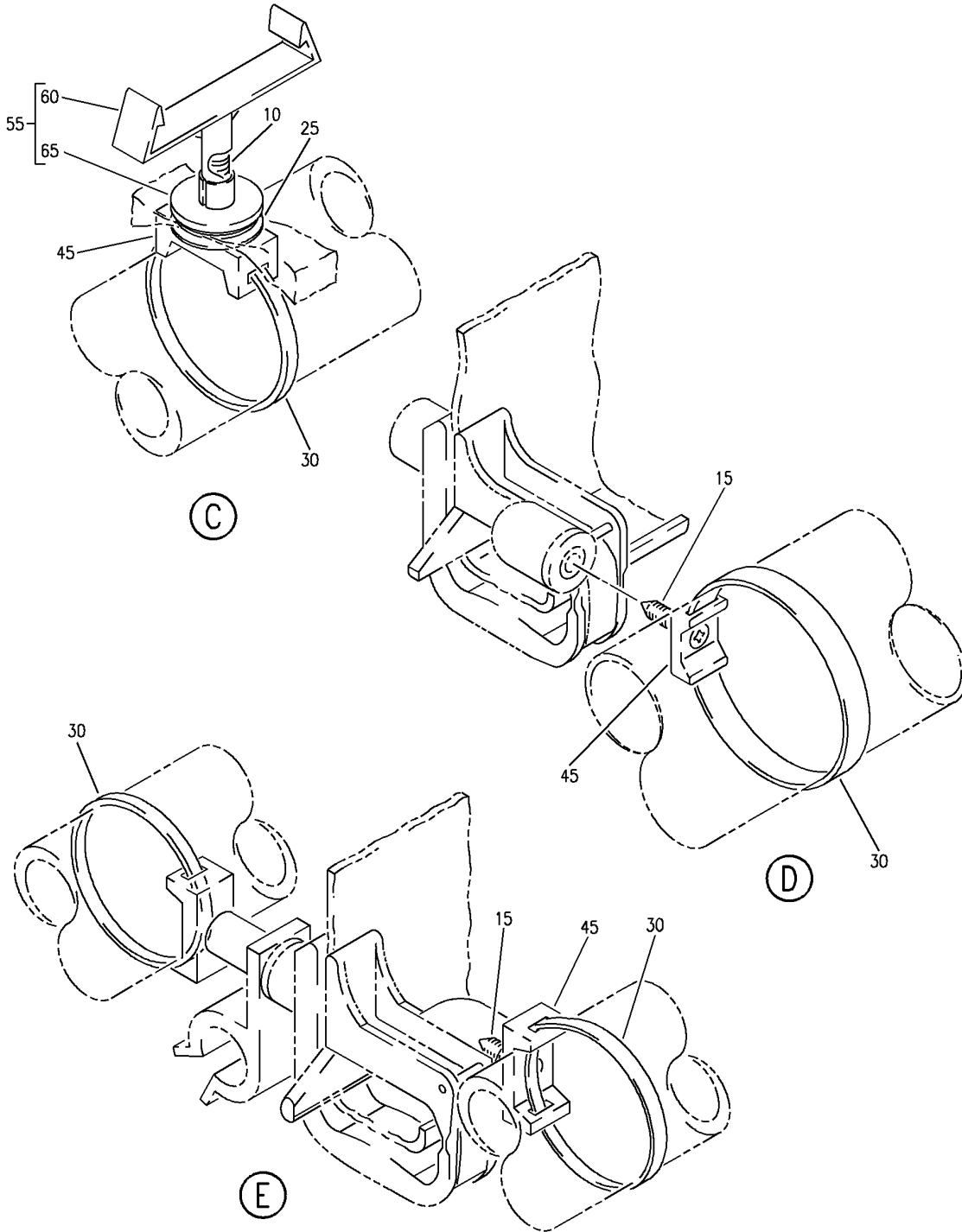
DUCT INSTL-SIDEWALL AIR DISTR SYS
FIGURE 87 (SHEET 2)

21-23-51-87

HAP
OCT 10/07

21-23-51-87
PAGE 0A

BOEING
737-600/700/800/900
PARTS CATALOG (MAINTENANCE)



E 21235187 SHT 3 REV 132

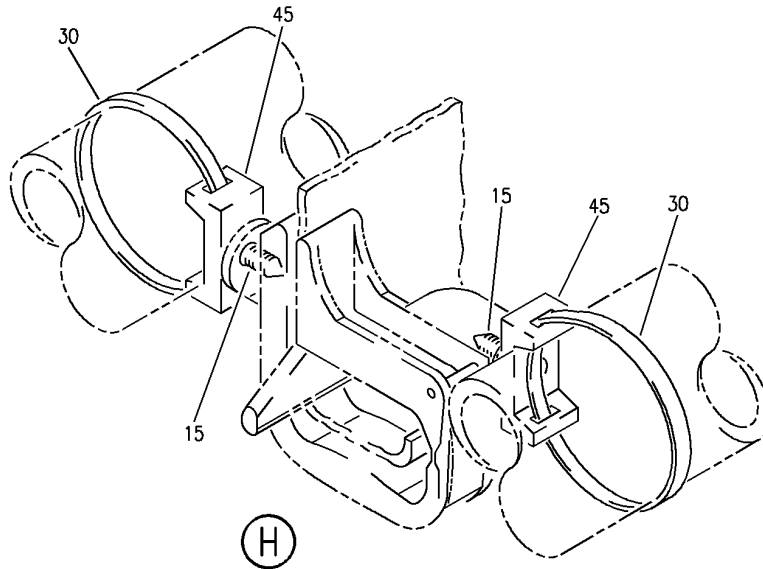
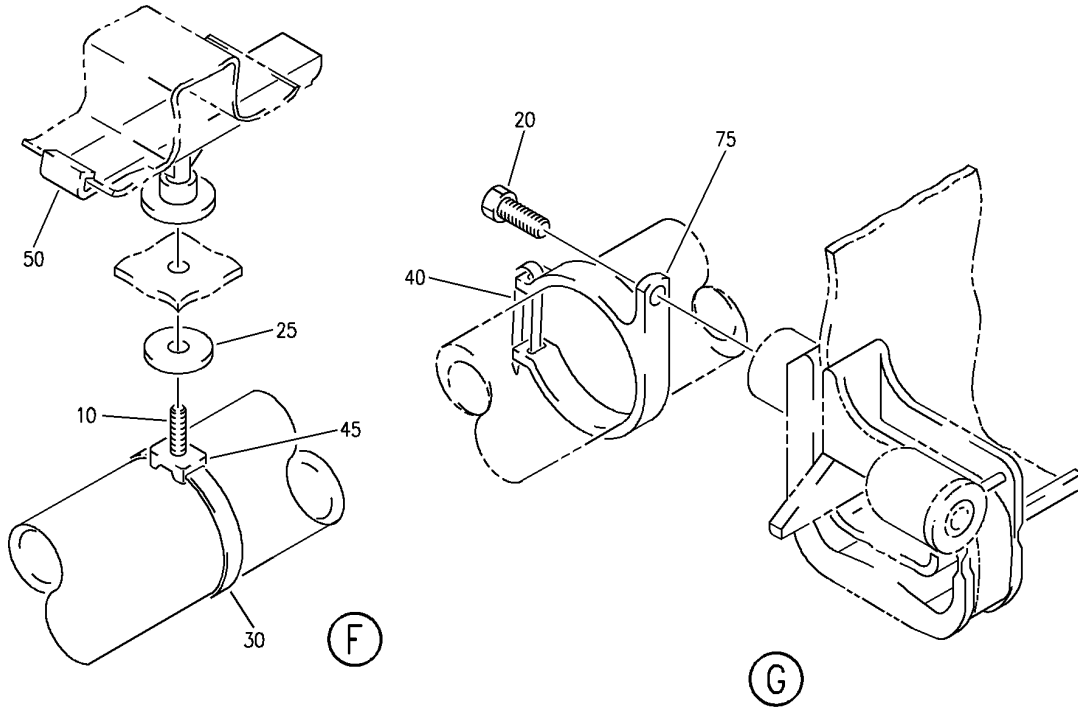
DUCT INSTL-SIDEWALL AIR DISTR SYS
FIGURE 87 (SHEET 3)

21-23-51-87

HAP
OCT 10/07

21-23-51-87
PAGE 0B

BOEING
 737-600/700/800/900
 PARTS CATALOG (MAINTENANCE)



E 21235187 SHT 4 REV 132

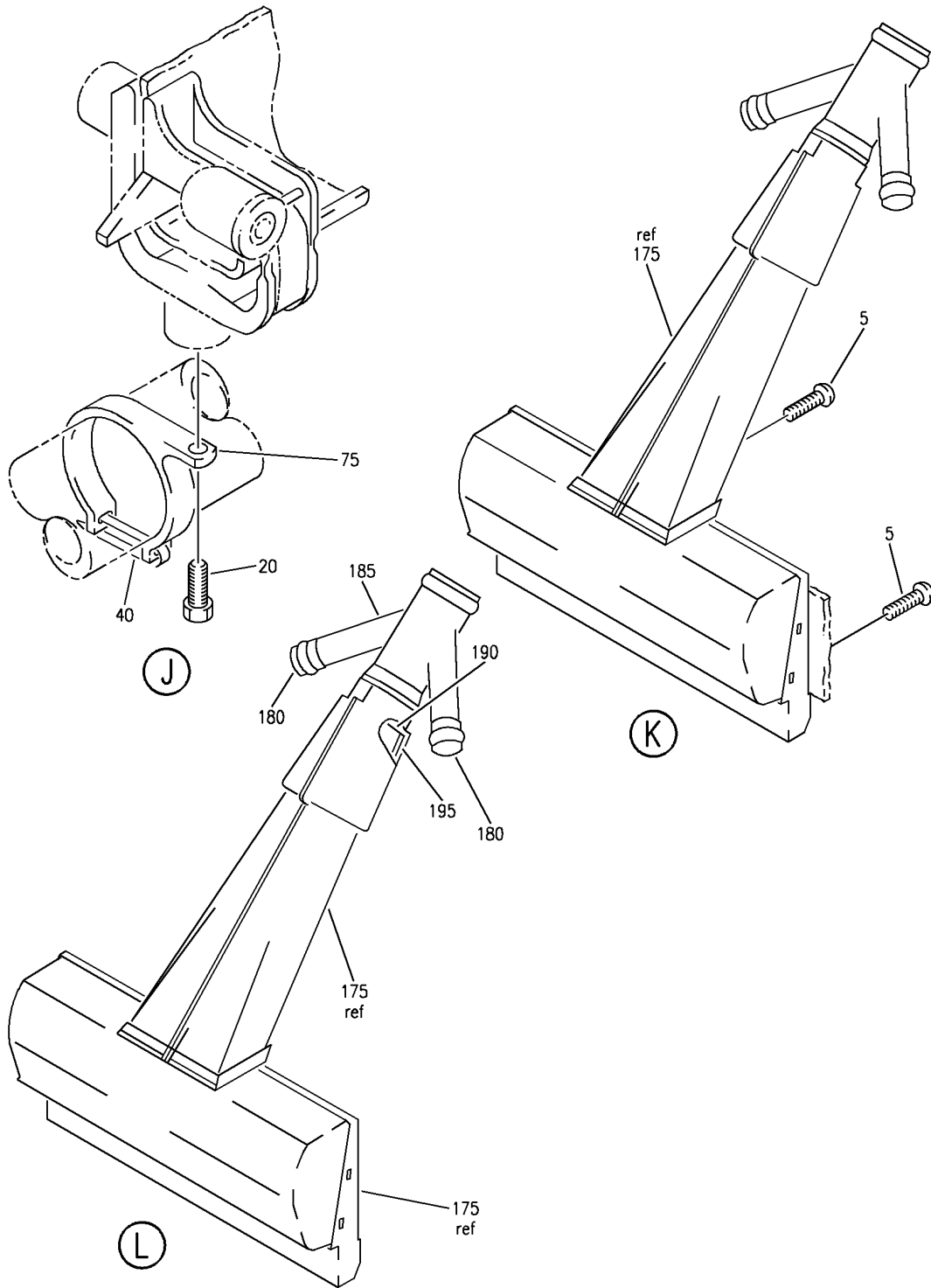
DUCT INSTL-SIDEWALL AIR DISTR SYS
 FIGURE 87 (SHEET 4)

HAP
 OCT 10/07

21-23-51-87

21-23-51-87
 PAGE 0C

BOEING
 737-600/700/800/900
 PARTS CATALOG (MAINTENANCE)



E 21235187 SHT 5 REV 132

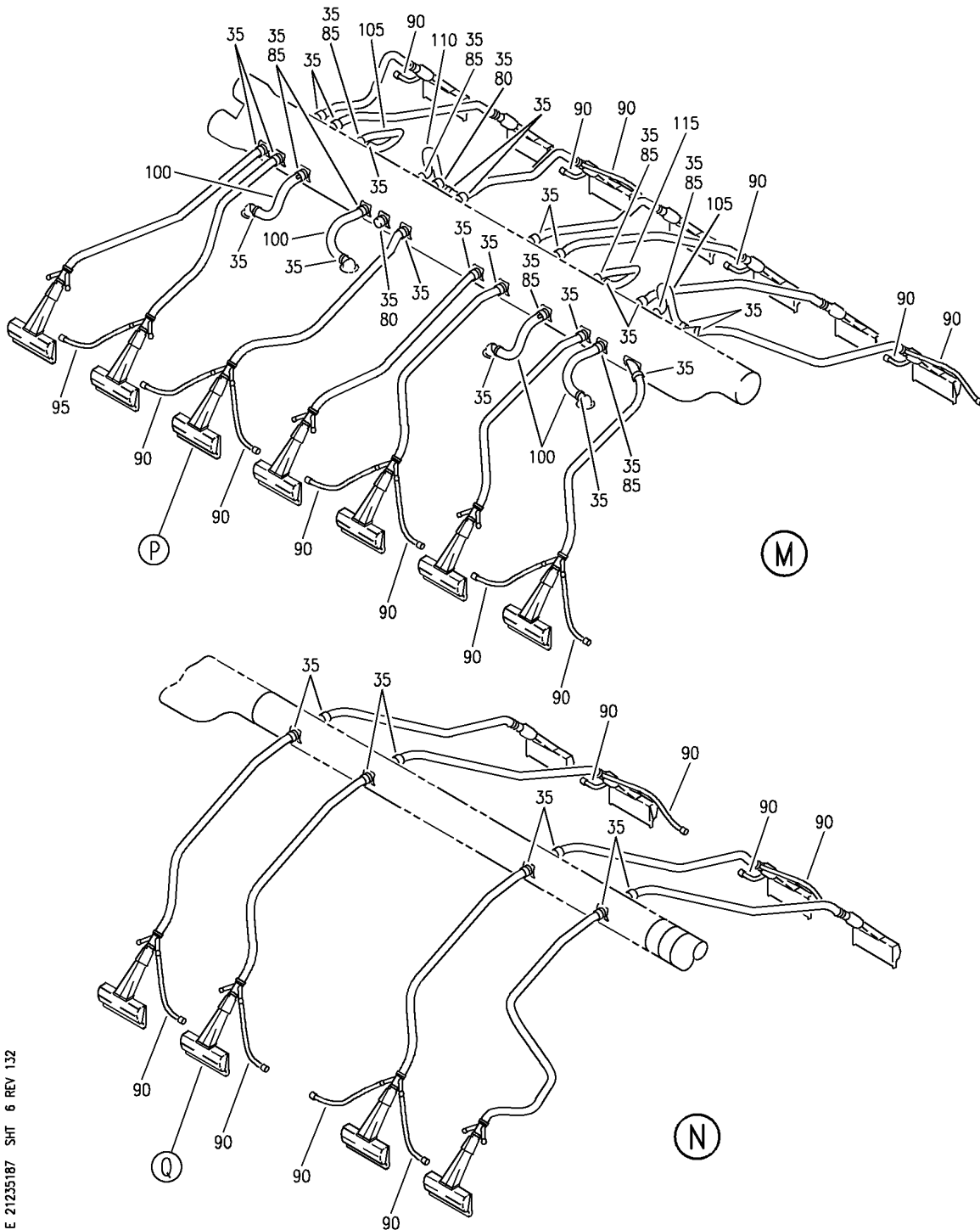
DUCT INSTL-SIDEWALL AIR DISTR SYS
 FIGURE 87 (SHEET 5)

21-23-51-87

HAP
 OCT 10/07

21-23-51-87
 PAGE 0D

BOEING
737-600/700/800/900
PARTS CATALOG (MAINTENANCE)



E 21235187 SHT 6 REV 132

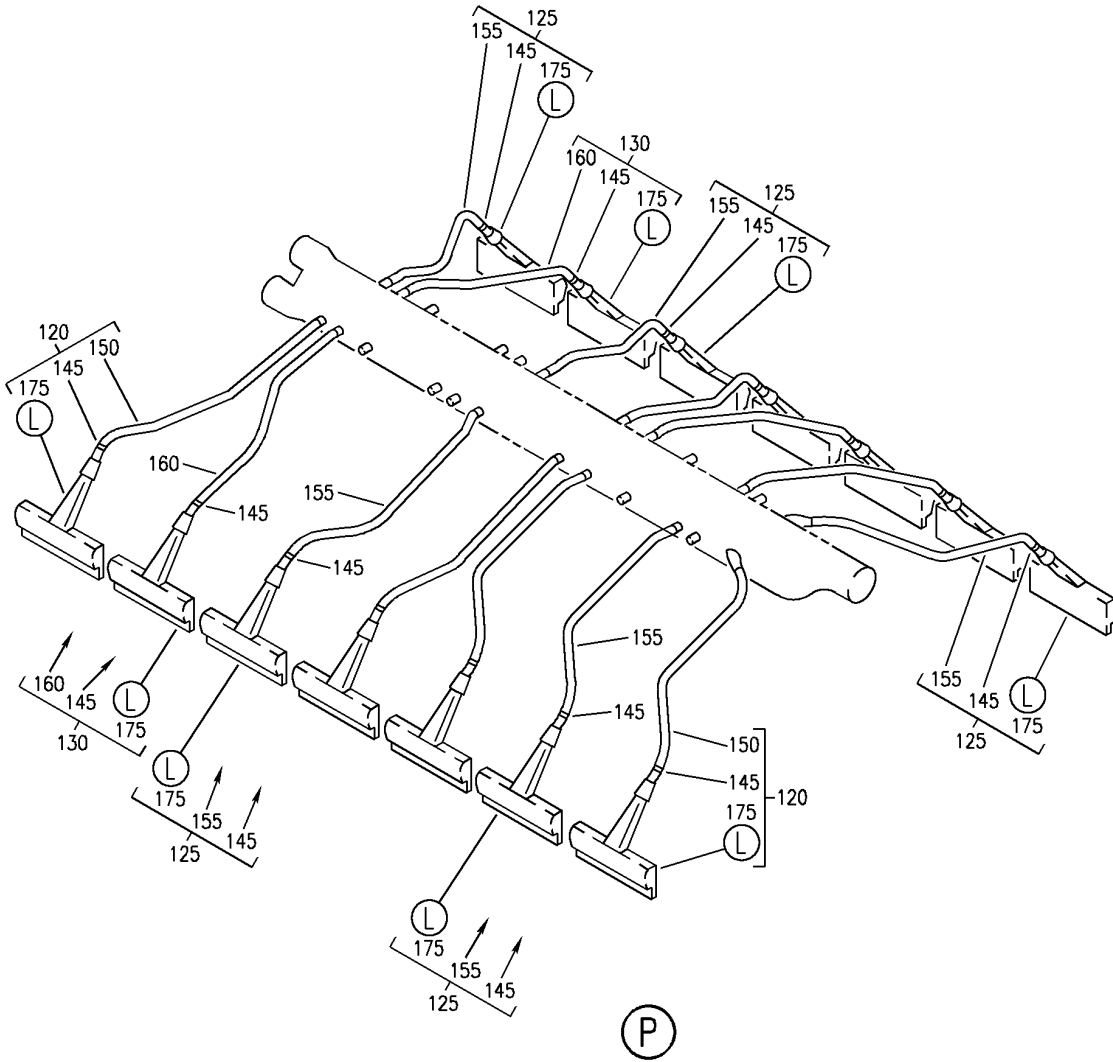
DUCT INSTL-SIDEWALL AIR DISTR SYS
FIGURE 87 (SHEET 6)

21-23-51-87

HAP
OCT 10/07

21-23-51-87
PAGE 0E

BOEING
737-600/700/800/900
PARTS CATALOG (MAINTENANCE)



E 21235187 SH7 7 REV 132

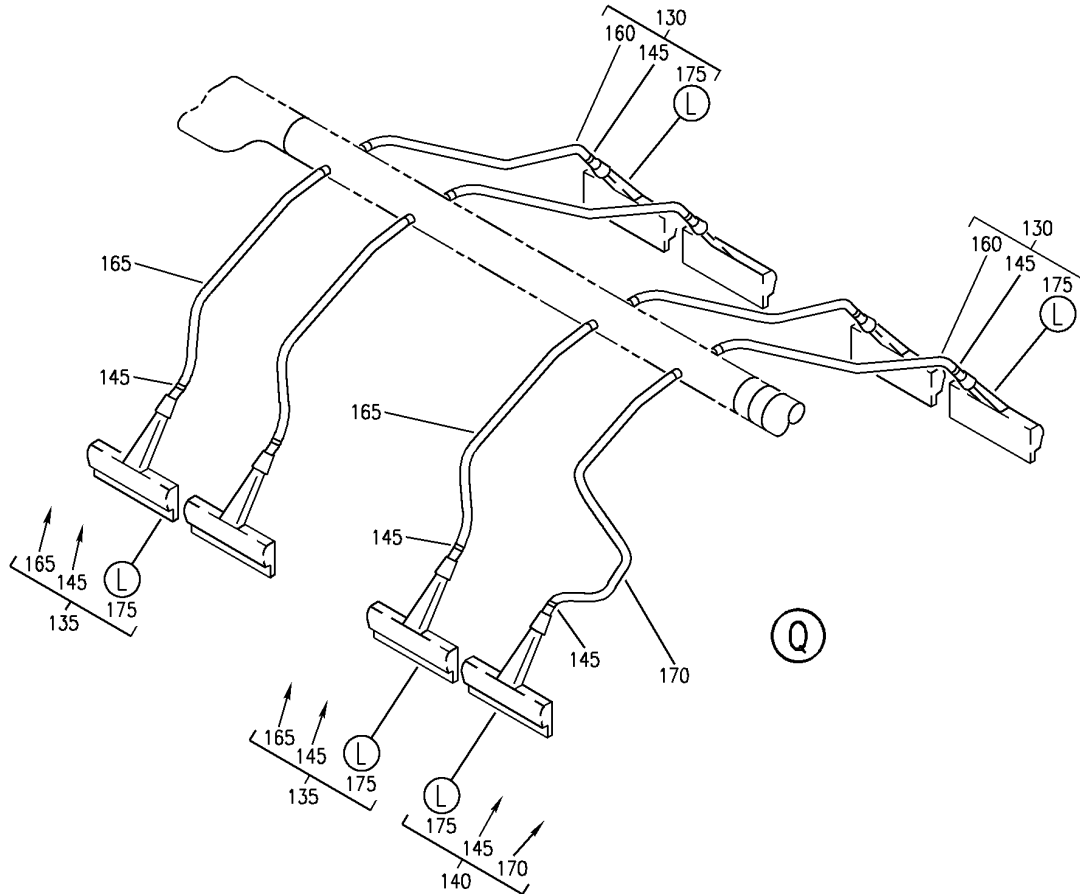
DUCT INSTL-SIDEWALL AIR DISTR SYS
FIGURE 87 (SHEET 7)

21-23-51-87

HAP
OCT 10/07

21-23-51-87
PAGE OF

BOEING
737-600/700/800/900
PARTS CATALOG (MAINTENANCE)



E 21235187 SHT 8 REV 132

DUCT INSTL-SIDEWALL AIR DISTR SYS
FIGURE 87 (SHEET 8)

21-23-51-87

HAP
OCT 10/07

21-23-51-87
PAGE 06

BOEING
737-600/700/800/900
PARTS CATALOG (MAINTENANCE)

FIG ITEM	PART NUMBER	1 2 3 4 5 6 7	NOMENCLATURE	EFFECT FROM TO	UNITS PER ASSY
87			DUCT INSTL-SIDEWALL AIR DISTR SYS	044100	
- 1	MODREF339773		DUCT INSTL-SIDEWALL AIR DISTR SYS MODULE NUMBER: 214A2016-17 REV A	044100	1
5	BACS12FA08K6		.SCREW	044100	44
10	BACS12GP3L10		.SCREW	044100	10
15	BACS12GP3L7		.SCREW	044100	30
20	BACS12GU3K9		.SCREW	044100	2
25	BACW10DZ3		.WASHER	044100	10
30	PLT3SM		.STRAP SUPPLIER CODE: V06383 SPECIFICATION NUMBER: BACS38K7 OPTIONAL PART: T0510 V53421	044100	49
35	PLT2IC		.STRAP SUPPLIER CODE: V06383 SPECIFICATION NUMBER: BACS38K10	044100	40
40	PLT1-5IM		.STRAP SUPPLIER CODE: V06383 SPECIFICATION NUMBER: BACS38K5 OPTIONAL PART: T03R0 V53421	044100	2
45	TM2S8		.PLATE-MTG SUPPLIER CODE: V06383 SPECIFICATION NUMBER: STBP19M9	044100	40
50	BACS38P5		.SUPPORT ASSY	044100	2
55	214N5054-8		.SUPPORT ASSY	044100	8
60	2055155-7A		..CLIP-STGR SUPPLIER CODE: V04169	044100	1
65	411N4026-10		..CAP ASSY- OPTIONAL PART: 411N4026-2	044100	1
65	411N4026-2		..CAP ASSY- OPTIONAL PART: 411N4026-10	044100	1

MISSING ITEM NUMBERS NOT APPLICABLE

- ITEM NOT ILLUSTRATED

HAP

21-23-51-87

BOEING PROPRIETARY - Copyright © - Unpublished Work - See title page for details.

21-23-51
FIG. 87
PAGE 1
OCT 10/07

BOEING
737-600/700/800/900
PARTS CATALOG (MAINTENANCE)

FIG ITEM	PART NUMBER	1 2 3 4 5 6 7	NOMENCLATURE	EFFECT FROM TO	UNITS PER ASSY
87					
75	NMC1005-7	.CLAMP-	SUPPLIER CODE: V03296	044100	2
80	24-1000	.CAP-	SUPPLIER CODE: V25205	044100	2
85	214T3436-619	.ORIFICE ASSY		044100	8
90	BACD40P3A180	.DUCT		044100	20
95	BACD40P3A280	.DUCT		044100	1
100	AS1591-06-0190A	.HOSE		044100	4
105	AS1591-06-0250A	.HOSE		044100	2
110	AS1591-06-0260A	.HOSE		044100	1
115	AS1591-06-0290A	.HOSE		044100	1
120	214A2113-402	.HOSE ASSY		044100	2
125	214A2113-401	.HOSE ASSY		044100	10
130	214A2113-400	.HOSE ASSY		044100	6
135	214A2113-403	.HOSE ASSY		044100	3
140	214A2113-405	.HOSE ASSY		044100	1
145	PLT2IC	..STRAP	SUPPLIER CODE: V06383 SPECIFICATION NUMBER: BACS38K10	044100	1
150	AS1591-06-0550A	..HOSE-	USED ON: 214A2113-402	044100	1
155	AS1591-06-0500A	..HOSE-	USED ON: 214A2113-401	044100	1
160	AS1591-06-0450A	..HOSE-	USED ON: 214A2113-400	044100	1
165	AS1591-06-0600A	..HOSE-	USED ON: 214A2113-403	044100	1
170	AS1591-06-0700A	..HOSE-	USED ON: 214A2113-405	044100	1
175	214N2520-200	..DIFFUSER ASSY		044100	1
180	12-1000	...CAP-END	SUPPLIER CODE: V25205	044100	2
185	214N2107-11	...DUCT-BRANCH		044100	1
190	214N2145-5	...PLATE-RESTRICTOR		044100	1
195	214N2520-69	...LINING		044100	1

MISSING ITEM NUMBERS NOT APPLICABLE

— ITEM NOT ILLUSTRATED

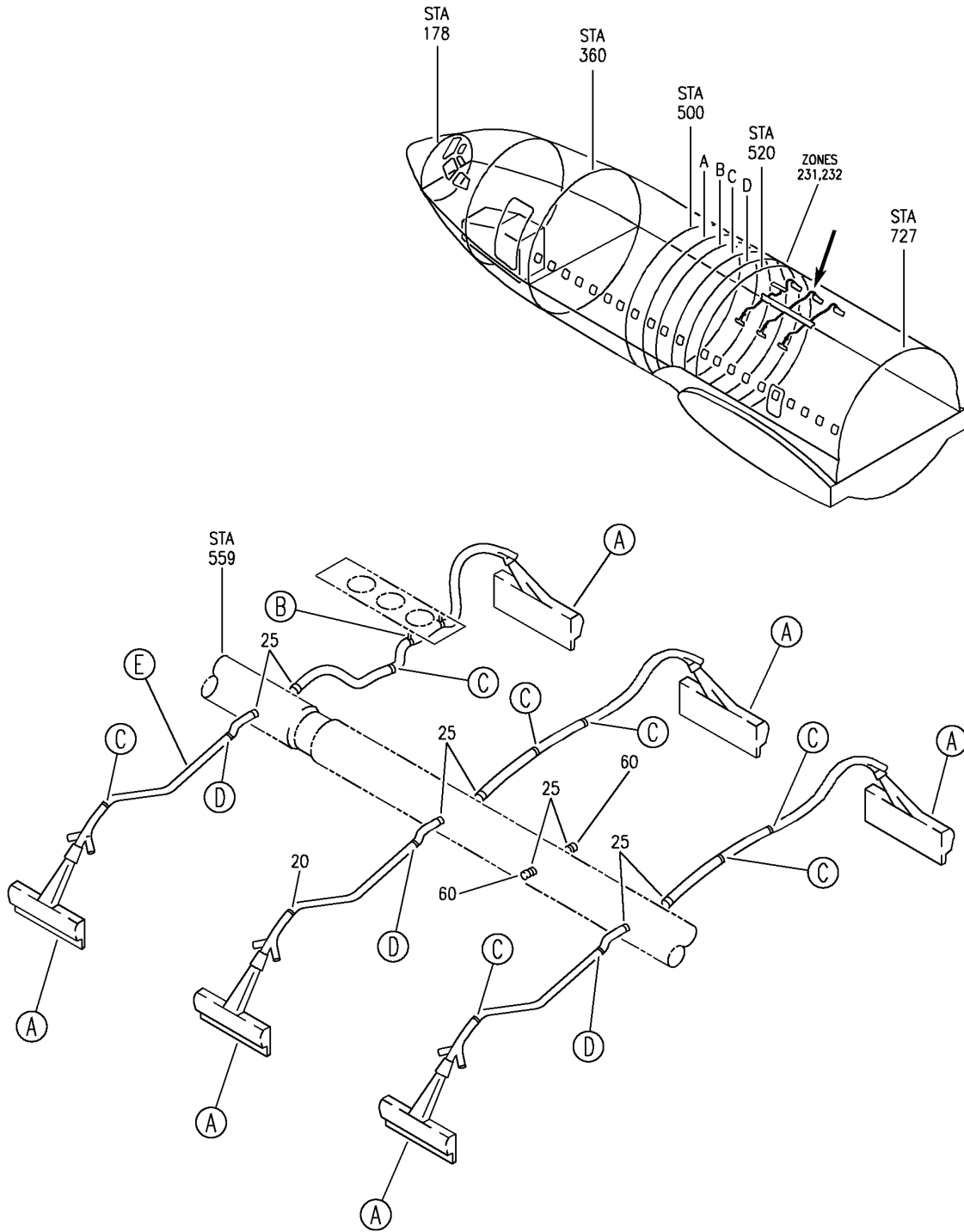
HAP

21-23-51-87

BOEING PROPRIETARY - Copyright © - Unpublished Work - See title page for details.

21-23-51
FIG. 87
PAGE 2
OCT 10/07

BOEING
 737-600/700/800/900
 PARTS CATALOG (MAINTENANCE)



E 21235188 SHT 1 REV 132

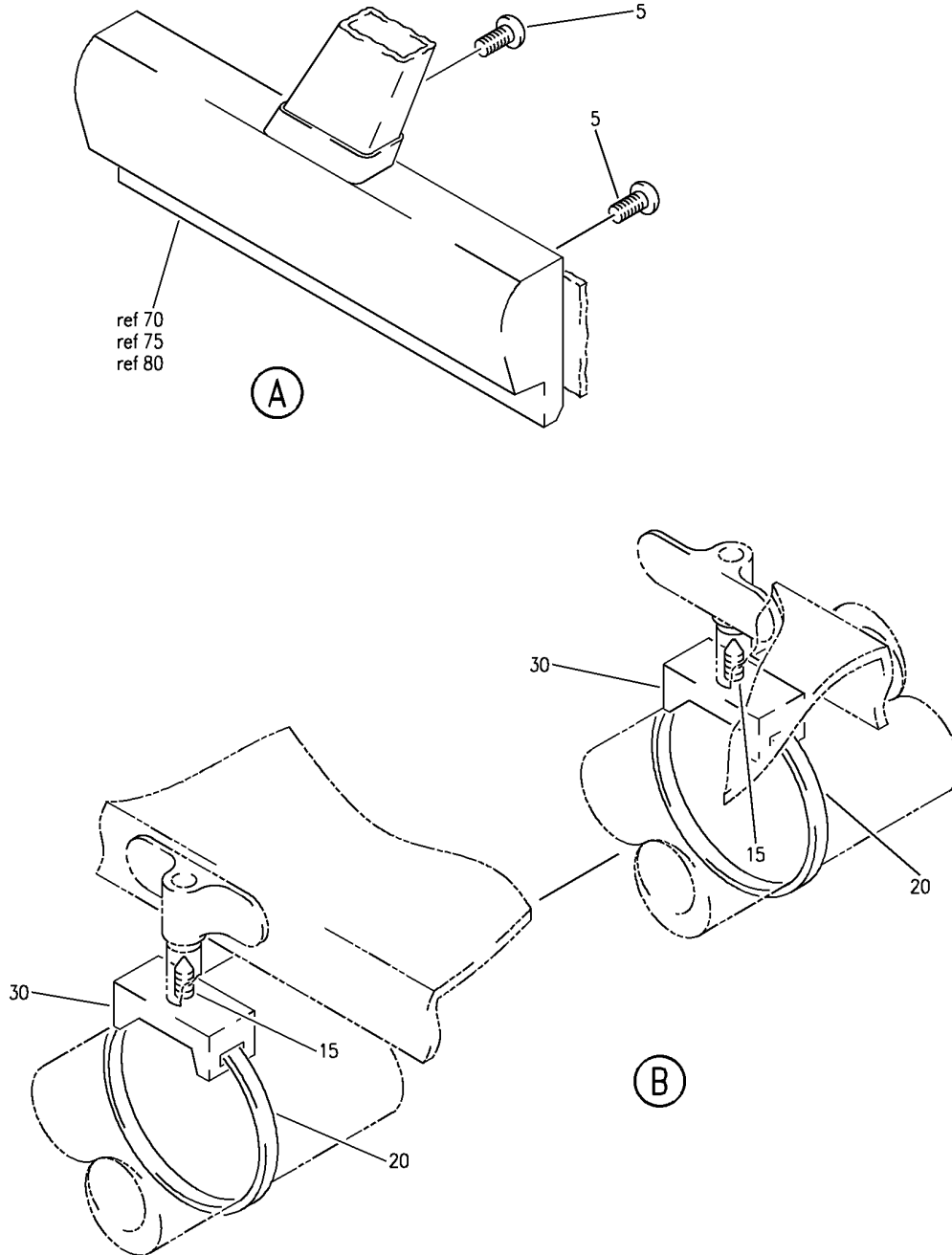
DUCT INSTL-SIDEWALL AIR DISTR SYS
 FIGURE 88 (SHEET 1)

21-23-51-88

HAP
 OCT 10/07

21-23-51-88
 PAGE 0

BOEING
737-600/700/800/900
PARTS CATALOG (MAINTENANCE)



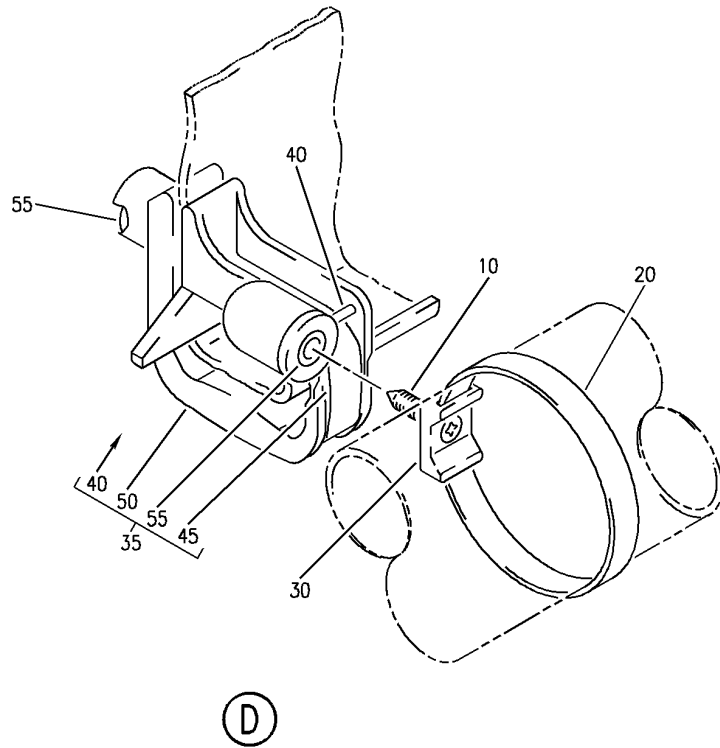
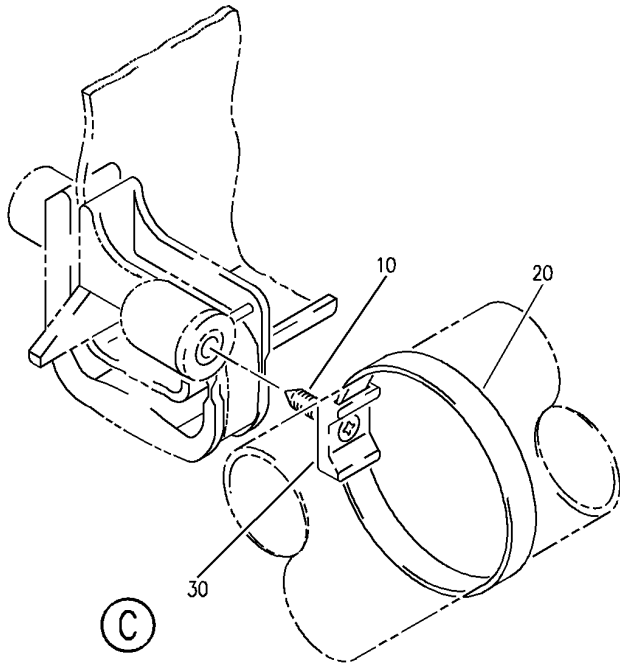
E 21235188 SH1 2 REV 132

DUCT INSTL-SIDEWALL AIR DISTR SYS
FIGURE 88 (SHEET 2)

HAP
OCT 10/07

21-23-51-88

21-23-51-88
PAGE 0A



E 21235188 SH1 3 REV 132

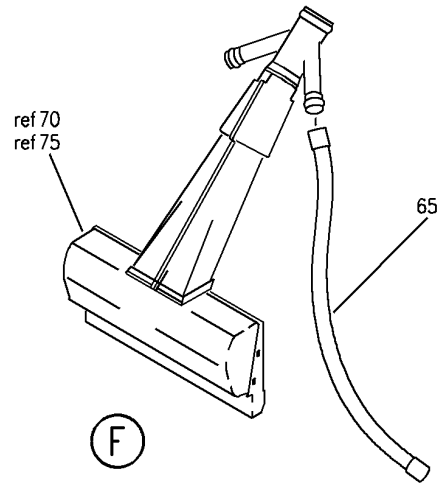
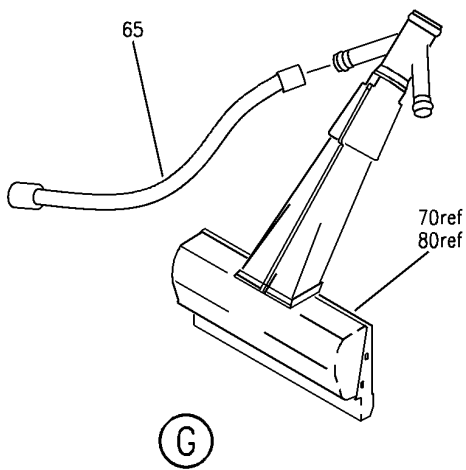
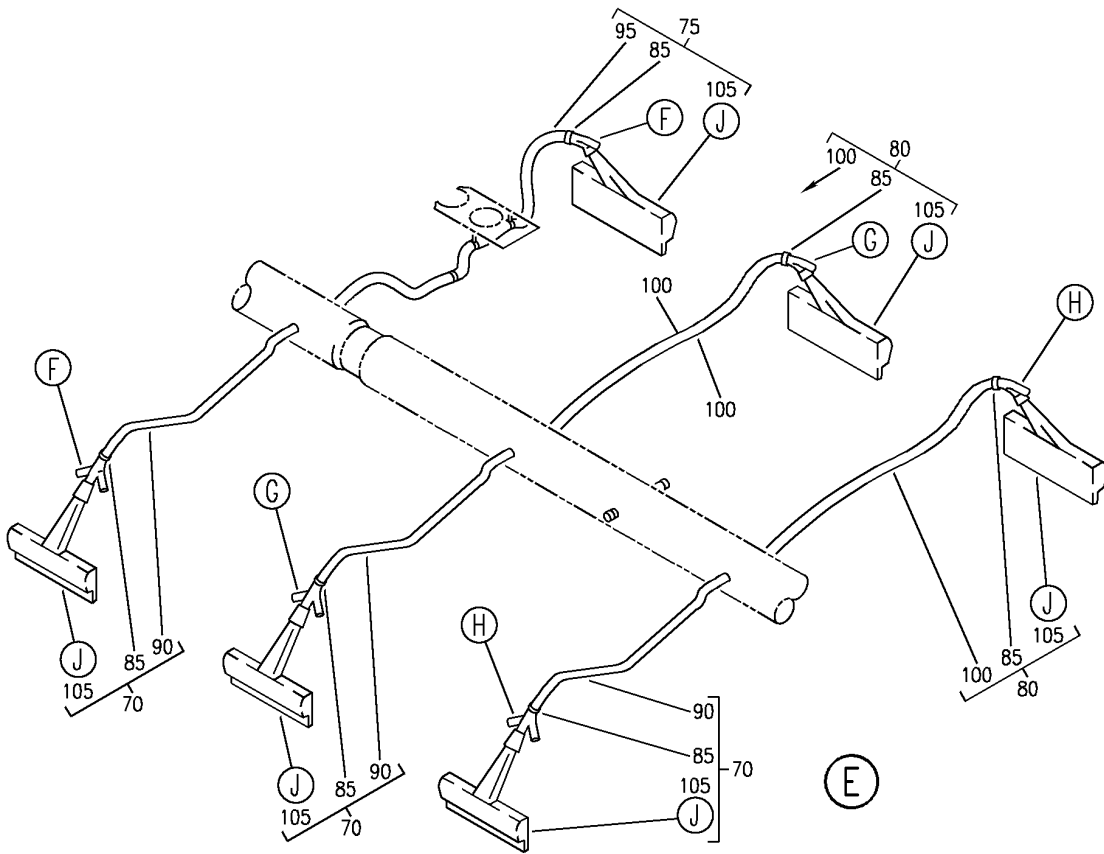
DUCT INSTL-SIDEWALL AIR DISTR SYS
FIGURE 88 (SHEET 3)

HAP
OCT 10/07

21-23-51-88

21-23-51-88
PAGE 0B

BOEING
 737-600/700/800/900
 PARTS CATALOG (MAINTENANCE)



E 21235188 SH 4 REV 132

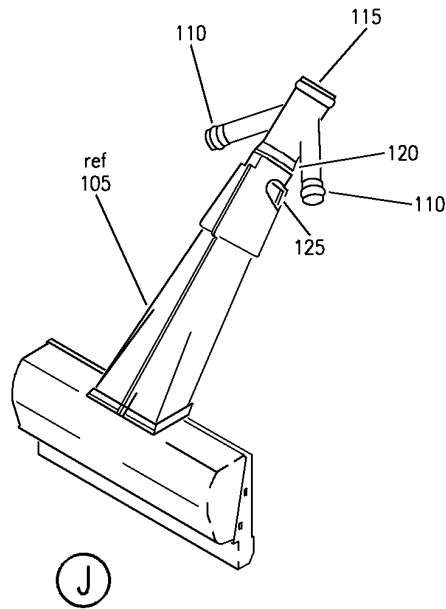
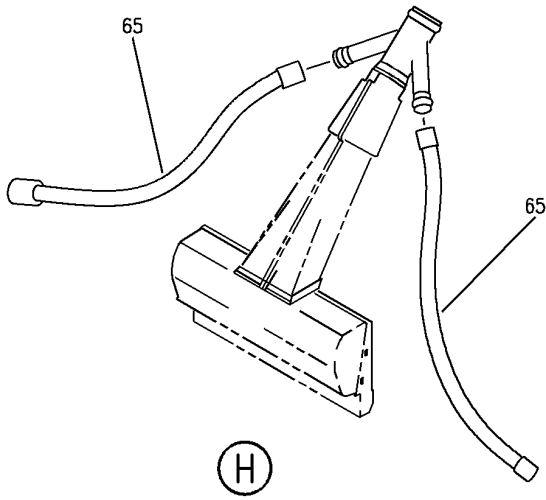
DUCT INSTL-SIDEWALL AIR DISTR SYS
 FIGURE 88 (SHEET 4)

21-23-51-88

HAP
 OCT 10/07

21-23-51-88
 PAGE 0C

BOEING
737-600/700/800/900
PARTS CATALOG (MAINTENANCE)



E 21235188 SHT 5 REV 132

DUCT INSTL-SIDEWALL AIR DISTR SYS
FIGURE 88 (SHEET 5)

21-23-51-88

HAP
OCT 10/07

21-23-51-88
PAGE 0D

BOEING
737-600/700/800/900
PARTS CATALOG (MAINTENANCE)

FIG ITEM	PART NUMBER	1 2 3 4 5 6 7	NOMENCLATURE	EFFECT FROM TO	UNITS PER ASSY
88			DUCT INSTL-SIDEWALL AIR DISTR SYS	102200 972999	
- 1	MODREF340321		DUCT INSTL-SIDEWALL AIR DISTR SYS MODULE NUMBER: 214A2046-1 REV A	102200 972999	1
5	BACS12FA08K6		.SCREW	102200 972999	12
10	BACS12GP3L7		.SCREW	102200 972999	AR
15	BACS12GU3K11		.SCREW	102200 972999	AR
20	PLT3SM		.STRAP SUPPLIER CODE: V06383 SPECIFICATION NUMBER: BACS38K7 OPTIONAL PART: T0510 V53421	102200 972999	13
25	PLT2IC		.STRAP SUPPLIER CODE: V06383 SPECIFICATION NUMBER: BACS38K10	102200 972999	8
30	TM2S8		.PLATE-MTG SUPPLIER CODE: V06383 SPECIFICATION NUMBER: STBP19M9	102200 972999	12
35	411A4902-6		.CLIP ASSY-RTNR	102200 972999	3
40	MS16562-194		..PIN-SPR	102200 972999	1
45	411A4902-8		..CLIP-SPR	102200 972999	1
50	411A4902-3		..BODY ASSY	102200 972999	1
55	H02030-2L		...INSERT- SUPPLIER CODE: V07EU2	102200 972999	2
60	24-1000		.CAP-END SUPPLIER CODE: V25205	102200 972999	2
65	BACD40P3A180		.DUCT	102200 972999	8
70	214A2113-400		.HOSE ASSY	102200 972999	3

MISSING ITEM NUMBERS NOT APPLICABLE

- ITEM NOT ILLUSTRATED

HAP

21-23-51-88

BOEING PROPRIETARY - Copyright © - Unpublished Work - See title page for details.

21-23-51
FIG. 88
PAGE 1
OCT 15/08

BOEING
737-600/700/800/900
PARTS CATALOG (MAINTENANCE)

FIG ITEM	PART NUMBER	1 2 3 4 5 6 7	NOMENCLATURE	EFFECT FROM TO	UNITS PER ASSY
88					
75	214A2113-404	.HOSE	ASSY	102200 972999	1
80	214A2113-403	.HOSE	ASSY	102200 972999	2
85	PLT2IC	..STRAP		102200 972999	1
			SUPPLIER CODE: V06383		
			SPECIFICATION NUMBER: BACS38K10		
90	AS1591-06-0450A	..HOSE-		102200 972999	1
			USED ON: 214A2113-400		
95	AS1591-06-0650A	..HOSE-		102200 972999	1
			USED ON: 214A2113-404		
100	AS1591-06-0600A	..HOSE-		102200 972999	1
			USED ON: 214A2113-403		
105	214N2520-200	..DIFFUSER	ASSY	102200 972999	1
110	12-1000	...CAP-END		102200 972999	2
			SUPPLIER CODE: V25205		
115	214N2107-11	...DUCT-BRANCH		102200 972999	1
120	214N2145-5	...PLATE-RESTRICTOR		102200 972999	1
125	214N2520-69	...LINING		102200 972999	1

MISSING ITEM NUMBERS NOT APPLICABLE

— ITEM NOT ILLUSTRATED

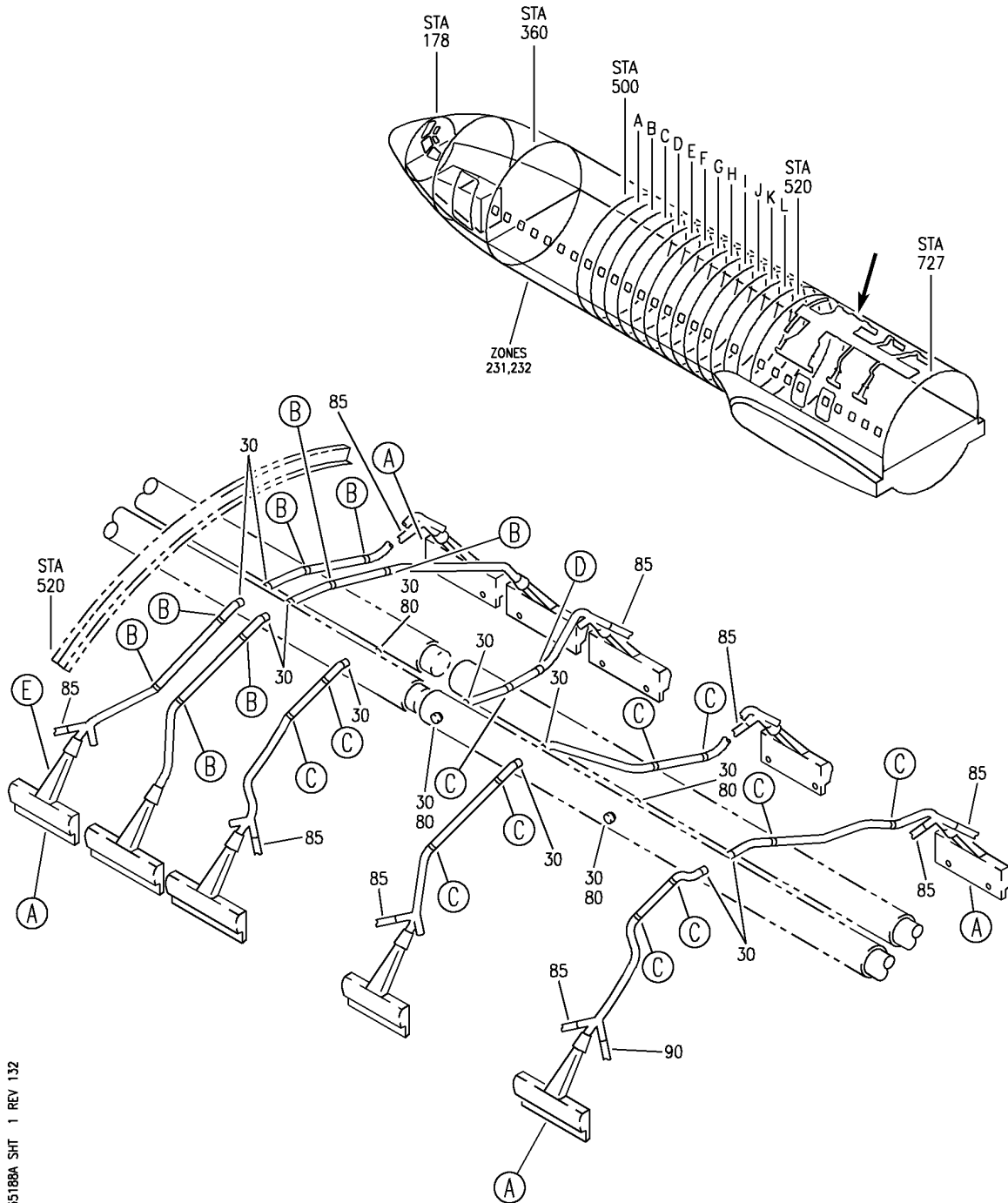
HAP

21-23-51-88

BOEING PROPRIETARY - Copyright © - Unpublished Work - See title page for details.

21-23-51
FIG. 88
PAGE 2
OCT 15/08

BOEING
 737-600/700/800/900
 PARTS CATALOG (MAINTENANCE)



E 21235188A SHT 1 REV 132

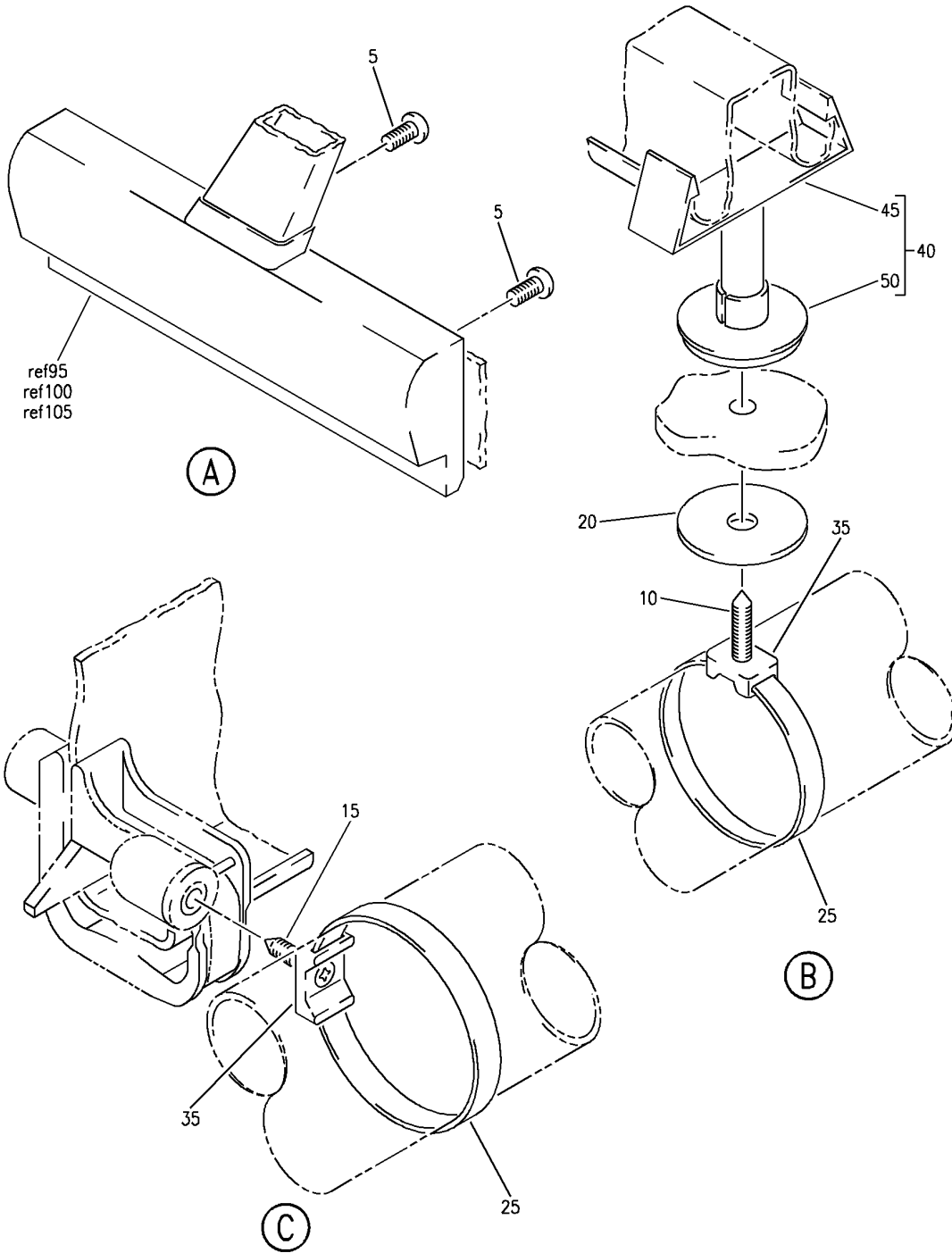
DUCT INSTL-SIDEWALL AIR DISTR SYS
 FIGURE 88A (SHEET 1)

21-23-51-88A

HAP
 OCT 10/07

21-23-51-88A
 PAGE 0

BOEING
 737-600/700/800/900
 PARTS CATALOG (MAINTENANCE)



E 21235188A SHT 2 REV 132

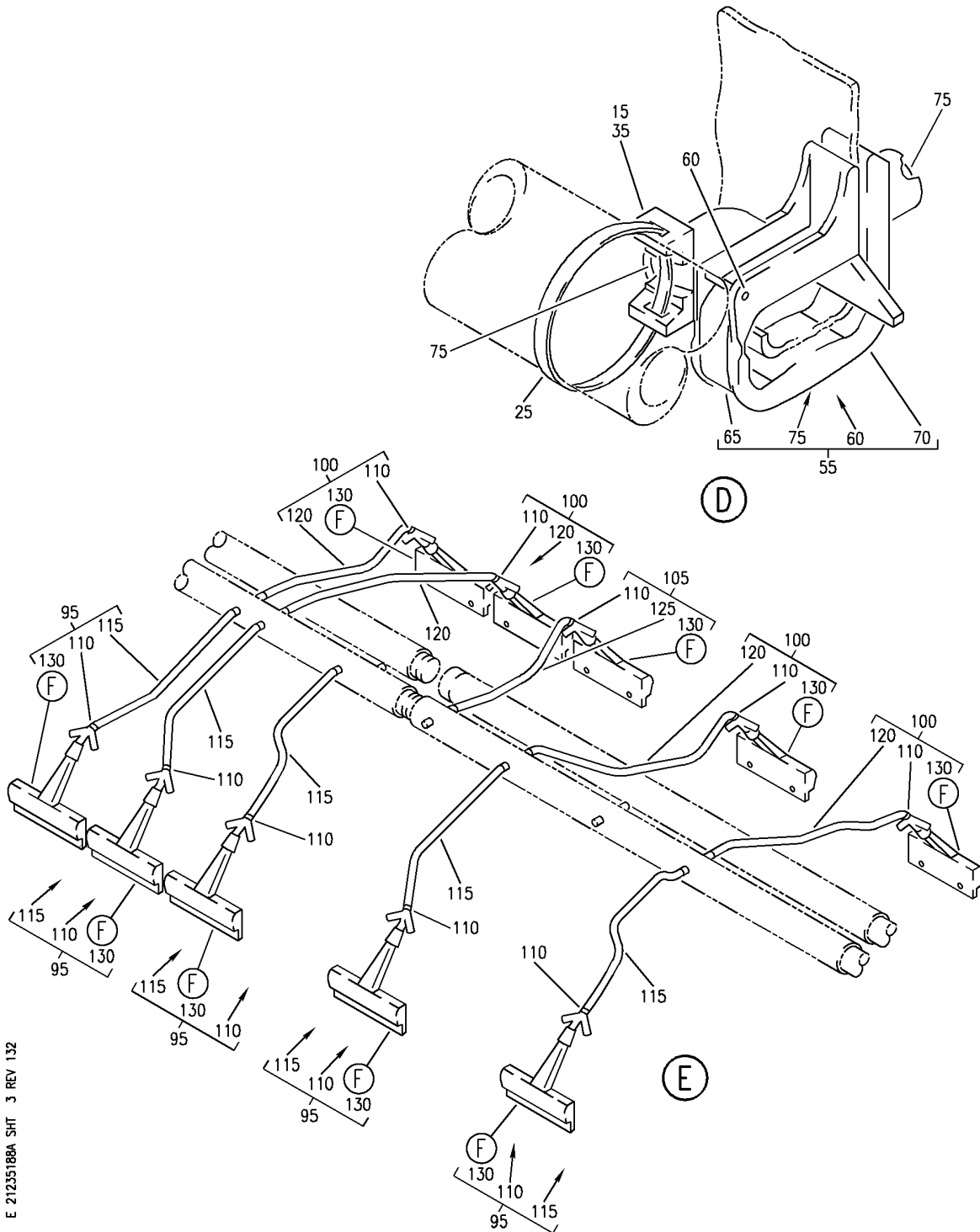
DUCT INSTL-SIDEWALL AIR DISTR SYS
 FIGURE 88A (SHEET 2)

21-23-51-88A

HAP
 OCT 10/07

21-23-51-88A
 PAGE 0A

BOEING
 737-600/700/800/900
 PARTS CATALOG (MAINTENANCE)



E 21235188A SHT 3 REV 132

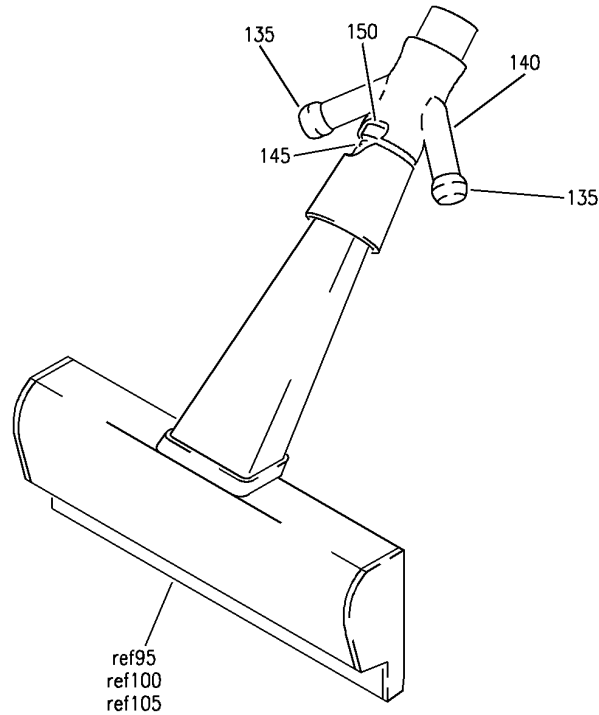
DUCT INSTL-SIDEWALL AIR DISTR SYS
 FIGURE 88A (SHEET 3)

21-23-51-88A

HAP
 OCT 10/07

21-23-51-88A
 PAGE 0B

BOEING
737-600/700/800/900
PARTS CATALOG (MAINTENANCE)



F

E 21235188A SHT 4 REV 132

DUCT INSTL-SIDEWALL AIR DISTR SYS
FIGURE 88A (SHEET 4)

21-23-51-88A

HAP
OCT 10/07

21-23-51-88A
PAGE 0C

BOEING PROPRIETARY - Copyright © - Unpublished Work - See title page for details.

BOEING
737-600/700/800/900
PARTS CATALOG (MAINTENANCE)

FIG ITEM	PART NUMBER	1 2 3 4 5 6 7	NOMENCLATURE	EFFECT FROM TO	UNITS PER ASSY
88A			DUCT INSTL-SIDEWALL AIR	044100	
- 1	MODREF340322		DISTR SYS DUCT INSTL-SIDEWALL AIR	044100	1
			DISTR SYS		
			MODULE NUMBER:		
			214A2046-2 REV A		
5	BACS12FA08K6		.SCREW	044100	AR
10	BACS12GP3L10		.SCREW	044100	AR
15	BACS12GP3L7		.SCREW	044100	AR
20	BACW10DZ3		.WASHER	044100	AR
25	PLT3SM		.STRAP	044100	AR
			SUPPLIER CODE:		
			V06383		
			SPECIFICATION NUMBER:		
			BACS38K7		
			OPTIONAL PART:		
			T0510		
			V53421		
30	PLT2IC		.STRAP	044100	14
			SUPPLIER CODE:		
			V06383		
			SPECIFICATION NUMBER:		
			BACS38K10		
35	TM2S8		.PLATE-MTG	044100	AR
			SUPPLIER CODE:		
			V06383		
			SPECIFICATION NUMBER:		
			STBP19M9		
40	214N5054-8		.SUPPORT ASSY	044100	8
45	2055155-7A		..CLIP-STGR	044100	1
			SUPPLIER CODE:		
			V04169		
50	411N4026-10		..CAP ASSY-	044100	1
			OPTIONAL PART:		
			411N4026-2		
50	411N4026-2		..CAP ASSY-	044100	1
			OPTIONAL PART:		
			411N4026-10		
55	411A4902-6		.CLIP ASSY-RTNR	044100	1
60	MS16562-194		..PIN-SPR	044100	1
65	411A4902-8		..CLIP-SPR	044100	1
70	411A4902-3		..BODY ASSY	044100	1
75	H02030-2L		...INSERT-	044100	2
			SUPPLIER CODE:		
			V07EU2		
80	24-1000		.CAP-END	044100	4
			SUPPLIER CODE:		
			V25205		
85	BACD40P3A180		.DUCT	044100	9

MISSING ITEM NUMBERS NOT APPLICABLE

- ITEM NOT ILLUSTRATED

HAP

21-23-51-88A

BOEING PROPRIETARY - Copyright © - Unpublished Work - See title page for details.

21-23-51
FIG. 88A
PAGE 1
OCT 10/07

BOEING
737-600/700/800/900
PARTS CATALOG (MAINTENANCE)

FIG ITEM	PART NUMBER	1 2 3 4 5 6 7	NOMENCLATURE	EFFECT FROM TO	UNITS PER ASSY
88A					
90	BACD40P3A280	.DUCT		044100	1
95	214A2113-400	.HOSE ASSY		044100	5
100	214A2113-403	.HOSE ASSY		044100	4
105	214A2113-404	.HOSE ASSY		044100	1
110	PLT2IC	..STRAP		044100	1
		SUPPLIER CODE:			
		V06383			
		SPECIFICATION NUMBER:			
		BACS38K10			
115	AS1591-06-0450A	..HOSE-		044100	1
		USED ON:			
		214A2113-400			
120	AS1591-06-0600A	..HOSE-		044100	1
		USED ON:			
		214A2113-403			
125	AS1591-06-0650A	..HOSE-		044100	1
		USED ON:			
		214A2113-404			
130	214N2520-200	..DIFFUSER ASSY		044100	1
135	12-1000	...CAP-END		044100	2
		SUPPLIER CODE:			
		V25205			
140	214N2107-11	...DUCT-BRANCH		044100	1
145	214N2145-5	...PLATE-RESTRICTOR		044100	1
150	214N2520-69	...LINING		044100	1

MISSING ITEM NUMBERS NOT APPLICABLE

— ITEM NOT ILLUSTRATED

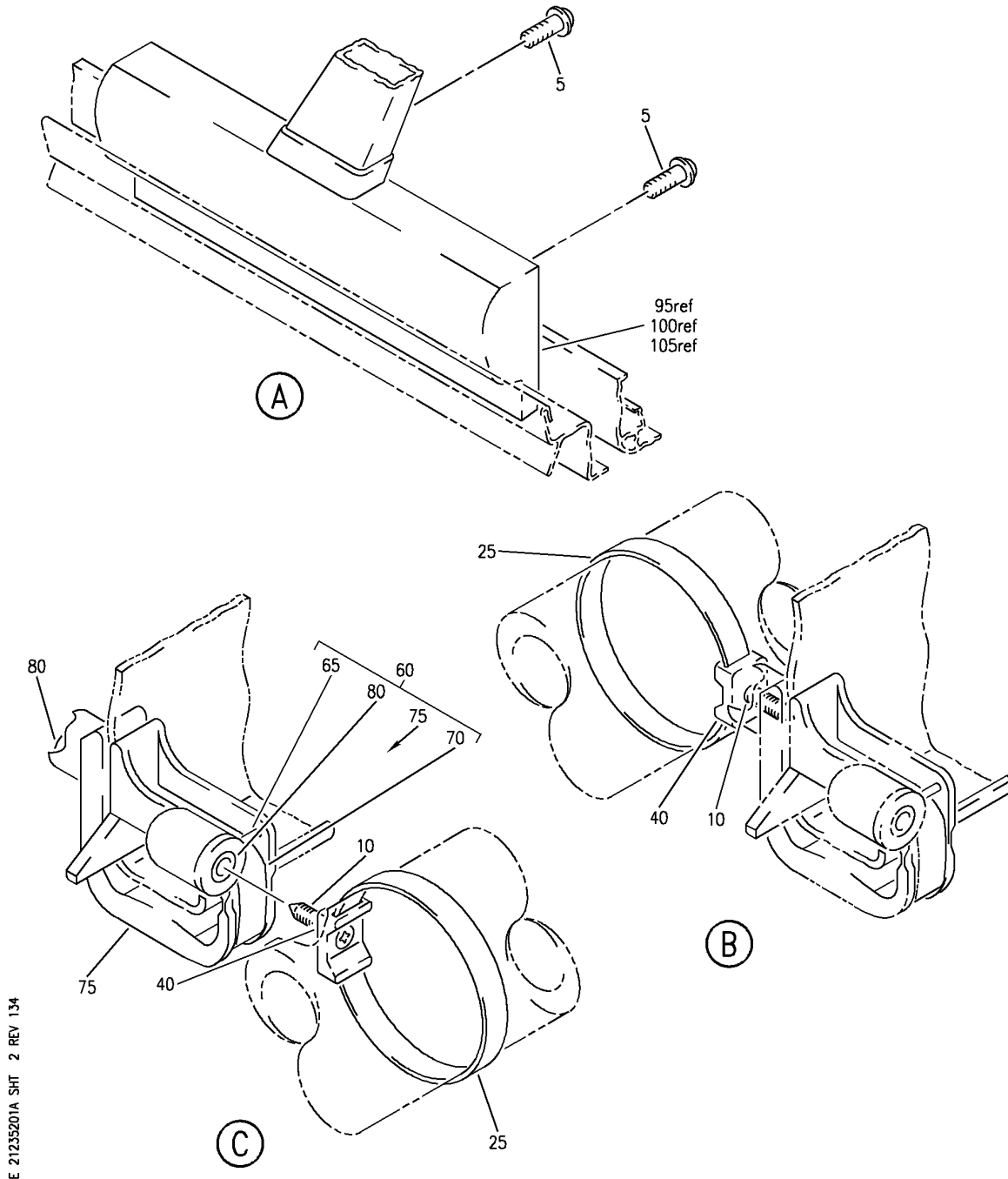
HAP

21-23-51-88A

BOEING PROPRIETARY - Copyright © - Unpublished Work - See title page for details.

21-23-51
FIG. 88A
PAGE 2
OCT 10/07

BOEING
737-600/700/800/900
PARTS CATALOG (MAINTENANCE)



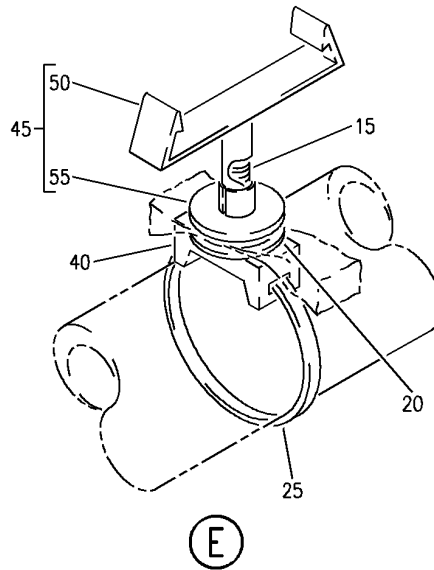
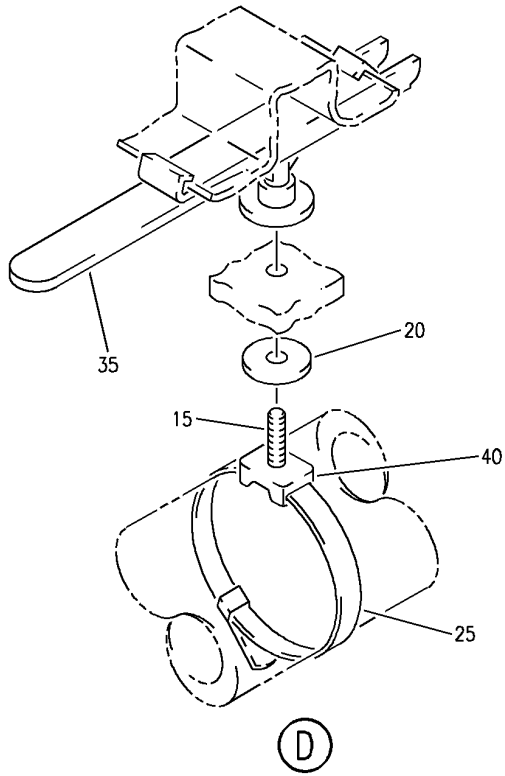
E 21235201A SHT 2 REV 134

DUCT INSTL-SIDEWALL AIR DISTR SYS
FIGURE 1A (SHEET 2)

HAP
OCT 10/07

21-23-52-01A

21-23-52-01A
PAGE 0A



E 21235201A SHT 3 REV 134

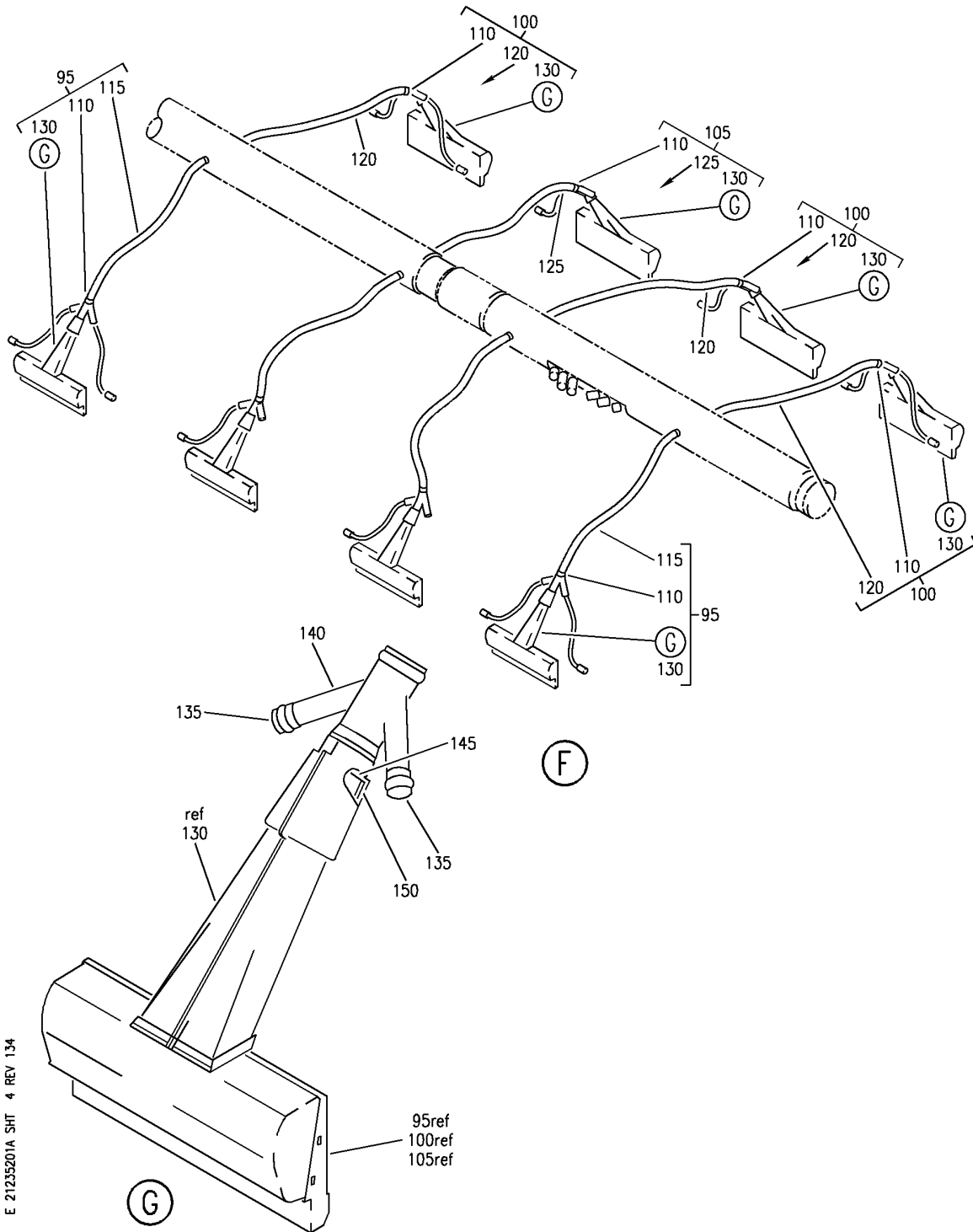
DUCT INSTL-SIDEWALL AIR DISTR SYS
FIGURE 1A (SHEET 3)

HAP
OCT 10/07

21-23-52-01A

21-23-52-01A
PAGE 0B

BOEING
 737-600/700/800/900
 PARTS CATALOG (MAINTENANCE)



E 21235201A SHT 4 REV 134

DUCT INSTL-SIDEWALL AIR DISTR SYS
 FIGURE 1A (SHEET 4)

21-23-52-01A

HAP
 OCT 10/07

21-23-52-01A
 PAGE 0C

BOEING
737-600/700/800/900
PARTS CATALOG (MAINTENANCE)

FIG ITEM	PART NUMBER	1 2 3 4 5 6 7	NOMENCLATURE	EFFECT FROM TO	UNITS PER ASSY
1 A			DUCT INSTL-SIDEWALL AIR DISTR SYS	102200 972999	
- 1	MODREF346041		DUCT INSTL-SIDEWALL AIR DISTR SYS MODULE NUMBER: 214A2005-38 REV B	102200 972999	1
5	BACS12FA08K6		.SCREW	102200 972999	16
10	BACS12GP3L7		.SCREW	102200 972999	10
15	BACS12GP3L10		.SCREW	102200 972999	5
20	BACW10DZ3		.WASHER	102200 972999	5
25	PLT3SM		.STRAP SUPPLIER CODE: V06383 SPECIFICATION NUMBER: BACS38K7 OPTIONAL PART: T0510 V53421	102200 972999	16
30	PLT2IC		.STRAP SUPPLIER CODE: V06383 SPECIFICATION NUMBER: BACS38K10	102200 972999	8
35	BACS38P5		.SUPPORT ASSY	102200 972999	2
40	TM2S8		.PLATE SUPPLIER CODE: V06383 SPECIFICATION NUMBER: STBP19M9	102200 972999	15
45	214N5054-8		.SUPPORT ASSY	102200 972999	3
50	2055155-7A		..CLIP-STGR SUPPLIER CODE: V04169	102200 972999	1
55	411N4026-2		..CAP ASSY- OPTIONAL PART: 411N4026-10	102200 972999	1
55	411N4026-10		..CAP ASSY- OPTIONAL PART: 411N4026-2	102200 972999	1
60	411A4902-6		.CLIP ASSY-RTNR	102200 972999	7
65	MS16562-194		..PIN-SPR	102200 972999	1

MISSING ITEM NUMBERS NOT APPLICABLE

- ITEM NOT ILLUSTRATED

HAP

21-23-52-01A

BOEING PROPRIETARY - Copyright © - Unpublished Work - See title page for details.

21-23-52
FIG. 01A
PAGE 1
OCT 15/08

BOEING
737-600/700/800/900
PARTS CATALOG (MAINTENANCE)

FIG ITEM	PART NUMBER	1 2 3 4 5 6 7	NOMENCLATURE	EFFECT FROM TO	UNITS PER ASSY
1A					
70	411A4902-8	..	CLIP-SPR	102200 972999	1
75	411A4902-3	..	BODY ASSY	102200 972999	1
80	H02030-2L	...	INSERT- SUPPLIER CODE: V07EU2	102200 972999	2
85	BACD40P3A280	.DUCT		102200 972999	1
90	BACD40P3A180	.DUCT		102200 972999	11
95	214A2113-400	.HOSE	ASSY	102200 972999	4
100	214A2113-403	.HOSE	ASSY	102200 972999	3
105	214A2113-404	.HOSE	ASSY	102200 972999	1
110	PLT2IC	..	STRAP SUPPLIER CODE: V06383 SPECIFICATION NUMBER: BACS38K10	102200 972999	1
115	AS1591-06-0450A	..	HOSE- USED ON: 214A2113-400	102200 972999	1
120	AS1591-06-0600A	..	HOSE- USED ON: 214A2113-403	102200 972999	1
125	AS1591-06-0650A	..	HOSE- USED ON: 214A2113-404	102200 972999	1
130	214N2520-200	..	DIFFUSER ASSY	102200 972999	1
135	12-1000	...	CAP-END SUPPLIER CODE: V25205	102200 972999	2
140	214N2107-11	...	DUCT-BRANCH	102200 972999	1
145	214N2145-5	...	PLATE-RESTRICTOR	102200 972999	1
150	214N2520-69	...	LINING	102200 972999	1

MISSING ITEM NUMBERS NOT APPLICABLE

— ITEM NOT ILLUSTRATED

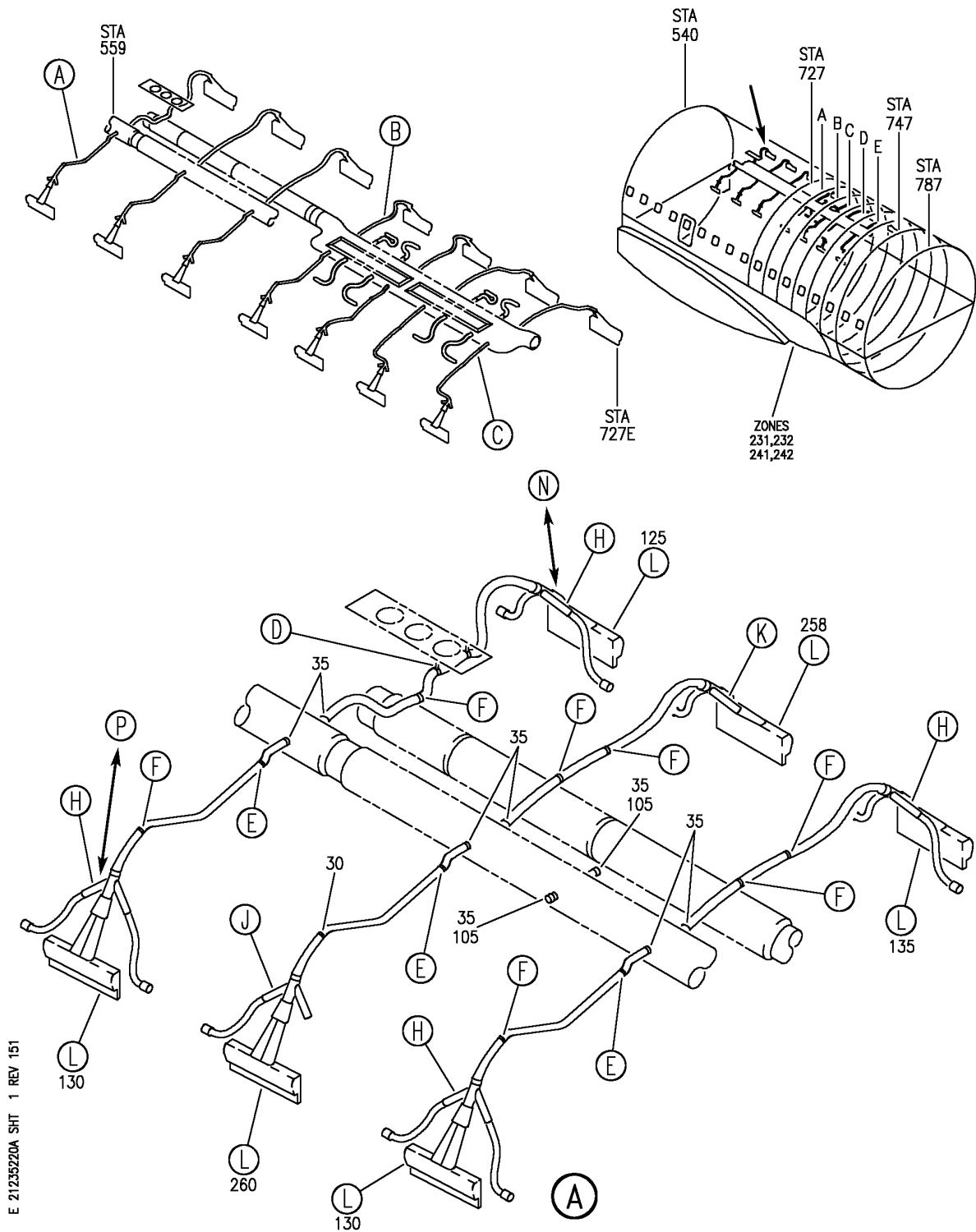
HAP

21-23-52-01A

BOEING PROPRIETARY - Copyright © - Unpublished Work - See title page for details.

21-23-52
FIG. 01A
PAGE 2
OCT 15/08

BOEING
 737-600/700/800/900
 PARTS CATALOG (MAINTENANCE)



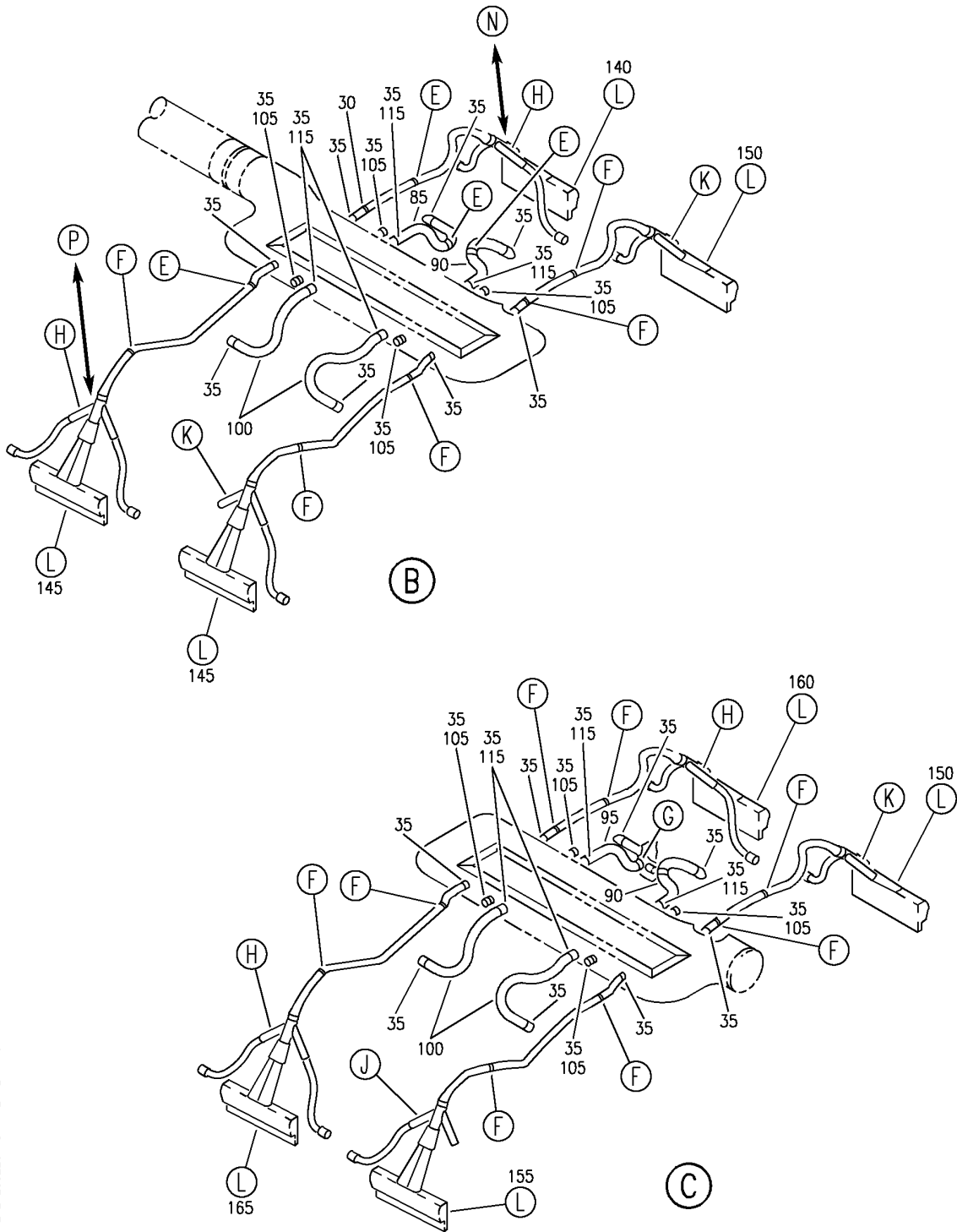
DUCT INSTL-SIDEWALL AIR DISTR SYS
 FIGURE 20A (SHEET 1)

21-23-52-20A

HAP
 FEB 15/09

21-23-52-20A
 PAGE 0

BOEING
 737-600/700/800/900
 PARTS CATALOG (MAINTENANCE)



E 21235220A SHT 2 REV 110

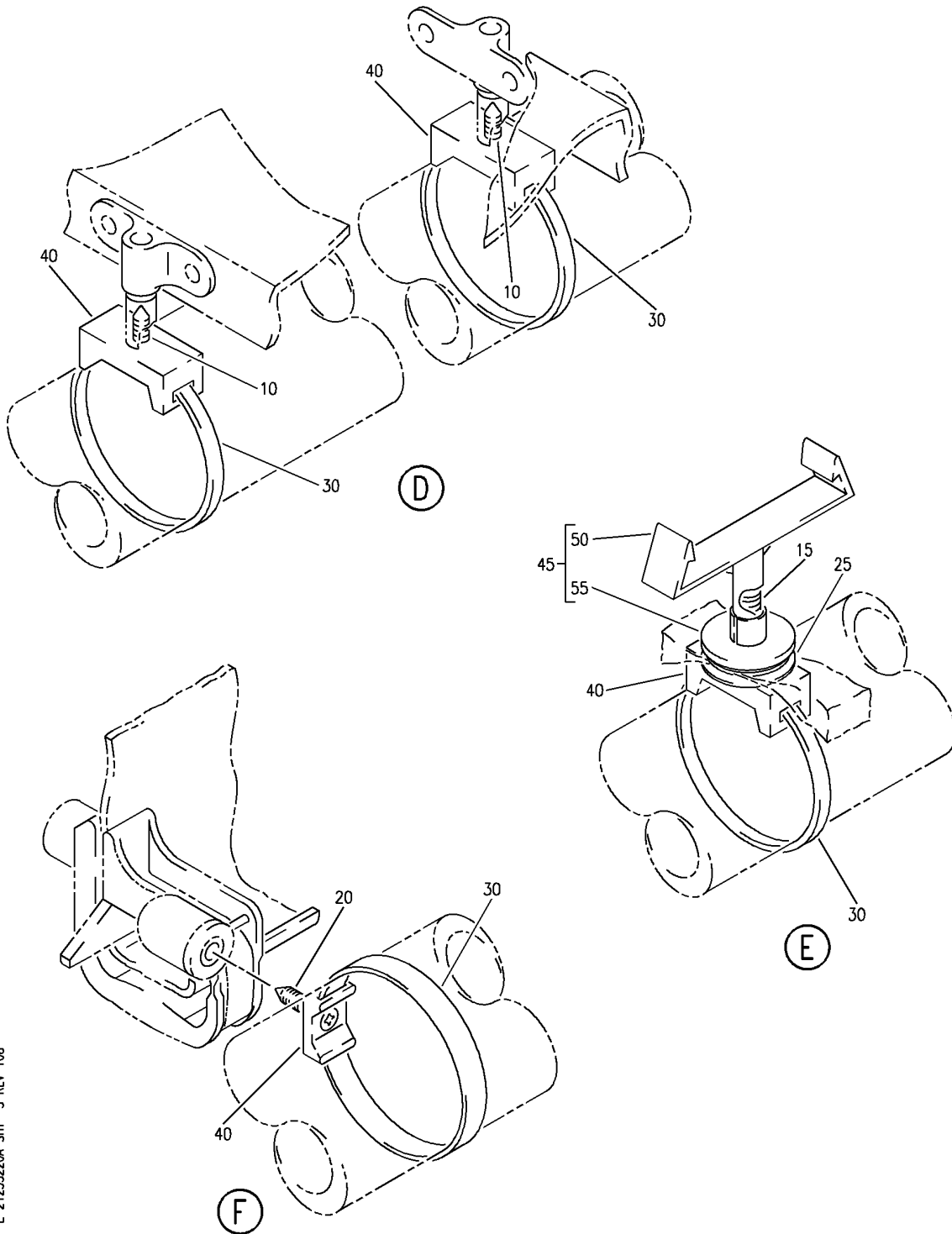
DUCT INSTL-SIDEWALL AIR DISTR SYS
 FIGURE 20A (SHEET 2)

21-23-52-20A

HAP
 FEB 10/07

21-23-52-20A
 PAGE 0A

BOEING
 737-600/700/800/900
 PARTS CATALOG (MAINTENANCE)



E 21235220A SHT 3 REV 108

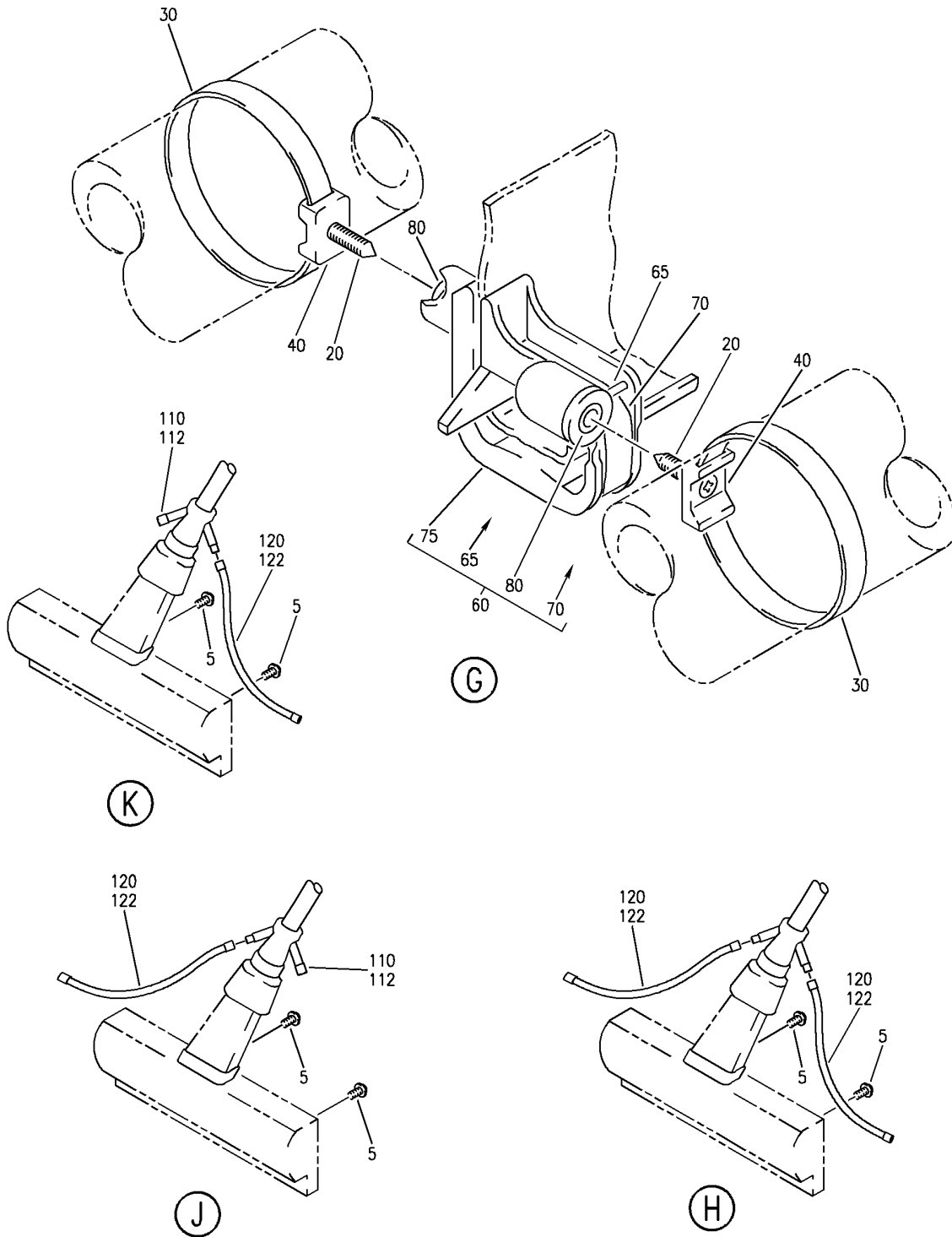
DUCT INSTL-SIDEWALL AIR DISTR SYS
 FIGURE 20A (SHEET 3)

21-23-52-20A

HAP
 FEB 10/07

21-23-52-20A
 PAGE 0B

BOEING
 737-600/700/800/900
 PARTS CATALOG (MAINTENANCE)



E 21235220A SHT 4 REV 110

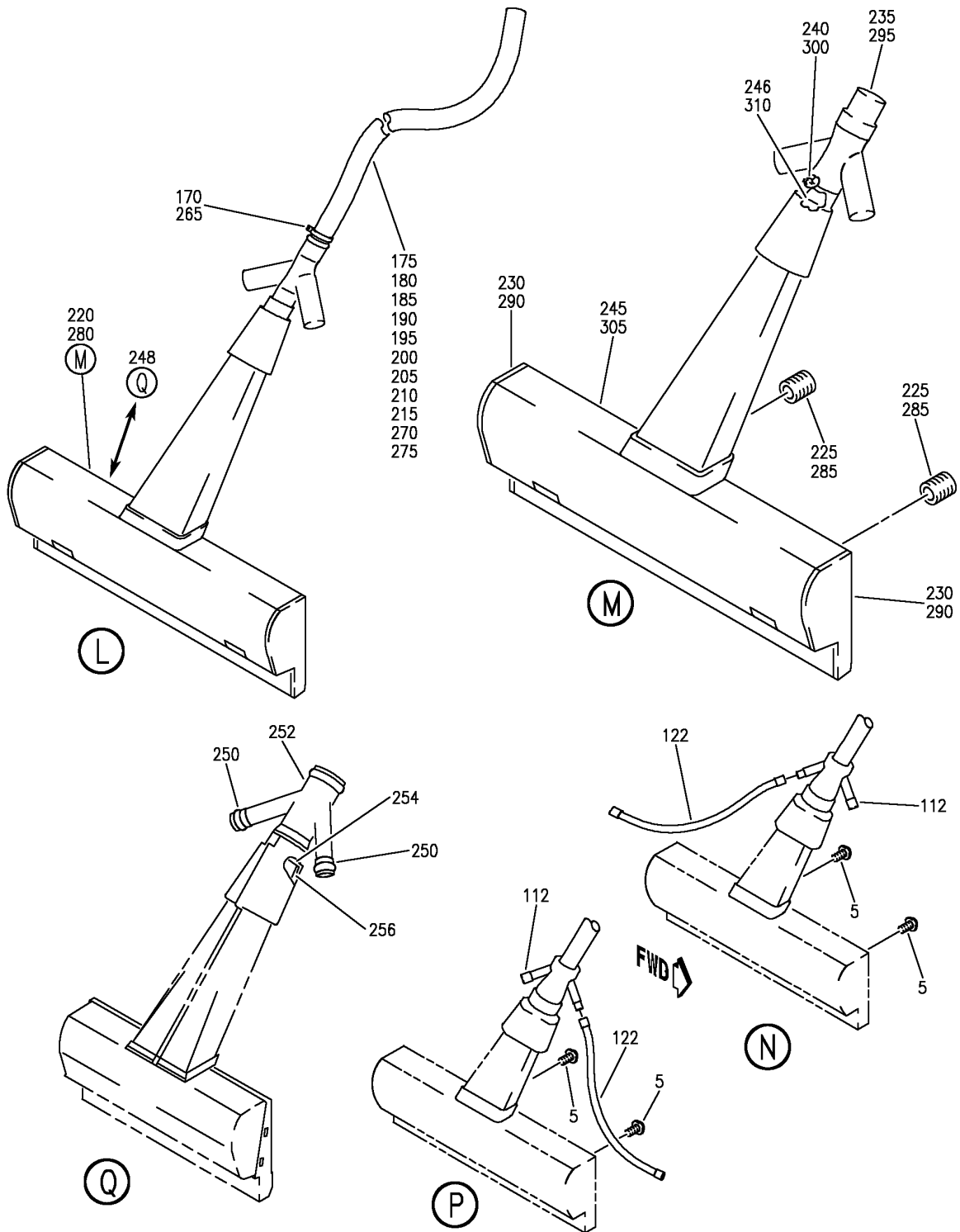
DUCT INSTL-SIDEWALL AIR DISTR SYS
 FIGURE 20A (SHEET 4)

21-23-52-20A

HAP
 FEB 10/07

21-23-52-20A
 PAGE 0C

BOEING
 737-600/700/800/900
 PARTS CATALOG (MAINTENANCE)



E 21235220A SHT 5 REV 151

DUCT INSTL-SIDEWALL AIR DISTR SYS
 FIGURE 20A (SHEET 5)

21-23-52-20A

HAP
 FEB 15/09

21-23-52-20A
 PAGE 0D

BOEING
737-600/700/800/900
PARTS CATALOG (MAINTENANCE)

FIG ITEM	PART NUMBER	1 2 3 4 5 6 7	NOMENCLATURE	EFFECT FROM TO	UNITS PER ASSY
20A			DUCT INSTL-SIDEWALL AIR DISTR SYS	101101 968971	
- 1	MODREF266880		DUCT INSTL-SIDEWALL AIR DISTR SYS MODULE NUMBER: 214A2006-3 REV E	101101 968971	1
5	BACS12FA08K6		.SCREW	101101 968971	28
10	BACS12GU3K11		.SCREW	101101 968971	2
15	BACS12GP3L10		.SCREW	101101 968971	7
20	BACS12GP3L7		.SCREW	101101 968971	22
25	BACW10DZ3		.WASHER	101101 968971	7
30	PLT3SM		.STRAP SUPPLIER CODE: V06383 SPECIFICATION NUMBER: BACS38K7 OPTIONAL PART: T0510 V53421	101101 968971	33
35	PLT2IC		.STRAP SUPPLIER CODE: V06383 SPECIFICATION NUMBER: BACS38K10	101101 968971	40
40	TM2S8		.PLATE SUPPLIER CODE: V06383 SPECIFICATION NUMBER: STBP19M9	101101 968971	31
45	214N5054-8		.SUPPORT ASSY	101101 968971	7
50	2055155-7A		..CLIP- SUPPLIER CODE: V04169	101101 968971	1
55	411N4026-2		..CAP ASSY- OPTIONAL PART: 411N4026-10	101101 968971	1
55	411N4026-10		..CAP ASSY- OPTIONAL PART: 411N4026-2	101101 968971	1
60	411A4902-6		.CLIP ASSY	101101 968971	1
65	MS16562-194		..PIN	101101 968971	1

MISSING ITEM NUMBERS NOT APPLICABLE

- ITEM NOT ILLUSTRATED

HAP

21-23-52-20A

BOEING PROPRIETARY - Copyright © - Unpublished Work - See title page for details.

21-23-52
FIG. 20A
PAGE 1
FEB 15/08

BOEING
737-600/700/800/900
PARTS CATALOG (MAINTENANCE)

FIG ITEM	PART NUMBER	1 2 3 4 5 6 7	NOMENCLATURE	EFFECT FROM TO	UNITS PER ASSY
20A					
70	411A4902-8	..	CLIP	101101 968971	1
75	411A4902-3	..	BODY ASSY	101101 968971	1
80	H02030-2L	...	INSERT- SUPPLIER CODE: V07EU2	101101 968971	2
85	AS1591-06-0250A	.HOSE		101101 968971	1
90	AS1591-06-0260A	.HOSE		101101 968971	2
95	AS1591-06-0290A	.HOSE		101101 968971	1
100	AS1591-06-0190A	.HOSE		101101 968971	4
105	24-1000	.CAP- SUPPLIER CODE: V25205		101101 968971	10
112	12-1000	.CAP-END SUPPLIER CODE: V25205		101101 968971	10
115	214T3436-619	.ORIFICE ASSY		101101 968971	8
122	BACD40P3A180	.DUCT		101101 968971	18
125	214A2113-335	.HOSE ASSY		101101 968971	1
130	214A2113-319	.HOSE ASSY		101101 968971	2
135	214A2113-332	.HOSE ASSY		101101 968971	1
140	214A2113-326	.HOSE ASSY		101101 968971	1
145	214A2113-328	.HOSE ASSY		101101 968971	1
150	214A2113-321	.HOSE ASSY		101101 968971	2
155	214A2113-323	.HOSE ASSY		101101 968971	2
160	214A2113-320	.HOSE ASSY		101101 968971	1
165	214A2113-322	.HOSE ASSY		101101 968971	1
170	PLT2IC	.. STRAP SUPPLIER CODE: V06383 SPECIFICATION NUMBER: BACS38K10		101101 968971	1

MISSING ITEM NUMBERS NOT APPLICABLE

— ITEM NOT ILLUSTRATED

HAP

21-23-52-20A

BOEING PROPRIETARY - Copyright © - Unpublished Work - See title page for details.

21-23-52
FIG. 20A
PAGE 2
FEB 15/08

 **BOEING**
737-600/700/800/900
PARTS CATALOG (MAINTENANCE)

FIG ITEM	PART NUMBER	1 2 3 4 5 6 7	NOMENCLATURE	EFFECT FROM TO	UNITS PER ASSY
20A 175	AS1591-06-0640A	..	HOSE- USED ON: 214A2113-335	101101 968971	1
180	AS1591-06-0450A	..	HOSE- USED ON: 214A2113-319	101101 968971	1
185	AS1591-06-0610A	..	HOSE- USED ON: 214A2113-332	101101 968971	1
190	AS1591-06-0520A	..	HOSE- USED ON: 214A2113-326	101101 968971	1
195	AS1591-06-0540A	..	HOSE- USED ON: 214A2113-328	101101 968971	1
200	AS1591-06-0470A	..	HOSE- USED ON: 214A2113-321	101101 968971	1
205	AS1591-06-0490A	..	HOSE- USED ON: 214A2113-323	101101 968971	1
210	AS1591-06-0460A	..	HOSE- USED ON: 214A2113-320	101101 968971	1
215	AS1591-06-0480A	..	HOSE- USED ON: 214A2113-322	101101 968971	1
220	214N2520-144	..	DIFFUSER ASSY-	101101 968971	1
225	6035-2BR185	...	INSERT- SUPPLIER CODE: V01556	101101 968971	2
230	214N2520-142	...	PLATE-END	101101 968971	2
235	214N2107-6	...	DUCT-BRANCH	101101 968971	1
240	214N2145-6	...	PLATE-RESTRICTOR	101101 968971	1
245	214N2520-91	...	DIFFUSER	101101 968971	1
246	214N2520-69	...	LINING	101101 968971	1
248	214N2520-200	..	DIFFUSER ASSY-	101101 968971	1
250	12-1000	...	CAP-END SUPPLIER CODE: V25205	101101 968971	2
252	214N2107-11	...	DUCT-BRANCH	101101 968971	1

MISSING ITEM NUMBERS NOT APPLICABLE

- ITEM NOT ILLUSTRATED

HAP

21-23-52-20A

BOEING PROPRIETARY - Copyright © - Unpublished Work - See title page for details.

21-23-52
FIG. 20A
PAGE 3
FEB 15/09

BOEING
737-600/700/800/900
PARTS CATALOG (MAINTENANCE)

FIG ITEM	PART NUMBER	1 2 3 4 5 6 7	NOMENCLATURE	EFFECT FROM TO	UNITS PER ASSY
20A					
254	214N2145-5	...	PLATE-RESTRICTOR	101101 968971	1
256	214N2520-69	...	LINING	101101 968971	1
258	214A2113-355	.HOSE	ASSY	101101 968971	1
260	214A2113-344	.HOSE	ASSY	101101 968971	1
265	PLT2IC	..STRAP		101101 968971	1
			SUPPLIER CODE: V06383		
			SPECIFICATION NUMBER: BACS38K10		
270	AS1591-06-0590A	..HOSE-		101101 968971	1
			USED ON: 214A2113-355		
275	AS1591-06-0450A	..HOSE-		101101 968971	1
			USED ON: 214A2113-344		
280	214N2520-145	..DIFFUSER	ASSY	101101 968971	1
285	6035-2BR185	...INSERT-		101101 968971	2
			SUPPLIER CODE: V01556		
290	214N2520-142	...PLATE-	END	101101 968971	2
295	214N2107-6	...DUCT-	BRANCH	101101 968971	1
300	214N2145-6	...PLATE-	RESTRICTOR	101101 968971	1
305	214N2520-91	...DIFFUSER		101101 968971	1
310	214N2520-69	...LINING		101101 968971	1

MISSING ITEM NUMBERS NOT APPLICABLE

— ITEM NOT ILLUSTRATED

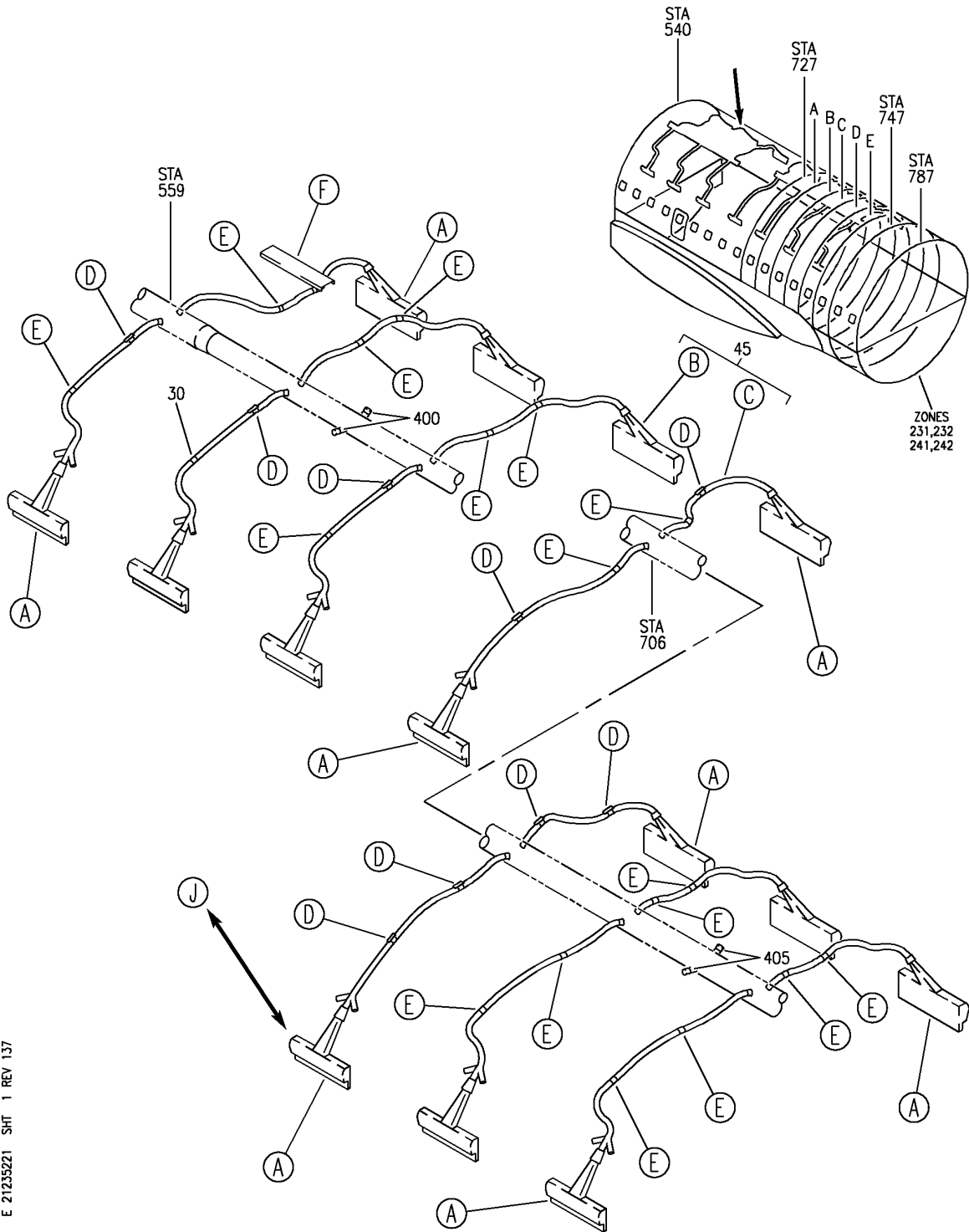
HAP

21-23-52-20A

BOEING PROPRIETARY - Copyright © - Unpublished Work - See title page for details.

21-23-52
FIG. 20A
PAGE 4
FEB 15/09

BOEING
 737-600/700/800/900
 PARTS CATALOG (MAINTENANCE)



E 21235221 SHT 1 REV 137

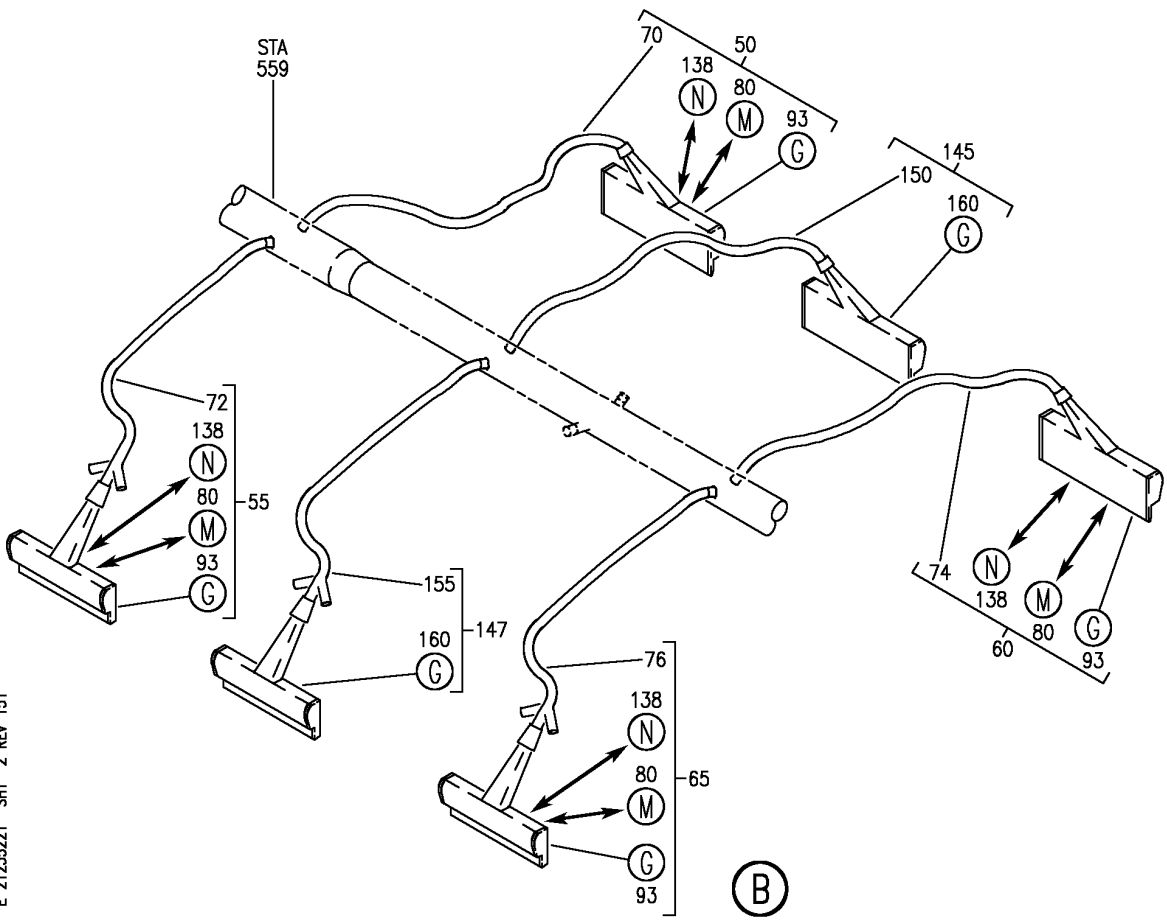
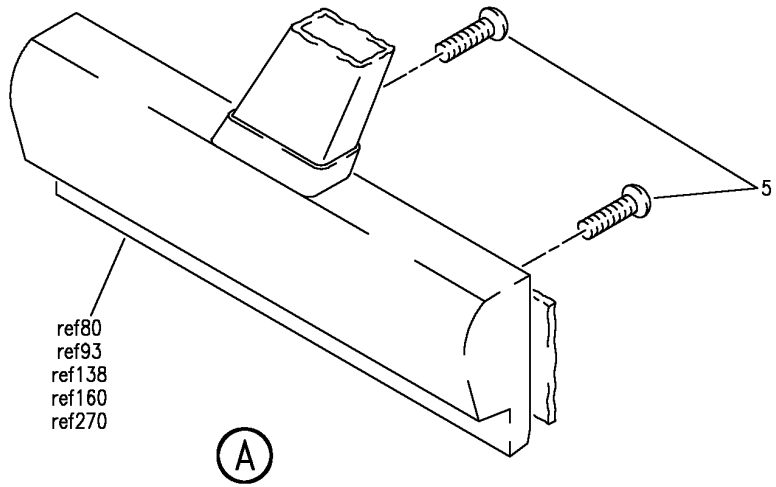
DUCT INSTL-SIDEWALL AIR DISTR SYS
 FIGURE 21 (SHEET 1)

21-23-52-21

HAP
 OCT 15/08

21-23-52-21
 PAGE 0

BOEING
 737-600/700/800/900
 PARTS CATALOG (MAINTENANCE)



E 21235221 SHT 2 REV 151

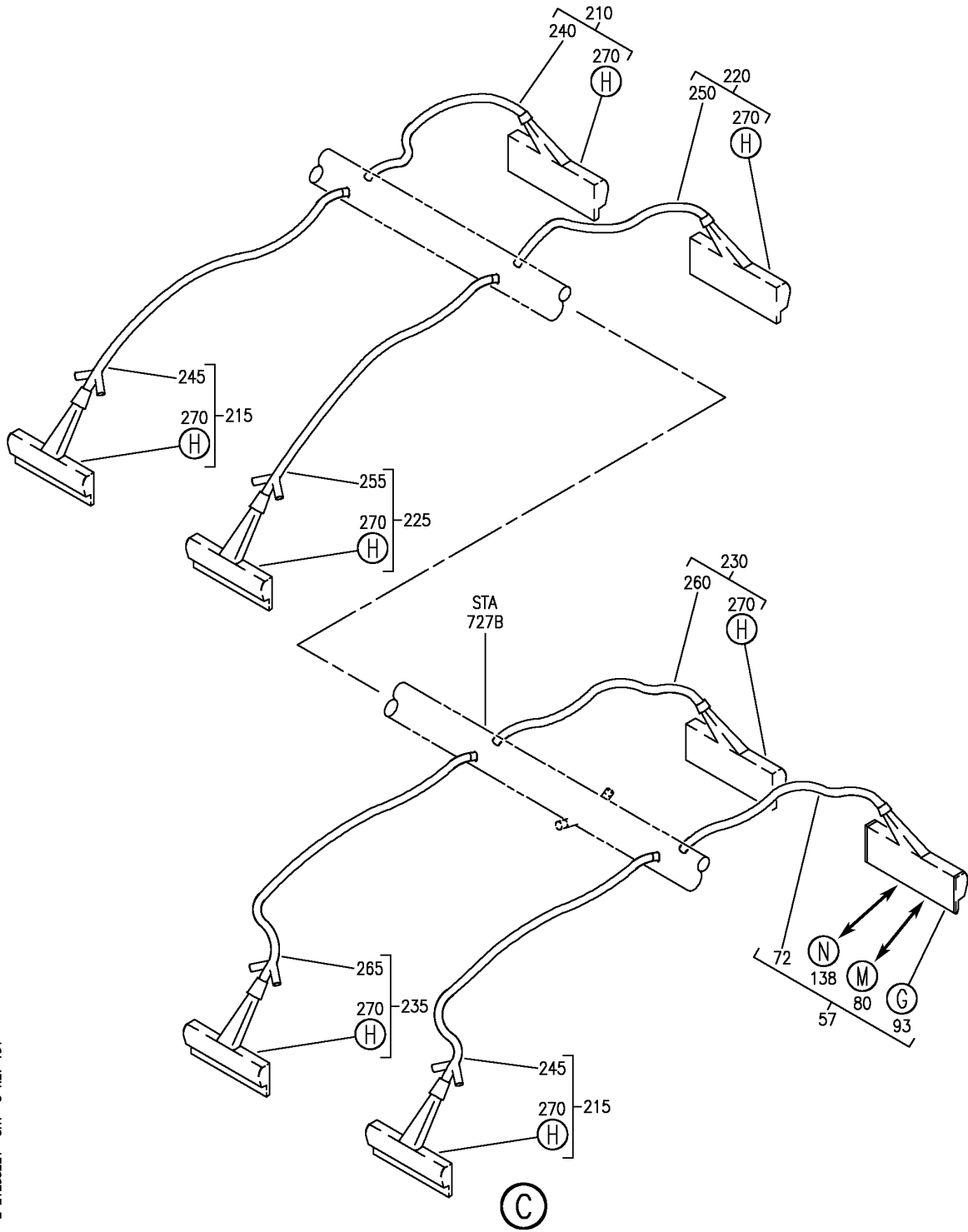
DUCT INSTL-SIDEWALL AIR DISTR SYS
 FIGURE 21 (SHEET 2)

21-23-52-21

HAP
 FEB 15/09

21-23-52-21
 PAGE 0A

BOEING
 737-600/700/800/900
 PARTS CATALOG (MAINTENANCE)



E 21235221 SHT 3 REV 151

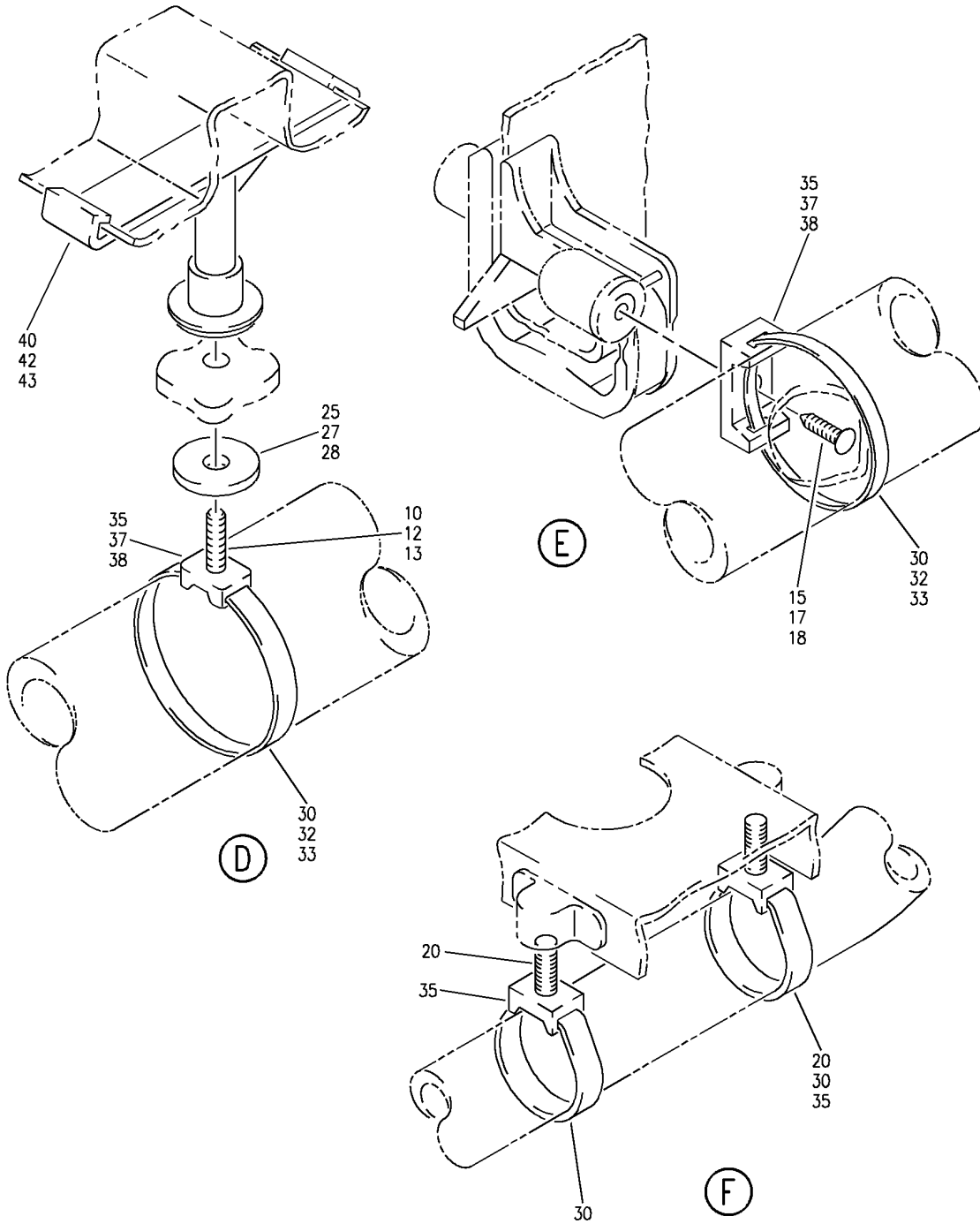
DUCT INSTL-SIDEWALL AIR DISTR SYS
 FIGURE 21 (SHEET 3)

21-23-52-21

HAP
 FEB 15/09

21-23-52-21
 PAGE 0B

BOEING
 737-600/700/800/900
 PARTS CATALOG (MAINTENANCE)



E 21235221 SHT 4 REV 137

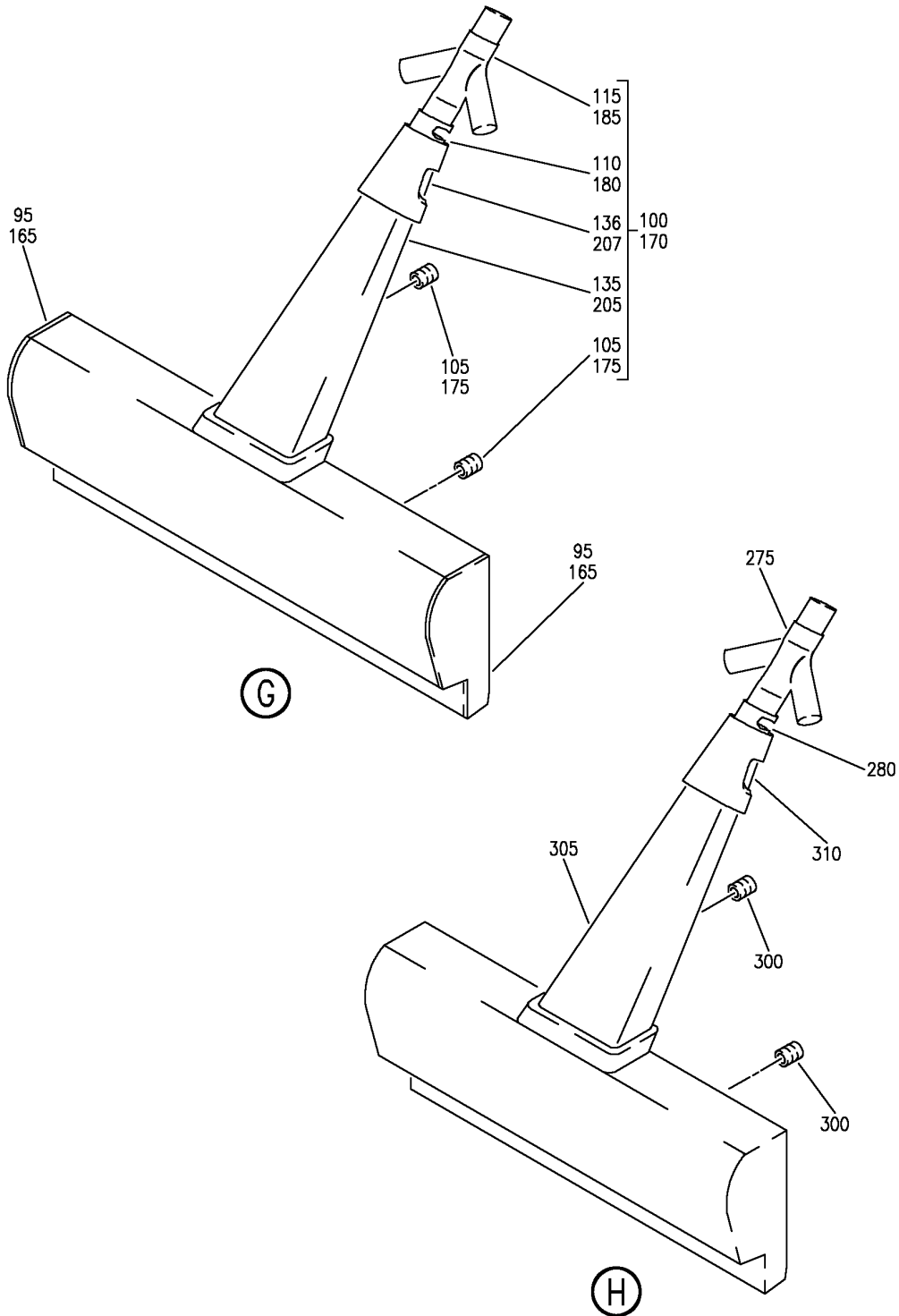
DUCT INSTL-SIDEWALL AIR DISTR SYS
 FIGURE 21 (SHEET 4)

21-23-52-21

HAP
 OCT 15/08

21-23-52-21
 PAGE 0C

BOEING
 737-600/700/800/900
 PARTS CATALOG (MAINTENANCE)



E 21235221 SH1 5 REV 151

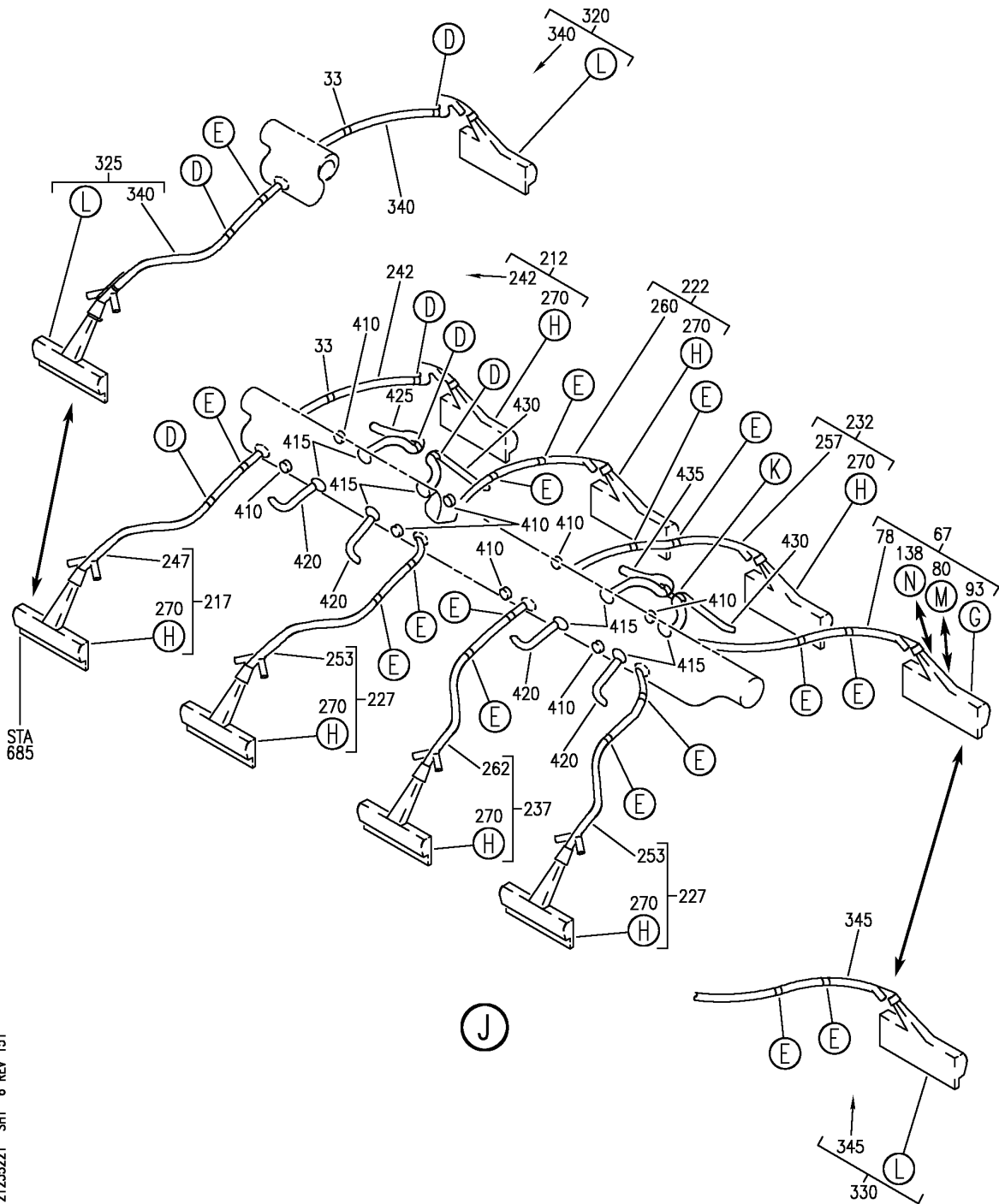
DUCT INSTL-SIDEWALL AIR DISTR SYS
 FIGURE 21 (SHEET 5)

21-23-52-21

HAP
 FEB 15/09

21-23-52-21
 PAGE 0D

BOEING
 737-600/700/800/900
 PARTS CATALOG (MAINTENANCE)



E 21235221 SH1 6 REV 151

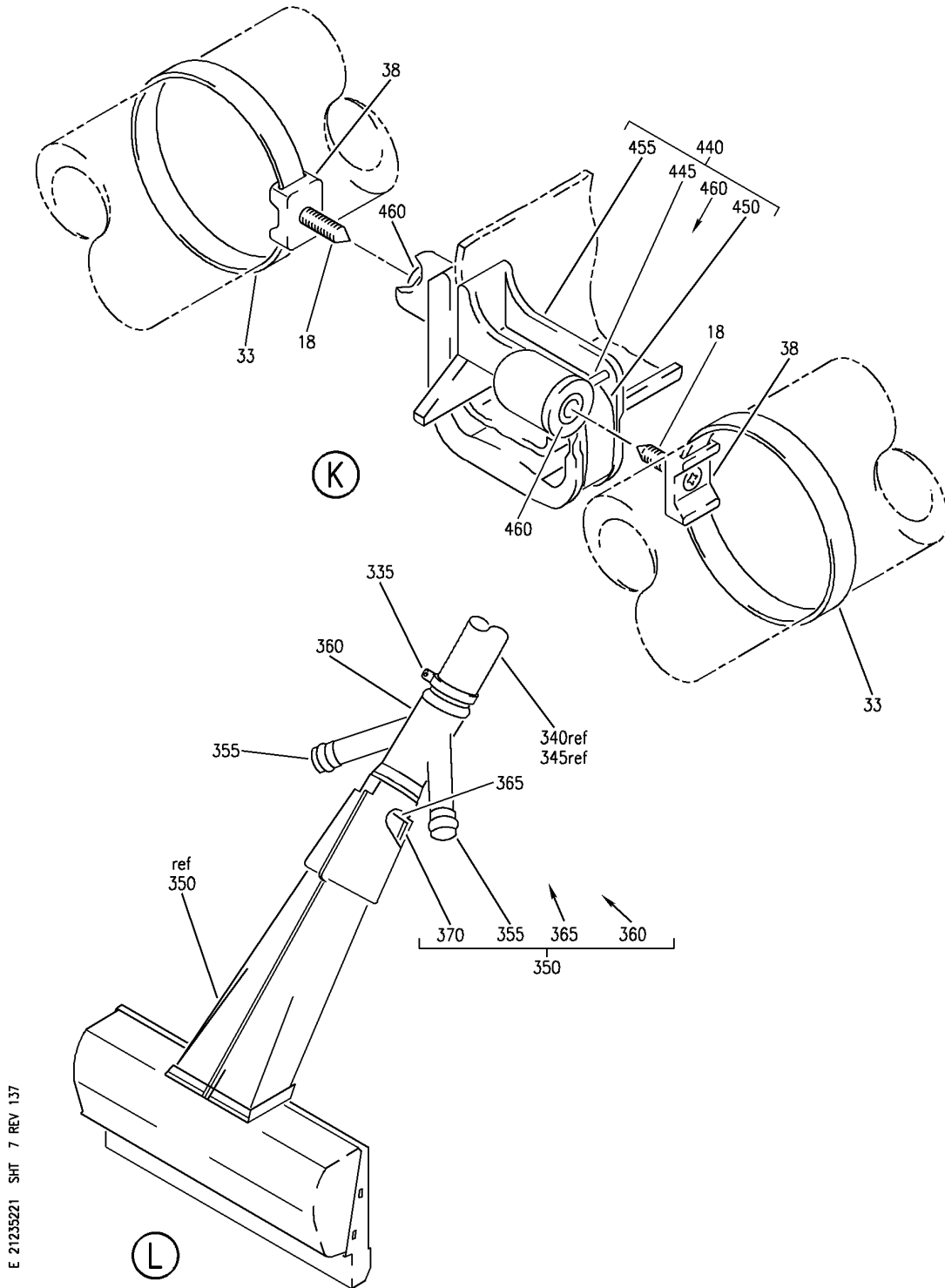
DUCT INSTL-SIDEWALL AIR DISTR SYS
 FIGURE 21 (SHEET 6)

21-23-52-21

HAP
 FEB 15/09

21-23-52-21
 PAGE 0E

BOEING
 737-600/700/800/900
 PARTS CATALOG (MAINTENANCE)



E 21235221 SH7 7 REV 137

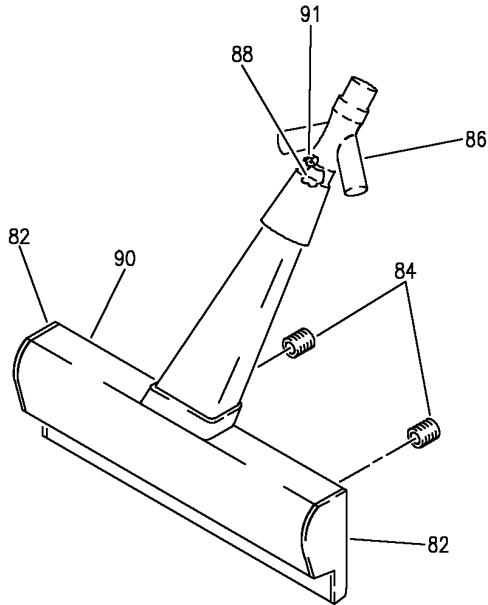
DUCT INSTL-SIDEWALL AIR DISTR SYS
 FIGURE 21 (SHEET 7)

21-23-52-21

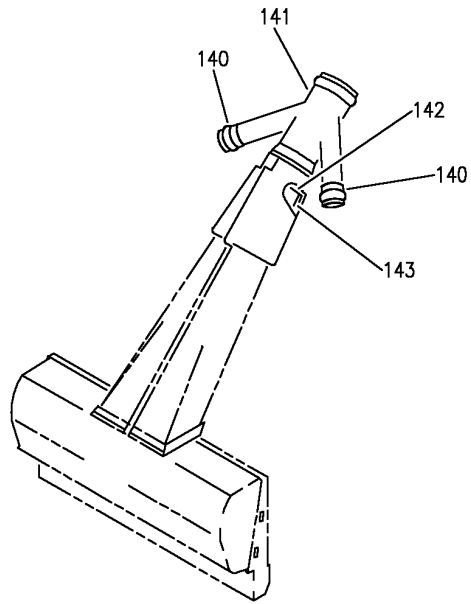
HAP
 OCT 15/08

21-23-52-21
 PAGE OF

BOEING
 737-600/700/800/900
 PARTS CATALOG (MAINTENANCE)



(M)



(N)

E 2123521 SH1 8 REV 151

DUCT INSTL-SIDEWALL AIR DISTR SYS
 FIGURE 21 (SHEET 8)

21-23-52-21

HAP
 FEB 15/09

21-23-52-21
 PAGE 08

BOEING
737-600/700/800/900
PARTS CATALOG (MAINTENANCE)

FIG ITEM	PART NUMBER	1 2 3 4 5 6 7	NOMENCLATURE	EFFECT FROM TO	UNITS PER ASSY
21			DUCT INSTL-SIDEWALL AIR DISTR SYS	201967	
- 1	214A2006-7		DUCT INSTL-SIDEWALL AIR DISTR SYS FOR NHA SEE: 21-20-00-09B	201967	RF
5	BACS12FA08K6		.SCREW	201967	28
10	BACS12GP3L10		.SCREW	201967	3
12	BACS12GP3L10		.SCREW-	201967	6
15	BACS12GP3L7		.SCREW	201967	7
17	BACS12GP3L7		.SCREW-	201967	10
20	BACS12GU3K11		.SCREW	201967	2
25	BACW10DZ3		.WASHER	201967	3
27	BACW10DZ3		.WASHER-	201967	6
30	PLT3SM		.STRAP SUPPLIER CODE: V06383 SPECIFICATION NUMBER: BACS38K7 OPTIONAL PART: T05I0 V53421	201967	13
32	PLT3SM		.STRAP- SUPPLIER CODE: V06383 SPECIFICATION NUMBER: BACS38K7 OPTIONAL PART: T05I0 V53421	201967	16
35	TM2S8		.PLATE SUPPLIER CODE: V06383 SPECIFICATION NUMBER: STBP19M9	201967	12
37	TM2S8		.PLATE- SUPPLIER CODE: V06383 SPECIFICATION NUMBER: STBP19M9	201967	16
40	214N5054-8		.SUPPORT ASSY	201967	3
42	214N5054-8		.SUPPORT ASSY-	201967	6
45	214A2006-8		.HOSE ASSY SET	201967	1
50	214A2113-273		..HOSE ASSY	201967	1
55	214A2113-250		..HOSE ASSY	201967	1
57	214A2113-250		..HOSE ASSY-	201967	1
60	214A2113-266		..HOSE ASSY	201967	1
65	214A2113-251		..HOSE ASSY	201967	1

MISSING ITEM NUMBERS NOT APPLICABLE

- ITEM NOT ILLUSTRATED

HAP

21-23-52-21

21-23-52
FIG. 21
PAGE 1
OCT 15/08

BOEING
737-600/700/800/900
PARTS CATALOG (MAINTENANCE)

FIG ITEM	PART NUMBER	1 2 3 4 5 6 7	NOMENCLATURE	EFFECT FROM TO	UNITS PER ASSY
21					
70	AS1591-06-0680A	...	HOSE- USED ON: 214A2113-273	201967	1
72	AS1591-06-0450A	...	HOSE- USED ON: 214A2113-250	201967	1
74	AS1591-06-0610A	...	HOSE- USED ON: 214A2113-266	201967	1
76	AS1591-06-0460A	...	HOSE- USED ON: 214A2113-251	201967	1
80	214N2520-144	...	DIFFUSER ASSY-	201967	1
82	214N2520-142	PLATE-END	201967	2
84	6035-2BR185	INSERT- SUPPLIER CODE: V01556	201967	2
86	214N2107-6	DUCT-BRANCH	201967	1
88	214N2145-6	PLATE-RESTRICTOR	201967	1
90	214N2520-91	DIFFUSER	201967	1
91	214N2520-69	LINING	201967	1
93	214N2520-81	...	DIFFUSER ASSY-	201967	1
95	214N2520-7	PLATE-END	201967	2
100	214N2520-94	DIFFUSER ASSY- ALTERED FROM PART NUMBER: 214N2520-80	201967	1
105	6035-2BR185	INSERT- SUPPLIER CODE: V01556	201967	2
110	214N2145-5	PLATE	201967	1
115	214N2107-2	DUCT	201967	1
- 120	214N2520-77	INLET ASSY	201967	1
- 125	214N2520-79	CAP	201967	1
- 130	214N2520-78	INLET	201967	1
135	214N2520-91	DIFFUSER	201967	1
136	214N2520-69	LINING-	201967	1
138	214N2520-200	...	DIFFUSER ASSY-	201967	1
140	12-1000	CAP-END SUPPLIER CODE: V25205	201967	2
141	214N2107-11	DUCT-BRANCH	201967	1
142	214N2145-5	PLATE-RESTRICTOR	201967	1
143	214N2520-69	LINING	201967	1
145	214A2113-168	..	HOSE ASSY-	201967	1
147	214A2113-154	..	HOSE ASSY-	201967	1
150	AS1591-06-0600A	...	HOSE- USED ON: 214A2113-168	201967	1

MISSING ITEM NUMBERS NOT APPLICABLE

- ITEM NOT ILLUSTRATED

HAP

21-23-52-21

21-23-52
FIG. 21
PAGE 2
FEB 15/09

BOEING
737-600/700/800/900
PARTS CATALOG (MAINTENANCE)

FIG ITEM	PART NUMBER	1 2 3 4 5 6 7	NOMENCLATURE	EFFECT FROM TO	UNITS PER ASSY
21					
155	AS1591-06-0460A	...	HOSE- USED ON: 214A2113-154	201967	1
160	214N2520-82	...	DIFFUSER ASSY	201967	1
165	214N2520-7	PLATE-END	201967	2
170	214N2520-96	DIFFUSER ASSY- ALTERED FROM PART NUMBER: 214N2520-86	201967	1
175	6035-2BR185	INSERT- SUPPLIER CODE: V01556	201967	2
180	214N2145-6	PLATE-RESTRICTOR	201967	1
185	214N2107-2	DUCT-BRANCH	201967	1
- 190	214N2520-77	INLET ASSY	201967	1
- 195	214N2520-79	CAP	201967	1
- 200	214N2520-78	INLET	201967	1
205	214N2520-91	DIFFUSER	201967	1
207	214N2520-69	LINING	201967	1
210	214A2113-203	..	HOSE ASSY-	201967	1
215	214A2113-218	..	HOSE ASSY-	201967	2
220	214A2113-200	..	HOSE ASSY-	201967	1
225	214A2113-215	..	HOSE ASSY-	201967	1
230	214A2113-205	..	HOSE ASSY-	201967	1
235	214A2113-219	..	HOSE ASSY-	201967	1
240	AS1591-06-0450A	...	HOSE- USED ON: 214A2113-203	201967	1
245	AS1591-06-0610A	...	HOSE- USED ON: 214A2113-218	201967	1
250	AS1591-06-0430A	...	HOSE- USED ON: 214A2113-200	201967	1
255	AS1591-06-0580A	...	HOSE- USED ON: 214A2113-215	201967	1
260	AS1591-06-0470A	...	HOSE- USED ON: 214A2113-205	201967	1
265	AS1591-06-0620A	...	HOSE- USED ON: 214A2113-219	201967	1
270	214N2520-80	...	DIFFUSER ASSY	201967	1
275	214N2107-2	DUCT	201967	1
280	214N2145-5	PLATE	201967	1
- 285	214N2520-77	INLET ASSY	201967	1
- 290	214N2520-79	CAP	201967	1
- 295	214N2520-78	INLET	201967	1

MISSING ITEM NUMBERS NOT APPLICABLE

- ITEM NOT ILLUSTRATED

HAP

21-23-52-21

21-23-52
FIG. 21
PAGE 3
FEB 15/09


BOEING
 737-600/700/800/900
PARTS CATALOG (MAINTENANCE)

FIG ITEM	PART NUMBER	1 2 3 4 5 6 7	NOMENCLATURE	EFFECT FROM TO	UNITS PER ASSY
21					
300	6035-2BR185	INSERT- SUPPLIER CODE: V01556	201967	2
305	214N2520-91	DIFFUSER	201967	1
310	214N2520-69	LINING	201967	1
400	24-1000	.CAP-	SUPPLIER CODE: V25205	201967	2
405	24-1000	.CAP-	SUPPLIER CODE: V25205	201967	2

MISSING ITEM NUMBERS NOT APPLICABLE

— ITEM NOT ILLUSTRATED

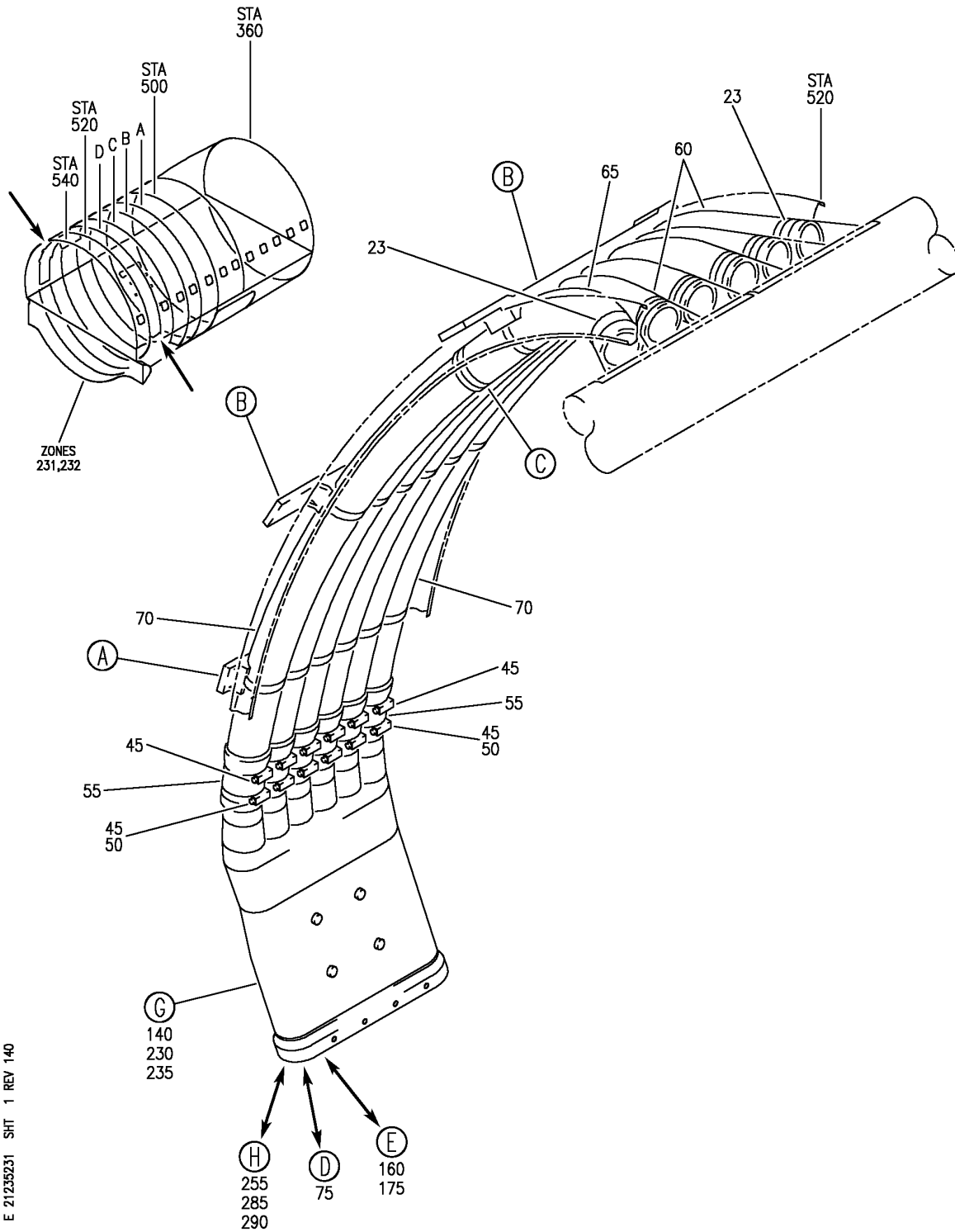
HAP

21-23-52-21

BOEING PROPRIETARY - Copyright © - Unpublished Work - See title page for details.

21-23-52
 FIG. 21
 PAGE 4
 FEB 15/09

BOEING
 737-600/700/800/900
 PARTS CATALOG (MAINTENANCE)



E 21235231 SHT 1 REV 140

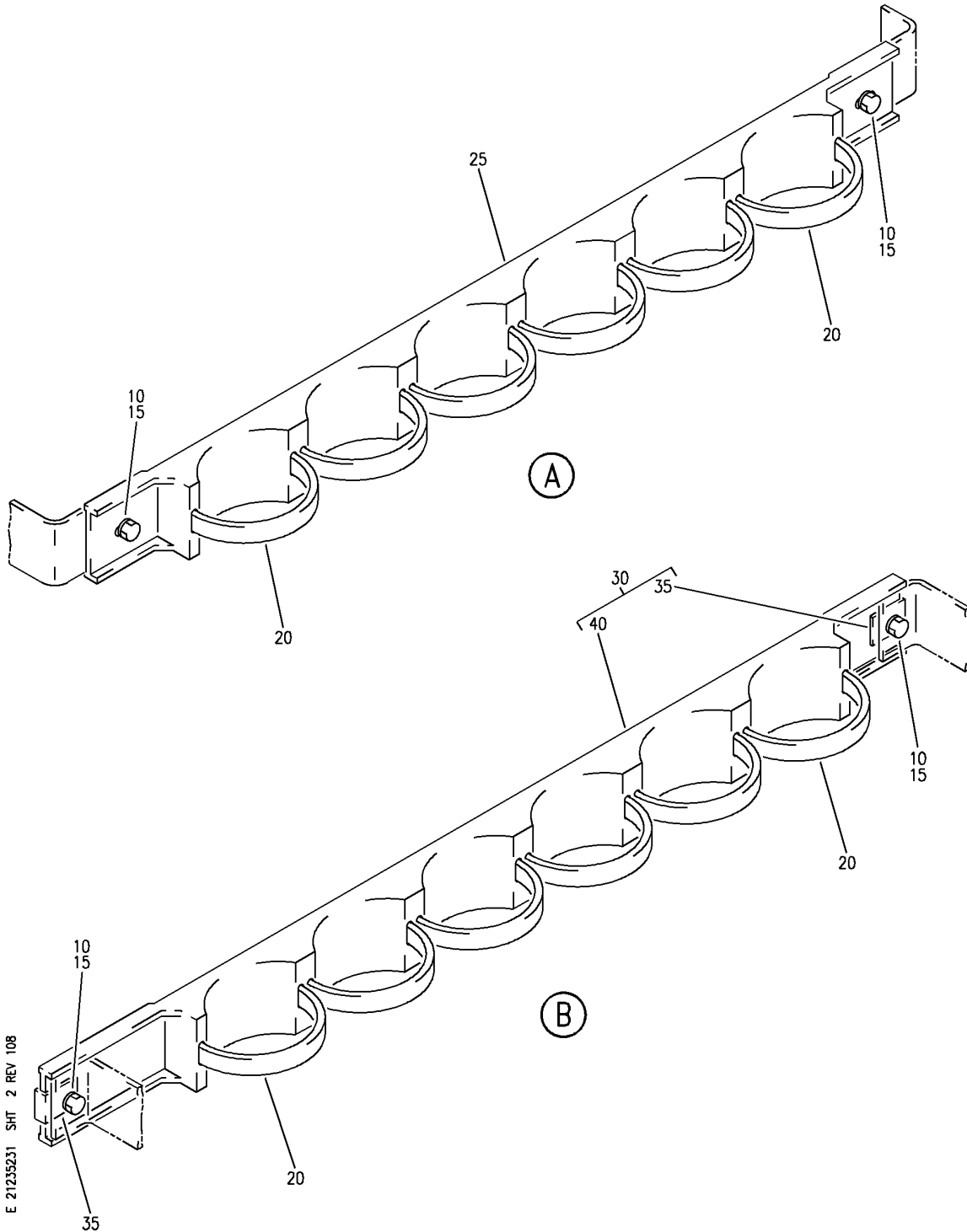
DUCT INSTL-SIDEWALL RISER AIR DISTR SYS
 FIGURE 31 (SHEET 1)

21-23-52-31

HAP
 JUN 15/08

21-23-52-31
 PAGE 0

BOEING
737-600/700/800/900
PARTS CATALOG (MAINTENANCE)



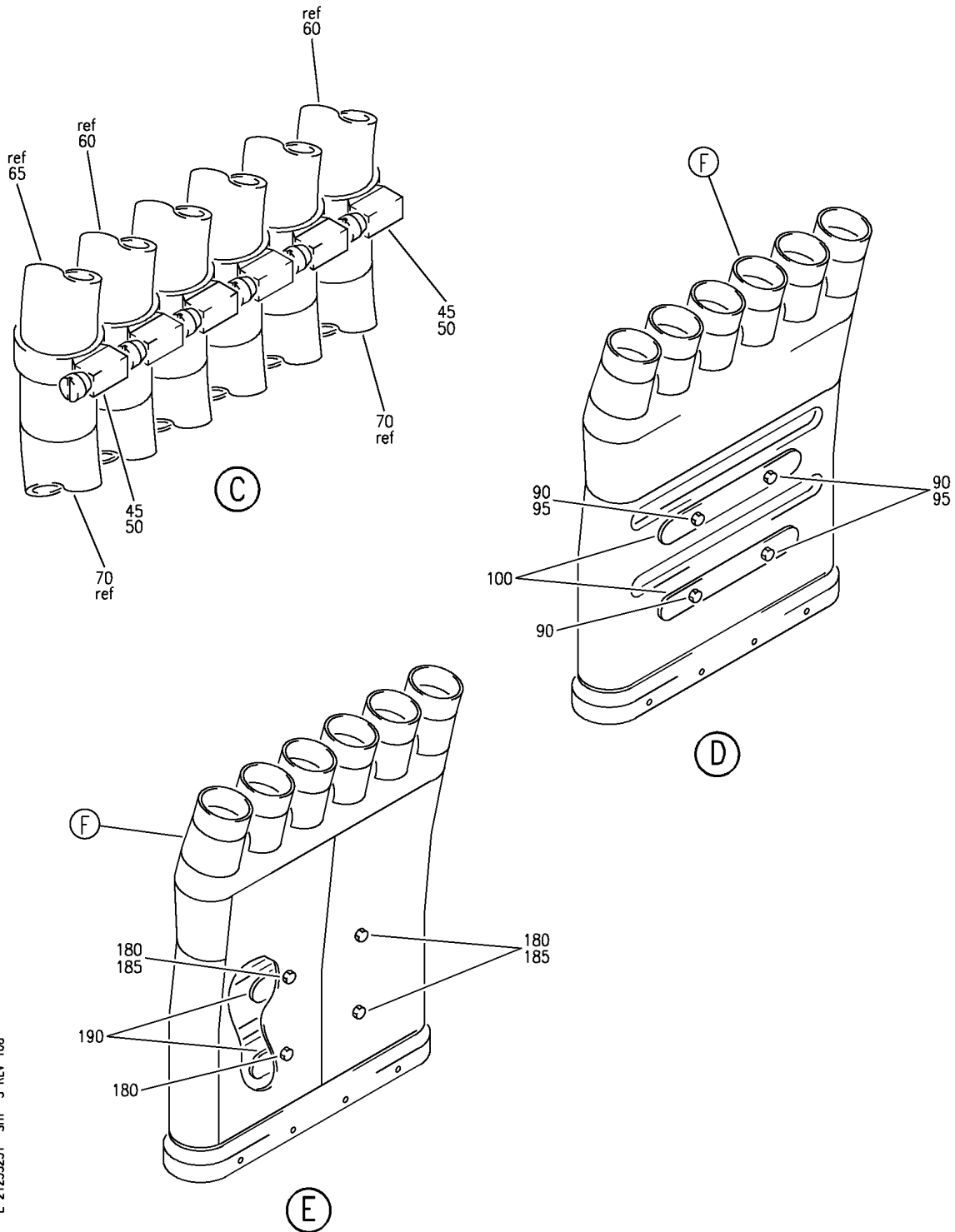
DUCT INSTL-SIDWALL RISER AIR DISTR SYS
FIGURE 31 (SHEET 2)

21-23-52-31

HAP
FEB 10/07

21-23-52-31
PAGE 0A

BOEING
 737-600/700/800/900
 PARTS CATALOG (MAINTENANCE)



E 21235231 SHT 3 REV 108

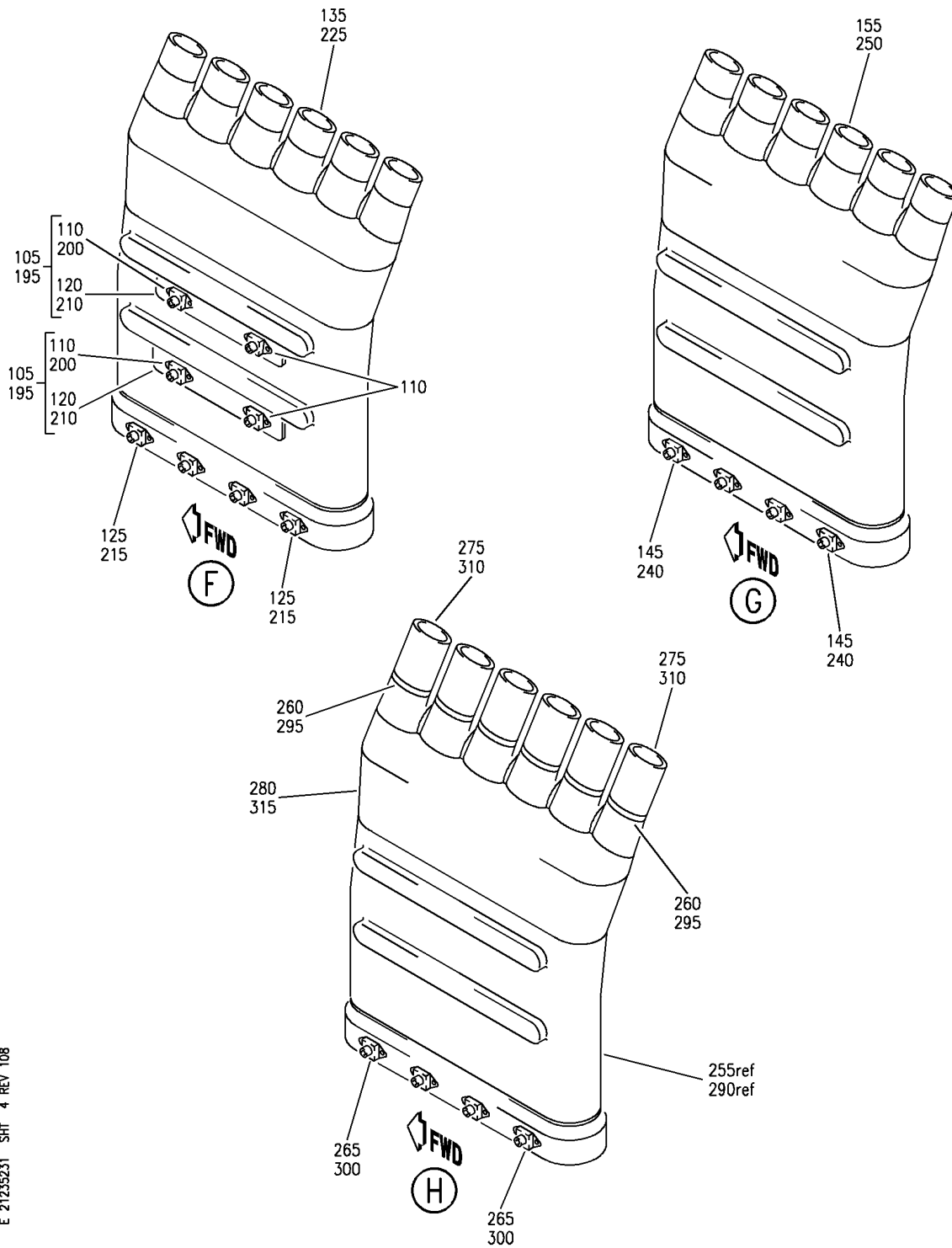
DUCT INSTL-SIDEWALL RISER AIR DISTR SYS
 FIGURE 31 (SHEET 3)

21-23-52-31

HAP
 FEB 10/07

21-23-52-31
 PAGE 0B

BOEING
737-600/700/800/900
PARTS CATALOG (MAINTENANCE)



E 21235231 SHT 4 REV 108

DUCT INSTL-SIDEWALL RISER AIR DISTR SYS
 FIGURE 31 (SHEET 4)

21-23-52-31

HAP
 FEB 10/07

21-23-52-31
 PAGE 0C

BOEING
737-600/700/800/900
PARTS CATALOG (MAINTENANCE)

FIG ITEM	PART NUMBER	1 2 3 4 5 6 7	NOMENCLATURE	EFFECT FROM TO	UNITS PER ASSY
31			DUCT INSTL-SIDEWALL RISER AIR DISTR SYS	101999	
- 1	214A2009-3		DUCT INSTL-SIDEWALL RISER AIR DISTR SYS POSITION DATA: LH FOR NHA SEE: 21-20-00-04B	201967	RF
- 1	MODREF219450		DUCT INSTL-SIDEWALL RISER AIR DISTR SYS MODULE NUMBER: 214A2009-7 REV B POSITION DATA: LH	101103 968971	1
- 1	MODREF363894		DUCT INSTL-SIDEWALL RISER AIR DISTR SYS MODULE NUMBER: 214A2009-7 REV C POSITION DATA: LH	104105 972999	1
- 1	MODREF369230		DUCT INSTL-SIDEWALL RISER AIR DISTR SYS MODULE NUMBER: 214A2009-7 REV D POSITION DATA: LH	106200	1
- 5	214A2009-4		DUCT INSTL-SIDEWALL RISER AIR DISTR SYS POSITION DATA: RH FOR NHA SEE: 21-20-00-04B	201967	RF
- 5	MODREF219451		DUCT INSTL-SIDEWALL RISER AIR DISTR SYS MODULE NUMBER: 214A2009-8 REV B POSITION DATA: RH	101103 968971	1
- 5	MODREF363895		DUCT INSTL-SIDEWALL RISER AIR DISTR SYS MODULE NUMBER: 214A2009-8 REV C POSITION DATA: RH	104105 972999	1

MISSING ITEM NUMBERS NOT APPLICABLE

- ITEM NOT ILLUSTRATED

HAP

21-23-52-31

BOEING PROPRIETARY - Copyright © - Unpublished Work - See title page for details.

21-23-52
FIG. 31
PAGE 1
OCT 15/08

BOEING
737-600/700/800/900
PARTS CATALOG (MAINTENANCE)

FIG ITEM	PART NUMBER	1 2 3 4 5 6 7	NOMENCLATURE	EFFECT FROM TO	UNITS PER ASSY
31					
- 5	MODREF369231		DUCT INSTL-SIDEWALL RISER AIR DISTR SYS MODULE NUMBER: 214A2009-8 REV D POSITION DATA: RH	106200	1
10	BACS12GU3K8	.SCREW		101999	6
15	NAS1149D0316J	.WASHER		101999	6
20	PLT4SM	.STRAP	SUPPLIER CODE: V06383 SPECIFICATION NUMBER: BACS38K2 OPTIONAL PART: T05LO V53421	101999	18
23	PLT4HTL	.STRAP	SUPPLIER CODE: V06383 SPECIFICATION NUMBER: BACS38K3 OPTIONAL PART: T012R0 V53421	106200	6
25	65C37395-3	.SUPPORT		101999	1
30	65C37395-1	.SUPPORT ASSY		101999	2
35	293163	..NUT	SUPPLIER CODE: V60119 SPECIFICATION NUMBER: BACN10FX5D OPTIONAL PART: F19594-3-1 V15653	101999	2
40	65C37395-2	..SUPPORT		101999	1
45	NAS1922-0225-3	.CLAMP		201967	18
50	NAS1922-0225-3	.CLAMP		101200	12
55	AS1506-10D20	.HOSE		968999	
60	AS1591-10-0232A	.DUCT		201967	6
65	AS1591-10-0260A	.DUCT		101999	5
70	65C37312-2	.DUCT ASSY-		101999	1
70	65C37312-4	.DUCT ASSY-		201967	6
75	65C37396-2	.DUCT ASSY-TRANSITION	POSITION DATA: LWR OPTIONAL PART: 65C37396-8	101200	6
				968999	
				201967	1

MISSING ITEM NUMBERS NOT APPLICABLE

- ITEM NOT ILLUSTRATED

HAP

21-23-52-31

BOEING PROPRIETARY - Copyright © - Unpublished Work - See title page for details.

21-23-52
FIG. 31
PAGE 2
OCT 15/08

BOEING
737-600/700/800/900
PARTS CATALOG (MAINTENANCE)

FIG ITEM	PART NUMBER	1 2 3 4 5 6 7	NOMENCLATURE	EFFECT FROM TO	UNITS PER ASSY
31			ATTACHING PARTS		
- 80	BACS12GU3K53	.	SCREW	201967	4
- 85	NAS1149D0332J	.	WASHER	201967	4
		-----*			
90	BACS12GU3K50	..	SCREW	201967	4
95	NAS43DD3-165FC	..	SPACER	201967	4
100	65C37626-2	..	PLATE	201967	2
105	65C37626-1	..	SUPPORT ASSY	201967	2
110	BRF200A3	...	NUTPLATE	201967	2
			SUPPLIER CODE: V52828		
			SPECIFICATION NUMBER: BACN10JR3F		
			OPTIONAL PART: NS103203-02		
			V80539		
			RMF9201-3		
			V72962		
			VN152A1-02		
			V92215		
			T8091S1032		
			V11815		
			F5000-3BAC		
			V15653		
			ATTACHING PARTS		
- 115	BACR15BA3A	...	RIVET-	201967	4
			SIZE DETERMINED ON INSTL.		
		-----*			
120	65C37626-2	...	PLATE	201967	1
125	BRF200A3	..	NUTPLATE	201967	4
			SUPPLIER CODE: V52828		
			SPECIFICATION NUMBER: BACN10JR3F		
			OPTIONAL PART: NS103203-02		
			V80539		
			RMF9201-3		
			V72962		
			VN152A1-02		
			V92215		
			T8091S1032		
			V11815		
			F5000-3BAC		
			V15653		
			ATTACHING PARTS		
- 130	BACR15BA3A	..	RIVET-	201967	8
			SIZE DETERMINED ON INSTL.		
		-----*			

MISSING ITEM NUMBERS NOT APPLICABLE

- ITEM NOT ILLUSTRATED

HAP

21-23-52-31

BOEING PROPRIETARY - Copyright © - Unpublished Work - See title page for details.

21-23-52
FIG. 31
PAGE 3
OCT 15/08

BOEING
737-600/700/800/900
PARTS CATALOG (MAINTENANCE)

FIG ITEM	PART NUMBER	1 2 3 4 5 6 7	NOMENCLATURE	EFFECT FROM TO	UNITS PER ASSY
31					
135	65C37396-1		.. DUCT	201967	1
140	65C37396-8		. DUCT ASSY-TRANSITION POSITION DATA: LWR	201967	1
145	BRF200A3		.. NUTPLATE SUPPLIER CODE: V52828 SPECIFICATION NUMBER: BACN10JR3F OPTIONAL PART: 65C37396-2	201967	4
- 150	BACR15BA3AC		ATTACHING PARTS .. RIVET- SIZE DETERMINED ON INSTL. -----*-----	201967	8
155	65C37396-7		.. DUCT ASSY	201967	1
255	65C37396-11		. DUCT ASSY-TRANSITION POSITION DATA: LWR	101200 968999	1
- 256	BACS12GU3K53		ATTACHING PARTS . SCREW	101200 968999	4
- 257	NAS1149D0332J		. WASHER	101200 968999	4
260	NAS1922-0225-3		-----*----- .. CLAMP	101200 968999	6

MISSING ITEM NUMBERS NOT APPLICABLE

- ITEM NOT ILLUSTRATED

HAP

21-23-52-31

BOEING PROPRIETARY - Copyright © - Unpublished Work - See title page for details.

21-23-52
FIG. 31
PAGE 4
OCT 15/08

BOEING
737-600/700/800/900
PARTS CATALOG (MAINTENANCE)

FIG ITEM	PART NUMBER	1 2 3 4 5 6 7	NOMENCLATURE	EFFECT FROM TO	UNITS PER ASSY
31 265	BRF200A3		..NUTPLATE SUPPLIER CODE: V52828 SPECIFICATION NUMBER: BACN10JR3F OPTIONAL PART: NS103203-02 V80539 RMF9201-3 V72962 VN152A1-02 V92215 T8091S1032 V11815 F5000-3BAC V15653 ATTACHING PARTS	101200 968999	4
- 270	BACR15BA3A3C		..RIVET- SIZE DETERMINED ON INSTL. OPTIONAL PART: BACR15DR3-3	101200 968999	8
- 270	AF5171-3-3		..RIVET- SUPPLIER CODE: V53551 SPECIFICATION NUMBER: BACR15DR3-3 OPTIONAL PART: CCR264SS3-3 V11815 RV571A3-3 V98996 SIZE DETERMINED ON INSTL. BACR15BA3A3C -----*-----	101200 968999	8
275	AS1506-10D30		..SLEEVE	101200 968999	6
280	65C37396-10		..DUCT	101200 968999	1

MISSING ITEM NUMBERS NOT APPLICABLE

- ITEM NOT ILLUSTRATED

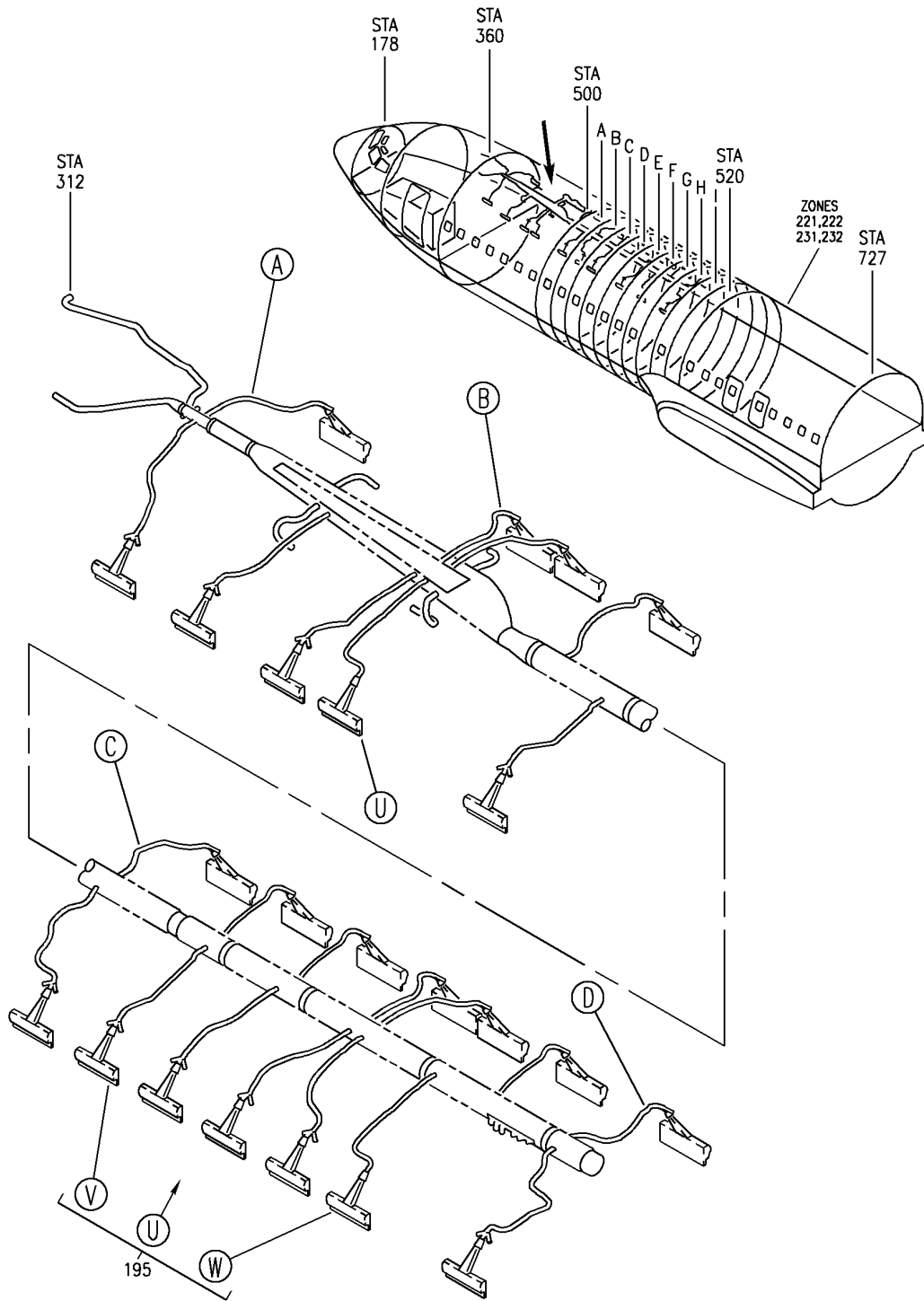
HAP

21-23-52-31

BOEING PROPRIETARY - Copyright © - Unpublished Work - See title page for details.

21-23-52
FIG. 31
PAGE 5
OCT 15/08

BOEING
 737-600/700/800/900
 PARTS CATALOG (MAINTENANCE)



E 21235233 SHT 1 REV 108

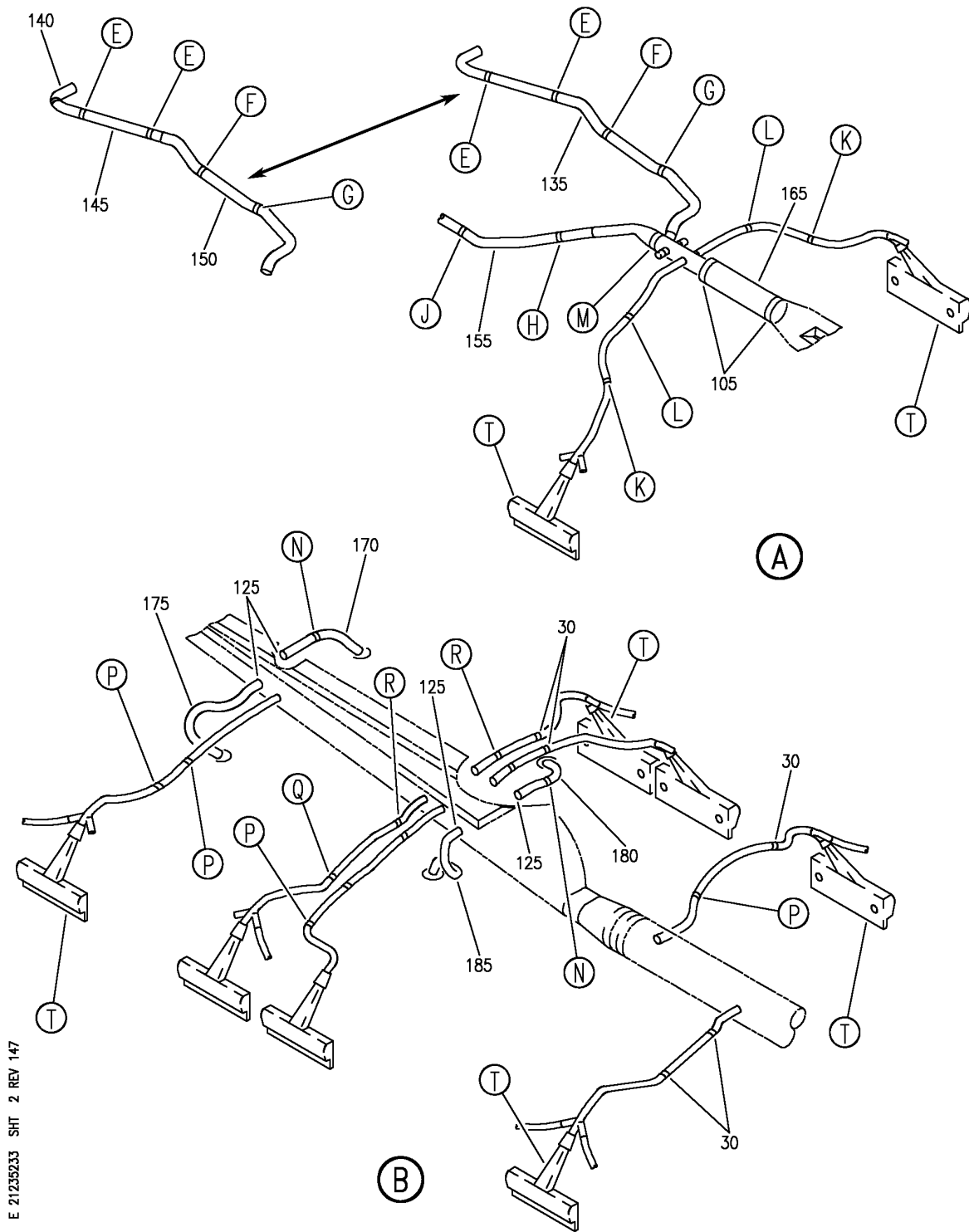
DUCT INSTL-SIDEWALL AIR DISTR SYS
 FIGURE 33 (SHEET 1)

21-23-52-33

HAP
 OCT 10/06

21-23-52-33
 PAGE 0

BOEING
 737-600/700/800/900
 PARTS CATALOG (MAINTENANCE)



E 21235233 SHT 2 REV 147

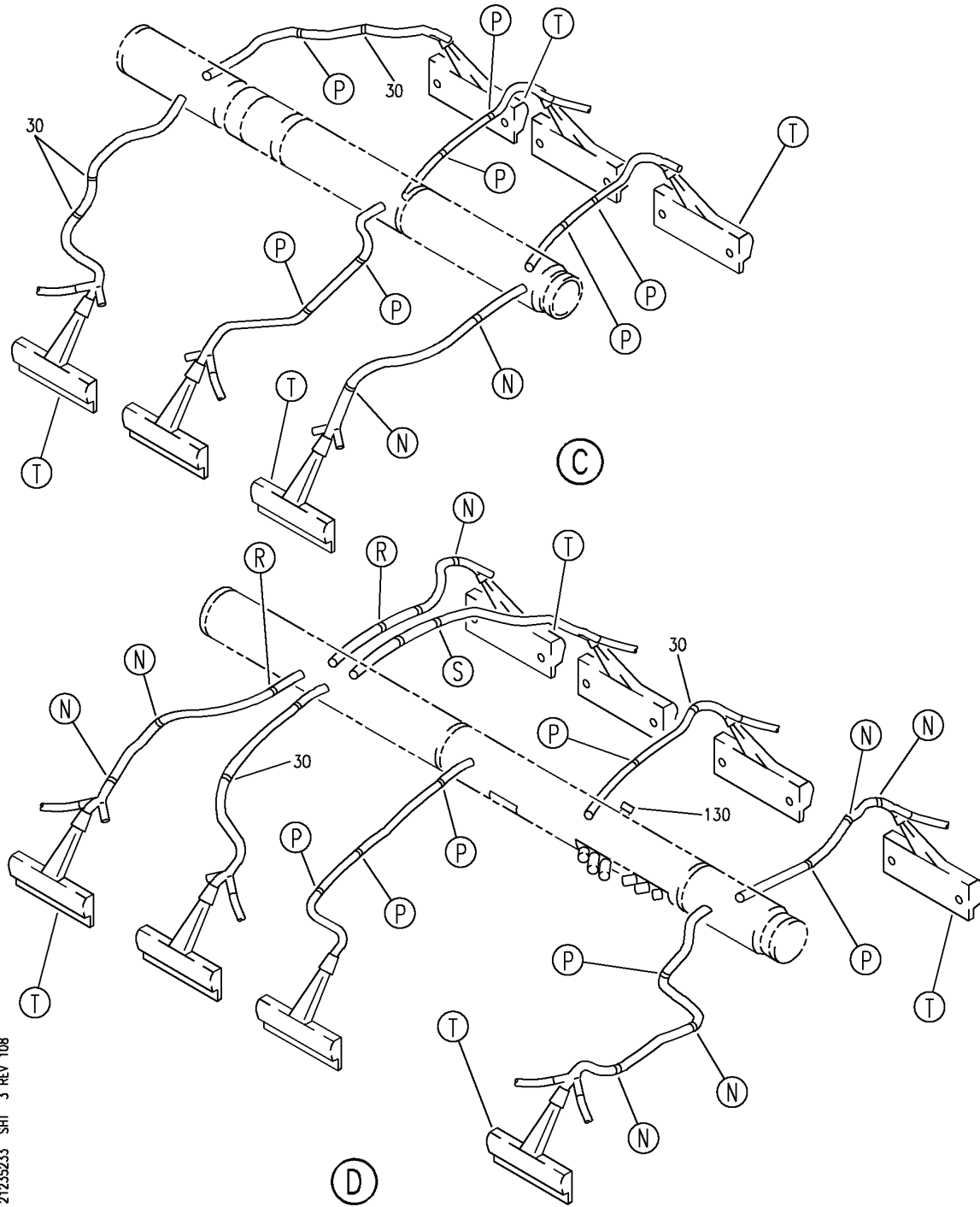
DUCT INSTL-SIDEWALL AIR DISTR SYS
 FIGURE 33 (SHEET 2)

21-23-52-33

HAP
 OCT 15/08

21-23-52-33
 PAGE 0A

BOEING
737-600/700/800/900
PARTS CATALOG (MAINTENANCE)



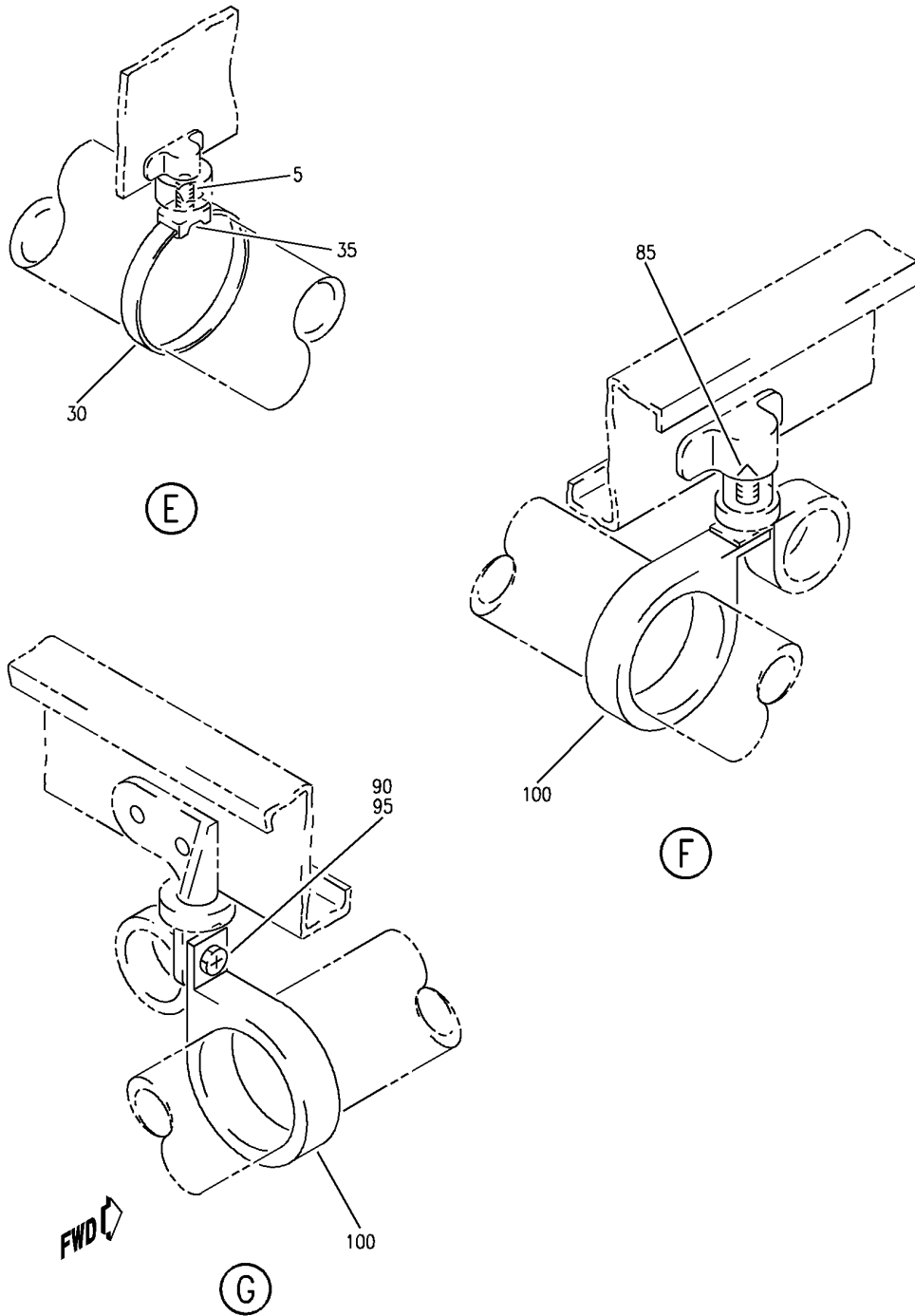
E 21235233 SHT 3 REV 108

DUCT INSTL-SIDEWALL AIR DISTR SYS
FIGURE 33 (SHEET 3)

21-23-52-33

HAP
OCT 10/06

21-23-52-33
PAGE 0B



E 21235233 SH 4 REV 108

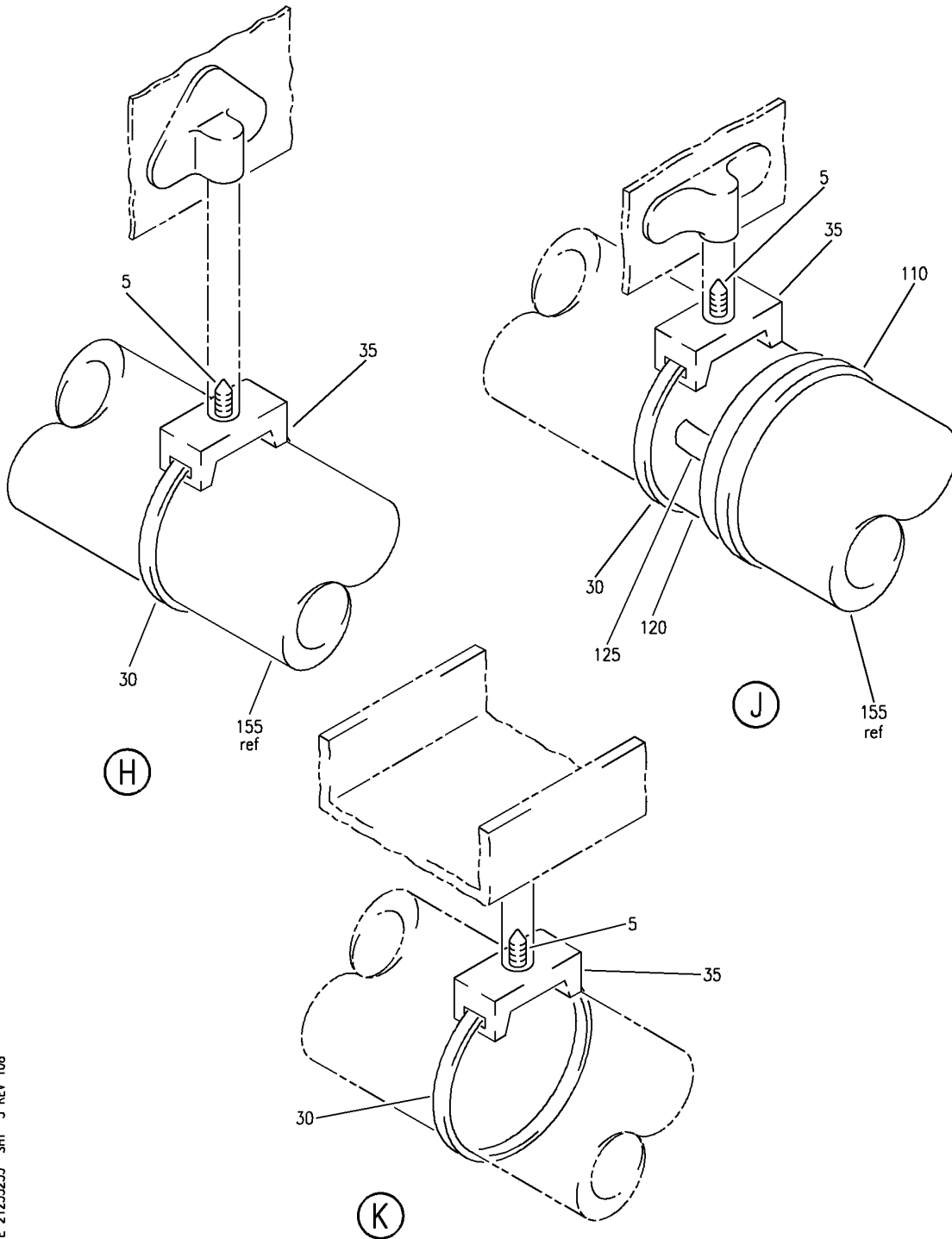
DUCT INSTL-SIDEWALL AIR DISTR SYS
 FIGURE 33 (SHEET 4)

21-23-52-33

HAP
 OCT 10/06

21-23-52-33
 PAGE 0C

BOEING
 737-600/700/800/900
 PARTS CATALOG (MAINTENANCE)



E 21235233 SHT 5 REV 108

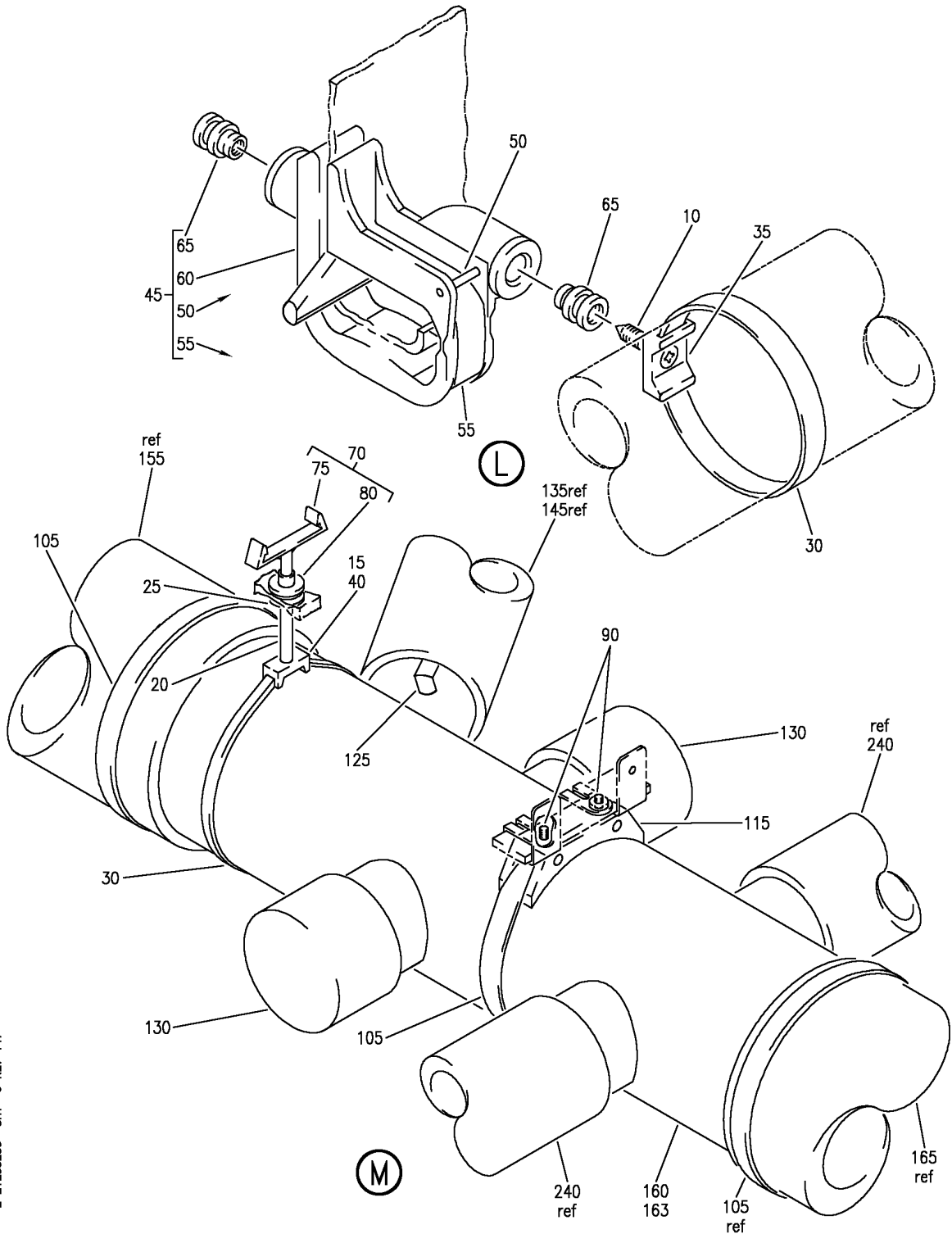
DUCT INSTL-SIDEWALL AIR DISTR SYS
 FIGURE 33 (SHEET 5)

21-23-52-33

HAP
 OCT 10/06

21-23-52-33
 PAGE 0D

BOEING
 737-600/700/800/900
 PARTS CATALOG (MAINTENANCE)



E 21235233 SH1 6 REV 147

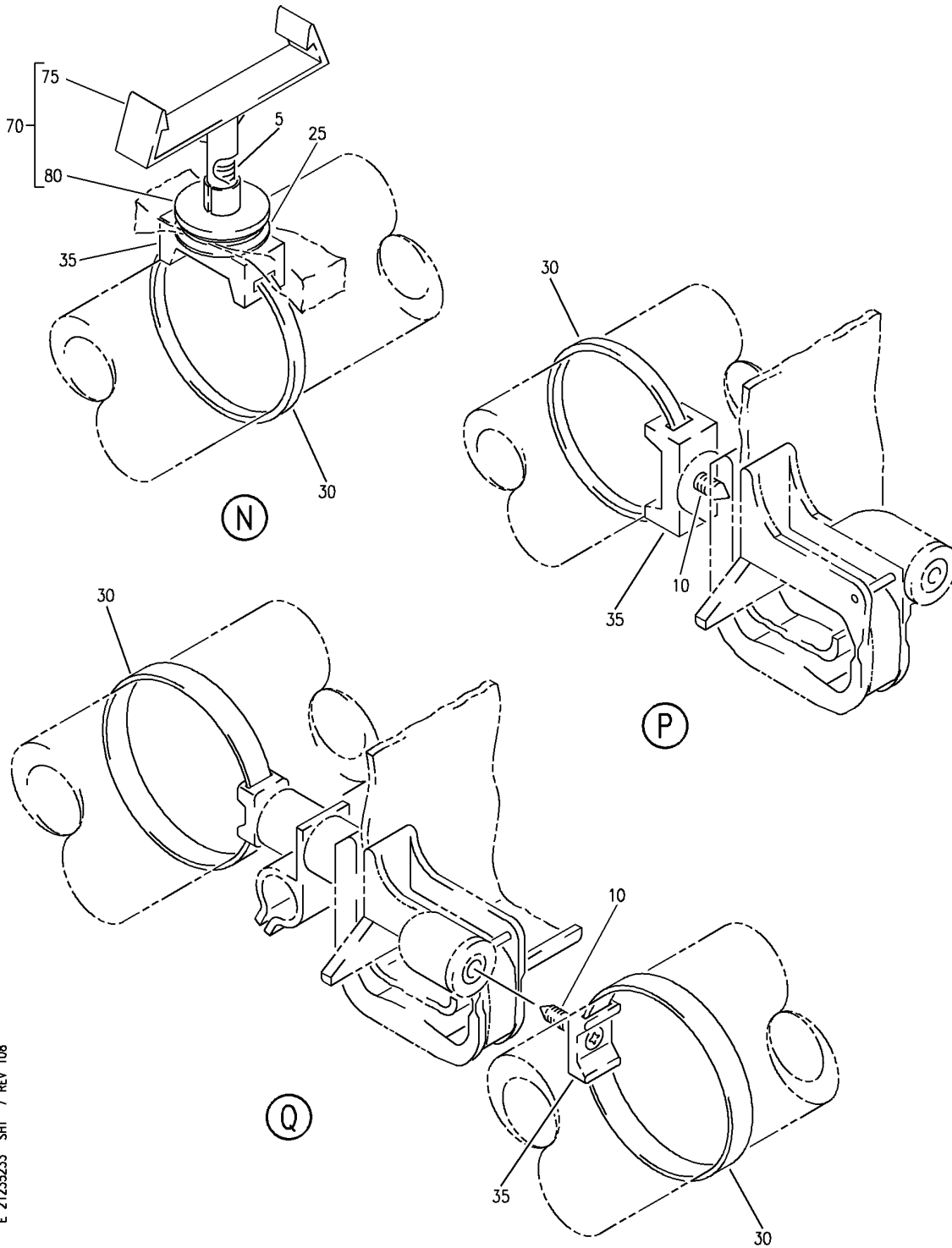
DUCT INSTL-SIDEWALL AIR DISTR SYS
 FIGURE 33 (SHEET 6)

21-23-52-33

HAP
 OCT 15/08

21-23-52-33
 PAGE 0E

BOEING
 737-600/700/800/900
 PARTS CATALOG (MAINTENANCE)



E 21235233 SHT 7 REV 108

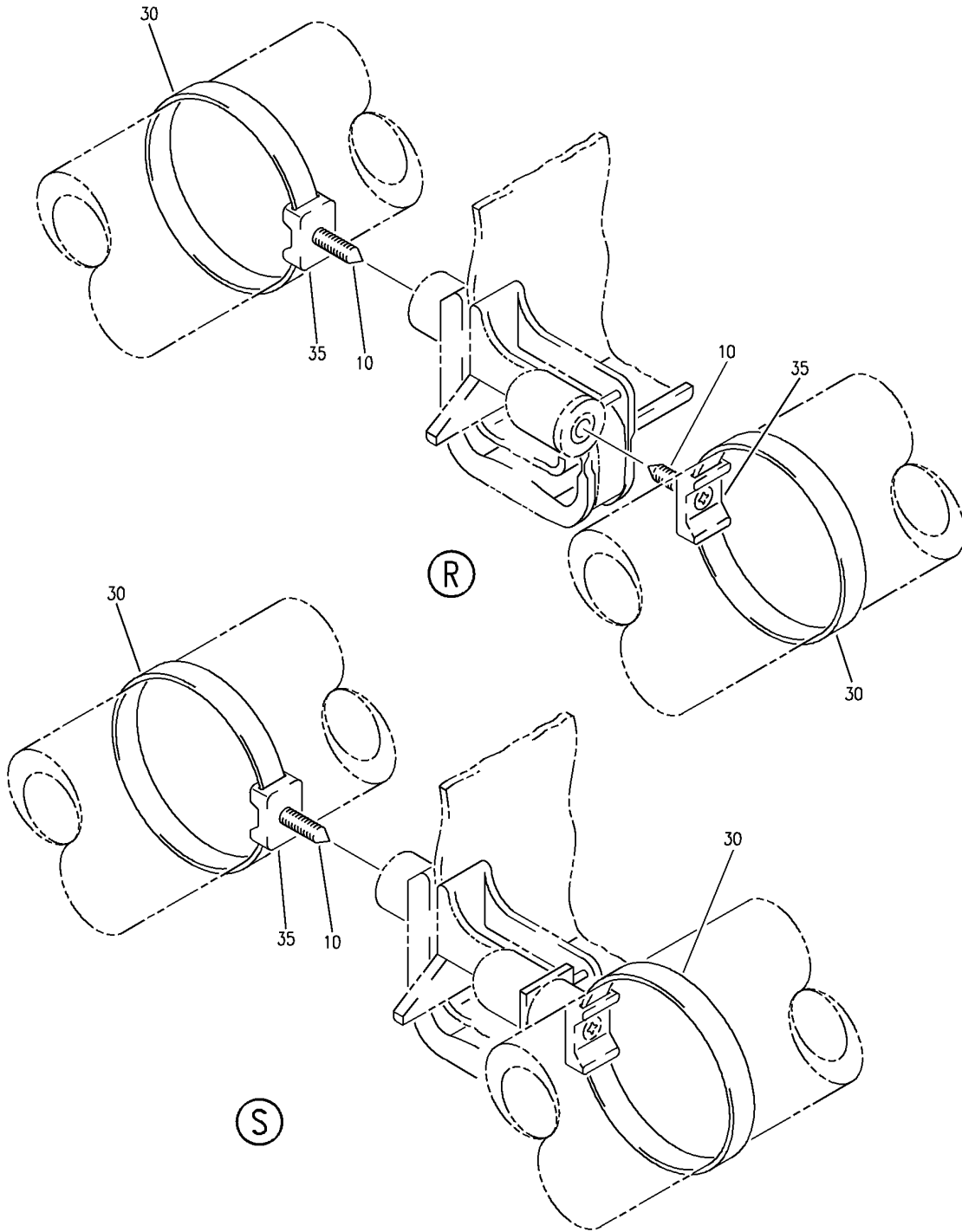
DUCT INSTL-SIDEWALL AIR DISTR SYS
 FIGURE 33 (SHEET 7)

21-23-52-33

HAP
 OCT 10/06

21-23-52-33
 PAGE OF

BOEING
737-600/700/800/900
PARTS CATALOG (MAINTENANCE)



E 21235233 SHT 8 REV 108

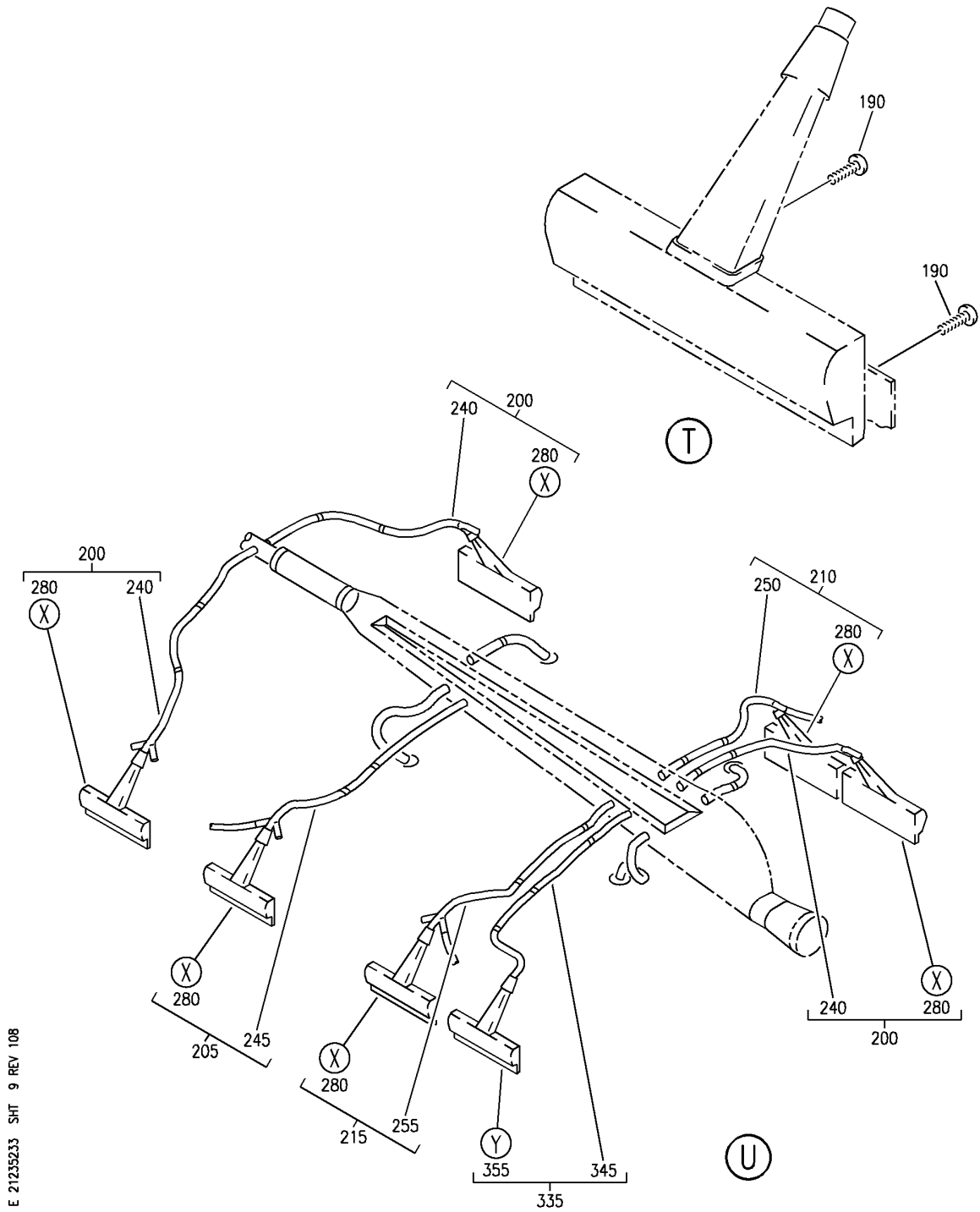
DUCT INSTL-SIDEWALL AIR DISTR SYS
FIGURE 33 (SHEET 8)

HAP
OCT 10/06

21-23-52-33

21-23-52-33
PAGE 06

BOEING
737-600/700/800/900
PARTS CATALOG (MAINTENANCE)



E 21235233 SH 9 REV 108

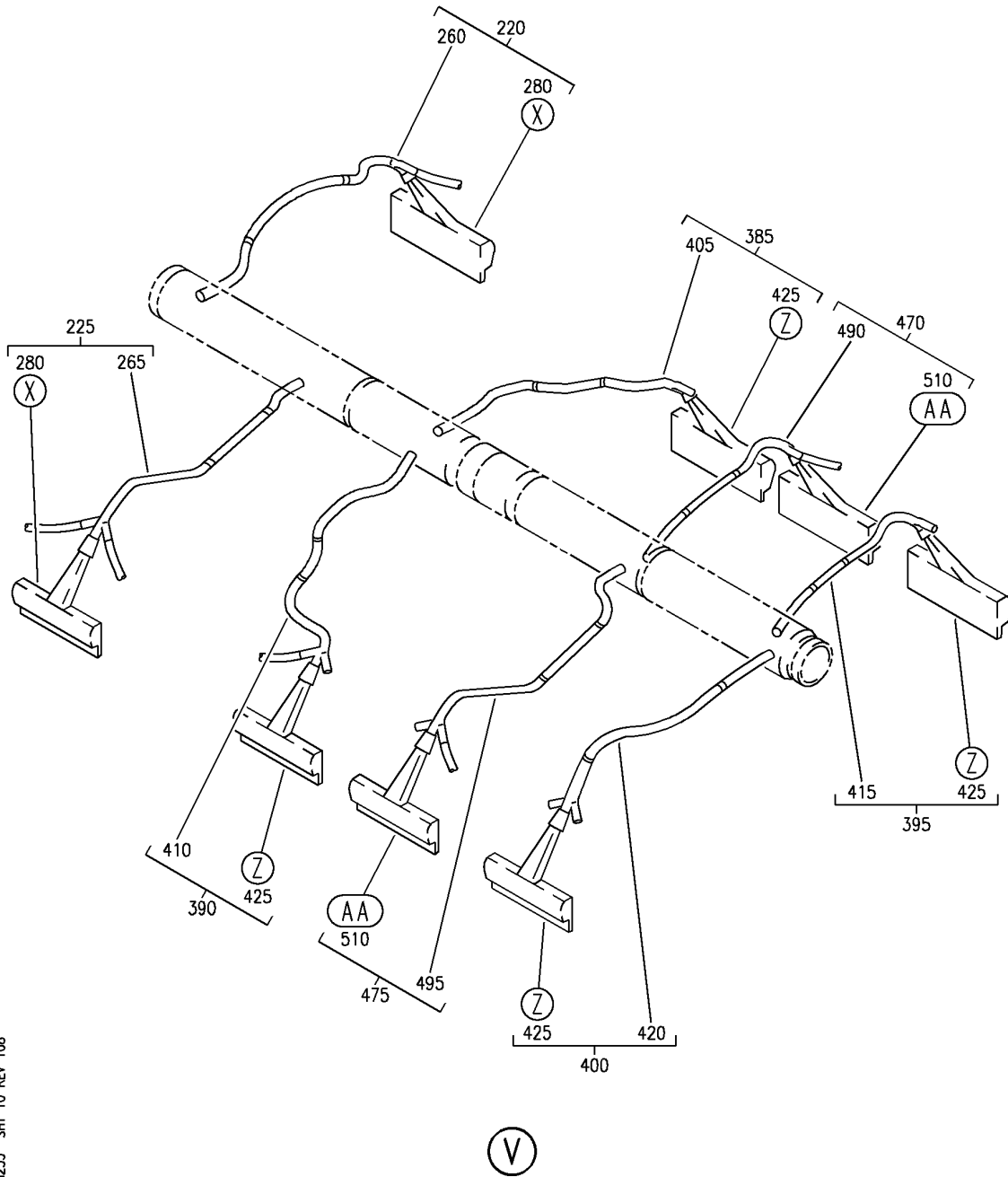
DUCT INSTL-SIDEWALL AIR DISTR SYS
FIGURE 33 (SHEET 9)

HAP
OCT 10/06

21-23-52-33

21-23-52-33
PAGE 0H

BOEING
 737-600/700/800/900
 PARTS CATALOG (MAINTENANCE)



E 21235233 SHT 10 REV 108

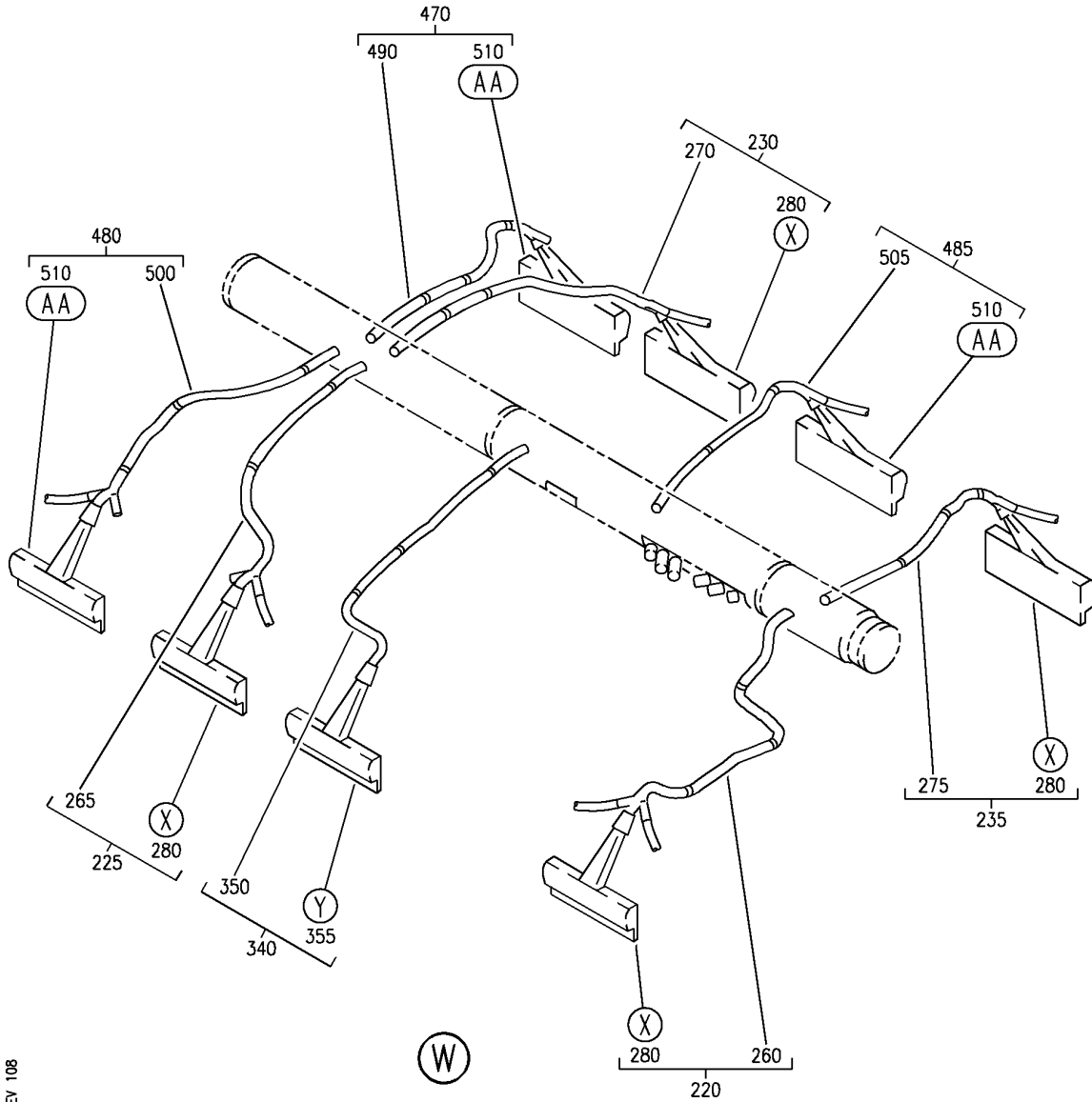
DUCT INSTL-SIDEWALL AIR DISTR SYS
 FIGURE 33 (SHEET 10)

21-23-52-33

HAP
 OCT 10/06

21-23-52-33
 PAGE 01

BOEING
 737-600/700/800/900
 PARTS CATALOG (MAINTENANCE)



E 21235233 SHT 11 REV 108

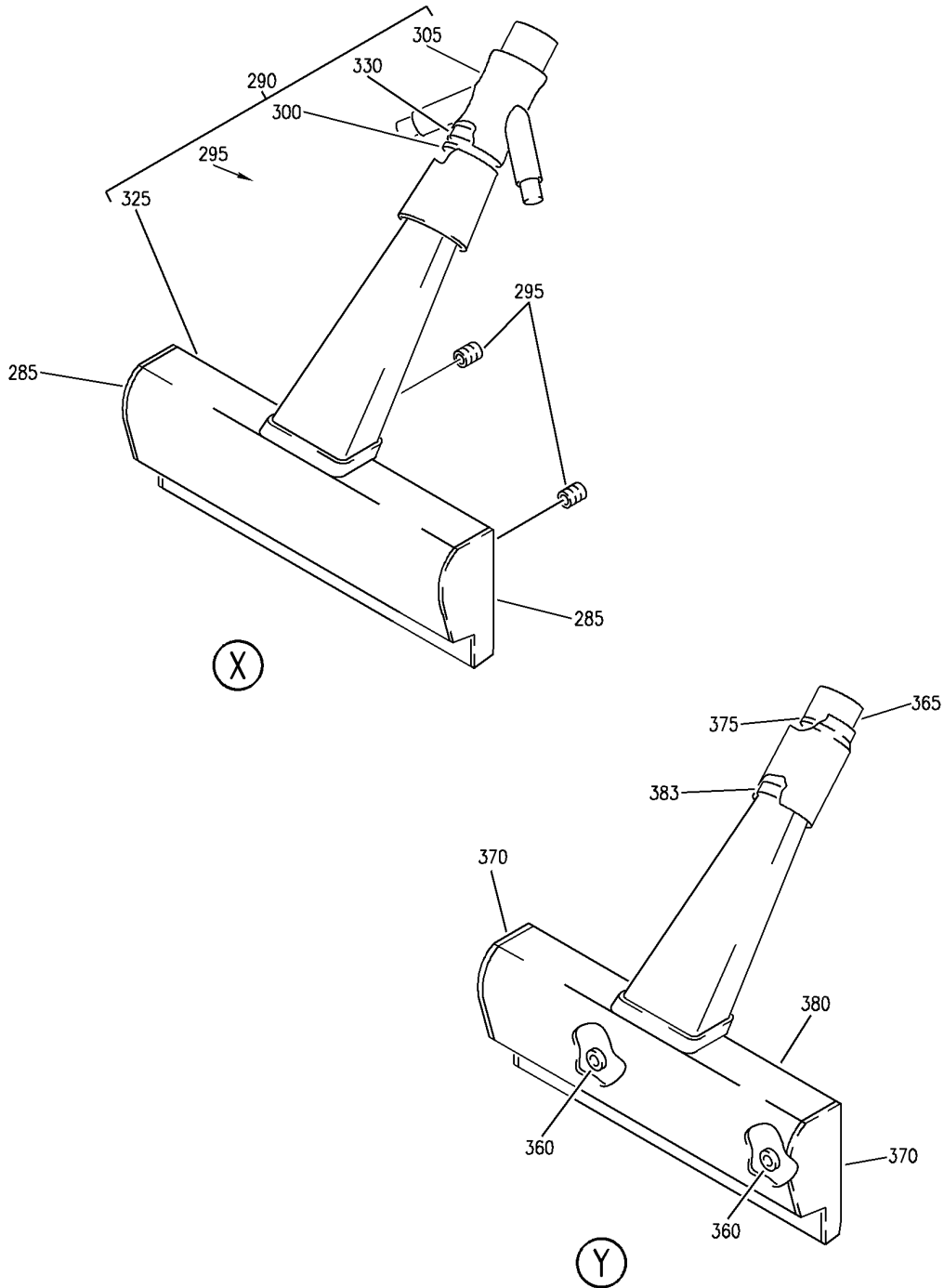
DUCT INSTL-SIDEWALL AIR DISTR SYS
 FIGURE 33 (SHEET 11)

21-23-52-33

HAP
 OCT 10/06

21-23-52-33
 PAGE 0J

BOEING
 737-600/700/800/900
 PARTS CATALOG (MAINTENANCE)



E 21235233 SH1 12 REV 108

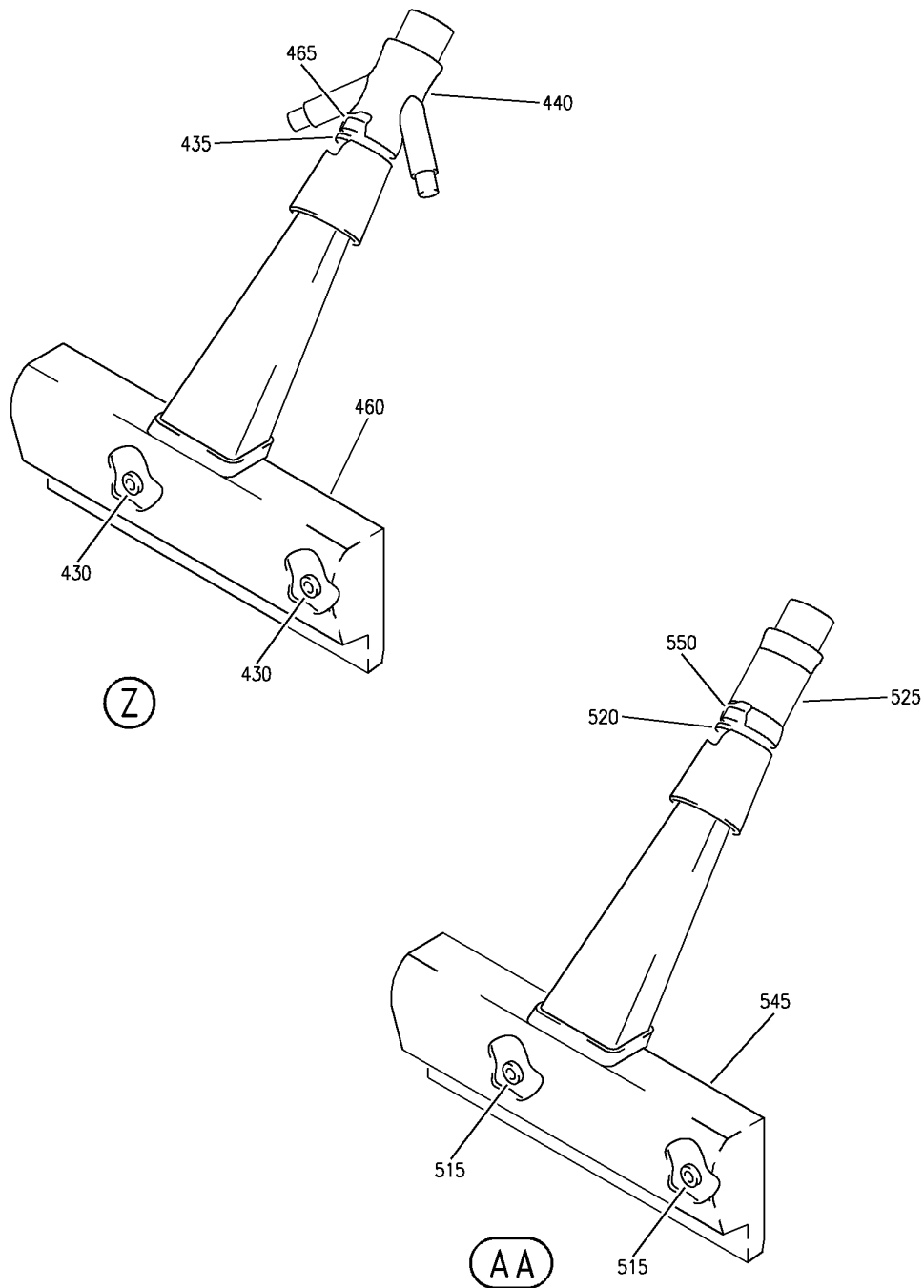
DUCT INSTL-SIDEWALL AIR DISTR SYS
 FIGURE 33 (SHEET 12)

21-23-52-33

HAP
 OCT 10/06

21-23-52-33
 PAGE OK

BOEING
737-600/700/800/900
PARTS CATALOG (MAINTENANCE)



E 21235233 SH1 13 REV 108

DUCT INSTL-SIDEWALL AIR DISTR SYS
FIGURE 33 (SHEET 13)

21-23-52-33

HAP
OCT 10/06

21-23-52-33
PAGE 01

BOEING
737-600/700/800/900
PARTS CATALOG (MAINTENANCE)

FIG ITEM	PART NUMBER	1 2 3 4 5 6 7	NOMENCLATURE	EFFECT FROM TO	UNITS PER ASSY
33			DUCT INSTL-SIDEWALL AIR DISTR SYS	001030	
- 1	214A2015-7		DUCT INSTL-SIDEWALL AIR DISTR SYS FOR NHA SEE: 21-20-00-09C	001030	RF
5	BACS12GP3L10		.SCREW	001030	17
10	BACS12GP3L7		.SCREW	001030	29
15	BACS12GP3L42		.SCREW	001030	1
20	NAS43DD3-128FC		.SPACER	001030	1
25	BACW10DZ3		.WASHER	001030	12
30	PLT3SM		.STRAP	001030	59
			SUPPLIER CODE: V06383 SPECIFICATION NUMBER: BACS38K7 OPTIONAL PART: T0510 V53421		
35	TM2S8		.PLATE SUPPLIER CODE: V06383 SPECIFICATION NUMBER: STBP19M9	001030	46
40	STBP19M12		.PLATE- SUPPLIER CODE: V1B249	001030	1
45	411A4902-6		.CLIP ASSY	001030	2
50	MS16562-194		..PIN	001030	1
55	411A4902-8		..CLIP	001030	1
60	411A4902-3		..BODY ASSY	001030	1
65	H02030-2L		...INSERT- SUPPLIER CODE: V07EU2	001030	2
70	214N5054-8		.SUPPORT ASSY	001030	12
75	2055155-7A		..CLIP-STGR SUPPLIER CODE: V04169	001030	1
80	411N4026-10		..CAP ASSY- OPTIONAL PART: 411N4026-2	001030	1
80	411N4026-2		..CAP ASSY- OPTIONAL PART: 411N4026-10	001030	1
85	BACS12GU3K11		.SCREW	001030	1
90	BACS12GU3K7		.SCREW	001030	3

MISSING ITEM NUMBERS NOT APPLICABLE

- ITEM NOT ILLUSTRATED

HAP

21-23-52-33

21-23-52
FIG. 33
PAGE 1
JUN 10/07

BOEING
737-600/700/800/900
PARTS CATALOG (MAINTENANCE)

FIG ITEM	PART NUMBER	1 2 3 4 5 6 7	NOMENCLATURE	EFFECT FROM TO	UNITS PER ASSY
33					
95	PLH53CD	.	NUT SUPPLIER CODE: VF0224 SPECIFICATION NUMBER: BACN10YR3CD OPTIONAL PART: H52732-3CD V15653	001030	1
100	S717-118	.	CLAMP SUPPLIER CODE: V18076 SPECIFICATION NUMBER: BACC10GU118 OPTIONAL PART: JM44LC39S118RG V22175 534CS118 V83930	001030	2
105	NAS1922-0275-3	.	CLAMP	001030	4
110	NAS1922-0150-3	.	CLAMP	001030	1
115	214T3424-4	.	SUPPORT	001030	1
120	69B43325-13	.	CONNECTOR	001030	1
125	214T3436-619	.	ORIFICE ASSY	001030	6
130	24-1000	.	CAP- SUPPLIER CODE: V25205	001030	3
140	BWT10-2120120F	.	HOSE- SUPPLIER CODE: VK2962	001030	1
145	214A2112-1	.	DUCT	001030	1
150	AS1591-06-0600A	.	HOSE	001030	1
155	BCREF129513	.	DUCT- OVERLENGTH PART NUMBER: BACD40V1206-0422	001030	1
160	65C36914-3	.	DUCT-	001030	1
163	65C36914-6	.	DUCT-	001030	1
165	AS1591-12-0100A	.	HOSE	001030	1
170	AS1591-06-0240A	.	HOSE	001030	1
175	AS1591-06-0200A	.	HOSE	001030	1
180	AS1591-06-0270A	.	HOSE	001030	1
185	AS1591-06-0220A	.	HOSE	001030	1
190	BACS12FA08K6	.	SCREW	001030	46
195	214A2015-2	.	HOSE ASSY	001030	1
200	214A2113-161	..	HOSE ASSY	001030	3
205	214A2113-156	..	HOSE ASSY	001030	1
210	214A2113-159	..	HOSE ASSY	001030	1
215	214A2113-154	..	HOSE ASSY	001030	1
220	214A2113-167	..	HOSE ASSY	001030	2
225	214A2113-153	..	HOSE ASSY	001030	2

MISSING ITEM NUMBERS NOT APPLICABLE

— ITEM NOT ILLUSTRATED

HAP

21-23-52-33

21-23-52
FIG. 33
PAGE 2
FEB 15/09

BOEING
737-600/700/800/900
PARTS CATALOG (MAINTENANCE)

FIG ITEM	PART NUMBER	1 2 3 4 5 6 7	NOMENCLATURE	EFFECT FROM TO	UNITS PER ASSY
33					
230	214A2113-168	..	HOSE ASSY	001030	1
235	214A2113-174	..	HOSE ASSY	001030	1
240	AS1591-06-0530A	...	HOSE- USED ON: 214A2113-161	001030	1
245	AS1591-06-0480A	...	HOSE- USED ON: 214A2113-156	001030	1
250	AS1591-06-0510A	...	HOSE- USED ON: 214A2113-159	001030	1
255	AS1591-06-0460A	...	HOSE- USED ON: 214A2113-154	001030	1
260	AS1591-06-0590A	...	HOSE- USED ON: 214A2113-167	001030	1
265	AS1591-06-0450A	...	HOSE- USED ON: 214A2113-153	001030	1
270	AS1591-06-0600A	...	HOSE- USED ON: 214A2113-168	001030	1
275	AS1591-06-0660A	...	HOSE- USED ON: 214A2113-174	001030	1
280	214N2520-82	...	DIFFUSER ASSY	001030	1
285	214N2520-7	PLATE-END	001030	2
290	214N2520-96	DIFFUSER ASSY- ALTERED FROM PART NUMBER: 214N2520-86	001030	1
295	6035-2BR185	INSERT- SUPPLIER CODE: V01556	001030	2
300	214N2145-6	PLATE-RESTRICTOR	001030	1
305	214N2107-2	DUCT-BRANCH	001030	1
- 310	214N2520-77	INLET ASSY	001030	1
- 315	214N2520-79	CAP	001030	1
- 320	214N2520-78	INLET	001030	1
325	214N2520-91	DIFFUSER	001030	1
330	214N2520-69	LINING	001030	1
335	214A2113-45	..	HOSE ASSY	001030	1
340	214A2113-46	..	HOSE ASSY	001030	1
345	AS1591-06-0510A	...	HOSE- USED ON: 214A2113-45	001030	1
350	AS1591-06-0500A	...	HOSE- USED ON: 214A2113-46	001030	1

MISSING ITEM NUMBERS NOT APPLICABLE

- ITEM NOT ILLUSTRATED

HAP

21-23-52-33

21-23-52
FIG. 33
PAGE 3
OCT 15/08

BOEING
737-600/700/800/900
PARTS CATALOG (MAINTENANCE)

FIG ITEM	PART NUMBER	1 2 3 4 5 6 7	NOMENCLATURE	EFFECT FROM TO	UNITS PER ASSY
33					
355	214N2520-90	...	DIFFUSER ASSY	001030	1
360	6035-2BR185	INSERT- SUPPLIER CODE: V01556	001030	2
365	214N2520-41	SLEEVE	001030	1
370	214N2520-7	PLATE- OPTIONAL PART: 214N2520-142	001030	2
370	214N2520-142	PLATE- OPTIONAL PART: 214N2520-7	001030	2
375	214N2145-6	PLATE	001030	1
380	214N2520-98	DIFFUSER	001030	1
383	214N2520-69	LINING	001030	1
385	214A2113-77	..	HOSE ASSY	001030	1
390	214A2113-64	..	HOSE ASSY	001030	1
395	214A2113-68	..	HOSE ASSY	001030	1
400	214A2113-52	..	HOSE ASSY	001030	1
405	AS1591-06-0690A	...	HOSE- USED ON: 214A2113-77	001030	1
410	AS1591-06-0560A	...	HOSE- USED ON: 214A2113-64	001030	1
415	AS1591-06-0600A	...	HOSE- USED ON: 214A2113-68	001030	1
420	AS1591-06-0440A	...	HOSE- USED ON: 214A2113-52	001030	1
425	214N2520-86	...	DIFFUSER ASSY	001030	1
430	6035-2BR185	INSERT- SUPPLIER CODE: V01556	001030	2
435	214N2145-6	PLATE	001030	1
440	214N2107-2	DUCT	001030	1
- 445	214N2520-77	INLET ASSY	001030	1
- 450	214N2520-79	CAP	001030	1
- 455	214N2520-78	INLET	001030	1
460	214N2520-91	DIFFUSER	001030	1
465	214N2520-69	LINING	001030	1
470	214A2113-37	..	HOSE ASSY	001030	2
475	214A2113-34	..	HOSE ASSY	001030	1
480	214A2113-39	..	HOSE ASSY	001030	1
485	214A2113-36	..	HOSE ASSY	001030	1
490	AS1591-06-0610A	...	HOSE- USED ON: 214A2113-37	001030	1

MISSING ITEM NUMBERS NOT APPLICABLE

- ITEM NOT ILLUSTRATED

HAP

21-23-52-33

21-23-52
FIG. 33
PAGE 4
OCT 15/08

BOEING
737-600/700/800/900
PARTS CATALOG (MAINTENANCE)

FIG ITEM	PART NUMBER	1 2 3 4 5 6 7	NOMENCLATURE	EFFECT FROM TO	UNITS PER ASSY
33					
495	AS1591-06-0480A	...	HOSE- USED ON: 214A2113-34	001030	1
500	AS1591-06-0500A	...	HOSE- USED ON: 214A2113-39	001030	1
505	AS1591-06-0600A	...	HOSE- USED ON: 214A2113-36	001030	1
510	214N2520-88	...	DIFFUSER ASSY	001030	1
515	6035-2BR185	INSERT- SUPPLIER CODE: V01556	001030	2
520	214N2145-6	PLATE	001030	1
525	214N2107-4	DUCT	001030	1
- 530	214N2520-77	INLET ASSY	001030	1
- 535	214N2520-79	CAP	001030	1
- 540	214N2520-78	INLET	001030	1
545	214N2520-91	DIFFUSER	001030	1
550	214N2520-69	LINING	001030	1

MISSING ITEM NUMBERS NOT APPLICABLE

- ITEM NOT ILLUSTRATED

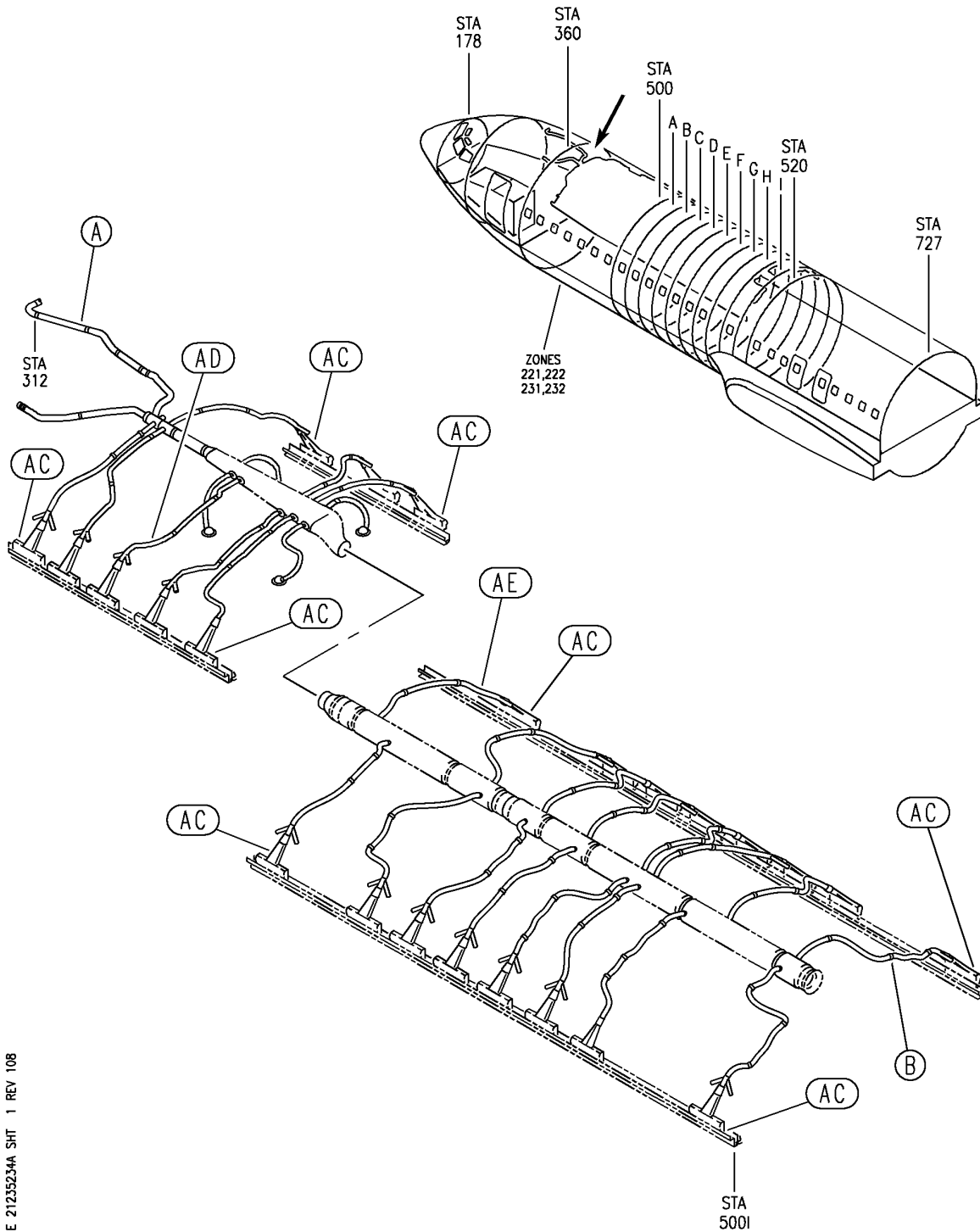
HAP

21-23-52-33

BOEING PROPRIETARY - Copyright © - Unpublished Work - See title page for details.

21-23-52
FIG. 33
PAGE 5
FEB 10/07

BOEING
 737-600/700/800/900
 PARTS CATALOG (MAINTENANCE)



E 21235234A SHT 1 REV 108

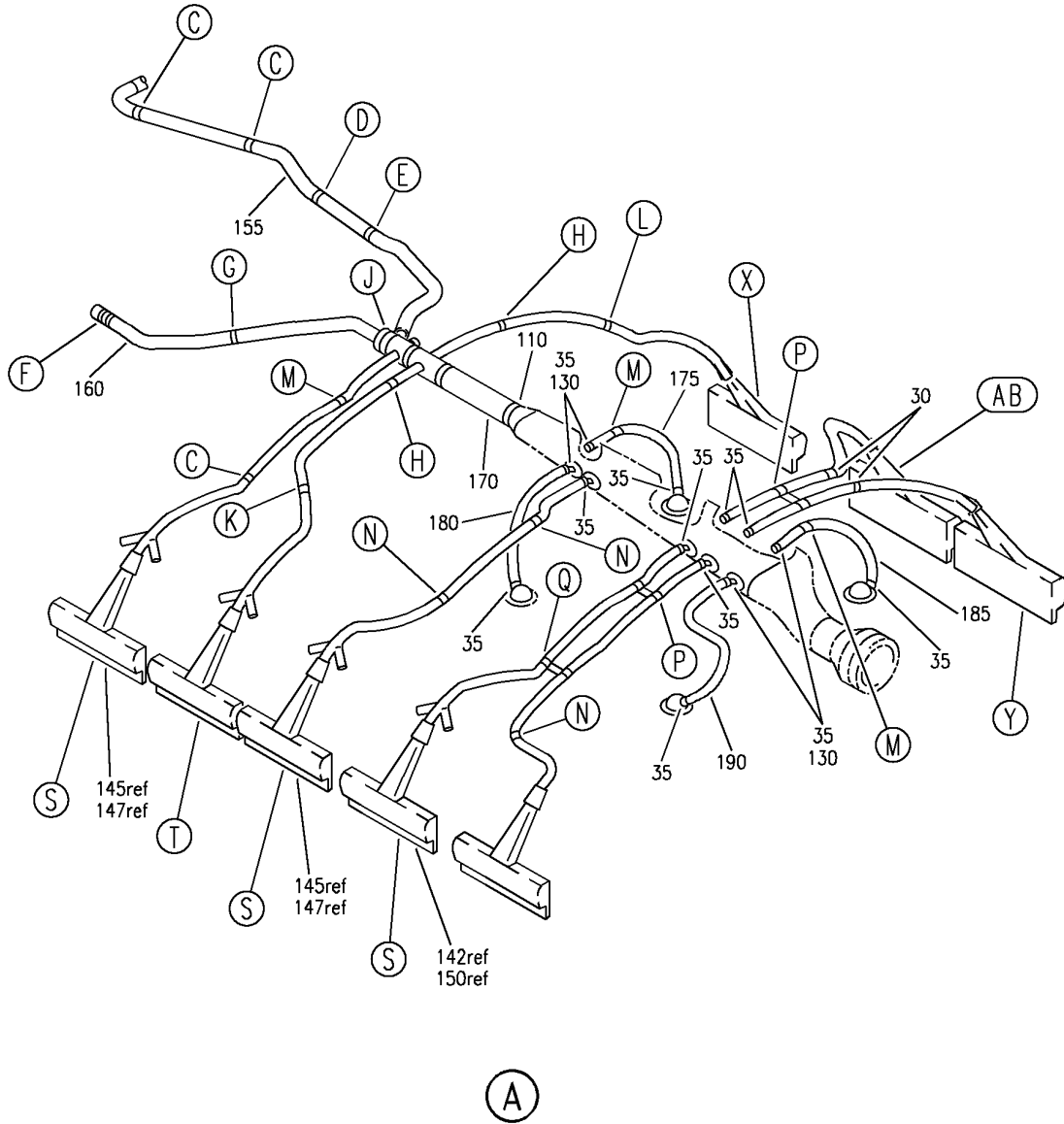
DUCT INSTL-SIDEWALL AIR DISTR SYS
 FIGURE 34A (SHEET 1)

21-23-52-34A

HAP
 OCT 10/06

21-23-52-34A
 PAGE 0

BOEING
 737-600/700/800/900
 PARTS CATALOG (MAINTENANCE)



E 21235234A SHT 2 REV 110

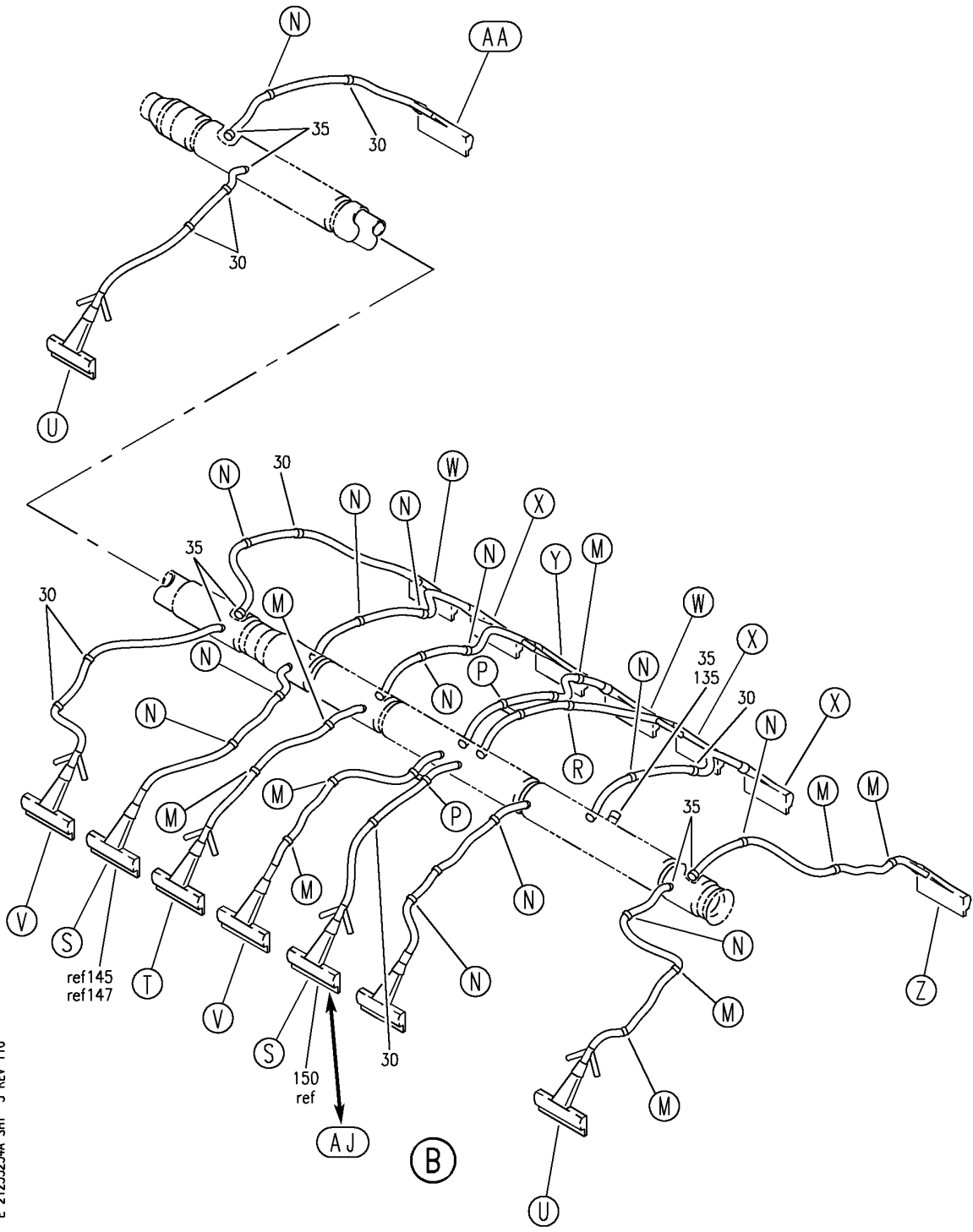
DUCT INSTL-SIDEWALL AIR DISTR SYS
 FIGURE 34A (SHEET 2)

21-23-52-34A

HAP
 OCT 10/06

21-23-52-34A
 PAGE 0A

BOEING
 737-600/700/800/900
 PARTS CATALOG (MAINTENANCE)



E 21235234A SHT 3 REV 110

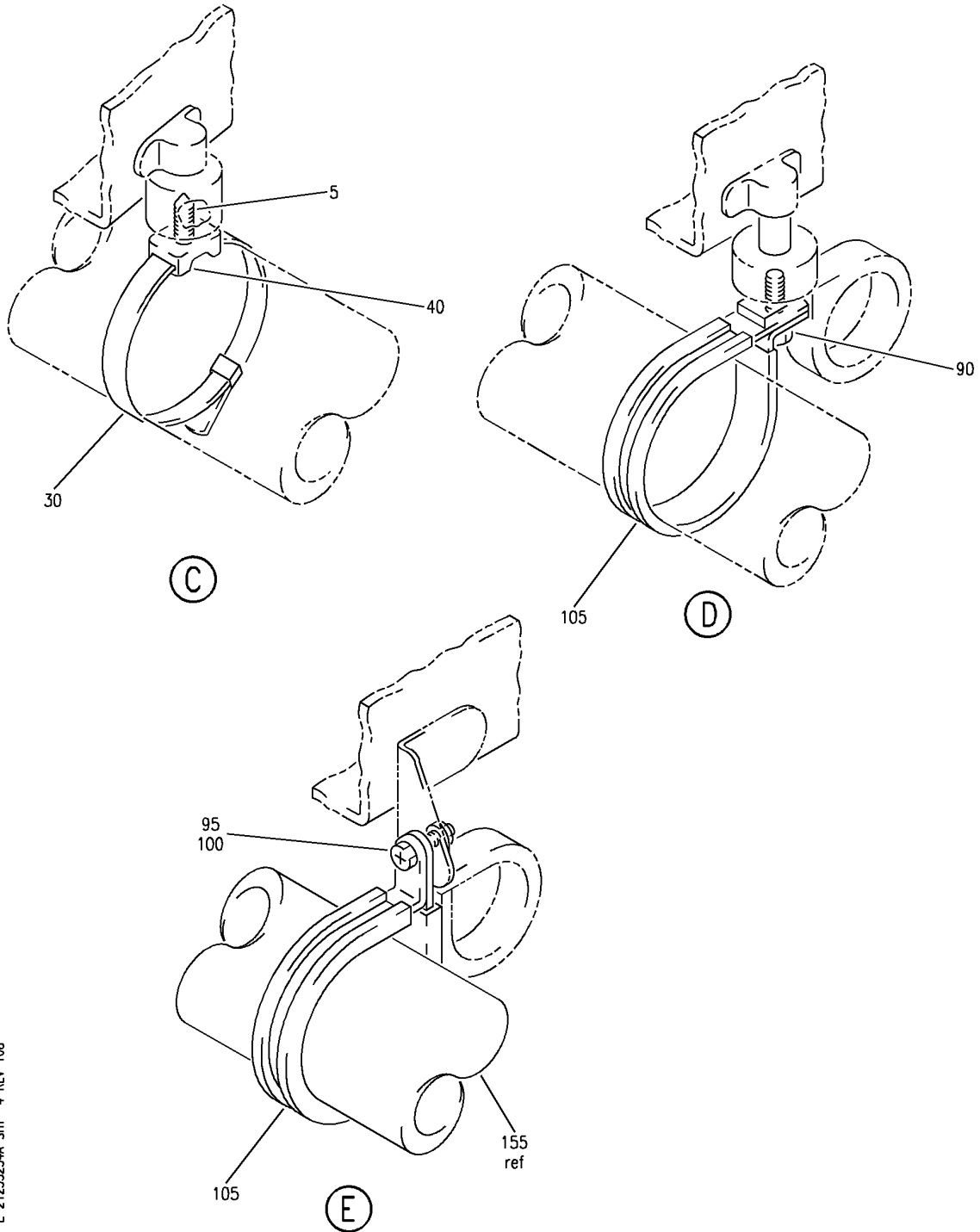
DUCT INSTL-SIDEWALL AIR DISTR SYS
 FIGURE 34A (SHEET 3)

21-23-52-34A

HAP
 OCT 10/06

21-23-52-34A
 PAGE 0B

BOEING
737-600/700/800/900
PARTS CATALOG (MAINTENANCE)



E 21235234A SHT 4 REV 108

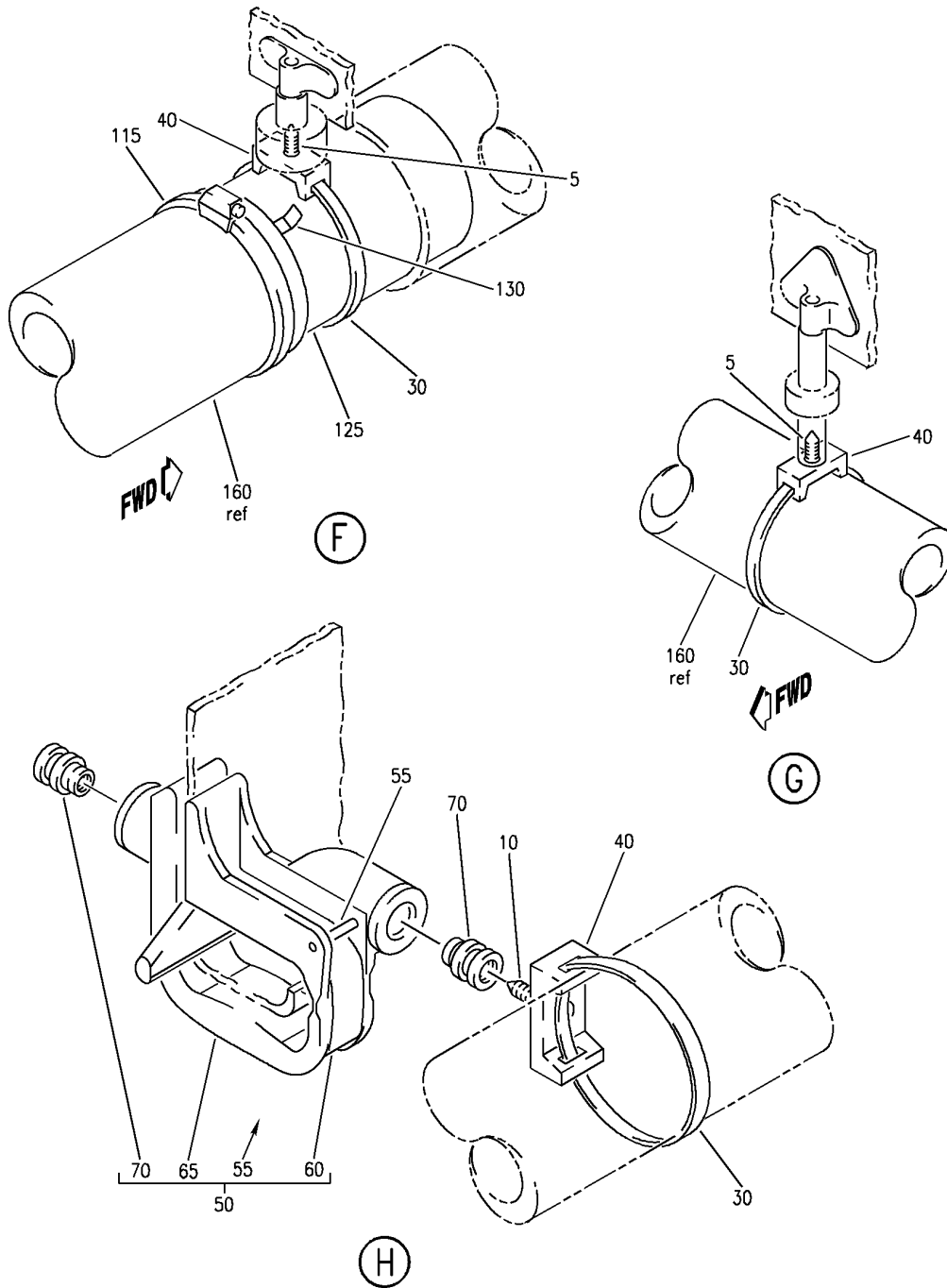
DUCT INSTL-SIDEWALL AIR DISTR SYS
FIGURE 34A (SHEET 4)

HAP
OCT 10/06

21-23-52-34A

21-23-52-34A
PAGE 0C

BOEING
 737-600/700/800/900
 PARTS CATALOG (MAINTENANCE)



E 21235234A SHT 5 REV 108

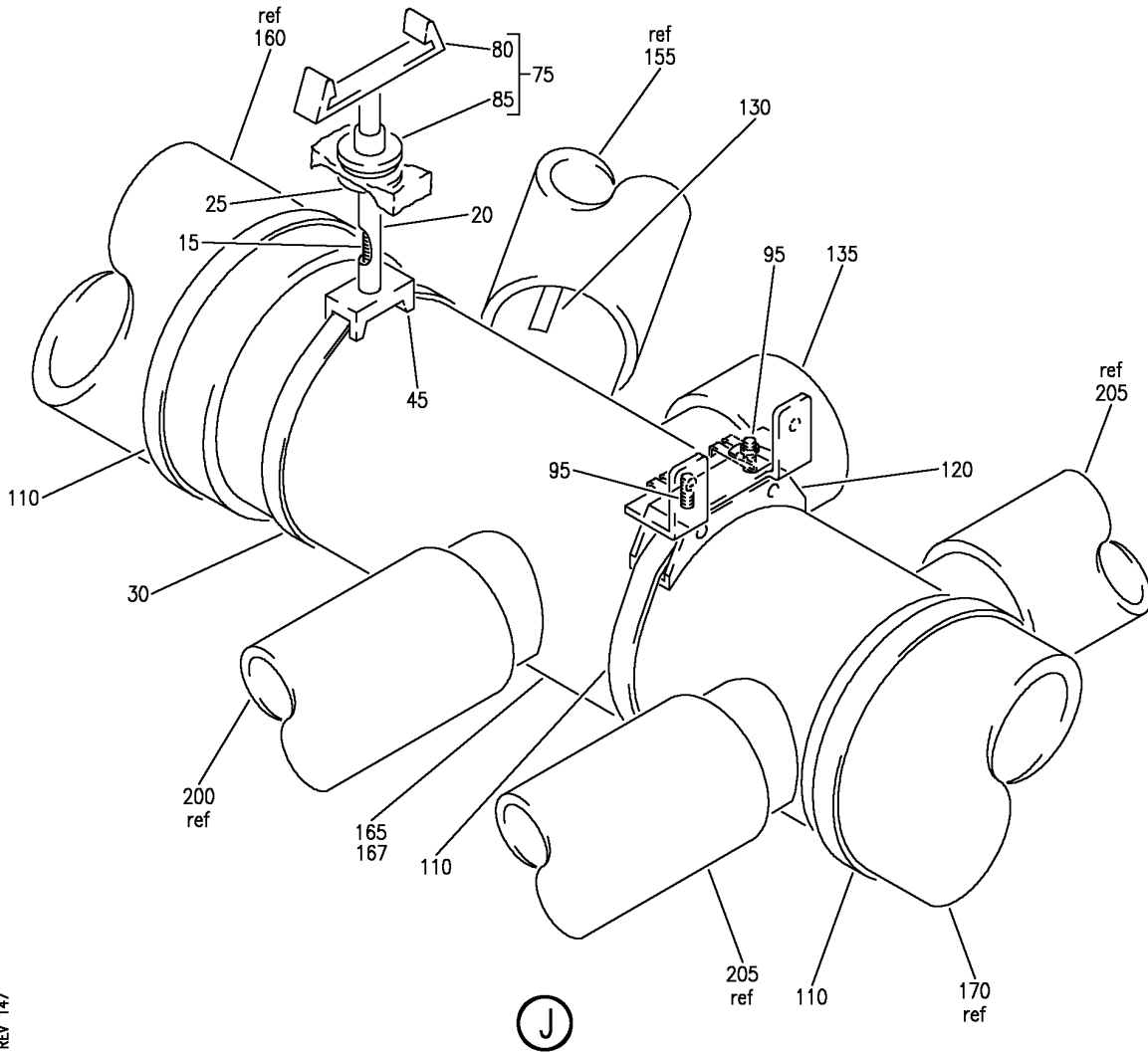
DUCT INSTL-SIDEWALL AIR DISTR SYS
 FIGURE 34A (SHEET 5)

21-23-52-34A

HAP
 OCT 10/06

21-23-52-34A
 PAGE 0D

BOEING
 737-600/700/800/900
 PARTS CATALOG (MAINTENANCE)



E 21235234A SHT 6 REV 147

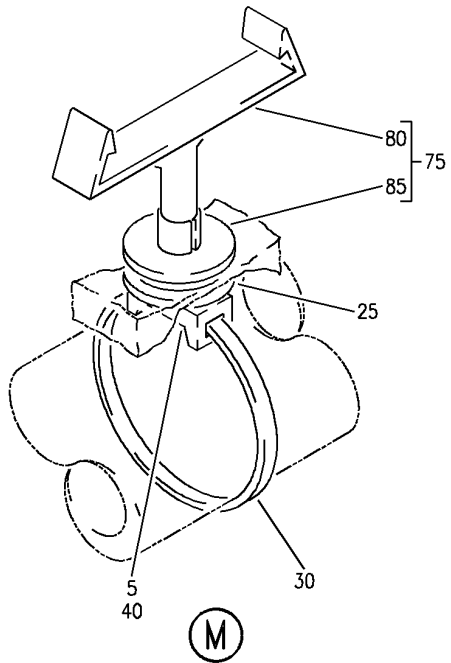
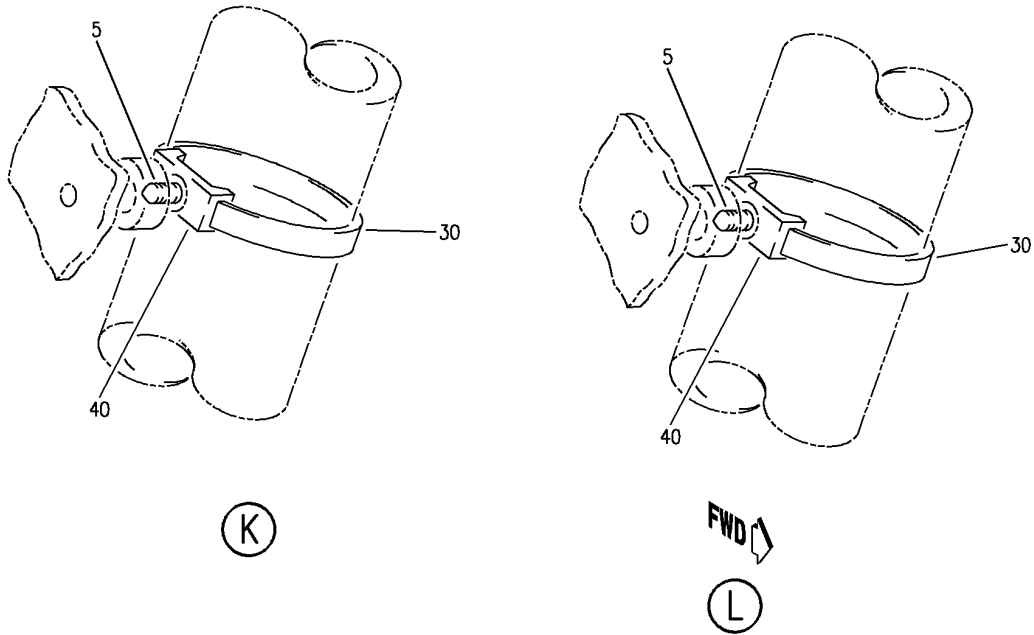
DUCT INSTL-SIDEWALL AIR DISTR SYS
 FIGURE 34A (SHEET 6)

21-23-52-34A

HAP
 OCT 15/08

21-23-52-34A
 PAGE 0E

BOEING
 737-600/700/800/900
 PARTS CATALOG (MAINTENANCE)



E 21235234A SHT 7 REV 108

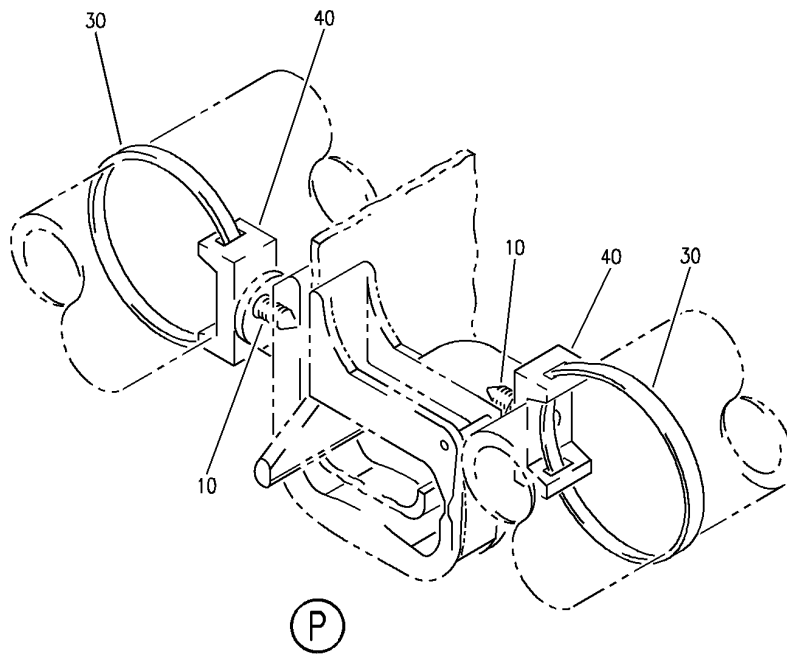
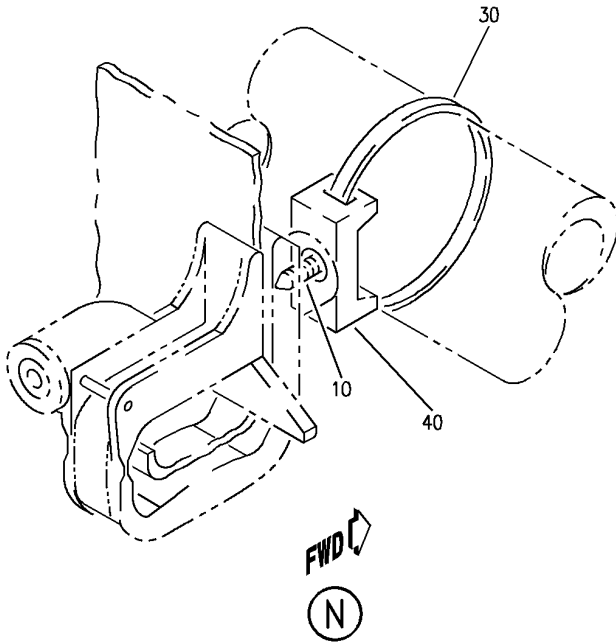
DUCT INSTL-SIDEWALL AIR DISTR SYS
 FIGURE 34A (SHEET 7)

21-23-52-34A

HAP
 OCT 10/06

21-23-52-34A
 PAGE OF

BOEING
737-600/700/800/900
PARTS CATALOG (MAINTENANCE)



E 21235234A SHT 8 REV 108

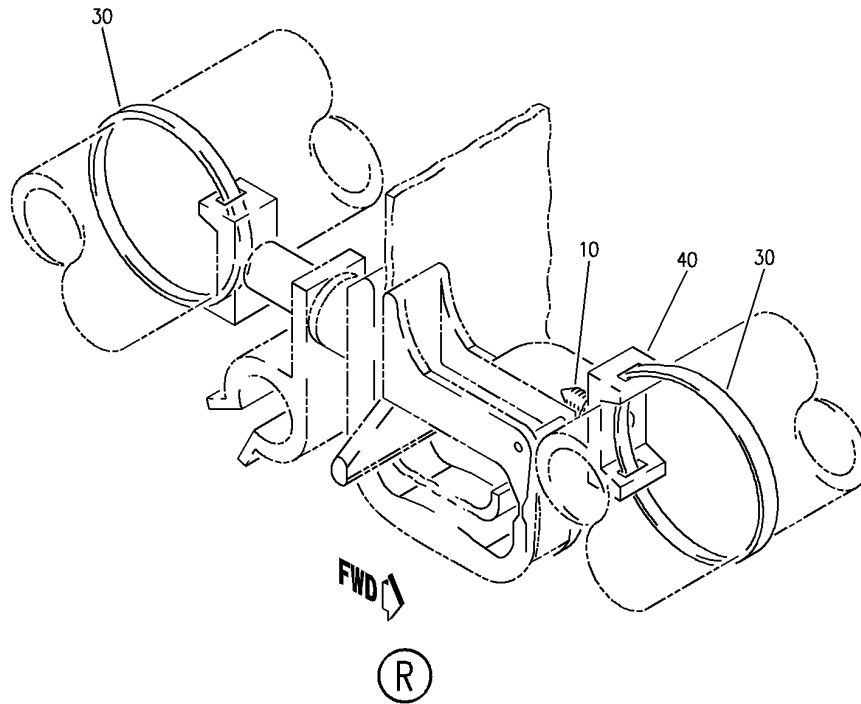
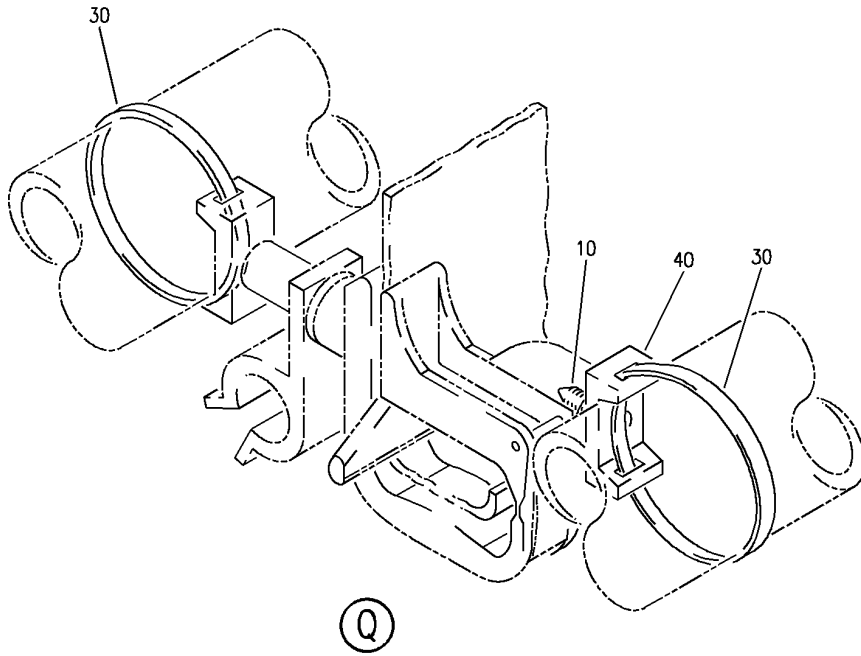
DUCT INSTL-SIDEWALL AIR DISTR SYS
FIGURE 34A (SHEET 8)

21-23-52-34A

HAP
OCT 10/06

21-23-52-34A
PAGE 06

BOEING
737-600/700/800/900
PARTS CATALOG (MAINTENANCE)



E 21235234A SHT 9 REV 108

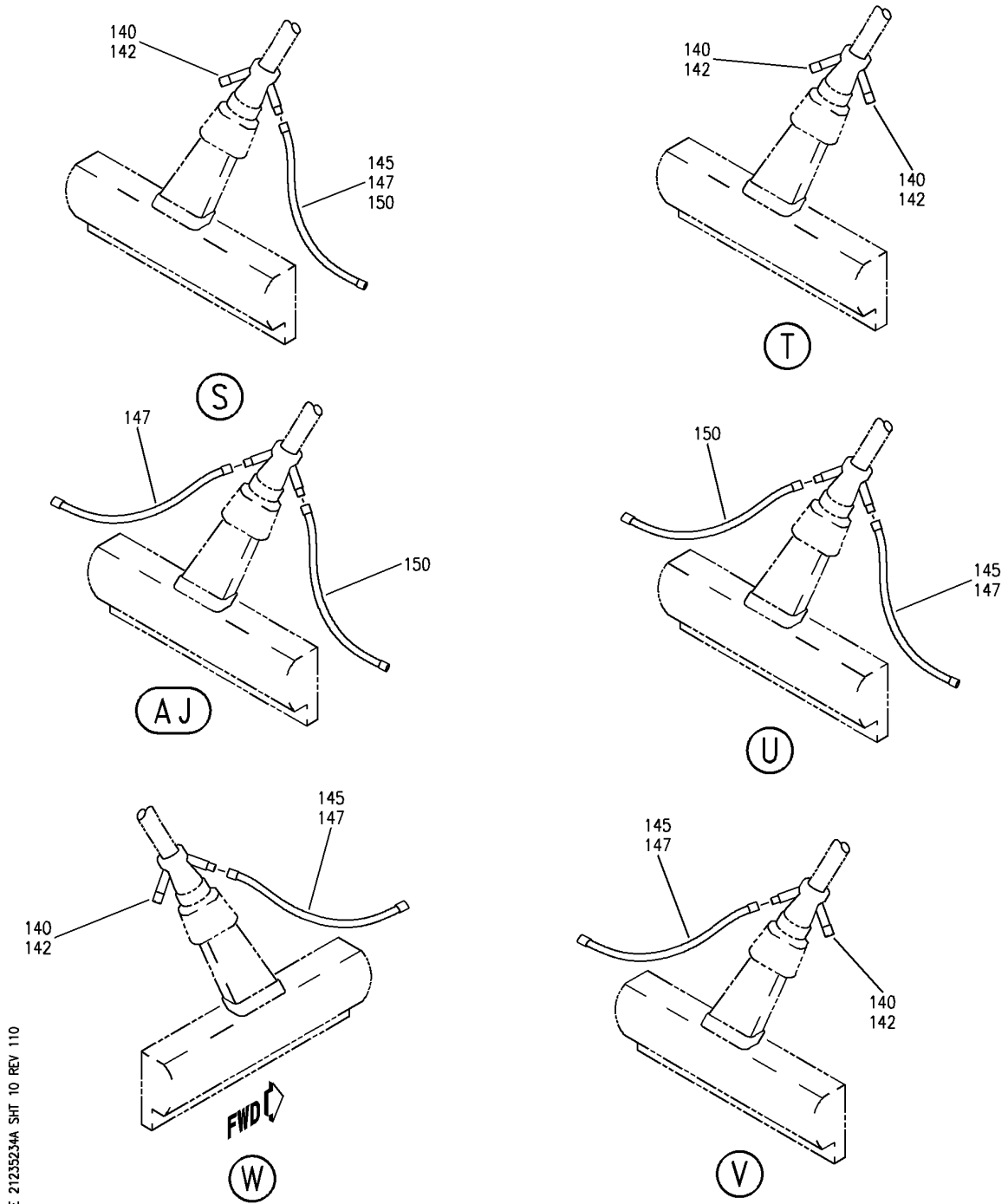
DUCT INSTL-SIDEWALL AIR DISTR SYS
FIGURE 34A (SHEET 9)

21-23-52-34A

HAP
OCT 10/06

21-23-52-34A
PAGE 0H

BOEING
 737-600/700/800/900
 PARTS CATALOG (MAINTENANCE)



E 21235234A SHT 10 REV 110

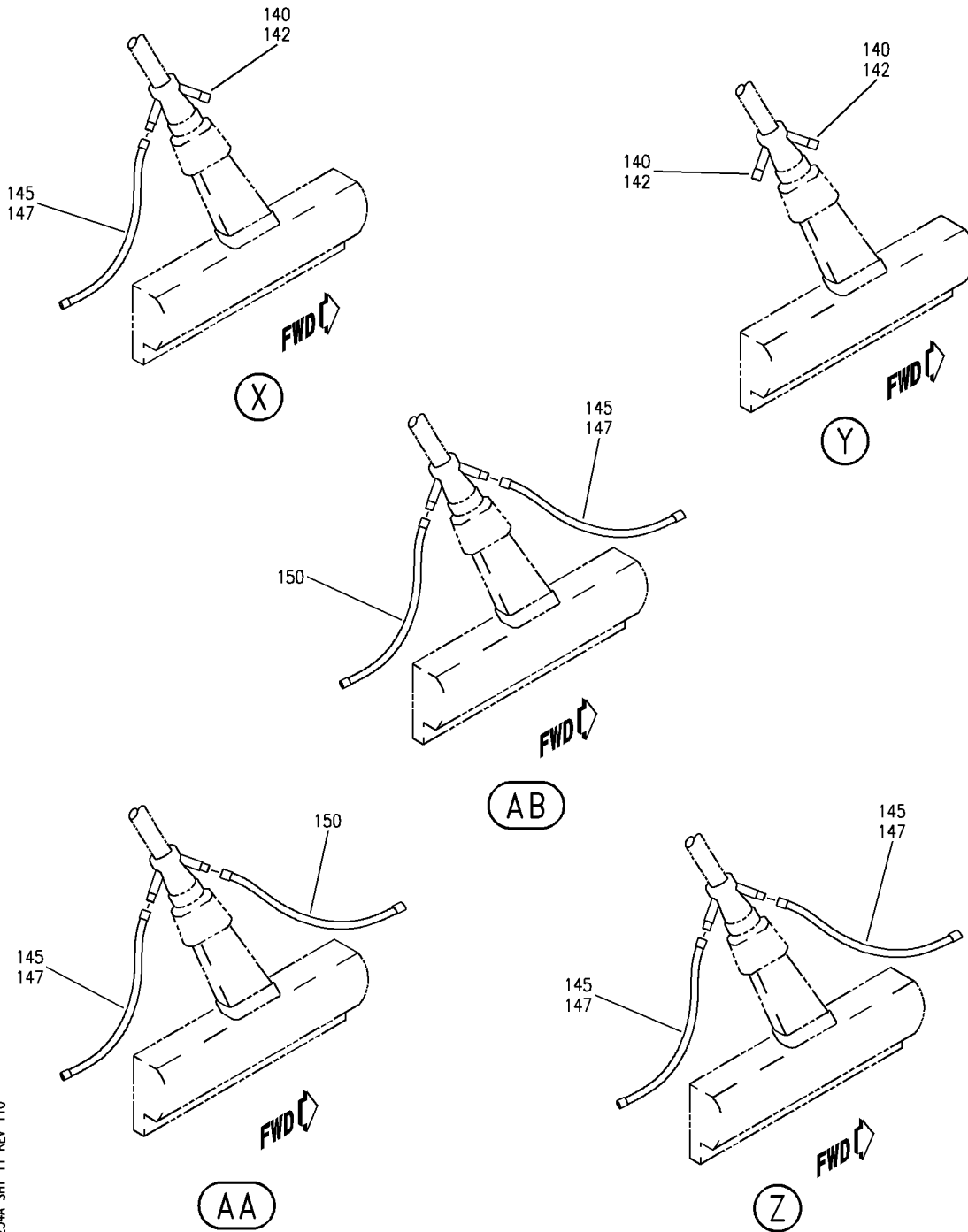
DUCT INSTL-SIDEWALL AIR DISTR SYS
 FIGURE 34A (SHEET 10)

21-23-52-34A

HAP
 OCT 10/06

21-23-52-34A
 PAGE 01

BOEING
 737-600/700/800/900
 PARTS CATALOG (MAINTENANCE)



E 21235234A SHT 11 REV 110

DUCT INSTL-SIDEWALL AIR DISTR SYS
 FIGURE 34A (SHEET 11)

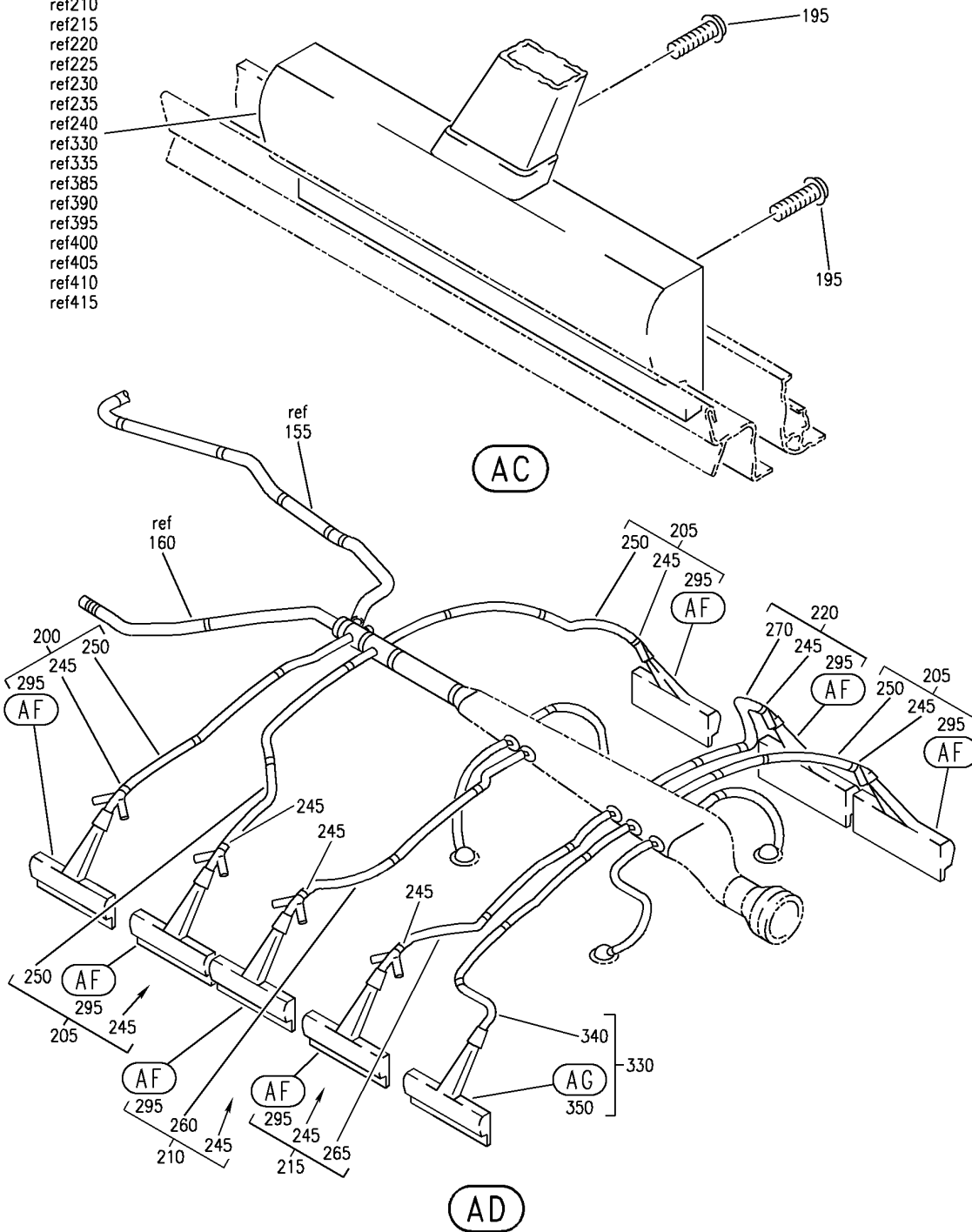
HAP
 OCT 10/06

21-23-52-34A

21-23-52-34A
 PAGE 0J

BOEING
 737-600/700/800/900
 PARTS CATALOG (MAINTENANCE)

ref200
 ref205
 ref210
 ref215
 ref220
 ref225
 ref230
 ref235
 ref240
 ref330
 ref335
 ref385
 ref390
 ref395
 ref400
 ref405
 ref410
 ref415



E 21235234A SHT 12 REV 108

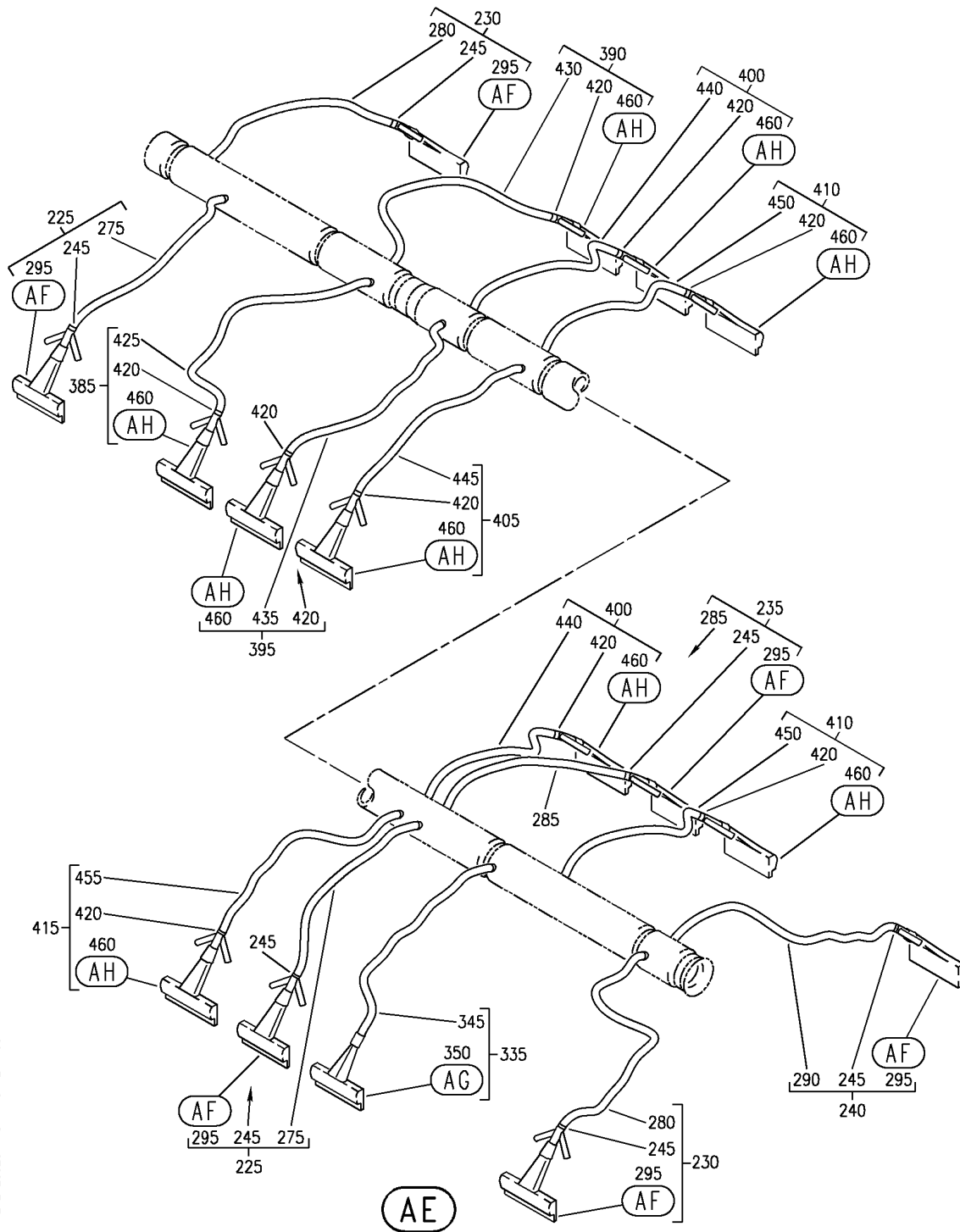
DUCT INSTL-SIDEWALL AIR DISTR SYS
 FIGURE 34A (SHEET 12)

21-23-52-34A

HAP
 OCT 10/06

21-23-52-34A
 PAGE OK

BOEING
 737-600/700/800/900
 PARTS CATALOG (MAINTENANCE)



E 21235234A SHT 13 REV 108

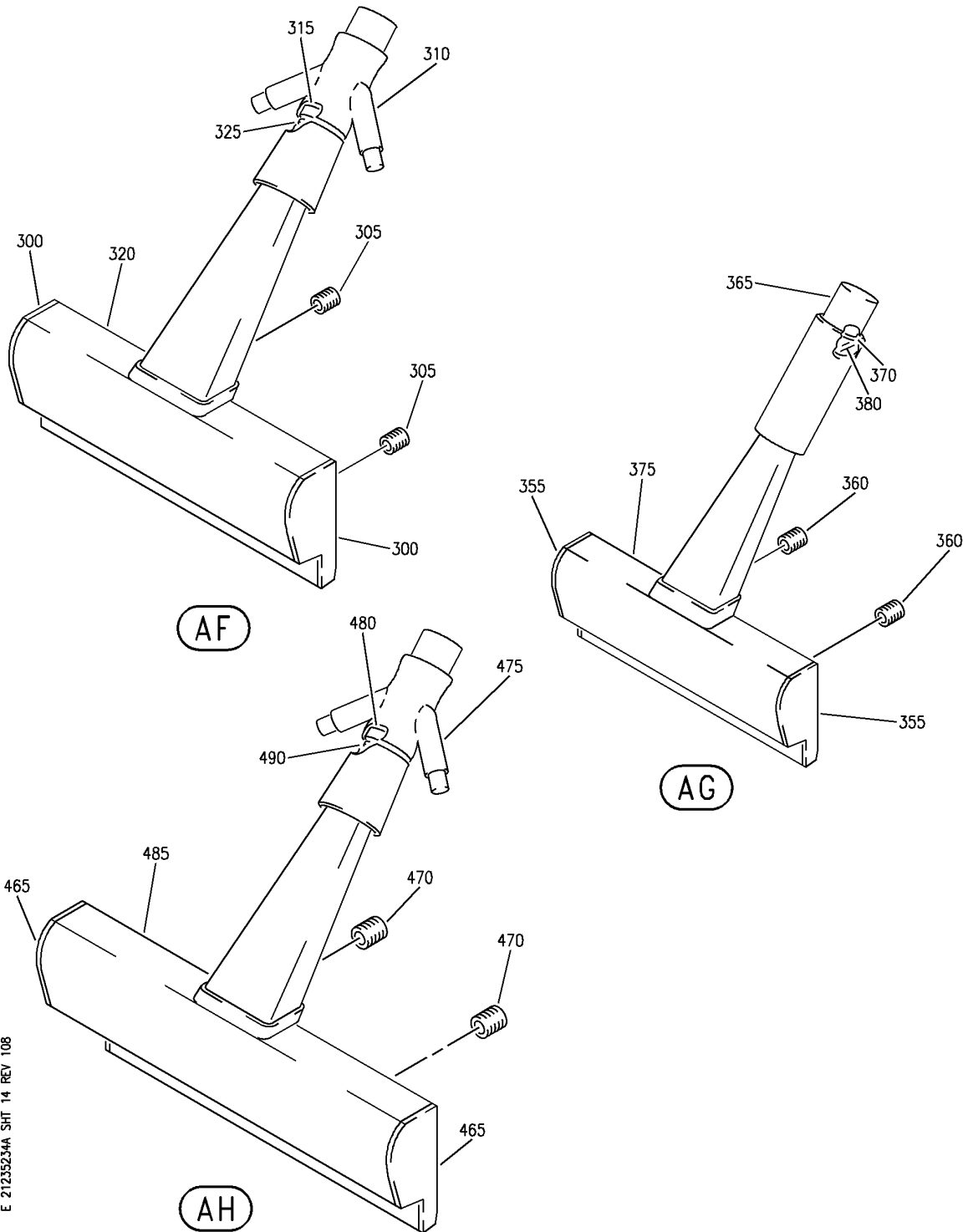
DUCT INSTL-SIDEWALL AIR DISTR SYS
 FIGURE 34A (SHEET 13)

21-23-52-34A

HAP
 OCT 10/06

21-23-52-34A
 PAGE 01

BOEING
 737-600/700/800/900
 PARTS CATALOG (MAINTENANCE)



DUCT INSTL-SIDEWALL AIR DISTR SYS
 FIGURE 34A (SHEET 14)

21-23-52-34A

HAP
 OCT 10/06

21-23-52-34A
 PAGE 0M

BOEING
737-600/700/800/900
PARTS CATALOG (MAINTENANCE)

FIG ITEM	PART NUMBER	1 2 3 4 5 6 7	NOMENCLATURE	EFFECT FROM TO	UNITS PER ASSY
34A			DUCT INSTL-SIDEWALL AIR DISTR SYS	031037 039041	
- 1	MODREF267254		DUCT INSTL-SIDEWALL AIR DISTR SYS	031036	1
- 1	MODREF297758		MODULE NUMBER: 214A2015-10 REV F DUCT INSTL-SIDEWALL AIR DISTR SYS	037037 039041	1
5	BACS12GP3L10		.SCREW	031037 039041	19
10	BACS12GP3L7		.SCREW	031037 039041	29
15	BACS12GP3L42		.SCREW	031037 039041	1
20	NAS43DD3-128FC		.SPACER	031037 039041	1
25	BACW10DZ3		.WASHER	031037 039041	13
30	PLT3SM		.STRAP SUPPLIER CODE: V06383 SPECIFICATION NUMBER: BACS38K7 OPTIONAL PART: T0510 V53421	031037 039041	61
35	PLT2IC		.STRAP SUPPLIER CODE: V06383 SPECIFICATION NUMBER: BACS38K10	031037 039041	30
40	TM2S8		.PLATE-MTG SUPPLIER CODE: V06383 SPECIFICATION NUMBER: STBP19M9	031037 039041	48
45	STBP19M12		.PLATE-MTG SUPPLIER CODE: V1B249	031037 039041	1
50	411A4902-6		.CLIP ASSY	031037 039041	2
55	MS16562-194		..PIN	031037 039041	1
60	411A4902-8		..CLIP	031037 039041	1
65	411A4902-3		..BODY ASSY	031037 039041	1

MISSING ITEM NUMBERS NOT APPLICABLE

- ITEM NOT ILLUSTRATED

HAP

21-23-52-34A

BOEING PROPRIETARY - Copyright © - Unpublished Work - See title page for details.

21-23-52
FIG. 34A
PAGE 1
JUN 10/07

BOEING
737-600/700/800/900
PARTS CATALOG (MAINTENANCE)

FIG ITEM	PART NUMBER	1 2 3 4 5 6 7	NOMENCLATURE	EFFECT FROM TO	UNITS PER ASSY
34A					
70	H02030-2L	...	INSERT- SUPPLIER CODE: V07EU2	031037 039041	2
75	214N5054-8	.	SUPPORT ASSY	031037 039041	13
80	2055155-7A	..	CLIP-STGR SUPPLIER CODE: V04169	031037 039041	1
85	411N4026-2	..	CAP ASSY- OPTIONAL PART: 411N4026-10	031037 039041	1
85	411N4026-10	..	CAP ASSY- OPTIONAL PART: 411N4026-2	031037 039041	1
90	BACS12GU3K11	.	SCREW	031037 039041	1
95	BACS12GU3K7	.	SCREW	031037 039041	3
100	PLH53CD	.	NUT SUPPLIER CODE: VF0224 SPECIFICATION NUMBER: BACN10YR3CD OPTIONAL PART: H52732-3CD V15653	031037 039041	1
105	S717-118	.	CLAMP SUPPLIER CODE: V18076 SPECIFICATION NUMBER: BACC10GU118 OPTIONAL PART: JM44LC39S118RG V22175 534CS118 V83930	031037 039041	2
110	NAS1922-0275-3	.	CLAMP	031037 039041	4
115	NAS1922-0150-3	.	CLAMP	031037 039041	1
120	214T3424-4	.	SUPPORT	031037 039041	1
125	69B43325-13	.	CONNECTOR	031037 039041	1
130	214T3436-619	.	ORIFICE ASSY	031037 039041	6
135	24-1000	.	CAP-END SUPPLIER CODE: V25205	031037 039041	2

MISSING ITEM NUMBERS NOT APPLICABLE

— ITEM NOT ILLUSTRATED

HAP

21-23-52-34A

BOEING PROPRIETARY - Copyright © - Unpublished Work - See title page for details.

21-23-52
FIG. 34A
PAGE 2
FEB 15/09

 **BOEING**
737-600/700/800/900
PARTS CATALOG (MAINTENANCE)

FIG ITEM	PART NUMBER	1 2 3 4 5 6 7	NOMENCLATURE	EFFECT FROM TO	UNITS PER ASSY
34A 142	12-1000		.CAP-END SUPPLIER CODE: V25205	031037 039041	20
147	BACD40P3A180		.DUCT	031037 039041	18
150	BACD40P3A280		.DUCT	031037 039041	6
155	BOE240312035205		.HOSE	031037 039041	1
160	BCREF129513		.DUCT- OVERLENGTH PART NUMBER: BACD40V1206-0422	031037 039041	1
165	65C36914-3		.DUCT-	031037 039041	1
167	65C36914-6		.DUCT-	031037 039041	1
170	AS1591-12-0100A		.HOSE	031037 039041	1
175	AS1591-06-0240A		.HOSE	031037 039041	1
180	AS1591-06-0200A		.HOSE	031037 039041	1
185	AS1591-06-0270A		.HOSE	031037 039041	1
190	AS1591-06-0220A		.HOSE	031037 039041	1
195	BACS12FA08K6		.SCREW	031037 039041	48
200	214A2113-365		.HOSE ASSY	031037 039041	1
205	214A2113-351		.HOSE ASSY	031037 039041	3
210	214A2113-347		.HOSE ASSY	031037 039041	1
215	214A2113-345		.HOSE ASSY	031037 039041	1
220	214A2113-349		.HOSE ASSY	031037 039041	1
225	214A2113-344		.HOSE ASSY	031037 039041	2
230	214A2113-355		.HOSE ASSY	031037 039041	2
235	214A2113-356		.HOSE ASSY	031037 039041	1
240	214A2113-358		.HOSE ASSY	031037 039041	1

MISSING ITEM NUMBERS NOT APPLICABLE

— ITEM NOT ILLUSTRATED

HAP

21-23-52-34A

BOEING PROPRIETARY - Copyright © - Unpublished Work - See title page for details.

21-23-52
FIG. 34A
PAGE 3
OCT 15/08

BOEING
737-600/700/800/900
PARTS CATALOG (MAINTENANCE)

FIG ITEM	PART NUMBER	1 2 3 4 5 6 7	NOMENCLATURE	EFFECT FROM TO	UNITS PER ASSY
34A 245	PLT2IC	..	STRAP SUPPLIER CODE: V06383 SPECIFICATION NUMBER: BACS38K10	031037 039041	1
250	AS1591-06-0530A	..	HOSE- USED ON: 214A2113-351 214A2113-365	031037 039041	1
260	AS1591-06-0480A	..	HOSE- USED ON: 214A2113-347	031037 039041	1
265	AS1591-06-0460A	..	HOSE- USED ON: 214A2113-345	031037 039041	1
270	AS1591-06-0510A	..	HOSE- USED ON: 214A2113-349	031037 039041	1
275	AS1591-06-0450A	..	HOSE- USED ON: 214A2113-344	031037 039041	1
280	AS1591-06-0590A	..	HOSE- USED ON: 214A2113-355	031037 039041	1
285	AS1591-06-0600A	..	HOSE- USED ON: 214A2113-356	031037 039041	1
290	AS1591-06-0660A	..	HOSE- USED ON: 214A2113-358	031037 039041	1
295	214N2520-145	..	DIFFUSER ASSY	031037 039041	1
300	214N2520-142	...	PLATE-END	031037 039041	2
305	6035-2BR185	...	INSERT- SUPPLIER CODE: V01556	031037 039041	2
310	214N2107-6	...	DUCT-BRANCH	031037 039041	1
315	214N2145-6	...	PLATE-RESTRICTOR	031037 039041	1
320	214N2520-91	...	DIFFUSER	031037 039041	1
325	214N2520-69	...	LINING	031037 039041	1
330	214A2113-385	.	HOSE ASSY	031037 039041	1
335	214A2113-386	.	HOSE ASSY	031037 039041	1

MISSING ITEM NUMBERS NOT APPLICABLE

— ITEM NOT ILLUSTRATED

HAP

21-23-52-34A

BOEING PROPRIETARY - Copyright © - Unpublished Work - See title page for details.

21-23-52
FIG. 34A
PAGE 4
OCT 15/08

BOEING
737-600/700/800/900
PARTS CATALOG (MAINTENANCE)

FIG ITEM	PART NUMBER	1 2 3 4 5 6 7	NOMENCLATURE	EFFECT FROM TO	UNITS PER ASSY
34A					
340	AS1591-06-0510A	..	HOSE- USED ON: 214A2113-385	031037 039041	1
345	AS1591-06-0500A	..	HOSE- USED ON: 214A2113-386	031037 039041	1
350	214N2520-90	..	DIFFUSER ASSY	031037 039041	1
355	214N2520-142	...	PLATE-END OPTIONAL PART: 214N2520-7	031037 039041	2
355	214N2520-7	...	PLATE-END OPTIONAL PART: 214N2520-142	031037 039041	2
360	6035-2BR185	...	INSERT- SUPPLIER CODE: V01556	031037 039041	2
365	214N2520-41	...	SLEEVE	031037 039041	1
370	214N2145-6	...	PLATE-RESTRICTOR	031037 039041	1
375	214N2520-98	...	DIFFUSER	031037 039041	1
380	214N2520-69	...	LINING	031037 039041	1
385	214A2113-304	.	HOSE ASSY	031037 039041	1
390	214A2113-316	.	HOSE ASSY	031037 039041	1
395	214A2113-297	.	HOSE ASSY	031037 039041	1
400	214A2113-309	.	HOSE ASSY	031037 039041	2
405	214A2113-293	.	HOSE ASSY	031037 039041	1
410	214A2113-308	.	HOSE ASSY	031037 039041	2
415	214A2113-299	.	HOSE ASSY	031037 039041	1
420	PLT2IC	..	STRAP SUPPLIER CODE: V06383 SPECIFICATION NUMBER: BACS38K10	031037 039041	1
425	AS1591-06-0560A	..	HOSE- USED ON: 214A2113-304	031037 039041	1

MISSING ITEM NUMBERS NOT APPLICABLE

— ITEM NOT ILLUSTRATED

HAP

21-23-52-34A

BOEING PROPRIETARY - Copyright © - Unpublished Work - See title page for details.

21-23-52
FIG. 34A
PAGE 5
OCT 15/08

BOEING
737-600/700/800/900
PARTS CATALOG (MAINTENANCE)

FIG ITEM	PART NUMBER	1 2 3 4 5 6 7	NOMENCLATURE	EFFECT FROM TO	UNITS PER ASSY
34A 430	AS1591-06-0690A	..	HOSE- USED ON: 214A2113-316	031037 039041	1
435	AS1591-06-0480A	..	HOSE- USED ON: 214A2113-297	031037 039041	1
440	AS1591-06-0610A	..	HOSE- USED ON: 214A2113-309	031037 039041	1
445	AS1591-06-0440A	..	HOSE- USED ON: 214A2113-293	031037 039041	1
450	AS1591-06-0600A	..	HOSE- USED ON: 214A2113-308	031037 039041	1
455	AS1591-06-0500A	..	HOSE- USED ON: 214A2113-299	031037 039041	1
460	214N2520-143	..	DIFFUSER ASSY	031037 039041	1
465	214N2520-142	...	PLATE-END	031037 039041	2
470	6035-2BR185	...	INSERT- SUPPLIER CODE: V01556	031037 039041	2
475	214N2107-6	...	DUCT-BRANCH	031037 039041	1
480	214N2145-5	...	PLATE-RESTRICTOR	031037 039041	1
485	214N2520-91	...	DIFFUSER	031037 039041	1
490	214N2520-69	...	LINING	031037 039041	1

MISSING ITEM NUMBERS NOT APPLICABLE

— ITEM NOT ILLUSTRATED

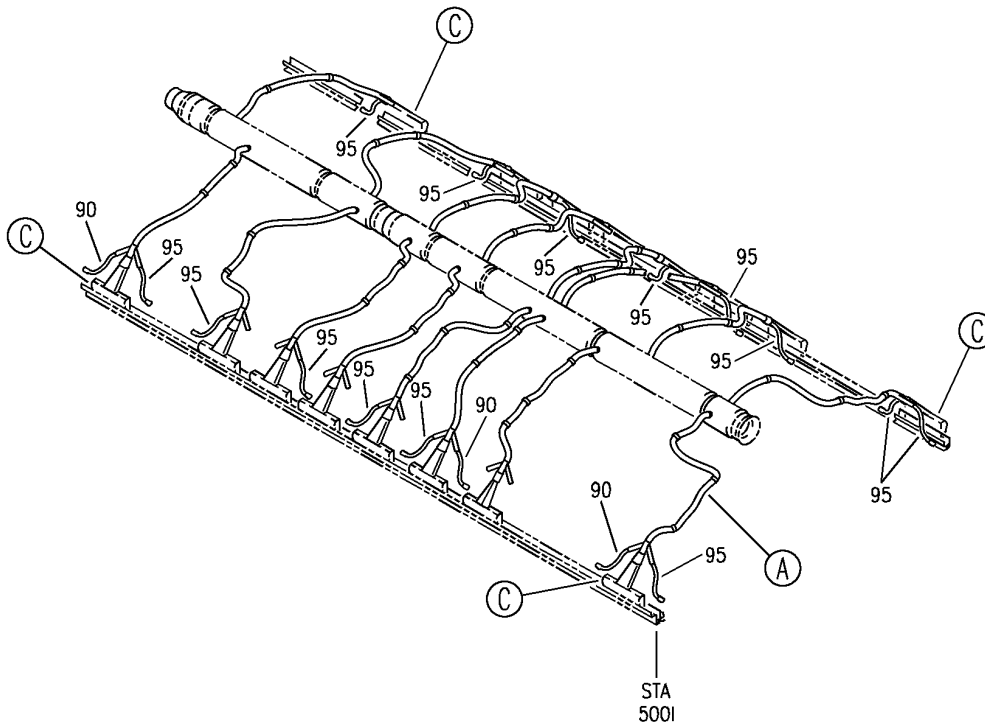
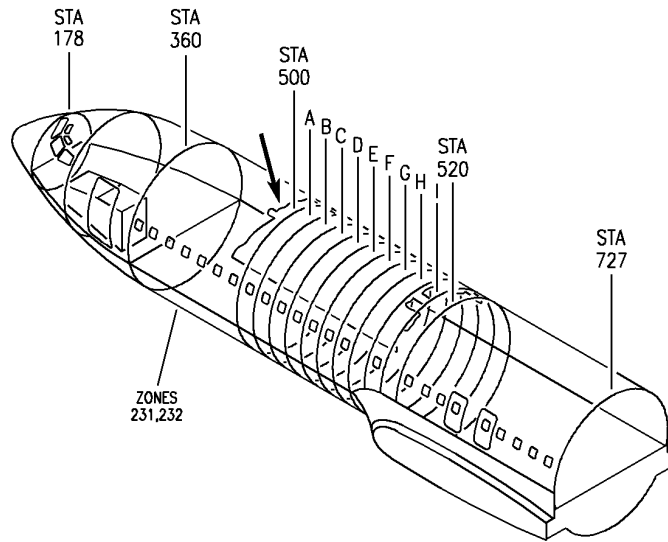
HAP

21-23-52-34A

BOEING PROPRIETARY - Copyright © - Unpublished Work - See title page for details.

21-23-52
FIG. 34A
PAGE 6
OCT 15/08

BOEING
 737-600/700/800/900
 PARTS CATALOG (MAINTENANCE)



E 21235235A SHT 1 REV 131

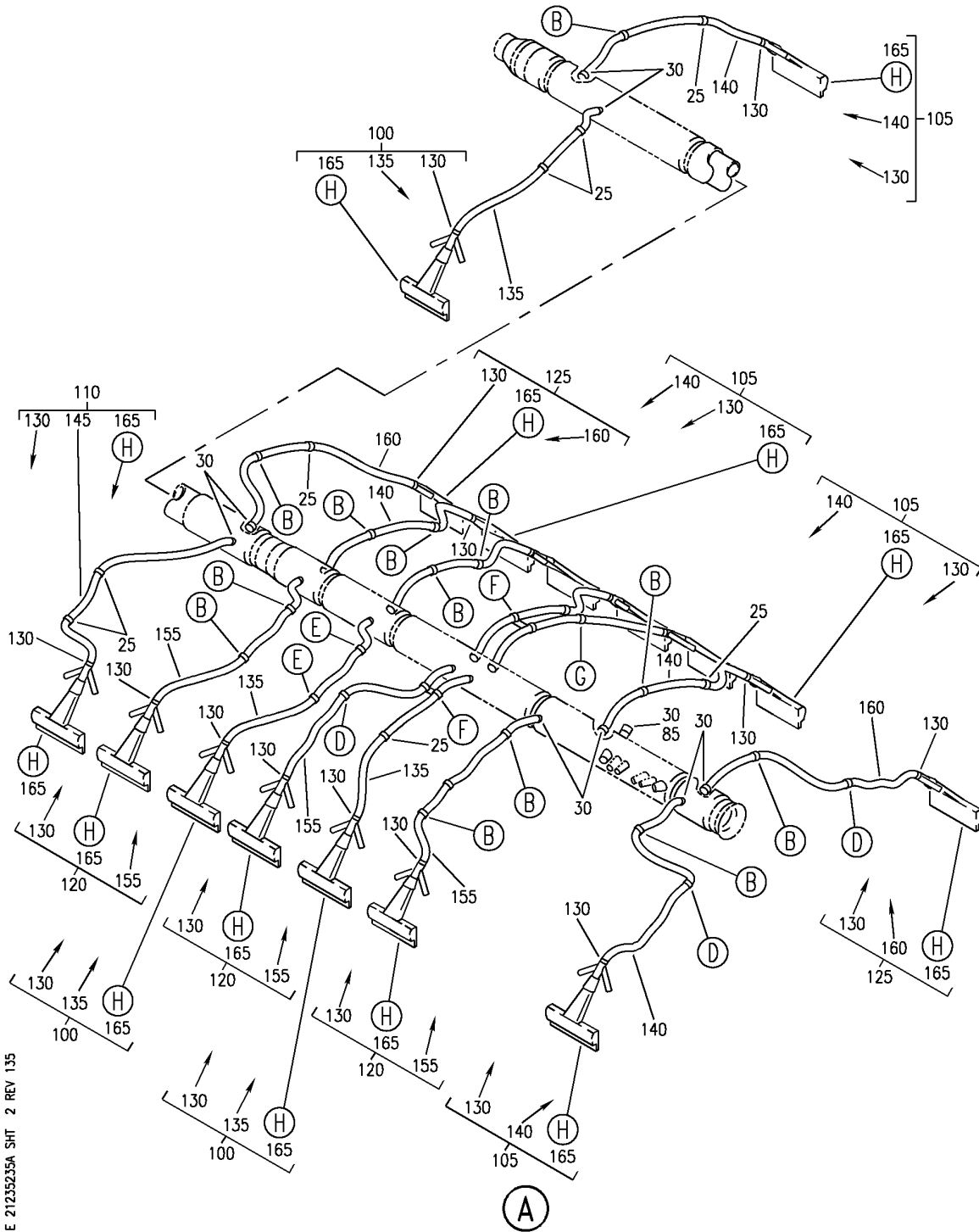
DUCT INSTL-SIDEWALL AIR DISTR SYS
 FIGURE 35A (SHEET 1)

21-23-52-35A

HAP
 FEB 15/09

21-23-52-35A
 PAGE 0

BOEING
 737-600/700/800/900
 PARTS CATALOG (MAINTENANCE)



E 21235235A SH1 2 REV 135

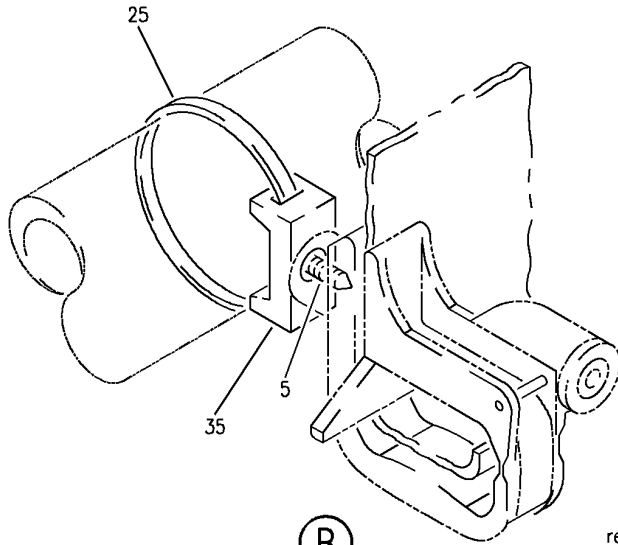
DUCT INSTL-SIDEWALL AIR DISTR SYS
 FIGURE 35A (SHEET 2)

21-23-52-35A

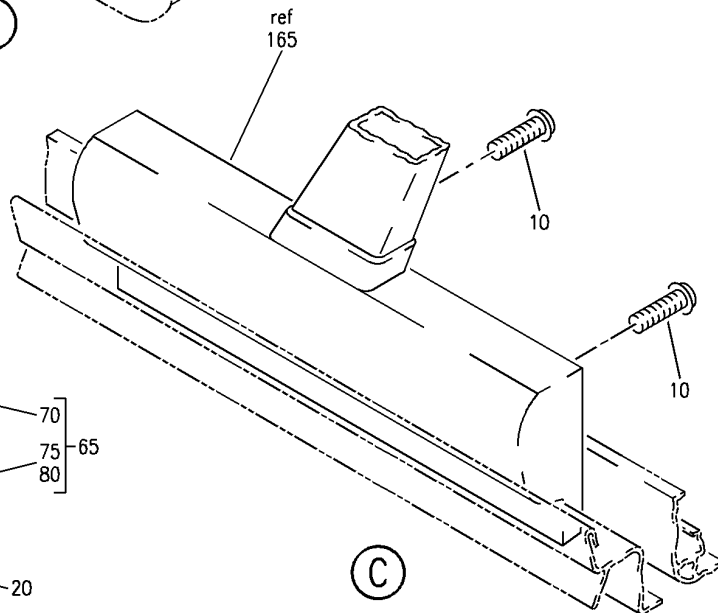
HAP
 FEB 15/09

21-23-52-35A
 PAGE 0A

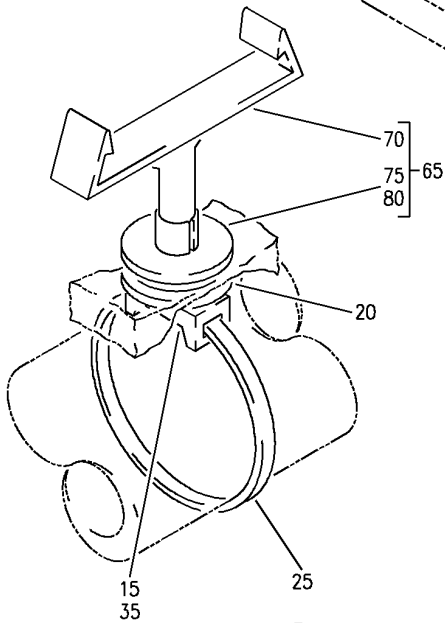
BOEING
 737-600/700/800/900
 PARTS CATALOG (MAINTENANCE)



(B)



(C)



(D)

E 21235235A SHT 3 REV 131

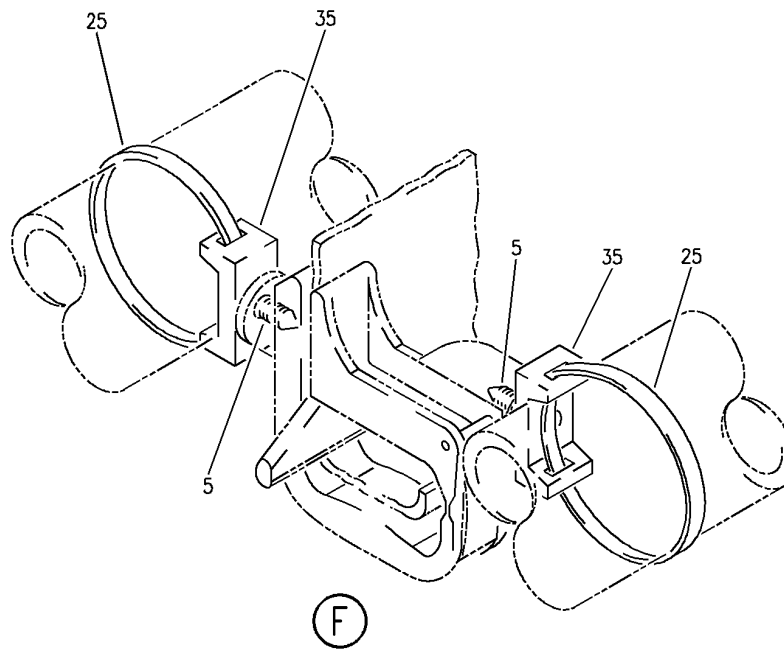
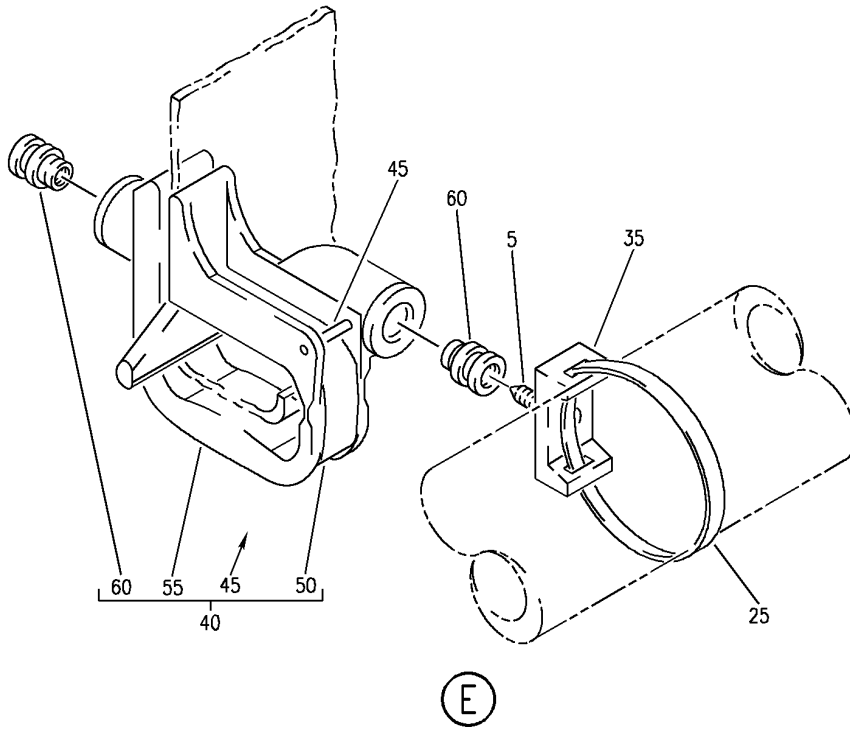
DUCT INSTL-SIDEWALL AIR DISTR SYS
 FIGURE 35A (SHEET 3)

21-23-52-35A

HAP
 FEB 15/09

21-23-52-35A
 PAGE 0B

BOEING
 737-600/700/800/900
 PARTS CATALOG (MAINTENANCE)



E 21235235A SHT 4 REV 131

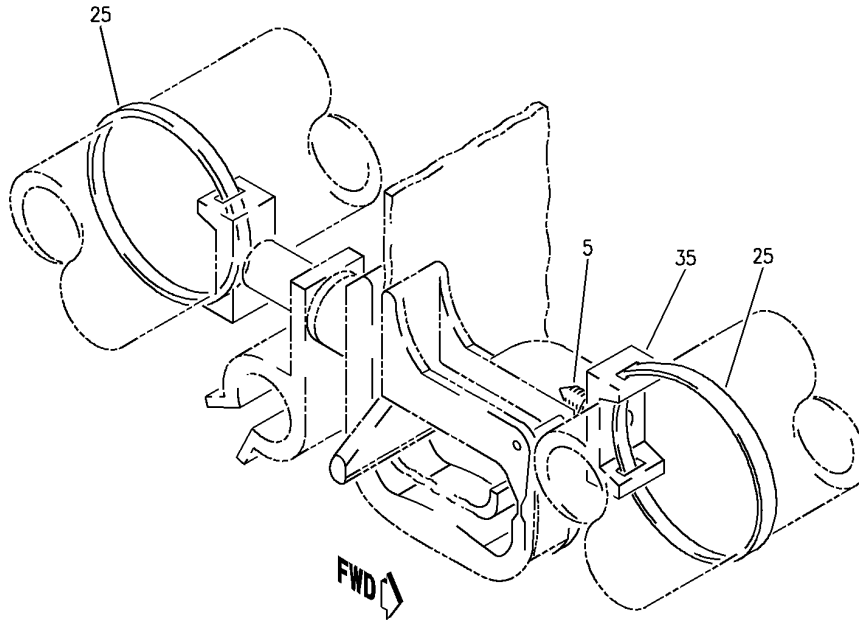
DUCT INSTL-SIDEWALL AIR DISTR SYS
 FIGURE 35A (SHEET 4)

21-23-52-35A

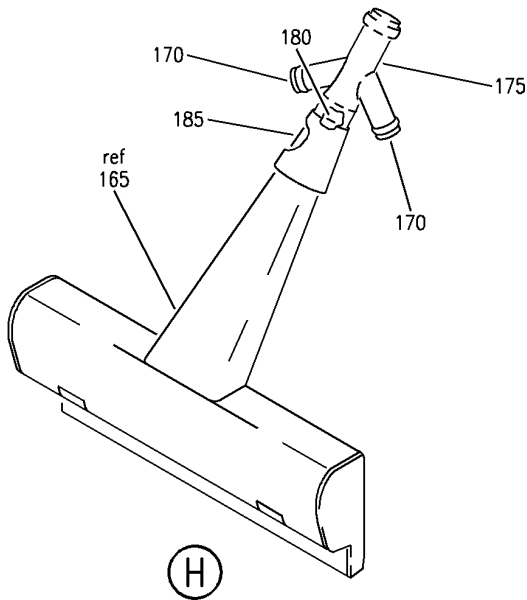
HAP
 FEB 15/09

21-23-52-35A
 PAGE 0C

BOEING
737-600/700/800/900
PARTS CATALOG (MAINTENANCE)



(G)



E 21235235A SHT 5 REV 131

DUCT INSTL-SIDEWALL AIR DISTR SYS
FIGURE 35A (SHEET 5)

21-23-52-35A

HAP
FEB 15/09

21-23-52-35A
PAGE 0D

BOEING
737-600/700/800/900
PARTS CATALOG (MAINTENANCE)

FIG ITEM	PART NUMBER	1 2 3 4 5 6 7	NOMENCLATURE	EFFECT FROM TO	UNITS PER ASSY
35A			DUCT INSTL-SIDEWALL AIR DISTR SYS	054100	
- 1	MODREF334542		DUCT INSTL-SIDEWALL AIR DISTR SYS MODULE NUMBER: 214A2015-45 REV A	054100	1
5	BACS12GP3L7		.SCREW	054100	21
10	BACS12FA08K6		.SCREW	054100	32
15	BACS12GP3L10		.SCREW	054100	3
20	BACW10DZ3		.WASHER	054100	AR
25	PLT3SM		.STRAP SUPPLIER CODE: V06383 SPECIFICATION NUMBER: BACS38K7 OPTIONAL PART: T0510 V53421	054100	33
30	PLT2IC		.STRAP SUPPLIER CODE: V06383 SPECIFICATION NUMBER: BACS38K10	054100	17
35	TM2S8		.PLATE SUPPLIER CODE: V06383 SPECIFICATION NUMBER: STBP19M9	054100	24
40	411A4902-6		.CLIP ASSY-RTNR	054100	2
45	MS16562-194		..PIN-SPR	054100	1
50	411A4902-8		..CLIP-SPR	054100	1
55	411A4902-3		..BODY ASSY	054100	1
60	H02030-2L		...INSERT- SUPPLIER CODE: V07EU2	054100	2
65	214N5054-8		.SUPPORT ASSY	054100	3
70	2055155-7A		..CLIP- SUPPLIER CODE: V04169	054100	1
75	411N4026-2		..CAP ASSY- OPTIONAL PART: 411N4026-10	054100	1
75	411N4026-10		..CAP ASSY- OPTIONAL PART: 411N4026-2	054100	1
80	411N4026-5		...CAP- USED ON: 411N4026-2	054100	1

MISSING ITEM NUMBERS NOT APPLICABLE

- ITEM NOT ILLUSTRATED

HAP

21-23-52-35A

BOEING PROPRIETARY - Copyright © - Unpublished Work - See title page for details.

21-23-52
FIG. 35A
PAGE 1
FEB 15/09

BOEING
737-600/700/800/900
PARTS CATALOG (MAINTENANCE)

FIG ITEM	PART NUMBER	1 2 3 4 5 6 7	NOMENCLATURE	EFFECT FROM TO	UNITS PER ASSY
35A					
80	411N4026-11	...	CAP- USED ON: 411N4026-10	054100	1
85	24-1000	.CAP- END	SUPPLIER CODE: V25205	054100	1
90	BACD40P3A280	.DUCT		054100	3
95	BACD40P3A180	.DUCT		054100	14
100	214A2113-400	.HOSE	ASSY	054100	3
105	214A2113-403	.HOSE	ASSY	054100	7
110	214A2113-402	.HOSE	ASSY	054100	1
120	214A2113-401	.HOSE	ASSY	054100	3
125	214A2113-405	.HOSE	ASSY	054100	2
130	PLT2IC	..STRAP	SUPPLIER CODE: V06383 SPECIFICATION NUMBER: BACS38K10	054100	1
135	AS1591-06-0450A	..HOSE-	USED ON: 214A2113-400	054100	1
140	AS1591-06-0600A	..HOSE-	USED ON: 214A2113-403	054100	1
145	AS1591-06-0550A	..HOSE-	USED ON: 214A2113-402	054100	1
155	AS1591-06-0500A	..HOSE-	USED ON: 214A2113-401	054100	1
160	AS1591-06-0700A	..HOSE-	USED ON: 214A2113-405	054100	1
165	214N2520-200	..DIFFUSER	ASSY	054100	1
170	12-1000	...CAP- END	SUPPLIER CODE: V25205	054100	2
175	214N2107-11	...DUCT-	BRANCH	054100	1
180	214N2145-5	...PLATE-	RESTRICTOR	054100	1
185	214N2520-69	...LINING		054100	1

MISSING ITEM NUMBERS NOT APPLICABLE

— ITEM NOT ILLUSTRATED

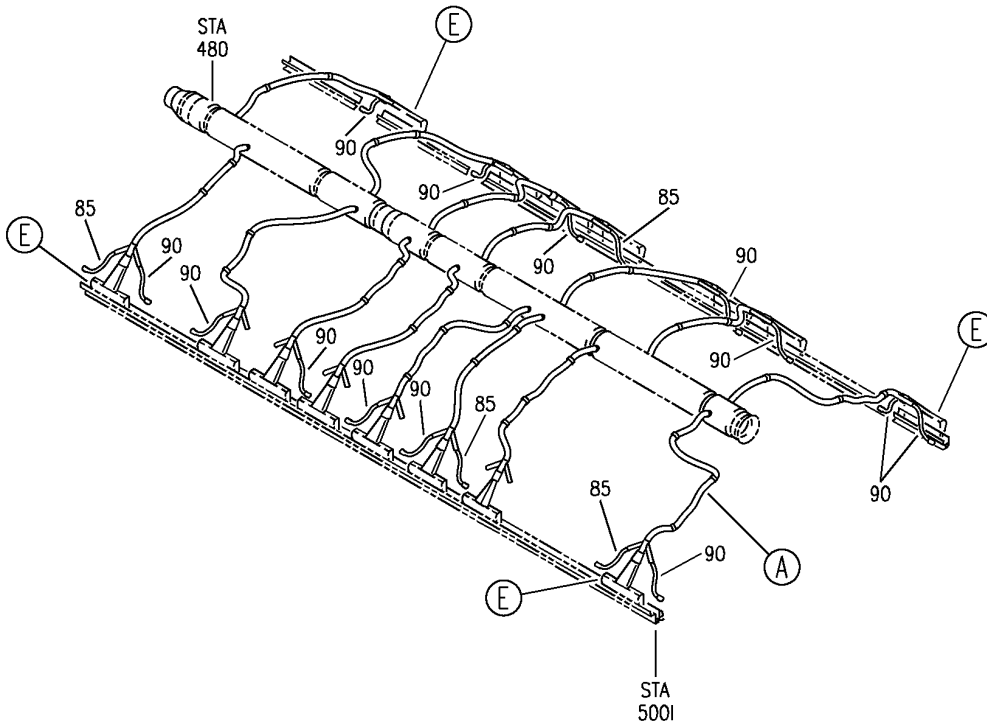
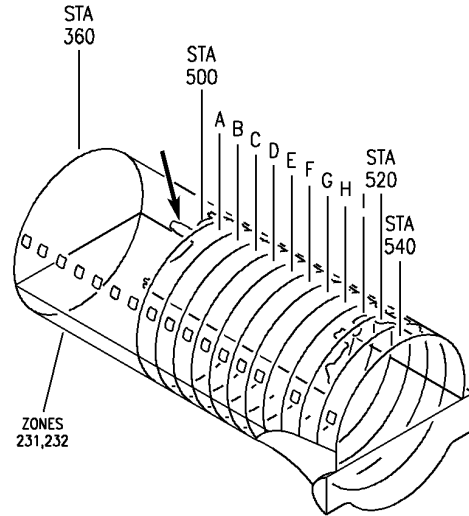
HAP

21-23-52-35A

BOEING PROPRIETARY - Copyright © - Unpublished Work - See title page for details.

21-23-52
FIG. 35A
PAGE 2
FEB 15/09

BOEING
 737-600/700/800/900
 PARTS CATALOG (MAINTENANCE)



E 21235235B SHT 1 REV 137

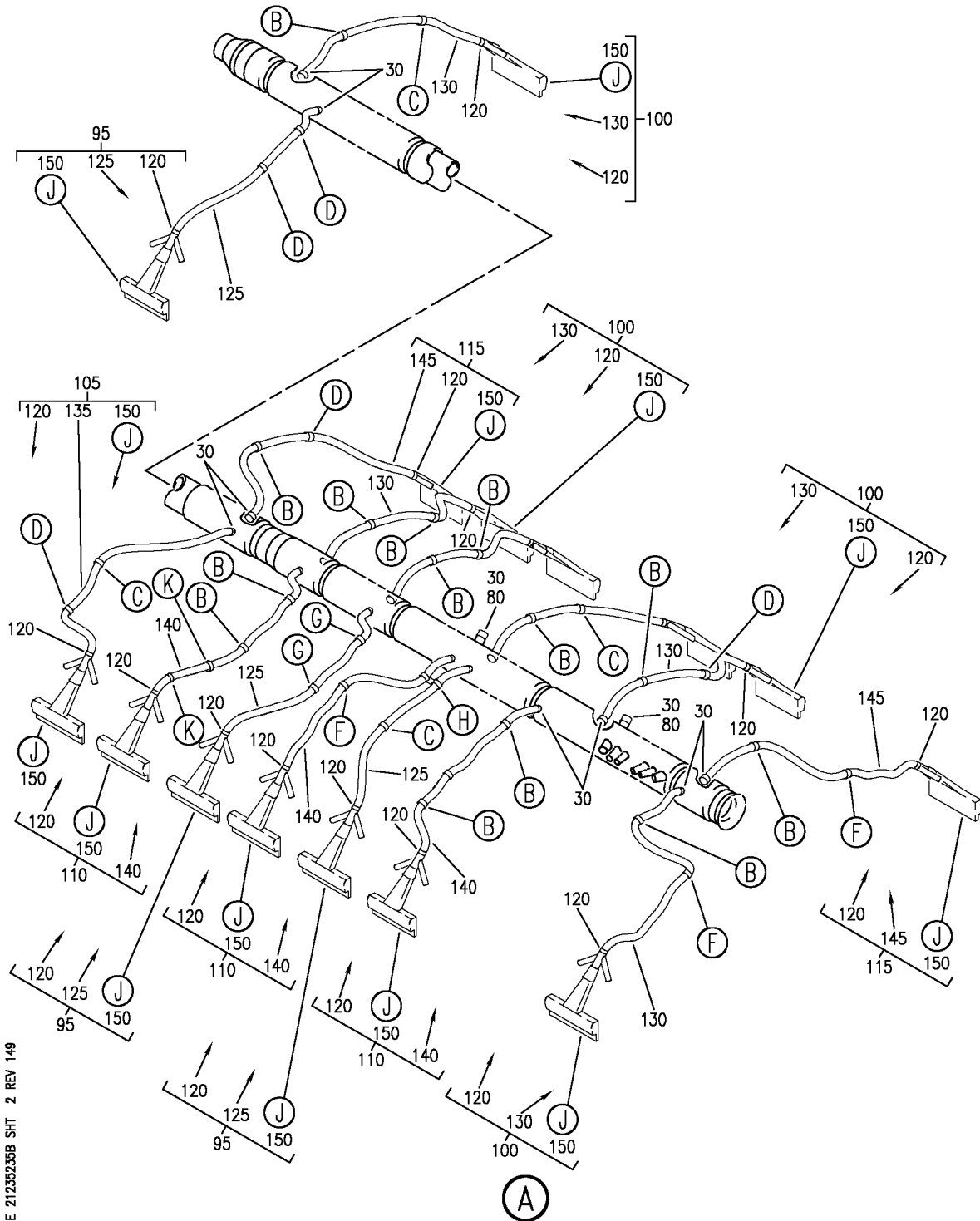
DUCT INSTL-SIDEWALL AIR DISTR SYS
 FIGURE 35B (SHEET 1)

21-23-52-35B

HAP
 FEB 15/08

21-23-52-35B
 PAGE 0


BOEING
737-600/700/800/900
PARTS CATALOG (MAINTENANCE)



E 21235235B SHT. 2 REV 148

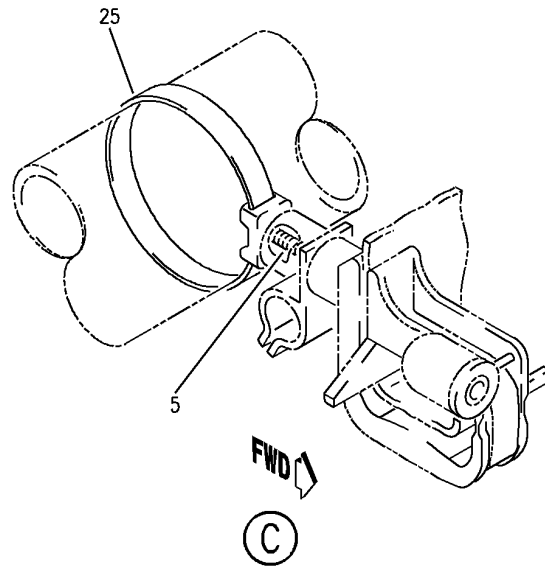
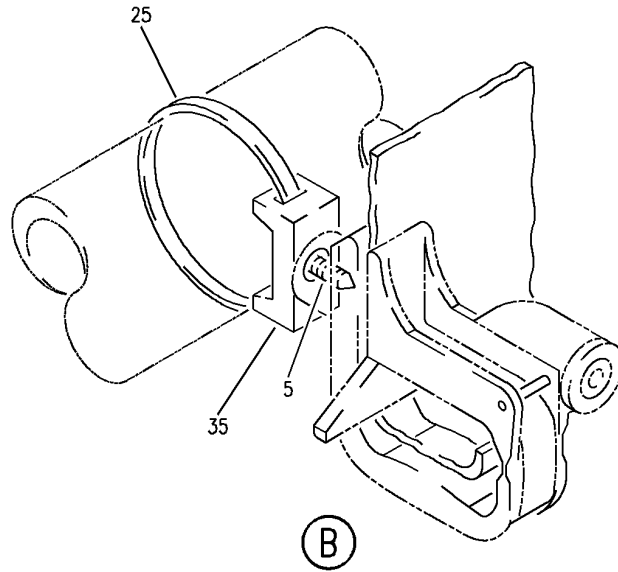
DUCT INSTL-SIDEWALL AIR DISTR SYS
 FIGURE 35B (SHEET 2)

21-23-52-35B

HAP
 FEB 15/09

21-23-52-35B
 PAGE 0A

BOEING
737-600/700/800/900
PARTS CATALOG (MAINTENANCE)



E 21235235B SHT 3 REV 137

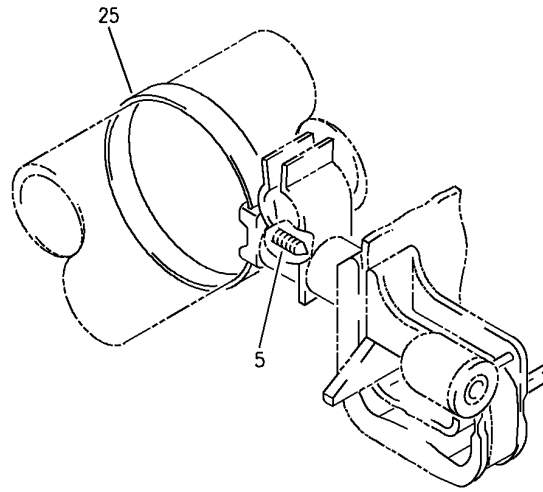
DUCT INSTL-SIDEWALL AIR DISTR SYS
FIGURE 35B (SHEET 3)

21-23-52-35B

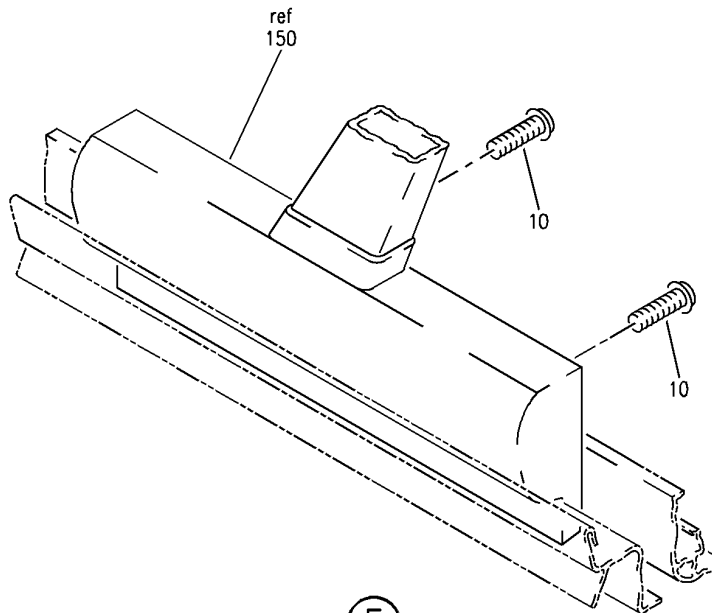
HAP
FEB 15/08

21-23-52-35B
PAGE 0B

BOEING
737-600/700/800/900
PARTS CATALOG (MAINTENANCE)



(D)



(E)

E 21235235B SHT 4 REV 137

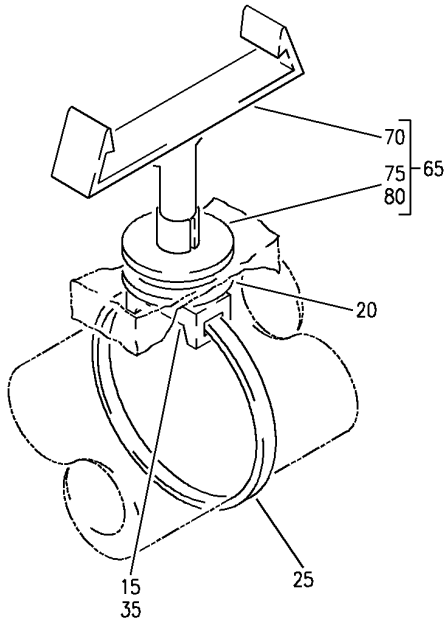
DUCT INSTL-SIDEWALL AIR DISTR SYS
FIGURE 35B (SHEET 4)

21-23-52-35B

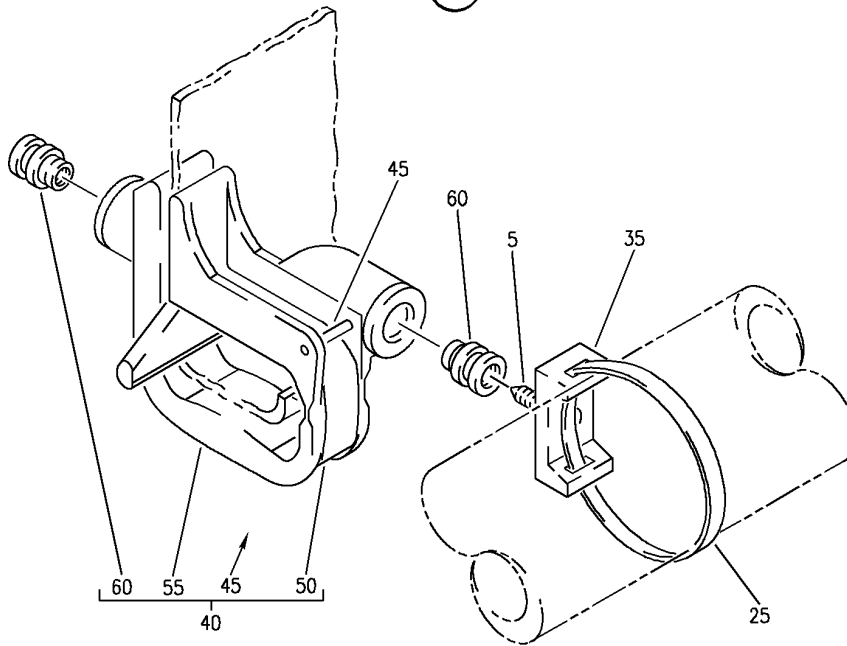
HAP
FEB 15/08

21-23-52-35B
PAGE 0C

BOEING
 737-600/700/800/900
 PARTS CATALOG (MAINTENANCE)



(F)



(G)

E 21235235B SHT 5 REV 137

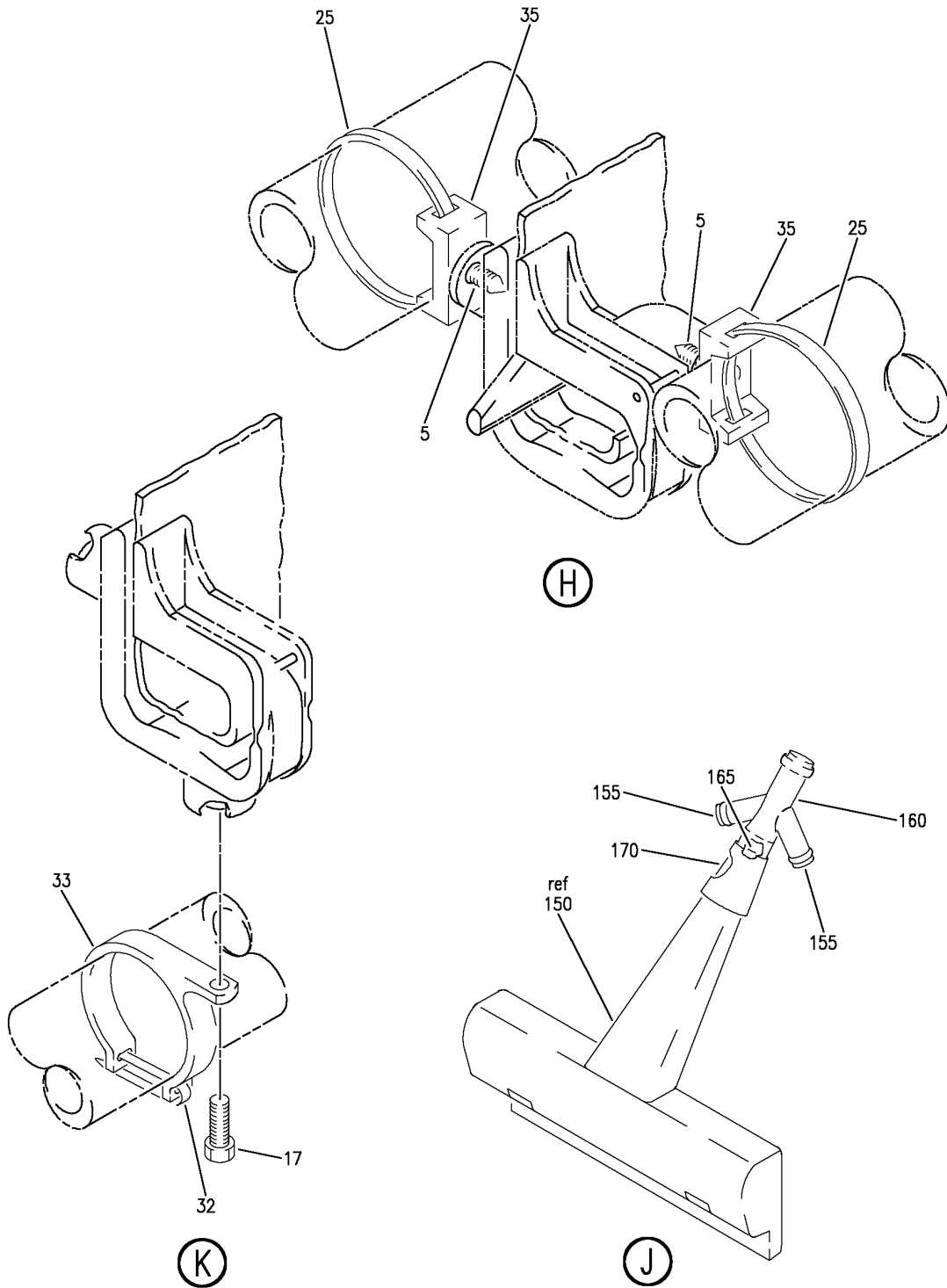
DUCT INSTL-SIDEWALL AIR DISTR SYS
 FIGURE 35B (SHEET 5)

21-23-52-35B

HAP
 FEB 15/08

21-23-52-35B
 PAGE 0D

BOEING
 737-600/700/800/900
 PARTS CATALOG (MAINTENANCE)



E 21235235B SHT 6 REV 148

DUCT INSTL-SIDEWALL AIR DISTR SYS
 FIGURE 35B (SHEET 6)

21-23-52-35B

HAP
 FEB 15/09

21-23-52-35B
 PAGE 0E

BOEING
737-600/700/800/900
PARTS CATALOG (MAINTENANCE)

FIG ITEM	PART NUMBER	1 2 3 4 5 6 7	NOMENCLATURE	EFFECT FROM TO	UNITS PER ASSY
	35B		DUCT INSTL-SIDEWALL AIR DISTR SYS	044053	
R	- 1	MODREF357280	DUCT INSTL-SIDEWALL AIR DISTR SYS	044048	1
R			MODULE NUMBER: 214A2015-45 REV B		
R	- 1	MODREF401312	DUCT INSTL-SIDEWALL AIR DISTR SYS	049053	1
R			MODULE NUMBER: 214A2015-45 REV C		
R	5	BACS12GP3L7	.SCREW	044053	28
R	10	BACS12FA08K6	.SCREW	044053	30
R	15	BACS12GP3L10	.SCREW	044053	3
R	17	BACS12GU3K7	.SCREW	049053	2
R	20	BACW10DZ3	.WASHER	044053	AR
R	25	PLT3SM	.STRAP SUPPLIER CODE: V06383 SPECIFICATION NUMBER: BACS38K7 OPTIONAL PART: T0510 V53421	044053	31
	30	PLT2IC	.STRAP SUPPLIER CODE: V06383 SPECIFICATION NUMBER: BACS38K10	044053	17
R	32	PLT1-5IM	.STRAP SUPPLIER CODE: V06383 SPECIFICATION NUMBER: BACS38K5 OPTIONAL PART: T03R0 V53421	049053	2
R					
R	33	NMC1005-7	.CLAMP- SUPPLIER CODE: V03296	049053	2
R					
R	35	TM2S8	.PLATE SUPPLIER CODE: V06383 SPECIFICATION NUMBER: STBP19M9	044053	22
	40	411A4902-6	.CLIP ASSY-RTNR	044053	2
	45	MS16562-194	..PIN-SPR	044053	1
	50	411A4902-8	..CLIP-SPR	044053	1
	55	411A4902-3	..BODY ASSY	044053	1

MISSING ITEM NUMBERS NOT APPLICABLE

- ITEM NOT ILLUSTRATED

HAP

21-23-52-35B

BOEING PROPRIETARY - Copyright © - Unpublished Work - See title page for details.

21-23-52
FIG. 35B
PAGE 1
JUN 15/09

BOEING
737-600/700/800/900
PARTS CATALOG (MAINTENANCE)

FIG ITEM	PART NUMBER	1 2 3 4 5 6 7	NOMENCLATURE	EFFECT FROM TO	UNITS PER ASSY
35B					
60	H02030-2L	...	INSERT- SUPPLIER CODE: V07EU2	044053	2
65	214N5054-8	.	SUPPORT ASSY	044053	3
70	2055155-7A	..	CLIP- SUPPLIER CODE: V04169	044053	1
75	411N4026-2	..	CAP ASSY- OPTIONAL PART: 411N4026-10	044053	1
75	411N4026-10	..	CAP ASSY- OPTIONAL PART: 411N4026-2	044053	1
80	24-1000	.	CAP-END SUPPLIER CODE: V25205	044053	2
85	BACD40P3A280	.	DUCT	044053	4
90	BACD40P3A180	.	DUCT	044053	13
95	214A2113-400	.	HOSE ASSY	044053	3
100	214A2113-403	.	HOSE ASSY	044053	6
105	214A2113-402	.	HOSE ASSY	044053	1
110	214A2113-401	.	HOSE ASSY	044053	3
115	214A2113-405	.	HOSE ASSY	044053	2
120	PLT2IC	..	STRAP SUPPLIER CODE: V06383 SPECIFICATION NUMBER: BACS38K10	044053	1
125	AS1591-06-0450A	..	HOSE- USED ON: 214A2113-400	044053	1
130	AS1591-06-0600A	..	HOSE- USED ON: 214A2113-403	044053	1
135	AS1591-06-0550A	..	HOSE- USED ON: 214A2113-402	044053	1
140	AS1591-06-0500A	..	HOSE- USED ON: 214A2113-401	044053	1
145	AS1591-06-0700A	..	HOSE- USED ON: 214A2113-405	044053	1
150	214N2520-200	..	DIFFUSER ASSY	044053	1
155	12-1000	...	CAP-END SUPPLIER CODE: V25205	044053	2
160	214N2107-11	...	DUCT-BRANCH	044053	1
165	214N2145-5	...	PLATE-RESTRICTOR	044053	1

MISSING ITEM NUMBERS NOT APPLICABLE

— ITEM NOT ILLUSTRATED

HAP

21-23-52-35B

BOEING PROPRIETARY - Copyright © - Unpublished Work - See title page for details.

21-23-52
FIG. 35B
PAGE 2
JUN 15/09


BOEING
 737-600/700/800/900
PARTS CATALOG (MAINTENANCE)

FIG ITEM	PART NUMBER	1 2 3 4 5 6 7 NOMENCLATURE	EFFECT FROM TO	UNITS PER ASSY
35B 170	214N2520-69	... LINING	044053	1

MISSING ITEM NUMBERS NOT APPLICABLE

— ITEM NOT ILLUSTRATED

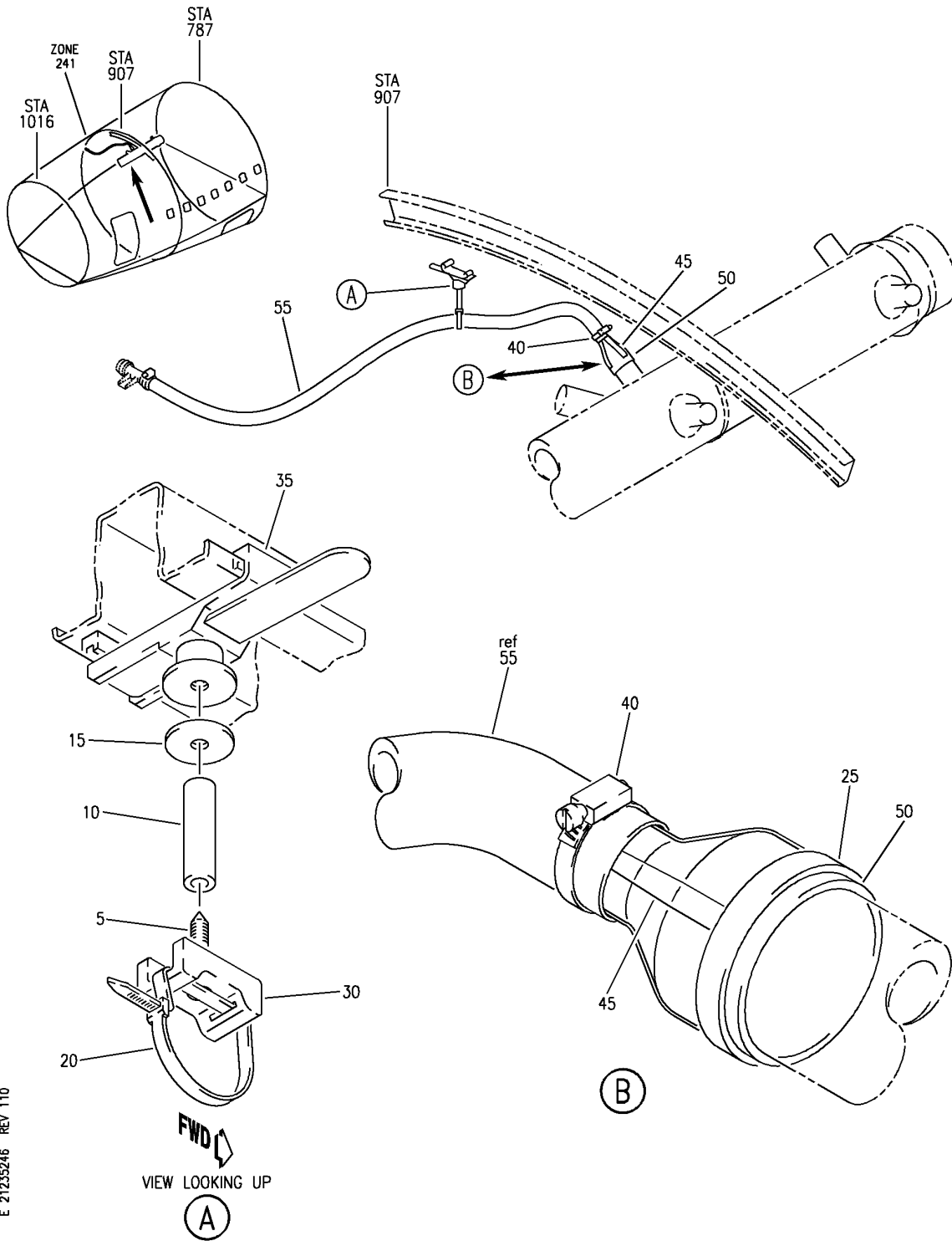
HAP

21-23-52-35B

BOEING PROPRIETARY - Copyright © - Unpublished Work - See title page for details.

21-23-52
 FIG. 35B
 PAGE 3
 JUN 15/09

BOEING
 737-600/700/800/900
 PARTS CATALOG (MAINTENANCE)



E 21235246 REV 110

DUCT INSTL-SUPPLY AIR LAV D
 FIGURE 46

21-23-52-46

HAP
 OCT 10/06

21-23-52-46
 PAGE 0

BOEING
737-600/700/800/900
PARTS CATALOG (MAINTENANCE)

FIG ITEM	PART NUMBER	1 2 3 4 5 6 7	NOMENCLATURE	EFFECT FROM TO	UNITS PER ASSY
46			DUCT INSTL-SUPPLY AIR LAV D	001030 201967	
- 1	214A4008-4		DUCT INSTL-SUPPLY AIR POSITION DATA: LAV D FOR NHA SEE: 21-20-00-09B 21-20-00-09C	001030 201967	RF
5	BACS12GP3L42		.SCREW	001030 201967	1
10	NAS43DD3-128FC		.SPACER	001030 201967	1
15	BACW10DZ3		.WASHER	001030 201967	1
20	T05R0		.STRAP SUPPLIER CODE: V53421 SPECIFICATION NUMBER: BACS38K1 OPTIONAL PART: PLT2SM V06383	001030 201967	1
30	TM2S8		.PLATE SUPPLIER CODE: V06383 SPECIFICATION NUMBER: STBP19M9	001030 201967	1
35	BACS38P5		.SUPPORT ASSY	001030 201967	1
40	NAS1922-0100-3		.CLAMP	001030 201967	1
45	214T3436-56		.ORIFICE ASSY	001030 201967	1
50	417N3062-1		.REDUCER	001030 201967	1
55	AS1591-03-0450A		.HOSE	001030 201967	1

MISSING ITEM NUMBERS NOT APPLICABLE

- ITEM NOT ILLUSTRATED

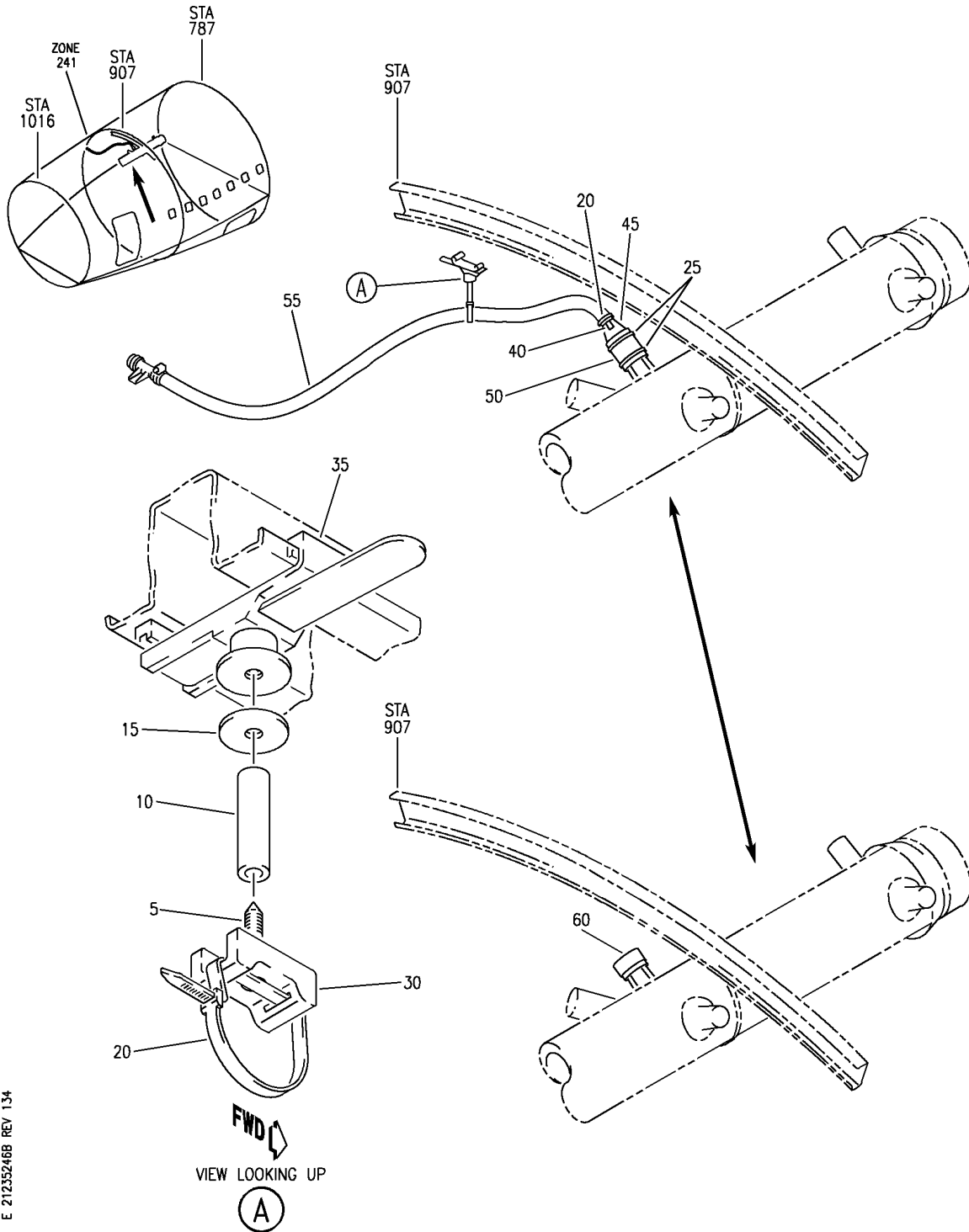
HAP

21-23-52-46

BOEING PROPRIETARY - Copyright © - Unpublished Work - See title page for details.

21-23-52
FIG. 46
PAGE 1
OCT 15/08

BOEING
 737-600/700/800/900
 PARTS CATALOG (MAINTENANCE)



E 21235246B REV 134

DUCT INSTL-SUPPLY AIR LAV D
 FIGURE 46B

21-23-52-46B

HAP
 OCT 10/07

21-23-52-46B
 PAGE 0

BOEING
737-600/700/800/900
PARTS CATALOG (MAINTENANCE)

FIG ITEM	PART NUMBER	1 2 3 4 5 6 7	NOMENCLATURE	EFFECT FROM TO	UNITS PER ASSY
46B			DUCT INSTL-SUPPLY AIR LAV D	031046 054103 968971	
- 1	MODREF268262		DUCT INSTL-SUPPLY AIR MODULE NUMBER: 214A4008-4 REV D POSITION DATA: LAV D	031031	1
- 1	MODREF289115		DUCT INSTL-SUPPLY AIR MODULE NUMBER: 214A4008-18 REV A POSITION DATA: LAV D	037043	1
- 1	MODREF290427		DUCT INSTL-SUPPLY AIR MODULE NUMBER: 214A4008-4 REV E POSITION DATA: LAV D	032036 101101 968971	1
- 1	MODREF347007		DUCT INSTL-SUPPLY AIR MODULE NUMBER: 214A4008-18 REV B POSITION DATA: LAV D	044046 054100	1
- 1	MODREF347009		DUCT INSTL-SUPPLY AIR MODULE NUMBER: 214A4008-4 REV F POSITION DATA: LAV D	102103	1
5	BACS12GP3L42		.SCREW	031046 054103 968971	1
10	NAS43DD3-128FC		.SPACER	031046 054103 968971	1
15	BACW10DZ3		.WASHER	031046 054103 968971	1
20	T05RO		.STRAP SUPPLIER CODE: V53421 SPECIFICATION NUMBER: BACS38K1 OPTIONAL PART: PLT2SM V06383	031046 054103 968971	2

MISSING ITEM NUMBERS NOT APPLICABLE

- ITEM NOT ILLUSTRATED

HAP

21-23-52-46B

BOEING PROPRIETARY - Copyright © - Unpublished Work - See title page for details.

21-23-52
FIG. 46B
PAGE 1
FEB 15/09

BOEING
737-600/700/800/900
PARTS CATALOG (MAINTENANCE)

FIG ITEM	PART NUMBER	1 2 3 4 5 6 7	NOMENCLATURE	EFFECT FROM TO	UNITS PER ASSY
46B 25	PLT3SM	.	STRAP SUPPLIER CODE: V06383 SPECIFICATION NUMBER: BACS38K7 OPTIONAL PART: T0510 V53421	031046 054103 968971	2
30	TM2S8	.	PLATE SUPPLIER CODE: V06383 SPECIFICATION NUMBER: STBP19M9	031046 054103 968971	1
35	BACS38P5	.	SUPPORT ASSY	031046 054103 968971	1
40	214T3436-56	.	ORIFICE ASSY	031046 054103 968971	1
45	214T3488-285	.	REDUCER	031046 054103 968971	1
50	AS1506-06D21	.	SLEEVE	031046 054103 968971	1
55	AS1591-03-0450A	.	HOSE	031046 054103 968971	1

MISSING ITEM NUMBERS NOT APPLICABLE

— ITEM NOT ILLUSTRATED

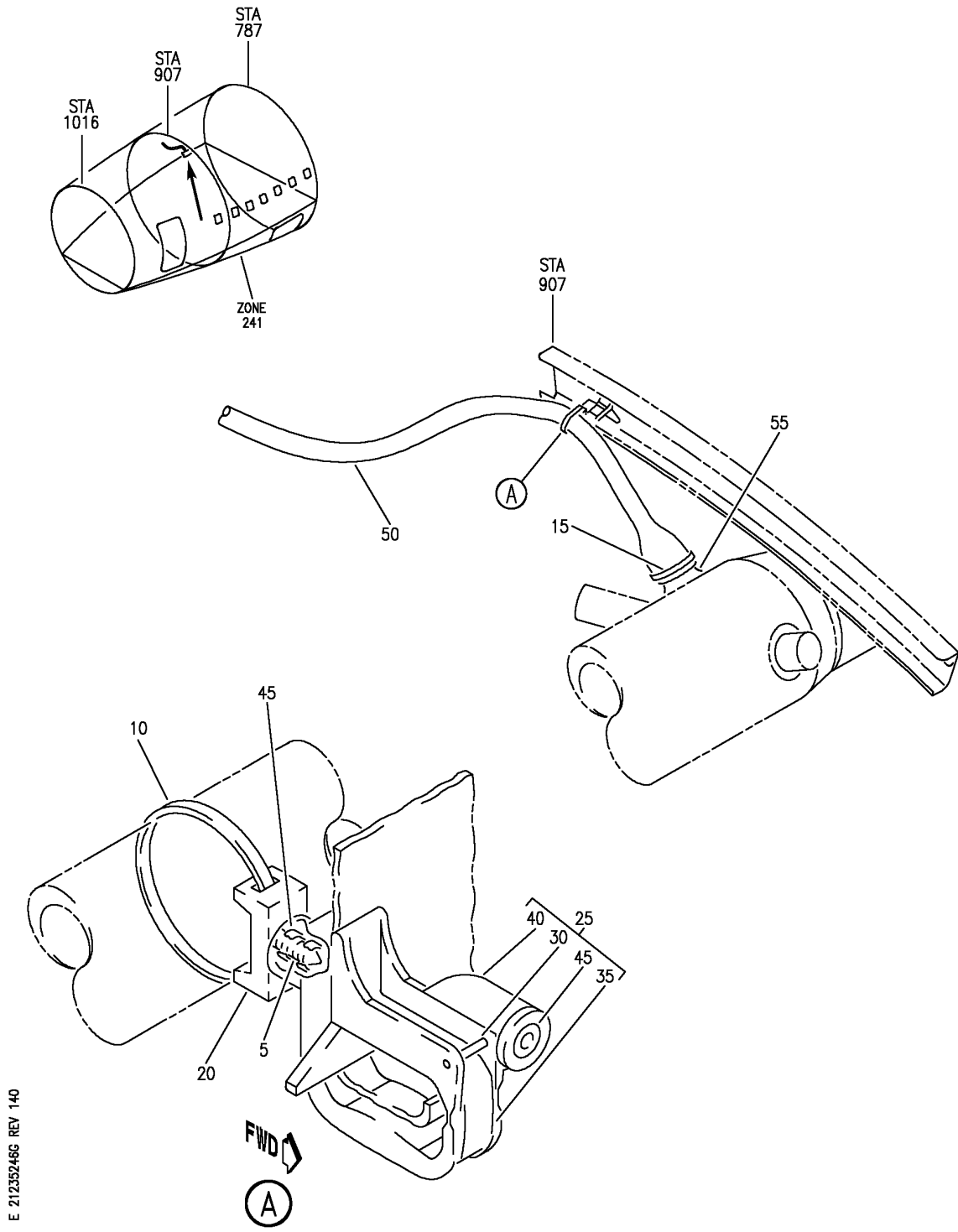
HAP

21-23-52-46B

BOEING PROPRIETARY - Copyright © - Unpublished Work - See title page for details.

21-23-52
FIG. 46B
PAGE 2
FEB 15/09

BOEING
 737-600/700/800/900
 PARTS CATALOG (MAINTENANCE)



E 21235246G REV 140

DUCT INSTL-SUPPLY AIR LAV D
 FIGURE 46G

21-23-52-46G

HAP
 JUN 15/08

21-23-52-46G
 PAGE 0

BOEING
737-600/700/800/900
PARTS CATALOG (MAINTENANCE)

FIG ITEM	PART NUMBER	1 2 3 4 5 6 7	NOMENCLATURE	EFFECT FROM TO	UNITS PER ASSY
46G			DUCT INSTL-SUPPLY AIR LAV D	047053 104200 972999	
- 1	MODREF365849		DUCT INSTL-SUPPLY AIR MODULE NUMBER: 214A4008-4 REV G POSITION DATA: LAV D	104200 972999	1
- 1	MODREF365847		DUCT INSTL-SUPPLY AIR MODULE NUMBER: 214A4008-18 REV C POSITION DATA: LAV D	047053	1
5	BACS12GP3L5		.SCREW	047053 104200 972999	1
10	T05R0		.STRAP SUPPLIER CODE: V53421 SPECIFICATION NUMBER: BACS38K1 OPTIONAL PART: PLT2SM V06383	047053 104200 972999	1
15	PLT3SM		.STRAP SUPPLIER CODE: V06383 SPECIFICATION NUMBER: BACS38K7 OPTIONAL PART: T05I0 V53421	047053 104200 972999	1
20	TM2S8		.PLATE SUPPLIER CODE: V06383 SPECIFICATION NUMBER: STBP19M9	047053 104200 972999	1
25	411A4902-6		.CLIP ASSY-RTNR	047053 104200 972999	1
30	MS16562-194		..PIN-SPR	047053 104200 972999	1
35	411A4902-8		..CLIP-SPR	047053 104200 972999	1
40	411A4902-3		..BODY ASSY	047053 104200 972999	1

MISSING ITEM NUMBERS NOT APPLICABLE

- ITEM NOT ILLUSTRATED

HAP

21-23-52-46G

BOEING PROPRIETARY - Copyright © - Unpublished Work - See title page for details.

21-23-52
FIG. 46G
PAGE 1
FEB 15/09

BOEING
737-600/700/800/900
PARTS CATALOG (MAINTENANCE)

FIG ITEM	PART NUMBER	1 2 3 4 5 6 7	NOMENCLATURE	EFFECT FROM TO	UNITS PER ASSY
46G					
45	H02030-2L		...INSERT- SUPPLIER CODE: V07EU2	047053 104200 972999	2
50	BCREF61976		DUCT-AIR OVERLENGTH PART NUMBER: BACD40V0603-0500	047053 104200 972999	1
55	214T3436-619		.ORIFICE ASSY	047053 104200 972999	1

MISSING ITEM NUMBERS NOT APPLICABLE

— ITEM NOT ILLUSTRATED

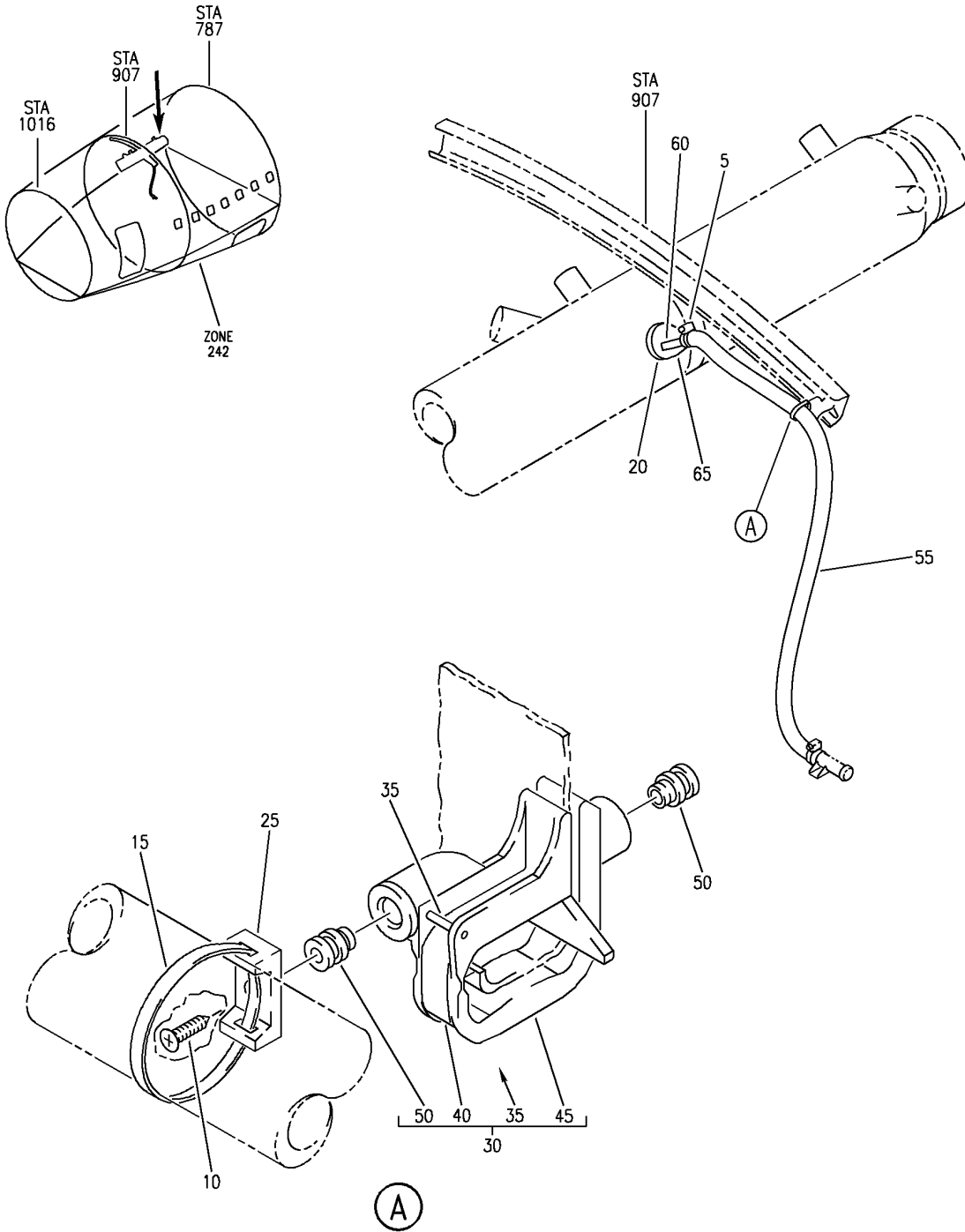
HAP

21-23-52-46G

BOEING PROPRIETARY - Copyright © - Unpublished Work - See title page for details.

21-23-52
FIG. 46G
PAGE 2
FEB 15/09

BOEING
 737-600/700/800/900
 PARTS CATALOG (MAINTENANCE)



E 21235248 REV 110

DUCT INSTL-SUPPLY AIR LAV E
 FIGURE 48

21-23-52-48

HAP
 OCT 10/06

21-23-52-48
 PAGE 0

BOEING
737-600/700/800/900
PARTS CATALOG (MAINTENANCE)

FIG ITEM	PART NUMBER	1 2 3 4 5 6 7	NOMENCLATURE	EFFECT FROM TO	UNITS PER ASSY
48			DUCT INSTL-SUPPLY AIR LAV E	001030 201967	
- 1	214A4008-5		DUCT INSTL-SUPPLY AIR POSITION DATA: LAV E FOR NHA SEE: 21-20-00-09B 21-20-00-09C	001030 201967	RF
R	5	NAS1922-0100-3	.CLAMP-	001030 201967	1
R	10	BACS12GP3L5	.SCREW-	001030 201967	1
R	15	T05R0	.STRAP- SUPPLIER CODE: V53421 SPECIFICATION NUMBER: BACS38K1	001030 201967	1
R	25	TM2S8	.PLATE- SUPPLIER CODE: V06383 SPECIFICATION NUMBER: STBP19M9	001030 201967	1
R	30	411A4902-6	.CLIP ASSY-	001030 201967	1
R	35	MS16562-194	..PIN	001030 201967	1
R	40	411A4902-8	..CLIP	001030 201967	1
R	45	411A4902-3	..BODY ASSY	001030 201967	1
R	50	H02030-2L	...INSERT- SUPPLIER CODE: V07EU2	001030 201967	2
R	55	AS1591-03-0350A	.HOSE-	001030 201967	1
R	60	214T3436-56	.ORIFICE ASSY-	001030 201967	1
R	65	417N3062-1	.REDUCER-	001030 201967	1

MISSING ITEM NUMBERS NOT APPLICABLE

- ITEM NOT ILLUSTRATED

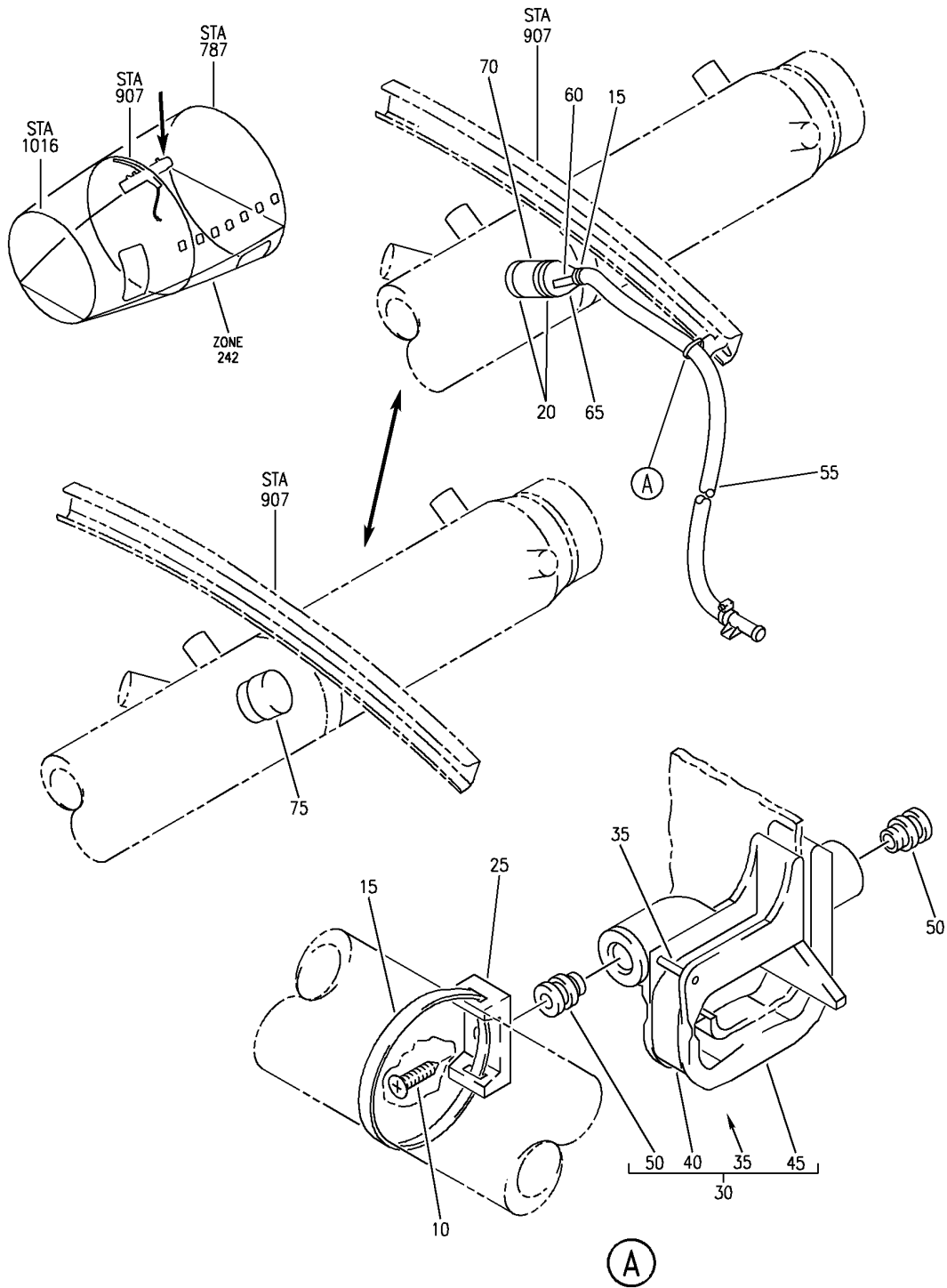
HAP

21-23-52-48

BOEING PROPRIETARY - Copyright © - Unpublished Work - See title page for details.

21-23-52
FIG. 48
PAGE 1
JUN 15/09

BOEING
 737-600/700/800/900
 PARTS CATALOG (MAINTENANCE)



E 21235248A REV 134

DUCT INSTL-SUPPLY AIR LAV E
 FIGURE 48A

21-23-52-48A

HAP
 OCT 10/07

21-23-52-48A
 PAGE 0

BOEING
737-600/700/800/900
PARTS CATALOG (MAINTENANCE)

FIG ITEM	PART NUMBER	1 2 3 4 5 6 7	NOMENCLATURE	EFFECT FROM TO	UNITS PER ASSY
48A			DUCT INSTL-SUPPLY AIR LAV E	031037 039046 054103 968971	
- 1	MODREF268263		DUCT INSTL-SUPPLY AIR MODULE NUMBER: 214A4008-5 REV D POSITION DATA: LAV E	031036 101101 968971	1
- 1	MODREF289116		DUCT INSTL-SUPPLY AIR MODULE NUMBER: 214A4008-19 REV A POSITION DATA: LAV E	037037 039043	1
- 1	MODREF347008		DUCT INSTL-SUPPLY AIR MODULE NUMBER: 214A4008-19 REV B POSITION DATA: LAV E	044046 054100	1
- 1	MODREF347010		DUCT INSTL-SUPPLY AIR MODULE NUMBER: 214A4008-5 REV E POSITION DATA: LAV E	102103	1
R R	10	BACS12GP3L5	.SCREW-	031037 039046 054103 968971	1
	15	T05R0	.STRAP- SUPPLIER CODE: V53421 SPECIFICATION NUMBER: BACS38K1 OPTIONAL PART: PLT2SM V06383	031037 039046 054103 968971	2
	20	PLT3SM	.STRAP- SUPPLIER CODE: V06383 SPECIFICATION NUMBER: BACS38K7 OPTIONAL PART: T05I0 V53421	031037 039046 054103 968971	2
	25	TM2S8	.PLATE- SUPPLIER CODE: V06383 SPECIFICATION NUMBER: STBP19M9	031037 039046 054103 968971	1

MISSING ITEM NUMBERS NOT APPLICABLE

- ITEM NOT ILLUSTRATED

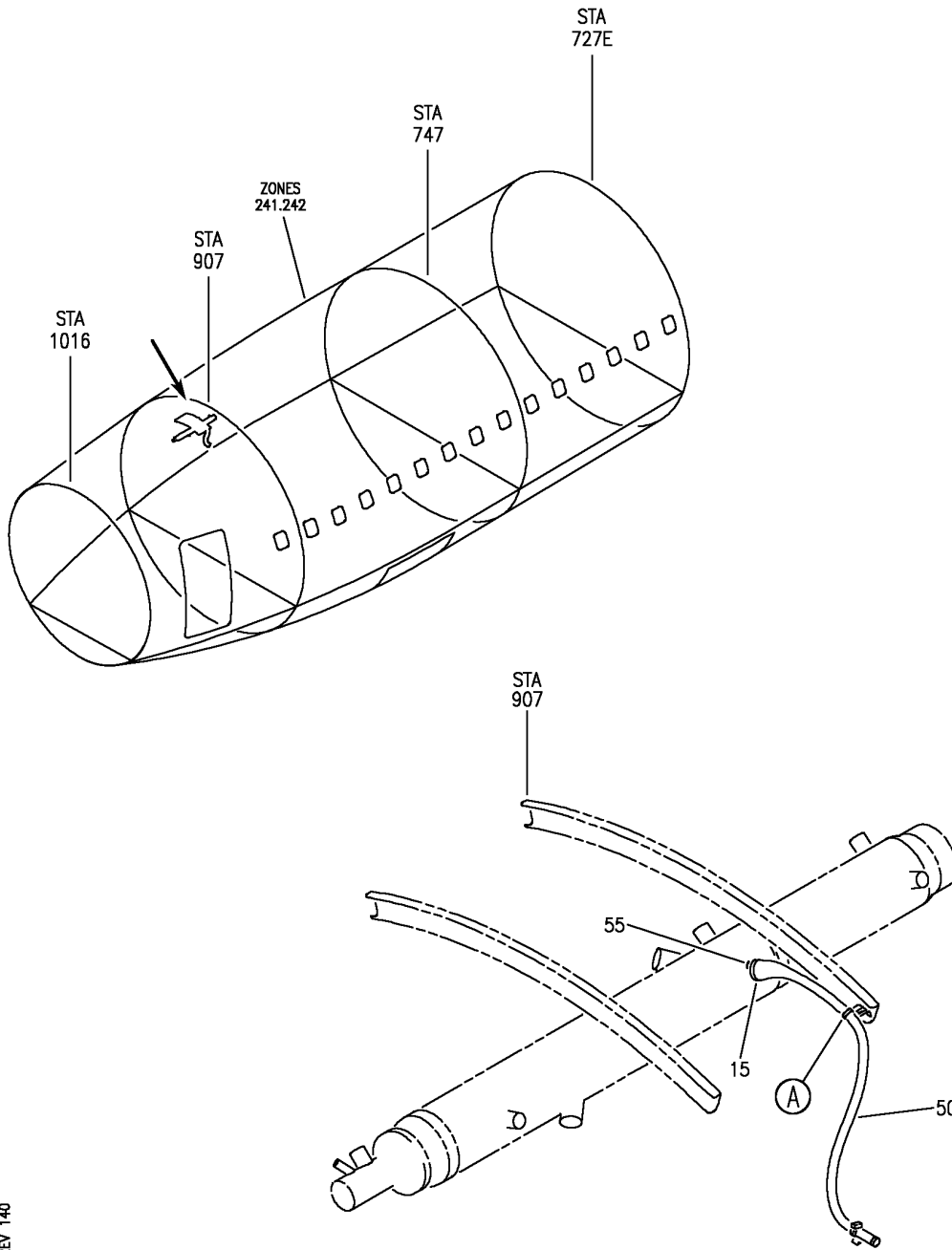
HAP

21-23-52-48A

BOEING PROPRIETARY - Copyright © - Unpublished Work - See title page for details.

21-23-52
FIG. 48A
PAGE 1
JUN 15/09

BOEING
 737-600/700/800/900
 PARTS CATALOG (MAINTENANCE)



E 21235248E SHT 1 REV 140

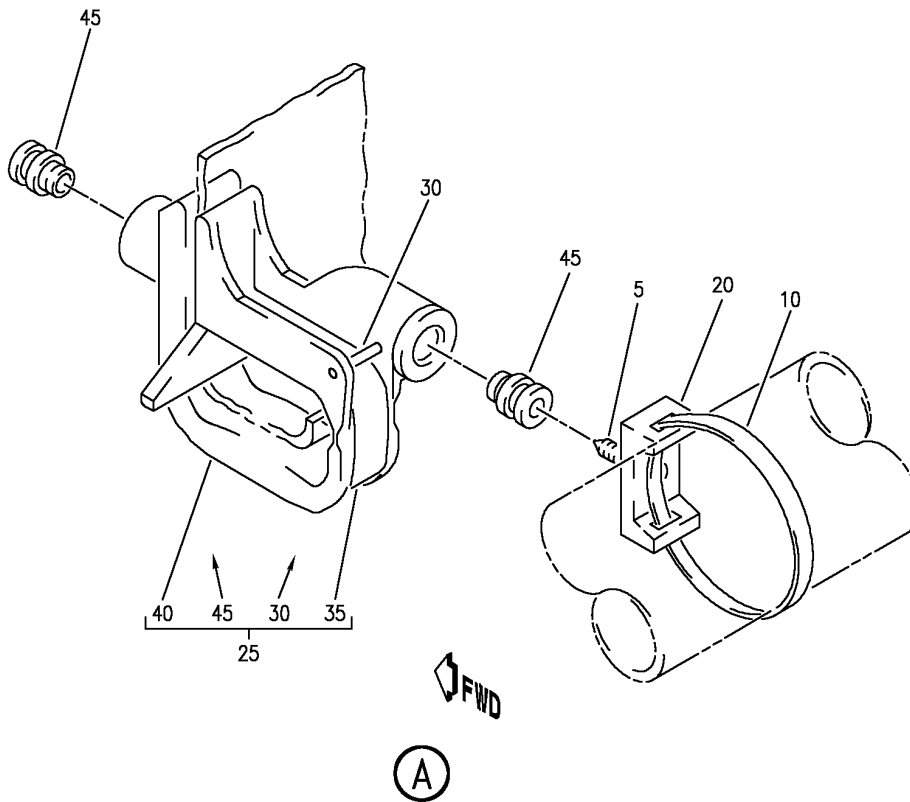
DUCT INSTL-SUPPLY AIR LAV E
 FIGURE 48E (SHEET 1)

21-23-52-48E

HAP
 JUN 15/08

21-23-52-48E
 PAGE 0

BOEING
737-600/700/800/900
PARTS CATALOG (MAINTENANCE)



E 21235248E SHT 2 REV 140

DUCT INSTL-SUPPLY AIR LAV E
FIGURE 48E (SHEET 2)

21-23-52-48E

HAP
JUN 15/08

21-23-52-48E
PAGE 0A

BOEING
737-600/700/800/900
PARTS CATALOG (MAINTENANCE)

FIG ITEM	PART NUMBER	1 2 3 4 5 6 7	NOMENCLATURE	EFFECT FROM TO	UNITS PER ASSY
48E			DUCT INSTL-SUPPLY AIR LAV E	047053 104200 972999	
- 1	MODREF365850		DUCT INSTL-SUPPLY AIR MODULE NUMBER: 214A4008-5 REV F POSITION DATA: LAV E	104200 972999	1
- 1	MODREF365848		DUCT INSTL-SUPPLY AIR MODULE NUMBER: 214A4008-19 REV C POSITION DATA: LAV E	047053	1
5	BACS12GP3L5		.SCREW	047053 104200 972999	1
10	T05R0		.STRAP SUPPLIER CODE: V53421 SPECIFICATION NUMBER: BACS38K1 OPTIONAL PART: PLT2SM V06383	047053 104200 972999	1
15	PLT3SM		.STRAP SUPPLIER CODE: V06383 SPECIFICATION NUMBER: BACS38K7 OPTIONAL PART: T05I0 V53421	047053 104200 972999	1
20	TM2S8		.PLATE SUPPLIER CODE: V06383 SPECIFICATION NUMBER: STBP19M9	047053 104200 972999	1
25	411A4902-6		.CLIP ASSY	047053 104200 972999	1
30	MS16562-194		..PIN	047053 104200 972999	1
35	411A4902-8		..CLIP	047053 104200 972999	1
40	411A4902-3		..BODY ASSY	047053 104200 972999	1

MISSING ITEM NUMBERS NOT APPLICABLE

- ITEM NOT ILLUSTRATED

HAP

21-23-52-48E

BOEING PROPRIETARY - Copyright © - Unpublished Work - See title page for details.

21-23-52
FIG. 48E
PAGE 1
FEB 15/09

BOEING
737-600/700/800/900
PARTS CATALOG (MAINTENANCE)

FIG ITEM	PART NUMBER	1 2 3 4 5 6 7	NOMENCLATURE	EFFECT FROM TO	UNITS PER ASSY
48E					
45	H02030-2L		...INSERT- SUPPLIER CODE: V07EU2	047053 104200 972999	2
50	BCREF50639		.DUCT-AIR OVERLENGTH PART NUMBER: BACD40V0603-0400	047053 104200 972999	1
55	214T3436-619		.ORIFICE ASSY	047053 104200 972999	1

MISSING ITEM NUMBERS NOT APPLICABLE

— ITEM NOT ILLUSTRATED

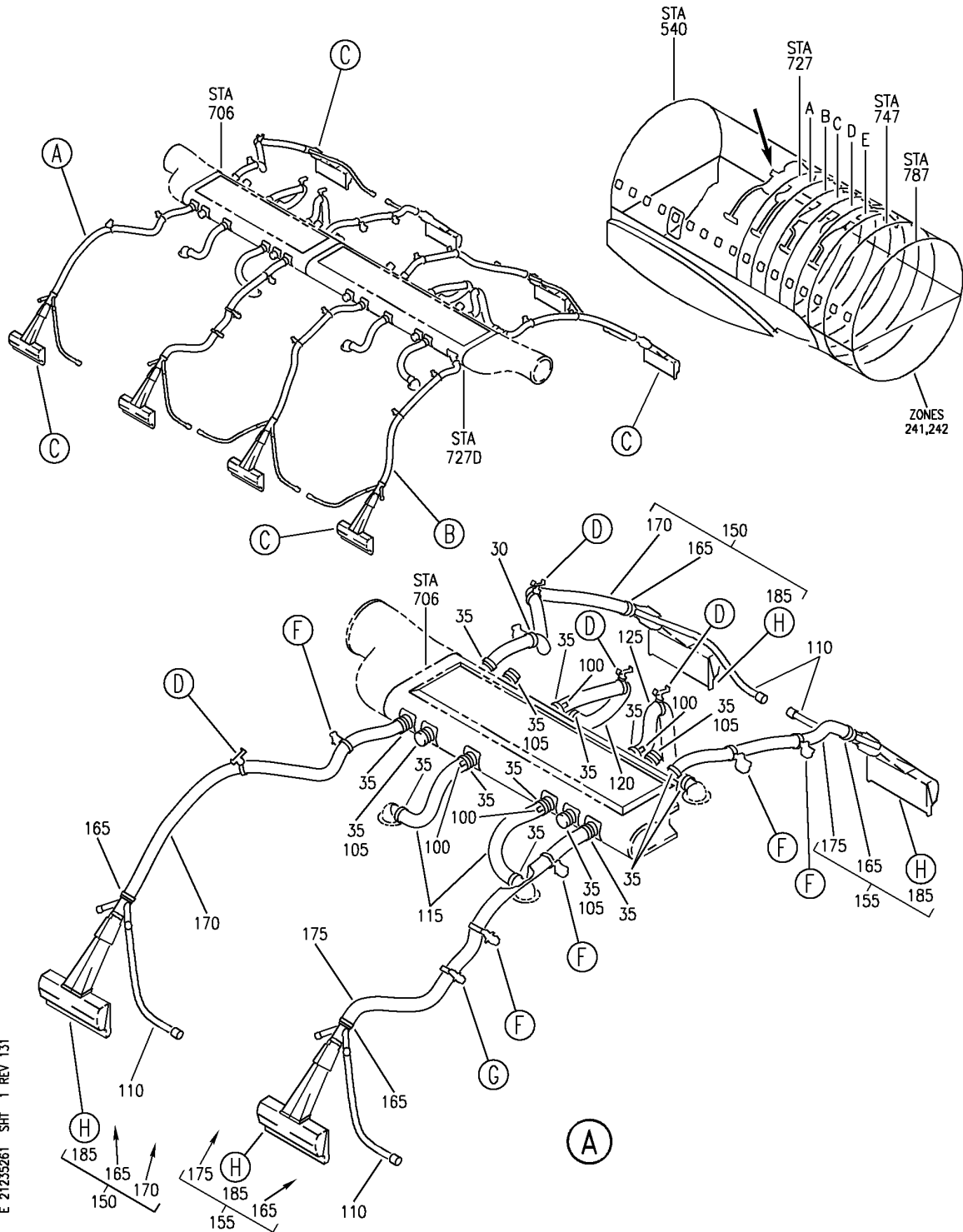
HAP

21-23-52-48E

BOEING PROPRIETARY - Copyright © - Unpublished Work - See title page for details.

21-23-52
FIG. 48E
PAGE 2
FEB 15/09

BOEING
 737-600/700/800/900
 PARTS CATALOG (MAINTENANCE)



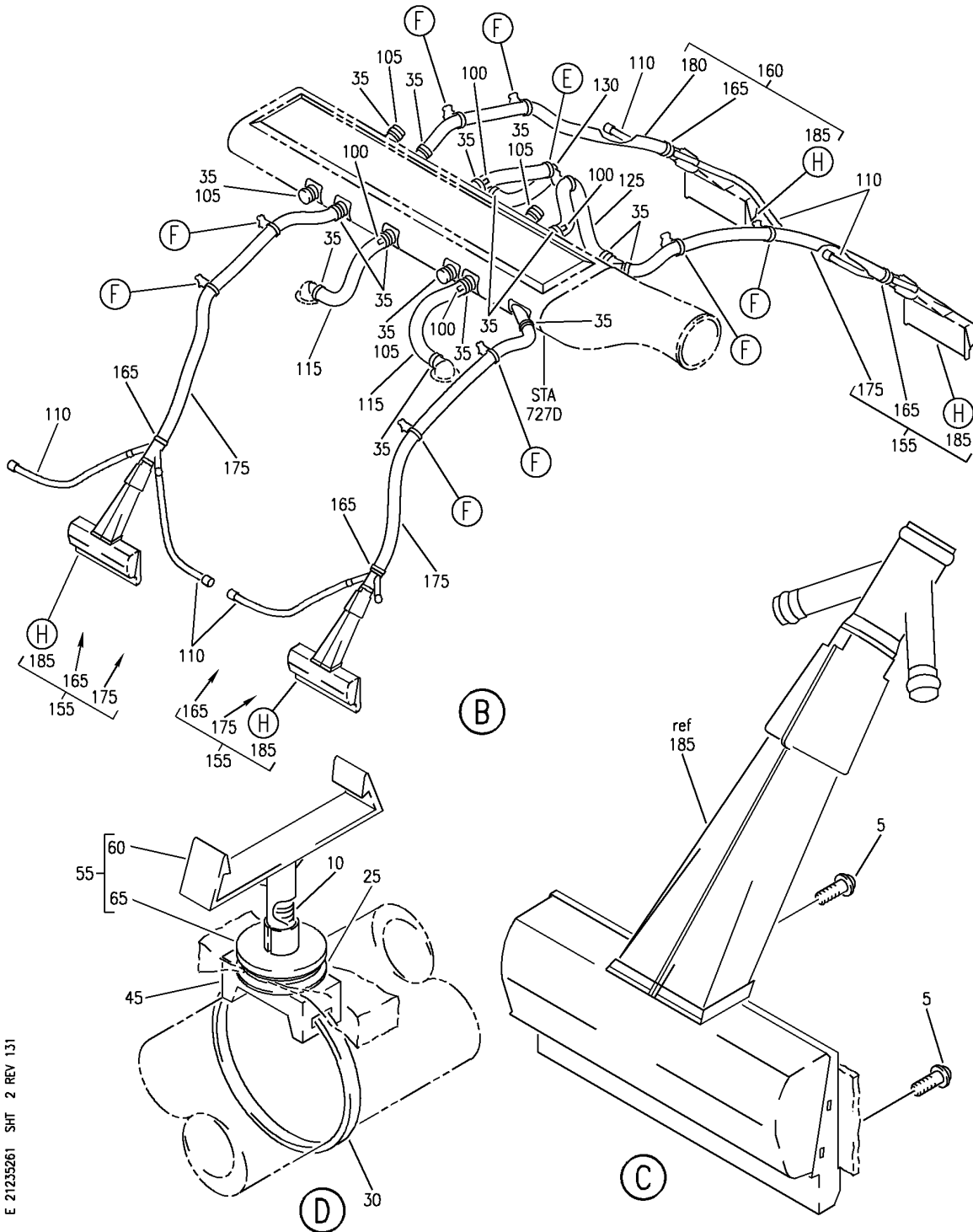
DUCT INSTL-SIDEWALL AIR DISTR SYS
 FIGURE 61 (SHEET 1)

21-23-52-61

HAP
 OCT 10/07

21-23-52-61
 PAGE 0

BOEING
 737-600/700/800/900
 PARTS CATALOG (MAINTENANCE)



E 21235261 SHT 2 REV 131

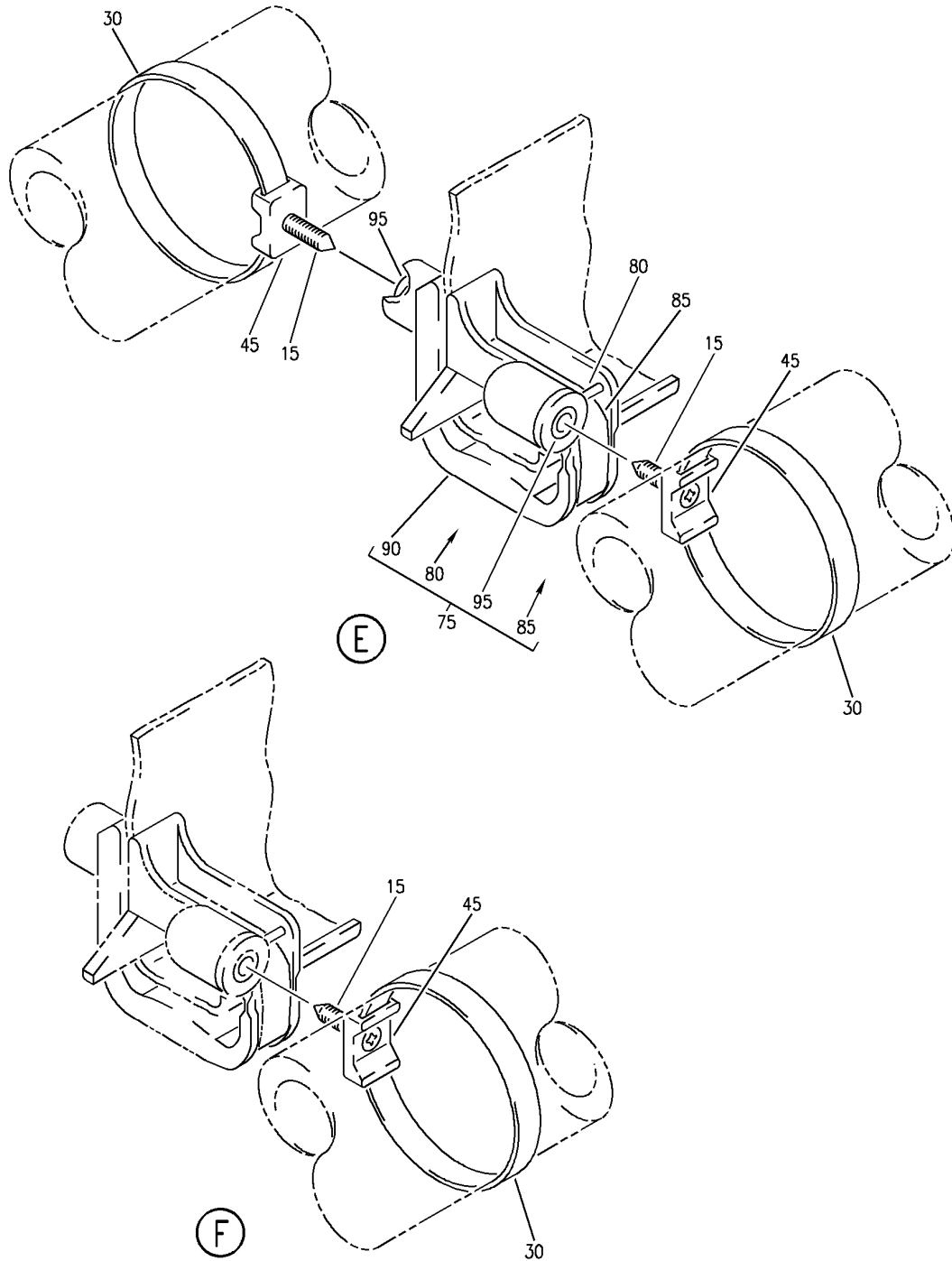
DUCT INSTL-SIDEWALL AIR DISTR SYS
 FIGURE 61 (SHEET 2)

21-23-52-61

HAP
 OCT 10/07

21-23-52-61
 PAGE 0A

BOEING
737-600/700/800/900
PARTS CATALOG (MAINTENANCE)



E 21235261 SHT 3 REV 131

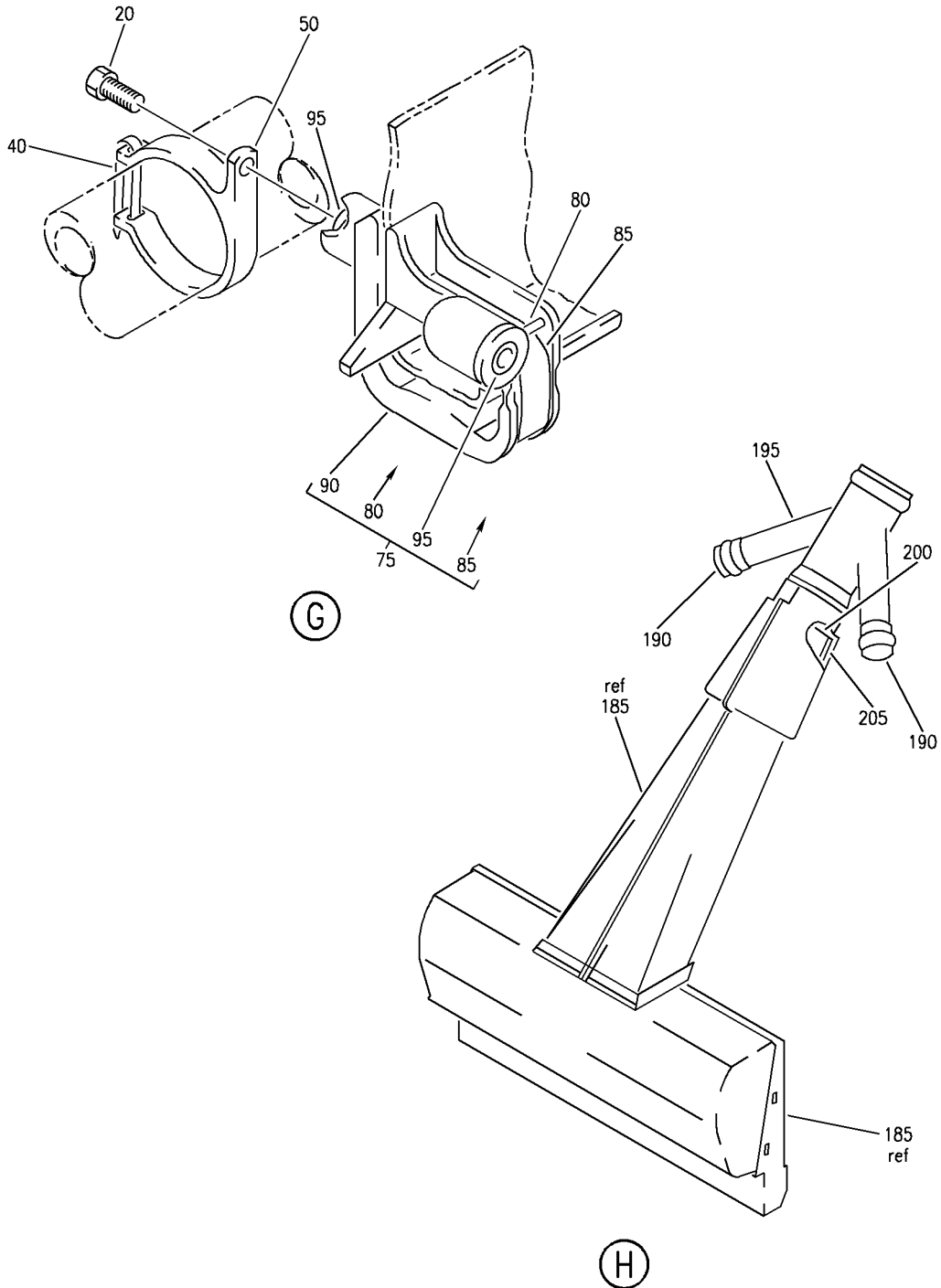
DUCT INSTL-SIDEWALL AIR DISTR SYS
FIGURE 61 (SHEET 3)

HAP
OCT 10/07

21-23-52-61

21-23-52-61
PAGE 0B

BOEING
 737-600/700/800/900
 PARTS CATALOG (MAINTENANCE)



E 21235261 SH1 4 REV 131

DUCT INSTL-SIDEWALL AIR DISTR SYS
 FIGURE 61 (SHEET 4)

21-23-52-61

HAP
 OCT 10/07

21-23-52-61
 PAGE 0C

BOEING
737-600/700/800/900
PARTS CATALOG (MAINTENANCE)

FIG ITEM	PART NUMBER	1 2 3 4 5 6 7	NOMENCLATURE	EFFECT FROM TO	UNITS PER ASSY
61			DUCT INSTL-SIDEWALL AIR DISTR SYS	102200 972999	
- 1	MODREF338798		DUCT INSTL-SIDEWALL AIR DISTR SYS MODULE NUMBER: 214A2006-27 REV A	102200 972999	1
5	BACS12FA08K6		.SCREW	102200 972999	16
10	BACS12GP3L10		.SCREW	102200 972999	4
15	BACS12GP3L7		.SCREW	102200 972999	15
20	BACS12GU3K7		.SCREW	102200 972999	1
25	BACW10DZ3		.WASHER	102200 972999	4
30	PLT3SM		.STRAP SUPPLIER CODE: V06383 SPECIFICATION NUMBER: BACS38K7 OPTIONAL PART: T0510 V53421	102200 972999	20
35	PLT2IC		.STRAP SUPPLIER CODE: V06383 SPECIFICATION NUMBER: BACS38K10	102200 972999	32
40	PLT1-5IM		.STRAP SUPPLIER CODE: V06383 SPECIFICATION NUMBER: BACS38K5 OPTIONAL PART: T03R0 V53421	102200 972999	1
45	TM2S8		.PLATE-MTG SUPPLIER CODE: V06383 SPECIFICATION NUMBER: STBP19M9	102200 972999	19
50	NMC1005-7		.CLAMP- SUPPLIER CODE: V03296	102200 972999	1
55	214N5054-8		.SUPPORT ASSY	102200 972999	4

MISSING ITEM NUMBERS NOT APPLICABLE

- ITEM NOT ILLUSTRATED

HAP

21-23-52-61

BOEING PROPRIETARY - Copyright © - Unpublished Work - See title page for details.

21-23-52
FIG. 61
PAGE 1
OCT 15/08

BOEING
737-600/700/800/900
PARTS CATALOG (MAINTENANCE)

FIG ITEM	PART NUMBER	1 2 3 4 5 6 7	NOMENCLATURE	EFFECT FROM TO	UNITS PER ASSY
61					
60	2055155-7A	..	CLIP-STGR SUPPLIER CODE: V04169	102200 972999	1
65	411N4026-2	..	CAP ASSY- OPTIONAL PART: 411N4026-10	102200 972999	1
65	411N4026-10	..	CAP ASSY- OPTIONAL PART: 411N4026-2	102200 972999	1
75	411A4902-6	.CLIP	ASSY-RTNR	102200 972999	2
80	MS16562-194	..	PIN-SPR	102200 972999	1
85	411A4902-8	..	CLIP-SPR	102200 972999	1
90	411A4902-3	..	BODY ASSY	102200 972999	1
95	H02030-2L	...	INSERT- SUPPLIER CODE: V07EU2	102200 972999	2
100	214T3436-619	.ORIFICE	ASSY	102200 972999	8
105	24-1000	.CAP-END	SUPPLIER CODE: V25205	102200 972999	8
110	BACD40P3A180	.DUCT		102200 972999	10
115	AS1591-06-0190A	.HOSE		102200 972999	4
120	AS1591-06-0250A	.HOSE		102200 972999	1
125	AS1591-06-0260A	.HOSE		102200 972999	2
130	AS1591-06-0290A	.HOSE		102200 972999	1
150	214A2113-402	.HOSE	ASSY	102200 972999	2
155	214A2113-401	.HOSE	ASSY	102200 972999	5
160	214A2113-400	.HOSE	ASSY	102200 972999	1
165	PLT2IC	..	STRAP SUPPLIER CODE: V06383 SPECIFICATION NUMBER: BACS38K10	102200 972999	1
170	AS1591-06-0550A	..	HOSE- USED ON: 214A2113-402	102200 972999	1

MISSING ITEM NUMBERS NOT APPLICABLE

— ITEM NOT ILLUSTRATED

HAP

21-23-52-61

BOEING PROPRIETARY - Copyright © - Unpublished Work - See title page for details.

21-23-52
FIG. 61
PAGE 2
OCT 15/08

BOEING
737-600/700/800/900
PARTS CATALOG (MAINTENANCE)

FIG ITEM	PART NUMBER	1 2 3 4 5 6 7	NOMENCLATURE	EFFECT FROM TO	UNITS PER ASSY
61					
175	AS1591-06-0500A	..	HOSE- USED ON: 214A2113-401	102200 972999	1
180	AS1591-06-0450A	..	HOSE- USED ON: 214A2113-400	102200 972999	1
185	214N2520-200	..	DIFFUSER ASSY	102200 972999	1
190	12-1000	...	CAP-END SUPPLIER CODE: V25205	102200 972999	2
195	214N2107-11	...	DUCT-BRANCH	102200 972999	1
200	214N2145-5	...	PLATE-RESTRICTOR	102200 972999	1
205	214N2520-69	...	LINING	102200 972999	1

MISSING ITEM NUMBERS NOT APPLICABLE

— ITEM NOT ILLUSTRATED

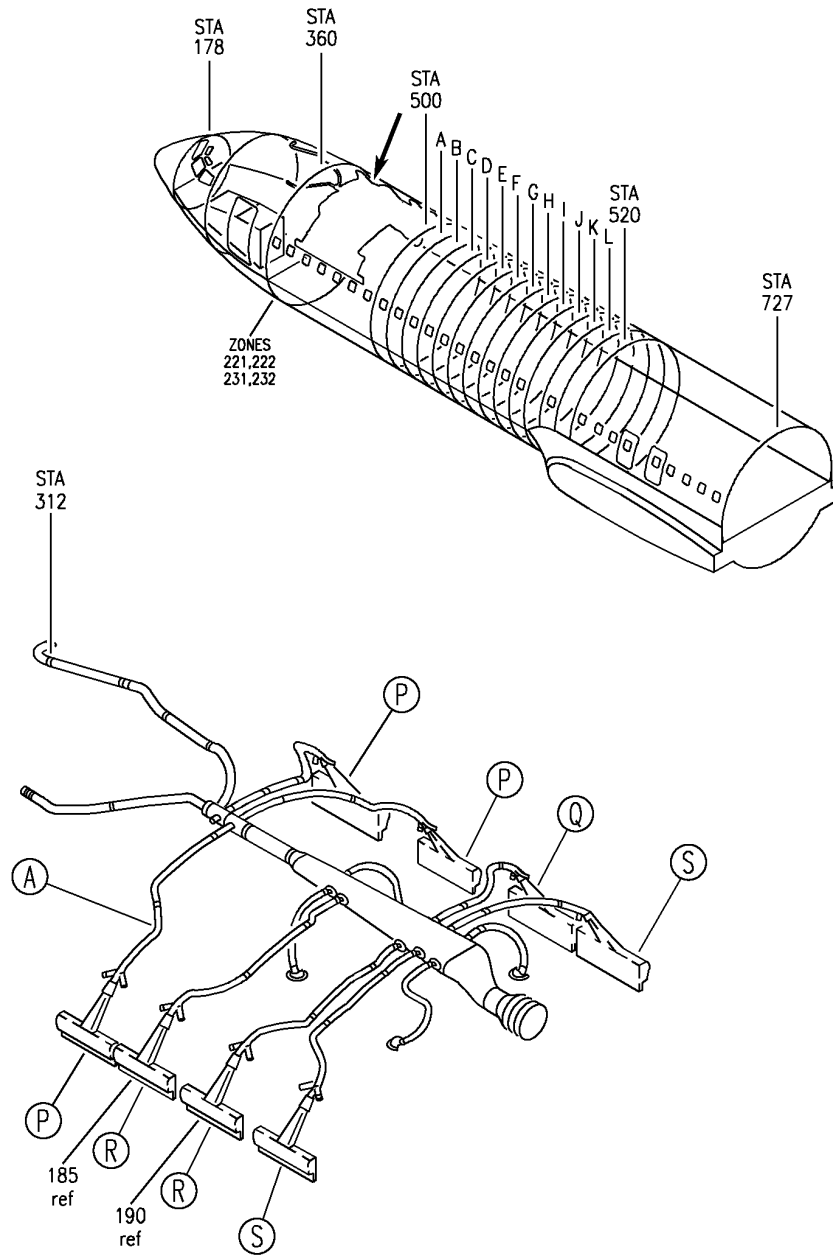
HAP

21-23-52-61

BOEING PROPRIETARY - Copyright © - Unpublished Work - See title page for details.

21-23-52
FIG. 61
PAGE 3
OCT 15/08

BOEING
 737-600/700/800/900
 PARTS CATALOG (MAINTENANCE)



E 21235265 SHT 1 REV 134

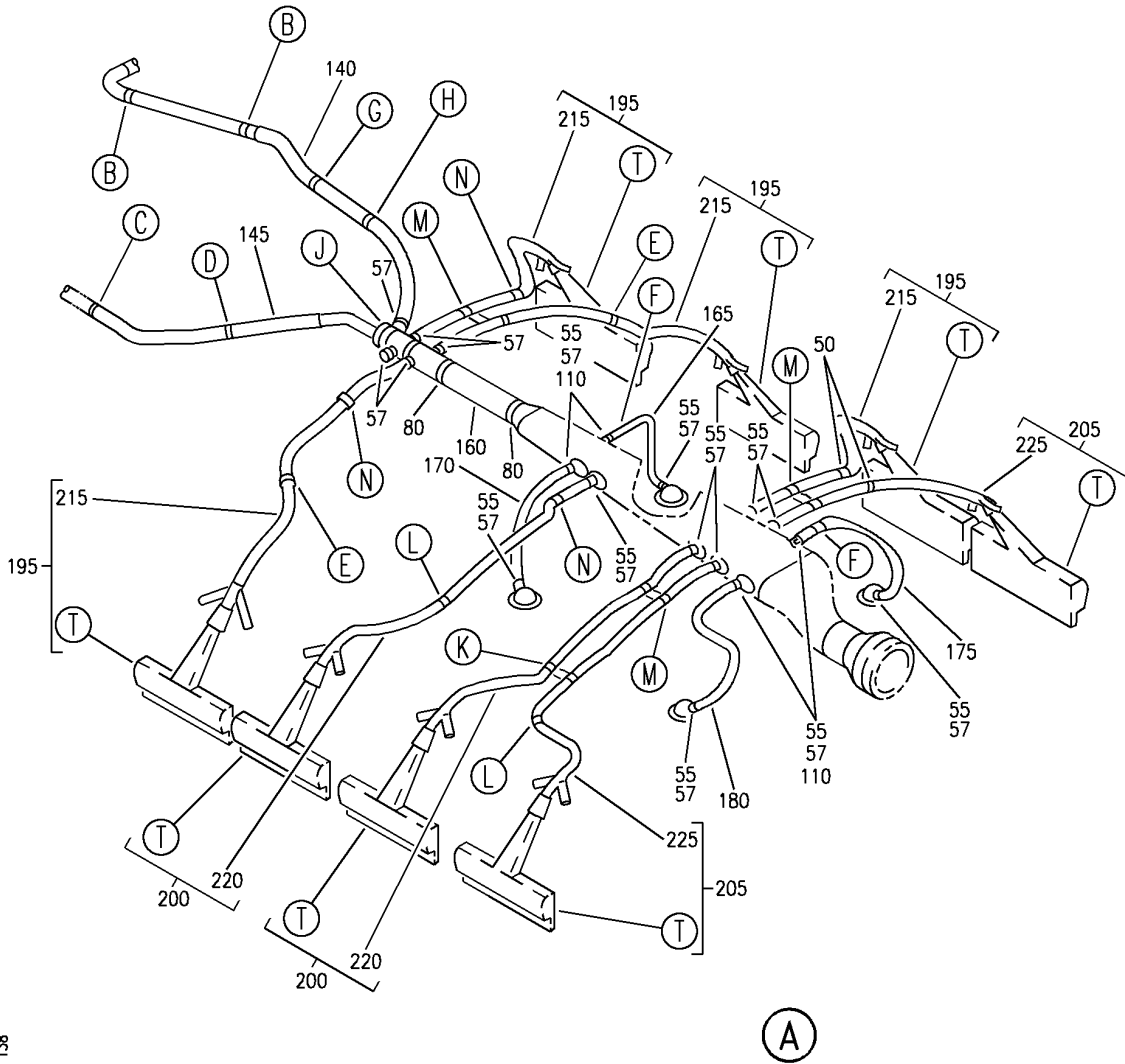
DUCT INSTL-SIDEWALL AIR DISTR SYS
 FIGURE 65 (SHEET 1)

21-23-52-65

HAP
 OCT 10/07

21-23-52-65
 PAGE 0

BOEING
 737-600/700/800/900
 PARTS CATALOG (MAINTENANCE)



E 21235265 SHT 2 REV 138

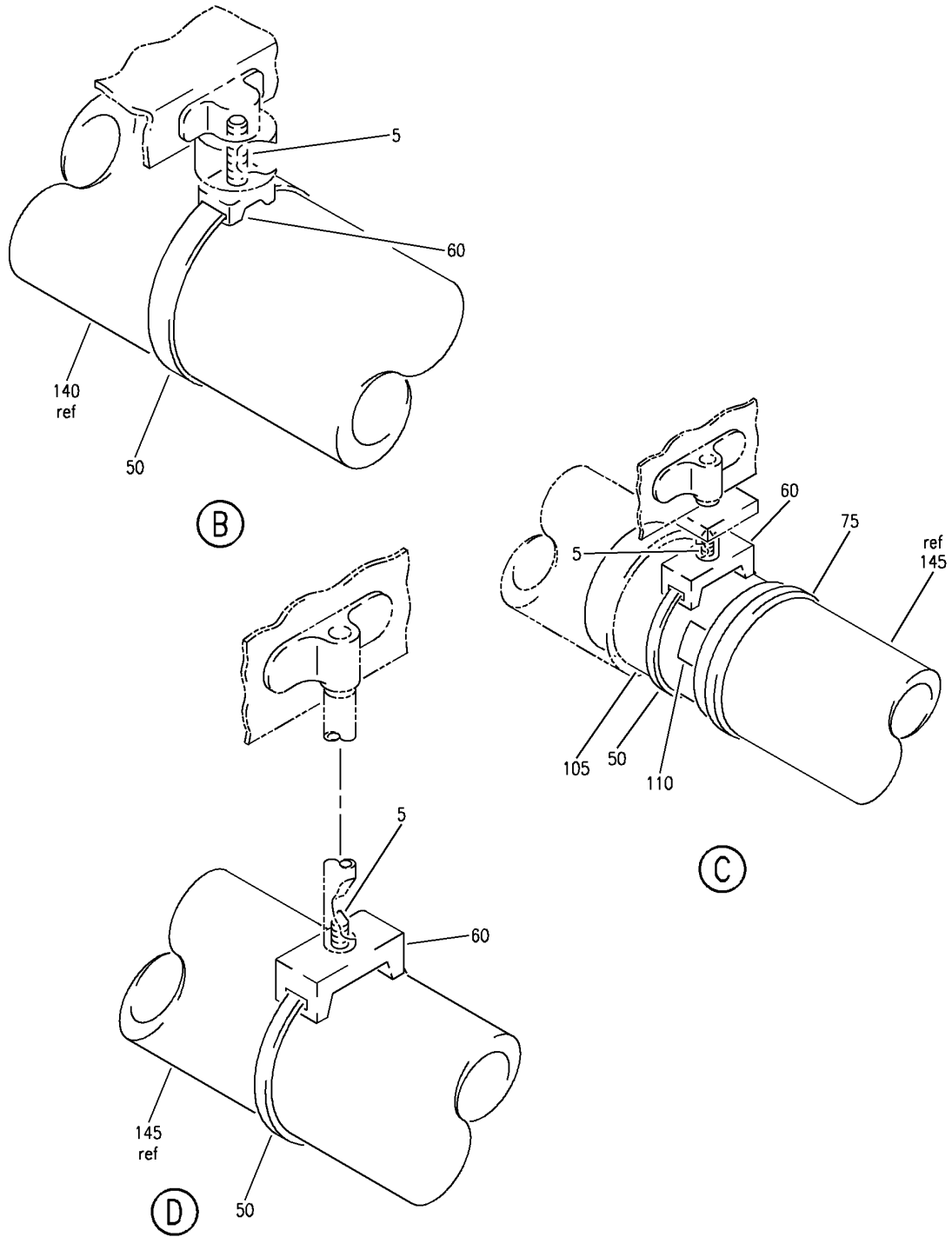
DUCT INSTL-SIDEWALL AIR DISTR SYS
 FIGURE 65 (SHEET 2)

21-23-52-65

HAP
 FEB 15/08

21-23-52-65
 PAGE 0A

BOEING
 737-600/700/800/900
 PARTS CATALOG (MAINTENANCE)



E 21235265 SHT 3 REV 134

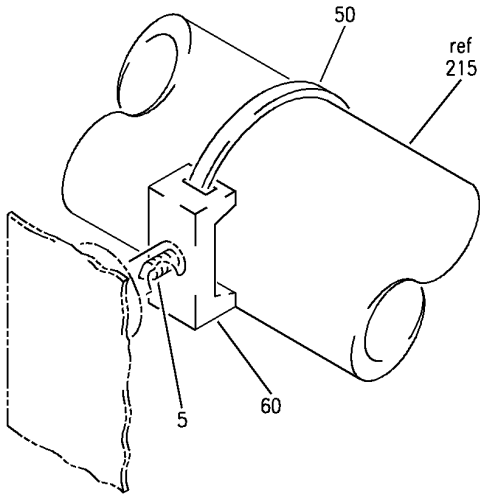
DUCT INSTL-SIDEWALL AIR DISTR SYS
 FIGURE 65 (SHEET 3)

21-23-52-65

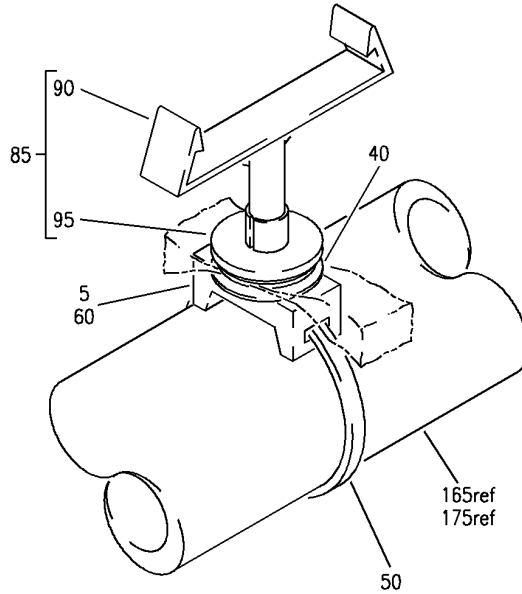
HAP
 OCT 10/07

21-23-52-65
 PAGE 0B

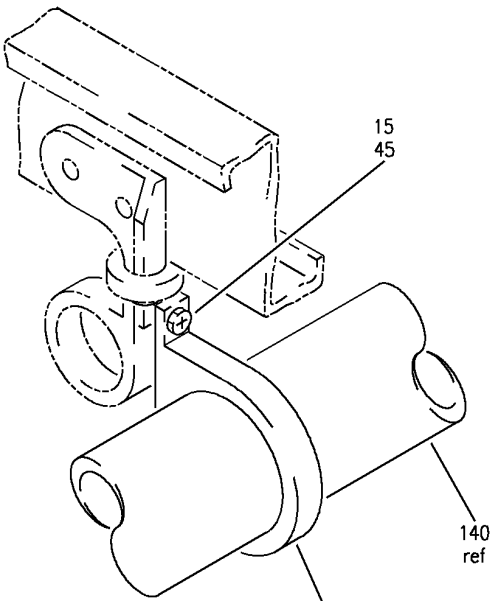
BOEING
 737-600/700/800/900
 PARTS CATALOG (MAINTENANCE)



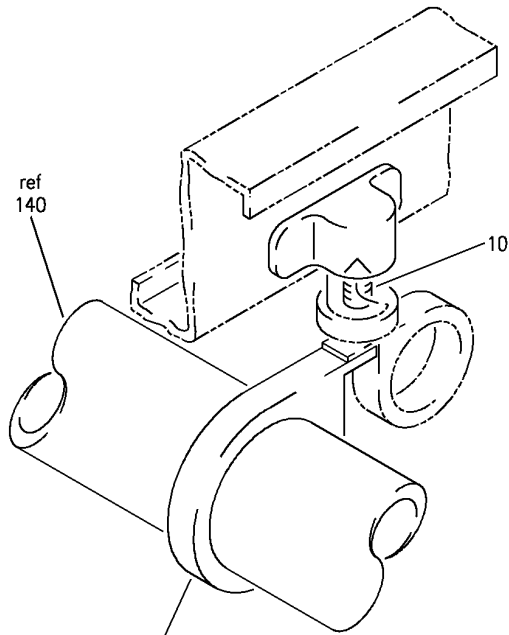
(E)



(F)



(H)



(G)

E 21235265 SH 4 REV 134

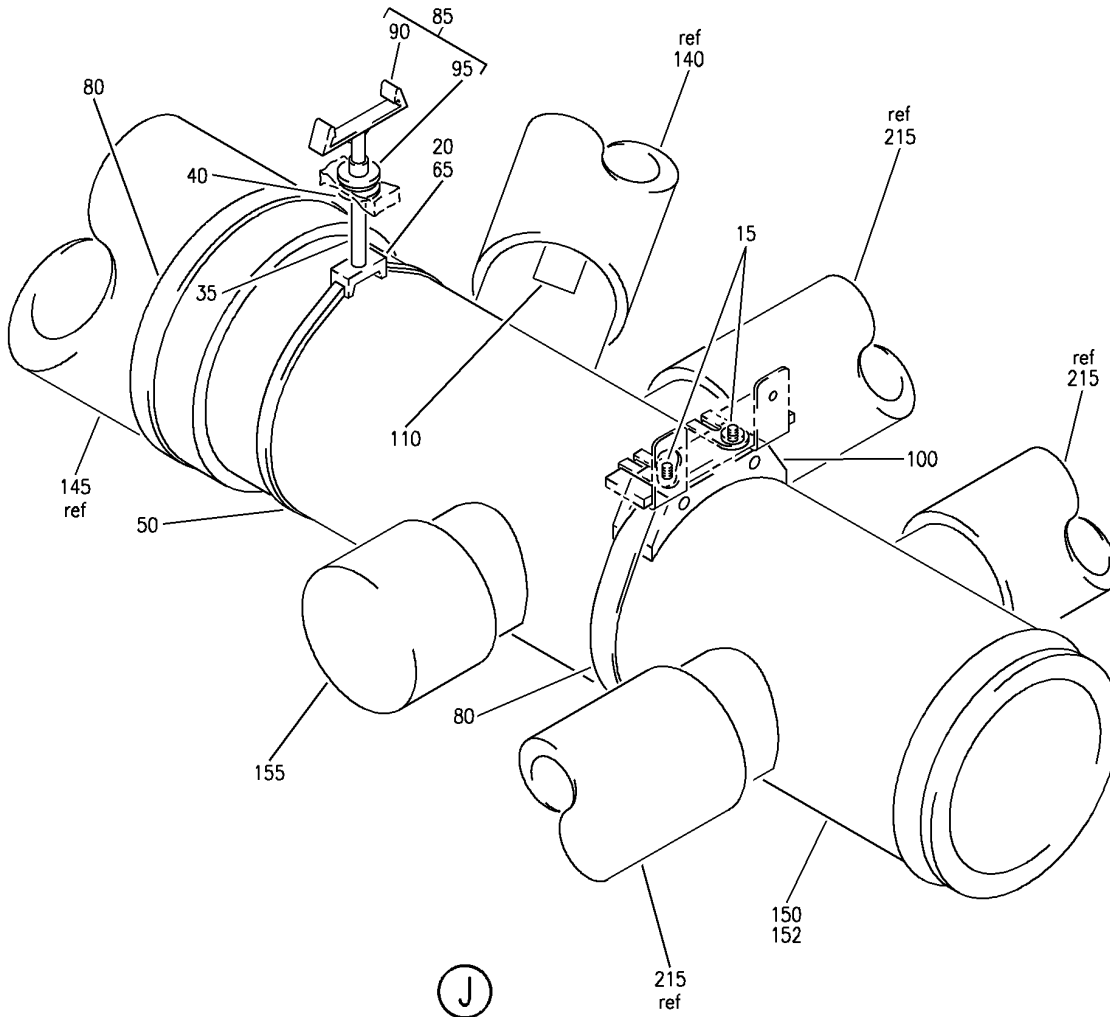
DUCT INSTL-SIDEWALL AIR DISTR SYS
 FIGURE 65 (SHEET 4)

21-23-52-65

HAP
 OCT 10/07

21-23-52-65
 PAGE 0C

BOEING
737-600/700/800/900
PARTS CATALOG (MAINTENANCE)



E 21235265 SH1 5 REV 138

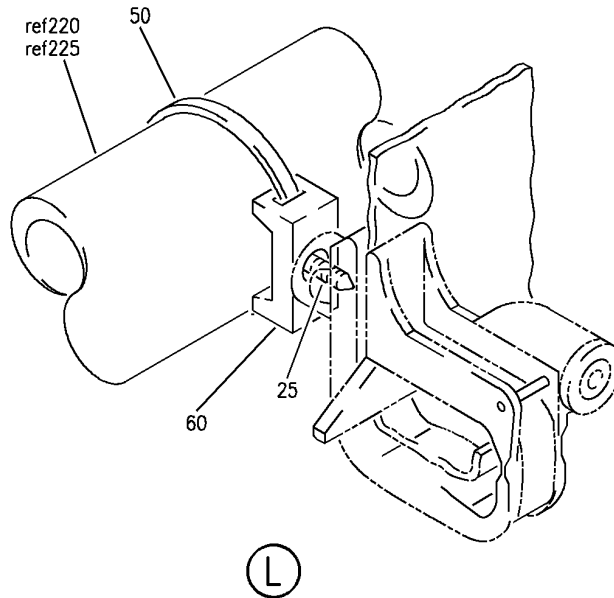
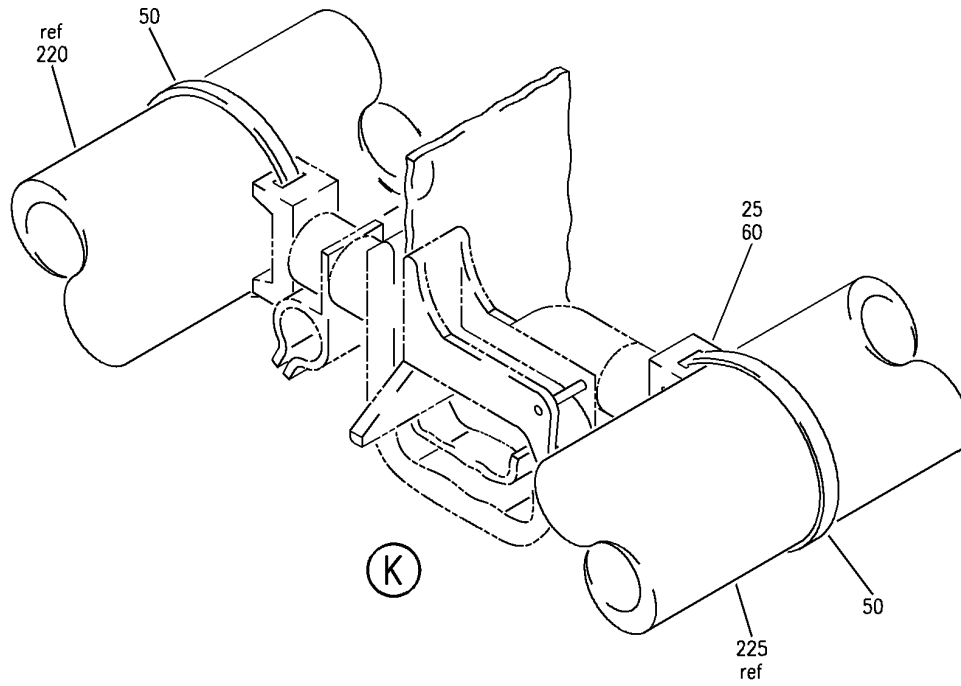
DUCT INSTL-SIDEWALL AIR DISTR SYS
FIGURE 65 (SHEET 5)

21-23-52-65

HAP
FEB 15/08

21-23-52-65
PAGE 0D

BOEING
737-600/700/800/900
PARTS CATALOG (MAINTENANCE)



E 21235265 SH1 6 REV 134

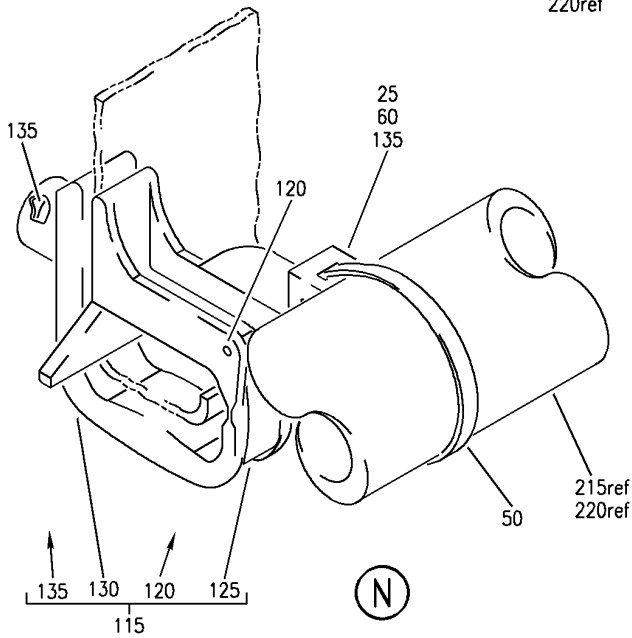
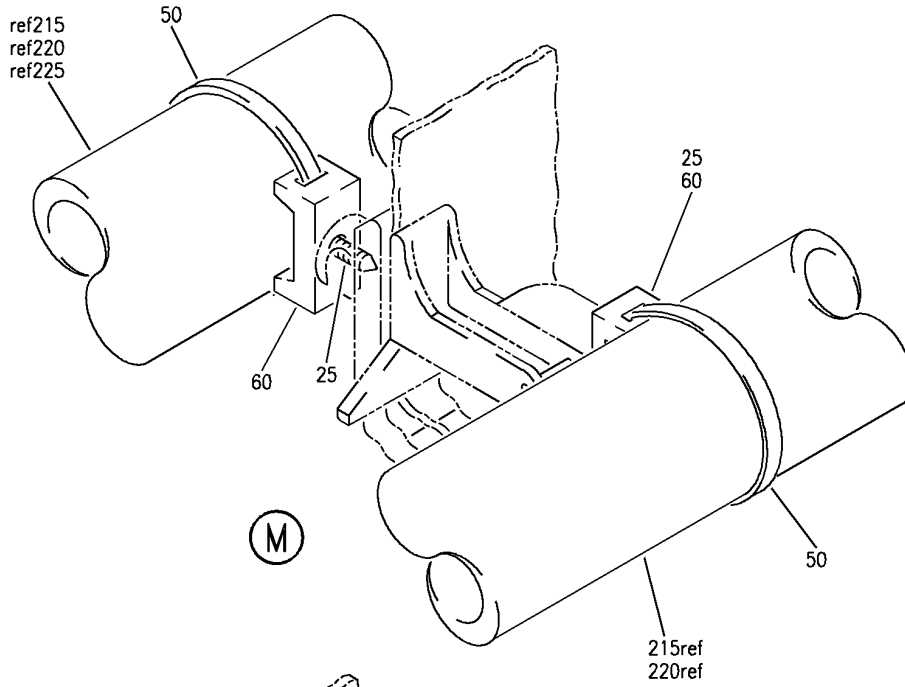
DUCT INSTL-SIDEWALL AIR DISTR SYS
FIGURE 65 (SHEET 6)

HAP
OCT 10/07

21-23-52-65

21-23-52-65
PAGE 0E

BOEING
 737-600/700/800/900
 PARTS CATALOG (MAINTENANCE)



E 21235265 SH7 7 REV 134

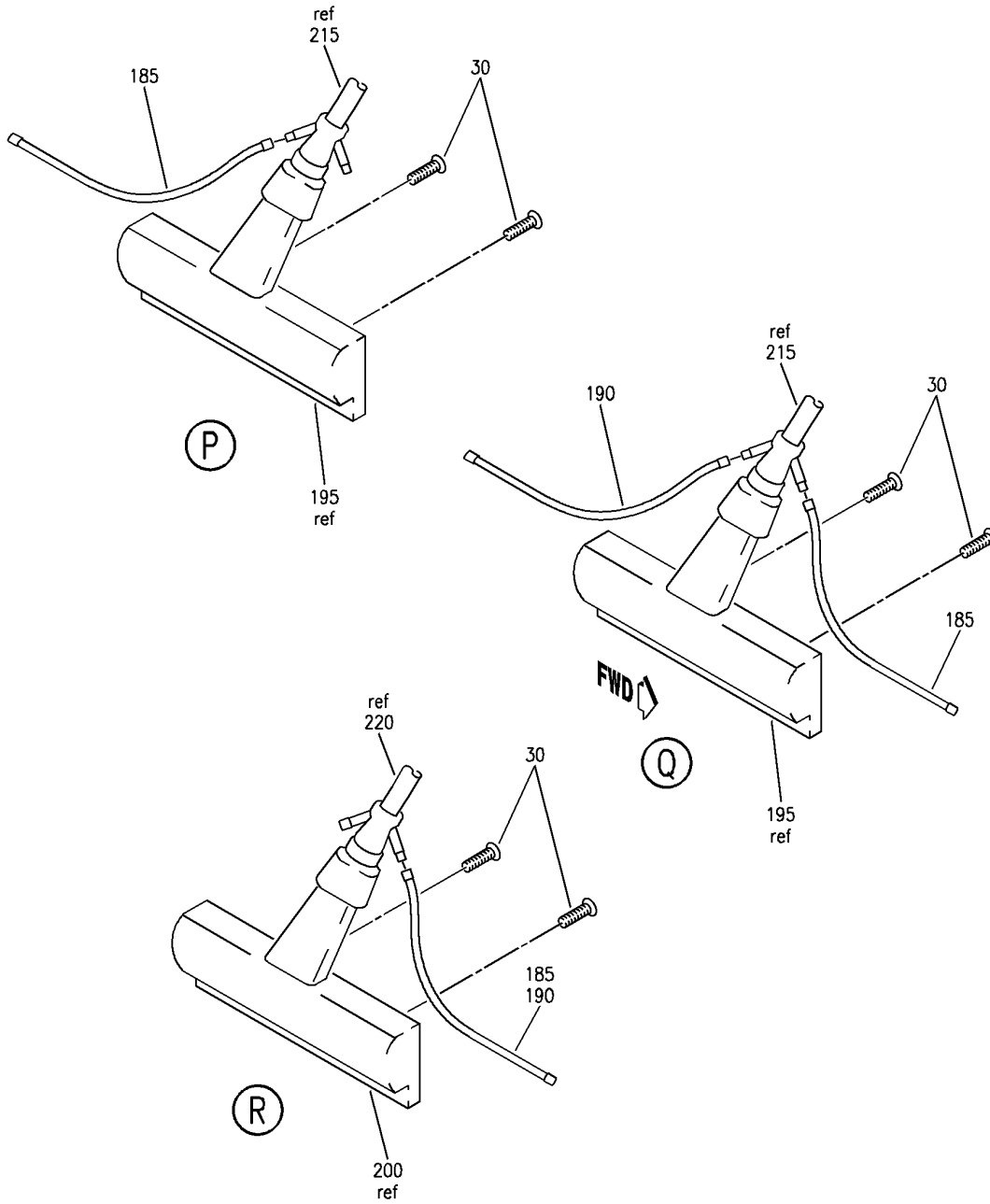
DUCT INSTL-SIDEWALL AIR DISTR SYS
 FIGURE 65 (SHEET 7)

21-23-52-65

HAP
 OCT 10/07

21-23-52-65
 PAGE OF

BOEING
 737-600/700/800/900
 PARTS CATALOG (MAINTENANCE)



E 21235265 SH 8 REV 134

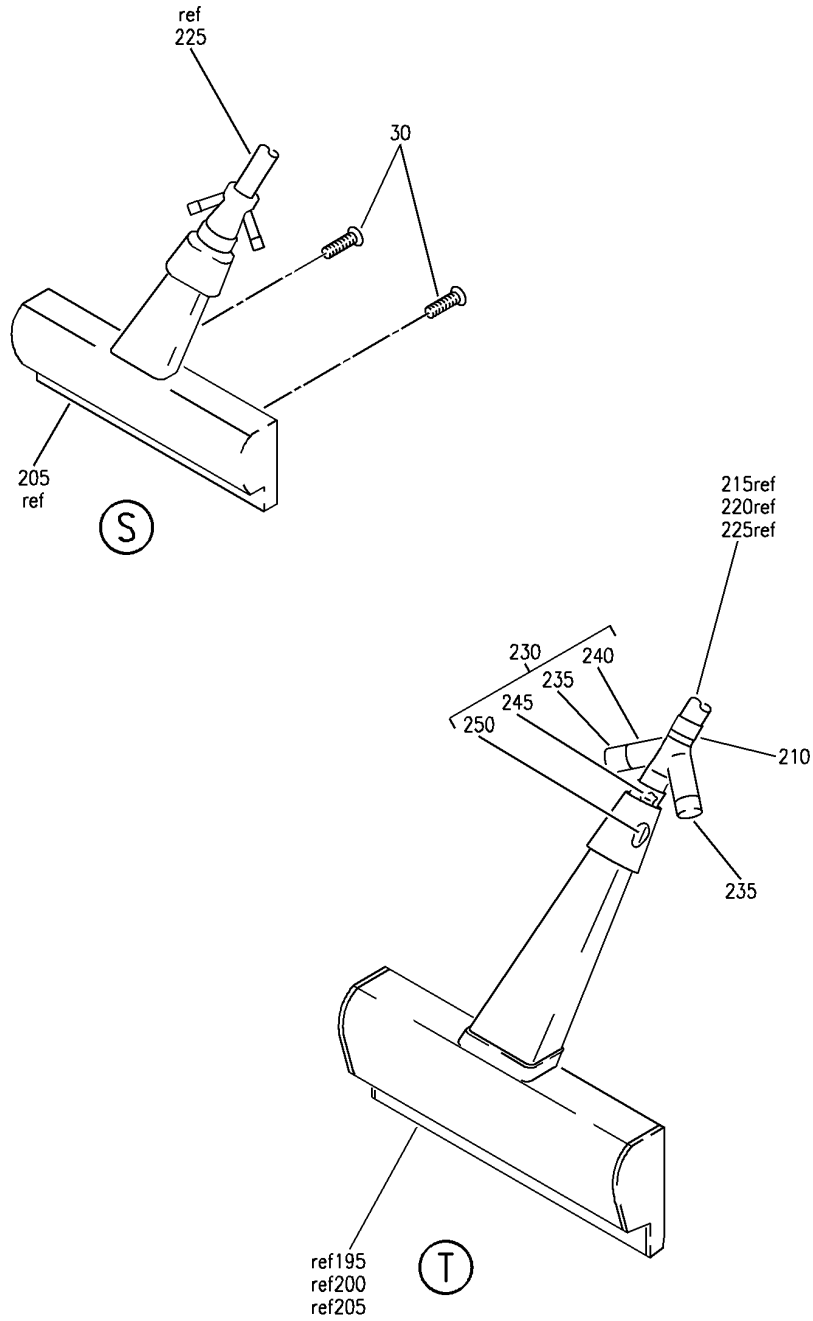
DUCT INSTL-SIDEWALL AIR DISTR SYS
 FIGURE 65 (SHEET 8)

21-23-52-65

HAP
 OCT 10/07

21-23-52-65
 PAGE 06

BOEING
 737-600/700/800/900
 PARTS CATALOG (MAINTENANCE)



E 21235265 SH1 9 REV 134

DUCT INSTL-SIDEWALL AIR DISTR SYS
 FIGURE 65 (SHEET 9)

21-23-52-65

HAP
 OCT 10/07

21-23-52-65
 PAGE 0H

BOEING
737-600/700/800/900
PARTS CATALOG (MAINTENANCE)

FIG ITEM	PART NUMBER	1 2 3 4 5 6 7	NOMENCLATURE	EFFECT FROM TO	UNITS PER ASSY
65			DUCT INSTL-SIDEWALL AIR DISTR SYS	102200 972999	
- 1	MODREF337741		DUCT INSTL-SIDEWALL AIR DISTR SYS	102102	1
- 1	MODREF361906		MODULE NUMBER: 214A2045-11 REV A DUCT INSTL-SIDEWALL AIR DISTR SYS	103200 972999	1
5	BACS12GP3L10		.SCREW	102200 972999	AR
10	BACS12GU3K11		.SCREW	102200 972999	1
15	BACS12GU3K7		.SCREW	102200 972999	AR
20	BACS12GP3L42		.SCREW	102200 972999	1
25	BACS12GP3L7		.SCREW	102200 972999	AR
30	BACS12FA08K6		.SCREW	102200 972999	AR
35	NAS43D03-128FC		.SPACER	102200 972999	1
40	BACW10DZ3		.WASHER	102200 972999	AR
45	PLH53CD		.NUT	102200 972999	1
			SUPPLIER CODE: VF0224 SPECIFICATION NUMBER: BACN10YR3CD OPTIONAL PART: H52732-3CD V15653		
50	PLT3SM		.STRAP	102200 972999	AR
			SUPPLIER CODE: V06383 SPECIFICATION NUMBER: BACS38K7 OPTIONAL PART: T0510 V53421		
55	PLT2IC		.STRAP	102102	13
			SUPPLIER CODE: V06383 SPECIFICATION NUMBER: BACS38K10		

MISSING ITEM NUMBERS NOT APPLICABLE

- ITEM NOT ILLUSTRATED

HAP

21-23-52-65

21-23-52
FIG. 65
PAGE 1
FEB 15/09

BOEING
737-600/700/800/900
PARTS CATALOG (MAINTENANCE)

FIG ITEM	PART NUMBER	1 2 3 4 5 6 7	NOMENCLATURE	EFFECT FROM TO	UNITS PER ASSY
65					
57	PLT2IC	.	STRAP SUPPLIER CODE: V06383 SPECIFICATION NUMBER: BACS38K10	103200 972999	18
60	TM2S8	.	PLATE-MTG SUPPLIER CODE: V06383 SPECIFICATION NUMBER: STBP19M9	102200 972999	AR
65	STBP19M14	.	PLATE-MTG	102200 972999	1
70	S717-118	.	CLAMP SUPPLIER CODE: V18076 SPECIFICATION NUMBER: BACC10GU118 OPTIONAL PART: JM44LC39S118RG V22175 534CS118 V83930	102200 972999	AR
75	NAS1922-0150-3	.	CLAMP	102200 972999	1
80	NAS1922-0275-3	.	CLAMP	102200 972999	4
85	214N5054-8	.	SUPPORT ASSY	102200 972999	3
90	2055155-7A	..	CLIP-STGR SUPPLIER CODE: V04169	102200 972999	1
95	411N4026-10	..	CAP ASSY- OPTIONAL PART: 411N4026-2	102200 972999	1
95	411N4026-2	..	CAP ASSY- OPTIONAL PART: 411N4026-10	102200 972999	1
100	214T3424-4	.	SUPPORT	102200 972999	1
105	69B43325-13	.	CONNECTOR	102200 972999	1
110	214T3436-619	.	ORIFICE ASSY	102200 972999	6
115	411A4902-6	.	CLIP ASSY-RTNR	102200 972999	AR
120	MS16562-194	..	PIN-SPR	102200 972999	1
125	411A4902-8	..	CLIP-SPR	102200 972999	1

MISSING ITEM NUMBERS NOT APPLICABLE

— ITEM NOT ILLUSTRATED

HAP

21-23-52-65

BOEING PROPRIETARY - Copyright © - Unpublished Work - See title page for details.

21-23-52
FIG. 65
PAGE 2
OCT 15/08

BOEING
737-600/700/800/900
PARTS CATALOG (MAINTENANCE)

FIG ITEM	PART NUMBER	1 2 3 4 5 6 7	NOMENCLATURE	EFFECT FROM TO	UNITS PER ASSY
65					
130	411A4902-3	..	BODY ASSY	102200 972999	1
135	H02030-2L	...	INSERT- SUPPLIER CODE: V07EU2	102200 972999	2
140	BOE240312035205	.H	HOSE-FLEX	102200 972999	1
145	BCREF129513	.D	DUCT-FLEX OVERLENGTH PART NUMBER: BACD40V1206-0422	102200 972999	1
150	65C36914-3	.D	DUCT-BRANCH	102102	1
152	65C36914-6	.D	DUCT-BRANCH	102200 972999	1
155	24-1000	.C	CAP-END SUPPLIER CODE: V25205	102200 972999	1
160	AS1591-12-0100A	.H	HOSE	102200 972999	1
165	AS1591-06-0240A	.H	HOSE	102200 972999	1
170	AS1591-06-0200A	.H	HOSE	102200 972999	1
175	AS1591-06-0270A	.H	HOSE	102200 972999	1
180	AS1591-06-0220A	.H	HOSE	102200 972999	1
185	BACD40P3A180	.D	DUCT	102200 972999	5
190	BACD40P3A280	.D	DUCT	102200 972999	2
195	214A2113-401	.H	HOSE ASSY	102200 972999	4
200	214A2113-400	.H	HOSE ASSY	102200 972999	2
205	214A2113-402	.H	HOSE ASSY	102200 972999	2
210	PLT2IC	..	STRAP SUPPLIER CODE: V06383 SPECIFICATION NUMBER: BACS38K10	102200 972999	1
215	AS1591-06-0500A	..	HOSE- USED ON: 214A2113-401	102200 972999	1
220	AS1591-06-0450A	..	HOSE- USED ON: 214A2113-400	102200 972999	1

MISSING ITEM NUMBERS NOT APPLICABLE

— ITEM NOT ILLUSTRATED

HAP

21-23-52-65

BOEING PROPRIETARY - Copyright © - Unpublished Work - See title page for details.

21-23-52
FIG. 65
PAGE 3
OCT 15/08


BOEING
 737-600/700/800/900
PARTS CATALOG (MAINTENANCE)

FIG ITEM	PART NUMBER	1 2 3 4 5 6 7	NOMENCLATURE	EFFECT FROM TO	UNITS PER ASSY
65					
225	AS1591-06-0550A	..	HOSE- USED ON: 214A2113-402	102200 972999	1
230	214N2520-200	..	DIFFUSER ASSY	102200 972999	1
235	12-1000	...	CAP-END SUPPLIER CODE: V25205	102200 972999	2
240	214N2107-11	...	DUCT-BRANCH	102200 972999	1
245	214N2145-5	...	PLATE-RESTRICTOR	102200 972999	1
250	214N2520-69	...	LINING	102200 972999	1

MISSING ITEM NUMBERS NOT APPLICABLE

— ITEM NOT ILLUSTRATED

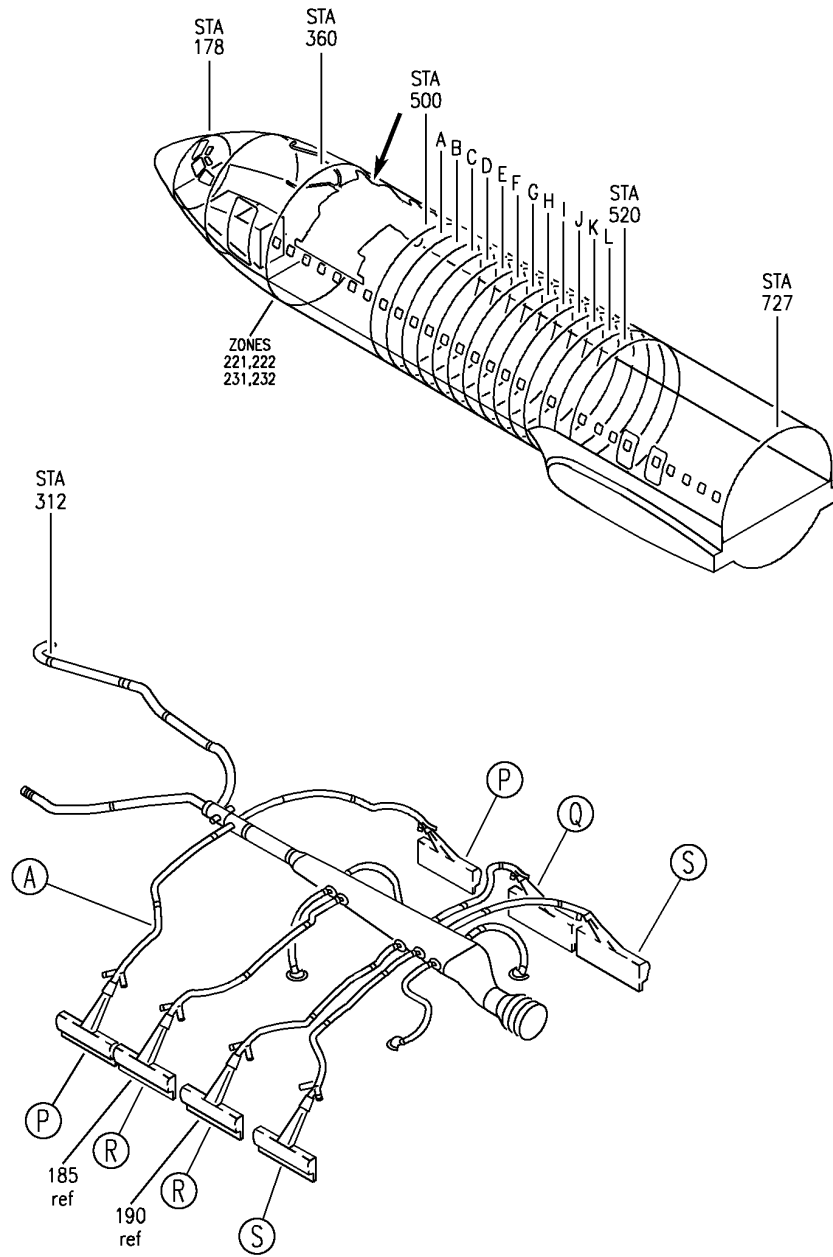
HAP

21-23-52-65

BOEING PROPRIETARY - Copyright © - Unpublished Work - See title page for details.

21-23-52
 FIG. 65
 PAGE 4
 OCT 15/08

BOEING
 737-600/700/800/900
 PARTS CATALOG (MAINTENANCE)



E 21235266 SHT 1 REV 134

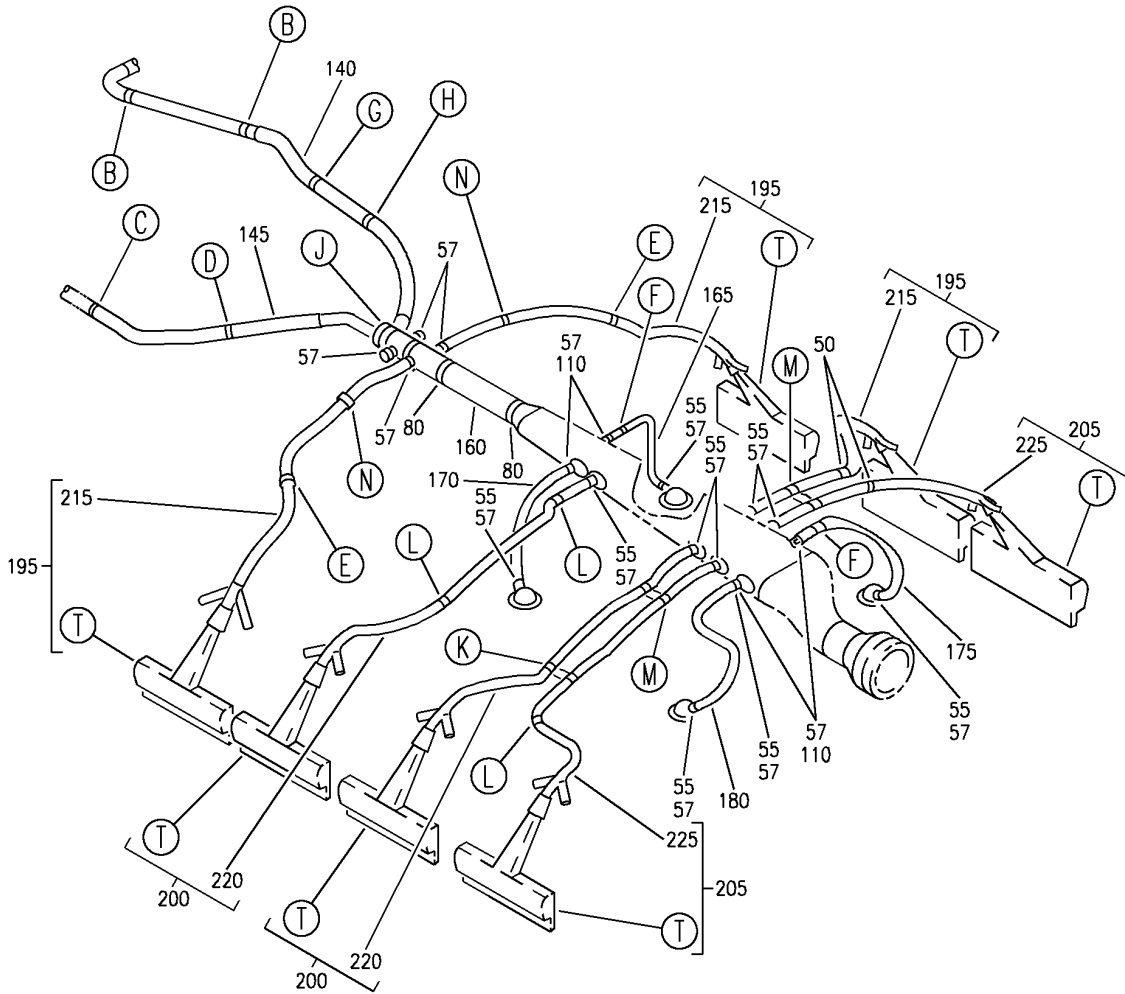
DUCT INSTL-SIDEWALL AIR DISTR SYS
 FIGURE 66 (SHEET 1)

21-23-52-66

HAP
 OCT 10/07

21-23-52-66
 PAGE 0

BOEING
 737-600/700/800/900
 PARTS CATALOG (MAINTENANCE)



(A)

E 21235266 SH1 2 REV 137

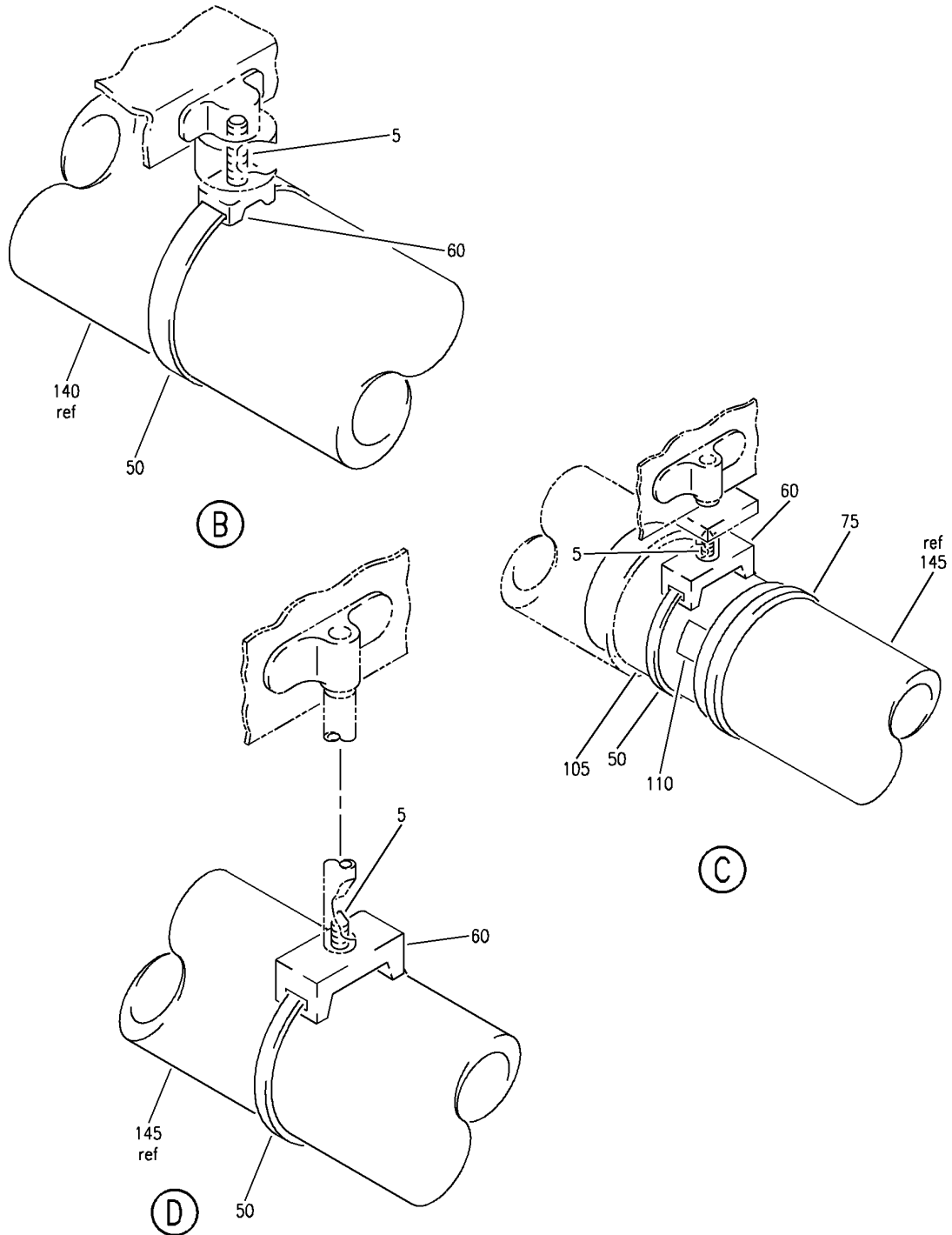
DUCT INSTL-SIDEWALL AIR DISTR SYS
 FIGURE 66 (SHEET 2)

21-23-52-66

HAP
 FEB 15/08

21-23-52-66
 PAGE 0A

BOEING
 737-600/700/800/900
 PARTS CATALOG (MAINTENANCE)



E 21235266 SHT 3 REV 134

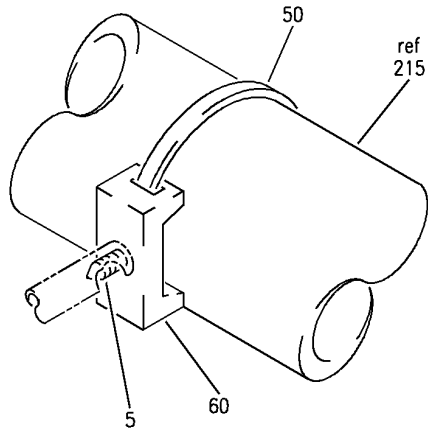
DUCT INSTL-SIDEWALL AIR DISTR SYS
 FIGURE 66 (SHEET 3)

21-23-52-66

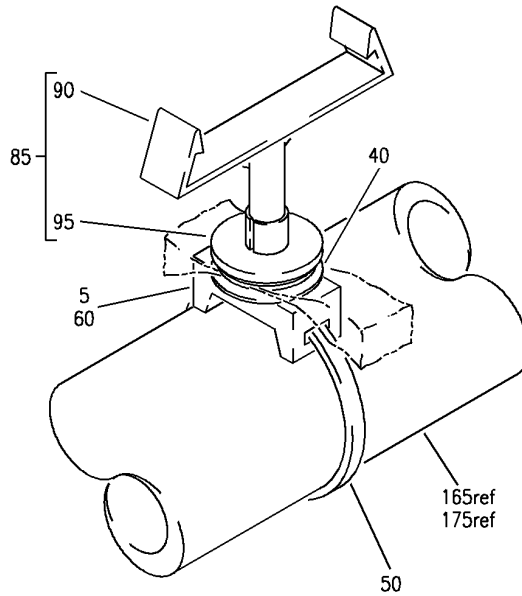
HAP
 OCT 10/07

21-23-52-66
 PAGE 0B

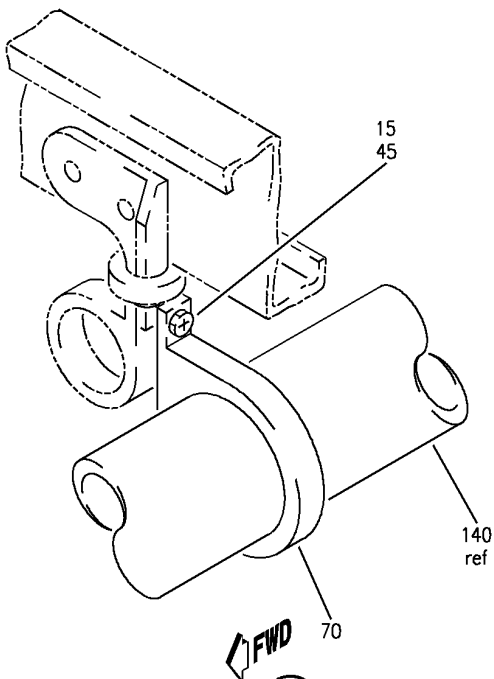
BOEING
 737-600/700/800/900
 PARTS CATALOG (MAINTENANCE)



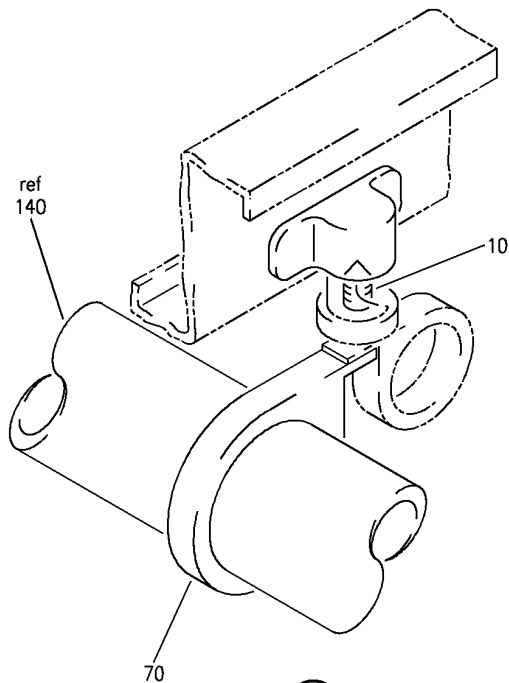
(E)



(F)



(H)



(G)

E 21235266 SH 4 REV 134

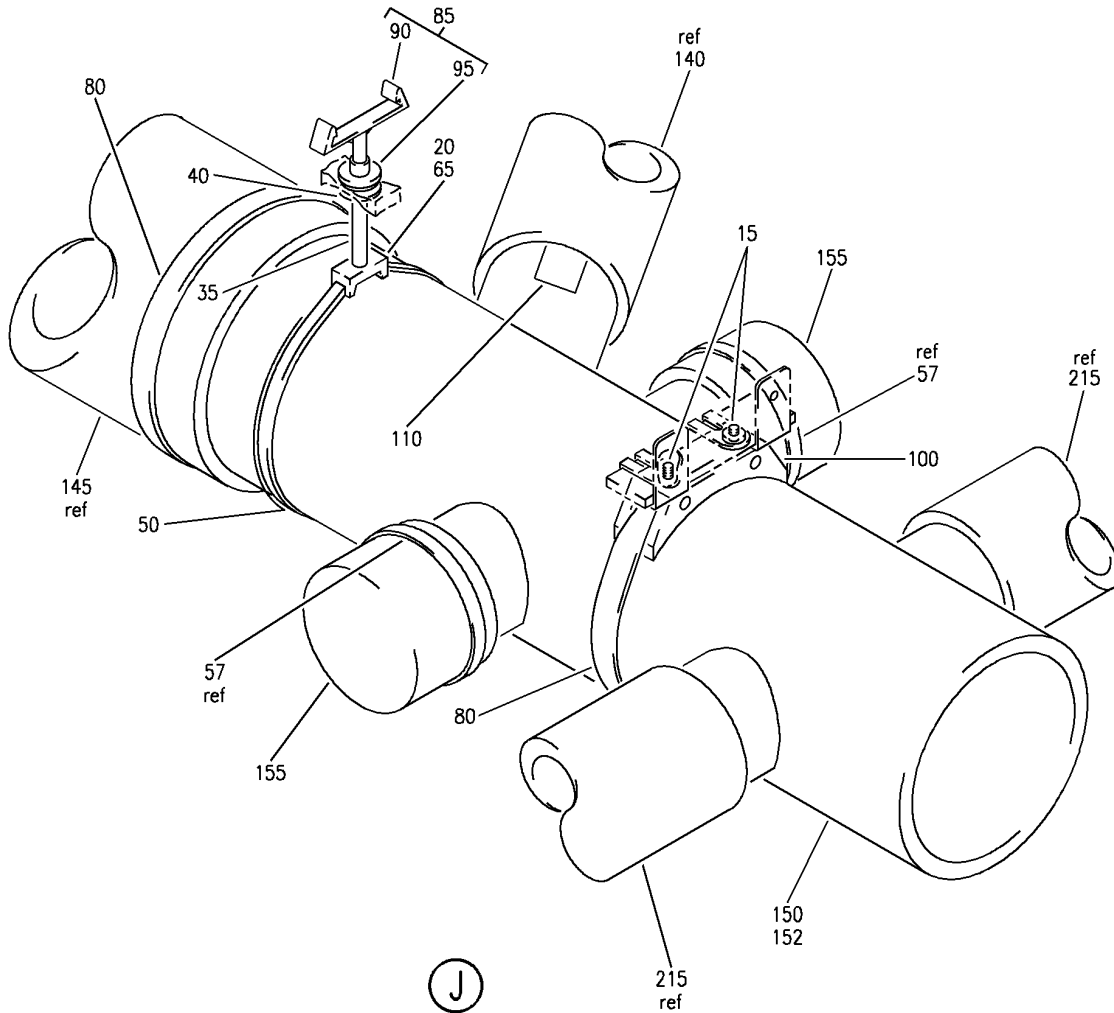
DUCT INSTL-SIDEWALL AIR DISTR SYS
 FIGURE 66 (SHEET 4)

21-23-52-66

HAP
 OCT 10/07

21-23-52-66
 PAGE 0C

BOEING
 737-600/700/800/900
 PARTS CATALOG (MAINTENANCE)



E 21235266 SH1 5 REV 137

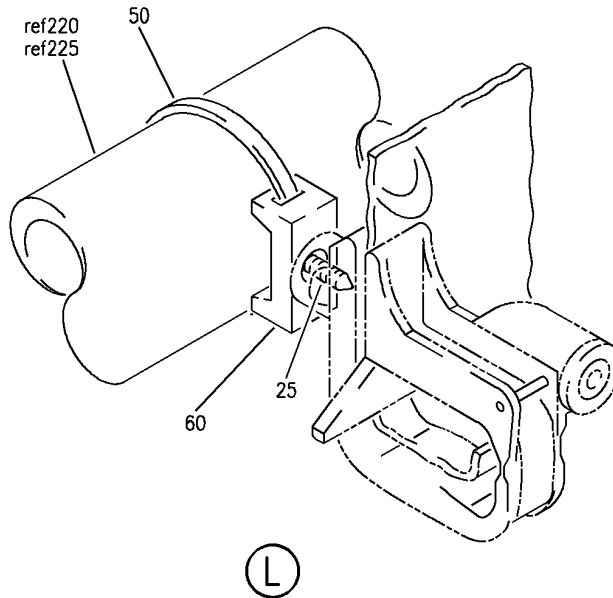
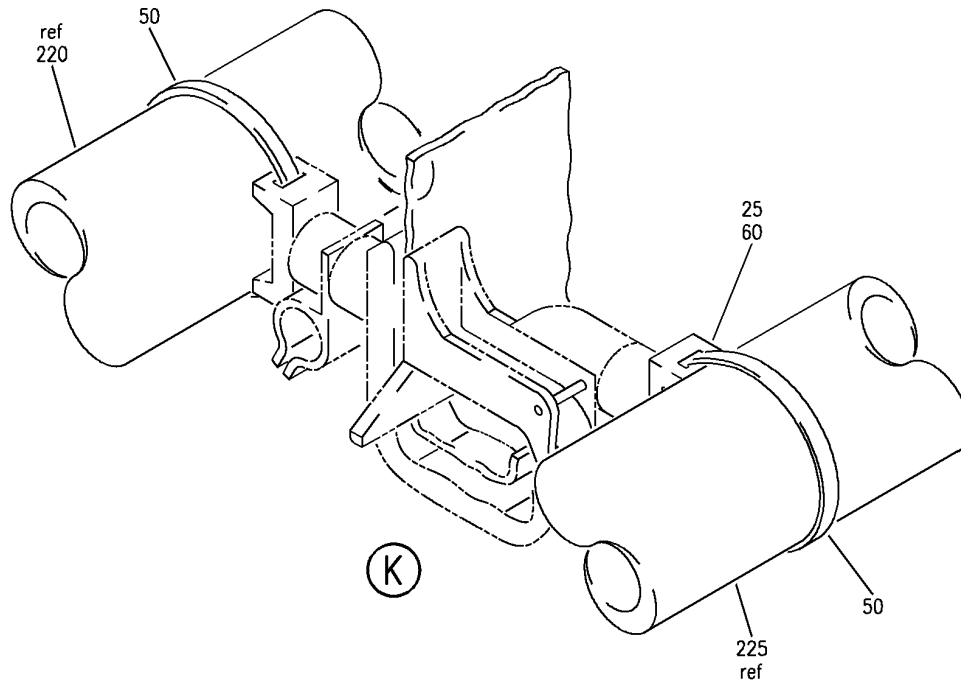
DUCT INSTL-SIDEWALL AIR DISTR SYS
 FIGURE 66 (SHEET 5)

21-23-52-66

HAP
 FEB 15/08

21-23-52-66
 PAGE 0D

BOEING
737-600/700/800/900
PARTS CATALOG (MAINTENANCE)



E 21235266 SHT 6 REV 134

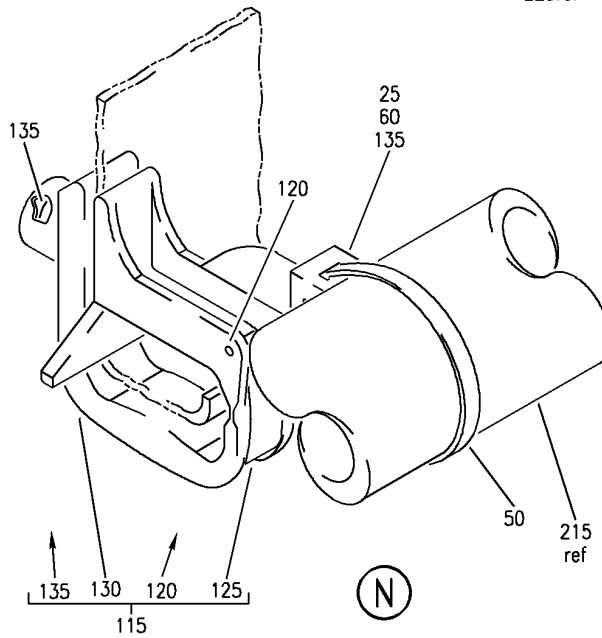
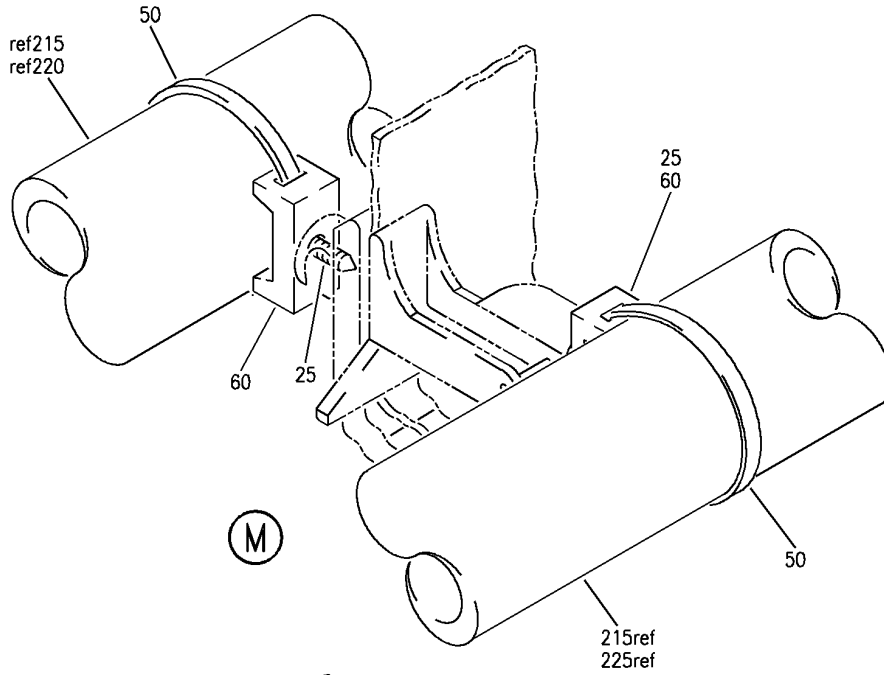
DUCT INSTL-SIDEWALL AIR DISTR SYS
FIGURE 66 (SHEET 6)

HAP
OCT 10/07

21-23-52-66

21-23-52-66
PAGE 0E

BOEING
 737-600/700/800/900
 PARTS CATALOG (MAINTENANCE)



E 21235266 SH7 7 REV 134

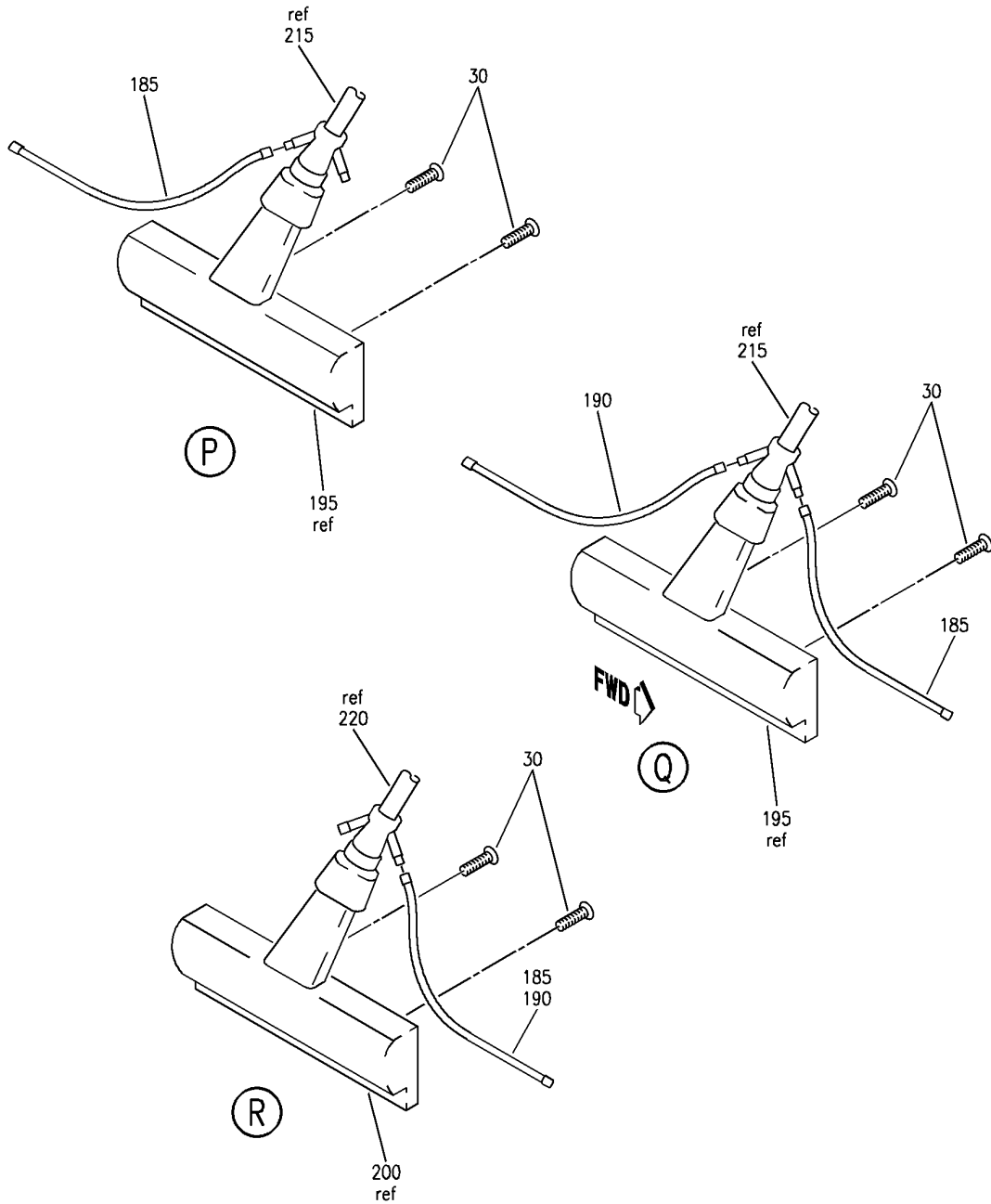
DUCT INSTL-SIDEWALL AIR DISTR SYS
 FIGURE 66 (SHEET 7)

21-23-52-66

HAP
 OCT 10/07

21-23-52-66
 PAGE OF

BOEING
 737-600/700/800/900
 PARTS CATALOG (MAINTENANCE)



E 21235266 SH 8 REV 134

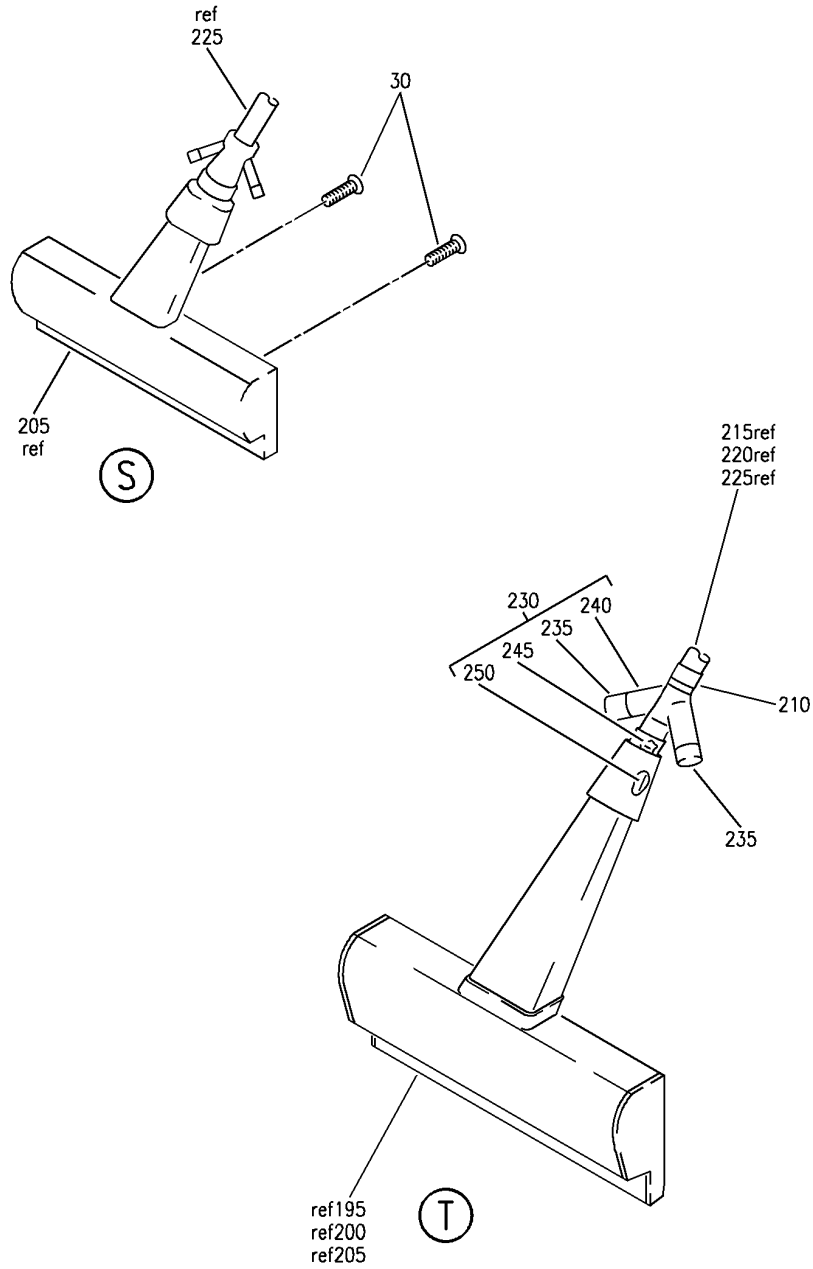
DUCT INSTL-SIDEWALL AIR DISTR SYS
 FIGURE 66 (SHEET 8)

21-23-52-66

HAP
 OCT 10/07

21-23-52-66
 PAGE 06

BOEING
 737-600/700/800/900
 PARTS CATALOG (MAINTENANCE)



E 21235266 SH1 9 REV 134

DUCT INSTL-SIDEWALL AIR DISTR SYS
 FIGURE 66 (SHEET 9)

21-23-52-66

HAP
 OCT 10/07

21-23-52-66
 PAGE 0H

BOEING
737-600/700/800/900
PARTS CATALOG (MAINTENANCE)

FIG ITEM	PART NUMBER	1 2 3 4 5 6 7	NOMENCLATURE	EFFECT FROM TO	UNITS PER ASSY
66			DUCT INSTL-SIDEWALL AIR DISTR SYS	044100	
- 1	MODREF337740		DUCT INSTL-SIDEWALL AIR DISTR SYS	054100	1
- 1	MODREF361905		MODULE NUMBER: 214A2045-1 REV A DUCT INSTL-SIDEWALL AIR DISTR SYS	044053	1
			MODULE NUMBER: 214A2045-1 REV B		
5	BACS12GP3L10		.SCREW	044100	AR
10	BACS12GU3K11		.SCREW	044100	1
15	BACS12GU3K7		.SCREW	044100	AR
20	BACS12GP3L42		.SCREW	044100	1
25	BACS12GP3L7		.SCREW	044100	AR
30	BACS12FA08K6		.SCREW	044100	AR
35	NAS43D03-128FC		.SPACER	044100	1
40	BACW10DZ3		.WASHER	044100	AR
45	PLH53CD		.NUT	044100	1
			SUPPLIER CODE: VF0224		
			SPECIFICATION NUMBER: BACN10YR3CD		
			OPTIONAL PART: H52732-3CD V15653		
50	PLT3SM		.STRAP	044100	AR
			SUPPLIER CODE: V06383		
			SPECIFICATION NUMBER: BACS38K7		
			OPTIONAL PART: T0510 V53421		
55	PLT2IC		.STRAP	054100	9
			SUPPLIER CODE: V06383		
			SPECIFICATION NUMBER: BACS38K10		
57	PLT2IC		.STRAP	044053	18
			SUPPLIER CODE: V06383		
			SPECIFICATION NUMBER: BACS38K10		
60	TM2S8		.PLATE-MTG	044100	AR
			SUPPLIER CODE: V06383		
			SPECIFICATION NUMBER: STBP19M9		

MISSING ITEM NUMBERS NOT APPLICABLE

- ITEM NOT ILLUSTRATED

HAP

21-23-52-66

BOEING PROPRIETARY - Copyright © - Unpublished Work - See title page for details.

21-23-52
FIG. 66
PAGE 1
FEB 15/09

BOEING
737-600/700/800/900
PARTS CATALOG (MAINTENANCE)

FIG ITEM	PART NUMBER	1 2 3 4 5 6 7	NOMENCLATURE	EFFECT FROM TO	UNITS PER ASSY
66					
65	STBP19M14	.	PLATE-MTG	044100	1
70	S717-118	.	CLAMP	044100	AR
			SUPPLIER CODE: V18076		
			SPECIFICATION NUMBER: BACC10GU118		
			OPTIONAL PART: JM44LC39S118RG		
			V22175		
			534CS118		
			V83930		
75	NAS1922-0150-3	.	CLAMP	044100	1
80	NAS1922-0275-3	.	CLAMP	044100	4
85	214N5054-8	.	SUPPORT ASSY	044100	3
90	2055155-7A	..	CLIP-STGR	044100	1
			SUPPLIER CODE: V04169		
95	411N4026-10	..	CAP ASSY-	044100	1
			OPTIONAL PART: 411N4026-2		
95	411N4026-2	..	CAP ASSY-	044100	1
			OPTIONAL PART: 411N4026-10		
100	214T3424-4	.	SUPPORT	044100	1
105	69B43325-13	.	CONNECTOR	044100	1
110	214T3436-619	.	ORIFICE ASSY	044100	6
115	411A4902-6	.	CLIP ASSY-RTNR	044100	2
120	MS16562-194	..	PIN	044100	1
125	411A4902-8	..	CLIP-SPR	044100	1
130	411A4902-3	..	BODY ASSY	044100	1
135	H02030-2L	...	INSERT-	044100	2
			SUPPLIER CODE: V07EU2		
140	BOE240312035205	.	HOSE-FLEX	044100	1
145	BCREF129513	.	DUCT-FLEX	044100	1
			OVERLENGTH PART NUMBER: BACD40V1206-0422		
150	65C36914-3	.	DUCT-BRANCH	054100	1
152	65C36914-6	.	DUCT-BRANCH	044100	1
155	24-1000	.	CAP-END	044100	2
			SUPPLIER CODE: V25205		
160	AS1591-12-0100A	.	HOSE	044100	1
165	AS1591-06-0240A	.	HOSE	044100	1
170	AS1591-06-0200A	.	HOSE	044100	1
175	AS1591-06-0270A	.	HOSE	044100	1
180	AS1591-06-0220A	.	HOSE	044100	1
185	BACD40P3A180	.	DUCT	044100	4
190	BACD40P3A280	.	DUCT	044100	2

MISSING ITEM NUMBERS NOT APPLICABLE

— ITEM NOT ILLUSTRATED

HAP

21-23-52-66

BOEING PROPRIETARY - Copyright © - Unpublished Work - See title page for details.

21-23-52
FIG. 66
PAGE 2
FEB 15/09

BOEING
737-600/700/800/900
PARTS CATALOG (MAINTENANCE)

FIG ITEM	PART NUMBER	1 2 3 4 5 6 7	NOMENCLATURE	EFFECT FROM TO	UNITS PER ASSY
66					
195	214A2113-401	.HOSE	ASSY	044100	3
200	214A2113-400	.HOSE	ASSY	044100	2
205	214A2113-402	.HOSE	ASSY	044100	2
210	PLT2IC	..STRAP		044100	1
			SUPPLIER CODE: V06383		
			SPECIFICATION NUMBER: BACS38K10		
215	AS1591-06-0500A	..HOSE-		044100	1
			USED ON: 214A2113-401		
220	AS1591-06-0450A	..HOSE-		044100	1
			USED ON: 214A2113-400		
225	AS1591-06-0550A	..HOSE-		044100	1
			USED ON: 214A2113-402		
230	214N2520-200	..DIFFUSER	ASSY	044100	1
235	12-1000	...CAP-END		044100	2
			SUPPLIER CODE: V25205		
240	214N2107-11	...DUCT-BRANCH		044100	1
245	214N2145-5	...PLATE-RESTRICTOR		044100	1
250	214N2520-69	...LINING		044100	1

MISSING ITEM NUMBERS NOT APPLICABLE

— ITEM NOT ILLUSTRATED

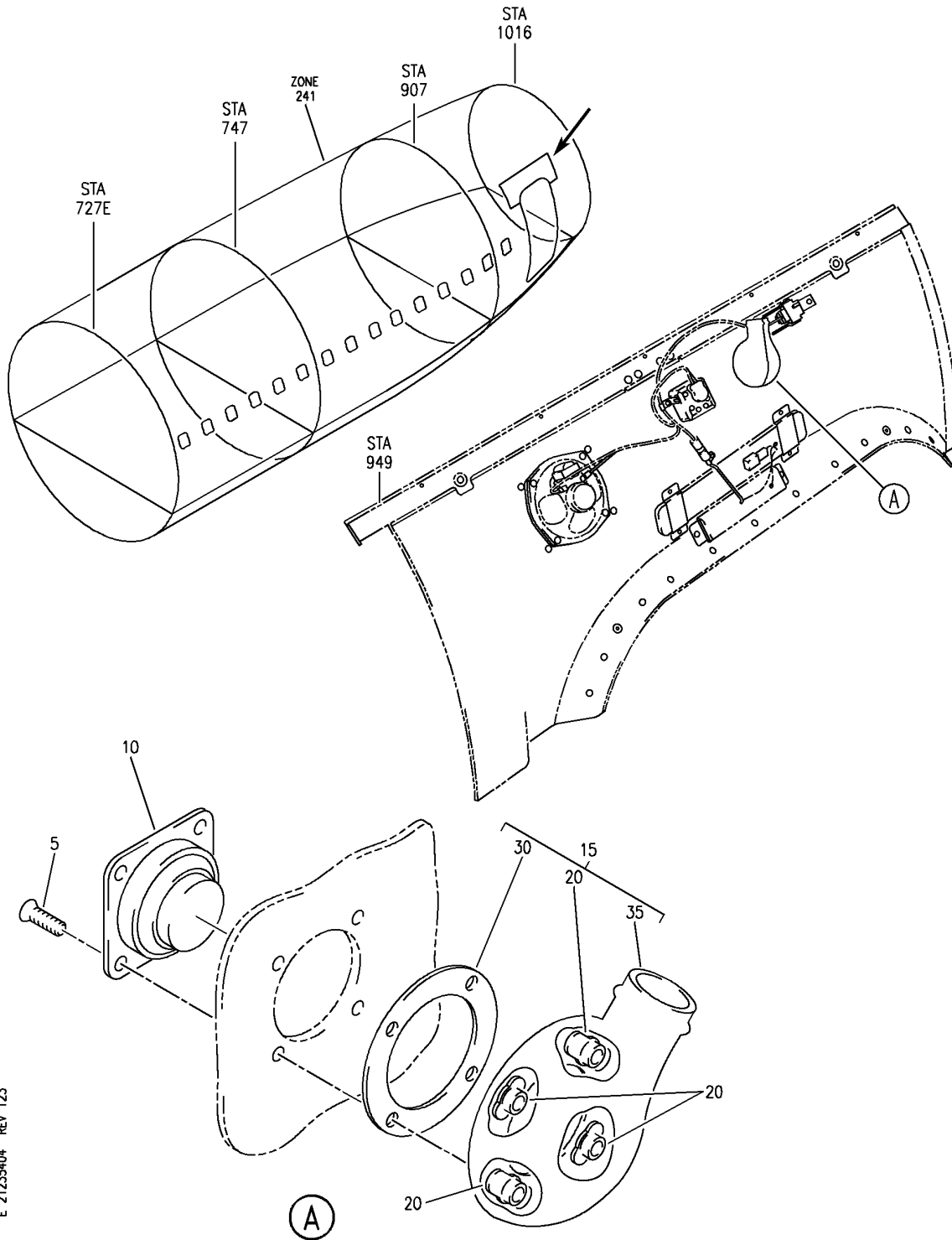
HAP

21-23-52-66

BOEING PROPRIETARY - Copyright © - Unpublished Work - See title page for details.

21-23-52
FIG. 66
PAGE 3
FEB 15/09

BOEING
 737-600/700/800/900
 PARTS CATALOG (MAINTENANCE)



E 21235404 REV 123

PANEL ASSY-LH DOORWAY LINING (AIR CONDITIONING ONLY)
 FIGURE 4

21-23-54-04

HAP
 OCT 10/06

21-23-54-04
 PAGE 0

BOEING
737-600/700/800/900
PARTS CATALOG (MAINTENANCE)

FIG ITEM	PART NUMBER	1 2 3 4 5 6 7	NOMENCLATURE	EFFECT FROM TO	UNITS PER ASSY
4			PANEL ASSY-LH DOORWAY LINING (AIR CONDITIONING ONLY)	028200 968999	
R R R R R	- 1 411A2213-29B		PANEL ASSY-DOORWAY LINING (AIR CONDITIONING ONLY) POSITION DATA: LH FOR NHA/OTHER SYS DET SEE: 25-21-24-01	028200 968999	RF
	5 NAS514P832-12		.SCREW	028200 968999	4
	10 1292-3		.OUTLET- SUPPLIER CODE: VOACH0 SPECIFICATION NUMBER: S214W001-3B	028200 968999	1
	15 214A2401-1		.PLENUM ASSY	028200 968999	1
	20 BACN10JP08ACD		..NUTPLATE	028200 968999	4
	- 25 BACR15BA3AD4C		ATTACHING PARTS ..RIVET	028200 968999	8
	30 69-73123-7		-----*----- ..GASKET	028200 968999	1
	35 214A2401-2		..PLENUM	028200 968999	1

MISSING ITEM NUMBERS NOT APPLICABLE

- ITEM NOT ILLUSTRATED

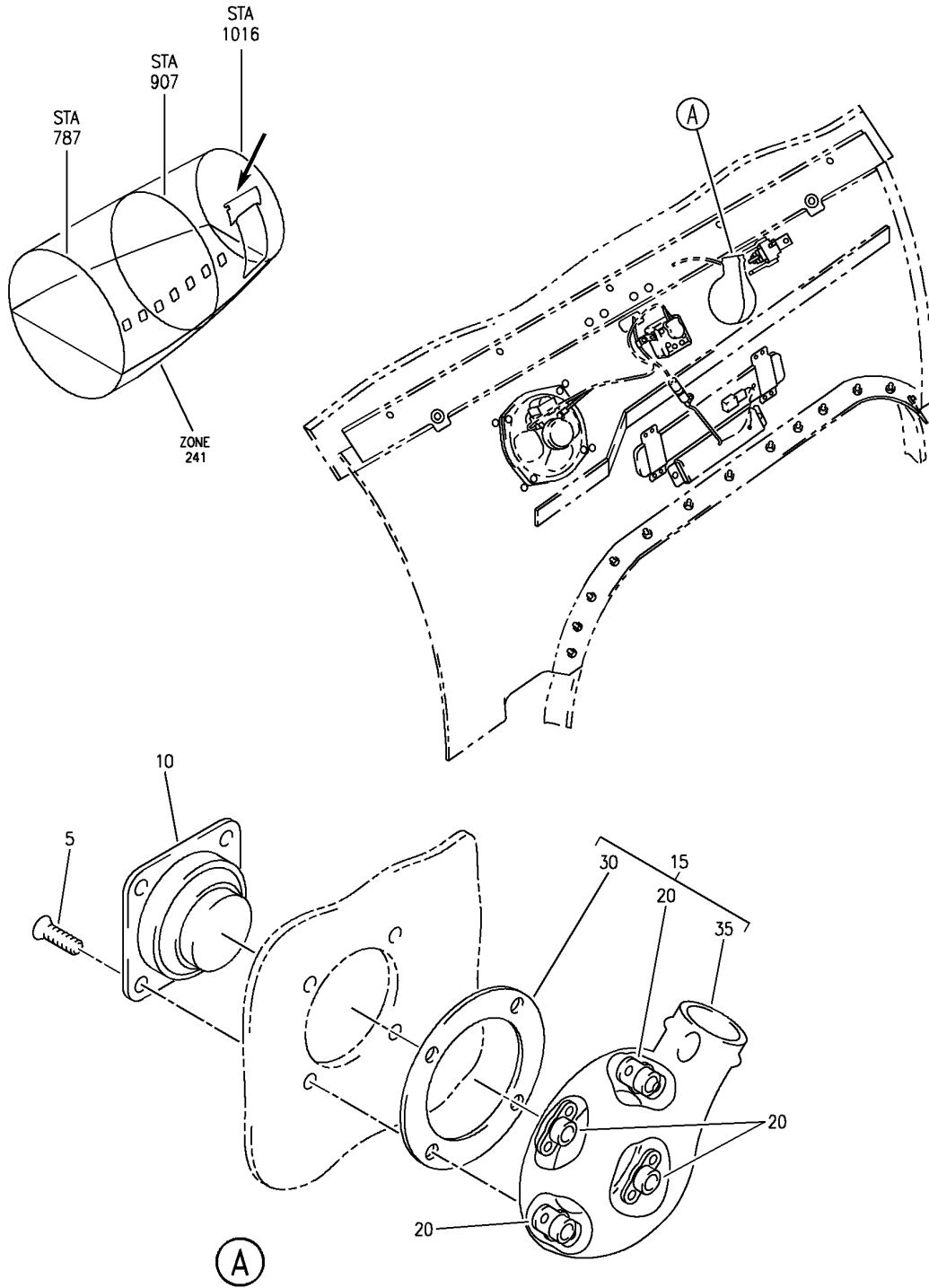
HAP

21-23-54-04

BOEING PROPRIETARY - Copyright © - Unpublished Work - See title page for details.

21-23-54
FIG. 04
PAGE 1
JUN 15/09

BOEING
 737-600/700/800/900
 PARTS CATALOG (MAINTENANCE)



E 21235412 REV 123

PANEL ASSY-LH DOORWAY LINING (AIR CONDITIONING ONLY)
 FIGURE 12

21-23-54-12

HAP
 FEB 10/07

21-23-54-12
 PAGE 0

 **BOEING**
737-600/700/800/900
PARTS CATALOG (MAINTENANCE)

FIG ITEM	PART NUMBER	1 2 3 4 5 6 7	NOMENCLATURE	EFFECT FROM TO	UNITS PER ASSY
12			PANEL ASSY-LH DOORWAY LINING (AIR CONDITIONING ONLY)	001027 201967	
- 1	411A2213-22SP		PANEL ASSY-DOORWAY LINING (AIR CONDITIONING ONLY) POSITION DATA: LH FOR NHA/OTHER SYS DET SEE: 25-21-24-12	001027 201967	RF
5	NAS514P832-12		.SCREW	001027 201967	4
10	1292-3		.OUTLET- SUPPLIER CODE: VOACH0 SPECIFICATION NUMBER: S214W001-3B	001027 201967	1
15	214A2401-1		.PLENUM ASSY	001027 201967	1
20	BACN10JP08ACD		..NUTPLATE	001027 201967	4
- 25	BACR15BA3AD4C		ATTACHING PARTS ..RIVET	001027 201967	8
30	69-73123-7		-----*----- ..GASKET	001027 201967	1
35	214A2401-2		..PLENUM	001027 201967	1

MISSING ITEM NUMBERS NOT APPLICABLE

- ITEM NOT ILLUSTRATED

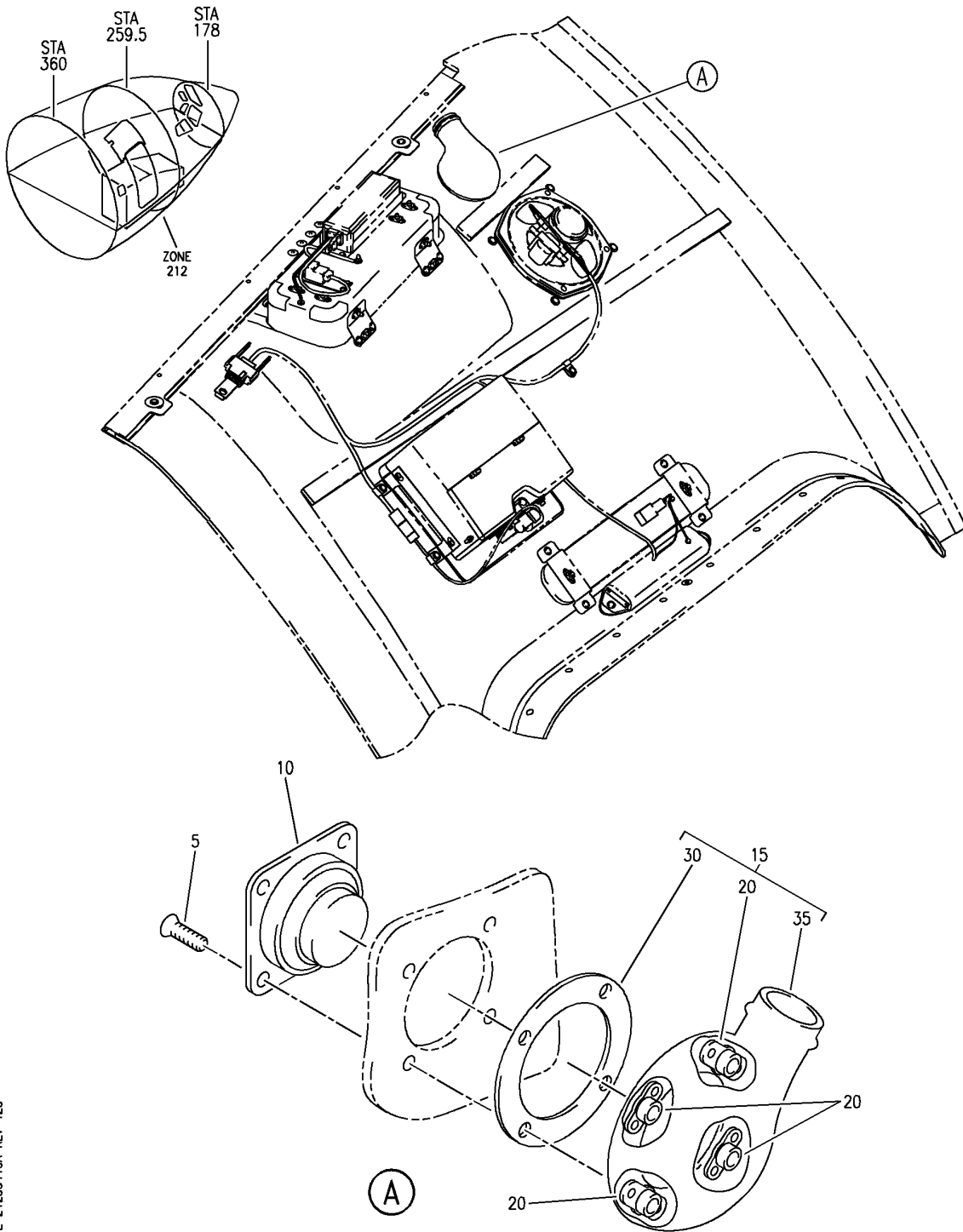
HAP

21-23-54-12

BOEING PROPRIETARY - Copyright © - Unpublished Work - See title page for details.

21-23-54
FIG. 12
PAGE 1
OCT 15/08

BOEING
 737-600/700/800/900
 PARTS CATALOG (MAINTENANCE)



E 21235413A REV 125

PANEL ASSY-FWD RH DOORWAY LINING (AIR CONDITIONING ONLY)
 FIGURE 13A

21-23-54-13A

HAP
 FEB 10/07

21-23-54-13A
 PAGE 0

BOEING
737-600/700/800/900
PARTS CATALOG (MAINTENANCE)

FIG ITEM	PART NUMBER	1 2 3 4 5 6 7	NOMENCLATURE	EFFECT FROM TO	UNITS PER ASSY
13A			PANEL ASSY-FWD RH DOORWAY LINING (AIR CONDITIONING ONLY)	001027 201967	
- 1	411A2212-21B		PANEL ASSY-DOORWAY LINING (AIR CONDITIONING ONLY) POSITION DATA: FWD RH FOR NHA/OTHER SYS DET SEE: 25-21-34-01	001001 006007	RF
- 1	411A2212-27B		PANEL ASSY-DOORWAY LINING (AIR CONDITIONING ONLY) POSITION DATA: FWD RH FOR NHA/OTHER SYS DET SEE: 25-21-34-01	002005 008011 201967	RF
- 1	411A2212-35B		PANEL ASSY-DOORWAY LINING (AIR CONDITIONING ONLY) POSITION DATA: FWD RH FOR NHA/OTHER SYS DET SEE: 25-21-34-01	012027	RF
5	NAS514P832-12		.SCREW	001027 201967	4
10	1292-3		.OUTLET- SUPPLIER CODE: VOACH0 POSITION DATA: FAR SIDE SPECIFICATION NUMBER: S214W001-3B	001027 201967	1
15	214A2401-1		.PLENUM ASSY	001027 201967	1
20	BACN10JP08ACD		..NUTPLATE	001027 201967	4
- 25	BACR15BA3AD4C		ATTACHING PARTS ..RIVET	001027 201967	8
30	69-73123-7		-----*----- ..GASKET	001027 201967	1
35	214A2401-2		..PLENUM	001027 201967	1

MISSING ITEM NUMBERS NOT APPLICABLE

- ITEM NOT ILLUSTRATED

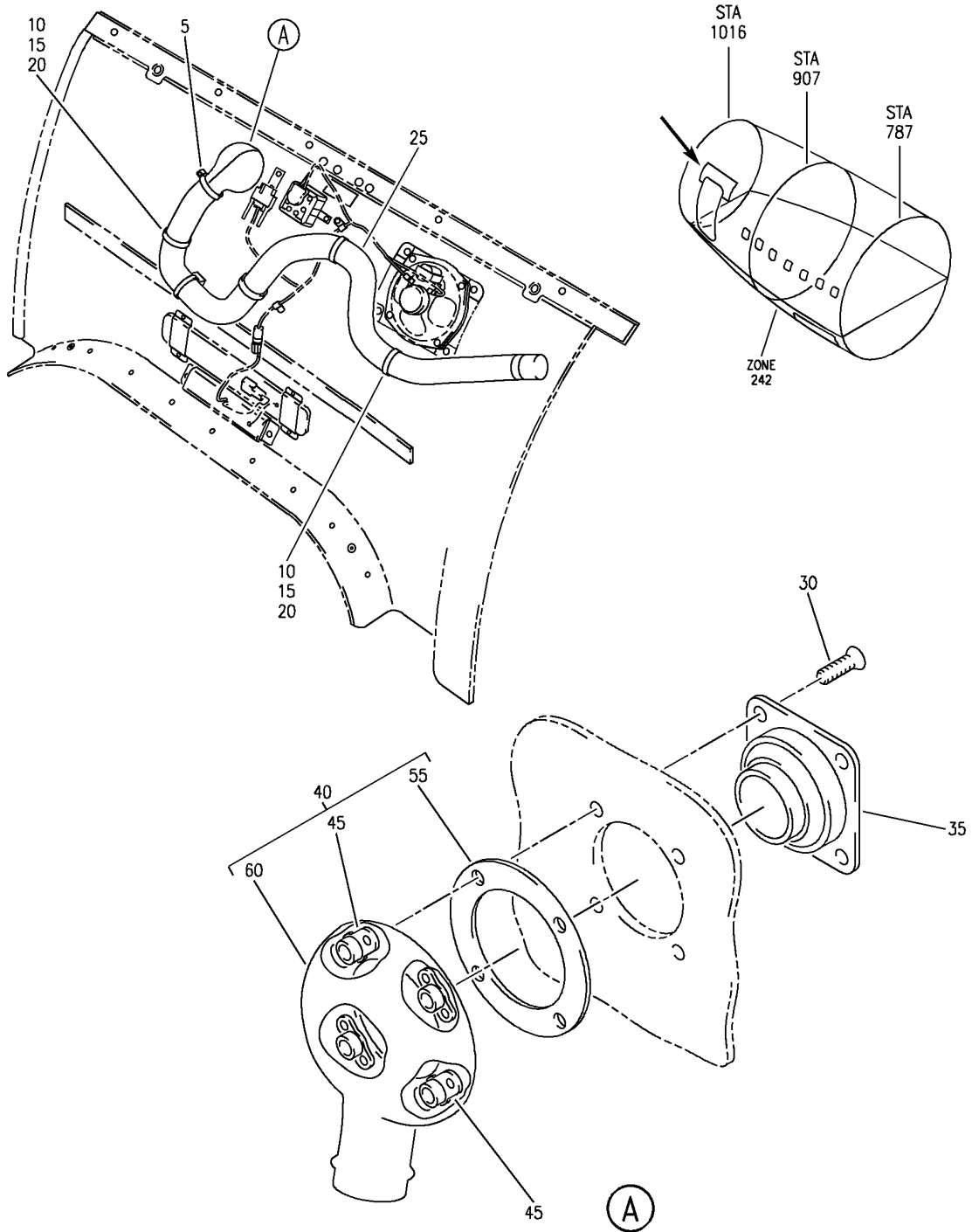
HAP

21-23-54-13A

BOEING PROPRIETARY - Copyright © - Unpublished Work - See title page for details.

21-23-54
FIG. 13A
PAGE 1
OCT 15/08

BOEING
 737-600/700/800/900
 PARTS CATALOG (MAINTENANCE)



E 212354-30 REV 124

PANEL ASSY-AFT RH DOORWAY LINING (AIR CONDITIONING ONLY)
 FIGURE 30

21-23-54-30

HAP
 FEB 10/07

21-23-54-30
 PAGE 0

BOEING
737-600/700/800/900
PARTS CATALOG (MAINTENANCE)

FIG ITEM	PART NUMBER	1 2 3 4 5 6 7	NOMENCLATURE	EFFECT FROM TO	UNITS PER ASSY
30			PANEL ASSY-AFT RH DOORWAY LINING (AIR CONDITIONING ONLY)	028200 968999	
- 1	411A2214-39SP		PANEL ASSY-DOORWAY LINING (AIR CONDITIONING ONLY) POSITION DATA: AFT RH FOR NHA/OTHER SYS DET SEE: 25-21-24-22	028200 968999	RF
5	NAS1922-0175-3		.CLAMP	028200 968999	1
10	PLT3SM		.STRAP SUPPLIER CODE: V06383 SPECIFICATION NUMBER: BACS38K7 OPTIONAL PART: T0510 V53421	028200 968999	5
15	NAS8203A4		.SCREW	028200 968999	5
20	STBP19M12		.PLATE- SUPPLIER CODE: V1B249	028200 968999	5
25	BOE240312022005		.HOSE-FLEX OPTIONAL PART: BWT10-2120550F VK6257	028200 968999	1
25	BWT10-2120550F		.HOSE-FLEX SUPPLIER CODE: VK6257 OPTIONAL PART: BOE240312022005	028200 968999	1
30	NAS514P832-12		.SCREW	028200 968999	4
35	1292-3		.OUTLET- SUPPLIER CODE: VOACH0 POSITION DATA: FAR SIDE SPECIFICATION NUMBER: S214W001-3B	028200 968999	1
40	214A2401-1		.PLENUM ASSY	028200 968999	1
45	BACN10JP08ACD		..NUTPLATE	028200 968999	4

MISSING ITEM NUMBERS NOT APPLICABLE

- ITEM NOT ILLUSTRATED

HAP

21-23-54-30

BOEING PROPRIETARY - Copyright © - Unpublished Work - See title page for details.

21-23-54
FIG. 30
PAGE 1
OCT 15/08


BOEING
 737-600/700/800/900
PARTS CATALOG (MAINTENANCE)

FIG ITEM	PART NUMBER	1 2 3 4 5 6 7	NOMENCLATURE	EFFECT FROM TO	UNITS PER ASSY
30			ATTACHING PARTS		
- 50	BACR15BA3AD4C	..	RIVET- OPTIONAL PART: BACR15DR3	028200 968999	8
- 50	BACR15DR3	..	RIVET- SIZE DETERMINED ON INSTL. OPTIONAL PART: BACR15BA3AD4C	028200 968999	8
55	69-73123-7	..	GASKET	028200 968999	1
60	214A2401-2	..	PLENUM	028200 968999	1

MISSING ITEM NUMBERS NOT APPLICABLE

- ITEM NOT ILLUSTRATED

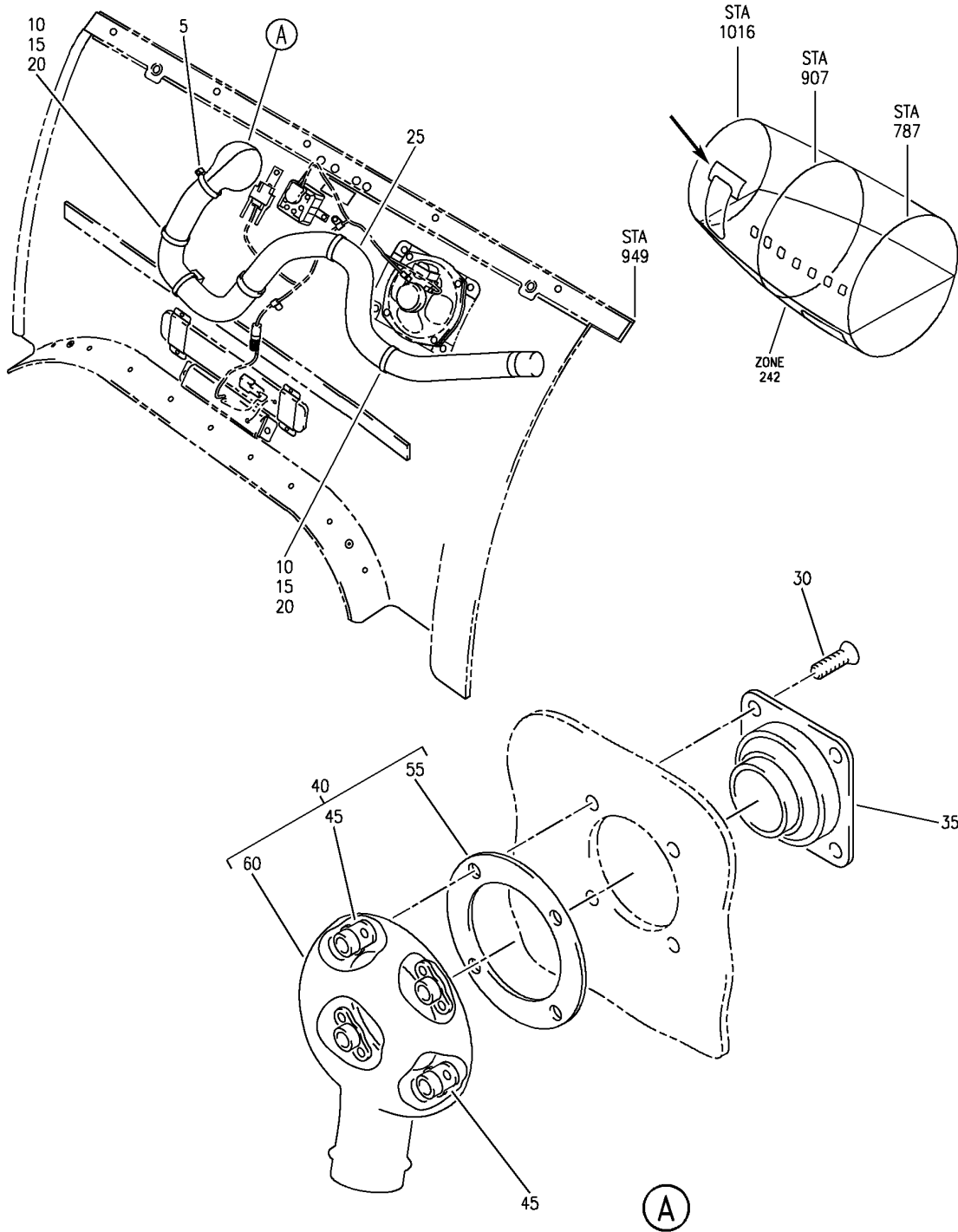
HAP

21-23-54-30

BOEING PROPRIETARY - Copyright © - Unpublished Work - See title page for details.

21-23-54
 FIG. 30
 PAGE 2
 OCT 15/08

BOEING
 737-600/700/800/900
 PARTS CATALOG (MAINTENANCE)



E 212354-32 REV 124

PANEL ASSY-AFT RH DOORWAY LINING (AIR CONDITIONING ONLY)
 FIGURE 32

21-23-54-32

HAP
 FEB 10/07

21-23-54-32
 PAGE 0

BOEING
737-600/700/800/900
PARTS CATALOG (MAINTENANCE)

FIG ITEM	PART NUMBER	1 2 3 4 5 6 7	NOMENCLATURE	EFFECT FROM TO	UNITS PER ASSY
32			PANEL ASSY-AFT RH DOORWAY LINING (AIR CONDITIONING ONLY)	001027 201967	
- 1	411A2214-19SP		PANEL ASSY-DOORWAY LINING (AIR CONDITIONING ONLY) POSITION DATA: AFT RH FOR NHA/OTHER SYS DET SEE: 25-21-24-04	001027 201967	RF
5	NAS1922-0175-3		.CLAMP	001027 201967	1
10	PLT3SM		.STRAP SUPPLIER CODE: V06383 SPECIFICATION NUMBER: BACS38K7 OPTIONAL PART: T0510 V53421	001027 201967	5
15	NAS8203A4		.SCREW	001027 201967	5
20	STBP19M12		.PLATE- SUPPLIER CODE: V1B249	001027 201967	5
25	BOE240312022005		.HOSE-FLEX OPTIONAL PART: BWT10-2120550F VK6257	001027 201967	1
25	BWT10-2120550F		.HOSE-FLEX SUPPLIER CODE: VK6257 OPTIONAL PART: BOE240312022005	001027 201967	1
30	NAS514P832-12		.SCREW	001027 201967	4
35	1292-3		.OUTLET- SUPPLIER CODE: VOACH0 POSITION DATA: FAR SIDE SPECIFICATION NUMBER: S214W001-3B	001027 201967	1
40	214A2401-1		.PLENUM ASSY	001027 201967	1
45	BACN10JP08ACD		..NUTPLATE	001027 201967	4

MISSING ITEM NUMBERS NOT APPLICABLE

- ITEM NOT ILLUSTRATED

HAP

21-23-54-32

BOEING PROPRIETARY - Copyright © - Unpublished Work - See title page for details.

21-23-54
FIG. 32
PAGE 1
OCT 15/08


BOEING
 737-600/700/800/900
PARTS CATALOG (MAINTENANCE)

FIG ITEM	PART NUMBER	1 2 3 4 5 6 7	NOMENCLATURE	EFFECT FROM TO	UNITS PER ASSY
32			ATTACHING PARTS		
- 50	BACR15BA3AD4C	..	RIVET- OPTIONAL PART: BACR15DR3	001027 201967	8
- 50	BACR15DR3	..	RIVET- SIZE DETERMINED ON INSTL. OPTIONAL PART: BACR15BA3AD4C	001027 201967	8
55	69-73123-7	..	GASKET	001027 201967	1
60	214A2401-2	..	PLENUM	001027 201967	1
			-----*-----		

MISSING ITEM NUMBERS NOT APPLICABLE

- ITEM NOT ILLUSTRATED

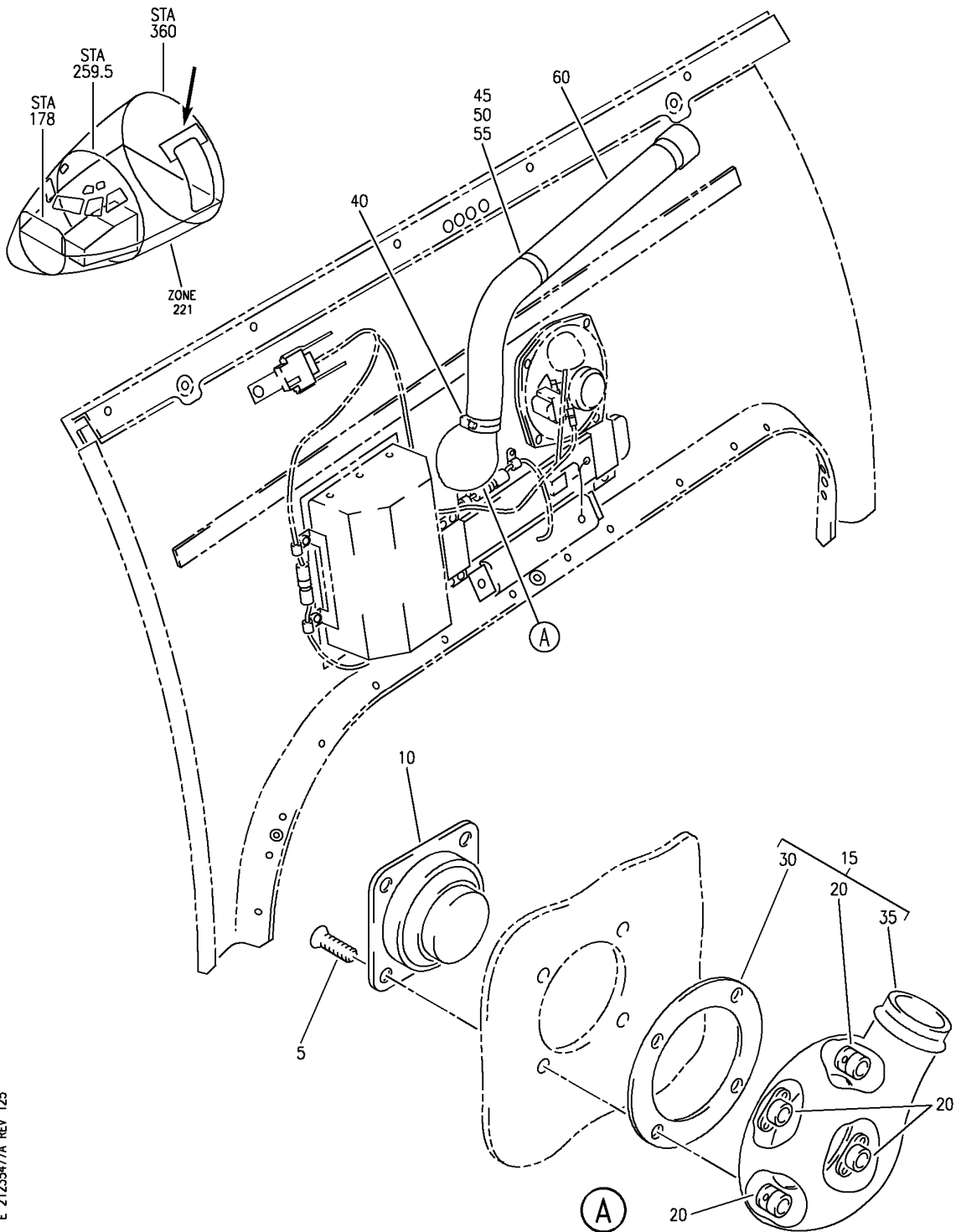
HAP

21-23-54-32

BOEING PROPRIETARY - Copyright © - Unpublished Work - See title page for details.

21-23-54
 FIG. 32
 PAGE 2
 OCT 15/08

BOEING
 737-600/700/800/900
 PARTS CATALOG (MAINTENANCE)



E 21235477A REV 125

PANEL ASSY-FWD LH DOORWAY LINING (AIR CONDITIONING ONLY)
 FIGURE 77A

21-23-54-77A

HAP
 FEB 10/07

21-23-54-77A
 PAGE 0

BOEING
737-600/700/800/900
PARTS CATALOG (MAINTENANCE)

FIG ITEM	PART NUMBER	1 2 3 4 5 6 7	NOMENCLATURE	EFFECT FROM TO	UNITS PER ASSY
77A			PANEL ASSY-FWD LH DOORWAY LINING (AIR CONDITIONING ONLY)	001027	
- 1	411A2211-41SP		PANEL ASSY-DOORWAY LINING (AIR CONDITIONING ONLY) POSITION DATA: FWD LH FOR NHA/OTHER SYS DET SEE: 25-21-30-03	001007	RF
- 1	411A2211-47SP		PANEL ASSY-DOORWAY LINING (AIR CONDITIONING ONLY) POSITION DATA: FWD LH FOR NHA/OTHER SYS DET SEE: 25-21-30-03	008027	RF
5	NAS514P832-12		.SCREW	001027	4
10	1292-3		.OUTLET- SUPPLIER CODE: VOACH0 SPECIFICATION NUMBER: S214W001-3B	001027	1
15	214A2401-1		.PLENUM ASSY	001027	1
20	BACN10JP08ACD		..NUTPLATE ATTACHING PARTS	001027	4
- 25	BACR15BA3AD4C		..RIVET -----*-----	001027	8
30	69-73123-7		..GASKET	001027	1
35	214A2401-2		..PLENUM	001027	1
40	NAS1922-0175-3		.CLAMP	001027	1
45	PLT3SM		.STRAP SUPPLIER CODE: V06383 SPECIFICATION NUMBER: BACS38K7 OPTIONAL PART: T0510 V53421	001027	1
50	NAS8203A4		.SCREW	001027	1
55	STBP19M12		.PLATE- SUPPLIER CODE: V1B249	001027	1
60	BWT10-2120230F		.HOSE- SUPPLIER CODE: VK6257 OPTIONAL PART: BOE240312009205	001027	1

MISSING ITEM NUMBERS NOT APPLICABLE

- ITEM NOT ILLUSTRATED

HAP

21-23-54-77A

BOEING PROPRIETARY - Copyright © - Unpublished Work - See title page for details.

21-23-54
FIG. 77A
PAGE 1
JUN 10/07


BOEING
 737-600/700/800/900
PARTS CATALOG (MAINTENANCE)

FIG ITEM	PART NUMBER	1 2 3 4 5 6 7 NOMENCLATURE	EFFECT FROM TO	UNITS PER ASSY
77A 60	BOE240312009205	.HOSE-FLEX OPTIONAL PART: BWT10-2120230F VK6257	001027	1

MISSING ITEM NUMBERS NOT APPLICABLE

— ITEM NOT ILLUSTRATED

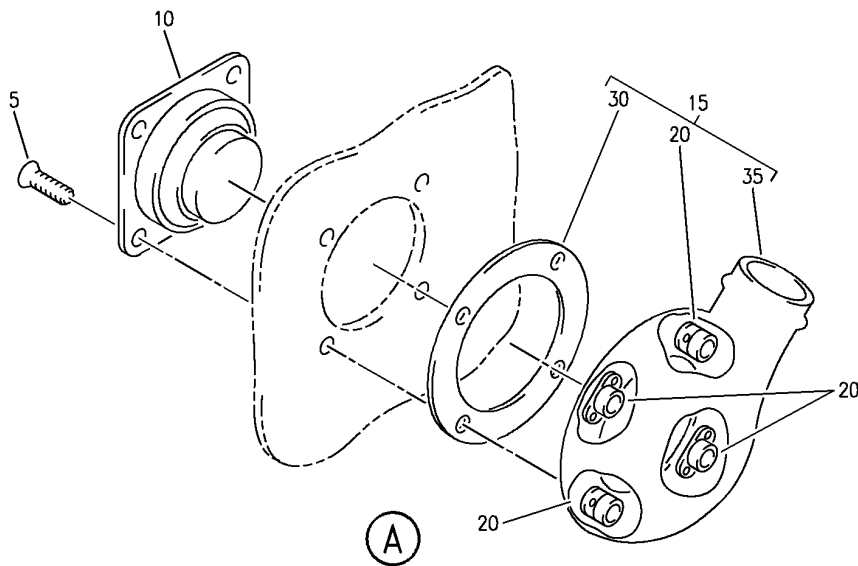
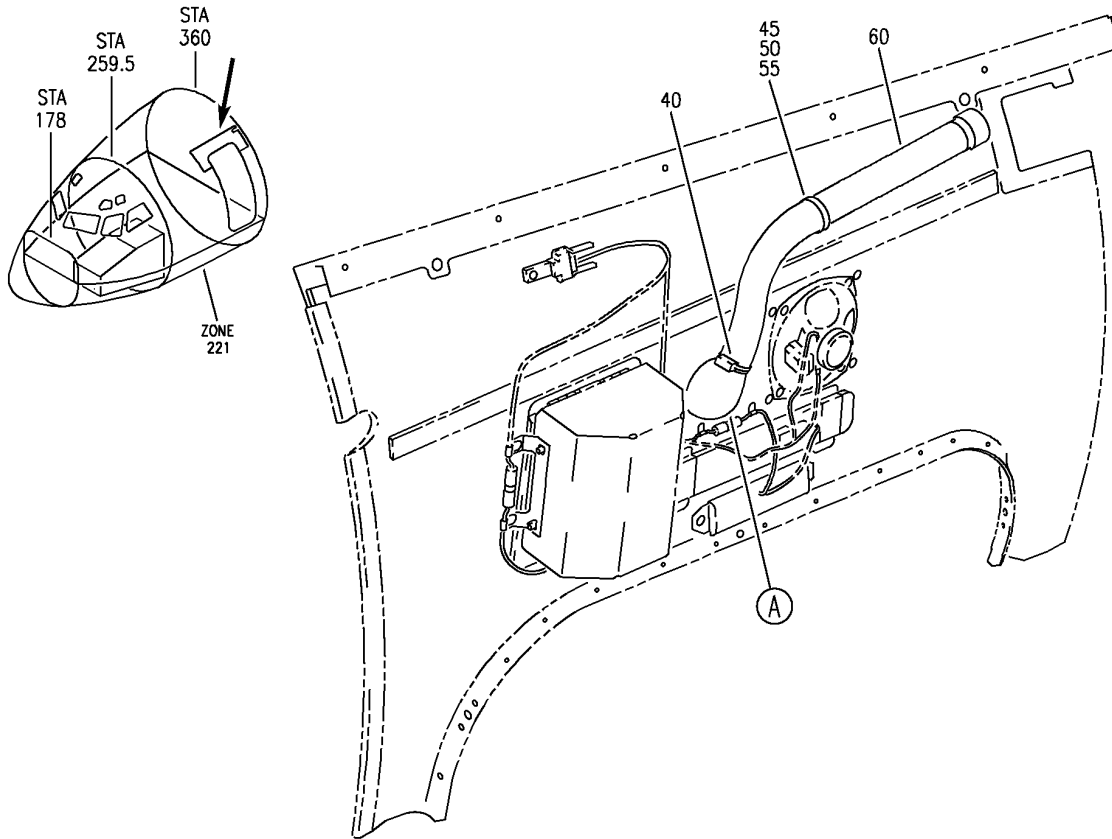
HAP

21-23-54-77A

BOEING PROPRIETARY - Copyright © - Unpublished Work - See title page for details.

21-23-54
 FIG. 77A
 PAGE 2
 FEB 10/07

BOEING
 737-600/700/800/900
 PARTS CATALOG (MAINTENANCE)



E 21235489B REV 125

PANEL ASSY-FWD LH DOORWAY LINING (AIR CONDITIONING ONLY)
 FIGURE 89B

21-23-54-89B

HAP
 OCT 15/08

21-23-54-89B
 PAGE 0

BOEING
737-600/700/800/900
PARTS CATALOG (MAINTENANCE)

FIG ITEM	PART NUMBER	1 2 3 4 5 6 7	NOMENCLATURE	EFFECT FROM TO	UNITS PER ASSY
89B			PANEL ASSY-FWD LH DOORWAY LINING (AIR CONDITIONING ONLY)	201967	
- 1	411A2211-50SP		PANEL ASSY-DOORWAY LINING (AIR CONDITIONING ONLY) POSITION DATA: FWD LH FOR NHA/OTHER SYS DET SEE: 25-21-30-89B	201967	RF
5	NAS514P832-12	.	SCREW	201967	4
10	1292-3	.	OUTLET- SUPPLIER CODE: VOACH0 SPECIFICATION NUMBER: S214W001-3B	201967	1
15	214A2401-1	.	PLENUM ASSY	201967	1
20	BACN10JP08ACD	..	NUTPLATE ATTACHING PARTS	201967	4
- 25	BACR15BA3AD4C	..	RIVET- OPTIONAL PART: BACR15DR3-4	201967	8
- 25	AF5171-3-4	..	RIVET- SUPPLIER CODE: V53551 SPECIFICATION NUMBER: BACR15DR3-4 OPTIONAL PART: RV571A3-4 V98996 CCR264SS3-4 V11815 BACR15BA3AD4C -----*-----	201967	8
30	69-73123-7	..	GASKET	201967	1
35	214A2401-2	..	PLENUM	201967	1
40	NAS1922-0175-3	.	CLAMP	201967	1
45	PLT3SM	.	STRAP SUPPLIER CODE: V06383 SPECIFICATION NUMBER: BACS38K7 OPTIONAL PART: T05I0 V53421	201967	1
50	NAS8203A4	.	SCREW	201967	1
55	STBP19M12	.	PLATE- SUPPLIER CODE: V1B249	201967	1

MISSING ITEM NUMBERS NOT APPLICABLE

- ITEM NOT ILLUSTRATED

HAP

21-23-54-89B

BOEING PROPRIETARY - Copyright © - Unpublished Work - See title page for details.

21-23-54
FIG. 89B
PAGE 1
OCT 15/08


BOEING
 737-600/700/800/900
PARTS CATALOG (MAINTENANCE)

FIG ITEM	PART NUMBER	1 2 3 4 5 6 7	NOMENCLATURE	EFFECT FROM TO	UNITS PER ASSY
89B 60	BWT10-2120230F		.HOSE- SUPPLIER CODE: VK6257 OPTIONAL PART: BOE240312009205	201967	1
60	BOE240312009205		.HOSE-FLEX OPTIONAL PART: BWT10-2120230F VK6257	201967	1

MISSING ITEM NUMBERS NOT APPLICABLE

— ITEM NOT ILLUSTRATED

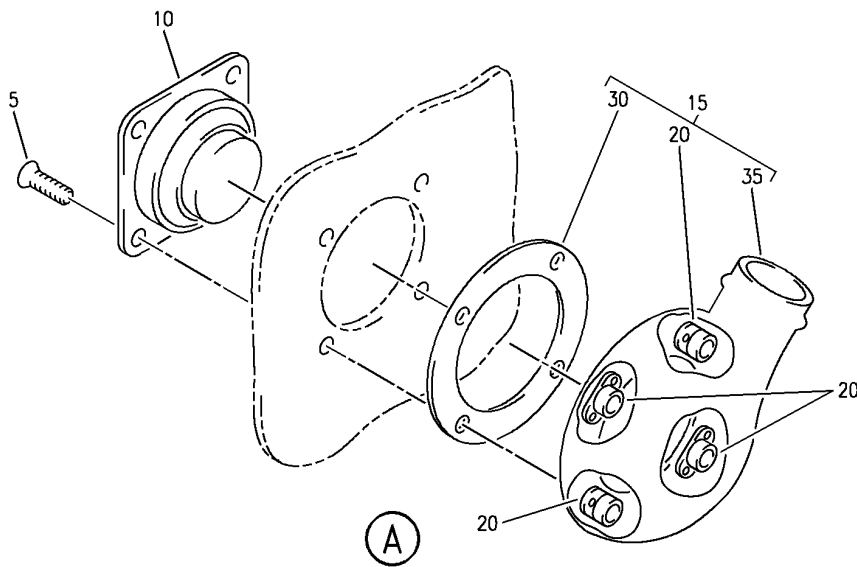
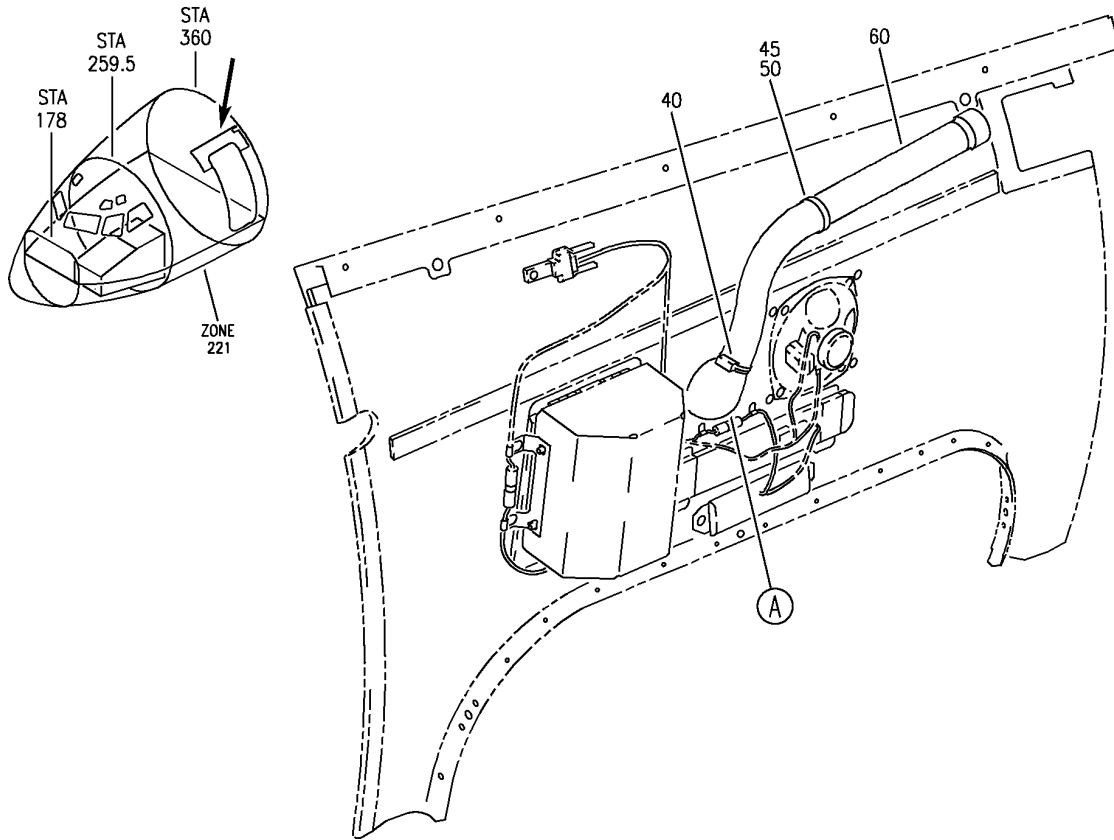
HAP

21-23-54-89B

BOEING PROPRIETARY - Copyright © - Unpublished Work - See title page for details.

21-23-54
 FIG. 89B
 PAGE 2
 OCT 15/08

BOEING
 737-600/700/800/900
 PARTS CATALOG (MAINTENANCE)



E 21235489D REV 125

PANEL ASSY-FWD LH DOORWAY LINING (AIR CONDITIONING ONLY)
 FIGURE 89D

21-23-54-89D

HAP
 FEB 10/07

21-23-54-89D
 PAGE 0

BOEING
737-600/700/800/900
PARTS CATALOG (MAINTENANCE)

FIG ITEM	PART NUMBER	1 2 3 4 5 6 7	NOMENCLATURE	EFFECT FROM TO	UNITS PER ASSY
89D			PANEL ASSY-FWD LH DOORWAY LINING (AIR CONDITIONING ONLY)	031200 968999	
R R R R R	- 1 411A2211-71B		PANEL ASSY-DOORWAY LINING (AIR CONDITIONING ONLY) POSITION DATA: FWD LH FOR NHA/OTHER SYS DET SEE: 25-21-30-89D	031200 968999	RF
	5 NAS514P832-12		.SCREW	031200 968999	4
	10 1292-3		.OUTLET- SUPPLIER CODE: VOACH0 SPECIFICATION NUMBER: S214W001-3B	031200 968999	1
	15 214A2401-1		.PLENUM ASSY	031200 968999	1
	20 BACN10JP08ACD		..NUTPLATE	031200 968999	4
	- 25 BACR15BA3AD4C		ATTACHING PARTS ..RIVET- OPTIONAL PART: BACR15DR3-4	031200 968999	8
	- 25 AF5171-3-4		..RIVET- SUPPLIER CODE: V53551 SPECIFICATION NUMBER: BACR15DR3-4 OPTIONAL PART: RV571A3-4 V98996 CCR264SS3-4 V11815 BACR15BA3AD4C -----*-----	031200 968999	8
	30 69-73123-7		..GASKET	031200 968999	1
	35 214A2401-2		..PLENUM	031200 968999	1
	40 NAS1922-0175-3		.CLAMP	031200 968999	1

MISSING ITEM NUMBERS NOT APPLICABLE

- ITEM NOT ILLUSTRATED

HAP

21-23-54-89D

BOEING PROPRIETARY - Copyright © - Unpublished Work - See title page for details.

21-23-54
FIG. 89D
PAGE 1
JUN 15/09

BOEING
737-600/700/800/900
PARTS CATALOG (MAINTENANCE)

FIG ITEM	PART NUMBER	1 2 3 4 5 6 7	NOMENCLATURE	EFFECT FROM TO	UNITS PER ASSY
89D 45	PLT3SM		.STRAP SUPPLIER CODE: V06383 SPECIFICATION NUMBER: BACS38K7 OPTIONAL PART: T0510 V53421	031200 968999	1
50	STBP19M12		.PLATE- SUPPLIER CODE: V1B249 ATTACHING PARTS	031200 968999	1
- 55	NAS8203A4		.SCREW	031200 968999	1
60	BWT10-2120230F		-----*----- .HOSE- SUPPLIER CODE: VK6257 OPTIONAL PART: BOE240312009205	031200 968999	1
60	BOE240312009205		.HOSE-FLEX OPTIONAL PART: BWT10-2120230F VK6257	031200 968999	1

MISSING ITEM NUMBERS NOT APPLICABLE

- ITEM NOT ILLUSTRATED

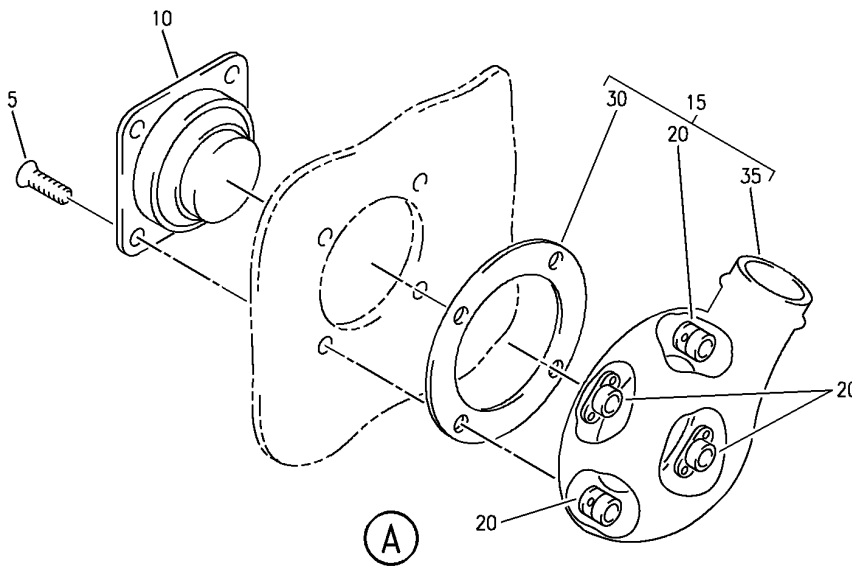
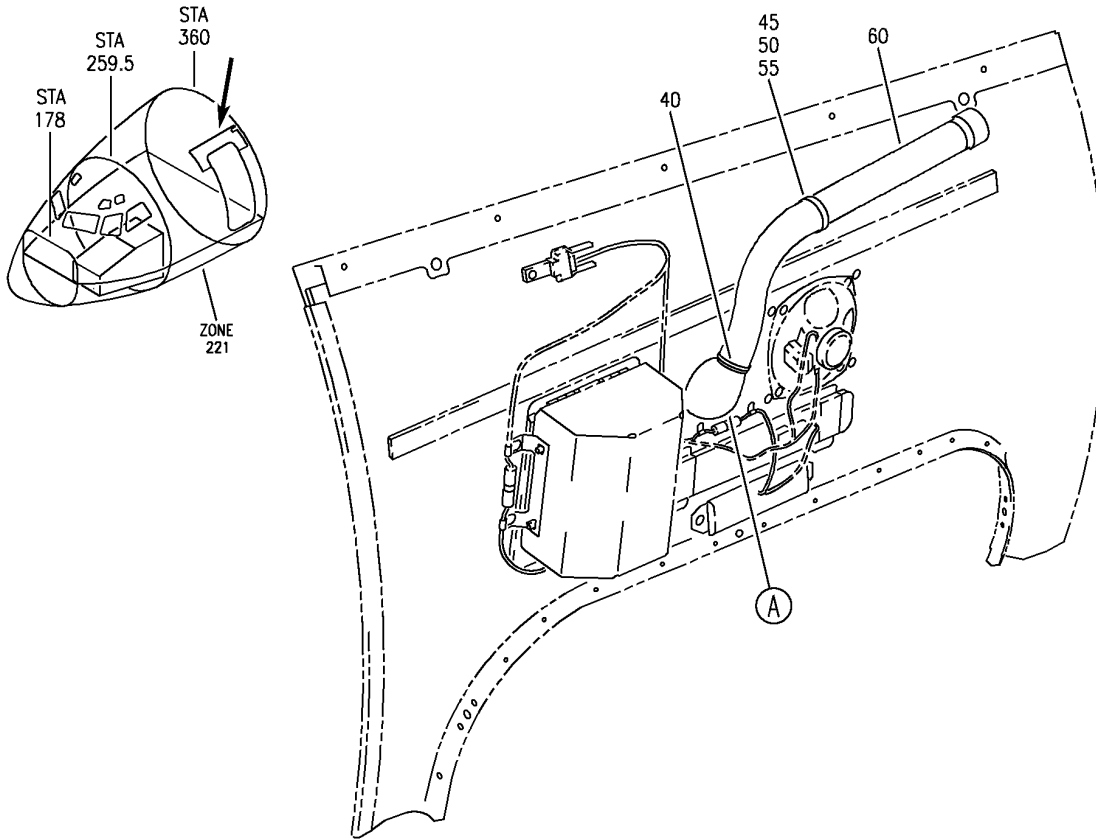
HAP

21-23-54-89D

BOEING PROPRIETARY - Copyright © - Unpublished Work - See title page for details.

21-23-54
FIG. 89D
PAGE 2
OCT 15/08

BOEING
 737-600/700/800/900
 PARTS CATALOG (MAINTENANCE)



E 21235491 REV 125

PANEL ASSY-FWD LH DOORWAY LINING (AIR CONDITIONING ONLY)
 FIGURE 91

21-23-54-91

HAP
 FEB 10/07

21-23-54-91
 PAGE 0

BOEING
737-600/700/800/900
PARTS CATALOG (MAINTENANCE)

FIG ITEM	PART NUMBER	1 2 3 4 5 6 7	NOMENCLATURE	EFFECT FROM TO	UNITS PER ASSY
91			PANEL ASSY-FWD LH DOORWAY LINING (AIR CONDITIONING ONLY)	028030	
- 1	411A2211-69SP		PANEL ASSY-DOORWAY LINING (AIR CONDITIONING ONLY) POSITION DATA: FWD LH FOR NHA/OTHER SYS DET SEE: 25-21-30-91	028030	RF
5	NAS514P832-12	.	SCREW	028030	4
10	1292-3	.	OUTLET- SUPPLIER CODE: VOACH0 SPECIFICATION NUMBER: S214W001-3B	028030	1
15	214A2401-1	.	PLENUM ASSY	028030	1
20	BACN10JP08ACD	..	NUTPLATE ATTACHING PARTS	028030	4
- 25	BACR15BA3AD4C	..	RIVET- OPTIONAL PART: BACR15DR3-4	028030	8
- 25	AF5171-3-4	..	RIVET- SUPPLIER CODE: V53551 SPECIFICATION NUMBER: BACR15DR3-4 OPTIONAL PART: RV571A3-4 V98996 CCR264SS3-4 V11815 BACR15BA3AD4C -----*-----	028030	8
30	69-73123-7	..	GASKET	028030	1
35	214A2401-2	..	PLENUM	028030	1
40	NAS1922-0175-3	.	CLAMP	028030	1
45	PLT3SM	.	STRAP SUPPLIER CODE: V06383 SPECIFICATION NUMBER: BACS38K7 OPTIONAL PART: T0510 V53421	028030	1
50	NAS8203A4	.	SCREW	028030	1
55	STBP19M12	.	PLATE- SUPPLIER CODE: V1B249	028030	1

MISSING ITEM NUMBERS NOT APPLICABLE

- ITEM NOT ILLUSTRATED

HAP

21-23-54-91

BOEING PROPRIETARY - Copyright © - Unpublished Work - See title page for details.

21-23-54
FIG. 91
PAGE 1
OCT 10/07


BOEING
 737-600/700/800/900
PARTS CATALOG (MAINTENANCE)

FIG ITEM	PART NUMBER	1 2 3 4 5 6 7	NOMENCLATURE	EFFECT FROM TO	UNITS PER ASSY
91					
60	BOE240312009205	.HOSE-FLEX		028030	1
		OPTIONAL PART:			
		BWT10-2120230F			
		VK6257			
60	BWT10-2120230F	.HOSE-		028030	1
		SUPPLIER CODE:			
		VK6257			
		OPTIONAL PART:			
		BOE240312009205			

MISSING ITEM NUMBERS NOT APPLICABLE

— ITEM NOT ILLUSTRATED

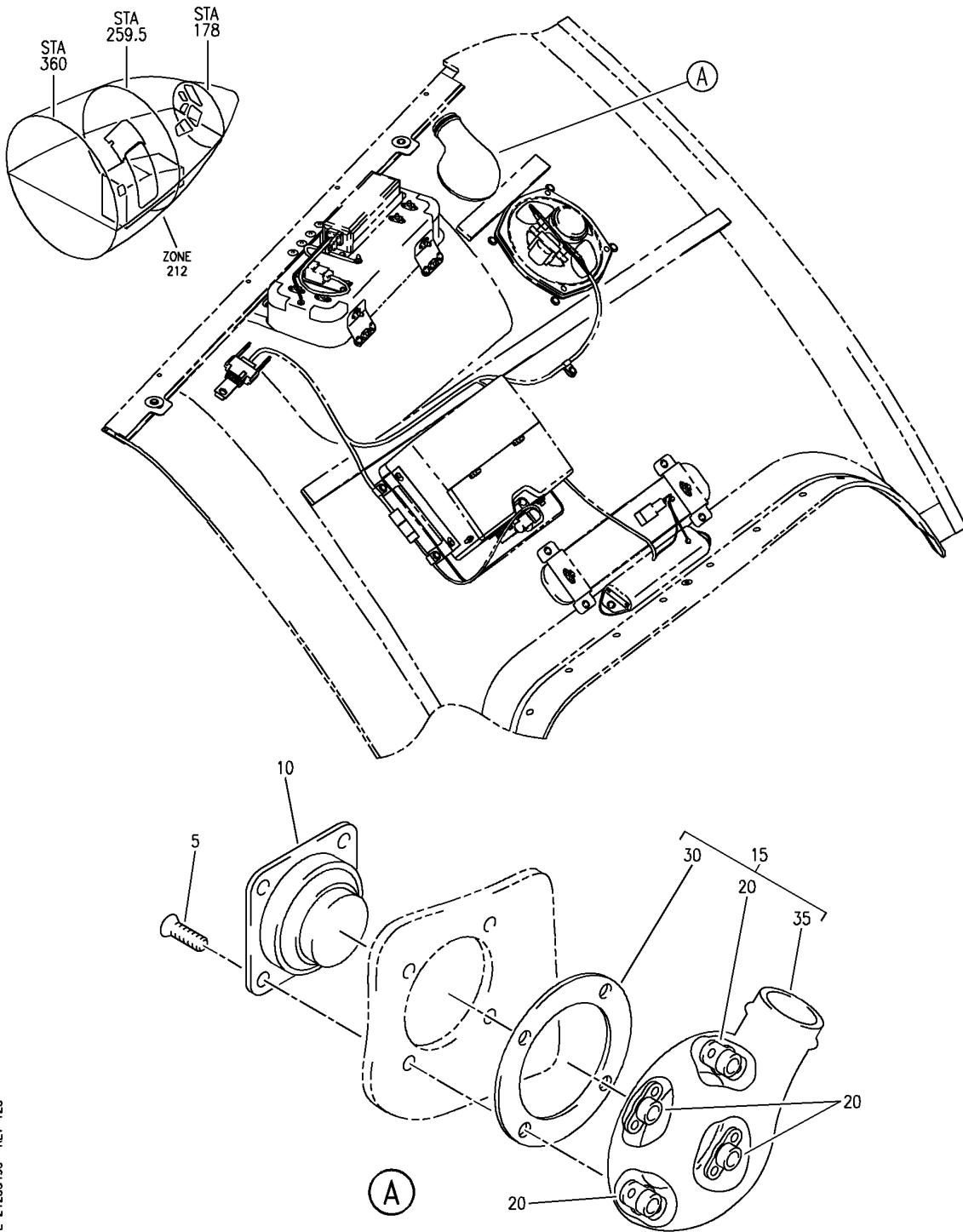
HAP

21-23-54-91

BOEING PROPRIETARY - Copyright © - Unpublished Work - See title page for details.

21-23-54
 FIG. 91
 PAGE 2
 JUN 10/07

BOEING
 737-600/700/800/900
 PARTS CATALOG (MAINTENANCE)



E 21235493 REV 125

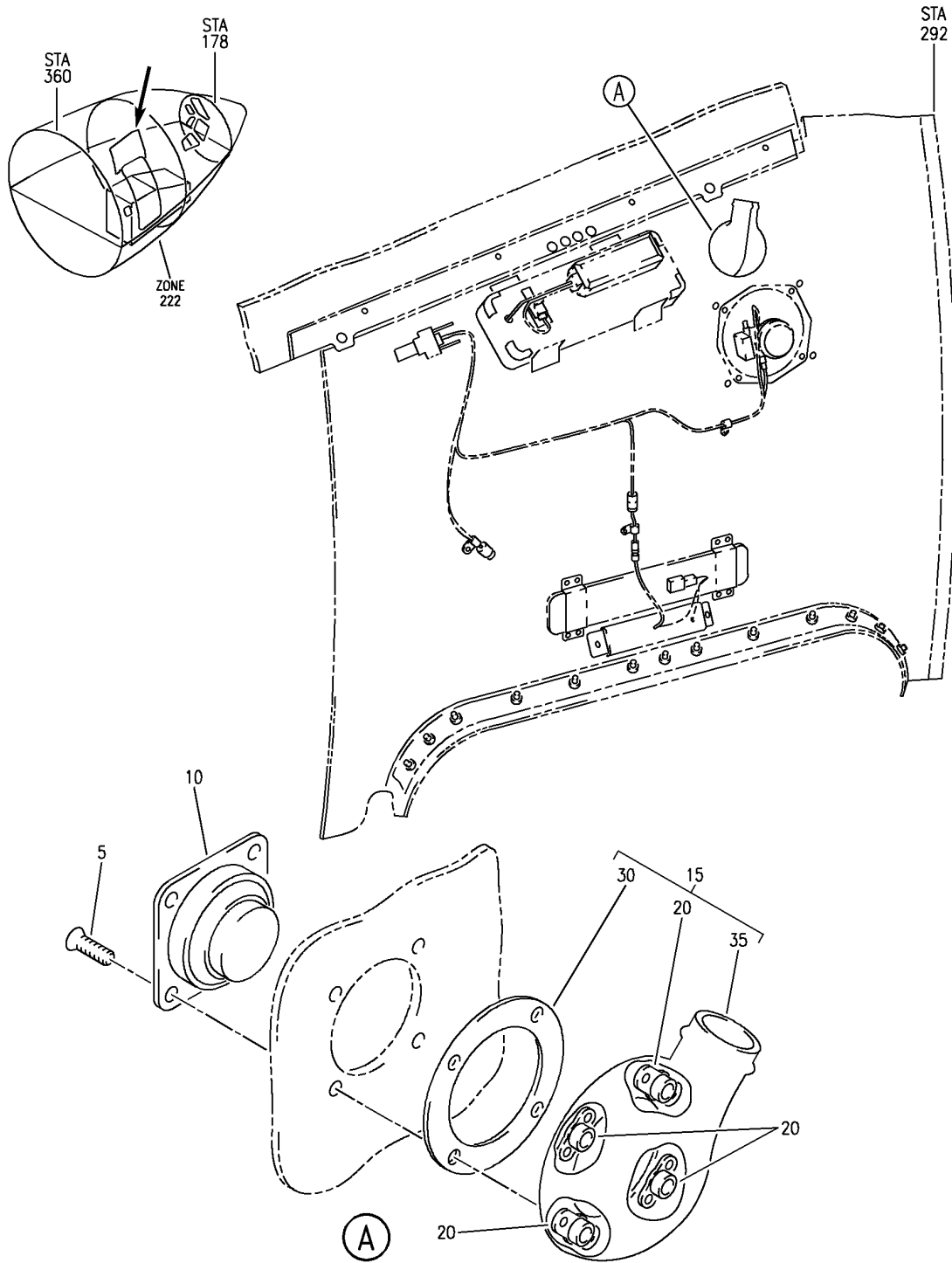
PANEL ASSY-FWD RH DOORWAY LINING (AIR CONDITIONING ONLY)
 FIGURE 93

21-23-54-93

HAP
 FEB 10/07

21-23-54-93
 PAGE 0

BOEING
737-600/700/800/900
PARTS CATALOG (MAINTENANCE)



E 21235493A REV 125

PANEL ASSY-FWD RH DOORWAY LINING (AIR CONDITIONING ONLY)
FIGURE 93A

21-23-54-93A

HAP
FEB 10/07

21-23-54-93A
PAGE 0

BOEING
737-600/700/800/900
PARTS CATALOG (MAINTENANCE)

FIG ITEM	PART NUMBER	1 2 3 4 5 6 7	NOMENCLATURE	EFFECT FROM TO	UNITS PER ASSY
93A			PANEL ASSY-FWD RH DOORWAY LINING (AIR CONDITIONING ONLY)	037200 968999	
- 1	411A2212-76SP		PANEL ASSY-DOORWAY LINING (AIR CONDITIONING ONLY) POSITION DATA: FWD RH FOR NHA/OTHER SYS DET SEE: 25-21-34-93A	037200 968999	RF
5	NAS514P832-12		.SCREW	037200 968999	4
10	1292-3		.OUTLET- SUPPLIER CODE: VOACH0 SPECIFICATION NUMBER: S214W001-3B	037200 968999	1
15	214A2401-1		.PLENUM ASSY	037200 968999	1
20	BACN10JP08ACD		..NUTPLATE	037200 968999	4
- 25	BACR15BA3AD4C		ATTACHING PARTS ..RIVET- OPTIONAL PART: BACR15DR3-4	037200 968999	8
- 25	AF5171-3-4		..RIVET- SUPPLIER CODE: V53551 SPECIFICATION NUMBER: BACR15DR3-4 OPTIONAL PART: RV571A3-4 V98996 CCR264SS3-4 V11815 BACR15BA3AD4C -----*-----	037200 968999	8
30	69-73123-7		..GASKET	037200 968999	1
35	214A2401-2		..PLENUM	037200 968999	1

MISSING ITEM NUMBERS NOT APPLICABLE

- ITEM NOT ILLUSTRATED

HAP

21-23-54-93A

BOEING PROPRIETARY - Copyright © - Unpublished Work - See title page for details.

21-23-54
FIG. 93A
PAGE 1
OCT 15/08