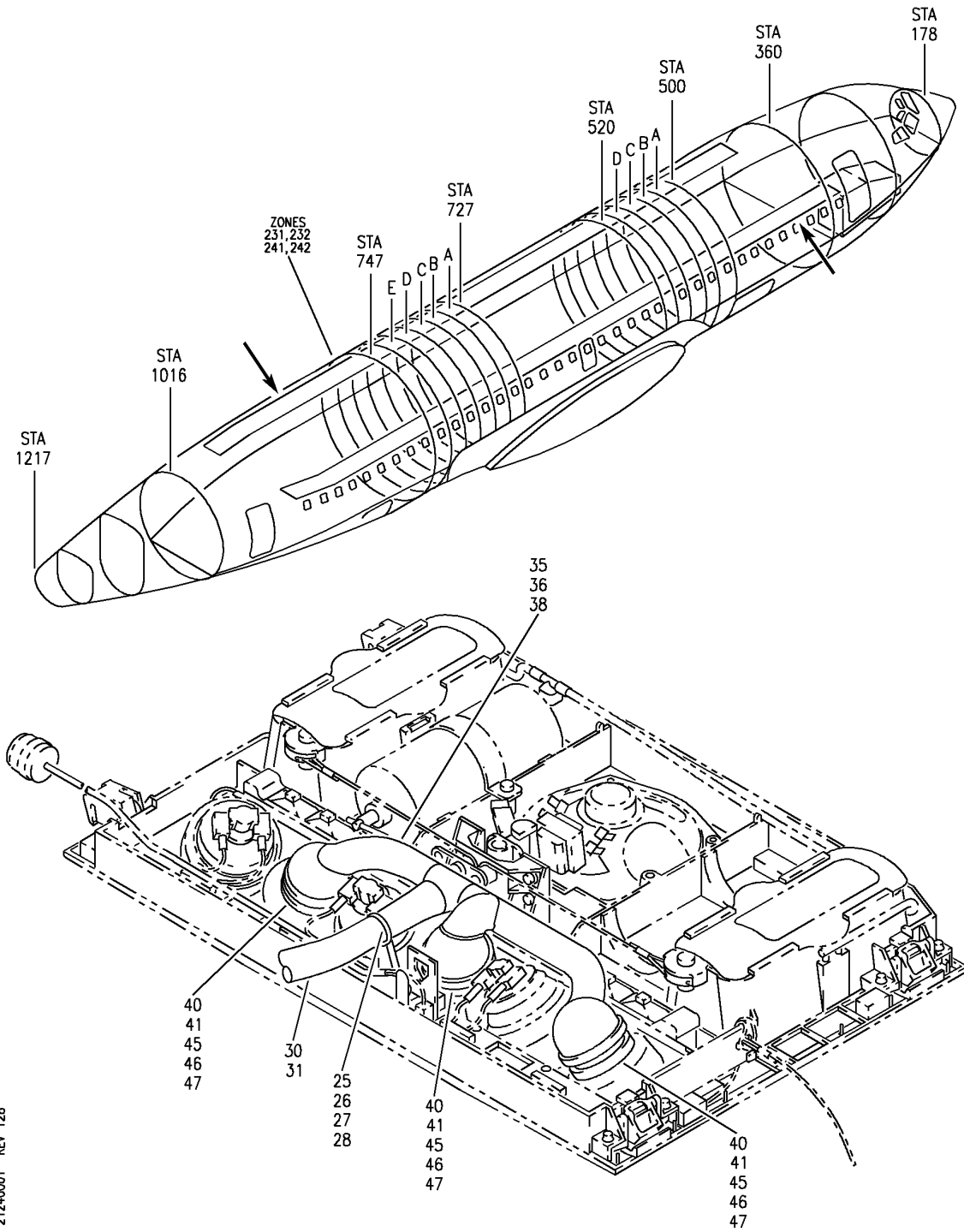


GASPER AIR DISTRIBUTION

HAP
OCT 10/06

21-24-00
SECTION TITLE
PAGE 1

BOEING
737-600/700/800/900
PARTS CATALOG (MAINTENANCE)



E 21240001 REV 128

SERVICE UNIT ASSY-WITH SPKR AND GASPER PASS. (AIR CONDITIONING ONLY)
 FIGURE 1

21-24-00-01

HAP
 OCT 15/08

21-24-00-01
 PAGE 0

BOEING
737-600/700/800/900
PARTS CATALOG (MAINTENANCE)

FIG ITEM	PART NUMBER	1 2 3 4 5 6 7	NOMENCLATURE	EFFECT FROM TO	UNITS PER ASSY
1			SERVICE UNIT ASSY-WITH SPKR AND GASPER PASS. (AIR CONDITIONING ONLY)	201967	
- 5	417N3011-201A		SERVICE UNIT ASSY-WITH SPKR AND GASPER PASS. (AIR CONDITIONING ONLY) POSITION DATA: LH ELECTRICAL EQUIP NUMBER: M10973 COMPONENT MAINT MANUAL REF: 25-23-38 FOR NHA/OTHER SYS DET SEE: 25-23-61-29	201967	RF
- 5	417N3011-401B		SERVICE UNIT ASSY-WITH 2K SPKR AND GASPER PASS. (AIR CONDITIONING ONLY) POSITION DATA: LH ELECTRICAL EQUIP NUMBER: M10973 COMPONENT MAINT MANUAL REF: 25-23-38 FOR NHA/OTHER SYS DET SEE: 25-23-61-29	201967	RF
- 10	417N3011-402SP		SERVICE UNIT ASSY-WITH 2K SPKR AND GASPER PASS. (AIR CONDITIONING ONLY) POSITION DATA: RH ELECTRICAL EQUIP NUMBER: M10973 COMPONENT MAINT MANUAL REF: 25-23-38 QUALIFIED I/W DATA: COLOR SUBJECT TO CUSTOMER PREFERENCE	201967	RF

MISSING ITEM NUMBERS NOT APPLICABLE

- ITEM NOT ILLUSTRATED

HAP

21-24-00-01

BOEING PROPRIETARY - Copyright © - Unpublished Work - See title page for details.

21-24-00
FIG. 01
PAGE 1
OCT 15/08

BOEING
737-600/700/800/900
PARTS CATALOG (MAINTENANCE)

FIG ITEM	PART NUMBER	1 2 3 4 5 6 7	NOMENCLATURE	EFFECT FROM TO	UNITS PER ASSY
1 - 10	417N3011-202SP		SERVICE UNIT ASSY-WITH SPKR AND GASPER PASS. (AIR CONDITIONING ONLY) POSITION DATA: RH ELECTRICAL EQUIP NUMBER: M10973 COMPONENT MAINT MANUAL REF: 25-23-38 QUALIFIED I/W DATA: COLOR SUBJECT TO CUSTOMER PREFERENCE FOR NHA/OTHER SYS DET SEE: 25-23-61-29	201967	RF
	25 PLT2MM		.STRAP- SUPPLIER CODE: V06383 OPTIONAL PART: PLT2MM2 V06383	201967	1
	25 PLT2MM2		.STRAP- SUPPLIER CODE: V06383 OPTIONAL PART: PLT2MM V06383	201967	1
	31 BACD40P3A160		.DUCT	201967	1
	36 417N3103-3		.MANIFOLD ASSY-UNDERBIN GASPER AIR	201967	1
	38 417N3103-4		..MANIFOLD	201967	1
	46 3740-11		.OUTLET-AIR SUPPLIER CODE: VOACHO SPECIFICATION NUMBER: 10-60141-26E OPTIONAL PART: 10-60141-23Y	201967	3
	46 10-60141-23Y		.OUTLET-AIR OPTIONAL PART: 3740-11 VOACHO	201967	3
- 55	3743-60		..NUT- SUPPLIER CODE: VOACHO	201967	1

MISSING ITEM NUMBERS NOT APPLICABLE

- ITEM NOT ILLUSTRATED

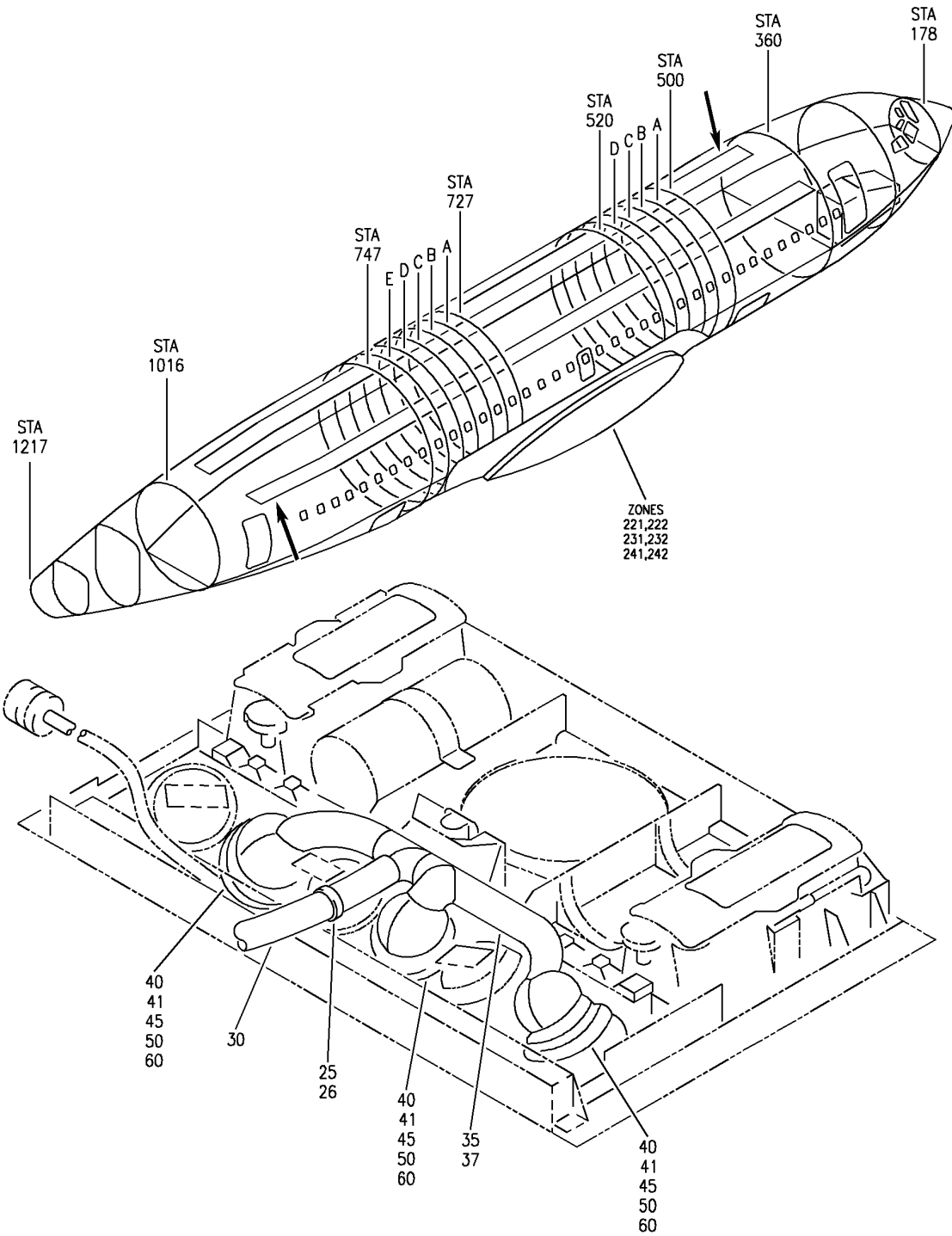
HAP

21-24-00-01

BOEING PROPRIETARY - Copyright © - Unpublished Work - See title page for details.

21-24-00
FIG. 01
PAGE 2
OCT 15/08

BOEING
737-600/700/800/900
PARTS CATALOG (MAINTENANCE)



E 21240001A REV 127

SERVICE UNIT ASSY-PASS. NO SPKR WITH GASPER (AIR CONDITIONING ONLY)
 FIGURE 1A

21-24-00-01A

HAP
 OCT 15/08

21-24-00-01A
 PAGE 0

BOEING
737-600/700/800/900
PARTS CATALOG (MAINTENANCE)

FIG ITEM	PART NUMBER	1 2 3 4 5 6 7	NOMENCLATURE	EFFECT FROM TO	UNITS PER ASSY
1 A			SERVICE UNIT ASSY-PASS. NO SPKR WITH GASPER (AIR CONDITIONING ONLY)	201967	
- 1	417N3011-213SP		SERVICE UNIT ASSY-PASS. NO SPKR WITH GASPER (AIR CONDITIONING ONLY) POSITION DATA: LH MISCELLANEOUS DATA: REMOVED FOR 132 MC CONFIGURATION ELECTRICAL EQUIP NUMBER: M10973 COMPONENT MAINT MANUAL REF: 25-23-38 QUALIFIED I/W DATA: COLOR SUBJECT TO CUSTOMER PREFERENCE REFERENCE AIRLINE MOD: EOC 124591-03 VDLH FOR NHA/OTHER SYS DET SEE: 25-23-61-29	201967	RF
- 1	417N3011-413SP		SERVICE UNIT ASSY-PASS. NO SPKR WITH GASPER (AIR CONDITIONING ONLY) POSITION DATA: LH ELECTRICAL EQUIP NUMBER: M10973 COMPONENT MAINT MANUAL REF: 25-23-38 QUALIFIED I/W DATA: COLOR SUBJECT TO CUSTOMER PREFERENCE	201967	RF

MISSING ITEM NUMBERS NOT APPLICABLE

- ITEM NOT ILLUSTRATED

HAP

21-24-00-01A

BOEING PROPRIETARY - Copyright © - Unpublished Work - See title page for details.

21-24-00
FIG. 01A
PAGE 1
OCT 15/08

 **BOEING**
737-600/700/800/900
PARTS CATALOG (MAINTENANCE)

FIG ITEM	PART NUMBER	1 2 3 4 5 6 7	NOMENCLATURE	EFFECT FROM TO	UNITS PER ASSY
1A - 10	417N3011-214SP		SERVICE UNIT ASSY-PASS. NO SPKR WITH GASPER (AIR CONDITIONING ONLY) POSITION DATA: RH MISCELLANEOUS DATA: REMOVED FOR 132 MC CONFIGURATION ELECTRICAL EQUIP NUMBER: M10973 COMPONENT MAINT MANUAL REF: 25-23-38 REFERENCE AIRLINE MOD: EOC 124591-03 VDLH FOR NHA/OTHER SYS DET SEE: 25-23-61-29	201967	RF
- 10	417N3011-314SP		SERVICE UNIT ASSY-PASS. NO SPKR WITH GASPER (AIR CONDITIONING ONLY) POSITION DATA: RH ELECTRICAL EQUIP NUMBER: M10973 COMPONENT MAINT MANUAL REF: 25-23-38 FOR NHA/OTHER SYS DET SEE: 25-23-61-29	201967	RF
- 10	417N3011-414SP		SERVICE UNIT ASSY-PASS. NO SPKR WITH GASPER (AIR CONDITIONING ONLY) POSITION DATA: RH ELECTRICAL EQUIP NUMBER: M10973 COMPONENT MAINT MANUAL REF: 25-23-38	201967	RF
25	PLT2MM2		.STRAP- SUPPLIER CODE: V06383 OPTIONAL PART: PLT2MM V06383	201967	1
25	PLT2MM		.STRAP- SUPPLIER CODE: V06383 OPTIONAL PART: PLT2MM2 V06383	201967	1

MISSING ITEM NUMBERS NOT APPLICABLE

- ITEM NOT ILLUSTRATED

HAP

21-24-00-01A

BOEING PROPRIETARY - Copyright © - Unpublished Work - See title page for details.

21-24-00
FIG. 01A
PAGE 2
OCT 15/08

BOEING
737-600/700/800/900
PARTS CATALOG (MAINTENANCE)

FIG ITEM	PART NUMBER	1 2 3 4 5 6 7	NOMENCLATURE	EFFECT FROM TO	UNITS PER ASSY
1 A					
30	BACD40P3A160	.	DUCT	201967	1
35	417N3103-3	.	MANIFOLD ASSY-GASPER AIR UNDERBIN	201967	1
37	417N3103-4	..	MANIFOLD	201967	1
41	3740-11	.	OUTLET-AIR	201967	3
			SUPPLIER CODE: VOACHO		
			SPECIFICATION NUMBER: 10-60141-26E		
			OPTIONAL PART: 10-60141-23Y		
41	10-60141-23Y	.	OUTLET-AIR	201967	3
			OPTIONAL PART: 3740-11		
			VOACHO		
- 65	3743-60	..	NUT-	201967	1
			SUPPLIER CODE: VOACHO		

MISSING ITEM NUMBERS NOT APPLICABLE

- ITEM NOT ILLUSTRATED

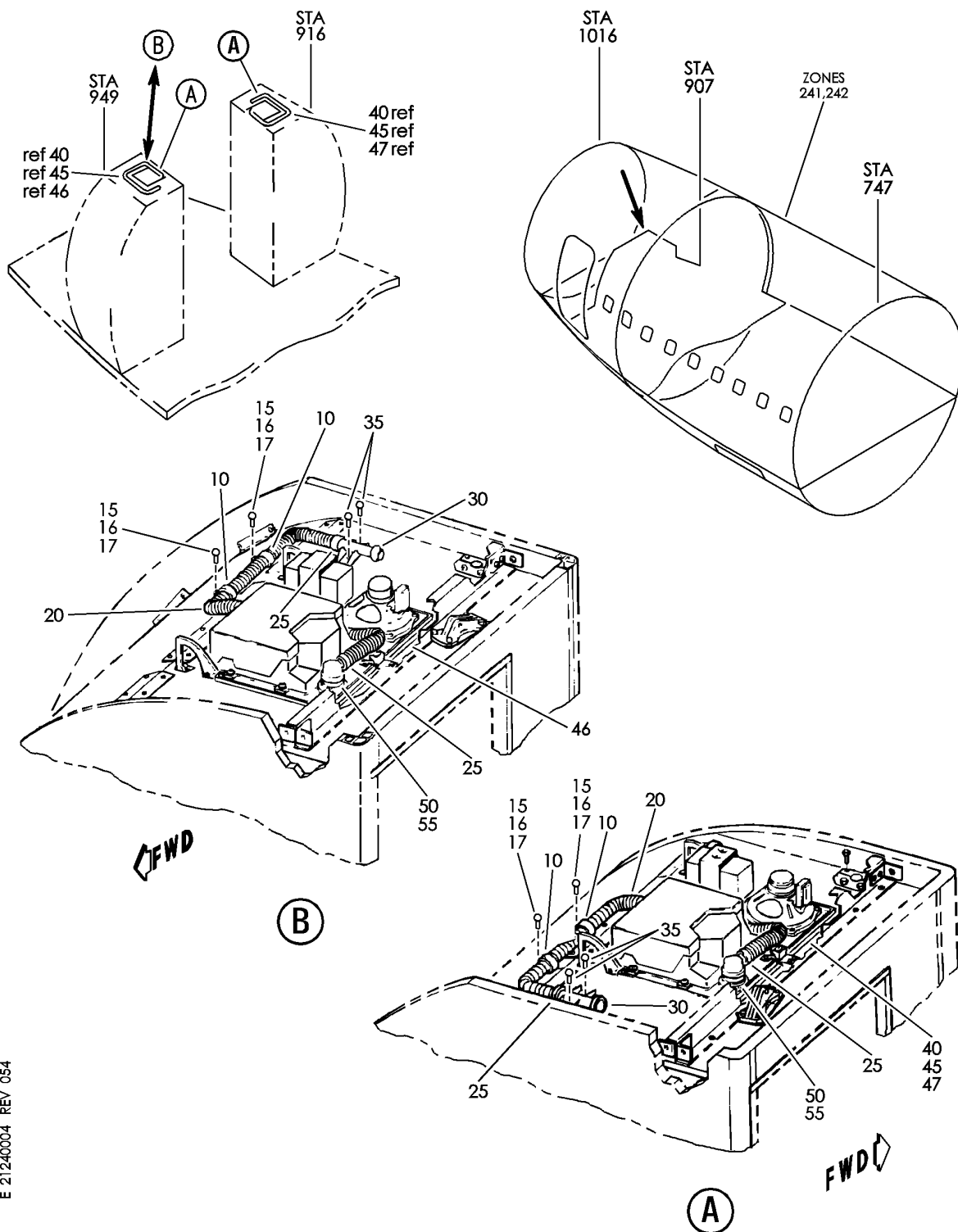
HAP

21-24-00-01A

BOEING PROPRIETARY - Copyright © - Unpublished Work - See title page for details.

21-24-00
FIG. 01A
PAGE 3
OCT 15/08

BOEING
 737-600/700/800/900
 PARTS CATALOG (MAINTENANCE)



E 21240004 REV 054

STRUCTURE INSTL-LAV D AND E (AIR CONDITIONING ONLY)
 FIGURE 4

21-24-00-04

HAP
 OCT 10/06

21-24-00-04
 PAGE 0

BOEING
737-600/700/800/900
PARTS CATALOG (MAINTENANCE)

FIG ITEM	PART NUMBER	1 2 3 4 5 6 7	NOMENCLATURE	EFFECT FROM TO	UNITS PER ASSY
4			STRUCTURE INSTL-LAV D AND E (AIR CONDITIONING ONLY)	001005 008030 201967	
- 1	25-44-23-003RF		STRUCTURE INSTL-LAV D (AIR CONDITIONING ONLY) SUPPLIER CODE: VU3384 FOR NHA/OTHER SYS DET SEE: 25-40-01-51	001005	RF
- 1	25-45-07-043RF		STRUCTURE INSTL-LAV D (AIR CONDITIONING ONLY) SUPPLIER CODE: VU3384 FOR NHA/OTHER SYS DET SEE: 25-40-01-59	008013	RF
- 5	25-44-24-003RF		STRUCTURE INSTL-LAV E (AIR CONDITIONING ONLY) SUPPLIER CODE: VU3384 FOR NHA/OTHER SYS DET SEE: 25-40-01-51	001005	RF
- 5	25-45-12-043RF		STRUCTURE INSTL-LAV E (AIR CONDITIONING ONLY) SUPPLIER CODE: VU3384 FOR NHA/OTHER SYS DET SEE: 25-40-01-57B	008030	RF
- 5	25-45-12-054RF		STRUCTURE INSTL-LAV E (AIR CONDITIONING ONLY) SUPPLIER CODE: VU3384 FOR NHA/OTHER SYS DET SEE: 25-40-01-57B	201967	RF
10	BACC10DK13		.CLAMP	001005 008013	2
10	BACC10DK13		.CLAMP	014030 201967	2
15	AN3-4A		ATTACHING PARTS .BOLT-	001005 008013	2
15	AN3-4A		.BOLT-	014030 201967	2
20	RGS3123B		-----*----- .PIPE-FLEXIBLE SUPPLIER CODE: VU3384	001005 008013	1
20	RGS3123B		.PIPE-FLEXIBLE SUPPLIER CODE: VU3384	014030 201967	1

MISSING ITEM NUMBERS NOT APPLICABLE

- ITEM NOT ILLUSTRATED

HAP

21-24-00-04

21-24-00
FIG. 04
PAGE 1
OCT 15/08

BOEING
737-600/700/800/900
PARTS CATALOG (MAINTENANCE)

FIG ITEM	PART NUMBER	1 2 3 4 5 6 7	NOMENCLATURE	EFFECT FROM TO	UNITS PER ASSY
4					
25	BAS243N00	.CLIP-	SUPPLIER CODE: VU1901	001005 008013	2
25	BAS243N00	.CLIP-	SUPPLIER CODE: VU1901	014030 201967	2
30	C22102-501-001	.FITTING-PIPE	SUPPLIER CODE: VU3384	001005 008013	1
30	C22102-501-001	.FITTING-PIPE	SUPPLIER CODE: VU3384	014030 201967	1
35	A102-1-2C	.BOLT	ATTACHING PARTS	001005 008013	2
35	A102-1-2C	.BOLT		014030 201967	2
40	C22502-571-313	.SERVICE UNIT ASSY-PASS. LAV D AND E	SUPPLIER CODE: VU3384	001005	RF
40	C22502-571-313	.SERVICE UNIT ASSY-PASS. LAV D AND E	SUPPLIER CODE: VU3384	008013	RF
50	750801-007	..OUTLET-GASPER AIR	SUPPLIER CODE: V28406 SPECIFICATION NUMBER: 10-60141-11A OPTIONAL PART: 1707-11A V83564 L16998-11A V17744	014030 201967	1
55	750801-007	..OUTLET-GASPER AIR	SUPPLIER CODE: V28406 SPECIFICATION NUMBER: 10-60141-11A OPTIONAL PART: 1707-11A V83564 L16998-11A V17744	001005 008013	1

MISSING ITEM NUMBERS NOT APPLICABLE

— ITEM NOT ILLUSTRATED

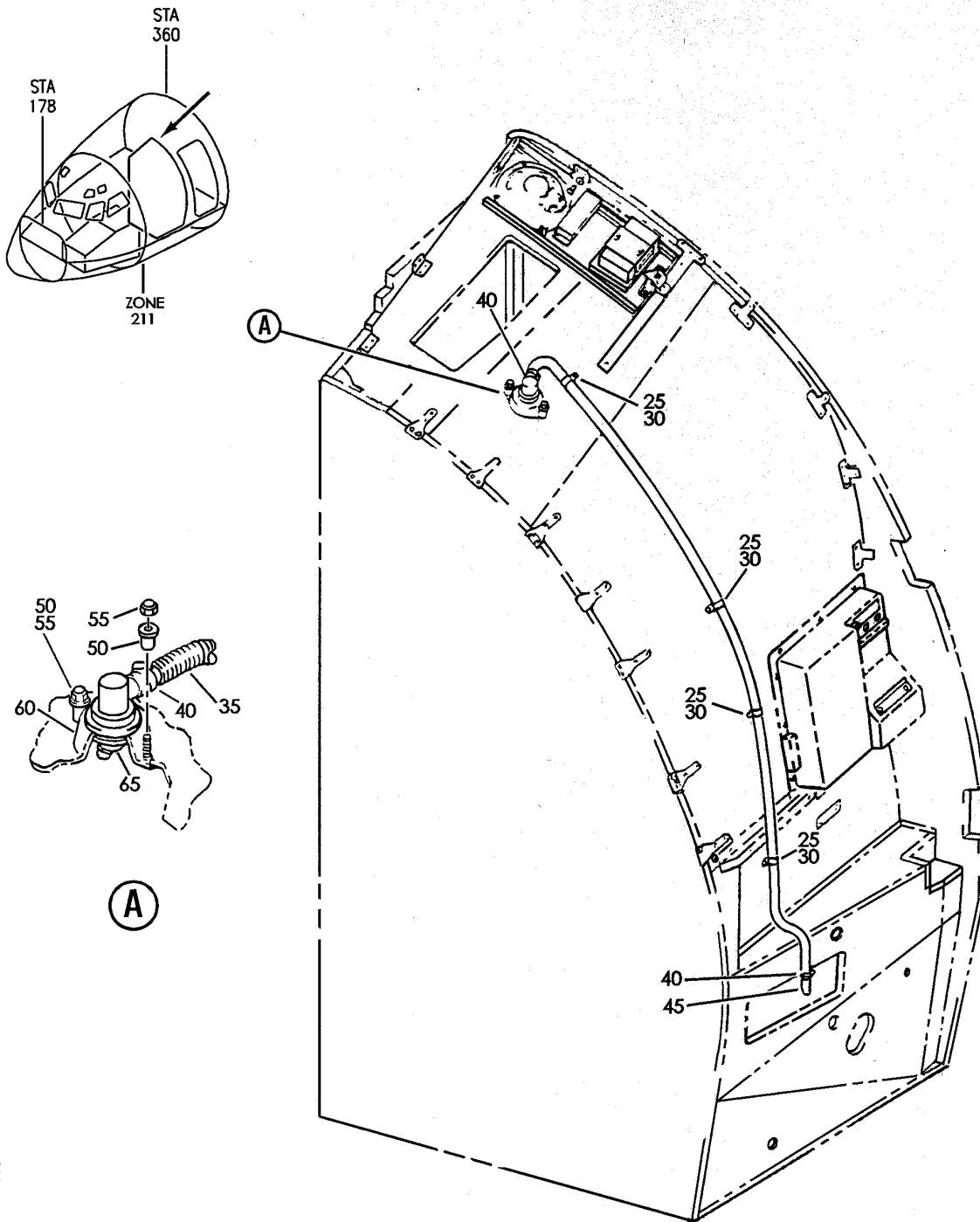
HAP

21-24-00-04

BOEING PROPRIETARY - Copyright © - Unpublished Work - See title page for details.

21-24-00
FIG. 04
PAGE 2
OCT 15/08

BOEING
 737-600/700/800/900
 PARTS CATALOG (MAINTENANCE)



E 21240005 REV 030

STRUCTURE INSTL-LAV A (AIR CONDITIONING ONLY)
 FIGURE 5

21-24-00-05

HAP
 OCT 10/06

21-24-00-05
 PAGE 0

BOEING
737-600/700/800/900
PARTS CATALOG (MAINTENANCE)

FIG ITEM	PART NUMBER	1 2 3 4 5 6 7	NOMENCLATURE	EFFECT FROM TO	UNITS PER ASSY
5			STRUCTURE INSTL-LAV A (AIR CONDITIONING ONLY)	001001	
- 1	25-44-22-003RF		STRUCTURE INSTL-LAV A (AIR CONDITIONING ONLY) SUPPLIER CODE: VU3384 OPTIONAL PART: 25-44-22-009RF VU3384 FOR NHA/OTHER SYS DET SEE: 25-40-01-56	001001	RF
- 4	25-44-22-009RF		STRUCTURE INSTL-LAV A (AIR CONDITIONING ONLY) SUPPLIER CODE: VU3384 OPTIONAL PART: 25-44-22-003RF VU3384 FOR NHA/OTHER SYS DET SEE: 25-40-01-56	001001	RF
25	BACC10DK13		.CLAMP	001001	4
30	MS27039-1-07		.SCREW	001001	4
35	RGS3123A		-----*----- .PIPE-FLEXIBLE	001001	1
			SUPPLIER CODE: VU3384		
40	BAS243N00		.CLIP-HOSE	001001	2
			SUPPLIER CODE: VU1901		
45	C22102-501-101		.FITTING-PIPE	001001	1
			SUPPLIER CODE: VU3384		
50	C22102-399-101		.SPACER-	001001	2
			SUPPLIER CODE: VU3384		
55	M4		.NUT-	001001	2
			SUPPLIER CODE: VK4060		
60	C22102-397-301		.ESCUTCHEON-GASPER	001001	1
			SUPPLIER CODE: VU3384		

MISSING ITEM NUMBERS NOT APPLICABLE

- ITEM NOT ILLUSTRATED

HAP

21-24-00-05

BOEING PROPRIETARY - Copyright © - Unpublished Work - See title page for details.

21-24-00
FIG. 05
PAGE 1
OCT 10/06


BOEING
 737-600/700/800/900
PARTS CATALOG (MAINTENANCE)

FIG ITEM	PART NUMBER	1 2 3 4 5 6 7 NOMENCLATURE	EFFECT FROM TO	UNITS PER ASSY
5 65	750801-007	.OUTLET-GASPER SUPPLIER CODE: V28406 SPECIFICATION NUMBER: 10-60141-11A OPTIONAL PART: 1707-11A V83564 L16998-11A V17744	001001	1

MISSING ITEM NUMBERS NOT APPLICABLE

— ITEM NOT ILLUSTRATED

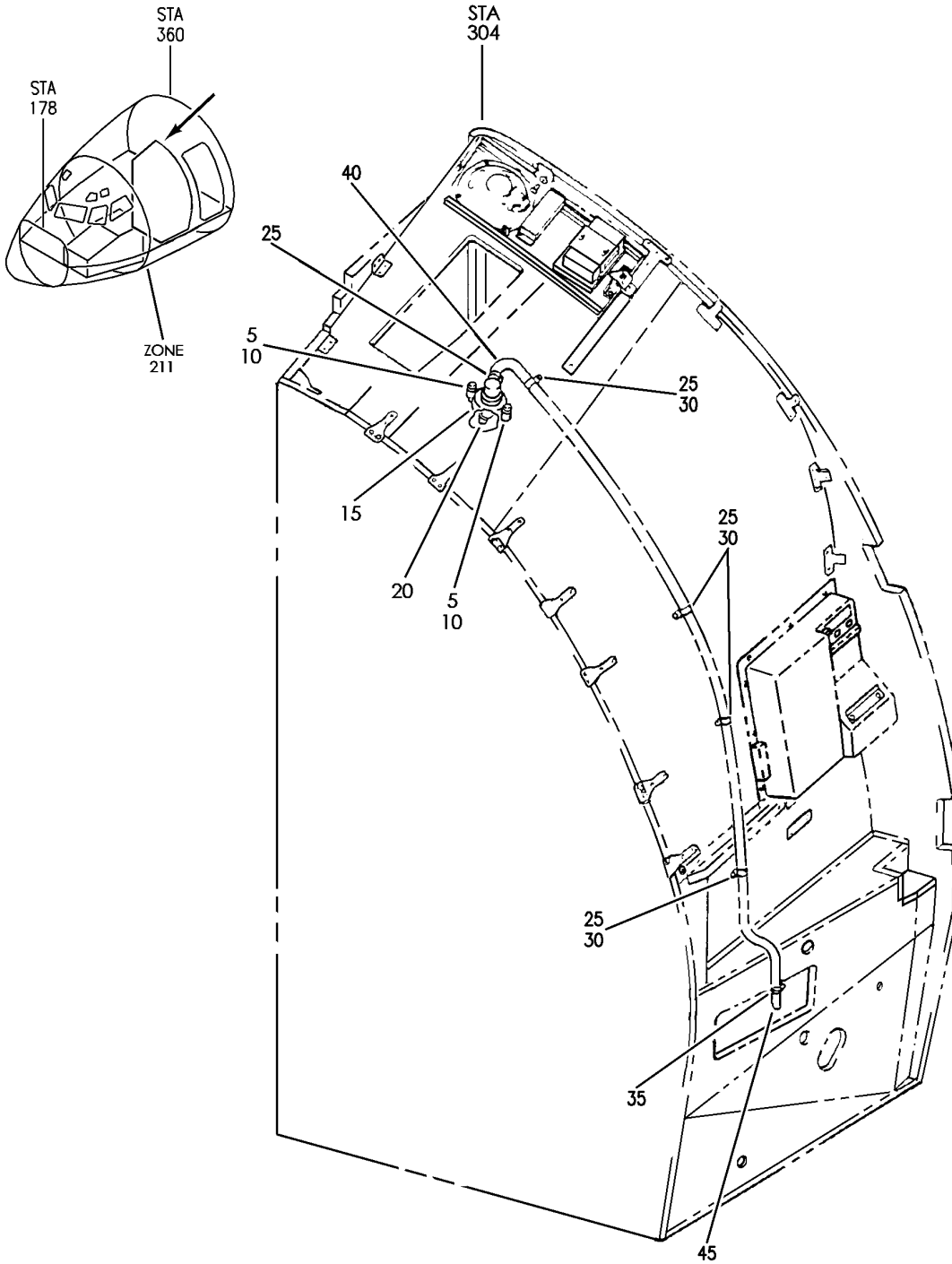
HAP

21-24-00-05

BOEING PROPRIETARY - Copyright © - Unpublished Work - See title page for details.

21-24-00
 FIG. 05
 PAGE 2
 OCT 10/06

BOEING
 737-600/700/800/900
 PARTS CATALOG (MAINTENANCE)



E 21240007 REV 045

STRUCTURE INSTL-LAV A (AIR CONDITIONING ONLY)
 FIGURE 7

21-24-00-07

HAP
 OCT 10/06

21-24-00-07
 PAGE 0

BOEING
737-600/700/800/900
PARTS CATALOG (MAINTENANCE)

FIG ITEM	PART NUMBER	1 2 3 4 5 6 7	NOMENCLATURE	EFFECT FROM TO	UNITS PER ASSY
7			STRUCTURE INSTL-LAV A (AIR CONDITIONING ONLY)	006007	
- 1	25-46-94-003RF		STRUCTURE INSTL-LAV A (AIR CONDITIONING ONLY) SUPPLIER CODE: VU3384 FOR NHA/OTHER SYS DET SEE: 25-40-01-56	006007	RF
5	M4		.NUT-LOCK SUPPLIER CODE: VK4060	006007	2
10	C22102-399-101		.SPACER-GASPER SUPPLIER CODE: VU3384	006007	2
15	C22102-397-301		.ESCUTCHEON-GASPER SUPPLIER CODE: VU3384	006007	1
20	750801-007		.OUTLET-GASPER SUPPLIER CODE: V28406 SPECIFICATION NUMBER: 10-60141-11A OPTIONAL PART: 1707-11A V83564 L16998-11A V17744	006007	1
25	BACC10DK13		.CLAMP ATTACHING PARTS	006007	4
30	MS27039-1-07		.SCREW -----*-----	006007	4
35	BAS243N00		.CLIP-HOSE SUPPLIER CODE: VU1901	006007	2
40	RGS3123A		.PIPE-FLEXIBLE SUPPLIER CODE: VU3384	006007	1
45	C22102-501-101		.FITTING-PIPE SUPPLIER CODE: VU3384	006007	1

MISSING ITEM NUMBERS NOT APPLICABLE

- ITEM NOT ILLUSTRATED

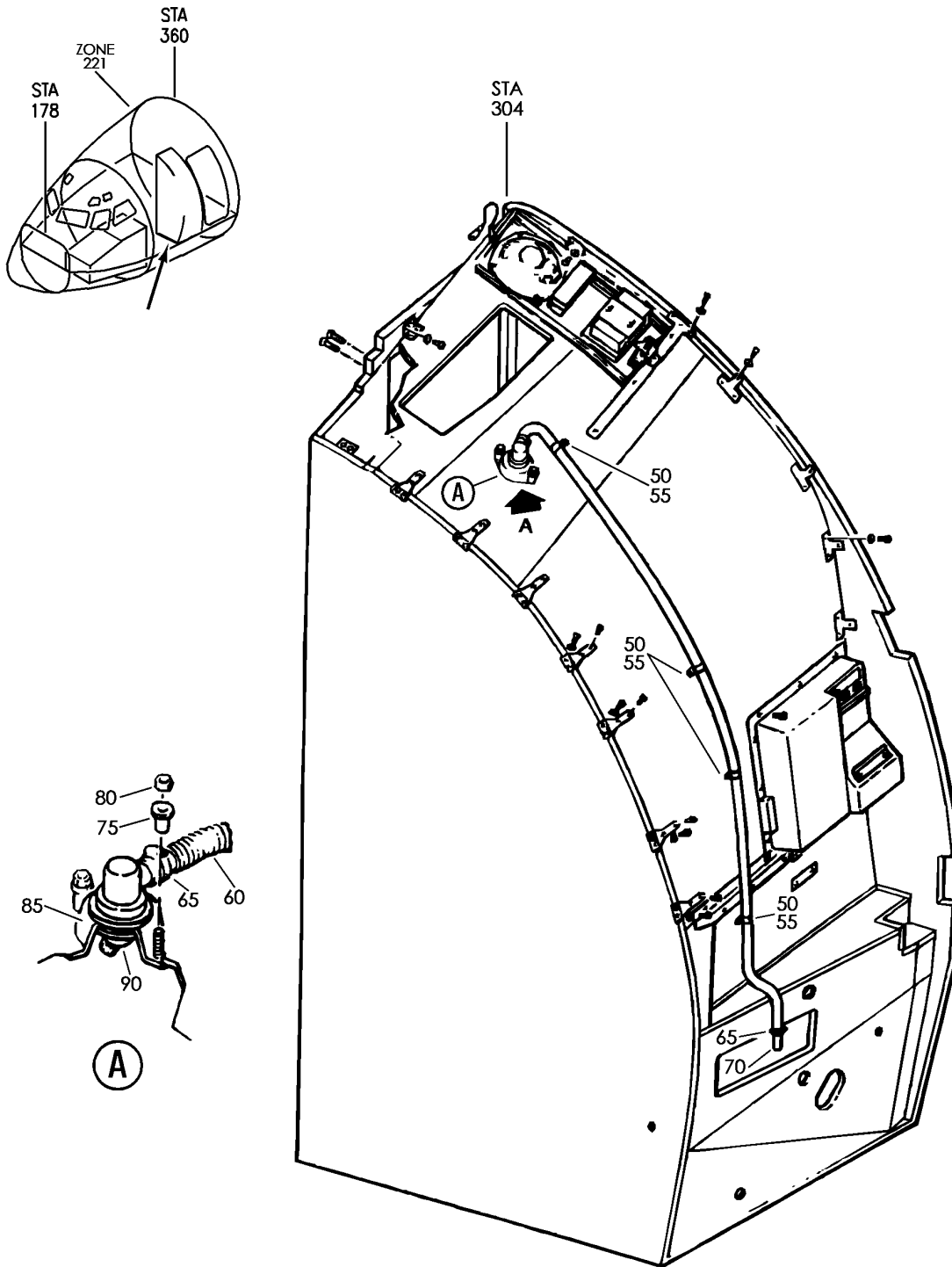
HAP

21-24-00-07

BOEING PROPRIETARY - Copyright © - Unpublished Work - See title page for details.

21-24-00
FIG. 07
PAGE 1
OCT 10/06

BOEING
 737-600/700/800/900
 PARTS CATALOG (MAINTENANCE)



E 21240007A REV 043

STRUCTURE INSTL-LAV A (AIR CONDITIONING ONLY)
 FIGURE 7A

21-24-00-07A

HAP
 OCT 15/08

21-24-00-07A
 PAGE 0

BOEING
737-600/700/800/900
PARTS CATALOG (MAINTENANCE)

FIG ITEM	PART NUMBER	1 2 3 4 5 6 7	NOMENCLATURE	EFFECT FROM TO	UNITS PER ASSY
7A			STRUCTURE INSTL-LAV A (AIR CONDITIONING ONLY)	201967	
- 1	25-45-16-036RF		STRUCTURE INSTL-LAV A (AIR CONDITIONING ONLY) SUPPLIER CODE: VU3384 FOR NHA/OTHER SYS DET SEE: 25-40-01-56A	201967	RF
50	BACC10DK13		.CLAMP ATTACHING PARTS	201967	4
55	MS27039-1-07		.SCREW -----*-----	201967	4
60	RGS3123A		.PIPE-FLEXIBLE SUPPLIER CODE: VU3384	201967	1
65	BAS243N00		.CLIP-HOSE SUPPLIER CODE: VU1901	201967	2
70	C22102-501-101		.FITTING-PIPE SUPPLIER CODE: VU3384	201967	1
75	C22102-399-101		.SPACER-GASPER SUPPLIER CODE: VU3384	201967	2
80	M4		.NUT- SUPPLIER CODE: VK4060	201967	2
85	C22102-397-301		.ESCUTCHEON-GASPER SUPPLIER CODE: VU3384	201967	1
90	750801-007		.OUTLET-GASPER SUPPLIER CODE: V28406 SPECIFICATION NUMBER: 10-60141-11A OPTIONAL PART: 1707-11A V83564 L16998-11A V17744	201967	1

MISSING ITEM NUMBERS NOT APPLICABLE

- ITEM NOT ILLUSTRATED

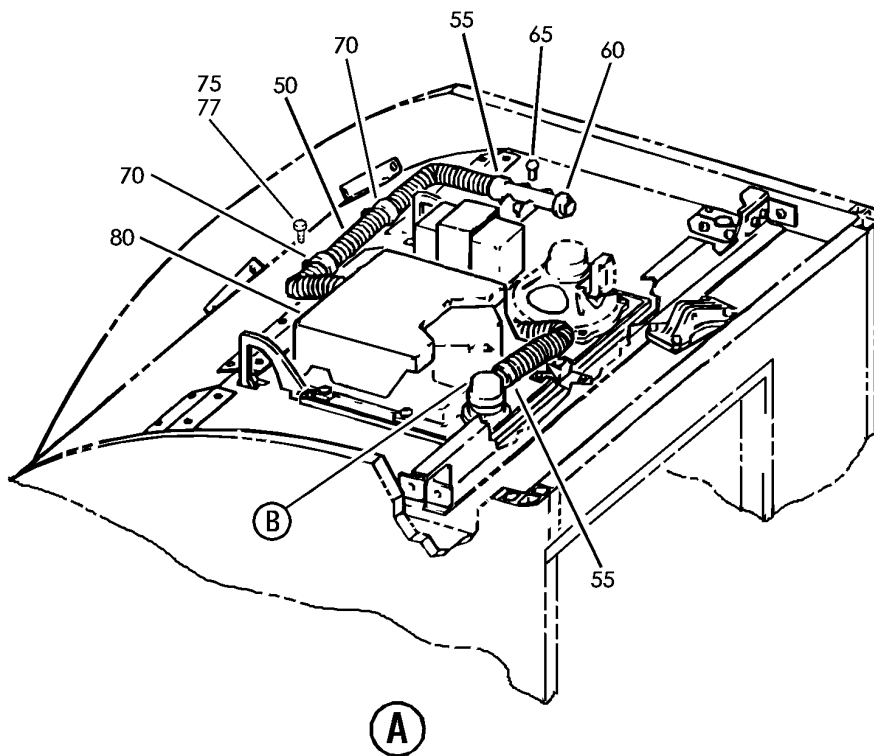
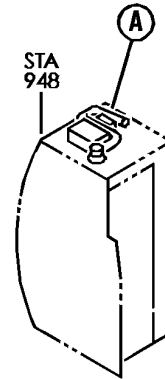
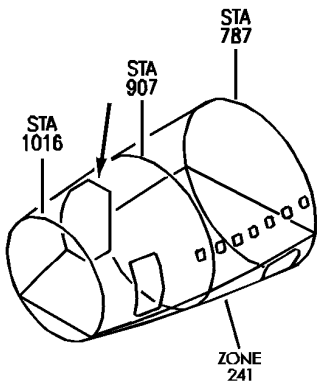
HAP

21-24-00-07A

BOEING PROPRIETARY - Copyright © - Unpublished Work - See title page for details.

21-24-00
FIG. 07A
PAGE 1
OCT 15/08

BOEING
 737-600/700/800/900
 PARTS CATALOG (MAINTENANCE)



E 21240008 SHT 1 REV 049

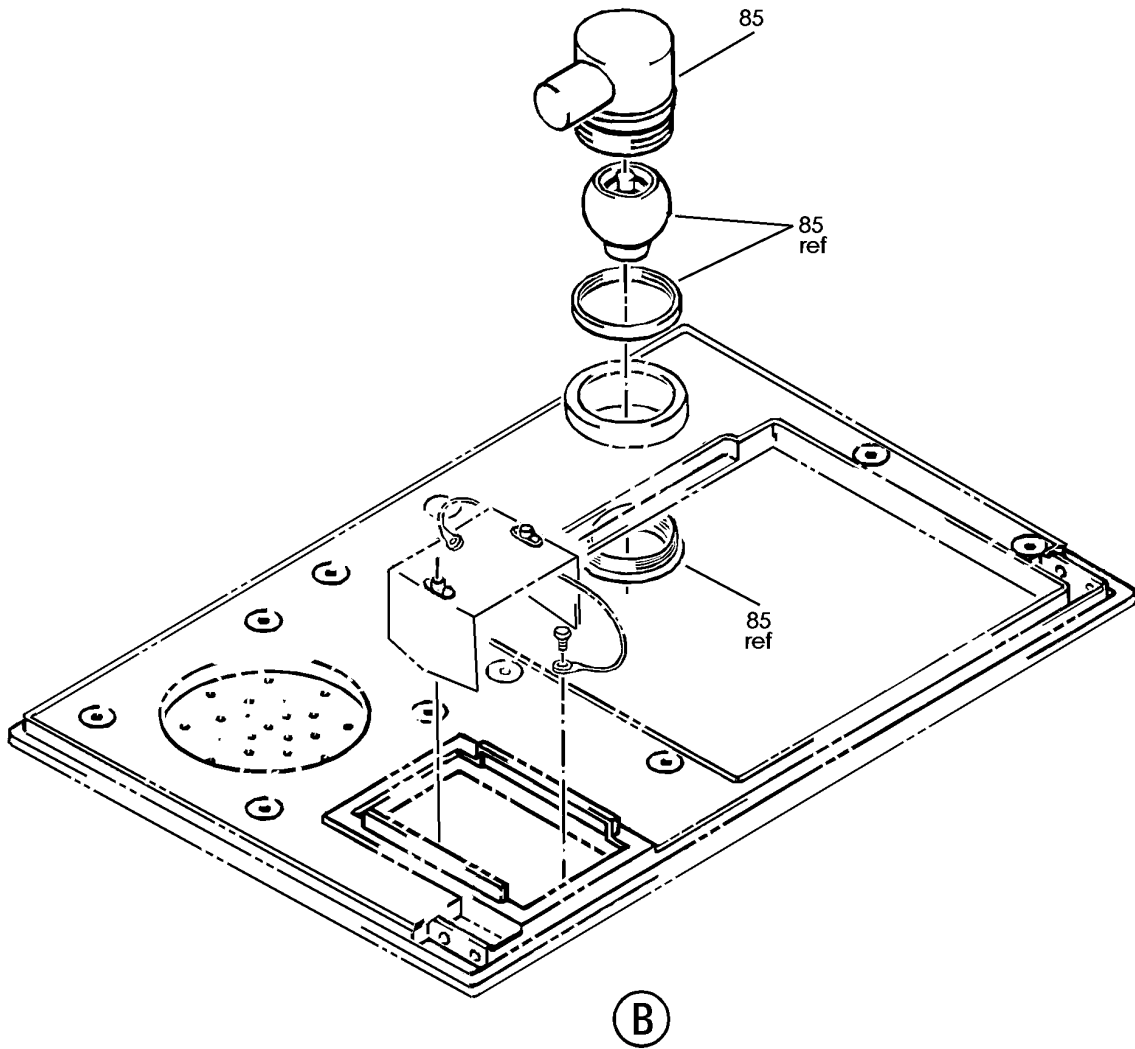
STRUCTURE INSTL-LAV D AND G (AIR CONDITIONING ONLY)
 FIGURE 8 (SHEET 1)

21-24-00-08

HAP
 OCT 15/08

21-24-00-08
 PAGE 0

BOEING
737-600/700/800/900
PARTS CATALOG (MAINTENANCE)



E 21240008 SH1 2 REV 048

STRUCTURE INSTL-LAV D AND G (AIR CONDITIONING ONLY)
FIGURE 8 (SHEET 2)

21-24-00-08

HAP
OCT 15/08

21-24-00-08
PAGE 0A

BOEING PROPRIETARY - Copyright © - Unpublished Work - See title page for details.

BOEING
737-600/700/800/900
PARTS CATALOG (MAINTENANCE)

FIG ITEM	PART NUMBER	1 2 3 4 5 6 7	NOMENCLATURE	EFFECT FROM TO	UNITS PER ASSY
8			STRUCTURE INSTL-LAV D AND G (AIR CONDITIONING ONLY)	201967	
- 1	25-44-71-011RF		STRUCTURE INSTL-LAV D (AIR CONDITIONING ONLY) SUPPLIER CODE: VU3384 FOR NHA/OTHER SYS DET SEE: 25-40-01-54	201967	RF
50	RGS3123B		.PIPE-FLEXIBLE SUPPLIER CODE: VU3384	201967	1
55	BAS243N00		.CLIP-HOSE SUPPLIER CODE: VU1901	201967	2
60	C22102-501-001		.FITTING-PIPE SUPPLIER CODE: VU3384	201967	1
65	A102-1-2C		ATTACHING PARTS .BOLT-	201967	2
80	C22502-571-303		-----*----- .SERVICE UNIT ASSY-PASS. SUPPLIER CODE: VU3384	201967	RF
85	750801-007		..OUTLET-GASPER AIR SUPPLIER CODE: V28406 SPECIFICATION NUMBER: 10-60141-11A OPTIONAL PART: 1707-11A V83564 L16998-11A V17744	201967	1

MISSING ITEM NUMBERS NOT APPLICABLE

- ITEM NOT ILLUSTRATED

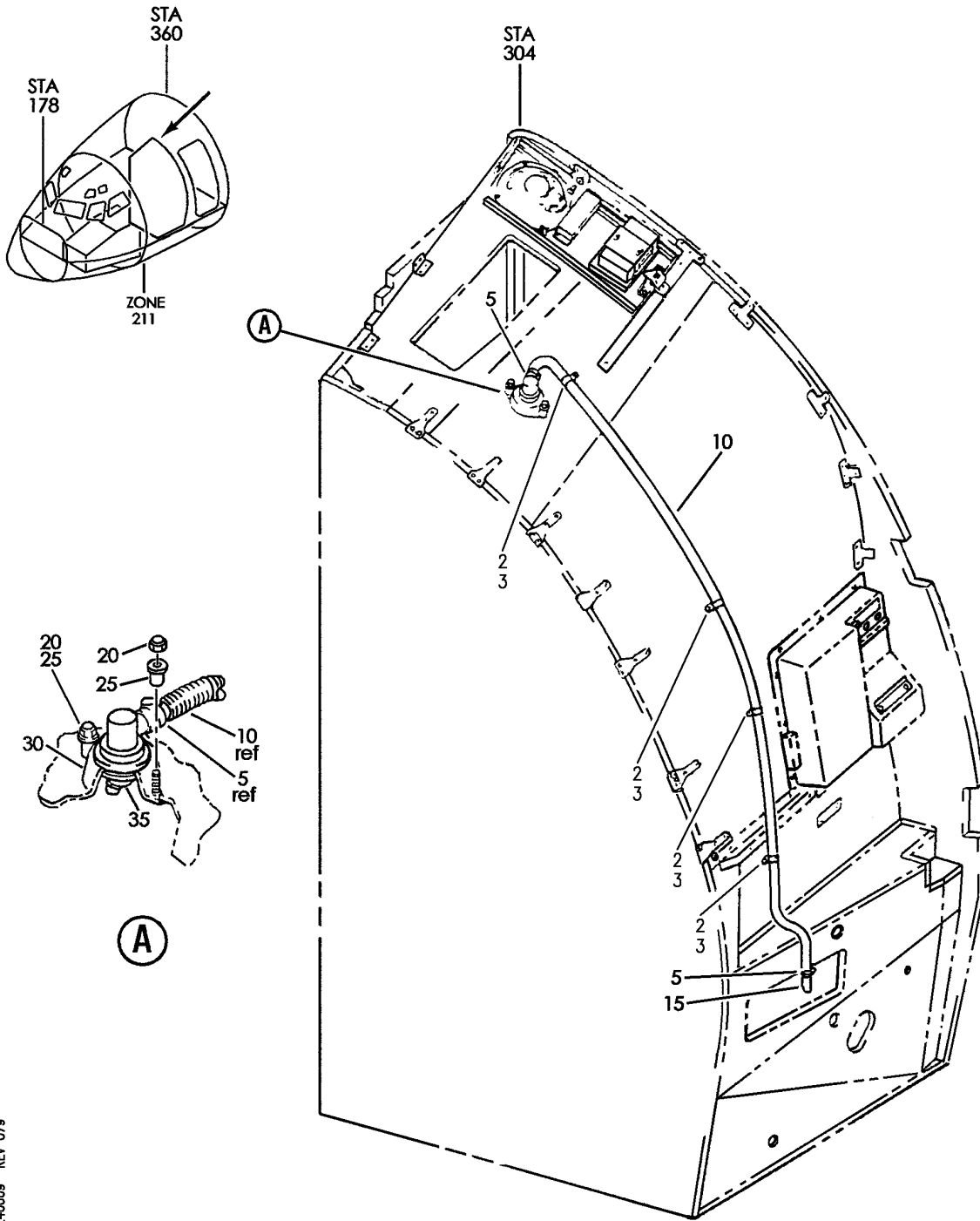
HAP

21-24-00-08

BOEING PROPRIETARY - Copyright © - Unpublished Work - See title page for details.

21-24-00
FIG. 08
PAGE 1
OCT 15/08

BOEING
 737-600/700/800/900
 PARTS CATALOG (MAINTENANCE)



E 21240009 REV 079

STRUCTURE INSTL-LAV A (AIR CONDITIONING ONLY)
 FIGURE 9

21-24-00-09

HAP
 OCT 10/06

21-24-00-09
 PAGE 0

BOEING
737-600/700/800/900
PARTS CATALOG (MAINTENANCE)

FIG ITEM	PART NUMBER	1 2 3 4 5 6 7	NOMENCLATURE	EFFECT FROM TO	UNITS PER ASSY
9			STRUCTURE INSTL-LAV A (AIR CONDITIONING ONLY)	008030	
- 1	25-45-24-009RF		STRUCTURE INSTL-LAV A (AIR CONDITIONING ONLY) SUPPLIER CODE: VU3384 FOR NHA/OTHER SYS DET SEE: 25-40-01-56C	008013	RF
- 1	25-45-24-010RF		STRUCTURE INSTL-LAV A (AIR CONDITIONING ONLY) SUPPLIER CODE: VU3384 FOR NHA/OTHER SYS DET SEE: 25-40-01-56C	014030	RF
2	BACC10DK13		.CLAMP ATTACHING PARTS	008030	4
3	MS27039-1-07		.SCREW -----*-----	008030	4
5	BAS243N00		.CLIP-HOSE SUPPLIER CODE: VU1901	008030	2
10	RGS3123A		.PIPE-FLEXIBLE SUPPLIER CODE: VU3384	008030	1
15	C22102-501-101		.FITTING-PIPE SUPPLIER CODE: VU3384	008030	1
20	M4		.NUT-LOCK SUPPLIER CODE: VK4060	008030	2
25	C22102-399-101		.SPACER-GASPER SUPPLIER CODE: VU3384	008030	2
30	C22102-397-301		.ESCUTCHEON-GASPER SUPPLIER CODE: VU3384	008030	1
35	750801-007		.OUTLET-GASPER SUPPLIER CODE: V28406 SPECIFICATION NUMBER: 10-60141-11A OPTIONAL PART: L16998-11A V17744 1707-11A V83564	008030	1

MISSING ITEM NUMBERS NOT APPLICABLE

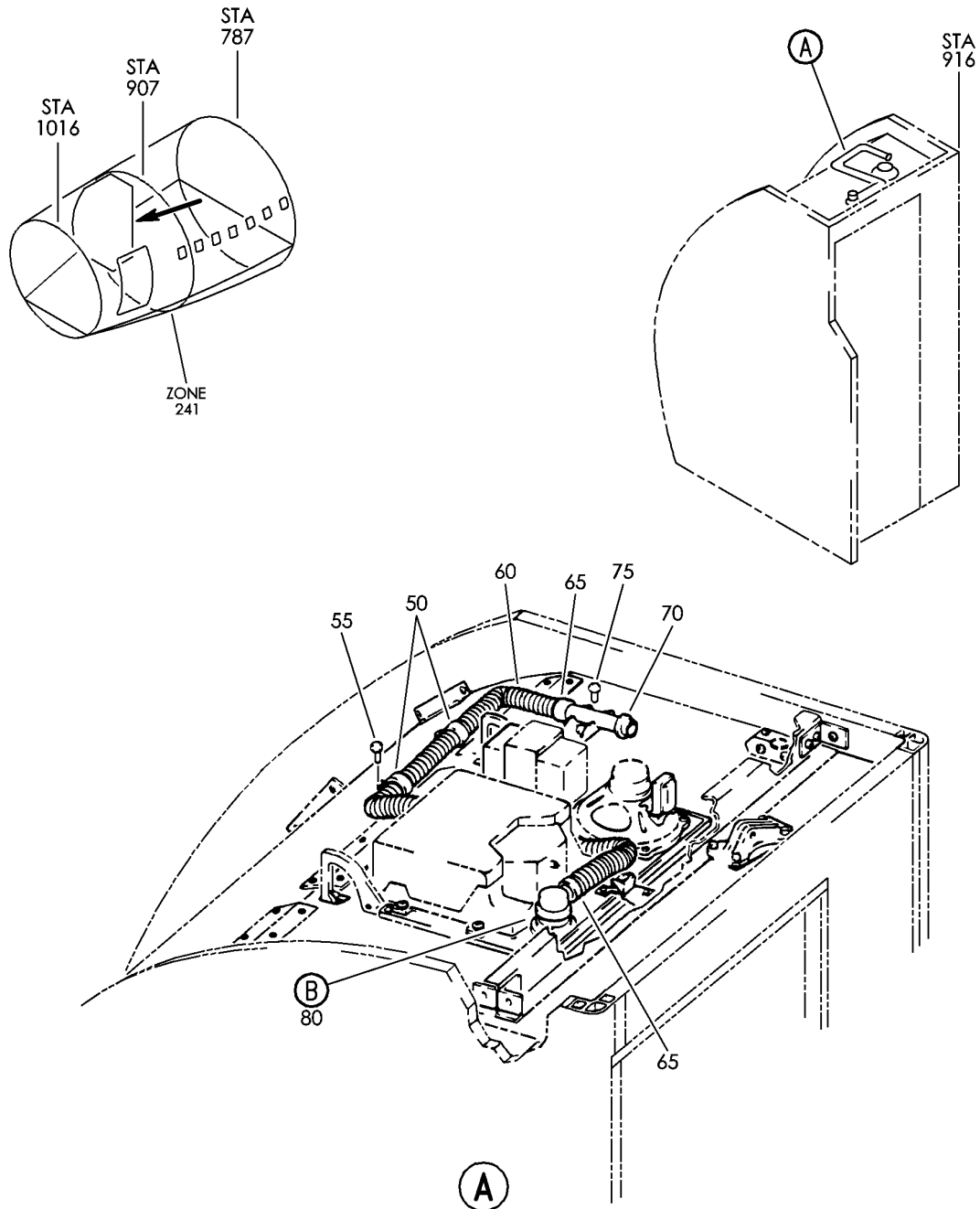
- ITEM NOT ILLUSTRATED

HAP

21-24-00-09

21-24-00
FIG. 09
PAGE 1
FEB 10/07

BOEING
 737-600/700/800/900
 PARTS CATALOG (MAINTENANCE)



E 21240016 SHT 1 REV 051

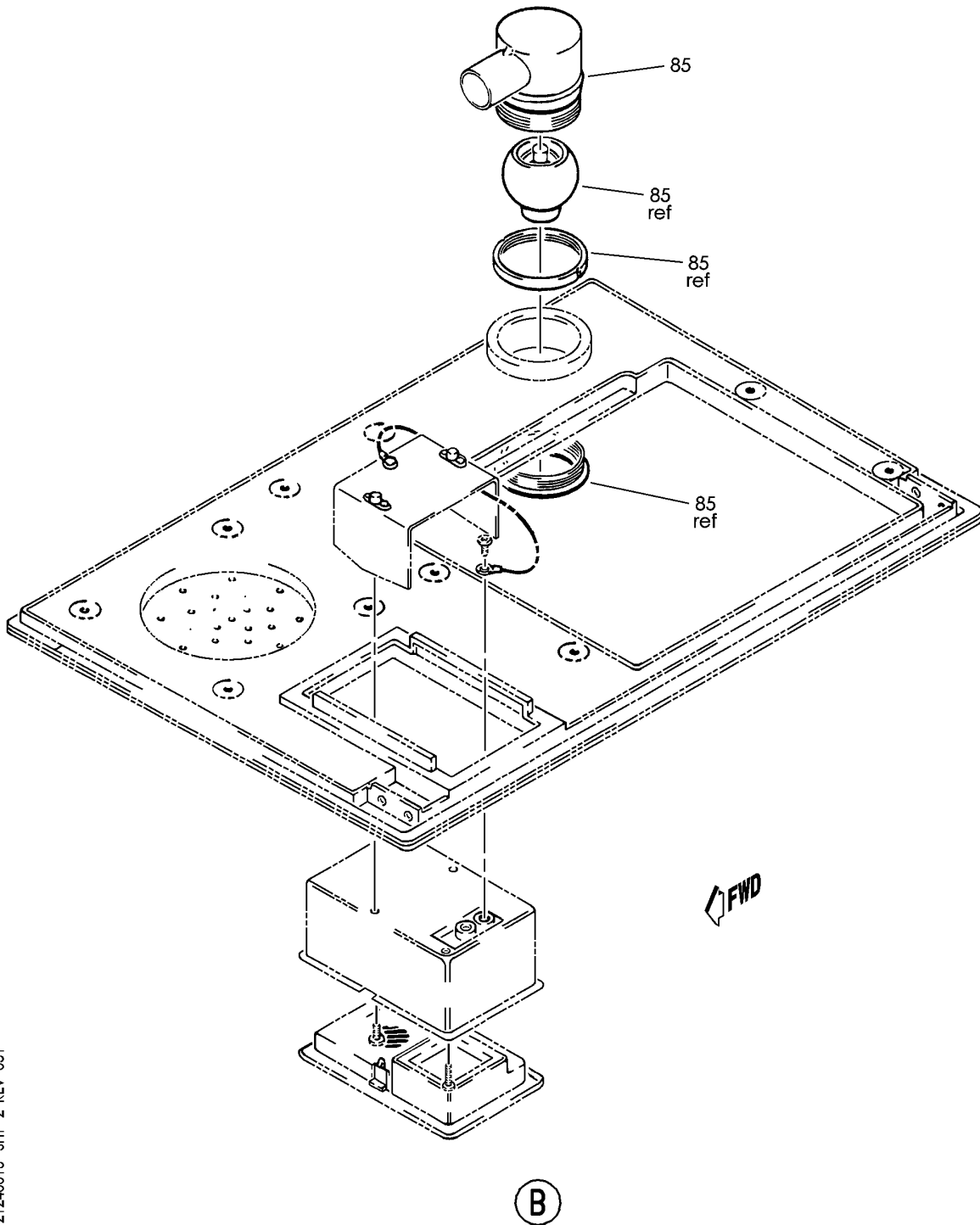
STRUCTURE INSTL-LAV D AND G (AIR CONDITIONING ONLY)
 FIGURE 16 (SHEET 1)

21-24-00-16

HAP
 OCT 10/06

21-24-00-16
 PAGE 0

BOEING
737-600/700/800/900
PARTS CATALOG (MAINTENANCE)



E 21240016 SH1 2 REV 051

STRUCTURE INSTL-LAV D AND G (AIR CONDITIONING ONLY)
FIGURE 16 (SHEET 2)

21-24-00-16

HAP
OCT 10/06

21-24-00-16
PAGE 0A

BOEING
737-600/700/800/900
PARTS CATALOG (MAINTENANCE)

FIG ITEM	PART NUMBER	1 2 3 4 5 6 7	NOMENCLATURE	EFFECT FROM TO	UNITS PER ASSY
16			STRUCTURE INSTL-LAV D AND G (AIR CONDITIONING ONLY)	014030	
- 1	25-45-51-053RF		STRUCTURE INSTL-LAV D (AIR CONDITIONING ONLY) SUPPLIER CODE: VU3384 FOR NHA/OTHER SYS DET SEE: 25-40-01-59A	014030	RF
50	BACC10DK13		.CLAMP ATTACHING PARTS	014030	2
55	NAS1801-3-5		.SCREW	014030	2
60	RGS3123B		-----*----- .PIPE-FLEXIBLE SUPPLIER CODE: VU3384 ATTACHING PARTS	014030	1
65	BAS243N00		.CLIP-HOSE SUPPLIER CODE: VU1901 -----*-----	014030	2
70	C22102-501-001		.FITTING-PIPE SUPPLIER CODE: VU3384 ATTACHING PARTS	014030	1
75	A102-1-2C		.BOLT -----*-----	014030	2
80	C22502-571-313		.SERVICE UNIT ASSY-PASS. SUPPLIER CODE: VU3384	014030	RF
85	L16998-11A		..OUTLET-GASPER SUPPLIER CODE: VOVDA9 SPECIFICATION NUMBER: 10-60141-15B OPTIONAL PART: 1707-15B V83564	014030	1
85	1707-15B1A		..OUTLET-GASPER SUPPLIER CODE: VOVDA9 SPECIFICATION NUMBER: 10-60141-15B OPTIONAL PART: L16998-11A V83564	014030	1

MISSING ITEM NUMBERS NOT APPLICABLE

- ITEM NOT ILLUSTRATED

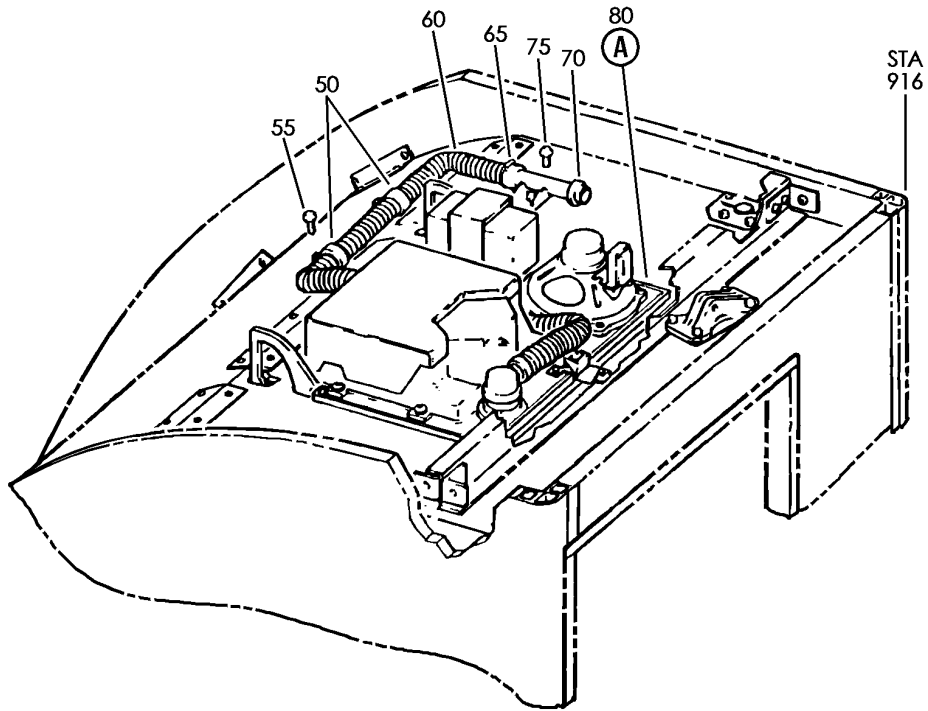
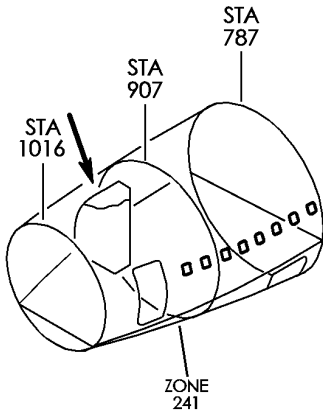
HAP

21-24-00-16

BOEING PROPRIETARY - Copyright © - Unpublished Work - See title page for details.

21-24-00
FIG. 16
PAGE 1
FEB 15/08

BOEING
 737-600/700/800/900
 PARTS CATALOG (MAINTENANCE)



E 21240017 SHT 1 REV 052

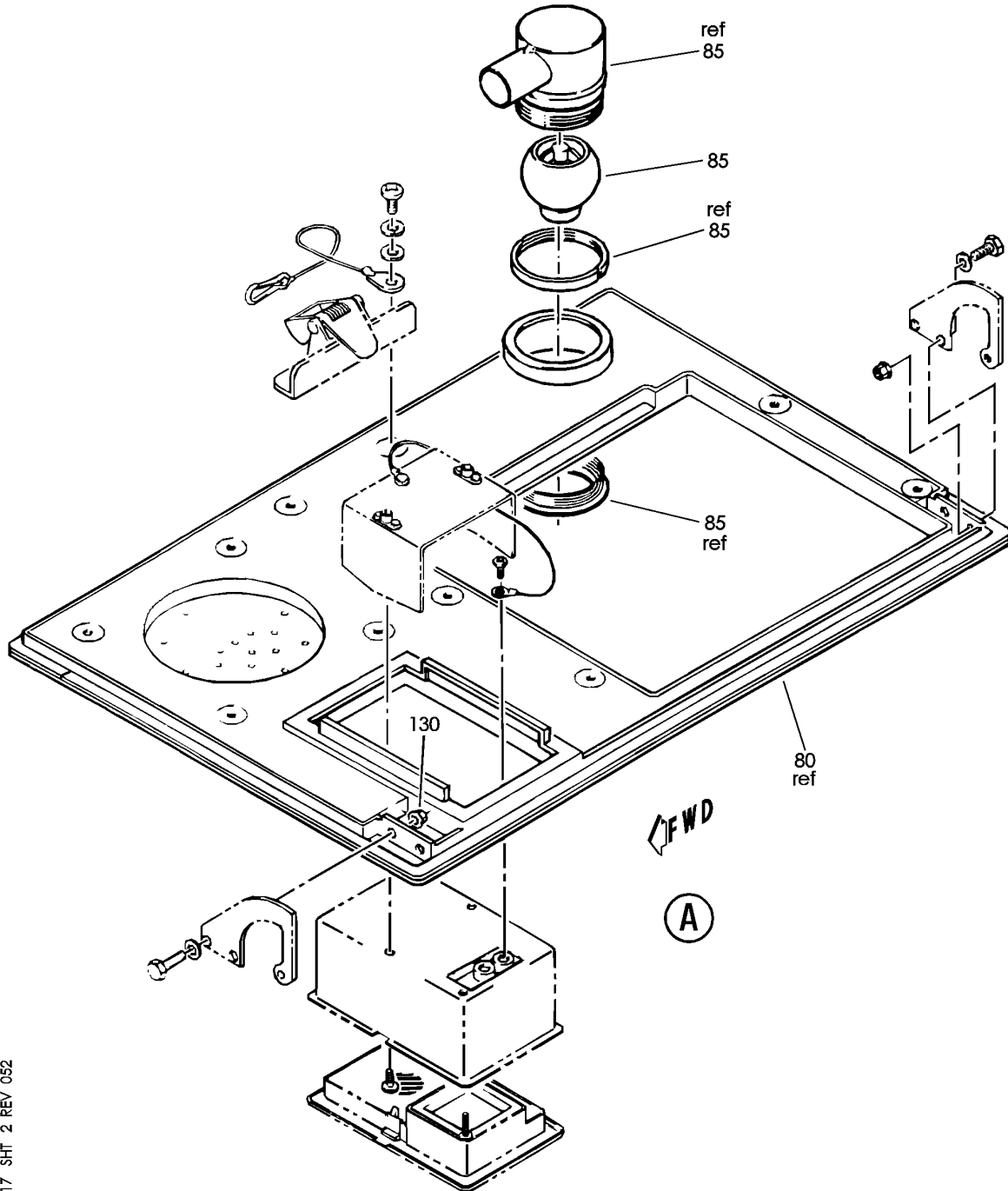
STRUCTURE INSTL-LAV D (AIR CONDITIONING ONLY)
 FIGURE 17 (SHEET 1)

21-24-00-17

HAP
 OCT 10/06

21-24-00-17
 PAGE 0

BOEING
 737-600/700/800/900
 PARTS CATALOG (MAINTENANCE)



E 21240017 SHT 2 REV 052

STRUCTURE INSTL-LAV D (AIR CONDITIONING ONLY)
 FIGURE 17 (SHEET 2)

21-24-00-17

HAP
 OCT 10/06

21-24-00-17
 PAGE 0A

BOEING
737-600/700/800/900
PARTS CATALOG (MAINTENANCE)

FIG ITEM	PART NUMBER	1 2 3 4 5 6 7	NOMENCLATURE	EFFECT FROM TO	UNITS PER ASSY
17			STRUCTURE INSTL-LAV D (AIR CONDITIONING ONLY)	006007	
- 1	25-46-88-003RF		STRUCTURE INSTL-LAV D (AIR CONDITIONING ONLY) SUPPLIER CODE: VU3384 FOR NHA/OTHER SYS DET SEE: 25-40-01-69	006007	RF
50	BACC10DK13		.CLAMP ATTACHING PARTS	006007	2
55	AN3-4A		.BOLT -----*-----	006007	1
60	RGS3123B		.PIPE-FLEXIBLE SUPPLIER CODE: VU3384 ATTACHING PARTS	006007	1
65	BAS243N00		.CLIP-HOSE SUPPLIER CODE: VU1901 -----*-----	006007	2
70	C22102-501-001		.FITTING-PIPE SUPPLIER CODE: VU3384 ATTACHING PARTS	006007	1
75	A102-1-2C		.BOLT -----*-----	006007	2
80	C22502-571-313		.SERVICE UNIT ASSY-PASS. SUPPLIER CODE: VU3384	006007	1
85	750801-007		..OUTLET-GASPER SUPPLIER CODE: V28406 SPECIFICATION NUMBER: 10-60141-11A OPTIONAL PART: 1707-11A V83564 L16998-11A V17744	006007	1

MISSING ITEM NUMBERS NOT APPLICABLE

- ITEM NOT ILLUSTRATED

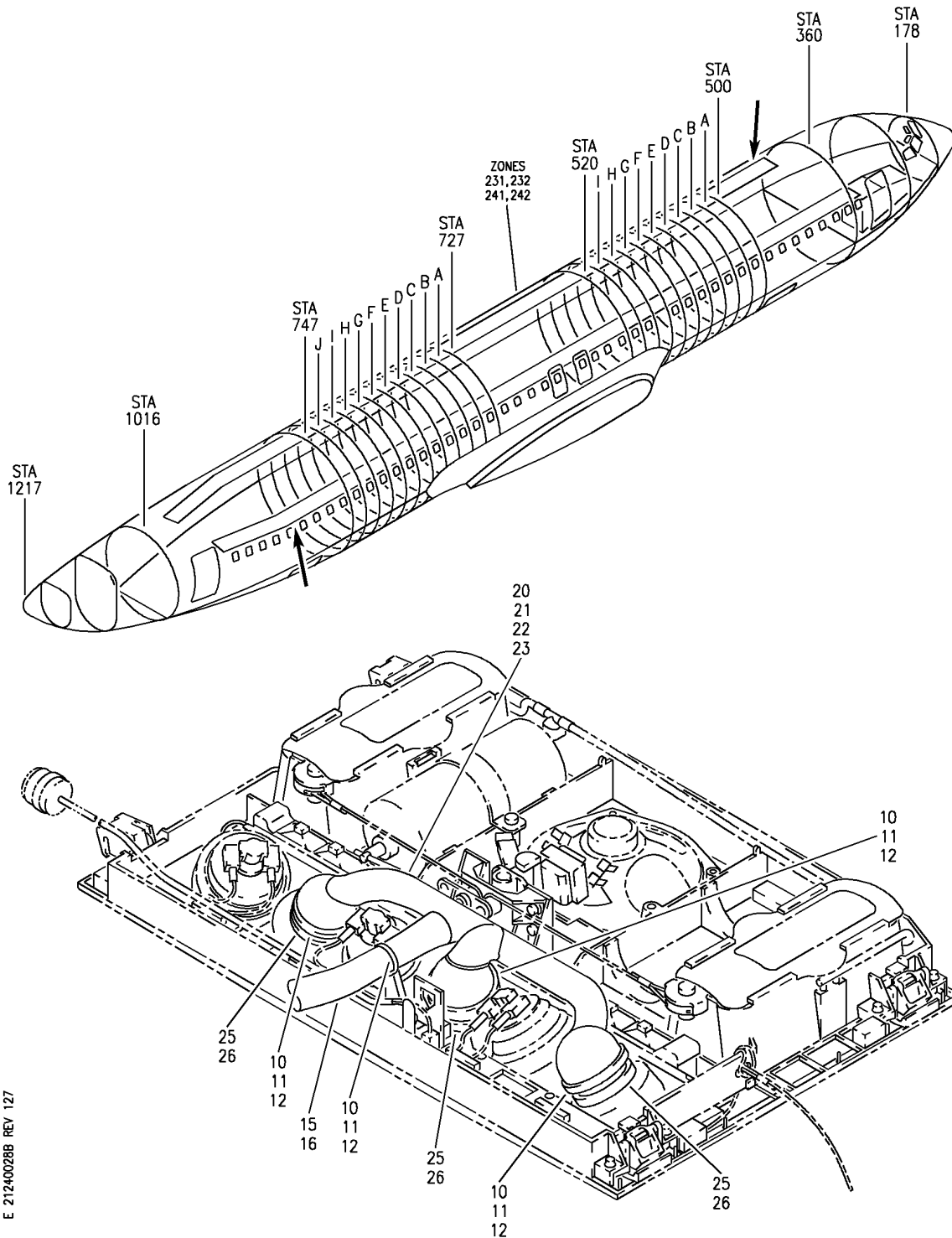
HAP

21-24-00-17

BOEING PROPRIETARY - Copyright © - Unpublished Work - See title page for details.

21-24-00
FIG. 17
PAGE 1
OCT 10/06

BOEING
 737-600/700/800/900
 PARTS CATALOG (MAINTENANCE)



E 21240028B REV 127

SERVICE UNIT ASSY-WITH 2K SPKR AND GASPER PASS. (AIR CONDITIONING ONLY)
 FIGURE 28B

21-24-00-28B

HAP
 FEB 10/07

21-24-00-28B
 PAGE 0

BOEING
737-600/700/800/900
PARTS CATALOG (MAINTENANCE)

FIG ITEM	PART NUMBER	1 2 3 4 5 6 7	NOMENCLATURE	EFFECT FROM TO	UNITS PER ASSY
28B			SERVICE UNIT ASSY-WITH 2K SPKR AND GASPER PASS. (AIR CONDITIONING ONLY)	001037 039040	
- 1	417N3011-601B		SERVICE UNIT ASSY-WITH 2K SPKR AND GASPER PASS. (AIR CONDITIONING ONLY) POSITION DATA: LH ELECTRICAL EQUIP NUMBER: M10973 COMPONENT MAINT MANUAL REF: 25-23-38 FOR NHA/OTHER SYS DET SEE: 25-23-61-70M	031037 039040	RF
- 3	417N3011-601B		SERVICE UNIT ASSY-WITH 2K SPKR AND GASPER PASS. (AIR CONDITIONING ONLY) POSITION DATA: LH ELECTRICAL EQUIP NUMBER: M10973 COMPONENT MAINT MANUAL REF: 25-23-38 FOR NHA/OTHER SYS DET SEE: 25-23-61-57	017030	RF
- 3	417N3011-601SP		SERVICE UNIT ASSY-WITH 2K SPKR AND GASPER PASS. (AIR CONDITIONING ONLY) POSITION DATA: LH ELECTRICAL EQUIP NUMBER: M10973 COMPONENT MAINT MANUAL REF: 25-23-38 FOR NHA/OTHER SYS DET SEE: 25-23-61-04 25-23-61-07A 25-23-61-22A 25-23-61-53A	001016	RF

MISSING ITEM NUMBERS NOT APPLICABLE

- ITEM NOT ILLUSTRATED

HAP

21-24-00-28B

BOEING PROPRIETARY - Copyright © - Unpublished Work - See title page for details.

21-24-00
FIG. 28B
PAGE 1
OCT 15/08

BOEING
737-600/700/800/900
PARTS CATALOG (MAINTENANCE)

FIG ITEM	PART NUMBER	1 2 3 4 5 6 7	NOMENCLATURE	EFFECT FROM TO	UNITS PER ASSY
28B - 5	417N3011-602B		SERVICE UNIT ASSY-WITH 2K SPKR AND GASPER PASS. (AIR CONDITIONING ONLY) POSITION DATA: RH ELECTRICAL EQUIP NUMBER: M10973 COMPONENT MAINT MANUAL REF: 25-23-38 FOR NHA/OTHER SYS DET SEE: 25-23-61-70M	031037 039040	RF
- 7	417N3011-602B		SERVICE UNIT ASSY-WITH 2K SPKR AND GASPER PASS. (AIR CONDITIONING ONLY) POSITION DATA: RH ELECTRICAL EQUIP NUMBER: M10973 COMPONENT MAINT MANUAL REF: 25-23-38 FOR NHA/OTHER SYS DET SEE: 25-23-61-70M	017030	RF
- 7	417N3011-602SP		SERVICE UNIT ASSY-WITH 2K SPKR AND GASPER PASS. (AIR CONDITIONING ONLY) POSITION DATA: RH ELECTRICAL EQUIP NUMBER: M10973 COMPONENT MAINT MANUAL REF: 25-23-38 FOR NHA/OTHER SYS DET SEE: 25-23-61-57	001016	RF
10	PLT2MM		.STRAP- SUPPLIER CODE: V06383 OPTIONAL PART: PLT2MM2 V06383	001004 006030	AR
10	PLT2MM2		.STRAP- SUPPLIER CODE: V06383 OPTIONAL PART: PLT2MM V06383	001004 006030	AR

MISSING ITEM NUMBERS NOT APPLICABLE

- ITEM NOT ILLUSTRATED

HAP

21-24-00-28B

BOEING PROPRIETARY - Copyright © - Unpublished Work - See title page for details.

21-24-00
FIG. 28B
PAGE 2
OCT 15/08

BOEING
737-600/700/800/900
PARTS CATALOG (MAINTENANCE)

FIG ITEM	PART NUMBER	1 2 3 4 5 6 7	NOMENCLATURE	EFFECT FROM TO	UNITS PER ASSY
28B					
10	PLT2MM	.STRAP-	SUPPLIER CODE: V06383	005005 031037 039040	AR
		OPTIONAL PART:	PLT2MM2 V06383		
10	PLT2MM2	.STRAP-	SUPPLIER CODE: V06383	005005 031037 039040	AR
		OPTIONAL PART:	PLT2MM V06383		
15	BACD40P3A160	.DUCT		001004 006030	1
15	BACD40P3A160	.DUCT		005005 031037 039040	1
20	417N3103-3	.MANIFOLD ASSY-UNDERBIN	GASPER AIR	001004 006030	1
20	417N3103-3	.MANIFOLD ASSY-UNDERBIN	GASPER AIR	005005 031037 039040	1
22	417N3103-4	..MANIFOLD		001004 006030	1
22	417N3103-4	..MANIFOLD		005005 031037 039040	1
25	3740-11	.OUTLET-AIR	SUPPLIER CODE: VOACHO	001004 006030	3
		SPECIFICATION NUMBER:	10-60141-26E		
25	3740-11	.OUTLET-AIR	SUPPLIER CODE: VOACHO	005005 031037 039040	3
		SPECIFICATION NUMBER:	10-60141-26E		
- 35	3743-60	..NUT-	SUPPLIER CODE: VOACHO	001004 006030	1
- 35	3743-60	..NUT-	SUPPLIER CODE: VOACHO	005005 031037 039040	1

MISSING ITEM NUMBERS NOT APPLICABLE

- ITEM NOT ILLUSTRATED

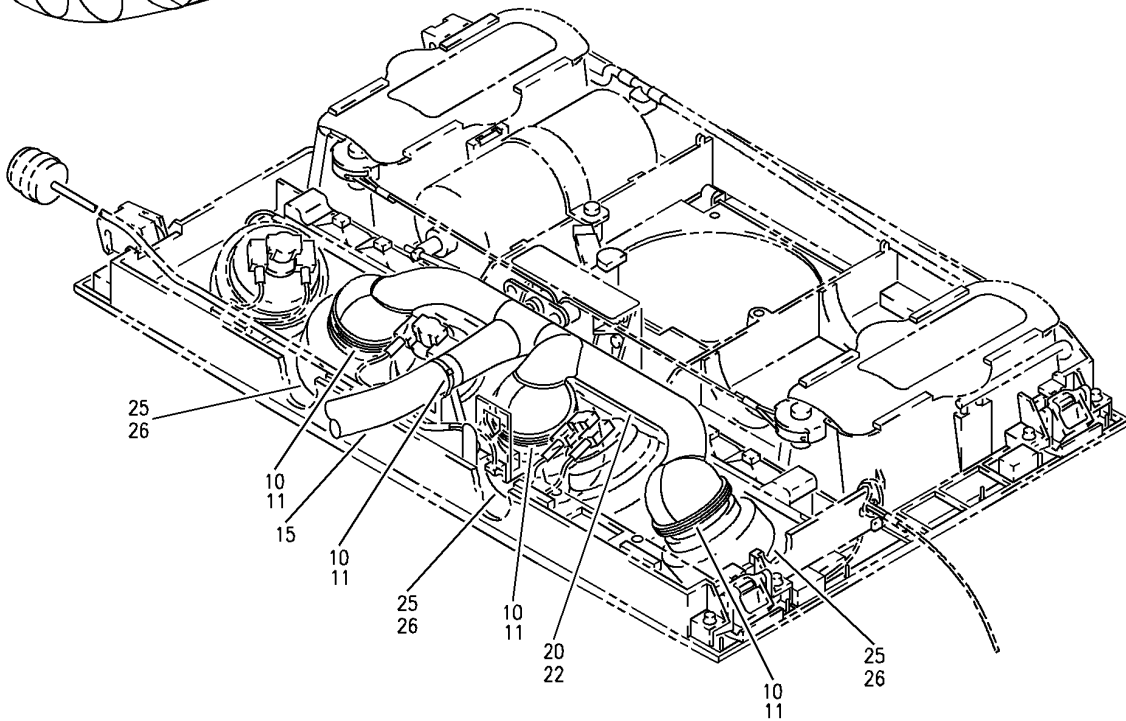
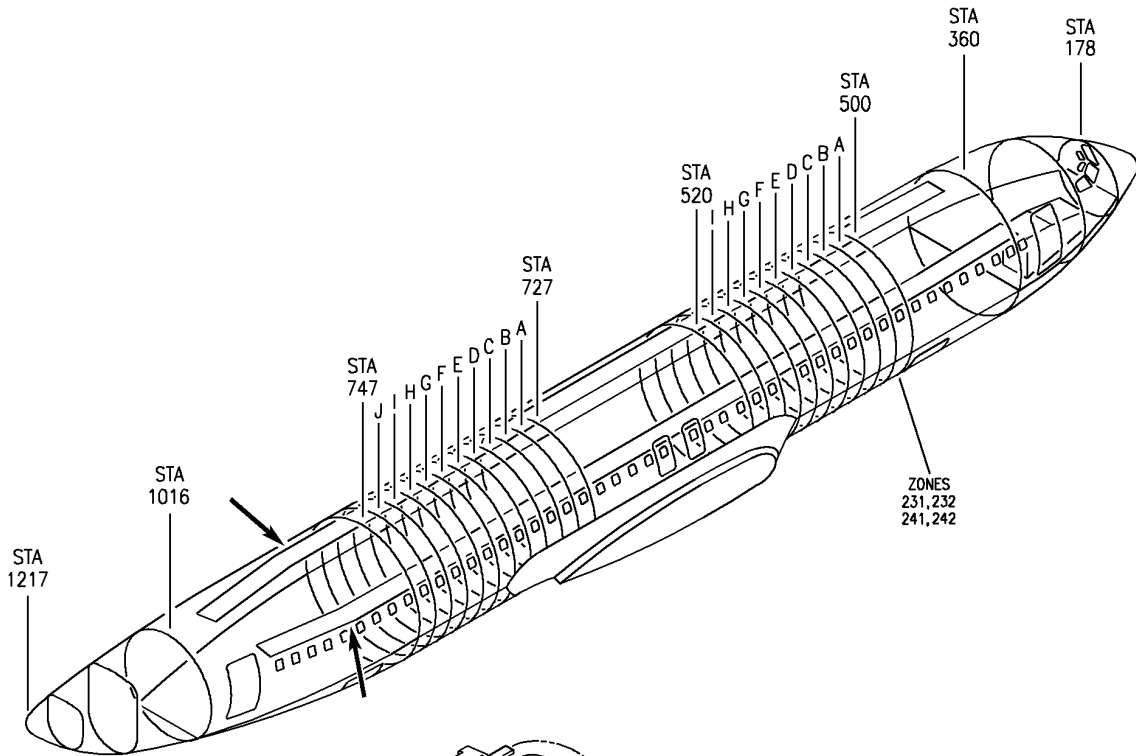
HAP

21-24-00-28B

BOEING PROPRIETARY - Copyright © - Unpublished Work - See title page for details.

21-24-00
FIG. 28B
PAGE 3
OCT 15/08

BOEING
 737-600/700/800/900
 PARTS CATALOG (MAINTENANCE)



E 21240028C REV 127

SERVICE UNIT ASSY-NO SPKR WITH GASPER PASS. (AIR CONDITIONING ONLY)
 FIGURE 28C

21-24-00-28C

HAP
 FEB 10/07

21-24-00-28C
 PAGE 0

BOEING
737-600/700/800/900
PARTS CATALOG (MAINTENANCE)

FIG ITEM	PART NUMBER	1 2 3 4 5 6 7	NOMENCLATURE	EFFECT FROM TO	UNITS PER ASSY
28C			SERVICE UNIT ASSY-NO SPKR WITH GASPER PASS. (AIR CONDITIONING ONLY)	001037 039040	
- 1	417N3011-613B		SERVICE UNIT ASSY-NO SPKR WITH GASPER PASS. (AIR CONDITIONING ONLY) POSITION DATA: LH ELECTRICAL EQUIP NUMBER: M10973 COMPONENT MAINT MANUAL REF: 25-23-38 FOR NHA/OTHER SYS DET SEE: 25-23-61-70M	031037 039040	RF
- 3	417N3011-613SP		SERVICE UNIT ASSY-NO SPKR WITH GASPER PASS. (AIR CONDITIONING ONLY) POSITION DATA: LH ELECTRICAL EQUIP NUMBER: M10973 COMPONENT MAINT MANUAL REF: 25-23-38 FOR NHA/OTHER SYS DET SEE: 25-23-61-04 25-23-61-07A 25-23-61-22A 25-23-61-53A	001016	RF
- 3	417N3011-613B		SERVICE UNIT ASSY-NO SPKR WITH GASPER PASS. (AIR CONDITIONING ONLY) POSITION DATA: LH ELECTRICAL EQUIP NUMBER: M10973 COMPONENT MAINT MANUAL REF: 25-23-38 FOR NHA/OTHER SYS DET SEE: 25-23-61-57	017030	RF

MISSING ITEM NUMBERS NOT APPLICABLE

- ITEM NOT ILLUSTRATED

HAP

21-24-00-28C

BOEING PROPRIETARY - Copyright © - Unpublished Work - See title page for details.

21-24-00
FIG. 28C
PAGE 1
OCT 15/08

BOEING
737-600/700/800/900
PARTS CATALOG (MAINTENANCE)

FIG ITEM	PART NUMBER	1 2 3 4 5 6 7	NOMENCLATURE	EFFECT FROM TO	UNITS PER ASSY
28C - 5	417N3011-614B		SERVICE UNIT ASSY-NO SPKR WITH GASPER PASS. (AIR CONDITIONING ONLY) POSITION DATA: RH ELECTRICAL EQUIP NUMBER: M10973 COMPONENT MAINT MANUAL REF: 25-23-38 FOR NHA/OTHER SYS DET SEE: 25-23-61-70M	031037 039040	RF
- 7	417N3011-614SP		SERVICE UNIT ASSY-NO SPKR WITH GASPER PASS. (AIR CONDITIONING ONLY) POSITION DATA: RH ELECTRICAL EQUIP NUMBER: M10973 COMPONENT MAINT MANUAL REF: 25-23-38 FOR NHA/OTHER SYS DET SEE: 25-23-61-04 25-23-61-07A 25-23-61-22A 25-23-61-53A	001016	RF
- 7	417N3011-614B		SERVICE UNIT ASSY-NO SPKR WITH GASPER PASS. (AIR CONDITIONING ONLY) POSITION DATA: RH ELECTRICAL EQUIP NUMBER: M10973 COMPONENT MAINT MANUAL REF: 25-23-38 FOR NHA/OTHER SYS DET SEE: 25-23-61-57	017030	RF
10	PLT2MM2		.STRAP- SUPPLIER CODE: V06383 OPTIONAL PART: PLT2MM V06383	005005	AR
10	PLT2MM		.STRAP- SUPPLIER CODE: V06383 OPTIONAL PART: PLT2MM2 V06383	005005	AR

MISSING ITEM NUMBERS NOT APPLICABLE

- ITEM NOT ILLUSTRATED

HAP

21-24-00-28C

BOEING PROPRIETARY - Copyright © - Unpublished Work - See title page for details.

21-24-00
FIG. 28C
PAGE 2
OCT 15/08

BOEING
737-600/700/800/900
PARTS CATALOG (MAINTENANCE)

FIG ITEM	PART NUMBER	1 2 3 4 5 6 7	NOMENCLATURE	EFFECT FROM TO	UNITS PER ASSY
28C 10	PLT2MM2	.	STRAP- SUPPLIER CODE: V06383 OPTIONAL PART: PLT2MM V06383	001004 006037 039040	AR
10	PLT2MM	.	STRAP- SUPPLIER CODE: V06383 OPTIONAL PART: PLT2MM2 V06383	001004 006037 039040	AR
15	BACD40P3A160	.	DUCT	005005	1
15	BACD40P3A160	.	DUCT	001004 006037 039040	1
20	417N3103-3	.	MANIFOLD ASSY-UNDERBIN GASPER AIR	005005	1
20	417N3103-3	.	MANIFOLD ASSY-UNDERBIN GASPER AIR	001004 006037 039040	1
22	417N3103-4	..	MANIFOLD	005005	1
22	417N3103-4	..	MANIFOLD	001004 006037 039040	1
25	3740-11	.	OUTLET-AIR SUPPLIER CODE: VOACH0 SPECIFICATION NUMBER: 10-60141-26E	005005	3
25	3740-11	.	OUTLET-AIR SUPPLIER CODE: VOACH0 SPECIFICATION NUMBER: 10-60141-26E	001004 006037 039040	3
- 35	3743-60	..	NUT- SUPPLIER CODE: VOACH0	005005	1
- 35	3743-60	..	NUT- SUPPLIER CODE: VOACH0	001004 006037 039040	1

MISSING ITEM NUMBERS NOT APPLICABLE

- ITEM NOT ILLUSTRATED

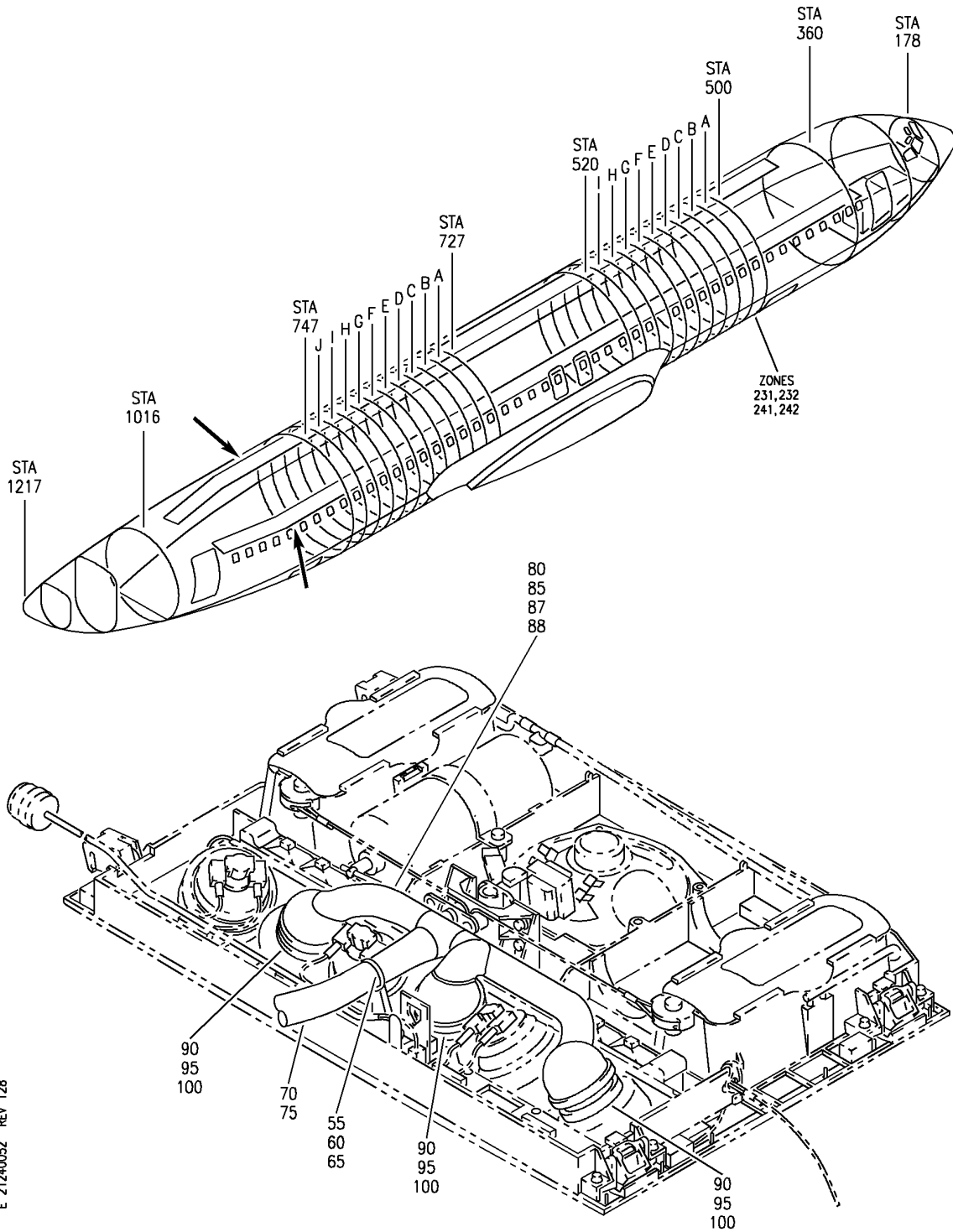
HAP

21-24-00-28C

BOEING PROPRIETARY - Copyright © - Unpublished Work - See title page for details.

21-24-00
FIG. 28C
PAGE 3
OCT 15/08

BOEING
 737-600/700/800/900
 PARTS CATALOG (MAINTENANCE)



E 21240052 REV 128

SERVICE UNIT ASSY-WITH SPKR AND GASPER PASS. (AIR CONDITIONING ONLY)
 FIGURE 52

21-24-00-52

HAP
 JUN 10/07

21-24-00-52
 PAGE 0

BOEING
737-600/700/800/900
PARTS CATALOG (MAINTENANCE)

FIG ITEM	PART NUMBER	1 2 3 4 5 6 7	NOMENCLATURE	EFFECT FROM TO	UNITS PER ASSY
52			SERVICE UNIT ASSY-WITH SPKR AND GASPER PASS. (AIR CONDITIONING ONLY)	001030	
- 1	417N3011-201A		SERVICE UNIT ASSY-WITH SPKR SPKR AND GASPER PASS. (AIR CONDITIONING ONLY) POSITION DATA: LH ELECTRICAL EQUIP NUMBER: M10973 COMPONENT MAINT MANUAL REF: 25-23-38 FOR NHA/OTHER SYS DET SEE: 25-23-61-04 25-23-61-07A 25-23-61-22A 25-23-61-53A	001016	RF
- 1	417N3011-401B		SERVICE UNIT ASSY-WITH 2K SPKR AND GASPER PASS. (AIR CONDITIONING ONLY) POSITION DATA: LH ELECTRICAL EQUIP NUMBER: M10973 COMPONENT MAINT MANUAL REF: 25-23-38 FOR NHA/OTHER SYS DET SEE: 25-23-61-04 25-23-61-07A 25-23-61-22A 25-23-61-53A	001016	RF
- 1	417N3011-401B		SERVICE UNIT ASSY-WITH 2K SPKR AND GASPER PASS. (AIR CONDITIONING ONLY) POSITION DATA: LH ELECTRICAL EQUIP NUMBER: M10973 COMPONENT MAINT MANUAL REF: 25-23-38 FOR NHA/OTHER SYS DET SEE: 25-23-61-57	017030	RF

MISSING ITEM NUMBERS NOT APPLICABLE

- ITEM NOT ILLUSTRATED

HAP

21-24-00-52

BOEING PROPRIETARY - Copyright © - Unpublished Work - See title page for details.

21-24-00
FIG. 52
PAGE 1
JUN 10/07

BOEING
737-600/700/800/900
PARTS CATALOG (MAINTENANCE)

FIG ITEM	PART NUMBER	1 2 3 4 5 6 7	NOMENCLATURE	EFFECT FROM TO	UNITS PER ASSY
52 -	1 417N3011-201A		SERVICE UNIT ASSY-WITH 2K SPKR AND GASPER PASS. (AIR CONDITIONING ONLY) POSITION DATA: LH ELECTRICAL EQUIP NUMBER: M10973 COMPONENT MAINT MANUAL REF: 25-23-38 FOR NHA/OTHER SYS DET SEE: 25-23-61-57	017030	RF
-	10 417N3011-202SP		SERVICE UNIT ASSY-WITH SPKR AND GASPER PASS. (AIR CONDITIONING ONLY) POSITION DATA: RH ELECTRICAL EQUIP NUMBER: M10973 COMPONENT MAINT MANUAL REF: 25-23-38 QUALIFIED I/W DATA: COLOR SUBJECT TO CUSTOMER PREFERENCE FOR NHA/OTHER SYS DET SEE: 25-23-61-04 25-23-61-07A 25-23-61-22A 25-23-61-53A	001016	RF
-	10 417N3011-402B		SERVICE UNIT ASSY-WITH 2K SPKR AND GASPER PASS. (AIR CONDITIONING ONLY) POSITION DATA: RH ELECTRICAL EQUIP NUMBER: M10973 COMPONENT MAINT MANUAL REF: 25-23-38 FOR NHA/OTHER SYS DET SEE: 25-23-61-57	017030	RF

MISSING ITEM NUMBERS NOT APPLICABLE

- ITEM NOT ILLUSTRATED

HAP

21-24-00-52

BOEING PROPRIETARY - Copyright © - Unpublished Work - See title page for details.

21-24-00
FIG. 52
PAGE 2
JUN 10/07

BOEING
737-600/700/800/900
PARTS CATALOG (MAINTENANCE)

FIG ITEM	PART NUMBER	1 2 3 4 5 6 7	NOMENCLATURE	EFFECT FROM TO	UNITS PER ASSY
52 - 10	417N3011-202A		SERVICE UNIT ASSY-WITH 2K SPKR AND GASPER PASS. (AIR CONDITIONING ONLY) POSITION DATA: RH ELECTRICAL EQUIP NUMBER: M10973 COMPONENT MAINT MANUAL REF: 25-23-38 FOR NHA/OTHER SYS DET SEE: 25-23-61-57	017030	RF
- 15	417N3011-202SP		SERVICE UNIT ASSY-WITH SPKR AND GASPER PASS. (AIR CONDITIONING ONLY) POSITION DATA: RH STA 431.5 ELECTRICAL EQUIP NUMBER: M10973 COMPONENT MAINT MANUAL REF: 25-23-38 PRE SERVICE BULLETIN: 25-1360 FOR NHA/OTHER SYS DET SEE: 25-23-61-07A	005005	RF
- 15	417N3011-402SP		SERVICE UNIT ASSY-WITH SPKR AND GASPER PASS. (AIR CONDITIONING ONLY) POSITION DATA: RH STA 431.5 ELECTRICAL EQUIP NUMBER: M10973 COMPONENT MAINT MANUAL REF: 25-23-38 FOR NHA/OTHER SYS DET SEE: 25-23-61-07A	005005	RF
- 20	417N3011-202SP		SERVICE UNIT ASSY-WITH SPKR AND GASPER PASS. (AIR CONDITIONING ONLY) POSITION DATA: RH STA 402.5 AND 460.5 ELECTRICAL EQUIP NUMBER: M10973 COMPONENT MAINT MANUAL REF: 25-23-38 POST SERVICE BULLETIN: 25-1360 FOR NHA/OTHER SYS DET SEE: 25-23-61-07A	005005	RF

MISSING ITEM NUMBERS NOT APPLICABLE

- ITEM NOT ILLUSTRATED

HAP

21-24-00-52

BOEING PROPRIETARY - Copyright © - Unpublished Work - See title page for details.

21-24-00
FIG. 52
PAGE 3
JUN 10/07

BOEING
737-600/700/800/900
PARTS CATALOG (MAINTENANCE)

FIG ITEM	PART NUMBER	1 2 3 4 5 6 7	NOMENCLATURE	EFFECT FROM TO	UNITS PER ASSY
52					
55	PLT2MM	.	STRAP- SUPPLIER CODE: V06383 OPTIONAL PART: PLT2MM2 V06383	001030	1
55	PLT2MM2	.	STRAP- SUPPLIER CODE: V06383 OPTIONAL PART: PLT2MM V06383	001030	1
70	BACD40P3A160	.	DUCT	001030	1
80	417N3103-3	.	MANIFOLD ASSY-GASPER AIR UNDERBIN	001030	1
87	417N3103-4	..	MANIFOLD	001030	1
90	3740-11	.	OUTLET-AIR SUPPLIER CODE: VOACHO SPECIFICATION NUMBER: 10-60141-26E OPTIONAL PART: 10-60141-23Y	001030	3
95	10-60141-23Y	.	OUTLET-AIR OPTIONAL PART: 3740-11 VOACHO	001016	3
- 105	3743-60	..	NUT- SUPPLIER CODE: VOACHO	001030	1

MISSING ITEM NUMBERS NOT APPLICABLE

- ITEM NOT ILLUSTRATED

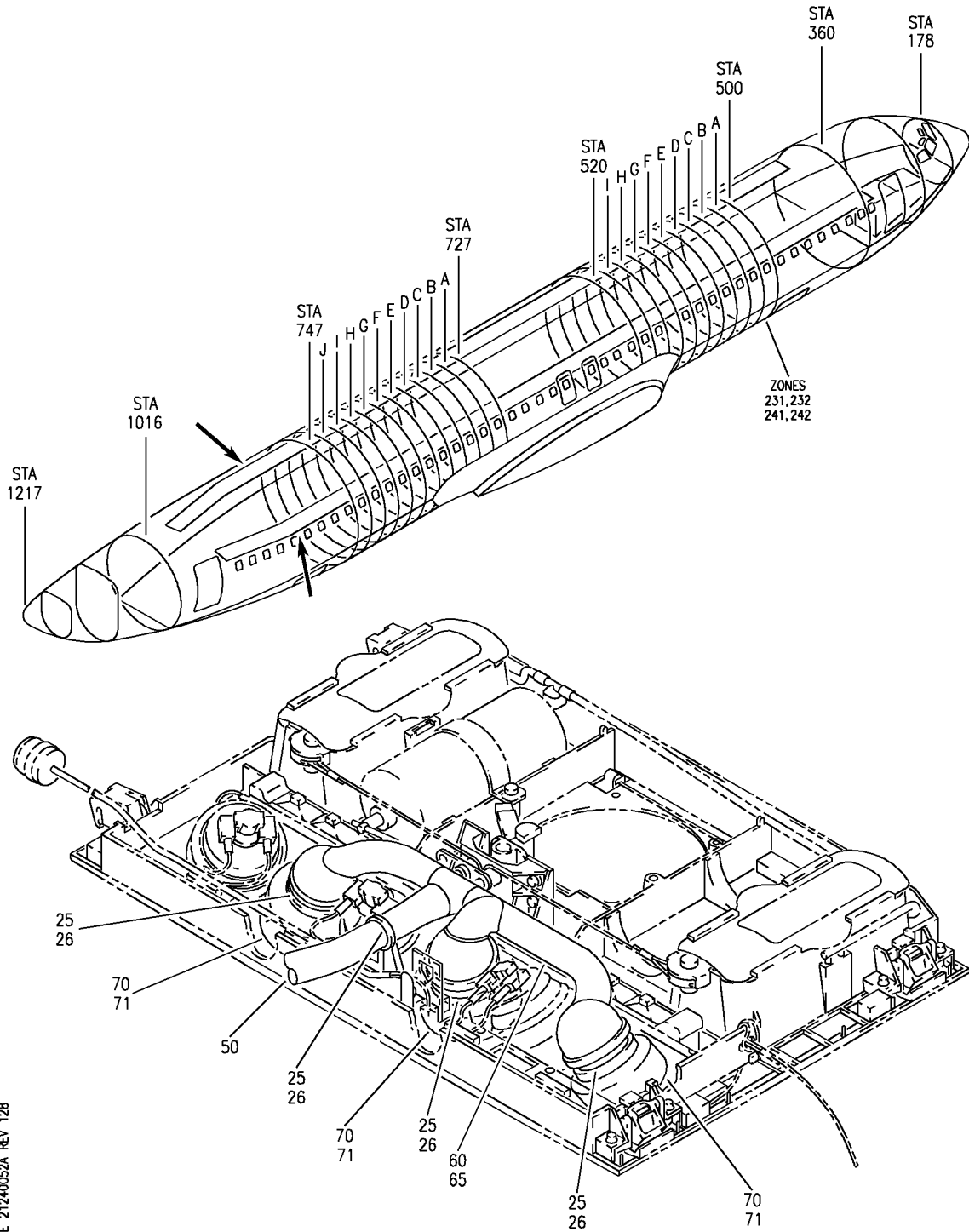
HAP

21-24-00-52

BOEING PROPRIETARY - Copyright © - Unpublished Work - See title page for details.

21-24-00
FIG. 52
PAGE 4
JUN 10/07

BOEING
737-600/700/800/900
PARTS CATALOG (MAINTENANCE)



E 21240052A REV 128

SERVICE UNIT ASSY-NO SPKR WITH GASPER PASS. (AIR CONDITIONING ONLY)
 FIGURE 52A

21-24-00-52A

HAP
 JUN 10/07

21-24-00-52A
 PAGE 0

BOEING
737-600/700/800/900
PARTS CATALOG (MAINTENANCE)

FIG ITEM	PART NUMBER	1 2 3 4 5 6 7	NOMENCLATURE	EFFECT FROM TO	UNITS PER ASSY
52A			SERVICE UNIT ASSY-NO SPKR WITH GASPER PASS. (AIR CONDITIONING ONLY)	001030	
- 1	417N3011-413B		SERVICE UNIT ASSY-NO SPKR WITH GASPER PASS. (AIR CONDITIONING ONLY) POSITION DATA: LH ELECTRICAL EQUIP NUMBER: M10973 COMPONENT MAINT MANUAL REF: 25-23-38 FOR NHA/OTHER SYS DET SEE: 25-23-61-57	017030	RF
- 1	417N3011-213A		SERVICE UNIT ASSY-NO SPKR WITH GASPER PASS. (AIR CONDITIONING ONLY) POSITION DATA: LH ELECTRICAL EQUIP NUMBER: M10973 COMPONENT MAINT MANUAL REF: 25-23-38 FOR NHA/OTHER SYS DET SEE: 25-23-61-57	017030	RF
- 1	417N3011-213SP		SERVICE UNIT ASSY-NO SPKR WITH GASPER PASS. (AIR CONDITIONING ONLY) POSITION DATA: LH ELECTRICAL EQUIP NUMBER: M10973 COMPONENT MAINT MANUAL REF: 25-23-38 QUALIFIED I/W DATA: COLOR SUBJECT TO CUSTOMER PREFERENCE FOR NHA/OTHER SYS DET SEE: 25-23-61-04 25-23-61-07A 25-23-61-22A 25-23-61-53A	001016	RF

MISSING ITEM NUMBERS NOT APPLICABLE

- ITEM NOT ILLUSTRATED

HAP

21-24-00-52A

BOEING PROPRIETARY - Copyright © - Unpublished Work - See title page for details.

21-24-00
FIG. 52A
PAGE 1
JUN 10/07

BOEING
737-600/700/800/900
PARTS CATALOG (MAINTENANCE)

FIG ITEM	PART NUMBER	1 2 3 4 5 6 7	NOMENCLATURE	EFFECT FROM TO	UNITS PER ASSY
52A - 5	417N3011-414B		SERVICE UNIT ASSY-NO SPKR WITH GASPER PASS. (AIR CONDITIONING ONLY) POSITION DATA: RH ELECTRICAL EQUIP NUMBER: M10973 COMPONENT MAINT MANUAL REF: 25-23-38 FOR NHA/OTHER SYS DET SEE: 25-23-61-57	017030	RF
- 5	417N3011-214A		SERVICE UNIT ASSY-NO SPKR WITH GASPER PASS. (AIR CONDITIONING ONLY) POSITION DATA: RH ELECTRICAL EQUIP NUMBER: M10973 COMPONENT MAINT MANUAL REF: 25-23-38 FOR NHA/OTHER SYS DET SEE: 25-23-61-57	017030	RF
- 5	417N3011-214SP		SERVICE UNIT ASSY-NO SPKR WITH GASPER PASS. (AIR CONDITIONING ONLY) POSITION DATA: RH ELECTRICAL EQUIP NUMBER: M10973 COMPONENT MAINT MANUAL REF: 25-23-38 FOR NHA/OTHER SYS DET SEE: 25-23-61-04 25-23-61-07A 25-23-61-22A 25-23-61-53A	001016	RF
- 5	417N3011-414SP		SERVICE UNIT ASSY-NO SPKR WITH GASPER PASS. (AIR CONDITIONING ONLY) POSITION DATA: RH ELECTRICAL EQUIP NUMBER: M10973 COMPONENT MAINT MANUAL REF: 25-23-38 FOR NHA/OTHER SYS DET SEE: 25-23-61-53A	001016	RF

MISSING ITEM NUMBERS NOT APPLICABLE

- ITEM NOT ILLUSTRATED

HAP

21-24-00-52A

BOEING PROPRIETARY - Copyright © - Unpublished Work - See title page for details.

21-24-00
FIG. 52A
PAGE 2
JUN 10/07

BOEING
737-600/700/800/900
PARTS CATALOG (MAINTENANCE)

FIG ITEM	PART NUMBER	1 2 3 4 5 6 7	NOMENCLATURE	EFFECT FROM TO	UNITS PER ASSY
52A - 5	417N3011-314SP		SERVICE UNIT ASSY-NO SPKR WITH GASPER PASS. (AIR CONDITIONING ONLY) POSITION DATA: RH ELECTRICAL EQUIP NUMBER: M10973 COMPONENT MAINT MANUAL REF: 25-23-38 FOR NHA/OTHER SYS DET SEE: 25-23-61-04 25-23-61-07A 25-23-61-22A 25-23-61-53A	001016	RF
25	PLT2MM2		.STRAP- SUPPLIER CODE: V06383 OPTIONAL PART: PLT2MM V06383	001030	AR
26	PLT2MM		.STRAP- SUPPLIER CODE: V06383 OPTIONAL PART: PLT2MM2 V06383	001030	AR
50	BACD40P3A160		.DUCT	001030	1
60	417N3103-3		.MANIFOLD ASSY-GASPER AIR UNDERBIN	001030	1
65	417N3103-4		..MANIFOLD	001030	1
71	3740-11		.OUTLET-AIR SUPPLIER CODE: VOACH0 SPECIFICATION NUMBER: 10-60141-26E OPTIONAL PART: 10-60141-23Y	001030	3
71	10-60141-23Y		.OUTLET-AIR OPTIONAL PART: 3740-11 VOACH0	001016	3
- 80	3743-60		..NUT- SUPPLIER CODE: VOACH0	001030	1

MISSING ITEM NUMBERS NOT APPLICABLE

- ITEM NOT ILLUSTRATED

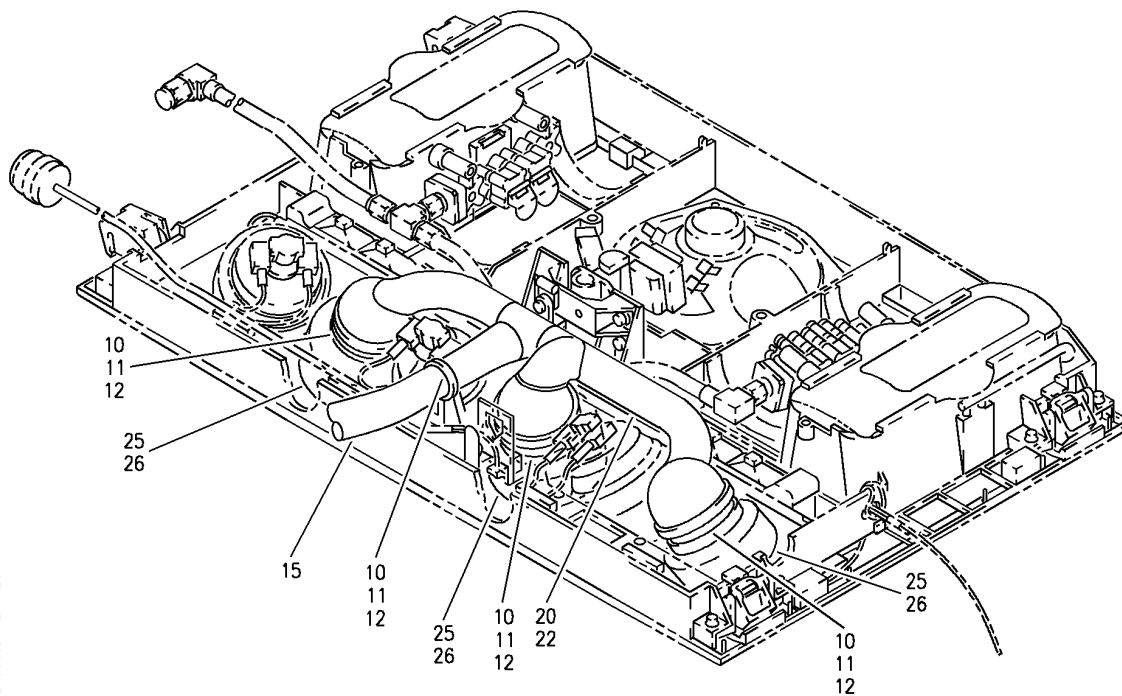
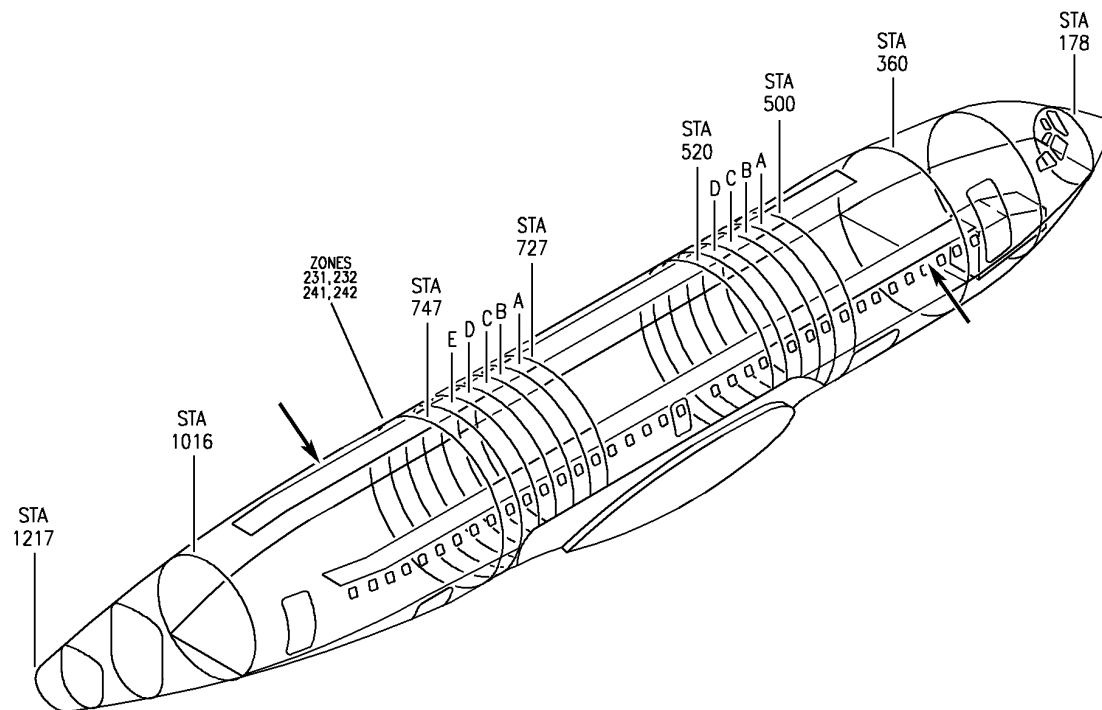
HAP

21-24-00-52A

BOEING PROPRIETARY - Copyright © - Unpublished Work - See title page for details.

21-24-00
FIG. 52A
PAGE 3
JUN 10/07

BOEING
737-600/700/800/900
PARTS CATALOG (MAINTENANCE)



E 21240063D REV 128

SERVICE UNIT ASSY-WITH 2K SPKR AND GASPER PASS. (AIR CONDITIONING ONLY)
 FIGURE 63D

HAP
 OCT 15/08

21-24-00-63D

21-24-00-63D
 PAGE 0

BOEING
737-600/700/800/900
PARTS CATALOG (MAINTENANCE)

FIG ITEM	PART NUMBER	1 2 3 4 5 6 7	NOMENCLATURE	EFFECT FROM TO	UNITS PER ASSY
63D			SERVICE UNIT ASSY-WITH 2K SPKR AND GASPER PASS. (AIR CONDITIONING ONLY)	201967	
- 1	417N3011-601SP		SERVICE UNIT ASSY-WITH 2K SPKR AND GASPER PASS. (AIR CONDITIONING ONLY) POSITION DATA: LH ELECTRICAL EQUIP NUMBER: M10973 COMPONENT MAINT MANUAL REF: 25-23-38 FOR NHA/OTHER SYS DET SEE: 25-23-61-29	201967	RF
- 5	417N3011-602SP		SERVICE UNIT ASSY-WITH 2K SPKR AND GASPER PASS. (AIR CONDITIONING ONLY) POSITION DATA: RH ELECTRICAL EQUIP NUMBER: M10973 COMPONENT MAINT MANUAL REF: 25-23-38 FOR NHA/OTHER SYS DET SEE: 25-23-61-29	201967	RF
10	PLT2MM		.STRAP- SUPPLIER CODE: V06383 OPTIONAL PART: PLT2MM2 V06383	201967	AR
10	PLT2MM2		.STRAP- SUPPLIER CODE: V06383 OPTIONAL PART: PLT2MM V06383	201967	AR
15	BACD40P3A160		.DUCT	201967	1
20	417N3103-3		.MANIFOLD ASSY-UNDERBIN GASPER AIR	201967	1
22	417N3103-4		..MANIFOLD	201967	1
25	3740-11		.OUTLET-AIR SUPPLIER CODE: VOACHO SPECIFICATION NUMBER: 10-60141-26E	201967	3
- 30	3743-60		..NUT- SUPPLIER CODE: VOACHO	201967	1

MISSING ITEM NUMBERS NOT APPLICABLE

- ITEM NOT ILLUSTRATED

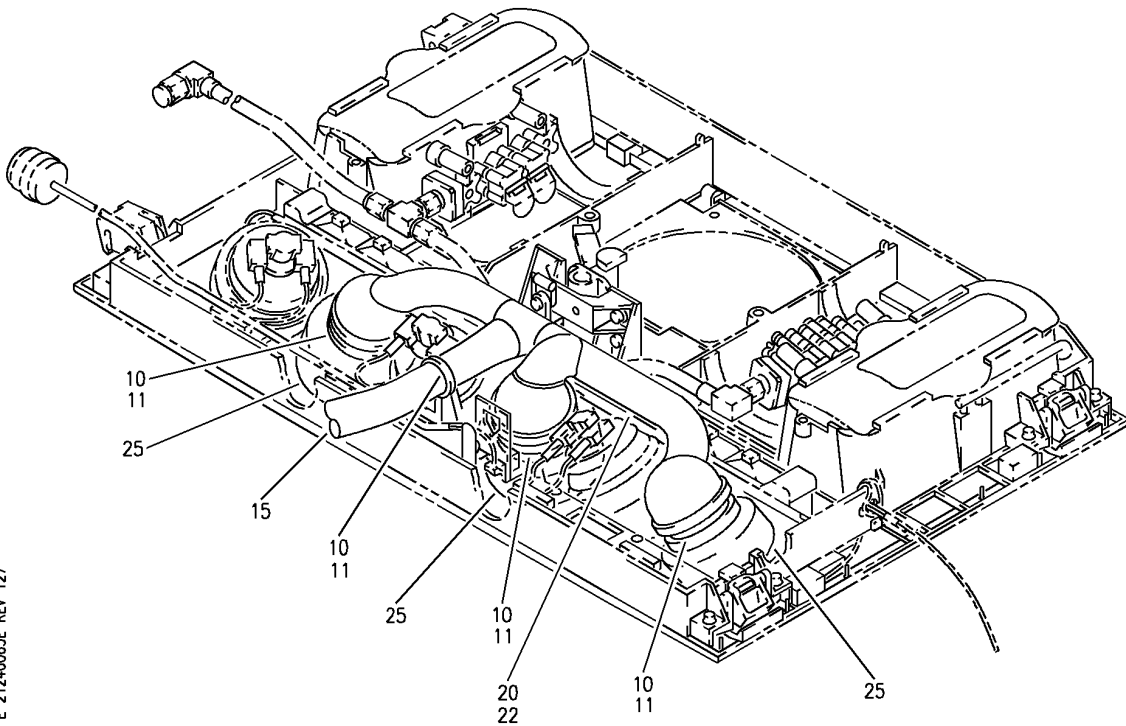
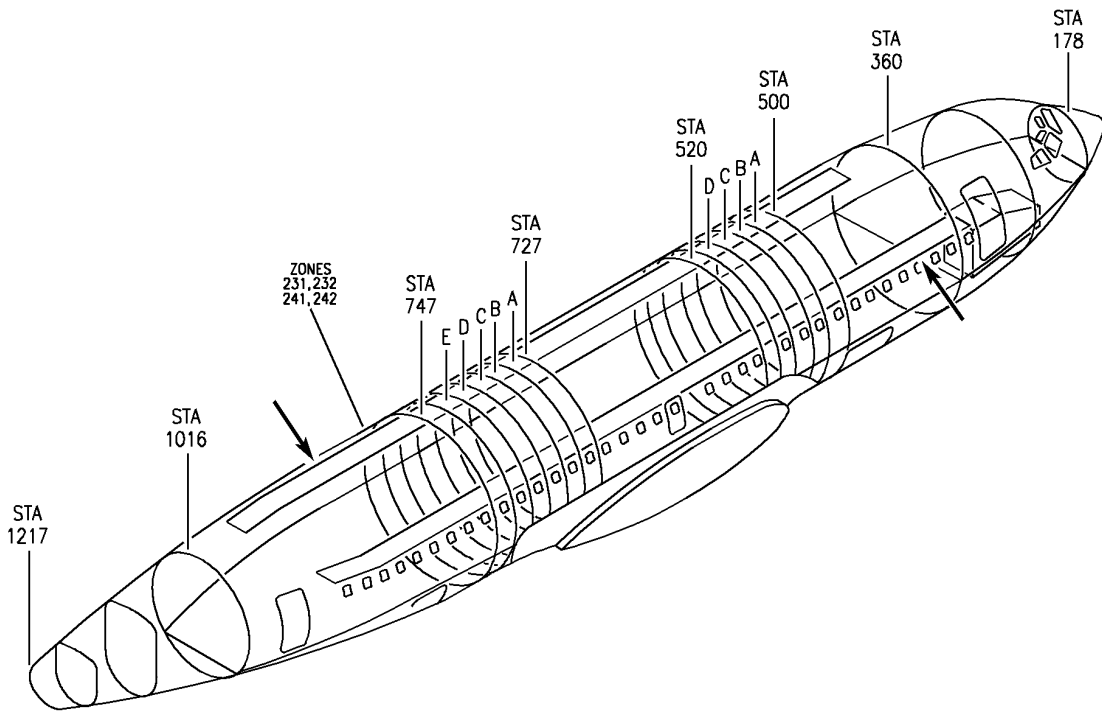
HAP

21-24-00-63D

BOEING PROPRIETARY - Copyright © - Unpublished Work - See title page for details.

21-24-00
FIG. 63D
PAGE 1
OCT 15/08

BOEING
 737-600/700/800/900
 PARTS CATALOG (MAINTENANCE)



E 21240063E REV 127

SERVICE UNIT ASSY-PASS. NO SPKR WITH GASPER (AIR CONDITIONING ONLY)
 FIGURE 63E

21-24-00-63E

HAP
 OCT 15/08

21-24-00-63E
 PAGE 0

BOEING
737-600/700/800/900
PARTS CATALOG (MAINTENANCE)

FIG ITEM	PART NUMBER	1 2 3 4 5 6 7	NOMENCLATURE	EFFECT FROM TO	UNITS PER ASSY
63E			SERVICE UNIT ASSY-PASS. NO SPKR WITH GASPER (AIR CONDITIONING ONLY)	201967	
- 1	417N3011-613SP		SERVICE UNIT ASSY-PASS. NO SPKR WITH GASPER (AIR CONDITIONING ONLY) POSITION DATA: LH ELECTRICAL EQUIP NUMBER: M10973 COMPONENT MAINT MANUAL REF: 25-23-38 FOR NHA/OTHER SYS DET SEE: 25-23-61-29	201967	RF
- 5	417N3011-614SP		SERVICE UNIT ASSY-PASS. NO SPKR WITH GASPER (AIR CONDITIONING ONLY) POSITION DATA: RH ELECTRICAL EQUIP NUMBER: M10973 COMPONENT MAINT MANUAL REF: 25-23-38 FOR NHA/OTHER SYS DET SEE: 25-23-61-29	201967	RF
11	PLT2MM2		.STRAP- SUPPLIER CODE: V06383 OPTIONAL PART: PLT2MM V06383	201967	AR
11	PLT2MM		.STRAP- SUPPLIER CODE: V06383 OPTIONAL PART: PLT2MM2 V06383	201967	AR
15	BACD40P3A160		.DUCT	201967	1
20	417N3103-3		.MANIFOLD ASSY-UNDERBIN GASPER AIR	201967	1
22	417N3103-4		..MANIFOLD	201967	1
25	3740-11		.OUTLET-AIR SUPPLIER CODE: VOACH0	201967	3
- 30	3743-60		..NUT- SUPPLIER CODE: VOACH0	201967	1

MISSING ITEM NUMBERS NOT APPLICABLE

- ITEM NOT ILLUSTRATED

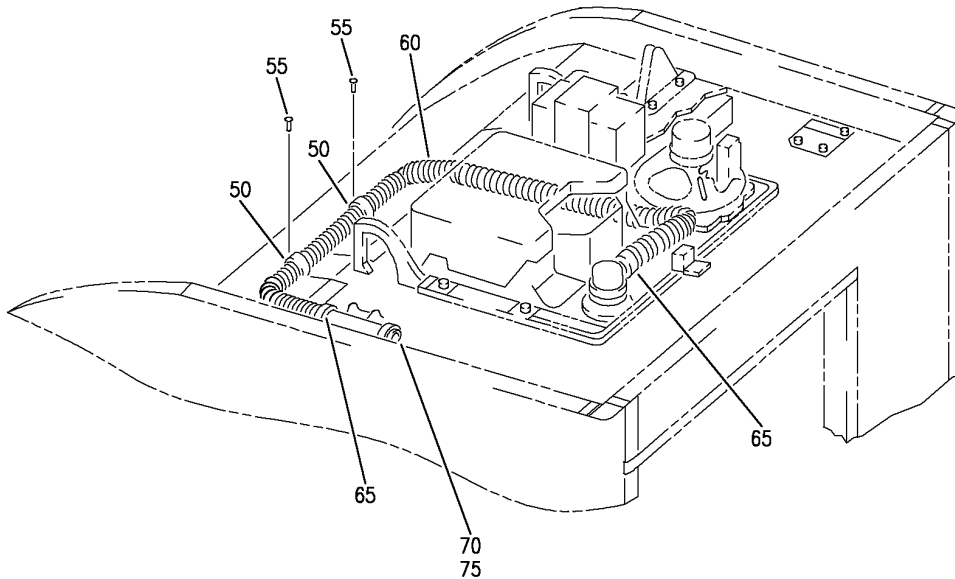
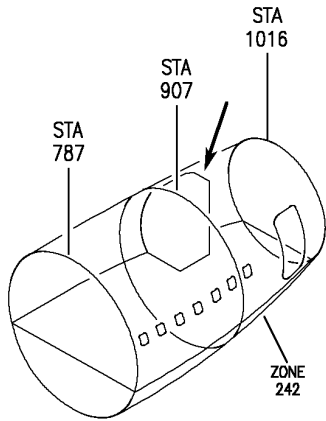
HAP

21-24-00-63E

BOEING PROPRIETARY - Copyright © - Unpublished Work - See title page for details.

21-24-00
FIG. 63E
PAGE 1
OCT 15/08

BOEING
 737-600/700/800/900
 PARTS CATALOG (MAINTENANCE)



E 21245104X REV 103

STRUCTURE INSTL-LAV E (AIR CONDITIONING ONLY)
 FIGURE 4X

21-24-51-04X

HAP
 OCT 10/06

21-24-51-04X
 PAGE 0

BOEING
737-600/700/800/900
PARTS CATALOG (MAINTENANCE)

FIG ITEM	PART NUMBER	1 2 3 4 5 6 7	NOMENCLATURE	EFFECT FROM TO	UNITS PER ASSY
4X			STRUCTURE INSTL-LAV E (AIR CONDITIONING ONLY)	006007	
- 1	25-46-91-002RF		STRUCTURE INSTL-LAV E (AIR CONDITIONING ONLY) SUPPLIER CODE: VU3384 FOR NHA/OTHER SYS DET SEE: 25-40-01-13M	006007	RF
50	BACC10DK13		.CLAMP ATTACHING PARTS	006007	2
55	AN3-4A		.BOLT -----*-----	006007	2
60	RGS3123B		.PIPE-FLEXIBLE SUPPLIER CODE: VU3384 CONFIG CHG DATA FROM A CMM: REPLD BY RGS3213G	006007	1
60	RGS3123G		.PIPE-FLEXIBLE SUPPLIER CODE: VU3384 CONFIG CHG DATA FROM A CMM: REPLACES RGS3213B	006007	1
65	BAS243N00		.CLIP-HOSE SUPPLIER CODE: VU1901	006007	2
70	C22102-501-001		.FITTING-PIPE SUPPLIER CODE: VU3384	006007	1
75	A102-1-2C		ATTACHING PARTS .BOLT -----*-----	006007	2

MISSING ITEM NUMBERS NOT APPLICABLE

- ITEM NOT ILLUSTRATED

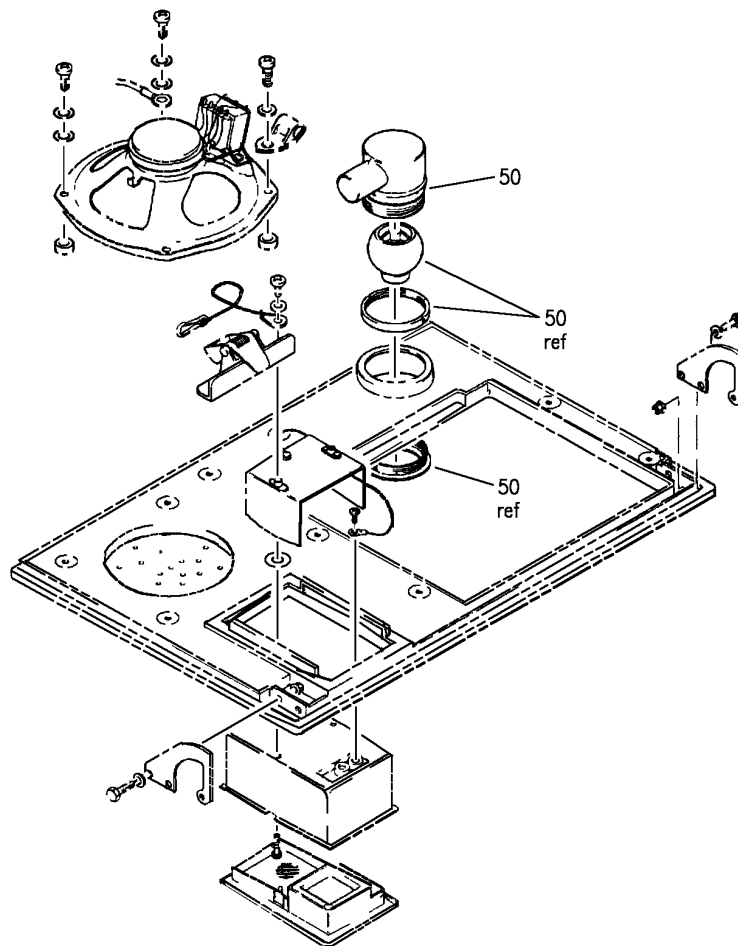
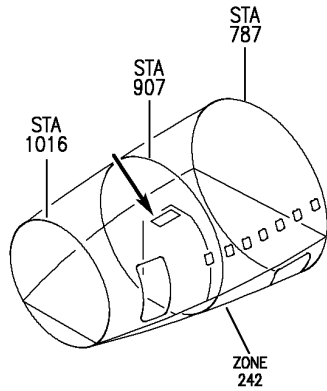
HAP

21-24-51-04X

BOEING PROPRIETARY - Copyright © - Unpublished Work - See title page for details.

21-24-51
FIG. 04X
PAGE 1
OCT 10/06

BOEING
737-600/700/800/900
PARTS CATALOG (MAINTENANCE)



E 21245105A REV 103

SERVICE UNIT ASSY-PASS LAV E (AIR CONDITIONING ONLY)
FIGURE 5A

21-24-51-05A

HAP
OCT 10/06

21-24-51-05A
PAGE 0

BOEING
737-600/700/800/900
PARTS CATALOG (MAINTENANCE)

FIG ITEM	PART NUMBER	1 2 3 4 5 6 7	NOMENCLATURE	EFFECT FROM TO	UNITS PER ASSY
5A			SERVICE UNIT ASSY-PASS LAV E (AIR CONDITIONING ONLY)	006007	
- 1	C22502-571-313		SERVICE UNIT ASSY-PASS. LAV E (AIR CONDITIONING ONLY) SUPPLIER CODE: VU3384 FOR NHA/OTHER SYS DET SEE: 25-41-40-01M	006007	RF
50	750801-007		.OUTLET-GASPER AIR SUPPLIER CODE: V28406 SPECIFICATION NUMBER: 10-60141-11A OPTIONAL PART: L16998-11A V17744 1707-11A V83564	006007	1

MISSING ITEM NUMBERS NOT APPLICABLE

- ITEM NOT ILLUSTRATED

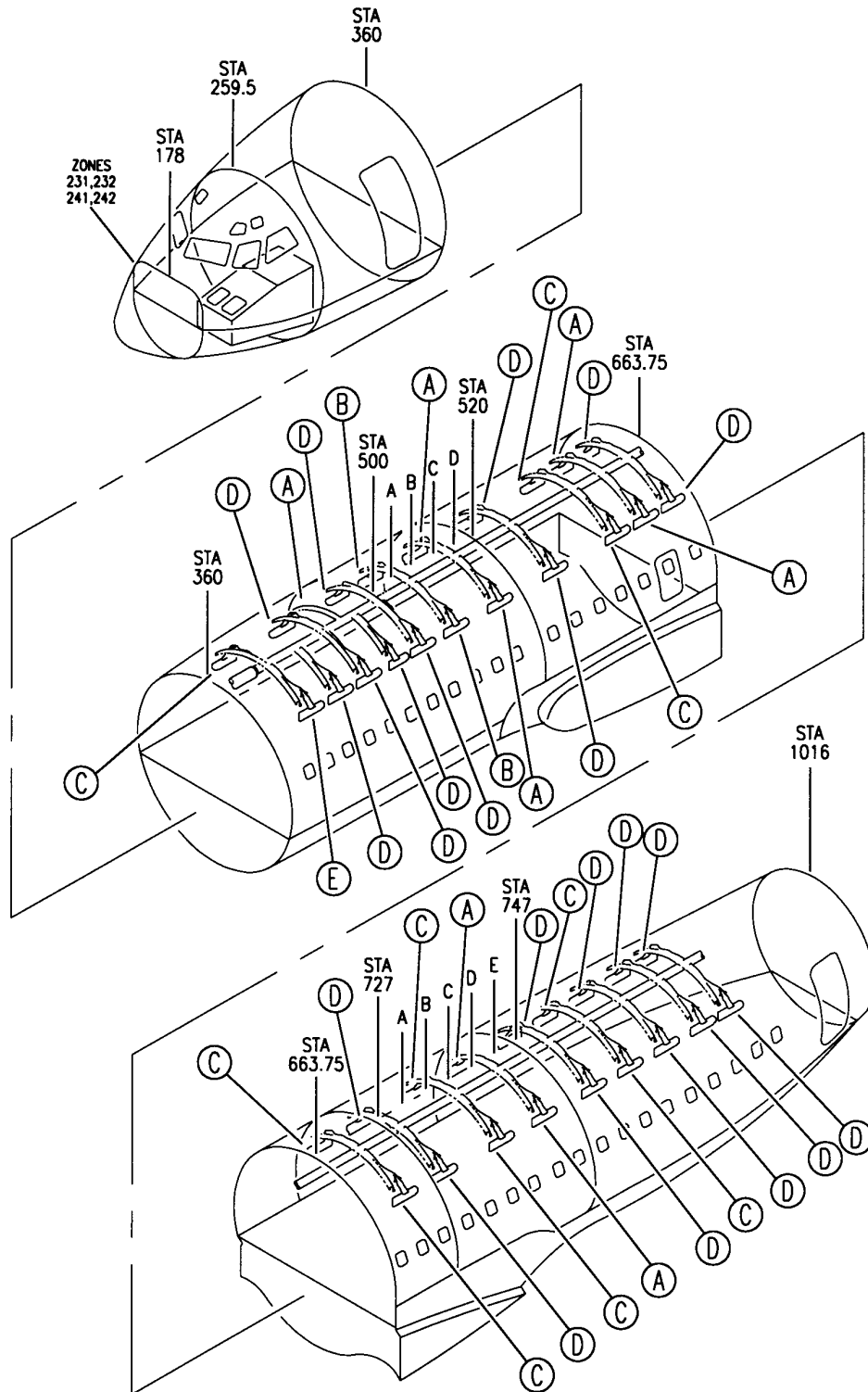
HAP

21-24-51-05A

BOEING PROPRIETARY - Copyright © - Unpublished Work - See title page for details.

21-24-51
FIG. 05A
PAGE 1
OCT 10/06

BOEING
 737-600/700/800/900
 PARTS CATALOG (MAINTENANCE)



E 21245119 SHT 1 REV 019

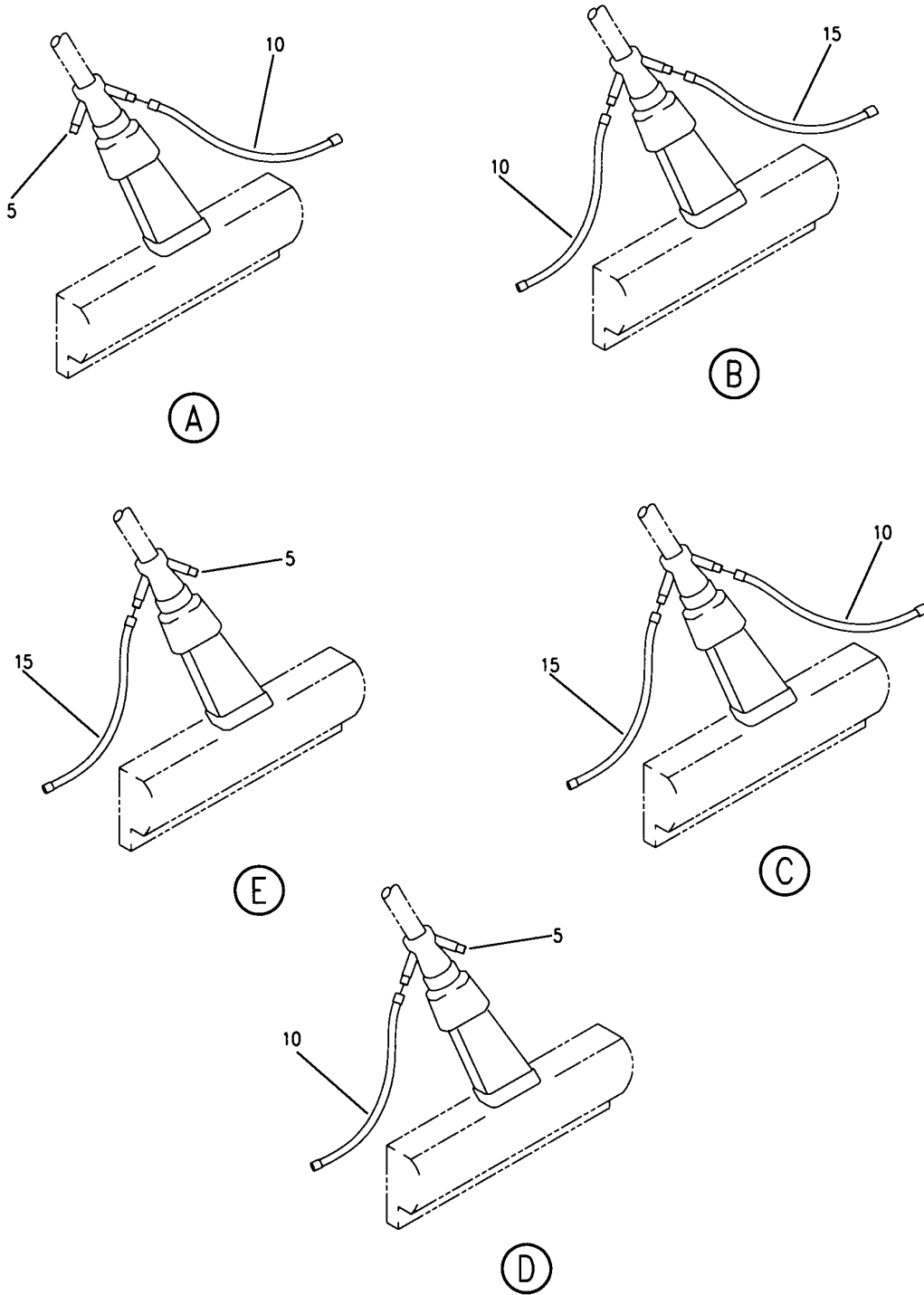
HOSE INSTL-SECT. 43, 44 AND 46 PSU GASPER
 FIGURE 19 (SHEET 1)

21-24-51-19

HAP
 OCT 15/08

21-24-51-19
 PAGE 0

BOEING
737-600/700/800/900
PARTS CATALOG (MAINTENANCE)



E 21245119 SH1 2 REV 019

HOSE INSTL-SECT. 43, 44 AND 46 PSU GASPER
FIGURE 19 (SHEET 2)

21-24-51-19

HAP
OCT 15/08

21-24-51-19
PAGE 0A

BOEING
737-600/700/800/900
PARTS CATALOG (MAINTENANCE)

FIG ITEM	PART NUMBER	1 2 3 4 5 6 7	NOMENCLATURE	EFFECT FROM TO	UNITS PER ASSY
19			HOSE INSTL-SECT. 43, 44 AND 46 PSU GASPER	201967	
- 1	214A4002-21		HOSE INSTL-PSU GASPER POSITION DATA: SECT. 43, 44 AND 46 FOR NHA SEE: 21-20-00-09B	201967	RF
5	12-1000		.CAP- SUPPLIER CODE: V25205	201967	28
10	BACD40P3A120		.DUCT-	201967	38
15	BACD40P3A180		.DUCT	201967	12

MISSING ITEM NUMBERS NOT APPLICABLE

- ITEM NOT ILLUSTRATED

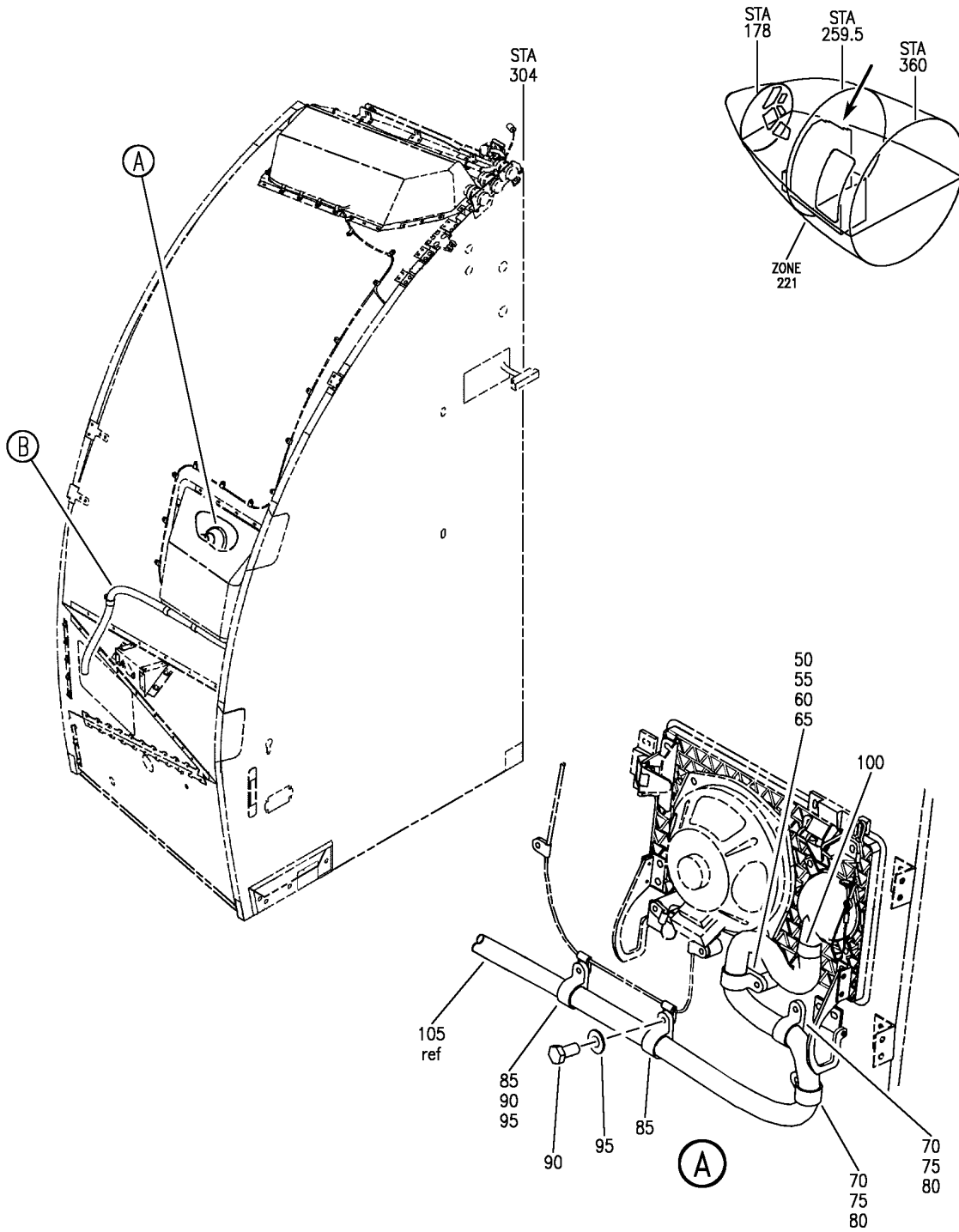
HAP

21-24-51-19

BOEING PROPRIETARY - Copyright © - Unpublished Work - See title page for details.

21-24-51
FIG. 19
PAGE 1
OCT 15/08

BOEING
 737-600/700/800/900
 PARTS CATALOG (MAINTENANCE)



E 21245135C SHT 1 REV 130

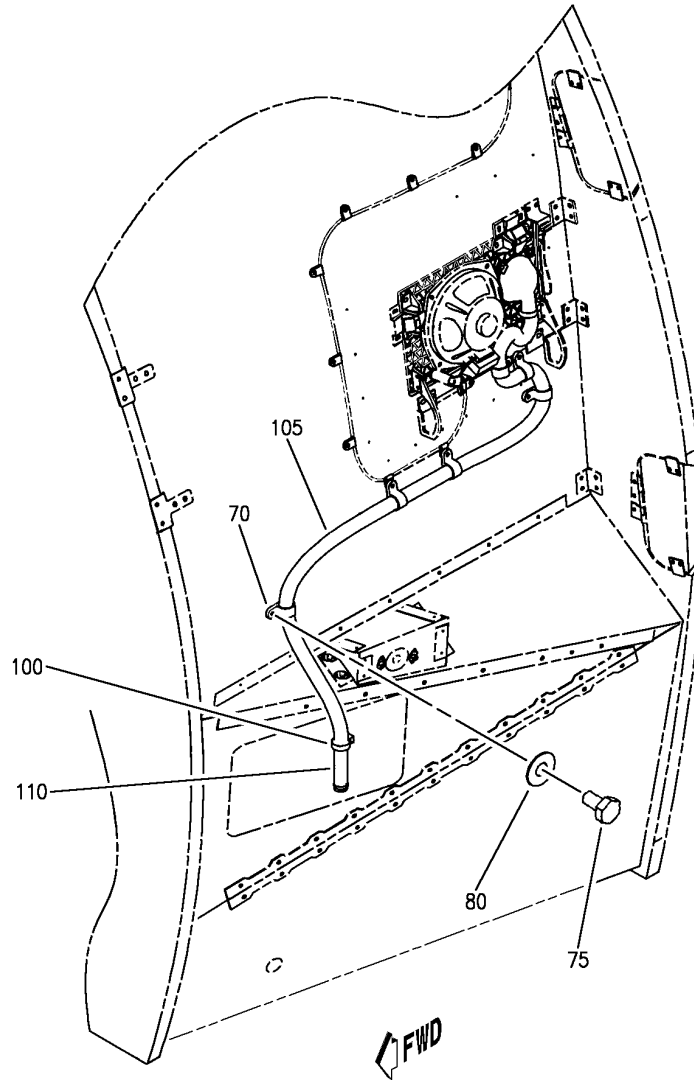
MODULE ASSY-LAV A (DISTRIBUTION ONLY)
 FIGURE 35C (SHEET 1)

21-24-51-35C

HAP
 JUN 10/07

21-24-51-35C
 PAGE 0

BOEING
737-600/700/800/900
PARTS CATALOG (MAINTENANCE)



(B)

E 21245135C SHT 2 REV 130

MODULE ASSY-LAV A (DISTRIBUTION ONLY)
FIGURE 35C (SHEET 2)

21-24-51-35C

HAP
JUN 10/07

21-24-51-35C
PAGE 0A

BOEING
737-600/700/800/900
PARTS CATALOG (MAINTENANCE)

FIG ITEM	PART NUMBER	1 2 3 4 5 6 7	NOMENCLATURE	EFFECT FROM TO	UNITS PER ASSY
R R R R R R R R R R R R R R R	35C				
	- 1	D72000102-111A	MODULE ASSY-LAV A (DISTRIBUTION ONLY) MODULE ASSY-LAV A (DISTRIBUTION ONLY) SUPPLIER CODE: VS5825 SPECIFICATION NUMBER: S417A180-0102A ELECTRICAL EQUIP NUMBER: M01415 COMPONENT MAINT MANUAL REF: 25-46-27 FOR NHA/OTHER SYS DET SEE: 25-40-01-01D 25-40-01-01T	042046 051052 042046 051052	RF
	50	BACC10DK13	.CLAMP	042046 051052	1
	55	NAS1801-3-18	ATTACHING PARTS .SCREW	042046 051052	1
	60	D72D70885-917	.POST-SPACER SUPPLIER CODE: VS5825	042046 051052	1
	65	NAS1149D0332K	.WASHER	042046 051052	1
	70	BACC10DK13	-----*----- .CLAMP	042046 051052	3
	75	NAS1801-3-7	ATTACHING PARTS .SCREW	042046 051052	3
	80	NAS1149D0332K	.WASHER	042046 051052	3
	85	BACC10DK13	-----*----- .CLAMP	042046 051052	2
	90	NAS1801-3-10	ATTACHING PARTS .SCREW	042046 051052	2
	95	NAS1149D0332K	.WASHER	042046 051052	2
	100	NAS1922-0100-1	-----*----- .CLAMP	042046 051052	2
	105	AS1591-03-0452A	.HOSE	042046 051052	1
	110	D72D71297-111	.TUBE-GASPER HOSE SUPPLIER CODE: VS5825	042046 051052	1

MISSING ITEM NUMBERS NOT APPLICABLE

- ITEM NOT ILLUSTRATED

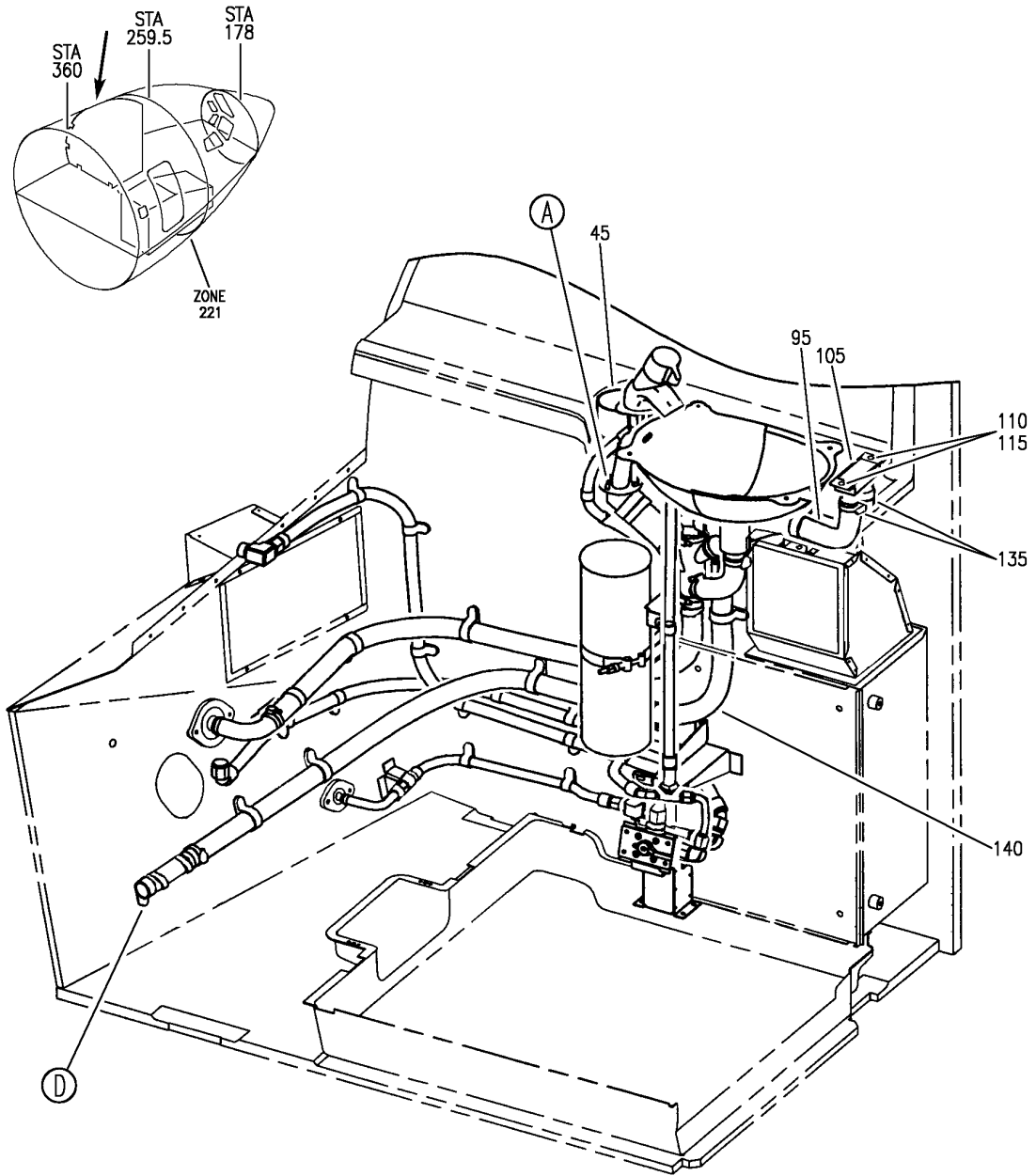
HAP

21-24-51-35C

BOEING PROPRIETARY - Copyright © - Unpublished Work - See title page for details.

21-24-51
FIG. 35C
PAGE 1
JUN 15/09

BOEING
737-600/700/800/900
PARTS CATALOG (MAINTENANCE)



E 21245140C SHT 1 REV 130

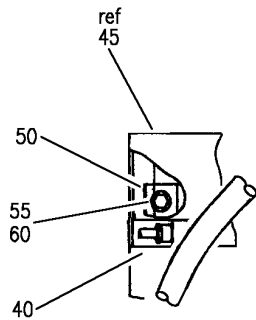
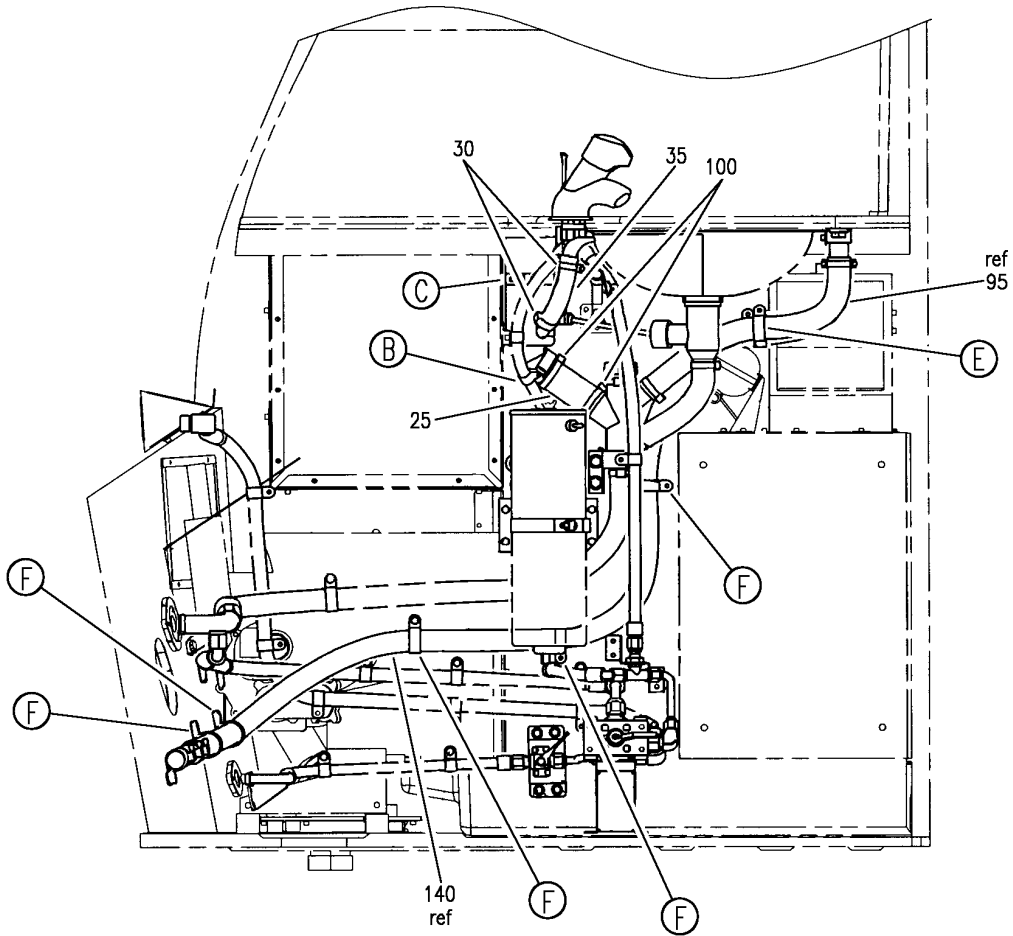
PLUMBING ASSY-LAV A (AIR CONDITIONING ONLY)
FIGURE 40C (SHEET 1)

21-24-51-40C

HAP
JUN 10/07

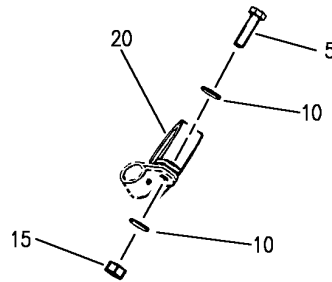
21-24-51-40C
PAGE 0

BOEING
 737-600/700/800/900
 PARTS CATALOG (MAINTENANCE)



(C)

(A)



(B)

E 212451-40C SHT 2 REV 130

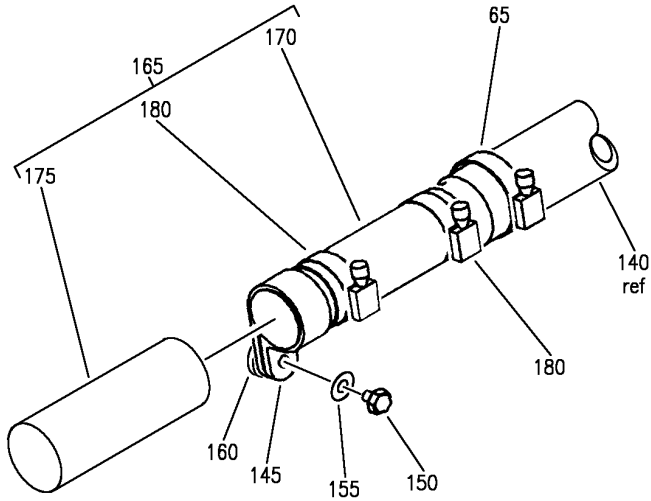
PLUMBING ASSY-LAV A (AIR CONDITIONING ONLY)
 FIGURE 40C (SHEET 2)

21-24-51-40C

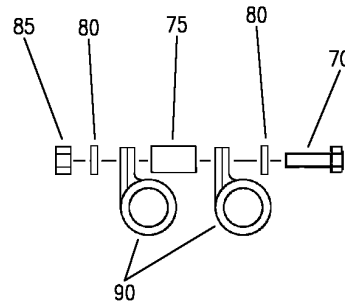
HAP
 JUN 10/07

21-24-51-40C
 PAGE 0A

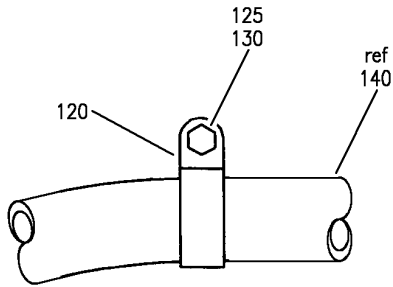
BOEING
 737-600/700/800/900
 PARTS CATALOG (MAINTENANCE)



(D)



(E)



(F)

E 21245140C SHT 3 REV 130

PLUMBING ASSY-LAV A (AIR CONDITIONING ONLY)
 FIGURE 40C (SHEET 3)

21-24-51-40C

HAP
 JUN 10/07

21-24-51-40C
 PAGE 0B

BOEING
737-600/700/800/900
PARTS CATALOG (MAINTENANCE)

FIG ITEM	PART NUMBER	1 2 3 4 5 6 7	NOMENCLATURE	EFFECT FROM TO	UNITS PER ASSY
40C			PLUMBING ASSY-LAV A (AIR CONDITIONING ONLY)	042046 051052	
- 1	D72W26012-111		PLUMBING ASSY-LAV A (AIR CONDITIONING ONLY) SUPPLIER CODE: VS5825 FOR NHA/OTHER SYS DET SEE: 25-40-01-35C	042046 051052	RF
5	NAS1801-3-12		.SCREW	042046 051052	1
10	NAS1149D0332K		.WASHER	042046 051052	2
15	NAS679A3		.NUT	042046 051052	1
20	AS21919WCE28		.CLAMP	042046 051052	1
25	FLX200212001605		.HOSE-AIR DUCT SUPPLIER CODE: VS5825	042046 051052	1
30	NAS1922-0100-1		.CLAMP	042046 051052	2
35	FLX200206001905		.HOSE-AIR DUCT SUPPLIER CODE: VS5825	042046 051052	1
40	M630102-67		.CLAMP	042046 051052	1
45	D72D70408-111		.MUFFLER- SUPPLIER CODE: VS5825	042046 051052	1
50	D72D70397-111		.BRACKET-MUFFLER SUPPLIER CODE: VS5825	042046 051052	1
55	NAS1801-3-5		ATTACHING PARTS .SCREW	042046 051052	4
60	NAS1149D0332K		.WASHER	042046 051052	4
65	NAS1922-0125-1		-----*----- .CLAMP	042046 051052	2
70	NAS1801-3-28		.SCREW	042046 051052	1
75	D72D71541-111		.SPACER- SUPPLIER CODE: VS5825	042046 051052	1
80	NAS1149D0332K		.WASHER	042046 051052	2
85	NAS679A3		.NUT	042046 051052	1

MISSING ITEM NUMBERS NOT APPLICABLE

- ITEM NOT ILLUSTRATED

HAP

21-24-51-40C

21-24-51
FIG. 40C
PAGE 1
FEB 15/09

BOEING PROPRIETARY - Copyright © - Unpublished Work - See title page for details.

BOEING
737-600/700/800/900
PARTS CATALOG (MAINTENANCE)

FIG ITEM	PART NUMBER	1 2 3 4 5 6 7	NOMENCLATURE	EFFECT FROM TO	UNITS PER ASSY
40C					
90	BACC10DK18	.	CLAMP	042046 051052	2
95	BOE2022-04A0150	.	HOSE-AIR DUCT SUPPLIER CODE: V16632 SPECIFICATION NUMBER: AS1544-04A0150	042046 051052	1
100	NAS1922-0150-1	.	CLAMP	042046 051052	2
105	D72D70395-111	.	DAMPER- SUPPLIER CODE: VS5825 ATTACHING PARTS	042046 051052	1
110	NAS1801-3-5	.	SCREW	042046 051052	2
115	NAS1149D0332K	.	WASHER	042046 051052	2
			-----*-----		
120	BACC10DK18	.	CLAMP	042046 051052	5
			ATTACHING PARTS		
125	NAS1801-3-7	.	SCREW	042046 051052	5
130	NAS1149D0332K	.	WASHER	042046 051052	5
			-----*-----		
135	NAS1922-0125-1	.	CLAMP	042046 051052	4
140	AS4804-04-0650A	.	HOSE	042046 051052	1
145	BACC10DK16	.	CLAMP	042046 051052	1
			ATTACHING PARTS		
150	NAS1801-3-10	.	SCREW	042046 051052	1
155	NAS1149D0332K	.	WASHER	042046 051052	1
160	D72D70885-925	.	POST-SPACER SUPPLIER CODE: VS5825	042046 051052	1
			-----*-----		
165	D72D71075-111	.	DUCT ASSY-VENTILATION SUPPLIER CODE: VS5825	042046 051052	1
170	D72D71074-111	..	TUBE- SUPPLIER CODE: VS5825	042046 051052	1

MISSING ITEM NUMBERS NOT APPLICABLE

— ITEM NOT ILLUSTRATED

HAP

21-24-51-40C

BOEING PROPRIETARY - Copyright © - Unpublished Work - See title page for details.

21-24-51
FIG. 40C
PAGE 2
FEB 15/09


BOEING
 737-600/700/800/900
PARTS CATALOG (MAINTENANCE)

FIG ITEM	PART NUMBER	1 2 3 4 5 6 7	NOMENCLATURE	EFFECT FROM TO	UNITS PER ASSY
40C 175	D72D71075-003	..	SCREEN- SUPPLIER CODE: VS5825	042046 051052	1
180	NAS1922-0100-1	..	CLAMP	042046 051052	2

MISSING ITEM NUMBERS NOT APPLICABLE

— ITEM NOT ILLUSTRATED

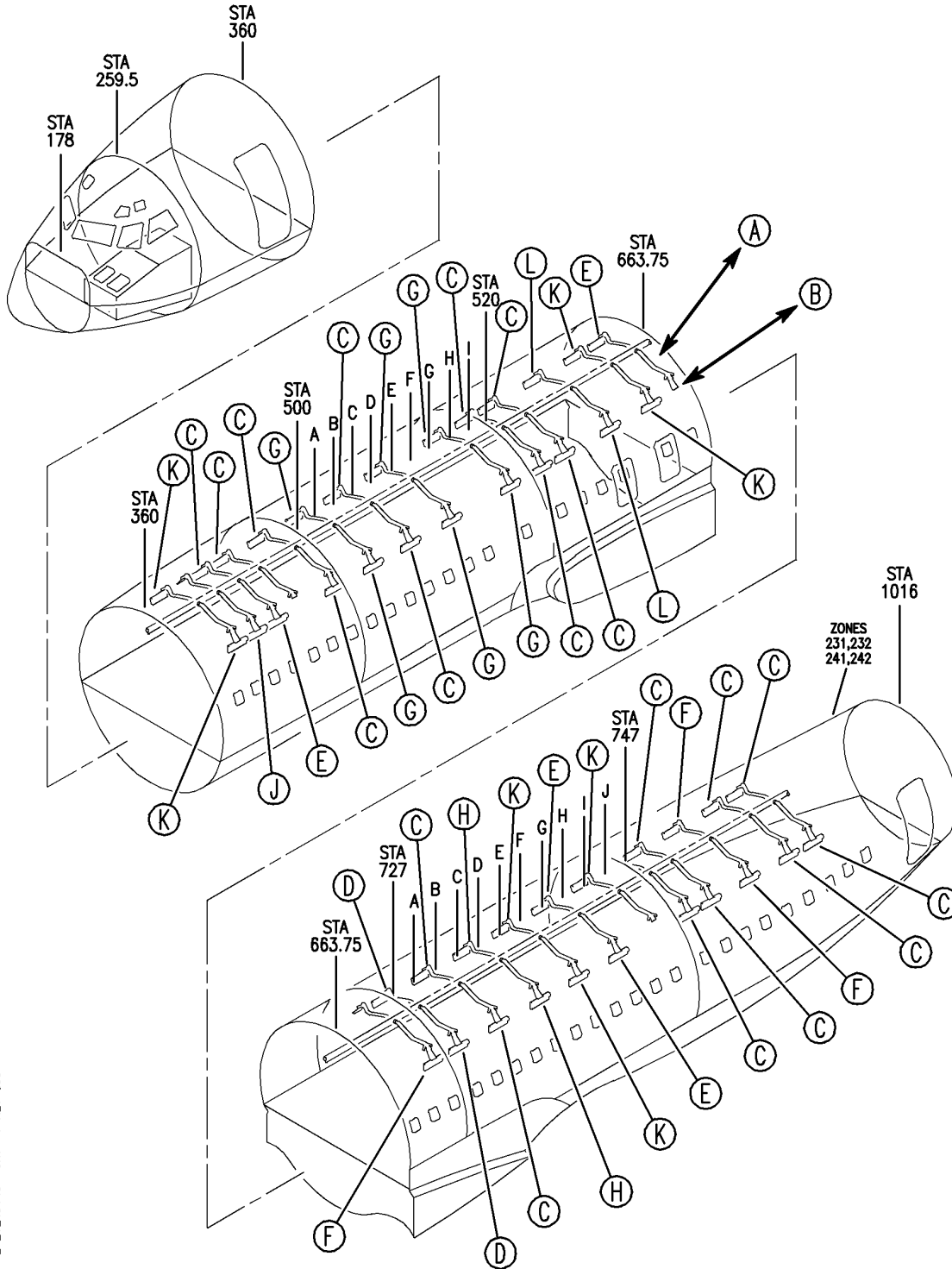
HAP

21-24-51-40C

BOEING PROPRIETARY - Copyright © - Unpublished Work - See title page for details.

21-24-51
 FIG. 40C
 PAGE 3
 FEB 15/09

BOEING
 737-600/700/800/900
 PARTS CATALOG (MAINTENANCE)



E 21245143 SHT 1 REV 055

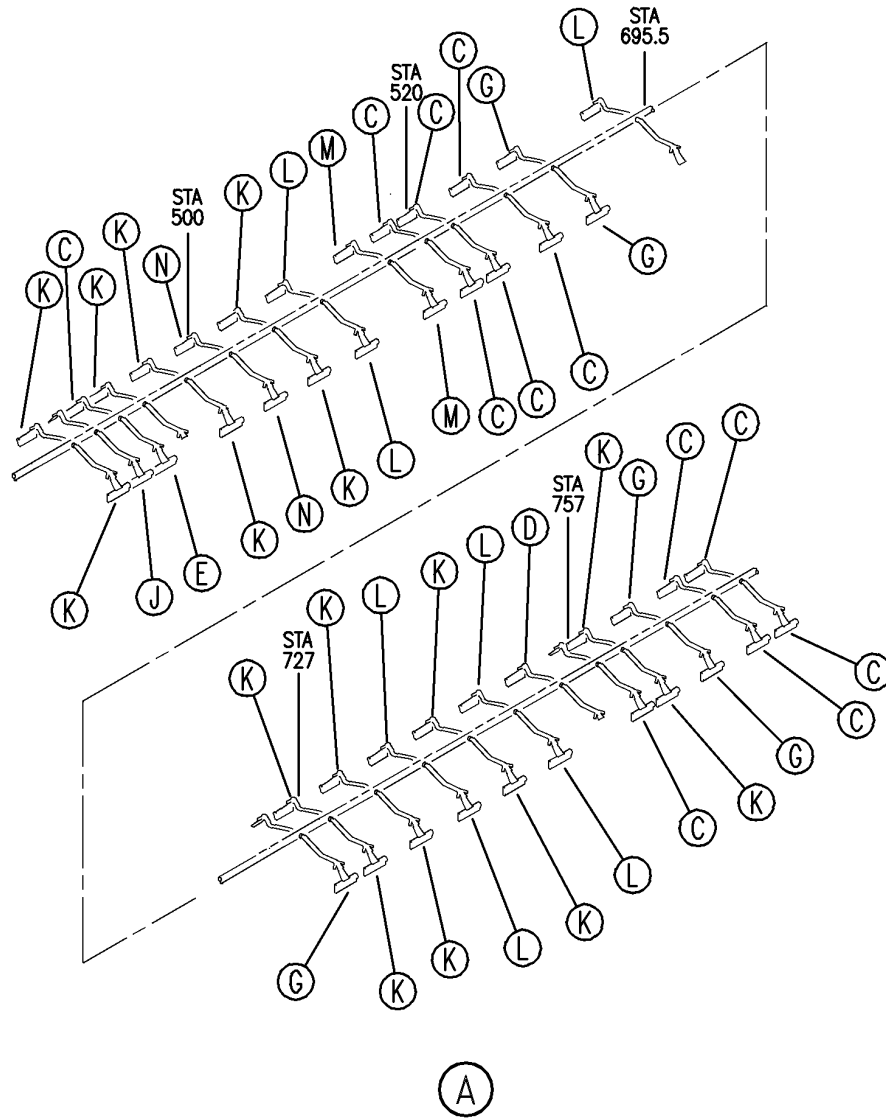
HOSE INSTL-STA 390 TO STA 897 PSU GASPER
 FIGURE 43 (SHEET 1)

21-24-51-43

HAP
 OCT 10/06

21-24-51-43
 PAGE 0

BOEING
 737-600/700/800/900
 PARTS CATALOG (MAINTENANCE)



E 21245143 SHT 2 REV 055

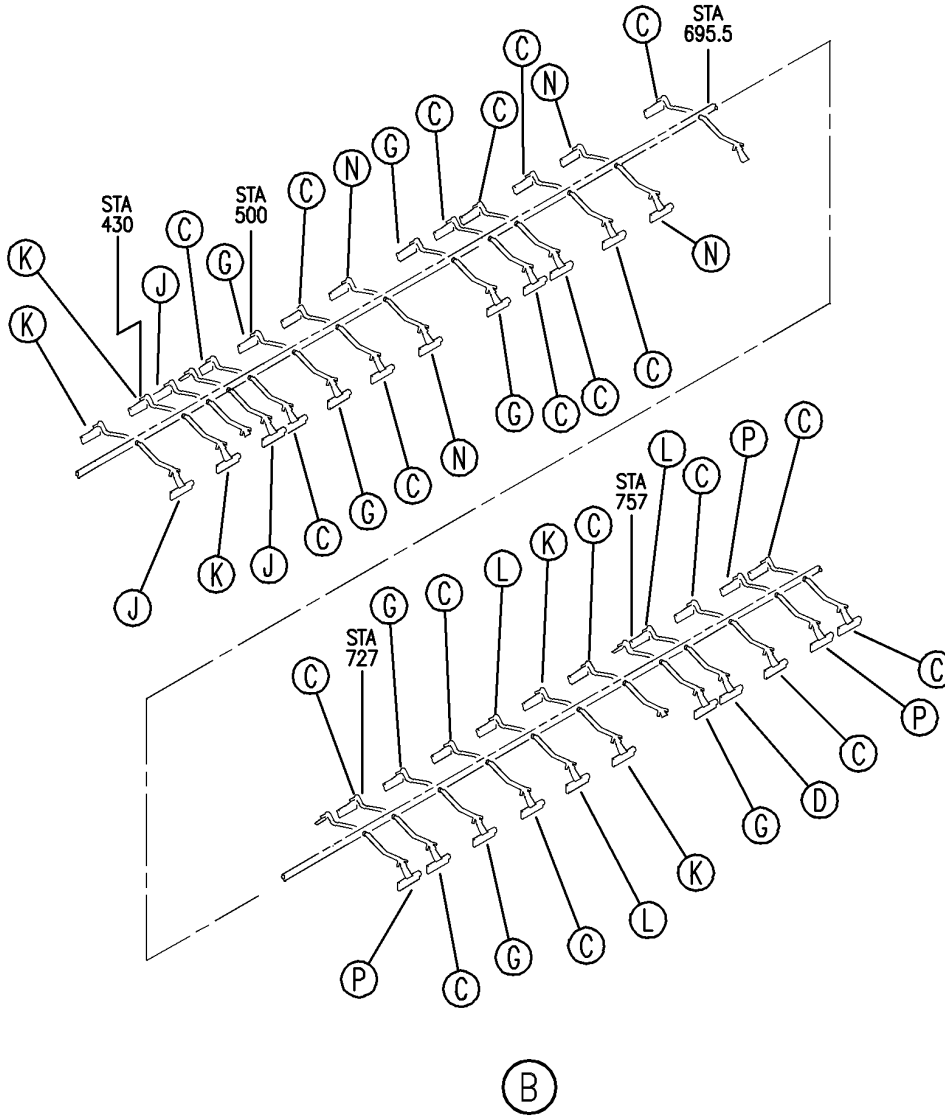
HOSE INSTL-STA 390 TO STA 897 PSU GASPER
 FIGURE 43 (SHEET 2)

21-24-51-43

HAP
 OCT 10/06

21-24-51-43
 PAGE 0A

BOEING
 737-600/700/800/900
 PARTS CATALOG (MAINTENANCE)



E 21245143 SHT 3 REV 055

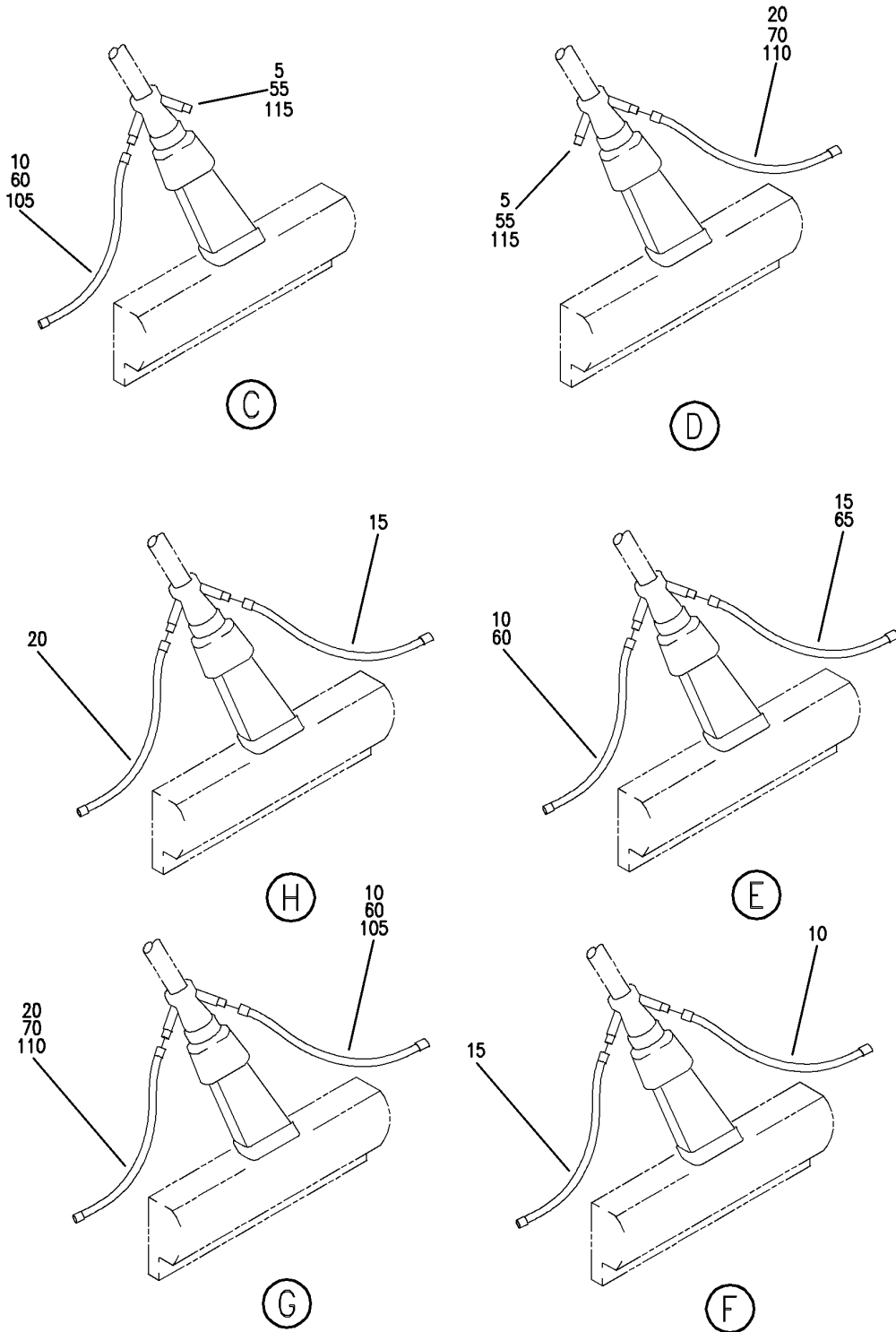
HOSE INSTL-STA 390 TO STA 897 PSU GASPER
 FIGURE 43 (SHEET 3)

21-24-51-43

HAP
 OCT 10/06

21-24-51-43
 PAGE 0B

BOEING
 737-600/700/800/900
 PARTS CATALOG (MAINTENANCE)



E 21245143 SHT 4 REV 055

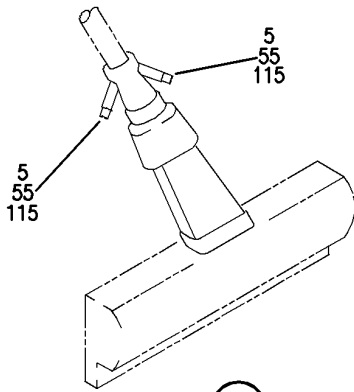
HOSE INSTL-STA 390 TO STA 897 PSU GASPER
 FIGURE 43 (SHEET 4)

21-24-51-43

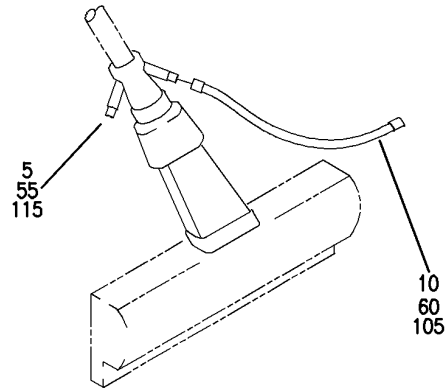
HAP
 OCT 10/06

21-24-51-43
 PAGE 0C

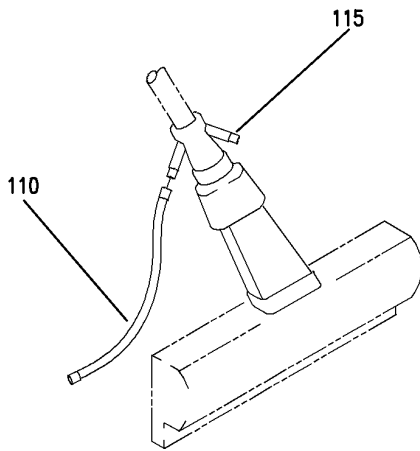
BOEING
 737-600/700/800/900
 PARTS CATALOG (MAINTENANCE)



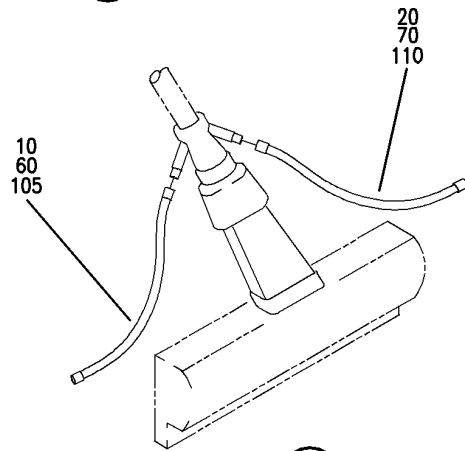
(J)



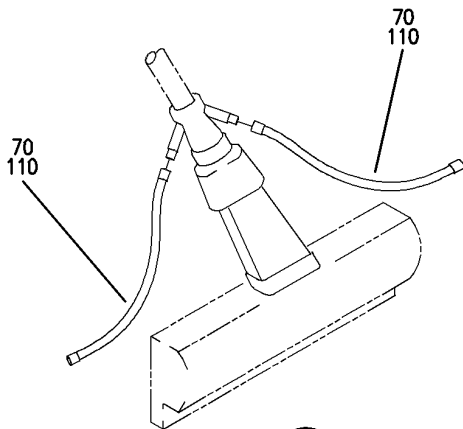
(K)



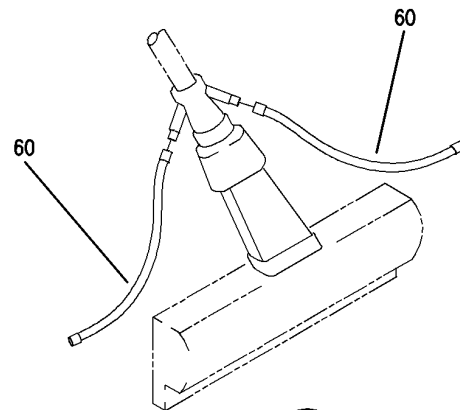
(P)



(L)



(N)



(M)

E 21245143 SHT 5 REV 065

HOSE INSTL-STA 390 TO STA 897 PSU GASPER
 FIGURE 43 (SHEET 5)

21-24-51-43

HAP
 OCT 10/06

21-24-51-43
 PAGE 0D

BOEING
737-600/700/800/900
PARTS CATALOG (MAINTENANCE)

FIG ITEM	PART NUMBER	1 2 3 4 5 6 7	NOMENCLATURE	EFFECT FROM TO	UNITS PER ASSY
43			HOSE INSTL-STA 390 TO STA 897 PSU GASPER	001030	
- 1	214A4002-6		HOSE INSTL-PSU GASPER POSITION DATA: STA 390 TO STA 897 FOR NHA SEE: 21-20-00-09C	001007	RF
	5 12-1000		.CAP- SUPPLIER CODE: V25205	001007	30
	10 BACD40P3A120		.DUCT-	001007	41
	15 BACD40P3A280		.DUCT	001007	9
	20 BACD40P3A180		.DUCT	001007	12
- 50	214A4002-75		HOSE INSTL-GASPER 184 PASS. FOR NHA SEE: 21-20-00-09C	008030	RF
	55 12-1000		.CAP- SUPPLIER CODE: V25205	008030	30
	60 BACD40P3A120		.DUCT-	008030	44
	65 BACD40P3A280		.DUCT	008030	1
	70 BACD40P3A180		.DUCT	008030	17

MISSING ITEM NUMBERS NOT APPLICABLE

- ITEM NOT ILLUSTRATED

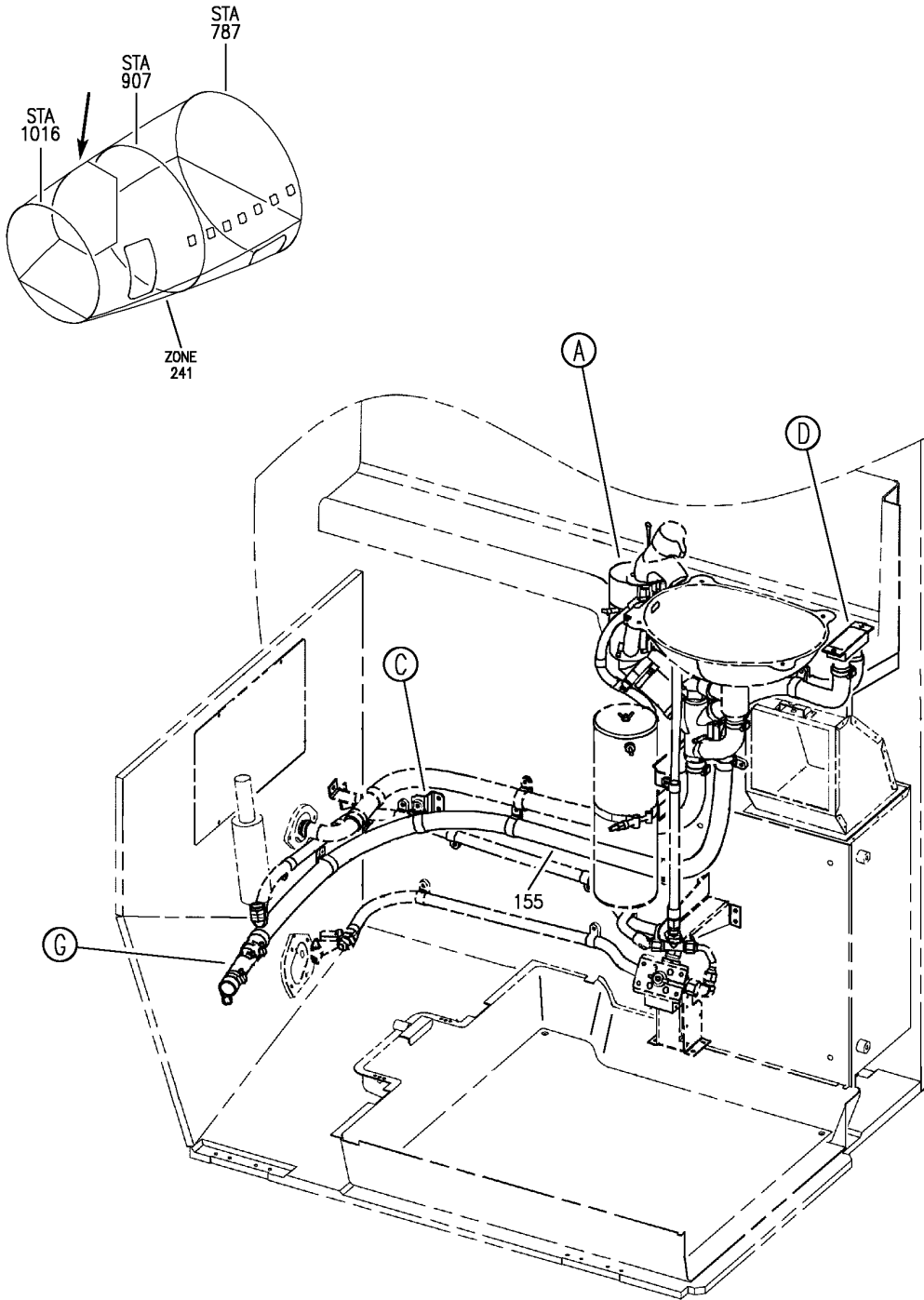
HAP

21-24-51-43

BOEING PROPRIETARY - Copyright © - Unpublished Work - See title page for details.

21-24-51
FIG. 43
PAGE 1
JUN 10/07

BOEING
737-600/700/800/900
PARTS CATALOG (MAINTENANCE)



E 21245145A SH1 1 REV 125

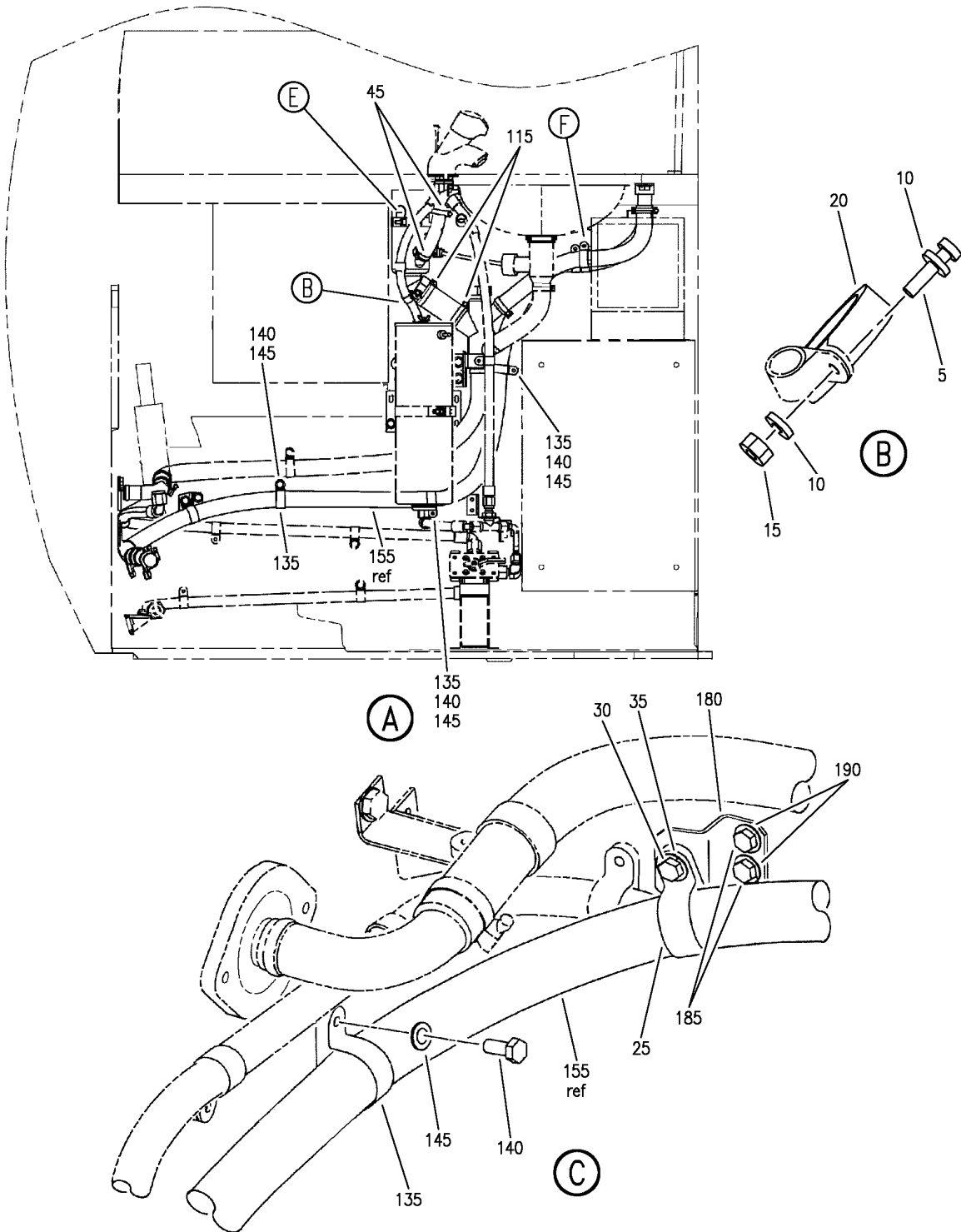
PLUMBING ASSY-LAV D (AIR CONDITIONING ONLY)
FIGURE 45A (SHEET 1)

21-24-51-45A

HAP
FEB 10/07

21-24-51-45A
PAGE 0

BOEING
 737-600/700/800/900
 PARTS CATALOG (MAINTENANCE)



E 21245145A SHIT 2 REV 125

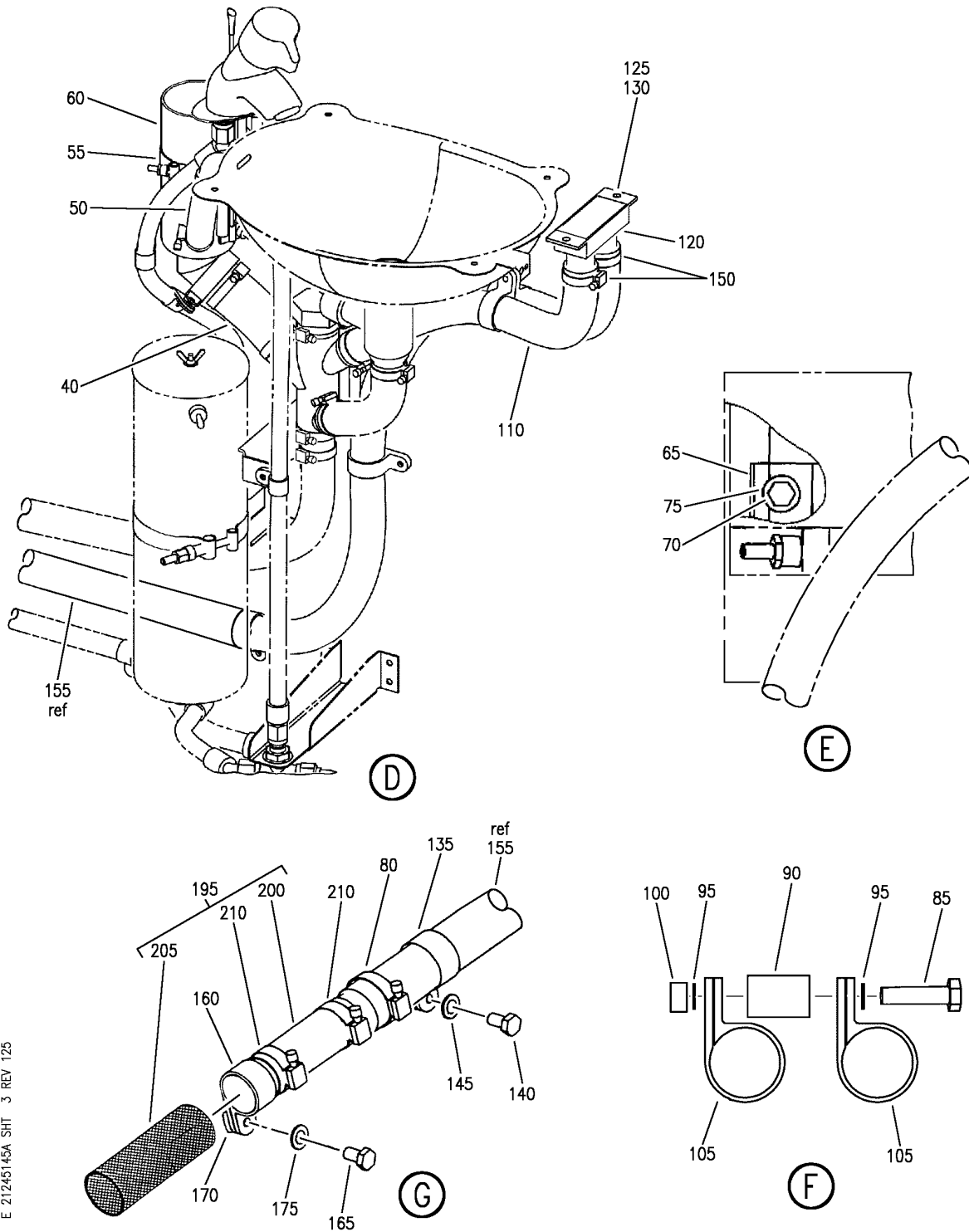
PLUMBING ASSY-LAV D (AIR CONDITIONING ONLY)
 FIGURE 45A (SHEET 2)

21-24-51-45A

HAP
 FEB 10/07

21-24-51-45A
 PAGE 0A

BOEING
 737-600/700/800/900
 PARTS CATALOG (MAINTENANCE)



E 21245145A SHT 3 REV 125

PLUMBING ASSY-LAV D (AIR CONDITIONING ONLY)
 FIGURE 45A (SHEET 3)

21-24-51-45A

HAP
 FEB 10/07

21-24-51-45A
 PAGE 0B

BOEING
737-600/700/800/900
PARTS CATALOG (MAINTENANCE)

FIG ITEM	PART NUMBER	1 2 3 4 5 6 7	NOMENCLATURE	EFFECT FROM TO	UNITS PER ASSY
45A			PLUMBING ASSY-LAV D (AIR CONDITIONING ONLY)	038038 042046 051052	
- 1	D72W26010-111		PLUMBING ASSY-LAV D (AIR CONDITIONING ONLY) SUPPLIER CODE: VS5825 FOR NHA/OTHER SYS DET SEE: 25-40-01-55A	038038 042046 051052	RF
5	NAS1801-3-12		.SCREW	038038 042046 051052	1
10	NAS1149D0332K		.WASHER	038038 042046 051052	2
15	NAS679A3		.NUT	038038 042046 051052	1
20	AS21919WCE28		.CLAMP	038038 042046 051052	1
25	BACC10DK18		.CLAMP	038038 042046 051052	1
30	NAS1801-3-10		ATTACHING PARTS .SCREW	038038 042046 051052	1
35	NAS1149D0332K		.WASHER	038038 042046 051052	1
40	AS4804-06-0040A		-----*----- .HOSE	038038 042046 051052	1
45	NAS1922-0100-1		.CLAMP	038038 042046 051052	2
50	AS4804-03-0043A		.HOSE	038038 042046 051052	1
55	M630102-67		.CLAMP	038038 042046 051052	1
60	D72D70408-111		.MUFFLER- SUPPLIER CODE: VS5825	038038 042046 051052	1

MISSING ITEM NUMBERS NOT APPLICABLE

- ITEM NOT ILLUSTRATED

HAP

21-24-51-45A

BOEING PROPRIETARY - Copyright © - Unpublished Work - See title page for details.

21-24-51
FIG. 45A
PAGE 1
FEB 15/09

BOEING
737-600/700/800/900
PARTS CATALOG (MAINTENANCE)

FIG ITEM	PART NUMBER	1 2 3 4 5 6 7	NOMENCLATURE	EFFECT FROM TO	UNITS PER ASSY
45A					
65	D72D70397-111		.BRACKET-MUFFLER SUPPLIER CODE: VS5825 ATTACHING PARTS	038038 042046 051052	1
70	NAS1801-3-5		.SCREW	038038 042046 051052	4
75	NAS1149D0332K		.WASHER	038038 042046 051052	4
80	NAS1922-0125-1		-----*----- .CLAMP	038038 042046 051052	2
85	NAS1801-3-28		.SCREW	038038 042046 051052	1
90	D72D71541-111		.SPACER- SUPPLIER CODE: VS5825	038038 042046 051052	1
95	NAS1149D0332K		.WASHER	038038 042046 051052	2
100	NAS679A3		.NUT	038038 042046 051052	1
105	BACC10DK18		.CLAMP	038038 042046 051052	2
110	AS4804-04-0142A		.HOSE	038038 042046 051052	1
115	NAS1922-0150-1		.CLAMP	038038 042046 051052	2
120	D72D70395-111		.DAMPER- SUPPLIER CODE: VS5825 ATTACHING PARTS	038038 042046 051052	1
125	NAS1801-3-5		.SCREW	038038 042046 051052	2
130	NAS1149D0332K		.WASHER	038038 042046 051052	2
135	BACC10DK18		-----*----- .CLAMP	038038 042046 051052	5

MISSING ITEM NUMBERS NOT APPLICABLE

— ITEM NOT ILLUSTRATED

HAP

21-24-51-45A

BOEING PROPRIETARY - Copyright © - Unpublished Work - See title page for details.

21-24-51
FIG. 45A
PAGE 2
FEB 15/09

BOEING
737-600/700/800/900
PARTS CATALOG (MAINTENANCE)

FIG ITEM	PART NUMBER	1 2 3 4 5 6 7	NOMENCLATURE	EFFECT FROM TO	UNITS PER ASSY
45A			ATTACHING PARTS		
140	NAS1801-3-7		.SCREW	038038 042046 051052	5
145	NAS1149D0332K		.WASHER	038038 042046 051052	5
			-----*-----		
150	NAS1922-0125-1		.CLAMP	038038 042046 051052	2
155	AS4804-04-0670A		.HOSE	038038 042046 051052	1
160	BACC10DK16		.CLAMP	038038 042046 051052	1
			ATTACHING PARTS		
165	NAS1801-3-10		.SCREW	038038 042046 051052	1
170	D72D70885-925		.POST-SPACER SUPPLIER CODE: VS5825	038038 042046 051052	1
175	NAS1149D0332K		.WASHER	038038 042046 051052	1
			-----*-----		
180	D72D70955-111		.STAY-CLAMP NYLON SUPPLIER CODE: VS5825	038038 042046 051052	1
			ATTACHING PARTS		
185	NAS1801-08-5		.SCREW	038038 042046 051052	2
190	NAS1149DN816K		.WASHER	038038 042046 051052	2
			-----*-----		
195	D72D71075-111		.DUCT ASSY-VENTILATION SUPPLIER CODE: VS5825	038038 042046 051052	1
200	D72D71074-111		..TUBE- SUPPLIER CODE: VS5825	038038 042046 051052	1
205	D72D71075-003		..SCREEN- SUPPLIER CODE: VS5825	038038 042046 051052	1

MISSING ITEM NUMBERS NOT APPLICABLE

— ITEM NOT ILLUSTRATED

HAP

21-24-51-45A

BOEING PROPRIETARY - Copyright © - Unpublished Work - See title page for details.

21-24-51
FIG. 45A
PAGE 3
FEB 15/09


BOEING
 737-600/700/800/900
PARTS CATALOG (MAINTENANCE)

FIG ITEM	PART NUMBER	1 2 3 4 5 6 7 NOMENCLATURE	EFFECT FROM TO	UNITS PER ASSY
45A 210	NAS1922-0100-1	. . CLAMP	038038 042046 051052	2

MISSING ITEM NUMBERS NOT APPLICABLE

— ITEM NOT ILLUSTRATED

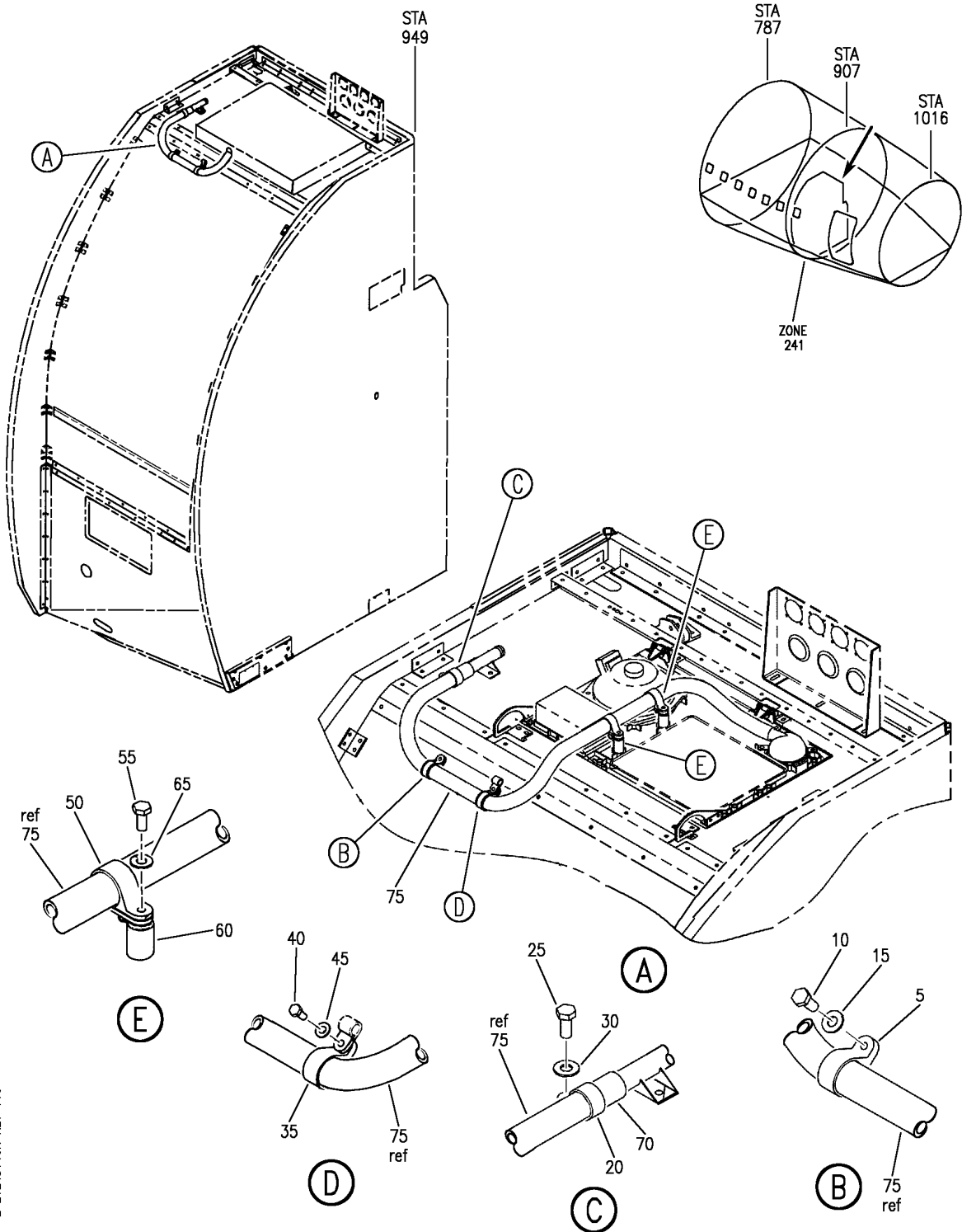
HAP

21-24-51-45A

BOEING PROPRIETARY - Copyright © - Unpublished Work - See title page for details.

21-24-51
 FIG. 45A
 PAGE 4
 FEB 15/09

BOEING
 737-600/700/800/900
 PARTS CATALOG (MAINTENANCE)



E 21245146N REV 116

MODULE ASSY-LAV D (AIR CONDITIONING ONLY)
 FIGURE 46N

21-24-51-46N

HAP
 OCT 10/06

21-24-51-46N
 PAGE 0

BOEING
737-600/700/800/900
PARTS CATALOG (MAINTENANCE)

FIG ITEM	PART NUMBER	1 2 3 4 5 6 7	NOMENCLATURE	EFFECT FROM TO	UNITS PER ASSY
46N			MODULE ASSY-LAV D (AIR CONDITIONING ONLY)	031037 039041 047050 053200 968999	
- 1	D72000736-111A		MODULE ASSY-LAV D (AIR CONDITIONING ONLY) SUPPLIER CODE: VS5825 ELECTRICAL EQUIP NUMBER: M01418 COMPONENT MAINT MANUAL REF: 25-43-90 FOR NHA/OTHER SYS DET SEE: 25-40-01-01G	031037 039041 047050 053100 107200	RF
- 1	D72000736-111B		MODULE ASSY-LAV D (AIR CONDITIONING ONLY) SUPPLIER CODE: VS5825 SPECIFICATION NUMBER: S417A180-0736B ELECTRICAL EQUIP NUMBER: M01418 COMPONENT MAINT MANUAL REF: 25-43-90 FOR NHA/OTHER SYS DET SEE: 25-40-01-01G	101106 968999	RF
5	BACC10DK13		.CLAMP	031037 039041 047050 053200 968999	1
10	NAS1801-3-6		ATTACHING PARTS .SCREW	031037 039041 047050 053200 968999	1
15	NAS1149D0332K		.WASHER	031037 039041 047050 053200 968999	1
20	BACC10DK13		-----*----- .CLAMP	031037 039041 047050 053200 968999	1

MISSING ITEM NUMBERS NOT APPLICABLE

- ITEM NOT ILLUSTRATED

HAP

21-24-51-46N

BOEING PROPRIETARY - Copyright © - Unpublished Work - See title page for details.

21-24-51
FIG. 46N
PAGE 1
FEB 15/09

BOEING
737-600/700/800/900
PARTS CATALOG (MAINTENANCE)

FIG ITEM	PART NUMBER	1 2 3 4 5 6 7	NOMENCLATURE	EFFECT FROM TO	UNITS PER ASSY
46N			ATTACHING PARTS		
25	NAS1801-3-7		.SCREW	031037 039041 047050 053200 968999	1
30	NAS1149D0332K		.WASHER	031037 039041 047050 053200 968999	1
35	BACC10DK13		-----*----- .CLAMP	031037 039041 047050 053200 968999	1
40	NAS1801-3-9		ATTACHING PARTS .SCREW	031037 039041 047050 053200 968999	1
45	NAS1149D0332K		.WASHER	031037 039041 047050 053200 968999	1
50	BACC10DK13		-----*----- .CLAMP	031037 039041 047050 053200 968999	2
55	NAS1801-3-28		ATTACHING PARTS .SCREW	031037 039041 047050 053200 968999	2
60	D72D70885-911		.POST-SPACER SUPPLIER CODE: VS5825	031037 039041 047050 053200 968999	2

MISSING ITEM NUMBERS NOT APPLICABLE

— ITEM NOT ILLUSTRATED

HAP

21-24-51-46N

BOEING PROPRIETARY - Copyright © - Unpublished Work - See title page for details.

21-24-51
FIG. 46N
PAGE 2
FEB 15/09


BOEING
 737-600/700/800/900
PARTS CATALOG (MAINTENANCE)

FIG ITEM	PART NUMBER	1 2 3 4 5 6 7	NOMENCLATURE	EFFECT FROM TO	UNITS PER ASSY
46N 65	NAS1149D0332K	.	WASHER	031037 039041 047050 053200 968999	2
70	NAS1922-0100-1	-----*	.CLAMP	031037 039041 047050 053200 968999	1
75	AS1591-03-0452A	.	HOSE	031037 039041 047050 053200 968999	1

MISSING ITEM NUMBERS NOT APPLICABLE

— ITEM NOT ILLUSTRATED

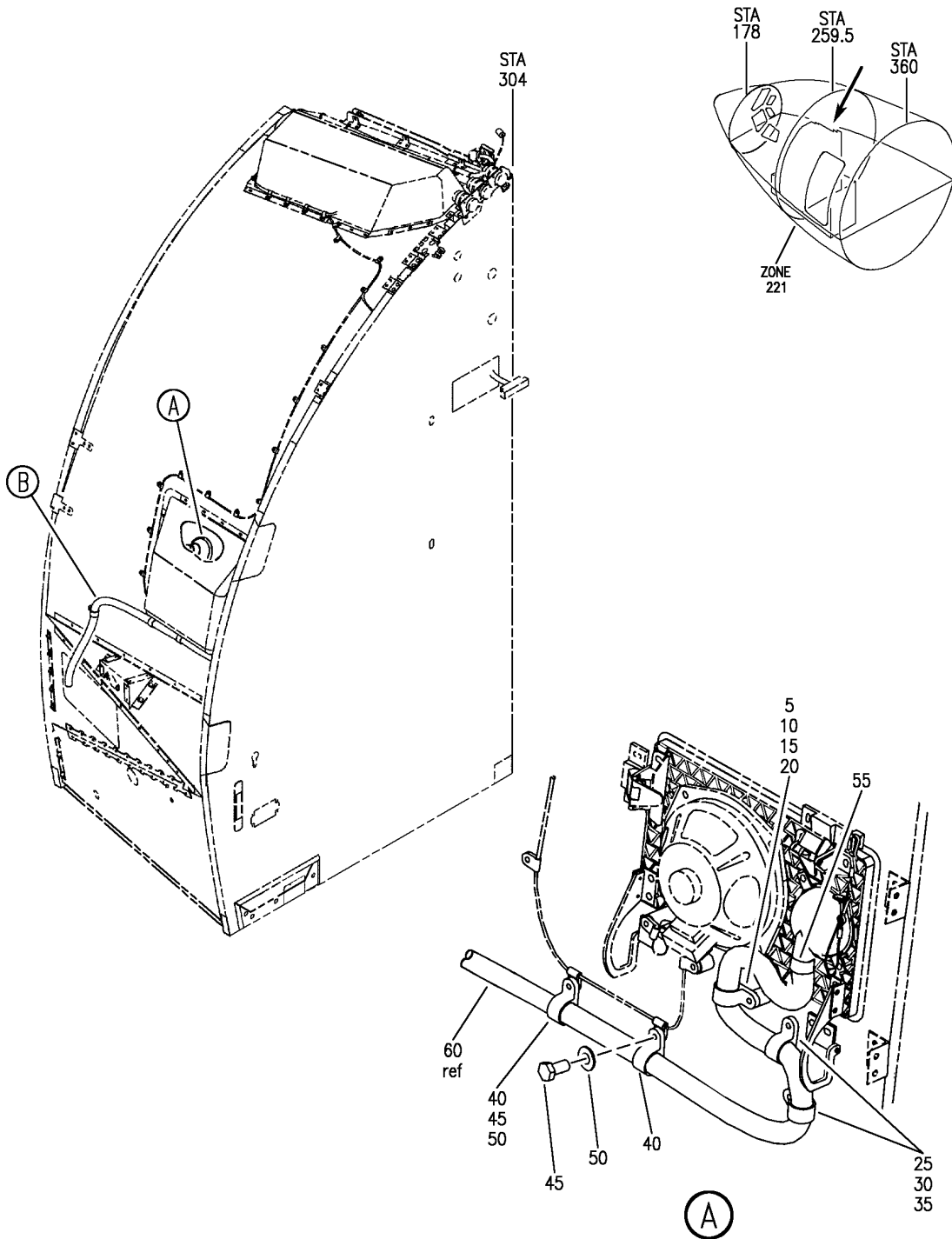
HAP

21-24-51-46N

BOEING PROPRIETARY - Copyright © - Unpublished Work - See title page for details.

21-24-51
 FIG. 46N
 PAGE 3
 FEB 15/09

BOEING
 737-600/700/800/900
 PARTS CATALOG (MAINTENANCE)



E 21245146P SHT 1 REV 116

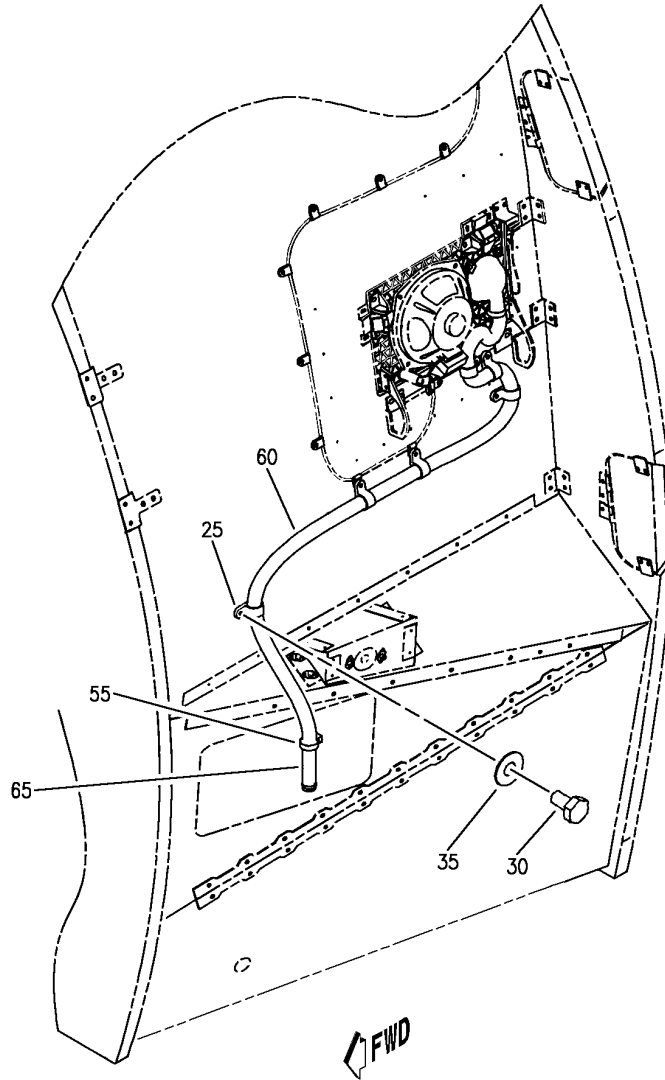
MODULE ASSY-LAV A (DISTRIBUTION ONLY)
 FIGURE 46P (SHEET 1)

21-24-51-46P

HAP
 OCT 10/06

21-24-51-46P
 PAGE 0

BOEING
737-600/700/800/900
PARTS CATALOG (MAINTENANCE)



(B)

E 21245146P SHT 2 REV 116

MODULE ASSY-LAV A (DISTRIBUTION ONLY)
FIGURE 46P (SHEET 2)

21-24-51-46P

HAP
OCT 10/06

21-24-51-46P
PAGE 0A

BOEING
737-600/700/800/900
PARTS CATALOG (MAINTENANCE)

FIG ITEM	PART NUMBER	1 2 3 4 5 6 7	NOMENCLATURE	EFFECT FROM TO	UNITS PER ASSY
46P			MODULE ASSY-LAV A (DISTRIBUTION ONLY)	031041 047050 053200 968999	
R R R R R R R R	- 1 D72000090-111A		MODULE ASSY-LAV A (DISTRIBUTION ONLY) SUPPLIER CODE: VS5825 ELECTRICAL EQUIP NUMBER: M01415 COMPONENT MAINT MANUAL REF: 25-43-89 FOR NHA/OTHER SYS DET SEE: 25-40-01-01D 25-40-01-01T	031041 047050 053100 107200	RF
	- 1 D72000090-111B		MODULE ASSY-LAV A (DISTRIBUTION ONLY) SUPPLIER CODE: VS5825 SPECIFICATION NUMBER: S417A180-0090B ELECTRICAL EQUIP NUMBER: M01415 COMPONENT MAINT MANUAL REF: 25-43-89 FOR NHA/OTHER SYS DET SEE: 25-40-01-01D	101106 968999	RF
	5 BACC10DK13		.CLAMP	031041 047050 053200 968999	1
	10 NAS1801-3-18		ATTACHING PARTS .SCREW	031041 047050 053200 968999	1
	15 D72D70885-917		.POST-SPACER SUPPLIER CODE: VS5825	031041 047050 053200 968999	1
	20 NAS1149D0332K		.WASHER	031041 047050 053200 968999	1
	25 BACC10DK13		-----*----- .CLAMP	031041 047050 053200 968999	3

MISSING ITEM NUMBERS NOT APPLICABLE

- ITEM NOT ILLUSTRATED

HAP

21-24-51-46P

BOEING PROPRIETARY - Copyright © - Unpublished Work - See title page for details.

21-24-51
FIG. 46P
PAGE 1
JUN 15/09

BOEING
737-600/700/800/900
PARTS CATALOG (MAINTENANCE)

FIG ITEM	PART NUMBER	1 2 3 4 5 6 7	NOMENCLATURE	EFFECT FROM TO	UNITS PER ASSY
46P			ATTACHING PARTS		
30	NAS1801-3-7		.SCREW	031041 047050 053200 968999	3
35	NAS1149D0332K		.WASHER	031041 047050 053200 968999	3
40	BACC10DK13		-----*----- .CLAMP	031041 047050 053200 968999	2
45	NAS1801-3-10		ATTACHING PARTS .SCREW	031041 047050 053200 968999	2
50	NAS1149D0332K		.WASHER	031041 047050 053200 968999	2
55	NAS1922-0100-1		-----*----- .CLAMP	031041 047050 053200 968999	2
60	AS1591-03-0452A		.HOSE-AIR DUCT	031041 047050 053200 968999	1
65	D72D71297-111		.TUBE-GASPER HOSE SUPPLIER CODE: VS5825	031041 047050 053200 968999	1

MISSING ITEM NUMBERS NOT APPLICABLE

— ITEM NOT ILLUSTRATED

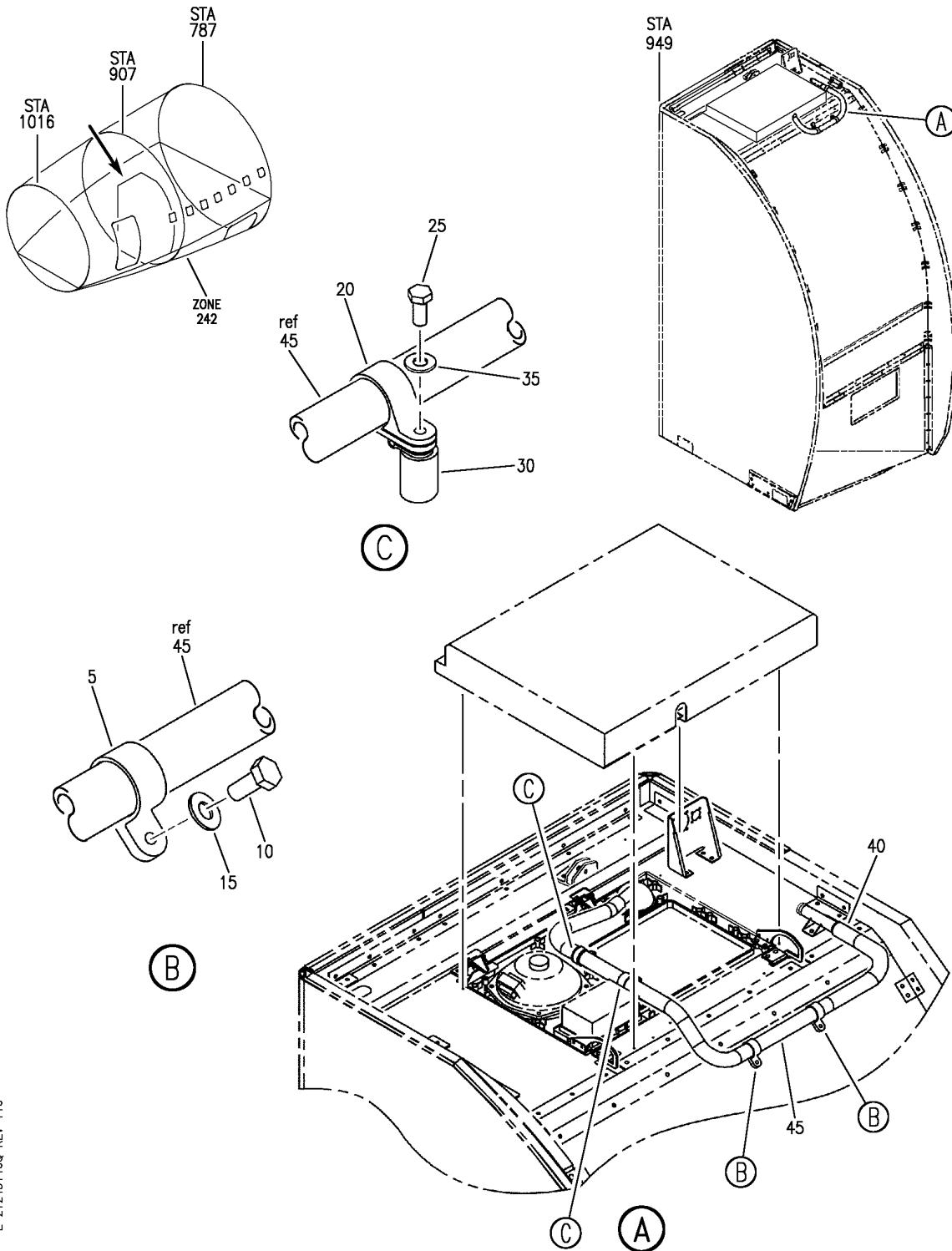
HAP

21-24-51-46P

BOEING PROPRIETARY - Copyright © - Unpublished Work - See title page for details.

21-24-51
FIG. 46P
PAGE 2
FEB 15/09

BOEING
 737-600/700/800/900
 PARTS CATALOG (MAINTENANCE)



E 21245146Q REV 116

MODULE ASSY-LAV E (AIR CONDITIONING ONLY)
 FIGURE 46Q

21-24-51-46Q

HAP
 OCT 10/06

21-24-51-46Q
 PAGE 0

BOEING
737-600/700/800/900
PARTS CATALOG (MAINTENANCE)

FIG ITEM	PART NUMBER	1 2 3 4 5 6 7	NOMENCLATURE	EFFECT FROM TO	UNITS PER ASSY
46Q			MODULE ASSY-LAV E (AIR CONDITIONING ONLY)	031037 039041 047050 053100	
- 1	D72001238-111A		MODULE ASSY-LAV E (AIR CONDITIONING ONLY) SUPPLIER CODE: VS5825 ELECTRICAL EQUIP NUMBER: M01419 COMPONENT MAINT MANUAL REF: 25-43-91 FOR NHA/OTHER SYS DET SEE: 25-40-01-01H	031037 039041 047050 053100	RF
5	BACC10DK13		.CLAMP	031037 039041 047050 053100	2
10	NAS1801-3-6		ATTACHING PARTS .SCREW	031037 039041 047050 053100	2
15	NAS1149D0332K		.WASHER	031037 039041 047050 053100	2
20	BACC10DK13		-----*----- .CLAMP	031037 039041 047050 053100	2
25	NAS1801-3-28		ATTACHING PARTS .SCREW	031037 039041 047050 053100	2
30	D72D70885-911		.POST-SPACER SUPPLIER CODE: VS5825	031037 039041 047050 053100	2
35	NAS1149D0332K		.WASHER -----*-----	031037 039041 047050 053100	2

MISSING ITEM NUMBERS NOT APPLICABLE

- ITEM NOT ILLUSTRATED

HAP

21-24-51-46Q

BOEING PROPRIETARY - Copyright © - Unpublished Work - See title page for details.

21-24-51
FIG. 46Q
PAGE 1
FEB 15/09


BOEING
 737-600/700/800/900
PARTS CATALOG (MAINTENANCE)

FIG ITEM	PART NUMBER	1 2 3 4 5 6 7	NOMENCLATURE	EFFECT FROM TO	UNITS PER ASSY
46Q					
40	NAS1922-0100-1	.	CLAMP	031037 039041 047050 053100	2
45	AS1591-03-0452A	.	HOSE-AIR DUCT	031037 039041 047050 053100	1

MISSING ITEM NUMBERS NOT APPLICABLE

— ITEM NOT ILLUSTRATED

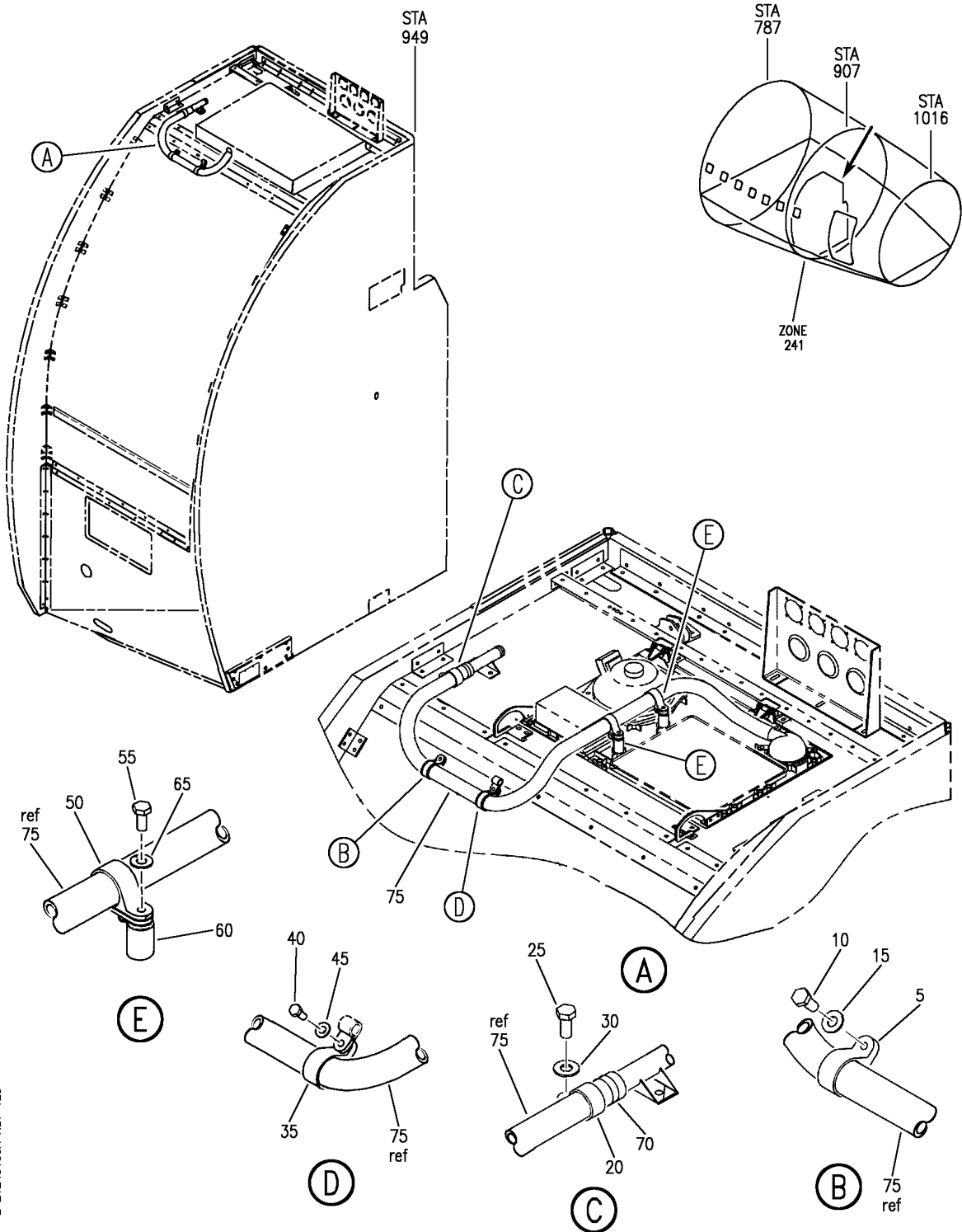
HAP

21-24-51-46Q

BOEING PROPRIETARY - Copyright © - Unpublished Work - See title page for details.

21-24-51
 FIG. 46Q
 PAGE 2
 FEB 15/09

BOEING
 737-600/700/800/900
 PARTS CATALOG (MAINTENANCE)



E 21245155A REV 125

MODULE ASSY-LAV D (AIR CONDITIONING ONLY)
 FIGURE 55A

21-24-51-55A

HAP
 FEB 10/07

21-24-51-55A
 PAGE 0

BOEING
737-600/700/800/900
PARTS CATALOG (MAINTENANCE)

FIG ITEM	PART NUMBER	1 2 3 4 5 6 7	NOMENCLATURE	EFFECT FROM TO	UNITS PER ASSY
55A			MODULE ASSY-LAV D (AIR CONDITIONING ONLY)	038038 042046 051052	
- 1	D72000743-111A		MODULE ASSY-LAV D (AIR CONDITIONING ONLY) SUPPLIER CODE: VS5825 SPECIFICATION NUMBER: S417A180-0743A ELECTRICAL EQUIP NUMBER: M01418 COMPONENT MAINT MANUAL REF: 25-46-14 FOR NHA/OTHER SYS DET SEE: 25-40-01-01G	038038 042046 051052	RF
5	BACC10DK13		.CLAMP	038038 042046 051052	1
10	NAS1801-3-6		ATTACHING PARTS .SCREW	038038 042046 051052	1
15	NAS1149D0332K		.WASHER	038038 042046 051052	1
20	BACC10DK13		-----*----- .CLAMP	038038 042046 051052	1
25	NAS1801-3-7		ATTACHING PARTS .SCREW	038038 042046 051052	1
30	NAS1149D0332K		.WASHER	038038 042046 051052	1
35	BACC10DK13		-----*----- .CLAMP	038038 042046 051052	1
40	NAS1801-3-9		ATTACHING PARTS .SCREW	038038 042046 051052	1
45	NAS1149D0332K		.WASHER -----*-----	038038 042046 051052	1

MISSING ITEM NUMBERS NOT APPLICABLE

- ITEM NOT ILLUSTRATED

HAP

21-24-51-55A

BOEING PROPRIETARY - Copyright © - Unpublished Work - See title page for details.

21-24-51
FIG. 55A
PAGE 1
FEB 15/09

BOEING
737-600/700/800/900
PARTS CATALOG (MAINTENANCE)

FIG ITEM	PART NUMBER	1 2 3 4 5 6 7	NOMENCLATURE	EFFECT FROM TO	UNITS PER ASSY
55A 50	BACC10DK13	.	CLAMP	038038 042046 051052	2
55	NAS1801-3-28	.	ATTACHING PARTS SCREW	038038 042046 051052	2
60	D72D70885-911	.	POST-SPACER SUPPLIER CODE: VS5825	038038 042046 051052	2
65	NAS1149D0332K	.	WASHER	038038 042046 051052	2
70	NAS1922-0100-1	.	-----*----- CLAMP	038038 042046 051052	1
75	AS1591-03-0452A	.	HOSE	038038 042046 051052	1

MISSING ITEM NUMBERS NOT APPLICABLE

— ITEM NOT ILLUSTRATED

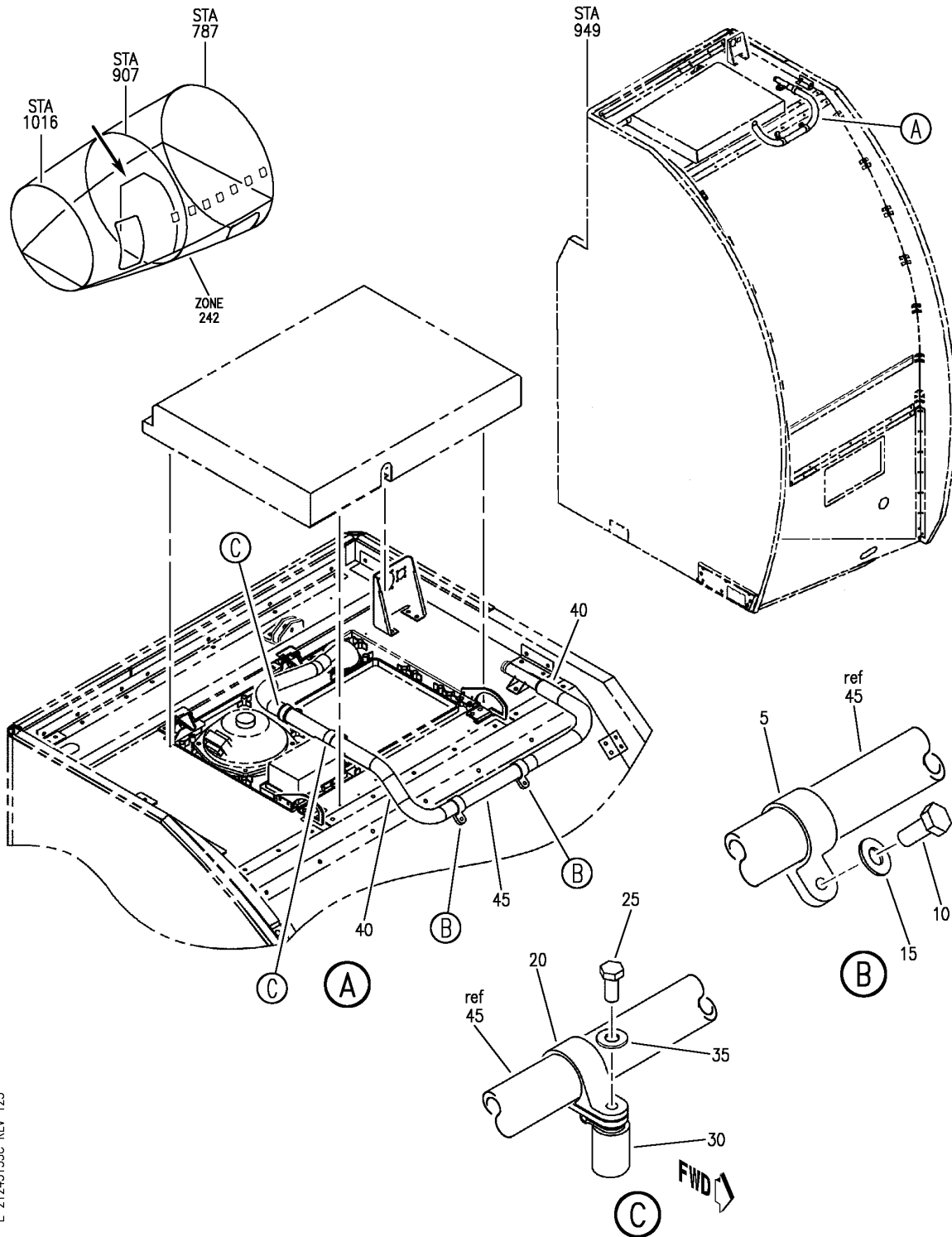
HAP

21-24-51-55A

BOEING PROPRIETARY - Copyright © - Unpublished Work - See title page for details.

21-24-51
FIG. 55A
PAGE 2
FEB 15/09

BOEING
 737-600/700/800/900
 PARTS CATALOG (MAINTENANCE)



E 21245155C REV 125

MODULE ASSY-LAV E (AIR CONDITIONING ONLY)
 FIGURE 55C

21-24-51-55C

HAP
 FEB 10/07

21-24-51-55C
 PAGE 0

BOEING
737-600/700/800/900
PARTS CATALOG (MAINTENANCE)

FIG ITEM	PART NUMBER	1 2 3 4 5 6 7	NOMENCLATURE	EFFECT FROM TO	UNITS PER ASSY
55C			MODULE ASSY-LAV E (AIR CONDITIONING ONLY)	038038 042046 051052	
- 1	D72001250-111A		MODULE ASSY-LAV E (AIR CONDITIONING ONLY) SUPPLIER CODE: VS5825 SPECIFICATION NUMBER: S417A180-1250A ELECTRICAL EQUIP NUMBER: M01419 COMPONENT MAINT MANUAL REF: 25-46-15 FOR NHA/OTHER SYS DET SEE: 25-40-01-01H	038038 042046 051052	RF
5	BACC10DK13		.CLAMP	038038 042046 051052	2
10	NAS1801-3-6		ATTACHING PARTS .SCREW	038038 042046 051052	2
15	NAS1149D0332K		.WASHER	038038 042046 051052	2
20	BACC10DK13		-----*----- .CLAMP	038038 042046 051052	2
25	NAS1801-3-28		ATTACHING PARTS .SCREW	038038 042046 051052	2
30	D72D70885-911		.POST-SPACER SUPPLIER CODE: VS5825	038038 042046 051052	2
35	NAS1149D0332K		.WASHER	038038 042046 051052	2
40	NAS1922-0100-1		-----*----- .CLAMP	038038 042046 051052	2
45	AS1591-03-0452A		.HOSE	038038 042046 051052	1

MISSING ITEM NUMBERS NOT APPLICABLE

- ITEM NOT ILLUSTRATED

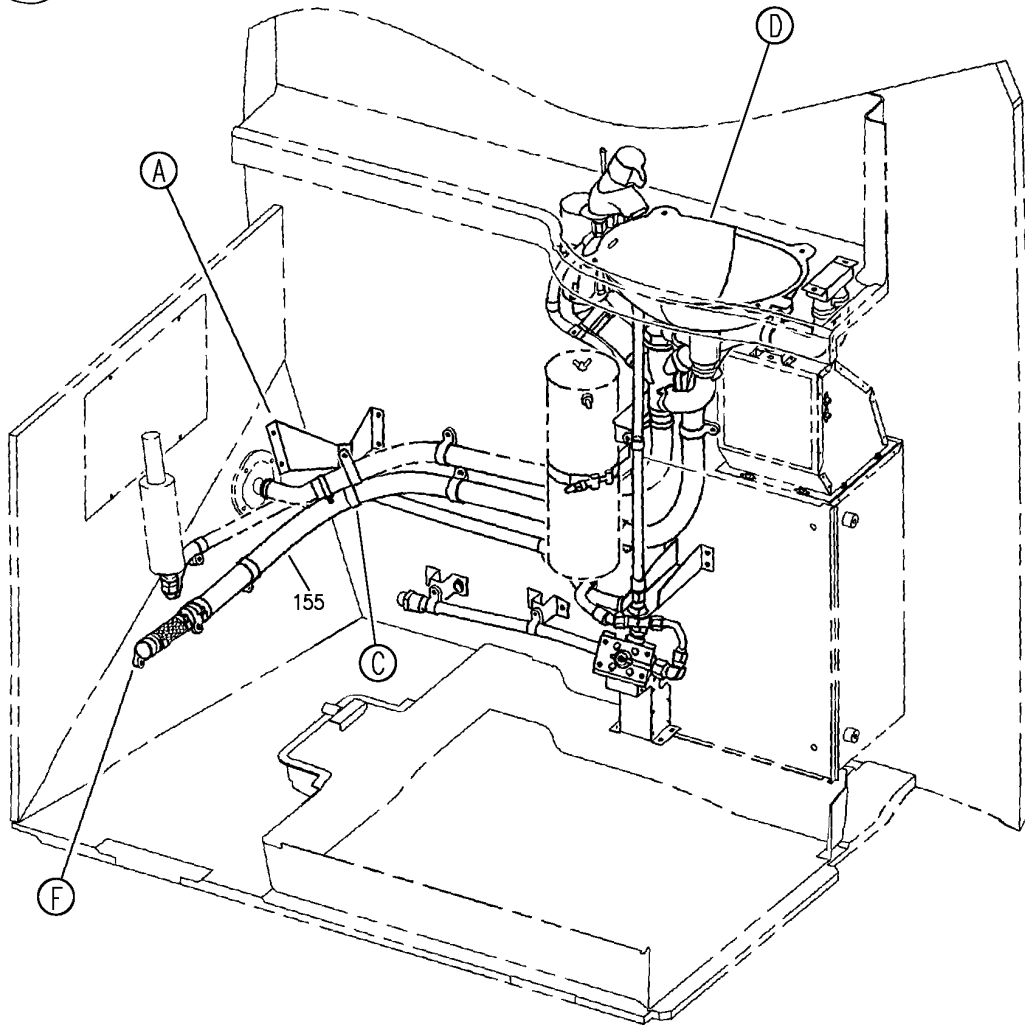
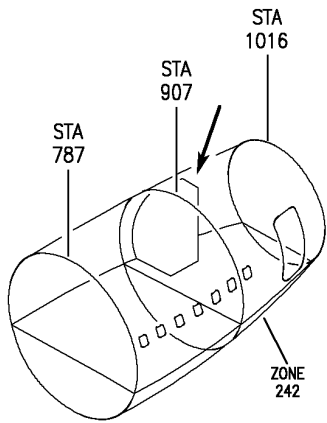
HAP

21-24-51-55C

BOEING PROPRIETARY - Copyright © - Unpublished Work - See title page for details.

21-24-51
FIG. 55C
PAGE 1
FEB 15/09

BOEING
737-600/700/800/900
PARTS CATALOG (MAINTENANCE)



E 21245155D SHT 1 REV 125

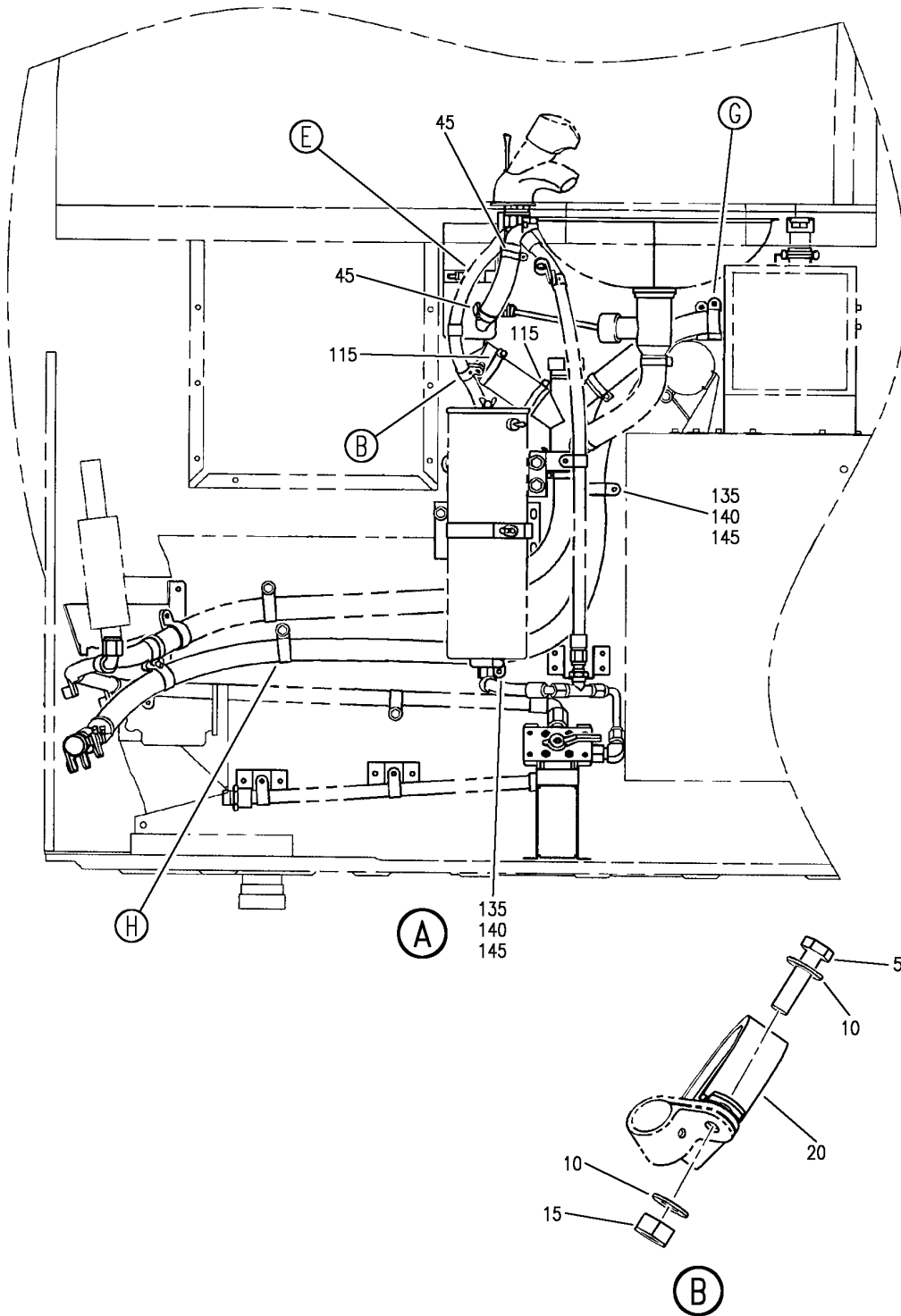
PLUMBING ASSY-LAV E (AIR CONDITIONING ONLY)
FIGURE 55D (SHEET 1)

21-24-51-55D

HAP
FEB 10/07

21-24-51-55D
PAGE 0

BOEING
 737-600/700/800/900
 PARTS CATALOG (MAINTENANCE)



E 21245155D SHT 2 REV 125

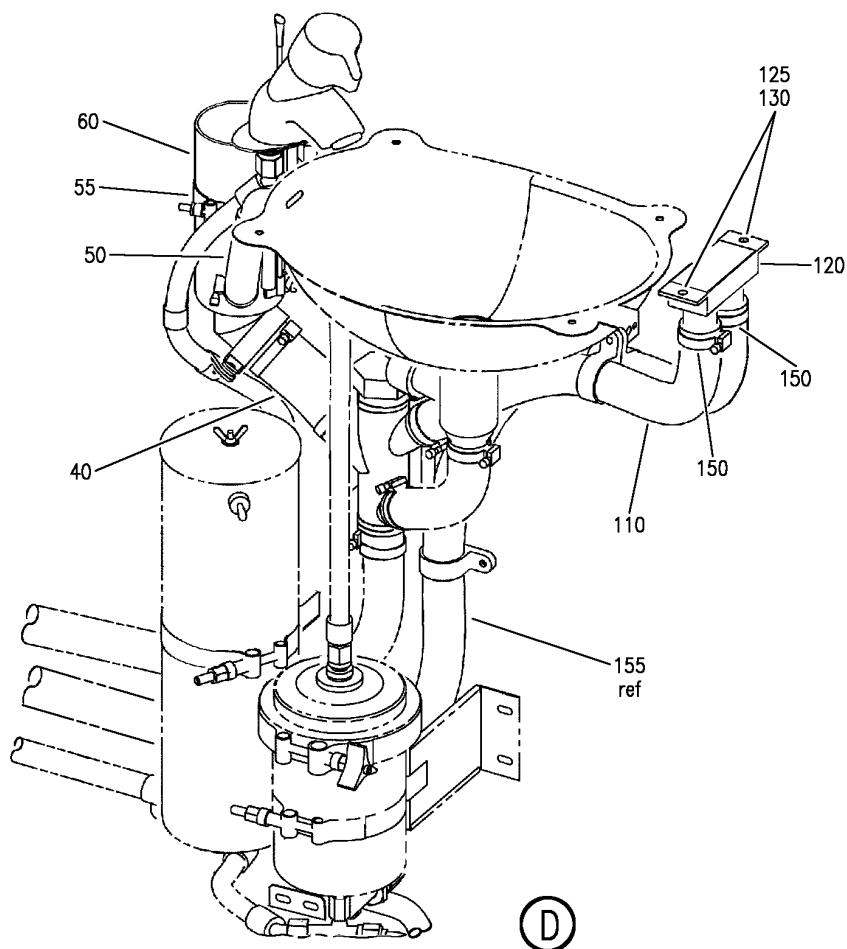
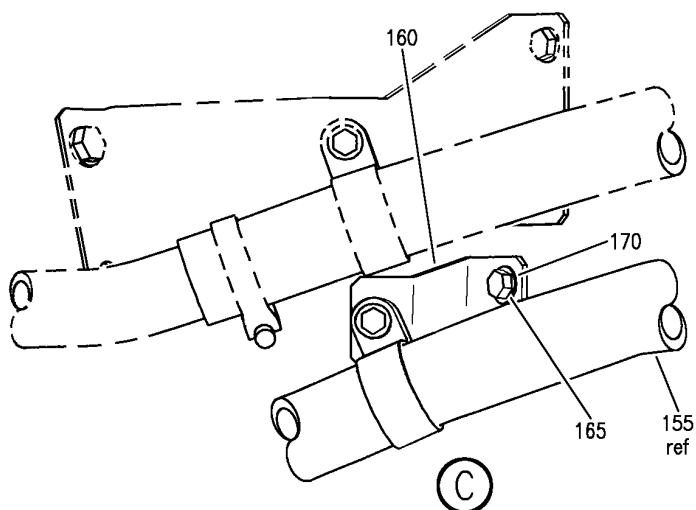
PLUMBING ASSY-LAV E (AIR CONDITIONING ONLY)
 FIGURE 55D (SHEET 2)

21-24-51-55D

HAP
 FEB 10/07

21-24-51-55D
 PAGE 0A

BOEING
 737-600/700/800/900
 PARTS CATALOG (MAINTENANCE)



E 21245155D SHT 3 REV 127

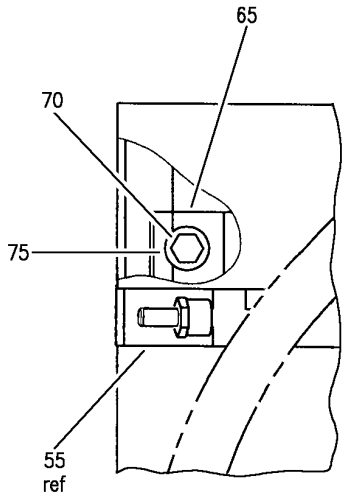
PLUMBING ASSY-LAV E (AIR CONDITIONING ONLY)
 FIGURE 55D (SHEET 3)

21-24-51-55D

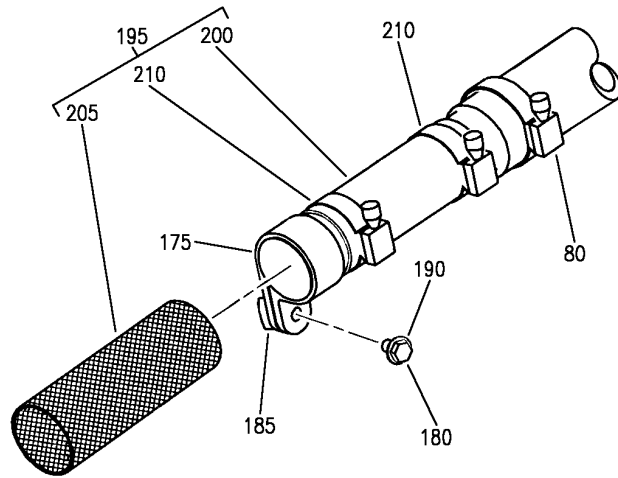
HAP
 FEB 10/07

21-24-51-55D
 PAGE 08

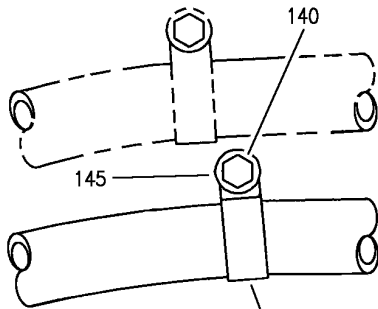
BOEING
 737-600/700/800/900
 PARTS CATALOG (MAINTENANCE)



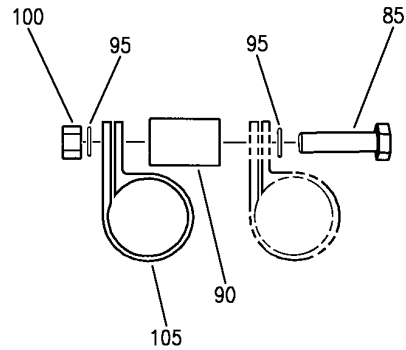
(E)



(F)



(H)



(G)

E 21245155D SHT 4 REV 127

PLUMBING ASSY-LAV E (AIR CONDITIONING ONLY)
 FIGURE 55D (SHEET 4)

21-24-51-55D

HAP
 FEB 10/07

21-24-51-55D
 PAGE 0C

BOEING
737-600/700/800/900
PARTS CATALOG (MAINTENANCE)

FIG ITEM	PART NUMBER	1 2 3 4 5 6 7	NOMENCLATURE	EFFECT FROM TO	UNITS PER ASSY
55D			PLUMBING ASSY-LAV E (AIR CONDITIONING ONLY)	038038 042046 051052	
- 1	D72W26014-111		PLUMBING ASSY-LAV E (AIR CONDITIONING ONLY) SUPPLIER CODE: VS5825 FOR NHA/OTHER SYS DET SEE: 25-40-01-55C	038038 042046 051052	RF
5	NAS1801-3-12		.SCREW	038038 042046 051052	1
10	NAS1149D0332K		.WASHER	038038 042046 051052	2
15	NAS679A3		.NUT	038038 042046 051052	1
20	AS21919WCE28		.CLAMP	038038 042046 051052	1
40	AS4804-06-0040A		.HOSE	038038 042046 051052	1
45	NAS1922-0100-1		.CLAMP	038038 042046 051052	2
50	AS4804-03-0043A		.HOSE	038038 042046 051052	1
55	M630102-67		.CLAMP	038038 042046 051052	1
60	D72D70408-111		.MUFFLER- SUPPLIER CODE: VS5825	038038 042046 051052	1
65	D72D70397-111		.BRACKET-MUFFLER SUPPLIER CODE: VS5825	038038 042046 051052	1
70	NAS1801-3-5		ATTACHING PARTS .SCREW	038038 042046 051052	4
75	NAS1149D0332K		.WASHER	038038 042046 051052	4
			-----*-----		

MISSING ITEM NUMBERS NOT APPLICABLE

- ITEM NOT ILLUSTRATED

HAP

21-24-51-55D

BOEING PROPRIETARY - Copyright © - Unpublished Work - See title page for details.

21-24-51
FIG. 55D
PAGE 1
FEB 15/09

BOEING
737-600/700/800/900
PARTS CATALOG (MAINTENANCE)

FIG ITEM	PART NUMBER	1 2 3 4 5 6 7	NOMENCLATURE	EFFECT FROM TO	UNITS PER ASSY
55D					
80	NAS1922-0125-1	.	CLAMP	038038 042046 051052	1
85	NAS1801-3-28	.	SCREW	038038 042046 051052	1
90	D72D71541-111	.	SPACER- SUPPLIER CODE: VS5825	038038 042046 051052	1
95	NAS1149D0332K	.	WASHER	038038 042046 051052	2
100	NAS679A3	.	NUT	038038 042046 051052	1
105	BACC10DK18	.	CLAMP	038038 042046 051052	1
110	AS4804-04-0142A	.	HOSE	038038 042046 051052	1
115	NAS1922-0150-1	.	CLAMP	038038 042046 051052	2
120	D72D70395-111	.	DAMPER- SUPPLIER CODE: VS5825	038038 042046 051052	1
125	NAS1801-3-5	.	SCREW ATTACHING PARTS	038038 042046 051052	2
130	NAS1149D0332K	.	WASHER	038038 042046 051052	2
135	BACC10DK18	.	CLAMP -----*----- ATTACHING PARTS	038038 042046 051052	6
140	NAS1801-3-7	.	SCREW	038038 042046 051052	6
145	NAS1149D0332K	.	WASHER	038038 042046 051052	6
150	NAS1922-0125-1	.	CLAMP -----*-----	038038 042046 051052	2

MISSING ITEM NUMBERS NOT APPLICABLE

— ITEM NOT ILLUSTRATED

HAP

21-24-51-55D

BOEING PROPRIETARY - Copyright © - Unpublished Work - See title page for details.

21-24-51
FIG. 55D
PAGE 2
FEB 15/09

BOEING
737-600/700/800/900
PARTS CATALOG (MAINTENANCE)

FIG ITEM	PART NUMBER	1 2 3 4 5 6 7	NOMENCLATURE	EFFECT FROM TO	UNITS PER ASSY
55D 155	AS4804-04-0620A	.	HOSE	038038 042046 051052	1
160	D72D70976-111	.	STAY-CLAMP NYLON SUPPLIER CODE: VS5825 ATTACHING PARTS	038038 042046 051052	1
165	NAS1801-08-5	.	SCREW	038038 042046 051052	2
170	NAS1149DN816K	.	WASHER	038038 042046 051052	2
175	BACC10DK16	.	-----*----- CLAMP	038038 042046 051052	1
180	NAS1801-3-10	.	ATTACHING PARTS SCREW	038038 042046 051052	1
185	D72D70885-925	.	POST-SPACER SUPPLIER CODE: VS5825	038038 042046 051052	1
190	NAS1149D0332K	.	WASHER	038038 042046 051052	1
195	D72D71075-111	.	-----*----- DUCT ASSY-VENTILATION SUPPLIER CODE: VS5825	038038 042046 051052	1
200	D72D71074-111	..	TUBE- SUPPLIER CODE: VS5825	038038 042046 051052	1
205	D72D1075-003	..	SCREEN- SUPPLIER CODE: VS5825	038038 042046 051052	1
210	NAS1922-0100-1	..	CLAMP	038038 042046 051052	2

MISSING ITEM NUMBERS NOT APPLICABLE

— ITEM NOT ILLUSTRATED

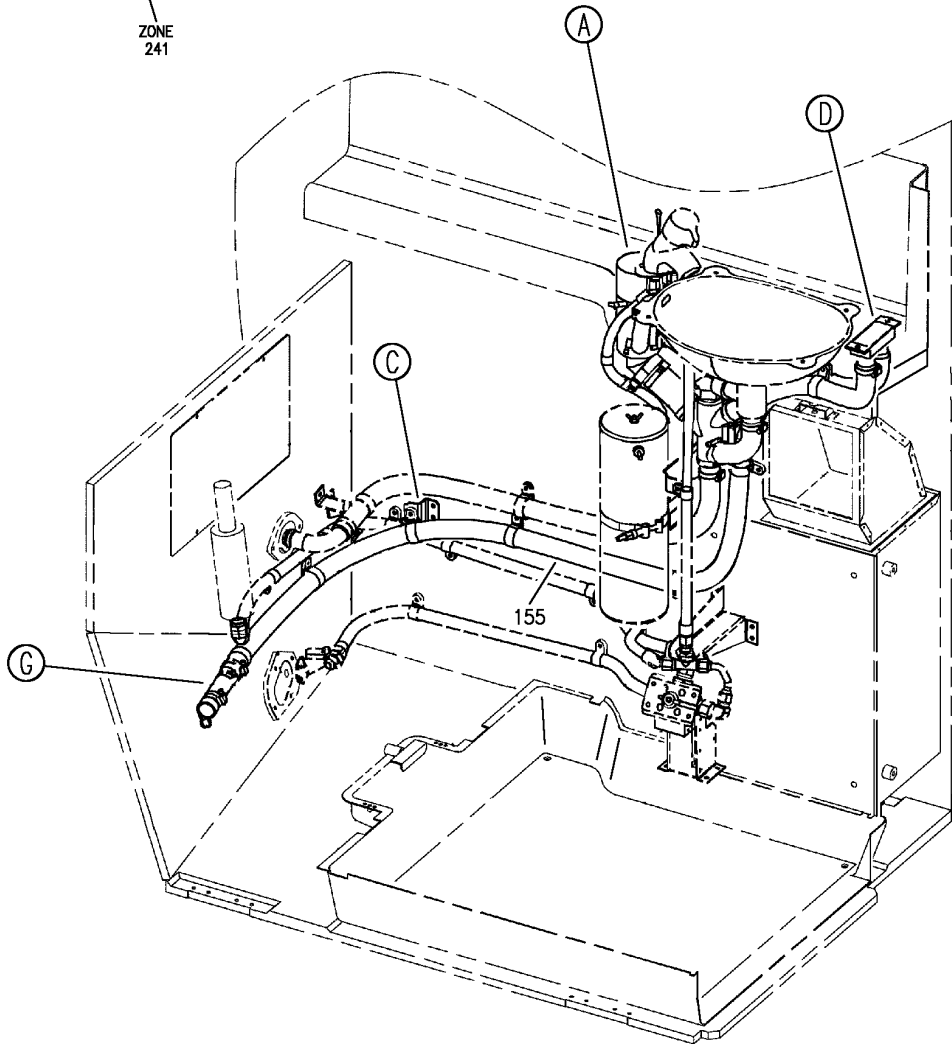
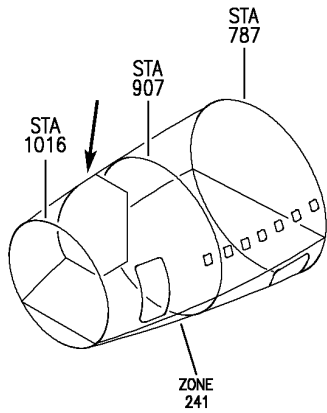
HAP

21-24-51-55D

BOEING PROPRIETARY - Copyright © - Unpublished Work - See title page for details.

21-24-51
FIG. 55D
PAGE 3
FEB 15/09

BOEING
737-600/700/800/900
PARTS CATALOG (MAINTENANCE)



E 21245157N SHT 1 REV 116

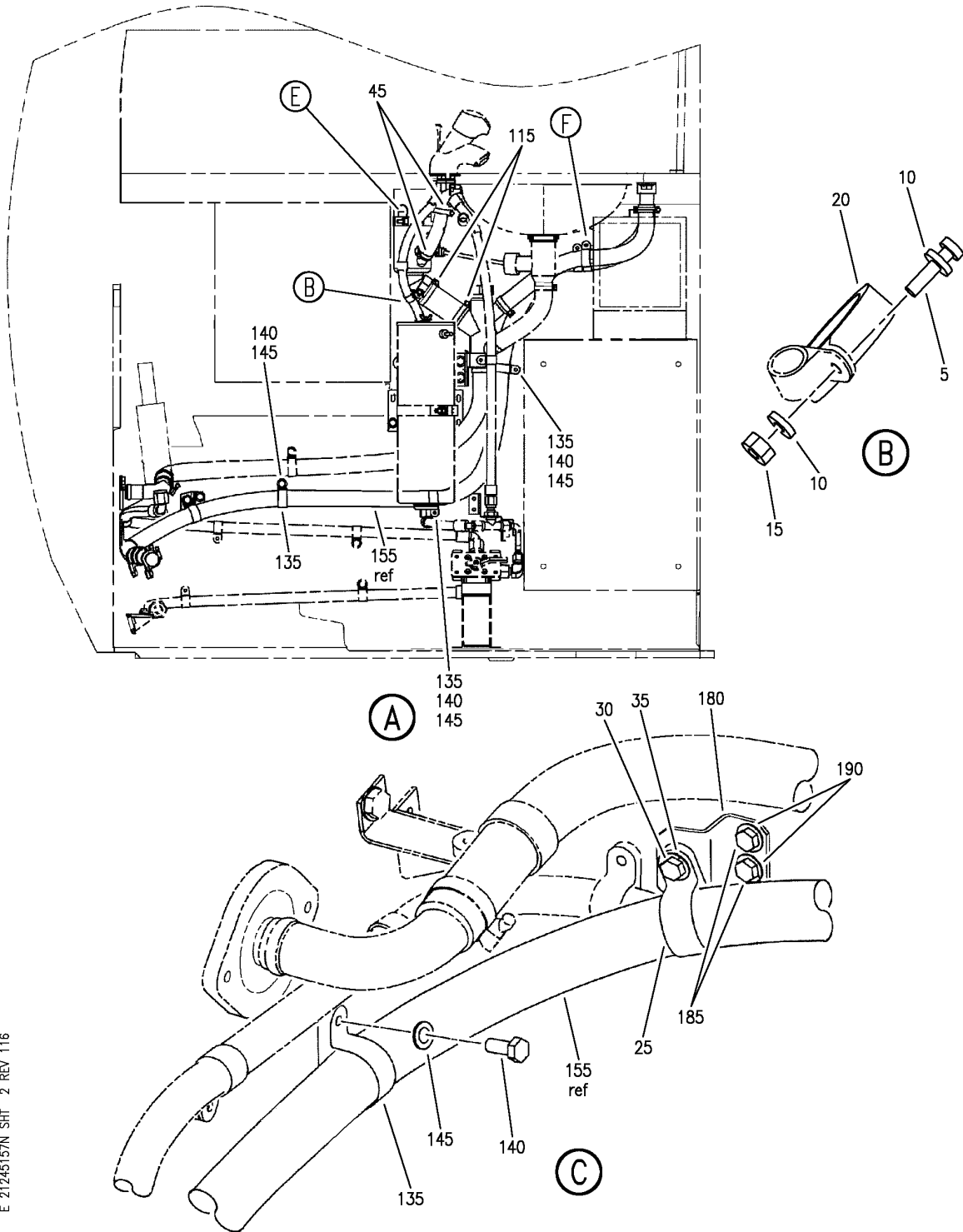
PLUMBING ASSY-LAV D (AIR CONDITIONION ONLY)
FIGURE 57N (SHEET 1)

21-24-51-57N

HAP
OCT 10/06

21-24-51-57N
PAGE 0

BOEING
 737-600/700/800/900
 PARTS CATALOG (MAINTENANCE)



E 21245157N SHT 2 REV 116

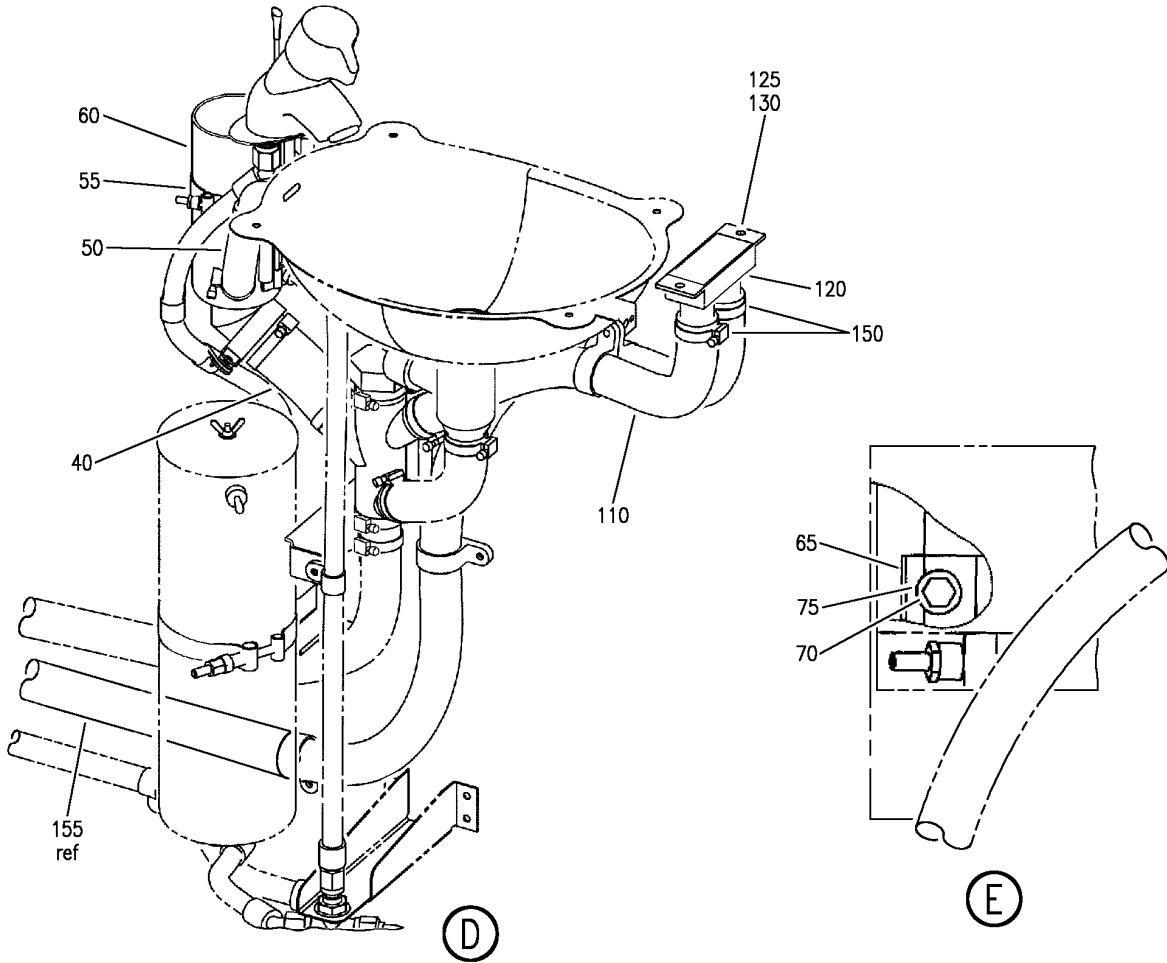
PLUMBING ASSY-LAV D (AIR CONDITIONION ONLY)
 FIGURE 57N (SHEET 2)

21-24-51-57N

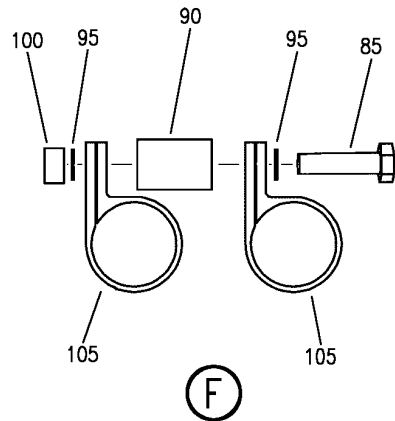
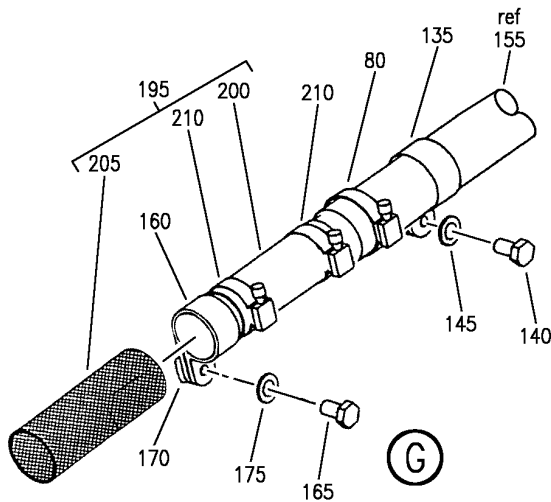
HAP
 OCT 10/06

21-24-51-57N
 PAGE 0A

BOEING
 737-600/700/800/900
 PARTS CATALOG (MAINTENANCE)



E 21245157N SHT. 3 REV 116



PLUMBING ASSY-LAV D (AIR CONDITIONION ONLY)
 FIGURE 57N (SHEET 3)

21-24-51-57N

HAP
 OCT 10/06

21-24-51-57N
 PAGE 0B


BOEING
 737-600/700/800/900
PARTS CATALOG (MAINTENANCE)

FIG ITEM	PART NUMBER	1 2 3 4 5 6 7	NOMENCLATURE	EFFECT FROM TO	UNITS PER ASSY
57N			PLUMBING ASSY-LAV D (AIR CONDITIONION ONLY)	031037 039041 047050 053200 968999	
- 1	D72W26010-111		PLUMBING ASSY-LAV D (AIR CONDITIONING ONLY) SUPPLIER CODE: VS5825 FOR NHA/OTHER SYS DET SEE: 25-40-01-46N	031037 039041 047050 053200 968999	RF
5	NAS1801-3-12		.SCREW	031037 039041 047050 053200 968999	1
10	NAS1149D0332K		.WASHER	031037 039041 047050 053200 968999	2
15	NAS679A3		.NUT	031037 039041 047050 053200 968999	1
20	AS21919WCE28		.CLAMP	031037 039041 047050 053200 968999	1
25	BACC10DK18		.CLAMP	031037 039041 047050 053200 968999	1
30	NAS1801-3-10		ATTACHING PARTS .SCREW	031037 039041 047050 053200 968999	1
35	NAS1149D0332K		.WASHER	031037 039041 047050 053200 968999	1
			-----*		

MISSING ITEM NUMBERS NOT APPLICABLE

- ITEM NOT ILLUSTRATED

HAP

21-24-51-57N

BOEING PROPRIETARY - Copyright © - Unpublished Work - See title page for details.

21-24-51
 FIG. 57N
 PAGE 1
 FEB 15/09

BOEING
737-600/700/800/900
PARTS CATALOG (MAINTENANCE)

FIG ITEM	PART NUMBER	1 2 3 4 5 6 7	NOMENCLATURE	EFFECT FROM TO	UNITS PER ASSY
57N 40	AS4804-06-0040A	.	HOSE	031037 039041 047050 053200 968999	1
45	NAS1922-0100-1	.	CLAMP	031037 039041 047050 053200 968999	2
50	AS4804-03-0043A	.	HOSE	031037 039041 047050 053200 968999	1
55	M630102-67	.	CLAMP	031037 039041 047050 053200 968999	1
60	D72D70408-111	.	MUFFLER- SUPPLIER CODE: VS5825	031037 039041 047050 053200 968999	1
65	D72D70397-111	.	BRACKET-MUFFLER SUPPLIER CODE: VS5825	031037 039041 047050 053200 968999	1
70	NAS1801-3-5	.	ATTACHING PARTS SCREW	031037 039041 047050 053200 968999	4
75	NAS1149D0332K	.	WASHER	031037 039041 047050 053200 968999	4
80	NAS1922-0125-1	-----*	CLAMP	031037 039041 047050 053200 968999	1

MISSING ITEM NUMBERS NOT APPLICABLE

— ITEM NOT ILLUSTRATED

HAP

21-24-51-57N

BOEING PROPRIETARY - Copyright © - Unpublished Work - See title page for details.

21-24-51
FIG. 57N
PAGE 2
FEB 15/09

BOEING
737-600/700/800/900
PARTS CATALOG (MAINTENANCE)

FIG ITEM	PART NUMBER	1 2 3 4 5 6 7	NOMENCLATURE	EFFECT FROM TO	UNITS PER ASSY
57N 85	NAS1801-3-28	.	SCREW	031037 039041 047050 053200 968999	1
90	D72D71541-111	.	SPACER- SUPPLIER CODE: VS5825	031037 039041 047050 053200 968999	1
95	NAS1149D0332K	.	WASHER	031037 039041 047050 053200 968999	2
100	NAS679A3	.	NUT	031037 039041 047050 053200 968999	1
105	BACC10DK18	.	CLAMP	031037 039041 047050 053200 968999	2
110	AS4804-04-0142A	.	HOSE	031037 039041 047050 053200 968999	1
115	NAS1922-0150-1	.	CLAMP	031037 039041 047050 053200 968999	2
120	D72D70395-111	.	DAMPER- SUPPLIER CODE: VS5825	031037 039041 047050 053200 968999	1
125	NAS1801-3-5	.	ATTACHING PARTS SCREW	031037 039041 047050 053200 968999	2

MISSING ITEM NUMBERS NOT APPLICABLE

— ITEM NOT ILLUSTRATED

HAP

21-24-51-57N

BOEING PROPRIETARY - Copyright © - Unpublished Work - See title page for details.

21-24-51
FIG. 57N
PAGE 3
FEB 15/09

BOEING
737-600/700/800/900
PARTS CATALOG (MAINTENANCE)

FIG ITEM	PART NUMBER	1 2 3 4 5 6 7	NOMENCLATURE	EFFECT FROM TO	UNITS PER ASSY
57N 130	NAS1149D0332K	.	WASHER	031037 039041 047050 053200 968999	2
135	BACC10DK18	-----*----- .	CLAMP	031037 039041 047050 053200 968999	5
140	NAS1801-3-7		ATTACHING PARTS .SCREW	031037 039041 047050 053200 968999	5
145	NAS1149D0332K	.	WASHER	031037 039041 047050 053200 968999	5
150	NAS1922-0125-1	-----*----- .	CLAMP	031037 039041 047050 053200 968999	2
155	AS4804-04-0670A	.	HOSE	031037 039041 047050 053200 968999	1
160	BACC10DK16	.	CLAMP	031037 039041 047050 053200 968999	1
165	NAS1801-3-10		ATTACHING PARTS .SCREW	031037 039041 047050 053200 968999	1
170	D72D70885-925	.	POST-SPACER SUPPLIER CODE: VS5825	031037 039041 047050 053200 968999	1

MISSING ITEM NUMBERS NOT APPLICABLE

— ITEM NOT ILLUSTRATED

HAP

21-24-51-57N

BOEING PROPRIETARY - Copyright © - Unpublished Work - See title page for details.

21-24-51
FIG. 57N
PAGE 4
FEB 15/09

BOEING
737-600/700/800/900
PARTS CATALOG (MAINTENANCE)

FIG ITEM	PART NUMBER	1 2 3 4 5 6 7	NOMENCLATURE	EFFECT FROM TO	UNITS PER ASSY
57N 175	NAS1149D0332K	.	WASHER	031037 039041 047050 053200 968999	1
180	D72D70955-111	-----*-----	.STAY-CLAMP NYLON SUPPLIER CODE: VS5825	031037 039041 047050 053200 968999	1
185	NAS1801-08-5	ATTACHING PARTS .SCREW		031037 039041 047050 053200 968999	2
190	NAS1149DN816K	.	WASHER	031037 039041 047050 053200 968999	2
195	D72D71075-111	-----*-----	.DUCT ASSY-VENTILATION SUPPLIER CODE: VS5825	031037 039041 047050 053200 968999	1
200	D72D71074-111	..	TUBE- SUPPLIER CODE: VS5825	031037 039041 047050 053200 968999	1
205	D72D71075-003	..	SCREEN- SUPPLIER CODE: VS5825	031037 039041 047050 053200 968999	1
210	NAS1922-0100-1	..	CLAMP	031037 039041 047050 053200 968999	2

MISSING ITEM NUMBERS NOT APPLICABLE

— ITEM NOT ILLUSTRATED

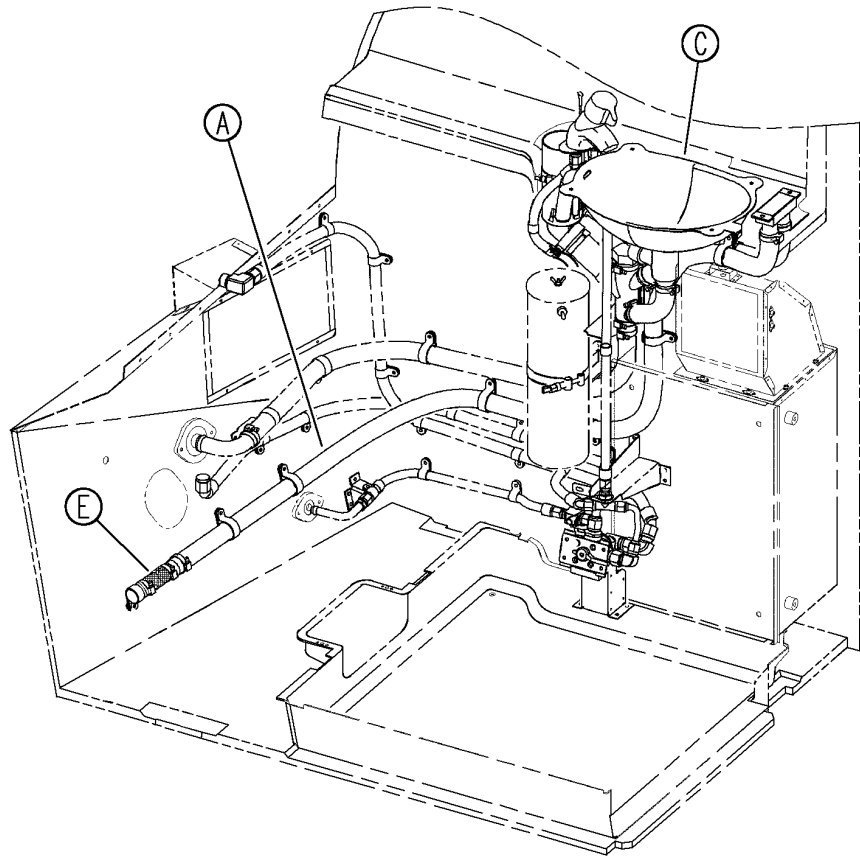
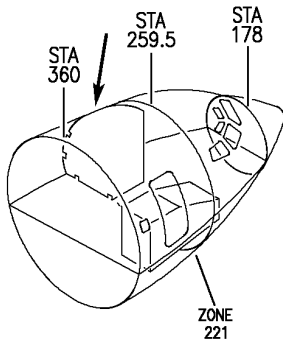
HAP

21-24-51-57N

BOEING PROPRIETARY - Copyright © - Unpublished Work - See title page for details.

21-24-51
FIG. 57N
PAGE 5
FEB 15/09

BOEING
737-600/700/800/900
PARTS CATALOG (MAINTENANCE)



E 21245157P SHT 1 REV 116

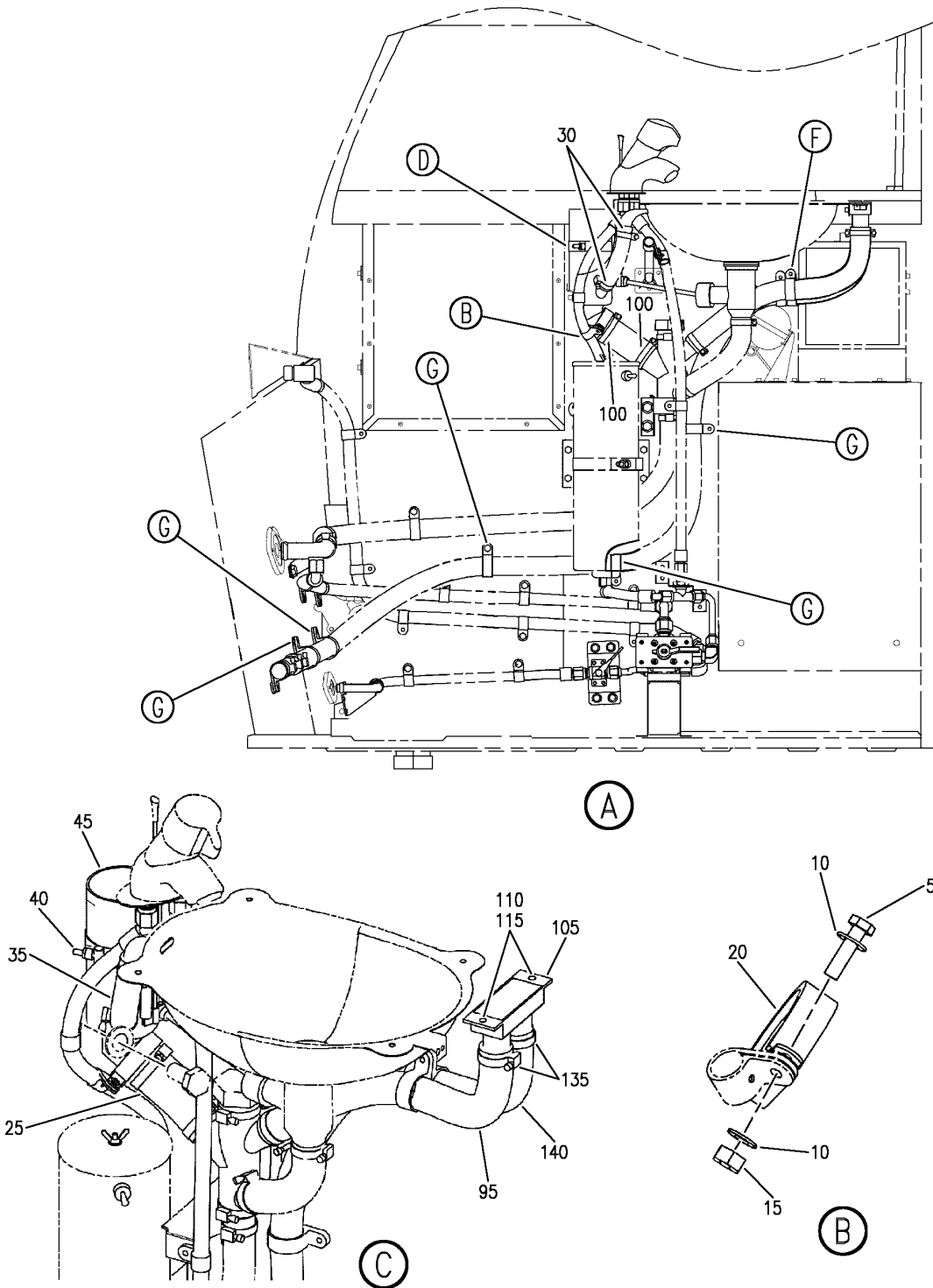
PLUMBING ASSY-LAV A (AIR CONDITIONING ONLY)
FIGURE 57P (SHEET 1)

21-24-51-57P

HAP
OCT 10/06

21-24-51-57P
PAGE 0

BOEING
 737-600/700/800/900
 PARTS CATALOG (MAINTENANCE)



E 21245157P SHT 2 REV 116

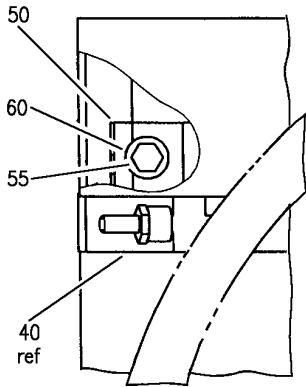
PLUMBING ASSY-LAV A (AIR CONDITIONING ONLY)
 FIGURE 57P (SHEET 2)

21-24-51-57P

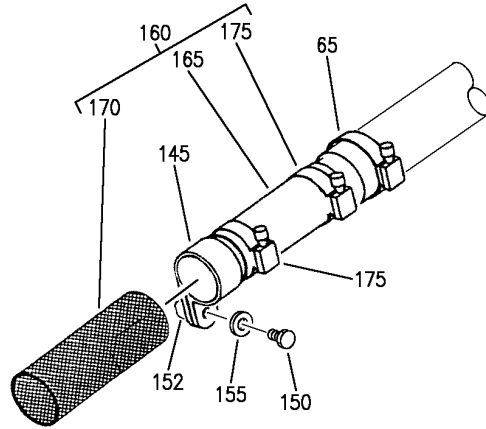
HAP
 OCT 10/06

21-24-51-57P
 PAGE 0A

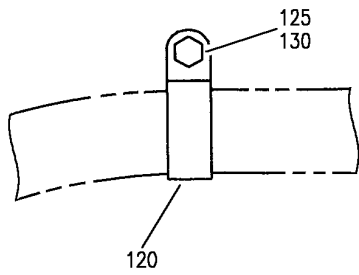
BOEING
 737-600/700/800/900
 PARTS CATALOG (MAINTENANCE)



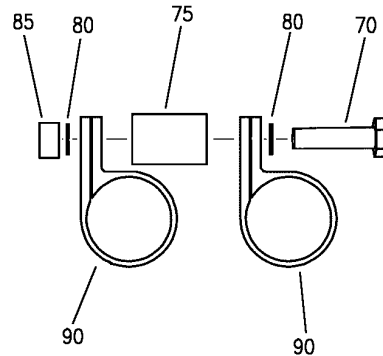
(D)



(E)



(G)



(F)

E 21245157P SHT 3 REV 128

PLUMBING ASSY-LAV A (AIR CONDITIONING ONLY)
 FIGURE 57P (SHEET 3)

21-24-51-57P

HAP
 JUN 10/07

21-24-51-57P
 PAGE 08

BOEING
737-600/700/800/900
PARTS CATALOG (MAINTENANCE)

FIG ITEM	PART NUMBER	1 2 3 4 5 6 7	NOMENCLATURE	EFFECT FROM TO	UNITS PER ASSY
57P			PLUMBING ASSY-LAV A (AIR CONDITIONING ONLY)	031041 047050 053200 968999	
- 1	D72W26012-111		PLUMBING ASSY-LAV A (AIR CONDITIONING ONLY) SUPPLIER CODE: VS5825 FOR NHA/OTHER SYS DET SEE: 25-40-01-46P	031041 047050 053200 968999	RF
5	NAS1801-3-12		.SCREW	031041 047050 053200 968999	1
10	NAS1149D0332K		.WASHER	031041 047050 053200 968999	2
15	NAS679A3		.NUT	031041 047050 053200 968999	1
20	AS21919WCE28		.CLAMP	031041 047050 053200 968999	1
25	AS4804-06-0040A		.HOSE	031041 047050 053200 968999	1
30	NAS1922-0100-1		.CLAMP	031041 047050 053200 968999	2
35	AS4804-03-0043A		.HOSE	031041 047050 053200 968999	1
40	M630102-67		.CLAMP	031041 047050 053200 968999	1
45	D72D70408-111		.MUFFLER- SUPPLIER CODE: VS5825	031041 047050 053200 968999	1

MISSING ITEM NUMBERS NOT APPLICABLE

- ITEM NOT ILLUSTRATED

HAP

21-24-51-57P

BOEING PROPRIETARY - Copyright © - Unpublished Work - See title page for details.

21-24-51
FIG. 57P
PAGE 1
FEB 15/09

BOEING
737-600/700/800/900
PARTS CATALOG (MAINTENANCE)

FIG ITEM	PART NUMBER	1 2 3 4 5 6 7	NOMENCLATURE	EFFECT FROM TO	UNITS PER ASSY
57P 50	D72D70397-111		.BRACKET-MUFFLER SUPPLIER CODE: VS5825	031041 047050 053200 968999	1
55	NAS1801-3-5		ATTACHING PARTS .SCREW	031041 047050 053200 968999	4
60	NAS1149D0332K		.WASHER	031041 047050 053200 968999	4
65	NAS1922-0125-1		-----*----- .CLAMP	031041 047050 053200 968999	1
70	NAS1801-3-28		.SCREW	031041 047050 053200 968999	1
75	D72D71541-111		.SPACER- SUPPLIER CODE: VS5825	031041 047050 053200 968999	1
80	NAS1149D0332K		.WASHER	031041 047050 053200 968999	2
85	NAS679A3		.NUT	031041 047050 053200 968999	1
90	BACC10DK18		.CLAMP	031041 047050 053200 968999	2
95	AS4804-04-0142A		.HOSE	031041 047050 053200 968999	1
100	NAS1922-0150-1		.CLAMP	031041 047050 053200 968999	2

MISSING ITEM NUMBERS NOT APPLICABLE

— ITEM NOT ILLUSTRATED

HAP

21-24-51-57P

BOEING PROPRIETARY - Copyright © - Unpublished Work - See title page for details.

21-24-51
FIG. 57P
PAGE 2
FEB 15/09

BOEING
737-600/700/800/900
PARTS CATALOG (MAINTENANCE)

FIG ITEM	PART NUMBER	1 2 3 4 5 6 7	NOMENCLATURE	EFFECT FROM TO	UNITS PER ASSY
57P 105	D72D70395-111		.DAMPER- SUPPLIER CODE: VS5825	031041 047050 053200 968999	1
110	NAS1801-3-5		ATTACHING PARTS .SCREW	031041 047050 053200 968999	2
115	NAS1149D0332K		.WASHER	031041 047050 053200 968999	2
120	BACC10DK18		-----*----- .CLAMP	031041 047050 053200 968999	5
125	NAS1801-3-7		ATTACHING PARTS .SCREW	031041 047050 053200 968999	5
130	NAS1149D0332K		.WASHER	031041 047050 053200 968999	5
135	NAS1922-0125-1		-----*----- .CLAMP	031041 047050 053200 968999	4
140	AS4804-04-0650A		.HOSE	031041 047050 053200 968999	1
145	BACC10DK16		.CLAMP	031041 047050 053200 968999	1
150	NAS1801-3-10		ATTACHING PARTS .SCREW	031041 047050 053200 968999	1
152	D72D70885-925		.POST-SPACER SUPPLIER CODE: VS5825	031041 047050 053200 968999	1

MISSING ITEM NUMBERS NOT APPLICABLE

— ITEM NOT ILLUSTRATED

HAP

21-24-51-57P

BOEING PROPRIETARY - Copyright © - Unpublished Work - See title page for details.

21-24-51
FIG. 57P
PAGE 3
FEB 15/09

BOEING
737-600/700/800/900
PARTS CATALOG (MAINTENANCE)

FIG ITEM	PART NUMBER	1 2 3 4 5 6 7	NOMENCLATURE	EFFECT FROM TO	UNITS PER ASSY
57P 155	NAS1149D0332K	.	WASHER	031041 047050 053200 968999	1
160	D72D71075-111	-----*	. DUCT ASSY-VENTILATION SUPPLIER CODE: VS5825	031041 047050 053200 968999	1
165	D72D71074-111	..	TUBE- SUPPLIER CODE: VS5825	031041 047050 053200 968999	1
170	D72D71075-003	..	SCREEN- SUPPLIER CODE: VS5825	031041 047050 053200 968999	1
175	NAS1922-0100-1	..	CLAMP	031041 047050 053200 968999	2

MISSING ITEM NUMBERS NOT APPLICABLE

— ITEM NOT ILLUSTRATED

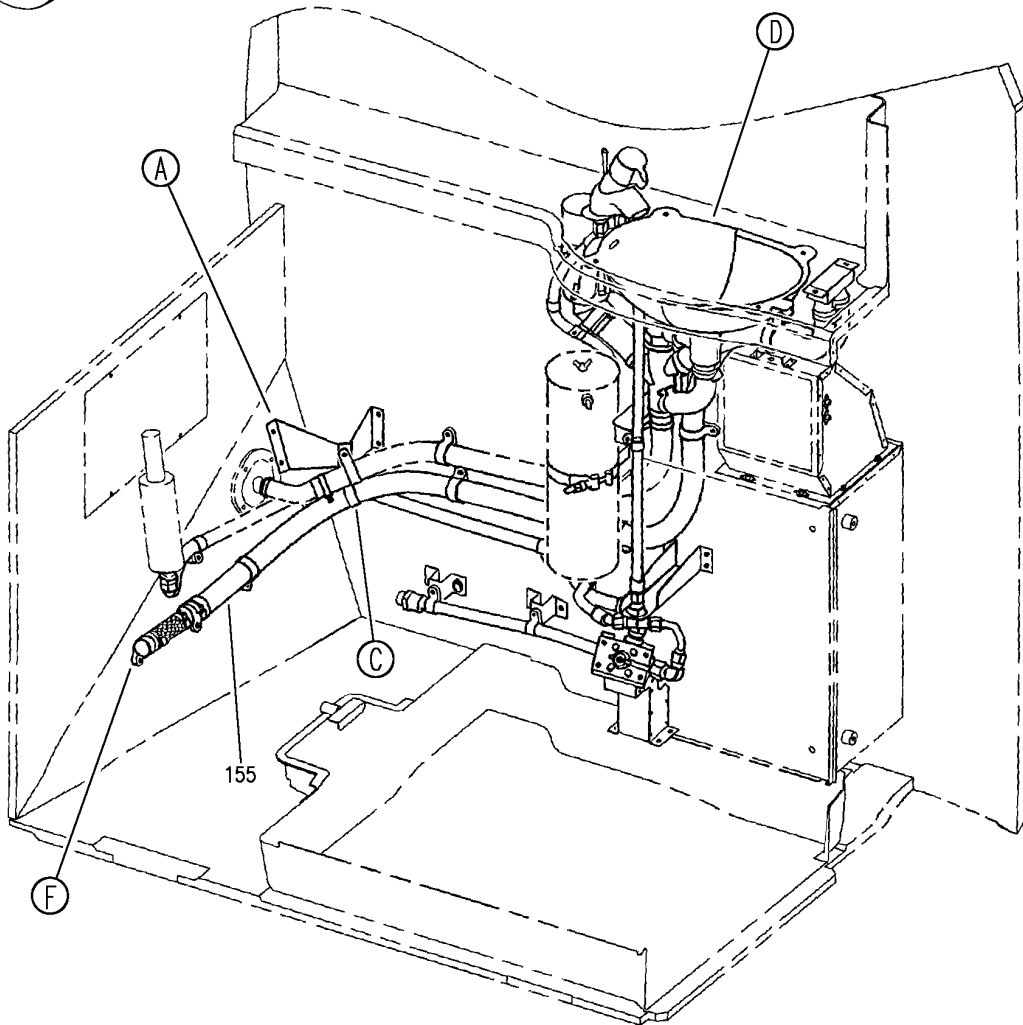
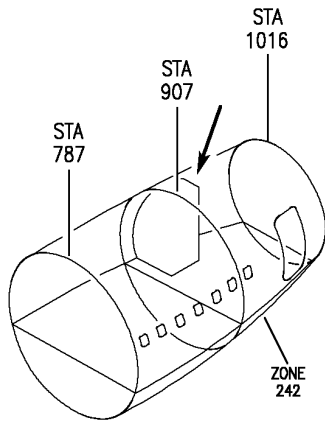
HAP

21-24-51-57P

BOEING PROPRIETARY - Copyright © - Unpublished Work - See title page for details.

21-24-51
FIG. 57P
PAGE 4
FEB 15/09

BOEING
737-600/700/800/900
PARTS CATALOG (MAINTENANCE)



E 21245157Q SH1 1 REV 116

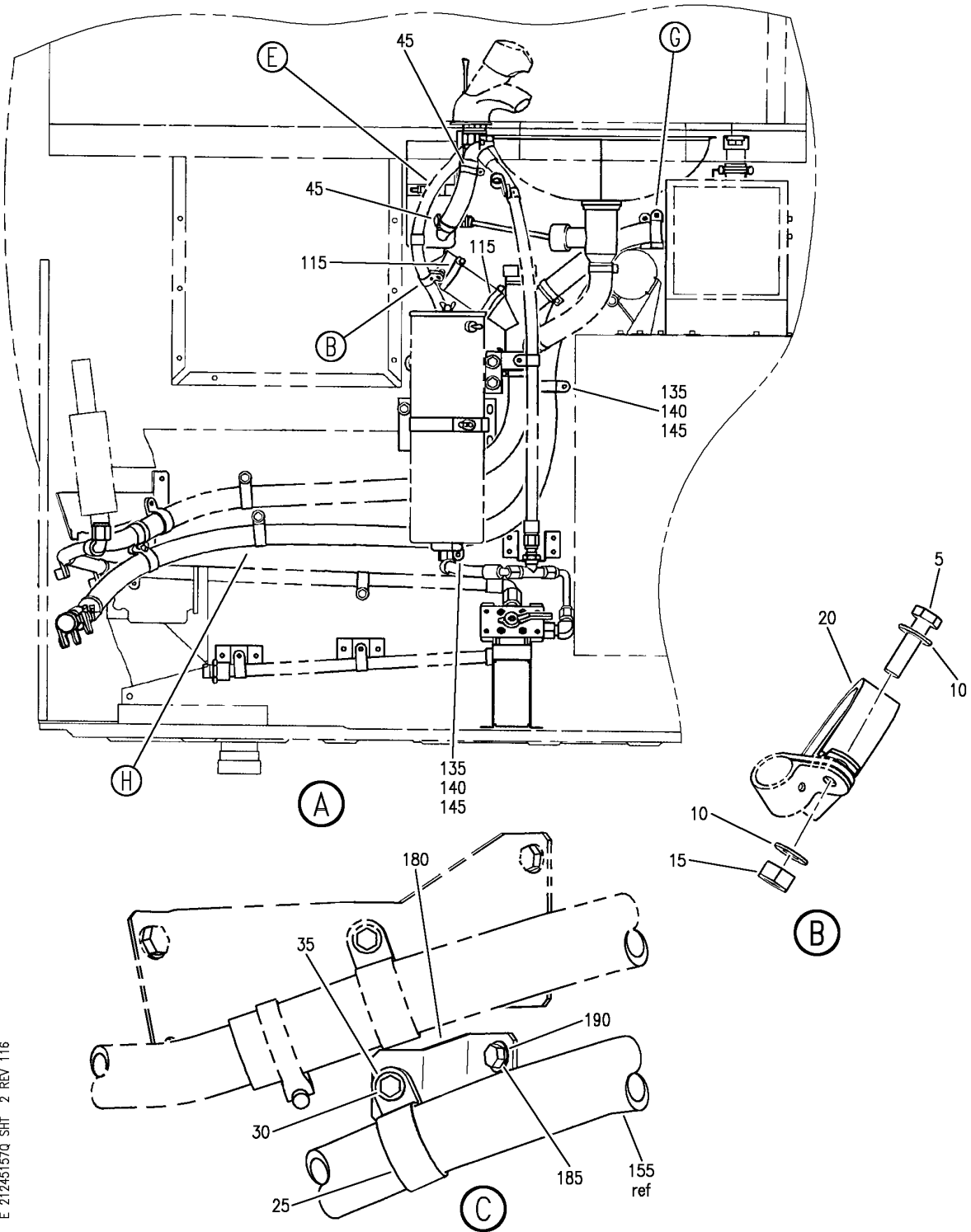
PLUMBING ASSY-LAV E (AIR CONDITIONION ONLY)
FIGURE 57Q (SHEET 1)

21-24-51-57Q

HAP
OCT 10/06

21-24-51-57Q
PAGE 0

BOEING
 737-600/700/800/900
 PARTS CATALOG (MAINTENANCE)



E 21245157Q SHT 2 REV 116

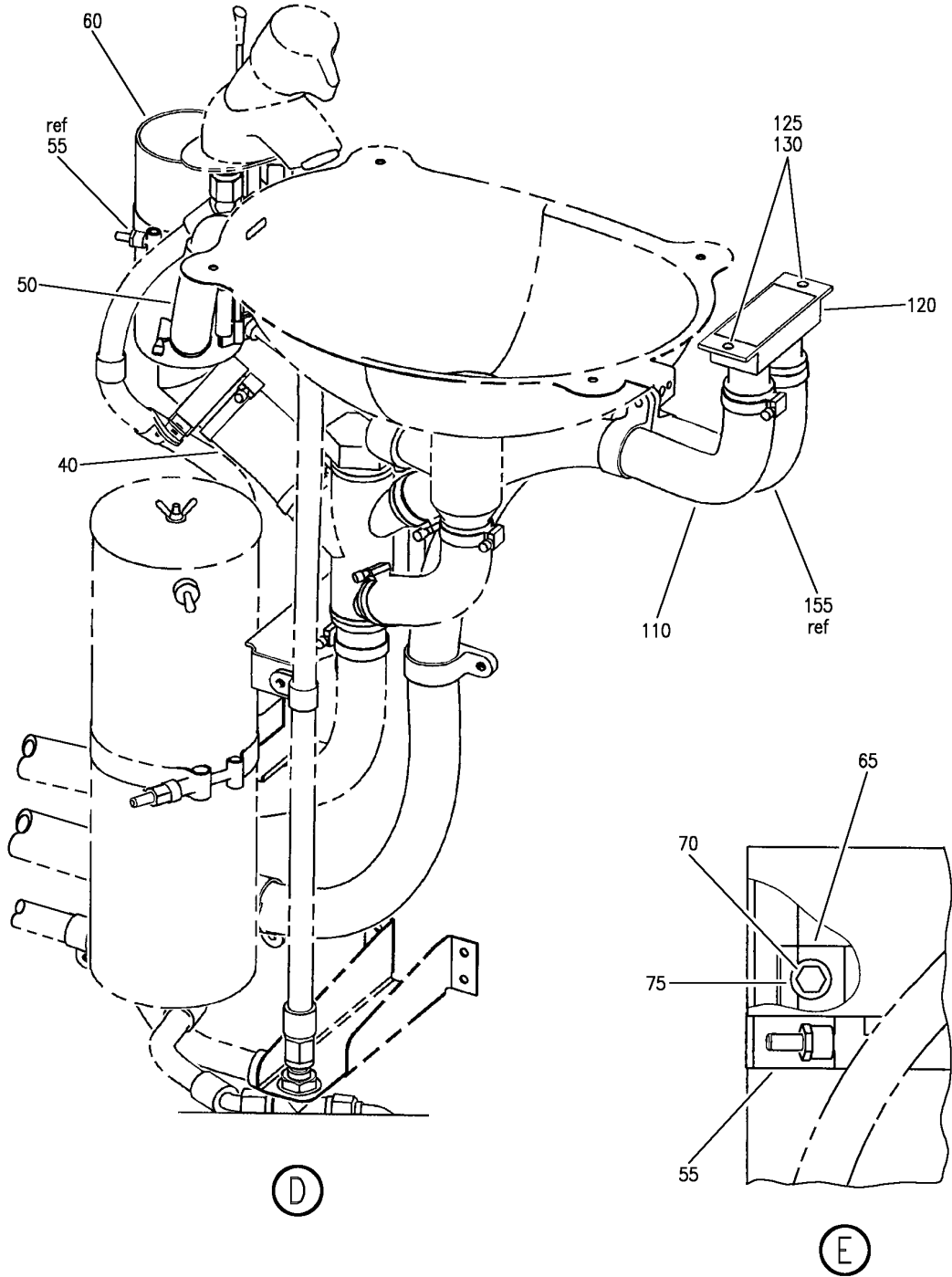
PLUMBING ASSY-LAV E (AIR CONDITIONION ONLY)
 FIGURE 57Q (SHEET 2)

21-24-51-57Q

HAP
 OCT 10/06

21-24-51-57Q
 PAGE 0A

BOEING
 737-600/700/800/900
 PARTS CATALOG (MAINTENANCE)



E 21245157Q SHT 3 REV 116

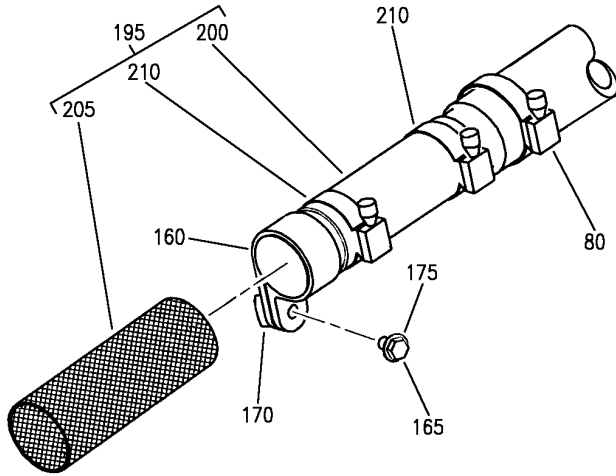
PLUMBING ASSY-LAV E (AIR CONDITIONION ONLY)
 FIGURE 57Q (SHEET 3)

21-24-51-57Q

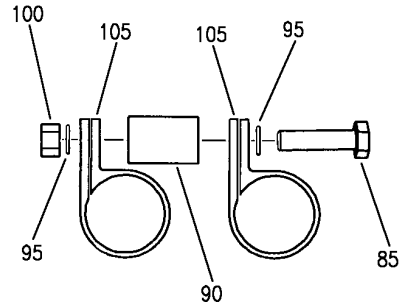
HAP
 OCT 10/06

21-24-51-57Q
 PAGE 0B

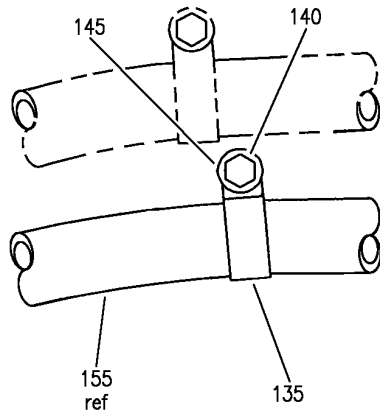
BOEING
 737-600/700/800/900
 PARTS CATALOG (MAINTENANCE)



(F)



(G)



(H)

E 21245157Q SHT 4 REV 116

PLUMBING ASSY-LAV E (AIR CONDITIONION ONLY)
 FIGURE 57Q (SHEET 4)

21-24-51-57Q

HAP
 OCT 10/06

21-24-51-57Q
 PAGE 0C

BOEING
737-600/700/800/900
PARTS CATALOG (MAINTENANCE)

FIG ITEM	PART NUMBER	1 2 3 4 5 6 7	NOMENCLATURE	EFFECT FROM TO	UNITS PER ASSY
57Q			PLUMBING ASSY-LAV E (AIR CONDITIONION ONLY)	031037 039041 047050 053100	
- 1	D72W26014-111		PLUMBING ASSY-LAV E (AIR CONDITIONING ONLY) SUPPLIER CODE: VS5825 FOR NHA/OTHER SYS DET SEE: 25-40-01-46Q	031037 039041 047050 053100	RF
5	NAS1801-3-12		.SCREW	031037 039041 047050 053100	1
10	NAS1149D0332K		.WASHER	031037 039041 047050 053100	2
15	NAS679A3		.NUT	031037 039041 047050 053100	1
20	AS21919WCE28		.CLAMP	031037 039041 047050 053100	1
25	BACC10DK18		.CLAMP	031037 039041 047050 053100	1
30	NAS1801-3-10		ATTACHING PARTS .SCREW	031037 039041 047050 053100	1
35	NAS1149D0332K		.WASHER	031037 039041 047050 053100	1
40	AS4804-06-0040A		-----*----- .HOSE	031037 039041 047050 053100	1
45	NAS1922-0100-1		.CLAMP	031037 039041 047050 053100	2

MISSING ITEM NUMBERS NOT APPLICABLE

- ITEM NOT ILLUSTRATED

HAP

21-24-51-57Q

BOEING PROPRIETARY - Copyright © - Unpublished Work - See title page for details.

21-24-51
FIG. 57Q
PAGE 1
FEB 15/09

BOEING
737-600/700/800/900
PARTS CATALOG (MAINTENANCE)

FIG ITEM	PART NUMBER	1 2 3 4 5 6 7	NOMENCLATURE	EFFECT FROM TO	UNITS PER ASSY
57Q 50	AS4804-03-0043A	.	HOSE	031037 039041 047050 053100	1
55	M630102-67	.	CLAMP	031037 039041 047050 053100	1
60	D72D70408-111	.	MUFFLER- SUPPLIER CODE: VS5825	031037 039041 047050 053100	1
65	D72D70397-111	.	BRACKET-MUFFLER SUPPLIER CODE: VS5825	031037 039041 047050 053100	1
70	NAS1801-3-5	.	ATTACHING PARTS SCREW	031037 039041 047050 053100	4
75	NAS1149D0332K	.	WASHER	031037 039041 047050 053100	4
80	NAS1922-0125-1	.	-----*----- CLAMP	031037 039041 047050 053100	1
85	NAS1801-3-28	.	SCREW	031037 039041 047050 053100	1
90	D72D71541-111	.	SPACER- SUPPLIER CODE: VS5825	031037 039041 047050 053100	1
95	NAS1149D0332K	.	WASHER	031037 039041 047050 053100	2
100	NAS679A3	.	NUT	031037 039041 047050 053100	1

MISSING ITEM NUMBERS NOT APPLICABLE

— ITEM NOT ILLUSTRATED

HAP

21-24-51-57Q

BOEING PROPRIETARY - Copyright © - Unpublished Work - See title page for details.

21-24-51
FIG. 57Q
PAGE 2
FEB 15/09

BOEING
737-600/700/800/900
PARTS CATALOG (MAINTENANCE)

FIG ITEM	PART NUMBER	1 2 3 4 5 6 7	NOMENCLATURE	EFFECT FROM TO	UNITS PER ASSY
57Q 105	BACC10DK18	.	CLAMP	031037 039041 047050 053100	2
110	AS4804-04-0142A	.	HOSE	031037 039041 047050 053100	1
115	NAS1922-0150-1	.	CLAMP	031037 039041 047050 053100	2
120	D72D70395-111	.	DAMPER- SUPPLIER CODE: VS5825	031037 039041 047050 053100	1
125	NAS1801-3-5	.	ATTACHING PARTS SCREW	031037 039041 047050 053100	2
130	NAS1149D0332K	.	WASHER	031037 039041 047050 053100	2
135	BACC10DK18	-----*	CLAMP	031037 039041 047050 053100	6
140	NAS1801-3-7	.	ATTACHING PARTS SCREW	031037 039041 047050 053100	6
145	NAS1149D0332K	.	WASHER	031037 039041 047050 053100	6
- 150	NAS1922-0125-1	-----*	CLAMP	031037 039041 047050 053100	2
155	AS4804-04-0620A	.	HOSE	031037 039041 047050 053100	1

MISSING ITEM NUMBERS NOT APPLICABLE

- ITEM NOT ILLUSTRATED

HAP

21-24-51-57Q

BOEING PROPRIETARY - Copyright © - Unpublished Work - See title page for details.

21-24-51
FIG. 57Q
PAGE 3
FEB 15/09

BOEING
737-600/700/800/900
PARTS CATALOG (MAINTENANCE)

FIG ITEM	PART NUMBER	1 2 3 4 5 6 7	NOMENCLATURE	EFFECT FROM TO	UNITS PER ASSY
57Q 160	BACC10DK16	.	CLAMP	031037 039041 047050 053100	1
165	NAS1801-3-10	.	ATTACHING PARTS SCREW	031037 039041 047050 053100	1
170	D72D70885-925	.	POST-SPACER SUPPLIER CODE: VS5825	031037 039041 047050 053100	1
175	NAS1149D0332K	.	WASHER	031037 039041 047050 053100	1
180	D72D70976-111	.	-----*----- STAY-CLAMP NYLON SUPPLIER CODE: VS5825	031037 039041 047050 053100	1
185	NAS1801-08-5	.	ATTACHING PARTS SCREW	031037 039041 047050 053100	2
190	NAS1149DN816K	.	WASHER	031037 039041 047050 053100	2
195	D72D71075-111	.	-----*----- DUCT ASSY-VENTILATION SUPPLIER CODE: VS5825	031037 039041 047050 053100	1
200	D72D71074-111	..	TUBE- SUPPLIER CODE: VS5825	031037 039041 047050 053100	1
205	D72D71075-003	..	SCREEN- SUPPLIER CODE: VS5825	031037 039041 047050 053100	1
210	NAS1922-0100-1	..	CLAMP	031037 039041 047050 053100	2

MISSING ITEM NUMBERS NOT APPLICABLE

— ITEM NOT ILLUSTRATED

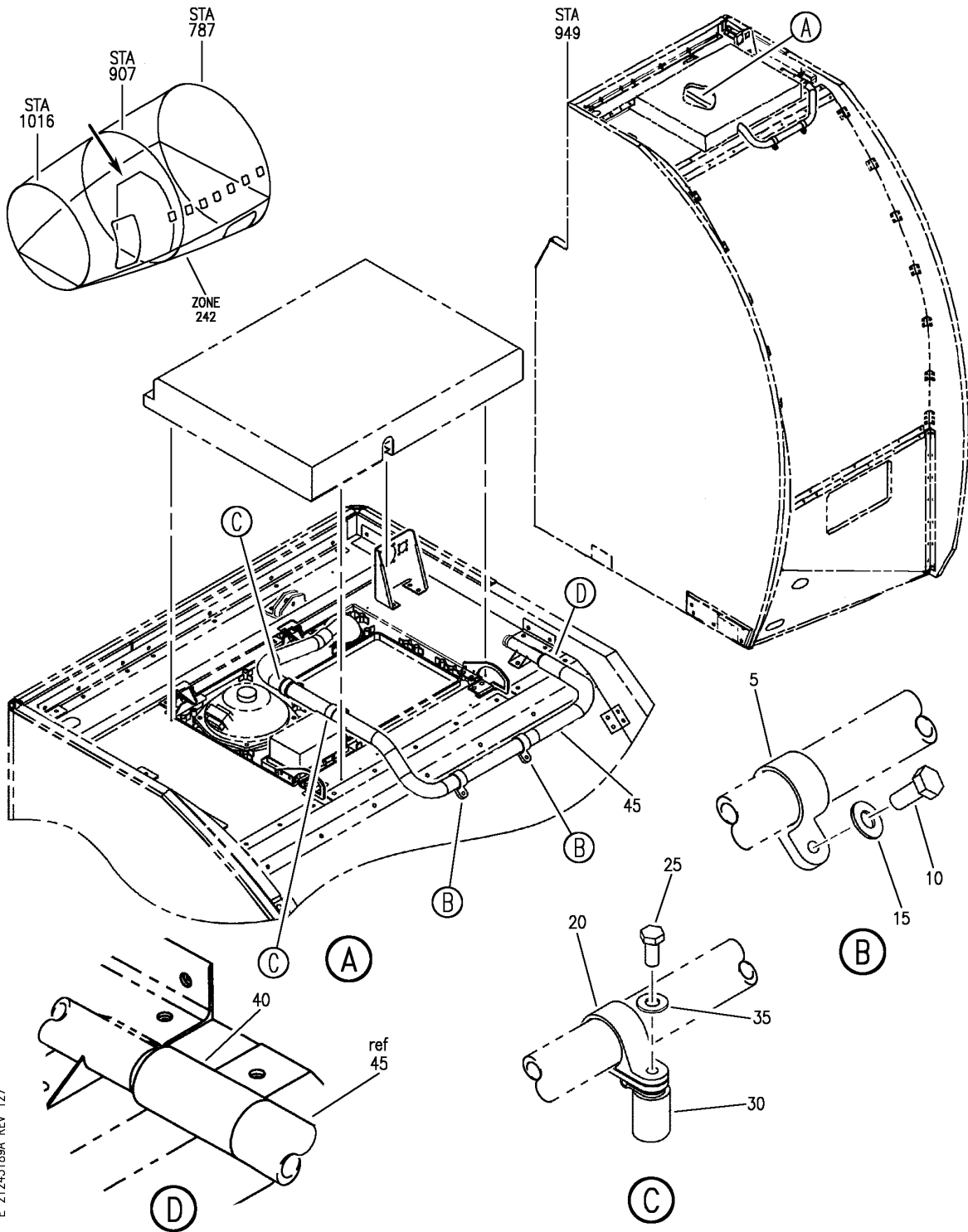
HAP

21-24-51-57Q

BOEING PROPRIETARY - Copyright © - Unpublished Work - See title page for details.

21-24-51
FIG. 57Q
PAGE 4
FEB 15/09

BOEING
 737-600/700/800/900
 PARTS CATALOG (MAINTENANCE)



E 21245189A REV 127

MODULE ASSY-LAV E (AIR CONDITIONING ONLY)
 FIGURE 89A

21-24-51-89A

HAP
 FEB 10/07

21-24-51-89A
 PAGE 0

BOEING
737-600/700/800/900
PARTS CATALOG (MAINTENANCE)

FIG ITEM	PART NUMBER	1 2 3 4 5 6 7	NOMENCLATURE	EFFECT FROM TO	UNITS PER ASSY
89A			MODULE ASSY-LAV E (AIR CONDITIONING ONLY)	101200 968999	
- 1	D72001252-111A		MODULE ASSY-LAV E (AIR CONDITIONING ONLY) SUPPLIER CODE: VS5825 SPECIFICATION NUMBER: S417A180-1252A ELECTRICAL EQUIP NUMBER: M01419 COMPONENT MAINT MANUAL REF: 25-46-17 FOR NHA/OTHER SYS DET SEE: 25-40-01-01H	101106 968999	RF
R R R R R R R R R R	- 1	D72001252-111B	MODULE ASSY-LAV E (AIR CONDITIONING ONLY) SUPPLIER CODE: VS5825 SPECIFICATION NUMBER: S417A180-1252B ELECTRICAL EQUIP NUMBER: M01419 COMPONENT MAINT MANUAL REF: 25-46-17 FOR NHA/OTHER SYS DET SEE: 25-40-01-01W	107200	RF
	5	BACC10DK13	.CLAMP	101200 968999	2
	10	NAS1801-3-6	ATTACHING PARTS .SCREW	101200 968999	2
	15	NAS1149D0332K	.WASHER	101200 968999	2
	20	BACC10DK13	-----*----- .CLAMP	101200 968999	2
	25	NAS1801-3-28	ATTACHING PARTS .SCREW	101200 968999	2
	30	D72D70885-911	.POST-SPACER SUPPLIER CODE: VS5825	101200 968999	2
	35	NAS1149D0332K	.WASHER	101200 968999	2
	40	NAS1922-0100-1	-----*----- .CLAMP	101200 968999	2
	45	AS1591-03-0452A	.HOSE	101200 968999	1

MISSING ITEM NUMBERS NOT APPLICABLE

- ITEM NOT ILLUSTRATED

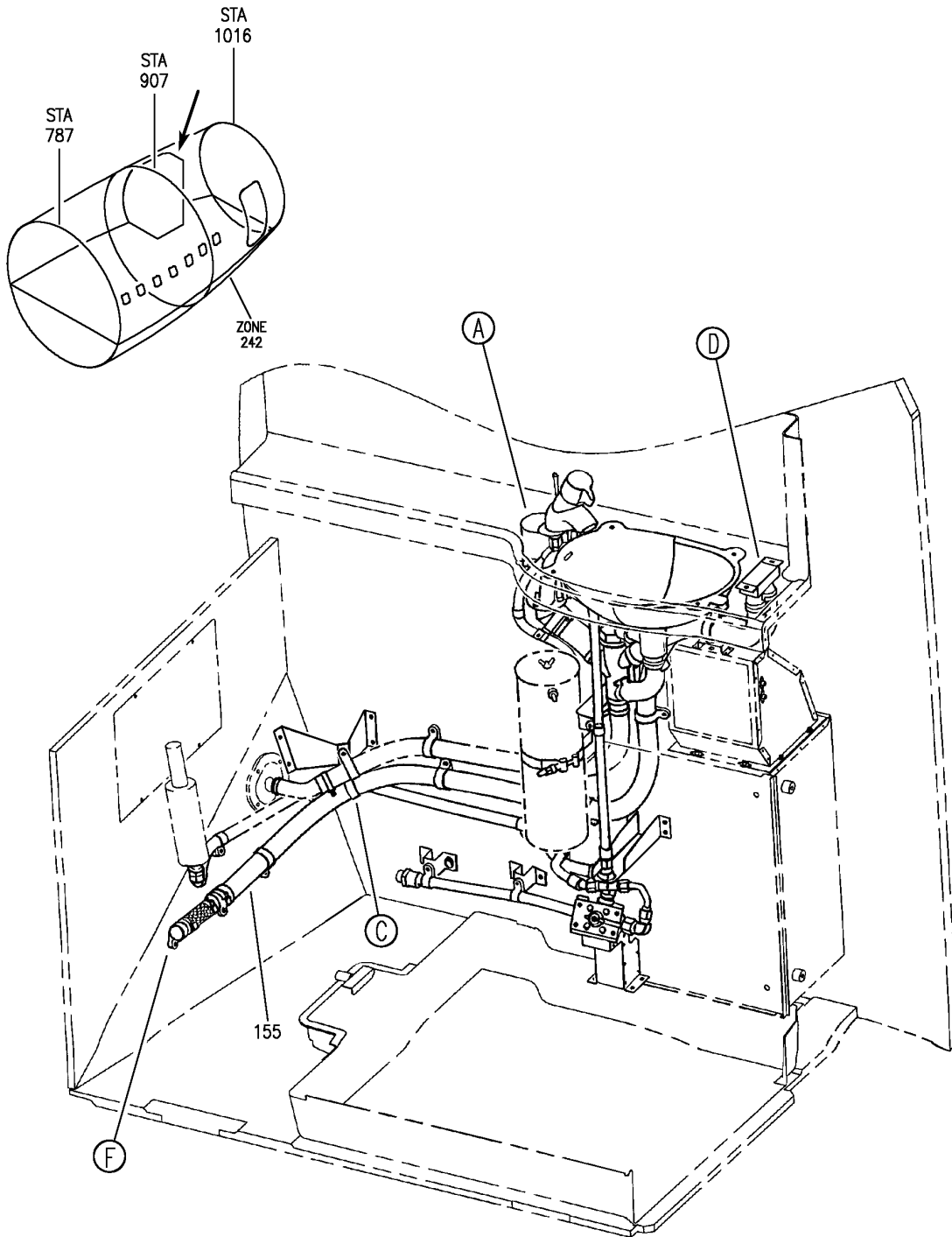
HAP

21-24-51-89A

BOEING PROPRIETARY - Copyright © - Unpublished Work - See title page for details.

21-24-51
FIG. 89A
PAGE 1
JUN 15/09

BOEING
737-600/700/800/900
PARTS CATALOG (MAINTENANCE)



E 21245198A SHT 1 REV 127

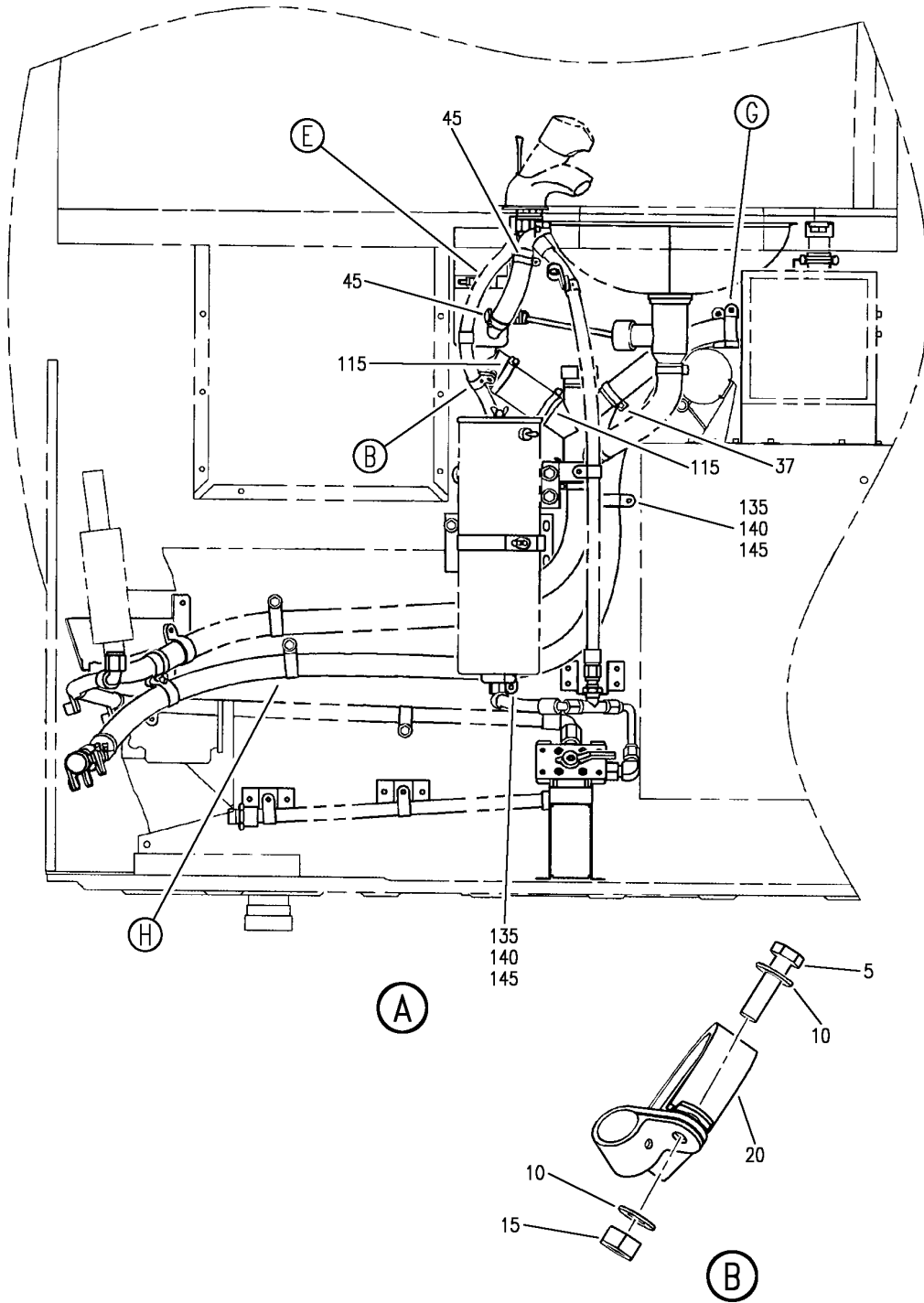
PLUMBING ASSY-LAV E (AIR CONDITIONING ONLY)
FIGURE 98A (SHEET 1)

21-24-51-98A

HAP
FEB 10/07

21-24-51-98A
PAGE 0

BOEING
 737-600/700/800/900
 PARTS CATALOG (MAINTENANCE)



E 21245198A SHT 2 REV 147

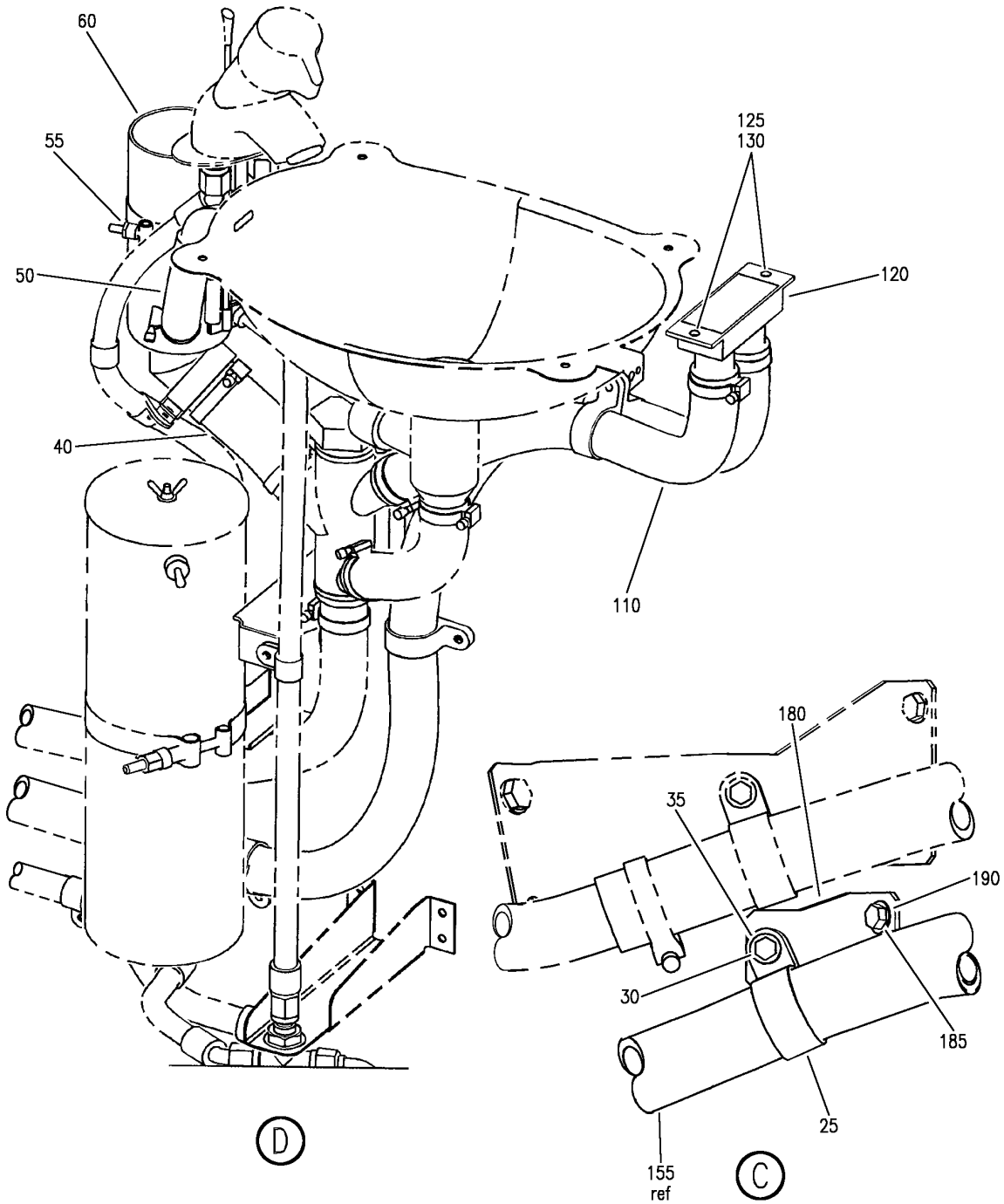
PLUMBING ASSY-LAV E (AIR CONDITIONING ONLY)
 FIGURE 98A (SHEET 2)

21-24-51-98A

HAP
 OCT 15/08

21-24-51-98A
 PAGE 0A

BOEING
 737-600/700/800/900
 PARTS CATALOG (MAINTENANCE)



E 21245198A SHT 3 REV 127

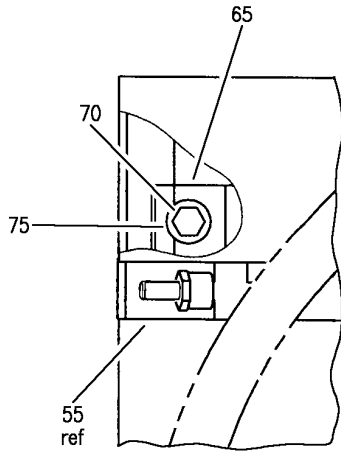
PLUMBING ASSY-LAV E (AIR CONDITIONING ONLY)
 FIGURE 98A (SHEET 3)

21-24-51-98A

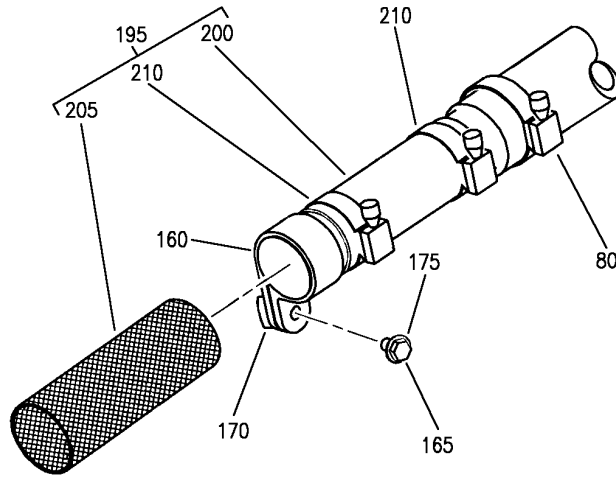
HAP
 FEB 10/07

21-24-51-98A
 PAGE 0B

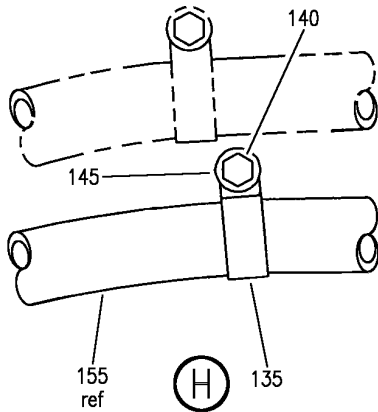
BOEING
 737-600/700/800/900
 PARTS CATALOG (MAINTENANCE)



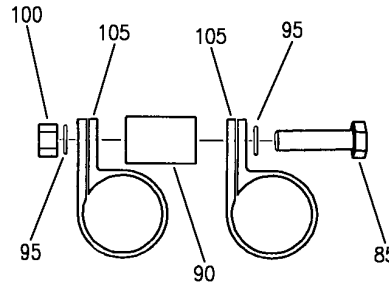
(E)



(F)



(H)



(G)

E 21245198A SHIT 4 REV 127

PLUMBING ASSY-LAV E (AIR CONDITIONING ONLY)
 FIGURE 98A (SHEET 4)

21-24-51-98A

HAP
 FEB 10/07

21-24-51-98A
 PAGE 0C

BOEING
737-600/700/800/900
PARTS CATALOG (MAINTENANCE)

FIG ITEM	PART NUMBER	1 2 3 4 5 6 7	NOMENCLATURE	EFFECT FROM TO	UNITS PER ASSY
98A			PLUMBING ASSY-LAV E (AIR CONDITIONING ONLY)	101200 968999	
- 1	D72W26014-111		PLUMBING ASSY-LAV E (AIR CONDITIONING ONLY) SUPPLIER CODE: VS5825 FOR NHA/OTHER SYS DET SEE: 25-40-01-89	101106 968999	RF
5	NAS1801-3-12		.SCREW	101106 968999	1
10	NAS1149D0332K		.WASHER	101106 968999	2
15	NAS679A3		.NUT	101106 968999	1
20	AS21919WCE28		.CLAMP	101106 968999	1
25	BACC10DK18		.CLAMP	101106 968999	1
30	NAS1801-3-10		ATTACHING PARTS .SCREW	101106 968999	1
35	NAS1149D0332K		.WASHER	101106 968999	1
37	NAS1922-0125-1		-----*----- .CLAMP	101200 968999	1
40	FLX200212001605		.HOSE-AIR DUCT SUPPLIER CODE: VS5825	101200 968999	1
45	NAS1922-0100-1		.CLAMP	101106 968999	2
50	FLX200206001905		.HOSE-AIR DUCT SUPPLIER CODE: VS5825	101200 968999	1
55	M630102-67		.CLAMP	101106 968999	1
60	D72D70408-111		.MUFFLER- SUPPLIER CODE: VS5825	101106 968999	1
65	D72D70397-111		.BRACKET-MUFFLER SUPPLIER CODE: VS5825	101106 968999	1
70	NAS1801-3-5		ATTACHING PARTS .SCREW	101106 968999	4
75	NAS1149D0332K		.WASHER -----*-----	101106 968999	4

MISSING ITEM NUMBERS NOT APPLICABLE

- ITEM NOT ILLUSTRATED

HAP

21-24-51-98A

BOEING PROPRIETARY - Copyright © - Unpublished Work - See title page for details.

21-24-51
FIG. 98A
PAGE 1
FEB 15/09

BOEING
737-600/700/800/900
PARTS CATALOG (MAINTENANCE)

FIG ITEM	PART NUMBER	1 2 3 4 5 6 7	NOMENCLATURE	EFFECT FROM TO	UNITS PER ASSY
98A					
80	NAS1922-0125-1	.CLAMP		101106 968999	1
85	NAS1801-3-28	.SCREW		101106 968999	1
90	D72D71541-111	.SPACER- SUPPLIER CODE: VS5825		101106 968999	1
95	NAS1149D0332K	.WASHER		101106 968999	2
100	NAS679A3	.NUT		101106 968999	1
105	BACC10DK18	.CLAMP		101106 968999	2
110	BOE2022-04A0150	.HOSE SUPPLIER CODE: V16632 SPECIFICATION NUMBER: AS1544-04A0150		101200 968999	1
115	NAS1922-0150-1	.CLAMP		101106 968999	2
120	D72D70395-111	.DAMPER- SUPPLIER CODE: VS5825 ATTACHING PARTS		101106 968999	1
125	NAS1801-3-5	.SCREW		101106 968999	2
130	NAS1149D0332K	.WASHER		101106 968999	2
135	BACC10DK18	-----*----- .CLAMP ATTACHING PARTS		101106 968999	5
140	NAS1801-3-7	.SCREW		101106 968999	5
145	NAS1149D0332K	.WASHER		101106 968999	5
- 150	NAS1922-0125-1	-----*----- .CLAMP		101106 968999	2
155	AS4804-04-0620A	.HOSE		101106 968999	1
160	BACC10DK16	.CLAMP ATTACHING PARTS		101106 968999	1
165	NAS1801-3-10	.SCREW		101106 968999	1
170	D72D70885-925	.POST-SPACER SUPPLIER CODE: VS5825		101106 968999	1

MISSING ITEM NUMBERS NOT APPLICABLE

- ITEM NOT ILLUSTRATED

HAP

21-24-51-98A

BOEING PROPRIETARY - Copyright © - Unpublished Work - See title page for details.

21-24-51
FIG. 98A
PAGE 2
FEB 15/09

BOEING
737-600/700/800/900
PARTS CATALOG (MAINTENANCE)

FIG ITEM	PART NUMBER	1 2 3 4 5 6 7	NOMENCLATURE	EFFECT FROM TO	UNITS PER ASSY
98A 175	NAS1149D0332K	.	WASHER	101106 968999	1
180	D72D70976-111	-----*-----	.STAY-NYLON CLAMP SUPPLIER CODE: VS5825 ATTACHING PARTS	101106 968999	1
185	NAS1801-08-5	.	SCREW	101106 968999	2
190	NAS1149DN816K	.	WASHER	101106 968999	2
195	D72D71075-111	-----*-----	.DUCT ASSY-VENTILATION SUPPLIER CODE: VS5825	101106 968999	1
200	D72D71074-111	..	TUBE- SUPPLIER CODE: VS5825	101106 968999	1
205	D72D71075-003	..	SCREEN- SUPPLIER CODE: VS5825	101106 968999	1
210	NAS1922-0100-1	..	CLAMP	101106 968999	2

MISSING ITEM NUMBERS NOT APPLICABLE

— ITEM NOT ILLUSTRATED

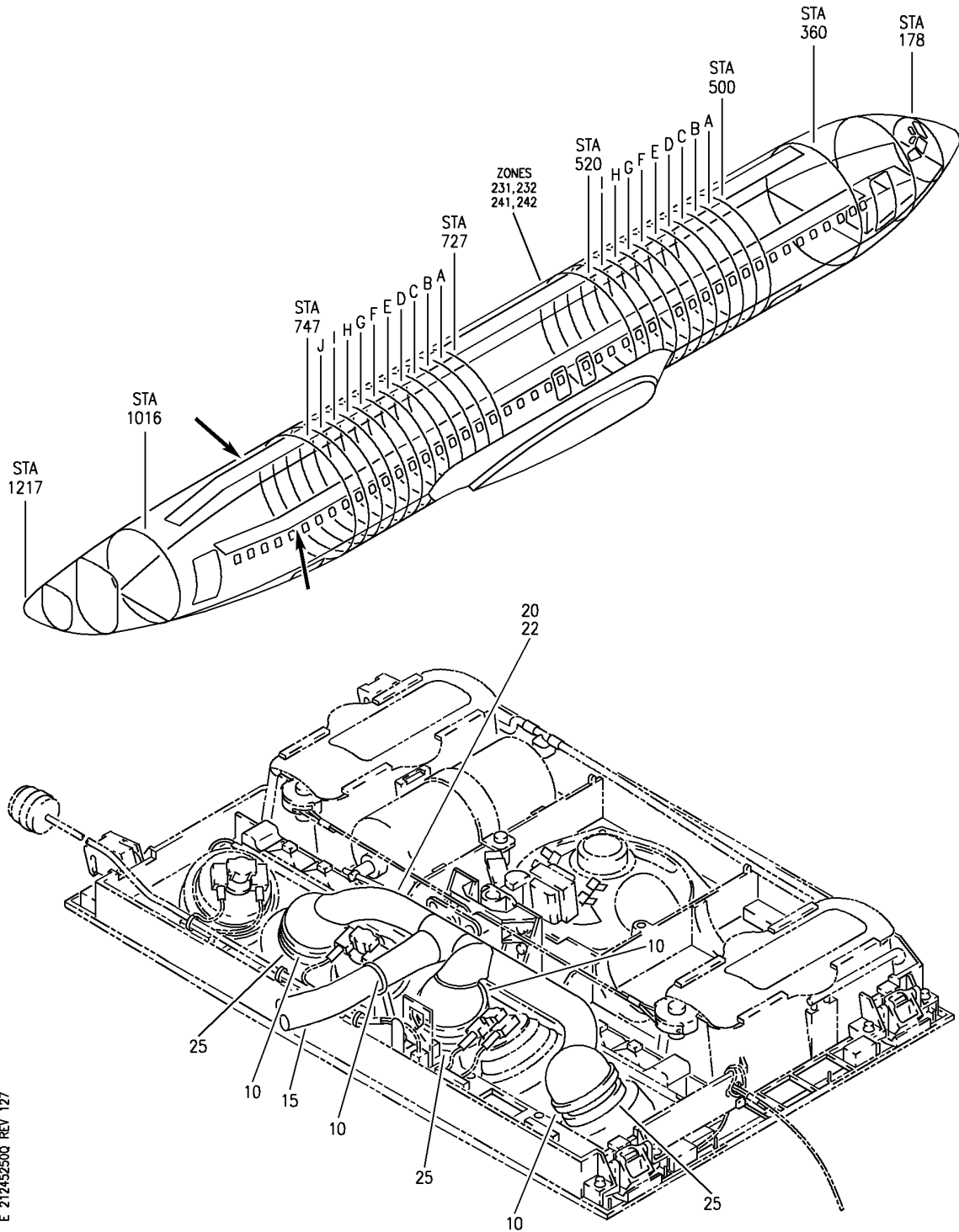
HAP

21-24-51-98A

BOEING PROPRIETARY - Copyright © - Unpublished Work - See title page for details.

21-24-51
FIG. 98A
PAGE 3
FEB 15/09

BOEING
 737-600/700/800/900
 PARTS CATALOG (MAINTENANCE)



E 21245250Q REV 127

SERVICE UNIT ASSY-WITH 2K SPKR AND GASPER PASS. (AIR CONDITIONING ONLY)
 FIGURE 50Q

21-24-52-50Q

HAP
 OCT 15/08

21-24-52-50Q
 PAGE 0

BOEING
737-600/700/800/900
PARTS CATALOG (MAINTENANCE)

FIG ITEM	PART NUMBER	1 2 3 4 5 6 7	NOMENCLATURE	EFFECT FROM TO	UNITS PER ASSY
50Q			SERVICE UNIT ASSY-WITH 2K SPKR AND GASPER PASS. (AIR CONDITIONING ONLY)	048048	
- 1	417N3011-601B		SERVICE UNIT ASSY-WITH 2K SPKR AND GASPER PASS. (AIR CONDITIONING ONLY) POSITION DATA: LH ELECTRICAL EQUIP NUMBER: M10973 COMPONENT MAINT MANUAL REF: 25-23-38 FOR NHA/OTHER SYS DET SEE: 25-23-61-77Z	048048	RF
- 5	417N3011-602B		SERVICE UNIT ASSY-WITH 2K SPKR AND GASPER PASS. (AIR CONDITIONING ONLY) POSITION DATA: RH ELECTRICAL EQUIP NUMBER: M10973 COMPONENT MAINT MANUAL REF: 25-23-38 FOR NHA/OTHER SYS DET SEE: 25-23-61-77Z	048048	RF
10	PLT2MM2		.STRAP- SUPPLIER CODE: V06383	048048	AR
10	PLT2MM		.STRAP- SUPPLIER CODE: V06383	048048	AR
15	BACD40P3A160		.DUCT	048048	1
20	417N3103-3		.MANIFOLD ASSY-UNDERBIN GASPER AIR	048048	1
22	417N3103-4		..MANIFOLD	048048	1
25	3740-11		.OUTLET-AIR SUPPLIER CODE: VOACHO SPECIFICATION NUMBER: 10-60141-26E	048048	3
- 30	3743-60		..NUT- SUPPLIER CODE: VOACHO	048048	1

MISSING ITEM NUMBERS NOT APPLICABLE

- ITEM NOT ILLUSTRATED

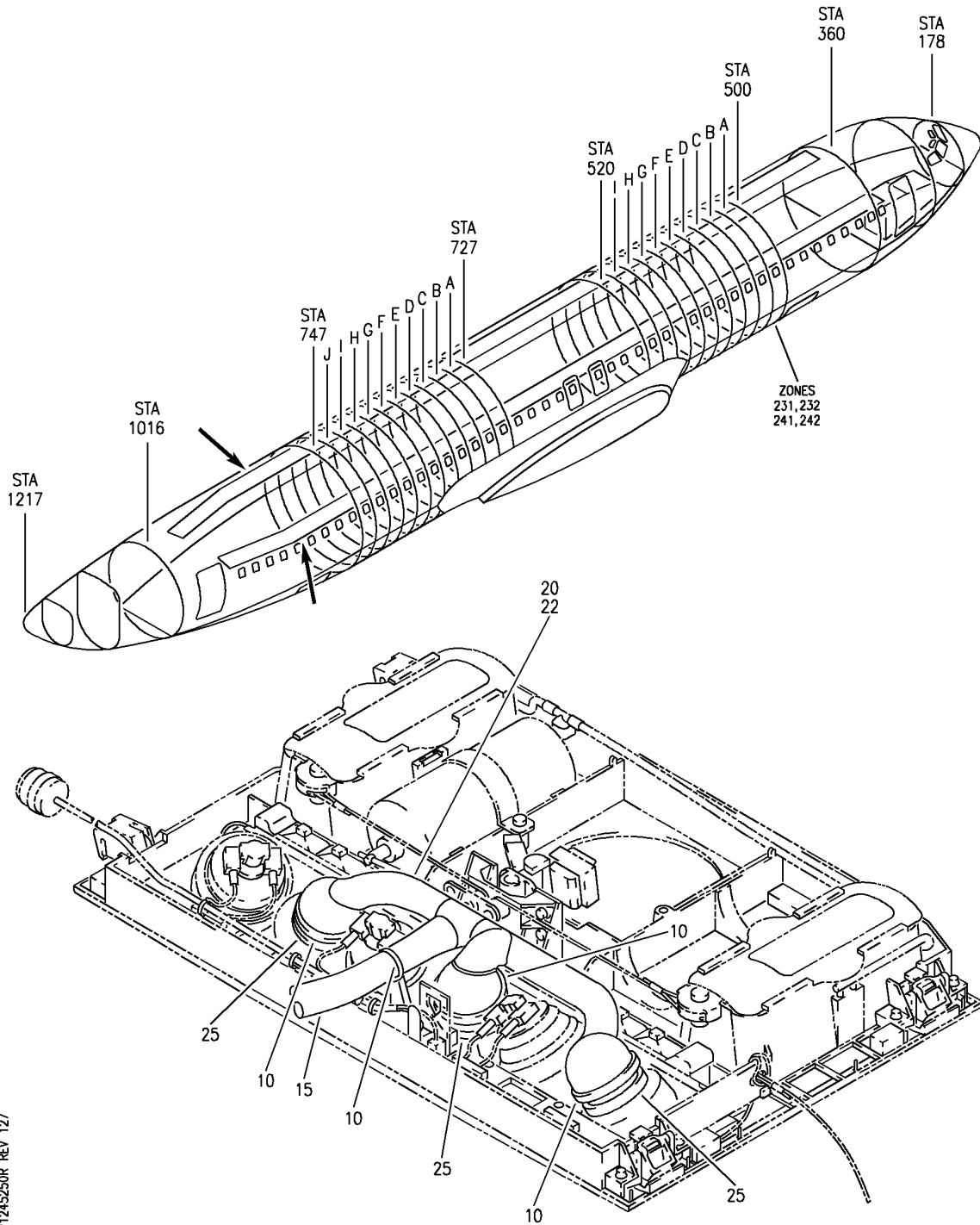
HAP

21-24-52-50Q

BOEING PROPRIETARY - Copyright © - Unpublished Work - See title page for details.

21-24-52
FIG. 50Q
PAGE 1
OCT 15/08

BOEING
 737-600/700/800/900
 PARTS CATALOG (MAINTENANCE)



E 21245250R REV 127

SERVICE UNIT ASSY-NO SPKR WITH GASPER PASS. (AIR CONDITIONING ONLY)
 FIGURE 50R

21-24-52-50R

HAP
 OCT 15/08

21-24-52-50R
 PAGE 0

BOEING
737-600/700/800/900
PARTS CATALOG (MAINTENANCE)

FIG ITEM	PART NUMBER	1 2 3 4 5 6 7	NOMENCLATURE	EFFECT FROM TO	UNITS PER ASSY
50R			SERVICE UNIT ASSY-NO SPKR WITH GASPER PASS. (AIR CONDITIONING ONLY)	048048	
- 1	417N3011-613B		SERVICE UNIT ASSY-NO SPKR WITH GASPER PASS. (AIR CONDITIONING ONLY) POSITION DATA: LH ELECTRICAL EQUIP NUMBER: M10973 COMPONENT MAINT MANUAL REF: 25-23-38 FOR NHA/OTHER SYS DET SEE: 25-23-61-77Z	048048	RF
- 5	417N3011-614B		SERVICE UNIT ASSY-NO SPKR WITH GASPER PASS. (AIR CONDITIONING ONLY) POSITION DATA: RH ELECTRICAL EQUIP NUMBER: M10973 COMPONENT MAINT MANUAL REF: 25-23-38 FOR NHA/OTHER SYS DET SEE: 25-23-61-77Z	048048	RF
10	PLT2MM2		.STRAP- SUPPLIER CODE: V06383	048048	AR
10	PLT2MM		.STRAP- SUPPLIER CODE: V06383	048048	AR
15	BACD40P3A160		.DUCT	048048	1
20	417N3103-3		.MANIFOLD ASSY-UNDERBIN GASPER AIR	048048	1
22	417N3103-4		..MANIFOLD	048048	1
25	3740-11		.OUTLET-AIR SUPPLIER CODE: VOACHO SPECIFICATION NUMBER: 10-60141-26E	048048	3
- 30	3743-60		..NUT- SUPPLIER CODE: VOACHO	048048	1

MISSING ITEM NUMBERS NOT APPLICABLE

- ITEM NOT ILLUSTRATED

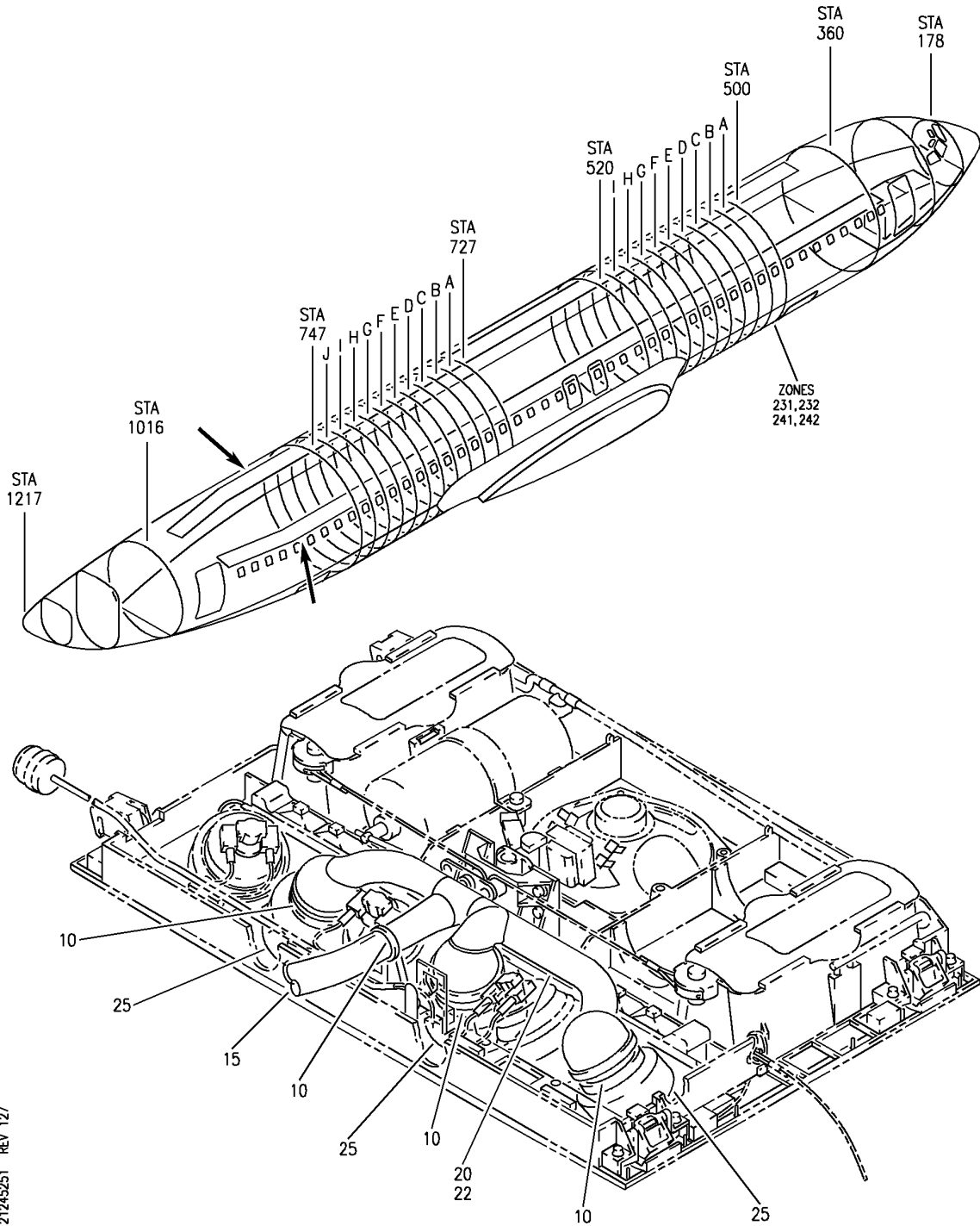
HAP

21-24-52-50R

BOEING PROPRIETARY - Copyright © - Unpublished Work - See title page for details.

21-24-52
FIG. 50R
PAGE 1
OCT 15/08

BOEING
 737-600/700/800/900
 PARTS CATALOG (MAINTENANCE)



E 21245251 REV 127

SERVICE UNIT ASSY-WITH 2K SPKR AND GASPER PASS. (AIR CONDITIONING ONLY)
 FIGURE 51

HAP
 FEB 10/07

21-24-52-51

21-24-52-51
 PAGE 0

BOEING
737-600/700/800/900
PARTS CATALOG (MAINTENANCE)

FIG ITEM	PART NUMBER	1 2 3 4 5 6 7	NOMENCLATURE	EFFECT FROM TO	UNITS PER ASSY
51			SERVICE UNIT ASSY-WITH 2K SPKR AND GASPER PASS. (AIR CONDITIONING ONLY)	038038 041047 049100	
- 1	417N3011-601B		SERVICE UNIT ASSY-WITH 2K SPKR AND GASPER PASS. (AIR CONDITIONING ONLY) POSITION DATA: LH ELECTRICAL EQUIP NUMBER: M10973 COMPONENT MAINT MANUAL REF: 25-23-38 FOR NHA/OTHER SYS DET SEE: 25-23-61-72G 25-23-61-75H	038038 041047 049100	RF
- 5	417N3011-602B		SERVICE UNIT ASSY-WITH 2K SPKR AND GASPER PASS. (AIR CONDITIONING ONLY) POSITION DATA: RH ELECTRICAL EQUIP NUMBER: M10973 COMPONENT MAINT MANUAL REF: 25-23-38 FOR NHA/OTHER SYS DET SEE: 25-23-61-72G 25-23-61-75H	038038 041047 049100	RF
10	PLT2MM2		.STRAP- SUPPLIER CODE: V06383	038038 041047 049100	AR
10	PLT2MM		.STRAP- SUPPLIER CODE: V06383	038038 041047 049100	AR
15	BACD40P3A160		.DUCT	038038 041047 049100	1
20	417N3103-3		.MANIFOLD ASSY-UNDERBIN GASPER AIR	038038 041047 049100	1
22	417N3103-4		..MANIFOLD	038038 041047 049100	1
25	3740-11		.OUTLET-AIR SUPPLIER CODE: VOACH0 SPECIFICATION NUMBER: 10-60141-26E	038038 041047 049100	3

MISSING ITEM NUMBERS NOT APPLICABLE

- ITEM NOT ILLUSTRATED

HAP

21-24-52-51

BOEING PROPRIETARY - Copyright © - Unpublished Work - See title page for details.

21-24-52
FIG. 51
PAGE 1
OCT 15/08


BOEING
 737-600/700/800/900
PARTS CATALOG (MAINTENANCE)

FIG ITEM	PART NUMBER	1 2 3 4 5 6 7 NOMENCLATURE	EFFECT FROM TO	UNITS PER ASSY
51 - 30	3743-60	. . NUT- SUPPLIER CODE : VOACHO	038038 041047 049100	1

MISSING ITEM NUMBERS NOT APPLICABLE

- ITEM NOT ILLUSTRATED

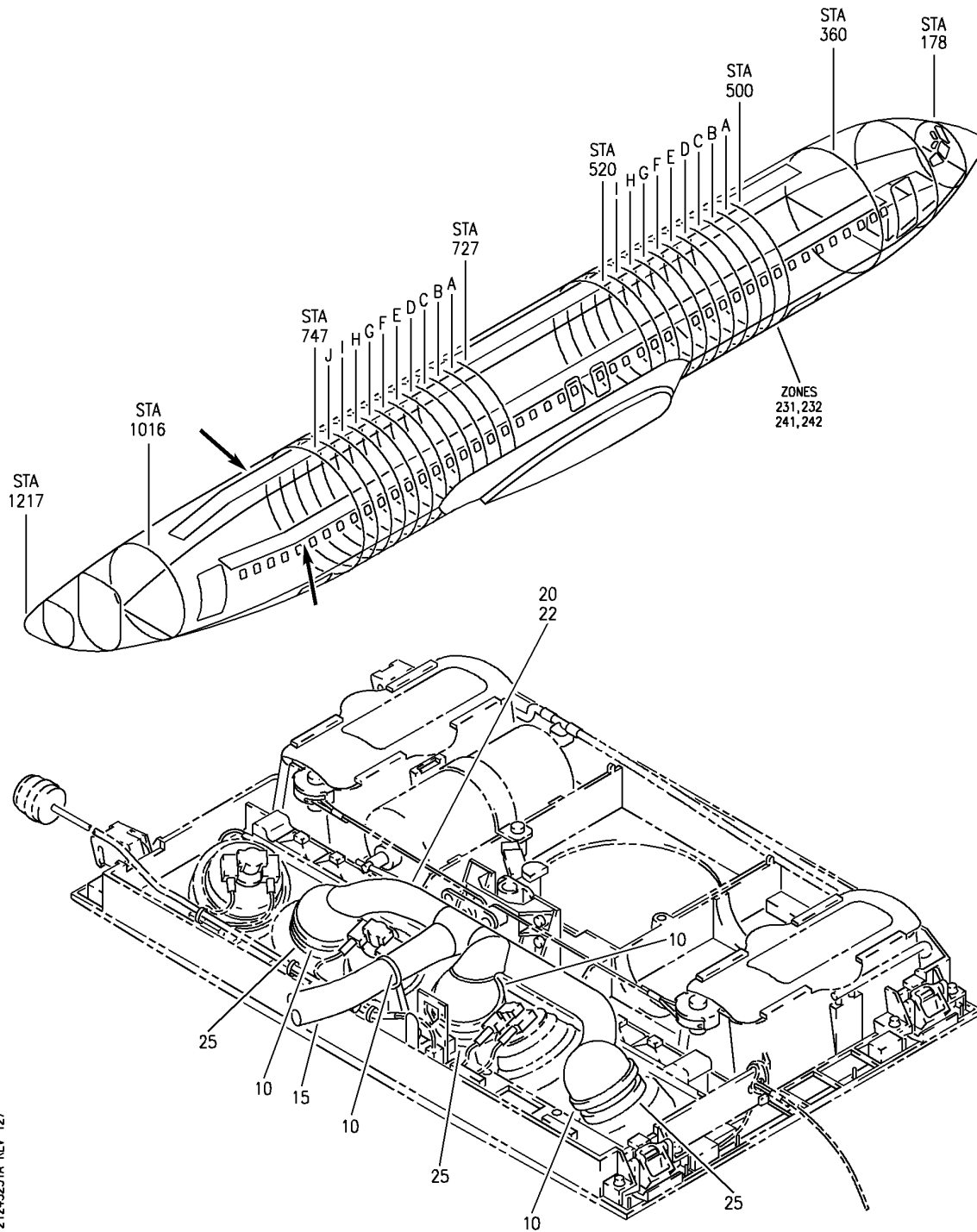
HAP

21-24-52-51

BOEING PROPRIETARY - Copyright © - Unpublished Work - See title page for details.

21-24-52
 FIG. 51
 PAGE 2
 OCT 15/08

BOEING
737-600/700/800/900
PARTS CATALOG (MAINTENANCE)



E 21245251A REV 127

SERVICE UNIT ASSY-NO SPKR WITH GASPER PASS. (AIR CONDITIONING ONLY)
 FIGURE 51A

21-24-52-51A

HAP
 FEB 10/07

21-24-52-51A
 PAGE 0

BOEING
737-600/700/800/900
PARTS CATALOG (MAINTENANCE)

FIG ITEM	PART NUMBER	1 2 3 4 5 6 7	NOMENCLATURE	EFFECT FROM TO	UNITS PER ASSY
51A			SERVICE UNIT ASSY-NO SPKR WITH GASPER PASS. (AIR CONDITIONING ONLY)	038038 041047 049100	
- 1	417N3011-613B		SERVICE UNIT ASSY-NO SPKR WITH GASPER PASS. (AIR CONDITIONING ONLY) POSITION DATA: LH ELECTRICAL EQUIP NUMBER: M10973 COMPONENT MAINT MANUAL REF: 25-23-38 FOR NHA/OTHER SYS DET SEE: 25-23-61-72G 25-23-61-75H	038038 041047 049100	RF
- 5	417N3011-614B		SERVICE UNIT ASSY-NO SPKR WITH GASPER PASS. (AIR CONDITIONING ONLY) POSITION DATA: RH ELECTRICAL EQUIP NUMBER: M10973 COMPONENT MAINT MANUAL REF: 25-23-38 FOR NHA/OTHER SYS DET SEE: 25-23-61-72G 25-23-61-75H	038038 041047 049100	RF
10	PLT2MM2		.STRAP- SUPPLIER CODE: V06383	038038 041047 049100	AR
10	PLT2MM		.STRAP- SUPPLIER CODE: V06383	038038 041047 049100	AR
15	BACD40P3A160		.DUCT	038038 041047 049100	1
20	417N3103-3		.MANIFOLD ASSY-UNDERBIN GASPER AIR	038038 041047 049100	1
22	417N3103-4		..MANIFOLD	038038 041047 049100	1
25	3740-11		.OUTLET-AIR SUPPLIER CODE: VOACH0 SPECIFICATION NUMBER: 10-60141-26E	038038 041047 049100	3

MISSING ITEM NUMBERS NOT APPLICABLE

- ITEM NOT ILLUSTRATED

HAP

21-24-52-51A

BOEING PROPRIETARY - Copyright © - Unpublished Work - See title page for details.

21-24-52
FIG. 51A
PAGE 1
OCT 15/08


BOEING
 737-600/700/800/900
PARTS CATALOG (MAINTENANCE)

FIG ITEM	PART NUMBER	1 2 3 4 5 6 7 NOMENCLATURE	EFFECT FROM TO	UNITS PER ASSY
51A - 30	3743-60	. . NUT- SUPPLIER CODE : VOACH0	038038 041047 049100	1

MISSING ITEM NUMBERS NOT APPLICABLE

- ITEM NOT ILLUSTRATED

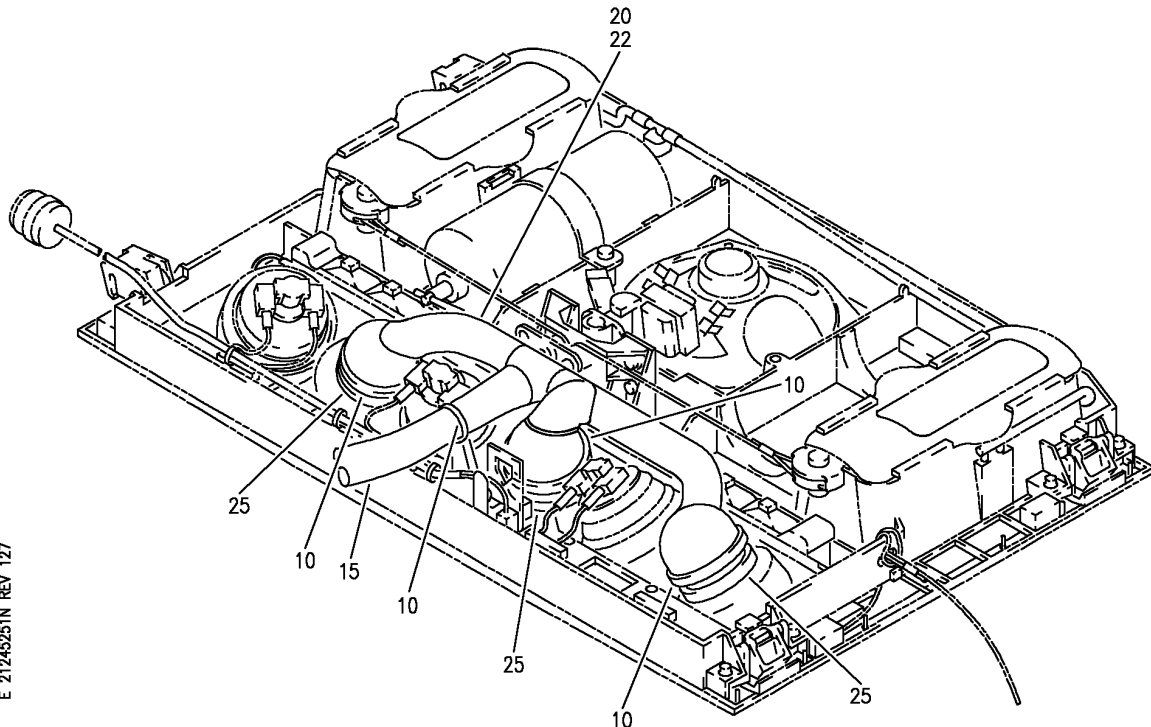
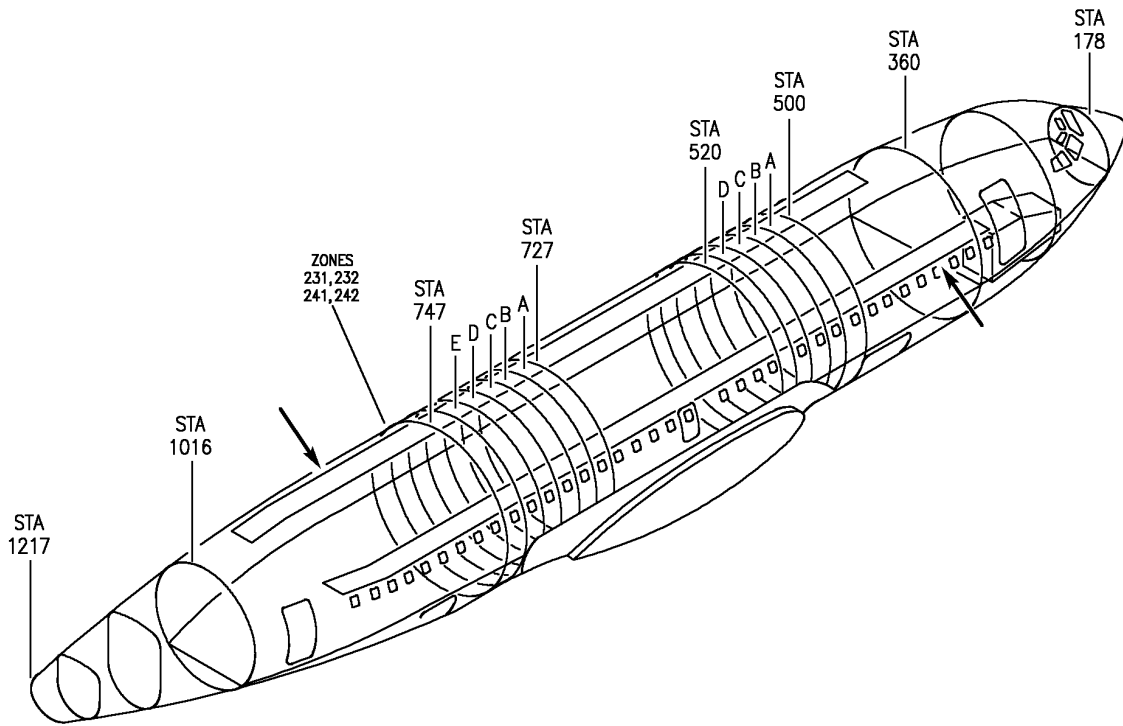
HAP

21-24-52-51A

BOEING PROPRIETARY - Copyright © - Unpublished Work - See title page for details.

21-24-52
 FIG. 51A
 PAGE 2
 OCT 15/08

BOEING
 737-600/700/800/900
 PARTS CATALOG (MAINTENANCE)



E 21245251N REV 127

SERVICE UNIT ASSY-WITH 2K SPKR AND GASPER PASS. (AIR CONDITIONING ONLY)
 FIGURE 51N

HAP
 FEB 10/07

21-24-52-51N

21-24-52-51N
 PAGE 0

BOEING
737-600/700/800/900
PARTS CATALOG (MAINTENANCE)

FIG ITEM	PART NUMBER	1 2 3 4 5 6 7	NOMENCLATURE	EFFECT FROM TO	UNITS PER ASSY
51N			SERVICE UNIT ASSY-WITH 2K SPKR AND GASPER PASS. (AIR CONDITIONING ONLY)	101200 968999	
- 1	417N3011-601B		SERVICE UNIT ASSY-WITH 2K SPKR AND GASPER PASS. (AIR CONDITIONING ONLY) POSITION DATA: LH ELECTRICAL EQUIP NUMBER: M10973 COMPONENT MAINT MANUAL REF: 25-23-38 FOR NHA/OTHER SYS DET SEE: 25-23-61-72T	101200 968999	RF
- 5	417N3011-602B		SERVICE UNIT ASSY-WITH 2K SPKR AND GASPER PASS. (AIR CONDITIONING ONLY) POSITION DATA: RH ELECTRICAL EQUIP NUMBER: M10973 COMPONENT MAINT MANUAL REF: 25-23-38 FOR NHA/OTHER SYS DET SEE: 25-23-61-72T	101200 968999	RF
10	PLT2MM2		.STRAP- SUPPLIER CODE: V06383	101200 968999	AR
10	PLT2MM		.STRAP- SUPPLIER CODE: V06383	101200 968999	AR
15	BACD40P3A160		.DUCT	101200 968999	1
20	417N3103-3		.MANIFOLD ASSY-UNDERBIN GASPER AIR	101200 968999	1
22	417N3103-4		..MANIFOLD	101200 968999	1
25	3740-11		.OUTLET-AIR SUPPLIER CODE: VOACH0 SPECIFICATION NUMBER: 10-60141-26E	101200 968999	3
- 30	3743-60		..NUT- SUPPLIER CODE: VOACH0	101200 968999	1

MISSING ITEM NUMBERS NOT APPLICABLE

- ITEM NOT ILLUSTRATED

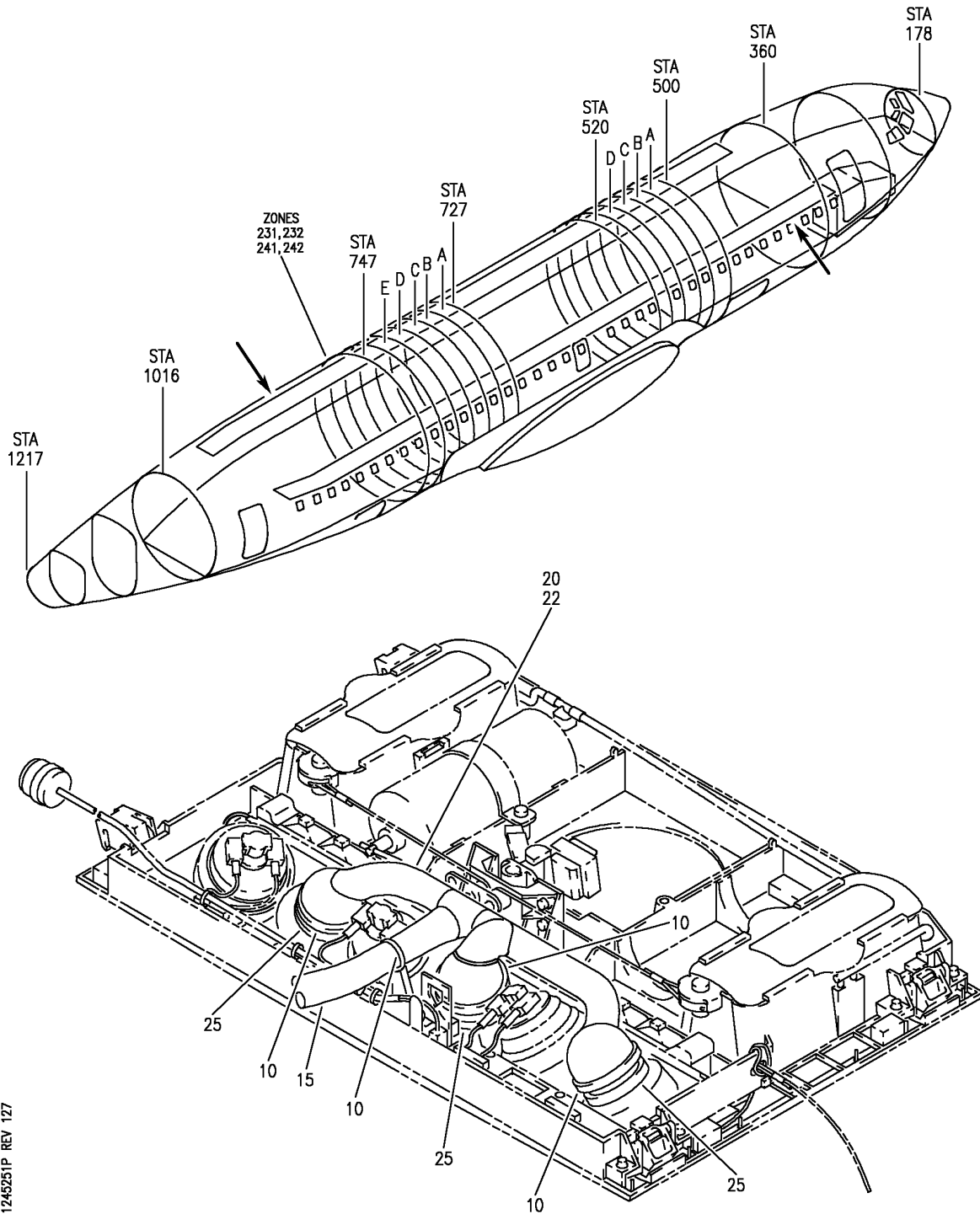
HAP

21-24-52-51N

BOEING PROPRIETARY - Copyright © - Unpublished Work - See title page for details.

21-24-52
FIG. 51N
PAGE 1
FEB 15/09

BOEING
737-600/700/800/900
PARTS CATALOG (MAINTENANCE)



E 21245251P REV 127

SERVICE UNIT ASSY-NO SPKR WITH GASPER PASS. (AIR CONDITIONING ONLY)
 FIGURE 51P

21-24-52-51P

HAP
 FEB 10/07

21-24-52-51P
 PAGE 0

BOEING
737-600/700/800/900
PARTS CATALOG (MAINTENANCE)

FIG ITEM	PART NUMBER	1 2 3 4 5 6 7	NOMENCLATURE	EFFECT FROM TO	UNITS PER ASSY
51P			SERVICE UNIT ASSY-NO SPKR WITH GASPER PASS. (AIR CONDITIONING ONLY)	101200 968999	
- 1	417N3011-613B		SERVICE UNIT ASSY-NO SPKR WITH GASPER PASS. (AIR CONDITIONING ONLY) POSITION DATA: LH ELECTRICAL EQUIP NUMBER: M10973 COMPONENT MAINT MANUAL REF: 25-23-38 FOR NHA/OTHER SYS DET SEE: 25-23-61-72T	101200 968999	RF
- 5	417N3011-614B		SERVICE UNIT ASSY-NO SPKR WITH GASPER PASS. (AIR CONDITIONING ONLY) POSITION DATA: RH ELECTRICAL EQUIP NUMBER: M10973 COMPONENT MAINT MANUAL REF: 25-23-38 FOR NHA/OTHER SYS DET SEE: 25-23-61-72T	101200 968999	RF
10	PLT2MM2		.STRAP- SUPPLIER CODE: V06383	101200 968999	AR
10	PLT2MM		.STRAP- SUPPLIER CODE: V06383	101200 968999	AR
15	BACD40P3A160		.DUCT	101200 968999	1
20	417N3103-3		.MANIFOLD ASSY-UNDERBIN GASPER AIR	101200 968999	1
22	417N3103-4		..MANIFOLD	101200 968999	1
25	3740-11		.OUTLET-AIR SUPPLIER CODE: VOACH0 SPECIFICATION NUMBER: 10-60141-26E	101200 968999	3
- 30	3743-60		..NUT- SUPPLIER CODE: VOACH0	101200 968999	1

MISSING ITEM NUMBERS NOT APPLICABLE

- ITEM NOT ILLUSTRATED

HAP

21-24-52-51P

BOEING PROPRIETARY - Copyright © - Unpublished Work - See title page for details.

21-24-52
FIG. 51P
PAGE 1
FEB 15/09