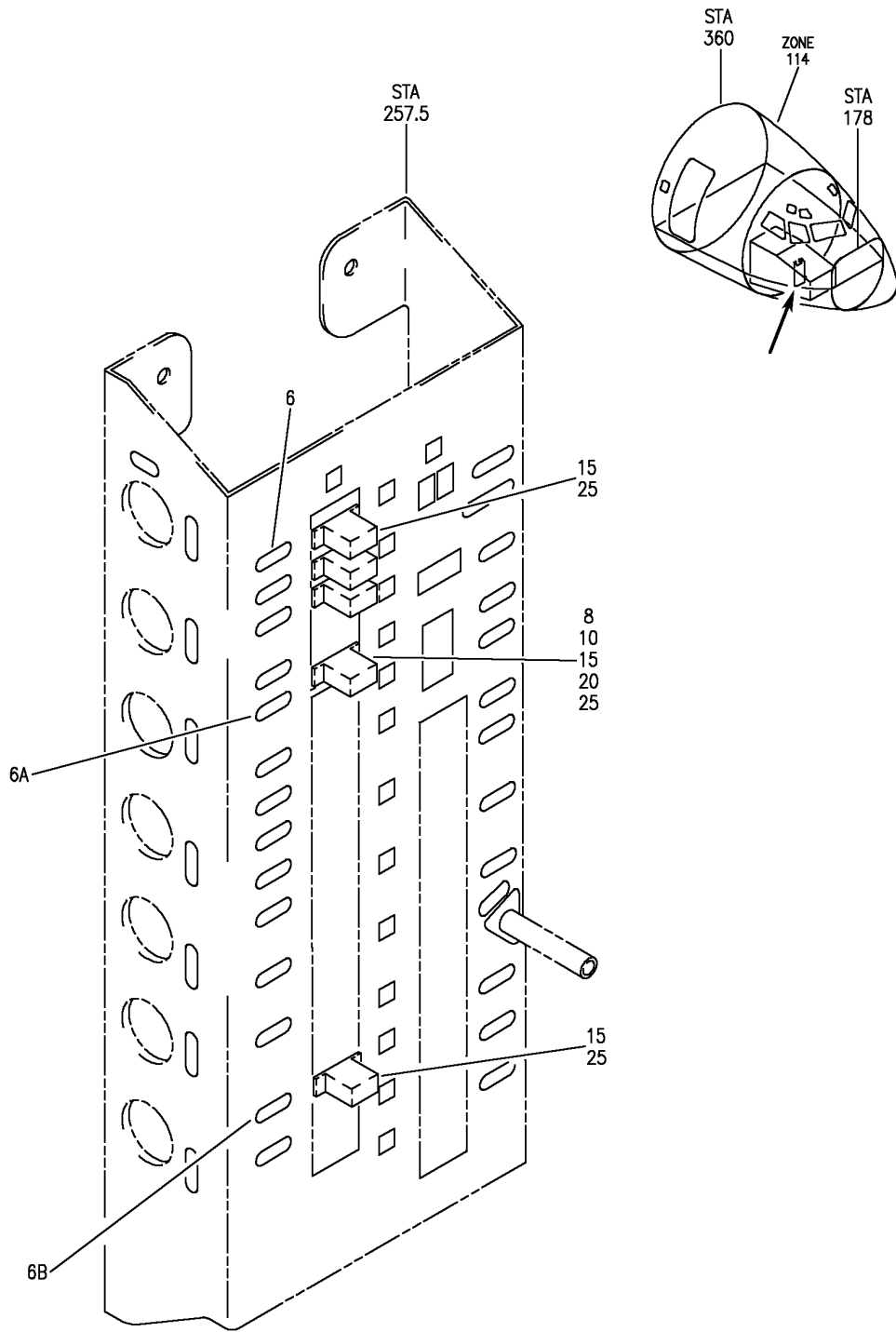


RECIRCULATION SYSTEM

HAP
OCT 10/06

21-25-00
SECTION TITLE
PAGE 1

BOEING
 737-600/700/800/900
 PARTS CATALOG (MAINTENANCE)



E 21250002 REV 150

JUNCTION BOX INSTL-J24 (RECIRCULATION SYSTEM ONLY)
 FIGURE 2

21-25-00-02

HAP
 FEB 15/09

21-25-00-02
 PAGE 0

BOEING
737-600/700/800/900
PARTS CATALOG (MAINTENANCE)

FIG ITEM	PART NUMBER	1 2 3 4 5 6 7	NOMENCLATURE	EFFECT FROM TO	UNITS PER ASSY
2			JUNCTION BOX INSTL-J24 (RECIRCULATION SYSTEM ONLY)	005005 008999	
- 1	284A1224-115		JUNCTION BOX INSTL-J24 (RECIRCULATION SYSTEM ONLY) POST SERVICE BULLETIN: 23-1107 FOR NHA/OTHER SYS DET SEE: 25-50-00-13	005005 008030	RF
- 1	284A1224-118		JUNCTION BOX INSTL-J24 (RECIRCULATION SYSTEM ONLY) FOR NHA/OTHER SYS DET SEE: 25-50-00-12	201967	RF
- 4	MODREF246768		JUNCTION BOX INSTL-J24 (RECIRCULATION SYSTEM ONLY) MODULE NUMBER: 284A1224-201 REV E FOR OTHER SYS DETAILS SEE: 21-27-51-71 21-43-51-01 25-50-51-04A 31-31-11-02 32-09-00-03 32-42-00-04 32-44-11-03 34-40-51-02 52-71-00-15 73-20-51-02 76-11-02-04 78-30-51-02	031040 042042 968969	1

MISSING ITEM NUMBERS NOT APPLICABLE

- ITEM NOT ILLUSTRATED

HAP

21-25-00-02

BOEING PROPRIETARY - Copyright © - Unpublished Work - See title page for details.

21-25-00
FIG. 02
PAGE 1
OCT 15/08

BOEING
737-600/700/800/900
PARTS CATALOG (MAINTENANCE)

FIG ITEM	PART NUMBER	1 2 3 4 5 6 7	NOMENCLATURE	EFFECT FROM TO	UNITS PER ASSY
2 -	4 MODREF337069		JUNCTION BOX INSTL-J24 (RECIRCULATION SYSTEM ONLY) MODULE NUMBER: 284A1224-201 REV G FOR OTHER SYS DETAILS SEE: 21-27-51-71 21-43-51-01 25-50-51-04A 31-31-11-02 32-09-00-03 32-42-00-04 32-44-11-03 34-40-51-02 52-71-00-15 73-20-51-02 76-11-02-04 78-30-51-02	041041 043200 970999	1
	8 W260F4AM11		.RELAY- SUPPLIER CODE: VF0219 SPECIFICATION NUMBER: BACR13CD2 OPTIONAL PART: BR16S233 V09026 EE4AA005 V35344 3SAV1338A2 V01526 HFW1206K03 V58614 HFW1204K01 V71482 ELECTRICAL EQUIP NUMBER: R00644 POST SERVICE BULLETIN: 23-1107	005005 008030 201967	1

MISSING ITEM NUMBERS NOT APPLICABLE

- ITEM NOT ILLUSTRATED

HAP

21-25-00-02

BOEING PROPRIETARY - Copyright © - Unpublished Work - See title page for details.

21-25-00
FIG. 02
PAGE 2
OCT 15/08

BOEING
737-600/700/800/900
PARTS CATALOG (MAINTENANCE)

FIG ITEM	PART NUMBER	1 2 3 4 5 6 7	NOMENCLATURE	EFFECT FROM TO	UNITS PER ASSY
2 15	W460F1A		.RELAY- SUPPLIER CODE: VF0219 SPECIFICATION NUMBER: BACR13CE2 OPTIONAL PART: 3SAH5-13-4K1 V01526 3SAH1326A2 V01526 ELECTRICAL EQUIP NUMBER: R00945 R00946 R00644	031200 968999	3

MISSING ITEM NUMBERS NOT APPLICABLE

— ITEM NOT ILLUSTRATED

HAP

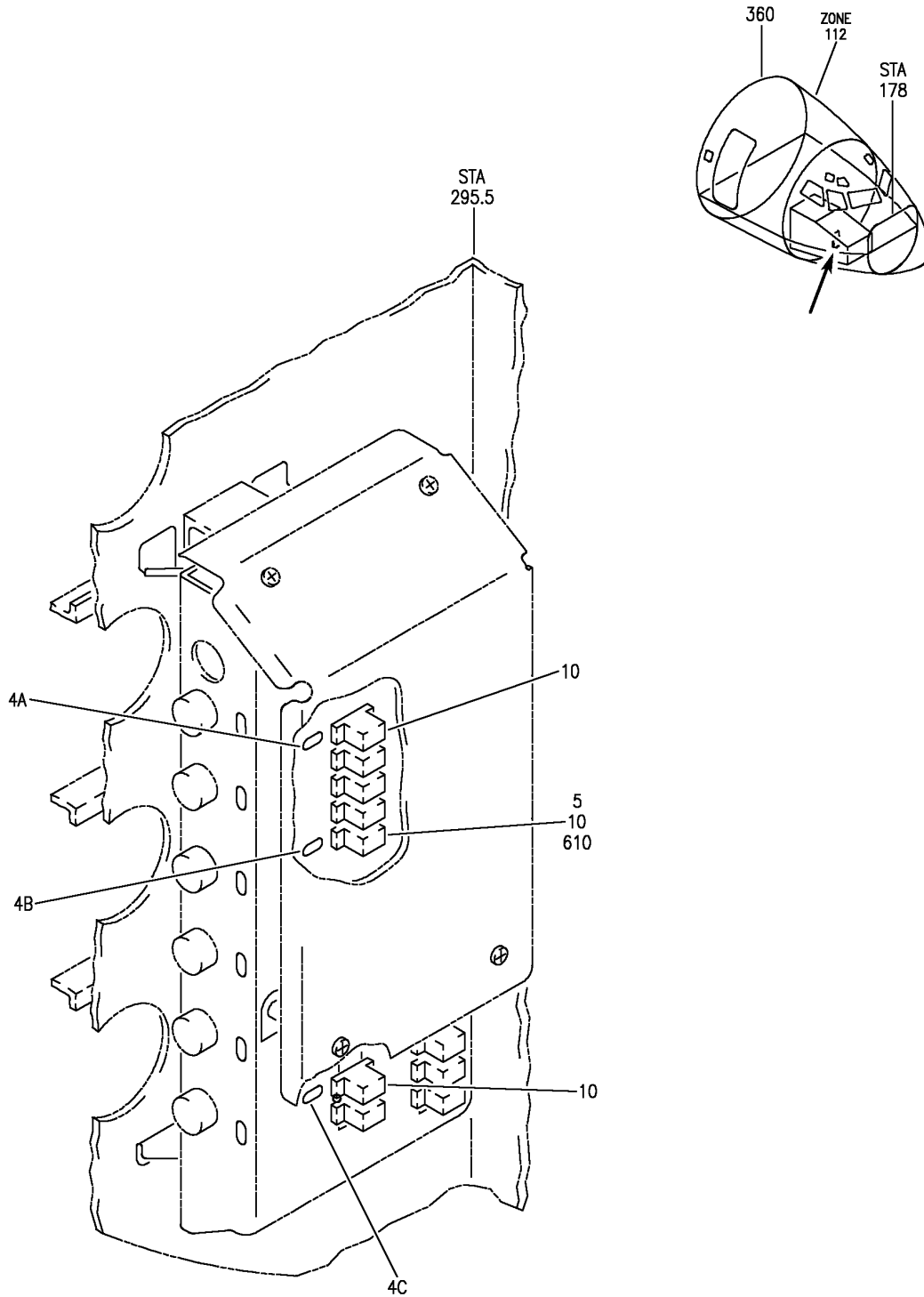
21-25-00-02

BOEING PROPRIETARY - Copyright © - Unpublished Work - See title page for details.

21-25-00
FIG. 02
PAGE 3
FEB 15/09

BOEING
737-600/700/800/900
PARTS CATALOG (MAINTENANCE)

E 21250003 REV 142



JUNCTION BOX ASSY-J24 (RECIRCULATION SYSTEM ONLY)
FIGURE 3

21-25-00-03

HAP
JUN 15/08

21-25-00-03
PAGE 0

BOEING
737-600/700/800/900
PARTS CATALOG (MAINTENANCE)

FIG ITEM	PART NUMBER	1 2 3 4 5 6 7	NOMENCLATURE	EFFECT FROM TO	UNITS PER ASSY
3			JUNCTION BOX ASSY-J24 (RECIRCULATION SYSTEM ONLY)	001007	
- 1	284A1224-3		JUNCTION BOX ASSY-J24 (RECIRCULATION SYSTEM ONLY) REWORKED BY SB: 23-1107 FOR NHA/OTHER SYS DET SEE: 25-50-51-70	006007	RF
- 1	284A1224-13		JUNCTION BOX ASSY- (RECIRCULATION SYSTEM ONLY) PRE SERVICE BULLETIN: 34-1472 REWORKED BY SB: 23-1107 FOR NHA/OTHER SYS DET SEE: 25-50-51-70	001004	RF
- 1	284A1224-15		JUNCTION BOX ASSY-J24 (RECIRCULATION SYSTEM ONLY) PRE SERVICE BULLETIN: 23-1107 FOR NHA/OTHER SYS DET SEE: 25-50-51-70	005005	RF
5	W260F4AM11		.RELAY- SUPPLIER CODE: VF0219 SPECIFICATION NUMBER: BACR13CD2 OPTIONAL PART: BR16S233 V09026 EE4AA005 V35344 3SAV1338A2 V01526 HFW1206K03 V58614 HFW1204K01 V71482 ELECTRICAL EQUIP NUMBER: R00644	001007	1
- 601	286A0080-024		WIRE BUNDLE ASSY- REWORKED BY SB: 23-1107	001001	RF

MISSING ITEM NUMBERS NOT APPLICABLE

- ITEM NOT ILLUSTRATED

HAP

21-25-00-03

BOEING PROPRIETARY - Copyright © - Unpublished Work - See title page for details.

21-25-00
FIG. 03
PAGE 1
OCT 10/06

BOEING
737-600/700/800/900
PARTS CATALOG (MAINTENANCE)

FIG ITEM	PART NUMBER	1 2 3 4 5 6 7	NOMENCLATURE	EFFECT FROM TO	UNITS PER ASSY
3					
- 601	286A0080-026		WIRE BUNDLE ASSY- REWORKED BY SB: 23-1107	002004	RF
- 601	286A0080-030		WIRE BUNDLE ASSY- PRE SERVICE BULLETIN: 23-1107	005005	RF
- 601	286A0080-036		WIRE BUNDLE ASSY-	006007	RF
610	RSE120026		.PLUG- SUPPLIER CODE: V58982 SPECIFICATION NUMBER: BACS16AG1 OPTIONAL PART: 451120-026 V58982 ELECTRICAL EQUIP NUMBER: D11866 WIRING DIAGRAM REF: 212511 USED WITH: BACR13CD2	001007	1

MISSING ITEM NUMBERS NOT APPLICABLE

- ITEM NOT ILLUSTRATED

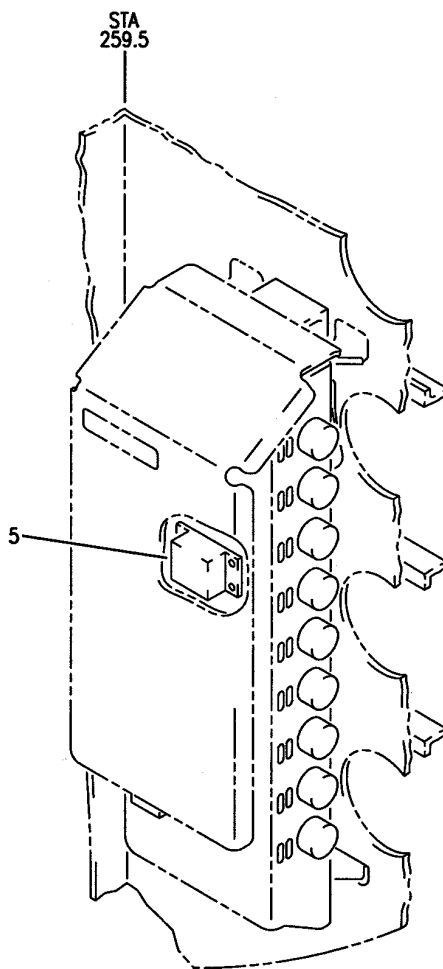
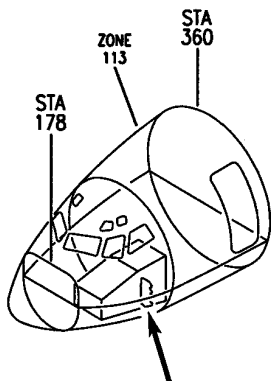
HAP

21-25-00-03

BOEING PROPRIETARY - Copyright © - Unpublished Work - See title page for details.

21-25-00
FIG. 03
PAGE 2
OCT 10/06

BOEING
737-600/700/800/900
PARTS CATALOG (MAINTENANCE)



E 21250004 REV 033

JUNCTION BOX INSTL AND ASSY - J22 (AIR CONDITIONING ONLY)
FIGURE 4

HAP
OCT 10/06

21-25-00-04

21-25-00-04
PAGE 0

BOEING
737-600/700/800/900
PARTS CATALOG (MAINTENANCE)

FIG ITEM	PART NUMBER	1 2 3 4 5 6 7	NOMENCLATURE	EFFECT FROM TO	UNITS PER ASSY
4			JUNCTION BOX INSTL AND ASSY - J22 (AIR CONDITIONING ONLY)	001100	
- 1	284A1222-118		JUNCTION BOX INSTL-J22 (AIR CONDITIONING ONLY) FOR NHA/OTHER SYS DET SEE: 25-50-00-13	008030	RF
- 1	MODREF253663		JUNCTION BOX INSTL-J22 MODULE NUMBER: 284A1222-202 REV D	031100	1
- 2	284A1222-118		JUNCTION BOX INSTL-J22 (AIR CONDITIONING ONLY) POST SERVICE BULLETIN: 23-1107 FOR NHA/OTHER SYS DET SEE: 25-50-51-76	005007	RF
- 4	284A1222-3		JUNCTION BOX ASSY-J22 (AIR CONDITIONING ONLY) PRE SERVICE BULLETIN: 23-1107 FOR NHA/OTHER SYS DET SEE: 25-50-51-76	006007	RF
- 4	284A1222-17		JUNCTION BOX ASSY-J22 (AIR CONDITIONING ONLY) REWORKED BY SB: 23-1107 FOR NHA/OTHER SYS DET SEE: 25-50-51-76	001004	RF
- 4	284A1222-18		JUNCTION BOX ASSY-J22 (AIR CONDITIONING ONLY) PRE SERVICE BULLETIN: 23-1107 FOR NHA/OTHER SYS DET SEE: 25-50-51-76	005005	RF
5	MS27418-2B		.RELAY- ELECTRICAL EQUIP NUMBER: R00429	001045 054100	1
5	9324-7424		.RELAY- SUPPLIER CODE: V58657 ELECTRICAL EQUIP NUMBER: R00429 OPTIONAL PART: MS27418-2B	031100	1
- 10	NAS1801-08-8		ATTACHING PARTS .SCREW-	001100	4
- 10	BACS12HN08-8		.SCREW- OPTIONAL PART: NAS1801-08-8	031100	4

MISSING ITEM NUMBERS NOT APPLICABLE

- ITEM NOT ILLUSTRATED

HAP

21-25-00-04

BOEING PROPRIETARY - Copyright © - Unpublished Work - See title page for details.

21-25-00
FIG. 04
PAGE 1
FEB 15/09


BOEING
 737-600/700/800/900
PARTS CATALOG (MAINTENANCE)

FIG ITEM	PART NUMBER	1 2 3 4 5 6 7 NOMENCLATURE	EFFECT FROM TO	UNITS PER ASSY
4 - 15	NAS1149DN832J	. WASHER -----*-----	001100	4

MISSING ITEM NUMBERS NOT APPLICABLE

- ITEM NOT ILLUSTRATED

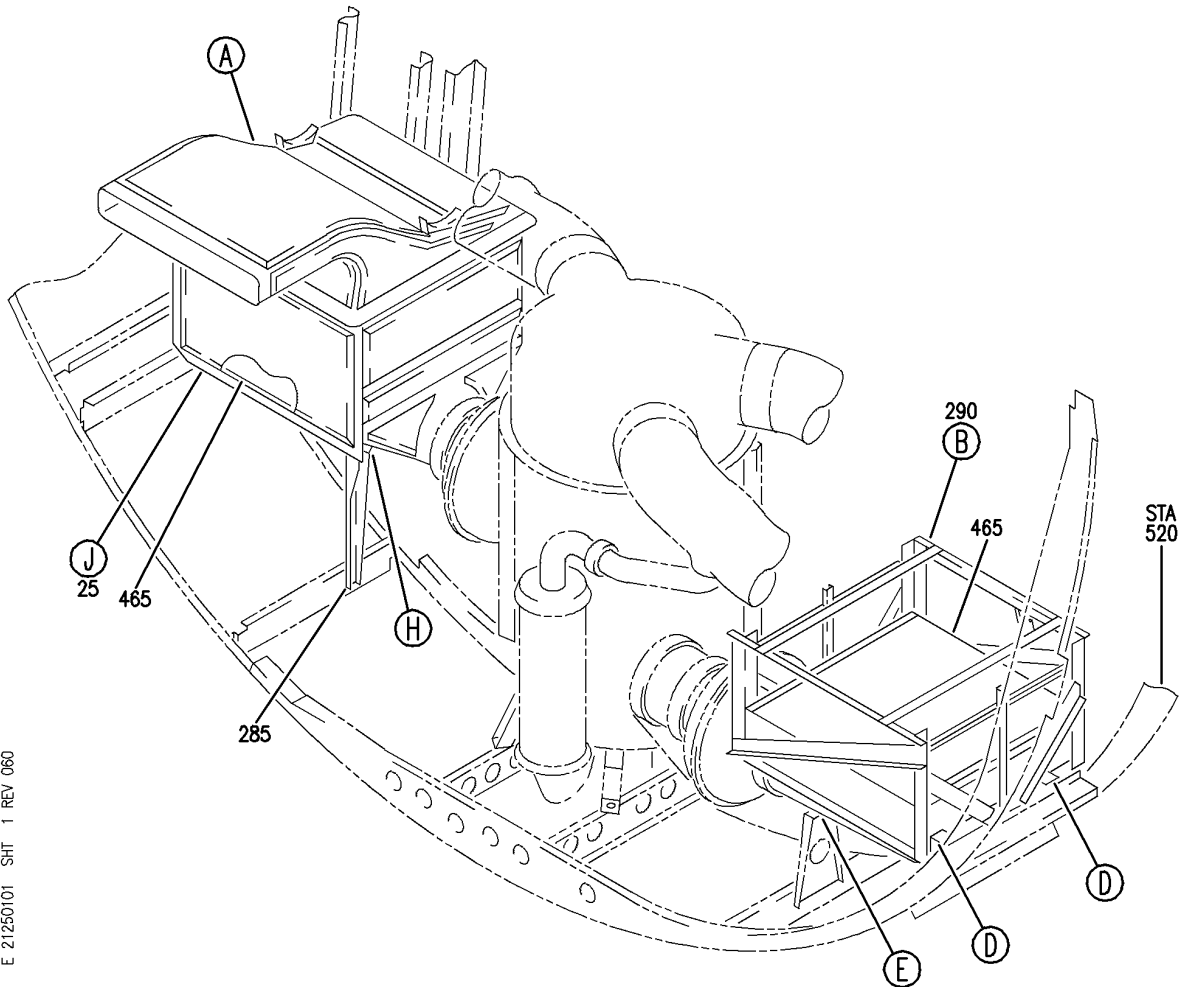
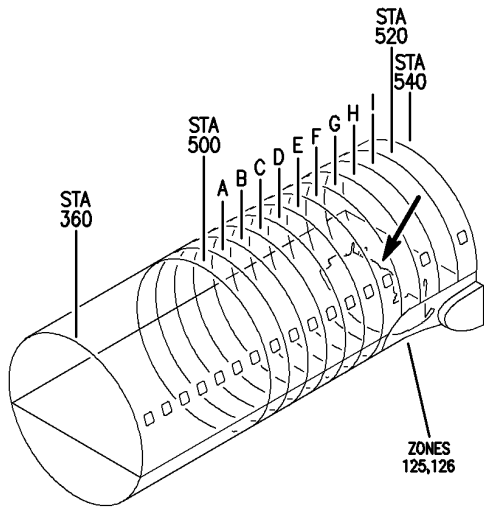
HAP

21-25-00-04

BOEING PROPRIETARY - Copyright © - Unpublished Work - See title page for details.

21-25-00
 FIG. 04
 PAGE 2
 FEB 15/09

BOEING
 737-600/700/800/900
 PARTS CATALOG (MAINTENANCE)



E 21250101 SHT 1 REV 060

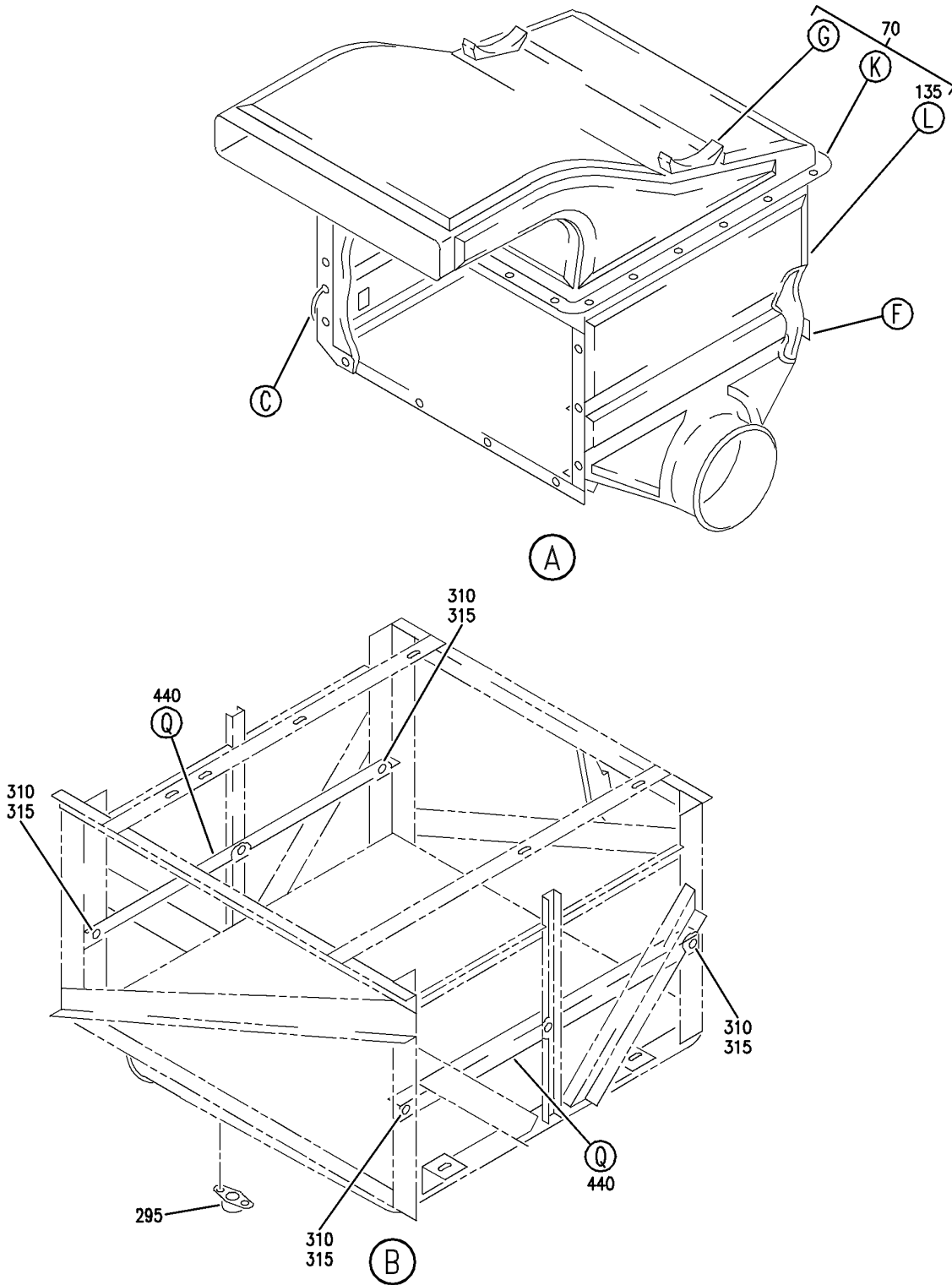
SYSTEM INSTL-AIR DISTR MIX BAY RECIRCULATION (AIR RECIRCULATION FILTER ONLY)
 FIGURE 1 (SHEET 1)

21-25-01-01

HAP
 OCT 10/06

21-25-01-01
 PAGE 0

BOEING
 737-600/700/800/900
 PARTS CATALOG (MAINTENANCE)



E 21250101 SHT 2 REV 062

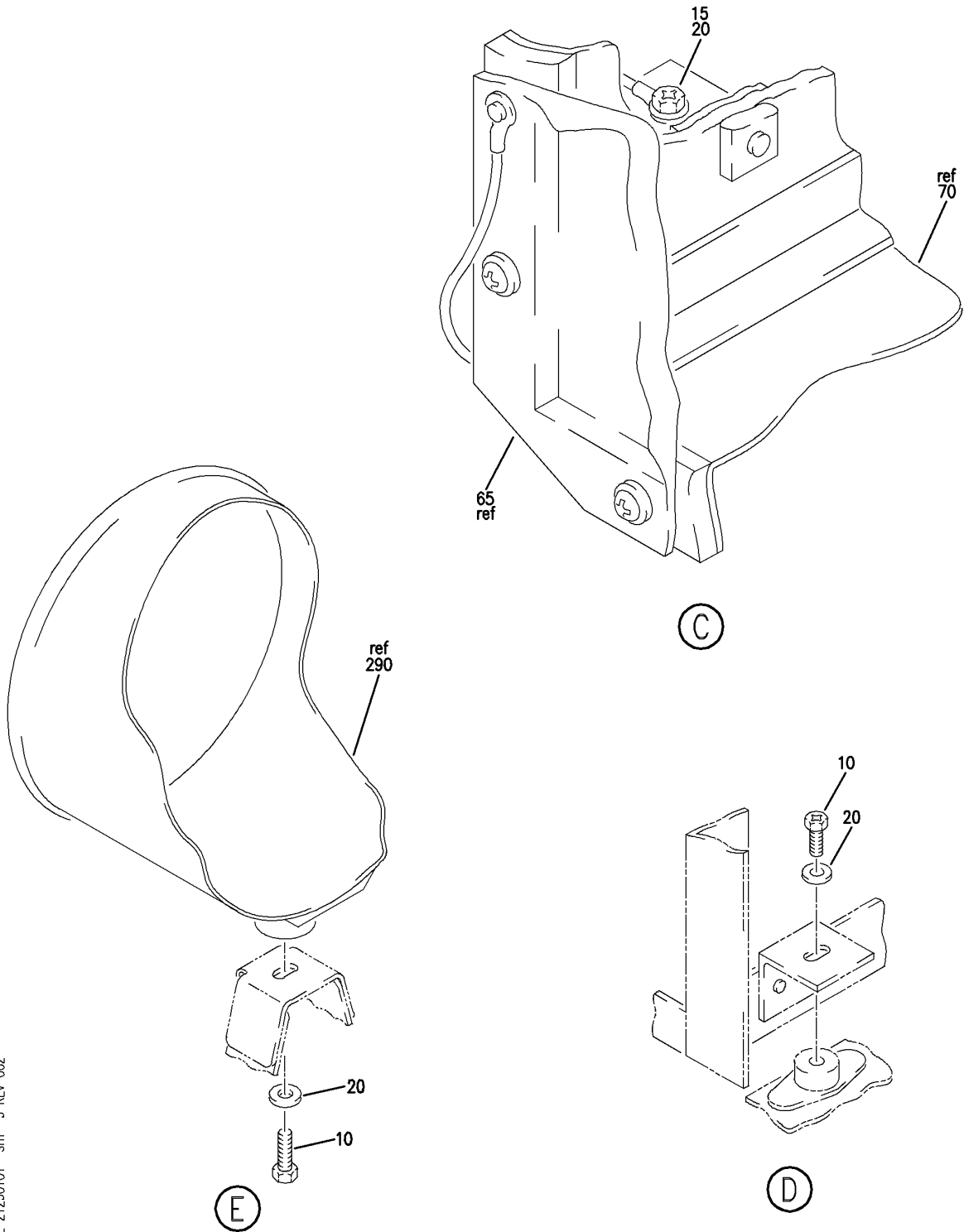
SYSTEM INSTL-AIR DISTR MIX BAY RECIRCULATION (AIR RECIRCULATION FILTER ONLY)
 FIGURE 1 (SHEET 2)

21-25-01-01

HAP
 OCT 10/06

21-25-01-01
 PAGE 0A

BOEING
 737-600/700/800/900
 PARTS CATALOG (MAINTENANCE)



E 21250101 SHT 3 REV 062

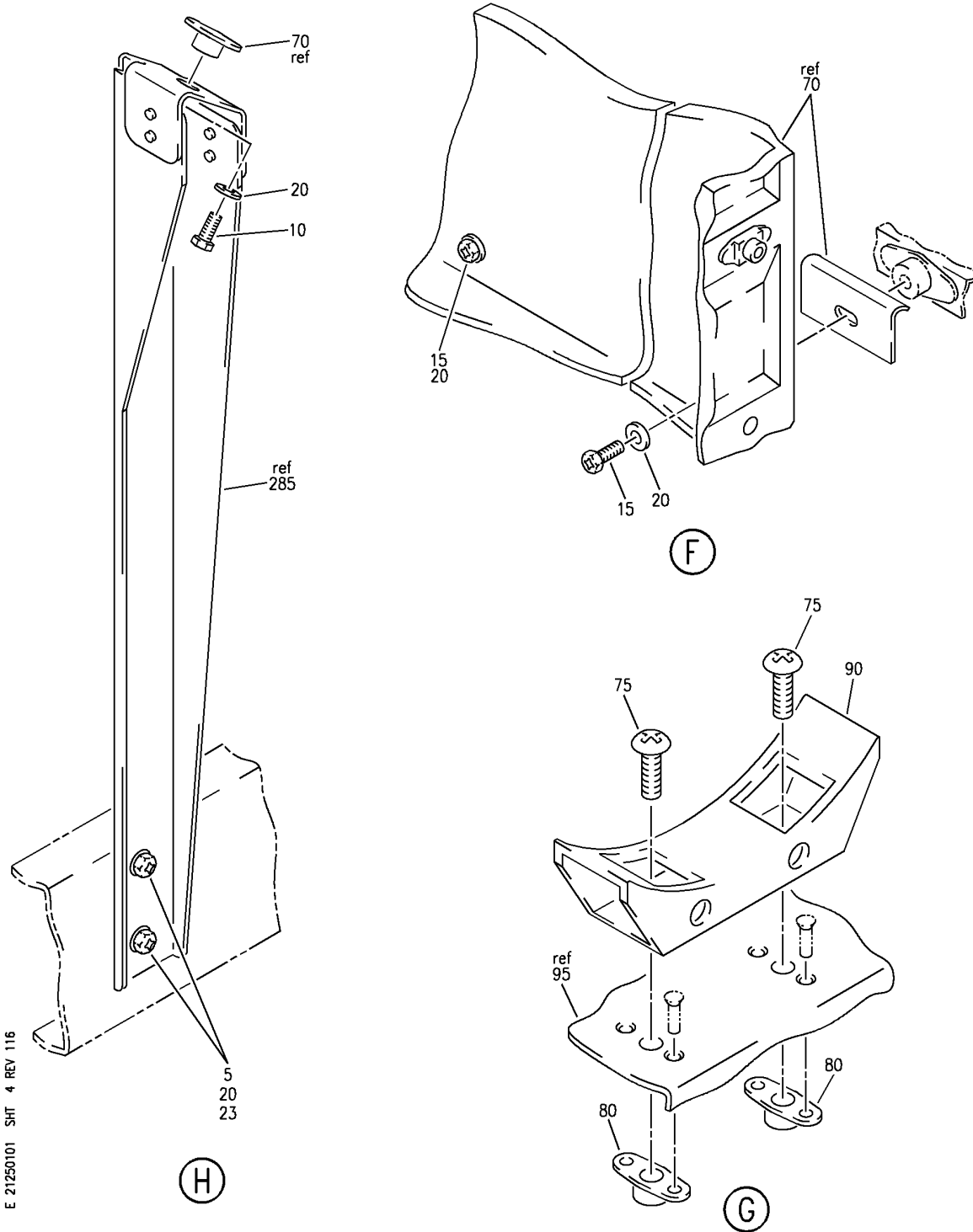
SYSTEM INSTL-AIR DISTR MIX BAY RECIRCULATION (AIR RECIRCULATION FILTER ONLY)
 FIGURE 1 (SHEET 3)

21-25-01-01

HAP
 OCT 10/06

21-25-01-01
 PAGE 0B

BOEING
 737-600/700/800/900
 PARTS CATALOG (MAINTENANCE)



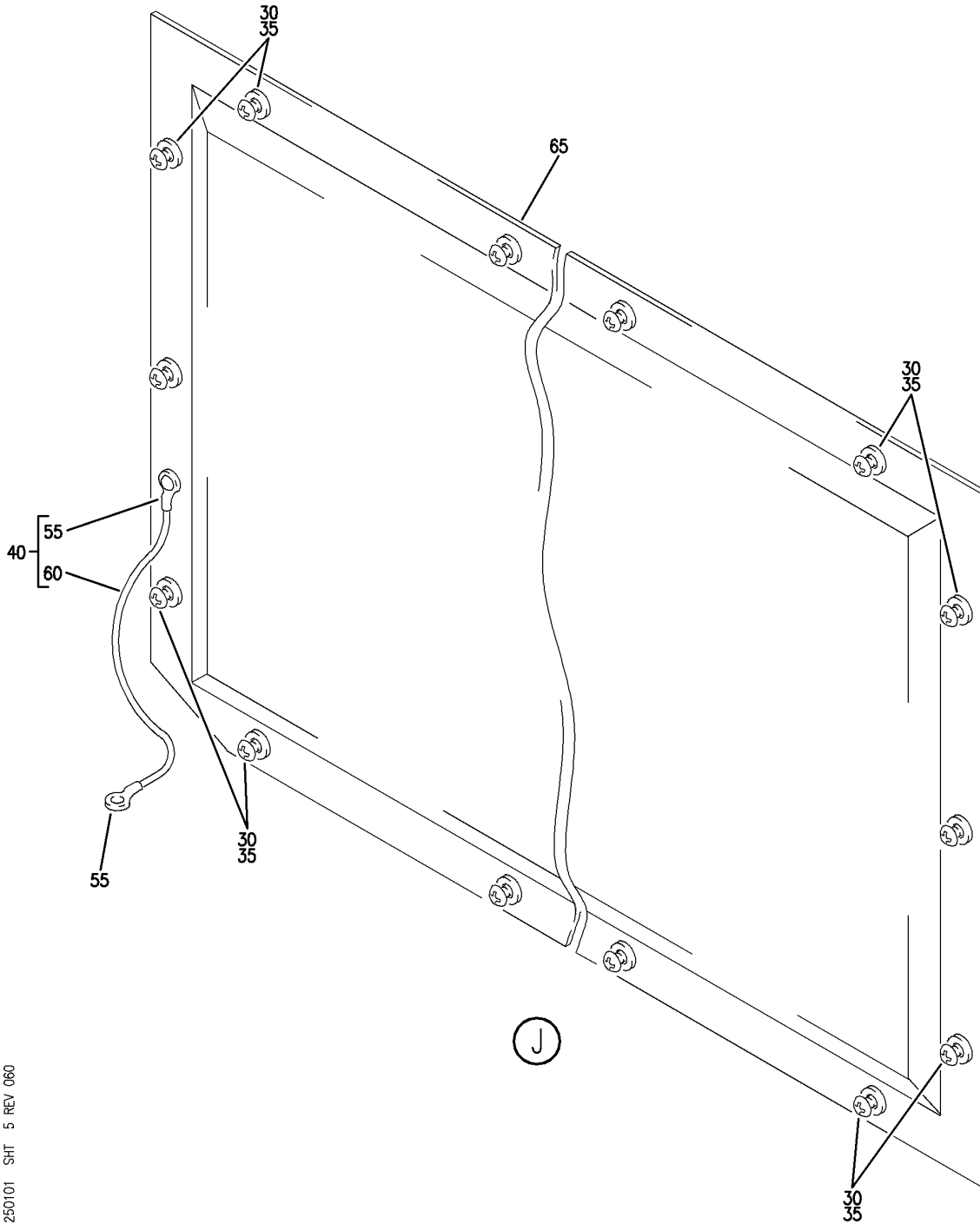
E 21250101 SHT 4 REV 116

SYSTEM INSTL-AIR DISTR MIX BAY RECIRCULATION (AIR RECIRCULATION FILTER ONLY)
 FIGURE 1 (SHEET 4)

21-25-01-01

HAP
 OCT 10/06

21-25-01-01
 PAGE 0C



E 21250101 SHT 5 REV 060

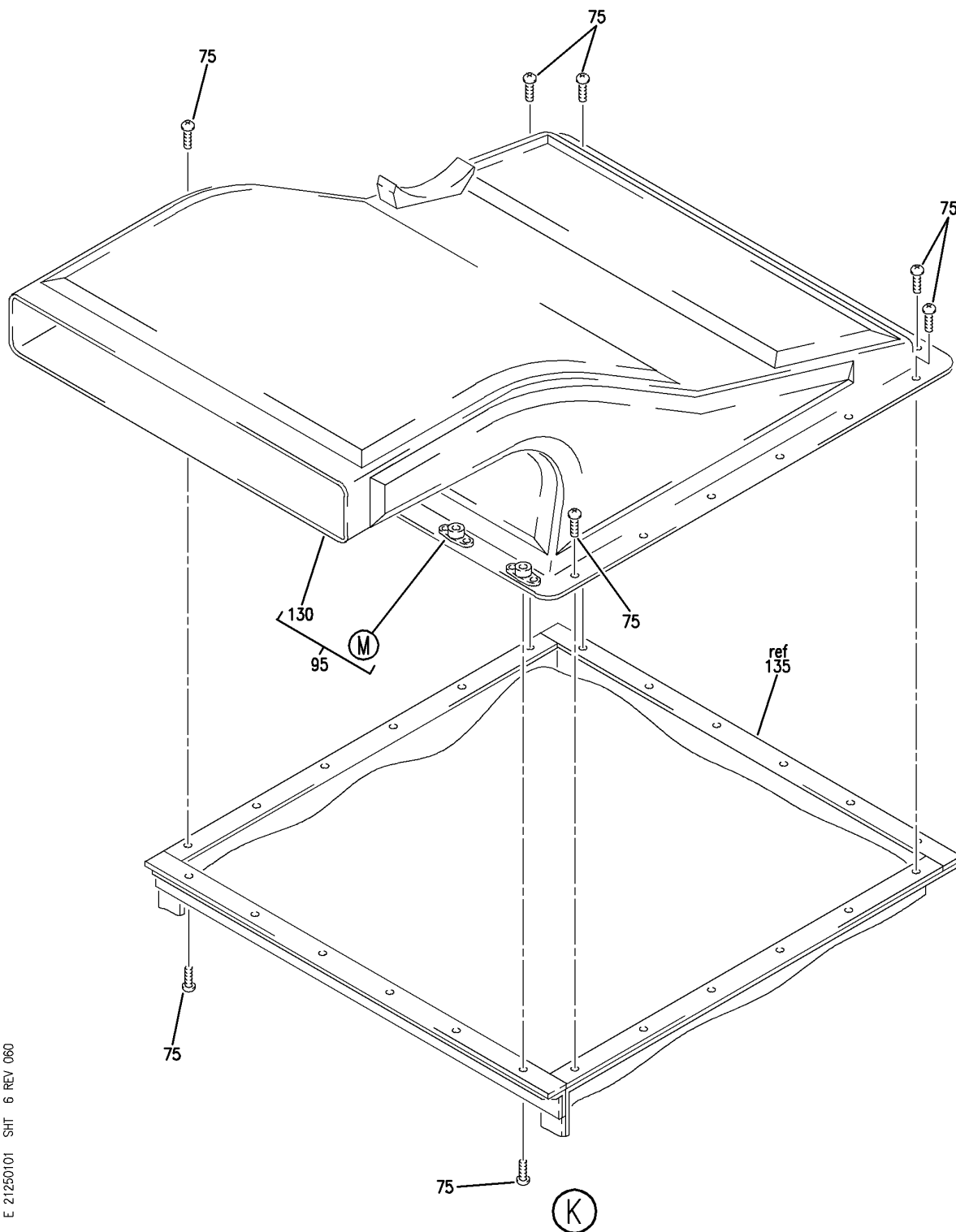
SYSTEM INSTL-AIR DISTR MIX BAY RECIRCULATION (AIR RECIRCULATION FILTER ONLY)
FIGURE 1 (SHEET 5)

HAP
OCT 10/06

21-25-01-01

21-25-01-01
PAGE 00

BOEING
 737-600/700/800/900
 PARTS CATALOG (MAINTENANCE)



E 21250101 SHT 6 REV 060

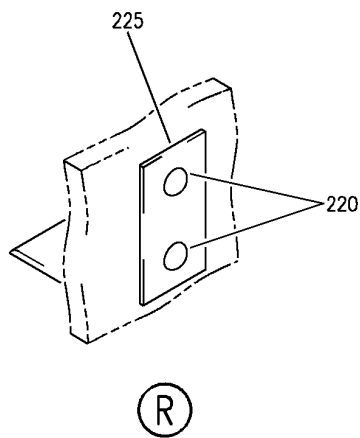
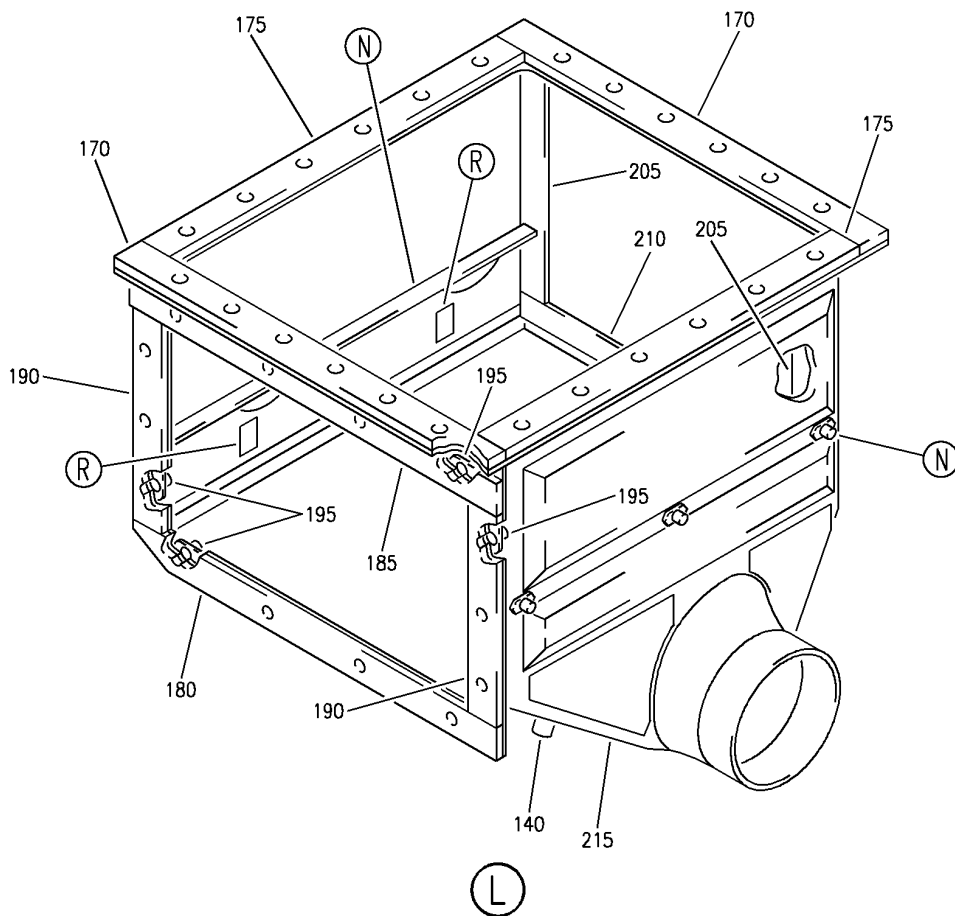
SYSTEM INSTL-AIR DISTR MIX BAY RECIRCULATION (AIR RECIRCULATION FILTER ONLY)
 FIGURE 1 (SHEET 6)

21-25-01-01

HAP
 OCT 10/06

21-25-01-01
 PAGE 0E

BOEING
 737-600/700/800/900
 PARTS CATALOG (MAINTENANCE)



E 21250101 SH7 7 REV 106

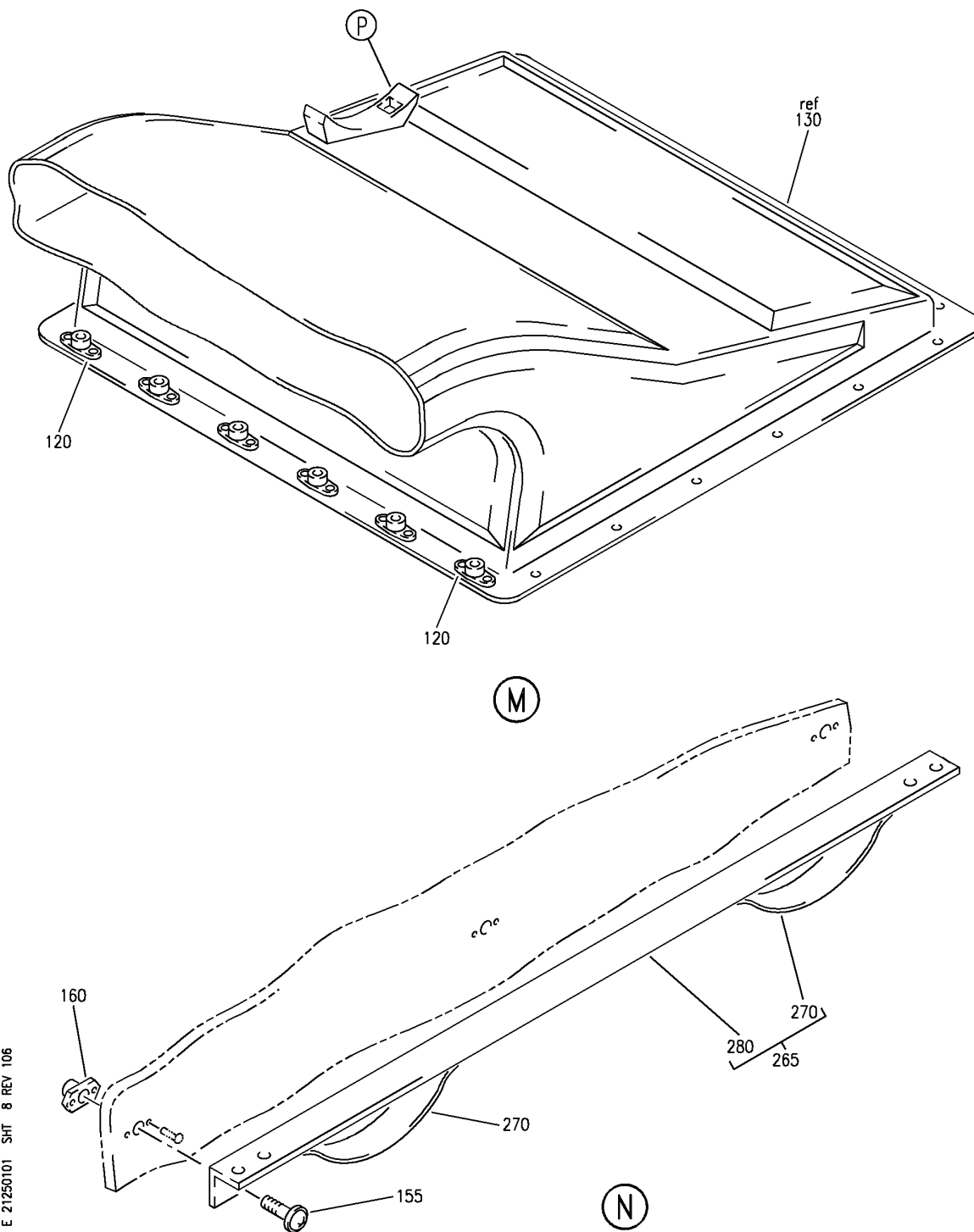
SYSTEM INSTL-AIR DISTR MIX BAY RECIRCULATION (AIR RECIRCULATION FILTER ONLY)
 FIGURE 1 (SHEET 7)

21-25-01-01

HAP
 OCT 10/06

21-25-01-01
 PAGE OF

BOEING
 737-600/700/800/900
 PARTS CATALOG (MAINTENANCE)



E 21250101 SHT 8 REV 106

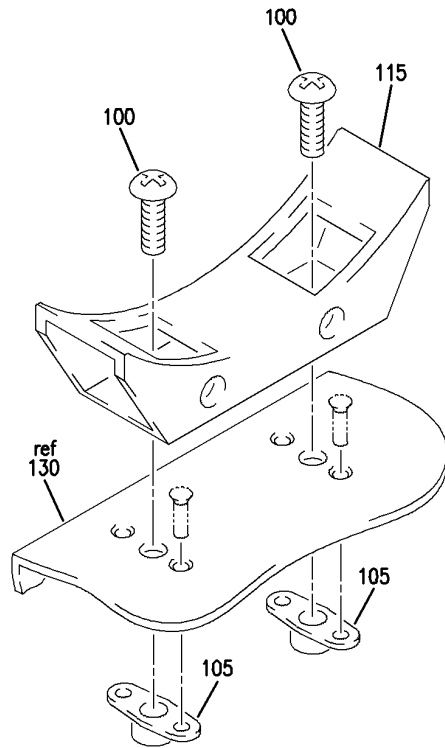
SYSTEM INSTL-AIR DISTR MIX BAY RECIRCULATION (AIR RECIRCULATION FILTER ONLY)
 FIGURE 1 (SHEET 8)

21-25-01-01

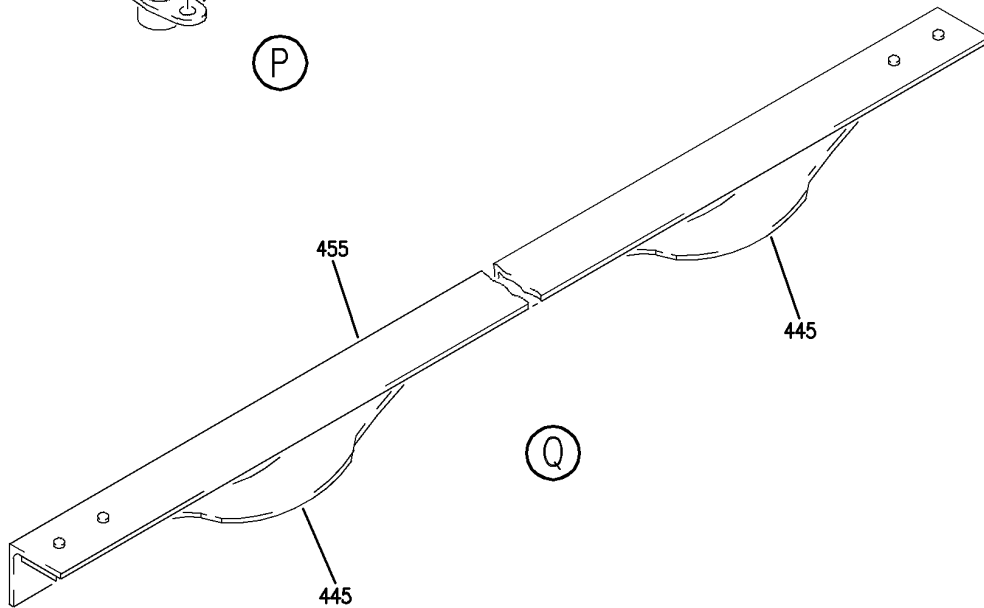
HAP
 OCT 10/06

21-25-01-01
 PAGE 06

BOEING
737-600/700/800/900
PARTS CATALOG (MAINTENANCE)



(P)



(Q)

E 21250101 SHT 9 REV 062

SYSTEM INSTL-AIR DISTR MIX BAY RECIRCULATION (AIR RECIRCULATION FILTER ONLY)
FIGURE 1 (SHEET 9)

21-25-01-01

HAP
OCT 10/06

21-25-01-01
PAGE 0H

BOEING
737-600/700/800/900
PARTS CATALOG (MAINTENANCE)

FIG ITEM	PART NUMBER	1 2 3 4 5 6 7	NOMENCLATURE	EFFECT FROM TO	UNITS PER ASSY
1			SYSTEM INSTL-AIR DISTR MIX BAY RECIRCULATION (AIR RECIRCULATION FILTER ONLY)	001100	
- 1	214A3003-2		SYSTEM INSTL-AIR DISTR MIX BAY RECIRCULATION (AIR RECIRCULATION FILTER ONLY) FOR NHA/ADDITIONAL DET SEE: 21-20-00-04C	001011	RF
- 1	214A3003-6		SYSTEM INSTL-AIR DISTR MIX BAY RECIRCULATION (AIR RECIRCULATION FILTER ONLY) FOR NHA/ADDITIONAL DET SEE: 21-20-00-04C	012027	RF
- 1	214A3003-8		SYSTEM INSTL-AIR DISTR MIX BAY RECIRCULATION (AIR RECIRCULATION FILTER ONLY) FOR NHA/ADDITIONAL DET SEE: 21-20-00-04C	028029	RF
- 1	214A3003-11		SYSTEM INSTL-AIR DISTR MIX BAY RECIRCULATION (AIR RECIRCULATION FILTER ONLY) FOR NHA/ADDITIONAL DET SEE: 21-20-00-04C	030030	RF
- 1	MODREF205721		SYSTEM INSTL-AIR DISTR MIX BAY RECIRCULATION (AIR RECIRCULATION FILTER ONLY) MODULE NUMBER: 214A3003-11 REV C FOR ADDITIONAL DETAILS SEE: 21-25-02-08 21-25-03-01	031031	1
- 1	MODREF284444		SYSTEM INSTL-AIR DISTR MIX BAY RECIRCULATION (AIR RECIRCULATION FILTER ONLY) MODULE NUMBER: 214A3003-11 REV D FOR ADDITIONAL DETAILS SEE: 21-25-02-08 21-25-03-01	032100	1
5	BACS12GU3K6		.SCREW	001100	2
10	BACS12GU3K7		.SCREW	001100	4
15	BACS12GU3K8		.SCREW	001100	3

MISSING ITEM NUMBERS NOT APPLICABLE

- ITEM NOT ILLUSTRATED

HAP

21-25-01-01

21-25-01
FIG. 01
PAGE 1
FEB 10/07

BOEING
737-600/700/800/900
PARTS CATALOG (MAINTENANCE)

FIG ITEM	PART NUMBER	1 2 3 4 5 6 7	NOMENCLATURE	EFFECT FROM TO	UNITS PER ASSY
1					
20	NAS1149D0332J	.	WASHER	001100	9
23	PLH53CD	.	NUT	032100	2
			SUPPLIER CODE: VF0224		
			SPECIFICATION NUMBER: BACN10YR3CD		
			OPTIONAL PART: H52732-3CD V15653		
25	65C28004-5	.	PANEL ASSY	001100	1
30	BACS21Y5R	..	STUD-	001100	14
35	1127700	..	WASHER-	001100	14
			SUPPLIER CODE: V60119		
			SPECIFICATION NUMBER: BACW10X4		
			OPTIONAL PART: 2600LW V71286		
40	69-73787-1	..	LANYARD ASSY ATTACHING PARTS	001100	1
- 45	BACR15GF5D	..	RIVET	001100	1
- 50	AN960PD5	..	WASHER-	001100	1
			POSITION DATA: UNDER DRIVEN HEAD		
			OPTIONAL PART: NAS1149DN832J		
- 50	NAS1149DN832J	..	WASHER-	001100	1
			OPTIONAL PART: AN960PD5		
			-----*-----		
55	C828-10	...	TERMINAL-	001100	2
			SUPPLIER CODE: V98410		
			SPECIFICATION NUMBER: BACT12AC12		
			OPTIONAL PART: R5109N V14726 36161 V00779		
60	69-73787-2	...	CORD	001100	1
65	65C28004-6	..	PANEL ASSY	001100	1
70	214A3108-2	.	HOUSING ASSY-FILTER	001100	1
75	BACS12FA3K8	..	SCREW	001100	26

MISSING ITEM NUMBERS NOT APPLICABLE

- ITEM NOT ILLUSTRATED

HAP

21-25-01-01

BOEING PROPRIETARY - Copyright © - Unpublished Work - See title page for details.

21-25-01
FIG. 01
PAGE 2
FEB 15/09

BOEING
737-600/700/800/900
PARTS CATALOG (MAINTENANCE)

FIG ITEM	PART NUMBER	1 2 3 4 5 6 7	NOMENCLATURE	EFFECT FROM TO	UNITS PER ASSY
1	80 NS103227H02		..NUTPLATE- SUPPLIER CODE: V80539 SPECIFICATION NUMBER: BACN10KA3BS OPTIONAL PART: T8099S1032SK1 V11815 ATTACHING PARTS	001100	2
-	85 BACR15BA3A		..RIVET- SIZE DETERMINED ON INSTL. -----*-----	001100	4
	90 214T3424-10		..SUPPORT	001100	1
	95 65C33452-1		..DUCT ASSY-INLET	001100	1
	100 BACS12FA3K8		...SCREW	001100	2
	105 NS103227H02		...NUTPLATE- SUPPLIER CODE: V80539 SPECIFICATION NUMBER: BACN10KA3BS OPTIONAL PART: T8099S1032SK1 V11815 ATTACHING PARTS	001100	2
-	110 BACR15BA3A		...RIVET- SIZE DETERMINED ON INSTL. -----*-----	001100	4
	115 214T3424-10		...SUPPORT	001100	1
	120 BRF200A3		...NUTPLATE- SUPPLIER CODE: V52828 SPECIFICATION NUMBER: BACN10JR3F OPTIONAL PART: NS103203-02 V80539 RMF9201-3 V72962 VN152A1-02 V92215 T8091S1032 V11815 F5000-3BAC V15653 ATTACHING PARTS	001100	6
-	125 BACR15BA3A		...RIVET- SIZE DETERMINED ON INSTL. -----*-----	001100	12
	130 65C33452-2		...DUCT ASSY	001100	1

MISSING ITEM NUMBERS NOT APPLICABLE

- ITEM NOT ILLUSTRATED

HAP

21-25-01-01

BOEING PROPRIETARY - Copyright © - Unpublished Work - See title page for details.

21-25-01
FIG. 01
PAGE 3
FEB 15/08

BOEING
737-600/700/800/900
PARTS CATALOG (MAINTENANCE)

FIG ITEM	PART NUMBER	1 2 3 4 5 6 7	NOMENCLATURE	EFFECT FROM TO	UNITS PER ASSY
1					
135	65C28000-30	..	HOUSING ASSY-FILTER	001100	1
140	SL8113-3	...	MOUNT-ISOLATOR	001100	1
			SUPPLIER CODE: V97393		
			SPECIFICATION NUMBER: S411T100-901		
			OPTIONAL PART: DE819 V71985		
			ATTACHING PARTS		
- 145	BACR15BB4A	...	RIVET-	001100	2
			SIZE DETERMINED ON INSTL.		
- 150	AN960JD3L	...	WASHER-	001100	2
			POSITION DATA: FAR SIDE		
			-----*-----		
155	BACS12FA3K6	...	SCREW	001100	6
160	NS103227H02	...	NUTPLATE-	001100	6
			SUPPLIER CODE: V80539		
			SPECIFICATION NUMBER: BACN10KA3BS		
			OPTIONAL PART: T8099S1032SK1 V11815		
			ATTACHING PARTS		
- 165	BACR15BA3A	...	RIVET-	001100	12
			SIZE DETERMINED ON INSTL.		
			-----*-----		
170	69-73786-1	...	GASKET	001100	2
175	69-73786-2	...	GASKET	001100	2
180	65C28000-33	...	GASKET	001100	1
185	65C28000-34	...	GASKET	001100	1
190	65C28000-35	...	GASKET	001100	2
195	BACR11Y3C	...	RECEPTACLE-	001100	14
			ATTACHING PARTS		
- 200	BACR15BA3A	...	RIVET-	001100	28
			SIZE DETERMINED ON INSTL.		
			-----*-----		
205	69-73786-9	...	SEAL	001100	2
210	69-73786-10	...	SEAL	001100	1
215	65C28000-31	...	HOUSING ASSY	001100	1
220	BACR15BB5A	...	RIVET-	001100	2
			SIZE DETERMINED ON INSTL.		
225	65C28000-14	...	PLATE	001100	1
265	69-73781-1	...	BAR ASSY	001100	2
270	214T5408-2	SPRING	001100	2

MISSING ITEM NUMBERS NOT APPLICABLE

- ITEM NOT ILLUSTRATED

HAP

21-25-01-01

21-25-01
FIG. 01
PAGE 4
FEB 15/08

BOEING
737-600/700/800/900
PARTS CATALOG (MAINTENANCE)

FIG ITEM	PART NUMBER	1 2 3 4 5 6 7	NOMENCLATURE	EFFECT FROM TO	UNITS PER ASSY
1			ATTACHING PARTS		
- 275	BACR15BB4D	RIVET- SIZE DETERMINED ON INSTL. -----*-----	001100	4
280	69-73781-3	BAR	001100	1
285	65C33314-35	.	BRACKET ASSY	001100	1
290	214A3108-3	.	HOUSING ASSY-FILTER	001027	1
290	214A3108-4	.	HOUSING ASSY-FILTER	028100	1
295	SL8113-3	..	MOUNT- SUPPLIER CODE: V97393 SPECIFICATION NUMBER: S411T100-901 OPTIONAL PART: DE819 V71985	001100	1
- 300	BACR15BB4A	..	RIVET- SIZE DETERMINED ON INSTL.	001100	2
- 305	NAS1149DN832J	..	WASHER- OPTIONAL PART: NAS1149DN532J	001100	2
- 305	NAS1149DN532J	..	WASHER- OPTIONAL PART: NAS1149DN832J -----*-----	001100	2
310	BACS12FA3K7	..	SCREW- POSITION DATA: FARSIDE	001027	6
310	BACS12FA3K8	..	SCREW- POSITION DATA: FARSIDE	028100	6
315	BRF200C3D	..	NUTPLATE- SUPPLIER CODE: V52828 SPECIFICATION NUMBER: BACN10JR3CFD OPTIONAL PART: K51602-3BAC V15653 NS202476-02 V80539 102F9201-3 V72962 T8092C1032CD V11815	001100	6

MISSING ITEM NUMBERS NOT APPLICABLE

- ITEM NOT ILLUSTRATED

HAP

21-25-01-01

BOEING PROPRIETARY - Copyright © - Unpublished Work - See title page for details.

21-25-01
FIG. 01
PAGE 5
JUN 15/08

BOEING
737-600/700/800/900
PARTS CATALOG (MAINTENANCE)

FIG ITEM	PART NUMBER	1 2 3 4 5 6 7	NOMENCLATURE	EFFECT FROM TO	UNITS PER ASSY
1			ATTACHING PARTS		
- 320	BACR15BA3A		..RIVET- SIZE DETERMINED ON INSTL. -----*-----	001100	12
440	69-73781-4		..BAR ASSY	001100	2
445	214T5408-2		...SPRING	001100	2
- 450	BACR15BB4D		ATTACHING PARTS ...RIVET- SIZE DETERMINED ON INSTL. -----*-----	001100	4
455	69-73781-5		...BAR	001100	1
465	P196555		.FILTER- SUPPLIER CODE: V18265 SPECIFICATION NUMBER: S210N701-46 MISCELLANEOUS DATA: HEPA-LIKE FILTER 99.9 PERCENT EFFICIENCY MAINTENANCE MANUAL REF: 21-25-01 QUALIFIED I/W DATA: P199753 CAN REPLACE OR BE REPLACED BY S210N701-46 OR S210N701-47 OR CD01068F2 OR P196555 OR P196281 SUBJECT TO CUSTOMER PREFERENCE. S210N701-22 (CD00430F100B) T/W S210N701-20(470044 OR AB0470044) AND S210N701-21(469658 OR AB0469658) R/B I/W=1 S210N701-46(CD01068F2 OR P196555) PER S/B 737-21-1122 OPTIONAL PART: CD01068F2 V18350	001029	2

MISSING ITEM NUMBERS NOT APPLICABLE

- ITEM NOT ILLUSTRATED

HAP

21-25-01-01

BOEING PROPRIETARY - Copyright © - Unpublished Work - See title page for details.

21-25-01
FIG. 01
PAGE 6
JUN 15/08

BOEING
737-600/700/800/900
PARTS CATALOG (MAINTENANCE)

FIG ITEM	PART NUMBER	1 2 3 4 5 6 7	NOMENCLATURE	EFFECT FROM TO	UNITS PER ASSY
1 465	P196281		. FILTER- SUPPLIER CODE: V18265 SPECIFICATION NUMBER: S210N701-47 MAINTENANCE MANUAL REF: 21-25-01 QUALIFIED I/W DATA: P199753 CAN REPLACE OR BE REPLACED BY S210N701-46 OR S210N701-47 OR CD01068F2 OR P196555 OR P196281 SUBJECT TO CUSTOMER PREFERENCE.	001029	2
465	P199753		. FILTER-RECIRCULATION AIR SUPPLIER CODE: V18265 SPECIFICATION NUMBER: S161N300-1 MAINTENANCE MANUAL REF: 21-25-01 QUALIFIED I/W DATA: P199753 CAN REPLACE OR BE REPLACED BY S210N701-46 OR S210N701-47 OR CD01068F2 OR P196555 OR P196281 SUBJECT TO CUSTOMER PREFERENCE.	030100	2

MISSING ITEM NUMBERS NOT APPLICABLE

— ITEM NOT ILLUSTRATED

HAP

21-25-01-01

BOEING PROPRIETARY - Copyright © - Unpublished Work - See title page for details.

21-25-01
FIG. 01
PAGE 7
FEB 10/07

BOEING
737-600/700/800/900
PARTS CATALOG (MAINTENANCE)

FIG ITEM	PART NUMBER	1 2 3 4 5 6 7	NOMENCLATURE	EFFECT FROM TO	UNITS PER ASSY
1 465	CD01068F2		. FILTER- SUPPLIER CODE: V18350 SPECIFICATION NUMBER: S210N701-46 MISCELLANEOUS DATA: NOT APPROVED BY BOEING FOR USE ON 737-900 HEPA-LIKE FILTER 99.9 PERCENT EFFICIENCY MAINTENANCE MANUAL REF: 21-25-01 QUALIFIED I/W DATA: S210N701-22 (CD00430F100B) T/W S210N701-20(470044 OR AB0470044) AND S210N701-21(469658 OR AB0469658) R/B I/W=1 S210N701-46(CD01068F2 OR P196555) PER S/B 737-21-1122 OPTIONAL PART: P196555 V18265	001029	2

MISSING ITEM NUMBERS NOT APPLICABLE

— ITEM NOT ILLUSTRATED

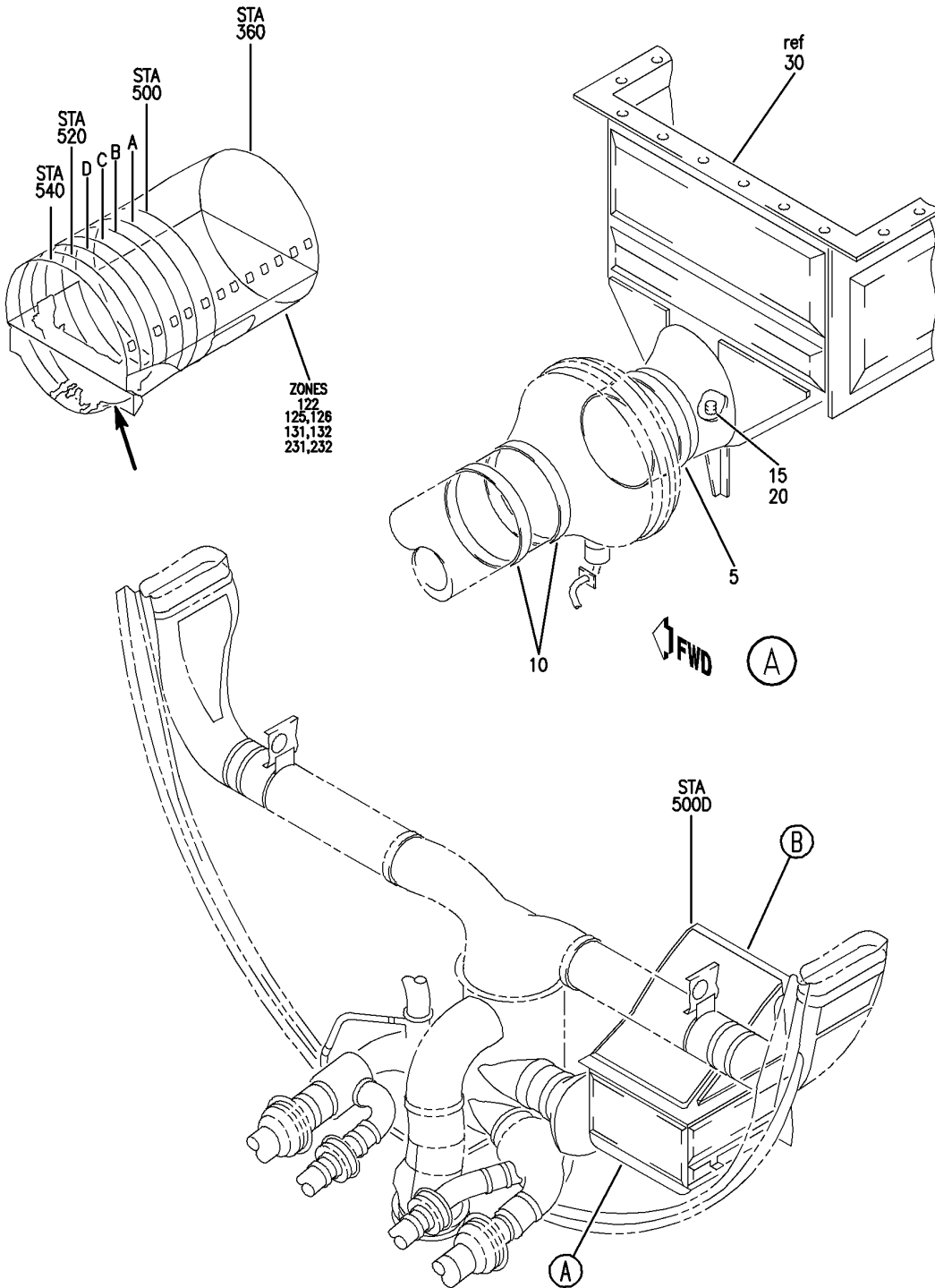
HAP

21-25-01-01

BOEING PROPRIETARY - Copyright © - Unpublished Work - See title page for details.

21-25-01
FIG. 01
PAGE 8
JUN 15/08

BOEING
 737-600/700/800/900
 PARTS CATALOG (MAINTENANCE)



E 21250104 SHT 1 REV 052

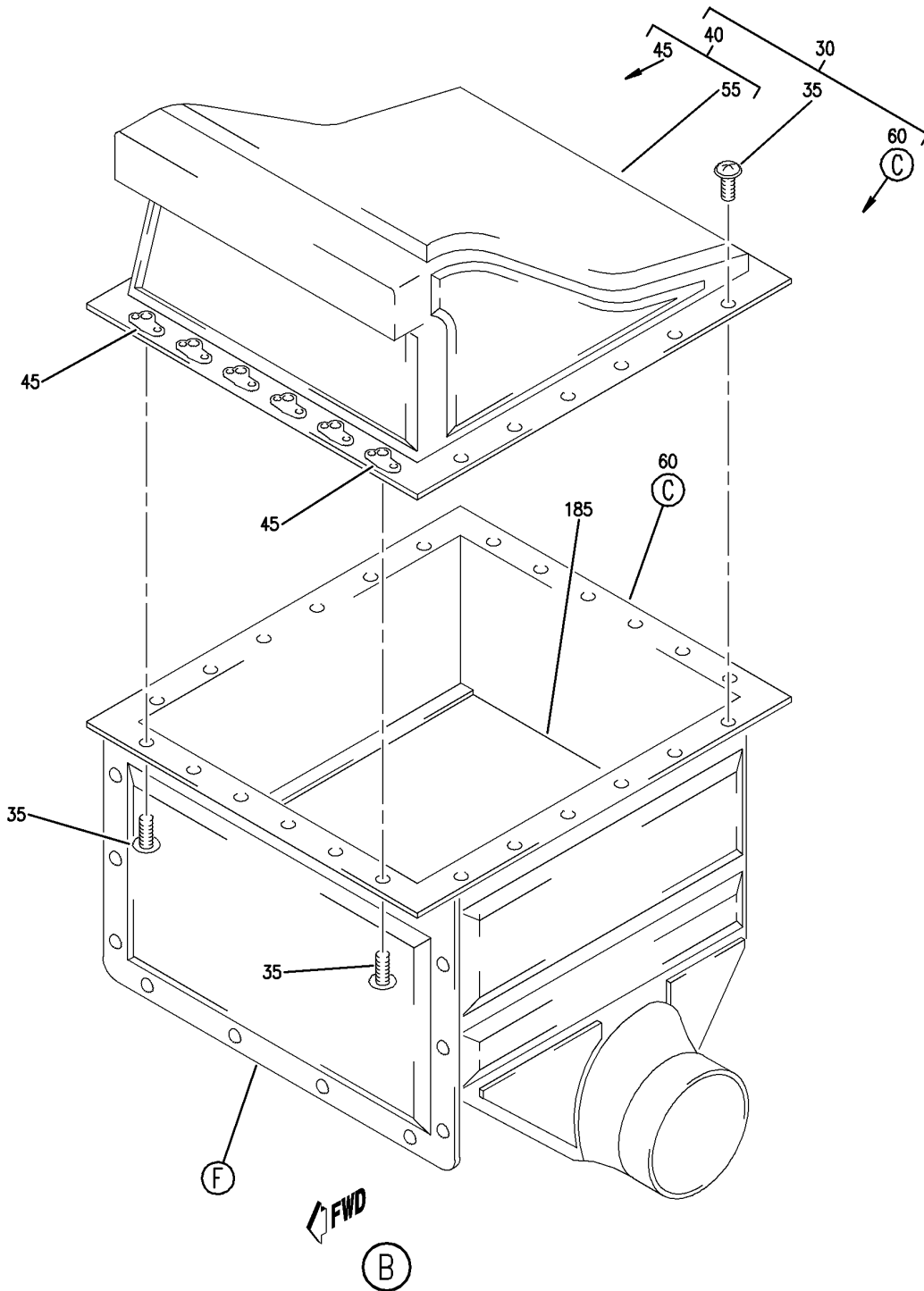
DUCT INSTL-AIR DISTR MIX BAY SYS BASELINE CONFIGURATION FOR 737-700 (RECIRCULATION AIR FILTER ONLY)
 FIGURE 4 (SHEET 1)

HAP
 FEB 10/07

21-25-01-04

21-25-01-04
 PAGE 0

BOEING
 737-600/700/800/900
 PARTS CATALOG (MAINTENANCE)



E 21250104 SHT 2 REV 052

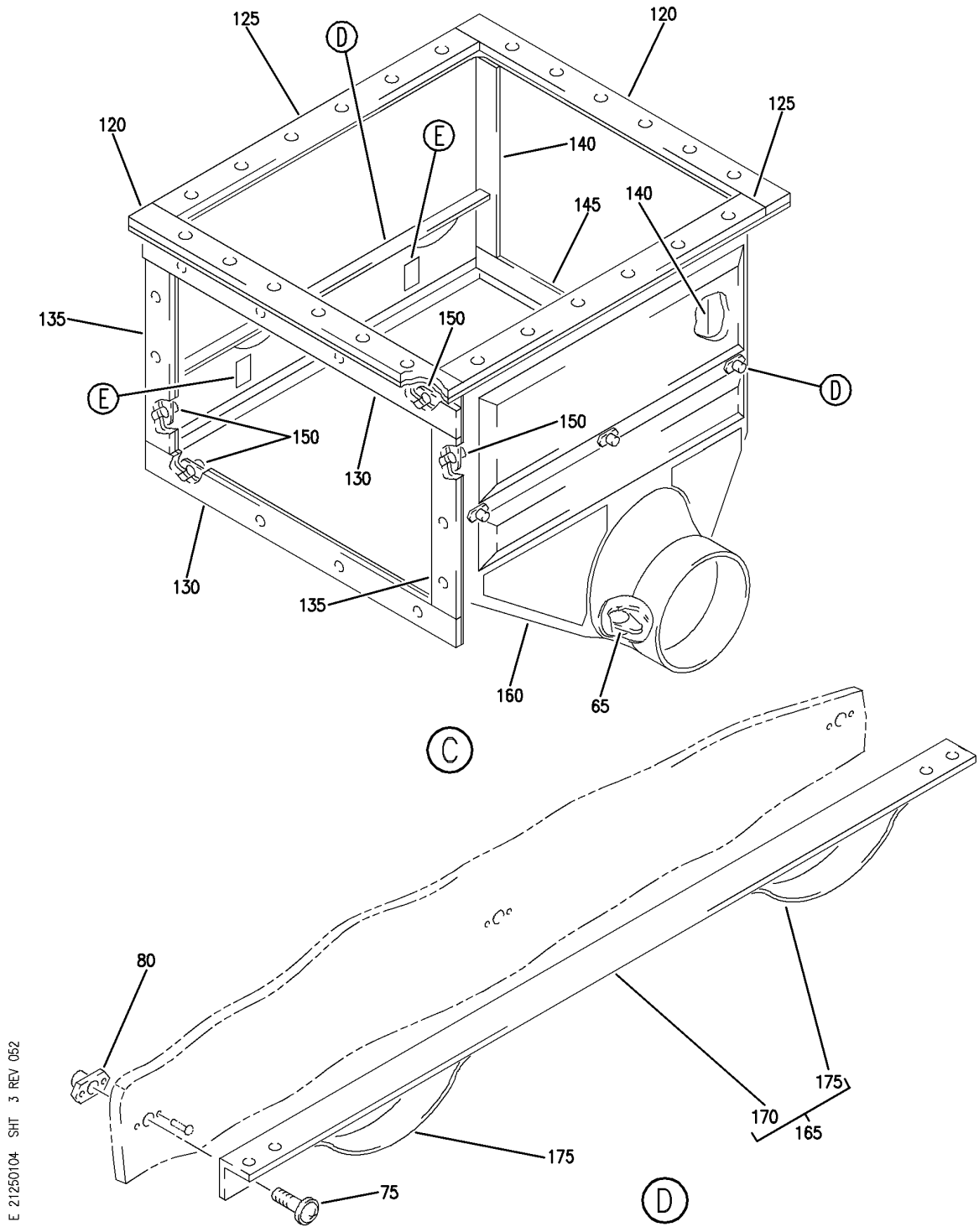
DUCT INSTL-AIR DISTR MIX BAY SYS BASELINE CONFIGURATION FOR 737-700 (RECIRCULATION AIR FILTER ONLY)
 FIGURE 4 (SHEET 2)

HAP
 FEB 10/07

21-25-01-04

21-25-01-04
 PAGE 0A

BOEING
 737-600/700/800/900
 PARTS CATALOG (MAINTENANCE)



E 21250104 SHT 3 REV 052

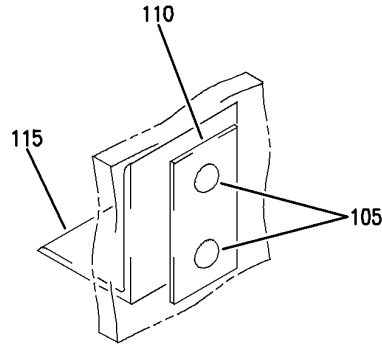
DUCT INSTL-AIR DISTR MIX BAY SYS BASELINE CONFIGURATION FOR 737-700 (RECIRCULATION AIR FILTER ONLY)
 FIGURE 4 (SHEET 3)

21-25-01-04

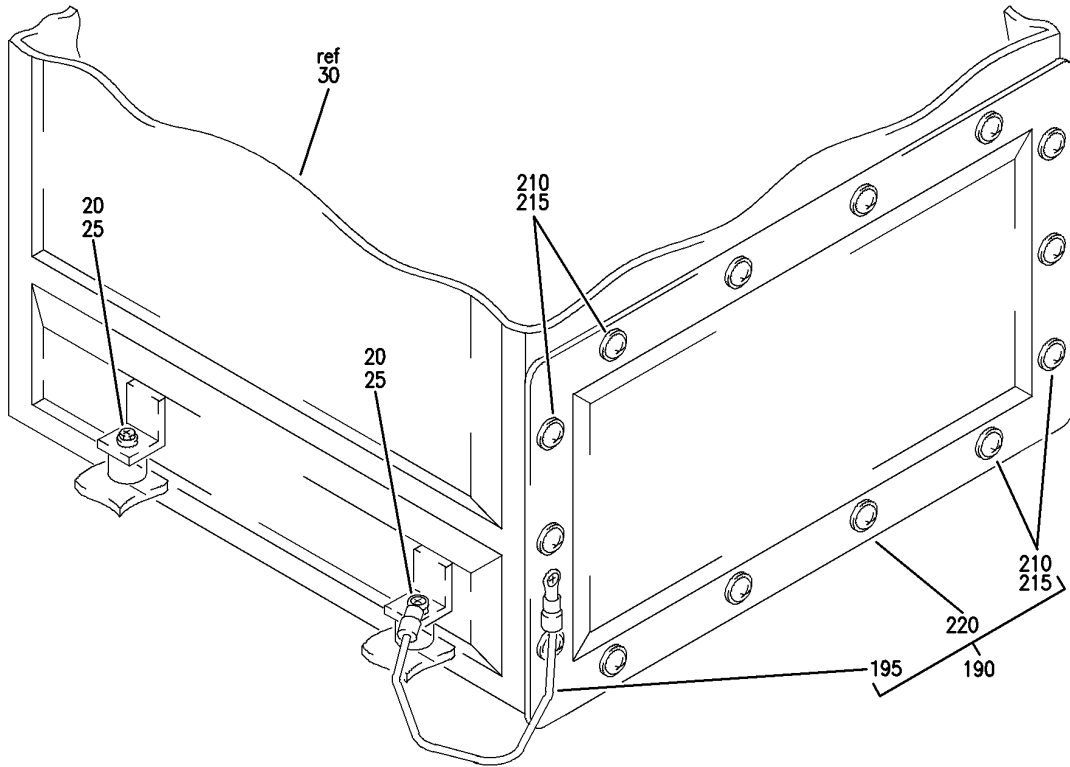
HAP
 FEB 10/07

21-25-01-04
 PAGE 0B

BOEING
 737-600/700/800/900
 PARTS CATALOG (MAINTENANCE)



(E)



FWD ↘

(F)

E 21250104 SHT 4 REV 052

DUCT INSTL-AIR DISTR MIX BAY SYS BASELINE CONFIGURATION FOR 737-700 (RECIRCULATION AIR FILTER ONLY)
 FIGURE 4 (SHEET 4)

21-25-01-04

HAP
 FEB 10/07

21-25-01-04
 PAGE 0C

BOEING
737-600/700/800/900
PARTS CATALOG (MAINTENANCE)

FIG ITEM	PART NUMBER	1 2 3 4 5 6 7	NOMENCLATURE	EFFECT FROM TO	UNITS PER ASSY
4			DUCT INSTL-AIR DISTR MIX BAY SYS BASELINE CONFIGURATION FOR 737-700 (RECIRCULATION AIR FILTER ONLY)	101999	
- 1	214A3001-2		DUCT INSTL-AIR DISTR SYS MIX BAY BASELINE CONFIGURATION FOR 737-700 (RECIRCULATION AIR FILTER ONLY)	201967	RF
- 1	MODREF251484		FOR NHA/OTHER SYS DET SEE: 21-20-00-04B DUCT INSTL-AIR DISTR SYS MIX BAY BASELINE CONFIGURATION FOR 737-700 (RECIRCULATION AIR FILTER ONLY)	101101 968971	1
- 1	MODREF357285		MODULE NUMBER: 214A3001-14 REV D FOR OTHER SYS DETAILS SEE: 21-21-02-04 21-21-51-05 21-61-03-03 FOR ADDITIONAL DETAILS SEE: 21-25-02-06 21-25-03-06 DUCT INSTL-AIR DISTR SYS MIX BAY BASELINE CONFIGURATION FOR 737-700 (RECIRCULATION AIR FILTER ONLY)	102106 972999	1
MISSING ITEM NUMBERS NOT APPLICABLE					

- ITEM NOT ILLUSTRATED

HAP

21-25-01-04

BOEING PROPRIETARY - Copyright © - Unpublished Work - See title page for details.

21-25-01
FIG. 04
PAGE 1
OCT 15/08

BOEING
737-600/700/800/900
PARTS CATALOG (MAINTENANCE)

FIG ITEM	PART NUMBER	1 2 3 4 5 6 7	NOMENCLATURE	EFFECT FROM TO	UNITS PER ASSY
4 -	1 MODREF394945		DUCT INSTL-AIR DISTR SYS MIX BAY BASELINE CONFIGURATION FOR 737-700 (RECIRCULATION AIR FILTER ONLY) MODULE NUMBER: 214A3001-14 REV G FOR OTHER SYS DETAILS SEE: 21-21-02-04 21-21-51-05B 21-61-03-03 FOR ADDITIONAL DETAILS SEE: 21-25-02-06 21-25-03-06	107200	1
	5 NH103404-0650		.COUPLING- SUPPLIER CODE: V00624	101999	RF
	10 SS4-700A		.SLEEVE- SUPPLIER CODE: V94581 SPECIFICATION NUMBER: BACS13N700A OPTIONAL PART: 42737-700A V98625 504-700 V00624	101999	RF
	10 504-700		.SLEEVE- SUPPLIER CODE: V00624 OPTIONAL PART: BACS13N700A	201967	RF
	15 BACS12GU3K7		.SCREW	101999	1
	20 BACS12GU3K8		.SCREW	101999	2
	25 NAS1149D0332J		.WASHER	101999	3
	30 214A3108-1		.HOUSING ASSY-FILTER	201967	1
	30 214A3108-5		.HOUSING ASSY-FILTER	101200	1
	35 BACS12FA3K8		..SCREW	968999	
	40 65C28010-1		..INLET ASSY	101999	24
				101999	1

MISSING ITEM NUMBERS NOT APPLICABLE

- ITEM NOT ILLUSTRATED

HAP

21-25-01-04

BOEING PROPRIETARY - Copyright © - Unpublished Work - See title page for details.

21-25-01
FIG. 04
PAGE 2
OCT 15/08

BOEING
737-600/700/800/900
PARTS CATALOG (MAINTENANCE)

FIG ITEM	PART NUMBER	1 2 3 4 5 6 7	NOMENCLATURE	EFFECT FROM TO	UNITS PER ASSY
4	45 BRF200A3		...NUTPLATE SUPPLIER CODE: V52828 SPECIFICATION NUMBER: BACN10JR3F OPTIONAL PART: NS103203-02 V80539 RMF9201-3 V72962 VN152A1-02 V92215 T8091S1032 V11815 F5000-3BAC V15653 ATTACHING PARTS	101999	6
-	50 BACR15BA3A		...RIVET- SIZE DETERMINED ON INSTL. -----*-----	101999	12
	55 65C28010-2		...DUCT ASSY	101999	1
	60 65C28000-16		..HOUSING ASSY-	201967	1
	60 65C28000-37		..HOUSING ASSY-	101200	1
	65 DE819		...MOUNT- SUPPLIER CODE: V71985 SPECIFICATION NUMBER: S411T100-901 OPTIONAL PART: SL8113-3 V97393 ATTACHING PARTS	968999 101999	1
-	70 BACR15BB4A		...RIVET- SIZE DETERMINED ON INSTL. -----*-----	101999	2
	75 BACS12FA3K6		...SCREW- OPTIONAL PART: 65C28000-100	101999	6
-	78 65C28000-100		...SCREW ASSY- OPTIONAL PART: BACS12FA3K6	101999	6

MISSING ITEM NUMBERS NOT APPLICABLE

- ITEM NOT ILLUSTRATED

HAP

21-25-01-04

BOEING PROPRIETARY - Copyright © - Unpublished Work - See title page for details.

21-25-01
FIG. 04
PAGE 3
OCT 15/08

BOEING
737-600/700/800/900
PARTS CATALOG (MAINTENANCE)

FIG ITEM	PART NUMBER	1 2 3 4 5 6 7	NOMENCLATURE	EFFECT FROM TO	UNITS PER ASSY
4	80 NS103227H02	...	NUTPLATE- SUPPLIER CODE: V80539 SPECIFICATION NUMBER: BACN10KA3BS OPTIONAL PART: T8099S1032SK1 V11815	201967	6
	80 NS202541H3KCPM1	...	NUTPLATE- SUPPLIER CODE: V80539 SPECIFICATION NUMBER: BACN10KA3BCDS OPTIONAL PART: T8100C1032KCPM1 V11815 ATTACHING PARTS	101200 968999	6
-	85 BACR15BA3A	...	RIVET- SIZE DETERMINED ON INSTL. -----*-----	101999	12
	105 BACR15BB5A	...	RIVET- SIZE DETERMINED ON INSTL.	101999	4
	110 65C28000-14	...	PLATE	101999	2
	115 69-73781-2	...	BAR	101999	2
	120 69-73786-1	...	GASKET	101999	2
	125 69-73786-2	...	GASKET	101999	2
	130 69-73786-7	...	GASKET-	201967	2
	130 69-73786-11	...	GASKET-	101999	2
	130 69-73786-3	...	BAR-	201967	2
	135 69-73786-8	...	GASKET-	201967	2
	135 69-73786-12	...	GASKET-	101999	2
	135 69-73786-4	...	GASKET-	201967	2
	140 69-73786-9	...	SEAL	101999	2
	145 69-73786-10	...	SEAL	101999	1
	150 BACR11Y3C	...	RECEPTACLE-	201967	14
	150 BACR11AW3C	...	RECEPTACLE-	101200 968999	14
			ATTACHING PARTS		
-	155 BACR15BA3A	...	RIVET- SIZE DETERMINED ON INSTL. -----*-----	101999	28
	160 65C28000-2	...	HOUSING ASSY	101999	1
	165 69-73781-1	...	BAR ASSY-PRESSURE	101999	2
	170 69-73781-3	BAR-	101999	1
	175 214T5408-2	SPRING ATTACHING PARTS	101999	2
-	180 BACR15BB4D	RIVET- SIZE DETERMINED ON INSTL. -----*-----	101999	4

MISSING ITEM NUMBERS NOT APPLICABLE

- ITEM NOT ILLUSTRATED

HAP

21-25-01-04

21-25-01
FIG. 04
PAGE 4
FEB 15/09

BOEING
737-600/700/800/900
PARTS CATALOG (MAINTENANCE)

FIG ITEM	PART NUMBER	1 2 3 4 5 6 7	NOMENCLATURE	EFFECT FROM TO	UNITS PER ASSY
4 185	P196555		. FILTER- SUPPLIER CODE: V18265 SPECIFICATION NUMBER: S210N701-46 MISCELLANEOUS DATA: HEPA-LIKE FILTER 99.9 PERCENT EFFICIENCY MAINTENANCE MANUAL REF: 21-25-01 QUALIFIED I/W DATA: P199753 CAN REPLACE OR BE REPLACED BY S210N701-46 OR S210N701-47 OR CD01068F2 OR P196555 OR P196281. SUBJECT TO CUSTOMER PREFERENCE. S210N701-22 (CD00430F100B) T/W S210N701-20(470044 OR AB0470044) AND S210N701-21(469658 OR AB0469658) R/B I/W=1 S210N701-46(CD01068F2 OR P196555) PER S/B 737-21-1122 OPTIONAL PART: CD01068F2 V18350	201967	1
185	P196281		. FILTER- SUPPLIER CODE: V18265 SPECIFICATION NUMBER: S210N701-47 MAINTENANCE MANUAL REF: 21-25-01 QUALIFIED I/W DATA: P199753 CAN REPLACE OR BE REPLACED BY S210N701-46 OR S210N701-47 OR CD01068F2 OR P196555 OR P196281 SUBJECT TO CUSTOMER PREFERENCE.	201967	1

MISSING ITEM NUMBERS NOT APPLICABLE

— ITEM NOT ILLUSTRATED

HAP

21-25-01-04

BOEING PROPRIETARY - Copyright © - Unpublished Work - See title page for details.

21-25-01
FIG. 04
PAGE 5
FEB 15/09

BOEING
737-600/700/800/900
PARTS CATALOG (MAINTENANCE)

FIG ITEM	PART NUMBER	1 2 3 4 5 6 7	NOMENCLATURE	EFFECT FROM TO	UNITS PER ASSY
4 185	P199753		. FILTER- SUPPLIER CODE: V18265 SPECIFICATION NUMBER: S161N300-1 MAINTENANCE MANUAL REF: 21-25-01 QUALIFIED I/W DATA: P199753 CAN REPLACE OR BE REPLACED BY S210N701-46 OR S210N701-47 OR CD01068F2 OR P196555 OR P196281 SUBJECT TO CUSTOMER PREFERENCE.	101200 968999	1
185	CD01068F2		. FILTER- SUPPLIER CODE: V18350 SPECIFICATION NUMBER: S210N701-46 MISCELLANEOUS DATA: NOT APPROVED BY BOEING FOR USE ON 737-900 HEPA-LIKE FILTER 99.9 PERCENT EFFICIENCY MAINTENANCE MANUAL REF: 21-25-01 QUALIFIED I/W DATA: S210N701-22 (CD00430F100B) T/W S210N701-20(470044 OR AB0470044) AND S210N701-21(469658 OR AB0469658) R/B I/W=1 S210N701-46(CD01068F2 OR P196555) PER S/B 737-21-1122 OPTIONAL PART: P196555 V18265	201967	1
190	65C28004-1		. PANEL ASSY-ACCESS	101999	1
195	69-73787-1		.. LANYARD ASSY ATTACHING PARTS	101999	1
- 200	BACR15CE5D		.. RIVET- SIZE DETERMINED ON INSTL.	101999	1
- 205	AN960PD5		.. WASHER- OPTIONAL PART: NAS1149DN832J	101999	1

MISSING ITEM NUMBERS NOT APPLICABLE

- ITEM NOT ILLUSTRATED

HAP

21-25-01-04

21-25-01
FIG. 04
PAGE 6
OCT 15/08

BOEING
737-600/700/800/900
PARTS CATALOG (MAINTENANCE)

FIG ITEM	PART NUMBER	1 2 3 4 5 6 7	NOMENCLATURE	EFFECT FROM TO	UNITS PER ASSY
4 - 205	NAS1149DN832J		.. WASHER- OPTIONAL PART: AN960PD5 -----*-----	101999	1
210	BACS21Y5R		.. STUD	101999	14
215	1127700		.. WASHER SUPPLIER CODE: V60119 SPECIFICATION NUMBER: BACW10X4 OPTIONAL PART: 2600LW V71286	101999	14
220	65C28004-2		.. PANEL ASSY- ACCESS PANEL NUMBER: 15307A	101999	1

MISSING ITEM NUMBERS NOT APPLICABLE

- ITEM NOT ILLUSTRATED

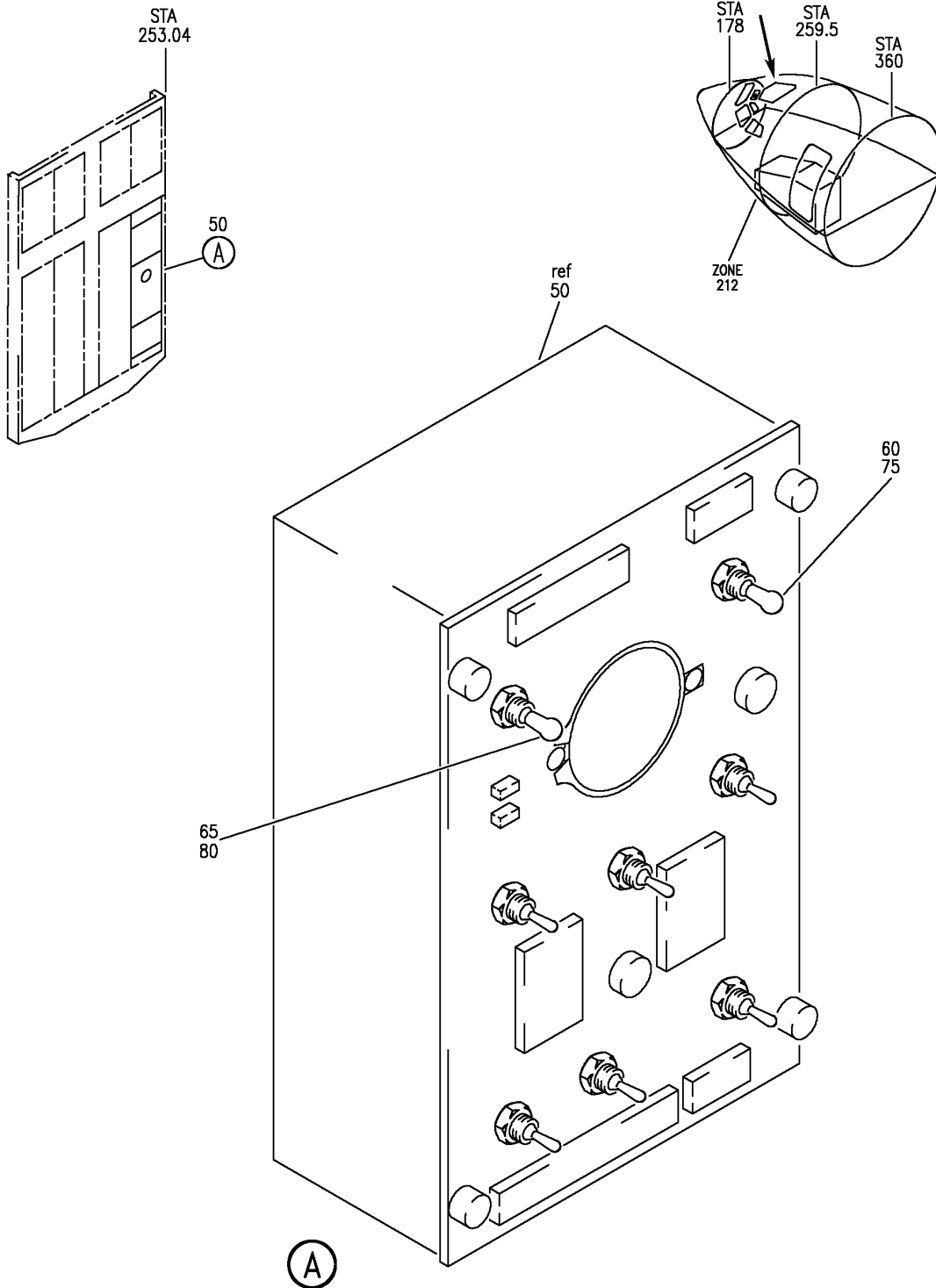
HAP

21-25-01-04

BOEING PROPRIETARY - Copyright © - Unpublished Work - See title page for details.

21-25-01
FIG. 04
PAGE 7
OCT 15/08

BOEING
 737-600/700/800/900
 PARTS CATALOG (MAINTENANCE)



E 21250201 REV 127

MODULE INSTL-P5 OVHD (RECIRCULATION SYSTEM ONLY)
 FIGURE 1

21-25-02-01

HAP
 FEB 10/07

21-25-02-01
 PAGE 0

BOEING
737-600/700/800/900
PARTS CATALOG (MAINTENANCE)

FIG ITEM	PART NUMBER	1 2 3 4 5 6 7	NOMENCLATURE	EFFECT FROM TO	UNITS PER ASSY
1			MODULE INSTL-P5 OVHD (RECIRCULATION SYSTEM ONLY)	001028 201967	
- 1	233A3101-4		MODULE INSTL-P5 OVHD (RECIRCULATION SYSTEM ONLY) FOR NHA/OTHER SYS DET SEE: 31-11-00-01C	001005	RF
- 4	233A3101-52		MODULE INSTL-P5 OVHD (RECIRCULATION SYSTEM ONLY) FOR NHA/OTHER SYS DET SEE: 31-11-00-01C	006007	RF
- 4	233A3101-63		MODULE INSTL-P5 OVHD (RECIRCULATION SYSTEM ONLY) FOR NHA/OTHER SYS DET SEE: 31-11-00-01C	008011	RF
- 5	233A3101-74		MODULE INSTL-P5 OVHD (RECIRCULATION SYSTEM ONLY) FOR NHA/OTHER SYS DET SEE: 31-11-00-01J	201967	RF
- 7	233A3101-110		MODULE INSTL-P5 OVHD (RECIRCULATION SYSTEM ONLY) FOR NHA/OTHER SYS DET SEE: 31-11-00-01C	012016	RF
- 14	233A3101-225		MODULE INSTL-P5 OVHD (RECIRCULATION SYSTEM ONLY) FOR NHA/OTHER SYS DET SEE: 31-11-00-01C	017019	RF
- 14	233A3101-234		MODULE INSTL-P5 OVHD (RECIRCULATION SYSTEM ONLY) FOR NHA/OTHER SYS DET SEE: 31-11-00-01C	020028	RF
50	69-37319-308		MODULE ASSY-AIR CONDITIONING P5-10 SUPPLIER CODE: V89954 ELECTRICAL EQUIP NUMBER: P00510 COMPONENT MAINT MANUAL REF: 31-37-07	201967	RF

MISSING ITEM NUMBERS NOT APPLICABLE

- ITEM NOT ILLUSTRATED

HAP

21-25-02-01

BOEING PROPRIETARY - Copyright © - Unpublished Work - See title page for details.

21-25-02
FIG. 01
PAGE 1
OCT 15/08

BOEING
737-600/700/800/900
PARTS CATALOG (MAINTENANCE)

FIG ITEM	PART NUMBER	1 2 3 4 5 6 7	NOMENCLATURE	EFFECT FROM TO	UNITS PER ASSY
1	50 69-37319-309		.MODULE ASSY-AIR CONDITIONING P5-10 SUPPLIER CODE: V89954 ELECTRICAL EQUIP NUMBER: P00510 COMPONENT MAINT MANUAL REF: 31-37-07 PRE ALERT SB: 24A1141R1	001011	RF
	50 69-37319-312		.MODULE ASSY-AIR CONDITIONING P5-10 SUPPLIER CODE: V89954 FUNCTIONAL DESCRIPTION: CONTROLS THE OPERATION OF THE AIR CONDITIONING AND PNEUMATIC SYSTEMS. ELECTRICAL EQUIP NUMBER: P00510 COMPONENT MAINT MANUAL REF: 31-37-07 POST ALERT SB: 24A1141R1	001028	RF
	60 64AT22-3		..SWITCH- SUPPLIER CODE: V91929 USED ON: 69-37319-203	001028 201967	1
	65 MS24523-23		..SWITCH- USED ON: 69-37319-211	001028	1
-	70 69-78809-4		...PRINTED CIRCUIT ASSY- SUPPLIER CODE: V89954 COMPONENT MAINT MANUAL REF: 28-09-33 OPTIONAL PART: 69-78809-5 V89954 69-78809-3 V89954 69-78809-6 V89954 FOR SPARES PROCURE: 69-78809-6 V89954	001028 201967	RF

MISSING ITEM NUMBERS NOT APPLICABLE

- ITEM NOT ILLUSTRATED

HAP

21-25-02-01

BOEING PROPRIETARY - Copyright © - Unpublished Work - See title page for details.

21-25-02
FIG. 01
PAGE 2
FEB 15/09

BOEING
737-600/700/800/900
PARTS CATALOG (MAINTENANCE)

FIG ITEM	PART NUMBER	1 2 3 4 5 6 7	NOMENCLATURE	EFFECT FROM TO	UNITS PER ASSY
1 - 70	69-78809-3		...PRINTED CIRCUIT ASSY- SUPPLIER CODE: V89954 COMPONENT MAINT MANUAL REF: 28-09-33 OPTIONAL PART: 69-78809-5 V89954 69-78809-4 V89954 69-78809-6 V89954 FOR SPARES PROCURE: 69-78809-6 V89954	001028 201967	RF
- 70	69-78809-5		...PRINTED CIRCUIT ASSY- SUPPLIER CODE: V89954 COMPONENT MAINT MANUAL REF: 28-09-33 OPTIONAL PART: 69-78809-4 V89954 69-78809-3 V89954 69-78809-6 V89954 FOR SPARES PROCURE: 69-78809-6 V89954	001028 201967	RF
- 70	69-78809-6		...PRINTED CIRCUIT ASSY- SUPPLIER CODE: V89954 COMPONENT MAINT MANUAL REF: 28-09-33 OPTIONAL PART: 69-78809-3 V89954 69-78809-4 V89954 69-78809-5 V89954	001028 201967	RF
75	69-44578-2		...CAP-CUSHION USED ON: 69-37319-203	001028 201967	1
80	69-44578-2		...CAP-CUSHION USED ON: 69-37319-211	001028	1

MISSING ITEM NUMBERS NOT APPLICABLE

- ITEM NOT ILLUSTRATED

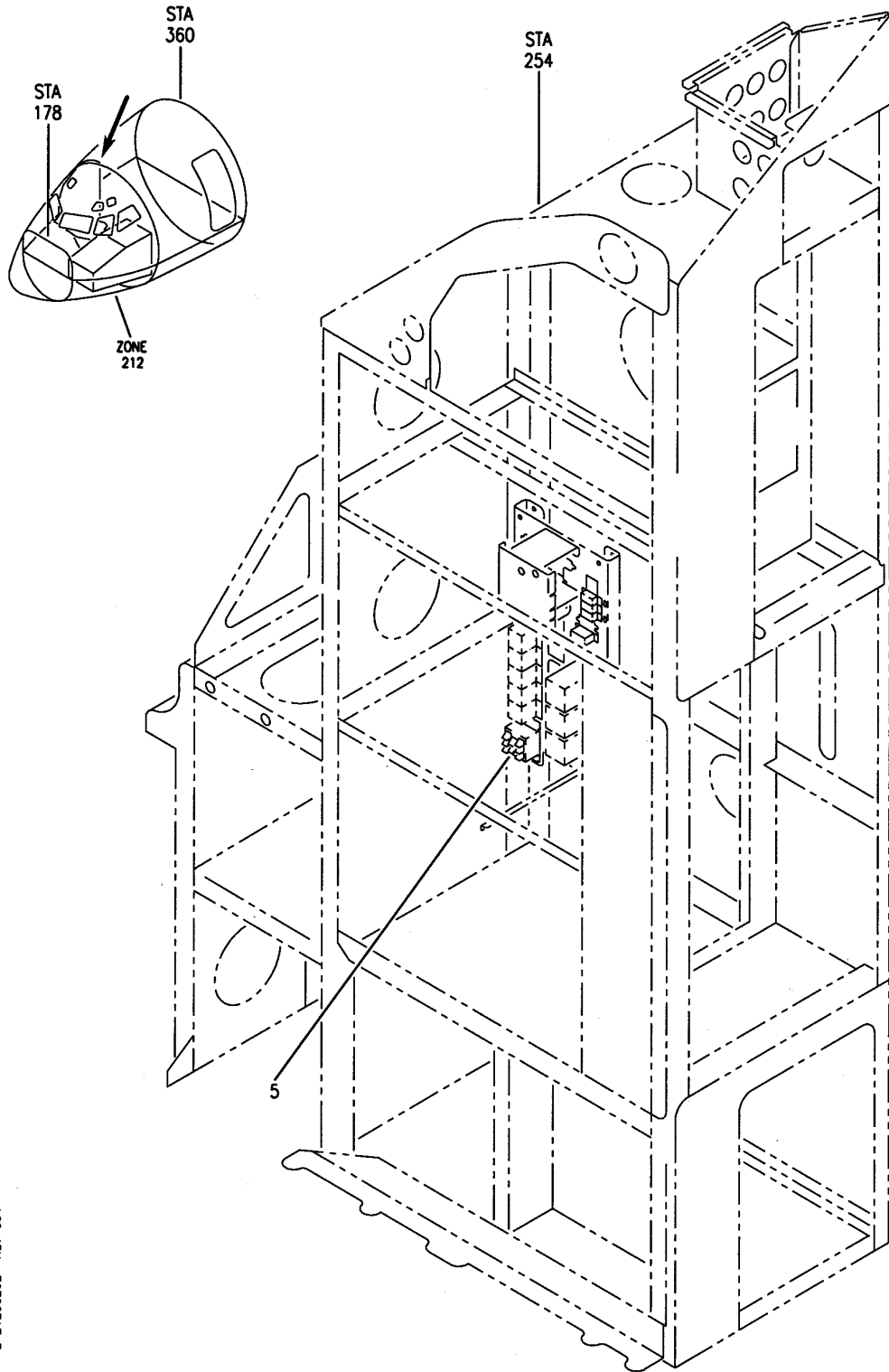
HAP

21-25-02-01

BOEING PROPRIETARY - Copyright © - Unpublished Work - See title page for details.

21-25-02
FIG. 01
PAGE 3
FEB 15/09

BOEING
737-600/700/800/900
PARTS CATALOG (MAINTENANCE)



E 21250202 REV 034

EQUIPMENT INSTL-P6 CB PNL (RECIRCULATION FAN ONLY)
FIGURE 2

21-25-02-02

HAP
OCT 10/06

21-25-02-02
PAGE 0

BOEING
737-600/700/800/900
PARTS CATALOG (MAINTENANCE)

FIG ITEM	PART NUMBER	1 2 3 4 5 6 7	NOMENCLATURE	EFFECT FROM TO	UNITS PER ASSY
2			EQUIPMENT INSTL-P6 CB PNL (RECIRCULATION FAN ONLY)	008030 201967	
- 1	233A5220-1		EQUIPMENT INSTL-P6 CB PNL (RECIRCULATION FAN ONLY) FOR NHA/OTHER SYS DET SEE: 24-30-00-01B 24-30-00-01C	008009 202967	RF
- 1	233A5220-2		EQUIPMENT INSTL-P6 CB PNL (RECIRCULATION FAN ONLY) FOR NHA/OTHER SYS DET SEE: 24-30-00-01B 24-30-00-01C	010020 201201	RF
- 1	233A5220-5		EQUIPMENT INSTL-P6 CB PNL (RECIRCULATION FAN ONLY) FOR NHA/OTHER SYS DET SEE: 24-30-00-01C	021027	RF
- 1	233A5220-7		EQUIPMENT INSTL-P6 CB PNL (RECIRCULATION FAN ONLY) FOR NHA/OTHER SYS DET SEE: 24-30-00-01C	028029	RF
- 1	233A5220-9		EQUIPMENT INSTL-P6 CB PNL (RECIRCULATION FAN ONLY) FOR NHA/OTHER SYS DET SEE: 24-30-00-01C	030030	RF
5	MS27418-2B		.RELAY- ELECTRICAL EQUIP NUMBER: R00331 ATTACHING PARTS	008030 201967	1
- 10	BACS12GU08K7		.SCREW	008030 201967	4
- 15	NAS1149DN832J		.WASHER -----*-----	008030 201967	4

MISSING ITEM NUMBERS NOT APPLICABLE

- ITEM NOT ILLUSTRATED

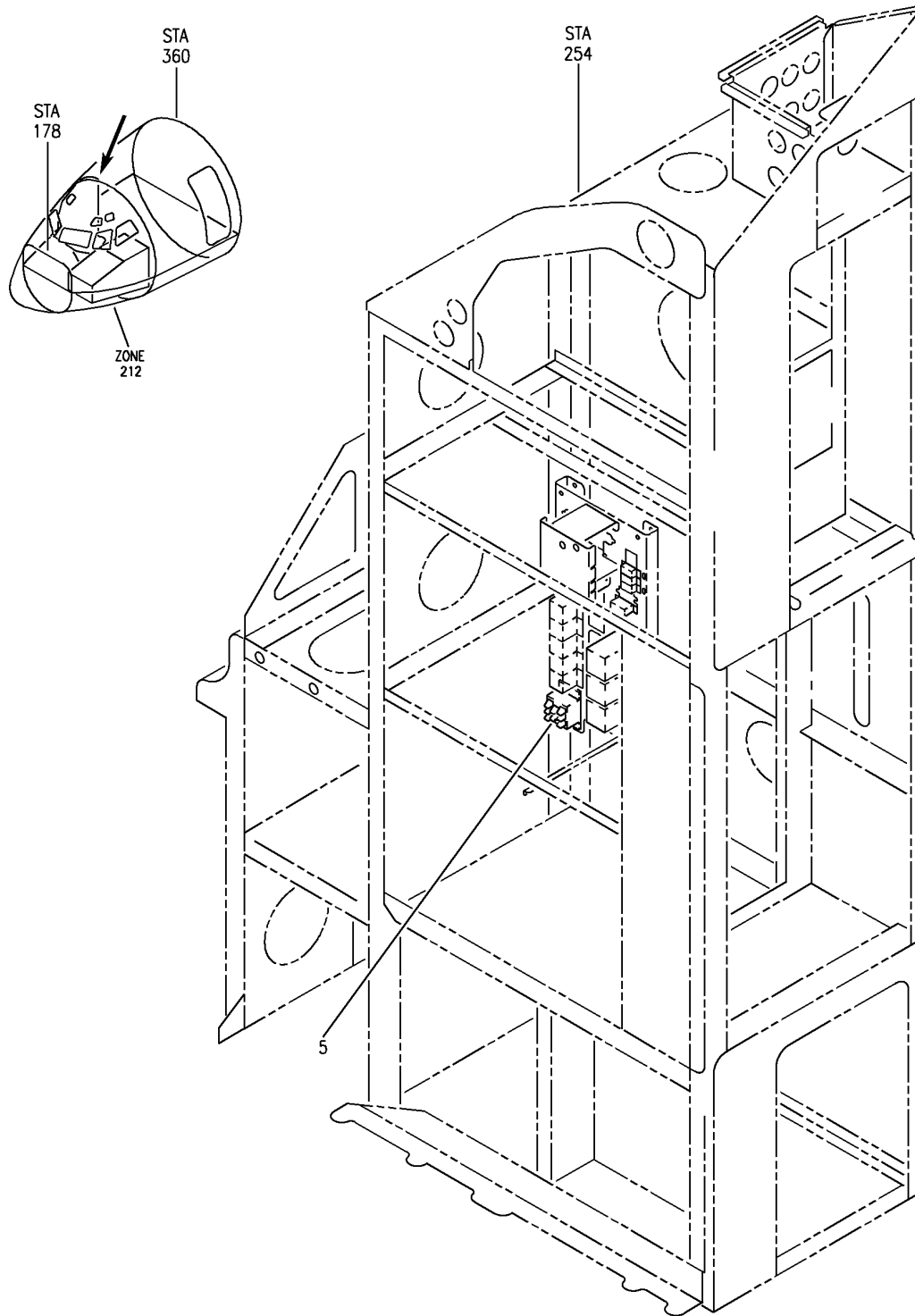
HAP

21-25-02-02

BOEING PROPRIETARY - Copyright © - Unpublished Work - See title page for details.

21-25-02
FIG. 02
PAGE 1
OCT 15/08

BOEING
737-600/700/800/900
PARTS CATALOG (MAINTENANCE)



E 21250202A REV 127

EQUIPMENT INSTL-P6 CB PNL (RECIRCULATION FAN ONLY)
FIGURE 2A

21-25-02-02A

HAP
FEB 10/07

21-25-02-02A
PAGE 0

BOEING
737-600/700/800/900
PARTS CATALOG (MAINTENANCE)

FIG ITEM	PART NUMBER	1 2 3 4 5 6 7	NOMENCLATURE	EFFECT FROM TO	UNITS PER ASSY
2A					
- 2	MODREF267101		EQUIPMENT INSTL-P6 CB PNL (RECIRCULATION FAN ONLY)	031200 968999	1
			EQUIPMENT INSTL-P6 CB PNL (RECIRCULATION FAN ONLY)	031043 101101	
			MODULE NUMBER: 233A5220-11 REV P	968971	
			FOR OTHER SYS DETAILS SEE:		
			11-31-01-53A		
			21-31-00-02		
			23-51-00-31		
			24-34-11-03		
			24-51-11-01A		
			24-52-00-02		
			24-61-00-03		
			28-21-21-01A		
			28-21-81-03		
			31-11-98-09		
			33-11-00-04A		
			33-18-00-03		
			33-25-00-02A		
			33-29-00-03A		
- 2	MODREF351279		EQUIPMENT INSTL-P6 CB PNL (RECIRCULATION FAN ONLY)	044046 054100	1
			EQUIPMENT INSTL-P6 CB PNL (RECIRCULATION FAN ONLY)	102104 972972	
			MODULE NUMBER: 233A5220-11 REV R		
			FOR OTHER SYS DETAILS SEE:		
			11-31-01-53A		
			21-31-00-02		
			23-51-00-31		
			24-34-11-03		
			24-51-11-01A		
			24-52-00-02		
			24-61-00-03		
			28-21-21-01A		
			28-21-81-03		
			31-11-98-09		
			33-11-00-04A		
			33-18-00-03		
			33-25-00-02A		
			33-29-00-03A		

MISSING ITEM NUMBERS NOT APPLICABLE

- ITEM NOT ILLUSTRATED

HAP

21-25-02-02A

BOEING PROPRIETARY - Copyright © - Unpublished Work - See title page for details.

21-25-02
FIG. 02A
PAGE 1
FEB 15/09


BOEING
 737-600/700/800/900
PARTS CATALOG (MAINTENANCE)

FIG ITEM	PART NUMBER	1 2 3 4 5 6 7	NOMENCLATURE	EFFECT FROM TO	UNITS PER ASSY
2A 5	9324-7424		.RELAY- SUPPLIER CODE: V58657 ELECTRICAL EQUIP NUMBER: R00331 OPTIONAL PART: MS27418-2B ATTACHING PARTS	031200 968999	1
- 10	BACS12GU08K7		.SCREW	031200 968999	4
- 15	NAS1149DN832J		.WASHER -----*-----	031200 968999	4

MISSING ITEM NUMBERS NOT APPLICABLE

- ITEM NOT ILLUSTRATED

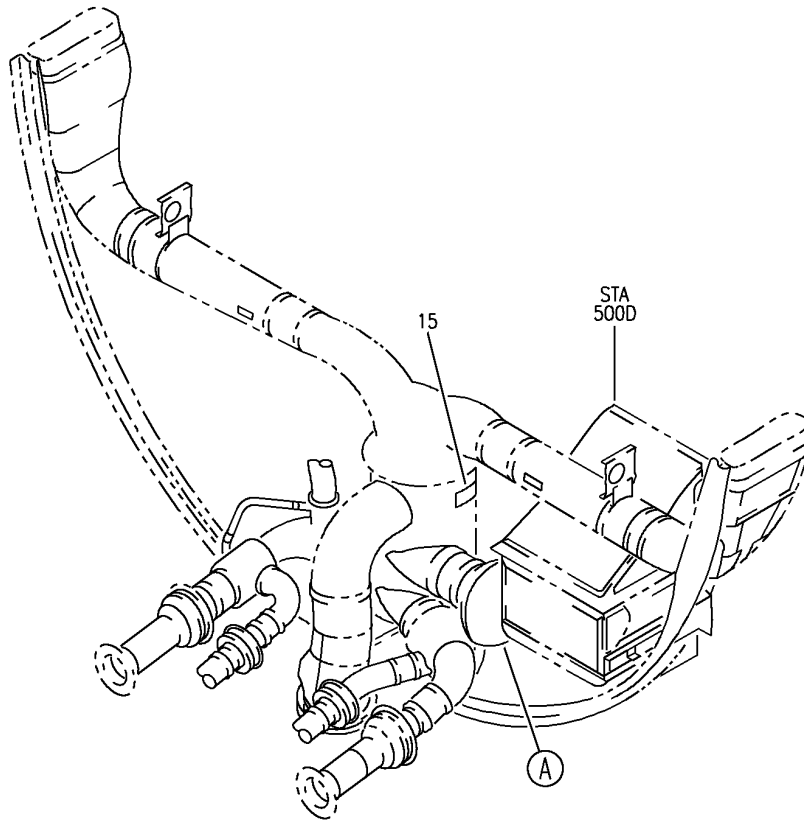
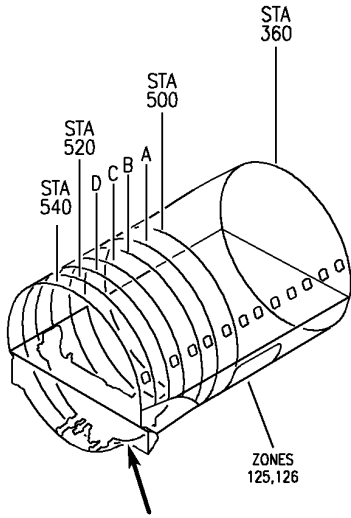
HAP

21-25-02-02A

BOEING PROPRIETARY - Copyright © - Unpublished Work - See title page for details.

21-25-02
 FIG. 02A
 PAGE 3
 JUN 15/09

BOEING
 737-600/700/800/900
 PARTS CATALOG (MAINTENANCE)



E 21250206 SHT 1 REV 111

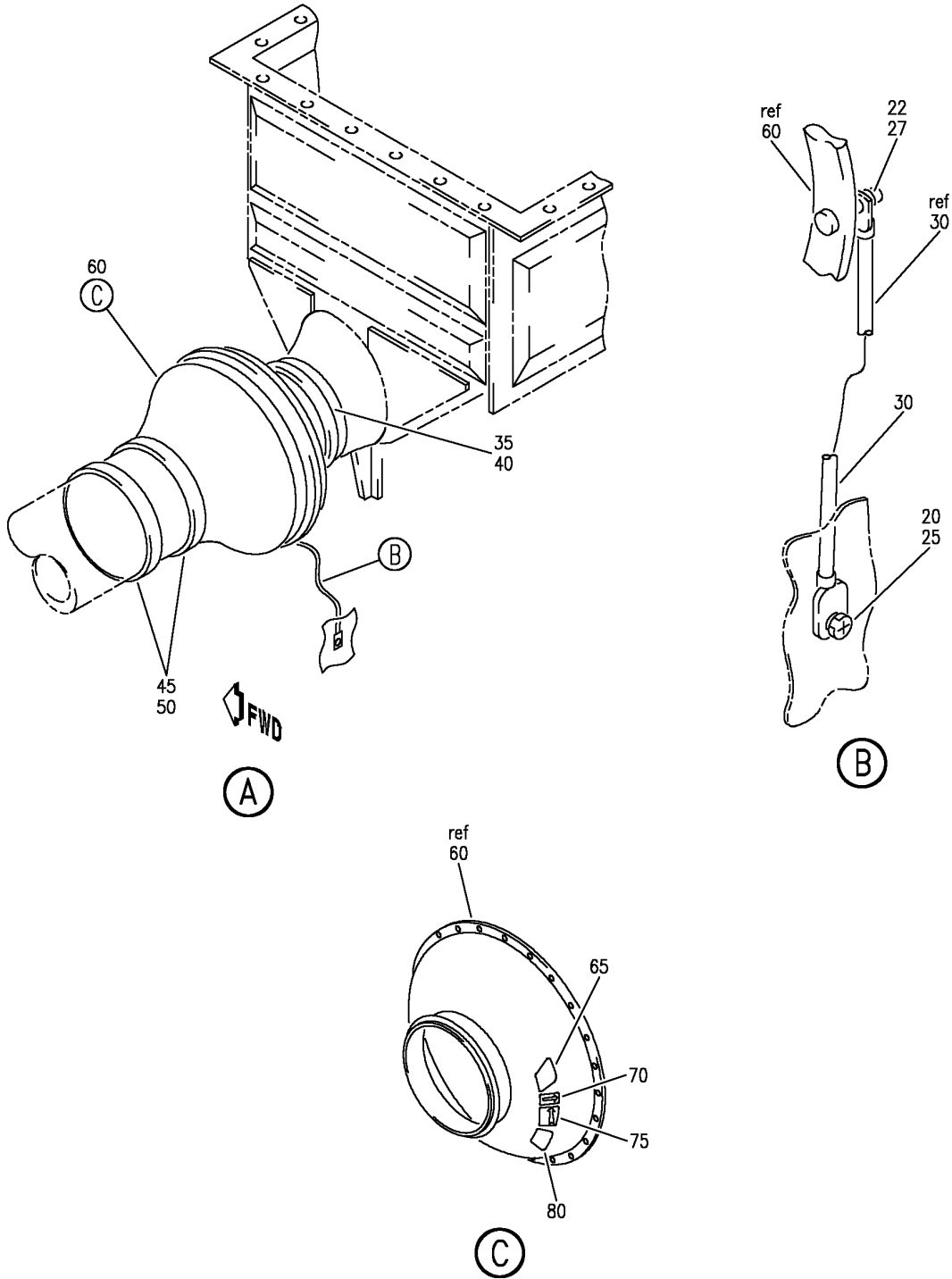
DUCT INSTL-AIR DISTR MIX BAY, BASELINE SYS CONFIGURATION FOR 737-700 (RECIRCULATION FAN ONLY)
 FIGURE 6 (SHEET 1)

HAP
 FEB 10/07

21-25-02-06

21-25-02-06
 PAGE 0

BOEING
 737-600/700/800/900
 PARTS CATALOG (MAINTENANCE)



E 21250206 SHT 2 REV 150

DUCT INSTL-AIR DISTR MIX BAY, BASELINE SYS CONFIGURATION FOR 737-700 (RECIRCULATION FAN ONLY)
 FIGURE 6 (SHEET 2)

HAP
 FEB 15/09

21-25-02-06

21-25-02-06
 PAGE 0A

BOEING
737-600/700/800/900
PARTS CATALOG (MAINTENANCE)

FIG ITEM	PART NUMBER	1 2 3 4 5 6 7	NOMENCLATURE	EFFECT FROM TO	UNITS PER ASSY
6			DUCT INSTL-AIR DISTR MIX BAY, BASELINE SYS CONFIGURATION FOR 737-700 (RECIRCULATION FAN ONLY)	101999	
- 1	214A3001-2		DUCT INSTL-AIR DISTR MIX BAY, BASELINE SYS CONFIGURATION FOR 737-700 (RECIRCULATION FAN ONLY)	201967	RF
- 1	MODREF251484		FOR NHA/OTHER SYS DET SEE: 21-20-00-04B DUCT INSTL-AIR DISTR MIX BAY, BASELINE SYS CONFIGURATION FOR 737-700 (RECIRCULATION FAN ONLY) MODULE NUMBER: 214A3001-14 REV D FOR OTHER SYS DETAILS SEE: 21-21-02-04 21-21-51-05 21-61-03-03 FOR ADDITIONAL DETAILS SEE: 21-25-01-04 21-25-03-06	101101 968971	1
- 1	MODREF357285		DUCT INSTL-AIR DISTR MIX BAY, BASELINE SYS CONFIGURATION FOR 737-700 (RECIRCULATION FAN ONLY) MODULE NUMBER: 214A3001-14 REV F FOR OTHER SYS DETAILS SEE: 21-21-02-04 21-21-51-05B 21-61-03-03 FOR ADDITIONAL DETAILS SEE: 21-25-01-04 21-25-03-06	102106 972999	1
- 1	MODREF394945		DUCT INSTL-AIR DISTR MIX BAY, BASELINE SYS CONFIGURATION FOR 737-700 (RECIRCULATION FAN ONLY) MODULE NUMBER: 214A3001-14 REV G FOR OTHER SYS DETAILS SEE: 21-21-02-04 21-21-51-05B 21-61-03-03 FOR ADDITIONAL DETAILS SEE: 21-25-01-04 21-25-03-06	107200	1

MISSING ITEM NUMBERS NOT APPLICABLE

- ITEM NOT ILLUSTRATED

HAP

21-25-02-06

BOEING PROPRIETARY - Copyright © - Unpublished Work - See title page for details.

21-25-02
FIG. 06
PAGE 1
OCT 15/08

BOEING
737-600/700/800/900
PARTS CATALOG (MAINTENANCE)

FIG ITEM	PART NUMBER	1 2 3 4 5 6 7	NOMENCLATURE	EFFECT FROM TO	UNITS PER ASSY
6					
- 5	214A3101-2		.MANIFOLD ASSY-	101999	RF
- 10	65C28007-4		..MIX ASSY	101999	RF
15	BAC27DAC0053		...DECAL-	101999	1
			PLACARD CONTENT: CABIN AIR RECIRC. FAN M1148-D3020		
20	NAS1149D0316H		.WASHER	201967	1
22	NAS1149D0316H		.WASHER	101200 968999	1
25	PLH53CD		.NUT	201967	1
			SUPPLIER CODE: VF0224 SPECIFICATION NUMBER: BACN10YR3CD OPTIONAL PART: H52732-3CD V15653		
27	PLH53CD		.NUT	101200 968999	1
			SUPPLIER CODE: VF0224 SPECIFICATION NUMBER: BACN10YR3CD OPTIONAL PART: H52732-3CD V15653		
30	740A20-12		.JUMPER	101999	1
			SUPPLIER CODE: V91812 SPECIFICATION NUMBER: BACJ40A20-12 OPTIONAL PART: TJEJ40A20-12 V33483 RBEJ20-12 V1GK47		
35	NH103404-0650		.COUPLING-	101999	1
			SUPPLIER CODE: V00624		
40	SS4-650A		.SLEEVE-	201967	1
			SUPPLIER CODE: V94581 SPECIFICATION NUMBER: BACS13N650A OPTIONAL PART: 42737-650A V98625 504-650 V00624		

MISSING ITEM NUMBERS NOT APPLICABLE

- ITEM NOT ILLUSTRATED

HAP

21-25-02-06

BOEING PROPRIETARY - Copyright © - Unpublished Work - See title page for details.

21-25-02
FIG. 06
PAGE 2
FEB 15/09

BOEING
737-600/700/800/900
PARTS CATALOG (MAINTENANCE)

FIG ITEM	PART NUMBER	1 2 3 4 5 6 7	NOMENCLATURE	EFFECT FROM TO	UNITS PER ASSY
6	40 504-650		. SLEEVE- SUPPLIER CODE: V00624 OPTIONAL PART: BACS13N650A	201967	1
	40 SS4-650A		. SLEEVE SUPPLIER CODE: V94581 SPECIFICATION NUMBER: BACS13N650A OPTIONAL PART: 42737-650A V98625	101200 968999	1
	45 NH103404-0700		. COUPLING- SUPPLIER CODE: V00624	101999	RF
	50 SS4-700A		. SLEEVE- SUPPLIER CODE: V94581 SPECIFICATION NUMBER: BACS13N700A OPTIONAL PART: 42737-700A V98625 504-700 V00624	201967	RF
	50 504-700		. SLEEVE- SUPPLIER CODE: V00624 OPTIONAL PART: BACS13N700A	201967	RF
	50 SS4-700A		. SLEEVE SUPPLIER CODE: V94581 SPECIFICATION NUMBER: BACS13N700A OPTIONAL PART: 42737-700A V98625	101200 968999	RF

MISSING ITEM NUMBERS NOT APPLICABLE

— ITEM NOT ILLUSTRATED

HAP

21-25-02-06

BOEING PROPRIETARY - Copyright © - Unpublished Work - See title page for details.

21-25-02
FIG. 06
PAGE 3
FEB 15/09

BOEING
737-600/700/800/900
PARTS CATALOG (MAINTENANCE)

FIG ITEM	PART NUMBER	1 2 3 4 5 6 7	NOMENCLATURE	EFFECT FROM TO	UNITS PER ASSY
R R	6 60	645405-1	. FAN ASSY- SUPPLIER CODE: V70210 FUNCTIONAL DESCRIPTION: PROVIDES AIRFLOW TO THE PASSENGER CABIN SPECIFICATION NUMBER: 10-62009-1 ELECTRICAL EQUIP NUMBER: M01148 COMPONENT MAINT MANUAL REF: 21-20-18 OPTIONAL PART: 645405-2 V70210	101999	1
	60	645405-2	. FAN ASSY- SUPPLIER CODE: V70210 FUNCTIONAL DESCRIPTION: PROVIDES AIRFLOW TO THE PASSENGER CABIN SPECIFICATION NUMBER: 10-62009-1 ELECTRICAL EQUIP NUMBER: M01148 COMPONENT MAINT MANUAL REF: 21-20-18 OPTIONAL PART: 645405-1 V70210	101999	1
	65	645433-1	.. PLATE-IDENT SUPPLIER CODE: V70210 MISCELLANEOUS DATA: SERIES 1 USED ON: 645405-1	101999	1
	65	645433-2	.. PLATE-IDENT SUPPLIER CODE: V70210 MISCELLANEOUS DATA: SERIES 2 USED ON: 645405-1	101999	1

MISSING ITEM NUMBERS NOT APPLICABLE

— ITEM NOT ILLUSTRATED

HAP

21-25-02-06

BOEING PROPRIETARY - Copyright © - Unpublished Work - See title page for details.

21-25-02
FIG. 06
PAGE 4
JUN 15/09

BOEING
737-600/700/800/900
PARTS CATALOG (MAINTENANCE)

FIG ITEM	PART NUMBER	1 2 3 4 5 6 7	NOMENCLATURE	EFFECT FROM TO	UNITS PER ASSY
6					
65	645433-3		..PLATE-IDENT SUPPLIER CODE: V70210 MISCELLANEOUS DATA: SERIES 3 USED ON: 645405-1	101999	1
65	2787158-1		..PLATE-IDENT SUPPLIER CODE: V70210 MISCELLANEOUS DATA: SERIES 1 USED ON: 645405-2	101999	1
70	S8188A7		..PLATE-IDENT SUPPLIER CODE: V70210 CONFIG CHG DATA FROM A CMM: REPLD BY S8188M7 MISCELLANEOUS DATA: SERIES 1 USED ON: 645405-1	101999	1
70	S8188M7		..PLATE-IDENT SUPPLIER CODE: V70210 CONFIG CHG DATA FROM A CMM: REPLD BY S8188MP7 REPLS S8188A7 MISCELLANEOUS DATA: SERIES 1 USED ON: 645405-1	101999	1
70	S8188M7		..PLATE-IDENT SUPPLIER CODE: V70210 CONFIG CHG DATA FROM A CMM: REPLD BY S8188MP7 MISCELLANEOUS DATA: SERIES 2, 3 USED ON: 645405-1	101999	1

MISSING ITEM NUMBERS NOT APPLICABLE

— ITEM NOT ILLUSTRATED

HAP

21-25-02-06

BOEING PROPRIETARY - Copyright © - Unpublished Work - See title page for details.

21-25-02
FIG. 06
PAGE 5
OCT 15/08

BOEING
737-600/700/800/900
PARTS CATALOG (MAINTENANCE)

FIG ITEM	PART NUMBER	1 2 3 4 5 6 7	NOMENCLATURE	EFFECT FROM TO	UNITS PER ASSY
6	70 S8188MP7		..PLATE-IDENT SUPPLIER CODE: V70210 CONFIG CHG DATA FROM A CMM: REPLS S8188M7 MISCELLANEOUS DATA: SERIES 1, 2, 3 USED ON: 645405-1	101999	1
	70 S8188MP7		..PLATE-IDENT SUPPLIER CODE: V70210 MISCELLANEOUS DATA: SERIES 1 USED ON: 645405-2	101999	1
	75 S8302-2		..DECAL-DIR ARROW SUPPLIER CODE: V70210	101999	1
	80 645409-1		..DECAL-WIRING DIAGRAM SUPPLIER CODE: V70210	101999	1

MISSING ITEM NUMBERS NOT APPLICABLE

— ITEM NOT ILLUSTRATED

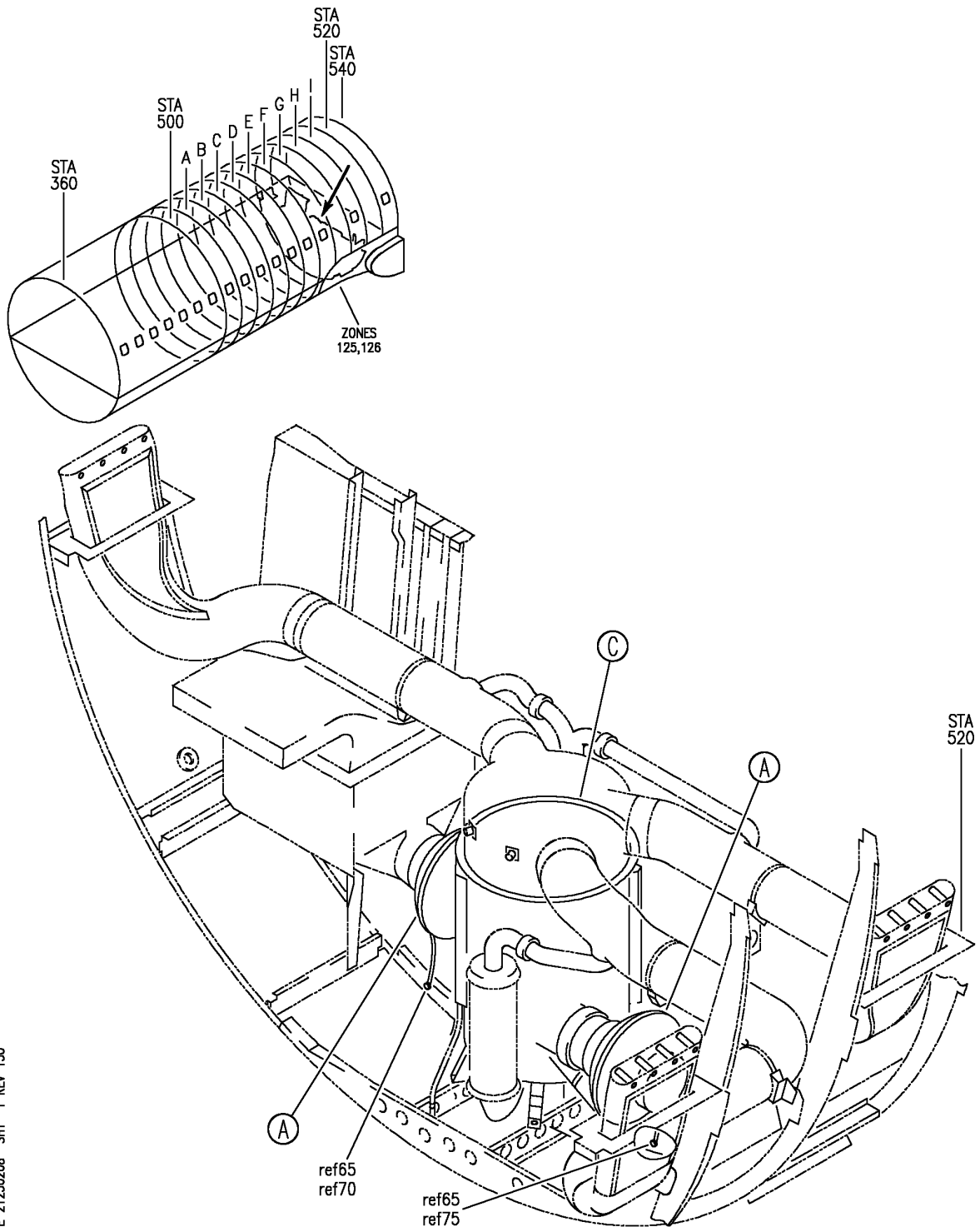
HAP

21-25-02-06

BOEING PROPRIETARY - Copyright © - Unpublished Work - See title page for details.

21-25-02
FIG. 06
PAGE 6
FEB 15/09

BOEING
 737-600/700/800/900
 PARTS CATALOG (MAINTENANCE)



E 21250208 SHT 1 REV 150

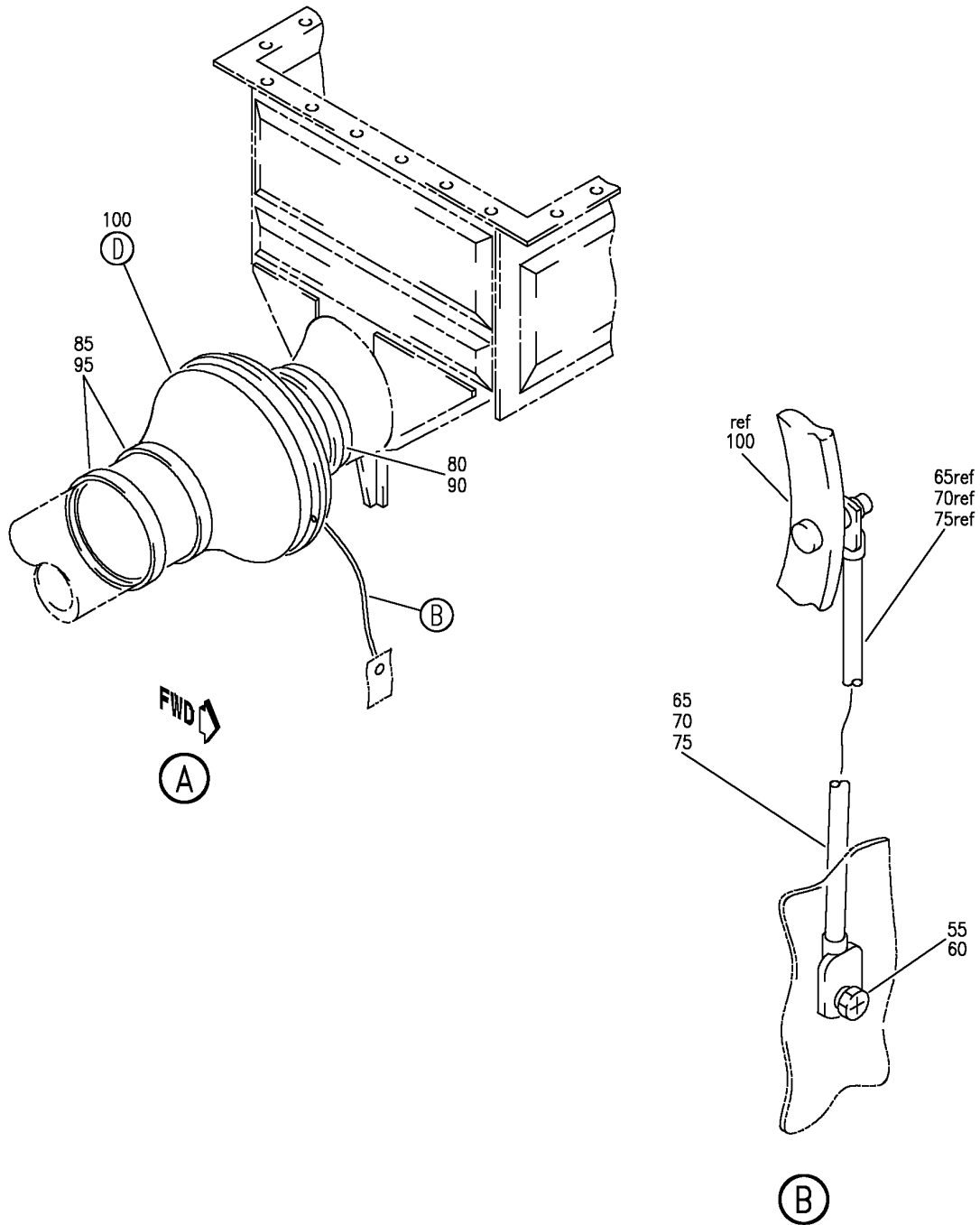
SYSTEM INSTL-AIR DISTR MIX BAY (AIR RECIRCULATION FAN ONLY)
 FIGURE 8 (SHEET 1)

21-25-02-08

HAP
 FEB 15/09

21-25-02-08
 PAGE 0

BOEING
 737-600/700/800/900
 PARTS CATALOG (MAINTENANCE)



E 21250208 SHT 2 REV 150

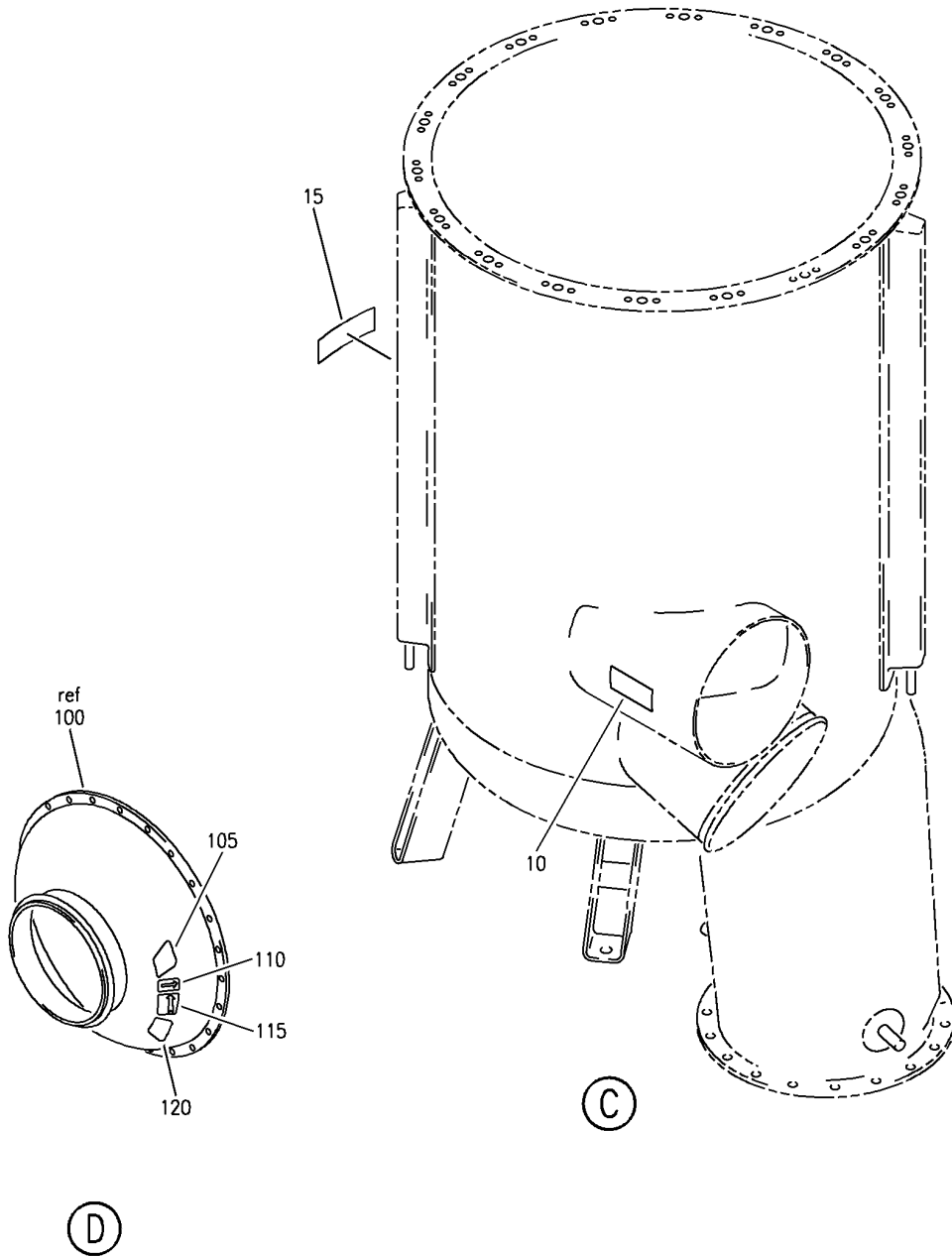
SYSTEM INSTL-AIR DISTR MIX BAY (AIR RECIRCULATION FAN ONLY)
 FIGURE 8 (SHEET 2)

21-25-02-08

HAP
 FEB 15/09

21-25-02-08
 PAGE 0A

BOEING
737-600/700/800/900
PARTS CATALOG (MAINTENANCE)



E 21250208 SHT 3 REV 111

SYSTEM INSTL-AIR DISTR MIX BAY (AIR RECIRCULATION FAN ONLY)
FIGURE 8 (SHEET 3)

HAP
OCT 10/06

21-25-02-08

21-25-02-08
PAGE 0B

BOEING
737-600/700/800/900
PARTS CATALOG (MAINTENANCE)

FIG ITEM	PART NUMBER	1 2 3 4 5 6 7	NOMENCLATURE	EFFECT FROM TO	UNITS PER ASSY
8			SYSTEM INSTL-AIR DISTR MIX BAY (AIR RECIRCULATION FAN ONLY)	001100	
- 1	214A3003-1		SYSTEM INSTL-AIR DISTR MIX BAY (AIR RECIRCULATION FAN ONLY) FOR NHA/OTHER SYS DET SEE: 21-20-00-04C	001007	RF
- 1	214A3003-5		SYSTEM INSTL-AIR DISTR MIX BAY (AIR RECIRCULATION FAN ONLY) FOR NHA/OTHER SYS DET SEE: 21-20-00-04C	008029	RF
- 1	214A3003-9		SYSTEM INSTL-AIR DISTR MIX BAY (AIR RECIRCULATION FAN ONLY) FOR NHA/OTHER SYS DET SEE: 21-20-00-04C	030030	RF
- 1	MODREF272954		SYSTEM INSTL-AIR DISTR MIX BAY (AIR RECIRCULATION FAN ONLY) MODULE NUMBER: 214A3003-12 REV D FOR OTHER SYS DETAILS SEE: 21-21-01-01 21-51-42-01 21-51-51-02	031043	1
- 1	MODREF349763		SYSTEM INSTL-AIR DISTR MIX BAY (AIR RECIRCULATION FAN ONLY) MODULE NUMBER: 214A3003-12 REV E FOR OTHER SYS DETAILS SEE: 21-21-01-01 21-51-42-01 21-51-51-02	044100	1
- 5	214A3105-1		.MANIFOLD ASSY- POSITION DATA: BOTTOM	001029	RF
- 5	214A3105-2		.MANIFOLD ASSY-	030030	RF
- 5	214A3105-3		.MANIFOLD ASSY-	001029	RF
10	BAC27DAC115		..DECAL- PLACARD CONTENT: CABIN AIR RECIRC. FAN M1441-D3854	031100 001100	1

MISSING ITEM NUMBERS NOT APPLICABLE

- ITEM NOT ILLUSTRATED

HAP

21-25-02-08

21-25-02
FIG. 08
PAGE 1
JUN 15/08

BOEING
737-600/700/800/900
PARTS CATALOG (MAINTENANCE)

FIG ITEM	PART NUMBER	1 2 3 4 5 6 7	NOMENCLATURE	EFFECT FROM TO	UNITS PER ASSY
8	15 BAC27DAC116		..DECAL- PLACARD CONTENT: CABIN AIR RECIRC. FAN M1440-D3856	001100	1
-	50 214A3003-2		SYSTEM INSTL-AIR DISTR MIX BAY (AIR RECIRCULATION FAN ONLY) FOR NHA/ADDITIONAL DET SEE: 21-20-00-04C	001011	RF
-	50 214A3003-6		SYSTEM INSTL-AIR DISTR MIX BAY (AIR RECIRCULATION FAN ONLY) FOR NHA/ADDITIONAL DET SEE: 21-20-00-04C	012027	RF
-	50 214A3003-8		SYSTEM INSTL-AIR DISTR MIX BAY (AIR RECIRCULATION FAN ONLY) FOR NHA/ADDITIONAL DET SEE: 21-20-00-04C	028029	RF
-	50 214A3003-11		SYSTEM INSTL-AIR DISTR SYS BAY (AIR RECIRCULATION FAN ONLY) FOR NHA/ADDITIONAL DET SEE: 21-20-00-04C	030030	RF
-	50 MODREF205721		SYSTEM INSTL-AIR DISTR MIX BAY RECIRCULATION (AIR RECIRCULATION FAN ONLY) MODULE NUMBER: 214A3003-11 REV C FOR ADDITIONAL DETAILS SEE: 21-25-01-01 21-25-03-01	031031	1
-	50 MODREF284444		SYSTEM INSTL-AIR DISTR MIX BAY RECIRCULATION (AIR RECIRCULATION FAN ONLY) MODULE NUMBER: 214A3003-11 REV D FOR ADDITIONAL DETAILS SEE: 21-25-01-01 21-25-03-01	032100	1
55	NAS1149D0316J		.WASHER	001100	2
60	PLH53CD		.NUT SUPPLIER CODE: VF0224 SPECIFICATION NUMBER: BACN10YR3CD OPTIONAL PART: H52732-3CD V15653	001100	2

MISSING ITEM NUMBERS NOT APPLICABLE

- ITEM NOT ILLUSTRATED

HAP

21-25-02-08

BOEING PROPRIETARY - Copyright © - Unpublished Work - See title page for details.

21-25-02
FIG. 08
PAGE 2
FEB 15/09

BOEING
737-600/700/800/900
PARTS CATALOG (MAINTENANCE)

FIG ITEM	PART NUMBER	1 2 3 4 5 6 7	NOMENCLATURE	EFFECT FROM TO	UNITS PER ASSY
8 65	1002BB13		. JUMPER SUPPLIER CODE: V1FF12 SPECIFICATION NUMBER: BACJ40A20-13 OPTIONAL PART: TJEJ40A20-13 V33483 740A20-13 V91812 RBEJ20-13 V1GK47	001011	2
70	1002BB13		. JUMPER SUPPLIER CODE: V1FF12 SPECIFICATION NUMBER: BACJ40A20-13 OPTIONAL PART: TJEJ40A20-13 V33483 740A20-13 V91812 RBEJ20-13 V1GK47	012100	1
75	1002BB20		. JUMPER SUPPLIER CODE: V1FF12 SPECIFICATION NUMBER: BACJ40A20-20 OPTIONAL PART: TJEJ40A20-20 V33483 740A20-20 V91812 RBEJ20-20 V1GK47	012100	1
80	NH103404-0650		. COUPLING- SUPPLIER CODE: V00624	001100	2
85	NH103404-0700		. COUPLING- SUPPLIER CODE: V00624	001100	RF
90	504-650		. SLEEVE- SUPPLIER CODE: V00624 OPTIONAL PART: BACS13N650A	001100	2

MISSING ITEM NUMBERS NOT APPLICABLE

— ITEM NOT ILLUSTRATED

HAP

21-25-02-08

BOEING PROPRIETARY - Copyright © - Unpublished Work - See title page for details.

21-25-02
FIG. 08
PAGE 3
JUN 10/07

BOEING
737-600/700/800/900
PARTS CATALOG (MAINTENANCE)

FIG ITEM	PART NUMBER	1 2 3 4 5 6 7	NOMENCLATURE	EFFECT FROM TO	UNITS PER ASSY
8 90	SS4-650A	.	SLEEVE- SUPPLIER CODE: V94581 SPECIFICATION NUMBER: BACS13N650A OPTIONAL PART: 42737-650A V98625 504-650 V00624	001100	2
95	504-700	.	SLEEVE- SUPPLIER CODE: V00624 OPTIONAL PART: BACS13N700A	001100	RF
95	SS4-700A	.	SLEEVE- SUPPLIER CODE: V94581 SPECIFICATION NUMBER: BACS13N700A OPTIONAL PART: 42737-700A V98625 504-700 V00624	001100	RF
100	645405-1	.	FAN ASSY-CAB. AIR RECIRCULATION SUPPLIER CODE: V70210 FUNCTIONAL DESCRIPTION: PROVIDES AIRFLOW TO THE PASSENGER CABIN SPECIFICATION NUMBER: 10-62009-1 ELECTRICAL EQUIP NUMBER: M01440 M01441 COMPONENT MAINT MANUAL REF: 21-20-18 MAINTENANCE MANUAL REF: 21-25-02 OPTIONAL PART: 645405-2 V70210	001100	2

MISSING ITEM NUMBERS NOT APPLICABLE

— ITEM NOT ILLUSTRATED

HAP

21-25-02-08

BOEING PROPRIETARY - Copyright © - Unpublished Work - See title page for details.

21-25-02
FIG. 08
PAGE 4
JUN 15/08

BOEING
737-600/700/800/900
PARTS CATALOG (MAINTENANCE)

FIG ITEM	PART NUMBER	1 2 3 4 5 6 7	NOMENCLATURE	EFFECT FROM TO	UNITS PER ASSY
8 100	645405-2		.FAN ASSY-CAB. AIR RECIRCULATION SUPPLIER CODE: V70210 FUNCTIONAL DESCRIPTION: PROVIDES AIRFLOW TO THE PASSENGER CABIN SPECIFICATION NUMBER: 10-62009-1 ELECTRICAL EQUIP NUMBER: M01440 M01441 COMPONENT MAINT MANUAL REF: 21-20-18 MAINTENANCE MANUAL REF: 21-25-02 OPTIONAL PART: 645405-1 V70210	001100	2
105	645433-1		..PLATE-IDENT SUPPLIER CODE: V70210 MISCELLANEOUS DATA: SERIES 1 USED ON: 645405-1	001100	1
105	645433-2		..PLATE-IDENT SUPPLIER CODE: V70210 MISCELLANEOUS DATA: SERIES 2 USED ON: 645405-1	001100	1
105	645433-3		..PLATE-IDENT SUPPLIER CODE: V70210 MISCELLANEOUS DATA: SERIES 3 USED ON: 645405-1	001100	1
105	2787158-1		..PLATE-IDENT SUPPLIER CODE: V70210 MISCELLANEOUS DATA: SERIES 1 USED ON: 645405-2	001100	1

MISSING ITEM NUMBERS NOT APPLICABLE

— ITEM NOT ILLUSTRATED

HAP

21-25-02-08

BOEING PROPRIETARY - Copyright © - Unpublished Work - See title page for details.

21-25-02
FIG. 08
PAGE 5
JUN 15/08

BOEING
737-600/700/800/900
PARTS CATALOG (MAINTENANCE)

FIG ITEM	PART NUMBER	1 2 3 4 5 6 7	NOMENCLATURE	EFFECT FROM TO	UNITS PER ASSY
8					
110	S8188A7	..	PLATE-IDENT SUPPLIER CODE: V70210 CONFIG CHG DATA FROM A CMM: REPLD BY S8188M7 MISCELLANEOUS DATA: SERIES 1 USED ON: 645405-1	001100	1
110	S8188M7	..	PLATE-IDENT SUPPLIER CODE: V70210 CONFIG CHG DATA FROM A CMM: REPLD BY S8188MP7 REPLS S8188A7 MISCELLANEOUS DATA: SERIES 1 USED ON: 645405-1	001100	1
110	S8188M7	..	PLATE-IDENT SUPPLIER CODE: V70210 CONFIG CHG DATA FROM A CMM: REPLD BY S8188MP7 MISCELLANEOUS DATA: SERIES 2, 3 USED ON: 645405-1	001100	1
110	S8188MP7	..	PLATE-IDENT SUPPLIER CODE: V70210 CONFIG CHG DATA FROM A CMM: REPLS S8188M7 MISCELLANEOUS DATA: SERIES 1, 2, 3 USED ON: 645405-1	001100	1
110	S8188MP7	..	PLATE-IDENT SUPPLIER CODE: V70210 MISCELLANEOUS DATA: SERIES 1 USED ON: 645405-2	001100	1
115	S8302-2	..	DECAL-DIR ARROW SUPPLIER CODE: V70210	001100	1

MISSING ITEM NUMBERS NOT APPLICABLE

— ITEM NOT ILLUSTRATED

HAP

21-25-02-08

BOEING PROPRIETARY - Copyright © - Unpublished Work - See title page for details.

21-25-02
FIG. 08
PAGE 6
FEB 10/07


BOEING
 737-600/700/800/900
PARTS CATALOG (MAINTENANCE)

FIG ITEM	PART NUMBER	1 2 3 4 5 6 7 NOMENCLATURE	EFFECT FROM TO	UNITS PER ASSY
8 120	645409-1	..DECAL-WIRING DIAGRAM SUPPLIER CODE: V70210	001100	1

MISSING ITEM NUMBERS NOT APPLICABLE

— ITEM NOT ILLUSTRATED

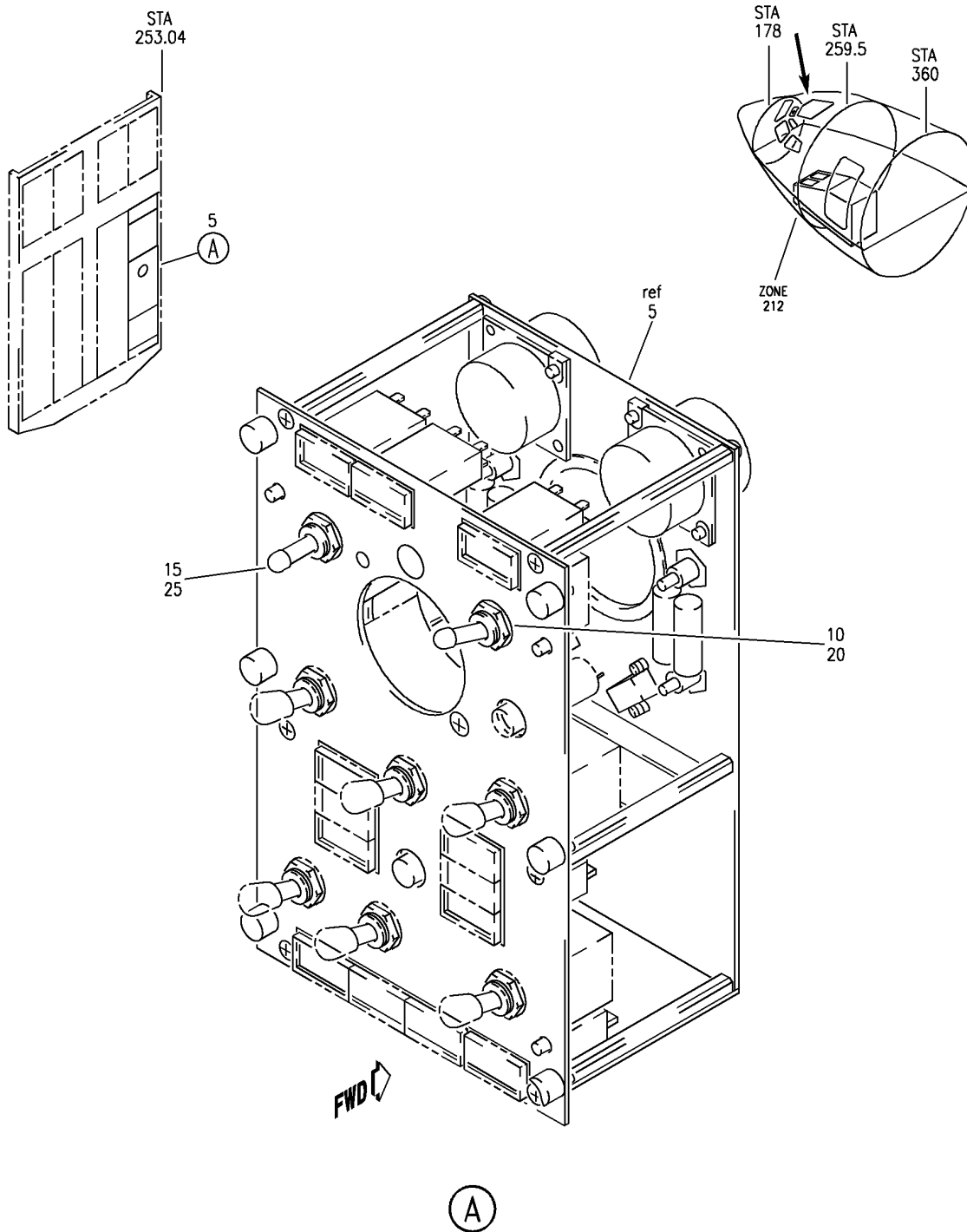
HAP

21-25-02-08

BOEING PROPRIETARY - Copyright © - Unpublished Work - See title page for details.

21-25-02
 FIG. 08
 PAGE 7
 FEB 15/09

BOEING
 737-600/700/800/900
 PARTS CATALOG (MAINTENANCE)



E 21250209 REV 118

MODULE INSTL-P5 OVHD (RECIRCULATION SYSTEM ONLY)
 FIGURE 9

21-25-02-09

HAP
 OCT 10/06

21-25-02-09
 PAGE 0

 **BOEING**
737-600/700/800/900
PARTS CATALOG (MAINTENANCE)

FIG ITEM	PART NUMBER	1 2 3 4 5 6 7	NOMENCLATURE	EFFECT FROM TO	UNITS PER ASSY
9					
5	69-37319-312		.MODULE ASSY-AIR CONDITIONING SUPPLIER CODE: V89954 FUNCTIONAL DESCRIPTION: CONTROLS THE OPERATION OF THE AIR CONDITIONING AND PNEUMATIC SYSTEMS. ELECTRICAL EQUIP NUMBER: P00510 COMPONENT MAINT MANUAL REF: 31-37-07	029100	RF
10	69-44578-2		..CAP-CUSHION	029200 968999	1
15	69-44578-2		..CAP-CUSHION	029100	1
20	64AT22-3		..SWITCH- SUPPLIER CODE: V91929	029200 968999	1
25	MS24523-23		..SWITCH	029100	1
- 30	69-78809-3		..PRINTED CIRCUIT ASSY- SUPPLIER CODE: V89954 COMPONENT MAINT MANUAL REF: 28-09-33 OPTIONAL PART: 69-78809-4 V89954 69-78809-5 V89954 69-78809-6 V89954 FOR SPARES PROCURE: 69-78809-6 V89954	029200 968999	RF
- 30	69-78809-4		..PRINTED CIRCUIT ASSY- SUPPLIER CODE: V89954 COMPONENT MAINT MANUAL REF: 28-09-33 OPTIONAL PART: 69-78809-3 V89954 69-78809-5 V89954 69-78809-6 V89954 FOR SPARES PROCURE: 69-78809-6 V89954	029200 968999	RF

MISSING ITEM NUMBERS NOT APPLICABLE

- ITEM NOT ILLUSTRATED

HAP

21-25-02-09

BOEING PROPRIETARY - Copyright © - Unpublished Work - See title page for details.

21-25-02
FIG. 09
PAGE 2
JUN 15/09

BOEING
737-600/700/800/900
PARTS CATALOG (MAINTENANCE)

FIG ITEM	PART NUMBER	1 2 3 4 5 6 7	NOMENCLATURE	EFFECT FROM TO	UNITS PER ASSY
9 - 30	69-78809-5		..PRINTED CIRCUIT ASSY- SUPPLIER CODE: V89954 COMPONENT MAINT MANUAL REF: 28-09-33 OPTIONAL PART: 69-78809-3 V89954 69-78809-4 V89954 69-78809-6 V89954 FOR SPARES PROCURE: 69-78809-6 V89954	029200 968999	RF
- 30	69-78809-6		..PRINTED CIRCUIT ASSY- SUPPLIER CODE: V89954 COMPONENT MAINT MANUAL REF: 28-09-33 OPTIONAL PART: 69-78809-3 V89954 69-78809-4 V89954 69-78809-5 V89954	029200 968999	RF

MISSING ITEM NUMBERS NOT APPLICABLE

- ITEM NOT ILLUSTRATED

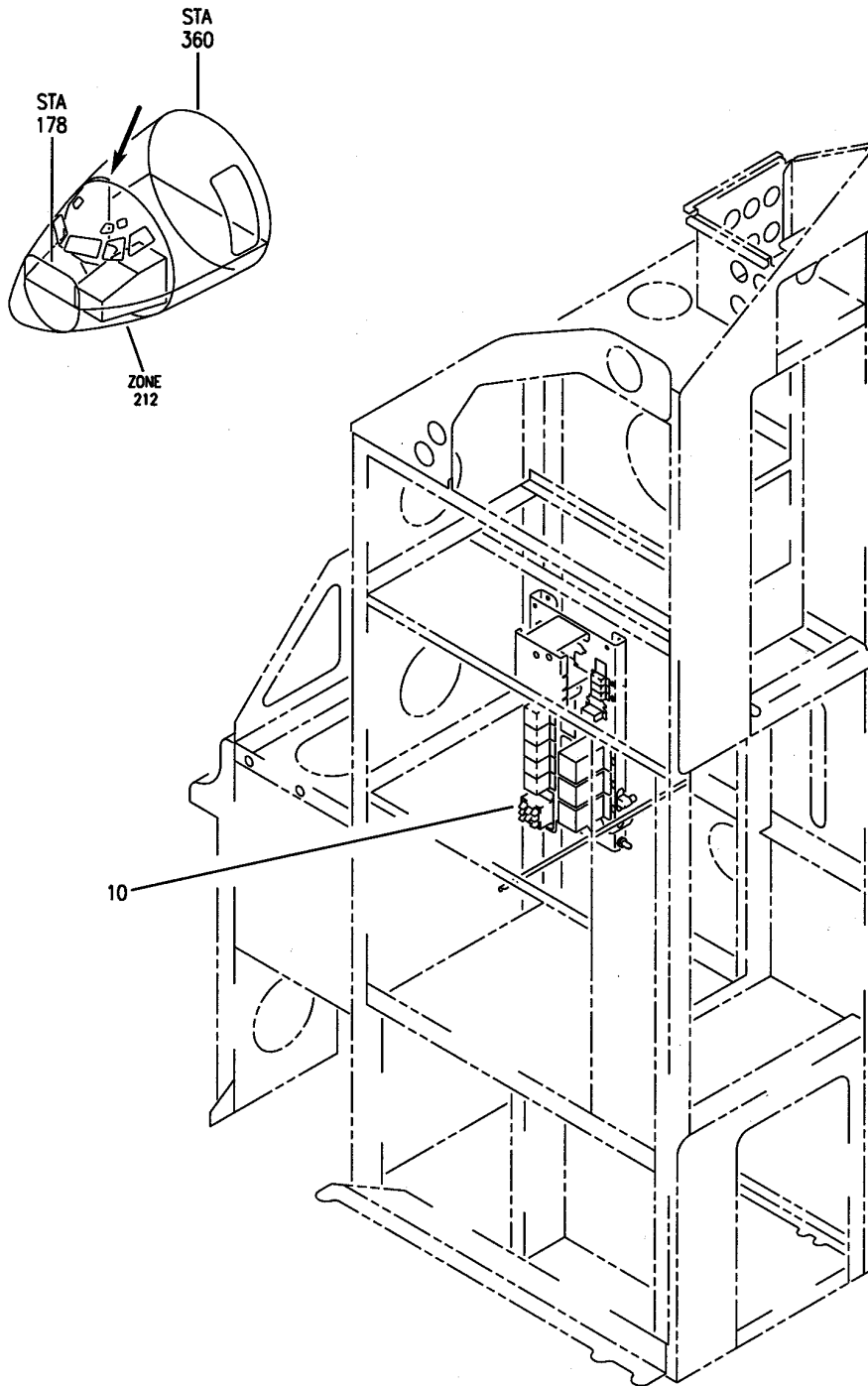
HAP

21-25-02-09

BOEING PROPRIETARY - Copyright © - Unpublished Work - See title page for details.

21-25-02
FIG. 09
PAGE 3
JUN 15/09

BOEING
737-600/700/800/900
PARTS CATALOG (MAINTENANCE)



E 21250225 REV 029

EQUIPMENT INSTL-P6 CB PNL (RECIRCULATION FAN ONLY)
FIGURE 25

21-25-02-25

HAP
OCT 10/06

21-25-02-25
PAGE 0

BOEING
737-600/700/800/900
PARTS CATALOG (MAINTENANCE)

FIG ITEM	PART NUMBER	1 2 3 4 5 6 7	NOMENCLATURE	EFFECT FROM TO	UNITS PER ASSY
25			EQUIPMENT INSTL-P6 CB PNL (RECIRCULATION FAN ONLY)	001007	
- 1	233A5201-1		EQUIPMENT INSTL-P6 CB PNL (RECIRCULATION FAN ONLY)	001005	RF
			FOR NHA/OTHER SYS DET SEE: 31-11-00-01C		
- 1	233A5201-9		EQUIPMENT INSTL-P6 CB PNL (RECIRCULATION FAN ONLY)	006007	RF
			FOR NHA/OTHER SYS DET SEE: 31-11-00-01C		
10	MS27418-2B		.RELAY-	001007	1
			ELECTRICAL EQUIP NUMBER: R00331		
			ATTACHING PARTS		
- 15	BACS12GU08K7		.SCREW	001007	4
- 20	NAS1149DN832J		.WASHER	001007	4
			-----*-----		

MISSING ITEM NUMBERS NOT APPLICABLE

- ITEM NOT ILLUSTRATED

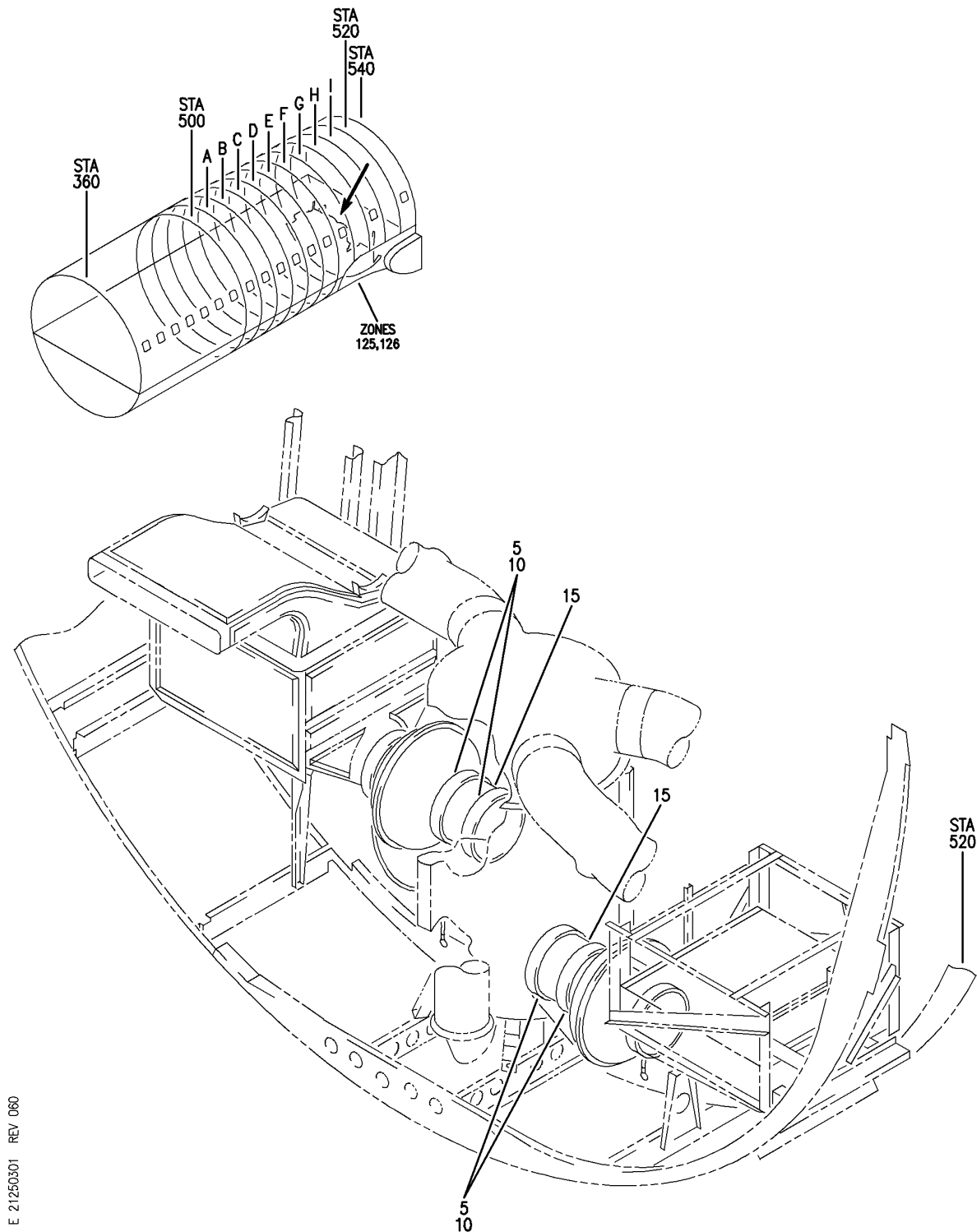
HAP

21-25-02-25

BOEING PROPRIETARY - Copyright © - Unpublished Work - See title page for details.

21-25-02
FIG. 25
PAGE 1
OCT 10/06

BOEING
 737-600/700/800/900
 PARTS CATALOG (MAINTENANCE)



E 21250301 REV 060

SYSTEM INSTL-AIR DISTR MIX BAY RECIRCULATION (AIR RECIRCULATION FAN CHECK VALVE ONLY)

FIGURE 1

21-25-03-01

HAP
 OCT 10/06

21-25-03-01
 PAGE 0

 **BOEING**
737-600/700/800/900
PARTS CATALOG (MAINTENANCE)

FIG ITEM	PART NUMBER	1 2 3 4 5 6 7	NOMENCLATURE	EFFECT FROM TO	UNITS PER ASSY
1			SYSTEM INSTL-AIR DISTR MIX BAY RECIRCULATION (AIR RECIRCULATION FAN CHECK VALVE ONLY)	001100	
- 1	214A3003-2		SYSTEM INSTL-AIR DISTR MIX BAY RECIRCULATION (AIR RECIRCULATION FAN CHECK VALVE ONLY) FOR NHA/ADDITIONAL DET SEE: 21-20-00-04C	001011	RF
- 1	214A3003-6		SYSTEM INSTL-AIR DISTR MIX BAY RECIRCULATION (AIR RECIRCULATION FAN CHECK VALVE ONLY) FOR NHA/ADDITIONAL DET SEE: 21-20-00-04C	012027	RF
- 1	214A3003-8		SYSTEM INSTL-AIR DISTR MIX BAY RECIRCULATION (AIR RECIRCULATION FAN CHECK VALVE ONLY) FOR NHA/ADDITIONAL DET SEE: 21-20-00-04C	028029	RF
- 1	214A3003-11		SYSTEM INSTL-AIR DISTR MIX BAY RECIRCULATION (AIR RECIRCULATION FAN CHECK VALVE ONLY) FOR NHA/ADDITIONAL DET SEE: 21-20-00-04C	030030	RF
- 1	MODREF205721		SYSTEM INSTL-AIR DISTR MIX BAY RECIRCULATION (AIR RECIRCULATION FAN CHECK VALVE ONLY) MODULE NUMBER: 214A3003-11 REV C FOR ADDITIONAL DETAILS SEE: 21-25-01-01 21-25-02-08	031031	1
- 1	MODREF284444		SYSTEM INSTL-AIR DISTR MIX BAY RECIRCULATION (AIR RECIRCULATION FAN CHECK VALVE ONLY) MODULE NUMBER: 214A3003-11 REV D FOR ADDITIONAL DETAILS SEE: 21-25-01-01 21-25-02-08	032100	1
5	NH103404-0700		.COUPLING- SUPPLIER CODE: V00624	001100	4

MISSING ITEM NUMBERS NOT APPLICABLE

- ITEM NOT ILLUSTRATED

HAP

21-25-03-01

BOEING PROPRIETARY - Copyright © - Unpublished Work - See title page for details.

21-25-03
FIG. 01
PAGE 1
FEB 10/07

BOEING
737-600/700/800/900
PARTS CATALOG (MAINTENANCE)

FIG ITEM	PART NUMBER	1 2 3 4 5 6 7	NOMENCLATURE	EFFECT FROM TO	UNITS PER ASSY
1	10 504-700		. SLEEVE- SUPPLIER CODE: V00624 OPTIONAL PART: BACS13N700A	001100	4
	10 SS4-700A		. SLEEVE- SUPPLIER CODE: V94581 SPECIFICATION NUMBER: BACS13N700A OPTIONAL PART: 42737-700A V98625 504-700 V00624	001100	4
	15 3202096-2		. VALVE- SUPPLIER CODE: V59364 FUNCTIONAL DESCRIPTION: PREVENTS LOSS OF AIR FROM THE MIX MANIFOLD WHEN RECIRCULATION FAN IS NOT OPERATING. SPECIFICATION NUMBER: S210T130-31 COMPONENT MAINT MANUAL REF: 21-25-01 MAINTENANCE MANUAL REF: 21-25-03	001100	2

MISSING ITEM NUMBERS NOT APPLICABLE

— ITEM NOT ILLUSTRATED

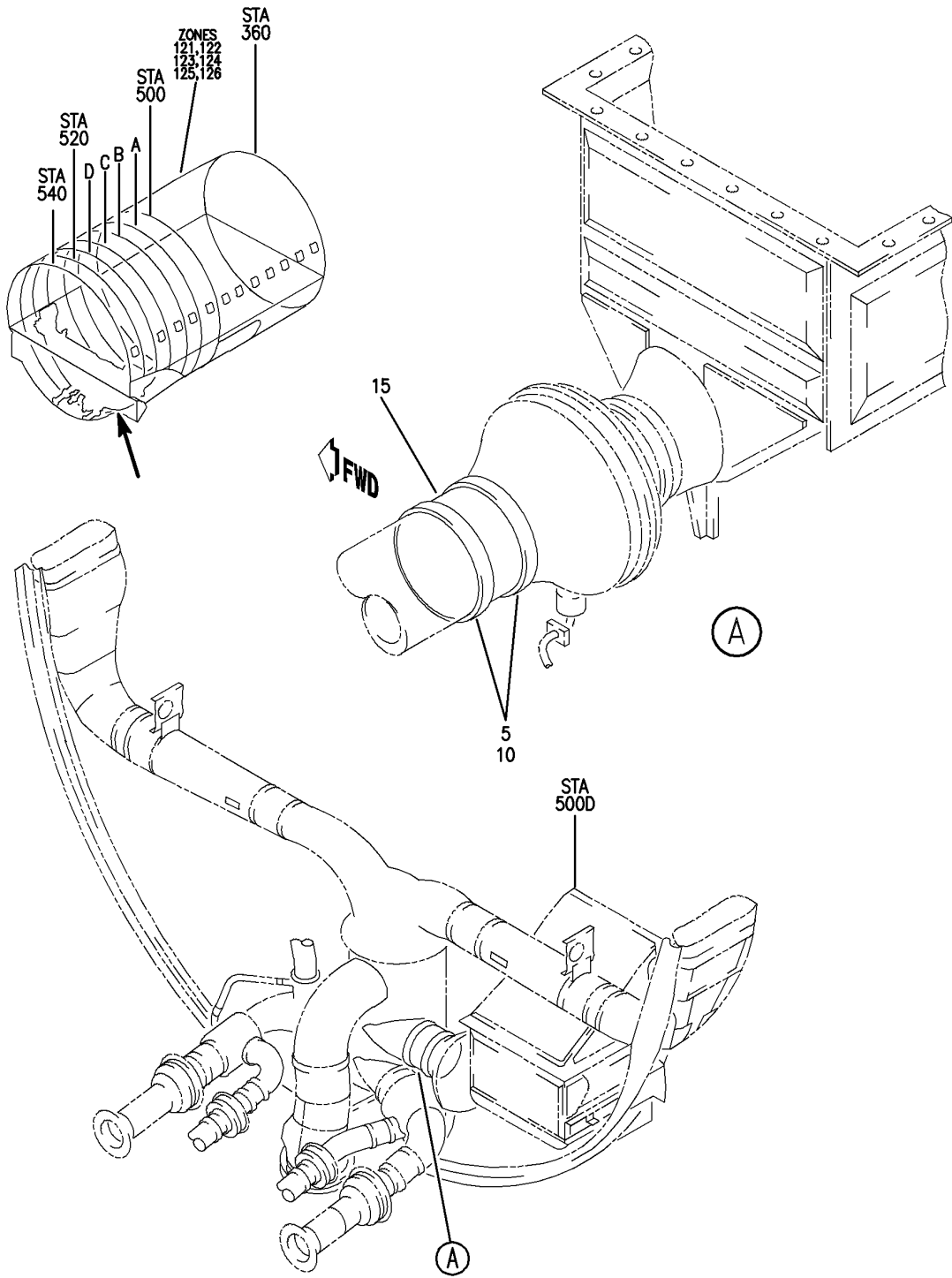
HAP

21-25-03-01

BOEING PROPRIETARY - Copyright © - Unpublished Work - See title page for details.

21-25-03
FIG. 01
PAGE 2
FEB 10/07

BOEING
 737-600/700/800/900
 PARTS CATALOG (MAINTENANCE)



E 21250306 REV 052

DUCT INSTL-AIR DISTR MIX BAY SYS BASELINE CONFIGURATION (RECIRCULATION FAN CHECK VALVE ONLY)
 FIGURE 6

21-25-03-06

HAP
 FEB 10/07

21-25-03-06
 PAGE 0

BOEING
737-600/700/800/900
PARTS CATALOG (MAINTENANCE)

FIG ITEM	PART NUMBER	1 2 3 4 5 6 7	NOMENCLATURE	EFFECT FROM TO	UNITS PER ASSY
6			DUCT INSTL-AIR DISTR MIX BAY SYS BASELINE CONFIGURATION (RECIRCULATION FAN CHECK VALVE ONLY)	101999	
- 1	214A3001-2		DUCT INSTL-AIR DISTR SYS MIX BAY BASELINE CONFIGURATION FOR 737-700 (RECIRCULATION FAN CHECK VALVE ONLY)	201967	RF
- 1	MODREF251484		FOR NHA/OTHER SYS DET SEE: 21-20-00-04B DUCT INSTL-AIR DISTR SYS MIX BAY BASELINE CONFIGURATION FOR 737-700 (RECIRCULATION FAN CHECK VALVE ONLY)	101101 968971	1
- 1	MODREF357285		MODULE NUMBER: 214A3001-14 REV D FOR OTHER SYS DETAILS SEE: 21-21-02-04 21-21-51-05 21-61-03-03 FOR ADDITIONAL DETAILS SEE: 21-25-01-04 21-25-02-06 DUCT INSTL-AIR DISTR SYS MIX BAY BASELINE CONFIGURATION FOR 737-700 (RECIRCULATION FAN CHECK VALVE ONLY)	102106 972999	1
			MODULE NUMBER: 214A3001-14 REV F FOR OTHER SYS DETAILS SEE: 21-21-02-04 21-21-51-05B 21-61-03-03 FOR ADDITIONAL DETAILS SEE: 21-25-01-04 21-25-02-06		

MISSING ITEM NUMBERS NOT APPLICABLE

- ITEM NOT ILLUSTRATED

HAP

21-25-03-06

BOEING PROPRIETARY - Copyright © - Unpublished Work - See title page for details.

21-25-03
FIG. 06
PAGE 1
OCT 15/08

BOEING
737-600/700/800/900
PARTS CATALOG (MAINTENANCE)

FIG ITEM	PART NUMBER	1 2 3 4 5 6 7	NOMENCLATURE	EFFECT FROM TO	UNITS PER ASSY
6 -	1 MODREF394945		DUCT INSTL-AIR DISTR SYS MIX BAY BASELINE CONFIGURATION FOR 737-700 (RECIRCULATION FAN CHECK VALVE ONLY) MODULE NUMBER: 214A3001-14 REV G FOR OTHER SYS DETAILS SEE: 21-21-02-04 21-21-51-05B 21-61-03-03 FOR ADDITIONAL DETAILS SEE: 21-25-01-04 21-25-02-06	107200	1
	5 NH103404-0700		.COUPLING- SUPPLIER CODE: V00624	101999	2
	10 SS4-700A		.SLEEVE- SUPPLIER CODE: V94581 SPECIFICATION NUMBER: BACS13N700A OPTIONAL PART: 42737-700A V98625 504-700 V00624	101999	2
	10 504-700		.SLEEVE- SUPPLIER CODE: V00624 OPTIONAL PART: BACS13N700A	201967	2
	15 3202096-2		.VALVE- SUPPLIER CODE: V59364 FUNCTIONAL DESCRIPTION: PREVENTS LOSS OF AIR FROM THE MIX MANIFOLD WHEN RECIRCULATION FAN IS NOT OPERATING. SPECIFICATION NUMBER: S210T130-31 COMPONENT MAINT MANUAL REF: 21-25-01 MAINTENANCE MANUAL REF: 21-25-03	101999	1

MISSING ITEM NUMBERS NOT APPLICABLE

- ITEM NOT ILLUSTRATED

HAP

21-25-03-06

BOEING PROPRIETARY - Copyright © - Unpublished Work - See title page for details.

21-25-03
FIG. 06
PAGE 2
OCT 15/08