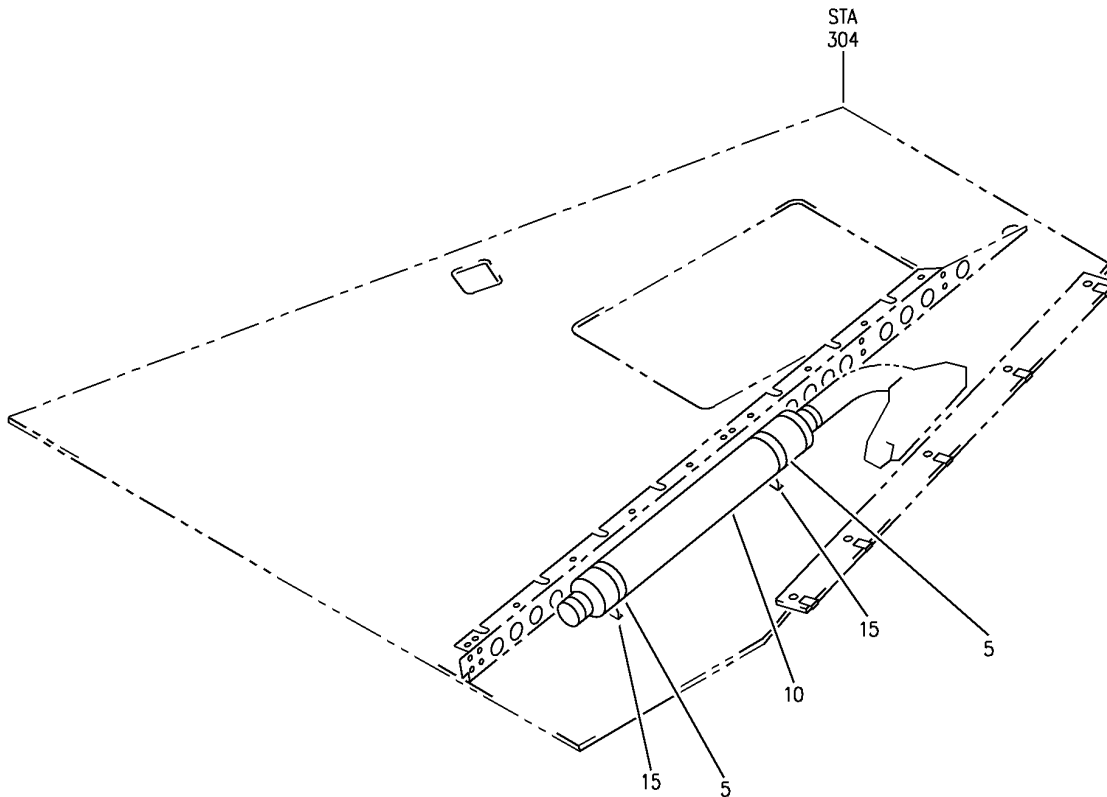
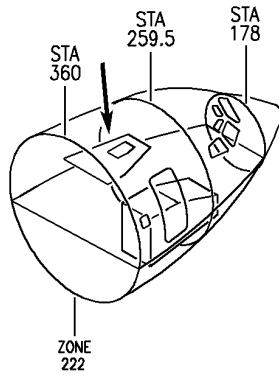


VENTILATION SYSTEM

HAP
OCT 10/06

21-26-00
SECTION TITLE
PAGE 1

BOEING
737-600/700/800/900
PARTS CATALOG (MAINTENANCE)



E 21260101 REV 111

CEILING ASSY-FWD ENTRY (GALLEY VENTILATION MUFFLER ONLY)
FIGURE 1

21-26-01-01

HAP
OCT 10/06

21-26-01-01
PAGE 0

BOEING
737-600/700/800/900
PARTS CATALOG (MAINTENANCE)

FIG ITEM	PART NUMBER	1 2 3 4 5 6 7	NOMENCLATURE	EFFECT FROM TO	UNITS PER ASSY
1			CEILING ASSY-FWD ENTRY (GALLEY VENTILATION MUFFLER ONLY)	001036 201967	
- 1	411A3220-3A		CEILING ASSY-ENTRY (GALLEY VENTILATION MUFFLER ONLY) POSITION DATA: FWD FOR NHA/OTHER SYS DET SEE: 25-21-71-35	001027	RF
- 1	411A3220-8B		CEILING ASSY-ENTRY (GALLEY VENTILATION MUFFLER ONLY) POSITION DATA: FWD FOR NHA/OTHER SYS DET SEE: 25-21-71-36	201967	RF
- 2	411A3220-31SP		CEILING ASSY-ENTRY (GALLEY VENTILATION MUFFLER ONLY) POSITION DATA: FWD FOR NHA/OTHER SYS DET SEE: 25-21-71-35	028030	RF
- 3	411A3220-104B		CEILING ASSY-ENTRY (GALLEY VENTILATION MUFFLER ONLY) POSITION DATA: FWD FOR NHA/OTHER SYS DET SEE: 25-21-71-01	031036	RF
5	NAS1922-0275-3		.CLAMP	001036 201967	2
10	65C25629-55		.MUFFLER ASSY MAINTENANCE MANUAL REF: 21-26-01	001036 201967	1
15	214T3424-4		.SUPPORT-DUCT	001036 201967	2
- 20	BACS12GU3K5		ATTACHING PARTS .SCREW	001036 201967	4
- 25	NAS1149D0332J		.WASHER	001036 201967	4
			-----*-----		

MISSING ITEM NUMBERS NOT APPLICABLE

- ITEM NOT ILLUSTRATED

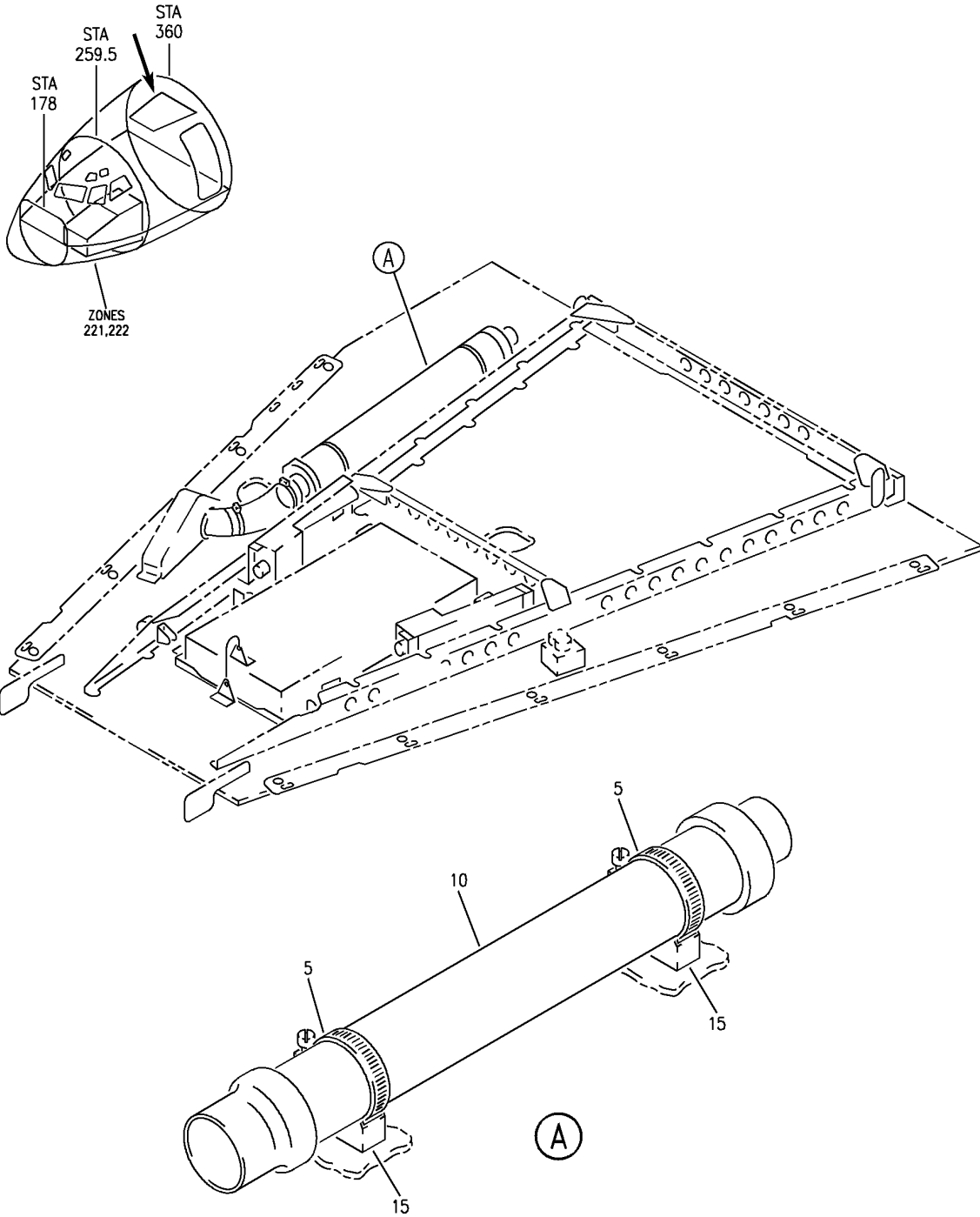
HAP

21-26-01-01

BOEING PROPRIETARY - Copyright © - Unpublished Work - See title page for details.

21-26-01
FIG. 01
PAGE 1
OCT 15/08

BOEING
737-600/700/800/900
PARTS CATALOG (MAINTENANCE)



E 21260101B REV 113

CEILING ASSY-FWD ENTRY (GALLEY VENTILATION MUFFLER ONLY)
FIGURE 1B

21-26-01-01B

HAP
FEB 10/07

21-26-01-01B
PAGE 0

BOEING
737-600/700/800/900
PARTS CATALOG (MAINTENANCE)

FIG ITEM	PART NUMBER	1 2 3 4 5 6 7	NOMENCLATURE	EFFECT FROM TO	UNITS PER ASSY
1B			CEILING ASSY-FWD ENTRY (GALLEY VENTILATION MUFFLER ONLY)	037200 968999	
- 1	411A3220-126B		CEILING ASSY-ENTRY (GALLEY VENTILATION MUFFLER ONLY) POSITION DATA: FWD FOR NHA/OTHER SYS DET SEE: 25-21-71-01B	037200 968999	RF
	5 NAS1922-0275-3		.CLAMP	037200 968999	2
	10 65C25629-55		.MUFFLER ASSY MAINTENANCE MANUAL REF: 21-26-01	037200 968999	1
	15 214T3424-4		.SUPPORT-DUCT	037200 968999	2
- 20	BACS12GU3K5		ATTACHING PARTS .SCREW	037200 968999	4
- 25	NAS1149D0332J		.WASHER	037200 968999	4
			-----*-----		

MISSING ITEM NUMBERS NOT APPLICABLE

- ITEM NOT ILLUSTRATED

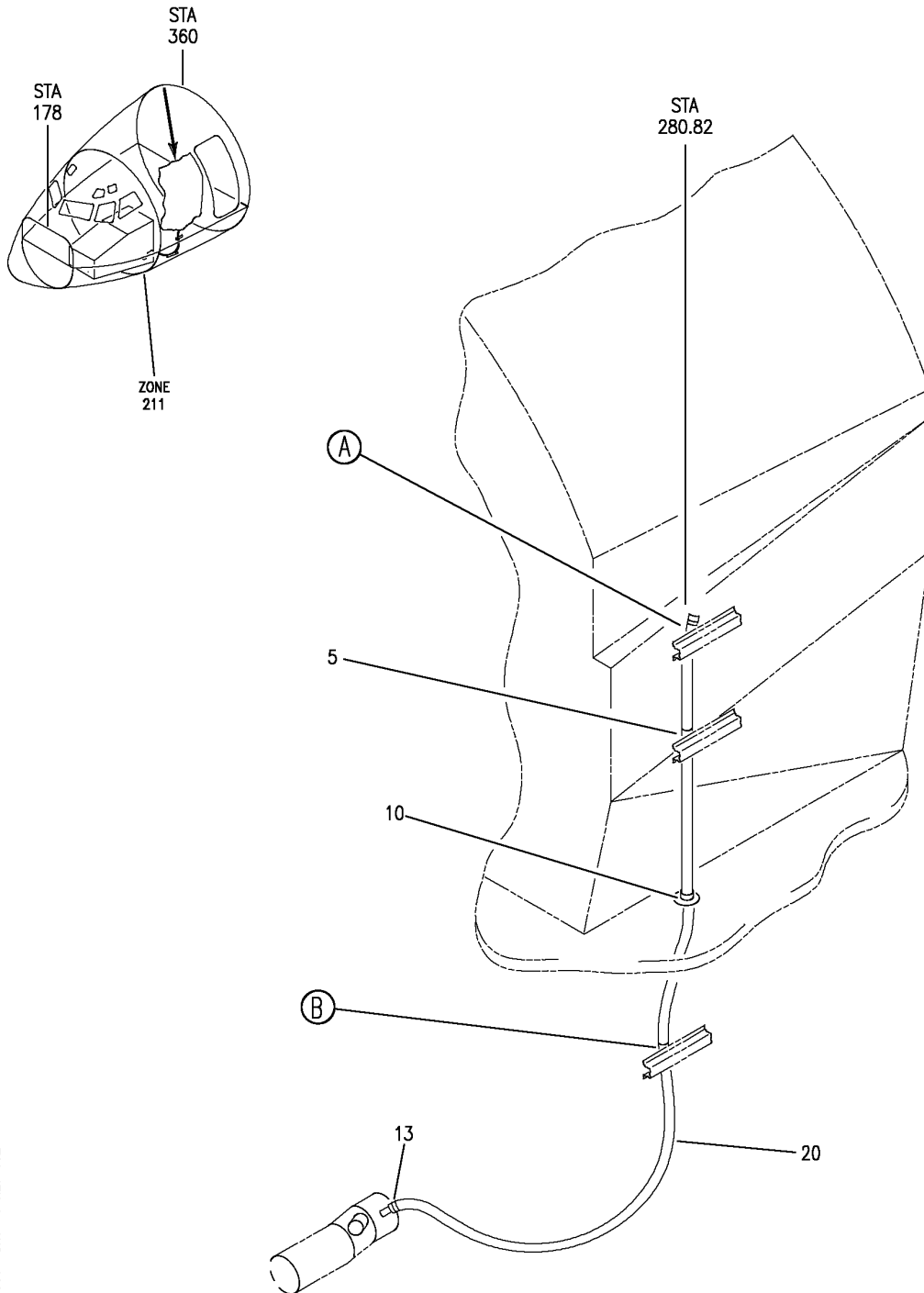
HAP

21-26-01-01B

BOEING PROPRIETARY - Copyright © - Unpublished Work - See title page for details.

21-26-01
FIG. 01B
PAGE 1
OCT 15/08

BOEING
737-600/700/800/900
PARTS CATALOG (MAINTENANCE)



E 21265001 SHT 1 REV 102

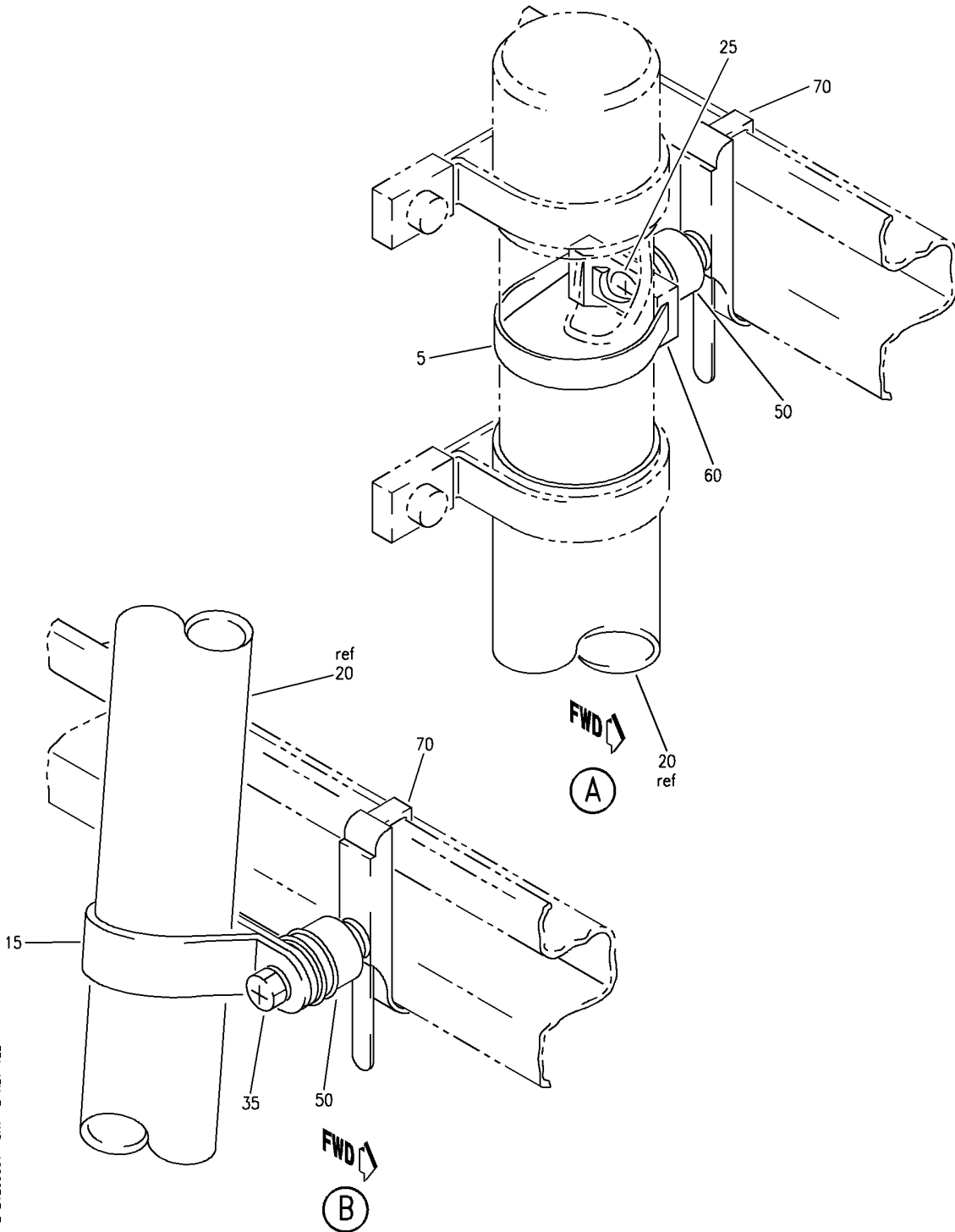
DUCT INSTL-LAV A COLD AIR AND SUPPLY AIR PROVISIONS
FIGURE 1 (SHEET 1)

21-26-50-01

HAP
OCT 10/06

21-26-50-01
PAGE 0

BOEING
 737-600/700/800/900
 PARTS CATALOG (MAINTENANCE)



E 21265001 SH1 2 REV 122

DUCT INSTL-LAV A COLD AIR AND SUPPLY AIR PROVISIONS
 FIGURE 1 (SHEET 2)

21-26-50-01

HAP
 OCT 10/06

21-26-50-01
 PAGE 0A

BOEING
737-600/700/800/900
PARTS CATALOG (MAINTENANCE)

FIG ITEM	PART NUMBER	1 2 3 4 5 6 7	NOMENCLATURE	EFFECT FROM TO	UNITS PER ASSY
1			DUCT INSTL-LAV A COLD AIR AND SUPPLY AIR PROVISIONS		
- 1	214A4001-1		DUCT INSTL-COLD AIR POSITION DATA: LAV A FOR NHA SEE: 21-20-00-04B 21-20-00-04C	001030 201967	RF
- 1	MODREF233377		DUCT INSTL-COLD AIR MODULE NUMBER: 214A4001-1 REV B POSITION DATA: LAV A	031200 968999	1
5	T05R0		.STRAP SUPPLIER CODE: V53421 SPECIFICATION NUMBER: BACS38K1 OPTIONAL PART: PLT2SM V06383		2
10	PLT1-5IM		.STRAP SUPPLIER CODE: V06383 SPECIFICATION NUMBER: BACS38K5 OPTIONAL PART: T03R0 V53421		1
13	T012L0		.STRAP SUPPLIER CODE: V53421 SPECIFICATION NUMBER: BACS38K6		1
15	BACC10DK15		.CLAMP		1
20	AS1591-03-0560A		.HOSE		1
25	BACS12GP3L10		.SCREW		1
35	BACS12GU3K8		.SCREW		1
50	BACW10DZ3		.WASHER-		2
60	TM2S8		.PLATE SUPPLIER CODE: V06383 SPECIFICATION NUMBER: STBP19M9		1
70	BACS38P5		.SUPPORT ASSY-		2

MISSING ITEM NUMBERS NOT APPLICABLE

- ITEM NOT ILLUSTRATED

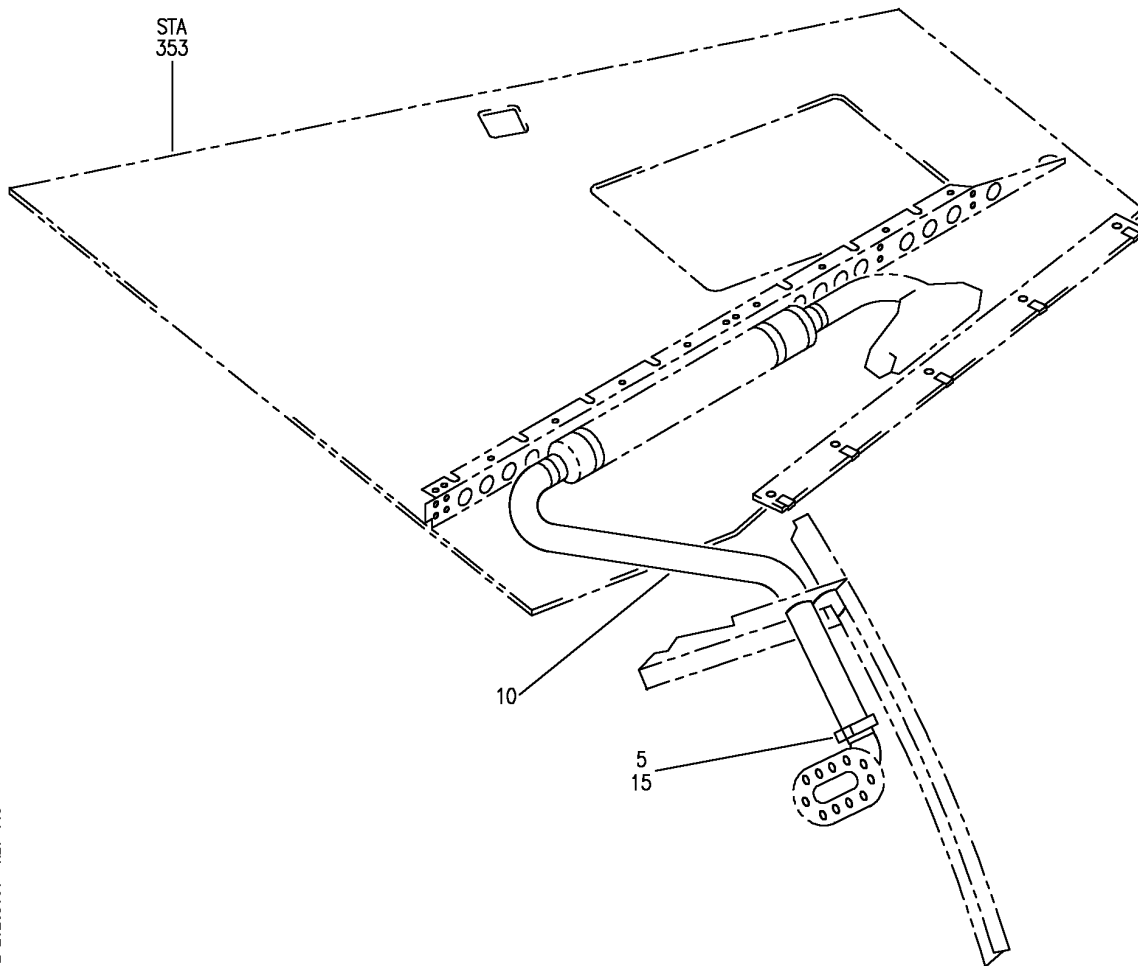
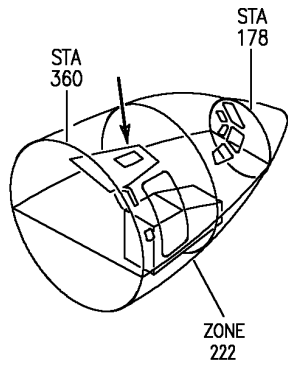
HAP

21-26-50-01

BOEING PROPRIETARY - Copyright © - Unpublished Work - See title page for details.

21-26-50
FIG. 01
PAGE 1
OCT 15/08

BOEING
737-600/700/800/900
PARTS CATALOG (MAINTENANCE)



E 21265101 REV 140

DUCT INSTL-FWD GALLEY VENT
FIGURE 1

HAP
JUN 15/08

21-26-51-01

21-26-51-01
PAGE 0

BOEING
737-600/700/800/900
PARTS CATALOG (MAINTENANCE)

FIG ITEM	PART NUMBER	1 2 3 4 5 6 7	NOMENCLATURE	EFFECT FROM TO	UNITS PER ASSY
1					
- 1	215A1001-1		DUCT INSTL-FWD GALLEY VENT DUCT INSTL-VENT POSITION DATA: FWD GALLEY FOR NHA SEE: 21-20-00-04B 21-20-00-04C	001030 201967	RF
- 1	MODREF81475		DUCT INSTL-VENT MODULE NUMBER: 215A1001-1 REV A POSITION DATA: FWD GALLEY	031200 968999	1
5	NAS1922-0150-3		.CLAMP		1
10	BOE2022-06A0360		.HOSE-FLEX SUPPLIER CODE: V16632 SPECIFICATION NUMBER: AS1544-06A0360		1

MISSING ITEM NUMBERS NOT APPLICABLE

- ITEM NOT ILLUSTRATED

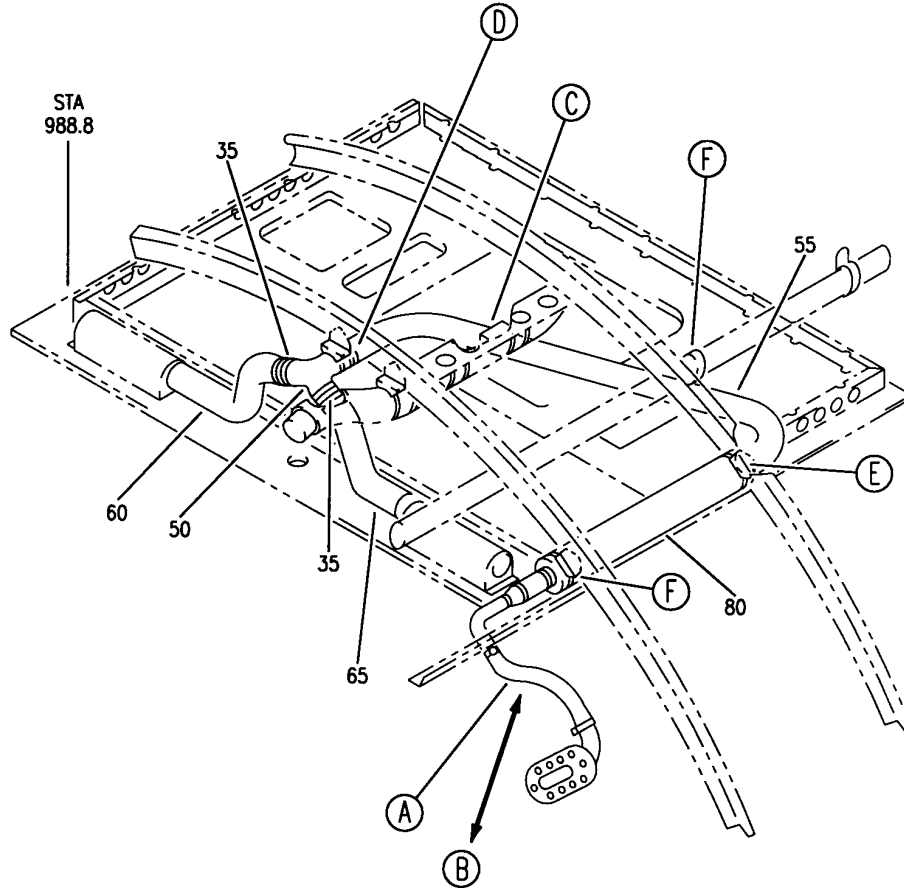
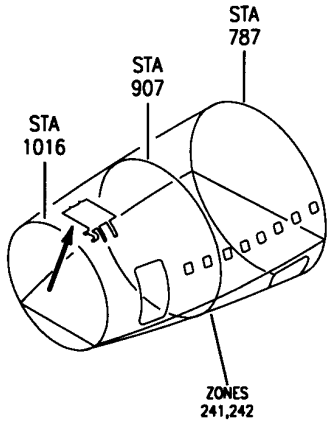
HAP

21-26-51-01

BOEING PROPRIETARY - Copyright © - Unpublished Work - See title page for details.

21-26-51
FIG. 01
PAGE 1
JUN 15/09

BOEING
 737-600/700/800/900
 PARTS CATALOG (MAINTENANCE)



E 21265102 SHT 1 REV 018

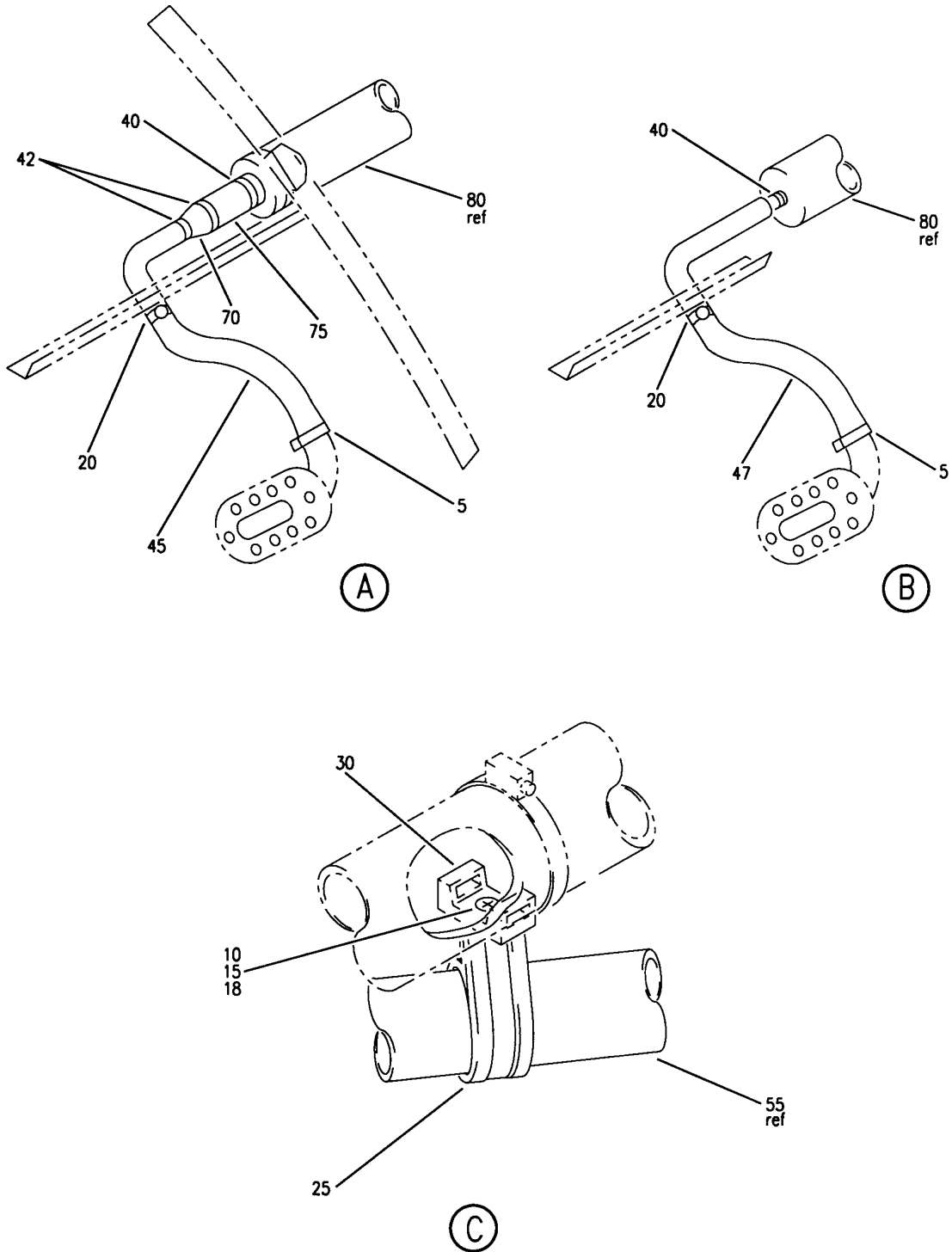
DUCT INSTL-AFT LAV/GALLEY VENT
 FIGURE 2 (SHEET 1)

HAP
 OCT 10/06

21-26-51-02

21-26-51-02
 PAGE 0

BOEING
 737-600/700/800/900
 PARTS CATALOG (MAINTENANCE)



E 21265102 SHT 2 REV 018

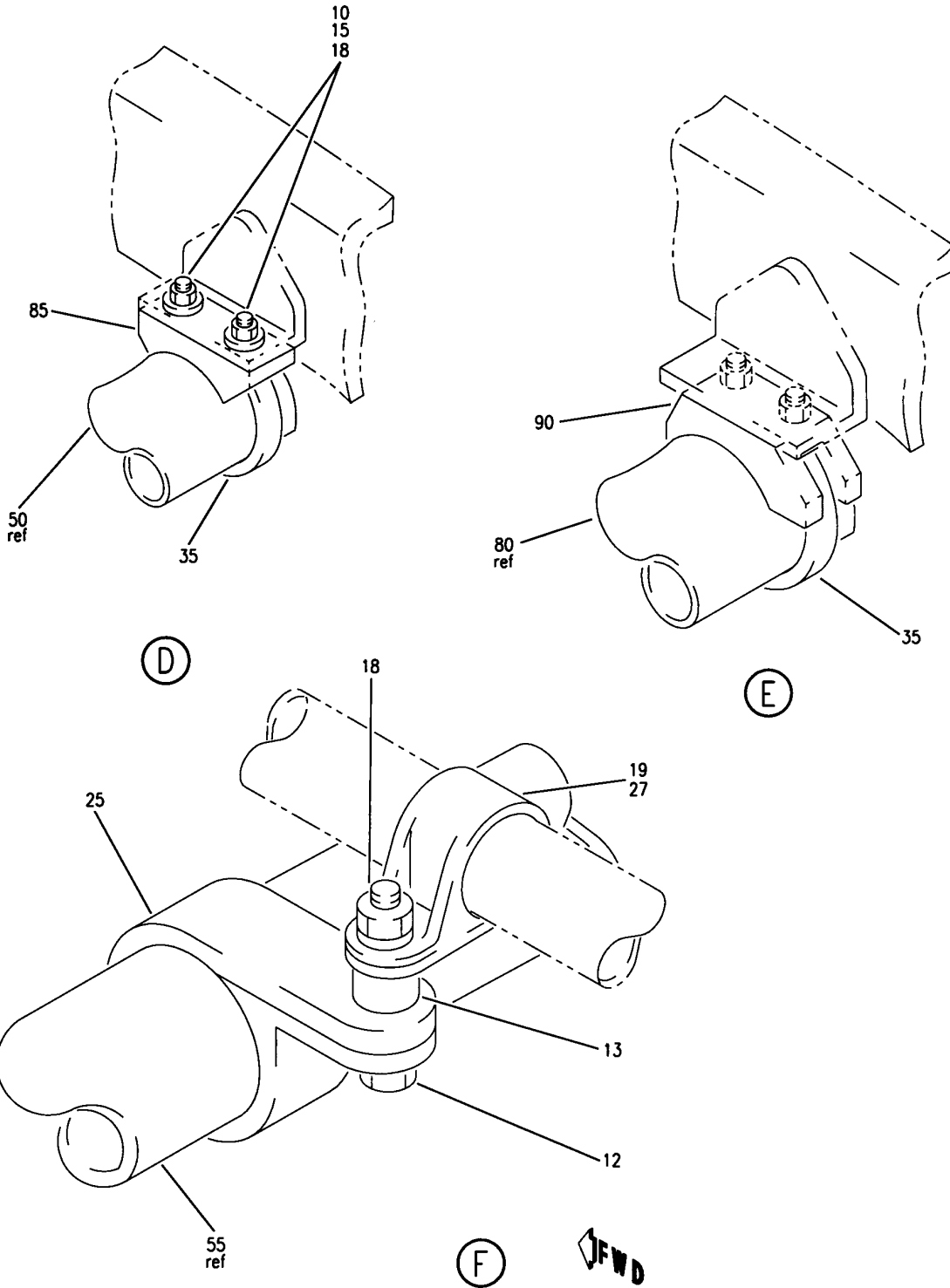
DUCT INSTL-AFT LAV/GALLEY VENT
 FIGURE 2 (SHEET 2)

21-26-51-02

HAP
 OCT 10/06

21-26-51-02
 PAGE 0A

BOEING
 737-600/700/800/900
 PARTS CATALOG (MAINTENANCE)



E 21265102 SHT 3 REV 018

DUCT INSTL-AFT LAV/GALLEY VENT
 FIGURE 2 (SHEET 3)

21-26-51-02

HAP
 OCT 10/06

21-26-51-02
 PAGE 08

BOEING
737-600/700/800/900
PARTS CATALOG (MAINTENANCE)

FIG ITEM	PART NUMBER	1 2 3 4 5 6 7	NOMENCLATURE	EFFECT FROM TO	UNITS PER ASSY
2			DUCT INSTL-AFT LAV/GALLEY VENT	001007	
- 1	215A1002-2		DUCT INSTL-LAV/GALLEY VENT POSITION DATA: AFT FOR NHA SEE: 21-20-00-04	001007	RF
5	NAS1922-0150-3	.CLAMP		001007	1
10	BACS12GU3K8	.SCREW		001007	2
12	BACS12GU3K13	.SCREW		001007	1
13	NAS43DD3-23FC	.SPACER		001007	1
15	NAS1149D0332J	.WASHER		001007	3
18	PLH53CD	.NUT		001007	4
			SUPPLIER CODE: VF0224 SPECIFICATION NUMBER: BACN10YR3CD OPTIONAL PART: H52732-3CD V15653		
19	287N1115-1	.SPACER-		001007	1
20	S258DT31	.CLAMP-		001007	1
			SUPPLIER CODE: V18076 SPECIFICATION NUMBER: BACC10DW31D OPTIONAL PART: TA4C44D31T V84971 808AD31T V72285 475A31 V83930 475-31 V83930		

MISSING ITEM NUMBERS NOT APPLICABLE

- ITEM NOT ILLUSTRATED

HAP

21-26-51-02

BOEING PROPRIETARY - Copyright © - Unpublished Work - See title page for details.

21-26-51
FIG. 02
PAGE 1
FEB 15/09

BOEING
737-600/700/800/900
PARTS CATALOG (MAINTENANCE)

FIG ITEM	PART NUMBER	1 2 3 4 5 6 7	NOMENCLATURE	EFFECT FROM TO	UNITS PER ASSY
2					
25	S258DT35		.CLAMP SUPPLIER CODE: V18076 SPECIFICATION NUMBER: BACC10DW35D OPTIONAL PART: TA4C44D35T V84971 804D35T V72285 475A35 V83930 475-35 V83930	001007	2
27	TA027016-17		.CLAMP- SUPPLIER CODE: V84971	001007	1
30	STBP19M12		.PLATE-MTG SUPPLIER CODE: V1B249	001007	1
35	PLT3SM		.STRAP SUPPLIER CODE: V06383 SPECIFICATION NUMBER: BACS38K7 OPTIONAL PART: T0510 V53421 MAINTENANCE MANUAL REF: 21-26-01	001007	5
40	T05R0		.STRAP SUPPLIER CODE: V53421 SPECIFICATION NUMBER: BACS38K1 OPTIONAL PART: PLT2SM V06383 MAINTENANCE MANUAL REF: 21-26-01	001007	1
47	BOE2022-06A0250		.HOSE- SUPPLIER CODE: V16632 SPECIFICATION NUMBER: AS1544-06A0250	001007	1
50	215A1402-1		.DUCT	001007	1

MISSING ITEM NUMBERS NOT APPLICABLE

— ITEM NOT ILLUSTRATED

HAP

21-26-51-02

BOEING PROPRIETARY - Copyright © - Unpublished Work - See title page for details.

21-26-51
FIG. 02
PAGE 2
JUN 10/07

BOEING
737-600/700/800/900
PARTS CATALOG (MAINTENANCE)

FIG ITEM	PART NUMBER	1 2 3 4 5 6 7	NOMENCLATURE	EFFECT FROM TO	UNITS PER ASSY
2					
55	BOE2022-08A0460	.HOSE	SUPPLIER CODE: V16632 SPECIFICATION NUMBER: AS1544-08A0460	001007	1
60	BOE2022-09A0200	.HOSE	SUPPLIER CODE: V16632 SPECIFICATION NUMBER: AS1544-09A0200	001007	1
65	BOE2022-09A0150	.HOSE	SUPPLIER CODE: V16632 SPECIFICATION NUMBER: AS1544-09A0150	001007	1
80	65C25629-55	.MUFFLER ASSY	MAINTENANCE MANUAL REF: 21-26-01	001007	1
85	214T3424-2	.SUPPORT		001007	1
90	214T3424-4	.SUPPORT		001007	2
		ATTACHING PARTS			
- 95	BACS12GU3K8	.SCREW		001007	6
- 100	NAS1149D0332J	.WASHER		001007	6
- 105	PLH53CD	.NUT	SUPPLIER CODE: VF0224 SPECIFICATION NUMBER: BACN10YR3CD OPTIONAL PART: H52732-3CD V15653 -----*-----	001007	2

MISSING ITEM NUMBERS NOT APPLICABLE

- ITEM NOT ILLUSTRATED

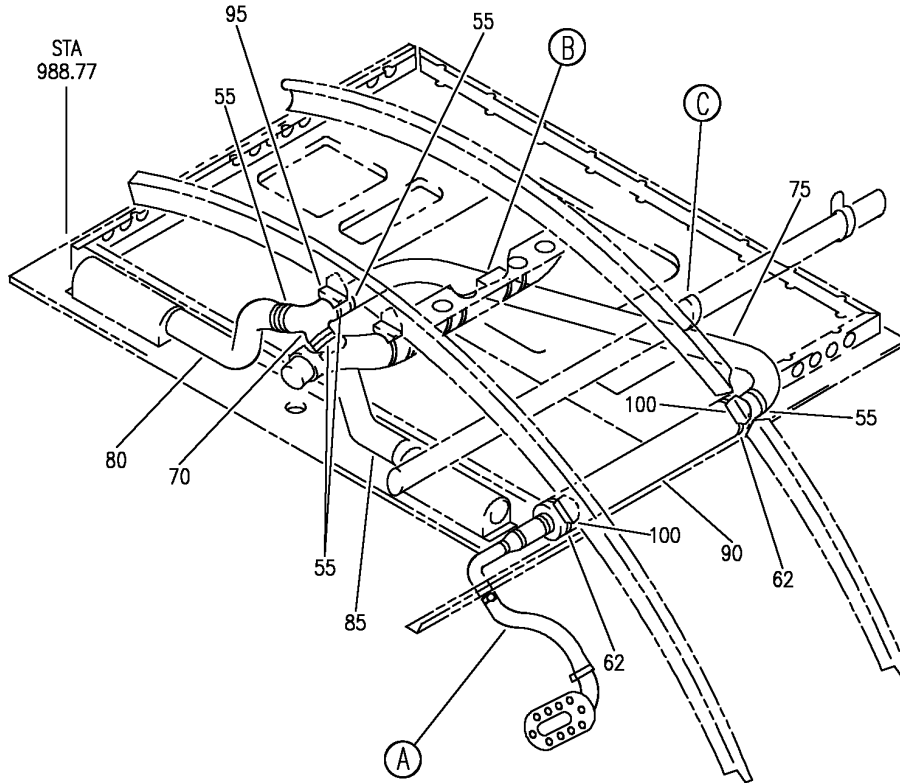
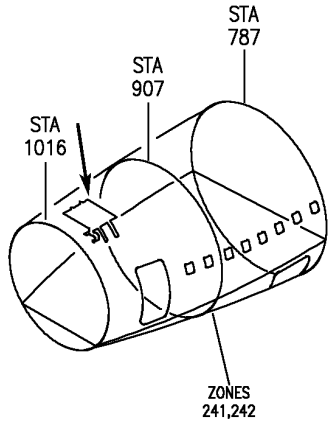
HAP

21-26-51-02

BOEING PROPRIETARY - Copyright © - Unpublished Work - See title page for details.

21-26-51
FIG. 02
PAGE 3
FEB 15/09

BOEING
 737-600/700/800/900
 PARTS CATALOG (MAINTENANCE)



E 21265109 SH1 1 REV 093

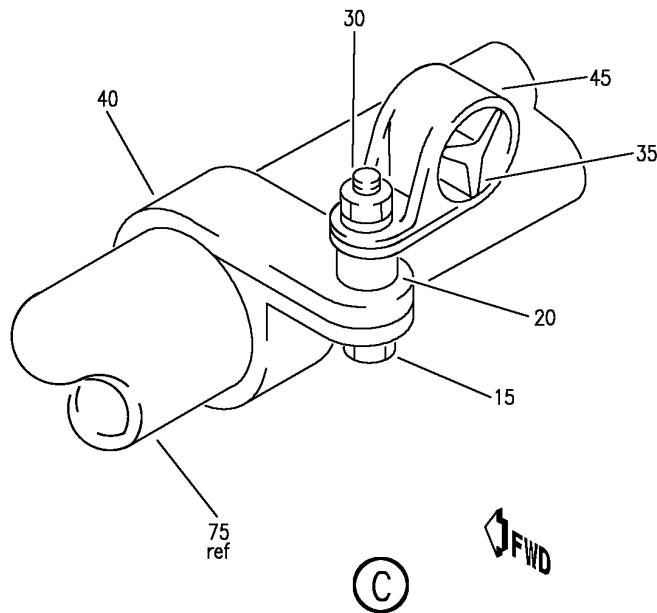
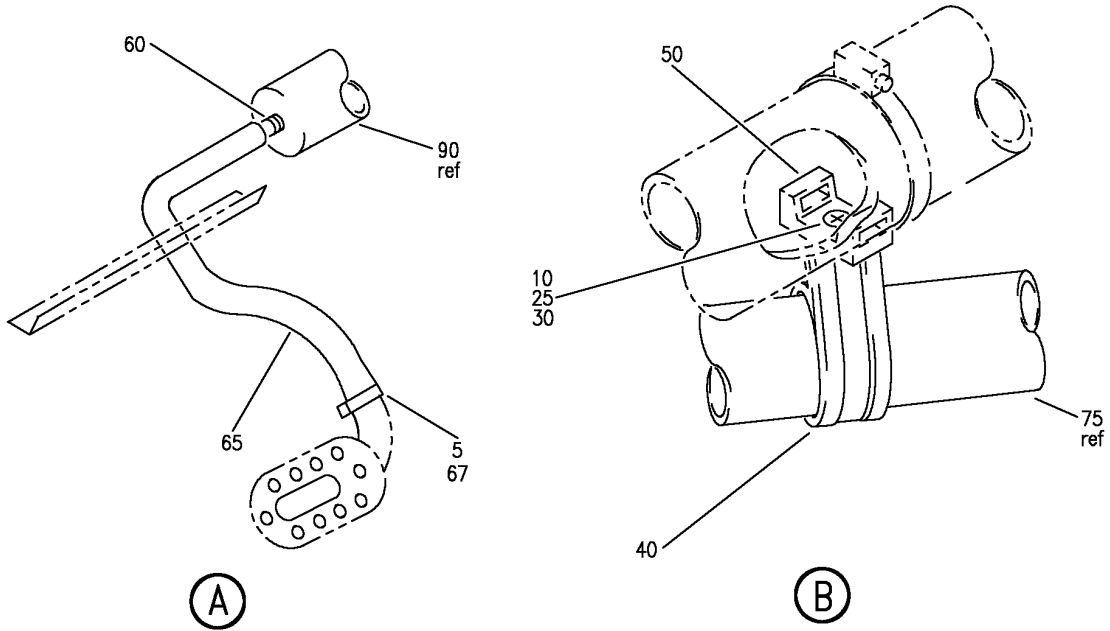
DUCT INSTL-WITH LAV/GALLEYS VENT
 FIGURE 9 (SHEET 1)

21-26-51-09

HAP
 OCT 10/06

21-26-51-09
 PAGE 0

BOEING
 737-600/700/800/900
 PARTS CATALOG (MAINTENANCE)



E 21265109 SH1 2 REV 140

DUCT INSTL-WITH LAV/GALLEYS VENT
 FIGURE 9 (SHEET 2)

21-26-51-09

HAP
 JUN 15/08

21-26-51-09
 PAGE 0A

BOEING
737-600/700/800/900
PARTS CATALOG (MAINTENANCE)

FIG ITEM	PART NUMBER	1 2 3 4 5 6 7	NOMENCLATURE	EFFECT FROM TO	UNITS PER ASSY
9			DUCT INSTL-WITH LAV/GALLEYS VENT	031200 968999	
- 1	MODREF241390		DUCT INSTL-WITH LAV/GALLEYS VENT	031200 968999	1
			MODULE NUMBER: 215A1002-4 REV C		
			POSITION DATA: AFT		
5	NAS1922-0150-3	.CLAMP		031200 968999	1
10	BACS12GU3K8	.SCREW		031200 968999	1
15	BACS12GU3K13	.SCREW		031200 968999	1
20	NAS43DD3-23FC	.SPACER		031200 968999	1
25	NAS1149D0332J	.WASHER		031200 968999	1
30	PLH53CD	.NUT		031200 968999	2
			SUPPLIER CODE: VF0224		
			SPECIFICATION NUMBER: BACN10YR3CD		
			OPTIONAL PART: H52732-3CD V15653		
35	287N1115-1	.SPACER		031200 968999	1
40	S258DT35	.CLAMP		031200 968999	2
			SUPPLIER CODE: V18076		
			SPECIFICATION NUMBER: BACC10DW35D		
			OPTIONAL PART: TA4C44D35T V84971 804D35T V72285 475A35 V83930 475-35 V83930		
45	TA027016-17	.CLAMP-		031200 968999	1
			SUPPLIER CODE: V84971		
50	STBP19M12	.PLATE-MTG		031200 968999	1
			SUPPLIER CODE: V1B249		

MISSING ITEM NUMBERS NOT APPLICABLE

- ITEM NOT ILLUSTRATED

HAP

21-26-51-09

BOEING PROPRIETARY - Copyright © - Unpublished Work - See title page for details.

21-26-51
FIG. 09
PAGE 1
FEB 15/09

BOEING
737-600/700/800/900
PARTS CATALOG (MAINTENANCE)

FIG ITEM	PART NUMBER	1 2 3 4 5 6 7	NOMENCLATURE	EFFECT FROM TO	UNITS PER ASSY
9 55	PLT3SM	.STRAP	SUPPLIER CODE: V06383 SPECIFICATION NUMBER: BACS38K7 OPTIONAL PART: T0510 V53421 MAINTENANCE MANUAL REF: 21-26-01	031200 968999	5
60	T05R0	.STRAP	SUPPLIER CODE: V53421 SPECIFICATION NUMBER: BACS38K1 OPTIONAL PART: PLT2SM V06383 MAINTENANCE MANUAL REF: 21-26-01	031200 968999	1
62	PLT3SM	.STRAP-	SUPPLIER CODE: V06383 SPECIFICATION NUMBER: BACS38K7 OPTIONAL PART: T0510 V53421	031200 968999	2
65	BOE2022-06A0250	.HOSE	SUPPLIER CODE: V16632 SPECIFICATION NUMBER: AS1544-06A0250	031200 968999	1
70	215A1402-1	.DUCT		031200 968999	1
75	BOE2022-08A0540	.HOSE-	SUPPLIER CODE: V16632 SPECIFICATION NUMBER: AS1544-08A0540	031200 968999	1
80	BOE2022-09A0200	.HOSE	SUPPLIER CODE: V16632 SPECIFICATION NUMBER: AS1544-09A0200	031200 968999	1

MISSING ITEM NUMBERS NOT APPLICABLE

— ITEM NOT ILLUSTRATED

HAP

21-26-51-09

BOEING PROPRIETARY - Copyright © - Unpublished Work - See title page for details.

21-26-51
FIG. 09
PAGE 2
JUN 15/09

BOEING
737-600/700/800/900
PARTS CATALOG (MAINTENANCE)

FIG ITEM	PART NUMBER	1 2 3 4 5 6 7	NOMENCLATURE	EFFECT FROM TO	UNITS PER ASSY
9					
85	BOE2022-09A0150	.HOSE	SUPPLIER CODE: V16632 SPECIFICATION NUMBER: AS1544-09A0150	031200 968999	1
90	65C25629-55	.MUFFLER ASSY	MAINTENANCE MANUAL REF: 21-26-01	031200 968999	1
95	214T3424-2	.SUPPORT		031200 968999	1
100	214T3424-4	.SUPPORT		031200 968999	2
			ATTACHING PARTS		
- 105	BACS12GU3K8	.SCREW		031200 968999	6
- 110	NAS1149D0332J	.WASHER		031200 968999	6
- 115	BRC600-10G3	.NUT-	SUPPLIER CODE: V52828 SPECIFICATION NUMBER: BACN10YD3 OPTIONAL PART: 130122 V60119 -----*-----	031200 968999	2

MISSING ITEM NUMBERS NOT APPLICABLE

- ITEM NOT ILLUSTRATED

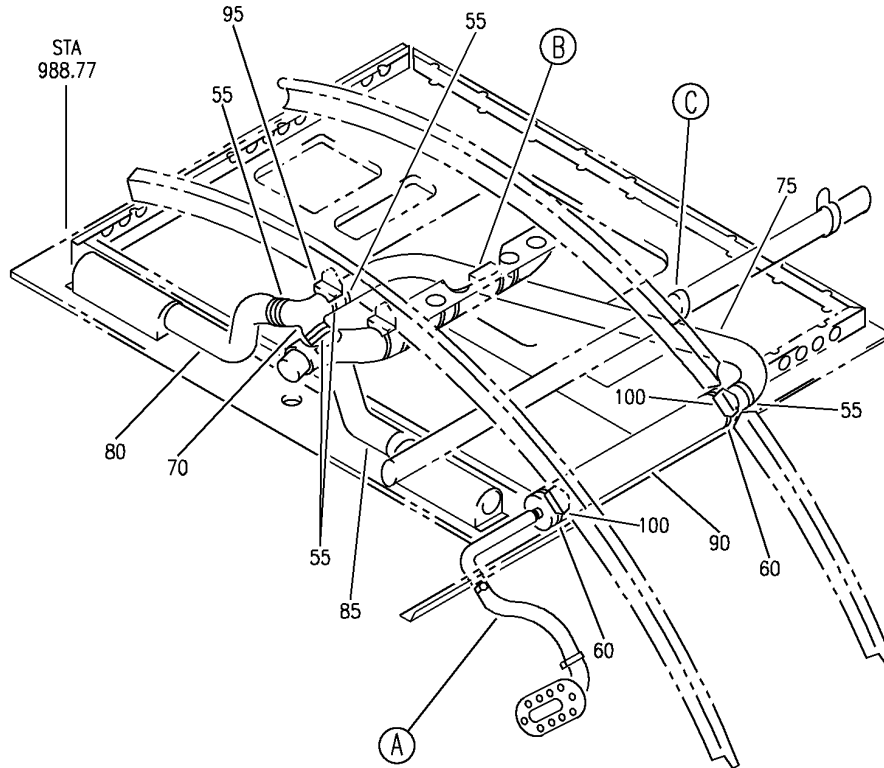
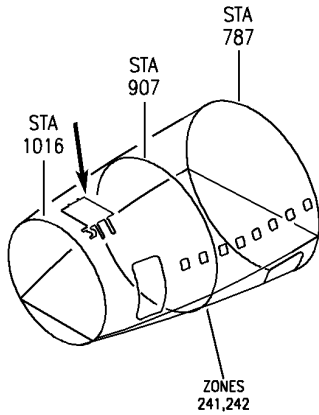
HAP

21-26-51-09

BOEING PROPRIETARY - Copyright © - Unpublished Work - See title page for details.

21-26-51
FIG. 09
PAGE 3
JUN 15/09

BOEING
 737-600/700/800/900
 PARTS CATALOG (MAINTENANCE)



E 21265109B SHT 1 REV 125

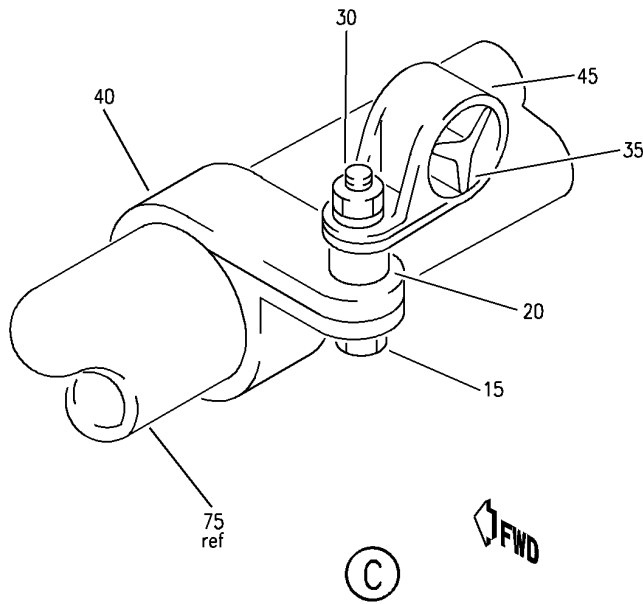
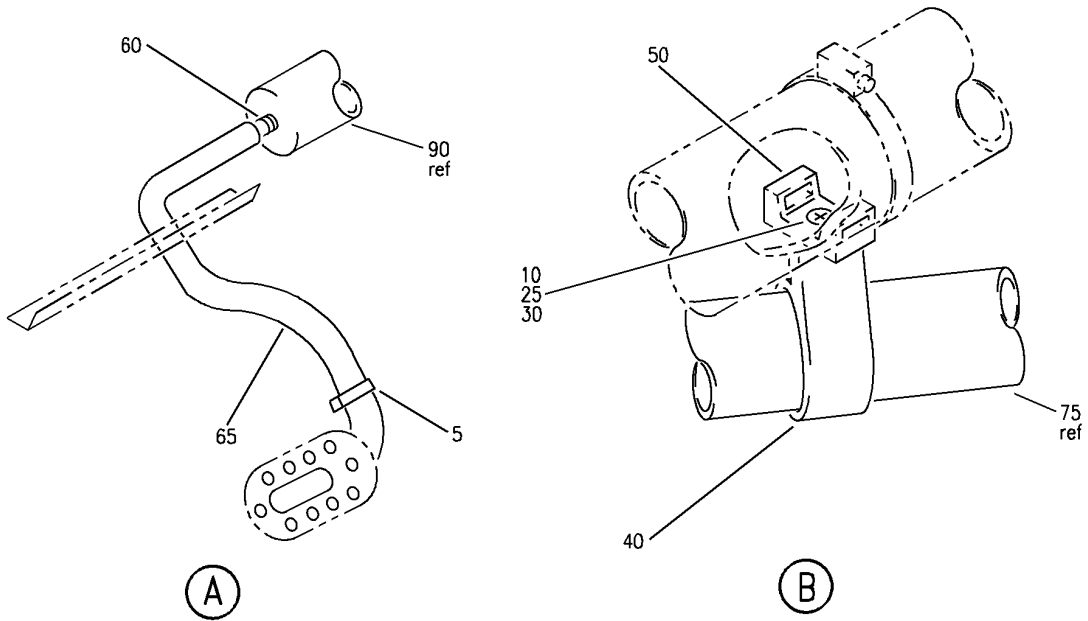
DUCT INSTL-WITH LAV/GALLEYS VENT
 FIGURE 9B (SHEET 1)

21-26-51-09B

HAP
 FEB 10/07

21-26-51-09B
 PAGE 0

BOEING
 737-600/700/800/900
 PARTS CATALOG (MAINTENANCE)



E 21265109B SHT 2 REV 125

DUCT INSTL-WITH LAV/GALLEYS VENT
 FIGURE 9B (SHEET 2)

21-26-51-09B

HAP
 FEB 10/07

21-26-51-09B
 PAGE 0A

BOEING
737-600/700/800/900
PARTS CATALOG (MAINTENANCE)

FIG ITEM	PART NUMBER	1 2 3 4 5 6 7	NOMENCLATURE	EFFECT FROM TO	UNITS PER ASSY
9B			DUCT INSTL-WITH LAV/GALLEYS VENT	008030 201967	
- 1	215A1002-4		DUCT INSTL-WITH LAV/GALLEYS VENT POSITION DATA: AFT FOR NHA SEE: 21-20-00-04	008030 201967	RF
	5 NAS1922-0150-3		.CLAMP	008030 201967	1
	10 BACS12GU3K8		.SCREW	008030 201967	1
	15 BACS12GU3K13		.SCREW	008030 201967	1
	20 NAS43DD3-23FC		.SPACER	008030 201967	1
	25 NAS1149D0332J		.WASHER	008030 201967	1
	30 PLH53CD		.NUT SUPPLIER CODE: VF0224 SPECIFICATION NUMBER: BACN10YR3CD OPTIONAL PART: H52732-3CD V15653	008030 201967	2
	35 287N1115-1		.SPACER	008030 201967	1
	40 S258DT35		.CLAMP SUPPLIER CODE: V18076 SPECIFICATION NUMBER: BACC10DW35D OPTIONAL PART: TA4C44D35T V84971 804D35T V72285 475A35 V83930 475-35 V83930	008030 201967	2
	45 TA027016-17		.CLAMP- SUPPLIER CODE: V84971	008030 201967	1
	50 STBP19M12		.PLATE-MTG SUPPLIER CODE: V1B249	008030 201967	1

MISSING ITEM NUMBERS NOT APPLICABLE

- ITEM NOT ILLUSTRATED

HAP

21-26-51-09B

BOEING PROPRIETARY - Copyright © - Unpublished Work - See title page for details.

21-26-51
FIG. 09B
PAGE 1
FEB 15/09

BOEING
737-600/700/800/900
PARTS CATALOG (MAINTENANCE)

FIG ITEM	PART NUMBER	1 2 3 4 5 6 7	NOMENCLATURE	EFFECT FROM TO	UNITS PER ASSY
9B					
55	PLT3SM	.	STRAP SUPPLIER CODE: V06383 SPECIFICATION NUMBER: BACS38K7 OPTIONAL PART: T0510 V53421	008030 201967	5
60	T05R0	.	STRAP SUPPLIER CODE: V53421 SPECIFICATION NUMBER: BACS38K1 OPTIONAL PART: PLT2SM V06383	008030 201967	3
65	BOE2022-06A0250	.	HOSE SUPPLIER CODE: V16632 SPECIFICATION NUMBER: AS1544-06A0250	008030 201967	1
70	215A1402-1	.	DUCT	008030 201967	1
75	BOE2022-08A0460	.	HOSE SUPPLIER CODE: V16632 SPECIFICATION NUMBER: AS1544-08A0460	008030 201967	1
80	BOE2022-09A0200	.	HOSE SUPPLIER CODE: V16632 SPECIFICATION NUMBER: AS1544-09A0200	008030 201967	1
85	BOE2022-09A0150	.	HOSE SUPPLIER CODE: V16632 SPECIFICATION NUMBER: AS1544-09A0150	008030 201967	1
90	65C25629-55	.	MUFFLER ASSY MAINTENANCE MANUAL REF: 21-26-01	008030 201967	1
95	214T3424-2	.	SUPPORT	008030 201967	1
100	214T3424-4	.	SUPPORT	008030 201967	2
- 105	BACS12GU3K8	.	ATTACHING PARTS SCREW	008030 201967	6

MISSING ITEM NUMBERS NOT APPLICABLE

- ITEM NOT ILLUSTRATED

HAP

21-26-51-09B

BOEING PROPRIETARY - Copyright © - Unpublished Work - See title page for details.

21-26-51
FIG. 09B
PAGE 2
FEB 15/09


BOEING
 737-600/700/800/900
PARTS CATALOG (MAINTENANCE)

FIG ITEM	PART NUMBER	1 2 3 4 5 6 7	NOMENCLATURE	EFFECT FROM TO	UNITS PER ASSY
9B					
- 110	NAS1149D0332J	.	WASHER	008030 201967	6
- 115	PLH53CD	.	NUT	008030 201967	2
			SUPPLIER CODE: VF0224 SPECIFICATION NUMBER: BACN10YR3CD OPTIONAL PART: H52732-3CD V15653 -----*-----		

MISSING ITEM NUMBERS NOT APPLICABLE

- ITEM NOT ILLUSTRATED

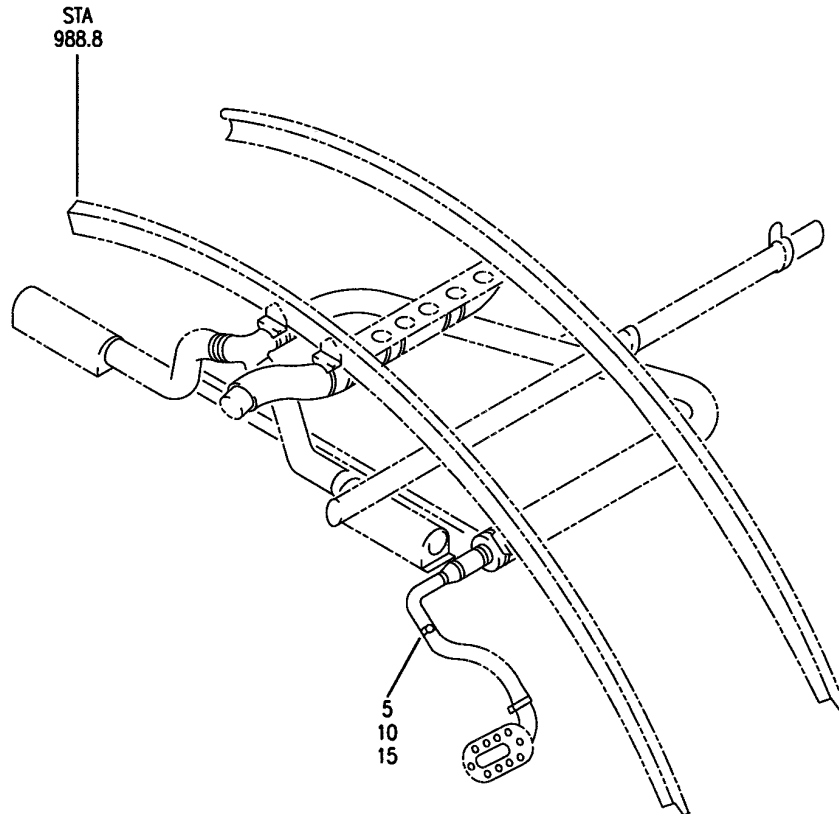
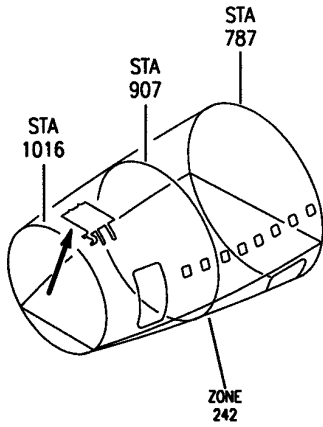
HAP

21-26-51-09B

BOEING PROPRIETARY - Copyright © - Unpublished Work - See title page for details.

21-26-51
 FIG. 09B
 PAGE 3
 FEB 15/09

BOEING
737-600/700/800/900
PARTS CATALOG (MAINTENANCE)



E 21265110 REV 031

DUCT INSTL- WITH GALLEY VENT ONLY
FIGURE 10

HAP
OCT 10/06

21-26-51-10

21-26-51-10
PAGE 0

BOEING
737-600/700/800/900
PARTS CATALOG (MAINTENANCE)

FIG ITEM	PART NUMBER	1 2 3 4 5 6 7	NOMENCLATURE	EFFECT FROM TO	UNITS PER ASSY
10			DUCT INSTL- WITH GALLEY VENT ONLY	008030 201967	
- 1	215A1002-5		DUCT INSTL-WITH GALLEY VENT ONLY FOR NHA SEE: 21-20-00-04B 21-20-00-04C	008030 201967	RF
5	BACS12GU3K10		.SCREW	008030 201967	1
10	NAS1149D0332J		.WASHER	008030 201967	1
15	S258DT31		.CLAMP SUPPLIER CODE: V18076 SPECIFICATION NUMBER: BACC10DW31D OPTIONAL PART: TA4C44D31T V84971 808AD31T V72285 475A31 V83930 475-31 V83930	008030 201967	1

MISSING ITEM NUMBERS NOT APPLICABLE

- ITEM NOT ILLUSTRATED

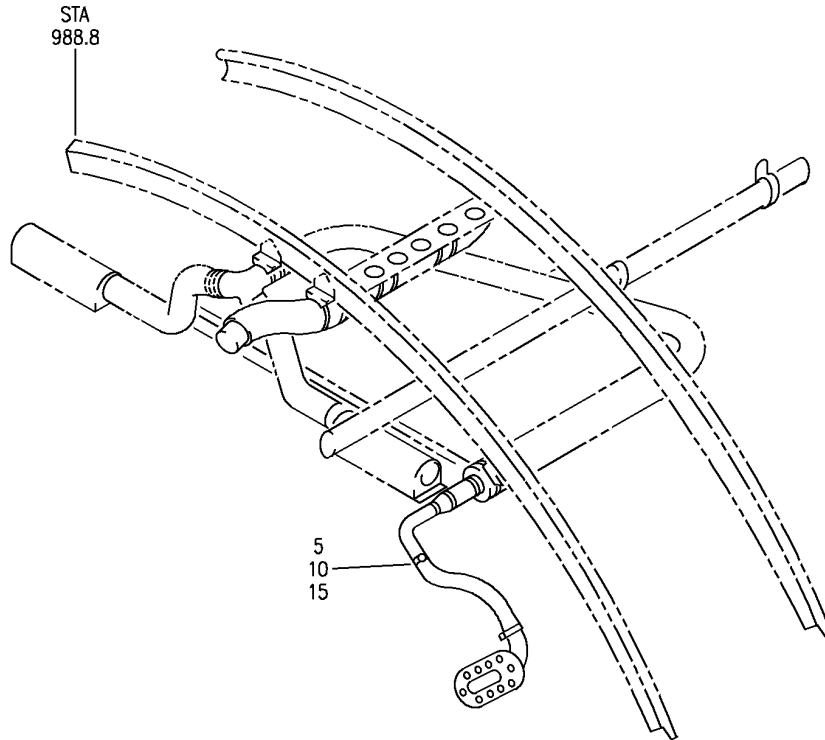
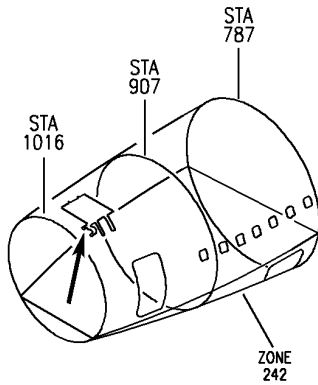
HAP

21-26-51-10

BOEING PROPRIETARY - Copyright © - Unpublished Work - See title page for details.

21-26-51
FIG. 10
PAGE 1
OCT 15/08

BOEING
737-600/700/800/900
PARTS CATALOG (MAINTENANCE)



E 21265110A REV 124

DUCT INSTL-WITH GALLEY VENT ONLY
FIGURE 10A

HAP
FEB 10/07

21-26-51-10A

21-26-51-10A
PAGE 0

BOEING
737-600/700/800/900
PARTS CATALOG (MAINTENANCE)

FIG ITEM	PART NUMBER	1 2 3 4 5 6 7	NOMENCLATURE	EFFECT FROM TO	UNITS PER ASSY
10A			DUCT INSTL-WITH GALLEY VENT ONLY	031200 968999	
- 1	MODREF81478		DUCT INSTL-WITH GALLEY VENT ONLY	031200 968999	1
			MODULE NUMBER: 215A1002-5 REV A		
5	BACS12GU3K10		.SCREW	031200 968999	1
10	NAS1149D0332J		.WASHER	031200 968999	1
15	S258DT31		.CLAMP	031200 968999	1
			SUPPLIER CODE: V18076		
			SPECIFICATION NUMBER: BACC10DW31D		
			OPTIONAL PART: TA4C44D31T		
			V84971		
			808AD31T		
			V72285		
			475A31		
			V83930		
			475-31		
			V83930		

MISSING ITEM NUMBERS NOT APPLICABLE

- ITEM NOT ILLUSTRATED

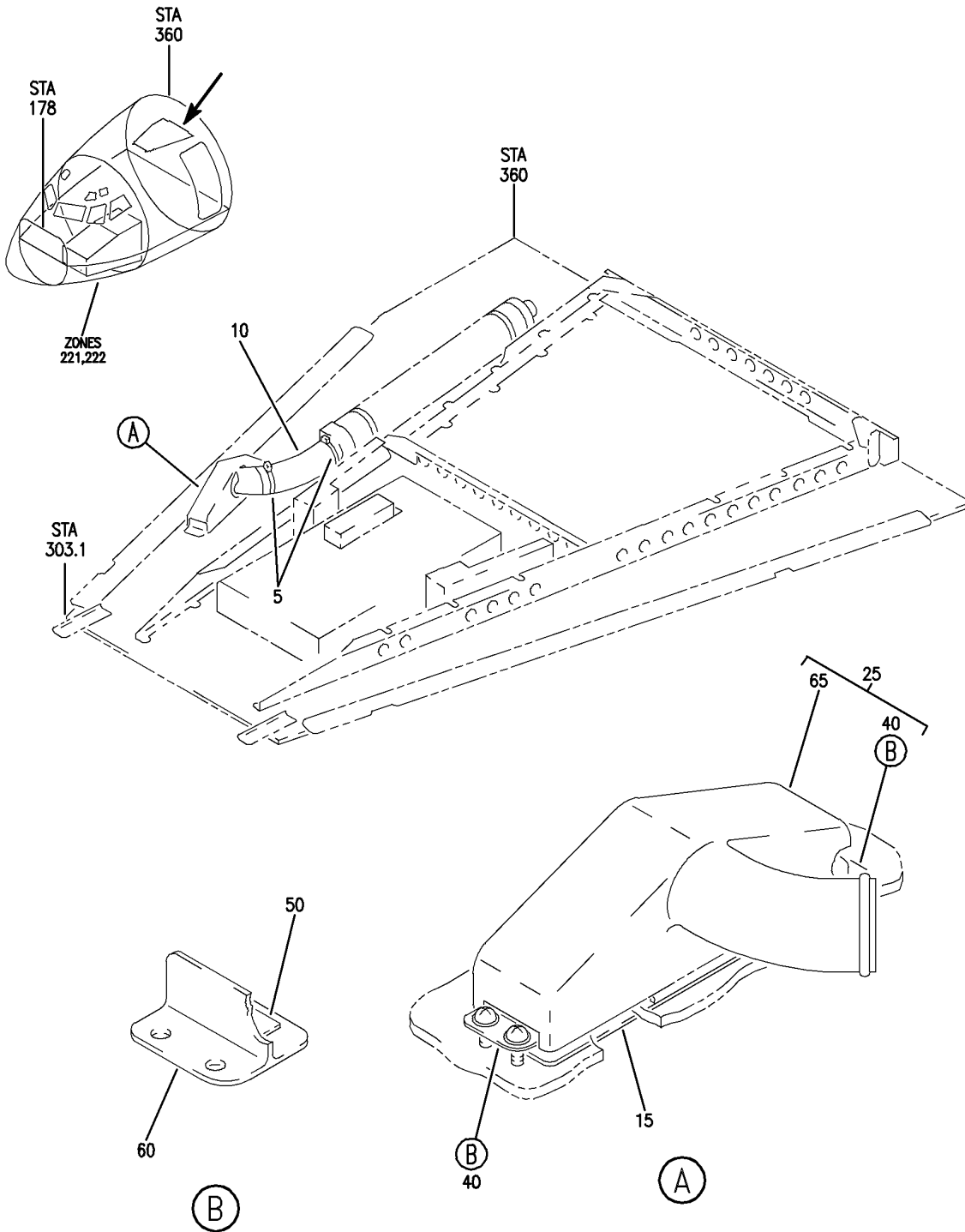
HAP

21-26-51-10A

BOEING PROPRIETARY - Copyright © - Unpublished Work - See title page for details.

21-26-51
FIG. 10A
PAGE 1
OCT 15/08

BOEING
 737-600/700/800/900
 PARTS CATALOG (MAINTENANCE)



E 21265113 REV 058

CEILING ASSY-FWD ENTRY (VENTILATION SYSTEM ONLY)
 FIGURE 13

21-26-51-13

HAP
 OCT 10/06

21-26-51-13
 PAGE 0

BOEING
737-600/700/800/900
PARTS CATALOG (MAINTENANCE)

FIG ITEM	PART NUMBER	1 2 3 4 5 6 7	NOMENCLATURE	EFFECT FROM TO	UNITS PER ASSY
13			CEILING ASSY-FWD ENTRY (VENTILATION SYSTEM ONLY)	001036 201967	
- 1	411A3220-3A		CEILING ASSY-ENTRY (VENTILATION SYSTEM ONLY) POSITION DATA: FWD FOR NHA/OTHER SYS DET SEE: 25-21-71-35	001027	RF
- 1	411A3220-8B		CEILING ASSY-ENTRY (VENTILATION SYSTEM ONLY) POSITION DATA: FWD FOR NHA/OTHER SYS DET SEE: 25-21-71-36	201967	RF
- 2	411A3220-31SP		CEILING ASSY-ENTRY (VENTILATION SYSTEM ONLY) POSITION DATA: FWD FOR NHA/OTHER SYS DET SEE: 25-21-71-36	028030	RF
- 3	411A3220-104B		CEILING ASSY-ENTRY (VENTILATION SYSTEM ONLY) POSITION DATA: FWD FOR NHA/OTHER SYS DET SEE: 25-21-71-35	031036	RF
5	NAS1922-0225-3		.CLAMP	001036 201967	2
10	BOE2022-08A0071		.HOSE- SUPPLIER CODE: V16632 SPECIFICATION NUMBER: AS1544-08A0071	001036 201967	1
15	215A1401-1A		.GRILL	001036 201967	1
- 20	S10F8TPKS23BG		ATTACHING PARTS .SCREW- SUPPLIER CODE: V12324	001027 201967	2
- 20	BACS12HJ3K8		.SCREW-	001027 031036 201967	2
25	215A2401-1		-----*----- .PLENUM ASSY	001036 201967	1
- 30	BACS12FA3K4		ATTACHING PARTS .SCREW	001027 201967	4

MISSING ITEM NUMBERS NOT APPLICABLE

- ITEM NOT ILLUSTRATED

HAP

21-26-51-13

BOEING PROPRIETARY - Copyright © - Unpublished Work - See title page for details.

21-26-51
FIG. 13
PAGE 1
OCT 15/08

BOEING
737-600/700/800/900
PARTS CATALOG (MAINTENANCE)

FIG ITEM	PART NUMBER	1 2 3 4 5 6 7	NOMENCLATURE	EFFECT FROM TO	UNITS PER ASSY
13					
- 30	BACS12FA3K5	.	SCREW	028036	4
		-----*			
40	215A2402-1	..	BRACKET ASSY	001036 201967	2
			ATTACHING PARTS		
- 45	BACR15FR4ER	..	RIVET-	001036 201967	4
			SIZE DETERMINED ON INSTL.		
- 47	NAS1149DN632J	..	WASHER	001036 201967	4
		-----*			
50	MF53050-3CD	...	NUTPLATE	001036 201967	1
			SUPPLIER CODE: V15653		
			SPECIFICATION NUMBER: BACN10JN3CD		
			OPTIONAL PART: BRFM20C3D		
			V52828		
			102F9201M3		
			V72962		
			NS202487-02		
			V80539		
			MF51637-3		
			V15653		
			ATTACHING PARTS		
- 55	BACR15BA3D	...	RIVET-	001036 201967	2
			SIZE DETERMINED ON INSTL.		
		-----*			
60	215A2402-2	...	BRACKET	001036 201967	1
65	215A2401-2	..	PLENUM	001036 201967	1

MISSING ITEM NUMBERS NOT APPLICABLE

- ITEM NOT ILLUSTRATED

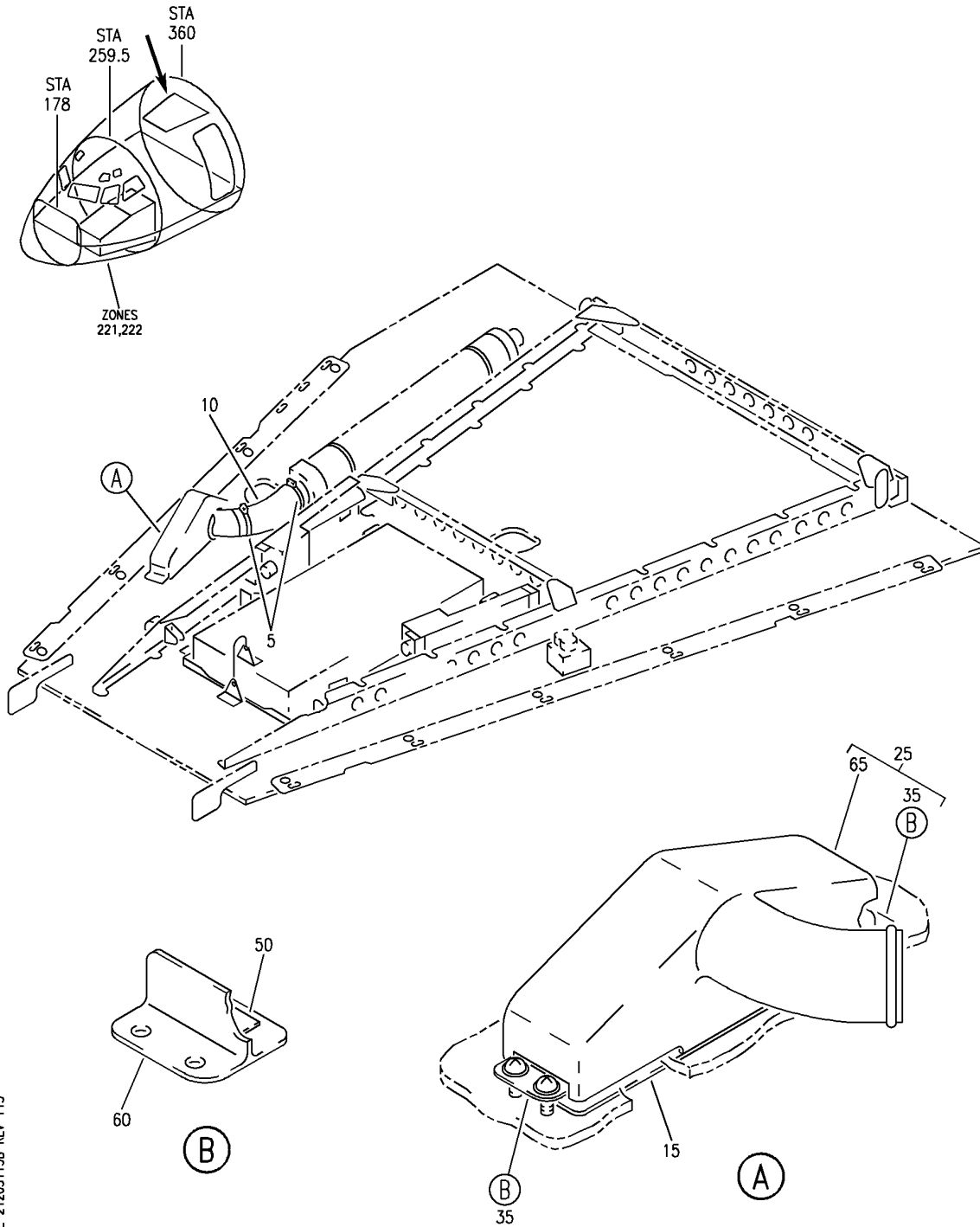
HAP

21-26-51-13

BOEING PROPRIETARY - Copyright © - Unpublished Work - See title page for details.

21-26-51
FIG. 13
PAGE 2
OCT 15/08

BOEING
 737-600/700/800/900
 PARTS CATALOG (MAINTENANCE)



E 21265113B REV 113

CEILING ASSY-FWD ENTRY (VENTILATION SYSTEM ONLY)
 FIGURE 13B

21-26-51-13B

HAP
 FEB 10/07

21-26-51-13B
 PAGE 0

BOEING
737-600/700/800/900
PARTS CATALOG (MAINTENANCE)

FIG ITEM	PART NUMBER	1 2 3 4 5 6 7	NOMENCLATURE	EFFECT FROM TO	UNITS PER ASSY
13B			CEILING ASSY-FWD ENTRY (VENTILATION SYSTEM ONLY)	037200 968999	
- 1	411A3220-126B		CEILING ASSY-ENTRY (VENTILATION SYSTEM ONLY) POSITION DATA: FWD FOR NHA/OTHER SYS DET SEE: 25-21-71-01B	037200 968999	RF
	5 NAS1922-0225-3		.CLAMP	037200 968999	2
	10 BOE2022-08A0071		.HOSE SUPPLIER CODE: V16632 SPECIFICATION NUMBER: AS1544-08A0071	037200 968999	1
	15 215A1401-1SP		.GRILL	037200 968999	1
- 20	BACS12HJ3K8		ATTACHING PARTS .SCREW	037200 968999	2
	25 215A2401-1		-----*----- .PLENUM ASSY	037200 968999	1
- 30	BACS12FA3K5		ATTACHING PARTS .SCREW	037200 968999	4
	35 215A2402-1		-----*----- ..BRACKET ASSY	037200 968999	2
- 40	BACR15FR4ER		ATTACHING PARTS ..RIVET-	037200 968999	4
- 45	NAS1149DN632J		SIZE DETERMINED ON INSTL. ..WASHER	037200 968999	4
	50 MF53050-3CD		-----*----- ...NUTPLATE SUPPLIER CODE: V15653 SPECIFICATION NUMBER: BACN10JN3CD OPTIONAL PART: BRFM20C3D V52828 102F9201M3 V72962 NS202487-02 V80539 MF51637-3 V15653	037200 968999	1

MISSING ITEM NUMBERS NOT APPLICABLE

- ITEM NOT ILLUSTRATED

HAP

21-26-51-13B

BOEING PROPRIETARY - Copyright © - Unpublished Work - See title page for details.

21-26-51
FIG. 13B
PAGE 1
OCT 15/08

BOEING
737-600/700/800/900
PARTS CATALOG (MAINTENANCE)

FIG ITEM	PART NUMBER	1 2 3 4 5 6 7	NOMENCLATURE	EFFECT FROM TO	UNITS PER ASSY
13B			ATTACHING PARTS		
- 55	BACR15BA3D		...RIVET-	037200	2
			SIZE DETERMINED ON INSTL.	968999	
			-----*-----		
60	215A2402-2		...BRACKET	037200	1
				968999	
65	215A2401-2		..PLENUM	037200	1
				968999	

MISSING ITEM NUMBERS NOT APPLICABLE

- ITEM NOT ILLUSTRATED

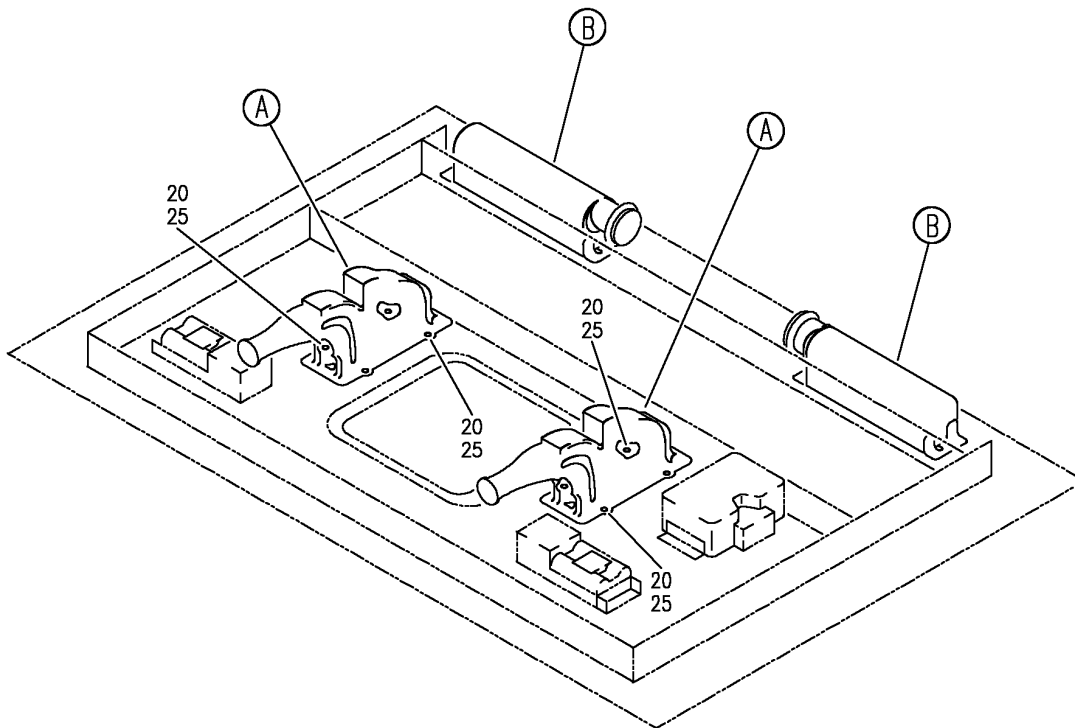
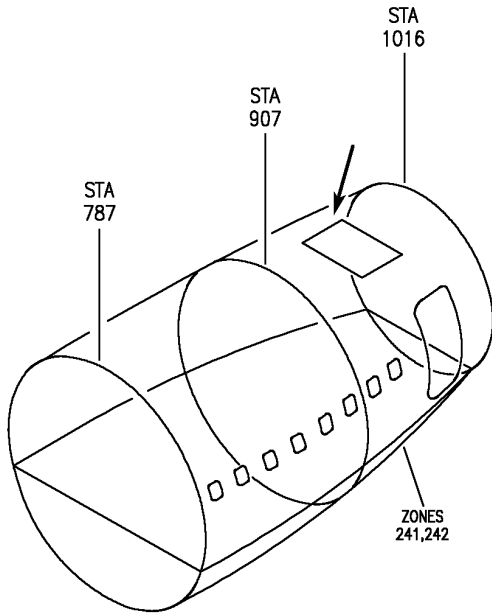
HAP

21-26-51-13B

BOEING PROPRIETARY - Copyright © - Unpublished Work - See title page for details.

21-26-51
FIG. 13B
PAGE 2
OCT 15/08

BOEING
 737-600/700/800/900
 PARTS CATALOG (MAINTENANCE)



E 21265116 SHT 1 REV 088

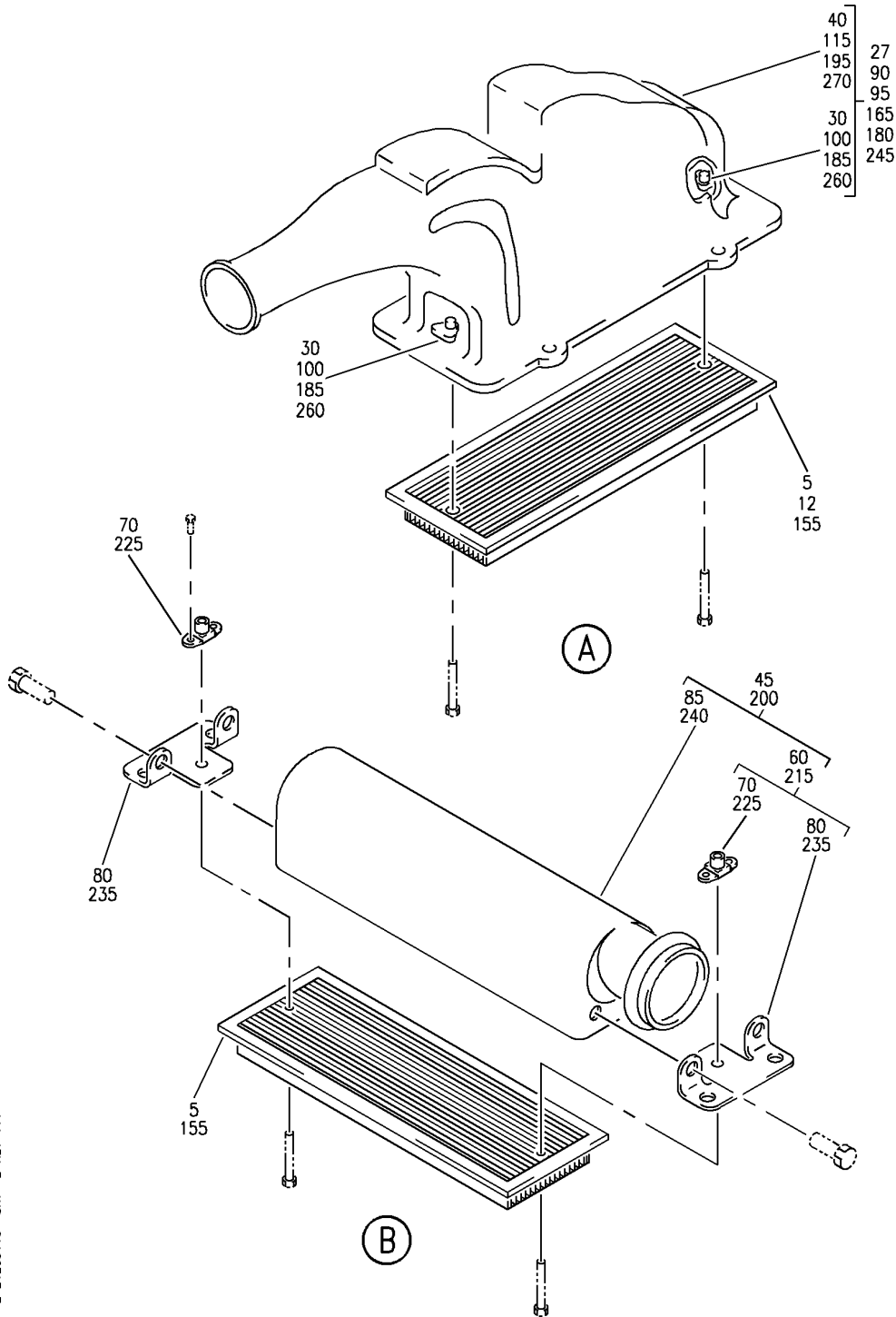
CEILING ASSY-AFT ENTRY (AIR CONDITIONING ONLY)
 FIGURE 16 (SHEET 1)

21-26-51-16

HAP
 OCT 10/06

21-26-51-16
 PAGE 0

BOEING
 737-600/700/800/900
 PARTS CATALOG (MAINTENANCE)



E 21265116 SHT 2 REV 111

CEILING ASSY-AFT ENTRY (AIR CONDITIONING ONLY)
 FIGURE 16 (SHEET 2)

21-26-51-16

HAP
 OCT 10/06

21-26-51-16
 PAGE 0A

BOEING
737-600/700/800/900
PARTS CATALOG (MAINTENANCE)

FIG ITEM	PART NUMBER	1 2 3 4 5 6 7	NOMENCLATURE	EFFECT FROM TO	UNITS PER ASSY
16			CEILING ASSY-AFT ENTRY (AIR CONDITIONING ONLY)	001030 201967	
- 1	411A3420-2A		CEILING ASSY-ENTRY (AIR CONDITIONING ONLY) POSITION DATA: AFT FOR NHA/OTHER SYS DET SEE: 25-21-71-06	001020 201967	RF
- 1	411A3420-11B		CEILING ASSY-ENTRY (AIR CONDITIONING ONLY) POSITION DATA: AFT FOR NHA/OTHER SYS DET SEE: 25-21-71-06	021027	RF
	5 411N3213-1E		.GRILL-	001027 201967	4
- 10	S10F8TPKS23BG		ATTACHING PARTS .SCREW- SUPPLIER CODE: V12324 OPTIONAL PART: NAS8203A8	001027 201967	8
- 10	NAS8203A8		.SCREW- OPTIONAL PART: S10F8TPKS23BG V12324	001027 201967	8
	20 BACS12GU3K5		-----*----- .SCREW	001027 201967	8
	25 BACW10P6AL		.WASHER	001027 201967	8
	27 214A2109-1		.PLENUM ASSY- PRE ALERT SB: 21A1139	001027 202967	2
	30 F51753-3CD		..NUTPLATE SUPPLIER CODE: V15653 SPECIFICATION NUMBER: BACN10KE3DCD OPTIONAL PART: NS202495-02 V80539	001027 202967	2
- 35	BACR15BA3AD4C		ATTACHING PARTS ..RIVET	001027 202967	4
	40 214A2109-2		-----*----- ..PLENUM	001027 202967	1

MISSING ITEM NUMBERS NOT APPLICABLE

- ITEM NOT ILLUSTRATED

HAP

21-26-51-16

BOEING PROPRIETARY - Copyright © - Unpublished Work - See title page for details.

21-26-51
FIG. 16
PAGE 1
OCT 15/08

BOEING
737-600/700/800/900
PARTS CATALOG (MAINTENANCE)

FIG ITEM	PART NUMBER	1 2 3 4 5 6 7	NOMENCLATURE	EFFECT FROM TO	UNITS PER ASSY
16					
45	214N3023-4		.PLENUM ASSY-	001027 201967	2
			ATTACHING PARTS		
- 50	BACS12GU3K5		.SCREW	001027 201967	8
- 55	NAS1149D0332J		.WASHER	001027 201967	8
			-----*-----		
60	214N3027-3		..BRACKET ASSY	001027 201967	2
			ATTACHING PARTS		
- 65	BACR15BB5AC		..RIVET-	001027 201967	4
			SIZE DETERMINED ON INSTL.		
			-----*-----		
70	BRF200C3D		...NUTPLATE	001027 201967	1
			SUPPLIER CODE:		
			V52828		
			SPECIFICATION NUMBER:		
			BACN10JR3CFD		
			OPTIONAL PART:		
			K51602-3BAC		
			V15653		
			NS202476-02		
			V80539		
			102F9201-3		
			V72962		
			T8092C1032CD		
			V11815		
			ATTACHING PARTS		
- 75	BACR15BA3ADC		...RIVET-	001027 201967	2
			SIZE DETERMINED ON INSTL.		
			-----*-----		
80	214N3027-2		...BRACKET	001027 201967	1
85	214N3060-4		..HOUSING-	001027 201967	1
			SUPPLIER CODE:		
			V89954		
90	214A2109-5		.PLENUM ASSY-	001020 201967	2
			POST ALERT SB:		
			21A1139		
95	214A2109-1		..PLENUM ASSY	001020 201967	1

MISSING ITEM NUMBERS NOT APPLICABLE

- ITEM NOT ILLUSTRATED

HAP

21-26-51-16

BOEING PROPRIETARY - Copyright © - Unpublished Work - See title page for details.

21-26-51
FIG. 16
PAGE 2
OCT 15/08

BOEING
737-600/700/800/900
PARTS CATALOG (MAINTENANCE)

FIG ITEM	PART NUMBER	1 2 3 4 5 6 7	NOMENCLATURE	EFFECT FROM TO	UNITS PER ASSY
16 100	F51753-3CD		...NUTPLATE SUPPLIER CODE: V15653 SPECIFICATION NUMBER: BACN10KE3DCD OPTIONAL PART: NS202495-02 V80539 ATTACHING PARTS	001020 201967	2
- 105	BACR15BA3AD4C		...RIVET -----*-----	001020 201967	4
115	214A2109-2		...PLENUM	001020 201967	1
- 150	411A3420-22SP		CEILING ASSY-ENTRY (AIR CONDITIONING ONLY) POSITION DATA: AFT FOR NHA/OTHER SYS DET SEE: 25-21-71-06	028030	RF
155	411N3213-1SP		.GRILL- ATTACHING PARTS	028030	4
- 160	BACS12HJ3K8		.SCREW- -----*-----	028030	8
165	214A2109-5		.PLENUM ASSY-LOWERED CLG POSITION DATA: AFT OPTIONAL PART: 214A2109-6	028030	2
165	214A2109-6		.PLENUM ASSY-LOWERED CLG POSITION DATA: AFT OPTIONAL PART: 214A2109-5 ATTACHING PARTS	028030	2
- 170	BACS12GU3K5		.SCREW	028030	8
- 175	BACW10P6AL		.WASHER -----*-----	028030	8
180	214A2109-1		..PLENUM ASSY	028030	1
185	F51753-3CD		...NUTPLATE SUPPLIER CODE: V15653 SPECIFICATION NUMBER: BACN10KE3DCD OPTIONAL PART: NS202495-02 V80539	028030	2

MISSING ITEM NUMBERS NOT APPLICABLE

- ITEM NOT ILLUSTRATED

HAP

21-26-51-16

BOEING PROPRIETARY - Copyright © - Unpublished Work - See title page for details.

21-26-51
FIG. 16
PAGE 3
OCT 15/08

BOEING
737-600/700/800/900
PARTS CATALOG (MAINTENANCE)

FIG ITEM	PART NUMBER	1 2 3 4 5 6 7	NOMENCLATURE	EFFECT FROM TO	UNITS PER ASSY
16			ATTACHING PARTS		
- 190	BACR15BA3AD4C	...	RIVET	028030	4
		-----*			
195	214A2109-2	...	PLENUM	028030	1
200	214N3023-4	.	PLENUM ASSY	028030	2
			ATTACHING PARTS		
- 205	BACS12GU3K5	.	SCREW	028030	8
- 210	NAS1149D0332J	.	WASHER	028030	8
		-----*			
215	214N3027-3	..	BRACKET ASSY	028030	2
			ATTACHING PARTS		
- 220	BACR15BB5	..	RIVET-	028030	4
			SIZE DETERMINED ON INSTL.		
		-----*			
225	BRF200C3D	...	NUTPLATE	028030	1
			SUPPLIER CODE:		
			V52828		
			SPECIFICATION NUMBER:		
			BACN10JR3CFD		
			OPTIONAL PART:		
			K51602-3BAC		
			V15653		
			NS202476-02		
			V80539		
			102F9201-3		
			V72962		
			T8092C1032CD		
			V11815		
			ATTACHING PARTS		
- 230	BACR15BA3ADC	...	RIVET-	028030	2
			SIZE DETERMINED ON INSTL.		
		-----*			
235	214N3027-2	...	BRACKET	028030	1
240	214N3060-4	..	HOUSING-	028030	1
			SUPPLIER CODE:		
			V89954		

MISSING ITEM NUMBERS NOT APPLICABLE

- ITEM NOT ILLUSTRATED

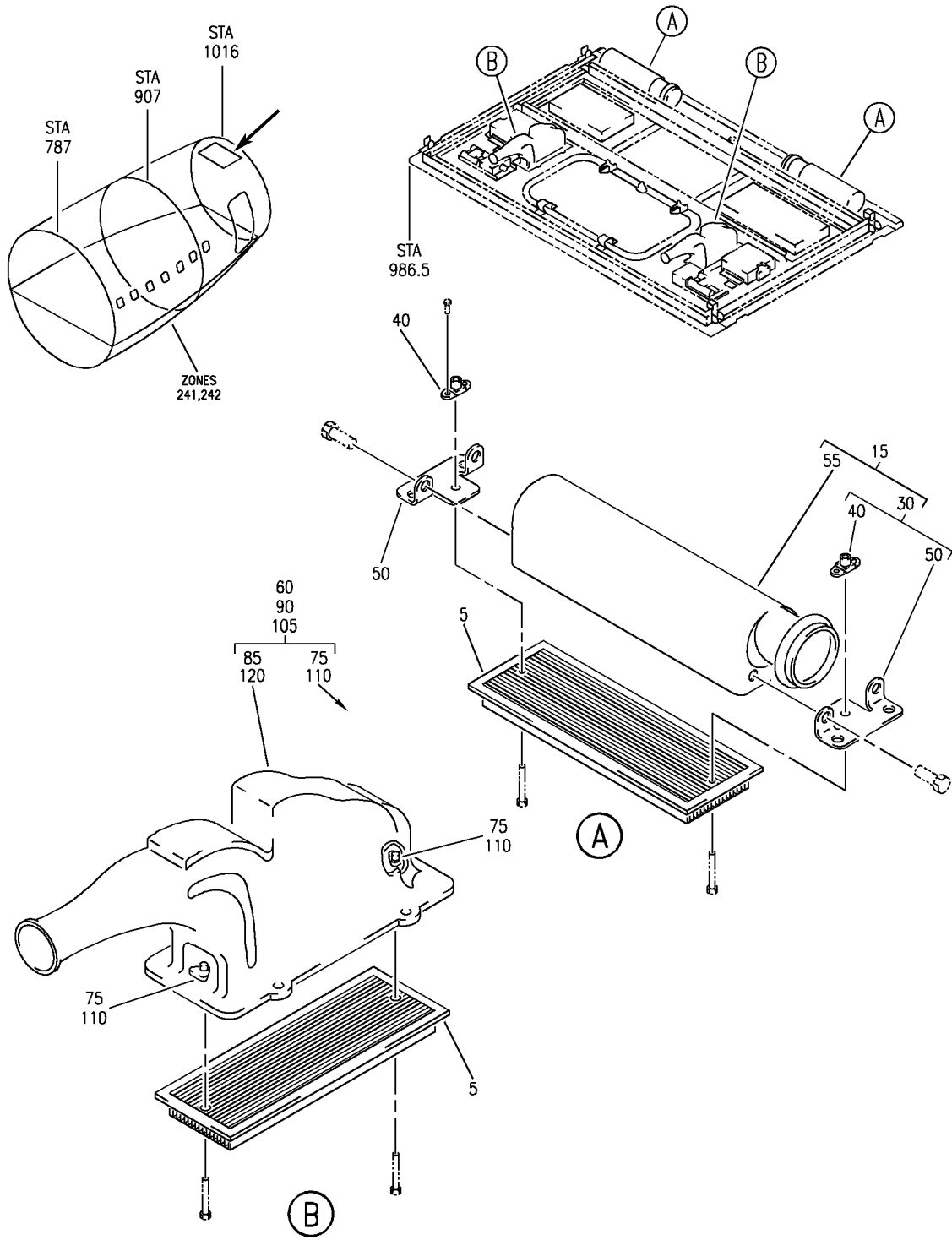
HAP

21-26-51-16

BOEING PROPRIETARY - Copyright © - Unpublished Work - See title page for details.

21-26-51
FIG. 16
PAGE 4
OCT 15/08

BOEING
 737-600/700/800/900
 PARTS CATALOG (MAINTENANCE)



E 21265116A REV 124

CEILING ASSY-AFT ENTRY (AIR CONDITIONING ONLY)
 FIGURE 16A

21-26-51-16A

HAP
 FEB 10/07

21-26-51-16A
 PAGE 0

BOEING
737-600/700/800/900
PARTS CATALOG (MAINTENANCE)

FIG ITEM	PART NUMBER	1 2 3 4 5 6 7	NOMENCLATURE	EFFECT FROM TO	UNITS PER ASSY
16A			CEILING ASSY-AFT ENTRY (AIR CONDITIONING ONLY)	031200 968999	
- 1	411A3420-45B		CEILING ASSY-ENTRY (AIR CONDITIONING ONLY) POSITION DATA: AFT FOR NHA/OTHER SYS DET SEE: 25-21-71-06G	031200 968999	RF
	5 411N3213-1E		.GRILL	031200 968999	4
- 10	BACS12HJ3K8		ATTACHING PARTS .SCREW	031200 968999	8
	15 214N3023-4		-----*----- .PLENUM ASSY	031200 968999	2
- 20	BACS12GU3K5		ATTACHING PARTS .SCREW	031200 968999	8
- 25	NAS1149D0332J		.WASHER	031200 968999	8
	30 214N3027-3		-----*----- ..BRACKET ASSY	031200 968999	2
- 35	BACR15BB5		ATTACHING PARTS ..RIVET- SIZE DETERMINED ON INSTL.	031200 968999	4
	40 BRF200C3D		-----*----- ...NUTPLATE SUPPLIER CODE: V52828 SPECIFICATION NUMBER: BACN10JR3CFD OPTIONAL PART: K51602-3BAC V15653 NS202476-02 V80539 102F9201-3 V72962 T8092C1032CD V11815	031200 968999	1
- 45	BACR15BA3ADC		ATTACHING PARTS ...RIVET- SIZE DETERMINED ON INSTL.	031200 968999	2
	50 214N3027-2		-----*----- ...BRACKET	031200 968999	1

MISSING ITEM NUMBERS NOT APPLICABLE

- ITEM NOT ILLUSTRATED

HAP

21-26-51-16A

BOEING PROPRIETARY - Copyright © - Unpublished Work - See title page for details.

21-26-51
FIG. 16A
PAGE 1
OCT 15/08

BOEING
737-600/700/800/900
PARTS CATALOG (MAINTENANCE)

FIG ITEM	PART NUMBER	1 2 3 4 5 6 7	NOMENCLATURE	EFFECT FROM TO	UNITS PER ASSY
16A					
55	214N3060-4		..HOUSING- SUPPLIER CODE: V89954	031200 968999	1
60	214A2109-7		.PLENUM ASSY-LOWERED CLG POSITION DATA: AFT ATTACHING PARTS	031200 968999	2
- 65	BACS12GU3K5		.SCREW	031200 968999	8
- 70	BACW10P6AL		.WASHER	031200 968999	8
			-----*-----		
75	F51753-3CD		..NUTPLATE SUPPLIER CODE: V15653 SPECIFICATION NUMBER: BACN10KE3DCD OPTIONAL PART: NS202495-02 V80539 ATTACHING PARTS	031200 968999	2
- 80	BACR15BA3AD4C		..RIVET	031200 968999	4
			-----*-----		
85	214A2109-2		..PLENUM	031200 968999	1

MISSING ITEM NUMBERS NOT APPLICABLE

- ITEM NOT ILLUSTRATED

HAP

21-26-51-16A

BOEING PROPRIETARY - Copyright © - Unpublished Work - See title page for details.

21-26-51
FIG. 16A
PAGE 2
OCT 15/08