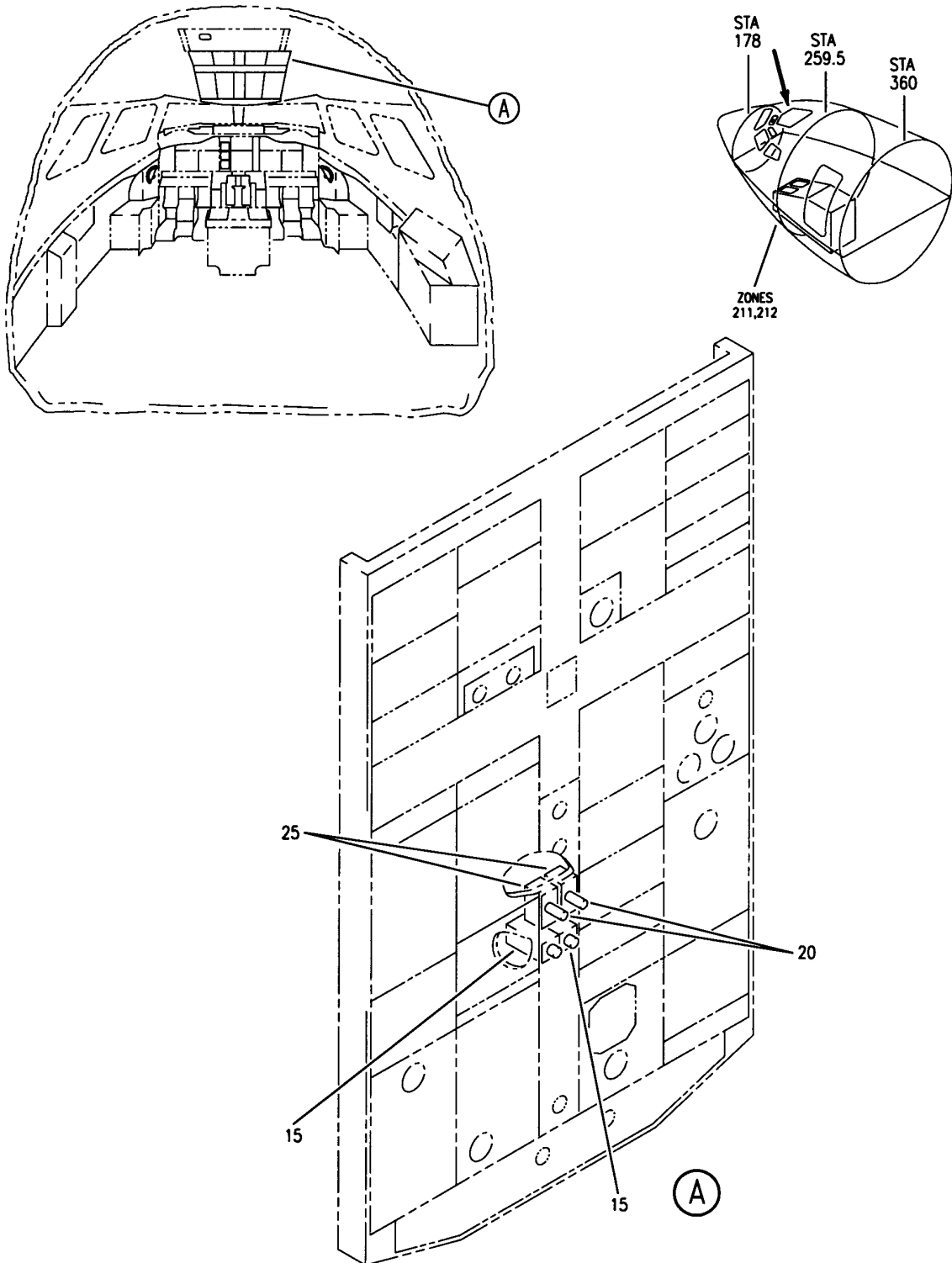


EQUIPMENT COOLING SYSTEM

HAP
OCT 10/06

21-27-00
SECTION TITLE
PAGE 1

BOEING
 737-600/700/800/900
 PARTS CATALOG (MAINTENANCE)



E 21270001 REV 004

ELECTRICAL INSTL AND ASSY-P5 FWD OVHD (AIR CONDITIONING ONLY)
 FIGURE 1

21-27-00-01

HAP
 OCT 10/06

21-27-00-01
 PAGE 0

 **BOEING**
737-600/700/800/900
PARTS CATALOG (MAINTENANCE)

FIG ITEM	PART NUMBER	1 2 3 4 5 6 7	NOMENCLATURE	EFFECT FROM TO	UNITS PER ASSY
1			ELECTRICAL INSTL AND ASSY- P5 FWD OVHD (AIR CONDITIONING ONLY)	001036 201967	
- 1	233A3303-2		ELECTRICAL ASSY-P5 OVHD (AIR CONDITIONING ONLY) POSITION DATA: FWD FOR NHA/OTHER SYS DET SEE: 31-11-94-03	001007	RF
- 1	233A3303-349		ELECTRICAL INSTL-P5 OVHD (AIR CONDITIONING ONLY) POSITION DATA: FWD FOR NHA/OTHER SYS DET SEE: 31-11-00-01C	018018 020030	RF
- 2	233A3303-301		ELECTRICAL INSTL-P5 OVHD (AIR CONDITIONING ONLY) POSITION DATA: FWD FOR NHA/OTHER SYS DET SEE: 31-11-00-01C 31-11-00-01J	008011 201967	RF
- 4	233A3303-340		ELECTRICAL INSTL-P5 OVHD (AIR CONDITIONING ONLY) POSITION DATA: FWD FOR NHA/OTHER SYS DET SEE: 31-11-00-01C	012017 019019	RF

MISSING ITEM NUMBERS NOT APPLICABLE

- ITEM NOT ILLUSTRATED

HAP

21-27-00-01

BOEING PROPRIETARY - Copyright © - Unpublished Work - See title page for details.

21-27-00
FIG. 01
PAGE 1
OCT 15/08

BOEING
737-600/700/800/900
PARTS CATALOG (MAINTENANCE)

FIG ITEM	PART NUMBER	1 2 3 4 5 6 7	NOMENCLATURE	EFFECT FROM TO	UNITS PER ASSY
1 -	5 MODREF82478		ELECTRICAL INSTL-P5 OVHD (AIR CONDITIONING ONLY) MODULE NUMBER: 233A3303-349 REV A POSITION DATA: FWD FOR OTHER SYS DETAILS SEE: 11-31-01-43 23-42-00-01 23-43-00-01 30-42-31-02 31-11-94-03A 33-11-00-08 33-14-00-06 33-25-52-02 33-32-00-03 33-41-00-01 33-42-00-02 33-43-00-01 33-44-00-01 33-45-00-01 33-49-00-02 33-51-00-02 49-61-00-01 74-31-52-02	031036	1
	15 BCREF2579		.LIGHT ASSY-PRESS TO TEST IND-OFF SUPPLIER CODE: V81590 OVERLENGTH PART NUMBER: 318-630-1001-008 SPECIFICATION NUMBER: 10-61803-12 ELECTRICAL EQUIP NUMBER: L00047 L01141 COMPONENT MAINT MANUAL REF: 33-10-05 FOR DETAILS SEE: 33-11-50-05N	001036 201967	2
	20 69-44578-2		.CAP-CUSHION	001036 201967	2
	25 MS24524-23		.SWITCH- ELECTRICAL EQUIP NUMBER: S00059 S00870	001036 201967	2

MISSING ITEM NUMBERS NOT APPLICABLE

- ITEM NOT ILLUSTRATED

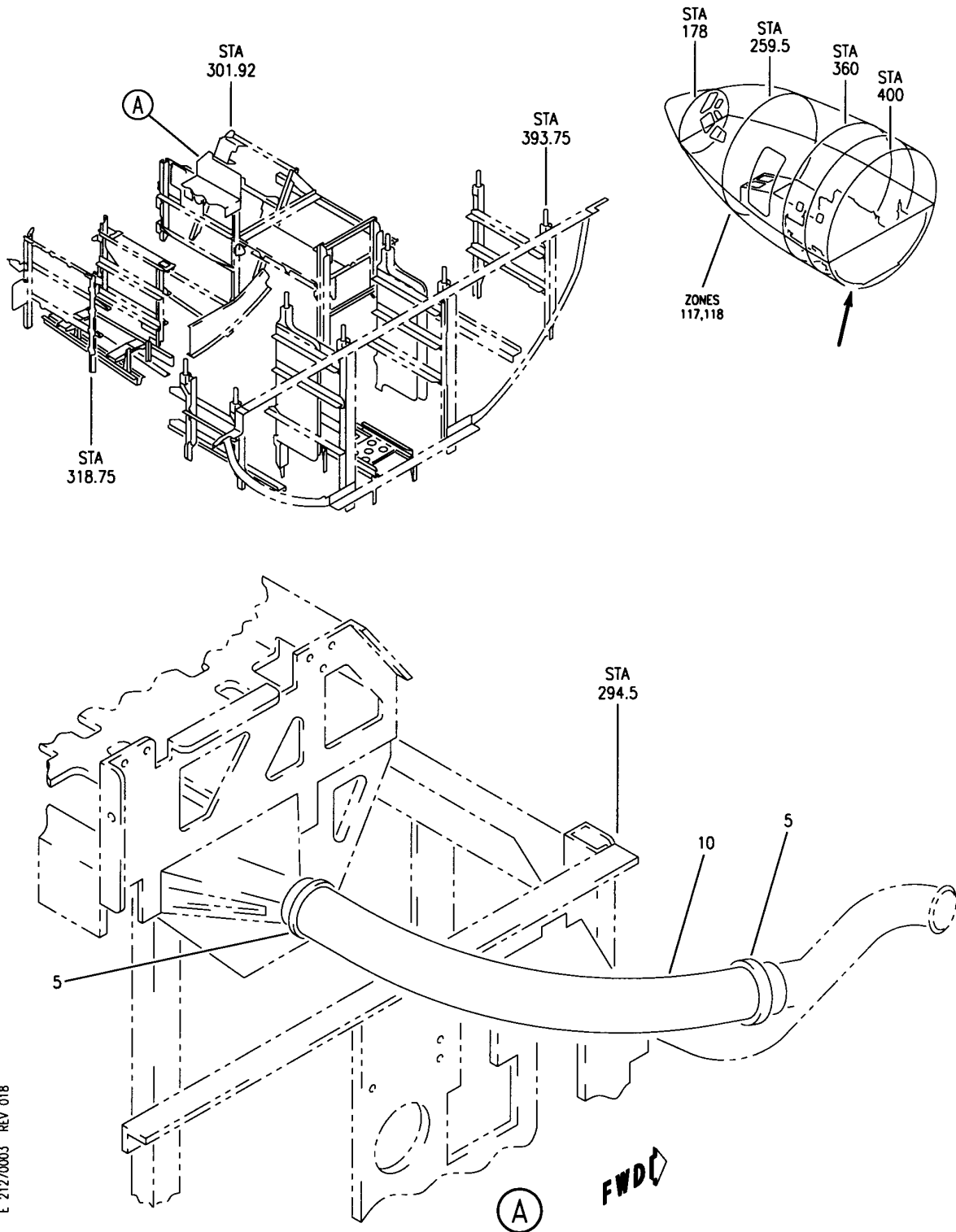
HAP

21-27-00-01

BOEING PROPRIETARY - Copyright © - Unpublished Work - See title page for details.

21-27-00
FIG. 01
PAGE 2
OCT 15/08

BOEING
 737-600/700/800/900
 PARTS CATALOG (MAINTENANCE)



E 21270003 REV 018

COOLING INSTL-E8-1 RACK E/E EQUIPMENT
 FIGURE 3

21-27-00-03

HAP
 OCT 10/06

21-27-00-03
 PAGE 0

BOEING
737-600/700/800/900
PARTS CATALOG (MAINTENANCE)

FIG ITEM	PART NUMBER	1 2 3 4 5 6 7	NOMENCLATURE	EFFECT FROM TO	UNITS PER ASSY
3			COOLING INSTL-E8-1 RACK E/E EQUIPMENT	005005 008200 968999	
- 1	284A0758-2		COOLING INSTL-E/E EQPT E8-1 RACK FOR NHA SEE: 21-27-00-12	005005 008022	RF
- 1	284A0758-3		COOLING INSTL-E/E EQPT E8-1 RACK FOR NHA SEE: 21-27-00-12	023030	RF
- 1	MODREF86048		COOLING INSTL-E/E EQPT E8-1 RACK MODULE NUMBER: 284A0758-3 REV A	031200 968999	1
5	PLT3SM		.STRAP SUPPLIER CODE: V06383 SPECIFICATION NUMBER: BACS38K7 OPTIONAL PART: T0510 V53421	005005 008200 968999	2
10	BOE2022-10A0253		.HOSE SUPPLIER CODE: V16632 SPECIFICATION NUMBER: AS1544-10A0253	005005 008022	1
10	AS1504-10B0290		.HOSE	023200 968999	1

MISSING ITEM NUMBERS NOT APPLICABLE

- ITEM NOT ILLUSTRATED

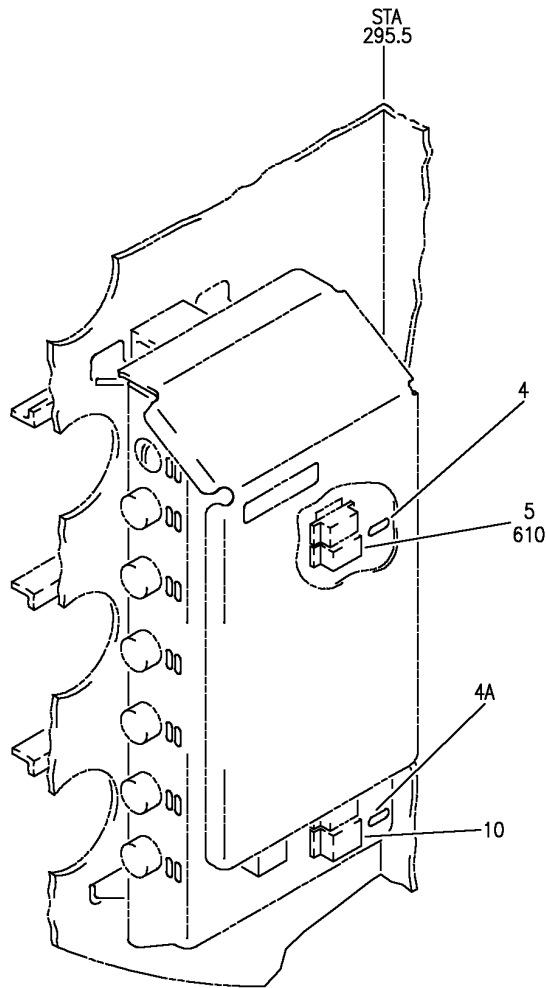
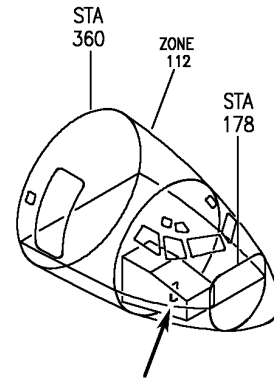
HAP

21-27-00-03

BOEING PROPRIETARY - Copyright © - Unpublished Work - See title page for details.

21-27-00
FIG. 03
PAGE 1
OCT 15/08

BOEING
737-600/700/800/900
PARTS CATALOG (MAINTENANCE)



E 21270004 REV 142

JUNCTION BOX ASSY-J24 (EQUIPMENT COOLING SYSTEM ONLY)
FIGURE 4

21-27-00-04

HAP
JUN 15/08

21-27-00-04
PAGE 0

BOEING
737-600/700/800/900
PARTS CATALOG (MAINTENANCE)

FIG ITEM	PART NUMBER	1 2 3 4 5 6 7	NOMENCLATURE	EFFECT FROM TO	UNITS PER ASSY
4			JUNCTION BOX ASSY-J24 (EQUIPMENT COOLING SYSTEM ONLY)	001007	
- 1	284A1224-3		JUNCTION BOX ASSY- (EQUIPMENT COOLING SYSTEM ONLY) POSITION DATA: J24 REWORKED BY SB: 23-1107 FOR NHA/OTHER SYS DET SEE: 25-50-51-70	006007	RF
- 1	284A1224-13		JUNCTION BOX ASSY- (EQUIPMENT COOLING SYSTEM ONLY) PRE SERVICE BULLETIN: 34-1472 REWORKED BY SB: 23-1107 FOR NHA/OTHER SYS DET SEE: 25-50-51-70	001004	RF
- 1	284A1224-15		JUNCTION BOX ASSY-J24 (EQUIPMENT COOLING SYSTEM ONLY) PRE SERVICE BULLETIN: 23-1107 FOR NHA/OTHER SYS DET SEE: 25-50-51-70	005005	RF
5	W260F4AM11		.RELAY- SUPPLIER CODE: VF0219 SPECIFICATION NUMBER: BACR13CD2 OPTIONAL PART: BR16S233 V09026 EE4AA005 V35344 3SAV1338A2 V01526 HFW1206K03 V58614 HFW1204K01 V71482 ELECTRICAL EQUIP NUMBER: R00678	001007	1
- 601	286A0080-024		WIRE BUNDLE ASSY- REWORKED BY SB: 23-1107	001001	RF

MISSING ITEM NUMBERS NOT APPLICABLE

- ITEM NOT ILLUSTRATED

HAP

21-27-00-04

BOEING PROPRIETARY - Copyright © - Unpublished Work - See title page for details.

21-27-00
FIG. 04
PAGE 1
OCT 10/06

BOEING
737-600/700/800/900
PARTS CATALOG (MAINTENANCE)

FIG ITEM	PART NUMBER	1 2 3 4 5 6 7	NOMENCLATURE	EFFECT FROM TO	UNITS PER ASSY
4					
- 601	286A0080-026		WIRE BUNDLE ASSY- REWORKED BY SB: 23-1107	002004	RF
- 601	286A0080-030		WIRE BUNDLE ASSY-	005005	RF
- 601	286A0080-036		WIRE BUNDLE ASSY-	006007	RF
610	RSE120026		.PLUG- SUPPLIER CODE: V58982 SPECIFICATION NUMBER: BACS16AG1 OPTIONAL PART: 451120-026 V58982 ELECTRICAL EQUIP NUMBER: D12248 WIRING DIAGRAM REF: 212721 USED WITH: BACR13CD2	001007	1

MISSING ITEM NUMBERS NOT APPLICABLE

- ITEM NOT ILLUSTRATED

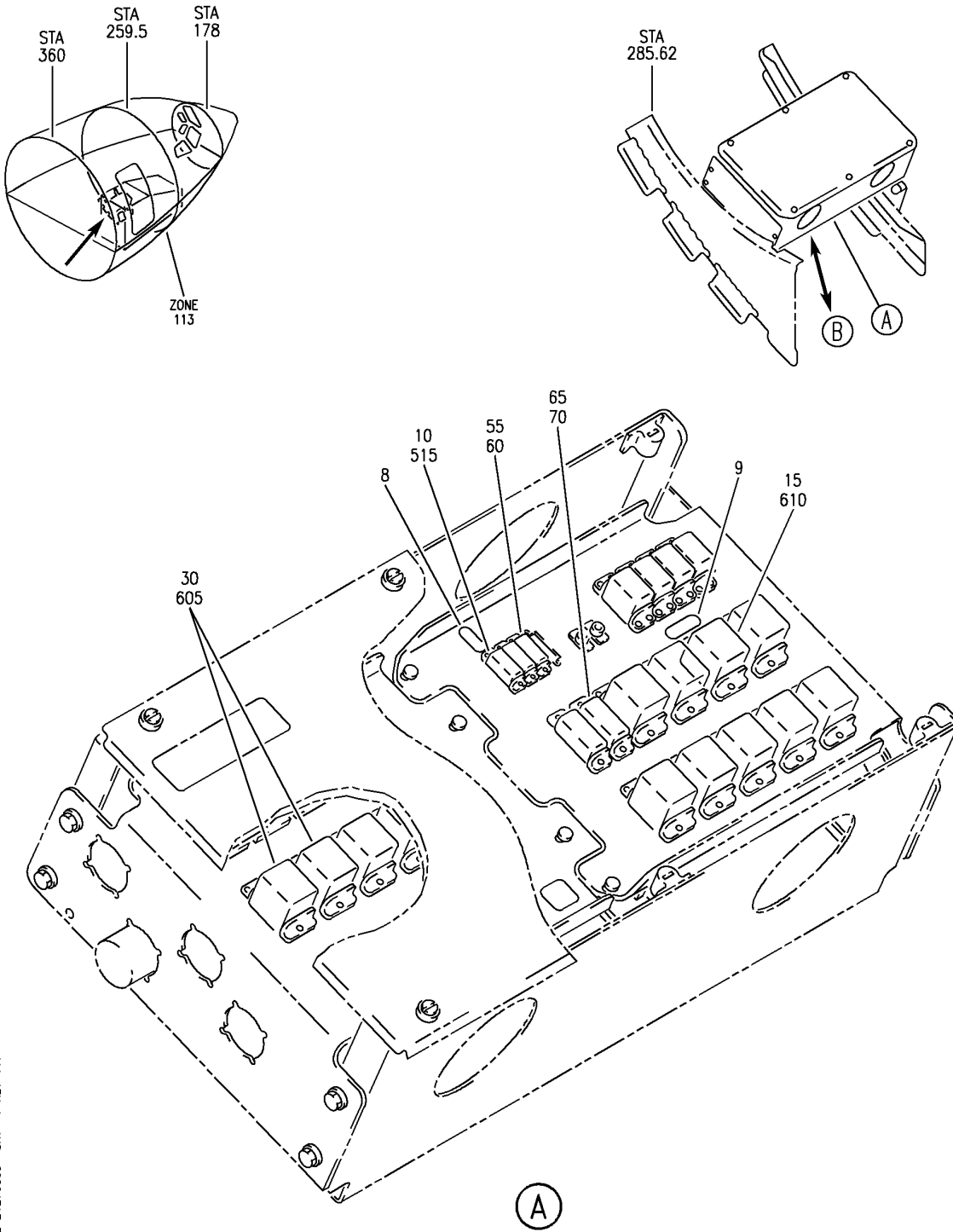
HAP

21-27-00-04

BOEING PROPRIETARY - Copyright © - Unpublished Work - See title page for details.

21-27-00
FIG. 04
PAGE 2
OCT 10/06

BOEING
 737-600/700/800/900
 PARTS CATALOG (MAINTENANCE)



E 21270005 SHT 1 REV 117

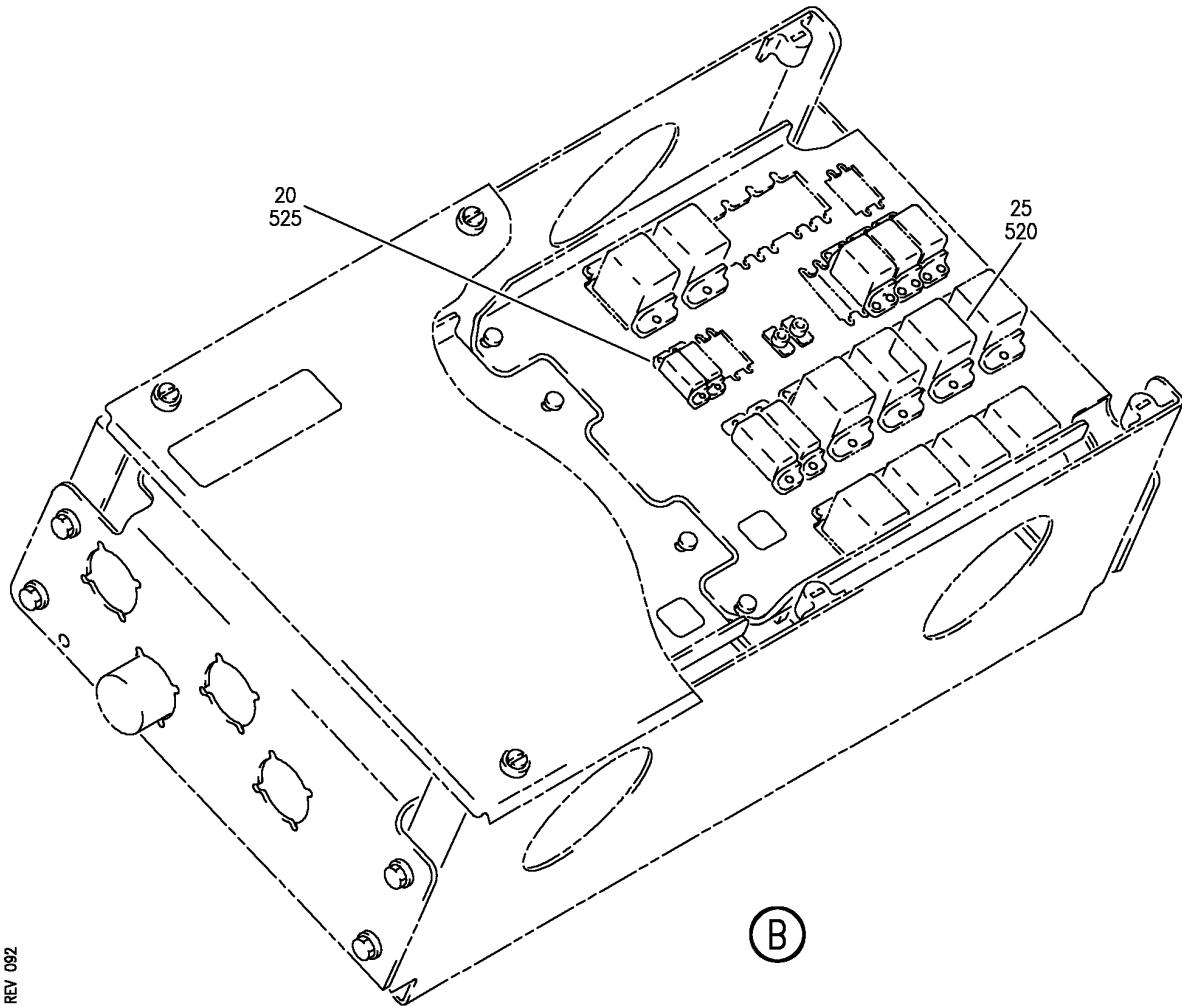
JUNCTION BOX AND COMPONENT INSTL-J20 (EQUIPMENT COOLING SYSTEM ONLY)
 FIGURE 5 (SHEET 1)

21-27-00-05

HAP
 OCT 10/06

21-27-00-05
 PAGE 0

BOEING
737-600/700/800/900
PARTS CATALOG (MAINTENANCE)



E 21270005 SHT 2 REV 092

JUNCTION BOX AND COMPONENT INSTL-J20 (EQUIPMENT COOLING SYSTEM ONLY)
FIGURE 5 (SHEET 2)

HAP
OCT 10/06

21-27-00-05

21-27-00-05
PAGE 0A

BOEING
737-600/700/800/900
PARTS CATALOG (MAINTENANCE)

FIG ITEM	PART NUMBER	1 2 3 4 5 6 7	NOMENCLATURE	EFFECT FROM TO	UNITS PER ASSY
5			JUNCTION BOX AND COMPONENT INSTL-J20 (EQUIPMENT COOLING SYSTEM ONLY)	028200 968999	
- 2	284A1203-124		JUNCTION BOX INSTL-J20 (EQUIPMENT COOLING SYSTEM ONLY) PRE ALERT SB: 28A1206 FOR NHA/OTHER SYS DET SEE: 25-50-00-13	028030	RF
- 5	MODREF206269		JUNCTION BOX INSTL-J20 (EQUIPMENT COOLING SYSTEM ONLY) MODULE NUMBER: 284A1203-201 REV B FOR OTHER SYS DETAILS SEE: 21-44-51-01 25-50-51-22A 27-62-00-28 28-22-51-02 32-09-00-01 49-60-00-01 76-11-02-02	031035	1
- 5	MODREF266995		JUNCTION BOX INSTL-J20 (EQUIPMENT COOLING SYSTEM ONLY) MODULE NUMBER: 284A1203-201 REV C FOR OTHER SYS DETAILS SEE: 21-44-51-01 25-50-51-22A 27-62-00-28 28-11-51-10 28-22-51-04 32-09-00-01 49-60-00-01 76-11-02-02	036200 968999	1
- 6	284A9200-76		JUNCTION BOX INSTL-J20 (EQUIPMENT COOLING SYSTEM ONLY) POST ALERT SB: 28A1206 FOR NHA/OTHER SYS DET SEE: 25-50-00-13	028030	RF
8	BAC27DEX7114		.MARKER- PLACARD CONTENT: R682 POST ALERT SB: 28A1206	028030	1

MISSING ITEM NUMBERS NOT APPLICABLE

- ITEM NOT ILLUSTRATED

HAP

21-27-00-05

BOEING PROPRIETARY - Copyright © - Unpublished Work - See title page for details.

21-27-00
FIG. 05
PAGE 1
OCT 15/08

BOEING
737-600/700/800/900
PARTS CATALOG (MAINTENANCE)

FIG ITEM	PART NUMBER	1 2 3 4 5 6 7	NOMENCLATURE	EFFECT FROM TO	UNITS PER ASSY
5					
9	BAC27DEX7113		.MARKER- PLACARD CONTENT: R645 POST ALERT SB: 28A1206	028030	1
10	W260F4AM11		.RELAY- SUPPLIER CODE: VF0219 SPECIFICATION NUMBER: BACR13CD2 OPTIONAL PART: BR16S233 V09026 EE4AA005 V35344 3SAV1338A2 V01526 HFW1206K03 V58614 HFW1204K01 V71482 ELECTRICAL EQUIP NUMBER: R00682	028030	1
15	TDH7101-3003		.RELAY- SUPPLIER CODE: V58657 ELECTRICAL EQUIP NUMBER: R00645	028030	1
20	W260F4AM11		.RELAY- SUPPLIER CODE: VF0219 SPECIFICATION NUMBER: BACR13CD2 OPTIONAL PART: BR16S233 V09026 EE4AA005 V35344 3SAV1338A2 V01526 HFW1206K03 V58614 HFW1204K01 V71482 ELECTRICAL EQUIP NUMBER: R00682	028200 968999	1

MISSING ITEM NUMBERS NOT APPLICABLE

— ITEM NOT ILLUSTRATED

HAP

21-27-00-05

BOEING PROPRIETARY - Copyright © - Unpublished Work - See title page for details.

21-27-00
FIG. 05
PAGE 2
FEB 15/09

BOEING
737-600/700/800/900
PARTS CATALOG (MAINTENANCE)

FIG ITEM	PART NUMBER	1 2 3 4 5 6 7	NOMENCLATURE	EFFECT FROM TO	UNITS PER ASSY
5	25 TDH7101-3003		.RELAY- SUPPLIER CODE: V58657 ELECTRICAL EQUIP NUMBER: R00645	028200 968999	1
- 502	286A0072-043		WIRE BUNDLE ASSY-J20 JCT BOX-PLATE B	101200 968999	RF
- 502	286A0072-044		WIRE BUNDLE ASSY-J20 JCT BOX-PLATE B	028100	RF
510	RSF116416		.SOCKET-RELAY SUPPLIER CODE: V58982 SPECIFICATION NUMBER: BACS16W5A OPTIONAL PART: 102-010-1 V09922 000300-1545 V05574 ELECTRICAL EQUIP NUMBER: D11868 WIRING DIAGRAM REF: 212731	028200 968999	1
515	RSE120026		.PLUG-RELAY SUPPLIER CODE: V58982 SPECIFICATION NUMBER: BACS16AG1 OPTIONAL PART: 451120-026 V58982 ELECTRICAL EQUIP NUMBER: D12250 WIRING DIAGRAM REF: 212731	028200 968999	1
520	RSF116416		.SOCKET-RELAY SUPPLIER CODE: V58982 SPECIFICATION NUMBER: BACS16W5A OPTIONAL PART: 102-010-1 V09922 000300-1545 V05574 ELECTRICAL EQUIP NUMBER: D11868 WIRING DIAGRAM REF: 212731	046047 101106 968999	1

MISSING ITEM NUMBERS NOT APPLICABLE

- ITEM NOT ILLUSTRATED

HAP

21-27-00-05

BOEING PROPRIETARY - Copyright © - Unpublished Work - See title page for details.

21-27-00
FIG. 05
PAGE 3
FEB 15/09

BOEING
737-600/700/800/900
PARTS CATALOG (MAINTENANCE)

FIG ITEM	PART NUMBER	1 2 3 4 5 6 7	NOMENCLATURE	EFFECT FROM TO	UNITS PER ASSY
5 525	RSE120026		.PLUG-RELAY SUPPLIER CODE: V58982 SPECIFICATION NUMBER: BACS16AG1 OPTIONAL PART: 451120-026 V58982 ELECTRICAL EQUIP NUMBER: D12250 WIRING DIAGRAM REF: 212731	046047 101106 968999	1
- 600	286A0074-017		WIRE BUNDLE ASSY	101200 968999	RF
- 600 605	286A0074-018 RSF116400		WIRE BUNDLE ASSY .SOCKET- SUPPLIER CODE: V58982 SPECIFICATION NUMBER: BACS16W1A OPTIONAL PART: 102-009-1 V09922 000300-1539 V05574 ELECTRICAL EQUIP NUMBER: D13688 D13690 WIRING DIAGRAM REF: 213122 213123	028100 028200 968999	RF 2

MISSING ITEM NUMBERS NOT APPLICABLE

- ITEM NOT ILLUSTRATED

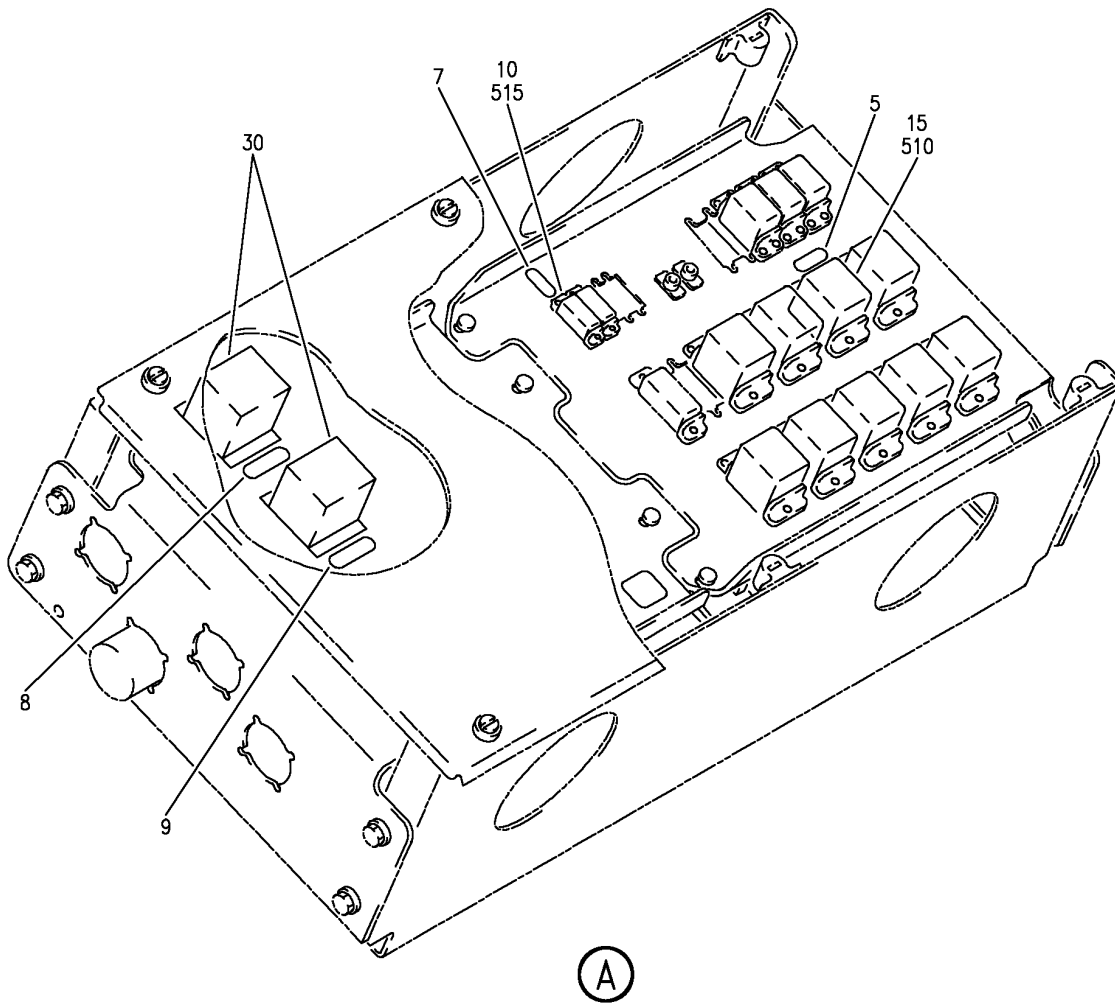
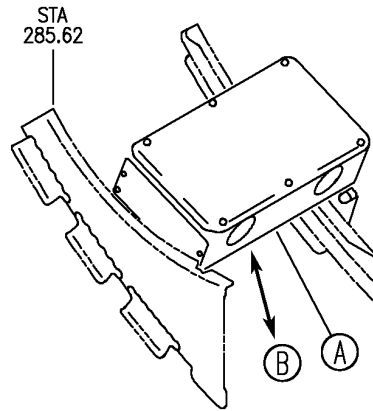
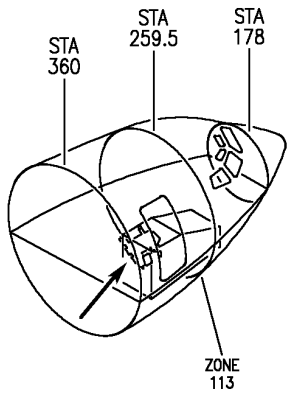
HAP

21-27-00-05

BOEING PROPRIETARY - Copyright © - Unpublished Work - See title page for details.

21-27-00
FIG. 05
PAGE 4
OCT 15/08

BOEING
 737-600/700/800/900
 PARTS CATALOG (MAINTENANCE)



E 21270005A SHT 1 REV 143

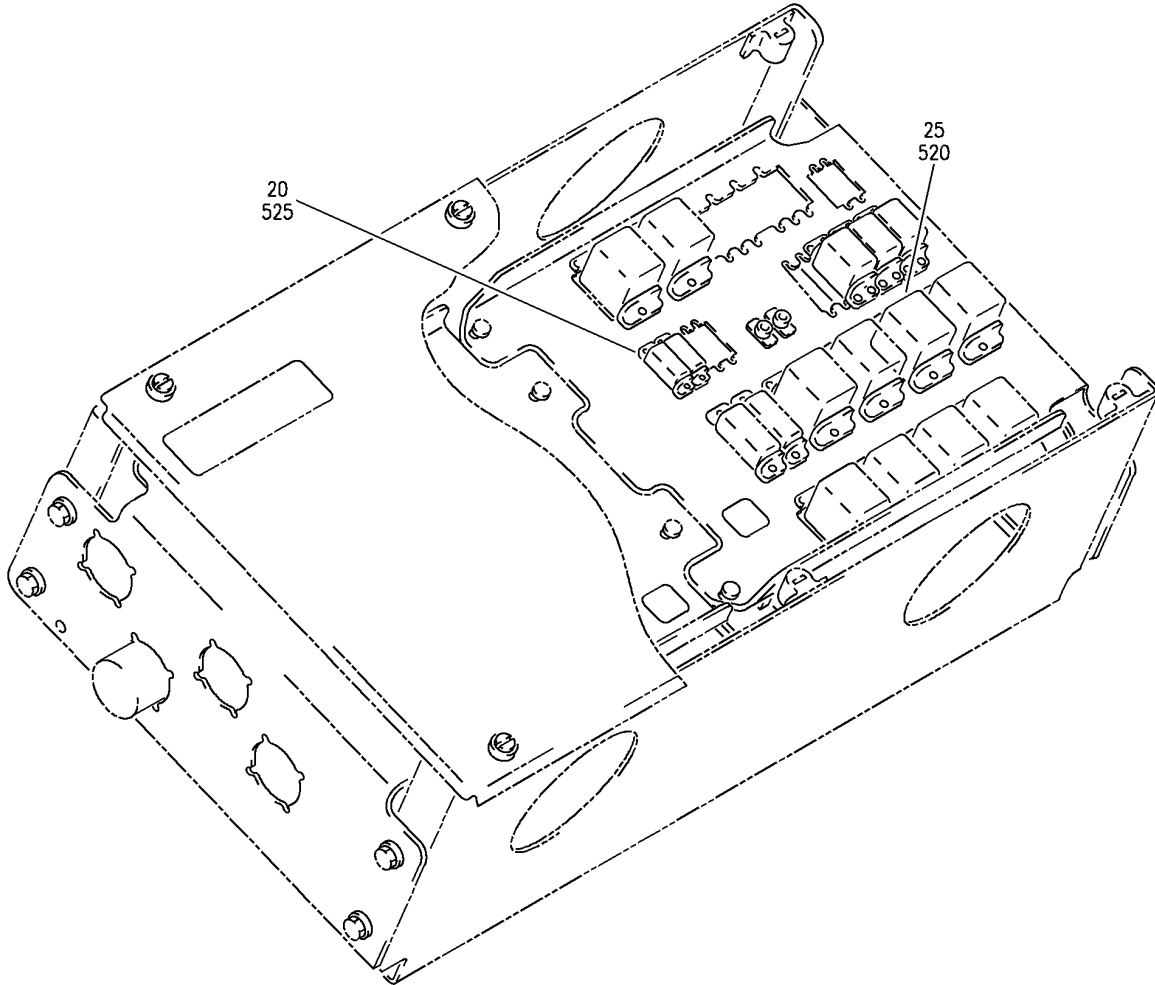
JUNCTION BOX AND COMPONENT INSTL-J20 (AIR CONDITIONING ONLY)
 FIGURE 5A (SHEET 1)

21-27-00-05A

HAP
 JUN 15/08

21-27-00-05A
 PAGE 0

BOEING
737-600/700/800/900
PARTS CATALOG (MAINTENANCE)



(B)

E 21270005A SHT 2 REV 108

JUNCTION BOX AND COMPONENT INSTL-J20 (AIR CONDITIONING ONLY)
FIGURE 5A (SHEET 2)

21-27-00-05A

HAP
OCT 10/06

21-27-00-05A
PAGE 0A

BOEING PROPRIETARY - Copyright © - Unpublished Work - See title page for details.

BOEING
737-600/700/800/900
PARTS CATALOG (MAINTENANCE)

FIG ITEM	PART NUMBER	1 2 3 4 5 6 7	NOMENCLATURE	EFFECT FROM TO	UNITS PER ASSY
5A			JUNCTION BOX AND COMPONENT INSTL-J20 (AIR CONDITIONING ONLY)	001027 201967	
- 1	284A1203-101		JUNCTION BOX INSTL-J20 (AIR CONDITIONING ONLY) PRE ALERT SB: 28A1206 FOR NHA/OTHER SYS DET SEE: 25-50-00-12	201967	RF
- 1	284A1203-102		JUNCTION BOX INSTL-J20 (AIR CONDITIONING ONLY) PRE ALERT SB: 28A1206 FOR NHA/OTHER SYS DET SEE: 25-50-00-13	008027	RF
- 2	284A1203-12		JUNCTION BOX ASSY-J20 (AIR CONDITIONING ONLY) PRE ALERT SB: 28A1206 FOR NHA/OTHER SYS DET SEE: 25-50-51-72	001007	RF
- 2	284A9200-52		JUNCTION BOX INSTL-J20 (AIR CONDITIONING ONLY) POST ALERT SB: 28A1206 FOR NHA/OTHER SYS DET SEE: 25-50-00-12	201967	RF
- 2	284A9200-53		JUNCTION BOX INSTL-J20 (AIR CONDITIONING ONLY) POST ALERT SB: 28A1206 FOR NHA/OTHER SYS DET SEE: 25-50-00-13	008027	RF
- 3	284A9200-53		JUNCTION BOX INSTL-J20 (AIR CONDITIONING ONLY) POST ALERT SB: 28A1206 FOR NHA/OTHER SYS DET SEE: 25-50-51-72	001007	RF
5	BAC27DEX7113		.MARKER- PLACARD CONTENT: R645 POST ALERT SB: 28A1206	001027 201967	1
7	BAC27DEX7114		.MARKER- PLACARD CONTENT: R682 POST ALERT SB: 28A1206	001027 201967	1

MISSING ITEM NUMBERS NOT APPLICABLE

- ITEM NOT ILLUSTRATED

HAP

21-27-00-05A

BOEING PROPRIETARY - Copyright © - Unpublished Work - See title page for details.

21-27-00
FIG. 05A
PAGE 1
OCT 15/08

BOEING
737-600/700/800/900
PARTS CATALOG (MAINTENANCE)

FIG ITEM	PART NUMBER	1 2 3 4 5 6 7	NOMENCLATURE	EFFECT FROM TO	UNITS PER ASSY
5A 10	W260F4AM11		.RELAY- SUPPLIER CODE: VF0219 SPECIFICATION NUMBER: BACR13CD2 OPTIONAL PART: BR16S233 V09026 EE4AA005 V35344 3SAV1338A2 V01526 HFW1206K03 V58614 HFW1204K01 V71482 ELECTRICAL EQUIP NUMBER: R00682	001027 201967	1
15	TDH7101-3003		.RELAY- SUPPLIER CODE: V58657 ELECTRICAL EQUIP NUMBER: R00645	001027 201967	1
- 500	286A0072-001		WIRE BUNDLE ASSY	201967	RF
- 500	286A0072-014		WIRE BUNDLE ASSY	001027	RF
510	RSF116416		.SOCKET- SUPPLIER CODE: V58982 SPECIFICATION NUMBER: BACS16W5A OPTIONAL PART: 102-010-1 V09922 000300-1545 V05574 ELECTRICAL EQUIP NUMBER: D11868 WIRING DIAGRAM REF: 212731	001027 201967	1

MISSING ITEM NUMBERS NOT APPLICABLE

- ITEM NOT ILLUSTRATED

HAP

21-27-00-05A

BOEING PROPRIETARY - Copyright © - Unpublished Work - See title page for details.

21-27-00
FIG. 05A
PAGE 2
OCT 15/08


BOEING
 737-600/700/800/900
PARTS CATALOG (MAINTENANCE)

FIG ITEM	PART NUMBER	1 2 3 4 5 6 7 NOMENCLATURE	EFFECT FROM TO	UNITS PER ASSY
5A 515	RSE120026	.PLUG- SUPPLIER CODE: V58982 SPECIFICATION NUMBER: BACS16AG1 OPTIONAL PART: 451120-026 V58982 ELECTRICAL EQUIP NUMBER: D12250 WIRING DIAGRAM REF: 212731	001027 201967	1

MISSING ITEM NUMBERS NOT APPLICABLE

— ITEM NOT ILLUSTRATED

HAP

21-27-00-05A

BOEING PROPRIETARY - Copyright © - Unpublished Work - See title page for details.

21-27-00
 FIG. 05A
 PAGE 3
 OCT 15/08

NON-ILLUSTRATED FIGURE

THE ITEMS REFLECTED IN THIS FIGURE ARE INTENTIONALLY
NON-ILLUSTRATED. THEY ARE REFERENCED TO EITHER A
NEXT HIGHER OR NEXT LOWER ASSEMBLY/INSTALLATION FIGURE.

E 21270012 REV 055

FUNCTIONAL COLLECTOR-CUSTOMER UNIQUE EQPT INSTL (EQUIPMENT COOLING SYSTEM ONLY)
FIGURE 12

HAP
OCT 10/06

21-27-00-12

21-27-00-12
PAGE 0

BOEING
737-600/700/800/900
PARTS CATALOG (MAINTENANCE)

FIG ITEM	PART NUMBER	1 2 3 4 5 6 7	NOMENCLATURE	EFFECT FROM TO	UNITS PER ASSY
12			FUNCTIONAL COLLECTOR- CUSTOMER UNIQUE EQPT INSTL (EQUIPMENT COOLING SYSTEM ONLY)	001030	
- 1	284A0012-3001		FUNCTIONAL COLLECTOR- CUSTOMER UNIQUE E/E EQPT INSTL FOR NHA SEE: 21-00-00-43	001030	RF
- 15	284A0758-2		.COOLING INSTL-E8-1 FOR DETAILS SEE: 21-27-00-03	005005 008022	1
- 15	284A0758-3		.COOLING INSTL-E8-1 FOR DETAILS SEE: 21-27-00-03	023030	1
- 20	284A0780-2		.PROVISION INSTL-COOLING POSITION DATA: E8 RACK FOR DETAILS SEE: 21-27-51-28	001004 006007	1

MISSING ITEM NUMBERS NOT APPLICABLE

- ITEM NOT ILLUSTRATED

HAP

21-27-00-12

BOEING PROPRIETARY - Copyright © - Unpublished Work - See title page for details.

21-27-00
FIG. 12
PAGE 1
OCT 10/06

NON-ILLUSTRATED FIGURE

THE ITEMS REFLECTED IN THIS FIGURE ARE INTENTIONALLY
NON-ILLUSTRATED. THEY ARE REFERENCED TO EITHER A
NEXT HIGHER OR NEXT LOWER ASSEMBLY/INSTALLATION FIGURE.

E 21270014 REV 055

FUNCTIONAL COLLECTOR MAJOR MODEL BASIC AND STABLE (EQUIPMENT COOLING SYSTEM ONLY)
FIGURE 14

HAP
OCT 10/06

21-27-00-14

21-27-00-14
PAGE 0


BOEING
 737-600/700/800/900
PARTS CATALOG (MAINTENANCE)

FIG ITEM	PART NUMBER	1 2 3 4 5 6 7	NOMENCLATURE	EFFECT FROM TO	UNITS PER ASSY
14			FUNCTIONAL COLLECTOR MAJOR MODEL BASIC AND STABLE (EQUIPMENT COOLING SYSTEM ONLY)	001030 201967	
- 1	140A9100-678		FUNCTIONAL COLLECTOR-MAJOR MODEL BASIC AND STABLE FOR NHA SEE: 21-00-00-33A	001030 201967	RF
- 10	140A9101-2		DUCT INSTL-INTEGRATION POSITION DATA: SECT. 41/43 LWR FOR DETAILS SEE: 21-27-51-46	001030 201967	1

MISSING ITEM NUMBERS NOT APPLICABLE

- ITEM NOT ILLUSTRATED

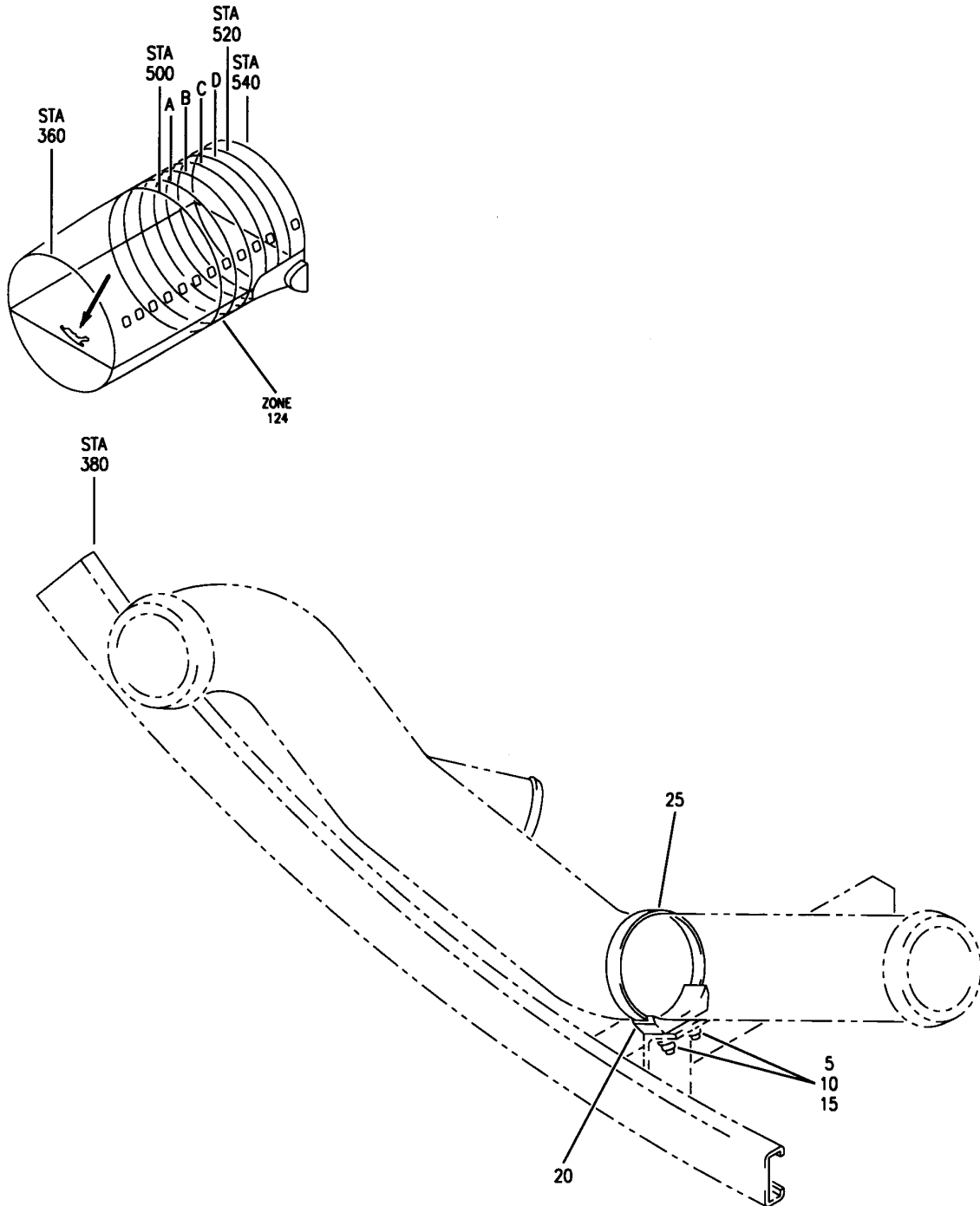
HAP

21-27-00-14

BOEING PROPRIETARY - Copyright © - Unpublished Work - See title page for details.

21-27-00
 FIG. 14
 PAGE 1
 OCT 15/08

BOEING
737-600/700/800/900
PARTS CATALOG (MAINTENANCE)



E 21270401 REV 003

DUCT INSTL-SECT. 43 AFT E/E COOLING EXH
FIGURE 1

21-27-04-01

HAP
OCT 10/06

21-27-04-01
PAGE 0

BOEING
737-600/700/800/900
PARTS CATALOG (MAINTENANCE)

FIG ITEM	PART NUMBER	1 2 3 4 5 6 7	NOMENCLATURE	EFFECT FROM TO	UNITS PER ASSY
1			DUCT INSTL-SECT. 43 AFT E/E COOLING EXH	001030 201967	
- 1	217A1003-3		DUCT INSTL-E/E COOLING EXH POSITION DATA: SECT. 43 AFT FOR NHA SEE: 21-20-00-04B 21-20-00-04C	001030 201967	RF
5	BACS12GU3K9		.SCREW	001030 201967	2
10	NAS1149D0332J		.WASHER	001030 201967	2
15	BRC600-8-3GP		.CLIPNUT SUPPLIER CODE: V52828 SPECIFICATION NUMBER: BACN10YD1G OPTIONAL PART: 130120G V60119	001030 201967	2
20	214T3424-6		.SUPPORT	001030 201967	1
25	SLT8LHC6		.STRAP- SUPPLIER CODE: V06383	001030 201967	1

MISSING ITEM NUMBERS NOT APPLICABLE

- ITEM NOT ILLUSTRATED

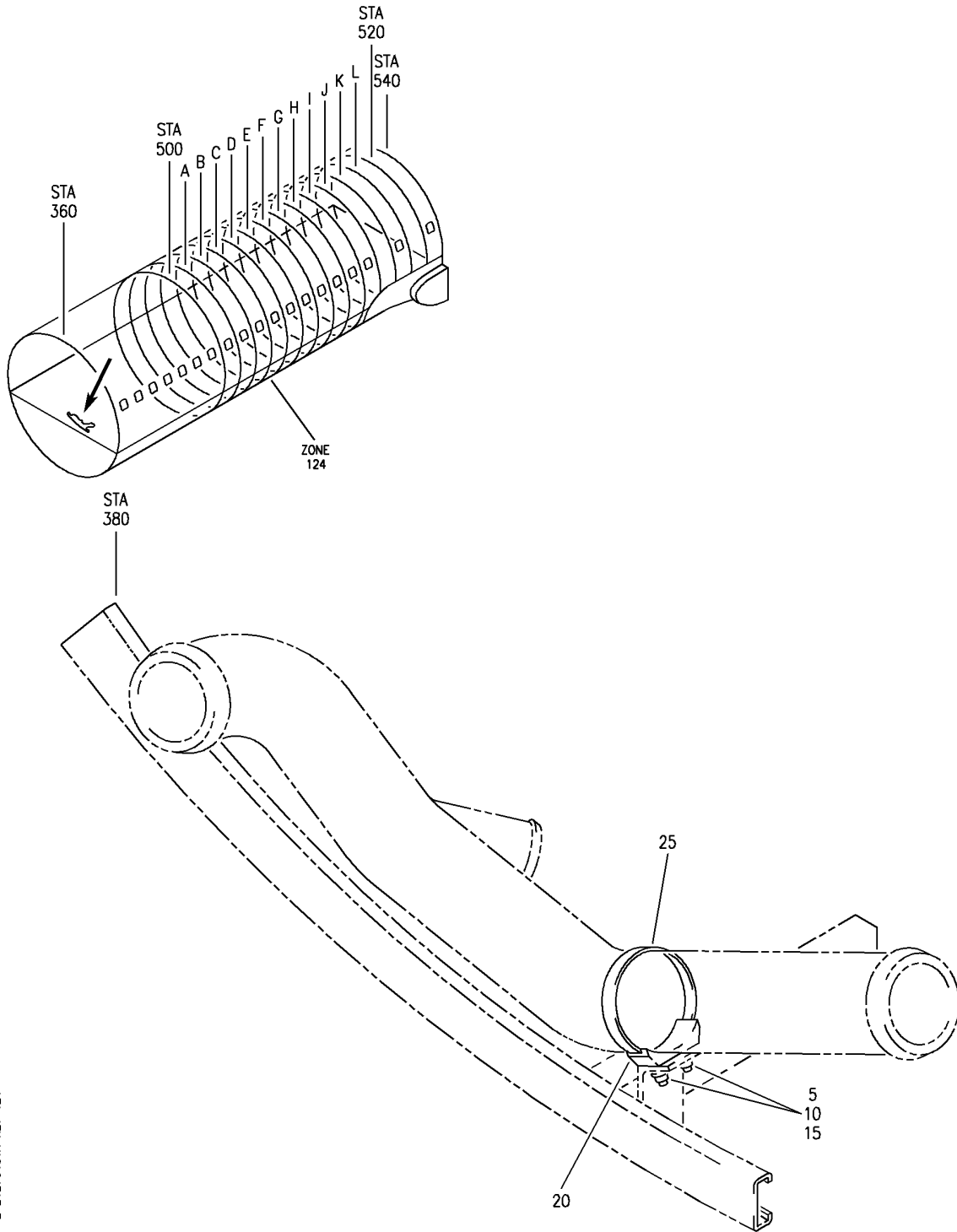
HAP

21-27-04-01

BOEING PROPRIETARY - Copyright © - Unpublished Work - See title page for details.

21-27-04
FIG. 01
PAGE 1
OCT 15/08

BOEING
 737-600/700/800/900
 PARTS CATALOG (MAINTENANCE)



E 21270401A REV 124

DUCT INSTL-SECT. 43 AFT E/E COOLING EXH
 FIGURE 1A

21-27-04-01A

HAP
 FEB 10/07

21-27-04-01A
 PAGE 0

BOEING
737-600/700/800/900
PARTS CATALOG (MAINTENANCE)

FIG ITEM	PART NUMBER	1 2 3 4 5 6 7	NOMENCLATURE	EFFECT FROM TO	UNITS PER ASSY
1 A			DUCT INSTL-SECT. 43 AFT E/E COOLING EXH	031200 968999	
- 1	MODREF81502		DUCT INSTL-E/E COOLING EXH MODULE NUMBER: 217A1003-3 REV A POSITION DATA: SECT. 43 AFT	031200 968999	1
5	BACS12GU3K9		.SCREW	031200 968999	2
10	NAS1149D0332J		.WASHER	031200 968999	2
15	BRC600-8-3GP		.CLIPNUT SUPPLIER CODE: V52828 SPECIFICATION NUMBER: BACN10YD1G OPTIONAL PART: 130120G V60119	031200 968999	2
20	214T3424-6		.SUPPORT	031200 968999	1
25	SLT8LHC6		.STRAP- SUPPLIER CODE: V06383	031200 968999	1

MISSING ITEM NUMBERS NOT APPLICABLE

- ITEM NOT ILLUSTRATED

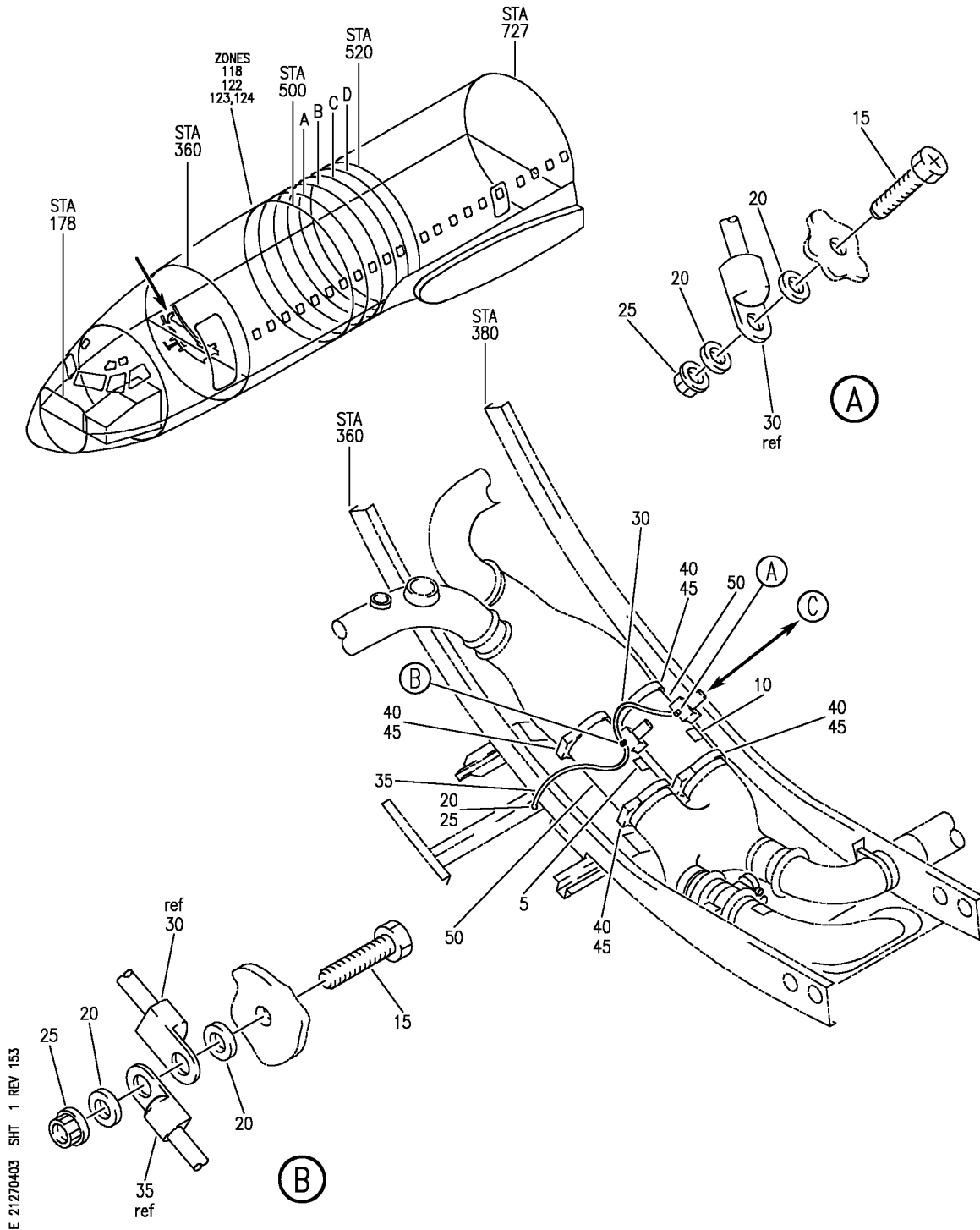
HAP

21-27-04-01A

BOEING PROPRIETARY - Copyright © - Unpublished Work - See title page for details.

21-27-04
FIG. 01A
PAGE 1
OCT 15/08

BOEING
737-600/700/800/900
PARTS CATALOG (MAINTENANCE)



E 21270403 SHT 1 REV 153

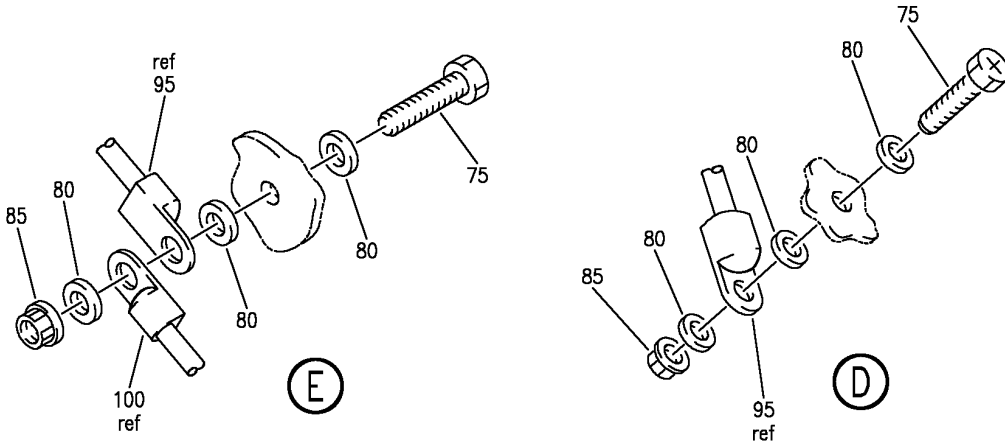
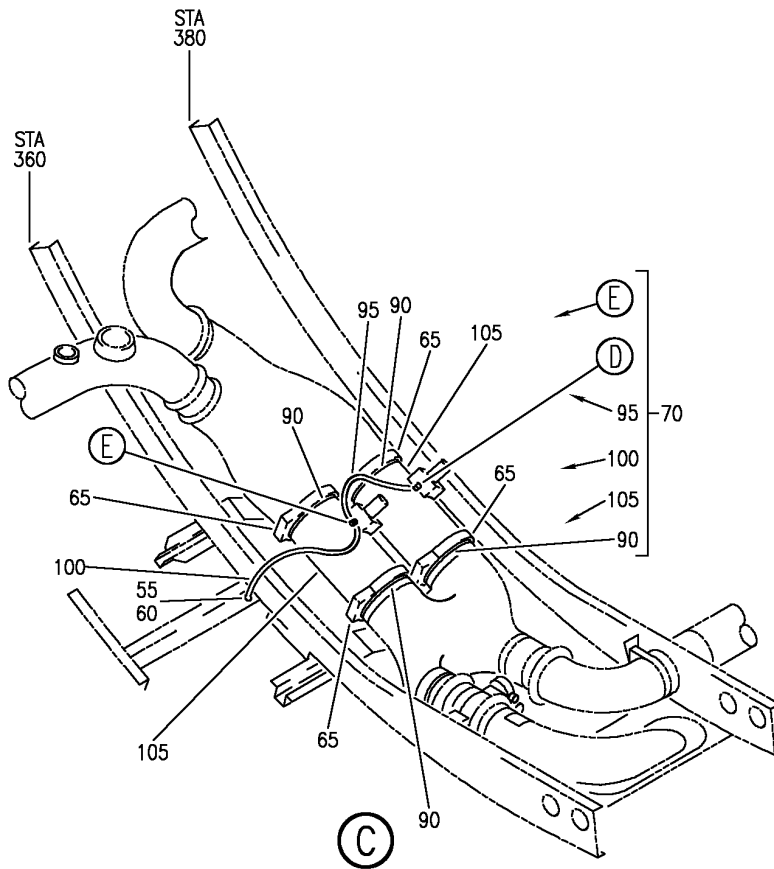
DUCT INSTL-SECT. 43 AFT E/E COOLING EXH (EQUIPMENT COOLING EXHAUST FAN ONLY)
FIGURE 3

21-27-04-03

HAP
JUN 15/09

21-27-04-03
PAGE 0

BOEING
737-600/700/800/900
PARTS CATALOG (MAINTENANCE)



E 21270403 SHT 2 REV 153

DUCT INSTL-SECT. 43 AFT E/E COOLING EXH (EQUIPMENT COOLING EXHAUST FAN ONLY)
FIGURE 3

HAP
JUN 15/09

21-27-04-03

21-27-04-03
PAGE 0A

BOEING
737-600/700/800/900
PARTS CATALOG (MAINTENANCE)

FIG ITEM	PART NUMBER	1 2 3 4 5 6 7	NOMENCLATURE	EFFECT FROM TO	UNITS PER ASSY
3			DUCT INSTL-SECT. 43 AFT E/E COOLING EXH (EQUIPMENT COOLING EXHAUST FAN ONLY)	001004 006007 031200 968999	
- 1	217A1003-9		DUCT INSTL-E/E COOLING EXH (EQUIPMENT COOLING EXHAUST FAN ONLY)	001004 006007	RF
- 1	MODREF266589		POSITION DATA: SECT. 43 AFT FOR NHA/ADDITIONAL DET SEE: 21-20-00-04C		
- 1	MODREF306236		DUCT INSTL-E/E COOLING EXH (EQUIPMENT COOLING EXHAUST FAN ONLY)	031036	1
			MODULE NUMBER: 217A1003-15 REV B2 POSITION DATA: SECT. 43 AFT FOR ADDITIONAL DETAILS SEE: 21-27-05-01 21-27-51-09		
- 1	MODREF306236		DUCT INSTL-E/E COOLING EXH (EQUIPMENT COOLING EXHAUST FAN ONLY)	037200 968999	1
			MODULE NUMBER: 217A1003-15 REV E POSITION DATA: SECT. 43 AFT FOR ADDITIONAL DETAILS SEE: 21-27-05-01 21-27-51-09		
5	BAC27DAC81		.MARKER- PLACARD CONTENT: M98 NORMAL EXHAUST FAN (EQUIP COOLING)	001004 006007 031200 968999	1
10	BAC27DAC82		.MARKER- PLACARD CONTENT: M99 ALTERNATE EXHAUST FAN (EQUIP COOLING)	001004 006007 031200 968999	1
15	NAS1801-3-8		.SCREW	001004 006007 031200 968999	2
20	BACW10BP3NDP		.WASHER	001004 006007 031200 968999	5

MISSING ITEM NUMBERS NOT APPLICABLE

- ITEM NOT ILLUSTRATED

HAP

21-27-04-03

21-27-04
FIG. 03
PAGE 1
OCT 15/08

BOEING
737-600/700/800/900
PARTS CATALOG (MAINTENANCE)

FIG ITEM	PART NUMBER	1 2 3 4 5 6 7	NOMENCLATURE	EFFECT FROM TO	UNITS PER ASSY
3					
25	PLH53CD	.NUT	SUPPLIER CODE: VF0224 SPECIFICATION NUMBER: BACN10YR3CD OPTIONAL PART: H52732-3CD V15653	001004 006007 031200 968999	3
30	BACJ40A20-11	.JUMPER		001004 006007 031200 968999	1
35	740A20-15	.JUMPER	SUPPLIER CODE: V91812 SPECIFICATION NUMBER: BACJ40A20-15 OPTIONAL PART: TJEJ40A20-15 V33483 RBEJ20-15 V1GK47	001004 006007 031200 968999	1
40	601-550SH	.CLAMP-	SUPPLIER CODE: V00624	001004 006007 031200 968999	4
45	SS4-550A	.SLEEVE-	SUPPLIER CODE: V94581 SPECIFICATION NUMBER: BACS13N550A OPTIONAL PART: 42737-550A V98625 504-550 V00624	001004 006007 031200 968999	4
45	504-550	.SLEEVE-	SUPPLIER CODE: V00624 OPTIONAL PART: BACS13N550A	001004 006007 031200 968999	4

MISSING ITEM NUMBERS NOT APPLICABLE

— ITEM NOT ILLUSTRATED

HAP

21-27-04-03

BOEING PROPRIETARY - Copyright © - Unpublished Work - See title page for details.

21-27-04
FIG. 03
PAGE 2
FEB 15/09

BOEING
737-600/700/800/900
PARTS CATALOG (MAINTENANCE)

FIG ITEM	PART NUMBER	1 2 3 4 5 6 7	NOMENCLATURE	EFFECT FROM TO	UNITS PER ASSY
3 50	4101054		. FAN ASSY- SUPPLIER CODE: V45153 FUNCTIONAL DESCRIPTION: USED TO CIRCULATE VENTILATING AIR TO THE FORWARD AND AFT GALLEYS AND LAVATORIES BY DIRECTING THE EXHAUST AIR OVERBOARD THROUGH THE CABIN PRESSURIZATION AND FLOW VALVES. SPECIFICATION NUMBER: S210N701-38 ELECTRICAL EQUIP NUMBER: M00098 M00099 COMPONENT MAINT MANUAL REF: 21-20-04 MAINTENANCE MANUAL REF: 21-27-04 FOR DETAILS SEE: 11-36-01-95	001004 006007 031200 968999	2

R
R
R
R
R
R
R
R
R
R
R
R
R
R
R
R
R
R
R
R
R
R

MISSING ITEM NUMBERS NOT APPLICABLE

- ITEM NOT ILLUSTRATED

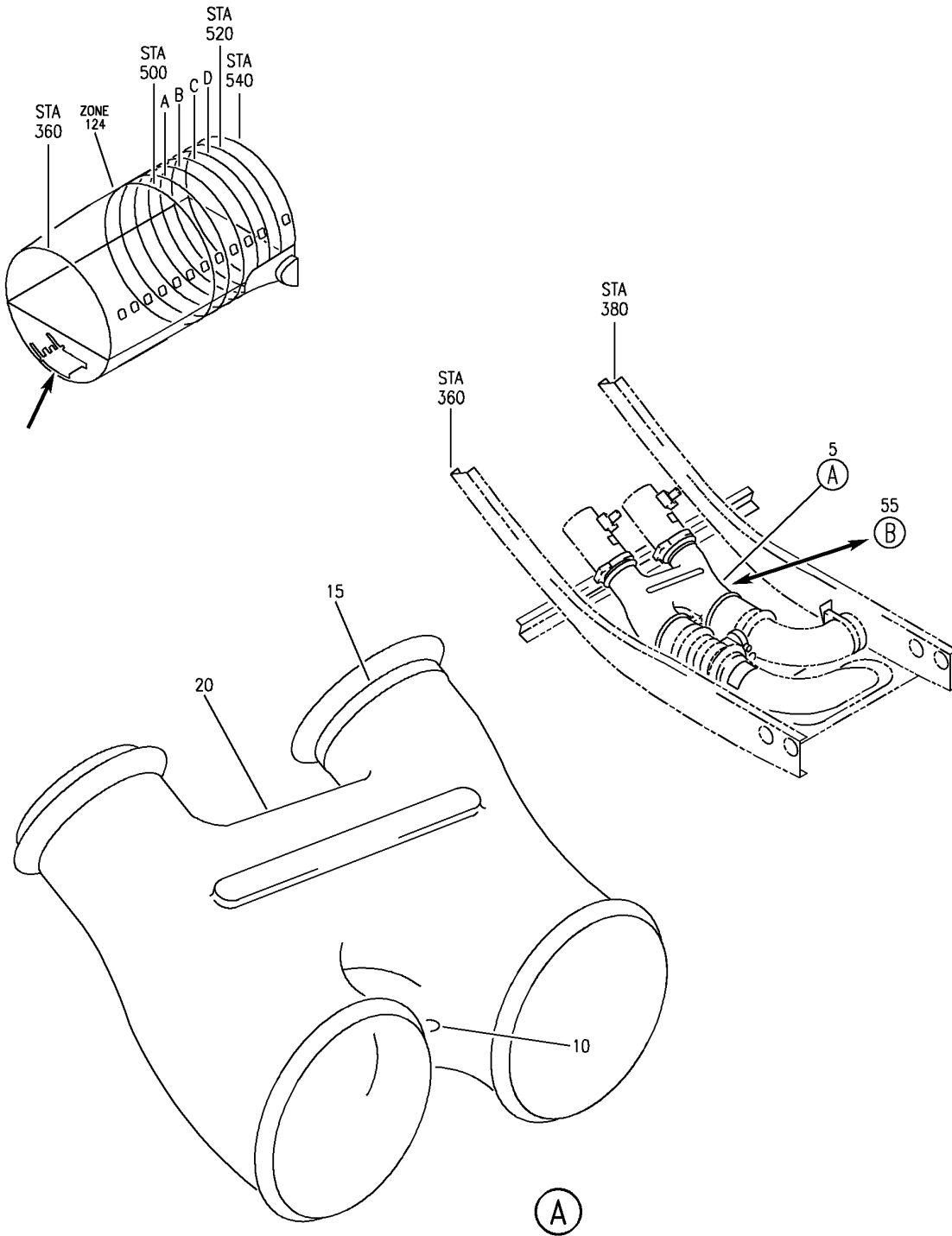
HAP

21-27-04-03

BOEING PROPRIETARY - Copyright © - Unpublished Work - See title page for details.

21-27-04
FIG. 03
PAGE 3
JUN 15/09

BOEING
 737-600/700/800/900
 PARTS CATALOG (MAINTENANCE)



E 21270404 SHT 1 REV 122

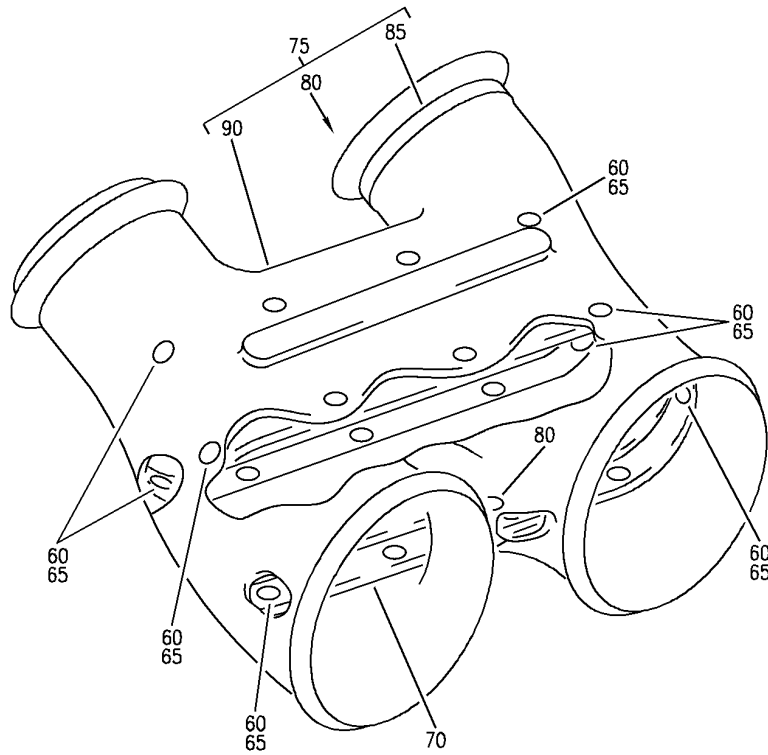
DUCT INSTL-SECT. 43 AFT E/E COOLING EXH
 FIGURE 4 (SHEET 1)

21-27-04-04

HAP
 OCT 10/06

21-27-04-04
 PAGE 0

BOEING
737-600/700/800/900
PARTS CATALOG (MAINTENANCE)



(B)

E 21270404 SHT 2 REV 122

DUCT INSTL-SECT. 43 AFT E/E COOLING EXH
FIGURE 4 (SHEET 2)

21-27-04-04

HAP
OCT 10/06

21-27-04-04
PAGE 0A

BOEING
737-600/700/800/900
PARTS CATALOG (MAINTENANCE)

FIG ITEM	PART NUMBER	1 2 3 4 5 6 7	NOMENCLATURE	EFFECT FROM TO	UNITS PER ASSY
4			DUCT INSTL-SECT. 43 AFT E/E COOLING EXH	005005 008030 201967	
- 1	217A1003-7		DUCT INSTL-E/E COOLING EXH POSITION DATA: SECT. 43 AFT FOR NHA SEE: 21-20-00-04B 21-20-00-04C	005005 008030 201967	RF
5	217A1136-1		. DUCT ASSY	005005 008030 201967	1
10	BACS18K10-23W		. . SPACER	005005 008030 201967	1
15	NK130004-0400		. . FLANGE SUPPLIER CODE: V8W928 SPECIFICATION NUMBER: BACF22BC400 OPTIONAL PART: NK130004-0400 V00624	005005 008030 201967	1
20	217A1136-2		. . DUCT	005005 008030 201967	1

MISSING ITEM NUMBERS NOT APPLICABLE

- ITEM NOT ILLUSTRATED

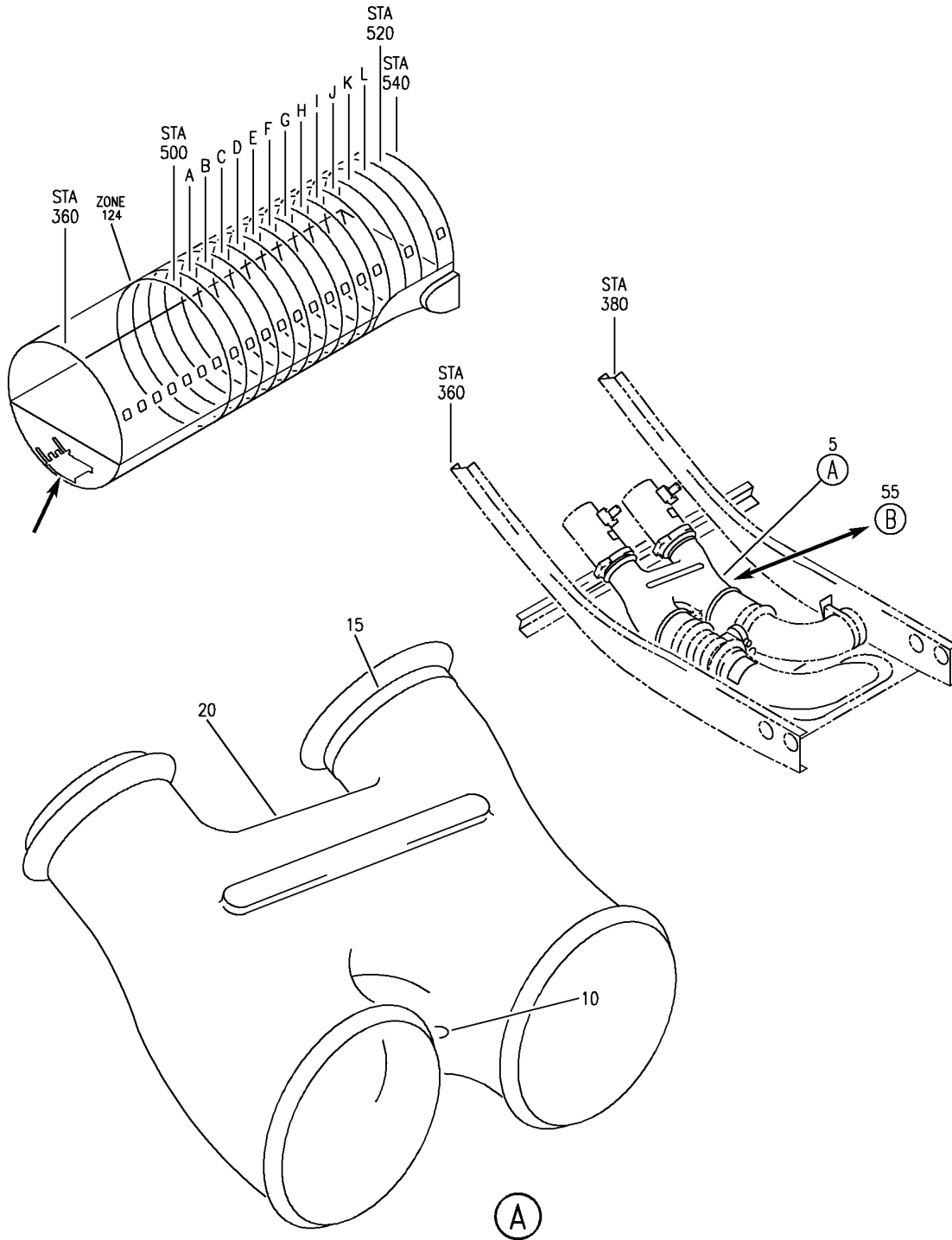
HAP

21-27-04-04

BOEING PROPRIETARY - Copyright © - Unpublished Work - See title page for details.

21-27-04
FIG. 04
PAGE 1
OCT 15/08

BOEING
 737-600/700/800/900
 PARTS CATALOG (MAINTENANCE)



E 21270405 SHT 1 REV 122

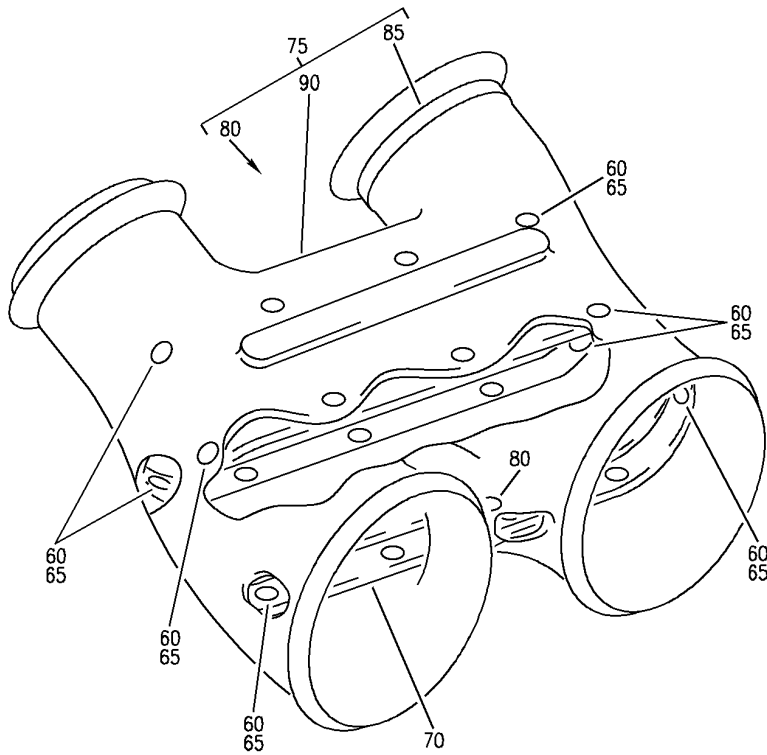
DUCT INSTL-SECT. 43 AFT E/E COOLING EXH
 FIGURE 5 (SHEET 1)

HAP
 OCT 10/06

21-27-04-05

21-27-04-05
 PAGE 0

BOEING
737-600/700/800/900
PARTS CATALOG (MAINTENANCE)



(B)

E 21270405 SH1 2 REV 122

DUCT INSTL-SECT. 43 AFT E/E COOLING EXH
FIGURE 5 (SHEET 2)

21-27-04-05

HAP
OCT 10/06

21-27-04-05
PAGE 0A

BOEING
737-600/700/800/900
PARTS CATALOG (MAINTENANCE)

FIG ITEM	PART NUMBER	1 2 3 4 5 6 7	NOMENCLATURE	EFFECT FROM TO	UNITS PER ASSY
5			DUCT INSTL-SECT. 43 AFT E/E COOLING EXH	031200 968999	
- 1	MODREF81504		DUCT INSTL-E/E COOLING EXH MODULE NUMBER: 217A1003-7 REV A POSITION DATA: SECT. 43 AFT	031200 968999	1
5	217A1136-1		.DUCT ASSY	031200 968999	1
10	BACS18K10-23W		..SPACER	031200 968999	1
15	NK130004-0400		..FLANGE SUPPLIER CODE: V8W928 SPECIFICATION NUMBER: BACF22BC400 OPTIONAL PART: NK130004-0400 V00624	031200 968999	1
20	217A1136-2		..DUCT	031200 968999	1

MISSING ITEM NUMBERS NOT APPLICABLE

- ITEM NOT ILLUSTRATED

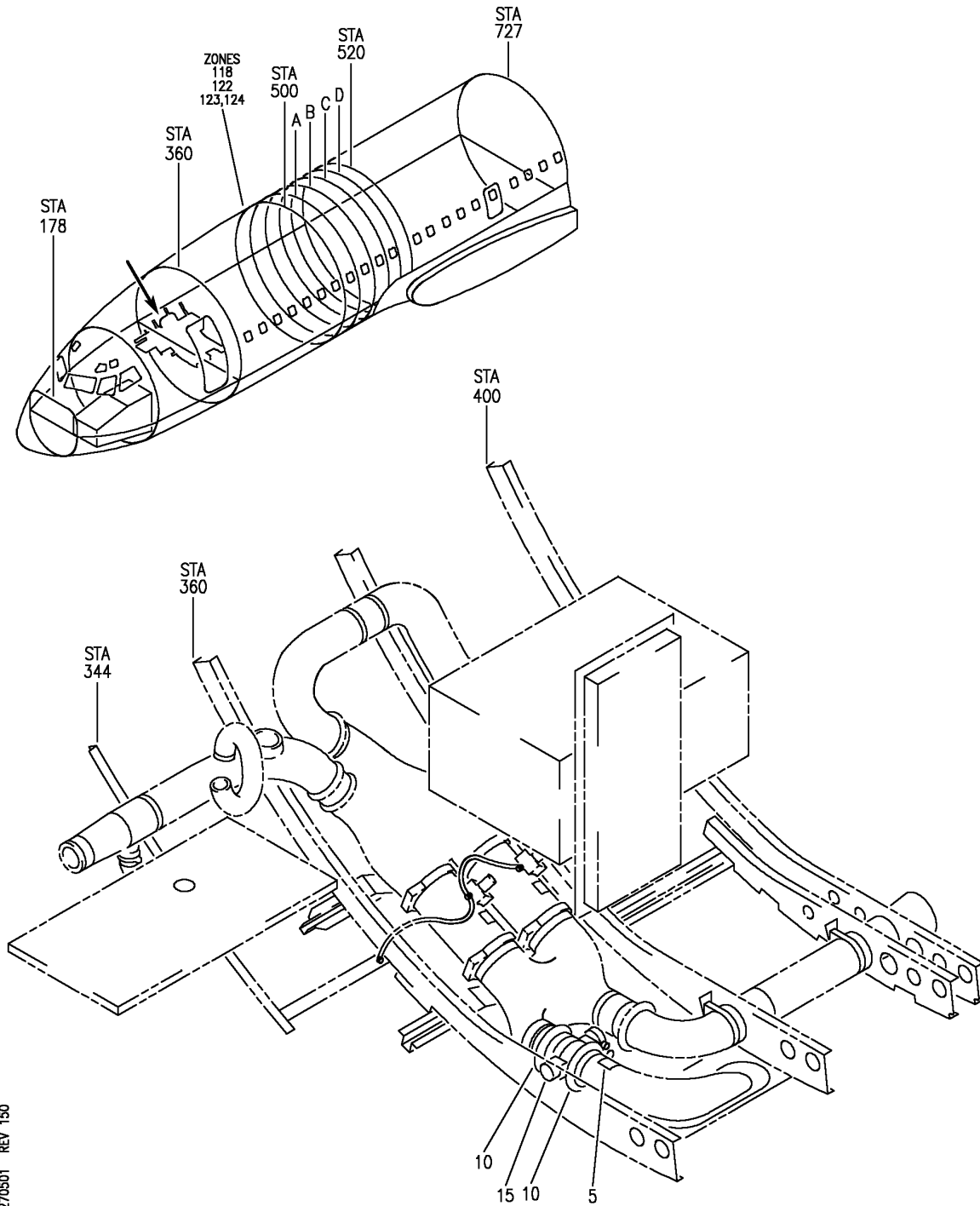
HAP

21-27-04-05

BOEING PROPRIETARY - Copyright © - Unpublished Work - See title page for details.

21-27-04
FIG. 05
PAGE 1
OCT 15/08

BOEING
 737-600/700/800/900
 PARTS CATALOG (MAINTENANCE)



E 21270501 REV 150

DUCT INSTL-SECT. 43 AFT E/E COOLING EXH (EQUIPMENT COOLING OVERBOARD EXHAUST VALVE ONLY)
 FIGURE 1

HAP
 FEB 15/09

21-27-05-01

21-27-05-01
 PAGE 0

BOEING
737-600/700/800/900
PARTS CATALOG (MAINTENANCE)

FIG ITEM	PART NUMBER	1 2 3 4 5 6 7	NOMENCLATURE	EFFECT FROM TO	UNITS PER ASSY
1			DUCT INSTL-SECT. 43 AFT E/E COOLING EXH (EQUIPMENT COOLING OVERBOARD EXHAUST VALVE ONLY)	001004 006007 031200 968999	
- 1	217A1003-9		DUCT INSTL-E/E COOLING EXH (EQUIPMENT COOLING OVERBOARD EXHAUST VALVE ONLY) POSITION DATA: SECT. 43 AFT FOR NHA/ADDITIONAL DET SEE: 21-20-00-04C	001004 006007	RF
- 1	MODREF266589		DUCT INSTL-E/E COOLING EXH (EQUIPMENT COOLING OVERBOARD EXHAUST VALVE ONLY) MODULE NUMBER: 217A1003-15 REV B2 POSITION DATA: SECT. 43 AFT FOR ADDITIONAL DETAILS SEE: 21-27-04-03 21-27-51-09	031036	1
- 1	MODREF306236		DUCT INSTL-E/E COOLING EXH (EQUIPMENT COOLING OVERBOARD EXHAUST VALVE ONLY) MODULE NUMBER: 217A1003-15 REV E POSITION DATA: SECT. 43 AFT FOR ADDITIONAL DETAILS SEE: 21-27-04-03 21-27-51-09	037200 968999	1
5	BAC27DAC83		.MARKER	001004 006007 031200 968999	1
10	NH135008-0400		.COUPLING SUPPLIER CODE: V00624 SPECIFICATION NUMBER: BACC10HX400	001004 006007 031200 968999	2

MISSING ITEM NUMBERS NOT APPLICABLE

- ITEM NOT ILLUSTRATED

HAP

21-27-05-01

BOEING PROPRIETARY - Copyright © - Unpublished Work - See title page for details.

21-27-05
FIG. 01
PAGE 1
OCT 15/08


BOEING
 737-600/700/800/900
PARTS CATALOG (MAINTENANCE)

FIG ITEM	PART NUMBER	1 2 3 4 5 6 7 NOMENCLATURE	EFFECT FROM TO	UNITS PER ASSY
1 15	20798-01	. VALVE-EXH OVERBOARD SUPPLIER CODE: VC0002 FUNCTIONAL DESCRIPTION: ALLOWS SMOKE AND AIR FROM THE ELECTRICAL AND ELECTRONIC EQUIPMENT COOLING SYSTEM TO BE EXHAUSTED OVERBOARD. SPECIFICATION NUMBER: 60B40041-5 ELECTRICAL EQUIP NUMBER: V00157 COMPONENT MAINT MANUAL REF: 21-23-22 MAINTENANCE MANUAL REF: 21-27-05	001004 006007 031200 968999	1

MISSING ITEM NUMBERS NOT APPLICABLE

— ITEM NOT ILLUSTRATED

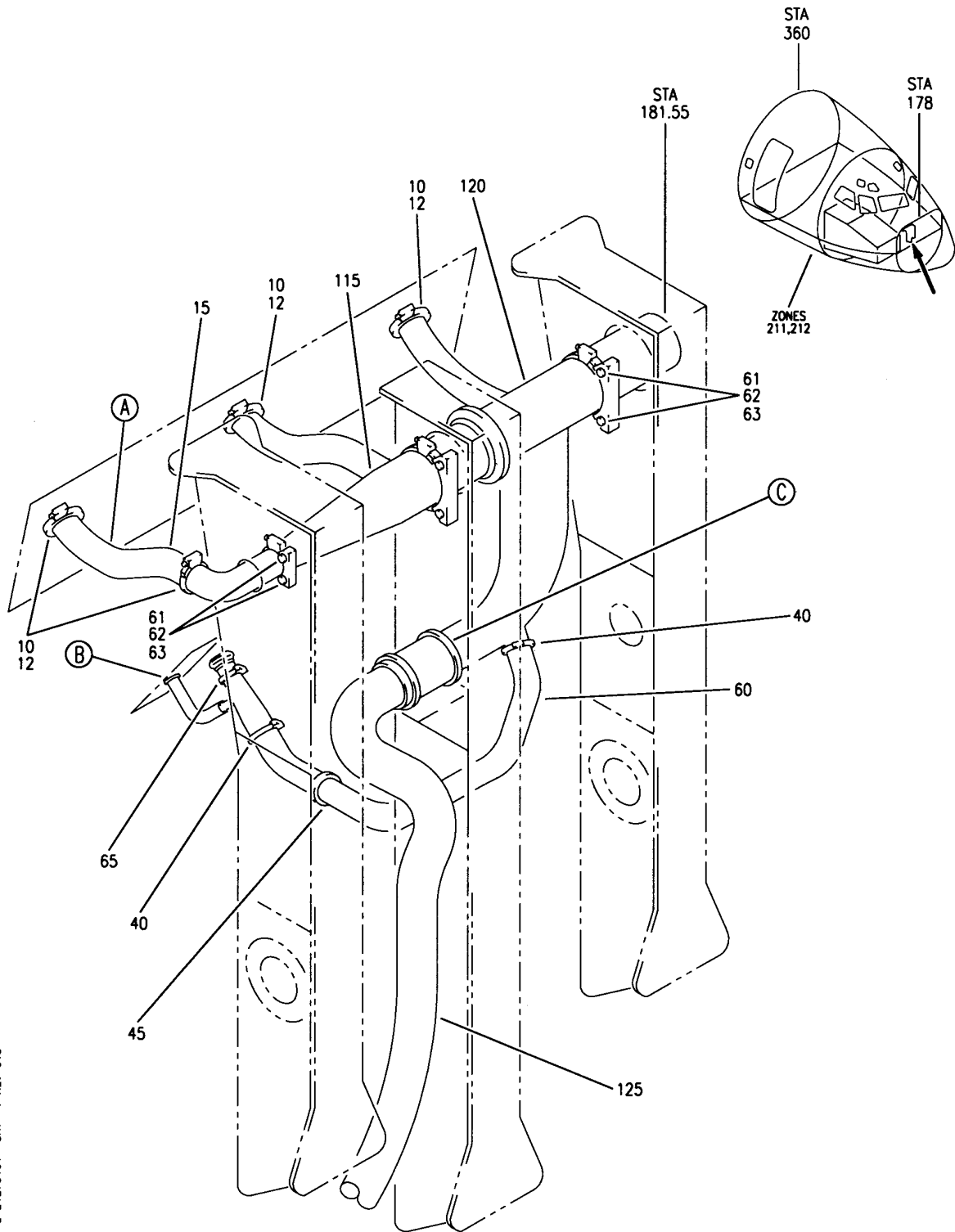
HAP

21-27-05-01

BOEING PROPRIETARY - Copyright © - Unpublished Work - See title page for details.

21-27-05
 FIG. 01
 PAGE 2
 FEB 15/09

BOEING
737-600/700/800/900
PARTS CATALOG (MAINTENANCE)



E 21275101 SHT 1 REV 013

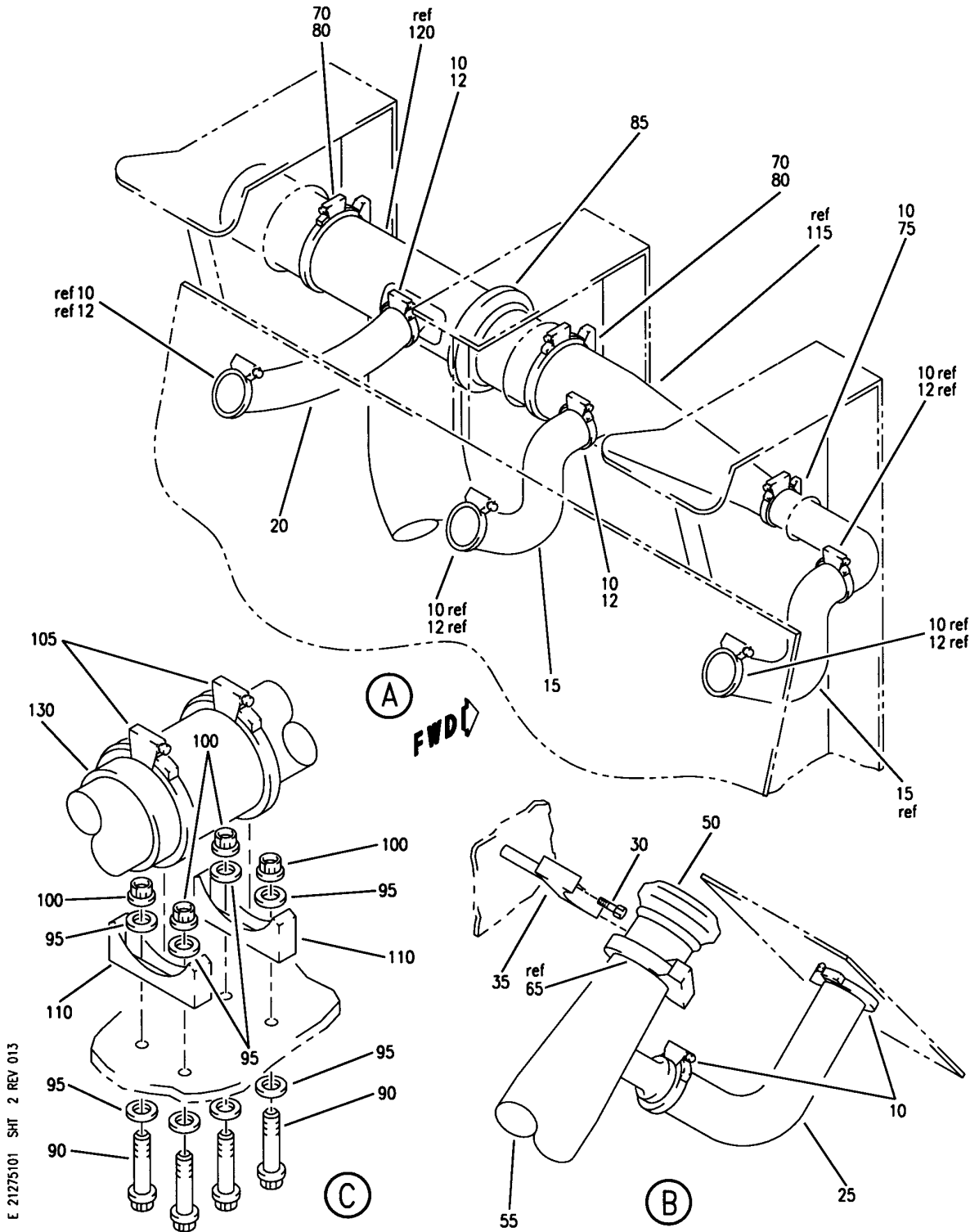
DUCT INSTL-FLIGHT DECK E/E COOLING EXH
FIGURE 1 (SHEET 1)

21-27-51-01

HAP
OCT 10/06

21-27-51-01
PAGE 0

BOEING
 737-600/700/800/900
 PARTS CATALOG (MAINTENANCE)



DUCT INSTL-FLIGHT DECK E/E COOLING EXH
 FIGURE 1 (SHEET 2)

21-27-51-01

HAP
 OCT 10/06

21-27-51-01
 PAGE 0A

BOEING
737-600/700/800/900
PARTS CATALOG (MAINTENANCE)

FIG ITEM	PART NUMBER	1 2 3 4 5 6 7	NOMENCLATURE	EFFECT FROM TO	UNITS PER ASSY
1			DUCT INSTL-FLIGHT DECK E/E COOLING EXH		
- 5	217A2002-1		DUCT INSTL-FLIGHT DECK E/E COOLING EXH FOR NHA SEE: 21-20-00-04	001001 006007	RF
- 5	217A2002-4		DUCT INSTL-FLIGHT DECK E/E COOLING EXH FOR NHA SEE: 21-20-00-04B 21-20-00-04C	002005 008030 201967	RF
- 5	MODREF81520		DUCT INSTL-FLIGHT DECK E/E COOLING EXH MODULE NUMBER: 217A2002-4 REV A	031035	1
- 5	MODREF292157		DUCT INSTL-FLIGHT DECK E/E COOLING EXH MODULE NUMBER: 217A2002-4 REV B	036200 968999	1
10	NAS1922-0125-3		.CLAMP	001001 006007	9
12	NAS1922-0125-3		.CLAMP	002005 008999	6
15	AS1504-05B0103		.HOSE-FLEX		2
20	AS1504-05B0090		.HOSE-FLEX		1
25	AS1504-04B0062		.HOSE-FLEX	001001 006007	1
30	BACS12GU3K19		.SCREW	001001 006007 036200 968999	1
35	STBP19M12		.PLATE- SUPPLIER CODE: V1B249	001001 006007	1
40	NAS1922-0150-3		.CLAMP		2
45	S258DT30		.CLAMP SUPPLIER CODE: V18076 SPECIFICATION NUMBER: BACC10DW30D OPTIONAL PART: TA4C44D30T V84971 475-30 V83930 8084D30T V72285 475A30 V83930		1

MISSING ITEM NUMBERS NOT APPLICABLE

- ITEM NOT ILLUSTRATED

HAP

21-27-51-01

BOEING PROPRIETARY - Copyright © - Unpublished Work - See title page for details.

21-27-51
FIG. 01
PAGE 1
OCT 15/08

BOEING
737-600/700/800/900
PARTS CATALOG (MAINTENANCE)

FIG ITEM	PART NUMBER	1 2 3 4 5 6 7	NOMENCLATURE	EFFECT FROM TO	UNITS PER ASSY
1					
50	20-1500		.CAP-SPUD SUPPLIER CODE: V25205	001001 006007	1
55	217A2401-1		.DUCT	001001 006007	1
60	AS1504-06B0252		.HOSE-FLEX		1
61	BACS12GU3K19		.SCREW		6
62	NAS1149D0332J		.WASHER		6
63	BRC600-10-3GP		.NUT- SUPPLIER CODE: V52828 SPECIFICATION NUMBER: BACN10YD2G OPTIONAL PART: 130121G V60119	001001 006007	6
63	PLH53CD		.NUT- SUPPLIER CODE: VF0224 SPECIFICATION NUMBER: BACN10YR3CD OPTIONAL PART: H52732-3CD V15653 BACN10TD2G	002005 008999	6
63	BACN10TD2G		.NUT- OPTIONAL PART: BACN10YR3CD	002005 008999	6
65	NAS1922-0125-3		.CLAMP		1
70	NAS1922-0225-3		.CLAMP		2
75	214T3424-16		.SUPPORT-DUCT		1
80	214T3424-2		.SUPPORT-DUCT		2
85	NH135008-0200		.COUPLING SUPPLIER CODE: V00624 SPECIFICATION NUMBER: BACC10HX200		1
90	BACS12GU3K19		.SCREW		4
95	NAS1149D0332J		.WASHER		8
100	PLH53CD		.NUT- SUPPLIER CODE: VF0224 SPECIFICATION NUMBER: BACN10YR3CD OPTIONAL PART: H52732-3CD V15653 BACN10TD2G		4

MISSING ITEM NUMBERS NOT APPLICABLE

— ITEM NOT ILLUSTRATED

HAP

21-27-51-01

BOEING PROPRIETARY - Copyright © - Unpublished Work - See title page for details.

21-27-51
FIG. 01
PAGE 2
FEB 15/09


BOEING
 737-600/700/800/900
PARTS CATALOG (MAINTENANCE)

FIG ITEM	PART NUMBER	1 2 3 4 5 6 7	NOMENCLATURE	EFFECT FROM TO	UNITS PER ASSY
1					
100	BACN10TD2G		.NUT- OPTIONAL PART: BACN10YR3CD	002005 008999	4
105	NAS1922-0275-3		.CLAMP		2
110	214T3424-3		.SUPPORT-DUCT		2
115	217A2103-1		.DUCT		1
120	217A2104-1		.DUCT ASSY		1
125	217A2105-1		.DUCT		1
130	AS1506-10D40		.HOSE		1

MISSING ITEM NUMBERS NOT APPLICABLE

— ITEM NOT ILLUSTRATED

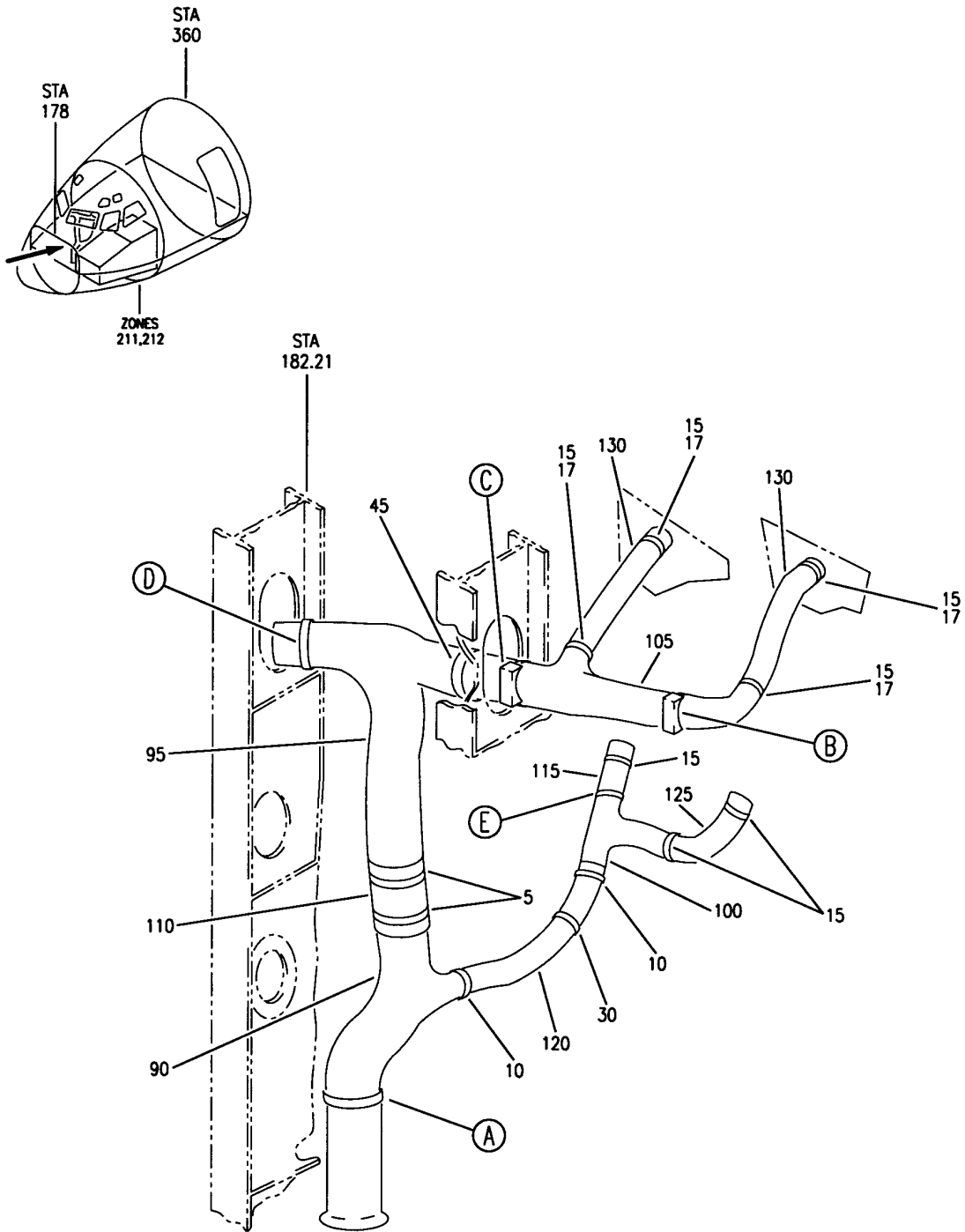
HAP

21-27-51-01

BOEING PROPRIETARY - Copyright © - Unpublished Work - See title page for details.

21-27-51
 FIG. 01
 PAGE 3
 OCT 10/06

BOEING
 737-600/700/800/900
 PARTS CATALOG (MAINTENANCE)



E 21275102 SHT 1 REV 013

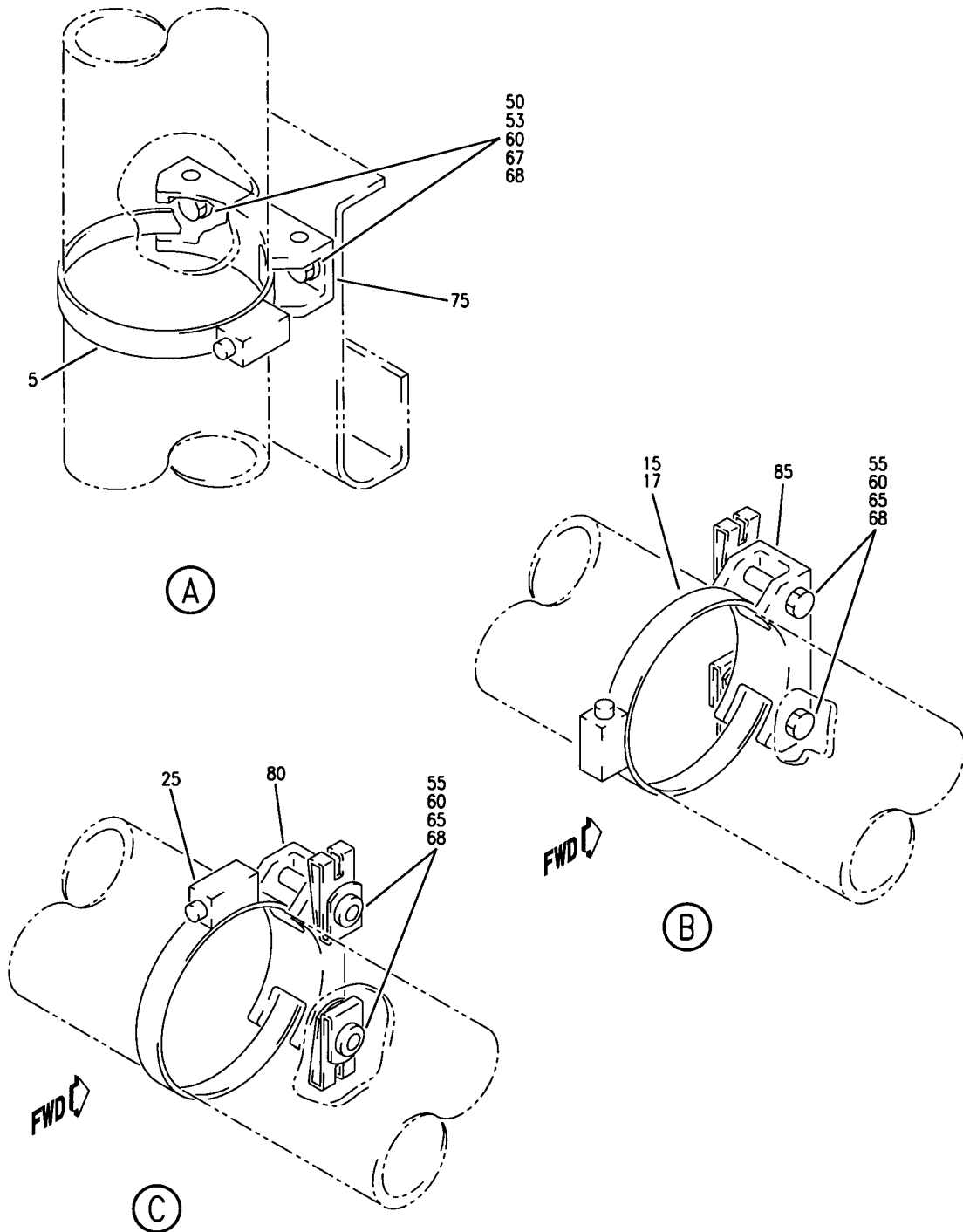
DUCT INSTL-FLIGHT DECK E/E COOLING SUPPLY
 FIGURE 2 (SHEET 1)

21-27-51-02

HAP
 OCT 10/06

21-27-51-02
 PAGE 0

BOEING
 737-600/700/800/900
 PARTS CATALOG (MAINTENANCE)



E 21275102 SHT 2 REV 031

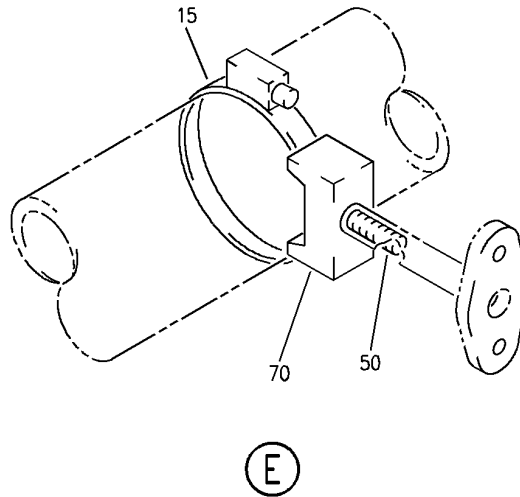
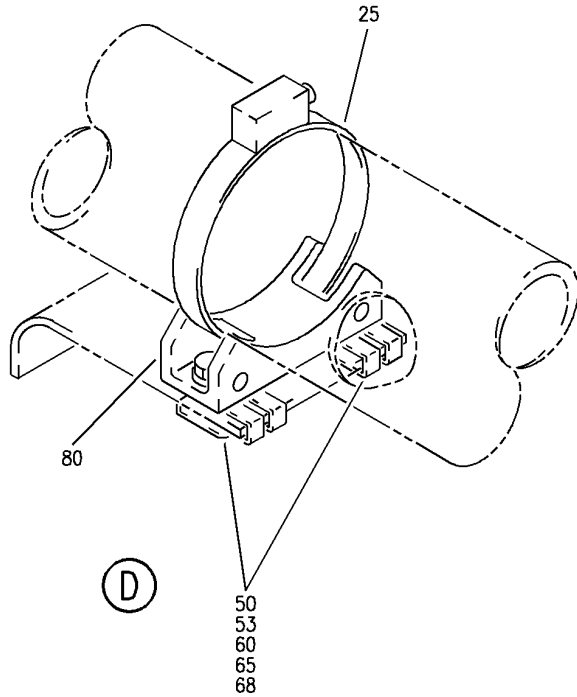
DUCT INSTL-FLIGHT DECK E/E COOLING SUPPLY
 FIGURE 2 (SHEET 2)

21-27-51-02

HAP
 OCT 10/06

21-27-51-02
 PAGE 0A

BOEING
737-600/700/800/900
PARTS CATALOG (MAINTENANCE)



E 21275102 SHT 3 REV 128

DUCT INSTL-FLIGHT DECK E/E COOLING SUPPLY
FIGURE 2 (SHEET 3)

HAP
JUN 10/07

21-27-51-02

21-27-51-02
PAGE 08

BOEING
737-600/700/800/900
PARTS CATALOG (MAINTENANCE)

FIG ITEM	PART NUMBER	1 2 3 4 5 6 7	NOMENCLATURE	EFFECT FROM TO	UNITS PER ASSY
2			DUCT INSTL-FLIGHT DECK E/E COOLING SUPPLY	001030 201967	
- 1	217A2001-1		DUCT INSTL-FLIGHT DECK E/E COOLING SUPPLY FOR NHA SEE: 21-20-00-04	001001 006007	RF
- 1	217A2001-3		DUCT INSTL-FLIGHT DECK E/E COOLING SUPPLY FOR NHA SEE: 21-20-00-04B 21-20-00-04C	002005 008030 201967	RF
5	NAS1922-0275-3	.	CLAMP	001030 201967	3
10	NAS1922-0150-3	.	CLAMP	001030 201967	2
15	NAS1922-0125-3	.	CLAMP	001001 006007	9
17	NAS1922-0125-3	.	CLAMP	002005 008030 201967	5
25	NAS1922-0225-3	.	CLAMP	001030 201967	2
30	S258DT30	.	CLAMP SUPPLIER CODE: V18076 SPECIFICATION NUMBER: BACC10DW30D OPTIONAL PART: TA4C44D30T V84971 475-30 V83930 8084D30T V72285 475A30 V83930	001030 201967	1
- 35	BACS12GU3K9	.	ATTACHING PARTS SCREW	001030 201967	1
- 40	NAS1149D0332J	.	WASHER	001030 201967	1
45	NH135008-0200	-----*-----	COUPLING SUPPLIER CODE: V00624 SPECIFICATION NUMBER: BACC10HX200	001030 201967	1
50	BACS12GU3K9	.	SCREW	001001 006007	5

MISSING ITEM NUMBERS NOT APPLICABLE

- ITEM NOT ILLUSTRATED

HAP

21-27-51-02

21-27-51
FIG. 02
PAGE 1
OCT 15/08

BOEING
737-600/700/800/900
PARTS CATALOG (MAINTENANCE)

FIG ITEM	PART NUMBER	1 2 3 4 5 6 7	NOMENCLATURE	EFFECT FROM TO	UNITS PER ASSY
2					
53	BACS12GU3K9	.	SCREW	002005 008030 201967	4
55	BACS12GU3K19	.	SCREW	001030 201967	4
60	NAS1149D0332J	.	WASHER	001030 201967	12
65	BRC600-10-3GP	.	NUT SUPPLIER CODE: V52828 SPECIFICATION NUMBER: BACN10YD2G OPTIONAL PART: 130121G V60119	001001 006007	6
67	PLH53CD	.	NUT SUPPLIER CODE: VF0224 SPECIFICATION NUMBER: BACN10YR3CD OPTIONAL PART: H52732-3CD V15653	001001 006007	2
68	PLH53CD	.	NUT- SUPPLIER CODE: VF0224 SPECIFICATION NUMBER: BACN10YR3CD OPTIONAL PART: H52732-3CD V15653 BACN10TD2G	002005 008030 201967	8
68	BACN10TD2G	.	NUT- OPTIONAL PART: BACN10YR3CD	002005 008030 201967	8
70	TM3S10	.	PLATE- SUPPLIER CODE: V06383 SPECIFICATION NUMBER: STBP19M12	001001 006007	1
75	214T3424-3	.	SUPPORT	001030 201967	1
80	214T3424-2	.	SUPPORT	001030 201967	2
85	214T3424-16	.	SUPPORT	001030 201967	1
90	217A2101-1	.	DUCT	001030 201967	1

MISSING ITEM NUMBERS NOT APPLICABLE

— ITEM NOT ILLUSTRATED

HAP

21-27-51-02

BOEING PROPRIETARY - Copyright © - Unpublished Work - See title page for details.

21-27-51
FIG. 02
PAGE 2
FEB 15/09

BOEING
737-600/700/800/900
PARTS CATALOG (MAINTENANCE)

FIG ITEM	PART NUMBER	1 2 3 4 5 6 7	NOMENCLATURE	EFFECT FROM TO	UNITS PER ASSY
2					
95	217A2102-1	.	DUCT	001030 201967	1
100	217A2401-1	.	DUCT	001001 006007	1
105	217A2103-1	.	DUCT	001030 201967	1
110	AS1506-10D32	.	SLEEVE-FLEX OPTIONAL PART: AS1506-10B32	001030 201967	1
110	AS1506-10B32	.	SLEEVE-FLEX OPTIONAL PART: AS1506-10D32	001030 201967	1
115	AS1506-05D32	.	SLEEVE-FLEX	001001 006007	1
120	AS1504-06B0160	.	HOSE-FLEX	001030 201967	1
125	AS1504-04B0073	.	HOSE-FLEX	001001 006007	1
130	AS1504-05B0090	.	HOSE-FLEX OPTIONAL PART: AS1504-05B0100	001030 201967	2
130	AS1504-05B0100	.	HOSE-FLEX OPTIONAL PART: AS1504-05B0090	001001 006007	2

MISSING ITEM NUMBERS NOT APPLICABLE

— ITEM NOT ILLUSTRATED

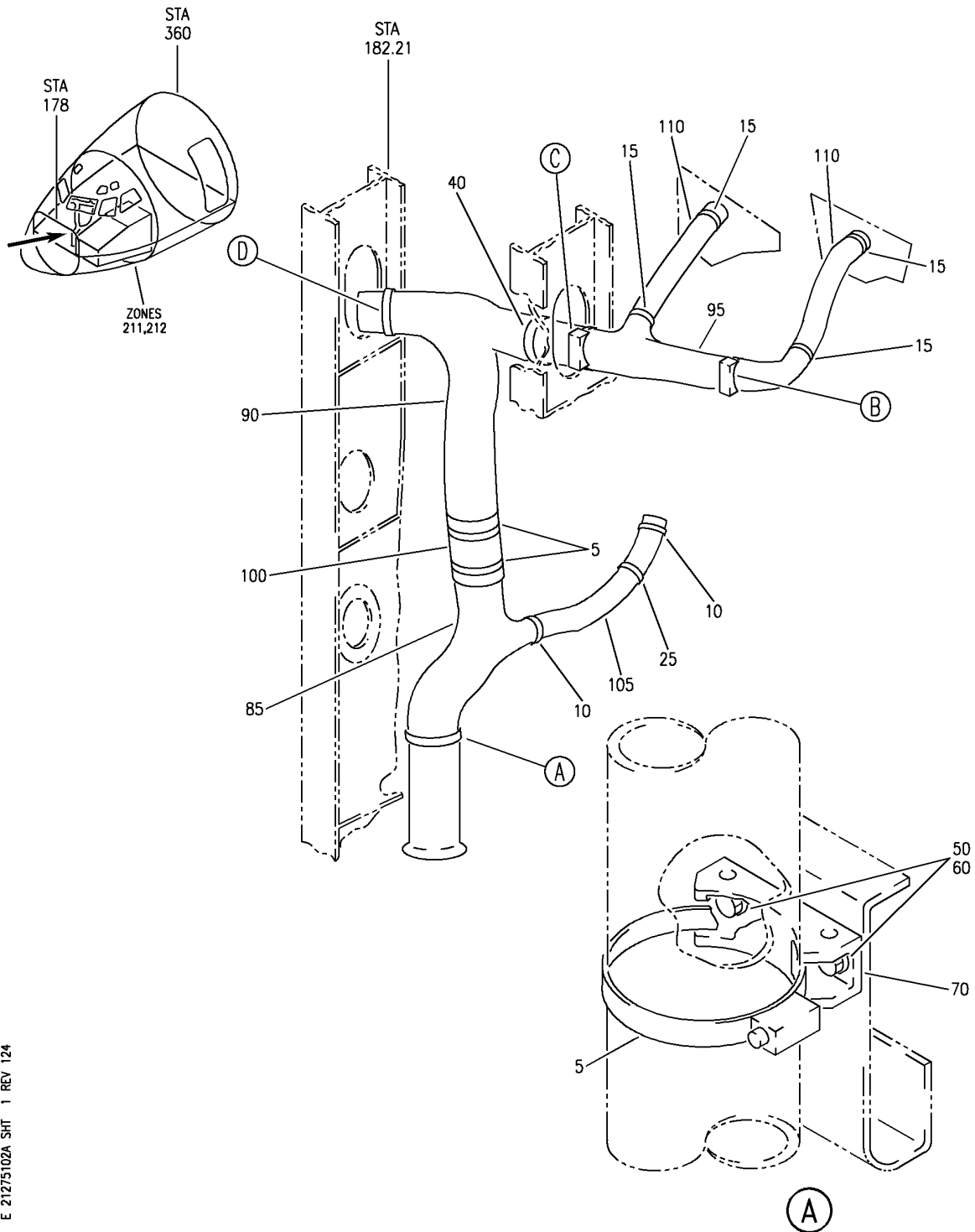
HAP

21-27-51-02

BOEING PROPRIETARY - Copyright © - Unpublished Work - See title page for details.

21-27-51
FIG. 02
PAGE 3
OCT 15/08

BOEING
 737-600/700/800/900
 PARTS CATALOG (MAINTENANCE)



E 21275102A SHT 1 REV 124

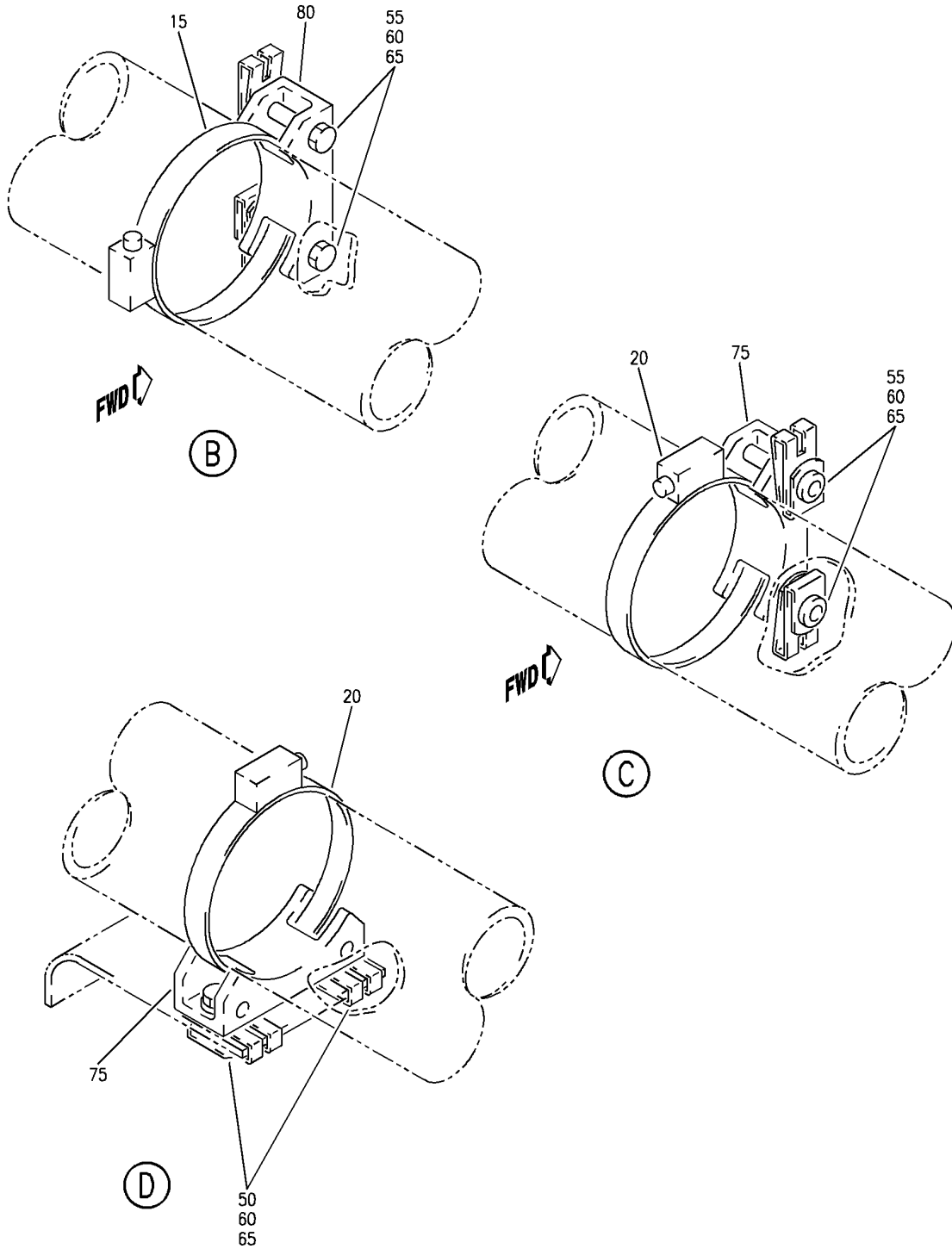
DUCT INSTL-FLIGHT DECK E/E COOLING SUPPLY
 FIGURE 2A (SHEET 1)

21-27-51-02A

HAP
 FEB 10/07

21-27-51-02A
 PAGE 0

BOEING
 737-600/700/800/900
 PARTS CATALOG (MAINTENANCE)



E 21275102A SHT 2 REV 124

DUCT INSTL-FLIGHT DECK E/E COOLING SUPPLY
 FIGURE 2A (SHEET 2)

21-27-51-02A

HAP
 FEB 10/07

21-27-51-02A
 PAGE 0A

BOEING
737-600/700/800/900
PARTS CATALOG (MAINTENANCE)

FIG ITEM	PART NUMBER	1 2 3 4 5 6 7	NOMENCLATURE	EFFECT FROM TO	UNITS PER ASSY
2A			DUCT INSTL-FLIGHT DECK E/E COOLING SUPPLY	031200 968999	
- 1	MODREF275454		DUCT INSTL-FLIGHT DECK E/E COOLING SUPPLY	031035	1
- 1	MODREF292156		MODULE NUMBER: 217A2001-3 REV C DUCT INSTL-FLIGHT DECK E/E COOLING SUPPLY	036200 968999	1
	5 NAS1922-0275-3		.CLAMP	031200 968999	3
	10 NAS1922-0150-3		.CLAMP	031200 968999	2
	15 NAS1922-0125-3		.CLAMP	031200 968999	5
	20 NAS1922-0225-3		.CLAMP	031200 968999	2
	25 475A29		.CLAMP SUPPLIER CODE: V83930 SPECIFICATION NUMBER: BACC10DW29D OPTIONAL PART: S258DT29 V18076 TA4C44D29T V84971 8084D29T V72285 475-29 V83930	031200 968999	1
- 30	BACS12GU3K9		ATTACHING PARTS .SCREW	031200 968999	1
- 35	NAS1149D0332J		.WASHER	031200 968999	1
	40 NH135008-0200		-----*----- .COUPLING SUPPLIER CODE: V00624 SPECIFICATION NUMBER: BACC10HX200	031200 968999	1
	50 BACS12GU3K9		.SCREW	031200 968999	4
	55 BACS12GU3K19		.SCREW	031200 968999	4
	60 NAS1149D0332J		.WASHER	031200 968999	12

MISSING ITEM NUMBERS NOT APPLICABLE

- ITEM NOT ILLUSTRATED

HAP

21-27-51-02A

BOEING PROPRIETARY - Copyright © - Unpublished Work - See title page for details.

21-27-51
FIG. 02A
PAGE 1
OCT 15/08

BOEING
737-600/700/800/900
PARTS CATALOG (MAINTENANCE)

FIG ITEM	PART NUMBER	1 2 3 4 5 6 7	NOMENCLATURE	EFFECT FROM TO	UNITS PER ASSY
2A 65	PLH53CD	.NUT-	SUPPLIER CODE: VF0224 SPECIFICATION NUMBER: BACN10YR3CD OPTIONAL PART: H52732-3CD V15653 BACN10TD2G	031200 968999	8
65	BACN10TD2G	.NUT-	OPTIONAL PART: BACN10YR3CD	031200 968999	8
70	214T3424-3	.SUPPORT		031200 968999	1
75	214T3424-2	.SUPPORT		031200 968999	2
80	214T3424-16	.SUPPORT		031200 968999	1
85	217A2101-1	.DUCT		031200 968999	1
90	217A2102-1	.DUCT		031200 968999	1
95	217A2103-1	.DUCT		031200 968999	1
100	AS1506-10D32	.SLEEVE-FLEX	OPTIONAL PART: AS1506-10B32	031200 968999	1
100	AS1506-10B32	.SLEEVE-FLEX	OPTIONAL PART: AS1506-10D32	031200 968999	1
105	AS1504-06B0132	.HOSE-FLEX		031200 968999	1
110	AS1504-05B0103	.HOSE-FLEX		031200 968999	2

MISSING ITEM NUMBERS NOT APPLICABLE

— ITEM NOT ILLUSTRATED

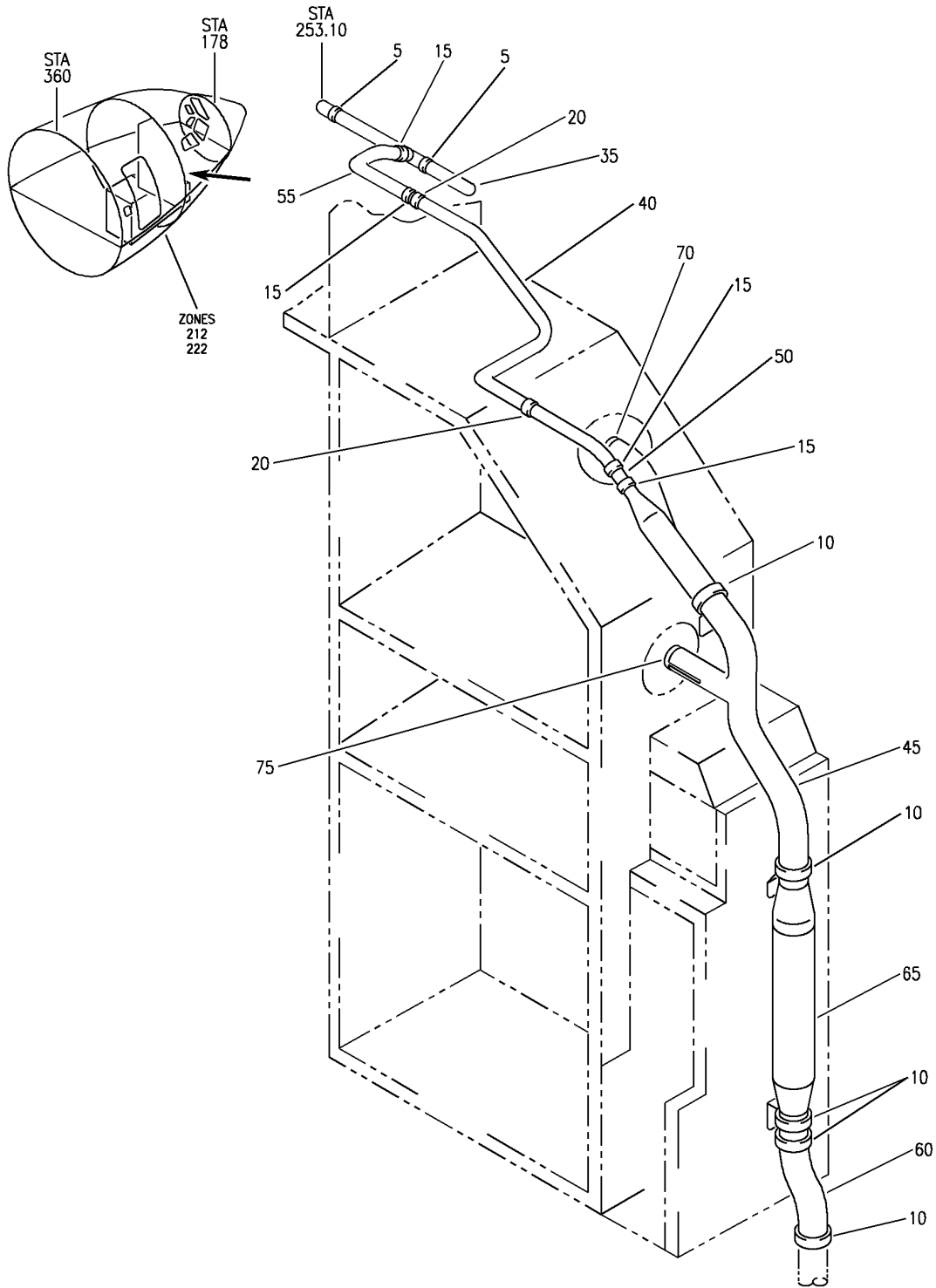
HAP

21-27-51-02A

BOEING PROPRIETARY - Copyright © - Unpublished Work - See title page for details.

21-27-51
FIG. 02A
PAGE 2
FEB 15/09

BOEING
 737-600/700/800/900
 PARTS CATALOG (MAINTENANCE)



E 21275103 REV 124

DUCT INSTL-FLIGHT DECK E/E COOLING EXH
 FIGURE 3

21-27-51-03

HAP
 FEB 10/07

21-27-51-03
 PAGE 0

BOEING
737-600/700/800/900
PARTS CATALOG (MAINTENANCE)

FIG ITEM	PART NUMBER	1 2 3 4 5 6 7	NOMENCLATURE	EFFECT FROM TO	UNITS PER ASSY
3			DUCT INSTL-FLIGHT DECK E/E COOLING EXH	001030 201967	
- 1	217A2002-2		DUCT INSTL-FLIGHT DECK E/E COOLING EXH FOR NHA SEE: 21-20-00-04	001007	RF
- 1	217A2002-5		DUCT INSTL-FLIGHT DECK E/E COOLING EXH FOR NHA SEE: 21-20-00-04	008030 201967	RF
	5 BACC10DK16		.CLAMP	001030 201967	2
	10 NAS1922-0275-3		.CLAMP	001030 201967	5
	15 NAS1922-0100-3		.CLAMP-	001030 201967	4
	20 BACC10DK16		.CLAMP	001030 201967	2
			ATTACHING PARTS		
- 25	BACS12GU3K10		.SCREW	001030 201967	2
- 30	NAS1149D0332J		.WASHER	001030 201967	2
			-----*-----		
	35 217A2404-1		.DUCT	001030 201967	1
	40 217A2403-1		.DUCT	001030 201967	1
	45 217A2402-1		.DUCT	001030 201967	1
	50 AS1506-04D22		.SLEEVE	001030 201967	1
	55 AS1504-04B0103		.HOSE-FLEX	001007	1
	55 AS1504-04B0112		.HOSE-FLEX	008030 201967	1
	60 AS1504-10B0102		.HOSE-FLEX	001030 201967	1
	65 65C25629-81		.MUFFLER ASSY MAINTENANCE MANUAL REF: 21-27-07	001030 201967	1
	70 214T3436-619		.ORIFICE ASSY	001030 201967	1
	75 214T3436-1585		.ORIFICE ASSY	001030 201967	1

MISSING ITEM NUMBERS NOT APPLICABLE

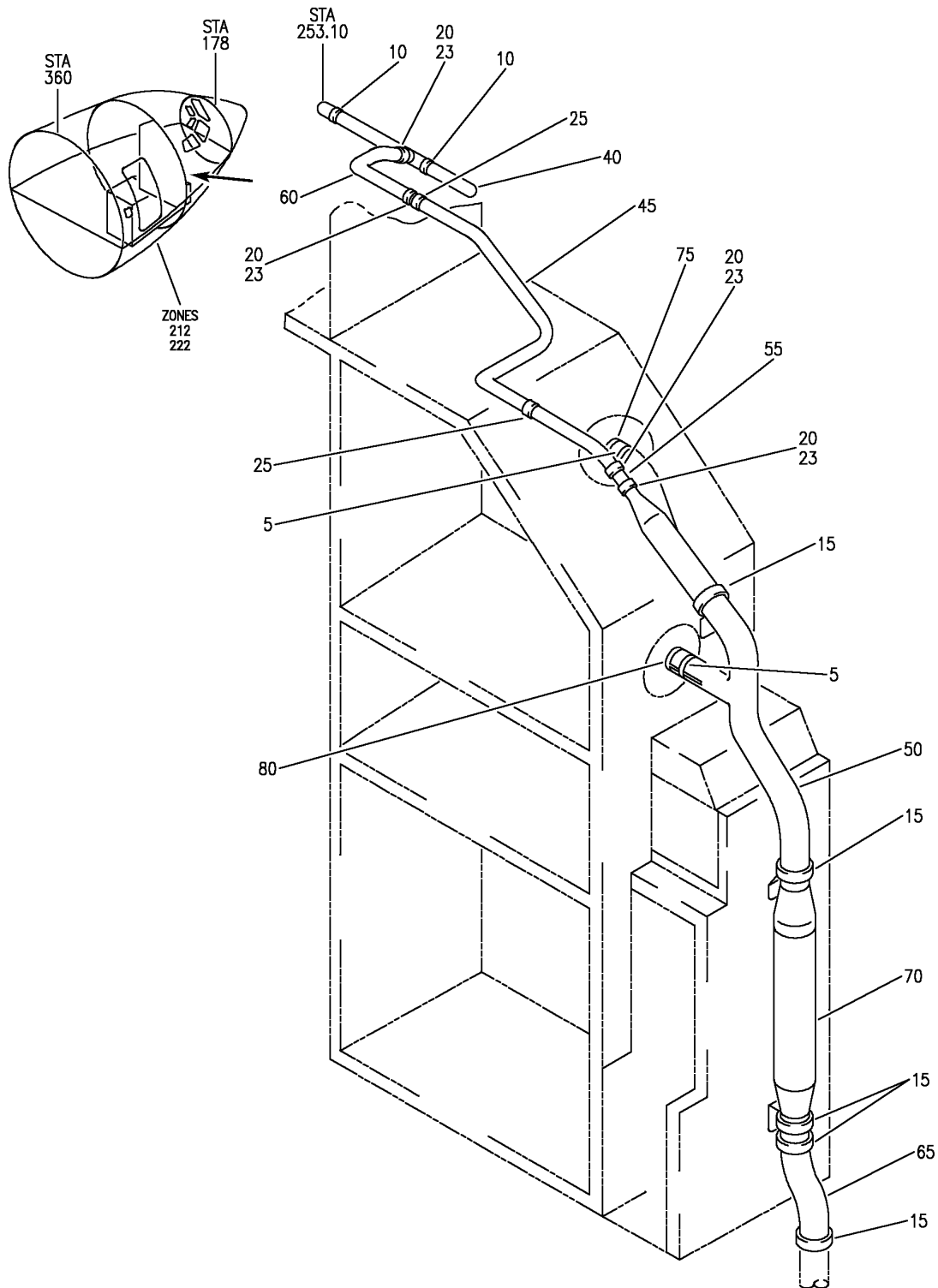
- ITEM NOT ILLUSTRATED

HAP

21-27-51-03

21-27-51
FIG. 03
PAGE 1
OCT 15/08

BOEING
 737-600/700/800/900
 PARTS CATALOG (MAINTENANCE)



E 21275103A REV 143

DUCT INSTL-FLIGHT DECK E/E COOLING EXH
 FIGURE 3A

21-27-51-03A

HAP
 JUN 15/08

21-27-51-03A
 PAGE 0

BOEING
737-600/700/800/900
PARTS CATALOG (MAINTENANCE)

FIG ITEM	PART NUMBER	1 2 3 4 5 6 7	NOMENCLATURE	EFFECT FROM TO	UNITS PER ASSY
3A			DUCT INSTL-FLIGHT DECK E/E COOLING EXH	031200 968999	
- 1	MODREF188799		DUCT INSTL-FLIGHT DECK E/E COOLING EXH	031036	1
- 1	MODREF291085		MODULE NUMBER: 217A2002-5 REV B DUCT INSTL-FLIGHT DECK E/E COOLING EXH	037046 054105 968999	1
- 1	MODREF380861		MODULE NUMBER: 217A2002-5 REV C DUCT INSTL-FLIGHT DECK E/E COOLING EXH	047053 106200	1
5	PLT2IC		MODULE NUMBER: 217A2002-5 REV D .STRAP	031200	2
			SUPPLIER CODE: V06383	968999	
			SPECIFICATION NUMBER: BACS38K10		
10	BACC10DK16		.CLAMP	031200 968999	2
15	NAS1922-0275-3		.CLAMP	031200 968999	5
20	NAS1922-0100-3		.CLAMP	031200 968999	4
23	PLT2IC		.STRAP	047053	4
			SUPPLIER CODE: V06383	106200	
			SPECIFICATION NUMBER: BACS38K10		
25	BACC10DK16		.CLAMP	031200 968999	2
- 30	BACS12GU3K10		ATTACHING PARTS .SCREW	031200 968999	2
- 35	NAS1149D0332J		.WASHER	031200 968999	2
			-----*-----		
40	217A2404-1		.DUCT	031200 968999	1
45	217A2403-1		.DUCT	031200 968999	1
50	217A2402-1		.DUCT	031200 968999	1
55	AS1506-04D22		.SLEEVE	031200 968999	1
60	AS1504-04B0112		.HOSE-FLEX	031200 968999	1

MISSING ITEM NUMBERS NOT APPLICABLE

- ITEM NOT ILLUSTRATED

HAP

21-27-51-03A

BOEING PROPRIETARY - Copyright © - Unpublished Work - See title page for details.

21-27-51
FIG. 03A
PAGE 1
FEB 15/09

BOEING
737-600/700/800/900
PARTS CATALOG (MAINTENANCE)

FIG ITEM	PART NUMBER	1 2 3 4 5 6 7	NOMENCLATURE	EFFECT FROM TO	UNITS PER ASSY
3A					
65	AS1504-10B0102	.	HOSE-FLEX	031200 968999	1
70	65C25629-81	.	MUFFLER ASSY MAINTENANCE MANUAL REF: 21-27-07	031200 968999	1
75	214T3436-619	.	ORIFICE ASSY	031200 968999	1
80	214T3436-1585	.	ORIFICE ASSY	031200 968999	1

MISSING ITEM NUMBERS NOT APPLICABLE

— ITEM NOT ILLUSTRATED

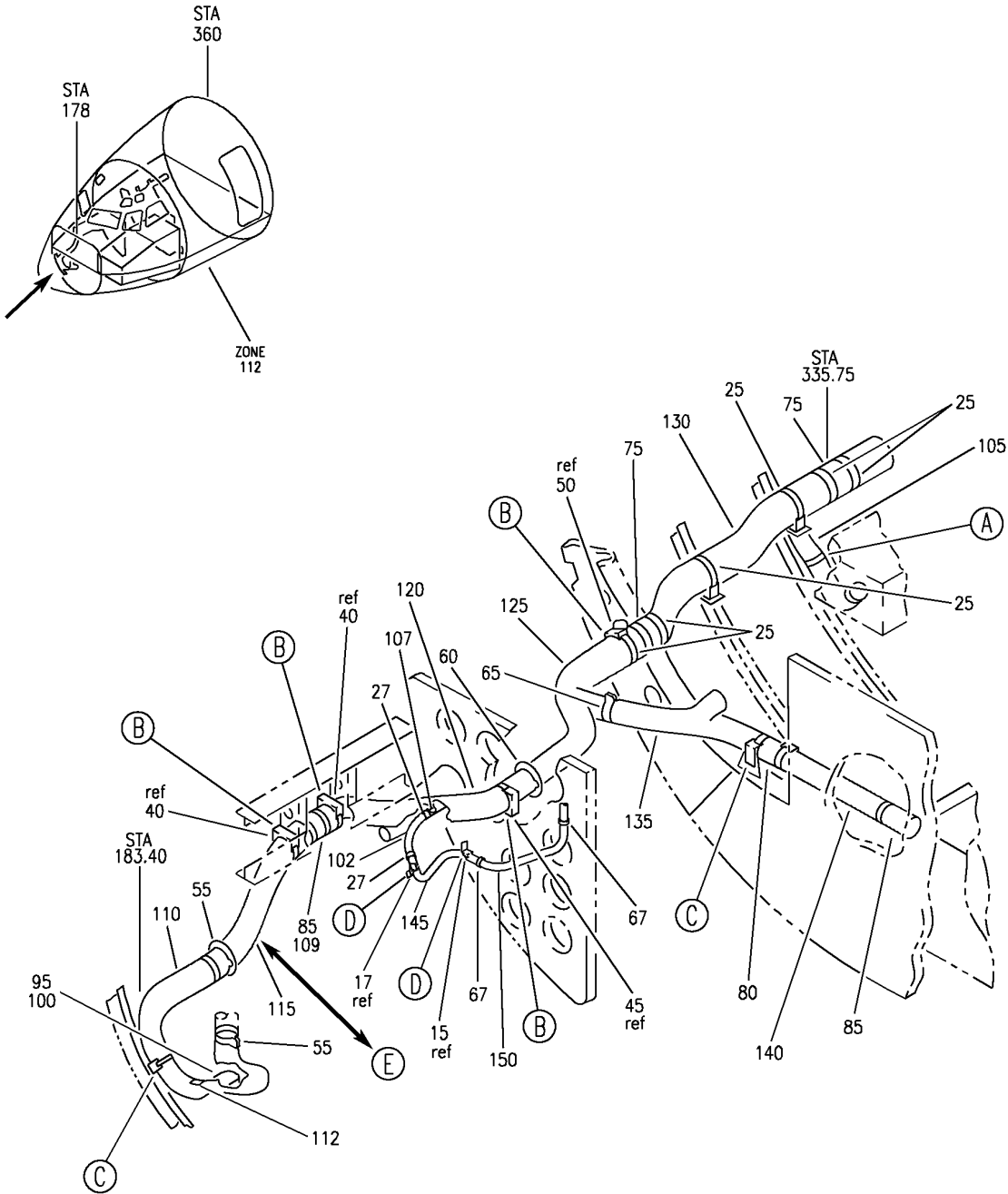
HAP

21-27-51-03A

BOEING PROPRIETARY - Copyright © - Unpublished Work - See title page for details.

21-27-51
FIG. 03A
PAGE 2
OCT 15/08

BOEING
 737-600/700/800/900
 PARTS CATALOG (MAINTENANCE)



E 21275104 SHT 1 REV 131

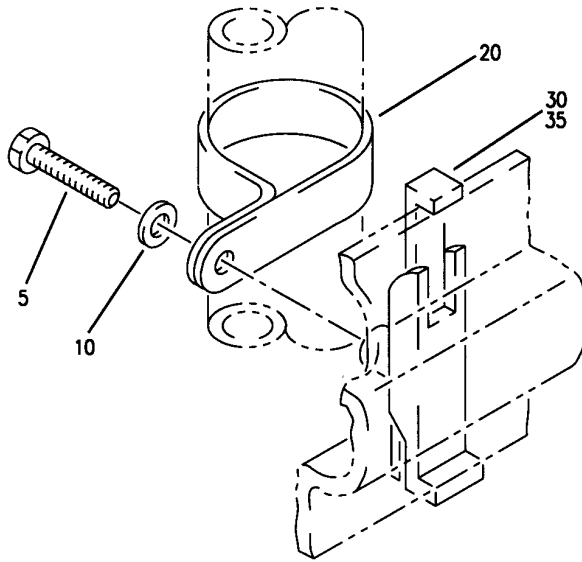
DUCT INSTL-SECT.41 FWD E/E COOLING SUPPLY
 FIGURE 4 (SHEET 1)

21-27-51-04

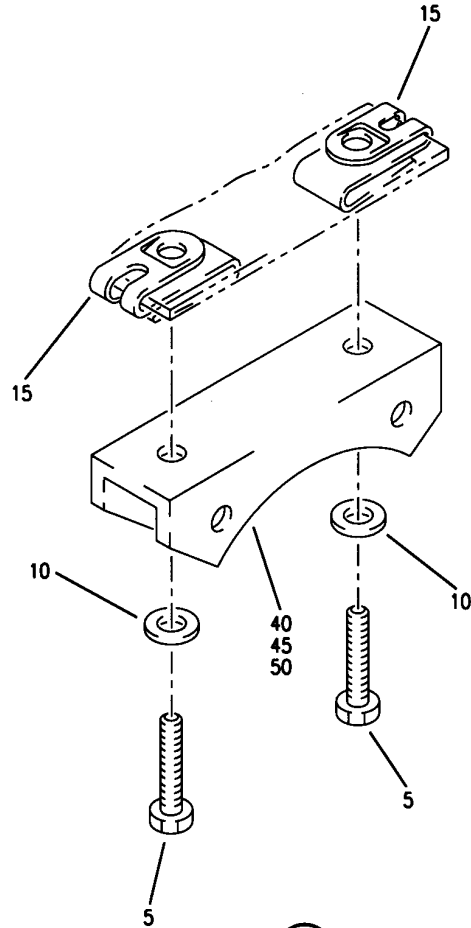
HAP
 JUN 10/07

21-27-51-04
 PAGE 0

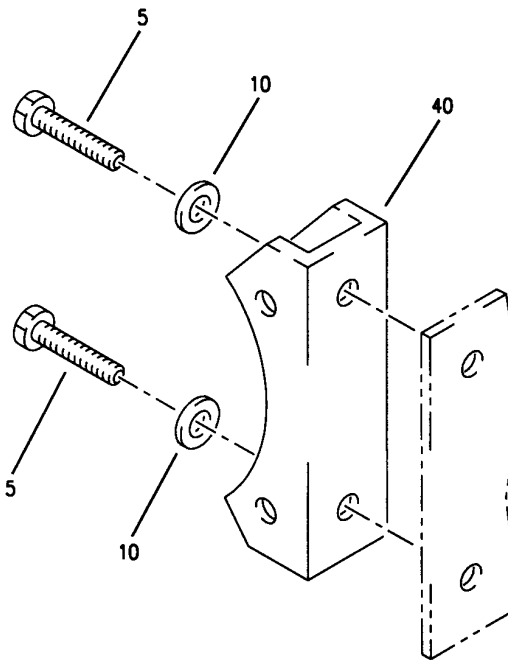
BOEING
 737-600/700/800/900
 PARTS CATALOG (MAINTENANCE)



(A)



(B)



(C)

E 21275104 SH1 2 REV 001

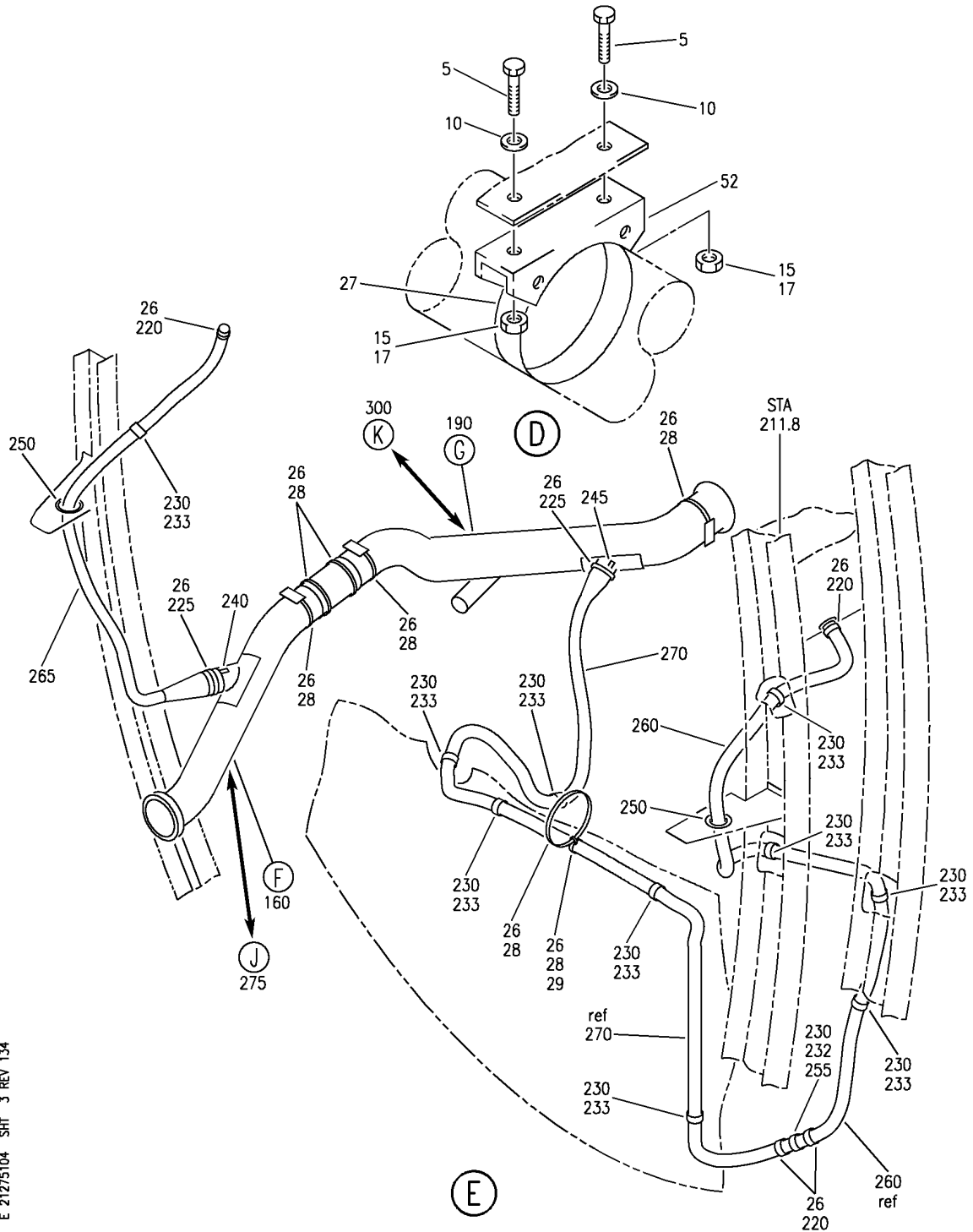
DUCT INSTL-SECT.41 FWD E/E COOLING SUPPLY
 FIGURE 4 (SHEET 2)

21-27-51-04

HAP
 OCT 10/06

21-27-51-04
 PAGE 0A

BOEING
 737-600/700/800/900
 PARTS CATALOG (MAINTENANCE)



E 21275104 SHT 3 REV 134

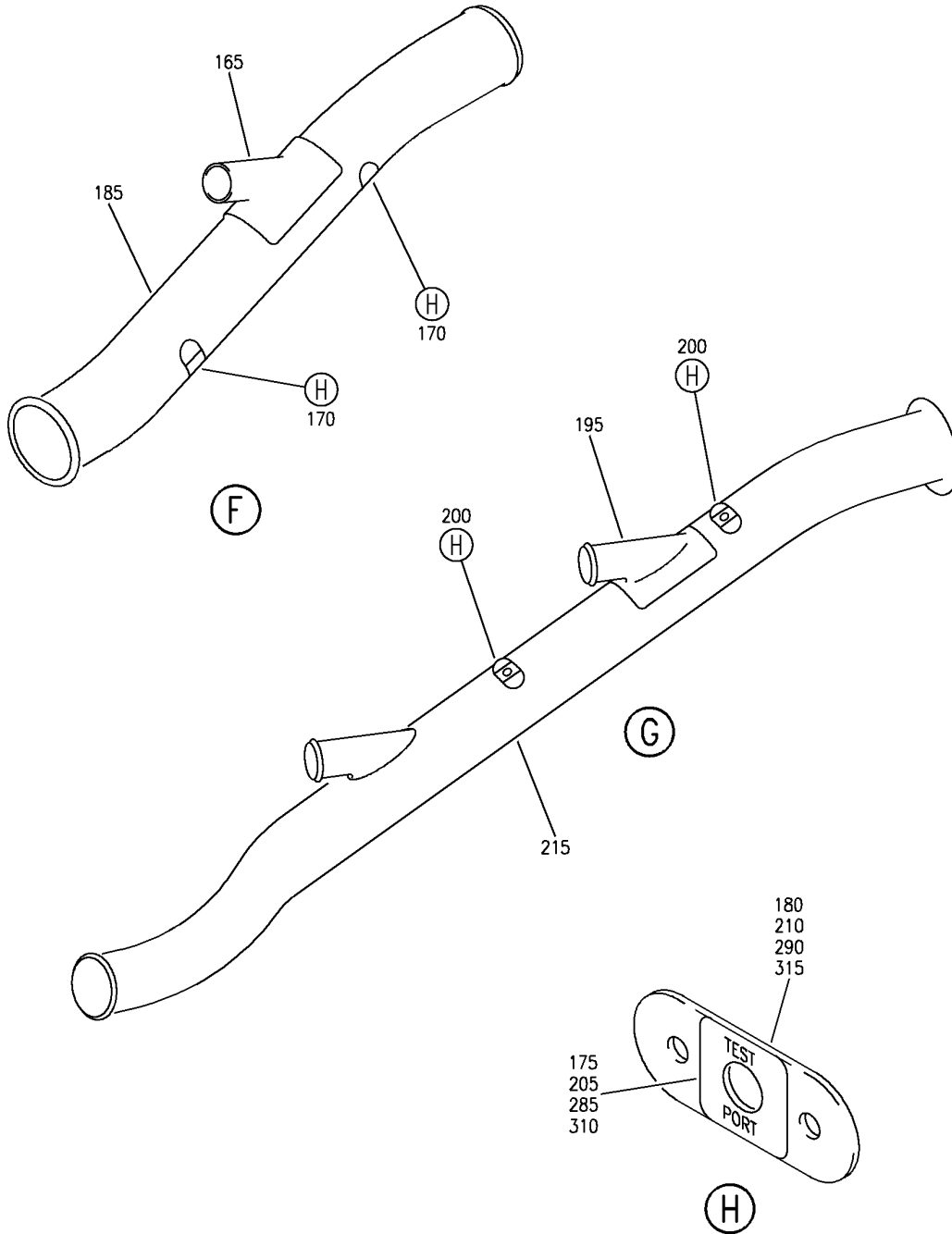
DUCT INSTL-SECT.41 FWD E/E COOLING SUPPLY
 FIGURE 4 (SHEET 3)

21-27-51-04

HAP
 OCT 10/07

21-27-51-04
 PAGE 0B

BOEING
 737-600/700/800/900
 PARTS CATALOG (MAINTENANCE)



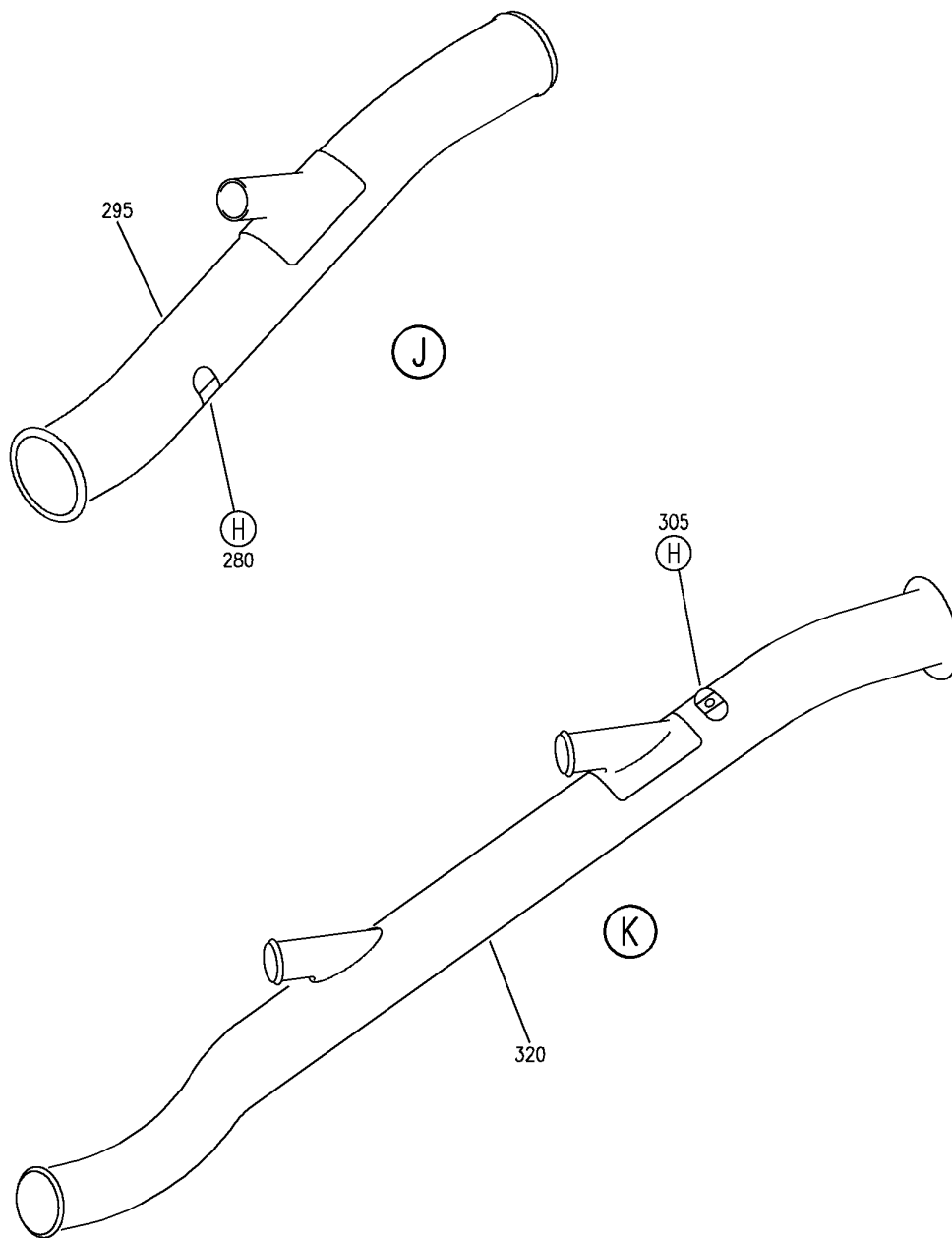
E 21275104 SH1 4 REV 134

DUCT INSTL-SECT.41 FWD E/E COOLING SUPPLY
 FIGURE 4 (SHEET 4)

21-27-51-04

HAP
 OCT 10/07

21-27-51-04
 PAGE 0C



E 21275104 SHT 5 REV 134

DUCT INSTL-SECT.41 FWD E/E COOLING SUPPLY
FIGURE 4 (SHEET 5)

HAP
OCT 10/07

21-27-51-04

21-27-51-04
PAGE 0D

BOEING
737-600/700/800/900
PARTS CATALOG (MAINTENANCE)

FIG ITEM	PART NUMBER	1 2 3 4 5 6 7	NOMENCLATURE	EFFECT FROM TO	UNITS PER ASSY
4			DUCT INSTL-SECT.41 FWD E/E COOLING SUPPLY	001011 201967	
- 1	217A1001-1		DUCT INSTL-E/E COOLING SUPPLY POSITION DATA: SECT. 41 FWD FOR NHA SEE: 21-20-00-04B 21-20-00-04C	001011 201967	RF
5	BACS12GU3K8		.SCREW	001011 201967	17
10	NAS1149D0332J		.WASHER	001011 201967	17
15	BRC600-8-3GP		.CLIPNUT SUPPLIER CODE: V52828 SPECIFICATION NUMBER: BACN10YD1G OPTIONAL PART: 130120G V60119	001011 201967	10
17	BRC600-10-3GP		.NUT SUPPLIER CODE: V52828 SPECIFICATION NUMBER: BACN10YD2G OPTIONAL PART: 130121G V60119	001011 201967	2
20	S392DH32		.CLAMP SUPPLIER CODE: V18076 SPECIFICATION NUMBER: BACC10BU32DH OPTIONAL PART: 393-32HT V83930 JM44LC24D32BW V22175 TA04C44D32HA V84971 393A32HT V83930	001011 201967	1
25	SLT8LHC6		.STRAP- SUPPLIER CODE: V06383	001011 201967	7

MISSING ITEM NUMBERS NOT APPLICABLE

- ITEM NOT ILLUSTRATED

HAP

21-27-51-04

BOEING PROPRIETARY - Copyright © - Unpublished Work - See title page for details.

21-27-51
FIG. 04
PAGE 1
OCT 15/08

BOEING
737-600/700/800/900
PARTS CATALOG (MAINTENANCE)

FIG ITEM	PART NUMBER	1 2 3 4 5 6 7	NOMENCLATURE	EFFECT FROM TO	UNITS PER ASSY
4					
27	T05R0	.	STRAP SUPPLIER CODE: V53421 SPECIFICATION NUMBER: BACS38K1 OPTIONAL PART: PLT2SM V06383	001011 201967	4
30	S38J1	.	SUPPORT SUPPLIER CODE: V59237 SPECIFICATION NUMBER: BACS38J1 OPTIONAL PART: 30187-2 V26835	001011 201967	1
35	S38J2	.	SUPPORT SUPPLIER CODE: V59237 SPECIFICATION NUMBER: BACS38J2 OPTIONAL PART: 30187-3 V26835	001011 201967	1
40	214T3424-3	.	SUPPORT	001011 201967	4
45	214T3424-4	.	SUPPORT	001011 201967	1
50	214T3424-6	.	SUPPORT	001011 201967	1
52	214T3424-16	.	SUPPORT	001011 201967	2
55	NH135008-0250	.	COUPLING SUPPLIER CODE: V00624 SPECIFICATION NUMBER: BACC10HX250	001011 201967	2
60	NH135008-0300	.	COUPLING SUPPLIER CODE: V00624 SPECIFICATION NUMBER: BACC10HX300	001011 201967	1
65	NH135008-0275	.	COUPLING SUPPLIER CODE: V00624 SPECIFICATION NUMBER: BACC10HX275	001011 201967	1

MISSING ITEM NUMBERS NOT APPLICABLE

— ITEM NOT ILLUSTRATED

HAP

21-27-51-04

BOEING PROPRIETARY - Copyright © - Unpublished Work - See title page for details.

21-27-51
FIG. 04
PAGE 2
OCT 15/08

BOEING
737-600/700/800/900
PARTS CATALOG (MAINTENANCE)

FIG ITEM	PART NUMBER	1 2 3 4 5 6 7	NOMENCLATURE	EFFECT FROM TO	UNITS PER ASSY
4					
67	NH135008-0125	.	COUPLING SUPPLIER CODE: V00624 SPECIFICATION NUMBER: BACC10HX125	001011 201967	2
75	AS1506-15D32	.	SLEEVE	001011 201967	2
80	AS1506-10D30	.	SLEEVE	001011 201967	1
85	AS1506-10D32	.	SLEEVE	001011 201967	2
95	0123FA2	.	SENSOR- SUPPLIER CODE: V59885 FUNCTIONAL DESCRIPTION: DESIGNED TO MONITOR THE ADEQUACY OF COOLING AIR FLOW RATE. SPECIFICATION NUMBER: S210N701-43 COMPONENT MAINT MANUAL REF: 21-58-02 MAINTENANCE MANUAL REF: 21-27-03 OPTIONAL PART: 0123FA V59885	001011 201967	1
95	0123FA	.	SENSOR- SUPPLIER CODE: V59885 SPECIFICATION NUMBER: S210N701-43 COMPONENT MAINT MANUAL REF: 21-58-02 MAINTENANCE MANUAL REF: 21-27-03 OPTIONAL PART: 0123FA2 V59885	001011 201967	1
100	MS28778-6	.	PACKING MAINTENANCE MANUAL REF: 21-27-03	001011 201967	1
102	BOE2022-05A0080	.	HOSE SUPPLIER CODE: V16632 SPECIFICATION NUMBER: AS1544-05A0080	001011 201967	1

MISSING ITEM NUMBERS NOT APPLICABLE

— ITEM NOT ILLUSTRATED

HAP

21-27-51-04

BOEING PROPRIETARY - Copyright © - Unpublished Work - See title page for details.

21-27-51
FIG. 04
PAGE 3
OCT 15/08

BOEING
737-600/700/800/900
PARTS CATALOG (MAINTENANCE)

FIG ITEM	PART NUMBER	1 2 3 4 5 6 7	NOMENCLATURE	EFFECT FROM TO	UNITS PER ASSY
4 105	BOE2022-07A0181	.HOSE	SUPPLIER CODE: V16632 SPECIFICATION NUMBER: AS1544-07A0181	001011 201967	1
107	214T3436-1867	.ORIFICE ASSY		001011 201967	1
109	214T3436-74	.ORIFICE ASSY-		001011 201967	1
110	217A1129-3	.DUCT ASSY-		001011 201967	1
112	BAC27DAC80	..MARKER-	PLACARD CONTENT: M1915 EQUIP COOLING LOW FLOW SNSR (SUPPLY)	001011 201967	1
115	217A1108-1	.DUCT-		001011 201967	1
120	217A1121-2	.DUCT-		001011 201967	1
125	217A1139-1	.DUCT		001011 201967	1
130	217A1120-1	.DUCT		001011 201967	1
135	217A1109-1	.DUCT		001011 201967	1
140	217A1116-1	.DUCT		001011 201967	1
145	217A1113-1	.DUCT-	PRE SERVICE BULLETIN: 21-1155R2	001011 201967	1
145	217A1113-2	.DUCT-	POST SERVICE BULLETIN: 21-1155R2	201967	1
150	217A1104-1	.DUCT ASSY		001011 201967	1

MISSING ITEM NUMBERS NOT APPLICABLE

— ITEM NOT ILLUSTRATED

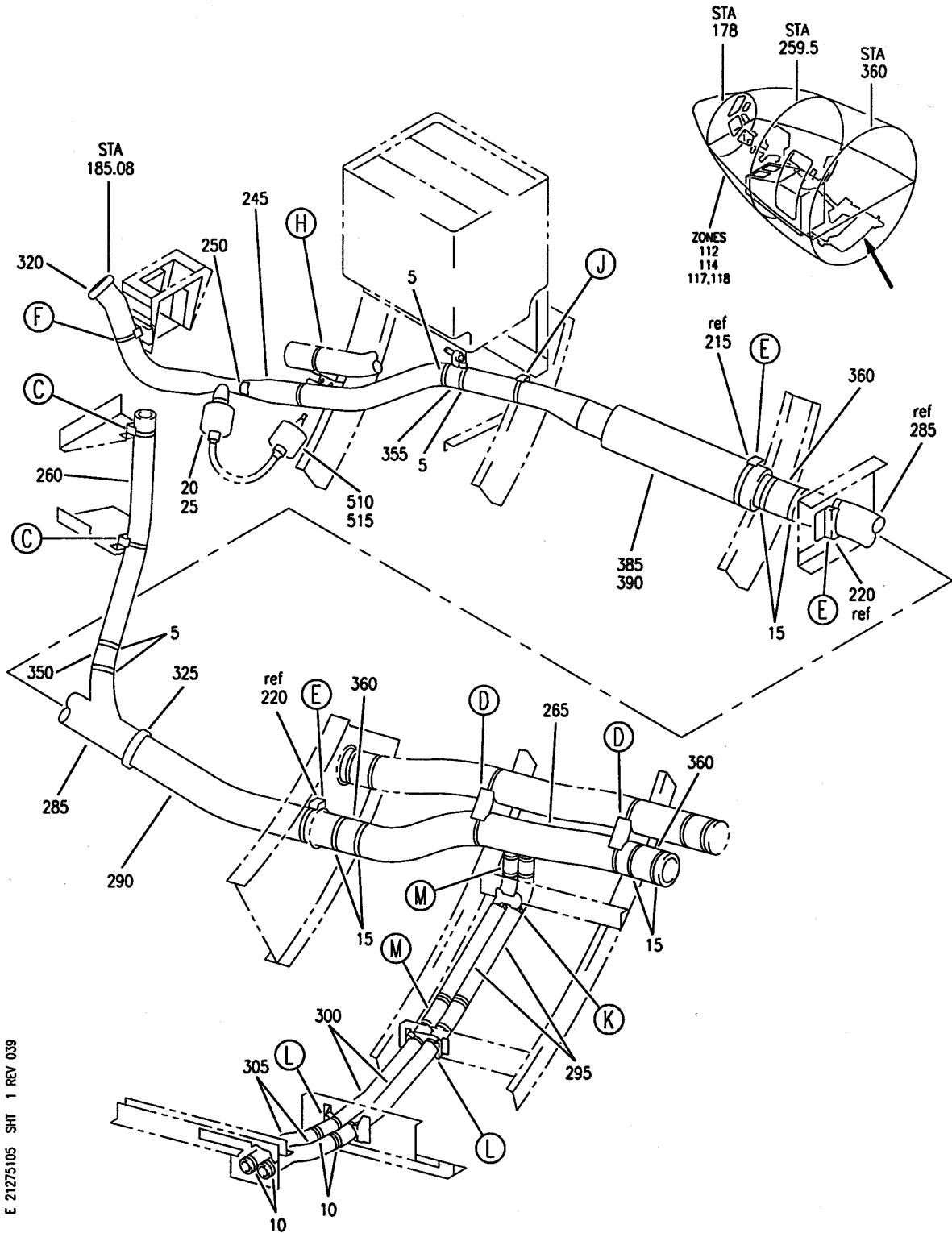
HAP

21-27-51-04

BOEING PROPRIETARY - Copyright © - Unpublished Work - See title page for details.

21-27-51
FIG. 04
PAGE 4
OCT 15/08


BOEING
 737-600/700/800/900
PARTS CATALOG (MAINTENANCE)



E 21275105 SHT 1 REV 039

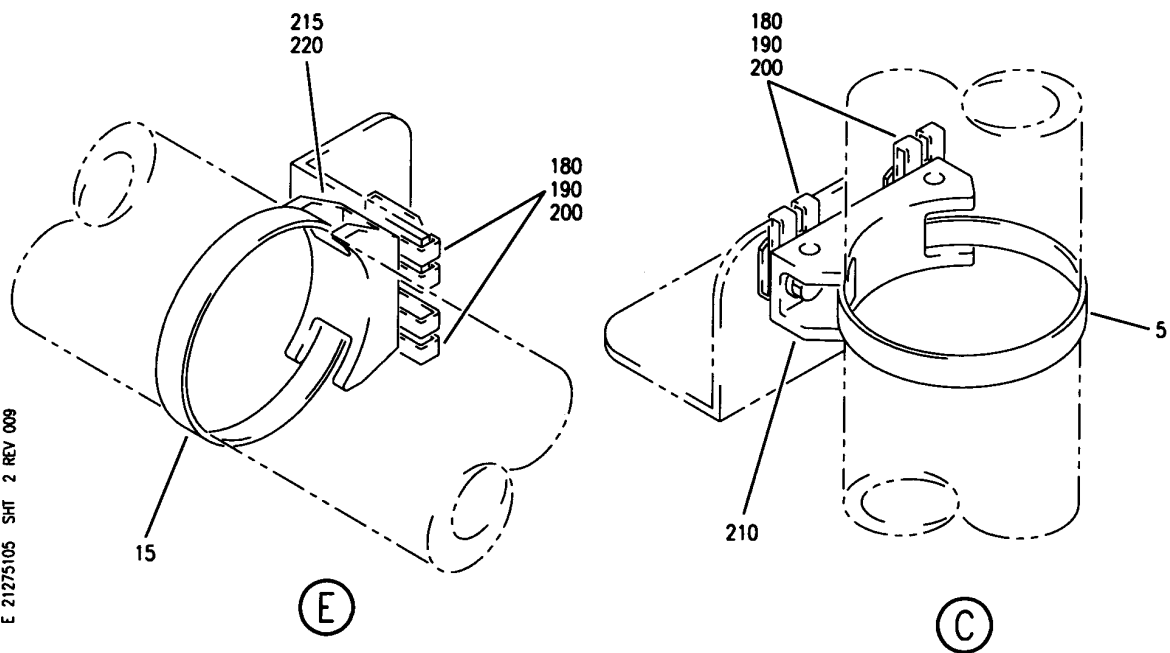
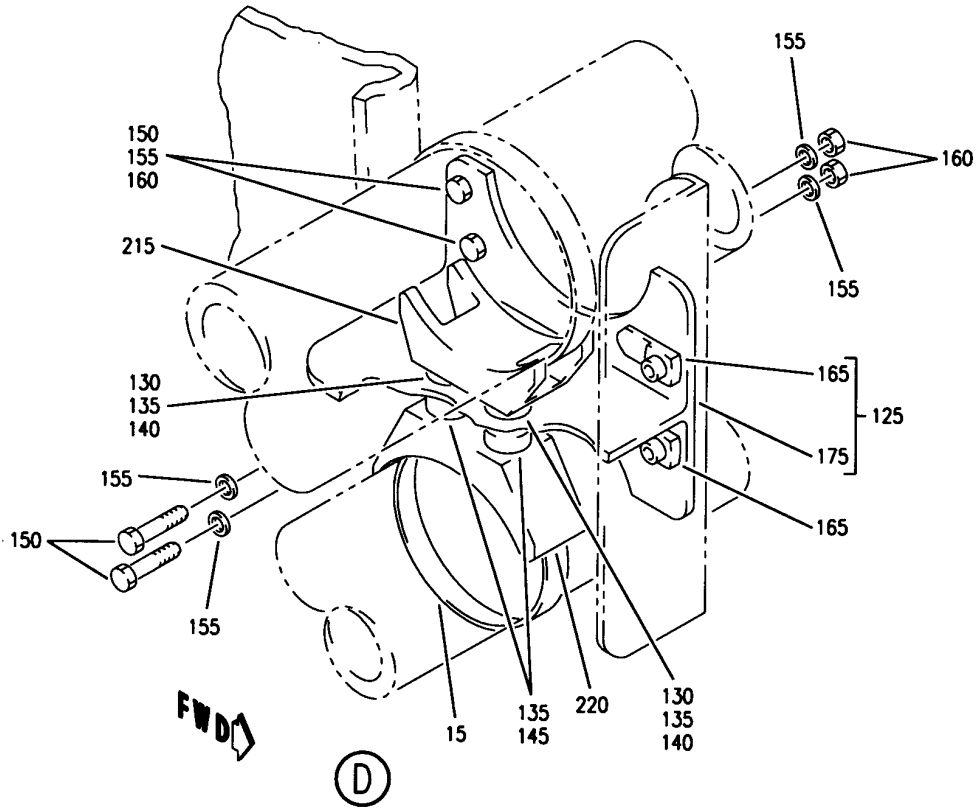
DUCT INSTL-SECT. 41 FWD E/E COOLING EXH
 FIGURE 5 (SHEET 1)

21-27-51-05

HAP
OCT 10/06

21-27-51-05
 PAGE 0

BOEING
 737-600/700/800/900
 PARTS CATALOG (MAINTENANCE)



E 21275105 SHT 2 REV 009

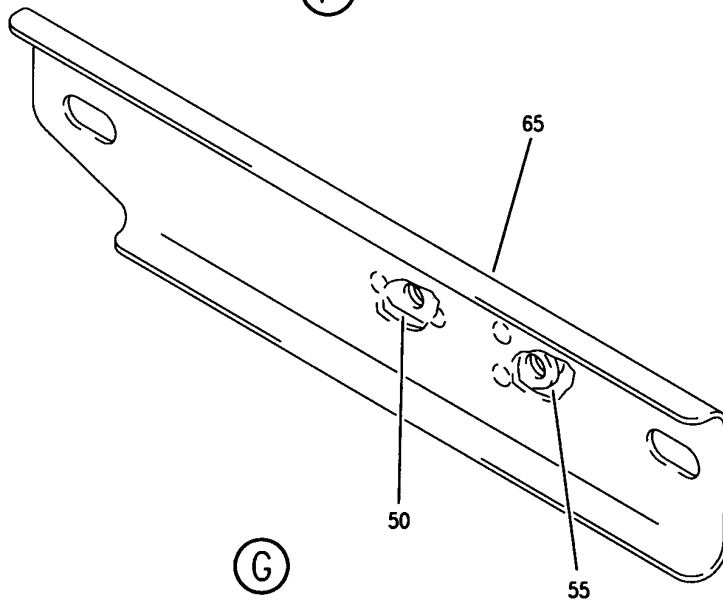
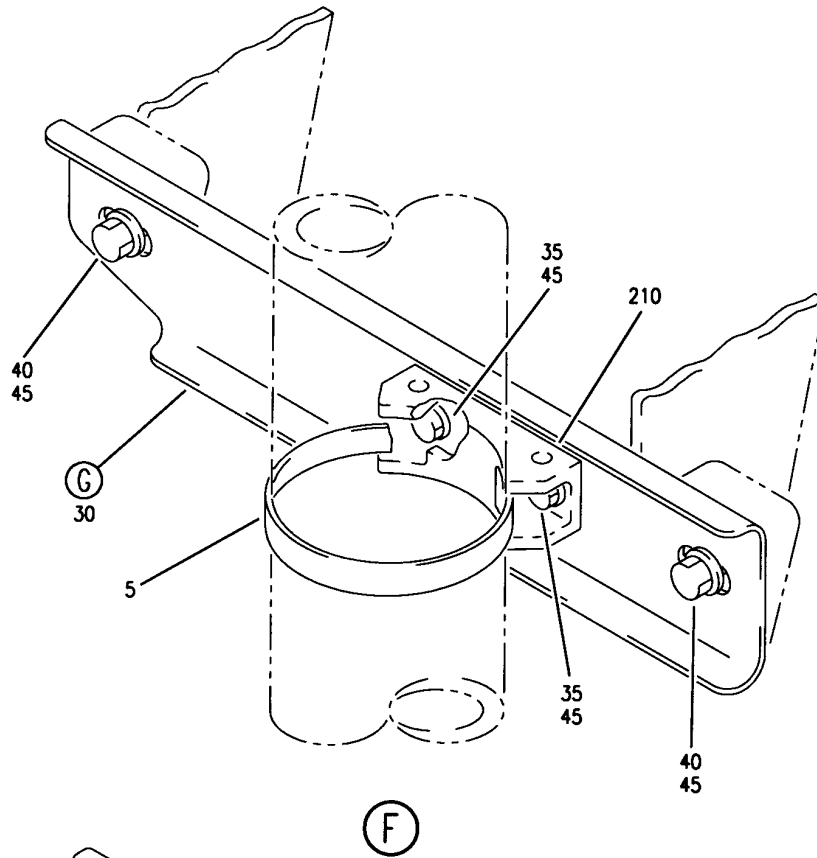
DUCT INSTL-SECT. 41 FWD E/E COOLING EXH
 FIGURE 5 (SHEET 2)

21-27-51-05

HAP
 OCT 10/06

21-27-51-05
 PAGE 0A

BOEING
737-600/700/800/900
PARTS CATALOG (MAINTENANCE)



E 21275105 SHT 3 REV 009

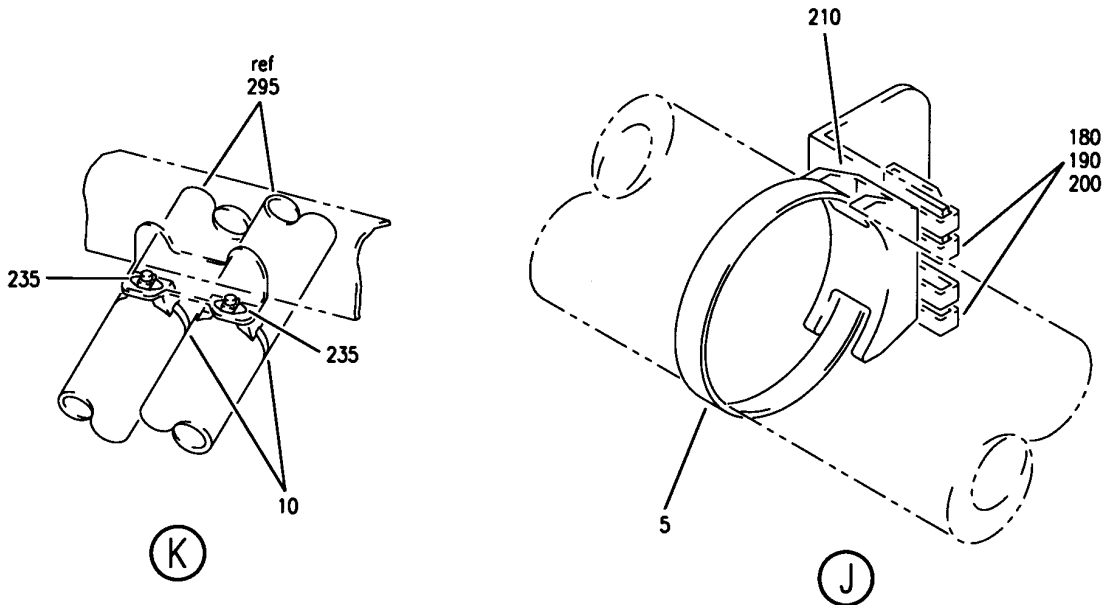
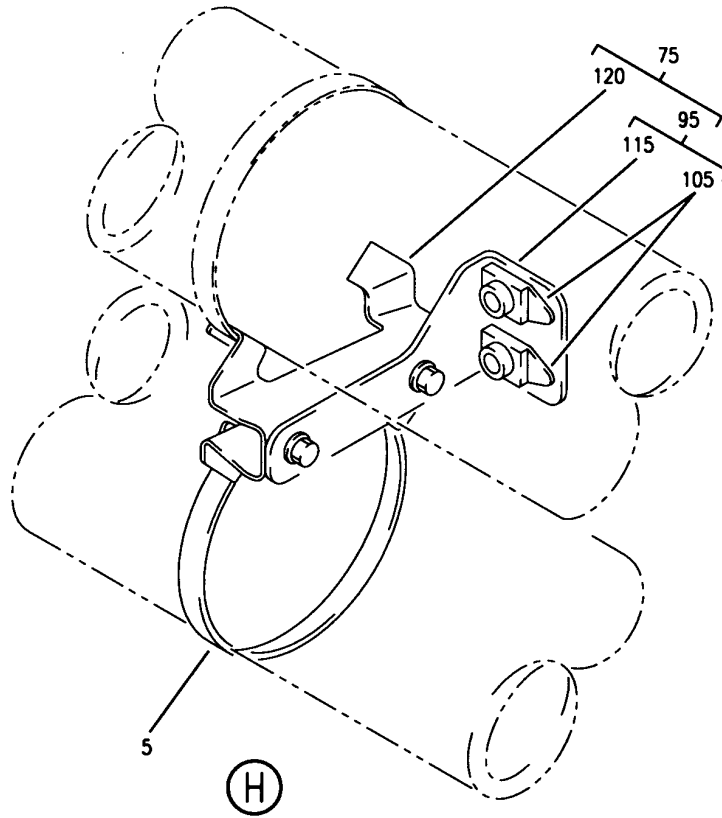
DUCT INSTL-SECT. 41 FWD E/E COOLING EXH
FIGURE 5 (SHEET 3)

21-27-51-05

HAP
OCT 10/06

21-27-51-05
PAGE 0B

BOEING
 737-600/700/800/900
 PARTS CATALOG (MAINTENANCE)



E 21275105 SHT 4 REV 009

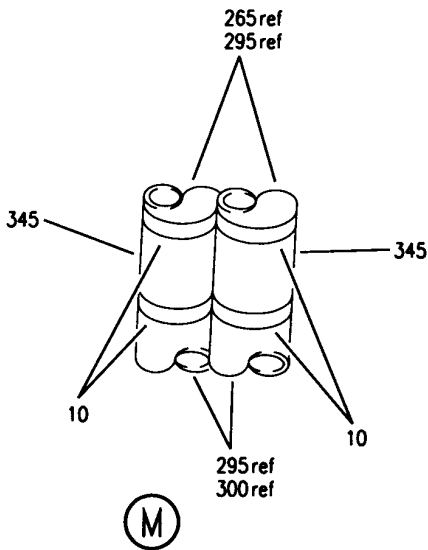
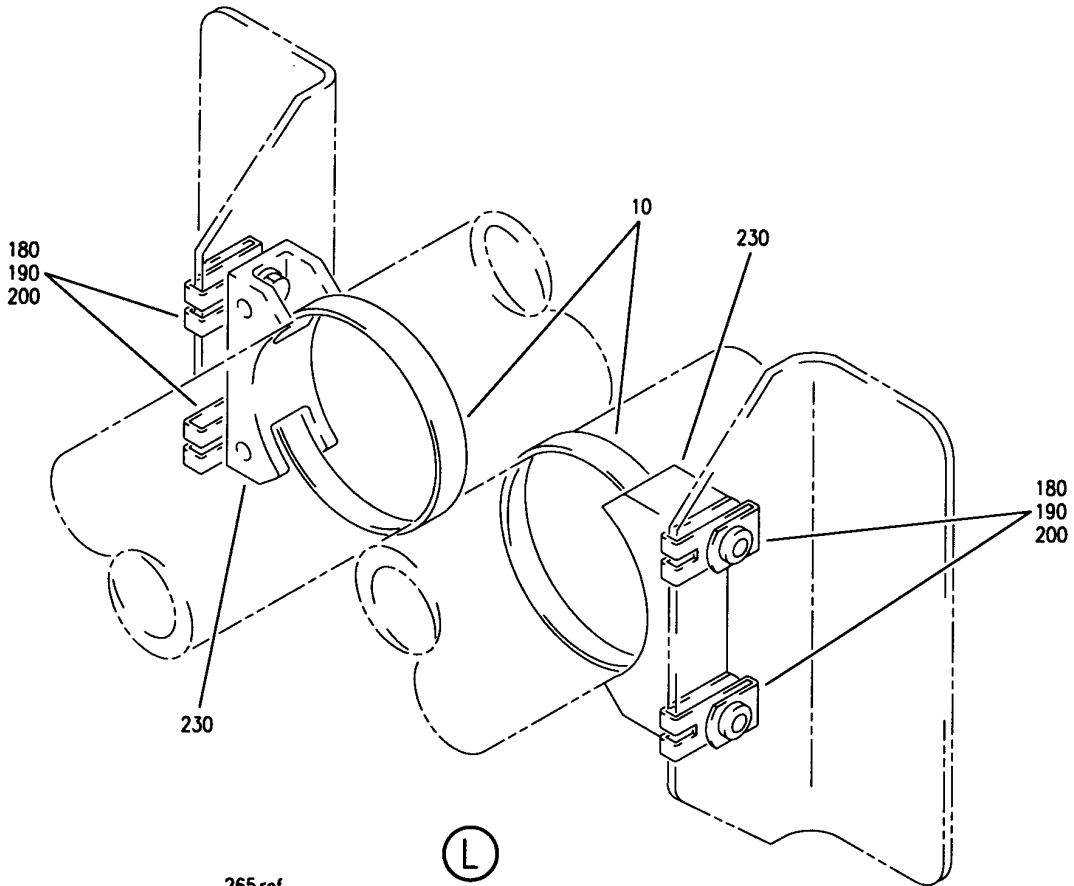
DUCT INSTL-SECT. 41 FWD E/E COOLING EXH
 FIGURE 5 (SHEET 4)

21-27-51-05

HAP
 OCT 10/06

21-27-51-05
 PAGE 0C

BOEING
 737-600/700/800/900
 PARTS CATALOG (MAINTENANCE)



E 21275105 SHT 5 REV 008

DUCT INSTL-SECT. 41 FWD E/E COOLING EXH
 FIGURE 5 (SHEET 5)

21-27-51-05

HAP
 OCT 10/06

21-27-51-05
 PAGE 0D

BOEING
737-600/700/800/900
PARTS CATALOG (MAINTENANCE)

FIG ITEM	PART NUMBER	1 2 3 4 5 6 7	NOMENCLATURE	EFFECT FROM TO	UNITS PER ASSY
5			DUCT INSTL-SECT. 41 FWD E/E COOLING EXH	001011 201967	
- 1	217A1002-1		DUCT INSTL-E/E COOLING EXH POSITION DATA: SECT. 41 FWD FOR NHA SEE: 21-20-00-04B 21-20-00-04C	001011 201967	RF
5	PLT3SM		.STRAP SUPPLIER CODE: V06383 SPECIFICATION NUMBER: BACS38K7 OPTIONAL PART: T0510 V53421	001011 201967	9
10	T05R0		.STRAP SUPPLIER CODE: V53421 SPECIFICATION NUMBER: BACS38K1 OPTIONAL PART: PLT2SM V06383	001011 201967	18
15	SLT8LHC6		.STRAP- SUPPLIER CODE: V06383	001011 201967	11
20	MS28778-6		.PACKING MAINTENANCE MANUAL REF: 21-27-03	001011 201967	1
25	0123FA2		.SENSOR- SUPPLIER CODE: V59885 FUNCTIONAL DESCRIPTION: DESIGNED TO MONITOR THE ADEQUACY OF COOLING AIR FLOW RATE. SPECIFICATION NUMBER: S210N701-43 ELECTRICAL EQUIP NUMBER: D00164 COMPONENT MAINT MANUAL REF: 21-58-02 MAINTENANCE MANUAL REF: 21-27-03 OPTIONAL PART: 0123FA V59885	001011 201967	1

MISSING ITEM NUMBERS NOT APPLICABLE

- ITEM NOT ILLUSTRATED

HAP

21-27-51-05

BOEING PROPRIETARY - Copyright © - Unpublished Work - See title page for details.

21-27-51
FIG. 05
PAGE 1
OCT 15/08

BOEING
737-600/700/800/900
PARTS CATALOG (MAINTENANCE)

FIG ITEM	PART NUMBER	1 2 3 4 5 6 7	NOMENCLATURE	EFFECT FROM TO	UNITS PER ASSY
5					
25	0123FA		.SENSOR- SUPPLIER CODE: V59885 SPECIFICATION NUMBER: S210N701-43 ELECTRICAL EQUIP NUMBER: D00164 COMPONENT MAINT MANUAL REF: 21-58-02 MAINTENANCE MANUAL REF: 21-27-03 OPTIONAL PART: 0123FA2 V59885	001011 201967	1
30	217A1144-1		.BRACKET ASSY ATTACHING PARTS	001011 201967	1
35	BACS12GU3K8		.SCREW	001011 201967	2
40	BACS12GU3K10		.SCREW	001011 201967	2
45	NAS1149D0332J		.WASHER	001011 201967	4
			-----*-----		
50	BRF200C3D		..NUTPLATE SUPPLIER CODE: V52828 SPECIFICATION NUMBER: BACN10JR3CFD OPTIONAL PART: K51602-3BAC V15653 NS202476-02 V80539 102F9201-3 V72962 T8092C1032CD V11815	001011 201967	1
55	BACN10JP3DCD		..NUTPLATE ATTACHING PARTS	001011 201967	1
- 60	BACR15BA3ADC		..RIVET- SIZE DETERMINED ON INSTL. -----*-----	001011 201967	4
65	217A1144-2		..BRACKET	001011 201967	1
75	217A1105-1		.BRACKET ASSY	001011 201967	1

MISSING ITEM NUMBERS NOT APPLICABLE

- ITEM NOT ILLUSTRATED

HAP

21-27-51-05

BOEING PROPRIETARY - Copyright © - Unpublished Work - See title page for details.

21-27-51
FIG. 05
PAGE 2
OCT 15/08

BOEING
737-600/700/800/900
PARTS CATALOG (MAINTENANCE)

FIG ITEM	PART NUMBER	1 2 3 4 5 6 7	NOMENCLATURE	EFFECT FROM TO	UNITS PER ASSY
5			ATTACHING PARTS		
- 80	BACB30NM3K3		.BOLT- POSITION DATA: NEAR SIDE	001011 201967	2
- 85	NAS1149D0332J		.WASHER- POSITION DATA: FAR SIDE	001011 201967	2
- 90	PLH53CD		.NUT- SUPPLIER CODE: VF0224 SPECIFICATION NUMBER: BACN10YR3CD OPTIONAL PART: H52732-3CD V15653 POSITION DATA: FAR SIDE -----*-----	001011 201967	2
95	217A1105-3		..BRACKET ASSY	001011 201967	1
- 100	BACR15BA4DC		ATTACHING PARTS ..RIVET- SIZE DETERMINED ON INSTL. -----*-----	001011 201967	2
105	F177-3		...NUTPLATE SUPPLIER CODE: V72962 SPECIFICATION NUMBER: BACN10JA3 OPTIONAL PART: F2400-3 V15653 43610-02 V80539 BRF110A3 V52828 BRF170A3 V52828	001011 201967	2
- 110	BACR15BA3ADC		ATTACHING PARTS ...RIVET- SIZE DETERMINED ON INSTL. -----*-----	001011 201967	4
115	217A1105-4		...BRACKET	001011 201967	1
120	217A1105-2		..BRACKET	001011 201967	1
125	217A1147-1		.BRACKET ASSY	001011 201967	2

MISSING ITEM NUMBERS NOT APPLICABLE

- ITEM NOT ILLUSTRATED

HAP

21-27-51-05

21-27-51
FIG. 05
PAGE 3
FEB 15/09

BOEING
737-600/700/800/900
PARTS CATALOG (MAINTENANCE)

FIG ITEM	PART NUMBER	1 2 3 4 5 6 7	NOMENCLATURE	EFFECT FROM TO	UNITS PER ASSY
5			ATTACHING PARTS		
130	BACS12GU3K13	.	SCREW	001011 201967	4
135	NAS43DD3-6FC	.	SPACER	001011 201967	8
140	NAS1149D0332J	.	WASHER	001011 201967	4
145	BRC600-8-3GP	.	CLIPNUT SUPPLIER CODE: V52828 SPECIFICATION NUMBER: BACN10YD1G OPTIONAL PART: 130120G V60119	001011 201967	4
150	BACB30NM3K2	.	BOLT	001011 201967	8
155	BACW10BP3NDP	.	WASHER	001011 201967	16
160	PLH53CD	.	NUT SUPPLIER CODE: VF0224 SPECIFICATION NUMBER: BACN10YR3CD OPTIONAL PART: H52732-3CD V15653	001011 201967	8
165	102F177-3	-----*-----	..NUTPLATE SUPPLIER CODE: V72962 SPECIFICATION NUMBER: BACN10JA3CD OPTIONAL PART: BRF110C3D V52828 BRF170C3D V52828 F51636-3 V15653 NS202484-02 V80539	001011 201967	2
- 170	BACR15BA3ADC	..	RIVET- ATTACHING PARTS SIZE DETERMINED ON INSTL.	001011 201967	4
175	217A1147-2	..	BRACKET	001011 201967	1

MISSING ITEM NUMBERS NOT APPLICABLE

- ITEM NOT ILLUSTRATED

HAP

21-27-51-05

BOEING PROPRIETARY - Copyright © - Unpublished Work - See title page for details.

21-27-51
FIG. 05
PAGE 4
FEB 15/09

BOEING
737-600/700/800/900
PARTS CATALOG (MAINTENANCE)

FIG ITEM	PART NUMBER	1 2 3 4 5 6 7	NOMENCLATURE	EFFECT FROM TO	UNITS PER ASSY
5					
180	BACS12GU3K8	.	SCREW	001011 201967	20
190	NAS1149D0332J	.	WASHER	001011 201967	20
200	BRC600-8-3GP	.	CLIPNUT SUPPLIER CODE: V52828 SPECIFICATION NUMBER: BACN10YD1G OPTIONAL PART: 130120G V60119	001011 201967	20
210	214T3424-3	.	SUPPORT	001011 201967	4
215	214T3424-6	.	SUPPORT	001011 201967	3
220	214T3424-4	.	SUPPORT	001011 201967	4
230	214T3424-17	.	SUPPORT	001011 201967	4
235	STBP19M12	.	PLATE- SUPPLIER CODE: V1B249 ATTACHING PARTS	001011 201967	2
- 240	NAS8203A8	.	SCREW	001011 201967	2
			-----*-----		
245	217A1111-1	.	DUCT ASSY	001011 201967	1
250	BAC27DAC79	..	MARKER- PLACARD CONTENT: M100 EXHAUST LOW FLOW DETECTOR (EQUIP COOLING)	001011 201967	1
- 255	NK130004-0250	..	FLANGE SUPPLIER CODE: V8W928 SPECIFICATION NUMBER: BACF22BC250 OPTIONAL PART: NK130004-0250 V00624	001011 201967	1
260	217A1148-1	.	DUCT ASSY	001011 201967	1
265	217A1112-1	.	DUCT ASSY	001011 201967	1
285	217A1125-2	.	DUCT	001011 201967	1
290	217A1125-1	.	DUCT	001011 201967	1

MISSING ITEM NUMBERS NOT APPLICABLE

- ITEM NOT ILLUSTRATED

HAP

21-27-51-05

BOEING PROPRIETARY - Copyright © - Unpublished Work - See title page for details.

21-27-51
FIG. 05
PAGE 5
OCT 15/08

BOEING
737-600/700/800/900
PARTS CATALOG (MAINTENANCE)

FIG ITEM	PART NUMBER	1 2 3 4 5 6 7	NOMENCLATURE	EFFECT FROM TO	UNITS PER ASSY
5					
295	217A1103-1	.DUCT		001011 201967	2
300	217A1123-1	.DUCT		001011 201967	2
305	BOE2022-06A0120	.HOSE SUPPLIER CODE: V16632 SPECIFICATION NUMBER: AS1544-06A0120		001011 201967	2
320	NH135008-0250	.COUPLING SUPPLIER CODE: V00624 SPECIFICATION NUMBER: BACC10HX250		001011 201967	1
325	NH135008-0300	.COUPLING SUPPLIER CODE: V00624 SPECIFICATION NUMBER: BACC10HX300		001011 201967	1
345	AS1506-06D23	.SLEEVE		001011 201967	4
350	AS1506-10D30	.SLEEVE		001011 201967	1
355	AS1506-10D32	.SLEEVE		001011 201967	1
360	AS1506-12D32	.SLEEVE		001011 201967	3
385	217A1130-2	.MUFFLER ASSY-		001011 201967	1
390	65C25629-35	..MUFFLER ASSY		001011 201967	1
- 502	286A5156-060	WIRE BUNDLE ASSY-PSEU & AIR /GND SYS: E11 & J22, J20 TO E/E BAY (ROUTE LEFT)		201967	RF
- 502	286A5156-300	WIRE BUNDLE ASSY-PSEU & AIR /GND SYS: E11 & J22, J20 TO E/E BAY (ROUTE LEFT)		001001	RF
- 503	286A5156-308	WIRE BUNDLE ASSY-PSEU & AIR /GND SYS: E11 & J22, J20 TO E/E BAY (ROUTE LEFT)		002004	RF
- 503	286A5156-311	WIRE BUNDLE ASSY-PSEU & AIR /GND SYS: E11 & J22, J20 TO E/E BAY (ROUTE LEFT)		005005	RF
- 503	286A5156-312	WIRE BUNDLE ASSY-PSEU & AIR /GND SYS: E11 & J22, J20 TO E/E BAY (ROUTE LEFT)		006007	RF
- 505	286A5156-348	WIRE BUNDLE ASSY-PSEU & AIR /GND SYS: E11 & J22, J20 TO E/E BAY (ROUTE LEFT)		008011	RF

MISSING ITEM NUMBERS NOT APPLICABLE

- ITEM NOT ILLUSTRATED

HAP

21-27-51-05

BOEING PROPRIETARY - Copyright © - Unpublished Work - See title page for details.

21-27-51
FIG. 05
PAGE 6
OCT 15/08

BOEING
737-600/700/800/900
PARTS CATALOG (MAINTENANCE)

FIG ITEM	PART NUMBER	1 2 3 4 5 6 7	NOMENCLATURE	EFFECT FROM TO	UNITS PER ASSY
5 510	BACC45FT12-12S	.	CONNECTOR-PLUG LOW FLOW SENSOR ELECTRICAL EQUIP NUMBER: D00164 WIRING DIAGRAM REF: 212721	001011 201967	1
515	SCP6023S1200B	.	CLAMP-STRAIGHT BACKSHELL SUPPLIER CODE: V07418 SPECIFICATION NUMBER: BACC10JS12 OPTIONAL PART: 457ES010-12 V06324 ELECTRICAL EQUIP NUMBER: D00164T WIRING DIAGRAM REF: 212721	001011 201967	1

MISSING ITEM NUMBERS NOT APPLICABLE

— ITEM NOT ILLUSTRATED

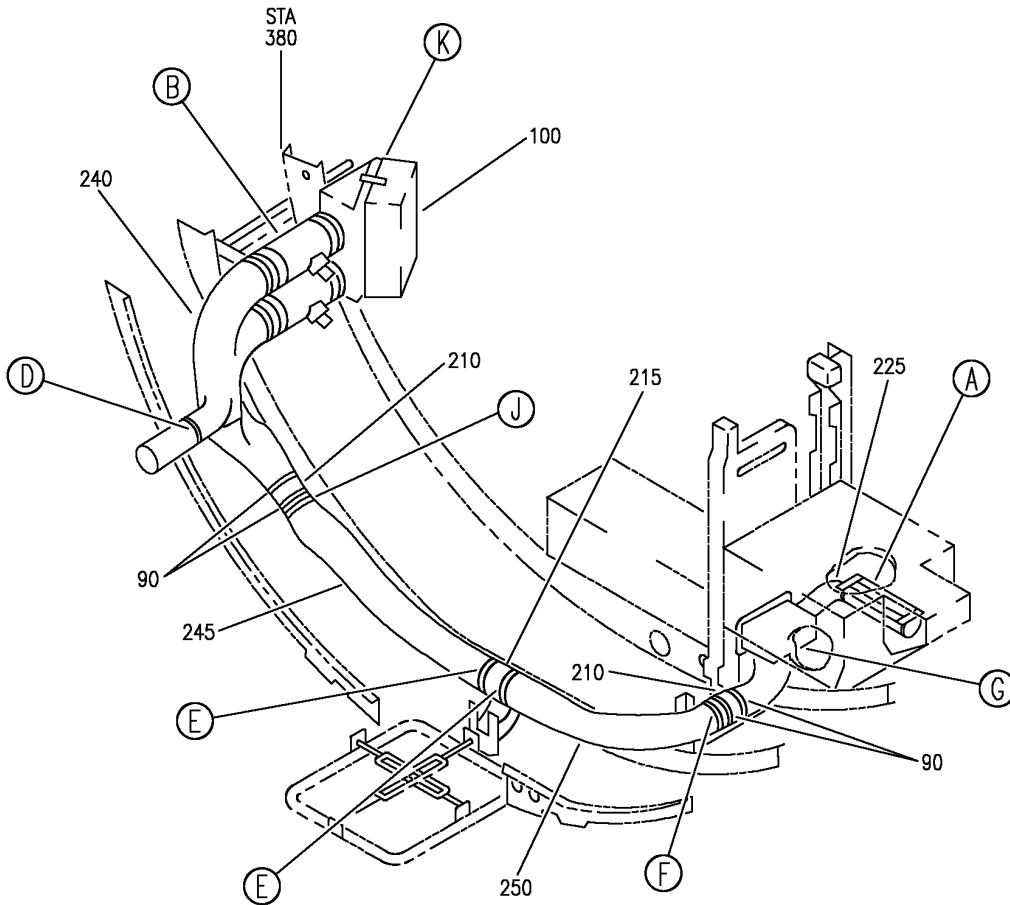
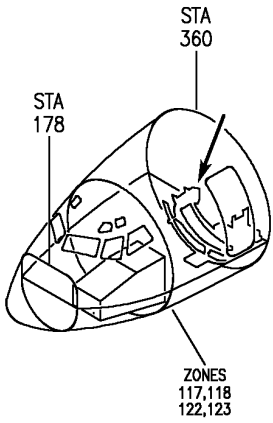
HAP

21-27-51-05

BOEING PROPRIETARY - Copyright © - Unpublished Work - See title page for details.

21-27-51
FIG. 05
PAGE 7
OCT 15/08

BOEING
 737-600/700/800/900
 PARTS CATALOG (MAINTENANCE)



E 21275107 SHT 1 REV 151

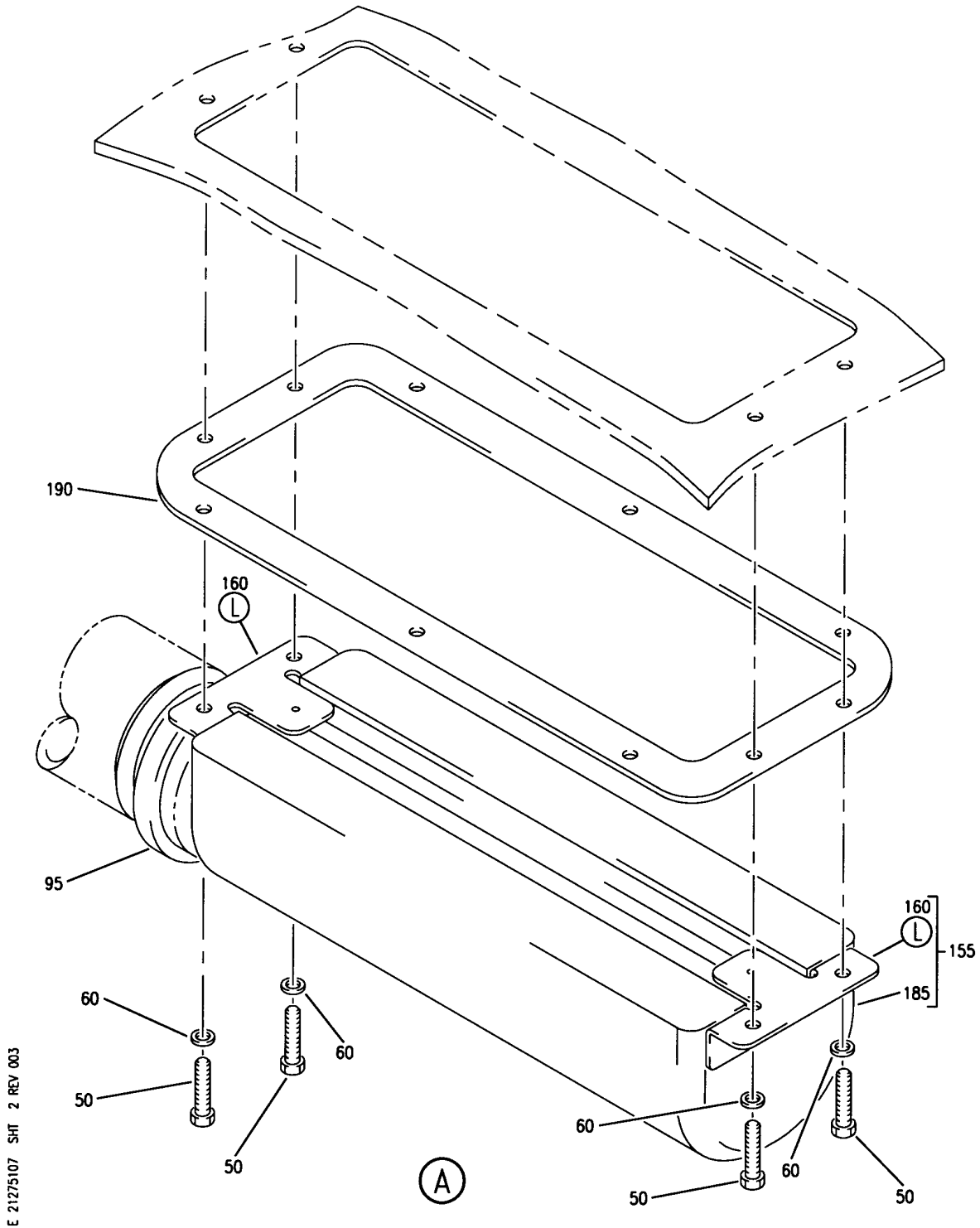
DUCT INSTL-SECT. 43 AFT E/E COOLING SUPPLY
 FIGURE 7 (SHEET 1)

21-27-51-07

HAP
 FEB 15/09

21-27-51-07
 PAGE 0

BOEING
 737-600/700/800/900
 PARTS CATALOG (MAINTENANCE)



E 21275107 SH1 2 REV 003

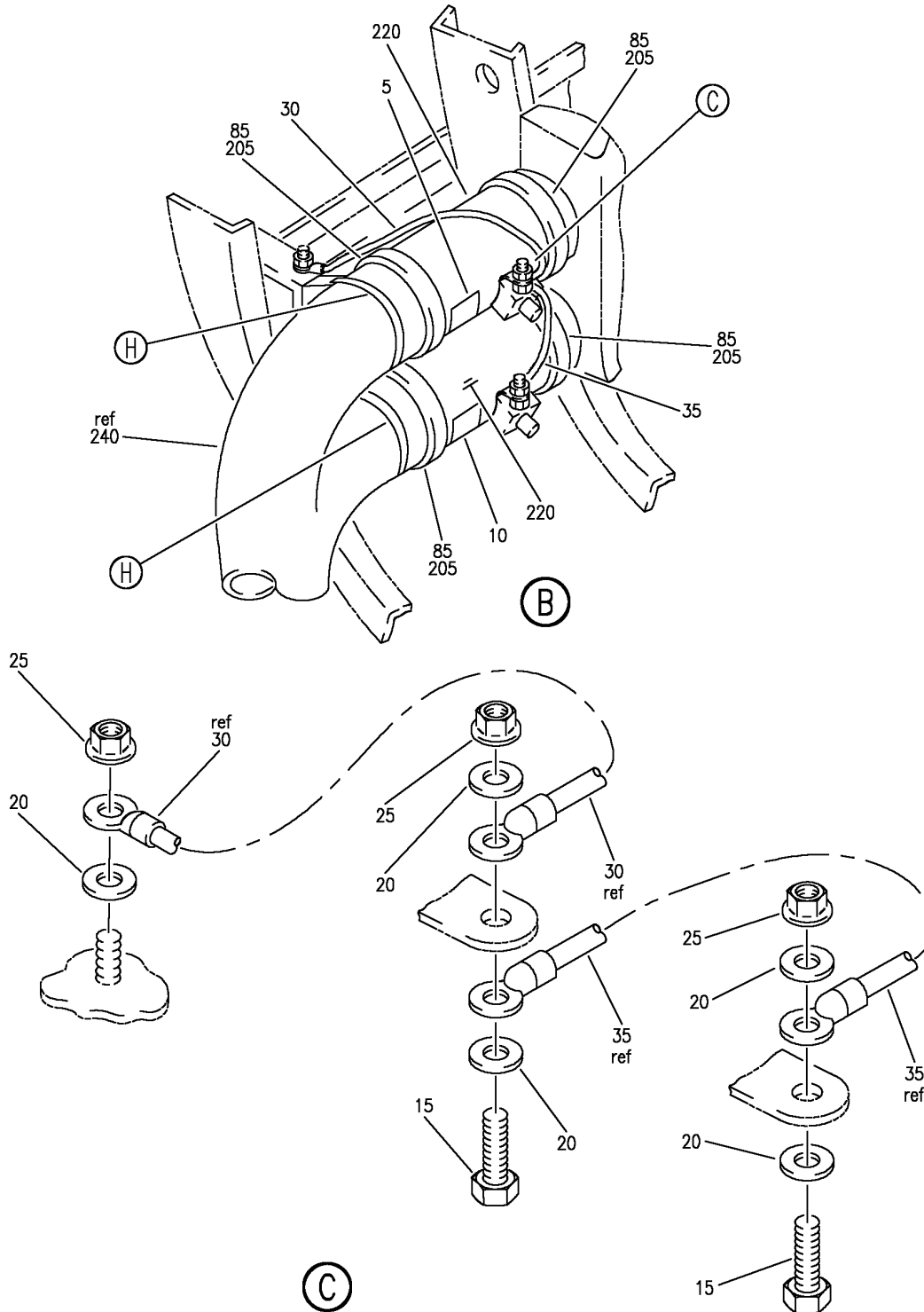
DUCT INSTL-SECT. 43 AFT E/E COOLING SUPPLY
 FIGURE 7 (SHEET 2)

21-27-51-07

HAP
 OCT 10/06

21-27-51-07
 PAGE 0A

BOEING
 737-600/700/800/900
 PARTS CATALOG (MAINTENANCE)



E 21275107 SHT 3 REV 151

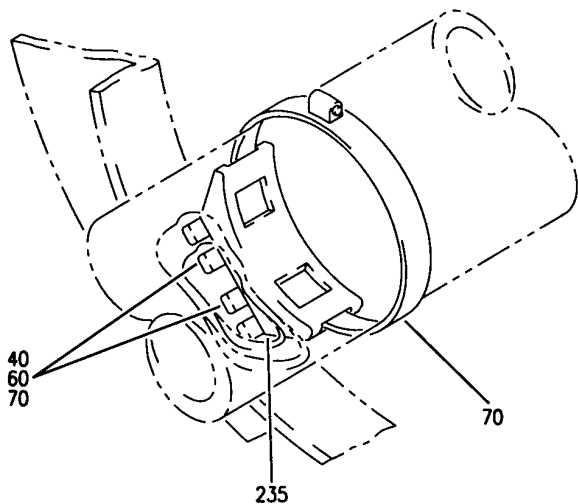
DUCT INSTL-SECT. 43 AFT E/E COOLING SUPPLY
 FIGURE 7 (SHEET 3)

21-27-51-07

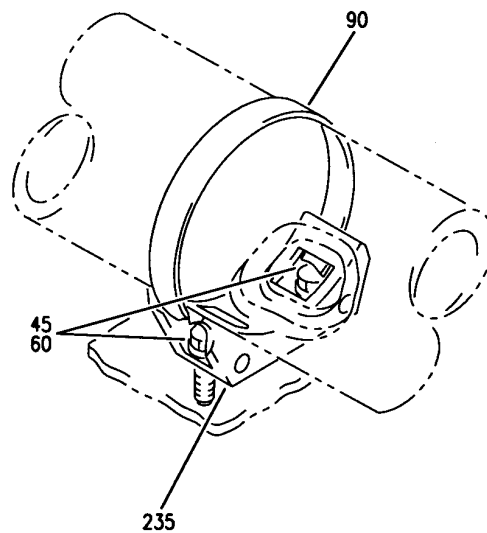
HAP
 FEB 15/09

21-27-51-07
 PAGE 0B

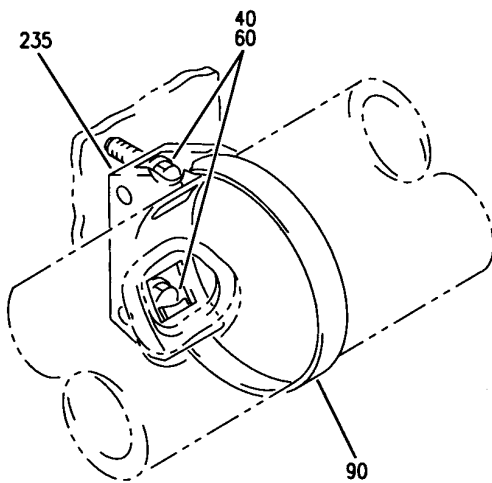
BOEING
 737-600/700/800/900
 PARTS CATALOG (MAINTENANCE)



(D)



(E)



(F)

E 21275107 SH1 4 REV 003

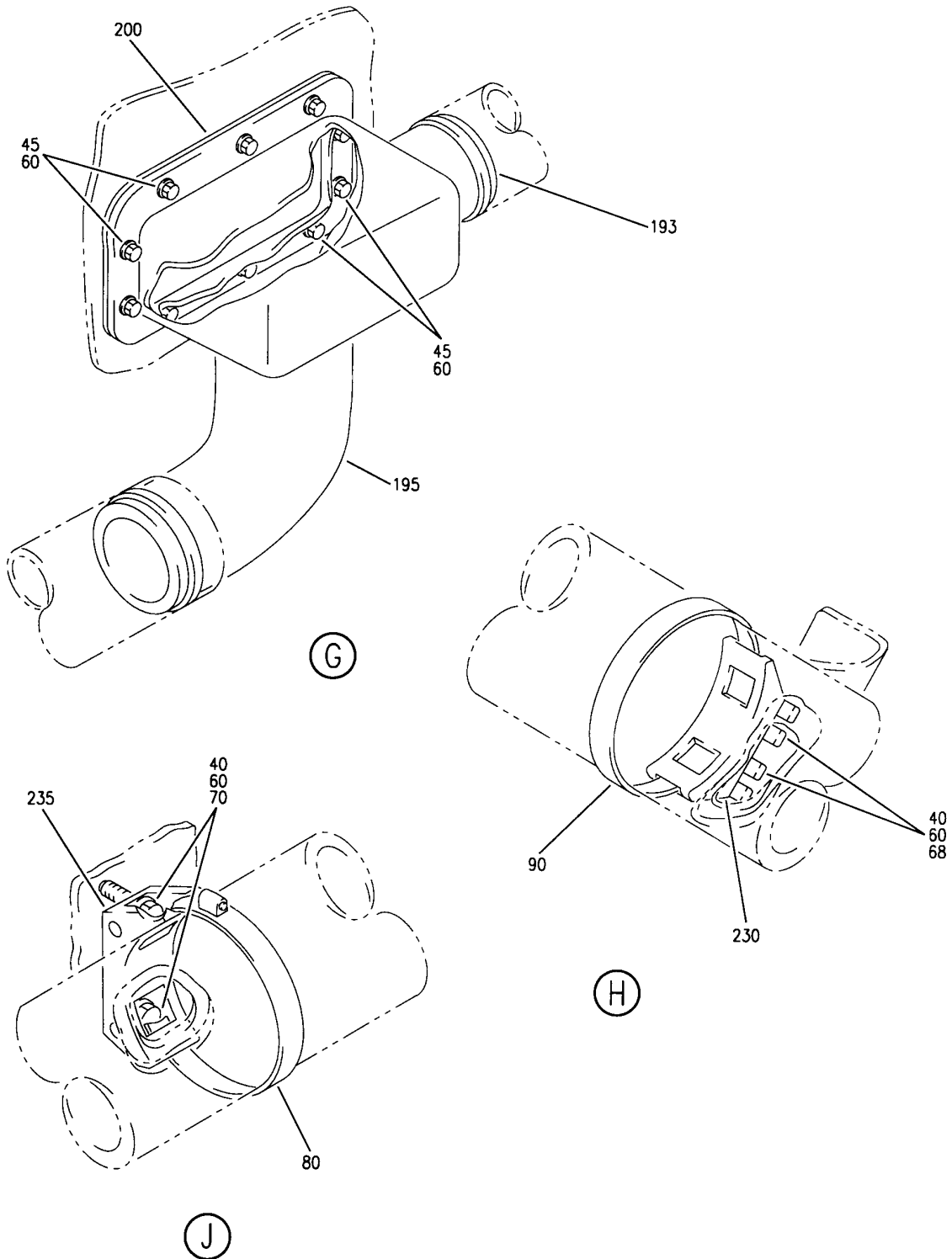
DUCT INSTL-SECT. 43 AFT E/E COOLING SUPPLY
 FIGURE 7 (SHEET 4)

21-27-51-07

HAP
 OCT 10/06

21-27-51-07
 PAGE 0C

BOEING
 737-600/700/800/900
 PARTS CATALOG (MAINTENANCE)



E 21275107 SHT 5 REV 021

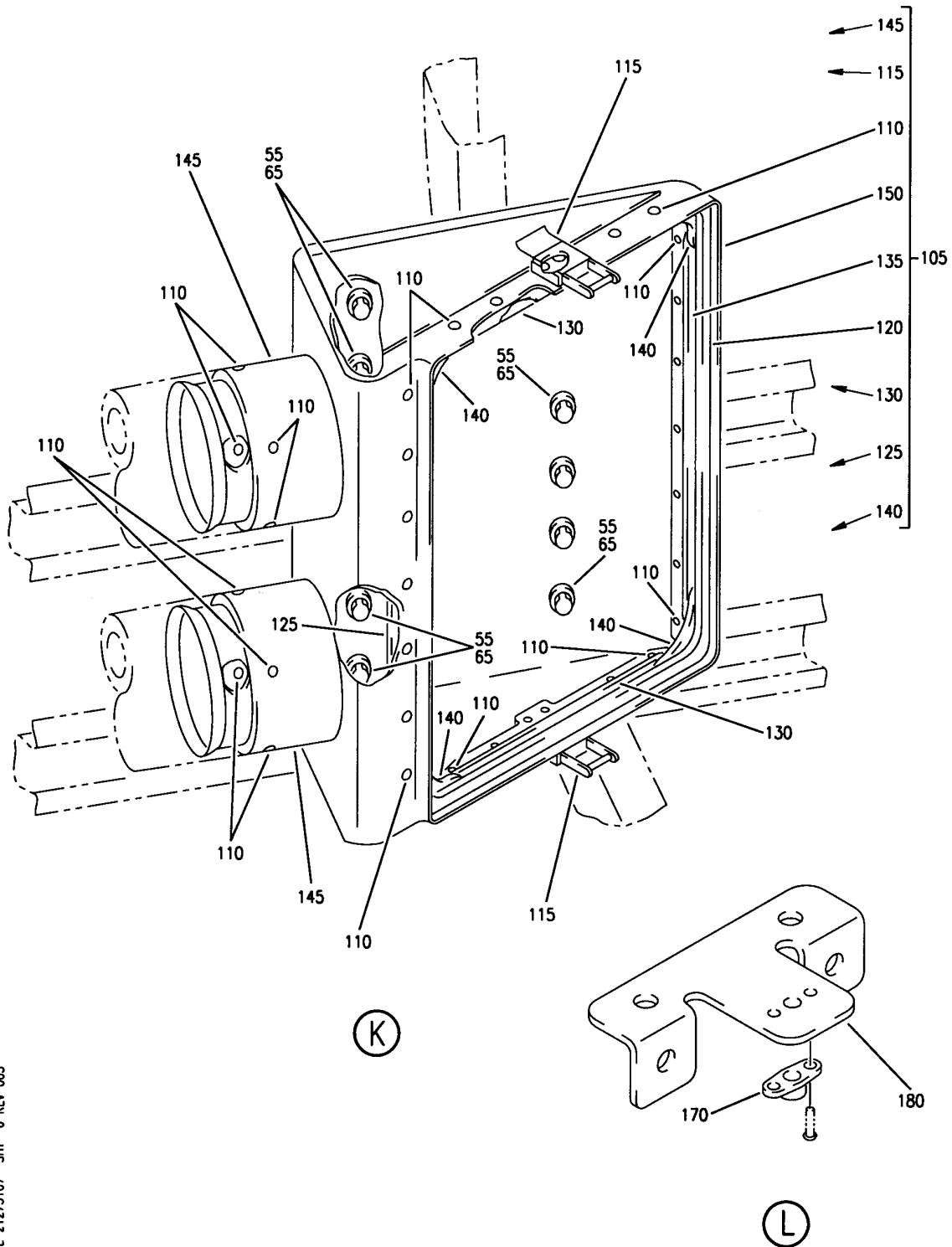
DUCT INSTL-SECT. 43 AFT E/E COOLING SUPPLY
 FIGURE 7 (SHEET 5)

21-27-51-07

HAP
 OCT 10/06

21-27-51-07
 PAGE 0D

BOEING
 737-600/700/800/900
 PARTS CATALOG (MAINTENANCE)



E 21275107 SMT 6 REV 003

DUCT INSTL-SECT. 43 AFT E/E COOLING SUPPLY
 FIGURE 7 (SHEET 6)

21-27-51-07

HAP
 OCT 10/06

21-27-51-07
 PAGE 0E

BOEING
737-600/700/800/900
PARTS CATALOG (MAINTENANCE)

FIG ITEM	PART NUMBER	1 2 3 4 5 6 7	NOMENCLATURE	EFFECT FROM TO	UNITS PER ASSY
7			DUCT INSTL-SECT. 43 AFT E/E COOLING SUPPLY	001036 201967	
- 1	217A1004-1		DUCT INSTL-E/E COOLING SUPPLY	001030 201967	RF
- 1	MODREF259441		POSITION DATA: SECT. 43 AFT FOR NHA SEE: 21-20-00-04 DUCT INSTL-E/E COOLING SUPPLY	031036	1
5	BAC27DAC84		.MARKER-ALUMINUM FOIL PLACARD CONTENT: M1322 NORMAL SUPPLY FAN (EQUIP COOLING)	001036 201967	1
10	BAC27DAC85		.MARKER-ALUMINUM FOIL PLACARD CONTENT: M1323 ALTERNATE SUPPLY FAN (EQUIP COOLING)	001036 201967	1
15	NAS1801-3-8		.SCREW	001036 201967	2
20	BACW10BP3NDP		.WASHER	001036 201967	5
25	PLH53CD		.NUT SUPPLIER CODE: VF0224 SPECIFICATION NUMBER: BACN10YR3CD OPTIONAL PART: H52732-3CD V15653	001036 201967	3
30	740A20-15		.JUMPER SUPPLIER CODE: V91812 SPECIFICATION NUMBER: BACJ40A20-15 OPTIONAL PART: TJEJ40A20-15 V33483 RBEJ20-15 V1GK47	001036 201967	1

MISSING ITEM NUMBERS NOT APPLICABLE

- ITEM NOT ILLUSTRATED

HAP

21-27-51-07

BOEING PROPRIETARY - Copyright © - Unpublished Work - See title page for details.

21-27-51
FIG. 07
PAGE 1
FEB 15/09

BOEING
737-600/700/800/900
PARTS CATALOG (MAINTENANCE)

FIG ITEM	PART NUMBER	1 2 3 4 5 6 7	NOMENCLATURE	EFFECT FROM TO	UNITS PER ASSY
7					
35	740A20-10	.	JUMPER SUPPLIER CODE: V91812 SPECIFICATION NUMBER: BACJ40A20-10 OPTIONAL PART: TJEJ40A20-10 V33483 RBEJ20-10 V1GK47	001036 201967	1
40	BACS12GU3K8	.	SCREW	001036 201967	10
45	BACS12GU3K9	.	SCREW	001036 201967	14
50	BACS12GU3K12	.	SCREW-	001030 201967	4
50	BACS12GU3K8	.	SCREW-	031036	4
55	BACS12GU3K7	.	SCREW	001036 201967	8
60	NAS1149D0332J	.	WASHER	001036 201967	28
65	NAS1149D0316J	.	WASHER	001036 201967	8
68	PLH53CD	.	NUT SUPPLIER CODE: VF0224 SPECIFICATION NUMBER: BACN10YR3CD OPTIONAL PART: H52732-3CD V15653	001036 201967	4
70	BRC600-8-3GP	.	CLIPNUT SUPPLIER CODE: V52828 SPECIFICATION NUMBER: BACN10YD1G OPTIONAL PART: 130120G V60119	001036 201967	4
75	NAS1922-0400-3	.	CLAMP	001036 201967	1
80	NAS1922-0575-3	.	CLAMP	001036 201967	2
85	601-550SH	.	CLAMP- SUPPLIER CODE: V00624	001036 201967	4
90	SLT8LHC6	.	STRAP- SUPPLIER CODE: V06383	001036 201967	8

MISSING ITEM NUMBERS NOT APPLICABLE

— ITEM NOT ILLUSTRATED

HAP

21-27-51-07

BOEING PROPRIETARY - Copyright © - Unpublished Work - See title page for details.

21-27-51
FIG. 07
PAGE 2
FEB 15/09

BOEING
737-600/700/800/900
PARTS CATALOG (MAINTENANCE)

FIG ITEM	PART NUMBER	1 2 3 4 5 6 7	NOMENCLATURE	EFFECT FROM TO	UNITS PER ASSY
7	95 PLT3SM	.	STRAP SUPPLIER CODE: V06383 SPECIFICATION NUMBER: BACS38K7 OPTIONAL PART: T0510 V53421	001036 201967	1
100	P196698	.	FILTER- SUPPLIER CODE: V18265 SPECIFICATION NUMBER: S210N701-45 MAINTENANCE MANUAL REF: 21-27-01 OPTIONAL PART: CD01046F2 V58058	001036 201967	1
100	CD01046F2	.	FILTER- SUPPLIER CODE: V58058 SPECIFICATION NUMBER: S210N701-45 MAINTENANCE MANUAL REF: 21-27-01 OPTIONAL PART: P196698 V18265	001036 201967	1
105	217A1122-5	.	HOUSING ASSY-FILTER	001036 201967	1
110	BACR15BB4AC	..	RIVET- SIZE DETERMINED ON INSTL.	001036 201967	34
115	H738-9	..	LATCH ASSY- SUPPLIER CODE: V83014	001036 201967	2
120	217N1139-1	..	GASKET	001036 201967	1
125	217A1110-1	..	BRACKET	001036 201967	1
130	217A1110-2	..	BRACKET	001036 201967	2
135	217A1110-3	..	BRACKET	001036 201967	1
140	217N1136-3	..	BRACKET	001036 201967	4
145	214W3101-2	..	DUCT	001036 201967	2
150	217A1122-2	..	HOUSING	001036 201967	1

MISSING ITEM NUMBERS NOT APPLICABLE

— ITEM NOT ILLUSTRATED

HAP

21-27-51-07

21-27-51
FIG. 07
PAGE 3
FEB 15/09

BOEING
737-600/700/800/900
PARTS CATALOG (MAINTENANCE)

FIG ITEM	PART NUMBER	1 2 3 4 5 6 7	NOMENCLATURE	EFFECT FROM TO	UNITS PER ASSY
7					
155	214N3023-4	.	PLENUM ASSY	001036 201967	1
160	214N3027-3	..	BRACKET ASSY	001036 201967	2
			ATTACHING PARTS		
- 165	BACR15BB5AC	..	RIVET- SIZE DETERMINED ON INSTL. -----*-----	001036 201967	4
170	BRF200C3D	...	NUTPLATE SUPPLIER CODE: V52828 SPECIFICATION NUMBER: BACN10JR3CFD OPTIONAL PART: K51602-3BAC V15653 NS202476-02 V80539 102F9201-3 V72962 T8092C1032CD V11815 ATTACHING PARTS	001036 201967	1
- 175	BACR15BA3ADC	...	RIVET- SIZE DETERMINED ON INSTL. -----*-----	001036 201967	2
180	214N3027-2	...	BRACKET	001036 201967	1
185	214N3060-4	..	HOUSING- SUPPLIER CODE: V89954	001036 201967	1
190	217A1401-2	.	GASKET-	001036 201967	1
190	217A1401-4	.	GASKET-	001036 201967	1
193	214T3436-245	.	ORIFICE ASSY	001036 201967	1
195	217A1126-3	.	PLENUM ASSY-	001036 201967	1
200	217A1401-4	.	GASKET-	001036 201967	1
205	504-550	.	SLEEVE- SUPPLIER CODE: V00624 OPTIONAL PART: BACS13N550A	001036 201967	4

MISSING ITEM NUMBERS NOT APPLICABLE

- ITEM NOT ILLUSTRATED

HAP

21-27-51-07

21-27-51
FIG. 07
PAGE 4
FEB 15/09

BOEING
737-600/700/800/900
PARTS CATALOG (MAINTENANCE)

FIG ITEM	PART NUMBER	1 2 3 4 5 6 7	NOMENCLATURE	EFFECT FROM TO	UNITS PER ASSY
7 205	SS4-550A		.SLEEVE- SUPPLIER CODE: V94581 SPECIFICATION NUMBER: BACS13N550A OPTIONAL PART: 42737-550A V98625 504-550 V00624	001036 201967	4
210	AS1506-16D32		.SLEEVE	001036 201967	2
215	AS1506-16D42		.HOSE	001036 201967	1
220	4101054		.FAN ASSY- SUPPLIER CODE: V45153 FUNCTIONAL DESCRIPTION: USED TO CIRCULATE VENTILATING AIR TO THE FORWARD AND AFT GALLEYS AND LAVATORIES BY DIRECTING THE EXHAUST AIR OVERBOARD THROUGH THE CABIN PRESSURIZATION AND FLOW VALVES. SPECIFICATION NUMBER: S210N701-38 ELECTRICAL EQUIP NUMBER: M01322 M01323 COMPONENT MAINT MANUAL REF: 21-20-04 MAINTENANCE MANUAL REF: 21-27-02 FOR DETAILS SEE: 11-36-01-95	001036 201967	2
225	BOE2022-09A0120		.HOSE- SUPPLIER CODE: V16632 SPECIFICATION NUMBER: AS1544-09A0120	001036 201967	1
230	214T3424-21		.SUPPORT	001036 201967	2
235	214T3424-6		.SUPPORT	001036 201967	5
240	217A1102-1		.DUCT	001036 201967	1

R
R
R
R
R
R
R
R
R
R
R
R
R
R
R
R
R
R
R
R
R
R

MISSING ITEM NUMBERS NOT APPLICABLE

- ITEM NOT ILLUSTRATED

HAP

21-27-51-07

21-27-51
FIG. 07
PAGE 5
JUN 15/09


BOEING
 737-600/700/800/900
PARTS CATALOG (MAINTENANCE)

FIG ITEM	PART NUMBER	1 2 3 4 5 6 7	NOMENCLATURE	EFFECT FROM TO	UNITS PER ASSY
7					
245	217A1132-1	. DUCT		001036 201967	1
250	217A1107-1	. DUCT		001036 201967	1
MISSING ITEM NUMBERS NOT APPLICABLE					

— ITEM NOT ILLUSTRATED

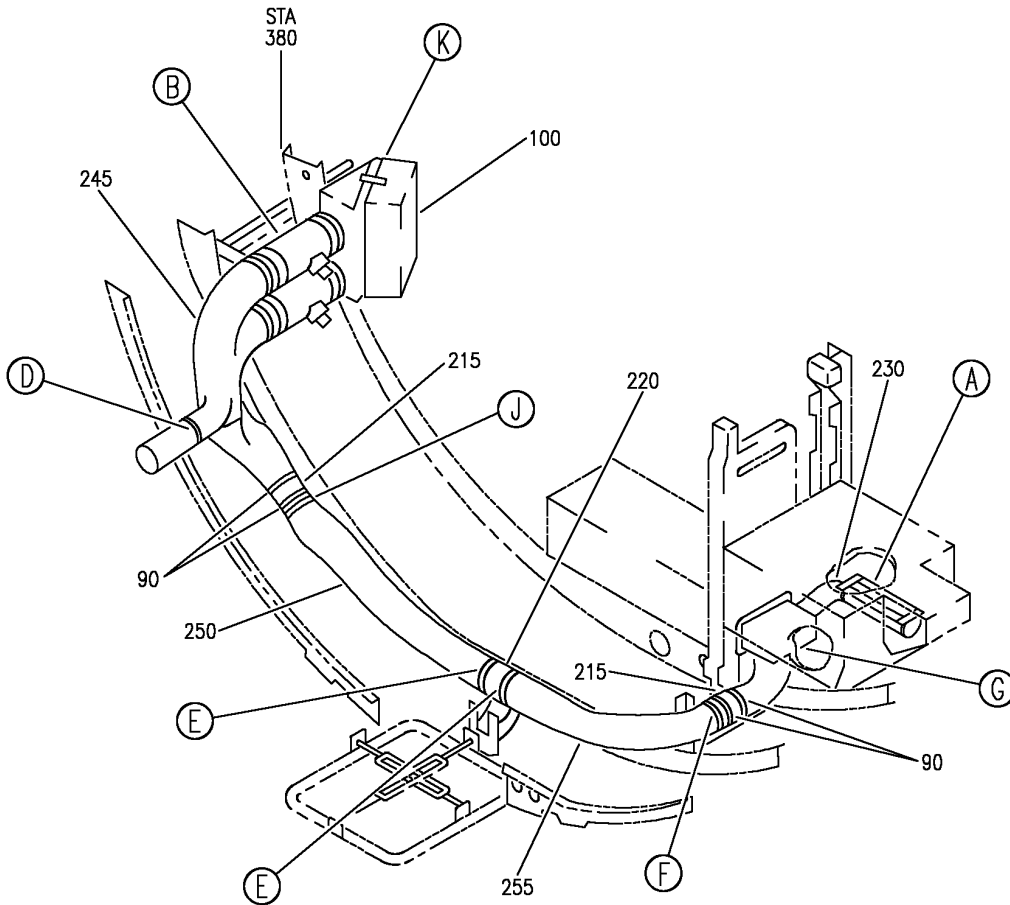
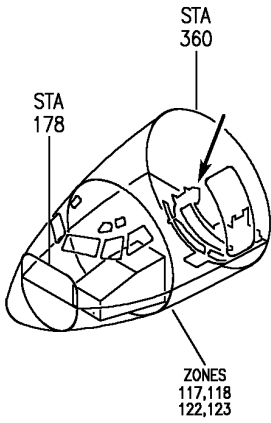
HAP

21-27-51-07

BOEING PROPRIETARY - Copyright © - Unpublished Work - See title page for details.

21-27-51
 FIG. 07
 PAGE 6
 JUN 15/09

BOEING
 737-600/700/800/900
 PARTS CATALOG (MAINTENANCE)



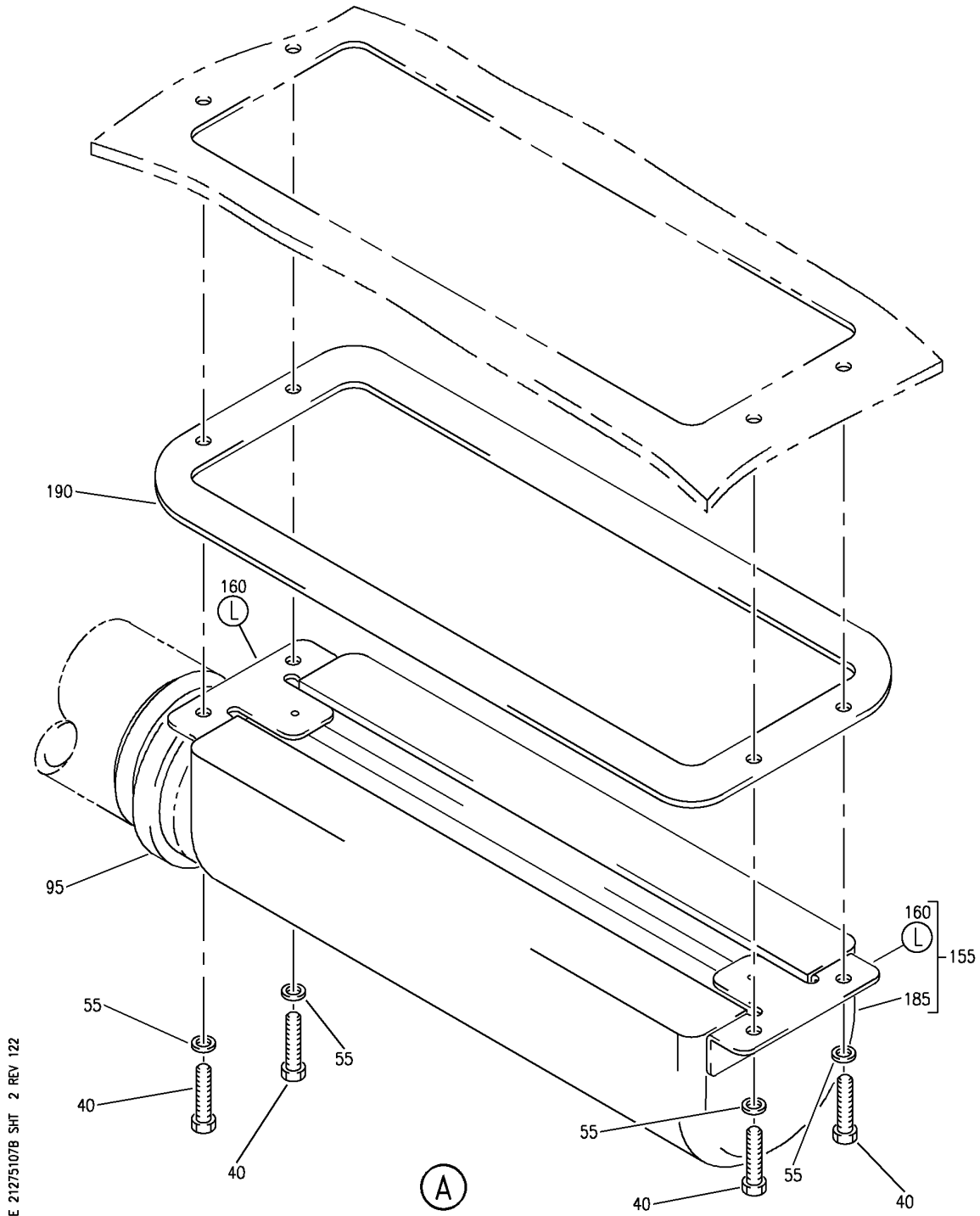
E 21275107B SHT 1 REV 151

DUCT INSTL-SECT. 43 AFT E/E COOLING SUPPLY
 FIGURE 7B (SHEET 1)

21-27-51-07B

HAP
 FEB 15/09

21-27-51-07B
 PAGE 0



E 21275107B SHT 2 REV 122

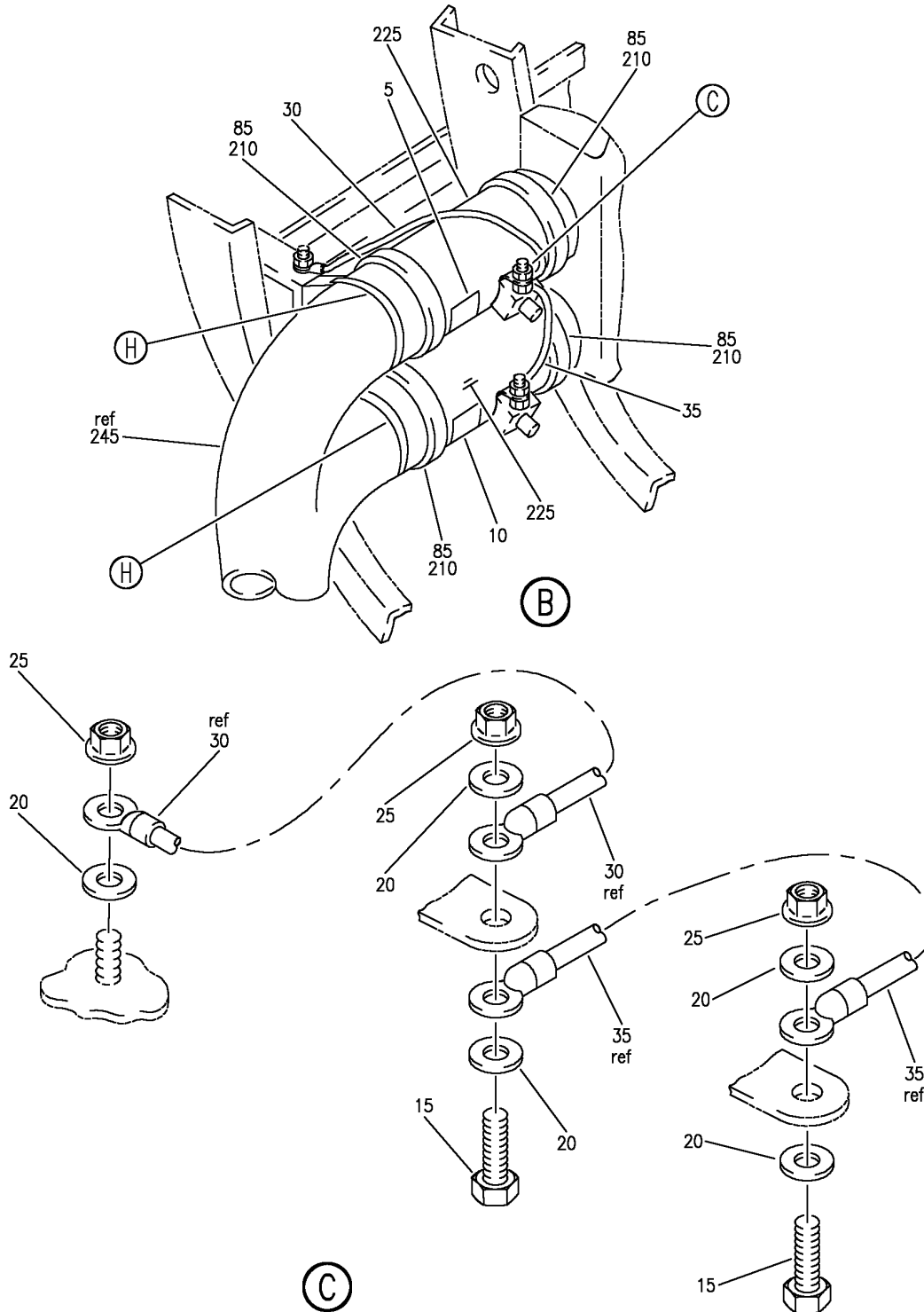
DUCT INSTL-SECT. 43 AFT E/E COOLING SUPPLY
 FIGURE 7B (SHEET 2)

21-27-51-07B

HAP
 OCT 10/06

21-27-51-07B
 PAGE 0A

BOEING
 737-600/700/800/900
 PARTS CATALOG (MAINTENANCE)



E 21275107B SHT 3 REV 151

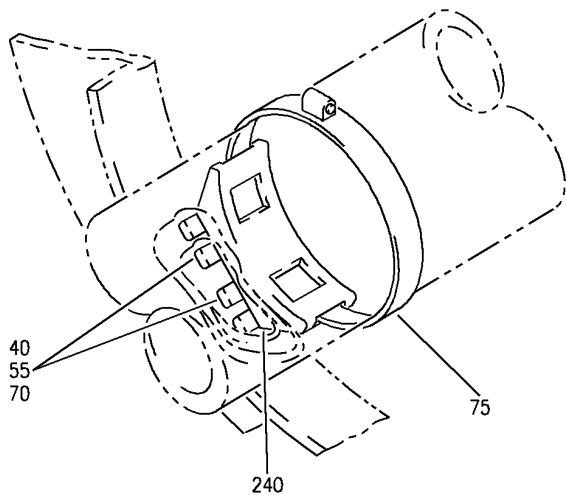
DUCT INSTL-SECT. 43 AFT E/E COOLING SUPPLY
 FIGURE 7B (SHEET 3)

21-27-51-07B

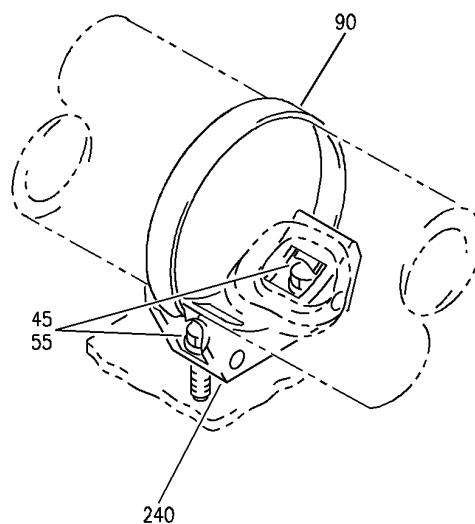
HAP
 FEB 15/09

21-27-51-07B
 PAGE 0B

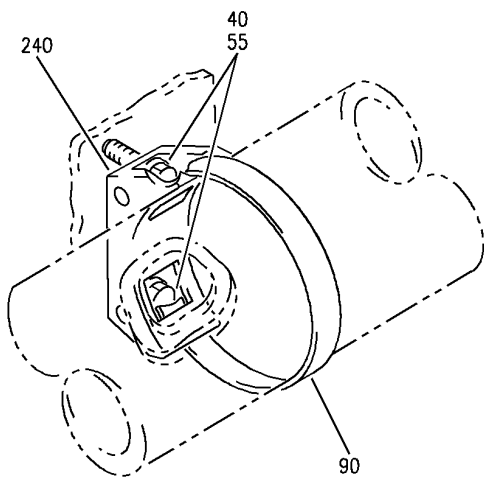
BOEING
 737-600/700/800/900
 PARTS CATALOG (MAINTENANCE)



(D)



(E)



(F)

E 21275107B SHT 4 REV 122

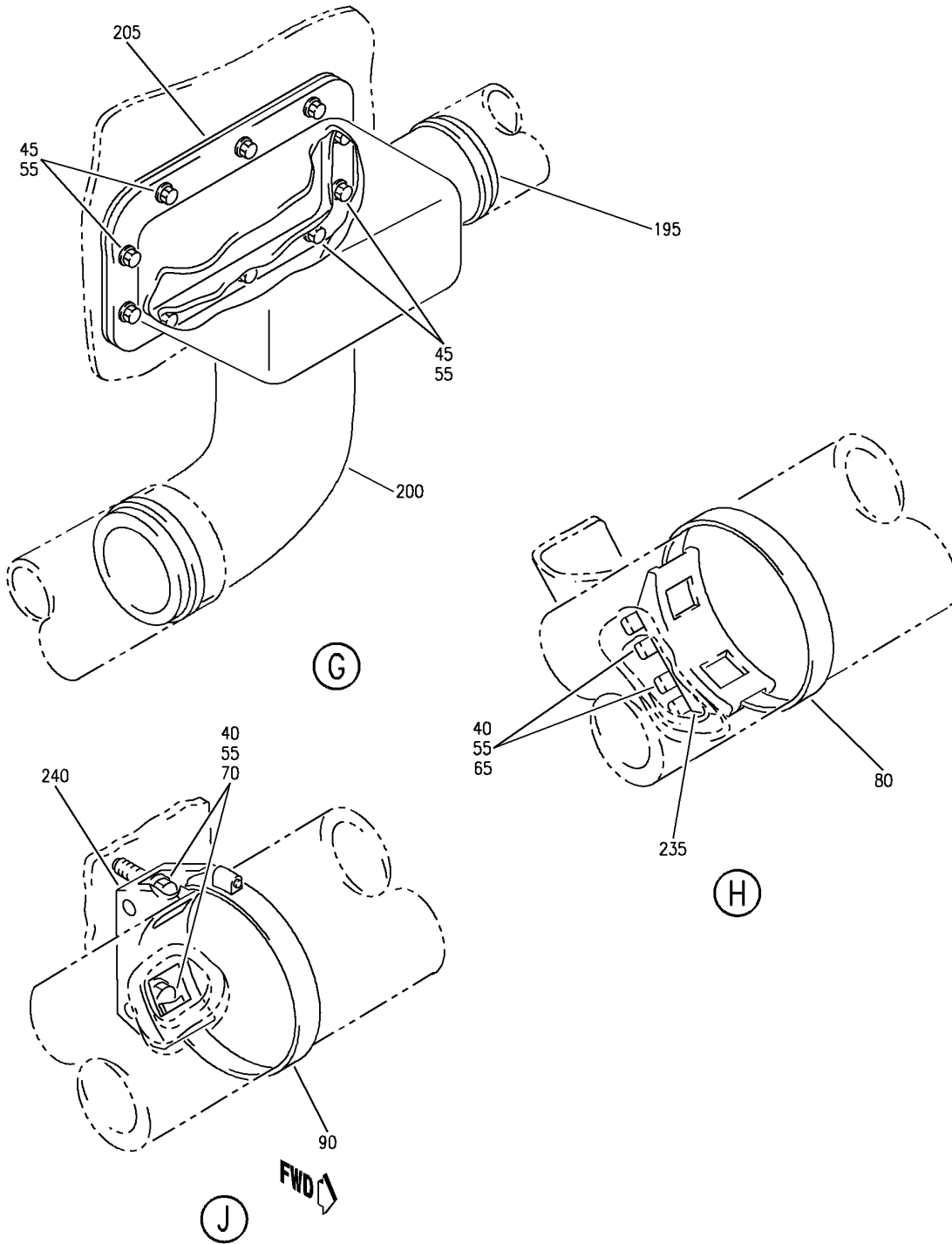
DUCT INSTL-SECT. 43 AFT E/E COOLING SUPPLY
 FIGURE 7B (SHEET 4)

21-27-51-07B

HAP
 OCT 10/06

21-27-51-07B
 PAGE 0C

BOEING
 737-600/700/800/900
 PARTS CATALOG (MAINTENANCE)



E 21275107B SHT 5 REV 122

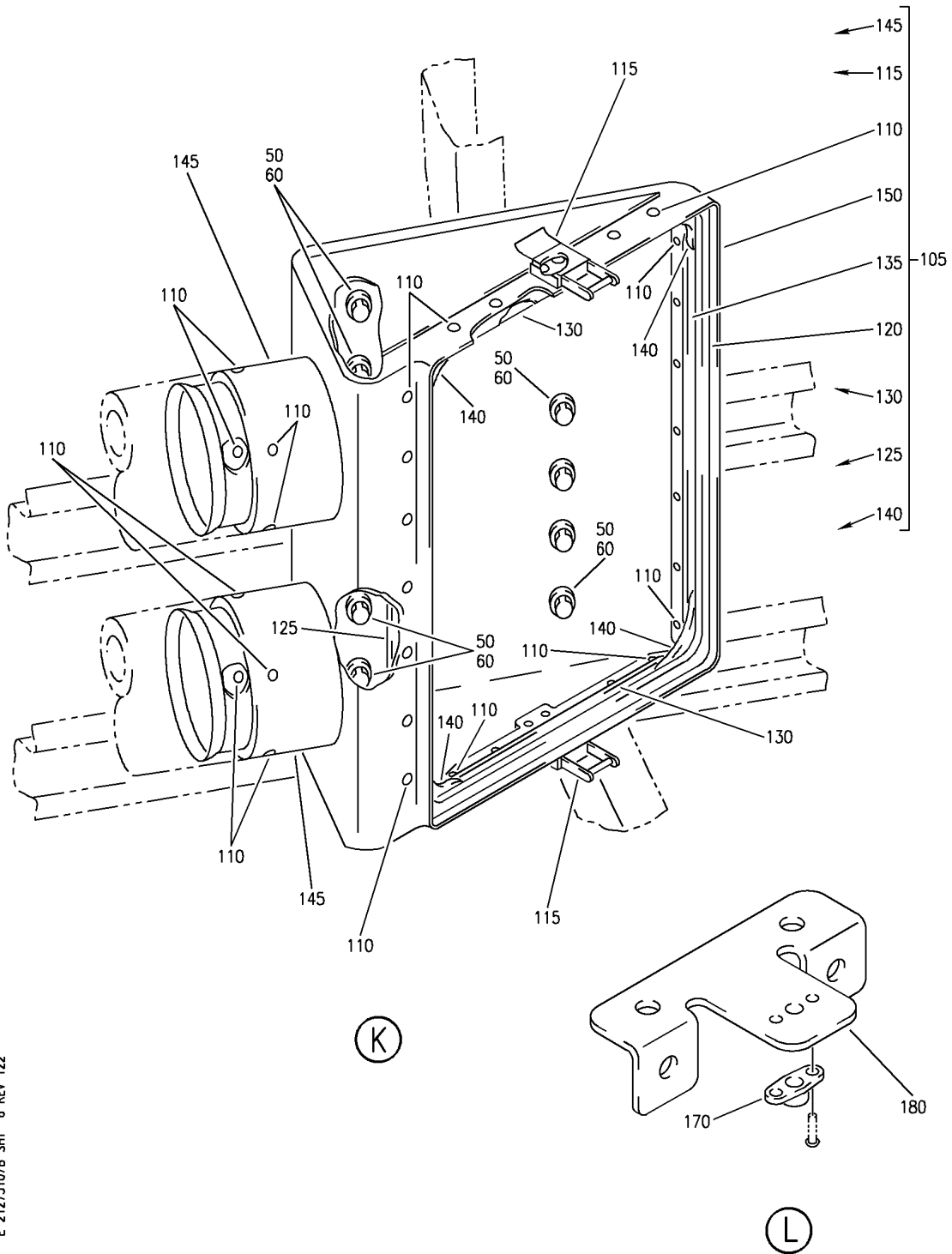
DUCT INSTL-SECT. 43 AFT E/E COOLING SUPPLY
 FIGURE 7B (SHEET 5)

21-27-51-07B

HAP
 OCT 10/06

21-27-51-07B
 PAGE 0D

BOEING
 737-600/700/800/900
 PARTS CATALOG (MAINTENANCE)



E 21275107B SHT 6 REV 122

DUCT INSTL-SECT. 43 AFT E/E COOLING SUPPLY
 FIGURE 7B (SHEET 6)

21-27-51-07B

HAP
 OCT 10/06

21-27-51-07B
 PAGE 0E

BOEING
737-600/700/800/900
PARTS CATALOG (MAINTENANCE)

FIG ITEM	PART NUMBER	1 2 3 4 5 6 7	NOMENCLATURE	EFFECT FROM TO	UNITS PER ASSY
7B			DUCT INSTL-SECT. 43 AFT E/E COOLING SUPPLY	037200 968999	
- 1	MODREF306237		DUCT INSTL-E/E COOLING SUPPLY MODULE NUMBER: 217A1004-1 REV E POSITION DATA: SECT. 43 AFT	037043 054101 968971	1
- 1	MODREF360208		DUCT INSTL-E/E COOLING SUPPLY MODULE NUMBER: 217A1004-1 REV F POSITION DATA: SECT. 43 AFT	044053 102200 972999	1
5	BAC27DAC84		.MARKER-ALUMINUM FOIL PLACARD CONTENT: M1322 NORMAL SUPPLY FAN (EQUIP COOLING)	037200 968999	1
10	BAC27DAC85		.MARKER-ALUMINUM FOIL PLACARD CONTENT: M1323 ALTERNATE SUPPLY FAN (EQUIP COOLING)	037200 968999	1
15	NAS1801-3-8		.SCREW	037200 968999	2
20	BACW10BP3NDP		.WASHER	037200 968999	5
25	PLH53CD		.NUT SUPPLIER CODE: VF0224 SPECIFICATION NUMBER: BACN10YR3CD OPTIONAL PART: H52732-3CD V15653	037200 968999	3
30	740A20-15		.JUMPER SUPPLIER CODE: V91812 SPECIFICATION NUMBER: BACJ40A20-15 OPTIONAL PART: TJEJ40A20-15 V33483 RBEJ20-15 V1GK47	037200 968999	1

MISSING ITEM NUMBERS NOT APPLICABLE

- ITEM NOT ILLUSTRATED

HAP

21-27-51-07B

BOEING PROPRIETARY - Copyright © - Unpublished Work - See title page for details.

21-27-51
FIG. 07B
PAGE 1
FEB 15/09

BOEING
737-600/700/800/900
PARTS CATALOG (MAINTENANCE)

FIG ITEM	PART NUMBER	1 2 3 4 5 6 7	NOMENCLATURE	EFFECT FROM TO	UNITS PER ASSY
7B 35	740A20-10	.	JUMPER SUPPLIER CODE: V91812 SPECIFICATION NUMBER: BACJ40A20-10 OPTIONAL PART: TJEJ40A20-10 V33483 RBEJ20-10 V1GK47	037200 968999	1
40	BACS12GU3K8	.	SCREW	037200 968999	14
45	BACS12GU3K9	.	SCREW	037200 968999	14
50	BACS12GU3K7	.	SCREW	037200 968999	8
55	NAS1149D0332J	.	WASHER	037200 968999	28
60	NAS1149D0316J	.	WASHER	037200 968999	8
65	PLH53CD	.	NUT SUPPLIER CODE: VF0224 SPECIFICATION NUMBER: BACN10YR3CD OPTIONAL PART: H52732-3CD V15653	037200 968999	4
70	BRC600-8-3GP	.	CLIPNUT SUPPLIER CODE: V52828 SPECIFICATION NUMBER: BACN10YD1G OPTIONAL PART: 130120G V60119	037200 968999	4
75	NAS1922-0400-3	.	CLAMP	037200 968999	1
80	NAS1922-0575-3	.	CLAMP	037200 968999	2
85	601-550SH	.	CLAMP- SUPPLIER CODE: V00624	037200 968999	4
90	SLT8LHC6	.	STRAP- SUPPLIER CODE: V06383	037043 054101 968971	8

MISSING ITEM NUMBERS NOT APPLICABLE

— ITEM NOT ILLUSTRATED

HAP

21-27-51-07B

BOEING PROPRIETARY - Copyright © - Unpublished Work - See title page for details.

21-27-51
FIG. 07B
PAGE 2
FEB 15/09

BOEING
737-600/700/800/900
PARTS CATALOG (MAINTENANCE)

FIG ITEM	PART NUMBER	1 2 3 4 5 6 7	NOMENCLATURE	EFFECT FROM TO	UNITS PER ASSY
7B 90	PLT4HTL	.	STRAP SUPPLIER CODE: V06383 SPECIFICATION NUMBER: BACS38K3 OPTIONAL PART: T012R0 V53421	044053 102200 972999	8
95	PLT3SM	.	STRAP SUPPLIER CODE: V06383 SPECIFICATION NUMBER: BACS38K7 OPTIONAL PART: T05I0 V53421	037200 968999	1
100	P196698	.	FILTER- SUPPLIER CODE: V18265 SPECIFICATION NUMBER: S210N701-45 MAINTENANCE MANUAL REF: 21-27-01 OPTIONAL PART: CD01046F2 V58058	037200 968999	1
100	CD01046F2	.	FILTER- SUPPLIER CODE: V58058 SPECIFICATION NUMBER: S210N701-45 MAINTENANCE MANUAL REF: 21-27-01 OPTIONAL PART: P196698 V18265	037200 968999	1
105	217A1122-5	.	HOUSING ASSY-FILTER	037200 968999	1
110	BACR15BB4AC	..	RIVET- SIZE DETERMINED ON INSTL.	037200 968999	34
115	H738-9	..	LATCH ASSY- SUPPLIER CODE: V83014	037200 968999	2
120	217N1139-1	..	GASKET	037200 968999	1
125	217A1110-1	..	BRACKET	037200 968999	1
130	217A1110-2	..	BRACKET	037200 968999	2

MISSING ITEM NUMBERS NOT APPLICABLE

— ITEM NOT ILLUSTRATED

HAP

21-27-51-07B

BOEING PROPRIETARY - Copyright © - Unpublished Work - See title page for details.

21-27-51
FIG. 07B
PAGE 3
FEB 15/09

BOEING
737-600/700/800/900
PARTS CATALOG (MAINTENANCE)

FIG ITEM	PART NUMBER	1 2 3 4 5 6 7	NOMENCLATURE	EFFECT FROM TO	UNITS PER ASSY
7B					
135	217A1110-3	..	BRACKET	037200 968999	1
140	217N1136-3	..	BRACKET	037200 968999	4
145	214W3101-2	..	DUCT	037200 968999	2
150	217A1122-2	..	HOUSING	037200 968999	1
155	214N3023-4	.	PLENUM ASSY	037200 968999	1
160	214N3027-3	..	BRACKET ASSY	037200 968999	2
			ATTACHING PARTS		
- 165	BACR15BB5AC	..	RIVET- SIZE DETERMINED ON INSTL. -----*-----	037200 968999	4
170	BRF200C3D	...	NUTPLATE SUPPLIER CODE: V52828 SPECIFICATION NUMBER: BACN10JR3CFD OPTIONAL PART: K51602-3BAC V15653 NS202476-02 V80539 102F9201-3 V72962 T8092C1032CD V11815 ATTACHING PARTS	037200 968999	1
- 175	BACR15BA3ADC	...	RIVET- SIZE DETERMINED ON INSTL. -----*-----	037200 968999	2
180	214N3027-2	...	BRACKET	037200 968999	1
185	214N3060-4	..	HOUSING- SUPPLIER CODE: V89954	037200 968999	1
190	217A1401-2	.	GASKET-	037200 968999	1
190	217A1401-4	.	GASKET-	037200 968999	1
195	214T3436-245	.	ORIFICE ASSY	037200 968999	1
200	217A1126-3	.	PLENUM ASSY	037200 968999	1
205	217A1401-4	.	GASKET	037200 968999	1

MISSING ITEM NUMBERS NOT APPLICABLE

- ITEM NOT ILLUSTRATED

HAP

21-27-51-07B

BOEING PROPRIETARY - Copyright © - Unpublished Work - See title page for details.

21-27-51
FIG. 07B
PAGE 4
FEB 15/09

BOEING
737-600/700/800/900
PARTS CATALOG (MAINTENANCE)

FIG ITEM	PART NUMBER	1 2 3 4 5 6 7	NOMENCLATURE	EFFECT FROM TO	UNITS PER ASSY
7B 210	504-550	.	SLEEVE- SUPPLIER CODE: V00624 OPTIONAL PART: BACS13N550A	037200 968999	4
210	SS4-550A	.	SLEEVE- SUPPLIER CODE: V94581 SPECIFICATION NUMBER: BACS13N550A OPTIONAL PART: 42737-550A V98625 504-550 V00624	037200 968999	4
215	AS1506-16D32	.	SLEEVE	037200 968999	2
220	AS1506-16D42	.	HOSE	037200 968999	1
225	4101054	.	FAN ASSY- SUPPLIER CODE: V45153 FUNCTIONAL DESCRIPTION: USED TO CIRCULATE VENTILATING AIR TO THE FORWARD AND AFT GALLEYS AND LAVATORIES BY DIRECTING THE EXHAUST AIR OVERBOARD THROUGH THE CABIN PRESSURIZATION AND FLOW VALVES. SPECIFICATION NUMBER: S210N701-38 ELECTRICAL EQUIP NUMBER: M01322 M01323 COMPONENT MAINT MANUAL REF: 21-20-04 MAINTENANCE MANUAL REF: 21-27-02 OPTIONAL PART: 4101054A V45153 FOR DETAILS SEE: 11-36-01-95	037200 968999	2

MISSING ITEM NUMBERS NOT APPLICABLE

— ITEM NOT ILLUSTRATED

HAP

21-27-51-07B

BOEING PROPRIETARY - Copyright © - Unpublished Work - See title page for details.

21-27-51
FIG. 07B
PAGE 5
FEB 15/09

BOEING
737-600/700/800/900
PARTS CATALOG (MAINTENANCE)

FIG ITEM	PART NUMBER	1 2 3 4 5 6 7	NOMENCLATURE	EFFECT FROM TO	UNITS PER ASSY
7B 230	BOE2022-09A0120	.HOSE	SUPPLIER CODE: V16632 SPECIFICATION NUMBER: AS1544-09A0120	037200 968999	1
235	214T3424-21	.SUPPORT		037200 968999	2
240	214T3424-6	.SUPPORT		037200 968999	5
245	217A1102-1	.DUCT		037200 968999	1
250	217A1132-1	.DUCT		037200 968999	1
255	217A1107-1	.DUCT		037200 968999	1

MISSING ITEM NUMBERS NOT APPLICABLE

— ITEM NOT ILLUSTRATED

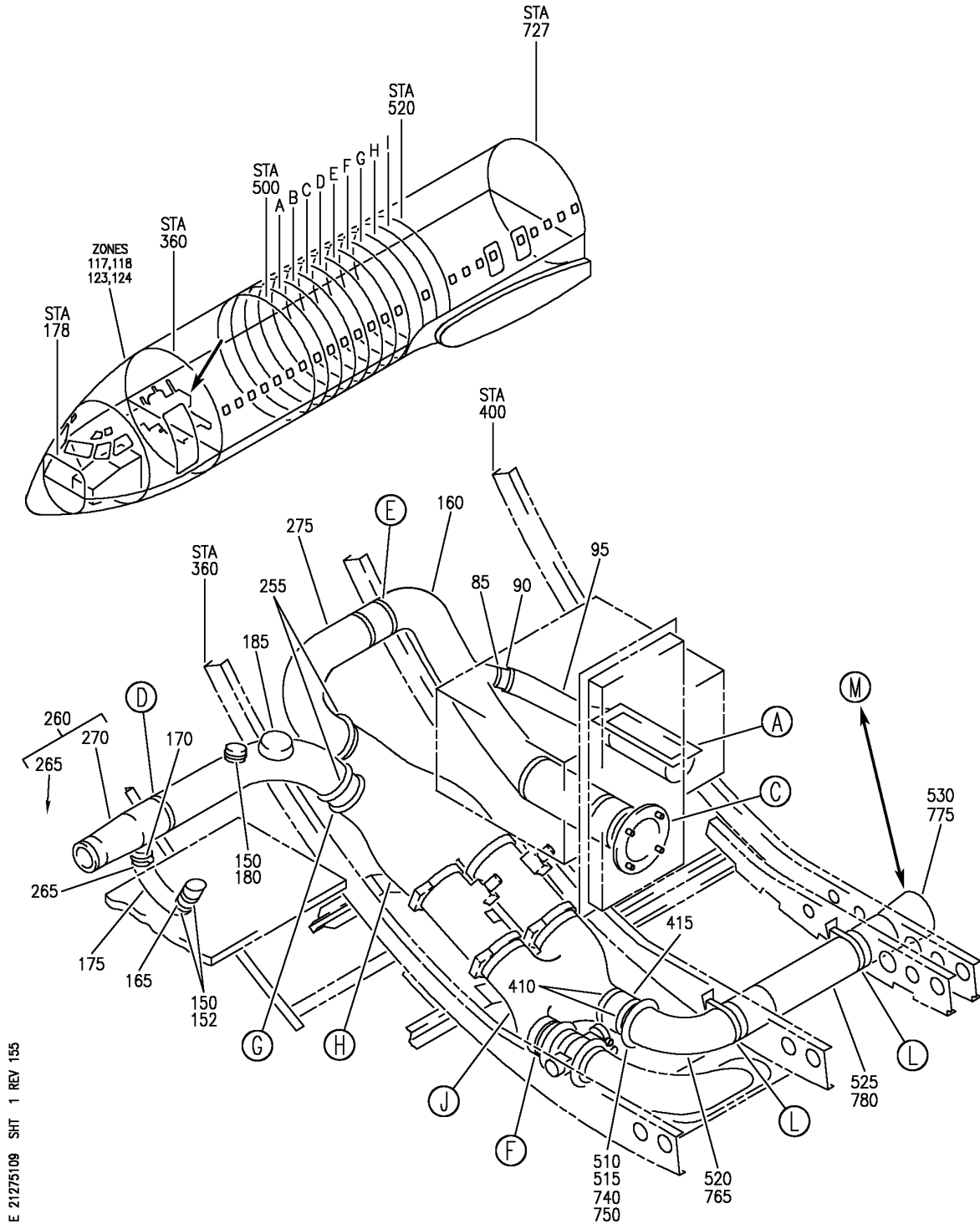
HAP

21-27-51-07B

BOEING PROPRIETARY - Copyright © - Unpublished Work - See title page for details.

21-27-51
FIG. 07B
PAGE 6
FEB 15/09

BOEING
737-600/700/800/900
PARTS CATALOG (MAINTENANCE)



E 21275109 SHT 1 REV 155

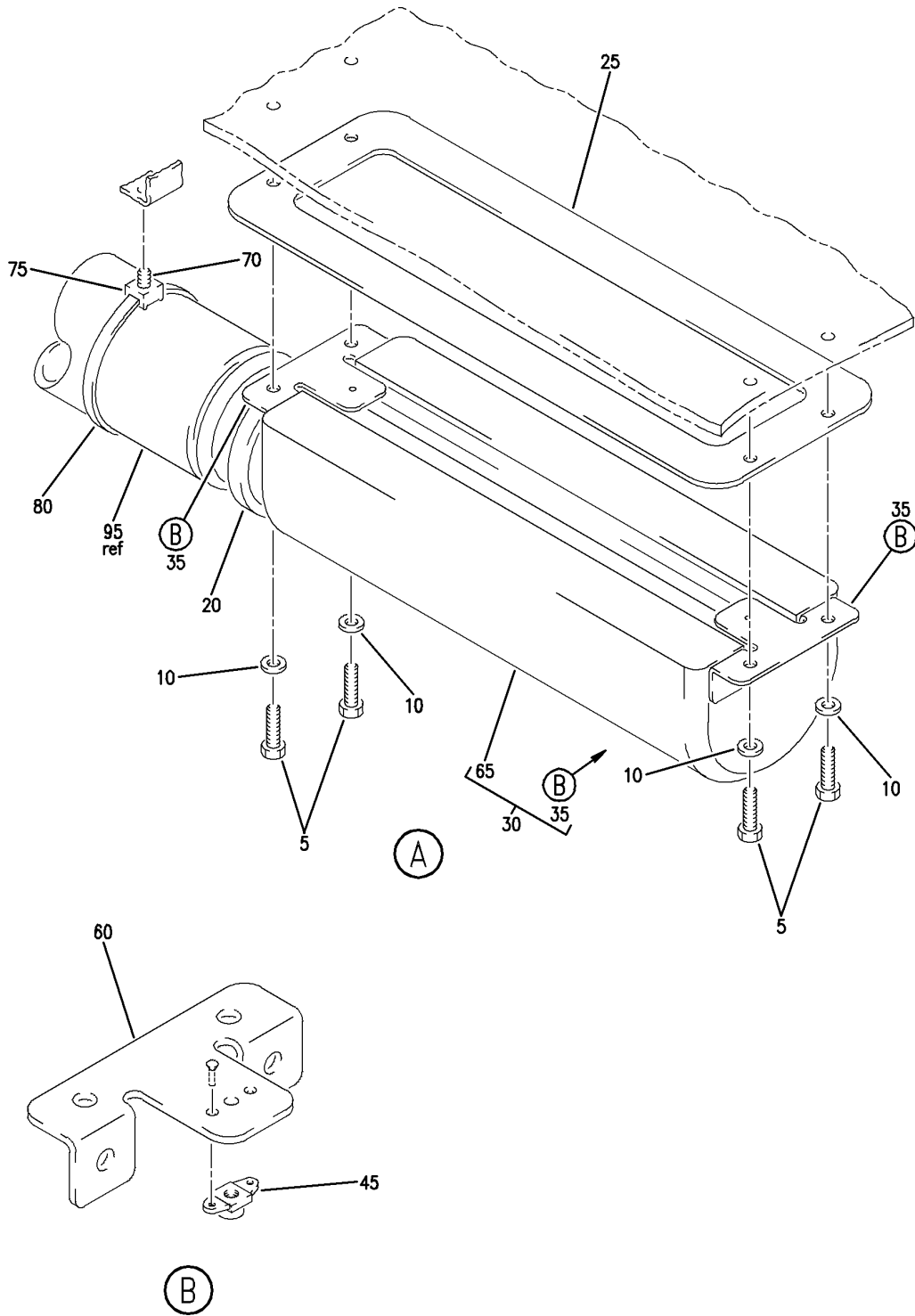
DUCT INSTL-SECT. 43 AFT E/E COOLING EXH (EQUIPMENT COOLING SYSTEM ONLY)
FIGURE 9 (SHEET 1)

21-27-51-09

HAP
JUN 15/09

21-27-51-09
PAGE 0

BOEING
 737-600/700/800/900
 PARTS CATALOG (MAINTENANCE)



E 21275109 SHT 2 REV 053

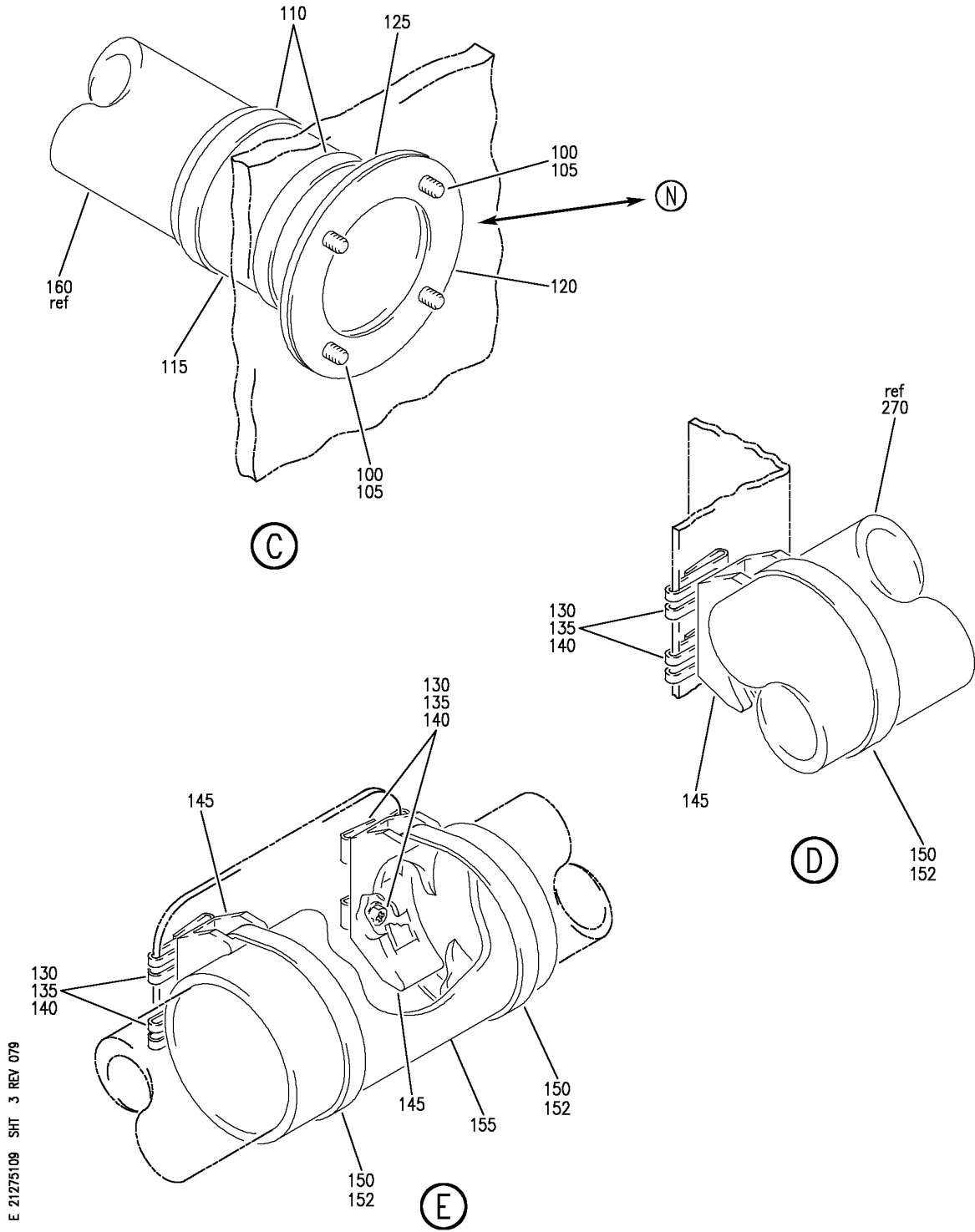
DUCT INSTL-SECT. 43 AFT E/E COOLING EXH (EQUIPMENT COOLING SYSTEM ONLY)
 FIGURE 9 (SHEET 2)

21-27-51-09

HAP
 OCT 10/06

21-27-51-09
 PAGE 0A

BOEING
 737-600/700/800/900
 PARTS CATALOG (MAINTENANCE)



E 21275109 SHT 3 REV 079

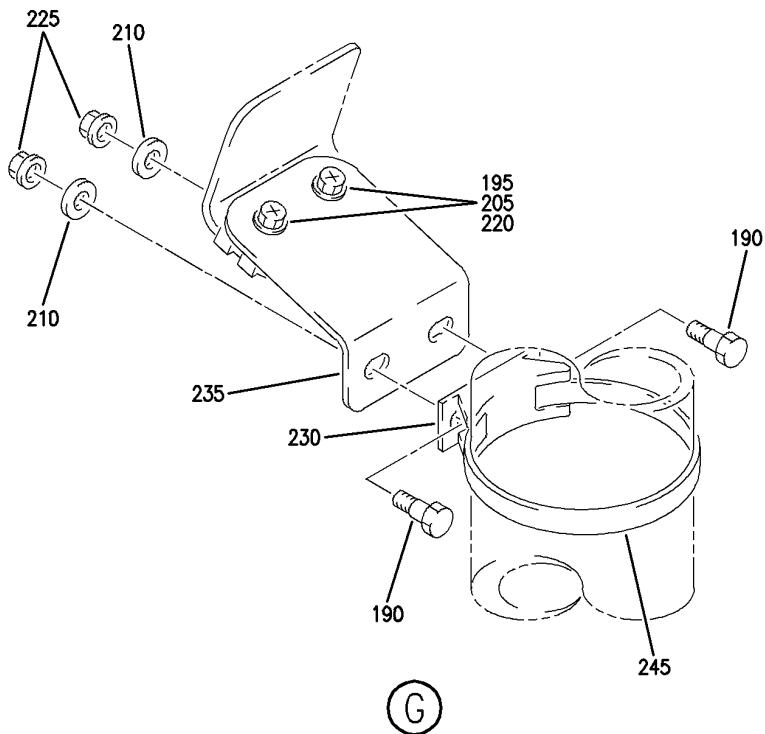
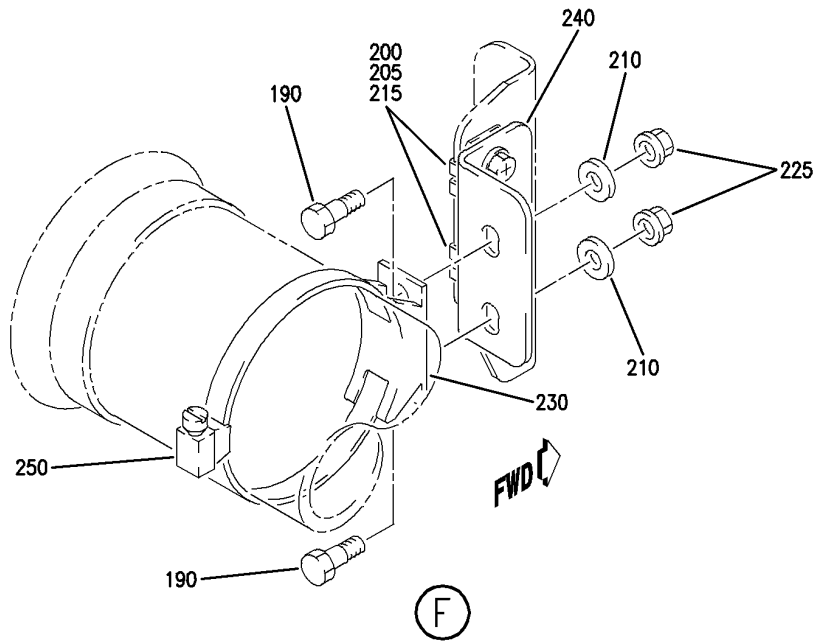
DUCT INSTL-SECT. 43 AFT E/E COOLING EXH (EQUIPMENT COOLING SYSTEM ONLY)
 FIGURE 9 (SHEET 3)

HAP
 OCT 10/06

21-27-51-09

21-27-51-09
 PAGE 0B

BOEING
 737-600/700/800/900
 PARTS CATALOG (MAINTENANCE)



E 21275109 SHT 4 REV 053

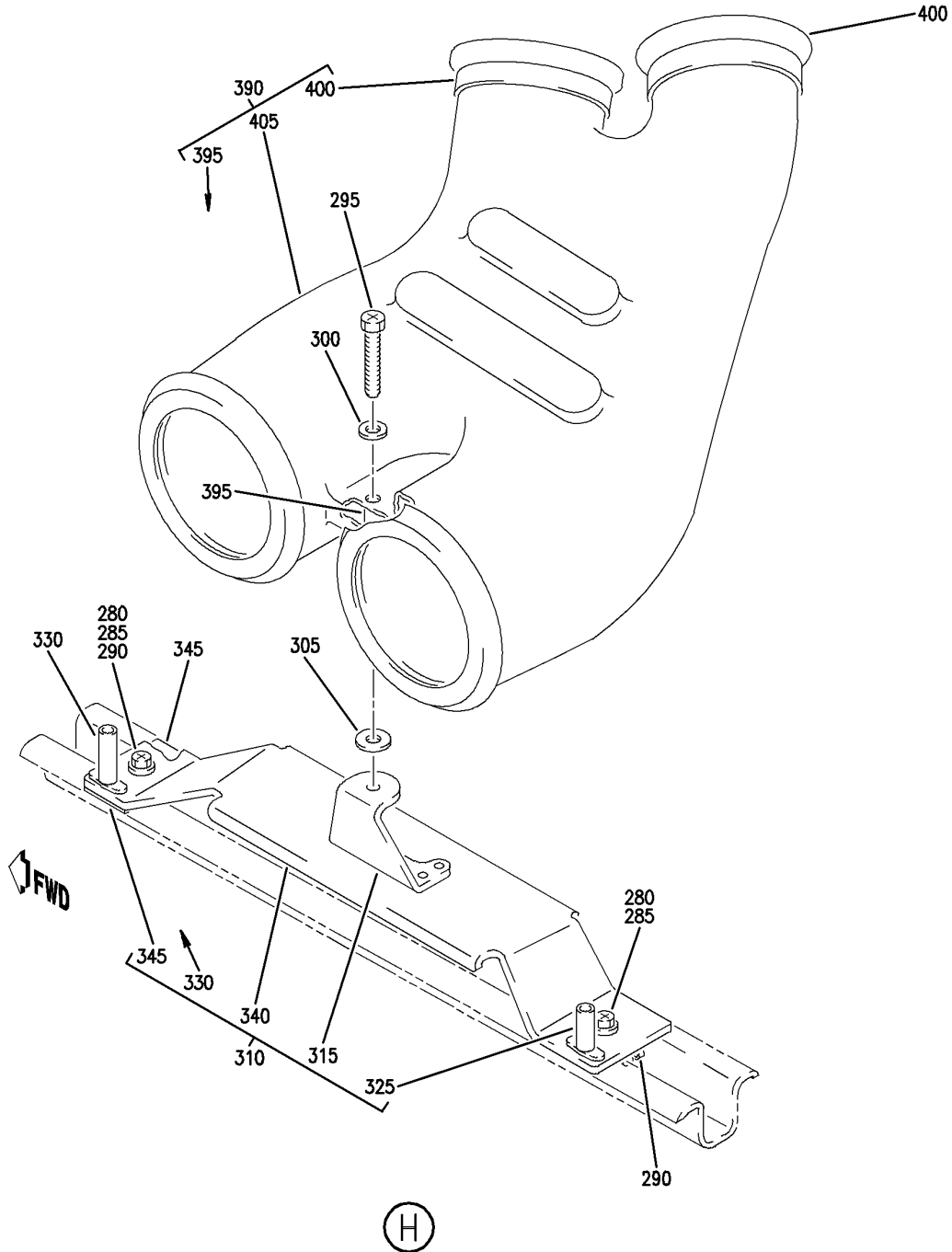
DUCT INSTL-SECT. 43 AFT E/E COOLING EXH (EQUIPMENT COOLING SYSTEM ONLY)
 FIGURE 9 (SHEET 4)

HAP
 OCT 10/06

21-27-51-09

21-27-51-09
 PAGE 0C

BOEING
 737-600/700/800/900
 PARTS CATALOG (MAINTENANCE)



E 21275109 SHT 5 REV 063

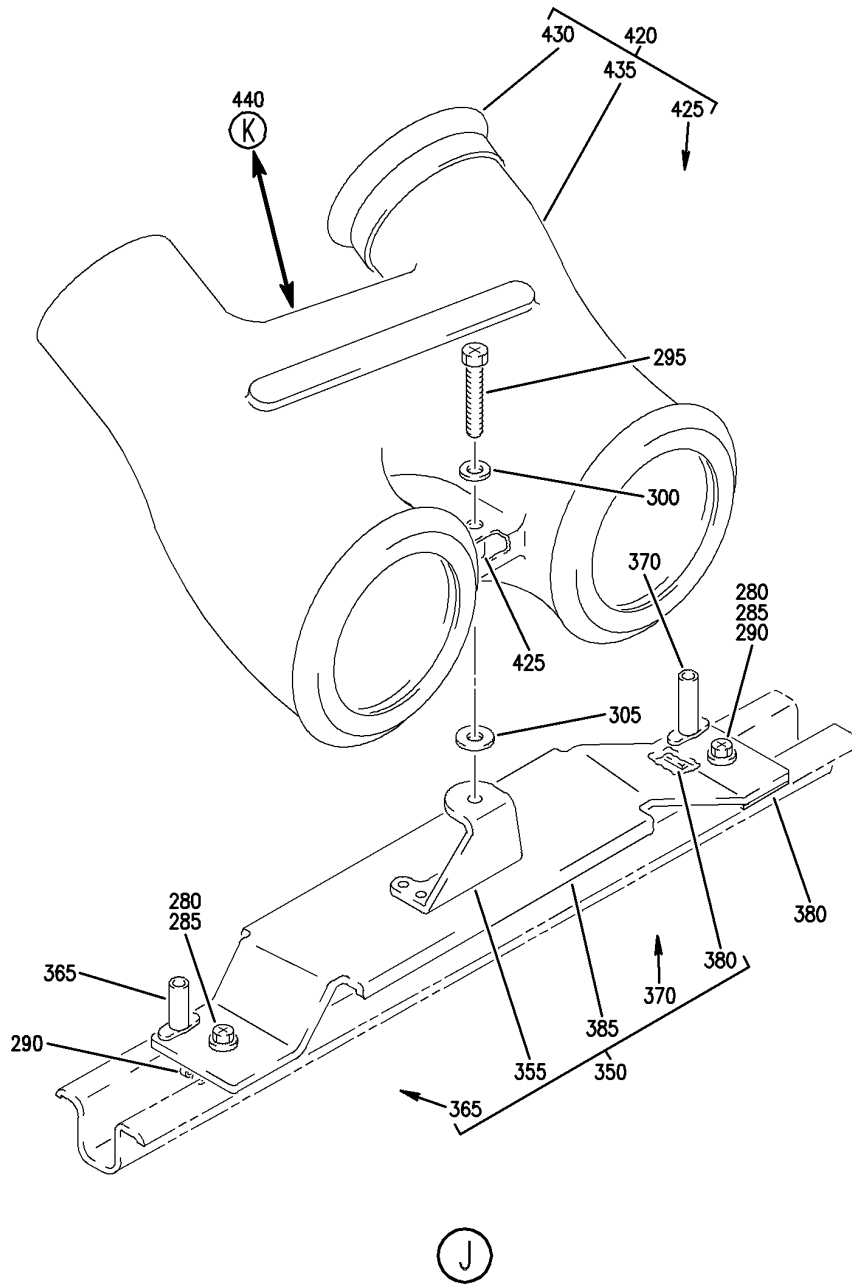
DUCT INSTL-SECT. 43 AFT E/E COOLING EXH (EQUIPMENT COOLING SYSTEM ONLY)
 FIGURE 9 (SHEET 5)

HAP
 OCT 10/06

21-27-51-09

21-27-51-09
 PAGE 0D

BOEING
 737-600/700/800/900
 PARTS CATALOG (MAINTENANCE)



E 21275109 SHT 6 REV 053

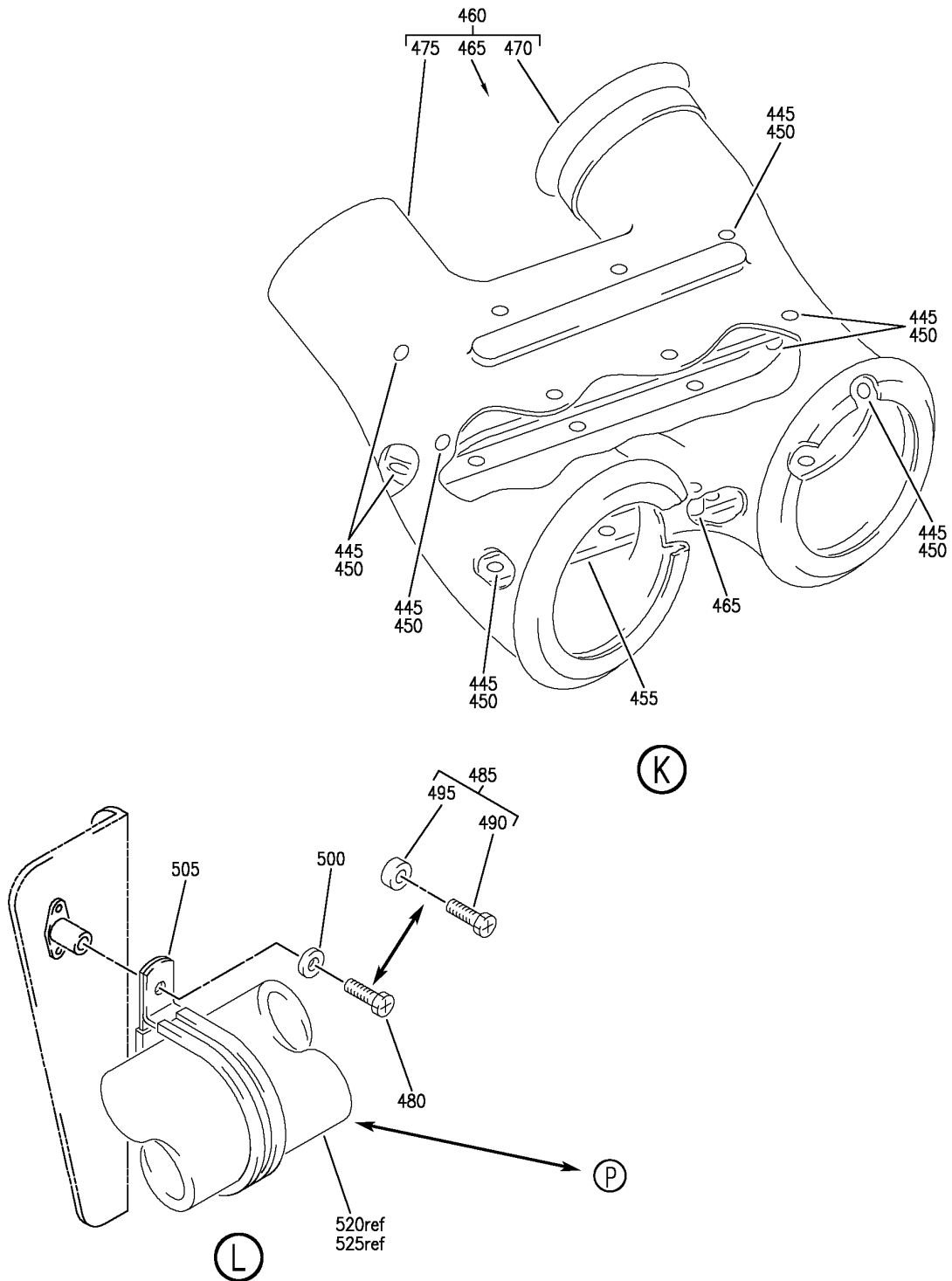
DUCT INSTL-SECT. 43 AFT E/E COOLING EXH (EQUIPMENT COOLING SYSTEM ONLY)
 FIGURE 9 (SHEET 6)

21-27-51-09

HAP
 OCT 10/06

21-27-51-09
 PAGE 0E

BOEING
737-600/700/800/900
PARTS CATALOG (MAINTENANCE)



E 21275109 SH7 7 REV 079

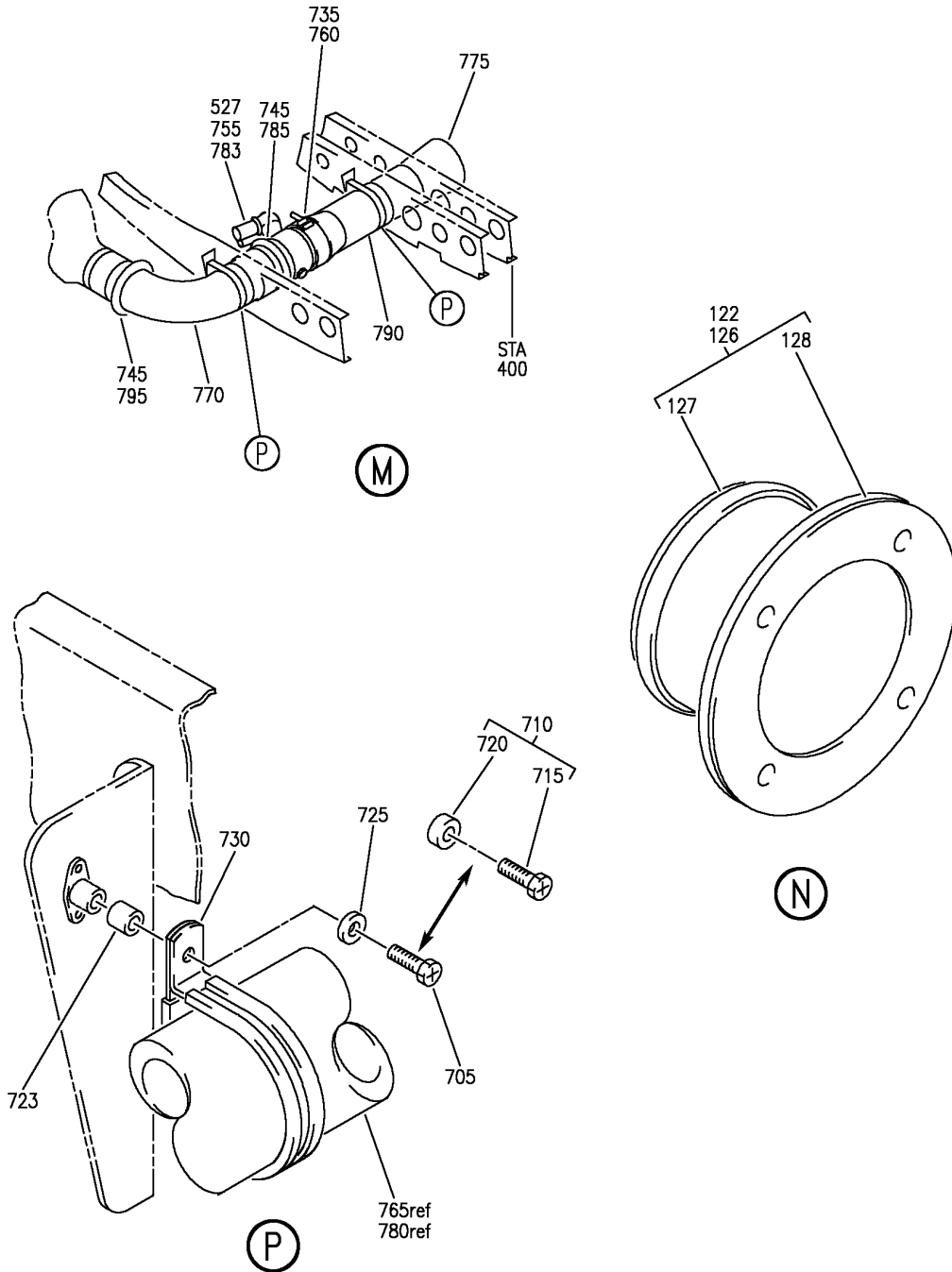
DUCT INSTL-SECT. 43 AFT E/E COOLING EXH (EQUIPMENT COOLING SYSTEM ONLY)
FIGURE 9 (SHEET 7)

21-27-51-09

HAP
OCT 10/06

21-27-51-09
PAGE OF

BOEING
 737-600/700/800/900
 PARTS CATALOG (MAINTENANCE)



E 21275109 SHT 8 REV 155

DUCT INSTL-SECT. 43 AFT E/E COOLING EXH (EQUIPMENT COOLING SYSTEM ONLY)
 FIGURE 9 (SHEET 8)

21-27-51-09

HAP
 JUN 15/09

21-27-51-09
 PAGE 0G

BOEING
737-600/700/800/900
PARTS CATALOG (MAINTENANCE)

FIG ITEM	PART NUMBER	1 2 3 4 5 6 7	NOMENCLATURE	EFFECT FROM TO	UNITS PER ASSY
9			DUCT INSTL-SECT. 43 AFT E/E COOLING EXH (EQUIPMENT COOLING SYSTEM ONLY)	001004 006007 031200 968999	
- 1	217A1003-9		DUCT INSTL-E/E COOLING EXH (EQUIPMENT COOLING SYSTEM ONLY)	001004 006007	RF
- 1	MODREF266589		POSITION DATA: SECT. 43 AFT FOR NHA/ADDITIONAL DET SEE: 21-20-00-04C		
- 1	MODREF306236		DUCT INSTL-E/E COOLING EXH (EQUIPMENT COOLING SYSTEM ONLY)	031036	1
			MODULE NUMBER: 217A1003-15 REV B2 POSITION DATA: SECT. 43 AFT FOR ADDITIONAL DETAILS SEE: 21-27-04-03 21-27-05-01		
- 1	MODREF306236		DUCT INSTL-E/E COOLING EXH (EQUIPMENT COOLING SYSTEM ONLY)	037200 968999	1
			MODULE NUMBER: 217A1003-15 REV E POSITION DATA: SECT. 43 AFT FOR ADDITIONAL DETAILS SEE: 21-27-04-03 21-27-05-01		
5	BACS12GU3K12		.SCREW	001004 006007 031200 968999	4
10	NAS1149D0316J		.WASHER	001004 006007 031200 968999	4
20	SLT8LHC6		.STRAP- SUPPLIER CODE: V06383	001004 006007	1
20	SLT10LHC6		.STRAP- SUPPLIER CODE: V06383	031200 968999	1
25	217A1401-4		.GASKET	001004 006007 031200 968999	1

MISSING ITEM NUMBERS NOT APPLICABLE

- ITEM NOT ILLUSTRATED

HAP

21-27-51-09

BOEING PROPRIETARY - Copyright © - Unpublished Work - See title page for details.

21-27-51
FIG. 09
PAGE 1
OCT 15/08

BOEING
737-600/700/800/900
PARTS CATALOG (MAINTENANCE)

FIG ITEM	PART NUMBER	1 2 3 4 5 6 7	NOMENCLATURE	EFFECT FROM TO	UNITS PER ASSY
9	30 214N3023-4	.	PLENUM ASSY	001004 006007 031200 968999	1
	35 214N3027-3	..	BRACKET ASSY	001004 006007 031200 968999	2
-	40 BACR15BB5AC	..	ATTACHING PARTS RIVET- SIZE DETERMINED ON INSTL.	001004 006007 031200 968999	4
	45 BRF200C3D	... -----*	NUTPLATE SUPPLIER CODE: V52828 SPECIFICATION NUMBER: BACN10JR3CFD OPTIONAL PART: K51602-3BAC V15653 NS202476-02 V80539 102F9201-3 V72962 T8092C1032CD V11815 ATTACHING PARTS	001004 006007 031200 968999	1
-	50 BACR15BA3ADC	... -----*	RIVET- SIZE DETERMINED ON INSTL.	001004 006007 031200 968999	2
	60 214N3027-2	... -----*	BRACKET	001004 006007 031200 968999	1
	65 214N3060-4	..	HOUSING- SUPPLIER CODE: V89954	001004 006007 031200 968999	1
	70 BACS12GU3K4	.	SCREW	001004 006007 031200 968999	1

MISSING ITEM NUMBERS NOT APPLICABLE

- ITEM NOT ILLUSTRATED

HAP

21-27-51-09

BOEING PROPRIETARY - Copyright © - Unpublished Work - See title page for details.

21-27-51
FIG. 09
PAGE 2
OCT 15/08

BOEING
737-600/700/800/900
PARTS CATALOG (MAINTENANCE)

FIG ITEM	PART NUMBER	1 2 3 4 5 6 7	NOMENCLATURE	EFFECT FROM TO	UNITS PER ASSY
9					
75	STBP19M12	.PLATE-	SUPPLIER CODE: V1B249	001004 006007 031200 968999	1
80	PLT4SM	.STRAP	SUPPLIER CODE: V06383 SPECIFICATION NUMBER: BACS38K2 OPTIONAL PART: T05L0 V53421	001004 006007 031200 968999	1
85	SLT8LHC6	.STRAP-	SUPPLIER CODE: V06383	001004 006007	1
85	SLT10LHC6	.STRAP-	SUPPLIER CODE: V06383	031200 968999	1
90	214T3436-245	.ORIFICE ASSY		001004 006007 031200 968999	1
95	BOE2022-09A0161	.HOSE	SUPPLIER CODE: V16632 SPECIFICATION NUMBER: AS1544-09A0161	001004 006007 031200 968999	1
100	BACS12GU3K10	.SCREW		001004 006007	4
100	BACS12GU3K11	.SCREW		031200 968999	4
105	NAS1149D0332J	.WASHER		001004 006007 031200 968999	4
110	SLT8LHC6	.STRAP-	SUPPLIER CODE: V06383	001004 006007	2
110	SLT10LHC6	.STRAP-	SUPPLIER CODE: V06383	031200 968999	2
115	AS1506-16D32	.SLEEVE		001004 006007 031200 968999	1
120	217A1401-3	.GASKET		001004 006007	1
122	217A1145-2	.BRACKET		031200 968999	1

MISSING ITEM NUMBERS NOT APPLICABLE

— ITEM NOT ILLUSTRATED

HAP

21-27-51-09

BOEING PROPRIETARY - Copyright © - Unpublished Work - See title page for details.

21-27-51
FIG. 09
PAGE 3
OCT 15/08

BOEING
737-600/700/800/900
PARTS CATALOG (MAINTENANCE)

FIG ITEM	PART NUMBER	1 2 3 4 5 6 7	NOMENCLATURE	EFFECT FROM TO	UNITS PER ASSY
9					
125	217A1119-1	.	FLANGE	001004 006007	1
126	217A1119-2	.	FLANGE ASSY	031036 039040 042043 101101 968971	1
127	217A1119-1	..	FLANGE	031200 968999	1
128	217A1401-5	..	GASKET	031200 968999	1
130	BACS12GU3K9	.	SCREW	001004 006007 031200 968999	6
135	NAS1149D0332J	.	WASHER	001004 006007 031200 968999	6
140	BRC600-8-3GP	.	CLIPNUT SUPPLIER CODE: V52828 SPECIFICATION NUMBER: BACN10YD1G OPTIONAL PART: 130120G V60119	001004 006007 031200 968999	6
145	214T3424-6	.	SUPPORT	001004 006007 031200 968999	3
150	SLT8LHC6	.	STRAP- SUPPLIER CODE: V06383	001004 006007	6
152	SLT10LHC6	.	STRAP- SUPPLIER CODE: V06383	031200 968999	5
155	AS1506-16D32	.	SLEEVE	001004 006007 031200 968999	1
160	217A1115-1	.	DUCT	001004 006007 031200 968999	1
165	AS1506-07D23	.	SLEEVE	001004 006007 031200 968999	1

MISSING ITEM NUMBERS NOT APPLICABLE

— ITEM NOT ILLUSTRATED

HAP

21-27-51-09

BOEING PROPRIETARY - Copyright © - Unpublished Work - See title page for details.

21-27-51
FIG. 09
PAGE 4
OCT 15/08

BOEING
737-600/700/800/900
PARTS CATALOG (MAINTENANCE)

FIG ITEM	PART NUMBER	1 2 3 4 5 6 7	NOMENCLATURE	EFFECT FROM TO	UNITS PER ASSY
9					
170	NH135008-0175	.	CLAMP SUPPLIER CODE: V00624 SPECIFICATION NUMBER: BACC10HX175	001004 006007 031200 968999	1
175	217A1117-1	.	DUCT	001004 006007 031200 968999	1
180	BOE2221-0002	.	CAP- SUPPLIER CODE: V16632	001004 006007	1
185	214T3436-698	.	ORIFICE ASSY	001004 006007 031200 968999	1
190	BACB30NR4K3	.	BOLT	001004 006007 031200 968999	4
195	BACS12GU3K8	.	SCREW	001004 006007 031200 968999	2
200	BACS12GU3K9	.	SCREW	001004 006007 031200 968999	2
205	NAS1149D0363J	.	WASHER	001004 006007 031200 968999	4
210	NAS1149D0463J	.	WASHER	001004 006007 031200 968999	4
215	BRC600-8-3GP	.	CLIPNUT SUPPLIER CODE: V52828 SPECIFICATION NUMBER: BACN10YD1G OPTIONAL PART: 130120G V60119	001004 006007 031200 968999	2

MISSING ITEM NUMBERS NOT APPLICABLE

— ITEM NOT ILLUSTRATED

HAP

21-27-51-09

BOEING PROPRIETARY - Copyright © - Unpublished Work - See title page for details.

21-27-51
FIG. 09
PAGE 5
OCT 15/08

BOEING
737-600/700/800/900
PARTS CATALOG (MAINTENANCE)

FIG ITEM	PART NUMBER	1 2 3 4 5 6 7	NOMENCLATURE	EFFECT FROM TO	UNITS PER ASSY
9					
220	BRC600-10-3GP	.NUT	SUPPLIER CODE: V52828 SPECIFICATION NUMBER: BACN10YD2G OPTIONAL PART: 130121G V60119	001004 006007 031200 968999	2
225	PLH54CD	.NUT	SUPPLIER CODE: VF0224 SPECIFICATION NUMBER: BACN10YR4CD OPTIONAL PART: H52732-4CD V15653	001004 006007 031200 968999	4
230	214N1051-6	.SUPPORT		001004 006007 031200 968999	2
235	217A1137-5	.BRACKET		001004 006007 031200 968999	1
240	217A1137-6	.BRACKET		001004 006007 031200 968999	1
245	SLT8LHC6	.STRAP-	SUPPLIER CODE: V06383	001004 006007	1
245	SLT10LHC6	.STRAP-	SUPPLIER CODE: V06383	031200 968999	1
250	NAS1922-0400-3	.CLAMP		001004 006007 031200 968999	1
255	NH135008-0400	.COUPLING	SUPPLIER CODE: V00624 SPECIFICATION NUMBER: BACC10HX400	001004 006007 031200 968999	2
260	217A1118-1	.DUCT ASSY		001004 006007 031200 968999	1

MISSING ITEM NUMBERS NOT APPLICABLE

— ITEM NOT ILLUSTRATED

HAP

21-27-51-09

BOEING PROPRIETARY - Copyright © - Unpublished Work - See title page for details.

21-27-51
FIG. 09
PAGE 6
FEB 15/09

BOEING
737-600/700/800/900
PARTS CATALOG (MAINTENANCE)

FIG ITEM	PART NUMBER	1 2 3 4 5 6 7	NOMENCLATURE	EFFECT FROM TO	UNITS PER ASSY
9					
265	NK130004-0175	..	FLANGE SUPPLIER CODE: V8W928 SPECIFICATION NUMBER: BACF22BC175 OPTIONAL PART: NK130004-0175 V00624	001004 006007 031200 968999	1
270	217A1118-2	..	DUCT	001004 006007 031200 968999	1
275	217A1128-1	.	DUCT	001004 006007 031200 968999	1
280	BACS12GU3K9	.	SCREW	001004 006007 031200 968999	4
285	BACW10P43AL	.	WASHER	001004 006007 031200 968999	4
290	BRC600-8-3GP	.	CLIPNUT SUPPLIER CODE: V52828 SPECIFICATION NUMBER: BACN10YD1G OPTIONAL PART: 130120G V60119	001004 006007 031200 968999	4
295	BACS12GU3K17	.	SCREW	001004 006007 031200 968999	2
300	NAS1149D0363J	.	WASHER	001004 006007 031200 968999	2
305	BACW10P44AL	.	WASHER	001004 006007 031200 968999	2
310	217A1138-3	.	BRACKET ASSY	001004 006007 031200 968999	1

MISSING ITEM NUMBERS NOT APPLICABLE

— ITEM NOT ILLUSTRATED

HAP

21-27-51-09

BOEING PROPRIETARY - Copyright © - Unpublished Work - See title page for details.

21-27-51
FIG. 09
PAGE 7
OCT 15/08

BOEING
737-600/700/800/900
PARTS CATALOG (MAINTENANCE)

FIG ITEM	PART NUMBER	1 2 3 4 5 6 7	NOMENCLATURE	EFFECT FROM TO	UNITS PER ASSY
9 315	217A1137-2	..	BRACKET	001004 006007 031200 968999	1
- 320	BACR15FT5AD	..	ATTACHING PARTS RIVET- SIZE DETERMINED ON INSTL.	001004 006007 031200 968999	4
325	WSI4-10	..	-----*----- NUTPLATE SUPPLIER CODE: V04169 SPECIFICATION NUMBER: BACN10TL3-10	001004 006007 031200 968999	1
330	WSI4-12	..	NUTPLATE SUPPLIER CODE: V04169 SPECIFICATION NUMBER: BACN10TL3-12	001004 006007 031200 968999	1
- 335	BACR15BA3ADC	..	ATTACHING PARTS RIVET- SIZE DETERMINED ON INSTL.	001004 006007 031200 968999	4
340	BACF3F007C012NT	..	-----*----- SHIM	001004 006007 031200 968999	2
345	217A1137-9	..	BRACKET	001004 006007 031200 968999	1
350	217A1138-4	.	BRACKET ASSY	001004 006007 031200 968999	1
355	217A1137-4	..	BRACKET	001004 006007 031200 968999	1
- 360	BACR15FT5AD	..	ATTACHING PARTS RIVET- SIZE DETERMINED ON INSTL.	001004 006007 031200 968999	4
-----*-----					

MISSING ITEM NUMBERS NOT APPLICABLE

- ITEM NOT ILLUSTRATED

HAP

21-27-51-09

BOEING PROPRIETARY - Copyright © - Unpublished Work - See title page for details.

21-27-51
FIG. 09
PAGE 8
OCT 15/08

BOEING
737-600/700/800/900
PARTS CATALOG (MAINTENANCE)

FIG ITEM	PART NUMBER	1 2 3 4 5 6 7	NOMENCLATURE	EFFECT FROM TO	UNITS PER ASSY
9					
365	WSI4-10	..	NUTPLATE SUPPLIER CODE: V04169 SPECIFICATION NUMBER: BACN10TL3-10	001004 006007 031200 968999	1
370	WSI4-12	..	NUTPLATE SUPPLIER CODE: V04169 SPECIFICATION NUMBER: BACN10TL3-12	001004 006007 031200 968999	1
- 375	BACR15BA3ADC	..	RIVET- SIZE DETERMINED ON INSTL.	001004 006007 031200 968999	4
			-----*-----		
380	BACF3F007C012NT	..	SHIM	001004 006007 031200 968999	2
385	217A1137-10	..	BRACKET	001004 006007 031200 968999	1
390	217A1134-1	.	DUCT ASSY	001004 006007 031200 968999	1
395	BACS18K10-23W	..	SPACER	001004 006007 031200 968999	1
400	NK130004-0400	..	FLANGE SUPPLIER CODE: V8W928 SPECIFICATION NUMBER: BACF22BC400 OPTIONAL PART: NK130004-0400 V00624	001004 006007 031200 968999	2
405	217A1134-2	..	DUCT	001004 006007 031200 968999	1
410	SLT8LHC6	.	STRAP- SUPPLIER CODE: V06383	001004 006007	2

MISSING ITEM NUMBERS NOT APPLICABLE

- ITEM NOT ILLUSTRATED

HAP

21-27-51-09

BOEING PROPRIETARY - Copyright © - Unpublished Work - See title page for details.

21-27-51
FIG. 09
PAGE 9
OCT 15/08

BOEING
737-600/700/800/900
PARTS CATALOG (MAINTENANCE)

FIG ITEM	PART NUMBER	1 2 3 4 5 6 7	NOMENCLATURE	EFFECT FROM TO	UNITS PER ASSY
9					
410	SLT10LHC6		.STRAP- SUPPLIER CODE: V06383	031200 968999	2
415	AS1506-16D32		.SLEEVE	001004 006007 031200 968999	1
420	217A1136-1		.DUCT ASSY	001004 006007	1
425	BACS18K10-23W		..SPACER	001004 006007	1
430	NK130004-0400		..FLANGE SUPPLIER CODE: V8W928 SPECIFICATION NUMBER: BACF22BC400 OPTIONAL PART: NK130004-0400 V00624	001004 006007	1
435	217A1136-2		..DUCT	001004 006007	1
480	BACS12GU3K6		.SCREW- OPTIONAL PART: 217A1003-201	001004 006007	2
485	217A1003-201		.SUB ASSY- OPTIONAL PART: BACS12GU3K6	001004 006007	2
490	BACS12GU3K7		..SCREW	001004 006007	1
495	NAS43DD3-7FC		..SPACER	001004 006007	1
500	NAS1149D0332J		.WASHER	001004 006007	2
505	S392DH56		.CLAMP SUPPLIER CODE: V18076 SPECIFICATION NUMBER: BACC10BU56DH OPTIONAL PART: 393-56HT V83930 JM44LC24D56BW V22175 TA04C44D56HA V84971 393A56HT V83930	001004 006007	2

MISSING ITEM NUMBERS NOT APPLICABLE

— ITEM NOT ILLUSTRATED

HAP

21-27-51-09

BOEING PROPRIETARY - Copyright © - Unpublished Work - See title page for details.

21-27-51
FIG. 09
PAGE 10
OCT 15/08

BOEING
737-600/700/800/900
PARTS CATALOG (MAINTENANCE)

FIG ITEM	PART NUMBER	1 2 3 4 5 6 7	NOMENCLATURE	EFFECT FROM TO	UNITS PER ASSY
9					
510	NH135008-0400	.	COUPLING SUPPLIER CODE: V00624 SPECIFICATION NUMBER: BACC10HX400	001004 006007	1
515	2810015-101	.	VALVE-CHECK SUPPLIER CODE: V92003 SPECIFICATION NUMBER: S210N701-18	001004 006007	1
520	217A1101-1	.	DUCT	001004 006007	1
525	217A1114-1	.	DUCT-	001004 006007	1
527	4063-20605-01	.	VALVE- SUPPLIER CODE: VC0002 FUNCTIONAL DESCRIPTION: PROVIDES AIR SHUTOFF TO CREW REST AREA IN CARGO COMPARTMENT IN CASE OF SMOKE. SPECIFICATION NUMBER: S217W001-4 COMPONENT MAINT MANUAL REF: 21-23-21	001004 006007	1
530	217A1106-1	.	DUCT	001004 006007	1
- 700	MODREF81499		DUCT INSTL-E/E COOLING EXH MODULE NUMBER: 217A1003-16 REV A POSITION DATA: SECT. 43 AFT	031200 968999	1
705	BACS12GU3K6	.	SCREW- OPTIONAL PART: 217A1003-201	031200 968999	2
710	217A1003-201	.	SUB ASSY- OPTIONAL PART: BACS12GU3K6	031200 968999	2
715	BACS12GU3K7	..	SCREW	031200 968999	1
720	NAS43DD3-7FC	..	SPACER	031200 968999	1
725	NAS1149D0332J	.	WASHER	031200 968999	2

MISSING ITEM NUMBERS NOT APPLICABLE

- ITEM NOT ILLUSTRATED

HAP

21-27-51-09

BOEING PROPRIETARY - Copyright © - Unpublished Work - See title page for details.

21-27-51
FIG. 09
PAGE 11
OCT 15/08

BOEING
737-600/700/800/900
PARTS CATALOG (MAINTENANCE)

FIG ITEM	PART NUMBER	1 2 3 4 5 6 7	NOMENCLATURE	EFFECT FROM TO	UNITS PER ASSY
9 730	S392DH56	.	CLAMP SUPPLIER CODE: V18076 SPECIFICATION NUMBER: BACC10BU56DH OPTIONAL PART: 393-56HT V83930 JM44LC24D56BW V22175 TA04C44D56HA V84971 393A56HT V83930	031200 968999	2
740	NH135008-0400	.	COUPLING SUPPLIER CODE: V00624 SPECIFICATION NUMBER: BACC10HX400	031200 968999	1
750	2810015-101	.	VALVE-CHECK SUPPLIER CODE: V92003 SPECIFICATION NUMBER: S210N701-18	031200 968999	1
765	217A1101-1	.	DUCT	031200 968999	1
775	217A1106-1	.	DUCT	031200 968999	1
780	217A1114-1	.	DUCT-	031200 968999	1
783	4063-20605-01	.	VALVE- SUPPLIER CODE: VC0002 FUNCTIONAL DESCRIPTION: PROVIDES AIR SHUTOFF TO CREW REST AREA IN CARGO COMPARTMENT IN CASE OF SMOKE. SPECIFICATION NUMBER: S217W001-4 COMPONENT MAINT MANUAL REF: 21-23-21	031200 968999	1
790	217A1114-4	.	DUCT	031043 101101 968971	1
795	217A1114-5	.	DUCT	031043 101101 968971	1

MISSING ITEM NUMBERS NOT APPLICABLE

— ITEM NOT ILLUSTRATED

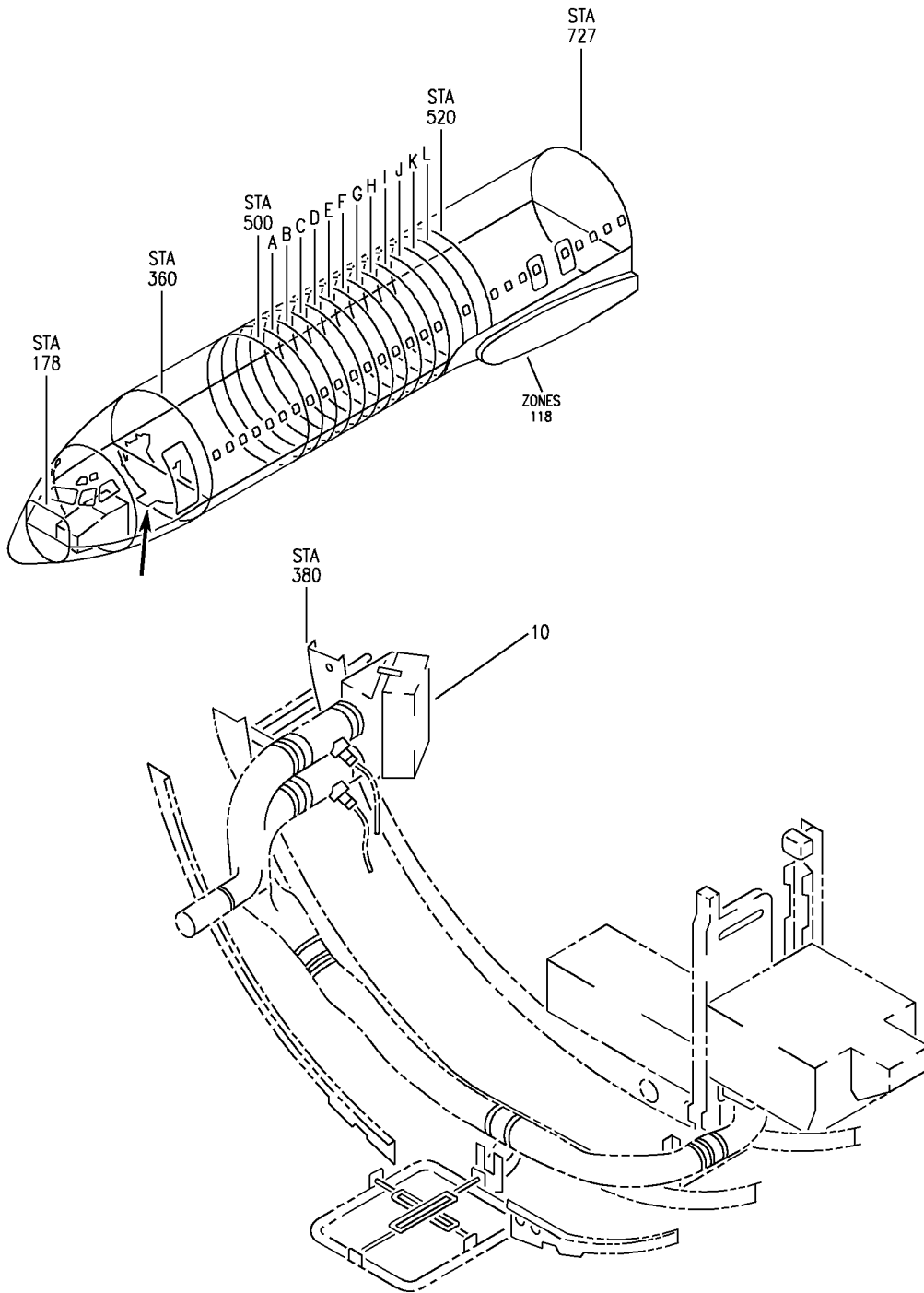
HAP

21-27-51-09

BOEING PROPRIETARY - Copyright © - Unpublished Work - See title page for details.

21-27-51
FIG. 09
PAGE 12
OCT 15/08

BOEING
737-600/700/800/900
PARTS CATALOG (MAINTENANCE)



E 21275110 REV 137

DUCT INSTL-SECT. 43 AFT E/E COOLING SUPPLY
FIGURE 10

21-27-51-10

HAP
FEB 15/08

21-27-51-10
PAGE 0

BOEING
737-600/700/800/900
PARTS CATALOG (MAINTENANCE)

FIG ITEM	PART NUMBER	1 2 3 4 5 6 7	NOMENCLATURE	EFFECT FROM TO	UNITS PER ASSY
R R R R R R R R R R R R	10		DUCT INSTL-SECT. 43 AFT E/E COOLING SUPPLY	044051 102200 972999	
	- 1	MODREF358838	DUCT INSTL-E/E COOLING SUPPLY MODULE NUMBER: 217A1004-2 REV D POSITION DATA: SECT. 43 AFT	044051 102200 972999	1
	10	P196698	. FILTER- SUPPLIER CODE: V18265 SPECIFICATION NUMBER: S210N701-45 OPTIONAL PART: CD01046F2 V58058	044051 102200 972999	1
	10	CD01046F2	. FILTER- SUPPLIER CODE: V58058 SPECIFICATION NUMBER: S210N701-45 OPTIONAL PART: P196698 V18265	044051 102200 972999	1

MISSING ITEM NUMBERS NOT APPLICABLE

- ITEM NOT ILLUSTRATED

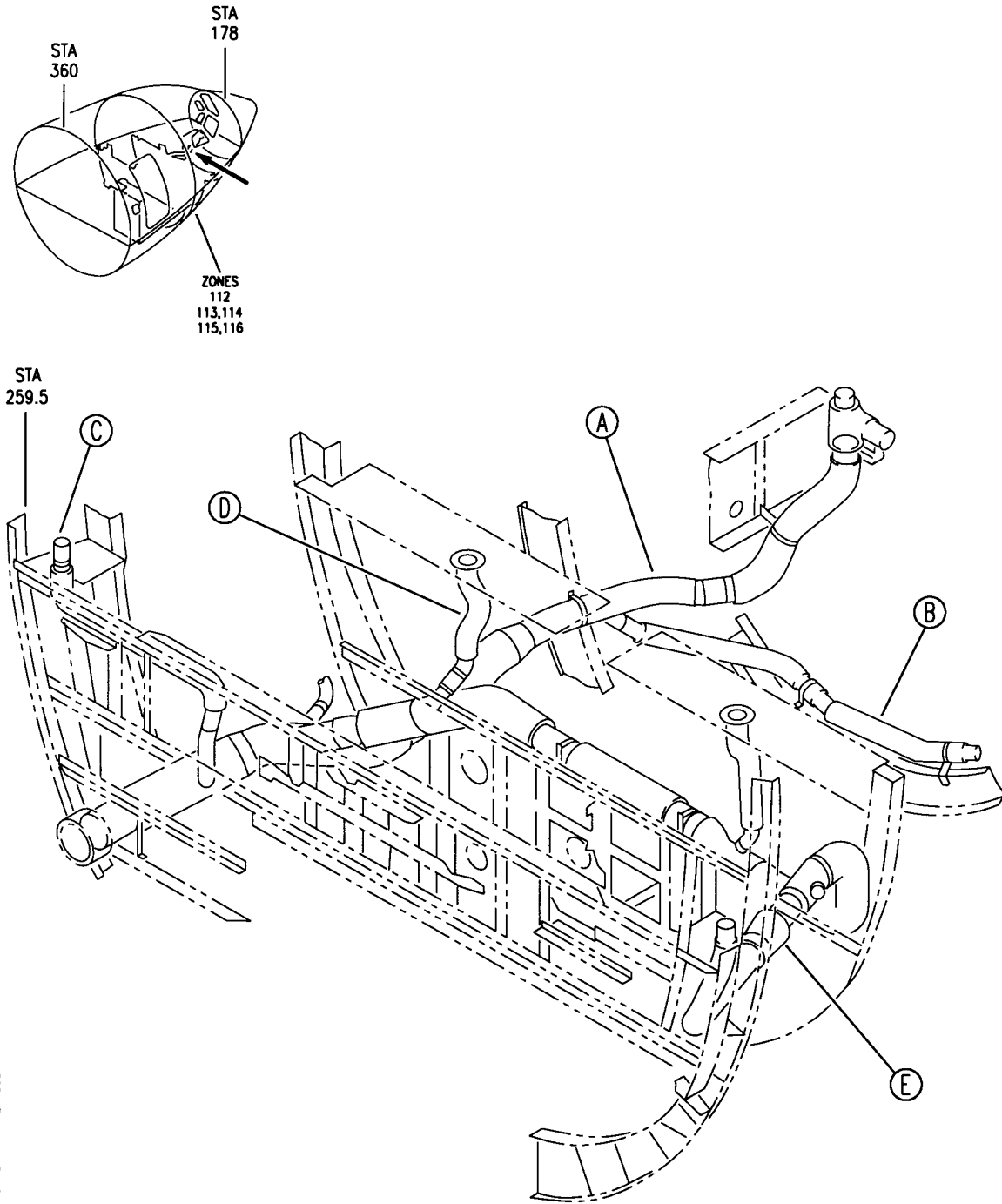
HAP

21-27-51-10

BOEING PROPRIETARY - Copyright © - Unpublished Work - See title page for details.

21-27-51
FIG. 10
PAGE 1
JUN 15/09

BOEING
 737-600/700/800/900
 PARTS CATALOG (MAINTENANCE)



E 21275116 SHT 1 REV 003

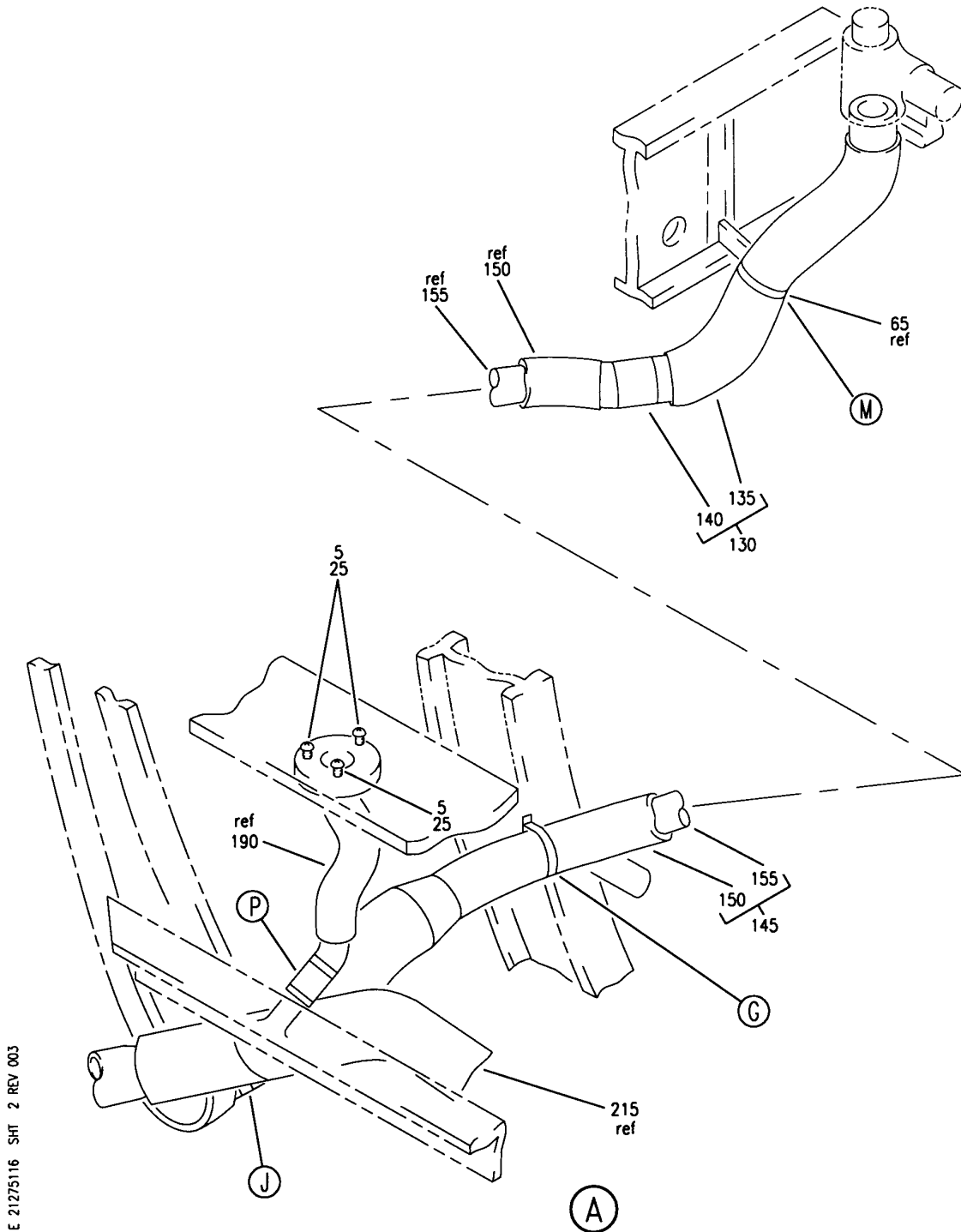
DUCT INSTL- STA 181 TO STA 262 FWD EE BAY FLIGHT DECK AIR DISTR SYS
 FIGURE 16 (SHEET 1)

21-27-51-16

HAP
 OCT 15/08

21-27-51-16
 PAGE 0

BOEING
 737-600/700/800/900
 PARTS CATALOG (MAINTENANCE)



E 21275116 SHT 2 REV 003

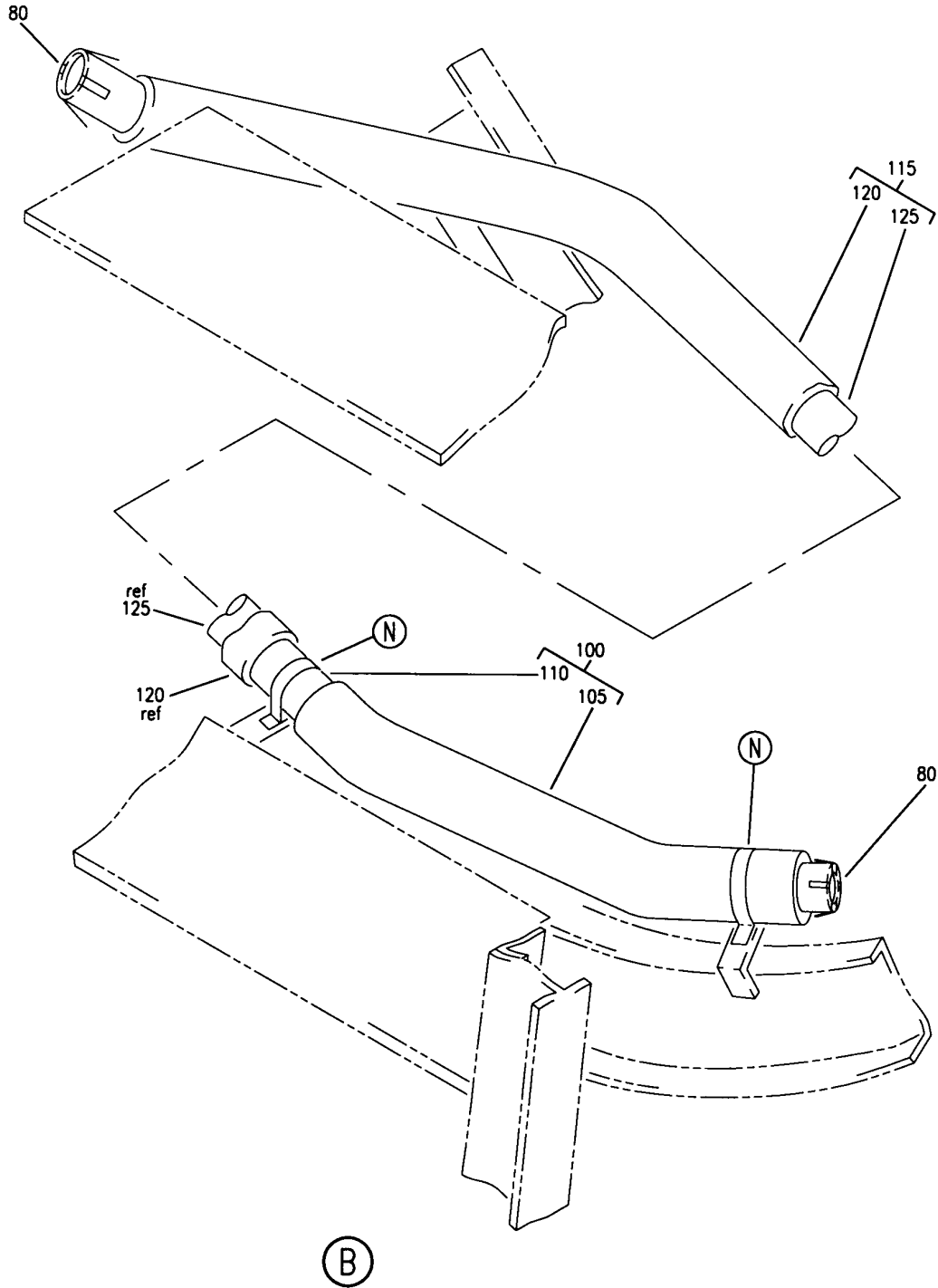
DUCT INSTL- STA 181 TO STA 262 FWD EE BAY FLIGHT DECK AIR DISTR SYS
 FIGURE 16 (SHEET 2)

HAP
 OCT 15/08

21-27-51-16

21-27-51-16
 PAGE 0A

BOEING
 737-600/700/800/900
 PARTS CATALOG (MAINTENANCE)



E 21275116 SHT 3 REV 004

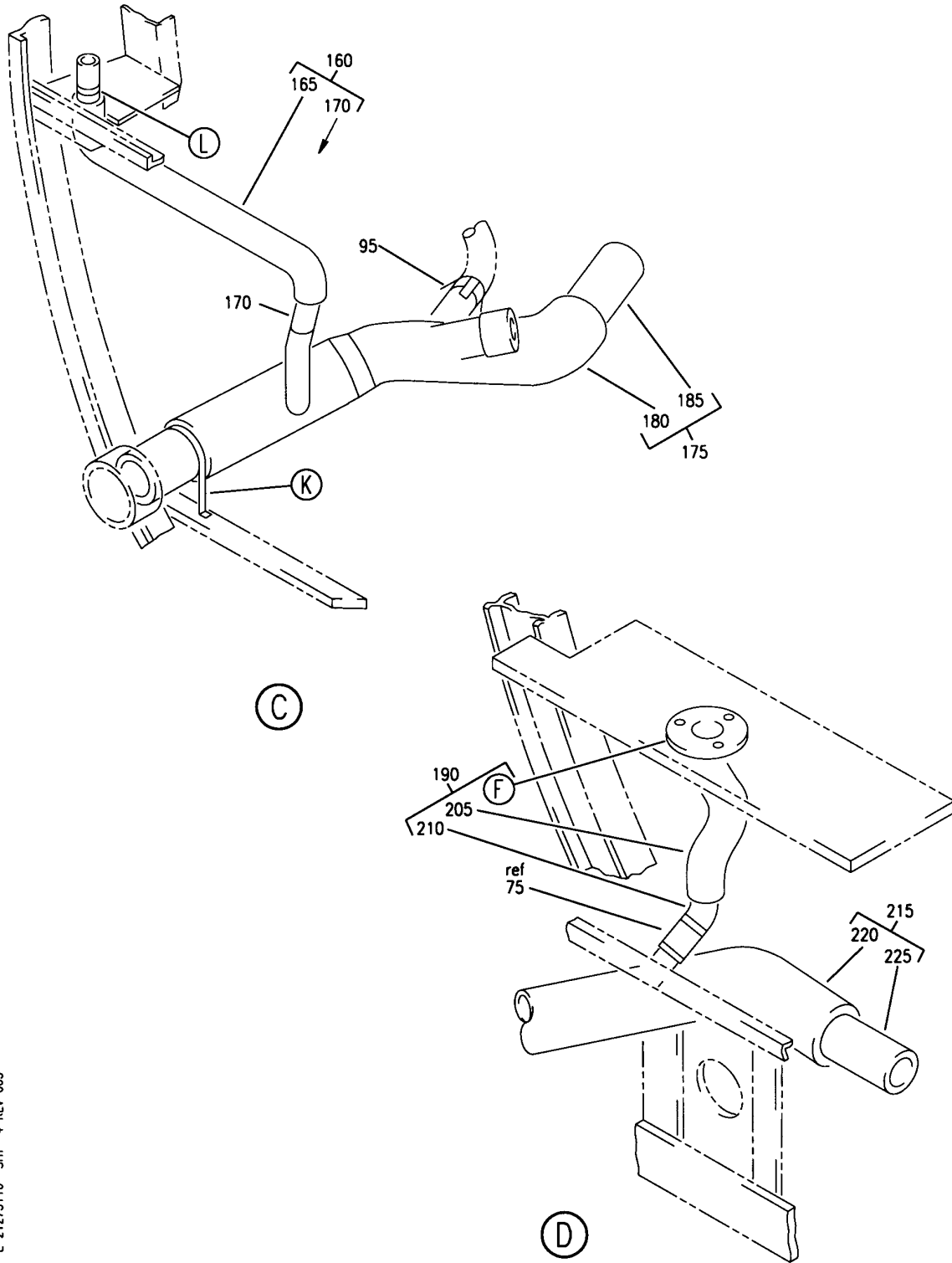
DUCT INSTL- STA 181 TO STA 262 FWD EE BAY FLIGHT DECK AIR DISTR SYS
 FIGURE 16 (SHEET 3)

21-27-51-16

HAP
 OCT 15/08

21-27-51-16
 PAGE 0B

BOEING
 737-600/700/800/900
 PARTS CATALOG (MAINTENANCE)



E 21275116 SHT 4 REV 003

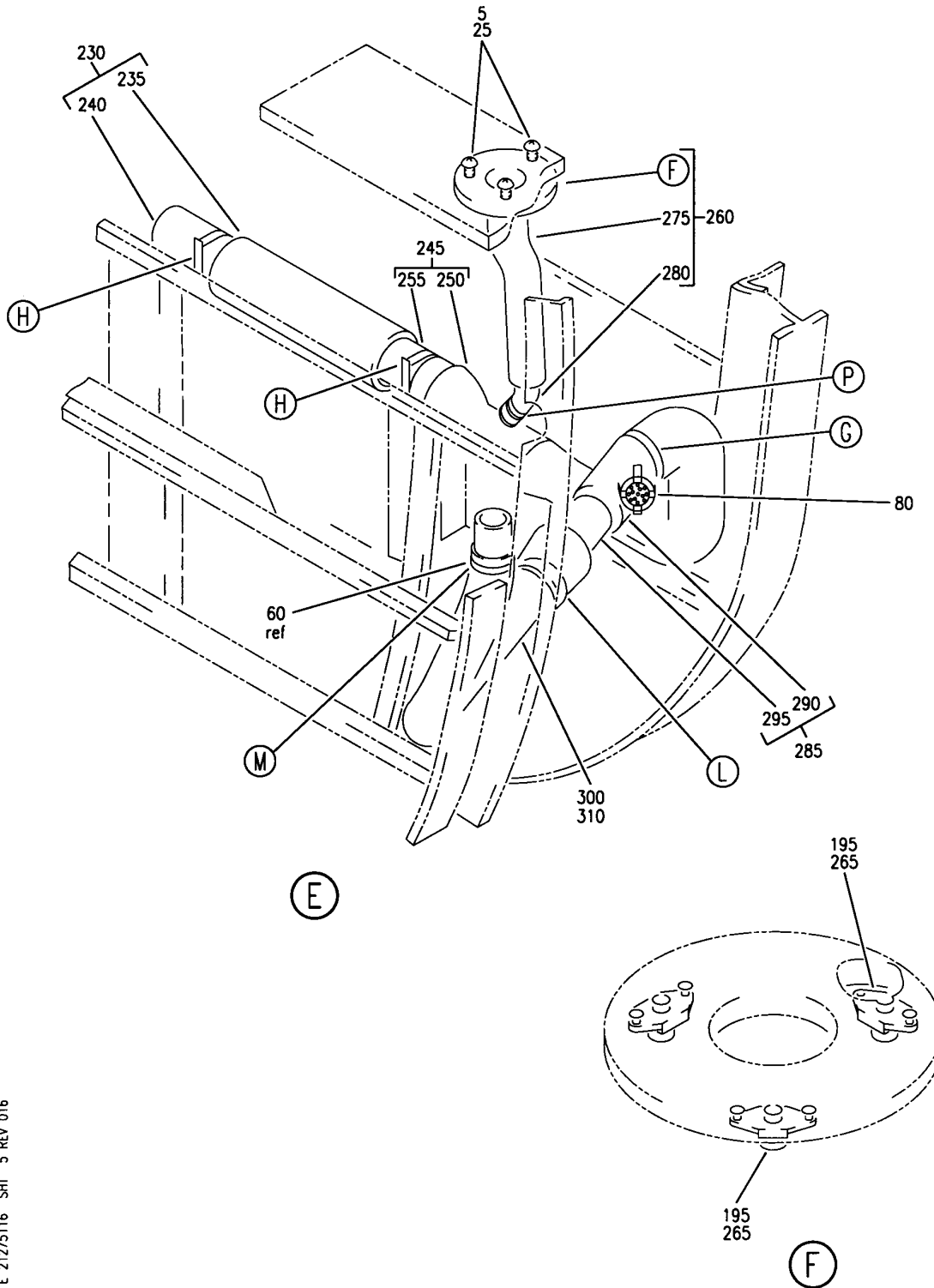
DUCT INSTL- STA 181 TO STA 262 FWD EE BAY FLIGHT DECK AIR DISTR SYS
 FIGURE 16 (SHEET 4)

21-27-51-16

HAP
 OCT 15/08

21-27-51-16
 PAGE 0C

BOEING
 737-600/700/800/900
 PARTS CATALOG (MAINTENANCE)



E 21275116 SH1 5 REV 016

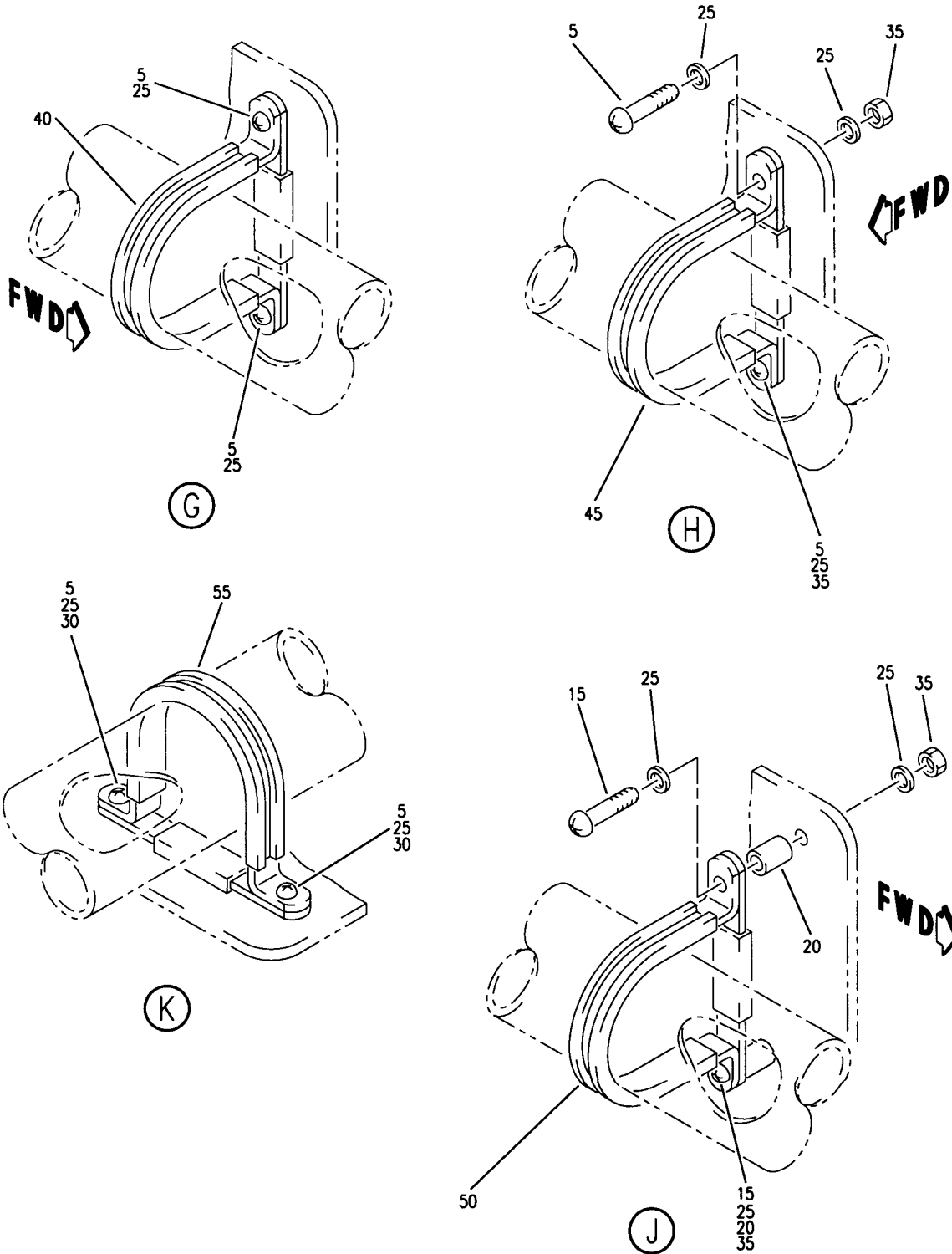
DUCT INSTL- STA 181 TO STA 262 FWD EE BAY FLIGHT DECK AIR DISTR SYS
 FIGURE 16 (SHEET 5)

21-27-51-16

HAP
 OCT 15/08

21-27-51-16
 PAGE 0D

BOEING
 737-600/700/800/900
 PARTS CATALOG (MAINTENANCE)



E 21275116 SH1 6 REV 003

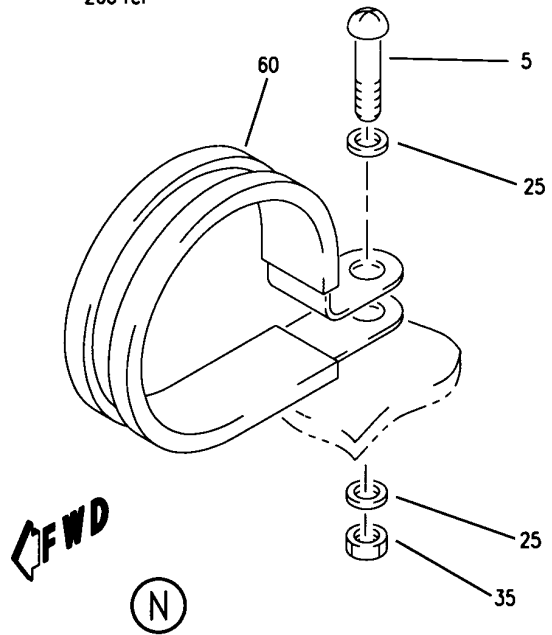
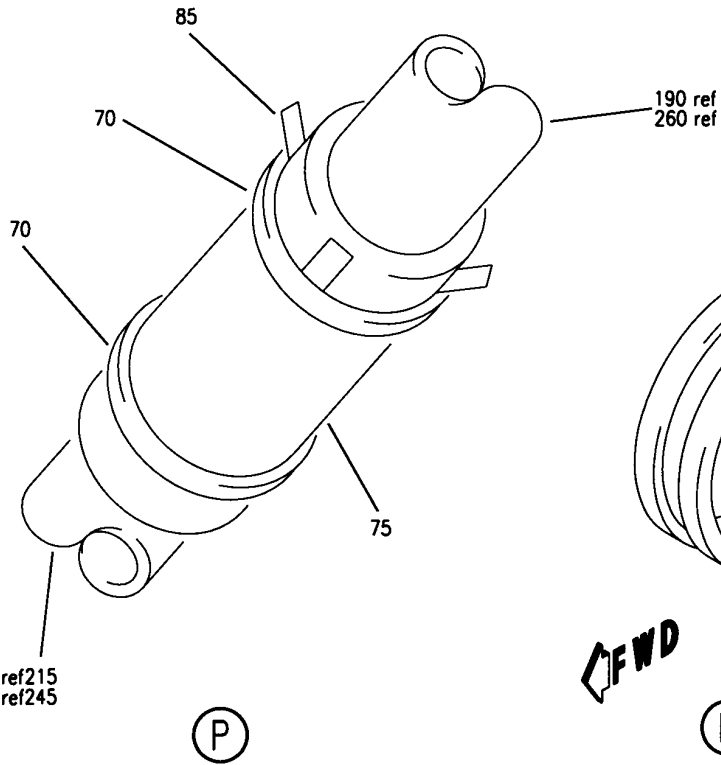
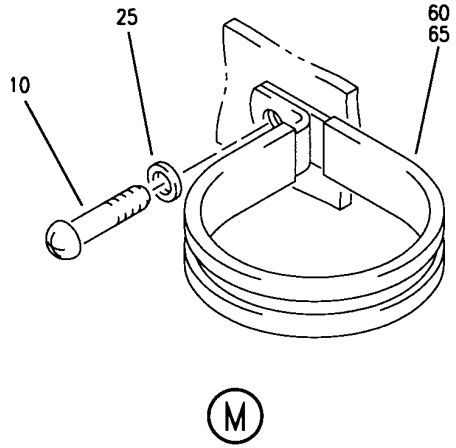
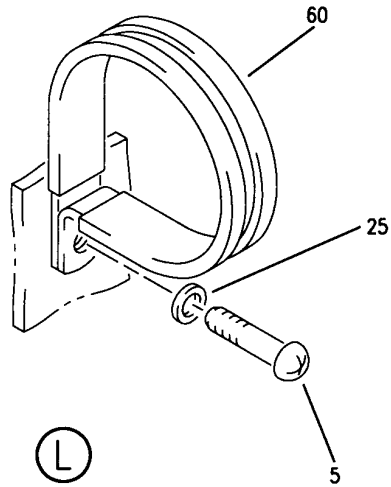
DUCT INSTL- STA 181 TO STA 262 FWD EE BAY FLIGHT DECK AIR DISTR SYS
 FIGURE 16 (SHEET 6)

21-27-51-16

HAP
 OCT 15/08

21-27-51-16
 PAGE 0E

BOEING
 737-600/700/800/900
 PARTS CATALOG (MAINTENANCE)



E 21275116 SH1 7 REV 003

ref215
 ref245

DUCT INSTL- STA 181 TO STA 262 FWD EE BAY FLIGHT DECK AIR DISTR SYS
 FIGURE 16 (SHEET 7)

21-27-51-16

HAP
 OCT 15/08

21-27-51-16
 PAGE OF

BOEING
737-600/700/800/900
PARTS CATALOG (MAINTENANCE)

FIG ITEM	PART NUMBER	1 2 3 4 5 6 7	NOMENCLATURE	EFFECT FROM TO	UNITS PER ASSY
16			DUCT INSTL- STA 181 TO STA 262 FWD EE BAY FLIGHT DECK AIR DISTR SYS	201967	
- 1	214A1002-1		DUCT INSTL-EE BAY FLIGHT DECK AIR DISTR SYS POSITION DATA: STA 181 TO STA 262 FWD FOR NHA SEE: 21-20-00-04B	201967	RF
5	BACS12GU3K8	.	SCREW	201967	20
10	BACS12GU3K9	.	SCREW	201967	2
15	BACS12GU3K18	.	SCREW	201967	2
20	NAS43DD3-40FC	.	SPACER	201967	2
25	NAS1149D0332J	.	WASHER	201967	32
30	BRC600-8-3GP	.	CLIPNUT	201967	2
			SUPPLIER CODE: V52828 SPECIFICATION NUMBER: BACN10YD1G OPTIONAL PART: 130120G V60119		
35	PLH53CD	.	NUT SUPPLIER CODE: VF0224 SPECIFICATION NUMBER: BACN10YR3CD OPTIONAL PART: H52732-3CD V15653	201967	8
40	421-40	.	CLAMP SUPPLIER CODE: V83930 SPECIFICATION NUMBER: BACC10CC40 OPTIONAL PART: JM45SC3D40T V22175 TA04C36-07 V84971 421A40 V83930	201967	2

MISSING ITEM NUMBERS NOT APPLICABLE

- ITEM NOT ILLUSTRATED

HAP

21-27-51-16

BOEING PROPRIETARY - Copyright © - Unpublished Work - See title page for details.

21-27-51
FIG. 16
PAGE 1
FEB 15/09

BOEING
737-600/700/800/900
PARTS CATALOG (MAINTENANCE)

FIG ITEM	PART NUMBER	1 2 3 4 5 6 7	NOMENCLATURE	EFFECT FROM TO	UNITS PER ASSY
16 45	JM45SC3D48T		.CLAMP SUPPLIER CODE: V22175 SPECIFICATION NUMBER: BACC10CC48 OPTIONAL PART: TA04C36-11 V84971 421A48 V83930 421-48 V83930	201967	2
50	421-56		.CLAMP SUPPLIER CODE: V83930 SPECIFICATION NUMBER: BACC10CC56 OPTIONAL PART: JM45SC3D56T V22175 TA04C36-56 V84971 421A56 V83930	201967	1
55	421-64		.CLAMP SUPPLIER CODE: V83930 SPECIFICATION NUMBER: BACC10CC64 OPTIONAL PART: JM45SC3D64T V22175 TA04C36-64 V84971 421A64 V83930	201967	1
60	MS21919WDG24		.CLAMP	201967	5
65	MS21919WDG40		.CLAMP	201967	1
70	T05R0		.STRAP SUPPLIER CODE: V53421 SPECIFICATION NUMBER: BACS38K1 OPTIONAL PART: PLT2SM V06383	201967	4
75	AS1506-06D23		.SLEEVE	201967	2
80	214T3436-616		.ORIFICE ASSY	201967	3
85	214T3436-1570		.ORIFICE ASSY	201967	2

MISSING ITEM NUMBERS NOT APPLICABLE

— ITEM NOT ILLUSTRATED

HAP

21-27-51-16

BOEING PROPRIETARY - Copyright © - Unpublished Work - See title page for details.

21-27-51
FIG. 16
PAGE 2
OCT 15/08

BOEING
737-600/700/800/900
PARTS CATALOG (MAINTENANCE)

FIG ITEM	PART NUMBER	1 2 3 4 5 6 7	NOMENCLATURE	EFFECT FROM TO	UNITS PER ASSY
16					
95	214T3436-1585	.	ORIFICE ASSY	201967	1
100	214A1128-1	.	DUCT ASSY	201967	1
105	214A1128-3	..	INSULATION	201967	AR
110	214A1128-2	..	DUCT	201967	1
115	214A1132-1	.	DUCT ASSY	201967	1
120	214A1132-3	..	INSULATION	201967	AR
125	214A1132-2	..	DUCT	201967	1
130	214A1130-1	.	DUCT ASSY-	201967	1
			OPTIONAL PART: 214A1130-5		
130	214A1130-5	.	DUCT ASSY-	201967	1
			OPTIONAL PART: 214A1130-1		
135	214A1130-4	..	BLANKET-INSULATION	201967	AR
			USED ON: 214A1130-1		
140	214A1130-2	..	DUCT-	201967	1
			USED ON: 214A1130-1		
145	214A1123-1	.	DUCT ASSY	201967	1
150	214A1123-4	..	BLANKET-INSULATION	201967	AR
155	214A1123-2	..	DUCT	201967	1
160	214A1117-1	.	DUCT ASSY	201967	1
165	214A1117-3	..	INSULATION	201967	AR
170	214A1117-2	..	DUCT	201967	1
175	214A1116-1	.	DUCT ASSY	201967	1
180	214A1116-4	..	BLANKET-INSULATION	201967	AR
185	214A1116-2	..	DUCT	201967	1
190	214A1124-1	.	DUCT ASSY	201967	1
195	BRF200A3	..	NUTPLATE	201967	3
			SUPPLIER CODE: V52828		
			SPECIFICATION NUMBER: BACN10JR3F		
			OPTIONAL PART: NS103203-02		
			V80539		
			RMF9201-3		
			V72962		
			VN152A1-02		
			V92215		
			T8091S1032		
			V11815		
			F5000-3BAC		
			V15653		
			ATTACHING PARTS		
- 200	BACR15BA3AD3C	..	RIVET	201967	6
			-----*-----		
205	214A1124-4	..	BLANKET-INSULATION	201967	AR

MISSING ITEM NUMBERS NOT APPLICABLE

- ITEM NOT ILLUSTRATED

HAP

21-27-51-16

BOEING PROPRIETARY - Copyright © - Unpublished Work - See title page for details.

21-27-51
FIG. 16
PAGE 3
OCT 15/08

BOEING
737-600/700/800/900
PARTS CATALOG (MAINTENANCE)

FIG ITEM	PART NUMBER	1 2 3 4 5 6 7	NOMENCLATURE	EFFECT FROM TO	UNITS PER ASSY
16					
210	214A1124-2	..	DUCT	201967	1
215	214A1125-1	.DUCT	ASSY	201967	1
220	214A1125-4	..	BLANKET-INSULATION	201967	AR
225	214A1125-2	..	DUCT	201967	1
230	214A1155-1	.DUCT	ASSY	201967	1
235	214A1155-2	..	INSULATION	201967	1
240	214A1155-3	..	DUCT	201967	1
245	214A1150-1	.DUCT	ASSY	201967	1
250	214A1150-4	..	BLANKET-INSULATION	201967	AR
255	214A1150-2	..	DUCT	201967	1
260	214A1133-1	.DUCT	ASSY	201967	1
265	BRF200A3	..	NUTPLATE	201967	3
			SUPPLIER CODE: V52828		
			SPECIFICATION NUMBER: BACN10JR3F		
			OPTIONAL PART: NS103203-02		
			V80539		
			RMF9201-3		
			V72962		
			VN152A1-02		
			V92215		
			T8091S1032		
			V11815		
			F5000-3BAC		
			V15653		
			ATTACHING PARTS		
- 270	BACR15BA3AD3C	..	RIVET	201967	6
		-----*			
275	214A1133-4	..	BLANKET-INSULATION	201967	AR
280	214A1133-2	..	DUCT	201967	1
285	214A1134-1	.DUCT	ASSY	201967	1
290	214A1134-4	..	BLANKET-INSULATION	201967	AR
295	214A1134-2	..	DUCT	201967	1
300	214A1120-1	.DUCT	ASSY	201967	1
			ATTACHING PARTS		
- 305	AF5141-3C3	.RIVET-		201967	4
			SUPPLIER CODE: V53551		
			SPECIFICATION NUMBER: BACR15DR3AC3		
			OPTIONAL PART: CCR264CS3-3IT		
			V11815		
			RV541A3C3		
			V98996		
			SIZE DETERMINED ON INSTL.		
			-----*		

MISSING ITEM NUMBERS NOT APPLICABLE

- ITEM NOT ILLUSTRATED

HAP

21-27-51-16

21-27-51
FIG. 16
PAGE 4
OCT 15/08


BOEING
 737-600/700/800/900
PARTS CATALOG (MAINTENANCE)

FIG ITEM	PART NUMBER	1 2 3 4 5 6 7 NOMENCLATURE	EFFECT FROM TO	UNITS PER ASSY
16 310	214A1120-2	. . DUCT	201967	1

MISSING ITEM NUMBERS NOT APPLICABLE

— ITEM NOT ILLUSTRATED

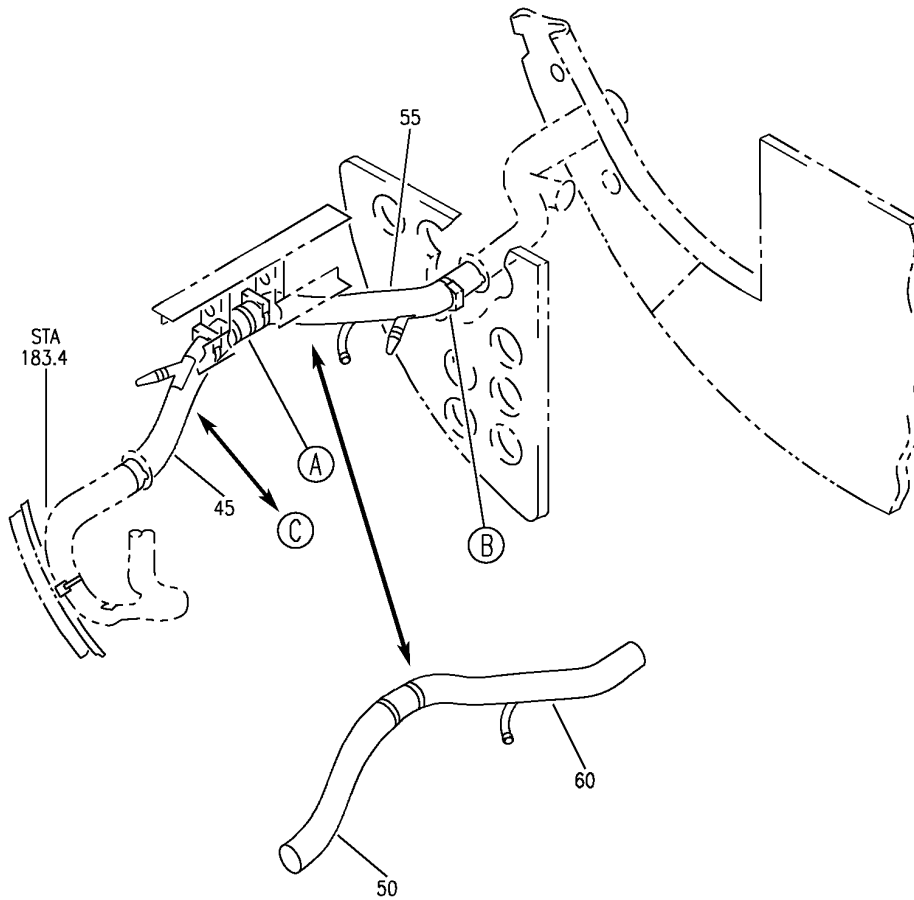
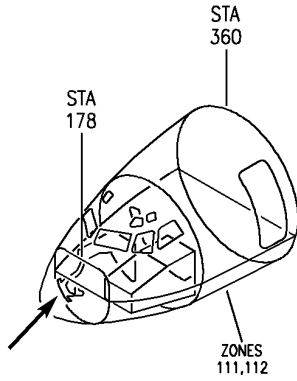
HAP

21-27-51-16

BOEING PROPRIETARY - Copyright © - Unpublished Work - See title page for details.

21-27-51
 FIG. 16
 PAGE 5
 OCT 15/08

BOEING
 737-600/700/800/900
 PARTS CATALOG (MAINTENANCE)



E 21275119 SH1 1 REV 134

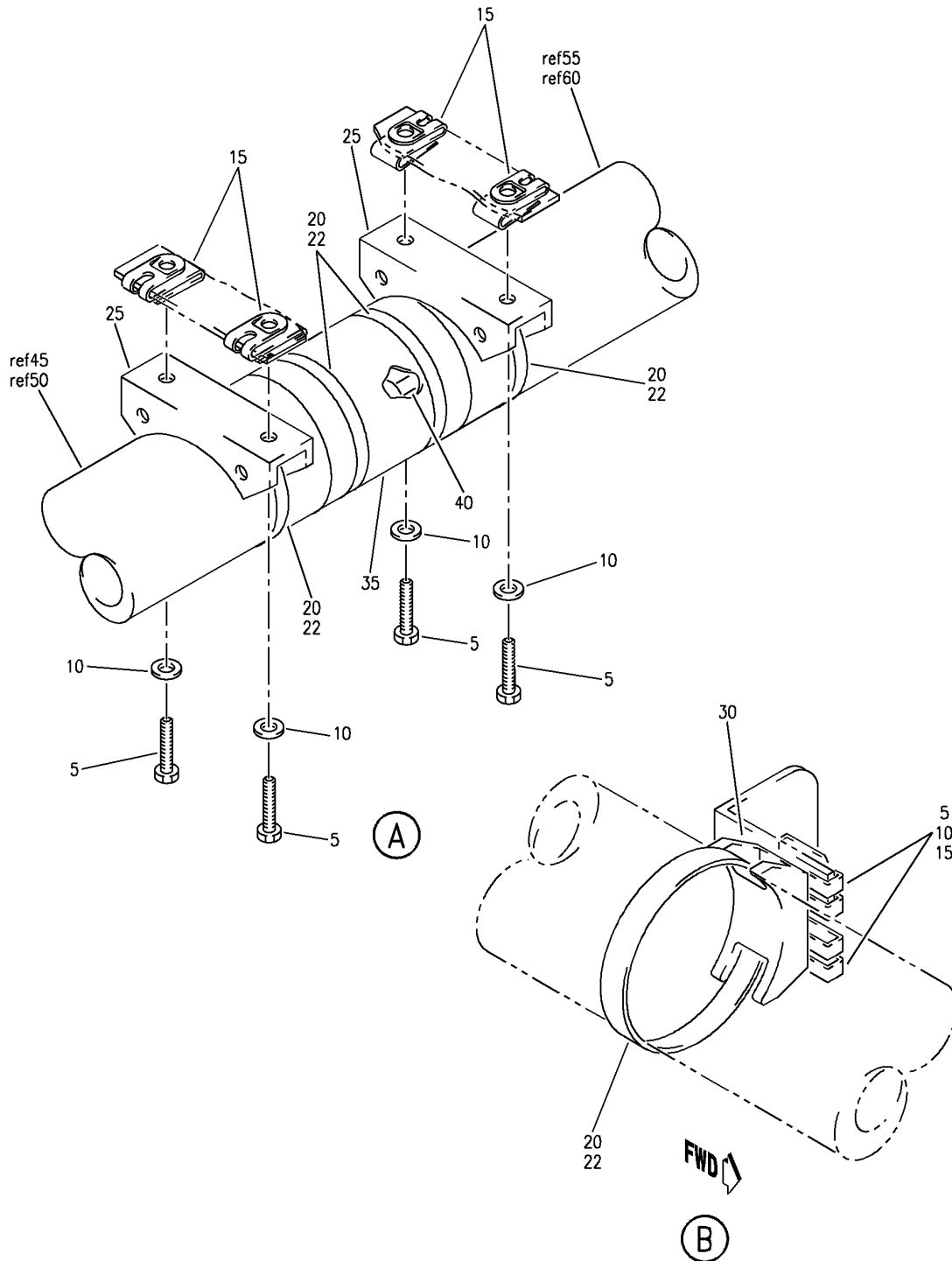
DUCT INSTL-SECT. 41 FWD E/E COOLING SUPPLY
 FIGURE 19 (SHEET 1)

21-27-51-19

HAP
 OCT 10/07

21-27-51-19
 PAGE 0

BOEING
 737-600/700/800/900
 PARTS CATALOG (MAINTENANCE)



E 21275119 SHT 2 REV 134

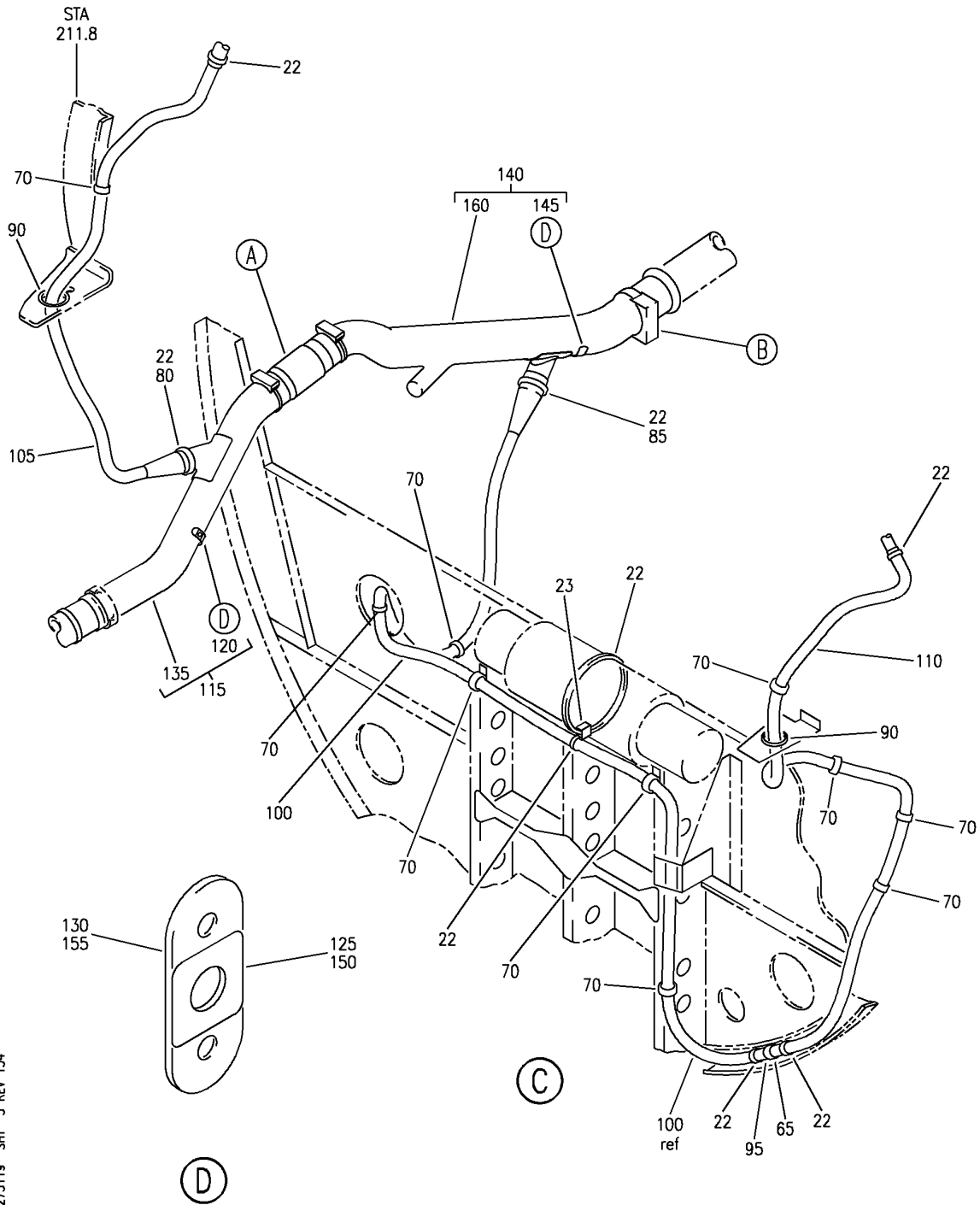
DUCT INSTL-SECT. 41 FWD E/E COOLING SUPPLY
 FIGURE 19 (SHEET 2)

21-27-51-19

HAP
 OCT 10/07

21-27-51-19
 PAGE 0A

BOEING
 737-600/700/800/900
 PARTS CATALOG (MAINTENANCE)



E 21275119 SHT 3 REV 134

DUCT INSTL-SECT. 41 FWD E/E COOLING SUPPLY
 FIGURE 19 (SHEET 3)

21-27-51-19

HAP
 OCT 10/07

21-27-51-19
 PAGE 0B

BOEING
737-600/700/800/900
PARTS CATALOG (MAINTENANCE)

FIG ITEM	PART NUMBER	1 2 3 4 5 6 7	NOMENCLATURE	EFFECT FROM TO	UNITS PER ASSY
19			DUCT INSTL-SECT. 41 FWD E/E COOLING SUPPLY	037200 968999	
- 1	MODREF317115		DUCT INSTL-E/E COOLING SUPPLY	037200 968999	1
			MODULE NUMBER: 217A1001-12 REV B		
			POSITION DATA: SECT. 41 FWD		
5	BACS12GU3K8		.SCREW	037200 968999	6
10	NAS1149D0332J		.WASHER	037200 968999	6
15	BACN10YDIG		.NUT	037200 968999	6
20	PLT3SM		.STRAP- SUPPLIER CODE: V06383 SPECIFICATION NUMBER: BACS38K7 OPTIONAL PART: T0510 V53421	037200 968999	5
25	214T3424-3		.SUPPORT-DUCT	037200 968999	2
30	214T3424-4		.SUPPORT-DUCT	037200 968999	1
35	AS1506-10D32		.SLEEVE	037200 968999	1
40	214T3436-74		.ORIFICE ASSY-	037200 968999	1
50	217A1108-1		.DUCT-	037200 968999	1
60	217A1121-2		.DUCT-	037200 968999	1

MISSING ITEM NUMBERS NOT APPLICABLE

- ITEM NOT ILLUSTRATED

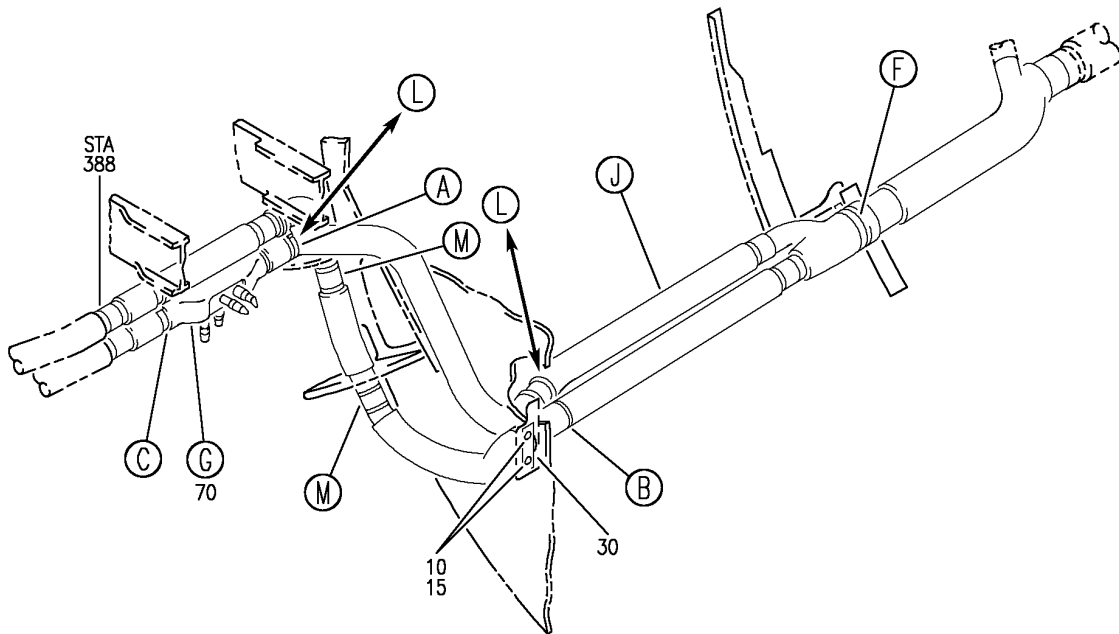
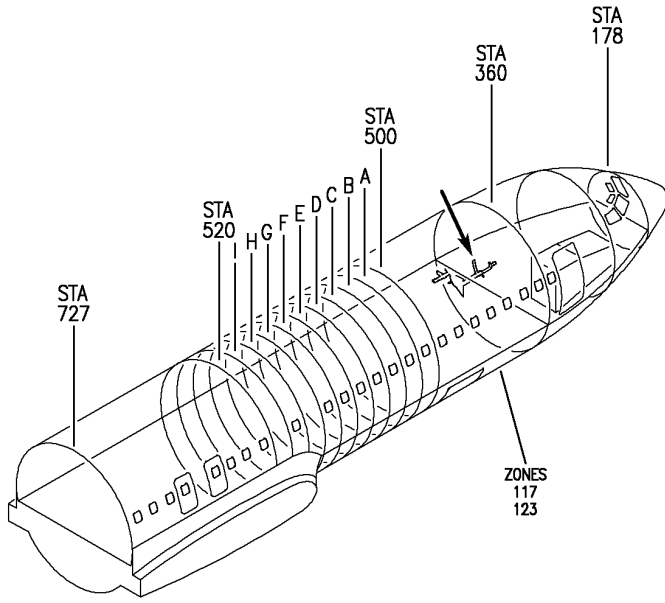
HAP

21-27-51-19

BOEING PROPRIETARY - Copyright © - Unpublished Work - See title page for details.

21-27-51
FIG. 19
PAGE 1
OCT 15/08

BOEING
 737-600/700/800/900
 PARTS CATALOG (MAINTENANCE)



E 21275121 SHT 1 REV 076

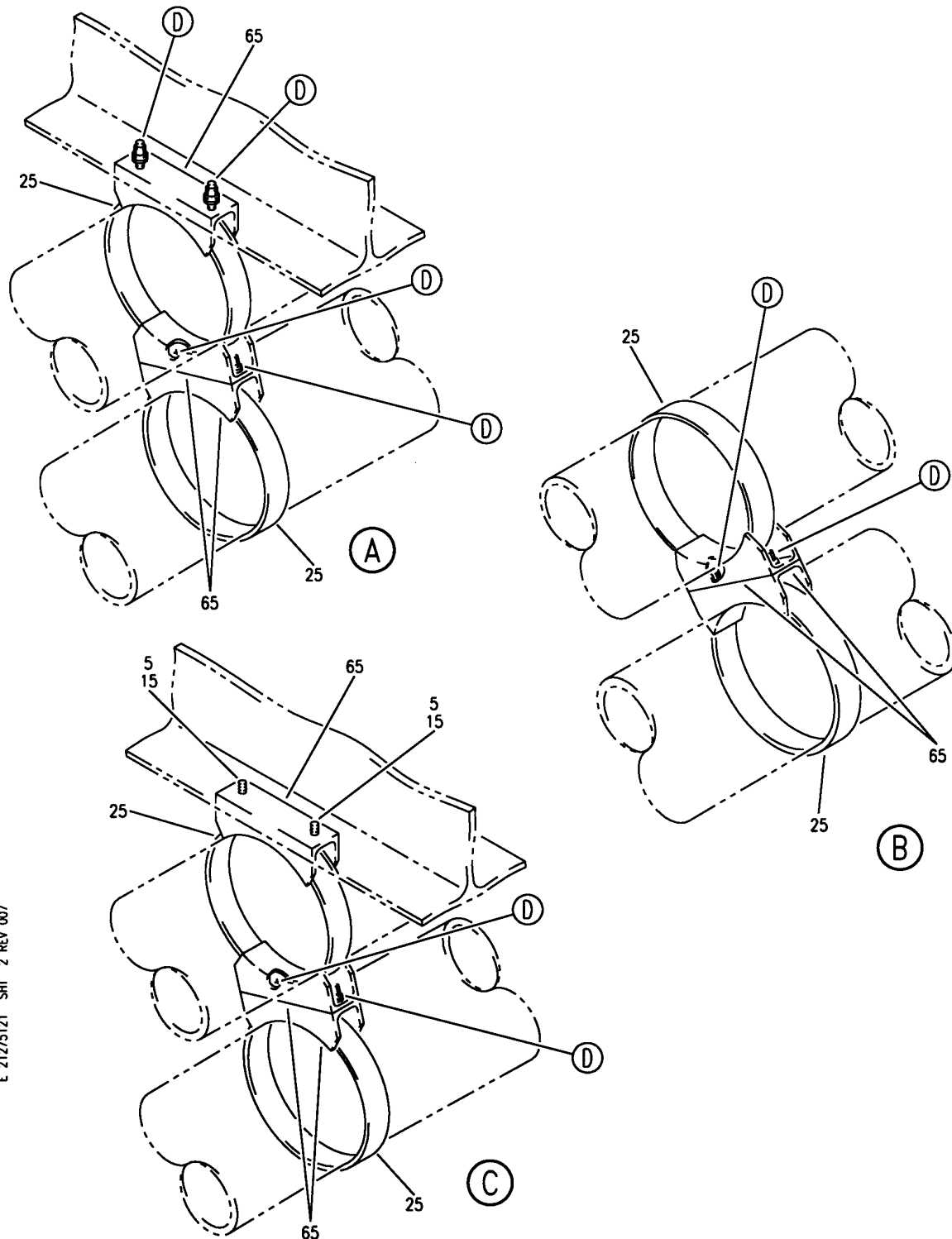
DUCT INSTL-STA 262 TO STA 350 AFT E/E BAY FLIGHT DECK AIR DISTR SYS (EQUIPMENT COOLING SYSTEM ONLY)
 FIGURE 21 (SHEET 1)

HAP
 OCT 10/06

21-27-51-21

21-27-51-21
 PAGE 0

BOEING
 737-600/700/800/900
 PARTS CATALOG (MAINTENANCE)



E 21275121 SH1 2 REV 007

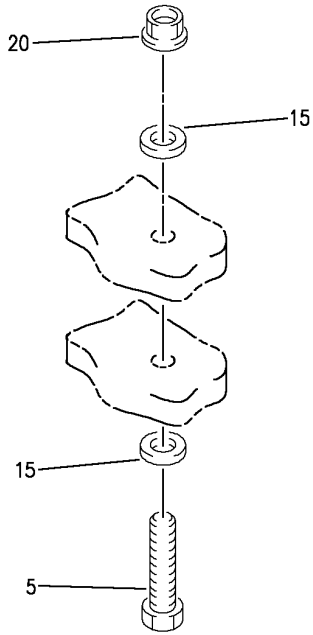
DUCT INSTL-STA 262 TO STA 350 AFT E/E BAY FLIGHT DECK AIR DISTR SYS (EQUIPMENT COOLING SYSTEM ONLY)
 FIGURE 21 (SHEET 2)

HAP
 OCT 10/06

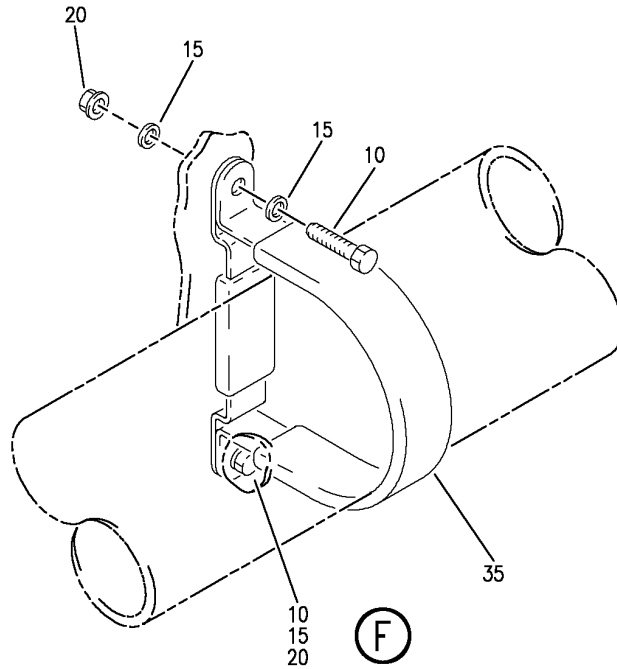
21-27-51-21

21-27-51-21
 PAGE 0A

BOEING
 737-600/700/800/900
 PARTS CATALOG (MAINTENANCE)



(D)



(F)

E 21275121 SH1 3 REV 076

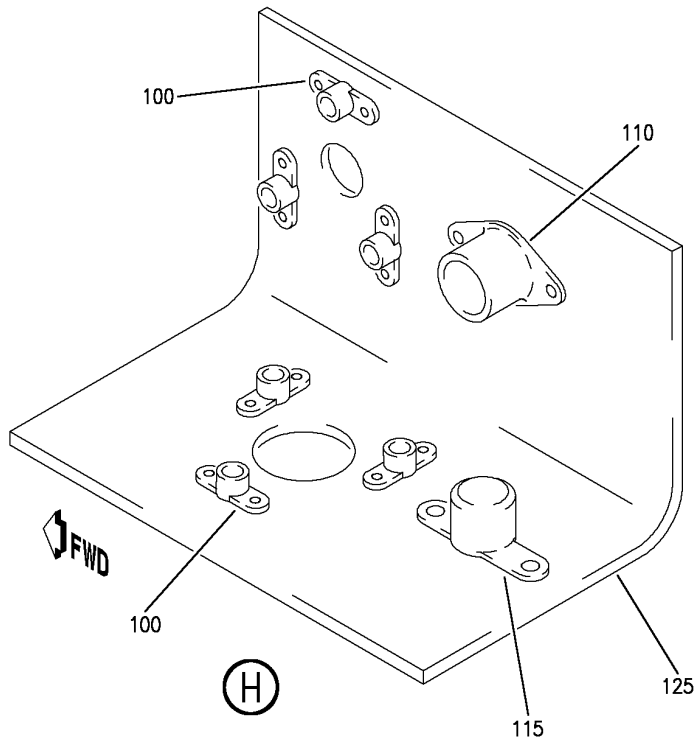
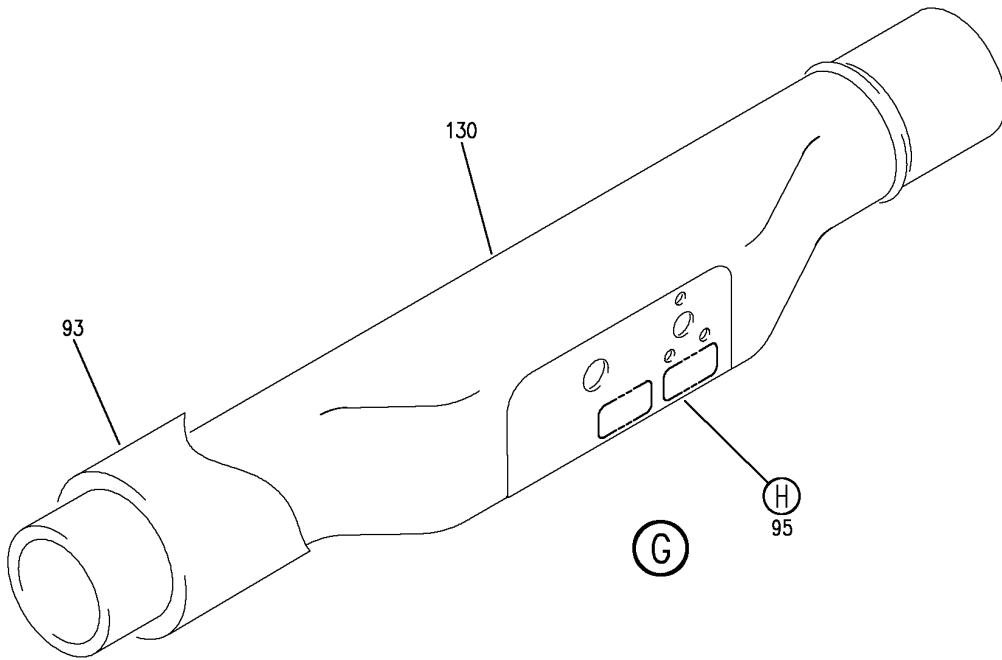
DUCT INSTL-STA 262 TO STA 350 AFT E/E BAY FLIGHT DECK AIR DISTR SYS (EQUIPMENT COOLING SYSTEM ONLY)
 FIGURE 21 (SHEET 3)

HAP
 OCT 10/06

21-27-51-21

21-27-51-21
 PAGE 0B

BOEING
 737-600/700/800/900
 PARTS CATALOG (MAINTENANCE)



E 21275121 SHT 4 REV 076

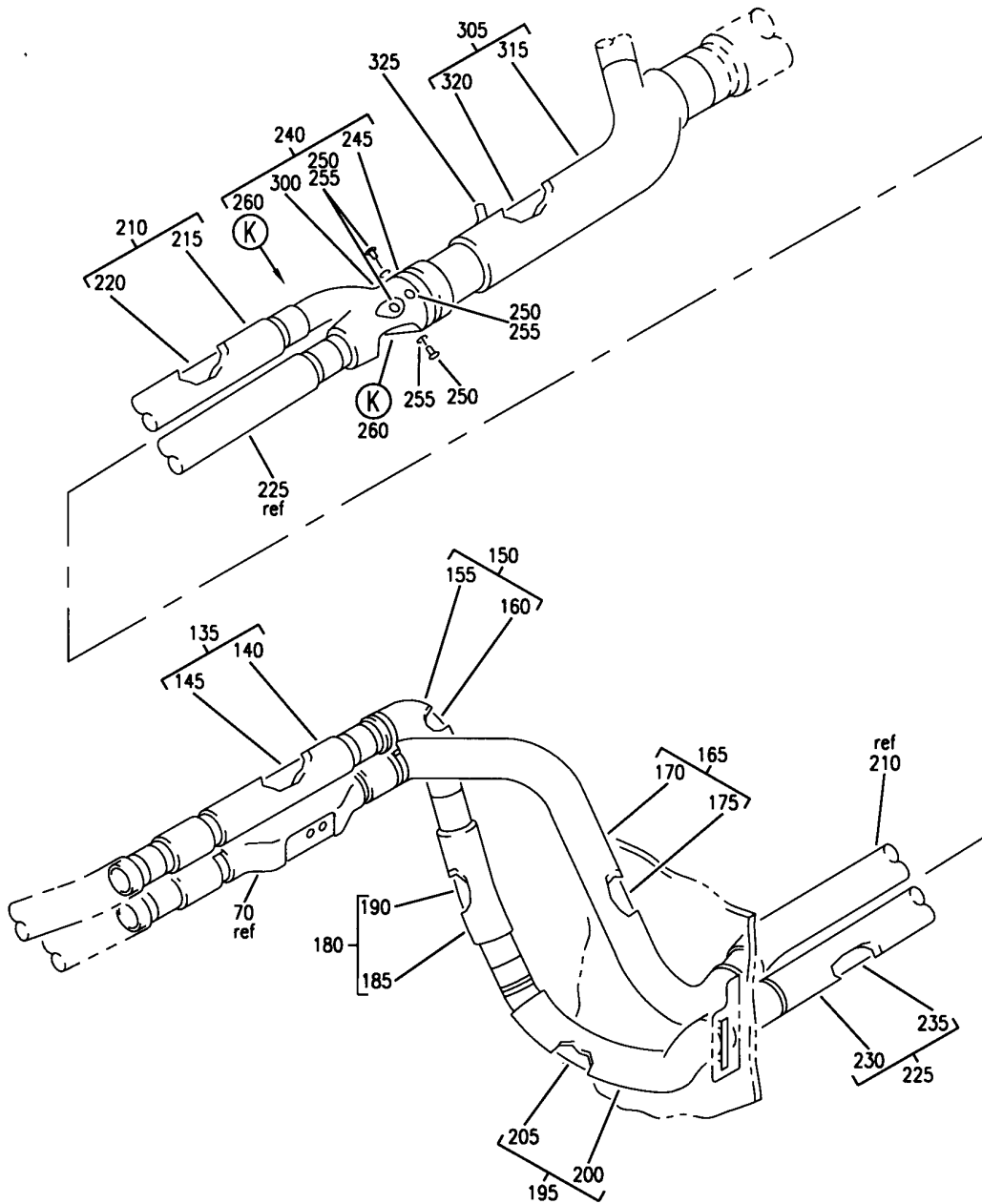
DUCT INSTL-STA 262 TO STA 350 AFT E/E BAY FLIGHT DECK AIR DISTR SYS (EQUIPMENT COOLING SYSTEM ONLY)
 FIGURE 21 (SHEET 4)

HAP
 OCT 10/06

21-27-51-21

21-27-51-21
 PAGE 0C

BOEING
 737-600/700/800/900
 PARTS CATALOG (MAINTENANCE)



(J)

E 21275121 SH1 5 REV 020

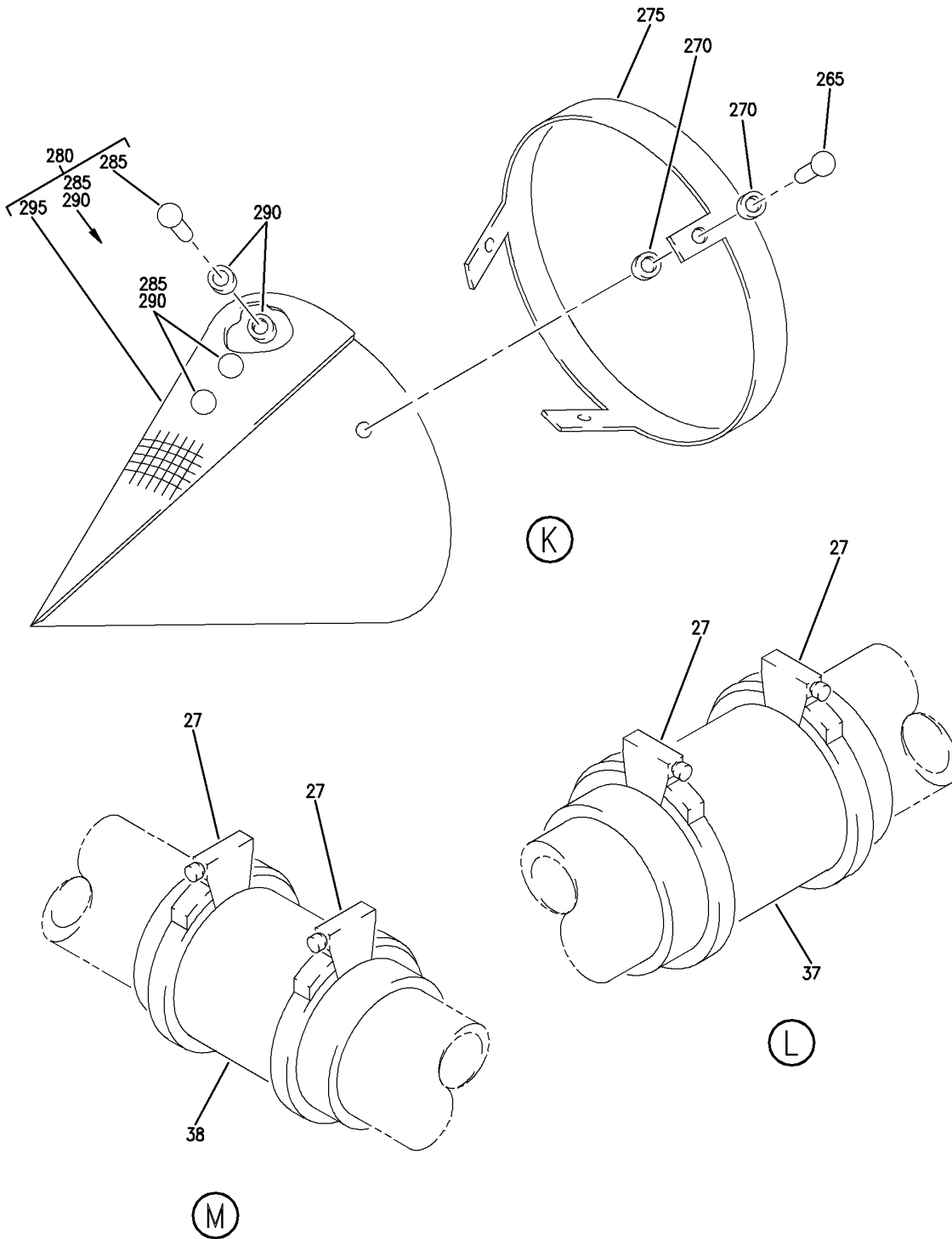
DUCT INSTL-STA 262 TO STA 350 AFT E/E BAY FLIGHT DECK AIR DISTR SYS (EQUIPMENT COOLING SYSTEM ONLY)
 FIGURE 21 (SHEET 5)

HAP
 OCT 10/06

21-27-51-21

21-27-51-21
 PAGE 0D

BOEING
 737-600/700/800/900
 PARTS CATALOG (MAINTENANCE)



E 21275121 SHT 6 REV 061

DUCT INSTL-STA 262 TO STA 350 AFT E/E BAY FLIGHT DECK AIR DISTR SYS (EQUIPMENT COOLING SYSTEM ONLY)
 FIGURE 21 (SHEET 6)

HAP
 OCT 10/06

21-27-51-21

21-27-51-21
 PAGE 0E

BOEING
737-600/700/800/900
PARTS CATALOG (MAINTENANCE)

FIG ITEM	PART NUMBER	1 2 3 4 5 6 7	NOMENCLATURE	EFFECT FROM TO	UNITS PER ASSY
21			DUCT INSTL-STA 262 TO STA 350 AFT E/E BAY FLIGHT DECK AIR DISTR SYS (EQUIPMENT COOLING SYSTEM ONLY)	001011	
- 1	214A1002-3		DUCT INSTL-E/E BAY FLIGHT DECK AIR DISTR SYS (EQUIPMENT COOLING SYSTEM ONLY) POSITION DATA: STA 262 TO STA 350 AFT FOR NHA/OTHER SYS DET SEE: 21-20-00-04C	001001 006007	RF
- 1	214A1002-7		DUCT INSTL-E/E BAY FLIGHT DECK AIR DISTR SYS (EQUIPMENT COOLING SYSTEM ONLY) POSITION DATA: STA 262 TO STA 350 AFT FOR NHA/OTHER SYS DET SEE: 21-20-00-04C	002005 008011	RF
5	BACS12GU3K10	.SCREW		001011	10
10	BACS12GU3K9	.SCREW		001011	4
15	NAS1149D0332J	.WASHER		001011	24
20	PLH53CD	.NUT		001011	10
			SUPPLIER CODE: VF0224 SPECIFICATION NUMBER: BACN10YR3CD OPTIONAL PART: H52732-3CD V15653		
25	PLT3SM	.STRAP		001011	6
			SUPPLIER CODE: V06383 SPECIFICATION NUMBER: BACS38K7 OPTIONAL PART: T0510 V53421		
27	NAS1922-0275-3	.CLAMP-		001011	8
			POST SERVICE BULLETIN: 21-1125		

MISSING ITEM NUMBERS NOT APPLICABLE

- ITEM NOT ILLUSTRATED

HAP

21-27-51-21

BOEING PROPRIETARY - Copyright © - Unpublished Work - See title page for details.

21-27-51
FIG. 21
PAGE 1
FEB 15/09

BOEING
737-600/700/800/900
PARTS CATALOG (MAINTENANCE)

FIG ITEM	PART NUMBER	1 2 3 4 5 6 7	NOMENCLATURE	EFFECT FROM TO	UNITS PER ASSY
21 30	421-40	.CLAMP	SUPPLIER CODE: V83930 SPECIFICATION NUMBER: BACC10CC40 OPTIONAL PART: JM45SC3D40T V22175 TA04C36-07 V84971 421A40 V83930	001011	1
35	421-64	.CLAMP	SUPPLIER CODE: V83930 SPECIFICATION NUMBER: BACC10CC64 OPTIONAL PART: JM45SC3D64T V22175 TA04C36-64 V84971 421A64 V83930	001011	1
37	AS1506-10D42	.HOSE-	POST SERVICE BULLETIN: 21-1125	001011	2
38	AS1506-10D50	.HOSE-	POST SERVICE BULLETIN: 21-1125	001011	2
65	214T3424-3	.SUPPORT-DUCT		001011	8
70	214A1113-5	.DUCT ASSY		001011	1
93	214A1113-3	..INSULATION-BLANKET		001011	1
95	214A1502-6	..PLATE ASSY		001011	1
- 97	BACR15BA3ADC	ATTACHING PARTS ..RIVET-	SIZE DETERMINED ON INSTL. OPTIONAL PART: BACR15DR3-3	001011	6

MISSING ITEM NUMBERS NOT APPLICABLE

- ITEM NOT ILLUSTRATED

HAP

21-27-51-21

BOEING PROPRIETARY - Copyright © - Unpublished Work - See title page for details.

21-27-51
FIG. 21
PAGE 2
OCT 10/06

BOEING
737-600/700/800/900
PARTS CATALOG (MAINTENANCE)

FIG ITEM	PART NUMBER	1 2 3 4 5 6 7	NOMENCLATURE	EFFECT FROM TO	UNITS PER ASSY
21					
- 97	AF5171-3-3	..	RIVET- SUPPLIER CODE: V53551 SPECIFICATION NUMBER: BACR15DR3-3 OPTIONAL PART: CCR264SS3-3 V11815 RV571A3-3 V98996 BACR15BA3ADC -----*-----	001011	6
100	BACN10JP3ACD	...	NUTPLATE ATTACHING PARTS	001011	6
- 105	BACR15BA3ADC	...	RIVET- SIZE DETERMINED ON INSTL. -----*-----	001011	12
110	F52NA1108	...	NUT-ANCHOR SUPPLIER CODE: V72962 ATTACHING PARTS	001011	1
- 112	BACR15BB4ADC	...	RIVET- SIZE DETERMINED ON INSTL. -----*-----	001011	2
115	F52NA1080	...	NUT-ANCHOR SUPPLIER CODE: V72962 ATTACHING PARTS	001011	1
- 120	BACR15BB4ADC	...	RIVET- SIZE DETERMINED ON INSTL. -----*-----	001011	2
125	214A1502-7	...	PLATE	001011	1
130	214A1113-2	..	DUCT	001011	1
135	214A1138-1	.DUCT	ASSY	001011	1
140	214A1138-3	..	INSULATION	001011	AR
145	214A1138-2	..	DUCT	001011	1
150	214A1147-1	.DUCT	ASSY	001011	1
155	214A1147-4	..	INSULATION-BLANKET	001011	AR
160	214A1147-2	..	DUCT	001011	1
165	214A1148-1	.DUCT	ASSY	001011	1
170	214A1148-4	..	INSULATION-BLANKET	001011	AR
175	214A1148-2	..	DUCT	001011	1
180	214A1136-1	.DUCT	ASSY	001011	1
185	214A1136-4	..	INSULATION-BLANKET	001011	AR
190	214A1136-2	..	DUCT	001011	1
195	214A1149-1	.DUCT	ASSY	001011	1
200	214A1149-4	..	INSULATION-BLANKET	001011	AR
205	214A1149-2	..	DUCT	001011	1
210	214A1137-1	.DUCT	ASSY	001011	1

MISSING ITEM NUMBERS NOT APPLICABLE

- ITEM NOT ILLUSTRATED

HAP

21-27-51-21

21-27-51
FIG. 21
PAGE 3
OCT 10/06

BOEING
737-600/700/800/900
PARTS CATALOG (MAINTENANCE)

FIG ITEM	PART NUMBER	1 2 3 4 5 6 7	NOMENCLATURE	EFFECT FROM TO	UNITS PER ASSY
21					
215	214A1137-4	..	INSULATION-BLANKET	001011	AR
220	214A1137-2	..	DUCT	001011	1
225	214A1135-1	.DUCT	ASSY	001011	1
230	214A1135-3	..	INSULATION	001011	AR
235	214A1135-2	..	DUCT	001011	1
240	214A1112-5	.DUCT	ASSY-	001011	1
245	214A1112-3	..	INSULATION-BLANKET	001011	1
250	BACR15FR4MR	..	RIVET-	001011	4
			SIZE DETERMINED ON INSTL.		
255	NAS1149CN616R	..	WASHER-	001011	4
			OPTIONAL PART: NAS1149CN516R		
255	NAS1149CN516R	..	WASHER-	001011	4
			OPTIONAL PART: NAS1149CN616R		
260	214W3221-5	..	CONE ASSY-WIRE MESH	001011	1
265	MS20615-6M4	...	RIVET	001011	3
270	NAS1149C0332R	...	WASHER	001011	6
275	214W3526-5	...	RING	001011	1
280	214W3525-7	...	SCREEN ASSY	001011	1
285	MS20615-6M4	RIVET	001011	3
290	NAS1149C0332R	WASHER	001011	6
295	214W3525-8	SCREEN	001011	1
300	214A1112-2	..	DUCT	001011	1
305	214A1114-1	.DUCT	ASSY-	001001	1
				006007	
305	214A1114-5	.DUCT	ASSY-	002005	1
				008011	
315	214A1114-4	..	INSULATION-BLANKET	001011	AR
320	214A1114-2	..	DUCT	001011	1
325	214T3436-56	.ORIFICE	ASSY	001011	1

MISSING ITEM NUMBERS NOT APPLICABLE

— ITEM NOT ILLUSTRATED

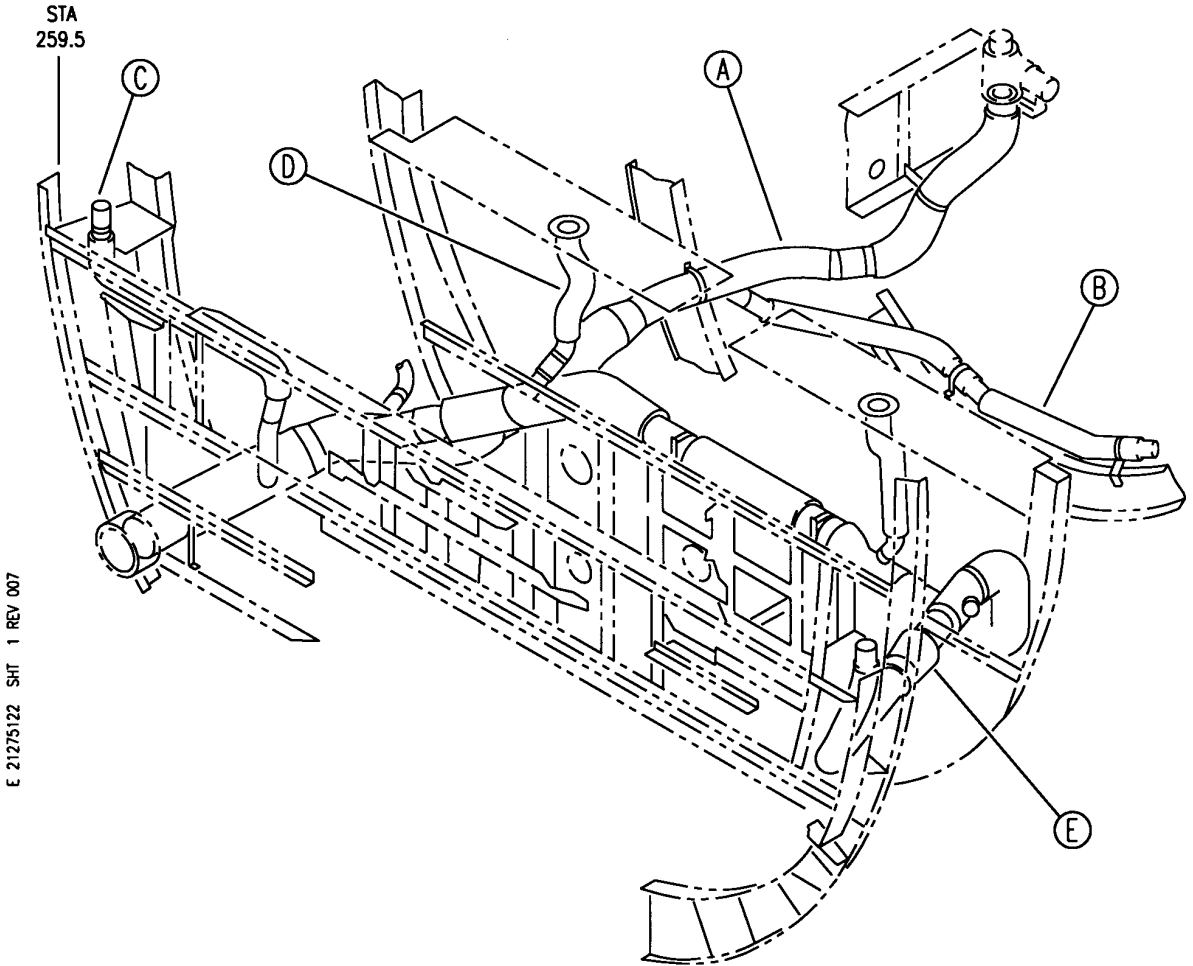
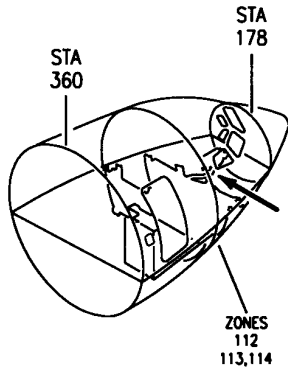
HAP

21-27-51-21

BOEING PROPRIETARY - Copyright © - Unpublished Work - See title page for details.

21-27-51
FIG. 21
PAGE 4
OCT 10/06

BOEING
 737-600/700/800/900
 PARTS CATALOG (MAINTENANCE)



E 21275122 SHT 1 REV 007

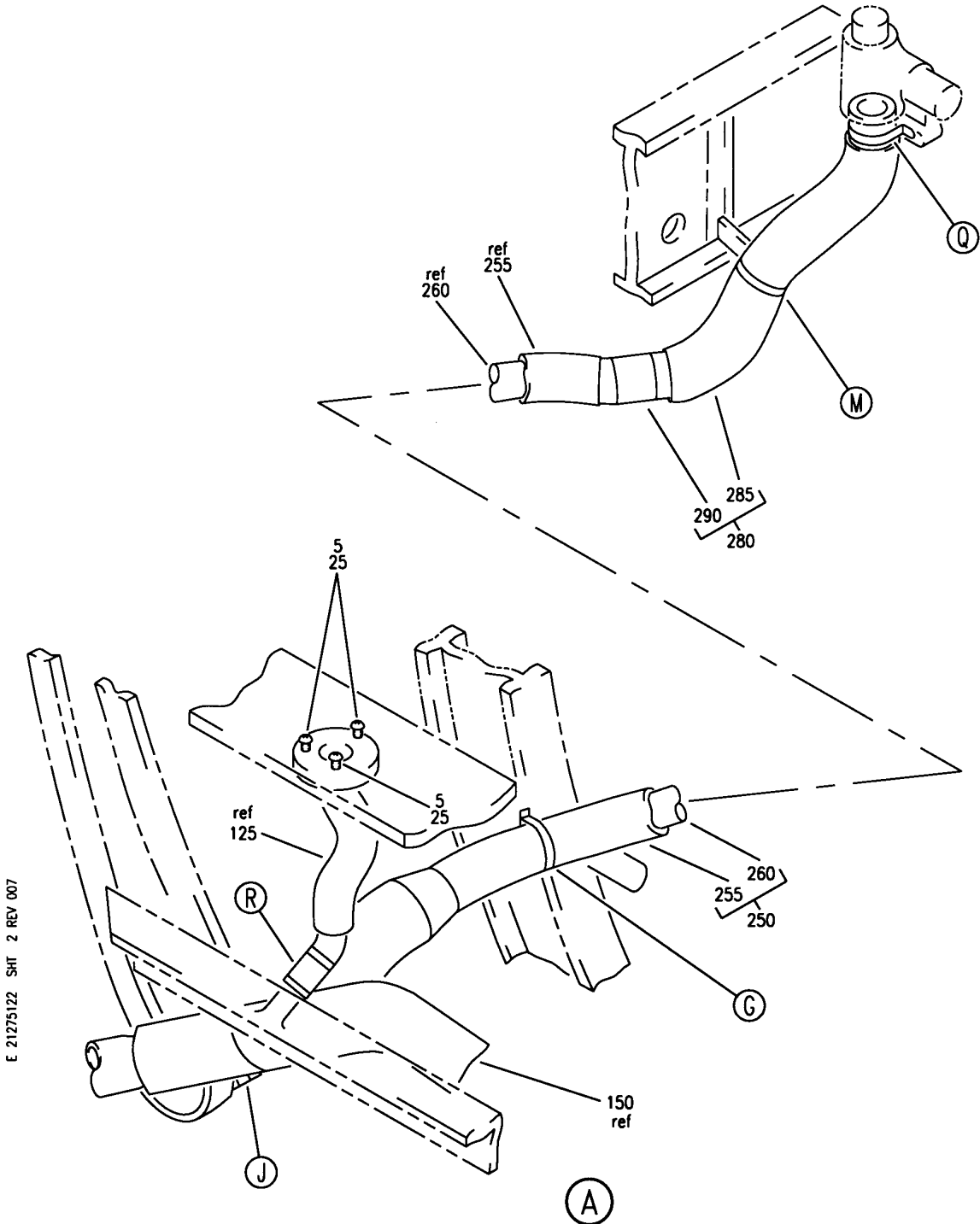
DUCT INSTL-STA 181 TO STA 262 FWD E/E BAY FLIGHT DECK AIR DISTR SYS
 FIGURE 22 (SHEET 1)

HAP
 OCT 10/06

21-27-51-22

21-27-51-22
 PAGE 0

BOEING
 737-600/700/800/900
 PARTS CATALOG (MAINTENANCE)



E 21275122 SH1 2 REV 007

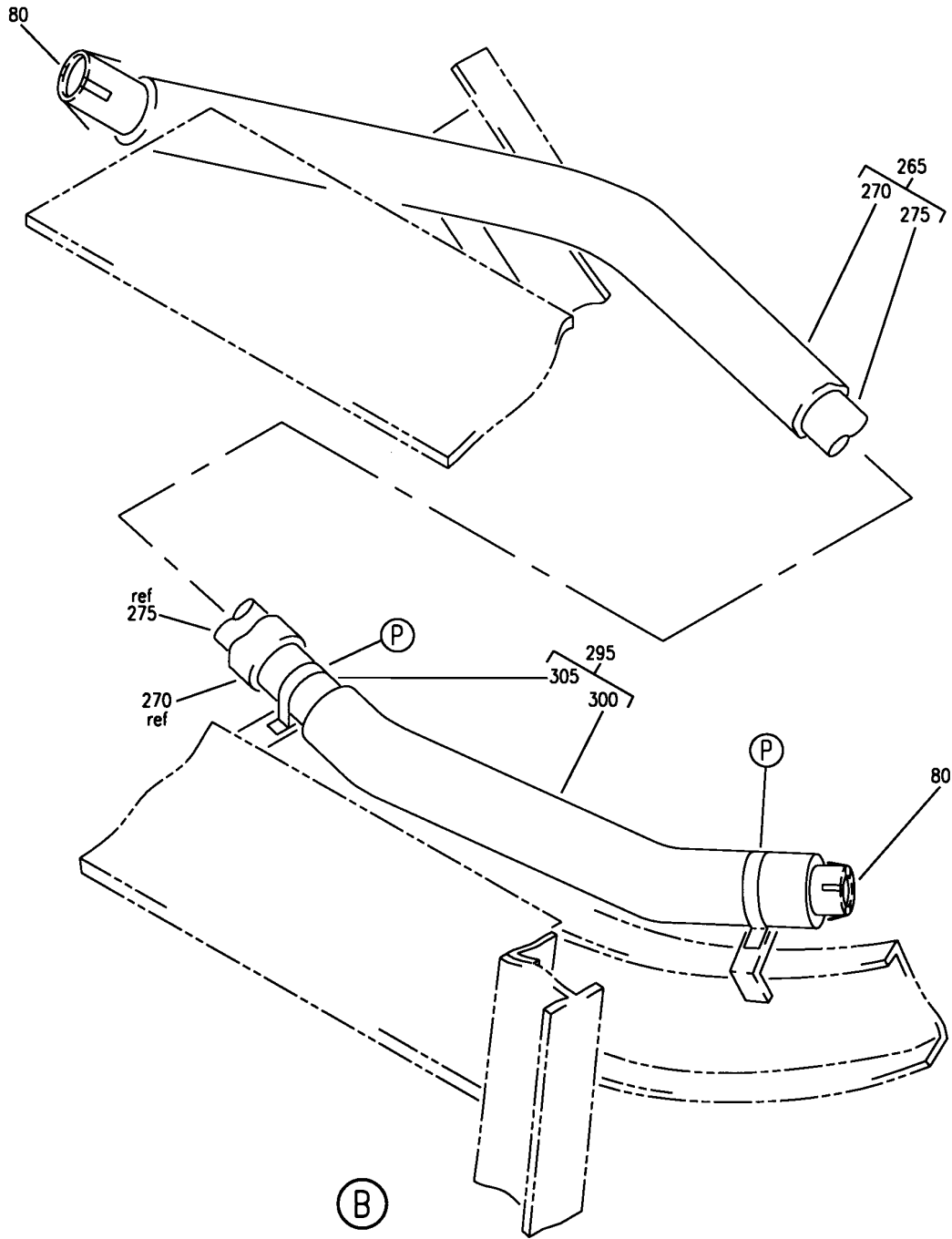
DUCT INSTL-STA 181 TO STA 262 FWD E/E BAY FLIGHT DECK AIR DISTR SYS
 FIGURE 22 (SHEET 2)

21-27-51-22

HAP
 OCT 10/06

21-27-51-22
 PAGE 0A

BOEING
 737-600/700/800/900
 PARTS CATALOG (MAINTENANCE)



E 21275122 SHF 3 REV 007

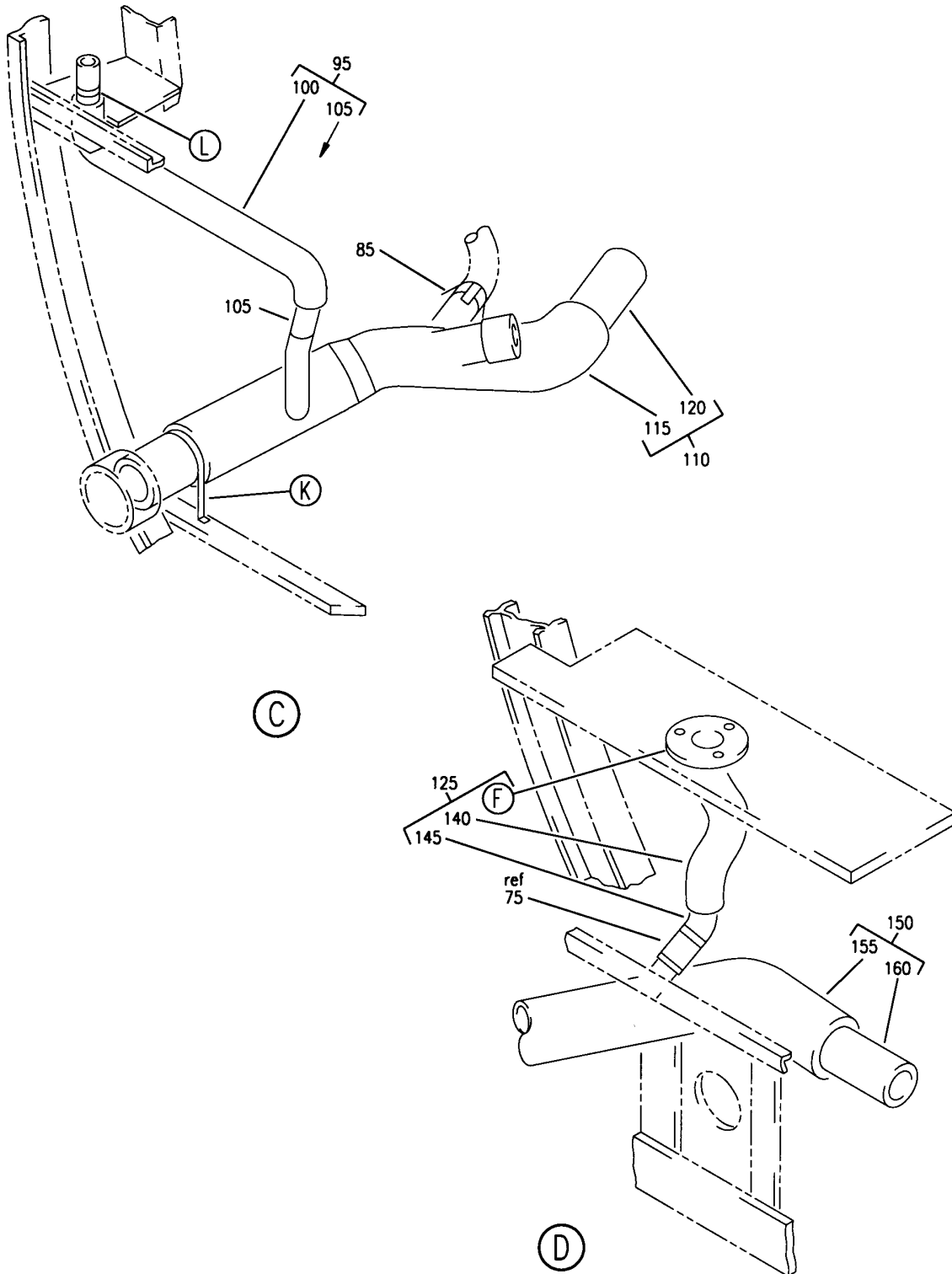
DUCT INSTL-STA 181 TO STA 262 FWD E/E BAY FLIGHT DECK AIR DISTR SYS
 FIGURE 22 (SHEET 3)

21-27-51-22

HAP
 OCT 10/06

21-27-51-22
 PAGE 0B

BOEING
 737-600/700/800/900
 PARTS CATALOG (MAINTENANCE)



E 21275122 SH1 4 REV 021

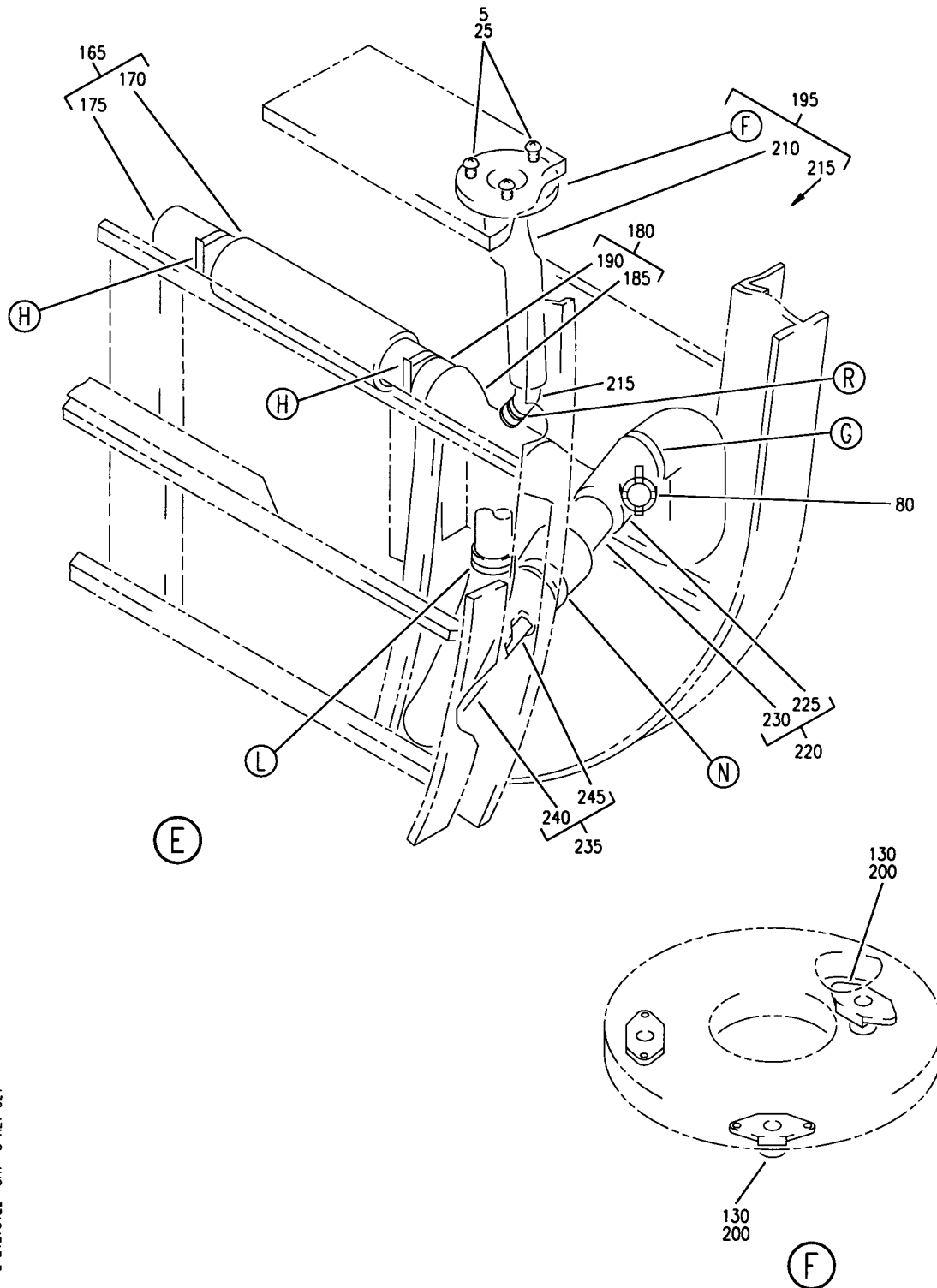
DUCT INSTL-STA 181 TO STA 262 FWD E/E BAY FLIGHT DECK AIR DISTR SYS
 FIGURE 22 (SHEET 4)

21-27-51-22

HAP
 OCT 10/06

21-27-51-22
 PAGE 0C

BOEING
 737-600/700/800/900
 PARTS CATALOG (MAINTENANCE)



E 21275122 SHT 5 REV 021

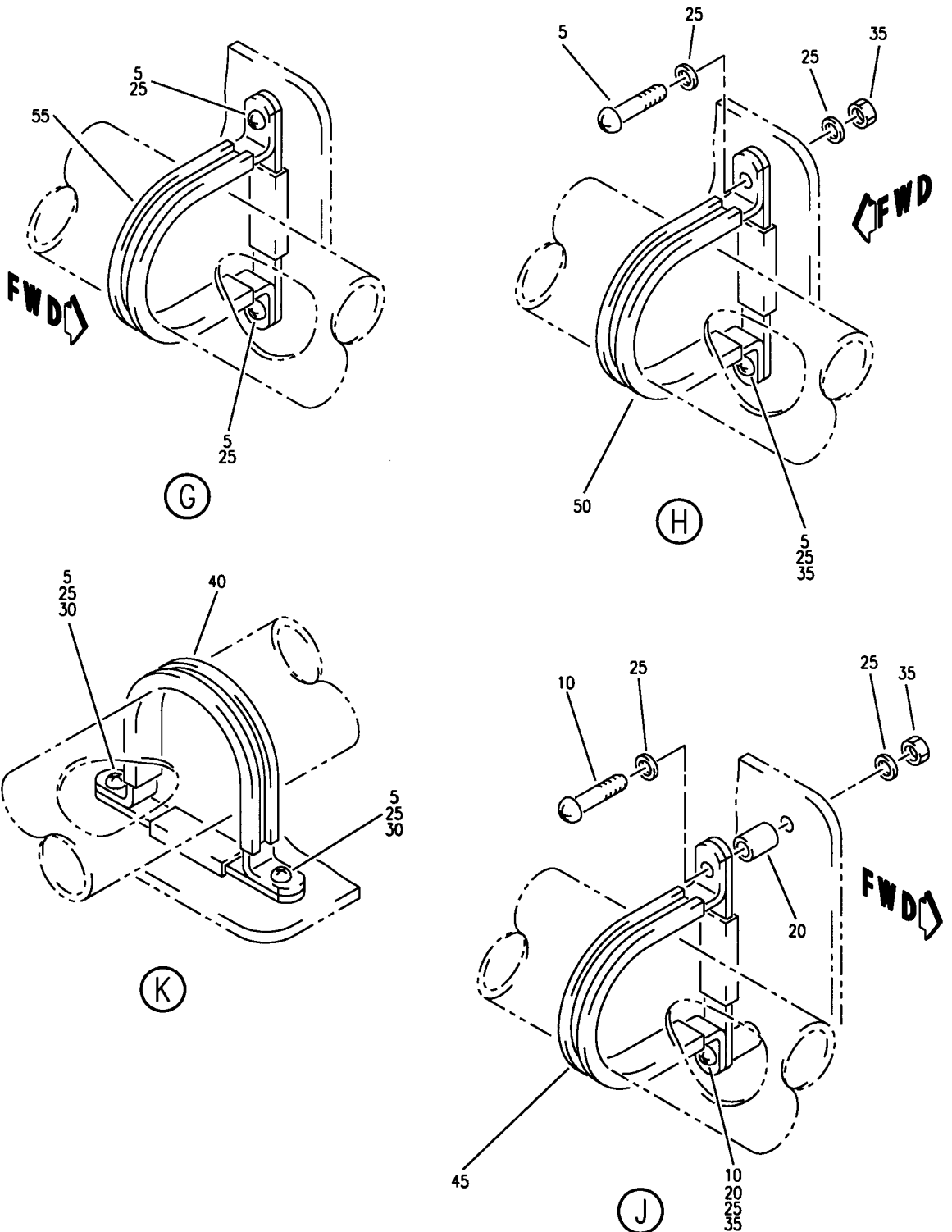
DUCT INSTL-STA 181 TO STA 262 FWD E/E BAY FLIGHT DECK AIR DISTR SYS
 FIGURE 22 (SHEET 5)

21-27-51-22

HAP
 OCT 10/06

21-27-51-22
 PAGE 0D

BOEING
 737-600/700/800/900
 PARTS CATALOG (MAINTENANCE)



E 21275122 SH1 6 REV 007

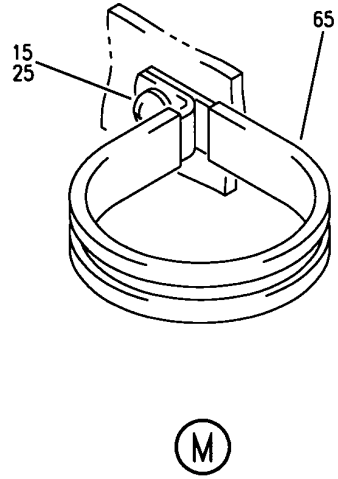
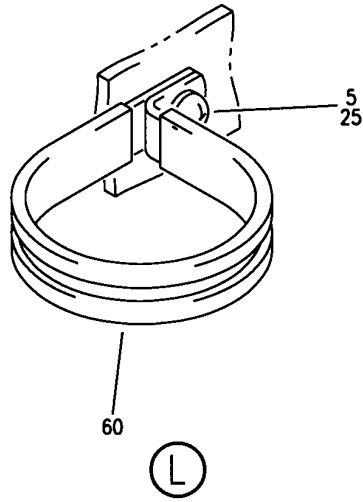
DUCT INSTL-STA 181 TO STA 262 FWD E/E BAY FLIGHT DECK AIR DISTR SYS
 FIGURE 22 (SHEET 6)

21-27-51-22

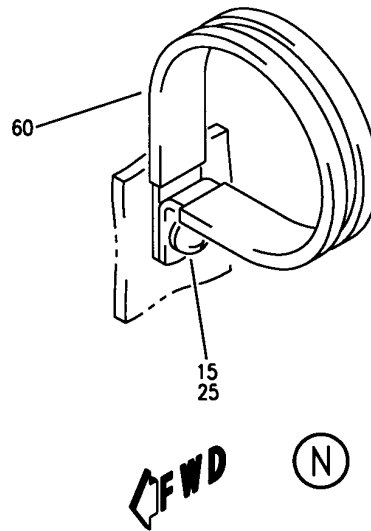
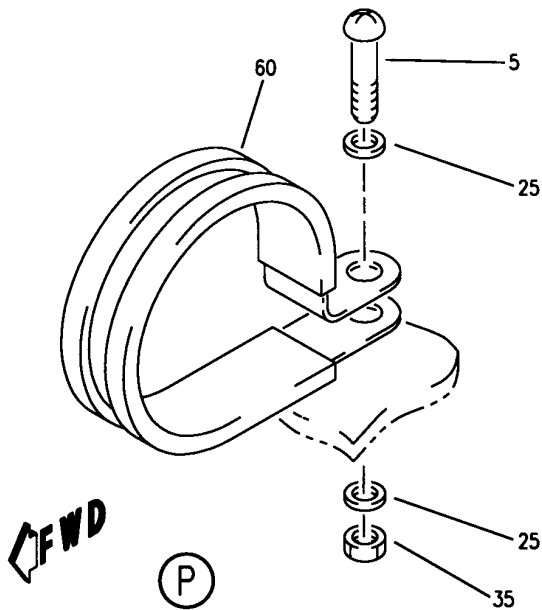
HAP
 OCT 10/06

21-27-51-22
 PAGE 0E

BOEING
 737-600/700/800/900
 PARTS CATALOG (MAINTENANCE)



E 21275122 SHT 7 REV 007



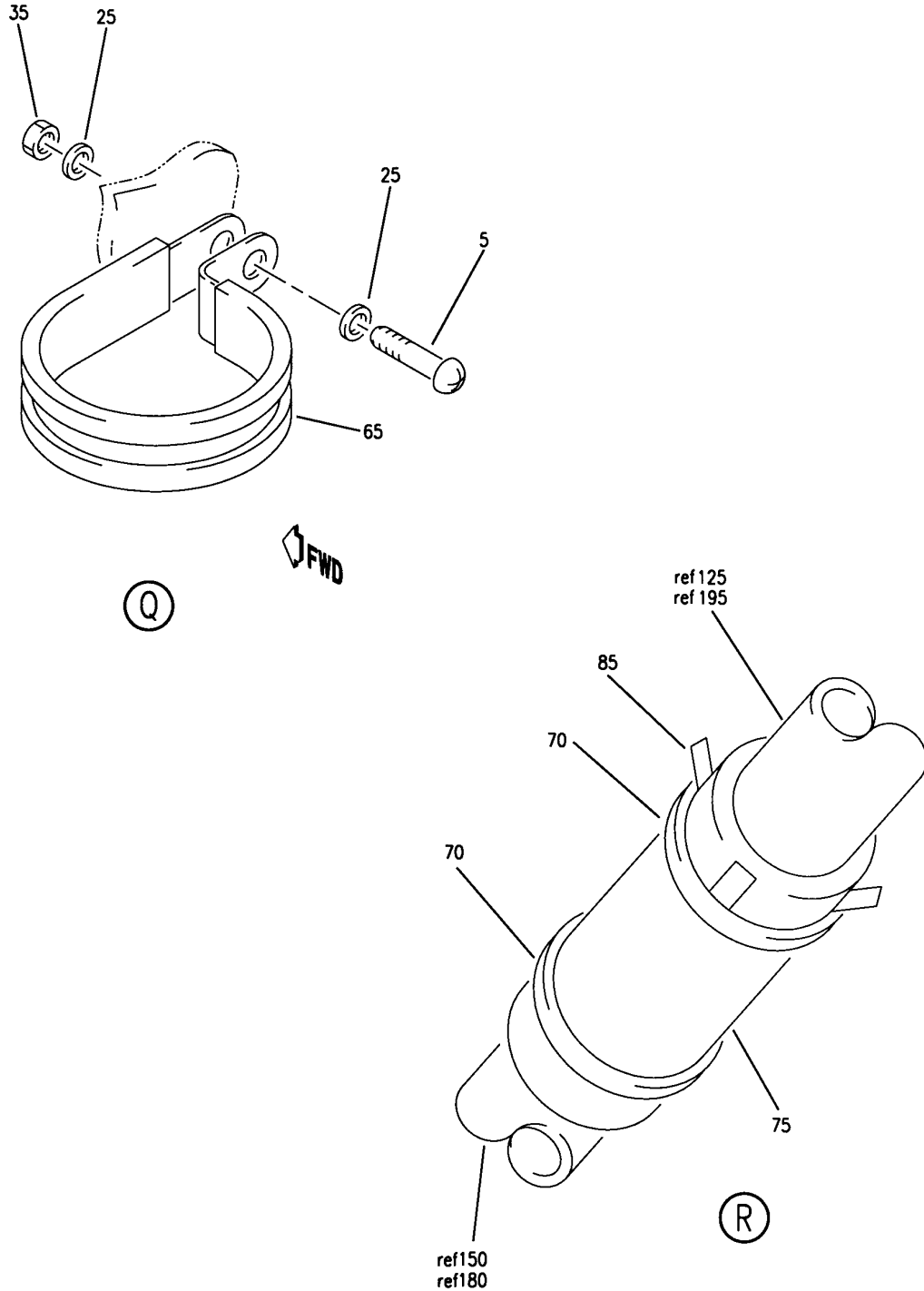
DUCT INSTL-STA 181 TO STA 262 FWD E/E BAY FLIGHT DECK AIR DISTR SYS
 FIGURE 22 (SHEET 7)

HAP
 OCT 10/06

21-27-51-22

21-27-51-22
 PAGE OF

BOEING
 737-600/700/800/900
 PARTS CATALOG (MAINTENANCE)



E 21275122 SHT 8 REV 021

DUCT INSTL-STA 181 TO STA 262 FWD E/E BAY FLIGHT DECK AIR DISTR SYS
 FIGURE 22 (SHEET 8)

21-27-51-22

HAP
 OCT 10/06

21-27-51-22
 PAGE 06

BOEING
737-600/700/800/900
PARTS CATALOG (MAINTENANCE)

FIG ITEM	PART NUMBER	1 2 3 4 5 6 7	NOMENCLATURE	EFFECT FROM TO	UNITS PER ASSY
22			DUCT INSTL-STA 181 TO STA 262 FWD E/E BAY FLIGHT DECK AIR DISTR SYS	001011	
- 1	214A1002-5		DUCT INSTL-E/E BAY FLIGHT DECK AIR DISTR SYS PLACARD CONTENT: STA 181 TO STA 262 FWD FOR NHA SEE: 21-20-00-04C	001011	RF
	5 BACS12GU3K8		.SCREW	001011	21
	10 BACS12GU3K18		.SCREW	001011	2
	15 BACS12GU3K9		.SCREW	001011	2
	20 NAS43DD3-40FC		.SPACER	001011	2
	25 NAS1149D0332J		.WASHER	001011	34
	30 BRC600-8-3GP		.CLIPNUT	001011	2
			SUPPLIER CODE: V52828 SPECIFICATION NUMBER: BACN10YD1G OPTIONAL PART: 130120G V60119		
35	PLH53CD		.NUT SUPPLIER CODE: VF0224 SPECIFICATION NUMBER: BACN10YR3CD OPTIONAL PART: H52732-3CD V15653	001011	9
40	421-64		.CLAMP SUPPLIER CODE: V83930 SPECIFICATION NUMBER: BACC10CC64 OPTIONAL PART: JM45SC3D64T V22175 TA04C36-64 V84971 421A64 V83930	001011	1

MISSING ITEM NUMBERS NOT APPLICABLE

- ITEM NOT ILLUSTRATED

HAP

21-27-51-22

BOEING PROPRIETARY - Copyright © - Unpublished Work - See title page for details.

21-27-51
FIG. 22
PAGE 1
FEB 15/09

BOEING
737-600/700/800/900
PARTS CATALOG (MAINTENANCE)

FIG ITEM	PART NUMBER	1 2 3 4 5 6 7	NOMENCLATURE	EFFECT FROM TO	UNITS PER ASSY
22 45	421-56		.CLAMP SUPPLIER CODE: V83930 SPECIFICATION NUMBER: BACC10CC56 OPTIONAL PART: JM45SC3D56T V22175 TA04C36-56 V84971 421A56 V83930	001011	1
50	JM45SC3D48T		.CLAMP SUPPLIER CODE: V22175 SPECIFICATION NUMBER: BACC10CC48 OPTIONAL PART: TA04C36-11 V84971 421A48 V83930 421-48 V83930	001011	2
55	421-40		.CLAMP SUPPLIER CODE: V83930 SPECIFICATION NUMBER: BACC10CC40 OPTIONAL PART: JM45SC3D40T V22175 TA04C36-07 V84971 421A40 V83930	001011	2
60	MS21919WDG24		.CLAMP	001011	5
65	MS21919WDG40		.CLAMP	001011	2
70	T05R0		.STRAP SUPPLIER CODE: V53421 SPECIFICATION NUMBER: BACS38K1 OPTIONAL PART: PLT2SM V06383	001011	4
75	AS1506-06D23		.SLEEVE	001011	2
80	214T3436-616		.ORIFICE ASSY	001011	3
85	214T3436-1585		.ORIFICE ASSY	001011	3

MISSING ITEM NUMBERS NOT APPLICABLE

— ITEM NOT ILLUSTRATED

HAP

21-27-51-22

BOEING PROPRIETARY - Copyright © - Unpublished Work - See title page for details.

21-27-51
FIG. 22
PAGE 2
OCT 10/06

BOEING
737-600/700/800/900
PARTS CATALOG (MAINTENANCE)

FIG ITEM	PART NUMBER	1 2 3 4 5 6 7	NOMENCLATURE	EFFECT FROM TO	UNITS PER ASSY
22					
95	214A1117-1	.DUCT	ASSY	001011	1
100	214A1117-3	..INSULATION		001011	AR
105	214A1117-2	..DUCT		001011	1
110	214A1116-1	.DUCT	ASSY	001011	1
115	214A1116-4	..BLANKET-INSULATION		001011	AR
120	214A1116-2	..DUCT		001011	1
125	214A1124-1	.DUCT	ASSY	001011	1
130	BRF200A3	..NUTPLATE		001011	3
		SUPPLIER CODE: V52828			
		SPECIFICATION NUMBER: BACN10JR3F			
		OPTIONAL PART: NS103203-02			
		V80539			
		RMF9201-3			
		V72962			
		VN152A1-02			
		V92215			
		T8091S1032			
		V11815			
		F5000-3BAC			
		V15653			
		ATTACHING PARTS			
- 135	BACR15BA3AD3C	..RIVET		001011	6
		-----*-----			
140	214A1124-4	..BLANKET-INSULATION		001011	AR
145	214A1124-2	..DUCT		001011	1
150	214A1125-1	.DUCT	ASSY	001011	1
155	214A1125-4	..BLANKET-INSULATION		001011	AR
160	214A1125-2	..DUCT		001011	1
165	214A1155-1	.DUCT	ASSY	001011	1
170	214A1155-2	..INSULATION		001011	1
175	214A1155-3	..DUCT		001011	1
180	214A1150-1	.DUCT	ASSY	001011	1
185	214A1150-4	..BLANKET-INSULATION		001011	AR
190	214A1150-2	..DUCT		001011	1
195	214A1133-1	.DUCT	ASSY	001011	1

MISSING ITEM NUMBERS NOT APPLICABLE

- ITEM NOT ILLUSTRATED

HAP

21-27-51-22

21-27-51
FIG. 22
PAGE 3
OCT 10/06

BOEING
737-600/700/800/900
PARTS CATALOG (MAINTENANCE)

FIG ITEM	PART NUMBER	1 2 3 4 5 6 7	NOMENCLATURE	EFFECT FROM TO	UNITS PER ASSY
22 200	BRF200A3		..NUTPLATE SUPPLIER CODE: V52828 SPECIFICATION NUMBER: BACN10JR3F OPTIONAL PART: NS103203-02 V80539 RMF9201-3 V72962 VN152A1-02 V92215 T8091S1032 V11815 F5000-3BAC V15653	001011	3
- 205	BACR15BA3AD3C		ATTACHING PARTS ..RIVET -----*-----	001011	6
210	214A1133-4		..BLANKET-INSULATION	001011	AR
215	214A1133-2		..DUCT	001011	1
220	214A1134-1		.DUCT ASSY	001011	1
225	214A1134-4		..BLANKET-INSULATION	001011	AR
230	214A1134-2		..DUCT	001011	1
235	214A1120-1		.DUCT ASSY	001011	1
240	214A1120-4		..BLANKET-INSULATION	001011	AR
245	214A1120-2		..DUCT	001011	1
250	214A1123-1		.DUCT ASSY	001011	1
255	214A1123-4		..BLANKET-INSULATION	001011	AR
260	214A1123-2		..DUCT	001011	1
265	214A1132-1		.DUCT ASSY	001011	1
270	214A1132-3		..INSULATION	001011	AR
275	214A1132-2		..DUCT	001011	1
280	214A1130-1		.DUCT ASSY- OPTIONAL PART: 214A1130-5	001011	1
280	214A1130-5		.DUCT ASSY- OPTIONAL PART: 214A1130-1	001011	1
285	214A1130-4		..BLANKET-INSULATION USED ON: 214A1130-1	001011	AR
290	214A1130-2		..DUCT- USED ON: 214A1130-1	001011	1
295	214A1128-1		.DUCT ASSY	001011	1
300	214A1128-3		..INSULATION	001011	AR
305	214A1128-2		..DUCT	001011	1

MISSING ITEM NUMBERS NOT APPLICABLE

- ITEM NOT ILLUSTRATED

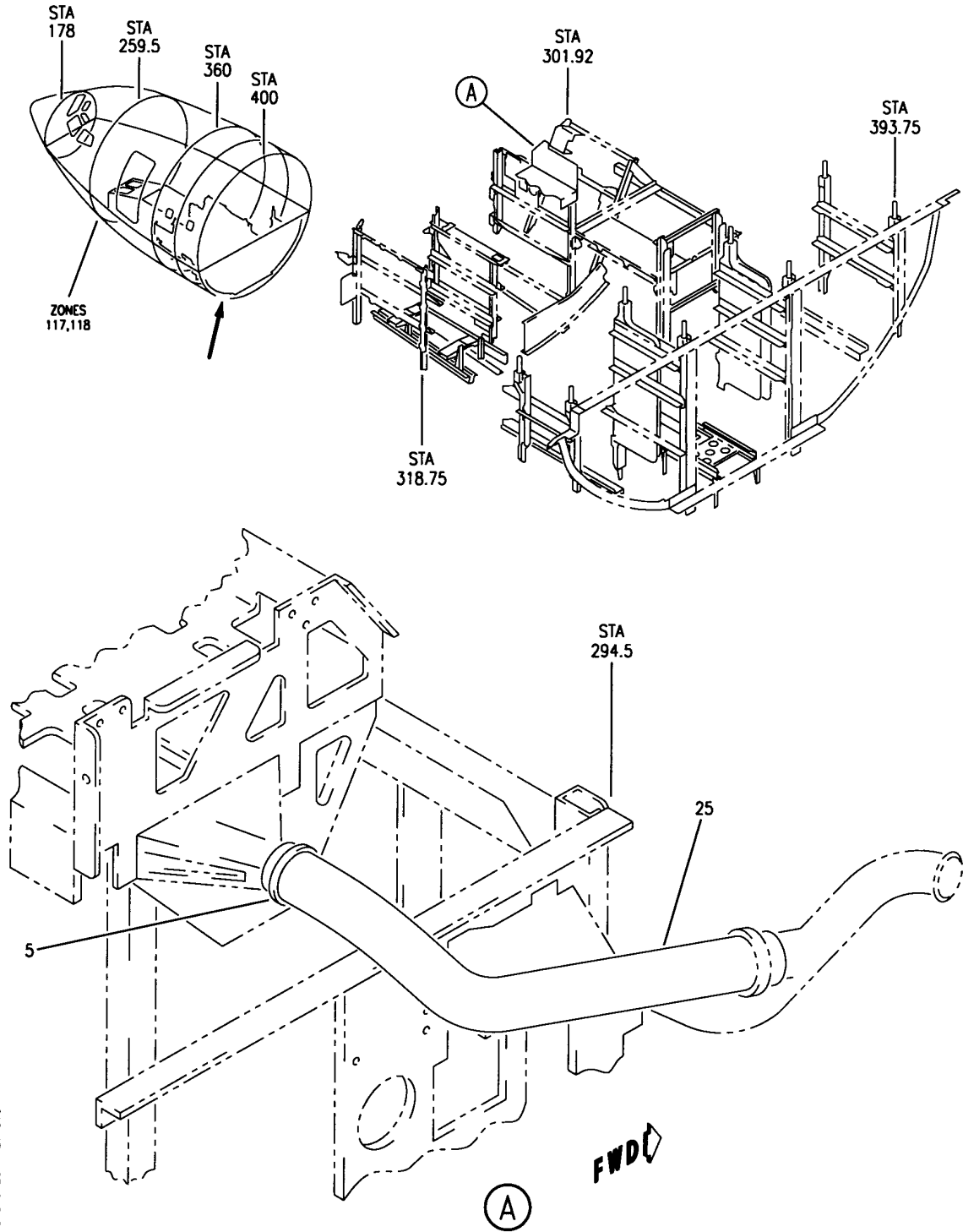
HAP

21-27-51-22

BOEING PROPRIETARY - Copyright © - Unpublished Work - See title page for details.

21-27-51
FIG. 22
PAGE 4
OCT 10/06

BOEING
 737-600/700/800/900
 PARTS CATALOG (MAINTENANCE)



E 21275128 REV 016

PROVISION INSTL-E/E EQPT COOLING E8 RACK
 FIGURE 28

21-27-51-28

HAP
 OCT 10/06

21-27-51-28
 PAGE 0

BOEING
737-600/700/800/900
PARTS CATALOG (MAINTENANCE)

FIG ITEM	PART NUMBER	1 2 3 4 5 6 7	NOMENCLATURE	EFFECT FROM TO	UNITS PER ASSY
28			PROVISION INSTL-E/E EQPT COOLING E8 RACK	001004 006007	
- 1	284A0780-2		PROVISION INSTL-E/E EQPT COOLING POSITION DATA: E8 RACK FOR NHA SEE: 21-27-00-12	001004 006007	RF
5	PLT3SM		.STRAP- SUPPLIER CODE: V06383 SPECIFICATION NUMBER: BACS38K7 OPTIONAL PART: T0510 V53421	001004 006007	1
25	AS1504-10B0290		.HOSE-	001004 006007	1

MISSING ITEM NUMBERS NOT APPLICABLE

- ITEM NOT ILLUSTRATED

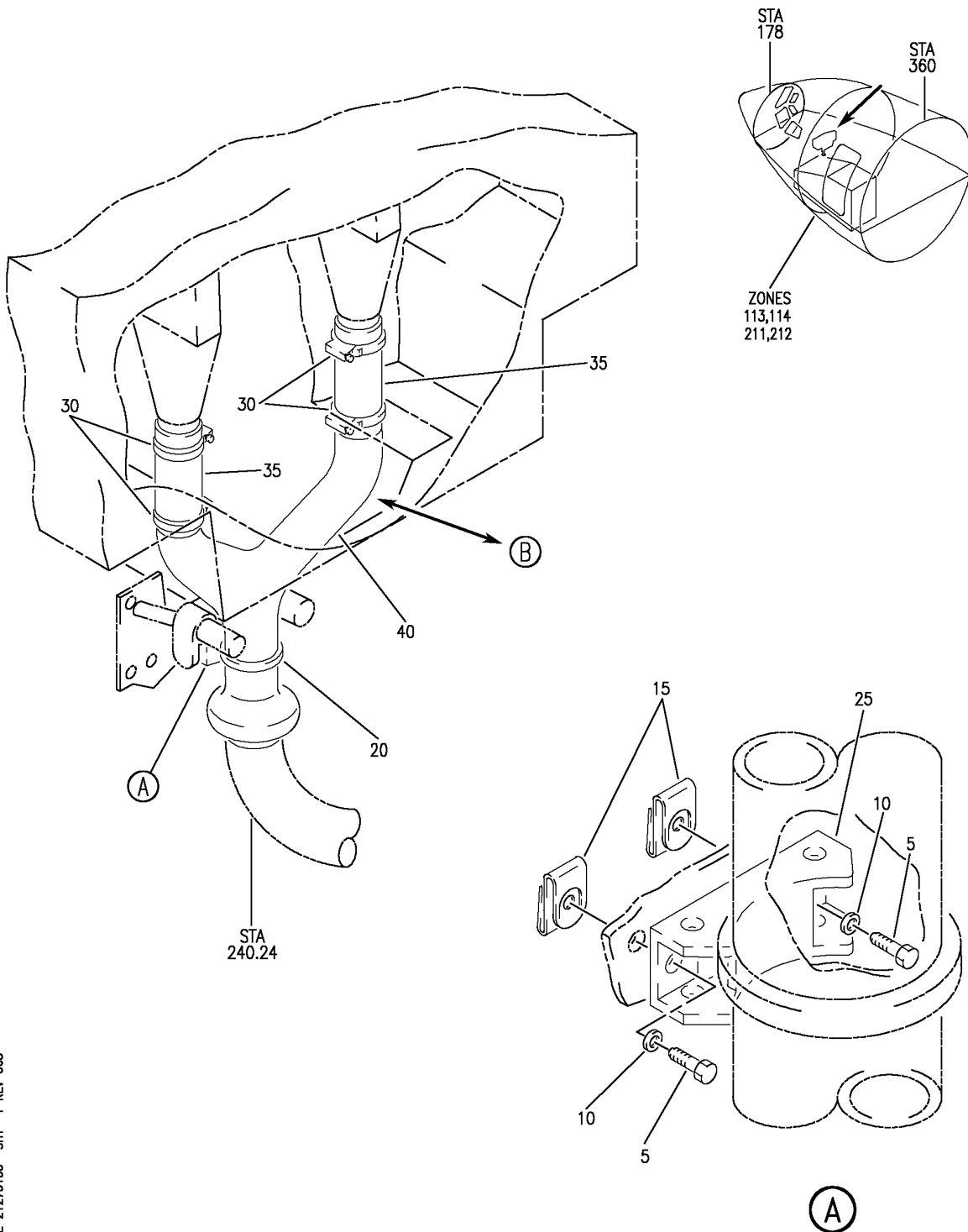
HAP

21-27-51-28

BOEING PROPRIETARY - Copyright © - Unpublished Work - See title page for details.

21-27-51
FIG. 28
PAGE 1
OCT 10/06

BOEING
 737-600/700/800/900
 PARTS CATALOG (MAINTENANCE)



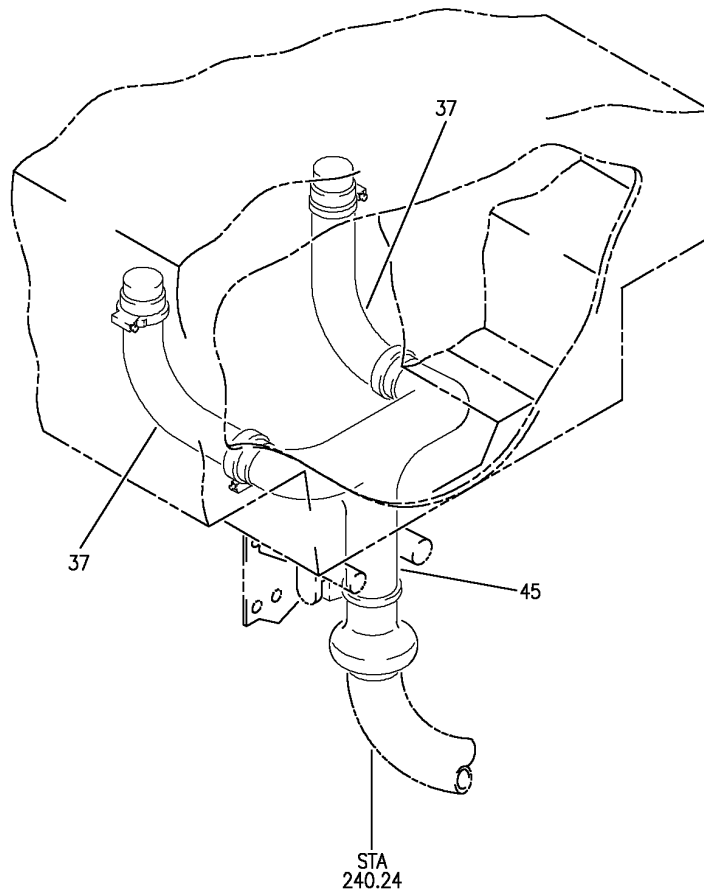
E 21275133 SH1 1 REV 065

DUCT INSTL-SECT. 41 FWD E/E COOLING SUPPLY
 FIGURE 33 (SHEET 1)

21-27-51-33

HAP
 OCT 10/06

21-27-51-33
 PAGE 0



(B)

E 21275133 SH1 2 REV 065

DUCT INSTL-SECT. 41 FWD E/E COOLING SUPPLY
FIGURE 33 (SHEET 2)

21-27-51-33

HAP
OCT 10/06

21-27-51-33
PAGE 0A

BOEING
737-600/700/800/900
PARTS CATALOG (MAINTENANCE)

FIG ITEM	PART NUMBER	1 2 3 4 5 6 7	NOMENCLATURE	EFFECT FROM TO	UNITS PER ASSY
33			DUCT INSTL-SECT. 41 FWD E/E COOLING SUPPLY	001030 201967	
- 1	217A1001-2		DUCT INSTL-E/E COOLING SUPPLY POSITION DATA: SECT. 41 FWD FOR NHA SEE: 21-20-00-04B 21-20-00-09C	001030 201967	RF
	5 BACS12GU3K9		.SCREW	001030 201967	2
	10 NAS1149D0332J		.WASHER	001030 201967	2
	15 BRC600-8G3GP		.CLIPNUT SUPPLIER CODE: V52828 SPECIFICATION NUMBER: BACN10YD4G OPTIONAL PART: 130123G V60119	001030 201967	2
	20 T05R0		.STRAP SUPPLIER CODE: V53421 SPECIFICATION NUMBER: BACS38K1 OPTIONAL PART: PLT2SM V06383	001030 201967	1
	25 214T3424-16		.SUPPORT	001030 201967	1
	30 NAS1922-0100-3		.CLAMP	001030 201967	4
	35 AS1506-04D23		.SLEEVE	001030 201967	2
	40 217A1127-1		.DUCT	001030 201967	1

MISSING ITEM NUMBERS NOT APPLICABLE

- ITEM NOT ILLUSTRATED

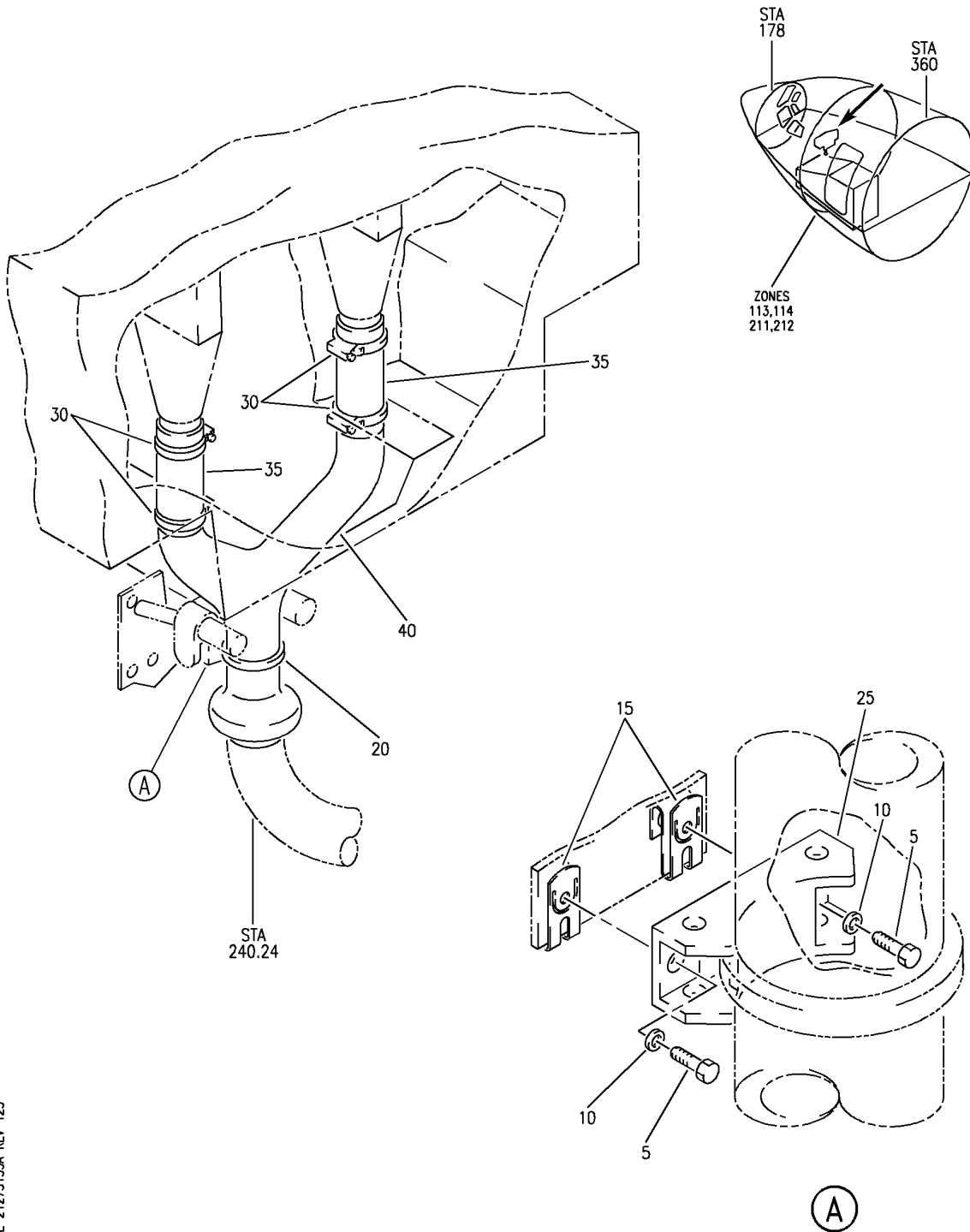
HAP

21-27-51-33

BOEING PROPRIETARY - Copyright © - Unpublished Work - See title page for details.

21-27-51
FIG. 33
PAGE 1
OCT 15/08

BOEING
 737-600/700/800/900
 PARTS CATALOG (MAINTENANCE)



E 21275133A REV 125

DUCT INSTL-SECT. 41 FWD E/E COOLING SUPPLY
 FIGURE 33A

21-27-51-33A

HAP
 FEB 10/07

21-27-51-33A
 PAGE 0

BOEING
737-600/700/800/900
PARTS CATALOG (MAINTENANCE)

FIG ITEM	PART NUMBER	1 2 3 4 5 6 7	NOMENCLATURE	EFFECT FROM TO	UNITS PER ASSY
33A			DUCT INSTL-SECT. 41 FWD E/E COOLING SUPPLY	031200 968999	
- 1	MODREF81488		DUCT INSTL-E/E COOLING SUPPLY	031200 968999	1
			MODULE NUMBER: 217A1001-2 REV A		
			POSITION DATA: SECT. 41 FWD		
5	BACS12GU3K9		.SCREW	031200 968999	2
10	NAS1149D0332J		.WASHER	031200 968999	2
15	BRC600-8G3GP		.CLIPNUT	031200 968999	2
			SUPPLIER CODE: V52828		
			SPECIFICATION NUMBER: BACN10YD4G		
			OPTIONAL PART: 130123G V60119		
20	T05R0		.STRAP	031200 968999	1
			SUPPLIER CODE: V53421		
			SPECIFICATION NUMBER: BACS38K1		
			OPTIONAL PART: PLT2SM V06383		
25	214T3424-16		.SUPPORT	031200 968999	1
30	NAS1922-0100-3		.CLAMP	031200 968999	4
35	AS1506-04D23		.SLEEVE	031200 968999	2
40	217A1127-1		.DUCT	031200 968999	1

MISSING ITEM NUMBERS NOT APPLICABLE

- ITEM NOT ILLUSTRATED

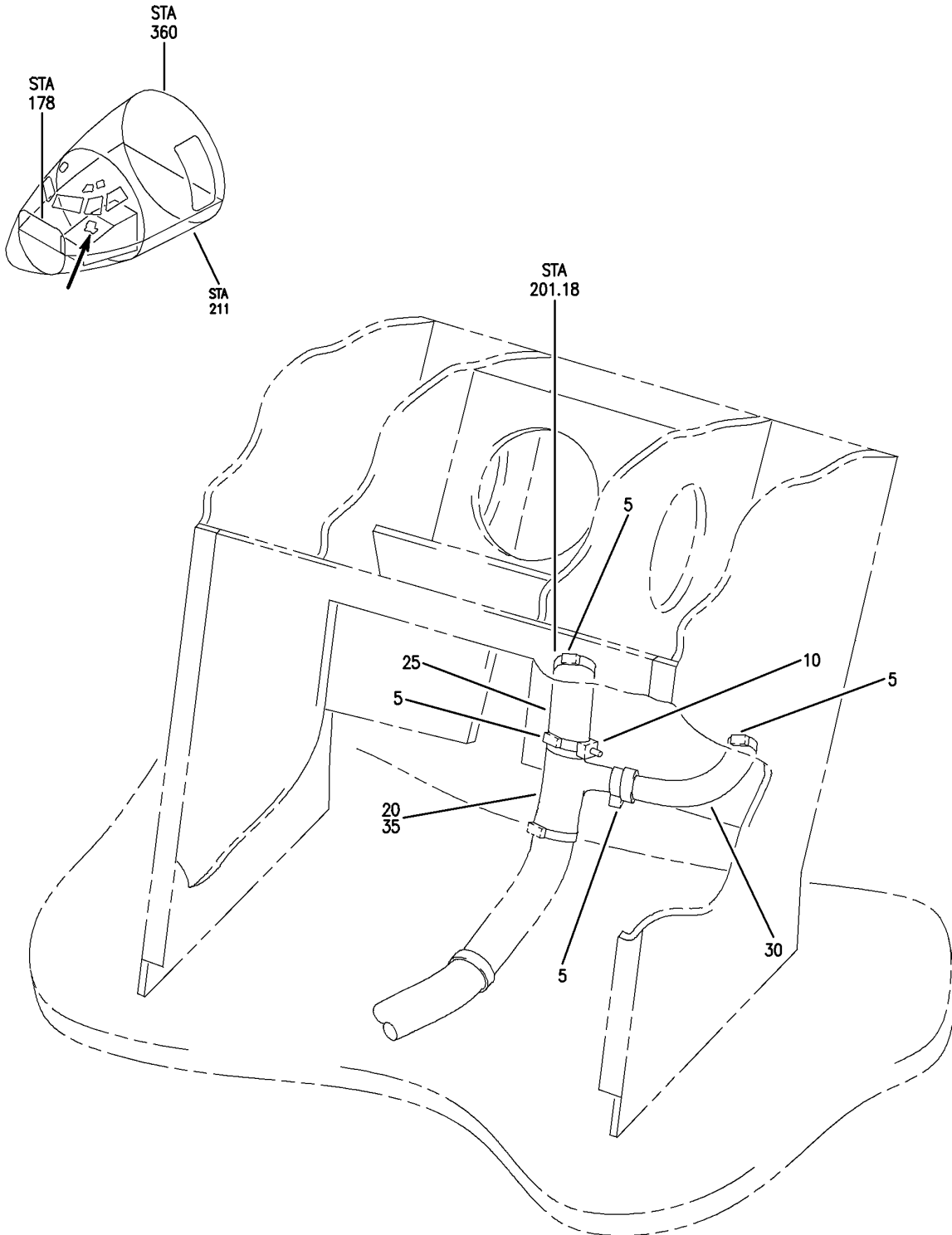
HAP

21-27-51-33A

BOEING PROPRIETARY - Copyright © - Unpublished Work - See title page for details.

21-27-51
FIG. 33A
PAGE 1
OCT 15/08

BOEING
737-600/700/800/900
PARTS CATALOG (MAINTENANCE)



E 21275141 REV 062

DUCT INSTL-FLIGHT DECK E/E COOLING SUPPLY
FIGURE 41

21-27-51-41

HAP
OCT 10/06

21-27-51-41
PAGE 0

BOEING
737-600/700/800/900
PARTS CATALOG (MAINTENANCE)

FIG ITEM	PART NUMBER	1 2 3 4 5 6 7	NOMENCLATURE	EFFECT FROM TO	UNITS PER ASSY
41			DUCT INSTL-FLIGHT DECK E/E COOLING SUPPLY	002005 008030 201967	
- 1	217A2001-2		DUCT INSTL-FLIGHT DECK E/E COOLING SUPPLY FOR NHA SEE: 21-20-00-04B 21-20-00-04C	002005 008028 201967	RF
- 1	217A2001-8		DUCT INSTL-FLIGHT DECK E/E COOLING SUPPLY FOR NHA SEE: 21-20-00-04C	029030	RF
5	NAS1922-0125-3		.CLAMP	002005 008030 201967	4
10	STBP19M12		.PLATE- SUPPLIER CODE: V1B249 ATTACHING PARTS	002005 008030 201967	1
- 15	BACS12GU3K9		.SCREW	002005 008030 201967	1
20	217A2401-1		-----*----- .DUCT-	002005 008028 201967	1
25	AS1506-05D32		.SLEEVE-FLEX	002005 008030 201967	1
30	AS1504-04B0073		.HOSE-FLEX	002005 008030 201967	1
35	217A2401-2		.DUCT-	029030	1

MISSING ITEM NUMBERS NOT APPLICABLE

- ITEM NOT ILLUSTRATED

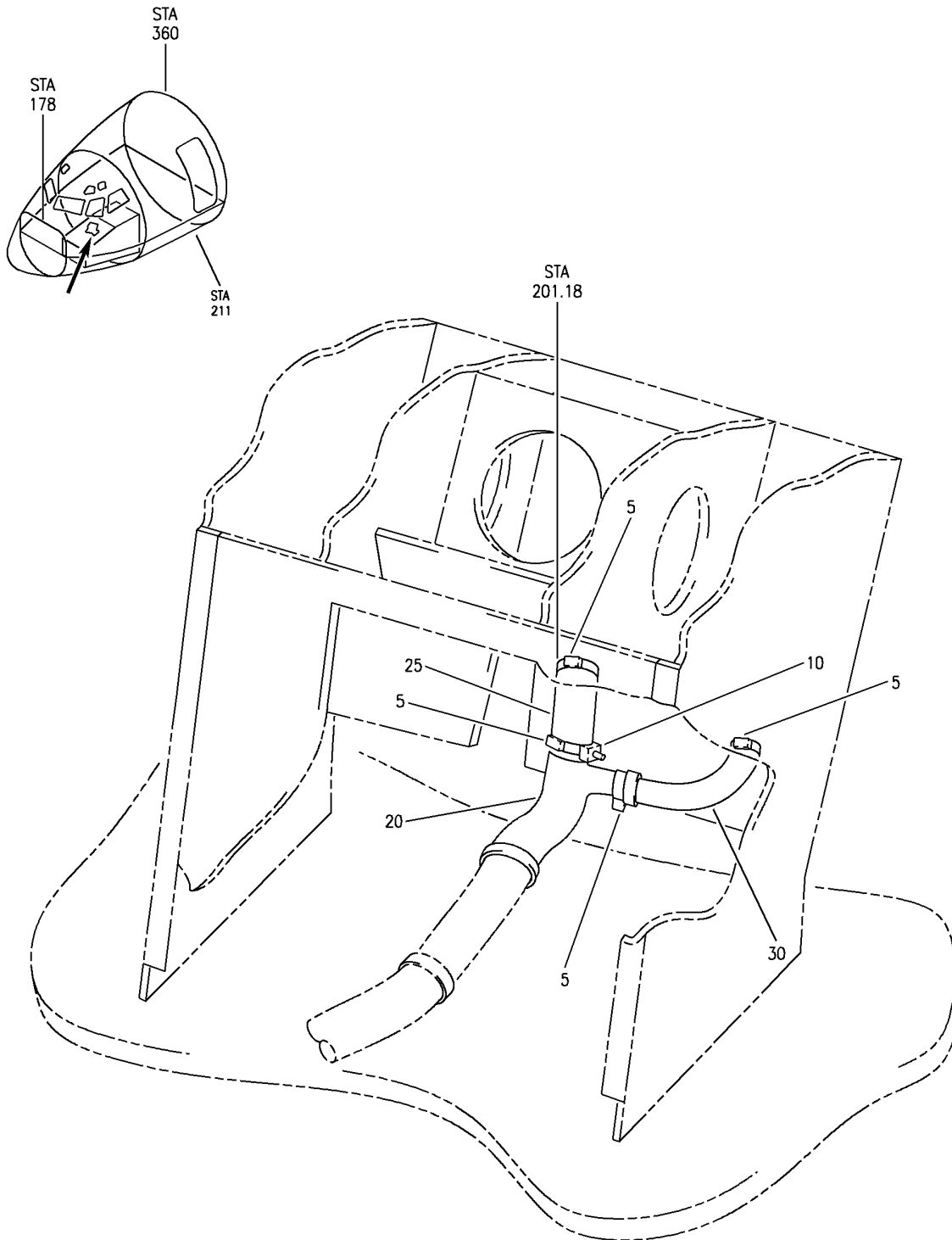
HAP

21-27-51-41

BOEING PROPRIETARY - Copyright © - Unpublished Work - See title page for details.

21-27-51
FIG. 41
PAGE 1
OCT 15/08

BOEING
737-600/700/800/900
PARTS CATALOG (MAINTENANCE)



E 21275141A REV 125

DUCT INSTL-FLIGHT DECK E/E COOLING SUPPLY
FIGURE 41A

21-27-51-41A

HAP
FEB 10/07

21-27-51-41A
PAGE 0

BOEING
737-600/700/800/900
PARTS CATALOG (MAINTENANCE)

FIG ITEM	PART NUMBER	1 2 3 4 5 6 7	NOMENCLATURE	EFFECT FROM TO	UNITS PER ASSY
41A			DUCT INSTL-FLIGHT DECK E/E COOLING SUPPLY	031047 054106 968999	
- 1	MODREF81517		DUCT INSTL-FLIGHT DECK E/E COOLING SUPPLY MODULE NUMBER: 217A2001-8 REV A	031047 054106 968999	1
5	NAS1922-0125-3		.CLAMP	031047 054106 968999	4
10	STBP19M12		.PLATE- SUPPLIER CODE: V1B249	031047 054106 968999	1
- 15	BACS12GU3K9		ATTACHING PARTS .SCREW	031047 054106 968999	1
20	217A2401-2		-----*----- .DUCT	031047 054106 968999	1
25	AS1506-05D32		.SLEEVE-FLEX	031047 054106 968999	1
30	AS1504-04B0073		.HOSE-FLEX	031047 054106 968999	1

MISSING ITEM NUMBERS NOT APPLICABLE

- ITEM NOT ILLUSTRATED

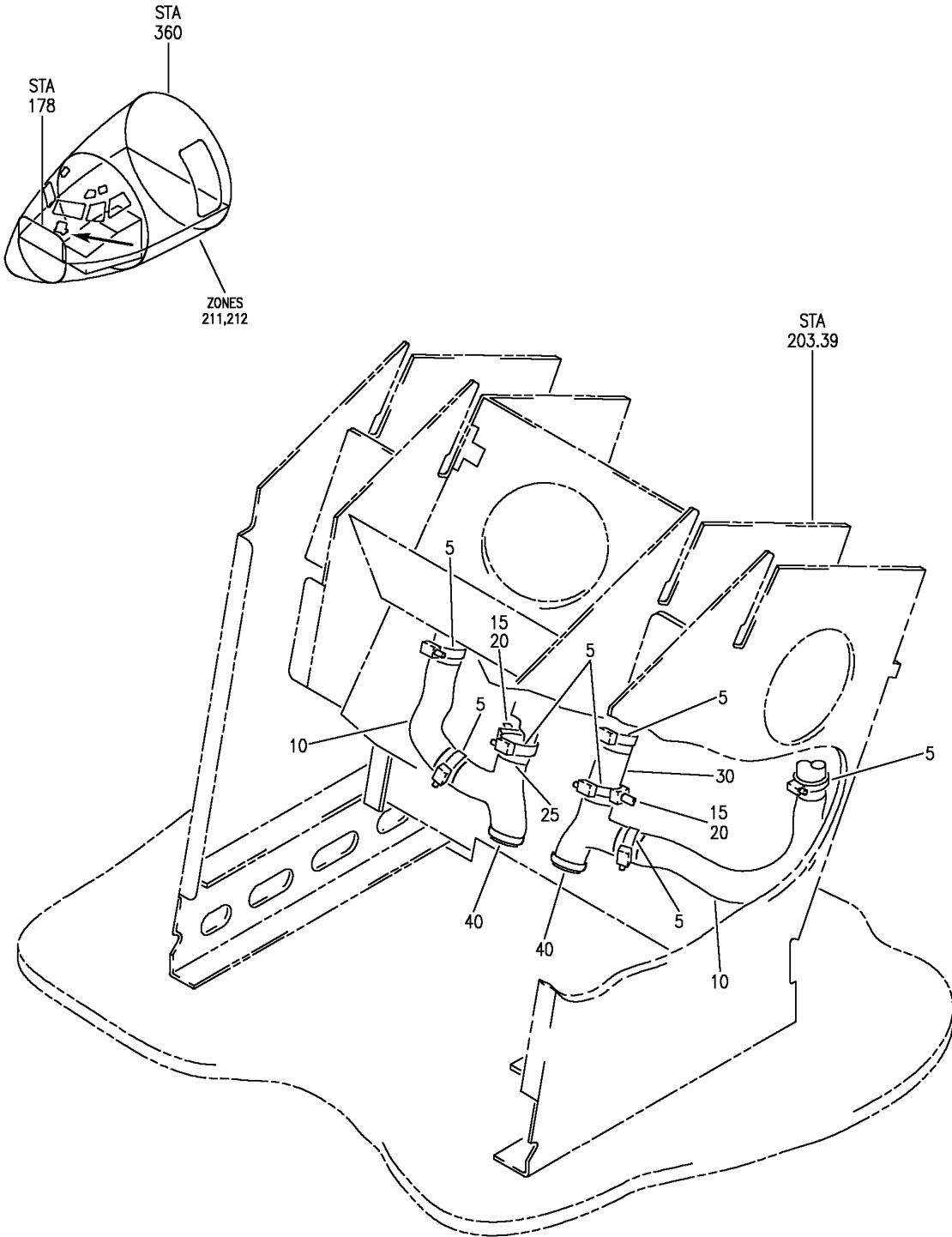
HAP

21-27-51-41A

BOEING PROPRIETARY - Copyright © - Unpublished Work - See title page for details.

21-27-51
FIG. 41A
PAGE 1
FEB 15/09

BOEING
 737-600/700/800/900
 PARTS CATALOG (MAINTENANCE)



E 21275141B REV 144

SUPPORT ASSY-FWD PNL (EQUIPMENT COOLING SYSTEM ONLY)
 FIGURE 41B

21-27-51-41B

HAP
 JUN 15/09

21-27-51-41B
 PAGE 0

BOEING
737-600/700/800/900
PARTS CATALOG (MAINTENANCE)

FIG ITEM	PART NUMBER	1 2 3 4 5 6 7	NOMENCLATURE	EFFECT FROM TO	UNITS PER ASSY
R R R R R R R R R R	41B		SUPPORT ASSY-FWD PNL (EQUIPMENT COOLING SYSTEM ONLY)	048053 107200	
	- 1	233A2302-21	SUPPORT ASSY-PNL (EQUIPMENT COOLING SYSTEM ONLY) POSITION DATA: FWD FOR NHA/OTHER SYS DET SEE: 53-42-00-15B	048053 107200	RF
	5	NAS1922-0125-3	.CLAMP	048053 107200	7
	10	AS1504-04B0073	.HOSE-FLEX	048053 107200	2
	15	STBP19M14	.PLATE- SUPPLIER CODE: V1B249	048053 107200	2
	20	BACS12GU3K8	.SCREW	048053 107200	2
	25	20-1500	.CAP-SPUD SUPPLIER CODE: V25205	048053 107200	1
	30	AS1506-05D32	.SLEEVE-FLEX	048053 107200	1
	40	217A2401-2	.DUCT	048053 107200	2
	MISSING ITEM NUMBERS NOT APPLICABLE				

- ITEM NOT ILLUSTRATED

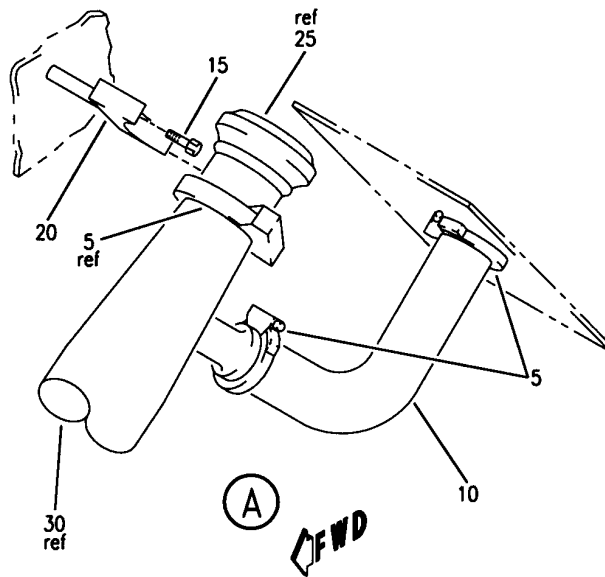
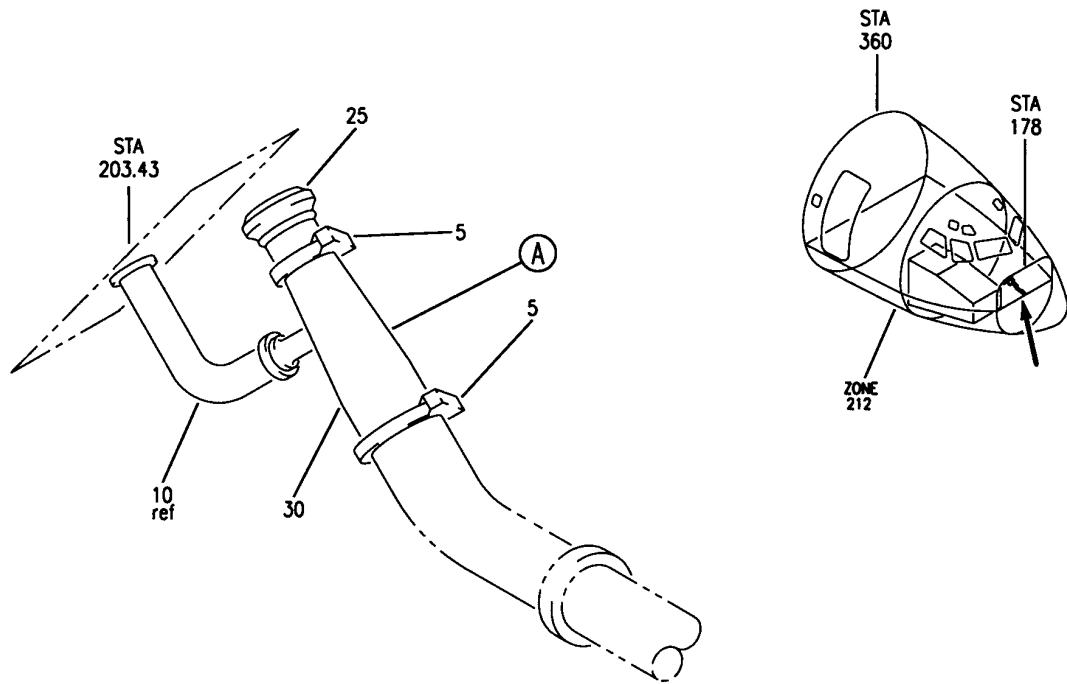
HAP

21-27-51-41B

BOEING PROPRIETARY - Copyright © - Unpublished Work - See title page for details.

21-27-51
FIG. 41B
PAGE 1
JUN 15/09

BOEING
 737-600/700/800/900
 PARTS CATALOG (MAINTENANCE)



E 21275142 REV 013

DUCT INSTL-FLIGHT DECK E/E COOLING EXH
 FIGURE 42

21-27-51-42

HAP
 OCT 10/06

21-27-51-42
 PAGE 0

BOEING
737-600/700/800/900
PARTS CATALOG (MAINTENANCE)

FIG ITEM	PART NUMBER	1 2 3 4 5 6 7	NOMENCLATURE	EFFECT FROM TO	UNITS PER ASSY
42			DUCT INSTL-FLIGHT DECK E/E COOLING EXH	002005 008030 201967	
- 1	217A2002-3		DUCT INSTL-FLIGHT DECK E/E COOLING EXH FOR NHA SEE: 21-20-00-04B 21-20-00-04C	002005 008030 201967	RF
5	NAS1922-0125-3		.CLAMP	002005 008030 201967	4
10	AS1504-04B0062		.HOSE-FLEX	002005 008030 201967	1
15	BACS12GU3K9		.SCREW	002005 008030 201967	1
20	STBP19M12		.PLATE- SUPPLIER CODE: V1B249	002005 008030 201967	1
25	20-1500		.CAP-SPUD SUPPLIER CODE: V25205	002005 008030 201967	1
30	217A2401-1		.DUCT	002005 008030 201967	1

MISSING ITEM NUMBERS NOT APPLICABLE

- ITEM NOT ILLUSTRATED

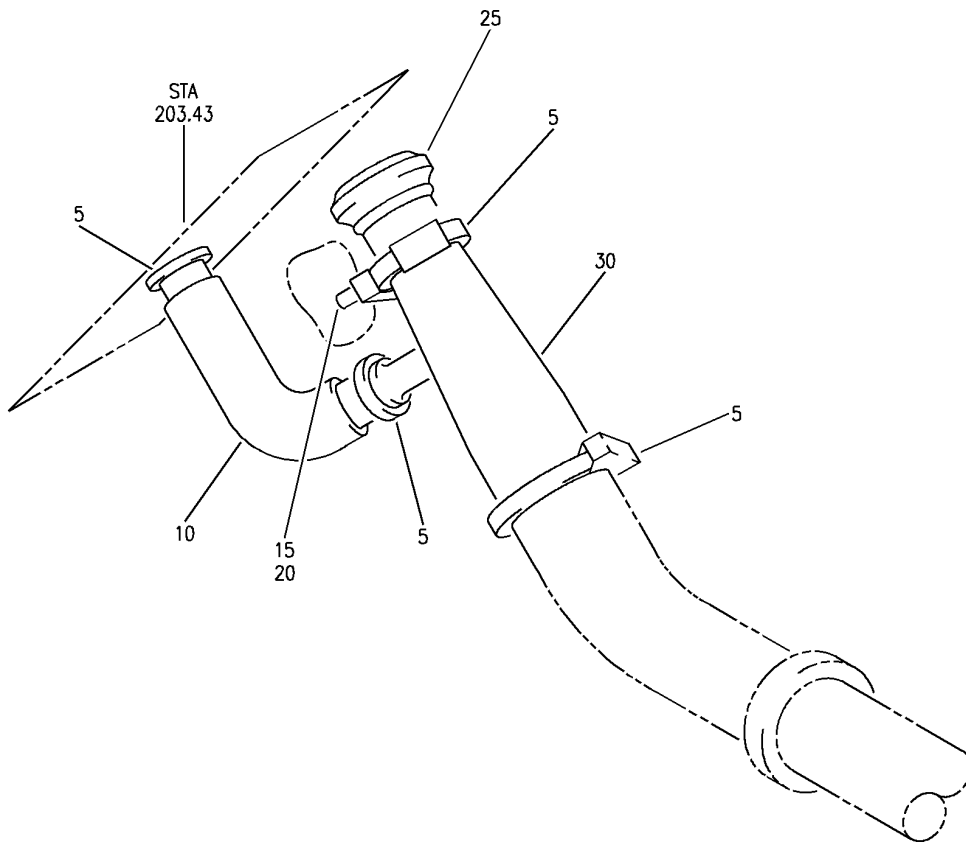
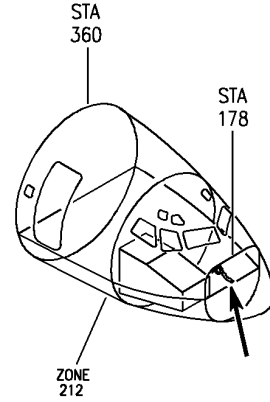
HAP

21-27-51-42

BOEING PROPRIETARY - Copyright © - Unpublished Work - See title page for details.

21-27-51
FIG. 42
PAGE 1
OCT 15/08

BOEING
737-600/700/800/900
PARTS CATALOG (MAINTENANCE)



E 21275142A REV 125

DUCT INSTL-FLIGHT DECK E/E COOLING EXH
FIGURE 42A

21-27-51-42A

HAP
FEB 10/07

21-27-51-42A
PAGE 0

BOEING
737-600/700/800/900
PARTS CATALOG (MAINTENANCE)

FIG ITEM	PART NUMBER	1 2 3 4 5 6 7	NOMENCLATURE	EFFECT FROM TO	UNITS PER ASSY
42A			DUCT INSTL-FLIGHT DECK E/E COOLING EXH	031047 054106 968999	
- 1	MODREF81519		DUCT INSTL-FLIGHT DECK E/E COOLING EXH MODULE NUMBER: 217A2002-3 REV A	031047 054106 968999	1
5	NAS1922-0125-3		.CLAMP	031047 054106 968999	4
10	AS1504-04B0062		.HOSE-FLEX	031047 054106 968999	1
15	BACS12GU3K9		.SCREW	031047 054106 968999	1
20	STBP19M12		.PLATE- SUPPLIER CODE: V1B249	031047 054106 968999	1
25	20-1500		.CAP-SPUD SUPPLIER CODE: V25205	031047 054106 968999	1
30	217A2401-1		.DUCT	031047 054106 968999	1

MISSING ITEM NUMBERS NOT APPLICABLE

- ITEM NOT ILLUSTRATED

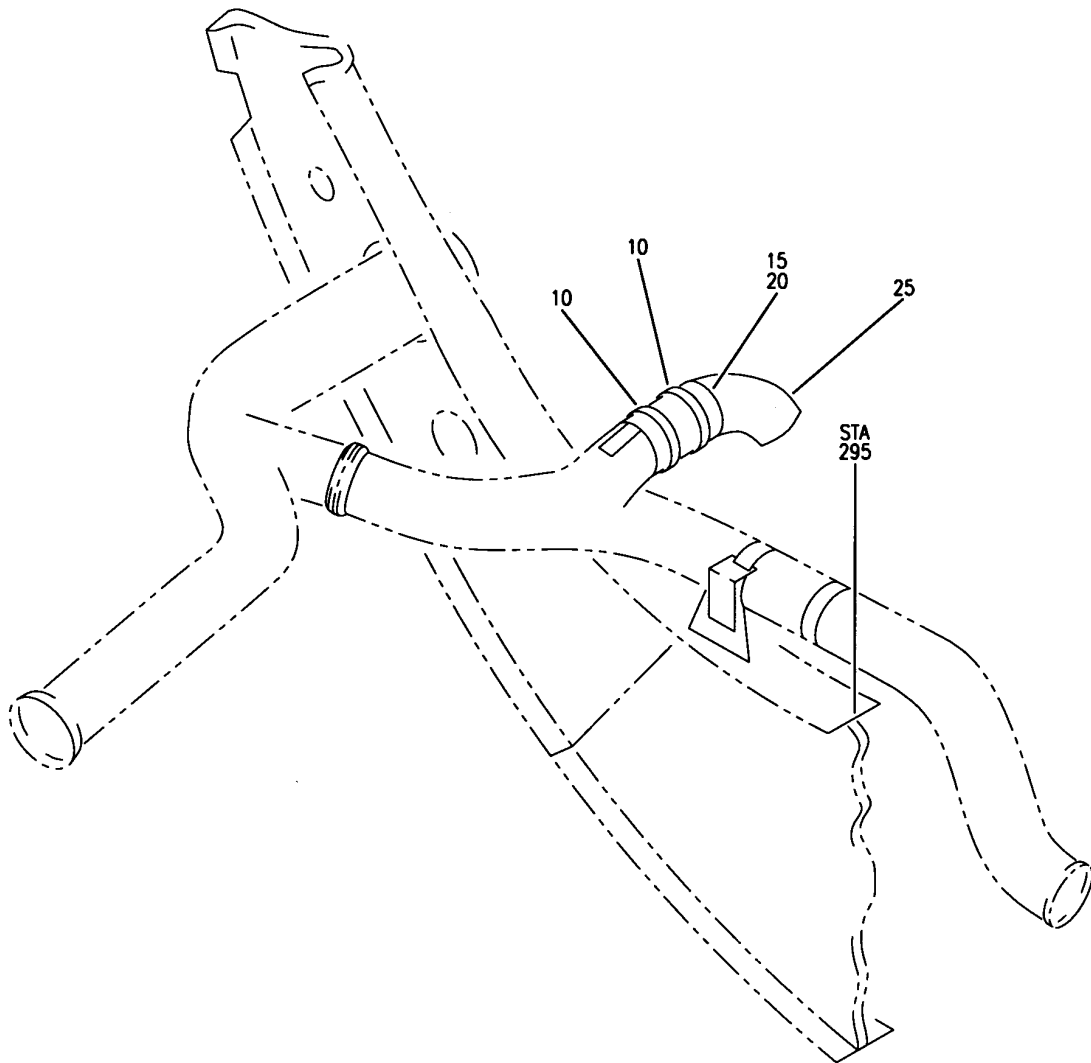
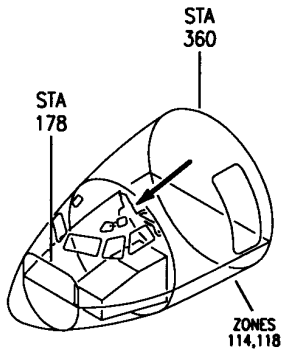
HAP

21-27-51-42A

BOEING PROPRIETARY - Copyright © - Unpublished Work - See title page for details.

21-27-51
FIG. 42A
PAGE 1
FEB 15/09

BOEING
737-600/700/800/900
PARTS CATALOG (MAINTENANCE)



E 21275145 REV 015

DUCT INSTL-SECT. 41 FWD E/E COOLING SUPPLY
FIGURE 45

21-27-51-45

HAP
OCT 15/08

21-27-51-45
PAGE 0

BOEING
737-600/700/800/900
PARTS CATALOG (MAINTENANCE)

FIG ITEM	PART NUMBER	1 2 3 4 5 6 7	NOMENCLATURE	EFFECT FROM TO	UNITS PER ASSY
45			DUCT INSTL-SECT. 41 FWD E/E COOLING SUPPLY	201967	
- 1	217A1001-4		DUCT INSTL-E/E COOLING SUPPLY	201967	RF
10	PLT3SM		POSITION DATA: SECT. 41 FWD FOR NHA SEE: 21-20-00-04B .STRAP	201967	2
15	AS1506-10D32		SUPPLIER CODE: V06383	201967	1
20	214T3436-473		SPECIFICATION NUMBER: BACS38K7	201967	1
25	217A1151-1		OPTIONAL PART: T0510 V53421 .SLEEVE	201967	1
			.ORIFICE ASSY-	201967	1
			.DUCT	201967	1

MISSING ITEM NUMBERS NOT APPLICABLE

- ITEM NOT ILLUSTRATED

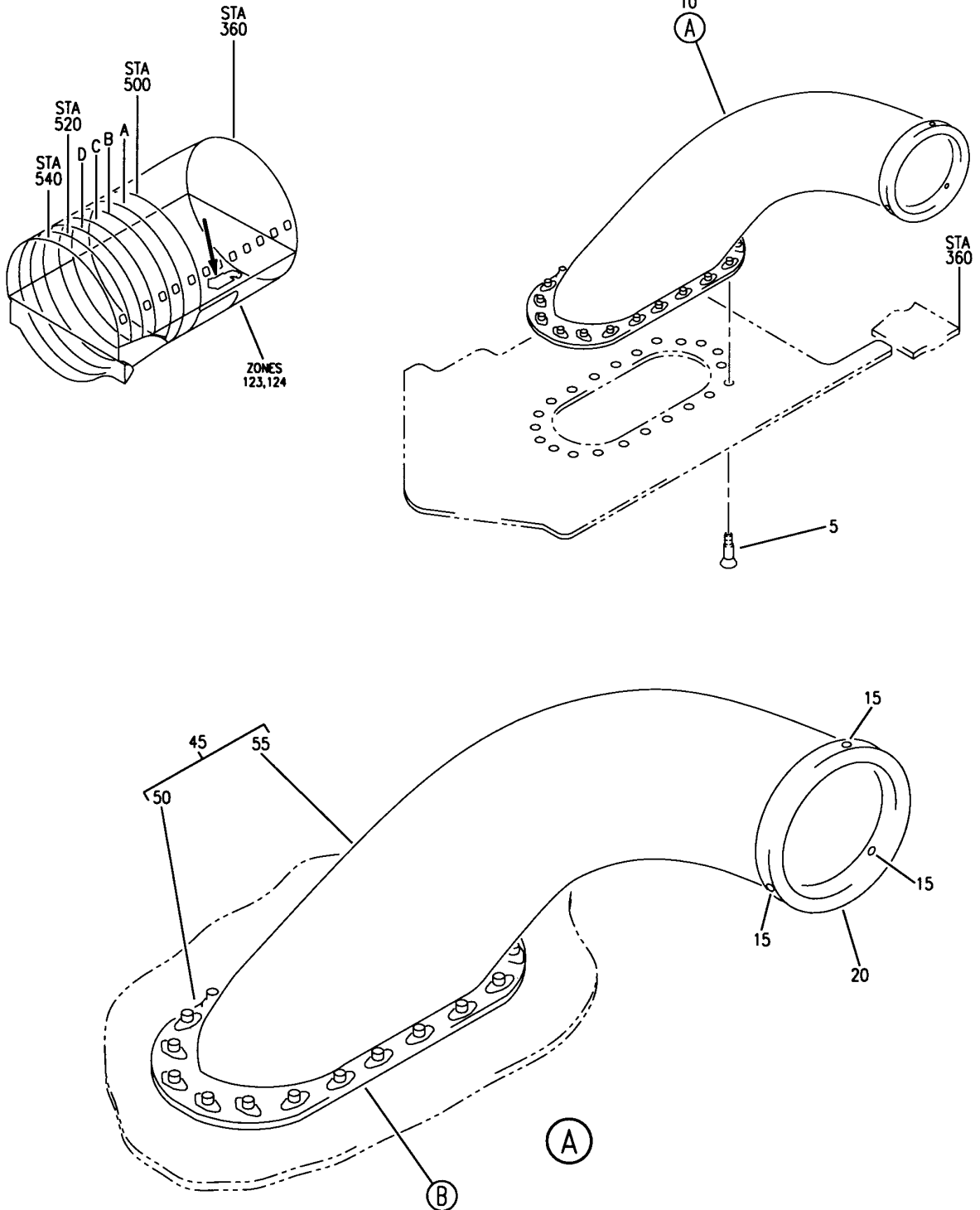
HAP

21-27-51-45

BOEING PROPRIETARY - Copyright © - Unpublished Work - See title page for details.

21-27-51
FIG. 45
PAGE 1
OCT 15/08

BOEING
 737-600/700/800/900
 PARTS CATALOG (MAINTENANCE)



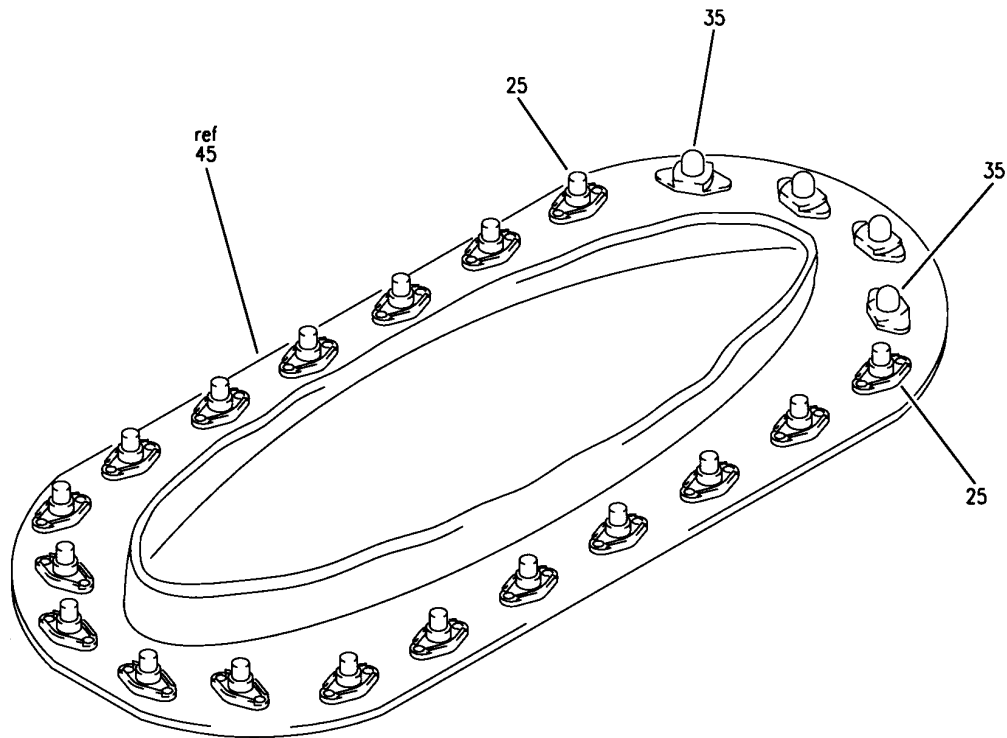
E 21275146 SHT 1 REV 016

DUCT INSTL-SECT. 41/43 LOWER INTEGRATION
 FIGURE 46 (SHEET 1)

21-27-51-46

HAP
 OCT 10/06

21-27-51-46
 PAGE 0



(B)

E 212751-46 SHT 2 REV 016

DUCT INSTL-SECT. 41/43 LOWER INTEGRATION
FIGURE 46 (SHEET 2)

21-27-51-46

HAP
OCT 10/06

21-27-51-46
PAGE 0A

BOEING
737-600/700/800/900
PARTS CATALOG (MAINTENANCE)

FIG ITEM	PART NUMBER	1 2 3 4 5 6 7	NOMENCLATURE	EFFECT FROM TO	UNITS PER ASSY
46			DUCT INSTL-SECT. 41/43 LOWER INTEGRATION		
- 1	140A9101-2		DUCT INSTL-INTEGRATION POSITION DATA: SECT. 41/43 LOWER FOR NHA SEE: 21-27-00-14	001030 201967	RF
- 1	MODREF76944		DUCT INSTL-INTEGRATION MODULE NUMBER: 140A9101-2 REV A POSITION DATA: SECT. 41/43 LOWER	031200 968999	1
5	BACB30VF3K4		.BOLT		22
10	217A1149-1		.DUCT ASSY		1
15	CR3253-4-2		..RIVET SUPPLIER CODE: V11815 SPECIFICATION NUMBER: BACR15FR4E2R OPTIONAL PART: AF3253-4-2B V53551		3
20	NK130004-0400		..FLANGE SUPPLIER CODE: V8W928 SPECIFICATION NUMBER: BACF22BC400 OPTIONAL PART: NK130004-0400 V00624		1
25	NS202492A02		..NUTPLATE-SELF SUPPLIER CODE: V80539 SPECIFICATION NUMBER: BACN10JZ3A4CDM OPTIONAL PART: 102F9221-3 V72962 F51645-3BAC V15653		18
- 30	BACR15BA3D		ATTACHING PARTS ..RIVET- SIZE DETERMINED ON INSTL. -----*-----		36

MISSING ITEM NUMBERS NOT APPLICABLE

- ITEM NOT ILLUSTRATED

HAP

21-27-51-46

BOEING PROPRIETARY - Copyright © - Unpublished Work - See title page for details.

21-27-51
FIG. 46
PAGE 1
OCT 15/08


BOEING
 737-600/700/800/900
PARTS CATALOG (MAINTENANCE)

FIG ITEM	PART NUMBER	1 2 3 4 5 6 7	NOMENCLATURE	EFFECT FROM TO	UNITS PER ASSY
46					
35	NS103223-02		..NUTPLATE SUPPLIER CODE: V80539 SPECIFICATION NUMBER: BACN10JY3 OPTIONAL PART: RMK9457-3 V72962 ATTACHING PARTS		4
- 40	BACR15BA3D		..RIVET- SIZE DETERMINED ON INSTL. -----*-----		8
45	217A1149-4		..DUCT ASSY		1
50	217A1149-3		...PLATE		1
55	217A1149-2		...DUCT		1

MISSING ITEM NUMBERS NOT APPLICABLE

- ITEM NOT ILLUSTRATED

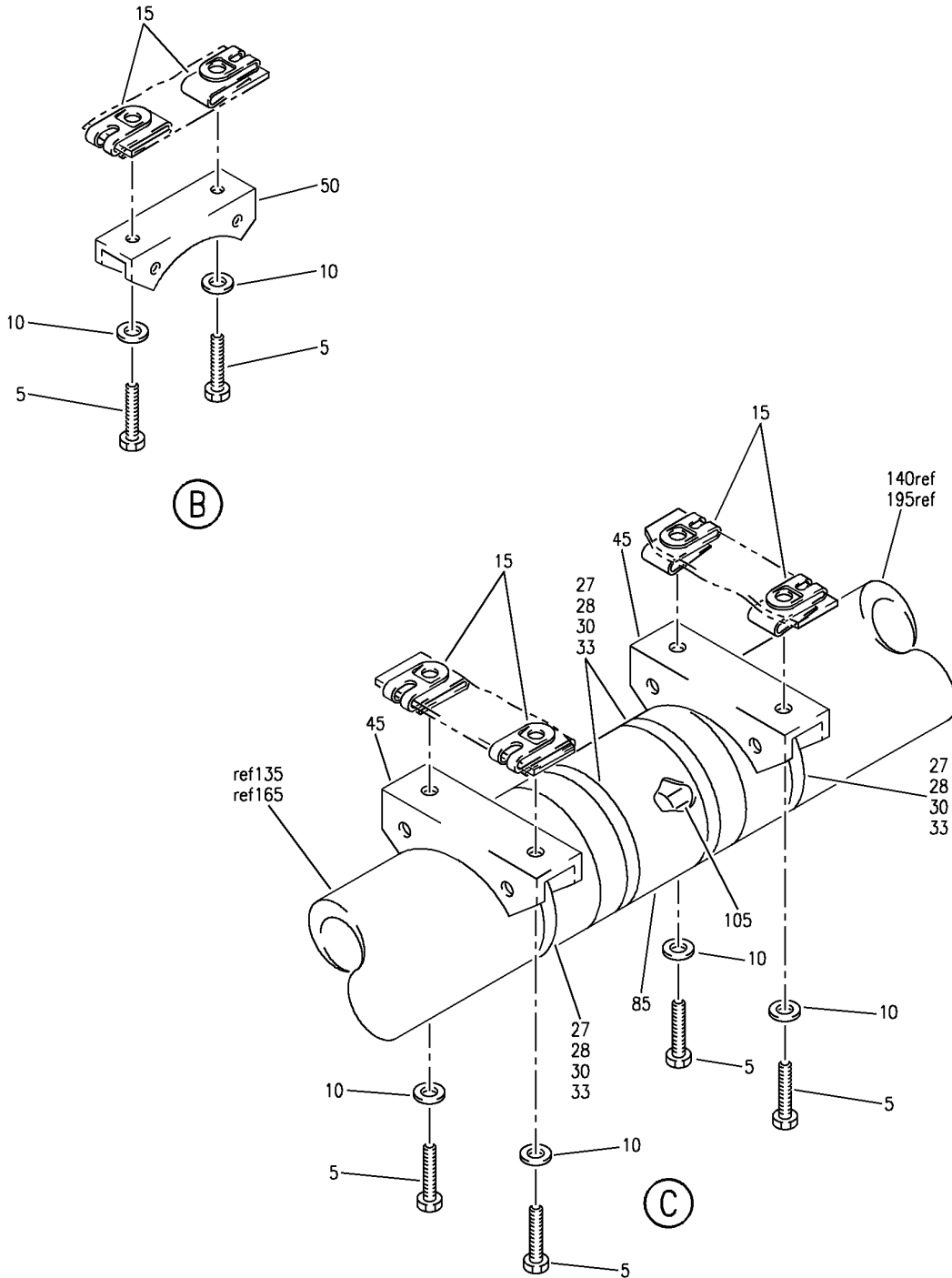
HAP

21-27-51-46

BOEING PROPRIETARY - Copyright © - Unpublished Work - See title page for details.

21-27-51
 FIG. 46
 PAGE 2
 OCT 10/06

BOEING
 737-600/700/800/900
 PARTS CATALOG (MAINTENANCE)



E 21275147 SHT 2 REV 131

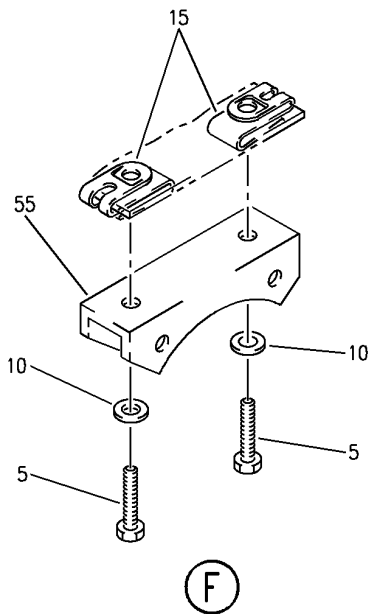
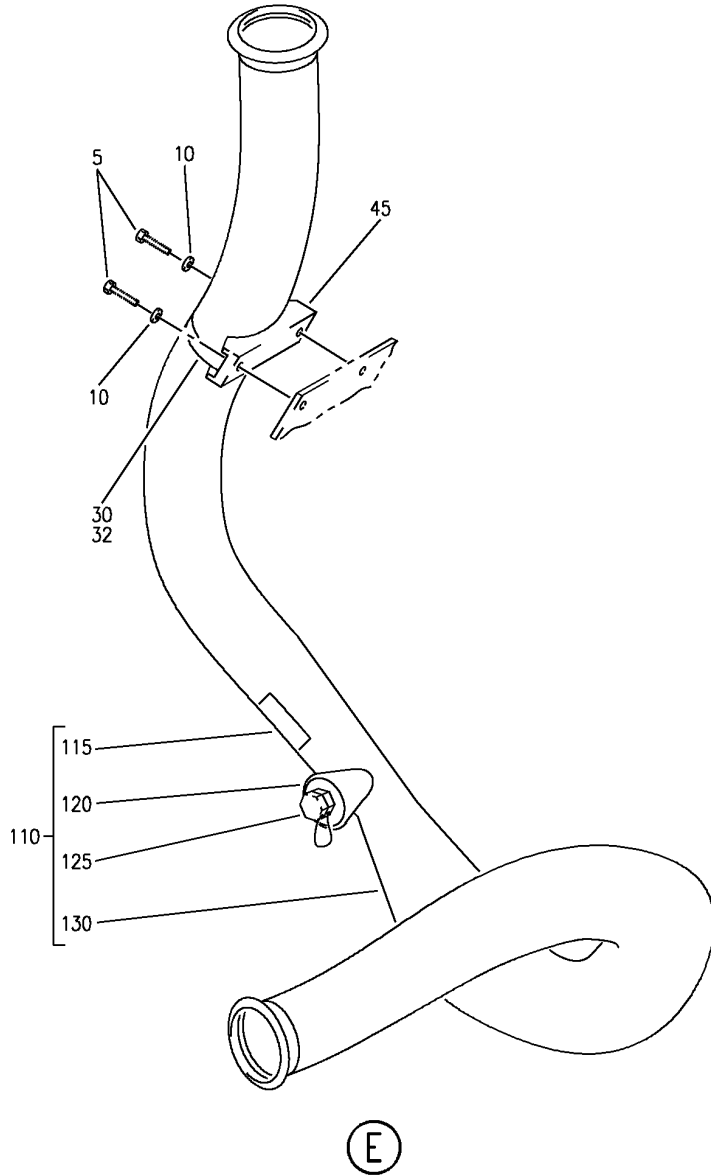
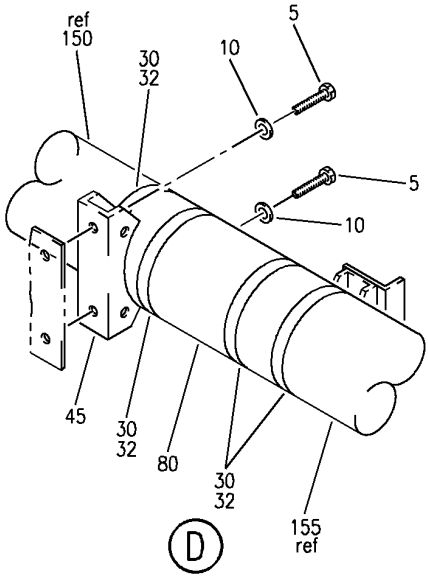
DUCT INSTL-E/E COOLING SUPPLY SECT. 41, FWD
 FIGURE 47 (SHEET 2)

21-27-51-47

HAP
 JUN 10/07

21-27-51-47
 PAGE 0A

BOEING
 737-600/700/800/900
 PARTS CATALOG (MAINTENANCE)



E 21275147 SHT 3 REV 129

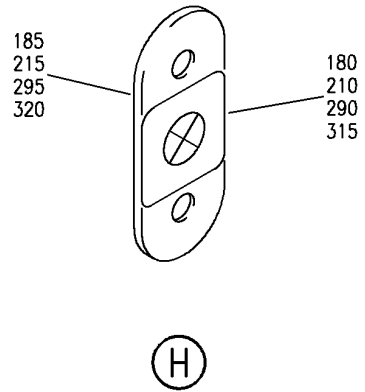
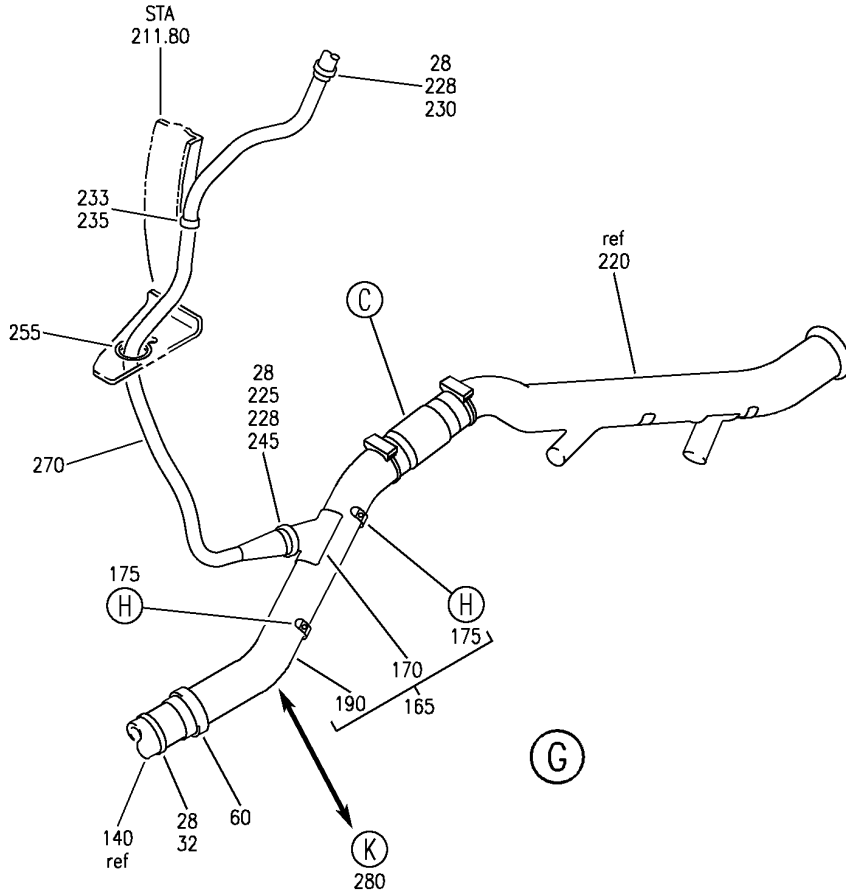
DUCT INSTL-E/E COOLING SUPPLY SECT. 41, FWD
 FIGURE 47 (SHEET 3)

21-27-51-47

HAP
 JUN 10/07

21-27-51-47
 PAGE 0B

BOEING
 737-600/700/800/900
 PARTS CATALOG (MAINTENANCE)



E 21275147 SH 4 REV 134

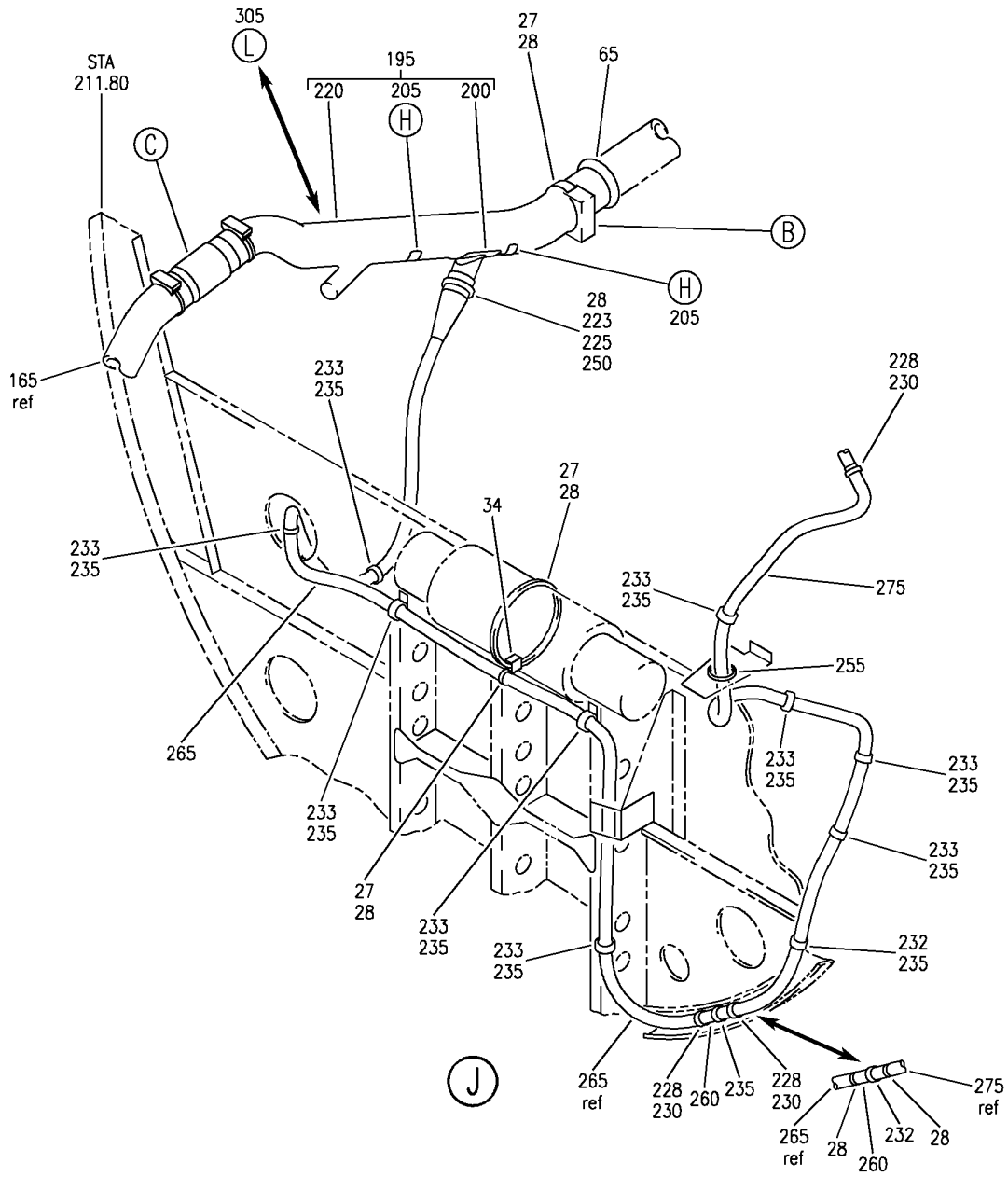
DUCT INSTL-E/E COOLING SUPPLY SECT. 41, FWD
 FIGURE 47 (SHEET 4)

21-27-51-47

HAP
 OCT 10/07

21-27-51-47
 PAGE 0C

BOEING
 737-600/700/800/900
 PARTS CATALOG (MAINTENANCE)



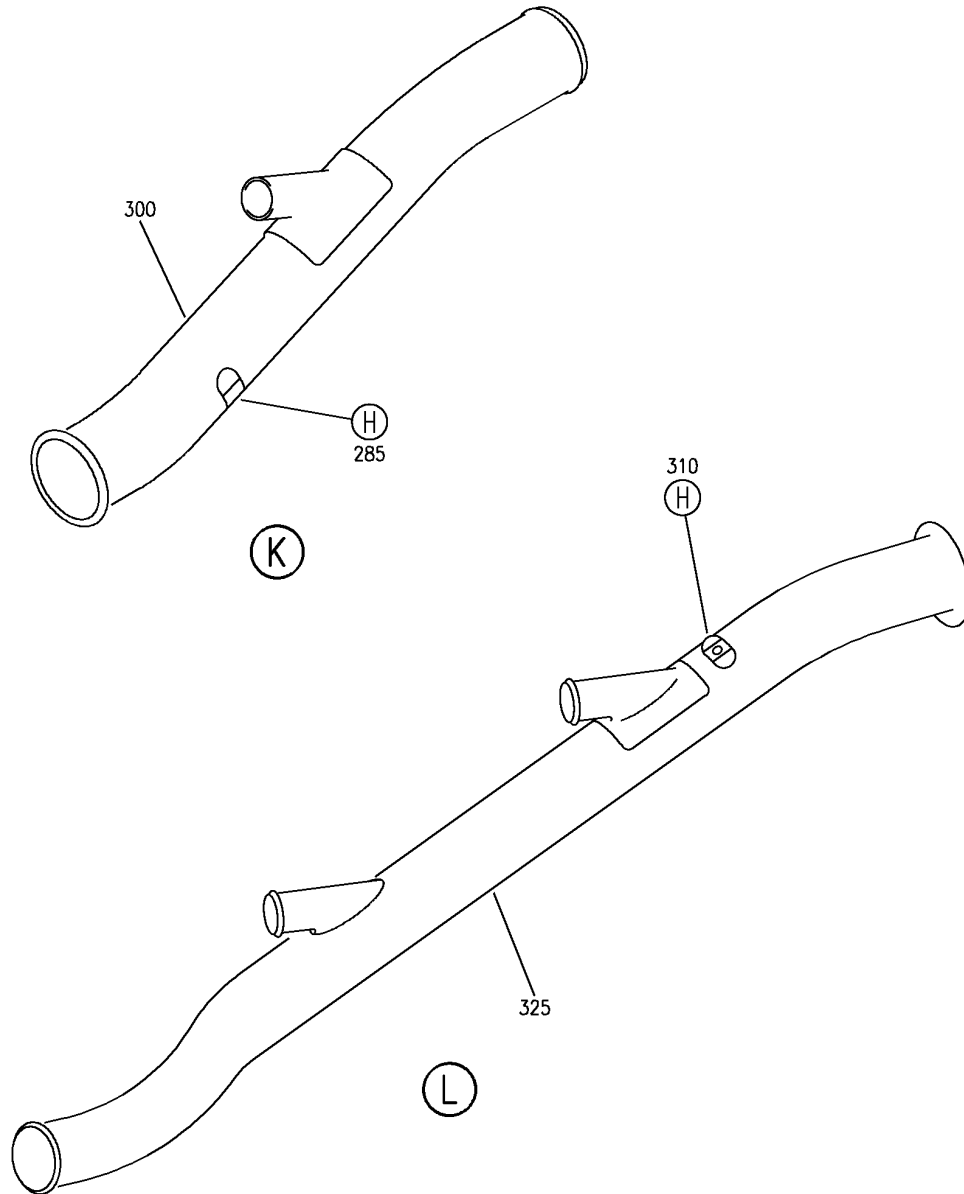
E 21275147 SH 5 REV 134

DUCT INSTL-E/E COOLING SUPPLY SECT. 41, FWD
 FIGURE 47 (SHEET 5)

21-27-51-47

HAP
 OCT 10/07

21-27-51-47
 PAGE 0D



E 21275147 SH1 6 REV 134

DUCT INSTL-E/E COOLING SUPPLY SECT. 41, FWD
FIGURE 47 (SHEET 6)

21-27-51-47

HAP
OCT 10/07

21-27-51-47
PAGE 0E

BOEING
737-600/700/800/900
PARTS CATALOG (MAINTENANCE)

FIG ITEM	PART NUMBER	1 2 3 4 5 6 7	NOMENCLATURE	EFFECT FROM TO	UNITS PER ASSY
47			DUCT INSTL-E/E COOLING SUPPLY	012030	
- 1	217A1001-5		SECT. 41, FWD DUCT INSTL-E/E COOLING SUPPLY	012030	RF
			POSITION DATA: SECT. 41, FWD FOR NHA SEE: 21-20-00-04		
5	BACS12GU3K8		.SCREW	012030	13
10	NAS1149D0332J		.WASHER	012030	13
15	BRC600-8-3GP		.CLIPNUT	012030	8
			SUPPLIER CODE: V52828 SPECIFICATION NUMBER: BACN10YD1G OPTIONAL PART: 130120G V60119		
20	S392DH32		.CLAMP	012030	1
			SUPPLIER CODE: V18076 SPECIFICATION NUMBER: BACC10BU32DH OPTIONAL PART: 393-32HT V83930 JM44LC24D32BW V22175 TA04C44D32HA V84971 393A32HT V83930		
25	SLT8LHC6		.STRAP-	012030	7
			SUPPLIER CODE: V06383		
30	PLT3SM		.STRAP	012030	15
			SUPPLIER CODE: V06383 SPECIFICATION NUMBER: BACS38K7 OPTIONAL PART: T0510 V53421		

MISSING ITEM NUMBERS NOT APPLICABLE

- ITEM NOT ILLUSTRATED

HAP

21-27-51-47

BOEING PROPRIETARY - Copyright © - Unpublished Work - See title page for details.

21-27-51
FIG. 47
PAGE 1
JUN 15/08

BOEING
737-600/700/800/900
PARTS CATALOG (MAINTENANCE)

FIG ITEM	PART NUMBER	1 2 3 4 5 6 7	NOMENCLATURE	EFFECT FROM TO	UNITS PER ASSY
47					
35	S38J1	.	SUPPORT SUPPLIER CODE: V59237 SPECIFICATION NUMBER: BACS38J1 OPTIONAL PART: 30187-2 V26835	012030	1
40	S38J2	.	SUPPORT SUPPLIER CODE: V59237 SPECIFICATION NUMBER: BACS38J2 OPTIONAL PART: 30187-3 V26835	012030	1
45	214T3424-3	.	SUPPORT	012030	4
50	214T3424-4	.	SUPPORT	012030	1
55	214T3424-6	.	SUPPORT	012030	1
60	NH135008-0250	.	COUPLING SUPPLIER CODE: V00624 SPECIFICATION NUMBER: BACC10HX250	012030	2
65	NH135008-0300	.	COUPLING SUPPLIER CODE: V00624 SPECIFICATION NUMBER: BACC10HX300	012030	1
70	NH135008-0275	.	COUPLING SUPPLIER CODE: V00624 SPECIFICATION NUMBER: BACC10HX275	012030	1
75	AS1506-15D32	.	SLEEVE	012030	2
80	AS1506-10D30	.	SLEEVE	012030	1
85	AS1506-10D32	.	SLEEVE	012030	2

MISSING ITEM NUMBERS NOT APPLICABLE

— ITEM NOT ILLUSTRATED

HAP

21-27-51-47

BOEING PROPRIETARY - Copyright © - Unpublished Work - See title page for details.

21-27-51
FIG. 47
PAGE 2
OCT 15/08

BOEING
737-600/700/800/900
PARTS CATALOG (MAINTENANCE)

FIG ITEM	PART NUMBER	1 2 3 4 5 6 7	NOMENCLATURE	EFFECT FROM TO	UNITS PER ASSY
47 90	0123FA2	.	SENSOR- SUPPLIER CODE: V59885 FUNCTIONAL DESCRIPTION: DESIGNED TO MONITOR THE ADEQUACY OF COOLING AIR FLOW RATE. SPECIFICATION NUMBER: S210N701-43 COMPONENT MAINT MANUAL REF: 21-58-02 MAINTENANCE MANUAL REF: 21-27-03 OPTIONAL PART: 0123FA V59885	012030	1
90	0123FA	.	SENSOR- SUPPLIER CODE: V59885 SPECIFICATION NUMBER: S210N701-43 COMPONENT MAINT MANUAL REF: 21-58-02 MAINTENANCE MANUAL REF: 21-27-03 OPTIONAL PART: 0123FA2 V59885	012030	1
95	MS28778-6	.	PACKING MAINTENANCE MANUAL REF: 21-27-03	012030	1
100	BOE2022-07A0181	.	HOSE SUPPLIER CODE: V16632 SPECIFICATION NUMBER: AS1544-07A0181	012030	1
105	214T3436-74	.	ORIFICE ASSY-	012030	1
110	217A1129-3	.	DUCT ASSY	012030	1
115	BAC27DAC80	..	MARKER- PLACARD CONTENT: M1915 SUPPLY LOW FLOW DETECTOR (EQUIP COOLING)	012030	1
120	217A1141-2	..	SPUD	012030	1
125	217N1098-2	..	BOSS	012030	1
130	217A1129-2	..	DUCT	012030	1
135	217A1108-1	.	DUCT-	012030	1
140	217A1121-2	.	DUCT-	012030	1
145	217A1139-1	.	DUCT	012030	1
150	217A1109-1	.	DUCT	012030	1

MISSING ITEM NUMBERS NOT APPLICABLE

— ITEM NOT ILLUSTRATED

HAP

21-27-51-47

21-27-51
FIG. 47
PAGE 3
OCT 15/08


BOEING
 737-600/700/800/900
PARTS CATALOG (MAINTENANCE)

FIG ITEM	PART NUMBER	1 2 3 4 5 6 7	NOMENCLATURE	EFFECT FROM TO	UNITS PER ASSY
47					
155	217A1116-1	.	DUCT	012030	1
160	217A1120-1	.	DUCT	012030	1
MISSING ITEM NUMBERS NOT APPLICABLE					

— ITEM NOT ILLUSTRATED

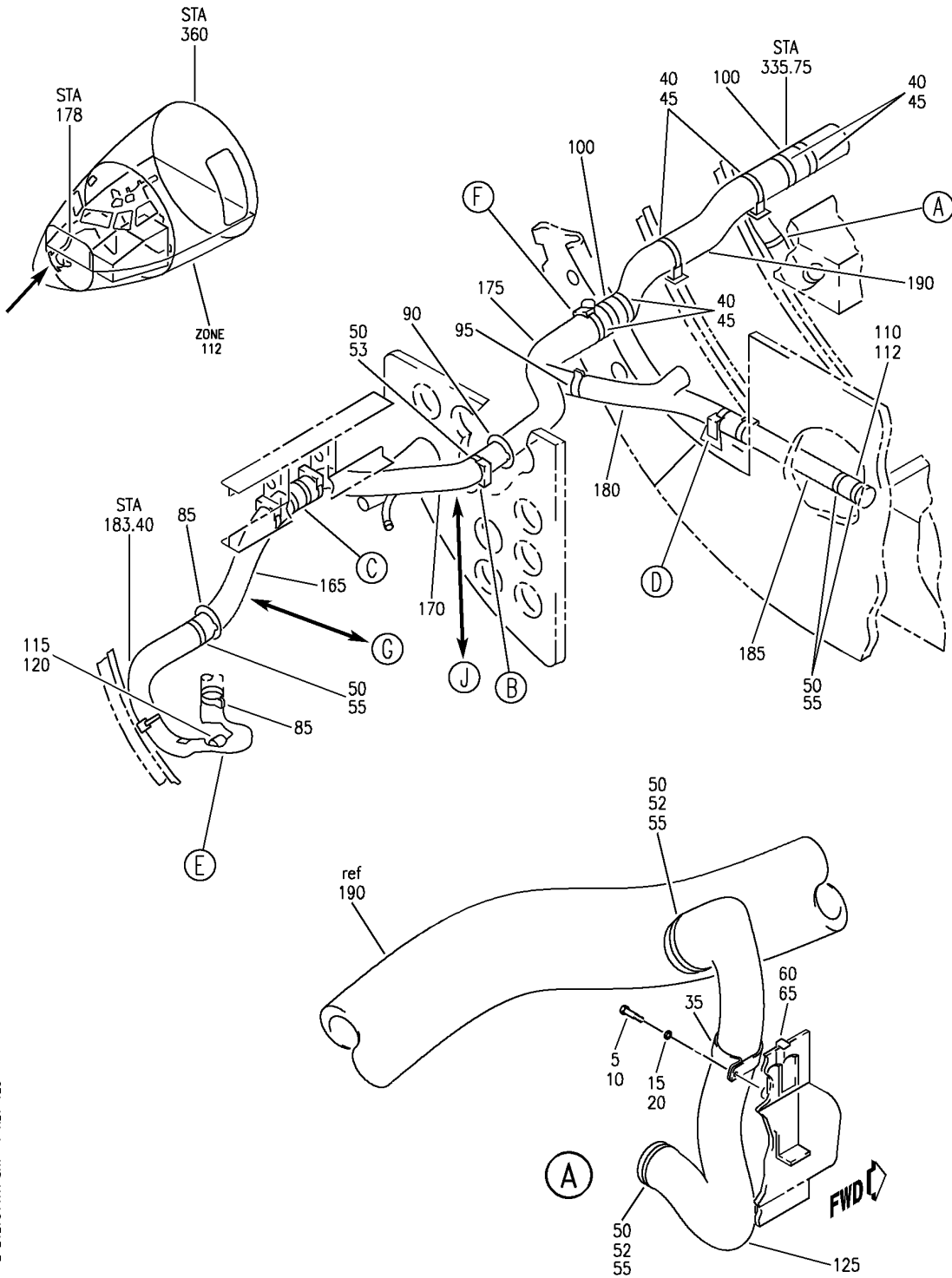
HAP

21-27-51-47

BOEING PROPRIETARY - Copyright © - Unpublished Work - See title page for details.

21-27-51
 FIG. 47
 PAGE 4
 OCT 15/08

BOEING
 737-600/700/800/900
 PARTS CATALOG (MAINTENANCE)



E 21275147A SHT 1 REV 129

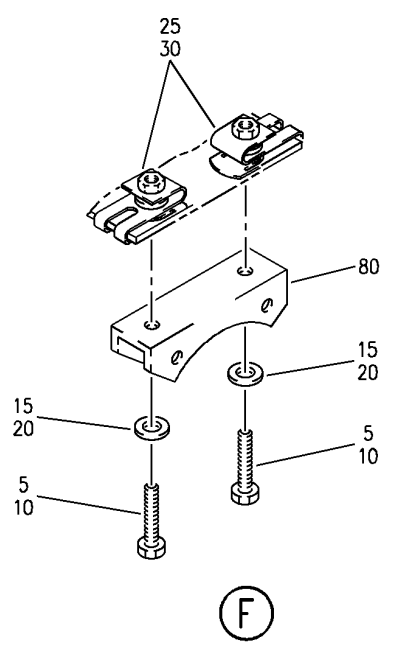
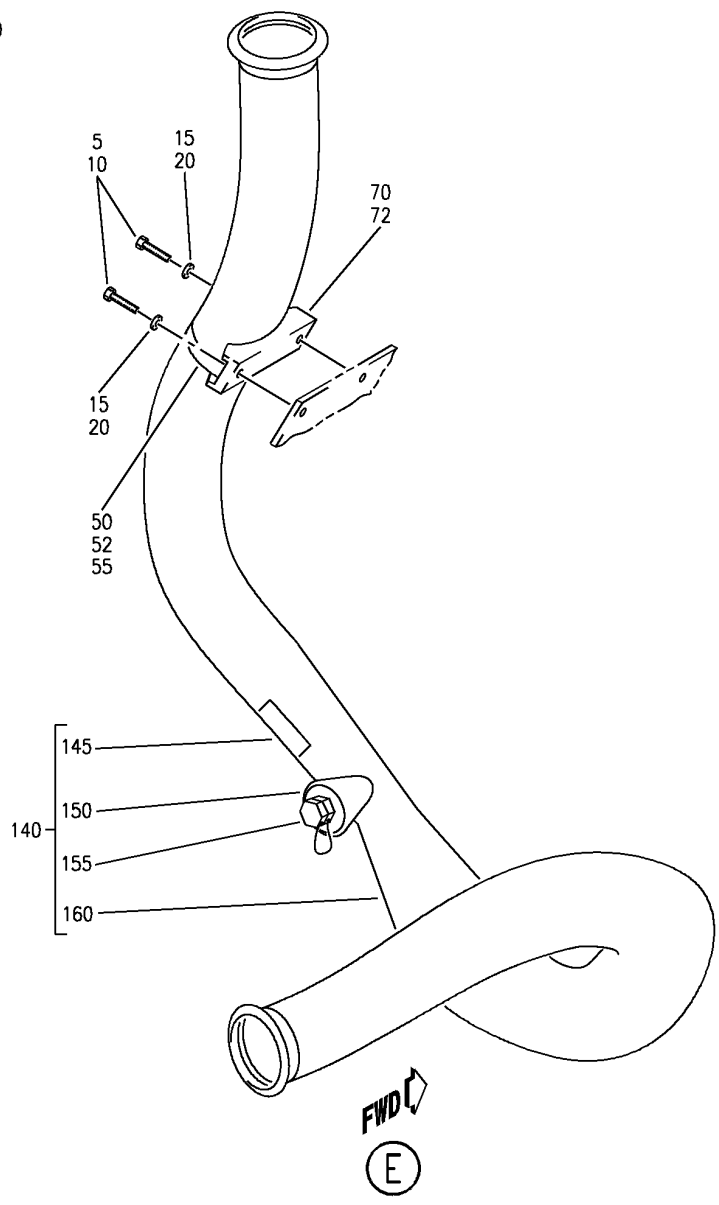
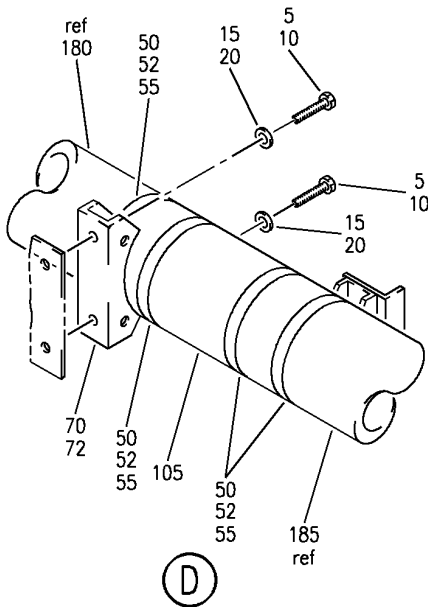
DUCT INSTL-E/E COOLING SUPPLY SECT. 41 FWD
 FIGURE 47A (SHEET 1)

21-27-51-47A

HAP
 JUN 10/07

21-27-51-47A
 PAGE 0


BOEING
 737-600/700/800/900
PARTS CATALOG (MAINTENANCE)



E 21275147A SHT 3 REV 129

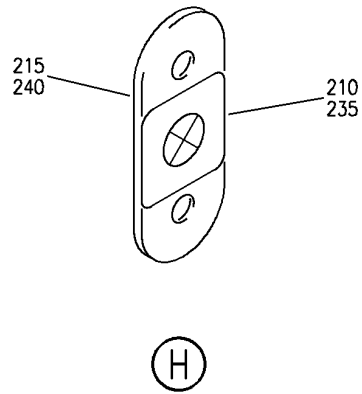
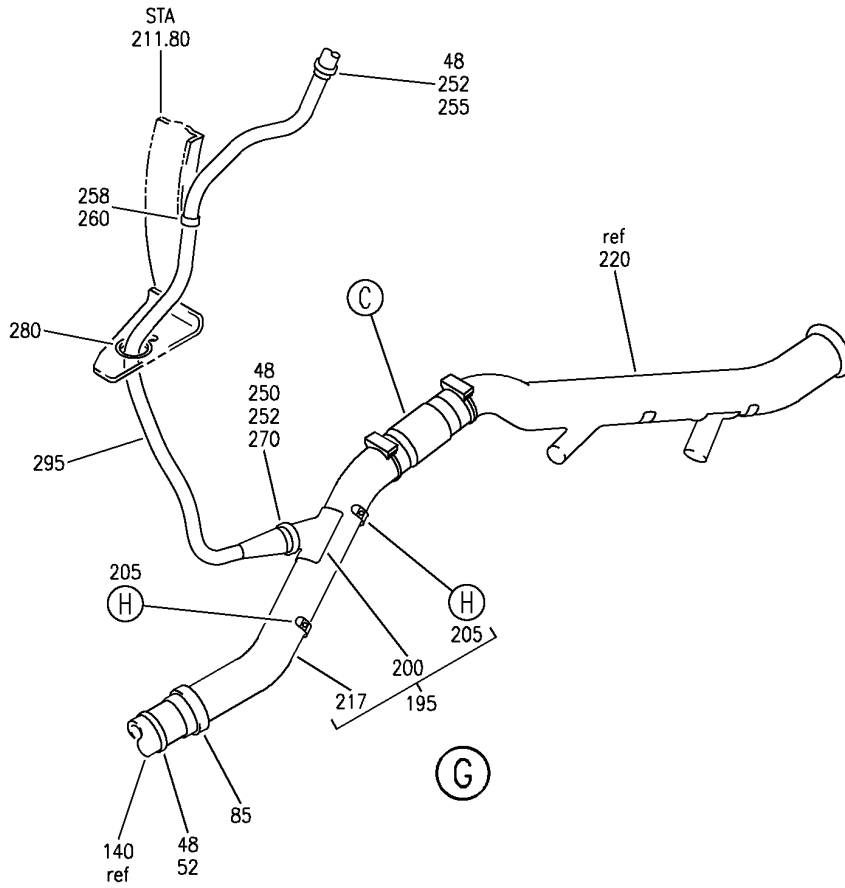
DUCT INSTL-E/E COOLING SUPPLY SECT. 41 FWD
 FIGURE 47A (SHEET 3)

21-27-51-47A

HAP
JUN 10/07

21-27-51-47A
 PAGE 0B

BOEING
 737-600/700/800/900
 PARTS CATALOG (MAINTENANCE)



E 21275147A SHT 4 REV 131

DUCT INSTL-E/E COOLING SUPPLY SECT. 41 FWD
 FIGURE 47A (SHEET 4)

21-27-51-47A

HAP
 JUN 10/07

21-27-51-47A
 PAGE 0C

BOEING
737-600/700/800/900
PARTS CATALOG (MAINTENANCE)

FIG ITEM	PART NUMBER	1 2 3 4 5 6 7	NOMENCLATURE	EFFECT FROM TO	UNITS PER ASSY
47A					
- 1	MODREF81491		DUCT INSTL-E/E COOLING SUPPLY SECT. 41 FWD	031200 968999	
			DUCT INSTL-E/E COOLING SUPPLY	031036	1
			MODULE NUMBER: 217A1001-5 REV A		
			POSITION DATA: SECT. 41 FWD		
- 1	MODREF320848		DUCT INSTL-E/E COOLING SUPPLY	037200 968999	1
			MODULE NUMBER: 217A1001-5 REV C		
			POSITION DATA: SECT. 41 FWD		
5	BACS12GU3K8		.SCREW	031036	13
10	BACS12GU3K8		.SCREW	037200 968999	7
15	NAS1149D0332J		.WASHER	031036	13
20	NAS1149D0332J		.WASHER	037200 968999	7
25	BRC600-8-3GP		.CLIPNUT	031036	8
			SUPPLIER CODE: V52828		
			SPECIFICATION NUMBER: BACN10YD1G		
			OPTIONAL PART: 130120G V60119		
30	BRC600-8-3GP		.CLIPNUT	037200 968999	2
			SUPPLIER CODE: V52828		
			SPECIFICATION NUMBER: BACN10YD1G		
			OPTIONAL PART: 130120G V60119		

MISSING ITEM NUMBERS NOT APPLICABLE

- ITEM NOT ILLUSTRATED

HAP

21-27-51-47A

BOEING PROPRIETARY - Copyright © - Unpublished Work - See title page for details.

21-27-51
FIG. 47A
PAGE 1
OCT 15/08

BOEING
737-600/700/800/900
PARTS CATALOG (MAINTENANCE)

FIG ITEM	PART NUMBER	1 2 3 4 5 6 7	NOMENCLATURE	EFFECT FROM TO	UNITS PER ASSY
47A 35	S392DH32	.	CLAMP SUPPLIER CODE: V18076 SPECIFICATION NUMBER: BACC10BU32DH OPTIONAL PART: 393-32HT V83930 JM44LC24D32BW V22175 TA04C44D32HA V84971 393A32HT V83930	031200 968999	1
40	SLT8LHC6	.	STRAP- SUPPLIER CODE: V06383	031036	7
45	T012L0	.	STRAP SUPPLIER CODE: V53421 SPECIFICATION NUMBER: BACS38K6	037200 968999	7
50	PLT3SM	.	STRAP SUPPLIER CODE: V06383 SPECIFICATION NUMBER: BACS38K7 OPTIONAL PART: T05I0 V53421	031036	15
55	PLT3SM	.	STRAP SUPPLIER CODE: V06383 SPECIFICATION NUMBER: BACS38K7 OPTIONAL PART: T05I0 V53421	037200 968999	10
60	S38J1	.	SUPPORT SUPPLIER CODE: V59237 SPECIFICATION NUMBER: BACS38J1 OPTIONAL PART: 30187-2 V26835	031200 968999	1

MISSING ITEM NUMBERS NOT APPLICABLE

— ITEM NOT ILLUSTRATED

HAP

21-27-51-47A

BOEING PROPRIETARY - Copyright © - Unpublished Work - See title page for details.

21-27-51
FIG. 47A
PAGE 2
OCT 15/08

BOEING
737-600/700/800/900
PARTS CATALOG (MAINTENANCE)

FIG ITEM	PART NUMBER	1 2 3 4 5 6 7	NOMENCLATURE	EFFECT FROM TO	UNITS PER ASSY
47A 65	S38J2	.	SUPPORT SUPPLIER CODE: V59237 SPECIFICATION NUMBER: BACS38J2 OPTIONAL PART: 30187-3 V26835	031200 968999	1
70	214T3424-3	.	SUPPORT	031036	4
72	214T3424-3	.	SUPPORT	037200 968999	2
75	214T3424-4	.	SUPPORT	031036	1
80	214T3424-6	.	SUPPORT	031200 968999	1
85	NH135008-0250	.	COUPLING SUPPLIER CODE: V00624 SPECIFICATION NUMBER: BACC10HX250	031200 968999	2
90	NH135008-0300	.	COUPLING SUPPLIER CODE: V00624 SPECIFICATION NUMBER: BACC10HX300	031200 968999	1
95	NH135008-0275	.	COUPLING SUPPLIER CODE: V00624 SPECIFICATION NUMBER: BACC10HX275	031200 968999	1
100	AS1506-15D32	.	SLEEVE	031200 968999	2
105	AS1506-10D30	.	SLEEVE	031200 968999	1
110	AS1506-10D32	.	SLEEVE	031036	2
112	AS1506-10D32	.	SLEEVE	037200 968999	1

MISSING ITEM NUMBERS NOT APPLICABLE

— ITEM NOT ILLUSTRATED

HAP

21-27-51-47A

BOEING PROPRIETARY - Copyright © - Unpublished Work - See title page for details.

21-27-51
FIG. 47A
PAGE 3
OCT 15/08

BOEING
737-600/700/800/900
PARTS CATALOG (MAINTENANCE)

FIG ITEM	PART NUMBER	1 2 3 4 5 6 7	NOMENCLATURE	EFFECT FROM TO	UNITS PER ASSY
47A 115	0123FA2	.	SENSOR- SUPPLIER CODE: V59885 FUNCTIONAL DESCRIPTION: DESIGNED TO MONITOR THE ADEQUACY OF COOLING AIR FLOW RATE. SPECIFICATION NUMBER: S210N701-43 COMPONENT MAINT MANUAL REF: 21-58-02 OPTIONAL PART: 0123FA V59885	031200 968999	1
115	0123FA	.	SENSOR- SUPPLIER CODE: V59885 SPECIFICATION NUMBER: S210N701-43 COMPONENT MAINT MANUAL REF: 21-58-02 OPTIONAL PART: 0123FA2 V59885	031200 968999	1
120	MS28778-6	.	PACKING	031200 968999	1
125	BOE2022-07A0181	.	HOSE SUPPLIER CODE: V16632 SPECIFICATION NUMBER: AS1544-07A0181	031200 968999	1
140	217A1129-3	.	DUCT ASSY	031200 968999	1
145	BAC27DAC80	..	MARKER- PLACARD CONTENT: M1915 SUPPLY LOW FLOW DETECTOR (EQUIP COOLING)	031200 968999	1
150	217A1141-2	..	SPUD	031200 968999	1
155	217N1098-2	..	BOSS	031200 968999	1
160	217A1129-2	..	DUCT	031200 968999	1
175	217A1139-1	.	DUCT	031200 968999	1
180	217A1109-1	.	DUCT	031200 968999	1
185	217A1116-1	.	DUCT	031200 968999	1

MISSING ITEM NUMBERS NOT APPLICABLE

— ITEM NOT ILLUSTRATED

HAP

21-27-51-47A

BOEING PROPRIETARY - Copyright © - Unpublished Work - See title page for details.

21-27-51
FIG. 47A
PAGE 4
OCT 15/08


BOEING
 737-600/700/800/900
PARTS CATALOG (MAINTENANCE)

FIG ITEM	PART NUMBER	1 2 3 4 5 6 7 NOMENCLATURE	EFFECT FROM TO	UNITS PER ASSY
47A 190	217A1120-1	. DUCT	031200 968999	1

MISSING ITEM NUMBERS NOT APPLICABLE

— ITEM NOT ILLUSTRATED

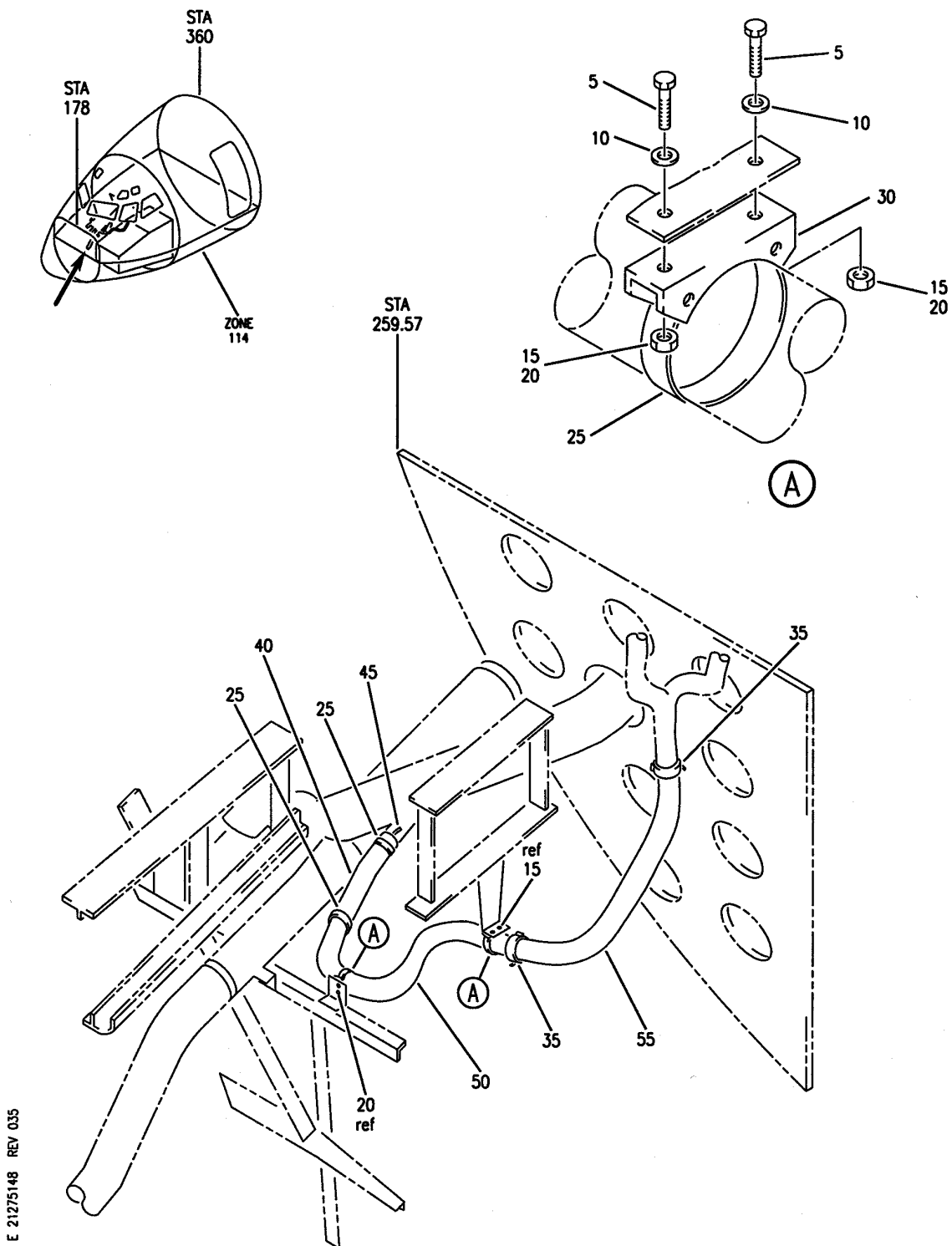
HAP

21-27-51-47A

BOEING PROPRIETARY - Copyright © - Unpublished Work - See title page for details.

21-27-51
 FIG. 47A
 PAGE 5
 OCT 15/08

BOEING
 737-600/700/800/900
 PARTS CATALOG (MAINTENANCE)



E 21275148 REV 035

DUCT INSTL-E/E COOLING SUPPLY SECT. 41 FWD
 FIGURE 48

21-27-51-48

HAP
 OCT 10/06

21-27-51-48
 PAGE 0

 **BOEING**
737-600/700/800/900
PARTS CATALOG (MAINTENANCE)

FIG ITEM	PART NUMBER	1 2 3 4 5 6 7	NOMENCLATURE	EFFECT FROM TO	UNITS PER ASSY
48			DUCT INSTL-E/E COOLING SUPPLY	012030	
- 1	217A1001-6		SECT. 41 FWD DUCT INSTL-E/E COOLING SUPPLY	012030	RF
			POSITION DATA: SECT. 41 FWD FOR NHA SEE: 21-20-00-04C		
5	BACS12GU3K8	.SCREW		012030	4
10	NAS1149D0332J	.WASHER		012030	4
15	BRC600-8-3GP	.CLIPNUT		012030	2
			SUPPLIER CODE: V52828 SPECIFICATION NUMBER: BACN10YD1G OPTIONAL PART: 130120G V60119		
20	BRC600-10-3GP	.NUT		012030	2
			SUPPLIER CODE: V52828 SPECIFICATION NUMBER: BACN10YD2G OPTIONAL PART: 130121G V60119		
25	T05R0	.STRAP		012030	4
			SUPPLIER CODE: V53421 SPECIFICATION NUMBER: BACS38K1 OPTIONAL PART: PLT2SM V06383		
30	214T3424-16	.SUPPORT		012030	2
35	NH135008-0125	.COUPLING		012030	2
			SUPPLIER CODE: V00624 SPECIFICATION NUMBER: BACC10HX125		
40	BOE2022-05A0080	.HOSE		012030	1
			SUPPLIER CODE: V16632 SPECIFICATION NUMBER: AS1544-05A0080		
45	214T3436-1867	.ORIFICE ASSY		012030	1
50	217A1113-1	.DUCT-		012030	1
55	217A1104-1	.DUCT ASSY		012030	1

MISSING ITEM NUMBERS NOT APPLICABLE

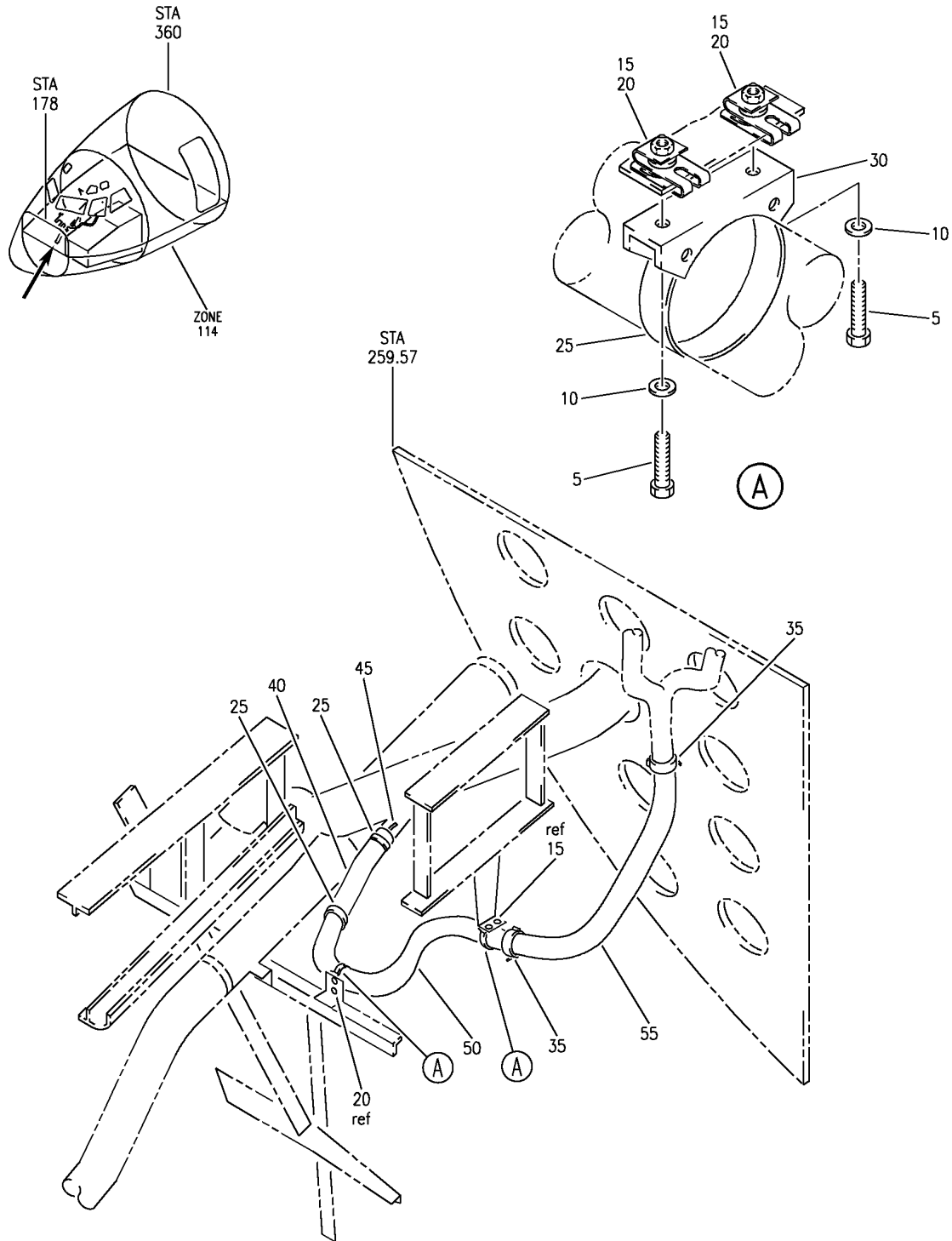
- ITEM NOT ILLUSTRATED

HAP

21-27-51-48

21-27-51
FIG. 48
PAGE 1
FEB 10/07

BOEING
 737-600/700/800/900
 PARTS CATALOG (MAINTENANCE)



E 21275148A REV 125

DUCT INSTL-E/E COOLING SUPPLY SECT. 41 FWD
 FIGURE 48A

HAP
 FEB 10/07

21-27-51-48A

21-27-51-48A
 PAGE 0

BOEING
737-600/700/800/900
PARTS CATALOG (MAINTENANCE)

FIG ITEM	PART NUMBER	1 2 3 4 5 6 7	NOMENCLATURE	EFFECT FROM TO	UNITS PER ASSY
48A			DUCT INSTL-E/E COOLING SUPPLY SECT. 41 FWD	031200 968999	
- 1	MODREF266083		DUCT INSTL-E/E COOLING SUPPLY MODULE NUMBER: 217A1001-6 REV B POSITION DATA: SECT. 41 FWD	031200 968999	1
5	BACS12GU3K8		.SCREW	031200 968999	4
10	NAS1149D0332J		.WASHER	031200 968999	4
15	BRC600-8-3GP		.CLIPNUT SUPPLIER CODE: V52828 SPECIFICATION NUMBER: BACN10YD1G OPTIONAL PART: 130120G V60119	031200 968999	2
20	BRC600-10-3GP		.NUT SUPPLIER CODE: V52828 SPECIFICATION NUMBER: BACN10YD2G OPTIONAL PART: 130121G V60119	031200 968999	2
25	T05R0		.STRAP SUPPLIER CODE: V53421 SPECIFICATION NUMBER: BACS38K1 OPTIONAL PART: PLT2SM V06383	031200 968999	4
30	214T3424-16		.SUPPORT	031200 968999	2
35	NH135008-0125		.COUPLING SUPPLIER CODE: V00624 SPECIFICATION NUMBER: BACC10HX125	031200 968999	2
40	BOE2022-05A0080		.HOSE SUPPLIER CODE: V16632 SPECIFICATION NUMBER: AS1544-05A0080	031200 968999	1

MISSING ITEM NUMBERS NOT APPLICABLE

- ITEM NOT ILLUSTRATED

HAP

21-27-51-48A

BOEING PROPRIETARY - Copyright © - Unpublished Work - See title page for details.

21-27-51
FIG. 48A
PAGE 1
OCT 15/08

BOEING
737-600/700/800/900
PARTS CATALOG (MAINTENANCE)

FIG ITEM	PART NUMBER	1 2 3 4 5 6 7	NOMENCLATURE	EFFECT FROM TO	UNITS PER ASSY
48A					
45	214T3436-1867	.	ORIFICE ASSY	031200 968999	1
50	217A1113-2	.	DUCT-	031200 968999	1
55	217A1104-1	.	DUCT ASSY	031200 968999	1
MISSING ITEM NUMBERS NOT APPLICABLE					

- ITEM NOT ILLUSTRATED

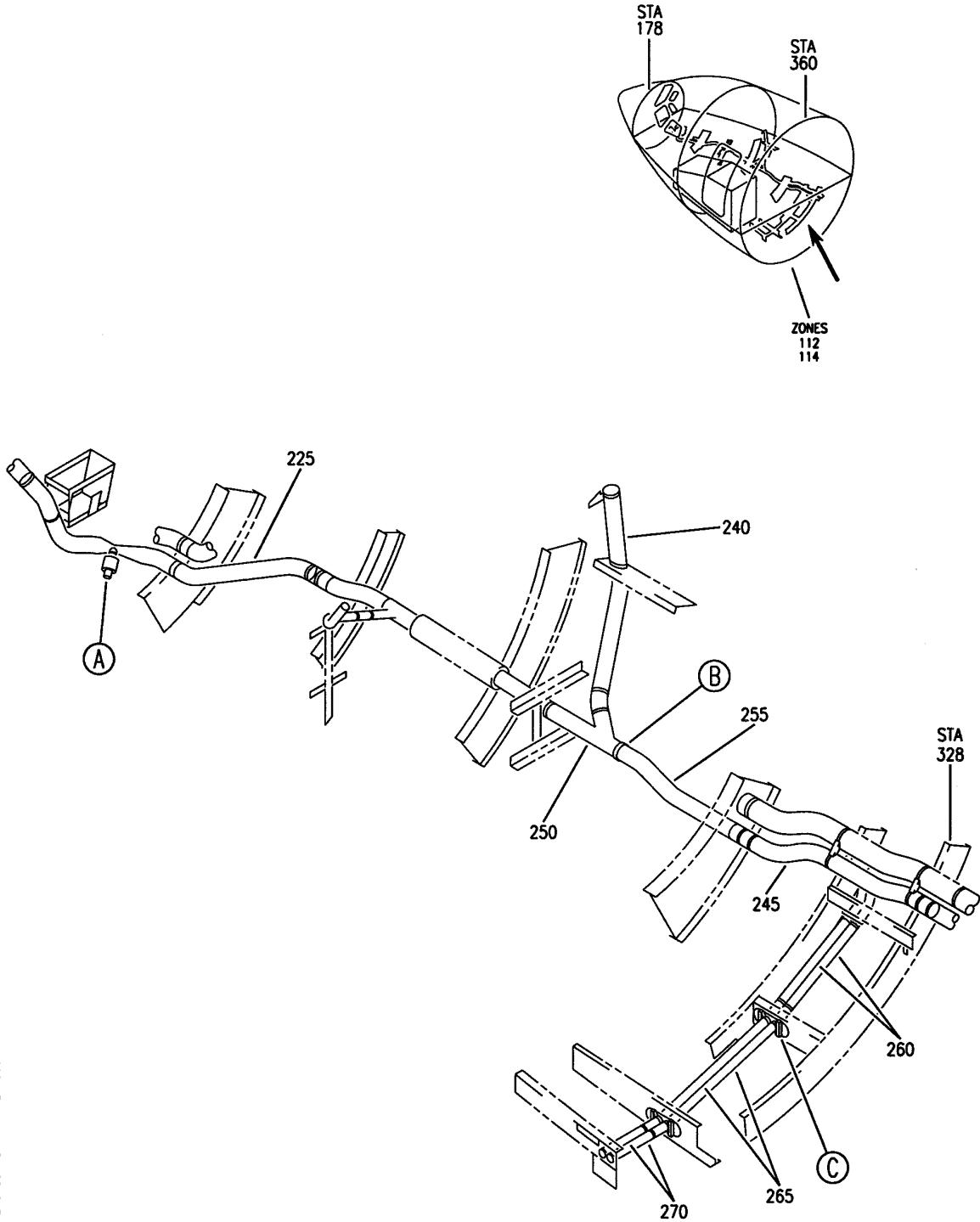
HAP

21-27-51-48A

BOEING PROPRIETARY - Copyright © - Unpublished Work - See title page for details.

21-27-51
FIG. 48A
PAGE 2
OCT 15/08

BOEING
 737-600/700/800/900
 PARTS CATALOG (MAINTENANCE)



E 21275150 SHT 1 REV 035

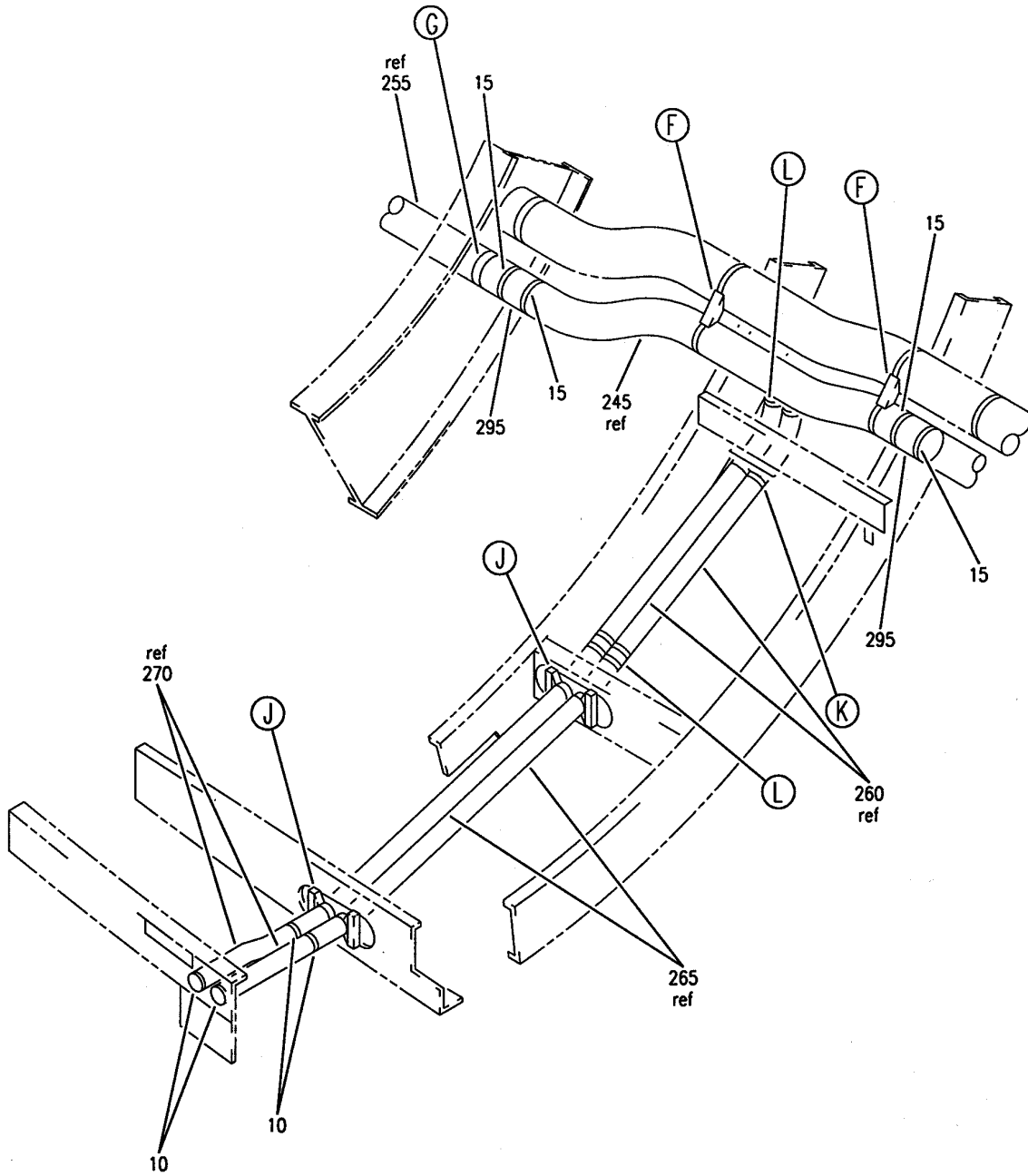
DUCT INSTL-E/E COOLING EXH SECT. 41, FWD
 FIGURE 50 (SHEET 1)

21-27-51-50

HAP
 OCT 10/06

21-27-51-50
 PAGE 0

BOEING
 737-600/700/800/900
 PARTS CATALOG (MAINTENANCE)



E 21275150 SHT 3 REV 035

(C)

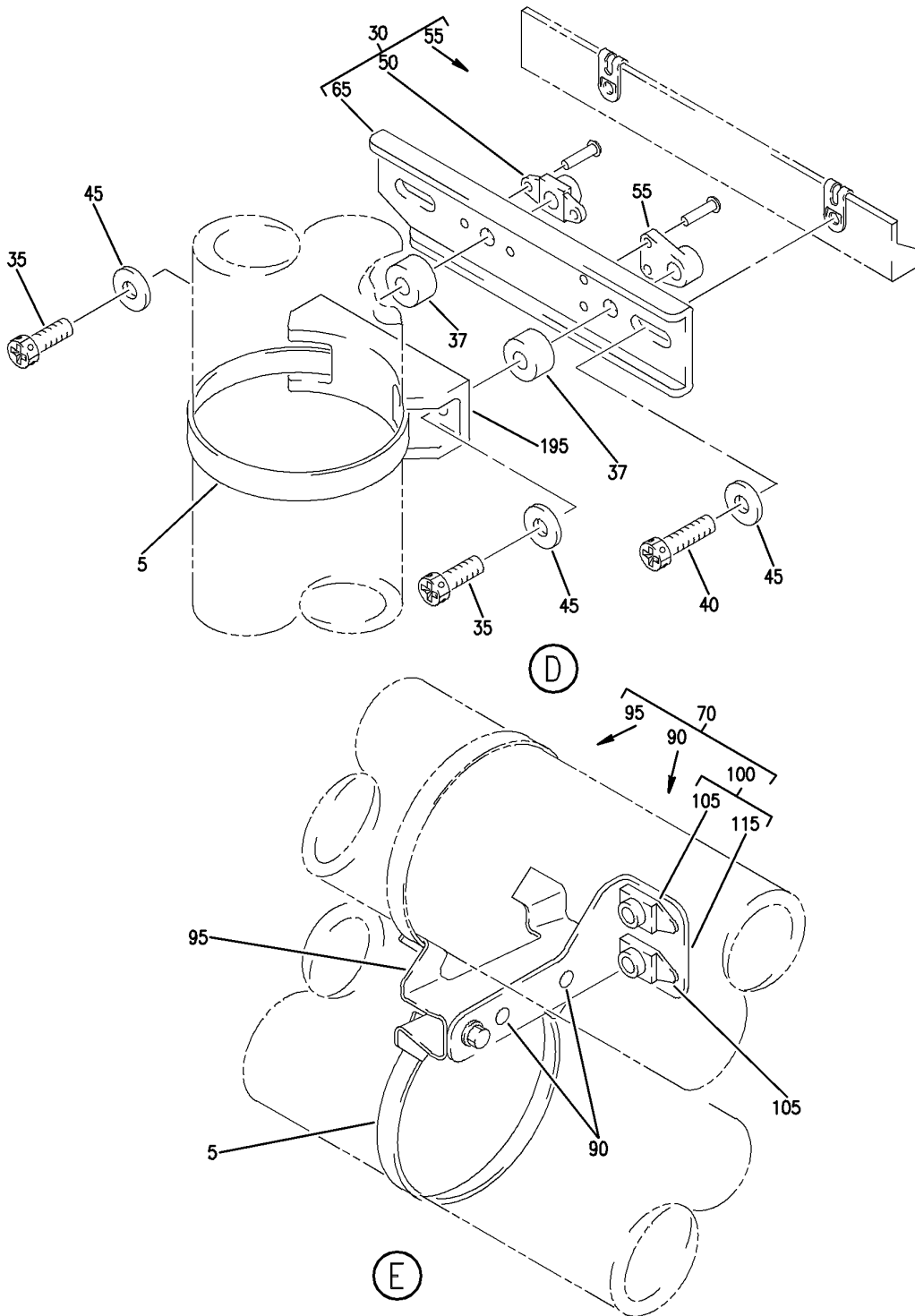
DUCT INSTL-E/E COOLING EXH SECT. 41, FWD
 FIGURE 50 (SHEET 3)

21-27-51-50

HAP
 OCT 10/06

21-27-51-50
 PAGE 0B

BOEING
 737-600/700/800/900
 PARTS CATALOG (MAINTENANCE)



E 21275150 SHT 4 REV 066

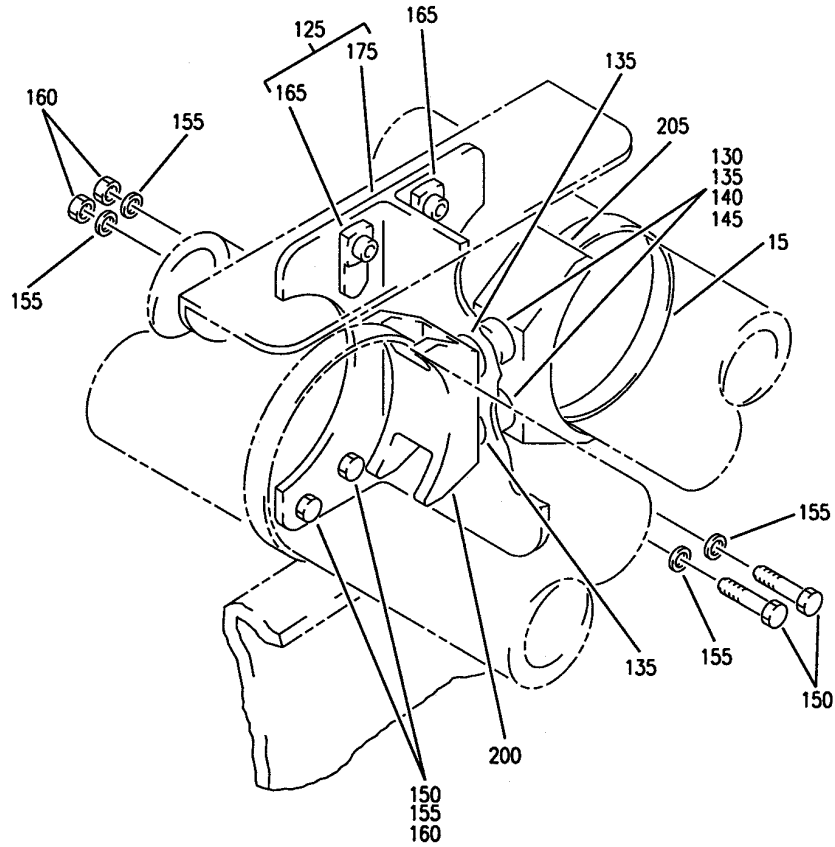
DUCT INSTL-E/E COOLING EXH SECT. 41, FWD
 FIGURE 50 (SHEET 4)

21-27-51-50

HAP
 OCT 10/06

21-27-51-50
 PAGE 0C

BOEING
737-600/700/800/900
PARTS CATALOG (MAINTENANCE)



(F)

E 21275150 SHIT 5 REV 035

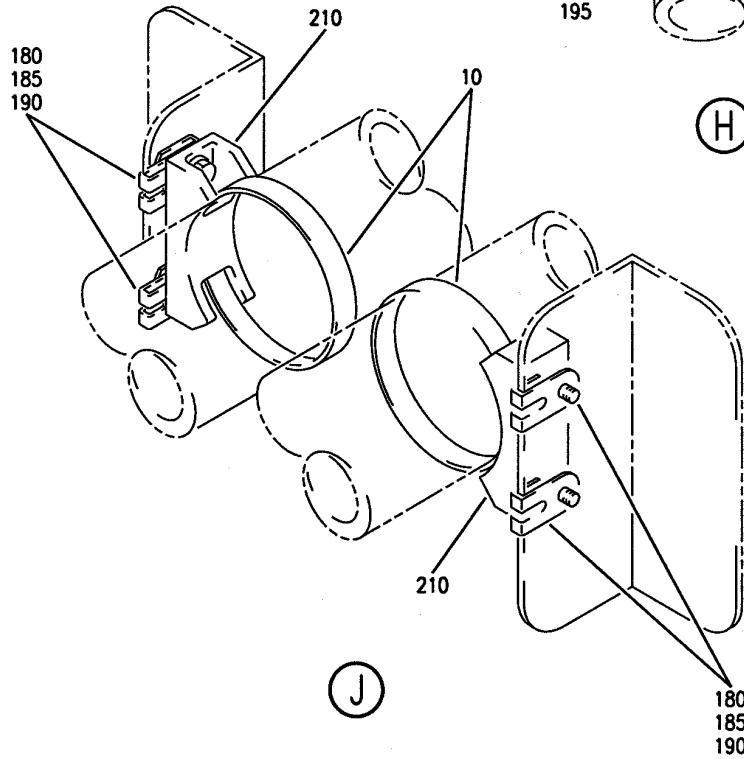
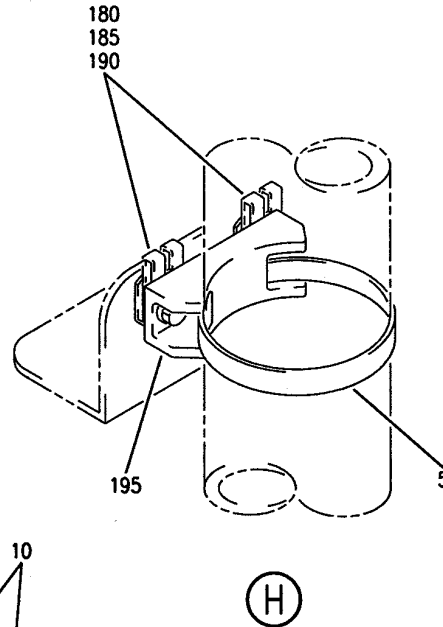
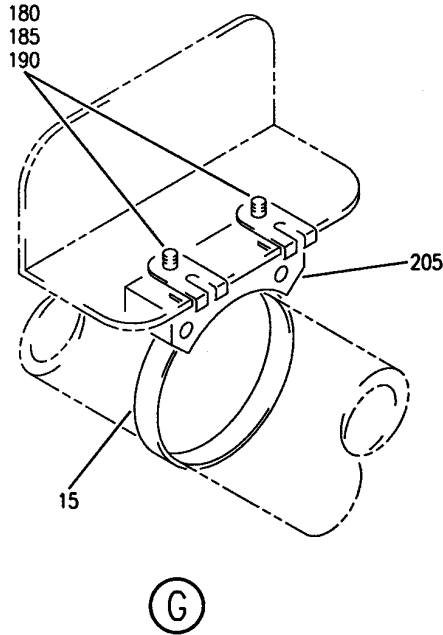
DUCT INSTL-E/E COOLING EXH SECT. 41, FWD
FIGURE 50 (SHEET 5)

21-27-51-50

HAP
OCT 10/06

21-27-51-50
PAGE 0D

BOEING
 737-600/700/800/900
 PARTS CATALOG (MAINTENANCE)



E 21275150 SHT 6 REV 035

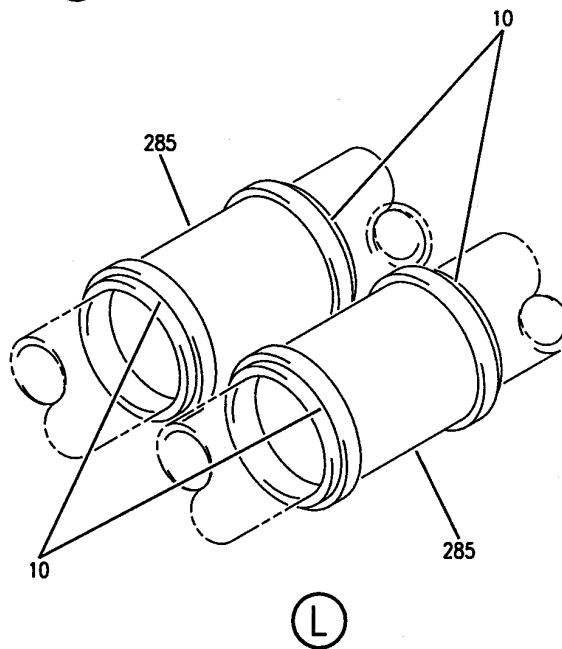
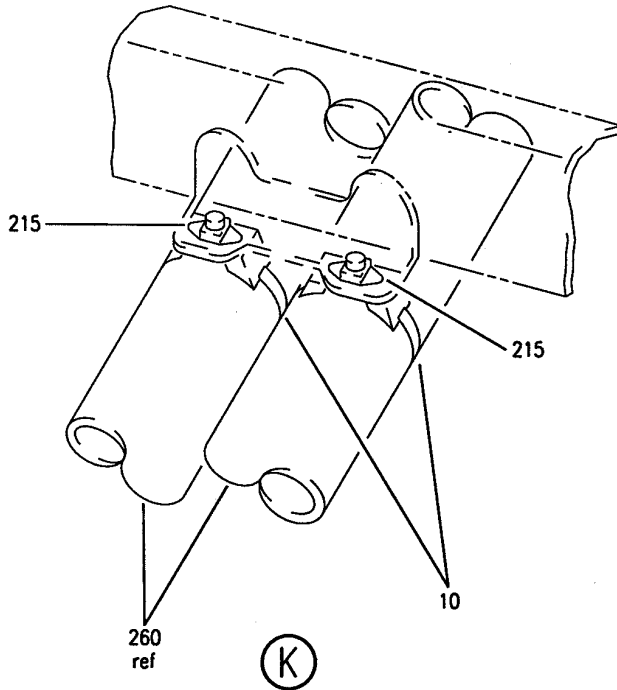
DUCT INSTL-E/E COOLING EXH SECT. 41, FWD
 FIGURE 50 (SHEET 6)

21-27-51-50

HAP
 OCT 10/06

21-27-51-50
 PAGE 0E

BOEING
 737-600/700/800/900
 PARTS CATALOG (MAINTENANCE)



E 21275150 SH1 7 REV 035

DUCT INSTL-E/E COOLING EXH SECT. 41, FWD
 FIGURE 50 (SHEET 7)

21-27-51-50

HAP
 OCT 10/06

21-27-51-50
 PAGE OF

BOEING
737-600/700/800/900
PARTS CATALOG (MAINTENANCE)

FIG ITEM	PART NUMBER	1 2 3 4 5 6 7	NOMENCLATURE	EFFECT FROM TO	UNITS PER ASSY
50			DUCT INSTL-E/E COOLING EXH SECT. 41, FWD	012030	
- 1	217A1002-4		DUCT INSTL-E/E COOLING EXH POSITION DATA: SECT. 41, FWD FOR NHA SEE: 21-20-00-04	012028	RF
- 1	217A1002-7		DUCT INSTL-E/E COOLING EXH POSITION DATA: FWD, SECT. 41 FOR NHA SEE: 21-20-00-04	029030	RF
5	PLT3SM		.STRAP SUPPLIER CODE: V06383 SPECIFICATION NUMBER: BACS38K7 OPTIONAL PART: T0510 V53421	012030	6
10	T05R0		.STRAP SUPPLIER CODE: V53421 SPECIFICATION NUMBER: BACS38K1 OPTIONAL PART: PLT2SM V06383	012030	18
15	SLT8LHC6		.STRAP- SUPPLIER CODE: V06383	012028	8
15	SLT10LHC6		.STRAP- SUPPLIER CODE: V06383	029030	8
20	MS28778-6		.PACKING MAINTENANCE MANUAL REF: 21-27-03	012030	1

MISSING ITEM NUMBERS NOT APPLICABLE

- ITEM NOT ILLUSTRATED

HAP

21-27-51-50

BOEING PROPRIETARY - Copyright © - Unpublished Work - See title page for details.

21-27-51
FIG. 50
PAGE 1
JUN 10/07

BOEING
737-600/700/800/900
PARTS CATALOG (MAINTENANCE)

FIG ITEM	PART NUMBER	1 2 3 4 5 6 7	NOMENCLATURE	EFFECT FROM TO	UNITS PER ASSY
50 25	0123FA2	.	SENSOR- SUPPLIER CODE: V59885 FUNCTIONAL DESCRIPTION: DESIGNED TO MONITOR THE ADEQUACY OF COOLING AIR FLOW RATE. SPECIFICATION NUMBER: S210N701-43 ELECTRICAL EQUIP NUMBER: M00100 COMPONENT MAINT MANUAL REF: 21-58-02 MAINTENANCE MANUAL REF: 21-27-03 OPTIONAL PART: 0123FA V59885	012030	1
25	0123FA	.	SENSOR- SUPPLIER CODE: V59885 SPECIFICATION NUMBER: S210N701-43 ELECTRICAL EQUIP NUMBER: M00100 COMPONENT MAINT MANUAL REF: 21-58-02 MAINTENANCE MANUAL REF: 21-27-03 OPTIONAL PART: 0123FA2 V59885	012030	1
30	217A1144-1	.	BRACKET ASSY ATTACHING PARTS	012030	1
35	BACS12GU3K8	.	SCREW-	012028	2
35	BACS12GU3K9	.	SCREW-	029030	2
37	NAS43DD3-5FC	.	SPACER	029030	2
40	BACS12GU3K10	.	SCREW	012030	2
45	NAS1149D0332J	.	WASHER	012030	4
			-----*-----		

MISSING ITEM NUMBERS NOT APPLICABLE

— ITEM NOT ILLUSTRATED

HAP

21-27-51-50

BOEING PROPRIETARY - Copyright © - Unpublished Work - See title page for details.

21-27-51
FIG. 50
PAGE 2
OCT 15/08

BOEING
737-600/700/800/900
PARTS CATALOG (MAINTENANCE)

FIG ITEM	PART NUMBER	1 2 3 4 5 6 7	NOMENCLATURE	EFFECT FROM TO	UNITS PER ASSY
50					
50	BRF200C3D	..	NUTPLATE SUPPLIER CODE: V52828 SPECIFICATION NUMBER: BACN10JR3CFD OPTIONAL PART: K51602-3BAC V15653 NS202476-02 V80539 102F9201-3 V72962 T8092C1032CD V11815	012030	1
55	BACN10JP3DCD	..	NUTPLATE ATTACHING PARTS	012030	1
- 60	BACR15BA3ADC	..	RIVET- SIZE DETERMINED ON INSTL. -----*-----	012030	4
65	217A1144-2	..	BRACKET	012030	1
70	217A1105-1	.	BRACKET ASSY ATTACHING PARTS	012030	1
- 75	BACB30NM3K3	.	BOLT- POSITION DATA: NEAR SIDE	012030	2
- 80	NAS1149D0332J	.	WASHER- POSITION DATA: FAR SIDE	012030	2
- 85	PLH53CD	.	NUT- SUPPLIER CODE: VF0224 SPECIFICATION NUMBER: BACN10YR3CD OPTIONAL PART: H52732-3CD V15653 POSITION DATA: FAR SIDE -----*-----	012030	2
90	BACR15BA4DC	..	RIVET- SIZE DETERMINED ON INSTL.	012030	2
95	217A1105-2	..	BRACKET	012030	1
100	217A1105-3	..	BRACKET ASSY	012030	1

MISSING ITEM NUMBERS NOT APPLICABLE

- ITEM NOT ILLUSTRATED

HAP

21-27-51-50

BOEING PROPRIETARY - Copyright © - Unpublished Work - See title page for details.

21-27-51
FIG. 50
PAGE 3
FEB 15/09

BOEING
737-600/700/800/900
PARTS CATALOG (MAINTENANCE)

FIG ITEM	PART NUMBER	1 2 3 4 5 6 7	NOMENCLATURE	EFFECT FROM TO	UNITS PER ASSY
50 105	F177-3		...NUTPLATE SUPPLIER CODE: V72962 SPECIFICATION NUMBER: BACN10JA3 OPTIONAL PART: F2400-3 V15653 43610-02 V80539 BRF110A3 V52828 BRF170A3 V52828 ATTACHING PARTS	012030	2
- 110	BACR15BA3ADC		...RIVET- SIZE DETERMINED ON INSTL. -----*-----	012030	4
115	217A1105-4		...BRACKET	012030	1
120	MS20995C32		.LOCKWIRE	012030	1
125	217A1147-1		.BRACKET ASSY ATTACHING PARTS	012030	2
130	BACS12GU3K13		.SCREW	012030	4
135	NAS43DD3-6FC		.SPACER	012030	8
140	NAS1149D0332J		.WASHER	012030	4
145	BRC600-8-3GP		.CLIPNUT SUPPLIER CODE: V52828 SPECIFICATION NUMBER: BACN10YD1G OPTIONAL PART: 130120G V60119	012030	4
150	BACB30NM3K2		.BOLT	012030	8
155	BACW10BP3NDP		.WASHER	012030	16
160	PLH53CD		.NUT SUPPLIER CODE: VF0224 SPECIFICATION NUMBER: BACN10YR3CD OPTIONAL PART: H52732-3CD V15653 -----*-----	012030	8

MISSING ITEM NUMBERS NOT APPLICABLE

- ITEM NOT ILLUSTRATED

HAP

21-27-51-50

BOEING PROPRIETARY - Copyright © - Unpublished Work - See title page for details.

21-27-51
FIG. 50
PAGE 4
FEB 15/09

BOEING
737-600/700/800/900
PARTS CATALOG (MAINTENANCE)

FIG ITEM	PART NUMBER	1 2 3 4 5 6 7	NOMENCLATURE	EFFECT FROM TO	UNITS PER ASSY
50 165	102F177-3		..NUTPLATE SUPPLIER CODE: V72962 SPECIFICATION NUMBER: BACN10JA3CD OPTIONAL PART: BRF110C3D V52828 BRF170C3D V52828 F51636-3 V15653 NS202484-02 V80539 ATTACHING PARTS	012030	2
- 170	BACR15BA3ADC		..RIVET- SIZE DETERMINED ON INSTL. -----*-----	012030	4
175	217A1147-2		..BRACKET	012030	1
180	BACS12GU3K8		.SCREW	012030	16
185	NAS1149D0332J		.WASHER	012030	16
190	BRC600-8-3GP		.CLIPNUT SUPPLIER CODE: V52828 SPECIFICATION NUMBER: BACN10YD1G OPTIONAL PART: 130120G V60119	012030	16
195	214T3424-3		.SUPPORT	012030	3
200	214T3424-6		.SUPPORT	012030	2
205	214T3424-4		.SUPPORT	012030	4
210	214T3424-17		.SUPPORT	012030	4
215	STBP19M12		.PLATE- SUPPLIER CODE: V1B249 ATTACHING PARTS	012030	2
- 220	NAS8203A8		.SCREW -----*-----	012030	2
225	217A1111-1		.DUCT ASSY	012030	1
230	BAC27DAC79		..MARKER- PLACARD CONTENT: M100 EXHAUST LOW FLOW DETECTOR (EQUIP COOLING)	012030	1

MISSING ITEM NUMBERS NOT APPLICABLE

- ITEM NOT ILLUSTRATED

HAP

21-27-51-50

BOEING PROPRIETARY - Copyright © - Unpublished Work - See title page for details.

21-27-51
FIG. 50
PAGE 5
JUN 10/07

BOEING
737-600/700/800/900
PARTS CATALOG (MAINTENANCE)

FIG ITEM	PART NUMBER	1 2 3 4 5 6 7	NOMENCLATURE	EFFECT FROM TO	UNITS PER ASSY
50					
- 235	NK130004-0250		.. FLANGE SUPPLIER CODE: V8W928 SPECIFICATION NUMBER: BACF22BC250 OPTIONAL PART: NK130004-0250 V00624	012030	1
240	217A1148-1		. DUCT ASSY	012030	1
245	217A1112-1		. DUCT ASSY	012030	1
250	217A1125-2		. DUCT	012030	1
255	217A1125-1		. DUCT	012030	1
260	217A1103-1		. DUCT	012030	2
265	217A1123-1		. DUCT	012030	2
270	BOE2022-06A0120		. HOSE SUPPLIER CODE: V16632 SPECIFICATION NUMBER: AS1544-06A0120	012030	2
275	NH135008-0250		. COUPLING SUPPLIER CODE: V00624 SPECIFICATION NUMBER: BACC10HX250	012030	1
280	NH135008-0300		. COUPLING SUPPLIER CODE: V00624 SPECIFICATION NUMBER: BACC10HX300	012030	1
285	AS1506-06D23		. SLEEVE	012030	4
290	AS1506-10D30		. SLEEVE-	012030	1
295	AS1506-12D32		. SLEEVE	012030	2
- 791	286A5156-348		WIRE BUNDLE ASSY	012027	RF
- 793	286A5156-412		WIRE BUNDLE ASSY	028030	RF
805	BACC45FT12-12S		. CONNECTOR- ELECTRICAL EQUIP NUMBER: D00164 WIRING DIAGRAM REF: 212721	012030	1

MISSING ITEM NUMBERS NOT APPLICABLE

- ITEM NOT ILLUSTRATED

HAP

21-27-51-50

BOEING PROPRIETARY - Copyright © - Unpublished Work - See title page for details.

21-27-51
FIG. 50
PAGE 6
JUN 10/07

BOEING
737-600/700/800/900
PARTS CATALOG (MAINTENANCE)

FIG ITEM	PART NUMBER	1 2 3 4 5 6 7 NOMENCLATURE	EFFECT FROM TO	UNITS PER ASSY
50 810	SCP6023S1200B	.CLAMP- SUPPLIER CODE: V07418 SPECIFICATION NUMBER: BACC10JS12 OPTIONAL PART: 457ES010-12 V06324 ELECTRICAL EQUIP NUMBER: D00164T WIRING DIAGRAM REF: 212721	012030	1

MISSING ITEM NUMBERS NOT APPLICABLE

— ITEM NOT ILLUSTRATED

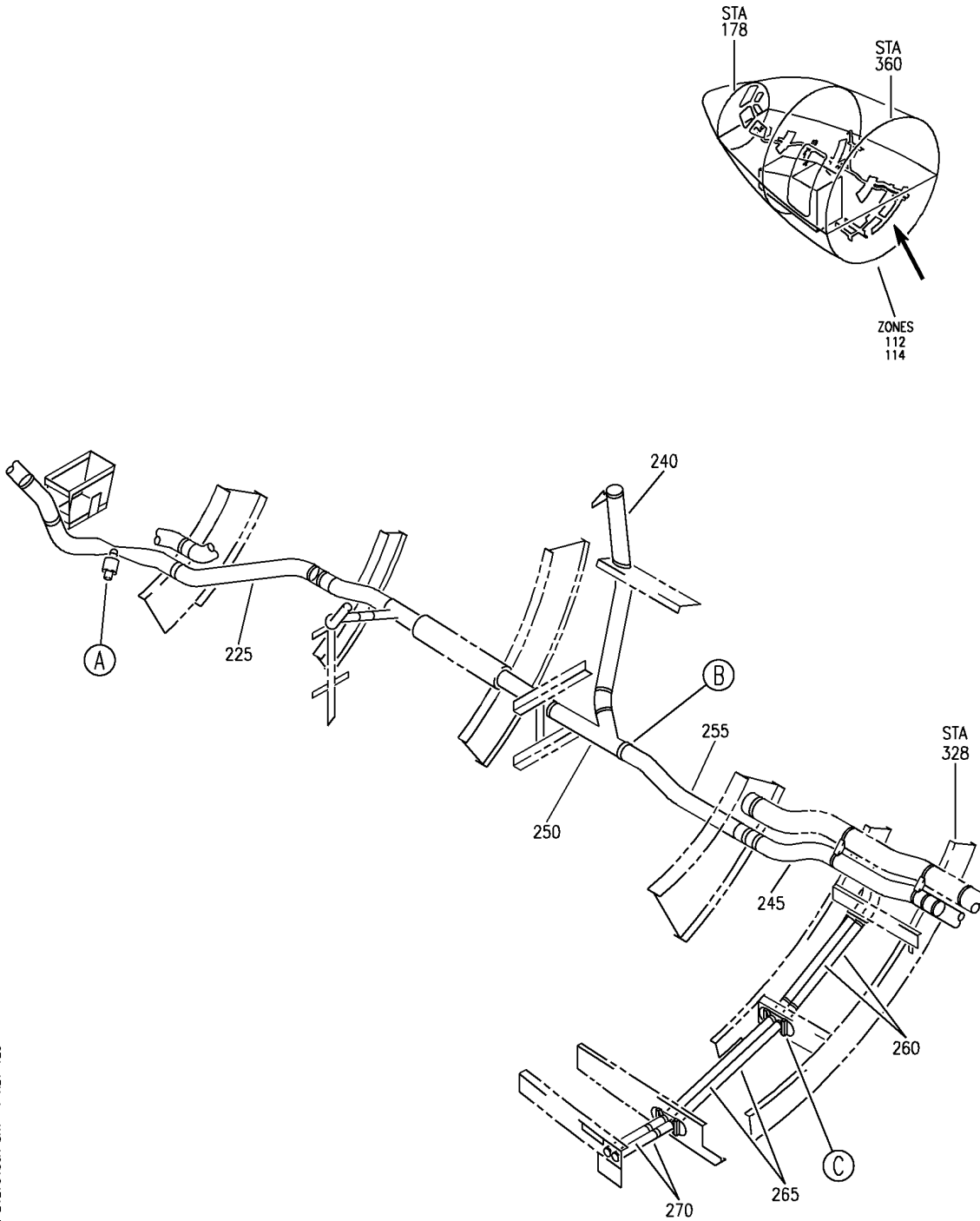
HAP

21-27-51-50

BOEING PROPRIETARY - Copyright © - Unpublished Work - See title page for details.

21-27-51
FIG. 50
PAGE 7
JUN 10/07

BOEING
737-600/700/800/900
PARTS CATALOG (MAINTENANCE)



E 21275150A SHT 1 REV 125

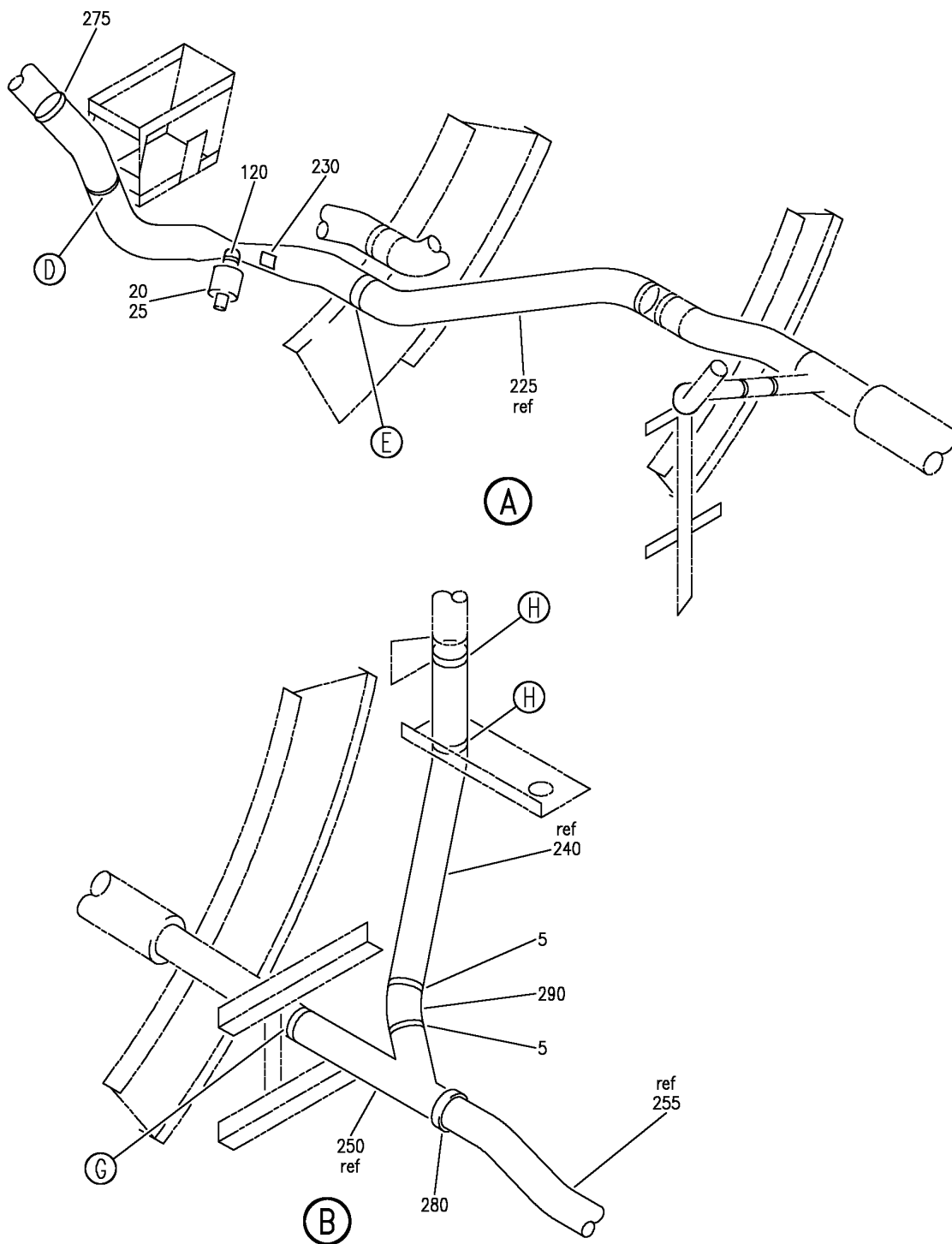
DUCT INSTL-E/E COOLING EXH SECT. 41 FWD
FIGURE 50A (SHEET 1)

21-27-51-50A

HAP
FEB 10/07

21-27-51-50A
PAGE 0

BOEING
 737-600/700/800/900
 PARTS CATALOG (MAINTENANCE)



E 21275150A SHT. 2 REV 151

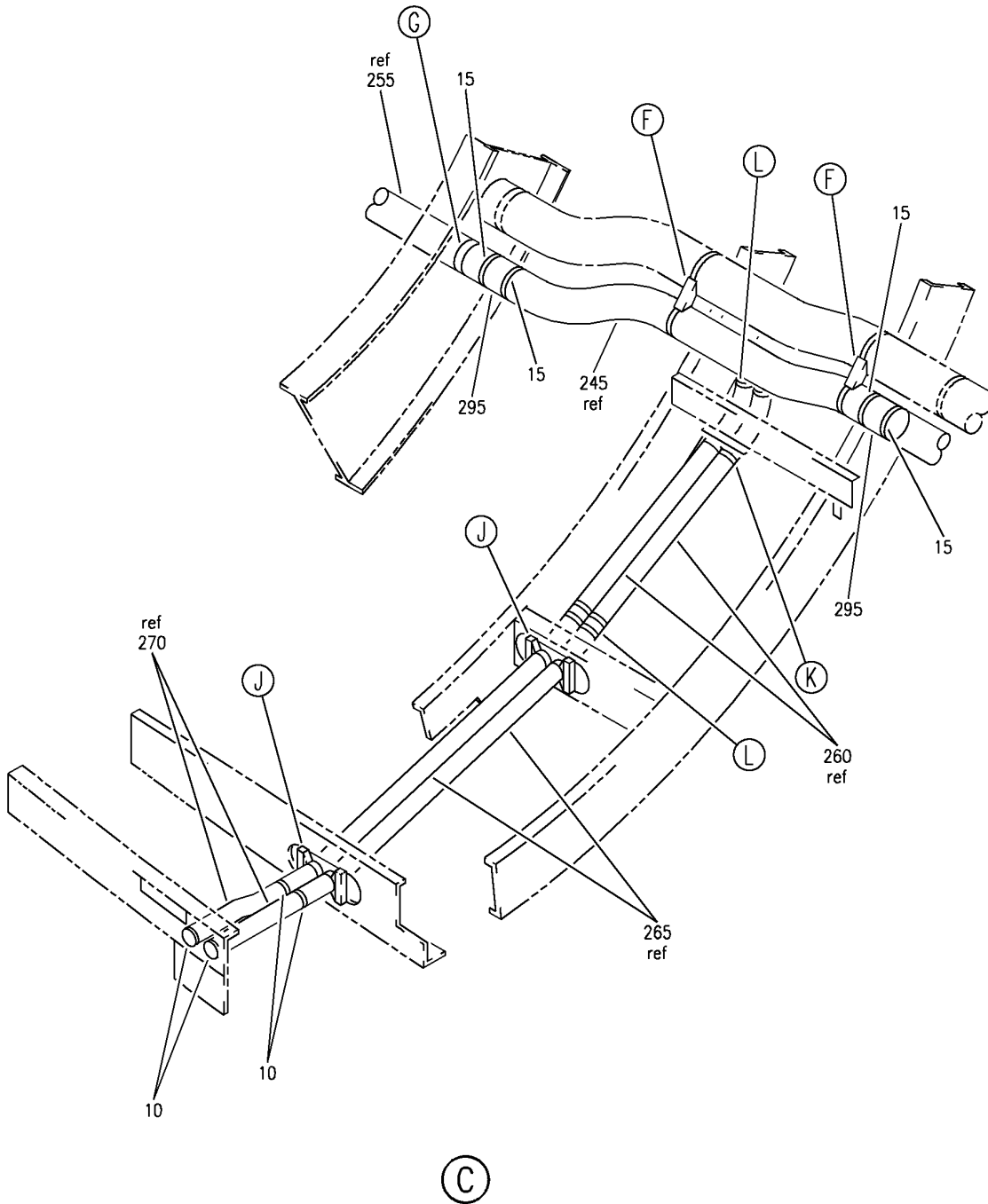
DUCT INSTL-E/E COOLING EXH SECT. 41 FWD
 FIGURE 50A (SHEET 2)

21-27-51-50A

HAP
 FEB 15/09

21-27-51-50A
 PAGE 0A

BOEING
 737-600/700/800/900
 PARTS CATALOG (MAINTENANCE)



E 21275150A SHT 3 REV 125

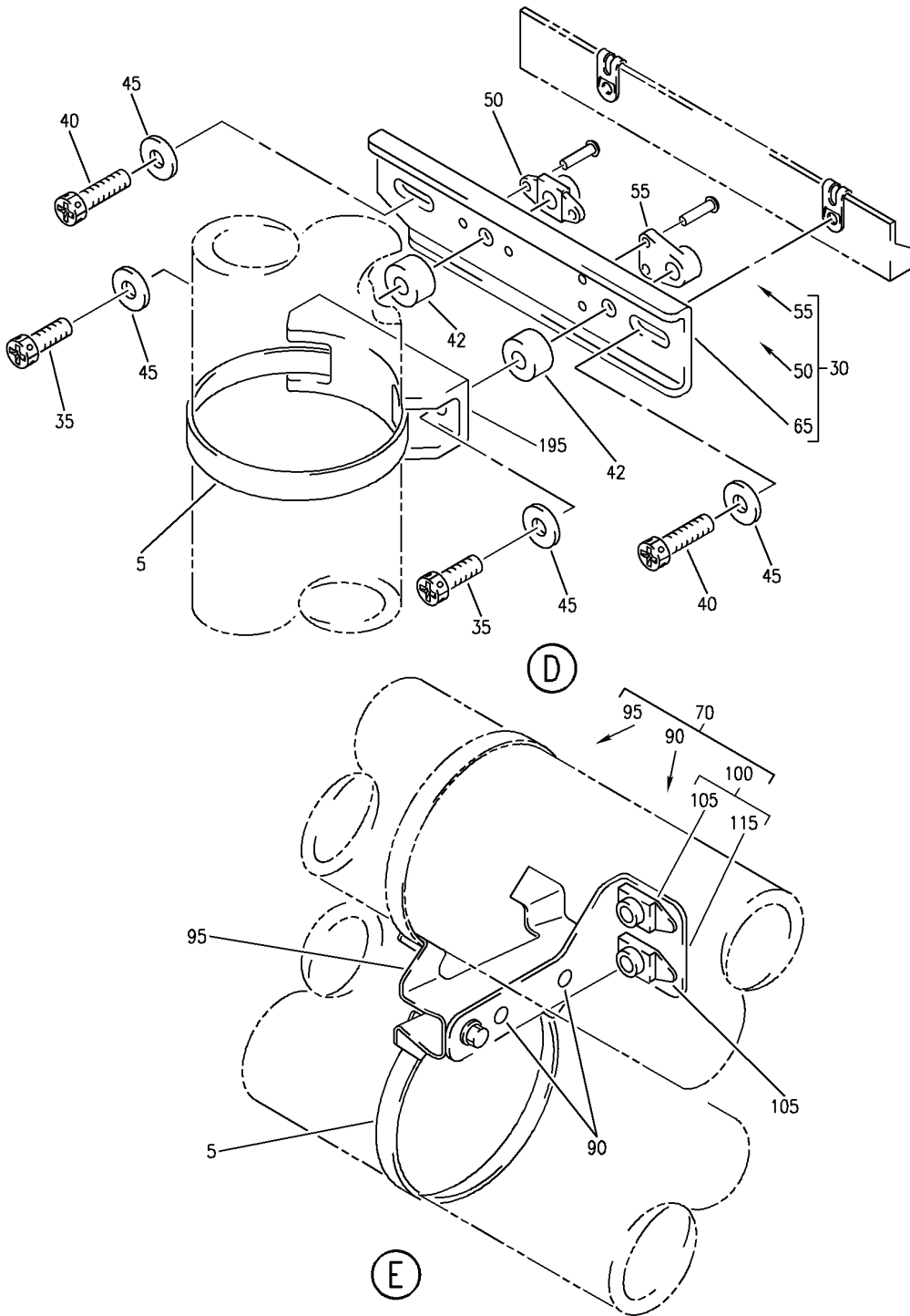
DUCT INSTL-E/E COOLING EXH SECT. 41 FWD
 FIGURE 50A (SHEET 3)

21-27-51-50A

HAP
 FEB 10/07

21-27-51-50A
 PAGE 0B

BOEING
 737-600/700/800/900
 PARTS CATALOG (MAINTENANCE)



E 21275150A SHT 4 REV 125

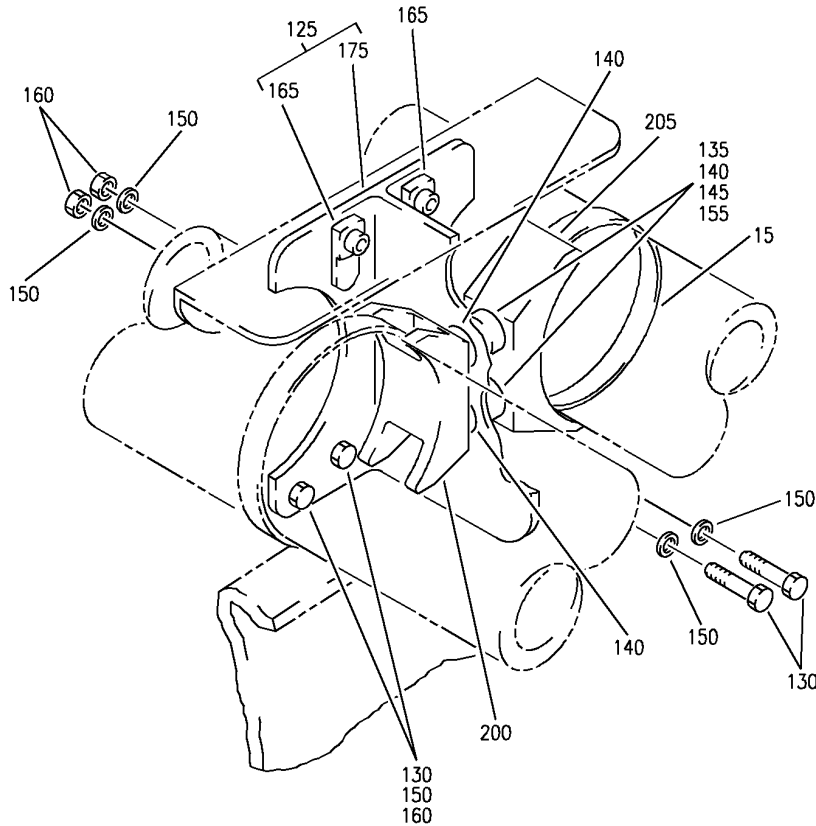
DUCT INSTL-E/E COOLING EXH SECT. 41 FWD
 FIGURE 50A (SHEET 4)

21-27-51-50A

HAP
 FEB 10/07

21-27-51-50A
 PAGE 0C

BOEING
737-600/700/800/900
PARTS CATALOG (MAINTENANCE)



(F)

E 21275150A SHT 5 REV 125

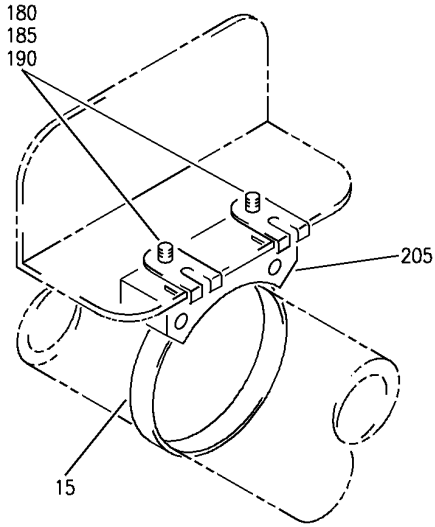
DUCT INSTL-E/E COOLING EXH SECT. 41 FWD
FIGURE 50A (SHEET 5)

21-27-51-50A

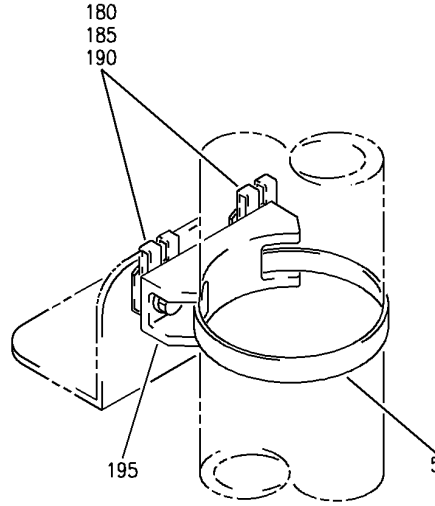
HAP
FEB 10/07

21-27-51-50A
PAGE 0D

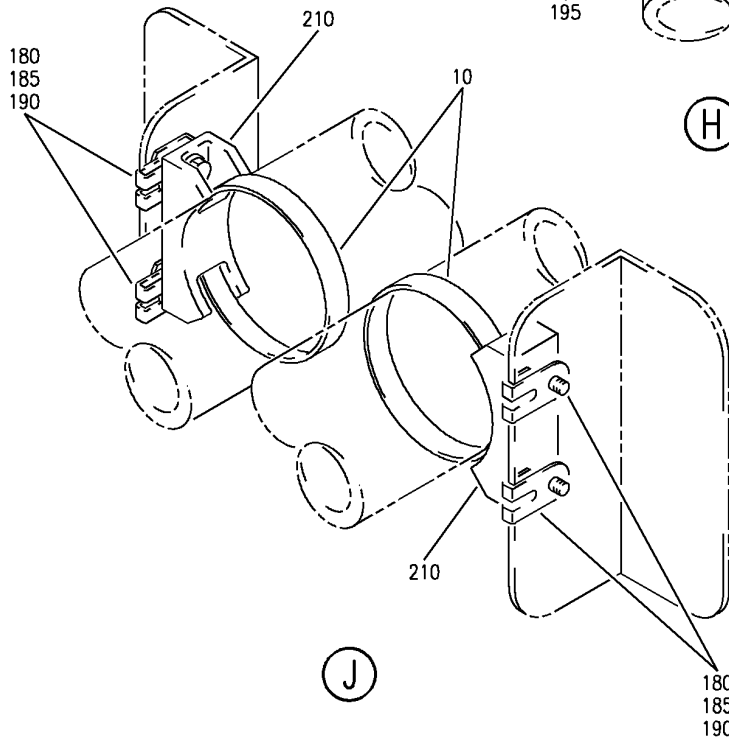
BOEING
 737-600/700/800/900
 PARTS CATALOG (MAINTENANCE)



(G)



(H)



(J)

E 21275150A SHT 6 REV 125

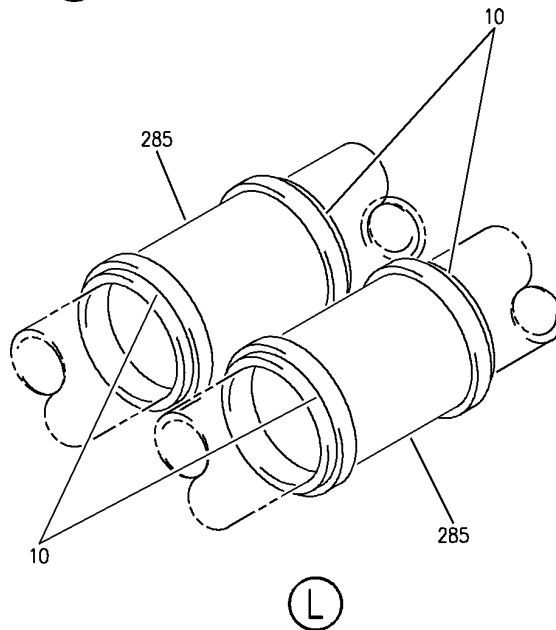
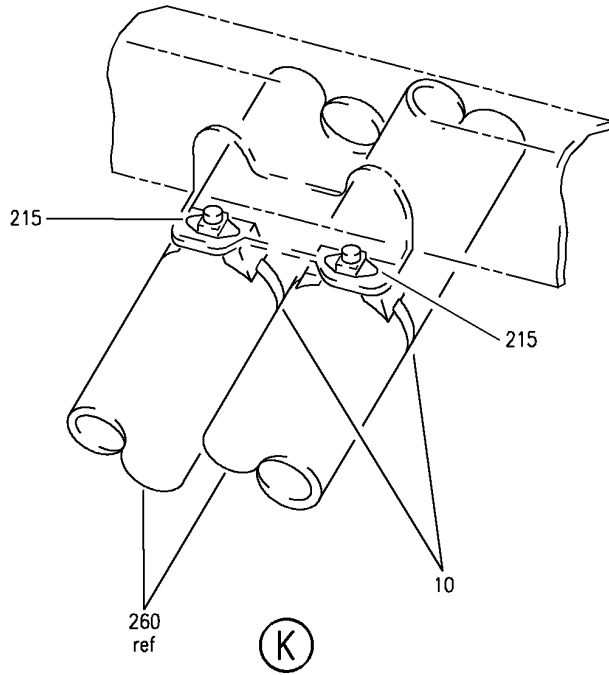
DUCT INSTL-E/E COOLING EXH SECT. 41 FWD
 FIGURE 50A (SHEET 6)

21-27-51-50A

HAP
 FEB 10/07

21-27-51-50A
 PAGE 0E

BOEING
737-600/700/800/900
PARTS CATALOG (MAINTENANCE)



E 21275150A SHT 7 REV 125

DUCT INSTL-E/E COOLING EXH SECT. 41 FWD
FIGURE 50A (SHEET 7)

HAP
FEB 10/07

21-27-51-50A

21-27-51-50A
PAGE OF

BOEING PROPRIETARY - Copyright © - Unpublished Work - See title page for details.

BOEING
737-600/700/800/900
PARTS CATALOG (MAINTENANCE)

FIG ITEM	PART NUMBER	1 2 3 4 5 6 7	NOMENCLATURE	EFFECT FROM TO	UNITS PER ASSY
50A			DUCT INSTL-E/E COOLING EXH SECT. 41 FWD	031200 968999	
- 1	MODREF272597		DUCT INSTL-E/E COOLING EXH MODULE NUMBER: 217A1002-7 REV C POSITION DATA: SECT. 41 FWD	031046 054104 968972	1
- 1	MODREF380152		DUCT INSTL-E/E COOLING EXH MODULE NUMBER: 217A1002-7 REV D POSITION DATA: SECT. 41 FWD	047053 105200 973999	1
5	PLT3SM		.STRAP- SUPPLIER CODE: V06383 SPECIFICATION NUMBER: BACS38K7 OPTIONAL PART: T0510 V53421 SLT8LHC6 V06383	031200 968999	6
5	SLT8LHC6		.STRAP- SUPPLIER CODE: V06383 OPTIONAL PART: BACS38K7	031200 968999	6
10	T05R0		.STRAP- SUPPLIER CODE: V53421 SPECIFICATION NUMBER: BACS38K1 OPTIONAL PART: PLT2SM V06383 SLT8LHC6 V06383	031200 968999	18
10	SLT8LHC6		.STRAP- SUPPLIER CODE: V06383 OPTIONAL PART: BACS38K1	031200 968999	18
15	SLT10LHC6		.STRAP- SUPPLIER CODE: V06383 OPTIONAL PART: BACS38K6	031200 968999	8

MISSING ITEM NUMBERS NOT APPLICABLE

- ITEM NOT ILLUSTRATED

HAP

21-27-51-50A

BOEING PROPRIETARY - Copyright © - Unpublished Work - See title page for details.

21-27-51
FIG. 50A
PAGE 1
FEB 15/09

BOEING
737-600/700/800/900
PARTS CATALOG (MAINTENANCE)

FIG ITEM	PART NUMBER	1 2 3 4 5 6 7	NOMENCLATURE	EFFECT FROM TO	UNITS PER ASSY
50A 15	T012L0	.	STRAP- SUPPLIER CODE: V53421 SPECIFICATION NUMBER: BACS38K6 OPTIONAL PART: SLT10LHC6 V06383	031200 968999	8
20	MS28778-6	.	PACKING MAINTENANCE MANUAL REF: 21-27-03	031200 968999	1
25	0123FA2	.	SENSOR- SUPPLIER CODE: V59885 FUNCTIONAL DESCRIPTION: DESIGNED TO MONITOR THE ADEQUACY OF COOLING AIR FLOW RATE. SPECIFICATION NUMBER: S210N701-43 ELECTRICAL EQUIP NUMBER: M00100 COMPONENT MAINT MANUAL REF: 21-58-02 MAINTENANCE MANUAL REF: 21-27-03 OPTIONAL PART: 0123FA V59885	031200 968999	1
25	0123FA	.	SENSOR- SUPPLIER CODE: V59885 SPECIFICATION NUMBER: S210N701-43 ELECTRICAL EQUIP NUMBER: M00100 COMPONENT MAINT MANUAL REF: 21-58-02 MAINTENANCE MANUAL REF: 21-27-03 OPTIONAL PART: 0123FA2 V59885	031200 968999	1
30	217A1144-1	.	BRACKET ASSY	031200 968999	1
35	BACS12GU3K9	.	ATTACHING PARTS SCREW	031200 968999	2

MISSING ITEM NUMBERS NOT APPLICABLE

— ITEM NOT ILLUSTRATED

HAP

21-27-51-50A

BOEING PROPRIETARY - Copyright © - Unpublished Work - See title page for details.

21-27-51
FIG. 50A
PAGE 2
OCT 15/08

BOEING
737-600/700/800/900
PARTS CATALOG (MAINTENANCE)

FIG ITEM	PART NUMBER	1 2 3 4 5 6 7	NOMENCLATURE	EFFECT FROM TO	UNITS PER ASSY
50A					
40	BACS12GU3K10	.	SCREW	031200 968999	2
42	NAS43DD3-5FC	.	SPACER	031200 968999	2
45	NAS1149D0332J	.	WASHER	031200 968999	4
			-----*-----		
50	BRF200C3D	..	NUTPLATE SUPPLIER CODE: V52828 SPECIFICATION NUMBER: BACN10JR3CFD OPTIONAL PART: K51602-3BAC V15653 NS202476-02 V80539 102F9201-3 V72962 T8092C1032CD V11815	031200 968999	1
55	BACN10JP3DCD	..	NUTPLATE	031200 968999	1
			ATTACHING PARTS		
- 60	BACR15BA3ADC	..	RIVET- SIZE DETERMINED ON INSTL.	031200 968999	4
			-----*-----		
65	217A1144-2	..	BRACKET	031200 968999	1
70	217A1105-1	.	BRACKET ASSY	031200 968999	1
			ATTACHING PARTS		
- 75	BACB30NM3K3	.	BOLT- POSITION DATA: NEAR SIDE	031200 968999	2
- 80	NAS1149D0332J	.	WASHER- POSITION DATA: FAR SIDE	031200 968999	2
- 85	PLH53CD	.	NUT- SUPPLIER CODE: VF0224 SPECIFICATION NUMBER: BACN10YR3CD OPTIONAL PART: H52732-3CD V15653 POSITION DATA: FAR SIDE	031200 968999	2
			-----*-----		

MISSING ITEM NUMBERS NOT APPLICABLE

- ITEM NOT ILLUSTRATED

HAP

21-27-51-50A

BOEING PROPRIETARY - Copyright © - Unpublished Work - See title page for details.

21-27-51
FIG. 50A
PAGE 3
FEB 15/09

BOEING
737-600/700/800/900
PARTS CATALOG (MAINTENANCE)

FIG ITEM	PART NUMBER	1 2 3 4 5 6 7	NOMENCLATURE	EFFECT FROM TO	UNITS PER ASSY
50A					
90	BACR15BA4DC	..	RIVET- SIZE DETERMINED ON INSTL.	031200 968999	2
95	217A1105-2	..	BRACKET	031200 968999	1
100	217A1105-3	..	BRACKET ASSY	031200 968999	1
105	F177-3	...	NUTPLATE SUPPLIER CODE: V72962 SPECIFICATION NUMBER: BACN10JA3 OPTIONAL PART: F2400-3 V15653 43610-02 V80539 BRF110A3 V52828 BRF170A3 V52828 ATTACHING PARTS	031200 968999	2
- 110	BACR15BA3ADC	...	RIVET- SIZE DETERMINED ON INSTL. -----*-----	031200 968999	4
115	217A1105-4	...	BRACKET	031200 968999	1
120	MS20995C32	.	LOCKWIRE	031200 968999	1
125	217A1147-1	.	BRACKET ASSY ATTACHING PARTS	031200 968999	2
130	BACB30NM3K2	.	BOLT	031200 968999	8
135	BACS12GU3K13	.	SCREW	031200 968999	4
140	NAS43DD3-6FC	.	SPACER	031200 968999	8
145	NAS1149D0332J	.	WASHER	031200 968999	4
150	BACW10BP3NDP	.	WASHER	031200 968999	16
155	BRC600-8-3GP	.	CLIPNUT SUPPLIER CODE: V52828 SPECIFICATION NUMBER: BACN10YD1G OPTIONAL PART: 130120G V60119	031200 968999	4

MISSING ITEM NUMBERS NOT APPLICABLE

- ITEM NOT ILLUSTRATED

HAP

21-27-51-50A

BOEING PROPRIETARY - Copyright © - Unpublished Work - See title page for details.

21-27-51
FIG. 50A
PAGE 4
OCT 15/08

BOEING
737-600/700/800/900
PARTS CATALOG (MAINTENANCE)

FIG ITEM	PART NUMBER	1 2 3 4 5 6 7	NOMENCLATURE	EFFECT FROM TO	UNITS PER ASSY
50A 160	PLH53CD	.	NUT SUPPLIER CODE: VF0224 SPECIFICATION NUMBER: BACN10YR3CD OPTIONAL PART: H52732-3CD V15653 -----*-----	031200 968999	8
165	102F177-3	..	NUTPLATE SUPPLIER CODE: V72962 SPECIFICATION NUMBER: BACN10JA3CD OPTIONAL PART: BRF110C3D V52828 BRF170C3D V52828 F51636-3 V15653 NS202484-02 V80539 ATTACHING PARTS	031200 968999	2
- 170	BACR15BA3ADC	..	RIVET- SIZE DETERMINED ON INSTL. -----*-----	031200 968999	4
175	217A1147-2	..	BRACKET	031200 968999	1
180	BACS12GU3K8	.	SCREW	031200 968999	16
185	NAS1149D0332J	.	WASHER	031200 968999	16
190	BRC600-8-3GP	.	CLIPNUT SUPPLIER CODE: V52828 SPECIFICATION NUMBER: BACN10YD1G OPTIONAL PART: 130120G V60119	031200 968999	16
195	214T3424-3	.	SUPPORT	031200 968999	3
200	214T3424-6	.	SUPPORT	031200 968999	2
205	214T3424-4	.	SUPPORT	031200 968999	4
210	214T3424-17	.	SUPPORT	031200 968999	4

MISSING ITEM NUMBERS NOT APPLICABLE

- ITEM NOT ILLUSTRATED

HAP

21-27-51-50A

BOEING PROPRIETARY - Copyright © - Unpublished Work - See title page for details.

21-27-51
FIG. 50A
PAGE 5
FEB 15/09

BOEING
737-600/700/800/900
PARTS CATALOG (MAINTENANCE)

FIG ITEM	PART NUMBER	1 2 3 4 5 6 7	NOMENCLATURE	EFFECT FROM TO	UNITS PER ASSY
50A 215	STBP19M12		.PLATE- SUPPLIER CODE: V1B249 ATTACHING PARTS	031200 968999	2
- 220	NAS8203A8		.SCREW	031200 968999	2
			-----*-----		
225	217A1111-1		.DUCT ASSY	031200 968999	1
230	BAC27DAC79		..MARKER- PLACARD CONTENT: M100 EXHAUST LOW FLOW DETECTOR (EQUIP COOLING)	031200 968999	1
- 235	NK130004-0250		..FLANGE SUPPLIER CODE: V8W928 SPECIFICATION NUMBER: BACF22BC250 OPTIONAL PART: NK130004-0250 V00624	031200 968999	1
240	217A1148-1		.DUCT ASSY	031200 968999	1
245	217A1112-1		.DUCT ASSY	031200 968999	1
250	217A1125-2		.DUCT	031200 968999	1
255	217A1125-1		.DUCT	031200 968999	1
260	217A1103-1		.DUCT	031200 968999	2
265	217A1123-1		.DUCT	031200 968999	2
270	BOE2022-06A0120		.HOSE SUPPLIER CODE: V16632 SPECIFICATION NUMBER: AS1544-06A0120	031200 968999	2
275	NH135008-0250		.COUPLING SUPPLIER CODE: V00624 SPECIFICATION NUMBER: BACC10HX250	031200 968999	1
280	NH135008-0300		.COUPLING SUPPLIER CODE: V00624 SPECIFICATION NUMBER: BACC10HX300	031200 968999	1

MISSING ITEM NUMBERS NOT APPLICABLE

- ITEM NOT ILLUSTRATED

HAP

21-27-51-50A

BOEING PROPRIETARY - Copyright © - Unpublished Work - See title page for details.

21-27-51
FIG. 50A
PAGE 6
OCT 15/08


BOEING
 737-600/700/800/900
PARTS CATALOG (MAINTENANCE)

FIG ITEM	PART NUMBER	1 2 3 4 5 6 7	NOMENCLATURE	EFFECT FROM TO	UNITS PER ASSY
50A					
285	AS1506-06D23	.	SLEEVE	031200 968999	4
290	AS1506-10D42	.	HOSE	031200 968999	1
295	AS1506-12D32	.	SLEEVE	031200 968999	2
MISSING ITEM NUMBERS NOT APPLICABLE					

— ITEM NOT ILLUSTRATED

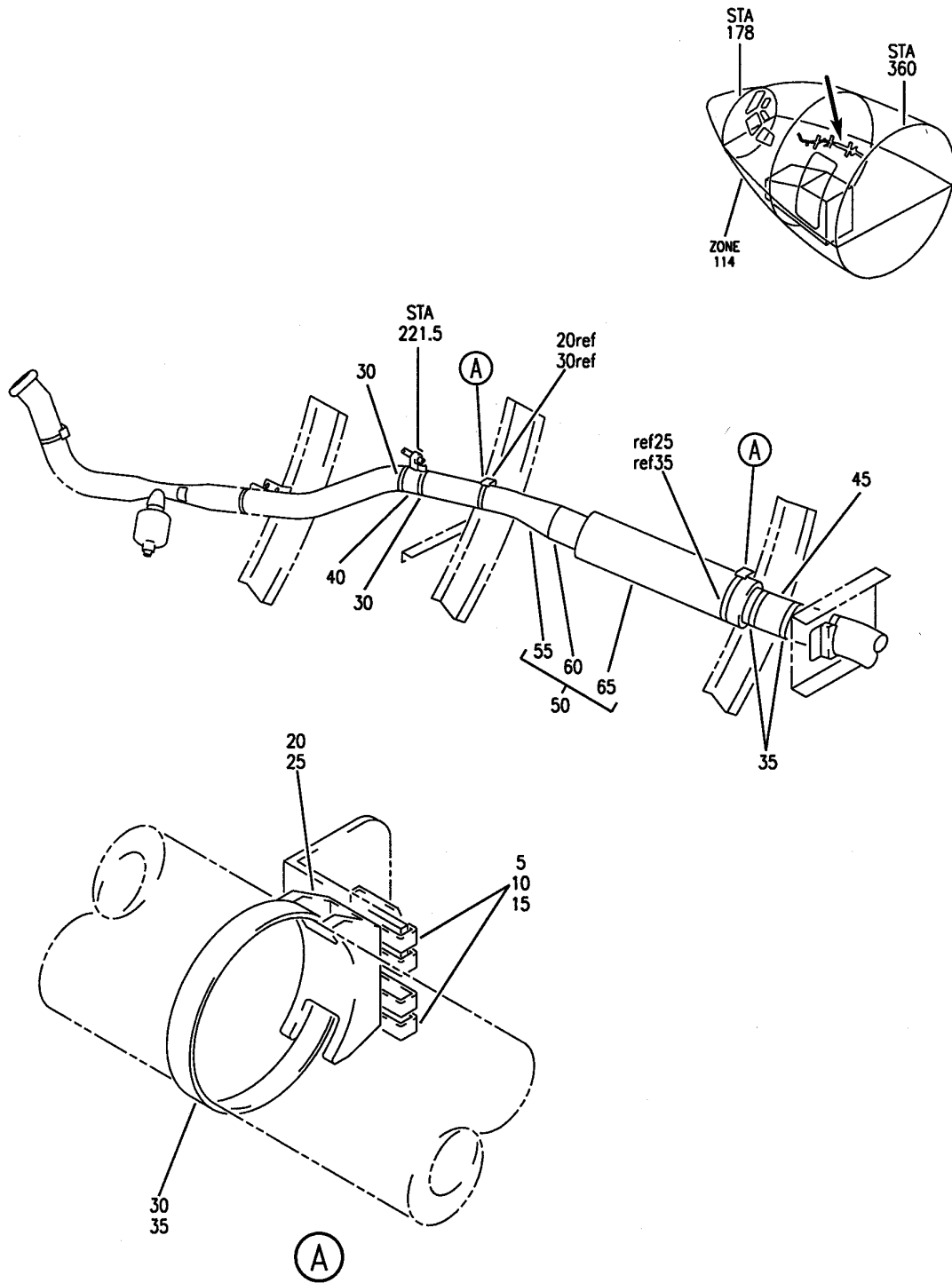
HAP

21-27-51-50A

BOEING PROPRIETARY - Copyright © - Unpublished Work - See title page for details.

21-27-51
 FIG. 50A
 PAGE 7
 FEB 15/09

BOEING
 737-600/700/800/900
 PARTS CATALOG (MAINTENANCE)



E 21275151 REV 035

DUCT INSTL-E/E COOLING EXHAUST SECT. 41, FWD
 FIGURE 51

21-27-51-51

HAP
 OCT 10/06

21-27-51-51
 PAGE 0

BOEING
737-600/700/800/900
PARTS CATALOG (MAINTENANCE)

FIG ITEM	PART NUMBER	1 2 3 4 5 6 7	NOMENCLATURE	EFFECT FROM TO	UNITS PER ASSY
51			DUCT INSTL-E/E COOLING EXHAUST SECT. 41, FWD	012200 968999	
- 1	217A1002-5		DUCT INSTL-E/E COOLING EXH POSITION DATA: SECT. 41, FWD FOR NHA SEE: 21-20-00-04C	012030	RF
- 1	MODREF272596		DUCT INSTL-E/E COOLING EXH MODULE NUMBER: 217A1002-5 REV B POSITION DATA: SECT. 41, FWD	031200 968999	1
5	BACS12GU3K8		.SCREW	012200 968999	4
10	NAS1149D0332J		.WASHER	012200 968999	4
15	BRC600-8-3GP		.CLIPNUT SUPPLIER CODE: V52828 SPECIFICATION NUMBER: BACN10YD1G OPTIONAL PART: 130120G V60119	012200 968999	4
20	214T3424-3		.SUPPORT	012200 968999	1
25	214T3424-6		.SUPPORT	012200 968999	1
30	PLT3SM		.STRAP SUPPLIER CODE: V06383 SPECIFICATION NUMBER: BACS38K7 OPTIONAL PART: T0510 V53421	012200 968999	3
35	SLT8LHC6		.STRAP- SUPPLIER CODE: V06383 OPTIONAL PART: BACS38K6	012200 968999	3

MISSING ITEM NUMBERS NOT APPLICABLE

- ITEM NOT ILLUSTRATED

HAP

21-27-51-51

BOEING PROPRIETARY - Copyright © - Unpublished Work - See title page for details.

21-27-51
FIG. 51
PAGE 1
OCT 15/08

BOEING
737-600/700/800/900
PARTS CATALOG (MAINTENANCE)

FIG ITEM	PART NUMBER	1 2 3 4 5 6 7	NOMENCLATURE	EFFECT FROM TO	UNITS PER ASSY
51					
35	T012L0		.STRAP- SUPPLIER CODE: V53421 SPECIFICATION NUMBER: BACS38K6 OPTIONAL PART: SLT8LHC6 V06383	031200 968999	3
40	AS1506-10D32		.SLEEVE	012200 968999	1
45	AS1506-12D32		.SLEEVE	012200 968999	1
50	217A1130-2		.MUFFLER ASSY	012200 968999	1
55	217A1124-2		..DUCT	012200 968999	1
60	217A1140-1		..SLEEVE-DUCT	012200 968999	1
65	65C25629-35		..MUFFLER ASSY	012200 968999	1

MISSING ITEM NUMBERS NOT APPLICABLE

— ITEM NOT ILLUSTRATED

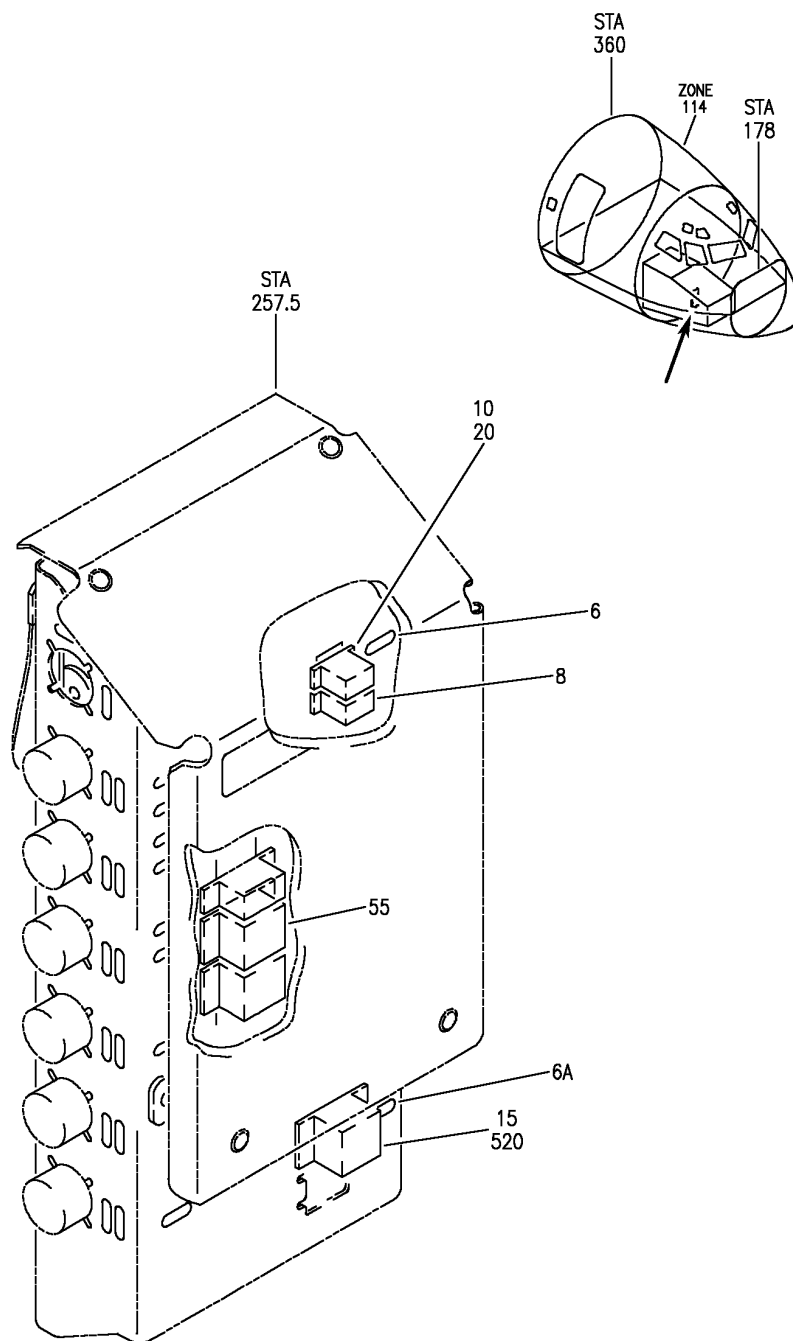
HAP

21-27-51-51

BOEING PROPRIETARY - Copyright © - Unpublished Work - See title page for details.

21-27-51
FIG. 51
PAGE 2
OCT 15/08

BOEING
737-600/700/800/900
PARTS CATALOG (MAINTENANCE)



E 21275171 REV 151

JUNCTION BOX AND COMPONENT INSTL-J24 (EQUIPMENT COOLING SYSTEM ONLY)
FIGURE 71

21-27-51-71

HAP
FEB 15/09

21-27-51-71
PAGE 0

BOEING
737-600/700/800/900
PARTS CATALOG (MAINTENANCE)

FIG ITEM	PART NUMBER	1 2 3 4 5 6 7	NOMENCLATURE	EFFECT FROM TO	UNITS PER ASSY
71			JUNCTION BOX AND COMPONENT INSTL-J24 (EQUIPMENT COOLING SYSTEM ONLY)	005005 008999	
- 1	284A1224-115		JUNCTION BOX INSTL-J24 (EQUIPMENT COOLING SYSTEM ONLY) POST SERVICE BULLETIN: 23-1107 FOR NHA/OTHER SYS DET SEE: 25-50-00-13	005005 008030	RF
- 1	284A1224-118		JUNCTION BOX INSTL-J24 (EQUIPMENT COOLING SYSTEM ONLY) FOR NHA/OTHER SYS DET SEE: 25-50-00-12	201967	RF
- 4	MODREF246768		JUNCTION BOX INSTL-J24 (EQUIPMENT COOLING SYSTEM ONLY) MODULE NUMBER: 284A1224-201 REV E FOR OTHER SYS DETAILS SEE: 21-25-00-02 21-43-51-01 25-50-51-04A 31-31-11-02 32-09-00-03 32-42-00-04 32-44-11-03 34-40-51-02 52-71-00-15 73-20-51-02 76-11-02-04 78-30-51-02	031040 042042 968969	1

MISSING ITEM NUMBERS NOT APPLICABLE

- ITEM NOT ILLUSTRATED

HAP

21-27-51-71

BOEING PROPRIETARY - Copyright © - Unpublished Work - See title page for details.

21-27-51
FIG. 71
PAGE 1
OCT 15/08

BOEING
737-600/700/800/900
PARTS CATALOG (MAINTENANCE)

FIG ITEM	PART NUMBER	1 2 3 4 5 6 7	NOMENCLATURE	EFFECT FROM TO	UNITS PER ASSY
71 -	4 MODREF337069		JUNCTION BOX INSTL-J24 (EQUIPMENT COOLING SYSTEM ONLY) MODULE NUMBER: 284A1224-201 REV G FOR OTHER SYS DETAILS SEE: 21-25-00-02 21-43-51-01 25-50-51-04A 31-31-11-02 32-09-00-03 32-42-00-04 32-44-11-03 34-40-51-02 52-71-00-15 73-20-51-02 76-11-02-04 78-30-51-02	041041 043200 970999	1
	8 W260F4AM11		.RELAY- SUPPLIER CODE: VF0219 SPECIFICATION NUMBER: BACR13CD2 OPTIONAL PART: BR16S233 V09026 EE4AA005 V35344 3SAV1338A2 V01526 HFW1206K03 V58614 HFW1204K01 V71482 ELECTRICAL EQUIP NUMBER: R00678 POST SERVICE BULLETIN: 23-1107	005005 008030 201967	1

MISSING ITEM NUMBERS NOT APPLICABLE

- ITEM NOT ILLUSTRATED

HAP

21-27-51-71

BOEING PROPRIETARY - Copyright © - Unpublished Work - See title page for details.

21-27-51
FIG. 71
PAGE 2
OCT 15/08

BOEING
737-600/700/800/900
PARTS CATALOG (MAINTENANCE)

FIG ITEM	PART NUMBER	1 2 3 4 5 6 7	NOMENCLATURE	EFFECT FROM TO	UNITS PER ASSY
71 10	W260F4AM11		.RELAY- SUPPLIER CODE: VF0219 SPECIFICATION NUMBER: BACR13CD2 OPTIONAL PART: BR16S233 V09026 EE4AA005 V35344 3SAV1338A2 V01526 HFW1206K03 V58614 HFW1204K01 V71482 ELECTRICAL EQUIP NUMBER: R00678	031200 968999	1
15	ES410-1538		.RELAY- SUPPLIER CODE: V99699 SPECIFICATION NUMBER: BACR13CG2AB OPTIONAL PART: KD4L018 V35344 BR230DS0115 V56623 KD4L036 V58657 FCA410-63 V78290 ELECTRICAL EQUIP NUMBER: R00949	031200 968999	1
- 500	286A0080-031		WIRE BUNDLE ASSY	031100	RF
- 501	286A0080-001		WIRE BUNDLE ASSY	101200 968999	RF
- 506	286A0080-077		WIRE BUNDLE ASSY	201967	RF
- 506	286A0080-080		WIRE BUNDLE ASSY	014014	RF

MISSING ITEM NUMBERS NOT APPLICABLE

- ITEM NOT ILLUSTRATED

HAP

21-27-51-71

BOEING PROPRIETARY - Copyright © - Unpublished Work - See title page for details.

21-27-51
FIG. 71
PAGE 3
FEB 15/09

BOEING
737-600/700/800/900
PARTS CATALOG (MAINTENANCE)

FIG ITEM	PART NUMBER	1 2 3 4 5 6 7 NOMENCLATURE	EFFECT FROM TO	UNITS PER ASSY
71 520	RSF116400	. SOCKET-RELAY SUPPLIER CODE: V58982 SPECIFICATION NUMBER: BACS16W1A OPTIONAL PART: 102-009-1 V09922 000300-1539 V05574 ELECTRICAL EQUIP NUMBER: D12229 WIRING DIAGRAM REF: 212721	014014 031999	1

MISSING ITEM NUMBERS NOT APPLICABLE

— ITEM NOT ILLUSTRATED

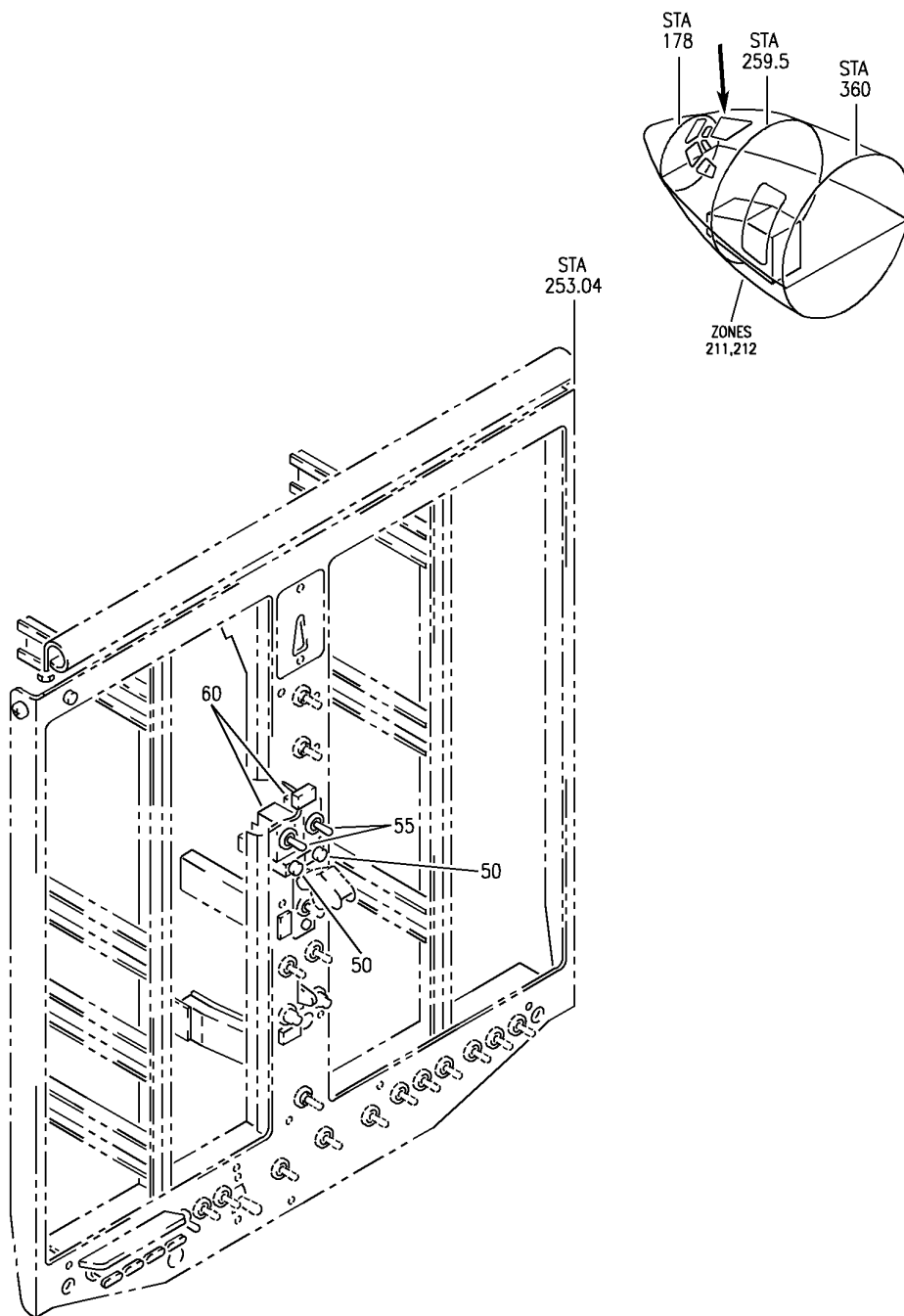
HAP

21-27-51-71

BOEING PROPRIETARY - Copyright © - Unpublished Work - See title page for details.

21-27-51
FIG. 71
PAGE 4
FEB 15/09

BOEING
737-600/700/800/900
PARTS CATALOG (MAINTENANCE)



E 21275201 REV 114

ELECTRICAL INSTL-P5 FWD OVHD (AIR CONDITIONING ONLY)

FIGURE 1

21-27-52-01

HAP
OCT 10/06

21-27-52-01
PAGE 0

BOEING
737-600/700/800/900
PARTS CATALOG (MAINTENANCE)

FIG ITEM	PART NUMBER	1 2 3 4 5 6 7	NOMENCLATURE	EFFECT FROM TO	UNITS PER ASSY
1			ELECTRICAL INSTL-P5 FWD OVHD (AIR CONDITIONING ONLY)	037200 968999	
- 1	MODREF318918		ELECTRICAL INSTL-P5 OVHD (AIR CONDITIONING ONLY) MODULE NUMBER: 233A3323-1 REV A2 POSITION DATA: FWD FOR OTHER SYS DETAILS SEE: 11-31-01-40 23-42-52-01 23-43-52-01 30-42-31-01 31-11-94-30 33-11-52-01 33-14-00-40 33-25-52-01 33-32-52-01 33-41-52-01 33-42-52-01 33-45-52-01 33-51-52-01 49-61-52-01 74-31-52-01	037040 042043 101101 968969	1
- 1	MODREF320450		ELECTRICAL INSTL-P5 OVHD (AIR CONDITIONING ONLY) MODULE NUMBER: 233A3323-1 REV E POSITION DATA: FWD FOR OTHER SYS DETAILS SEE: 11-31-01-40 23-42-52-01 23-43-52-01 30-42-31-01 31-11-94-30 33-11-52-01 33-14-00-40 33-25-52-01 33-32-52-01 33-41-52-01 33-42-52-01 33-45-52-01 33-51-52-01 49-61-52-01 74-31-52-01	970971	1

MISSING ITEM NUMBERS NOT APPLICABLE

- ITEM NOT ILLUSTRATED

HAP

21-27-52-01

BOEING PROPRIETARY - Copyright © - Unpublished Work - See title page for details.

21-27-52
FIG. 01
PAGE 1
OCT 15/08

BOEING
737-600/700/800/900
PARTS CATALOG (MAINTENANCE)

FIG ITEM	PART NUMBER	1 2 3 4 5 6 7	NOMENCLATURE	EFFECT FROM TO	UNITS PER ASSY
1					
- 1	MODREF340186		ELECTRICAL INSTL-P5 OVHD (AIR CONDITIONING ONLY) MODULE NUMBER: 233A3323-1 REV F POSITION DATA: FWD FOR OTHER SYS DETAILS SEE: 11-31-01-40 23-42-52-01 23-43-52-01 30-42-31-01 31-11-94-30 33-11-52-01 33-14-00-40 33-25-52-01 33-32-52-01 33-41-52-01 33-42-52-01 33-45-52-01 33-51-52-01 49-61-52-01 74-31-52-01	041041 044047 054100 102106 972999	1
- 1	MODREF374993		ELECTRICAL INSTL-P5 OVHD (AIR CONDITIONING ONLY) MODULE NUMBER: 233A3323-1 REV G POSITION DATA: FWD FOR OTHER SYS DETAILS SEE: 11-31-01-40 23-42-52-01 23-43-52-01 30-42-31-01 31-11-94-30 33-11-52-01 33-14-00-40 33-25-52-01 33-32-52-01 33-41-52-01 33-42-52-01 33-45-52-01 33-51-52-01 49-61-52-01 74-31-52-01	048053 107200	1

MISSING ITEM NUMBERS NOT APPLICABLE

- ITEM NOT ILLUSTRATED

HAP

21-27-52-01

BOEING PROPRIETARY - Copyright © - Unpublished Work - See title page for details.

21-27-52
FIG. 01
PAGE 2
FEB 15/09

BOEING
737-600/700/800/900
PARTS CATALOG (MAINTENANCE)

FIG ITEM	PART NUMBER	1 2 3 4 5 6 7	NOMENCLATURE	EFFECT FROM TO	UNITS PER ASSY
1 50	BCREF2579		.LIGHT ASSY-PRESS TO TEST IND-OFF SUPPLIER CODE: V81590 OVERLENGTH PART NUMBER: 318-630-1001-008 SPECIFICATION NUMBER: 10-61803-12 ELECTRICAL EQUIP NUMBER: L00047 L01141 COMPONENT MAINT MANUAL REF: 33-10-05 FOR DETAILS SEE: 33-11-50-11	037200 968999	2
55	69-44578-2		.CAP-CUSHION	037200 968999	2
60	MS24524-23		.SWITCH- ELECTRICAL EQUIP NUMBER: S00059 S00870	037200 968999	2

MISSING ITEM NUMBERS NOT APPLICABLE

— ITEM NOT ILLUSTRATED

HAP

21-27-52-01

BOEING PROPRIETARY - Copyright © - Unpublished Work - See title page for details.

21-27-52
FIG. 01
PAGE 3
OCT 15/08