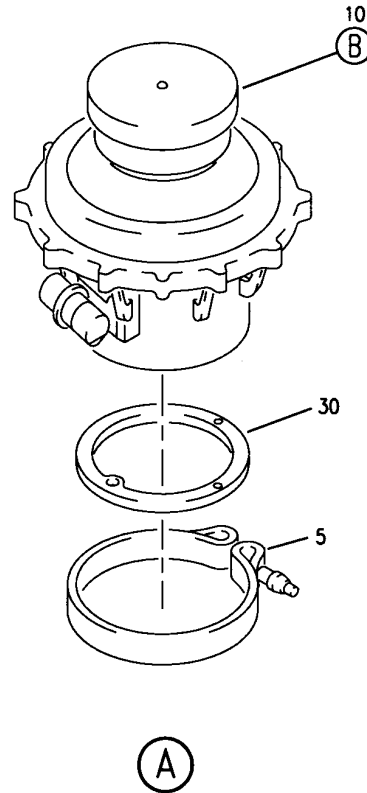
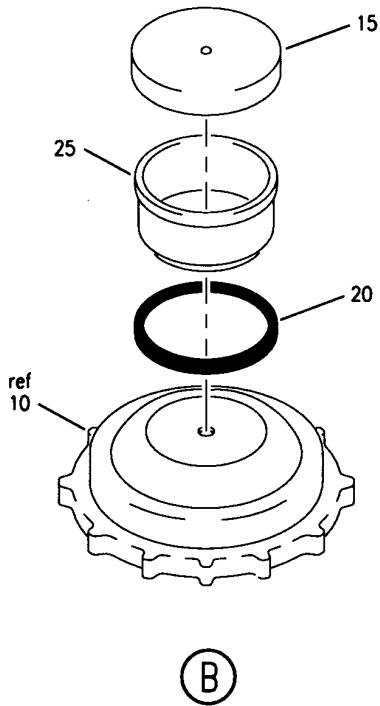
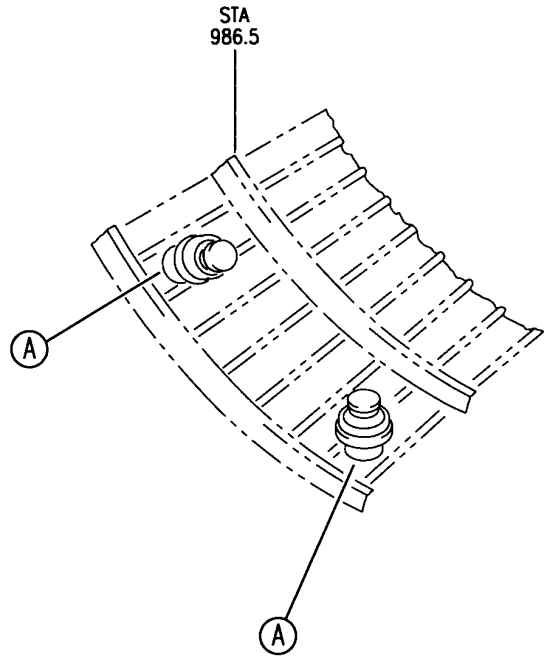
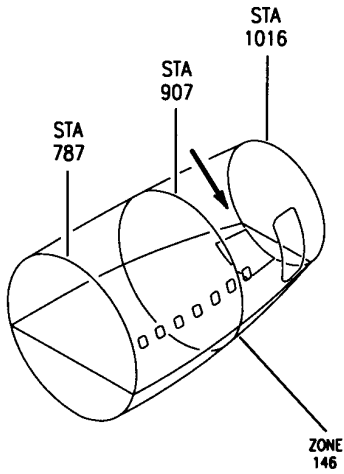


## CABIN PRESSURE RELIEF

HAP  
OCT 10/06

21-32-00  
SECTION TITLE  
PAGE 1

**BOEING**  
 737-600/700/800/900  
 PARTS CATALOG (MAINTENANCE)



E 21320101 REV 015

VALVE INSTL-POSITIVE PRESSURE RELIEF  
 FIGURE 1

**21-32-01-01**

HAP  
 OCT 10/06

21-32-01-01  
 PAGE 0

**BOEING**  
737-600/700/800/900  
PARTS CATALOG (MAINTENANCE)

FIG ITEM	PART NUMBER	1 2 3 4 5 6 7	NOMENCLATURE	EFFECT FROM TO	UNITS PER ASSY
1			VALVE INSTL-POSITIVE PRESSURE RELIEF		
- 1	216A2001-1		VALVE INSTL-POSITIVE PRESSURE RELIEF FOR NHA SEE: 21-30-00-01A	001030 201967	RF
- 1	MODREF81479		VALVE INSTL-POSITIVE PRESSURE RELIEF MODULE NUMBER: 216A2001-1 REV A	031200 968999	1
5	BACC10DU500ABE		.CLAMP		2
10	720737-6		.VALVE ASSY- SUPPLIER CODE: V73030 FUNCTIONAL DESCRIPTION: AUTOMATIC CABIN PRESSURE RELIEF VALVE WHICH ACTS AS A BACKUP FOR THE AIRCRAFT PRESSURIZATION CONTROL SYSTEM. SPECIFICATION NUMBER: 10-61209-26 COMPONENT MAINT MANUAL REF: 21-34-00		2
15	715944-1		..COVER-FILTER SUPPLIER CODE: V73030 MAINTENANCE MANUAL REF: 21-32-02		1
20	69490B236		..PACKING-PREFORMED SUPPLIER CODE: V73030 MAINTENANCE MANUAL REF: 21-32-02		1
25	487108		..CARTRIDGE-FILTER SUPPLIER CODE: V55799 FOR ELEMENT MAINTENANCE USE FILTER MAINT KIT DEFINED IN FILTER MAINT KIT LIST. FILTER MAINTENANCE KIT REF: 65-90305-67 OPTIONAL PART: HS715942-1 V73030		1

R  
R  
R  
R  
R  
R  
R  
R  
R  
R  
R

R  
R  
R  
R  
R  
R  
R  
R  
R

MISSING ITEM NUMBERS NOT APPLICABLE

- ITEM NOT ILLUSTRATED

HAP

# 21-32-01-01

21-32-01  
FIG. 01  
PAGE 1  
JUN 15/09

**BOEING**  
737-600/700/800/900  
PARTS CATALOG (MAINTENANCE)

FIG ITEM	PART NUMBER	1 2 3 4 5 6 7	NOMENCLATURE	EFFECT FROM TO	UNITS PER ASSY
1 R R R R R R R	25 HS715942-1		. . CARTRIDGE-FILTER SUPPLIER CODE: V73030 MAINTENANCE MANUAL REF: 21-32-02 OPTIONAL PART: 487108 V55799		1
	30 216A2011-1		. GASKET- MAINTENANCE MANUAL REF: 21-32-01		2

MISSING ITEM NUMBERS NOT APPLICABLE

— ITEM NOT ILLUSTRATED

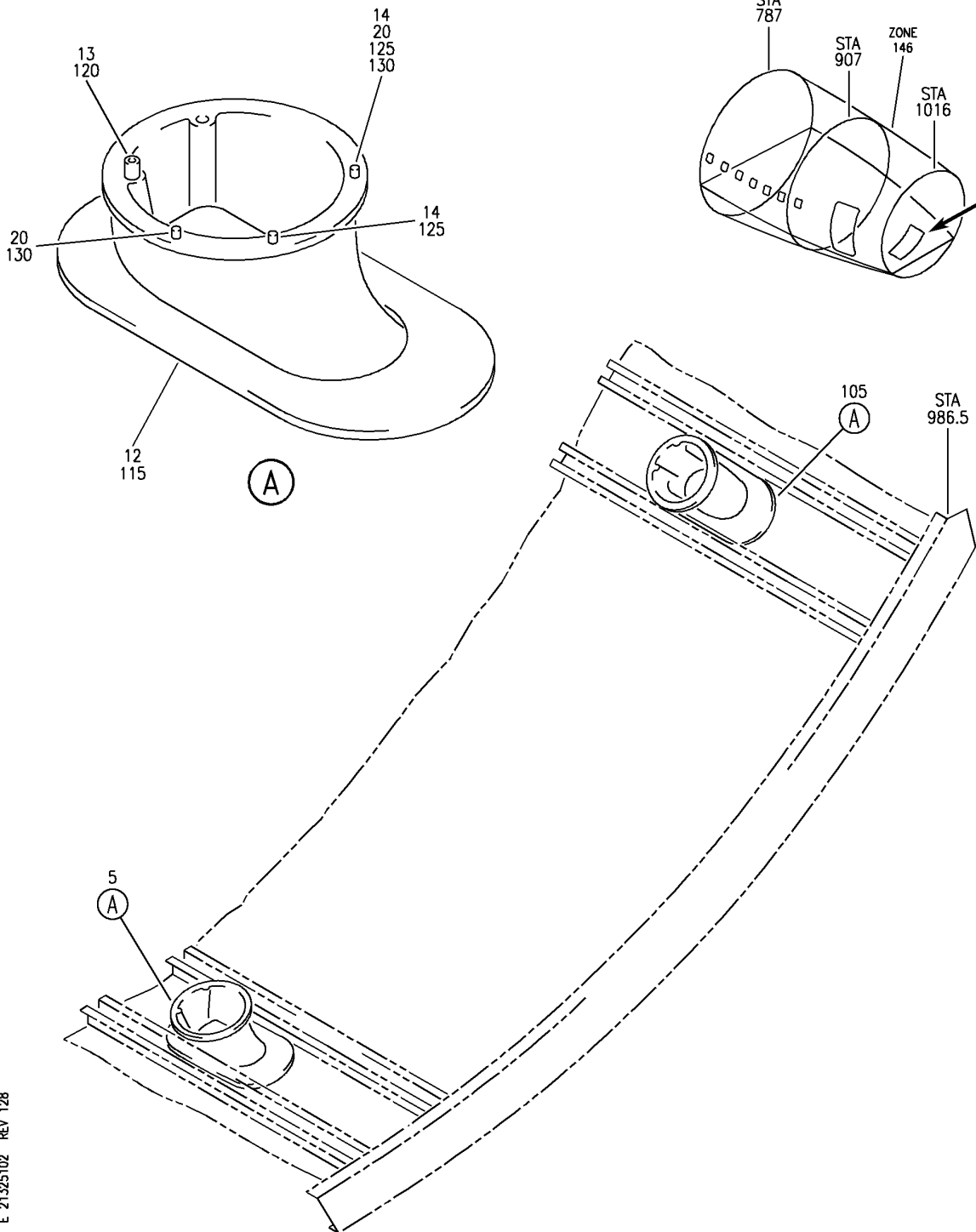
HAP

# 21-32-01-01

BOEING PROPRIETARY - Copyright © - Unpublished Work - See title page for details.

21-32-01  
FIG. 01  
PAGE 2  
JUN 15/09

**BOEING**  
 737-600/700/800/900  
 PARTS CATALOG (MAINTENANCE)



E 21325102 REV 128

PEDESTAL INSTL-POSITIVE PRESSURE RELIEF VALVE  
 FIGURE 2

**21-32-51-02**

HAP  
 JUN 10/07

21-32-51-02  
 PAGE 0

**BOEING**  
737-600/700/800/900  
PARTS CATALOG (MAINTENANCE)

FIG ITEM	PART NUMBER	1 2 3 4 5 6 7	NOMENCLATURE	EFFECT FROM TO	UNITS PER ASSY
2			PEDESTAL INSTL-POSITIVE PRESSURE RELIEF VALVE		
- 1	216A2002-1		PEDESTAL INSTL-POSITIVE PRESSURE RELIEF VALVE FOR NHA SEE: 21-30-00-01A	001030 201967	RF
- 1	MODREF81480		PEDESTAL INSTL-POSITIVE PRESSURE RELIEF VALVE MODULE NUMBER: 216A2002-1 REV A	031200 968999	1
	5 216A2010-1		.PEDESTAL ASSY- ATTACHING PARTS		1
- 10	BACR15GF6D		.RIVET- SIZE DETERMINED ON INSTL. -----*-----		20
	12 216A2010-3		..PEDESTAL- ALTERED FROM PART NUMBER: 65-52917-3		1
	13 216A2010-4		..TUBE		1
	14 BACP18AD1		..PIN-		2
- 100	216A2002-2		PEDESTAL INSTL-POSITIVE PRESSURE RELIEF VALVE FOR NHA SEE: 21-30-00-01A	001030 201967	RF
- 100	MODREF81481		PEDESTAL INSTL-POSITIVE PRESSURE RELIEF VALVE MODULE NUMBER: 216A2002-2 REV A	031200 968999	1
	105 216A2010-1		.PEDESTAL ASSY- ATTACHING PARTS		1
- 110	BACR15GF6D		.RIVET- SIZE DETERMINED ON INSTL. -----*-----		20
	115 216A2010-3		..PEDESTAL- ALTERED FROM PART NUMBER: 65-52917-3		1
	120 216A2010-4		..TUBE		1
	125 BACP18AD1		..PIN-		2

MISSING ITEM NUMBERS NOT APPLICABLE

- ITEM NOT ILLUSTRATED

HAP

# 21-32-51-02

BOEING PROPRIETARY - Copyright © - Unpublished Work - See title page for details.

21-32-51  
FIG. 02  
PAGE 1  
OCT 15/08