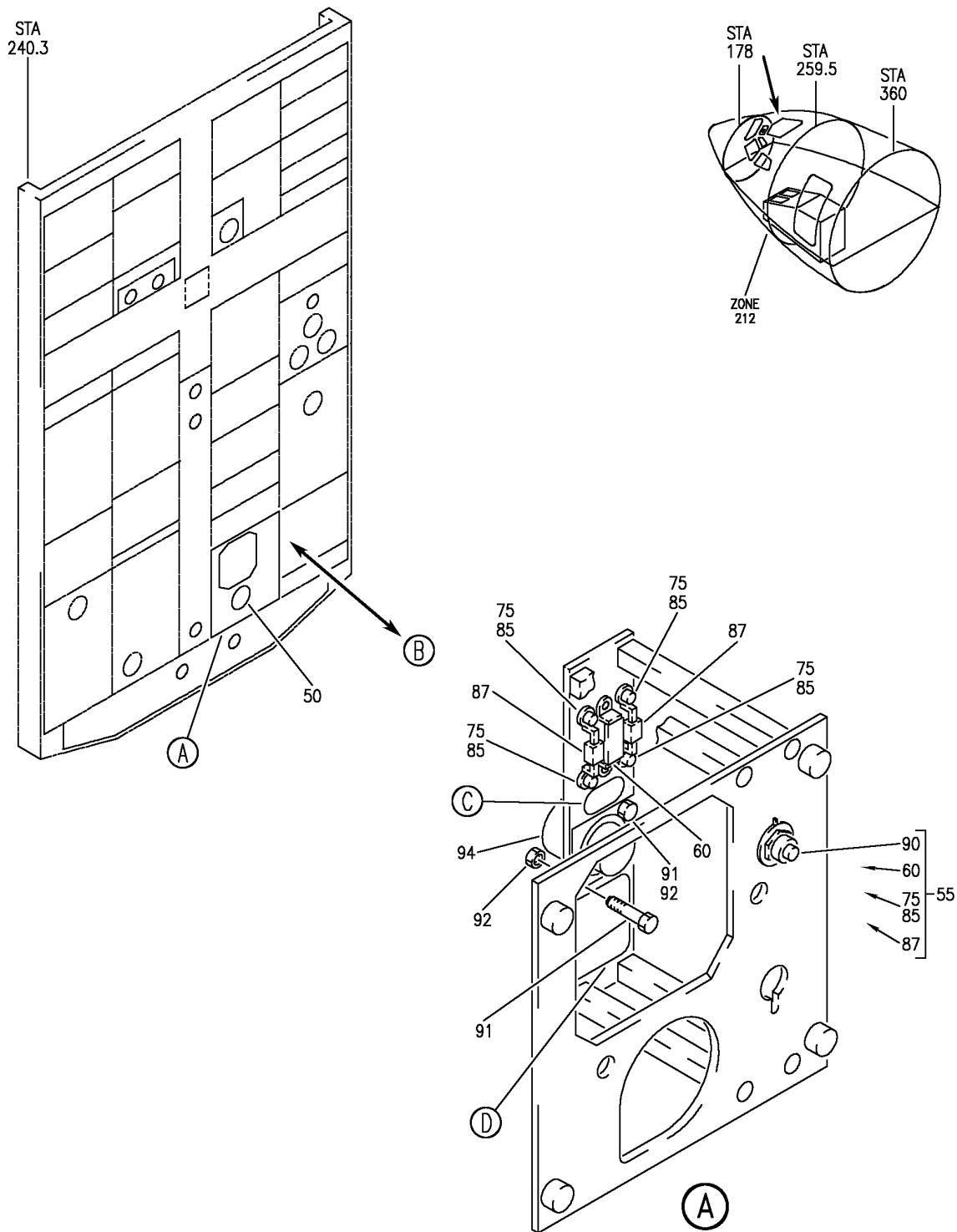


CABIN PRESSURE INDICATION AND WARNING

HAP
OCT 10/06

21-33-00
SECTION TITLE
PAGE 1

BOEING
 737-600/700/800/900
 PARTS CATALOG (MAINTENANCE)



E 21330101 SHT 1 REV 152

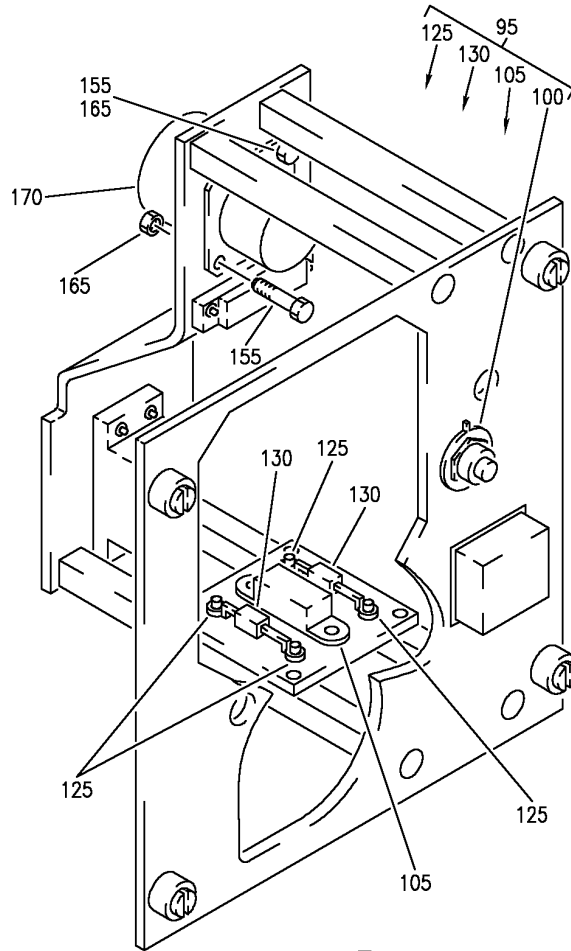
MODULE INSTL-P5 OVHD (CABIN RATE OF CLIMB INDICATOR ONLY)
 FIGURE 1 (SHEET 1)

21-33-01-01

HAP
 JUN 15/09

21-33-01-01
 PAGE 0

BOEING
 737-600/700/800/900
 PARTS CATALOG (MAINTENANCE)



(B)

58

BOEING
 CABIN ALTIMETER
 & RATE OF CLIMB

PART NO. 69-37334 [REDACTED]
 SERIAL NO. [REDACTED]
 DATE OF MFG [REDACTED]

(D)

57

M/W
 D654

(C)

E 21330101 SHT 2 REV 152

MODULE INSTL-P5 OVHD (CABIN RATE OF CLIMB INDICATOR ONLY)
 FIGURE 1 (SHEET 2)

21-33-01-01

HAP
 JUN 15/09

21-33-01-01
 PAGE 0A

 **BOEING**
737-600/700/800/900
PARTS CATALOG (MAINTENANCE)

FIG ITEM	PART NUMBER	1 2 3 4 5 6 7	NOMENCLATURE	EFFECT FROM TO	UNITS PER ASSY
1			MODULE INSTL-P5 OVHD (CABIN RATE OF CLIMB INDICATOR ONLY)	201967	
- 5	233A3101-74		MODULE INSTL-P5 OVHD (CABIN RATE OF CLIMB INDICATOR ONLY)	201967	RF
			FOR NHA/OTHER SYS DET SEE: 31-11-00-01J		
50	WL501RC1		.INDICATOR ASSY-CAB. RATE OF CLIMB SUPPLIER CODE: VK5294 FUNCTIONAL DESCRIPTION: DISPLAYS THE CABIN ALTITUDE RATE OF CLIMB OR DESCENT. SPECIFICATION NUMBER: 10-60755-6 ELECTRICAL EQUIP NUMBER: N00055 COMPONENT MAINT MANUAL REF: 34-10-87 MAINTENANCE MANUAL REF: 21-33-01 FOR DETAILS SEE: 33-11-00-23	201967	1
55	69-37334-12		.MODULE ASSY-CAB. ALTM AND RATE OF CLIMB P5-16 SUPPLIER CODE: V89954 ELECTRICAL EQUIP NUMBER: P00516 COMPONENT MAINT MANUAL REF: 31-36-32	201967	RF
57	BAC27DCC255		..MARKER	201967	1
58	BAC27DEX3029		..MARKER-ALUMINUM FOIL	201967	1
60	BCREF0002		..RELAY- SUPPLIER CODE: V56623 OVERLENGTH PART NUMBER: BR16-900B11-26VRO OPTIONAL PART: BR16-900B11-26V V56623	201967	1

MISSING ITEM NUMBERS NOT APPLICABLE

- ITEM NOT ILLUSTRATED

HAP

21-33-01-01

BOEING PROPRIETARY - Copyright © - Unpublished Work - See title page for details.

21-33-01
FIG. 01
PAGE 1
OCT 15/08

BOEING
737-600/700/800/900
PARTS CATALOG (MAINTENANCE)

FIG ITEM	PART NUMBER	1 2 3 4 5 6 7	NOMENCLATURE	EFFECT FROM TO	UNITS PER ASSY
1 60	BR16-900B11-26V		..RELAY- SUPPLIER CODE: V56623 OPTIONAL PART: BCREF0002 V56623 ATTACHING PARTS	201967	1
- 65	BACS12CB04-4		..SCREW	201967	2
- 70	92-1660-40		..NUT- SUPPLIER CODE: V72962 SPECIFICATION NUMBER: BACN10DN40 OPTIONAL PART: 92-1660-440 V15653 POSITION DATA: FAR SIDE -----*-----	201967	2
75	BACS12CB06-3		..SCREW	201967	4
85	1411A		..TERMINAL- SUPPLIER CODE: V98278 OPTIONAL PART: 6028 V88245	201967	4
85	6028		..TERMINAL- SUPPLIER CODE: V88245 OPTIONAL PART: 1411A V98278	201967	4
87	1N4384		..DIODE	201967	2
90	W20161-01		..SWITCH-PUSH BUTTON SUPPLIER CODE: V81640	201967	1
91	BACS12CB04-6		..SCREW	201967	2
92	K19798-04		..NUT SUPPLIER CODE: V15653 SPECIFICATION NUMBER: BACN10NW1 OPTIONAL PART: RMA4812-160-40 V72962 293162 V60119	201967	2

MISSING ITEM NUMBERS NOT APPLICABLE

- ITEM NOT ILLUSTRATED

HAP

21-33-01-01

BOEING PROPRIETARY - Copyright © - Unpublished Work - See title page for details.

21-33-01
FIG. 01
PAGE 2
OCT 15/08

 **BOEING**
737-600/700/800/900
PARTS CATALOG (MAINTENANCE)

FIG ITEM	PART NUMBER	1 2 3 4 5 6 7	NOMENCLATURE	EFFECT FROM TO	UNITS PER ASSY
1					
- 93	69-37334-13		..WIRE BUNDLE ASSY- SUPPLIER CODE: V89954	201967	1
R	94 BACC45FN12-12P		...CONNECTOR	201967	1
- 501	286A2216-026		WIRE BUNDLE ASSY- REWORKED BY ALERT SB: 24A1141R1	201967	RF
R					
- 510	280A3109-13101		.TAPE-ID PLACARD CONTENT: D00794 M/W N00055 CAB R/O CLIMB POST ALERT SB: 24A1141R1	201967	1
R					
- 902	286A2508-056		WIRE BUNDLE ASSY- REWORKED BY ALERT SB: 24A1141R1	201967	RF
R					
- 917	280A3109-12901		.TAPE-ID PLACARD CONTENT: D00654 M/W P005-16 CABIN ALT & RATE OF CLIMB POST ALERT SB: 24A1141R1	201967	1

MISSING ITEM NUMBERS NOT APPLICABLE

- ITEM NOT ILLUSTRATED

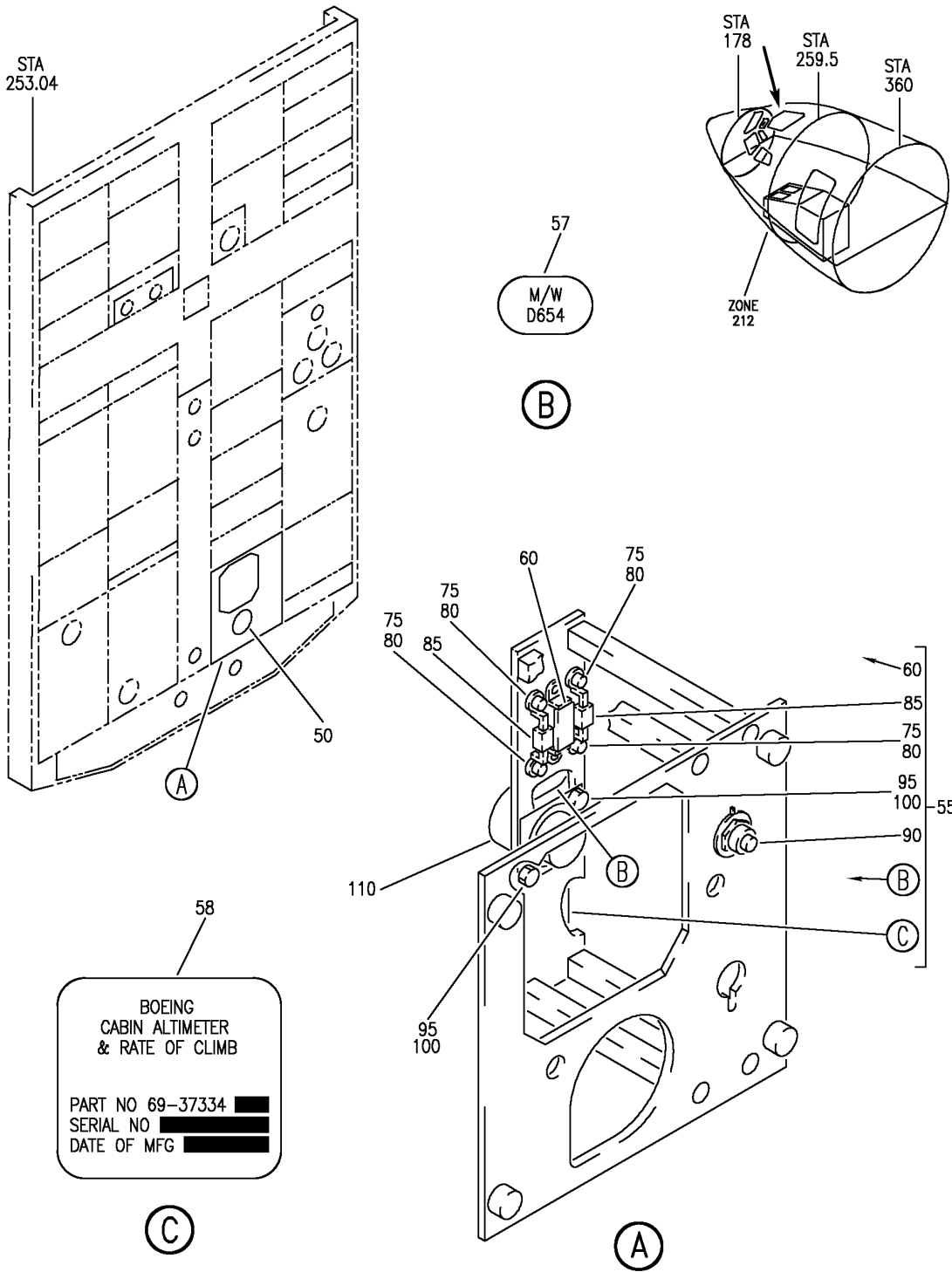
HAP

21-33-01-01

BOEING PROPRIETARY - Copyright © - Unpublished Work - See title page for details.

21-33-01
FIG. 01
PAGE 3
JUN 15/09

BOEING
 737-600/700/800/900
 PARTS CATALOG (MAINTENANCE)



E 21330101B REV 152

MODULE INSTL-P5 OVHD (CABIN RATE OF CLIMB INDICATOR ONLY)
 FIGURE 1B

21-33-01-01B

HAP
 JUN 15/09

21-33-01-01B
 PAGE 0

BOEING
737-600/700/800/900
PARTS CATALOG (MAINTENANCE)

FIG ITEM	PART NUMBER	1 2 3 4 5 6 7	NOMENCLATURE	EFFECT FROM TO	UNITS PER ASSY
1B			MODULE INSTL-P5 OVHD (CABIN RATE OF CLIMB INDICATOR ONLY)	001028	
- 1	233A3101-110		MODULE INSTL-P5 OVHD (CABIN RATE OF CLIMB INDICATOR ONLY) FOR NHA/OTHER SYS DET SEE: 31-11-00-01C	012016	RF
- 3	233A3101-225		MODULE INSTL-P5 OVHD (CABIN RATE OF CLIMB INDICATOR ONLY) FOR NHA/OTHER SYS DET SEE: 31-11-00-01C	017019	RF
- 3	233A3101-234		MODULE INSTL-P5 OVHD (CABIN RATE OF CLIMB INDICATOR ONLY) FOR NHA/OTHER SYS DET SEE: 31-11-00-01C	020028	RF
- 5	233A3101-4		MODULE INSTL-P5 OVHD (CABIN RATE OF CLIMB INDICATOR ONLY) FOR NHA/OTHER SYS DET SEE: 31-11-00-01C	001005	RF
- 6	233A3101-52		MODULE INSTL-P5 OVHD (CABIN RATE OF CLIMB INDICATOR ONLY) FOR NHA/OTHER SYS DET SEE: 31-11-00-01C	006007	RF
- 6	233A3101-63		MODULE INSTL-P5 OVHD (CABIN RATE OF CLIMB INDICATOR ONLY) FOR NHA/OTHER SYS DET SEE: 31-11-00-01C	008011	RF

MISSING ITEM NUMBERS NOT APPLICABLE

- ITEM NOT ILLUSTRATED

HAP

21-33-01-01B

BOEING PROPRIETARY - Copyright © - Unpublished Work - See title page for details.

21-33-01
FIG. 01B
PAGE 1
JUN 15/08

BOEING
737-600/700/800/900
PARTS CATALOG (MAINTENANCE)

FIG ITEM	PART NUMBER	1 2 3 4 5 6 7	NOMENCLATURE	EFFECT FROM TO	UNITS PER ASSY
1B 50	WL501RC1		.INDICATOR ASSY-CAB. RATE OF CLIMB SUPPLIER CODE: VK5294 FUNCTIONAL DESCRIPTION: DISPLAYS THE CABIN ALTITUDE RATE OF CLIMB OR DESCENT. SPECIFICATION NUMBER: 10-60755-6 ELECTRICAL EQUIP NUMBER: N00055 COMPONENT MAINT MANUAL REF: 34-10-87 MAINTENANCE MANUAL REF: 21-33-01 FOR DETAILS SEE: 33-11-00-23	001028	1
55	69-37334-12		.MODULE ASSY-CAB. ALTM AND RATE OF CLIMB P5-16 SUPPLIER CODE: V89954 ELECTRICAL EQUIP NUMBER: P00516 COMPONENT MAINT MANUAL REF: 31-36-32	001028	RF
57	BAC27DCC255		..MARKER	001028	1
58	BAC27DEX3029		..MARKER-ALUMINUM FOIL	001028	1
60	BCREF0002		..RELAY- SUPPLIER CODE: V56623 OVERLENGTH PART NUMBER: BR16-900B11-26VRO OPTIONAL PART: BR16-900B11-26V V56623	001028	1
60	BR16-900B11-26V		..RELAY- SUPPLIER CODE: V56623 OPTIONAL PART: BCREF0002 V56623 ATTACHING PARTS	001028	1
- 65	BACS12CB04-4		..SCREW	001028	2

MISSING ITEM NUMBERS NOT APPLICABLE

- ITEM NOT ILLUSTRATED

HAP

21-33-01-01B

BOEING PROPRIETARY - Copyright © - Unpublished Work - See title page for details.

21-33-01
FIG. 01B
PAGE 2
JUN 15/08

BOEING
737-600/700/800/900
PARTS CATALOG (MAINTENANCE)

FIG ITEM	PART NUMBER	1 2 3 4 5 6 7	NOMENCLATURE	EFFECT FROM TO	UNITS PER ASSY
1B - 70	92-1660-40	..NUT-	SUPPLIER CODE: V72962 SPECIFICATION NUMBER: BACN10DN40 OPTIONAL PART: 92-1660-440 V15653 POSITION DATA: FAR SIDE -----*-----	001028	2
75	BACS12CB06-3	..SCREW		001028	4
80	1411A	..TERMINAL-	SUPPLIER CODE: V98278 OPTIONAL PART: 6028 V88245	001028	4
80	6028	..TERMINAL-	SUPPLIER CODE: V88245 OPTIONAL PART: 1411A V98278	001028	4
85	1N4384	..DIODE		001028	2
90	W20161-01	..SWITCH-PUSH BUTTON	SUPPLIER CODE: V81640	001028	1
95	BACS12CB04-6	..SCREW		001028	2
100	K19798-04	..NUT	SUPPLIER CODE: V15653 SPECIFICATION NUMBER: BACN10NW1 OPTIONAL PART: RMA4812-160-40 V72962 293162 V60119	001028	2
- 105	69-37334-13	..WIRE BUNDLE ASSY-	SUPPLIER CODE: V89954	001028	1
110	BACC45FN12-12P	...CONNECTOR		001028	1
R R R R R R R - 500	286A2216-302	WIRE BUNDLE ASSY-	REWOKED BY ALERT SB: 24A1141R1	002005	RF
- 500	286A2216-304	WIRE BUNDLE ASSY-	REWOKED BY ALERT SB: 24A1141R1	001001 006007	RF

MISSING ITEM NUMBERS NOT APPLICABLE

- ITEM NOT ILLUSTRATED

HAP

21-33-01-01B

BOEING PROPRIETARY - Copyright © - Unpublished Work - See title page for details.

21-33-01
FIG. 01B
PAGE 3
JUN 15/09


BOEING
 737-600/700/800/900
PARTS CATALOG (MAINTENANCE)

FIG ITEM	PART NUMBER	1 2 3 4 5 6 7	NOMENCLATURE	EFFECT FROM TO	UNITS PER ASSY
R R R	1B - 500	286A2216-313	WIRE BUNDLE ASSY- REWORKED BY ALERT SB: 24A1141R1	008011	RF
	R R R	- 500	286A2216-317	WIRE BUNDLE ASSY- REWORKED BY ALERT SB: 24A1141R1	012022
R		- 505	280A3109-13101	.TAPE-ID PLACARD CONTENT: D00794 M/W N00055 CAB R/O CLIMB POST ALERT SB: 24A1141R1	001022
R R R	- 900	286A2508-306	WIRE BUNDLE ASSY- REWORKED BY ALERT SB: 24A1141R1	002005	RF
	R R R	- 900	286A2508-309	WIRE BUNDLE ASSY- REWORKED BY ALERT SB: 24A1141R1	001001 006007
R		- 900	286A2508-321	WIRE BUNDLE ASSY- REWORKED BY ALERT SB: 24A1141R1	008011
R R R	- 902	286A2508-353	WIRE BUNDLE ASSY- REWORKED BY ALERT SB: 24A1141R1	012022	RF
	R	- 908	280A3109-12901	.TAPE-ID PLACARD CONTENT: D00654 M/W P005-16 CABIN ALT & RATE OF CLIMB POST ALERT SB: 24A1141R1	001022

MISSING ITEM NUMBERS NOT APPLICABLE

- ITEM NOT ILLUSTRATED

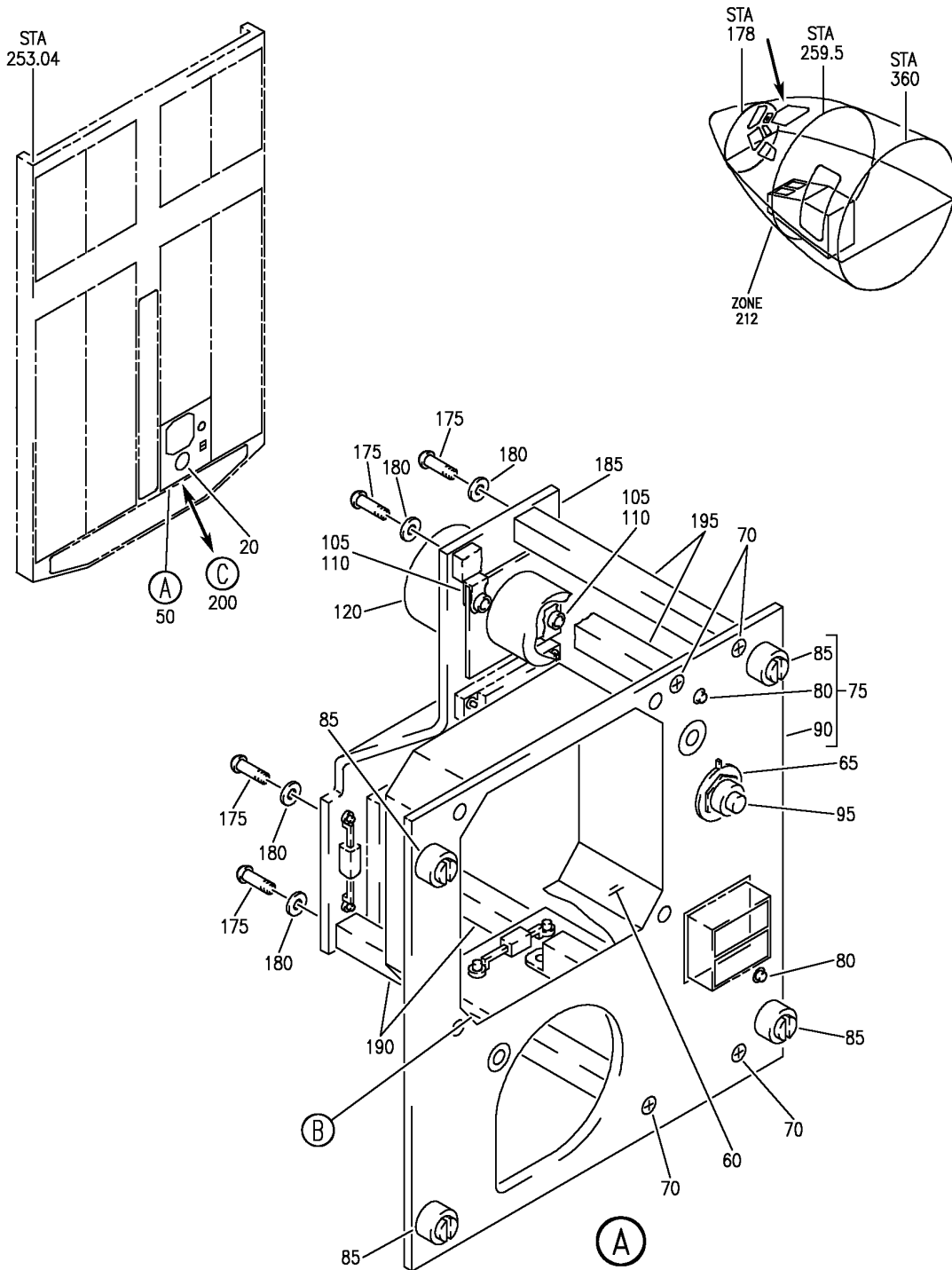
HAP

21-33-01-01B

BOEING PROPRIETARY - Copyright © - Unpublished Work - See title page for details.

21-33-01
 FIG. 01B
 PAGE 4
 JUN 15/09


BOEING
 737-600/700/800/900
PARTS CATALOG (MAINTENANCE)



E 21330102 SHT 1 REV 150

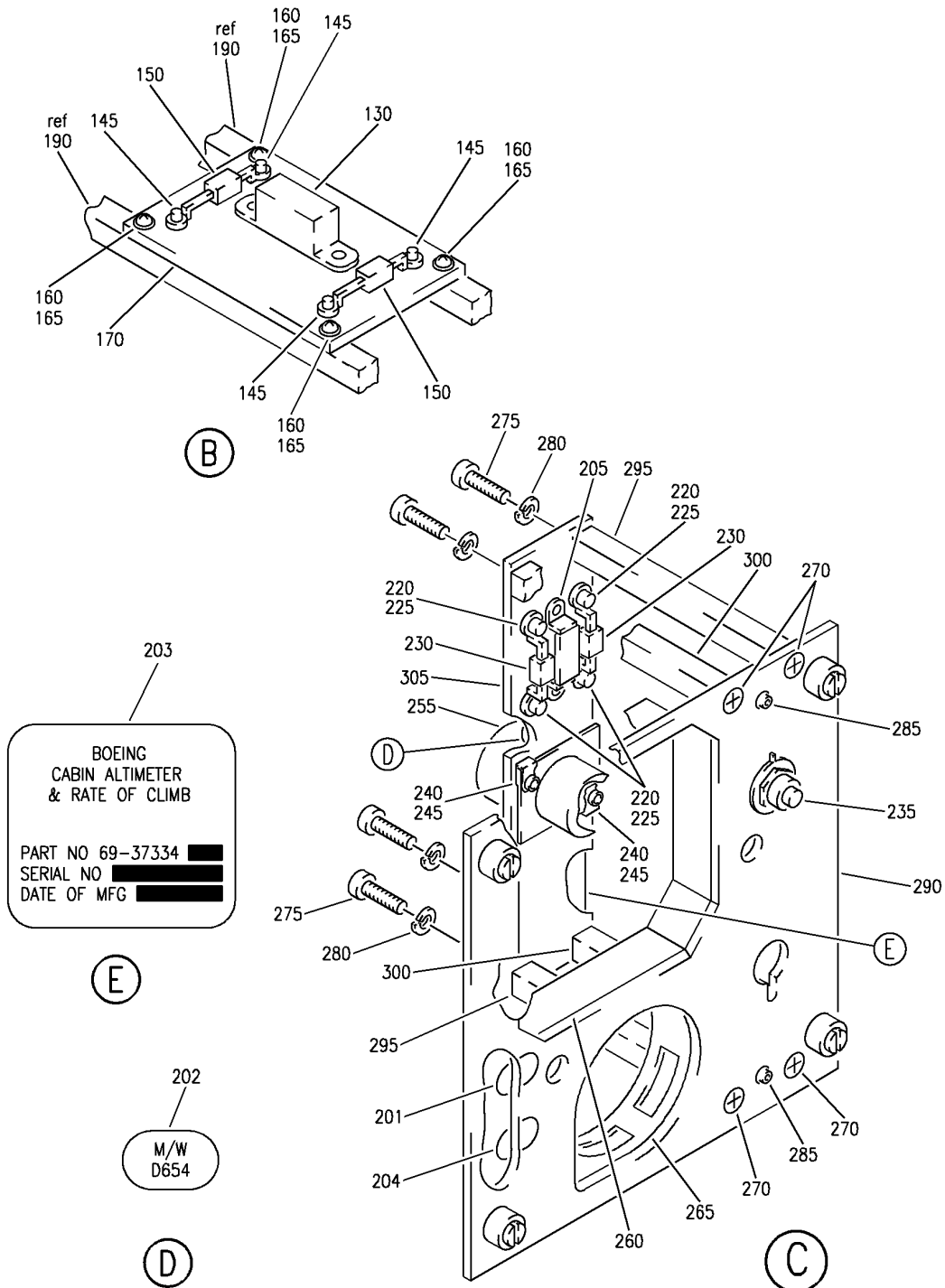
MODULE INSTL-P5 OVHD (CABIN RATE OF CLIMB INDICATOR ONLY)
 FIGURE 2 (SHEET 1)

21-33-01-02

HAP
FEB 15/09

21-33-01-02
 PAGE 0

BOEING
737-600/700/800/900
PARTS CATALOG (MAINTENANCE)



E 21330102 SHT 2 REV 118

MODULE INSTL-P5 OVHD (CABIN RATE OF CLIMB INDICATOR ONLY)
FIGURE 2 (SHEET 2)

21-33-01-02

HAP
OCT 10/06

21-33-01-02
PAGE 0A

BOEING
737-600/700/800/900
PARTS CATALOG (MAINTENANCE)

FIG ITEM	PART NUMBER	1 2 3 4 5 6 7	NOMENCLATURE	EFFECT FROM TO	UNITS PER ASSY
2			MODULE INSTL-P5 OVHD (CABIN RATE OF CLIMB INDICATOR ONLY)	031200 968999	
- 1	MODREF256357		MODULE INSTL-P5 OVHD MAJOR MODEL COMPONENTS (CABIN RATE OF CLIMB INDICATOR ONLY) MODULE NUMBER: 233A3104-1 REV D FOR OTHER SYS DETAILS SEE: 11-31-01-24Q 21-31-02-05 24-21-52-03 27-32-21-02 27-88-51-01 28-22-21-02 28-22-41-02 28-22-53-01 28-42-51-01 28-43-51-01 29-11-11-03 29-11-21-09 29-32-51-01 29-34-51-01 31-11-94-12 31-11-95-14 31-31-12-03 33-11-52-13 34-21-02-02 34-26-51-01 35-12-53-01 36-21-02-03 49-71-51-01 73-21-51-01 FOR ADDITIONAL DETAILS SEE: 21-33-02-02	031036	1

MISSING ITEM NUMBERS NOT APPLICABLE

- ITEM NOT ILLUSTRATED

HAP

21-33-01-02

BOEING PROPRIETARY - Copyright © - Unpublished Work - See title page for details.

21-33-01
FIG. 02
PAGE 1
OCT 15/08

BOEING
737-600/700/800/900
PARTS CATALOG (MAINTENANCE)

FIG ITEM	PART NUMBER	1 2 3 4 5 6 7	NOMENCLATURE	EFFECT FROM TO	UNITS PER ASSY
2 - 1	MODREF256358		MODULE INSTL-P5 OVHD MAJOR MODEL COMPONENTS (CABIN RATE OF CLIMB INDICATOR ONLY) MODULE NUMBER: 233A3104-2 REV B FOR OTHER SYS DETAILS SEE: 11-31-01-24Q 11-31-01-37G 11-31-01-39Z 21-31-02-05 24-21-52-03 27-32-21-02 27-88-51-01 28-22-21-02 28-22-41-02 28-42-51-01 28-22-53-01 28-43-51-01 29-11-11-03 29-11-21-09 29-32-51-01 29-34-51-01 31-11-94-04X 31-11-94-07Q 31-11-94-12 31-11-95-07Q 31-11-95-14 31-11-95-32 31-31-12-03 33-11-52-02X 33-11-52-06K 33-11-52-13 34-21-02-02 34-26-51-01 35-12-53-01 36-21-02-03 49-71-51-01 73-21-51-01 FOR ADDITIONAL DETAILS SEE: 21-33-02-02	037200 968999	1

MISSING ITEM NUMBERS NOT APPLICABLE

- ITEM NOT ILLUSTRATED

HAP

21-33-01-02

BOEING PROPRIETARY - Copyright © - Unpublished Work - See title page for details.

21-33-01
FIG. 02
PAGE 2
JUN 15/09

BOEING
737-600/700/800/900
PARTS CATALOG (MAINTENANCE)

FIG ITEM	PART NUMBER	1 2 3 4 5 6 7	NOMENCLATURE	EFFECT FROM TO	UNITS PER ASSY
2	20 WL501RC1		.INDICATOR ASSY-CAB. RATE OF CLIMB SUPPLIER CODE: VK5294 FUNCTIONAL DESCRIPTION: DISPLAYS THE CABIN ALTITUDE RATE OF CLIMB OR DESCENT. SPECIFICATION NUMBER: 10-60755-6 ELECTRICAL EQUIP NUMBER: N00055 COMPONENT MAINT MANUAL REF: 34-10-87 MAINTENANCE MANUAL REF: 21-33-01 FOR DETAILS SEE: 33-11-00-23	031200 968999	1
	200 69-37334-12		.MODULE ASSY-CAB. ALTM AND RATE OF CLIMB P5-16 SUPPLIER CODE: V89954 ELECTRICAL EQUIP NUMBER: P00516 COMPONENT MAINT MANUAL REF: 31-36-32	031200 968999	RF
	201 BAC27DCC247		..DECAL- SUPPLIER CODE: V89954 PLACARD CONTENT: M/W D786	031200 968999	1
	202 BAC27DCC255		..MARKER	031200 968999	1
	203 BAC27DEX3029		..MARKER-ALUMINUM FOIL	031200 968999	1
	204 BAC27DCC248		..DECAL- SUPPLIER CODE: V89954 PLACARD CONTENT: M/W D794	031200 968999	1
	205 BCREFO002		..RELAY- SUPPLIER CODE: V56623 OVERLENGTH PART NUMBER: BR16-900B11-26VRO OPTIONAL PART: BR16-900B11-26V V56623	031200 968999	1

MISSING ITEM NUMBERS NOT APPLICABLE

- ITEM NOT ILLUSTRATED

HAP

21-33-01-02

BOEING PROPRIETARY - Copyright © - Unpublished Work - See title page for details.

21-33-01
FIG. 02
PAGE 3
OCT 15/08

BOEING
737-600/700/800/900
PARTS CATALOG (MAINTENANCE)

FIG ITEM	PART NUMBER	1 2 3 4 5 6 7	NOMENCLATURE	EFFECT FROM TO	UNITS PER ASSY
2 205	BR16-900B11-26V	..	RELAY- SUPPLIER CODE: V56623 OPTIONAL PART: BCREF0002 V56623 ATTACHING PARTS	031200 968999	1
- 210	BACS12CB04-4	..	SCREW	031200 968999	2
- 215	NAS679A04W	..	NUT	031200 968999	2
			-----*-----		
220	BACS12CB06-3	..	SCREW	031200 968999	4
225	1411A	..	TERMINAL- SUPPLIER CODE: V98278 OPTIONAL PART: 6028 V88245	031200 968999	4
225	6028	..	TERMINAL- SUPPLIER CODE: V88245 OPTIONAL PART: 1411A V98278	031200 968999	4
230	1N4384	..	DIODE	031200 968999	2
235	W20161-01	..	SWITCH-PUSH BUTTON SUPPLIER CODE: V81640	031200 968999	1
240	BACS12CB04-6	..	SCREW	031200 968999	2
245	K19798-04	..	NUT SUPPLIER CODE: V15653 SPECIFICATION NUMBER: BACN10NW1 OPTIONAL PART: RMA4812-160-40 V72962 293162 V60119	031200 968999	2
- 250	69-37334-13	..	WIRE BUNDLE ASSY- SUPPLIER CODE: V89954	031200 968999	1
255	BACC45FN12-12P	...	CONNECTOR	031200 968999	1

MISSING ITEM NUMBERS NOT APPLICABLE

- ITEM NOT ILLUSTRATED

HAP

21-33-01-02

BOEING PROPRIETARY - Copyright © - Unpublished Work - See title page for details.

21-33-01
FIG. 02
PAGE 4
OCT 15/08

BOEING
737-600/700/800/900
PARTS CATALOG (MAINTENANCE)

FIG ITEM	PART NUMBER	1 2 3 4 5 6 7	NOMENCLATURE	EFFECT FROM TO	UNITS PER ASSY
2 260	9963	..	CLAMP- SUPPLIER CODE: V91893 OPTIONAL PART: 123-3D V28277 54621 V00624	031200 968999	1
260	54621	..	CLAMP- SUPPLIER CODE: V00624 OPTIONAL PART: 123-3D V28277 9963 V91893	031200 968999	1
260	123-3D	..	CLAMP- SUPPLIER CODE: V33463 OPTIONAL PART: 54621 V00624 9963 V91893	031200 968999	1
265	MBG63745	..	CLAMP- SUPPLIER CODE: V00624 OPTIONAL PART: 020804-001 V28277	031200 968999	1
265	020804-001	..	CLAMP- SUPPLIER CODE: V28277 OPTIONAL PART: MBG63745 V00624	031200 968999	1
270	NAS514P632-5	..	SCREW	031200 968999	4
275	BACS12CB06-5	..	SCREW	031200 968999	4
280	MS35337-41	..	WASHER	031200 968999	4
285	SF6G6CBB5D	..	NUT SUPPLIER CODE: V12324 SPECIFICATION NUMBER: BACN10PA06-6	031200 968999	2

MISSING ITEM NUMBERS NOT APPLICABLE

- ITEM NOT ILLUSTRATED

HAP

21-33-01-02

BOEING PROPRIETARY - Copyright © - Unpublished Work - See title page for details.

21-33-01
FIG. 02
PAGE 5
OCT 15/08

BOEING
737-600/700/800/900
PARTS CATALOG (MAINTENANCE)

FIG ITEM	PART NUMBER	1 2 3 4 5 6 7	NOMENCLATURE	EFFECT FROM TO	UNITS PER ASSY
2					
290	69-37334-6	..	BASEPLATE- SUPPLIER CODE: V89954	031200 968999	1
295	69-37268-5	..	STANDOFF	031200 968999	2
300	69-37268-6	..	STANDOFF	031200 968999	2
305	69-39483-2	..	BACKPLATE	031200 968999	1

MISSING ITEM NUMBERS NOT APPLICABLE

— ITEM NOT ILLUSTRATED

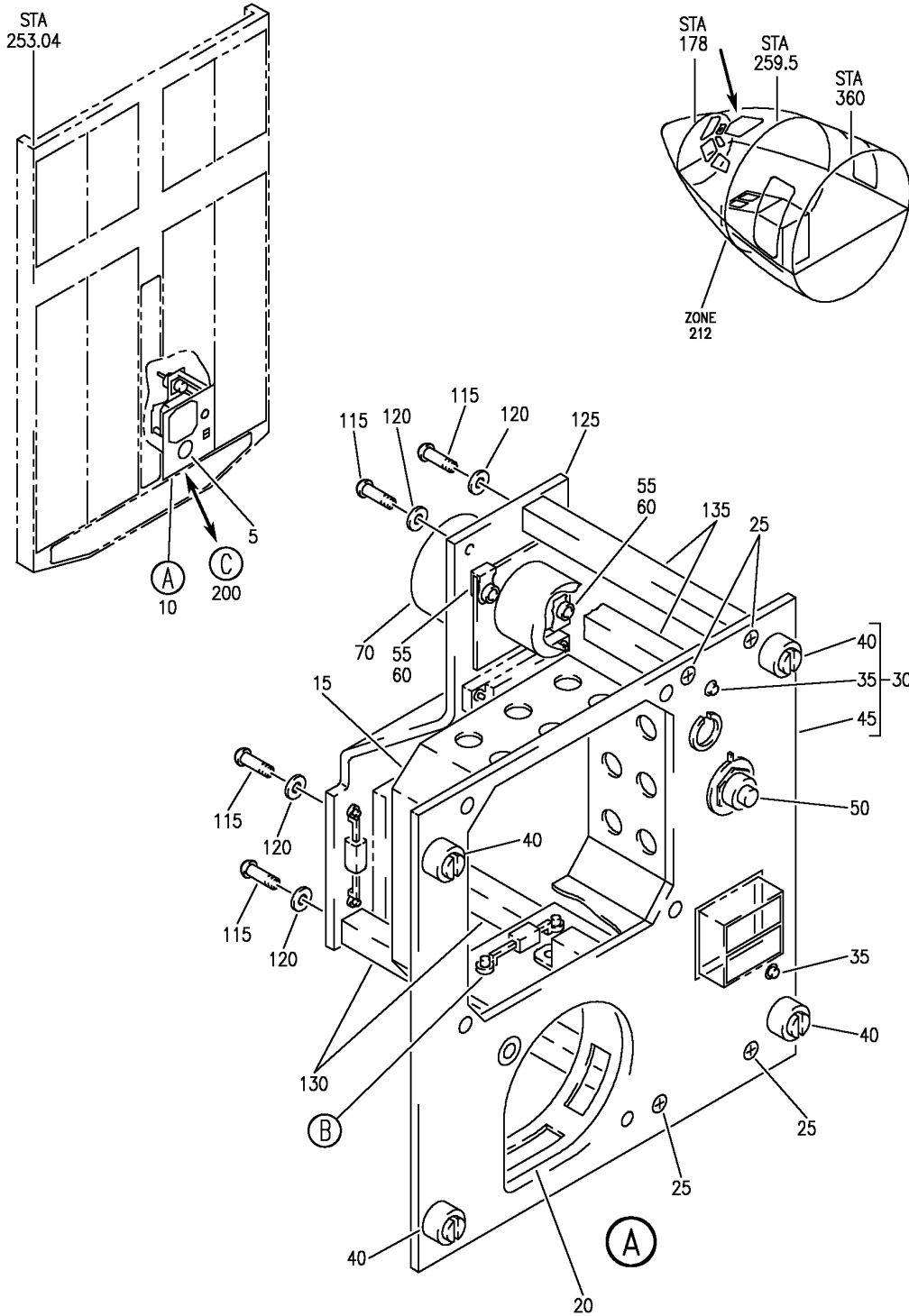
HAP

21-33-01-02

BOEING PROPRIETARY - Copyright © - Unpublished Work - See title page for details.

21-33-01
FIG. 02
PAGE 6
FEB 15/09

BOEING
 737-600/700/800/900
 PARTS CATALOG (MAINTENANCE)



E 21330103 SHT 1 REV 152

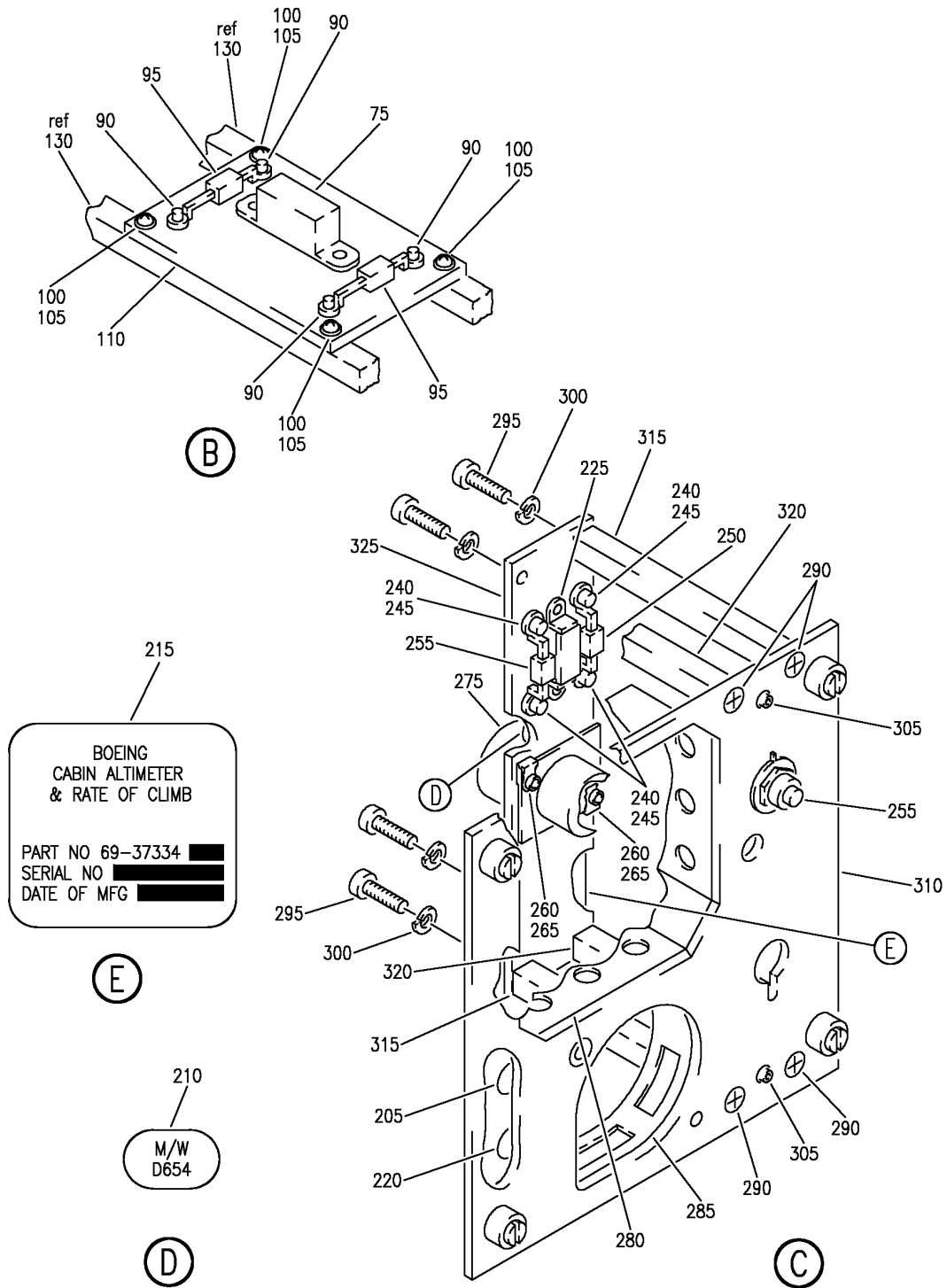
MODULE INSTL-P5 OVHD (CABIN RATE OF CLIMB INDICATOR ONLY)
 FIGURE 3 (SHEET 1)

21-33-01-03

HAP
 JUN 15/09

21-33-01-03
 PAGE 0

BOEING
737-600/700/800/900
PARTS CATALOG (MAINTENANCE)



E 21330103 SHT 2 REV 152

MODULE INSTL-P5 OVHD (CABIN RATE OF CLIMB INDICATOR ONLY)
FIGURE 3 (SHEET 2)

21-33-01-03

HAP
JUN 15/09

21-33-01-03
PAGE 0A

BOEING
737-600/700/800/900
PARTS CATALOG (MAINTENANCE)

FIG ITEM	PART NUMBER	1 2 3 4 5 6 7	NOMENCLATURE	EFFECT FROM TO	UNITS PER ASSY
3			MODULE INSTL-P5 OVHD (CABIN RATE OF CLIMB INDICATOR ONLY)	029030	
- 1	233A3104-1		MODULE INSTL-P5 OVHD MAJOR MODEL COMPONENTS (CABIN RATE OF CLIMB INDICATOR ONLY) FOR NHA/OTHER SYS DET SEE: 31-11-00-02	029030	RF
5	WL501RC1		.INDICATOR ASSY-CAB. RATE OF CLIMB SUPPLIER CODE: VK5294 FUNCTIONAL DESCRIPTION: DISPLAYS THE CABIN ALTITUDE RATE OF CLIMB OR DESCENT. SPECIFICATION NUMBER: 10-60755-6 ELECTRICAL EQUIP NUMBER: N00055 COMPONENT MAINT MANUAL REF: 34-10-87 MAINTENANCE MANUAL REF: 21-33-01 FOR DETAILS SEE: 33-11-00-23	029030	1
200	69-37334-12		.MODULE ASSY-CAB. ALTM AND RATE OF CLIMB P5-16 SUPPLIER CODE: V89954 ELECTRICAL EQUIP NUMBER: P00516 COMPONENT MAINT MANUAL REF: 31-36-32	029030	RF
205	BAC27DCC247		..DECAL- SUPPLIER CODE: V89954 PLACARD CONTENT: M/W D786	029030	1
210	BAC27DCC255		..MARKER	029030	1
215	BAC27DEX3029		..MARKER-ALUMINUM FOIL	029030	1
220	BAC27DCC248		..DECAL- SUPPLIER CODE: V89954 PLACARD CONTENT: M/W D794	029030	1

MISSING ITEM NUMBERS NOT APPLICABLE

- ITEM NOT ILLUSTRATED

HAP

21-33-01-03

BOEING PROPRIETARY - Copyright © - Unpublished Work - See title page for details.

21-33-01
FIG. 03
PAGE 1
JUN 15/08

BOEING
737-600/700/800/900
PARTS CATALOG (MAINTENANCE)

FIG ITEM	PART NUMBER	1 2 3 4 5 6 7	NOMENCLATURE	EFFECT FROM TO	UNITS PER ASSY
3					
225	BCREF0002		..RELAY- SUPPLIER CODE: V56623 OVERLENGTH PART NUMBER: BR16-900B11-26VRO OPTIONAL PART: BR16-900B11-26V V56623	029030	1
225	BR16-900B11-26V		..RELAY- SUPPLIER CODE: V56623 OPTIONAL PART: BCREF0002 V56623 ATTACHING PARTS	029030	1
- 230	BACS12CB04-4		..SCREW	029030	2
- 235	NAS679A04W		..NUT -----*-----	029030	2
240	BACS12CB06-3		..SCREW	029030	4
245	1411A		..TERMINAL- SUPPLIER CODE: V98278 OPTIONAL PART: 6028 V88245	029030	4
245	6028		..TERMINAL- SUPPLIER CODE: V88245 OPTIONAL PART: 1411A V98278	029030	4
250	1N4384		..DIODE	029030	2
255	W20161-01		..SWITCH-PUSH BUTTON SUPPLIER CODE: V81640	029030	1
260	BACS12CB04-6		..SCREW	029030	2
265	K19798-04		..NUT SUPPLIER CODE: V15653 SPECIFICATION NUMBER: BACN10NW1 OPTIONAL PART: RMA4812-160-40 V72962 293162 V60119	029030	2
- 270	69-37334-13		..WIRE BUNDLE ASSY- SUPPLIER CODE: V89954	029030	1

MISSING ITEM NUMBERS NOT APPLICABLE

- ITEM NOT ILLUSTRATED

HAP

21-33-01-03

BOEING PROPRIETARY - Copyright © - Unpublished Work - See title page for details.

21-33-01
FIG. 03
PAGE 2
JUN 10/07

BOEING
737-600/700/800/900
PARTS CATALOG (MAINTENANCE)

FIG ITEM	PART NUMBER	1 2 3 4 5 6 7	NOMENCLATURE	EFFECT FROM TO	UNITS PER ASSY
3					
275	BACC45FN12-12P	...	CONNECTOR	029030	1
280	9963	..	CLAMP-	029030	1
			SUPPLIER CODE: V91893		
			OPTIONAL PART: 123-3D V28277 54621 V00624		
280	54621	..	CLAMP-	029030	1
			SUPPLIER CODE: V00624		
			OPTIONAL PART: 123-3D V28277 9963 V91893		
280	123-3D	..	CLAMP-	029030	1
			SUPPLIER CODE: V33463		
			OPTIONAL PART: 54621 V00624 9963 V91893		
285	MBG63745	..	CLAMP-	029030	1
			SUPPLIER CODE: V00624		
			OPTIONAL PART: 020804-001 V28277		
285	020804-001	..	CLAMP-	029030	1
			SUPPLIER CODE: V28277		
			OPTIONAL PART: MBG63745 V00624		
290	NAS514P632-5	..	SCREW	029030	4
295	BACS12CB06-5	..	SCREW	029030	4
300	MS35337-41	..	WASHER	029030	4
305	SF6G6CBB5D	..	NUT	029030	2
			SUPPLIER CODE: V12324		
			SPECIFICATION NUMBER: BACN10PA06-6		
310	69-37334-6	..	BASEPLATE-	029030	1
			SUPPLIER CODE: V89954		
315	69-37268-5	..	STANDOFF	029030	2

MISSING ITEM NUMBERS NOT APPLICABLE

- ITEM NOT ILLUSTRATED

HAP

21-33-01-03

BOEING PROPRIETARY - Copyright © - Unpublished Work - See title page for details.

21-33-01
FIG. 03
PAGE 3
JUN 10/07


BOEING
 737-600/700/800/900
PARTS CATALOG (MAINTENANCE)

FIG ITEM	PART NUMBER	1 2 3 4 5 6 7 NOMENCLATURE	EFFECT FROM TO	UNITS PER ASSY
3	320 69-37268-6 325 69-39483-2	.. STANDOFF .. BACKPLATE	029030 029030	2 1

MISSING ITEM NUMBERS NOT APPLICABLE

— ITEM NOT ILLUSTRATED

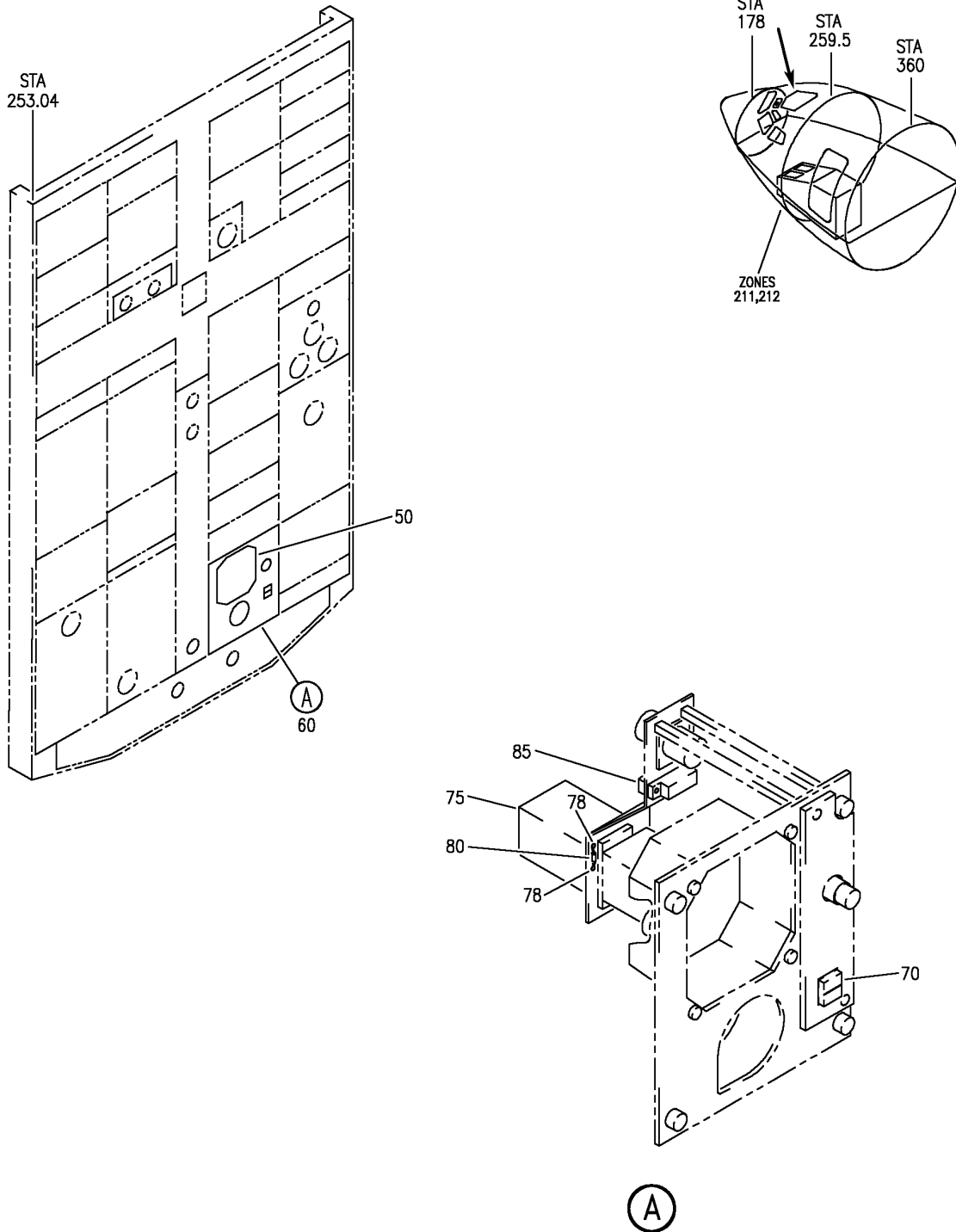
HAP

21-33-01-03

BOEING PROPRIETARY - Copyright © - Unpublished Work - See title page for details.

21-33-01
 FIG. 03
 PAGE 4
 JUN 15/09

BOEING
 737-600/700/800/900
 PARTS CATALOG (MAINTENANCE)



E 21330201 REV 152

MODULE INSTL-P5 OVHD (CABIN ALTITUDE AND DIFFERENTIAL PRESSURE INDICATOR ONLY)
 FIGURE 1

HAP
 JUN 15/09

21-33-02-01

21-33-02-01
 PAGE 0

 **BOEING**
737-600/700/800/900
PARTS CATALOG (MAINTENANCE)

FIG ITEM	PART NUMBER	1 2 3 4 5 6 7	NOMENCLATURE	EFFECT FROM TO	UNITS PER ASSY
1			MODULE INSTL-P5 OVHD (CABIN ALTITUDE AND DIFFERENTIAL PRESSURE INDICATOR ONLY)	001028 201967	
- 1	233A3101-4		MODULE INSTL-P5 OVHD (CABIN ALTITUDE AND DIFFERENTIAL PRESSURE INDICATOR ONLY) FOR NHA/OTHER SYS DET SEE: 31-11-00-01C	001005	RF
- 4	233A3101-52		MODULE INSTL-P5 OVHD (CABIN ALTITUDE AND DIFFERENTIAL PRESSURE INDICATOR ONLY) FOR NHA/OTHER SYS DET SEE: 31-11-00-01C	006007	RF
- 4	233A3101-63		MODULE INSTL-P5 OVHD (CABIN ALTITUDE AND DIFFERENTIAL PRESSURE INDICATOR ONLY) FOR NHA/OTHER SYS DET SEE: 31-11-00-01C	008011	RF
- 5	233A3101-74		MODULE INSTL-P5 OVHD (CABIN ALTITUDE AND DIFFERENTIAL PRESSURE INDICATOR ONLY) FOR NHA/OTHER SYS DET SEE: 31-11-00-01J	201967	RF
- 7	233A3101-110		MODULE INSTL-P5 OVHD (CABIN ALTITUDE AND DIFFERENTIAL PRESSURE INDICATOR ONLY) FOR NHA/OTHER SYS DET SEE: 31-11-00-01C	012016	RF
- 14	233A3101-225		MODULE INSTL-P5 OVHD (CABIN ALTITUDE AND DIFFERENTIAL PRESSURE INDICATOR ONLY) FOR NHA/OTHER SYS DET SEE: 31-11-00-01C	017019	RF
- 14	233A3101-234		MODULE INSTL-P5 OVHD (CABIN ALTITUDE AND DIFFERENTIAL PRESSURE INDICATOR ONLY) FOR NHA/OTHER SYS DET SEE: 31-11-00-01C	020028	RF

MISSING ITEM NUMBERS NOT APPLICABLE

- ITEM NOT ILLUSTRATED

HAP

21-33-02-01

BOEING PROPRIETARY - Copyright © - Unpublished Work - See title page for details.

21-33-02
FIG. 01
PAGE 1
OCT 15/08

BOEING
737-600/700/800/900
PARTS CATALOG (MAINTENANCE)

FIG ITEM	PART NUMBER	1 2 3 4 5 6 7	NOMENCLATURE	EFFECT FROM TO	UNITS PER ASSY
1 50	AW2835AB06		.INDICATOR-DUAL ALTM AND DIFF PRESSURE SUPPLIER CODE: V61349 FUNCTIONAL DESCRIPTION: DISPLAYS CABIN ALTITUDE TO THE FLIGHT CREW. SPECIFICATION NUMBER: 10-60726-6 ELECTRICAL EQUIP NUMBER: N00051 COMPONENT MAINT MANUAL REF: 21-30-01 MAINTENANCE MANUAL REF: 21-33-02	001028 201967	1
R R R R R R R R R R R R	- 501 286A2216-026		WIRE BUNDLE ASSY- REWORKED BY ALERT SB: 24A1141R1	201967	RF
R R R R R R R R R R R R	- 501 286A2216-302		WIRE BUNDLE ASSY- REWORKED BY ALERT SB: 24A1141R1	002005	RF
R R R R R R R R R R R R	- 501 286A2216-304		WIRE BUNDLE ASSY- REWORKED BY ALERT SB: 24A1141R1	001001 006007	RF
R R R R R R R R R R R R	- 502 286A2216-313		WIRE BUNDLE ASSY- REWORKED BY ALERT SB: 24A1141R1	008011	RF
R R R R R R R R R R R R	- 502 286A2216-317		WIRE BUNDLE ASSY- REWORKED BY ALERT SB: 24A1141R1	012022	RF
- 510	280A3109-13001		.TAPE-ID PLACARD CONTENT: D00786 M/W N00051 CAB ALT & DIFF PRESS POST ALERT SB: 24A1141R1	001022 201967	1

MISSING ITEM NUMBERS NOT APPLICABLE

- ITEM NOT ILLUSTRATED

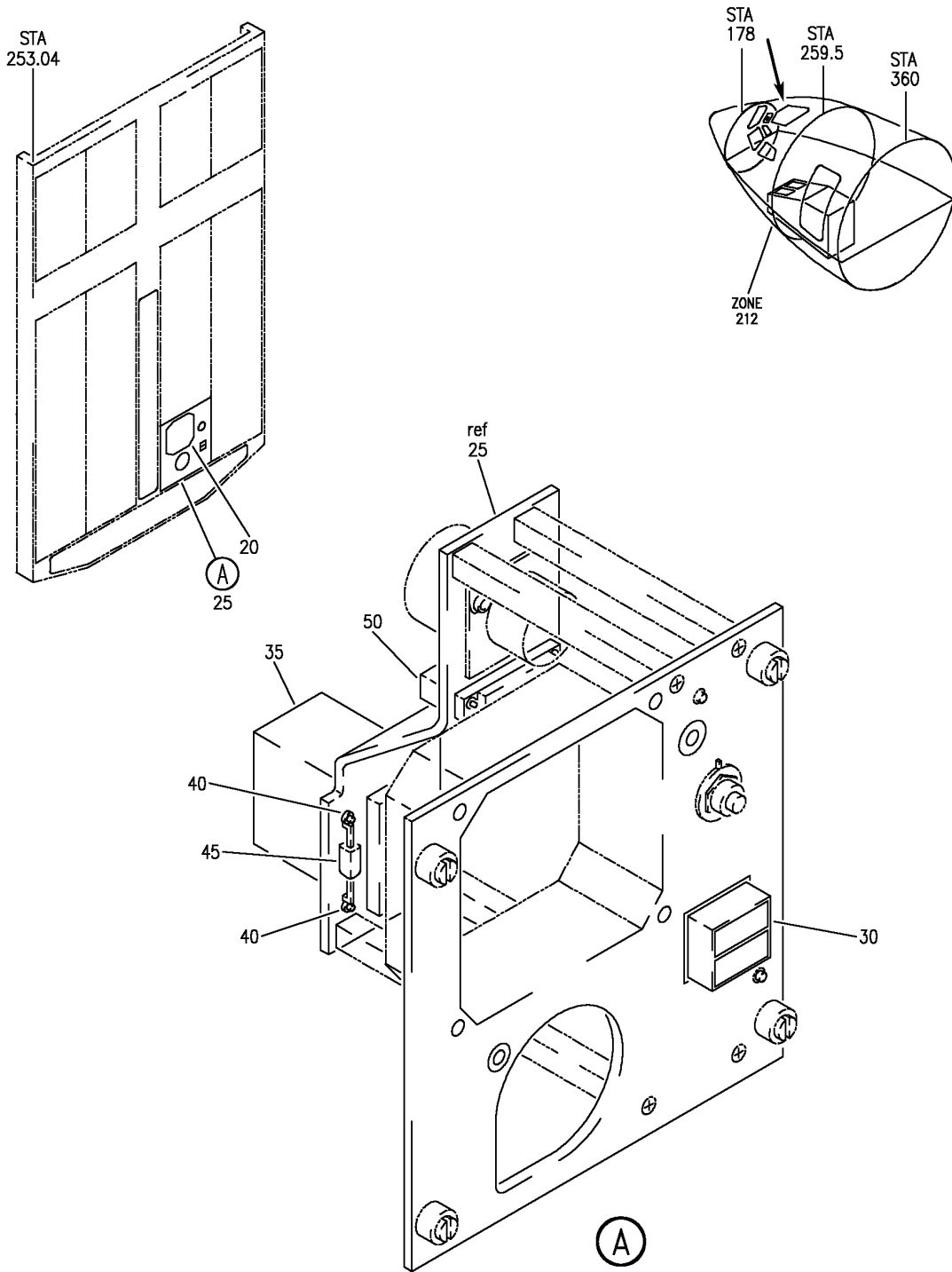
HAP

21-33-02-01

BOEING PROPRIETARY - Copyright © - Unpublished Work - See title page for details.

21-33-02
FIG. 01
PAGE 2
JUN 15/09

BOEING
 737-600/700/800/900
 PARTS CATALOG (MAINTENANCE)



E 21330202 REV 150

MODULE INSTL-P5 OVHD (CABIN ALTITUDE AND DIFFERENTIAL PRESSURE INDICATOR ONLY)
 FIGURE 2

21-33-02-02

HAP
 FEB 15/09

21-33-02-02
 PAGE 0

BOEING
737-600/700/800/900
PARTS CATALOG (MAINTENANCE)

FIG ITEM	PART NUMBER	1 2 3 4 5 6 7	NOMENCLATURE	EFFECT FROM TO	UNITS PER ASSY
2			MODULE INSTL-P5 OVHD (CABIN ALTITUDE AND DIFFERENTIAL PRESSURE INDICATOR ONLY)	029200 968999	
- 1	233A3104-1		MODULE INSTL-P5 OVHD MAJOR MODEL COMPONENTS (CABIN ALTITUDE AND DIFFERENTIAL PRESSURE INDICATOR ONLY) FOR NHA/OTHER SYS DET SEE: 31-11-00-02	029030	RF
- 1	MODREF256357		MODULE INSTL-P5 OVHD MAJOR MODEL COMPONENTS (CABIN ALTITUDE AND DIFFERENTIAL PRESSURE INDICATOR ONLY) MODULE NUMBER: 233A3104-1 REV D FOR OTHER SYS DETAILS SEE: 11-31-01-24Q 21-31-02-05 21-33-01-02 24-21-52-03 27-32-21-02 27-88-51-01 28-22-21-02 28-22-41-02 28-22-53-01 28-42-51-01 28-43-51-01 29-11-11-03 29-11-21-09 29-32-51-01 29-34-51-01 31-11-94-12 31-11-95-14 31-31-12-03 33-11-52-13 34-21-02-02 34-26-51-01 35-12-53-01 36-21-02-03 49-71-51-01 73-21-51-01 FOR ADDITIONAL DETAILS SEE: 21-33-01-02	031036	1

MISSING ITEM NUMBERS NOT APPLICABLE

- ITEM NOT ILLUSTRATED

HAP

21-33-02-02

BOEING PROPRIETARY - Copyright © - Unpublished Work - See title page for details.

21-33-02
FIG. 02
PAGE 1
OCT 15/08


BOEING
 737-600/700/800/900
PARTS CATALOG (MAINTENANCE)

FIG ITEM	PART NUMBER	1 2 3 4 5 6 7 NOMENCLATURE	EFFECT FROM TO	UNITS PER ASSY
2 20	AW2835AB06	.INDICATOR-DUAL ALTM AND DIFF PRESSURE SUPPLIER CODE: V61349 FUNCTIONAL DESCRIPTION: DISPLAYS CABIN ALTITUDE TO THE FLIGHT CREW. SPECIFICATION NUMBER: 10-60726-6 ELECTRICAL EQUIP NUMBER: N00051 COMPONENT MAINT MANUAL REF: 21-30-01 MAINTENANCE MANUAL REF: 21-33-02	029200 968999	1

MISSING ITEM NUMBERS NOT APPLICABLE

— ITEM NOT ILLUSTRATED

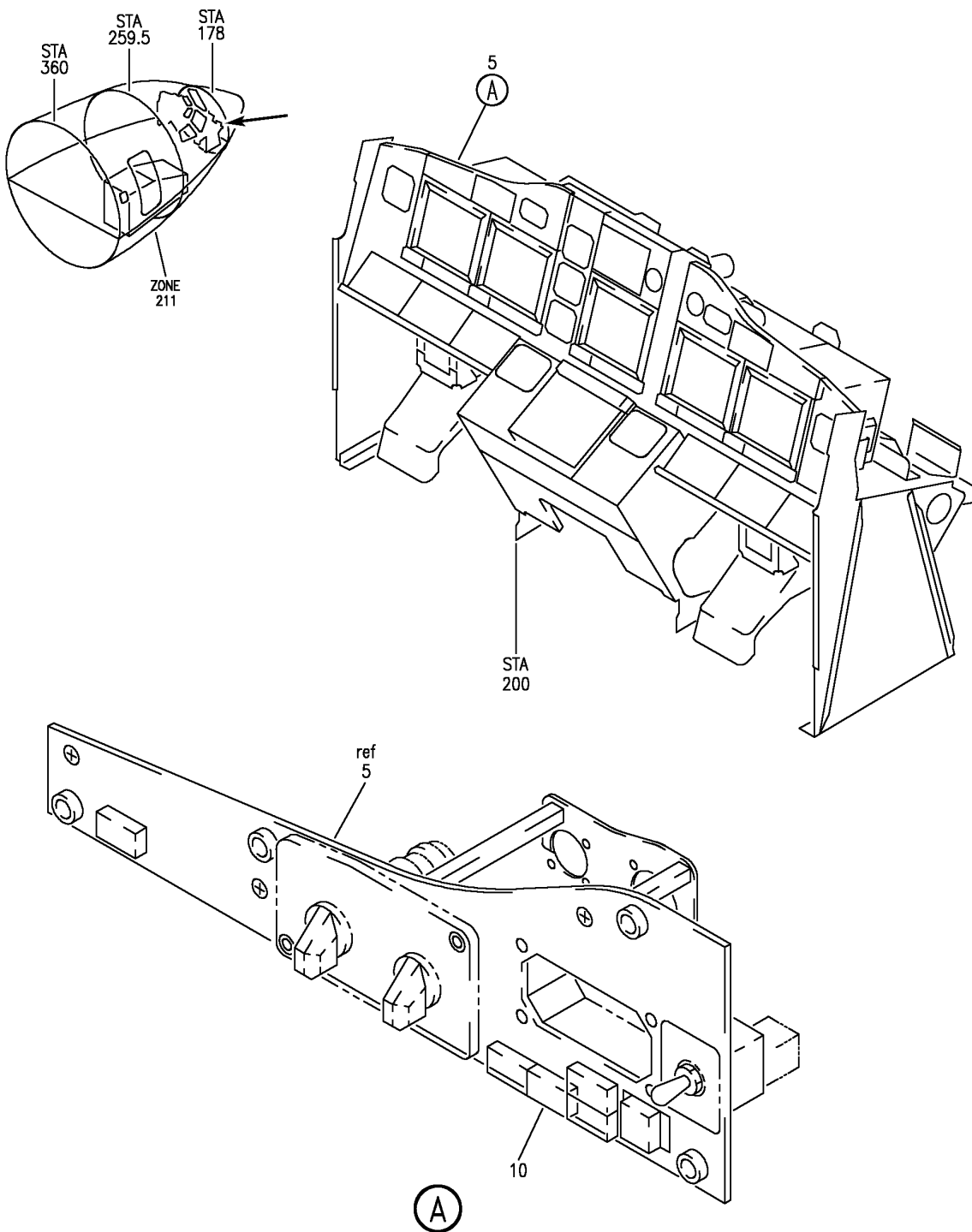
HAP

21-33-02-02

BOEING PROPRIETARY - Copyright © - Unpublished Work - See title page for details.

21-33-02
 FIG. 02
 PAGE 3
 FEB 15/09

BOEING
737-600/700/800/900
PARTS CATALOG (MAINTENANCE)



E 21330203 REV 144

PANEL INSTL-FWD (AIR CONDITIONING ONLY)
FIGURE 3

21-33-02-03

HAP
OCT 15/08

21-33-02-03
PAGE 0

BOEING
737-600/700/800/900
PARTS CATALOG (MAINTENANCE)

FIG ITEM	PART NUMBER	1 2 3 4 5 6 7	NOMENCLATURE	EFFECT FROM TO	UNITS PER ASSY
3			PANEL INSTL-FWD (AIR CONDITIONING ONLY)	044100 102200 972999	
- 1	MODREF334795		PANEL INSTL-(AIR CONDITIONING ONLY) MODULE NUMBER: 233A2103-1309 REV B POSITION DATA: FWD FOR OTHER SYS DETAILS SEE: 11-31-01-26 22-11-32-11 27-62-52-11 31-11-21-11 31-51-51-03 32-61-52-11 33-11-00-31	044047 054100 102106 972999	1
- 1	MODREF384332		PANEL INSTL-(AIR CONDITIONING ONLY) MODULE NUMBER: 233A2103-1309 REV C POSITION DATA: FWD FOR OTHER SYS DETAILS SEE: 11-31-01-26 22-11-32-11 27-62-52-11 31-11-21-11 31-51-51-03 32-61-52-11 33-11-00-31	048053 107200	1
5	233A2221-17		.PANEL ASSY-CDS DISPLAY CONT P1-3 SUPPLIER CODE: V89954 ELECTRICAL EQUIP NUMBER: P00103 COMPONENT MAINT MANUAL REF: 31-11-30	044047 054100 102106 972999	RF
5	233A2221-29		.PANEL ASSY-CDS DISPLAY CONT P1-3 SUPPLIER CODE: V89954 ELECTRICAL EQUIP NUMBER: P00103 COMPONENT MAINT MANUAL REF: 31-11-30	044100 102200 972999	RF

MISSING ITEM NUMBERS NOT APPLICABLE

- ITEM NOT ILLUSTRATED

HAP

21-33-02-03

BOEING PROPRIETARY - Copyright © - Unpublished Work - See title page for details.

21-33-02
FIG. 03
PAGE 1
FEB 15/09


BOEING
 737-600/700/800/900
PARTS CATALOG (MAINTENANCE)

FIG ITEM	PART NUMBER	1 2 3 4 5 6 7 NOMENCLATURE	EFFECT FROM TO	UNITS PER ASSY
3 10	BCREF63505	..LIGHT ASSY-PRESS TO TEST IND-CABIN ALTITUDE SUPPLIER CODE: V81590 OVERLENGTH PART NUMBER: 318-630-1001-452 SPECIFICATION NUMBER: 10-61803-533	044100 102200 972999	1

MISSING ITEM NUMBERS NOT APPLICABLE

— ITEM NOT ILLUSTRATED

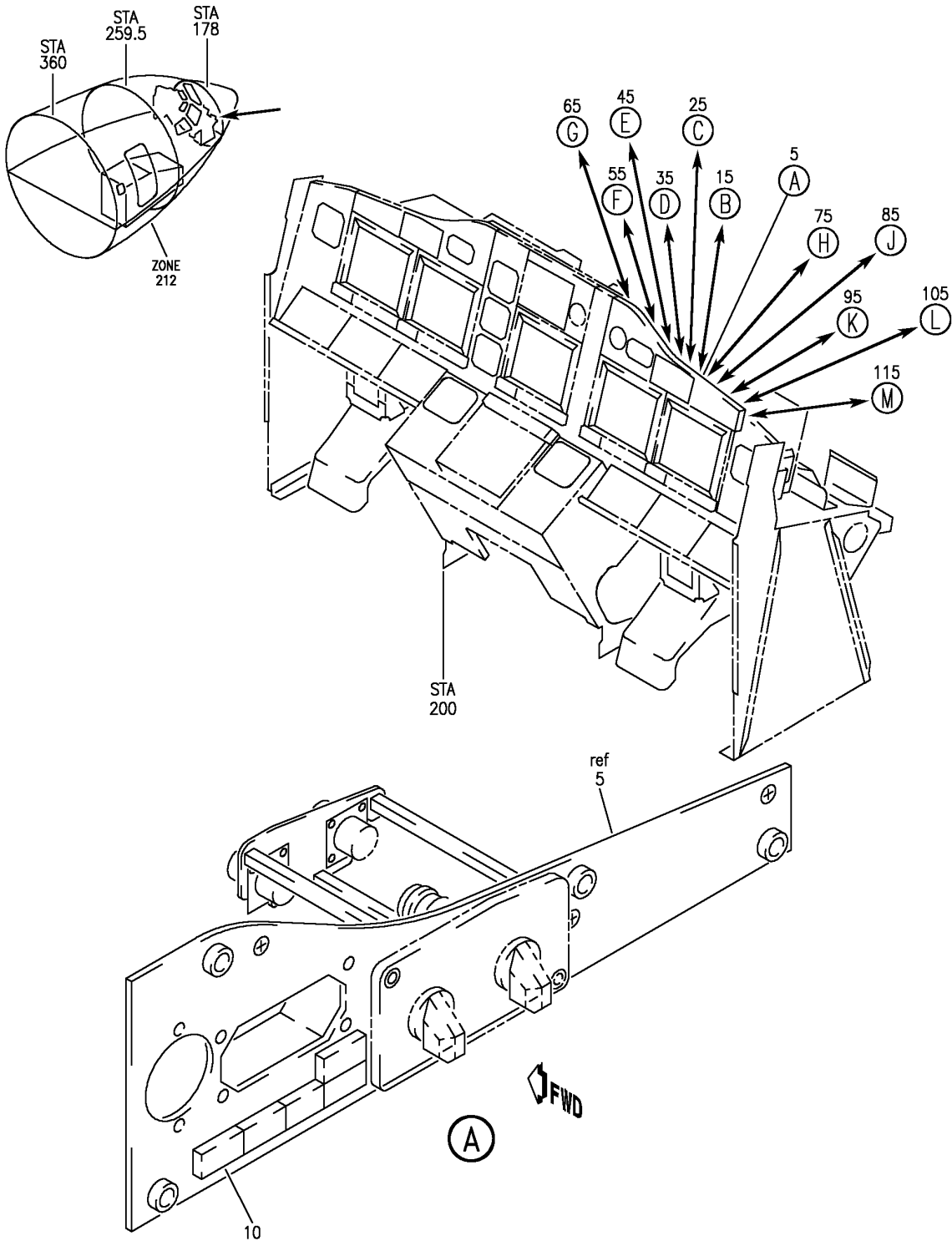
HAP

21-33-02-03

BOEING PROPRIETARY - Copyright © - Unpublished Work - See title page for details.

21-33-02
 FIG. 03
 PAGE 2
 JUN 15/09

BOEING
 737-600/700/800/900
 PARTS CATALOG (MAINTENANCE)



E 21330208 SHT 1 REV 145

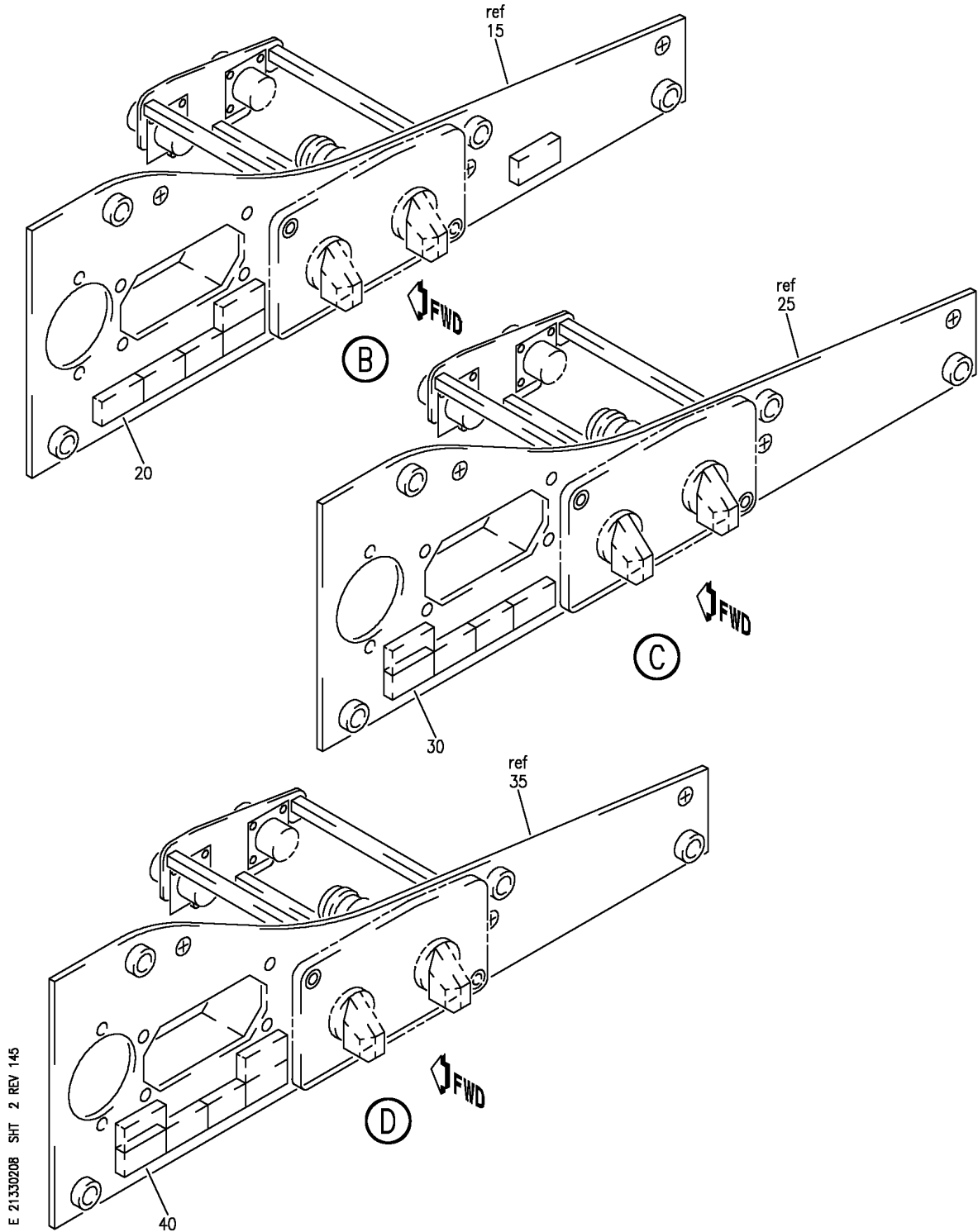
PANEL INSTL-FWD (AIR CONDITIONING ONLY)
 FIGURE 8

21-33-02-08

HAP
 OCT 15/08

21-33-02-08
 PAGE 0

BOEING
737-600/700/800/900
PARTS CATALOG (MAINTENANCE)



E 21330208 SHT 2 REV 145

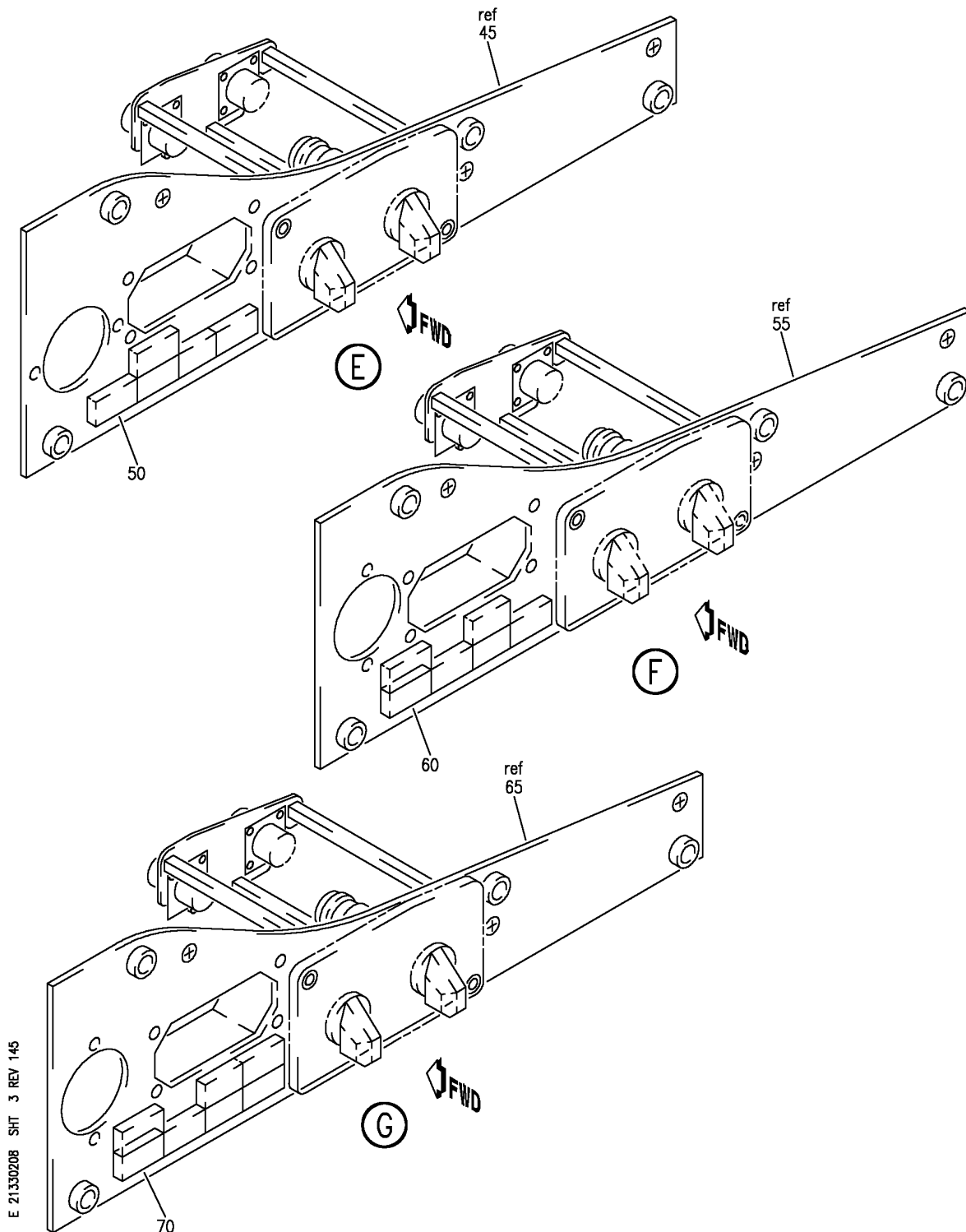
PANEL INSTL-FWD (AIR CONDITIONING ONLY)
FIGURE 8

21-33-02-08

HAP
OCT 15/08

21-33-02-08
PAGE 0A

BOEING
737-600/700/800/900
PARTS CATALOG (MAINTENANCE)



E 21330208 SHT 3 REV 145

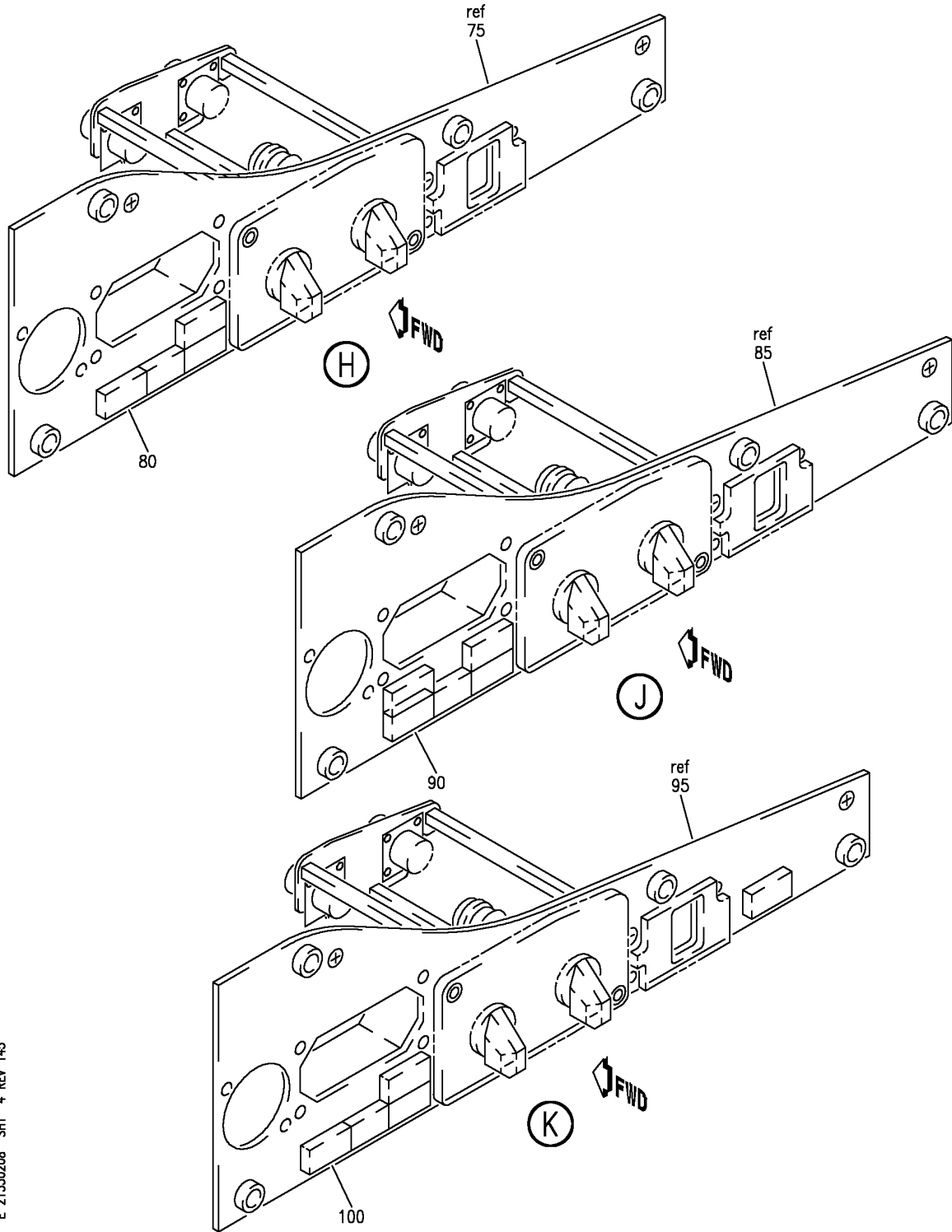
PANEL INSTL-FWD (AIR CONDITIONING ONLY)
FIGURE 8

21-33-02-08

HAP
OCT 15/08

21-33-02-08
PAGE 08

BOEING
737-600/700/800/900
PARTS CATALOG (MAINTENANCE)



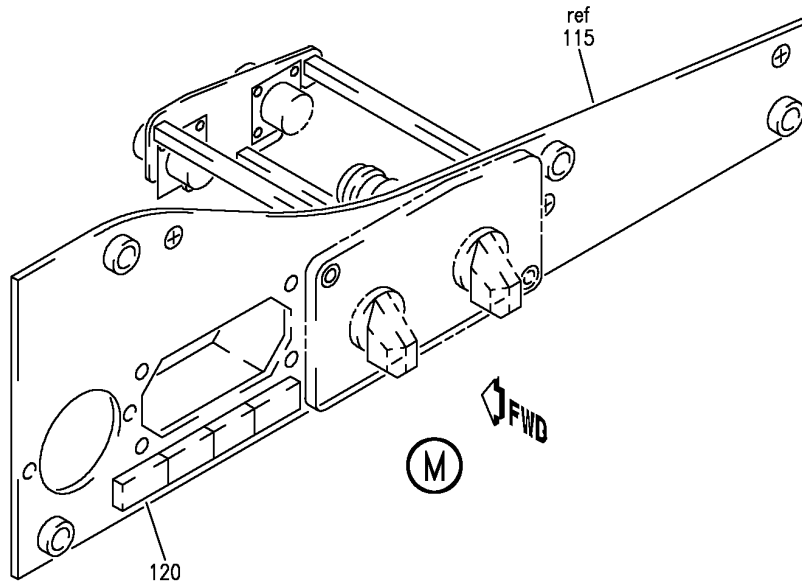
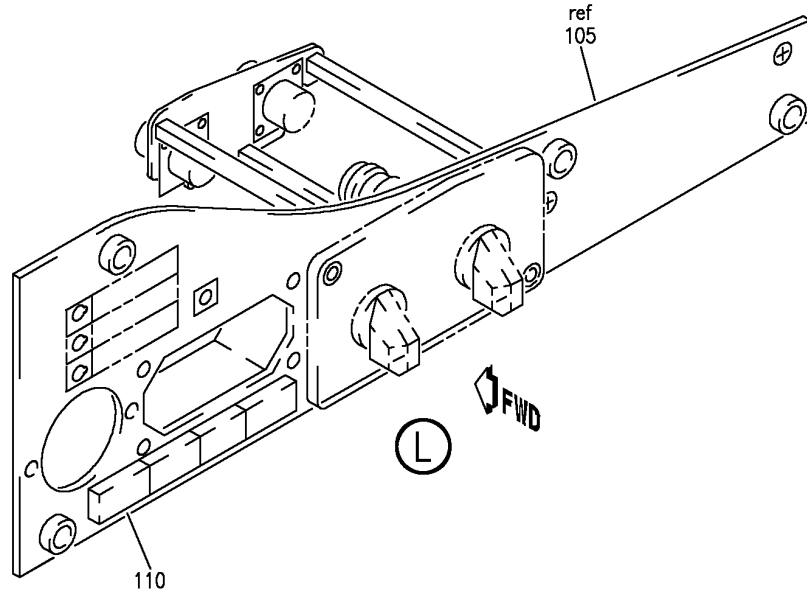
PANEL INSTL-FWD (AIR CONDITIONING ONLY)
FIGURE 8

21-33-02-08

HAP
OCT 15/08

21-33-02-08
PAGE 0C

BOEING
737-600/700/800/900
PARTS CATALOG (MAINTENANCE)



E 21330208 SH1 5 REV 145

PANEL INSTL-FWD (AIR CONDITIONING ONLY)
FIGURE 8

21-33-02-08

HAP
OCT 15/08

21-33-02-08
PAGE 0D

BOEING
737-600/700/800/900
PARTS CATALOG (MAINTENANCE)

FIG ITEM	PART NUMBER	1 2 3 4 5 6 7	NOMENCLATURE	EFFECT FROM TO	UNITS PER ASSY
8			PANEL INSTL-FWD (AIR CONDITIONING ONLY)	044100 102200 972999	
- 1	MODREF338671		PANEL INSTL-(AIR CONDITIONING ONLY) MODULE NUMBER: 233A2103-3115 REV B POSITION DATA: FWD FOR OTHER SYS DETAILS SEE: 22-11-32-16 27-51-50-05 27-62-52-16 31-11-51-16 31-51-51-08 32-41-00-04 32-61-52-16 33-11-00-36	044047 054100 102106 972999	1
- 1	MODREF384329		PANEL INSTL-(AIR CONDITIONING ONLY) MODULE NUMBER: 233A2103-3115 REV C POSITION DATA: FWD FOR OTHER SYS DETAILS SEE: 22-11-32-16 27-51-50-05 27-62-52-16 31-11-51-16 31-51-51-08 32-41-00-04 32-61-52-16 33-11-00-36	048053 107200	1
5	233A2222-30		.PANEL ASSY-CDS DISPLAY CONT P3-1 SUPPLIER CODE: V89954 ELECTRICAL EQUIP NUMBER: P00301 COMPONENT MAINT MANUAL REF: 31-11-59	044047 054100 102106 972999	RF
5	233A2222-52		.PANEL ASSY-CDS DISPLAY CONT P3-1 SUPPLIER CODE: V89954 ELECTRICAL EQUIP NUMBER: P00301 COMPONENT MAINT MANUAL REF: 31-11-59	048053 107200	RF

MISSING ITEM NUMBERS NOT APPLICABLE

- ITEM NOT ILLUSTRATED

HAP

21-33-02-08

BOEING PROPRIETARY - Copyright © - Unpublished Work - See title page for details.

21-33-02
FIG. 08
PAGE 1
FEB 15/09

 **BOEING**
737-600/700/800/900
PARTS CATALOG (MAINTENANCE)

FIG ITEM	PART NUMBER	1 2 3 4 5 6 7	NOMENCLATURE	EFFECT FROM TO	UNITS PER ASSY
8				048053 107200	
10	BCREF63505		TEMPORARY BREAKDOWN FOR: 233A2222-52 ..LIGHT ASSY-PRESS TO TEST IND-CABIN ALTITUDE SUPPLIER CODE: V81590 OVERLENGTH PART NUMBER: 318-630-1001-452 SPECIFICATION NUMBER: 10-61803-533	044100 102200 972999	1
15	233A2222-31		.PANEL ASSY-CDS DISPLAY CONT P3-1 SUPPLIER CODE: V89954 ELECTRICAL EQUIP NUMBER: P00301 COMPONENT MAINT MANUAL REF: 31-11-59	044047 054100 102106 972999	RF
20	BCREF63505		..LIGHT ASSY-PRESS TO TEST IND-CABIN ALTITUDE SUPPLIER CODE: V81590 OVERLENGTH PART NUMBER: 318-630-1001-452 SPECIFICATION NUMBER: 10-61803-533	044047 054100 102106 972999	1
25	233A2222-32		.PANEL ASSY-CDS DISPLAY CONT P3-1 SUPPLIER CODE: V89954 ELECTRICAL EQUIP NUMBER: P00301 COMPONENT MAINT MANUAL REF: 31-11-59	044047 054100 102106 972999	RF
30	BCREF63505		..LIGHT ASSY-PRESS TO TEST IND-CABIN ALTITUDE SUPPLIER CODE: V81590 OVERLENGTH PART NUMBER: 318-630-1001-452 SPECIFICATION NUMBER: 10-61803-533	044047 054100 102106 972999	1

MISSING ITEM NUMBERS NOT APPLICABLE

— ITEM NOT ILLUSTRATED

HAP

21-33-02-08

BOEING PROPRIETARY - Copyright © - Unpublished Work - See title page for details.

21-33-02
FIG. 08
PAGE 2
FEB 15/09

BOEING
737-600/700/800/900
PARTS CATALOG (MAINTENANCE)

FIG ITEM	PART NUMBER	1 2 3 4 5 6 7	NOMENCLATURE	EFFECT FROM TO	UNITS PER ASSY
8					
35	233A2222-33		.PANEL ASSY-CDS DISPLAY CONT P3-1 SUPPLIER CODE: V89954 ELECTRICAL EQUIP NUMBER: P00301 COMPONENT MAINT MANUAL REF: 31-11-59	044047 054100 102106 972999	RF
40	BCREF63505		..LIGHT ASSY-PRESS TO TEST IND-CABIN ALTITUDE SUPPLIER CODE: V81590 OVERLENGTH PART NUMBER: 318-630-1001-452 SPECIFICATION NUMBER: 10-61803-533	044047 054100 102106 972999	1
45	233A2222-34		.PANEL ASSY-CDS DISPLAY CONT P3-1 SUPPLIER CODE: V89954 ELECTRICAL EQUIP NUMBER: P00301 COMPONENT MAINT MANUAL REF: 31-11-59	044047 054100 102106 972999	RF
50	BCREF63505		..LIGHT ASSY-PRESS TO TEST IND-CABIN ALTITUDE SUPPLIER CODE: V81590 OVERLENGTH PART NUMBER: 318-630-1001-452 SPECIFICATION NUMBER: 10-61803-533	044047 054100 102106 972999	1
55	233A2222-35		.PANEL ASSY-CDS DISPLAY CONT P3-1 SUPPLIER CODE: V89954 ELECTRICAL EQUIP NUMBER: P00301 COMPONENT MAINT MANUAL REF: 31-11-59	044047 054100 102106 972999	RF
60	BCREF63505		..LIGHT ASSY-PRESS TO TEST IND-CABIN ALTITUDE SUPPLIER CODE: V81590 OVERLENGTH PART NUMBER: 318-630-1001-452 SPECIFICATION NUMBER: 10-61803-533	044047 054100 102106 972999	1

MISSING ITEM NUMBERS NOT APPLICABLE

— ITEM NOT ILLUSTRATED

HAP

21-33-02-08

BOEING PROPRIETARY - Copyright © - Unpublished Work - See title page for details.

21-33-02
FIG. 08
PAGE 3
FEB 15/09

BOEING
737-600/700/800/900
PARTS CATALOG (MAINTENANCE)

FIG ITEM	PART NUMBER	1 2 3 4 5 6 7	NOMENCLATURE	EFFECT FROM TO	UNITS PER ASSY
8					
65	233A2222-36		.PANEL ASSY-CDS DISPLAY CONT P3-1 SUPPLIER CODE: V89954 ELECTRICAL EQUIP NUMBER: P00301 COMPONENT MAINT MANUAL REF: 31-11-59	044047 054100 102106 972999	RF
70	BCREF63505		..LIGHT ASSY-PRESS TO TEST IND-CABIN ALTITUDE SUPPLIER CODE: V81590 OVERLENGTH PART NUMBER: 318-630-1001-452 SPECIFICATION NUMBER: 10-61803-533	044047 054100 102106 972999	1
75	233A2222-38		.PANEL ASSY-CDS DISPLAY CONT P3-1 SUPPLIER CODE: V89954 ELECTRICAL EQUIP NUMBER: P00301 COMPONENT MAINT MANUAL REF: 31-11-59	044047 054100 102106 972999	RF
80	BCREF63505		..LIGHT ASSY-PRESS TO TEST IND-CABIN ALTITUDE SUPPLIER CODE: V81590 OVERLENGTH PART NUMBER: 318-630-1001-452 SPECIFICATION NUMBER: 10-61803-533	044047 054100 102106 972999	1
85	233A2222-39		.PANEL ASSY-CDS DISPLAY CONT P3-1 SUPPLIER CODE: V89954 ELECTRICAL EQUIP NUMBER: P00301 COMPONENT MAINT MANUAL REF: 31-11-59	044047 054100 102106 972999	RF
90	BCREF63505		..LIGHT ASSY-PRESS TO TEST IND-CABIN ALTITUDE SUPPLIER CODE: V81590 OVERLENGTH PART NUMBER: 318-630-1001-452 SPECIFICATION NUMBER: 10-61803-533	044047 054100 102106 972999	1

MISSING ITEM NUMBERS NOT APPLICABLE

— ITEM NOT ILLUSTRATED

HAP

21-33-02-08

BOEING PROPRIETARY - Copyright © - Unpublished Work - See title page for details.

21-33-02
FIG. 08
PAGE 4
FEB 15/09

BOEING
737-600/700/800/900
PARTS CATALOG (MAINTENANCE)

FIG ITEM	PART NUMBER	1 2 3 4 5 6 7	NOMENCLATURE	EFFECT FROM TO	UNITS PER ASSY
8					
95	233A2222-40		.PANEL ASSY-CDS DISPLAY CONT P3-1 SUPPLIER CODE: V89954 ELECTRICAL EQUIP NUMBER: P00301 COMPONENT MAINT MANUAL REF: 31-11-59	044047 054100 102106 972999	RF
100	BCREF63505		..LIGHT ASSY-PRESS TO TEST IND-CABIN ALTITUDE SUPPLIER CODE: V81590 OVERLENGTH PART NUMBER: 318-630-1001-452 SPECIFICATION NUMBER: 10-61803-533	044047 054100 102106 972999	1
105	233A2222-41		.PANEL ASSY-CDS DISPLAY CONT P3-1 SUPPLIER CODE: V89954 ELECTRICAL EQUIP NUMBER: P00301 COMPONENT MAINT MANUAL REF: 31-11-59	044047 054100 102106 972999	RF
110	BCREF63505		..LIGHT ASSY-PRESS TO TEST IND-CABIN ALTITUDE SUPPLIER CODE: V81590 OVERLENGTH PART NUMBER: 318-630-1001-452 SPECIFICATION NUMBER: 10-61803-533	044047 054100 102106 972999	1
115	233A2222-51		.PANEL ASSY-CDS DISPLAY CONT P3-1 SUPPLIER CODE: V89954 ELECTRICAL EQUIP NUMBER: P00301 COMPONENT MAINT MANUAL REF: 31-11-59	044047 054100 102106 972999	RF
			TEMPORARY BREAKDOWN FOR: 233A2222-51	044047 054100 102106 972999	

MISSING ITEM NUMBERS NOT APPLICABLE

— ITEM NOT ILLUSTRATED

HAP

21-33-02-08

BOEING PROPRIETARY - Copyright © - Unpublished Work - See title page for details.

21-33-02
FIG. 08
PAGE 5
FEB 15/09

BOEING
737-600/700/800/900
PARTS CATALOG (MAINTENANCE)

FIG ITEM	PART NUMBER	1 2 3 4 5 6 7 NOMENCLATURE	EFFECT FROM TO	UNITS PER ASSY
8 120	BCREF63505	..LIGHT ASSY-PRESS TO TEST IND-CABIN ALTITUDE SUPPLIER CODE: V81590 OVERLENGTH PART NUMBER: 318-630-1001-452 SPECIFICATION NUMBER: 10-61803-533	044047 054100 102106 972999	1

MISSING ITEM NUMBERS NOT APPLICABLE

— ITEM NOT ILLUSTRATED

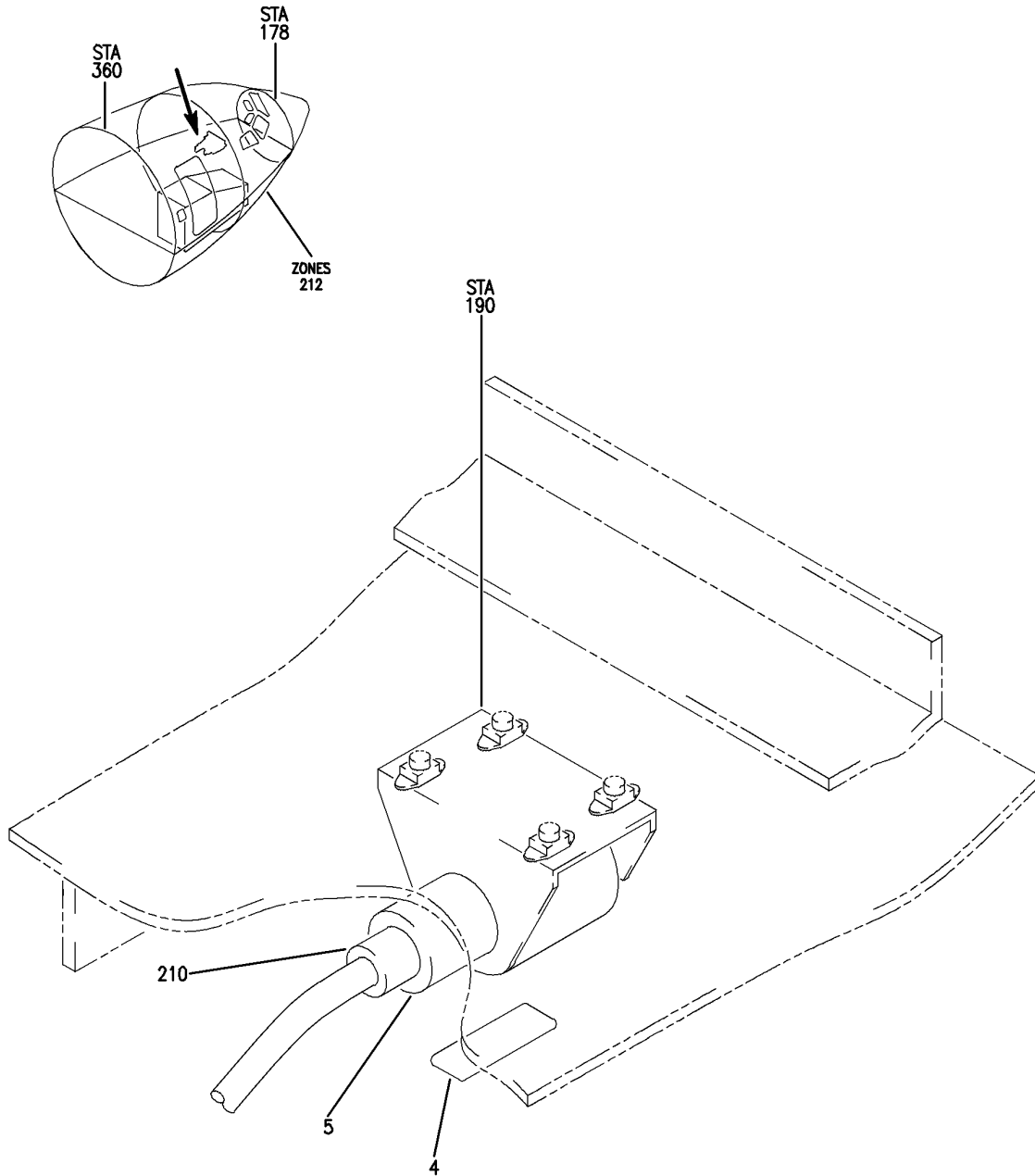
HAP

21-33-02-08

BOEING PROPRIETARY - Copyright © - Unpublished Work - See title page for details.

21-33-02
FIG. 08
PAGE 6
FEB 15/09

BOEING
737-600/700/800/900
PARTS CATALOG (MAINTENANCE)



E 21330401 REV 052

SWITCH INSTL-PRESSURIZATION AIR CONDITIONING
FIGURE 1

21-33-04-01

HAP
OCT 10/06

21-33-04-01
PAGE 0

BOEING
737-600/700/800/900
PARTS CATALOG (MAINTENANCE)

FIG ITEM	PART NUMBER	1 2 3 4 5 6 7	NOMENCLATURE	EFFECT FROM TO	UNITS PER ASSY
1			SWITCH INSTL-PRESSURIZATION AIR CONDITIONING	001030 201967	
- 1	216A5001-1		SWITCH INSTL-PRESSURIZATION AIR CONDITIONING FOR NHA SEE: 21-30-00-01A	001020 201967	RF
- 1	216A5001-4		SWITCH INSTL-PRESSURIZATION AIR CONDITIONING FOR NHA SEE: 21-30-00-01A	021030	RF
4	BAC27DAC106		.MARKER- PLACARD CONTENT: S128 STANDARD ALTITUDE PRESSURIZATION SWITCH	021030	1
5	214C50-2		.SWITCH-PRESSURE ALTITUDE WARNING SUPPLIER CODE: V02750 SPECIFICATION NUMBER: 10-2638-4 ELECTRICAL EQUIP NUMBER: S00128 MAINTENANCE MANUAL REF: 21-33-04	001030 201967	1
- 10	BACS12GU3K6		ATTACHING PARTS .SCREW	001030 201967	4
- 200	286A5514-018		-----*----- WIRE BUNDLE ASSY-FLIGHT DECK PNL LIGHTING (SA2)	201967	RF
- 202	286A5514-302		WIRE BUNDLE ASSY-FLIGHT DECK PNL LIGHTING (SA2)	001001 006007	RF
- 202	286A5514-304		WIRE BUNDLE ASSY-FLIGHT DECK PNL LIGHTING (SA2)	002005	RF
- 202	286A5514-312		WIRE BUNDLE ASSY-FLIGHT DECK PNL LIGHTING (SA2)	008011	RF
- 203	286A5514-327		WIRE BUNDLE ASSY-FLIGHT DECK PNL LIGHTING (SA2)	012030	RF
210	BACC63CE14S7S		.CONNECTOR- ELECTRICAL EQUIP NUMBER: D00776 WIRING DIAGRAM REF: 213311	001030 201967	1

MISSING ITEM NUMBERS NOT APPLICABLE

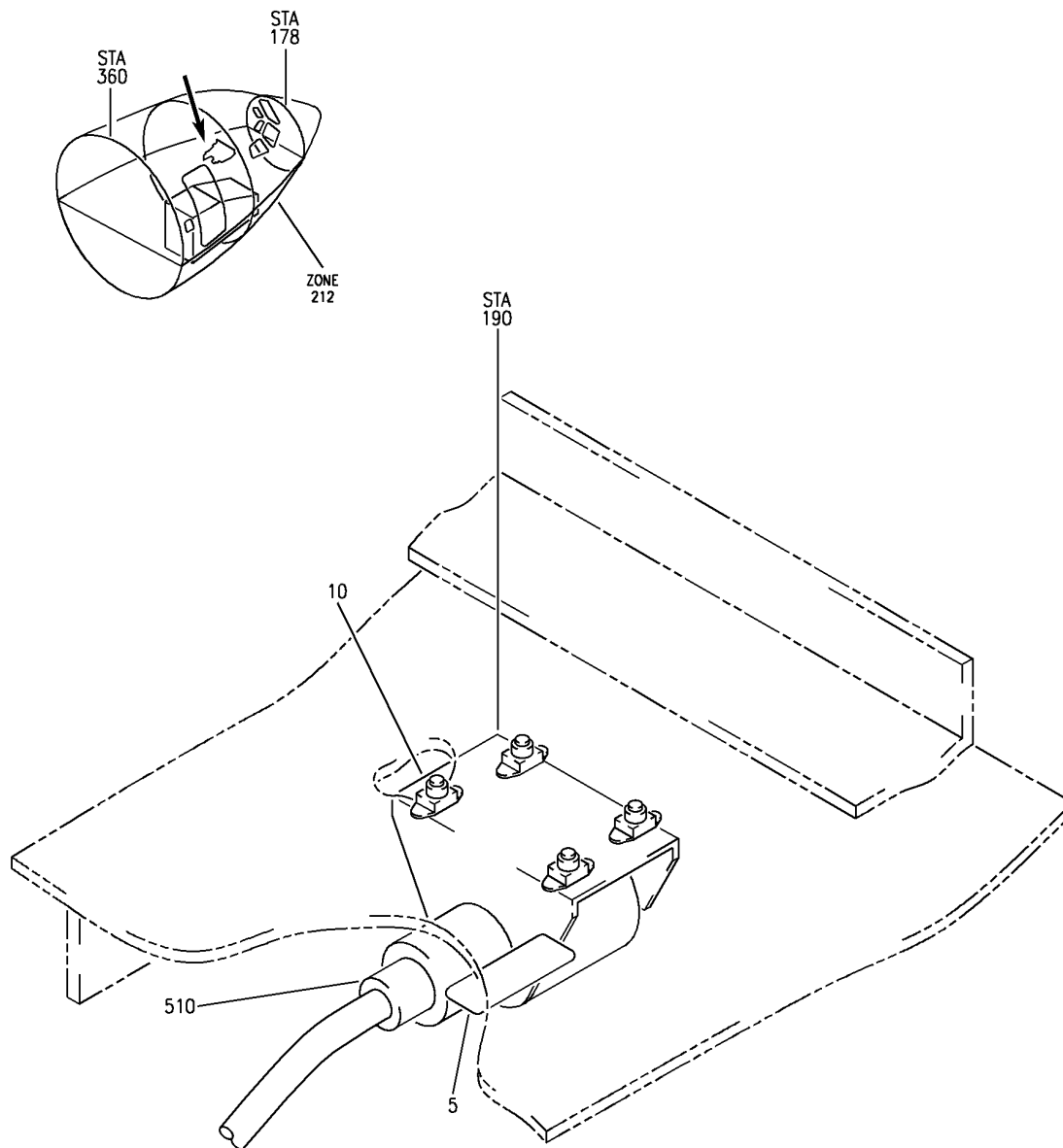
- ITEM NOT ILLUSTRATED

HAP

21-33-04-01

21-33-04
FIG. 01
PAGE 1
OCT 15/08

BOEING
737-600/700/800/900
PARTS CATALOG (MAINTENANCE)



E 21330401A REV 124

SWITCH INSTL-PRESSURIZATION AIR CONDITIONING
FIGURE 1A

21-33-04-01A

HAP
FEB 10/07

21-33-04-01A
PAGE 0

BOEING
737-600/700/800/900
PARTS CATALOG (MAINTENANCE)

FIG ITEM	PART NUMBER	1 2 3 4 5 6 7	NOMENCLATURE	EFFECT FROM TO	UNITS PER ASSY
1 A			SWITCH INSTL-PRESSURIZATION AIR CONDITIONING	031046 054105 968999	
- 1	MODREF213840		SWITCH INSTL-PRESSURIZATION AIR CONDITIONING MODULE NUMBER: 216A5001-4 REV B	031046 054105 968999	1
5	BAC27DAC106		.MARKER- PLACARD CONTENT: S128 STANDARD ALTITUDE PRESSURIZATION SWITCH	031046 054105 968999	1
10	214C50-2		.SWITCH-PRESSURE ALTITUDE WARNING SUPPLIER CODE: V02750 SPECIFICATION NUMBER: 10-2638-4 ELECTRICAL EQUIP NUMBER: S00128 MAINTENANCE MANUAL REF: 21-33-04	031046 054105 968999	1
- 15	BACs12GU3K6		ATTACHING PARTS .SCREW	031046 054105 968999	4
			-----*-----		
- 501	286A5514-125		WIRE BUNDLE ASSY	101101 968971	RF
- 504	286A5514-404		WIRE BUNDLE ASSY	031035	RF
- 504	286A5514-437		WIRE BUNDLE ASSY	036043	RF
- 507	286A5514-171		WIRE BUNDLE ASSY	102105 972999	RF
- 508	286A5514-472		WIRE BUNDLE ASSY	044046 054100	RF
510	BACC63CE14S7S		.CONNECTOR- ELECTRICAL EQUIP NUMBER: D00776 WIRING DIAGRAM REF: 213311	031046 054105 968999	1

MISSING ITEM NUMBERS NOT APPLICABLE

- ITEM NOT ILLUSTRATED

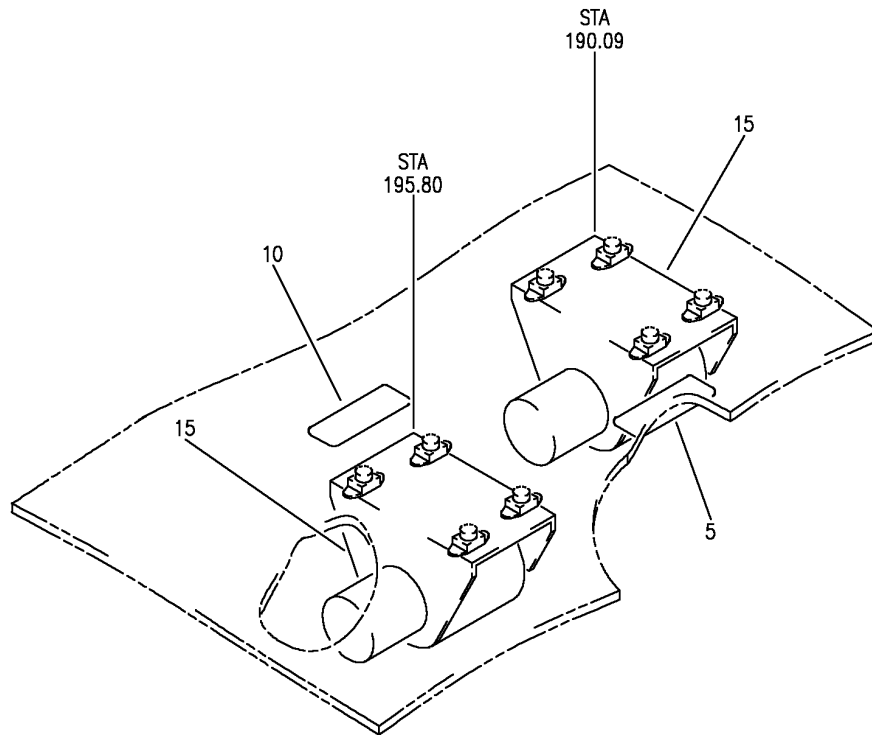
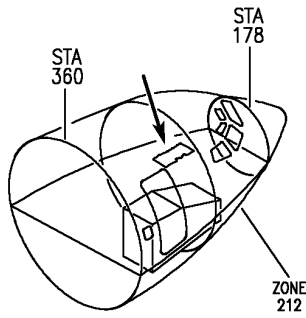
HAP

21-33-04-01A

BOEING PROPRIETARY - Copyright © - Unpublished Work - See title page for details.

21-33-04
FIG. 01A
PAGE 1
FEB 15/09

BOEING
737-600/700/800/900
PARTS CATALOG (MAINTENANCE)



E 21330403 REV 151

SWITCH INSTL-PRESSURIZATION AIR CONDITIONING
FIGURE 3

21-33-04-03

HAP
FEB 15/09

21-33-04-03
PAGE 0

BOEING
737-600/700/800/900
PARTS CATALOG (MAINTENANCE)

FIG ITEM	PART NUMBER	1 2 3 4 5 6 7	NOMENCLATURE	EFFECT FROM TO	UNITS PER ASSY
3			SWITCH INSTL-PRESSURIZATION AIR CONDITIONING	047053 106200	
- 1	MODREF364845		SWITCH INSTL-PRESSURIZATION AIR CONDITIONING	047053 106200	1
5	BAC27DAC155		MODULE NUMBER: 216A5001-9 REV A .MARKER-	047053 106200	1
10	BAC27DAC156		PLACARD CONTENT: S128 CABIN PRESSURE SWITCH NO 1 .MARKER-	047053 106200	1
15	214C50-2		PLACARD CONTENT: S1153 CABIN PRESSURE SWITCH NO 2 .SWITCH-PRESSURE	047053 106200	2
			ALTITUDE WARNING SUPPLIER CODE: V02750 SPECIFICATION NUMBER: 10-2638-4 ELECTRICAL EQUIP NUMBER: S00128 S01153 MAINTENANCE MANUAL REF: 21-33-04		
- 20	BACS12GU3K6		ATTACHING PARTS .SCREW -----*-----	047053 106200	8

MISSING ITEM NUMBERS NOT APPLICABLE

- ITEM NOT ILLUSTRATED

HAP

21-33-04-03

BOEING PROPRIETARY - Copyright © - Unpublished Work - See title page for details.

21-33-04
FIG. 03
PAGE 1
FEB 15/09