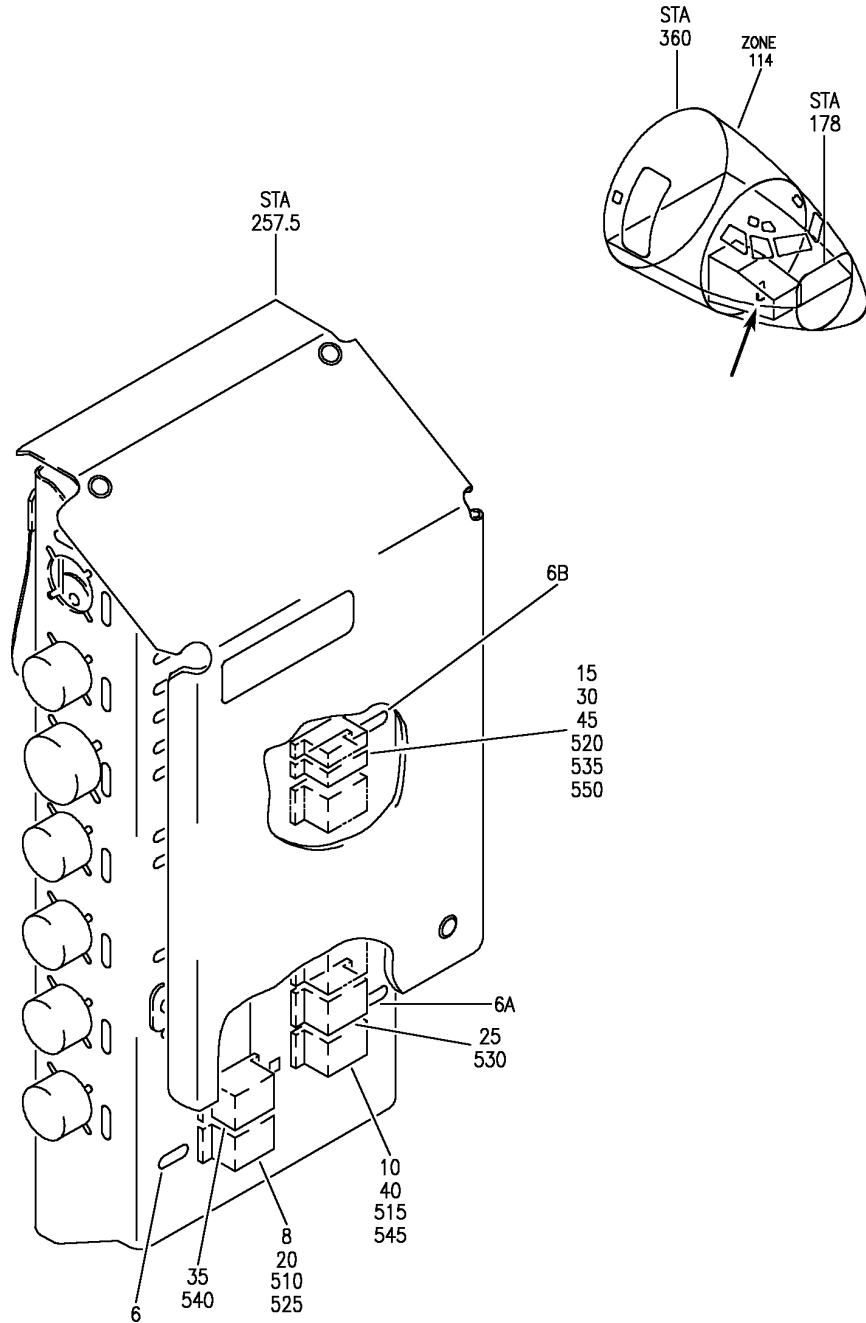


FORWARD CARGO COMPARTMENT HEATING SYSTEM

HAP
OCT 10/06

21-43-00
SECTION TITLE
PAGE 1

BOEING
 737-600/700/800/900
 PARTS CATALOG (MAINTENANCE)



E 21435101 REV 141

JUNCTION BOX INSTL -J24 (FORWARD CARGO COMPARTMENT HEATING SYSTEM ONLY)

FIGURE 1

21-43-51-01

HAP
 JUN 15/08

21-43-51-01
 PAGE 0

BOEING
737-600/700/800/900
PARTS CATALOG (MAINTENANCE)

FIG ITEM	PART NUMBER	1 2 3 4 5 6 7	NOMENCLATURE	EFFECT FROM TO	UNITS PER ASSY
1			JUNCTION BOX INSTL -J24 (FORWARD CARGO COMPARTMENT HEATING SYSTEM ONLY)	005005 008999	
- 1	284A1224-115		JUNCTION BOX INSTL-J24 (FORWARD CARGO COMPARTMENT HEATING SYSTEM ONLY) POST SERVICE BULLETIN: 23-1107 FOR NHA/OTHER SYS DET SEE: 25-50-00-13	005005 008030	RF
- 1	284A1224-118		JUNCTION BOX INSTL-J24 (FORWARD CARGO COMPARTMENT HEATING SYSTEM ONLY) FOR NHA/OTHER SYS DET SEE: 25-50-00-12	201967	RF
- 4	MODREF246768		JUNCTION BOX INSTL-J24 (FORWARD CARGO COMPARTMENT HEATING SYSTEM ONLY) MODULE NUMBER: 284A1224-201 REV E FOR OTHER SYS DETAILS SEE: 21-25-00-02 21-27-51-71 25-50-51-04A 31-31-11-02 32-09-00-03 32-42-00-04 32-44-11-03 34-40-51-02 52-71-00-15 73-20-51-02 76-11-02-04 78-30-51-02	031040 042042 968969	1

MISSING ITEM NUMBERS NOT APPLICABLE

- ITEM NOT ILLUSTRATED

HAP

21-43-51-01

BOEING PROPRIETARY - Copyright © - Unpublished Work - See title page for details.

21-43-51
FIG. 01
PAGE 1
OCT 15/08

BOEING
737-600/700/800/900
PARTS CATALOG (MAINTENANCE)

FIG ITEM	PART NUMBER	1 2 3 4 5 6 7	NOMENCLATURE	EFFECT FROM TO	UNITS PER ASSY
1 -	4 MODREF337069		JUNCTION BOX INSTL-J24 (FORWARD CARGO COMPARTMENT HEATING SYSTEM ONLY) MODULE NUMBER: 284A1224-201 REV G FOR OTHER SYS DETAILS SEE: 21-25-00-02 21-27-51-71 25-50-51-04A 31-31-11-02 32-09-00-03 32-42-00-04 32-44-11-03 34-40-51-02 52-71-00-15 73-20-51-02 76-11-02-04 78-30-51-02	041041 043200 970999	1
	8 ES410-1538		.RELAY- SUPPLIER CODE: V99699 SPECIFICATION NUMBER: BACR13CG2AB OPTIONAL PART: KD4L018 V35344 BR230DS0115 V56623 KD4L036 V58657 FCA410-63 V78290 ELECTRICAL EQUIP NUMBER: R00648 POST SERVICE BULLETIN: 23-1107	005005 008030 201967	1
	10 TDH8127-3003		.SWITCH- SUPPLIER CODE: V58657 ELECTRICAL EQUIP NUMBER: R00649 POST SERVICE BULLETIN: 23-1107	005005 008030 201967	1

MISSING ITEM NUMBERS NOT APPLICABLE

- ITEM NOT ILLUSTRATED

HAP

21-43-51-01

BOEING PROPRIETARY - Copyright © - Unpublished Work - See title page for details.

21-43-51
FIG. 01
PAGE 2
OCT 15/08

BOEING
737-600/700/800/900
PARTS CATALOG (MAINTENANCE)

FIG ITEM	PART NUMBER	1 2 3 4 5 6 7	NOMENCLATURE	EFFECT FROM TO	UNITS PER ASSY
1 15	ES210-1632		.RELAY- SUPPLIER CODE: V99699 SPECIFICATION NUMBER: BACR13CF2AB OPTIONAL PART: JD4L018 V35344 JD4L031 V35344 BR246S0111 V56623 BR64S105 V56623 FCA210-71 V78290 61GB2319-1A320 V98927 ELECTRICAL EQUIP NUMBER: R00650 POST SERVICE BULLETIN: 23-1107	005005 008030 201967	1
20	ES410-1538		.RELAY- SUPPLIER CODE: V99699 SPECIFICATION NUMBER: BACR13CG2AB OPTIONAL PART: KD4L018 V35344 BR230DS0115 V56623 KD4L036 V58657 FCA410-63 V78290 ELECTRICAL EQUIP NUMBER: R00648	031200 968999	1
25	TDH8127-3003		.SWITCH- SUPPLIER CODE: V58657 ELECTRICAL EQUIP NUMBER: R00649	031200 968999	1

MISSING ITEM NUMBERS NOT APPLICABLE

— ITEM NOT ILLUSTRATED

HAP

21-43-51-01

BOEING PROPRIETARY - Copyright © - Unpublished Work - See title page for details.

21-43-51
FIG. 01
PAGE 3
OCT 15/08

BOEING
737-600/700/800/900
PARTS CATALOG (MAINTENANCE)

FIG ITEM	PART NUMBER	1 2 3 4 5 6 7	NOMENCLATURE	EFFECT FROM TO	UNITS PER ASSY
1 30	ES210-1632		.RELAY- SUPPLIER CODE: V99699 SPECIFICATION NUMBER: BACR13CF2AB OPTIONAL PART: JD4L018 V35344 JD4L031 V35344 BR246S0111 V56623 BR64S105 V56623 FCA210-71 V78290 61GB2319-1A320 V98927 ELECTRICAL EQUIP NUMBER: R00650	031200 968999	1
- 500	286A0080-031		WIRE BUNDLE ASSY-	031046 054100	RF
- 501	286A0080-001		WIRE BUNDLE ASSY	101105 968999	RF
- 506	286A0080-077		WIRE BUNDLE ASSY-	201967	RF
- 506	286A0080-080		WIRE BUNDLE ASSY-	008030	RF
- 506	286A0080-030		WIRE BUNDLE ASSY	005005	RF
510	RSF116400		.SOCKET-RELAY SUPPLIER CODE: V58982 SPECIFICATION NUMBER: BACS16W1A OPTIONAL PART: 102-009-1 V09922 000300-1539 V05574 ELECTRICAL EQUIP NUMBER: D11874 WIRING DIAGRAM REF: 214321 POST SERVICE BULLETIN: 23-1107	005005 008030 201967	1

MISSING ITEM NUMBERS NOT APPLICABLE

- ITEM NOT ILLUSTRATED

HAP

21-43-51-01

BOEING PROPRIETARY - Copyright © - Unpublished Work - See title page for details.

21-43-51
FIG. 01
PAGE 4
FEB 15/09

BOEING
737-600/700/800/900
PARTS CATALOG (MAINTENANCE)

FIG ITEM	PART NUMBER	1 2 3 4 5 6 7	NOMENCLATURE	EFFECT FROM TO	UNITS PER ASSY
1 515	RSF116416		.SOCKET-RELAY SUPPLIER CODE: V58982 SPECIFICATION NUMBER: BACS16W5A OPTIONAL PART: 102-010-1 V09922 000300-1545 V05574 ELECTRICAL EQUIP NUMBER: D11876 WIRING DIAGRAM REF: 214321 POST SERVICE BULLETIN: 23-1107	005005 008030 201967	1
520	RSF116200		.SOCKET-RELAY SUPPLIER CODE: V58982 SPECIFICATION NUMBER: BACS16X1A OPTIONAL PART: 102-006-1 V09922 000300-1538 V05574 ELECTRICAL EQUIP NUMBER: D11878 WIRING DIAGRAM REF: 214321 POST SERVICE BULLETIN: 23-1107	005005 008030 201967	1
525	RSF116400		.SOCKET-RELAY SUPPLIER CODE: V58982 SPECIFICATION NUMBER: BACS16W1A OPTIONAL PART: 102-009-1 V09922 000300-1539 V05574 ELECTRICAL EQUIP NUMBER: D11874 WIRING DIAGRAM REF: 214321	031046 054105 968999	1

MISSING ITEM NUMBERS NOT APPLICABLE

— ITEM NOT ILLUSTRATED

HAP

21-43-51-01

BOEING PROPRIETARY - Copyright © - Unpublished Work - See title page for details.

21-43-51
FIG. 01
PAGE 5
FEB 15/09

BOEING
737-600/700/800/900
PARTS CATALOG (MAINTENANCE)

FIG ITEM	PART NUMBER	1 2 3 4 5 6 7	NOMENCLATURE	EFFECT FROM TO	UNITS PER ASSY
1 530	RSF116416	.	SOCKET-RELAY SUPPLIER CODE: V58982 SPECIFICATION NUMBER: BACS16W5A OPTIONAL PART: 102-010-1 V09922 000300-1545 V05574 ELECTRICAL EQUIP NUMBER: D11876 WIRING DIAGRAM REF: 214321	031046 054105 968999	1
535	RSF116200	.	SOCKET-RELAY SUPPLIER CODE: V58982 SPECIFICATION NUMBER: BACS16X1A OPTIONAL PART: 102-006-1 V09922 000300-1538 V05574 ELECTRICAL EQUIP NUMBER: D11878 WIRING DIAGRAM REF: 214321	031046 054105 968999	1

MISSING ITEM NUMBERS NOT APPLICABLE

— ITEM NOT ILLUSTRATED

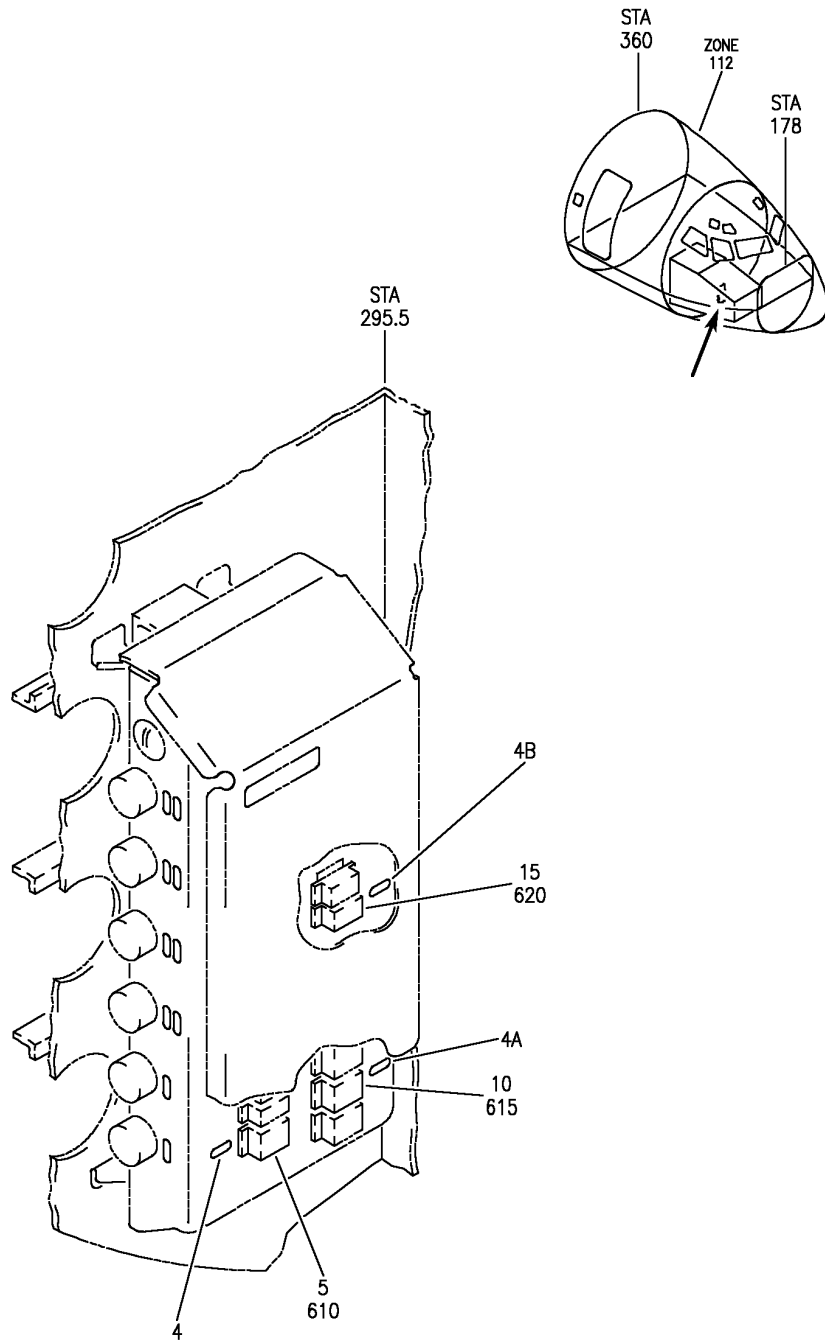
HAP

21-43-51-01

BOEING PROPRIETARY - Copyright © - Unpublished Work - See title page for details.

21-43-51
FIG. 01
PAGE 6
FEB 15/09

BOEING
 737-600/700/800/900
 PARTS CATALOG (MAINTENANCE)



E 21435102 REV 142

JUNCTION BOX ASSY-J24 (FORWARD CARGO COMPARTMENT HEATING SYSTEM ONLY)
 FIGURE 2

21-43-51-02

HAP
 JUN 15/08

21-43-51-02
 PAGE 0

BOEING
737-600/700/800/900
PARTS CATALOG (MAINTENANCE)

FIG ITEM	PART NUMBER	1 2 3 4 5 6 7	NOMENCLATURE	EFFECT FROM TO	UNITS PER ASSY
2			JUNCTION BOX ASSY-J24 (FORWARD CARGO COMPARTMENT HEATING SYSTEM ONLY)	001007	
- 1	284A1224-3		JUNCTION BOX ASSY- (FORWARD CARGO COMPARTMENT HEATING SYSTEM ONLY) POSITION DATA: J24 REWORKED BY SB: 23-1107 FOR NHA/OTHER SYS DET SEE: 25-50-51-70	006007	RF
- 1	284A1224-13		JUNCTION BOX ASSY- (FORWARD CARGO COMPARTMENT HEATING SYSTEM ONLY) REWORKED BY SB: 23-1107 FOR NHA/OTHER SYS DET SEE: 25-50-51-70	001004	RF
- 1	284A1224-15		JUNCTION BOX ASSY-J24 (FORWARD CARGO COMPARTMENT HEATING SYSTEM ONLY) PRE SERVICE BULLETIN: 23-1107 FOR NHA/OTHER SYS DET SEE: 25-50-51-70	005005	RF
5	ES410-1538		.RELAY- SUPPLIER CODE: V99699 SPECIFICATION NUMBER: BACR13CG2AB OPTIONAL PART: KD4L018 V35344 BR230DS0115 V56623 KD4L036 V58657 FCA410-63 V78290 ELECTRICAL EQUIP NUMBER: R00648	001007	1

MISSING ITEM NUMBERS NOT APPLICABLE

- ITEM NOT ILLUSTRATED

HAP

21-43-51-02

BOEING PROPRIETARY - Copyright © - Unpublished Work - See title page for details.

21-43-51
FIG. 02
PAGE 1
JUN 15/08

BOEING
737-600/700/800/900
PARTS CATALOG (MAINTENANCE)

FIG ITEM	PART NUMBER	1 2 3 4 5 6 7	NOMENCLATURE	EFFECT FROM TO	UNITS PER ASSY
2					
10	TDH8127-3003		.SWITCH- SUPPLIER CODE: V58657 ELECTRICAL EQUIP NUMBER: R00649	001007	1
15	ES210-1632		.RELAY- SUPPLIER CODE: V99699 SPECIFICATION NUMBER: BACR13CF2AB OPTIONAL PART: JD4L018 V35344 JD4L031 V35344 BR246S0111 V56623 BR64S105 V56623 FCA210-71 V78290 61GB2319-1A320 V98927 ELECTRICAL EQUIP NUMBER: R00650	001007	1
- 601	286A0080-024		WIRE BUNDLE ASSY- REWORKED BY SB: 23-1107	001001	RF
- 601	286A0080-026		WIRE BUNDLE ASSY- REWORKED BY SB: 23-1107	002004	RF
- 601	286A0080-030		WIRE BUNDLE ASSY- PRE SERVICE BULLETIN: 23-1107	005005	RF
- 601	286A0080-036		WIRE BUNDLE ASSY- REWORKED BY SB: 23-1107	006007	RF

MISSING ITEM NUMBERS NOT APPLICABLE

- ITEM NOT ILLUSTRATED

HAP

21-43-51-02

BOEING PROPRIETARY - Copyright © - Unpublished Work - See title page for details.

21-43-51
FIG. 02
PAGE 2
JUN 15/08

BOEING
737-600/700/800/900
PARTS CATALOG (MAINTENANCE)

FIG ITEM	PART NUMBER	1 2 3 4 5 6 7	NOMENCLATURE	EFFECT FROM TO	UNITS PER ASSY
2 610	RSF116400		.SOCKET- SUPPLIER CODE: V58982 SPECIFICATION NUMBER: BACS16W1A OPTIONAL PART: 102-009-1 V09922 000300-1539 V05574 ELECTRICAL EQUIP NUMBER: D11874 WIRING DIAGRAM REF: 214321 USED WITH: BACR13CG2AB	001007	1
615	RSF116416		.SOCKET- SUPPLIER CODE: V58982 SPECIFICATION NUMBER: BACS16W5A OPTIONAL PART: 102-010-1 V09922 000300-1545 V05574 ELECTRICAL EQUIP NUMBER: D11876 WIRING DIAGRAM REF: 214321 USED WITH: TDH8127-3003	001007	1
620	RSF116200		.SOCKET- SUPPLIER CODE: V58982 SPECIFICATION NUMBER: BACS16X1A OPTIONAL PART: 102-006-1 V09922 000300-1538 V05574 ELECTRICAL EQUIP NUMBER: D11878 WIRING DIAGRAM REF: 214321 USED WITH: BACR13CF2AB	001007	1

MISSING ITEM NUMBERS NOT APPLICABLE

— ITEM NOT ILLUSTRATED

HAP

21-43-51-02

BOEING PROPRIETARY - Copyright © - Unpublished Work - See title page for details.

21-43-51
FIG. 02
PAGE 3
JUN 15/08