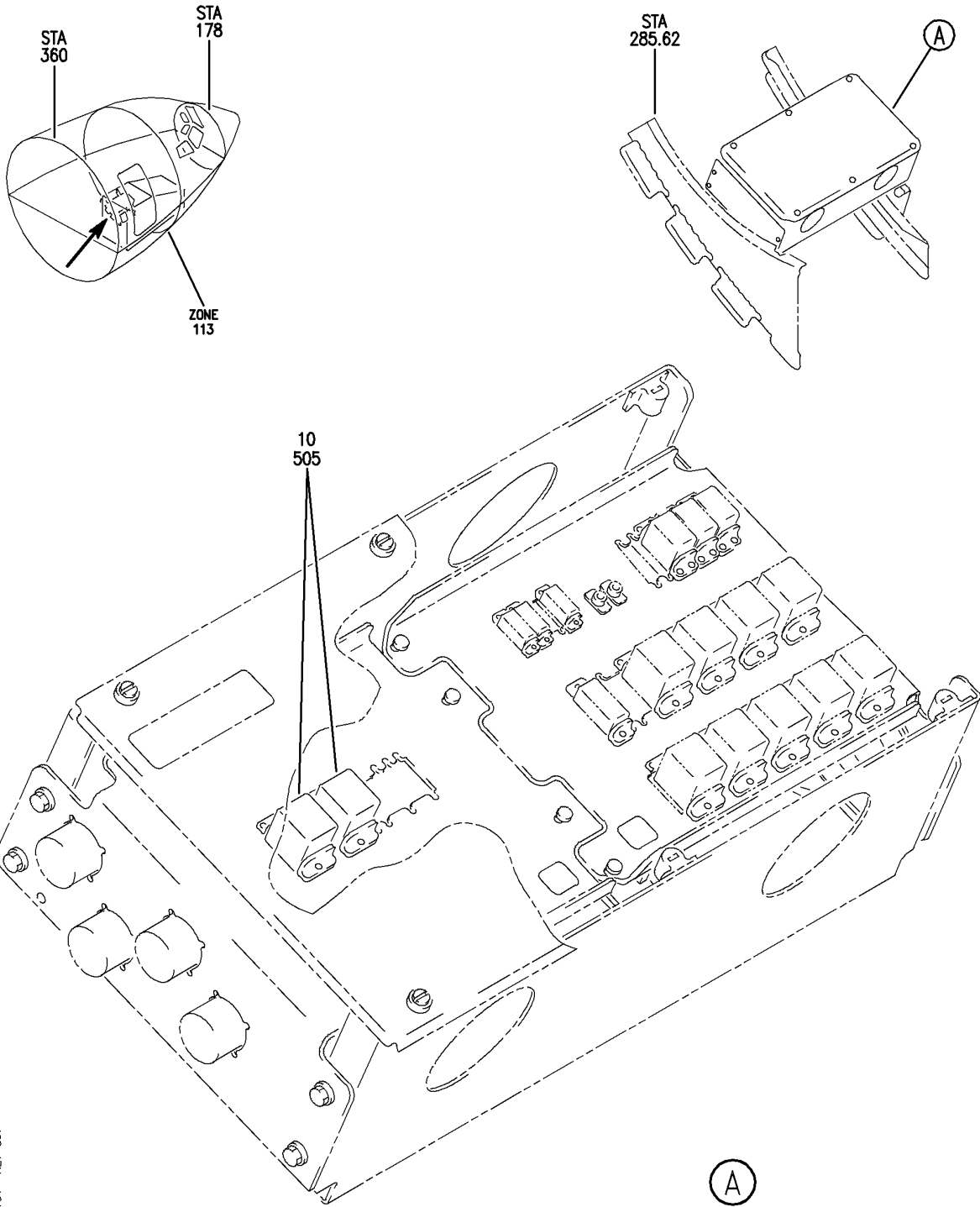


AFT CARGO COMPARTMENT HEATING SYSTEM

HAP
OCT 10/06

21-44-00
SECTION TITLE
PAGE 1

BOEING
737-600/700/800/900
PARTS CATALOG (MAINTENANCE)



E 21445101 REV 057

JUNCTION BOX INSTL-J20 (AFT CARGO COMPARTMENT HEATING SYSTEM ONLY)
FIGURE 1

21-44-51-01

HAP
OCT 10/06

21-44-51-01
PAGE 0

BOEING
737-600/700/800/900
PARTS CATALOG (MAINTENANCE)

FIG ITEM	PART NUMBER	1 2 3 4 5 6 7	NOMENCLATURE	EFFECT FROM TO	UNITS PER ASSY
1			JUNCTION BOX INSTL-J20 (AFT CARGO COMPARTMENT HEATING SYSTEM ONLY)	028200 968999	
- 1	284A1203-124		JUNCTION BOX INSTL-J20 (AFT CARGO COMPARTMENT HEATING SYSTEM ONLY) PRE ALERT SB: 28A1206 FOR NHA/OTHER SYS DET SEE: 25-50-00-13	028030	RF
- 4	MODREF206269		JUNCTION BOX INSTL-J20 (AFT CARGO COMPARTMENT HEATING SYSTEM ONLY) MODULE NUMBER: 284A1203-201 REV B FOR OTHER SYS DETAILS SEE: 21-27-00-05 25-50-51-22A 27-62-00-28 28-22-51-02 32-09-00-01 49-60-00-01 76-11-02-02	031035	1
- 4	MODREF266995		JUNCTION BOX INSTL-J20 (AFT CARGO COMPARTMENT HEATING SYSTEM ONLY) MODULE NUMBER: 284A1203-201 REV C FOR OTHER SYS DETAILS SEE: 21-27-00-05 25-50-51-22A 27-62-00-28 28-11-51-10 28-22-51-04 32-09-00-01 49-60-00-01 76-11-02-02	036200 968999	1
- 4	284A9200-76		JUNCTION BOX INSTL-J20 (AFT CARGO COMPARTMENT HEATING SYSTEM ONLY) POST ALERT SB: 28A1206 FOR NHA/OTHER SYS DET SEE: 25-50-00-13	028030	RF

MISSING ITEM NUMBERS NOT APPLICABLE

- ITEM NOT ILLUSTRATED

HAP

21-44-51-01

BOEING PROPRIETARY - Copyright © - Unpublished Work - See title page for details.

21-44-51
FIG. 01
PAGE 1
OCT 15/08

BOEING
737-600/700/800/900
PARTS CATALOG (MAINTENANCE)

FIG ITEM	PART NUMBER	1 2 3 4 5 6 7	NOMENCLATURE	EFFECT FROM TO	UNITS PER ASSY
1 10	ES410-1538		.RELAY- SUPPLIER CODE: V99699 SPECIFICATION NUMBER: BACR13CG2AB OPTIONAL PART: KD4L018 V35344 BR230DS0115 V56623 KD4L036 V58657 FCA410-63 V78290 ELECTRICAL EQUIP NUMBER: R00903 R00904	028200 968999	2
- 500	286A0074-018		WIRE BUNDLE ASSY-	028100	RF
- 500	286A0074-017		WIRE BUNDLE ASSY	101200 968999	RF
505	RSF116400		.SOCKET- SUPPLIER CODE: V58982 SPECIFICATION NUMBER: BACS16W1A OPTIONAL PART: 102-009-1 V09922 000300-1539 V05574 ELECTRICAL EQUIP NUMBER: D13688 D13690 WIRING DIAGRAM REF: 213122 213123	028200 968999	2

MISSING ITEM NUMBERS NOT APPLICABLE

- ITEM NOT ILLUSTRATED

HAP

21-44-51-01

BOEING PROPRIETARY - Copyright © - Unpublished Work - See title page for details.

21-44-51
FIG. 01
PAGE 2
OCT 15/08