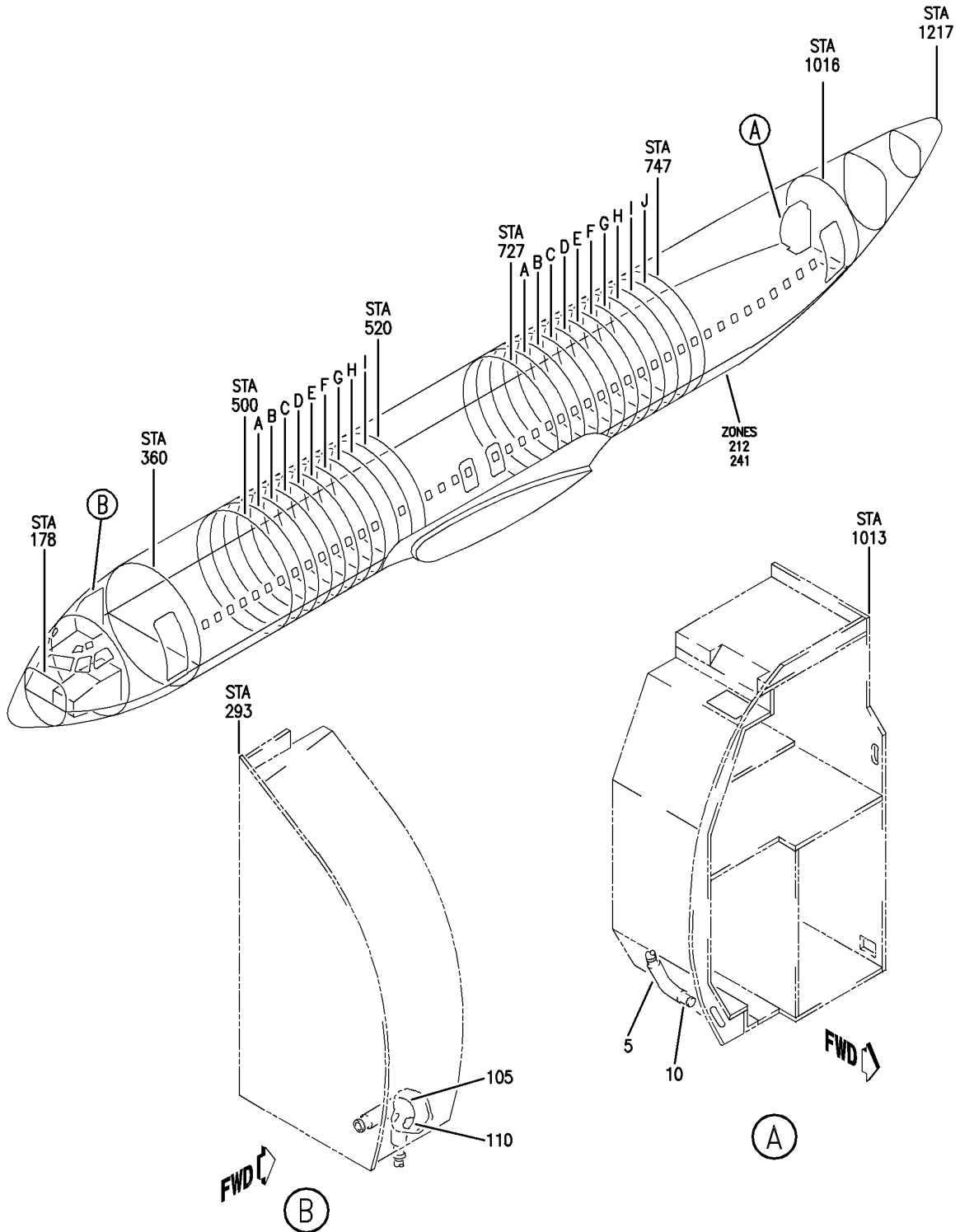


SUPPLEMENTAL HEATING SYSTEM

HAP
OCT 10/06

21-45-00
SECTION TITLE
PAGE 1

BOEING
 737-600/700/800/900
 PARTS CATALOG (MAINTENANCE)



E 21450001 REV 044

HOSE ASSY-INSULATED FLEX DUCT
 FIGURE 1

21-45-00-01

HAP
 OCT 10/06

21-45-00-01
 PAGE 0

BOEING
737-600/700/800/900
PARTS CATALOG (MAINTENANCE)

FIG ITEM	PART NUMBER	1 2 3 4 5 6 7	NOMENCLATURE	EFFECT FROM TO	UNITS PER ASSY
1			HOSE ASSY-INSULATED FLEX DUCT		
- 1	214A8405-6		HOSE ASSY-INSULATED FLEX DUCT POSITION DATA: STA 996.31 TO 1001.30 FOR NHA SEE: 25-31-41-03 25-31-41-16 25-31-63-02B	001030 201967	RF
- 1	214A8405-14		HOSE ASSY-INSULATED FLEX DUCT POSITION DATA: STA 993.00 TO 1001.30 FOR NHA SEE: 25-31-63-02A	031046 054105 968999	RF
- 1	214A8405-37		HOSE ASSY-INSULATED FLEX DUCT POSITION DATA: STA 993.00 TO 1001.30 FOR NHA SEE: 25-31-63-02A	047053 106200	RF
5	214A8405-100		.INSULATION		1
10	AS4804-06-0160A		.HOSE-FLEX		1
- 100	214A8405-6		HOSE ASSY-INSULATED FLEX DUCT POSITION DATA: STA 286.83 TO 289.69 FOR NHA SEE: 25-31-11-03 25-31-11-17 25-31-53-07	001030 201967	RF
- 100	214A8405-14		HOSE ASSY-INSULATED FLEX DUCT POSITION DATA: STA 286.83 TO 289.69 FOR NHA SEE: 25-31-53-07	031046 054105 968999	RF
- 100	214A8405-37		HOSE ASSY-INSULATED FLEX DUCT POSITION DATA: STA 286.83 TO 289.69 FOR NHA SEE: 25-31-53-07	047053 106200	RF
105	214A8405-100		.INSULATION	001046 054105 201999	AR
105	210N0013-10		.INSULATION	047053 106200	AR

MISSING ITEM NUMBERS NOT APPLICABLE

- ITEM NOT ILLUSTRATED

HAP

21-45-00-01

BOEING PROPRIETARY - Copyright © - Unpublished Work - See title page for details.

21-45-00
FIG. 01
PAGE 1
FEB 15/09


BOEING
 737-600/700/800/900
PARTS CATALOG (MAINTENANCE)

FIG ITEM	PART NUMBER	1 2 3 4 5 6 7 NOMENCLATURE	EFFECT FROM TO	UNITS PER ASSY
1 110	AS4804-06-0160A	.HOSE-FLEX		1

MISSING ITEM NUMBERS NOT APPLICABLE

— ITEM NOT ILLUSTRATED

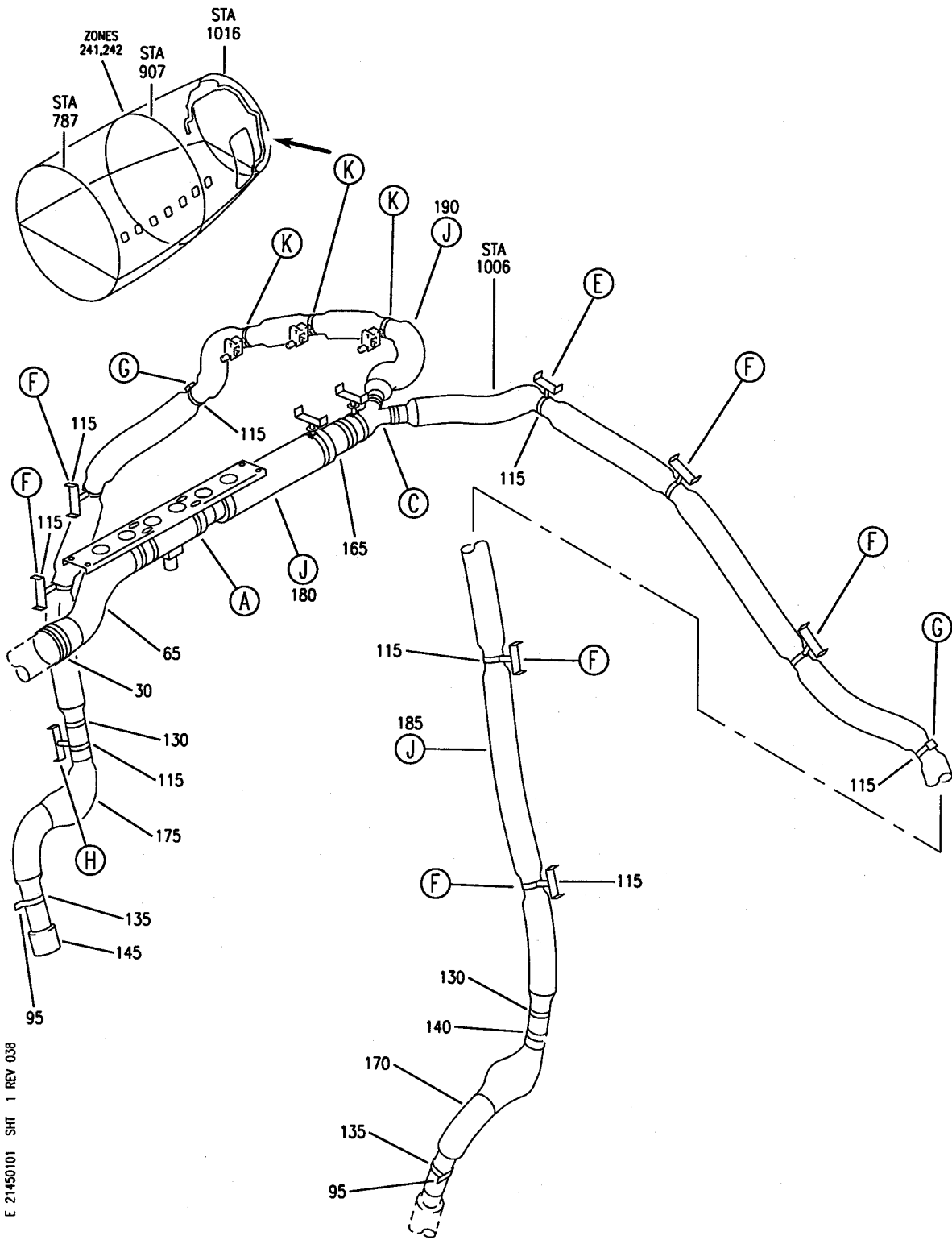
HAP

21-45-00-01

BOEING PROPRIETARY - Copyright © - Unpublished Work - See title page for details.

21-45-00
 FIG. 01
 PAGE 2
 FEB 15/09

BOEING
 737-600/700/800/900
 PARTS CATALOG (MAINTENANCE)



E 21450101 SHT 1 REV 038

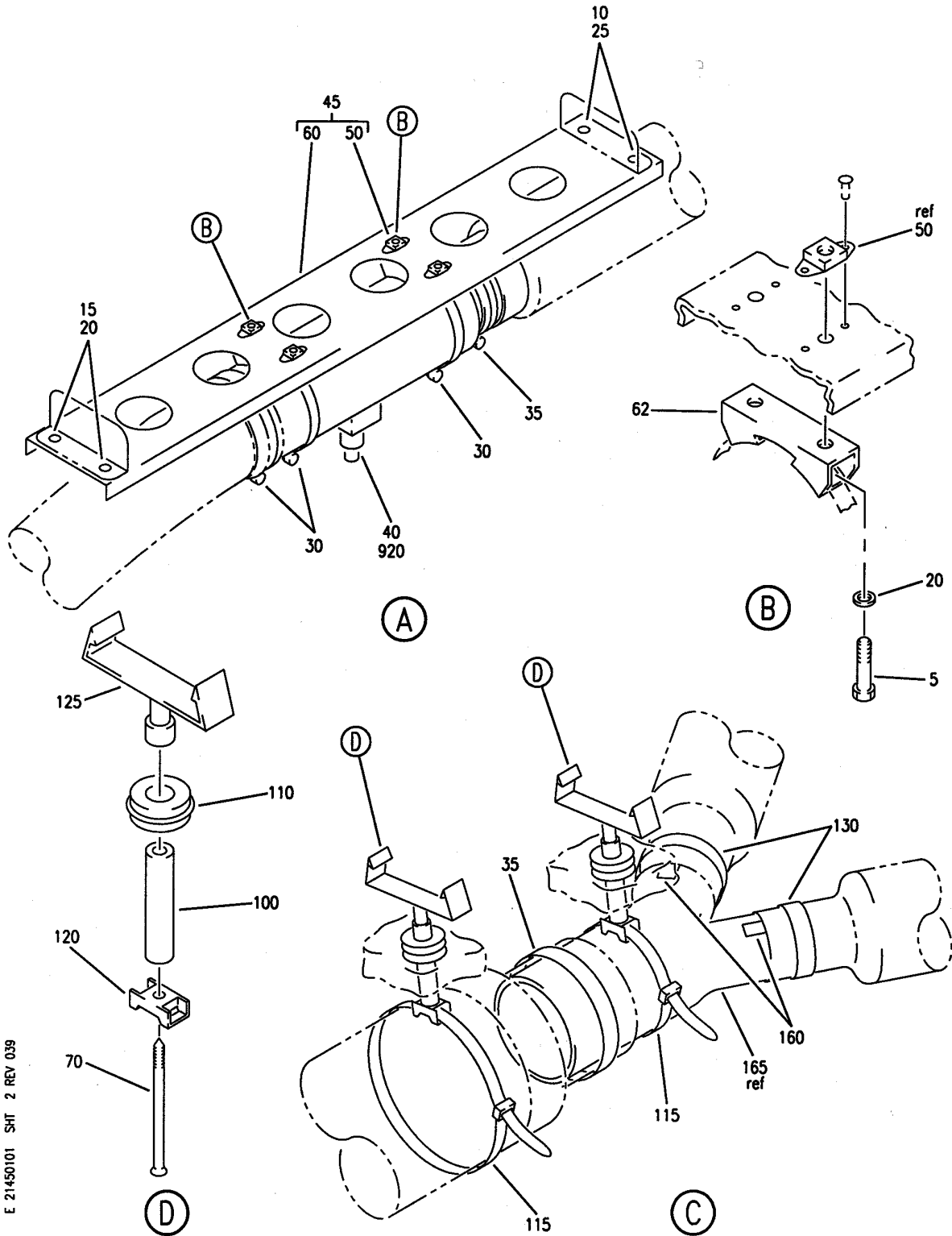
DUCT INSTL AND WIRE BUNDLE ASSY-AFT DOOR HEAT
 FIGURE 1 (SHEET 1)

21-45-01-01

HAP
 OCT 10/06

21-45-01-01
 PAGE 0

BOEING
 737-600/700/800/900
 PARTS CATALOG (MAINTENANCE)



E 21450101 SHT 2 REV 039

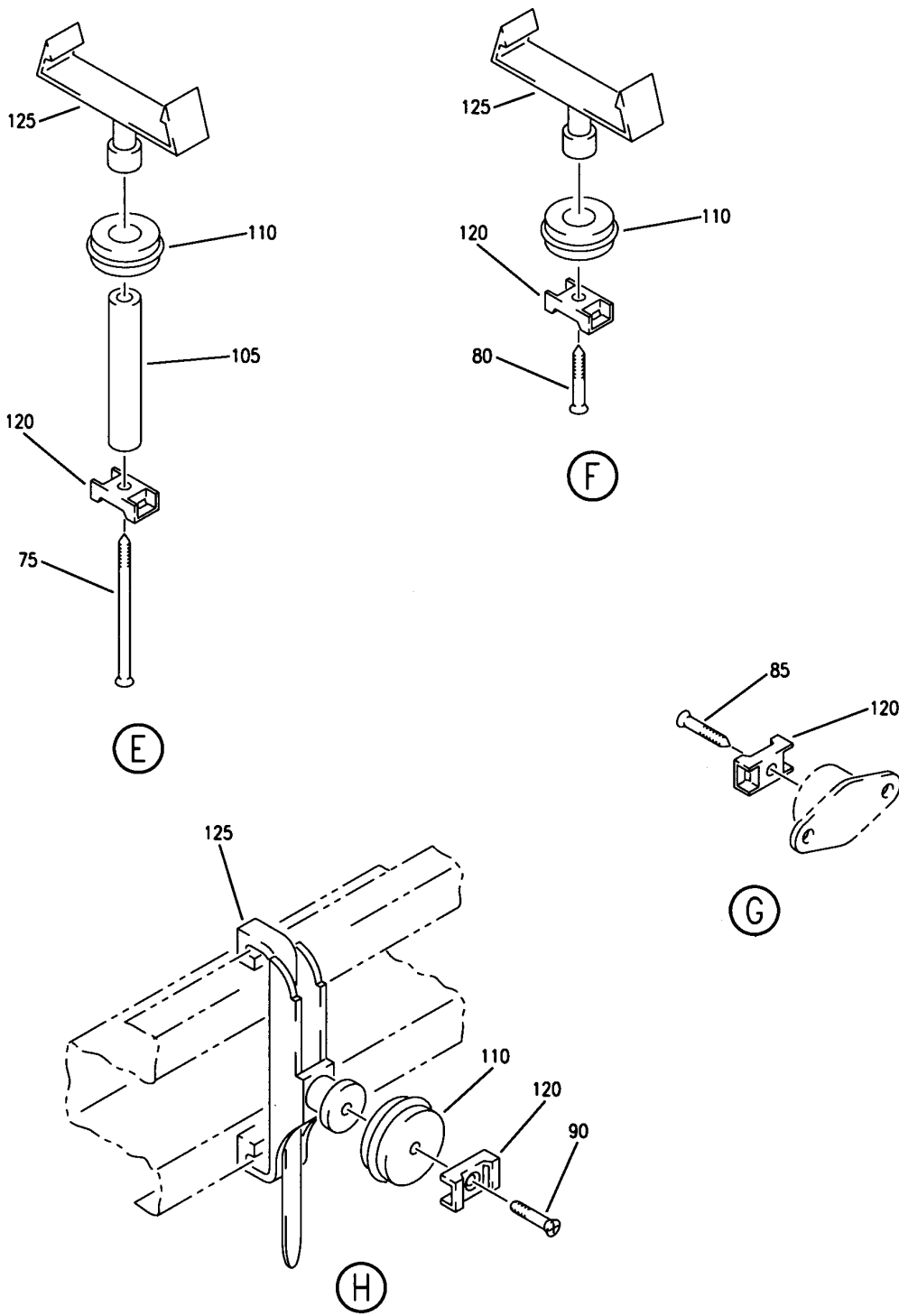
DUCT INSTL AND WIRE BUNDLE ASSY-AFT DOOR HEAT
 FIGURE 1 (SHEET 2)

21-45-01-01

HAP
 OCT 10/06

21-45-01-01
 PAGE 0A

BOEING
 737-600/700/800/900
 PARTS CATALOG (MAINTENANCE)



E 21450101 SHT 3 REV 015

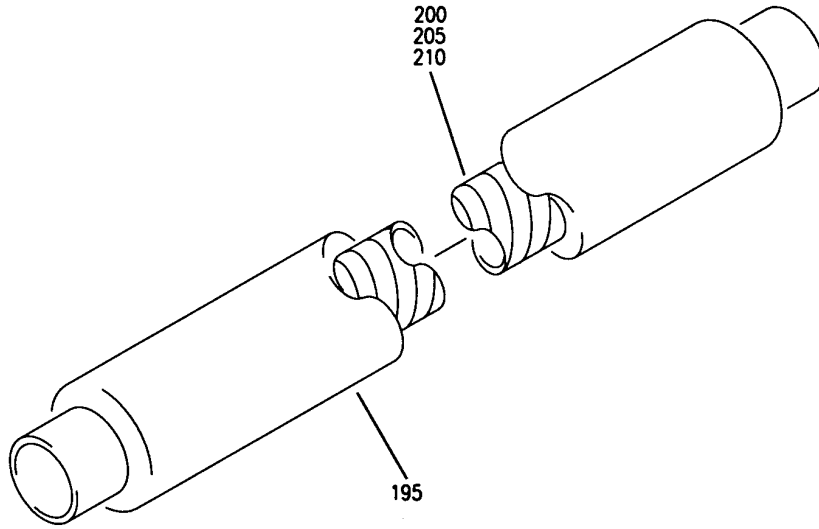
DUCT INSTL AND WIRE BUNDLE ASSY-AFT DOOR HEAT
 FIGURE 1 (SHEET 3)

21-45-01-01

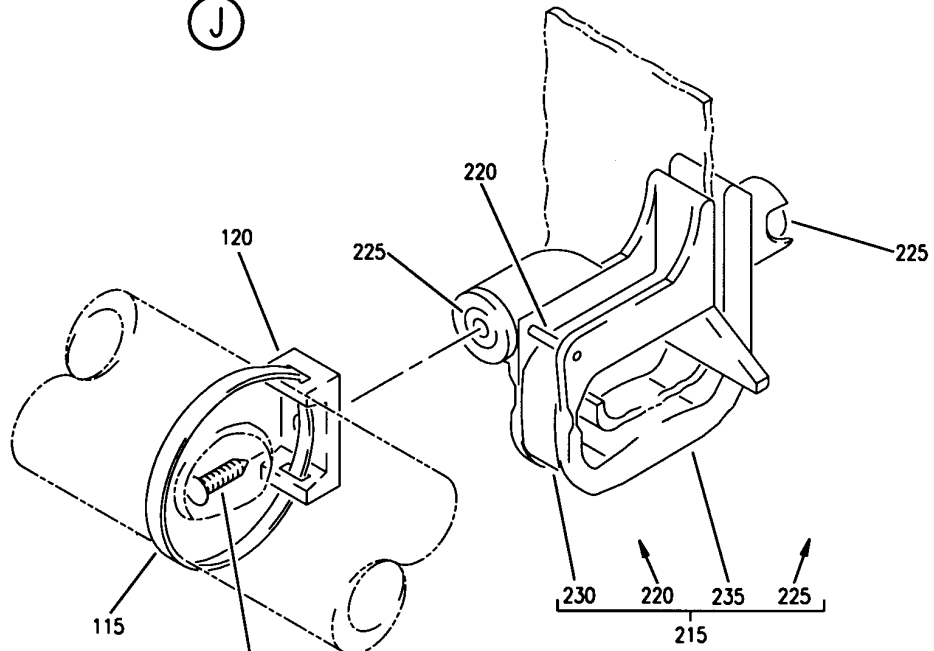
HAP
 OCT 10/06

21-45-01-01
 PAGE 0B

BOEING
 737-600/700/800/900
 PARTS CATALOG (MAINTENANCE)



(J)



(K)

E 21450101 SHIT 4 REV 015

DUCT INSTL AND WIRE BUNDLE ASSY-AFT DOOR HEAT
 FIGURE 1 (SHEET 4)

21-45-01-01

HAP
 OCT 10/06

21-45-01-01
 PAGE 0C

BOEING
737-600/700/800/900
PARTS CATALOG (MAINTENANCE)

FIG ITEM	PART NUMBER	1 2 3 4 5 6 7	NOMENCLATURE	EFFECT FROM TO	UNITS PER ASSY
1			DUCT INSTL AND WIRE BUNDLE	001030	
- 1	214A8002-3		ASSY-AFT DOOR HEAT	201967	
			DUCT INSTL-DOOR HEAT	001030	1
			POSITION DATA:	201967	
			AFT		
			FOR NHA SEE:		
			21-40-00-02		
5	BACB30NM3K4		.BOLT	001030	4
				201967	
10	BACB30NM4K4		.BOLT-	001030	2
				201967	
15	BACB30NM3K2		.BOLT-	001030	2
				201967	
20	BACW10BN3AC		.WASHER	001030	6
				201967	
25	BACW10BN4AC		.WASHER	001030	2
				201967	
30	NAS1922-0275-3		.CLAMP	001030	4
				201967	
35	NAS1922-0225-3		.CLAMP	001030	2
				201967	
40	116817-3		.HEATER-	001030	1
			SUPPLIER CODE:	201967	
			V85932		
			SPECIFICATION NUMBER:		
			S210W004-5		
			ELECTRICAL EQUIP NUMBER:		
			M01681		
			WIRING DIAGRAM REF:		
			214211		
			MAINTENANCE MANUAL REF:		
			21-45-03		
			OPTIONAL PART:		
			116817-5		
			V85932		
40	116817-5		.HEATER-	001030	1
			SUPPLIER CODE:	201967	
			V85932		
			SPECIFICATION NUMBER:		
			S210W004-5		
			ELECTRICAL EQUIP NUMBER:		
			M01681		
			WIRING DIAGRAM REF:		
			214211		
			MAINTENANCE MANUAL REF:		
			21-45-03		
			OPTIONAL PART:		
			116817-3		
			V85932		

MISSING ITEM NUMBERS NOT APPLICABLE

- ITEM NOT ILLUSTRATED

HAP

21-45-01-01

BOEING PROPRIETARY - Copyright © - Unpublished Work - See title page for details.

21-45-01
FIG. 01
PAGE 1
OCT 15/08

BOEING
737-600/700/800/900
PARTS CATALOG (MAINTENANCE)

FIG ITEM	PART NUMBER	1 2 3 4 5 6 7	NOMENCLATURE	EFFECT FROM TO	UNITS PER ASSY
1					
45	214A8401-3		.BRACKET ASSY-	001030 201967	1
50	BRF200C3D		..NUTPLATE SUPPLIER CODE: V52828 SPECIFICATION NUMBER: BACN10JR3CFD OPTIONAL PART: K51602-3BAC V15653 NS202476-02 V80539 102F9201-3 V72962 T8092C1032CD V11815 ATTACHING PARTS	001030 201967	4
- 55	BACR15BA3ADC		..RIVET- SIZE DETERMINED ON INSTL. -----*-----	001030 201967	8
60	214A8401-2		..BRACKET	001030 201967	1
62	214T3424-3		.SUPPORT	001030 201967	2
65	BCREF12960		.DUCT- OVERLENGTH PART NUMBER: BACD40V1210-0150	001030 201967	1
70	BACS12GP3L26		.SCREW	001030 201967	2
75	BACS12GP3L32		.SCREW	001030 201967	1
80	BACS12GP3L10		.SCREW	001030 201967	6
85	BACS12GP3L7		.SCREW	001030 201967	5
90	BACS12GP3L8		.SCREW	001030 201967	1
95	BACS12GU3K16		.SCREW	001030 201967	2
100	NAS43DD3-57FC		.SPACER	001030 201967	2
105	NAS43DD3-86FC		.SPACER	001030 201967	1
110	BACW10DZ3		.WASHER	001030 201967	10

MISSING ITEM NUMBERS NOT APPLICABLE

- ITEM NOT ILLUSTRATED

HAP

21-45-01-01

21-45-01
FIG. 01
PAGE 2
OCT 15/08

BOEING
737-600/700/800/900
PARTS CATALOG (MAINTENANCE)

FIG ITEM	PART NUMBER	1 2 3 4 5 6 7	NOMENCLATURE	EFFECT FROM TO	UNITS PER ASSY
1					
115	PLT3SM	.	STRAP SUPPLIER CODE: V06383 SPECIFICATION NUMBER: BACS38K7 OPTIONAL PART: T0510 V53421	001030 201967	15
120	TM2S8	.	PLATE SUPPLIER CODE: V06383 SPECIFICATION NUMBER: STBP19M9	001030 201967	15
125	BACS38P5	.	SUPPORT ASSY	001030 201967	10
130	NAS1922-0150-3	.	CLAMP	001030 201967	4
135	BACC10DK24	.	CLAMP	001030 201967	2
140	BACC10DK20	.	CLAMP	001030 201967	1
160	214T3436-1662	.	ORIFICE ASSY	001030 201967	2
165	214A8403-1	.	DUCT	001030 201967	1
170	214A8402-2	.	DUCT ASSY	001030 201967	1
175	214A8402-4	.	DUCT ASSY	001030 201967	1
180	214A8405-1	.	HOSE ASSY	001030 201967	1
185	214A8405-4	.	HOSE ASSY	001030 201967	1
190	214A8405-11	.	HOSE ASSY-	001030 201967	1
195	214A8405-100	..	INSULATION	001030 201967	AR
200	AS4804-08-0180A	..	HOSE- USED ON: 214A8405-1	001030 201967	1
205	AS4804-05-1160A	..	HOSE- USED ON: 214A8405-4	001030 201967	1
210	AS4804-05-0970A	..	HOSE- USED ON: 214A8405-11	001030 201967	1
215	411A4902-6	.	CLIP ASSY-RTNR	001030 201967	3

MISSING ITEM NUMBERS NOT APPLICABLE

- ITEM NOT ILLUSTRATED

HAP

21-45-01-01

BOEING PROPRIETARY - Copyright © - Unpublished Work - See title page for details.

21-45-01
FIG. 01
PAGE 3
OCT 15/08

BOEING
737-600/700/800/900
PARTS CATALOG (MAINTENANCE)

FIG ITEM	PART NUMBER	1 2 3 4 5 6 7	NOMENCLATURE	EFFECT FROM TO	UNITS PER ASSY
1					
220	MS16562-194	..	PIN	001030 201967	1
225	H02030-2L	..	INSERT- SUPPLIER CODE: V07EU2	001030 201967	2
230	411A4902-8	..	CLIP-SPR	001030 201967	1
235	411A4902-3	..	BODY ASSY	001030 201967	1
- 900	286A3144-010		WIRE BUNDLE ASSY-P18 TO LAV FWD AND AFT	201967	RF
- 910	286A3144-312		WIRE BUNDLE ASSY-P18 TO LAV FWD AND AFT	015015 018018	RF
- 914	286A3144-408		WIRE BUNDLE ASSY-	001007	RF
- 914	286A3144-409		WIRE BUNDLE ASSY-	008014 016017 019027	RF
- 914	286A3144-410		WIRE BUNDLE ASSY-	028030	RF
920	BACC45FT10-5S	.CON	NECTOR- ELECTRICAL EQUIP NUMBER: D10770 WIRING DIAGRAM REF: 214211	001030 201967	1

MISSING ITEM NUMBERS NOT APPLICABLE

- ITEM NOT ILLUSTRATED

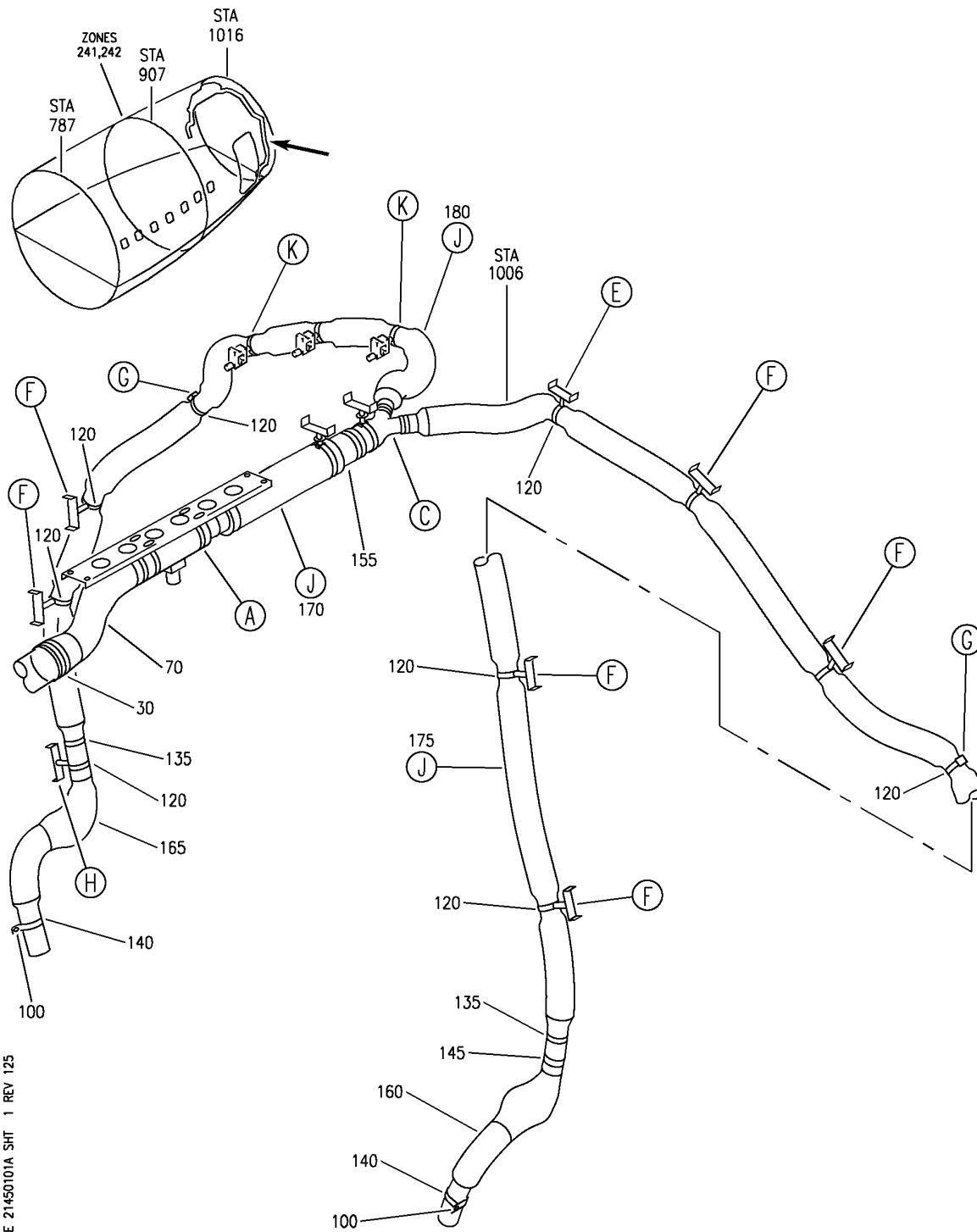
HAP

21-45-01-01

BOEING PROPRIETARY - Copyright © - Unpublished Work - See title page for details.

21-45-01
FIG. 01
PAGE 4
OCT 15/08


BOEING
 737-600/700/800/900
 PARTS CATALOG (MAINTENANCE)



E 21450101A SHT 1 REV 125

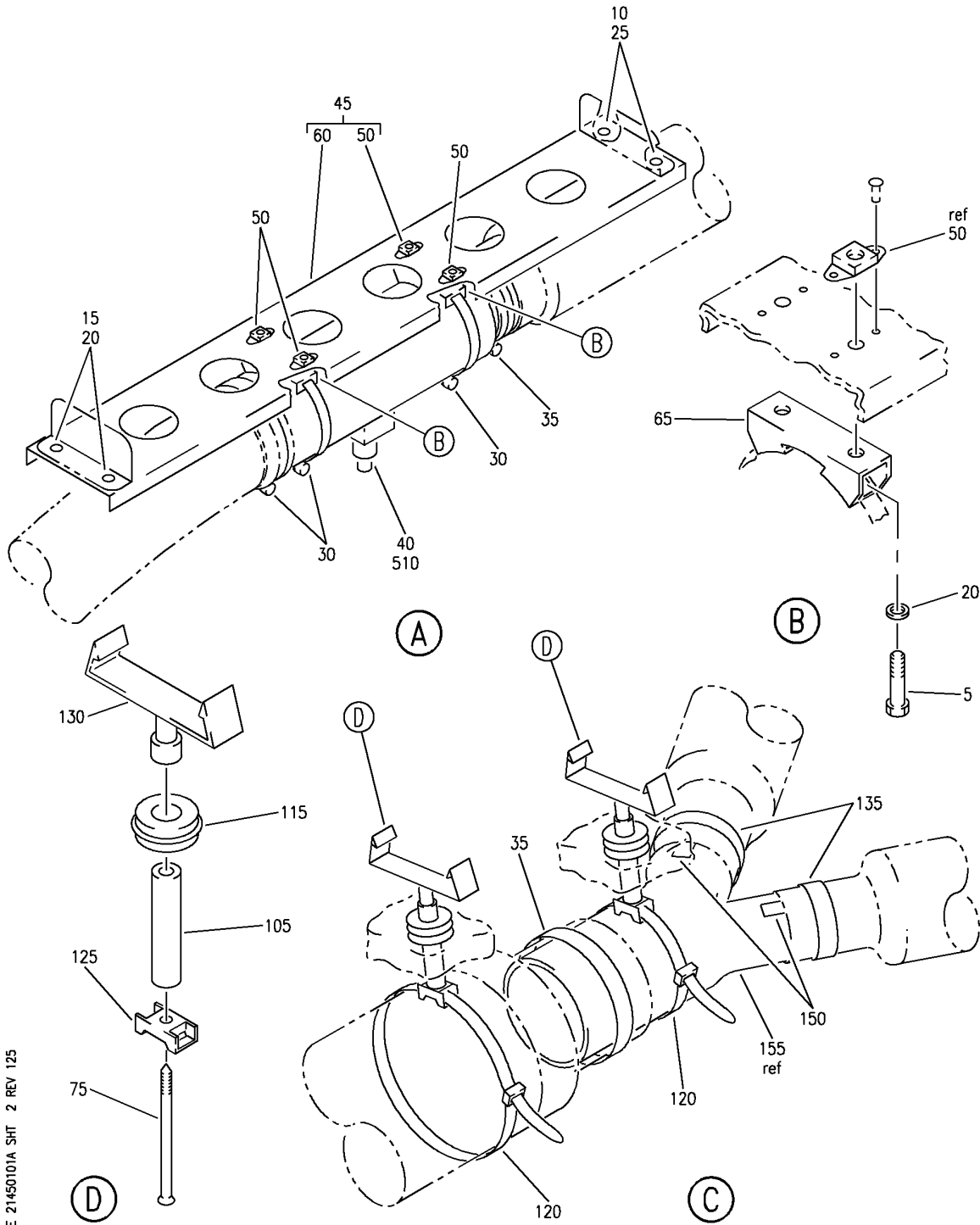
DUCT INSTL-AFT DOOR AREA HEAT
 FIGURE 1A (SHEET 1)

21-45-01-01A

HAP
FEB 10/07

21-45-01-01A
PAGE 0

BOEING
 737-600/700/800/900
 PARTS CATALOG (MAINTENANCE)



E 21450101A SHT 2 REV 125

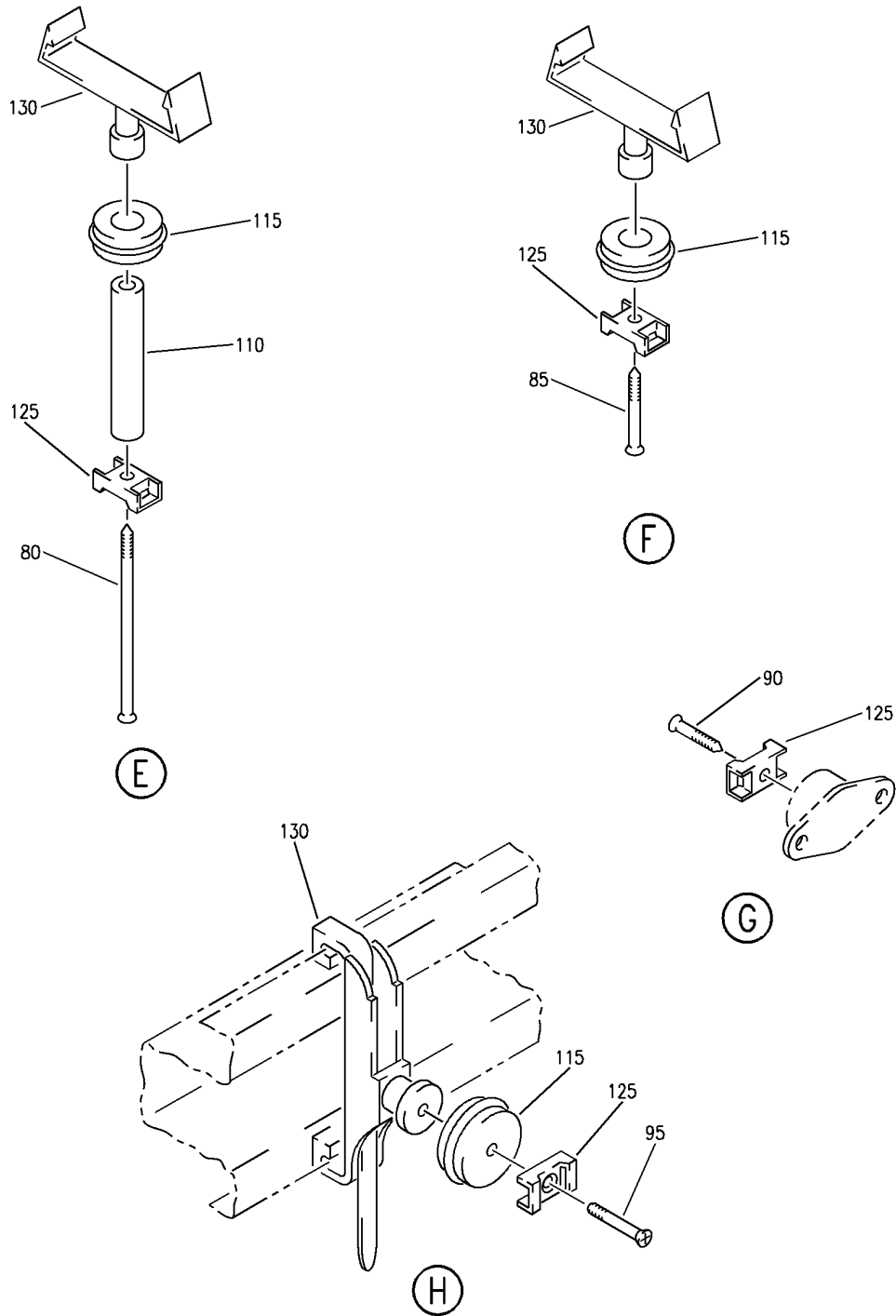
DUCT INSTL-AFT DOOR AREA HEAT
 FIGURE 1A (SHEET 2)

21-45-01-01A

HAP
 FEB 10/07

21-45-01-01A
 PAGE 0A

BOEING
 737-600/700/800/900
 PARTS CATALOG (MAINTENANCE)



E 21450101A SHT 3 REV 125

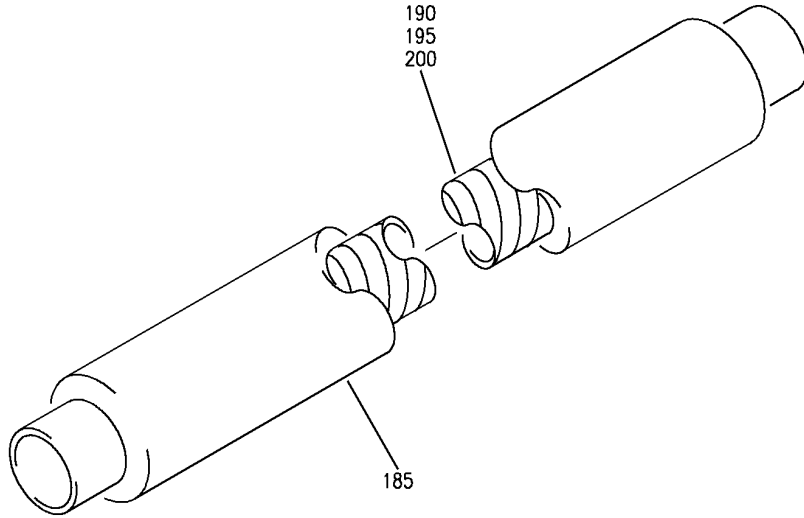
DUCT INSTL-AFT DOOR AREA HEAT
 FIGURE 1A (SHEET 3)

21-45-01-01A

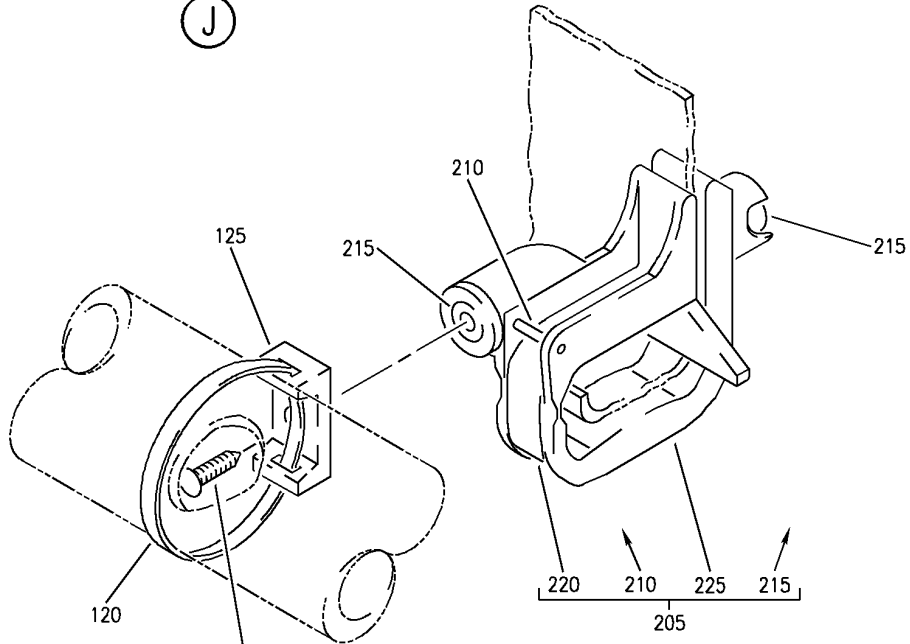
HAP
 FEB 10/07

21-45-01-01A
 PAGE 0B

BOEING
 737-600/700/800/900
 PARTS CATALOG (MAINTENANCE)



(J)



(K)

FWD

E 21450101A SHT 4 REV 125

DUCT INSTL-AFT DOOR AREA HEAT
 FIGURE 1A (SHEET 4)

21-45-01-01A

HAP
 FEB 10/07

21-45-01-01A
 PAGE 0C

BOEING
737-600/700/800/900
PARTS CATALOG (MAINTENANCE)

FIG ITEM	PART NUMBER	1 2 3 4 5 6 7	NOMENCLATURE	EFFECT FROM TO	UNITS PER ASSY
1 A			DUCT INSTL-AFT DOOR AREA HEAT	031050 054200 968999	
- 1	MODREF234542		DUCT INSTL-DOOR AREA HEAT MODULE NUMBER: 214A8002-3 REV B POSITION DATA: AFT	031046 054105 968999	1
- 1	MODREF363245		DUCT INSTL-DOOR AREA HEAT MODULE NUMBER: 214A8002-3 REV C POSITION DATA: AFT	047050 106200	1
5	BACB30NM3K4		.BOLT	031050 054200 968999	4
10	BACB30NM4K4		.BOLT	031050 054200 968999	2
15	BACB30NM3K2		.BOLT	031050 054200 968999	2
20	BACW10BN3AC		.WASHER	031050 054200 968999	6
25	BACW10BN4AC		.WASHER	031050 054200 968999	2
30	NAS1922-0275-3		.CLAMP	031050 054200 968999	4
35	NAS1922-0225-3		.CLAMP	031050 054200 968999	2
40	116817-3		.HEATER- SUPPLIER CODE: V85932 SPECIFICATION NUMBER: S210W004-5 ELECTRICAL EQUIP NUMBER: M01681 WIRING DIAGRAM REF: 214211 OPTIONAL PART: 116817-5 V85932	031050 054200 968999	1

MISSING ITEM NUMBERS NOT APPLICABLE

- ITEM NOT ILLUSTRATED

HAP

21-45-01-01A

BOEING PROPRIETARY - Copyright © - Unpublished Work - See title page for details.

21-45-01
FIG. 01A
PAGE 1
FEB 15/09

BOEING
737-600/700/800/900
PARTS CATALOG (MAINTENANCE)

FIG ITEM	PART NUMBER	1 2 3 4 5 6 7	NOMENCLATURE	EFFECT FROM TO	UNITS PER ASSY
1A 40	116817-5		.HEATER- SUPPLIER CODE: V85932 SPECIFICATION NUMBER: S210W004-5 ELECTRICAL EQUIP NUMBER: M01681 WIRING DIAGRAM REF: 214211 OPTIONAL PART: 116817-3 V85932	031050 054200 968999	1
45	214A8401-3		.BRACKET ASSY	031050 054200 968999	1
50	BRF200C3D		..NUTPLATE SUPPLIER CODE: V52828 SPECIFICATION NUMBER: BACN10JR3CFD OPTIONAL PART: K51602-3BAC V15653 NS202476-02 V80539 102F9201-3 V72962 T8092C1032CD V11815 ATTACHING PARTS	031050 054200 968999	4
- 55	BACR15BA3ADC		..RIVET- SIZE DETERMINED ON INSTL. -----*-----	031050 054200 968999	8
60	214A8401-2		..BRACKET	031050 054200 968999	1
65	214T3424-3		.SUPPORT	031050 054200 968999	2
70	BCREF12960		.DUCT- OVERLENGTH PART NUMBER: BACD40V1210-0150	031050 054200 968999	1
75	BACS12GP3L26		.SCREW	031050 054200 968999	2
80	BACS12GP3L32		.SCREW	031050 054200 968999	1

MISSING ITEM NUMBERS NOT APPLICABLE

- ITEM NOT ILLUSTRATED

HAP

21-45-01-01A

BOEING PROPRIETARY - Copyright © - Unpublished Work - See title page for details.

21-45-01
FIG. 01A
PAGE 2
FEB 15/09

BOEING
737-600/700/800/900
PARTS CATALOG (MAINTENANCE)

FIG ITEM	PART NUMBER	1 2 3 4 5 6 7	NOMENCLATURE	EFFECT FROM TO	UNITS PER ASSY
1A					
85	BACS12GP3L10	.	SCREW	031050 054200 968999	6
90	BACS12GP3L7	.	SCREW	031050 054200 968999	5
95	BACS12GP3L8	.	SCREW	031050 054200 968999	1
100	BACS12GU3K16	.	SCREW	031050 054200 968999	2
105	NAS43DD3-57FC	.	SPACER	031050 054200 968999	2
110	NAS43DD3-86FC	.	SPACER	031050 054200 968999	1
115	BACW10DZ3	.	WASHER	031050 054200 968999	10
120	PLT3SM	.	STRAP SUPPLIER CODE: V06383 SPECIFICATION NUMBER: BACS38K7 OPTIONAL PART: T0510 V53421	031050 054200 968999	15
125	TM2S8	.	PLATE SUPPLIER CODE: V06383 SPECIFICATION NUMBER: STBP19M9	031050 054200 968999	15
130	BACS38P5	.	SUPPORT ASSY	031050 054200 968999	10
135	NAS1922-0150-3	.	CLAMP	031050 054200 968999	4
140	BACC10DK24	.	CLAMP	031050 054200 968999	2
145	BACC10DK20	.	CLAMP	031050 054200 968999	1
150	214T3436-1662	.	ORIFICE ASSY	031050 054200 968999	2

MISSING ITEM NUMBERS NOT APPLICABLE

— ITEM NOT ILLUSTRATED

HAP

21-45-01-01A

BOEING PROPRIETARY - Copyright © - Unpublished Work - See title page for details.

21-45-01
FIG. 01A
PAGE 3
FEB 15/09

BOEING
737-600/700/800/900
PARTS CATALOG (MAINTENANCE)

FIG ITEM	PART NUMBER	1 2 3 4 5 6 7	NOMENCLATURE	EFFECT FROM TO	UNITS PER ASSY
1A					
155	214A8403-1	.DUCT		031050 054200 968999	1
160	214A8402-6	.DUCT ASSY		031046 054105 968999	1
160	214A8402-8	.DUCT ASSY		047050 106200	1
165	214A8402-7	.DUCT ASSY		031046 054105 968999	1
165	214A8402-9	.DUCT ASSY		047050 106200	1
170	214A8405-12	.HOSE ASSY		031046 054105 968999	1
170	214A8405-35	.HOSE ASSY		047050 106200	1
175	214A8405-13	.HOSE ASSY		031046 054105 968999	1
175	214A8405-36	.HOSE ASSY		047050 106200	1
180	214A8405-19	.HOSE ASSY		031046 054105 968999	1
180	214A8405-42	.HOSE ASSY		047050 106200	1
185	214A8405-100	..INSULATION		031050 054200 968999	AR
190	AS4804-08-0180A	..HOSE- USED ON: 214A8405-1 214A8405-12 214A8405-35		031050 054200 968999	1
195	AS4804-05-1160A	..HOSE- USED ON: 214A8405-4 214A8405-13 214A8405-36		031050 054200 968999	1
200	AS4804-05-0970A	..HOSE- USED ON: 214A8405-11 214A8405-19 214A8405-42		031050 054200 968999	1
205	411A4902-6	.CLIP ASSY-RTNR		031050 054200 968999	3

MISSING ITEM NUMBERS NOT APPLICABLE

— ITEM NOT ILLUSTRATED

HAP

21-45-01-01A

BOEING PROPRIETARY - Copyright © - Unpublished Work - See title page for details.

21-45-01
FIG. 01A
PAGE 4
FEB 15/09

BOEING
737-600/700/800/900
PARTS CATALOG (MAINTENANCE)

FIG ITEM	PART NUMBER	1 2 3 4 5 6 7	NOMENCLATURE	EFFECT FROM TO	UNITS PER ASSY
1 A					
210	MS16562-194	..	PIN	031050 054200 968999	1
215	H02030-2L	..	INSERT- SUPPLIER CODE: V07EU2	031050 054200 968999	2
220	411A4902-8	..	CLIP-SPR	031050 054200 968999	1
225	411A4902-3	..	BODY ASSY	031050 054200 968999	1
- 501	286A3144-097		WIRE BUNDLE ASSY	101106 968999	RF
- 502	286A3144-338		WIRE BUNDLE ASSY	038038 042046	RF
- 502	286A3144-357		WIRE BUNDLE ASSY	031036	RF
- 504	286A3144-430		WIRE BUNDLE ASSY	037037 039041 047047 054100	RF
510	BACC45FT10-5S	.CON	NECTOR- ELECTRICAL EQUIP NUMBER: D10770 WIRING DIAGRAM REF: 214211	031047 054106 968999	1

MISSING ITEM NUMBERS NOT APPLICABLE

- ITEM NOT ILLUSTRATED

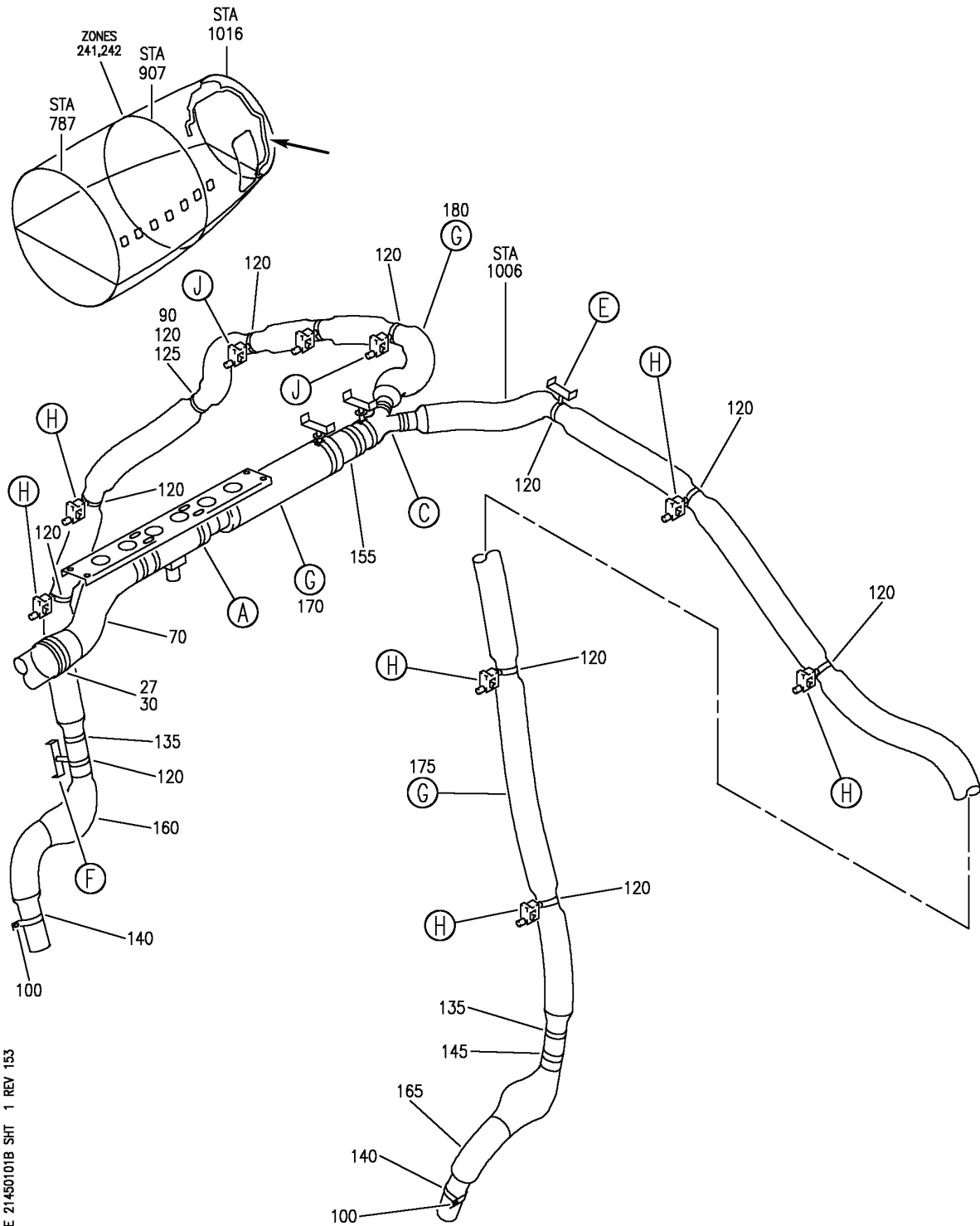
HAP

21-45-01-01A

BOEING PROPRIETARY - Copyright © - Unpublished Work - See title page for details.

21-45-01
FIG. 01A
PAGE 5
FEB 15/09

BOEING
 737-600/700/800/900
 PARTS CATALOG (MAINTENANCE)



E 21-450101B SHT 1 REV 153

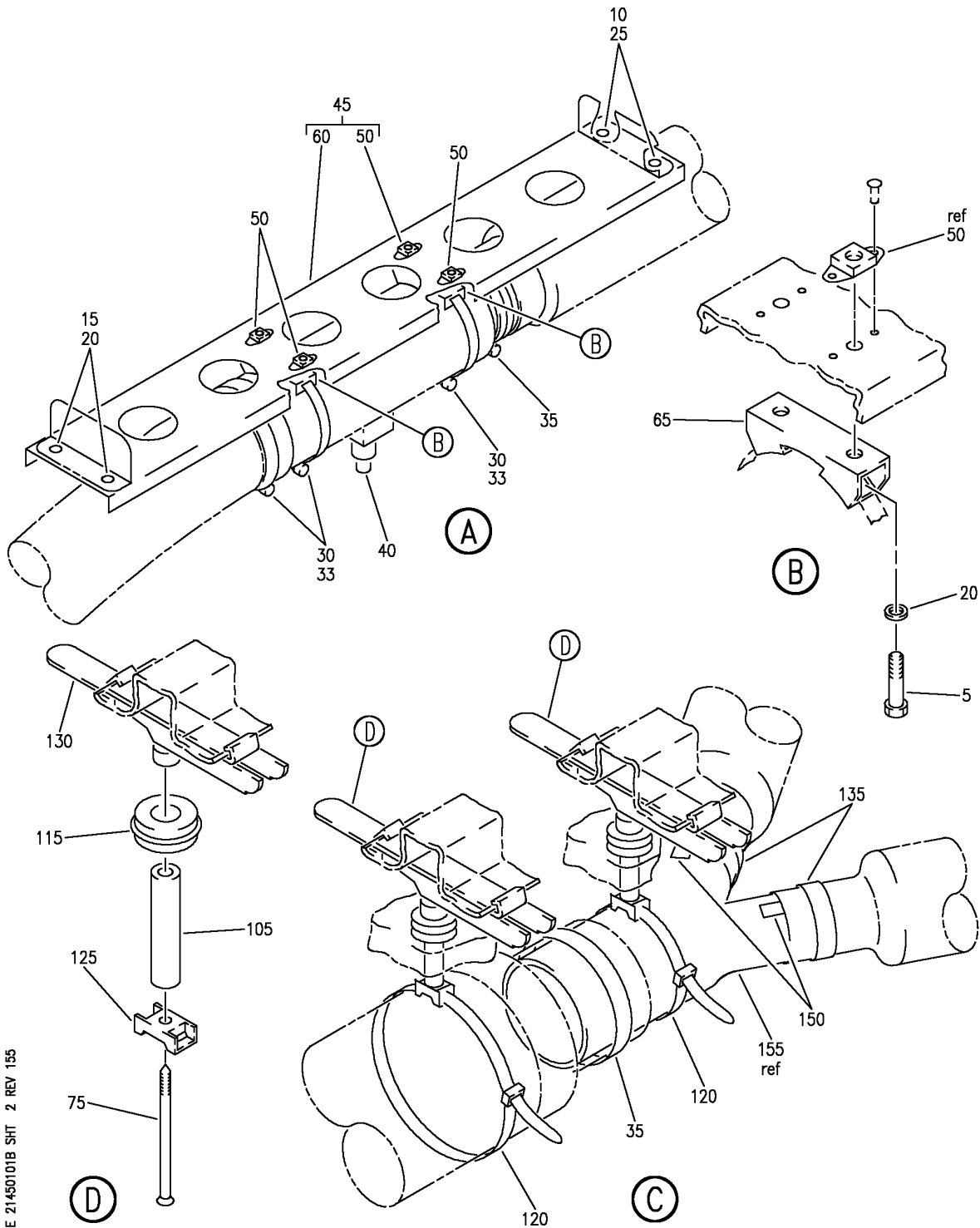
DUCT INSTL-AFT DOOR AREA HEAT
 FIGURE 1B (SHEET 1)

21-45-01-01B

HAP
 JUN 15/09

21-45-01-01B
 PAGE 0

BOEING
 737-600/700/800/900
 PARTS CATALOG (MAINTENANCE)



E 21-450101B SHT 2 REV 155

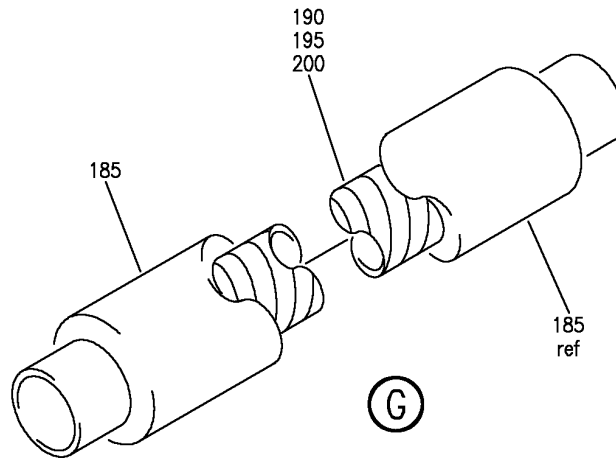
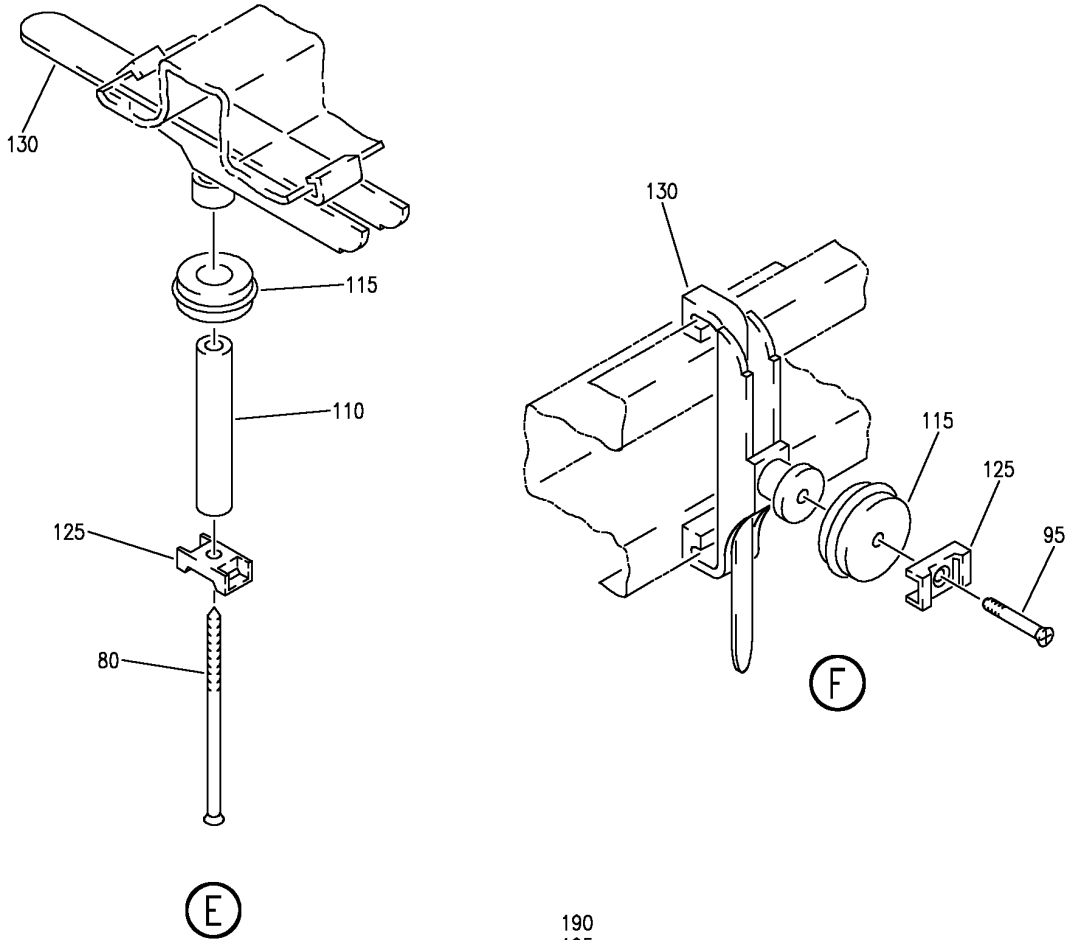
DUCT INSTL-AFT DOOR AREA HEAT
 FIGURE 1B (SHEET 2)

21-45-01-01B

HAP
 JUN 15/09

21-45-01-01B
 PAGE 0A

BOEING
 737-600/700/800/900
 PARTS CATALOG (MAINTENANCE)



E 21450101B SHT 3 REV 151

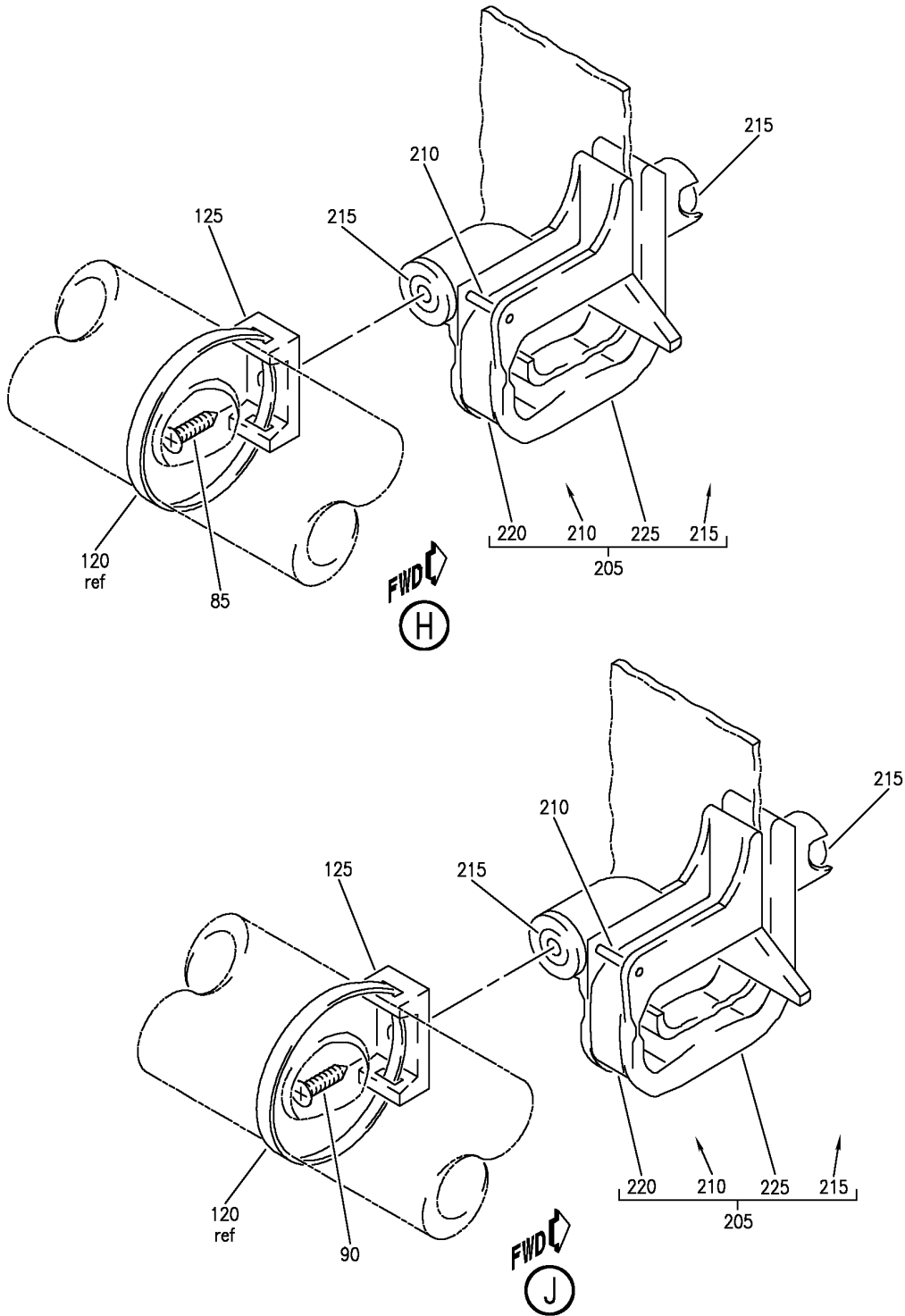
DUCT INSTL-AFT DOOR AREA HEAT
 FIGURE 1B (SHEET 3)

21-45-01-01B

HAP
 FEB 15/09

21-45-01-01B
 PAGE 0B

BOEING
 737-600/700/800/900
 PARTS CATALOG (MAINTENANCE)



E 21450101B SHT 4 REV 151

DUCT INSTL-AFT DOOR AREA HEAT
 FIGURE 1B (SHEET 4)

21-45-01-01B

HAP
 FEB 15/09

21-45-01-01B
 PAGE 0C

BOEING
737-600/700/800/900
PARTS CATALOG (MAINTENANCE)

FIG ITEM	PART NUMBER	1 2 3 4 5 6 7	NOMENCLATURE	EFFECT FROM TO	UNITS PER ASSY
1B			DUCT INSTL-AFT DOOR AREA HEAT	051053	
- 1	MODREF397702		DUCT INSTL-DOOR AREA HEAT MODULE NUMBER: 214A8002-3 REV E POSITION DATA: AFT	051053	1
5	BACB30NM3K4		.BOLT	051053	4
10	BACB30NM4K4		.BOLT	051053	2
15	BACB30NM3K2		.BOLT	051053	2
20	BACW10BN3AC		.WASHER	051053	6
25	BACW10BN4AC		.WASHER	051053	2
30	NAS1922-0275-3		.CLAMP	051053	4
35	NAS1922-0225-3		.CLAMP	051053	2
40	116817-3		.HEATER- SUPPLIER CODE: V85932 SPECIFICATION NUMBER: S210W004-5 ELECTRICAL EQUIP NUMBER: M01681 WIRING DIAGRAM REF: 214211 OPTIONAL PART: 116817-5 V85932	051053	1
40	116817-5		.HEATER- SUPPLIER CODE: V85932 SPECIFICATION NUMBER: S210W004-5 ELECTRICAL EQUIP NUMBER: M01681 WIRING DIAGRAM REF: 214211 OPTIONAL PART: 116817-3 V85932	051053	1
45	214A8401-3		.BRACKET ASSY	051053	1

MISSING ITEM NUMBERS NOT APPLICABLE

- ITEM NOT ILLUSTRATED

HAP

21-45-01-01B

BOEING PROPRIETARY - Copyright © - Unpublished Work - See title page for details.

21-45-01
FIG. 01B
PAGE 1
FEB 15/09

BOEING
737-600/700/800/900
PARTS CATALOG (MAINTENANCE)

FIG ITEM	PART NUMBER	1 2 3 4 5 6 7	NOMENCLATURE	EFFECT FROM TO	UNITS PER ASSY
1B 50	BRF200C3D	..	NUTPLATE SUPPLIER CODE: V52828 SPECIFICATION NUMBER: BACN10JR3CFD OPTIONAL PART: K51602-3BAC V15653 NS202476-02 V80539 102F9201-3 V72962 T8092C1032CD V11815 ATTACHING PARTS	051053	4
- 55	BACR15BA3ADC	..	RIVET- SIZE DETERMINED ON INSTL. -----*-----	051053	8
60	214A8401-2	..	BRACKET	051053	1
65	214T3424-3	.	SUPPORT	051053	2
70	BCREF48470	.	DUCT- OVERLENGTH PART NUMBER: BACD40V1210-0170	051053	1
75	BACS12GP3L26	.	SCREW	051053	2
80	BACS12GP3L32	.	SCREW	051053	1
85	BACS12GP3L10	.	SCREW	051053	6
90	BACS12GP3L7	.	SCREW	051053	4
95	BACS12GP3L8	.	SCREW	051053	1
100	BACS12GU3K16	.	SCREW	051053	2
105	NAS43DD3-57FC	.	SPACER	051053	2
110	NAS43DD3-86FC	.	SPACER	051053	1
115	BACW10DZ3	.	WASHER	051053	4
120	PLT3SM	.	STRAP SUPPLIER CODE: V06383 SPECIFICATION NUMBER: BACS38K7 OPTIONAL PART: T0510 V53421	051053	14
125	TM2S8	.	PLATE SUPPLIER CODE: V06383 SPECIFICATION NUMBER: STBP19M9	051053	14
130	BACS38P5	.	SUPPORT ASSY	051053	4
135	NAS1922-0150-3	.	CLAMP	051053	4
140	BACC10DK24	.	CLAMP	051053	2
145	BACC10DK20	.	CLAMP	051053	1

MISSING ITEM NUMBERS NOT APPLICABLE

- ITEM NOT ILLUSTRATED

HAP

21-45-01-01B

BOEING PROPRIETARY - Copyright © - Unpublished Work - See title page for details.

21-45-01
FIG. 01B
PAGE 2
FEB 15/09

BOEING
737-600/700/800/900
PARTS CATALOG (MAINTENANCE)

FIG ITEM	PART NUMBER	1 2 3 4 5 6 7	NOMENCLATURE	EFFECT FROM TO	UNITS PER ASSY
1B					
150	214T3436-1662	.	ORIFICE ASSY	051053	2
155	214A8403-1	.	DUCT	051053	1
160	214A8402-8	.	DUCT ASSY	051053	1
165	214A8402-9	.	DUCT ASSY	051053	1
170	214A8405-35	.	HOSE ASSY	051053	1
175	214A8405-49	.	HOSE ASSY	051053	1
180	214A8405-42	.	HOSE ASSY	051053	1
185	210N0013-10	..	INSULATION	051053	AR
190	AS4804-08-0180A	..	HOSE- USED ON: 214A8405-35	051053	1
195	AS4804-05-1100A	..	HOSE- USED ON: 214A8405-49	051053	1
200	AS4804-05-0970A	..	HOSE- USED ON: 214A8405-42	051053	1
205	411A4902-6	.	CLIP ASSY-RTNR	051053	9
210	MS16562-194	..	PIN	051053	1
215	H02030-2L	..	INSERT- SUPPLIER CODE: V07EU2	051053	2
220	411A4902-8	..	CLIP-SPR	051053	1
225	411A4902-3	..	BODY ASSY	051053	1

MISSING ITEM NUMBERS NOT APPLICABLE

— ITEM NOT ILLUSTRATED

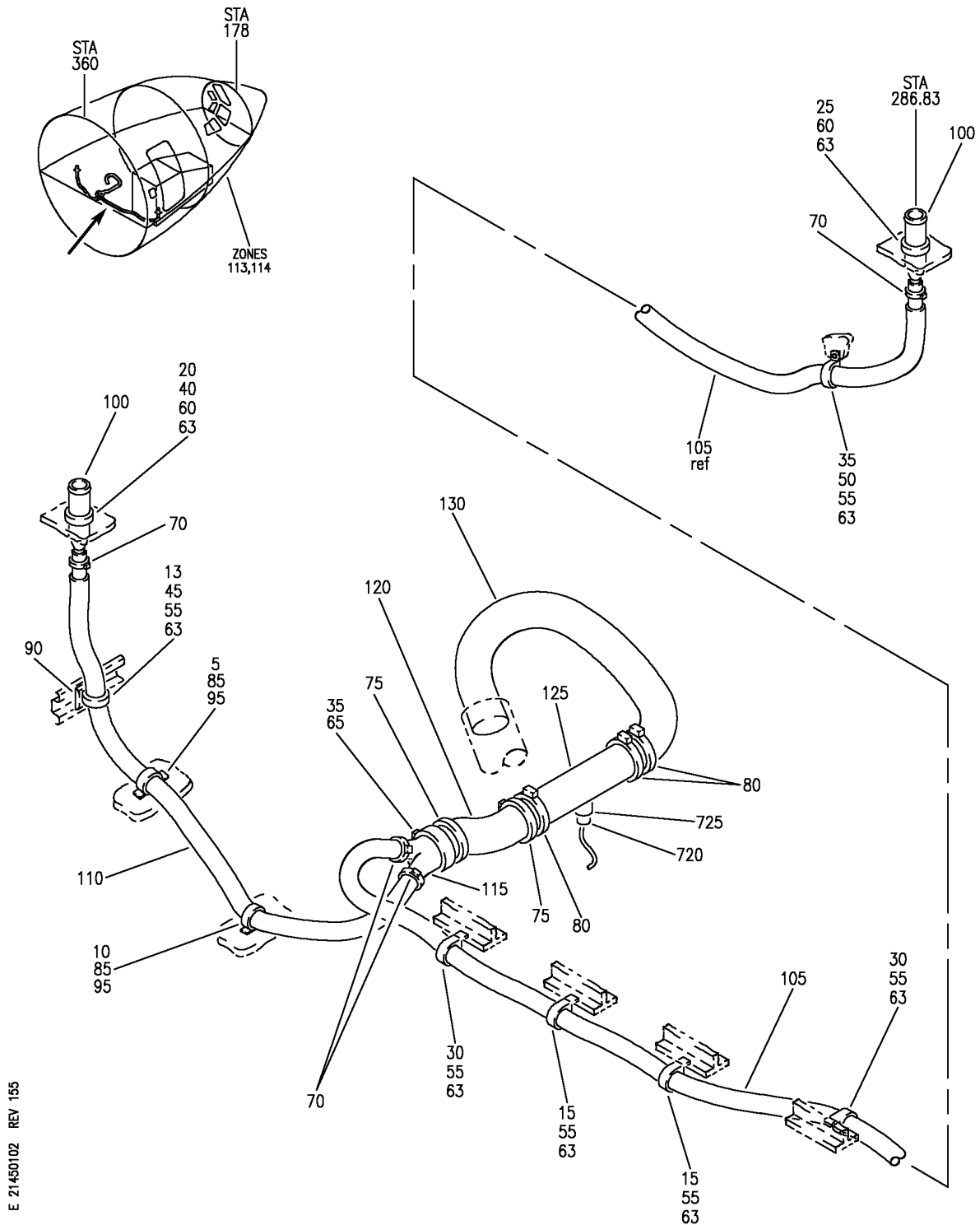
HAP

21-45-01-01B

BOEING PROPRIETARY - Copyright © - Unpublished Work - See title page for details.

21-45-01
FIG. 01B
PAGE 3
FEB 15/09

BOEING
 737-600/700/800/900
 PARTS CATALOG (MAINTENANCE)



E 21450102 REV 155

SYSTEM INSTL-FWD DOOR AREA HEAT
 FIGURE 2

21-45-01-02

HAP
 JUN 15/09

21-45-01-02
 PAGE 0

BOEING
737-600/700/800/900
PARTS CATALOG (MAINTENANCE)

FIG ITEM	PART NUMBER	1 2 3 4 5 6 7	NOMENCLATURE	EFFECT FROM TO	UNITS PER ASSY
2			SYSTEM INSTL-FWD DOOR AREA HEAT	031200 968999	
- 1	MODREF234541		SYSTEM INSTL-DOOR AREA HEAT MODULE NUMBER: 214A8001-3 REV B POSITION DATA: FWD	031045 054103 968971	1
- 1	MODREF356064		SYSTEM INSTL-DOOR AREA HEAT MODULE NUMBER: 214A8001-3 REV C POSITION DATA: FWD	046046 104105 972999	1
- 1	MODREF363247		SYSTEM INSTL-DOOR AREA HEAT MODULE NUMBER: 214A8001-3 REV D POSITION DATA: FWD	047053 106200	1
5	BACS12ER3K11		.SCREW	031200 968999	1
10	BACS12ER3K7		.SCREW	031200 968999	1
13	BACS12GU3K10		.SCREW	031200 968999	1
15	BACS12GU3K11		.SCREW	031200 968999	2
20	BACS12GU3K28		.SCREW	031200 968999	1
25	BACS12GU3K8		.SCREW	031200 968999	1
30	BACS12GU3K6		.SCREW	031200 968999	2
35	BACS12GU3K7		.SCREW	031200 968999	2
40	NAS43DD3-24FC		.SPACER	031200 968999	1
45	BACW10DZ3		.WASHER	031200 968999	1
50	BACN10VR2CG		.NUT	031200 968999	1

MISSING ITEM NUMBERS NOT APPLICABLE

- ITEM NOT ILLUSTRATED

HAP

21-45-01-02

BOEING PROPRIETARY - Copyright © - Unpublished Work - See title page for details.

21-45-01
FIG. 02
PAGE 1
FEB 15/09

BOEING
737-600/700/800/900
PARTS CATALOG (MAINTENANCE)

FIG ITEM	PART NUMBER	1 2 3 4 5 6 7	NOMENCLATURE	EFFECT FROM TO	UNITS PER ASSY
2 55	S258DT22	.CLAMP	SUPPLIER CODE: V18076 SPECIFICATION NUMBER: BACC10DW22D OPTIONAL PART: TA4C44D22T V84971 475A22 V83930 8084D22T V72285 475-22 V83930	031200 968999	6
60	S258DT24	.CLAMP	SUPPLIER CODE: V18076 SPECIFICATION NUMBER: BACC10DW24D OPTIONAL PART: TA4C44D24T V84971 475-24 V83930 8084D24T V72285 475A24 V83930	031200 968999	2
65	S258DT27	.CLAMP-	SUPPLIER CODE: V18076 SPECIFICATION NUMBER: BACC10DW27D OPTIONAL PART: TA4C4JD27T V84971 475A27 V83930 8084D27T V72285 475-27 V83930	031200 968999	1
70	NAS1922-0150-3	.CLAMP		031200 968999	4
75	NAS1922-0225-3	.CLAMP		031200 968999	2
80	NAS1922-0275-3	.CLAMP		031200 968999	3

MISSING ITEM NUMBERS NOT APPLICABLE

— ITEM NOT ILLUSTRATED

HAP

21-45-01-02

BOEING PROPRIETARY - Copyright © - Unpublished Work - See title page for details.

21-45-01
FIG. 02
PAGE 2
OCT 15/08

BOEING
737-600/700/800/900
PARTS CATALOG (MAINTENANCE)

FIG ITEM	PART NUMBER	1 2 3 4 5 6 7	NOMENCLATURE	EFFECT FROM TO	UNITS PER ASSY
2					
85	PLT4SM	.	STRAP SUPPLIER CODE: V06383 SPECIFICATION NUMBER: BACS38K2 OPTIONAL PART: T05L0 V53421	031200 968999	2
90	BACS38P5	.	SUPPORT ASSY	031200 968999	1
95	TM2S8	.	PLATE SUPPLIER CODE: V06383 SPECIFICATION NUMBER: STBP19M9	031200 968999	2
100	214A8402-1	.	DUCT	031200 968999	2
105	214A8405-16	.	HOSE ASSY-	031046 054105 968999	1
105	214A8405-39	.	HOSE ASSY	047053 106200	1
110	214A8405-15	.	HOSE ASSY-	031046 054105 968999	1
110	214A8405-38	.	HOSE ASSY	047053 106200	1
115	214A8403-1	.	DUCT	031200 968999	1
120	AS4804-08-0090A	.	HOSE- QUALIFIED I/W DATA: PN AS4804-08-0070A CAN BE USED IN PLACE OF THE AS4804-08-0090A WHEN USED ON 214A8001 FORWARD DOOR AREA HEAT INSTALLATION.	031045 054103 968971	1
120	AS4804-08-0070A	.	HOSE- QUALIFIED I/W DATA: PN AS4804-08-0070A CAN BE USED IN PLACE OF THE AS4804-08-0090A WHEN USED ON 214A8001 FORWARD DOOR AREA HEAT INSTALLATION.	046053 104200 972999	1

MISSING ITEM NUMBERS NOT APPLICABLE

— ITEM NOT ILLUSTRATED

HAP

21-45-01-02

BOEING PROPRIETARY - Copyright © - Unpublished Work - See title page for details.

21-45-01
FIG. 02
PAGE 3
FEB 15/09

BOEING
737-600/700/800/900
PARTS CATALOG (MAINTENANCE)

FIG ITEM	PART NUMBER	1 2 3 4 5 6 7	NOMENCLATURE	EFFECT FROM TO	UNITS PER ASSY
2 125	116817-3		.HEATER- SUPPLIER CODE: V85932 SPECIFICATION NUMBER: S210W004-5 ELECTRICAL EQUIP NUMBER: M01708 WIRING DIAGRAM REF: 214211 MAINTENANCE MANUAL REF: 21-45-01 OPTIONAL PART: 116817-5 V85932	031200 968999	1
125	116817-5		.HEATER- SUPPLIER CODE: V85932 SPECIFICATION NUMBER: S210W004-5 ELECTRICAL EQUIP NUMBER: M01708 WIRING DIAGRAM REF: 214211 MAINTENANCE MANUAL REF: 21-45-01 OPTIONAL PART: 116817-3 V85932	031200 968999	1
130	AS4804-10-0400A		.HOSE	031200 968999	1
- 704	286A6110-082		WIRE BUNDLE ASSY	031048 054106 968999	RF
720	BACC45FT10-5S		.CONNECTOR- ELECTRICAL EQUIP NUMBER: D10884 WIRING DIAGRAM REF: 214211	031048 054106 968999	1

MISSING ITEM NUMBERS NOT APPLICABLE

- ITEM NOT ILLUSTRATED

HAP

21-45-01-02

BOEING PROPRIETARY - Copyright © - Unpublished Work - See title page for details.

21-45-01
FIG. 02
PAGE 4
FEB 15/09


BOEING
 737-600/700/800/900
PARTS CATALOG (MAINTENANCE)

FIG ITEM	PART NUMBER	1 2 3 4 5 6 7 NOMENCLATURE	EFFECT FROM TO	UNITS PER ASSY
2 725	SCP6023S1000B	.CLAMP- SUPPLIER CODE: V07418 SPECIFICATION NUMBER: BACC10JS10 OPTIONAL PART: 457ES010-10 V06324 ELECTRICAL EQUIP NUMBER: D10884T WIRING DIAGRAM REF: 214211	031048 054106 968999	1

MISSING ITEM NUMBERS NOT APPLICABLE

— ITEM NOT ILLUSTRATED

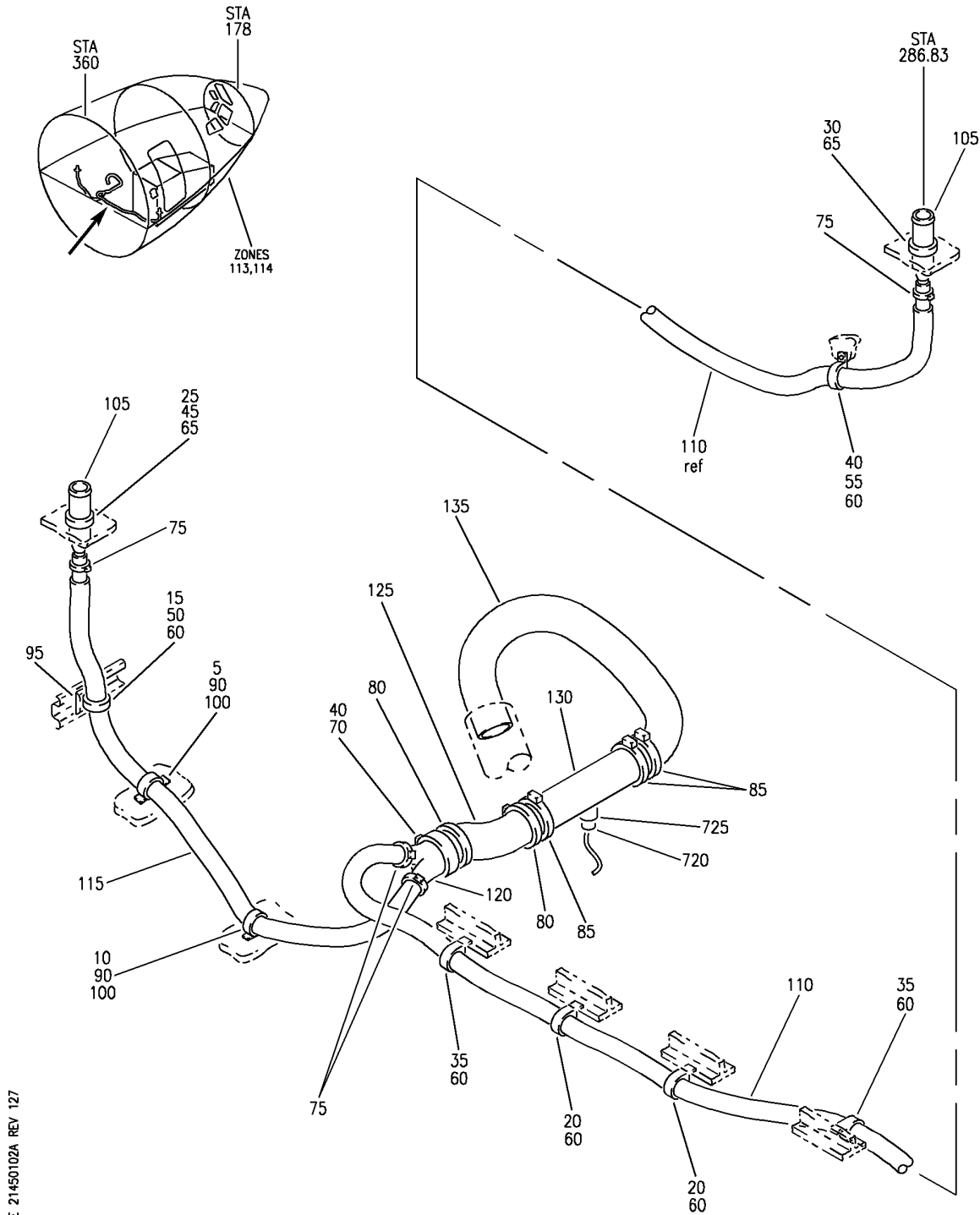
HAP

21-45-01-02

BOEING PROPRIETARY - Copyright © - Unpublished Work - See title page for details.

21-45-01
 FIG. 02
 PAGE 5
 FEB 15/09

BOEING
 737-600/700/800/900
 PARTS CATALOG (MAINTENANCE)



E 21450102A REV 127

SYSTEM INSTL-FWD DOOR AREA HEAT
 FIGURE 2A

21-45-01-02A

HAP
 FEB 10/07

21-45-01-02A
 PAGE 0

BOEING
737-600/700/800/900
PARTS CATALOG (MAINTENANCE)

FIG ITEM	PART NUMBER	1 2 3 4 5 6 7	NOMENCLATURE	EFFECT FROM TO	UNITS PER ASSY
2A			SYSTEM INSTL-FWD DOOR AREA HEAT	001030	
- 1	214A8001-1		SYSTEM INSTL-DOOR AREA HEAT POSITION DATA: FWD FOR NHA SEE: 21-40-00-02B 21-40-00-02C	201967 001030 201967	RF
	5 BACS12ER3K11		.SCREW	001030 201967	1
	10 BACS12ER3K7		.SCREW	001030 201967	1
	15 BACS12GU3K10		.SCREW	001030 201967	1
	20 BACS12GU3K11		.SCREW	001030 201967	2
	25 BACS12GU3K28		.SCREW	001030 201967	1
	30 BACS12GU3K8		.SCREW	001030 201967	1
	35 BACS12GU3K6		.SCREW	001030 201967	2
	40 BACS12GU3K7		.SCREW	001030 201967	2
	45 NAS43DD3-24FC		.SPACER	001030 201967	1
	50 BACW10DZ3		.WASHER	001030 201967	1
	55 BACN10VR2CG		.NUT	001030 201967	1
	60 S258DT22		.CLAMP SUPPLIER CODE: V18076 SPECIFICATION NUMBER: BACC10DW22D OPTIONAL PART: TA4C44D22T V84971 475A22 V83930 8084D22T V72285 475-22 V83930	001030 201967	6

MISSING ITEM NUMBERS NOT APPLICABLE

- ITEM NOT ILLUSTRATED

HAP

21-45-01-02A

BOEING PROPRIETARY - Copyright © - Unpublished Work - See title page for details.

21-45-01
FIG. 02A
PAGE 1
OCT 15/08

BOEING
737-600/700/800/900
PARTS CATALOG (MAINTENANCE)

FIG ITEM	PART NUMBER	1 2 3 4 5 6 7	NOMENCLATURE	EFFECT FROM TO	UNITS PER ASSY
2A 65	S258DT24	.	CLAMP SUPPLIER CODE: V18076 SPECIFICATION NUMBER: BACC10DW24D OPTIONAL PART: TA4C44D24T V84971 475-24 V83930 8084D24T V72285 475A24 V83930	001030 201967	2
70	S258DT32	.	CLAMP SUPPLIER CODE: V18076 SPECIFICATION NUMBER: BACC10DW32D OPTIONAL PART: TA4C44D32T V84971 475-32 V83930 8084D32T V72285 475A32 V83930	001030 201967	1
75	NAS1922-0150-3	.	CLAMP	001030 201967	4
80	NAS1922-0225-3	.	CLAMP	001030 201967	2
85	NAS1922-0275-3	.	CLAMP	001030 201967	3
90	PLT4SM	.	STRAP SUPPLIER CODE: V06383 SPECIFICATION NUMBER: BACS38K2 OPTIONAL PART: T05L0 V53421	001030 201967	2
95	BACS38P5	.	SUPPORT ASSY	001030 201967	1
100	TM2S8	.	PLATE SUPPLIER CODE: V06383 SPECIFICATION NUMBER: STBP19M9	001030 201967	2

MISSING ITEM NUMBERS NOT APPLICABLE

— ITEM NOT ILLUSTRATED

HAP

21-45-01-02A

BOEING PROPRIETARY - Copyright © - Unpublished Work - See title page for details.

21-45-01
FIG. 02A
PAGE 2
OCT 15/08

BOEING
737-600/700/800/900
PARTS CATALOG (MAINTENANCE)

FIG ITEM	PART NUMBER	1 2 3 4 5 6 7	NOMENCLATURE	EFFECT FROM TO	UNITS PER ASSY
2A					
105	214A8402-1	.	DUCT	001030 201967	2
110	214A8405-8	.	HOSE ASSY	001030 201967	1
115	214A8405-7	.	HOSE ASSY	001030 201967	1
120	214A8403-1	.	DUCT	001030 201967	1
125	AS4804-08-0090A	.	HOSE- QUALIFIED I/W DATA: PN AS4804-08-0070A CAN BE USED IN PLACE OF THE AS4804-08-0090A WHEN USED ON 214A8001 FORWARD DOOR AREA HEAT INSTALLATION.	001030 201967	1
130	116817-3	.	HEATER- SUPPLIER CODE: V85932 SPECIFICATION NUMBER: S210W004-5 ELECTRICAL EQUIP NUMBER: M01708 WIRING DIAGRAM REF: 214211 OPTIONAL PART: 116817-5 V85932	001030 201967	1
130	116817-5	.	HEATER- SUPPLIER CODE: V85932 SPECIFICATION NUMBER: S210W004-5 ELECTRICAL EQUIP NUMBER: M01708 WIRING DIAGRAM REF: 214211 OPTIONAL PART: 116817-3 V85932	001030 201967	1
135	AS4804-10-0400A	.	HOSE	001030 201967	1
- 700	286A6110-005		WIRE BUNDLE ASSY	001001 006007	RF
- 700	286A6110-016		WIRE BUNDLE ASSY	008013 015019	RF
- 701	286A6110-031		WIRE BUNDLE ASSY	030030	RF
- 701	286A6110-042		WIRE BUNDLE ASSY	014014	RF
- 702	286A6110-048		WIRE BUNDLE ASSY	201967	RF

MISSING ITEM NUMBERS NOT APPLICABLE

- ITEM NOT ILLUSTRATED

HAP

21-45-01-02A

BOEING PROPRIETARY - Copyright © - Unpublished Work - See title page for details.

21-45-01
FIG. 02A
PAGE 3
OCT 15/08

BOEING
737-600/700/800/900
PARTS CATALOG (MAINTENANCE)

FIG ITEM	PART NUMBER	1 2 3 4 5 6 7	NOMENCLATURE	EFFECT FROM TO	UNITS PER ASSY
2A					
- 703	286A6110-075		WIRE BUNDLE ASSY	002005	RF
- 703	286A6110-076		WIRE BUNDLE ASSY	020029	RF
720	BACC45FT10-5S		.CONNECTOR-	001030	1
			ELECTRICAL EQUIP NUMBER: D10884	201967	
			WIRING DIAGRAM REF: 214211		
725	SCP6023S1000B		.CLAMP-	001030	1
			SUPPLIER CODE: V07418	201967	
			SPECIFICATION NUMBER: BACC10JS10		
			OPTIONAL PART: 457ES010-10		
			V06324		
			ELECTRICAL EQUIP NUMBER: D10884T		
			WIRING DIAGRAM REF: 214211		

MISSING ITEM NUMBERS NOT APPLICABLE

- ITEM NOT ILLUSTRATED

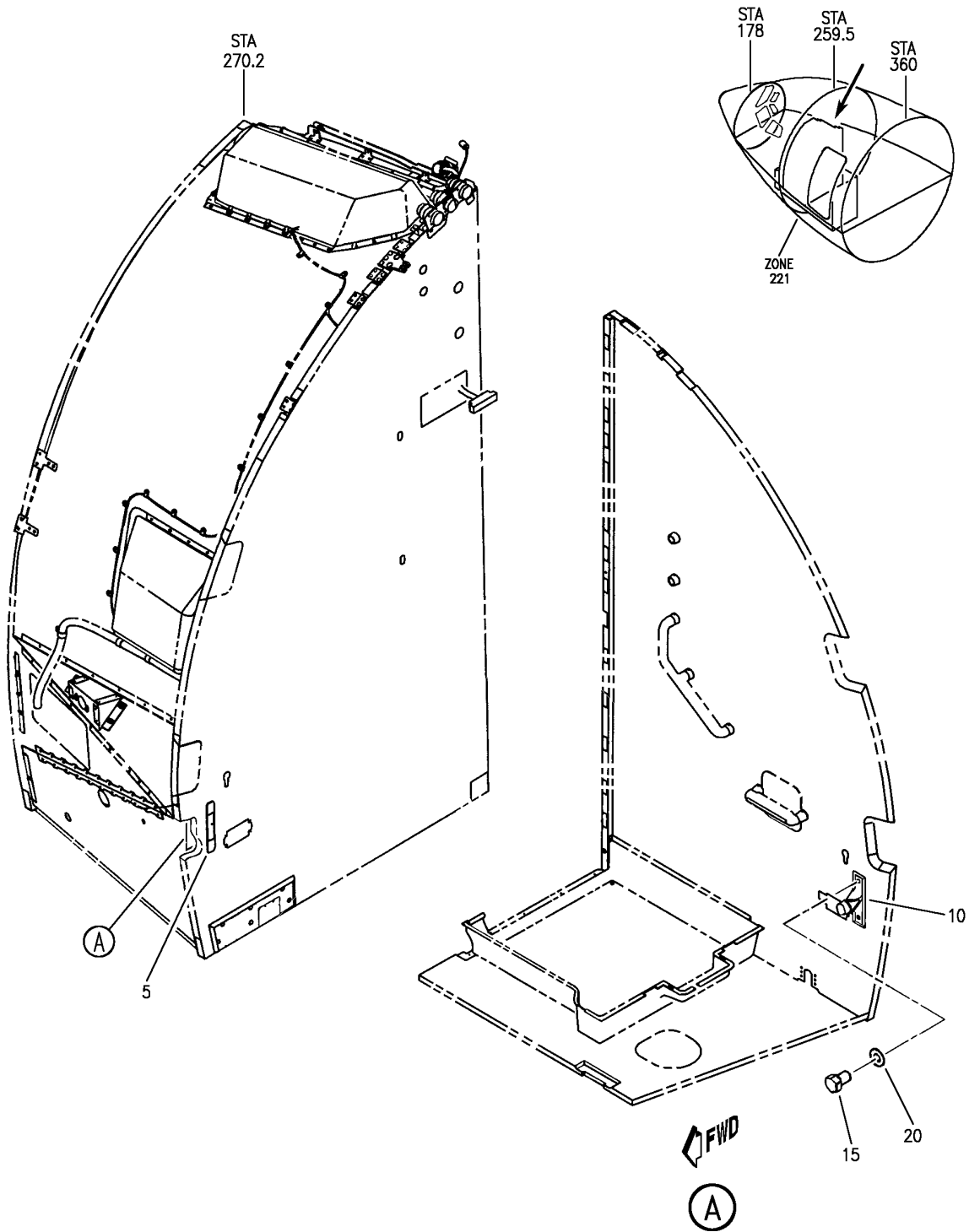
HAP

21-45-01-02A

BOEING PROPRIETARY - Copyright © - Unpublished Work - See title page for details.

21-45-01
FIG. 02A
PAGE 4
OCT 15/08

BOEING
 737-600/700/800/900
 PARTS CATALOG (MAINTENANCE)



E 21-45-51-35C REV 130

MODULE ASSY-LAV A (HEATING ONLY)
 FIGURE 35C

21-45-51-35C

HAP
 JUN 10/07

21-45-51-35C
 PAGE 0

BOEING
737-600/700/800/900
PARTS CATALOG (MAINTENANCE)

FIG ITEM	PART NUMBER	1 2 3 4 5 6 7	NOMENCLATURE	EFFECT FROM TO	UNITS PER ASSY
R R R R R R R R R R	35C				
	- 1	D72000102-111A	MODULE ASSY-LAV A (HEATING ONLY) MODULE ASSY-LAV A (HEATING ONLY) SUPPLIER CODE: VS5825 SPECIFICATION NUMBER: S417A180-0102A ELECTRICAL EQUIP NUMBER: M01415 COMPONENT MAINT MANUAL REF: 25-46-27 FOR NHA/OTHER SYS DET SEE: 25-40-01-01D 25-40-01-01T	042046 051052 042046 051052	RF
	5	214N2036-2	.GRILLE ASSY	042046 051052	1
	10	214N2037-1	.PLENUM	042046 051052	1
	15	NAS1801-08-3	ATTACHING PARTS .SCREW	042046 051052	2
20	NAS1149DN816K	.WASHER -----*-----	042046 051052	2	
MISSING ITEM NUMBERS NOT APPLICABLE					

- ITEM NOT ILLUSTRATED

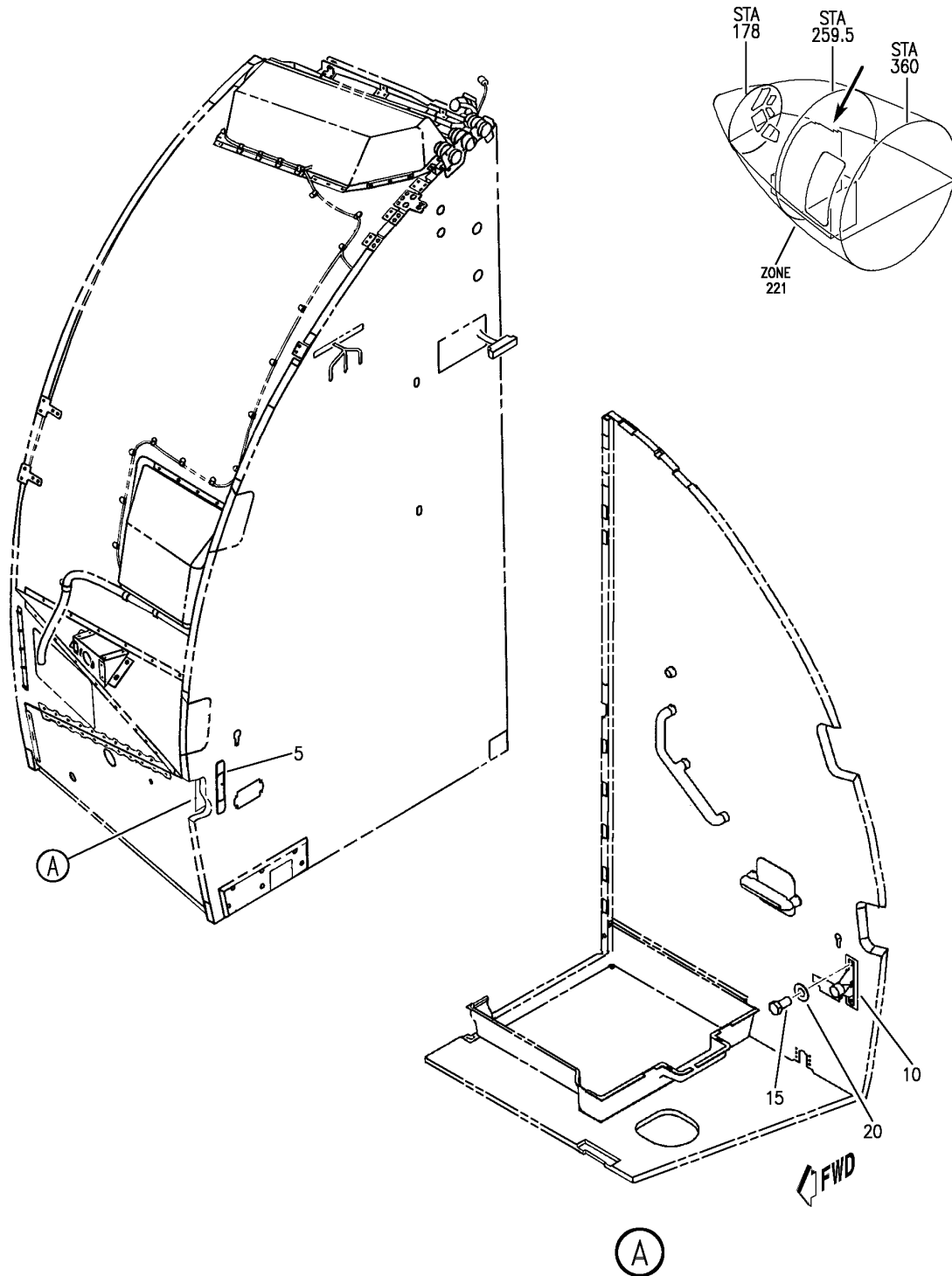
HAP

21-45-51-35C

BOEING PROPRIETARY - Copyright © - Unpublished Work - See title page for details.

21-45-51
FIG. 35C
PAGE 1
JUN 15/09

BOEING
737-600/700/800/900
PARTS CATALOG (MAINTENANCE)



E 21455146P REV 116

MODULE ASSY-LAV A (HEATING ONLY)
FIGURE 46P

21-45-51-46P

HAP
OCT 10/06

21-45-51-46P
PAGE 0

BOEING
737-600/700/800/900
PARTS CATALOG (MAINTENANCE)

FIG ITEM	PART NUMBER	1 2 3 4 5 6 7	NOMENCLATURE	EFFECT FROM TO	UNITS PER ASSY
46P			MODULE ASSY-LAV A (HEATING ONLY)	031041 047050 053200 968999	
R R R R R R R R R	- 1 D72000090-111A		MODULE ASSY-LAV A (HEATING ONLY) SUPPLIER CODE: VS5825 ELECTRICAL EQUIP NUMBER: M01415 COMPONENT MAINT MANUAL REF: 25-43-89 FOR NHA/OTHER SYS DET SEE: 25-40-01-01D 25-40-01-01T	031041 047050 053100 107200	RF
	- 1 D72000090-111B		MODULE ASSY-LAV A (HEATING ONLY) SUPPLIER CODE: VS5825 SPECIFICATION NUMBER: S417A180-0090B ELECTRICAL EQUIP NUMBER: M01415 COMPONENT MAINT MANUAL REF: 25-43-89 FOR NHA/OTHER SYS DET SEE: 25-40-01-01D	101106 968999	RF
	5 214N2036-2		.GRILLE ASSY-HEATING SYS	031041 047050 053200 968999	1
	10 214N2037-1		.PLENUM-HEATING SYS	031041 047050 053200 968999	1
	15 NAS1801-08-3		ATTACHING PARTS .SCREW	031041 047050 053200 968999	2
	20 NAS1149DN816K		.WASHER	031041 047050 053200 968999	2
			-----*-----		

MISSING ITEM NUMBERS NOT APPLICABLE

- ITEM NOT ILLUSTRATED

HAP

21-45-51-46P

BOEING PROPRIETARY - Copyright © - Unpublished Work - See title page for details.

21-45-51
FIG. 46P
PAGE 1
JUN 15/09