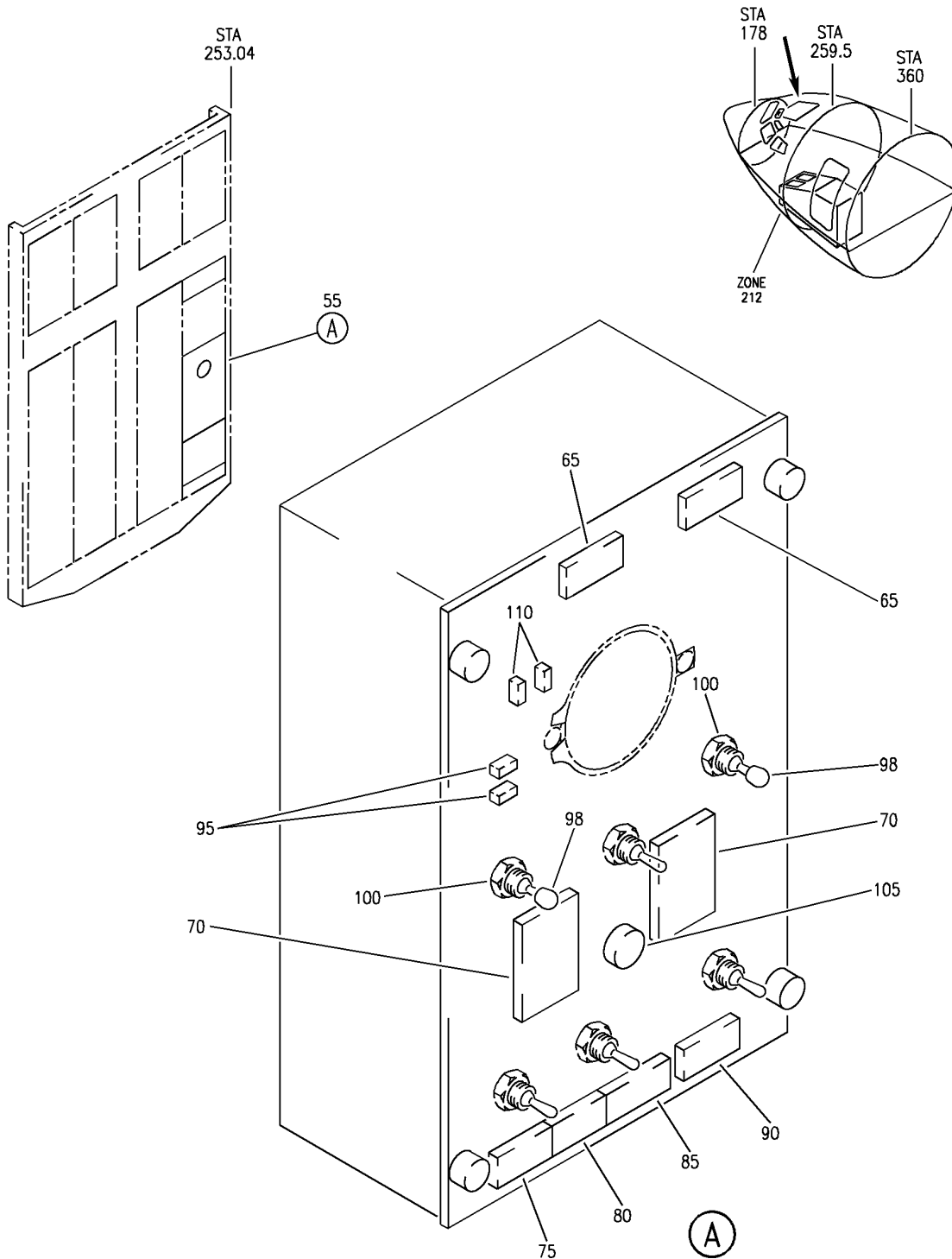


PACK FLOW CONTROL AND COOLING SYSTEM

HAP
OCT 10/06

21-51-00
SECTION TITLE
PAGE 1

BOEING
 737-600/700/800/900
 PARTS CATALOG (MAINTENANCE)



E 21510001 REV 107

MODULE INSTL-P5 OVHD (PACK FLOW CONTROL AND PACK COOLING SYSTEM ONLY)

FIGURE 1

21-51-00-01

HAP
 OCT 10/06

21-51-00-01
 PAGE 0

BOEING
737-600/700/800/900
PARTS CATALOG (MAINTENANCE)

FIG ITEM	PART NUMBER	1 2 3 4 5 6 7	NOMENCLATURE	EFFECT FROM TO	UNITS PER ASSY
1			MODULE INSTL-P5 OVHD (PACK FLOW CONTROL AND PACK COOLING SYSTEM ONLY)	001028 201967	
- 1	233A3101-4		MODULE INSTL-P5 OVHD (PACK FLOW CONTROL AND PACK COOLING SYSTEM ONLY) FOR NHA/OTHER SYS DET SEE: 31-11-00-01C	001005	RF
- 4	233A3101-52		MODULE INSTL-P5 OVHD (PACK FLOW CONTROL AND PACK COOLING SYSTEM ONLY) FOR NHA/OTHER SYS DET SEE: 31-11-00-01C	006007	RF
- 4	233A3101-63		MODULE INSTL-P5 OVHD (PACK FLOW CONTROL AND PACK COOLING SYSTEM ONLY) FOR NHA/OTHER SYS DET SEE: 31-11-00-01C	008011	RF
- 5	233A3101-74		MODULE INSTL-P5 OVHD (PACK FLOW CONTROL AND PACK COOLING SYSTEM ONLY) FOR NHA/OTHER SYS DET SEE: 31-11-00-01J	201967	RF
- 7	233A3101-110		MODULE INSTL-P5 OVHD (PACK FLOW CONTROL AND PACK COOLING SYSTEM ONLY) FOR NHA/OTHER SYS DET SEE: 31-11-00-01C	012016	RF
- 14	233A3101-225		MODULE INSTL-P5 OVHD (PACK FLOW CONTROL AND PACK COOLING SYSTEM ONLY) FOR NHA/OTHER SYS DET SEE: 31-11-00-01C	017019	RF
- 14	233A3101-234		MODULE INSTL-P5 OVHD (PACK FLOW CONTROL AND PACK COOLING SYSTEM ONLY) FOR NHA/OTHER SYS DET SEE: 31-11-00-01C	020028	RF
55	69-37319-308		.MODULE ASSY-AIR CONDITIONING, P5-10 SUPPLIER CODE: V89954 ELECTRICAL EQUIP NUMBER: P00510 COMPONENT MAINT MANUAL REF: 31-37-07 MAINTENANCE MANUAL REF: 21-51-65	201967	RF

MISSING ITEM NUMBERS NOT APPLICABLE

- ITEM NOT ILLUSTRATED

HAP

21-51-00-01

BOEING PROPRIETARY - Copyright © - Unpublished Work - See title page for details.

21-51-00
FIG. 01
PAGE 1
OCT 15/08

BOEING
737-600/700/800/900
PARTS CATALOG (MAINTENANCE)

FIG ITEM	PART NUMBER	1 2 3 4 5 6 7	NOMENCLATURE	EFFECT FROM TO	UNITS PER ASSY
1 55	69-37319-309	.	MODULE ASSY-AIR CONDITIONING, P5-10 SUPPLIER CODE: V89954 ELECTRICAL EQUIP NUMBER: P00510 COMPONENT MAINT MANUAL REF: 31-37-07 MAINTENANCE MANUAL REF: 21-51-65 PRE ALERT SB: 24A1141R1	001011	RF
55	69-37319-312	.	MODULE ASSY-AIR CONDITIONING, P5-10 SUPPLIER CODE: V89954 FUNCTIONAL DESCRIPTION: CONTROLS THE OPERATION OF THE AIR CONDITIONING AND PNEUMATIC SYSTEMS. ELECTRICAL EQUIP NUMBER: P00510 COMPONENT MAINT MANUAL REF: 31-37-07 MAINTENANCE MANUAL REF: 21-51-65 POST ALERT SB: 24A1141R1	001028	RF
65	BCREF2616	..	LIGHT ASSY-PRESS TO TEST IND-RAM DOOR FULL OPEN SUPPLIER CODE: V81590 OVERLENGTH PART NUMBER: 318-630-1001-053 SPECIFICATION NUMBER: 10-61803-76 COMPONENT MAINT MANUAL REF: 33-10-05 FOR DETAILS SEE: 33-11-50-03K	001028 201967	2

MISSING ITEM NUMBERS NOT APPLICABLE

— ITEM NOT ILLUSTRATED

HAP

21-51-00-01

BOEING PROPRIETARY - Copyright © - Unpublished Work - See title page for details.

21-51-00
FIG. 01
PAGE 2
OCT 15/08

BOEING
737-600/700/800/900
PARTS CATALOG (MAINTENANCE)

FIG ITEM	PART NUMBER	1 2 3 4 5 6 7	NOMENCLATURE	EFFECT FROM TO	UNITS PER ASSY
1	70 BCREFA1285		..LIGHT ASSY-PRESS TO TEST IND-PACK TRIP OFF SUPPLIER CODE: V81590 OVERLENGTH PART NUMBER: 318-630-1001-007 SPECIFICATION NUMBER: 10-61803-11 COMPONENT MAINT MANUAL REF: 33-10-05 FOR DETAILS SEE: 33-11-50-03K	201967	2
	70 BCREFA1285		..LIGHT ASSY-PRESS TO TEST IND-PACK SUPPLIER CODE: V81590 OVERLENGTH PART NUMBER: 318-630-1001-354 SPECIFICATION NUMBER: 10-61803-424 COMPONENT MAINT MANUAL REF: 33-10-05 FOR DETAILS SEE: 33-11-50-03K	001028	2
	75 BCREFA1285		..LIGHT ASSY-PRESS TO TEST IND-AUTO FAIL SUPPLIER CODE: V81590 OVERLENGTH PART NUMBER: 318-630-1001-041 SPECIFICATION NUMBER: 10-61803-59 COMPONENT MAINT MANUAL REF: 33-10-05 FOR DETAILS SEE: 33-11-50-03K	001028 201967	1
	80 BCREFA1285		..LIGHT ASSY-PRESS TO TEST IND-OFF SCHED DESCENT SUPPLIER CODE: V81590 OVERLENGTH PART NUMBER: 318-630-1001-001 SPECIFICATION NUMBER: 10-61803-1 COMPONENT MAINT MANUAL REF: 33-10-05 FOR DETAILS SEE: 33-11-50-03K	001028 201967	1

MISSING ITEM NUMBERS NOT APPLICABLE

— ITEM NOT ILLUSTRATED

HAP

21-51-00-01

BOEING PROPRIETARY - Copyright © - Unpublished Work - See title page for details.

21-51-00
FIG. 01
PAGE 3
OCT 15/08

BOEING
737-600/700/800/900
PARTS CATALOG (MAINTENANCE)

FIG ITEM	PART NUMBER	1 2 3 4 5 6 7	NOMENCLATURE	EFFECT FROM TO	UNITS PER ASSY
1 85	BCREF11930		..LIGHT ASSY-PRESS TO TEST IND-ALTN SUPPLIER CODE: V81590 OVERLENGTH PART NUMBER: 318-630-1001-376 SPECIFICATION NUMBER: 10-61803-444 COMPONENT MAINT MANUAL REF: 33-10-05 FOR DETAILS SEE: 33-11-50-03K	001028 201967	1
90	BCREF2604		..LIGHT ASSY-PRESS TO TEST IND-MANUAL SUPPLIER CODE: V81590 OVERLENGTH PART NUMBER: 318-630-1001-039 SPECIFICATION NUMBER: 10-61803-57 COMPONENT MAINT MANUAL REF: 33-10-05 FOR DETAILS SEE: 33-11-50-03K	001028 201967	1
100	68AT22-1A		..SWITCH-TG SUPPLIER CODE: V91929	001028 201967	2
105	W20161-05		..SWITCH- SUPPLIER CODE: V81640	001028 201967	1
110	1N5618		..DIODE- SUPPLIER CODE: VU3384	201967	2
- 115	69-78809-3		..PRINTED CIRCUIT ASSY- SUPPLIER CODE: V89954 COMPONENT MAINT MANUAL REF: 28-09-33 OPTIONAL PART: 69-78809-4 V89954 69-78809-5 V89954 69-78809-6 V89954 FOR SPARES PROCURE: 69-78809-6 V89954	001028 201967	RF

MISSING ITEM NUMBERS NOT APPLICABLE

- ITEM NOT ILLUSTRATED

HAP

21-51-00-01

BOEING PROPRIETARY - Copyright © - Unpublished Work - See title page for details.

21-51-00
FIG. 01
PAGE 4
FEB 15/09

BOEING
737-600/700/800/900
PARTS CATALOG (MAINTENANCE)

FIG ITEM	PART NUMBER	1 2 3 4 5 6 7	NOMENCLATURE	EFFECT FROM TO	UNITS PER ASSY
1 - 115	69-78809-4		..PRINTED CIRCUIT ASSY- SUPPLIER CODE: V89954 COMPONENT MAINT MANUAL REF: 28-09-33 OPTIONAL PART: 69-78809-5 V89954 69-78809-3 V89954 69-78809-6 V89954 FOR SPARES PROCURE: 69-78809-6 V89954	001028 201967	RF
- 115	69-78809-5		..PRINTED CIRCUIT ASSY- SUPPLIER CODE: V89954 COMPONENT MAINT MANUAL REF: 28-09-33 OPTIONAL PART: 69-78809-4 V89954 69-78809-3 V89954 69-78809-6 V89954 FOR SPARES PROCURE: 69-78809-6 V89954	001028 201967	RF
- 115	69-78809-6		..PRINTED CIRCUIT ASSY- SUPPLIER CODE: V89954 COMPONENT MAINT MANUAL REF: 28-09-33 OPTIONAL PART: 69-78809-3 V89954 69-78809-4 V89954 69-78809-5 V89954	001028 201967	RF

MISSING ITEM NUMBERS NOT APPLICABLE

- ITEM NOT ILLUSTRATED

HAP

21-51-00-01

BOEING PROPRIETARY - Copyright © - Unpublished Work - See title page for details.

21-51-00
FIG. 01
PAGE 5
FEB 15/09

NON-ILLUSTRATED FIGURE

THE ITEMS REFLECTED IN THIS FIGURE ARE INTENTIONALLY
NON-ILLUSTRATED. THEY ARE REFERENCED TO EITHER A
NEXT HIGHER OR NEXT LOWER ASSEMBLY/INSTALLATION FIGURE.

E 21510002 REV 052

FUNCTIONAL COLLECTOR-AIR CONT SYS FINAL ASSY OPT FEATURE
FIGURE 2

21-51-00-02

HAP
OCT 10/06

21-51-00-02
PAGE 0

 **BOEING**
737-600/700/800/900
PARTS CATALOG (MAINTENANCE)

FIG ITEM	PART NUMBER	1 2 3 4 5 6 7	NOMENCLATURE	EFFECT FROM TO	UNITS PER ASSY
2			FUNCTIONAL COLLECTOR-AIR CONT SYS FINAL ASSY OPT FEATURE	001030 201967	
- 1	210A0001-6400		FUNCTIONAL COLLECTOR-AIR CONT SYS FINAL ASSY OPT FEATURE FOR 2170DM3003 NO OZONE CONVERTER FOR NHA SEE: 21-00-00-46	001030 201967	RF
- 10	212A1130-1		.DUCT INSTL-PACK BAY AIR SUPPLY POSITION DATA: LH FOR DETAILS SEE: 21-51-53-10	001030 201967	1
- 15	212A1130-2		.DUCT INSTL-PACK BAY AIR SUPPLY POSITION DATA: RH FOR DETAILS SEE: 21-51-53-10	001030 201967	1

MISSING ITEM NUMBERS NOT APPLICABLE

- ITEM NOT ILLUSTRATED

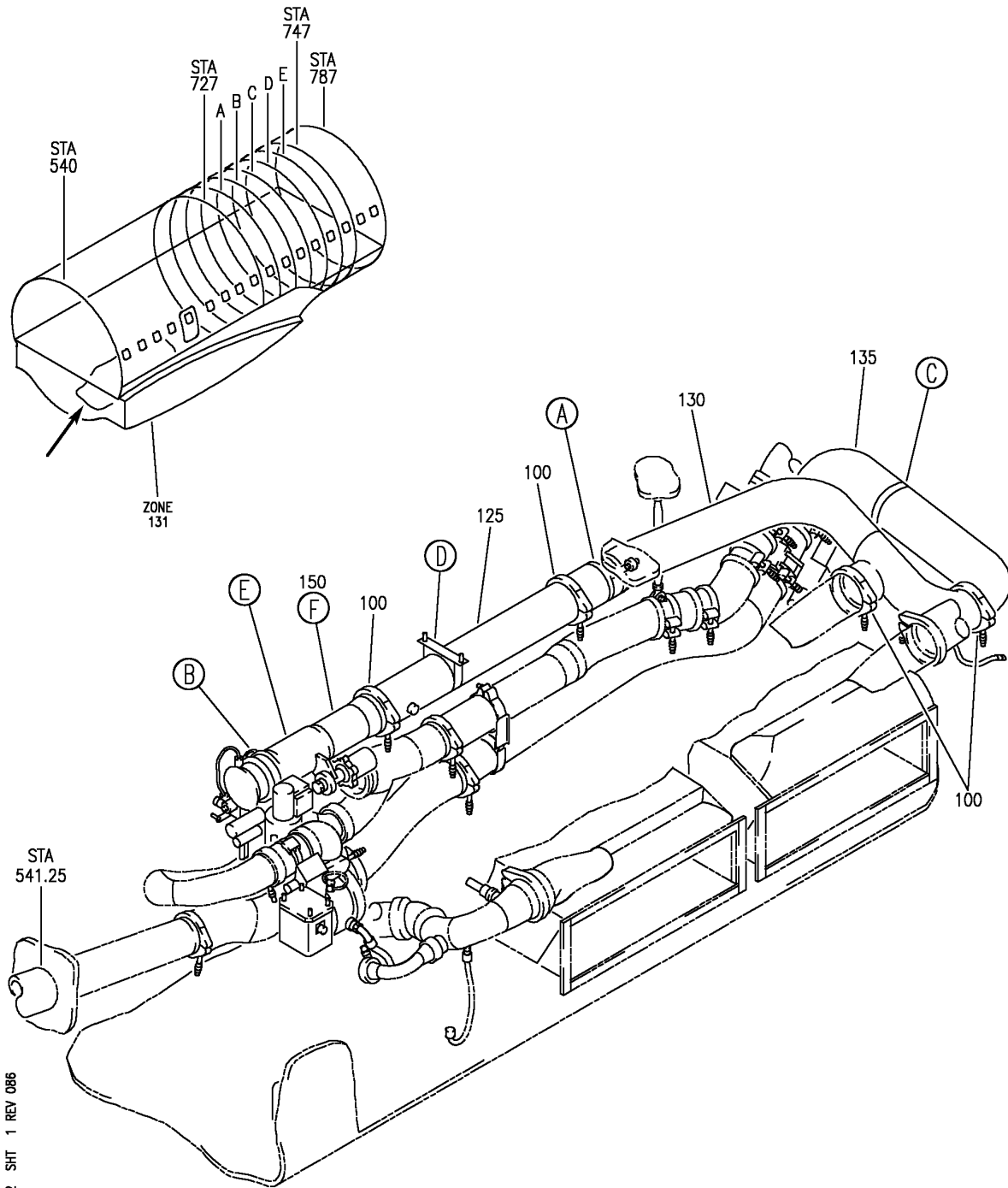
HAP

21-51-00-02

BOEING PROPRIETARY - Copyright © - Unpublished Work - See title page for details.

21-51-00
FIG. 02
PAGE 1
OCT 15/08

BOEING
 737-600/700/800/900
 PARTS CATALOG (MAINTENANCE)



E 21510102 SHT 1 REV 086

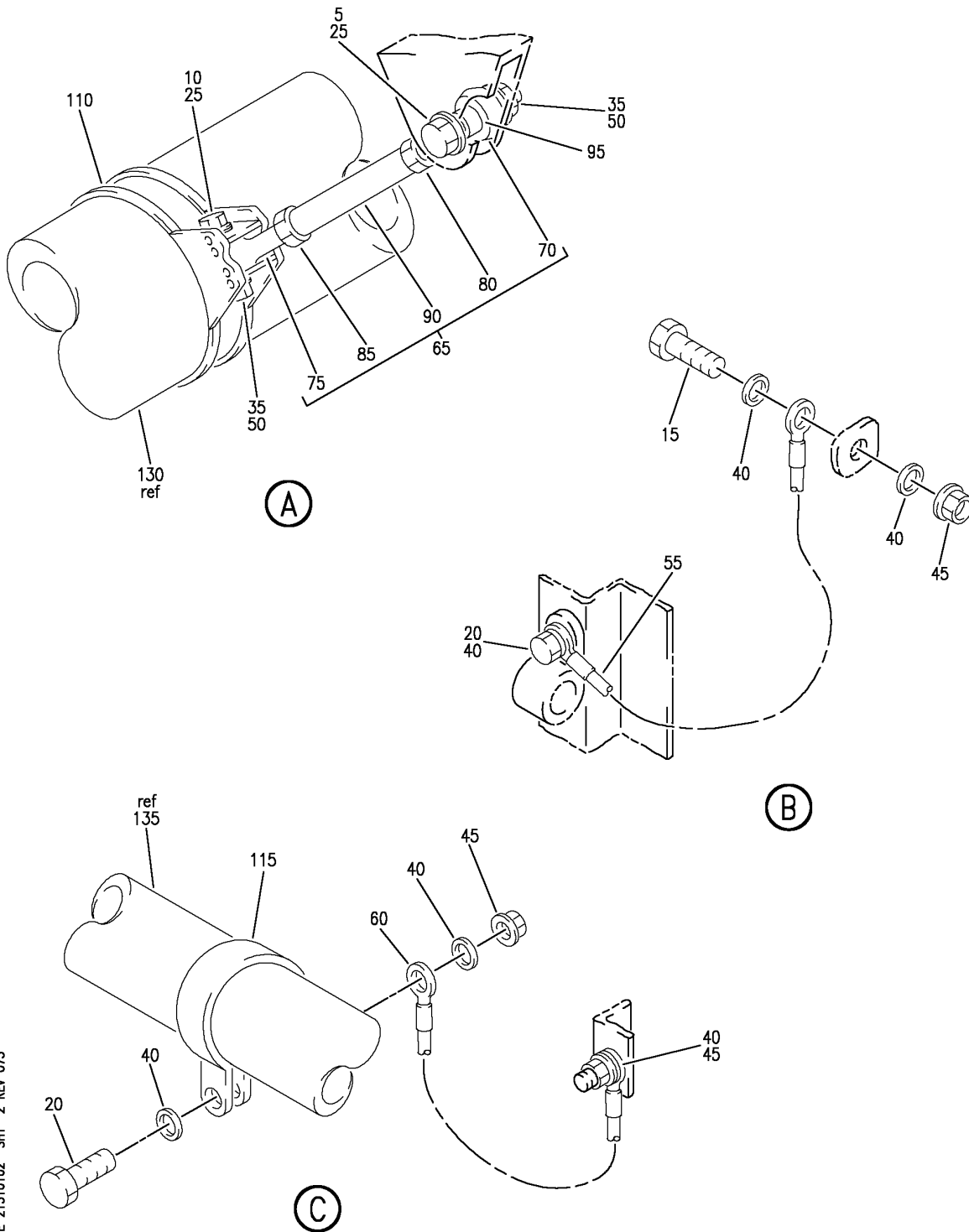
DUCT INSTL-L SIDE AIR CONDITIONING PACK (FLOW CONTROL AND SHUTOFF VALVE ONLY)
 FIGURE 2 (SHEET 1)

HAP
 OCT 15/08

21-51-01-02

21-51-01-02
 PAGE 0

BOEING
 737-600/700/800/900
 PARTS CATALOG (MAINTENANCE)



E 21510102 SHT 2 REV 073

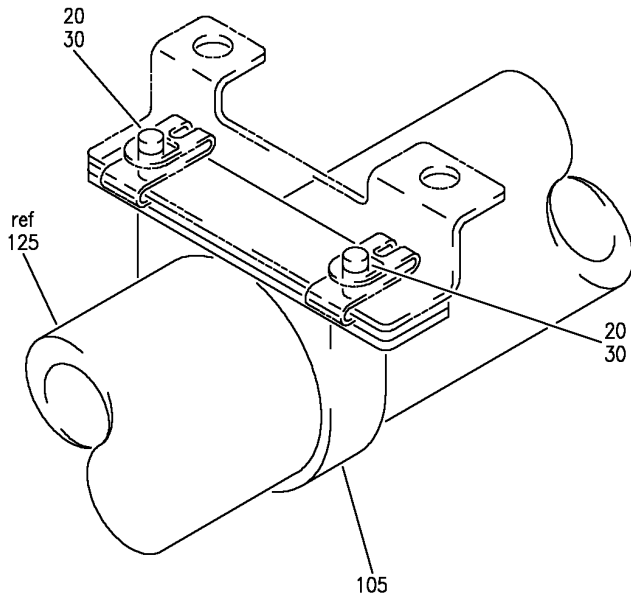
DUCT INSTL-L SIDE AIR CONDITIONING PACK (FLOW CONTROL AND SHUTOFF VALVE ONLY)
 FIGURE 2 (SHEET 2)

21-51-01-02

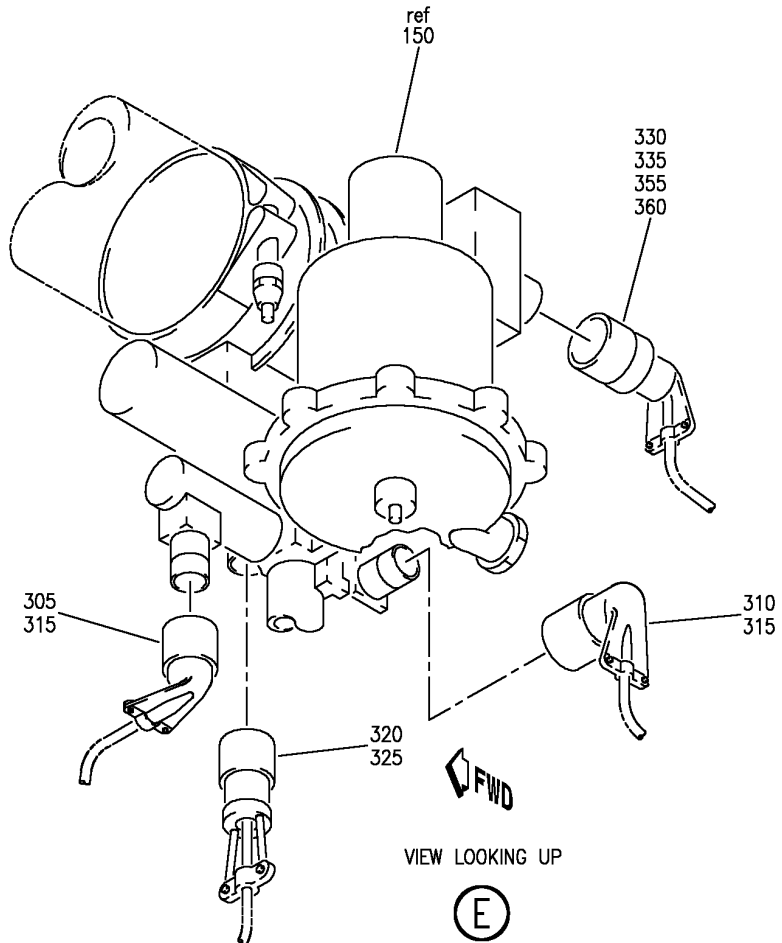
HAP
 OCT 15/08

21-51-01-02
 PAGE 0A

BOEING
 737-600/700/800/900
 PARTS CATALOG (MAINTENANCE)



(D)



E 21510102 SHT 3 REV 086

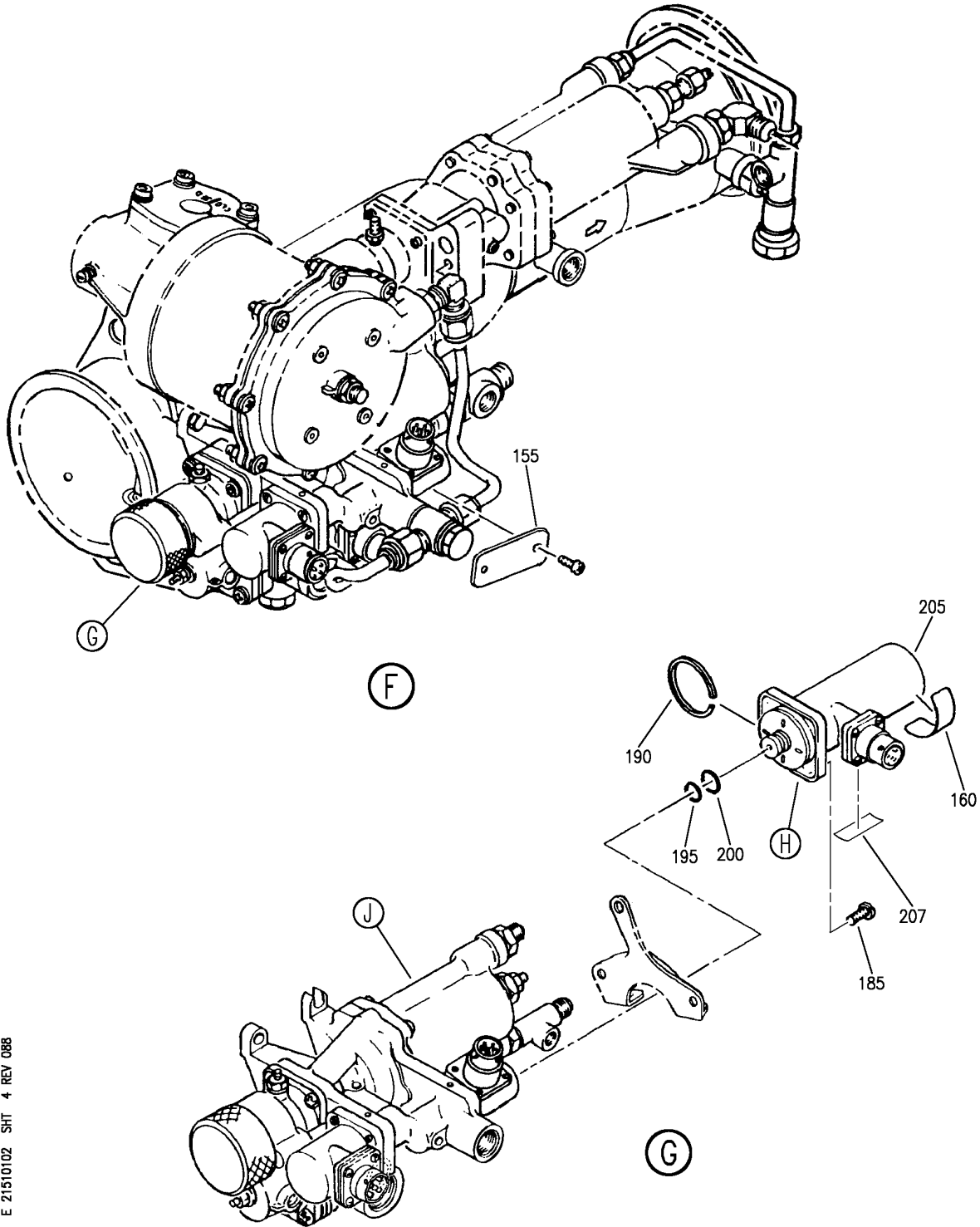
DUCT INSTL-L SIDE AIR CONDITIONING PACK (FLOW CONTROL AND SHUTOFF VALVE ONLY)
 FIGURE 2 (SHEET 3)

21-51-01-02

HAP
 OCT 15/08

21-51-01-02
 PAGE 08

BOEING
 737-600/700/800/900
 PARTS CATALOG (MAINTENANCE)



E 21510102 SHT 4 REV 088

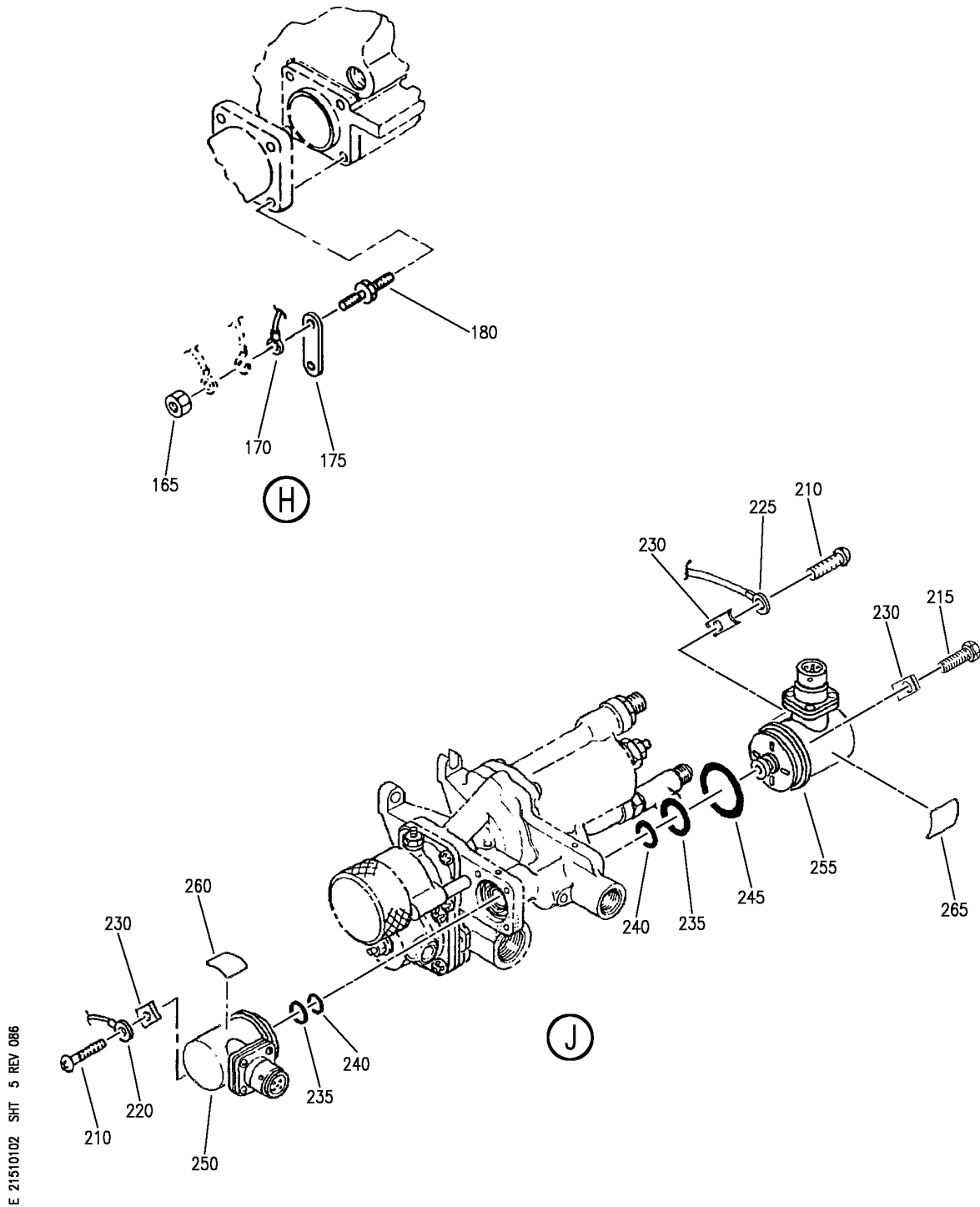
DUCT INSTL-L SIDE AIR CONDITIONING PACK (FLOW CONTROL AND SHUTOFF VALVE ONLY)
 FIGURE 2 (SHEET 4)

HAP
 OCT 15/08

21-51-01-02

21-51-01-02
 PAGE 0C

BOEING
 737-600/700/800/900
 PARTS CATALOG (MAINTENANCE)



E 21510102 SHT 5 REV 086

DUCT INSTL-L SIDE AIR CONDITIONING PACK (FLOW CONTROL AND SHUTOFF VALVE ONLY)
 FIGURE 2 (SHEET 5)

21-51-01-02

HAP
 OCT 15/08

21-51-01-02
 PAGE 0D

BOEING
737-600/700/800/900
PARTS CATALOG (MAINTENANCE)

FIG ITEM	PART NUMBER	1 2 3 4 5 6 7	NOMENCLATURE	EFFECT FROM TO	UNITS PER ASSY
2			DUCT INSTL-L SIDE AIR CONDITIONING PACK (FLOW CONTROL AND SHUTOFF VALVE ONLY)	201967	
- 1	213A1002-1		DUCT INSTL-AIR CONDITIONING PACK (FLOW CONTROL AND SHUTOFF VALVE ONLY) POSITION DATA: L SIDE FOR NHA/OTHER SYS DET SEE: 21-50-00-01B	201967	RF
5	BACB30NR4K18	.BOLT		201967	1
10	BACB30NR4K9	.BOLT		201967	1
15	BACS12GU3K7	.SCREW		201967	1
20	BACS12GU3K9	.SCREW		201967	4
25	BACW10BP4CD	.WASHER		201967	2
30	NAS1149D0316J	.WASHER		201967	2
35	NAS1149D0416J	.WASHER		201967	2
40	NAS1149E0316P	.WASHER		201967	6
45	PLH53CD	.NUT		201967	3
			SUPPLIER CODE: VF0224 SPECIFICATION NUMBER: BACN10YR3CD OPTIONAL PART: H52732-3CD V15653		
50	PLH54CD	.NUT		201967	2
			SUPPLIER CODE: VF0224 SPECIFICATION NUMBER: BACN10YR4CD OPTIONAL PART: H52732-4CD V15653		
55	RBEJ40K5A5A6	.JUMPER		201967	1
			SUPPLIER CODE: V1GK47 SPECIFICATION NUMBER: BACJ40K5A5A6		
60	RBEJ40K5A5A7	.JUMPER		201967	1
			SUPPLIER CODE: V1GK47 SPECIFICATION NUMBER: BACJ40K5A5A7		
65	212A1125-9	.ROD ASSY-TIE		201967	1
70	M81935-1-4	..ROD		201967	1
75	M81935-1-4L	..ROD		201967	1
80	AN316-5R	..NUT-		201967	1

MISSING ITEM NUMBERS NOT APPLICABLE

- ITEM NOT ILLUSTRATED

HAP

21-51-01-02

21-51-01
FIG. 02
PAGE 1
FEB 15/09

BOEING
737-600/700/800/900
PARTS CATALOG (MAINTENANCE)

FIG ITEM	PART NUMBER	1 2 3 4 5 6 7	NOMENCLATURE	EFFECT FROM TO	UNITS PER ASSY
2					
85	AN316-5L	..	NUT-	201967	1
90	212A1125-10	..	TUBE	201967	1
95	BACB28AK04-051	.	BUSHING	201967	1
100	BACC10DU350ABE	.	CLAMP	201967	4
105	TA04C36H56	.	CLAMP	201967	1
			SUPPLIER CODE: V84971		
			SPECIFICATION NUMBER: BACC10CC56C		
			OPTIONAL PART: JM45SC3H56T		
			V22175		
			421SS56		
			V83930		
110	3015AE120EC	.	CLAMP	201967	1
			SUPPLIER CODE: V94581		
			SPECIFICATION NUMBER: BACC10HN120EC		
			OPTIONAL PART: 65790A120EC		
			V00624		
115	BACC10GN56C	.	CLAMP	201967	1
125	213A1201-1	.	DUCT ASSY	201967	1
130	213A1201-3	.	DUCT ASSY	201967	1
135	213A1201-11	.	DUCT ASSY	201967	1
150	396498-2	.	VALVE ASSY-FLOW CONT AND SHUTOFF	201967	1
			SUPPLIER CODE: V59364		
			FUNCTIONAL DESCRIPTION: CONTROLS BLEED AIR FLOW THROUGH THE AIR CYCLE SYSTEM		
			ELECTRICAL EQUIP NUMBER: V00018		
			COMPONENT MAINT MANUAL REF: 21-11-07		
			MAINTENANCE MANUAL REF: 21-51-01		
155	S3005-1	..	PLATE-IDENT	201967	1
			SUPPLIER CODE: V59364		
			CONFIG CHG DATA FROM A CMM: REPLD BY S3005-2		

MISSING ITEM NUMBERS NOT APPLICABLE

— ITEM NOT ILLUSTRATED

HAP

21-51-01-02

BOEING PROPRIETARY - Copyright © - Unpublished Work - See title page for details.

21-51-01
FIG. 02
PAGE 2
OCT 15/08

BOEING
737-600/700/800/900
PARTS CATALOG (MAINTENANCE)

FIG ITEM	PART NUMBER	1 2 3 4 5 6 7	NOMENCLATURE	EFFECT FROM TO	UNITS PER ASSY
2					
155	S3005-2	..	PLATE-IDENT SUPPLIER CODE: V59364 CONFIG CHG DATA FROM A CMM: REPLS S3005-1 REPLD BY S3033-1	201967	1
155	S3033-1	..	PLATE-IDENT SUPPLIER CODE: V59364 CONFIG CHG DATA FROM A CMM: REPLS S3005-2	201967	1
160	859520-9	..	PLATE- SUPPLIER CODE: V59364	201967	1
165	MS21043-08	..	NUT	201967	1
170	MS25083-2BB6	..	JUMPER	201967	1
175	113566-2	..	TERMINAL-LUG SUPPLIER CODE: V59364	201967	1
180	3163533-4	..	STUD- SUPPLIER CODE: V59364	201967	1
185	MS51957-46	..	SCREW	201967	3
190	113326-21	..	SHIM-WASHER SUPPLIER CODE: V59364 SELECT FROM ITEM.	201967	AR
190	113326-21-1	..	SHIM-WASHER SUPPLIER CODE: V59364 SELECT FROM ITEM.	201967	AR
190	113326-21-2	..	SHIM-WASHER SUPPLIER CODE: V59364 SELECT FROM ITEM.	201967	AR
195	S8990-563	..	PACKING- SUPPLIER CODE: V59364	201967	1
200	S8990-564	..	PACKING- SUPPLIER CODE: V59364	201967	1
205	320115-14	..	VALVE ASSY-SOL. SUPPLIER CODE: V59364 COMPONENT MAINT MANUAL REF: 24-09-15	201967	1
207	967700-1-1	...	PLATE-ID SUPPLIER CODE: V59364	201967	1

MISSING ITEM NUMBERS NOT APPLICABLE

— ITEM NOT ILLUSTRATED

HAP

21-51-01-02

BOEING PROPRIETARY - Copyright © - Unpublished Work - See title page for details.

21-51-01
FIG. 02
PAGE 3
OCT 15/08

BOEING
737-600/700/800/900
PARTS CATALOG (MAINTENANCE)

FIG ITEM	PART NUMBER	1 2 3 4 5 6 7	NOMENCLATURE	EFFECT FROM TO	UNITS PER ASSY
2					
210	MS51957-45	..	SCREW	201967	7
215	S9073C08-8R	..	SCREW-	201967	1
			SUPPLIER CODE: V59364		
220	MS25083-2BB6	..	JUMPER	201967	1
225	MS25083-2BB5	..	JUMPER	201967	1
230	3160543-1	..	CLIP-	201967	8
			SUPPLIER CODE: V59364		
235	S8990-564	..	PACKING-	201967	2
			SUPPLIER CODE: V59364		
240	S8990-563	..	PACKING-	201967	2
			SUPPLIER CODE: V59364		
245	S8990-565	..	PACKING-	201967	1
			SUPPLIER CODE: V59364		
250	319545-85	..	SOLENOID-	201967	1
			SUPPLIER CODE: V59364		
			FUNCTIONAL DESCRIPTION: PROVIDE ELECTRICAL CONTROL FOR REGULATING AIRFLOW IN AN AIRCRAFT PNEUMATIC SYSTEM. COMPONENT MAINT MANUAL REF: 24-09-05		
255	319545-86	..	SOLENOID-	201967	1
			SUPPLIER CODE: V59364		
			FUNCTIONAL DESCRIPTION: PROVIDE ELECTRICAL CONTROL FOR REGULATING AIRFLOW IN AN AIRCRAFT PNEUMATIC SYSTEM. COMPONENT MAINT MANUAL REF: 24-09-05		
260	859520-3	..	DECAL-	201967	1
			SUPPLIER CODE: V59364		
265	859520-2	..	PLATE-	201967	1
			SUPPLIER CODE: V59364		
			CONFIG CHG DATA FROM A CMM: REPLD BY 589520-35		

MISSING ITEM NUMBERS NOT APPLICABLE

— ITEM NOT ILLUSTRATED

HAP

21-51-01-02

BOEING PROPRIETARY - Copyright © - Unpublished Work - See title page for details.

21-51-01
FIG. 02
PAGE 4
OCT 15/08

BOEING
737-600/700/800/900
PARTS CATALOG (MAINTENANCE)

FIG ITEM	PART NUMBER	1 2 3 4 5 6 7	NOMENCLATURE	EFFECT FROM TO	UNITS PER ASSY
2 265	589520-35		..PLATE- SUPPLIER CODE: V59364 CONFIG CHG DATA FROM A CMM: REPLS 589520-2	201967	1
- 300 305	286A5502-001 BACC63BN10-20SN		WIRE BUNDLE ASSY .PLUG- ELECTRICAL EQUIP NUMBER: D00392 WIRING DIAGRAM REF: 215111	201967 201967	RF 1
310	BACC63BN10-20S7		.PLUG- ELECTRICAL EQUIP NUMBER: D00962 WIRING DIAGRAM REF: 215111	201967	1
315	MS27559-2		.SUPPORT- ELECTRICAL EQUIP NUMBER: D00392T D00962T WIRING DIAGRAM REF: 215111	201967	2
320	C0909A10-05S6		.PLUG- SUPPLIER CODE: V13556 SPECIFICATION NUMBER: BACC63BN10-5S6 OPTIONAL PART: 48-63N10-5S6 V02660 R071210-5S6 V41118 ELECTRICAL EQUIP NUMBER: D00488 WIRING DIAGRAM REF: 215111	201967	1
325	MS27291-1		.CLAMP- ELECTRICAL EQUIP NUMBER: D00488T WIRING DIAGRAM REF: 215111	201967	1
330	BACC63BN12-3SN		.PLUG- ELECTRICAL EQUIP NUMBER: D00486 WIRING DIAGRAM REF: 215111	201967	1

MISSING ITEM NUMBERS NOT APPLICABLE

- ITEM NOT ILLUSTRATED

HAP

21-51-01-02

BOEING PROPRIETARY - Copyright © - Unpublished Work - See title page for details.

21-51-01
FIG. 02
PAGE 5
OCT 15/08


BOEING
 737-600/700/800/900
PARTS CATALOG (MAINTENANCE)

FIG ITEM	PART NUMBER	1 2 3 4 5 6 7 NOMENCLATURE	EFFECT FROM TO	UNITS PER ASSY
2 335	MS27559-3	.SUPPORT- ELECTRICAL EQUIP NUMBER: D00486T WIRING DIAGRAM REF: 215111	201967	1

MISSING ITEM NUMBERS NOT APPLICABLE

— ITEM NOT ILLUSTRATED

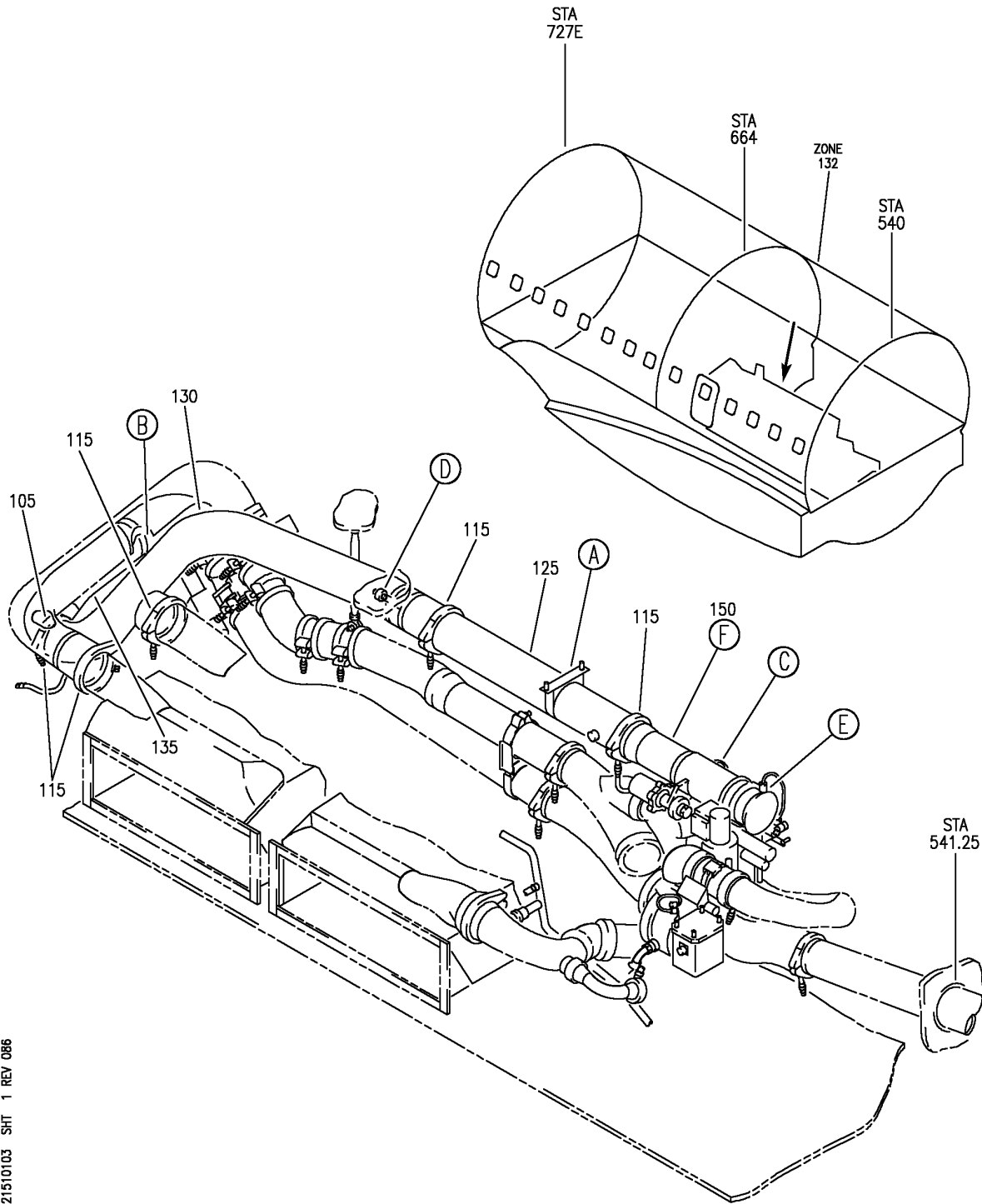
HAP

21-51-01-02

BOEING PROPRIETARY - Copyright © - Unpublished Work - See title page for details.

21-51-01
 FIG. 02
 PAGE 6
 OCT 15/08

BOEING
 737-600/700/800/900
 PARTS CATALOG (MAINTENANCE)



E 21510103 SHT 1 REV 086

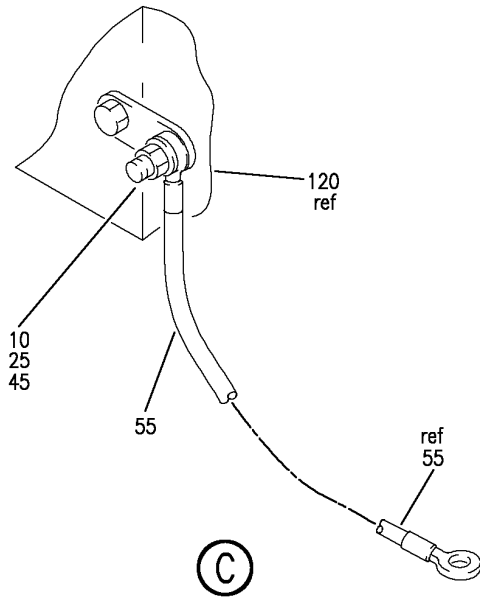
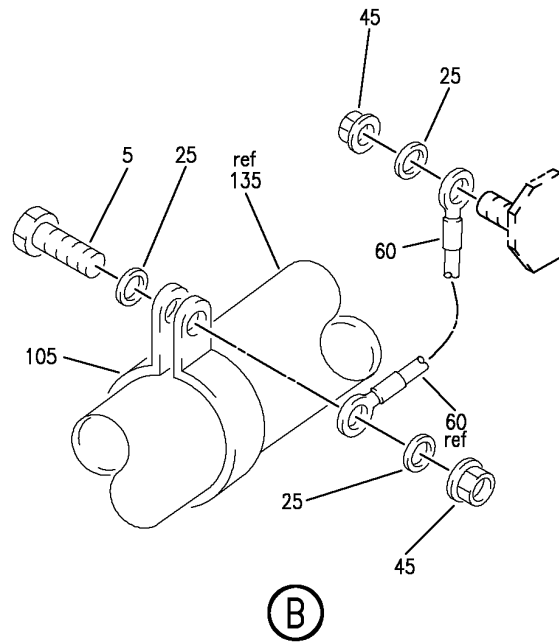
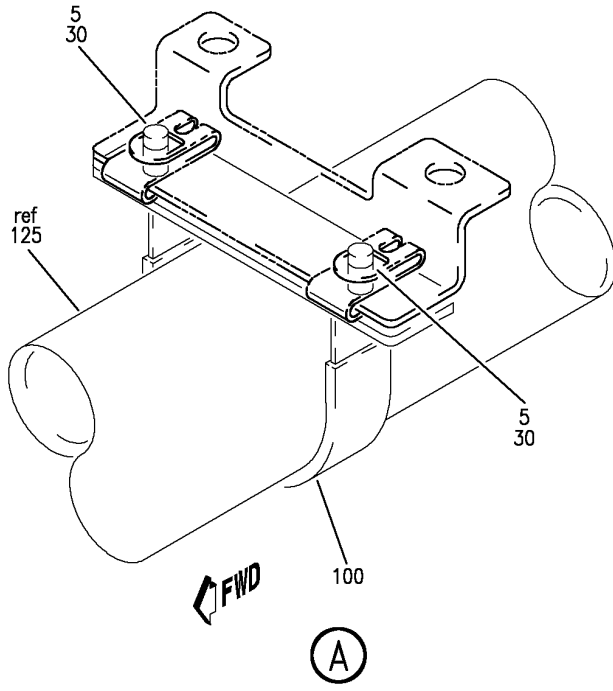
DUCT INST-R SIDE AIR CONDITIONING PACK (FLOW CONTROL AND SHUTOFF VALVE ONLY)
 FIGURE 3 (SHEET 1)

21-51-01-03

HAP
 OCT 15/08

21-51-01-03
 PAGE 0

BOEING
 737-600/700/800/900
 PARTS CATALOG (MAINTENANCE)



E 21510103 SH1 2 REV 074

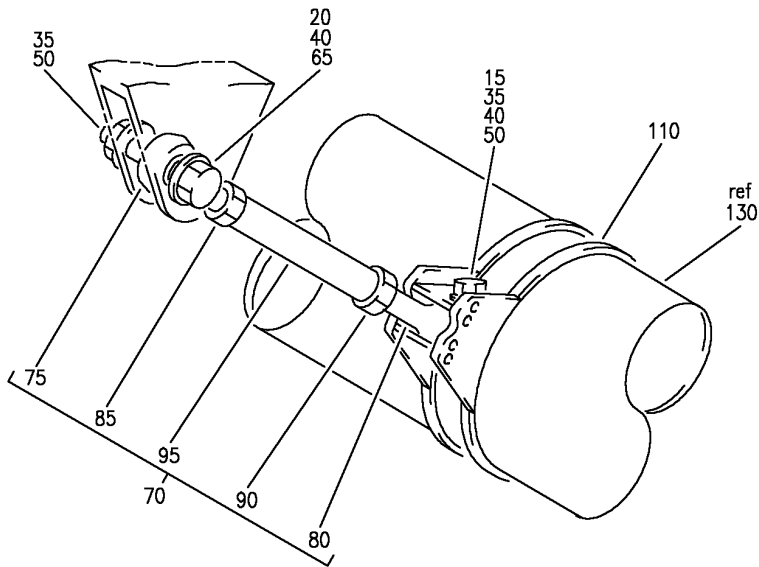
DUCT INST-R SIDE AIR CONDITIONING PACK (FLOW CONTROL AND SHUTOFF VALVE ONLY)
 FIGURE 3 (SHEET 2)

21-51-01-03

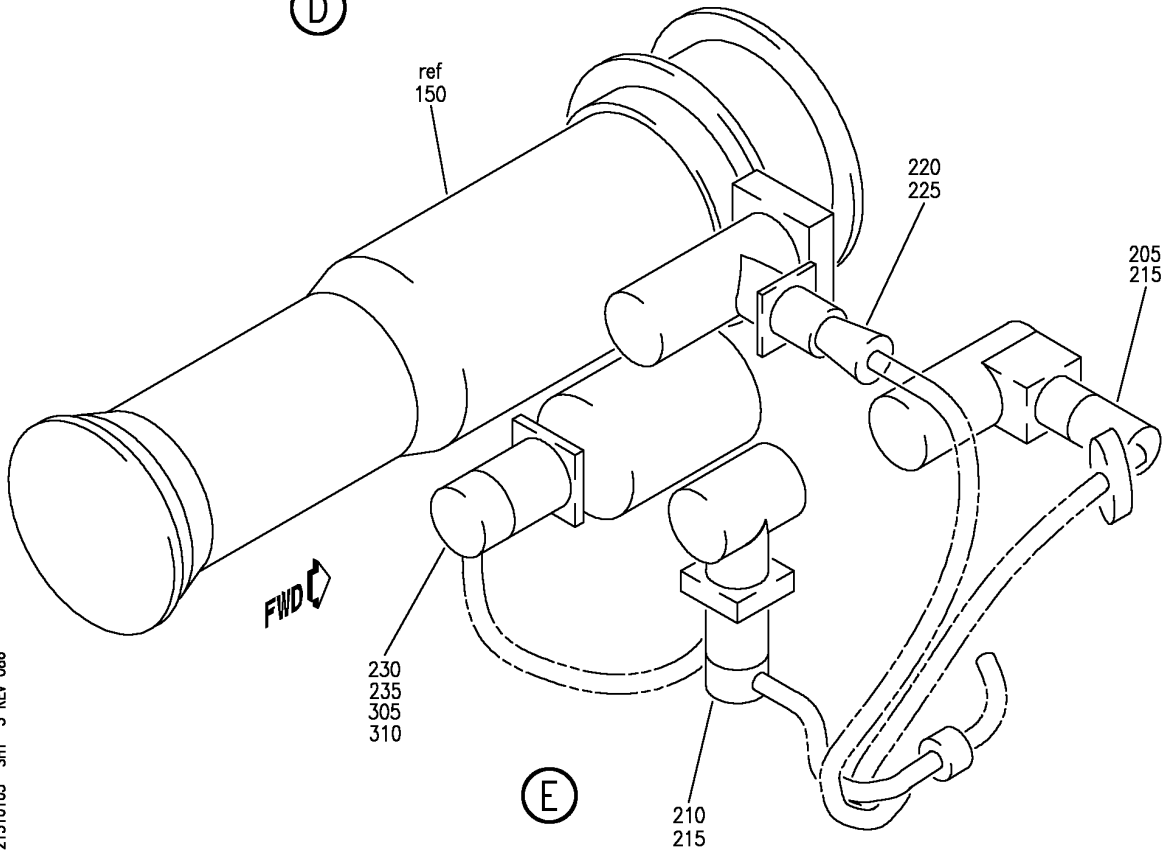
HAP
 OCT 15/08

21-51-01-03
 PAGE 0A

BOEING
 737-600/700/800/900
 PARTS CATALOG (MAINTENANCE)



(D)



(E)

E 21510103 SHT 3 REV 086

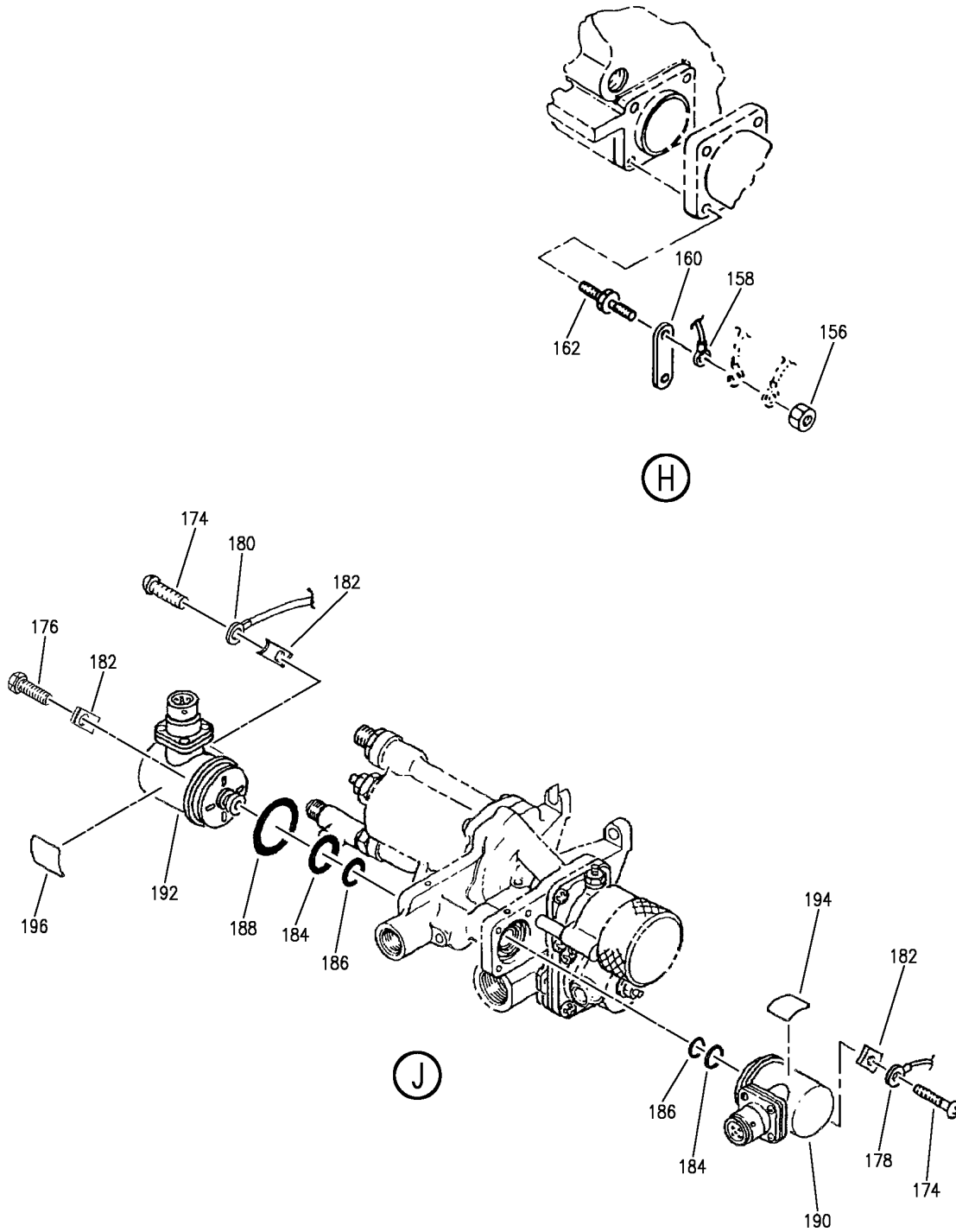
DUCT INST-R SIDE AIR CONDITIONING PACK (FLOW CONTROL AND SHUTOFF VALVE ONLY)
 FIGURE 3 (SHEET 3)

21-51-01-03

HAP
 OCT 15/08

21-51-01-03
 PAGE 0B

BOEING
 737-600/700/800/900
 PARTS CATALOG (MAINTENANCE)



E 21510103 SHT 5 REV 086

DUCT INST-R SIDE AIR CONDITIONING PACK (FLOW CONTROL AND SHUTOFF VALVE ONLY)
 FIGURE 3 (SHEET 5)

21-51-01-03

HAP
 OCT 15/08

21-51-01-03
 PAGE 0D

BOEING
737-600/700/800/900
PARTS CATALOG (MAINTENANCE)

FIG ITEM	PART NUMBER	1 2 3 4 5 6 7	NOMENCLATURE	EFFECT FROM TO	UNITS PER ASSY
3			DUCT INST-R SIDE AIR CONDITIONING PACK (FLOW CONTROL AND SHUTOFF VALVE ONLY)	201967	
- 1	213A1002-2		DUCT INSTL-AIR CONDITIONING PACK (FLOW CONTROL AND SHUTOFF VALVE ONLY) POSITION DATA: R SIDE FOR NHA/OTHER SYS DET SEE: 21-50-00-01B	201967	RF
5	BACS12GU3K9	.SCREW		201967	3
10	BACS12GU3K7	.SCREW		201967	1
15	BACB30NR4K9	.BOLT		201967	1
20	BACB30NR4K18	.BOLT		201967	1
25	NAS1149E0316P	.WASHER		201967	4
30	NAS1149D0316J	.WASHER		201967	2
35	NAS1149D0416J	.WASHER		201967	2
40	BACW10BP4CD	.WASHER		201967	2
45	PLH53CD	.NUT		201967	3
			SUPPLIER CODE: VF0224 SPECIFICATION NUMBER: BACN10YR3CD OPTIONAL PART: H52732-3CD V15653		
50	PLH54CD	.NUT		201967	2
			SUPPLIER CODE: VF0224 SPECIFICATION NUMBER: BACN10YR4CD OPTIONAL PART: H52732-4CD V15653		
55	RBEJ40K5A5A14	.JUMPER		201967	1
			SUPPLIER CODE: V1GK47 SPECIFICATION NUMBER: BACJ40K5A5A14		
60	RBEJ40K5A5A11	.JUMPER		201967	1
			SUPPLIER CODE: V1GK47 SPECIFICATION NUMBER: BACJ40K5A5A11		
65	BACB28AK04-051	.BUSHING		201967	1
70	212A1125-9	.ROD ASSY		201967	1
75	M81935-1-4	..ROD		201967	1
80	M81935-1-4L	..ROD		201967	1

MISSING ITEM NUMBERS NOT APPLICABLE

- ITEM NOT ILLUSTRATED

HAP

21-51-01-03

BOEING PROPRIETARY - Copyright © - Unpublished Work - See title page for details.

21-51-01
FIG. 03
PAGE 1
FEB 15/09

BOEING
737-600/700/800/900
PARTS CATALOG (MAINTENANCE)

FIG ITEM	PART NUMBER	1 2 3 4 5 6 7	NOMENCLATURE	EFFECT FROM TO	UNITS PER ASSY
3					
85	AN316-5R	..	NUT	201967	1
90	AN316-5L	..	NUT	201967	1
95	212A1125-10	..	TUBE	201967	1
100	TA04C36H56	.CLAMP		201967	1
			SUPPLIER CODE: V84971		
			SPECIFICATION NUMBER: BACC10CC56C		
			OPTIONAL PART: JM45SC3H56T		
			V22175		
			421SS56		
			V83930		
105	BACC10GN56C	.CLAMP		201967	1
110	3015AE120EC	.CLAMP		201967	1
			SUPPLIER CODE: V94581		
			SPECIFICATION NUMBER: BACC10HN120EC		
			OPTIONAL PART: 65790A120EC		
			V00624		
115	BACC10DU350ABE	.CLAMP		201967	5
125	213A1201-8	.DUCT ASSY		201967	1
130	213A1201-24	.DUCT ASSY		201967	1
135	213A1201-30	.DUCT ASSY		201967	1
150	396498-2	.VALVE ASSY-FLOW CONT AND SHUTOFF		201967	1
			SUPPLIER CODE: V59364		
			FUNCTIONAL DESCRIPTION: CONTROLS BLEED AIR FLOW THROUGH THE AIR CYCLE SYSTEM.		
			ELECTRICAL EQUIP NUMBER: V00019		
			COMPONENT MAINT MANUAL REF: 21-11-07		
			MAINTENANCE MANUAL REF: 21-51-01		
152	S3005-1	..	PLATE-IDENT	201967	1
			SUPPLIER CODE: V59364		
			CONFIG CHG DATA FROM A CMM: REPLD BY S3005-2		

MISSING ITEM NUMBERS NOT APPLICABLE

— ITEM NOT ILLUSTRATED

HAP

21-51-01-03

BOEING PROPRIETARY - Copyright © - Unpublished Work - See title page for details.

21-51-01
FIG. 03
PAGE 2
OCT 15/08

BOEING
737-600/700/800/900
PARTS CATALOG (MAINTENANCE)

FIG ITEM	PART NUMBER	1 2 3 4 5 6 7	NOMENCLATURE	EFFECT FROM TO	UNITS PER ASSY
3					
152	S3005-2	..	PLATE-IDENT SUPPLIER CODE: V59364 CONFIG CHG DATA FROM A CMM: REPLS S3005-1 REPLD BY S3033-1	201967	1
152	S3033-1	..	PLATE-IDENT SUPPLIER CODE: V59364 CONFIG CHG DATA FROM A CMM: REPLS S3005-2	201967	1
154	859520-9	..	PLATE- SUPPLIER CODE: V59364	201967	1
156	MS21043-08	..	NUT	201967	1
158	MS25083-2BB6	..	JUMPER	201967	1
160	113566-2	..	TERMINAL-LUG SUPPLIER CODE: V59364	201967	1
162	3163533-4	..	STUD- SUPPLIER CODE: V59364	201967	1
164	MS51957-46	..	SCREW	201967	3
166	113326-21	..	SHIM-WASHER SUPPLIER CODE: V59364 SELECT FROM ITEM.	201967	AR
166	113326-21-1	..	SHIM-WASHER SUPPLIER CODE: V59364 SELECT FROM ITEM.	201967	AR
166	113326-21-2	..	SHIM-WASHER SUPPLIER CODE: V59364 SELECT FROM ITEM.	201967	AR
168	S8990-563	..	PACKING- SUPPLIER CODE: V59364	201967	1
170	S8990-564	..	PACKING- SUPPLIER CODE: V59364	201967	1
172	320115-14	..	VALVE ASSY-SOL. SUPPLIER CODE: V59364 COMPONENT MAINT MANUAL REF: 24-09-15	201967	1
173	967700-1-1	...	PLATE-ID SUPPLIER CODE: V59364	201967	1

MISSING ITEM NUMBERS NOT APPLICABLE

— ITEM NOT ILLUSTRATED

HAP

21-51-01-03

21-51-01
FIG. 03
PAGE 3
OCT 15/08

BOEING
737-600/700/800/900
PARTS CATALOG (MAINTENANCE)

FIG ITEM	PART NUMBER	1 2 3 4 5 6 7	NOMENCLATURE	EFFECT FROM TO	UNITS PER ASSY
3					
174	MS51957-45	..	SCREW	201967	7
176	S9073C08-8R	..	SCREW-	201967	1
			SUPPLIER CODE: V59364		
178	MS25083-2BB6	..	JUMPER	201967	1
180	MS25083-2BB5	..	JUMPER	201967	1
182	3160543-1	..	CLIP-	201967	8
			SUPPLIER CODE: V59364		
184	S8990-564	..	PACKING-	201967	2
			SUPPLIER CODE: V59364		
186	S8990-563	..	PACKING-	201967	2
			SUPPLIER CODE: V59364		
188	S8990-565	..	PACKING-	201967	1
			SUPPLIER CODE: V59364		
190	319545-85	..	SOLENOID-	201967	1
			SUPPLIER CODE: V59364		
			FUNCTIONAL DESCRIPTION: PROVIDE ELECTRICAL CONTROL FOR REGULATING AIRFLOW IN AN AIRCRAFT PNEUMATIC SYSTEM. COMPONENT MAINT MANUAL REF: 24-09-05		
192	319545-86	..	SOLENOID-	201967	1
			SUPPLIER CODE: V59364		
			FUNCTIONAL DESCRIPTION: PROVIDE ELECTRICAL CONTROL FOR REGULATING AIRFLOW IN AN AIRCRAFT PNEUMATIC SYSTEM. COMPONENT MAINT MANUAL REF: 24-09-05		
194	859520-3	..	DECAL-	201967	1
			SUPPLIER CODE: V59364		
196	859520-2	..	PLATE-	201967	1
			SUPPLIER CODE: V59364		
			CONFIG CHG DATA FROM A CMM: REPLD BY 589520-35		

MISSING ITEM NUMBERS NOT APPLICABLE

— ITEM NOT ILLUSTRATED

HAP

21-51-01-03

BOEING PROPRIETARY - Copyright © - Unpublished Work - See title page for details.

21-51-01
FIG. 03
PAGE 4
OCT 15/08

BOEING
737-600/700/800/900
PARTS CATALOG (MAINTENANCE)

FIG ITEM	PART NUMBER	1 2 3 4 5 6 7	NOMENCLATURE	EFFECT FROM TO	UNITS PER ASSY
3 196	589520-35		..PLATE- SUPPLIER CODE: V59364 CONFIG CHG DATA FROM A CMM: REPLS 589520-2	201967	1
- 200 205	286A6502-001 BACC63BN10-20SN		WIRE BUNDLE ASSY .PLUG- ELECTRICAL EQUIP NUMBER: D00394 WIRING DIAGRAM REF: 215121	201967 201967	RF 1
210	BACC63BN10-20S7		.PLUG- ELECTRICAL EQUIP NUMBER: D00964 WIRING DIAGRAM REF: 215121	201967	1
215	MS27559-2		.SUPPORT- ELECTRICAL EQUIP NUMBER: D00394T D00964T WIRING DIAGRAM REF: 215121	201967	1
220	C0909A10-05S6		.PLUG- SUPPLIER CODE: V13556 SPECIFICATION NUMBER: BACC63BN10-5S6 OPTIONAL PART: 48-63N10-5S6 V02660 R071210-5S6 V41118 ELECTRICAL EQUIP NUMBER: D00492 WIRING DIAGRAM REF: 215121	201967	1
225	MS27291-1		.CLAMP- ELECTRICAL EQUIP NUMBER: D00492T WIRING DIAGRAM REF: 215121	201967	1
230	BACC63BN12-3SN		.PLUG- ELECTRICAL EQUIP NUMBER: D00490 WIRING DIAGRAM REF: 215121	201967	1

MISSING ITEM NUMBERS NOT APPLICABLE

- ITEM NOT ILLUSTRATED

HAP

21-51-01-03

BOEING PROPRIETARY - Copyright © - Unpublished Work - See title page for details.

21-51-01
FIG. 03
PAGE 5
OCT 15/08


BOEING
 737-600/700/800/900
PARTS CATALOG (MAINTENANCE)

FIG ITEM	PART NUMBER	1 2 3 4 5 6 7	NOMENCLATURE	EFFECT FROM TO	UNITS PER ASSY
3 235	MS27559-3		.SUPPORT- ELECTRICAL EQUIP NUMBER: D00490T WIRING DIAGRAM REF: 215121	201967	1
900			ILLUSTRATION REFERENCE: DUCT INSTL-R SIDE AIR CONDITIONING PACK (ZONE TEMPERATURE CONTROL AND INDICATION ONLY) 21-61-02-02	201967	RF
905			ILLUSTRATION REFERENCE: PACK INSTL-AIR CONDITIONING (HEAT EXCHANGER AND PLENUM/DIFFUSER ASSY ONLY) 21-51-03-01	201967	RF

MISSING ITEM NUMBERS NOT APPLICABLE

— ITEM NOT ILLUSTRATED

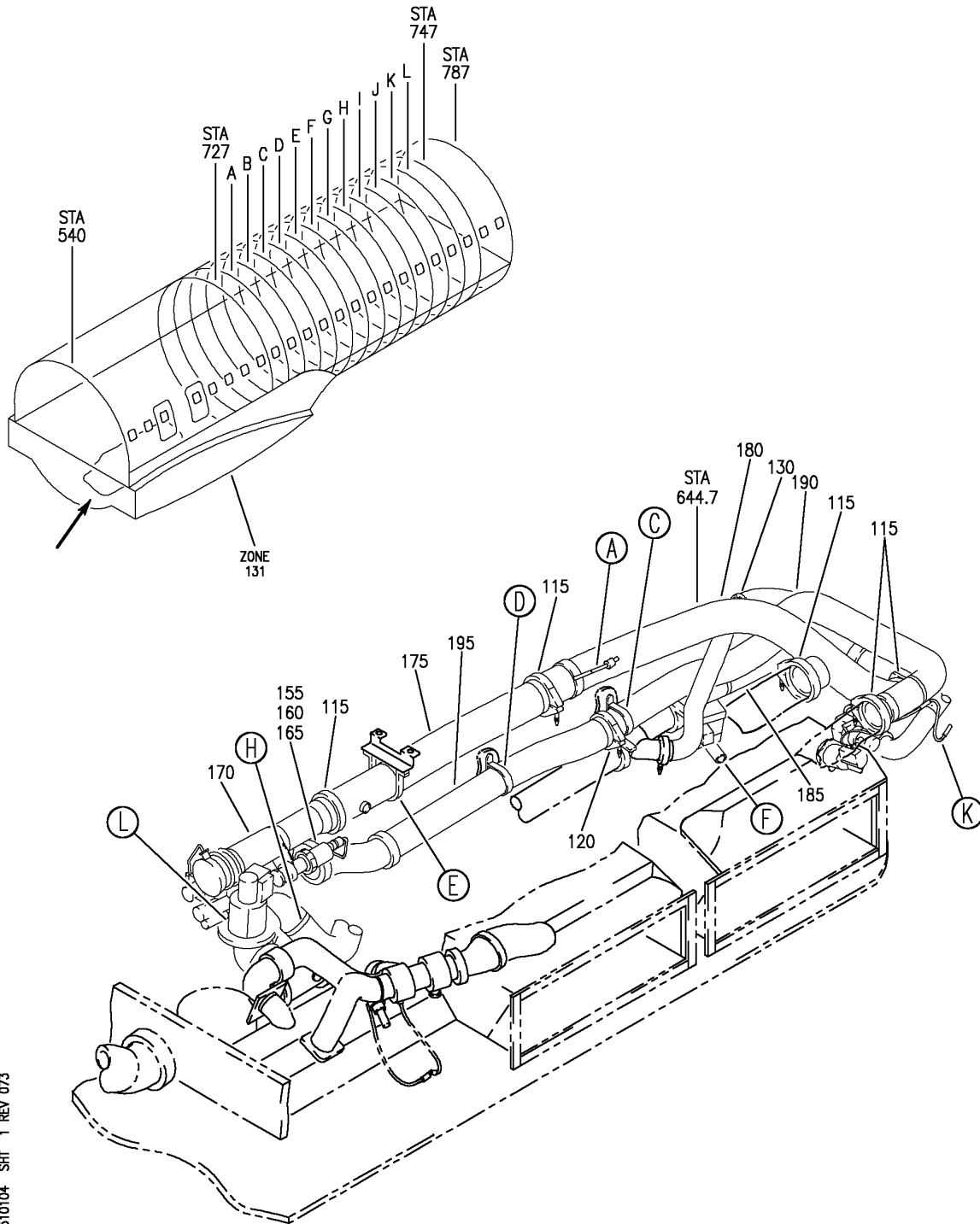
HAP

21-51-01-03

BOEING PROPRIETARY - Copyright © - Unpublished Work - See title page for details.

21-51-01
 FIG. 03
 PAGE 6
 OCT 15/08

BOEING
 737-600/700/800/900
 PARTS CATALOG (MAINTENANCE)



E 21510104 SH1 1 REV 073

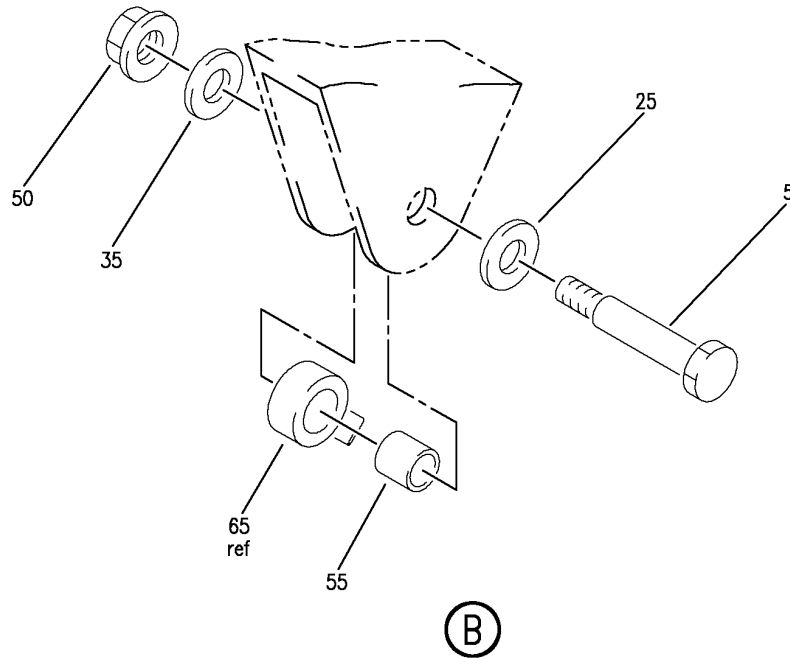
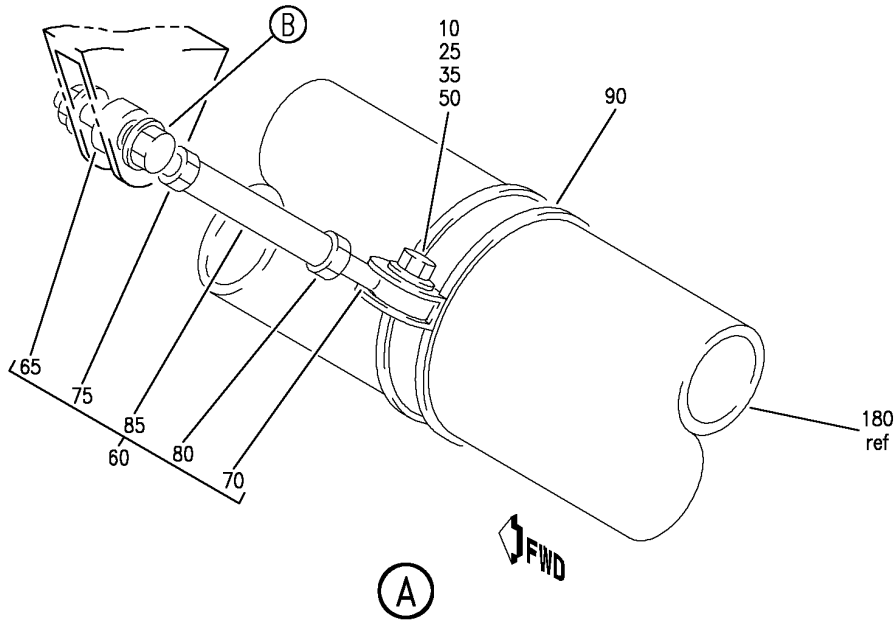
DUCT INSTL-L SIDE AIR CONDITIONING PACK (FLOW CONTROL AND SHUTOFF VALVE ONLY)
 FIGURE 4 (SHEET 1)

HAP
 OCT 10/06

21-51-01-04

21-51-01-04
 PAGE 0

BOEING
 737-600/700/800/900
 PARTS CATALOG (MAINTENANCE)



E 21510104 SH1 2 REV 073

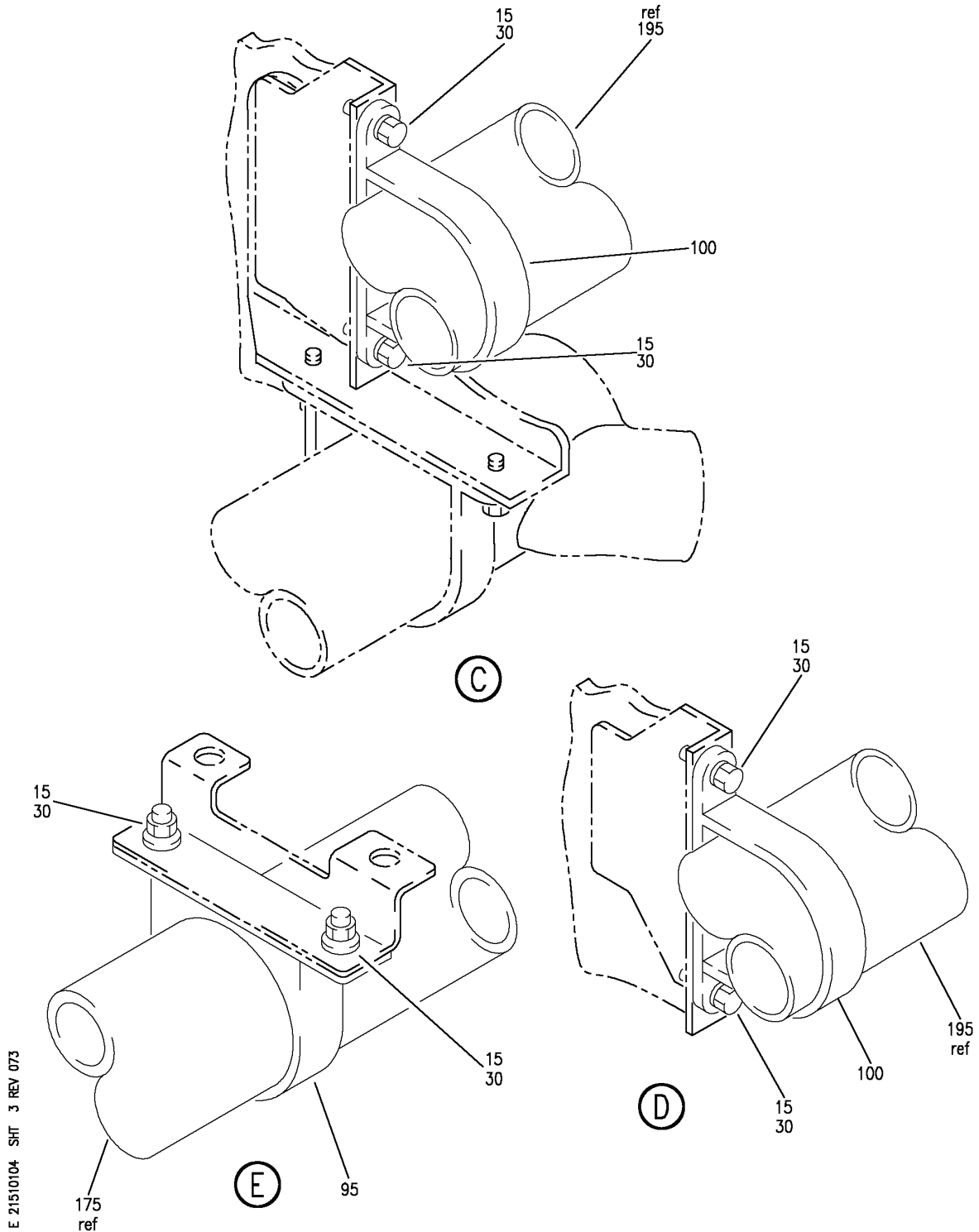
DUCT INSTL-L SIDE AIR CONDITIONING PACK (FLOW CONTROL AND SHUTOFF VALVE ONLY)
 FIGURE 4 (SHEET 2)

HAP
 OCT 10/06

21-51-01-04

21-51-01-04
 PAGE 0A

BOEING
 737-600/700/800/900
 PARTS CATALOG (MAINTENANCE)



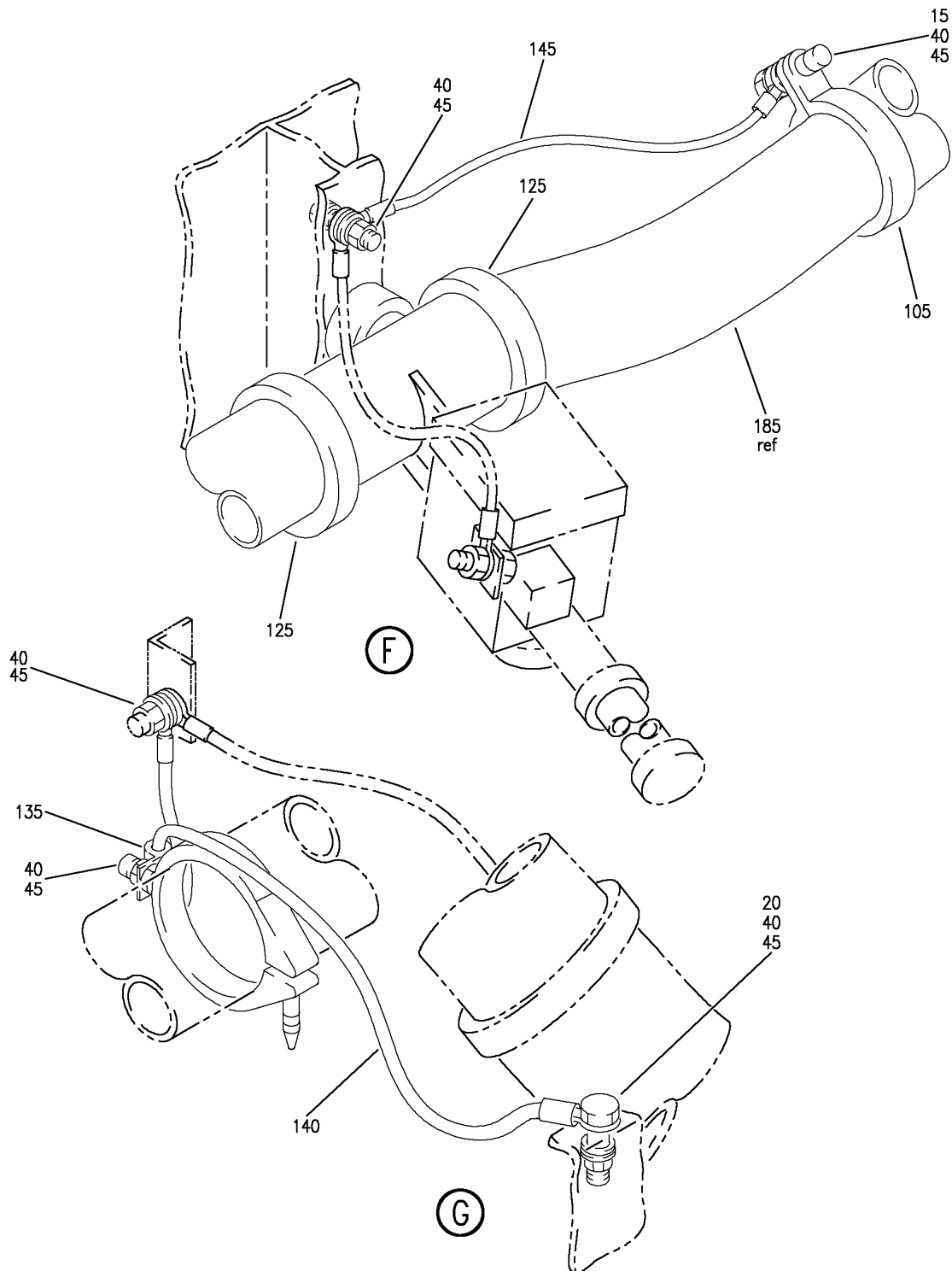
DUCT INSTL-L SIDE AIR CONDITIONING PACK (FLOW CONTROL AND SHUTOFF VALVE ONLY)
 FIGURE 4 (SHEET 3)

HAP
 OCT 10/06

21-51-01-04

21-51-01-04
 PAGE 0B

BOEING
 737-600/700/800/900
 PARTS CATALOG (MAINTENANCE)



E 21510104 SH1 4 REV 073

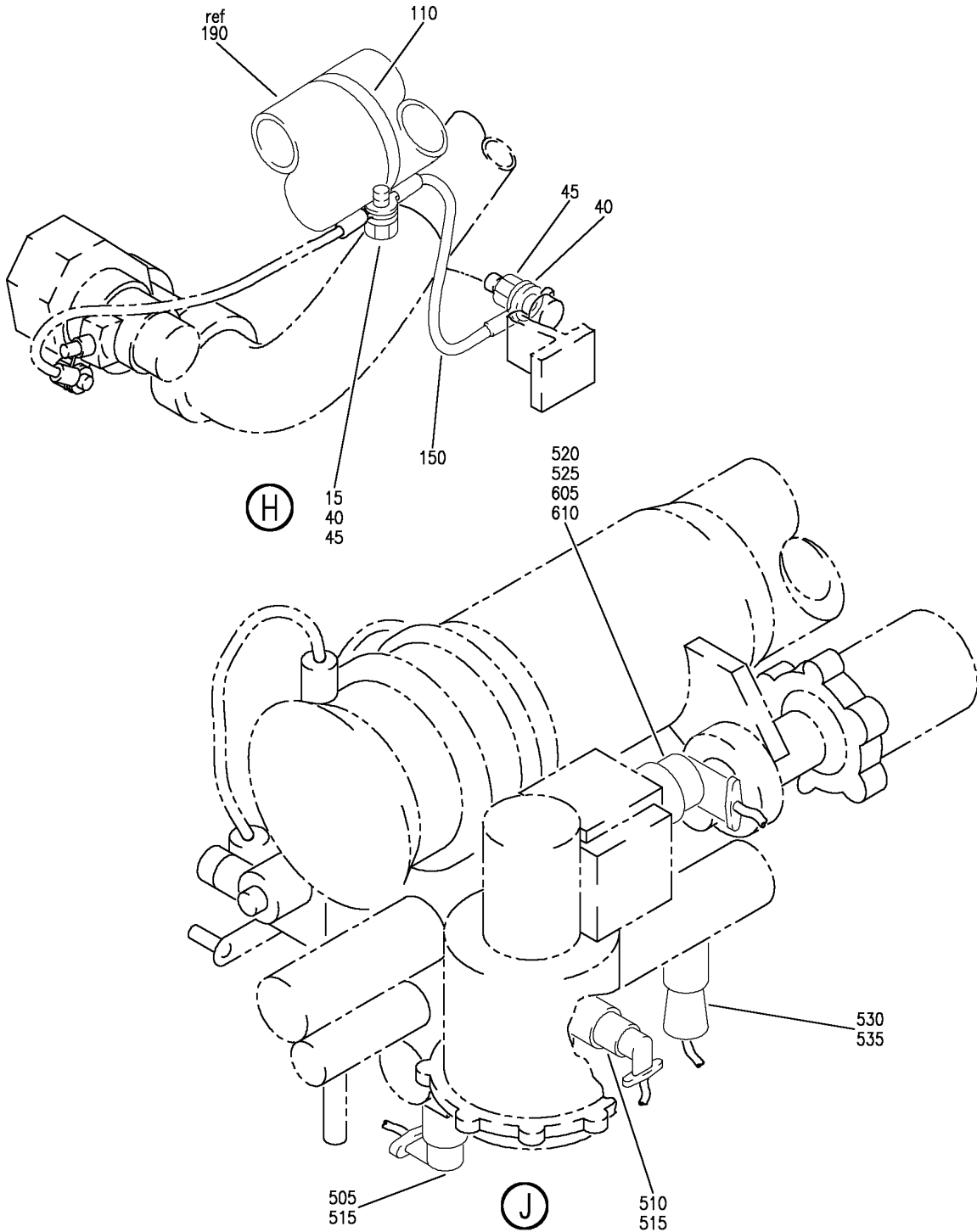
DUCT INSTL-L SIDE AIR CONDITIONING PACK (FLOW CONTROL AND SHUTOFF VALVE ONLY)
 FIGURE 4 (SHEET 4)

21-51-01-04

HAP
 OCT 10/06

21-51-01-04
 PAGE 0C

BOEING
 737-600/700/800/900
 PARTS CATALOG (MAINTENANCE)



E 21510104 SH1 5 REV 073

DUCT INSTL-L SIDE AIR CONDITIONING PACK (FLOW CONTROL AND SHUTOFF VALVE ONLY)
 FIGURE 4 (SHEET 5)

21-51-01-04

HAP
 OCT 10/06

21-51-01-04
 PAGE 0D

BOEING
737-600/700/800/900
PARTS CATALOG (MAINTENANCE)

FIG ITEM	PART NUMBER	1 2 3 4 5 6 7	NOMENCLATURE	EFFECT FROM TO	UNITS PER ASSY
4			DUCT INSTL-L SIDE AIR CONDITIONING PACK (FLOW CONTROL AND SHUTOFF VALVE ONLY)	001030	
- 1	213A1002-3		DUCT INSTL-AIR CONDITIONING PACK (FLOW CONTROL AND SHUTOFF VALVE ONLY) POSITION DATA: LH FOR NHA/ADDITIONAL DET SEE: 21-50-00-01C	001030	RF
5	BACB30NR4K18	.BOLT		001030	1
10	BACB30NR4K9	.BOLT		001030	1
15	BACS12GU3K9	.SCREW		001030	8
20	BACS12GU3K7	.SCREW		001030	1
25	BACW10BP4CD	.WASHER		001030	2
30	NAS1149D0316J	.WASHER		001030	6
35	NAS1149D0416J	.WASHER		001030	2
40	NAS1149E0316P	.WASHER		001030	9
45	PLH53CD	.NUT		001030	7
			SUPPLIER CODE: VF0224 SPECIFICATION NUMBER: BACN10YR3CD OPTIONAL PART: H52732-3CD V15653		
50	PLH54CD	.NUT		001030	2
			SUPPLIER CODE: VF0224 SPECIFICATION NUMBER: BACN10YR4CD OPTIONAL PART: H52732-4CD V15653		
55	BACB28AK04-051	.BUSHING		001030	1
60	212A1125-9	.ROD ASSY-TIE		001030	1
65	M81935-1-4	..ROD		001030	1
70	M81935-1-4L	..ROD		001030	1
75	NAS509-5	..NUT		001030	1
80	NAS509L5	..NUT		001030	1
85	212A1125-10	..TUBE		001030	1

MISSING ITEM NUMBERS NOT APPLICABLE

- ITEM NOT ILLUSTRATED

HAP

21-51-01-04

BOEING PROPRIETARY - Copyright © - Unpublished Work - See title page for details.

21-51-01
FIG. 04
PAGE 1
FEB 15/09

BOEING
737-600/700/800/900
PARTS CATALOG (MAINTENANCE)

FIG ITEM	PART NUMBER	1 2 3 4 5 6 7	NOMENCLATURE	EFFECT FROM TO	UNITS PER ASSY
4 90	3015AE120EC	.CLAMP	SUPPLIER CODE: V94581 SPECIFICATION NUMBER: BACC10HN120EC OPTIONAL PART: 65790A120EC V00624	001030	1
95	TA04C36H56	.CLAMP	SUPPLIER CODE: V84971 SPECIFICATION NUMBER: BACC10CC56C OPTIONAL PART: JM45SC3H56T V22175 421SS56 V83930	001030	1
100	421SS48	.CLAMP	SUPPLIER CODE: V83930 SPECIFICATION NUMBER: BACC10CC48C OPTIONAL PART: JM45SC3H48T V22175 TA04C36H11 V84971	001030	2
105	BACC10GN32C	.CLAMP		001030	1
110	BACC10GN48C	.CLAMP		001030	1
115	BACC10DU350ABE	.CLAMP		001030	5
120	BACC10DU300ABE	.CLAMP		001030	1
125	BACC10DU200ABE	.CLAMP		001030	2
130	BACC10DU250ABE	.CLAMP		001030	1
135	393A4HT	.CLAMP	SUPPLIER CODE: V83930 SPECIFICATION NUMBER: BACC10BU4DH OPTIONAL PART: TA04C44D4HA V84971 JM44LC24D4BW V22175 393-4HT V83930 S392DH4 V18076	001030	1

MISSING ITEM NUMBERS NOT APPLICABLE

— ITEM NOT ILLUSTRATED

HAP

21-51-01-04

BOEING PROPRIETARY - Copyright © - Unpublished Work - See title page for details.

21-51-01
FIG. 04
PAGE 2
JUN 15/08

BOEING
737-600/700/800/900
PARTS CATALOG (MAINTENANCE)

FIG ITEM	PART NUMBER	1 2 3 4 5 6 7	NOMENCLATURE	EFFECT FROM TO	UNITS PER ASSY
4 140	RBEJ40K5A5A14	.	JUMPER SUPPLIER CODE: V1GK47 SPECIFICATION NUMBER: BACJ40K5A5A14	001030	1
145	RBEJ40K5A5A8	.	JUMPER SUPPLIER CODE: V1GK47 SPECIFICATION NUMBER: BACJ40K5A5A8	001030	1
150	RBEJ40K5A5A9	.	JUMPER SUPPLIER CODE: V1GK47 SPECIFICATION NUMBER: BACJ40K5A5A9	001030	1
155	14C02-48C	.	COUPLING- SUPPLIER CODE: V24984	001030	1
160	14R02-48C	.	SLEEVE- SUPPLIER CODE: V24984	001030	1
165	2-234S604-70	.	SEAL- SUPPLIER CODE: V02697 MAINTENANCE MANUAL REF: 21-51-01	001030	1
170	396608-1	.	VALVE ASSY-PACK FLOW AND SHUTOFF SUPPLIER CODE: V59364 FUNCTIONAL DESCRIPTION: DESIGNED TO CONTROL AND SHUT OFF AIRFLOW IN AN AIRCRAFT PNEUMATIC SYSTEM ELECTRICAL EQUIP NUMBER: V00018 COMPONENT MAINT MANUAL REF: 21-10-37 MAINTENANCE MANUAL REF: 21-51-01 FOR DETAILS SEE: 21-51-01-51	001030	1
175	213A1201-1	.	DUCT ASSY	001030	1
180	213A1201-3	.	DUCT ASSY	001030	1
185	213A1211-9	.	DUCT ASSY	001030	1
190	213A1211-1	.	DUCT ASSY	001030	1
195	213A1211-29	.	DUCT ASSY	001030	1
- 500	286A5502-301		WIRE BUNDLE ASSY	001028	RF

MISSING ITEM NUMBERS NOT APPLICABLE

- ITEM NOT ILLUSTRATED

HAP

21-51-01-04

BOEING PROPRIETARY - Copyright © - Unpublished Work - See title page for details.

21-51-01
FIG. 04
PAGE 3
OCT 15/08

BOEING
737-600/700/800/900
PARTS CATALOG (MAINTENANCE)

FIG ITEM	PART NUMBER	1 2 3 4 5 6 7	NOMENCLATURE	EFFECT FROM TO	UNITS PER ASSY
4					
- 500	286A5502-302		WIRE BUNDLE ASSY	029030	RF
505	BACC63BN10-20SN		.PLUG- ELECTRICAL EQUIP NUMBER: D00392 WIRING DIAGRAM REF: 215111	001030	1
510	BACC63BN10-20S7		.PLUG- ELECTRICAL EQUIP NUMBER: D00962 WIRING DIAGRAM REF: 215111	001030	1
515	MS27559-2		.SUPPORT- ELECTRICAL EQUIP NUMBER: D00392T D00962T WIRING DIAGRAM REF: 215111	001030	2
520	BACC63BN12-3SN		.PLUG- ELECTRICAL EQUIP NUMBER: D00486 WIRING DIAGRAM REF: 215111	001028	1
525	MS27559-3		.SUPPORT- ELECTRICAL EQUIP NUMBER: D00486T WIRING DIAGRAM REF: 215111	001028	1
530	C0909A10-05S8		.PLUG- SUPPLIER CODE: V13556 SPECIFICATION NUMBER: BACC63BN10-5S8 OPTIONAL PART: 48-63N10-5S8 V02660 R071210-5S8 V41118 ELECTRICAL EQUIP NUMBER: D00488 WIRING DIAGRAM REF: 215111	001030	1
535	MS27291-1		.CLAMP- ELECTRICAL EQUIP NUMBER: D00488T WIRING DIAGRAM REF: 215111	001030	1
- 600	286A5504-001		WIRE BUNDLE ASSY	029030	RF

MISSING ITEM NUMBERS NOT APPLICABLE

- ITEM NOT ILLUSTRATED

HAP

21-51-01-04

BOEING PROPRIETARY - Copyright © - Unpublished Work - See title page for details.

21-51-01
FIG. 04
PAGE 4
OCT 15/08

BOEING
737-600/700/800/900
PARTS CATALOG (MAINTENANCE)

FIG ITEM	PART NUMBER	1 2 3 4 5 6 7	NOMENCLATURE	EFFECT FROM TO	UNITS PER ASSY
4 605	BACC63BN12-3SN		.PLUG- ELECTRICAL EQUIP NUMBER: D00486 WIRING DIAGRAM REF: 215111	029030	1
610	MS27559-3		.SUPPORT- ELECTRICAL EQUIP NUMBER: D00486T WIRING DIAGRAM REF: 215111	029030	1
900			ILLUSTRATION REFERENCE: SENSE LINE INSTL-L SIDE AIR CONDITIONING PACK 21-51-53-18	001030	RF

MISSING ITEM NUMBERS NOT APPLICABLE

— ITEM NOT ILLUSTRATED

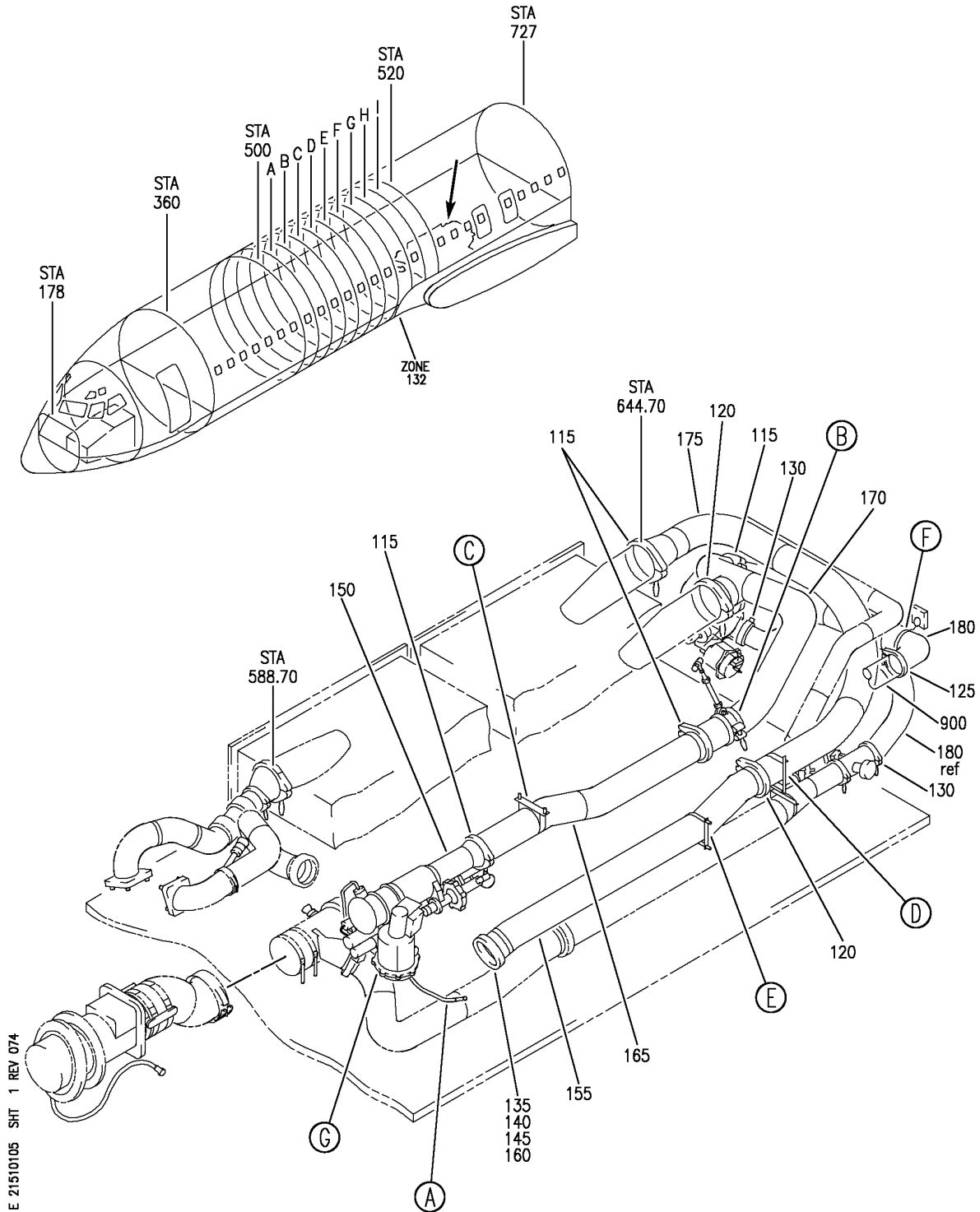
HAP

21-51-01-04

BOEING PROPRIETARY - Copyright © - Unpublished Work - See title page for details.

21-51-01
FIG. 04
PAGE 5
OCT 10/06

BOEING
737-600/700/800/900
PARTS CATALOG (MAINTENANCE)



E 21510105 SHT 1 REV 074

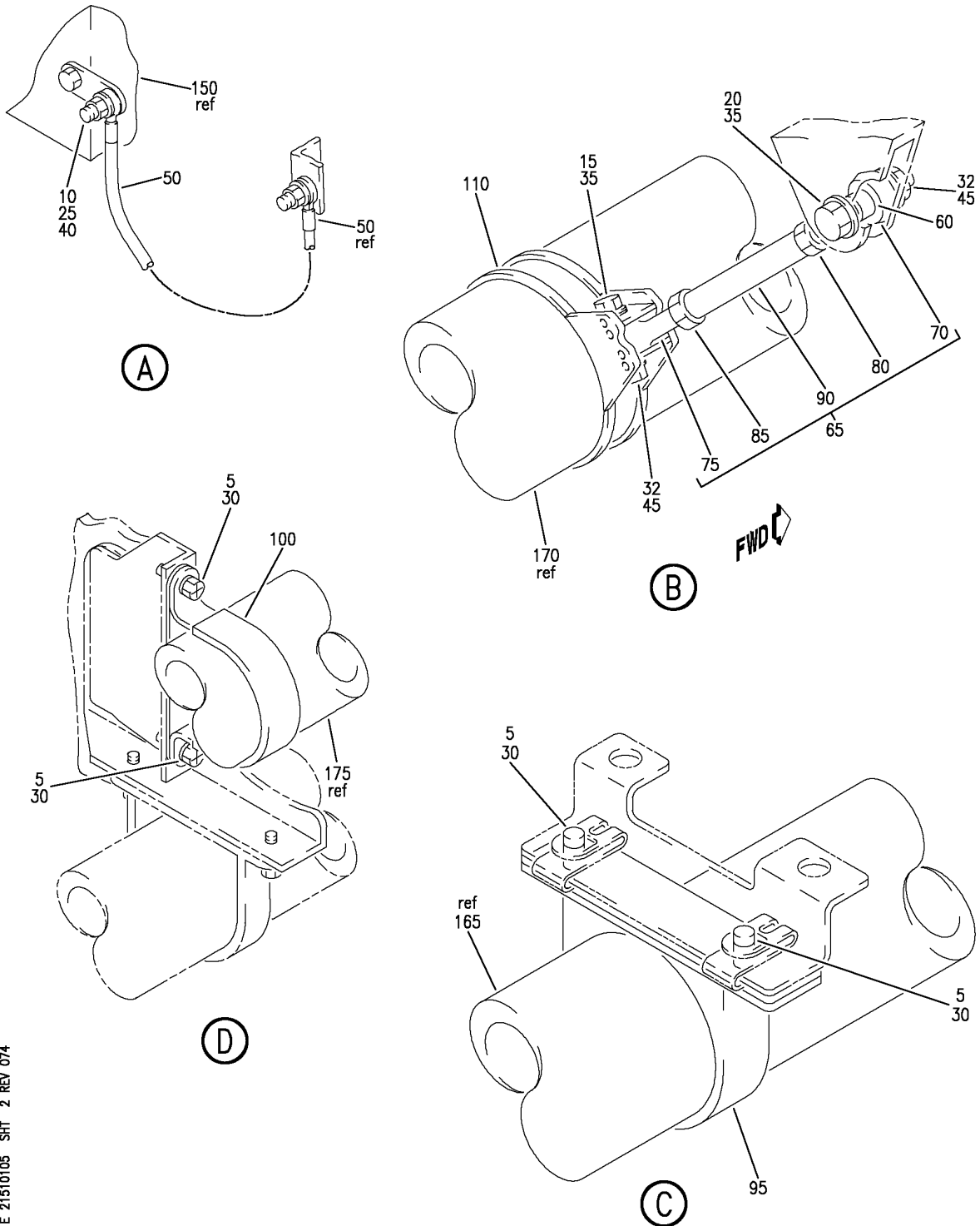
DUCT INSTL-R SIDE AIR CONDITIONING PACK (FLOW CONTROL AND SHUTOFF VALVE ONLY)
 FIGURE 5 (SHEET 1)

HAP
 OCT 10/06

21-51-01-05

21-51-01-05
 PAGE 0

BOEING
 737-600/700/800/900
 PARTS CATALOG (MAINTENANCE)



E 21510105 SHT 2 REV 074

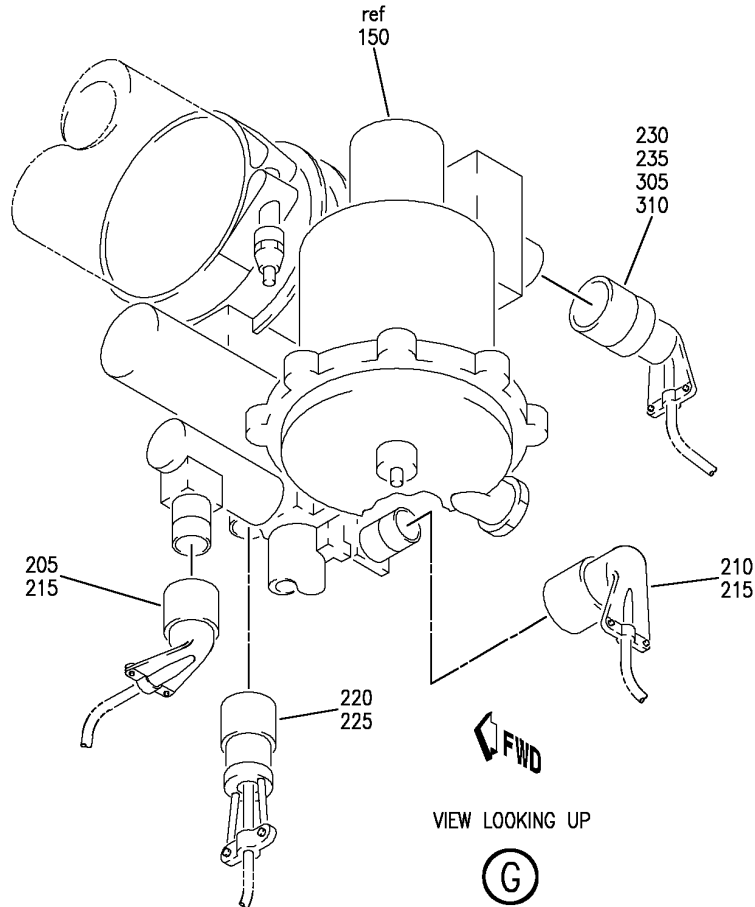
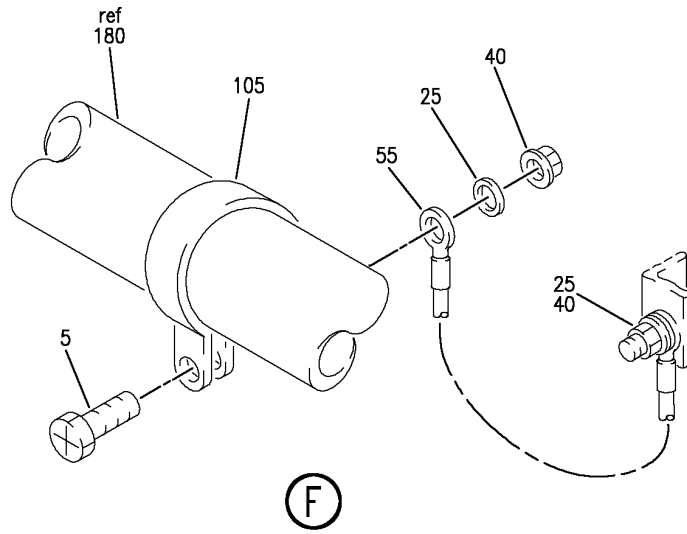
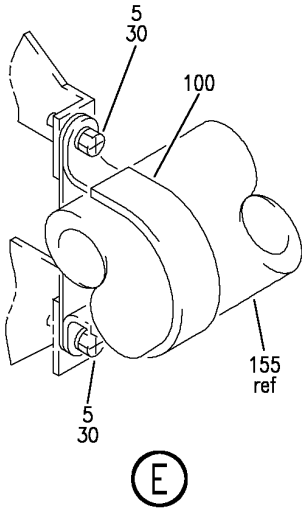
DUCT INSTL-R SIDE AIR CONDITIONING PACK (FLOW CONTROL AND SHUTOFF VALVE ONLY)
 FIGURE 5 (SHEET 2)

21-51-01-05

HAP
 OCT 10/06

21-51-01-05
 PAGE 0A

BOEING
 737-600/700/800/900
 PARTS CATALOG (MAINTENANCE)



E 21510105 SHT 3 REV 074

DUCT INSTL-R SIDE AIR CONDITIONING PACK (FLOW CONTROL AND SHUTOFF VALVE ONLY)
 FIGURE 5 (SHEET 3)

21-51-01-05

HAP
 OCT 10/06

21-51-01-05
 PAGE 0B

BOEING
737-600/700/800/900
PARTS CATALOG (MAINTENANCE)

FIG ITEM	PART NUMBER	1 2 3 4 5 6 7	NOMENCLATURE	EFFECT FROM TO	UNITS PER ASSY
5			DUCT INSTL-R SIDE AIR CONDITIONING PACK (FLOW CONTROL AND SHUTOFF VALVE ONLY)	001030	
- 1	213A1002-4		DUCT INSTL-AIR CONDITIONING PACK (FLOW CONTROL AND SHUTOFF VALVE ONLY) POSITION DATA: RH FOR NHA/ADDITIONAL DET SEE: 21-50-00-01C	001030	RF
5	BACS12GU3K9	.SCREW		001030	7
10	BACS12GU3K7	.SCREW		001030	1
15	BACB30NR4K9	.BOLT		001030	1
20	BACB30NR4K18	.BOLT		001030	1
25	NAS1149E0316P	.WASHER		001030	3
30	NAS1149D0316J	.WASHER		001030	6
32	NAS1149D0416J	.WASHER		001030	2
35	BACW10BP4CD	.WASHER		001030	2
40	PLH53CD	.NUT		001030	3
			SUPPLIER CODE: VF0224 SPECIFICATION NUMBER: BACN10YR3CD OPTIONAL PART: H52732-3CD V15653		
45	PLH54CD	.NUT		001030	2
			SUPPLIER CODE: VF0224 SPECIFICATION NUMBER: BACN10YR4CD OPTIONAL PART: H52732-4CD V15653		
50	RBEJ40K5A5A11	.JUMPER		001030	1
			SUPPLIER CODE: V1GK47 SPECIFICATION NUMBER: BACJ40K5A5A11		
55	RBEJ40K5A5A5	.JUMPER		001030	1
			SUPPLIER CODE: V1GK47 SPECIFICATION NUMBER: BACJ40K5A5A5		
60	BACB28AK04-051	.BUSHING		001030	1
65	212A1125-9	.ROD ASSY		001030	1
70	M81935-1-4	..ROD		001030	1
75	M81935-1-4L	..ROD		001030	1

MISSING ITEM NUMBERS NOT APPLICABLE

- ITEM NOT ILLUSTRATED

HAP

21-51-01-05

BOEING PROPRIETARY - Copyright © - Unpublished Work - See title page for details.

21-51-01
FIG. 05
PAGE 1
FEB 15/09

BOEING
737-600/700/800/900
PARTS CATALOG (MAINTENANCE)

FIG ITEM	PART NUMBER	1 2 3 4 5 6 7	NOMENCLATURE	EFFECT FROM TO	UNITS PER ASSY
5					
80	AN316-5R	..	NUT-	001030	1
85	AN316-5L	..	NUT-	001030	1
90	212A1125-10	..	TUBE	001030	1
95	TA04C36H56	.	CLAMP	001030	1
			SUPPLIER CODE: V84971		
			SPECIFICATION NUMBER: BACC10CC56C		
			OPTIONAL PART: JM45SC3H56T		
			V22175		
			421SS56		
			V83930		
100	421SS48	.	CLAMP	001030	2
			SUPPLIER CODE: V83930		
			SPECIFICATION NUMBER: BACC10CC48C		
			OPTIONAL PART: JM45SC3H48T		
			V22175		
			TA04C36H11		
			V84971		
105	BACC10GN40C	.	CLAMP	001030	1
110	3015AE120EC	.	CLAMP	001030	1
			SUPPLIER CODE: V94581		
			SPECIFICATION NUMBER: BACC10HN120EC		
			OPTIONAL PART: 65790A120EC		
			V00624		
115	BACC10DU350ABE	.	CLAMP	001030	4
120	BACC10DU300ABE	.	CLAMP	001030	2
125	BACC10DU250ABE	.	CLAMP	001030	1
130	BACC10DU200ABE	.	CLAMP	001030	2
135	14C02-48C	.	COUPLING-	001030	1
			SUPPLIER CODE: V24984		
140	14R02-48C	.	SLEEVE-	001030	1
			SUPPLIER CODE: V24984		
145	2-230S604-70	.	SEAL-	001030	1
			SUPPLIER CODE: V02697		
			MAINTENANCE MANUAL REF: 21-51-01		

MISSING ITEM NUMBERS NOT APPLICABLE

- ITEM NOT ILLUSTRATED

HAP

21-51-01-05

BOEING PROPRIETARY - Copyright © - Unpublished Work - See title page for details.

21-51-01
FIG. 05
PAGE 2
JUN 15/08

BOEING
737-600/700/800/900
PARTS CATALOG (MAINTENANCE)

FIG ITEM	PART NUMBER	1 2 3 4 5 6 7	NOMENCLATURE	EFFECT FROM TO	UNITS PER ASSY
5 150	396608-1		.VALVE ASSY-PACK FLOW AND SHUTOFF SUPPLIER CODE: V59364 FUNCTIONAL DESCRIPTION: DESIGNED TO CONTROL AND SHUT OFF AIRFLOW IN AN AIRCRAFT PNEUMATIC SYSTEM ELECTRICAL EQUIP NUMBER: V00019 COMPONENT MAINT MANUAL REF: 21-10-37 MAINTENANCE MANUAL REF: 21-51-01 FOR DETAILS SEE: 21-51-01-51	001030	1
155	213A1212-2		.DUCT ASSY	001030	1
160	14F03-48T		..FLANGE- SUPPLIER CODE: V24984	001030	1
165	213A1201-8		.DUCT ASSY	001030	1
170	213A1201-24		.DUCT ASSY	001030	1
175	213A1211-2		.DUCT ASSY	001030	1
180	213A1211-8		.DUCT ASSY	001030	1
- 200	286A6502-303		WIRE BUNDLE ASSY	001028	RF
- 200	286A6502-304		WIRE BUNDLE ASSY	029030	RF
205	BACC63BN10-20SN		.PLUG- ELECTRICAL EQUIP NUMBER: D00394 WIRING DIAGRAM REF: 215121	001030	1
210	BACC63BN10-20S7		.PLUG- ELECTRICAL EQUIP NUMBER: D00964 WIRING DIAGRAM REF: 215121	001030	1
215	MS27559-2		.SUPPORT- ELECTRICAL EQUIP NUMBER: D00394T D00964T WIRING DIAGRAM REF: 215121	001030	2

MISSING ITEM NUMBERS NOT APPLICABLE

- ITEM NOT ILLUSTRATED

HAP

21-51-01-05

BOEING PROPRIETARY - Copyright © - Unpublished Work - See title page for details.

21-51-01
FIG. 05
PAGE 3
OCT 15/08

BOEING
737-600/700/800/900
PARTS CATALOG (MAINTENANCE)

FIG ITEM	PART NUMBER	1 2 3 4 5 6 7	NOMENCLATURE	EFFECT FROM TO	UNITS PER ASSY
5 220	C0909A10-05S8		.PLUG- SUPPLIER CODE: V13556 SPECIFICATION NUMBER: BACC63BN10-5S8 OPTIONAL PART: 48-63N10-5S8 V02660 R071210-5S8 V41118 ELECTRICAL EQUIP NUMBER: D00492 WIRING DIAGRAM REF: 215121	001030	1
225	MS27291-1		.CLAMP- ELECTRICAL EQUIP NUMBER: D00492T WIRING DIAGRAM REF: 215121	001030	1
230	BACC63BN12-3SN		.PLUG- ELECTRICAL EQUIP NUMBER: D00490 WIRING DIAGRAM REF: 215121	001028	1
235	MS27559-3		.SUPPORT- ELECTRICAL EQUIP NUMBER: D00490T WIRING DIAGRAM REF: 215121	001028	1
- 300	286A6504-301		WIRE BUNDLE ASSY	029030	RF
305	BACC63BN12-3SN		.PLUG- ELECTRICAL EQUIP NUMBER: D00490 WIRING DIAGRAM REF: 215121	029030	1
310	MS27559-3		.SUPPORT- ELECTRICAL EQUIP NUMBER: D00490T WIRING DIAGRAM REF: 215121	029030	1
900			ILLUSTRATION REFERENCE: DUCT INSTL-AIR CONDITIONING PACK TRIM AIR (ZONE TRIM AIR MODULATING VALVE ONLY) 21-61-21-01	001030	RF

MISSING ITEM NUMBERS NOT APPLICABLE

- ITEM NOT ILLUSTRATED

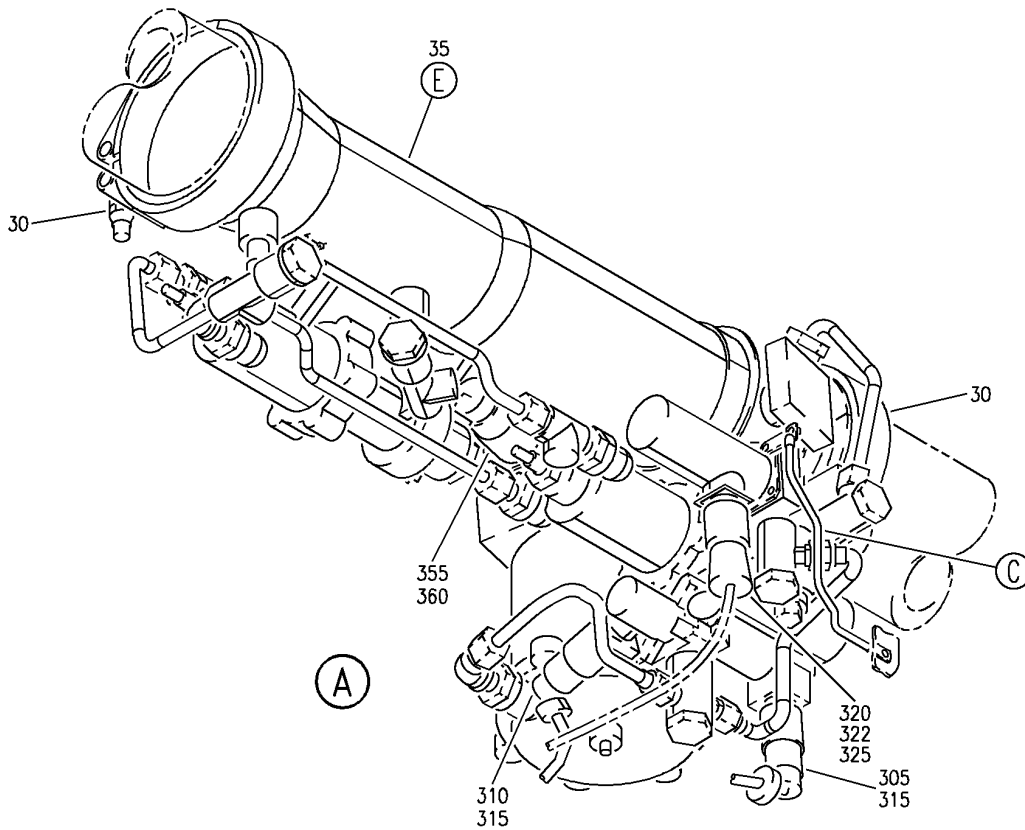
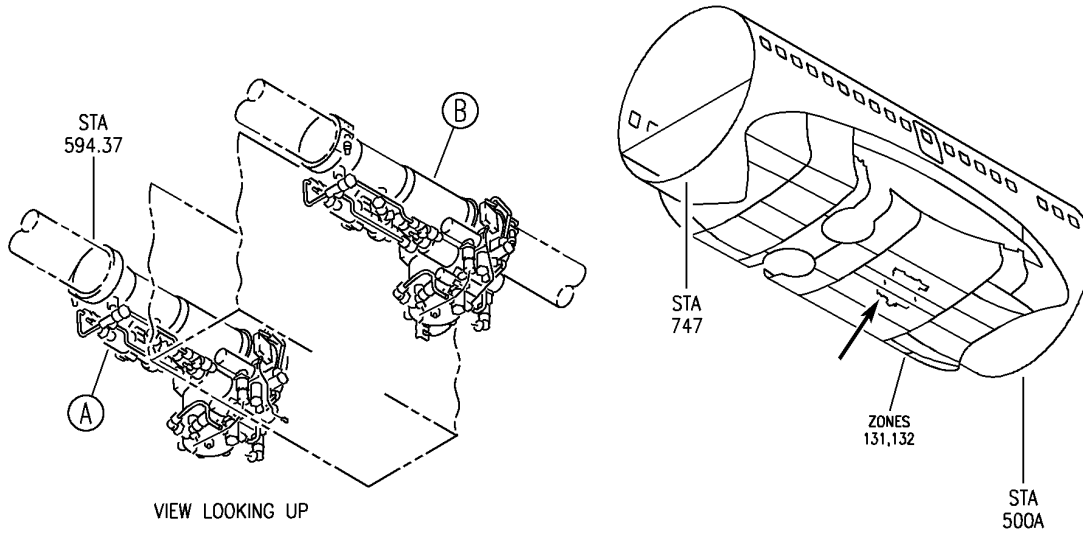
HAP

21-51-01-05

BOEING PROPRIETARY - Copyright © - Unpublished Work - See title page for details.

21-51-01
FIG. 05
PAGE 4
OCT 10/06

BOEING
 737-600/700/800/900
 PARTS CATALOG (MAINTENANCE)



E 21510106 SHT 1 REV 129

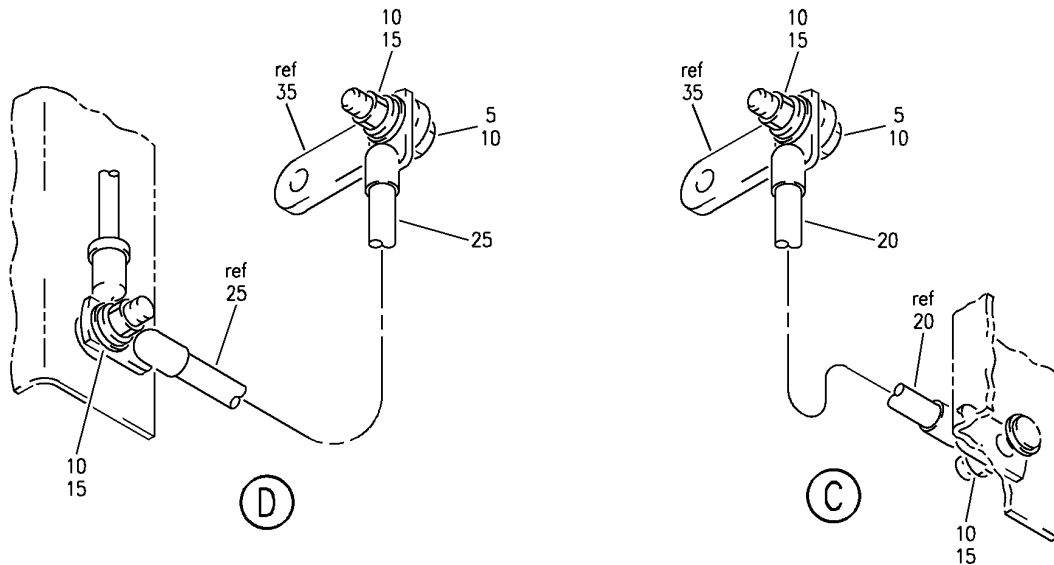
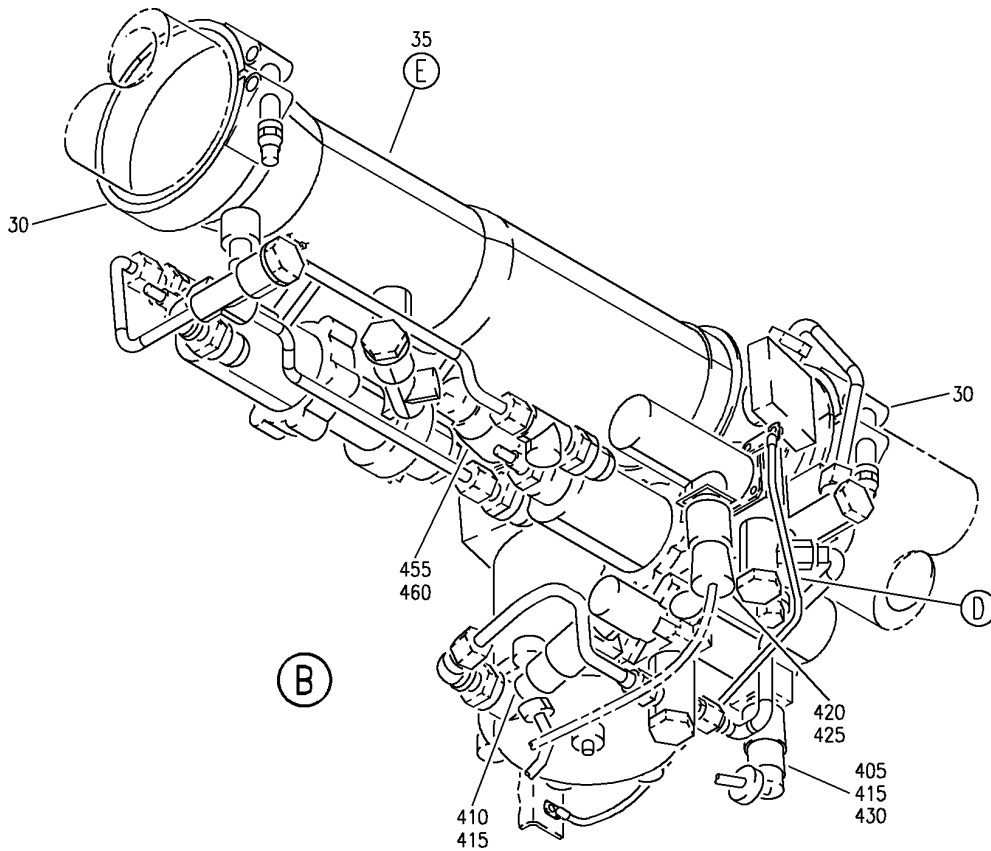
DUCT INSTL-AIR CONDITIONING PACK
 FIGURE 6 (SHEET 1)

21-51-01-06

HAP
 JUN 10/07

21-51-01-06
 PAGE 0

BOEING
 737-600/700/800/900
 PARTS CATALOG (MAINTENANCE)



E 21510106 SHT 2 REV 129

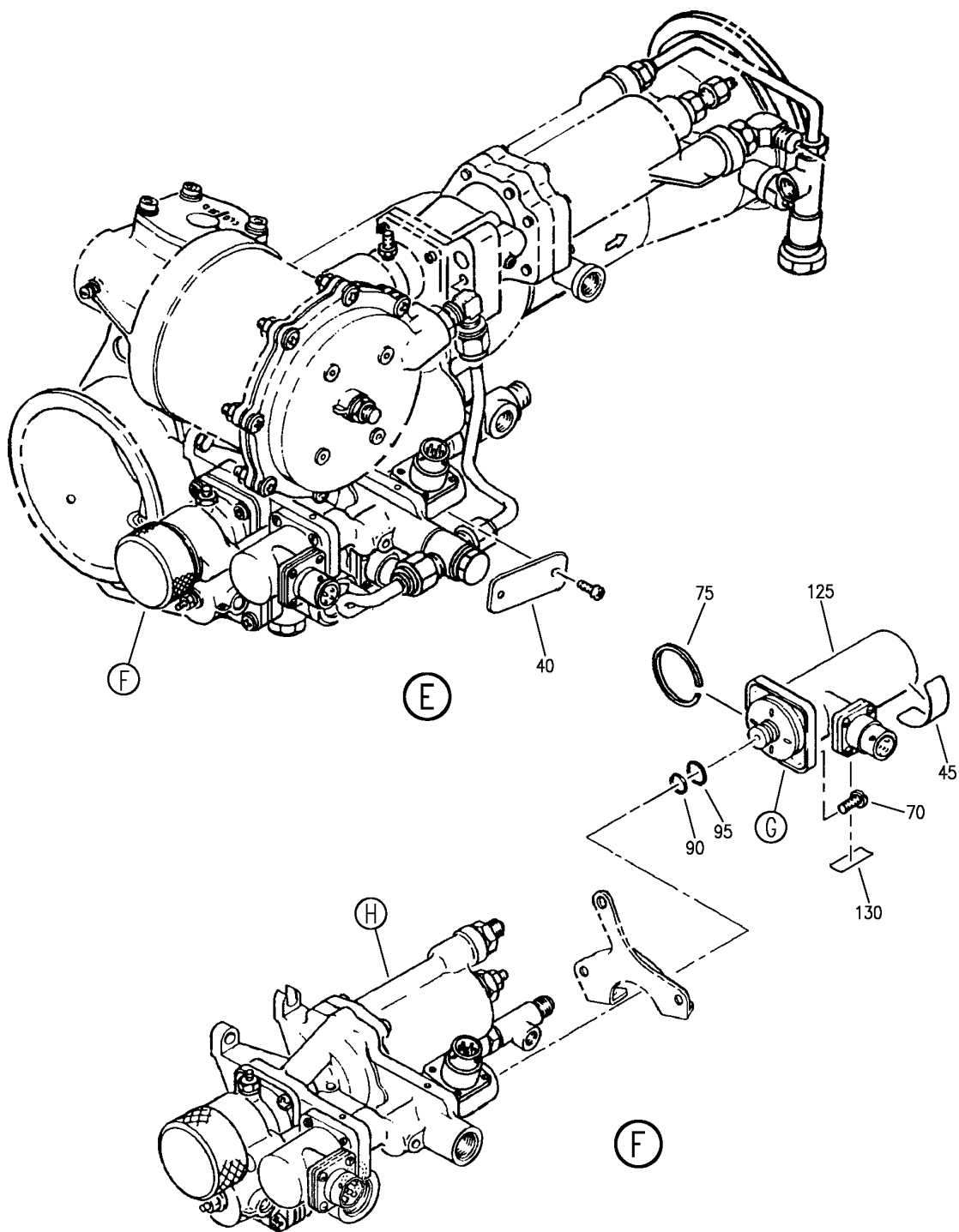
DUCT INSTL-AIR CONDITIONING PACK
 FIGURE 6 (SHEET 2)

21-51-01-06

HAP
 JUN 10/07

21-51-01-06
 PAGE 0A

BOEING
737-600/700/800/900
PARTS CATALOG (MAINTENANCE)



E 21510106 SHT 3 REV 088

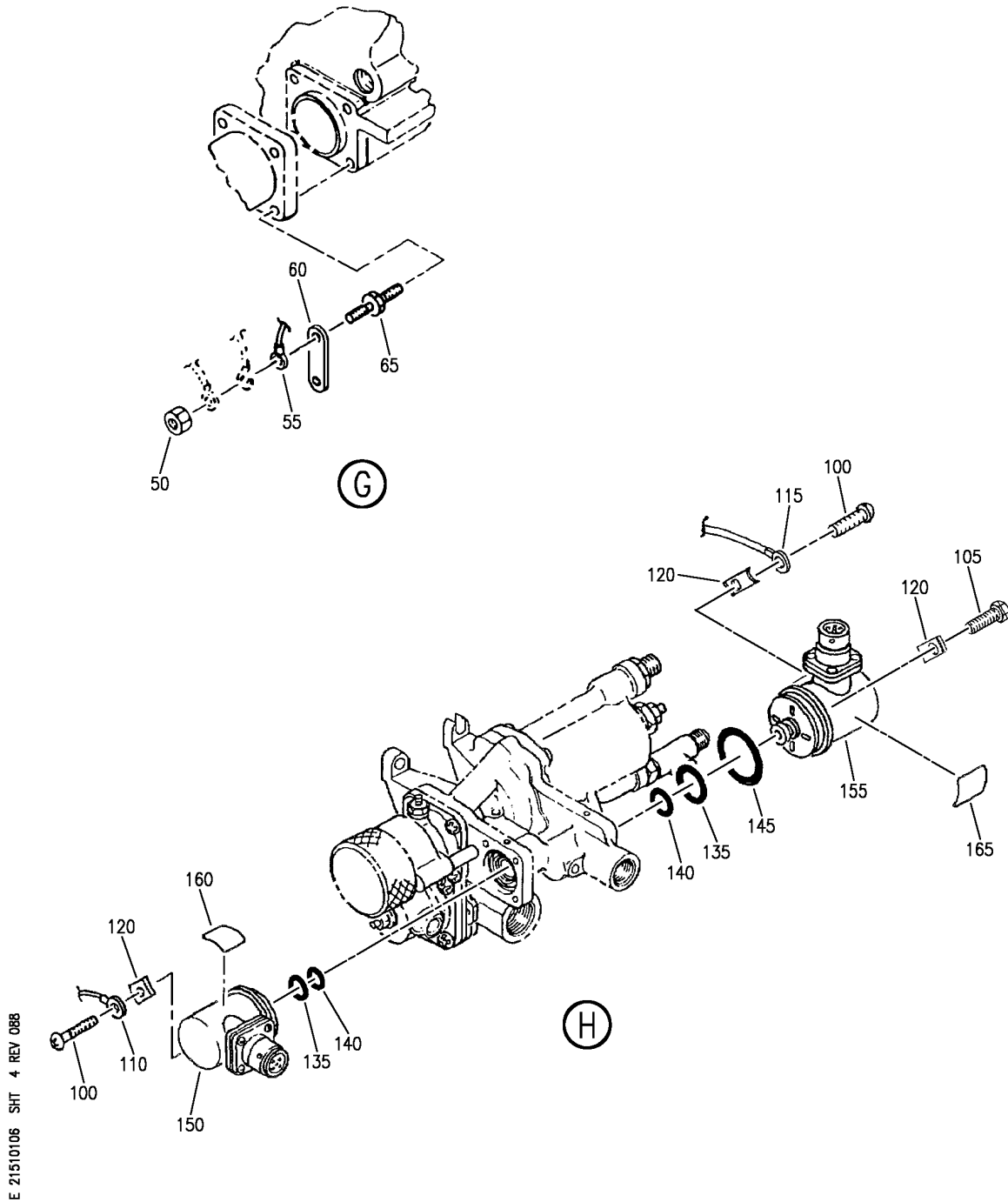
DUCT INSTL-AIR CONDITIONING PACK
FIGURE 6 (SHEET 3)

21-51-01-06

HAP
OCT 10/06

21-51-01-06
PAGE 08

BOEING
 737-600/700/800/900
 PARTS CATALOG (MAINTENANCE)



E 21510106 SHT 4 REV 088

DUCT INSTL-AIR CONDITIONING PACK
 FIGURE 6 (SHEET 4)

21-51-01-06

HAP
 OCT 10/06

21-51-01-06
 PAGE 0C

 **BOEING**
737-600/700/800/900
PARTS CATALOG (MAINTENANCE)

FIG ITEM	PART NUMBER	1 2 3 4 5 6 7	NOMENCLATURE	EFFECT FROM TO	UNITS PER ASSY
6			DUCT INSTL-AIR CONDITIONING PACK	031200 968999	
- 1	MODREF188326		DUCT INSTL-AIR CONDITIONING PACK	101200 968999	1
- 1	MODREF188328		MODULE NUMBER: 213A1008-2 REV B DUCT INSTL-AIR CONDITIONING PACK	031100	1
5	BACS12GU3K7		.SCREW	031200 968999	2
10	NAS1149E0316R		.WASHER	031200 968999	6
15	PLH53CD		.NUT SUPPLIER CODE: VF0224 SPECIFICATION NUMBER: BACN10YR3CD OPTIONAL PART: H52732-3CD V15653	031200 968999	4
20	100544-6		.JUMPER SUPPLIER CODE: V1FF12 SPECIFICATION NUMBER: BACJ40AD44-6 OPTIONAL PART: RBEJ40AD44-6 V1GK47	031200 968999	1
25	100544-15		.JUMPER SUPPLIER CODE: V1FF12 SPECIFICATION NUMBER: BACJ40AD44-15 OPTIONAL PART: RBEJ40AD44-15 V1GK47	031200 968999	1
30	BACC10DU350ABE		.CLAMP	031200 968999	4

MISSING ITEM NUMBERS NOT APPLICABLE

- ITEM NOT ILLUSTRATED

HAP

21-51-01-06

BOEING PROPRIETARY - Copyright © - Unpublished Work - See title page for details.

21-51-01
FIG. 06
PAGE 1
FEB 15/09

 **BOEING**
737-600/700/800/900
PARTS CATALOG (MAINTENANCE)

FIG ITEM	PART NUMBER	1 2 3 4 5 6 7	NOMENCLATURE	EFFECT FROM TO	UNITS PER ASSY
6 35	396608-1		.VALVE ASSY-PACK FLOW AND SHUTOFF SUPPLIER CODE: V59364 FUNCTIONAL DESCRIPTION: DESIGNED TO CONTROL AND SHUT OFF AIRFLOW IN AN AIRCRAFT PNEUMATIC SYSTEM ELECTRICAL EQUIP NUMBER: V00018 V00019 COMPONENT MAINT MANUAL REF: 21-10-37 MAINTENANCE MANUAL REF: 21-51-01 FOR DETAILS SEE: 21-51-01-51	031100	2
35	396498-2		.VALVE ASSY-FLOW CONT AND SHUTOFF SUPPLIER CODE: V59364 FUNCTIONAL DESCRIPTION: CONTROLS BLEED AIR FLOW THROUGH THE AIR CYCLE SYSTEM ELECTRICAL EQUIP NUMBER: V00018 V00019 COMPONENT MAINT MANUAL REF: 21-11-07 MAINTENANCE MANUAL REF: 21-51-01	101200 968999	2
40	S3005-1		..PLATE-IDENT SUPPLIER CODE: V59364 CONFIG CHG DATA FROM A CMM: REPLD BY S3005-2	101200 968999	1
40	S3005-2		..PLATE-IDENT SUPPLIER CODE: V59364 CONFIG CHG DATA FROM A CMM: REPLS S3005-1 REPLD BY S3033-1	101200 968999	1
40	S3033-1		..PLATE-IDENT SUPPLIER CODE: V59364 CONFIG CHG DATA FROM A CMM: REPLS S3005-2	101200 968999	1

MISSING ITEM NUMBERS NOT APPLICABLE

— ITEM NOT ILLUSTRATED

HAP

21-51-01-06

BOEING PROPRIETARY - Copyright © - Unpublished Work - See title page for details.

21-51-01
FIG. 06
PAGE 2
OCT 15/08

BOEING
737-600/700/800/900
PARTS CATALOG (MAINTENANCE)

FIG ITEM	PART NUMBER	1 2 3 4 5 6 7	NOMENCLATURE	EFFECT FROM TO	UNITS PER ASSY
6					
45	859520-9	..	PLATE- SUPPLIER CODE: V59364	101200 968999	1
50	MS21043-08	..	NUT	101200 968999	1
55	MS25083-2BB6	..	JUMPER	101200 968999	1
60	113566-2	..	TERMINAL-LUG SUPPLIER CODE: V59364	101200 968999	1
65	3163533-4	..	STUD- SUPPLIER CODE: V59364	101200 968999	1
70	MS51957-46	..	SCREW	101200 968999	3
75	113326-21	..	SHIM-WASHER SUPPLIER CODE: V59364	101200 968999	1
- 80	113326-21-1	..	SHIM-WASHER SUPPLIER CODE: V59364 SELECT FROM ITEM.	101200 968999	AR
- 85	113326-21-2	..	SHIM-WASHER SUPPLIER CODE: V59364 SELECT FROM ITEM.	101200 968999	AR
90	S8990-563	..	PACKING- SUPPLIER CODE: V59364	101200 968999	1
95	S8990-564	..	PACKING- SUPPLIER CODE: V59364	101200 968999	1
100	MS51957-45	..	SCREW	101200 968999	7
105	S9073C08-8R	..	SCREW- SUPPLIER CODE: V59364	101200 968999	1
110	MS25083-2BB6	..	JUMPER	101200 968999	1
115	MS25083-2BB5	..	JUMPER	101200 968999	1
120	3160543-1	..	CLIP- SUPPLIER CODE: V59364	101200 968999	8

MISSING ITEM NUMBERS NOT APPLICABLE

- ITEM NOT ILLUSTRATED

HAP

21-51-01-06

21-51-01
FIG. 06
PAGE 3
OCT 15/08

BOEING
737-600/700/800/900
PARTS CATALOG (MAINTENANCE)

FIG ITEM	PART NUMBER	1 2 3 4 5 6 7	NOMENCLATURE	EFFECT FROM TO	UNITS PER ASSY
6					
125	320115-14	..	VALVE ASSY-SOL. SUPPLIER CODE: V59364 COMPONENT MAINT MANUAL REF: 24-09-15	101200 968999	1
130	967700-1-1	...	PLATE-ID SUPPLIER CODE: V59364	101200 968999	1
135	S8990-564	..	PACKING- SUPPLIER CODE: V59364	101200 968999	2
140	S8990-563	..	PACKING- SUPPLIER CODE: V59364	101200 968999	2
145	S8990-565	..	PACKING- SUPPLIER CODE: V59364	101200 968999	1
150	319545-85	..	SOLENOID- SUPPLIER CODE: V59364 FUNCTIONAL DESCRIPTION: PROVIDE ELECTRICAL CONTROL FOR REGULATING AIRFLOW IN AN AIRCRAFT PNEUMATIC SYSTEM. COMPONENT MAINT MANUAL REF: 24-09-05	101200 968999	1
155	319545-86	..	SOLENOID- SUPPLIER CODE: V59364 FUNCTIONAL DESCRIPTION: PROVIDE ELECTRICAL CONTROL FOR REGULATING AIRFLOW IN AN AIRCRAFT PNEUMATIC SYSTEM. COMPONENT MAINT MANUAL REF: 24-09-05	101200 968999	1
160	859520-3	..	DECAL- SUPPLIER CODE: V59364	101200 968999	1
165	859520-2	..	PLATE- SUPPLIER CODE: V59364 CONFIG CHG DATA FROM A CMM: REPLD BY 589520-35	101200 968999	1

MISSING ITEM NUMBERS NOT APPLICABLE

— ITEM NOT ILLUSTRATED

HAP

21-51-01-06

BOEING PROPRIETARY - Copyright © - Unpublished Work - See title page for details.

21-51-01
FIG. 06
PAGE 4
OCT 15/08

BOEING
737-600/700/800/900
PARTS CATALOG (MAINTENANCE)

FIG ITEM	PART NUMBER	1 2 3 4 5 6 7	NOMENCLATURE	EFFECT FROM TO	UNITS PER ASSY
6 165	589520-35		..PLATE- SUPPLIER CODE: V59364 CONFIG CHG DATA FROM A CMM: REPLS 589520-2	101200 968999	1
- 300	286A5502-007		WIRE BUNDLE ASSY	101106 968999	RF
- 300	286A5502-304		WIRE BUNDLE ASSY	031047 054100	RF
305	BACC63BN10-20SN		.PLUG- ELECTRICAL EQUIP NUMBER: D00392 WIRING DIAGRAM REF: 215111	031047 054106 968999	1
310	BACC63BN10-20S7		.PLUG- ELECTRICAL EQUIP NUMBER: D00962 WIRING DIAGRAM REF: 215111	031047 054106 968999	1
315	MS27559-2		.SUPPORT- ELECTRICAL EQUIP NUMBER: D00392T D00962T WIRING DIAGRAM REF: 215111	031047 054106 968999	2
320	C0909A10-05S6		.PLUG- SUPPLIER CODE: V13556 SPECIFICATION NUMBER: BACC63BN10-5S6 OPTIONAL PART: 48-63N10-5S6 V02660 R071210-5S6 V41118 ELECTRICAL EQUIP NUMBER: D00488 WIRING DIAGRAM REF: 215111	101106 968999	1

MISSING ITEM NUMBERS NOT APPLICABLE

- ITEM NOT ILLUSTRATED

HAP

21-51-01-06

BOEING PROPRIETARY - Copyright © - Unpublished Work - See title page for details.

21-51-01
FIG. 06
PAGE 5
FEB 15/09

BOEING
737-600/700/800/900
PARTS CATALOG (MAINTENANCE)

FIG ITEM	PART NUMBER	1 2 3 4 5 6 7	NOMENCLATURE	EFFECT FROM TO	UNITS PER ASSY
6 320	C0909A10-05S8		.PLUG- SUPPLIER CODE: V13556 SPECIFICATION NUMBER: BACC63BN10-5S8 OPTIONAL PART: 48-63N10-5S8 V02660 R071210-5S8 V41118 ELECTRICAL EQUIP NUMBER: D00488 WIRING DIAGRAM REF: 215111	031047 054100	1
325	MS27291-1		.CLAMP- ELECTRICAL EQUIP NUMBER: D00488T WIRING DIAGRAM REF: 215111	031047 054106 968999	1
- 350	286A5504-002		WIRE BUNDLE ASSY	031047 054106 968999	RF
355	BACC63BN12-3SN		.PLUG- ELECTRICAL EQUIP NUMBER: D00486 WIRING DIAGRAM REF: 215111	031047 054106 968999	1
360	MS27559-3		.SUPPORT- ELECTRICAL EQUIP NUMBER: D00486T WIRING DIAGRAM REF: 215111	031047 054106 968999	1
- 400	286A6502-007		WIRE BUNDLE ASSY	101106 968999	RF
- 400	286A6502-306		WIRE BUNDLE ASSY-	031047 054100	RF
405	BACC63BN10-20SN		.PLUG- ELECTRICAL EQUIP NUMBER: D00394 WIRING DIAGRAM REF: 215121	031047 054106 968999	1
410	BACC63BN10-20S7		.PLUG- ELECTRICAL EQUIP NUMBER: D00964 WIRING DIAGRAM REF: 215121	031047 054106 968999	1

MISSING ITEM NUMBERS NOT APPLICABLE

- ITEM NOT ILLUSTRATED

HAP

21-51-01-06

BOEING PROPRIETARY - Copyright © - Unpublished Work - See title page for details.

21-51-01
FIG. 06
PAGE 6
FEB 15/09

BOEING
737-600/700/800/900
PARTS CATALOG (MAINTENANCE)

FIG ITEM	PART NUMBER	1 2 3 4 5 6 7	NOMENCLATURE	EFFECT FROM TO	UNITS PER ASSY
6 415	MS27559-2		.SUPPORT- ELECTRICAL EQUIP NUMBER: D00394T D00964T WIRING DIAGRAM REF: 215121	031047 054106 968999	2
420	C0909A10-05S8		.PLUG- SUPPLIER CODE: V13556 SPECIFICATION NUMBER: BACC63BN10-5S8 OPTIONAL PART: 48-63N10-5S8 V02660 R071210-5S8 V41118 ELECTRICAL EQUIP NUMBER: D00492 WIRING DIAGRAM REF: 215121	031047 054100	1
420	C0909A10-05S6		.PLUG- SUPPLIER CODE: V13556 SPECIFICATION NUMBER: BACC63BN10-5S6 OPTIONAL PART: 48-63N10-5S6 V02660 R071210-5S6 V41118 ELECTRICAL EQUIP NUMBER: D00492 WIRING DIAGRAM REF: 215121	101106 968999	1
425	MS27291-1		.CLAMP- ELECTRICAL EQUIP NUMBER: D00492T WIRING DIAGRAM REF: 215121	031047 054106 968999	1
- 450	286A6504-003		WIRE BUNDLE ASSY	101106 968999	RF
- 450	286A6504-303		WIRE BUNDLE ASSY-	031047 054100	RF
455	BACC63BN12-3SN		.PLUG- ELECTRICAL EQUIP NUMBER: D00490 WIRING DIAGRAM REF: 215121	031047 054106 968999	1

MISSING ITEM NUMBERS NOT APPLICABLE

- ITEM NOT ILLUSTRATED

HAP

21-51-01-06

BOEING PROPRIETARY - Copyright © - Unpublished Work - See title page for details.

21-51-01
FIG. 06
PAGE 7
FEB 15/09


BOEING
 737-600/700/800/900
PARTS CATALOG (MAINTENANCE)

FIG ITEM	PART NUMBER	1 2 3 4 5 6 7 NOMENCLATURE	EFFECT FROM TO	UNITS PER ASSY
6 460	MS27559-3	.SUPPORT- ELECTRICAL EQUIP NUMBER: D00490T WIRING DIAGRAM REF: 215121	031047 054106 968999	1

MISSING ITEM NUMBERS NOT APPLICABLE

— ITEM NOT ILLUSTRATED

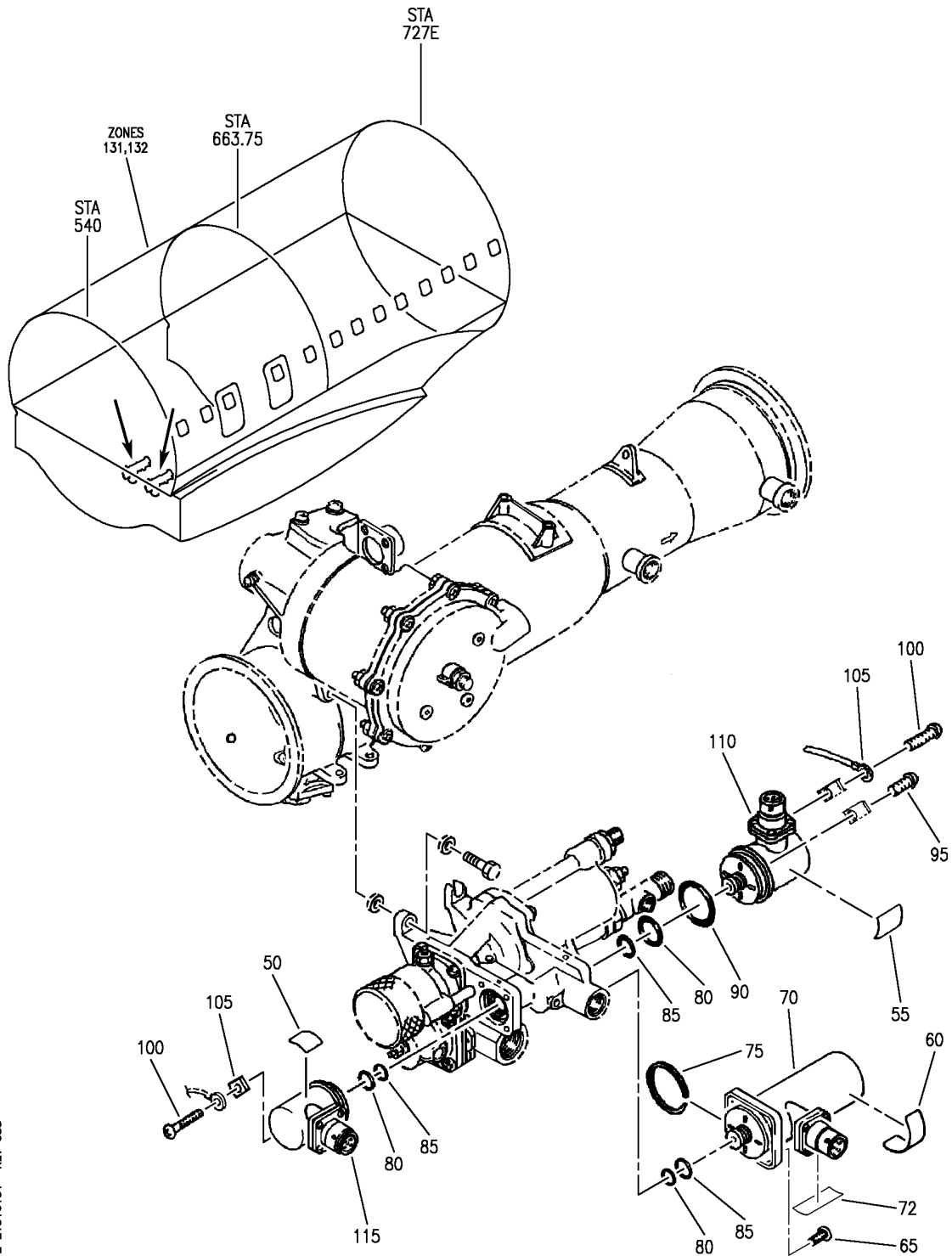
HAP

21-51-01-06

BOEING PROPRIETARY - Copyright © - Unpublished Work - See title page for details.

21-51-01
 FIG. 06
 PAGE 8
 FEB 15/09

BOEING
 737-600/700/800/900
 PARTS CATALOG (MAINTENANCE)



E 21510151 REV 088

VALVE ASSY-PACK FLOW AND SHUTOFF AIR CONDITIONING PACK
 FIGURE 51

21-51-01-51

HAP
 OCT 10/06

21-51-01-51
 PAGE 0

BOEING
737-600/700/800/900
PARTS CATALOG (MAINTENANCE)

FIG ITEM	PART NUMBER	1 2 3 4 5 6 7	NOMENCLATURE	EFFECT FROM TO	UNITS PER ASSY
51			VALVE ASSY-PACK FLOW AND SHUTOFF AIR CONDITIONING PACK	001100	
- 1	396608-1		VALVE ASSY-PACK FLOW AND SHUTOFF AIR CONDITIONING PACK SUPPLIER CODE: V59364 FUNCTIONAL DESCRIPTION: DESIGNED TO CONTROL AND SHUT OFF AIRFLOW IN AN AIRCRAFT PNEUMATIC SYSTEM ELECTRICAL EQUIP NUMBER: V00019 COMPONENT MAINT MANUAL REF: 21-10-37 FOR NHA SEE: 21-51-01-04 21-51-01-05 21-51-01-06	001100	RF
50	859520-3		.DECAL- SUPPLIER CODE: V59364	001100	1
55	859520-35		.DECAL- SUPPLIER CODE: V59364	001100	1
60	859520-9		.PLATE- SUPPLIER CODE: V59364	001100	1
65	MS51957-46		.SCREW	001100	3
70	320115-15		.VALVE ASSY-SOL. SUPPLIER CODE: V59364 CONFIG CHG DATA FROM A CMM: SUPSD BY 320115-16	001040 042043	1

MISSING ITEM NUMBERS NOT APPLICABLE

- ITEM NOT ILLUSTRATED

HAP

21-51-01-51

BOEING PROPRIETARY - Copyright © - Unpublished Work - See title page for details.

21-51-01
FIG. 51
PAGE 1
OCT 15/08

BOEING
737-600/700/800/900
PARTS CATALOG (MAINTENANCE)

FIG ITEM	PART NUMBER	1 2 3 4 5 6 7	NOMENCLATURE	EFFECT FROM TO	UNITS PER ASSY
51					
70	320115-16		.VALVE ASSY-SOL. SUPPLIER CODE: V59364 FUNCTIONAL DESCRIPTION: ELECTRICALLY OR MECHANICALLY CONTROL AIR PRESSURE TO THE OPENING CHAMBER OF THE ACTUATOR ASSEMBLY OF A FLUID PRESSURE REGULATING VALVE OR FLOW CONTROL VALVE IN AN AIRCRAFT ENVIRONMENTAL SYSTEM. CONFIG CHG DATA FROM A CMM: SUPSDS 320115-15	001040 042043	1
72	967700-1-1		..PLATE-ID SUPPLIER CODE: V59364	001100	1
75	113326-21		.SHIM- SUPPLIER CODE: V59364 SELECT FROM ITEM.	001040 042043	1
75	113326-21-1		.SHIM- SUPPLIER CODE: V59364 SELECT FROM ITEM.	001040 042043	1
75	113326-21-2		.SHIM- SUPPLIER CODE: V59364 SELECT FROM ITEM.	001040 042043	1
80	S8990-564		.PACKING- SUPPLIER CODE: V59364 COMPONENT MAINT MANUAL REF: 24-29-25	001100	3
85	S8990-563		.PACKING- SUPPLIER CODE: V59364	001100	3
90	S8990-565		.PACKING- SUPPLIER CODE: V59364	001100	1
95	S9073C08-8R		.SCREW- SUPPLIER CODE: V59364	001100	1
100	MS51957-45		.SCREW	001100	7
105	3160543-1		.CLIP- SUPPLIER CODE: V59364	001100	8

MISSING ITEM NUMBERS NOT APPLICABLE

— ITEM NOT ILLUSTRATED

HAP

21-51-01-51

BOEING PROPRIETARY - Copyright © - Unpublished Work - See title page for details.

21-51-01
FIG. 51
PAGE 2
OCT 15/08

BOEING
737-600/700/800/900
PARTS CATALOG (MAINTENANCE)

FIG ITEM	PART NUMBER	1 2 3 4 5 6 7	NOMENCLATURE	EFFECT FROM TO	UNITS PER ASSY
51 110	319545-86		.SOLENOID- SUPPLIER CODE: V59364 FUNCTIONAL DESCRIPTION: PROVIDE ELECTRICAL CONTROL FOR REGULATING AIRFLOW IN AN AIRCRAFT PNEUMATIC SYSTEM. COMPONENT MAINT MANUAL REF: 24-09-05	001100	1
115	319545-85		.SOLENOID- SUPPLIER CODE: V59364 FUNCTIONAL DESCRIPTION: PROVIDE ELECTRICAL CONTROL FOR REGULATING AIRFLOW IN AN AIRCRAFT PNEUMATIC SYSTEM. COMPONENT MAINT MANUAL REF: 24-09-05	001100	1

MISSING ITEM NUMBERS NOT APPLICABLE

— ITEM NOT ILLUSTRATED

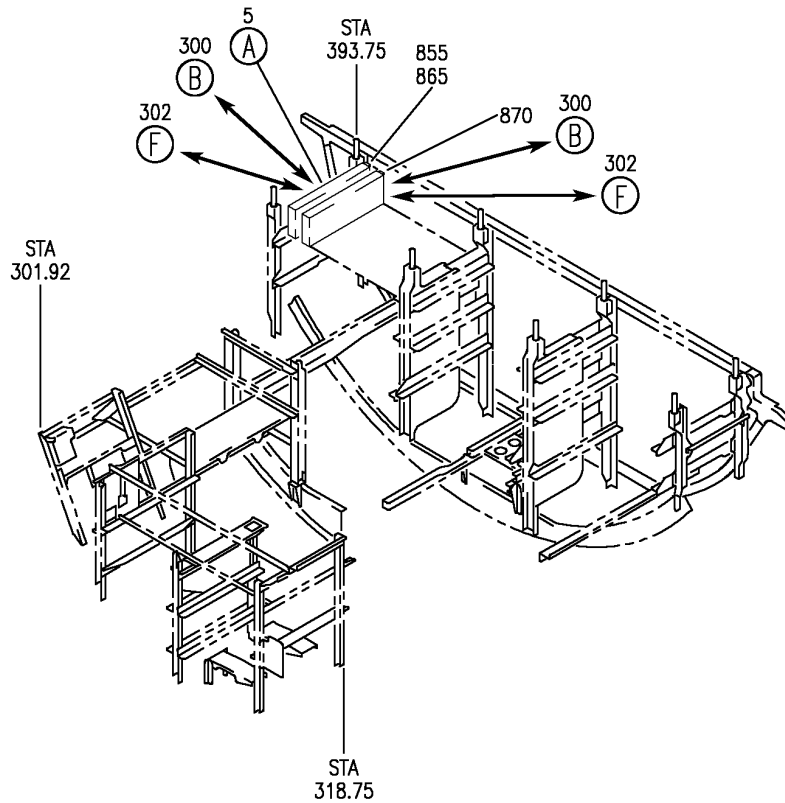
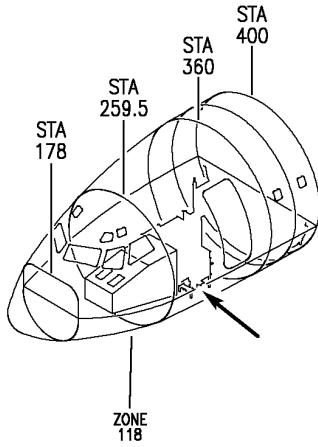
HAP

21-51-01-51

BOEING PROPRIETARY - Copyright © - Unpublished Work - See title page for details.

21-51-01
FIG. 51
PAGE 3
OCT 15/08

BOEING
 737-600/700/800/900
 PARTS CATALOG (MAINTENANCE)



E 21510201 SH 1 REV 068

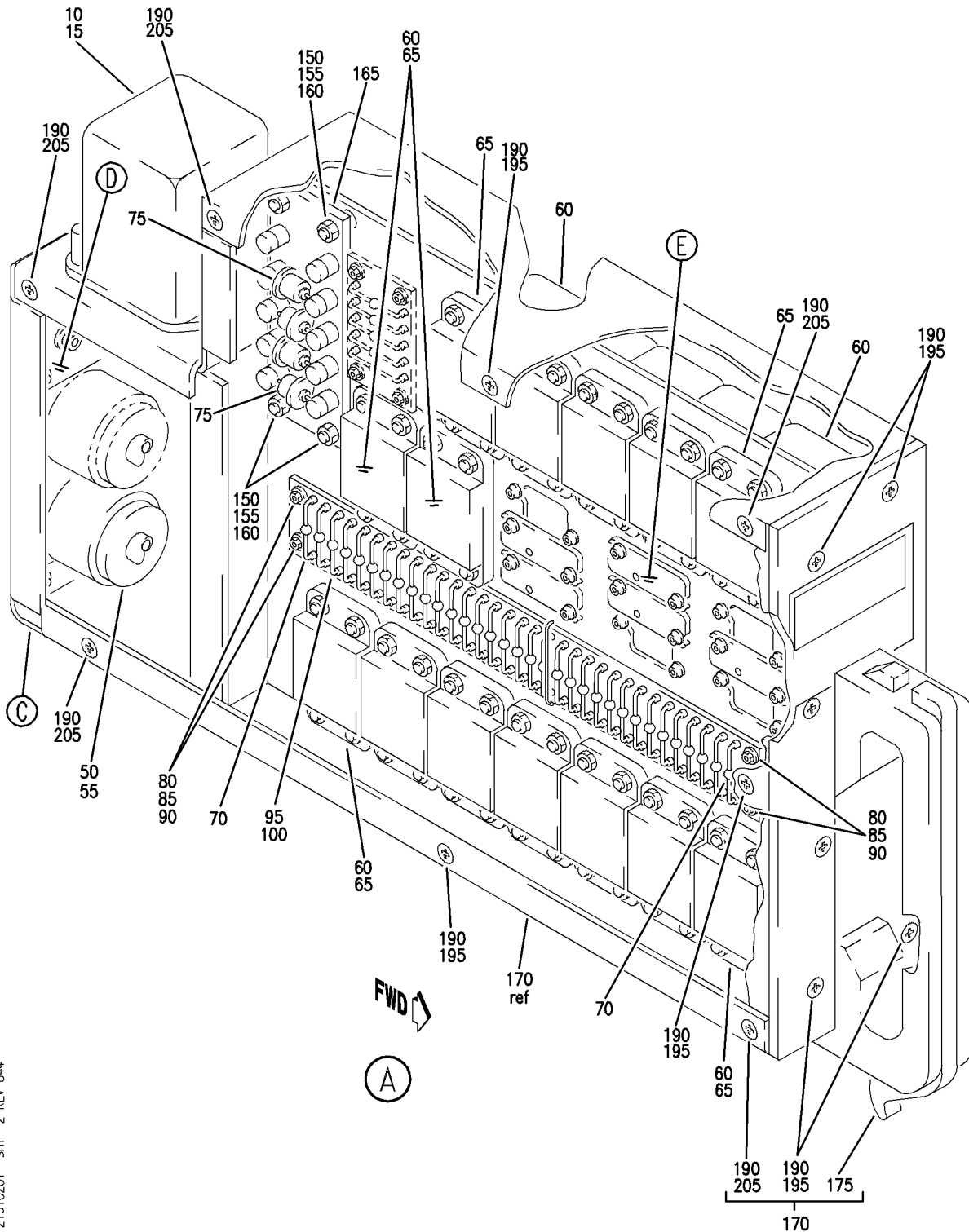
EQUIPMENT INSTL-ELEC/ELEX BAY E4 RACK (AIR CONDITIONING ACCESSORY UNIT ONLY)
 FIGURE 1 (SHEET 1)

HAP
 OCT 10/06

21-51-02-01

21-51-02-01
 PAGE 0

BOEING
737-600/700/800/900
PARTS CATALOG (MAINTENANCE)



E 21510201 SHT 2 REV 044

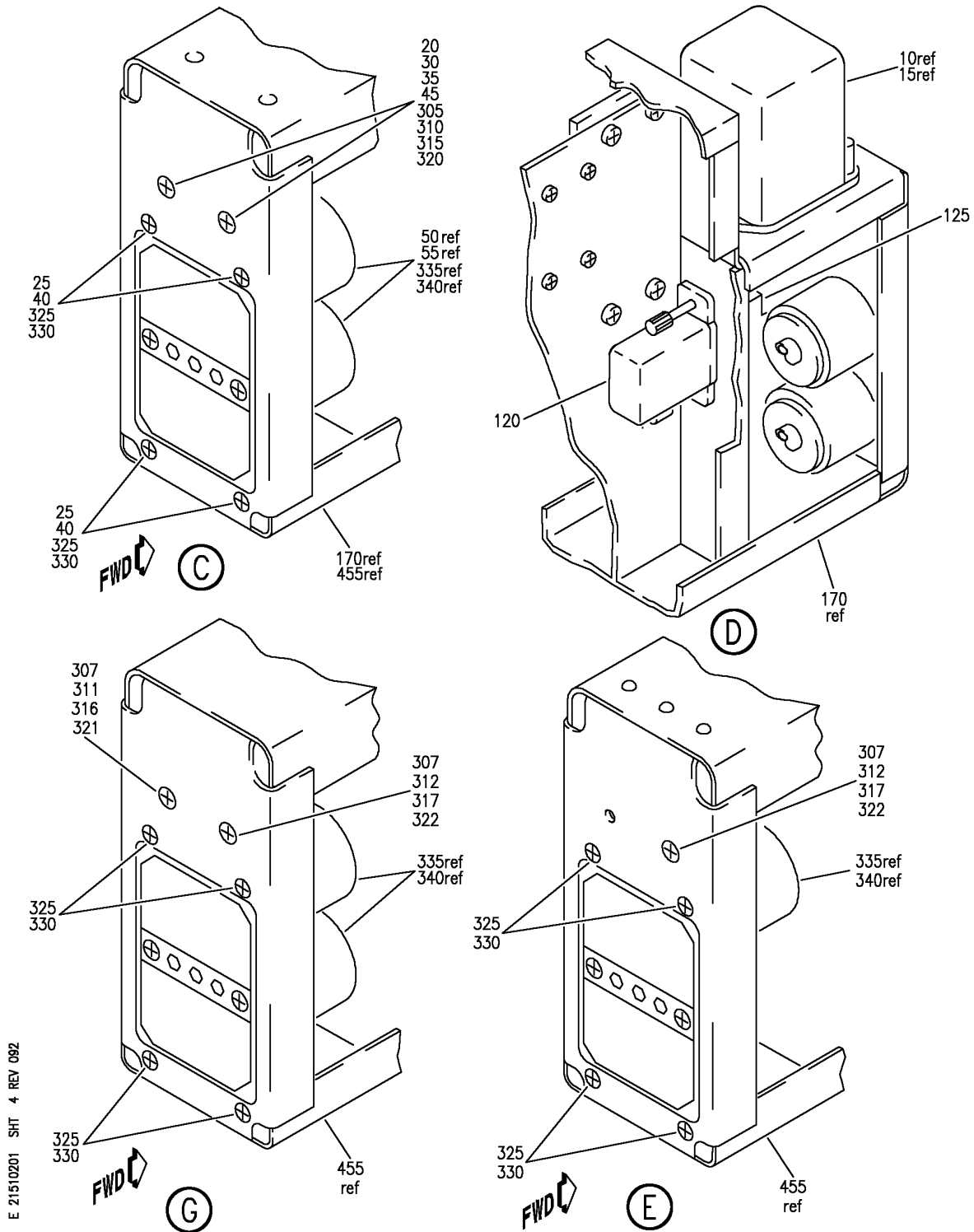
EQUIPMENT INSTL-ELEC/ELEX BAY E4 RACK (AIR CONDITIONING ACCESSORY UNIT ONLY)
 FIGURE 1 (SHEET 2)

21-51-02-01

HAP
 OCT 10/06

21-51-02-01
 PAGE 0A

BOEING
737-600/700/800/900
PARTS CATALOG (MAINTENANCE)



E 21510201 SHT 4 REV 082

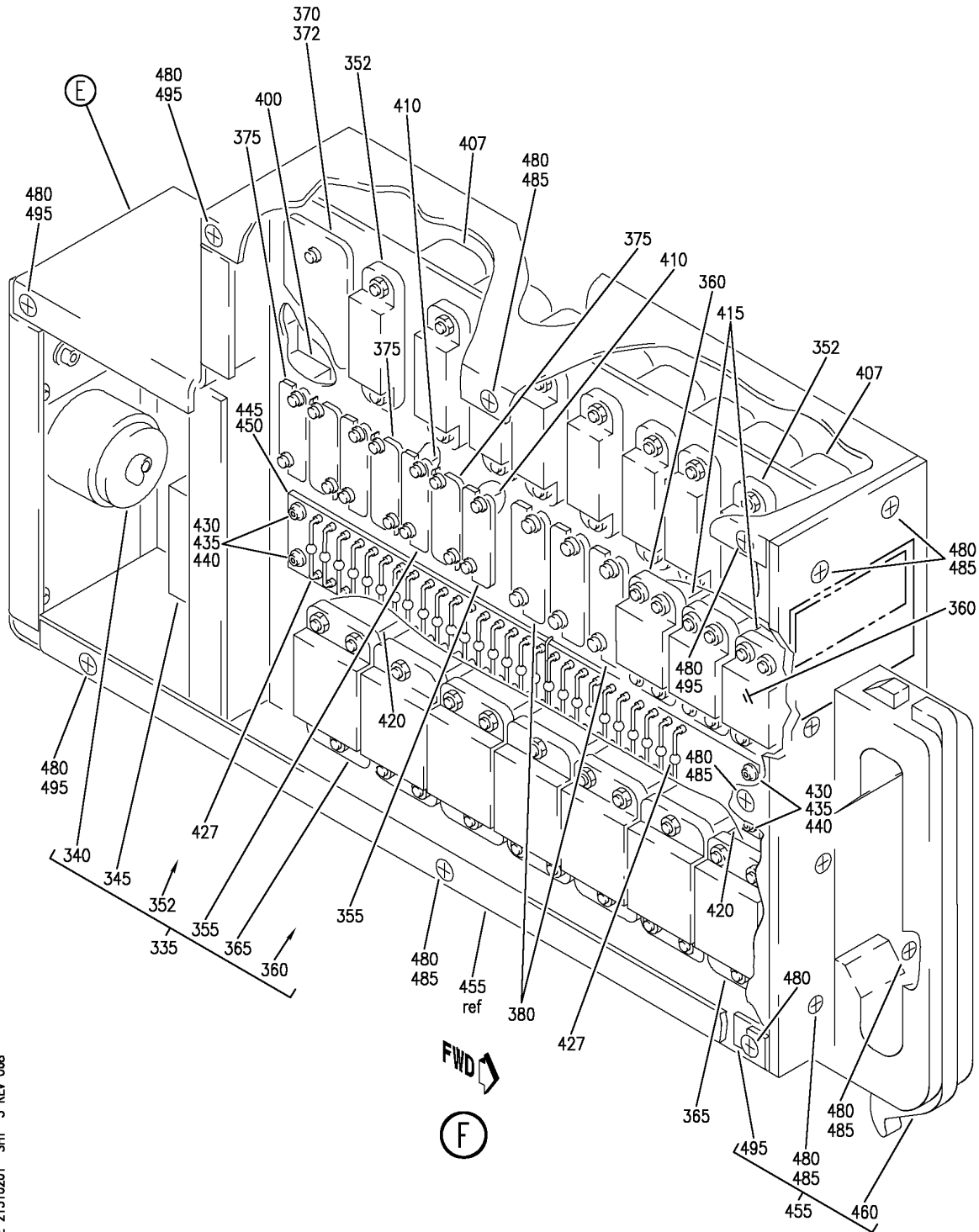
EQUIPMENT INSTL-ELEC/ELEX BAY E4 RACK (AIR CONDITIONING ACCESSORY UNIT ONLY)
FIGURE 1 (SHEET 4)

HAP
OCT 10/06

21-51-02-01

21-51-02-01
PAGE 0C

BOEING
 737-600/700/800/900
 PARTS CATALOG (MAINTENANCE)



E 21510201 SHT 5 REV 068

EQUIPMENT INSTL-ELEC/ELEX BAY E4 RACK (AIR CONDITIONING ACCESSORY UNIT ONLY)
 FIGURE 1 (SHEET 5)

21-51-02-01

HAP
 OCT 10/06

21-51-02-01
 PAGE 0D


BOEING
 737-600/700/800/900
PARTS CATALOG (MAINTENANCE)

FIG ITEM	PART NUMBER	1 2 3 4 5 6 7	NOMENCLATURE	EFFECT FROM TO	UNITS PER ASSY
1			EQUIPMENT INSTL-ELEC/ELEX BAY E4 RACK (AIR CONDITIONING ACCESSORY UNIT ONLY)	001011 201967	
- 1	284A0440-670		EQUIPMENT INSTL-ELEC/ELEX BAY (AIR CONDITIONING ACCESSORY UNIT ONLY) POSITION DATA: E4 RACK FOR NHA/OTHER SYS DET SEE: 25-50-00-12A	201967	RF
- 1	284A0440-800		EQUIPMENT INSTL-ELEC/ELEX BAY (AIR CONDITIONING ACCESSORY UNIT ONLY) POSITION DATA: E4 RACK FOR NHA/OTHER SYS DET SEE: 25-50-00-13A	001011	RF
5	65-52810-57		.ACCESSORY UNIT ASSY- SUPPLIER CODE: V89954 ELECTRICAL EQUIP NUMBER: M00324 COMPONENT MAINT MANUAL REF: 21-09-02 MAINTENANCE MANUAL REF: 21-51-02 FUNCTIONAL REFERENCE: PLACARDS AND MARKINGS FOR DETAILS SEE 11-36-01-08	201967	1
5	65-52810-59		.ACCESSORY UNIT ASSY- SUPPLIER CODE: V89954 ELECTRICAL EQUIP NUMBER: M00324 COMPONENT MAINT MANUAL REF: 21-09-02 MAINTENANCE MANUAL REF: 21-51-02 FUNCTIONAL REFERENCE: PLACARDS AND MARKINGS FOR DETAILS SEE 11-36-01-08	201967	1

R
R
R
R
R
R
R
R
R
R
R

MISSING ITEM NUMBERS NOT APPLICABLE

- ITEM NOT ILLUSTRATED

HAP

21-51-02-01

BOEING PROPRIETARY - Copyright © - Unpublished Work - See title page for details.

21-51-02
 FIG. 01
 PAGE 1
 JUN 15/09

BOEING
737-600/700/800/900
PARTS CATALOG (MAINTENANCE)

FIG ITEM	PART NUMBER	1 2 3 4 5 6 7	NOMENCLATURE	EFFECT FROM TO	UNITS PER ASSY
1					
10	FCC400-6		..RELAY-10 AMP 4PDT PLUG-IN TYPE SUPPLIER CODE: V00213 SPECIFICATION NUMBER: 10-60450-2 OPTIONAL PART: G59673-2 V73949 9524-6507 V35344 A410-159673-02 V73949	201967	1
15	000300-0597		.. SOCKET-RELAY SUPPLIER CODE: V05574	201967	1
20	NAS514P632		.. SCREW SIZE DETERMINED ON INSTL.	201967	2
25	NAS514P440-6		.. SCREW	201967	4
30	AN960D10		.. WASHER	201967	2
35	AN960D6L		.. WASHER	201967	2
40	92-1660-40		.. NUT SUPPLIER CODE: V72962 SPECIFICATION NUMBER: BACN10DN40 OPTIONAL PART: 92-1660-440 V15653	201967	4
45	22NM107-62		.. NUT- SUPPLIER CODE: V72962	201967	2
50	65-52810-58		.. WIRE BUNDLE ASSY- SUPPLIER CODE: V89954	201967	1
55	BCREF115444		... CONNECTOR- SUPPLIER CODE: V71468 OVERLENGTH PART NUMBER: DPX2MB57P57P34B00	201967	1

MISSING ITEM NUMBERS NOT APPLICABLE

— ITEM NOT ILLUSTRATED

HAP

21-51-02-01

BOEING PROPRIETARY - Copyright © - Unpublished Work - See title page for details.

21-51-02
FIG. 01
PAGE 2
OCT 15/08

BOEING
737-600/700/800/900
PARTS CATALOG (MAINTENANCE)

FIG ITEM	PART NUMBER	1 2 3 4 5 6 7	NOMENCLATURE	EFFECT FROM TO	UNITS PER ASSY
1 60	ES410-1538	..	RELAY SUPPLIER CODE: V99699 SPECIFICATION NUMBER: BACR13CG2AB OPTIONAL PART: KD4L018 V35344 BR230DS0115 V56623 KD4L036 V58657 FCA410-63 V78290	201967	14
65	RSF116400	..	SOCKET-RELAY SUPPLIER CODE: V58982 SPECIFICATION NUMBER: BACS16W1A OPTIONAL PART: 102-009-1 V09922 000300-1539 V05574	201967	14
70	1N5061	..	DIODE	201967	33
75	1N4723	..	DIODE	201967	4
80	0-80	..	SCREW- SUPPLIER CODE: V2M530 OPTIONAL PART: MS51958-122	201967	4
80	MS51958-122	..	SCREW- OPTIONAL PART: 0-80 V2M530	201967	4
85	BACW10P153AL	..	WASHER	201967	4
90	NAS671-0	..	NUT	201967	4
95	15515	..	BOARD-TERM. SUPPLIER CODE: V91833	201967	1
100	15515-1SP	..	BOARD- SUPPLIER CODE: V91833	201967	1
- 105	69-63592-5	..	COMPONENT ASSY-TERM. BOARD SUPPLIER CODE: V89954 COMPONENT MAINT MANUAL REF: 34-21-17	201967	1

MISSING ITEM NUMBERS NOT APPLICABLE

- ITEM NOT ILLUSTRATED

HAP

21-51-02-01

BOEING PROPRIETARY - Copyright © - Unpublished Work - See title page for details.

21-51-02
FIG. 01
PAGE 3
OCT 15/08

BOEING
737-600/700/800/900
PARTS CATALOG (MAINTENANCE)

FIG ITEM	PART NUMBER	1 2 3 4 5 6 7	NOMENCLATURE	EFFECT FROM TO	UNITS PER ASSY
1 110	W260F4AM11	..	RELAY SUPPLIER CODE: VF0219 SPECIFICATION NUMBER: BACR13CD2 OPTIONAL PART: BR16S233 V09026 EE4AA005 V35344 3SAV1338A2 V01526 HFW1206K03 V58614 HFW1204K01 V71482	201967	5
115	HRTS17KM	..	SOCKET- SUPPLIER CODE: V91663	201967	5
115	HRTS17KJV2	..	SOCKET- SUPPLIER CODE: V91663	201967	5
120	JAD9F010	..	RELAY SUPPLIER CODE: V58657 SPECIFICATION NUMBER: BACR13CJ2E OPTIONAL PART: BACR13CJ2	201967	1
120	JAD9F007	..	RELAY SUPPLIER CODE: V58657 SPECIFICATION NUMBER: BACR13CJ2 OPTIONAL PART: BACR13CJ2E	201967	1
125	RSF116208	..	SOCKET SUPPLIER CODE: V58982 SPECIFICATION NUMBER: BACS16X3A OPTIONAL PART: 102-005-1 V09922 000300-1541 V05574	201967	1
130	65-80041-58	..	COVER-RELAY SUPPLIER CODE: V89954	201967	4

MISSING ITEM NUMBERS NOT APPLICABLE

— ITEM NOT ILLUSTRATED

HAP

21-51-02-01

BOEING PROPRIETARY - Copyright © - Unpublished Work - See title page for details.

21-51-02
FIG. 01
PAGE 4
OCT 15/08

BOEING
737-600/700/800/900
PARTS CATALOG (MAINTENANCE)

FIG ITEM	PART NUMBER	1 2 3 4 5 6 7	NOMENCLATURE	EFFECT FROM TO	UNITS PER ASSY
1					
135	NAS600-5P	..	SCREW	201967	8
140	AN960PD4L	..	WASHER	201967	8
145	92-1660-40	..	NUT	201967	8
			SUPPLIER CODE: V72962		
			SPECIFICATION NUMBER: BACN10DN40		
			OPTIONAL PART: 92-1660-440		
			V15653		
150	NAS600-7P	..	SCREW	201967	3
155	NAS43DD0-8	..	SPACER-	201967	3
			POSITION DATA: BETWEEN CHASSIS AND TERM. BOARD		
160	92-1660-40	..	NUT	201967	3
			SUPPLIER CODE: V72962		
			SPECIFICATION NUMBER: BACN10DN40		
			OPTIONAL PART: 92-1660-440		
			V15653		
165	BACT42C9A1	..	BOARD-TERM.	201967	1
			OPTIONAL PART: BCREF19313		
			V3N087		
165	BCREF19313	..	BOARD-TERM.	201967	1
			OVERLENGTH PART NUMBER: S240-90-010-00840200		
			OPTIONAL PART: BACT42C9A1		
170	65-75971-33	..	CHASSIS ASSY-	201967	1
			SUPPLIER CODE: V89954		
175	40L2-2A	...	HANDLE-	201967	1
			SUPPLIER CODE: V71286		
			OPTIONAL PART: 40L2-2		
			V71286		
175	40L2-2	...	HANDLE-	201967	1
			SUPPLIER CODE: V71286		
			OPTIONAL PART: 40L2-2A		
			V71286		
			ATTACHING PARTS		
- 180	NAS603-6P	...	SCREW	201967	2

MISSING ITEM NUMBERS NOT APPLICABLE

- ITEM NOT ILLUSTRATED

HAP

21-51-02-01

BOEING PROPRIETARY - Copyright © - Unpublished Work - See title page for details.

21-51-02
FIG. 01
PAGE 5
OCT 15/08

BOEING
737-600/700/800/900
PARTS CATALOG (MAINTENANCE)

FIG ITEM	PART NUMBER	1 2 3 4 5 6 7	NOMENCLATURE	EFFECT FROM TO	UNITS PER ASSY
1					
- 185	MS35338-43	...	WASHER -----*-----	201967	2
190	NAS514P632-6B	...	SCREW	201967	14
195	MF53049-06	...	NUTPLATE SUPPLIER CODE: V15653 SPECIFICATION NUMBER: BACN10JN06 OPTIONAL PART: MF1000-06BAC V15653 NS103218-62 V80539 RMF9201M62 V72962 VN252A62L V92215 T8124S06S V11815 BRFM20A06L V52828 ATTACHING PARTS	201967	9
- 200	BACR15BA3D	...	RIVET SIZE DETERMINED ON INSTL. -----*-----	201967	18
205	F2000-06	...	NUTPLATE SUPPLIER CODE: V15653 SPECIFICATION NUMBER: BACN10KB06F OPTIONAL PART: NS103185-62 V80539 RMF9207-62 V72962 T8114S632S V11815 VN151A1-62 V92215 BRF100A06 V52828 ATTACHING PARTS	201967	5
- 210	BACR15BA3D	...	RIVET SIZE DETERMINED ON INSTL. -----*-----	201967	25

MISSING ITEM NUMBERS NOT APPLICABLE

- ITEM NOT ILLUSTRATED

HAP

21-51-02-01

BOEING PROPRIETARY - Copyright © - Unpublished Work - See title page for details.

21-51-02
FIG. 01
PAGE 6
OCT 15/08

BOEING
737-600/700/800/900
PARTS CATALOG (MAINTENANCE)

FIG ITEM	PART NUMBER	1 2 3 4 5 6 7	NOMENCLATURE	EFFECT FROM TO	UNITS PER ASSY
1					
- 215	65-52810-62		..SUB KIT ASSY- SUPPLIER CODE: V89954 OPTIONAL PART: 65-52810-63 V89954	201967	2
- 215	65-52810-63		..SUBKIT ASSY- SUPPLIER CODE: V89954 OPTIONAL PART: 65-52810-62 V89954	201967	2
- 220	NAS514P632-5		...SCREW- USED ON: 65-52810-62	201967	1
- 225	MS51957-28		...SCREW- USED ON: 65-52810-63	201967	1
- 230	AN960D6L		...WASHER	201967	1
- 235	AN960D10		...WASHER- USED ON: 65-52810-62	201967	1
- 240	22NM107-62		...NUT- SUPPLIER CODE: V72962	201967	1

MISSING ITEM NUMBERS NOT APPLICABLE

- ITEM NOT ILLUSTRATED

HAP

21-51-02-01

BOEING PROPRIETARY - Copyright © - Unpublished Work - See title page for details.

21-51-02
FIG. 01
PAGE 7
OCT 15/08

BOEING
737-600/700/800/900
PARTS CATALOG (MAINTENANCE)

FIG ITEM	PART NUMBER	1 2 3 4 5 6 7	NOMENCLATURE	EFFECT FROM TO	UNITS PER ASSY
1 300	65-52810-46		.ACCESSORY UNIT ASSY- (AIR CONDITIONING ONLY) SUPPLIER CODE: V89954 ELECTRICAL EQUIP NUMBER: M00324 M01455 COMPONENT MAINT MANUAL REF: 21-09-02 MAINTENANCE MANUAL REF: 21-51-02 QUALIFIED I/W DATA: 65-52810-46 IS INTERCHANGEABLE AND INTERMIXABLE WITH 65-52810-64 EXCEPT INSTALLATION OF 65-52810-46 NEGATES THE INTENT OF SB 737-21-1133 AND MAY CAUSE NUISANCE ZONE TEMP LIGHT ILLUMINATION DURING MASTER CAUTION RECALL PRE SERVICE BULLETIN: 21-1133 FUNCTIONAL REFERENCE: PLACARDS AND MARKINGS FOR DETAILS SEE 11-36-01-08	001011	2

MISSING ITEM NUMBERS NOT APPLICABLE

— ITEM NOT ILLUSTRATED

HAP

21-51-02-01

BOEING PROPRIETARY - Copyright © - Unpublished Work - See title page for details.

21-51-02
FIG. 01
PAGE 8
OCT 15/08

BOEING
737-600/700/800/900
PARTS CATALOG (MAINTENANCE)

FIG ITEM	PART NUMBER	1 2 3 4 5 6 7	NOMENCLATURE	EFFECT FROM TO	UNITS PER ASSY
1 302	65-52810-64		.ACCESSORY UNIT ASSY- (AIR CONDITIONING ONLY) SUPPLIER CODE: V89954 ELECTRICAL EQUIP NUMBER: M00324 M01455 COMPONENT MAINT MANUAL REF: 21-09-02 MAINTENANCE MANUAL REF: 21-51-02 QUALIFIED I/W DATA: 65-52810-46 IS INTERCHANGEABLE AND INTERMIXABLE WITH 65-52810-64 EXCEPT INSTALLATION OF 65-52810-46 NEGATES THE INTENT OF SB 737-21-1133 AND MAY CAUSE NUISANCE ZONE TEMP LIGHT ILLUMINATION DURING MASTER CAUTION RECALL POST SERVICE BULLETIN: 21-1133 FUNCTIONAL REFERENCE: PLACARDS AND MARKINGS FOR DETAILS SEE 11-36-01-08	001011	2
305	NAS514P632		..SCREW- SIZE DETERMINED ON INSTL. USED ON: 65-52810-46 PRE SERVICE BULLETIN: 21-1133	001011	2
307	MS24693C26		..SCREW- OPTIONAL PART: NAS514P632-5 POST SERVICE BULLETIN: 21-1133	001011	1
307	NAS514P632-5		..SCREW- OPTIONAL PART: MS24693C26 POST SERVICE BULLETIN: 21-1133	001011	1

MISSING ITEM NUMBERS NOT APPLICABLE

— ITEM NOT ILLUSTRATED

HAP

21-51-02-01

BOEING PROPRIETARY - Copyright © - Unpublished Work - See title page for details.

21-51-02
FIG. 01
PAGE 9
OCT 15/08

BOEING
737-600/700/800/900
PARTS CATALOG (MAINTENANCE)

FIG ITEM	PART NUMBER	1 2 3 4 5 6 7	NOMENCLATURE	EFFECT FROM TO	UNITS PER ASSY
1 311	AN960D10		.. WASHER- USED ON: 65-52810-46 PRE SERVICE BULLETIN: 21-1133	001011	1
312	NAS1149D0363J		.. WASHER- OPTIONAL PART: AN960D10 USED ON: 65-52810-64 POST SERVICE BULLETIN: 21-1133	001011	1
312	AN960D10		.. WASHER- OPTIONAL PART: NAS1149D0363J	001011	1
316	AN960D6L		.. WASHER- USED ON: 65-52810-46 PRE SERVICE BULLETIN: 21-1133	001011	1
317	NAS1149DN616J		.. WASHER- OPTIONAL PART: AN960D6L USED ON: 65-52810-64 POST SERVICE BULLETIN: 21-1133	001011	1
317	AN960D6L		.. WASHER- OPTIONAL PART: NAS1149DN616J	001011	1
321	22NM107-62		.. NUT- SUPPLIER CODE: V72962 USED ON: 65-52810-46 PRE SERVICE BULLETIN: 21-1133	001011	1
322	MS21043-06		.. NUT- OPTIONAL PART: 22NM107-62 V72962 USED ON: 65-52810-64 POST SERVICE BULLETIN: 21-1133	001011	1

MISSING ITEM NUMBERS NOT APPLICABLE

— ITEM NOT ILLUSTRATED

HAP

21-51-02-01

BOEING PROPRIETARY - Copyright © - Unpublished Work - See title page for details.

21-51-02
FIG. 01
PAGE 10
OCT 15/08

BOEING
737-600/700/800/900
PARTS CATALOG (MAINTENANCE)

FIG ITEM	PART NUMBER	1 2 3 4 5 6 7	NOMENCLATURE	EFFECT FROM TO	UNITS PER ASSY
1 322	22NM107-62		..NUT- SUPPLIER CODE: V72962 OPTIONAL PART: MS21043-06	001011	1
325	MS24693C4		..SCREW- OPTIONAL PART: NAS514P440-6 USED ON: 65-52810-64 POST SERVICE BULLETIN: 21-1133	001011	4
325	NAS514P440-6		..SCREW- OPTIONAL PART: MS24693C4	001011	4
330	MS21043-04		..NUT- OPTIONAL PART: BACN10DN40 USED ON: 65-52810-64 POST SERVICE BULLETIN: 21-1133	001011	4
330	92-1660-40		..NUT- SUPPLIER CODE: V72962 SPECIFICATION NUMBER: BACN10DN40 OPTIONAL PART: 92-1660-440 V15653 MS21043-04	001011	4
335	65-52810-47		..WIRE BUNDLE ASSY- SUPPLIER CODE: V89954 USED ON: 65-52810-46 PRE SERVICE BULLETIN: 21-1133	001011	1
335	65-52810-65		..WIRE BUNDLE ASSY- SUPPLIER CODE: V89954 USED ON: 65-52810-64 POST SERVICE BULLETIN: 21-1133	001011	1

MISSING ITEM NUMBERS NOT APPLICABLE

— ITEM NOT ILLUSTRATED

HAP

21-51-02-01

BOEING PROPRIETARY - Copyright © - Unpublished Work - See title page for details.

21-51-02
FIG. 01
PAGE 11
OCT 15/08

BOEING
737-600/700/800/900
PARTS CATALOG (MAINTENANCE)

FIG ITEM	PART NUMBER	1 2 3 4 5 6 7	NOMENCLATURE	EFFECT FROM TO	UNITS PER ASSY
1	340 BCREP2833		...CONNECTOR- SUPPLIER CODE: V71468 OVERLENGTH PART NUMBER: DPX2MB67P67P34B0005	001011	1
	345 RSF116208		...SOCKET-RELAY SUPPLIER CODE: V58982 SPECIFICATION NUMBER: BACS16X3A OPTIONAL PART: 102-005-1 V09922 000300-1541 V05574	001011	1
	350 RSF116200		...SOCKET-RELAY SUPPLIER CODE: V58982 SPECIFICATION NUMBER: BACS16X1A OPTIONAL PART: 102-006-1 V09922 000300-1538 V05574 USED ON: 65-52810-47 PRE SERVICE BULLETIN: 21-1133	001011	7
	352 RSF116200		...SOCKET- SUPPLIER CODE: V58982 SPECIFICATION NUMBER: BACS16X1A OPTIONAL PART: 102-006-1 V09922 000300-1538 V05574 USED ON: 65-52810-65 POST SERVICE BULLETIN: 21-1133	001011	8
	355 HRTS17KM		...SOCKET-RELAY SUPPLIER CODE: V91663	001011	2
	355 HRTS17KJV2		...SOCKET-RELAY SUPPLIER CODE: V91663	001011	2

MISSING ITEM NUMBERS NOT APPLICABLE

— ITEM NOT ILLUSTRATED

HAP

21-51-02-01

BOEING PROPRIETARY - Copyright © - Unpublished Work - See title page for details.

21-51-02
FIG. 01
PAGE 12
OCT 15/08

BOEING
737-600/700/800/900
PARTS CATALOG (MAINTENANCE)

FIG ITEM	PART NUMBER	1 2 3 4 5 6 7	NOMENCLATURE	EFFECT FROM TO	UNITS PER ASSY
1					
360	HRCC5KM	...	SOCKET-RELAY SUPPLIER CODE: V91663	001011	3
365	RSF116400	...	SOCKET-RELAY SUPPLIER CODE: V58982 SPECIFICATION NUMBER: BACS16W1A OPTIONAL PART: 102-009-1 V09922 000300-1539 V05574	001011	7
372	69-68592-4	..	COVER-RELAY SUPPLIER CODE: V89954	001011	1
373	69-68592-4	..	COVER-RELAY SUPPLIER CODE: V89954 USED ON: 65-52810-46 PRE SERVICE BULLETIN: 21-1133	001011	1
375	65-75971-29	..	COVER-RELAY SUPPLIER CODE: V89954	001011	5
380	65-75971-30	..	COVER-RELAY SUPPLIER CODE: V89954 ATTACHING PARTS	001011	3
- 386	MS51957-14	..	SCREW- OPTIONAL PART: NAS600-5P USED ON: 65-52810-64 POST SERVICE BULLETIN: 21-1133	001011	18
- 386	NAS600-5P	..	SCREW- OPTIONAL PART: MS51957-14	001011	18
- 388	NAS600-5P	..	SCREW- USED ON: 65-52810-46 PRE SERVICE BULLETIN: 21-1133	001011	2

MISSING ITEM NUMBERS NOT APPLICABLE

- ITEM NOT ILLUSTRATED

HAP

21-51-02-01

BOEING PROPRIETARY - Copyright © - Unpublished Work - See title page for details.

21-51-02
FIG. 01
PAGE 13
OCT 15/08

BOEING
737-600/700/800/900
PARTS CATALOG (MAINTENANCE)

FIG ITEM	PART NUMBER	1 2 3 4 5 6 7	NOMENCLATURE	EFFECT FROM TO	UNITS PER ASSY
1					
- 391	NAS1149CN416R		.. WASHER- OPTIONAL PART: AN960PD4L USED ON: 65-52810-64 POST SERVICE BULLETIN: 21-1133	001011	18
- 391	AN960PD4L		.. WASHER- OPTIONAL PART: NAS1149CN416R	001011	18
- 393	AN960PD4L		.. WASHER- USED ON: 65-52810-46 PRE SERVICE BULLETIN: 21-1133	001011	2
- 396	MS21043-04		.. NUT- OPTIONAL PART: BACN10DN40 USED ON: 65-52810-64 POST SERVICE BULLETIN: 21-1133	001011	18
- 396	92-1660-40		.. NUT- SUPPLIER CODE: V72962 SPECIFICATION NUMBER: BACN10DN40 OPTIONAL PART: 92-1660-440 V15653 MS21043-04	001011	18
- 398	92-1660-40		.. NUT- SUPPLIER CODE: V72962 SPECIFICATION NUMBER: BACN10DN40 OPTIONAL PART: 92-1660-440 V15653 USED ON: 65-52810-46 PRE SERVICE BULLETIN: 21-1133 -----*-----	001011	2

MISSING ITEM NUMBERS NOT APPLICABLE

- ITEM NOT ILLUSTRATED

HAP

21-51-02-01

BOEING PROPRIETARY - Copyright © - Unpublished Work - See title page for details.

21-51-02
FIG. 01
PAGE 14
OCT 15/08

BOEING
737-600/700/800/900
PARTS CATALOG (MAINTENANCE)

FIG ITEM	PART NUMBER	1 2 3 4 5 6 7	NOMENCLATURE	EFFECT FROM TO	UNITS PER ASSY
1 400	JAD9F010		..RELAY SUPPLIER CODE: V58657 SPECIFICATION NUMBER: BACR13CJ2 OPTIONAL PART: BACR13CJ2	001011	1
400	JAD9F007		..RELAY SUPPLIER CODE: V58657 SPECIFICATION NUMBER: BACR13CJ2 OPTIONAL PART: BACR13CJ2	001011	1
405	E210-1631		..RELAY- SUPPLIER CODE: V99699 SPECIFICATION NUMBER: BACR13CF2A OPTIONAL PART: BR246S0112 V56623 FCA210-70 V78290 E215-1050 V99699 JD4A017 V35344 BR64S104 V56623 61GB19-1A320 V98927 USED ON: 65-52810-46 PRE SERVICE BULLETIN: 21-1133	001011	7

MISSING ITEM NUMBERS NOT APPLICABLE

— ITEM NOT ILLUSTRATED

HAP

21-51-02-01

BOEING PROPRIETARY - Copyright © - Unpublished Work - See title page for details.

21-51-02
FIG. 01
PAGE 15
OCT 15/08

BOEING
737-600/700/800/900
PARTS CATALOG (MAINTENANCE)

FIG ITEM	PART NUMBER	1 2 3 4 5 6 7	NOMENCLATURE	EFFECT FROM TO	UNITS PER ASSY
1 407	E210-1631		..RELAY- SUPPLIER CODE: V99699 SPECIFICATION NUMBER: BACR13CF2A OPTIONAL PART: BR246S0112 V56623 FCA210-70 V78290 E215-1050 V99699 JD4A017 V35344 BR64S104 V56623 61GB19-1A320 V98927 USED ON: 65-52810-64 POST SERVICE BULLETIN: 21-1133	001011	8
410	W260F4AM11		..RELAY SUPPLIER CODE: VF0219 SPECIFICATION NUMBER: BACR13CD2 OPTIONAL PART: BR16S233 V09026 EE4AA005 V35344 3SAV1338A2 V01526 HFW1206K03 V58614 HFW1204K01 V71482	001011	2
415	W460F1A		..RELAY SUPPLIER CODE: VF0219 SPECIFICATION NUMBER: BACR13CE2 OPTIONAL PART: 3SAH5-13-4K1 V01526 3SAH1326A2 V01526	001011	3

MISSING ITEM NUMBERS NOT APPLICABLE

— ITEM NOT ILLUSTRATED

HAP

21-51-02-01

BOEING PROPRIETARY - Copyright © - Unpublished Work - See title page for details.

21-51-02
FIG. 01
PAGE 16
OCT 15/08

 **BOEING**
737-600/700/800/900
PARTS CATALOG (MAINTENANCE)

FIG ITEM	PART NUMBER	1 2 3 4 5 6 7	NOMENCLATURE	EFFECT FROM TO	UNITS PER ASSY
1 420	ES410-1538		..RELAY SUPPLIER CODE: V99699 SPECIFICATION NUMBER: BACR13CG2AB OPTIONAL PART: KD4L018 V35344 BR230DS0115 V56623 KD4L036 V58657 FCA410-63 V78290	001011	7
425	1N5061		..DIODE- USED ON: 65-52810-46 PRE SERVICE BULLETIN: 21-1133	001011	26
427	1N5061		..DIODE- USED ON: 65-52810-64 POST SERVICE BULLETIN: 21-1133	001011	27
430	0-80		..SCREW- SUPPLIER CODE: V2M530 OPTIONAL PART: MS51958-122	001011	4
430	MS51958-122		..SCREW- OPTIONAL PART: 0-80 V2M530	001011	4
435	BACW10P153AL		..WASHER	001011	4
440	NAS671-0		..NUT	001011	4
445	15515		..BOARD-TERM. SUPPLIER CODE: V91833	001011	1
450	15515-1SP		..BOARD- SUPPLIER CODE: V91833	001011	1
455	65-75971-25		..CHASSIS ASSY- SUPPLIER CODE: V89954	001011	1

MISSING ITEM NUMBERS NOT APPLICABLE

— ITEM NOT ILLUSTRATED

HAP

21-51-02-01

BOEING PROPRIETARY - Copyright © - Unpublished Work - See title page for details.

21-51-02
FIG. 01
PAGE 17
OCT 15/08

BOEING
737-600/700/800/900
PARTS CATALOG (MAINTENANCE)

FIG ITEM	PART NUMBER	1 2 3 4 5 6 7	NOMENCLATURE	EFFECT FROM TO	UNITS PER ASSY
1 460	40L2-2A		...HANDLE- SUPPLIER CODE: V71286 OPTIONAL PART: 40L2-2 V71286	001011	1
460	40L2-2		...HANDLE- SUPPLIER CODE: V71286 OPTIONAL PART: 40L2-2A V71286 ATTACHING PARTS	001011	1
- 470	NAS603-6P		...SCREW	001011	2
- 475	MS35338-43		...WASHER -----*-----	001011	2
480	NAS514P632-6B		...SCREW	001011	14
485	MF53049-06		...NUTPLATE SUPPLIER CODE: V15653 SPECIFICATION NUMBER: BACN10JN06 OPTIONAL PART: MF1000-06BAC V15653 NS103218-62 V80539 RMF9201M62 V72962 VN252A62L V92215 T8124S06S V11815 BRFM20A06L V52828 ATTACHING PARTS	001011	9
- 490	BACR15BA3D		...RIVET SIZE DETERMINED ON INSTL. -----*-----	001011	18

MISSING ITEM NUMBERS NOT APPLICABLE

- ITEM NOT ILLUSTRATED

HAP

21-51-02-01

BOEING PROPRIETARY - Copyright © - Unpublished Work - See title page for details.

21-51-02
FIG. 01
PAGE 18
OCT 15/08

BOEING
737-600/700/800/900
PARTS CATALOG (MAINTENANCE)

FIG ITEM	PART NUMBER	1 2 3 4 5 6 7	NOMENCLATURE	EFFECT FROM TO	UNITS PER ASSY
1 495	F2000-06		...NUTPLATE SUPPLIER CODE: V15653 SPECIFICATION NUMBER: BACN10KB06F OPTIONAL PART: NS103185-62 V80539 RMF9207-62 V72962 T8114S632S V11815 VN151A1-62 V92215 BRF100A06 V52828 ATTACHING PARTS	001011	5
- 500	BACR15BA3D		...RIVET SIZE DETERMINED ON INSTL. -----*-----	001011	25
- 852	286A0410-053		WIRE BUNDLE ASSY-E4-1 SHELF ELECTRICAL EQUIPMENT RB2	201967	RF
855	BCREF2241		.PLUG-PLATE ASSY SUPPLIER CODE: V71468 OVERLENGTH PART NUMBER: DPX2MB57S57S33B0005 ELECTRICAL EQUIP NUMBER: D00458 WIRING DIAGRAM REF: 215111	201967	1
- 860	286A0410-302		WIRE BUNDLE ASSY-E4-1 SHELF ELECTRICAL EQUIPMENT RB2	001001 006007	RF
- 860	286A0410-303		WIRE BUNDLE ASSY-E4-1 SHELF ELECTRICAL EQUIPMENT RB2	002005	RF
- 860	286A0410-321		WIRE BUNDLE ASSY-E4-1 SHELF ELECTRICAL EQUIPMENT RB2	008011	RF

MISSING ITEM NUMBERS NOT APPLICABLE

- ITEM NOT ILLUSTRATED

HAP

21-51-02-01

BOEING PROPRIETARY - Copyright © - Unpublished Work - See title page for details.

21-51-02
FIG. 01
PAGE 19
OCT 15/08

BOEING
737-600/700/800/900
PARTS CATALOG (MAINTENANCE)

FIG ITEM	PART NUMBER	1 2 3 4 5 6 7	NOMENCLATURE	EFFECT FROM TO	UNITS PER ASSY
1 865	BCREF2241		.PLUG-PLATE ASSY SUPPLIER CODE: V71468 OVERLENGTH PART NUMBER: DPX2MB57S57S33B0005 ELECTRICAL EQUIP NUMBER: D00458 WIRING DIAGRAM REF: 215111	001011	1
870	BCREF2266		.PLUG- SUPPLIER CODE: V71468 OVERLENGTH PART NUMBER: DPX2MB67S67S33B0005 ELECTRICAL EQUIP NUMBER: D10002 WIRING DIAGRAM REF: 215121	001011	1

MISSING ITEM NUMBERS NOT APPLICABLE

— ITEM NOT ILLUSTRATED

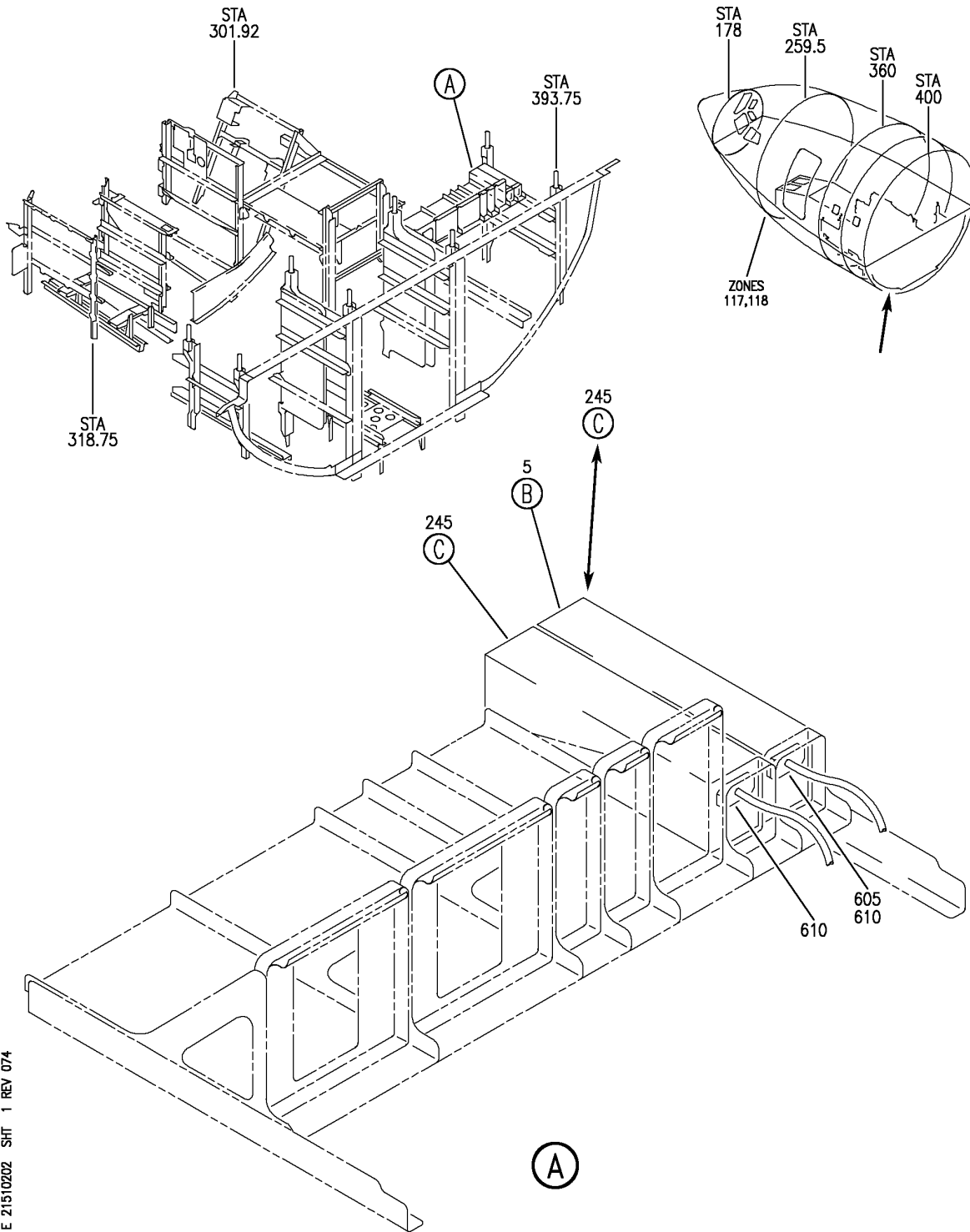
HAP

21-51-02-01

BOEING PROPRIETARY - Copyright © - Unpublished Work - See title page for details.

21-51-02
FIG. 01
PAGE 20
OCT 15/08

BOEING
 737-600/700/800/900
 PARTS CATALOG (MAINTENANCE)



E 21510202 SH1 1 REV 074

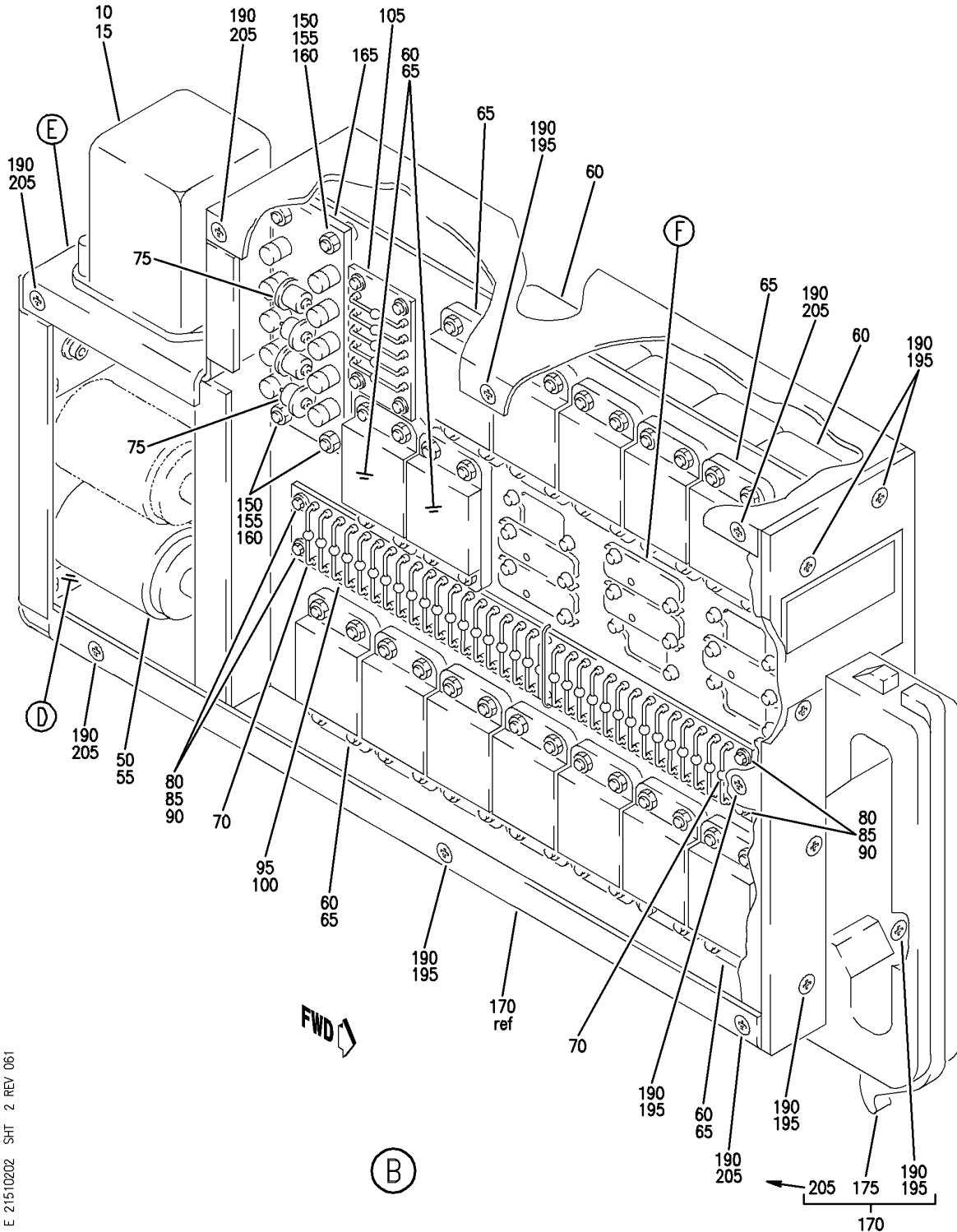
EQUIPMENT INSTL-E4 RACK (PACK FLOW CONTROL AND PACK COOLING SYSTEM ONLY)
 FIGURE 2 (SHEET 1)

21-51-02-02

HAP
 OCT 10/06

21-51-02-02
 PAGE 0

BOEING
737-600/700/800/900
PARTS CATALOG (MAINTENANCE)



E 21510202 SHT 2 REV 061

EQUIPMENT INSTL-E4 RACK (PACK FLOW CONTROL AND PACK COOLING SYSTEM ONLY)
 FIGURE 2 (SHEET 2)

HAP
 OCT 10/06

21-51-02-02

21-51-02-02
 PAGE 0A

BOEING
737-600/700/800/900
PARTS CATALOG (MAINTENANCE)

FIG ITEM	PART NUMBER	1 2 3 4 5 6 7	NOMENCLATURE	EFFECT FROM TO	UNITS PER ASSY
2			EQUIPMENT INSTL-E4 RACK (PACK FLOW CONTROL AND PACK COOLING SYSTEM ONLY)	031200 968999	
- 2	MODREF202977		EQUIPMENT INSTL-E4 RACK (PACK FLOW CONTROL AND PACK COOLING SYSTEM ONLY) MODULE NUMBER: 284A0441-15 REV A FOR OTHER SYS DETAILS SEE: 21-61-11-01 23-51-01-03 24-21-81-03A 24-32-11-02 24-41-21-02 27-62-35-02 30-41-11-03	101200 968999	1
- 2	MODREF202978		EQUIPMENT INSTL-E4 RACK (PACK FLOW CONTROL AND PACK COOLING SYSTEM ONLY) MODULE NUMBER: 284A0441-16 REV A FOR OTHER SYS DETAILS SEE: 23-51-01-03 24-21-81-03A 24-32-11-02 24-41-21-02 27-62-35-02 30-41-11-03	031100	1
R R R R R R R R R R	5 65-52810-57		.ACCESSORY UNIT ASSY- SUPPLIER CODE: V89954 ELECTRICAL EQUIP NUMBER: M00324 COMPONENT MAINT MANUAL REF: 21-09-02 FUNCTIONAL REFERENCE: PLACARDS AND MARKINGS FOR DETAILS SEE 11-36-01-08	101200 968999	1

MISSING ITEM NUMBERS NOT APPLICABLE

- ITEM NOT ILLUSTRATED

HAP

21-51-02-02

BOEING PROPRIETARY - Copyright © - Unpublished Work - See title page for details.

21-51-02
FIG. 02
PAGE 1
JUN 15/09

BOEING
737-600/700/800/900
PARTS CATALOG (MAINTENANCE)

FIG ITEM	PART NUMBER	1 2 3 4 5 6 7	NOMENCLATURE	EFFECT FROM TO	UNITS PER ASSY
R R R R R R R R R R	2				
	5	65-52810-59	. ACCESSORY UNIT ASSY- SUPPLIER CODE: V89954 ELECTRICAL EQUIP NUMBER: M00324 COMPONENT MAINT MANUAL REF: 21-09-02 MAINTENANCE MANUAL REF: 21-51-02 FUNCTIONAL REFERENCE: PLACARDS AND MARKINGS FOR DETAILS SEE 11-36-01-08	101200 968999	1
	10	FCC400-6	.. RELAY- SUPPLIER CODE: V00213 SPECIFICATION NUMBER: 10-60450-2 OPTIONAL PART: 9524-6507 V35344 A410-159673-02 V73949 G59673-2 V73949	101200 968999	1
	15	000300-0597	.. SOCKET-RELAY SUPPLIER CODE: V05574	101200 968999	1
	20	NAS514P632-5	.. SCREW	101200 968999	2
	25	NAS514P440-6	.. SCREW	101200 968999	4
	30	AN960D10	.. WASHER	101200 968999	2
	35	AN960D6L	.. WASHER	101200 968999	2
	40	92-1660-40	.. NUT SUPPLIER CODE: V72962 SPECIFICATION NUMBER: BACN10DN40 OPTIONAL PART: 92-1660-440 V15653	101200 968999	4
	45	22NM107-62	.. NUT- SUPPLIER CODE: V72962	101200 968999	2

MISSING ITEM NUMBERS NOT APPLICABLE

— ITEM NOT ILLUSTRATED

HAP

21-51-02-02

BOEING PROPRIETARY - Copyright © - Unpublished Work - See title page for details.

21-51-02
FIG. 02
PAGE 2
JUN 15/09

BOEING
737-600/700/800/900
PARTS CATALOG (MAINTENANCE)

FIG ITEM	PART NUMBER	1 2 3 4 5 6 7	NOMENCLATURE	EFFECT FROM TO	UNITS PER ASSY
2					
50	65-52810-58		..WIRE BUNDLE ASSY- SUPPLIER CODE: V89954	101200 968999	1
55	BCREF115444		...CONNECTOR- SUPPLIER CODE: V71468 OVERLENGTH PART NUMBER: DPX2MB57P57P34B00	101200 968999	1
60	ES410-1538		..RELAY SUPPLIER CODE: V99699 SPECIFICATION NUMBER: BACR13CG2AB OPTIONAL PART: KD4L018 V35344 BR230DS0115 V56623 KD4L036 V58657 FCA410-63 V78290	101200 968999	14
65	RSF116400		..SOCKET SUPPLIER CODE: V58982 SPECIFICATION NUMBER: BACS16W1A OPTIONAL PART: 102-009-1 V09922 000300-1539 V05574	101200 968999	14
70	1N5061		..DIODE	101200 968999	33
75	1N4723		..DIODE	101200 968999	4
80	0-80		..SCREW- SUPPLIER CODE: V2M530 OPTIONAL PART: MS51958-122	101200 968999	4
80	MS51958-122		..SCREW- OPTIONAL PART: 0-80 V2M530	101200 968999	4
85	BACW10P153AL		..WASHER	101200 968999	4
90	NAS671-0		..NUT	101200 968999	4

MISSING ITEM NUMBERS NOT APPLICABLE

- ITEM NOT ILLUSTRATED

HAP

21-51-02-02

BOEING PROPRIETARY - Copyright © - Unpublished Work - See title page for details.

21-51-02
FIG. 02
PAGE 3
JUN 15/09

BOEING
737-600/700/800/900
PARTS CATALOG (MAINTENANCE)

FIG ITEM	PART NUMBER	1 2 3 4 5 6 7	NOMENCLATURE	EFFECT FROM TO	UNITS PER ASSY
2					
95	15515	..	BOARD-TERM. SUPPLIER CODE: V91833	101200 968999	1
100	15515-1SP	..	BOARD- SUPPLIER CODE: V91833	101200 968999	1
105	69-63592-5	..	COMPONENT ASSY-TERM. BOARD SUPPLIER CODE: V89954 COMPONENT MAINT MANUAL REF: 34-21-17	101200 968999	1
110	W260F4AM11	..	RELAY SUPPLIER CODE: VF0219 SPECIFICATION NUMBER: BACR13CD2 OPTIONAL PART: BR16S233 V09026 EE4AA005 V35344 3SAV1338A2 V01526 HFW1206K03 V58614 HFW1204K01 V71482	101200 968999	5
115	HRTS17KM	..	SOCKET- SUPPLIER CODE: V91663	101200 968999	5
115	HRTS17KJV2	..	SOCKET- SUPPLIER CODE: V91663	101200 968999	5
120	JAD9F010	..	RELAY- SUPPLIER CODE: V58657 SPECIFICATION NUMBER: BACR13CJ2E OPTIONAL PART: BACR13CJ2	101200 968999	1
120	JAD9F007	..	RELAY- SUPPLIER CODE: V58657 SPECIFICATION NUMBER: BACR13CJ2 OPTIONAL PART: BACR13CJ2E	101200 968999	1

MISSING ITEM NUMBERS NOT APPLICABLE

— ITEM NOT ILLUSTRATED

HAP

21-51-02-02

BOEING PROPRIETARY - Copyright © - Unpublished Work - See title page for details.

21-51-02
FIG. 02
PAGE 4
JUN 15/09

BOEING
737-600/700/800/900
PARTS CATALOG (MAINTENANCE)

FIG ITEM	PART NUMBER	1 2 3 4 5 6 7	NOMENCLATURE	EFFECT FROM TO	UNITS PER ASSY
2 125	RSF116208	..	SOCKET SUPPLIER CODE: V58982 SPECIFICATION NUMBER: BACS16X3A OPTIONAL PART: 102-005-1 V09922 000300-1541 V05574	101200 968999	1
130	65-80041-58	..	COVER- SUPPLIER CODE: V89954	101200 968999	4
135	NAS600-5P	..	SCREW	101200 968999	8
140	AN960PD4L	..	WASHER	101200 968999	8
145	92-1660-40	..	NUT SUPPLIER CODE: V72962 SPECIFICATION NUMBER: BACN10DN40 OPTIONAL PART: 92-1660-440 V15653	101200 968999	8
150	NAS600-7P	..	SCREW	101200 968999	3
155	NAS43DD0-8	..	SPACER- POSITION DATA: BETWEEN CHASSIS AND TERM. BOARD	101200 968999	3
160	92-1660-40	..	NUT SUPPLIER CODE: V72962 SPECIFICATION NUMBER: BACN10DN40 OPTIONAL PART: 92-1660-440 V15653	101200 968999	3
165	BACT42C9A1	..	BOARD-TERM. OPTIONAL PART: BCREF19313 V3N087	101200 968999	1
165	BCREF19313	..	BOARD-TERM. OVERLENGTH PART NUMBER: S240-90-010-00840200 OPTIONAL PART: BACT42C9A1	101200 968999	1

MISSING ITEM NUMBERS NOT APPLICABLE

— ITEM NOT ILLUSTRATED

HAP

21-51-02-02

BOEING PROPRIETARY - Copyright © - Unpublished Work - See title page for details.

21-51-02
FIG. 02
PAGE 5
OCT 15/08

BOEING
737-600/700/800/900
PARTS CATALOG (MAINTENANCE)

FIG ITEM	PART NUMBER	1 2 3 4 5 6 7	NOMENCLATURE	EFFECT FROM TO	UNITS PER ASSY
2					
170	65-75971-33	..	CHASSIS ASSY- SUPPLIER CODE: V89954	101200 968999	1
175	40L2-2	...	HANDLE- SUPPLIER CODE: V71286 OPTIONAL PART: 40L2-2A V71286	101200 968999	1
175	40L2-2A	...	HANDLE- SUPPLIER CODE: V71286 OPTIONAL PART: 40L2-2 V71286 ATTACHING PARTS	101200 968999	1
- 180	NAS603-6P	...	SCREW	101200 968999	2
- 185	MS35338-43	...	WASHER	101200 968999	2
			-----*-----		
190	NAS514P632-6B	...	SCREW	101200 968999	14
195	MF53049-06	...	NUTPLATE SUPPLIER CODE: V15653 SPECIFICATION NUMBER: BACN10JN06 OPTIONAL PART: MF1000-06BAC V15653 NS103218-62 V80539 RMF9201M62 V72962 VN252A62L V92215 T8124S06S V11815 BRFM20A06L V52828 ATTACHING PARTS	101200 968999	9
- 200	BACR15BA3D	...	RIVET- SIZE DETERMINED ON INSTL. -----*-----	101200 968999	18

MISSING ITEM NUMBERS NOT APPLICABLE

- ITEM NOT ILLUSTRATED

HAP

21-51-02-02

BOEING PROPRIETARY - Copyright © - Unpublished Work - See title page for details.

21-51-02
FIG. 02
PAGE 6
OCT 15/08

BOEING
737-600/700/800/900
PARTS CATALOG (MAINTENANCE)

FIG ITEM	PART NUMBER	1 2 3 4 5 6 7	NOMENCLATURE	EFFECT FROM TO	UNITS PER ASSY
2 205	F2000-06		...NUTPLATE SUPPLIER CODE: V15653 SPECIFICATION NUMBER: BACN10KB06F OPTIONAL PART: NS103185-62 V80539 RMF9207-62 V72962 T8114S632S V11815 VN151A1-62 V92215 BRF100A06 V52828	101200 968999	5
- 210	BACR15BA3D		ATTACHING PARTS ...RIVET- SIZE DETERMINED ON INSTL. -----*-----	101200 968999	25
- 215	65-52810-62		..SUB KIT ASSY- SUPPLIER CODE: V89954 OPTIONAL PART: 65-52810-63 V89954	101200 968999	2
- 215	65-52810-63		..SUBKIT ASSY- SUPPLIER CODE: V89954 OPTIONAL PART: 65-52810-62 V89954	101200 968999	2
- 220	NAS514P632-5		...SCREW- USED ON: 65-52810-62	101200 968999	1
- 225	MS51957-28		...SCREW- USED ON: 65-52810-63	101200 968999	1
- 230	AN960D10		...WASHER- USED ON: 65-52810-62	101200 968999	1
- 235	AN960D6L		...WASHER	101200 968999	1
- 240	22NM107-62		...NUT- SUPPLIER CODE: V72962	101200 968999	1

MISSING ITEM NUMBERS NOT APPLICABLE

- ITEM NOT ILLUSTRATED

HAP

21-51-02-02

21-51-02
FIG. 02
PAGE 7
OCT 15/08

 **BOEING**
737-600/700/800/900
PARTS CATALOG (MAINTENANCE)

FIG ITEM	PART NUMBER	1 2 3 4 5 6 7	NOMENCLATURE	EFFECT FROM TO	UNITS PER ASSY
2 245	65-52810-64		.ACCESSORY UNIT ASSY- (AIR CONDITIONING ONLY) SUPPLIER CODE: V89954 ELECTRICAL EQUIP NUMBER: M00324 M01455 COMPONENT MAINT MANUAL REF: 21-09-02 MAINTENANCE MANUAL REF: 21-51-02 QUALIFIED I/W DATA: 65-52810-46 IS INTERCHANGEABLE AND INTERMIXABLE WITH 65-52810-64 EXCEPT INSTALLATION OF 65-52810-46 NEGATES THE INTENT OF SB 737-21-1133 AND MAY CAUSE NUISANCE ZONE TEMP LIGHT ILLUMINATION DURING MASTER CAUTION RECALL FUNCTIONAL REFERENCE: PLACARDS AND MARKINGS FOR DETAILS SEE 11-36-01-08	031100	2
255	MS24693C26		..SCREW- OPTIONAL PART: NAS514P632-5	031100	1
255	NAS514P632-5		..SCREW- OPTIONAL PART: MS24693C26	031100	1
257	MS51957-28		..SCREW	031100	1
265	NAS1149D0363J		..WASHER- OPTIONAL PART: AN960D10	031100	1
265	AN960D10		..WASHER- OPTIONAL PART: NAS1149D0363J	031100	1
275	NAS1149DN616J		..WASHER- OPTIONAL PART: AN960D6L	031100	1
275	AN960D6L		..WASHER- OPTIONAL PART: NAS1149DN616J	031100	1
278	AN960D6L		..WASHER	031100	1

MISSING ITEM NUMBERS NOT APPLICABLE

— ITEM NOT ILLUSTRATED

HAP

21-51-02-02

BOEING PROPRIETARY - Copyright © - Unpublished Work - See title page for details.

21-51-02
FIG. 02
PAGE 8
FEB 10/07

BOEING
737-600/700/800/900
PARTS CATALOG (MAINTENANCE)

FIG ITEM	PART NUMBER	1 2 3 4 5 6 7	NOMENCLATURE	EFFECT FROM TO	UNITS PER ASSY
2					
279	22NM107-62	..	NUT- SUPPLIER CODE: V72962	031100	1
285	MS21043-06	..	NUT- OPTIONAL PART: 22NM107-62 V72962	031100	1
285	22NM107-62	..	NUT- SUPPLIER CODE: V72962 OPTIONAL PART: MS21043-06	031100	1
290	MS24693C4	..	SCREW- OPTIONAL PART: NAS514P440-6	031100	4
295	MS21043-04	..	NUT- OPTIONAL PART: BACN10DN40	031100	4
300	65-52810-65	..	WIRE BUNDLE ASSY- SUPPLIER CODE: V89954	031100	1
305	BCREF2833	...	CONNECTOR- SUPPLIER CODE: V71468 OVERLENGTH PART NUMBER: DPX2MB67P67P34B0005	031100	1
310	RSF116208	...	SOCKET SUPPLIER CODE: V58982 SPECIFICATION NUMBER: BACS16X3A OPTIONAL PART: 102-005-1 V09922 000300-1541 V05574	031100	1
320	RSF116200	...	SOCKET SUPPLIER CODE: V58982 SPECIFICATION NUMBER: BACS16X1A OPTIONAL PART: 102-006-1 V09922 000300-1538 V05574	031100	8
325	HRTS17KM	...	SOCKET- SUPPLIER CODE: V91663	031100	2

MISSING ITEM NUMBERS NOT APPLICABLE

- ITEM NOT ILLUSTRATED

HAP

21-51-02-02

BOEING PROPRIETARY - Copyright © - Unpublished Work - See title page for details.

21-51-02
FIG. 02
PAGE 9
FEB 10/07

BOEING
737-600/700/800/900
PARTS CATALOG (MAINTENANCE)

FIG ITEM	PART NUMBER	1 2 3 4 5 6 7	NOMENCLATURE	EFFECT FROM TO	UNITS PER ASSY
2					
325	HRTS17KJV2	...	SOCKET- SUPPLIER CODE: V91663	031100	2
330	HRCC5KM	...	SOCKET- SUPPLIER CODE: V91663	031100	3
335	RSF116400	...	SOCKET SUPPLIER CODE: V58982 SPECIFICATION NUMBER: BACS16W1A OPTIONAL PART: 102-009-1 V09922 000300-1539 V05574	031100	7
345	MS51957-14	..	SCREW- OPTIONAL PART: NAS600-5P	031100	18
345	NAS600-5P	..	SCREW- OPTIONAL PART: MS51957-14	031100	18
355	NAS1149CN416R	..	WASHER- OPTIONAL PART: AN960PD4L	031100	18
355	AN960PD4L	..	WASHER- OPTIONAL PART: NAS1149CN416R	031100	18
365	MS21043-04	..	NUT- OPTIONAL PART: BACN10DN40	031100	18
365	92-1660-40	..	NUT- SUPPLIER CODE: V72962 SPECIFICATION NUMBER: BACN10DN40 OPTIONAL PART: 92-1660-440 V15653 MS21043-04	031100	18
375	69-68592-4	..	COVER- SUPPLIER CODE: V89954	031100	1
380	65-75971-29	..	COVER- SUPPLIER CODE: V89954	031100	5
385	65-75971-30	..	COVER- SUPPLIER CODE: V89954	031100	3

MISSING ITEM NUMBERS NOT APPLICABLE

— ITEM NOT ILLUSTRATED

HAP

21-51-02-02

BOEING PROPRIETARY - Copyright © - Unpublished Work - See title page for details.

21-51-02
FIG. 02
PAGE 10
FEB 10/07

BOEING
737-600/700/800/900
PARTS CATALOG (MAINTENANCE)

FIG ITEM	PART NUMBER	1 2 3 4 5 6 7	NOMENCLATURE	EFFECT FROM TO	UNITS PER ASSY
2 390	JAD9F010		..RELAY- SUPPLIER CODE: V58657 SPECIFICATION NUMBER: BACR13CJ2 OPTIONAL PART: BACR13CJ2	031100	1
390	JAD9F007		..RELAY- SUPPLIER CODE: V58657 SPECIFICATION NUMBER: BACR13CJ2 OPTIONAL PART: BACR13CJ2	031100	1
400	E210-1631		..RELAY SUPPLIER CODE: V99699 SPECIFICATION NUMBER: BACR13CF2A OPTIONAL PART: BR246S0112 V56623 FCA210-70 V78290 E215-1050 V99699 JD4A017 V35344 BR64S104 V56623 61GB19-1A320 V98927	031100	8
405	W260F4AM11		..RELAY SUPPLIER CODE: VF0219 SPECIFICATION NUMBER: BACR13CD2 OPTIONAL PART: BR16S233 V09026 EE4AA005 V35344 3SAV1338A2 V01526 HFW1206K03 V58614 HFW1204K01 V71482	031100	2

MISSING ITEM NUMBERS NOT APPLICABLE

— ITEM NOT ILLUSTRATED

HAP

21-51-02-02

BOEING PROPRIETARY - Copyright © - Unpublished Work - See title page for details.

21-51-02
FIG. 02
PAGE 11
FEB 10/07

 **BOEING**
737-600/700/800/900
PARTS CATALOG (MAINTENANCE)

FIG ITEM	PART NUMBER	1 2 3 4 5 6 7	NOMENCLATURE	EFFECT FROM TO	UNITS PER ASSY
2 410	W460F1A	..	RELAY SUPPLIER CODE: VF0219 SPECIFICATION NUMBER: BACR13CE2 OPTIONAL PART: 3SAH5-13-4K1 V01526 3SAH1326A2 V01526	031100	3
415	ES410-1538	..	RELAY SUPPLIER CODE: V99699 SPECIFICATION NUMBER: BACR13CG2AB OPTIONAL PART: KD4L018 V35344 BR230DS0115 V56623 KD4L036 V58657 FCA410-63 V78290	031100	7
423	1N5061	..	DIODE	031100	27
425	MS51958-122	..	SCREW- OPTIONAL PART: O-80X1-4 V2M530	031100	4
425	O-80X1-4	..	SCREW- SUPPLIER CODE: V2M530 OPTIONAL PART: MS51958-122	031100	4
430	BACW10P153AL	..	WASHER	031100	4
435	NAS671-0	..	NUT	031100	4
440	15515	..	BOARD-TERM. SUPPLIER CODE: V91833	031100	1
445	15515-1SP	..	BOARD- SUPPLIER CODE: V91833	031100	1
450	65-75971-25	..	CHASSIS ASSY- SUPPLIER CODE: V89954	031100	1

MISSING ITEM NUMBERS NOT APPLICABLE

— ITEM NOT ILLUSTRATED

HAP

21-51-02-02

BOEING PROPRIETARY - Copyright © - Unpublished Work - See title page for details.

21-51-02
FIG. 02
PAGE 12
FEB 10/07

BOEING
737-600/700/800/900
PARTS CATALOG (MAINTENANCE)

FIG ITEM	PART NUMBER	1 2 3 4 5 6 7	NOMENCLATURE	EFFECT FROM TO	UNITS PER ASSY
2 455	40L2-2		...HANDLE- SUPPLIER CODE: V71286 OPTIONAL PART: 40L2-2A V71286	031100	1
455	40L2-2A		...HANDLE- SUPPLIER CODE: V71286 OPTIONAL PART: 40L2-2 V71286 ATTACHING PARTS	031100	1
- 460	NAS603-6P		...SCREW	031100	2
- 465	MS35338-43		...WASHER -----*-----	031100	2
470	NAS514P632-6B		...SCREW	031100	14
475	MF53049-06		...NUTPLATE SUPPLIER CODE: V15653 SPECIFICATION NUMBER: BACN10JN06 OPTIONAL PART: MF1000-06BAC V15653 NS103218-62 V80539 RMF9201M62 V72962 VN252A62L V92215 T8124S06S V11815 BRFM20A06L V52828 ATTACHING PARTS	031100	9
- 480	BACR15BA3D		...RIVET- SIZE DETERMINED ON INSTL. -----*-----	031100	18

MISSING ITEM NUMBERS NOT APPLICABLE

- ITEM NOT ILLUSTRATED

HAP

21-51-02-02

BOEING PROPRIETARY - Copyright © - Unpublished Work - See title page for details.

21-51-02
FIG. 02
PAGE 13
FEB 10/07

BOEING
737-600/700/800/900
PARTS CATALOG (MAINTENANCE)

FIG ITEM	PART NUMBER	1 2 3 4 5 6 7	NOMENCLATURE	EFFECT FROM TO	UNITS PER ASSY
2 485	F2000-06		...NUTPLATE SUPPLIER CODE: V15653 SPECIFICATION NUMBER: BACN10KB06F OPTIONAL PART: NS103185-62 V80539 RMF9207-62 V72962 T8114S632S V11815 VN151A1-62 V92215 BRF100A06 V52828 ATTACHING PARTS	031100	5
- 490	BACR15BA3D		...RIVET- SIZE DETERMINED ON INSTL. -----*-----	031100	25
- 600	286A0410-051		WIRE BUNDLE ASSY	101106 968999	RF
- 601	286A0410-316		WIRE BUNDLE ASSY	031047 054100	RF
605	BCREF2241		.PLUG-PLATE ASSY SUPPLIER CODE: V71468 OVERLENGTH PART NUMBER: DPX2MB57S57S33B0005 ELECTRICAL EQUIP NUMBER: D00458 WIRING DIAGRAM REF: 212511	101106 968999	1
610	BCREF2266		.PLUG- SUPPLIER CODE: V71468 OVERLENGTH PART NUMBER: DPX2MB67S67S33B0005 ELECTRICAL EQUIP NUMBER: D10002 D00458 WIRING DIAGRAM REF: 215121 215111 ATTACHING PARTS	031047 054100	2
- 615	MS35190-223		.SCREW	101106 968999	4
- 620	MS35190-223		.SCREW	031047 054100	8

MISSING ITEM NUMBERS NOT APPLICABLE

- ITEM NOT ILLUSTRATED

HAP

21-51-02-02

BOEING PROPRIETARY - Copyright © - Unpublished Work - See title page for details.

21-51-02
FIG. 02
PAGE 14
FEB 15/09


BOEING
 737-600/700/800/900
PARTS CATALOG (MAINTENANCE)

FIG ITEM	PART NUMBER	1 2 3 4 5 6 7	NOMENCLATURE	EFFECT FROM TO	UNITS PER ASSY
2 - 625	PLH504CD	.NUT	SUPPLIER CODE: VF0224 SPECIFICATION NUMBER: BACN10YRO4CD OPTIONAL PART: H52732-04CD V15653	101106 968999	4
- 630	PLH504CD	.NUT	SUPPLIER CODE: VF0224 SPECIFICATION NUMBER: BACN10YRO4CD OPTIONAL PART: H52732-04CD V15653 -----*	031047 054100	8

MISSING ITEM NUMBERS NOT APPLICABLE

- ITEM NOT ILLUSTRATED

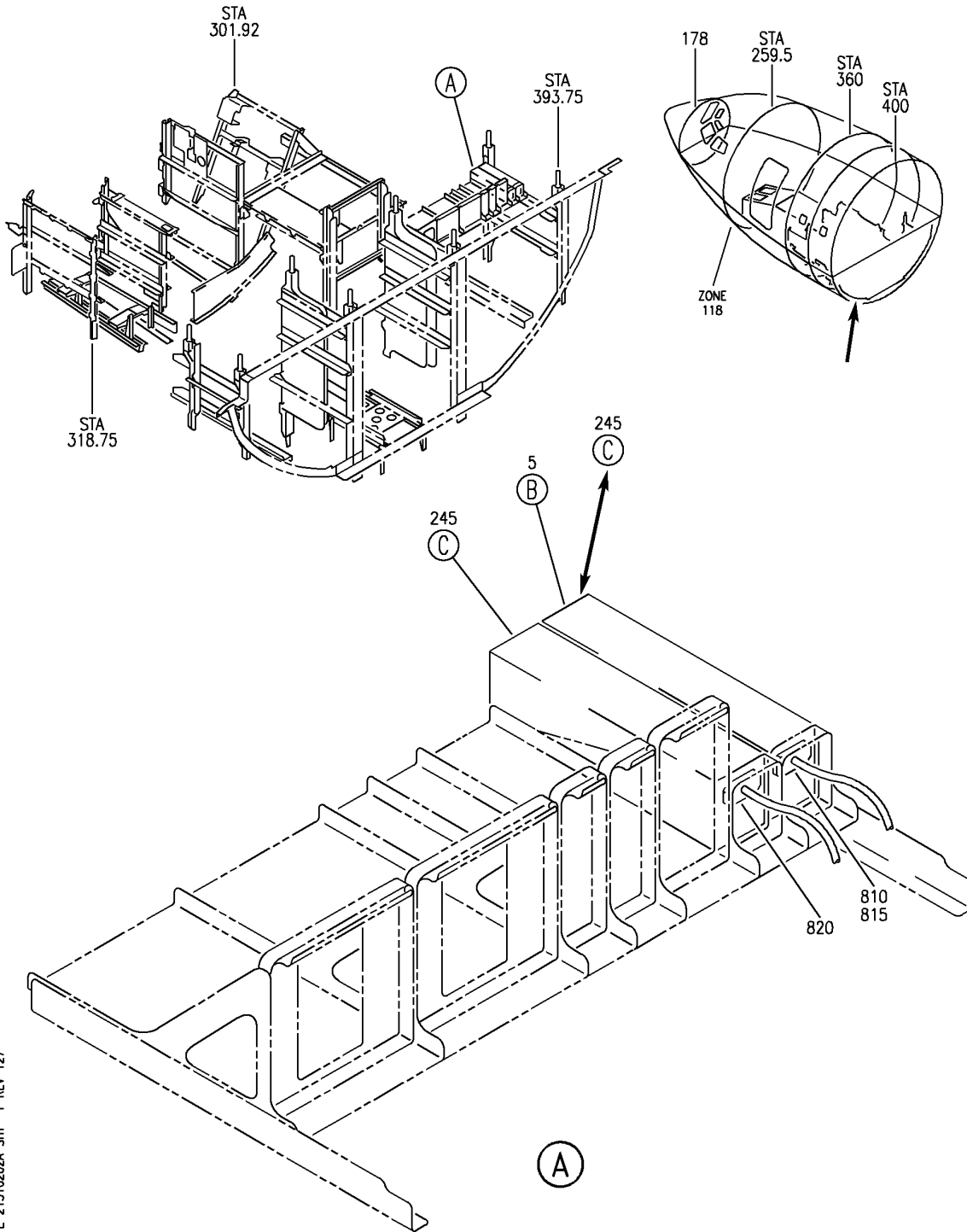
HAP

21-51-02-02

BOEING PROPRIETARY - Copyright © - Unpublished Work - See title page for details.

21-51-02
 FIG. 02
 PAGE 15
 FEB 15/09

BOEING
 737-600/700/800/900
 PARTS CATALOG (MAINTENANCE)



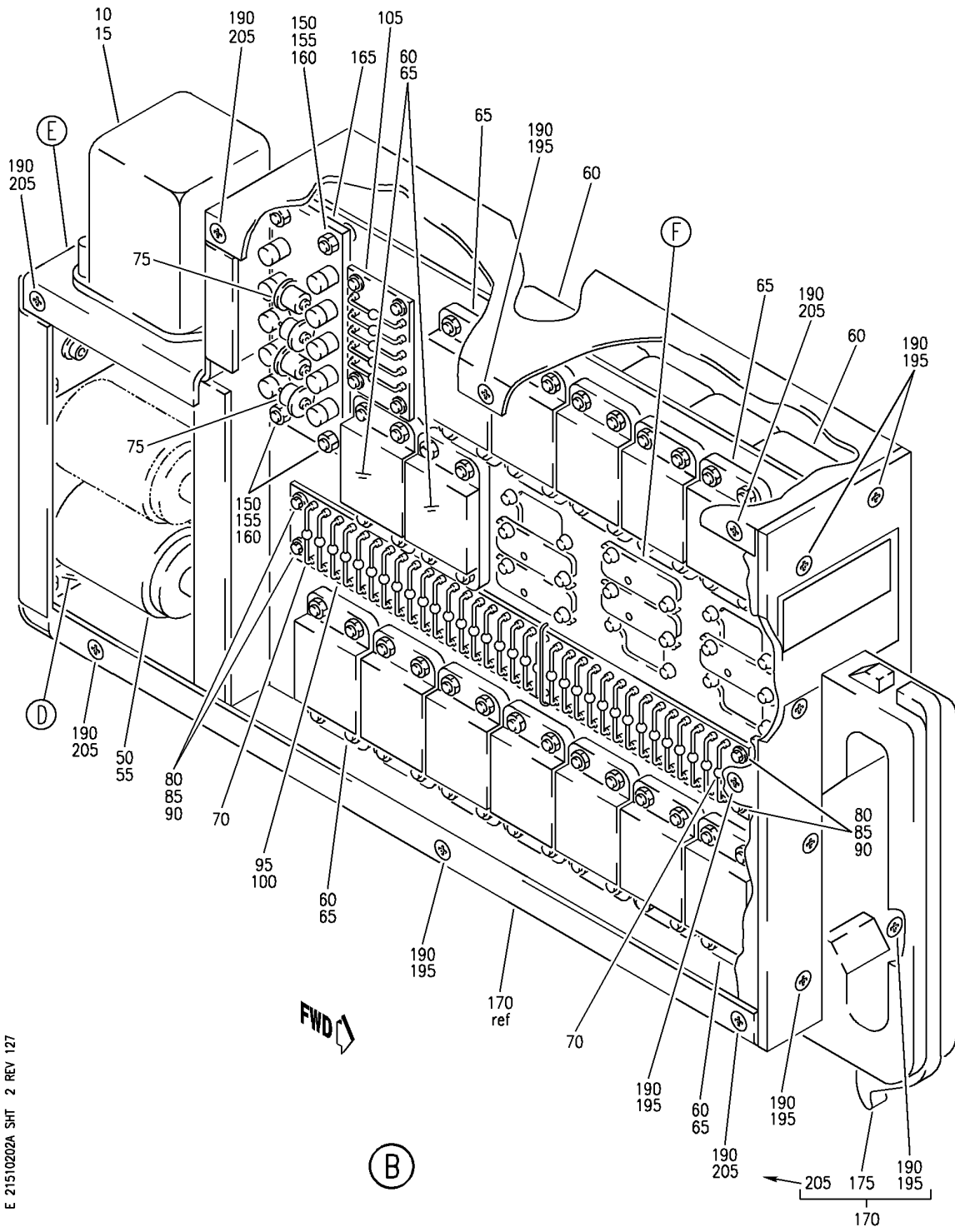
EQUIPMENT INSTL-E4 RACK (PACK FLOW CONTROL AND PACK COOLING SYSTEM ONLY)
 FIGURE 2A (SHEET 1)

HAP
 FEB 10/07

21-51-02-02A

21-51-02-02A
 PAGE 0


BOEING
 737-600/700/800/900
PARTS CATALOG (MAINTENANCE)



E 21510202A SHT 2 REV 127

EQUIPMENT INSTL-E4 RACK (PACK FLOW CONTROL AND PACK COOLING SYSTEM ONLY)
FIGURE 2A (SHEET 2)

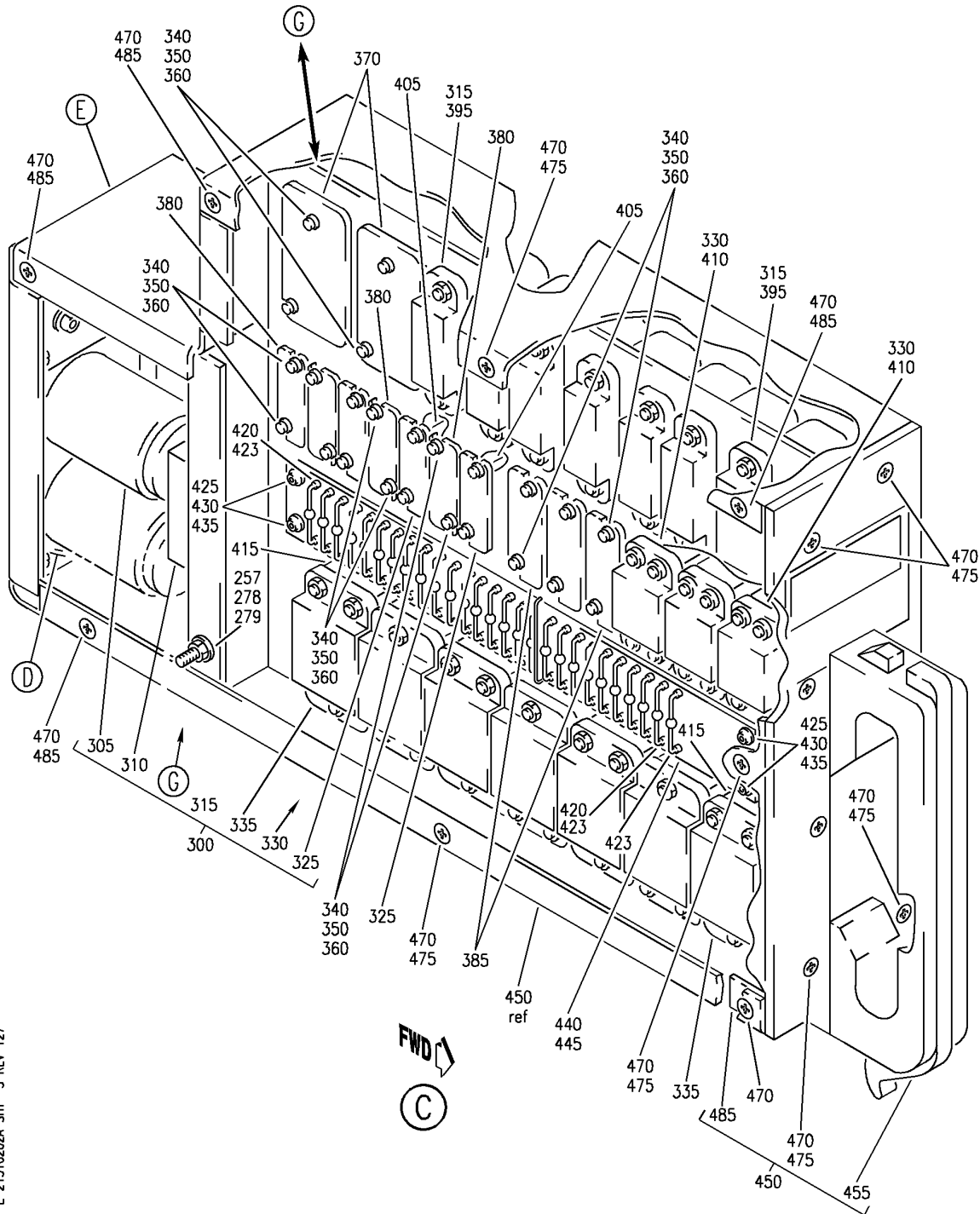
21-51-02-02A

HAP
FEB 10/07

21-51-02-02A
PAGE 0A

BOEING PROPRIETARY - Copyright © - Unpublished Work - See title page for details.


BOEING
 737-600/700/800/900
PARTS CATALOG (MAINTENANCE)



E 21510202A SHT 3 REV 127

EQUIPMENT INSTL-E4 RACK (PACK FLOW CONTROL AND PACK COOLING SYSTEM ONLY)
 FIGURE 2A (SHEET 3)

21-51-02-02A

HAP
 FEB 10/07

21-51-02-02A
 PAGE 0B

BOEING PROPRIETARY - Copyright © - Unpublished Work - See title page for details.

BOEING
737-600/700/800/900
PARTS CATALOG (MAINTENANCE)

FIG ITEM	PART NUMBER	1 2 3 4 5 6 7	NOMENCLATURE	EFFECT FROM TO	UNITS PER ASSY
2A			EQUIPMENT INSTL-E4 RACK (PACK FLOW CONTROL AND PACK COOLING SYSTEM ONLY)	012030	
- 1	284A0441-6		EQUIPMENT INSTL-E4 RACK (PACK FLOW CONTROL AND PACK COOLING SYSTEM ONLY) PRE SERVICE BULLETIN: 21-1133 FOR NHA/OTHER SYS DET SEE: 25-50-00-13A	012022	RF
- 1	284A0441-8		EQUIPMENT INSTL-E4 RACK (PACK FLOW CONTROL AND PACK COOLING SYSTEM ONLY) FOR NHA/OTHER SYS DET SEE: 25-50-00-13A	023027	RF
- 1	284A0441-9		EQUIPMENT INSTL-E4 RACK (PACK FLOW CONTROL AND PACK COOLING SYSTEM ONLY) POST SERVICE BULLETIN: 21-1133 FOR NHA/OTHER SYS DET SEE: 25-50-00-13A	012022	RF
- 1	284A0441-13		EQUIPMENT INSTL-E4 RACK (PACK FLOW CONTROL AND PACK COOLING SYSTEM ONLY) FOR NHA/OTHER SYS DET SEE: 25-50-00-13A	028030	RF

MISSING ITEM NUMBERS NOT APPLICABLE

- ITEM NOT ILLUSTRATED

HAP

21-51-02-02A

BOEING PROPRIETARY - Copyright © - Unpublished Work - See title page for details.

21-51-02
FIG. 02A
PAGE 1
FEB 15/09

BOEING
737-600/700/800/900
PARTS CATALOG (MAINTENANCE)

FIG ITEM	PART NUMBER	1 2 3 4 5 6 7	NOMENCLATURE	EFFECT FROM TO	UNITS PER ASSY
2A 245	65-52810-46		.ACCESSORY UNIT ASSY- (AIR CONDITIONING ONLY) SUPPLIER CODE: V89954 ELECTRICAL EQUIP NUMBER: M00324 M01455 COMPONENT MAINT MANUAL REF: 21-09-02 MAINTENANCE MANUAL REF: 21-51-02 QUALIFIED I/W DATA: 65-52810-46 IS INTERCHANGEABLE AND INTERMIXABLE WITH 65-52810-64 EXCEPT INSTALLATION OF 65-52810-46 NEGATES THE INTENT OF SB 737-21-1133 AND MAY CAUSE NUISANCE ZONE TEMP LIGHT ILLUMINATION DURING MASTER CAUTION RECALL PRE SERVICE BULLETIN: 21-1133 FUNCTIONAL REFERENCE: PLACARDS AND MARKINGS FOR DETAILS SEE 11-36-01-08A	012022	2

MISSING ITEM NUMBERS NOT APPLICABLE

— ITEM NOT ILLUSTRATED

HAP

21-51-02-02A

BOEING PROPRIETARY - Copyright © - Unpublished Work - See title page for details.

21-51-02
FIG. 02A
PAGE 2
FEB 15/09

BOEING
737-600/700/800/900
PARTS CATALOG (MAINTENANCE)

FIG ITEM	PART NUMBER	1 2 3 4 5 6 7	NOMENCLATURE	EFFECT FROM TO	UNITS PER ASSY
2A 245	65-52810-64		.ACCESSORY UNIT ASSY- (AIR CONDITIONING ONLY) SUPPLIER CODE: V89954 ELECTRICAL EQUIP NUMBER: M00324 M01455 COMPONENT MAINT MANUAL REF: 21-09-02 MAINTENANCE MANUAL REF: 21-51-02 QUALIFIED I/W DATA: 65-52810-46 IS INTERCHANGEABLE AND INTERMIXABLE WITH 65-52810-64 EXCEPT INSTALLATION OF 65-52810-46 NEGATES THE INTENT OF SB 737-21-1133 AND MAY CAUSE NUISANCE ZONE TEMP LIGHT ILLUMINATION DURING MASTER CAUTION RECALL POST SERVICE BULLETIN: 21-1133 FUNCTIONAL REFERENCE: PLACARDS AND MARKINGS FOR DETAILS SEE 11-36-01-08A	012030	2
250	NAS514P632		..SCREW- USED ON: 65-52810-46 PRE SERVICE BULLETIN: 21-1133	012022	2
255	MS24693C26		..SCREW- OPTIONAL PART: NAS514P632-5 USED ON: 65-52810-64 POST SERVICE BULLETIN: 21-1133	012030	1
255	NAS514P632-5		..SCREW- OPTIONAL PART: MS24693C26 USED ON: 65-52810-64 POST SERVICE BULLETIN: 21-1133	012030	1

MISSING ITEM NUMBERS NOT APPLICABLE

— ITEM NOT ILLUSTRATED

HAP

21-51-02-02A

BOEING PROPRIETARY - Copyright © - Unpublished Work - See title page for details.

21-51-02
FIG. 02A
PAGE 3
FEB 15/09

BOEING
737-600/700/800/900
PARTS CATALOG (MAINTENANCE)

FIG ITEM	PART NUMBER	1 2 3 4 5 6 7	NOMENCLATURE	EFFECT FROM TO	UNITS PER ASSY
2A 257	MS51957-28	..	SCREW- USED ON: 65-52810-64 POST SERVICE BULLETIN: 21-1133	012030	1
260	AN960D10	..	WASHER- USED ON: 65-52810-46 PRE SERVICE BULLETIN: 21-1133	012022	2
265	NAS1149D0363J	..	WASHER- OPTIONAL PART: AN960D10 USED ON: 65-52810-64 POST SERVICE BULLETIN: 21-1133	012030	1
265	AN960D10	..	WASHER- OPTIONAL PART: NAS1149D0363J USED ON: 65-52810-64 POST SERVICE BULLETIN: 21-1133	012030	1
270	AN960D6L	..	WASHER- USED ON: 65-52810-46 PRE SERVICE BULLETIN: 21-1133	012022	2
275	NAS1149DN616J	..	WASHER- OPTIONAL PART: AN960D6L USED ON: 65-52810-64 POST SERVICE BULLETIN: 21-1133	012030	1
275	AN960D6L	..	WASHER- OPTIONAL PART: NAS1149DN616J USED ON: 65-52810-64 POST SERVICE BULLETIN: 21-1133	012030	1
278	AN960D6L	..	WASHER- USED ON: 65-52810-64 POST SERVICE BULLETIN: 21-1133	012030	1

MISSING ITEM NUMBERS NOT APPLICABLE

— ITEM NOT ILLUSTRATED

HAP

21-51-02-02A

BOEING PROPRIETARY - Copyright © - Unpublished Work - See title page for details.

21-51-02
FIG. 02A
PAGE 4
FEB 15/09

BOEING
737-600/700/800/900
PARTS CATALOG (MAINTENANCE)

FIG ITEM	PART NUMBER	1 2 3 4 5 6 7	NOMENCLATURE	EFFECT FROM TO	UNITS PER ASSY
2A 279	22NM107-62	..NUT-	SUPPLIER CODE: V72962 USED ON: 65-52810-64 POST SERVICE BULLETIN: 21-1133	012030	1
280	22NM107-62	..NUT-	SUPPLIER CODE: V72962 USED ON: 65-52810-46 PRE SERVICE BULLETIN: 21-1133	012022	2
285	MS21043-06	..NUT-	OPTIONAL PART: 22NM107-62 V72962 USED ON: 65-52810-64 POST SERVICE BULLETIN: 21-1133	012030	1
285	22NM107-62	..NUT-	SUPPLIER CODE: V72962 OPTIONAL PART: MS21043-06 USED ON: 65-52810-64 POST SERVICE BULLETIN: 21-1133	012030	1
290	NAS514P440-6	..SCREW-	OPTIONAL PART: MS24693C4 USED ON: 65-52810-46 PRE SERVICE BULLETIN: 21-1133	012022	4
290	MS24693C4	..SCREW-	OPTIONAL PART: NAS514P440-6 USED ON: 65-52810-64 POST SERVICE BULLETIN: 21-1133	012030	4

MISSING ITEM NUMBERS NOT APPLICABLE

— ITEM NOT ILLUSTRATED

HAP

21-51-02-02A

BOEING PROPRIETARY - Copyright © - Unpublished Work - See title page for details.

21-51-02
FIG. 02A
PAGE 5
FEB 15/09

BOEING
737-600/700/800/900
PARTS CATALOG (MAINTENANCE)

FIG ITEM	PART NUMBER	1 2 3 4 5 6 7	NOMENCLATURE	EFFECT FROM TO	UNITS PER ASSY
2A 295	92-1660-40	..	NUT- SUPPLIER CODE: V72962 SPECIFICATION NUMBER: BACN10DN40 OPTIONAL PART: 92-1660-440 V15653 MS21043-04 USED ON: 65-52810-46 PRE SERVICE BULLETIN: 21-1133	012022	4
295	MS21043-04	..	NUT- OPTIONAL PART: BACN10DN40 USED ON: 65-52810-64 POST SERVICE BULLETIN: 21-1133	012030	4
300	65-52810-47	..	WIRE BUNDLE ASSY- SUPPLIER CODE: V89954 USED ON: 65-52810-46 PRE SERVICE BULLETIN: 21-1133	012022	1
300	65-52810-65	..	WIRE BUNDLE ASSY- SUPPLIER CODE: V89954 USED ON: 65-52810-64 POST SERVICE BULLETIN: 21-1133	012030	1
305	BCREF2833	...	CONNECTOR- SUPPLIER CODE: V71468 OVERLENGTH PART NUMBER: DPX2MB67P67P34B0005	012030	1
310	RSF116208	...	SOCKET SUPPLIER CODE: V58982 SPECIFICATION NUMBER: BACS16X3A OPTIONAL PART: 102-005-1 V09922 000300-1541 V05574	012030	1

MISSING ITEM NUMBERS NOT APPLICABLE

— ITEM NOT ILLUSTRATED

HAP

21-51-02-02A

BOEING PROPRIETARY - Copyright © - Unpublished Work - See title page for details.

21-51-02
FIG. 02A
PAGE 6
FEB 15/09

BOEING
737-600/700/800/900
PARTS CATALOG (MAINTENANCE)

FIG ITEM	PART NUMBER	1 2 3 4 5 6 7	NOMENCLATURE	EFFECT FROM TO	UNITS PER ASSY
2A 315	RSF116200		... SOCKET- SUPPLIER CODE: V58982 SPECIFICATION NUMBER: BACS16X1A OPTIONAL PART: 102-006-1 V09922 000300-1538 V05574 USED ON: 65-52810-47 PRE SERVICE BULLETIN: 21-1133	012022	7
320	RSF116200		... SOCKET- SUPPLIER CODE: V58982 SPECIFICATION NUMBER: BACS16X1A OPTIONAL PART: 102-006-1 V09922 000300-1538 V05574 USED ON: 65-52810-65 POST SERVICE BULLETIN: 21-1133	012030	8
325	HRTS17KM		... SOCKET- SUPPLIER CODE: V91663	012030	2
325	HRTS17KJV2		... SOCKET- SUPPLIER CODE: V91663	012030	2
330	HRCC5KM		... SOCKET- SUPPLIER CODE: V91663	012030	3
335	RSF116400		... SOCKET SUPPLIER CODE: V58982 SPECIFICATION NUMBER: BACS16W1A OPTIONAL PART: 102-009-1 V09922 000300-1539 V05574	012030	7

MISSING ITEM NUMBERS NOT APPLICABLE

— ITEM NOT ILLUSTRATED

HAP

21-51-02-02A

BOEING PROPRIETARY - Copyright © - Unpublished Work - See title page for details.

21-51-02
FIG. 02A
PAGE 7
FEB 15/09

BOEING
737-600/700/800/900
PARTS CATALOG (MAINTENANCE)

FIG ITEM	PART NUMBER	1 2 3 4 5 6 7	NOMENCLATURE	EFFECT FROM TO	UNITS PER ASSY
2A 340	NAS600-5P	..	SCREW- USED ON: 65-52810-46 PRE SERVICE BULLETIN: 21-1133	012022	20
345	MS51957-14	..	SCREW- OPTIONAL PART: NAS600-5P USED ON: 65-52810-64 POST SERVICE BULLETIN: 21-1133	012030	18
345	NAS600-5P	..	SCREW- OPTIONAL PART: MS51957-14 USED ON: 65-52810-64 POST SERVICE BULLETIN: 21-1133	012030	18
350	AN960PD4L	..	WASHER- USED ON: 65-52810-46 PRE SERVICE BULLETIN: 21-1133	012022	20
355	NAS1149CN416R	..	WASHER- OPTIONAL PART: AN960PD4L USED ON: 65-52810-64 POST SERVICE BULLETIN: 21-1133	012030	18
355	AN960PD4L	..	WASHER- OPTIONAL PART: NAS1149CN416R USED ON: 65-52810-64 POST SERVICE BULLETIN: 21-1133	012030	18

MISSING ITEM NUMBERS NOT APPLICABLE

— ITEM NOT ILLUSTRATED

HAP

21-51-02-02A

BOEING PROPRIETARY - Copyright © - Unpublished Work - See title page for details.

21-51-02
FIG. 02A
PAGE 8
FEB 15/09

BOEING
737-600/700/800/900
PARTS CATALOG (MAINTENANCE)

FIG ITEM	PART NUMBER	1 2 3 4 5 6 7	NOMENCLATURE	EFFECT FROM TO	UNITS PER ASSY
2A 360	92-1660-40	..NUT-	SUPPLIER CODE: V72962 SPECIFICATION NUMBER: BACN10DN40 OPTIONAL PART: 92-1660-440 V15653 USED ON: 65-52810-46 PRE SERVICE BULLETIN: 21-1133	012022	20
365	MS21043-04	..NUT-	OPTIONAL PART: BACN10DN40 USED ON: 65-52810-64 POST SERVICE BULLETIN: 21-1133	012030	18
365	92-1660-40	..NUT-	SUPPLIER CODE: V72962 SPECIFICATION NUMBER: BACN10DN40 OPTIONAL PART: 92-1660-440 V15653 MS21043-04 USED ON: 65-52810-64 POST SERVICE BULLETIN: 21-1133	012030	18
370	69-68592-4	..COVER-	SUPPLIER CODE: V89954 USED ON: 65-52810-46 PRE SERVICE BULLETIN: 21-1133	012022	2
375	69-68592-4	..COVER-	SUPPLIER CODE: V89954 USED ON: 65-52810-64 POST SERVICE BULLETIN: 21-1133	012030	1
380	65-75971-29	..COVER-	SUPPLIER CODE: V89954	012030	5

MISSING ITEM NUMBERS NOT APPLICABLE

— ITEM NOT ILLUSTRATED

HAP

21-51-02-02A

BOEING PROPRIETARY - Copyright © - Unpublished Work - See title page for details.

21-51-02
FIG. 02A
PAGE 9
FEB 15/09

BOEING
737-600/700/800/900
PARTS CATALOG (MAINTENANCE)

FIG ITEM	PART NUMBER	1 2 3 4 5 6 7	NOMENCLATURE	EFFECT FROM TO	UNITS PER ASSY
2A 385	65-75971-30		..COVER- SUPPLIER CODE: V89954	012030	3
390	JAD9F010		..RELAY- SUPPLIER CODE: V58657 SPECIFICATION NUMBER: BACR13CJ2 OPTIONAL PART: BACR13CJ2	012030	1
390	JAD9F007		..RELAY- SUPPLIER CODE: V58657 SPECIFICATION NUMBER: BACR13CJ2 OPTIONAL PART: BACR13CJ2	012030	1
395	E210-1631		..RELAY- SUPPLIER CODE: V99699 SPECIFICATION NUMBER: BACR13CF2A OPTIONAL PART: BR246S0112 V56623 FCA210-70 V78290 E215-1050 V99699 JD4A017 V35344 BR64S104 V56623 61GB19-1A320 V98927 USED ON: 65-52810-46 PRE SERVICE BULLETIN: 21-1133	012022	7

MISSING ITEM NUMBERS NOT APPLICABLE

— ITEM NOT ILLUSTRATED

HAP

21-51-02-02A

BOEING PROPRIETARY - Copyright © - Unpublished Work - See title page for details.

21-51-02
FIG. 02A
PAGE 10
FEB 15/09

BOEING
737-600/700/800/900
PARTS CATALOG (MAINTENANCE)

FIG ITEM	PART NUMBER	1 2 3 4 5 6 7	NOMENCLATURE	EFFECT FROM TO	UNITS PER ASSY
2A 400	E210-1631		..RELAY- SUPPLIER CODE: V99699 SPECIFICATION NUMBER: BACR13CF2A OPTIONAL PART: BR246S0112 V56623 FCA210-70 V78290 E215-1050 V99699 JD4A017 V35344 BR64S104 V56623 61GB19-1A320 V98927 USED ON: 65-52810-64 POST SERVICE BULLETIN: 21-1133	012030	8
405	W260F4AM11		..RELAY SUPPLIER CODE: VF0219 SPECIFICATION NUMBER: BACR13CD2 OPTIONAL PART: BR16S233 V09026 EE4AA005 V35344 3SAV1338A2 V01526 HFW1206K03 V58614 HFW1204K01 V71482	012030	2
410	W460F1A		..RELAY SUPPLIER CODE: VF0219 SPECIFICATION NUMBER: BACR13CE2 OPTIONAL PART: 3SAH5-13-4K1 V01526 3SAH1326A2 V01526	012030	3

MISSING ITEM NUMBERS NOT APPLICABLE

— ITEM NOT ILLUSTRATED

HAP

21-51-02-02A

BOEING PROPRIETARY - Copyright © - Unpublished Work - See title page for details.

21-51-02
FIG. 02A
PAGE 11
FEB 15/09

BOEING
737-600/700/800/900
PARTS CATALOG (MAINTENANCE)

FIG ITEM	PART NUMBER	1 2 3 4 5 6 7	NOMENCLATURE	EFFECT FROM TO	UNITS PER ASSY
2A 415	ES410-1538	..	RELAY SUPPLIER CODE: V99699 SPECIFICATION NUMBER: BACR13CG2AB OPTIONAL PART: KD4L018 V35344 BR230DS0115 V56623 KD4L036 V58657 FCA410-63 V78290	012030	7
420	1N5061	..	DIODE- USED ON: 65-52810-46 PRE SERVICE BULLETIN: 21-1133	012022	26
423	1N5061	..	DIODE- USED ON: 65-52810-64 POST SERVICE BULLETIN: 21-1133	012030	27
425	0-80	..	SCREW- SUPPLIER CODE: V2M530 OPTIONAL PART: MS51958-122 PRE SERVICE BULLETIN: 21-1133	012022	4
425	MS51958-122	..	SCREW- OPTIONAL PART: 0-80 V2M530 0-80X1-4 V2M530	012030	4
425	0-80X1-4	..	SCREW- SUPPLIER CODE: V2M530 OPTIONAL PART: MS51958-122 POST SERVICE BULLETIN: 21-1133	012030	4
430	BACW10P153AL	..	WASHER	012030	4
435	NAS671-0	..	NUT	012030	4
440	15515	..	BOARD-TERM. SUPPLIER CODE: V91833	012030	1

MISSING ITEM NUMBERS NOT APPLICABLE

— ITEM NOT ILLUSTRATED

HAP

21-51-02-02A

BOEING PROPRIETARY - Copyright © - Unpublished Work - See title page for details.

21-51-02
FIG. 02A
PAGE 12
FEB 15/09

BOEING
737-600/700/800/900
PARTS CATALOG (MAINTENANCE)

FIG ITEM	PART NUMBER	1 2 3 4 5 6 7	NOMENCLATURE	EFFECT FROM TO	UNITS PER ASSY
2A					
445	15515-1SP	..	BOARD- SUPPLIER CODE: V91833	012030	1
450	65-75971-25	..	CHASSIS ASSY- SUPPLIER CODE: V89954	012030	1
455	40L2-2	...	HANDLE- SUPPLIER CODE: V71286 OPTIONAL PART: 40L2-2A V71286	012030	1
455	40L2-2A	...	HANDLE- SUPPLIER CODE: V71286 OPTIONAL PART: 40L2-2 V71286 ATTACHING PARTS	012030	1
- 460	NAS603-6P	...	SCREW	012030	2
- 465	MS35338-43	...	WASHER	012030	2
			-----*-----		
470	NAS514P632-6B	...	SCREW	012030	14
475	MF53049-06	...	NUTPLATE SUPPLIER CODE: V15653 SPECIFICATION NUMBER: BACN10JN06 OPTIONAL PART: MF1000-06BAC V15653 NS103218-62 V80539 RMF9201M62 V72962 VN252A62L V92215 T8124S06S V11815 BRFM20A06L V52828 ATTACHING PARTS	012030	9
- 480	BACR15BA3D	...	RIVET- SIZE DETERMINED ON INSTL. -----*-----	012030	18

MISSING ITEM NUMBERS NOT APPLICABLE

- ITEM NOT ILLUSTRATED

HAP

21-51-02-02A

BOEING PROPRIETARY - Copyright © - Unpublished Work - See title page for details.

21-51-02
FIG. 02A
PAGE 13
FEB 15/09

BOEING
737-600/700/800/900
PARTS CATALOG (MAINTENANCE)

FIG ITEM	PART NUMBER	1 2 3 4 5 6 7	NOMENCLATURE	EFFECT FROM TO	UNITS PER ASSY
2A 485	F2000-06		...NUTPLATE SUPPLIER CODE: V15653 SPECIFICATION NUMBER: BACN10KB06F OPTIONAL PART: NS103185-62 V80539 RMF9207-62 V72962 T8114S632S V11815 VN151A1-62 V92215 BRF100A06 V52828 ATTACHING PARTS	012030	5
- 490	BACR15BA3D		...RIVET- SIZE DETERMINED ON INSTL. -----*-----	012030	25
- 801	286A0410-316		WIRE BUNDLE ASSY	028030	RF
- 801	286A0410-321		WIRE BUNDLE ASSY	012027	RF
815	BCREF2266		.PLUG- SUPPLIER CODE: V71468 OVERLENGTH PART NUMBER: DPX2MB67S67S33B0005 ELECTRICAL EQUIP NUMBER: D00458 WIRING DIAGRAM REF: 215111	012030	1
820	BCREF2266		.PLUG- SUPPLIER CODE: V71468 OVERLENGTH PART NUMBER: DPX2MB67S67S33B0005 ELECTRICAL EQUIP NUMBER: D10002 WIRING DIAGRAM REF: 215121	012030	1
- 830	MS35190-223		ATTACHING PARTS .SCREW	012030	8

MISSING ITEM NUMBERS NOT APPLICABLE

- ITEM NOT ILLUSTRATED

HAP

21-51-02-02A

BOEING PROPRIETARY - Copyright © - Unpublished Work - See title page for details.

21-51-02
FIG. 02A
PAGE 14
FEB 15/09


BOEING
 737-600/700/800/900
PARTS CATALOG (MAINTENANCE)

FIG ITEM	PART NUMBER	1 2 3 4 5 6 7 NOMENCLATURE	EFFECT FROM TO	UNITS PER ASSY
2A - 840	PLH504CD	.NUT SUPPLIER CODE: VF0224 SPECIFICATION NUMBER: BACN10YR04CD OPTIONAL PART: H52732-04CD V15653 -----*-----	012030	8

MISSING ITEM NUMBERS NOT APPLICABLE

- ITEM NOT ILLUSTRATED

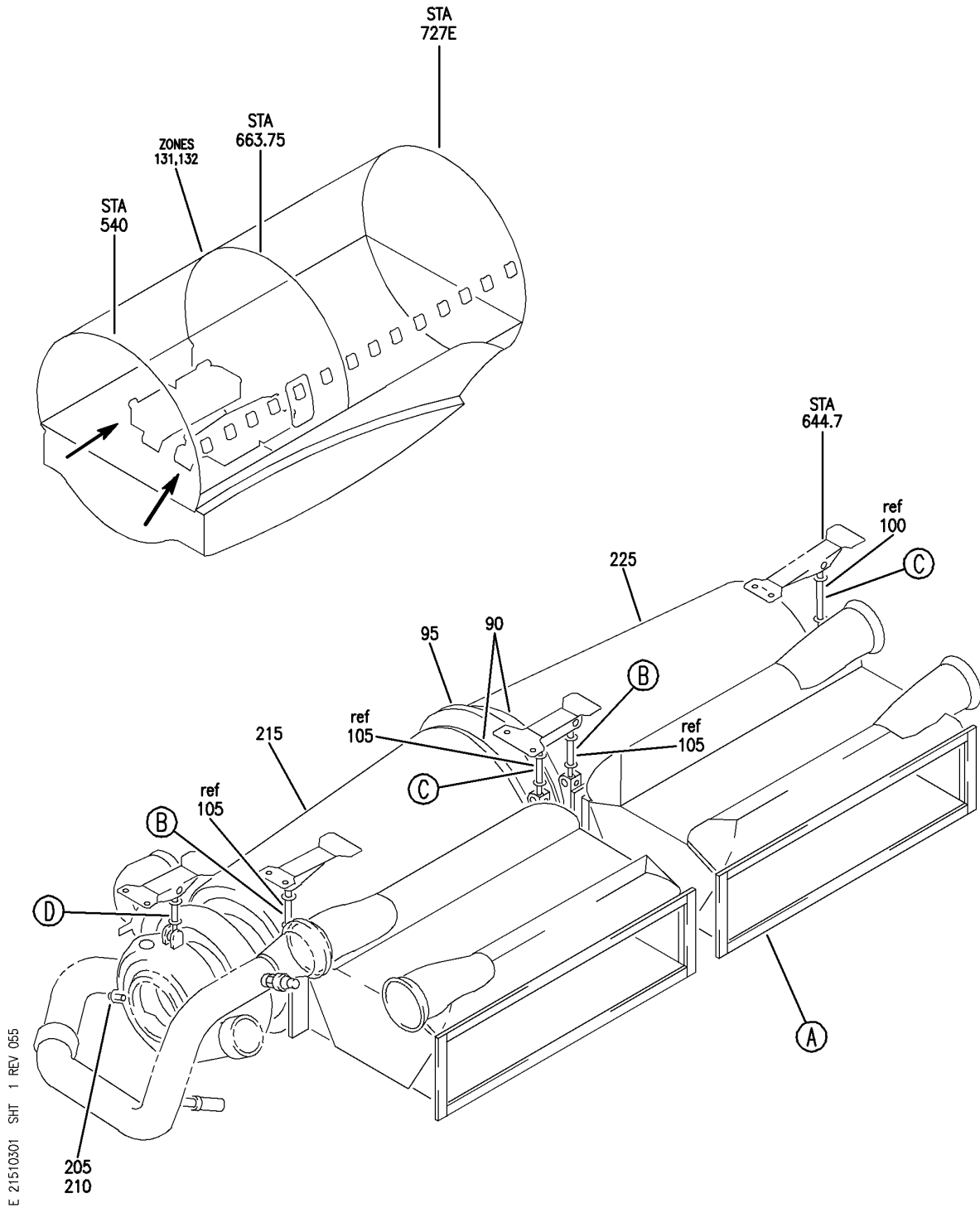
HAP

21-51-02-02A

BOEING PROPRIETARY - Copyright © - Unpublished Work - See title page for details.

21-51-02
 FIG. 02A
 PAGE 15
 FEB 15/09

BOEING
 737-600/700/800/900
 PARTS CATALOG (MAINTENANCE)



E 21510301 SHT 1 REV 055

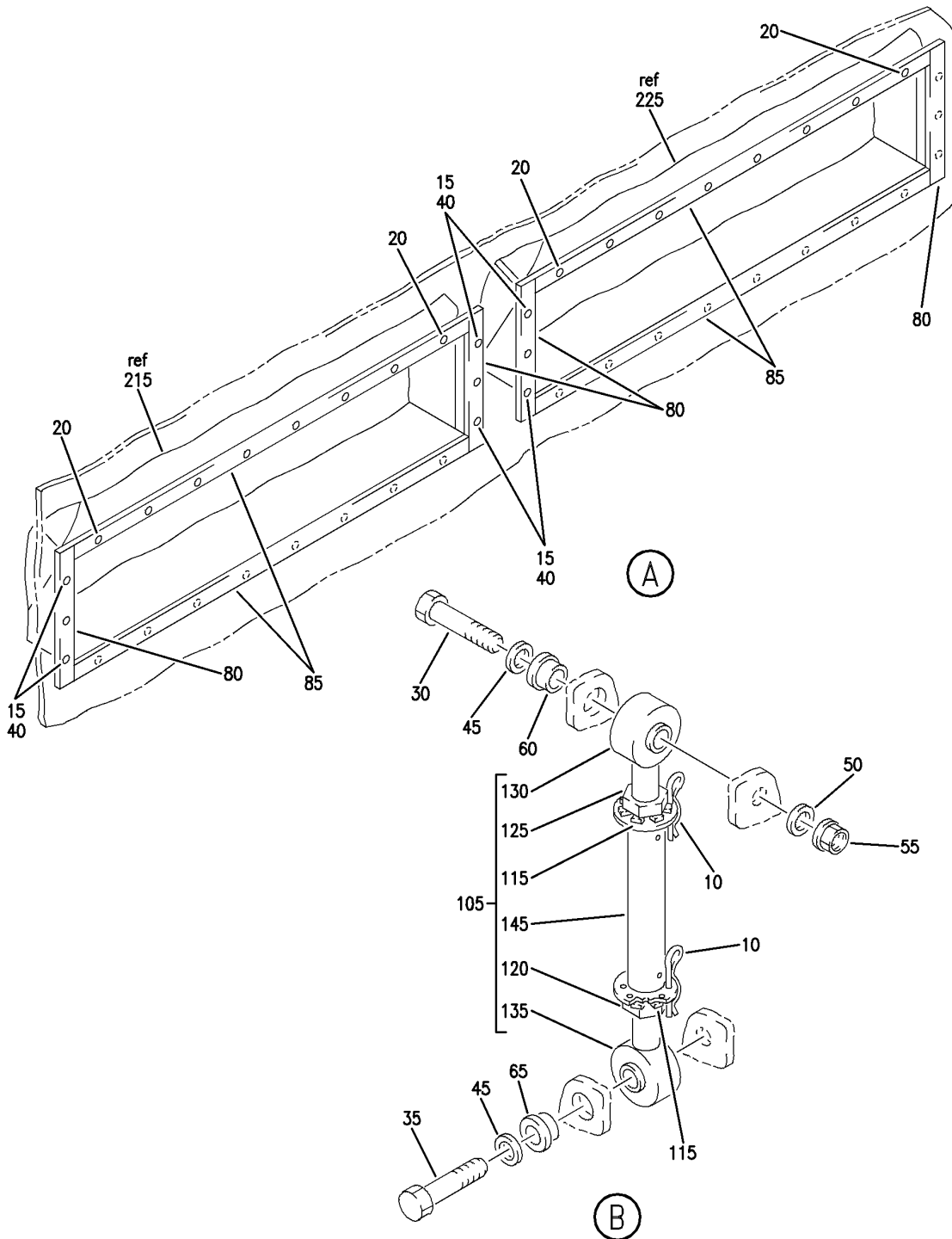
PACK INSTL-AIR CONDITIONING (HEAT EXCHANGER AND PLENUM/DIFFUSER ASSY ONLY)
 FIGURE 1 (SHEET 1)

21-51-03-01

HAP
 FEB 10/07

21-51-03-01
 PAGE 0

BOEING
 737-600/700/800/900
 PARTS CATALOG (MAINTENANCE)



E 21510301 SH1 2 REV 055

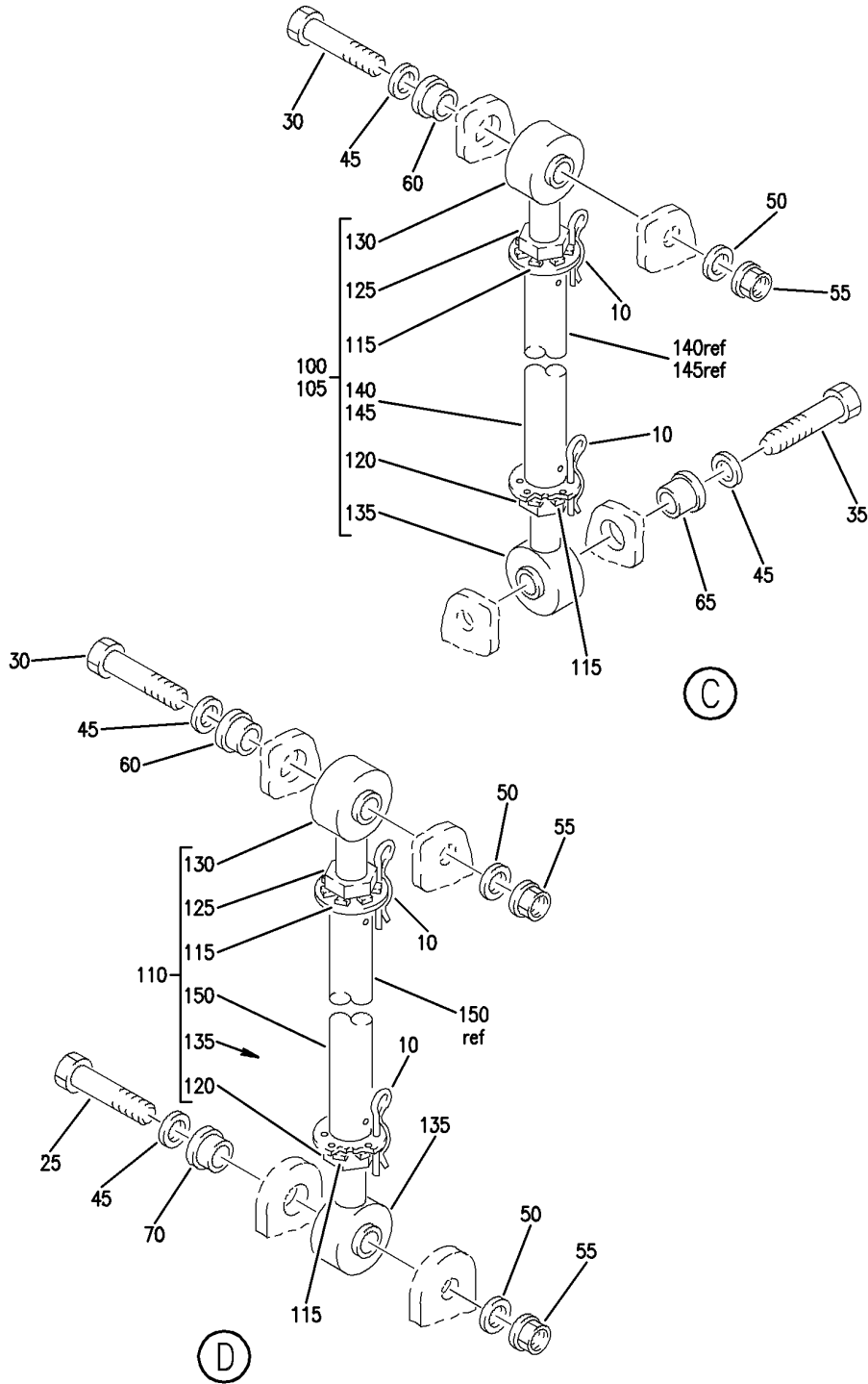
PACK INSTL-AIR CONDITIONING (HEAT EXCHANGER AND PLENUM/DIFFUSER ASSY ONLY)
 FIGURE 1 (SHEET 2)

21-51-03-01

HAP
 FEB 10/07

21-51-03-01
 PAGE 0A

BOEING
 737-600/700/800/900
 PARTS CATALOG (MAINTENANCE)



E 21510301 SHT 3 REV 065

PACK INSTL-AIR CONDITIONING (HEAT EXCHANGER AND PLENUM/DIFFUSER ASSY ONLY)
 FIGURE 1 (SHEET 3)

21-51-03-01

HAP
 FEB 10/07

21-51-03-01
 PAGE 0B

BOEING
737-600/700/800/900
PARTS CATALOG (MAINTENANCE)

FIG ITEM	PART NUMBER	1 2 3 4 5 6 7	NOMENCLATURE	EFFECT FROM TO	UNITS PER ASSY
1			PACK INSTL-AIR CONDITIONING (HEAT EXCHANGER AND PLENUM/DIFFUSER ASSY ONLY)	101999	
- 1	213A1001-1		PACK INSTL-AIR CONDITIONING (HEAT EXCHANGER AND PLENUM/DIFFUSER ASSY ONLY)(-600,-700,-700C) POSITION DATA: LH FOR NHA/ADDITIONAL DET SEE: 21-50-00-01B	201967	RF
- 1	MODREF224848		PACK INSTL-AIR CONDITIONING (HEAT EXCHANGER AND PLENUM/DIFFUSER ASSY ONLY)(-600,-700,-700C) MODULE NUMBER: 213A1001-1 REV B POSITION DATA: LH FOR ADDITIONAL DETAILS SEE: 21-51-52-01	101200 968999	1
- 5	213A1001-2		PACK INSTL-AIR CONDITIONING (HEAT EXCHANGER AND PLENUM/DIFFUSER ASSY ONLY)(-600,-700,-700C) POSITION DATA: RH FOR NHA/ADDITIONAL DET SEE: 21-50-00-01B	201967	RF
- 5	MODREF224849		PACK INSTL-AIR CONDITIONING (HEAT EXCHANGER AND PLENUM/DIFFUSER ASSY ONLY)(-600,-700,-700C) MODULE NUMBER: 213A1001-2 REV B POSITION DATA: RH FOR ADDITIONAL DETAILS SEE: 21-51-52-01	101200 968999	1
10	HAIR2SB		.PIN- SUPPLIER CODE: VOCUJ4	101999	10
15	NAS6703-7		.BOLT	101999	9
20	NAS8703-4		.BOLT	101999	16
25	BACB30NR4K18		.BOLT	101999	1
30	BACB30NR4K20		.BOLT	101999	5
35	BACB30NR4K17		.BOLT	101999	4
40	BACW10BP3CD		.WASHER	101999	9

MISSING ITEM NUMBERS NOT APPLICABLE

- ITEM NOT ILLUSTRATED

HAP

21-51-03-01

BOEING PROPRIETARY - Copyright © - Unpublished Work - See title page for details.

21-51-03
FIG. 01
PAGE 1
OCT 15/08

BOEING
737-600/700/800/900
PARTS CATALOG (MAINTENANCE)

FIG ITEM	PART NUMBER	1 2 3 4 5 6 7	NOMENCLATURE	EFFECT FROM TO	UNITS PER ASSY
1					
45	BACW10BP4ACU	.	WASHER	101999	10
50	NAS1149D0432J	.	WASHER	101999	6
55	PLH54CD	.	NUT	101999	6
			SUPPLIER CODE: VF0224		
			SPECIFICATION NUMBER: BACN10YR4CD		
			OPTIONAL PART: H52732-4CD V15653		
60	BACB28AK04-045	.	BUSHING	101999	5
65	BACB28AK04-033	.	BUSHING	101999	4
70	BACB28AK04-036	.	BUSHING	101999	1
80	65-49571-21	.	GASKET	101999	4
85	65-49571-22	.	GASKET	101999	4
90	BCREF13239	.	CLAMP-	101999	2
			OVERLENGTH PART NUMBER: BACC10BN1225L5ME		
95	BACD40W48-0032	.	DUCT	101999	1
100	213A1020-1	.	ROD ASSY	101999	1
105	213A1020-3	.	ROD ASSY	101999	3
110	213A1020-5	.	ROD ASSY	101999	1
115	BACW10CR63	..	WASHER	101999	2
120	AN316C6L	..	NUT	101999	1
125	AN316C6R	..	NUT	101999	1
130	REP4MK6-4FS428	..	BEARING	101999	1
			SUPPLIER CODE: V73134		
			SPECIFICATION NUMBER: BACB10AD5K		
			OPTIONAL PART: HHRE4MS6-1 V38443 REP4M6-4E9171B V21335 ABR4M8WG VS0352 ABR4M120 VS0352 REB4MK6-18 V92563 DBM4-6A1-502 V77896 ABR4M8WB V15860 REP4MK6-8J V73134		

MISSING ITEM NUMBERS NOT APPLICABLE

— ITEM NOT ILLUSTRATED

HAP

21-51-03-01

BOEING PROPRIETARY - Copyright © - Unpublished Work - See title page for details.

21-51-03
FIG. 01
PAGE 2
FEB 15/09

BOEING
737-600/700/800/900
PARTS CATALOG (MAINTENANCE)

FIG ITEM	PART NUMBER	1 2 3 4 5 6 7	NOMENCLATURE	EFFECT FROM TO	UNITS PER ASSY
1 135	REP4ML6-4FS428	..	BEARING SUPPLIER CODE: V73134 SPECIFICATION NUMBER: BACB10AD5LK OPTIONAL PART: HHRE4MLS6-1 V38443 REP4ML6-4E9171B V21335 ABRL4M9WG VS0352 REP4ML6-4FS428 V21335 ABRL4M120 VS0352 REB4MLK6-18 V92563 ABRL4M9WB V15860 REP4MKL6-9J V73134	101999	1
140	213A1021-1	..	TUBE	101999	1
145	213A1021-3	..	TUBE	101999	1
150	213A1021-5	..	TUBE	101999	1
205	AP1016D6	.PLUG	SUPPLIER CODE: V01673 SPECIFICATION NUMBER: BACP20AU6D OPTIONAL PART: ER0806-6D V88334 2-02700-6D V11328 AP10166D V01673 4120-587206D V50948 31794-6D V14397 AFP952-06D V30974 AP1016-06D V01673 DB0P20AU6D V14798 AP1016D06 V01673	101999	1
MISSING ITEM NUMBERS NOT APPLICABLE					

— ITEM NOT ILLUSTRATED

HAP

21-51-03-01

BOEING PROPRIETARY - Copyright © - Unpublished Work - See title page for details.

21-51-03
FIG. 01
PAGE 3
FEB 15/09

BOEING
737-600/700/800/900
PARTS CATALOG (MAINTENANCE)

FIG ITEM	PART NUMBER	1 2 3 4 5 6 7	NOMENCLATURE	EFFECT FROM TO	UNITS PER ASSY
1 210	R1131-906		.PACKING SUPPLIER CODE: V57268 SPECIFICATION NUMBER: BACP11K6 OPTIONAL PART: 3-906S383-70 V02697 1090-06 V95272 150701-06 V95272 AS568-906S32 V11314 MAINTENANCE MANUAL REF: 21-51-04	101999	1
215	2215250-1		.PACK ASSY- SUPPLIER CODE: V70210 POSITION DATA: LH SIDE FUNCTIONAL DESCRIPTION: PROVIDES CONDITIONED AIR TO THE PASSENGER CABIN AND FLIGHT DECK SPECIFICATION NUMBER: S210A001-100 COMPONENT MAINT MANUAL REF: 21-50-74 FOR DETAILS SEE: 21-51-03-05 21-51-04-01 21-51-40-01	101999	1

MISSING ITEM NUMBERS NOT APPLICABLE

— ITEM NOT ILLUSTRATED

HAP

21-51-03-01

BOEING PROPRIETARY - Copyright © - Unpublished Work - See title page for details.

21-51-03
FIG. 01
PAGE 4
JUN 15/08

BOEING
737-600/700/800/900
PARTS CATALOG (MAINTENANCE)

FIG ITEM	PART NUMBER	1 2 3 4 5 6 7	NOMENCLATURE	EFFECT FROM TO	UNITS PER ASSY
1 - 220	2215290-1		.PACK ASSY- SUPPLIER CODE: V70210 POSITION DATA: RH SIDE FUNCTIONAL DESCRIPTION: PROVIDES CONDITIONED AIR TO THE PASSENGER CABIN AND FLIGHT DECK SPECIFICATION NUMBER: S210A001-200 COMPONENT MAINT MANUAL REF: 21-50-76 FOR DETAILS SEE: 21-51-03-05 21-51-04-01 21-51-40-01	101999	1
225	2215240-1		.PACK ASSY-PRIMARY HEAT EXCHANGER, SERIES 1, 2 AND 3 SUPPLIER CODE: V70210 POSITION DATA: LH SIDE FUNCTIONAL DESCRIPTION: PROVIDES CONDITIONED AIR TO THE PASSENGER CABIN AND FLIGHT DECK BY RAM AIR DURING FLIGHT OR BY FAN DURING GROUND OPERATION. SPECIFICATION NUMBER: S210A001-101 COMPONENT MAINT MANUAL REF: 21-50-70 FOR DETAILS SEE: 21-51-03-06	101999	1

MISSING ITEM NUMBERS NOT APPLICABLE

- ITEM NOT ILLUSTRATED

HAP

21-51-03-01

BOEING PROPRIETARY - Copyright © - Unpublished Work - See title page for details.

21-51-03
FIG. 01
PAGE 5
OCT 15/08

BOEING
737-600/700/800/900
PARTS CATALOG (MAINTENANCE)

FIG ITEM	PART NUMBER	1 2 3 4 5 6 7	NOMENCLATURE	EFFECT FROM TO	UNITS PER ASSY
1 - 230	2215280-1		.PACK ASSY-PRIMARY HEAT EXCHANGER, SERIES 1 AND 2 SUPPLIER CODE: V70210 POSITION DATA: RH SIDE FUNCTIONAL DESCRIPTION: PROVIDES CONDITIONED AIR TO THE PASSENGER CABIN AND FLIGHT DECK BY RAM AIR DURING FLIGHT OR BY FAN DURING GROUND OPERATION. SPECIFICATION NUMBER: S210A001-201 COMPONENT MAINT MANUAL REF: 21-50-72 FOR DETAILS SEE: 21-51-03-06	101999	1

MISSING ITEM NUMBERS NOT APPLICABLE

- ITEM NOT ILLUSTRATED

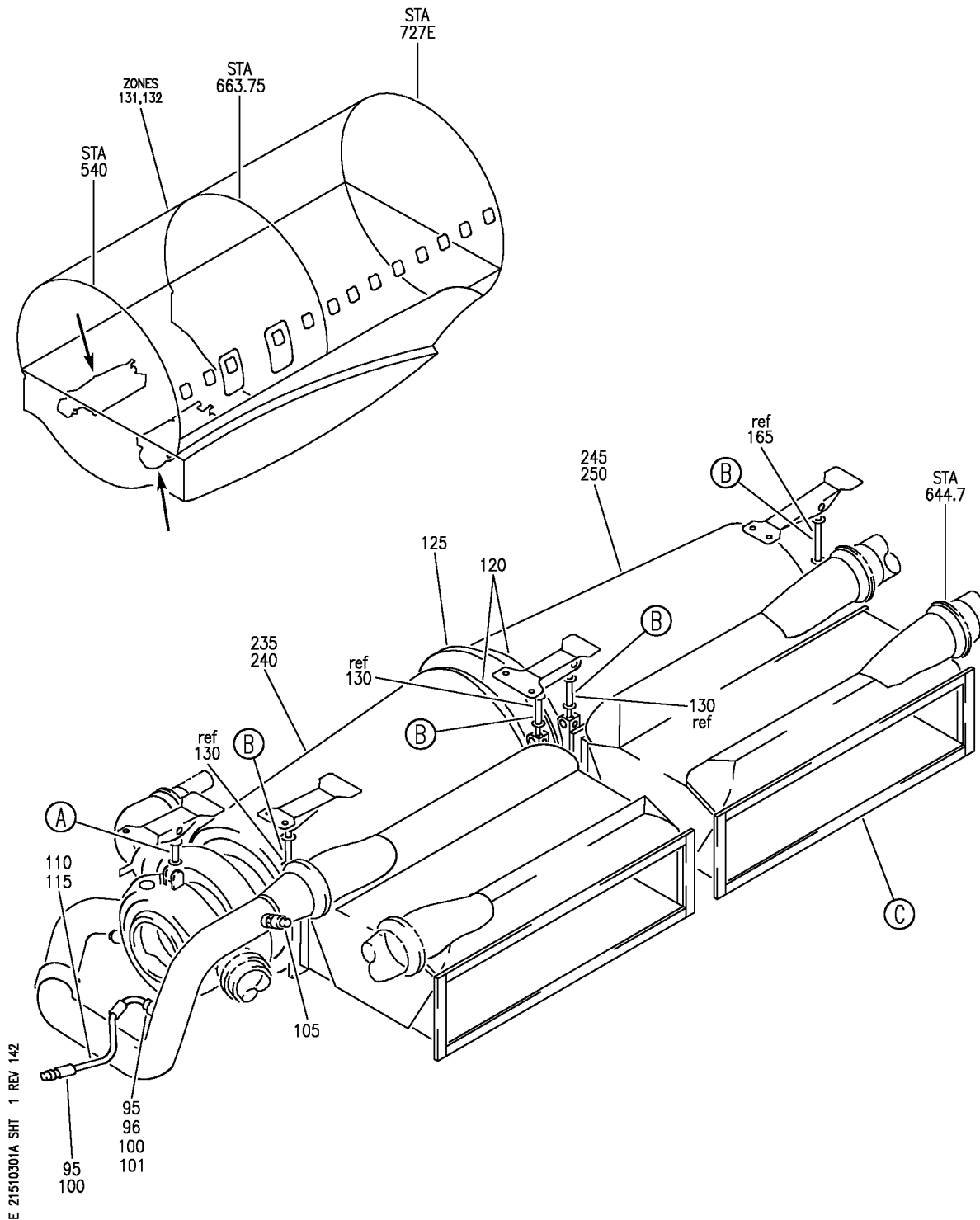
HAP

21-51-03-01

BOEING PROPRIETARY - Copyright © - Unpublished Work - See title page for details.

21-51-03
FIG. 01
PAGE 6
OCT 15/08

BOEING
 737-600/700/800/900
 PARTS CATALOG (MAINTENANCE)



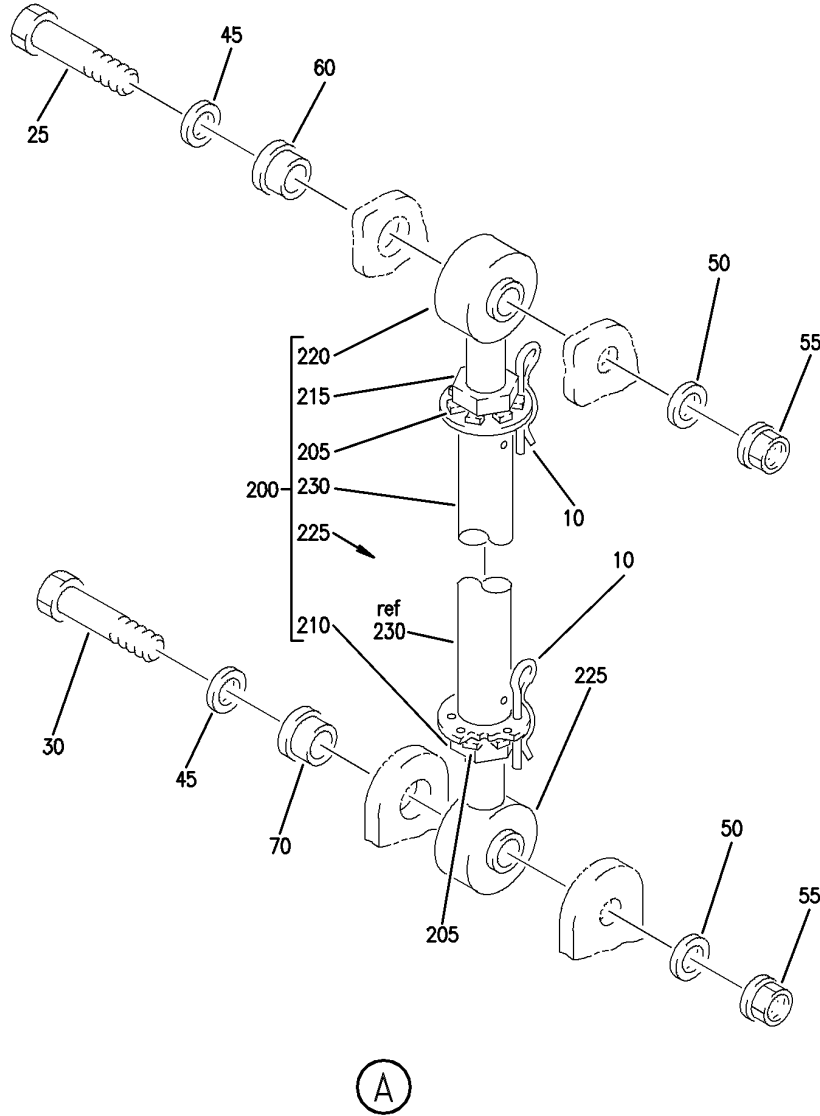
PACK INSTL-AIR CONDITIONING (HEAT EXCHANGER AND PLENUM/DIFFUSER ASSY ONLY)(-800,-900)
 FIGURE 1A (SHEET 1)

HAP
 JUN 15/08

21-51-03-01A

21-51-03-01A
 PAGE 0

BOEING
 737-600/700/800/900
 PARTS CATALOG (MAINTENANCE)



E 21510301A SHT 2 REV 055

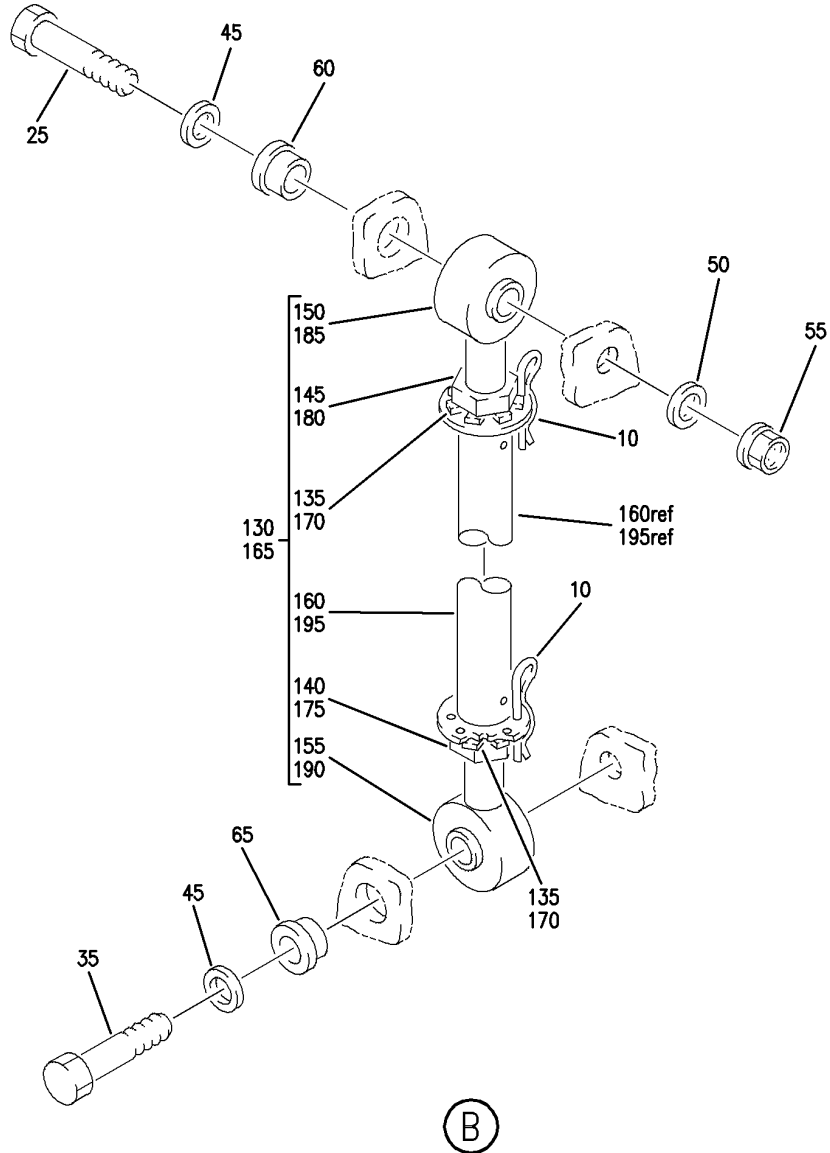
PACK INSTL-AIR CONDITIONING (HEAT EXCHANGER AND PLENUM/DIFFUSER ASSY ONLY)(-800,-900)
 FIGURE 1A (SHEET 2)

HAP
 OCT 10/06

21-51-03-01A

21-51-03-01A
 PAGE 0A

BOEING
 737-600/700/800/900
 PARTS CATALOG (MAINTENANCE)



E 21510301A SHT 3 REV 055

PACK INSTL-AIR CONDITIONING (HEAT EXCHANGER AND PLENUM/DIFFUSER ASSY ONLY)(-800,-900)
 FIGURE 1A (SHEET 3)

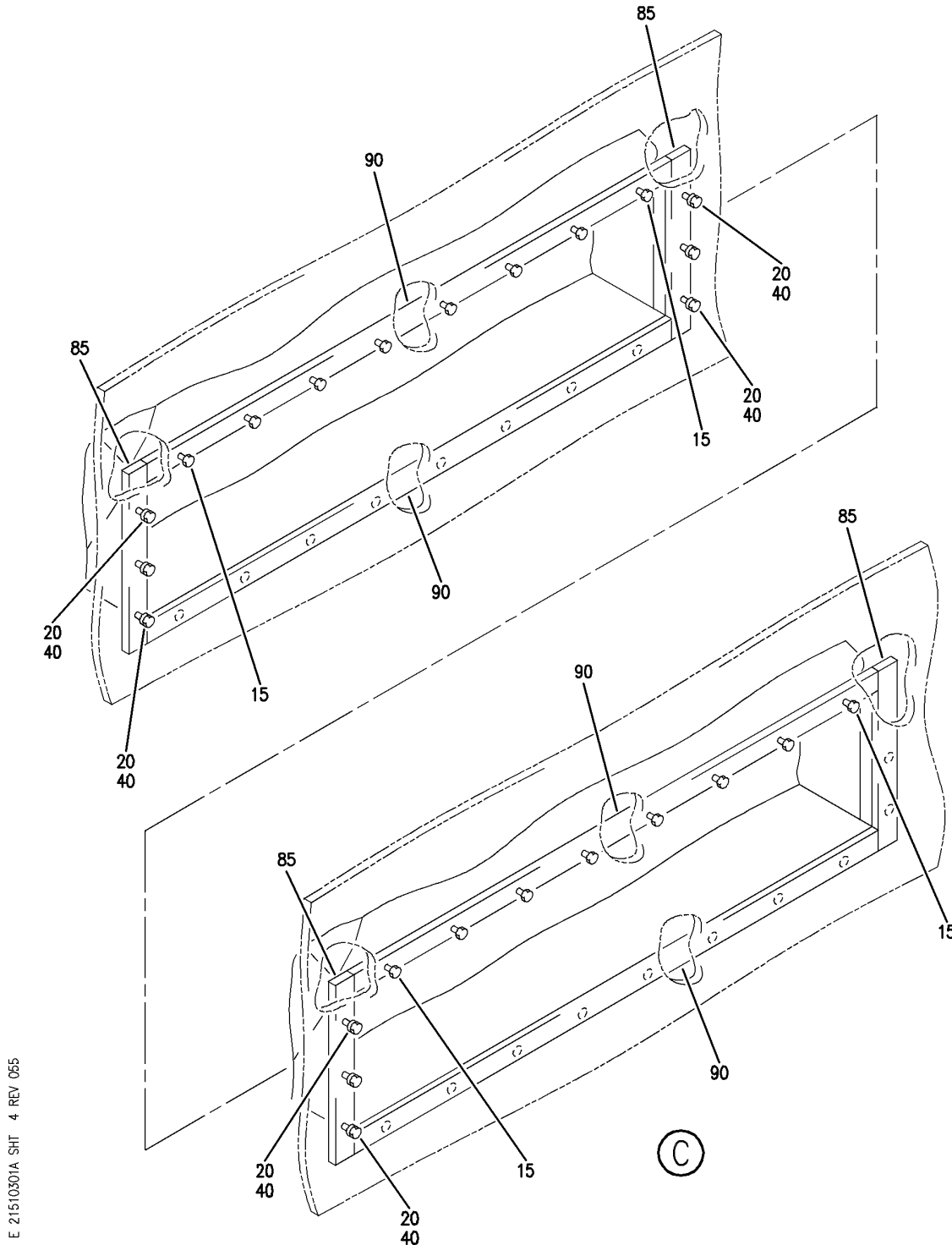
HAP
 OCT 10/06

21-51-03-01A

21-51-03-01A
 PAGE 0B

BOEING PROPRIETARY - Copyright © - Unpublished Work - See title page for details.

BOEING
737-600/700/800/900
PARTS CATALOG (MAINTENANCE)



E 21510301A SH1 4 REV 065

PACK INSTL-AIR CONDITIONING (HEAT EXCHANGER AND PLENUM/DIFFUSER ASSY ONLY)(-800,-900)
FIGURE 1A (SHEET 4)

HAP
OCT 10/06

21-51-03-01A

21-51-03-01A
PAGE 0C

BOEING
737-600/700/800/900
PARTS CATALOG (MAINTENANCE)

FIG ITEM	PART NUMBER	1 2 3 4 5 6 7	NOMENCLATURE	EFFECT FROM TO	UNITS PER ASSY
1 A			PACK INSTL-AIR CONDITIONING (HEAT EXCHANGER AND PLENUM/DIFFUSER ASSY ONLY)(-800,-900)	001100	
- 1	213A1001-3		PACK INSTL-AIR CONDITIONING (HEAT EXCHANGER AND PLENUM/DIFFUSER ASSY ONLY)(-800,-900) POSITION DATA: LH FOR NHA/ADDITIONAL DET SEE: 21-50-00-01C	001030	RF
- 1	MODREF81135		PACK INSTL-AIR CONDITIONING (HEAT EXCHANGER AND PLENUM/DIFFUSER ASSY ONLY)(-800,-900) MODULE NUMBER: 213A1001-3 REV A POSITION DATA: LH FOR ADDITIONAL DETAILS SEE: 21-51-52-02	031046 054100	1
- 1	MODREF377397		PACK INSTL-AIR CONDITIONING (HEAT EXCHANGER AND PLENUM/DIFFUSER ASSY ONLY)(-800,-900) MODULE NUMBER: 213A1001-3 REV B POSITION DATA: LH FOR ADDITIONAL DETAILS SEE: 21-51-52-02	047053	1
- 5	213A1001-4		PACK INSTL-AIR CONDITIONING (HEAT EXCHANGER AND PLENUM/DIFFUSER ASSY ONLY)(-800,-900) POSITION DATA: RH FOR NHA/ADDITIONAL DET SEE: 21-50-00-01C	001030	RF

MISSING ITEM NUMBERS NOT APPLICABLE

- ITEM NOT ILLUSTRATED

HAP

21-51-03-01A

BOEING PROPRIETARY - Copyright © - Unpublished Work - See title page for details.

21-51-03
FIG. 01A
PAGE 1
FEB 15/09

BOEING
737-600/700/800/900
PARTS CATALOG (MAINTENANCE)

FIG ITEM	PART NUMBER	1 2 3 4 5 6 7	NOMENCLATURE	EFFECT FROM TO	UNITS PER ASSY
1 A					
- 5	MODREF81136		PACK INSTL-AIR CONDITIONING (HEAT EXCHANGER AND PLENUM/DIFFUSER ASSY ONLY)(-800,-900) MODULE NUMBER: 213A1001-4 REV A POSITION DATA: RH FOR ADDITIONAL DETAILS SEE: 21-51-52-02	031046 054100	1
- 5	MODREF377398		PACK INSTL-AIR CONDITIONING (HEAT EXCHANGER AND PLENUM/DIFFUSER ASSY ONLY)(-800,-900) MODULE NUMBER: 213A1001-4 REV B POSITION DATA: RH FOR ADDITIONAL DETAILS SEE: 21-51-52-02	047053	1
10	HAIR2SB		.PIN- SUPPLIER CODE: VOCUJ4	001100	10
15	NAS8703-4		.BOLT	001100	16
20	NAS6703-6		.BOLT	001100	9
25	BACB30NR4K20		.BOLT	001100	5
30	BACB30NR4K18		.BOLT	001100	1
35	BACB30NR4K19		.BOLT-	001100	4
40	BACW10BP3CD		.WASHER	001100	9
45	BACW10BP4ACU		.WASHER	001100	10
50	NAS1149D0432J		.WASHER	001100	6
55	PLH54CD		.NUT SUPPLIER CODE: VF0224 SPECIFICATION NUMBER: BACN10YR4CD OPTIONAL PART: H52732-4CD V15653	001100	6
60	BACB28AK04-045		.BUSHING	001100	5
65	BACB28AK04-033		.BUSHING	001100	4
70	BACB28AK04-036		.BUSHING	001100	1
85	65-49571-21		.GASKET	001100	4
90	65-49571-22		.GASKET	001100	4
95	MS21902D8		.UNION	001046 054100	2
96	MS21902W8		.UNION	047053	1

MISSING ITEM NUMBERS NOT APPLICABLE

- ITEM NOT ILLUSTRATED

HAP

21-51-03-01A

BOEING PROPRIETARY - Copyright © - Unpublished Work - See title page for details.

21-51-03
FIG. 01A
PAGE 2
FEB 15/09

BOEING
737-600/700/800/900
PARTS CATALOG (MAINTENANCE)

FIG ITEM	PART NUMBER	1 2 3 4 5 6 7	NOMENCLATURE	EFFECT FROM TO	UNITS PER ASSY
1A 100	R1131-908		.PACKING SUPPLIER CODE: V57268 SPECIFICATION NUMBER: BACP11K8 OPTIONAL PART: 3-908S383-70 V02697 1090-08 V95272 150701-08 V95272 AS568-908S32 V11314	001046 054100	2
101	R1131-908		.PACKING SUPPLIER CODE: V57268 SPECIFICATION NUMBER: BACP11K8 OPTIONAL PART: 3-908S383-70 V02697 1090-08 V95272 150701-08 V95272 AS568-908S32 V11314	047053	1
105	R1131-906		.PACKING- SUPPLIER CODE: V57268 SPECIFICATION NUMBER: BACP11K6 OPTIONAL PART: 3-906S383-70 V02697 1090-06 V95272 150701-06 V95272 AS568-906S32 V11314	001100	1
110	AS117-08H0095		.HOSE ASSY- POSITION DATA: LH SIDE OPTIONAL PART: AS117-08H0115	001100	1

MISSING ITEM NUMBERS NOT APPLICABLE

— ITEM NOT ILLUSTRATED

HAP

21-51-03-01A

BOEING PROPRIETARY - Copyright © - Unpublished Work - See title page for details.

21-51-03
FIG. 01A
PAGE 3
FEB 15/09

BOEING
737-600/700/800/900
PARTS CATALOG (MAINTENANCE)

FIG ITEM	PART NUMBER	1 2 3 4 5 6 7	NOMENCLATURE	EFFECT FROM TO	UNITS PER ASSY
1A					
110	AS117-08H0115	.HOSE ASSY-	POSITION DATA: LH SIDE	001100	1
115	AS117-08H0100	.HOSE ASSY-	OPTIONAL PART: AS117-08H0095	001100	1
120	BCREF13239	.HOSE ASSY-	POSITION DATA: RH SIDE	001100	2
125	BACD40W48-0032	.CLAMP-	OVERLENGTH PART NUMBER: BACC10BN1225L5ME	001100	1
130	213A1020-3	.DUCT		001100	3
135	BACW10CR63	.ROD ASSY-		001100	2
140	AN316C6R	..WASHER-		001100	1
145	AN316C6L	..NUT-		001100	1
150	REP4MK6-4FS428	..NUT-		001100	1
		..BEARING-	SUPPLIER CODE: V73134		
			SPECIFICATION NUMBER: BACB10AD5K		
			OPTIONAL PART: HHRE4MS6-1		
			V38443		
			REP4M6-4E9171B		
			V21335		
			ABR4M8WG		
			VS0352		
			ABR4M120		
			VS0352		
			REB4MK6-18		
			V92563		
			DBM4-6A1-502		
			V77896		
			ABR4M8WB		
			V15860		
			REP4MK6-8J		
			V73134		

MISSING ITEM NUMBERS NOT APPLICABLE

— ITEM NOT ILLUSTRATED

HAP

21-51-03-01A

BOEING PROPRIETARY - Copyright © - Unpublished Work - See title page for details.

21-51-03
FIG. 01A
PAGE 4
FEB 15/09

BOEING
737-600/700/800/900
PARTS CATALOG (MAINTENANCE)

FIG ITEM	PART NUMBER	1 2 3 4 5 6 7	NOMENCLATURE	EFFECT FROM TO	UNITS PER ASSY
1 A 155	REP4ML6-4FS428	..	BEARING- SUPPLIER CODE: V73134 SPECIFICATION NUMBER: BACB10AD5LK OPTIONAL PART: HHRE4MLS6-1 V38443 REP4ML6-4E9171B V21335 ABRL4M9WG VS0352 REP4ML6-4FS428 V21335 ABRL4M120 VS0352 REB4MLK6-18 V92563 ABRL4M9WB V15860 REP4MKL6-9J V73134	001100	1
160	213A1021-3	..	TUBE-	001100	1
165	213A1020-1	.	ROD ASSY	001100	1
170	BACW10CR63	..	WASHER	001100	2
175	AN316C6R	..	NUT	001100	1
180	AN316C6L	..	NUT	001100	1
185	REP4MK6-4FS428	..	BEARING SUPPLIER CODE: V73134 SPECIFICATION NUMBER: BACB10AD5K OPTIONAL PART: HHRE4MS6-1 V38443 REP4M6-4E9171B V21335 ABR4M8WG VS0352 ABR4M120 VS0352 REB4MK6-18 V92563 DBM4-6A1-502 V77896 ABR4M8WB V15860 REP4MK6-8J V73134	001100	1

MISSING ITEM NUMBERS NOT APPLICABLE

— ITEM NOT ILLUSTRATED

HAP

21-51-03-01A

BOEING PROPRIETARY - Copyright © - Unpublished Work - See title page for details.

21-51-03
FIG. 01A
PAGE 5
FEB 15/09

BOEING
737-600/700/800/900
PARTS CATALOG (MAINTENANCE)

FIG ITEM	PART NUMBER	1 2 3 4 5 6 7	NOMENCLATURE	EFFECT FROM TO	UNITS PER ASSY
1A 190	REP4ML6-4FS428	..	BEARING SUPPLIER CODE: V73134 SPECIFICATION NUMBER: BACB10AD5LK OPTIONAL PART: HHRE4MLS6-1 V38443 REP4ML6-4E9171B V21335 ABRL4M9WG VS0352 REP4ML6-4FS428 V21335 ABRL4M120 VS0352 REB4MLK6-18 V92563 ABRL4M9WB V15860 REP4MKL6-9J V73134	001100	1
195	213A1021-1	..	TUBE	001100	1
200	213A1020-5	.R	OD ASSY	001100	1
205	BACW10CR63	..	WASHER	001100	2
210	AN316C6R	..	NUT	001100	1
215	AN316C6L	..	NUT	001100	1
220	REP4MK6-4FS428	..	BEARING SUPPLIER CODE: V73134 SPECIFICATION NUMBER: BACB10AD5K OPTIONAL PART: HHRE4MS6-1 V38443 REP4M6-4E9171B V21335 ABR4M8WG VS0352 ABR4M120 VS0352 REB4MK6-18 V92563 DBM4-6A1-502 V77896 ABR4M8WB V15860 REP4MK6-8J V73134	001100	1

MISSING ITEM NUMBERS NOT APPLICABLE

— ITEM NOT ILLUSTRATED

HAP

21-51-03-01A

BOEING PROPRIETARY - Copyright © - Unpublished Work - See title page for details.

21-51-03
FIG. 01A
PAGE 6
FEB 15/09

BOEING
737-600/700/800/900
PARTS CATALOG (MAINTENANCE)

FIG ITEM	PART NUMBER	1 2 3 4 5 6 7	NOMENCLATURE	EFFECT FROM TO	UNITS PER ASSY
1 A 225	REP4ML6-4FS428		.. BEARING SUPPLIER CODE: V73134 SPECIFICATION NUMBER: BACB10AD5LK OPTIONAL PART: HHRE4MLS6-1 V38443 REP4ML6-4E9171B V21335 ABRL4M9WG VS0352 REP4ML6-4FS428 V21335 ABRL4M120 VS0352 REB4MLK6-18 V92563 ABRL4M9WB V15860 REP4MKL6-9J V73134	001100	1
230	213A1021-5		.. TUBE	001100	1
235	2215490-1		. PACK ASSY- SUPPLIER CODE: V70210 POSITION DATA: LH SIDE FUNCTIONAL DESCRIPTION: PROVIDES CONDITIONED AIR TO THE PASSENGER CABIN AND FLIGHT DECK SPECIFICATION NUMBER: S210A001-300 COMPONENT MAINT MANUAL REF: 21-50-84 FOR DETAILS SEE: 21-51-04-01 21-51-40-01 21-51-03-05A	001100	1

MISSING ITEM NUMBERS NOT APPLICABLE

— ITEM NOT ILLUSTRATED

HAP

21-51-03-01A

BOEING PROPRIETARY - Copyright © - Unpublished Work - See title page for details.

21-51-03
FIG. 01A
PAGE 7
FEB 15/09

BOEING
737-600/700/800/900
PARTS CATALOG (MAINTENANCE)

FIG ITEM	PART NUMBER	1 2 3 4 5 6 7	NOMENCLATURE	EFFECT FROM TO	UNITS PER ASSY
1A 240	2215510-1		.PACK ASSY- SECONDARY SUPPLIER CODE: V70210 POSITION DATA: RH SIDE FUNCTIONAL DESCRIPTION: PROVIDES CONDITIONED AIR TO THE PASSENGER CABIN AND FLIGHT DECK SPECIFICATION NUMBER: S210A001-400 COMPONENT MAINT MANUAL REF: 21-50-86 FOR DETAILS SEE: 21-51-03-05A 21-51-04-01 21-51-40-01	001100	1
245	2215240-1		.PACK ASSY-PRIMARY HEAT EXCHANGER, SERIES 1, 2 AND 3 SUPPLIER CODE: V70210 POSITION DATA: LH SIDE FUNCTIONAL DESCRIPTION: PROVIDES CONDITIONED AIR TO THE PASSENGER CABIN AND FLIGHT DECK BY RAM AIR DURING FLIGHT OR BY FAN DURING GROUND OPERATION. SPECIFICATION NUMBER: S210A001-101 COMPONENT MAINT MANUAL REF: 21-50-70 FOR DETAILS SEE: 21-51-03-06	001040 042043 047050	1

MISSING ITEM NUMBERS NOT APPLICABLE

— ITEM NOT ILLUSTRATED

HAP

21-51-03-01A

BOEING PROPRIETARY - Copyright © - Unpublished Work - See title page for details.

21-51-03
FIG. 01A
PAGE 8
OCT 15/08

BOEING
737-600/700/800/900
PARTS CATALOG (MAINTENANCE)

FIG ITEM	PART NUMBER	1 2 3 4 5 6 7 NOMENCLATURE	EFFECT FROM TO	UNITS PER ASSY
1 A 250	2215280-1	.PACK ASSY-PRIMARY HEAT EXCHANGER SERIES 1, 2 AND 3 SUPPLIER CODE: V70210 POSITION DATA: RH SIDE FUNCTIONAL DESCRIPTION: PROVIDES CONDITIONED AIR TO THE PASSENGER CABIN AND FLIGHT DECK BY RAM AIR DURING FLIGHT OR BY FAN DURING GROUND OPERATION. SPECIFICATION NUMBER: S210A001-201 COMPONENT MAINT MANUAL REF: 21-50-72 FOR DETAILS SEE: 21-51-03-06	001040 042043 047050	1

MISSING ITEM NUMBERS NOT APPLICABLE

— ITEM NOT ILLUSTRATED

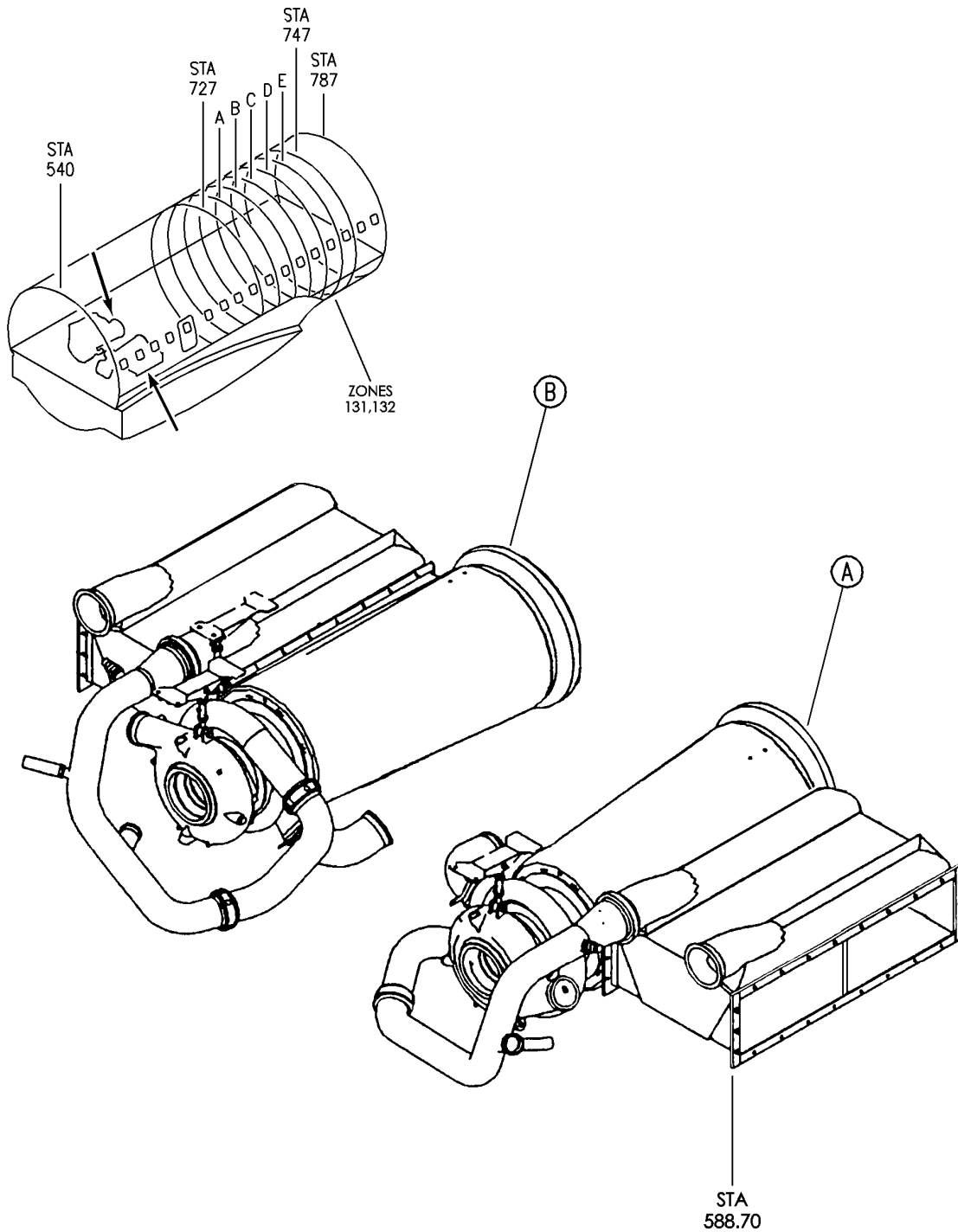
HAP

21-51-03-01A

BOEING PROPRIETARY - Copyright © - Unpublished Work - See title page for details.

21-51-03
FIG. 01A
PAGE 9
OCT 15/08

BOEING
 737-600/700/800/900
 PARTS CATALOG (MAINTENANCE)



E 21510305 SHT 1 REV 054

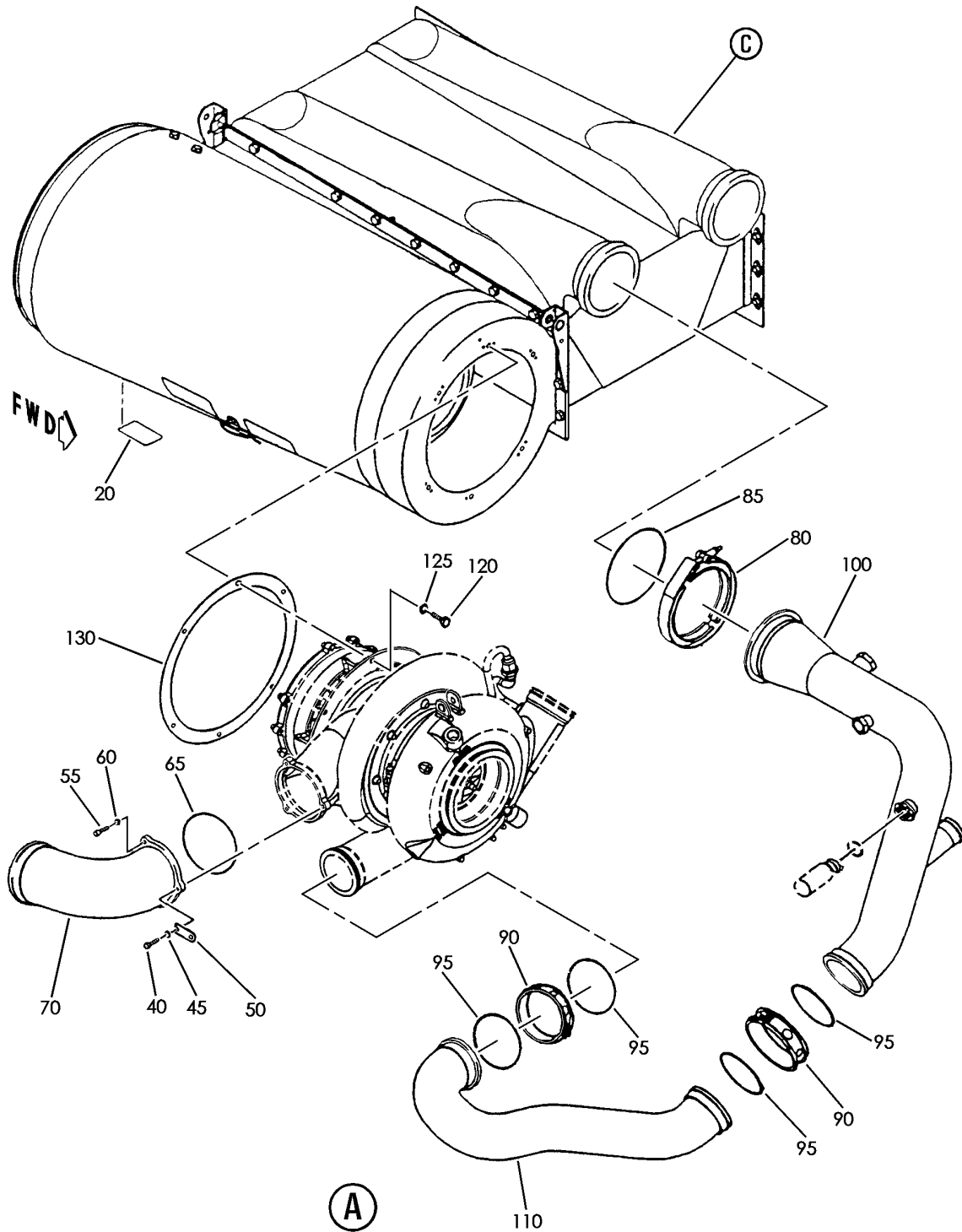
PACK ASSY-SECONDARY HEAT EXCHANGER UNIT (HEAT EXCHANGER AND PLENUM/ DIFFUSER ASSY ONLY)
 FIGURE 5 (SHEET 1)

HAP
 FEB 10/07

21-51-03-05

21-51-03-05
 PAGE 0

BOEING
 737-600/700/800/900
 PARTS CATALOG (MAINTENANCE)



E 21510305 SHT 2 REV 055

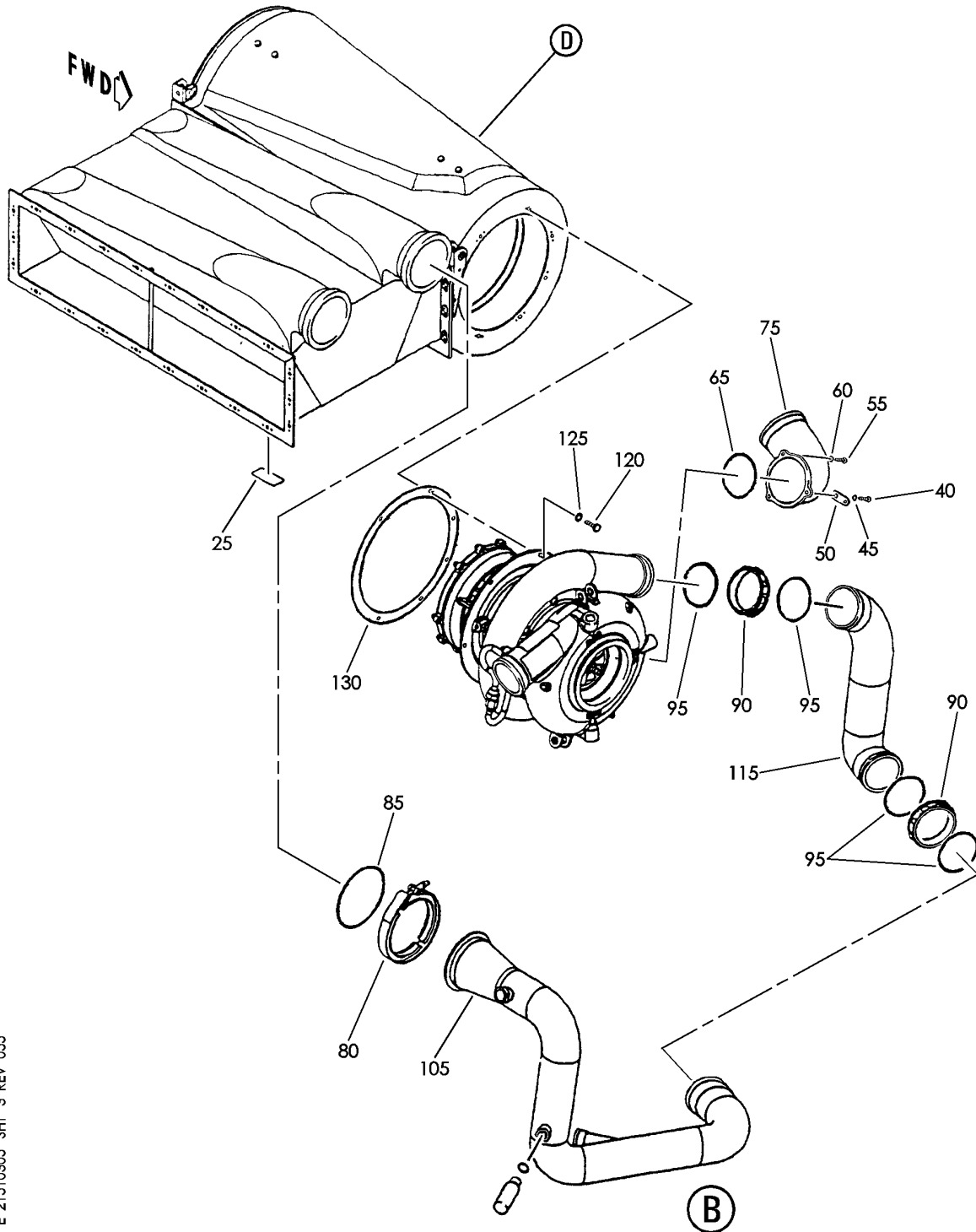
PACK ASSY-SECONDARY HEAT EXCHANGER UNIT (HEAT EXCHANGER AND PLENUM/ DIFFUSER ASSY ONLY)
 FIGURE 5 (SHEET 2)

21-51-03-05

HAP
 FEB 10/07

21-51-03-05
 PAGE 0A

BOEING
 737-600/700/800/900
 PARTS CATALOG (MAINTENANCE)



E 21510305 SHT 3 REV 055

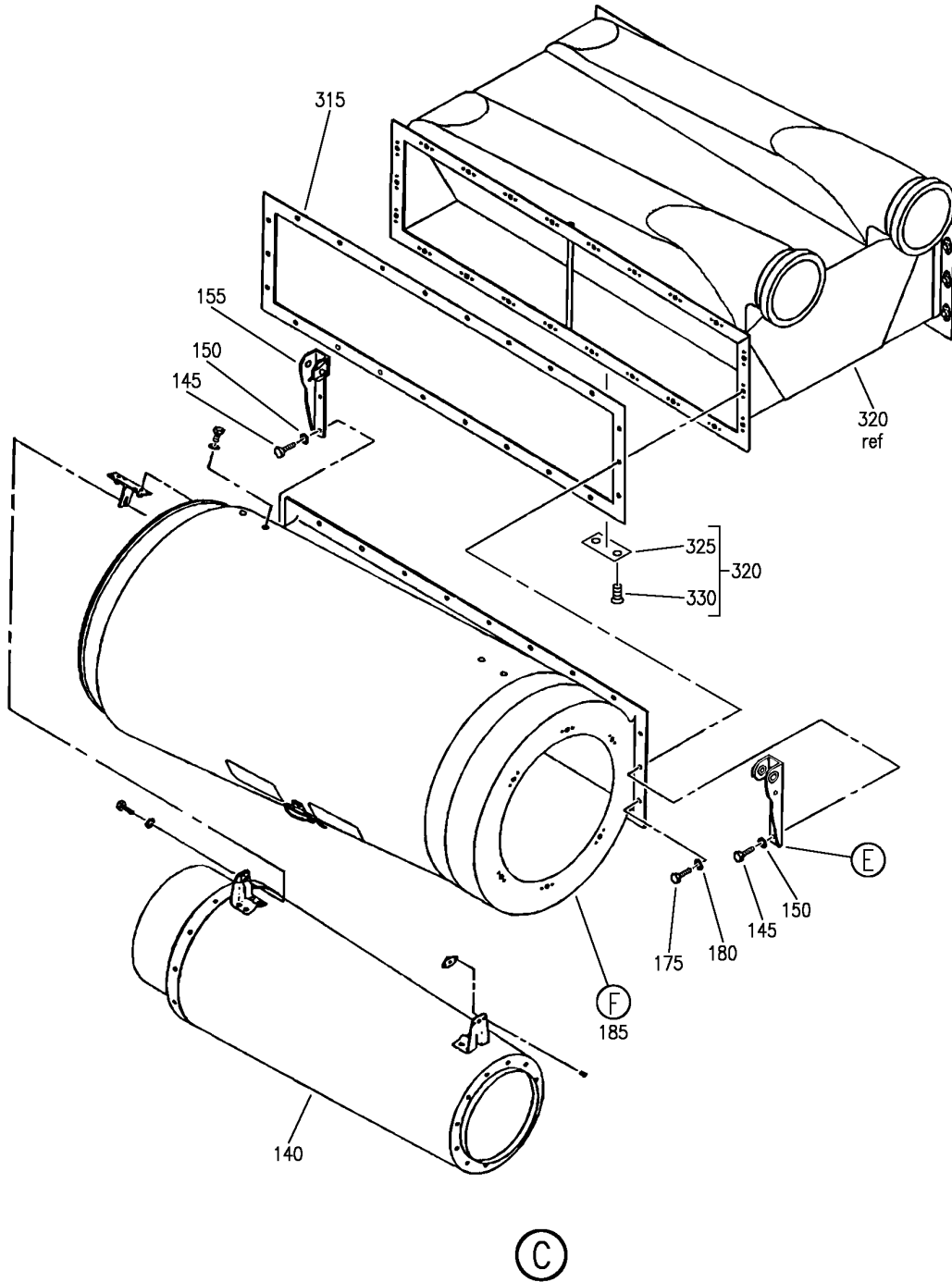
PACK ASSY-SECONDARY HEAT EXCHANGER UNIT (HEAT EXCHANGER AND PLENUM/ DIFFUSER ASSY ONLY)
 FIGURE 5 (SHEET 3)

21-51-03-05

HAP
 FEB 10/07

21-51-03-05
 PAGE 0B

BOEING
 737-600/700/800/900
 PARTS CATALOG (MAINTENANCE)



E 21510305 SH1 4 REV 103

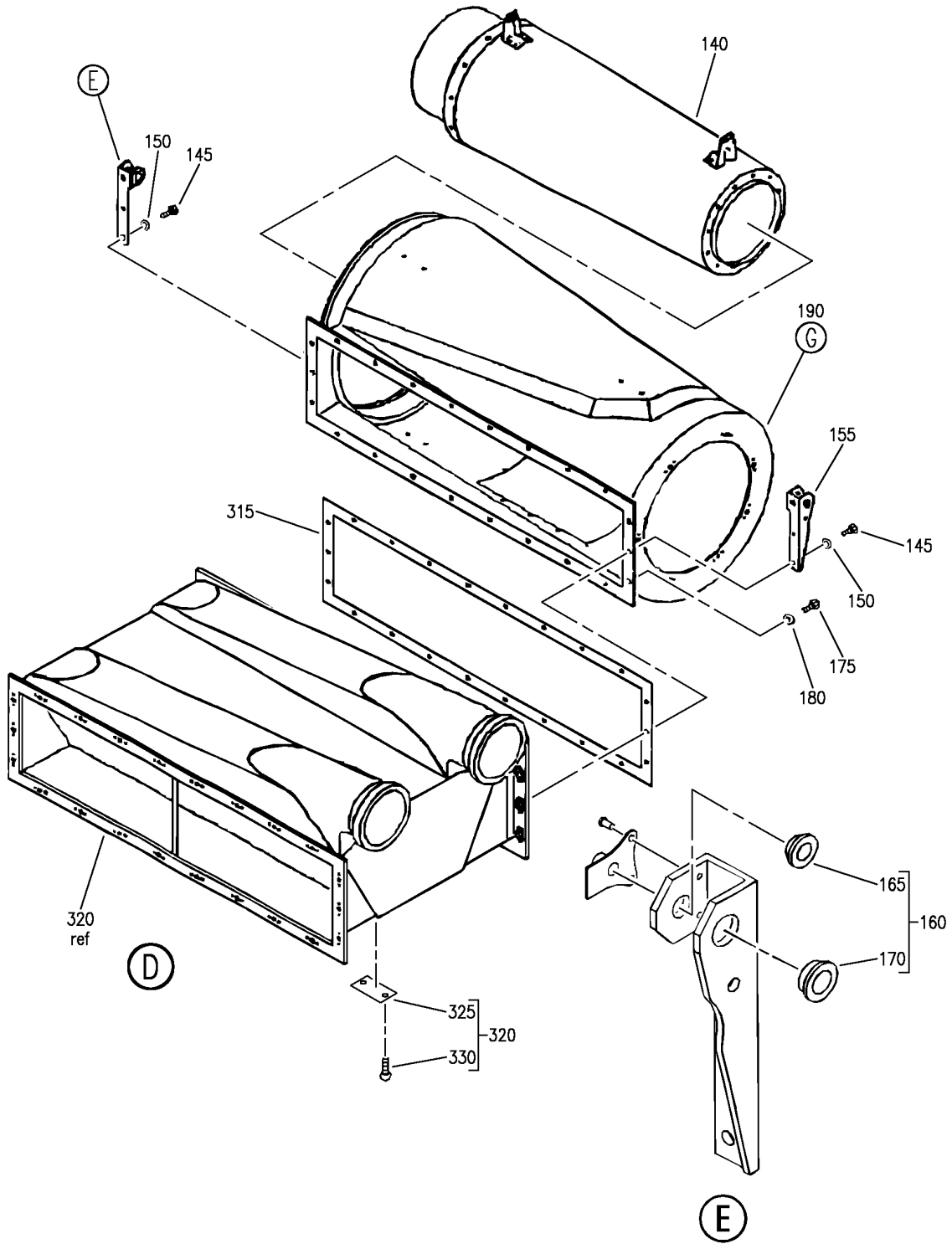
PACK ASSY-SECONDARY HEAT EXCHANGER UNIT (HEAT EXCHANGER AND PLENUM/ DIFFUSER ASSY ONLY)
 FIGURE 5 (SHEET 4)

HAP
 FEB 10/07

21-51-03-05

21-51-03-05
 PAGE 0C

BOEING
 737-600/700/800/900
 PARTS CATALOG (MAINTENANCE)



E 21510305 SHT 5 REV 103

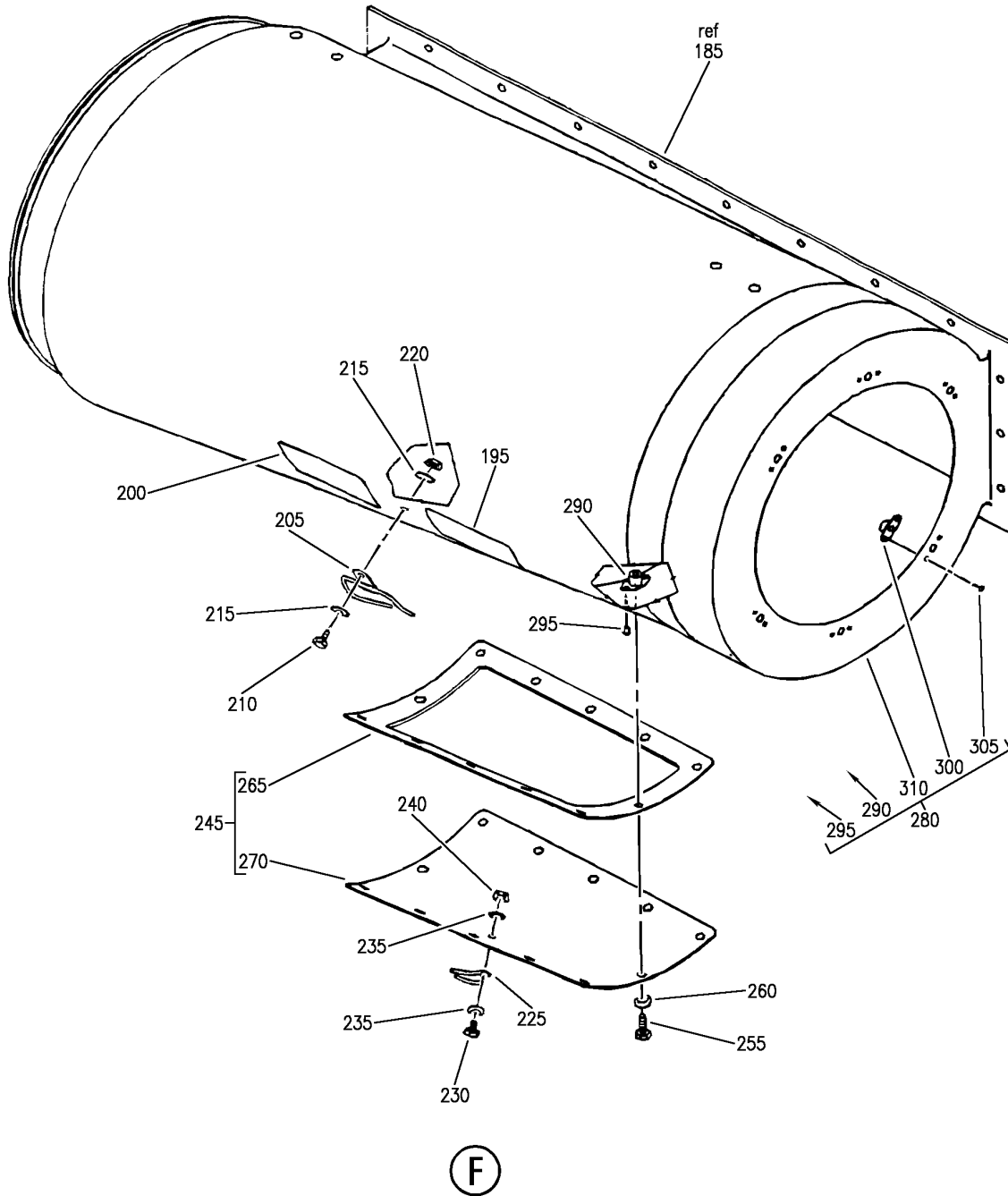
PACK ASSY-SECONDARY HEAT EXCHANGER UNIT (HEAT EXCHANGER AND PLENUM/ DIFFUSER ASSY ONLY)
 FIGURE 5 (SHEET 5)

HAP
 FEB 10/07

21-51-03-05

21-51-03-05
 PAGE 0D

BOEING
 737-600/700/800/900
 PARTS CATALOG (MAINTENANCE)



E 21510305 SH1 6 REV 103

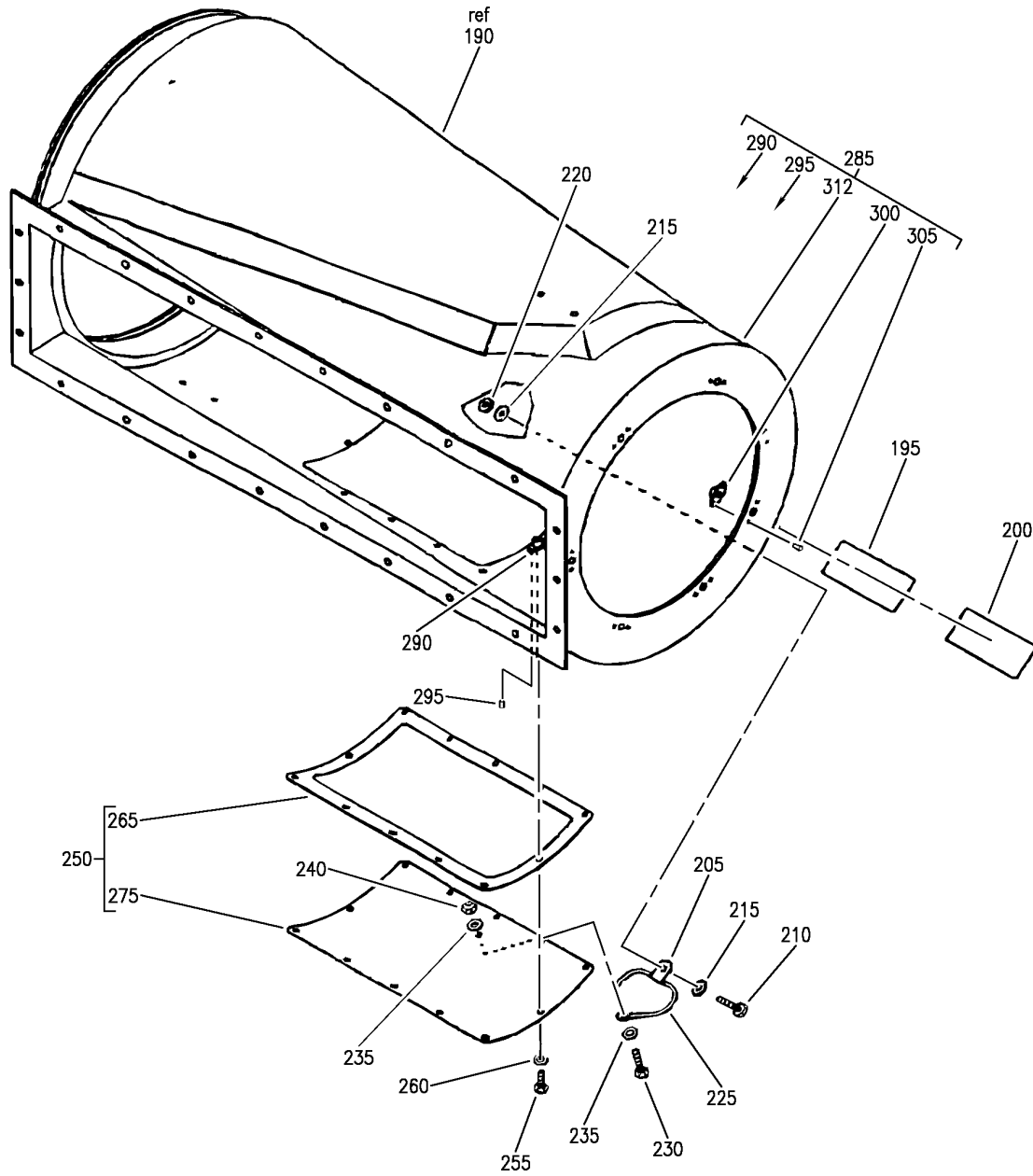
PACK ASSY-SECONDARY HEAT EXCHANGER UNIT (HEAT EXCHANGER AND PLENUM/ DIFFUSER ASSY ONLY)
 FIGURE 5 (SHEET 6)

HAP
 FEB 10/07

21-51-03-05

21-51-03-05
 PAGE 0E

BOEING
 737-600/700/800/900
 PARTS CATALOG (MAINTENANCE)



(G)

E 21510305 SHT 7 REV 103

PACK ASSY-SECONDARY HEAT EXCHANGER UNIT (HEAT EXCHANGER AND PLENUM/ DIFFUSER ASSY ONLY)
 FIGURE 5 (SHEET 7)

HAP
 FEB 10/07

21-51-03-05

21-51-03-05
 PAGE OF

BOEING
737-600/700/800/900
PARTS CATALOG (MAINTENANCE)

FIG ITEM	PART NUMBER	1 2 3 4 5 6 7	NOMENCLATURE	EFFECT FROM TO	UNITS PER ASSY
5			PACK ASSY-SECONDARY HEAT EXCHANGER UNIT (HEAT EXCHANGER AND PLENUM/DIFFUSER ASSY ONLY)	101999	
- 1	2215250-1		PACK ASSY-SECONDARY HEAT EXCHANGER UNIT SERIES 1 AND 2 (HEAT EXCHANGER AND PLENUM/DIFFUSER ASSY ONLY) SUPPLIER CODE: V70210 POSITION DATA: LH FUNCTIONAL DESCRIPTION: PROVIDES CONDITIONED AIR TO THE PASSENGER CABIN AND FLIGHT DECK SPECIFICATION NUMBER: S210A001-100 COMPONENT MAINT MANUAL REF: 21-50-74 FOR NHA/ADDITIONAL DET SEE: 21-51-03-01	101999	RF
- 5	2215290-1		PACK ASSY-SECONDARY HEAT EXCHANGER UNIT SERIES 1 AND 2 (HEAT EXCHANGER AND PLENUM/DIFFUSER ASSY ONLY) SUPPLIER CODE: V70210 POSITION DATA: RH FUNCTIONAL DESCRIPTION: PROVIDES CONDITIONED AIR TO THE PASSENGER CABIN AND FLIGHT DECK SPECIFICATION NUMBER: S210A001-200 COMPONENT MAINT MANUAL REF: 21-50-76 FOR NHA/ADDITIONAL DET SEE: 21-51-03-01	101999	RF
20	2356746-1		.PLATE-ID SERIES 1 SUPPLIER CODE: V70210 POSITION DATA: LH SIDE	101999	1

MISSING ITEM NUMBERS NOT APPLICABLE

- ITEM NOT ILLUSTRATED

HAP

21-51-03-05

BOEING PROPRIETARY - Copyright © - Unpublished Work - See title page for details.

21-51-03
FIG. 05
PAGE 1
FEB 10/07

BOEING
737-600/700/800/900
PARTS CATALOG (MAINTENANCE)

FIG ITEM	PART NUMBER	1 2 3 4 5 6 7	NOMENCLATURE	EFFECT FROM TO	UNITS PER ASSY
5					
20	2356825-1		.PLATE-ID SERIES 2 SUPPLIER CODE: V70210 POSITION DATA: LH SIDE	101999	1
25	2356747-1		.PLATE-ID SERIES 1 SUPPLIER CODE: V70210 POSITION DATA: RH SIDE	101999	1
25	2356826-1		.PLATE-ID SERIES 2 SUPPLIER CODE: V70210 POSITION DATA: RH SIDE	101999	1
40	NAS1351C3-10		.SCREW	101999	1
45	NAS620C10L		.WASHER	101999	1
50	2206448-1		.CLIP-GND SUPPLIER CODE: V70210	101999	1
55	NAS1351C3-10		.SCREW	101999	2
60	NAS620C10L		.WASHER	101999	2
65	S9026T041		.PACKING- SUPPLIER CODE: V70210 MAINTENANCE MANUAL REF: 21-51-01 21-51-03 21-51-04	101999	1
70	2215809-1		.DUCT ASSY-CPRSR INLET SERIES 1 SUPPLIER CODE: V70210 POSITION DATA: LH SIDE	101999	1
70	2215922-1		.DUCT ASSY-CPRSR INLET SERIES 2 SUPPLIER CODE: V70210 POSITION DATA: LH SIDE	101999	1

MISSING ITEM NUMBERS NOT APPLICABLE

— ITEM NOT ILLUSTRATED

HAP

21-51-03-05

BOEING PROPRIETARY - Copyright © - Unpublished Work - See title page for details.

21-51-03
FIG. 05
PAGE 2
JUN 15/08

BOEING
737-600/700/800/900
PARTS CATALOG (MAINTENANCE)

FIG ITEM	PART NUMBER	1 2 3 4 5 6 7	NOMENCLATURE	EFFECT FROM TO	UNITS PER ASSY
5	75 2215822-1		. DUCT ASSY-CPRSR INLET SERIES 1 SUPPLIER CODE: V70210 POSITION DATA: RH SIDE	101999	1
	75 2215923-1		. DUCT ASSY-CPRSR INLET SERIES 2 SUPPLIER CODE: V70210 POSITION DATA: RH SIDE	101999	1
	80 NM102619-0350		. COUPLING-CLAMP V70210 SPEC NO. 234-068-9010 SUPPLIER CODE: V00624 OPTIONAL PART: VC1139-350 V14242	101999	1
	80 VC1139-350		. COUPLING-CLAMP V70210 SPEC NO. 234-068-9010 SUPPLIER CODE: V14242 OPTIONAL PART: NM102619-0350 V00624	101999	1
	85 S9026T154		. PACKING- SUPPLIER CODE: V70210 MAINTENANCE MANUAL REF: 21-51-01 21-51-03 21-51-04 21-51-09 21-51-17	101999	1
	90 W991-40DE		. COUPLING ASSY- V70210 SPEC NO. 234-056-9004 SUPPLIER CODE: V79326 OPTIONAL PART: 14J02-40A V24984 14J12-40A V24984	101999	2

MISSING ITEM NUMBERS NOT APPLICABLE

— ITEM NOT ILLUSTRATED

HAP

21-51-03-05

BOEING PROPRIETARY - Copyright © - Unpublished Work - See title page for details.

21-51-03
FIG. 05
PAGE 3
FEB 15/09

BOEING
737-600/700/800/900
PARTS CATALOG (MAINTENANCE)

FIG ITEM	PART NUMBER	1 2 3 4 5 6 7	NOMENCLATURE	EFFECT FROM TO	UNITS PER ASSY
5	90 14J02-40A		.COUPLING ASSY- V70210 SPEC NO. 234-056-9004 SUPPLIER CODE: V24984 OPTIONAL PART: W991-40DE V79326 14J12-40A V24984	101999	2
	90 14J12-40A		.COUPLING ASSY- V70210 SPEC NO. 234-056-9004 SUPPLIER CODE: V24984 OPTIONAL PART: W991-40DE V79326 14J02-40A V24984	101999	2
	95 S9026T230		.PACKING- SUPPLIER CODE: V70210 MAINTENANCE MANUAL REF: 21-51-01 21-51-03 21-51-04 21-51-09 21-51-17	101999	4
	100 2215823-1		.DUCT ASSY-CPRSR DISCH SERIES 1 SUPPLIER CODE: V70210 POSITION DATA: LH SIDE	101999	1
	100 2215913-1		.DUCT ASSY-CPRSR DISCH SERIES 2 SUPPLIER CODE: V70210 POSITION DATA: LH SIDE	101999	1
	105 2215824-1		.DUCT ASSY-CPRSR DISCH SERIES 1 SUPPLIER CODE: V70210 POSITION DATA: RH SIDE	101999	1

MISSING ITEM NUMBERS NOT APPLICABLE

— ITEM NOT ILLUSTRATED

HAP

21-51-03-05

BOEING PROPRIETARY - Copyright © - Unpublished Work - See title page for details.

21-51-03
FIG. 05
PAGE 4
FEB 15/09

BOEING
737-600/700/800/900
PARTS CATALOG (MAINTENANCE)

FIG ITEM	PART NUMBER	1 2 3 4 5 6 7	NOMENCLATURE	EFFECT FROM TO	UNITS PER ASSY
5 105	2215914-1		. DUCT ASSY-CPRSR DISCH SERIES 2 SUPPLIER CODE: V70210 POSITION DATA: RH SIDE	101999	1
110	2215623-1		. DUCT ASSY-CPRSR DISCH SERIES 1 SUPPLIER CODE: V70210 POSITION DATA: LH SIDE	101999	1
110	2215952-1		. DUCT ASSY-CPRSR DISCH SERIES 2 SUPPLIER CODE: V70210 POSITION DATA: LH SIDE	101999	1
115	2215624-1		. DUCT ASSY-CPRSR DISCH SERIES 1 SUPPLIER CODE: V70210 POSITION DATA: RH SIDE	101999	1
115	2215954-1		. DUCT ASSY-CPRSR DISCH SERIES 2 SUPPLIER CODE: V70210 POSITION DATA: RH SIDE	101999	1
120	NAS6604-5		ATTACHING PARTS . BOLT	101999	6
125	NAS1149C0432R		. WASHER	101999	6
			-----*-----		
130	2215108-1		. GASKET-AIR CYCLE MACHINE SUPPLIER CODE: V70210 MAINTENANCE MANUAL REF: 21-51-03 21-51-04	101999	1
140	2215627-1		. DIFFUSER- SERIES 1 SUPPLIER CODE: V70210 MAINTENANCE MANUAL REF: 21-51-03	101999	1

MISSING ITEM NUMBERS NOT APPLICABLE

— ITEM NOT ILLUSTRATED

HAP

21-51-03-05

BOEING PROPRIETARY - Copyright © - Unpublished Work - See title page for details.

21-51-03
FIG. 05
PAGE 5
JUN 15/08

BOEING
737-600/700/800/900
PARTS CATALOG (MAINTENANCE)

FIG ITEM	PART NUMBER	1 2 3 4 5 6 7	NOMENCLATURE	EFFECT FROM TO	UNITS PER ASSY
5					
140	2215627-2		.DIFFUSER- SERIES 2 SUPPLIER CODE: V70210 MAINTENANCE MANUAL REF: 21-51-03	101999	1
R 145	NAS603-6		.SCREW	101999	4
150	NAS1149C0332R		.WASHER	101999	4
155	2215712-1		.CLIP ASSY- SUPPLIER CODE: V70210	101999	1
160	2215712-2		.CLIP ASSY- SUPPLIER CODE: V70210	101999	1
165	NAS77A4-011P		..BUSHING	101999	1
170	NAS77A6-015P		..BUSHING	101999	1
R 175	NAS603-5		.SCREW	101999	18
180	NAS1149C0332R		.WASHER	101999	18
185	2215632-1		.PLENUM ASSY-SECONDARY HEAT EXCHANGER SUPPLIER CODE: V70210 POSITION DATA: LH SIDE MAINTENANCE MANUAL REF: 21-51-03	101999	1
190	2215632-2		.PLENUM ASSY-SECONDARY HEAT EXCHANGER SUPPLIER CODE: V70210 POSITION DATA: RH SIDE MAINTENANCE MANUAL REF: 21-51-03	101999	1
195	S8496-21		..LABEL- SUPPLIER CODE: V70210	101999	1
200	S8496-22		..LABEL- SUPPLIER CODE: V70210	101999	1
205	MS21919WCJ2		..CLAMP ATTACHING PARTS	101999	1
R 210	NAS603-2		..SCREW	101999	1
215	NAS1149C0332R		..WASHER	101999	2
220	MS21043-3		..NUT	101999	1
			-----*		

MISSING ITEM NUMBERS NOT APPLICABLE

— ITEM NOT ILLUSTRATED

HAP

21-51-03-05

BOEING PROPRIETARY - Copyright © - Unpublished Work - See title page for details.

21-51-03
FIG. 05
PAGE 6
JUN 15/09

BOEING
737-600/700/800/900
PARTS CATALOG (MAINTENANCE)

FIG ITEM	PART NUMBER	1 2 3 4 5 6 7	NOMENCLATURE	EFFECT FROM TO	UNITS PER ASSY
5					
225	CL73KA6-0	..	CONNECTOR-GND V64547 SPEC NO. 192-010-9001 SUPPLIER CODE: V99862 OPTIONAL PART: CA6T6V V16258	101999	1
225	CA6T6V	..	CONNECTOR-GND V64547 SPEC NO. 192-010-9001 SUPPLIER CODE: V16258 OPTIONAL PART: CL73KA6-0 V99862 ATTACHING PARTS	101999	1
R 230	NAS603-2	..	SCREW	101999	1
235	NAS1149C0332R	..	WASHER	101999	2
240	MS21043-3	..	NUT	101999	1
			-----*-----		
245	2215675-2	..	DOOR ASSY- SUPPLIER CODE: V70210 POSITION DATA: LH SIDE	101999	1
250	2215675-1	..	DOOR ASSY- SUPPLIER CODE: V70210 POSITION DATA: RH SIDE ATTACHING PARTS	101999	1
R 255	NAS603-2	..	SCREW	101999	12
260	NAS1149C0332R	..	WASHER	101999	12
			-----*-----		
265	2215675-5	...	GASKET- SUPPLIER CODE: V70210	101999	1
270	2215675-4	...	DOOR- SUPPLIER CODE: V70210 POSITION DATA: LH SIDE	101999	1
275	2215675-3	...	DOOR- SUPPLIER CODE: V70210 POSITION DATA: RH SIDE	101999	1

MISSING ITEM NUMBERS NOT APPLICABLE

— ITEM NOT ILLUSTRATED

HAP

21-51-03-05

BOEING PROPRIETARY - Copyright © - Unpublished Work - See title page for details.

21-51-03
FIG. 05
PAGE 7
JUN 15/09

BOEING
737-600/700/800/900
PARTS CATALOG (MAINTENANCE)

FIG ITEM	PART NUMBER	1 2 3 4 5 6 7	NOMENCLATURE	EFFECT FROM TO	UNITS PER ASSY
5 280	2215634-3		..PLENUM ASSY-RAM AIR EXHAUST SUPPLIER CODE: V70210 POSITION DATA: LH SIDE	101999	1
285	2215634-4		..PLENUM ASSY-RAM AIR EXHAUST SUPPLIER CODE: V70210 POSITION DATA: RH SIDE	101999	1
290	MS21060L3		...NUTPLATE ATTACHING PARTS	101999	12
295	MS20426AD3-4		...RIVET -----*-----	101999	24
300	MS21060L4		...NUTPLATE ATTACHING PARTS	101999	6
305	MS20426AD3-5		...RIVET -----*-----	101999	12
310	2215634-7		...PLENUM-MACHINED SUPPLIER CODE: V70210 MISCELLANEOUS DATA: ORDER NHA USED ON: 2215634-3	101999	1
312	2215634-8		...PLENUM-MACHINED SUPPLIER CODE: V70210 MISCELLANEOUS DATA: ORDER NHA USED ON: 2215634-4	101999	1
315	2215696-1		.GASKET- SUPPLIER CODE: V70210 MAINTENANCE MANUAL REF: 21-51-03	101999	1

MISSING ITEM NUMBERS NOT APPLICABLE

— ITEM NOT ILLUSTRATED

HAP

21-51-03-05

BOEING PROPRIETARY - Copyright © - Unpublished Work - See title page for details.

21-51-03
FIG. 05
PAGE 8
OCT 15/08

BOEING
737-600/700/800/900
PARTS CATALOG (MAINTENANCE)

FIG ITEM	PART NUMBER	1 2 3 4 5 6 7	NOMENCLATURE	EFFECT FROM TO	UNITS PER ASSY
5 320	182820-3		.EXCHANGER ASSY-HEAT SUPPLIER CODE: V70210 FUNCTIONAL DESCRIPTION: AIR TO AIR HEAT EXCHANGER USED IN THE AIRCRAFT AIR CONDITIONING SYSTEM. COMPONENT MAINT MANUAL REF: 21-50-14 MAINTENANCE MANUAL REF: 21-51-03 OPTIONAL PART: 182520-2 V70210	101999	1
320	182820-2		.EXCHANGER ASSY-HEAT SUPPLIER CODE: V70210 COMPONENT MAINT MANUAL REF: 21-50-14 MAINTENANCE MANUAL REF: 21-51-03 OPTIONAL PART: 182520-3 V70210	101999	1
325	182816-1		..PLATE-IDENT SUPPLIER CODE: V70210 MISCELLANEOUS DATA: USED ON SERIES 1 HEAT EXCHANGER ASSY USED ON: 182820-2	101999	1
325	182816-2		..PLATE-IDENT SUPPLIER CODE: V70210 MISCELLANEOUS DATA: USED ON SERIES 2 HEAT EXCHANGER ASSY USED ON: 182820-2	101999	1
325	182816-3		..PLATE-IDENT SUPPLIER CODE: V70210 MISCELLANEOUS DATA: USED ON SERIES 1 HEAT EXCHANGER ASSYS USED ON: 182820-3	101999	1

MISSING ITEM NUMBERS NOT APPLICABLE

— ITEM NOT ILLUSTRATED

HAP

21-51-03-05

BOEING PROPRIETARY - Copyright © - Unpublished Work - See title page for details.

21-51-03
FIG. 05
PAGE 9
OCT 15/08

BOEING
737-600/700/800/900
PARTS CATALOG (MAINTENANCE)

FIG ITEM	PART NUMBER	1 2 3 4 5 6 7	NOMENCLATURE	EFFECT FROM TO	UNITS PER ASSY
5 325	182816-4		.. PLATE-IDENT SUPPLIER CODE: V70210 MISCELLANEOUS DATA: USED ON SERIES 2 HEAT EXCHANGER ASSYS USED ON: 182820-3 ATTACHING PARTS	101999	1
330	MS24621-1		.. SCREW- OPTIONAL PART: MS24629-1	101999	2
330	MS24629-1		.. SCREW- OPTIONAL PART: MS24621-1 -----*-----	101999	2

MISSING ITEM NUMBERS NOT APPLICABLE

— ITEM NOT ILLUSTRATED

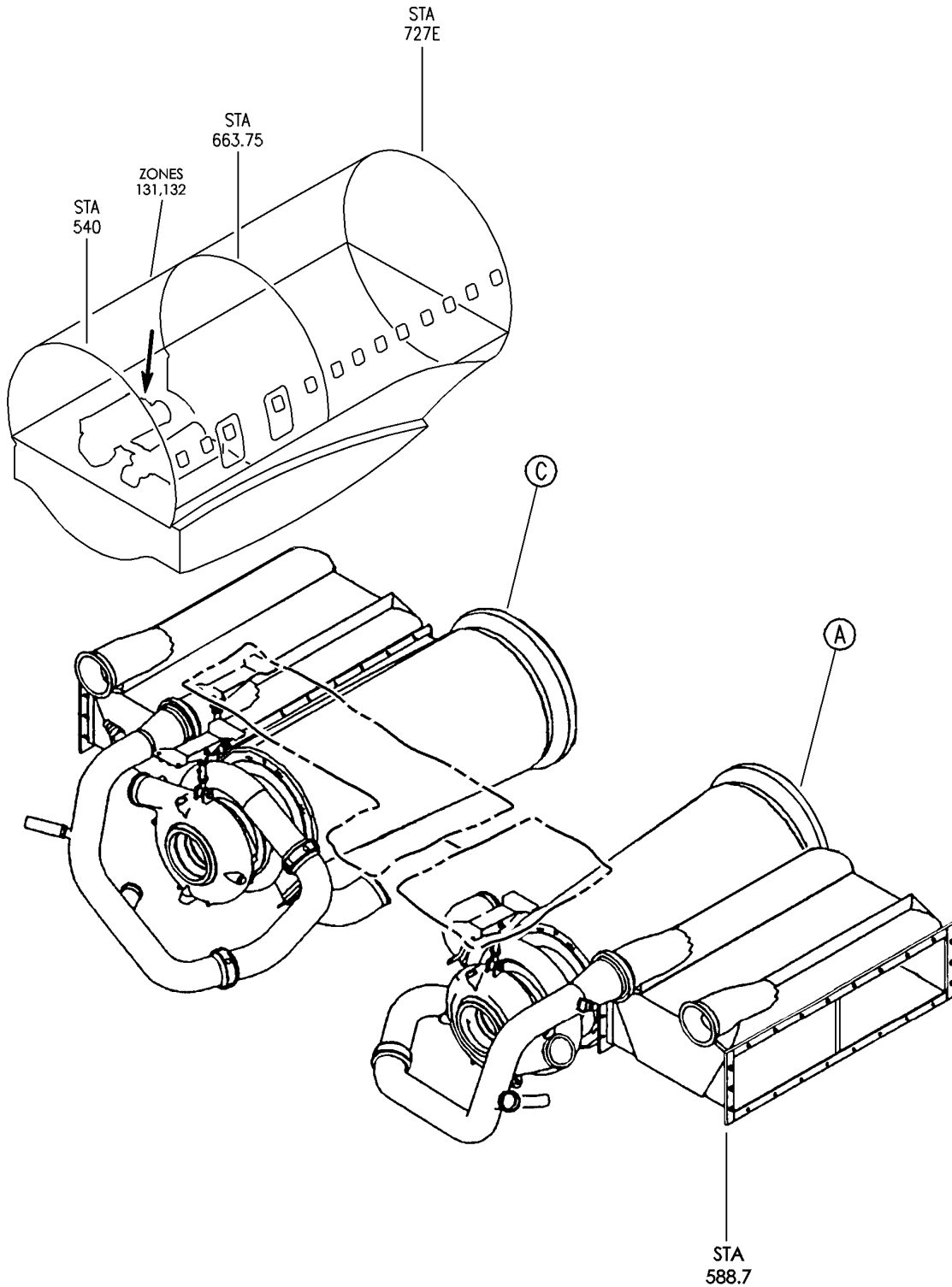
HAP

21-51-03-05

BOEING PROPRIETARY - Copyright © - Unpublished Work - See title page for details.

21-51-03
FIG. 05
PAGE 10
OCT 15/08

BOEING
737-600/700/800/900
PARTS CATALOG (MAINTENANCE)



E 21510305A SHT 1 REV 055

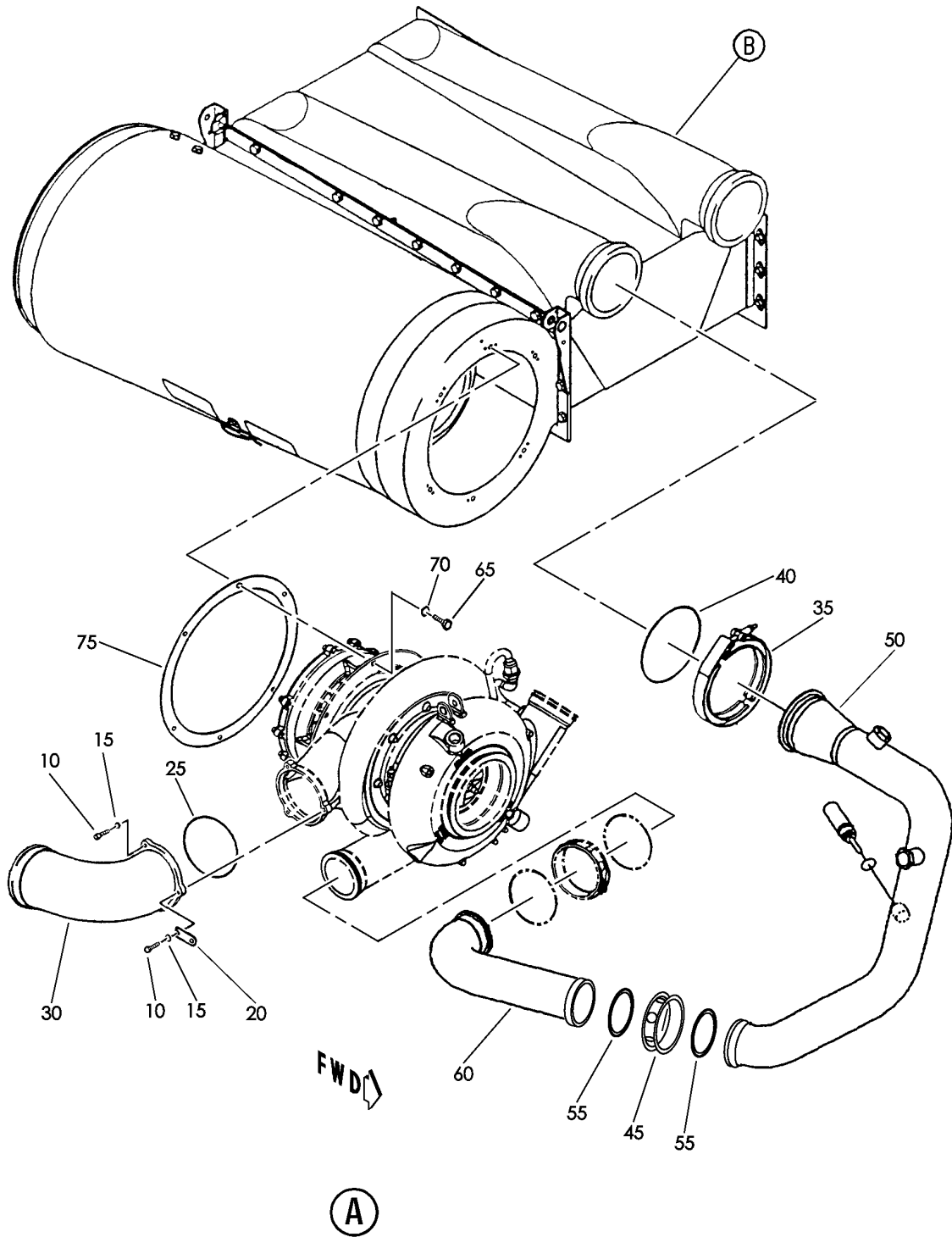
PACK ASSY-SECONDARY HEAT EXCHANGER UNIT (HEAT EXCHANGER AND PLENUM/ DIFFUSER ASSY ONLY)
FIGURE 5A (SHEET 1)

HAP
OCT 10/06

21-51-03-05A

21-51-03-05A
PAGE 0

BOEING
 737-600/700/800/900
 PARTS CATALOG (MAINTENANCE)



E 21510305A SHT 2 REV 055

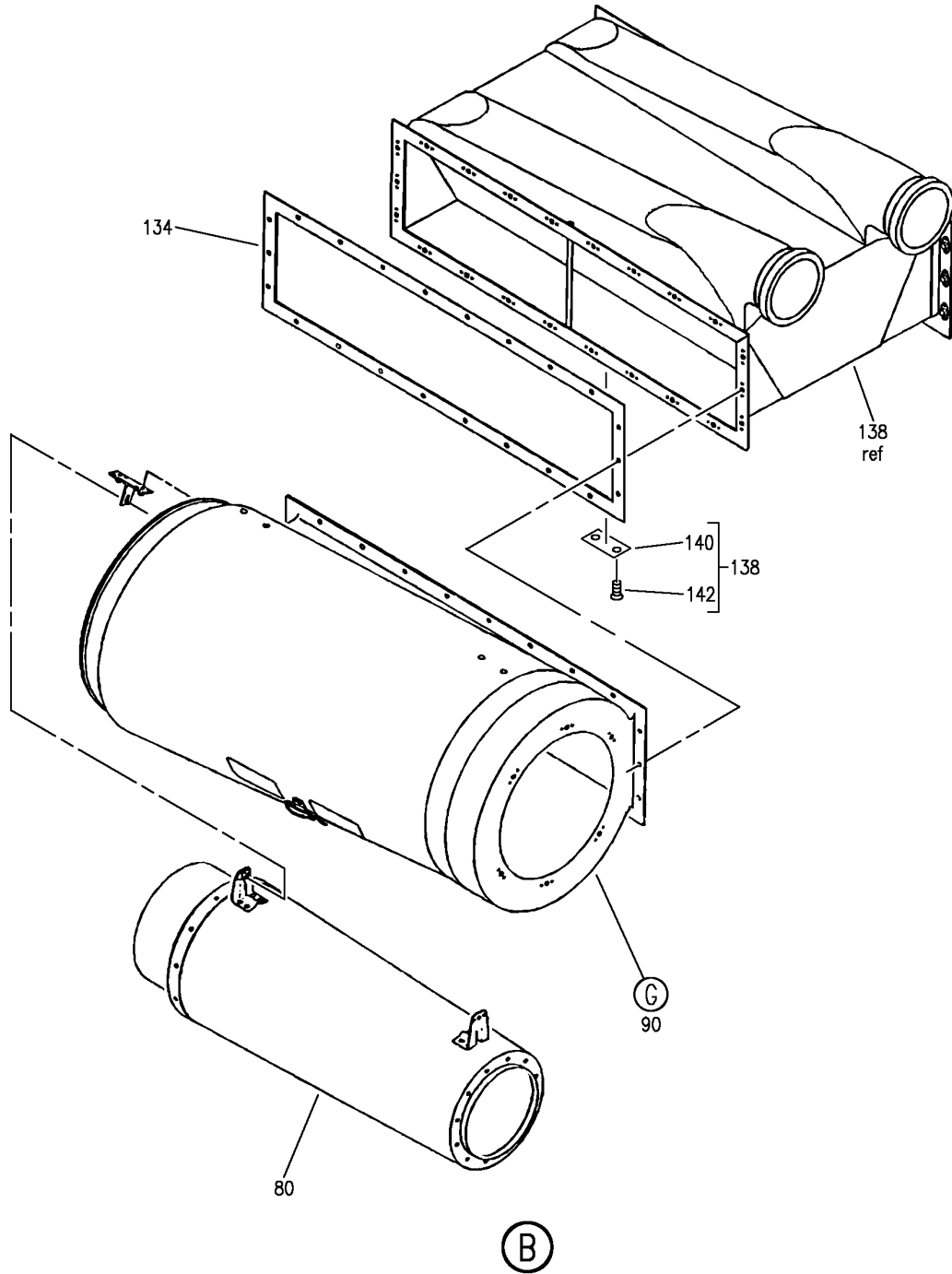
PACK ASSY-SECONDARY HEAT EXCHANGER UNIT (HEAT EXCHANGER AND PLENUM/ DIFFUSER ASSY ONLY)
 FIGURE 5A (SHEET 2)

21-51-03-05A

HAP
 OCT 10/06

21-51-03-05A
 PAGE 0A

BOEING
737-600/700/800/900
PARTS CATALOG (MAINTENANCE)



E 21510305A SHT 3 REV 103

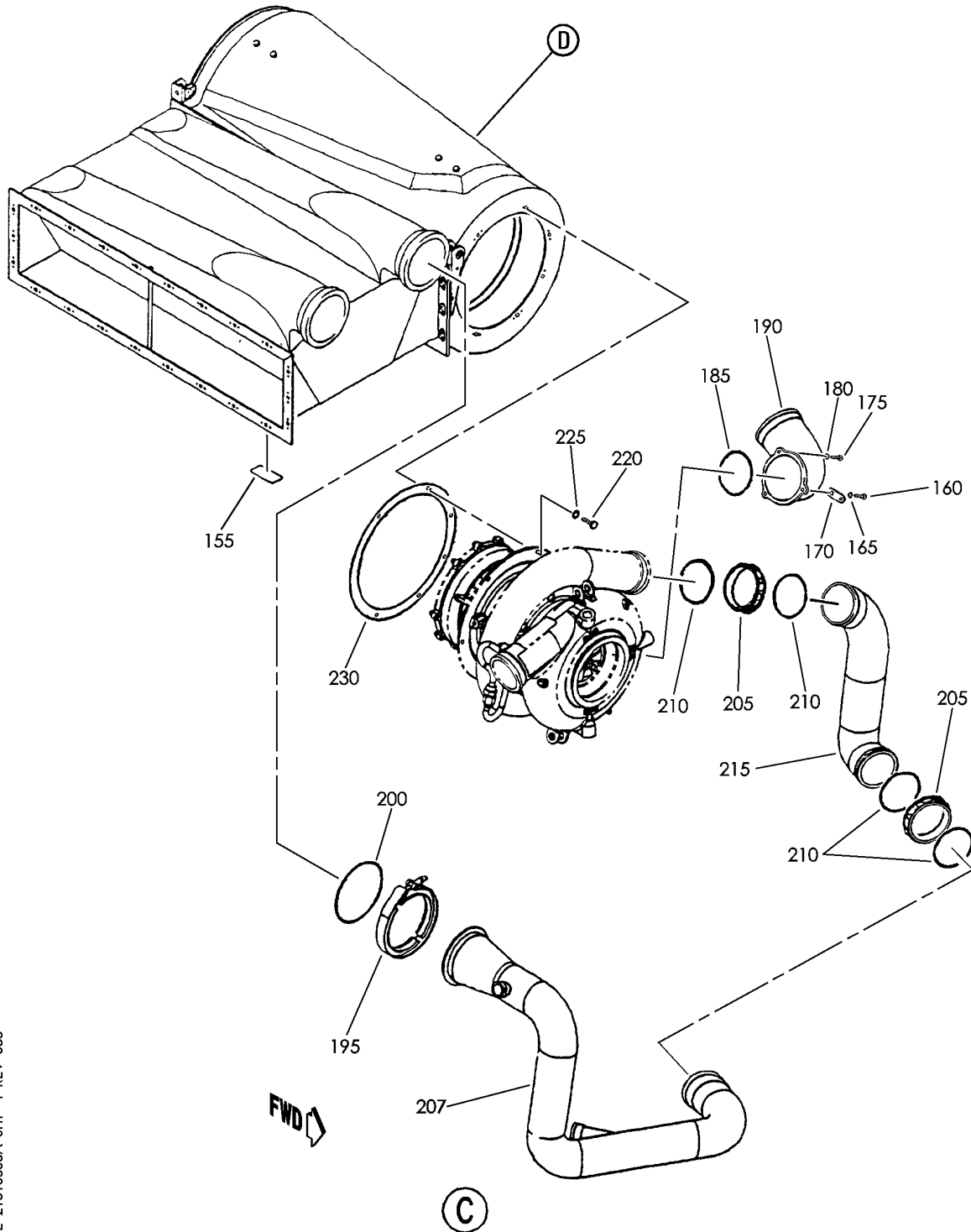
PACK ASSY-SECONDARY HEAT EXCHANGER UNIT (HEAT EXCHANGER AND PLENUM/ DIFFUSER ASSY ONLY)
FIGURE 5A (SHEET 3)

HAP
OCT 10/06

21-51-03-05A

21-51-03-05A
PAGE 0B

BOEING
 737-600/700/800/900
 PARTS CATALOG (MAINTENANCE)



E 21510305A SHT 4 REV 055

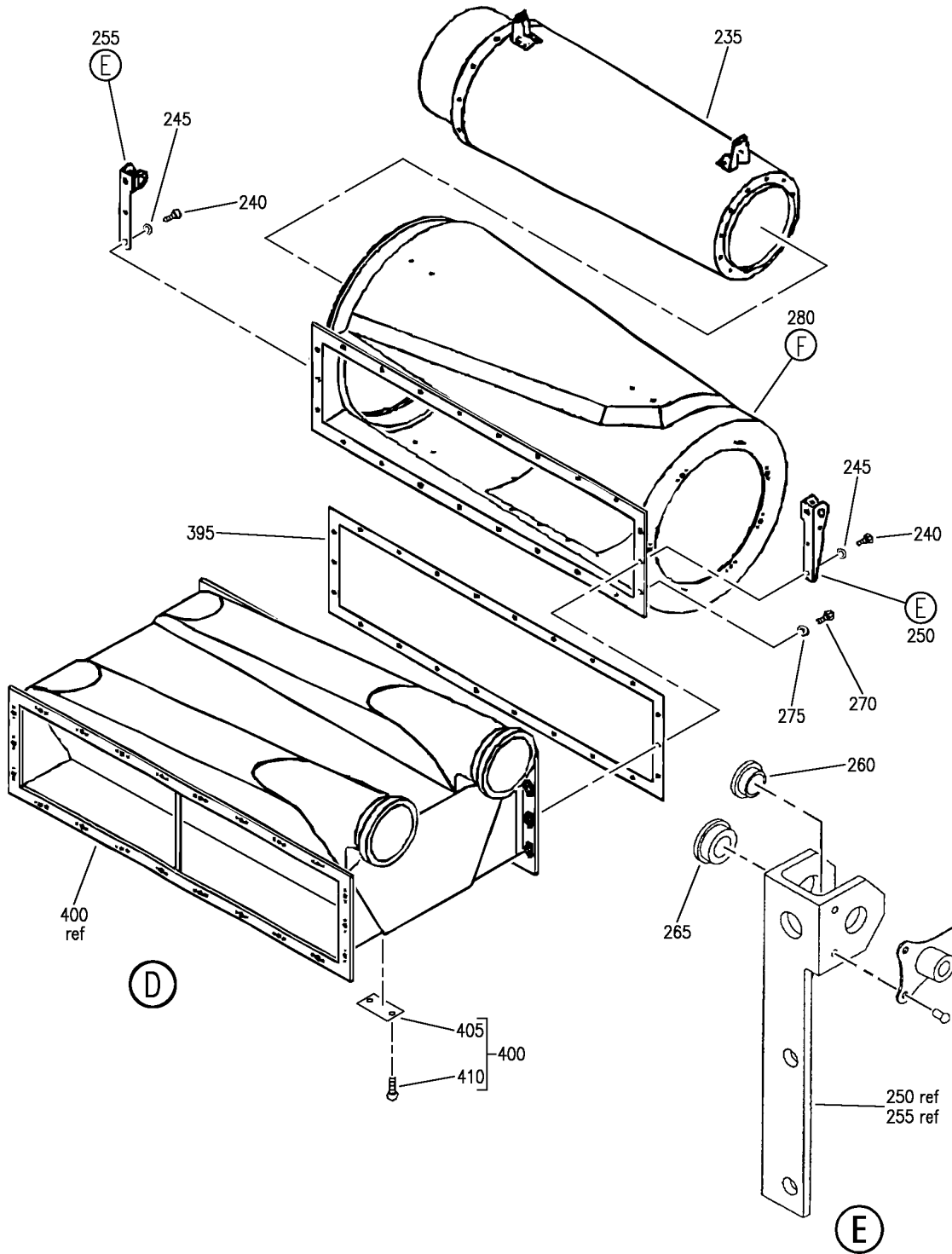
PACK ASSY-SECONDARY HEAT EXCHANGER UNIT (HEAT EXCHANGER AND PLENUM/ DIFFUSER ASSY ONLY)
 FIGURE 5A (SHEET 4)

21-51-03-05A

HAP
 OCT 10/06

21-51-03-05A
 PAGE 0C

BOEING
 737-600/700/800/900
 PARTS CATALOG (MAINTENANCE)



E 21510305A SHT 5 REV 103

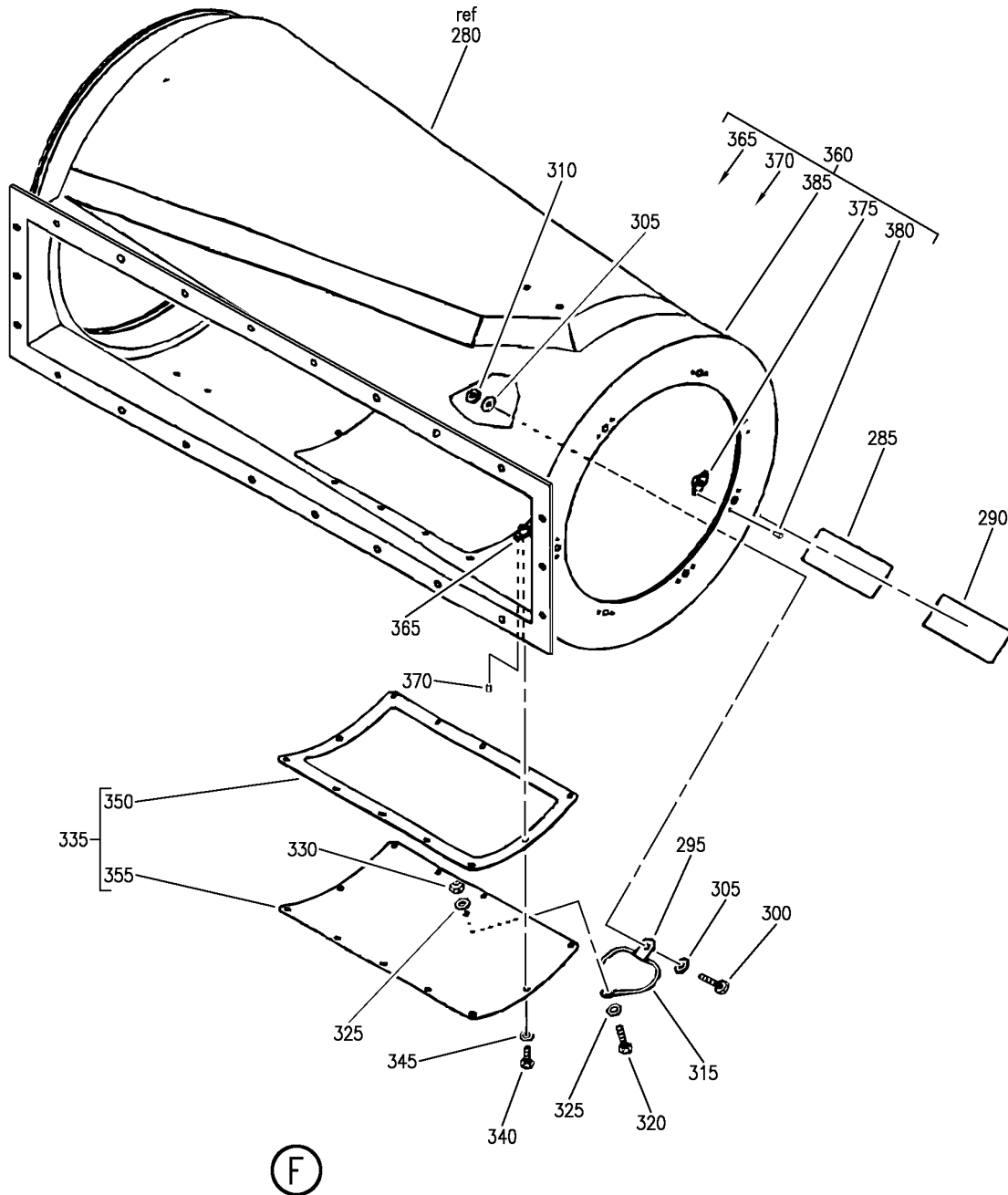
PACK ASSY-SECONDARY HEAT EXCHANGER UNIT (HEAT EXCHANGER AND PLENUM/ DIFFUSER ASSY ONLY)
 FIGURE 5A (SHEET 5)

HAP
 OCT 10/06

21-51-03-05A

21-51-03-05A
 PAGE 0D

BOEING
 737-600/700/800/900
 PARTS CATALOG (MAINTENANCE)



E 21510305A SHT 6 REV 103

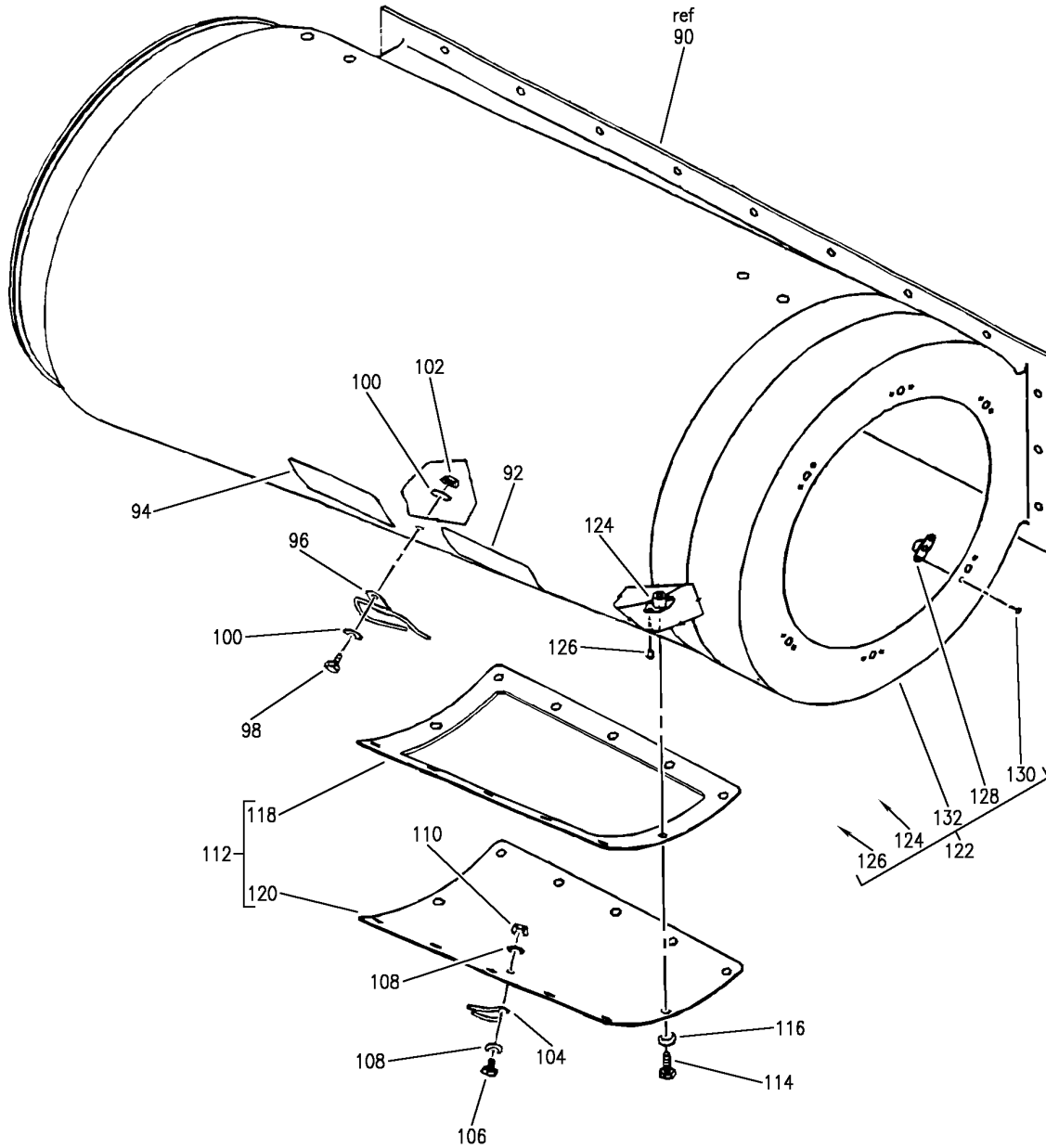
PACK ASSY-SECONDARY HEAT EXCHANGER UNIT (HEAT EXCHANGER AND PLENUM/ DIFFUSER ASSY ONLY)
 FIGURE 5A (SHEET 6)

HAP
 OCT 10/06

21-51-03-05A

21-51-03-05A
 PAGE 0E

BOEING
 737-600/700/800/900
 PARTS CATALOG (MAINTENANCE)



(G)

E 21510305A SHT 7 REV 103

PACK ASSY-SECONDARY HEAT EXCHANGER UNIT (HEAT EXCHANGER AND PLENUM/ DIFFUSER ASSY ONLY)
 FIGURE 5A (SHEET 7)

21-51-03-05A

HAP
 OCT 10/06

21-51-03-05A
 PAGE OF

BOEING
737-600/700/800/900
PARTS CATALOG (MAINTENANCE)

FIG ITEM	PART NUMBER	1 2 3 4 5 6 7	NOMENCLATURE	EFFECT FROM TO	UNITS PER ASSY
5A			PACK ASSY-SECONDARY HEAT EXCHANGER UNIT (HEAT EXCHANGER AND PLENUM/DIFFUSER ASSY ONLY)	001046 054100	
- 1	2215490-1		PACK ASSY-SECONDARY HEAT EXCHANGER UNIT (HEAT EXCHANGER AND PLENUM/ /DIFFUSER ONLY) SUPPLIER CODE: V70210 POSITION DATA: LH FUNCTIONAL DESCRIPTION: PROVIDES CONDITIONED AIR TO THE PASSENGER CABIN AND FLIGHT DECK SPECIFICATION NUMBER: S210A001-300 COMPONENT MAINT MANUAL REF: 21-50-84 FOR NHA/ADDITIONAL DET SEE: 21-51-03-01A	001046 054100	RF
- 5	2215675-5		.GASKET- SUPPLIER CODE: V70210	001046 054100	1
10	NAS1351C3-10		.SCREW	001046 054100	3
15	NAS620C10L		.WASHER	001046 054100	3
20	2206448-1		.CLIP-GROUND SUPPLIER CODE: V70210	001046 054100	1
25	S9026T041		.PACKING- SUPPLIER CODE: V70210 MAINTENANCE MANUAL REF: 21-51-01 21-51-03 21-51-04	001046 054100	1
30	2215922-1		.DUCT ASSY-CPRSR INLET SUPPLIER CODE: V70210	001046 054100	1
35	NM102619-0350		.COUPLING-CLAMP SUPPLIER CODE: V00624 OPTIONAL PART: VC1139-350 V14242	001046 054100	1

MISSING ITEM NUMBERS NOT APPLICABLE

- ITEM NOT ILLUSTRATED

HAP

21-51-03-05A

BOEING PROPRIETARY - Copyright © - Unpublished Work - See title page for details.

21-51-03
FIG. 05A
PAGE 1
FEB 15/09

BOEING
737-600/700/800/900
PARTS CATALOG (MAINTENANCE)

FIG ITEM	PART NUMBER	1 2 3 4 5 6 7	NOMENCLATURE	EFFECT FROM TO	UNITS PER ASSY
5A 35	VC1139-350		.COUPLING-CLAMP SUPPLIER CODE: V14242 OPTIONAL PART: NM102619-0350 V00624	001046 054100	1
40	S9026T154		.PACKING- SUPPLIER CODE: V70210 MAINTENANCE MANUAL REF: 21-51-01 21-51-03 21-51-04 21-51-09 21-51-17	001046 054100	1
45	W991-40DE		.COUPLING ASSY- SUPPLIER CODE: V79326 OPTIONAL PART: 14J02-40A V24984 14J12-40A V24984	001046 054100	1
45	14J02-40A		.COUPLING ASSY- SUPPLIER CODE: V24984 OPTIONAL PART: W991-40DE V79326	001046 054100	1
45	14J12-40A		.COUPLING ASSY- SUPPLIER CODE: V24984 OPTIONAL PART: W991-40DE V79326	001046 054100	1
50	2215915-1		.DUCT ASSY-CPRSR DISCHARGE SUPPLIER CODE: V70210	001046 054100	1
55	S9026T230		.PACKING- SUPPLIER CODE: V70210 MAINTENANCE MANUAL REF: 21-51-01 21-51-09 21-51-17	001046 054100	2

MISSING ITEM NUMBERS NOT APPLICABLE

— ITEM NOT ILLUSTRATED

HAP

21-51-03-05A

BOEING PROPRIETARY - Copyright © - Unpublished Work - See title page for details.

21-51-03
FIG. 05A
PAGE 2
FEB 15/09

BOEING
737-600/700/800/900
PARTS CATALOG (MAINTENANCE)

FIG ITEM	PART NUMBER	1 2 3 4 5 6 7	NOMENCLATURE	EFFECT FROM TO	UNITS PER ASSY
5A					
60	2215952-1	.DUCT ASSY-CPRSR DISCHARGE SUPPLIER CODE: V70210		001046 054100	1
65	NAS6604-5	.BOLT		001046 054100	6
70	NAS1149C0432R	.WASHER		001046 054100	6
75	2215108-1	.GASKET-AIR CYCLE MACHINE SUPPLIER CODE: V70210 MAINTENANCE MANUAL REF: 21-51-03 21-51-04		001046 054100	1
80	2215627-2	.DIFFUSER- SUPPLIER CODE: V70210 MISCELLANEOUS DATA: RIVETED ASSY MAINTENANCE MANUAL REF: 21-51-03		001046 054100	1
90	2215632-1	.PLENUM ASSY-SECONDARY HEAT EXCHANGER SUPPLIER CODE: V70210 MAINTENANCE MANUAL REF: 21-51-03		001046 054100	1
92	S8496-21	.. LABEL- SUPPLIER CODE: V70210		001046 054100	1
94	S8496-22	.. LABEL- SUPPLIER CODE: V70210 ATTACHING PARTS		001046 054100	1
96	MS21919WCJ2	.. CLAMP		001046 054100	1
98	NAS603-2	.. SCREW		001046 054100	1
100	NAS1149C0332R	.. WASHER		001046 054100	2
102	MS21043-3	.. NUT		001046 054100	1
		-----*-----			

MISSING ITEM NUMBERS NOT APPLICABLE

— ITEM NOT ILLUSTRATED

HAP

21-51-03-05A

BOEING PROPRIETARY - Copyright © - Unpublished Work - See title page for details.

21-51-03
FIG. 05A
PAGE 3
JUN 15/09

BOEING
737-600/700/800/900
PARTS CATALOG (MAINTENANCE)

FIG ITEM	PART NUMBER	1 2 3 4 5 6 7	NOMENCLATURE	EFFECT FROM TO	UNITS PER ASSY
5A 104	CL73KA6-0	..	CONNECTOR-GND V64547 SPEC NO. 192-010-9001 SUPPLIER CODE: V99862 OPTIONAL PART: CA6T6V V16258	001046 054100	1
104	CA6T6V	..	CONNECTOR-GND V64547 SPEC NO. 192-010-9001 SUPPLIER CODE: V16258 OPTIONAL PART: CL73KA6-0 V99862 ATTACHING PARTS	001046 054100	1
R R 106	NAS603-2	..	SCREW	001046 054100	1
108	NAS1149C0332R	..	WASHER	001046 054100	2
110	MS21043-3	..	NUT	001046 054100	1
112	2215675-2	..	DOOR ASSY- SUPPLIER CODE: V70210 ATTACHING PARTS	001046 054100	1
R R 114	NAS603-2	..	SCREW	001046 054100	12
116	NAS1149C0332R	..	WASHER	001046 054100	12
118	2215675-5	...	GASKET- SUPPLIER CODE: V70210	001046 054100	1
120	2215675-4	...	DOOR- SUPPLIER CODE: V70210 MISCELLANEOUS DATA: ORDER NHA	001046 054100	1
122	2215634-3	..	PLENUM ASSY-RAM AIR EXHAUST SUPPLIER CODE: V70210	001046 054100	1
124	MS21060L3	...	NUTPLATE	001046 054100	12

MISSING ITEM NUMBERS NOT APPLICABLE

— ITEM NOT ILLUSTRATED

HAP

21-51-03-05A

BOEING PROPRIETARY - Copyright © - Unpublished Work - See title page for details.

21-51-03
FIG. 05A
PAGE 4
JUN 15/09

BOEING
737-600/700/800/900
PARTS CATALOG (MAINTENANCE)

FIG ITEM	PART NUMBER	1 2 3 4 5 6 7	NOMENCLATURE	EFFECT FROM TO	UNITS PER ASSY
5A			ATTACHING PARTS		
126	MS20426AD3-4	...	RIVET	001046 054100	24
			-----*-----		
128	MS21060L4	...	NUTPLATE	001046 054100	6
			ATTACHING PARTS		
130	MS20426AD3-5	...	RIVET	001046 054100	12
			-----*-----		
132	2215634-7	...	PLENUM-MACHINED SUPPLIER CODE: V70210 MISCELLANEOUS DATA: ORDER NHA	001046 054100	1
134	2215696-1	.	GASKET- SUPPLIER CODE: V70210 MAINTENANCE MANUAL REF: 21-51-03	001046 054100	1
- 136	2215675-2	.	DOOR ASSY- SUPPLIER CODE: V70210 POSITION DATA: LH	001046 054100	1
138	182820-3	.	EXCHANGER ASSY-HEAT SUPPLIER CODE: V70210 FUNCTIONAL DESCRIPTION: AIR TO AIR HEAT EXCHANGER USED IN THE AIRCRAFT AIR CONDITIONING SYSTEM. COMPONENT MAINT MANUAL REF: 21-50-14 MAINTENANCE MANUAL REF: 21-51-03 OPTIONAL PART: 182820-2 V70210	001046 054100	1

MISSING ITEM NUMBERS NOT APPLICABLE

- ITEM NOT ILLUSTRATED

HAP

21-51-03-05A

BOEING PROPRIETARY - Copyright © - Unpublished Work - See title page for details.

21-51-03
FIG. 05A
PAGE 5
FEB 15/09

BOEING
737-600/700/800/900
PARTS CATALOG (MAINTENANCE)

FIG ITEM	PART NUMBER	1 2 3 4 5 6 7	NOMENCLATURE	EFFECT FROM TO	UNITS PER ASSY
5A 138	182820-2	.	EXCHANGER ASSY-HEAT SUPPLIER CODE: V70210 COMPONENT MAINT MANUAL REF: 21-50-14 MAINTENANCE MANUAL REF: 21-51-03 OPTIONAL PART: 182820-3 V70210	001046 054100	1
140	182816-1	..	PLATE-IDENT SUPPLIER CODE: V70210 MISCELLANEOUS DATA: USED ON SERIES 1 HEAT EXCHANGER ASSYS USED ON: 182820-2	001046 054100	1
140	182816-2	..	PLATE-IDENT SUPPLIER CODE: V70210 MISCELLANEOUS DATA: USED ON SERIES 2 HEAT EXCHANGER ASSYS USED ON: 182820-2	001046 054100	1
140	182816-3	..	PLATE-IDENT SUPPLIER CODE: V70210 MISCELLANEOUS DATA: USED ON SERIES 1 HEAT EXCHANGER ASSYS USED ON: 182820-3	001046 054100	1
140	182816-4	..	PLATE-IDENT SUPPLIER CODE: V70210 MISCELLANEOUS DATA: USED ON SERIES 2 HEAT EXCHANGER ASSYS USED ON: 182820-3	001046 054100	1
142	MS24621-1	..	SCREW- ATTACHING PARTS OPTIONAL PART: MS24629-1	001046 054100	2

MISSING ITEM NUMBERS NOT APPLICABLE

— ITEM NOT ILLUSTRATED

HAP

21-51-03-05A

BOEING PROPRIETARY - Copyright © - Unpublished Work - See title page for details.

21-51-03
FIG. 05A
PAGE 6
FEB 15/09

BOEING
737-600/700/800/900
PARTS CATALOG (MAINTENANCE)

FIG ITEM	PART NUMBER	1 2 3 4 5 6 7	NOMENCLATURE	EFFECT FROM TO	UNITS PER ASSY
5A 142	MS24629-1		.. SCREW- OPTIONAL PART: MS24621-1 -----*-----	001046 054100	2
- 150	2215510-1		PACK ASSY-SECONDARY HEAT EXCHANGER UNIT (HEAT EXCHANGER AND PLENUM/ /DIFFUSER ONLY) SUPPLIER CODE: V70210 POSITION DATA: RH FUNCTIONAL DESCRIPTION: PROVIDES CONDITIONED AIR TO THE PASSENGER CABIN AND FLIGHT DECK SPECIFICATION NUMBER: S210A001-400 COMPONENT MAINT MANUAL REF: 21-50-86 FOR NHA/ADDITIONAL DET SEE: 21-51-03-01A	001046 054100	RF
155	2356828-1		.PLATE-ID SERIES 1 SUPPLIER CODE: V70210	001046 054100	1
160	NAS1351C3-10		.SCREW	001046 054100	1
165	NAS620C10L		.WASHER	001046 054100	1
170	2206448-1		.CLIP-GND SUPPLIER CODE: V70210	001046 054100	1
175	NAS1351C3-10		.SCREW	001046 054100	2
180	NAS620C10L		.WASHER	001046 054100	2
185	S9026T041		.PACKING- SUPPLIER CODE: V70210 MAINTENANCE MANUAL REF: 21-51-01 21-51-03 21-51-04	001046 054100	1
190	2215923-1		.DUCT ASSY-CPRSR INLET SUPPLIER CODE: V70210	001046 054100	1

MISSING ITEM NUMBERS NOT APPLICABLE

- ITEM NOT ILLUSTRATED

HAP

21-51-03-05A

BOEING PROPRIETARY - Copyright © - Unpublished Work - See title page for details.

21-51-03
FIG. 05A
PAGE 7
FEB 15/09

BOEING
737-600/700/800/900
PARTS CATALOG (MAINTENANCE)

FIG ITEM	PART NUMBER	1 2 3 4 5 6 7	NOMENCLATURE	EFFECT FROM TO	UNITS PER ASSY
5A 195	NM102619-0350	.	COUPLING-CLAMP V70210 SPEC NO. 234-068-9010 SUPPLIER CODE: V00624 OPTIONAL PART: VC1139-350 V14242	001046 054100	1
195	VC1139-350	.	COUPLING-CLAMP V70210 SPEC NO. 234-068-9010 SUPPLIER CODE: V14242 OPTIONAL PART: NM102619-0350 V00624	001046 054100	1
200	S9026T154	.	PACKING- SUPPLIER CODE: V70210 MAINTENANCE MANUAL REF: 21-51-03 21-51-04 21-51-09 21-51-17	001046 054100	1
205	W991-40DE	.	COUPLING ASSY- V70210 SPEC NO. 234-056-9004 SUPPLIER CODE: V79326 OPTIONAL PART: 14J02-40A V24984 14J12-40A V24984	001046 054100	2
205	14J02-40A	.	COUPLING ASSY- V70210 SPEC NO. 234-056-9004 SUPPLIER CODE: V24984 OPTIONAL PART: W991-40DE V79326 14J12-40A V24984	001046 054100	2

MISSING ITEM NUMBERS NOT APPLICABLE

— ITEM NOT ILLUSTRATED

HAP

21-51-03-05A

BOEING PROPRIETARY - Copyright © - Unpublished Work - See title page for details.

21-51-03
FIG. 05A
PAGE 8
FEB 15/09

BOEING
737-600/700/800/900
PARTS CATALOG (MAINTENANCE)

FIG ITEM	PART NUMBER	1 2 3 4 5 6 7	NOMENCLATURE	EFFECT FROM TO	UNITS PER ASSY
5A 205	14J12-40A		.COUPLING ASSY- V70210 SPEC NO. 234-056-9004 SUPPLIER CODE: V24984 OPTIONAL PART: W991-40DE V79326 14J02-40A V24984	001046 054100	2
207	2215916-1		.DUCT ASSY-CPRSR DISCH SUPPLIER CODE: V70210	001046 054100	1
210	S9026T230		.PACKING- SUPPLIER CODE: V70210 MAINTENANCE MANUAL REF: 21-51-03 21-51-09 21-51-17	001046 054100	4
215	2215954-1		.DUCT ASSY-CPRSR DISCH SUPPLIER CODE: V70210	001046 054100	1
220	NAS6604-5		ATTACHING PARTS .BOLT	001046 054100	6
225	NAS1149C0432R		.WASHER	001046 054100	6
230	2215108-1		-----*----- .GASKET-AIR CYCLE MACHINE SUPPLIER CODE: V70210 MAINTENANCE MANUAL REF: 21-51-03 21-51-04	001046 054100	1
235	2215627-2		.DIFFUSER- SUPPLIER CODE: V70210 MAINTENANCE MANUAL REF: 21-51-03	001046 054100	1
240	NAS603-6		.SCREW	001046 054100	4
245	NAS1149C0332R		.WASHER	001046 054100	4
250	2215712-1		.CLIP ASSY- SUPPLIER CODE: V70210	001046 054100	1

MISSING ITEM NUMBERS NOT APPLICABLE

— ITEM NOT ILLUSTRATED

HAP

21-51-03-05A

BOEING PROPRIETARY - Copyright © - Unpublished Work - See title page for details.

21-51-03
FIG. 05A
PAGE 9
JUN 15/09

BOEING
737-600/700/800/900
PARTS CATALOG (MAINTENANCE)

FIG ITEM	PART NUMBER	1 2 3 4 5 6 7	NOMENCLATURE	EFFECT FROM TO	UNITS PER ASSY
5A					
255	2215712-2	.CLIP ASSY-		001046	1
		SUPPLIER CODE:		054100	
		V70210			
260	NAS77A4-011P	..BUSHING		001046	1
				054100	
265	NAS77A6-015P	..BUSHING		001046	1
				054100	
270	NAS603-5	.SCREW		001046	18
				054100	
275	NAS1149C0332R	.WASHER		001046	18
				054100	
280	2215632-2	.PLENUM ASSY-SECONDARY HEAT EXCHANGER		001046	1
		SUPPLIER CODE:		054100	
		V70210			
		MAINTENANCE MANUAL REF:			
		21-51-03			
285	S8496-21	..LABEL-		001046	1
		SUPPLIER CODE:		054100	
		V70210			
290	S8496-22	..LABEL-		001046	1
		SUPPLIER CODE:		054100	
		V70210			
295	MS21919WCJ2	..CLAMP		001046	1
				054100	
		ATTACHING PARTS			
300	NAS603-2	..SCREW		001046	1
				054100	
305	NAS1149C0332R	..WASHER		001046	2
				054100	
310	MS21043-3	..NUT		001046	1
				054100	
		-----*-----			
315	CL73KA6-0	..CONNECTOR-GND		001046	1
		V64547 SPEC NO.		054100	
		192-010-9001			
		SUPPLIER CODE:			
		V99862			
		OPTIONAL PART:			
		CA6T6V			
		V16258			
315	CA6T6V	..CONNECTOR-GND		001046	1
		V64547 SPEC NO.		054100	
		192-010-9001			
		SUPPLIER CODE:			
		V16258			
		OPTIONAL PART:			
		CL73KA6-0			
		V99862			

MISSING ITEM NUMBERS NOT APPLICABLE

— ITEM NOT ILLUSTRATED

HAP

21-51-03-05A

BOEING PROPRIETARY - Copyright © - Unpublished Work - See title page for details.

21-51-03
FIG. 05A
PAGE 10
JUN 15/09

BOEING
737-600/700/800/900
PARTS CATALOG (MAINTENANCE)

FIG ITEM	PART NUMBER	1 2 3 4 5 6 7	NOMENCLATURE	EFFECT FROM TO	UNITS PER ASSY
5A			ATTACHING PARTS		
R 320	NAS603-2	..	SCREW	001046 054100	1
R 325	NAS1149C0332R	..	WASHER	001046 054100	2
330	MS21043-3	..	NUT	001046 054100	1
			-----*-----		
335	2215675-1	..	DOOR ASSY- SUPPLIER CODE: V70210	001046 054100	1
			ATTACHING PARTS		
R 340	NAS603-2	..	SCREW	001046 054100	12
R 345	NAS1149C0332R	..	WASHER	001046 054100	12
			-----*-----		
350	2215675-5	...	GASKET- SUPPLIER CODE: V70210	001046 054100	1
355	2215675-3	...	DOOR- SUPPLIER CODE: V70210	001046 054100	1
			MISCELLANEOUS DATA: ORDER NHA		
360	2215634-4	..	PLENUM ASSY-RAM AIR EXHAUST SUPPLIER CODE: V70210	001046 054100	1
365	MS21060L3	...	NUTPLATE	001046 054100	12
			ATTACHING PARTS		
370	MS20426AD3-4	...	RIVET	001046 054100	24
			-----*-----		
375	MS21060L4	...	NUTPLATE	001046 054100	6
			ATTACHING PARTS		
380	MS20426AD3-5	...	RIVET	001046 054100	12
			-----*-----		
- 385	2215634-8	...	PLENUM-MACHINED SUPPLIER CODE: V70210	001046 054100	1
			MISCELLANEOUS DATA: ORDER NHA		

MISSING ITEM NUMBERS NOT APPLICABLE

- ITEM NOT ILLUSTRATED

HAP

21-51-03-05A

BOEING PROPRIETARY - Copyright © - Unpublished Work - See title page for details.

21-51-03
FIG. 05A
PAGE 11
JUN 15/09

BOEING
737-600/700/800/900
PARTS CATALOG (MAINTENANCE)

FIG ITEM	PART NUMBER	1 2 3 4 5 6 7	NOMENCLATURE	EFFECT FROM TO	UNITS PER ASSY
5A 395	2215696-1		.GASKET- SUPPLIER CODE: V70210 MAINTENANCE MANUAL REF: 21-51-03	001046 054100	1
400	182820-3		.EXCHANGER ASSY-HEAT SUPPLIER CODE: V70210 FUNCTIONAL DESCRIPTION: AIR TO AIR HEAT EXCHANGER USED IN THE AIRCRAFT AIR CONDITIONING SYSTEM. COMPONENT MAINT MANUAL REF: 21-50-14 MAINTENANCE MANUAL REF: 21-51-03 OPTIONAL PART: 182820-2 V70210	001046 054100	1
400	182820-2		.EXCHANGER ASSY-HEAT SUPPLIER CODE: V70210 COMPONENT MAINT MANUAL REF: 21-50-14 MAINTENANCE MANUAL REF: 21-51-03 OPTIONAL PART: 182820-3 V70210	001046 054100	1
405	182816-1		..PLATE-IDENT SUPPLIER CODE: V70210 MISCELLANEOUS DATA: USED ON SERIES 1 HEAT EXCHANGER ASSYS USED ON: 182820-2	001046 054100	1
405	182816-2		..PLATE-IDENT SUPPLIER CODE: V70210 MISCELLANEOUS DATA: USED ON SERIES 2 HEAT EXCHANGER ASSYS USED ON: 182820-2	001046 054100	1

MISSING ITEM NUMBERS NOT APPLICABLE

— ITEM NOT ILLUSTRATED

HAP

21-51-03-05A

BOEING PROPRIETARY - Copyright © - Unpublished Work - See title page for details.

21-51-03
FIG. 05A
PAGE 12
FEB 15/09

BOEING
737-600/700/800/900
PARTS CATALOG (MAINTENANCE)

FIG ITEM	PART NUMBER	1 2 3 4 5 6 7	NOMENCLATURE	EFFECT FROM TO	UNITS PER ASSY
5A 405	182816-3		.. PLATE-IDENT SUPPLIER CODE: V70210 MISCELLANEOUS DATA: USED ON SERIES 1 HEAT EXCHANGER ASSYS USED ON: 182820-3	001046 054100	1
405	182816-4		.. PLATE-IDENT SUPPLIER CODE: V70210 MISCELLANEOUS DATA: USED ON SERIES 2 HEAT EXCHANGER ASSYS USED ON: 182820-3	001046 054100	1
410	MS24621-1		ATTACHING PARTS .. SCREW- OPTIONAL PART: MS24629-1	001046 054100	2
410	MS24629-1		.. SCREW- OPTIONAL PART: MS24621-1 -----*-----	001046 054100	2

MISSING ITEM NUMBERS NOT APPLICABLE

— ITEM NOT ILLUSTRATED

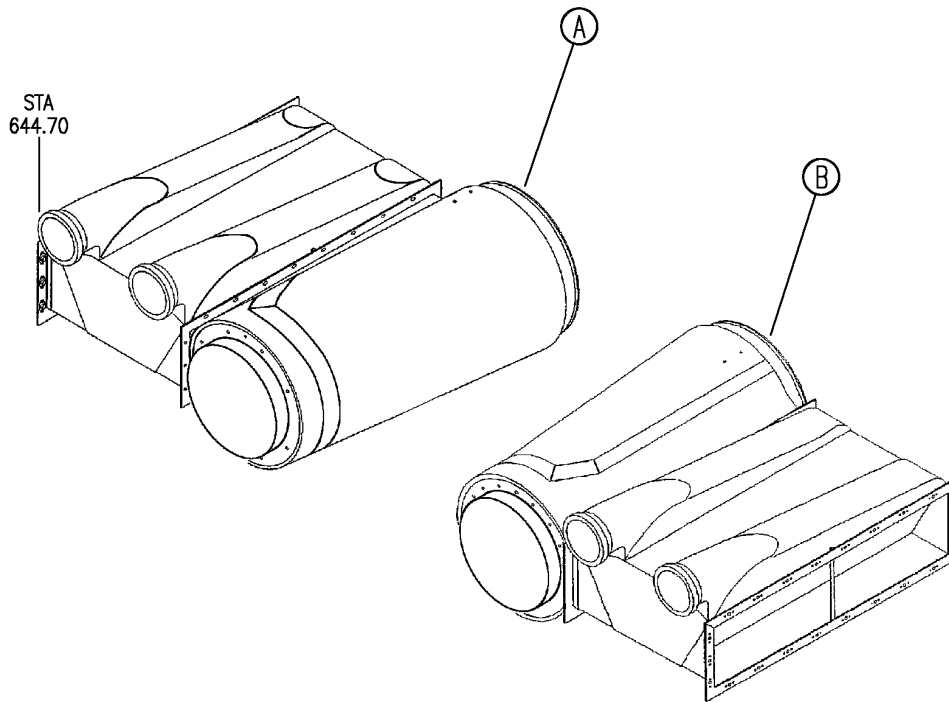
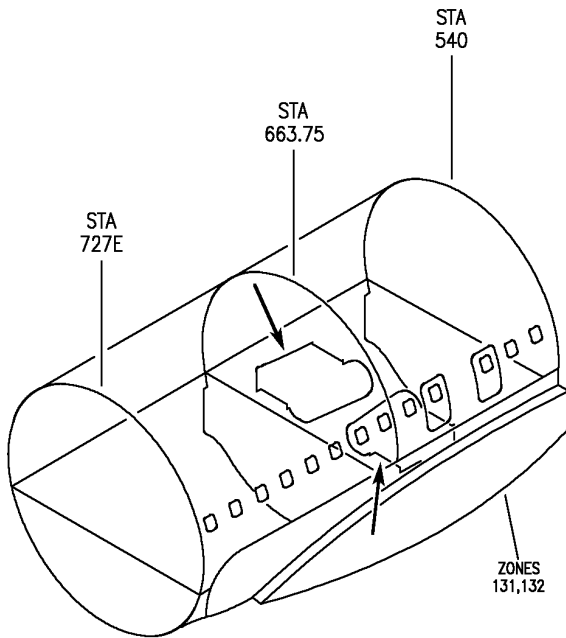
HAP

21-51-03-05A

BOEING PROPRIETARY - Copyright © - Unpublished Work - See title page for details.

21-51-03
FIG. 05A
PAGE 13
FEB 15/09

BOEING
737-600/700/800/900
PARTS CATALOG (MAINTENANCE)



E 21510306 SHT 1 REV 103

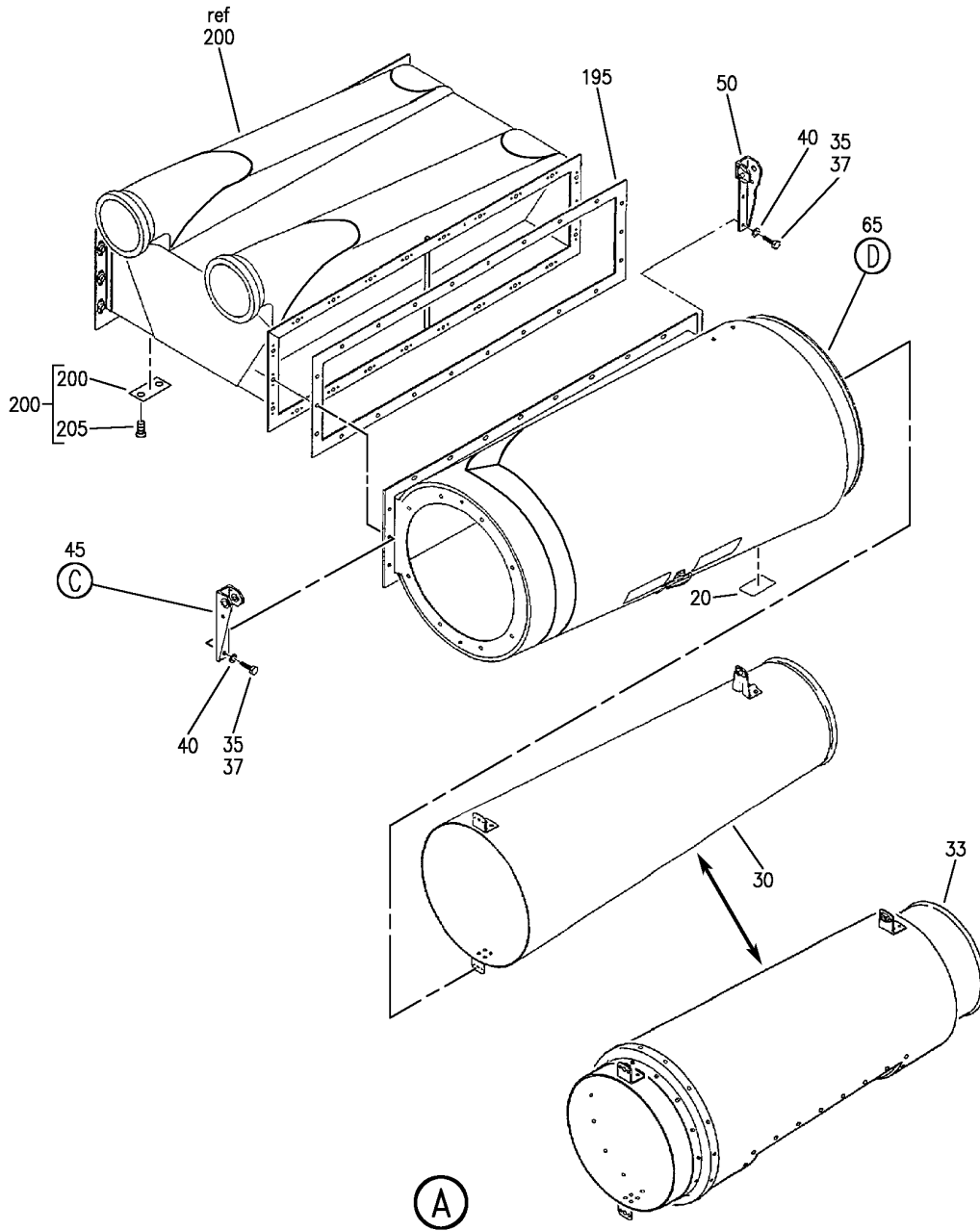
PACK ASSY-PRIMARY HEAT EXCHANGER
FIGURE 6 (SHEET 1)

21-51-03-06

HAP
OCT 10/06

21-51-03-06
PAGE 0

BOEING
737-600/700/800/900
PARTS CATALOG (MAINTENANCE)



E 21510306 SH1 2 REV 152

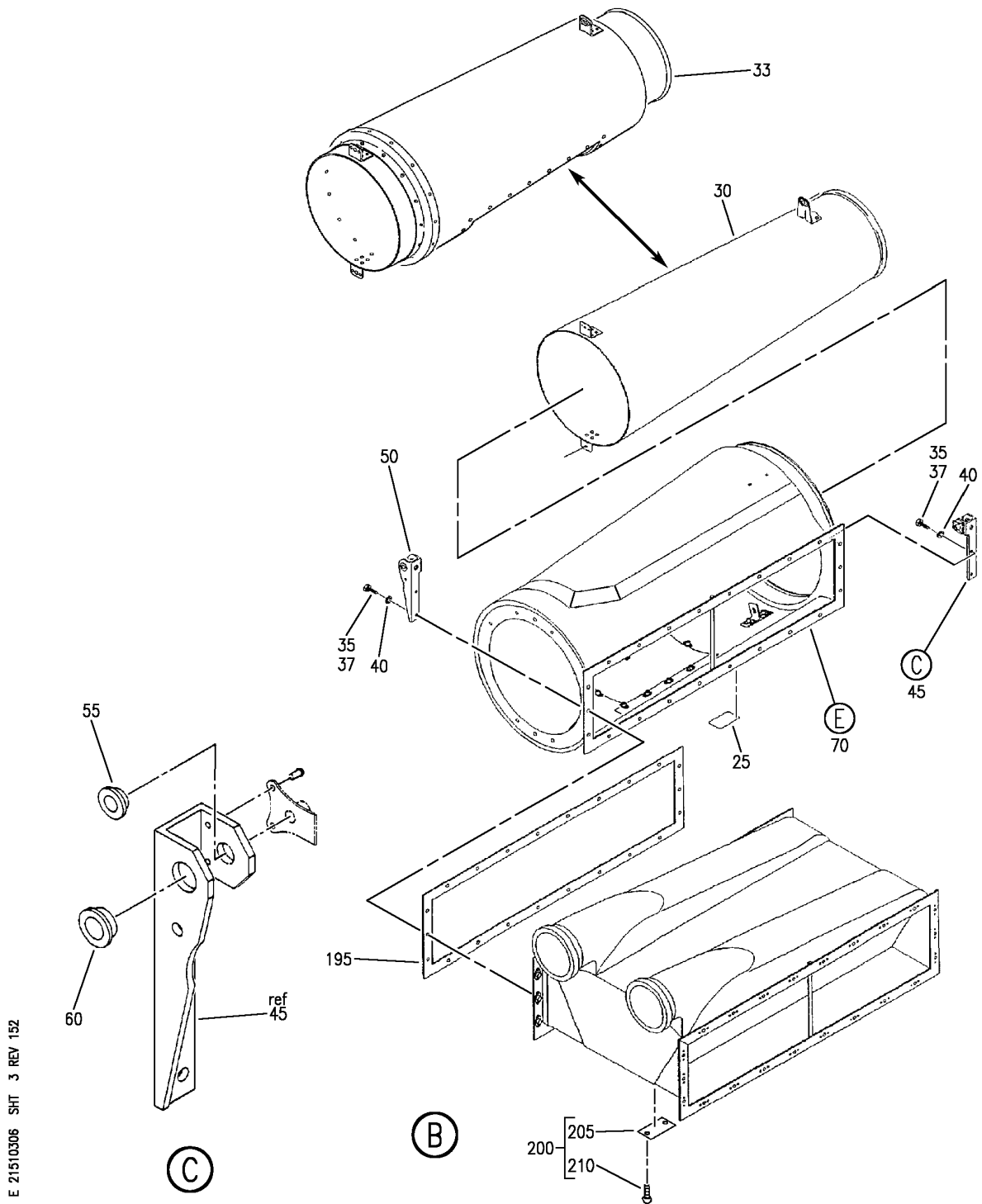
PACK ASSY-PRIMARY HEAT EXCHANGER
FIGURE 6 (SHEET 2)

21-51-03-06

HAP
JUN 15/09

21-51-03-06
PAGE 0A

BOEING
 737-600/700/800/900
 PARTS CATALOG (MAINTENANCE)



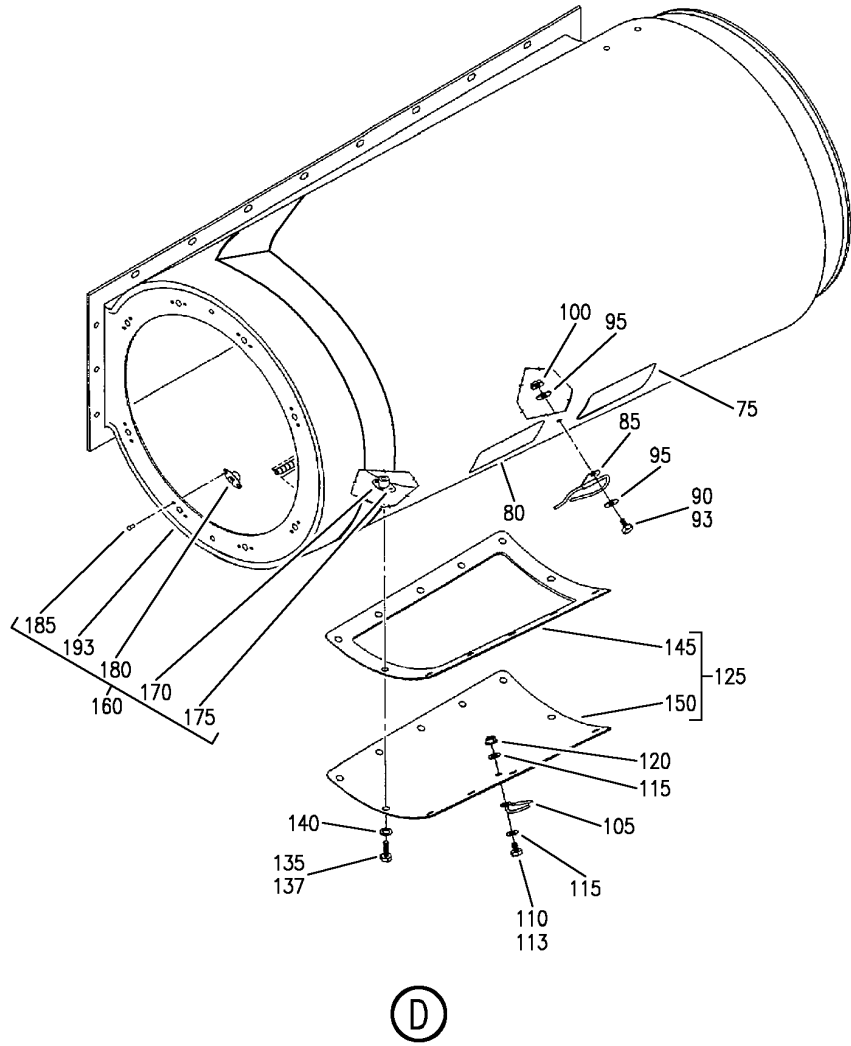
PACK ASSY-PRIMARY HEAT EXCHANGER
 FIGURE 6 (SHEET 3)

21-51-03-06

HAP
 JUN 15/09

21-51-03-06
 PAGE 0B

BOEING
 737-600/700/800/900
 PARTS CATALOG (MAINTENANCE)



E 21510306 SH1 4 REV 152

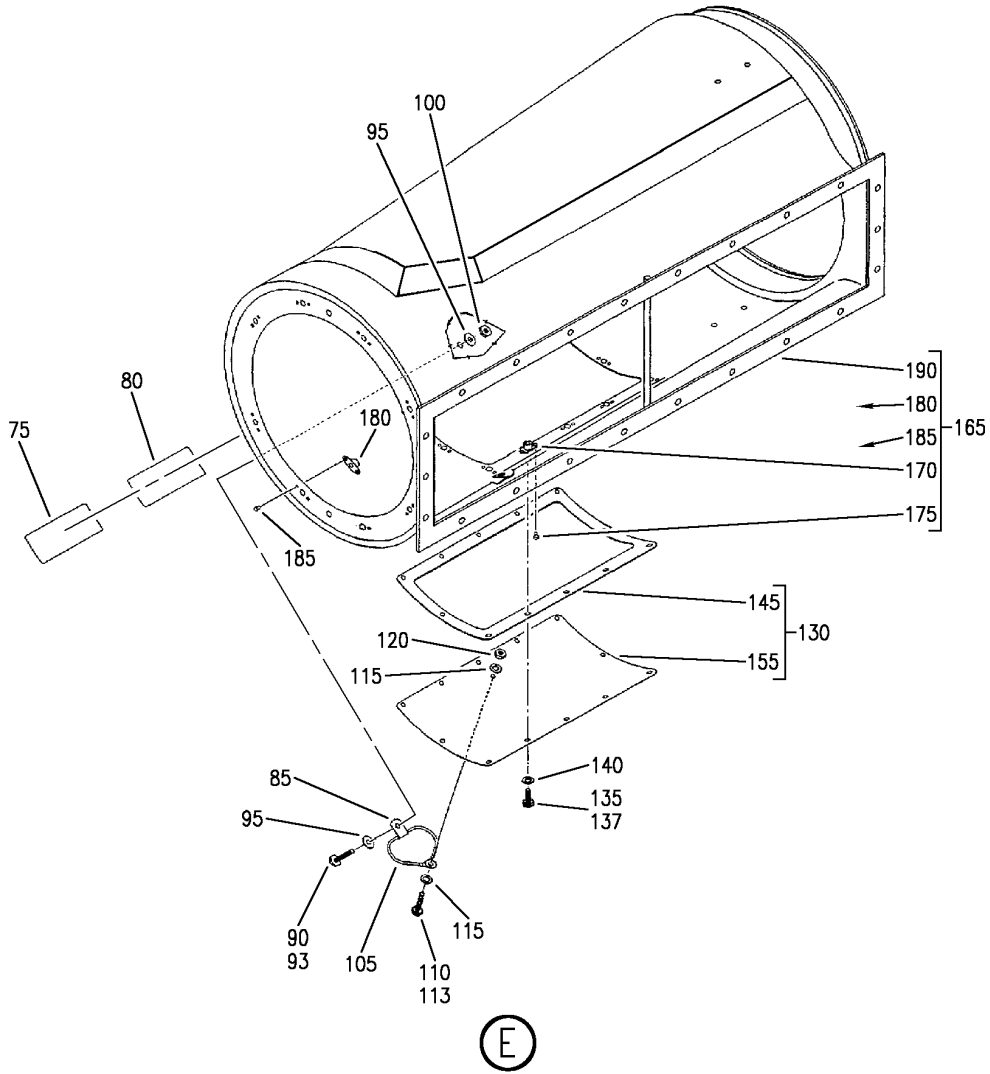
PACK ASSY-PRIMARY HEAT EXCHANGER
 FIGURE 6 (SHEET 4)

21-51-03-06

HAP
 JUN 15/09

21-51-03-06
 PAGE 0C

BOEING
 737-600/700/800/900
 PARTS CATALOG (MAINTENANCE)



E 21510306 SHT 5 REV 152

PACK ASSY-PRIMARY HEAT EXCHANGER
 FIGURE 6 (SHEET 5)

21-51-03-06

HAP
 JUN 15/09

21-51-03-06
 PAGE 0D

BOEING
737-600/700/800/900
PARTS CATALOG (MAINTENANCE)

FIG ITEM	PART NUMBER	1 2 3 4 5 6 7	NOMENCLATURE	EFFECT FROM TO	UNITS PER ASSY
6					
- 1	2215240-1		PACK ASSY-PRIMARY HEAT EXCHANGER PACK ASSY-PRIMARY HEAT EXCHANGER, SERIES 1, 2 AND 3 SUPPLIER CODE: V70210 POSITION DATA: LH FUNCTIONAL DESCRIPTION: PROVIDES CONDITIONED AIR TO THE PASSENGER CABIN AND FLIGHT DECK BY RAM AIR DURING FLIGHT OR BY FAN DURING GROUND OPERATION. SPECIFICATION NUMBER: S210A001-101 COMPONENT MAINT MANUAL REF: 21-50-70 FOR NHA SEE: 21-51-03-01 21-51-03-01A		RF
- 5	2215280-1		PACK ASSY-PRIMARY HEAT EXCHANGER, SERIES 1, 2 AND 3 SUPPLIER CODE: V70210 POSITION DATA: RH FUNCTIONAL DESCRIPTION: PROVIDES CONDITIONED AIR TO THE PASSENGER CABIN AND FLIGHT DECK BY RAM AIR DURING FLIGHT OR BY FAN DURING GROUND OPERATION. SPECIFICATION NUMBER: S210A001-201 COMPONENT MAINT MANUAL REF: 21-50-72 FOR NHA SEE: 21-51-03-01 21-51-03-01A		RF

MISSING ITEM NUMBERS NOT APPLICABLE

- ITEM NOT ILLUSTRATED

HAP

21-51-03-06

BOEING PROPRIETARY - Copyright © - Unpublished Work - See title page for details.

21-51-03
FIG. 06
PAGE 1
FEB 15/09

BOEING
737-600/700/800/900
PARTS CATALOG (MAINTENANCE)

FIG ITEM	PART NUMBER	1 2 3 4 5 6 7	NOMENCLATURE	EFFECT FROM TO	UNITS PER ASSY
6	20 2356744-1		.PLATE-IDENT SERIES 1 SUPPLIER CODE: V70210 POSITION DATA: LH SIDE USED ON: 2215240-1	001046 054999	1
	20 2356840-1		.PLATE-IDENT SERIES 2 SUPPLIER CODE: V70210 POSITION DATA: LH SIDE USED ON: 2215240-1 2215240-1S2MR1 2215240-1S2MR2	001046 054999	1
	20 6009072-1		.PLATE-IDENT SERIES 3 SUPPLIER CODE: V70210 POSITION DATA: LH SIDE USED ON: 2215240-1 2215240-1S3	001046 054999	1
	25 2356745-1		.PLATE-IDENT SERIES 1 SUPPLIER CODE: V70210 POSITION DATA: RH SIDE USED ON: 2215280-1	001046 054999	1
	25 2356839-1		.PLATE-IDENT SERIES 2 SUPPLIER CODE: V70210 POSITION DATA: RH SIDE USED ON: 2215280-1 2215280-1S2MR1 2215280-1S2MR2	001046 054999	1

MISSING ITEM NUMBERS NOT APPLICABLE

— ITEM NOT ILLUSTRATED

HAP

21-51-03-06

BOEING PROPRIETARY - Copyright © - Unpublished Work - See title page for details.

21-51-03
FIG. 06
PAGE 2
FEB 15/09

BOEING
737-600/700/800/900
PARTS CATALOG (MAINTENANCE)

FIG ITEM	PART NUMBER	1 2 3 4 5 6 7	NOMENCLATURE	EFFECT FROM TO	UNITS PER ASSY
6 25	6009073-1		.PLATE-IDENT SERIES 3 SUPPLIER CODE: V70210 POSITION DATA: RH SIDE USED ON: 2215280-1 2215280-1S3	001046 054999	1
30	2215628-1		.DIFFUSER ASSY- SERIES 1 SUPPLIER CODE: V70210 MAINTENANCE MANUAL REF: 21-51-03 USED ON: 2215240-1 2215280-1 FOR DETAILS SEE: 21-51-03-06A	001046 054999	1
30	2215628-2		.DIFFUSER ASSY- SERIES 2 SUPPLIER CODE: V70210 MAINTENANCE MANUAL REF: 21-51-03 OPTIONAL PART: 5848538-1 V70210 USED ON: 2215240-1 2215280-1 FOR DETAILS SEE: 21-51-03-06A	001046 054999	1
30	2215628-3		.DIFFUSER ASSY- SERIES 3 SUPPLIER CODE: V70210 MAINTENANCE MANUAL REF: 21-51-03 USED ON: 2215240-1 2215240-1S3 2215280-1 2215280-1S3 FOR DETAILS SEE: 21-51-03-06A	001046 054999	1

MISSING ITEM NUMBERS NOT APPLICABLE

— ITEM NOT ILLUSTRATED

HAP

21-51-03-06

21-51-03
FIG. 06
PAGE 3
FEB 15/09

BOEING
737-600/700/800/900
PARTS CATALOG (MAINTENANCE)

FIG ITEM	PART NUMBER	1 2 3 4 5 6 7	NOMENCLATURE	EFFECT FROM TO	UNITS PER ASSY
R R R R R R R R R R R R R R R	6 30	2215628-2MR1	.DIFFUSER ASSY- SUPPLIER CODE: V70210 MAINTENANCE MANUAL REF: 21-51-03 ALTERED FROM PART NUMBER: 2215628-2 V70210 USED ON: 2215240-1S2MR1 2215280-1S2MR1 FOR DETAILS SEE: 21-51-03-06A	031046 054100	1
	30	2215628-2MR2	.DIFFUSER ASSY- SUPPLIER CODE: V70210 MAINTENANCE MANUAL REF: 21-51-03 ALTERED FROM PART NUMBER: 2215628-2 V70210 USED ON: 2215240-1S2MR2 2215280-1S2MR2 FOR DETAILS SEE: 21-51-03-06A	031046 054100	1
	33	5848538-1	.DIFFUSER ASSY- SERIES 2 SUPPLIER CODE: V70210 MAINTENANCE MANUAL REF: 21-51-03 OPTIONAL PART: 2215628-2 V70210 USED ON: 2215240-1 2215280-1 FOR DETAILS SEE: 21-51-03-06A	001046 054999	1
	37	NAS603-6	.SCREW-	001046 054999	4
	40	NAS1149C0332R	.WASHER	001046 054999	4
R R	45	2215712-1	.CLIP ASSY- SUPPLIER CODE: V70210	001046 054999	1

MISSING ITEM NUMBERS NOT APPLICABLE

— ITEM NOT ILLUSTRATED

HAP

21-51-03-06

BOEING PROPRIETARY - Copyright © - Unpublished Work - See title page for details.

21-51-03
FIG. 06
PAGE 4
JUN 15/09

BOEING
737-600/700/800/900
PARTS CATALOG (MAINTENANCE)

FIG ITEM	PART NUMBER	1 2 3 4 5 6 7	NOMENCLATURE	EFFECT FROM TO	UNITS PER ASSY
6					
50	2215712-2	.	CLIP ASSY- SUPPLIER CODE: V70210	001046 054999	1
55	NAS77A4-011P	..	BUSHING	001046 054999	1
60	NAS77A6-015P	..	BUSHING	001046 054999	1
65	2215629-1	.	PLENUM ASSY- SUPPLIER CODE: V70210 POSITION DATA: LH SIDE MAINTENANCE MANUAL REF: 21-51-03	001046 054999	1
70	2215629-2	.	PLENUM ASSY- SUPPLIER CODE: V70210 POSITION DATA: RH SIDE MAINTENANCE MANUAL REF: 21-51-03	001046 054999	1
75	S8496-21	..	LABEL- SUPPLIER CODE: V70210	001046 054999	1
80	S8496-22	..	LABEL- SUPPLIER CODE: V70210	001046 054999	1
85	MS21919WCJ2	..	CLAMP	001046 054999	1
			ATTACHING PARTS		
93	NAS603-2	..	SCREW-	001046 054999	1
95	NAS1149C0332R	..	WASHER	001046 054999	2
100	MS21043-3	..	NUT-	001046 054999	1
			-----*-----		
105	CL73KA6-0	..	CONNECTOR-GND V64547 SPEC NO. 192-010-9001 SUPPLIER CODE: V99862 OPTIONAL PART: CA6T6V V16258	001046 054999	1

MISSING ITEM NUMBERS NOT APPLICABLE

- ITEM NOT ILLUSTRATED

HAP

21-51-03-06

BOEING PROPRIETARY - Copyright © - Unpublished Work - See title page for details.

21-51-03
FIG. 06
PAGE 5
JUN 15/09

BOEING
737-600/700/800/900
PARTS CATALOG (MAINTENANCE)

FIG ITEM	PART NUMBER	1 2 3 4 5 6 7	NOMENCLATURE	EFFECT FROM TO	UNITS PER ASSY
6 105	CA6T6V		.. CONNECTOR-GND V64547 SPEC NO. 192-010-9001 SUPPLIER CODE: V16258 OPTIONAL PART: CL73KA6-0 V99862 ATTACHING PARTS	001046 054999	1
R R 113	NAS603-2		.. SCREW-	001046 054999	1
115	NAS1149C0332R		.. WASHER	001046 054999	2
120	MS21043-3		.. NUT-	001046 054999	1
125	2215675-1		-----*----- .. DOOR ASSY- SUPPLIER CODE: V70210 POSITION DATA: LH SIDE	001046 054999	1
130	2215675-2		.. DOOR ASSY- SUPPLIER CODE: V70210 POSITION DATA: RH SIDE ATTACHING PARTS	001046 054999	1
R R 137	NAS603-2		.. SCREW-	001046 054999	12
140	NAS1149C0332R		.. WASHER	001046 054999	12
145	2215675-5		-----*----- ... GASKET- SUPPLIER CODE: V70210	001046 054999	1
150	2215675-3		... DOOR- SUPPLIER CODE: V70210 POSITION DATA: LH SIDE	001046 054999	1
155	2215675-4		... DOOR- SUPPLIER CODE: V70210 POSITION DATA: RH SIDE	001046 054999	1

MISSING ITEM NUMBERS NOT APPLICABLE

— ITEM NOT ILLUSTRATED

HAP

21-51-03-06

BOEING PROPRIETARY - Copyright © - Unpublished Work - See title page for details.

21-51-03
FIG. 06
PAGE 6
JUN 15/09

BOEING
737-600/700/800/900
PARTS CATALOG (MAINTENANCE)

FIG ITEM	PART NUMBER	1 2 3 4 5 6 7	NOMENCLATURE	EFFECT FROM TO	UNITS PER ASSY
6 160	2215634-1		..PLENUM ASSY-RAM AIR EXHAUST SUPPLIER CODE: V70210 POSITION DATA: LH SIDE MAINTENANCE MANUAL REF: 21-51-03	001046 054999	1
165	2215634-2		..PLENUM ASSY-RAM AIR EXHAUST SUPPLIER CODE: V70210 POSITION DATA: RH SIDE	001046 054999	1
170	MS21060L3		...NUTPLATE-	001046 054999	12
175	MS20426AD3-4		ATTACHING PARTS ...RIVET-	001046 054999	24
180	MS21060L3		-----*----- ...NUTPLATE-	001046 054999	8
185	MS20426AD3-5		ATTACHING PARTS ...RIVET-	001046 054999	16
190	2215634-5		...PLENUM-MACHINED SUPPLIER CODE: V70210 POSITION DATA: LH	001046 054999	1
193	2215634-6		...PLENUM-MACHINED SUPPLIER CODE: V70210 POSITION DATA: RH	001046 054999	1
195	2215696-1		.GASKET- SUPPLIER CODE: V70210 MAINTENANCE MANUAL REF: 21-51-03	001046 054999	1

MISSING ITEM NUMBERS NOT APPLICABLE

— ITEM NOT ILLUSTRATED

HAP

21-51-03-06

BOEING PROPRIETARY - Copyright © - Unpublished Work - See title page for details.

21-51-03
FIG. 06
PAGE 7
JUN 15/09

BOEING
737-600/700/800/900
PARTS CATALOG (MAINTENANCE)

FIG ITEM	PART NUMBER	1 2 3 4 5 6 7	NOMENCLATURE	EFFECT FROM TO	UNITS PER ASSY
6 200	182820-3		.EXCHANGER ASSY- SUPPLIER CODE: V70210 FUNCTIONAL DESCRIPTION: AIR TO AIR HEAT EXCHANGER USED IN THE AIRCRAFT AIR CONDITIONING SYSTEM. COMPONENT MAINT MANUAL REF: 21-50-14 MAINTENANCE MANUAL REF: 21-51-03 OPTIONAL PART: 182820-2 V70210	001046 054999	1
200	182820-2		.EXCHANGER ASSY- SUPPLIER CODE: V70210 COMPONENT MAINT MANUAL REF: 21-50-14 MAINTENANCE MANUAL REF: 21-51-03 OPTIONAL PART: 182820-3 V70210	001046 054999	1
205	182816-1		..PLATE-IDENT SUPPLIER CODE: V70210 MISCELLANEOUS DATA: USED ON SERIES 1 HEAT EXCHANGER ASSY USED ON: 182820-2	001046 054999	1
205	182816-2		..PLATE-IDENT SUPPLIER CODE: V70210 MISCELLANEOUS DATA: USED ON SERIES 2 HEAT EXCHANGER ASSY USED ON: 182820-2	001046 054999	1
205	182816-3		..PLATE-IDENT SUPPLIER CODE: V70210 MISCELLANEOUS DATA: USED ON SERIES 1 HEAT EXCHANGER ASSYS USED ON: 182820-3	001046 054999	1

MISSING ITEM NUMBERS NOT APPLICABLE

— ITEM NOT ILLUSTRATED

HAP

21-51-03-06

BOEING PROPRIETARY - Copyright © - Unpublished Work - See title page for details.

21-51-03
FIG. 06
PAGE 8
JUN 15/09

BOEING
737-600/700/800/900
PARTS CATALOG (MAINTENANCE)

FIG ITEM	PART NUMBER	1 2 3 4 5 6 7	NOMENCLATURE	EFFECT FROM TO	UNITS PER ASSY
6 205	182816-4		.. PLATE-IDENT SUPPLIER CODE: V70210 MISCELLANEOUS DATA: USED ON SERIES 2 HEAT EXCHANGER ASSYS USED ON: 182820-3	001046 054999	1
205	182816-5		.. PLATE-IDENT SUPPLIER CODE: V70210 MISCELLANEOUS DATA: USED ON SERIES 3 HEAT EXCHANGER ASSY USED ON: 182820-3	001046 054999	1
210	MS24621-1		ATTACHING PARTS .. SCREW- OPTIONAL PART: MS24629-1	001046 054999	2
210	MS24629-1		.. SCREW- OPTIONAL PART: MS24621-1 -----*-----	001046 054999	2

MISSING ITEM NUMBERS NOT APPLICABLE

— ITEM NOT ILLUSTRATED

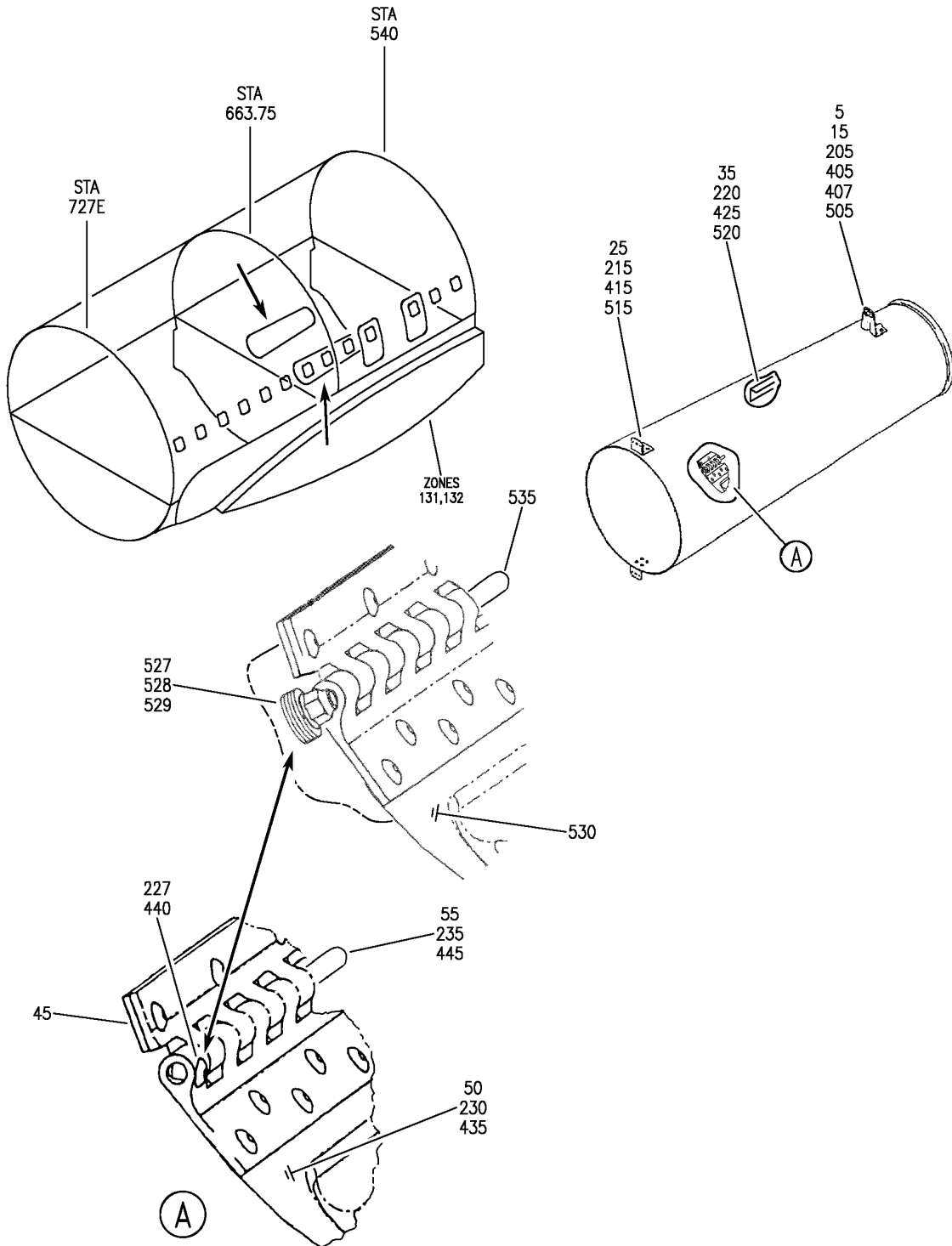
HAP

21-51-03-06

BOEING PROPRIETARY - Copyright © - Unpublished Work - See title page for details.

21-51-03
FIG. 06
PAGE 9
JUN 15/09

BOEING
 737-600/700/800/900
 PARTS CATALOG (MAINTENANCE)



E 21510306A REV 155

DIFFUSER ASSY-SERIES 1,2,3
 FIGURE 6A

21-51-03-06A

HAP
 JUN 15/09

21-51-03-06A
 PAGE 0

BOEING
737-600/700/800/900
PARTS CATALOG (MAINTENANCE)

FIG ITEM	PART NUMBER	1 2 3 4 5 6 7	NOMENCLATURE	EFFECT FROM TO	UNITS PER ASSY
6A			DIFFUSER ASSY-SERIES 1,2,3	001046 054999	
- 1	2215628-1		DIFFUSER ASSY-SERIES 1 SUPPLIER CODE: V70210 FOR NHA SEE: 21-51-03-06	001046 054999	RF
5	2215825-1		.BRACKET-DIFFUSER SUPPLIER CODE: V70210	001040 042043 101999	2
- 10	MS20470AD4-2		ATTACHING PARTS .RIVET	001040 042043 101999	8
25	2215674-1		-----*----- .BRACKET-DIFFUSER SUPPLIER CODE: V70210	001040 042043 101999	2
- 30	MS20470AD4-2		ATTACHING PARTS .RIVET	001040 042043 101999	8
35	2215673-1		-----*----- .STOP-DOOR SUPPLIER CODE: V70210	001040 042043 101999	1
- 40	MS20470AD4-2		ATTACHING PARTS .RIVET	001040 042043 101999	7
45	2215659-1		-----*----- .HINGE-DIFFUSER SUPPLIER CODE: V70210	001040 042043 101999	2
50	2215639-1		.DOOR-CHECK VALVE SUPPLIER CODE: V70210	001040 042043 101999	1
55	MS20253P4-1044L		.PIN-HINGE	001046 054999	1
- 200	2215628-2		DIFFUSER ASSY-SERIES 2 SUPPLIER CODE: V70210 OPTIONAL PART: 5848538-1 V70210 FOR NHA SEE: 21-51-03-06	001046 054999	RF

MISSING ITEM NUMBERS NOT APPLICABLE

- ITEM NOT ILLUSTRATED

HAP

21-51-03-06A

BOEING PROPRIETARY - Copyright © - Unpublished Work - See title page for details.

21-51-03
FIG. 06A
PAGE 1
FEB 15/09

BOEING
737-600/700/800/900
PARTS CATALOG (MAINTENANCE)

FIG ITEM	PART NUMBER	1 2 3 4 5 6 7	NOMENCLATURE	EFFECT FROM TO	UNITS PER ASSY
6A - 200	5848538-1		DIFFUSER ASSY- SERIES 2 SUPPLIER CODE: V70210 OPTIONAL PART: 2215628-2 V70210 FOR NHA SEE: 21-51-03-06	001046 054999	RF
205	2215825-1		.BRACKET-DIFFUSER SUPPLIER CODE: V70210 ATTACHING PARTS	001040 042043 101999	2
- 210	MS20470AD4-2		.RIVET	001040 042043 101999	8
215	2215674-1		-----*----- .BRACKET-DIFFUSER SUPPLIER CODE: V70210 ATTACHING PARTS	001040 042043 101999	2
- 217	MS20470AD4-2		.RIVET	001046 054999	8
220	2215673-1		-----*----- .STOP-DOOR SUPPLIER CODE: V70210 ATTACHING PARTS	001040 042043 101999	1
- 225	MS20470AD4-2		.RIVET	001040 042043 101999	7
230	2215639-1		-----*----- .DOOR-CHECK VALVE SUPPLIER CODE: V70210	001040 042043 101999	1
235	MS20253P4-1044L		.PIN-HINGE USED WITH: 2215639-1	001040 042043 101999	1
- 400	2215628-3		DIFFUSER ASSY- SERIES 3 SUPPLIER CODE: V70210 FOR NHA SEE: 21-51-03-06	001046 054999	RF
405	2215825-1		.BRACKET-DIFFUSER SUPPLIER CODE: V70210	001046 054999	2

MISSING ITEM NUMBERS NOT APPLICABLE

- ITEM NOT ILLUSTRATED

HAP

21-51-03-06A

BOEING PROPRIETARY - Copyright © - Unpublished Work - See title page for details.

21-51-03
FIG. 06A
PAGE 2
FEB 15/09

BOEING
737-600/700/800/900
PARTS CATALOG (MAINTENANCE)

FIG ITEM	PART NUMBER	1 2 3 4 5 6 7	NOMENCLATURE	EFFECT FROM TO	UNITS PER ASSY
6A			ATTACHING PARTS		
- 410	MS20470AD4-2		.RIVET	001040 042043 101999	8
			-----*-----		
415	2215674-1		.BRACKET-DIFFUSER SUPPLIER CODE: V70210	001040 042043 101999	2
			ATTACHING PARTS		
- 420	MS20470AD4-2		.RIVET	001040 042043 101999	8
			-----*-----		
425	2215673-1		.STOP-DOOR SUPPLIER CODE: V70210	001040 042043 101999	1
			ATTACHING PARTS		
- 430	MS20470AD4-2		.RIVET	001040 042043 101999	7
			-----*-----		
435	5848999-1		.DOOR ASSY-CHECK VALVE SUPPLIER CODE: V70210	001040 042043 101999	1
			ATTACHING PARTS		
R 440	MS20600AD4W1		.RIVET-	001046	2
R			OPTIONAL PART:	054999	
R	MS20600AD4W2		MS20600AD4W2		
R			.RIVET-	001046	2
R			OPTIONAL PART:	054999	
R	MS20600AD4W1		MS20600AD4W1		
			-----*-----		
445	MS20253P4-1000L		.PIN-HINGE	001040 042043 101999	1

MISSING ITEM NUMBERS NOT APPLICABLE

- ITEM NOT ILLUSTRATED

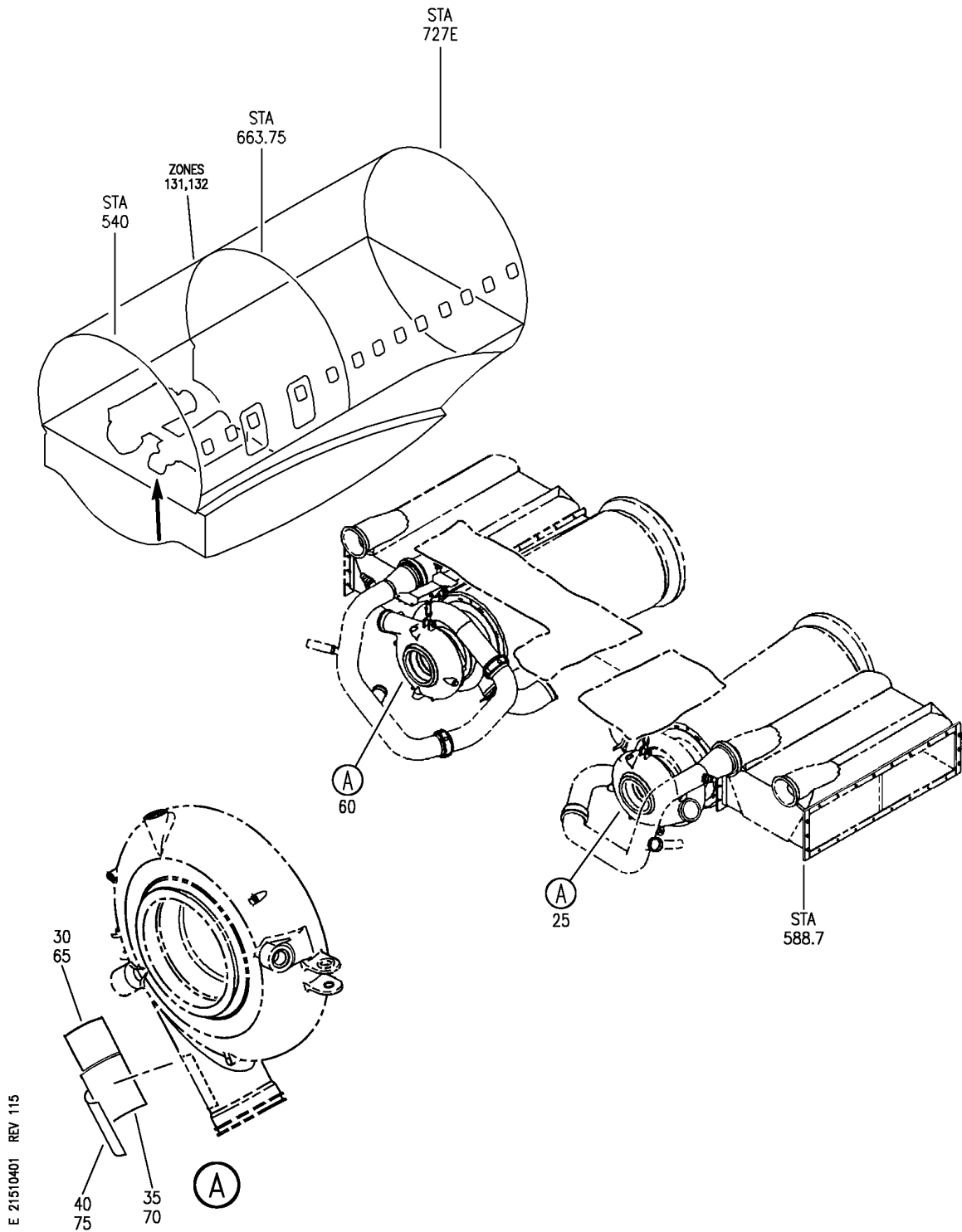
HAP

21-51-03-06A

BOEING PROPRIETARY - Copyright © - Unpublished Work - See title page for details.

21-51-03
FIG. 06A
PAGE 3
JUN 15/09

BOEING
 737-600/700/800/900
 PARTS CATALOG (MAINTENANCE)



E 21510401 REV 115

PACK ASSY-SECONDARY HEAT EXCHANGER UNIT (AIR CYCLE MACHINE ONLY)
 FIGURE 1

21-51-04-01

HAP
 OCT 10/06

21-51-04-01
 PAGE 0

BOEING
737-600/700/800/900
PARTS CATALOG (MAINTENANCE)

FIG ITEM	PART NUMBER	1 2 3 4 5 6 7	NOMENCLATURE	EFFECT FROM TO	UNITS PER ASSY
1			PACK ASSY-SECONDARY HEAT EXCHANGER UNIT (AIR CYCLE MACHINE ONLY)	001046 054999	
- 1	2215250-1		PACK ASSY-SECONDARY HEAT EXCHANGER UNIT SERIES 1 AND 2 (AIR CYCLE MACHINE ONLY) SUPPLIER CODE: V70210 POSITION DATA: LH FUNCTIONAL DESCRIPTION: PROVIDES CONDITIONED AIR TO THE PASSENGER CABIN AND FLIGHT DECK SPECIFICATION NUMBER: S210A001-100 COMPONENT MAINT MANUAL REF: 21-50-74 FOR NHA/ADDITIONAL DET SEE: 21-51-03-01	101999	RF
- 15	2215490-1		PACK ASSY-SECONDARY HEAT EXCHANGER UNIT (AIR CYCLE MACHINE ONLY) SUPPLIER CODE: V70210 POSITION DATA: LH FUNCTIONAL DESCRIPTION: PROVIDES CONDITIONED AIR TO THE PASSENGER CABIN AND FLIGHT DECK SPECIFICATION NUMBER: S210A001-300 COMPONENT MAINT MANUAL REF: 21-50-84 FOR NHA/ADDITIONAL DET SEE: 21-51-03-01A	001046 054100	RF
25	2206400-1		.MACHINE-AIR CYCLE SUPPLIER CODE: V70210 COMPONENT MAINT MANUAL REF: 21-50-78 MAINTENANCE MANUAL REF: 21-51-04	001046 054999	1

MISSING ITEM NUMBERS NOT APPLICABLE

- ITEM NOT ILLUSTRATED

HAP

21-51-04-01

BOEING PROPRIETARY - Copyright © - Unpublished Work - See title page for details.

21-51-04
FIG. 01
PAGE 1
FEB 15/09

BOEING
737-600/700/800/900
PARTS CATALOG (MAINTENANCE)

FIG ITEM	PART NUMBER	1 2 3 4 5 6 7	NOMENCLATURE	EFFECT FROM TO	UNITS PER ASSY
1 25	2206400-2		.MACHINE-AIR CYCLE SUPPLIER CODE: V70210 FUNCTIONAL DESCRIPTION: THE AIR CYCLE MACHINE FUNCTIONS AS A COMPONENT OF A REFRIGERATION UNIT TO SUPPLY COOLED AIR FOR THE AIRCRAFT CONDITIONED AIR SUPPLY, AND COOLING AIR FOR THE AIR-CONDITIONING SYSTEM. COMPONENT MAINT MANUAL REF: 21-50-78 MAINTENANCE MANUAL REF: 21-51-04 OPTIONAL PART: 2206400-1 V70210	001046 054999	1
30	2356731-1		..NAMEPLATE- SUPPLIER CODE: V70210 MISCELLANEOUS DATA: USE WITH SERIES 1 USED ON: 2206400-1	001046 054999	1
30	2206467-1		..NAMEPLATE- SUPPLIER CODE: V70210 MISCELLANEOUS DATA: USE WITH SERIES 2 USED ON: 2206400-1	001046 054999	1
30	2787066-1		..NAMEPLATE- SUPPLIER CODE: V70210 USED ON: 2206400-2	001046 054999	1
35	2356736-1		..NAMEPLATE- SUPPLIER CODE: V70210	001046 054999	1
35	2787048-1		..NAMEPLATE- SUPPLIER CODE: V70210	001046 054999	1
40	S8454M103		..LABEL- SUPPLIER CODE: V70210 CONFIG CHG DATA FROM A CMM: SUPSD BY S8454M108	001046 054999	1

MISSING ITEM NUMBERS NOT APPLICABLE

— ITEM NOT ILLUSTRATED

HAP

21-51-04-01

BOEING PROPRIETARY - Copyright © - Unpublished Work - See title page for details.

21-51-04
FIG. 01
PAGE 2
FEB 15/09

BOEING
737-600/700/800/900
PARTS CATALOG (MAINTENANCE)

FIG ITEM	PART NUMBER	1 2 3 4 5 6 7	NOMENCLATURE	EFFECT FROM TO	UNITS PER ASSY
1 40	S8454M108		.. LABEL- SUPPLIER CODE: V70210 CONFIG CHG DATA FROM A CMM: SUPERSEDES S8454M103	001046 054999	1
- 50	2215290-1		PACK ASSY-SECONDARY HEAT EXCHANGER UNIT SERIES 1 AND 2 (AIR CYCLE MACHINE ONLY) SUPPLIER CODE: V70210 POSITION DATA: RH FUNCTIONAL DESCRIPTION: PROVIDES CONDITIONED AIR TO THE PASSENGER CABIN AND FLIGHT DECK SPECIFICATION NUMBER: S210A001-200 COMPONENT MAINT MANUAL REF: 21-50-76 FOR NHA/ADDITIONAL DET SEE: 21-51-03-01	101999	RF
- 50	2215510-1		PACK ASSY-SECONDARY HEAT EXCHANGER UNIT (AIR CYCLE MACHINE ONLY) SUPPLIER CODE: V70210 POSITION DATA: RH FUNCTIONAL DESCRIPTION: PROVIDES CONDITIONED AIR TO THE PASSENGER CABIN AND FLIGHT DECK SPECIFICATION NUMBER: S210A001-400 COMPONENT MAINT MANUAL REF: 21-50-86 FOR NHA/ADDITIONAL DET SEE: 21-51-03-01A	001046 054100	RF
60	2206400-1		.MACHINE-AIR CYCLE SUPPLIER CODE: V70210 COMPONENT MAINT MANUAL REF: 21-50-78 OPTIONAL PART: 2206400-2 V70210	001046 054999	1

MISSING ITEM NUMBERS NOT APPLICABLE

- ITEM NOT ILLUSTRATED

HAP

21-51-04-01

BOEING PROPRIETARY - Copyright © - Unpublished Work - See title page for details.

21-51-04
FIG. 01
PAGE 3
FEB 15/09

BOEING
737-600/700/800/900
PARTS CATALOG (MAINTENANCE)

FIG ITEM	PART NUMBER	1 2 3 4 5 6 7	NOMENCLATURE	EFFECT FROM TO	UNITS PER ASSY
1 60	2206400-2		.MACHINE-AIR CYCLE SUPPLIER CODE: V70210 FUNCTIONAL DESCRIPTION: THE AIR CYCLE MACHINE FUNCTIONS AS A COMPONENT OF A REFRIGERATION UNIT TO SUPPLY COOLED AIR FOR THE AIRCRAFT CONDITIONED AIR SUPPLY, AND COOLING AIR FOR THE AIR-CONDITIONING SYSTEM. COMPONENT MAINT MANUAL REF: 21-50-78 OPTIONAL PART: 2206400-1 V70210 OPTIONAL PART: 2206400-1 V70210	001046 054999	1
65	2356731-1		..NAMEPLATE- SUPPLIER CODE: V70210 MISCELLANEOUS DATA: USE WITH SERIES 1 USED ON: 2206400-1	001046 054999	1
65	2206467-1		..NAMEPLATE- SUPPLIER CODE: V70210 MISCELLANEOUS DATA: USE WITH SERIES 2 USED ON: 2206400-1	001046 054999	1
65	2787066-1		..NAMEPLATE- SUPPLIER CODE: V70210 USED ON: 2206400-2	001046 054999	1
70	2356736-1		..NAMEPLATE- SUPPLIER CODE: V70210	001046 054999	1
70	2787048-1		..NAMEPLATE- SUPPLIER CODE: V70210	001046 054999	1

MISSING ITEM NUMBERS NOT APPLICABLE

— ITEM NOT ILLUSTRATED

HAP

21-51-04-01

BOEING PROPRIETARY - Copyright © - Unpublished Work - See title page for details.

21-51-04
FIG. 01
PAGE 4
FEB 15/09


BOEING
 737-600/700/800/900
PARTS CATALOG (MAINTENANCE)

FIG ITEM	PART NUMBER	1 2 3 4 5 6 7	NOMENCLATURE	EFFECT FROM TO	UNITS PER ASSY
1	75 S8454M103		.. LABEL- SUPPLIER CODE: V70210 CONFIG CHG DATA FROM A CMM: SUPSD BY S8454M108	001046 054999	1
	75 S8454M108		.. LABEL- SUPPLIER CODE: V70210 CONFIG CHG DATA FROM A CMM: SUPERSEDES S8454M103	001046 054999	1

MISSING ITEM NUMBERS NOT APPLICABLE

— ITEM NOT ILLUSTRATED

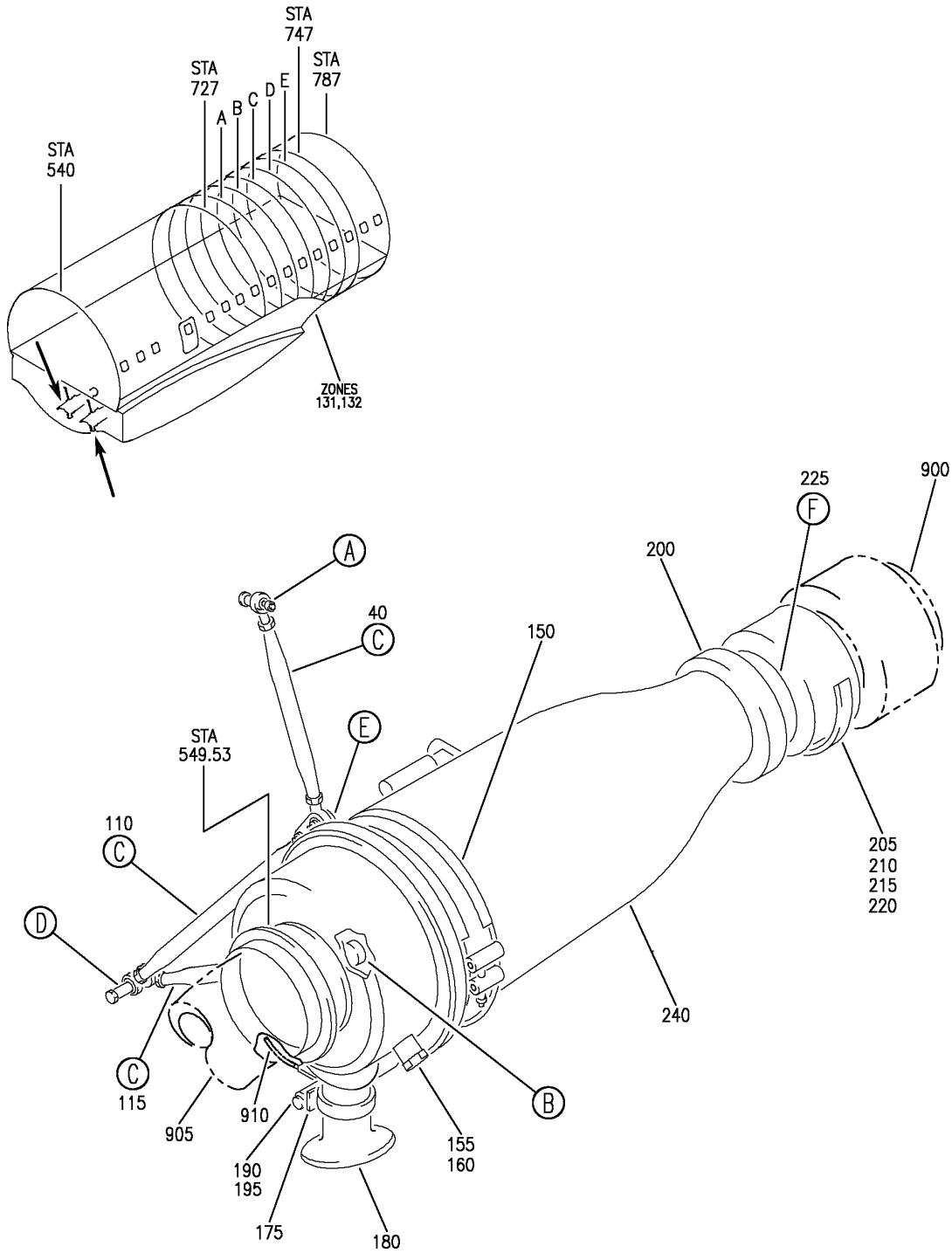
HAP

21-51-04-01

BOEING PROPRIETARY - Copyright © - Unpublished Work - See title page for details.

21-51-04
 FIG. 01
 PAGE 5
 FEB 15/09

BOEING
 737-600/700/800/900
 PARTS CATALOG (MAINTENANCE)



E 21510501 SHT 1 REV 075

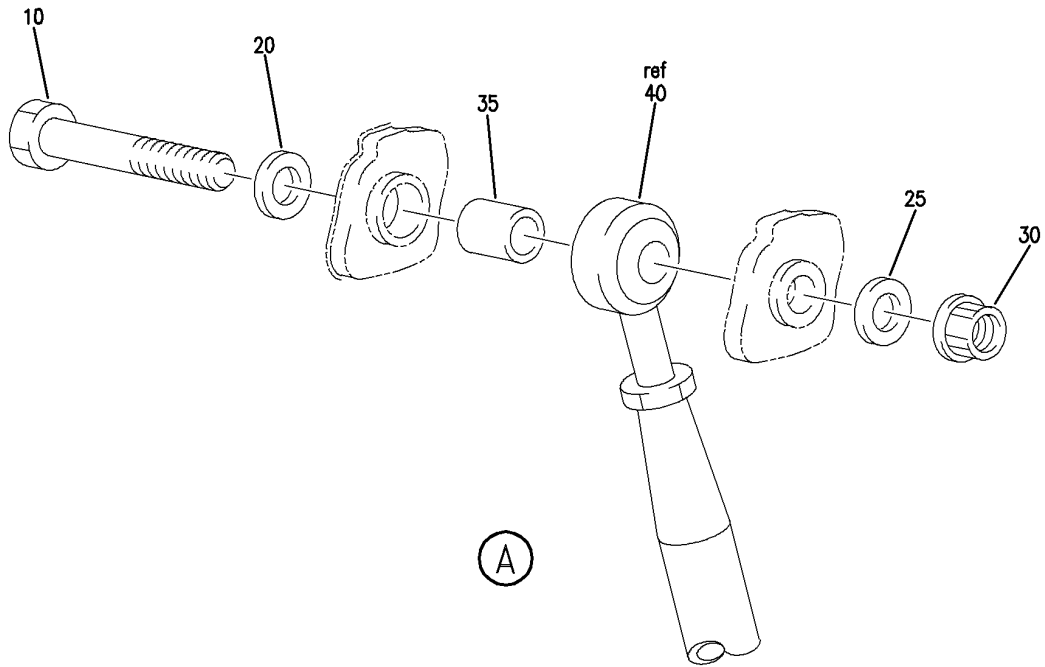
SEPARATOR INSTL-AIR CONDITIONING WATER (WATER SEPARATOR AND COALESCER (BAG) ONLY)
 FIGURE 1 (SHEET 1)

21-51-05-01

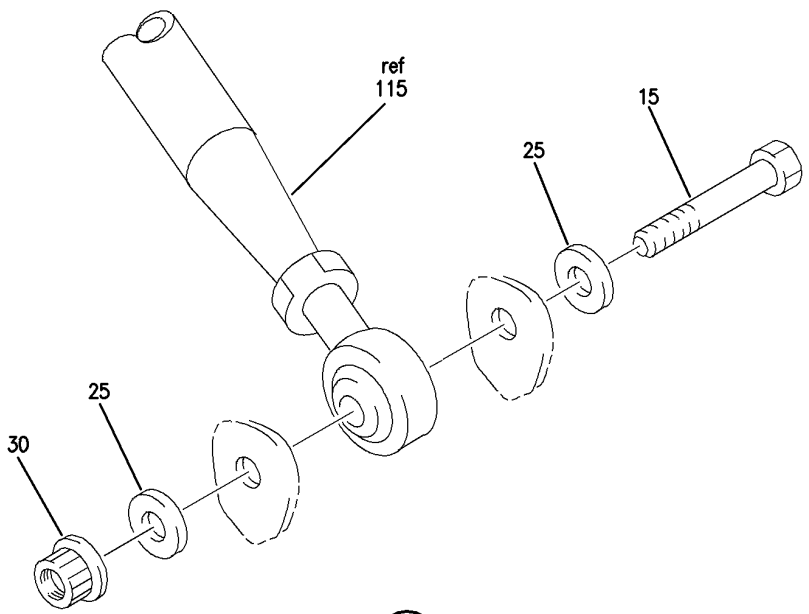
HAP
 FEB 10/07

21-51-05-01
 PAGE 0

BOEING
737-600/700/800/900
PARTS CATALOG (MAINTENANCE)



(A)



(B)

E 21510501 SHT 2 REV 057

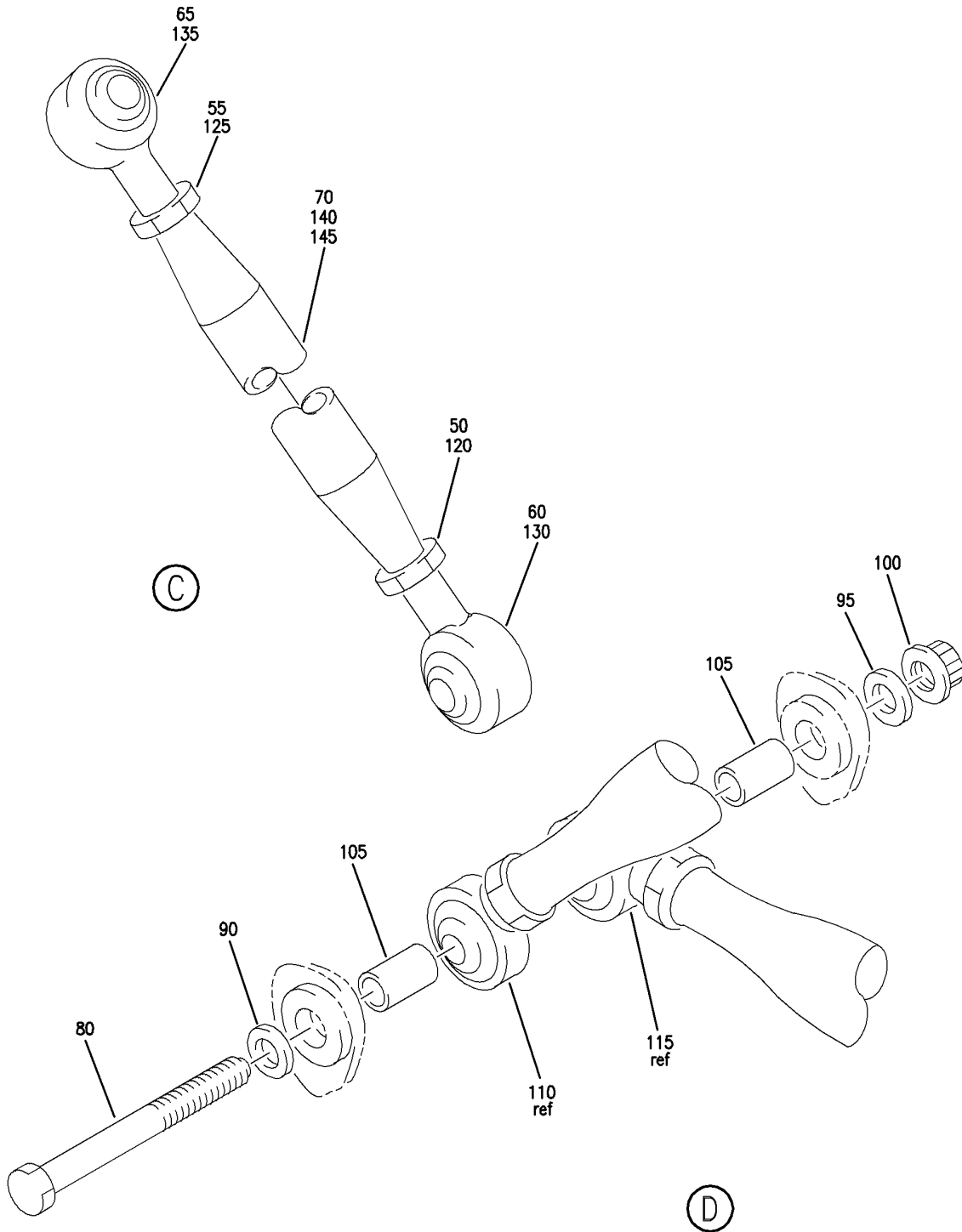
SEPARATOR INSTL-AIR CONDITIONING WATER (WATER SEPARATOR AND COALESCER (BAG) ONLY)
FIGURE 1 (SHEET 2)

21-51-05-01

HAP
FEB 10/07

21-51-05-01
PAGE 0A

BOEING
737-600/700/800/900
PARTS CATALOG (MAINTENANCE)



E 21510501 SHT 3 REV 057

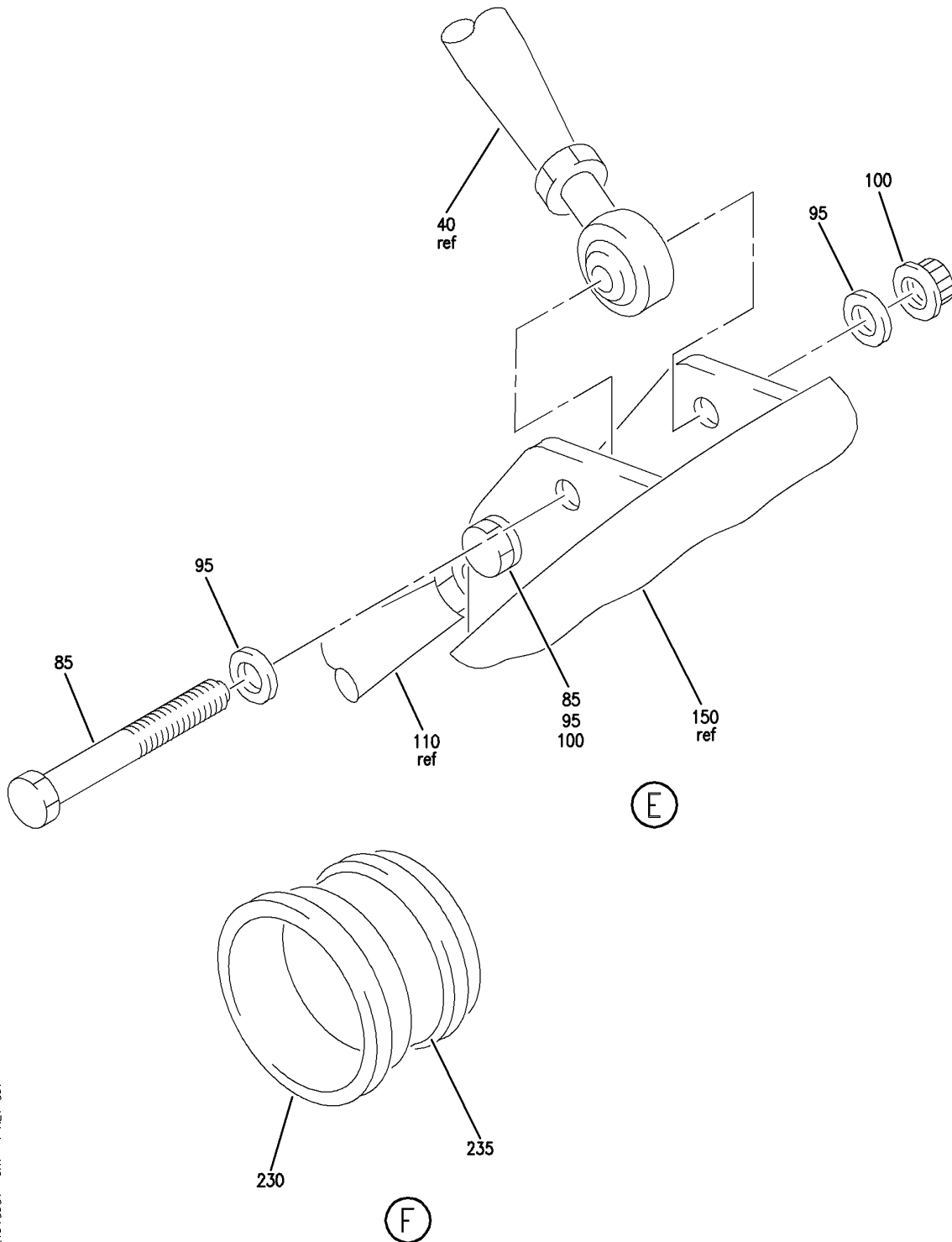
SEPARATOR INSTL-AIR CONDITIONING WATER (WATER SEPARATOR AND COALESCER (BAG) ONLY)
FIGURE 1 (SHEET 3)

HAP
FEB 10/07

21-51-05-01

21-51-05-01
PAGE 0B

BOEING
737-600/700/800/900
PARTS CATALOG (MAINTENANCE)



E 21510501 SHIT 4 REV 057

SEPARATOR INSTL-AIR CONDITIONING WATER (WATER SEPARATOR AND COALESCER (BAG) ONLY)
FIGURE 1 (SHEET 4)

HAP
FEB 10/07

21-51-05-01

21-51-05-01
PAGE 0C

BOEING
737-600/700/800/900
PARTS CATALOG (MAINTENANCE)

FIG ITEM	PART NUMBER	1 2 3 4 5 6 7	NOMENCLATURE	EFFECT FROM TO	UNITS PER ASSY
1			SEPARATOR INSTL-AIR CONDITIONING WATER (WATER SEPARATOR AND COALESCER (BAG) ONLY)	101106 201999	
- 1	213A1003-1		SEPARATOR INSTL-AIR CONDITIONING WATER (WATER SEPARATOR AND COALESCER (BAG) ONLY) POSITION DATA: LH FOR NHA/ADDITIONAL DET SEE: 21-50-00-01B	201967	RF
- 1	MODREF81149		SEPARATOR INSTL-AIR CONDITIONING WATER (WATER SEPARATOR AND COALESCER (BAG) ONLY) MODULE NUMBER: 213A1003-1 REV A POSITION DATA: LH FOR ADDITIONAL DETAILS SEE: 21-51-32-01	101105 968999	1
- 5	213A1003-2		SEPARATOR INSTL-AIR CONDITIONING WATER (WATER SEPARATOR AND COALESCER (BAG) ONLY) POSITION DATA: RH FOR NHA/ADDITIONAL DET SEE: 21-50-00-01B	201967	RF
- 5	MODREF81150		SEPARATOR INSTL-AIR CONDITIONING WATER (WATER SEPARATOR AND COALESCER (BAG) ONLY) MODULE NUMBER: 213A1003-2 REV A POSITION DATA: RH FOR ADDITIONAL DETAILS SEE: 21-51-32-01	101105 968999	1
10	BACB30NR4HK18	.BOLT		101105 201999	1
15	BACB30NR4HK8	.BOLT		101105 201999	1
20	BACW10BP4ACU	.WASHER		101105 201999	1
25	NAS1149D0416J	.WASHER		101105 201999	3

MISSING ITEM NUMBERS NOT APPLICABLE

- ITEM NOT ILLUSTRATED

HAP

21-51-05-01

BOEING PROPRIETARY - Copyright © - Unpublished Work - See title page for details.

21-51-05
FIG. 01
PAGE 1
OCT 15/08

BOEING
737-600/700/800/900
PARTS CATALOG (MAINTENANCE)

FIG ITEM	PART NUMBER	1 2 3 4 5 6 7	NOMENCLATURE	EFFECT FROM TO	UNITS PER ASSY
1					
30	PLH54CD	.	NUT SUPPLIER CODE: VF0224 SPECIFICATION NUMBER: BACN10YR4CD OPTIONAL PART: H52732-4CD V15653	101105 201999	2
35	BACB28AK04-050	.	BUSHING	101105 201999	1
40	212A1125-13	.	TIE ROD ASSY- POSITION DATA: LH SIDE	101105 201999	1
- 45	212A1125-15	.	TIE ROD ASSY- POSITION DATA: RH SIDE	101105 201999	1
50	NAS509-5	..	NUT	101105 201999	1
55	NAS509L5	..	NUT	101105 201999	1
60	M81935-1-4	..	ROD	101105 201999	1
65	M81935-1-4L	..	ROD	101105 201999	1
70	212A1125-14	..	TUBE- POSITION DATA: LH SIDE	101105 201999	1
- 75	212A1125-16	..	TUBE- POSITION DATA: RH SIDE	101105 201999	1
80	BACB30NR4HK46	.	BOLT	101105 201999	1
85	BACB30NR4HK8	.	BOLT	101105 201999	2
90	BACW10BP4ACU	.	WASHER	101105 201999	1
95	NAS1149D0416J	.	WASHER	101105 201999	5
100	PLH54CD	.	NUT SUPPLIER CODE: VF0224 SPECIFICATION NUMBER: BACN10YR4CD OPTIONAL PART: H52732-4CD V15653	101105 201999	3
105	BACB28AK04-082	.	BUSHING	101105 201999	2

MISSING ITEM NUMBERS NOT APPLICABLE

- ITEM NOT ILLUSTRATED

HAP

21-51-05-01

BOEING PROPRIETARY - Copyright © - Unpublished Work - See title page for details.

21-51-05
FIG. 01
PAGE 2
FEB 15/09

BOEING
737-600/700/800/900
PARTS CATALOG (MAINTENANCE)

FIG ITEM	PART NUMBER	1 2 3 4 5 6 7	NOMENCLATURE	EFFECT FROM TO	UNITS PER ASSY
1					
110	212A1125-21	.	TIE ROD ASSY	101105 201999	1
115	212A1125-11	.	TIE ROD ASSY	101105 201999	1
120	NAS509-5	..	NUT	101105 201999	1
125	NAS509L5	..	NUT	101105 201999	1
130	M81935-1-4	..	ROD	101105 201999	1
135	M81935-1-4L	..	ROD	101105 201999	1
140	212A1125-22	..	TUBE- USED ON: 212A1125-21	101105 201999	1
145	212A1125-12	..	TUBE- USED ON: 212A1125-11	101105 201999	1
150	4075KR	.	CLAMP- SUPPLIER CODE: V94581	101105 201999	1
155	BACP11K7	.	PACKING MAINTENANCE MANUAL REF: 21-51-05	101105 201999	1
160	MS9902-07	.	PLUG	101105 201999	1
175	NAS1922-0175-1	.	CLAMP	101105 201999	1
180	301171-1	.	SEAL- SUPPLIER CODE: V70628 POSITION DATA: LH SIDE	101105 201999	1
- 185	301171-3	.	SEAL- SUPPLIER CODE: V70628 POSITION DATA: RH SIDE	101105 201999	1

MISSING ITEM NUMBERS NOT APPLICABLE

- ITEM NOT ILLUSTRATED

HAP

21-51-05-01

BOEING PROPRIETARY - Copyright © - Unpublished Work - See title page for details.

21-51-05
FIG. 01
PAGE 3
OCT 15/08

BOEING
737-600/700/800/900
PARTS CATALOG (MAINTENANCE)

FIG ITEM	PART NUMBER	1 2 3 4 5 6 7	NOMENCLATURE	EFFECT FROM TO	UNITS PER ASSY
1 190	R1131-906		.PACKING SUPPLIER CODE: V57268 SPECIFICATION NUMBER: BACP11K6 OPTIONAL PART: 3-906S383-70 V02697 1090-06 V95272 150701-06 V95272 AS568-906S32 V11314 MAINTENANCE MANUAL REF: 21-51-05	101105 201999	1
195	MS21902D6		.UNION	101105 201999	1
200	BACC10DU400ABE		.CLAMP	101105 201999	1
205	51200-2-400		.CLAMP SUPPLIER CODE: V8W928 SPECIFICATION NUMBER: BACC10CT2-400	101105 201999	1
210	21156-400		.RETAINER SUPPLIER CODE: V94581 SPECIFICATION NUMBER: BACC10BR2400A OPTIONAL PART: 24170-400A V00624	101105 201999	1
215	17351-400		.RING SUPPLIER CODE: V00624 SPECIFICATION NUMBER: BACC10BR3400 OPTIONAL PART: 2325-400 V94581	101105 201999	1
220	NK1008725-400		.SLEEVE- SUPPLIER CODE: V00624 OPTIONAL PART: FS11-400 V94581	101105 201999	1

MISSING ITEM NUMBERS NOT APPLICABLE

— ITEM NOT ILLUSTRATED

HAP

21-51-05-01

21-51-05
FIG. 01
PAGE 4
OCT 15/08

BOEING
737-600/700/800/900
PARTS CATALOG (MAINTENANCE)

FIG ITEM	PART NUMBER	1 2 3 4 5 6 7	NOMENCLATURE	EFFECT FROM TO	UNITS PER ASSY
1					
220	FS11-400	.	SLEEVE- SUPPLIER CODE: V94581 OPTIONAL PART: NK1008725-400 V00624	101105 201999	1
225	213A1301-1	.	ADAPTER ASSY-DUCT	101105 201999	1
230	VFS103110-400	..	FLANGE SUPPLIER CODE: V14242 SPECIFICATION NUMBER: BACF22AA400A OPTIONAL PART: 56408-1-400 V8W928 10120-400 V06689 56408-1-400 V98625 2909AC400 V94581	101105 201999	1
235	213A1301-2	..	DUCT	101105 201999	1
240	183010-4	.	SEPARATOR ASSY-AIR COND SUPPLIER CODE: V70210 FUNCTIONAL DESCRIPTION: COLLECTS AND REMOVES EXCESS MOISTURE FROM AIR LEAVING AIR CYCLE MACHINE PRIOR TO ENTERING THE DISTRIBUTION SYSTEM. COMPONENT MAINT MANUAL REF: 21-70-06 MAINTENANCE MANUAL REF: 21-51-05 FOR DETAILS SEE: 21-51-05-02	101105 201999	1
900			ILLUSTRATION REFERENCE: DUCT INSTL-L SIDE AIR CONDITIONING PACK (LOW PRESSURE WATER SYSTEM MIX MUFF ONLY) 21-51-09-01	201967	RF

MISSING ITEM NUMBERS NOT APPLICABLE

— ITEM NOT ILLUSTRATED

HAP

21-51-05-01

BOEING PROPRIETARY - Copyright © - Unpublished Work - See title page for details.

21-51-05
FIG. 01
PAGE 5
OCT 15/08

BOEING
737-600/700/800/900
PARTS CATALOG (MAINTENANCE)

FIG ITEM	PART NUMBER	1 2 3 4 5 6 7	NOMENCLATURE	EFFECT FROM TO	UNITS PER ASSY
1 900			ILLUSTRATION REFERENCE: DUCT INSTL-R SIDE AIR CONDITIONING PACK (LOW PRESSURE WATER SYSTEM MIX MUFF ONLY) 21-51-09-02	201967	RF
905			ILLUSTRATION REFERENCE: DUCT INSTL-AIR DISTR MIX BAY SYS BASELINE CONFIGURATION FOR 737-700 (COLD AIR CHECK VALVE ONLY) 21-21-51-05	101101 201971	RF
910			ILLUSTRATION REFERENCE: SENSE LINE INSTL-L SIDE AIR CONDITIONING PACK 21-51-53-02	101106 201999	RF
910			ILLUSTRATION REFERENCE: SENSE LINE INSTL-R SIDE AIR CONDITIONING PACK 21-51-53-03	101106 201999	RF

MISSING ITEM NUMBERS NOT APPLICABLE

— ITEM NOT ILLUSTRATED

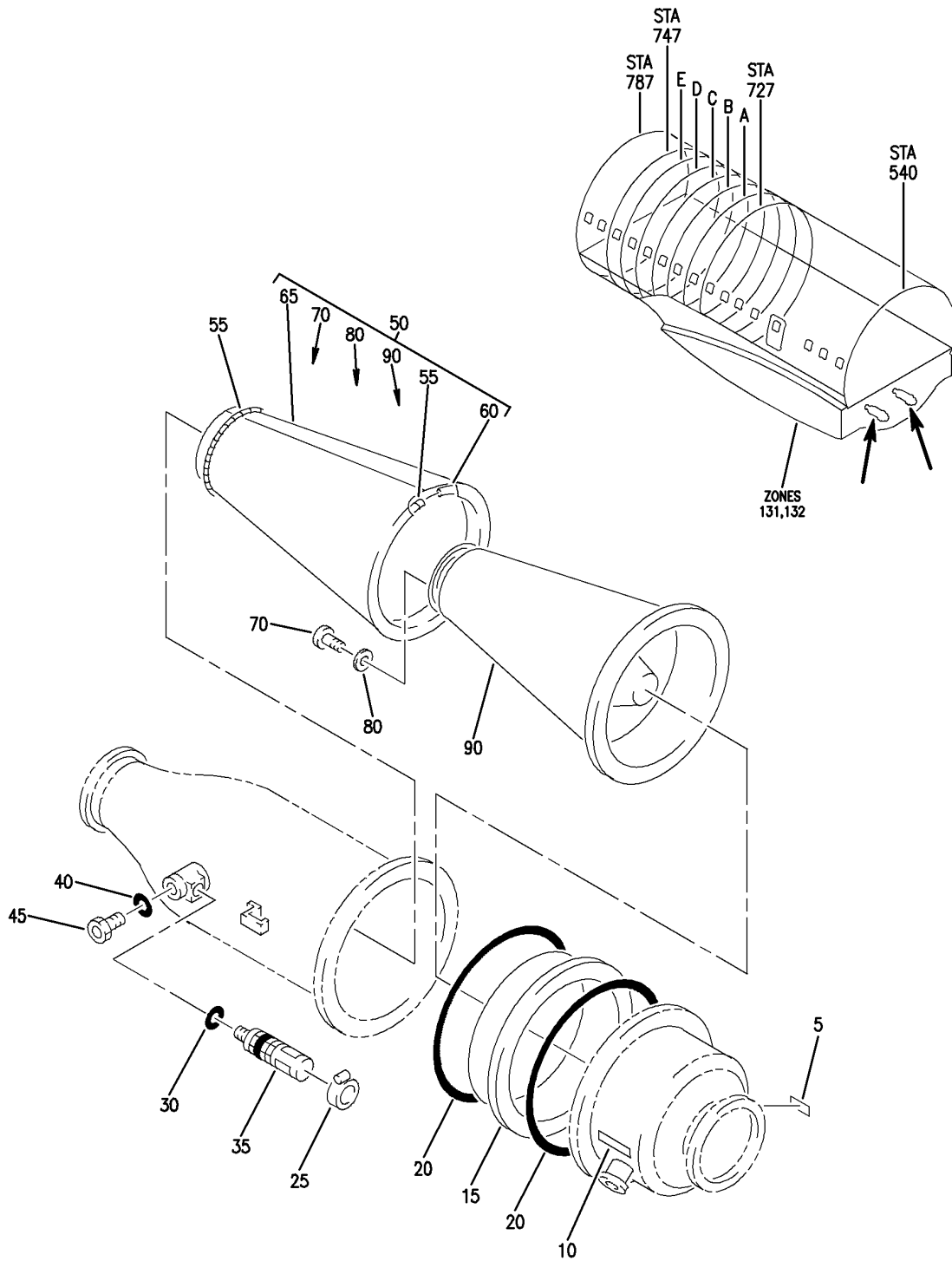
HAP

21-51-05-01

BOEING PROPRIETARY - Copyright © - Unpublished Work - See title page for details.

21-51-05
FIG. 01
PAGE 6
OCT 15/08

BOEING
 737-600/700/800/900
 PARTS CATALOG (MAINTENANCE)



E 21510502 REV 057

SEPARATOR ASSY-AIR COND
 FIGURE 2

21-51-05-02

HAP
 FEB 10/07

21-51-05-02
 PAGE 0

BOEING
737-600/700/800/900
PARTS CATALOG (MAINTENANCE)

FIG ITEM	PART NUMBER	1 2 3 4 5 6 7	NOMENCLATURE	EFFECT FROM TO	UNITS PER ASSY
2			SEPARATOR ASSY-AIR COND	101105 201999	
- 1	183010-4		SEPARATOR ASSY-AIR COND SUPPLIER CODE: V70210 FUNCTIONAL DESCRIPTION: COLLECTS AND REMOVES EXCESS MOISTURE FROM AIR LEAVING AIR CYCLE MACHINE PRIOR TO ENTERING THE DISTRIBUTION SYSTEM. COMPONENT MAINT MANUAL REF: 21-70-06 FOR NHA SEE: 21-51-05-01	101105 201999	RF
	5 S8454MP55		.LABEL-IDENT SUPPLIER CODE: V70210	101105 201999	1
	10 S8454MP56		.LABEL-IDENT SUPPLIER CODE: V70210	101105 201999	1
	15 4101-900S		.COUPLING-GROOVED QUICK COUPLER CLAMP SUPPLIER CODE: V98625	101105 201999	1
	20 S9027E267		.PACKING-PREFORMED SUPPLIER CODE: V70210 OPTIONAL PART: S9026G267 V70210	101105 201999	2
	20 S9026G267		.PACKING-PREFORMED SUPPLIER CODE: V70210 OPTIONAL PART: S9027E267 V70210	101105 201999	2
	25 10HS		.CLAMP-HOSE SUPPLIER CODE: V81646 OPTIONAL PART: 6710-1 V81646	101105 201999	1

MISSING ITEM NUMBERS NOT APPLICABLE

- ITEM NOT ILLUSTRATED

HAP

21-51-05-02

BOEING PROPRIETARY - Copyright © - Unpublished Work - See title page for details.

21-51-05
FIG. 02
PAGE 1
OCT 15/08

BOEING
737-600/700/800/900
PARTS CATALOG (MAINTENANCE)

FIG ITEM	PART NUMBER	1 2 3 4 5 6 7	NOMENCLATURE	EFFECT FROM TO	UNITS PER ASSY
2					
25	6710-1		.CLAMP-HOSE SUPPLIER CODE: V81646 OPTIONAL PART: 10HS V81646	101105 201999	1
30	S9028F903		.PACKING-PREFORMED SUPPLIER CODE: V70210 OPTIONAL PART: S9026F903 V70210 M83248-1-903	101105 201999	1
30	S9026F903		.PACKING-PREFORMED SUPPLIER CODE: V70210 OPTIONAL PART: S9028F903 V70210 M83248-1-903	101105 201999	1
30	M83248-1-903		.PACKING- OPTIONAL PART: S9028F903 V70210 S9026F903 V70210	101105 201999	1
35	181893-2		.INDICATOR-PRESSURE SUPPLIER CODE: V70210	101105 201999	1
40	S9028F903		.PACKING-PREFORMED SUPPLIER CODE: V70210 OPTIONAL PART: S9026F903 V70210 M83248-1-903	101105 201999	1
40	S9026F903		.PACKING-PREFORMED SUPPLIER CODE: V70210 OPTIONAL PART: S9028F903 V70210 M83248-1-903	101105 201999	1
40	M83248-1-903		.PACKING- OPTIONAL PART: S9028F903 V70210 S9026F903 V70210	101105 201999	1

MISSING ITEM NUMBERS NOT APPLICABLE

— ITEM NOT ILLUSTRATED

HAP

21-51-05-02

BOEING PROPRIETARY - Copyright © - Unpublished Work - See title page for details.

21-51-05
FIG. 02
PAGE 2
OCT 15/08

 **BOEING**
737-600/700/800/900
PARTS CATALOG (MAINTENANCE)

FIG ITEM	PART NUMBER	1 2 3 4 5 6 7	NOMENCLATURE	EFFECT FROM TO	UNITS PER ASSY
2					
45	AN814-3CL	.	PLUG AND BLEEDER- CONFIG CHG DATA FROM A CMM: REPLD BY AN814-3JL	101105 201999	1
45	AN814-3JL	.	PLUG AND BLEEDER- CONFIG CHG DATA FROM A CMM: REPLS AN814-3CL	101105 201999	1
50	184268-2	.	CONDENSER ASSY- SUPPLIER CODE: V70210	101105 201999	1
55	83248	..	SPRING-EXTENSION SUPPLIER CODE: V70210	101105 201999	2
60	83463-3	..	CHAIN- SUPPLIER CODE: V70210	101105 201999	1
65	180849-4	..	COALESCER-CONICAL SUPPLIER CODE: V70210 FOR ELEMENT MAINTENANCE USE FILTER MAINT KIT DEFINED IN FILTER MAINT KIT LIST. FILTER MAINTENANCE KIT REF: 65-90305-29 MAINTENANCE MANUAL REF: 21-51-05	101105 201999	1
70	AN503-8-4	..	SCREW	101105 201999	6
80	AN960-8L	..	WASHER- CONFIG CHG DATA FROM A CMM: REPLD BY NAS1149FN816P	101105 201999	6
80	NAS1149FN816P	..	WASHER- CONFIG CHG DATA FROM A CMM: REPLS AN960-8L	101105 201999	6
- 85	171019-15	..	VALVE-BYPASS SUPPLIER CODE: V70210	101105 201999	1
90	184267-1	..	SUPPORT-NONREPAIRABLE SUPPLIER CODE: V70210 OPTIONAL PART: 184267-2 V70210	101105 201999	1
90	184267-2	..	SUPPORT-NONREPAIRABLE SUPPLIER CODE: V70210 OPTIONAL PART: 184267-1 V70210	101105 201999	1

MISSING ITEM NUMBERS NOT APPLICABLE

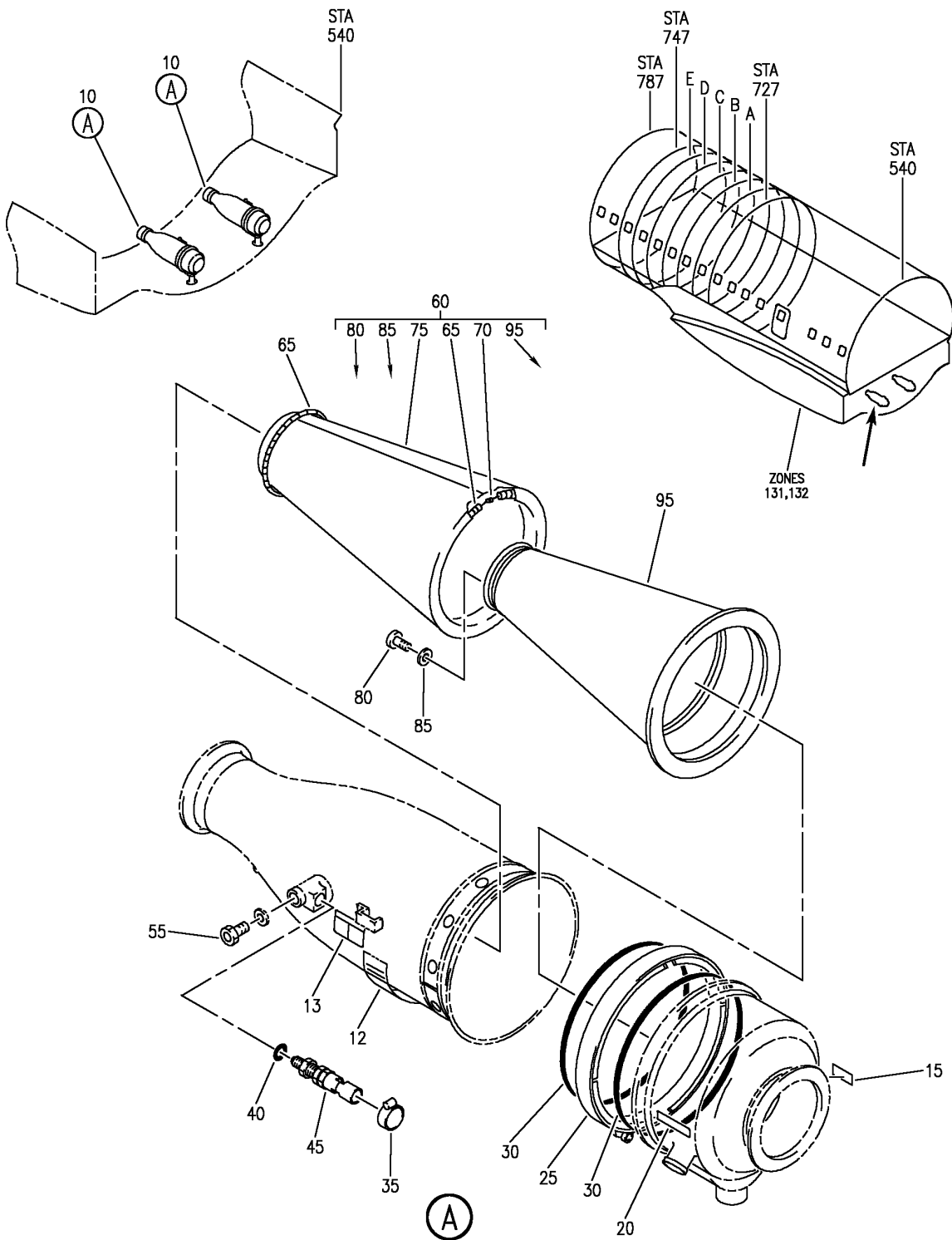
- ITEM NOT ILLUSTRATED

HAP

21-51-05-02

21-51-05
FIG. 02
PAGE 3
OCT 15/08

BOEING
 737-600/700/800/900
 PARTS CATALOG (MAINTENANCE)



E 21510503 REV 142

SEPARATOR ASSY-WATER AIR CONDITIONING (WATER SEPARATOR AND COALESCER (BAG) ONLY)
 FIGURE 3

21-51-05-03

HAP
 JUN 15/08

21-51-05-03
 PAGE 0

BOEING
737-600/700/800/900
PARTS CATALOG (MAINTENANCE)

FIG ITEM	PART NUMBER	1 2 3 4 5 6 7	NOMENCLATURE	EFFECT FROM TO	UNITS PER ASSY
3			SEPARATOR ASSY-WATER AIR CONDITIONING (WATER SEPARATOR AND COALESCER (BAG) ONLY)	106200	
- 1	213A1013-1		SEPARATOR ASSY-WATER AIR CONDITIONING (WATER SEPARATOR AND COALESCER (BAG) ONLY) POSITION DATA: LH FOR NHA/ADDITIONAL DET SEE: 21-51-09-05	106200	RF
- 5	213A1013-2		SEPARATOR ASSY-WATER AIR CONDITIONING (WATER SEPARATOR AND COALESCER (BAG) ONLY) POSITION DATA: RH FOR NHA/ADDITIONAL DET SEE: 21-51-09-05	106200	RF
10	183010-4		SEPARATOR ASSY-AIR COND SUPPLIER CODE: V70210 FUNCTIONAL DESCRIPTION: COLLECTS AND REMOVES EXCESS MOISTURE FROM AIR LEAVING AIR CYCLE MACHINE PRIOR TO ENTERING THE DISTRIBUTION SYSTEM. COMPONENT MAINT MANUAL REF: 21-70-06	106200	1
12	195740-1		..PLATE-IDENT SUPPLIER CODE: V70210	106200	1
13	181878-1		..LABEL-IDENT SUPPLIER CODE: V70210	106200	1
15	S8454MP55		..LABEL-IDENT SUPPLIER CODE: V70210	106200	1
20	S8454MP56		..LABEL-IDENT SUPPLIER CODE: V70210	106200	1
25	4101-900S		..COUPLING-GROOVED QUICK COUPLER CLAMP SUPPLIER CODE: V98625	106200	1

MISSING ITEM NUMBERS NOT APPLICABLE

- ITEM NOT ILLUSTRATED

HAP

21-51-05-03

BOEING PROPRIETARY - Copyright © - Unpublished Work - See title page for details.

21-51-05
FIG. 03
PAGE 1
OCT 15/08

BOEING
737-600/700/800/900
PARTS CATALOG (MAINTENANCE)

FIG ITEM	PART NUMBER	1 2 3 4 5 6 7	NOMENCLATURE	EFFECT FROM TO	UNITS PER ASSY
3					
30	S9027E267	..	PACKING-PREFORMED SUPPLIER CODE: V70210 OPTIONAL PART: S9026G267 V70210	106200	2
30	S9026G267	..	PACKING-PREFORMED SUPPLIER CODE: V70210 OPTIONAL PART: S9027E267 V70210	106200	2
35	10HS	..	CLAMP-HOSE SUPPLIER CODE: V81646 OPTIONAL PART: 6710-1 V81646	106200	1
35	6710-1	..	CLAMP-HOSE SUPPLIER CODE: V81646 OPTIONAL PART: 10HS V81646	106200	1
40	S9028F903	..	PACKING-PREFORMED SUPPLIER CODE: V70210 OPTIONAL PART: S9026F903 V70210 M83248-1-903	106200	1
40	S9026F903	..	PACKING-PREFORMED SUPPLIER CODE: V70210 OPTIONAL PART: S9028F903 V70210	106200	1
40	M83248-1-903	..	PACKING- OPTIONAL PART: S9028F903 V70210	106200	1
45	181893-2	..	INDICATOR-PRESSURE SUPPLIER CODE: V70210	106200	1
55	AN814-3CL	..	PLUG AND BLEEDER- CONFIG CHG DATA FROM A CMM: REPLD BY AN814-3JL	106200	1

MISSING ITEM NUMBERS NOT APPLICABLE

— ITEM NOT ILLUSTRATED

HAP

21-51-05-03

BOEING PROPRIETARY - Copyright © - Unpublished Work - See title page for details.

21-51-05
FIG. 03
PAGE 2
OCT 15/08

BOEING
737-600/700/800/900
PARTS CATALOG (MAINTENANCE)

FIG ITEM	PART NUMBER	1 2 3 4 5 6 7	NOMENCLATURE	EFFECT FROM TO	UNITS PER ASSY
3					
55	AN814-3JL	..	PLUG AND BLEEDER- CONFIG CHG DATA FROM A CMM: REPLS AN814-3CL	106200	1
60	184268-2	..	CONDENSER ASSY- SUPPLIER CODE: V70210	106200	1
65	83248	...	SPRING-EXTENSION SUPPLIER CODE: V70210	106200	2
70	83463-3	...	CHAIN- SUPPLIER CODE: V70210	106200	1
75	180849-4	...	COALESCER-CONICAL SUPPLIER CODE: V70210 FOR ELEMENT MAINTENANCE USE FILTER MAINT KIT DEFINED IN FILTER MAINT KIT LIST. FILTER MAINTENANCE KIT REF: 65-90305-29	106200	1
80	AN503-8-4	...	SCREW	106200	6
85	AN960-8L	...	WASHER- CONFIG CHG DATA FROM A CMM: REPLD BY NAS1149FN816P	106200	6
85	NAS1149FN816P	...	WASHER- CONFIG CHG DATA FROM A CMM: REPLS AN960-8L	106200	6
- 90	171019-15	...	VALVE-BYPASS SUPPLIER CODE: V70210	106200	1
95	184267-1	...	SUPPORT-NONREPAIRABLE SUPPLIER CODE: V70210 OPTIONAL PART: 184267-2 V70210	106200	1
95	184267-2	...	SUPPORT-NONREPAIRABLE SUPPLIER CODE: V70210 OPTIONAL PART: 184267-1 V70210	106200	1

MISSING ITEM NUMBERS NOT APPLICABLE

- ITEM NOT ILLUSTRATED

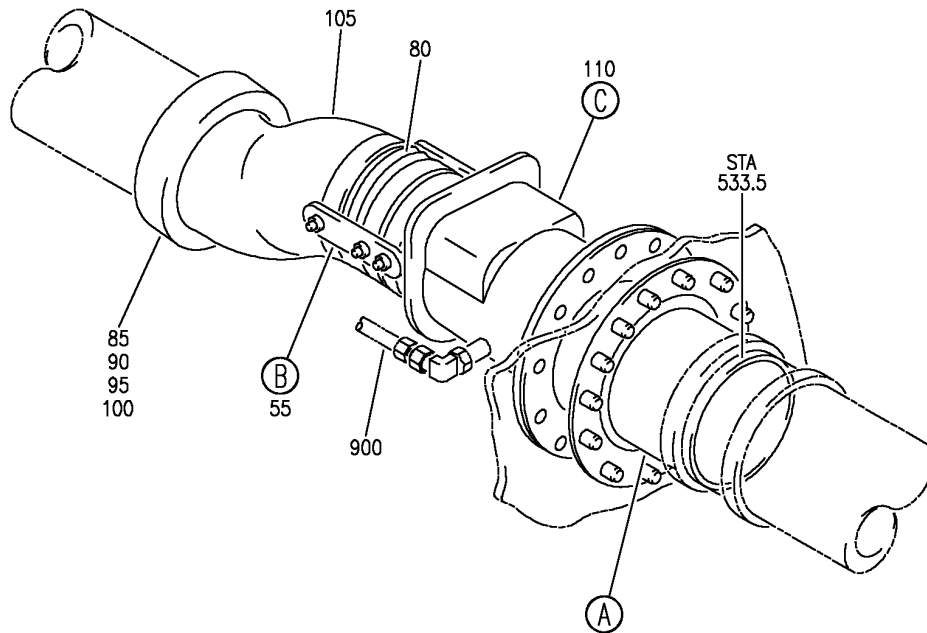
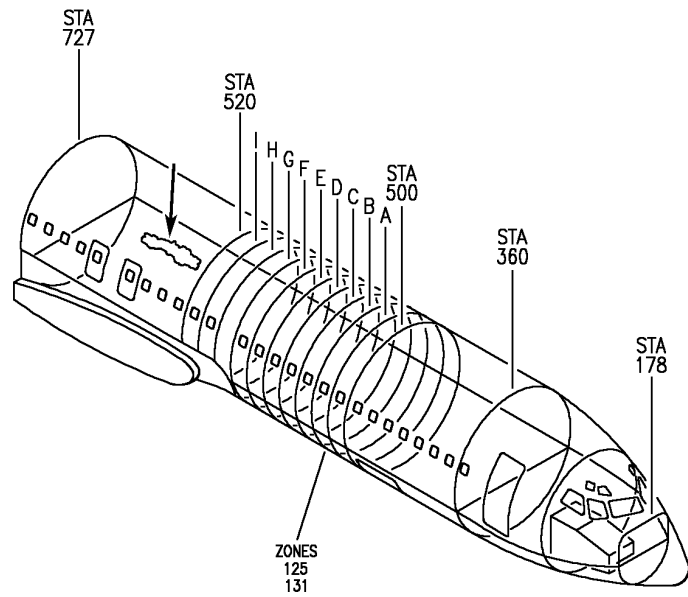
HAP

21-51-05-03

BOEING PROPRIETARY - Copyright © - Unpublished Work - See title page for details.

21-51-05
FIG. 03
PAGE 3
OCT 15/08

BOEING
 737-600/700/800/900
 PARTS CATALOG (MAINTENANCE)



E 21510701 SHT 1 REV 084

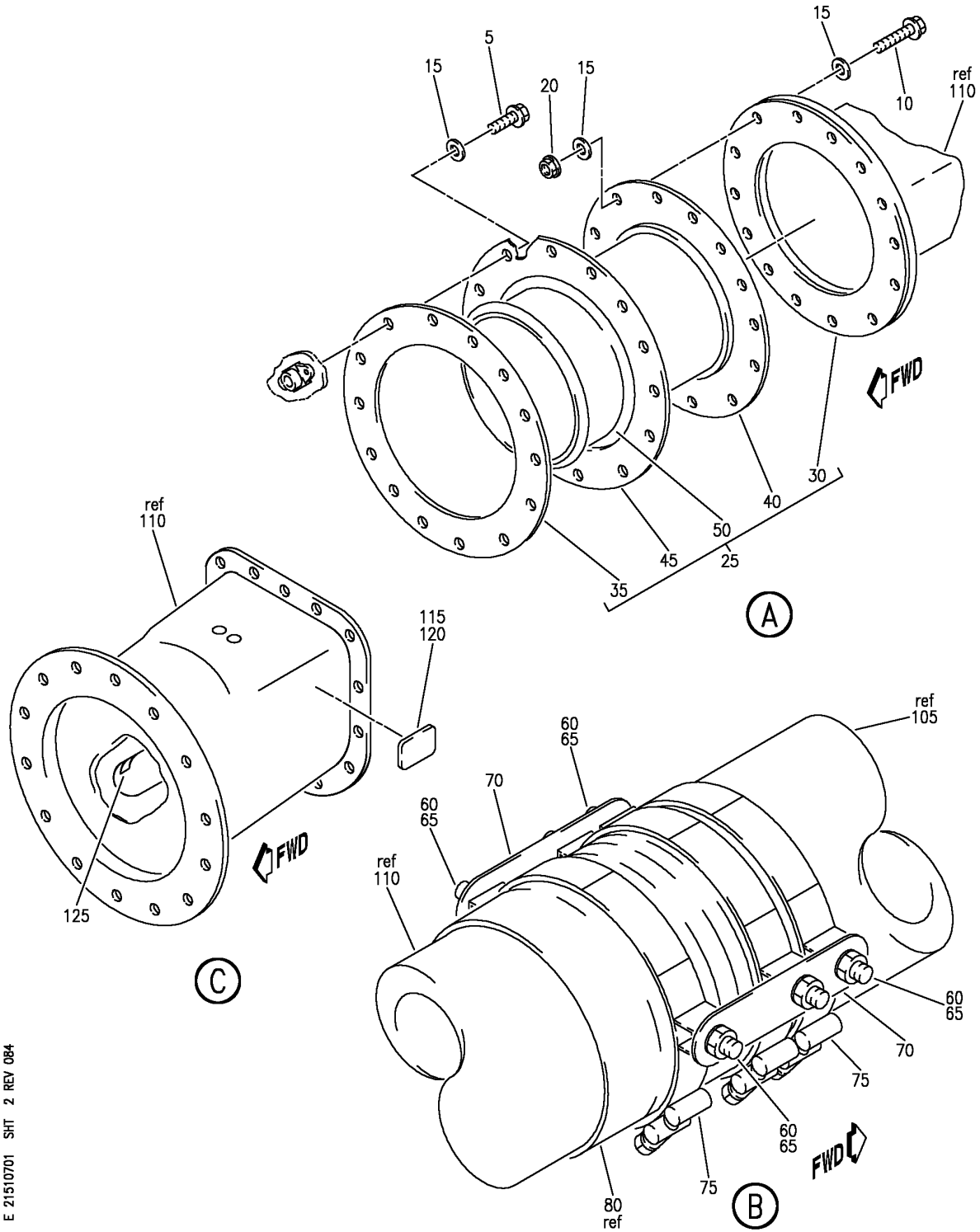
DUCT INSTL-L SIDE AIR CONDITIONING PACK (CONDITIONED AIR CHECK VALVE ONLY)
 FIGURE 1 (SHEET 1)

HAP
 OCT 10/06

21-51-07-01

21-51-07-01
 PAGE 0

BOEING
 737-600/700/800/900
 PARTS CATALOG (MAINTENANCE)



E 21510701 SHT 2 REV 084

DUCT INSTL-L SIDE AIR CONDITIONING PACK (CONDITIONED AIR CHECK VALVE ONLY)
 FIGURE 1 (SHEET 2)

21-51-07-01

HAP
 OCT 10/06

21-51-07-01
 PAGE 0A

BOEING
737-600/700/800/900
PARTS CATALOG (MAINTENANCE)

FIG ITEM	PART NUMBER	1 2 3 4 5 6 7	NOMENCLATURE	EFFECT FROM TO	UNITS PER ASSY
1			DUCT INSTL-L SIDE AIR CONDITIONING PACK (CONDITIONED AIR CHECK VALVE ONLY)	001030	
- 1	213A1002-3		DUCT INSTL-AIR CONDITIONING PACK (CONDITIONED AIR CHECK VALVE ONLY) POSITION DATA: L SIDE FOR NHA/ADDITIONAL DET SEE: 21-50-00-01C	001030	RF
5	BACB30NM3K5		.BOLT	001030	14
10	BACB30NM3K4		.BOLT	001030	14
15	NAS1149D0316J		.WASHER	001030	42
20	PLH53CD		.NUT	001030	14
			SUPPLIER CODE: VF0224 SPECIFICATION NUMBER: BACN10YR3CD OPTIONAL PART: H52732-3CD V15653		
25	65C33077-9		.DUCT ASSY	001030	1
30	65C33251-1		..GASKET MAINTENANCE MANUAL REF: 21-51-07	001030	1
35	65C33251-2		..GASKET	001030	1
40	65C33252-4		..FLANGE	001030	1
45	65C33252-5		..FLANGE	001030	1
50	65C33077-7		..DUCT	001030	1
55	213A1260-5		.CLAMP ASSY	001030	1
60	NAS1149D0416J		..WASHER	001030	6
65	PLH54CD		..NUT SUPPLIER CODE: VF0224 SPECIFICATION NUMBER: BACN10YR4CD OPTIONAL PART: H52732-4CD V15653	001030	6
70	213A1260-4		..BRACKET	001030	2
75	3075FL		..CLAMP- SUPPLIER CODE: V94581	001030	3
80	BOE2367-0001		.SLEEVE- SUPPLIER CODE: V16632	001030	1

MISSING ITEM NUMBERS NOT APPLICABLE

- ITEM NOT ILLUSTRATED

HAP

21-51-07-01

BOEING PROPRIETARY - Copyright © - Unpublished Work - See title page for details.

21-51-07
FIG. 01
PAGE 1
FEB 15/09

BOEING
737-600/700/800/900
PARTS CATALOG (MAINTENANCE)

FIG ITEM	PART NUMBER	1 2 3 4 5 6 7	NOMENCLATURE	EFFECT FROM TO	UNITS PER ASSY
1					
85	24170-450A	.	RETAINER SUPPLIER CODE: V00624 SPECIFICATION NUMBER: BACC10BR2450A	001030	1
90	17351-450	.	RING SUPPLIER CODE: V00624 SPECIFICATION NUMBER: BACC10BR3450	001030	1
95	NK1008725-450	.	SLEEVE- SUPPLIER CODE: V00624	001030	1
100	51200-2-450	.	CLAMP SUPPLIER CODE: V8W928 SPECIFICATION NUMBER: BACC10CT2-450	001030	1
105	213A1211-51	.	DUCT ASSY- OPTIONAL PART: 213A1211-61	001030	1
105	213A1211-61	.	DUCT ASSY- OPTIONAL PART: 213A1211-51	001030	1
110	3202446-1	.	VALVE ASSY-CHK CONDITIONED AIR SUPPLIER CODE: V59364 FUNCTIONAL DESCRIPTION: PREVENTS REVERSE AIR FLOW. COMPONENT MAINT MANUAL REF: 21-51-39 MAINTENANCE MANUAL REF: 21-51-07	001030	1
115	S3006-2	..	PLATE-IDENT SUPPLIER CODE: V59364 CONFIG CHG DATA FROM A CMM: REPLD BY S3034-2	001030	1
115	S3034-2	..	PLATE-IDENT SUPPLIER CODE: V59364 CONFIG CHG DATA FROM A CMM: REPLS S3006-2 REPLD BY S3042-6	001030	1

MISSING ITEM NUMBERS NOT APPLICABLE

— ITEM NOT ILLUSTRATED

HAP

21-51-07-01

BOEING PROPRIETARY - Copyright © - Unpublished Work - See title page for details.

21-51-07
FIG. 01
PAGE 2
JUN 15/08

BOEING
737-600/700/800/900
PARTS CATALOG (MAINTENANCE)

FIG ITEM	PART NUMBER	1 2 3 4 5 6 7	NOMENCLATURE	EFFECT FROM TO	UNITS PER ASSY
1 120	S3042-6		..NAMEPLATE- SUPPLIER CODE: V59364 CONFIG CHG DATA FROM A CMM: REPLS S3034-2	001030	1
125	S8454M69		..LABEL-IDENT SUPPLIER CODE: V59364	001030	1
900			ILLUSTRATION REFERENCE: SENSE LINE INSTL-L SIDE AIR CONDITIONING PACK 21-51-53-18	001030	RF

MISSING ITEM NUMBERS NOT APPLICABLE

— ITEM NOT ILLUSTRATED

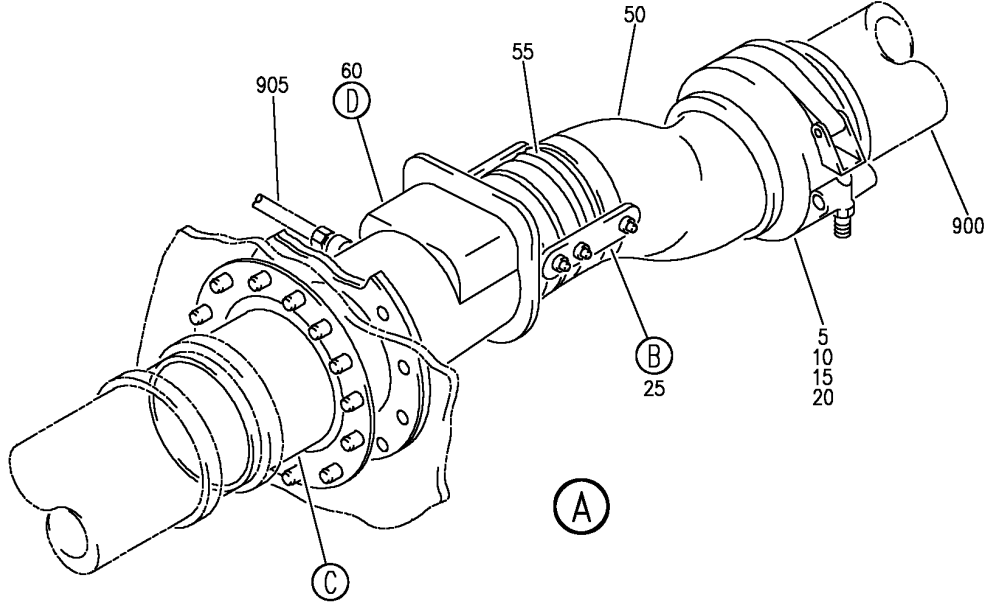
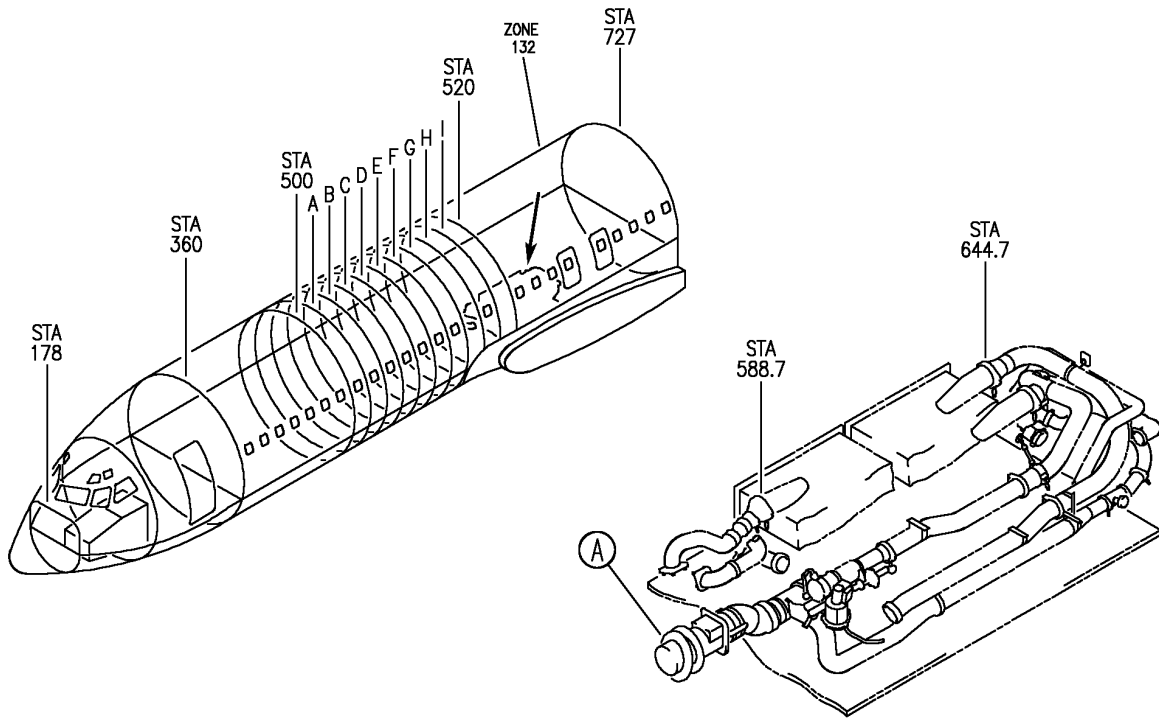
HAP

21-51-07-01

BOEING PROPRIETARY - Copyright © - Unpublished Work - See title page for details.

21-51-07
FIG. 01
PAGE 3
JUN 15/08

BOEING
737-600/700/800/900
PARTS CATALOG (MAINTENANCE)



E 21510702 SHT 1 REV 084

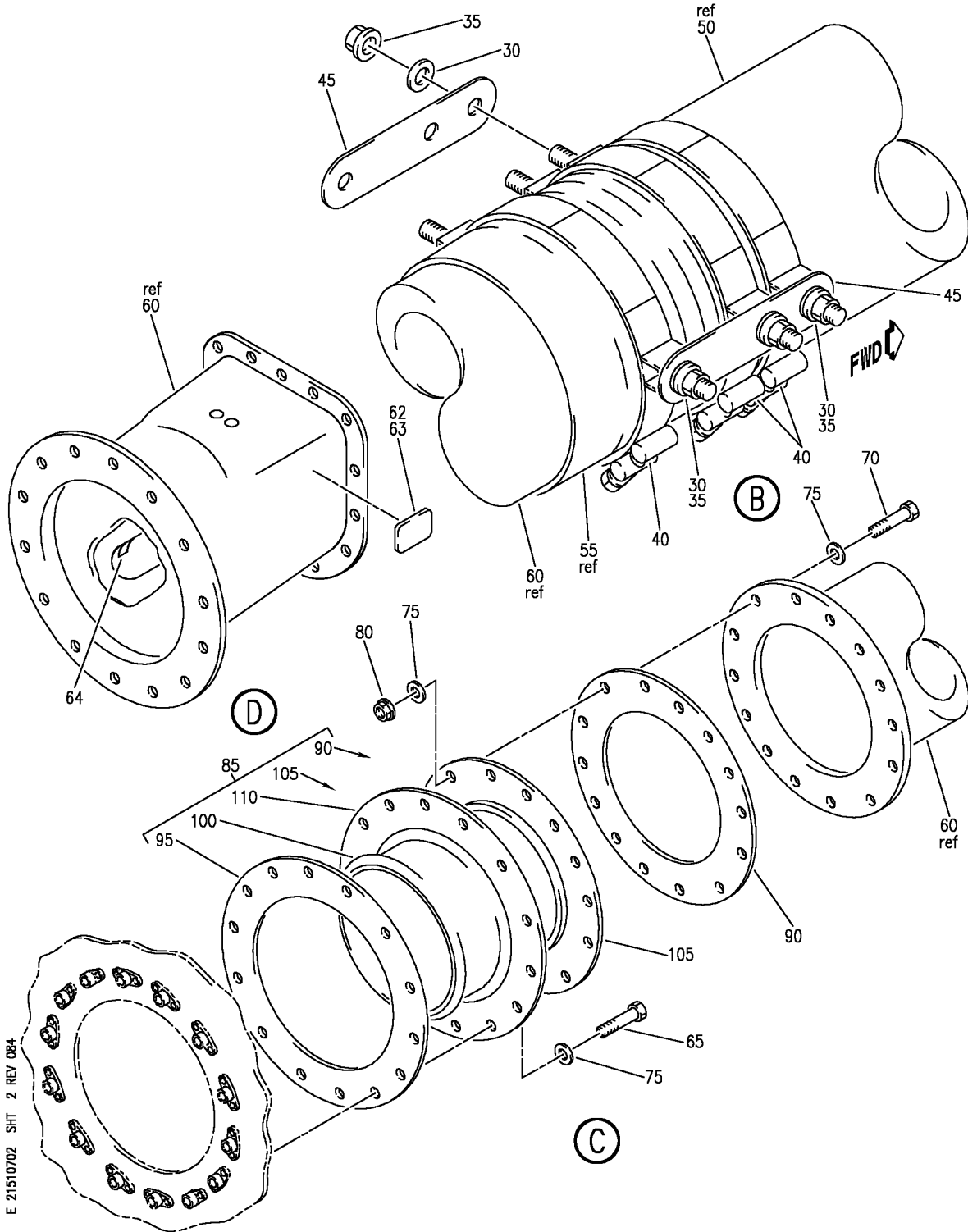
DUCT INSTL-R SIDE AIR CONDITIONING PACK (CONDITIONED AIR CHECK VALVE ONLY)
 FIGURE 2 (SHEET 1)

21-51-07-02

HAP
 OCT 10/06

21-51-07-02
 PAGE 0

BOEING
 737-600/700/800/900
 PARTS CATALOG (MAINTENANCE)



E 21510702 SHT 2 REV 084

DUCT INSTL-R SIDE AIR CONDITIONING PACK (CONDITIONED AIR CHECK VALVE ONLY)
 FIGURE 2 (SHEET 2)

21-51-07-02

HAP
 OCT 10/06

21-51-07-02
 PAGE 0A

BOEING
737-600/700/800/900
PARTS CATALOG (MAINTENANCE)

FIG ITEM	PART NUMBER	1 2 3 4 5 6 7	NOMENCLATURE	EFFECT FROM TO	UNITS PER ASSY
2			DUCT INSTL-R SIDE AIR CONDITIONING PACK (CONDITIONED AIR CHECK VALVE ONLY)	001030	
- 1	213A1002-4		DUCT INSTL-AIR CONDITIONING PACK (CONDITIONED AIR CHECK VALVE ONLY) POSITION DATA: R SIDE FOR NHA/ADDITIONAL DET SEE: 21-50-00-01C	001030	RF
5	24170-450A		.RETAINER SUPPLIER CODE: V00624 SPECIFICATION NUMBER: BACC10BR2450A	001030	1
10	17351-450		.RING SUPPLIER CODE: V00624 SPECIFICATION NUMBER: BACC10BR3450	001030	1
15	NK1008725-450		.SLEEVE- SUPPLIER CODE: V00624	001030	1
20	51200-2-450		.CLAMP SUPPLIER CODE: V8W928 SPECIFICATION NUMBER: BACC10CT2-450	001030	1
25	213A1260-5		.CLAMP ASSY	001030	1
30	NAS1149D0416J		..WASHER	001030	6
35	PLH54CD		..NUT SUPPLIER CODE: VFO224 SPECIFICATION NUMBER: BACN10YR4CD OPTIONAL PART: H52732-4CD V15653	001030	6
40	3075FL		..CLAMP- SUPPLIER CODE: V94581	001030	3
45	213A1260-4		..BRACKET	001030	2
50	213A1211-51		.DUCT ASSY- OPTIONAL PART: 213A1211-61	001030	1
50	213A1211-61		.DUCT ASSY- OPTIONAL PART: 213A1211-51	001030	1

MISSING ITEM NUMBERS NOT APPLICABLE

- ITEM NOT ILLUSTRATED

HAP

21-51-07-02

BOEING PROPRIETARY - Copyright © - Unpublished Work - See title page for details.

21-51-07
FIG. 02
PAGE 1
FEB 15/09

BOEING
737-600/700/800/900
PARTS CATALOG (MAINTENANCE)

FIG ITEM	PART NUMBER	1 2 3 4 5 6 7	NOMENCLATURE	EFFECT FROM TO	UNITS PER ASSY
2					
55	BOE2367-0001	.	SLEEVE- SUPPLIER CODE: V16632	001030	1
60	3202446-1	.	VALVE ASSY-CONDITIONED AIR CHK SUPPLIER CODE: V59364 FUNCTIONAL DESCRIPTION: PREVENTS REVERSE AIR FLOW. COMPONENT MAINT MANUAL REF: 21-51-39 MAINTENANCE MANUAL REF: 21-51-07	001030	1
62	S3006-2	..	PLATE-IDENT SUPPLIER CODE: V59364 CONFIG CHG DATA FROM A CMM: REPLD BY S3034-2	001030	1
62	S3034-2	..	PLATE-IDENT SUPPLIER CODE: V59364 CONFIG CHG DATA FROM A CMM: REPLS S3006-2 REPLD BY S3042-6	001030	1
63	S3042-6	..	NAMEPLATE- SUPPLIER CODE: V59364 CONFIG CHG DATA FROM A CMM: REPLS S3034-2	001030	1
64	S8454M69	..	LABEL-IDENT SUPPLIER CODE: V59364	001030	1
65	BACB30NM3K5	.	BOLT	001030	14
70	BACB30NM3K4	.	BOLT	001030	14
75	NAS1149D0316J	.	WASHER	001030	42
80	PLH53CD	.	NUT SUPPLIER CODE: VF0224 SPECIFICATION NUMBER: BACN10YR3CD OPTIONAL PART: H52732-3CD V15653	001030	14
85	65C33077-9	.	DUCT ASSY	001030	1
90	65C33251-1	..	GASKET MAINTENANCE MANUAL REF: 21-51-07	001030	1
95	65C33251-2	..	GASKET	001030	1

MISSING ITEM NUMBERS NOT APPLICABLE

— ITEM NOT ILLUSTRATED

HAP

21-51-07-02

21-51-07
FIG. 02
PAGE 2
FEB 15/09

BOEING
737-600/700/800/900
PARTS CATALOG (MAINTENANCE)

FIG ITEM	PART NUMBER	1 2 3 4 5 6 7	NOMENCLATURE	EFFECT FROM TO	UNITS PER ASSY
2					
100	65C33252-5	..	FLANGE	001030	1
105	65C33252-4	..	FLANGE	001030	1
110	65C33077-7	..	DUCT	001030	1
900			ILLUSTRATION REFERENCE: SEPARATOR INSTL-AIR CONDITIONING WATER (CONDENSER ONLY) 21-51-12-01	001030	RF
905			ILLUSTRATION REFERENCE: SENSE LINE INSTL-R SIDE AIR CONDITIONING PACK 21-51-53-19	001030	RF

MISSING ITEM NUMBERS NOT APPLICABLE

— ITEM NOT ILLUSTRATED

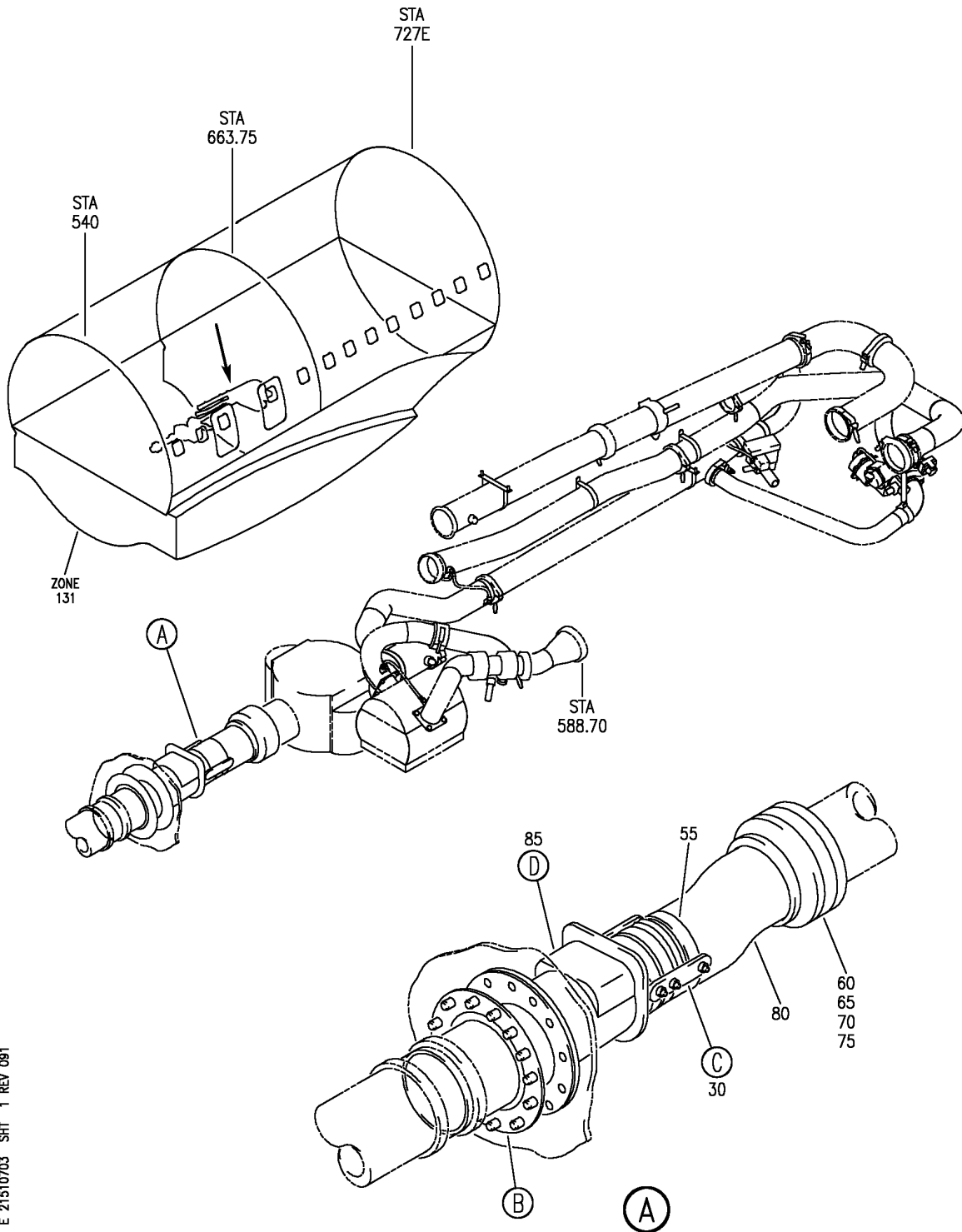
HAP

21-51-07-02

BOEING PROPRIETARY - Copyright © - Unpublished Work - See title page for details.

21-51-07
FIG. 02
PAGE 3
JUN 15/08

BOEING
 737-600/700/800/900
 PARTS CATALOG (MAINTENANCE)



E 21510703 SHT 1 REV 081

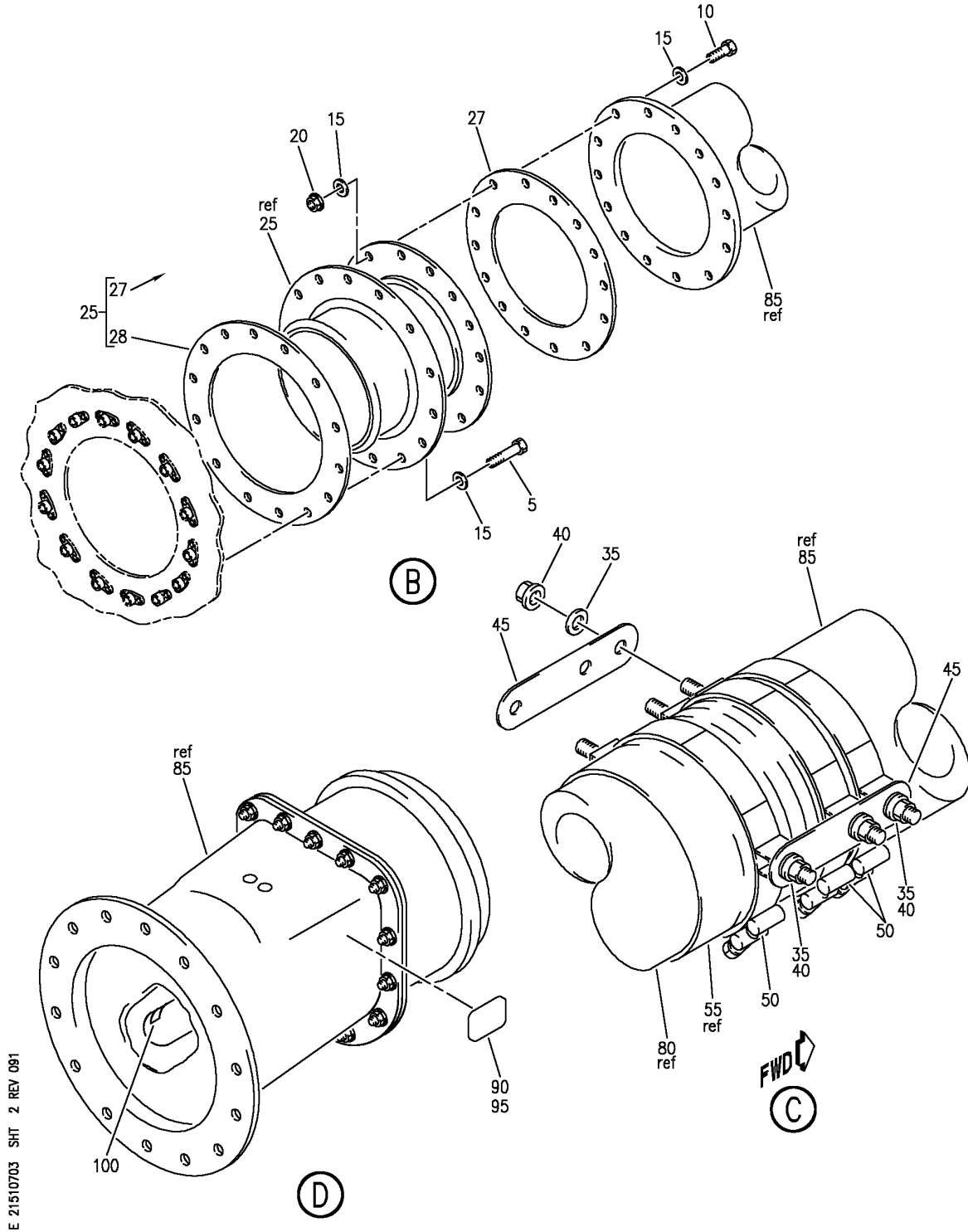
DUCT INSTL-L SIDE AIR CONDITIONING PACK (CONDITIONED AIR CHECK VALVE ONLY)
 FIGURE 3 (SHEET 1)

HAP
 JUN 15/08

21-51-07-03

21-51-07-03
 PAGE 0

BOEING
 737-600/700/800/900
 PARTS CATALOG (MAINTENANCE)



DUCT INSTL-L SIDE AIR CONDITIONING PACK (CONDITIONED AIR CHECK VALVE ONLY)
 FIGURE 3 (SHEET 2)

21-51-07-03

HAP
 JUN 15/08

21-51-07-03
 PAGE 0A

BOEING
737-600/700/800/900
PARTS CATALOG (MAINTENANCE)

FIG ITEM	PART NUMBER	1 2 3 4 5 6 7	NOMENCLATURE	EFFECT FROM TO	UNITS PER ASSY
3			DUCT INSTL-L SIDE AIR CONDITIONING PACK (CONDITIONED AIR CHECK VALVE ONLY)	031100	
- 1	MODREF256352		DUCT INSTL-AIR CONDITIONING PACK (CONDITIONED AIR CHECK VALVE ONLY) MODULE NUMBER: 213A1006-3 REV D POSITION DATA: L SIDE FOR ADDITIONAL DETAILS SEE: 21-51-10-03 21-51-11-04 21-51-13-02 21-51-15-03 21-51-17-04 21-51-41-07	031046 054100	1
- 1	MODREF377407		DUCT INSTL-AIR CONDITIONING PACK (CONDITIONED AIR CHECK VALVE ONLY) MODULE NUMBER: 213A1006-3 REV E POSITION DATA: L SIDE FOR ADDITIONAL DETAILS SEE: 21-51-10-03 21-51-11-04 21-51-15-03 21-51-17-04 21-51-41-07	047047	1
- 1	MODREF395392		DUCT INSTL-AIR CONDITIONING PACK (CONDITIONED AIR CHECK VALVE ONLY) MODULE NUMBER: 213A1006-3 REV F POSITION DATA: L SIDE FOR ADDITIONAL DETAILS SEE: 21-51-10-03 21-51-11-04 21-51-15-03 21-51-17-04 21-51-41-07	048053	1
5	BACB30NM3K5	.BOLT		031100	14
10	BACB30NM3K4	.BOLT		031100	14
15	NAS1149D0316J	.WASHER		031100	42

MISSING ITEM NUMBERS NOT APPLICABLE

- ITEM NOT ILLUSTRATED

HAP

21-51-07-03

BOEING PROPRIETARY - Copyright © - Unpublished Work - See title page for details.

21-51-07
FIG. 03
PAGE 1
FEB 15/09

BOEING
737-600/700/800/900
PARTS CATALOG (MAINTENANCE)

FIG ITEM	PART NUMBER	1 2 3 4 5 6 7	NOMENCLATURE	EFFECT FROM TO	UNITS PER ASSY
3					
20	PLH53CD	.	NUT SUPPLIER CODE: VF0224 SPECIFICATION NUMBER: BACN10YR3CD OPTIONAL PART: H52732-3CD V15653	031100	14
25	213A1211-93	.	DUCT ASSY	031100	1
27	65C33251-1	..	GASKET MAINTENANCE MANUAL REF: 21-51-07	031100	1
28	65C33251-2	..	GASKET	031100	1
30	213A1260-5	.	CLAMP ASSY	031100	1
35	NAS1149D0416J	..	WASHER	031100	6
40	PLH54CD	..	NUT SUPPLIER CODE: VF0224 SPECIFICATION NUMBER: BACN10YR4CD OPTIONAL PART: H52732-4CD V15653	031100	6
45	213A1260-4	..	BRACKET	031100	2
50	3075FL	..	CLAMP- SUPPLIER CODE: V94581	031100	3
55	BOE2367-0001	.	SLEEVE- SUPPLIER CODE: V16632	031100	1
60	24170-450A	.	RETAINER SUPPLIER CODE: V00624 SPECIFICATION NUMBER: BACC10BR2450A	031100	1
65	17351-450	.	RING SUPPLIER CODE: V00624 SPECIFICATION NUMBER: BACC10BR3450	031100	1
70	NK1008725-450	.	SLEEVE- SUPPLIER CODE: V00624	031100	1
75	51200-2-450	.	CLAMP SUPPLIER CODE: V8W928 SPECIFICATION NUMBER: BACC10CT2-450	031100	1
80	213A1211-94	.	DUCT	031100	1

MISSING ITEM NUMBERS NOT APPLICABLE

— ITEM NOT ILLUSTRATED

HAP

21-51-07-03

21-51-07
FIG. 03
PAGE 2
FEB 15/09

BOEING
737-600/700/800/900
PARTS CATALOG (MAINTENANCE)

FIG ITEM	PART NUMBER	1 2 3 4 5 6 7	NOMENCLATURE	EFFECT FROM TO	UNITS PER ASSY
3 85	3202446-1		. VALVE ASSY-CHK CONDITIONED AIR SUPPLIER CODE: V59364 FUNCTIONAL DESCRIPTION: PREVENTS REVERSE AIR FLOW COMPONENT MAINT MANUAL REF: 21-51-39 MAINTENANCE MANUAL REF: 21-51-07	031100	1
90	S3006-2		.. PLATE-IDENT SUPPLIER CODE: V59364 CONFIG CHG DATA FROM A CMM: REPLD BY S3034-2	031100	1
90	S3034-2		.. PLATE-IDENT SUPPLIER CODE: V59364 CONFIG CHG DATA FROM A CMM: REPLS S3006-2 REPLD BY S3042-6	031100	1
95	S3042-6		.. NAMEPLATE- SUPPLIER CODE: V59364 CONFIG CHG DATA FROM A CMM: REPLS S3034-2	031100	1
100	S8454M69		.. LABEL-IDENT SUPPLIER CODE: V59364	031100	1

MISSING ITEM NUMBERS NOT APPLICABLE

— ITEM NOT ILLUSTRATED

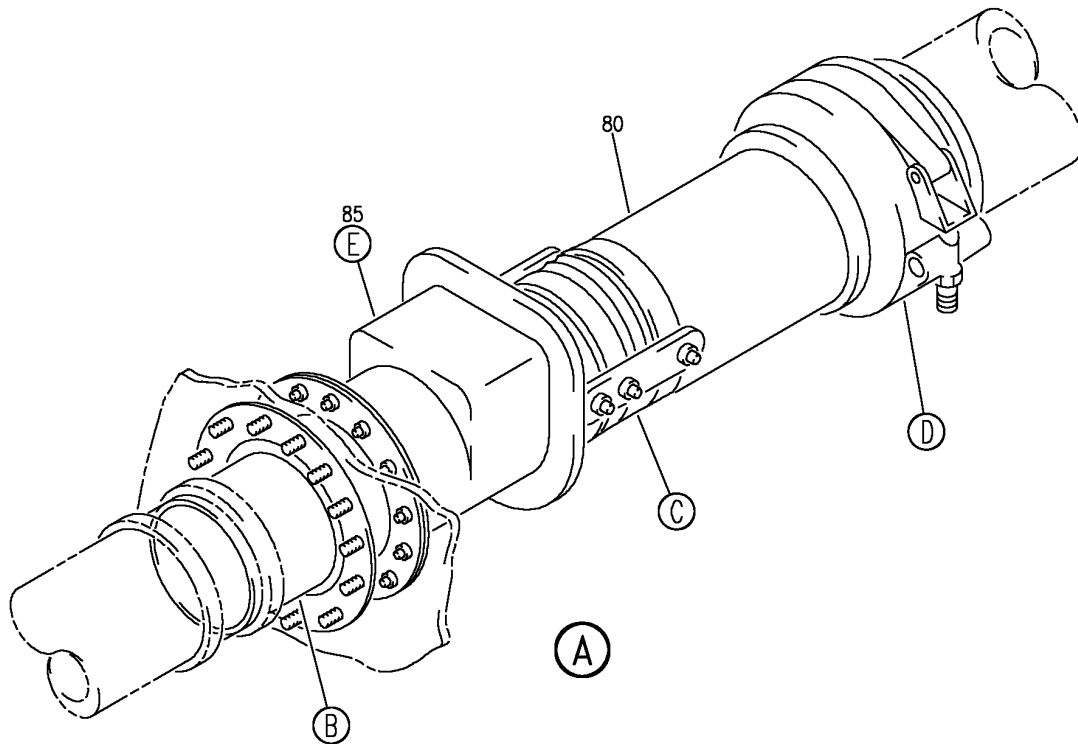
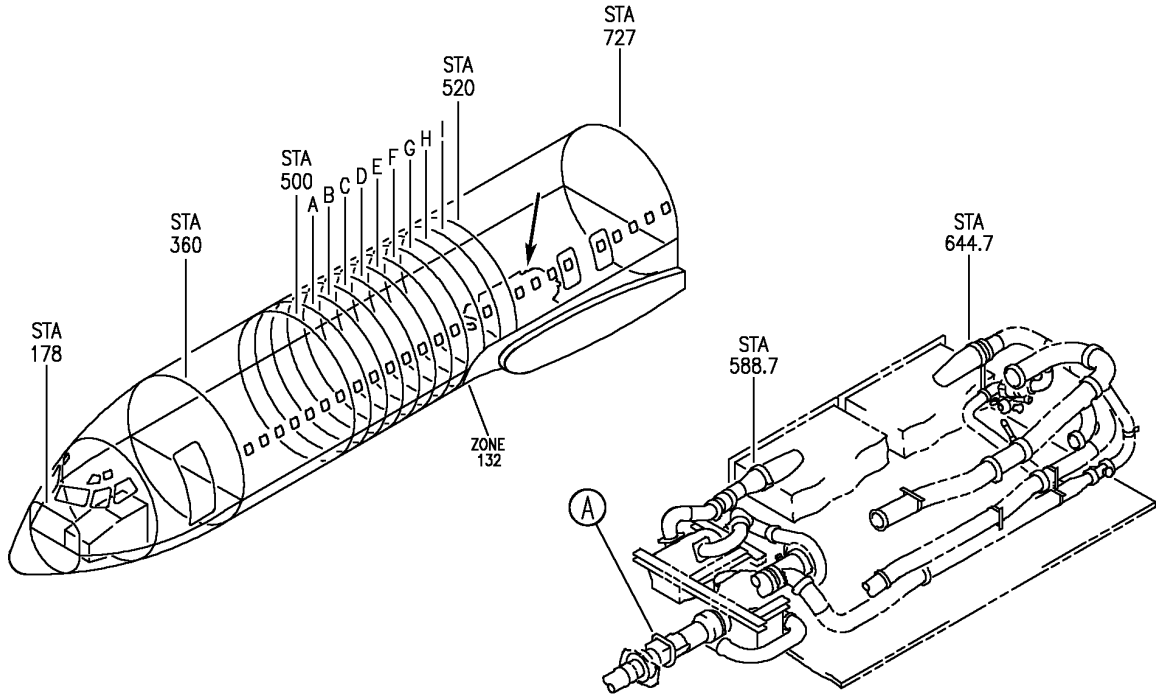
HAP

21-51-07-03

BOEING PROPRIETARY - Copyright © - Unpublished Work - See title page for details.

21-51-07
FIG. 03
PAGE 3
OCT 15/08

BOEING
 737-600/700/800/900
 PARTS CATALOG (MAINTENANCE)



E 21510704 SHT 1 REV 081

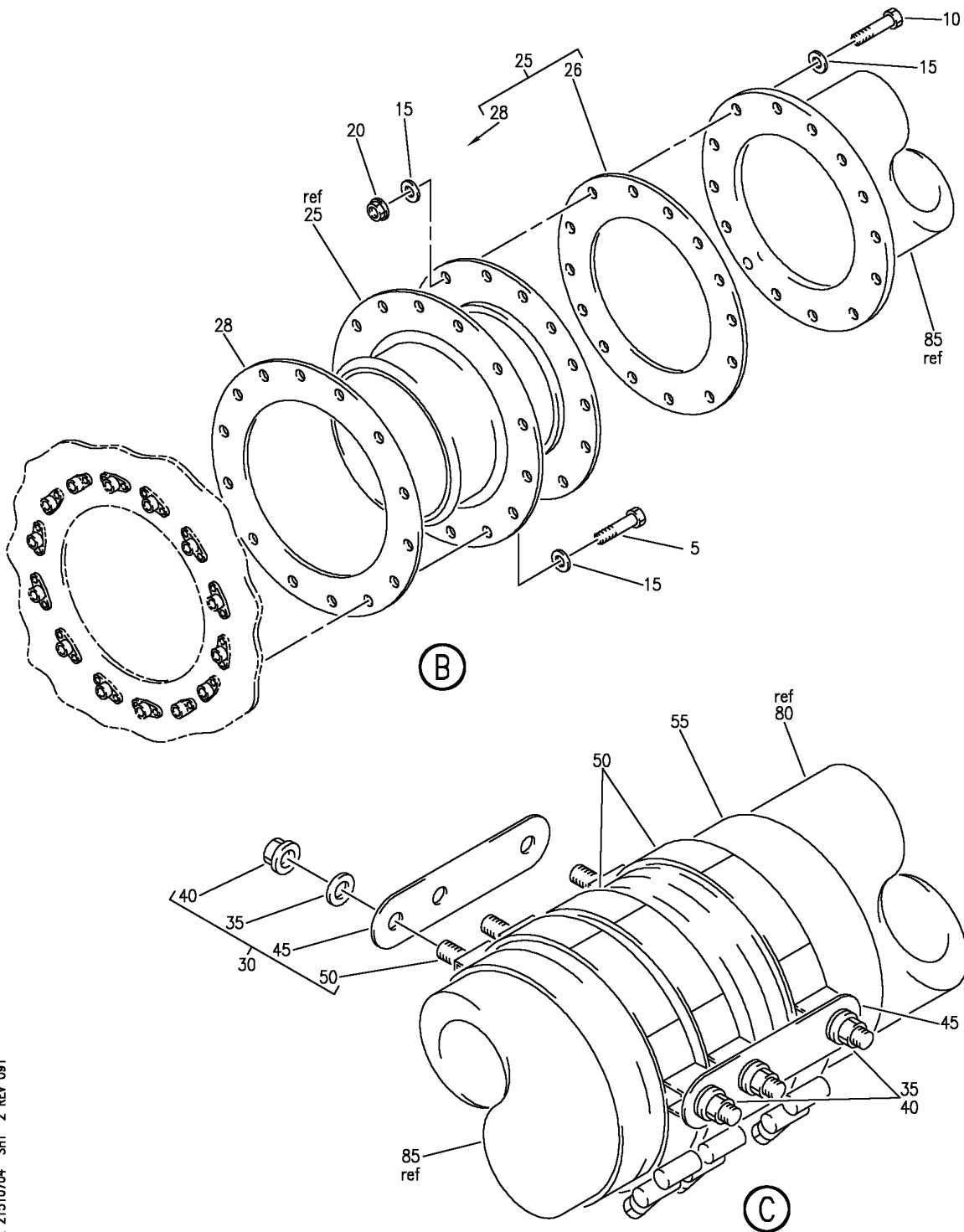
DUCT INSTL-R SIDE AIR CONDITIONING PACK (CONDITIONED CHECK VALVE ONLY)
 FIGURE 4 (SHEET 1)

21-51-07-04

HAP
 OCT 10/06

21-51-07-04
 PAGE 0

BOEING
 737-600/700/800/900
 PARTS CATALOG (MAINTENANCE)



E 21510704 SHT 2 REV 081

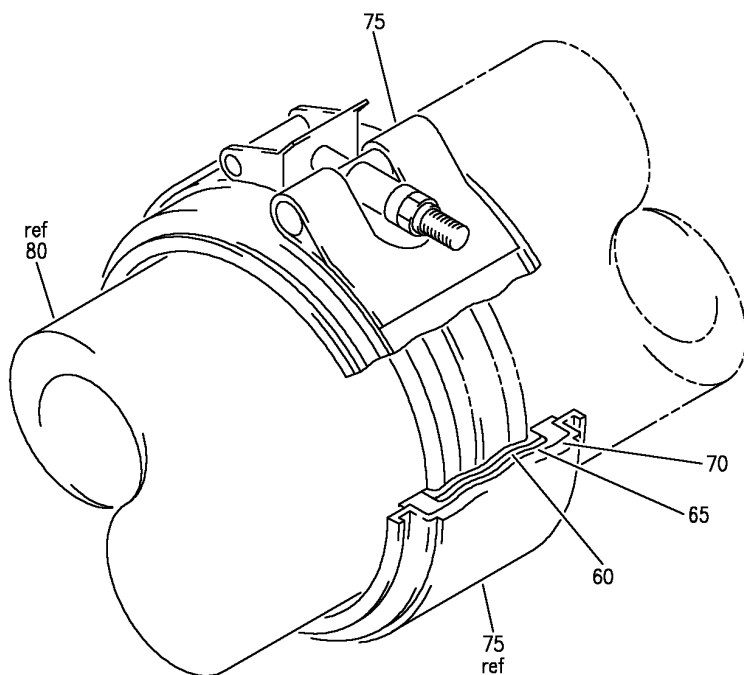
DUCT INSTL-R SIDE AIR CONDITIONING PACK (CONDITIONED CHECK VALVE ONLY)
 FIGURE 4 (SHEET 2)

21-51-07-04

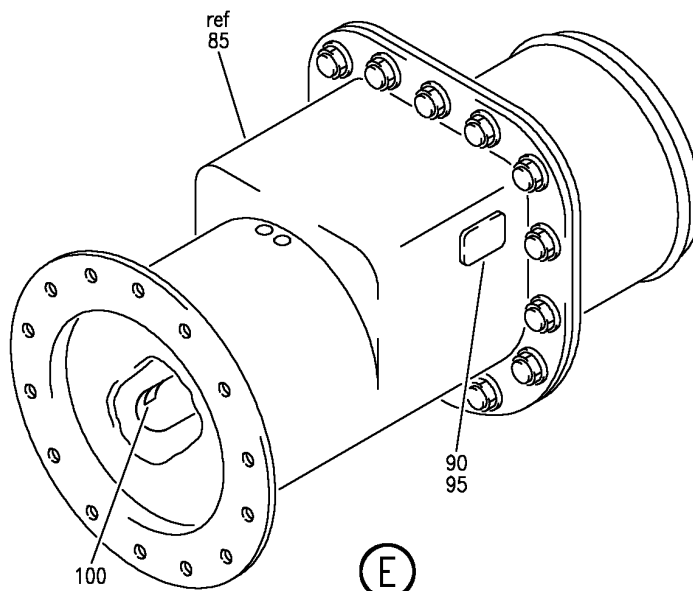
HAP
 OCT 10/06

21-51-07-04
 PAGE 0A

BOEING
 737-600/700/800/900
 PARTS CATALOG (MAINTENANCE)



(D)



(E)

E 21510704 SHT 3 REV 081

DUCT INSTL-R SIDE AIR CONDITIONING PACK (CONDITIONED CHECK VALVE ONLY)
 FIGURE 4 (SHEET 3)

21-51-07-04

HAP
 OCT 10/06

21-51-07-04
 PAGE 08

BOEING
737-600/700/800/900
PARTS CATALOG (MAINTENANCE)

FIG ITEM	PART NUMBER	1 2 3 4 5 6 7	NOMENCLATURE	EFFECT FROM TO	UNITS PER ASSY
4			DUCT INSTL-R SIDE AIR CONDITIONING PACK (CONDITIONED CHECK VALVE ONLY)	031100	
- 1	MODREF256353		DUCT INSTL-AIR CONDITIONING PACK (CONDITIONED AIR CHECK VALVE ONLY) MODULE NUMBER: 213A1006-4 REV D POSITION DATA: R SIDE FOR ADDITIONAL DETAILS SEE: 21-51-10-04 21-51-11-05 21-51-13-03 21-51-15-04 21-51-17-05 21-51-41-08	031046 054100	1
R R	- 1	MODREF377408	DUCT INSTL-AIR CONDITIONING PACK (CONDITIONED AIR CHECK VALVE ONLY) MODULE NUMBER: 213A1006-4 REV E POSITION DATA: R SIDE FOR ADDITIONAL DETAILS SEE: 21-51-10-04 21-51-11-05 21-51-17-05 21-51-41-08	047047	1
R R	- 1	MODREF395393	DUCT INSTL-AIR CONDITIONING PACK (CONDITIONED AIR CHECK VALVE ONLY) MODULE NUMBER: 213A1006-4 REV F POSITION DATA: R SIDE FOR ADDITIONAL DETAILS SEE: 21-51-10-04 21-51-11-05 21-51-17-05 21-51-41-08	048053	1
	5	BACB30NM3K5	.BOLT	031100	14
	10	BACB30NM3K4	.BOLT	031100	14
	15	NAS1149D0316J	.WASHER	031100	42

MISSING ITEM NUMBERS NOT APPLICABLE

- ITEM NOT ILLUSTRATED

HAP

21-51-07-04

21-51-07
FIG. 04
PAGE 1
JUN 15/09

BOEING
737-600/700/800/900
PARTS CATALOG (MAINTENANCE)

FIG ITEM	PART NUMBER	1 2 3 4 5 6 7	NOMENCLATURE	EFFECT FROM TO	UNITS PER ASSY
R	4 20	PLH53CD	.NUT SUPPLIER CODE: VF0224 SPECIFICATION NUMBER: BACN10YR3CD OPTIONAL PART: H52732-3CD V15653	031100	14
	25	213A1211-93	.DUCT ASSY	031100	1
	26	65C33251-1	..GASKET MAINTENANCE MANUAL REF: 21-51-07	031100	1
	28	65C33251-2	..GASKET	031100	1
	30	213A1260-5	.CLAMP ASSY	031100	1
	35	NAS1149D0416J	..WASHER	031100	6
	40	PLH54CD	..NUT SUPPLIER CODE: VF0224 SPECIFICATION NUMBER: BACN10YR4CD OPTIONAL PART: H52732-4CD V15653	031100	6
	45	213A1260-4	..BRACKET	031100	2
	50	3075FL	..CLAMP- SUPPLIER CODE: V94581	031100	3
	55	BOE2367-0001	.SLEEVE- SUPPLIER CODE: V16632	031100	1
	60	24170-450A	.RETAINER SUPPLIER CODE: V00624 SPECIFICATION NUMBER: BACC10BR2450A	031100	1
	65	17351-450	.RING SUPPLIER CODE: V00624 SPECIFICATION NUMBER: BACC10BR3450	031100	1
	70	NK1008725-450	.SLEEVE- SUPPLIER CODE: V00624	031100	1
	75	51200-2-450	.CLAMP SUPPLIER CODE: V8W928 SPECIFICATION NUMBER: BACC10CT2-450	031100	1
	80	213A1211-94	.DUCT	031100	1

MISSING ITEM NUMBERS NOT APPLICABLE

— ITEM NOT ILLUSTRATED

HAP

21-51-07-04

21-51-07
FIG. 04
PAGE 2
JUN 15/09

BOEING
737-600/700/800/900
PARTS CATALOG (MAINTENANCE)

FIG ITEM	PART NUMBER	1 2 3 4 5 6 7	NOMENCLATURE	EFFECT FROM TO	UNITS PER ASSY
4 85	3202446-1		. VALVE ASSY-CHK CONDITIONED AIR SUPPLIER CODE: V59364 FUNCTIONAL DESCRIPTION: PREVENTS REVERSE AIR FLOW COMPONENT MAINT MANUAL REF: 21-51-39 MAINTENANCE MANUAL REF: 21-51-07	031100	1
90	S3006-2		.. PLATE-IDENT SUPPLIER CODE: V59364 CONFIG CHG DATA FROM A CMM: REPLD BY S3034-2	031100	1
90	S3034-2		.. PLATE-IDENT SUPPLIER CODE: V59364 CONFIG CHG DATA FROM A CMM: REPLS S3006-2 REPLD BY S3042-6	031100	1
95	S3042-6		.. NAMEPLATE- SUPPLIER CODE: V59364 CONFIG CHG DATA FROM A CMM: REPLS S3034-2	031100	1
100	S8454M69		.. LABEL-IDENT SUPPLIER CODE: V59364	031100	1

MISSING ITEM NUMBERS NOT APPLICABLE

— ITEM NOT ILLUSTRATED

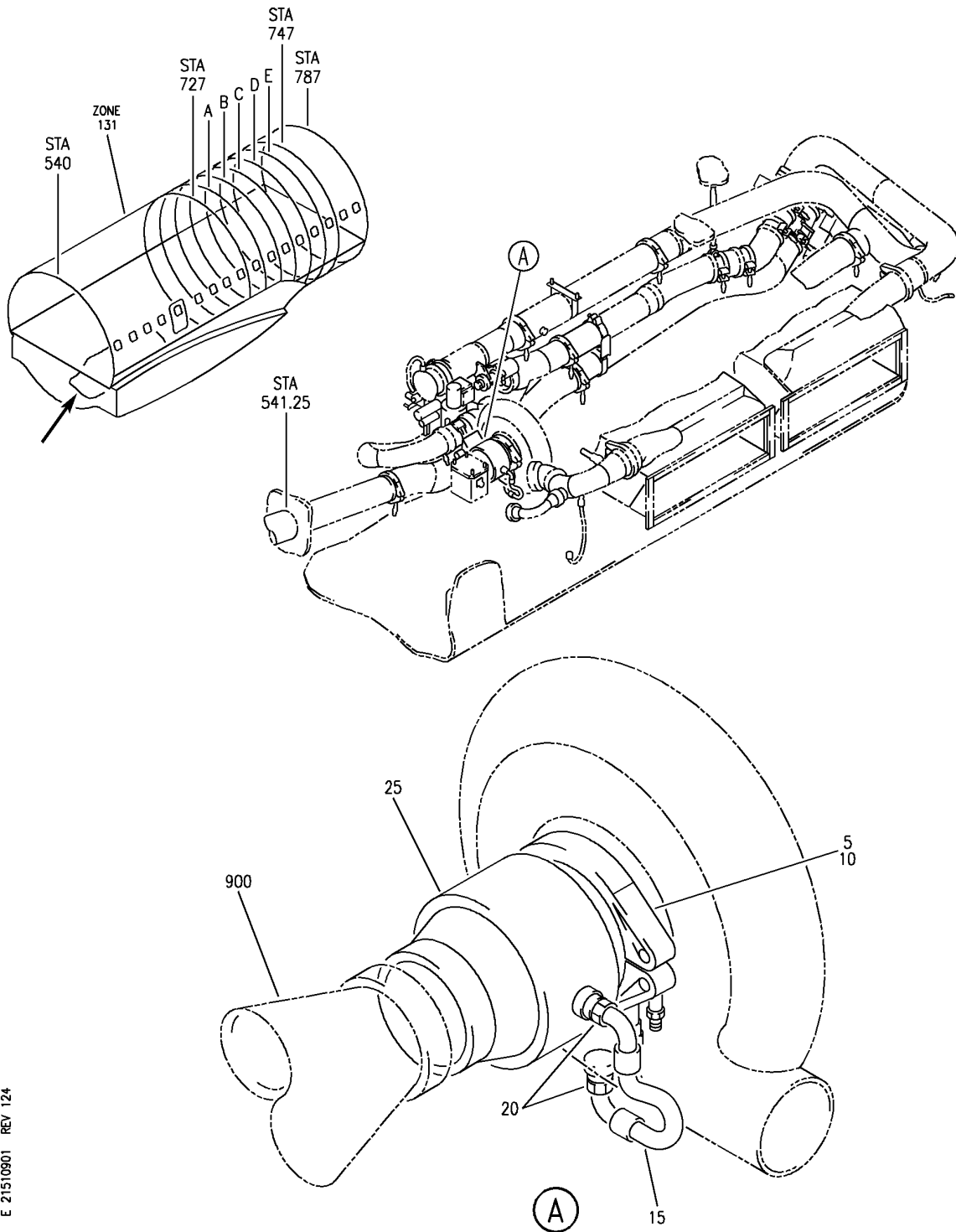
HAP

21-51-07-04

BOEING PROPRIETARY - Copyright © - Unpublished Work - See title page for details.

21-51-07
FIG. 04
PAGE 3
JUN 15/09

BOEING
 737-600/700/800/900
 PARTS CATALOG (MAINTENANCE)



E 21510901 REV 124

DUCT INSTL-L SIDE AIR CONDITIONING PACK (LOW PRESSURE WATER SYSTEM MIX MUFF ONLY)

FIGURE 1

21-51-09-01

HAP
 OCT 15/08

21-51-09-01
 PAGE 0

BOEING
737-600/700/800/900
PARTS CATALOG (MAINTENANCE)

FIG ITEM	PART NUMBER	1 2 3 4 5 6 7	NOMENCLATURE	EFFECT FROM TO	UNITS PER ASSY
1			DUCT INSTL-L SIDE AIR CONDITIONING PACK (LOW PRESSURE WATER SYSTEM MIX MUFF ONLY)	201967	
- 1	213A1002-1		DUCT INSTL-AIR CONDITIONING PACK (LOW PRESSURE WATER SYSTEM MIX MUFF ONLY) POSITION DATA: L SIDE FOR NHA/OTHER SYS DET SEE: 21-50-00-01B	201967	RF
5	BACC10DU450ABE		.CLAMP	201967	1
10	2-158S604-70		.SEAL- SUPPLIER CODE: V02697 MAINTENANCE MANUAL REF: 21-51-03 21-51-09	201967	1
15	AS120G080A000		.HOSE	201967	1
20	MS21902D6		.UNION	201967	2
25	2215625-1		.MIX MUFF-AIR CONDITIONING PACK SUPPLIER CODE: V70210 SPECIFICATION NUMBER: S210A001-2 MAINTENANCE MANUAL REF: 21-51-09	201967	1
900			ILLUSTRATION REFERENCE: SEPARATOR INSTL-AIR CONDITIONING WATER (WATER SEPARATOR AND COALESCER (BAG) ONLY) 21-51-05-01	201967	RF

MISSING ITEM NUMBERS NOT APPLICABLE

- ITEM NOT ILLUSTRATED

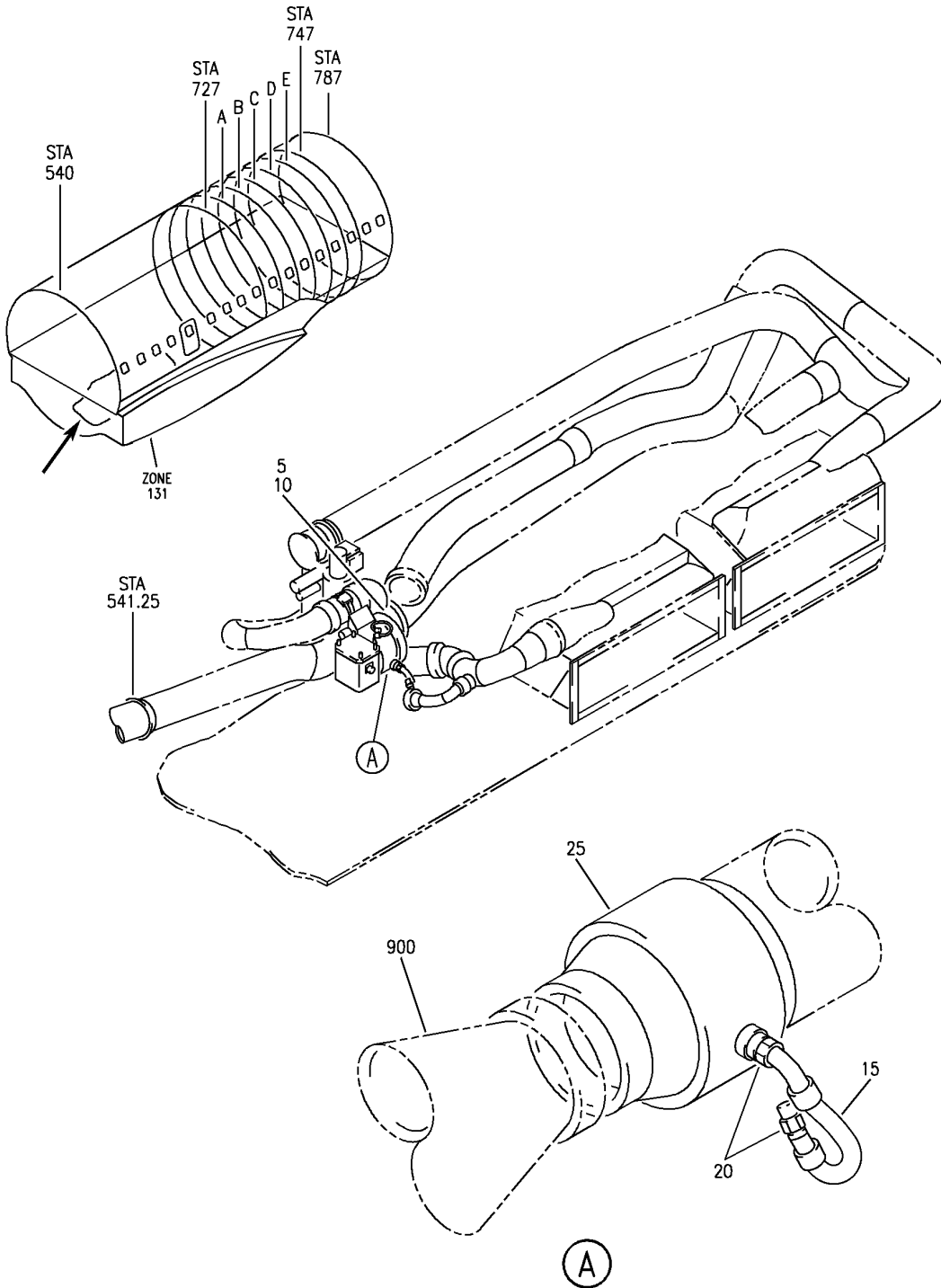
HAP

21-51-09-01

BOEING PROPRIETARY - Copyright © - Unpublished Work - See title page for details.

21-51-09
FIG. 01
PAGE 1
OCT 15/08

BOEING
 737-600/700/800/900
 PARTS CATALOG (MAINTENANCE)



E 21510902 REV 124

DUCT INSTL-R SIDE AIR CONDITIONING PACK (LOW PRESSURE WATER SYSTEM MIX MUFF ONLY)
 FIGURE 2

HAP
 OCT 15/08

21-51-09-02

21-51-09-02
 PAGE 0

BOEING
737-600/700/800/900
PARTS CATALOG (MAINTENANCE)

FIG ITEM	PART NUMBER	1 2 3 4 5 6 7	NOMENCLATURE	EFFECT FROM TO	UNITS PER ASSY
2			DUCT INSTL-R SIDE AIR CONDITIONING PACK (LOW PRESSURE WATER SYSTEM MIX MUFF ONLY)	201967	
- 1	213A1002-2		DUCT INSTL-AIR CONDITIONING PACK (LOW PRESSURE WATER SYSTEM MIX MUFF ONLY) POSITION DATA: R SIDE FOR NHA/OTHER SYS DET SEE: 21-50-00-01B	201967	RF
5	BACC10DU450ABE		.CLAMP	201967	1
10	2-158S604-70		.SEAL- SUPPLIER CODE: V02697 MAINTENANCE MANUAL REF: 21-51-03 21-51-09	201967	1
15	AS120G120A000		.HOSE-FLEX	201967	1
20	MS21902D6		.UNION	201967	2
25	2215625-1		.MIX MUFF-AIR CONDITIONING PACK SUPPLIER CODE: V70210 SPECIFICATION NUMBER: S210A001-2 MAINTENANCE MANUAL REF: 21-51-09	201967	1
900			ILLUSTRATION REFERENCE: DUCT INSTL-R SIDE AIR CONDITIONING PACK (LOW PRESSURE WATER SYSTEM MIX MUFF ONLY) 21-51-09-02	201967	RF

MISSING ITEM NUMBERS NOT APPLICABLE

- ITEM NOT ILLUSTRATED

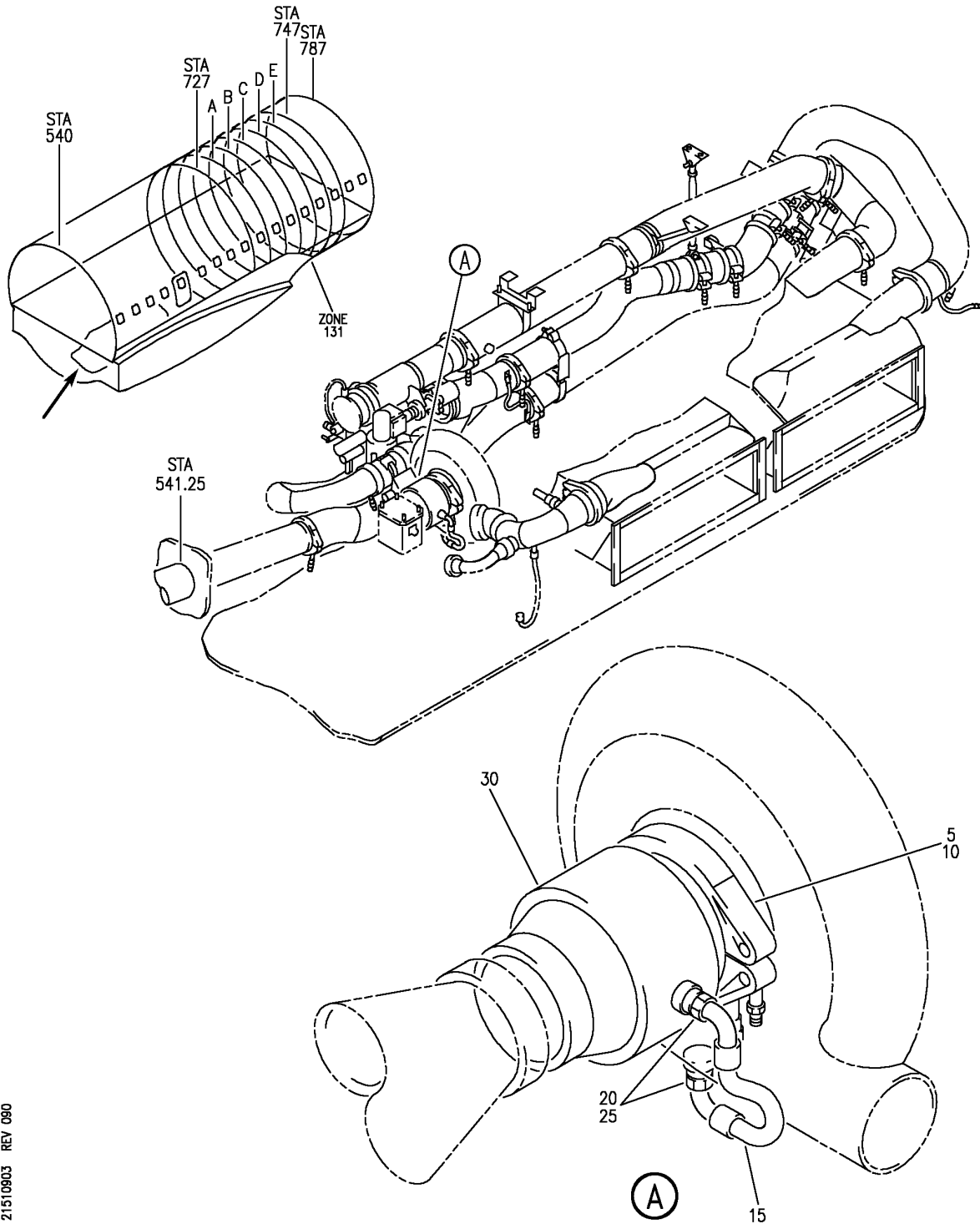
HAP

21-51-09-02

BOEING PROPRIETARY - Copyright © - Unpublished Work - See title page for details.

21-51-09
FIG. 02
PAGE 1
OCT 15/08

BOEING
 737-600/700/800/900
 PARTS CATALOG (MAINTENANCE)



E 21510903 REV 090

DUCT INSTL-L SIDE AIR CONDITIONING PACK (LOW PRESSURE WATER SYSTEM MIX MUFF ONLY)
 FIGURE 3

21-51-09-03

HAP
 FEB 10/07

21-51-09-03
 PAGE 0

BOEING
737-600/700/800/900
PARTS CATALOG (MAINTENANCE)

FIG ITEM	PART NUMBER	1 2 3 4 5 6 7	NOMENCLATURE	EFFECT FROM TO	UNITS PER ASSY
3			DUCT INSTL-L SIDE AIR CONDITIONING PACK (LOW PRESSURE WATER SYSTEM MIX MUFF ONLY)	101200 968999	
- 1	MODREF256350		DUCT INSTL-AIR CONDITIONING PACK (LOW PRESSURE WATER SYSTEM MIX MUFF ONLY) MODULE NUMBER: 213A1006-1 REV C POSITION DATA: L SIDE FOR OTHER SYS DETAILS SEE: 21-61-02-03 FOR ADDITIONAL DETAILS SEE: 21-51-20-03 21-51-30-03 21-51-31-03 21-51-41-05	101106 968999	1
- 1	MODREF395390		DUCT INSTL-AIR CONDITIONING PACK (LOW PRESSURE WATER SYSTEM MIX MUFF ONLY) MODULE NUMBER: 213A1006-1 REV D POSITION DATA: L SIDE FOR OTHER SYS DETAILS SEE: 21-61-02-03 FOR ADDITIONAL DETAILS SEE: 21-51-20-03 21-51-30-03 21-51-31-03 21-51-41-05	107200	1
5	BACC10DU450ABE		.CLAMP	101200 968999	1
10	2-158S604-70		.SEAL- SUPPLIER CODE: V02697 MAINTENANCE MANUAL REF: 21-51-03 21-51-09	101200 968999	1
15	AS120G080A000		.HOSE-	101200 968999	1
20	MS21902W6		.UNION	101200 968999	2

MISSING ITEM NUMBERS NOT APPLICABLE

- ITEM NOT ILLUSTRATED

HAP

21-51-09-03

21-51-09
FIG. 03
PAGE 1
OCT 15/08

BOEING
737-600/700/800/900
PARTS CATALOG (MAINTENANCE)

FIG ITEM	PART NUMBER	1 2 3 4 5 6 7	NOMENCLATURE	EFFECT FROM TO	UNITS PER ASSY
3 25	R1131-906		.PACKING SUPPLIER CODE: V57268 SPECIFICATION NUMBER: BACP11K6 OPTIONAL PART: 3-906S383-70 V02697 1090-06 V95272 150701-06 V95272 AS568-906S32 V11314	101200 968999	2
30	2215625-1		.MIX MUFF- SUPPLIER CODE: V70210 SPECIFICATION NUMBER: S210A001-2 MAINTENANCE MANUAL REF: 21-51-09	101200 968999	1

MISSING ITEM NUMBERS NOT APPLICABLE

— ITEM NOT ILLUSTRATED

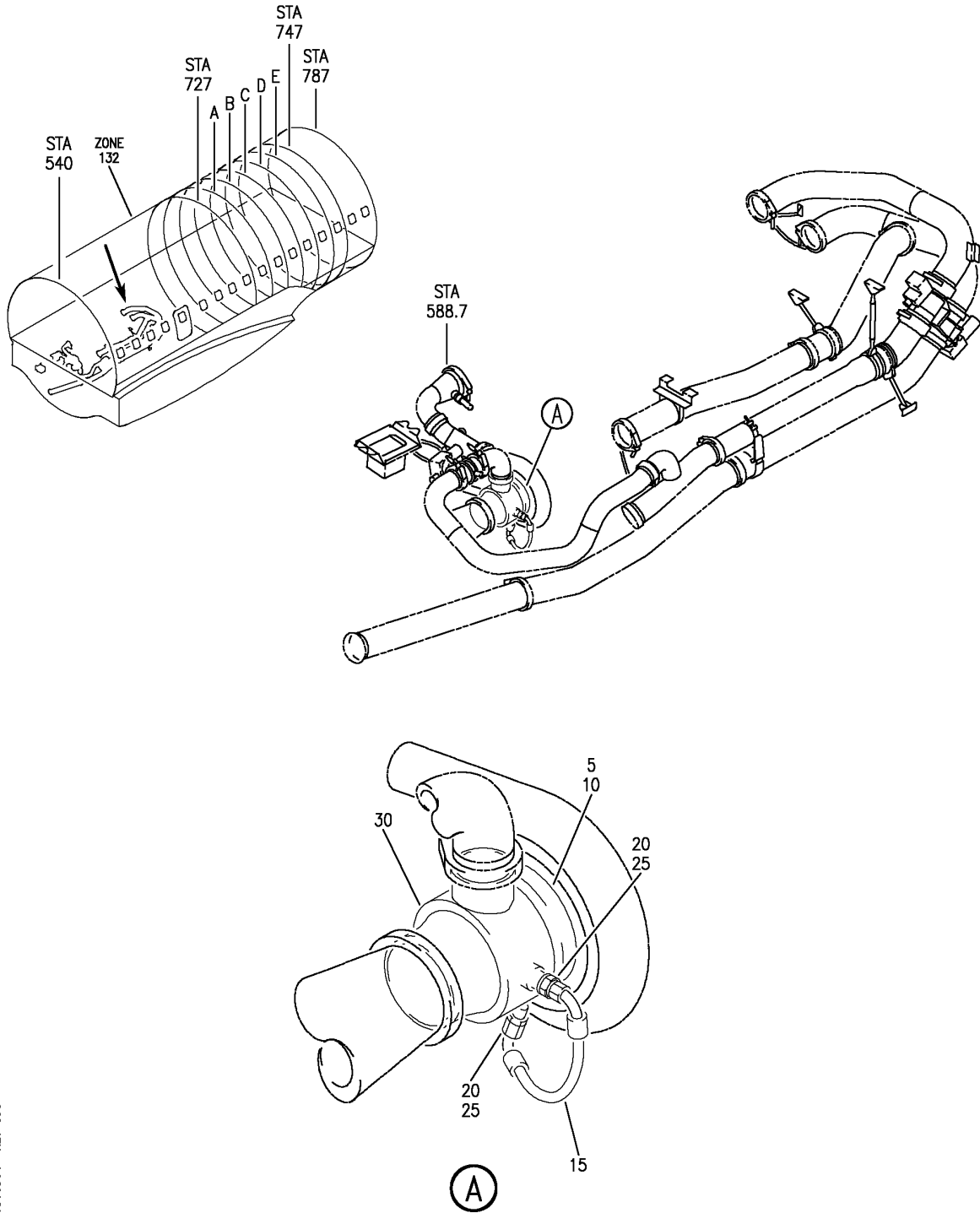
HAP

21-51-09-03

BOEING PROPRIETARY - Copyright © - Unpublished Work - See title page for details.

21-51-09
FIG. 03
PAGE 2
OCT 15/08

BOEING
 737-600/700/800/900
 PARTS CATALOG (MAINTENANCE)



E 21510904 REV 090

DUCT INSTL-R SIDE AIR CONDITIONING PACK (LOW PRESSURE WATER SYSTEM MIX MUFF ONLY)
 FIGURE 4

HAP
 FEB 10/07

21-51-09-04

21-51-09-04
 PAGE 0

BOEING
737-600/700/800/900
PARTS CATALOG (MAINTENANCE)

FIG ITEM	PART NUMBER	1 2 3 4 5 6 7	NOMENCLATURE	EFFECT FROM TO	UNITS PER ASSY
4			DUCT INSTL-R SIDE AIR CONDITIONING PACK (LOW PRESSURE WATER SYSTEM MIX MUFF ONLY)	101200 968999	
- 1	MODREF256351		DUCT INSTL-AIR CONDITIONING PACK (LOW PRESSURE WATER SYSTEM MIX MUFF ONLY) MODULE NUMBER: 213A1006-2 REV B POSITION DATA: R SIDE FOR OTHER SYS DETAILS SEE: 21-61-02-04 FOR ADDITIONAL DETAILS SEE: 21-51-20-04 21-51-30-04 21-51-31-04 21-51-41-06	101106 968999	1
- 1	MODREF395391		DUCT INSTL-AIR CONDITIONING PACK (LOW PRESSURE WATER SYSTEM MIX MUFF ONLY) MODULE NUMBER: 213A1006-2 REV C POSITION DATA: R SIDE FOR OTHER SYS DETAILS SEE: 21-61-02-04 FOR ADDITIONAL DETAILS SEE: 21-51-20-04 21-51-30-04 21-51-31-04 21-51-41-06	107200	1
5	BACC10DU450ABE		.CLAMP	101200 968999	1
10	2-158S604-70		.SEAL- SUPPLIER CODE: V02697 MAINTENANCE MANUAL REF: 21-51-03 21-51-09	101200 968999	1
15	AS120G120A000		.HOSE	101200 968999	1
20	MS21902W6		.UNION	101200 968999	2

MISSING ITEM NUMBERS NOT APPLICABLE

- ITEM NOT ILLUSTRATED

HAP

21-51-09-04

BOEING PROPRIETARY - Copyright © - Unpublished Work - See title page for details.

21-51-09
FIG. 04
PAGE 1
OCT 15/08


BOEING
 737-600/700/800/900
PARTS CATALOG (MAINTENANCE)

FIG ITEM	PART NUMBER	1 2 3 4 5 6 7	NOMENCLATURE	EFFECT FROM TO	UNITS PER ASSY
4 25	R1131-906		.PACKING SUPPLIER CODE: V57268 SPECIFICATION NUMBER: BACP11K6 OPTIONAL PART: 3-906S383-70 V02697 1090-06 V95272 150701-06 V95272 AS568-906S32 V11314	101200 968999	2
30	2215625-1		.MIX MUFF- SUPPLIER CODE: V70210 SPECIFICATION NUMBER: S210A001-2 MAINTENANCE MANUAL REF: 21-51-09	101200 968999	1

MISSING ITEM NUMBERS NOT APPLICABLE

- ITEM NOT ILLUSTRATED

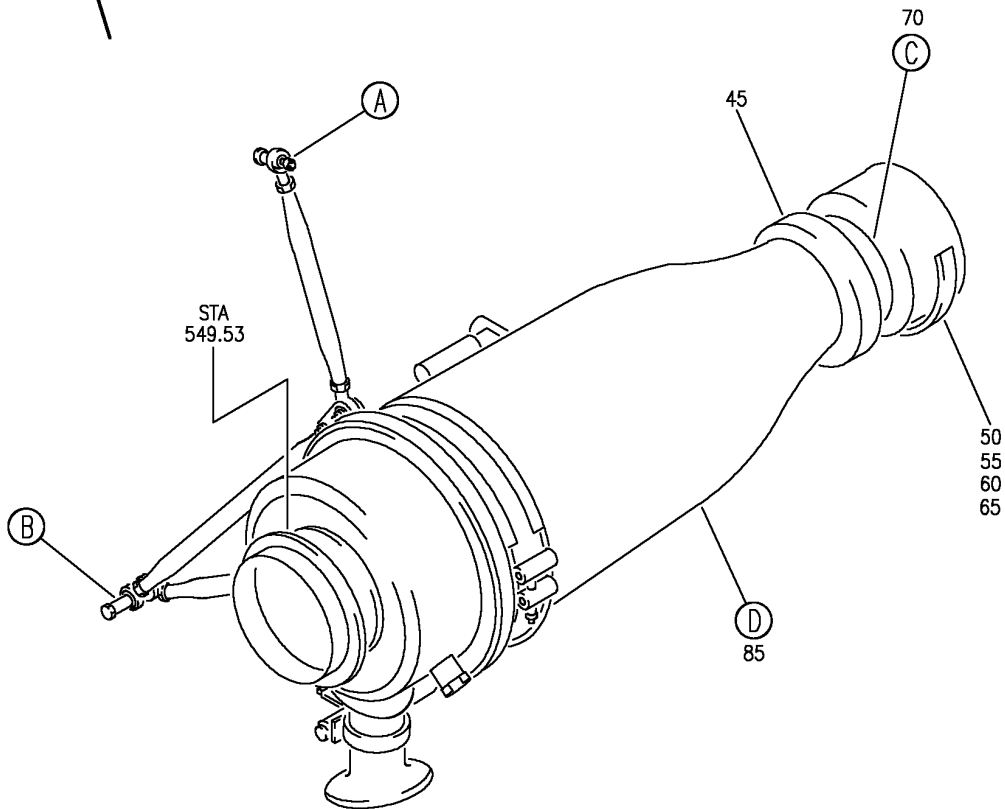
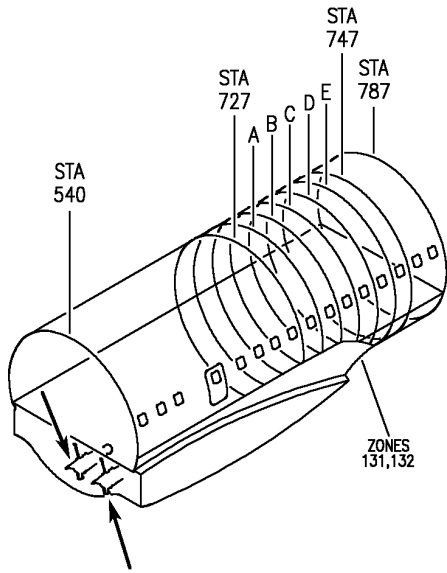
HAP

21-51-09-04

BOEING PROPRIETARY - Copyright © - Unpublished Work - See title page for details.

21-51-09
 FIG. 04
 PAGE 2
 OCT 15/08

BOEING
 737-600/700/800/900
 PARTS CATALOG (MAINTENANCE)



E 21510805 SHT 1 REV 142

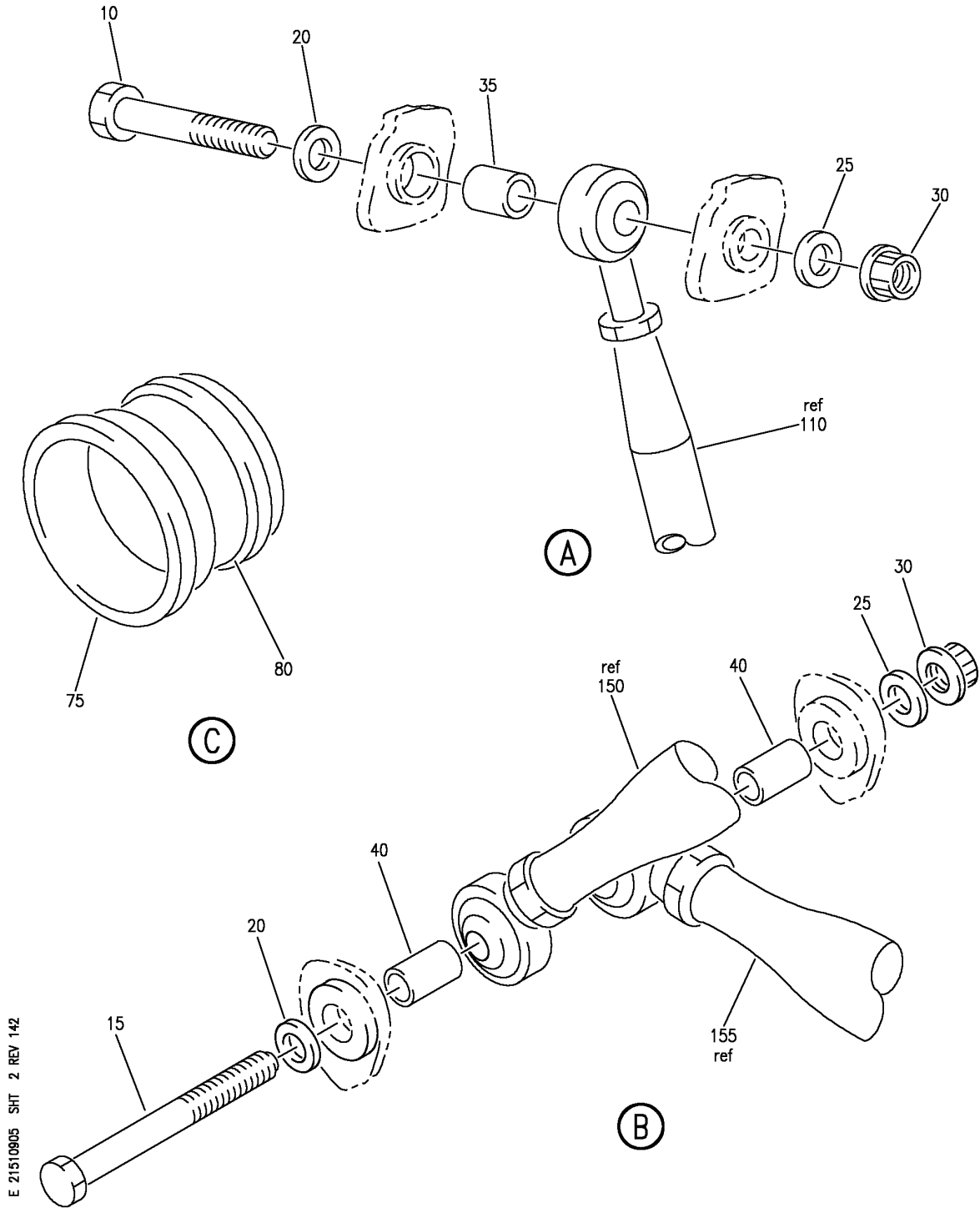
SEPARATOR INSTL-WATER AIR CONDITIONING
 FIGURE 5 (SHEET 1)

21-51-09-05

HAP
 JUN 15/08

21-51-09-05
 PAGE 0

BOEING
 737-600/700/800/900
 PARTS CATALOG (MAINTENANCE)



E 21510805 SHT 2 REV 142

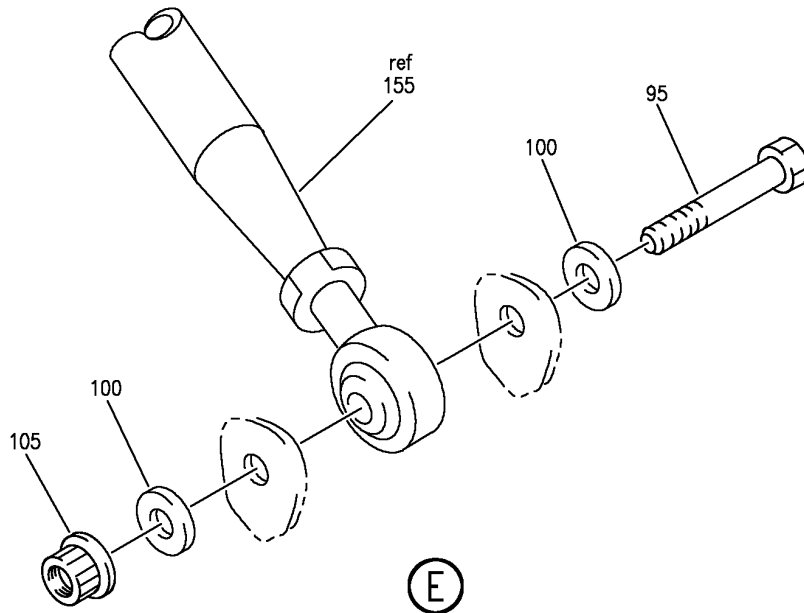
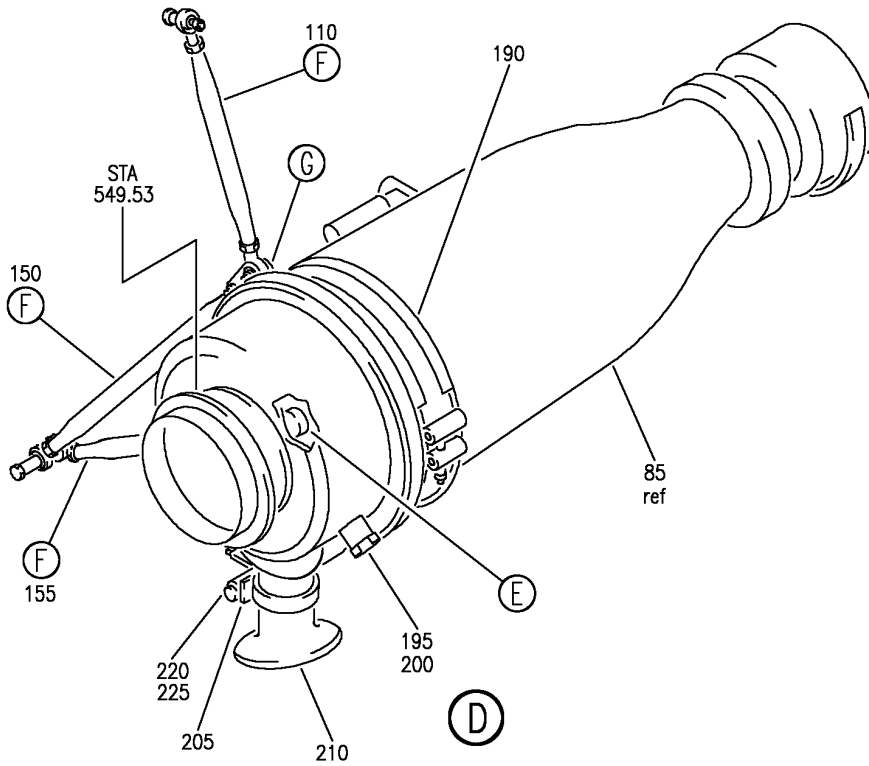
SEPARATOR INSTL-WATER AIR CONDITIONING
 FIGURE 5 (SHEET 2)

21-51-09-05

HAP
 JUN 15/08

21-51-09-05
 PAGE 0A

BOEING
 737-600/700/800/900
 PARTS CATALOG (MAINTENANCE)



E 21510805 SHT 3 REV 142

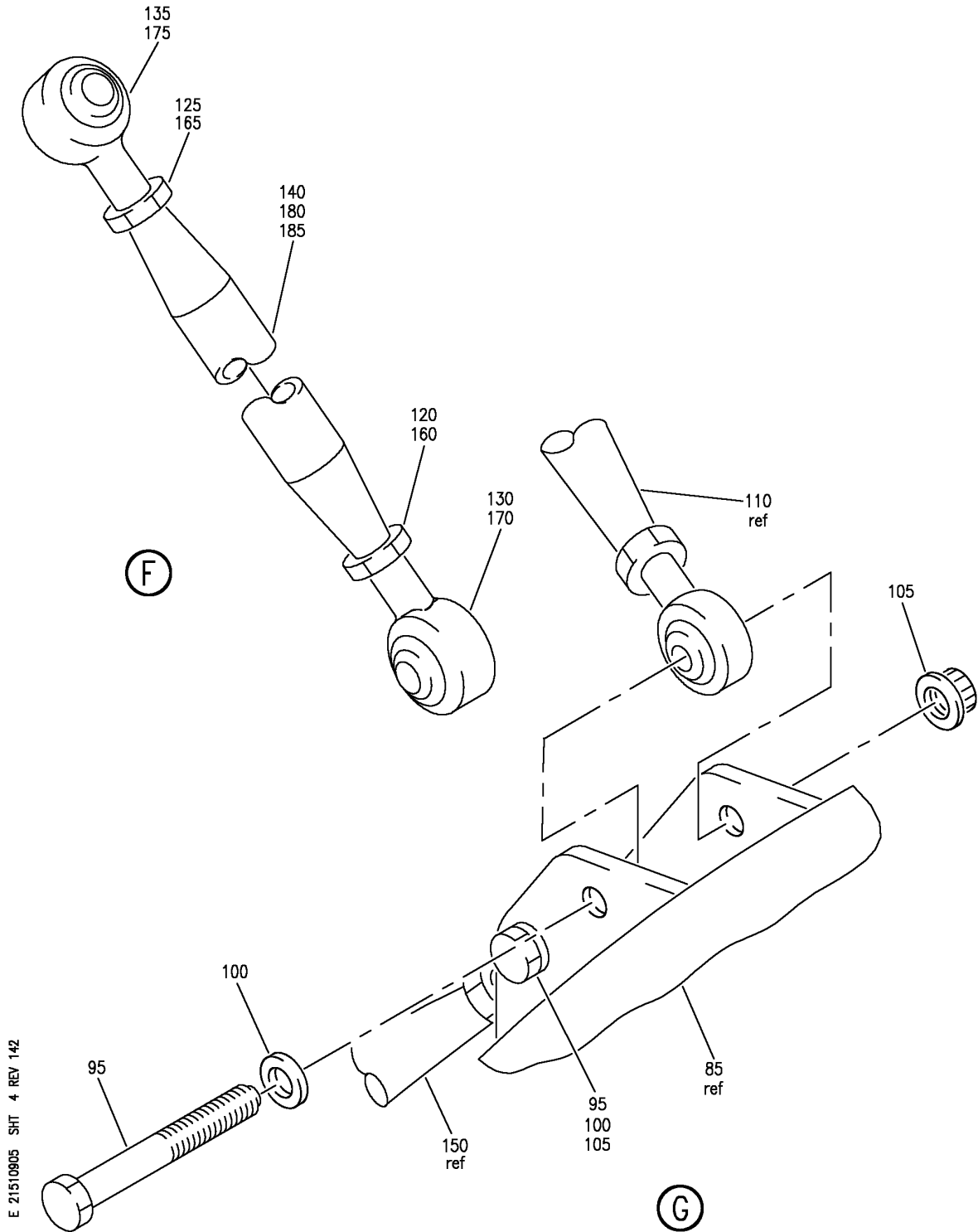
SEPARATOR INSTL-WATER AIR CONDITIONING
 FIGURE 5 (SHEET 3)

21-51-09-05

HAP
 JUN 15/08

21-51-09-05
 PAGE 0B

BOEING
 737-600/700/800/900
 PARTS CATALOG (MAINTENANCE)



SEPARATOR INSTL-WATER AIR CONDITIONING
 FIGURE 5 (SHEET 4)

21-51-09-05

HAP
 JUN 15/08

21-51-09-05
 PAGE 0C

BOEING
737-600/700/800/900
PARTS CATALOG (MAINTENANCE)

FIG ITEM	PART NUMBER	1 2 3 4 5 6 7	NOMENCLATURE	EFFECT FROM TO	UNITS PER ASSY
5			SEPARATOR INSTL-WATER AIR CONDITIONING	106200	
- 1	MODREF377401		SEPARATOR INSTL-WATER AIR CONDITIONING MODULE NUMBER: 213A1003-1 REV B POSITION DATA: LH	106200	1
- 5	MODREF377402		SEPARATOR INSTL-WATER AIR CONDITIONING MODULE NUMBER: 213A1003-2 REV B POSITION DATA: RH	106200	1
10	BACB30NR4HK18	.BOLT		106200	1
15	BACB30NR4HK46	.BOLT		106200	1
20	BACW10BP4ACU	.WASHER		106200	2
25	NAS1149D0416J	.WASHER		106200	2
30	PLH54CD	.NUT		106200	2
			SUPPLIER CODE: VF0224 SPECIFICATION NUMBER: BACN10YR4CD OPTIONAL PART: H52732-4CD V15653		
35	BACB28AK04-050	.BUSHING		106200	1
40	BACB28AK04-082	.BUSHING		106200	2
45	BACC10DU400ABE	.CLAMP		106200	1
50	51200-2-400	.CLAMP		106200	1
			SUPPLIER CODE: V8W928 SPECIFICATION NUMBER: BACC10CT2-400		
55	21156-400	.RETAINER		106200	1
			SUPPLIER CODE: V94581 SPECIFICATION NUMBER: BACC10BR2400A OPTIONAL PART: 24170-400A V00624		

MISSING ITEM NUMBERS NOT APPLICABLE

- ITEM NOT ILLUSTRATED

HAP

21-51-09-05

BOEING PROPRIETARY - Copyright © - Unpublished Work - See title page for details.

21-51-09
FIG. 05
PAGE 1
FEB 15/09

BOEING
737-600/700/800/900
PARTS CATALOG (MAINTENANCE)

FIG ITEM	PART NUMBER	1 2 3 4 5 6 7	NOMENCLATURE	EFFECT FROM TO	UNITS PER ASSY
5 60	17351-400	.RING	SUPPLIER CODE: V00624 SPECIFICATION NUMBER: BACC10BR3400 OPTIONAL PART: 2325-400 V94581	106200	1
65	NK1008725-400	.SLEEVE-	SUPPLIER CODE: V00624 OPTIONAL PART: FS11-400 V94581	106200	1
65	FS11-400	.SLEEVE-	SUPPLIER CODE: V94581 OPTIONAL PART: NK1008725-400 V00624	106200	1
70	213A1301-1	.ADAPTER ASSY-DUCT		106200	1
75	VFS103110-400	..FLANGE	SUPPLIER CODE: V14242 SPECIFICATION NUMBER: BACF22AA400A OPTIONAL PART: 56408-1-400 V8W928 10120-400 V06689 56408-1-400 V98625 2909AC400 V94581	106200	1
80	213A1301-2	..DUCT		106200	1
85	213A1013-1	.SEPARATOR ASSY-	(LOW PRESSURE WATER SYSTEM MIX MUFF ONLY) POSITION DATA: LH SIDE FOR DETAILS SEE: 21-51-05-03 21-51-32-02	106200	1

MISSING ITEM NUMBERS NOT APPLICABLE

— ITEM NOT ILLUSTRATED

HAP

21-51-09-05

BOEING PROPRIETARY - Copyright © - Unpublished Work - See title page for details.

21-51-09
FIG. 05
PAGE 2
OCT 15/08

BOEING
737-600/700/800/900
PARTS CATALOG (MAINTENANCE)

FIG ITEM	PART NUMBER	1 2 3 4 5 6 7	NOMENCLATURE	EFFECT FROM TO	UNITS PER ASSY
5					
- 90	213A1013-2		.SEPARATOR ASSY- (LOW PRESSURE WATER SYSTEM MIX MUFF ONLY) POSITION DATA: RH SIDE FOR DETAILS SEE: 21-51-05-03 21-51-32-02	106200	1
95	BACB30NR4HK8		..BOLT	106200	3
100	NAS1149D0416J		..WASHER	106200	6
105	PLH54CD		..NUT SUPPLIER CODE: VFO224 SPECIFICATION NUMBER: BACN10YR4CD OPTIONAL PART: H52732-4CD V15653	106200	3
110	212A1125-13		..TIE ROD ASSY- POSITION DATA: LH SIDE	106200	1
- 115	212A1125-15		..TIE ROD ASSY- POSITION DATA: RH SIDE	106200	1
120	NAS509-5		...NUT	106200	1
125	NAS509L5		...NUT	106200	1
130	M81935-1-4		...ROD	106200	1
135	M81935-1-4L		...ROD	106200	1
140	212A1125-14		...TUBE- POSITION DATA: LH SIDE	106200	1
- 145	212A1125-16		...TUBE- POSITION DATA: RH SIDE	106200	1
150	212A1125-21		..TIE ROD ASSY	106200	1
155	212A1125-11		..TIE ROD ASSY	106200	1
160	NAS509-5		...NUT	106200	1
165	NAS509L5		...NUT	106200	1
170	M81935-1-4		...ROD	106200	1
175	M81935-1-4L		...ROD	106200	1
180	212A1125-22		...TUBE- USED ON: 212A1125-21	106200	1
185	212A1125-12		...TUBE- USED ON: 212A1125-11	106200	1
190	4075KR		..CLAMP- SUPPLIER CODE: V94581	106200	1

MISSING ITEM NUMBERS NOT APPLICABLE

- ITEM NOT ILLUSTRATED

HAP

21-51-09-05

BOEING PROPRIETARY - Copyright © - Unpublished Work - See title page for details.

21-51-09
FIG. 05
PAGE 3
FEB 15/09

BOEING
737-600/700/800/900
PARTS CATALOG (MAINTENANCE)

FIG ITEM	PART NUMBER	1 2 3 4 5 6 7	NOMENCLATURE	EFFECT FROM TO	UNITS PER ASSY
5					
195	BACP11K7	..	PACKING	106200	1
200	MS9902-07	..	PLUG	106200	1
205	NAS1922-0175-3	..	CLAMP	106200	1
210	301171-1	..	SEAL-	106200	1
			SUPPLIER CODE: V70628		
			POSITION DATA: LH SIDE		
- 215	301171-3	..	SEAL-	106200	1
			SUPPLIER CODE: V70628		
			POSITION DATA: RH SIDE		
220	R1131-906	..	PACKING	106200	1
			SUPPLIER CODE: V57268		
			SPECIFICATION NUMBER: BACP11K6		
			OPTIONAL PART: 3-906S383-70		
			V02697		
			1090-06		
			V95272		
			150701-06		
			V95272		
			AS568-906S32		
			V11314		
225	MS21902W6	..	UNION	106200	1

MISSING ITEM NUMBERS NOT APPLICABLE

- ITEM NOT ILLUSTRATED

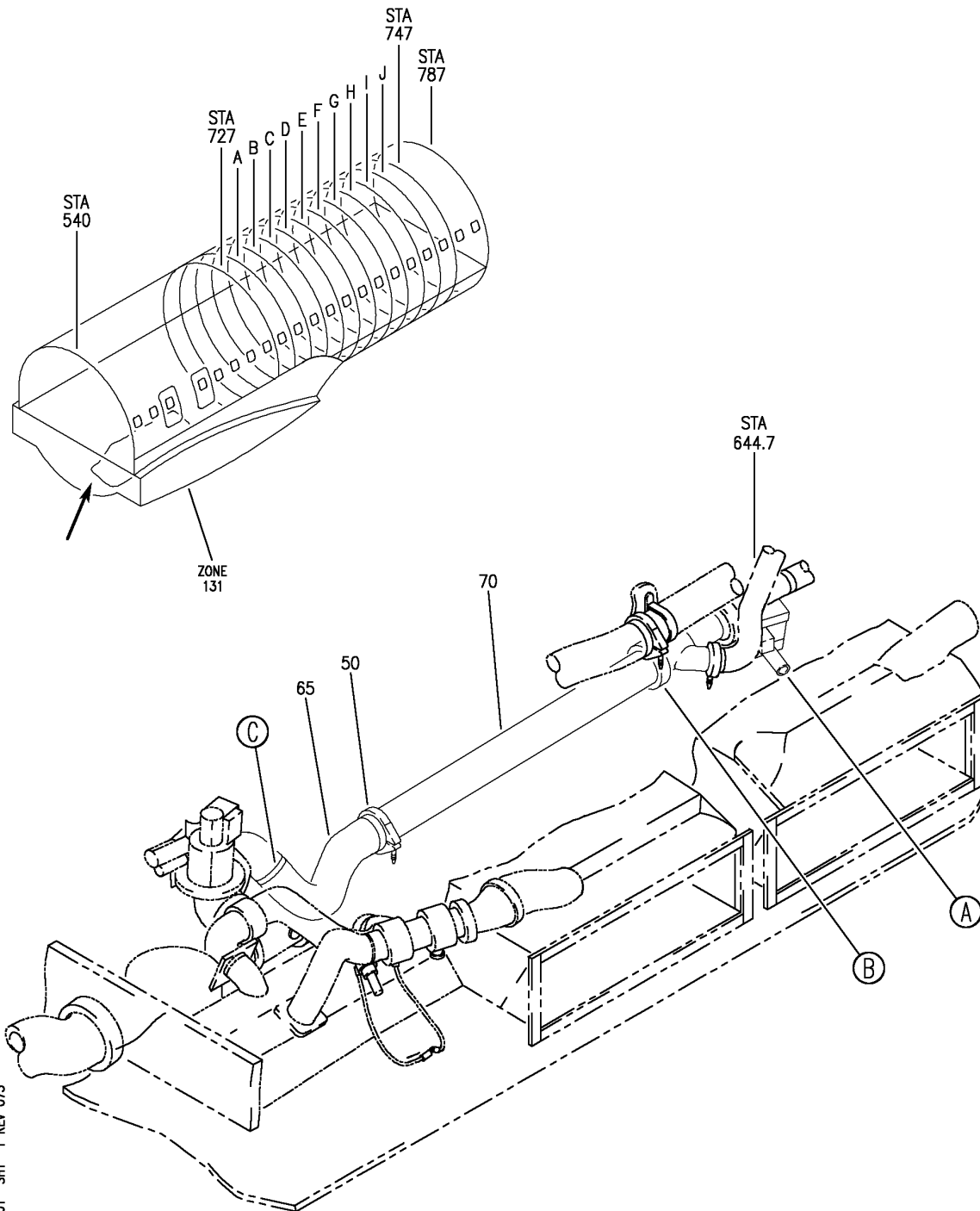
HAP

21-51-09-05

BOEING PROPRIETARY - Copyright © - Unpublished Work - See title page for details.

21-51-09
FIG. 05
PAGE 4
OCT 15/08

BOEING
 737-600/700/800/900
 PARTS CATALOG (MAINTENANCE)



E 21511001 SHT 1 REV 073

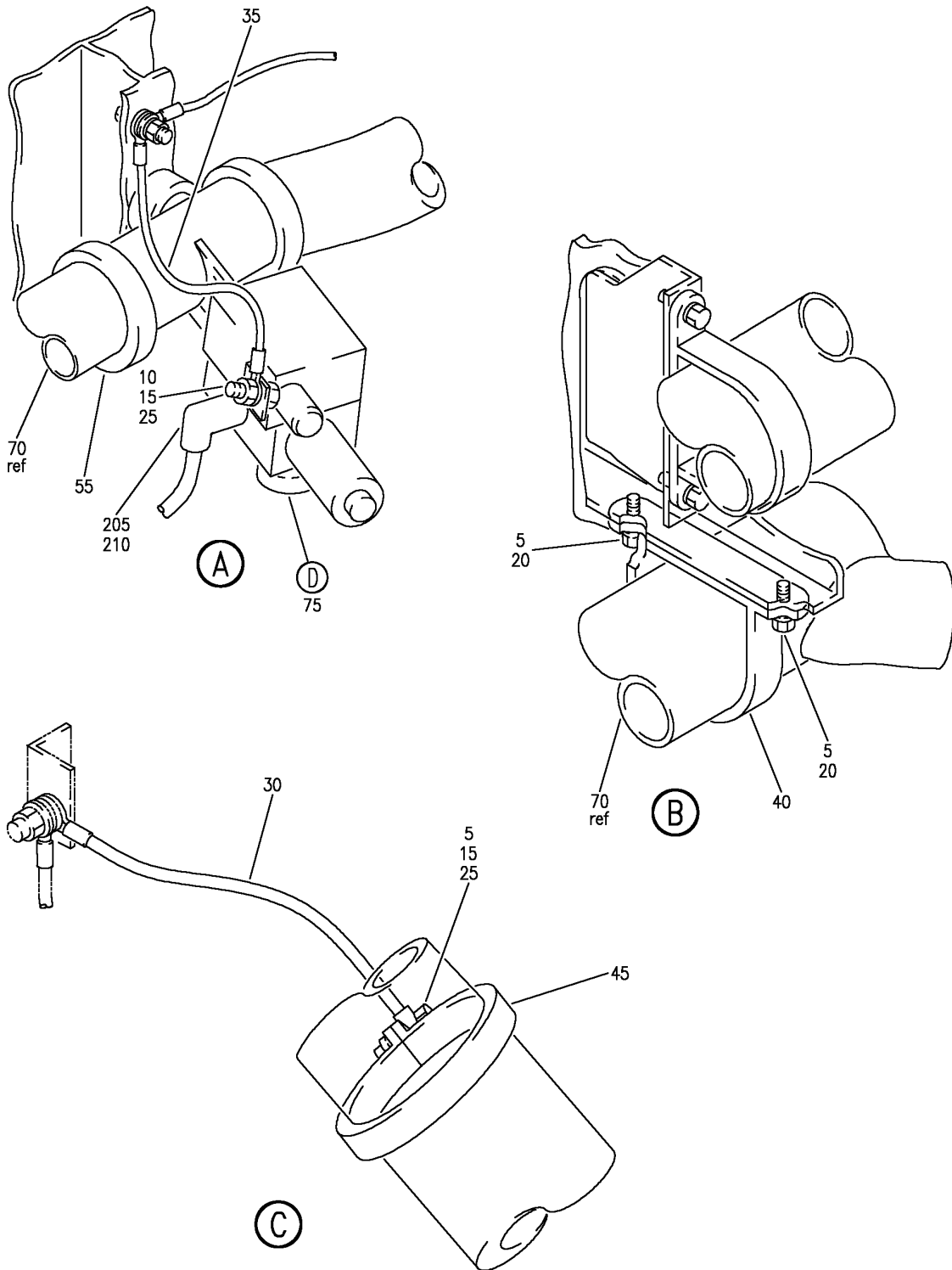
DUCT INSTL-L SIDE AIR CONDITIONING PACK (TEMPERATURE CONTROL VALVE ONLY)
 FIGURE 1 (SHEET 1)

HAP
 OCT 10/06

21-51-10-01

21-51-10-01
 PAGE 0

BOEING
 737-600/700/800/900
 PARTS CATALOG (MAINTENANCE)



E 21511001 SHT 2 REV 082

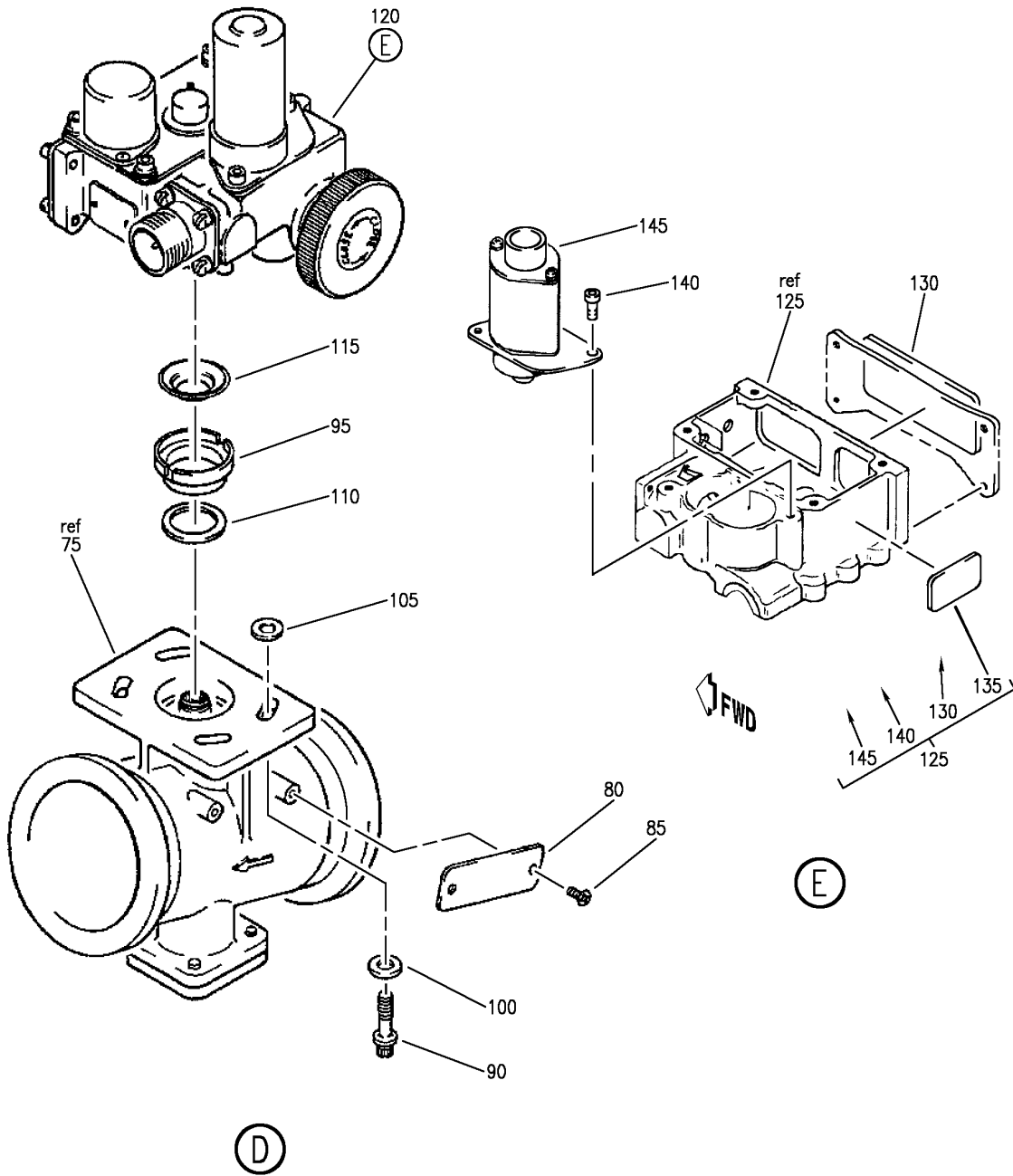
DUCT INSTL-L SIDE AIR CONDITIONING PACK (TEMPERATURE CONTROL VALVE ONLY)
 FIGURE 1 (SHEET 2)

21-51-10-01

HAP
 OCT 10/06

21-51-10-01
 PAGE 0A

BOEING
 737-600/700/800/900
 PARTS CATALOG (MAINTENANCE)



E 21511001 SHT 3 REV 124

DUCT INSTL-L SIDE AIR CONDITIONING PACK (TEMPERATURE CONTROL VALVE ONLY)
 FIGURE 1 (SHEET 3)

21-51-10-01

HAP
 FEB 10/07

21-51-10-01
 PAGE 0B

BOEING
737-600/700/800/900
PARTS CATALOG (MAINTENANCE)

FIG ITEM	PART NUMBER	1 2 3 4 5 6 7	NOMENCLATURE	EFFECT FROM TO	UNITS PER ASSY
1			DUCT INSTL-L SIDE AIR CONDITIONING PACK (TEMPERATURE CONTROL VALVE ONLY)	001030	
- 1	213A1002-3		DUCT INSTL-AIR CONDITIONING PACK (TEMPERATURE CONTROL VALVE ONLY) POSITION DATA: L SIDE FOR NHA/ADDITIONAL DET SEE: 21-50-00-01C	001030	RF
5	BACS12GU3K9	.SCREW		001030	3
10	BACS12GU3K7	.SCREW		001030	1
15	NAS1149E0316P	.WASHER		001030	2
20	NAS1149D0316J	.WASHER		001030	2
25	PLH53CD	.NUT		001030	2
			SUPPLIER CODE: VF0224 SPECIFICATION NUMBER: BACN10YR3CD OPTIONAL PART: H52732-3CD V15653		
30	RBEJ40K5A5A7	.JUMPER		001030	1
			SUPPLIER CODE: V1GK47 SPECIFICATION NUMBER: BACJ40K5A5A7		
35	RBEJ40K5A5A9	.JUMPER		001030	1
			SUPPLIER CODE: V1GK47 SPECIFICATION NUMBER: BACJ40K5A5A9		
40	421SS48	.CLAMP		001030	1
			SUPPLIER CODE: V83930 SPECIFICATION NUMBER: BACC10CC48C OPTIONAL PART: JM45SC3H48T V22175 TA04C36H11 V84971		
45	BACC10GN48C	.CLAMP		001030	1
50	BACC10DU300ABE	.CLAMP		001030	1
55	BACC10DU200ABE	.CLAMP		001030	1
65	213A1211-33	.DUCT ASSY		001030	1
70	213A1211-19	.DUCT ASSY		001030	1

MISSING ITEM NUMBERS NOT APPLICABLE

- ITEM NOT ILLUSTRATED

HAP

21-51-10-01

21-51-10
FIG. 01
PAGE 1
FEB 15/09

BOEING
737-600/700/800/900
PARTS CATALOG (MAINTENANCE)

FIG ITEM	PART NUMBER	1 2 3 4 5 6 7	NOMENCLATURE	EFFECT FROM TO	UNITS PER ASSY
1					
75	398908-3		. VALVE ASSY-ZONE TEMP CONT AND AIR CYCLE SYS SUPPLIER CODE: V59364 FUNCTIONAL DESCRIPTION: ELECTRICALLY ACTUATED TO MODULATE OR SHUTOFF AIRFLOW IN THE PNEUMATIC SYSTEM SPECIFICATION NUMBER: 10-62091-13 COMPONENT MAINT MANUAL REF: 21-50-83	001030	1
80	S3033-1		.. PLATE-IDENT SUPPLIER CODE: V59364 ATTACHING PARTS	001030	1
85	MS51861-1C		.. SCREW -----*-----	001030	2
90	MS9033-06		.. BOLT	001030	4
95	880345-1		.. SPACER-SLEEVE SUPPLIER CODE: V59364	001030	1
100	AN960C10		.. WASHER	001030	4
105	112072-91		.. WASHER-THRUST SUPPLIER CODE: V59364	001030	4
110	S8157N106-005		.. WASHER- SUPPLIER CODE: V59364 SELECT FROM ITEM.	001030	1
110	S8157N106-010		.. WASHER- SUPPLIER CODE: V59364 SELECT FROM ITEM.	001030	1
110	S8157N106-016		.. WASHER- SUPPLIER CODE: V59364 SELECT FROM ITEM.	001030	1
110	S8157N106-063		.. WASHER- SUPPLIER CODE: V59364 SELECT FROM ITEM.	001030	1
115	880291-1		.. SHIELD-MOISTURE SUPPLIER CODE: V59364	001030	1

MISSING ITEM NUMBERS NOT APPLICABLE

— ITEM NOT ILLUSTRATED

HAP

21-51-10-01

BOEING PROPRIETARY - Copyright © - Unpublished Work - See title page for details.

21-51-10
FIG. 01
PAGE 2
OCT 15/08

BOEING
737-600/700/800/900
PARTS CATALOG (MAINTENANCE)

FIG ITEM	PART NUMBER	1 2 3 4 5 6 7	NOMENCLATURE	EFFECT FROM TO	UNITS PER ASSY
1 120	2740028-2		..ACTUATOR-ROTARY ELECTRO MECHANICAL SUPPLIER CODE: V70210 FUNCTIONAL DESCRIPTION: PROVIDES ELECTRICAL AND MANUAL CONTROL TO OPERATE EITHER A TRIM AIR MODULATING VALVE OR A TEMPERATURE CONTROL VALVE. SB DATA FROM A CMM: POST SB 21-1363 COMPONENT MAINT MANUAL REF: 21-51-94	001030	1
125	2740029-3		...ACTUATOR ASSY- SUPPLIER CODE: V70210	001030	RF
130	2041179-1	DECAL- SUPPLIER CODE: V70210	001030	1
135	2743410-3	PLATE-IDENT SUPPLIER CODE: V70210	001030	1
140	MS24677-7	SCREW	001030	2
145	516038-3	MOTOR-AC SUPPLIER CODE: V70210 CONFIG CHG DATA FROM A CMM: REPL BY 516038-5	001030	1
145	516038-5	MOTOR-AC SUPPLIER CODE: V70210 CONFIG CHG DATA FROM A CMM: REPLS 516038-3	001030	1
- 200	286A5102-301		WIRE BUNDLE ASSY	001030	RF
205	BACC63CB14-15S		.PLUG- ELECTRICAL EQUIP NUMBER: D03862 WIRING DIAGRAM REF: 215112	001030	1

MISSING ITEM NUMBERS NOT APPLICABLE

- ITEM NOT ILLUSTRATED

HAP

21-51-10-01

BOEING PROPRIETARY - Copyright © - Unpublished Work - See title page for details.

21-51-10
FIG. 01
PAGE 3
OCT 15/08


BOEING
 737-600/700/800/900
PARTS CATALOG (MAINTENANCE)

FIG ITEM	PART NUMBER	1 2 3 4 5 6 7 NOMENCLATURE	EFFECT FROM TO	UNITS PER ASSY
1 210	620AA028NF14L	.CLAMP-BACKSHELL SUPPLIER CODE: V06324 SPECIFICATION NUMBER: BACC10KE14 OPTIONAL PART: S3820-14-65 V07418 ELECTRICAL EQUIP NUMBER: D03862T WIRING DIAGRAM REF: 215112	001030	1

MISSING ITEM NUMBERS NOT APPLICABLE

— ITEM NOT ILLUSTRATED

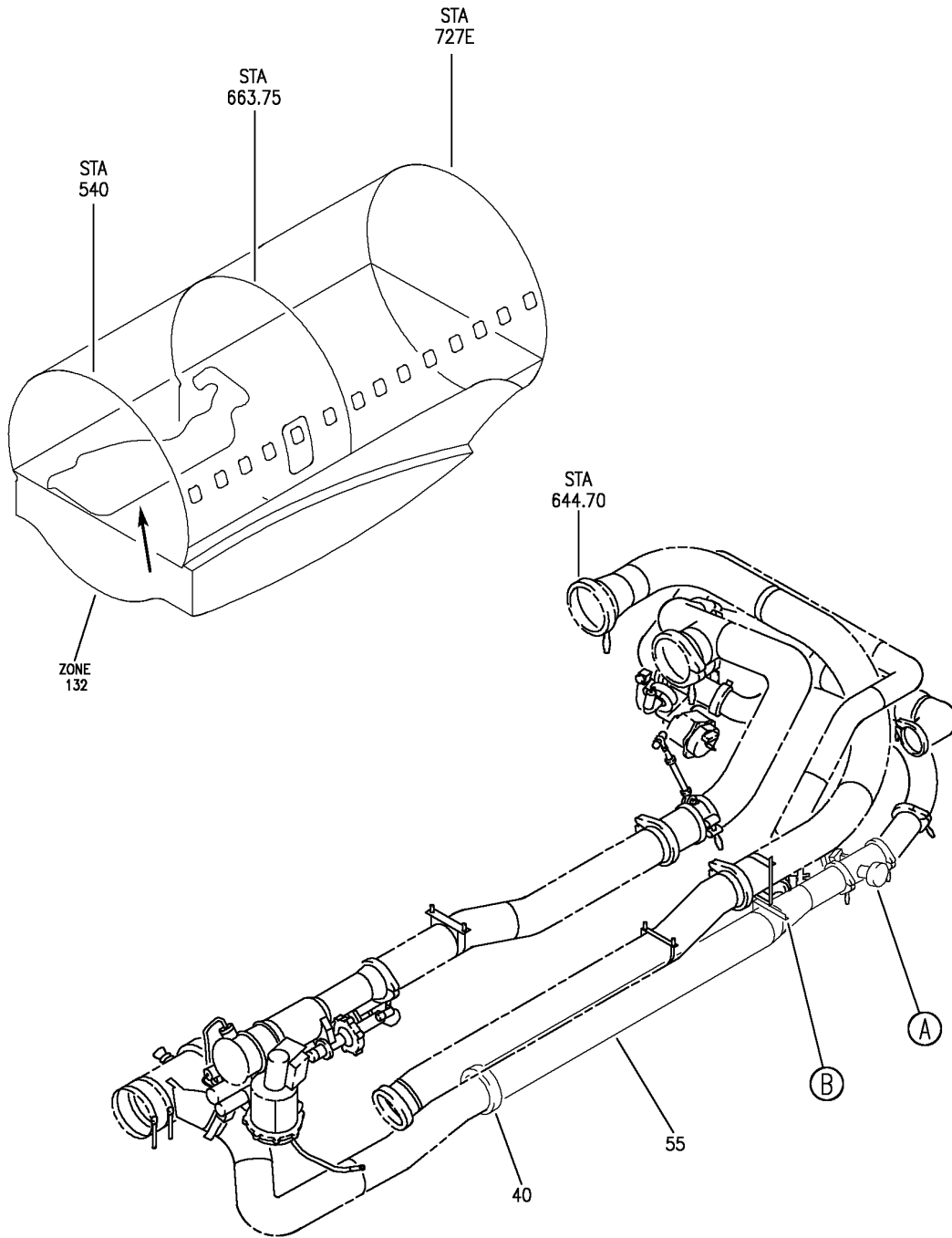
HAP

21-51-10-01

BOEING PROPRIETARY - Copyright © - Unpublished Work - See title page for details.

21-51-10
 FIG. 01
 PAGE 4
 OCT 15/08

BOEING
737-600/700/800/900
PARTS CATALOG (MAINTENANCE)



E 21511002 SH1 1 REV 074

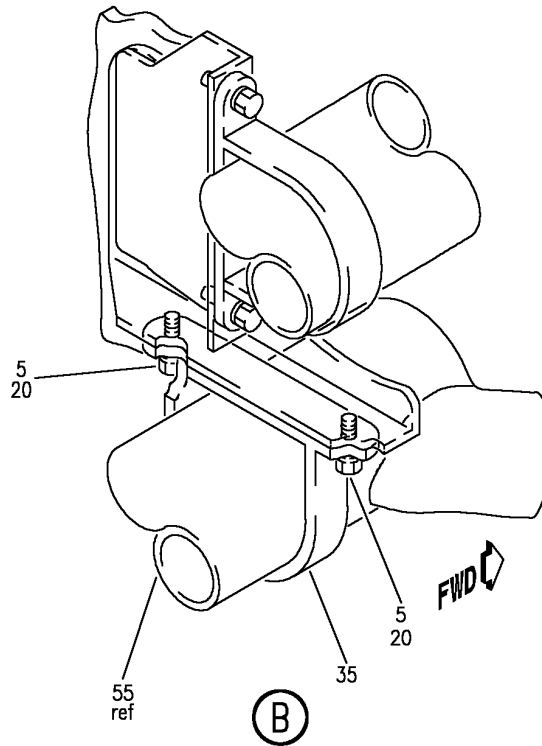
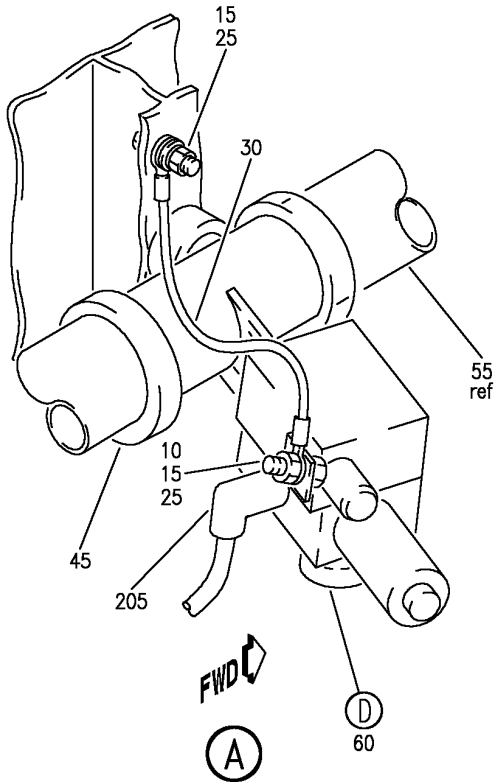
DUCT INSTL-R SIDE AIR CONDITIONING PACK (TEMPERATURE CONTROL VALVE ONLY)
FIGURE 2 (SHEET 1)

HAP
OCT 10/06

21-51-10-02

21-51-10-02
PAGE 0

BOEING
 737-600/700/800/900
 PARTS CATALOG (MAINTENANCE)



E 21511002 SH1 2 REV 082

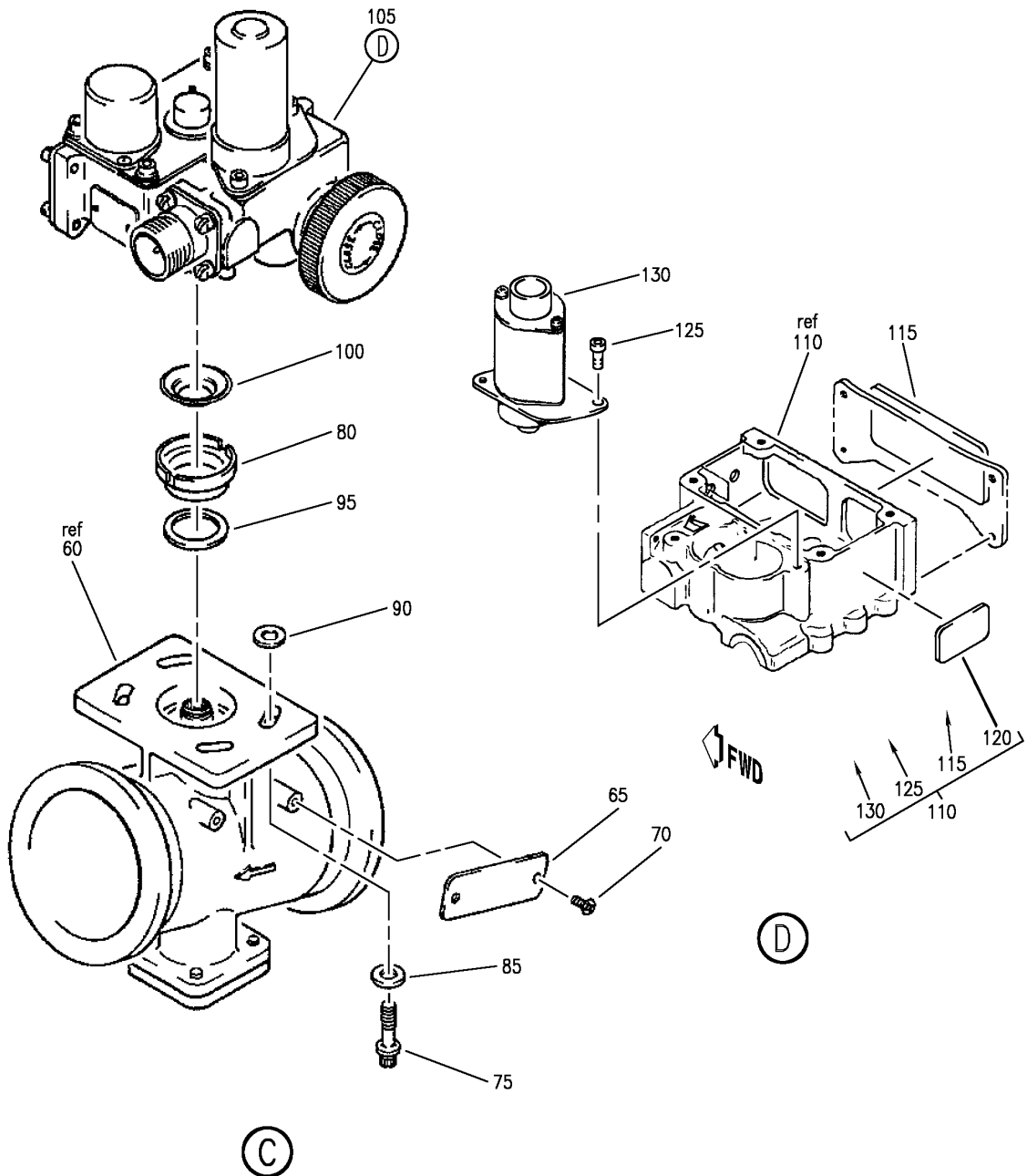
DUCT INSTL-R SIDE AIR CONDITIONING PACK (TEMPERATURE CONTROL VALVE ONLY)
 FIGURE 2 (SHEET 2)

HAP
 OCT 10/06

21-51-10-02

21-51-10-02
 PAGE 0A

BOEING
 737-600/700/800/900
 PARTS CATALOG (MAINTENANCE)



E 21511002 SHT 3 REV 124

DUCT INSTL-R SIDE AIR CONDITIONING PACK (TEMPERATURE CONTROL VALVE ONLY)
 FIGURE 2 (SHEET 3)

21-51-10-02

HAP
 FEB 10/07

21-51-10-02
 PAGE 0B

BOEING
737-600/700/800/900
PARTS CATALOG (MAINTENANCE)

FIG ITEM	PART NUMBER	1 2 3 4 5 6 7	NOMENCLATURE	EFFECT FROM TO	UNITS PER ASSY
2			DUCT INSTL-R SIDE AIR CONDITIONING PACK (TEMPERATURE CONTROL VALVE ONLY)	001030	
- 1	213A1002-4		DUCT INSTL-AIR CONDITIONING PACK (TEMPERATURE CONTROL VALVE ONLY) POSITION DATA: R SIDE FOR NHA/ADDITIONAL DET SEE: 21-50-00-01C	001030	RF
	5 BACS12GU3K9	.SCREW		001030	2
	10 BACS12GU3K7	.SCREW		001030	1
	15 NAS1149E0316P	.WASHER		001030	2
	20 NAS1149D0316J	.WASHER		001030	2
	25 PLH53CD	.NUT		001030	2
			SUPPLIER CODE: VF0224 SPECIFICATION NUMBER: BACN10YR3CD OPTIONAL PART: H52732-3CD V15653		
	30 RBEJ40K5A5A9	.JUMPER		001030	1
			SUPPLIER CODE: V1GK47 SPECIFICATION NUMBER: BACJ40K5A5A9		
	35 421SS48	.CLAMP		001030	1
			SUPPLIER CODE: V83930 SPECIFICATION NUMBER: BACC10CC48C OPTIONAL PART: JM45SC3H48T V22175 TA04C36H11 V84971		
	40 BACC10DU300ABE	.CLAMP		001030	1
	45 BACC10DU200ABE	.CLAMP		001030	1
	55 213A1211-19	.DUCT ASSY		001030	1

MISSING ITEM NUMBERS NOT APPLICABLE

- ITEM NOT ILLUSTRATED

HAP

21-51-10-02

BOEING PROPRIETARY - Copyright © - Unpublished Work - See title page for details.

21-51-10
FIG. 02
PAGE 1
FEB 15/09

BOEING
737-600/700/800/900
PARTS CATALOG (MAINTENANCE)

FIG ITEM	PART NUMBER	1 2 3 4 5 6 7	NOMENCLATURE	EFFECT FROM TO	UNITS PER ASSY
2 60	398908-3		. VALVE ASSY-ZONE TEMP CONT AND AIR CYCLE SYS SUPPLIER CODE: V59364 FUNCTIONAL DESCRIPTION: ELECTRICALLY ACTUATED TO MODULATE OR SHUTOFF AIRFLOW IN THE PNEUMATIC SYSTEM SPECIFICATION NUMBER: 10-62091-13 ELECTRICAL EQUIP NUMBER: V00141 COMPONENT MAINT MANUAL REF: 21-50-83	001030	1
65	S3033-1		.. PLATE-IDENT SUPPLIER CODE: V59364 ATTACHING PARTS	001030	1
70	MS51861-1C		.. SCREW -----*-----	001030	2
75	MS9033-06		.. BOLT	001030	4
80	880345-1		.. SPACER-SLEEVE SUPPLIER CODE: V59364	001030	1
85	AN960C10		.. WASHER	001030	4
90	112072-91		.. WASHER-THRUST SUPPLIER CODE: V59364	001030	4
95	S8157N106-005		.. WASHER- SUPPLIER CODE: V59364 SELECT FROM ITEM.	001030	1
95	S8157N106-010		.. WASHER- SUPPLIER CODE: V59364 SELECT FROM ITEM.	001030	1
95	S8157N106-016		.. WASHER- SUPPLIER CODE: V59364 SELECT FROM ITEM.	001030	1
95	S8157N106-063		.. WASHER- SUPPLIER CODE: V59364 SELECT FROM ITEM.	001030	1
100	880291-1		.. SHIELD-MOISTURE SUPPLIER CODE: V59364	001030	1

MISSING ITEM NUMBERS NOT APPLICABLE

— ITEM NOT ILLUSTRATED

HAP

21-51-10-02

21-51-10
FIG. 02
PAGE 2
OCT 15/08

BOEING
737-600/700/800/900
PARTS CATALOG (MAINTENANCE)

FIG ITEM	PART NUMBER	1 2 3 4 5 6 7	NOMENCLATURE	EFFECT FROM TO	UNITS PER ASSY
2 105	2740028-2	..	ACTUATOR-ROTARY ELECTRO MECHANICAL SUPPLIER CODE: V70210 FUNCTIONAL DESCRIPTION: PROVIDES ELECTRICAL AND MANUAL CONTROL TO OPERATE EITHER A TRIM AIR MODULATING VALVE OR A TEMPERATURE CONTROL VALVE. SB DATA FROM A CMM: POST SB 21-1363 COMPONENT MAINT MANUAL REF: 21-51-94	001030	1
110	2740029-3	...	ACTUATOR ASSY- SUPPLIER CODE: V70210	001030	RF
115	2041179-1	DECAL- SUPPLIER CODE: V70210	001030	1
120	2743410-3	PLATE-IDENT SUPPLIER CODE: V70210	001030	1
125	MS24677-7	SCREW	001030	2
130	516038-3	MOTOR-AC SUPPLIER CODE: V70210 CONFIG CHG DATA FROM A CMM: REPL BY 516038-5	001030	1
130	516038-5	MOTOR-AC SUPPLIER CODE: V70210 CONFIG CHG DATA FROM A CMM: REPLS 516038-3	001030	1
- 200	286A6202-301		WIRE BUNDLE ASSY	001009	RF
- 200	286A6202-302		WIRE BUNDLE ASSY	010027	RF
- 200	286A6202-303		WIRE BUNDLE ASSY	028030	RF
205	BACC63CB14-15SN	.PLUG-	ELECTRICAL EQUIP NUMBER: D03872 WIRING DIAGRAM REF: 215122	001030	1

MISSING ITEM NUMBERS NOT APPLICABLE

- ITEM NOT ILLUSTRATED

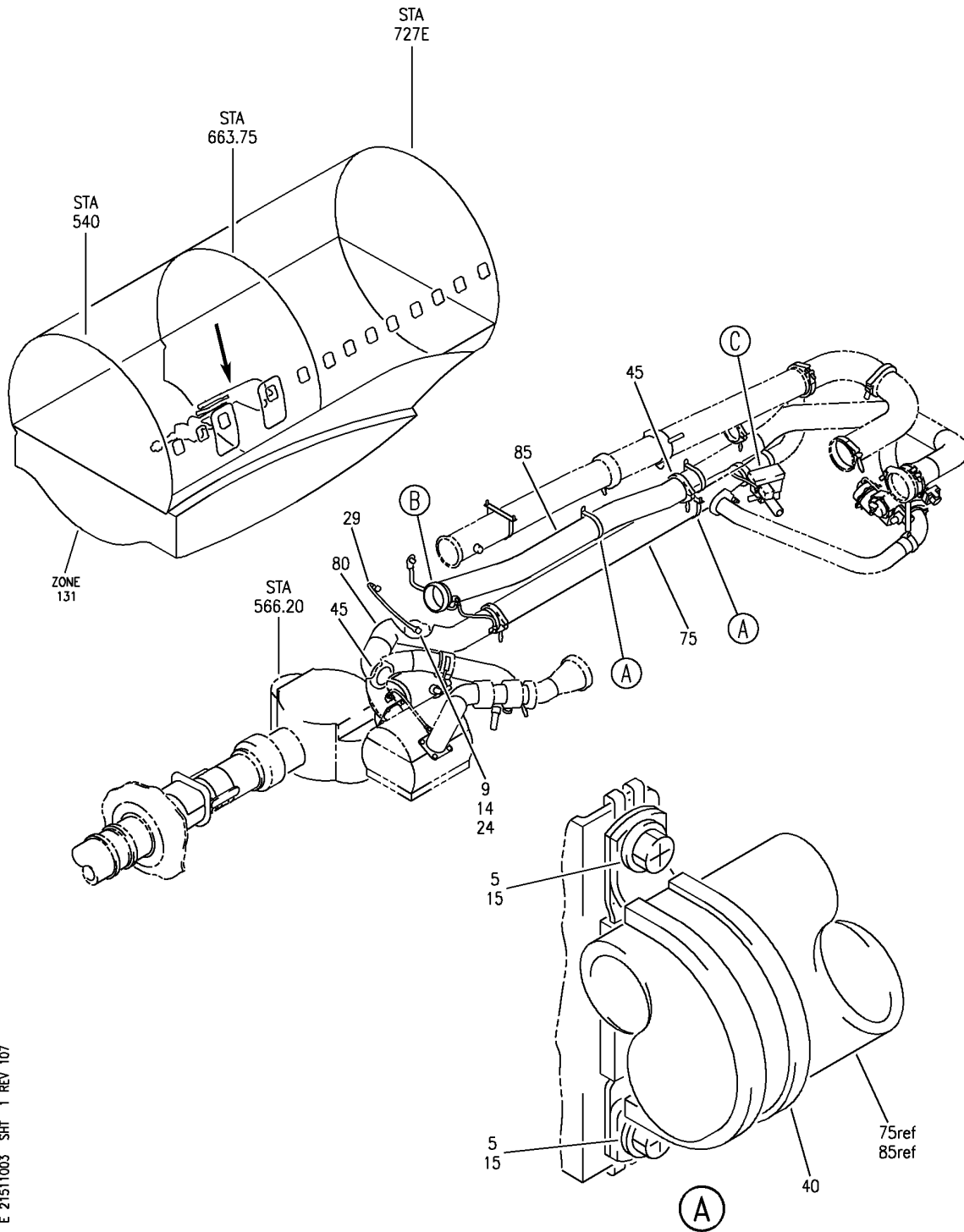
HAP

21-51-10-02

BOEING PROPRIETARY - Copyright © - Unpublished Work - See title page for details.

21-51-10
FIG. 02
PAGE 3
OCT 15/08

BOEING
 737-600/700/800/900
 PARTS CATALOG (MAINTENANCE)



E 21511003 SHT 1 REV 107

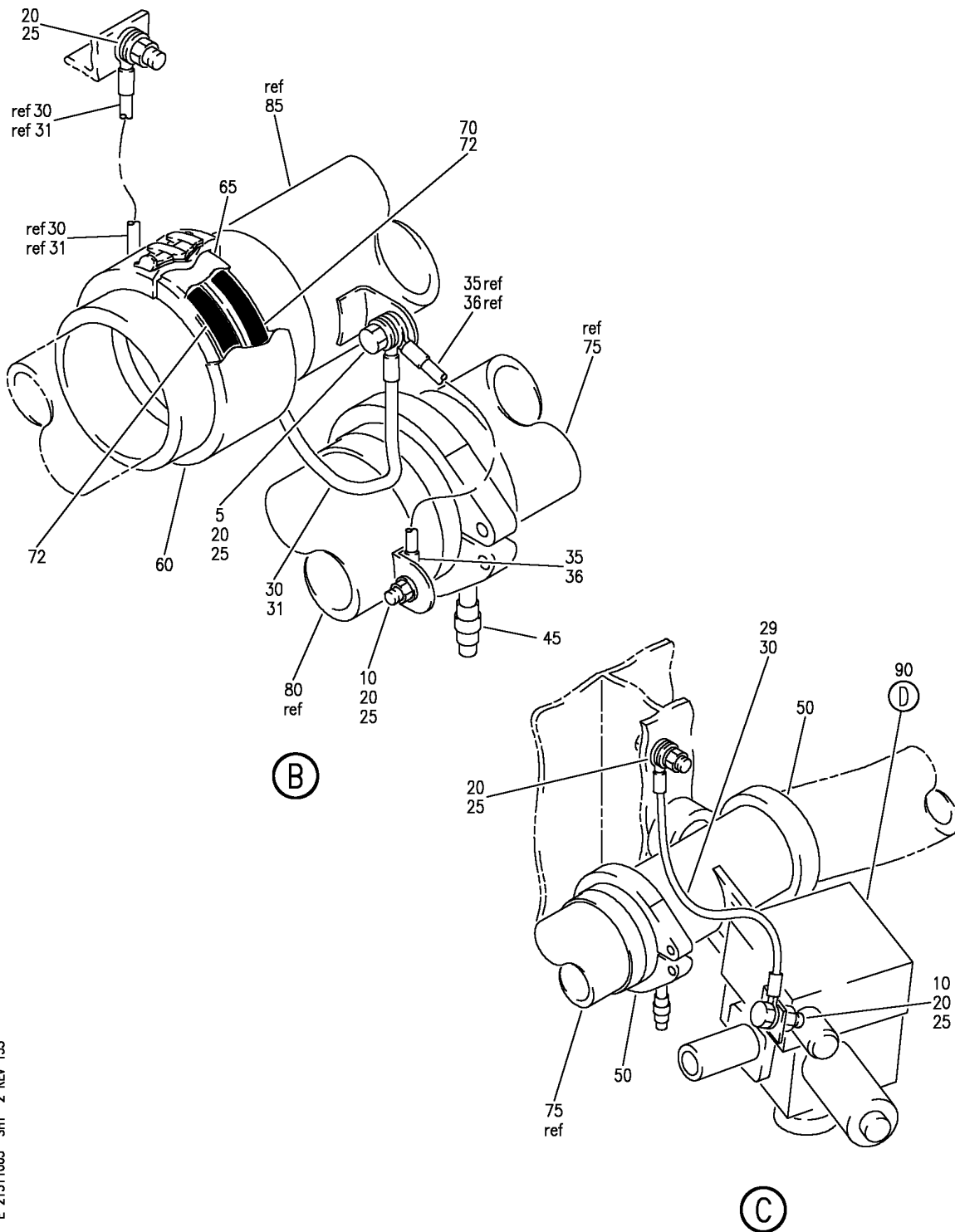
DUCT INSTL-L SIDE AIR CONDITIONING PACK (TEMPERATURE CONTROL VALVE ONLY)
 FIGURE 3 (SHEET 1)

21-51-10-03

HAP
 OCT 10/06

21-51-10-03
 PAGE 0

BOEING
 737-600/700/800/900
 PARTS CATALOG (MAINTENANCE)



E 21511003 SHT 2 REV 153

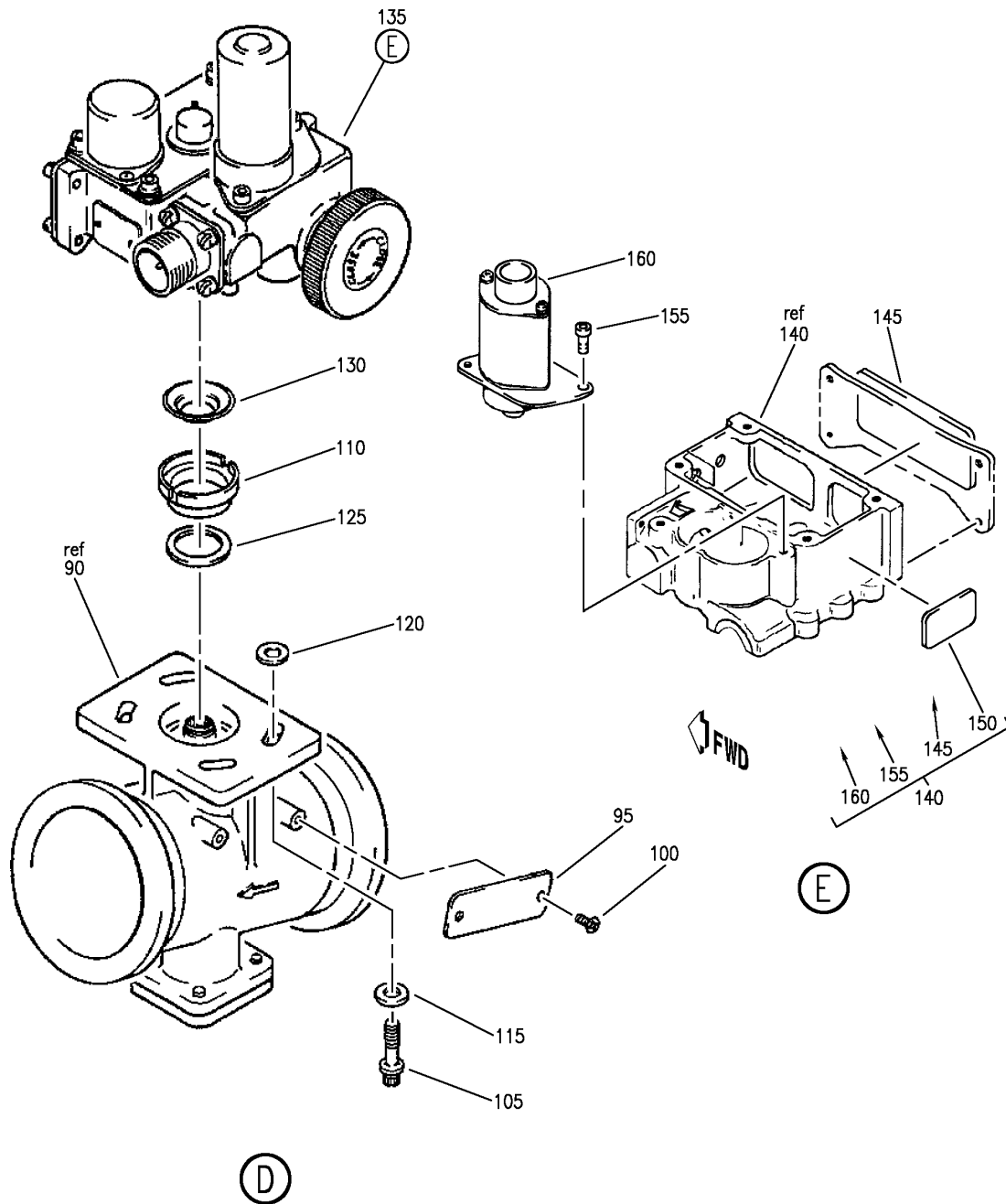
DUCT INSTL-L SIDE AIR CONDITIONING PACK (TEMPERATURE CONTROL VALVE ONLY)
 FIGURE 3 (SHEET 2)

21-51-10-03

HAP
 JUN 15/09

21-51-10-03
 PAGE 0A

BOEING
 737-600/700/800/900
 PARTS CATALOG (MAINTENANCE)



E 21511003 SHT 3 REV 124

DUCT INSTL-L SIDE AIR CONDITIONING PACK (TEMPERATURE CONTROL VALVE ONLY)
 FIGURE 3 (SHEET 3)

21-51-10-03

HAP
 FEB 10/07

21-51-10-03
 PAGE 0B

BOEING
737-600/700/800/900
PARTS CATALOG (MAINTENANCE)

FIG ITEM	PART NUMBER	1 2 3 4 5 6 7	NOMENCLATURE	EFFECT FROM TO	UNITS PER ASSY
3			DUCT INSTL-L SIDE AIR CONDITIONING PACK (TEMPERATURE CONTROL VALVE ONLY)	031100	
- 1	MODREF256352		DUCT INSTL-AIR CONDITIONING PACK (TEMPERATURE CONTROL VALVE ONLY) MODULE NUMBER: 213A1006-3 REV D POSITION DATA: L SIDE FOR ADDITIONAL DETAILS SEE: 21-51-07-03 21-51-11-04 21-51-13-02 21-51-15-03 21-51-17-04 21-51-41-07	031046 054100	1
- 1	MODREF377407		DUCT INSTL-AIR CONDITIONING PACK (TEMPERATURE CONTROL VALVE ONLY) MODULE NUMBER: 213A1006-3 REV E POSITION DATA: L SIDE FOR ADDITIONAL DETAILS SEE: 21-51-07-03 21-51-11-04 21-51-15-03 21-51-17-04 21-51-41-07	047047	1
- 1	MODREF395392		DUCT INSTL-AIR CONDITIONING PACK (TEMPERATURE CONTROL VALVE ONLY) MODULE NUMBER: 213A1006-3 REV F POSITION DATA: L SIDE FOR ADDITIONAL DETAILS SEE: 21-51-07-03 21-51-11-04 21-51-15-03 21-51-17-04 21-51-41-07	048053	1
5	BACS12GU3K9	.SCREW		031100	5
9	BACS12GU3K7	.SCREW		031100	1
10	BACS12GU3K7	.SCREW		031100	2
14	NAS1149D0316J	.WASHER		031100	2
15	NAS1149D0316J	.WASHER		031100	4
MISSING ITEM NUMBERS NOT APPLICABLE					

- ITEM NOT ILLUSTRATED

HAP

21-51-10-03

21-51-10
FIG. 03
PAGE 1
FEB 15/09

BOEING
737-600/700/800/900
PARTS CATALOG (MAINTENANCE)

FIG ITEM	PART NUMBER	1 2 3 4 5 6 7	NOMENCLATURE	EFFECT FROM TO	UNITS PER ASSY
3					
20	NAS1149E0316R	.	WASHER	031100	8
24	PLH53CM	.	NUT	031100	1
			SUPPLIER CODE: VF0224		
			SPECIFICATION NUMBER: BACN10YR3CM		
			OPTIONAL PART: H52732-3CM V15653		
25	PLH53CM	.	NUT	031100	5
			SUPPLIER CODE: VF0224		
			SPECIFICATION NUMBER: BACN10YR3CM		
			OPTIONAL PART: H52732-3CM V15653		
29	100544-8	.	JUMPER	031047 054100	2
			SUPPLIER CODE: V1FF12		
			SPECIFICATION NUMBER: BACJ40AD44-8		
			OPTIONAL PART: RBEJ40AD44-8 V1GK47		
31	100544-9	.	JUMPER	031047 054100	1
			SUPPLIER CODE: V1FF12		
			SPECIFICATION NUMBER: BACJ40AD44-9		
			OPTIONAL PART: RBEJ40AD44-9 V1GK47		
36	100544-12	.	JUMPER	031047 054100	1
			SUPPLIER CODE: V1FF12		
			SPECIFICATION NUMBER: BACJ40AD44-12		
			OPTIONAL PART: RBEJ40AD44-12 V1GK47		

MISSING ITEM NUMBERS NOT APPLICABLE

— ITEM NOT ILLUSTRATED

HAP

21-51-10-03

BOEING PROPRIETARY - Copyright © - Unpublished Work - See title page for details.

21-51-10
FIG. 03
PAGE 2
FEB 15/09

BOEING
737-600/700/800/900
PARTS CATALOG (MAINTENANCE)

FIG ITEM	PART NUMBER	1 2 3 4 5 6 7	NOMENCLATURE	EFFECT FROM TO	UNITS PER ASSY
3					
40	421SS48	.	CLAMP SUPPLIER CODE: V83930 SPECIFICATION NUMBER: BACC10CC48C OPTIONAL PART: JM45SC3H48T V22175 TA04C36H11 V84971	031100	2
45	BACC10DU300ABE	.	CLAMP	031100	3
50	BACC10DU200ABE	.	CLAMP	031100	2
60	14C02-48C	.	COUPLING- SUPPLIER CODE: V24984 OPTIONAL PART: AS1655C48	031100	1
60	14C02-48C	.	COUPLING- SUPPLIER CODE: V24984 SPECIFICATION NUMBER: AS1655C48 OPTIONAL PART: 14C02-48C V24984	031047 054100	1
65	14R02-48C	.	SLEEVE- SUPPLIER CODE: V24984 OPTIONAL PART: AS1654C48	031100	1
65	14R02-48C	.	SLEEVE- SUPPLIER CODE: V24984 SPECIFICATION NUMBER: AS1654C48 OPTIONAL PART: 14R02-48C V24984	031047 054100	1
70	2-234S604-70	.	SEAL- SUPPLIER CODE: V02697 MAINTENANCE MANUAL REF: 21-51-01	031047 054100	1
72	2-234S604-70	.	SEAL- SUPPLIER CODE: V02697 MAINTENANCE MANUAL REF: 21-51-01	048053	2
75	213A1211-92	.	DUCT ASSY	031100	1

MISSING ITEM NUMBERS NOT APPLICABLE

— ITEM NOT ILLUSTRATED

R
R
R
R
R

HAP

21-51-10-03

21-51-10
FIG. 03
PAGE 3
JUN 15/09

BOEING
737-600/700/800/900
PARTS CATALOG (MAINTENANCE)

FIG ITEM	PART NUMBER	1 2 3 4 5 6 7	NOMENCLATURE	EFFECT FROM TO	UNITS PER ASSY
3					
80	213A1211-83		.DUCT ASSY	031100	1
85	213A1211-79		.DUCT ASSY	031100	1
90	398908-3		.VALVE ASSY-ZONE TEMP CONT AND AIR CYCLE SYS SUPPLIER CODE: V59364 FUNCTIONAL DESCRIPTION: ELECTRICALLY ACTUATED TO MODULATE OR SHUTOFF AIRFLOW IN THE PNEUMATIC SYSTEM SPECIFICATION NUMBER: 10-62091-13 ELECTRICAL EQUIP NUMBER: V00139 COMPONENT MAINT MANUAL REF: 21-50-83	031100	1
95	S3033-1		..PLATE-IDENT SUPPLIER CODE: V59364 ATTACHING PARTS	031100	1
100	MS51861-1C		..SCREW -----*-----	031100	2
105	MS9033-06		..BOLT	031100	4
110	880345-1		..SPACER-SLEEVE SUPPLIER CODE: V59364	031100	1
115	AN960C10		..WASHER	031100	4
120	112072-91		..WASHER-THRUST SUPPLIER CODE: V59364	031100	4
125	S8157N106-005		..WASHER- SUPPLIER CODE: V59364 SELECT FROM ITEM.	031100	1
125	S8157N106-010		..WASHER- SUPPLIER CODE: V59364 SELECT FROM ITEM.	031100	1
125	S8157N106-016		..WASHER- SUPPLIER CODE: V59364 SELECT FROM ITEM.	031100	1
125	S8157N106-063		..WASHER- SUPPLIER CODE: V59364 SELECT FROM ITEM.	031100	1

MISSING ITEM NUMBERS NOT APPLICABLE

— ITEM NOT ILLUSTRATED

HAP

21-51-10-03

BOEING PROPRIETARY - Copyright © - Unpublished Work - See title page for details.

21-51-10
FIG. 03
PAGE 4
JUN 15/09

BOEING
737-600/700/800/900
PARTS CATALOG (MAINTENANCE)

FIG ITEM	PART NUMBER	1 2 3 4 5 6 7	NOMENCLATURE	EFFECT FROM TO	UNITS PER ASSY
3					
130	880291-1	..	SHIELD-MOISTURE SUPPLIER CODE: V59364	031100	1
135	2740028-2	..	ACTUATOR-ROTARY ELECTRO MECHANICAL SUPPLIER CODE: V70210 FUNCTIONAL DESCRIPTION: PROVIDES ELECTRICAL AND MANUAL CONTROL TO OPERATE EITHER A TRIM AIR MODULATING VALVE OR A TEMPERATURE CONTROL VALVE. SB DATA FROM A CMM: POST SB 21-1363 COMPONENT MAINT MANUAL REF: 21-51-94	031100	1
140	2740029-3	...	ACTUATOR ASSY- SUPPLIER CODE: V70210	031100	RF
145	2041179-1	DECAL- SUPPLIER CODE: V70210	031100	1
150	2743410-3	PLATE-IDENT SUPPLIER CODE: V70210	031100	1
155	MS24677-7	SCREW	031100	2
160	516038-3	MOTOR-AC SUPPLIER CODE: V70210 CONFIG CHG DATA FROM A CMM: REPL BY 516038-5	031100	1
160	516038-5	MOTOR-AC SUPPLIER CODE: V70210 CONFIG CHG DATA FROM A CMM: REPLS 516038-3	031100	1

MISSING ITEM NUMBERS NOT APPLICABLE

— ITEM NOT ILLUSTRATED

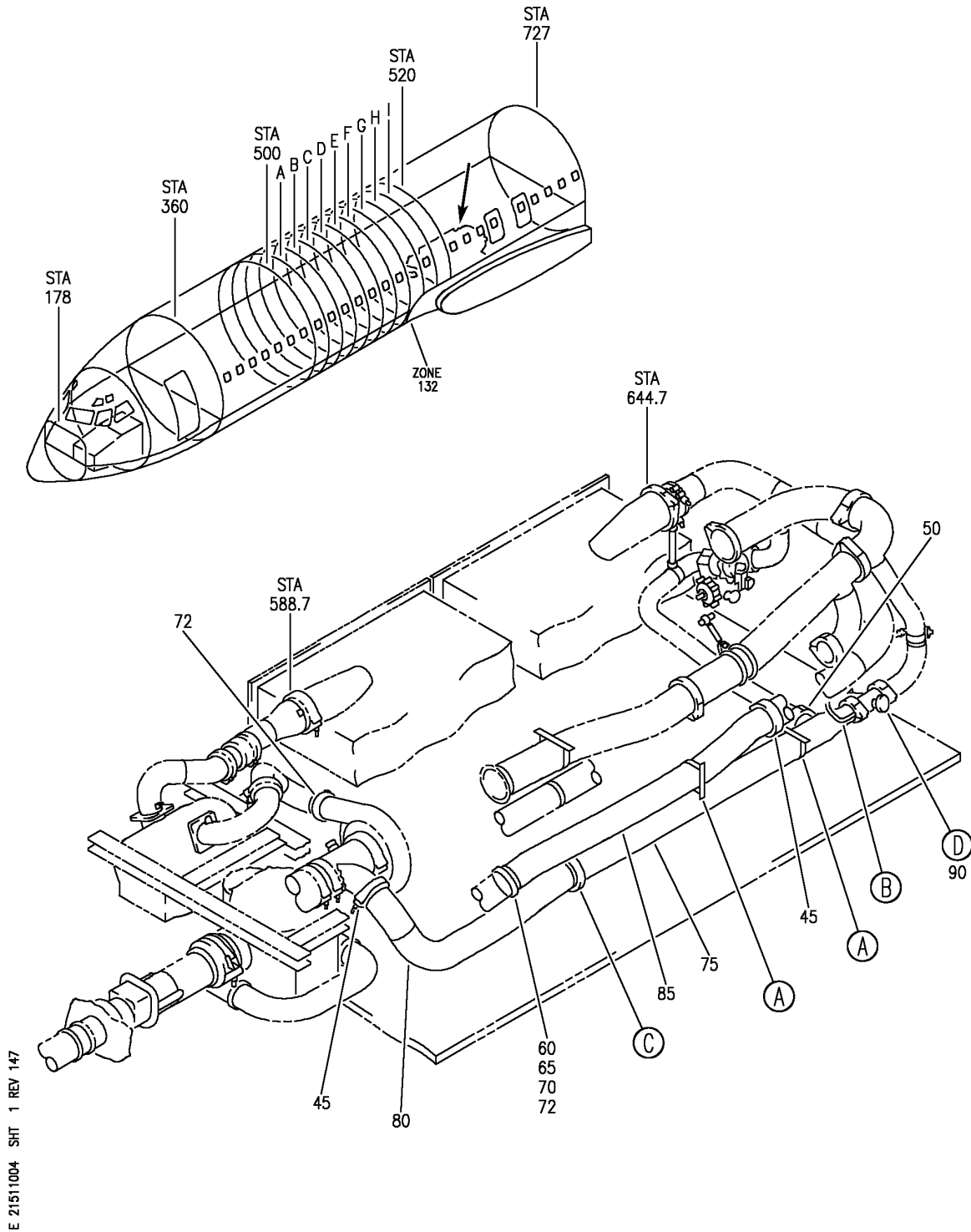
HAP

21-51-10-03

BOEING PROPRIETARY - Copyright © - Unpublished Work - See title page for details.

21-51-10
FIG. 03
PAGE 5
JUN 15/09

BOEING
 737-600/700/800/900
 PARTS CATALOG (MAINTENANCE)



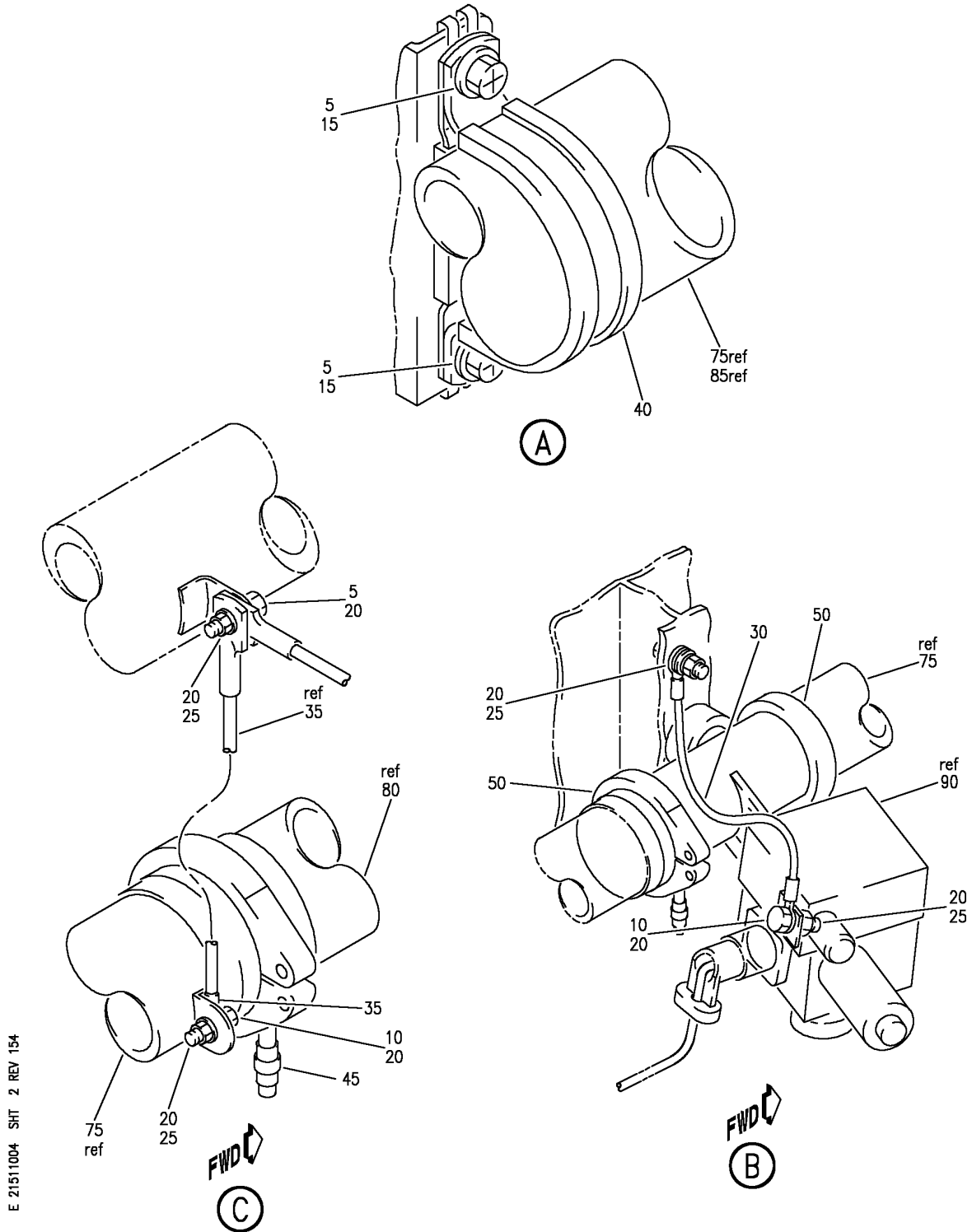
DUCT INSTL-R SIDE AIR CONDITIONING PACK (TEMPERATURE CONTROL VALVE ONLY)
 FIGURE 4 (SHEET 1)

HAP
 OCT 15/08

21-51-10-04

21-51-10-04
 PAGE 0

BOEING
 737-600/700/800/900
 PARTS CATALOG (MAINTENANCE)



E 21511004 SH1 2 REV 154

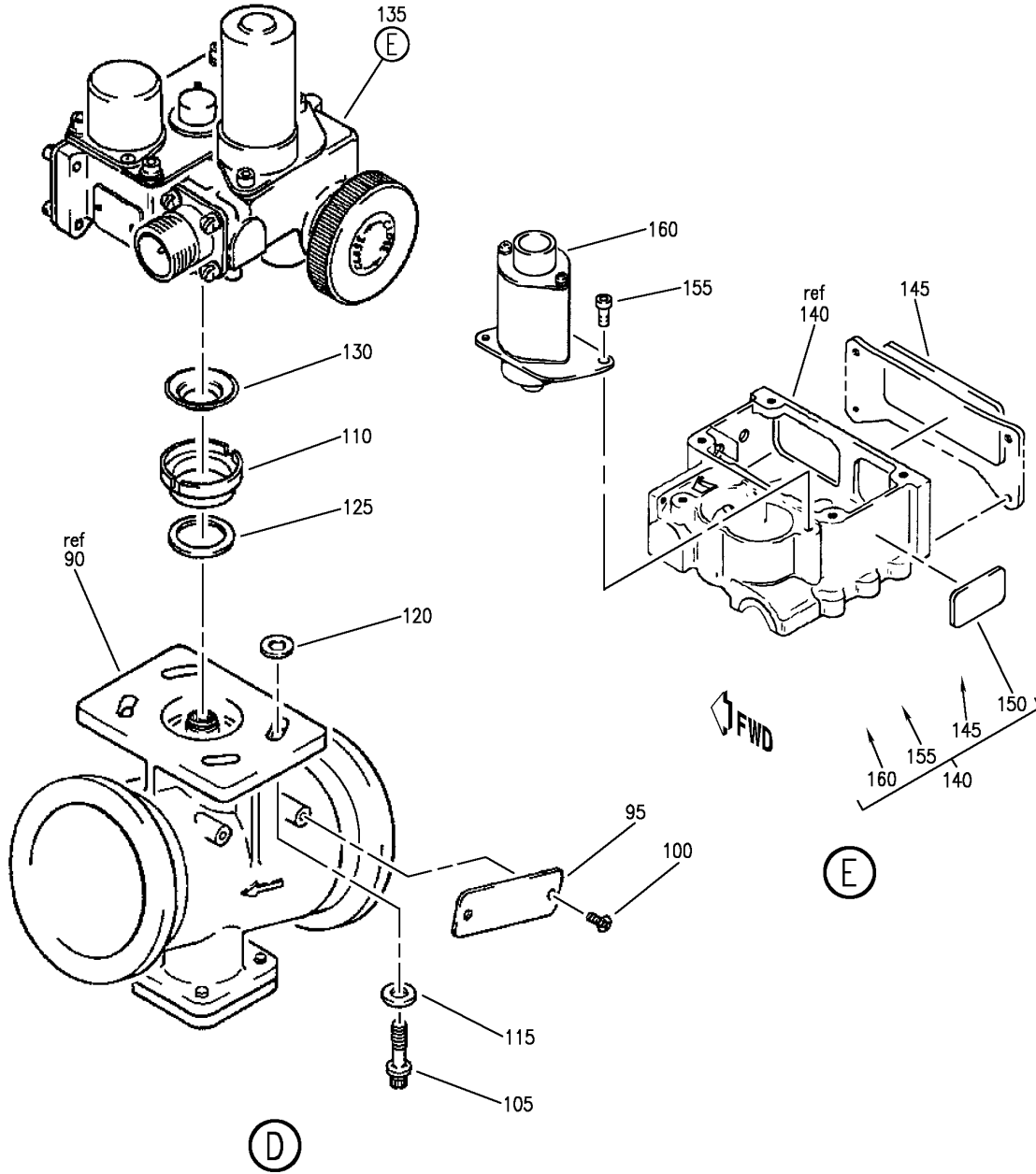
DUCT INSTL-R SIDE AIR CONDITIONING PACK (TEMPERATURE CONTROL VALVE ONLY)
 FIGURE 4 (SHEET 2)

21-51-10-04

HAP
 JUN 15/09

21-51-10-04
 PAGE 0A

BOEING
 737-600/700/800/900
 PARTS CATALOG (MAINTENANCE)



E 21511004 SHT 3 REV 124

DUCT INSTL-R SIDE AIR CONDITIONING PACK (TEMPERATURE CONTROL VALVE ONLY)
 FIGURE 4 (SHEET 3)

21-51-10-04

HAP
 FEB 10/07

21-51-10-04
 PAGE 0B

BOEING
737-600/700/800/900
PARTS CATALOG (MAINTENANCE)

FIG ITEM	PART NUMBER	1 2 3 4 5 6 7	NOMENCLATURE	EFFECT FROM TO	UNITS PER ASSY
4			DUCT INSTL-R SIDE AIR CONDITIONING PACK (TEMPERATURE CONTROL VALVE ONLY)	031100	
- 1	MODREF256353		DUCT INSTL-AIR CONDITIONING PACK (TEMPERATURE CONTROL VALVE ONLY) MODULE NUMBER: 213A1006-4 REV D POSITION DATA: R SIDE FOR ADDITIONAL DETAILS SEE: 21-51-07-04 21-51-11-05 21-51-13-03 21-51-15-04 21-51-17-05 21-51-41-08	031046 054100	1
R R	- 1	MODREF377408	DUCT INSTL-AIR CONDITIONING PACK (TEMPERATURE CONTROL VALVE ONLY) MODULE NUMBER: 213A1006-4 REV E POSITION DATA: R SIDE FOR ADDITIONAL DETAILS SEE: 21-51-07-04 21-51-11-05 21-51-17-05 21-51-41-08	047047	1
R R	- 1	MODREF395393	DUCT INSTL-AIR CONDITIONING PACK (TEMPERATURE CONTROL VALVE ONLY) MODULE NUMBER: 213A1006-4 REV F POSITION DATA: R SIDE FOR ADDITIONAL DETAILS SEE: 21-51-07-04 21-51-11-05 21-51-17-05 21-51-41-08	048053	1
	5	BACS12GU3K9	.SCREW	031100	5
	10	BACS12GU3K7	.SCREW	031100	2
	15	NAS1149D0316J	.WASHER	031100	4
	20	NAS1149E0316R	.WASHER	031100	7

MISSING ITEM NUMBERS NOT APPLICABLE

- ITEM NOT ILLUSTRATED

HAP

21-51-10-04

21-51-10
FIG. 04
PAGE 1
JUN 15/09

BOEING
737-600/700/800/900
PARTS CATALOG (MAINTENANCE)

FIG ITEM	PART NUMBER	1 2 3 4 5 6 7	NOMENCLATURE	EFFECT FROM TO	UNITS PER ASSY
4	25 PLH53CM	.	NUT SUPPLIER CODE: VF0224 SPECIFICATION NUMBER: BACN10YR3CM OPTIONAL PART: H52732-3CM V15653	031100	4
	30 100544-9	.	JUMPER SUPPLIER CODE: V1FF12 SPECIFICATION NUMBER: BACJ40AD44-9 OPTIONAL PART: RBEJ40AD44-9 V1GK47	031100	1
	35 100544-12	.	JUMPER SUPPLIER CODE: V1FF12 SPECIFICATION NUMBER: BACJ40AD44-12 OPTIONAL PART: RBEJ40AD44-12 V1GK47	031100	1
	40 421SS48	.	CLAMP SUPPLIER CODE: V83930 SPECIFICATION NUMBER: BACC10CC48C OPTIONAL PART: JM45SC3H48T V22175 TA04C36H11 V84971	031100	2
	45 BACC10DU300ABE	.	CLAMP	031100	3
	50 BACC10DU200ABE	.	CLAMP	031100	3
	60 14C02-48C	.	COUPLING- SUPPLIER CODE: V24984	031100	1
	65 14R02-48C	.	SLEEVE- SUPPLIER CODE: V24984	031100	1
	70 2-234S604-70	.	SEAL- SUPPLIER CODE: V02697 MAINTENANCE MANUAL REF: 21-51-01	031100	1

MISSING ITEM NUMBERS NOT APPLICABLE

— ITEM NOT ILLUSTRATED

HAP

21-51-10-04

BOEING PROPRIETARY - Copyright © - Unpublished Work - See title page for details.

21-51-10
FIG. 04
PAGE 2
FEB 15/09

BOEING
737-600/700/800/900
PARTS CATALOG (MAINTENANCE)

FIG ITEM	PART NUMBER	1 2 3 4 5 6 7	NOMENCLATURE	EFFECT FROM TO	UNITS PER ASSY
4					
72	2-234S604-70		.SEAL- SUPPLIER CODE: V02697	048053	2
75	213A1211-92		.DUCT ASSY	031100	1
80	213A1211-84		.DUCT ASSY	031100	1
85	213A1211-80		.DUCT ASSY	031100	1
90	398908-3		.VALVE ASSY-ZONE TEMP CONT AND AIR CYCLE SYS SUPPLIER CODE: V59364 FUNCTIONAL DESCRIPTION: ELECTRICALLY ACTUATED TO MODULATE OR SHUTOFF AIRFLOW IN THE PNEUMATIC SYSTEM SPECIFICATION NUMBER: 10-62091-13 ELECTRICAL EQUIP NUMBER: V00141 COMPONENT MAINT MANUAL REF: 21-50-83	031100	1
95	S3033-1		..PLATE-IDENT SUPPLIER CODE: V59364 ATTACHING PARTS	031100	1
100	MS51861-1C		..SCREW -----*-----	031100	2
105	MS9033-06		..BOLT	031100	4
110	880345-1		..SPACER-SLEEVE SUPPLIER CODE: V59364	031100	1
115	AN960C10		..WASHER	031100	4
120	112072-91		..WASHER-THRUST SUPPLIER CODE: V59364	031100	4
125	S8157N106-005		..WASHER- SUPPLIER CODE: V59364 SELECT FROM ITEM.	031100	1
125	S8157N106-010		..WASHER- SUPPLIER CODE: V59364 SELECT FROM ITEM.	031100	1
125	S8157N106-016		..WASHER- SUPPLIER CODE: V59364 SELECT FROM ITEM.	031100	1

MISSING ITEM NUMBERS NOT APPLICABLE

— ITEM NOT ILLUSTRATED

HAP

21-51-10-04

21-51-10
FIG. 04
PAGE 3
FEB 15/09

BOEING
737-600/700/800/900
PARTS CATALOG (MAINTENANCE)

FIG ITEM	PART NUMBER	1 2 3 4 5 6 7	NOMENCLATURE	EFFECT FROM TO	UNITS PER ASSY
4 125	S8157N106-063		.. WASHER- SUPPLIER CODE: V59364 SELECT FROM ITEM.	031100	1
130	880291-1		.. SHIELD-MOISTURE SUPPLIER CODE: V59364	031100	1
135	2740028-2		.. ACTUATOR-ROTARY ELECTRO MECHANICAL SUPPLIER CODE: V70210 FUNCTIONAL DESCRIPTION: PROVIDES ELECTRICAL AND MANUAL CONTROL TO OPERATE EITHER A TRIM AIR MODULATING VALVE OR A TEMPERATURE CONTROL VALVE. SB DATA FROM A CMM: POST SB 21-1363 COMPONENT MAINT MANUAL REF: 21-51-94	031100	1
140	2740029-3		... ACTUATOR ASSY- SUPPLIER CODE: V70210	031100	RF
145	2041179-1	 DECAL- SUPPLIER CODE: V70210	031100	1
150	2743410-3	 PLATE-IDENT SUPPLIER CODE: V70210	031100	1
155	MS24677-7	 SCREW	031100	2
160	516038-3	 MOTOR-AC SUPPLIER CODE: V70210 CONFIG CHG DATA FROM A CMM: REPL BY 516038-5	031100	1
160	516038-5	 MOTOR-AC SUPPLIER CODE: V70210 CONFIG CHG DATA FROM A CMM: REPLS 516038-3	031100	1

MISSING ITEM NUMBERS NOT APPLICABLE

- ITEM NOT ILLUSTRATED

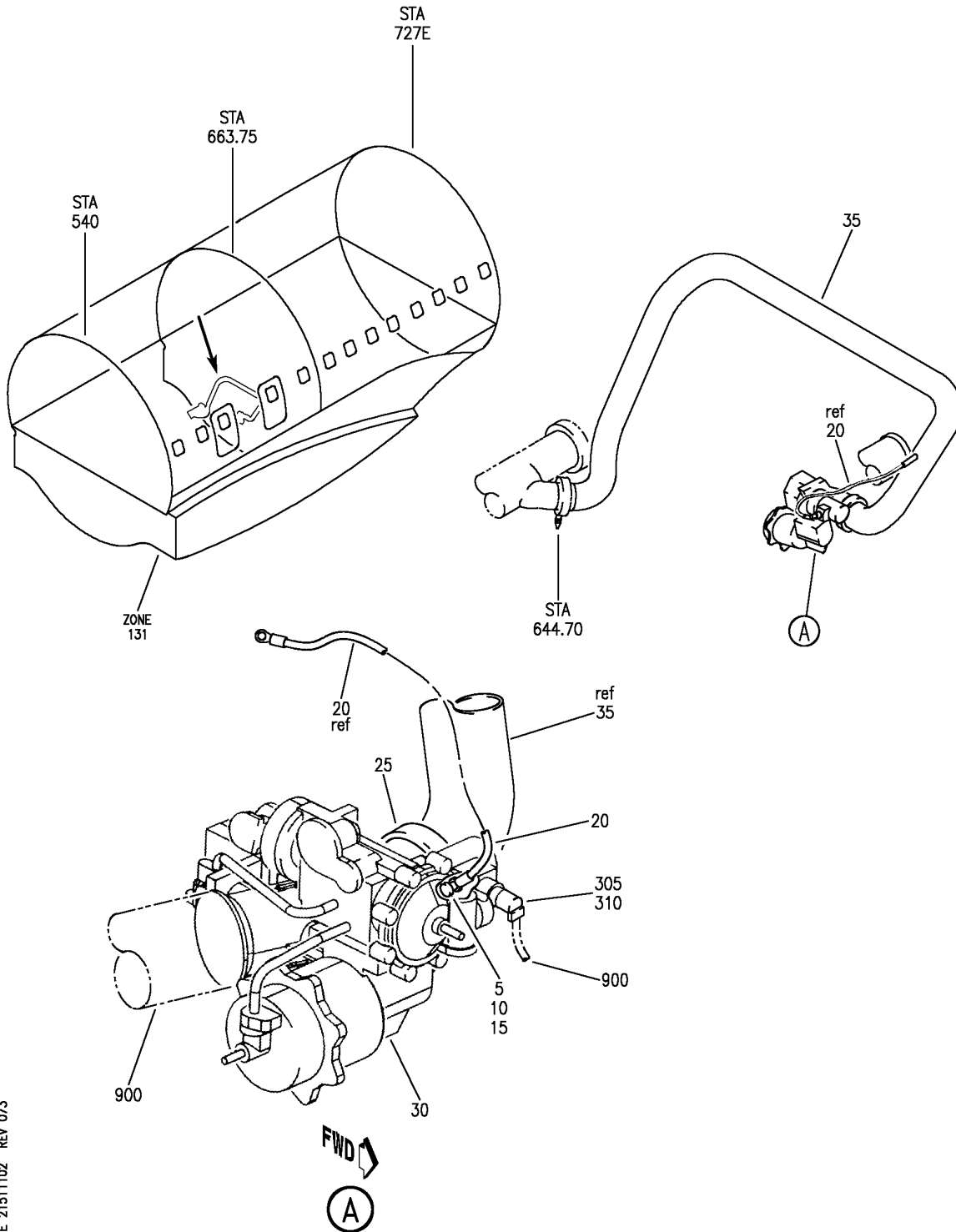
HAP

21-51-10-04

BOEING PROPRIETARY - Copyright © - Unpublished Work - See title page for details.

21-51-10
FIG. 04
PAGE 4
JUN 15/09

BOEING
 737-600/700/800/900
 PARTS CATALOG (MAINTENANCE)



E 21511102 REV 073

DUCT INSTL-L SIDE AIR CONDITIONING PACK (STANDBY TEMPERATURE CONTROL VALVE ONLY)
 FIGURE 2

21-51-11-02

HAP
 OCT 10/06

21-51-11-02
 PAGE 0

BOEING
737-600/700/800/900
PARTS CATALOG (MAINTENANCE)

FIG ITEM	PART NUMBER	1 2 3 4 5 6 7	NOMENCLATURE	EFFECT FROM TO	UNITS PER ASSY
2			DUCT INSTL-L SIDE AIR CONDITIONING PACK (STANDBY TEMPERATURE CONTROL VALVE ONLY)	001030	
- 1	213A1002-3		DUCT INSTL-AIR CONDITIONING PACK (STANDBY TEMPERATURE CONTROL VALVE ONLY) POSITION DATA: L SIDE FOR NHA/ADDITIONAL DET SEE: 21-50-00-01C	001030	RF
5	BACS12GU3K9		.SCREW	001030	1
10	NAS1149E0316P		.WASHER	001030	1
15	PLH53CD		.NUT	001030	1
			SUPPLIER CODE: VF0224 SPECIFICATION NUMBER: BACN10YR3CD OPTIONAL PART: H52732-3CD V15653		
20	RBEJ40K5A5A13		.JUMPER SUPPLIER CODE: V1GK47 SPECIFICATION NUMBER: BACJ40K5A5A13	001030	1
25	BACC10DU200ABE		.CLAMP	001030	1
30	3290206-1		.VALVE-STBY PACK TEMP CONT SUPPLIER CODE: V59364 FUNCTIONAL DESCRIPTION: CONTROLS PACK OUTLET TEMPERATURE IN THE STANDBY MODE. SPECIFICATION NUMBER: 10-62091-9 MISCELLANEOUS DATA: SEE S/B 737-21-1115R0 FOR RETROFIT FROM -9 TO -16 ELECTRICAL EQUIP NUMBER: V00140 COMPONENT MAINT MANUAL REF: 21-60-95 MAINTENANCE MANUAL REF: 21-51-11	001030	1
35	213A1211-23		.DUCT ASSY	001030	1
- 300	286A5102-301		WIRE BUNDLE ASSY	001030	RF

MISSING ITEM NUMBERS NOT APPLICABLE

- ITEM NOT ILLUSTRATED

HAP

21-51-11-02

BOEING PROPRIETARY - Copyright © - Unpublished Work - See title page for details.

21-51-11
FIG. 02
PAGE 1
FEB 15/09

BOEING
737-600/700/800/900
PARTS CATALOG (MAINTENANCE)

FIG ITEM	PART NUMBER	1 2 3 4 5 6 7	NOMENCLATURE	EFFECT FROM TO	UNITS PER ASSY
2 305	BACC63BN10-5SN		.PLUG- ELECTRICAL EQUIP NUMBER: D03864 WIRING DIAGRAM REF: 215113	001030	1
310	MS27559-2		.SUPPORT- ELECTRICAL EQUIP NUMBER: D03864T WIRING DIAGRAM REF: 215113	001030	1
900			ILLUSTRATION REFERENCE: SENSE LINE INSTL-L SIDE AIR CONDITIONING PACK 21-51-53-18	001030	RF

MISSING ITEM NUMBERS NOT APPLICABLE

— ITEM NOT ILLUSTRATED

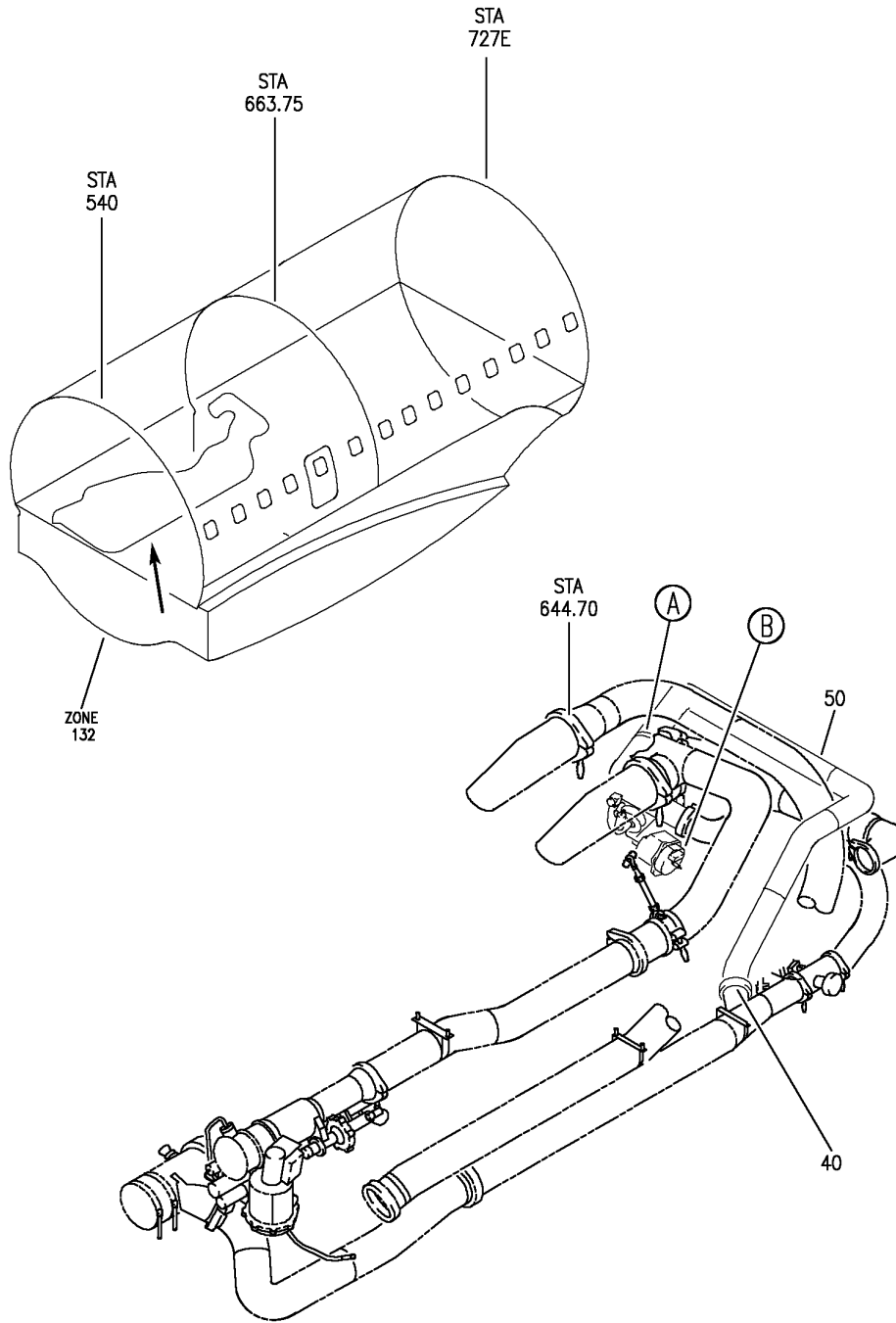
HAP

21-51-11-02

BOEING PROPRIETARY - Copyright © - Unpublished Work - See title page for details.

21-51-11
FIG. 02
PAGE 2
OCT 15/08

BOEING
737-600/700/800/900
PARTS CATALOG (MAINTENANCE)



E 21511103 SHT 1 REV 074

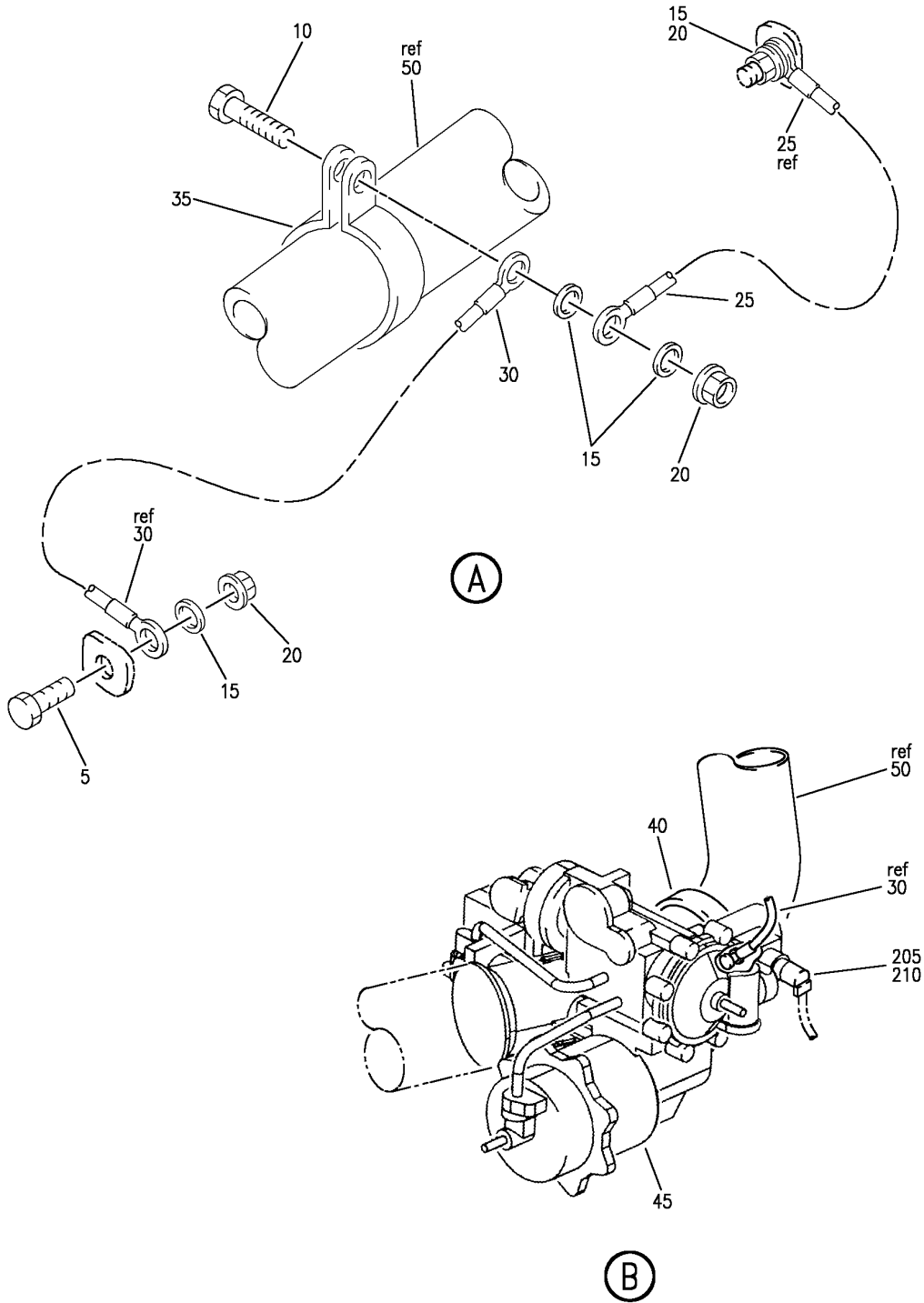
DUCT INSTL-R SIDE AIR CONDITIONING PACK (STANDBY TEMPERATURE CONTROL VALVE ONLY)
FIGURE 3 (SHEET 1)

HAP
OCT 10/06

21-51-11-03

21-51-11-03
PAGE 0

BOEING
 737-600/700/800/900
 PARTS CATALOG (MAINTENANCE)



E 21511103 SHT 2 REV 074

DUCT INSTL-R SIDE AIR CONDITIONING PACK (STANDBY TEMPERATURE CONTROL VALVE ONLY)
 FIGURE 3 (SHEET 2)

21-51-11-03

HAP
 OCT 10/06

21-51-11-03
 PAGE 0A

BOEING
737-600/700/800/900
PARTS CATALOG (MAINTENANCE)

FIG ITEM	PART NUMBER	1 2 3 4 5 6 7	NOMENCLATURE	EFFECT FROM TO	UNITS PER ASSY
3			DUCT INSTL-R SIDE AIR CONDITIONING PACK (STANDBY TEMPERATURE CONTROL VALVE ONLY)	001030	
- 1	213A1002-4		DUCT INSTL-AIR CONDITIONING PACK (STANDBY TEMPERATURE CONTROL VALVE ONLY) POSITION DATA: R SIDE FOR NHA/ADDITIONAL DET SEE: 21-50-00-01C	001030	RF
5	BACS12GU3K7	.	SCREW	001030	1
10	BACS12GU3K9	.	SCREW	001030	1
15	NAS1149E0316P	.	WASHER	001030	4
20	PLH53CD	.	NUT	001030	3
			SUPPLIER CODE: VF0224 SPECIFICATION NUMBER: BACN10YR3CD OPTIONAL PART: H52732-3CD V15653		
25	RBEJ40K5A5A5	.	JUMPER SUPPLIER CODE: V1GK47 SPECIFICATION NUMBER: BACJ40K5A5A5	001030	1
30	RBEJ40K5A5A12	.	JUMPER SUPPLIER CODE: V1GK47 SPECIFICATION NUMBER: BACJ40K5A5A12	001030	1
35	BACC10GN32C	.	CLAMP	001030	1
40	BACC10DU200ABE	.	CLAMP	001030	2

MISSING ITEM NUMBERS NOT APPLICABLE

- ITEM NOT ILLUSTRATED

HAP

21-51-11-03

BOEING PROPRIETARY - Copyright © - Unpublished Work - See title page for details.

21-51-11
FIG. 03
PAGE 1
FEB 15/09

BOEING
737-600/700/800/900
PARTS CATALOG (MAINTENANCE)

FIG ITEM	PART NUMBER	1 2 3 4 5 6 7	NOMENCLATURE	EFFECT FROM TO	UNITS PER ASSY
3					
45	3290206-1		.VALVE-STBY TEMP CONT AND AIR CYCLE SYS SUPPLIER CODE: V59364 FUNCTIONAL DESCRIPTION: CONTROLS PACK OUTLET TEMPERATURE IN THE STANDBY MODE. SPECIFICATION NUMBER: 10-62091-9 MISCELLANEOUS DATA: SEE S/B 737-21-1115R0 FOR RETROFIT FROM -9 TO -16 ELECTRICAL EQUIP NUMBER: V00142 COMPONENT MAINT MANUAL REF: 21-60-95 MAINTENANCE MANUAL REF: 21-51-11	001030	1
50	213A1211-24		.DUCT ASSY	001030	1
- 200	286A6202-301		WIRE BUNDLE ASSY	001009	RF
- 200	286A6202-302		WIRE BUNDLE ASSY	010027	RF
- 200	286A6202-303		WIRE BUNDLE ASSY	028030	RF
205	BACC63BN10-5SN		.PLUG- ELECTRICAL EQUIP NUMBER: D03874 WIRING DIAGRAM REF: 215123	001030	1
210	MS27559-2		.SUPPORT- ELECTRICAL EQUIP NUMBER: D03874T WIRING DIAGRAM REF: 215123	001030	1

MISSING ITEM NUMBERS NOT APPLICABLE

- ITEM NOT ILLUSTRATED

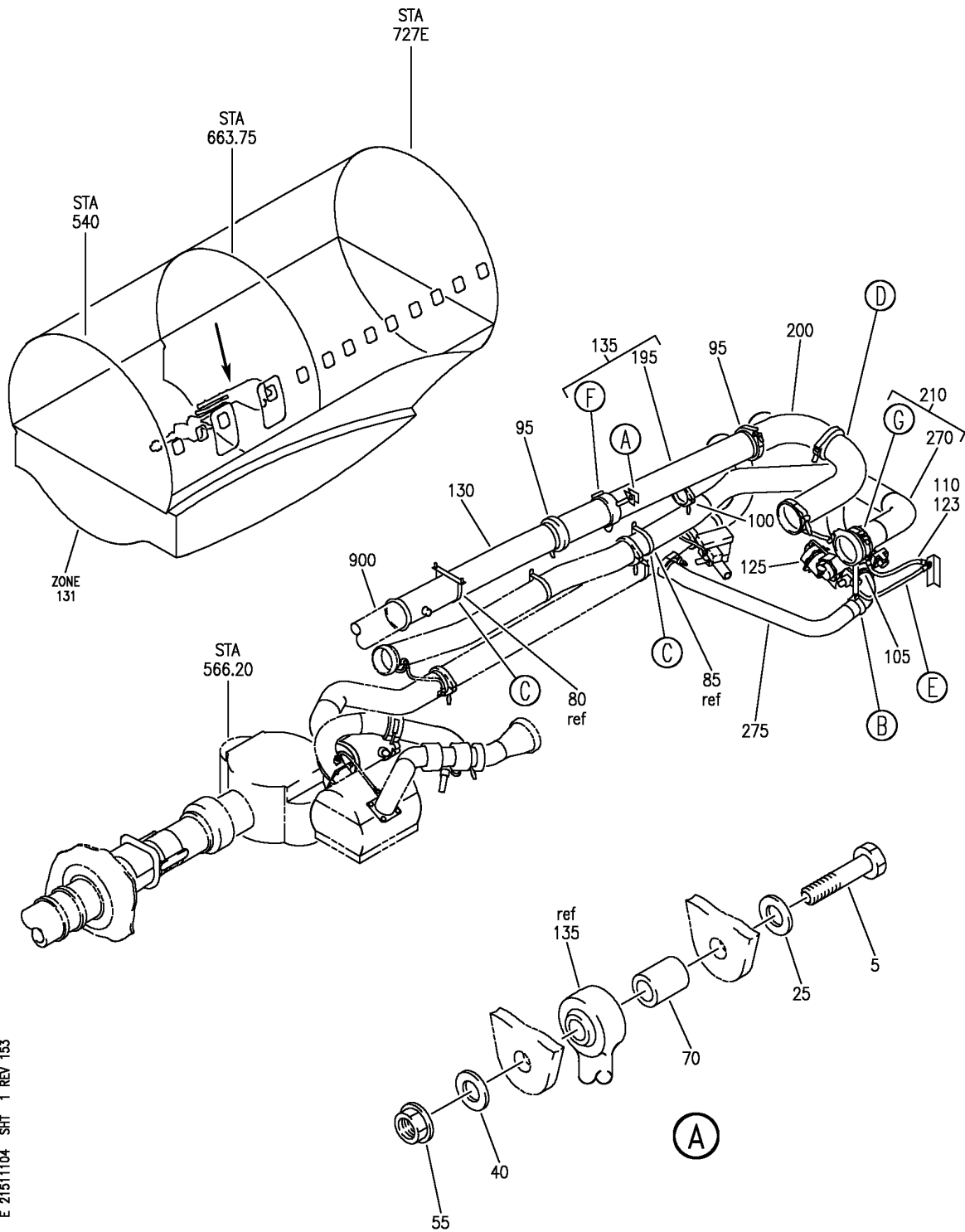
HAP

21-51-11-03

BOEING PROPRIETARY - Copyright © - Unpublished Work - See title page for details.

21-51-11
FIG. 03
PAGE 2
OCT 15/08

BOEING
 737-600/700/800/900
 PARTS CATALOG (MAINTENANCE)



E 21511104 SHT 1 REV 153

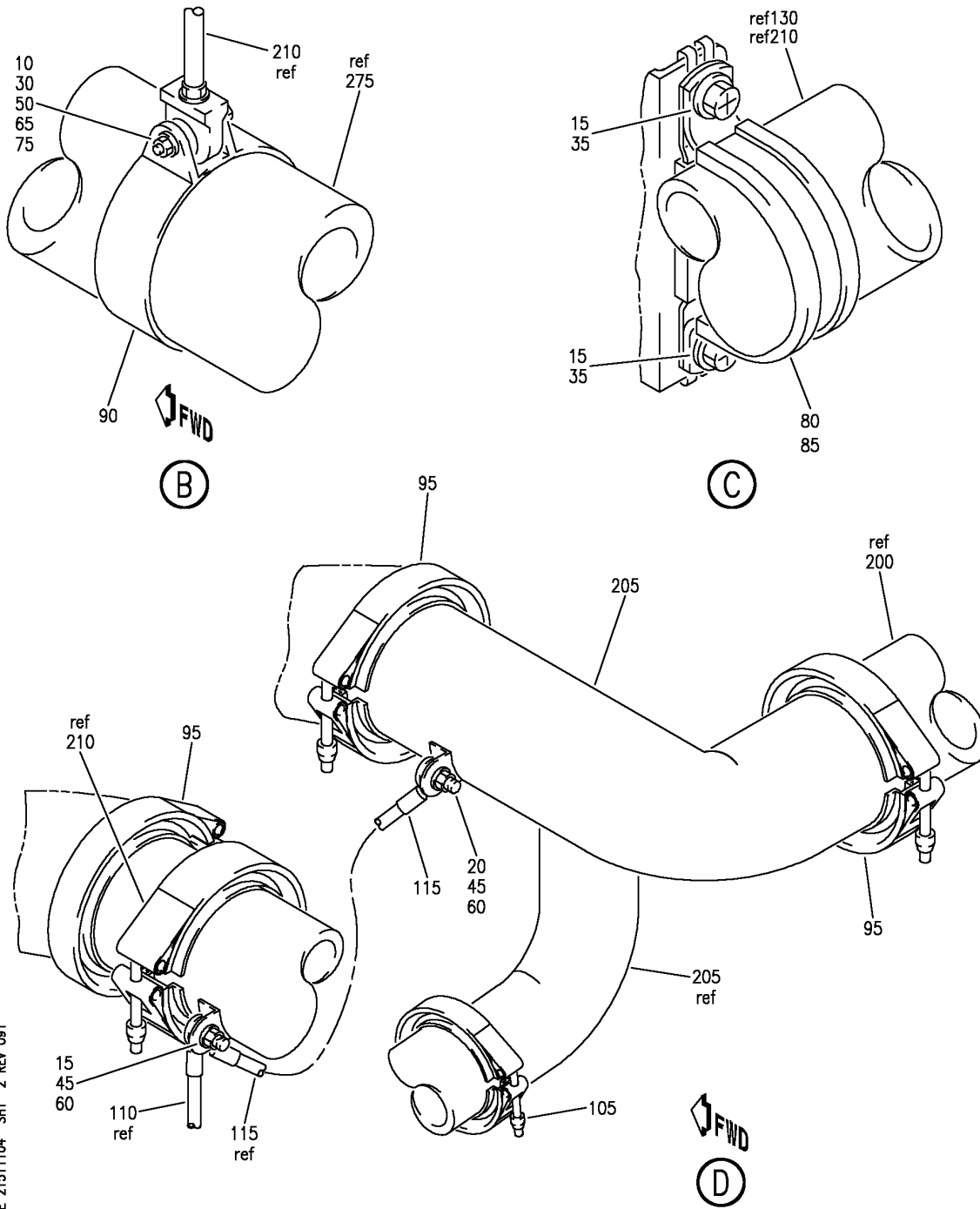
DUCT INSTL-L SIDE AIR CONDITIONING PACK (STANDBY TEMPERATURE CONTROL VALVE ONLY)
 FIGURE 4 (SHEET 1)

21-51-11-04

HAP
 JUN 15/09

21-51-11-04
 PAGE 0

BOEING
 737-600/700/800/900
 PARTS CATALOG (MAINTENANCE)



E 21511104 SHT 2 REV 081

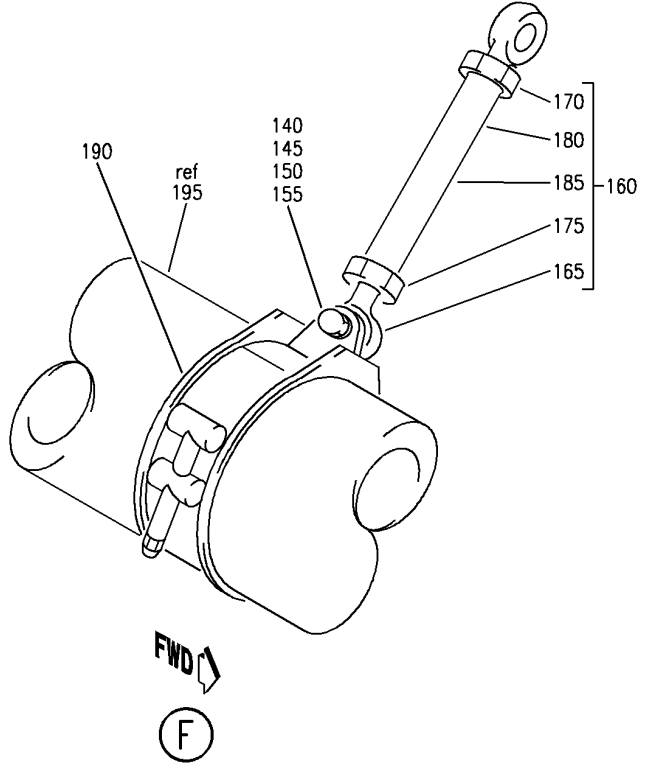
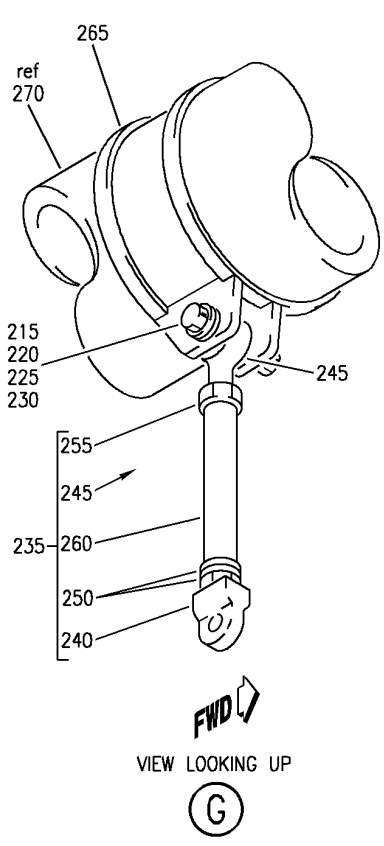
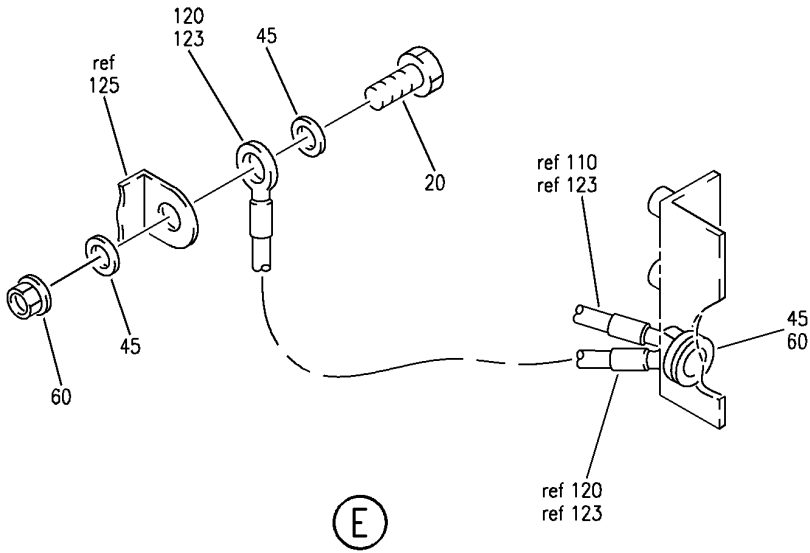
DUCT INSTL-L SIDE AIR CONDITIONING PACK (STANDBY TEMPERATURE CONTROL VALVE ONLY)
 FIGURE 4 (SHEET 2)

HAP
 OCT 10/06

21-51-11-04

21-51-11-04
 PAGE 0A

BOEING
 737-600/700/800/900
 PARTS CATALOG (MAINTENANCE)



E 2151104 SHT 3 REV 107

DUCT INSTL-L SIDE AIR CONDITIONING PACK (STANDBY TEMPERATURE CONTROL VALVE ONLY)
 FIGURE 4 (SHEET 3)

21-51-11-04

HAP
 OCT 10/06

21-51-11-04
 PAGE 0B

BOEING
737-600/700/800/900
PARTS CATALOG (MAINTENANCE)

FIG ITEM	PART NUMBER	1 2 3 4 5 6 7	NOMENCLATURE	EFFECT FROM TO	UNITS PER ASSY
4			DUCT INSTL-L SIDE AIR CONDITIONING PACK (STANDBY TEMPERATURE CONTROL VALVE ONLY)	031100	
- 1	MODREF256352		DUCT INSTL-AIR CONDITIONING PACK (STANDBY TEMPERATURE CONTROL VALVE ONLY) MODULE NUMBER: 213A1006-3 REV D POSITION DATA: L SIDE FOR ADDITIONAL DETAILS SEE: 21-51-07-03 21-51-10-03 21-51-13-02 21-51-15-03 21-51-17-04 21-51-41-07	031046 054100	1
- 1	MODREF377407		DUCT INSTL-AIR CONDITIONING PACK (STANDBY TEMPERATURE CONTROL VALVE ONLY) MODULE NUMBER: 213A1006-3 REV E POSITION DATA: L SIDE FOR ADDITIONAL DETAILS SEE: 21-51-07-03 21-51-10-03 21-51-15-03 21-51-17-04 21-51-41-07	047047	1
- 1	MODREF395392		DUCT INSTL-AIR CONDITIONING PACK (STANDBY TEMPERATURE CONTROL VALVE ONLY) MODULE NUMBER: 213A1006-3 REV F POSITION DATA: L SIDE FOR ADDITIONAL DETAILS SEE: 21-51-07-03 21-51-10-03 21-51-15-03 21-51-17-04 21-51-41-07	048053	1
5	BACB30NR4K18	.BOLT		031100	1
10	BACB30NM3K6	.BOLT		031100	1
15	BACS12GU3K9	.SCREW		031100	5
20	BACS12GU3K7	.SCREW		031100	2
25	BACW10BP4CD	.WASHER		031100	1
MISSING ITEM NUMBERS NOT APPLICABLE					

- ITEM NOT ILLUSTRATED

HAP

21-51-11-04

21-51-11
FIG. 04
PAGE 1
FEB 15/09

BOEING
737-600/700/800/900
PARTS CATALOG (MAINTENANCE)

FIG ITEM	PART NUMBER	1 2 3 4 5 6 7	NOMENCLATURE	EFFECT FROM TO	UNITS PER ASSY
R	4				
	30	BACW10BP3CD	.WASHER	031100	1
	35	NAS1149D0316J	.WASHER	031100	4
	40	NAS1149D0416J	.WASHER	031100	1
	45	NAS1149E0316R	.WASHER	031100	11
	50	NAS1149E0316J	.WASHER	031100	1
	55	PLH54CD	.NUT	031100	1
			SUPPLIER CODE: VF0224		
			SPECIFICATION NUMBER: BACN10YR4CD		
			OPTIONAL PART: H52732-4CD V15653		
	60	PLH53CM	.NUT	031100	4
			SUPPLIER CODE: VF0224		
			SPECIFICATION NUMBER: BACN10YR3CM		
			OPTIONAL PART: H52732-3CM V15653		
65	PLH53CD	.NUT	031100	1	
		SUPPLIER CODE: VF0224			
		SPECIFICATION NUMBER: BACN10YR3CD			
		OPTIONAL PART: H52732-3CD V15653			
70	BACB28AK04-051	.BUSHING	031100	1	
75	BACB28BA0305018	.BUSHING-	031100	1	
		OPTIONAL PART: BACB28BA0305020			
75	BACB28BA0305020	.BUSHING-	031100	1	
		OPTIONAL PART: BACB28BA0305018			
80	TA04C36H56	.CLAMP	031100	1	
		SUPPLIER CODE: V84971			
		SPECIFICATION NUMBER: BACC10CC56C			
		OPTIONAL PART: JM45SC3H56T V22175 421SS56 V83930			

MISSING ITEM NUMBERS NOT APPLICABLE

— ITEM NOT ILLUSTRATED

HAP

21-51-11-04

BOEING PROPRIETARY - Copyright © - Unpublished Work - See title page for details.

21-51-11
FIG. 04
PAGE 2
JUN 15/09

BOEING
737-600/700/800/900
PARTS CATALOG (MAINTENANCE)

FIG ITEM	PART NUMBER	1 2 3 4 5 6 7	NOMENCLATURE	EFFECT FROM TO	UNITS PER ASSY
4 85	421SS48		.CLAMP SUPPLIER CODE: V83930 SPECIFICATION NUMBER: BACC10CC48C OPTIONAL PART: JM45SC3H48T V22175 TA04C36H11 V84971	031100	1
90	969SS32PBR		.CLAMP SUPPLIER CODE: V83930 SPECIFICATION NUMBER: BACC10HR32 OPTIONAL PART: S59432 V18076 TA035000532 V84971 44CC5H32PB V22175	031100	1
95	BACC10DU350ABE		.CLAMP	031100	5
100	BACC10DU250ABE		.CLAMP	031100	1
105	BACC10DU200ABE		.CLAMP	031100	2
115	100544-11		.JUMPER SUPPLIER CODE: V1FF12 SPECIFICATION NUMBER: BACJ40AD44-11 OPTIONAL PART: RBEJ40AD44-11 V1GK47	031100	1
123	100544-12		.JUMPER SUPPLIER CODE: V1FF12 SPECIFICATION NUMBER: BACJ40AD44-12 OPTIONAL PART: RBEJ40AD44-12 V1GK47	031100	2

MISSING ITEM NUMBERS NOT APPLICABLE

— ITEM NOT ILLUSTRATED

HAP

21-51-11-04

BOEING PROPRIETARY - Copyright © - Unpublished Work - See title page for details.

21-51-11
FIG. 04
PAGE 3
OCT 15/08

BOEING
737-600/700/800/900
PARTS CATALOG (MAINTENANCE)

FIG ITEM	PART NUMBER	1 2 3 4 5 6 7	NOMENCLATURE	EFFECT FROM TO	UNITS PER ASSY
4 125	3290206-1		. VALVE-STBY PACK TEMP CONT SUPPLIER CODE: V59364 FUNCTIONAL DESCRIPTION: CONTROLS PACK OUTLET TEMPERATURE IN THE STANDBY MODE. SPECIFICATION NUMBER: 10-62091-9 MISCELLANEOUS DATA: SEE S/B 737-21-1115R0 FOR RETROFIT FROM -9 TO -16 ELECTRICAL EQUIP NUMBER: V00140 COMPONENT MAINT MANUAL REF: 21-60-95 MAINTENANCE MANUAL REF: 21-51-11	031100	1
130	213A1211-69		. DUCT ASSY	031100	1
135	213A1211-132		. DUCT ASSY	031100	1
140	BACB30NR4K9		.. BOLT	031100	1
145	BACW10BP4CD		.. WASHER	031100	1
150	NAS1149D0416J		.. WASHER	031100	1
155	PLH54CD		.. NUT SUPPLIER CODE: VFO224 SPECIFICATION NUMBER: BACN10YR4CD OPTIONAL PART: H52732-4CD V15653	031100	1
160	212A1125-31		.. ROD ASSY-TIE	031100	1
165	M81935-1-4		... ROD	031100	1
170	M81935-1-4L		... ROD	031100	1
175	BACN11U5CD2N		... NUT	031100	1
180	BACN11U5CD2LN		... NUT	031100	1
185	212A1125-18		... TUBE	031100	1
190	3015AE120EC		.. CLAMP SUPPLIER CODE: V94581 SPECIFICATION NUMBER: BACC10HN120EC OPTIONAL PART: 65790A120EC V00624	031100	1
195	213A1211-71		.. DUCT ASSY	031100	1
200	213A1211-73		. DUCT ASSY	031100	1
205	213A1211-75		. DUCT ASSY	031100	1

MISSING ITEM NUMBERS NOT APPLICABLE

- ITEM NOT ILLUSTRATED

HAP

21-51-11-04

BOEING PROPRIETARY - Copyright © - Unpublished Work - See title page for details.

21-51-11
FIG. 04
PAGE 4
FEB 15/09

BOEING
737-600/700/800/900
PARTS CATALOG (MAINTENANCE)

FIG ITEM	PART NUMBER	1 2 3 4 5 6 7	NOMENCLATURE	EFFECT FROM TO	UNITS PER ASSY
4					
210	213A1211-133	.DUCT	ASSY	031100	1
215	BACB30NR4K10	..BOLT		031100	1
220	BACW10BP4CD	..WASHER		031100	1
225	NAS1149E0432P	..WASHER		031100	1
230	PLH54CD	..NUT		031100	1
		SUPPLIER CODE: VFO224			
		SPECIFICATION NUMBER: BACN10YR4CD			
		OPTIONAL PART: H52732-4CD V15653			
235	212A1125-35	..ROD	ASSY-TIE	031100	1
240	AN44C4	...BOLT		031100	1
245	M81935-1-4L	...ROD		031100	1
250	BACW10BP5CD	...WASHER		031100	2
255	BACN11U5CD2LN	...NUT-		031100	1
260	212A1125-36	...TUBE		031100	1
265	3015AE120EC	..CLAMP		031100	1
		SUPPLIER CODE: V94581			
		SPECIFICATION NUMBER: BACC10HN120EC			
		OPTIONAL PART: 65790A120EC V00624			
270	213A1211-77	..DUCT	ASSY	031100	1
275	213A1211-81	.DUCT	ASSY	031100	1
900		ILLUSTRATION REFERENCE: DUCT INSTL-AIR CONDITIONING PACK 21-51-01-06		031100	

MISSING ITEM NUMBERS NOT APPLICABLE

— ITEM NOT ILLUSTRATED

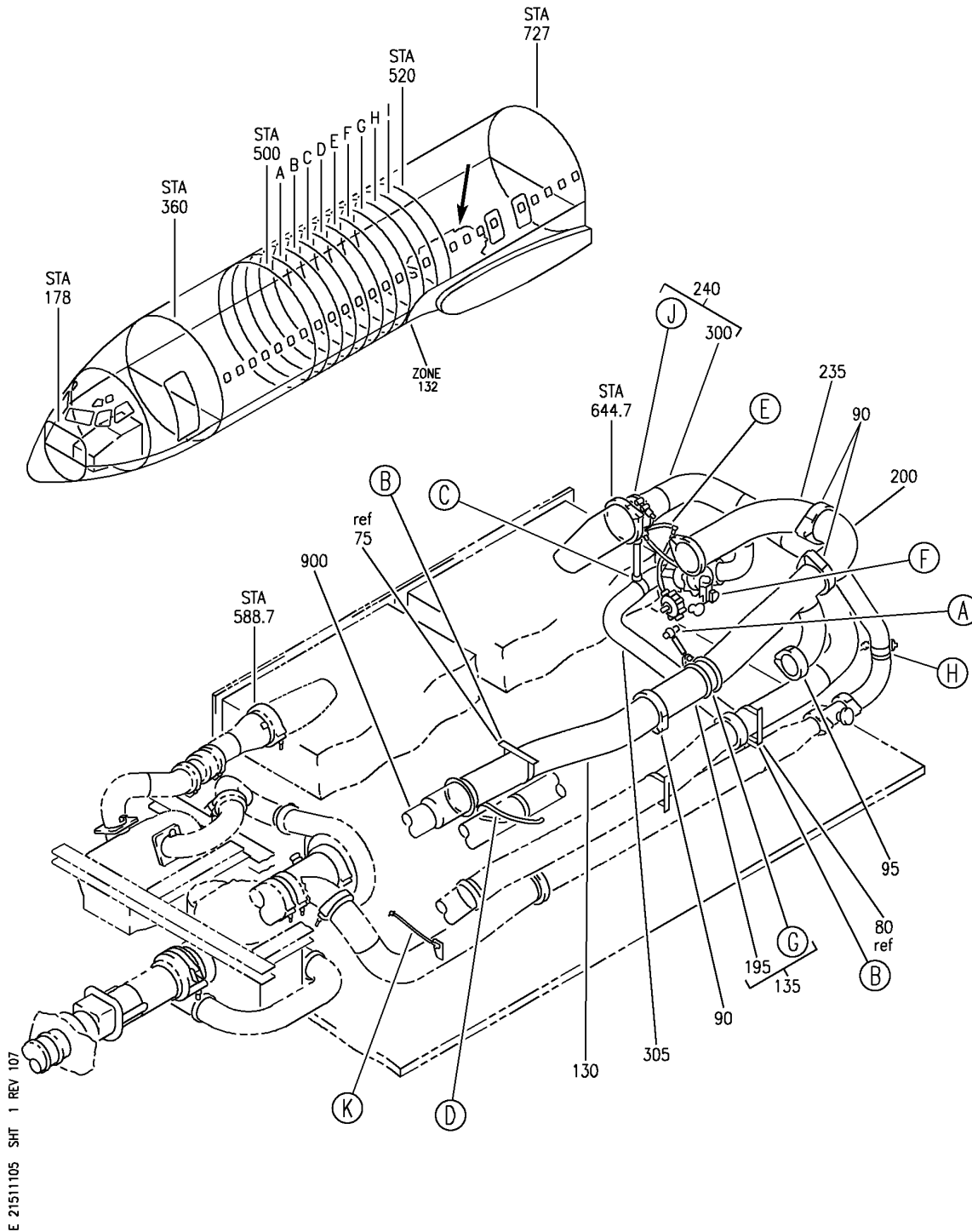
HAP

21-51-11-04

BOEING PROPRIETARY - Copyright © - Unpublished Work - See title page for details.

21-51-11
FIG. 04
PAGE 5
JUN 15/09

BOEING
 737-600/700/800/900
 PARTS CATALOG (MAINTENANCE)



E 21511105 SHT 1 REV 107

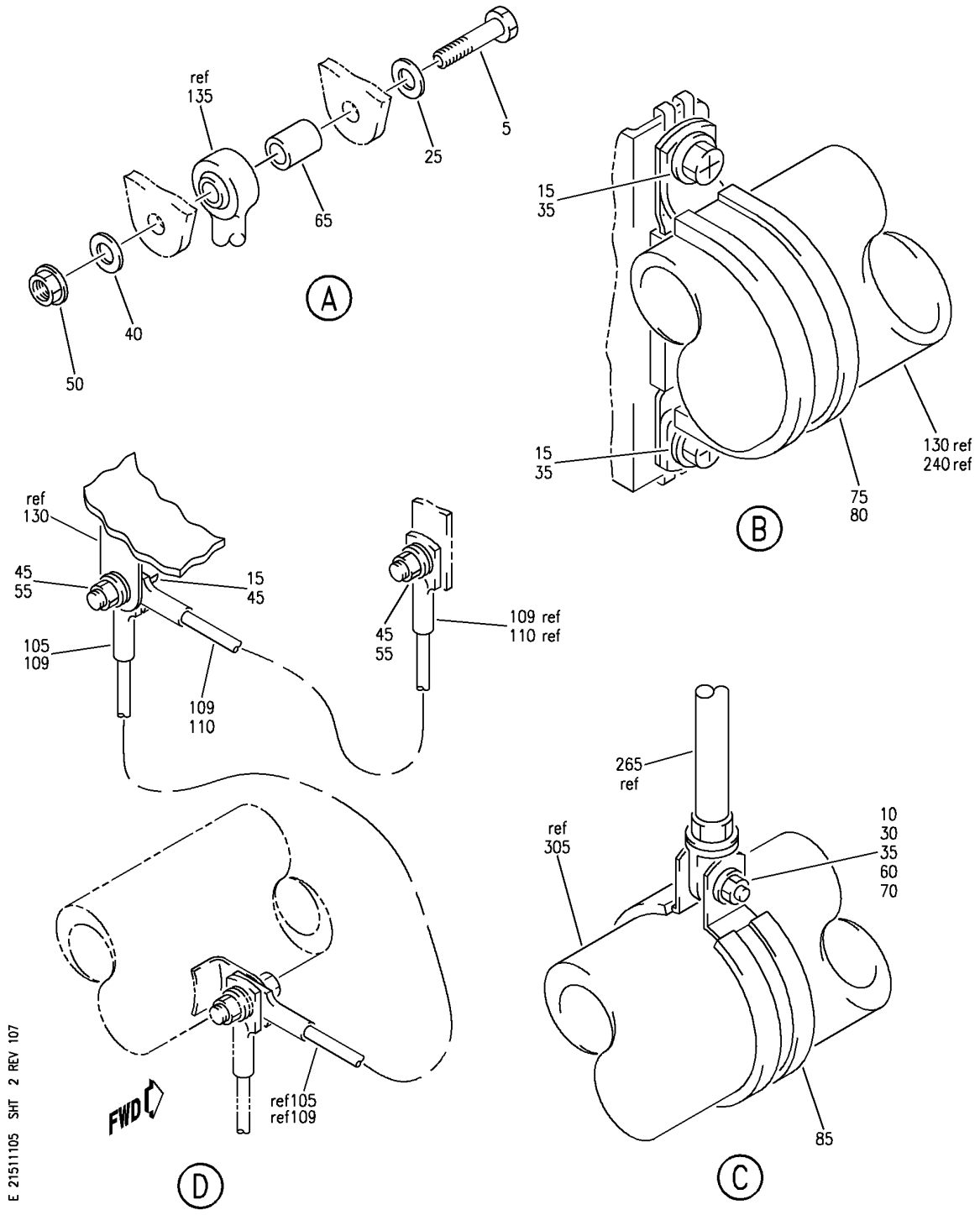
DUCT INSTL-R SIDE AIR CONDITIONING PACK (STANDBY TEMPERATURE CONTROL VALVE ONLY)
 FIGURE 5 (SHEET 1)

21-51-11-05

HAP
 OCT 10/06

21-51-11-05
 PAGE 0

BOEING
 737-600/700/800/900
 PARTS CATALOG (MAINTENANCE)



E 21511105 SHT 2 REV 107

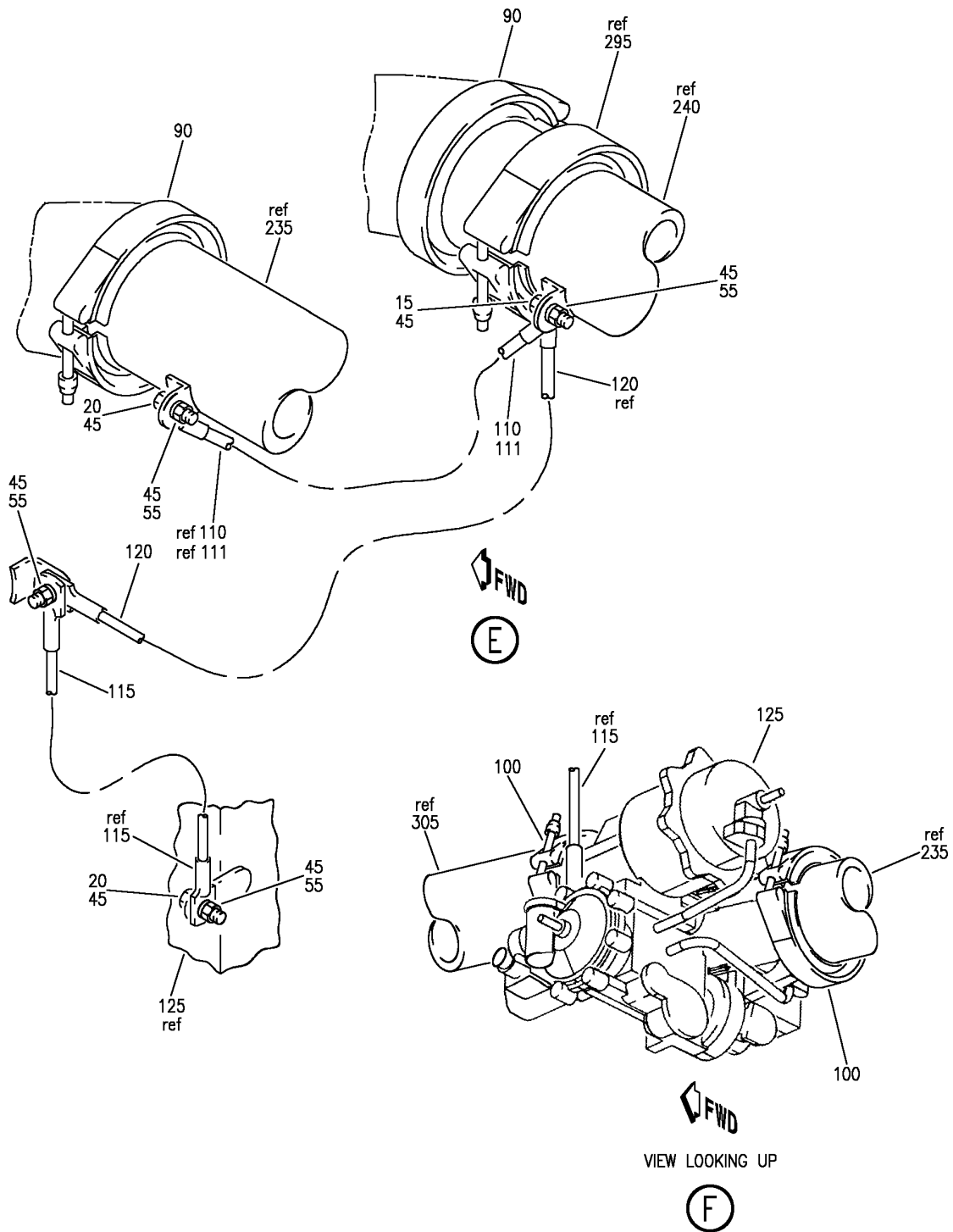
DUCT INSTL-R SIDE AIR CONDITIONING PACK (STANDBY TEMPERATURE CONTROL VALVE ONLY)
 FIGURE 5 (SHEET 2)

HAP
 OCT 10/06

21-51-11-05

21-51-11-05
 PAGE 0A

BOEING
 737-600/700/800/900
 PARTS CATALOG (MAINTENANCE)



E 2151105 SH1 3 REV 154

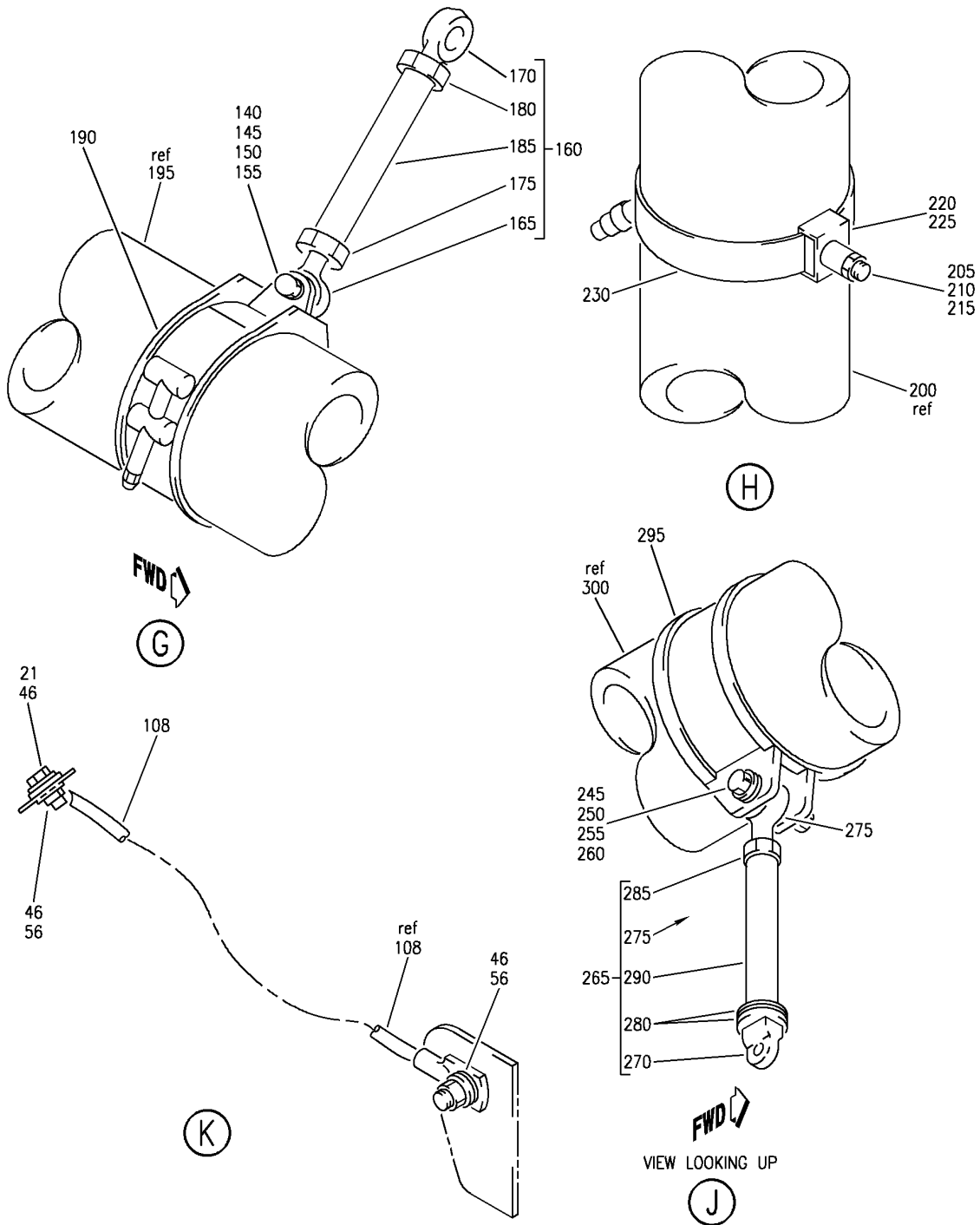
DUCT INSTL-R SIDE AIR CONDITIONING PACK (STANDBY TEMPERATURE CONTROL VALVE ONLY)
 FIGURE 5 (SHEET 3)

21-51-11-05

HAP
 JUN 15/09

21-51-11-05
 PAGE 0B

BOEING
 737-600/700/800/900
 PARTS CATALOG (MAINTENANCE)



E 21511105 SHT 4 REV 107

DUCT INSTL-R SIDE AIR CONDITIONING PACK (STANDBY TEMPERATURE CONTROL VALVE ONLY)
 FIGURE 5 (SHEET 4)

21-51-11-05

HAP
 OCT 10/06

21-51-11-05
 PAGE 0C


BOEING
 737-600/700/800/900
PARTS CATALOG (MAINTENANCE)

FIG ITEM	PART NUMBER	1 2 3 4 5 6 7	NOMENCLATURE	EFFECT FROM TO	UNITS PER ASSY
5			DUCT INSTL-R SIDE AIR CONDITIONING PACK (STANDBY TEMPERATURE CONTROL VALVE ONLY)	031100	
- 1	MODREF256353		DUCT INSTL-AIR CONDITIONING PACK (STANDBY TEMPERATURE CONTROL VALVE ONLY) MODULE NUMBER: 213A1006-4 REV D POSITION DATA: R SIDE FOR ADDITIONAL DETAILS SEE: 21-51-07-04 21-51-10-04 21-51-13-03 21-51-15-04 21-51-17-05 21-51-41-08	031046 054100	1
R R	- 1	MODREF377408	DUCT INSTL-AIR CONDITIONING PACK (STANDBY TEMPERATURE CONTROL VALVE ONLY) MODULE NUMBER: 213A1006-4 REV E POSITION DATA: R SIDE FOR ADDITIONAL DETAILS SEE: 21-51-07-04 21-51-10-04 21-51-17-05 21-51-41-08	047047	1
R R	- 1	MODREF395393	DUCT INSTL-AIR CONDITIONING PACK (STANDBY TEMPERATURE CONTROL VALVE ONLY) MODULE NUMBER: 213A1006-4 REV F POSITION DATA: R SIDE FOR ADDITIONAL DETAILS SEE: 21-51-07-04 21-51-10-04 21-51-17-05 21-51-41-08	048053	1
	5	BACB30NR4K18	.BOLT	031100	1
	10	BACB30NM3K6	.BOLT	031100	1
	15	BACS12GU3K9	.SCREW	031100	6
	20	BACS12GU3K7	.SCREW	031100	2
	21	BACS12GU3K7	.SCREW	031100	1
	25	BACW10BP4CD	.WASHER	031100	1
	30	BACW10BP3CD	.WASHER	031100	1

MISSING ITEM NUMBERS NOT APPLICABLE

- ITEM NOT ILLUSTRATED

HAP

21-51-11-05

21-51-11
 FIG. 05
 PAGE 1
 JUN 15/09

BOEING
737-600/700/800/900
PARTS CATALOG (MAINTENANCE)

FIG ITEM	PART NUMBER	1 2 3 4 5 6 7	NOMENCLATURE	EFFECT FROM TO	UNITS PER ASSY
5					
35	NAS1149D0316J	.	WASHER	031100	5
40	NAS1149D0416J	.	WASHER	031100	1
45	NAS1149E0316R	.	WASHER	031100	10
46	NAS1149E0316R	.	WASHER	031100	3
50	PLH54CD	.	NUT	031100	1
			SUPPLIER CODE: VF0224		
			SPECIFICATION NUMBER: BACN10YR4CD		
			OPTIONAL PART: H52732-4CD V15653		
55	PLH53CM	.	NUT	031100	6
			SUPPLIER CODE: VF0224		
			SPECIFICATION NUMBER: BACN10YR3CM		
			OPTIONAL PART: H52732-3CM V15653		
56	PLH53CM	.	NUT	031100	2
			SUPPLIER CODE: VF0224		
			SPECIFICATION NUMBER: BACN10YR3CM		
			OPTIONAL PART: H52732-3CM V15653		
60	PLH53CD	.	NUT	031100	1
			SUPPLIER CODE: VF0224		
			SPECIFICATION NUMBER: BACN10YR3CD		
			OPTIONAL PART: H52732-3CD V15653		
65	BACB28AK04-051	.	BUSHING	031100	1
70	BACB28BA0305018	.	BUSHING-	031100	1
			OPTIONAL PART: BACB28BA0305020		
70	BACB28BA0305020	.	BUSHING-	031100	1
			OPTIONAL PART: BACB28BA0305018		

MISSING ITEM NUMBERS NOT APPLICABLE

— ITEM NOT ILLUSTRATED

HAP

21-51-11-05

21-51-11
FIG. 05
PAGE 2
JUN 15/09

BOEING
737-600/700/800/900
PARTS CATALOG (MAINTENANCE)

FIG ITEM	PART NUMBER	1 2 3 4 5 6 7	NOMENCLATURE	EFFECT FROM TO	UNITS PER ASSY
5	75 TA04C36H56		.CLAMP SUPPLIER CODE: V84971 SPECIFICATION NUMBER: BACC10CC56C OPTIONAL PART: JM45SC3H56T V22175 421SS56 V83930	031100	1
	80 421SS48		.CLAMP SUPPLIER CODE: V83930 SPECIFICATION NUMBER: BACC10CC48C OPTIONAL PART: JM45SC3H48T V22175 TA04C36H11 V84971	031100	1
	85 969SS32PBR		.CLAMP SUPPLIER CODE: V83930 SPECIFICATION NUMBER: BACC10HR32 OPTIONAL PART: S59432 V18076 TA035000532 V84971 44CC5H32PB V22175	031100	1
	90 BACC10DU350ABE		.CLAMP	031100	5
	95 BACC10DU250ABE		.CLAMP	031100	1
	100 BACC10DU200ABE		.CLAMP	031100	2
	108 100544-8		.JUMPER SUPPLIER CODE: V1FF12 SPECIFICATION NUMBER: BACJ40AD44-8 OPTIONAL PART: RBEJ40AD44-8 V1GK47	031100	1

MISSING ITEM NUMBERS NOT APPLICABLE

— ITEM NOT ILLUSTRATED

HAP

21-51-11-05

BOEING PROPRIETARY - Copyright © - Unpublished Work - See title page for details.

21-51-11
FIG. 05
PAGE 3
OCT 15/08

BOEING
737-600/700/800/900
PARTS CATALOG (MAINTENANCE)

FIG ITEM	PART NUMBER	1 2 3 4 5 6 7	NOMENCLATURE	EFFECT FROM TO	UNITS PER ASSY
5 109	100544-9	.	JUMPER SUPPLIER CODE: V1FF12 SPECIFICATION NUMBER: BACJ40AD44-9 OPTIONAL PART: RBEJ40AD44-9 V1GK47	031046 049100	2
111	100544-10	.	JUMPER SUPPLIER CODE: V1FF12 SPECIFICATION NUMBER: BACJ40AD44-10 OPTIONAL PART: RBEJ40AD44-10 V1GK47	031100	1
115	100544-11	.	JUMPER SUPPLIER CODE: V1FF12 SPECIFICATION NUMBER: BACJ40AD44-11 OPTIONAL PART: RBEJ40AD44-11 V1GK47	031100	1
120	100544-12	.	JUMPER SUPPLIER CODE: V1FF12 SPECIFICATION NUMBER: BACJ40AD44-12 OPTIONAL PART: RBEJ40AD44-12 V1GK47	031100	1

MISSING ITEM NUMBERS NOT APPLICABLE

— ITEM NOT ILLUSTRATED

HAP

21-51-11-05

BOEING PROPRIETARY - Copyright © - Unpublished Work - See title page for details.

21-51-11
FIG. 05
PAGE 4
OCT 15/08

 **BOEING**
737-600/700/800/900
PARTS CATALOG (MAINTENANCE)

FIG ITEM	PART NUMBER	1 2 3 4 5 6 7	NOMENCLATURE	EFFECT FROM TO	UNITS PER ASSY
5 125	3290206-1		.VALVE-STBY PACK TEMP CONT SUPPLIER CODE: V59364 FUNCTIONAL DESCRIPTION: CONTROLS PACK OUTLET TEMPERATURE IN THE STANDBY MODE. SPECIFICATION NUMBER: 10-62091-9 MISCELLANEOUS DATA: SEE S/B 737-21-1115R0 FOR RETROFIT FROM -9 TO -16 ELECTRICAL EQUIP NUMBER: V00142 COMPONENT MAINT MANUAL REF: 21-60-95 MAINTENANCE MANUAL REF: 21-51-11	031100	1
130	213A1211-70		.DUCT ASSY	031100	1
135	213A1211-138		.DUCT ASSY	031100	1
140	BACB30NR4K9		..BOLT	031100	1
145	BACW10BP4CD		..WASHER	031100	1
150	NAS1149D0416J		..WASHER	031100	1
155	PLH54CD		..NUT SUPPLIER CODE: VFO224 SPECIFICATION NUMBER: BACN10YR4CD OPTIONAL PART: H52732-4CD V15653	031100	1
160	212A1125-31		..ROD ASSY-TIE	031100	1
165	M81935-1-4		...ROD	031100	1
170	M81935-1-4L		...ROD	031100	1
175	BACN11U5CD2N		...NUT	031100	1
180	BACN11U5CD2LN		...NUT	031100	1
185	212A1125-18		...TUBE	031100	1
190	3015AE120EC		..CLAMP SUPPLIER CODE: V94581 SPECIFICATION NUMBER: BACC10HN120EC OPTIONAL PART: 65790A120EC V00624	031100	1
195	213A1211-139		..DUCT ASSY	031100	1
200	213A1211-74		.DUCT ASSY	031100	1
205	BACB30NM3K6		..BOLT	031100	1

MISSING ITEM NUMBERS NOT APPLICABLE

- ITEM NOT ILLUSTRATED

HAP

21-51-11-05

BOEING PROPRIETARY - Copyright © - Unpublished Work - See title page for details.

21-51-11
FIG. 05
PAGE 5
FEB 15/09

BOEING
737-600/700/800/900
PARTS CATALOG (MAINTENANCE)

FIG ITEM	PART NUMBER	1 2 3 4 5 6 7	NOMENCLATURE	EFFECT FROM TO	UNITS PER ASSY
5					
210	BACS18K10-16W	..	SPACER	031100	1
215	BACN11U3CD1	..	NUT	031100	1
220	BACC15AN12	..	CLIP	031100	1
225	BACB19F12S	..	BLOCK	031100	1
230	BC1083-020SE	..	CLAMP	031100	1
			SUPPLIER CODE: V14242		
			SPECIFICATION NUMBER: BACC10FY020SE		
			OPTIONAL PART: NE103338-020		
			V8W928		
			3140AB020E		
			V94581		
235	213A1211-76	.DUCT	ASSY	031100	1
240	213A1211-134	.DUCT	ASSY	031100	1
245	BACB30NR4K10	..	BOLT	031100	1
250	BACW10BP4CD	..	WASHER	031100	1
255	NAS1149E0432P	..	WASHER	031100	1
260	PLH54CD	..	NUT	031100	1
			SUPPLIER CODE: VFO224		
			SPECIFICATION NUMBER: BACN10YR4CD		
			OPTIONAL PART: H52732-4CD		
			V15653		
265	212A1125-35	..	ROD ASSY-TIE	031100	1
270	AN44C4	...	BOLT	031100	1
275	M81935-1-4L	...	ROD	031100	1
280	BACW10BP5CD	...	WASHER	031100	2
285	BACN11U5CD2LN	...	NUT-	031100	1
290	212A1125-36	...	TUBE	031100	1
295	3015AE120EC	..	CLAMP	031100	1
			SUPPLIER CODE: V94581		
			SPECIFICATION NUMBER: BACC10HN120EC		
			OPTIONAL PART: 65790A120EC		
			V00624		
300	213A1211-78	..	DUCT ASSY	031100	1
305	213A1211-82	.DUCT	ASSY	031100	1
900		ILLUSTRATION REFERENCE: DUCT INSTL-AIR CONDITIONING PACK 21-51-01-06		031100	

MISSING ITEM NUMBERS NOT APPLICABLE

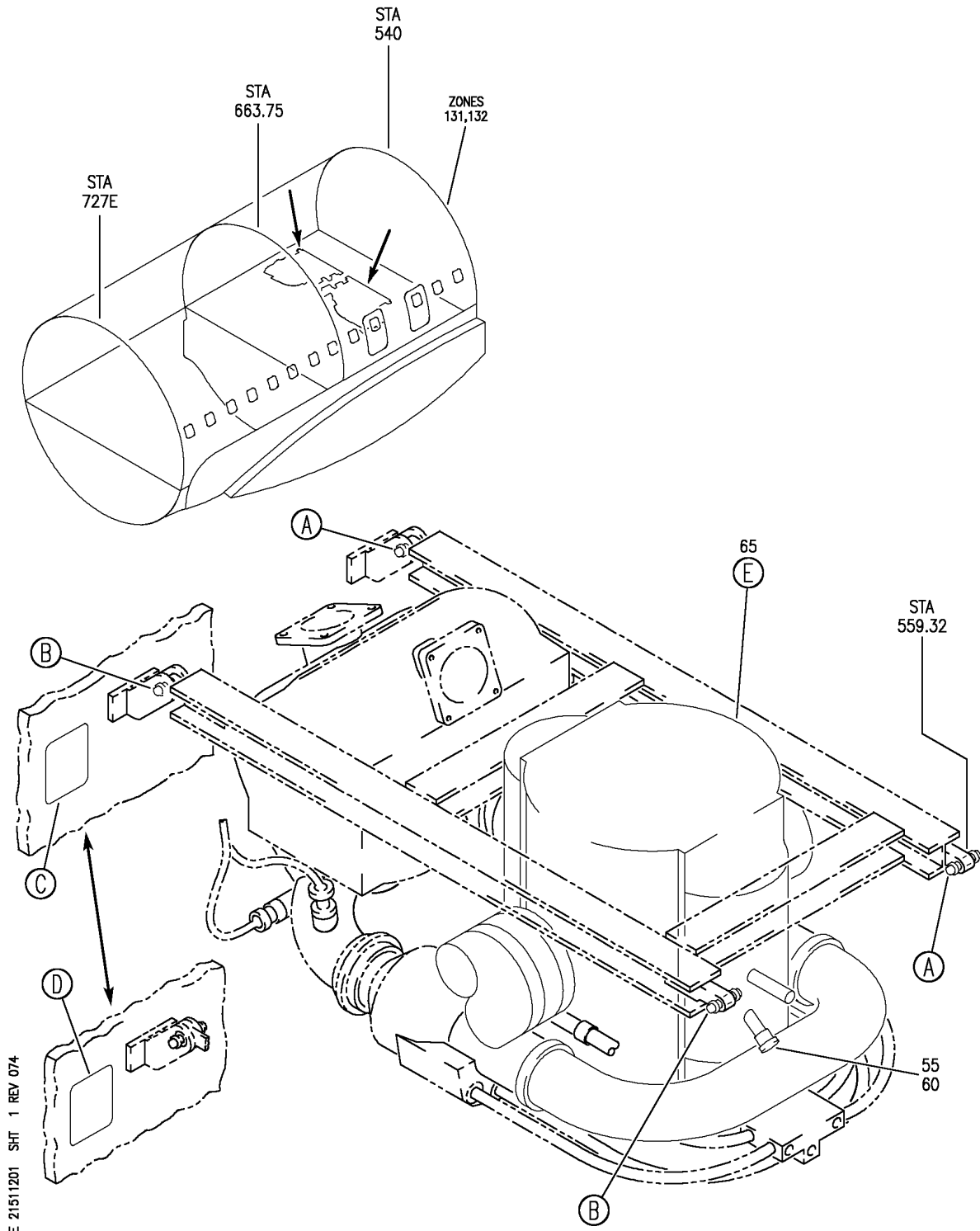
— ITEM NOT ILLUSTRATED

HAP

21-51-11-05

21-51-11
FIG. 05
PAGE 6
JUN 15/09

BOEING
 737-600/700/800/900
 PARTS CATALOG (MAINTENANCE)



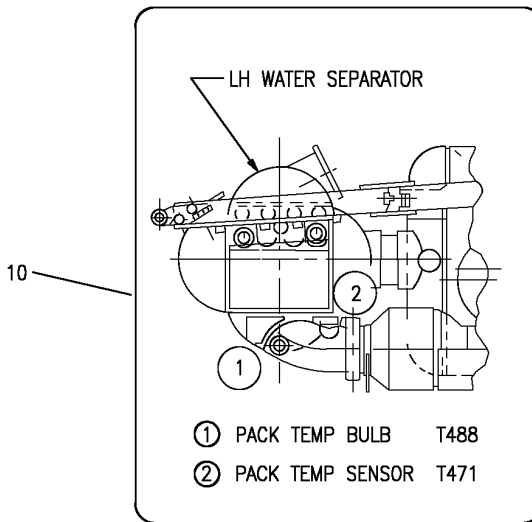
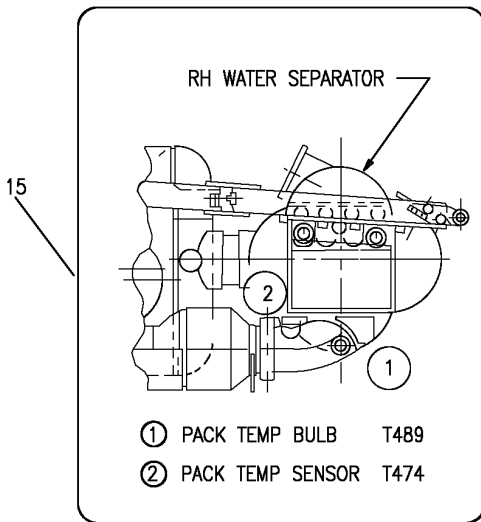
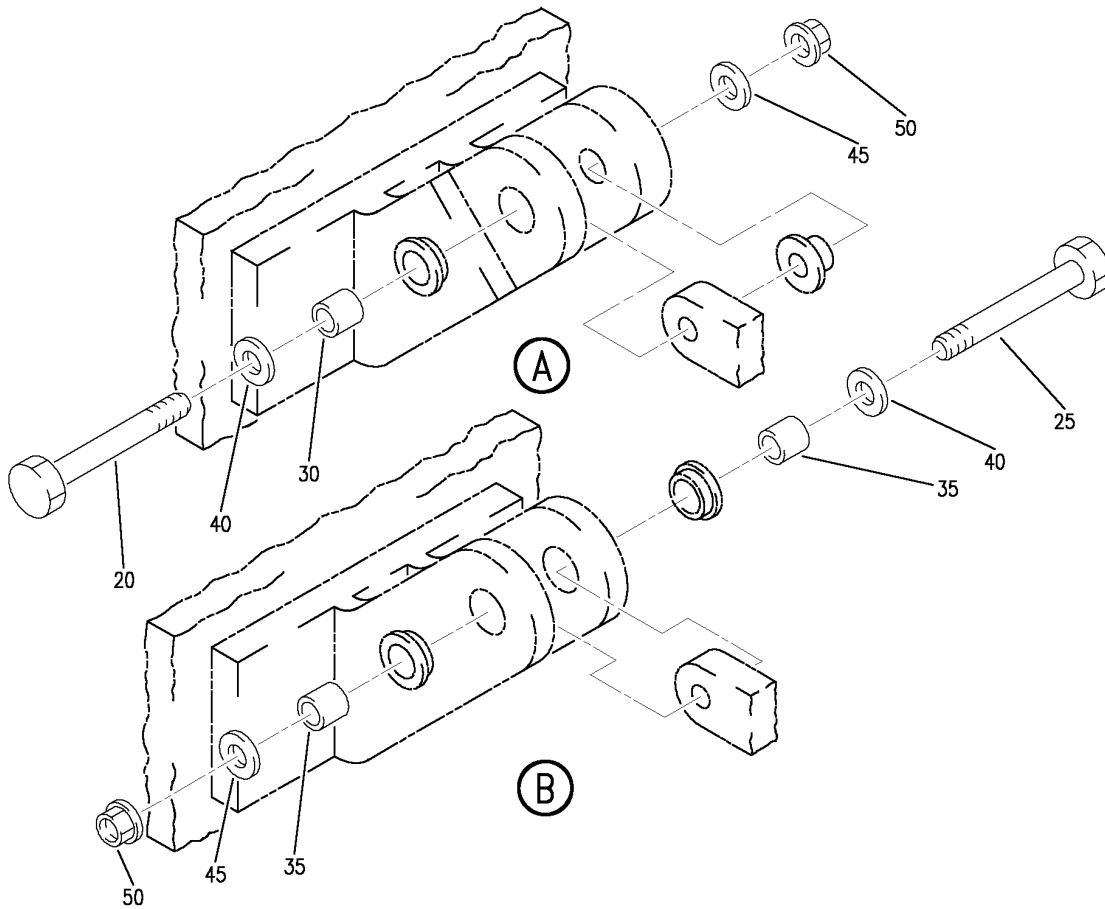
SEPARATOR INSTL-AIR CONDITIONING WATER (CONDENSER ONLY)
 FIGURE 1 (SHEET 1)

21-51-12-01

HAP
 OCT 10/06

21-51-12-01
 PAGE 0

BOEING
 737-600/700/800/900
 PARTS CATALOG (MAINTENANCE)



E 21511201 SHT 2 REV 074

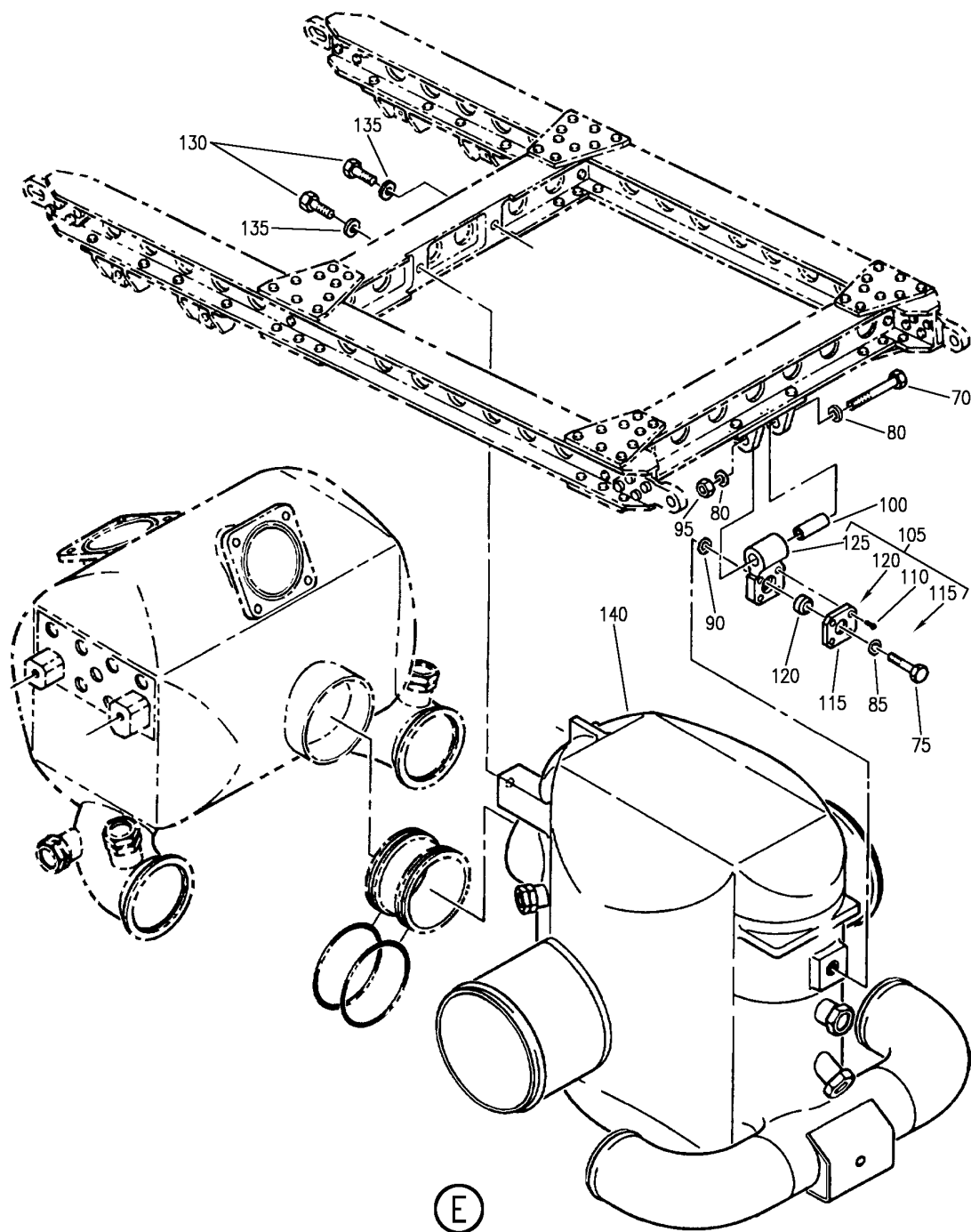
SEPARATOR INSTL-AIR CONDITIONING WATER (CONDENSER ONLY)
 FIGURE 1 (SHEET 2)

21-51-12-01

HAP
 OCT 10/06

21-51-12-01
 PAGE 0A

BOEING
737-600/700/800/900
PARTS CATALOG (MAINTENANCE)



E 21511201 SHT 3 REV 074

SEPARATOR INSTL-AIR CONDITIONING WATER (CONDENSER ONLY)
FIGURE 1 (SHEET 3)

21-51-12-01

HAP
OCT 10/06

21-51-12-01
PAGE 0B

BOEING
737-600/700/800/900
PARTS CATALOG (MAINTENANCE)

FIG ITEM	PART NUMBER	1 2 3 4 5 6 7	NOMENCLATURE	EFFECT FROM TO	UNITS PER ASSY
1			SEPARATOR INSTL-AIR CONDITIONING WATER (CONDENSER ONLY)	001046 054100	
- 1	213A1003-3		SEPARATOR INSTL-WATER AIR CONDITIONING (CONDENSER ONLY) POSITION DATA: L SIDE FOR NHA/ADDITIONAL DET SEE: 21-50-00-01C	001030	RF
- 1	MODREF81151		SEPARATOR INSTL-WATER AIR CONDITIONING (CONDENSER ONLY) MODULE NUMBER: 213A1003-3 REV A POSITION DATA: L SIDE FOR ADDITIONAL DETAILS SEE: 21-51-13-01 21-51-14-02 21-51-52-03 21-51-60-01	031046 054100	1
- 5	213A1003-4		SEPARATOR INSTL-WATER AIR CONDITIONING (CONDENSER ONLY) POSITION DATA: R SIDE FOR NHA/ADDITIONAL DET SEE: 21-50-00-01C	001030	RF
- 5	MODREF81152		SEPARATOR INSTL-WATER AIR CONDITIONING (CONDENSER ONLY) MODULE NUMBER: 213A1003-4 REV A POSITION DATA: R SIDE FOR ADDITIONAL DETAILS SEE: 21-51-13-01 21-51-14-02 21-51-52-03 21-51-60-01	031046 054100	1
10	BAC27DAC0072		.MARKER-ALUMINUM FOIL POSITION DATA: LH SIDE	001046 054100	1
15	BAC27DAC0071		.MARKER-ALUMINUM FOIL POSITION DATA: RH SIDE	001046 054100	1
20	BACB30NR5K16		.BOLT	001046 054100	2

MISSING ITEM NUMBERS NOT APPLICABLE

- ITEM NOT ILLUSTRATED

HAP

21-51-12-01

21-51-12
FIG. 01
PAGE 1
FEB 15/09

BOEING
737-600/700/800/900
PARTS CATALOG (MAINTENANCE)

FIG ITEM	PART NUMBER	1 2 3 4 5 6 7	NOMENCLATURE	EFFECT FROM TO	UNITS PER ASSY
1					
25	BACB30NR5K18	.	BOLT	001046 054100	2
30	BACB28AK05-026	.	BUSHING	001046 054100	2
35	BACB28AK05-033	.	BUSHING	001046 054100	4
40	BACW10BP5CD	.	WASHER	001046 054100	4
45	BACW10BP5DP	.	WASHER	001046 054100	4
50	PLH55CD	.	NUT SUPPLIER CODE: VF0224 SPECIFICATION NUMBER: BACN10YR5CD OPTIONAL PART: H52732-5CD V15653	001046 054100	4
55	MS21913-6	.	PLUG	001046 054100	1
60	R1131-906	.	PACKING SUPPLIER CODE: V57268 SPECIFICATION NUMBER: BACP11K6 OPTIONAL PART: 3-906S383-70 V02697 1090-06 V95272 150701-06 V95272 AS568-906S32 V11314 MAINTENANCE MANUAL REF: 21-51-12	001046 054100	1
65	2340400-1	.	SEPARATOR ASSY-WATER SPRAY AIR CYCLE SYSTEM SERIES 1, 2, 3, AND 4 SUPPLIER CODE: V70210 FUNCTIONAL DESCRIPTION: REMOVES CONDENSATE FROM AIR CYCLE MACHINE. COMPONENT MAINT MANUAL REF: 21-51-80 MAINTENANCE MANUAL REF: 21-51-08	001046 054100	1

MISSING ITEM NUMBERS NOT APPLICABLE

— ITEM NOT ILLUSTRATED

HAP

21-51-12-01

21-51-12
FIG. 01
PAGE 2
FEB 15/09

 **BOEING**
737-600/700/800/900
PARTS CATALOG (MAINTENANCE)

FIG ITEM	PART NUMBER	1 2 3 4 5 6 7	NOMENCLATURE	EFFECT FROM TO	UNITS PER ASSY
1					
70	AN4C17A	..	BOLT	001046 054100	1
75	AN4C12A	..	BOLT	001046 054100	1
80	AN960KD416L	..	WASHER	001046 054100	2
85	AN960KD416	..	WASHER	001046 054100	2
90	S8157C669-090A	..	WASHER- SUPPLIER CODE: V70210	001046 054100	1
95	MS21043-4	..	NUT	001046 054100	1
100	2214174-1	..	SLEEVE- SUPPLIER CODE: V70210	001046 054100	1
105	2214117-1	..	SUPPORT ASSY-CONDENSER MTG SUPPLIER CODE: V70210	001046 054100	1
110	MS20426AD4-9	...	RIVET	001046 054100	4
115	2214117-5	...	RETAINER- SUPPLIER CODE: V70210	001046 054100	1
120	BSSR4425	...	BEARING- SUPPLIER CODE: V81376	001046 054100	1
125	2214117-3	...	SUPPORT- SUPPLIER CODE: V70210	001046 054100	1
130	AN4C11A	..	BOLT	001046 054100	2
135	AN960KD416L	..	WASHER	001046 054100	2

MISSING ITEM NUMBERS NOT APPLICABLE

— ITEM NOT ILLUSTRATED

HAP

21-51-12-01

BOEING PROPRIETARY - Copyright © - Unpublished Work - See title page for details.

21-51-12
FIG. 01
PAGE 3
FEB 15/09

BOEING
737-600/700/800/900
PARTS CATALOG (MAINTENANCE)

FIG ITEM	PART NUMBER	1 2 3 4 5 6 7 NOMENCLATURE	EFFECT FROM TO	UNITS PER ASSY
1 140	2340404-1	.. CONDENSER- SUPPLIER CODE: V70210 FUNCTIONAL DESCRIPTION: USES TURBINE DISCHARGE AIR TO COOL INCOMING BLEED AIR TO A TEMPERATURE LOW ENOUGH TO CONDENSE MOISTURE FOR SUBSEQUENT REMOVAL BY THE WATER EXTRACTOR. COMPONENT MAINT MANUAL REF: 21-51-84 MAINTENANCE MANUAL REF: 21-51-12	001046 054100	1

MISSING ITEM NUMBERS NOT APPLICABLE

— ITEM NOT ILLUSTRATED

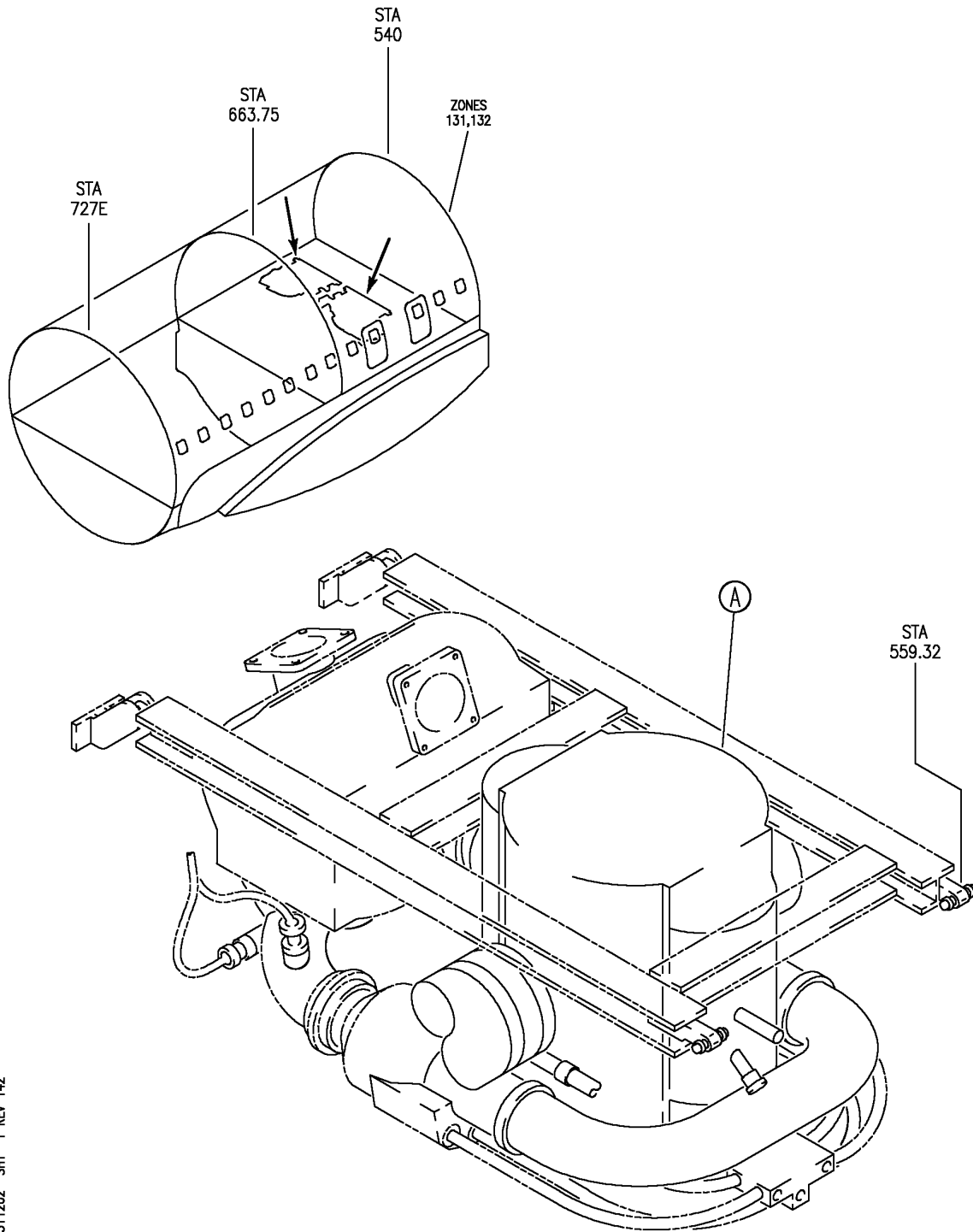
HAP

21-51-12-01

BOEING PROPRIETARY - Copyright © - Unpublished Work - See title page for details.

21-51-12
FIG. 01
PAGE 4
FEB 15/09

BOEING
737-600/700/800/900
PARTS CATALOG (MAINTENANCE)



E 21511202 SH1 1 REV 142

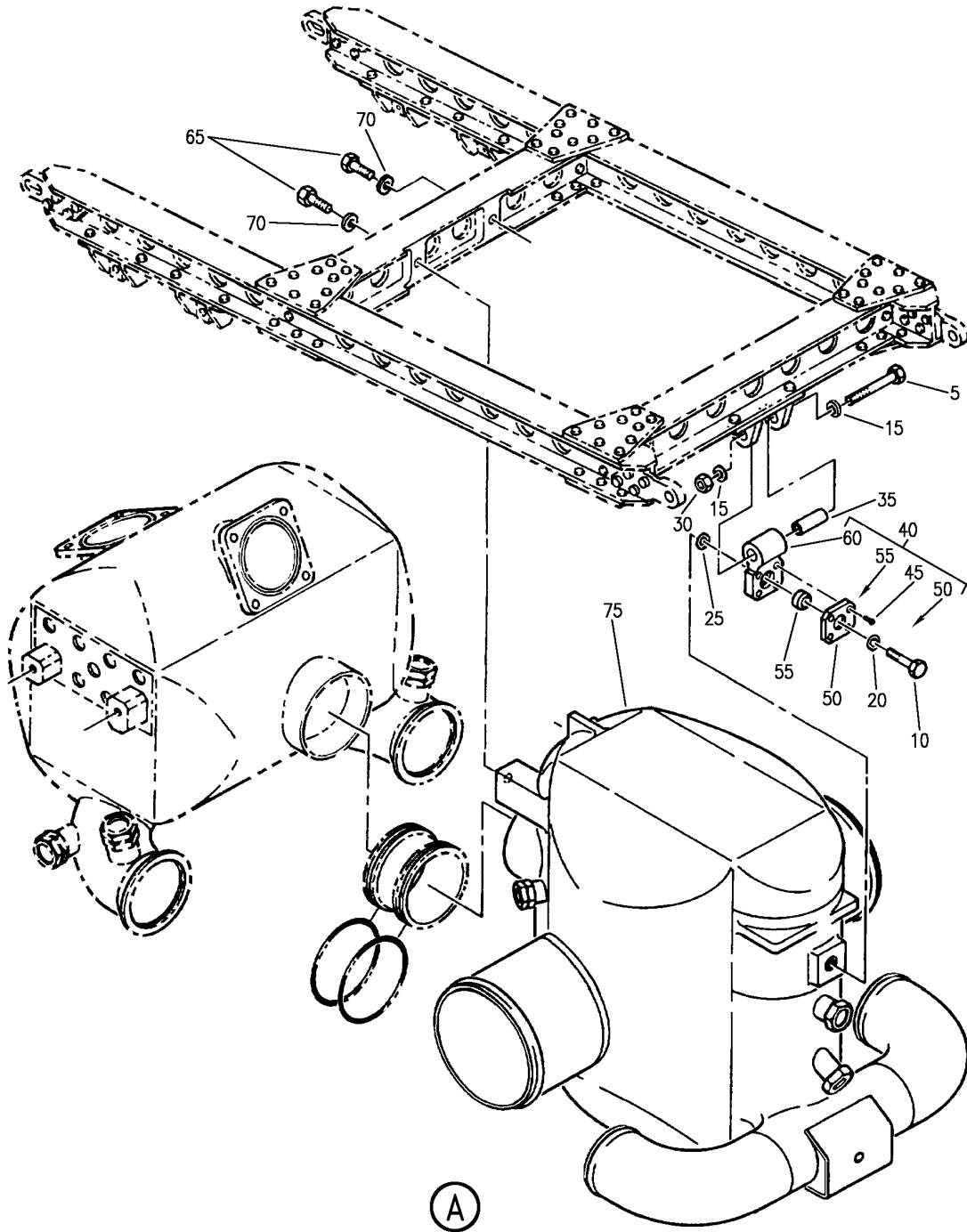
SEPARATOR ASSY-WATER SPRAY AIR CYCLE SYS (CONDENSER ONLY)
FIGURE 2 (SHEET 1)

21-51-12-02

HAP
JUN 15/08

21-51-12-02
PAGE 0

BOEING
737-600/700/800/900
PARTS CATALOG (MAINTENANCE)



E 21511202 SH1 2 REV 142

SEPARATOR ASSY-WATER SPRAY AIR CYCLE SYS (CONDENSER ONLY)
FIGURE 2 (SHEET 2)

21-51-12-02

HAP
JUN 15/08

21-51-12-02
PAGE 0A

BOEING
737-600/700/800/900
PARTS CATALOG (MAINTENANCE)

FIG ITEM	PART NUMBER	1 2 3 4 5 6 7	NOMENCLATURE	EFFECT FROM TO	UNITS PER ASSY
2			SEPARATOR ASSY-WATER SPRAY AIR CYCLE SYS (CONDENSER ONLY)	047053	
- 1	2340400-1		SEPARATOR ASSY-WATER SPRAY AIR CYCLE SYS (CONDENSER ONLY) SUPPLIER CODE: V70210 FUNCTIONAL DESCRIPTION: REMOVES CONDENSATE FROM AIR CYCLE MACHINE. COMPONENT MAINT MANUAL REF: 21-51-80 FOR NHA/ADDITIONAL DET SEE: 21-51-17-01 21-51-17-06	047053	RF
	5 AN4C17A		.BOLT	047053	1
	10 AN4C12A		.BOLT	047053	1
	15 AN960KD416L		.WASHER	047053	2
	20 AN960KD416		.WASHER	047053	2
	25 S8157C669-090A		.WASHER- SUPPLIER CODE: V70210	047053	1
	30 MS21043-4		.NUT	047053	1
	35 2214174-1		.SLEEVE- SUPPLIER CODE: V70210	047053	1
	40 2214117-1		.SUPPORT ASSY-CONDENSER MTG SUPPLIER CODE: V70210	047053	1
	45 MS20426AD4-9		..RIVET	047053	4
	50 2214117-5		..RETAINER- SUPPLIER CODE: V70210	047053	1
	55 BSSR4425		..BEARING- SUPPLIER CODE: V81376	047053	1
	60 2214117-3		..SUPPORT- SUPPLIER CODE: V70210	047053	1
	65 AN4C11A		.BOLT	047053	2
	70 AN960KD416L		.WASHER	047053	2

MISSING ITEM NUMBERS NOT APPLICABLE

- ITEM NOT ILLUSTRATED

HAP

21-51-12-02

BOEING PROPRIETARY - Copyright © - Unpublished Work - See title page for details.

21-51-12
FIG. 02
PAGE 1
FEB 15/09


BOEING
 737-600/700/800/900
PARTS CATALOG (MAINTENANCE)

FIG ITEM	PART NUMBER	1 2 3 4 5 6 7 NOMENCLATURE	EFFECT FROM TO	UNITS PER ASSY
2 75	2340404-1	.CONDENSER- SUPPLIER CODE: V70210 FUNCTIONAL DESCRIPTION: USES TURBINE DISCHARGE AIR TO COOL INCOMING BLEED AIR TO A TEMPERATURE LOW ENOUGH TO CONDENSE MOISTURE FOR SUBSEQUENT REMOVAL BY THE WATER EXTRACTOR. COMPONENT MAINT MANUAL REF: 21-51-84 MAINTENANCE MANUAL REF: 21-51-12	047053	1

MISSING ITEM NUMBERS NOT APPLICABLE

— ITEM NOT ILLUSTRATED

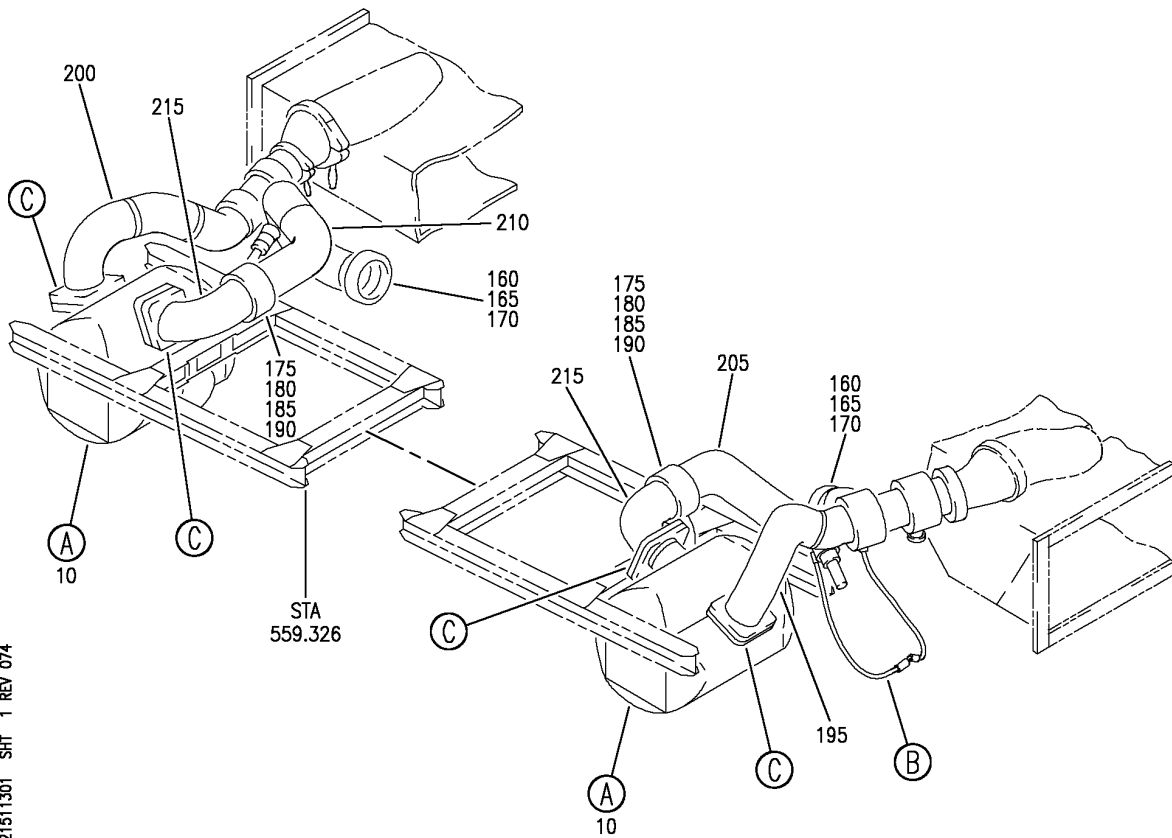
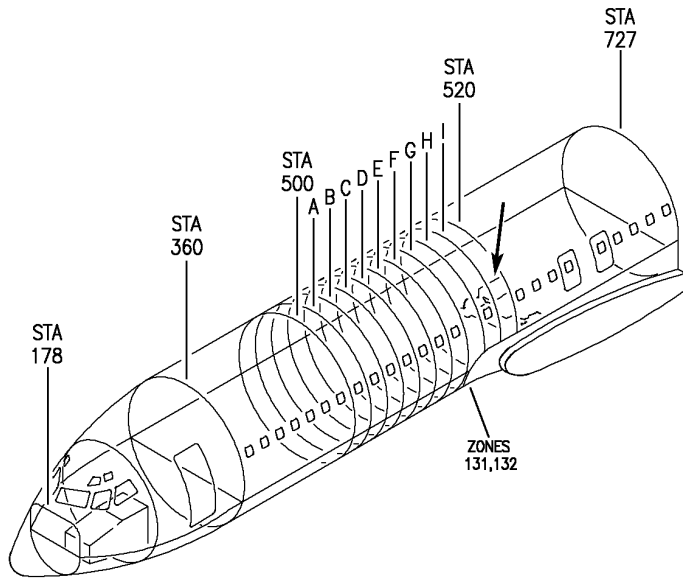
HAP

21-51-12-02

BOEING PROPRIETARY - Copyright © - Unpublished Work - See title page for details.

21-51-12
 FIG. 02
 PAGE 2
 FEB 15/09

BOEING
 737-600/700/800/900
 PARTS CATALOG (MAINTENANCE)



E 21511301 SHT 1 REV 074

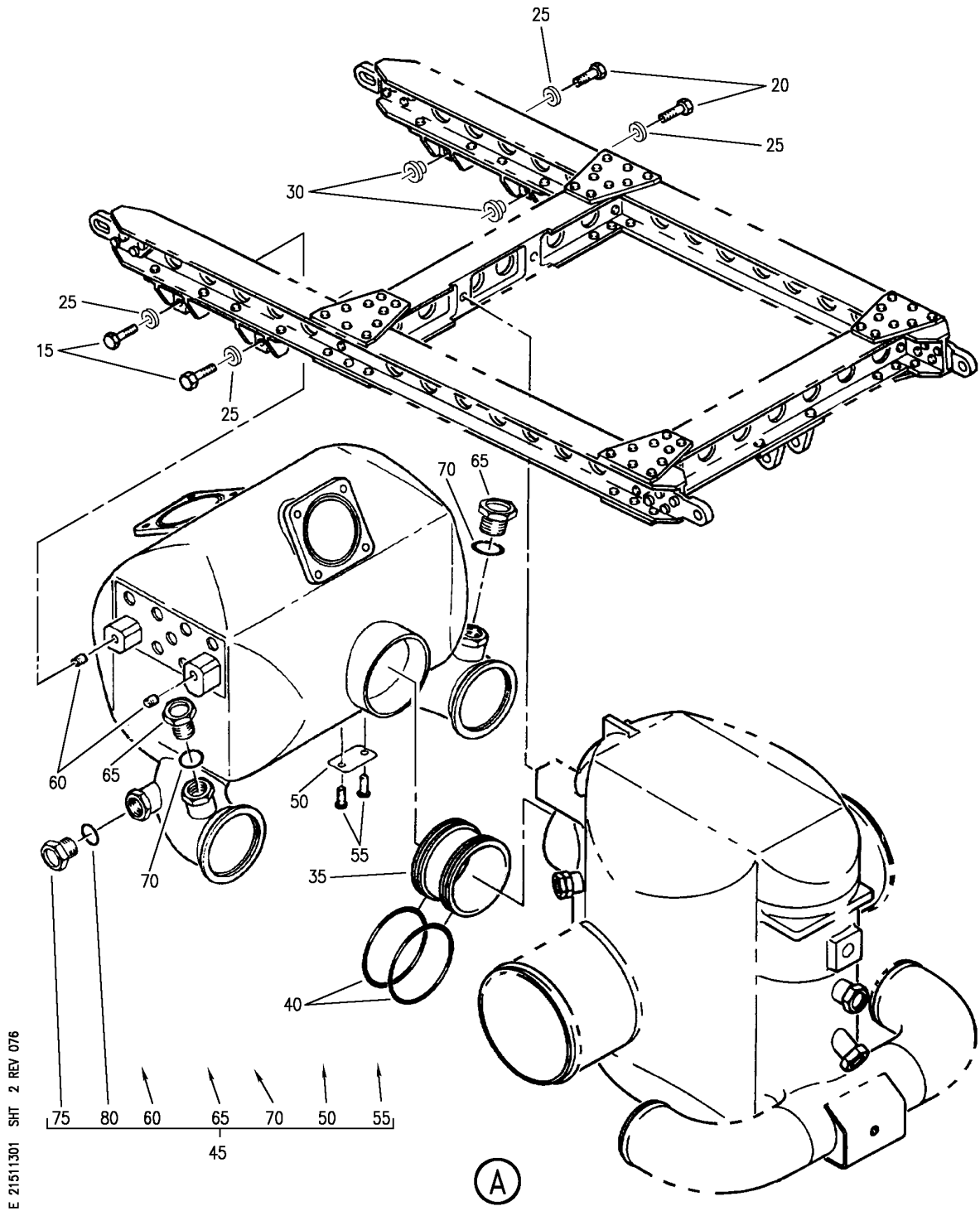
SEPARATOR AND PACK INSTL-AIR CONDITIONING (REHEATER ONLY)
 FIGURE 1 (SHEET 1)

21-51-13-01

HAP
 OCT 10/06

21-51-13-01
 PAGE 0

BOEING
 737-600/700/800/900
 PARTS CATALOG (MAINTENANCE)



E 21511301 SHT 2 REV 076

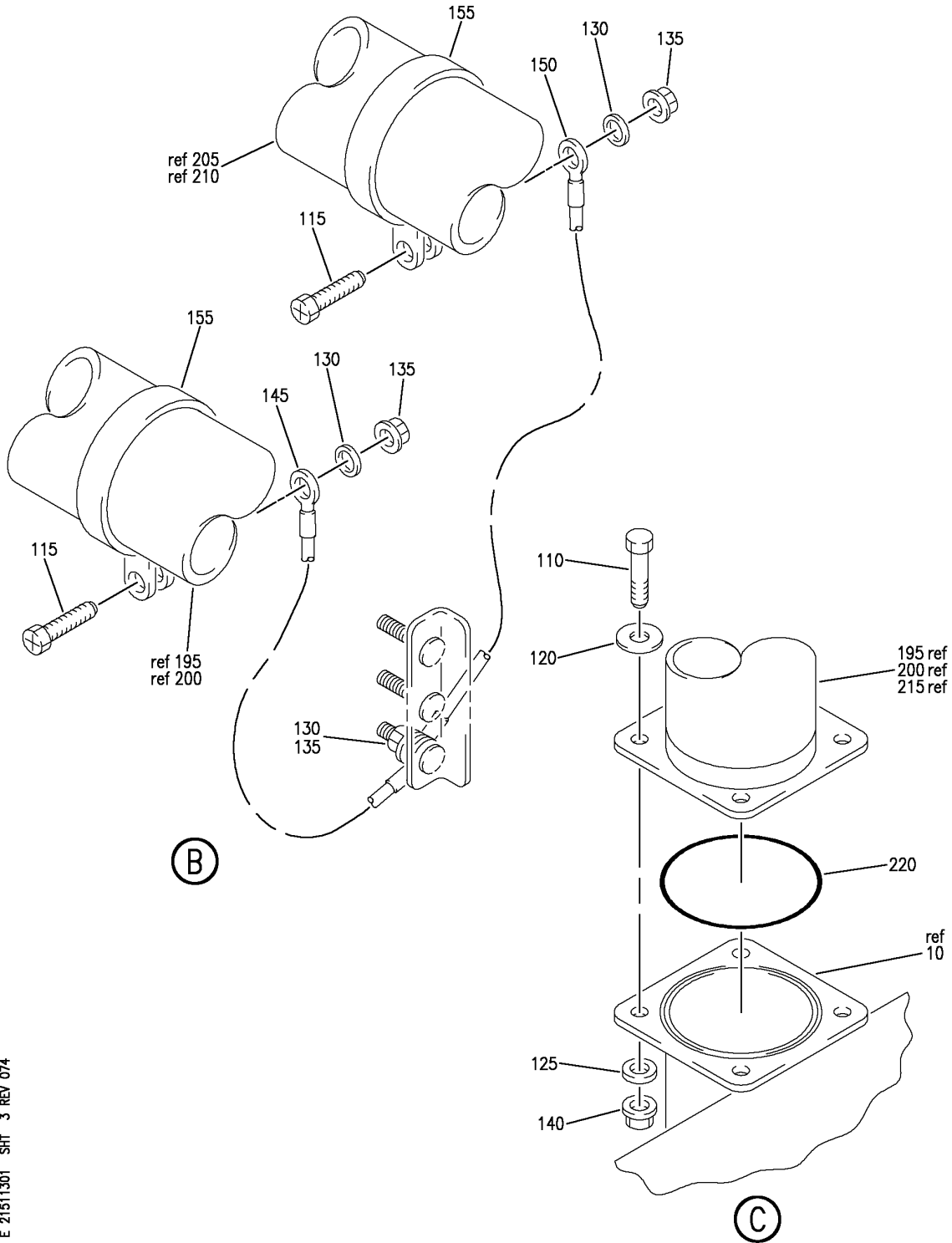
SEPARATOR AND PACK INSTL-AIR CONDITIONING (REHEATER ONLY)
 FIGURE 1 (SHEET 2)

21-51-13-01

HAP
 OCT 10/06

21-51-13-01
 PAGE 0A

BOEING
 737-600/700/800/900
 PARTS CATALOG (MAINTENANCE)



E 21511301 SH1 3 REV 074

SEPARATOR AND PACK INSTL-AIR CONDITIONING (REHEATER ONLY)
 FIGURE 1 (SHEET 3)

21-51-13-01

HAP
 OCT 10/06

21-51-13-01
 PAGE 0B

BOEING
737-600/700/800/900
PARTS CATALOG (MAINTENANCE)

FIG ITEM	PART NUMBER	1 2 3 4 5 6 7	NOMENCLATURE	EFFECT FROM TO	UNITS PER ASSY
1			SEPARATOR AND PACK INSTL- AIR CONDITIONING (REHEATER ONLY)	001046 054100	
- 1	213A1003-3		SEPARATOR INSTL-WATER AIR CONDITIONING HIGH PRESSURE (REHEATER ONLY) POSITION DATA: L SIDE FOR NHA/ADDITIONAL DET SEE: 21-50-00-01C	001030	RF
- 1	MODREF81151		SEPARATOR INSTL-WATER AIR CONDITIONING HIGH PRESSURE (REHEATER ONLY) MODULE NUMBER: 213A1003-3 REV A POSITION DATA: L SIDE FOR ADDITIONAL DETAILS SEE: 21-51-12-01 21-51-14-02 21-51-52-03 21-51-60-01	031046 054100	1
- 5	213A1003-4		SEPARATOR INSTL-WATER AIR CONDITIONING HIGH PRESSURE (REHEATER ONLY) POSITION DATA: R SIDE FOR NHA/ADDITIONAL DET SEE: 21-50-00-01C	001030	RF
- 5	MODREF81152		SEPARATOR INSTL-WATER AIR CONDITIONING HIGH PRESSURE (REHEATER ONLY) MODULE NUMBER: 213A1003-4 REV A POSITION DATA: R SIDE FOR ADDITIONAL DETAILS SEE: 21-51-12-01 21-51-14-02 21-51-52-03 21-51-60-01	031046 054100	1

MISSING ITEM NUMBERS NOT APPLICABLE

- ITEM NOT ILLUSTRATED

HAP

21-51-13-01

BOEING PROPRIETARY - Copyright © - Unpublished Work - See title page for details.

21-51-13
FIG. 01
PAGE 1
FEB 15/09

BOEING
737-600/700/800/900
PARTS CATALOG (MAINTENANCE)

FIG ITEM	PART NUMBER	1 2 3 4 5 6 7	NOMENCLATURE	EFFECT FROM TO	UNITS PER ASSY
1					
10	2340400-1	.	SEPARATOR ASSY-WATER SERIES 1, 2, 3, AND 4 SUPPLIER CODE: V70210 FUNCTIONAL DESCRIPTION: REMOVES CONDENSATE FROM AIR CYCLE MACHINE. COMPONENT MAINT MANUAL REF: 21-51-80	001046 054100	RF
15	AN4C6A	..	BOLT	001046 054100	2
20	AN4C7A	..	BOLT	001046 054100	2
25	AN960KD416L	..	WASHER	001046 054100	4
30	2214178-1	..	BUSHING- SUPPLIER CODE: V70210	001046 054100	2
35	2214094-1	..	COUPLING- SUPPLIER CODE: V70210	001046 054100	1
40	M83248-1-232	..	PACKING MAINTENANCE MANUAL REF: 21-51-12 21-51-13	001046 054100	2
45	2340402-1	..	EXCHANGER ASSY-HEAT SERIES 1 SUPPLIER CODE: V70210 COMPONENT MAINT MANUAL REF: 21-51-82 MAINTENANCE MANUAL REF: 21-51-13 OPTIONAL PART: 2340402-2 V70210	001046 054100	1

MISSING ITEM NUMBERS NOT APPLICABLE

— ITEM NOT ILLUSTRATED

HAP

21-51-13-01

BOEING PROPRIETARY - Copyright © - Unpublished Work - See title page for details.

21-51-13
FIG. 01
PAGE 2
FEB 15/09

BOEING
737-600/700/800/900
PARTS CATALOG (MAINTENANCE)

FIG ITEM	PART NUMBER	1 2 3 4 5 6 7	NOMENCLATURE	EFFECT FROM TO	UNITS PER ASSY
1 45	2340402-2		.. EXCHANGER ASSY-HEAT SERIES 2 AND 3 SUPPLIER CODE: V70210 FUNCTIONAL DESCRIPTION: PRECOOLS THE BLEED AIR FROM THE SECONDARY HEAT EXCHANGER (PART OF THE ENVIRONMENTAL CONTROL SYSTEM) PRIOR TO MOISTURE REMOVAL BY THE CONDENSER AND WATER EXTRACTOR. COMPONENT MAINT MANUAL REF: 21-51-82 MAINTENANCE MANUAL REF: 21-51-13 OPTIONAL PART: 2340402-1 V70210	001046 054100	1
50	2302351-1		...PLATE-IDENT SERIES 1 SUPPLIER CODE: V70210 OPTIONAL PART: 2302351-2 V70210 USED ON: 2340402-1	001046 054100	1
50	2302351-2		...PLATE-IDENT SERIES 2 SUPPLIER CODE: V70210 OPTIONAL PART: 2302351-1 V70210 USED ON: 2340402-1	001046 054100	1
50	2302351-3		...PLATE-IDENT SERIES 1 SUPPLIER CODE: V70210 OPTIONAL PART: 2302351-4 V70210 2302351-5 V70210 2302351-6 V70210 USED ON: 2340402-2	001046 054100	1

MISSING ITEM NUMBERS NOT APPLICABLE

— ITEM NOT ILLUSTRATED

HAP

21-51-13-01

21-51-13
FIG. 01
PAGE 3
FEB 15/09

BOEING
737-600/700/800/900
PARTS CATALOG (MAINTENANCE)

FIG ITEM	PART NUMBER	1 2 3 4 5 6 7	NOMENCLATURE	EFFECT FROM TO	UNITS PER ASSY
1					
50	2302351-4		...PLATE-IDENT SERIES 2 SUPPLIER CODE: V70210 OPTIONAL PART: 2302351-3 V70210 2302351-5 V70210 2302351-6 V70210 USED ON: 2340402-2	001046 054100	1
50	2302351-5		...PLATE-IDENT SERIES 3 SUPPLIER CODE: V70210 OPTIONAL PART: 2302351-3 V70210 2302351-4 V70210 2302351-6 V70210 USED ON: 2340402-2	001046 054100	1
50	2302351-6		...PLATE-IDENT SERIES 3 SUPPLIER CODE: V70210 OPTIONAL PART: 2302351-3 V70210 2302351-4 V70210 2302351-5 V70210 USED ON: 2340402-2	001046 054100	1
55	MS51861-1C		ATTACHING PARTS ...SCREW	001046 054100	2
60	KNKDL428J		-----*----- ...INSERT- SUPPLIER CODE: V29372 OPTIONAL PART: 423-002-9107 V70210	001046 054100	4

MISSING ITEM NUMBERS NOT APPLICABLE

— ITEM NOT ILLUSTRATED

HAP

21-51-13-01

BOEING PROPRIETARY - Copyright © - Unpublished Work - See title page for details.

21-51-13
FIG. 01
PAGE 4
FEB 15/09

BOEING
737-600/700/800/900
PARTS CATALOG (MAINTENANCE)

FIG ITEM	PART NUMBER	1 2 3 4 5 6 7	NOMENCLATURE	EFFECT FROM TO	UNITS PER ASSY
1					
60	423-002-9107		...INSERT- SUPPLIER CODE: V70210 OPTIONAL PART: KNKDL428J V26392	001046 054100	4
65	MS9954-08		...PLUG	001046 054100	2
70	M83248-1-908		...PACKING	001046 054100	2
75	MS9954-07		...PLUG	001046 054100	2
80	M83248-1-907		...PACKING	001046 054100	2
- 100	213A1002-3		DUCT INSTL-AIR CONDITIONING (REHEATER ONLY) POSITION DATA: L SIDE FOR NHA/ADDITIONAL DET SEE: 21-50-00-01C	001030	RF
- 105	213A1002-4		DUCT INSTL-AIR CONDITIONING (REHEATER ONLY) POSITION DATA: R SIDE FOR NHA/ADDITIONAL DET SEE: 21-50-00-01C	001030	RF
110	BACB30NR4K6		.BOLT	001030	8
115	BACS12GU3K9		.SCREW- USED ON: 213A1002-3 MODREF81144 MODREF102179	001030	2
120	BACW10BN4AC		.WASHER	001030	8
125	NAS1149D0416J		.WASHER	001030	8
130	NAS1149E0316P		.WASHER- USED ON: 213A1002-3 MODREF81144 MODREF102179	001030	3

MISSING ITEM NUMBERS NOT APPLICABLE

- ITEM NOT ILLUSTRATED

HAP

21-51-13-01

BOEING PROPRIETARY - Copyright © - Unpublished Work - See title page for details.

21-51-13
FIG. 01
PAGE 5
FEB 15/09

BOEING
737-600/700/800/900
PARTS CATALOG (MAINTENANCE)

FIG ITEM	PART NUMBER	1 2 3 4 5 6 7	NOMENCLATURE	EFFECT FROM TO	UNITS PER ASSY
1 135	PLH53CD		.NUT- SUPPLIER CODE: VF0224 SPECIFICATION NUMBER: BACN10YR3CD OPTIONAL PART: H52732-3CD V15653 USED ON: 213A1002-3 MODREF81144 MODREF102179	001030	3
140	PLH54CD		.NUT- SUPPLIER CODE: VF0224 SPECIFICATION NUMBER: BACN10YR4CD OPTIONAL PART: H52732-4CD V15653 USED ON: 213A1002-3 MODREF81144 MODREF102179	001030	8
145	RBEJ40K5A5A12		.JUMPER- SUPPLIER CODE: V1GK47 SPECIFICATION NUMBER: BACJ40K5A5A12 USED ON: 213A1002-3 MODREF81144 MODREF102179	001030	1
150	RBEJ40K5A5A13		.JUMPER- SUPPLIER CODE: V1GK47 SPECIFICATION NUMBER: BACJ40K5A5A13 USED ON: 213A1002-3 MODREF81144 MODREF102179	001030	1
155	BACC10GN40C		.CLAMP- USED ON: 213A1002-3 MODREF81144 MODREF102179	001030	2

MISSING ITEM NUMBERS NOT APPLICABLE

— ITEM NOT ILLUSTRATED

HAP

21-51-13-01

BOEING PROPRIETARY - Copyright © - Unpublished Work - See title page for details.

21-51-13
FIG. 01
PAGE 6
FEB 15/09

 **BOEING**
737-600/700/800/900
PARTS CATALOG (MAINTENANCE)

FIG ITEM	PART NUMBER	1 2 3 4 5 6 7	NOMENCLATURE	EFFECT FROM TO	UNITS PER ASSY
1					
160	14C02-40C		.COUPLING- SUPPLIER CODE: V24984	001030	1
165	14R02-40C		.SLEEVE- SUPPLIER CODE: V24984	001030	1
170	2-230S604-70		.SEAL- SUPPLIER CODE: V02697 MAINTENANCE MANUAL REF: 21-51-01	001030	1
175	21156-250		.RETAINER SUPPLIER CODE: V94581 SPECIFICATION NUMBER: BACC10BR2250A OPTIONAL PART: 24170-250A V00624	001030	1
180	17351-250		.RING SUPPLIER CODE: V00624 SPECIFICATION NUMBER: BACC10BR3250 OPTIONAL PART: 2325-150 V94581	001030	1
185	NK1008725-250		.SLEEVE- SUPPLIER CODE: V00624	001030	1
190	51200-2-250		.CLAMP SUPPLIER CODE: V8W928 SPECIFICATION NUMBER: BACC10CT2-250	001030	1
195	213A1211-41		.DUCT ASSY- POSITION DATA: LH	001030	1
200	213A1211-42		.DUCT ASSY- POSITION DATA: RH	001030	1
205	213A1211-45		.DUCT ASSY- POSITION DATA: LH	001030	1
210	213A1212-8		.DUCT ASSY- POSITION DATA: RH	001030	1

MISSING ITEM NUMBERS NOT APPLICABLE

— ITEM NOT ILLUSTRATED

HAP

21-51-13-01

BOEING PROPRIETARY - Copyright © - Unpublished Work - See title page for details.

21-51-13
FIG. 01
PAGE 7
FEB 15/09

BOEING
737-600/700/800/900
PARTS CATALOG (MAINTENANCE)

FIG ITEM	PART NUMBER	1 2 3 4 5 6 7	NOMENCLATURE	EFFECT FROM TO	UNITS PER ASSY
1	215 65C33060-1		. DUCT ASSY- OPTIONAL PART: 213A1211-65	001030	1
	215 213A1211-65		. DUCT ASSY- OPTIONAL PART: 65C33060-1	001030	1
	220 2-231S383-70		. PACKING SUPPLIER CODE: V02697 SPECIFICATION NUMBER: BACP11J231 OPTIONAL PART: A330-231 V95272 S424-7-2-231 V02697 AS568-231S32 V11314 13-06-231 V07096 S7E183-231 V95272 R1131-231 V57268 MAINTENANCE MANUAL REF: 21-51-08	001030	2

MISSING ITEM NUMBERS NOT APPLICABLE

— ITEM NOT ILLUSTRATED

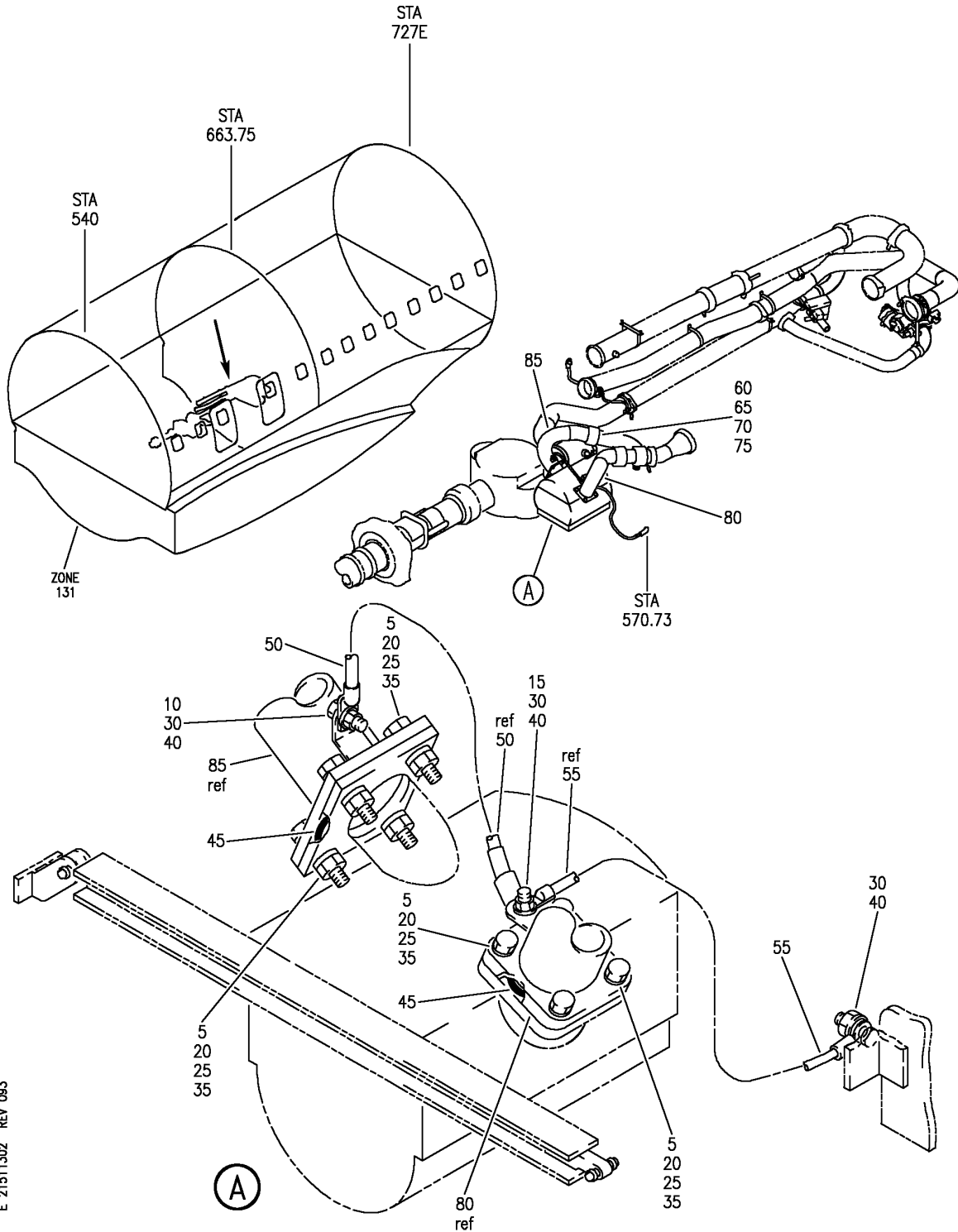
HAP

21-51-13-01

BOEING PROPRIETARY - Copyright © - Unpublished Work - See title page for details.

21-51-13
FIG. 01
PAGE 8
FEB 15/09

BOEING
 737-600/700/800/900
 PARTS CATALOG (MAINTENANCE)



E 21511302 REV 083

DUCT INSTL-L SIDE AIR CONDITIONING PACK (REHEATER ONLY)
 FIGURE 2

21-51-13-02

HAP
 OCT 10/06

21-51-13-02
 PAGE 0

BOEING
737-600/700/800/900
PARTS CATALOG (MAINTENANCE)

FIG ITEM	PART NUMBER	1 2 3 4 5 6 7	NOMENCLATURE	EFFECT FROM TO	UNITS PER ASSY
2			DUCT INSTL-L SIDE AIR CONDITIONING PACK (REHEATER ONLY)	031046 054100	
- 1	MODREF256352		DUCT INSTL-AIR CONDITIONING PACK (REHEATER ONLY) MODULE NUMBER: 213A1006-3 REV D POSITION DATA: L SIDE FOR ADDITIONAL DETAILS SEE: 21-51-07-03 21-51-10-03 21-51-11-04 21-51-15-03 21-51-17-04 21-51-41-07	031046 054100	1
5	BACB30NR4K6		.BOLT	031046 054100	8
10	BACS12GU3K7		.SCREW	031046 054100	1
15	BACS12GU3K9		.SCREW	031046 054100	1
20	BACW10BN4AC		.WASHER	031046 054100	8
25	NAS1149D0416J		.WASHER	031046 054100	8
30	NAS1149E0316R		.WASHER	031046 054100	5
35	PLH54CD		.NUT SUPPLIER CODE: VF0224 SPECIFICATION NUMBER: BACN10YR4CD OPTIONAL PART: H52732-4CD V15653	031046 054100	8
40	PLH53CM		.NUT SUPPLIER CODE: VF0224 SPECIFICATION NUMBER: BACN10YR3CM OPTIONAL PART: H52732-3CM V15653	031046 054100	3

MISSING ITEM NUMBERS NOT APPLICABLE

- ITEM NOT ILLUSTRATED

HAP

21-51-13-02

BOEING PROPRIETARY - Copyright © - Unpublished Work - See title page for details.

21-51-13
FIG. 02
PAGE 1
FEB 15/09

BOEING
737-600/700/800/900
PARTS CATALOG (MAINTENANCE)

FIG ITEM	PART NUMBER	1 2 3 4 5 6 7	NOMENCLATURE	EFFECT FROM TO	UNITS PER ASSY
2 45	2-231S383-70		.PACKING SUPPLIER CODE: V02697 SPECIFICATION NUMBER: BACP11J231 OPTIONAL PART: A330-231 V95272 S424-7-2-231 V02697 AS568-231S32 V11314 13-06-231 V07096 S7E183-231 V95272 R1131-231 V57268 MAINTENANCE MANUAL REF: 21-51-08	031046 054100	2
50	100544-9		.JUMPER SUPPLIER CODE: V1FF12 SPECIFICATION NUMBER: BACJ40AD44-9 OPTIONAL PART: RBEJ40AD44-9 V1GK47	031046 054100	1
55	100544-12		.JUMPER SUPPLIER CODE: V1FF12 SPECIFICATION NUMBER: BACJ40AD44-12 OPTIONAL PART: RBEJ40AD44-12 V1GK47	031046 054100	1
60	21156-250		.RETAINER SUPPLIER CODE: V94581 SPECIFICATION NUMBER: BACC10BR2250A OPTIONAL PART: 24170-250A V00624	031046 054100	1

MISSING ITEM NUMBERS NOT APPLICABLE

— ITEM NOT ILLUSTRATED

HAP

21-51-13-02

BOEING PROPRIETARY - Copyright © - Unpublished Work - See title page for details.

21-51-13
FIG. 02
PAGE 2
FEB 15/09

BOEING
737-600/700/800/900
PARTS CATALOG (MAINTENANCE)

FIG ITEM	PART NUMBER	1 2 3 4 5 6 7	NOMENCLATURE	EFFECT FROM TO	UNITS PER ASSY
2	65 17351-250		.RING SUPPLIER CODE: V00624 SPECIFICATION NUMBER: BACC10BR3250 OPTIONAL PART: 2325-150 V94581	031046 054100	1
	70 NK1008725-250		.SLEEVE- SUPPLIER CODE: V00624	031046 054100	1
	75 51200-2-250		.CLAMP SUPPLIER CODE: V8W928 SPECIFICATION NUMBER: BACC10CT2-250	031046 054100	1
	80 213A1211-85		.DUCT ASSY	031046 054100	1
	85 213A1211-87		.DUCT ASSY	031046 054100	1

MISSING ITEM NUMBERS NOT APPLICABLE

— ITEM NOT ILLUSTRATED

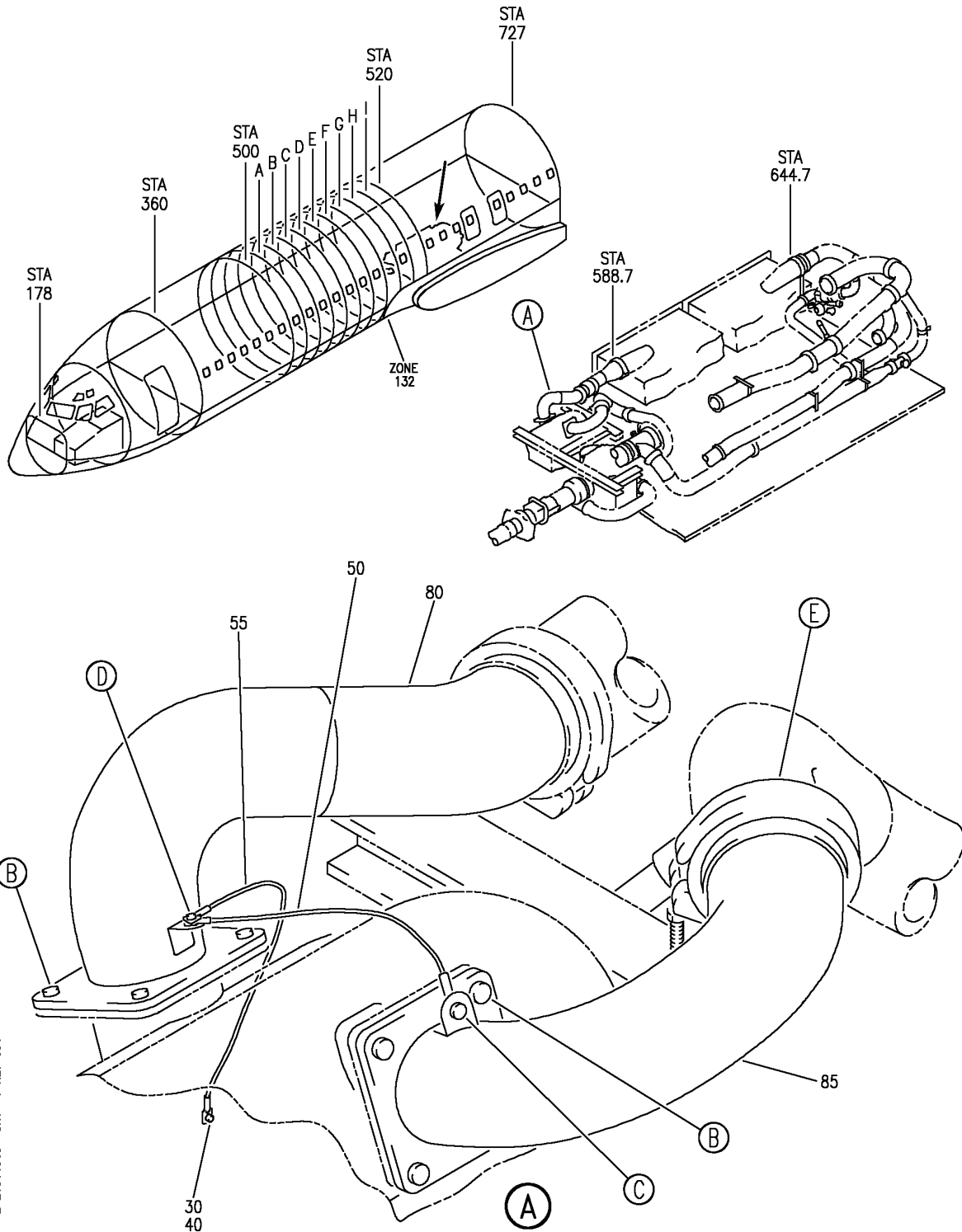
HAP

21-51-13-02

BOEING PROPRIETARY - Copyright © - Unpublished Work - See title page for details.

21-51-13
FIG. 02
PAGE 3
FEB 15/09

BOEING
 737-600/700/800/900
 PARTS CATALOG (MAINTENANCE)



E 21511303 SHT 1 REV 091

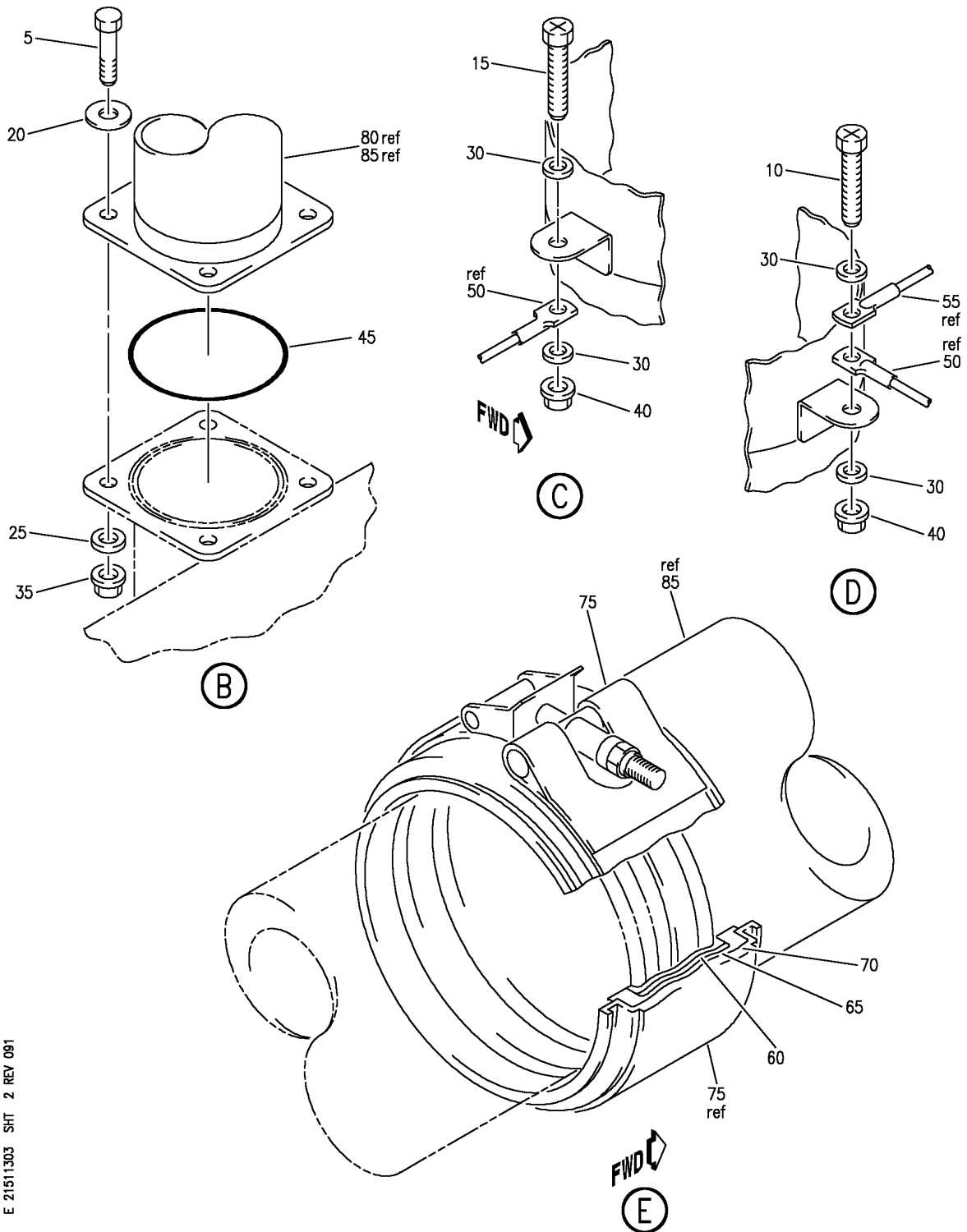
DUCT INSTL-R SIDE AIR CONDITIONING PACK (REHEATER ONLY)
 FIGURE 3 (SHEET 1)

21-51-13-03

HAP
 OCT 10/06

21-51-13-03
 PAGE 0

BOEING
 737-600/700/800/900
 PARTS CATALOG (MAINTENANCE)



E 21511303 SHT 2 REV 091

DUCT INSTL-R SIDE AIR CONDITIONING PACK (REHEATER ONLY)
 FIGURE 3 (SHEET 2)

21-51-13-03

HAP
 OCT 10/06

21-51-13-03
 PAGE 0A

BOEING
737-600/700/800/900
PARTS CATALOG (MAINTENANCE)

FIG ITEM	PART NUMBER	1 2 3 4 5 6 7	NOMENCLATURE	EFFECT FROM TO	UNITS PER ASSY
3			DUCT INSTL-R SIDE AIR CONDITIONING PACK (REHEATER ONLY)	031046 054100	
- 1	MODREF256353		DUCT INSTL-AIR CONDITIONING PACK (REHEATER ONLY) MODULE NUMBER: 213A1006-4 REV D POSITION DATA: R SIDE FOR ADDITIONAL DETAILS SEE: 21-51-07-04 21-51-10-04 21-51-11-05 21-51-15-04 21-51-17-05 21-51-41-08	031046 054100	1
	5 BACB30NR4K6		.BOLT	031046 054100	8
	10 BACS12GU3K7		.SCREW	031046 054100	1
	15 BACS12GU3K9		.SCREW	031046 054100	1
	20 BACW10BN4AC		.WASHER	031046 054100	8
	25 NAS1149D0416J		.WASHER	031046 054100	8
	30 NAS1149E0316R		.WASHER	031046 054100	5
	35 PLH54CD		.NUT SUPPLIER CODE: VF0224 SPECIFICATION NUMBER: BACN10YR4CD OPTIONAL PART: H52732-4CD V15653	031046 054100	8
	40 PLH53CM		.NUT SUPPLIER CODE: VF0224 SPECIFICATION NUMBER: BACN10YR3CM OPTIONAL PART: H52732-3CM V15653	031046 054100	3

MISSING ITEM NUMBERS NOT APPLICABLE

- ITEM NOT ILLUSTRATED

HAP

21-51-13-03

21-51-13
FIG. 03
PAGE 1
FEB 15/09

BOEING
737-600/700/800/900
PARTS CATALOG (MAINTENANCE)

FIG ITEM	PART NUMBER	1 2 3 4 5 6 7	NOMENCLATURE	EFFECT FROM TO	UNITS PER ASSY
3 45	2-231S383-70		.PACKING SUPPLIER CODE: V02697 SPECIFICATION NUMBER: BACP11J231 OPTIONAL PART: A330-231 V95272 S424-7-2-231 V02697 AS568-231S32 V11314 13-06-231 V07096 S7E183-231 V95272 R1131-231 V57268 MAINTENANCE MANUAL REF: 21-51-08	031046 054100	2
50	100544-9		.JUMPER SUPPLIER CODE: V1FF12 SPECIFICATION NUMBER: BACJ40AD44-9 OPTIONAL PART: RBEJ40AD44-9 V1GK47	031046 054100	1
55	100544-12		.JUMPER SUPPLIER CODE: V1FF12 SPECIFICATION NUMBER: BACJ40AD44-12 OPTIONAL PART: RBEJ40AD44-12 V1GK47	031046 054100	1
60	21156-250		.RETAINER SUPPLIER CODE: V94581 SPECIFICATION NUMBER: BACC10BR2250A OPTIONAL PART: 24170-250A V00624	031046 054100	1

MISSING ITEM NUMBERS NOT APPLICABLE

— ITEM NOT ILLUSTRATED

HAP

21-51-13-03

BOEING PROPRIETARY - Copyright © - Unpublished Work - See title page for details.

21-51-13
FIG. 03
PAGE 2
FEB 15/09

BOEING
737-600/700/800/900
PARTS CATALOG (MAINTENANCE)

FIG ITEM	PART NUMBER	1 2 3 4 5 6 7	NOMENCLATURE	EFFECT FROM TO	UNITS PER ASSY
3	65 17351-250		.RING SUPPLIER CODE: V00624 SPECIFICATION NUMBER: BACC10BR3250 OPTIONAL PART: 2325-150 V94581	031046 054100	1
	70 NK1008725-250		.SLEEVE- SUPPLIER CODE: V00624	031046 054100	1
	75 51200-2-250		.CLAMP SUPPLIER CODE: V8W928 SPECIFICATION NUMBER: BACC10CT2-250	031046 054100	1
	80 213A1211-86		.DUCT ASSY	031046 054100	1
	85 213A1211-88		.DUCT ASSY	031046 054100	1

MISSING ITEM NUMBERS NOT APPLICABLE

— ITEM NOT ILLUSTRATED

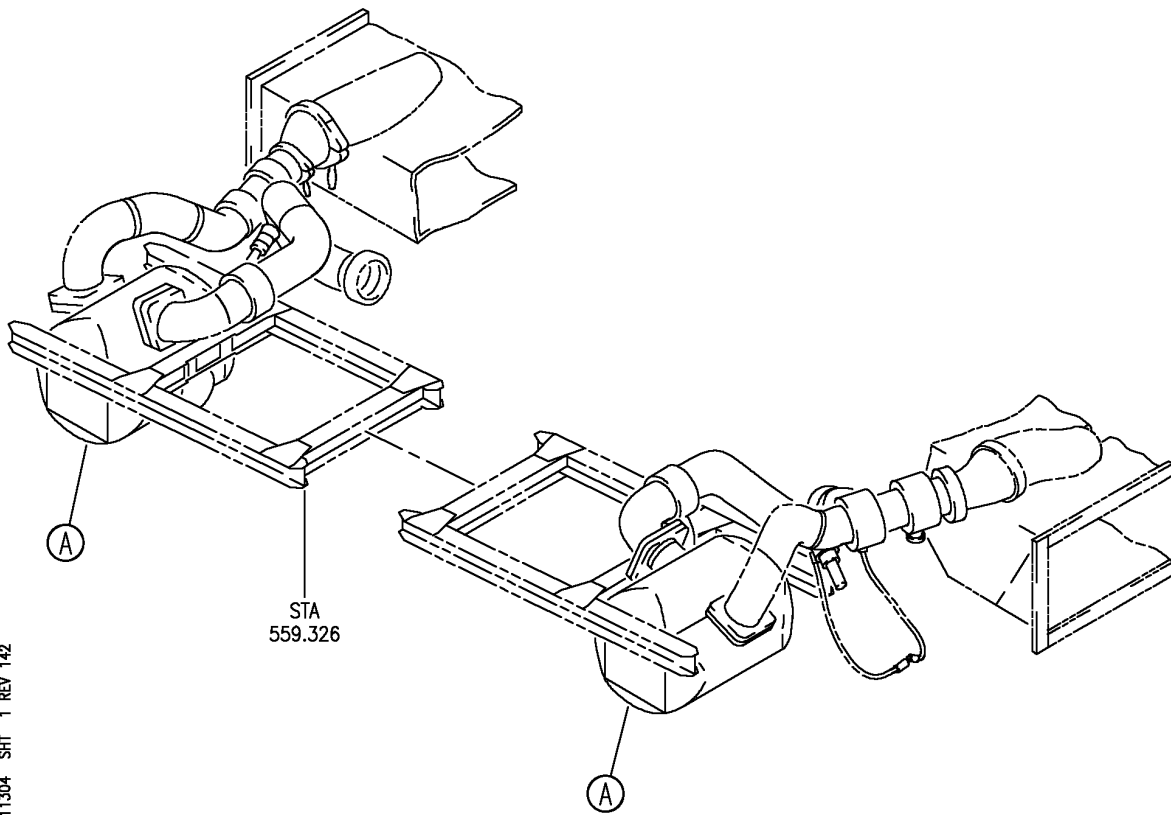
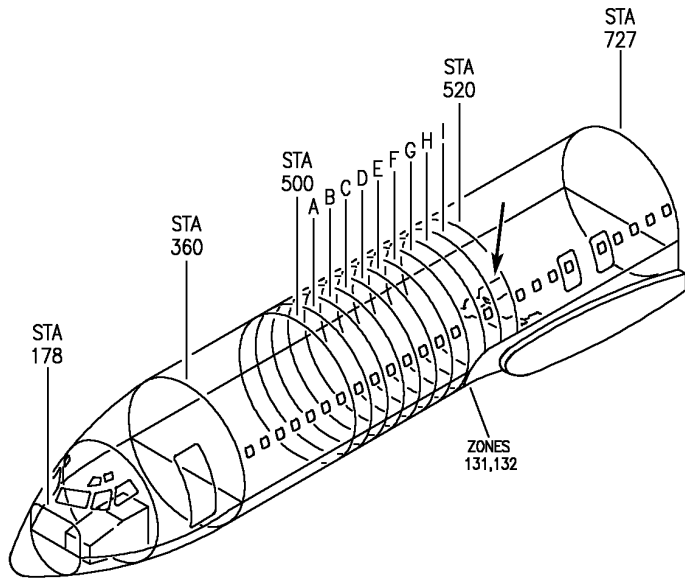
HAP

21-51-13-03

BOEING PROPRIETARY - Copyright © - Unpublished Work - See title page for details.

21-51-13
FIG. 03
PAGE 3
FEB 15/09

BOEING
 737-600/700/800/900
 PARTS CATALOG (MAINTENANCE)



E 21511304 SHT 1 REV 142

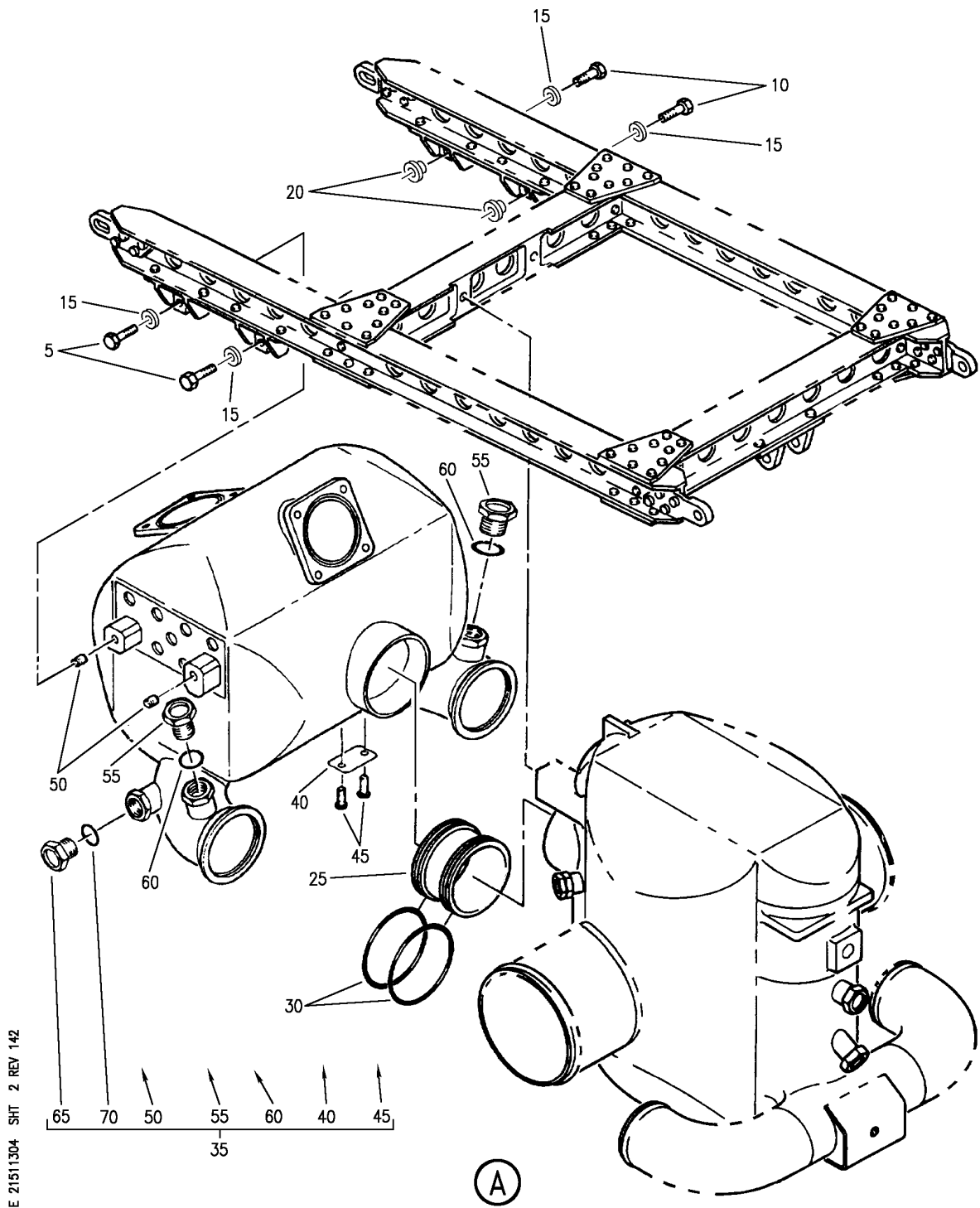
SEPARATOR ASSY-WATER SPRAY AIR CYCLE SYS (REHEATER ONLY)
 FIGURE 4 (SHEET 1)

21-51-13-04

HAP
 JUN 15/08

21-51-13-04
 PAGE 0

BOEING
 737-600/700/800/900
 PARTS CATALOG (MAINTENANCE)



E 21511304 SHT 2 REV 142

SEPARATOR ASSY-WATER SPRAY AIR CYCLE SYS (REHEATER ONLY)
 FIGURE 4 (SHEET 2)

21-51-13-04

HAP
 JUN 15/08

21-51-13-04
 PAGE 0A

BOEING
737-600/700/800/900
PARTS CATALOG (MAINTENANCE)

FIG ITEM	PART NUMBER	1 2 3 4 5 6 7	NOMENCLATURE	EFFECT FROM TO	UNITS PER ASSY
4			SEPARATOR ASSY-WATER SPRAY AIR CYCLE SYS (REHEATER ONLY)	047053	
- 1	2340400-1		SEPARATOR ASSY-WATER SPRAY AIR CYCLE SYS (REHEATER ONLY) SUPPLIER CODE: V70210 FUNCTIONAL DESCRIPTION: REMOVES CONDENSATE FROM AIR CYCLE MACHINE. COMPONENT MAINT MANUAL REF: 21-51-80 FOR NHA/ADDITIONAL DET SEE: 21-51-17-01 21-51-17-06	047053	RF
5	AN4C6A		.BOLT	047053	2
10	AN4C7A		.BOLT	047053	2
15	AN960KD416L		.WASHER	047053	4
20	2214178-1		.BUSHING- SUPPLIER CODE: V70210	047053	2
25	2214094-1		.COUPLING- SUPPLIER CODE: V70210	047053	1
30	M83248-1-232		.PACKING MAINTENANCE MANUAL REF: 21-51-12 21-51-13	047053	2
35	2340402-1		.EXCHANGER ASSY-HEAT SERIES 1 SUPPLIER CODE: V70210 COMPONENT MAINT MANUAL REF: 21-51-82 MAINTENANCE MANUAL REF: 21-51-13	047053	1

MISSING ITEM NUMBERS NOT APPLICABLE

- ITEM NOT ILLUSTRATED

HAP

21-51-13-04

BOEING PROPRIETARY - Copyright © - Unpublished Work - See title page for details.

21-51-13
FIG. 04
PAGE 1
FEB 15/09

BOEING
737-600/700/800/900
PARTS CATALOG (MAINTENANCE)

FIG ITEM	PART NUMBER	1 2 3 4 5 6 7	NOMENCLATURE	EFFECT FROM TO	UNITS PER ASSY
4 35	2340402-2		.EXCHANGER ASSY-HEAT SERIES 2 AND 3 SUPPLIER CODE: V70210 FUNCTIONAL DESCRIPTION: PRECOOLS THE BLEED AIR FROM THE SECONDARY HEAT EXCHANGER (PART OF THE ENVIRONMENTAL CONTROL SYSTEM) PRIOR TO MOISTURE REMOVAL BY THE CONDENSER AND WATER EXTRACTOR. COMPONENT MAINT MANUAL REF: 21-51-82 MAINTENANCE MANUAL REF: 21-51-13	047053	1
40	2302351-1		..PLATE-IDENT SERIES 1 SUPPLIER CODE: V70210	047053	1
40	2302351-4		..PLATE-IDENT SERIES 2 SUPPLIER CODE: V70210 OPTIONAL PART: 2302351-5 V70210	047053	1
40	2302351-5		..PLATE-IDENT SERIES 3 SUPPLIER CODE: V70210 OPTIONAL PART: 2302351-4 V70210 ATTACHING PARTS	047053	1
45	MS51861-1C		..SCREW -----*-----	047053	2
50	KNKDL428J		..INSERT- SUPPLIER CODE: V29372 OPTIONAL PART: 423-002-9107 V70210	047053	4
50	423-002-9107		..INSERT- SUPPLIER CODE: V70210 OPTIONAL PART: KNKDL428J V26392	047053	4
55	MS9954-08		..PLUG	047053	2
60	M83248-1-908		..PACKING	047053	2

MISSING ITEM NUMBERS NOT APPLICABLE

— ITEM NOT ILLUSTRATED

HAP

21-51-13-04

BOEING PROPRIETARY - Copyright © - Unpublished Work - See title page for details.

21-51-13
FIG. 04
PAGE 2
FEB 15/09


BOEING
 737-600/700/800/900
PARTS CATALOG (MAINTENANCE)

FIG ITEM	PART NUMBER	1 2 3 4 5 6 7	NOMENCLATURE	EFFECT FROM TO	UNITS PER ASSY
4	65 MS9954-07		.. PLUG	047053	2
70	M83248-1-907		.. PACKING	047053	2
MISSING ITEM NUMBERS NOT APPLICABLE					

— ITEM NOT ILLUSTRATED

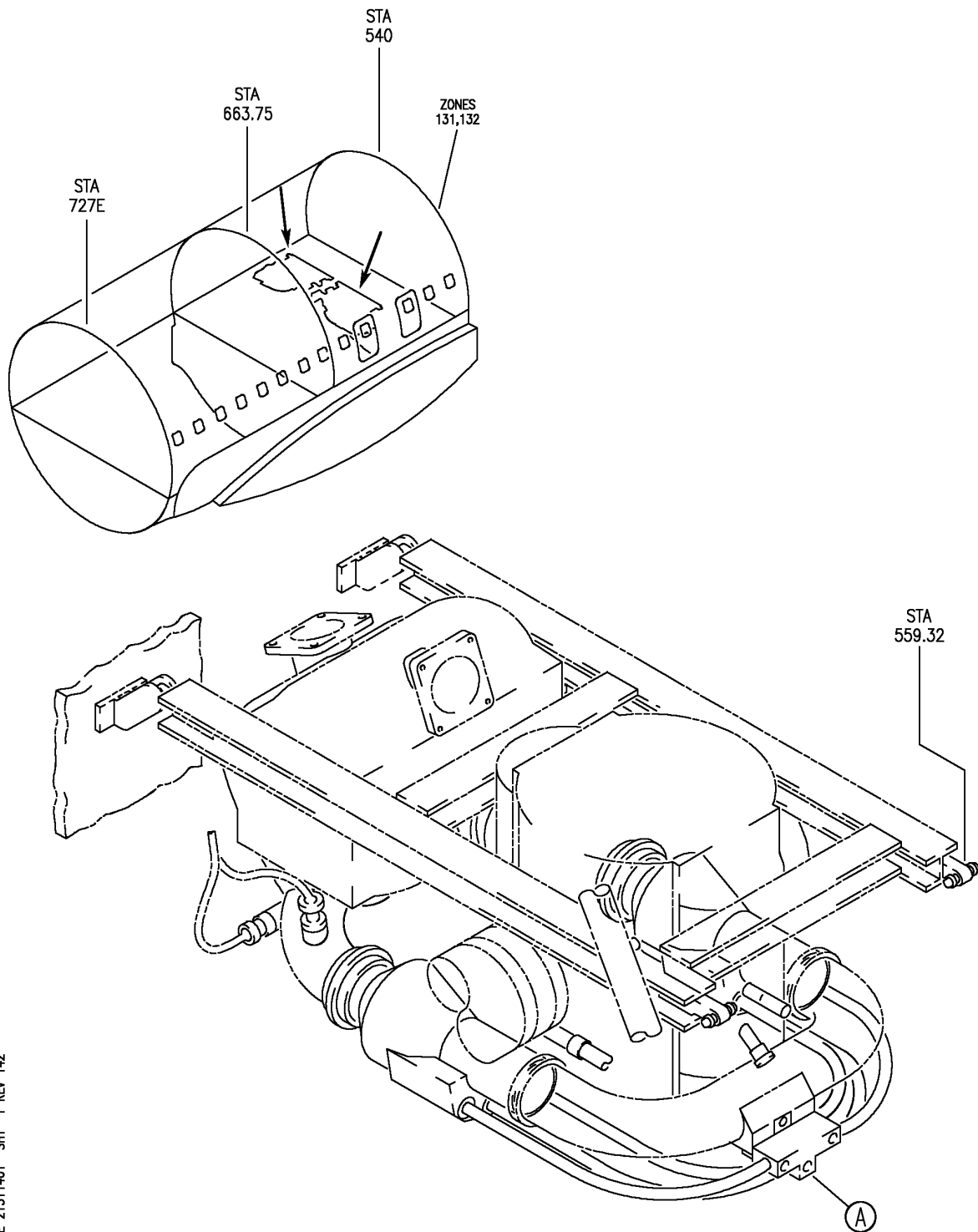
HAP

21-51-13-04

BOEING PROPRIETARY - Copyright © - Unpublished Work - See title page for details.

21-51-13
 FIG. 04
 PAGE 3
 FEB 15/09

BOEING
 737-600/700/800/900
 PARTS CATALOG (MAINTENANCE)



E 21511401 SH1 1 REV 142

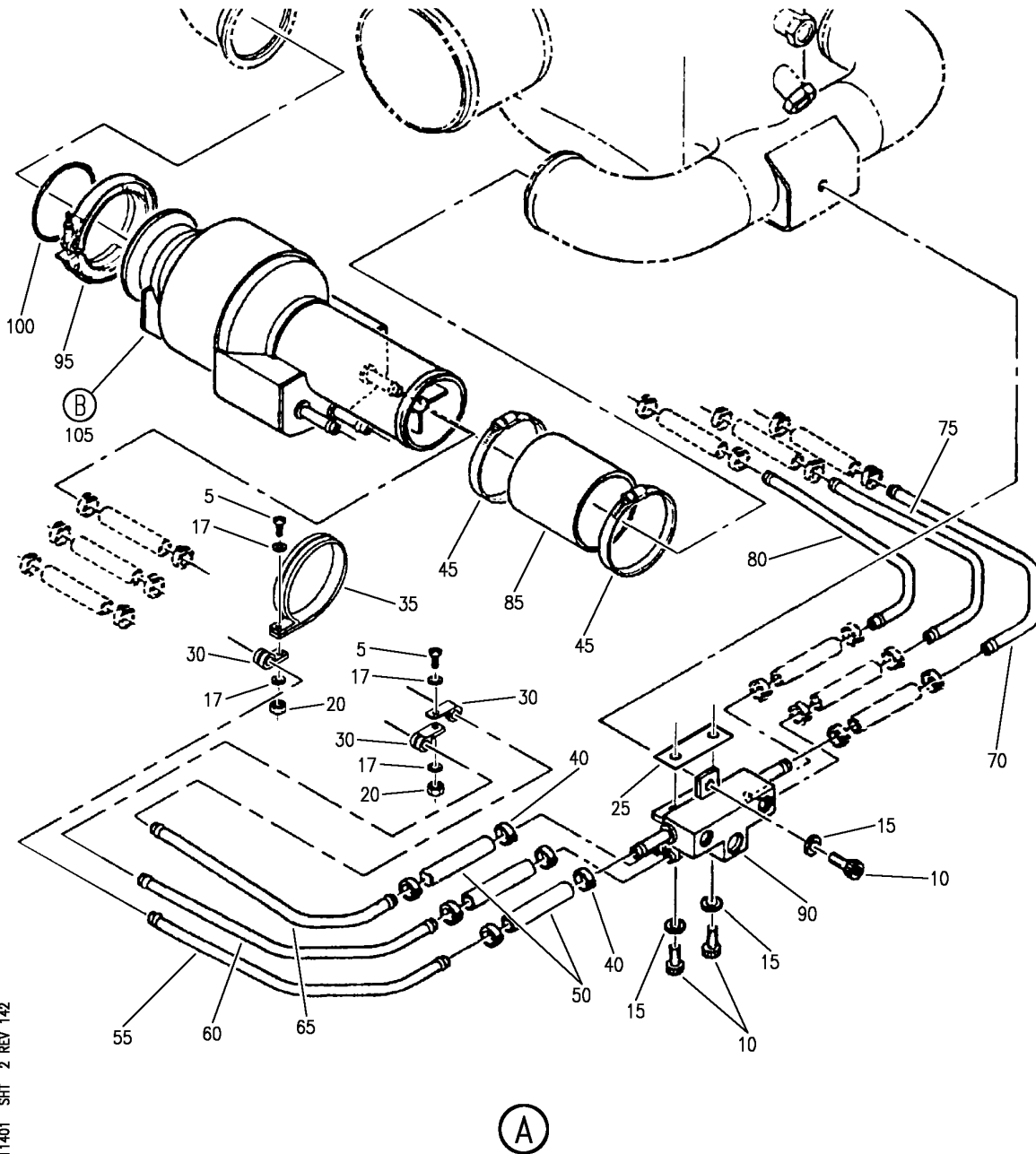
SEPARATOR ASSY-WATER SPRAY AIR CYCLE SYS (WATER EXTRACTOR ONLY)
 FIGURE 1 (SHEET 1)

21-51-14-01

HAP
 JUN 15/08

21-51-14-01
 PAGE 0

BOEING
 737-600/700/800/900
 PARTS CATALOG (MAINTENANCE)



E 21511401 SHT 2 REV 142

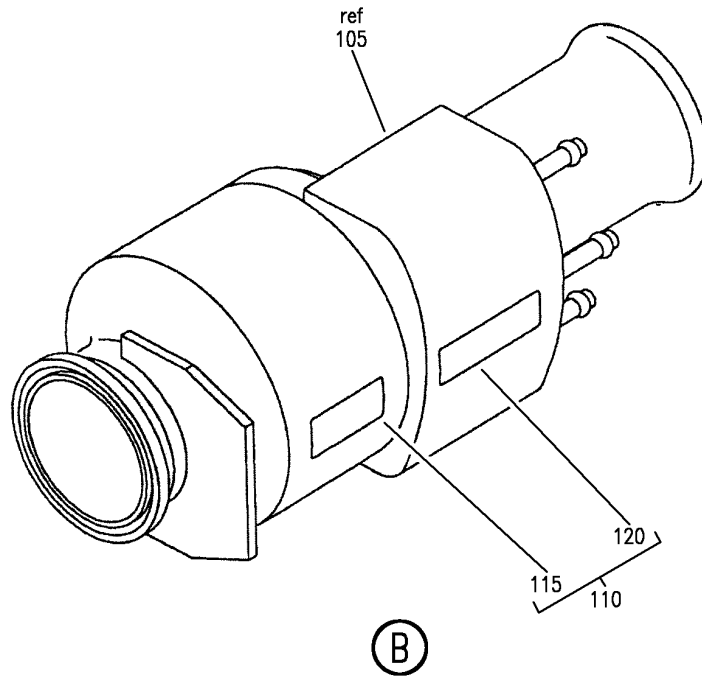
SEPARATOR ASSY-WATER SPRAY AIR CYCLE SYS (WATER EXTRACTOR ONLY)
 FIGURE 1 (SHEET 2)

21-51-14-01

HAP
 JUN 15/08

21-51-14-01
 PAGE 0A

BOEING
737-600/700/800/900
PARTS CATALOG (MAINTENANCE)



E 21511401 SH1 3 REV 142

SEPARATOR ASSY-WATER SPRAY AIR CYCLE SYS (WATER EXTRACTOR ONLY)
FIGURE 1 (SHEET 3)

21-51-14-01

HAP
JUN 15/08

21-51-14-01
PAGE 0B

BOEING
737-600/700/800/900
PARTS CATALOG (MAINTENANCE)

FIG ITEM	PART NUMBER	1 2 3 4 5 6 7	NOMENCLATURE	EFFECT FROM TO	UNITS PER ASSY
1			SEPARATOR ASSY-WATER SPRAY AIR CYCLE SYS (WATER EXTRACTOR ONLY)	047053	
- 1	2340400-1		SEPARATOR ASSY-WATER SPRAY AIR CYCLE SYS (WATER EXTRACTOR ONLY) SUPPLIER CODE: V70210 FUNCTIONAL DESCRIPTION: REMOVES CONDENSATE FROM AIR CYCLE MACHINE. COMPONENT MAINT MANUAL REF: 21-51-80 FOR NHA/ADDITIONAL DET SEE: 21-51-17-01 21-51-17-06	047053	RF
	5 MS35207-263		.SCREW	047053	6
	10 NAS1351C3-10		.SCREW	047053	3
	15 NAS620A10L		.WASHER	047053	3
	17 NAS620A10		.WASHER	047050	12
	20 MS21083C3		.NUT	047053	6
	25 2302346-1		.SHIM- SUPPLIER CODE: V70210	047053	1
	30 MS21919WDG4		.CLAMP	047053	10
	35 MS21919WDG40		.CLAMP	047053	2
	40 10A260-25-1B		.CLAMP- SUPPLIER CODE: V14711 SPECIFICATION NUMBER: 211-044-9101	047053	24
	45 MS21920-22		.CLAMP	047053	4
	50 2201859-27		.HOSE- SUPPLIER CODE: V70210	047053	12
	55 2214102-2		.TUBE- SUPPLIER CODE: V70210	047053	1
	60 2214103-2		.TUBE- SUPPLIER CODE: V70210	047053	1
	65 2214104-2		.TUBE- SUPPLIER CODE: V70210	047053	1
	70 2214102-1		.TUBE- SUPPLIER CODE: V70210	047053	1

MISSING ITEM NUMBERS NOT APPLICABLE

- ITEM NOT ILLUSTRATED

HAP

21-51-14-01

21-51-14
FIG. 01
PAGE 1
FEB 15/09

BOEING
737-600/700/800/900
PARTS CATALOG (MAINTENANCE)

FIG ITEM	PART NUMBER	1 2 3 4 5 6 7	NOMENCLATURE	EFFECT FROM TO	UNITS PER ASSY
1					
75	2214103-1	.	TUBE- SUPPLIER CODE: V70210	047053	1
80	2214104-1	.	TUBE- SUPPLIER CODE: V70210	047053	1
85	2201859-14	.	HOSE-SERIES 1 SUPPLIER CODE: V70210	047053	2
85	2303824-1	.	HOSE-SERIES 2 AND 3 SUPPLIER CODE: V70210 OPTIONAL PART: 2201859-14 V70210	047053	2
90	2214084-1	.	MANIFOLD- SERIES 1, 2, AND 3 SUPPLIER CODE: V70210	047053	1
95	NM102619-0700	.	COUPLING-CLAMP SUPPLIER CODE: V00624 SPECIFICATION NUMBER: 234-068-9007 OPTIONAL PART: VC1139-250 V14242	047053	2
100	M83248-1-145	.	PACKING MAINTENANCE MANUAL REF: 21-51-13	047053	2
105	2340406-1	.	EXTRACTOR ASSY-WATER SUPPLIER CODE: V70210 FUNCTIONAL DESCRIPTION: EXTRACTOR REMOVES WATER FROM BLEED AIR. COMPONENT MAINT MANUAL REF: 21-51-86	047053	2
110	2340407-1	..	EXTRACTOR ASSY- SUPPLIER CODE: V70210	047053	RF
115	2302310-1	...	PLATE-ID SUPPLIER CODE: V70210	047053	1
120	S8205-4	...	LABEL-FLOW DIR SUPPLIER CODE: V70210	047053	1

MISSING ITEM NUMBERS NOT APPLICABLE

— ITEM NOT ILLUSTRATED

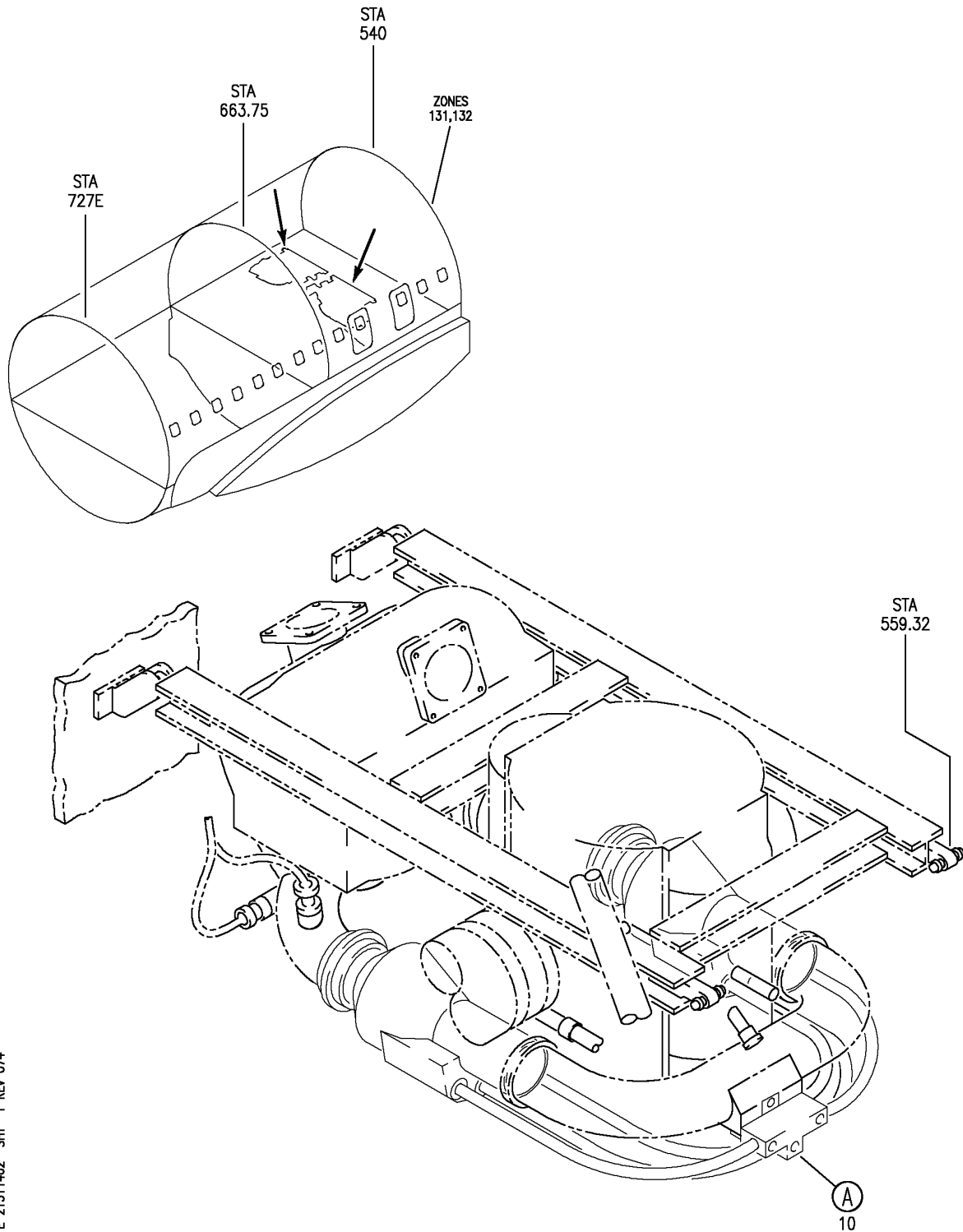
HAP

21-51-14-01

BOEING PROPRIETARY - Copyright © - Unpublished Work - See title page for details.

21-51-14
FIG. 01
PAGE 2
FEB 15/09

BOEING
 737-600/700/800/900
 PARTS CATALOG (MAINTENANCE)



E 21511402 SHT 1 REV 074

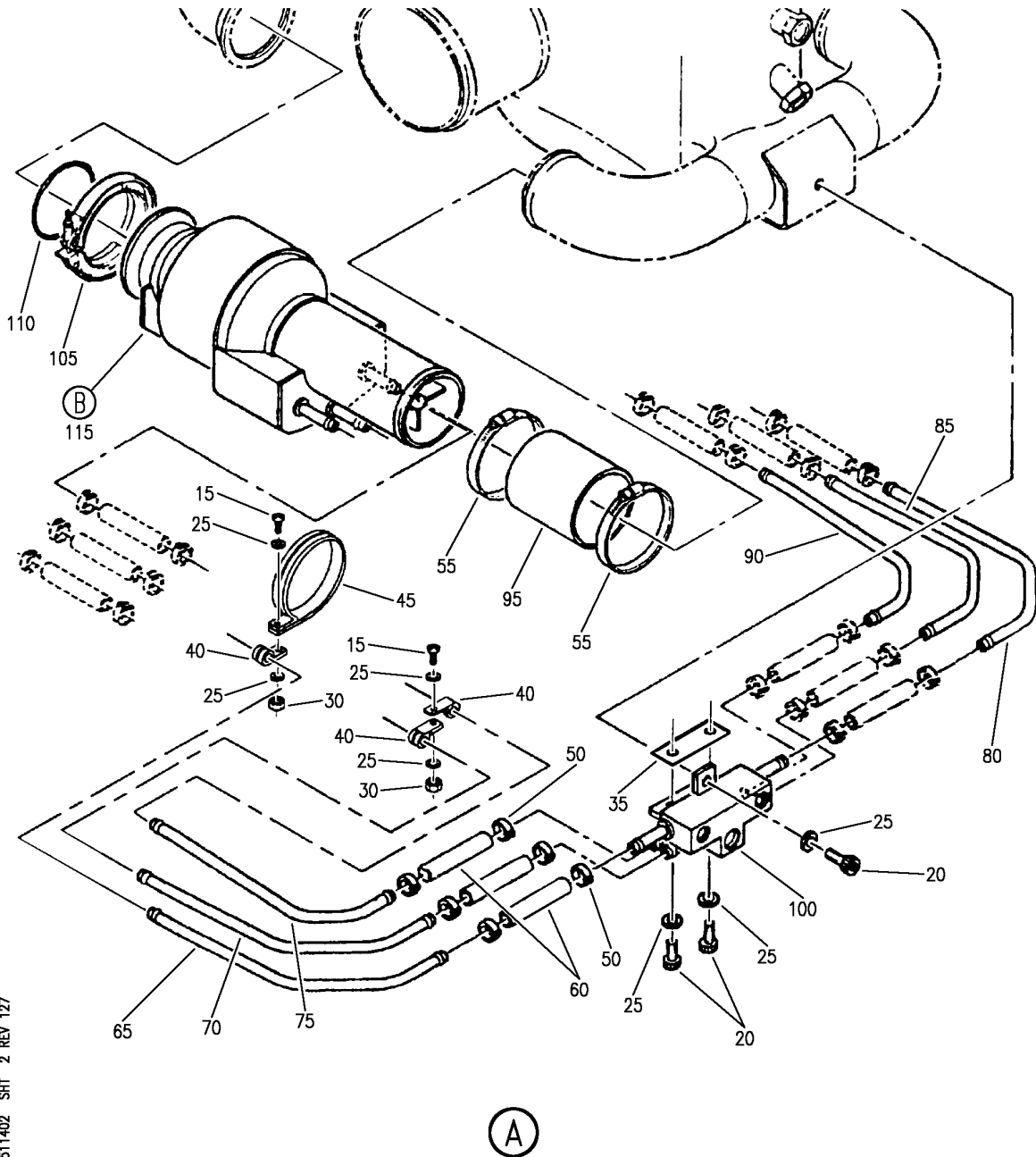
SEPARATOR INSTL-AIR CONDITIONING WATER (WATER EXTRACTOR ONLY)
 FIGURE 2 (SHEET 1)

21-51-14-02

HAP
 OCT 10/06

21-51-14-02
 PAGE 0

BOEING
 737-600/700/800/900
 PARTS CATALOG (MAINTENANCE)



E 21511402 SHT 2 REV 127

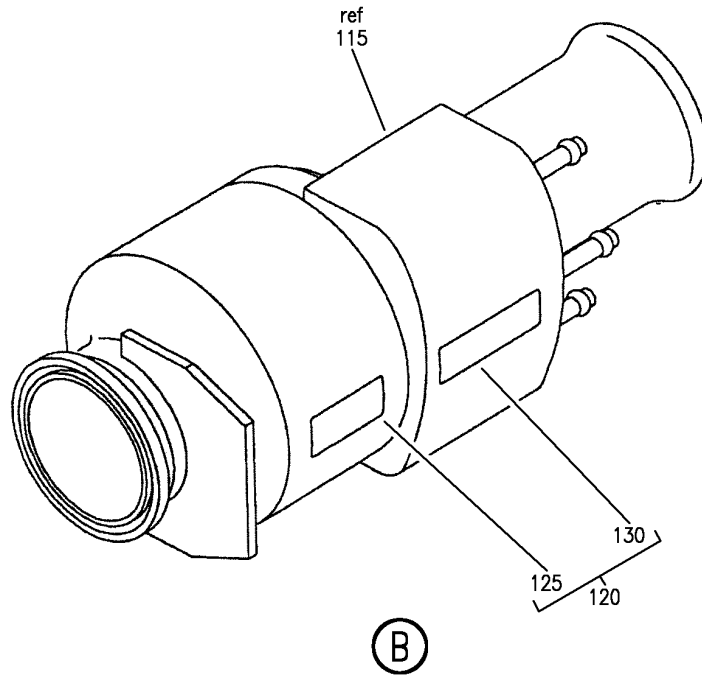
SEPARATOR INSTL-AIR CONDITIONING WATER (WATER EXTRACTOR ONLY)
 FIGURE 2 (SHEET 2)

21-51-14-02

HAP
 FEB 10/07

21-51-14-02
 PAGE 0A

BOEING
737-600/700/800/900
PARTS CATALOG (MAINTENANCE)



E 21511402 SH1 3 REV 127

SEPARATOR INSTL-AIR CONDITIONING WATER (WATER EXTRACTOR ONLY)
FIGURE 2 (SHEET 3)

21-51-14-02

HAP
FEB 10/07

21-51-14-02
PAGE 0B

BOEING
737-600/700/800/900
PARTS CATALOG (MAINTENANCE)

FIG ITEM	PART NUMBER	1 2 3 4 5 6 7	NOMENCLATURE	EFFECT FROM TO	UNITS PER ASSY
2			SEPARATOR INSTL-AIR CONDITIONING WATER (WATER EXTRACTOR ONLY)	001046 054100	
- 1	213A1003-3		SEPARATOR INSTL-WATER AIR CONDITIONING (WATER EXTRACTOR ONLY)	001030	RF
- 1	MODREF81151		POSITION DATA: L SIDE FOR NHA/ADDITIONAL DET SEE: 21-50-00-01C		
- 1	MODREF81151		SEPARATOR INSTL-WATER AIR CONDITIONING (WATER EXTRACTOR ONLY)	031046 054100	1
- 1	MODREF81151		MODULE NUMBER: 213A1003-3 REV A POSITION DATA: L SIDE FOR ADDITIONAL DETAILS SEE: 21-51-12-01 21-51-13-01 21-51-52-03 21-51-60-01		
- 5	213A1003-4		SEPARATOR INSTL-WATER AIR CONDITIONING (WATER EXTRACTOR ONLY)	001030	RF
- 5	MODREF81152		POSITION DATA: R SIDE FOR NHA/ADDITIONAL DET SEE: 21-50-00-01C		
- 5	MODREF81152		SEPARATOR INSTL-WATER AIR CONDITIONING (WATER EXTRACTOR ONLY)	031046 054100	1
- 5	MODREF81152		MODULE NUMBER: 213A1003-4 REV A POSITION DATA: R SIDE FOR ADDITIONAL DETAILS SEE: 21-51-12-01 21-51-13-01 21-51-52-03 21-51-60-01		

MISSING ITEM NUMBERS NOT APPLICABLE

- ITEM NOT ILLUSTRATED

HAP

21-51-14-02

BOEING PROPRIETARY - Copyright © - Unpublished Work - See title page for details.

21-51-14
FIG. 02
PAGE 1
FEB 15/09

BOEING
737-600/700/800/900
PARTS CATALOG (MAINTENANCE)

FIG ITEM	PART NUMBER	1 2 3 4 5 6 7	NOMENCLATURE	EFFECT FROM TO	UNITS PER ASSY
2					
10	2340400-1		.SEPARATOR ASSY-WATER SERIES 1, 2, 3, AND 4 SUPPLIER CODE: V70210 FUNCTIONAL DESCRIPTION: REMOVES CONDENSATE FROM AIR CYCLE MACHINE. COMPONENT MAINT MANUAL REF: 21-51-80	001043 054100	RF
15	MS35207-263		..SCREW	001046 054100	6
20	NAS1351C3-10		..SCREW	001046 054100	3
25	NAS620A10L		..WASHER	001046 054100	15
30	MS21083C3		..NUT	001046 054100	6
35	2302346-1		..SHIM- SUPPLIER CODE: V70210	001046 054100	1
40	MS21919WDG4		..CLAMP	001046 054100	10
45	MS21919WDG40		..CLAMP	001046 054100	2
50	62602		..CLAMP- SUPPLIER CODE: V81646	001046 054100	24
55	MS21920-22		..CLAMP	001046 054100	4
60	2201859-27		..HOSE- SUPPLIER CODE: V70210	001046 054100	12
65	2214102-2		..TUBE- SUPPLIER CODE: V70210	001046 054100	1
70	2214103-2		..TUBE- SUPPLIER CODE: V70210	001046 054100	1
75	2214104-2		..TUBE- SUPPLIER CODE: V70210	001046 054100	1
80	2214102-1		..TUBE- SUPPLIER CODE: V70210	001046 054100	1
85	2214103-1		..TUBE- SUPPLIER CODE: V70210	001046 054100	1

MISSING ITEM NUMBERS NOT APPLICABLE

— ITEM NOT ILLUSTRATED

HAP

21-51-14-02

BOEING PROPRIETARY - Copyright © - Unpublished Work - See title page for details.

21-51-14
FIG. 02
PAGE 2
FEB 15/09

BOEING
737-600/700/800/900
PARTS CATALOG (MAINTENANCE)

FIG ITEM	PART NUMBER	1 2 3 4 5 6 7	NOMENCLATURE	EFFECT FROM TO	UNITS PER ASSY
2					
90	2214104-1	..	TUBE- SUPPLIER CODE: V70210	001046 054100	1
95	2201859-14	..	HOSE-SERIES 1 SUPPLIER CODE: V70210 OPTIONAL PART: 2303824-1 V70210	001046 054100	2
95	2303824-1	..	HOSE-SERIES 2 AND 3 SUPPLIER CODE: V70210 OPTIONAL PART: 2201859-14 V70210	001046 054100	2
100	2214084-1	..	MANIFOLD- SERIES 1, 2, AND 3 SUPPLIER CODE: V70210	001046 054100	1
100	2308940-1	..	MANIFOLD- SERIES 4 SUPPLIER CODE: V70210	001046 054100	1
105	NM102619-0700	..	COUPLING-CLAMP SUPPLIER CODE: V00624 SPECIFICATION NUMBER: 234-068-9007 OPTIONAL PART: VC1139-250 V14242	001046 054100	2
110	M83248-1-145	..	PACKING MAINTENANCE MANUAL REF: 21-51-13	001046 054100	2
115	2340406-1	..	EXTRACTOR ASSY-WATER SUPPLIER CODE: V70210 FUNCTIONAL DESCRIPTION: EXTRACTOR REMOVES WATER FROM BLEED AIR. COMPONENT MAINT MANUAL REF: 21-51-86	001046 054100	2
120	2340407-1	...	EXTRACTOR ASSY- SUPPLIER CODE: V70210	001046 054100	RF
125	2302310-1	PLATE-ID SUPPLIER CODE: V70210	001046 054100	1

MISSING ITEM NUMBERS NOT APPLICABLE

— ITEM NOT ILLUSTRATED

HAP

21-51-14-02

BOEING PROPRIETARY - Copyright © - Unpublished Work - See title page for details.

21-51-14
FIG. 02
PAGE 3
FEB 15/09


BOEING
 737-600/700/800/900
PARTS CATALOG (MAINTENANCE)

FIG ITEM	PART NUMBER	1 2 3 4 5 6 7 NOMENCLATURE	EFFECT FROM TO	UNITS PER ASSY
2 130	S8205-4LABEL-FLOW DIR SUPPLIER CODE: V70210	001046 054100	1

MISSING ITEM NUMBERS NOT APPLICABLE

— ITEM NOT ILLUSTRATED

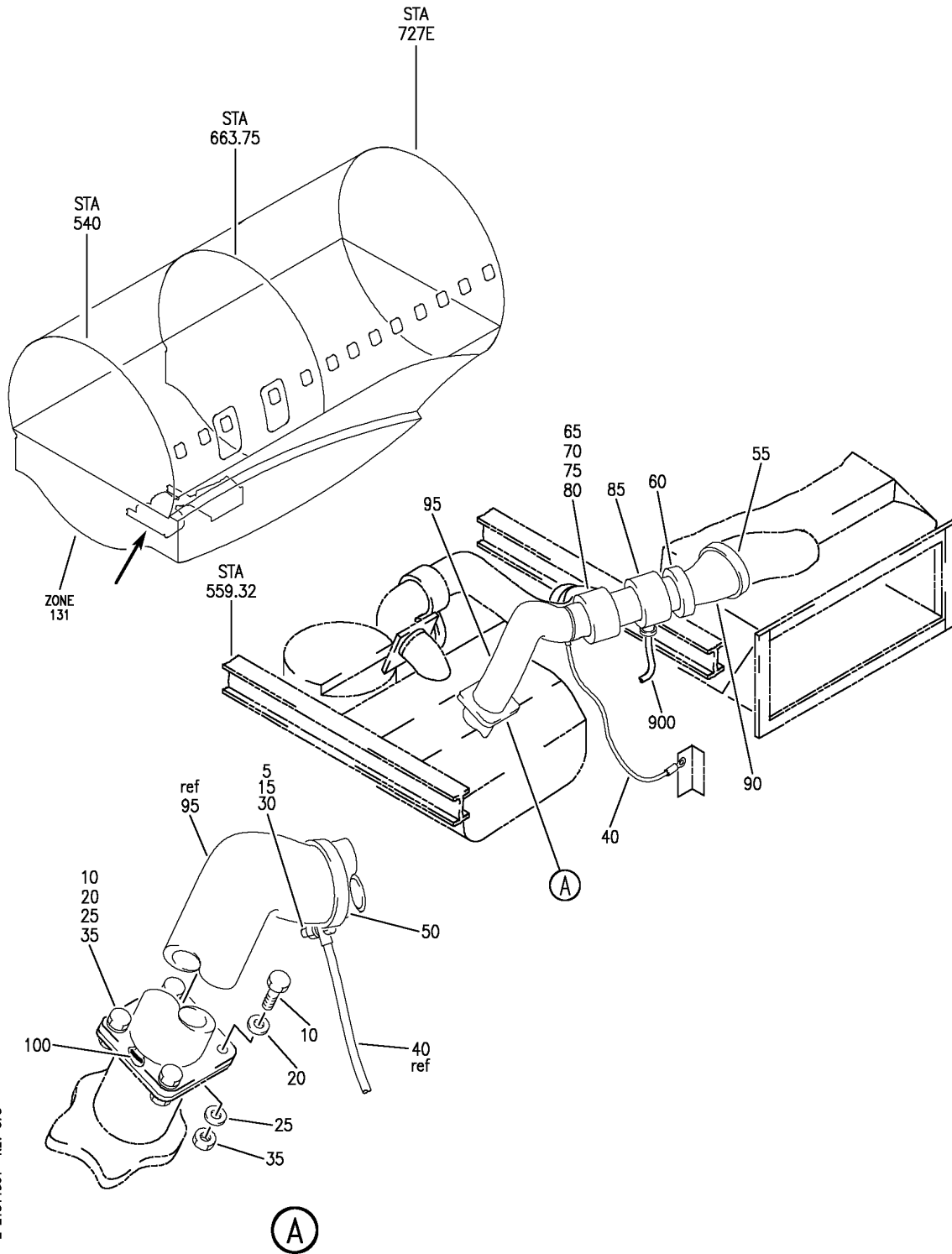
HAP

21-51-14-02

BOEING PROPRIETARY - Copyright © - Unpublished Work - See title page for details.

21-51-14
 FIG. 02
 PAGE 4
 FEB 15/09

BOEING
 737-600/700/800/900
 PARTS CATALOG (MAINTENANCE)



E 21511501 REV 073

DUCT INSTL-L SIDE AIR CONDITIONING PACK (WATER EXTRACTOR DUCT ONLY)
 FIGURE 1

21-51-15-01

HAP
 OCT 10/06

21-51-15-01
 PAGE 0

BOEING
737-600/700/800/900
PARTS CATALOG (MAINTENANCE)

FIG ITEM	PART NUMBER	1 2 3 4 5 6 7	NOMENCLATURE	EFFECT FROM TO	UNITS PER ASSY
1			DUCT INSTL-L SIDE AIR CONDITIONING PACK (WATER EXTRACTOR DUCT ONLY)	001030	
- 1	213A1002-3		DUCT INSTL-AIR CONDITIONING PACK (WATER EXTRACTOR DUCT ONLY) POSITION DATA: L SIDE FOR NHA/ADDITIONAL DET SEE: 21-50-00-01C	001030	RF
	5 BACS12GU3K9		.SCREW	001030	1
	10 BACB30NR4K6		.BOLT	001030	4
	15 NAS1149E0316P		.WASHER	001030	1
	20 BACW10BN4AC		.WASHER	001030	4
	25 NAS1149D0416J		.WASHER	001030	4
	30 PLH53CD		.NUT	001030	1
			SUPPLIER CODE: VF0224 SPECIFICATION NUMBER: BACN10YR3CD OPTIONAL PART: H52732-3CD V15653		
	35 PLH54CD		.NUT	001030	4
			SUPPLIER CODE: VF0224 SPECIFICATION NUMBER: BACN10YR4CD OPTIONAL PART: H52732-4CD V15653		
	40 RBEJ40K5A5A13		.JUMPER	001030	1
			SUPPLIER CODE: V1GK47 SPECIFICATION NUMBER: BACJ40K5A5A13		
	50 BACC10GN40C		.CLAMP	001030	1
	55 BACC10DU350ABE		.CLAMP	001030	1
	60 BACC10DU250ABE		.CLAMP	001030	1
	65 21156-250		.RETAINER	001030	1
			SUPPLIER CODE: V94581 SPECIFICATION NUMBER: BACC10BR2250A OPTIONAL PART: 24170-250A V00624		

MISSING ITEM NUMBERS NOT APPLICABLE

- ITEM NOT ILLUSTRATED

HAP

21-51-15-01

BOEING PROPRIETARY - Copyright © - Unpublished Work - See title page for details.

21-51-15
FIG. 01
PAGE 1
FEB 15/09

BOEING
737-600/700/800/900
PARTS CATALOG (MAINTENANCE)

FIG ITEM	PART NUMBER	1 2 3 4 5 6 7	NOMENCLATURE	EFFECT FROM TO	UNITS PER ASSY
1	70 17351-250		.RING SUPPLIER CODE: V00624 SPECIFICATION NUMBER: BACC10BR3250 OPTIONAL PART: 2325-150 V94581	001030	1
	75 NK1008725-250		.SLEEVE- SUPPLIER CODE: V00624	001030	1
	80 51200-2-250		.CLAMP SUPPLIER CODE: V8W928 SPECIFICATION NUMBER: BACC10CT2-250	001030	1
	85 2214079-1		.DUCT-WATER EXTRACTOR SUPPLIER CODE: V70210	001030	1
	90 213A1211-37		.DUCT ASSY	001030	1
	95 213A1211-41		.DUCT ASSY- OPTIONAL PART: 213A1211-63	001030	1
	95 213A1211-63		.DUCT ASSY- OPTIONAL PART: 213A1211-41	001030	1
	100 2-231S383-70		.PACKING SUPPLIER CODE: V02697 SPECIFICATION NUMBER: BACP11J231 OPTIONAL PART: A330-231 V95272 S424-7-2-231 V02697 AS568-231S32 V11314 13-06-231 V07096 S7E183-231 V95272 R1131-231 V57268	001030	1
	900		ILLUSTRATION REFERENCE: SENSE LINE INSTL-L SIDE AIR CONDITIONING PACK 21-51-53-18	001030	RF

MISSING ITEM NUMBERS NOT APPLICABLE

— ITEM NOT ILLUSTRATED

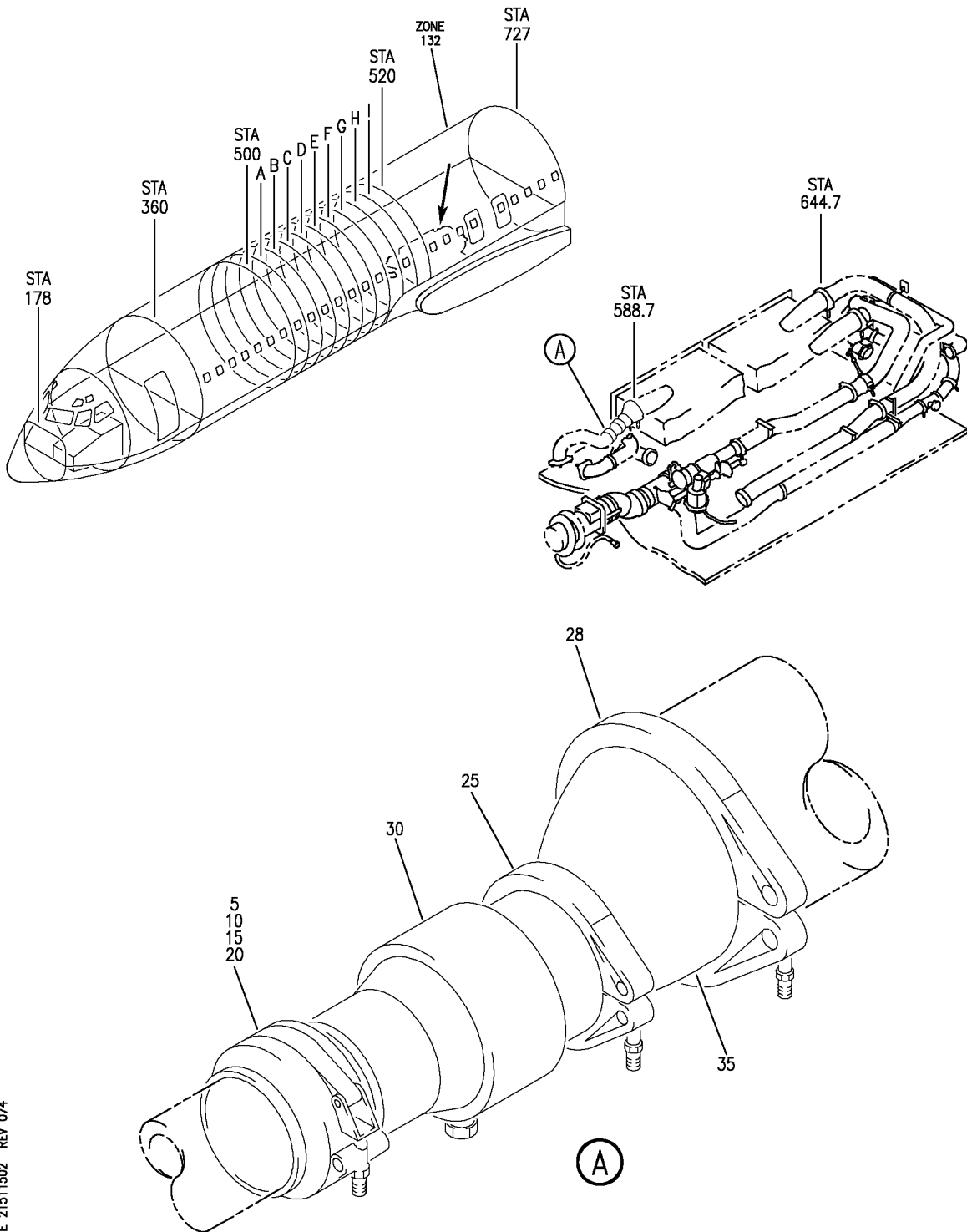
HAP

21-51-15-01

BOEING PROPRIETARY - Copyright © - Unpublished Work - See title page for details.

21-51-15
FIG. 01
PAGE 2
OCT 10/06

BOEING
 737-600/700/800/900
 PARTS CATALOG (MAINTENANCE)



E 21511502 REV 074

DUCT INSTL-R SIDE AIR CONDITIONING PACK (WATER EXTRACTOR DUCT ONLY)
 FIGURE 2

21-51-15-02

HAP
 OCT 10/06

21-51-15-02
 PAGE 0

BOEING
737-600/700/800/900
PARTS CATALOG (MAINTENANCE)

FIG ITEM	PART NUMBER	1 2 3 4 5 6 7	NOMENCLATURE	EFFECT FROM TO	UNITS PER ASSY
2			DUCT INSTL-R SIDE AIR CONDITIONING PACK (WATER EXTRACTOR DUCT ONLY)	001030	
- 1	213A1002-4		DUCT INSTL-AIR CONDITIONING PACK (WATER EXTRACTOR DUCT ONLY) POSITION DATA: R SIDE FOR NHA/ADDITIONAL DET SEE: 21-50-00-01C	001030	RF
	5 21156-250		.RETAINER SUPPLIER CODE: V94581 SPECIFICATION NUMBER: BACC10BR2250A OPTIONAL PART: 24170-250A V00624	001030	1
	10 17351-250		.RING SUPPLIER CODE: V00624 SPECIFICATION NUMBER: BACC10BR3250 OPTIONAL PART: 2325-150 V94581	001030	1
	15 NK1008725-250		.SLEEVE- SUPPLIER CODE: V00624	001030	1
	20 51200-2-250		.CLAMP SUPPLIER CODE: V8W928 SPECIFICATION NUMBER: BACC10CT2-250	001030	1
	25 BACC10DU250ABE		.CLAMP	001030	1
	28 BACC10DU350ABE		.CLAMP	001030	1
	30 2214079-1		.DUCT-WATER EXTRACTOR SUPPLIER CODE: V70210	001030	1
	35 213A1211-37		.DUCT ASSY	001030	1

MISSING ITEM NUMBERS NOT APPLICABLE

- ITEM NOT ILLUSTRATED

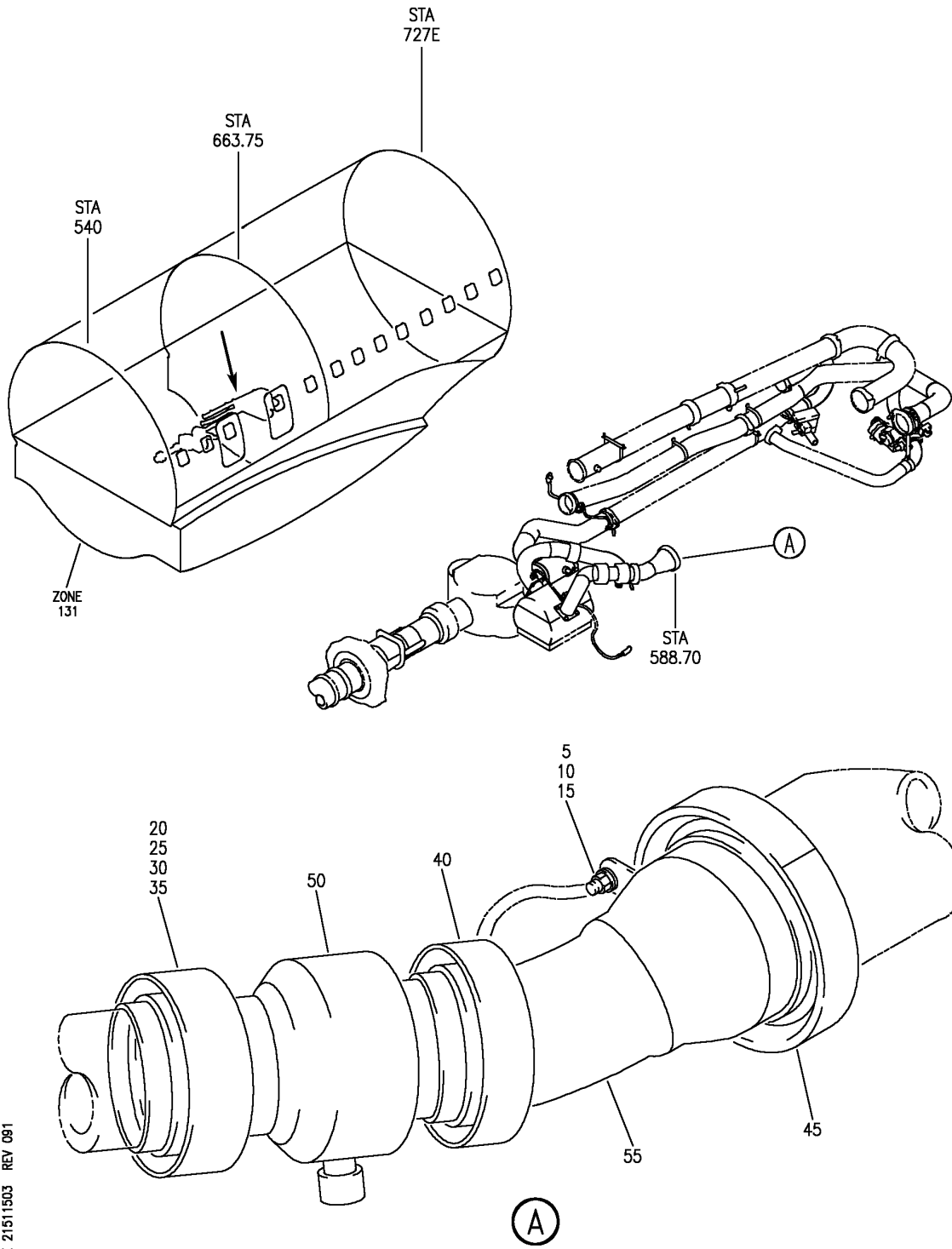
HAP

21-51-15-02

BOEING PROPRIETARY - Copyright © - Unpublished Work - See title page for details.

21-51-15
FIG. 02
PAGE 1
OCT 10/06

BOEING
 737-600/700/800/900
 PARTS CATALOG (MAINTENANCE)



E 21511503 REV 081

DUCT INSTL-L SIDE AIR CONDITIONING PACK (WATER EXTRACTOR DUCT ONLY)
 FIGURE 3

21-51-15-03

HAP
 OCT 10/06

21-51-15-03
 PAGE 0

BOEING
737-600/700/800/900
PARTS CATALOG (MAINTENANCE)

FIG ITEM	PART NUMBER	1 2 3 4 5 6 7	NOMENCLATURE	EFFECT FROM TO	UNITS PER ASSY
3			DUCT INSTL-L SIDE AIR CONDITIONING PACK (WATER EXTRACTOR DUCT ONLY)	031100	
- 1	MODREF256352		DUCT INSTL-AIR CONDITIONING PACK (WATER EXTRACTOR DUCT ONLY) MODULE NUMBER: 213A1006-3 REV D POSITION DATA: L SIDE FOR ADDITIONAL DETAILS SEE: 21-51-07-03 21-51-10-03 21-51-11-04 21-51-13-02 21-51-17-04 21-51-41-07	031046 054100	1
- 1	MODREF377407		DUCT INSTL-AIR CONDITIONING PACK (WATER EXTRACTOR DUCT ONLY) MODULE NUMBER: 213A1006-3 REV E POSITION DATA: L SIDE FOR ADDITIONAL DETAILS SEE: 21-51-07-03 21-51-10-03 21-51-11-04 21-51-17-04 21-51-41-07	047047	1
- 1	MODREF395392		DUCT INSTL-AIR CONDITIONING PACK (WATER EXTRACTOR DUCT ONLY) MODULE NUMBER: 213A1006-3 REV F POSITION DATA: L SIDE FOR ADDITIONAL DETAILS SEE: 21-51-07-03 21-51-10-03 21-51-11-04 21-51-17-04 21-51-41-07	048053	1
5	BACS12GU3K7		.SCREW	031100	1
10	NAS1149E0316R		.WASHER	031100	2

MISSING ITEM NUMBERS NOT APPLICABLE

- ITEM NOT ILLUSTRATED

HAP

21-51-15-03

BOEING PROPRIETARY - Copyright © - Unpublished Work - See title page for details.

21-51-15
FIG. 03
PAGE 1
FEB 15/09

BOEING
737-600/700/800/900
PARTS CATALOG (MAINTENANCE)

FIG ITEM	PART NUMBER	1 2 3 4 5 6 7	NOMENCLATURE	EFFECT FROM TO	UNITS PER ASSY
3					
15	PLH53CM	.	NUT SUPPLIER CODE: VF0224 SPECIFICATION NUMBER: BACN10YR3CM OPTIONAL PART: H52732-3CM V15653	031100	1
20	21156-250	.	RETAINER SUPPLIER CODE: V94581 SPECIFICATION NUMBER: BACC10BR2250A OPTIONAL PART: 24170-250A V00624	031046 054100	1
25	17351-250	.	RING SUPPLIER CODE: V00624 SPECIFICATION NUMBER: BACC10BR3250 OPTIONAL PART: 2325-150 V94581	031046 054100	1
30	NK1008725-250	.	SLEEVE- SUPPLIER CODE: V00624	031046 054100	1
35	51200-2-250	.	CLAMP SUPPLIER CODE: V8W928 SPECIFICATION NUMBER: BACC10CT2-250	031046 054100	1
40	BACC10DU250ABE	.	CLAMP	031100	1
45	BACC10DU350ABE	.	CLAMP	031100	1
50	2214079-1	.	DUCT-WATER EXTRACTOR SUPPLIER CODE: V70210	031046 054100	1
55	213A1211-91	.	DUCT ASSY	031100	1

MISSING ITEM NUMBERS NOT APPLICABLE

— ITEM NOT ILLUSTRATED

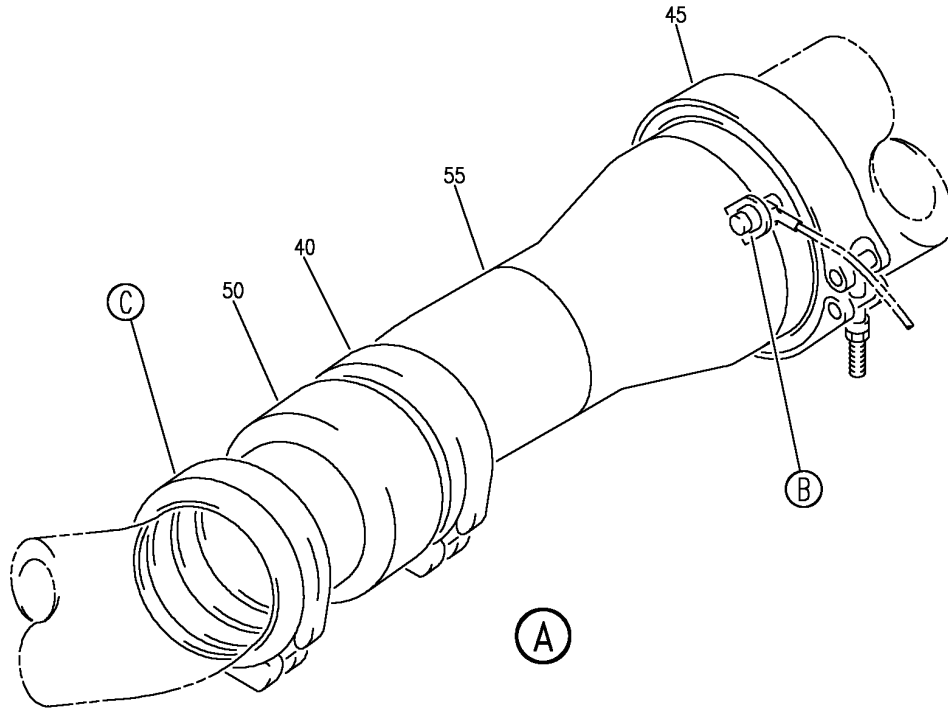
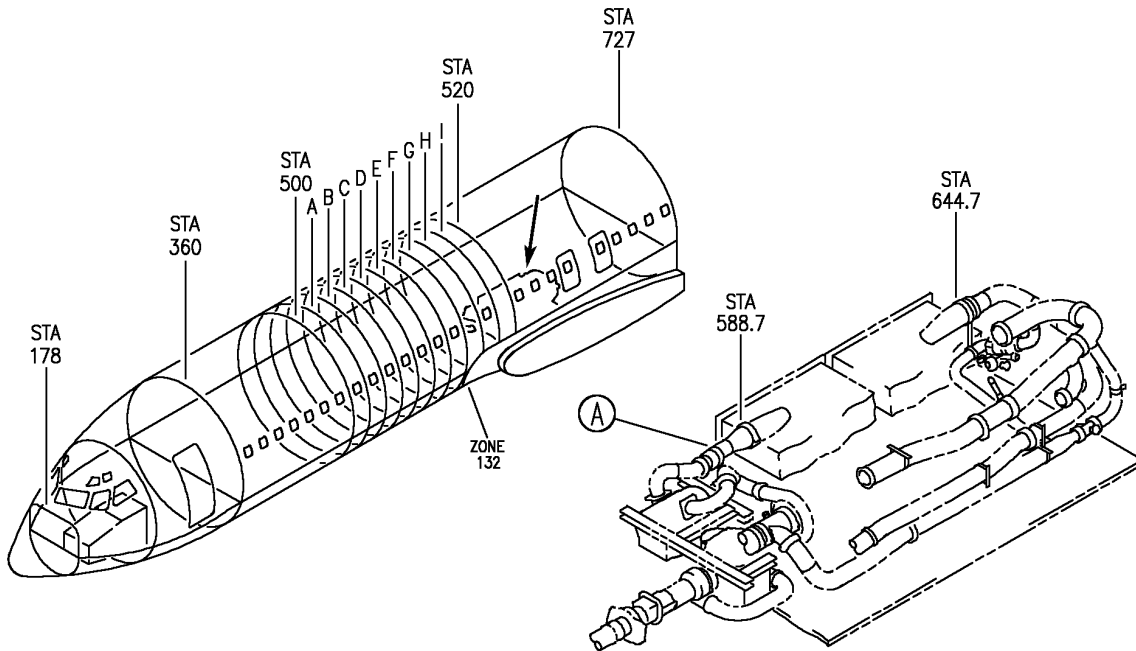
HAP

21-51-15-03

BOEING PROPRIETARY - Copyright © - Unpublished Work - See title page for details.

21-51-15
FIG. 03
PAGE 2
FEB 15/09

BOEING
 737-600/700/800/900
 PARTS CATALOG (MAINTENANCE)



E 21511504 SHT 1 REV 081

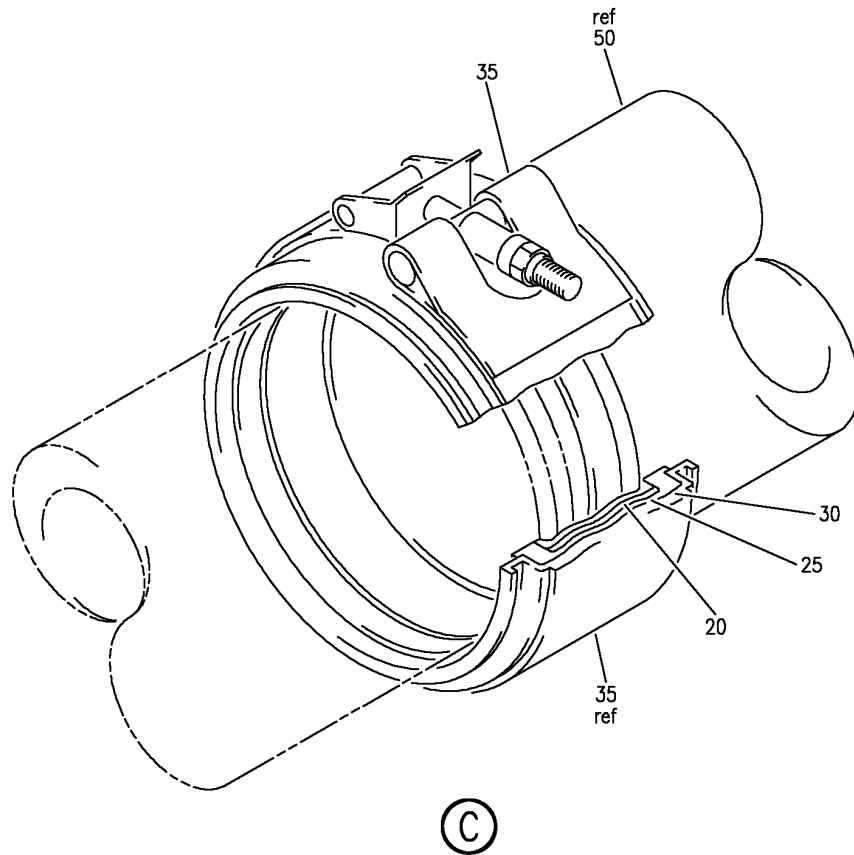
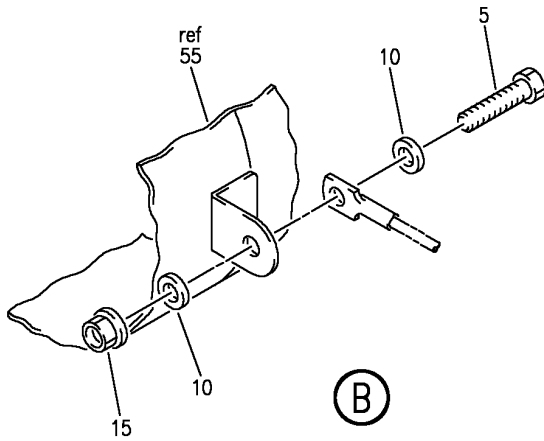
DUCT INSTL-R SIDE AIR CONDITIONING PACK (WATER EXTRACTOR DUCT ONLY)
 FIGURE 4 (SHEET 1)

21-51-15-04

HAP
 OCT 10/06

21-51-15-04
 PAGE 0

BOEING
737-600/700/800/900
PARTS CATALOG (MAINTENANCE)



E 21511504 SH1 2 REV 091

DUCT INSTL-R SIDE AIR CONDITIONING PACK (WATER EXTRACTOR DUCT ONLY)
FIGURE 4 (SHEET 2)

HAP
OCT 10/06

21-51-15-04

21-51-15-04
PAGE 0A

BOEING
737-600/700/800/900
PARTS CATALOG (MAINTENANCE)

FIG ITEM	PART NUMBER	1 2 3 4 5 6 7	NOMENCLATURE	EFFECT FROM TO	UNITS PER ASSY
R R R	4		DUCT INSTL-R SIDE AIR CONDITIONING PACK (WATER EXTRACTOR DUCT ONLY)	031046 054100	
	- 1	MODREF256353	DUCT INSTL-DUCT INSTL PACK (WATER EXTRACTOR DUCT ONLY) MODULE NUMBER: 213A1006-4 REV D POSITION DATA: R SIDE FOR ADDITIONAL DETAILS SEE: 21-51-07-04 21-51-10-04 21-51-11-05 21-51-13-03 21-51-17-05 21-51-41-08	031046 054100	1
R R R	5	BACS12GU3K7	.SCREW	031046 054100	1
	10	NAS1149E0316R	.WASHER	031046 054100	2
R R R	15	PLH53CM	.NUT SUPPLIER CODE: VF0224 SPECIFICATION NUMBER: BACN10YR3CM OPTIONAL PART: H52732-3CM V15653	031046 054100	1
	20	21156-250	.RETAINER SUPPLIER CODE: V94581 SPECIFICATION NUMBER: BACC10BR2250A OPTIONAL PART: 24170-250A V00624	031046 054100	1
R R R	25	17351-250	.RING SUPPLIER CODE: V00624 SPECIFICATION NUMBER: BACC10BR3250 OPTIONAL PART: 2325-150 V94581	031046 054100	1
	30	NK1008725-250	.SLEEVE- SUPPLIER CODE: V00624	031046 054100	1

MISSING ITEM NUMBERS NOT APPLICABLE

- ITEM NOT ILLUSTRATED

HAP

21-51-15-04

21-51-15
FIG. 04
PAGE 1
JUN 15/09

BOEING
737-600/700/800/900
PARTS CATALOG (MAINTENANCE)

FIG ITEM	PART NUMBER	1 2 3 4 5 6 7	NOMENCLATURE	EFFECT FROM TO	UNITS PER ASSY
R R R R R R R R R R R	4 35	51200-2-250	.CLAMP SUPPLIER CODE: V8W928 SPECIFICATION NUMBER: BACC10CT2-250	031046 054100	1
	40	BACC10DU250ABE	.CLAMP	031046 054100	1
	45	BACC10DU350ABE	.CLAMP	031046 054100	1
	50	2214079-1	.DUCT-WATER EXTRACTOR SUPPLIER CODE: V70210	031046 054100	1
	55	213A1211-91	.DUCT ASSY	031046 054100	1

MISSING ITEM NUMBERS NOT APPLICABLE

— ITEM NOT ILLUSTRATED

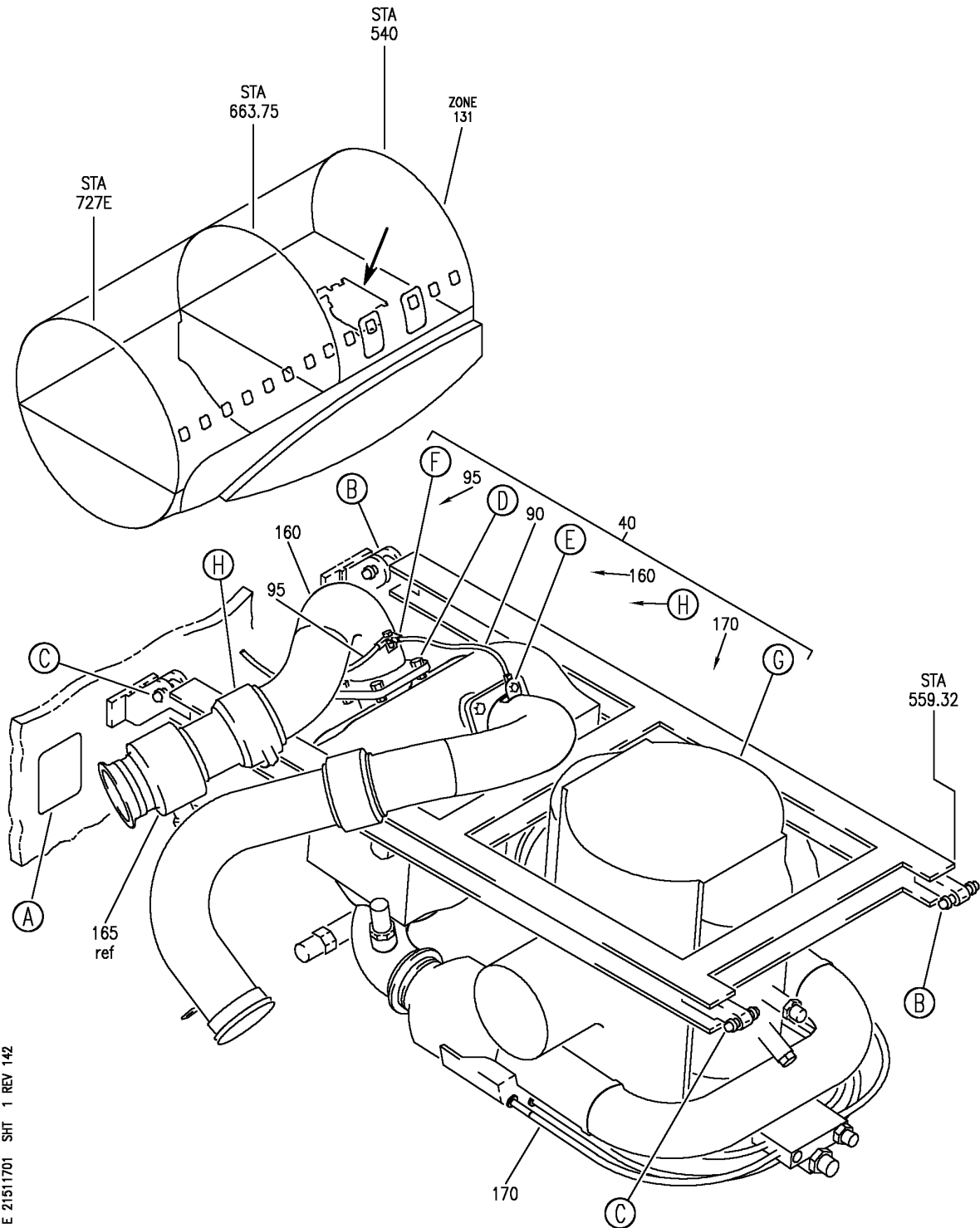
HAP

21-51-15-04

BOEING PROPRIETARY - Copyright © - Unpublished Work - See title page for details.

21-51-15
FIG. 04
PAGE 2
JUN 15/09

BOEING
 737-600/700/800/900
 PARTS CATALOG (MAINTENANCE)



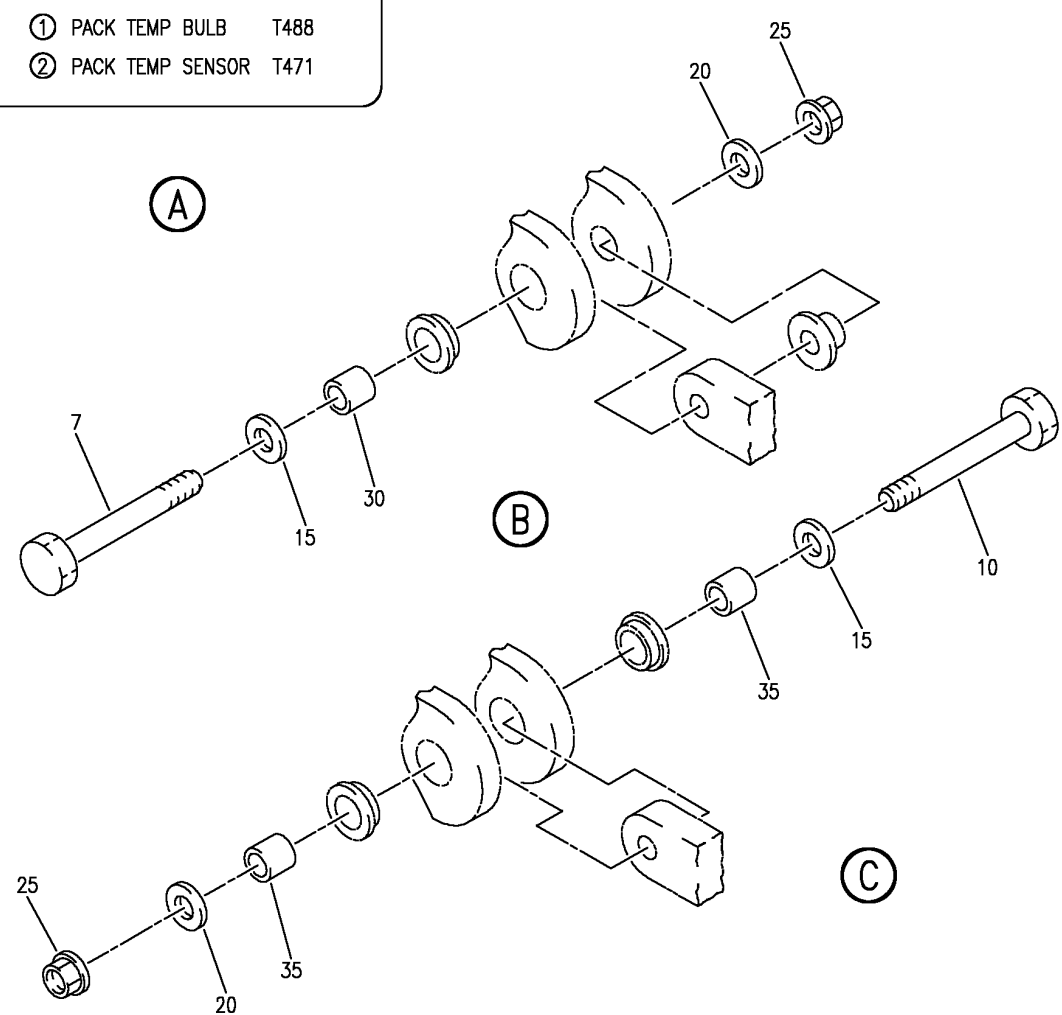
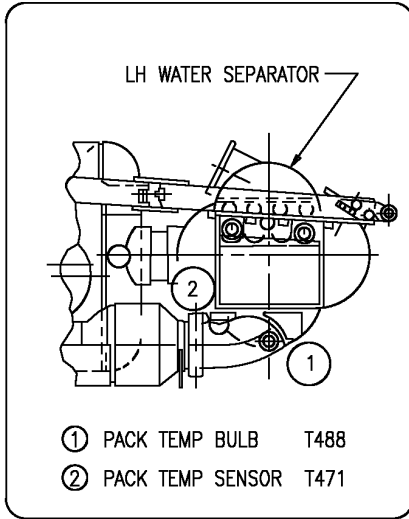
E 21511701 SHT 1 REV 142

SEPARATOR INSTL-LH WATER AIR CONDITIONING
 FIGURE 1 (SHEET 1)

21-51-17-01

HAP
 JUN 15/08

21-51-17-01
 PAGE 0



E 21511701 SHT 2 REV 142

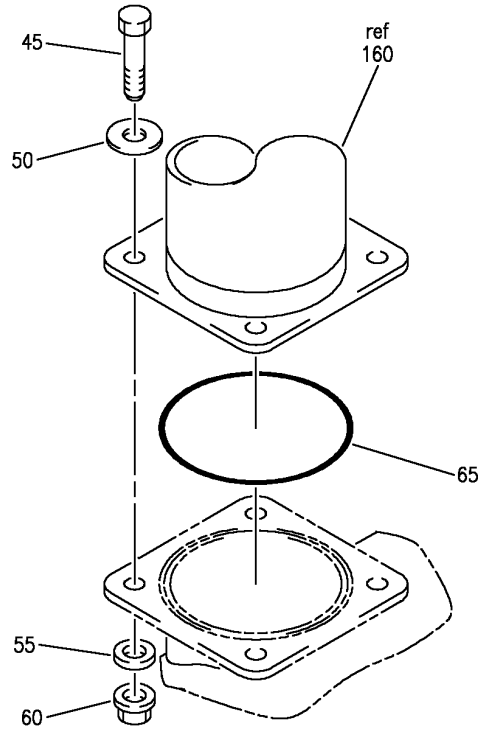
SEPARATOR INSTL-LH WATER AIR CONDITIONING
 FIGURE 1 (SHEET 2)

21-51-17-01

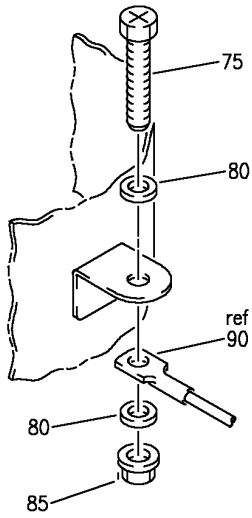
HAP
 JUN 15/08

21-51-17-01
 PAGE 0A

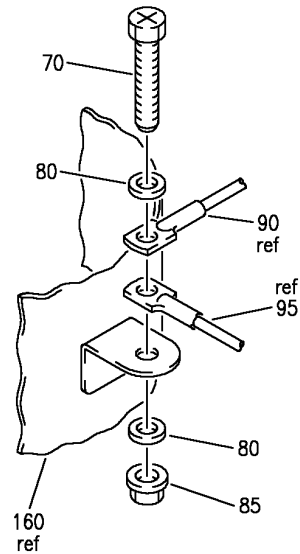
BOEING
 737-600/700/800/900
 PARTS CATALOG (MAINTENANCE)



(D)



(F)



(E)

E 21511701 SHT 3 REV 142

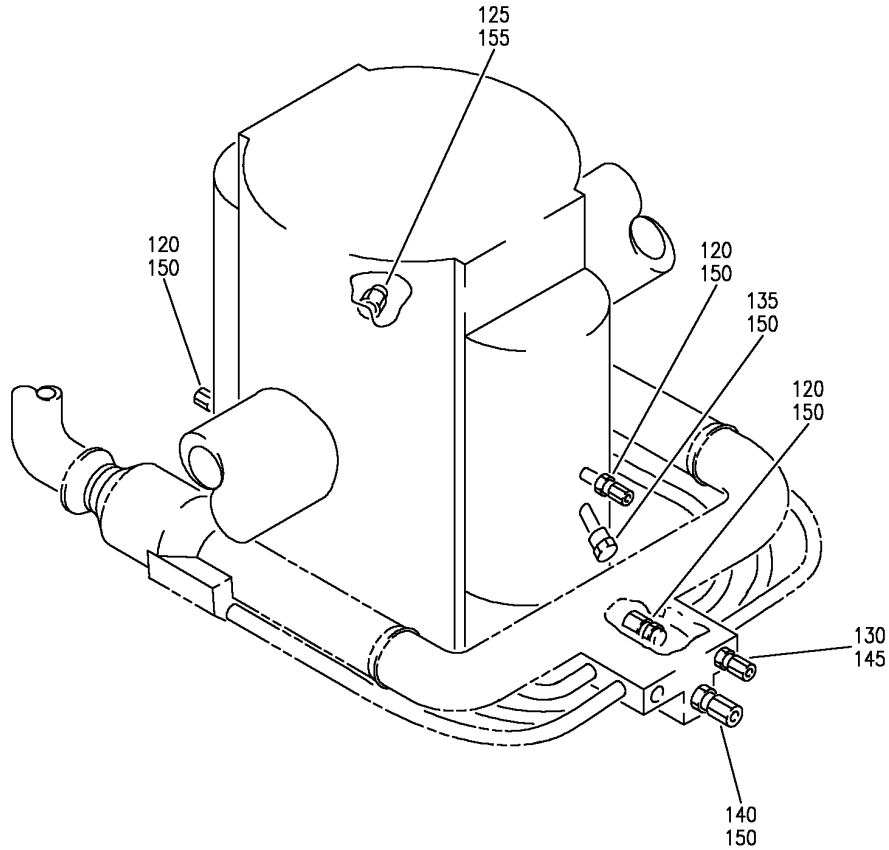
SEPARATOR INSTL-LH WATER AIR CONDITIONING
 FIGURE 1 (SHEET 3)

21-51-17-01

HAP
 JUN 15/08

21-51-17-01
 PAGE 0B

BOEING
737-600/700/800/900
PARTS CATALOG (MAINTENANCE)



Ⓒ

E 21511701 SHT 4 REV 142

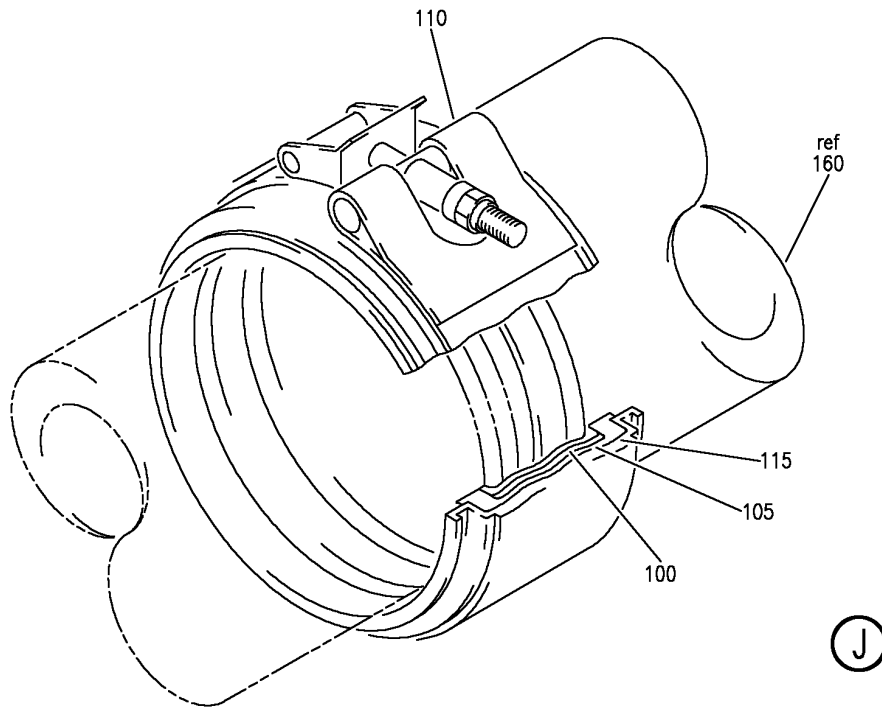
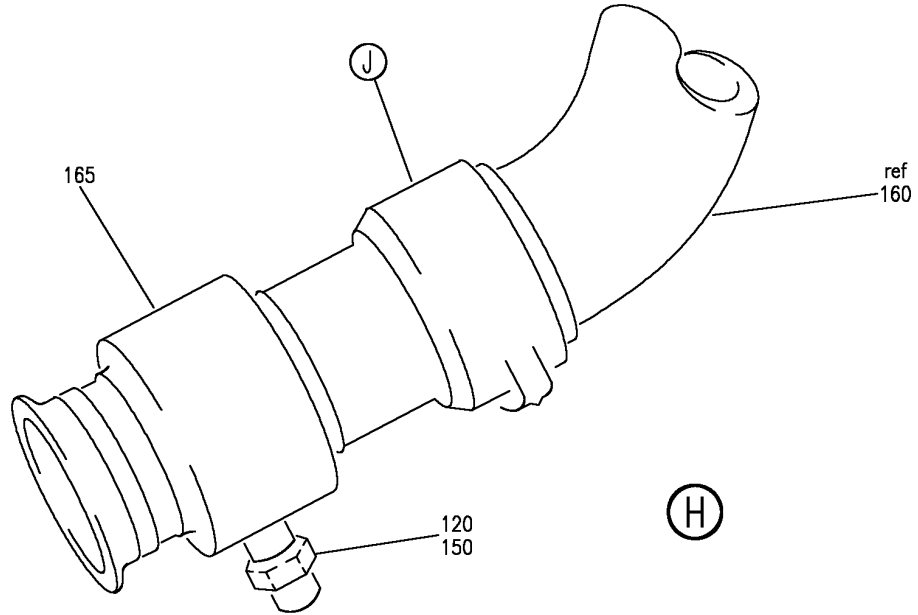
SEPARATOR INSTL-LH WATER AIR CONDITIONING
FIGURE 1 (SHEET 4)

21-51-17-01

HAP
JUN 15/08

21-51-17-01
PAGE 0C

BOEING
737-600/700/800/900
PARTS CATALOG (MAINTENANCE)



E 21511701 SH1 5 REV 142

SEPARATOR INSTL-LH WATER AIR CONDITIONING
FIGURE 1 (SHEET 5)

21-51-17-01

HAP
JUN 15/08

21-51-17-01
PAGE 0D

BOEING
737-600/700/800/900
PARTS CATALOG (MAINTENANCE)

FIG ITEM	PART NUMBER	1 2 3 4 5 6 7	NOMENCLATURE	EFFECT FROM TO	UNITS PER ASSY
1			SEPARATOR INSTL-LH WATER AIR CONDITIONING	047053	
- 1	MODREF377403		SEPARATOR INSTL-WATER AIR CONDITIONING MODULE NUMBER: 213A1003-3 REV B POSITION DATA: LH	047053	1
5	BAC27DAC0072		.MARKER-ALUMINUM FOIL	047053	1
7	BACB30NR5K16		.BOLT	047053	2
10	BACB30NR5K18		.BOLT	047053	2
15	BACW10BP5CD		.WASHER	047053	4
20	BACW10BP5DP		.WASHER	047053	4
25	PLH55CD		.NUT SUPPLIER CODE: VF0224 SPECIFICATION NUMBER: BACN10YR5CD OPTIONAL PART: H52732-5CD V15653	047053	4
30	BACB28AK05-026		.BUSHING	047053	2
35	BACB28AK05-033		.BUSHING	047053	4
40	213A1013-3		.SEPARATOR ASSY- (HIGH PRESSURE WATER SEPARATOR MIX MUFF ONLY) FOR DETAILS SEE: 21-51-41-09 21-51-52-04 21-51-60-02	047053	1
45	BACB30NR4K6		..BOLT	047053	4
50	BACW10BN4AC		..WASHER	047053	4
55	NAS1149D0416J		..WASHER	047053	4
60	PLH54CD		..NUT SUPPLIER CODE: VF0224 SPECIFICATION NUMBER: BACN10YR4CD OPTIONAL PART: H52732-4CD V15653	047053	4

MISSING ITEM NUMBERS NOT APPLICABLE

- ITEM NOT ILLUSTRATED

HAP

21-51-17-01

BOEING PROPRIETARY - Copyright © - Unpublished Work - See title page for details.

21-51-17
FIG. 01
PAGE 1
FEB 15/09

BOEING
737-600/700/800/900
PARTS CATALOG (MAINTENANCE)

FIG ITEM	PART NUMBER	1 2 3 4 5 6 7	NOMENCLATURE	EFFECT FROM TO	UNITS PER ASSY
1 65	2-231S383-70		.. PACKING SUPPLIER CODE: V02697 SPECIFICATION NUMBER: BACP11J231 OPTIONAL PART: A330-231 V95272 S424-7-2-231 V02697 AS568-231S32 V11314 13-06-231 V07096 S7E183-231 V95272 R1131-231 V57268 MAINTENANCE MANUAL REF: 21-51-08	047053	1
70	BACS12GU3K9		.. SCREW	047053	1
75	BACS12GU3K7		.. SCREW	047053	1
80	NAS1149E0316R		.. WASHER	047053	4
85	PLH53CM		.. NUT SUPPLIER CODE: VF0224 SPECIFICATION NUMBER: BACN10YR3CM OPTIONAL PART: H52732-3CM V15653	047053	2
90	100544-9		.. JUMPER SUPPLIER CODE: V1FF12 SPECIFICATION NUMBER: BACJ40AD44-9 OPTIONAL PART: RBEJ40AD44-9 V1GK47	047053	1
95	100544-12		.. JUMPER SUPPLIER CODE: V1FF12 SPECIFICATION NUMBER: BACJ40AD44-12 OPTIONAL PART: RBEJ40AD44-12 V1GK47	047053	1

MISSING ITEM NUMBERS NOT APPLICABLE

— ITEM NOT ILLUSTRATED

HAP

21-51-17-01

BOEING PROPRIETARY - Copyright © - Unpublished Work - See title page for details.

21-51-17
FIG. 01
PAGE 2
FEB 15/09

BOEING
737-600/700/800/900
PARTS CATALOG (MAINTENANCE)

FIG ITEM	PART NUMBER	1 2 3 4 5 6 7	NOMENCLATURE	EFFECT FROM TO	UNITS PER ASSY
1 100	21156-250		.. RETAINER SUPPLIER CODE: V94581 SPECIFICATION NUMBER: BACC10BR2250A OPTIONAL PART: 24170-250A V00624	047053	1
105	17351-250		.. RING SUPPLIER CODE: V00624 SPECIFICATION NUMBER: BACC10BR3250 OPTIONAL PART: 2325-150 V94581	047053	1
110	51200-2-250		.. CLAMP SUPPLIER CODE: V8W928 SPECIFICATION NUMBER: BACC10CT2-250	047053	1
115	NK1008725-250		.. SLEEVE- SUPPLIER CODE: V00624	047053	1
120	MS21902W6		.. UNION	047053	4
125	MS21902W8		.. UNION	047053	1
130	MS21916W6-5		.. REDUCER	047053	1
135	MS21913-6		.. PLUG	047053	1
140	MS21916W8-6		.. REDUCER	047053	1
145	R1131-905		.. PACKING SUPPLIER CODE: V57268 SPECIFICATION NUMBER: BACP11K5 OPTIONAL PART: 3-905S383-70 V02697 1090-05 V95272 150701-05 V95272 AS568-905S32 V11314	047053	1

MISSING ITEM NUMBERS NOT APPLICABLE

— ITEM NOT ILLUSTRATED

HAP

21-51-17-01

21-51-17
FIG. 01
PAGE 3
FEB 15/09

BOEING
737-600/700/800/900
PARTS CATALOG (MAINTENANCE)

FIG ITEM	PART NUMBER	1 2 3 4 5 6 7	NOMENCLATURE	EFFECT FROM TO	UNITS PER ASSY
1 150	R1131-906		.. PACKING SUPPLIER CODE: V57268 SPECIFICATION NUMBER: BACP11K6 OPTIONAL PART: 3-906S383-70 V02697 1090-06 V95272 150701-06 V95272 AS568-906S32 V11314 MAINTENANCE MANUAL REF: 21-51-12	047053	6
155	R1131-908		.. PACKING SUPPLIER CODE: V57268 SPECIFICATION NUMBER: BACP11K8 OPTIONAL PART: 3-908S383-70 V02697 1090-08 V95272 150701-08 V95272 AS568-908S32 V11314	047053	1
160	213A1211-85		.. DUCT ASSY	047053	1
165	2214079-1		.. DUCT-WATER EXTRACTOR SUPPLIER CODE: V70210	047053	1
170	2340400-1		.. SEPARATOR ASSY-WATER SPRAY AIR CYCLE SYS SUPPLIER CODE: V70210 FUNCTIONAL DESCRIPTION: REMOVES CONDENSATE FROM AIR CYCLE MACHINE. COMPONENT MAINT MANUAL REF: 21-51-80 MAINTENANCE MANUAL REF: 21-51-08 FOR DETAILS SEE: 21-51-12-02 21-51-13-04 21-51-14-01	047053	1

MISSING ITEM NUMBERS NOT APPLICABLE

— ITEM NOT ILLUSTRATED

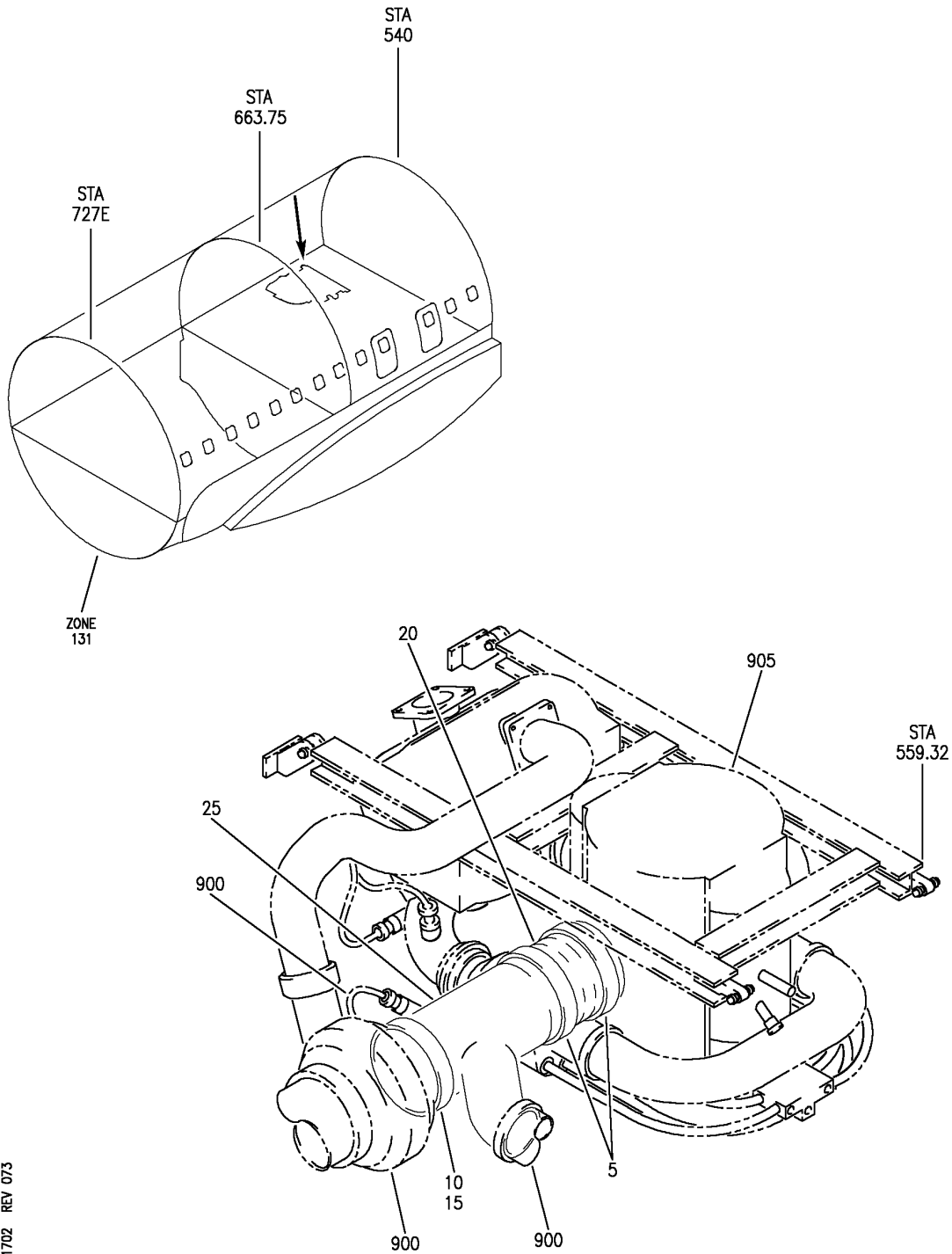
HAP

21-51-17-01

BOEING PROPRIETARY - Copyright © - Unpublished Work - See title page for details.

21-51-17
FIG. 01
PAGE 4
FEB 15/09

BOEING
 737-600/700/800/900
 PARTS CATALOG (MAINTENANCE)



E 21511702 REV 073

DUCT INSTL-L SIDE AIR CONDITIONING PACK (HIGH PRESSURE WATER SEPARATOR MIX MUFF ONLY)

FIGURE 2

21-51-17-02

HAP
 OCT 10/06

21-51-17-02
 PAGE 0

BOEING
737-600/700/800/900
PARTS CATALOG (MAINTENANCE)

FIG ITEM	PART NUMBER	1 2 3 4 5 6 7	NOMENCLATURE	EFFECT FROM TO	UNITS PER ASSY
2			DUCT INSTL-L SIDE AIR CONDITIONING PACK (HIGH PRESSURE WATER SEPARATOR MIX MUFF ONLY)	001030	
- 1	213A1002-3		DUCT INSTL-AIR CONDITIONING PACK (HIGH PRESSURE WATER SEPARATOR MIX MUFF ONLY) POSITION DATA: L SIDE FOR NHA/ADDITIONAL DET SEE: 21-50-00-01C	001030	RF
5	BCREF130593		.CLAMP- OVERLENGTH PART NUMBER: BACC10BNA450L5WE	001030	2
10	BACC10DU450ABE		.CLAMP	001030	1
15	2-158S604-70		.SEAL- SUPPLIER CODE: V02697 MAINTENANCE MANUAL REF: 21-51-03	001030	1
20	AS1505-18A0042		.DUCT	001030	1
25	2215635-1		.MIX MUFF-TURB EXH SUPPLIER CODE: V70210 SPECIFICATION NUMBER: S210A001-3	001030	1
900			ILLUSTRATION REFERENCE: SENSE LINE INSTL-L SIDE AIR CONDITIONING PACK 21-51-53-18	001030	RF
905			ILLUSTRATION REFERENCE: SEPARATOR INSTL-AIR CONDITIONING WATER (CONDENSER ONLY) 21-51-12-01	001030	RF

MISSING ITEM NUMBERS NOT APPLICABLE

- ITEM NOT ILLUSTRATED

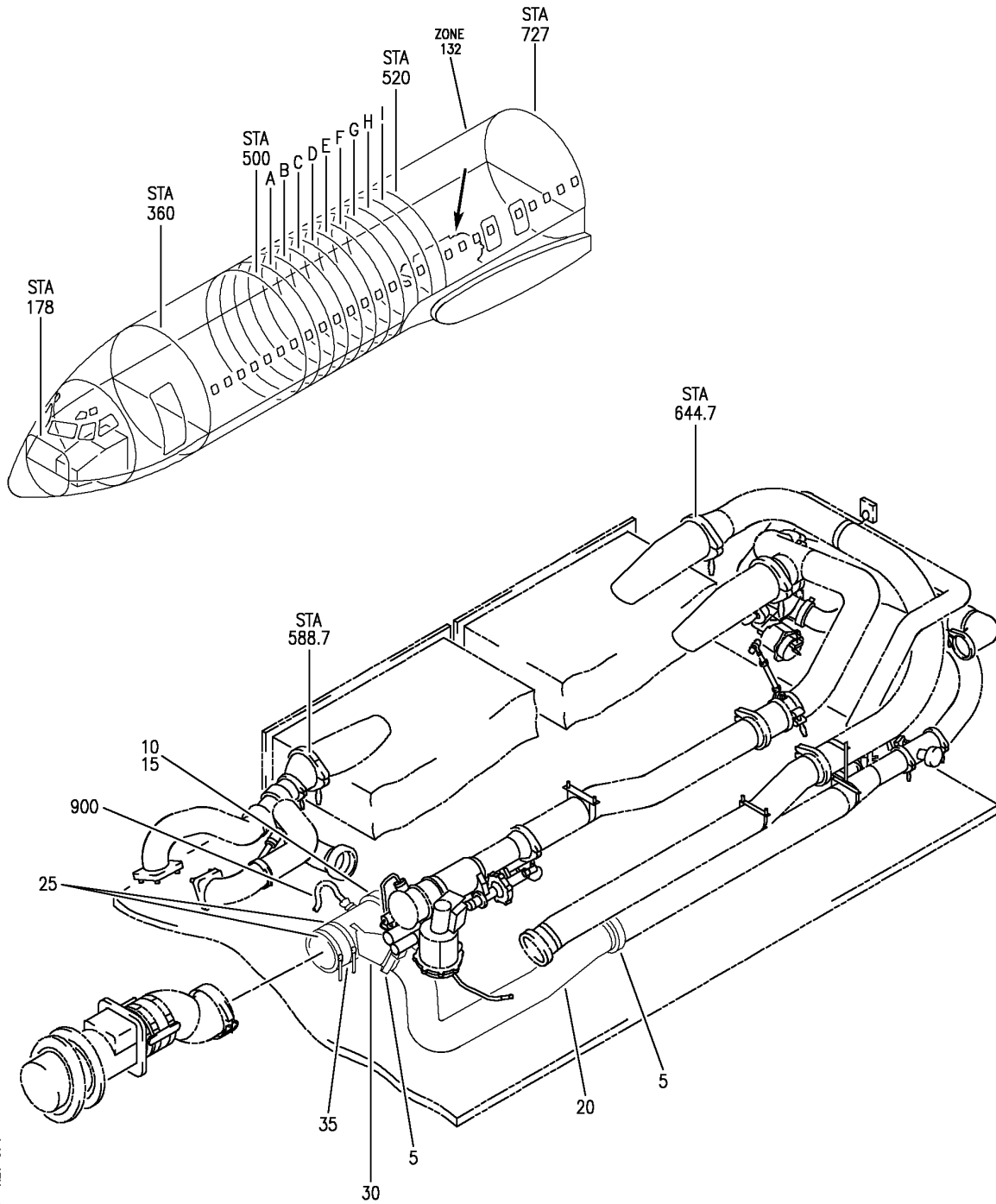
HAP

21-51-17-02

BOEING PROPRIETARY - Copyright © - Unpublished Work - See title page for details.

21-51-17
FIG. 02
PAGE 1
JUN 15/08

BOEING
 737-600/700/800/900
 PARTS CATALOG (MAINTENANCE)



E 21511703 REV 074

DUCT INSTL-R SIDE AIR CONDITIONING PACK (HIGH PRESSURE WATER SEPARATOR MIX MUFF ONLY)

FIGURE 3

21-51-17-03

HAP
 OCT 10/06

21-51-17-03
 PAGE 0

BOEING
737-600/700/800/900
PARTS CATALOG (MAINTENANCE)

FIG ITEM	PART NUMBER	1 2 3 4 5 6 7	NOMENCLATURE	EFFECT FROM TO	UNITS PER ASSY
3			DUCT INSTL-R SIDE AIR CONDITIONING PACK (HIGH PRESSURE WATER SEPARATOR MIX MUFF ONLY)	001030	
- 1	213A1002-4		DUCT INSTL-AIR CONDITIONING PACK (HIGH PRESSURE WATER SEPARATOR MIX MUFF ONLY) POSITION DATA: R SIDE FOR NHA/ADDITIONAL DET SEE: 21-50-00-01C	001030	RF
5	BACC10DU300ABE		.CLAMP	001030	2
10	BACC10DU450ABE		.CLAMP	001030	1
15	2-158S604-70		.SEAL- SUPPLIER CODE: V02697	001030	1
20	213A1212-4		.DUCT ASSY	001030	1
25	BCREF130593		.CLAMP- OVERLENGTH PART NUMBER: BACC10BNA450L5WE	001030	2
30	2215635-1		.MIX MUFF-TURB EXH SUPPLIER CODE: V70210 SPECIFICATION NUMBER: S210A001-3	001030	1
35	AS1505-18A0042		.DUCT	001030	1
900			ILLUSTRATION REFERENCE: SENSE LINE INSTL-R SIDE AIR CONDITIONING PACK 21-51-53-19	001030	RF

MISSING ITEM NUMBERS NOT APPLICABLE

- ITEM NOT ILLUSTRATED

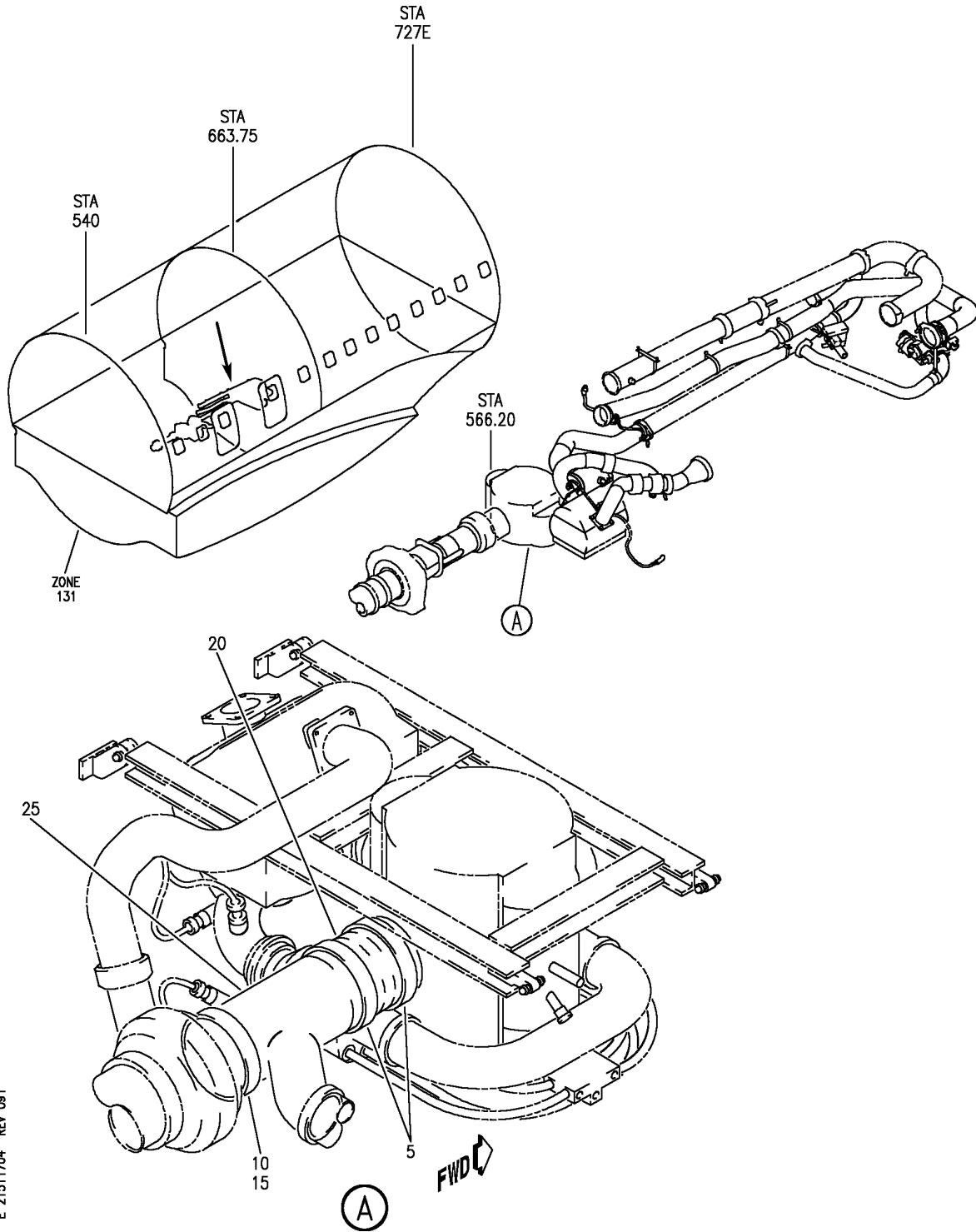
HAP

21-51-17-03

BOEING PROPRIETARY - Copyright © - Unpublished Work - See title page for details.

21-51-17
FIG. 03
PAGE 1
OCT 10/06

BOEING
 737-600/700/800/900
 PARTS CATALOG (MAINTENANCE)



E 21511704 REV 081

DUCT INSTL-L SIDE AIR CONDITIONING PACK (HIGH PRESSURE WATER SEPARATOR MIX MUFF ONLY)

FIGURE 4

21-51-17-04

HAP
 OCT 10/06

21-51-17-04
 PAGE 0

BOEING
737-600/700/800/900
PARTS CATALOG (MAINTENANCE)

FIG ITEM	PART NUMBER	1 2 3 4 5 6 7	NOMENCLATURE	EFFECT FROM TO	UNITS PER ASSY
4			DUCT INSTL-L SIDE AIR CONDITIONING PACK (HIGH PRESSURE WATER SEPARATOR MIX MUFF ONLY)	031100	
- 1	MODREF256352		DUCT INSTL-AIR CONDITIONING PACK (HIGH PRESSURE WATER SEPARATOR MIX MUFF ONLY) MODULE NUMBER: 213A1006-3 REV D POSITION DATA: L SIDE FOR ADDITIONAL DETAILS SEE: 21-51-07-03 21-51-10-03 21-51-11-04 21-51-13-02 21-51-15-03 21-51-41-07	031046 054100	1
- 1	MODREF377407		DUCT INSTL-AIR CONDITIONING PACK (HIGH PRESSURE WATER SEPARATOR MIX MUFF ONLY) MODULE NUMBER: 213A1006-3 REV E POSITION DATA: L SIDE FOR ADDITIONAL DETAILS SEE: 21-51-07-03 21-51-10-03 21-51-11-04 21-51-15-03 21-51-41-07	047047	1
- 1	MODREF395392		DUCT INSTL-AIR CONDITIONING PACK (HIGH PRESSURE WATER SEPARATOR MIX MUFF ONLY) MODULE NUMBER: 213A1006-3 REV F POSITION DATA: L SIDE FOR ADDITIONAL DETAILS SEE: 21-51-07-03 21-51-10-03 21-51-11-04 21-51-15-03 21-51-41-07	048053	1
5	BCREF130593		.CLAMP- OVERLENGTH PART NUMBER: BACC10BNA450L5WE	031100	2
10	BACC10DU450ABE		.CLAMP	031100	1

MISSING ITEM NUMBERS NOT APPLICABLE

- ITEM NOT ILLUSTRATED

HAP

21-51-17-04

BOEING PROPRIETARY - Copyright © - Unpublished Work - See title page for details.

21-51-17
FIG. 04
PAGE 1
FEB 15/09

BOEING
737-600/700/800/900
PARTS CATALOG (MAINTENANCE)

FIG ITEM	PART NUMBER	1 2 3 4 5 6 7	NOMENCLATURE	EFFECT FROM TO	UNITS PER ASSY
4	15 2-158S604-70		.SEAL- SUPPLIER CODE: V02697 MAINTENANCE MANUAL REF: 21-51-03	031100	1
	20 AS1505-18A0032		.DUCT-	031100	1
	25 2215635-1		.MIX MUFF-TURB EXH SUPPLIER CODE: V70210 SPECIFICATION NUMBER: S210A001-3	031100	1

MISSING ITEM NUMBERS NOT APPLICABLE

— ITEM NOT ILLUSTRATED

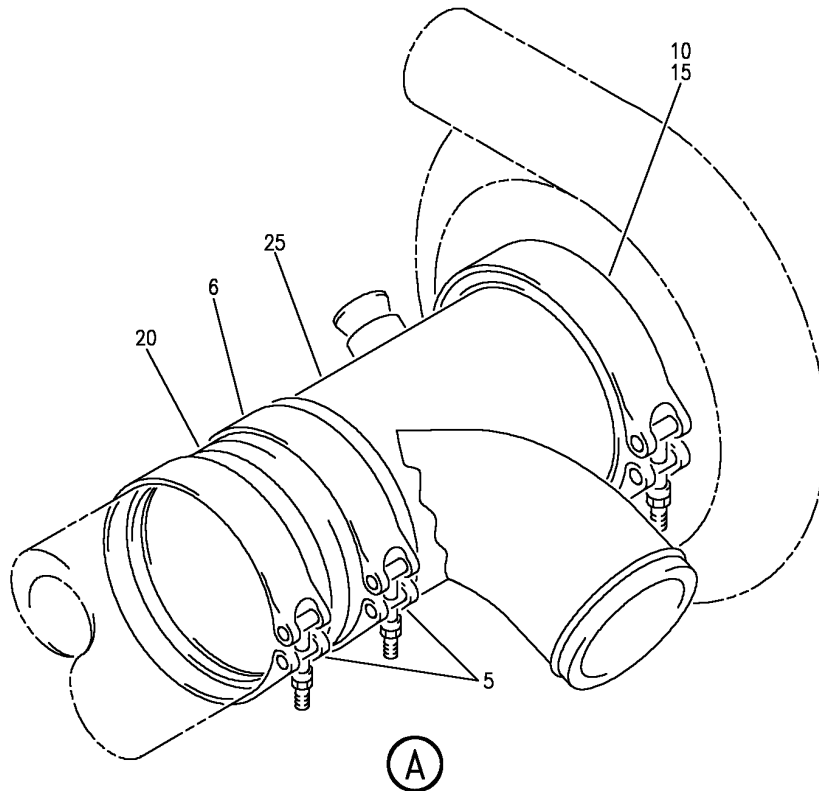
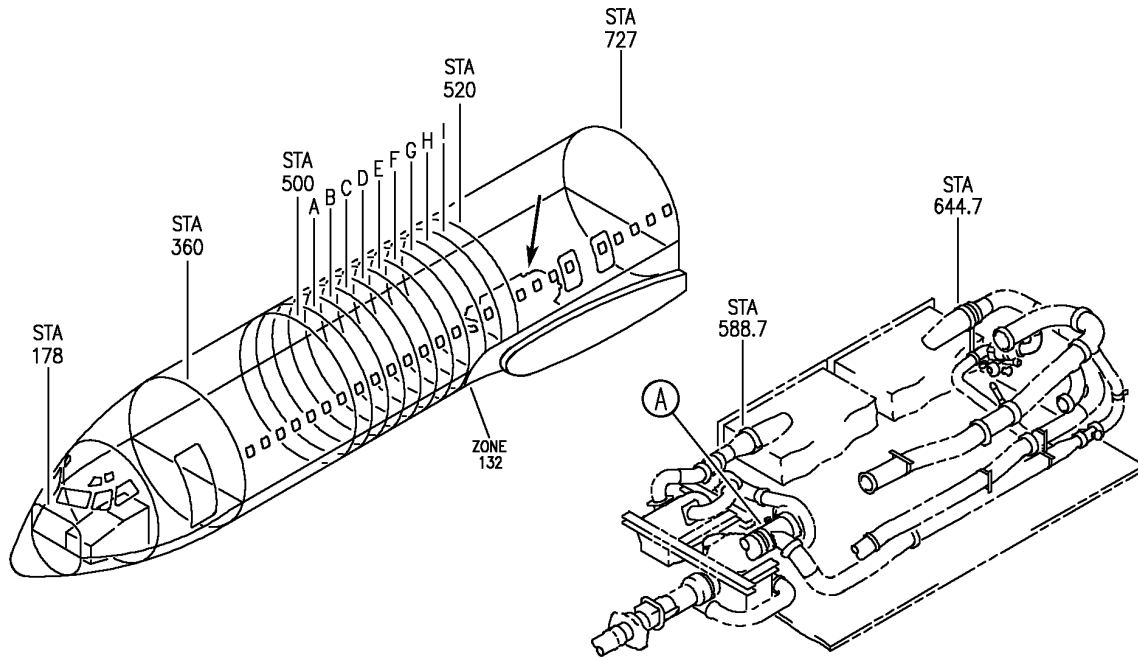
HAP

21-51-17-04

BOEING PROPRIETARY - Copyright © - Unpublished Work - See title page for details.

21-51-17
FIG. 04
PAGE 2
OCT 15/08

BOEING
 737-600/700/800/900
 PARTS CATALOG (MAINTENANCE)



E 21511705 REV 142

DUCT INSTL-R SIDE AIR CONDITIONING PACK (HIGH PRESSURE WATER SEPARATOR MIX MUFF ONLY)
 FIGURE 5

21-51-17-05

HAP
 JUN 15/08

21-51-17-05
 PAGE 0


BOEING
 737-600/700/800/900
PARTS CATALOG (MAINTENANCE)

FIG ITEM	PART NUMBER	1 2 3 4 5 6 7	NOMENCLATURE	EFFECT FROM TO	UNITS PER ASSY
5			DUCT INSTL-R SIDE AIR CONDITIONING PACK (HIGH PRESSURE WATER SEPARATOR MIX MUFF ONLY)	031100	
- 1	MODREF256353		DUCT INSTL-AIR CONDITIONING PACK (HIGH PRESSURE WATER SEPARATOR MIX MUFF ONLY) MODULE NUMBER: 213A1006-4 REV D POSITION DATA: R SIDE FOR ADDITIONAL DETAILS SEE: 21-51-07-04 21-51-10-04 21-51-11-05 21-51-13-03 21-51-15-04 21-51-41-08	031046 054100	1
R R	- 1	MODREF377408	DUCT INSTL-AIR CONDITIONING PACK (HIGH PRESSURE WATER SEPARATOR MIX MUFF ONLY) MODULE NUMBER: 213A1006-4 REV E POSITION DATA: R SIDE FOR ADDITIONAL DETAILS SEE: 21-51-07-04 21-51-10-04 21-51-11-05 21-51-41-08	047047	1
R R	- 1	MODREF395393	DUCT INSTL-AIR CONDITIONING PACK (HIGH PRESSURE WATER SEPARATOR MIX MUFF ONLY) MODULE NUMBER: 213A1006-4 REV F POSITION DATA: R SIDE FOR ADDITIONAL DETAILS SEE: 21-51-07-04 21-51-10-04 21-51-11-05 21-51-41-08	048053	1
	5	BCREF130593	.CLAMP- OVERLENGTH PART NUMBER: BACC10BNA450L5WE	031046 054100	2
	6	BCREF130593	.CLAMP- OVERLENGTH PART NUMBER: BACC10BNA450L5WE	047053	1
	10	BACC10DU450ABE	.CLAMP	031100	1

MISSING ITEM NUMBERS NOT APPLICABLE

- ITEM NOT ILLUSTRATED

HAP

21-51-17-05

21-51-17
 FIG. 05
 PAGE 1
 JUN 15/09


BOEING
 737-600/700/800/900
PARTS CATALOG (MAINTENANCE)

FIG ITEM	PART NUMBER	1 2 3 4 5 6 7	NOMENCLATURE	EFFECT FROM TO	UNITS PER ASSY
5	15 2-158S604-70		.SEAL- SUPPLIER CODE: V02697 MAINTENANCE MANUAL REF: 21-51-03	031100	1
	20 AS1505-18A0032		.DUCT-	031046 054100	1
	25 2215635-1		.MIX MUFF-TURB EXH SUPPLIER CODE: V70210 SPECIFICATION NUMBER: S210A001-3	031100	1
MISSING ITEM NUMBERS NOT APPLICABLE					

- ITEM NOT ILLUSTRATED

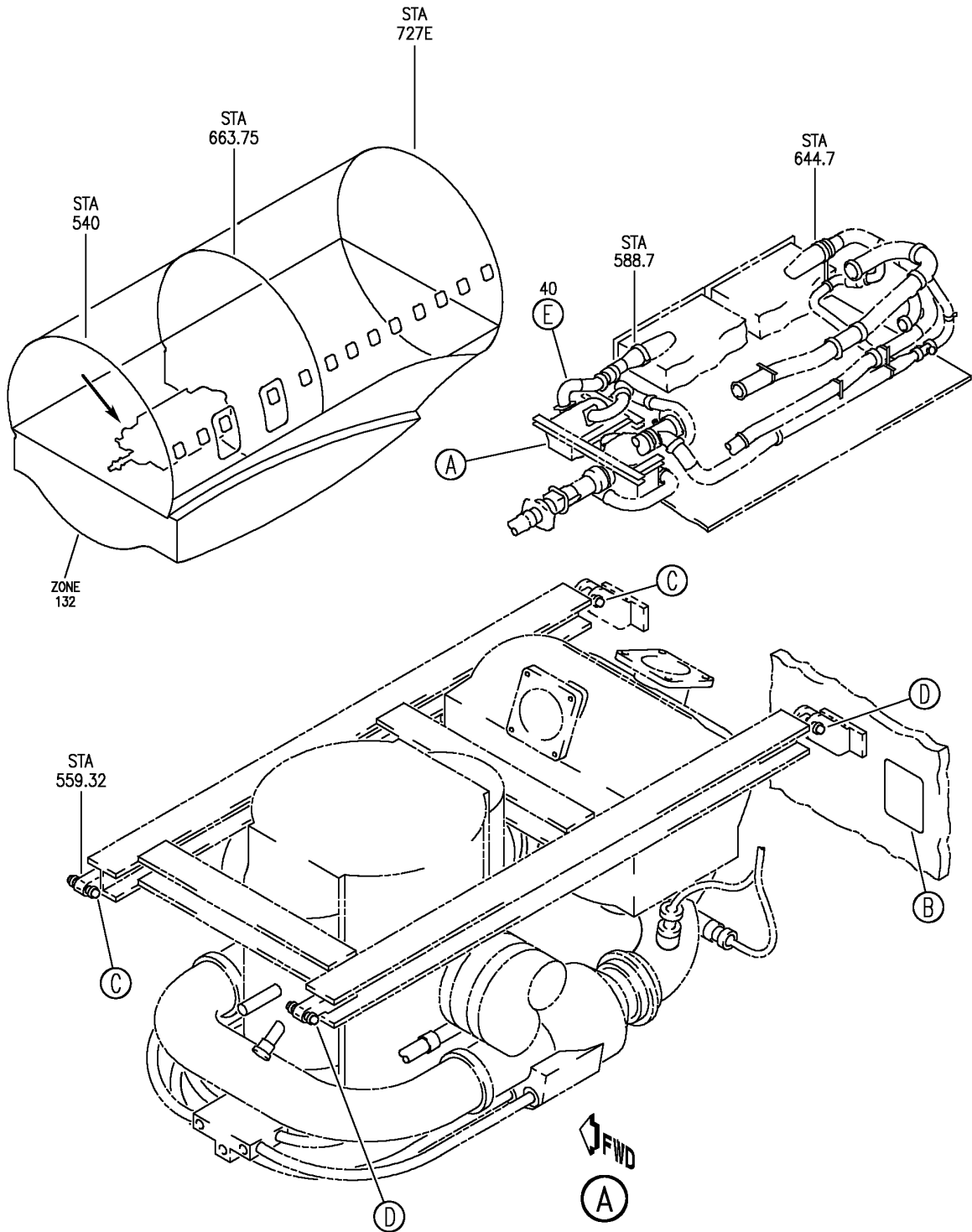
HAP

21-51-17-05

BOEING PROPRIETARY - Copyright © - Unpublished Work - See title page for details.

21-51-17
 FIG. 05
 PAGE 2
 JUN 15/09

BOEING
 737-600/700/800/900
 PARTS CATALOG (MAINTENANCE)



E 21511706 SHT 1 REV 142

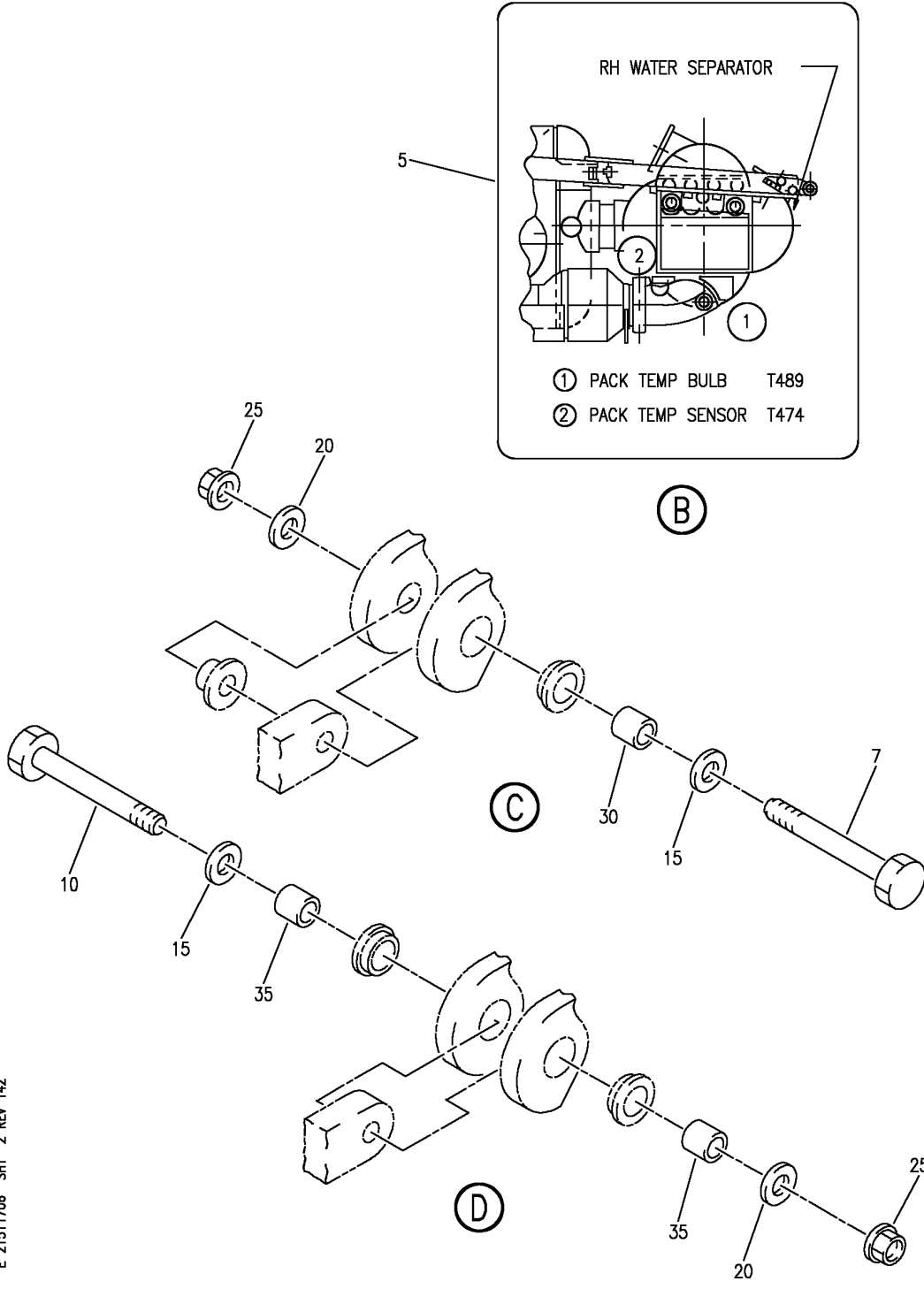
SEPARATOR INSTL-RH WATER AIR CONDITIONING
 FIGURE 6 (SHEET 1)

21-51-17-06

HAP
 JUN 15/08

21-51-17-06
 PAGE 0

BOEING
 737-600/700/800/900
 PARTS CATALOG (MAINTENANCE)



E 21511706 SH1 2 REV 142

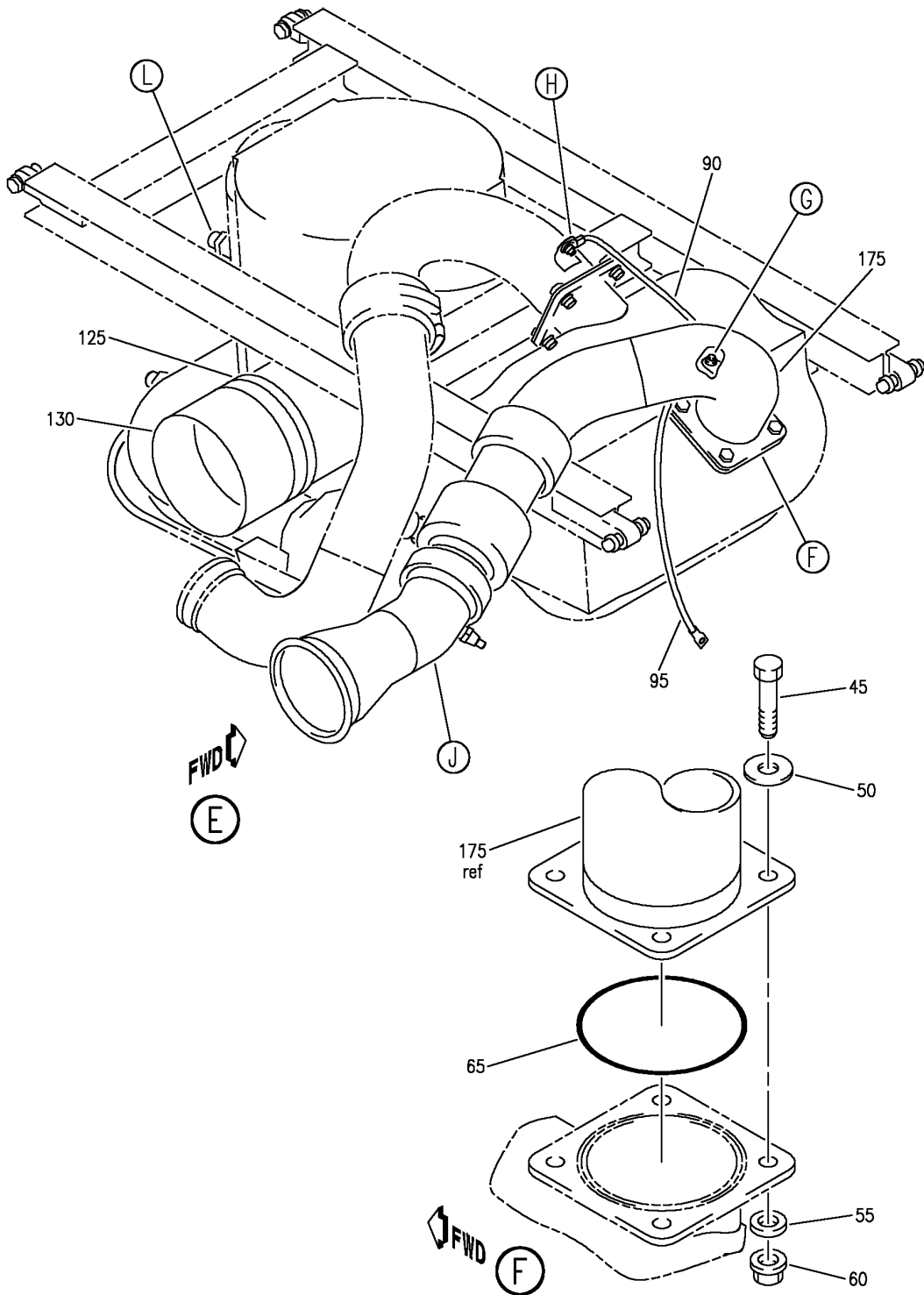
SEPARATOR INSTL-RH WATER AIR CONDITIONING
 FIGURE 6 (SHEET 2)

21-51-17-06

HAP
 JUN 15/08

21-51-17-06
 PAGE 0A

BOEING
 737-600/700/800/900
 PARTS CATALOG (MAINTENANCE)



E 21511706 SHT 3 REV 142

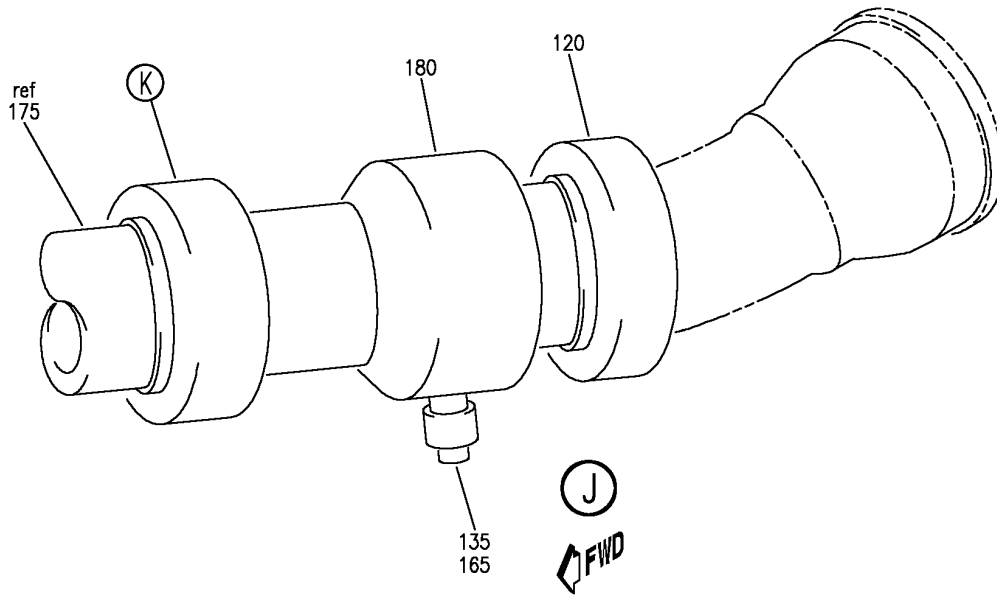
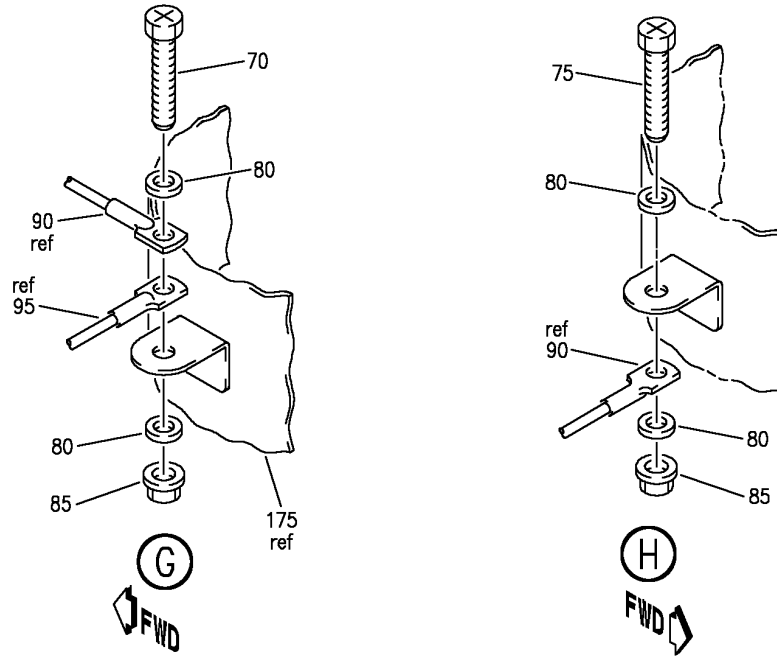
SEPARATOR INSTL-RH WATER AIR CONDITIONING
 FIGURE 6 (SHEET 3)

21-51-17-06

HAP
 JUN 15/08

21-51-17-06
 PAGE 0B

BOEING
 737-600/700/800/900
 PARTS CATALOG (MAINTENANCE)



E 21511706 SH1 4 REV 142

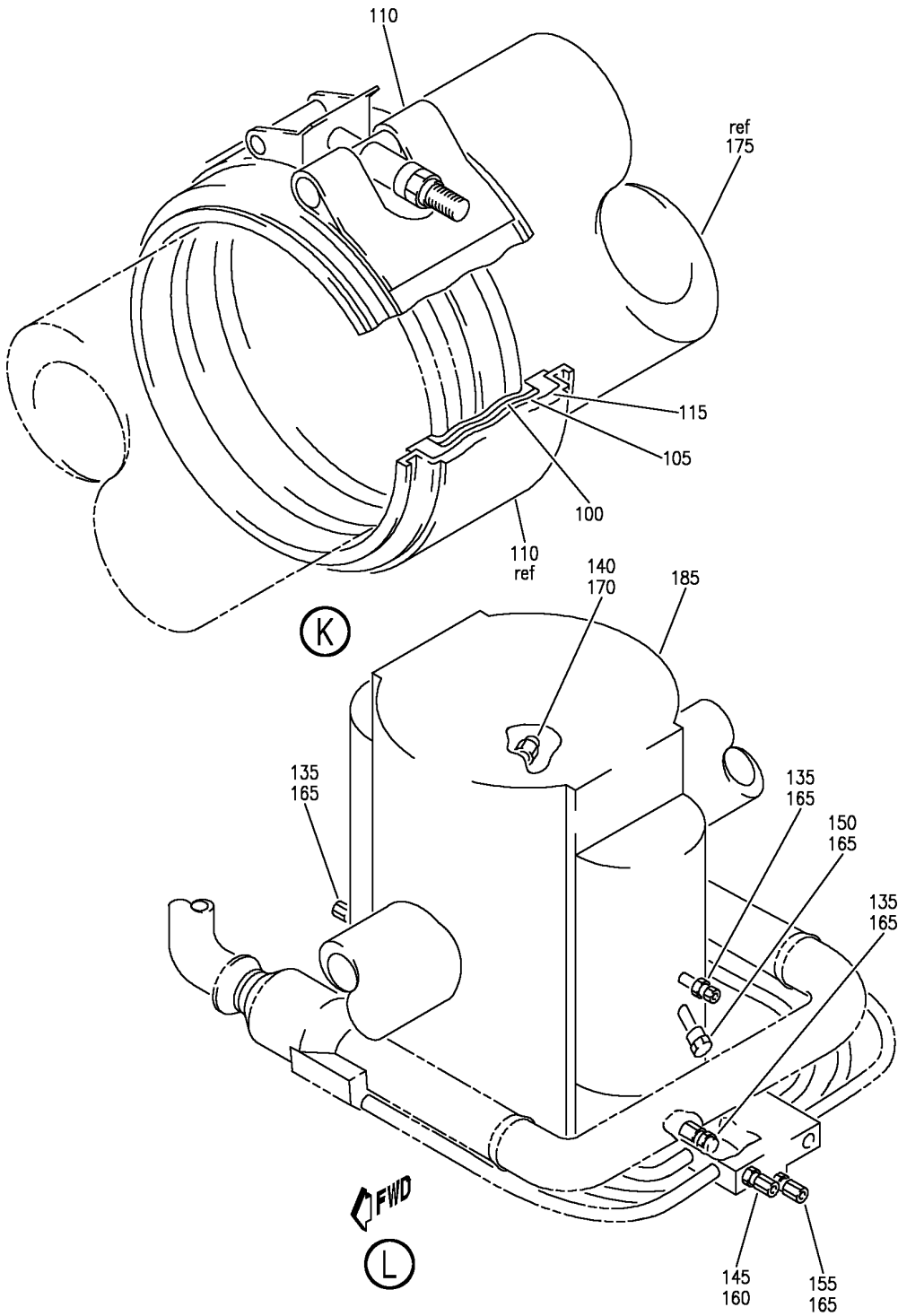
SEPARATOR INSTL-RH WATER AIR CONDITIONING
 FIGURE 6 (SHEET 4)

21-51-17-06

HAP
 JUN 15/08

21-51-17-06
 PAGE 0C

BOEING
 737-600/700/800/900
 PARTS CATALOG (MAINTENANCE)



E 21511706 SH1 5 REV 142

SEPARATOR INSTL-RH WATER AIR CONDITIONING
 FIGURE 6 (SHEET 5)

21-51-17-06

HAP
 JUN 15/08

21-51-17-06
 PAGE 0D

BOEING
737-600/700/800/900
PARTS CATALOG (MAINTENANCE)

FIG ITEM	PART NUMBER	1 2 3 4 5 6 7	NOMENCLATURE	EFFECT FROM TO	UNITS PER ASSY
6			SEPARATOR INSTL-RH WATER AIR CONDITIONING	047053	
- 1	MODREF377404		SEPARATOR INSTL-WATER AIR CONDITIONING MODULE NUMBER: 213A1003-4 REV B POSITION DATA: RH	047053	1
5	BAC27DAC0071		.MARKER-ALUMINUM FOIL	047053	1
7	BACB30NR5K16		.BOLT	047053	2
10	BACB30NR5K18		.BOLT	047053	2
15	BACW10BP5CD		.WASHER	047053	4
20	BACW10BP5DP		.WASHER	047053	4
25	PLH55CD		.NUT SUPPLIER CODE: VF0224 SPECIFICATION NUMBER: BACN10YR5CD OPTIONAL PART: H52732-5CD V15653	047053	4
30	BACB28AK05-026		.BUSHING	047053	2
35	BACB28AK05-033		.BUSHING	047053	4
40	213A1013-4		.SEPARATOR ASSY- (HIGH PRESSURE WATER SEPARATOR MIX MUFF ONLY) FOR DETAILS SEE: 21-51-41-09 21-51-52-04 21-51-60-02	047053	1
45	BACB30NR4K6		..BOLT	047053	4
50	BACW10BN4AC		..WASHER	047053	4
55	NAS1149D0416J		..WASHER	047053	4
60	PLH54CD		..NUT SUPPLIER CODE: VF0224 SPECIFICATION NUMBER: BACN10YR4CD OPTIONAL PART: H52732-4CD V15653	047053	4

MISSING ITEM NUMBERS NOT APPLICABLE

- ITEM NOT ILLUSTRATED

HAP

21-51-17-06

BOEING PROPRIETARY - Copyright © - Unpublished Work - See title page for details.

21-51-17
FIG. 06
PAGE 1
FEB 15/09

BOEING
737-600/700/800/900
PARTS CATALOG (MAINTENANCE)

FIG ITEM	PART NUMBER	1 2 3 4 5 6 7	NOMENCLATURE	EFFECT FROM TO	UNITS PER ASSY
6					
65	2-231S383-70	..	PACKING SUPPLIER CODE: V02697 SPECIFICATION NUMBER: BACP11J231 OPTIONAL PART: A330-231 V95272 S424-7-2-231 V02697 AS568-231S32 V11314 13-06-231 V07096 S7E183-231 V95272 R1131-231 V57268	047053	1
70	BACS12GU3K9	..	SCREW	047053	1
75	BACS12GU3K7	..	SCREW	047053	1
80	NAS1149E0316R	..	WASHER	047053	4
85	PLH53CM	..	NUT SUPPLIER CODE: VFO224 SPECIFICATION NUMBER: BACN10YR3CM OPTIONAL PART: H52732-3CM V15653	047053	2
90	100544-9	..	JUMPER SUPPLIER CODE: V1FF12 SPECIFICATION NUMBER: BACJ40AD44-9 OPTIONAL PART: RBEJ40AD44-9 V1GK47	047053	1
95	100544-12	..	JUMPER SUPPLIER CODE: V1FF12 SPECIFICATION NUMBER: BACJ40AD44-12 OPTIONAL PART: RBEJ40AD44-12 V1GK47	047053	1

MISSING ITEM NUMBERS NOT APPLICABLE

— ITEM NOT ILLUSTRATED

HAP

21-51-17-06

BOEING PROPRIETARY - Copyright © - Unpublished Work - See title page for details.

21-51-17
FIG. 06
PAGE 2
FEB 15/09

BOEING
737-600/700/800/900
PARTS CATALOG (MAINTENANCE)

FIG ITEM	PART NUMBER	1 2 3 4 5 6 7	NOMENCLATURE	EFFECT FROM TO	UNITS PER ASSY
6 100	21156-250		.. RETAINER SUPPLIER CODE: V94581 SPECIFICATION NUMBER: BACC10BR2250A OPTIONAL PART: 24170-250A V00624	047053	1
105	17351-250		.. RING SUPPLIER CODE: V00624 SPECIFICATION NUMBER: BACC10BR3250 OPTIONAL PART: 2325-150 V94581	047053	1
110	51200-2-250		.. CLAMP SUPPLIER CODE: V8W928 SPECIFICATION NUMBER: BACC10CT2-250	047053	1
115	NK1008725-250		.. SLEEVE- SUPPLIER CODE: V00624	047053	1
120	BACC10DU250ABE		.. CLAMP	047053	1
125	BCREF130593		.. CLAMP- OVERLENGTH PART NUMBER: BACC10BNA450L5WE	047053	1
130	AS1505-18A0032		.. DUCT	047053	1
135	MS21902W6		.. UNION	047053	4
140	MS21902W8		.. UNION	047053	1
145	MS21916W6-5		.. REDUCER	047053	1
150	MS21913-6		.. PLUG	047053	1
155	MS21916W8-6		.. REDUCER	047053	1
160	R1131-905		.. PACKING SUPPLIER CODE: V57268 SPECIFICATION NUMBER: BACP11K5 OPTIONAL PART: 3-905S383-70 V02697 1090-05 V95272 150701-05 V95272 AS568-905S32 V11314	047053	1

MISSING ITEM NUMBERS NOT APPLICABLE

- ITEM NOT ILLUSTRATED

HAP

21-51-17-06

BOEING PROPRIETARY - Copyright © - Unpublished Work - See title page for details.

21-51-17
FIG. 06
PAGE 3
FEB 15/09

BOEING
737-600/700/800/900
PARTS CATALOG (MAINTENANCE)

FIG ITEM	PART NUMBER	1 2 3 4 5 6 7	NOMENCLATURE	EFFECT FROM TO	UNITS PER ASSY
6 165	R1131-906		.. PACKING SUPPLIER CODE: V57268 SPECIFICATION NUMBER: BACP11K6 OPTIONAL PART: 3-906S383-70 V02697 1090-06 V95272 150701-06 V95272 AS568-906S32 V11314	047053	6
170	R1131-908		.. PACKING SUPPLIER CODE: V57268 SPECIFICATION NUMBER: BACP11K8 OPTIONAL PART: 3-908S383-70 V02697 1090-08 V95272 150701-08 V95272 AS568-908S32 V11314	047053	1
175	213A1211-86		.. DUCT ASSY	047053	1
180	2214079-1		.. DUCT-WATER EXTRACTOR SUPPLIER CODE: V70210	047053	1
185	2340400-1		.. SEPARATOR ASSY-WATER SPRAY AIR CYCLE SYS SUPPLIER CODE: V70210 FUNCTIONAL DESCRIPTION: REMOVES CONDENSATE FROM AIR CYCLE MACHINE. COMPONENT MAINT MANUAL REF: 21-51-80 FOR DETAILS SEE: 21-51-12-02 21-51-13-04 21-51-14-01	047053	1

MISSING ITEM NUMBERS NOT APPLICABLE

— ITEM NOT ILLUSTRATED

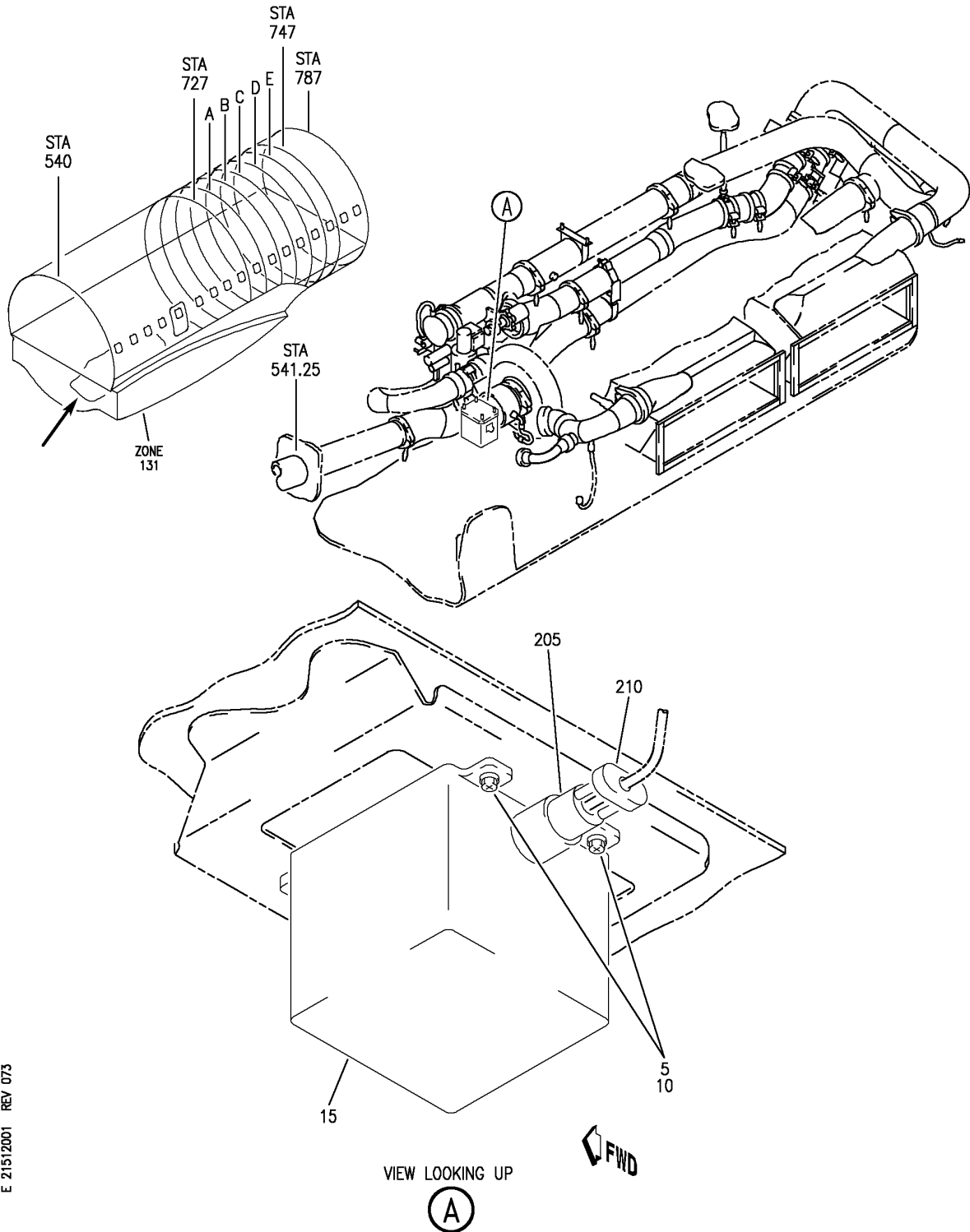
HAP

21-51-17-06

BOEING PROPRIETARY - Copyright © - Unpublished Work - See title page for details.

21-51-17
FIG. 06
PAGE 4
FEB 15/09

BOEING
 737-600/700/800/900
 PARTS CATALOG (MAINTENANCE)



E 21512001 REV 073

DUCT INSTL-L SIDE AIR CONDITIONING PACK (RAM AIR INLET CONTROLLER ONLY)
 FIGURE 1

21-51-20-01

HAP
 OCT 15/08

21-51-20-01
 PAGE 0

BOEING
737-600/700/800/900
PARTS CATALOG (MAINTENANCE)

FIG ITEM	PART NUMBER	1 2 3 4 5 6 7	NOMENCLATURE	EFFECT FROM TO	UNITS PER ASSY
1			DUCT INSTL-L SIDE AIR CONDITIONING PACK (RAM AIR INLET CONTROLLER ONLY)	201967	
- 1	213A1002-1		DUCT INSTL-AIR CONDITIONING PACK (RAM AIR INLET CONTROLLER ONLY) POSITION DATA: L SIDE FOR NHA/OTHER SYS DET SEE: 21-50-00-01B	201967	RF
5	BACS12GU3K9		.SCREW	201967	4
10	NAS1149D0316J		.WASHER	201967	4
15	607518-2		.CONTROL-TEMP RAM AIR SYS SUPPLIER CODE: V07217 FUNCTIONAL DESCRIPTION: ELECTRICALLY CONTROLS THE RAM AIR ACTUATOR DURING FLIGHT WHEN FLAPS ARE UP ELECTRICAL EQUIP NUMBER: M00328 COMPONENT MAINT MANUAL REF: 21-60-09 MAINTENANCE MANUAL REF: 21-51-20	201967	1
- 200	286A5102-001		WIRE BUNDLE ASSY	201967	RF
205	BACC63CB14-7SN		.CONNECTOR-PLUG ELECTRICAL EQUIP NUMBER: D00970 WIRING DIAGRAM REF: 215114	201967	1
210	620AA028NF14L		.CLAMP-BACKSHELL SUPPLIER CODE: V06324 SPECIFICATION NUMBER: BACC10KE14 OPTIONAL PART: S3820-14-65 V07418 ELECTRICAL EQUIP NUMBER: D00970T WIRING DIAGRAM REF: 215114	201967	1

MISSING ITEM NUMBERS NOT APPLICABLE

- ITEM NOT ILLUSTRATED

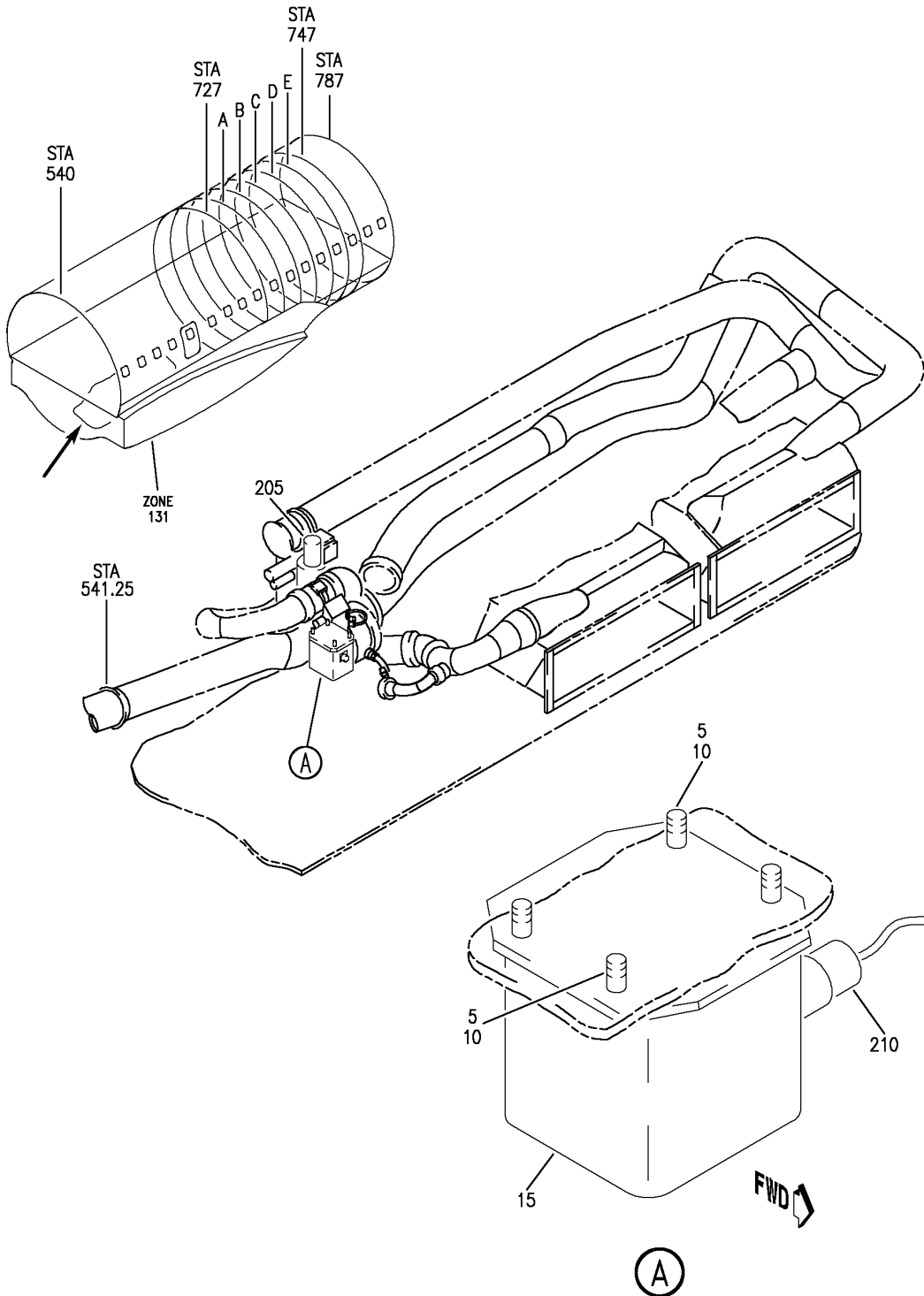
HAP

21-51-20-01

BOEING PROPRIETARY - Copyright © - Unpublished Work - See title page for details.

21-51-20
FIG. 01
PAGE 1
OCT 15/08

BOEING
 737-600/700/800/900
 PARTS CATALOG (MAINTENANCE)



E 21512002 REV 073

DUCT INSTL-R SIDE AIR CONDITIONING PACK (RAM AIR INLET CONTROLLER ONLY)
 FIGURE 2

21-51-20-02

HAP
 OCT 15/08

21-51-20-02
 PAGE 0

BOEING
737-600/700/800/900
PARTS CATALOG (MAINTENANCE)

FIG ITEM	PART NUMBER	1 2 3 4 5 6 7	NOMENCLATURE	EFFECT FROM TO	UNITS PER ASSY
2			DUCT INSTL-R SIDE AIR CONDITIONING PACK (RAM AIR INLET CONTROLLER ONLY)	201967	
- 1	213A1002-2		DUCT INSTL-AIR CONDITIONING PACK (RAM AIR INLET CONTROLLER ONLY) POSITION DATA: R SIDE FOR NHA/OTHER SYS DET SEE: 21-50-00-01B	201967	RF
5	BACS12GU3K9		.SCREW	201967	4
10	NAS1149D0316J		.WASHER	201967	4
15	607518-2		.CONTROL-TEMP RAM AIR SYS SUPPLIER CODE: V07217 FUNCTIONAL DESCRIPTION: ELECTRICALLY CONTROLS THE RAM AIR ACTUATOR DURING FLIGHT WHEN FLAPS ARE UP ELECTRICAL EQUIP NUMBER: M00328 COMPONENT MAINT MANUAL REF: 21-60-09	201967	1
- 200	286A5102-001		WIRE BUNDLE ASSY	201967	RF
205	BACC63CB14-7SN		.CONNECTOR-PLUG ELECTRICAL EQUIP NUMBER: D00970 WIRING DIAGRAM REF: 215114	201967	1
210	620AA028NF14L		.CLAMP-BACKSHELL SUPPLIER CODE: V06324 SPECIFICATION NUMBER: BACC10KE14 OPTIONAL PART: S3820-14-65 V07418 ELECTRICAL EQUIP NUMBER: D00972T WIRING DIAGRAM REF: 215114	201967	1

MISSING ITEM NUMBERS NOT APPLICABLE

- ITEM NOT ILLUSTRATED

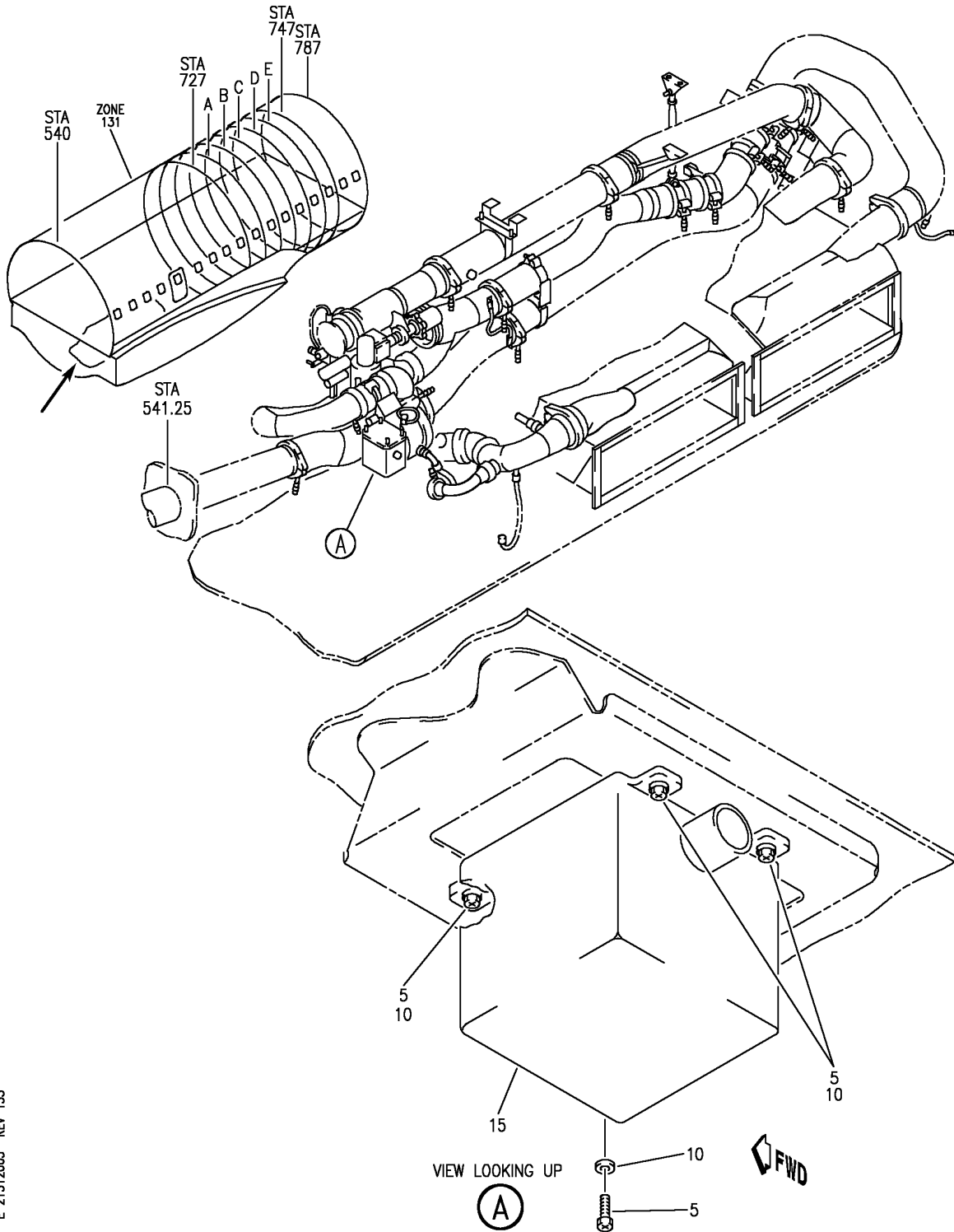
HAP

21-51-20-02

BOEING PROPRIETARY - Copyright © - Unpublished Work - See title page for details.

21-51-20
FIG. 02
PAGE 1
OCT 15/08

BOEING
 737-600/700/800/900
 PARTS CATALOG (MAINTENANCE)



E 21512003 REV 153

DUCT INSTL-L SIDE AIR CONDITIONING PACK (RAM AIR INLET CONTROLLER ONLY)
 FIGURE 3

21-51-20-03

HAP
 JUN 15/09

21-51-20-03
 PAGE 0

BOEING
737-600/700/800/900
PARTS CATALOG (MAINTENANCE)

FIG ITEM	PART NUMBER	1 2 3 4 5 6 7	NOMENCLATURE	EFFECT FROM TO	UNITS PER ASSY
3			DUCT INSTL-L SIDE AIR CONDITIONING PACK (RAM AIR INLET CONTROLLER ONLY)	101200 968999	
- 1	MODREF256350		DUCT INSTL-AIR CONDITIONING PACK (RAM AIR INLET CONTROLLER ONLY) MODULE NUMBER: 213A1006-1 REV C POSITION DATA: L SIDE FOR OTHER SYS DETAILS SEE: 21-61-02-03 FOR ADDITIONAL DETAILS SEE: 21-51-09-03 21-51-30-03 21-51-31-03 21-51-41-05	101106 968999	1
- 1	MODREF395390		DUCT INSTL-AIR CONDITIONING PACK (RAM AIR INLET CONTROLLER ONLY) MODULE NUMBER: 213A1006-1 REV D POSITION DATA: L SIDE FOR OTHER SYS DETAILS SEE: 21-61-02-03 FOR ADDITIONAL DETAILS SEE: 21-51-09-03 21-51-30-03 21-51-31-03 21-51-41-05	107200	1
5	BACS12GU3K9		.SCREW	101200 968999	4
10	NAS1149E0316J		.WASHER	101200 968999	4

MISSING ITEM NUMBERS NOT APPLICABLE

- ITEM NOT ILLUSTRATED

HAP

21-51-20-03

BOEING PROPRIETARY - Copyright © - Unpublished Work - See title page for details.

21-51-20
FIG. 03
PAGE 1
OCT 15/08


BOEING
 737-600/700/800/900
PARTS CATALOG (MAINTENANCE)

FIG ITEM	PART NUMBER	1 2 3 4 5 6 7 NOMENCLATURE	EFFECT FROM TO	UNITS PER ASSY
3 15	607518-2	.CONTROL-TEMP RAM AIR SYS SUPPLIER CODE: V07217 FUNCTIONAL DESCRIPTION: ELECTRICALLY CONTROLS THE RAM AIR ACTUATOR DURING FLIGHT WHEN FLAPS ARE UP ELECTRICAL EQUIP NUMBER: M00328 COMPONENT MAINT MANUAL REF: 21-60-09 MAINTENANCE MANUAL REF: 21-51-20	101200 968999	1

MISSING ITEM NUMBERS NOT APPLICABLE

— ITEM NOT ILLUSTRATED

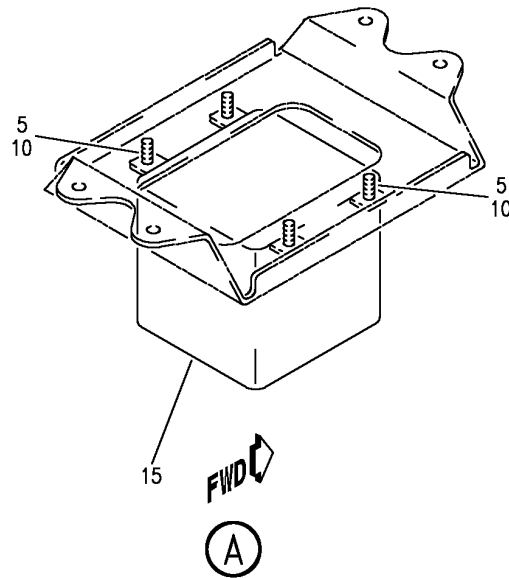
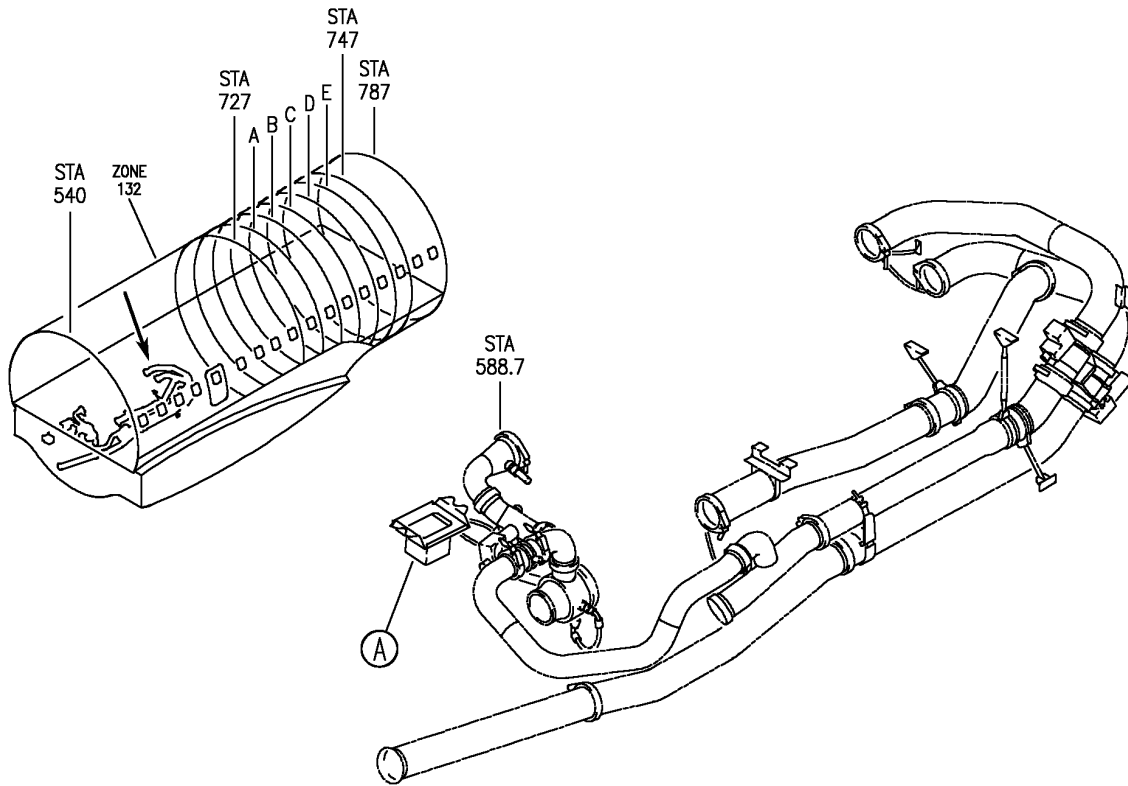
HAP

21-51-20-03

BOEING PROPRIETARY - Copyright © - Unpublished Work - See title page for details.

21-51-20
 FIG. 03
 PAGE 2
 JUN 15/09

BOEING
 737-600/700/800/900
 PARTS CATALOG (MAINTENANCE)



E 21512004 REV 153

DUCT INSTL-R SIDE AIR CONDITIONING PACK (RAM AIR INLET CONTROLLER ONLY)
 FIGURE 4

21-51-20-04

HAP
 JUN 15/09

21-51-20-04
 PAGE 0

BOEING
737-600/700/800/900
PARTS CATALOG (MAINTENANCE)

FIG ITEM	PART NUMBER	1 2 3 4 5 6 7	NOMENCLATURE	EFFECT FROM TO	UNITS PER ASSY
4			DUCT INSTL-R SIDE AIR CONDITIONING PACK (RAM AIR INLET CONTROLLER ONLY)	101200 968999	
- 1	MODREF256351		DUCT INSTL-AIR CONDITIONING PACK (RAM AIR INLET CONTROLLER ONLY) MODULE NUMBER: 213A1006-2 REV B POSITION DATA: R SIDE FOR OTHER SYS DETAILS SEE: 21-61-02-04 FOR ADDITIONAL DETAILS SEE: 21-51-09-04 21-51-30-04 21-51-31-04 21-51-41-06	101106 968999	1
- 1	MODREF395391		DUCT INSTL-AIR CONDITIONING PACK (RAM AIR INLET CONTROLLER ONLY) MODULE NUMBER: 213A1006-2 REV C POSITION DATA: R SIDE FOR OTHER SYS DETAILS SEE: 21-61-02-04 FOR ADDITIONAL DETAILS SEE: 21-51-09-04 21-51-30-04 21-51-31-04 21-51-41-06	107200	1
5	BACS12GU3K9		.SCREW	101200 968999	4
10	NAS1149D0316J		.WASHER	101200 968999	4

MISSING ITEM NUMBERS NOT APPLICABLE

- ITEM NOT ILLUSTRATED

HAP

21-51-20-04

BOEING PROPRIETARY - Copyright © - Unpublished Work - See title page for details.

21-51-20
FIG. 04
PAGE 1
OCT 15/08


BOEING
 737-600/700/800/900
PARTS CATALOG (MAINTENANCE)

FIG ITEM	PART NUMBER	1 2 3 4 5 6 7 NOMENCLATURE	EFFECT FROM TO	UNITS PER ASSY
4 15	607518-2	.CONTROL-TEMP RAM AIR SYS SUPPLIER CODE: V07217 FUNCTIONAL DESCRIPTION: ELECTRICALLY CONTROLS THE RAM AIR ACTUATOR DURING FLIGHT WHEN FLAPS ARE UP ELECTRICAL EQUIP NUMBER: M00329 COMPONENT MAINT MANUAL REF: 21-60-09 MAINTENANCE MANUAL REF: 21-51-20	101200 968999	1

MISSING ITEM NUMBERS NOT APPLICABLE

— ITEM NOT ILLUSTRATED

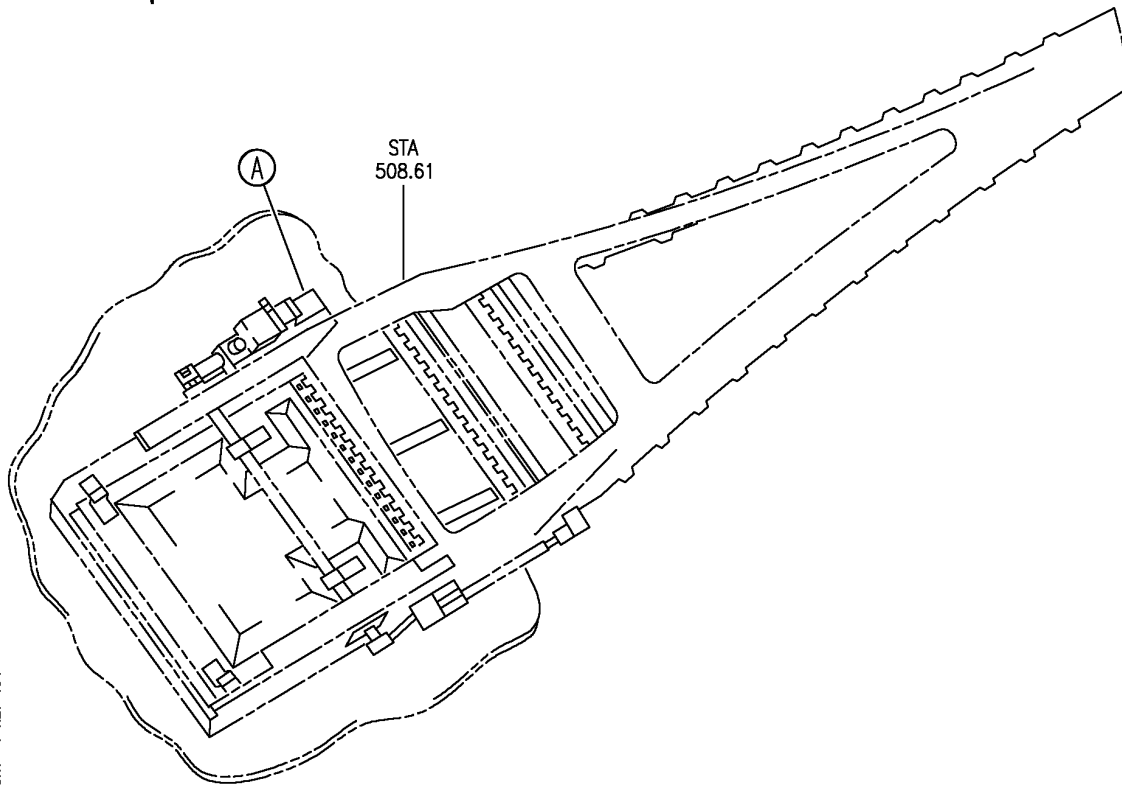
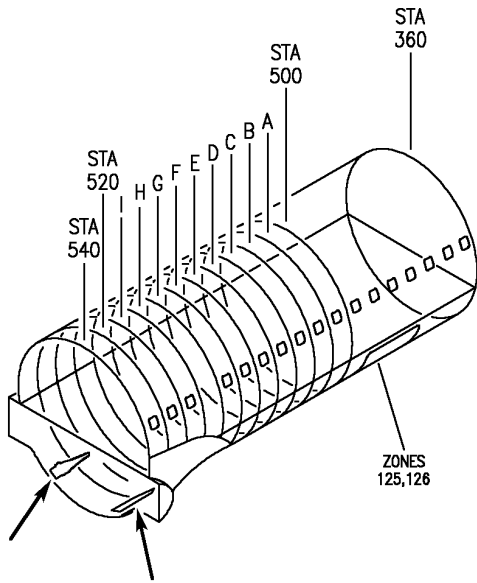
HAP

21-51-20-04

BOEING PROPRIETARY - Copyright © - Unpublished Work - See title page for details.

21-51-20
 FIG. 04
 PAGE 2
 JUN 15/09

BOEING
 737-600/700/800/900
 PARTS CATALOG (MAINTENANCE)



E 21512101 SHT 1 REV 154

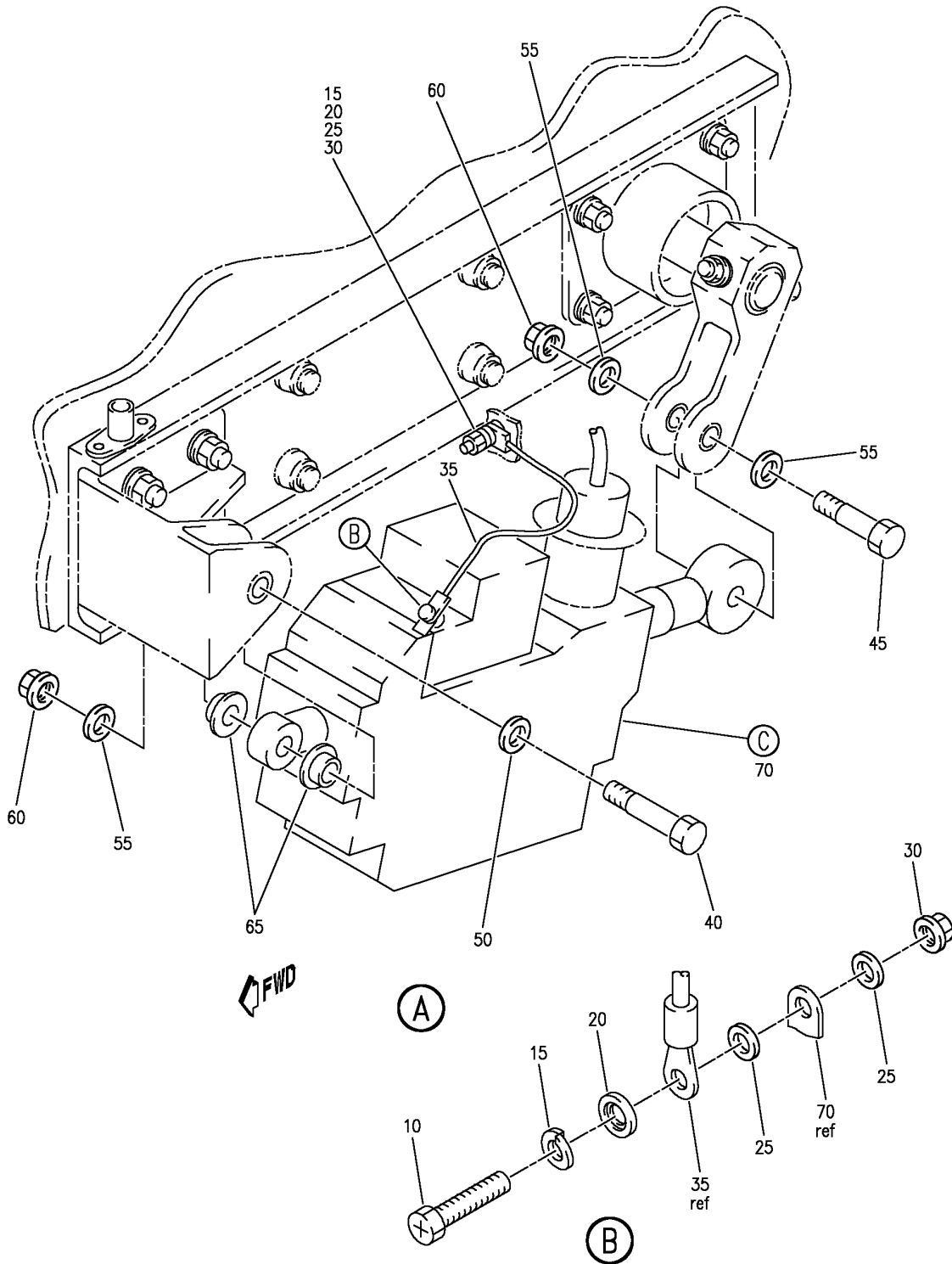
PANEL INSTL-RAM AIR INLET (RAM AIR INLET ACTUATOR ONLY)
 FIGURE 1 (SHEET 1)

21-51-21-01

HAP
 JUN 15/09

21-51-21-01
 PAGE 0

BOEING
 737-600/700/800/900
 PARTS CATALOG (MAINTENANCE)



E 21512101 SHT 2 REV 154

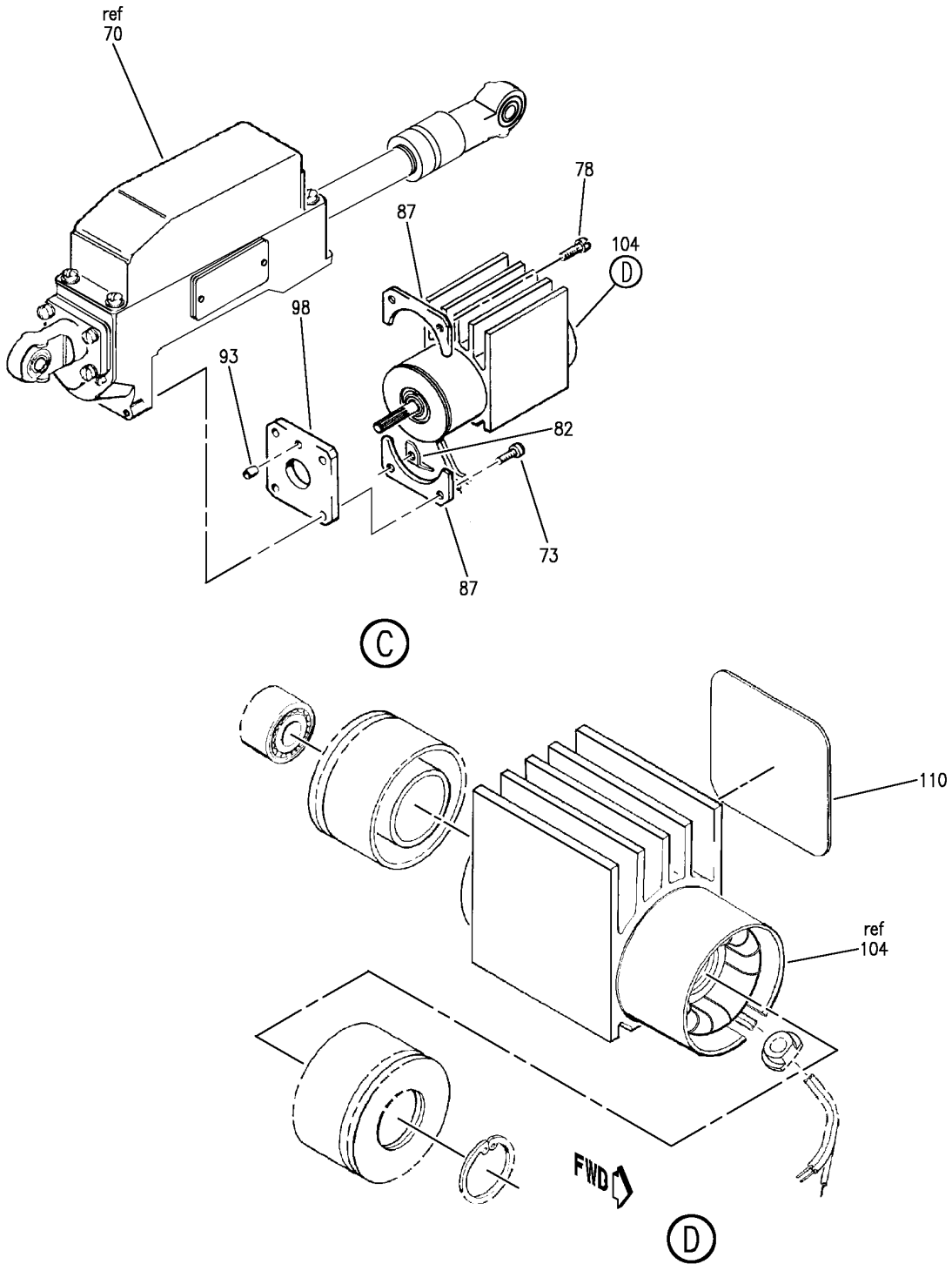
PANEL INSTL-RAM AIR INLET (RAM AIR INLET ACTUATOR ONLY)
 FIGURE 1 (SHEET 2)

21-51-21-01

HAP
 JUN 15/09

21-51-21-01
 PAGE 0A

BOEING
 737-600/700/800/900
 PARTS CATALOG (MAINTENANCE)



E 21512101 SHT 3 REV 084

PANEL INSTL-RAM AIR INLET (RAM AIR INLET ACTUATOR ONLY)
 FIGURE 1 (SHEET 3)

21-51-21-01

HAP
 OCT 10/06

21-51-21-01
 PAGE 08

BOEING
737-600/700/800/900
PARTS CATALOG (MAINTENANCE)

FIG ITEM	PART NUMBER	1 2 3 4 5 6 7	NOMENCLATURE	EFFECT FROM TO	UNITS PER ASSY
1			PANEL INSTL-RAM AIR INLET (RAM AIR INLET ACTUATOR ONLY)	031200 968999	
- 1	MODREF256709		PANEL INSTL-RAM AIR INLET (RAM AIR INLET ACTUATOR ONLY) MODULE NUMBER: 213A3004-9 REV D POSITION DATA: LH FOR ADDITIONAL DETAILS SEE: 21-51-23-01	031036	1
- 1	MODREF294433		PANEL INSTL-RAM AIR INLET (RAM AIR INLET ACTUATOR ONLY) MODULE NUMBER: 213A3004-9 REV E POSITION DATA: LH FOR ADDITIONAL DETAILS SEE: 21-51-23-01	037200 968999	1
- 5	MODREF256708		PANEL INSTL-RAM AIR INLET (RAM AIR INLET ACTUATOR ONLY) MODULE NUMBER: 213A3004-10 REV D POSITION DATA: RH FOR ADDITIONAL DETAILS SEE: 21-51-23-01	031036	1
- 5	MODREF294432		PANEL INSTL-RAM AIR INLET (RAM AIR INLET ACTUATOR ONLY) MODULE NUMBER: 213A3004-10 REV E POSITION DATA: RH FOR ADDITIONAL DETAILS SEE: 21-51-23-01	037200 968999	1
10	NAS1801-3-9		.SCREW-	031200 968999	1
15	MS35338-43		.WASHER-	031200 968999	2
20	BACW10BP3APU		.WASHER-	031200 968999	2
25	NAS1149D0332H		.WASHER-	031200 968999	3

MISSING ITEM NUMBERS NOT APPLICABLE

- ITEM NOT ILLUSTRATED

HAP

21-51-21-01

BOEING PROPRIETARY - Copyright © - Unpublished Work - See title page for details.

21-51-21
FIG. 01
PAGE 1
OCT 15/08

BOEING
737-600/700/800/900
PARTS CATALOG (MAINTENANCE)

FIG ITEM	PART NUMBER	1 2 3 4 5 6 7	NOMENCLATURE	EFFECT FROM TO	UNITS PER ASSY
1 R R	30	PLH53CD	.NUT- SUPPLIER CODE: VF0224 SPECIFICATION NUMBER: BACN10YR3CD OPTIONAL PART: H52732-3CD V15653	031200 968999	2
	35	RBEJ40K5A5A3	.JUMPER- SUPPLIER CODE: V1GK47 SPECIFICATION NUMBER: BACJ40K5A5A3	031200 968999	1
	40	BACB30NR4K15	.BOLT-	031200 968999	1
	45	BACB30NR4K12	.BOLT-	031200 968999	1
	50	BACW10BP4DP	.WASHER	031200 968999	1
	55	NAS1149D0432J	.WASHER-	031200 968999	3
	60	PLH54CD	.NUT- SUPPLIER CODE: VF0224 SPECIFICATION NUMBER: BACN10YR4CD OPTIONAL PART: H52732-4CD V15653	031200 968999	2
	65	66-24473-1	.BUSHING-	031200 968999	2
	70	541674-4	.ACTUATOR ASSY- SUPPLIER CODE: V70210 FUNCTIONAL DESCRIPTION: OPENS AND CLOSES RAM AIR EXHAUST ELECTRICAL EQUIP NUMBER: M00326 M00327 COMPONENT MAINT MANUAL REF: 21-20-36 MAINTENANCE MANUAL REF: 21-51-21	031200 968999	1
	73	NAS1352-06LL8P	..SCREW	031200 968999	2
78	NAS1352-06LL6P	..SCREW	031200 968999	2	

MISSING ITEM NUMBERS NOT APPLICABLE

— ITEM NOT ILLUSTRATED

HAP

21-51-21-01

BOEING PROPRIETARY - Copyright © - Unpublished Work - See title page for details.

21-51-21
FIG. 01
PAGE 2
JUN 15/09

BOEING
737-600/700/800/900
PARTS CATALOG (MAINTENANCE)

FIG ITEM	PART NUMBER	1 2 3 4 5 6 7	NOMENCLATURE	EFFECT FROM TO	UNITS PER ASSY
1					
82	526430	..	STRIP-TERM. GROUNDING SUPPLIER CODE: V70210	031200 968999	1
87	526326-1	..	CLAMP-RIM CLENCHING SUPPLIER CODE: V70210	031200 968999	2
93	S8168-54C0150	..	SPACER-PLAIN SUPPLIER CODE: V70210	031200 968999	1
98	526497	..	PLATE-MOTOR MTG SUPPLIER CODE: V70210	031200 968999	1
104	46366-2	..	MOTOR ASSY-SERIES 1, 3, 4 SUPPLIER CODE: V70210 COMPONENT MAINT MANUAL REF: 21-20-54	031200 968999	1
104	46366-1	..	MOTOR ASSY-SERIES 2 SUPPLIER CODE: V70210 COMPONENT MAINT MANUAL REF: 21-20-54 OPTIONAL PART: 46366-2 V70210	031200 968999	1
104	46366-2	..	MOTOR ASSY-SERIES 2 SUPPLIER CODE: V70210 COMPONENT MAINT MANUAL REF: 21-20-54 OPTIONAL PART: 46366-1 V70210	031200 968999	1
110	2023008-1	...	PLATE-IDENT SUPPLIER CODE: V70210 USED ON: 46366-1	031200 968999	1
110	2023008-2	...	PLATE-IDENT SUPPLIER CODE: V70210 USED ON: 46366-2	031200 968999	1

MISSING ITEM NUMBERS NOT APPLICABLE

— ITEM NOT ILLUSTRATED

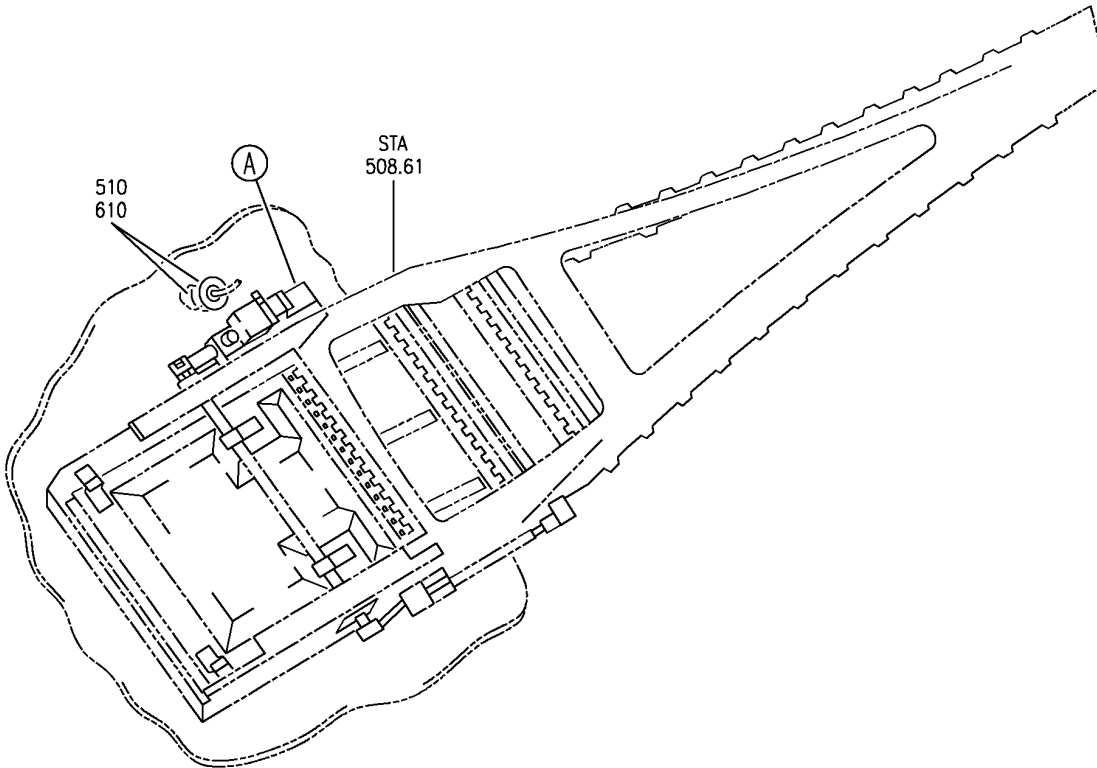
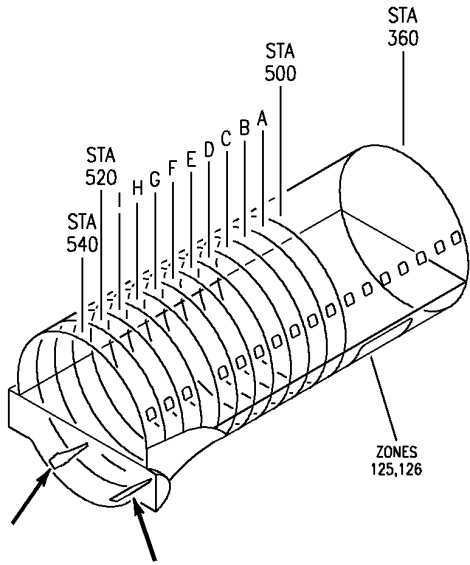
HAP

21-51-21-01

BOEING PROPRIETARY - Copyright © - Unpublished Work - See title page for details.

21-51-21
FIG. 01
PAGE 3
JUN 15/09

BOEING
 737-600/700/800/900
 PARTS CATALOG (MAINTENANCE)



E 21512101A SHT 1 REV 125

PANEL INSTL-RAM AIR INLET (RAM AIR INLET ACTUATOR ONLY)
 FIGURE 1A (SHEET 1)

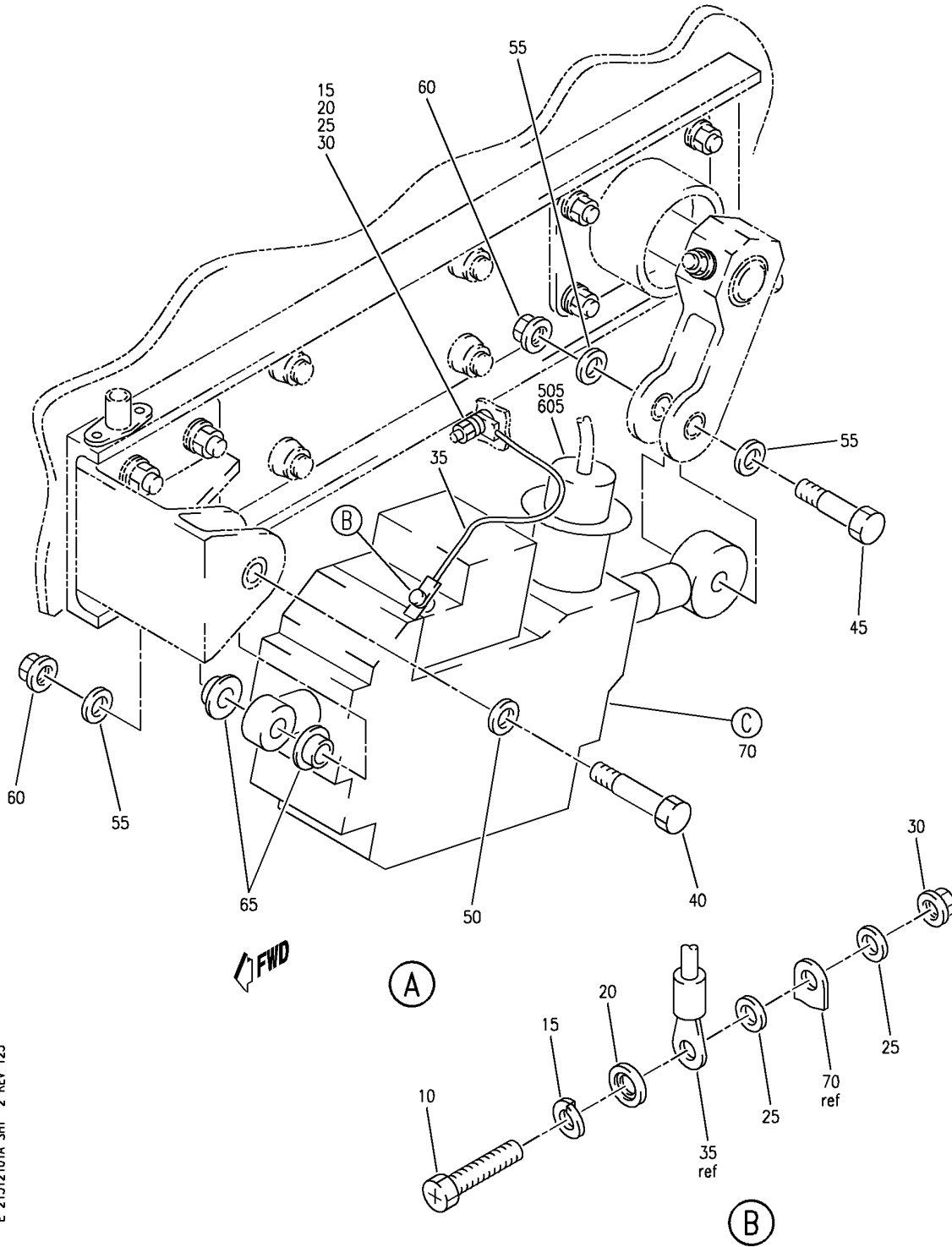
21-51-21-01A

HAP
 FEB 10/07

21-51-21-01A
 PAGE 0

BOEING PROPRIETARY - Copyright © - Unpublished Work - See title page for details.

BOEING
 737-600/700/800/900
 PARTS CATALOG (MAINTENANCE)



E 21512101A SHT 2 REV 125

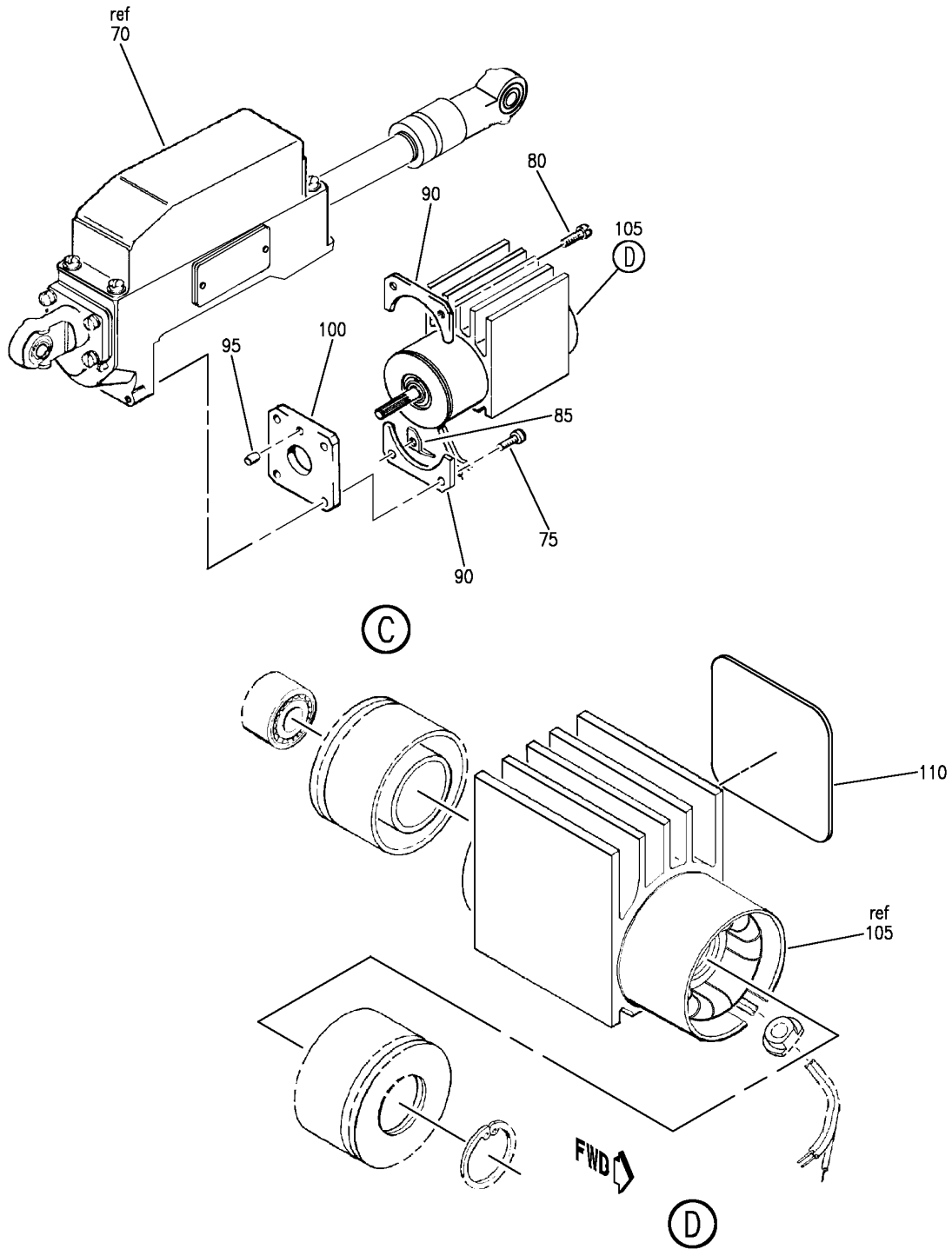
PANEL INSTL-RAM AIR INLET (RAM AIR INLET ACTUATOR ONLY)
 FIGURE 1A (SHEET 2)

21-51-21-01A

HAP
 FEB 10/07

21-51-21-01A
 PAGE 0A

BOEING
 737-600/700/800/900
 PARTS CATALOG (MAINTENANCE)



E 21512101A SHT 3 REV 125

PANEL INSTL-RAM AIR INLET (RAM AIR INLET ACTUATOR ONLY)
 FIGURE 1A (SHEET 3)

21-51-21-01A

HAP
 FEB 10/07

21-51-21-01A
 PAGE 0B

BOEING
737-600/700/800/900
PARTS CATALOG (MAINTENANCE)

FIG ITEM	PART NUMBER	1 2 3 4 5 6 7	NOMENCLATURE	EFFECT FROM TO	UNITS PER ASSY
1A			PANEL INSTL-RAM AIR INLET (RAM AIR INLET ACTUATOR ONLY)	001030 201967	
- 1	213A3004-5		PANEL INSTL-RAM AIR INLET (RAM AIR INLET ACTUATOR ONLY) POSITION DATA: LH FOR NHA/ADDITIONAL DET SEE: 21-50-00-01	001011 201967	RF
- 1	213A3004-7		PANEL INSTL-RAM AIR INLET (RAM AIR INLET ACTUATOR ONLY) POSITION DATA: LH FOR NHA/ADDITIONAL DET SEE: 21-50-00-01	012019	RF
- 1	213A3004-9		PANEL INSTL-RAM AIR INLET (RAM AIR INLET ACTUATOR ONLY) POSITION DATA: LH FOR NHA/ADDITIONAL DET SEE: 21-50-00-01	020030	RF
- 5	213A3004-6		PANEL INSTL-RAM AIR INLET (RAM AIR INLET ACTUATOR ONLY) POSITION DATA: RH FOR NHA/ADDITIONAL DET SEE: 21-50-00-01	001011 201967	RF
- 5	213A3004-8		PANEL INSTL-RAM AIR INLET (RAM AIR INLET ACTUATOR ONLY) POSITION DATA: RH FOR NHA/ADDITIONAL DET SEE: 21-50-00-01	012019	RF
- 5	213A3004-10		PANEL INSTL-RAM AIR INLET (RAM AIR INLET ACTUATOR ONLY) POSITION DATA: RH FOR NHA/ADDITIONAL DET SEE: 21-50-00-01	020030	RF
10	NAS1801-3-9		.SCREW	001030 201967	1
15	MS35338-43		.WASHER	001030 201967	2

MISSING ITEM NUMBERS NOT APPLICABLE

- ITEM NOT ILLUSTRATED

HAP

21-51-21-01A

BOEING PROPRIETARY - Copyright © - Unpublished Work - See title page for details.

21-51-21
FIG. 01A
PAGE 1
OCT 15/08

BOEING
737-600/700/800/900
PARTS CATALOG (MAINTENANCE)

FIG ITEM	PART NUMBER	1 2 3 4 5 6 7	NOMENCLATURE	EFFECT FROM TO	UNITS PER ASSY
1A					
20	BACW10BP3APU	.	WASHER	001030 201967	2
25	NAS1149D0332H	.	WASHER	001030 201967	3
30	PLH53CD	.	NUT SUPPLIER CODE: VF0224 SPECIFICATION NUMBER: BACN10YR3CD OPTIONAL PART: H52732-3CD V15653	001030 201967	2
35	RBEJ40K5A5A3	.	JUMPER SUPPLIER CODE: V1GK47 SPECIFICATION NUMBER: BACJ40K5A5A3	001030 201967	1
40	BACB30NR4K15	.	BOLT	001030 201967	1
45	BACB30NR4K12	.	BOLT	001030 201967	1
50	BACW10BP4DP	.	WASHER	001030 201967	1
55	NAS1149D0432J	.	WASHER	001030 201967	3
60	PLH54CD	.	NUT SUPPLIER CODE: VF0224 SPECIFICATION NUMBER: BACN10YR4CD OPTIONAL PART: H52732-4CD V15653	001030 201967	2
65	66-24473-1	.	BUSHING	001030 201967	2
70	541674-4	.	ACTUATOR ASSY- SUPPLIER CODE: V70210 FUNCTIONAL DESCRIPTION: OPENS AND CLOSES RAM AIR EXHAUST ELECTRICAL EQUIP NUMBER: M00326 M00327 COMPONENT MAINT MANUAL REF: 21-20-36	001030 201967	1
75	NAS1352-06LL8P	..	SCREW	001030 201967	2

MISSING ITEM NUMBERS NOT APPLICABLE

— ITEM NOT ILLUSTRATED

HAP

21-51-21-01A

BOEING PROPRIETARY - Copyright © - Unpublished Work - See title page for details.

21-51-21
FIG. 01A
PAGE 2
FEB 15/09

BOEING
737-600/700/800/900
PARTS CATALOG (MAINTENANCE)

FIG ITEM	PART NUMBER	1 2 3 4 5 6 7	NOMENCLATURE	EFFECT FROM TO	UNITS PER ASSY
1A					
80	NAS1352-06LL6P	..	SCREW	001030 201967	2
85	526430	..	STRIP-TERM. GROUNDING SUPPLIER CODE: V70210	001030 201967	1
90	526326-1	..	CLAMP-RIM CLENCHING SUPPLIER CODE: V70210	001030 201967	2
95	S8168-54C0150	..	SPACER-PLAIN SUPPLIER CODE: V70210	001030 201967	1
100	526497	..	PLATE-MOTOR MTG SUPPLIER CODE: V70210	001030 201967	1
105	46366-2	..	MOTOR ASSY-SERIES 1, 3, 4 SUPPLIER CODE: V70210 COMPONENT MAINT MANUAL REF: 21-20-54	001030 201967	1
105	46366-1	..	MOTOR ASSY-SERIES 2 SUPPLIER CODE: V70210 COMPONENT MAINT MANUAL REF: 21-20-54 OPTIONAL PART: 46366-2 V70210	001030 201967	1
105	46366-2	..	MOTOR ASSY-SERIES 2 SUPPLIER CODE: V70210 COMPONENT MAINT MANUAL REF: 21-20-54 OPTIONAL PART: 46366-1 V70210	001030 201967	1
110	2023008-1	...	PLATE-IDENT SUPPLIER CODE: V70210 USED ON: 46366-1	001030 201967	1
110	2023008-2	...	PLATE-IDENT SUPPLIER CODE: V70210 USED ON: 46366-2	001030 201967	1
- 500	286A5104-003		WIRE BUNDLE ASSY	201967	RF
- 500	286A5104-301		WIRE BUNDLE ASSY- REWORKED BY SB: 73-1015	001001 006007	RF

MISSING ITEM NUMBERS NOT APPLICABLE

- ITEM NOT ILLUSTRATED

HAP

21-51-21-01A

BOEING PROPRIETARY - Copyright © - Unpublished Work - See title page for details.

21-51-21
FIG. 01A
PAGE 3
OCT 15/08

BOEING
737-600/700/800/900
PARTS CATALOG (MAINTENANCE)

FIG ITEM	PART NUMBER	1 2 3 4 5 6 7	NOMENCLATURE	EFFECT FROM TO	UNITS PER ASSY
1A					
- 500	286A5104-302		WIRE BUNDLE ASSY- REWORKED BY SB: 73-1015	002005	RF
- 500	286A5104-303		WIRE BUNDLE ASSY	008030	RF
505	BACC63CB12-12SN		.CONNECTOR-PLUG ELECTRICAL EQUIP NUMBER: D00966 WIRING DIAGRAM REF: 215124	001030 201967	1
510	BACSH5B2		.SEAL	001030 201967	2
- 515	M39029-1-102		.CONTACT- POST SERVICE BULLETIN: 73-1015R1	001007	2
- 600	286A6230-005		WIRE BUNDLE ASSY	201967	RF
- 600	286A6230-301		WIRE BUNDLE ASSY	001007	RF
- 600	286A6230-304		WIRE BUNDLE ASSY	008030	RF
605	BACC63CB12-12SN		.CONNECTOR-PLUG ELECTRICAL EQUIP NUMBER: D00968 WIRING DIAGRAM REF: 215124	001030 201967	1
610	BACSH5B2		.SEAL	001030 201967	2
- 615	M39029-1-102		.CONTACT- POST SERVICE BULLETIN: 73-1015R1	001007	2

MISSING ITEM NUMBERS NOT APPLICABLE

- ITEM NOT ILLUSTRATED

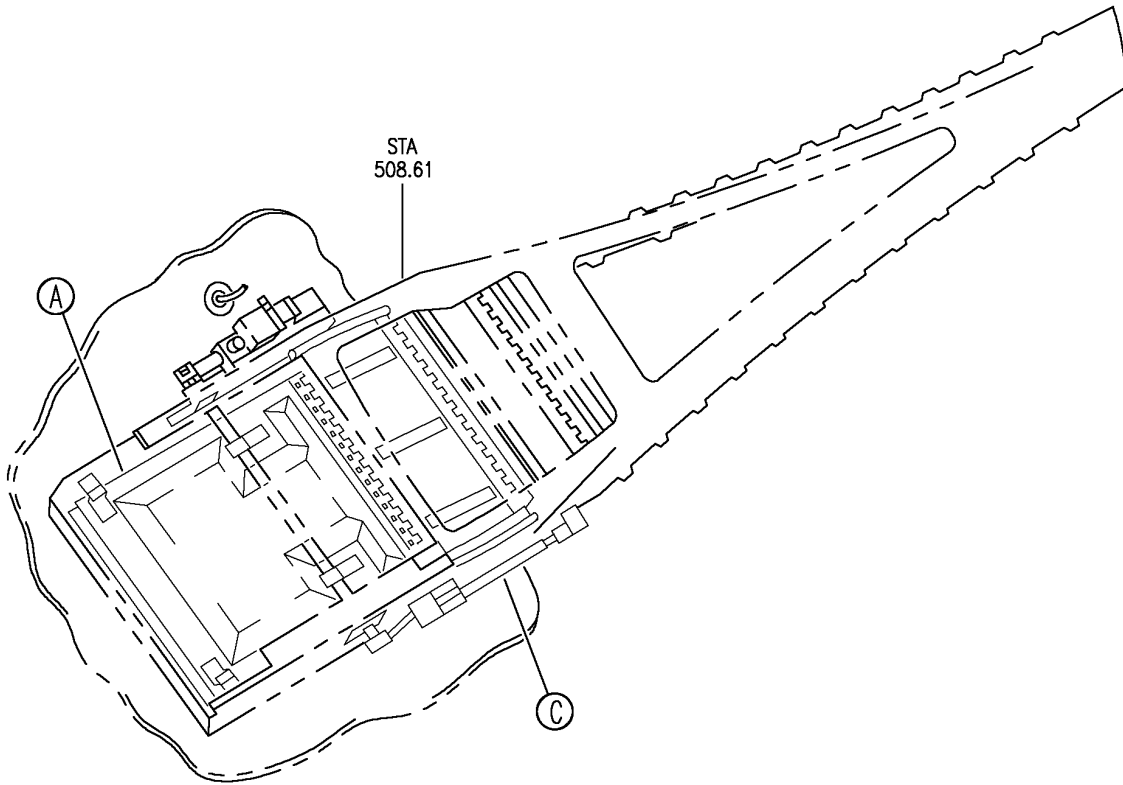
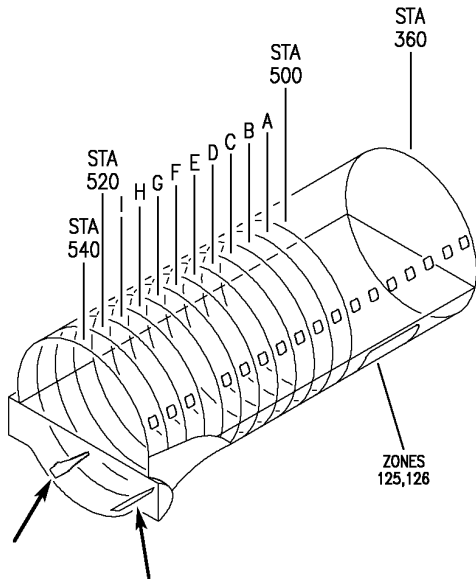
HAP

21-51-21-01A

BOEING PROPRIETARY - Copyright © - Unpublished Work - See title page for details.

21-51-21
FIG. 01A
PAGE 4
OCT 15/08

BOEING
 737-600/700/800/900
 PARTS CATALOG (MAINTENANCE)



E 21512301 SHT 1 REV 073

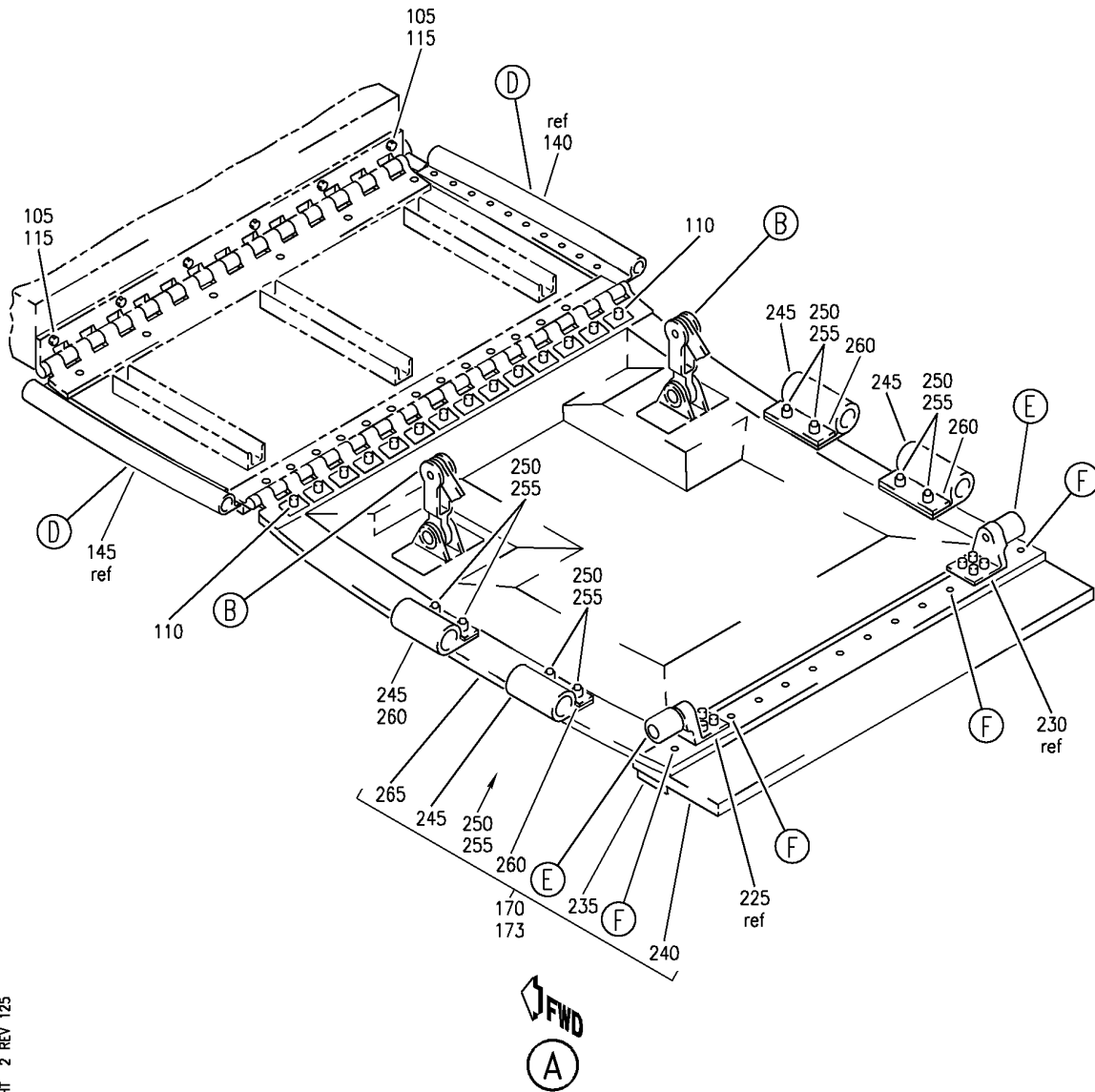
PANEL INSTL-RAM AIR INLET (RAM AIR INLET MODULATION PANEL ONLY)
 FIGURE 1 (SHEET 1)

21-51-23-01

HAP
 OCT 10/06

21-51-23-01
 PAGE 0

BOEING
 737-600/700/800/900
 PARTS CATALOG (MAINTENANCE)



E 21512301 SHT 2 REV 125

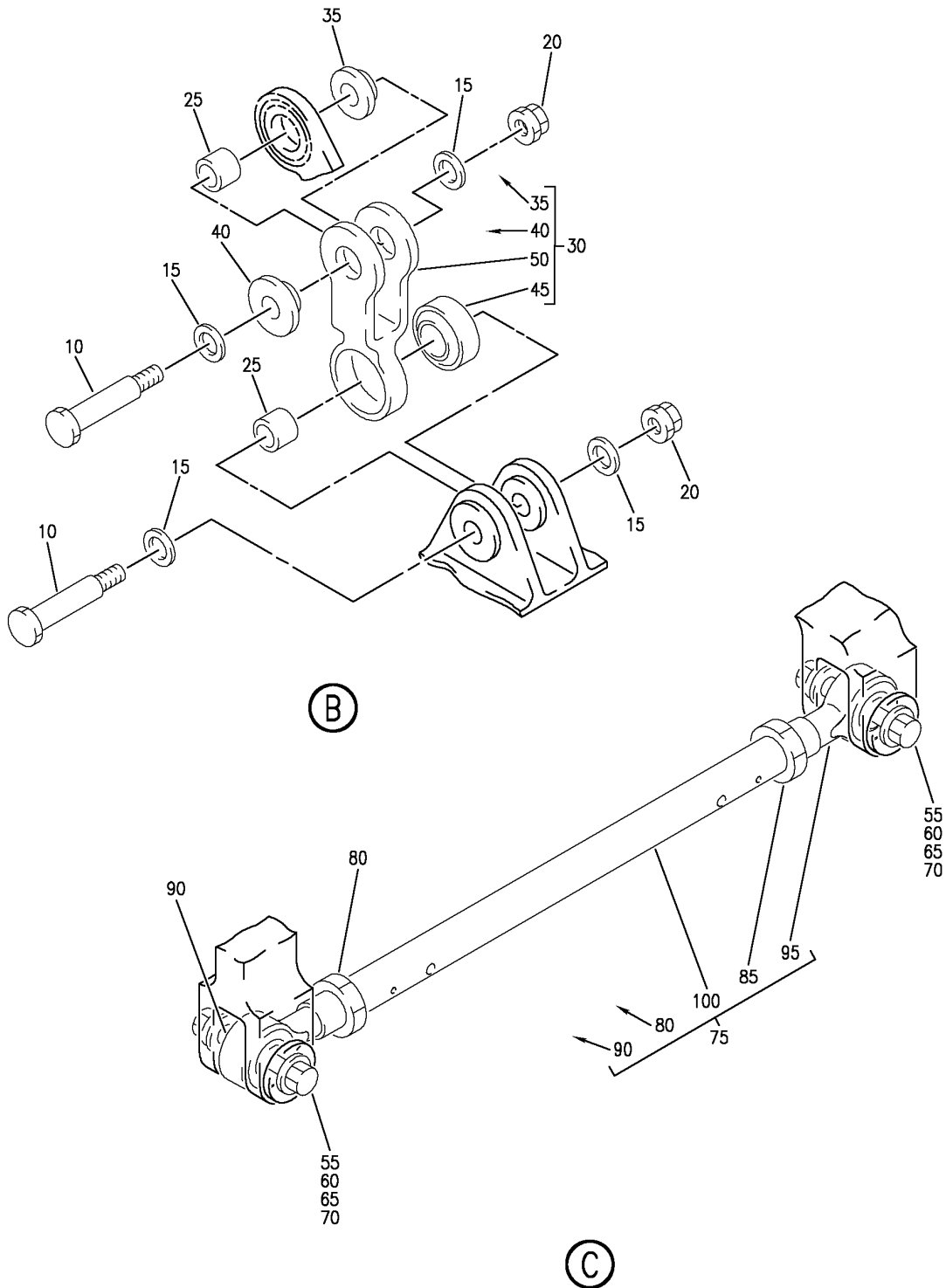
PANEL INSTL-RAM AIR INLET (RAM AIR INLET MODULATION PANEL ONLY)
 FIGURE 1 (SHEET 2)

21-51-23-01

HAP
 FEB 10/07

21-51-23-01
 PAGE 0A

BOEING
 737-600/700/800/900
 PARTS CATALOG (MAINTENANCE)



E 21512301 SH1 3 REV 073

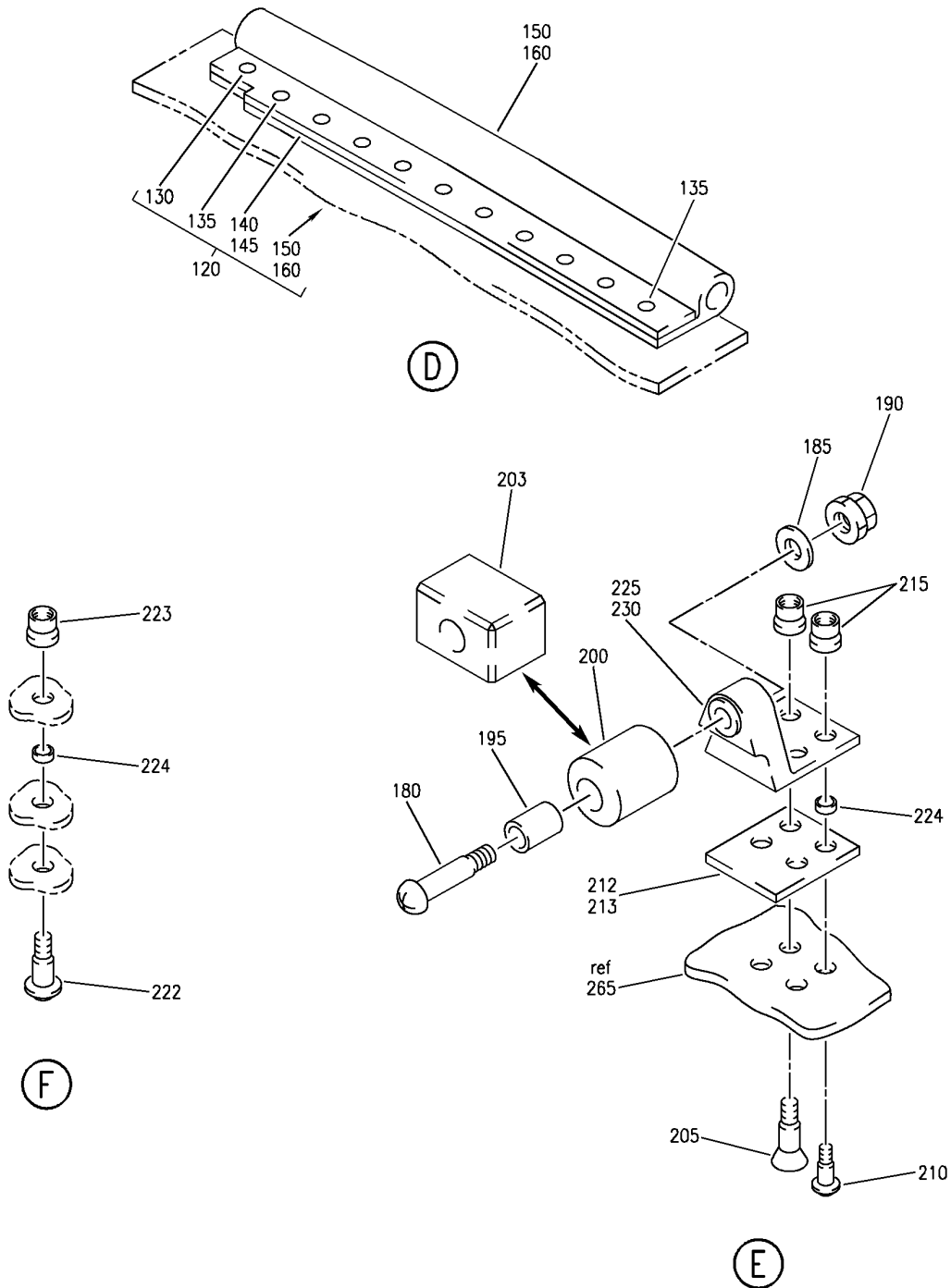
PANEL INSTL-RAM AIR INLET (RAM AIR INLET MODULATION PANEL ONLY)
 FIGURE 1 (SHEET 3)

21-51-23-01

HAP
 OCT 10/06

21-51-23-01
 PAGE 0B

BOEING
 737-600/700/800/900
 PARTS CATALOG (MAINTENANCE)



E 21512301 SHT 4 REV 125

PANEL INSTL-RAM AIR INLET (RAM AIR INLET MODULATION PANEL ONLY)
 FIGURE 1 (SHEET 4)

21-51-23-01

HAP
 FEB 10/07

21-51-23-01
 PAGE 0C

BOEING
737-600/700/800/900
PARTS CATALOG (MAINTENANCE)

FIG ITEM	PART NUMBER	1 2 3 4 5 6 7	NOMENCLATURE	EFFECT FROM TO	UNITS PER ASSY
1			PANEL INSTL-RAM AIR INLET (RAM AIR INLET MODULATION PANEL ONLY)	031200 968999	
- 1	MODREF256709		PANEL INSTL-RAM AIR INLET (RAM AIR INLET MODULATION PANEL ONLY) MODULE NUMBER: 213A3004-9 REV D POSITION DATA: LH FOR ADDITIONAL DETAILS SEE: 21-51-21-01	031036	1
- 1	MODREF294433		PANEL INSTL-RAM AIR INLET (RAM AIR INLET MODULATION PANEL ONLY) MODULE NUMBER: 213A3004-9 REV E POSITION DATA: LH FOR ADDITIONAL DETAILS SEE: 21-51-21-01	037200 968999	1
- 5	MODREF256708		PANEL INSTL-RAM AIR INLET (RAM AIR INLET MODULATION PANEL ONLY) MODULE NUMBER: 213A3004-10 REV D POSITION DATA: RH FOR ADDITIONAL DETAILS SEE: 21-51-21-01	031036	1
- 5	MODREF294432		PANEL INSTL-RAM AIR INLET (RAM AIR INLET MODULATION PANEL ONLY) MODULE NUMBER: 213A3004-10 REV E POSITION DATA: RH FOR ADDITIONAL DETAILS SEE: 21-51-21-01	037200 968999	1
10	BACB30NR4K12		.BOLT	031200 968999	4
15	NAS1149D0432J		.WASHER	031200 968999	8

MISSING ITEM NUMBERS NOT APPLICABLE

- ITEM NOT ILLUSTRATED

HAP

21-51-23-01

BOEING PROPRIETARY - Copyright © - Unpublished Work - See title page for details.

21-51-23
FIG. 01
PAGE 1
OCT 15/08

BOEING
737-600/700/800/900
PARTS CATALOG (MAINTENANCE)

FIG ITEM	PART NUMBER	1 2 3 4 5 6 7	NOMENCLATURE	EFFECT FROM TO	UNITS PER ASSY
1					
20	PLH54CD	.NUT	SUPPLIER CODE: VF0224 SPECIFICATION NUMBER: BACN10YR4CD OPTIONAL PART: H52732-4CD V15653	031200 968999	4
25	BACB28AK04-027	.BUSHING		031200 968999	4
30	213A3440-1	.CLEVIS ASSY		031200 968999	2
35	BACB28AP04P012	..BUSHING		031200 968999	1
40	BACB28AT06B012C	..BUSHING		031200 968999	1
45	ADB04V301NC	..BEARING	SUPPLIER CODE: V15860 SPECIFICATION NUMBER: BACB10FB04GC OPTIONAL PART: KNDB04-70 V97613 KSC145700BZ04GC V50632 NES04FBGC V73134 HTFB04GC VS0352	031200 968999	1
50	213A3441-1	..CLEVIS		031200 968999	1
55	BACB30PW4P16	.BOLT		031200 968999	2
60	NAS1149D0432J	.WASHER		031200 968999	2
65	BACW10BP3DP	.WASHER-		031200 968999	2
70	PLH53CD	.NUT	SUPPLIER CODE: VF0224 SPECIFICATION NUMBER: BACN10YR3CD OPTIONAL PART: H52732-3CD V15653	031200 968999	2
75	213A3430-1	.ROD ASSY		031200 968999	1

MISSING ITEM NUMBERS NOT APPLICABLE

— ITEM NOT ILLUSTRATED

HAP

21-51-23-01

BOEING PROPRIETARY - Copyright © - Unpublished Work - See title page for details.

21-51-23
FIG. 01
PAGE 2
FEB 15/09

BOEING
737-600/700/800/900
PARTS CATALOG (MAINTENANCE)

FIG ITEM	PART NUMBER	1 2 3 4 5 6 7	NOMENCLATURE	EFFECT FROM TO	UNITS PER ASSY
1					
80	NAS509-6	..	NUT	031200 968999	1
85	NAS509L6	..	NUT	031200 968999	1
90	ADNE04-4023-90	..	ROD END- SUPPLIER CODE: V15860 SPECIFICATION NUMBER: S012T235-304-90 OPTIONAL PART: AKNE04-4023-90 V15860	031200 968999	1
90	AKNE04-4023-90	..	ROD END- SUPPLIER CODE: V15860 SPECIFICATION NUMBER: S012T235-304-90 OPTIONAL PART: ADNE04-4023-90 V15860	031200 968999	1
95	AKNE04-4023-90	..	ROD END- SUPPLIER CODE: V15860 SPECIFICATION NUMBER: BCREF12610 MISCELLANEOUS DATA: OVER LENGTH SPEC PART NUMBER S012T235-304-890 OPTIONAL PART: ADNE04-4023-90 V15860	031200 968999	1
100	213A3430-3	..	TUBE	031200 968999	1
105	BACB30NM3K3	.	BOLT	031200 968999	6
110	BACB30VF3K4	.	BOLT- POSITION DATA: HEAD FAR SIDE	031200 968999	14
115	NAS1149D0332J	.	WASHER	031200 968999	6
120	213A3410-1	.	PANEL ASSY- POSITION DATA: FWD LH SIDE FUNCTIONAL DESCRIPTION: CONTROLS THE FLOW OF COOL RAM AIR INTO THE HEAT EXCHANGERS COMPONENT MAINT MANUAL REF: 21-53-02	031200 968999	1

MISSING ITEM NUMBERS NOT APPLICABLE

— ITEM NOT ILLUSTRATED

HAP

21-51-23-01

BOEING PROPRIETARY - Copyright © - Unpublished Work - See title page for details.

21-51-23
FIG. 01
PAGE 3
OCT 15/08

BOEING
737-600/700/800/900
PARTS CATALOG (MAINTENANCE)

FIG ITEM	PART NUMBER	1 2 3 4 5 6 7	NOMENCLATURE	EFFECT FROM TO	UNITS PER ASSY
1					
- 125	213A3410-2		.PANEL ASSY- POSITION DATA: FWD RH SIDE FUNCTIONAL DESCRIPTION: CONTROLS THE FLOW OF COOL RAM AIR INTO THE HEAT EXCHANGERS COMPONENT MAINT MANUAL REF: 21-53-02	031200 968999	1
130	BACR15BA3ADC		..RIVET- SIZE DETERMINED ON INSTL.	031200 968999	2
135	BACR15BA4ADC		..RIVET- SIZE DETERMINED ON INSTL.	031200 968999	20
140	213A3413-1		..RETAINER-SEAL	031200 968999	1
145	213A3413-2		..RETAINER-SEAL	031200 968999	1
150	213A3412-1		..SEAL- POSITION DATA: LH SIDE QUALIFIED I/W DATA: 213A3412-5 MAY REPLACE BUT NOT BE REPLACED BY 213A3412-1 SUBJECT TO INCORPORATION OF SERVICE BULLETIN 737-21-1148	031200 968999	1
- 155	213A3412-2		..SEAL- POSITION DATA: RH SIDE	031200 968999	1
160	213A3412-3		..SEAL- POSITION DATA: LH SIDE	031200 968999	1
- 165	213A3412-4		..SEAL- POSITION DATA: RH SIDE	031200 968999	1
173	213A3420-7		.PANEL ASSY- POSITION DATA: LH QUALIFIED I/W DATA: 213A3420-7 MAY REPLACE 213A3420-5 SUBJECT TO INCORPORATION OF SERVICE BULLETIN 737-21-1148.	031200 968999	1

MISSING ITEM NUMBERS NOT APPLICABLE

- ITEM NOT ILLUSTRATED

HAP

21-51-23-01

BOEING PROPRIETARY - Copyright © - Unpublished Work - See title page for details.

21-51-23
FIG. 01
PAGE 4
OCT 15/08

BOEING
737-600/700/800/900
PARTS CATALOG (MAINTENANCE)

FIG ITEM	PART NUMBER	1 2 3 4 5 6 7	NOMENCLATURE	EFFECT FROM TO	UNITS PER ASSY
1 - 178	213A3420-8		.PANEL ASSY- POSITION DATA: RH QUALIFIED I/W DATA: 213A3420-8 MAY REPLACE 213A3420-6 SUBJECT TO INCORPORATION OF SERVICE BULLETIN 737-21-1148.	031200 968999	1
180	BACB30LK4-19		..BOLT	031200 968999	2
185	NAS1149D0463J		..WASHER	031200 968999	2
190	PLH54CD		..NUT SUPPLIER CODE: VFO224 SPECIFICATION NUMBER: BACN10YR4CD OPTIONAL PART: H52732-4CD V15653	031200 968999	2
195	BACB28AK04-058		..BUSHING	031200 968999	2
203	213A3424-2		..BLOCK-	031200 968999	2
205	WC331K5-8		..BOLT- SUPPLIER CODE: V60516 SPECIFICATION NUMBER: BACB30YP5K8	031200 968999	4
210	VL310AG5-10		..BOLT- SUPPLIER CODE: V06950 SPECIFICATION NUMBER: BACB30VT5HK10 OPTIONAL PART: VL310AG5-10 V9N513 VL310AG5-10 V97928 WC10K5-10 V60516	031200 968999	4
212	213A3422-4		..SPACER- OPTIONAL PART: BACF3F014R015NN	031200 968999	2
213	BACF3F014R015NN		..FILLER- OPTIONAL PART: 213A3422-4	031200 968999	2
215	BACC30BL5		..COLLAR	031200 968999	8

MISSING ITEM NUMBERS NOT APPLICABLE

- ITEM NOT ILLUSTRATED

HAP

21-51-23-01

BOEING PROPRIETARY - Copyright © - Unpublished Work - See title page for details.

21-51-23
FIG. 01
PAGE 5
FEB 15/09

BOEING
737-600/700/800/900
PARTS CATALOG (MAINTENANCE)

FIG ITEM	PART NUMBER	1 2 3 4 5 6 7	NOMENCLATURE	EFFECT FROM TO	UNITS PER ASSY
1					
225	213A3422-1	..	BRACKET ASSY	031200 968999	1
230	213A3422-2	..	BRACKET ASSY	031200 968999	1
235	213A3426-2	..	RETAINER-	031200 968999	1
240	213A3425-3	..	FLAPSEAL- QUALIFIED I/W DATA: 213A3425-3 MAY REPLACE BUT NOT BE REPLACED BY 213A3425-1 SUBJECT TO INCORPORATION OF SERVICE BULLETIN 737-21-1148 USED ON: 213A3420-7 213A3420-8	031200 968999	1
245	213A3412-5	..	SEAL- QUALIFIED I/W DATA: 213A3412-5 MAY REPLACE BUT NOT BE REPLACED BY 213A3412-1 SUBJECT TO INCORPORATION OF SERVICE BULLETIN 737-21-1148	031200 968999	4
250	VL310AG5-4	..	BOLT- SUPPLIER CODE: V06950 SPECIFICATION NUMBER: BACB30VT5HK4 OPTIONAL PART: VL310AG5-4 V9N513 VL310AG5-4 V97928 WC10K5-4 V60516	031200 968999	8
255	BACC30BL5	..	COLLAR-	031200 968999	8
260	213A3413-4	..	RETAINER-SEAL OPTIONAL PART: 213A3413-3	031200 968999	4
260	213A3413-3	..	RETAINER-SEAL OPTIONAL PART: 213A3413-4	031200 968999	4
265	213A3421-1	..	PANEL ASSY	031200 968999	1

MISSING ITEM NUMBERS NOT APPLICABLE

- ITEM NOT ILLUSTRATED

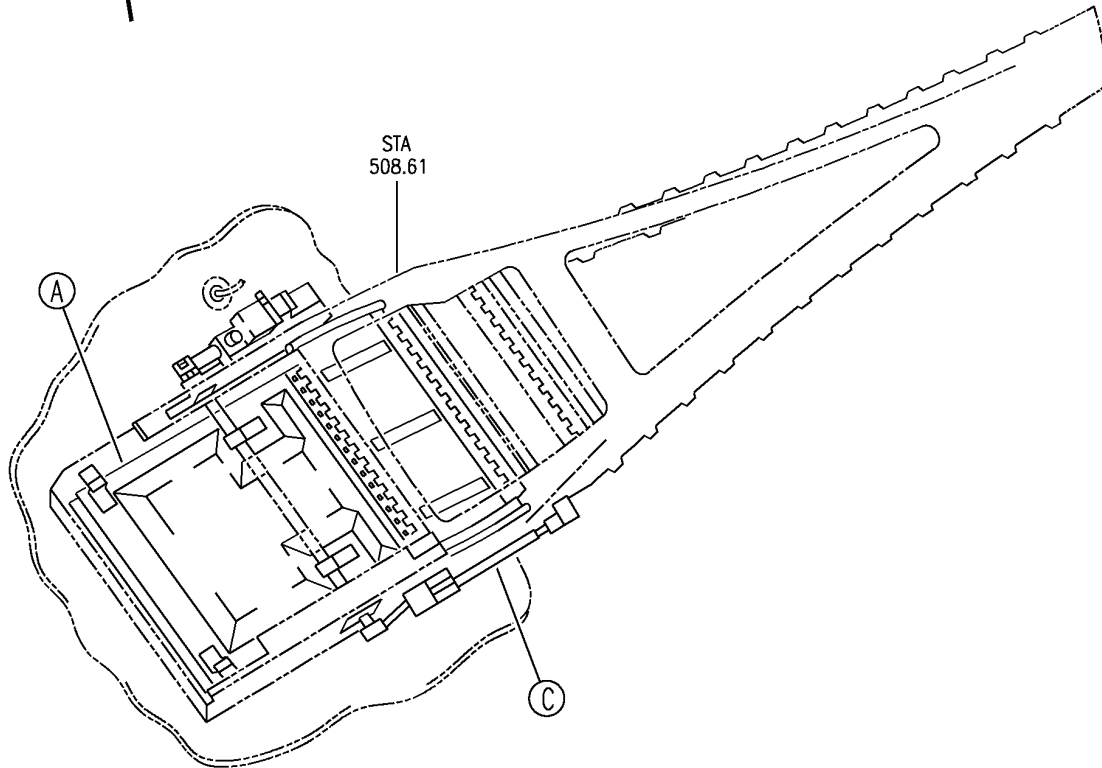
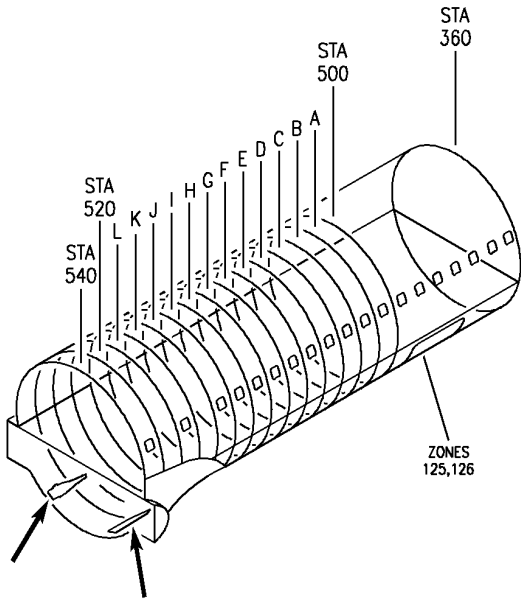
HAP

21-51-23-01

BOEING PROPRIETARY - Copyright © - Unpublished Work - See title page for details.

21-51-23
FIG. 01
PAGE 6
FEB 15/09

BOEING
 737-600/700/800/900
 PARTS CATALOG (MAINTENANCE)



E 21512301A SHT 1 REV 125

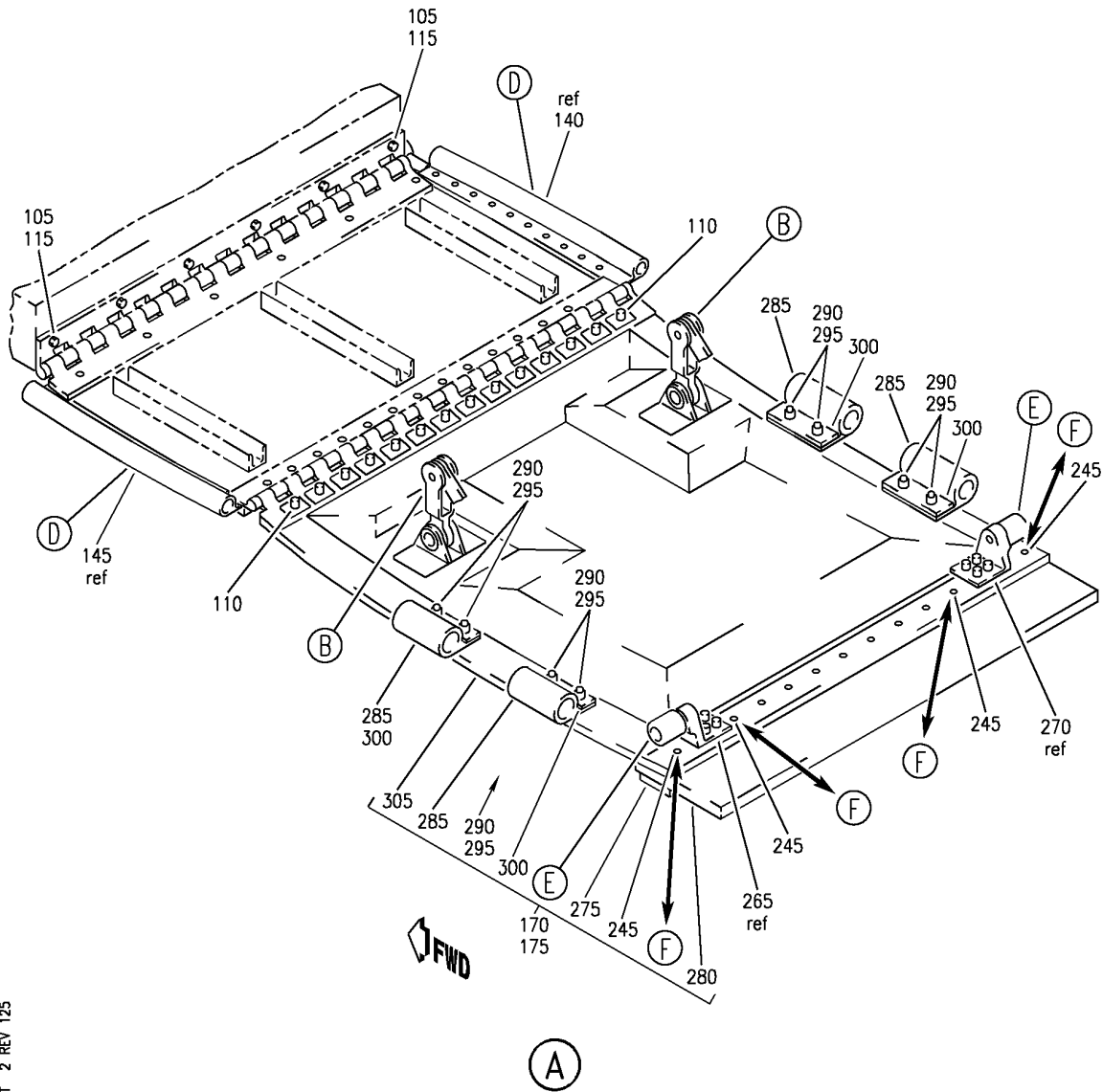
PANEL INSTL-RAM AIR INLET (RAM AIR INLET MODULATION PANEL ONLY)
 FIGURE 1A (SHEET 1)

21-51-23-01A

HAP
 FEB 10/07

21-51-23-01A
 PAGE 0

BOEING
 737-600/700/800/900
 PARTS CATALOG (MAINTENANCE)



E 21512301A SHT 2 REV 125

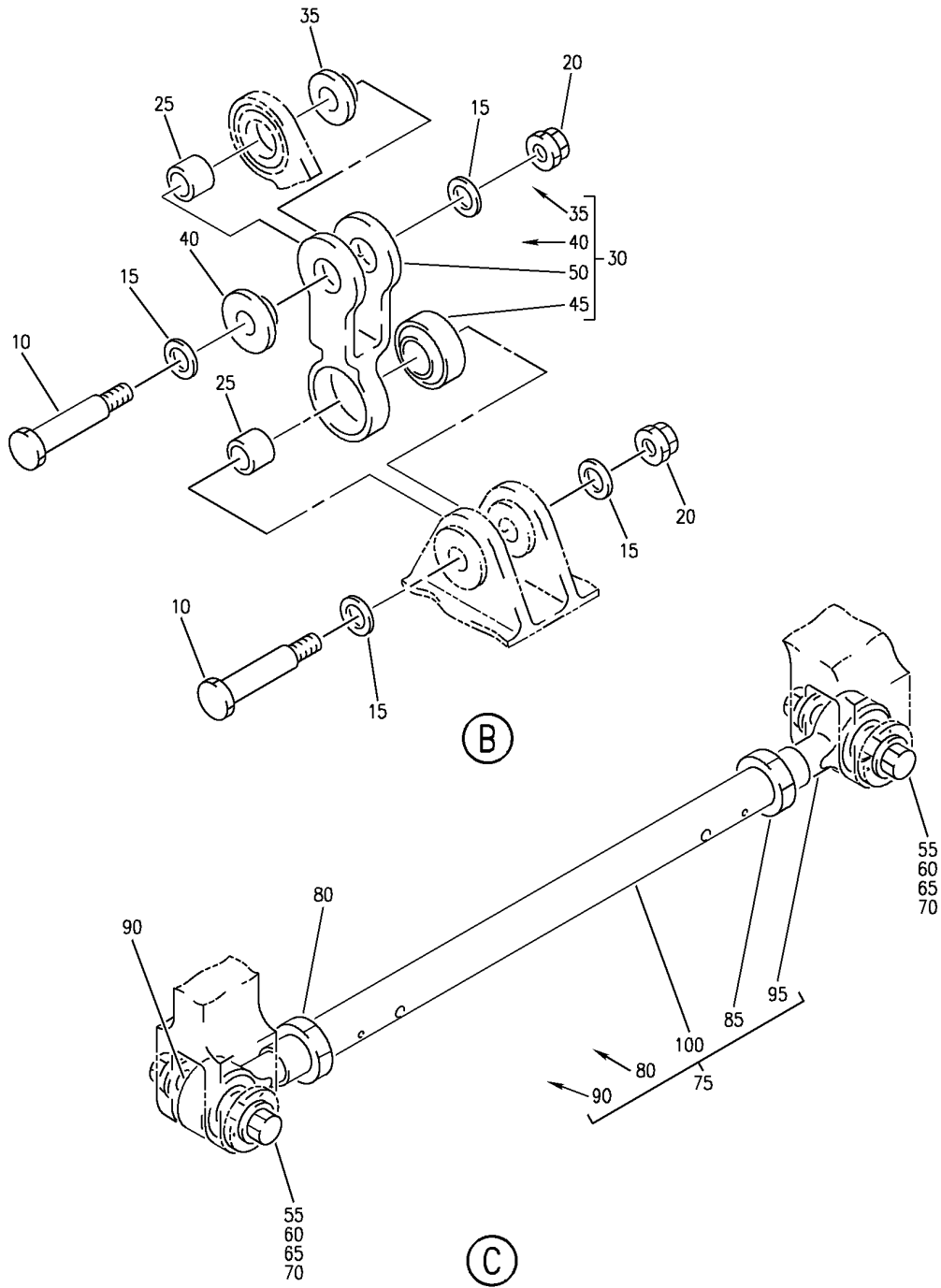
PANEL INSTL-RAM AIR INLET (RAM AIR INLET MODULATION PANEL ONLY)
 FIGURE 1A (SHEET 2)

21-51-23-01A

HAP
 FEB 10/07

21-51-23-01A
 PAGE 0A

BOEING
 737-600/700/800/900
 PARTS CATALOG (MAINTENANCE)



E 21512301A SHT 3 REV 125

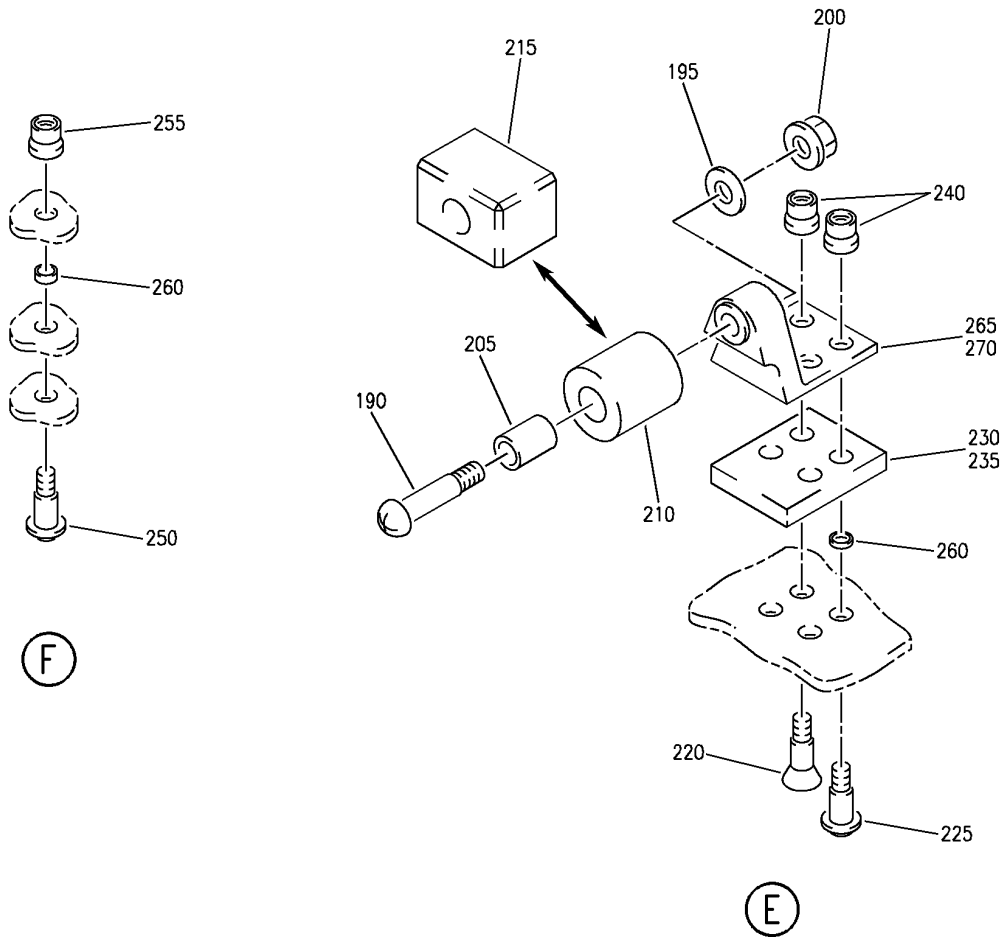
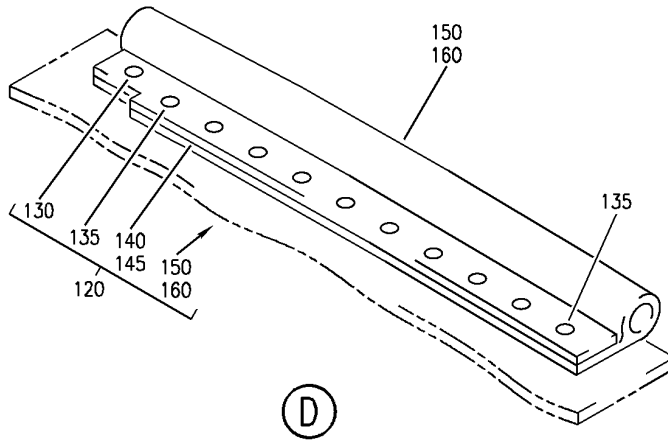
PANEL INSTL-RAM AIR INLET (RAM AIR INLET MODULATION PANEL ONLY)
 FIGURE 1A (SHEET 3)

21-51-23-01A

HAP
 FEB 10/07

21-51-23-01A
 PAGE 0B

BOEING
 737-600/700/800/900
 PARTS CATALOG (MAINTENANCE)



E 21512301A SHT 4 REV 125

PANEL INSTL-RAM AIR INLET (RAM AIR INLET MODULATION PANEL ONLY)
 FIGURE 1A (SHEET 4)

21-51-23-01A

HAP
 FEB 10/07

21-51-23-01A
 PAGE 0C

BOEING
737-600/700/800/900
PARTS CATALOG (MAINTENANCE)

FIG ITEM	PART NUMBER	1 2 3 4 5 6 7	NOMENCLATURE	EFFECT FROM TO	UNITS PER ASSY
1A			PANEL INSTL-RAM AIR INLET (RAM AIR INLET MODULATION PANEL ONLY)	001030 201967	
- 1	213A3004-5		PANEL INSTL-RAM AIR INLET (RAM AIR INLET MODULATION PANEL ONLY) POSITION DATA: LH FOR NHA/ADDITIONAL DET SEE: 21-50-00-01	001011 201967	RF
- 1	213A3004-7		PANEL INSTL-RAM AIR INLET (RAM AIR INLET MODULATION PANEL ONLY) POSITION DATA: LH FOR NHA/ADDITIONAL DET SEE: 21-50-00-01	012019	RF
- 1	213A3004-9		PANEL INSTL-RAM AIR INLET (RAM AIR INLET MODULATION PANEL ONLY) POSITION DATA: LH FOR NHA/ADDITIONAL DET SEE: 21-50-00-01	020030	RF
- 5	213A3004-6		PANEL INSTL-RAM AIR INLET (RAM AIR INLET MODULATION PANEL ONLY) POSITION DATA: RH FOR NHA/ADDITIONAL DET SEE: 21-50-00-01	001011 201967	RF
- 5	213A3004-8		PANEL INSTL-RAM AIR INLET (RAM AIR INLET MODULATION PANEL ONLY) POSITION DATA: RH FOR NHA/ADDITIONAL DET SEE: 21-50-00-01	012019	RF
- 5	213A3004-10		PANEL INSTL-RAM AIR INLET (RAM AIR INLET MODULATION PANEL ONLY) POSITION DATA: RH FOR NHA/ADDITIONAL DET SEE: 21-50-00-01	020030	RF
10	BACB30NR4K12		.BOLT	001030 201967	4
15	NAS1149D0432J		.WASHER	001030 201967	8

MISSING ITEM NUMBERS NOT APPLICABLE

- ITEM NOT ILLUSTRATED

HAP

21-51-23-01A

BOEING PROPRIETARY - Copyright © - Unpublished Work - See title page for details.

21-51-23
FIG. 01A
PAGE 1
OCT 15/08

BOEING
737-600/700/800/900
PARTS CATALOG (MAINTENANCE)

FIG ITEM	PART NUMBER	1 2 3 4 5 6 7	NOMENCLATURE	EFFECT FROM TO	UNITS PER ASSY
1A					
20	PLH54CD	.	NUT SUPPLIER CODE: VF0224 SPECIFICATION NUMBER: BACN10YR4CD OPTIONAL PART: H52732-4CD V15653	001030 201967	4
25	BACB28AK04-027	.	BUSHING	001030 201967	4
30	213A3440-1	.	CLEVIS ASSY	001030 201967	2
35	BACB28AP04P012	..	BUSHING	001030 201967	1
40	BACB28AT06B012C	..	BUSHING	001030 201967	1
45	ADB04V301NC	..	BEARING SUPPLIER CODE: V15860 SPECIFICATION NUMBER: BACB10FB04GC OPTIONAL PART: KNDB04-70 V97613 KSC145700BZ04GC V50632 NES04FBGC V73134 HTFB04GC VS0352	001030 201967	1
50	213A3441-1	..	CLEVIS	001030 201967	1
55	BACB30PW4P16	.	BOLT	001030 201967	2
60	NAS1149D0432J	.	WASHER	001030 201967	2
65	BACW10BN3SP	.	WASHER	001011 201967	2
65	BACW10BP3DP	.	WASHER	012030	2
70	PLH53CD	.	NUT SUPPLIER CODE: VF0224 SPECIFICATION NUMBER: BACN10YR3CD OPTIONAL PART: H52732-3CD V15653	001030 201967	2
75	213A3430-1	.	ROD ASSY	001030 201967	1

MISSING ITEM NUMBERS NOT APPLICABLE

— ITEM NOT ILLUSTRATED

HAP

21-51-23-01A

BOEING PROPRIETARY - Copyright © - Unpublished Work - See title page for details.

21-51-23
FIG. 01A
PAGE 2
FEB 15/09

BOEING
737-600/700/800/900
PARTS CATALOG (MAINTENANCE)

FIG ITEM	PART NUMBER	1 2 3 4 5 6 7	NOMENCLATURE	EFFECT FROM TO	UNITS PER ASSY
1 A					
80	NAS509-6	..	NUT	001030 201967	1
85	NAS509L6	..	NUT	001030 201967	1
90	ADNE04-4023-90	..	ROD END- SUPPLIER CODE: V15860 SPECIFICATION NUMBER: S012T235-304-90 OPTIONAL PART: AKNE04-4023-90 V15860	001030 201967	1
90	AKNE04-4023-90	..	ROD END- SUPPLIER CODE: V15860 SPECIFICATION NUMBER: S012T235-304-90 OPTIONAL PART: ADNE04-4023-90 V15860	001030 201967	1
95	AKNE04-4023-90	..	ROD END- SUPPLIER CODE: V15860 SPECIFICATION NUMBER: BCREF12610 MISCELLANEOUS DATA: OVER LENGTH SPEC PART NUMBER S012T235-304-890 OPTIONAL PART: ADNE04-4023-90 V15860	001030 201967	1
100	213A3430-3	..	TUBE	001030 201967	1
105	BACB30NM3K3	.	BOLT	001030 201967	6
110	BACB30VF3K4	.	BOLT- POSITION DATA: HEAD FAR SIDE	001030 201967	14
115	NAS1149D0332J	.	WASHER	001030 201967	6
120	213A3410-1	.	PANEL ASSY- POSITION DATA: FWD LH SIDE FUNCTIONAL DESCRIPTION: CONTROLS THE FLOW OF COOL RAM AIR INTO THE HEAT EXCHANGERS COMPONENT MAINT MANUAL REF: 21-53-02	001030 201967	1

MISSING ITEM NUMBERS NOT APPLICABLE

— ITEM NOT ILLUSTRATED

HAP

21-51-23-01A

BOEING PROPRIETARY - Copyright © - Unpublished Work - See title page for details.

21-51-23
FIG. 01A
PAGE 3
OCT 15/08

 **BOEING**
737-600/700/800/900
PARTS CATALOG (MAINTENANCE)

FIG ITEM	PART NUMBER	1 2 3 4 5 6 7	NOMENCLATURE	EFFECT FROM TO	UNITS PER ASSY
1A - 125	213A3410-2		.PANEL ASSY- POSITION DATA: FWD RH SIDE FUNCTIONAL DESCRIPTION: CONTROLS THE FLOW OF COOL RAM AIR INTO THE HEAT EXCHANGERS COMPONENT MAINT MANUAL REF: 21-53-02	001030 201967	1
130	BACR15BA3ADC		..RIVET- SIZE DETERMINED ON INSTL.	001030 201967	2
135	BACR15BA4ADC		..RIVET- SIZE DETERMINED ON INSTL.	001030 201967	20
140	213A3413-1		..RETAINER-SEAL	001030 201967	1
145	213A3413-2		..RETAINER-SEAL	001030 201967	1
150	213A3412-1		..SEAL- POSITION DATA: LH SIDE QUALIFIED I/W DATA: 213A3412-5 MAY REPLACE BUT NOT BE REPLACED BY 213A3412-1 SUBJECT TO INCORPORATION OF SERVICE BULLETIN 737-21-1148	001030 201967	1
- 155	213A3412-2		..SEAL- POSITION DATA: RH SIDE	001030 201967	1
160	213A3412-3		..SEAL- POSITION DATA: LH SIDE	001030 201967	1
- 165	213A3412-4		..SEAL- POSITION DATA: RH SIDE	001030 201967	1
170	213A3420-1		.PANEL ASSY- POSITION DATA: AFT COMPONENT MAINT MANUAL REF: 21-53-02 PRE SERVICE BULLETIN: 21-1148R1	001011 201967	1
170	213A3420-3		.PANEL ASSY- POSITION DATA: LH COMPONENT MAINT MANUAL REF: 21-53-02 PRE SERVICE BULLETIN: 21-1148R1	001019 201967	1

MISSING ITEM NUMBERS NOT APPLICABLE

- ITEM NOT ILLUSTRATED

HAP

21-51-23-01A

BOEING PROPRIETARY - Copyright © - Unpublished Work - See title page for details.

21-51-23
FIG. 01A
PAGE 4
OCT 15/08

BOEING
737-600/700/800/900
PARTS CATALOG (MAINTENANCE)

FIG ITEM	PART NUMBER	1 2 3 4 5 6 7	NOMENCLATURE	EFFECT FROM TO	UNITS PER ASSY
1A 170	213A3420-5		.PANEL ASSY- POSITION DATA: LH COMPONENT MAINT MANUAL REF: 21-53-02 QUALIFIED I/W DATA: 213A3420-7 MAY REPLACE 213A3420-5 SUBJECT TO INCORPORATION OF SERVICE BULLETIN 737-21-1148. PRE SERVICE BULLETIN: 21-1148R1	001030 201967	1
175	213A3420-7		.PANEL ASSY- POSITION DATA: LH QUALIFIED I/W DATA: 213A3420-7 MAY REPLACE 213A3420-5 SUBJECT TO INCORPORATION OF SERVICE BULLETIN 737-21-1148. POST SERVICE BULLETIN: 21-1148R1	001030 201967	1
- 180	213A3420-4		.PANEL ASSY- POSITION DATA: RH COMPONENT MAINT MANUAL REF: 21-53-02 PRE SERVICE BULLETIN: 21-1148R1	001019 201967	1
- 180	213A3420-6		.PANEL ASSY- POSITION DATA: RH COMPONENT MAINT MANUAL REF: 21-53-02 QUALIFIED I/W DATA: 213A3420-8 MAY REPLACE 213A3420-6 SUBJECT TO INCORPORATION OF SERVICE BULLETIN 737-21-1148. PRE SERVICE BULLETIN: 21-1148R1	001030 201967	1
- 180	213A3420-1		.PANEL ASSY- POSITION DATA: AFT COMPONENT MAINT MANUAL REF: 21-53-02 PRE SERVICE BULLETIN: 21-1148R1	001011 201967	1

MISSING ITEM NUMBERS NOT APPLICABLE

- ITEM NOT ILLUSTRATED

HAP

21-51-23-01A

BOEING PROPRIETARY - Copyright © - Unpublished Work - See title page for details.

21-51-23
FIG. 01A
PAGE 5
OCT 15/08

BOEING
737-600/700/800/900
PARTS CATALOG (MAINTENANCE)

FIG ITEM	PART NUMBER	1 2 3 4 5 6 7	NOMENCLATURE	EFFECT FROM TO	UNITS PER ASSY
1A - 185	213A3420-8		.PANEL ASSY- POSITION DATA: RH QUALIFIED I/W DATA: 213A3420-8 MAY REPLACE 213A3420-6 SUBJECT TO INCORPORATION OF SERVICE BULLETIN 737-21-1148. POST SERVICE BULLETIN: 21-1148R1	001030 201967	1
190	BACB30LK4-19		..BOLT	001030 201967	2
195	NAS1149D0463J		..WASHER	001030 201967	2
200	PLH54CD		..NUT SUPPLIER CODE: VF0224 SPECIFICATION NUMBER: BACN10YR4CD OPTIONAL PART: H52732-4CD V15653	001030 201967	2
205	BACB28AK04-058		..BUSHING	001030 201967	2
210	213A3424-1		..ROLLER- PRE SERVICE BULLETIN: 21-1148R1	001030 201967	2
215	213A3424-2		..BLOCK- POST SERVICE BULLETIN: 21-1148R1	001030 201967	2
220	HST11AG5-4		..BOLT- SUPPLIER CODE: V06725 SPECIFICATION NUMBER: BACB30VU5K4 OPTIONAL PART: HST11AG5-4 V73197 HST11AG5-4 VOPTK6 HST11AG5-4 V56878 USED ON: 213A3420-1 PRE SERVICE BULLETIN: 21-1148R1	001011 201967	4

MISSING ITEM NUMBERS NOT APPLICABLE

- ITEM NOT ILLUSTRATED

HAP

21-51-23-01A

BOEING PROPRIETARY - Copyright © - Unpublished Work - See title page for details.

21-51-23
FIG. 01A
PAGE 6
FEB 15/09

BOEING
737-600/700/800/900
PARTS CATALOG (MAINTENANCE)

FIG ITEM	PART NUMBER	1 2 3 4 5 6 7	NOMENCLATURE	EFFECT FROM TO	UNITS PER ASSY
1A 220	WC331K5-4		..BOLT- SUPPLIER CODE: V60516 SPECIFICATION NUMBER: BACB30YP5K4 USED ON: 213A3420-3 213A3420-4 PRE SERVICE BULLETIN: 21-1148R1	001019 201967	4
220	WC331K5-8		..BOLT- SUPPLIER CODE: V60516 SPECIFICATION NUMBER: BACB30YP5K8 POST SERVICE BULLETIN: 21-1148R1	001030 201967	4
225	HST10AG5-5		..BOLT- SUPPLIER CODE: VOPTK6 SPECIFICATION NUMBER: BACB30VT5K5 OPTIONAL PART: HST10AG5-5 V06725 HST10AG5-5 V56878 HST10AG5-5 V73197 USED ON: 213A3420-1 213A3420-3 213A3420-4 PRE SERVICE BULLETIN: 21-1148R1	001019 201967	4
225	VL310AG5-10		..BOLT- SUPPLIER CODE: V06950 SPECIFICATION NUMBER: BACB30VT5HK10 OPTIONAL PART: VL310AG5-10 V9N513 VL310AG5-10 V97928 WC10K5-10 V60516 POST SERVICE BULLETIN: 21-1148R1	001030 201967	4

MISSING ITEM NUMBERS NOT APPLICABLE

— ITEM NOT ILLUSTRATED

HAP

21-51-23-01A

BOEING PROPRIETARY - Copyright © - Unpublished Work - See title page for details.

21-51-23
FIG. 01A
PAGE 7
OCT 15/08

BOEING
737-600/700/800/900
PARTS CATALOG (MAINTENANCE)

FIG ITEM	PART NUMBER	1 2 3 4 5 6 7	NOMENCLATURE	EFFECT FROM TO	UNITS PER ASSY
1A 230	213A3422-4	..	SPACER- OPTIONAL PART: BACF3F014R015NN POST SERVICE BULLETIN: 21-1148R1	001030 201967	2
235	BACF3F014R015NN	..	FILLER- OPTIONAL PART: 213A3422-4 POST SERVICE BULLETIN: 21-1148R1	001030 201967	2
240	BACC30BL5	..	COLLAR	001030 201967	8
245	BACR15BB4ADC	..	RIVET- SIZE DETERMINED ON INSTL. USED ON: 213A3420-1 213A3420-3 213A3420-4 PRE SERVICE BULLETIN: 21-1148R1	001019 201967	11
250	VL310AG5-4	..	BOLT- SUPPLIER CODE: V06950 SPECIFICATION NUMBER: BACB30VT5HK4 OPTIONAL PART: VL310AG5-4 V9N513 VL310AG5-4 V97928 WC10K5-4 V60516 POST SERVICE BULLETIN: 21-1148R1	001030 201967	11
255	BACC30BL5	..	COLLAR- POST SERVICE BULLETIN: 21-1148R1	001030 201967	11
260	NAS43DD3-7FC	..	SPACER- POST SERVICE BULLETIN: 21-1148R1	001030 201967	15
265	213A3422-1	..	BRACKET ASSY	001030 201967	1
270	213A3422-2	..	BRACKET ASSY	001030 201967	1

MISSING ITEM NUMBERS NOT APPLICABLE

— ITEM NOT ILLUSTRATED

HAP

21-51-23-01A

BOEING PROPRIETARY - Copyright © - Unpublished Work - See title page for details.

21-51-23
FIG. 01A
PAGE 8
FEB 15/09

 **BOEING**
737-600/700/800/900
PARTS CATALOG (MAINTENANCE)

FIG ITEM	PART NUMBER	1 2 3 4 5 6 7	NOMENCLATURE	EFFECT FROM TO	UNITS PER ASSY
1A 275	213A3426-1		..RETAINER- USED ON: 213A3420-1 213A3420-3 213A3420-4 PRE SERVICE BULLETIN: 21-1148R1	001019 201967	1
275	213A3426-2		..RETAINER- POST SERVICE BULLETIN: 21-1148R1	001030 201967	1
280	213A3425-1		..FLAPSEAL- QUALIFIED I/W DATA: 213A3425-3 MAY REPLACE BUT NOT BE REPLACED BY 213A3425-1 SUBJECT TO INCORPORATION OF SERVICE BULLETIN 737-21-1148 USED ON: 213A3420-1 PRE SERVICE BULLETIN: 21-1148R1	001019 201967	1
280	213A3425-2		..FLAPSEAL- USED ON: 213A3420-3 213A3420-4 PRE SERVICE BULLETIN: 21-1148R1	001019 201967	1
280	213A3425-3		..FLAPSEAL- QUALIFIED I/W DATA: 213A3425-3 MAY REPLACE BUT NOT BE REPLACED BY 213A3425-1 SUBJECT TO INCORPORATION OF SERVICE BULLETIN 737-21-1148 USED ON: 213A3420-7 213A3420-8 POST SERVICE BULLETIN: 21-1148R1	001030 201967	1
285	213A3412-5		..SEAL- QUALIFIED I/W DATA: 213A3412-5 MAY REPLACE BUT NOT BE REPLACED BY 213A3412-1 SUBJECT TO INCORPORATION OF SERVICE BULLETIN 737-21-1148 POST SERVICE BULLETIN: 21-1148R1	001030 201967	4

MISSING ITEM NUMBERS NOT APPLICABLE

- ITEM NOT ILLUSTRATED

HAP

21-51-23-01A

BOEING PROPRIETARY - Copyright © - Unpublished Work - See title page for details.

21-51-23
FIG. 01A
PAGE 9
FEB 15/09

BOEING
737-600/700/800/900
PARTS CATALOG (MAINTENANCE)

FIG ITEM	PART NUMBER	1 2 3 4 5 6 7	NOMENCLATURE	EFFECT FROM TO	UNITS PER ASSY
1A 290	VL310AG5-4	..	BOLT- SUPPLIER CODE: V06950 SPECIFICATION NUMBER: BACB30VT5HK4 OPTIONAL PART: VL310AG5-4 V9N513 VL310AG5-4 V97928 WC10K5-4 V60516 POST SERVICE BULLETIN: 21-1148R1	001030 201967	8
295	BACC30BL5	..	COLLAR- POST SERVICE BULLETIN: 21-1148R1	001030 201967	8
300	213A3413-4	..	RETAINER-SEAL OPTIONAL PART: 213A3413-3 POST SERVICE BULLETIN: 21-1148R1	001030 201967	4
300	213A3413-3	..	RETAINER-SEAL OPTIONAL PART: 213A3413-4	001030 201967	4
305	213A3421-1	..	PANEL ASSY	001030 201967	1

MISSING ITEM NUMBERS NOT APPLICABLE

— ITEM NOT ILLUSTRATED

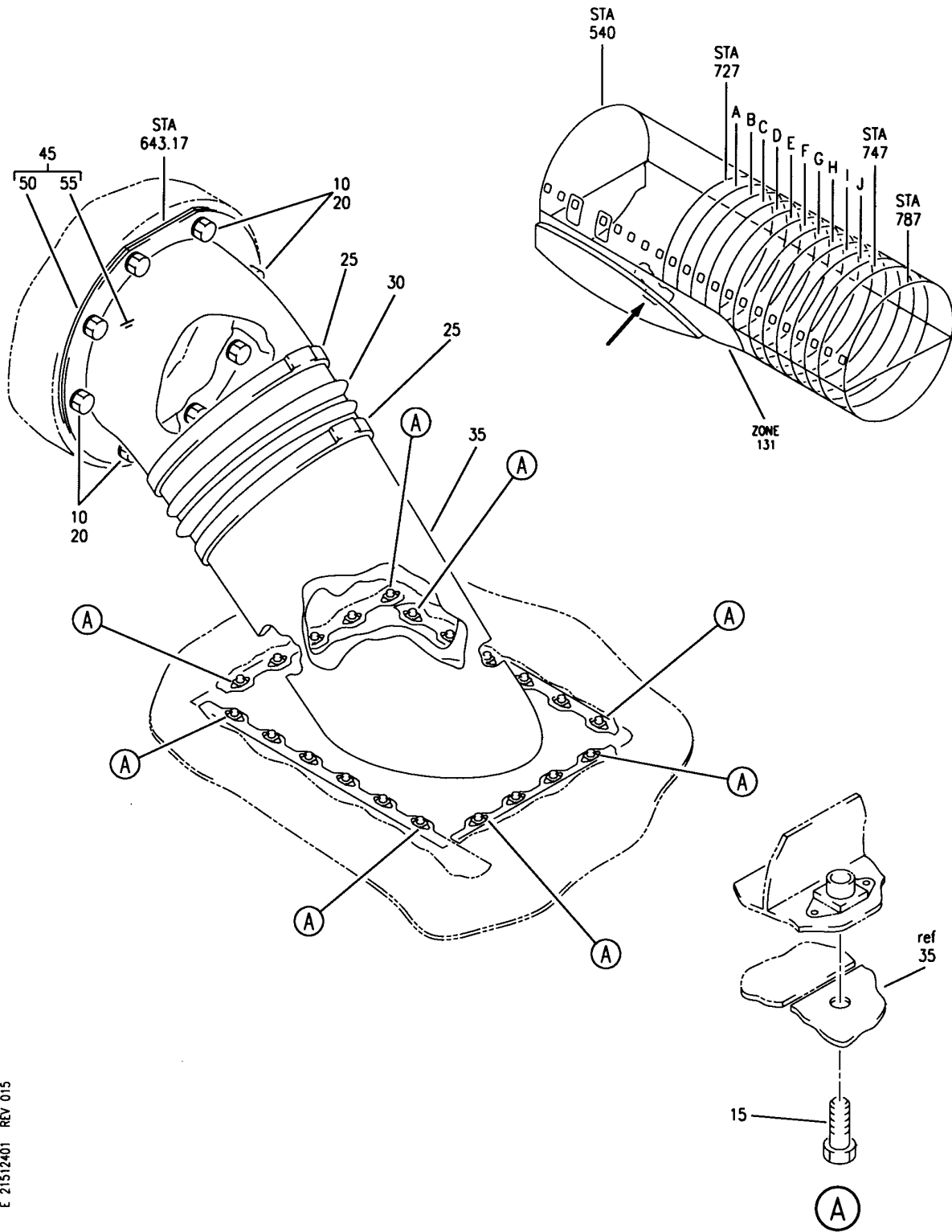
HAP

21-51-23-01A

BOEING PROPRIETARY - Copyright © - Unpublished Work - See title page for details.

21-51-23
FIG. 01A
PAGE 10
FEB 15/09

BOEING
 737-600/700/800/900
 PARTS CATALOG (MAINTENANCE)



E 21512401 REV 015

DUCT INSTL-RAM AIR EXH
 FIGURE 1

21-51-24-01

HAP
 OCT 10/06

21-51-24-01
 PAGE 0

BOEING
737-600/700/800/900
PARTS CATALOG (MAINTENANCE)

FIG ITEM	PART NUMBER	1 2 3 4 5 6 7	NOMENCLATURE	EFFECT FROM TO	UNITS PER ASSY
1			DUCT INSTL-RAM AIR EXH	001030 201967	
- 1	213A3003-1		DUCT INSTL-RAM AIR EXH POSITION DATA: LH FOR NHA SEE: 21-50-00-01B 21-50-00-01C	001027 201967	RF
- 1	213A3003-7		DUCT INSTL-RAM AIR EXH POSITION DATA: LH FOR NHA SEE: 21-50-00-01C	028030	RF
- 5	213A3003-2		DUCT INSTL-RAM AIR EXH POSITION DATA: RH FOR NHA SEE: 21-50-00-01B 21-50-00-01C	001027 201967	RF
- 5	213A3003-8		DUCT INSTL-RAM AIR EXH POSITION DATA: RH FOR NHA SEE: 21-50-00-01B 21-50-00-01C	028030	RF
10	BACB30NM3K7		.BOLT-	001030 201967	8
15	BACB30NN3K4		.BOLT-	001030 201967	21
20	BACW10BP3CD		.WASHER-	001027 201967	8
20	NAS1149E0363P		.WASHER	028030	8
25	NAS1922-0925-3		.CLAMP- OPTIONAL PART: NAS1922-0925-1	001030 201967	2
25	NAS1922-0925-1		.CLAMP- OPTIONAL PART: NAS1922-0925-3	001030 201967	2
30	AS1505-37A0042		.HOSE-	001030 201967	1
35	213A3310-1		.DUCT- POSITION DATA: LH SIDE MAINTENANCE MANUAL REF: 21-51-24	001027 201967	1

MISSING ITEM NUMBERS NOT APPLICABLE

- ITEM NOT ILLUSTRATED

HAP

21-51-24-01

BOEING PROPRIETARY - Copyright © - Unpublished Work - See title page for details.

21-51-24
FIG. 01
PAGE 1
OCT 15/08

BOEING
737-600/700/800/900
PARTS CATALOG (MAINTENANCE)

FIG ITEM	PART NUMBER	1 2 3 4 5 6 7	NOMENCLATURE	EFFECT FROM TO	UNITS PER ASSY
1					
35	213A3310-3		. DUCT- POSITION DATA: LH SIDE MAINTENANCE MANUAL REF: 21-51-24	028030	1
- 40	213A3310-2		. DUCT- POSITION DATA: RH SIDE MAINTENANCE MANUAL REF: 21-51-24	001027 201967	1
- 40	213A3310-4		. DUCT- POSITION DATA: RH SIDE MAINTENANCE MANUAL REF: 21-51-24	028030	1
45	213A3320-2		. DUCT ASSY- MAINTENANCE MANUAL REF: 21-51-24	001030 201967	1
50	213A3322-2		.. GASKET- MAINTENANCE MANUAL REF: 21-51-03	001030 201967	2
55	213A3321-1		.. DUCT-ELBOW	001030 201967	2

MISSING ITEM NUMBERS NOT APPLICABLE

- ITEM NOT ILLUSTRATED

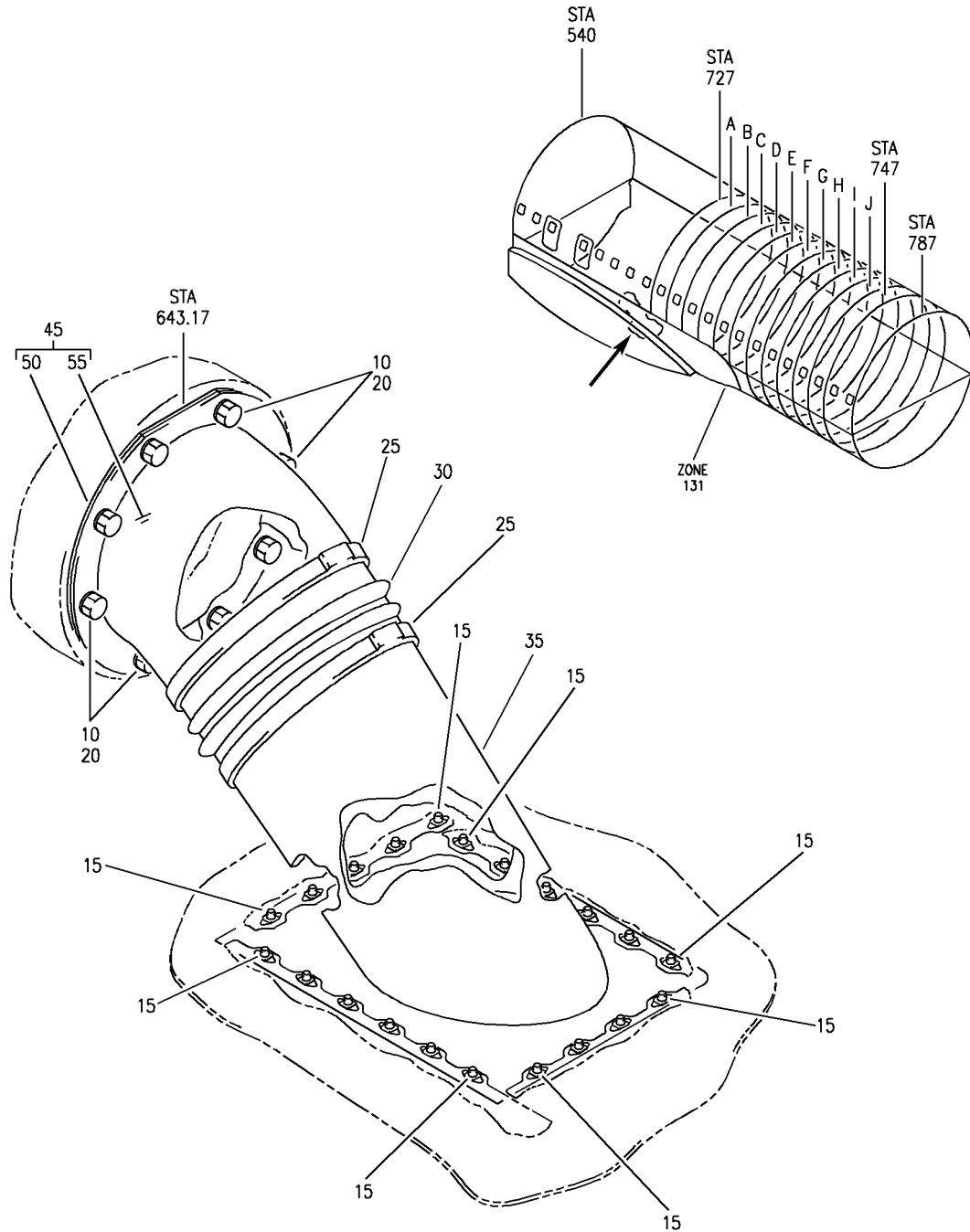
HAP

21-51-24-01

BOEING PROPRIETARY - Copyright © - Unpublished Work - See title page for details.

21-51-24
FIG. 01
PAGE 2
OCT 15/08

BOEING
 737-600/700/800/900
 PARTS CATALOG (MAINTENANCE)



E 21512401A REV 126

DUCT INSTL-RAM AIR EXH
 FIGURE 1A

21-51-24-01A

HAP
 FEB 10/07

21-51-24-01A
 PAGE 0

BOEING
737-600/700/800/900
PARTS CATALOG (MAINTENANCE)

FIG ITEM	PART NUMBER	1 2 3 4 5 6 7	NOMENCLATURE	EFFECT FROM TO	UNITS PER ASSY
1 A			DUCT INSTL-RAM AIR EXH	031200 968999	
- 1	MODREF81165		DUCT INSTL-RAM AIR EXH MODULE NUMBER: 213A3003-7 REV A POSITION DATA: LH	031200 968999	1
- 5	MODREF81166		DUCT INSTL-RAM AIR EXH MODULE NUMBER: 213A3003-8 REV A POSITION DATA: RH	031200 968999	1
10	BACB30NM3K7		.BOLT-	031200 968999	8
15	BACB30NN3K4		.BOLT-	031200 968999	21
20	NAS1149E0363P		.WASHER	031200 968999	8
25	NAS1922-0925-3		.CLAMP- OPTIONAL PART: NAS1922-0925-1	031200 968999	2
25	NAS1922-0925-1		.CLAMP- OPTIONAL PART: NAS1922-0925-3	031200 968999	2
30	AS1505-37A0042		.HOSE-	031200 968999	1
35	213A3310-3		.DUCT- POSITION DATA: LH SIDE MAINTENANCE MANUAL REF: 21-51-24	031200 968999	1
- 40	213A3310-4		.DUCT- POSITION DATA: RH SIDE MAINTENANCE MANUAL REF: 21-51-24	031200 968999	1
45	213A3320-2		.DUCT ASSY-	031200 968999	1
50	213A3322-2		..GASKET- MAINTENANCE MANUAL REF: 21-51-03	031200 968999	1
55	213A3321-1		..DUCT-ELBOW MAINTENANCE MANUAL REF: 21-51-24	031200 968999	1

MISSING ITEM NUMBERS NOT APPLICABLE

- ITEM NOT ILLUSTRATED

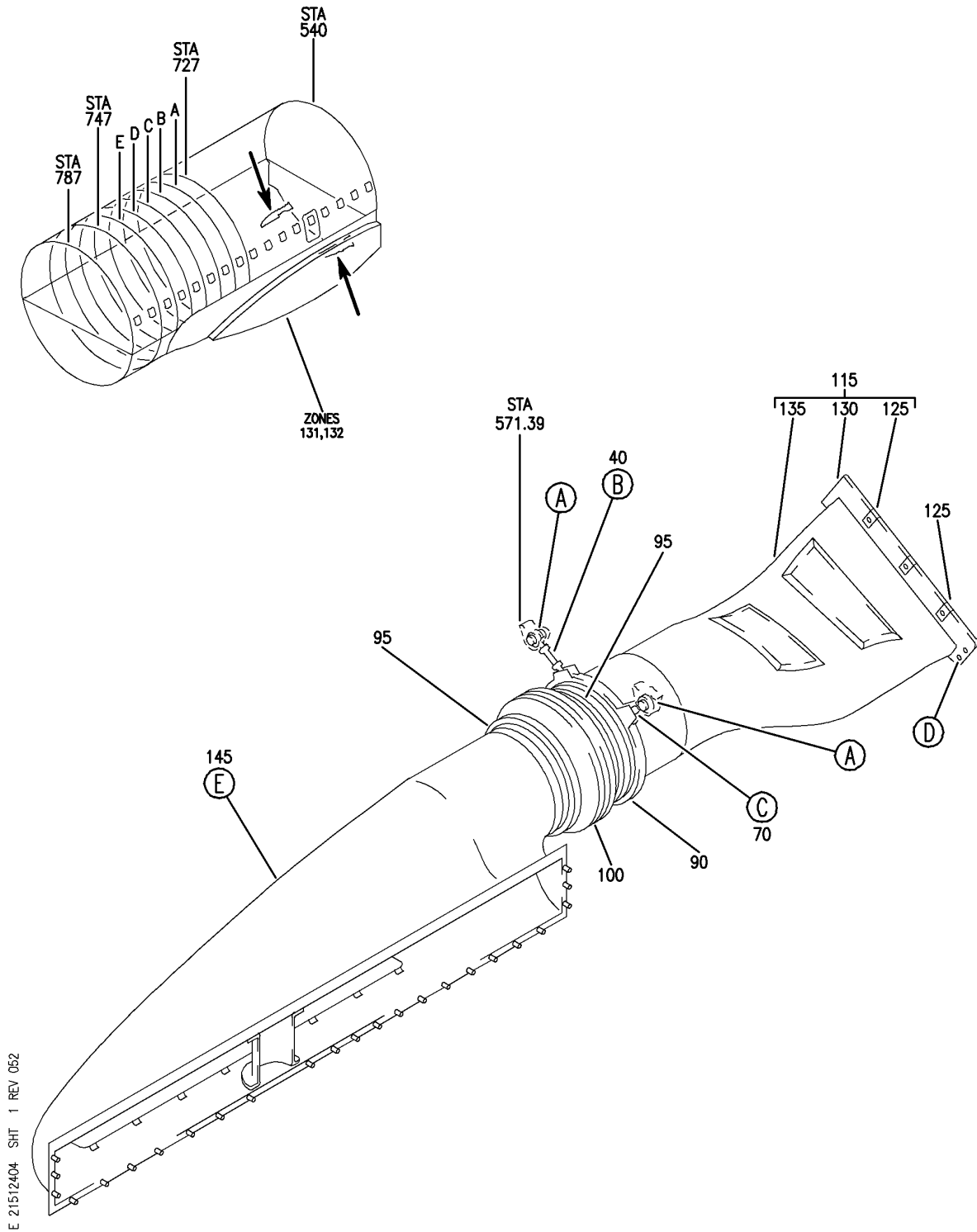
HAP

21-51-24-01A

BOEING PROPRIETARY - Copyright © - Unpublished Work - See title page for details.

21-51-24
FIG. 01A
PAGE 1
OCT 15/08

BOEING
 737-600/700/800/900
 PARTS CATALOG (MAINTENANCE)



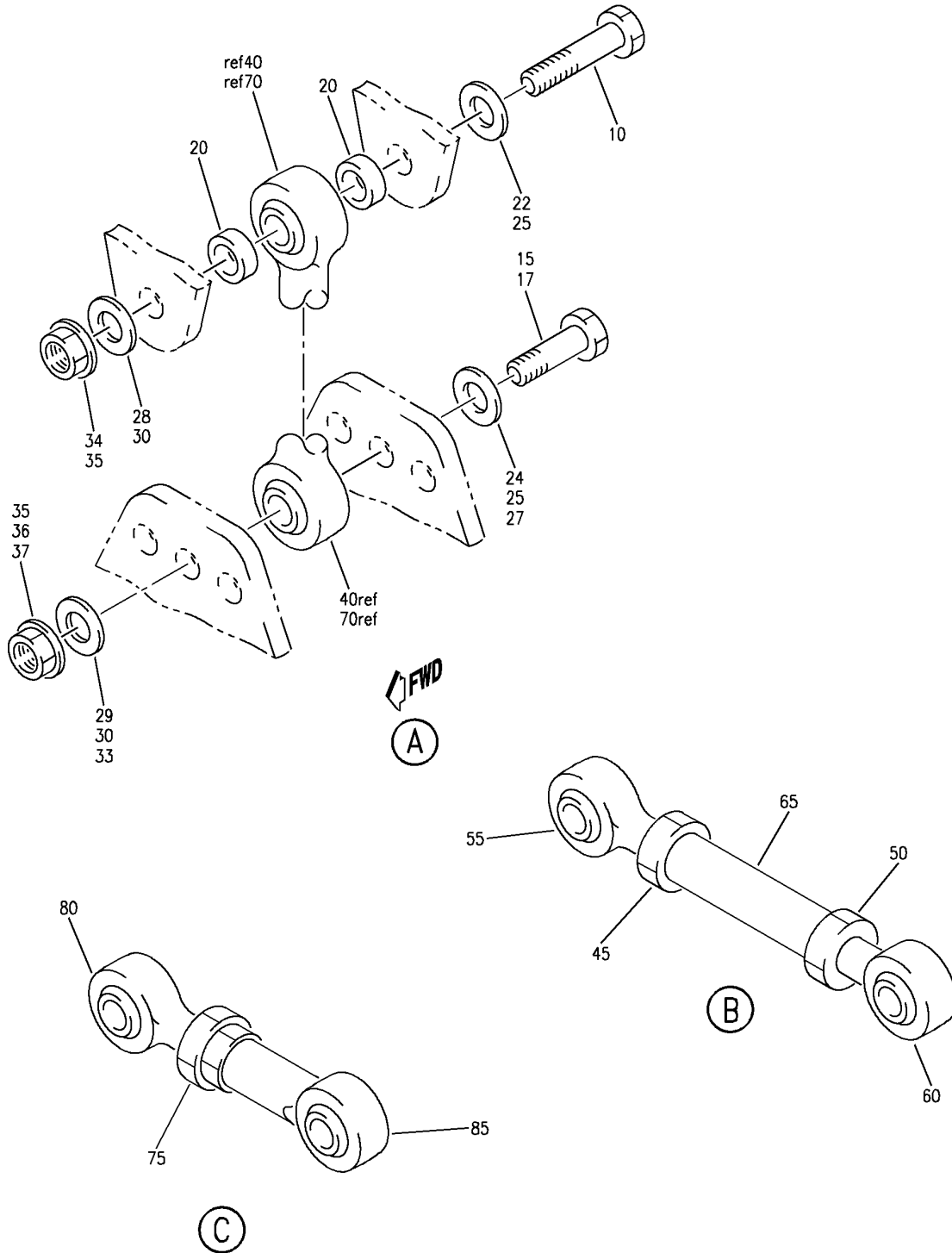
DUCT INSTL-RAM AIR INLET
 FIGURE 4 (SHEET 1)

21-51-24-04

HAP
 OCT 10/06

21-51-24-04
 PAGE 0

BOEING
 737-600/700/800/900
 PARTS CATALOG (MAINTENANCE)



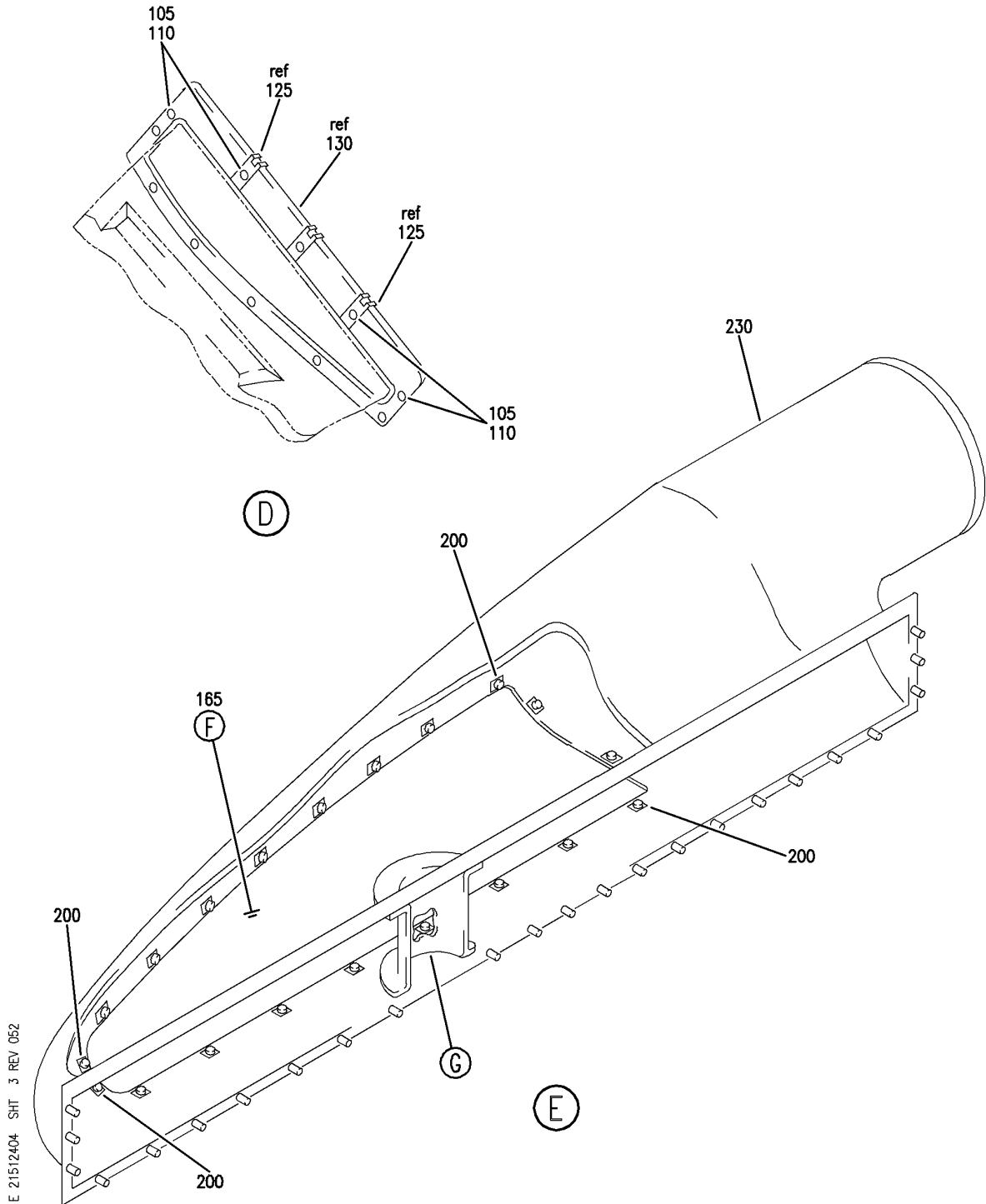
E 21512404 SHT 2 REV 120

DUCT INSTL-RAM AIR INLET
 FIGURE 4 (SHEET 2)

21-51-24-04

HAP
 OCT 10/06

21-51-24-04
 PAGE 0A



E 21512404 SHT 3 REV 052

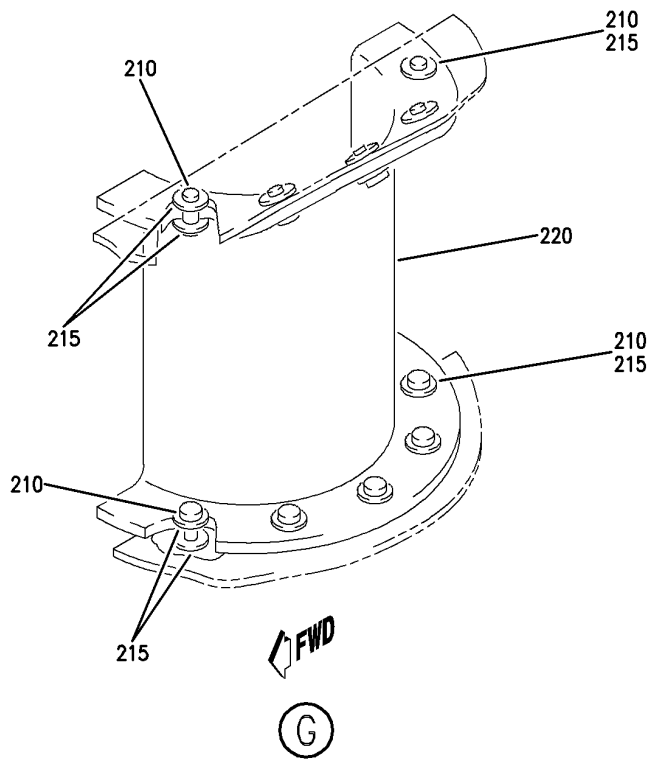
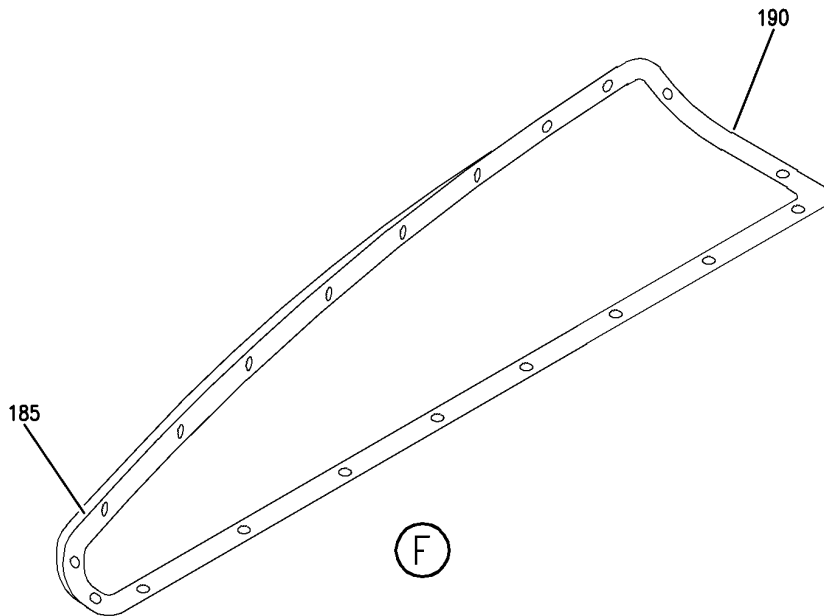
DUCT INSTL-RAM AIR INLET
FIGURE 4 (SHEET 3)

21-51-24-04

HAP
OCT 10/06

21-51-24-04
PAGE 0B

BOEING
737-600/700/800/900
PARTS CATALOG (MAINTENANCE)



E 21512404 SHT 4 REV 052

DUCT INSTL-RAM AIR INLET
FIGURE 4 (SHEET 4)

21-51-24-04

HAP
OCT 10/06

21-51-24-04
PAGE 0C

BOEING
737-600/700/800/900
PARTS CATALOG (MAINTENANCE)

FIG ITEM	PART NUMBER	1 2 3 4 5 6 7	NOMENCLATURE	EFFECT FROM TO	UNITS PER ASSY
4			DUCT INSTL-RAM AIR INLET	001030 201967	
- 1	213A3002-1		DUCT INSTL-RAM AIR INLET POSITION DATA: LH FOR NHA SEE: 21-50-00-01B 21-50-00-01C	001030 201967	RF
- 5	213A3002-2		DUCT INSTL-RAM AIR INLET POSITION DATA: RH FOR NHA SEE: 21-50-00-01B 21-50-00-01C	001030 201967	RF
10	BACB30NR4K17		.BOLT	001030 201967	2
15	BACB30NR4K10		.BOLT- QUALIFIED SB I/W DATA: USE THIS LOCATION IF EXISTING HOLE IS NOT DAMAGED PER SB 21-1148	001030 201967	2
17	BACB30NR4K10		.BOLT- POST SERVICE BULLETIN: 21-1148R1 QUALIFIED SB I/W DATA: ALTERNATE LOCATION IF EXISTING HOLES ARE DAMAGED PER SB 21-1148	001030 201967	2
20	NAS43DD4-9FC		.SPACER	001030 201967	4
22	BACW10BN4AC		.WASHER- POSITION DATA: UNDER HEAD	001030 201967	2
24	BACW10BN4AC		.WASHER- POSITION DATA: UNDER HEAD QUALIFIED SB I/W DATA: USE THIS LOCATION IF EXISTING HOLE IS NOT DAMAGED PER SB 21-1148	001030 201967	2
27	BACW10BN4AC		.WASHER- POSITION DATA: UNDER HEAD POST SERVICE BULLETIN: 21-1148R1 QUALIFIED SB I/W DATA: ALTERNATE LOCATION IF EXISTING HOLES ARE DAMAGED PER SB 21-1148	001030 201967	2

MISSING ITEM NUMBERS NOT APPLICABLE

- ITEM NOT ILLUSTRATED

HAP

21-51-24-04

BOEING PROPRIETARY - Copyright © - Unpublished Work - See title page for details.

21-51-24
FIG. 04
PAGE 1
OCT 15/08

BOEING
737-600/700/800/900
PARTS CATALOG (MAINTENANCE)

FIG ITEM	PART NUMBER	1 2 3 4 5 6 7	NOMENCLATURE	EFFECT FROM TO	UNITS PER ASSY
4					
28	NAS1149D0432J	.	WASHER	001030 201967	2
29	NAS1149D0432J	.	WASHER- QUALIFIED SB I/W DATA: USE THIS LOCATION IF EXISTING HOLE IS NOT DAMAGED PER SB 21-1148	001030 201967	2
33	NAS1149D0432J	.	WASHER- POST SERVICE BULLETIN: 21-1148R1 QUALIFIED SB I/W DATA: ALTERNATE LOCATION IF EXISTING HOLES ARE DAMAGED PER SB 21-1148	001030 201967	2
34	PLH54CD	.	NUT SUPPLIER CODE: VF0224 SPECIFICATION NUMBER: BACN10YR4CD OPTIONAL PART: H52732-4CD V15653	001030 201967	2
36	PLH54CD	.	NUT- SUPPLIER CODE: VF0224 SPECIFICATION NUMBER: BACN10YR4CD OPTIONAL PART: H52732-4CD V15653 QUALIFIED SB I/W DATA: USE THIS LOCATION IF EXISTING HOLE IS NOT DAMAGED PER SB 21-1148	001030 201967	2
37	PLH54CD	.	NUT- SUPPLIER CODE: VF0224 SPECIFICATION NUMBER: BACN10YR4CD OPTIONAL PART: H52732-4CD V15653 POST SERVICE BULLETIN: 21-1148R1 QUALIFIED SB I/W DATA: ALTERNATE LOCATION IF EXISTING HOLES ARE DAMAGED PER SB 21-1148	001030 201967	2

MISSING ITEM NUMBERS NOT APPLICABLE

— ITEM NOT ILLUSTRATED

HAP

21-51-24-04

BOEING PROPRIETARY - Copyright © - Unpublished Work - See title page for details.

21-51-24
FIG. 04
PAGE 2
FEB 15/09

BOEING
737-600/700/800/900
PARTS CATALOG (MAINTENANCE)

FIG ITEM	PART NUMBER	1 2 3 4 5 6 7	NOMENCLATURE	EFFECT FROM TO	UNITS PER ASSY
4					
40	212A1125-17	.TIE	ROD ASSY-SPRT	001030 201967	1
45	AN316-5R	..NUT		001030 201967	1
50	AN316-5L	..NUT		001030 201967	1
55	M81935-1-4	..ROD		001030 201967	1
60	M81935-1-4L	..ROD		001030 201967	1
65	212A1125-18	..TUBE		001030 201967	1
70	212A1125-19	.TIE	ROD ASSY-SPRT	001030 201967	1
75	AN316-5R	..NUT		001030 201967	1
80	M81935-1-4	..ROD		001030 201967	1
85	M81935-2-4	..ROD		001030 201967	1
90	BCREF12810	.CLAMP-	OVERLENGTH PART NUMBER: BACC10FE101CCFGE	001030 201967	1
95	BCREF127983	.CLAMP-	OVERLENGTH PART NUMBER: BACC10BNA1050L5WE	001030 201967	2
100	BACD40W41-0052	.HOSE		001030 201967	1
105	BACB30NM3K6	.BOLT		001030 201967	11
110	NAS1149D0332J	.WASHER		001030 201967	11
115	213A3210-3	.DUCT	ASSY-TRANSITION POSITION DATA: LH SIDE MAINTENANCE MANUAL REF: 21-51-24	001030 201967	1
- 120	213A3210-4	.DUCT	ASSY-TRANSITION POSITION DATA: RH SIDE MAINTENANCE MANUAL REF: 21-51-24	001030 201967	1

MISSING ITEM NUMBERS NOT APPLICABLE

- ITEM NOT ILLUSTRATED

HAP

21-51-24-04

BOEING PROPRIETARY - Copyright © - Unpublished Work - See title page for details.

21-51-24
FIG. 04
PAGE 3
OCT 15/08

BOEING
737-600/700/800/900
PARTS CATALOG (MAINTENANCE)

FIG ITEM	PART NUMBER	1 2 3 4 5 6 7	NOMENCLATURE	EFFECT FROM TO	UNITS PER ASSY
4 125	BRC600-8G3	..	NUT SUPPLIER CODE: V52828 SPECIFICATION NUMBER: BACN10YD4 OPTIONAL PART: 130123 V60119	001030 201967	3
130	213A3224-1	..	GASKET	001030 201967	1
135	213A3211-1	..	DUCT ASSY- POSITION DATA: LH SIDE	001030 201967	1
- 140	213A3211-2	..	DUCT ASSY- POSITION DATA: RH SIDE	001030 201967	1
145	213A3220-1	.DUCT ASSY-HEAT EXCHANGER POSITION DATA: LH SIDE MAINTENANCE MANUAL REF: 21-51-24		001030 201967	1
- 150	213A3220-2	.DUCT ASSY-HEAT EXCHANGER POSITION DATA: RH SIDE MAINTENANCE MANUAL REF: 21-51-24		001030 201967	1
- 155	NAS6703-6	ATTACHING PARTS .BOLT		001030 201967	25
- 160	BACW10BP3CD	.WASHER- POSITION DATA: UNDER HEAD -----*-----		001030 201967	25
165	213A3225-1	..	PANEL ASSY-ACCESS POSITION DATA: LH SIDE	001030 201967	1
- 170	213A3225-2	..	PANEL ASSY-ACCESS POSITION DATA: RH SIDE ATTACHING PARTS	001030 201967	1
- 175	BACB30NM3K5	..	BOLT	001030 201967	20
- 180	NAS1149D0363J	..	WASHER -----*-----	001030 201967	20
185	213A3224-2	...	GASKET	001030 201967	1

MISSING ITEM NUMBERS NOT APPLICABLE

- ITEM NOT ILLUSTRATED

HAP

21-51-24-04

21-51-24
FIG. 04
PAGE 4
OCT 15/08

BOEING
737-600/700/800/900
PARTS CATALOG (MAINTENANCE)

FIG ITEM	PART NUMBER	1 2 3 4 5 6 7	NOMENCLATURE	EFFECT FROM TO	UNITS PER ASSY
4					
190	213A3223-1	...	PANEL- POSITION DATA: LH SIDE	001030 201967	1
- 195	213A3223-2	...	PANEL- POSITION DATA: RH SIDE	001030 201967	1
200	MF53050-3CD	..	NUTPLATE SUPPLIER CODE: V15653 SPECIFICATION NUMBER: BACN10JN3CD OPTIONAL PART: BRFM20C3D V52828 102F9201M3 V72962 NS202487-02 V80539 MF51637-3 V15653 ATTACHING PARTS	001030 201967	20
- 205	BACR15BB4AC	..	RIVET- SIZE DETERMINED ON INSTL. -----*-----	001030 201967	40
210	BACR15BA4AC	..	RIVET- SIZE DETERMINED ON INSTL.	001030 201967	10
215	NAS1149D0432J	..	WASHER	001030 201967	20
220	213A3222-1	..	SPLITTER- POSITION DATA: LH SIDE	001030 201967	1
- 225	213A3222-2	..	SPLITTER- POSITION DATA: RH SIDE	001030 201967	1
235	213A3221-1	..	DUCT- POSITION DATA: LH SIDE	001030 201967	1
- 240	213A3221-2	..	DUCT- POSITION DATA: RH SIDE	001030 201967	1

MISSING ITEM NUMBERS NOT APPLICABLE

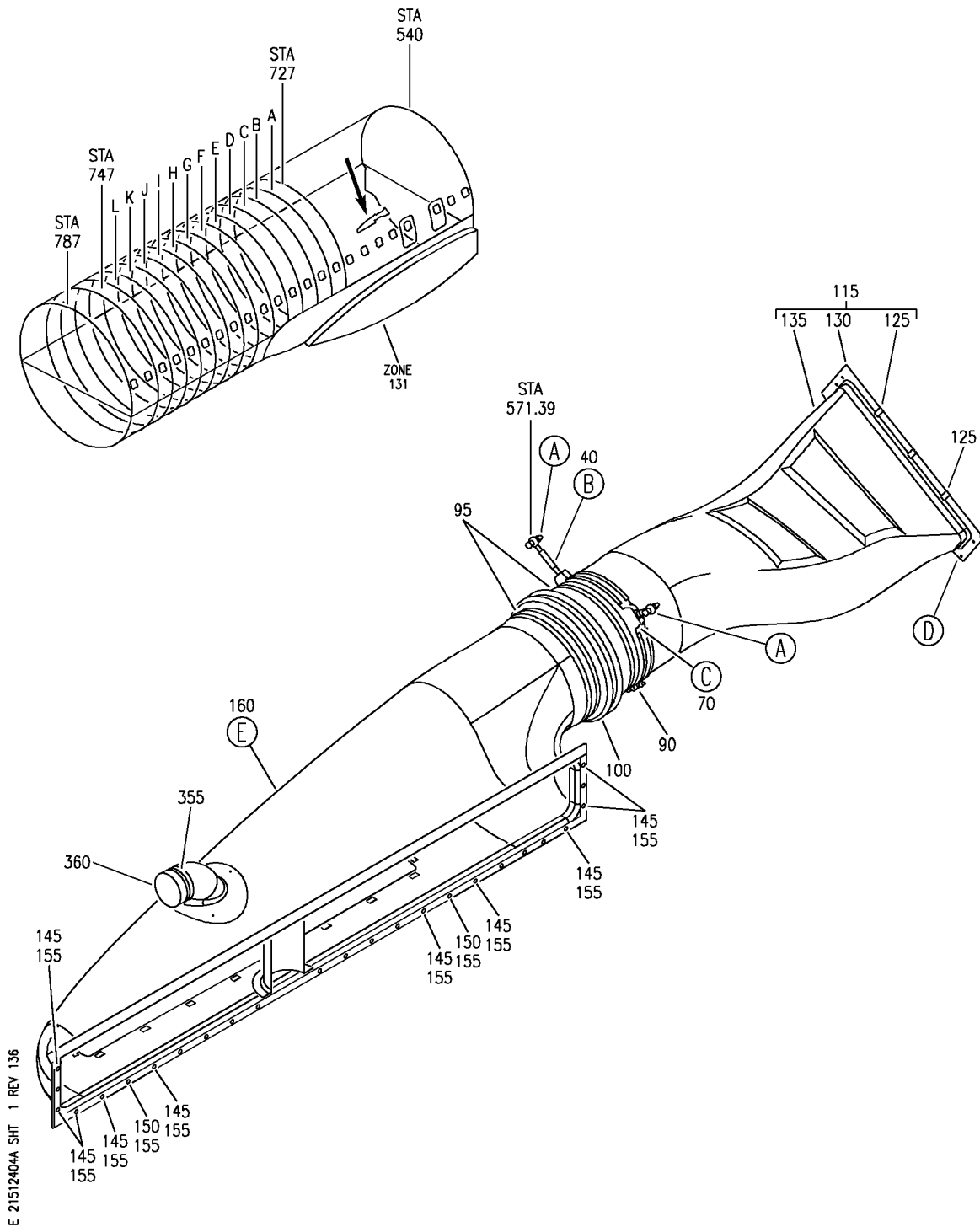
- ITEM NOT ILLUSTRATED

HAP

21-51-24-04

21-51-24
FIG. 04
PAGE 5
OCT 15/08

BOEING
 737-600/700/800/900
 PARTS CATALOG (MAINTENANCE)



E 21512404A SHT 1 REV 136

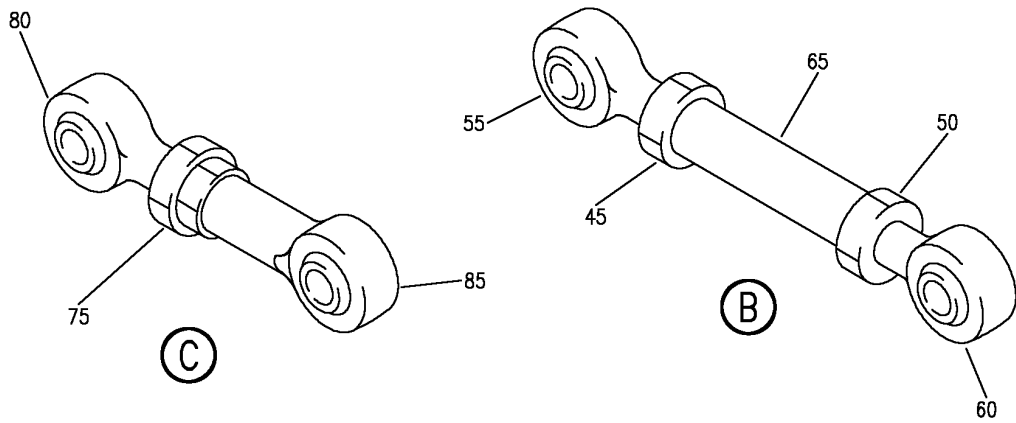
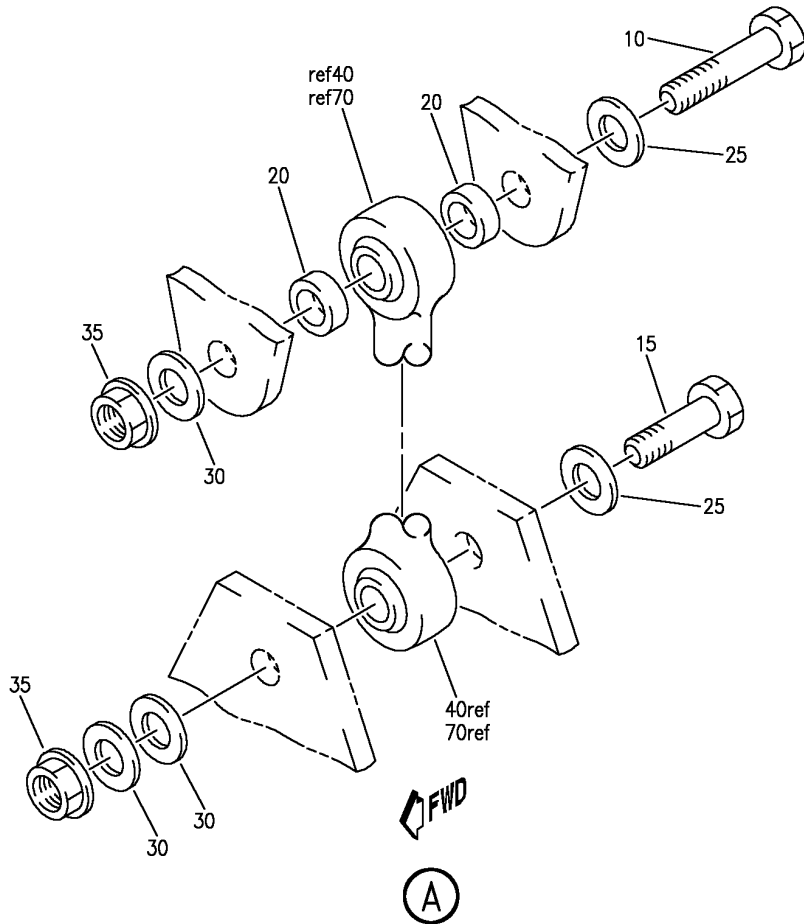
DUCT INSTL-LH RAM AIR INLET
 FIGURE 4A (SHEET 1)

21-51-24-04A

HAP
 FEB 15/08

21-51-24-04A
 PAGE 0

BOEING
 737-600/700/800/900
 PARTS CATALOG (MAINTENANCE)



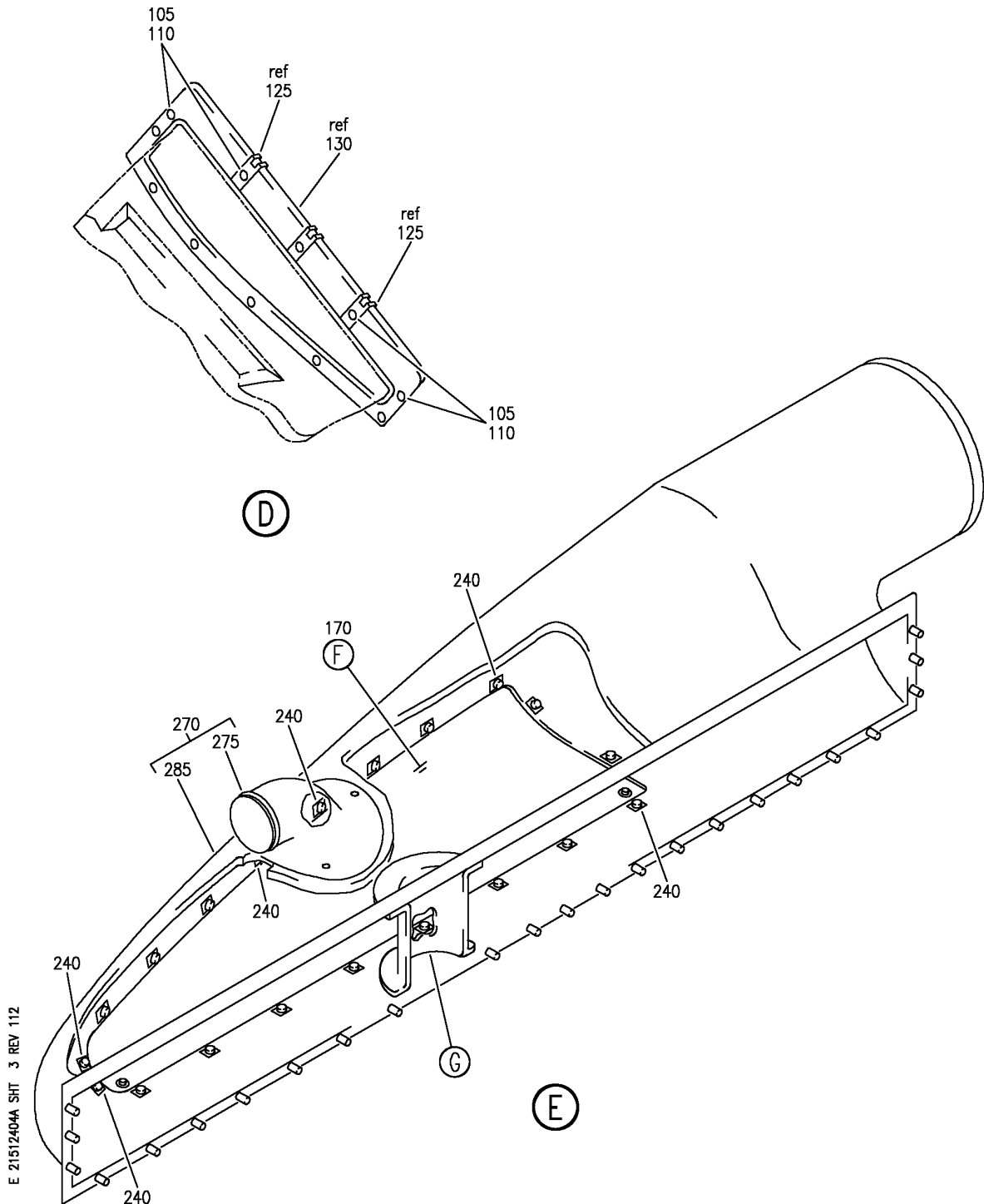
E 21512404A SHT 2 REV 112

DUCT INSTL-LH RAM AIR INLET
 FIGURE 4A (SHEET 2)

21-51-24-04A

HAP
 OCT 10/07

21-51-24-04A
 PAGE 0A



E 21512404A SHT. 3 REV 112

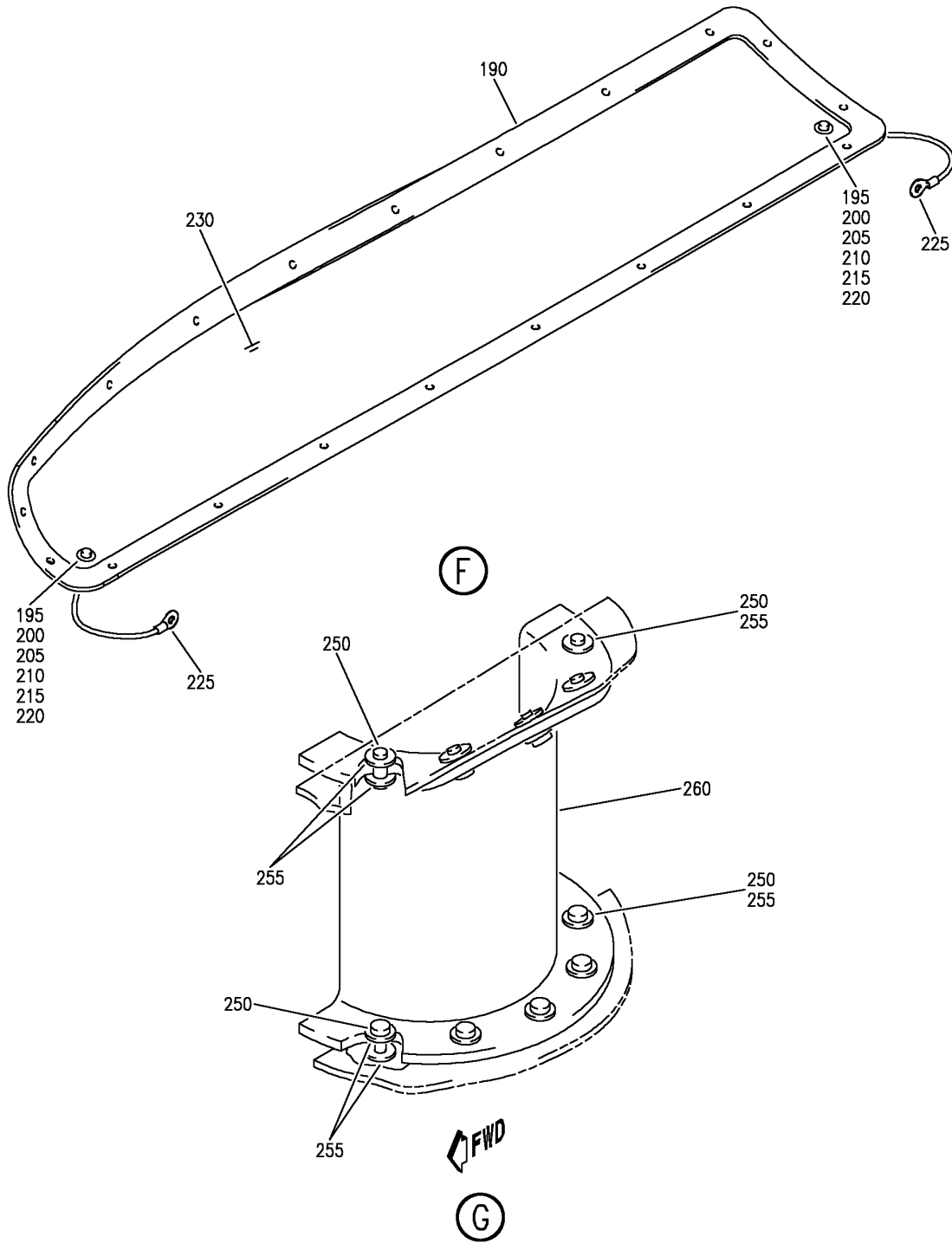
DUCT INSTL-LH RAM AIR INLET
 FIGURE 4A (SHEET 3)

21-51-24-04A

HAP
OCT 10/07

21-51-24-04A
PAGE 0B

BOEING
 737-600/700/800/900
 PARTS CATALOG (MAINTENANCE)



E 21512404A SHT 4 REV 112

DUCT INSTL-LH RAM AIR INLET
 FIGURE 4A (SHEET 4)

21-51-24-04A

HAP
 OCT 10/07

21-51-24-04A
 PAGE 0C

BOEING
737-600/700/800/900
PARTS CATALOG (MAINTENANCE)

FIG ITEM	PART NUMBER	1 2 3 4 5 6 7	NOMENCLATURE	EFFECT FROM TO	UNITS PER ASSY
4 A			DUCT INSTL-LH RAM AIR INLET	044100 102200 972999	
- 1	MODREF272667		DUCT INSTL-RAM AIR INLET MODULE NUMBER: 213A3002-1 REV C POSITION DATA: LH	044100 102200 972999	1
10	BACB30NR4K17		.BOLT	044100 102200 972999	2
15	BACB30NR4K10		.BOLT	044100 102200 972999	2
20	NAS43DD4-9FC		.SPACER	044100 102200 972999	4
25	BACW10BN4AC		.WASHER- POSITION DATA: UNDER HEAD	044100 102200 972999	4
30	NAS1149D0432J		.WASHER	044100 102200 972999	6
35	PLH54CD		.NUT SUPPLIER CODE: VF0224 SPECIFICATION NUMBER: BACN10YR4CD OPTIONAL PART: H52732-4CD V15653	044100 102200 972999	4
40	212A1125-17		.TIE ROD ASSY-SPRT	044100 102200 972999	1
45	AN316-5R		..NUT	044100 102200 972999	1
50	AN316-5L		..NUT	044100 102200 972999	1
55	M81935-1-4		..ROD	044100 102200 972999	1
60	M81935-1-4L		..ROD	044100 102200 972999	1
65	212A1125-18		..TUBE	044100 102200 972999	1

MISSING ITEM NUMBERS NOT APPLICABLE

- ITEM NOT ILLUSTRATED

HAP

21-51-24-04A

BOEING PROPRIETARY - Copyright © - Unpublished Work - See title page for details.

21-51-24
FIG. 04A
PAGE 1
FEB 15/09

BOEING
737-600/700/800/900
PARTS CATALOG (MAINTENANCE)

FIG ITEM	PART NUMBER	1 2 3 4 5 6 7	NOMENCLATURE	EFFECT FROM TO	UNITS PER ASSY
4 A					
70	212A1125-19	.TIE	ROD ASSY-SPRT	044100 102200 972999	1
75	AN316-5R	..NUT		044100 102200 972999	1
80	M81935-1-4	..ROD		044100 102200 972999	1
85	M81935-2-4	..ROD		044100 102200 972999	1
90	BCREF12810	.CLAMP-	OVERLENGTH PART NUMBER: BACC10FE101CCFGE	044100 102200 972999	1
95	BCREF127983	.CLAMP-	OVERLENGTH PART NUMBER: BACC10BNA1050L5WE	044100 102200 972999	2
100	BACD40W41-0052	.HOSE		044100 102200 972999	1
105	BACB30LM3U6	.BOLT		044100 102200 972999	11
110	NAS1149E0332R	.WASHER		044100 102200 972999	11
115	213A3210-7	.DUCT	ASSY MAINTENANCE MANUAL REF: 21-51-24	044100 102200 972999	1
125	BRC600-8G3	..NUT	SUPPLIER CODE: V52828 SPECIFICATION NUMBER: BACN10YD4 OPTIONAL PART: 130123 V60119	044100 102200 972999	3
130	213A3224-1	..GASKET		044100 102200 972999	1
135	213A3211-27	..DUCT	ASSY	044100 102200 972999	1
145	BACB30LM3U6	.BOLT		044100 102200 972999	23

MISSING ITEM NUMBERS NOT APPLICABLE

— ITEM NOT ILLUSTRATED

HAP

21-51-24-04A

BOEING PROPRIETARY - Copyright © - Unpublished Work - See title page for details.

21-51-24
FIG. 04A
PAGE 2
OCT 15/08

BOEING
737-600/700/800/900
PARTS CATALOG (MAINTENANCE)

FIG ITEM	PART NUMBER	1 2 3 4 5 6 7	NOMENCLATURE	EFFECT FROM TO	UNITS PER ASSY
4 A					
150	BACB30LM3U9	.BOLT		044100 102200 972999	2
155	BACW10BP3ACU	.WASHER		044100 102200 972999	27
160	213A3220-3	.DUCT ASSY-HEAT EXCHANGER	MAINTENANCE MANUAL REF: 21-51-24	044100 102200 972999	1
170	213A3225-3	..PANEL ASSY-ACCESS		044100 102200 972999	1
			ATTACHING PARTS		
- 180	BACB30NM3K5	..BOLT		044100 102200 972999	20
- 185	NAS1149D0363J	..WASHER		044100 102200 972999	20
			-----*-----		
190	213A3224-2	...GASKET		044100 102200 972999	1
195	BACS12HN3U12	...BOLT		044100 102200 972999	2
200	BACW10EC3C	...WASHER		044100 102200 972999	2
205	BACW10P5CC	...WASHER		044100 102200 972999	4
210	NAS1149E0332R	...WASHER		044100 102200 972999	2
215	MS35650-304	...NUT		044100 102200 972999	2
220	PLH53CM	...NUT	SUPPLIER CODE: VF0224 SPECIFICATION NUMBER: BACN10YR3CM OPTIONAL PART: H52732-3CM V15653	044100 102200 972999	2

MISSING ITEM NUMBERS NOT APPLICABLE

- ITEM NOT ILLUSTRATED

HAP

21-51-24-04A

BOEING PROPRIETARY - Copyright © - Unpublished Work - See title page for details.

21-51-24
FIG. 04A
PAGE 3
FEB 15/09

BOEING
737-600/700/800/900
PARTS CATALOG (MAINTENANCE)

FIG ITEM	PART NUMBER	1 2 3 4 5 6 7	NOMENCLATURE	EFFECT FROM TO	UNITS PER ASSY
4 A 225	940CW20-7	...	JUMPER ASSY SUPPLIER CODE: V91812 SPECIFICATION NUMBER: BACJ40AB20-7 OPTIONAL PART: 100220-7 V1FF12 RBEJ40AB20-7 V1GK47	044100 102200 972999	2
230	213A3223-1	...	PANEL	044100 102200 972999	1
240	MF53050-3CD	..	NUTPLATE SUPPLIER CODE: V15653 SPECIFICATION NUMBER: BACN10JN3CD OPTIONAL PART: BRFM20C3D V52828 102F9201M3 V72962 NS202487-02 V80539 MF51637-3 V15653 ATTACHING PARTS	044100 102200 972999	20
- 245	BACR15BA3AC	..	RIVET- SIZE DETERMINED ON INSTL. -----*-----	044100 102200 972999	40
250	BACR15BB4AC	..	RIVET- SIZE DETERMINED ON INSTL.	044100 102200 972999	10
255	NAS1149D0432J	..	WASHER	044100 102200 972999	20
260	213A3222-1	..	SPLITTER	044100 102200 972999	1
270	213A3221-5	..	DUCT	044100 102200 972999	1
275	213A3221-3	...	SPUD	044100 102200 972999	1

MISSING ITEM NUMBERS NOT APPLICABLE

- ITEM NOT ILLUSTRATED

HAP

21-51-24-04A

BOEING PROPRIETARY - Copyright © - Unpublished Work - See title page for details.

21-51-24
FIG. 04A
PAGE 4
OCT 15/08

BOEING
737-600/700/800/900
PARTS CATALOG (MAINTENANCE)

FIG ITEM	PART NUMBER	1 2 3 4 5 6 7	NOMENCLATURE	EFFECT FROM TO	UNITS PER ASSY
4 A			ATTACHING PARTS		
- 280	BACR15BB4ADC		...RIVET- SIZE DETERMINED ON INSTL.	044100 102200 972999	3
285	213A3221-7		-----*----- ...DUCT	044100 102200 972999	1
- 350	MODREF329460		CAP INSTL-NGS HEAT EXCHANGER SPUD MODULE NUMBER: 213A3002-5 REV A POSITION DATA: LH	044046 054100 102105 972999	1
355	NAS1922-0275-3		.CLAMP	044046 054100 102105 972999	1
360	BE539-12		.CAP-END SUPPLIER CODE: V05399	044046 054100 102105 972999	1

MISSING ITEM NUMBERS NOT APPLICABLE

- ITEM NOT ILLUSTRATED

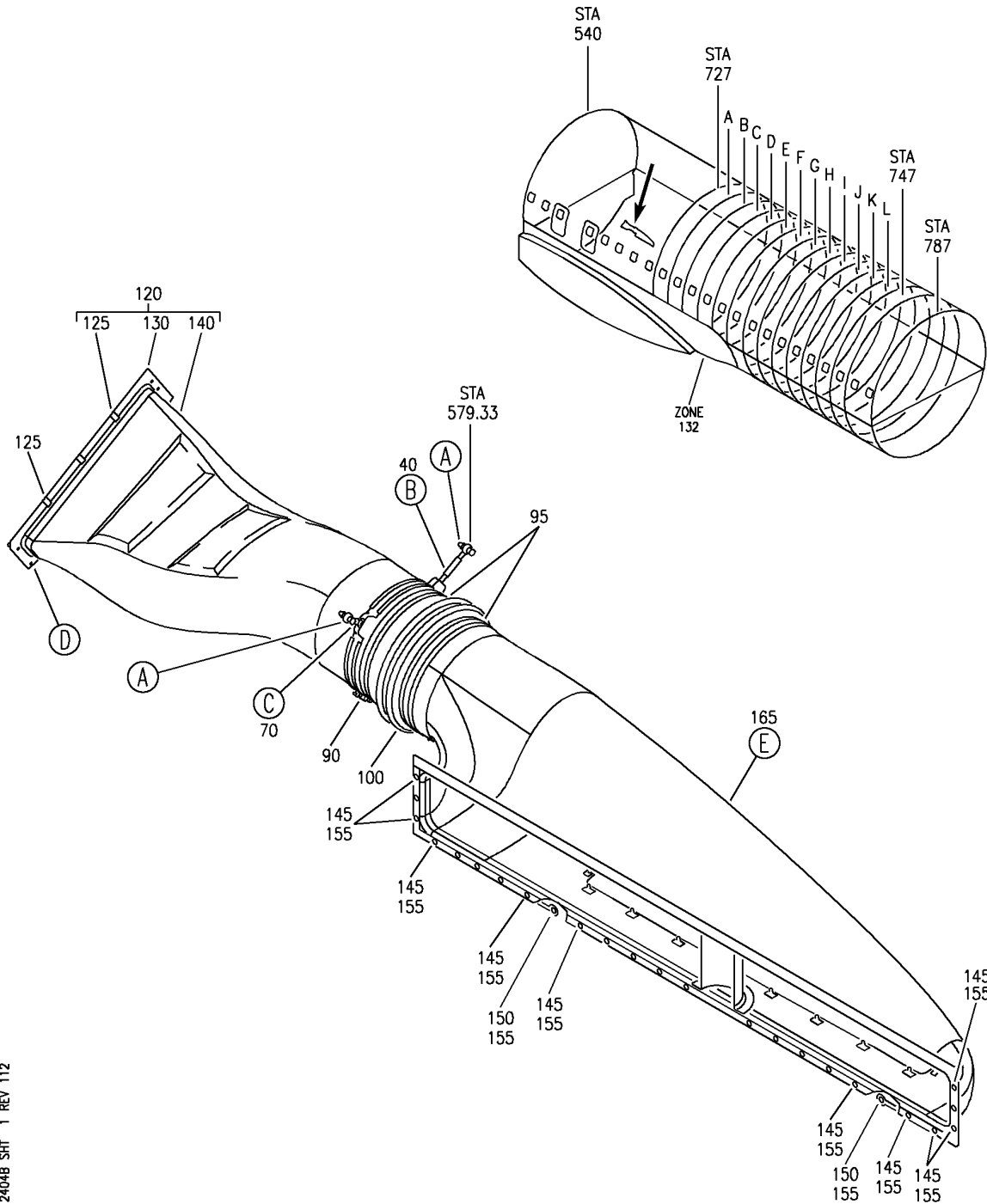
HAP

21-51-24-04A

BOEING PROPRIETARY - Copyright © - Unpublished Work - See title page for details.

21-51-24
FIG. 04A
PAGE 5
FEB 15/09

BOEING
 737-600/700/800/900
 PARTS CATALOG (MAINTENANCE)



E 21512404B SHT 1 REV 112

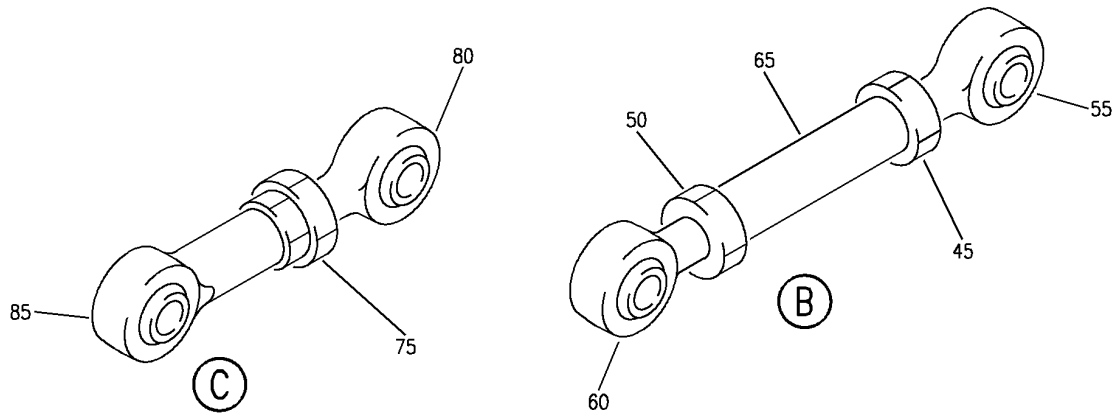
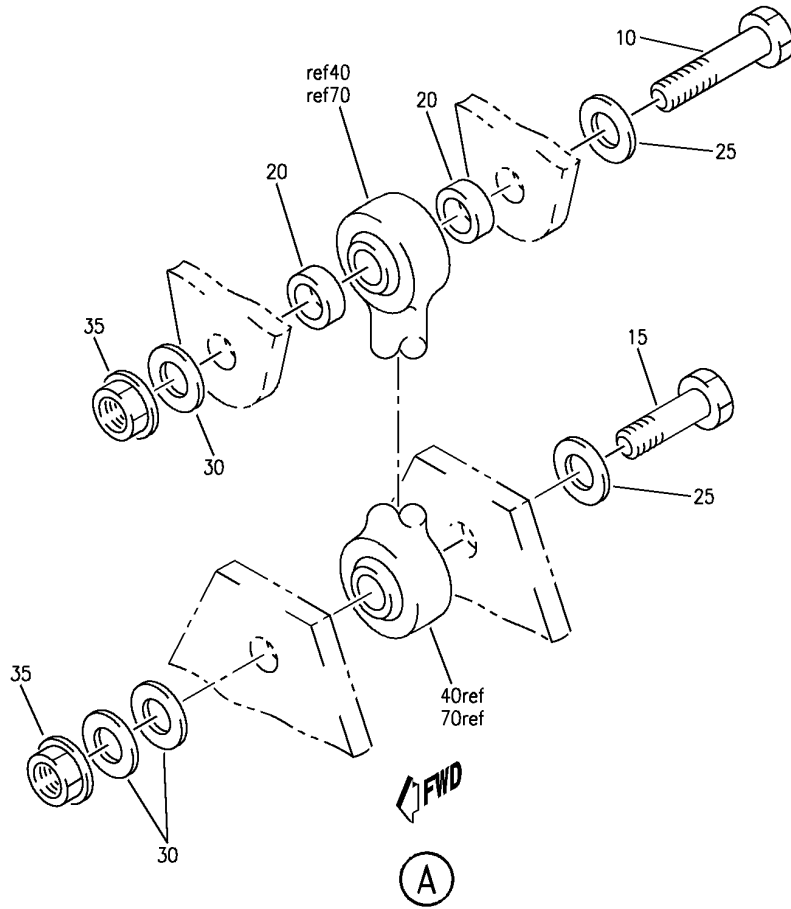
DUCT INSTL-RH RAM AIR INLET
 FIGURE 4B (SHEET 1)

21-51-24-04B

HAP
 OCT 10/07

21-51-24-04B
 PAGE 0

BOEING
 737-600/700/800/900
 PARTS CATALOG (MAINTENANCE)



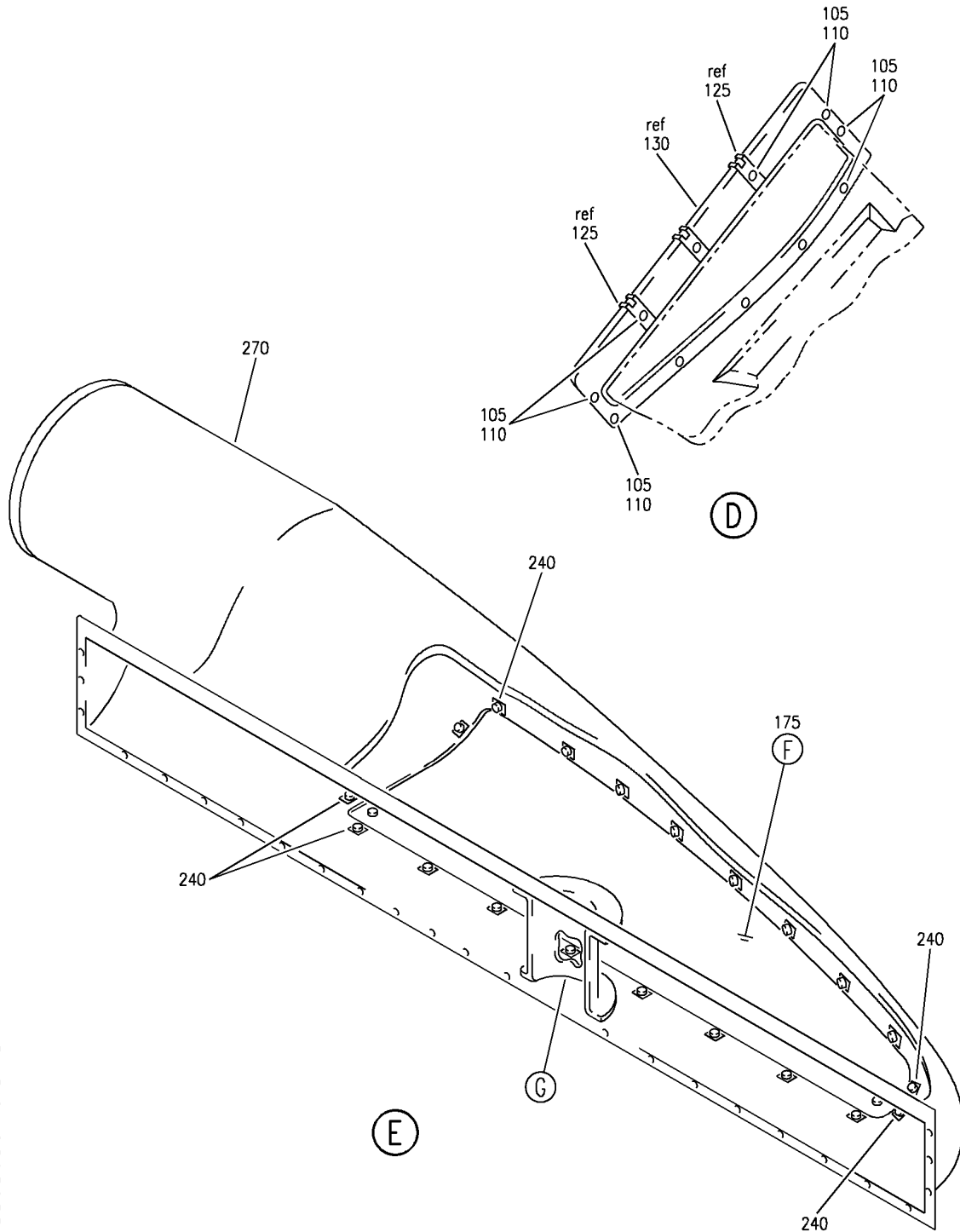
E 21512404B SHT 2 REV 112

DUCT INSTL-RH RAM AIR INLET
 FIGURE 4B (SHEET 2)

21-51-24-04B

HAP
 OCT 10/07

21-51-24-04B
 PAGE 0A



E 21512404B SHT 3 REV 112

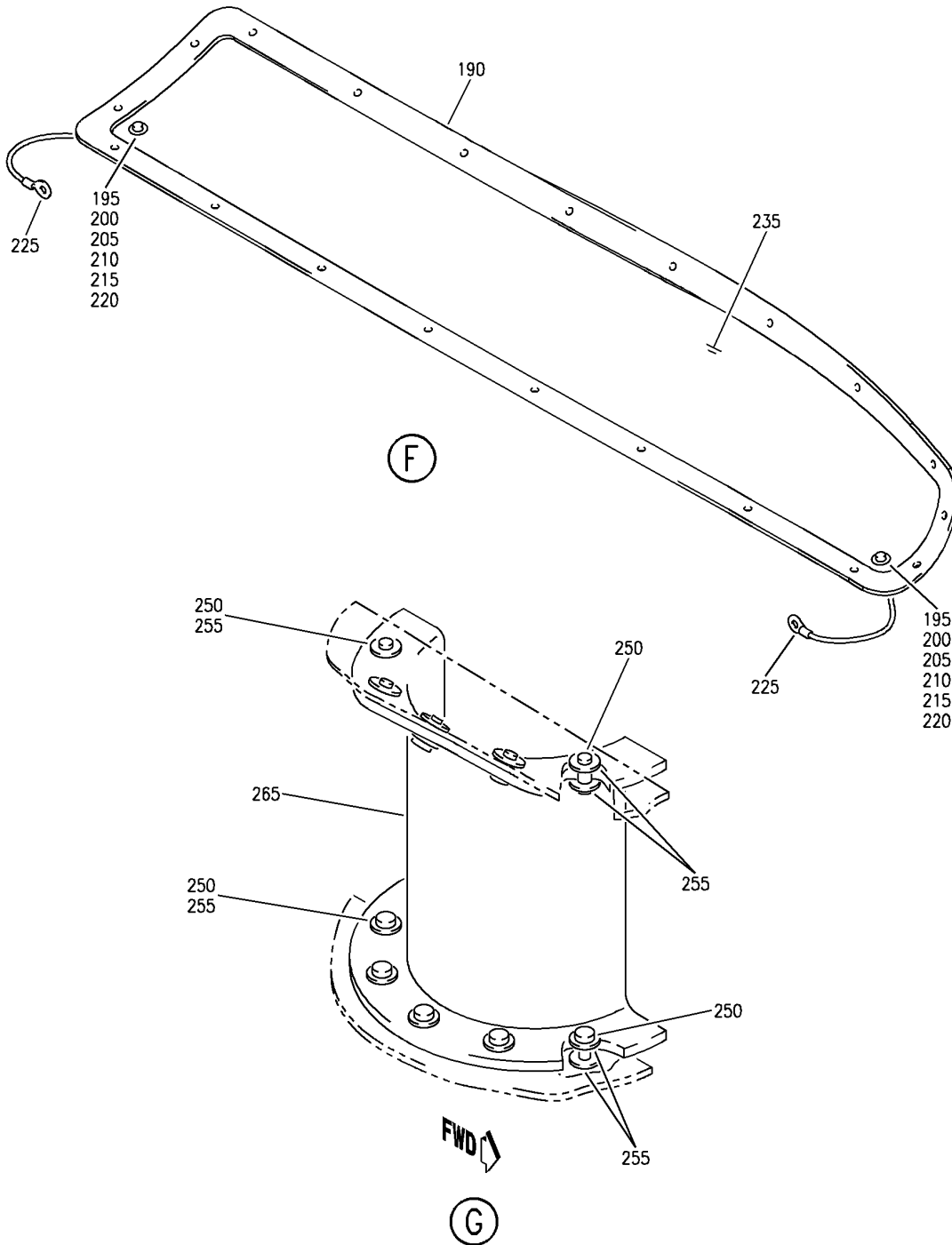
DUCT INSTL-RH RAM AIR INLET
FIGURE 4B (SHEET 3)

21-51-24-04B

HAP
OCT 10/07

21-51-24-04B
PAGE 0B

BOEING
 737-600/700/800/900
 PARTS CATALOG (MAINTENANCE)



E 21512404B SHT 4 REV 112

DUCT INSTL-RH RAM AIR INLET
 FIGURE 4B (SHEET 4)

21-51-24-04B

HAP
 OCT 10/07

21-51-24-04B
 PAGE 0C

BOEING
737-600/700/800/900
PARTS CATALOG (MAINTENANCE)

FIG ITEM	PART NUMBER	1 2 3 4 5 6 7	NOMENCLATURE	EFFECT FROM TO	UNITS PER ASSY
4B			DUCT INSTL-RH RAM AIR INLET	044100 102200 972999	
- 1	MODREF272668		DUCT INSTL-RAM AIR INLET MODULE NUMBER: 213A3002-2 REV C POSITION DATA: RH	044100 102200 972999	1
10	BACB30NR4K17		.BOLT	044100 102200 972999	2
15	BACB30NR4K10		.BOLT	044100 102200 972999	2
20	NAS43DD4-9FC		.SPACER	044100 102200 972999	4
25	BACW10BN4AC		.WASHER- POSITION DATA: UNDER HEAD	044100 102200 972999	4
30	NAS1149D0432J		.WASHER	044100 102200 972999	6
35	PLH54CD		.NUT SUPPLIER CODE: VF0224 SPECIFICATION NUMBER: BACN10YR4CD OPTIONAL PART: H52732-4CD V15653	044100 102200 972999	4
40	212A1125-17		.TIE ROD ASSY-SPRT	044100 102200 972999	1
45	AN316-5R		..NUT	044100 102200 972999	1
50	AN316-5L		..NUT	044100 102200 972999	1
55	M81935-1-4		..ROD	044100 102200 972999	1
60	M81935-1-4L		..ROD	044100 102200 972999	1
65	212A1125-18		..TUBE	044100 102200 972999	1

MISSING ITEM NUMBERS NOT APPLICABLE

- ITEM NOT ILLUSTRATED

HAP

21-51-24-04B

BOEING PROPRIETARY - Copyright © - Unpublished Work - See title page for details.

21-51-24
FIG. 04B
PAGE 1
FEB 15/09

BOEING
737-600/700/800/900
PARTS CATALOG (MAINTENANCE)

FIG ITEM	PART NUMBER	1 2 3 4 5 6 7	NOMENCLATURE	EFFECT FROM TO	UNITS PER ASSY
4B					
70	212A1125-19	.TIE	ROD ASSY-SPRT	044100 102200 972999	1
75	AN316-5R	..NUT		044100 102200 972999	1
80	M81935-1-4	..ROD		044100 102200 972999	1
85	M81935-2-4	..ROD		044100 102200 972999	1
90	BCREF12810	.CLAMP-	OVERLENGTH PART NUMBER: BACC10FE101CCFGE	044100 102200 972999	1
95	BCREF127983	.CLAMP-	OVERLENGTH PART NUMBER: BACC10BNA1050L5WE	044100 102200 972999	2
100	BACD40W41-0052	.HOSE		044100 102200 972999	1
105	BACB30LM3U6	.BOLT		044100 102200 972999	11
110	NAS1149E0332R	.WASHER		044100 102200 972999	11
120	213A3210-8	.DUCT	ASSY MAINTENANCE MANUAL REF: 21-51-24	044100 102200 972999	1
125	BRC600-8G3	..NUT	SUPPLIER CODE: V52828 SPECIFICATION NUMBER: BACN10YD4 OPTIONAL PART: 130123 V60119	044100 102200 972999	3
130	213A3224-1	..GASKET		044100 102200 972999	1
140	213A3211-28	..DUCT	ASSY	044100 102200 972999	1
145	BACB30LM3U6	.BOLT		044100 102200 972999	23

MISSING ITEM NUMBERS NOT APPLICABLE

— ITEM NOT ILLUSTRATED

HAP

21-51-24-04B

BOEING PROPRIETARY - Copyright © - Unpublished Work - See title page for details.

21-51-24
FIG. 04B
PAGE 2
OCT 15/08

BOEING
737-600/700/800/900
PARTS CATALOG (MAINTENANCE)

FIG ITEM	PART NUMBER	1 2 3 4 5 6 7	NOMENCLATURE	EFFECT FROM TO	UNITS PER ASSY
4B					
150	BACB30LM3U9	.BOLT		044100 102200 972999	2
155	BACW10BP3ACU	.WASHER		044100 102200 972999	27
165	213A3220-4	.DUCT ASSY-HEAT EXCHANGER	MAINTENANCE MANUAL REF: 21-51-24	044100 102200 972999	1
175	213A3225-4	..PANEL ASSY-ACCESS		044100 102200 972999	1
			ATTACHING PARTS		
- 180	BACB30NM3K5	..BOLT		044100 102200 972999	20
- 185	NAS1149D0363J	..WASHER		044100 102200 972999	20
			-----*-----		
190	213A3224-2	...GASKET		044100 102200 972999	1
195	BACS12HN3U12	...BOLT		044100 102200 972999	2
200	BACW10EC3C	...WASHER		044100 102200 972999	2
205	BACW10P5CC	...WASHER		044100 102200 972999	4
210	NAS1149E0332R	...WASHER		044100 102200 972999	2
215	MS35650-304	...NUT		044100 102200 972999	2
220	PLH53CM	...NUT	SUPPLIER CODE: VF0224 SPECIFICATION NUMBER: BACN10YR3CM OPTIONAL PART: H52732-3CM V15653	044100 102200 972999	2

MISSING ITEM NUMBERS NOT APPLICABLE

- ITEM NOT ILLUSTRATED

HAP

21-51-24-04B

BOEING PROPRIETARY - Copyright © - Unpublished Work - See title page for details.

21-51-24
FIG. 04B
PAGE 3
FEB 15/09

BOEING
737-600/700/800/900
PARTS CATALOG (MAINTENANCE)

FIG ITEM	PART NUMBER	1 2 3 4 5 6 7	NOMENCLATURE	EFFECT FROM TO	UNITS PER ASSY
4B 225	940CW20-7	...	JUMPER ASSY SUPPLIER CODE: V91812 SPECIFICATION NUMBER: BACJ40AB20-7 OPTIONAL PART: 100220-7 V1FF12 RBEJ40AB20-7 V1GK47	044100 102200 972999	2
235	213A3223-2	...	PANEL	044100 102200 972999	1
240	MF53050-3CD	..	NUTPLATE SUPPLIER CODE: V15653 SPECIFICATION NUMBER: BACN10JN3CD OPTIONAL PART: BRFM20C3D V52828 102F9201M3 V72962 NS202487-02 V80539 MF51637-3 V15653 ATTACHING PARTS	044100 102200 972999	20
- 245	BACR15BB4AC	..	RIVET- SIZE DETERMINED ON INSTL.	044100 102200 972999	40
			-----*-----		
250	BACR15BA4AC	..	RIVET- SIZE DETERMINED ON INSTL.	044100 102200 972999	10
255	NAS1149D0432J	..	WASHER	044100 102200 972999	20
265	213A3222-2	..	SPLITTER	044100 102200 972999	1
270	213A3221-6	..	DUCT	044100 102200 972999	1

MISSING ITEM NUMBERS NOT APPLICABLE

- ITEM NOT ILLUSTRATED

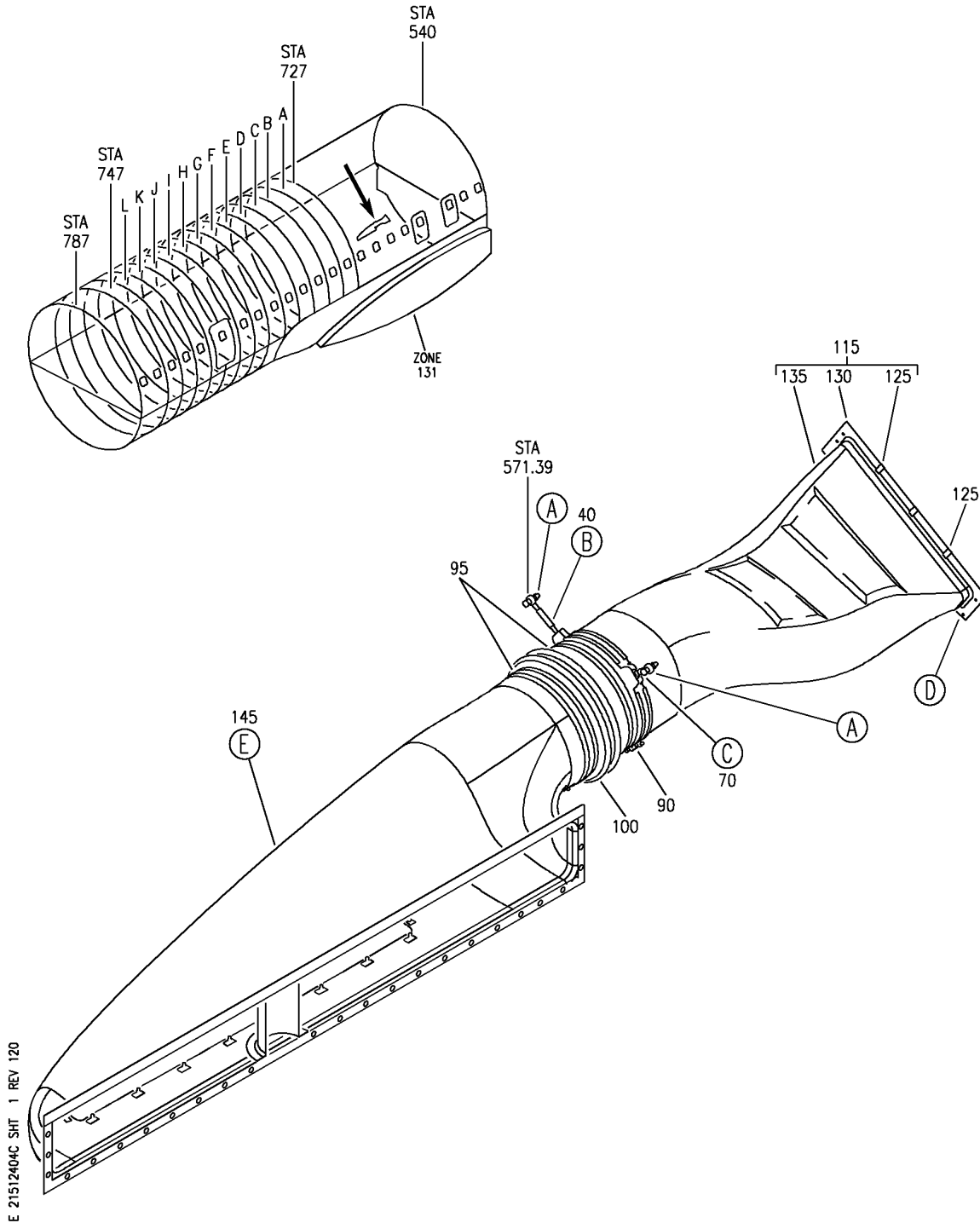
HAP

21-51-24-04B

BOEING PROPRIETARY - Copyright © - Unpublished Work - See title page for details.

21-51-24
FIG. 04B
PAGE 4
OCT 15/08

BOEING
737-600/700/800/900
PARTS CATALOG (MAINTENANCE)



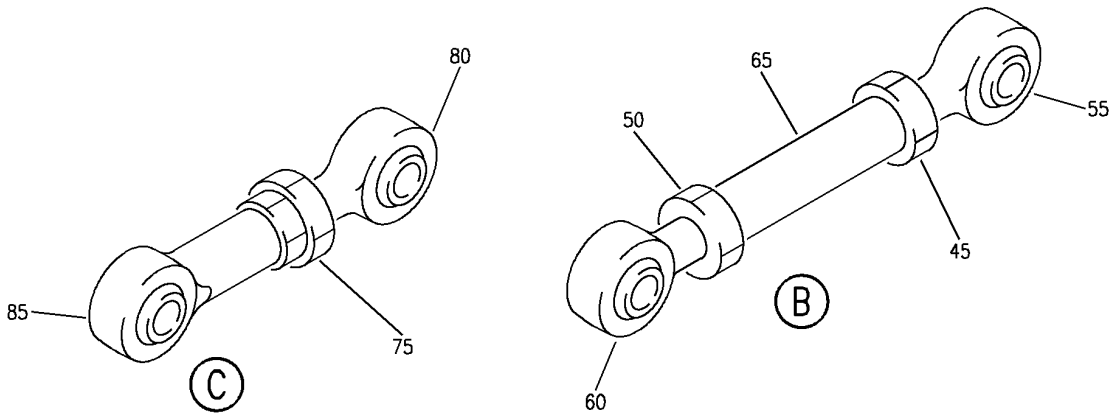
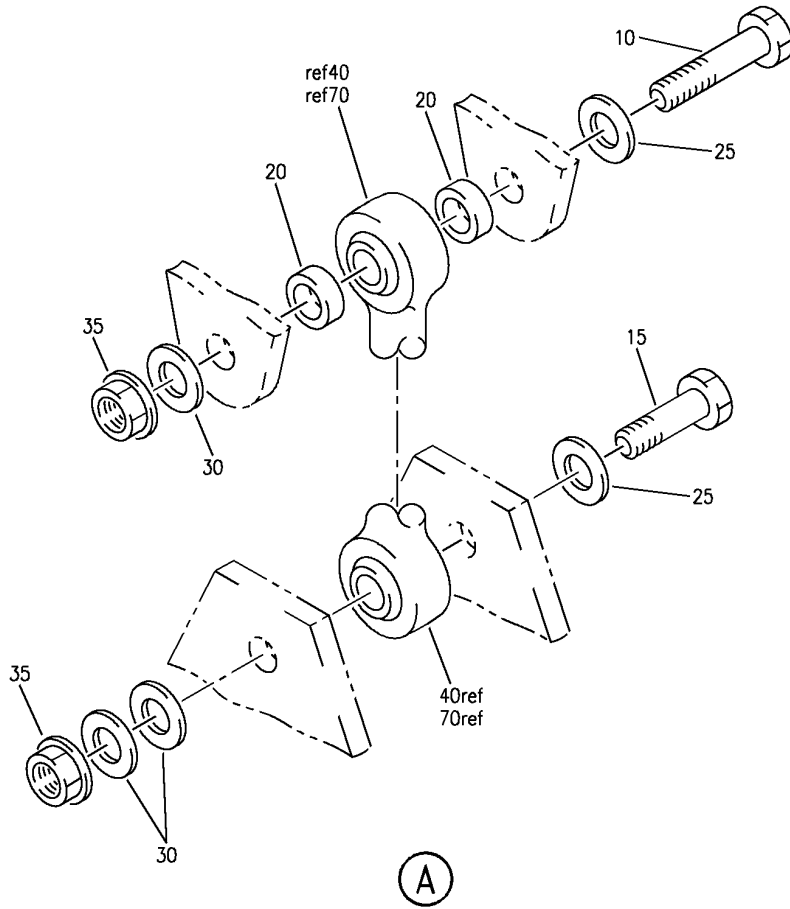
DUCT INSTL-RAM AIR INLET
FIGURE 4C (SHEET 1)

21-51-24-04C

HAP
OCT 10/06

21-51-24-04C
PAGE 0

BOEING
 737-600/700/800/900
 PARTS CATALOG (MAINTENANCE)



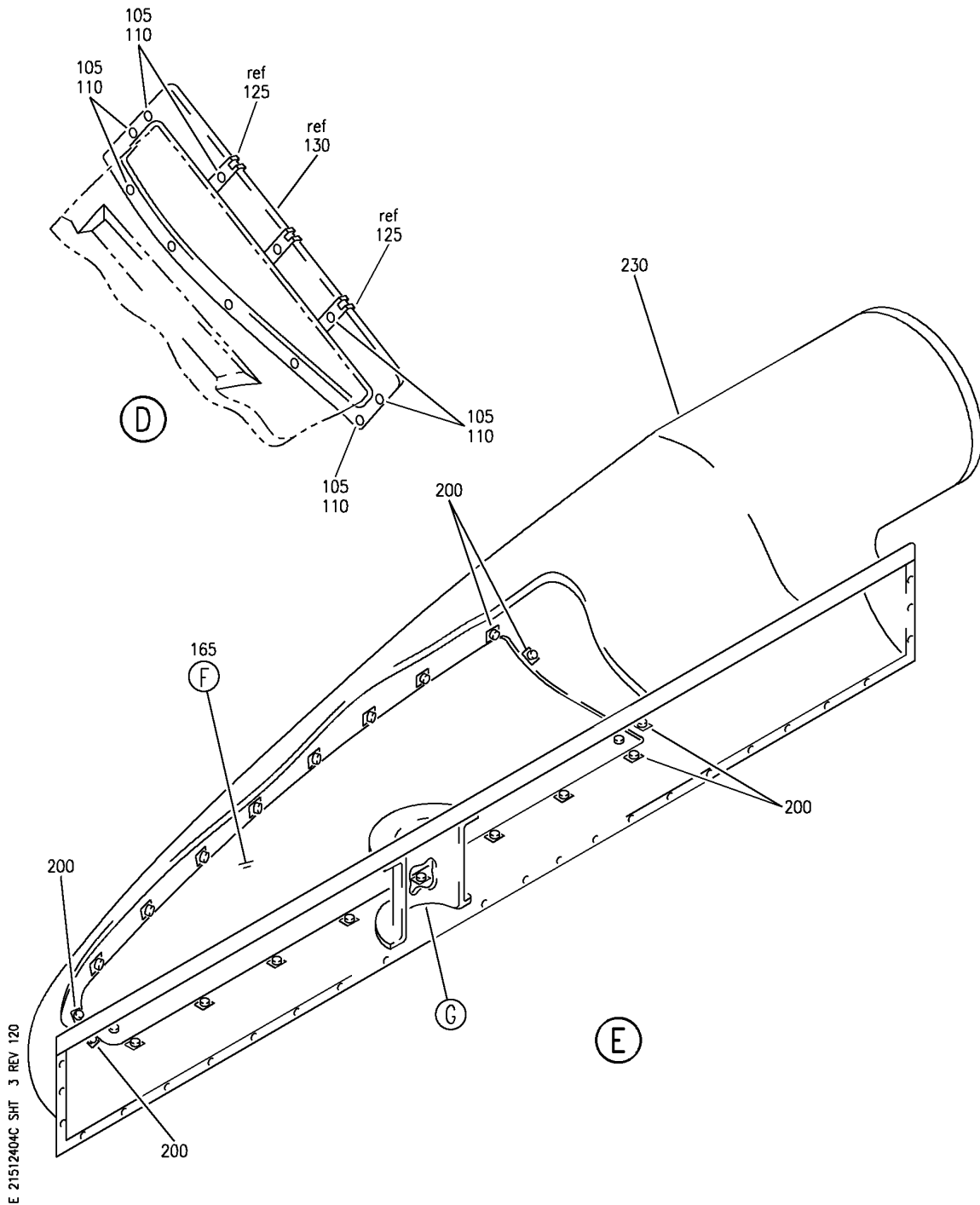
E 21512404C SHT 2 REV 120

DUCT INSTL-RAM AIR INLET
 FIGURE 4C (SHEET 2)

21-51-24-04C

HAP
 OCT 10/06

21-51-24-04C
 PAGE 0A



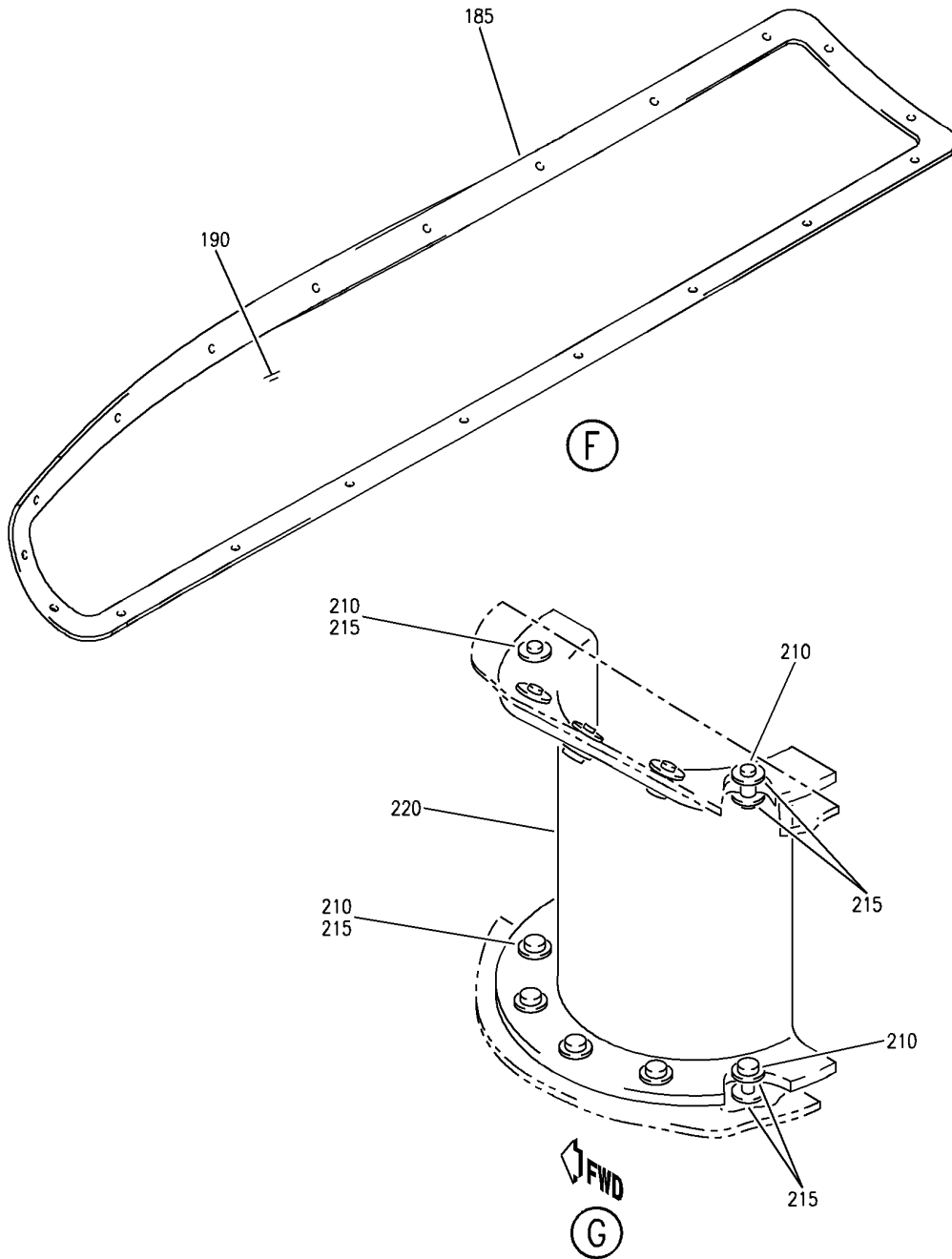
E 21512404C SHT 3 REV 120

DUCT INSTL-RAM AIR INLET
FIGURE 4C (SHEET 3)

HAP
OCT 10/06

21-51-24-04C

21-51-24-04C
PAGE 0B



E 21512404C SHT 4 REV 120

DUCT INSTL-RAM AIR INLET
FIGURE 4C (SHEET 4)

21-51-24-04C

HAP
OCT 10/06

21-51-24-04C
PAGE 0C

BOEING
737-600/700/800/900
PARTS CATALOG (MAINTENANCE)

FIG ITEM	PART NUMBER	1 2 3 4 5 6 7	NOMENCLATURE	EFFECT FROM TO	UNITS PER ASSY
4 C			DUCT INSTL-RAM AIR INLET	031043 101101 968971	
- 1	MODREF218191		DUCT INSTL-RAM AIR INLET MODULE NUMBER: 213A3002-1 REV B POSITION DATA: LH	031043 101101 968971	1
- 5	MODREF218192		DUCT INSTL-RAM AIR INLET MODULE NUMBER: 213A3002-2 REV B POSITION DATA: RH	031043 101101 968971	1
10	BACB30NR4K17		.BOLT	031043 101101 968971	2
15	BACB30NR4K10		.BOLT	031043 101101 968971	2
20	NAS43DD4-9FC		.SPACER	031043 101101 968971	4
25	BACW10BN4AC		.WASHER- POSITION DATA: UNDER HEAD	031043 101101 968971	4
30	NAS1149D0432J		.WASHER	031043 101101 968971	6
35	PLH54CD		.NUT SUPPLIER CODE: VF0224 SPECIFICATION NUMBER: BACN10YR4CD OPTIONAL PART: H52732-4CD V15653	031043 101101 968971	4
40	212A1125-17		.TIE ROD ASSY-SPRT	031043 101101 968971	1
45	AN316-5R		..NUT	031043 101101 968971	1
50	AN316-5L		..NUT	031043 101101 968971	1
55	M81935-1-4		..ROD	031043 101101 968971	1

MISSING ITEM NUMBERS NOT APPLICABLE

- ITEM NOT ILLUSTRATED

HAP

21-51-24-04C

BOEING PROPRIETARY - Copyright © - Unpublished Work - See title page for details.

21-51-24
FIG. 04C
PAGE 1
FEB 15/09

BOEING
737-600/700/800/900
PARTS CATALOG (MAINTENANCE)

FIG ITEM	PART NUMBER	1 2 3 4 5 6 7	NOMENCLATURE	EFFECT FROM TO	UNITS PER ASSY
4C					
60	M81935-1-4L	. .	ROD	031043 101101 968971	1
65	212A1125-18	. .	TUBE	031043 101101 968971	1
70	212A1125-19	. TIE	ROD ASSY-SPRT	031043 101101 968971	1
75	AN316-5R	. .	NUT	031043 101101 968971	1
80	M81935-1-4	. .	ROD	031043 101101 968971	1
85	M81935-2-4	. .	ROD	031043 101101 968971	1
90	BCREF12810	. CLAMP-	OVERLENGTH PART NUMBER: BACC10FE101CCFGE	031043 101101 968971	1
95	BCREF127983	. CLAMP-	OVERLENGTH PART NUMBER: BACC10BNA1050L5WE	031043 101101 968971	2
100	BACD40W41-0052	. HOSE		031043 101101 968971	1
105	BACB30NM3K6	. BOLT		031043 101101 968971	11
110	NAS1149D0332J	. WASHER		031043 101101 968971	11
115	213A3210-3	. DUCT ASSY-TRANSITION	POSITION DATA: LH SIDE MAINTENANCE MANUAL REF: 21-51-24	031043 101101 968971	1
- 120	213A3210-4	. DUCT ASSY-TRANSITION	POSITION DATA: RH SIDE MAINTENANCE MANUAL REF: 21-51-24	031043 101101 968971	1

MISSING ITEM NUMBERS NOT APPLICABLE

- ITEM NOT ILLUSTRATED

HAP

21-51-24-04C

BOEING PROPRIETARY - Copyright © - Unpublished Work - See title page for details.

21-51-24
FIG. 04C
PAGE 2
JUN 15/08

BOEING
737-600/700/800/900
PARTS CATALOG (MAINTENANCE)

FIG ITEM	PART NUMBER	1 2 3 4 5 6 7	NOMENCLATURE	EFFECT FROM TO	UNITS PER ASSY
4C 125	BRC600-8G3	..	NUT SUPPLIER CODE: V52828 SPECIFICATION NUMBER: BACN10YD4 OPTIONAL PART: 130123 V60119	031043 101101 968971	3
130	213A3224-1	..	GASKET	031043 101101 968971	1
135	213A3211-1	..	DUCT ASSY- POSITION DATA: LH SIDE	031043 101101 968971	1
- 140	213A3211-2	..	DUCT ASSY- POSITION DATA: RH SIDE	031043 101101 968971	1
145	213A3220-1	.DUCT ASSY-HEAT EXCHANGER POSITION DATA: LH SIDE MAINTENANCE MANUAL REF: 21-51-24		031043 101101 968971	1
- 150	213A3220-2	.DUCT ASSY-HEAT EXCHANGER POSITION DATA: RH SIDE MAINTENANCE MANUAL REF: 21-51-24		031043 101101 968971	1
- 155	BACB30LM3-6	ATTACHING PARTS .BOLT		031043 101101 968971	25
- 160	BACW10BP3CD	.WASHER- POSITION DATA: UNDER HEAD -----*-----		031043 101101 968971	25
165	213A3225-1	..	PANEL ASSY-ACCESS POSITION DATA: LH SIDE	031043 101101 968971	1
- 170	213A3225-2	..	PANEL ASSY-ACCESS POSITION DATA: RH SIDE ATTACHING PARTS	031043 101101 968971	1
- 175	BACB30NM3K5	..	BOLT	031043 101101 968971	20
- 180	NAS1149D0363J	..	WASHER -----*-----	031043 101101 968971	20

MISSING ITEM NUMBERS NOT APPLICABLE

- ITEM NOT ILLUSTRATED

HAP

21-51-24-04C

BOEING PROPRIETARY - Copyright © - Unpublished Work - See title page for details.

21-51-24
FIG. 04C
PAGE 3
JUN 15/08

BOEING
737-600/700/800/900
PARTS CATALOG (MAINTENANCE)

FIG ITEM	PART NUMBER	1 2 3 4 5 6 7	NOMENCLATURE	EFFECT FROM TO	UNITS PER ASSY
4C 185	213A3224-2	...	GASKET	031043 101101 968971	1
190	213A3223-1	...	PANEL- POSITION DATA: LH SIDE	031043 101101 968971	1
- 195	213A3223-2	...	PANEL- POSITION DATA: RH SIDE	031043 101101 968971	1
200	MF53050-3CD	..	NUTPLATE SUPPLIER CODE: V15653 SPECIFICATION NUMBER: BACN10JN3CD OPTIONAL PART: BRFM20C3D V52828 102F9201M3 V72962 NS202487-02 V80539 MF51637-3 V15653 ATTACHING PARTS	031043 101101 968971	20
- 205	BACR15BB3AC	..	RIVET- SIZE DETERMINED ON INSTL.	031043 101101 968971	40
210	BACR15BA4AC	..	RIVET- SIZE DETERMINED ON INSTL.	031043 101101 968971	10
215	NAS1149DN432J	..	WASHER	031043 101101 968971	20
220	213A3222-1	..	SPLITTER- POSITION DATA: LH SIDE	031043 101101 968971	1
- 225	213A3222-2	..	SPLITTER- POSITION DATA: RH SIDE	031043 101101 968971	1
230	213A3221-1	..	DUCT- POSITION DATA: LH SIDE	031043 101101 968971	1
- 235	213A3221-2	..	DUCT- POSITION DATA: RH SIDE	031043 101101 968971	1

MISSING ITEM NUMBERS NOT APPLICABLE

- ITEM NOT ILLUSTRATED

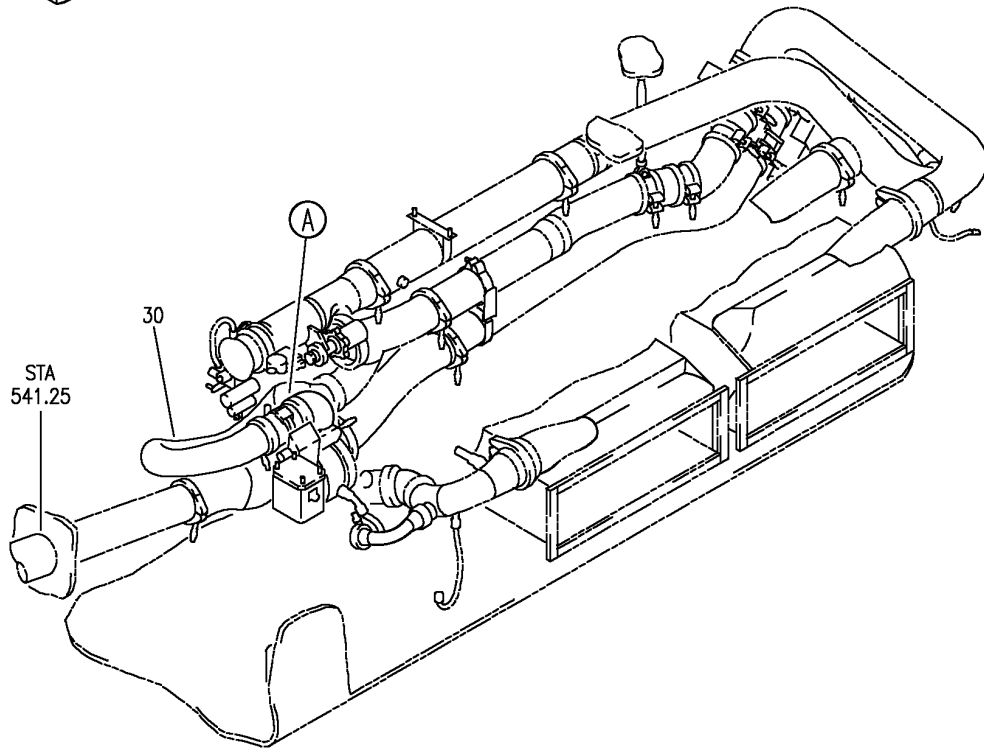
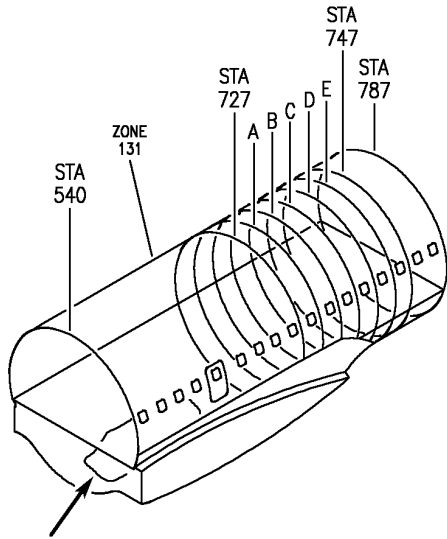
HAP

21-51-24-04C

BOEING PROPRIETARY - Copyright © - Unpublished Work - See title page for details.

21-51-24
FIG. 04C
PAGE 4
JUN 15/08

BOEING
737-600/700/800/900
PARTS CATALOG (MAINTENANCE)



E 21513001 SHT 1 REV 085

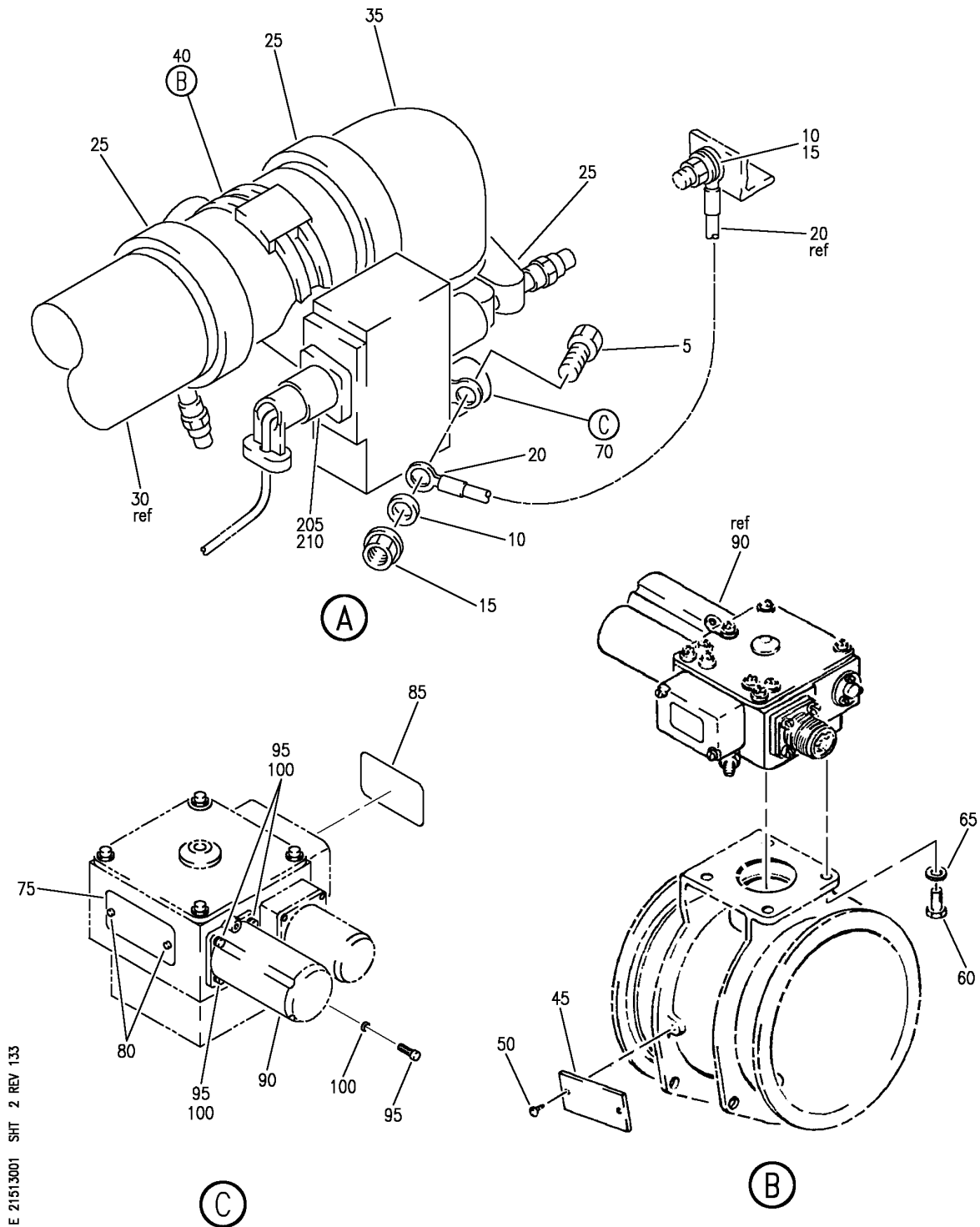
DUCT INSTL-L SIDE AIR CONDITIONING PACK (LOW LIMIT (35 DEGREE F) VALVE ONLY)
FIGURE 1 (SHEET 1)

HAP
OCT 15/08

21-51-30-01

21-51-30-01
PAGE 0

BOEING
 737-600/700/800/900
 PARTS CATALOG (MAINTENANCE)



E 21513001 SHT 2 REV 133

DUCT INSTL-L SIDE AIR CONDITIONING PACK (LOW LIMIT (35 DEGREE F) VALVE ONLY)
 FIGURE 1 (SHEET 2)

21-51-30-01

HAP
 OCT 15/08

21-51-30-01
 PAGE 0A

BOEING
737-600/700/800/900
PARTS CATALOG (MAINTENANCE)

FIG ITEM	PART NUMBER	1 2 3 4 5 6 7	NOMENCLATURE	EFFECT FROM TO	UNITS PER ASSY
1			DUCT INSTL-L SIDE AIR CONDITIONING PACK (LOW LIMIT (35 DEGREE F) VALVE ONLY)	201967	
- 1	213A1002-1		DUCT INSTL-AIR CONDITIONING PACK (LOW LIMIT (35 DEGREE F) VALVE ONLY) POSITION DATA: L SIDE FOR NHA/OTHER SYS DET SEE: 21-50-00-01B	201967	RF
5	BACS12GU3K7		.SCREW	201967	1
10	NAS1149E0316P		.WASHER	201967	2
15	PLH53CD		.NUT	201967	2
			SUPPLIER CODE: VF0224 SPECIFICATION NUMBER: BACN10YR3CD OPTIONAL PART: H52732-3CD V15653		
20	RBEJ40K5A5A9		.JUMPER SUPPLIER CODE: V1GK47 SPECIFICATION NUMBER: BACJ40K5A5A9	201967	1
25	BACC10DU250ABE		.CLAMP	201967	3
30	213A1201-43		.DUCT ASSY	201967	1
35	213A1201-49		.DUCT ASSY	201967	1
40	321942-1-1		.VALVE ASSY-ANTI-ICING CONT AIR CYCLE SYS SUPPLIER CODE: V59364 FUNCTIONAL DESCRIPTION: REGULATES THE DISCHARGE TEMPERATURE OF THE AIR CONDITIONING WATER SEPARATOR. ELECTRICAL EQUIP NUMBER: V00027 COMPONENT MAINT MANUAL REF: 21-50-91 MAINTENANCE MANUAL REF: 21-51-30 21-61-02	201967	1

MISSING ITEM NUMBERS NOT APPLICABLE

- ITEM NOT ILLUSTRATED

HAP

21-51-30-01

BOEING PROPRIETARY - Copyright © - Unpublished Work - See title page for details.

21-51-30
FIG. 01
PAGE 1
FEB 15/09

BOEING
737-600/700/800/900
PARTS CATALOG (MAINTENANCE)

FIG ITEM	PART NUMBER	1 2 3 4 5 6 7	NOMENCLATURE	EFFECT FROM TO	UNITS PER ASSY
1					
45	S8842B1P1	..	PLATE-IDENT SUPPLIER CODE: V59364 CONFIG CHG DATA FROM A CMM: REPLD BY S3005-1	201967	1
45	S3005-1	..	PLATE-IDENT SUPPLIER CODE: V59364 CONFIG CHG DATA FROM A CMM: REPLS S8842B1P1	201967	1
50	MS24622-2	..	SCREW -----*-----	201967	2
60	S8429A5	..	BOLT- SUPPLIER CODE: V59364	201967	4
65	S8157AR52-032	..	WASHER- SUPPLIER CODE: V59364	201967	4
70	541932-1-1	..	ACTUATOR ASSY-ROTARY ELECTROMECHANICAL SUPPLIER CODE: V59364	201967	1
75	2745365-1	...	PLATE-IDENT SUPPLIER CODE: V59364 ATTACHING PARTS	201967	1
80	MS24641-1	...	SCREW -----*-----	201967	2
85	530862-1	...	PLATE-WIRING DIAGRAM SUPPLIER CODE: V59364	201967	1
90	516029-2-1	...	MOTOR-AC SUPPLIER CODE: V59364 ATTACHING PARTS	201967	1
95	AN503-6-6	...	SCREW	201967	4
100	S8157C82-020	...	WASHER-SPECIAL SUPPLIER CODE: V59364 -----*-----	201967	4
- 200	286A5102-001		WIRE BUNDLE ASSY	201967	RF
205	BACC63CB14-7SN	.	CONNECTOR-PLUG ELECTRICAL EQUIP NUMBER: D00702 WIRING DIAGRAM REF: 215116	201967	1

MISSING ITEM NUMBERS NOT APPLICABLE

- ITEM NOT ILLUSTRATED

HAP

21-51-30-01

BOEING PROPRIETARY - Copyright © - Unpublished Work - See title page for details.

21-51-30
FIG. 01
PAGE 2
OCT 15/08

BOEING
737-600/700/800/900
PARTS CATALOG (MAINTENANCE)

FIG ITEM	PART NUMBER	1 2 3 4 5 6 7 NOMENCLATURE	EFFECT FROM TO	UNITS PER ASSY
1 210	620AA028NF14L	.CLAMP-BACKSHELL SUPPLIER CODE: V06324 SPECIFICATION NUMBER: BACC10KE14 OPTIONAL PART: S3820-14-65 V07418 ELECTRICAL EQUIP NUMBER: D00702T WIRING DIAGRAM REF: 215116	201967	1

MISSING ITEM NUMBERS NOT APPLICABLE

— ITEM NOT ILLUSTRATED

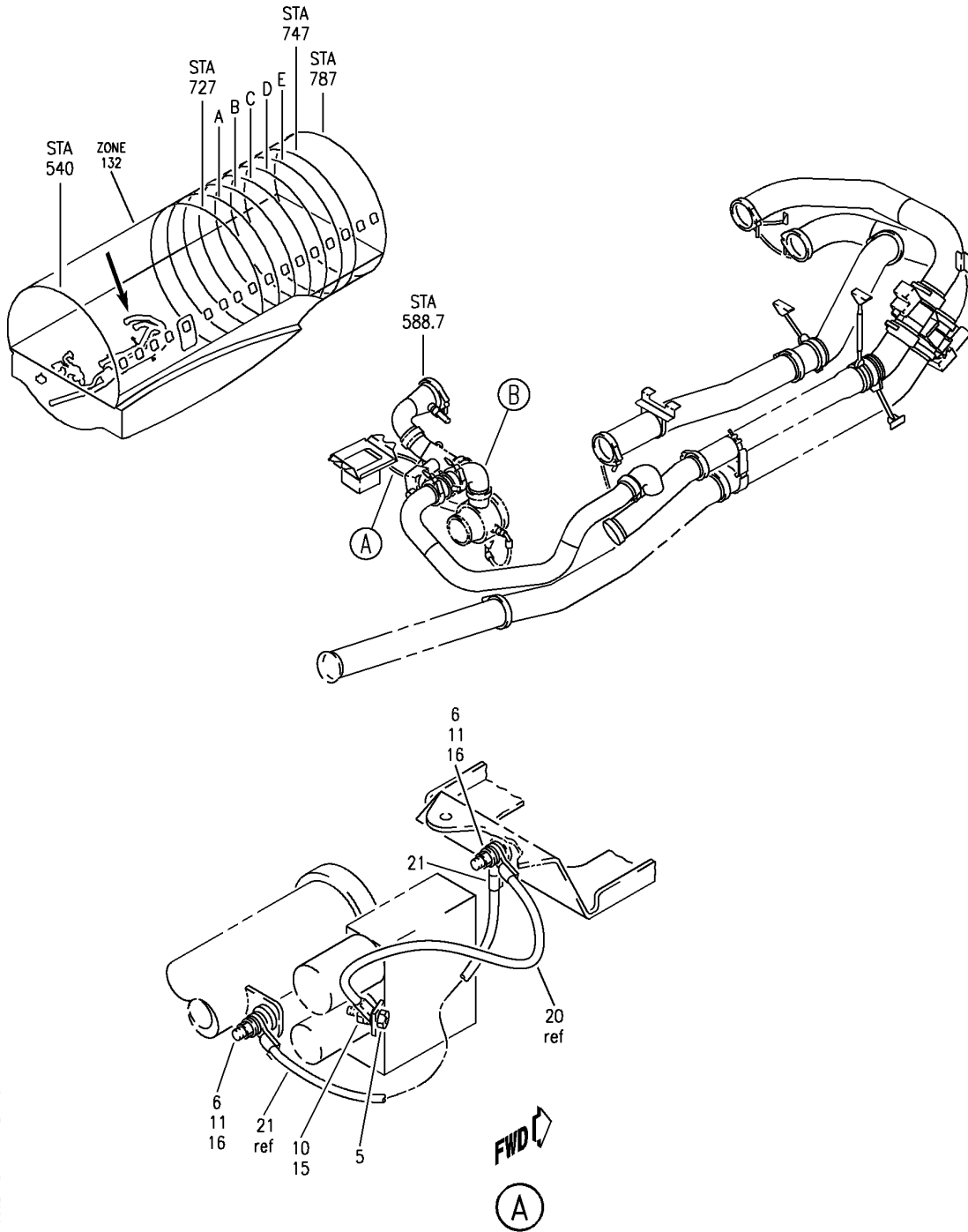
HAP

21-51-30-01

BOEING PROPRIETARY - Copyright © - Unpublished Work - See title page for details.

21-51-30
FIG. 01
PAGE 3
OCT 15/08

BOEING
 737-600/700/800/900
 PARTS CATALOG (MAINTENANCE)



E 21513002 SHT 1 REV 131

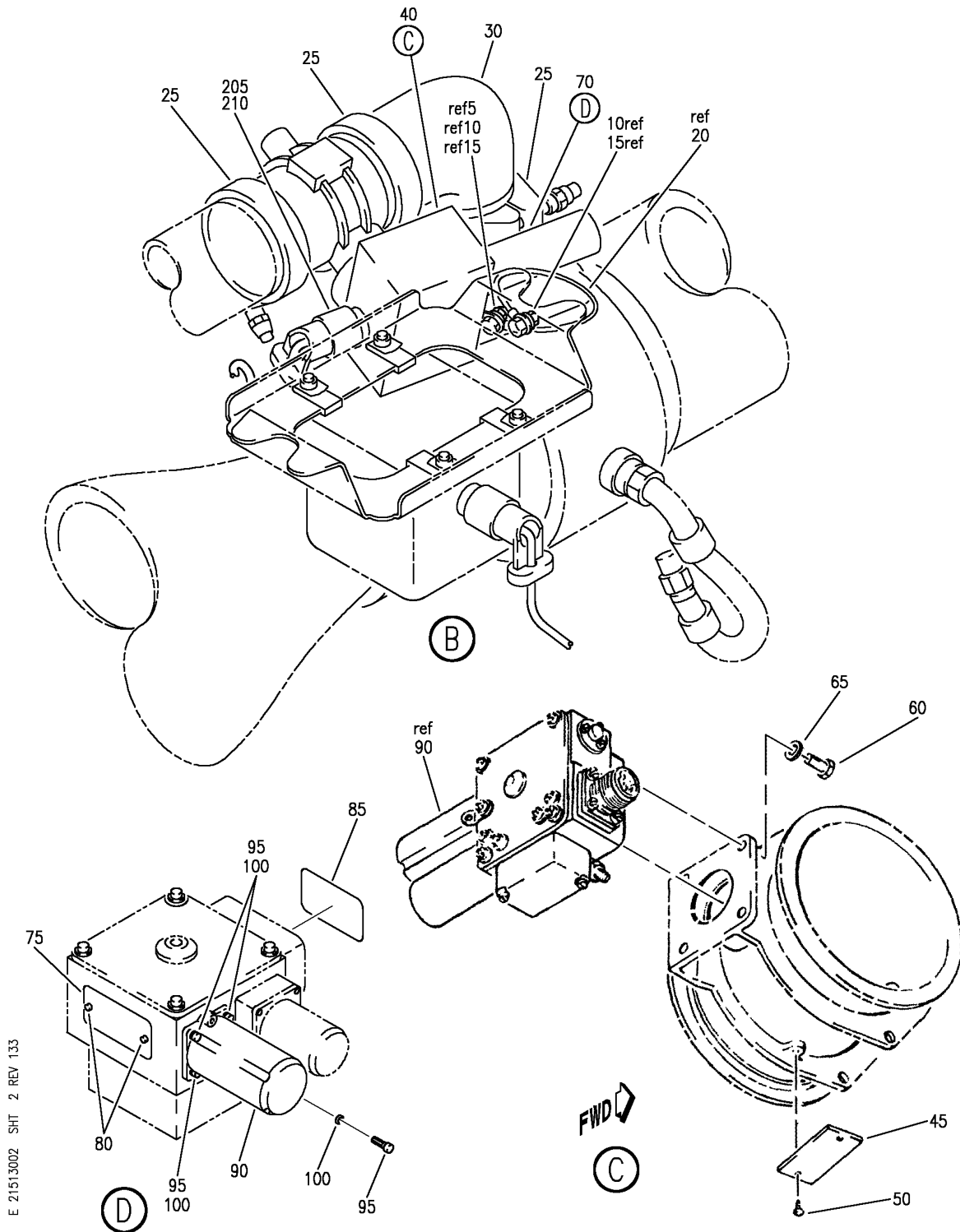
DUCT INSTL-R SIDE AIR CONDITIONING PACK (LOW LIMIT (35 DEGREE F) VALVE ONLY)
 FIGURE 2 (SHEET 1)

HAP
 OCT 15/08

21-51-30-02

21-51-30-02
 PAGE 0

BOEING
 737-600/700/800/900
 PARTS CATALOG (MAINTENANCE)



E 21513002 SHT 2 REV 133

DUCT INSTL-R SIDE AIR CONDITIONING PACK (LOW LIMIT (35 DEGREE F) VALVE ONLY)
 FIGURE 2 (SHEET 2)

21-51-30-02

HAP
 OCT 15/08

21-51-30-02
 PAGE 0A

BOEING
737-600/700/800/900
PARTS CATALOG (MAINTENANCE)

FIG ITEM	PART NUMBER	1 2 3 4 5 6 7	NOMENCLATURE	EFFECT FROM TO	UNITS PER ASSY
2			DUCT INSTL-R SIDE AIR CONDITIONING PACK (LOW LIMIT (35 DEGREE F) VALVE ONLY)	201967	
- 1	213A1002-2		DUCT INSTL-AIR CONDITIONING PACK (LOW LIMIT (35 DEGREE F) VALVE ONLY) POSITION DATA: R SIDE FOR NHA/OTHER SYS DET SEE: 21-50-00-01B	201967	RF
5	BACS12GU3K7		.SCREW	201967	1
10	NAS1149E0316P		.WASHER	201967	2
15	PLH53CD		.NUT	201967	2
			SUPPLIER CODE: VF0224 SPECIFICATION NUMBER: BACN10YR3CD OPTIONAL PART: H52732-3CD V15653		
20	RBEJ40K5A5A10		.JUMPER SUPPLIER CODE: V1GK47 SPECIFICATION NUMBER: BACJ40K5A5A10	201967	1
25	BAC10DU250ABE		.CLAMP	201967	3
30	213A1201-49		.DUCT ASSY	201967	1
40	321942-1-1		.VALVE ASSY-ANTI-ICING CONT AIR CYCLE SYS SUPPLIER CODE: V59364 FUNCTIONAL DESCRIPTION: REGULATES THE DISCHARGE TEMPERATURE OF THE AIR CONDITIONING WATER SEPERATOR. ELECTRICAL EQUIP NUMBER: V00028 COMPONENT MAINT MANUAL REF: 21-50-91 MAINTENANCE MANUAL REF: 21-51-30 21-61-02	201967	1
45	S8842B1P1		..PLATE-IDENT SUPPLIER CODE: V59364 CONFIG CHG DATA FROM A CMM: REPLD BY S3005-1	201967	1

MISSING ITEM NUMBERS NOT APPLICABLE

- ITEM NOT ILLUSTRATED

HAP

21-51-30-02

BOEING PROPRIETARY - Copyright © - Unpublished Work - See title page for details.

21-51-30
FIG. 02
PAGE 1
FEB 15/09

BOEING
737-600/700/800/900
PARTS CATALOG (MAINTENANCE)

FIG ITEM	PART NUMBER	1 2 3 4 5 6 7	NOMENCLATURE	EFFECT FROM TO	UNITS PER ASSY
2					
45	S3005-1		.. PLATE-IDENT SUPPLIER CODE: V59364 CONFIG CHG DATA FROM A CMM: REPLS S8842B1P1 ATTACHING PARTS	201967	1
50	MS24622-2		.. SCREW -----*-----	201967	2
60	S8429A5		.. BOLT- SUPPLIER CODE: V59364	201967	4
65	S8157AR52-032		.. WASHER- SUPPLIER CODE: V59364	201967	4
70	541932-1-1		.. ACTUATOR ASSY-ROTARY ELECTROMECHANICAL SUPPLIER CODE: V59364	201967	1
75	2745365-1		... PLATE-IDENT SUPPLIER CODE: V59364 ATTACHING PARTS	201967	1
80	MS24641-1		... SCREW -----*-----	201967	2
85	530862-1		... PLATE-WIRING DIAGRAM SUPPLIER CODE: V59364	201967	1
90	516029-2-1		... MOTOR-AC SUPPLIER CODE: V59364 ATTACHING PARTS	201967	1
95	AN503-6-6		... SCREW	201967	4
100	S8157C82-020		... WASHER-SPECIAL SUPPLIER CODE: V59364 -----*-----	201967	4
- 200	286A6202-001		WIRE BUNDLE ASSY	201967	RF
205	BACC63CB14-7SN		. CONNECTOR-PLUG ELECTRICAL EQUIP NUMBER: D00704 WIRING DIAGRAM REF: 215116	201967	1

MISSING ITEM NUMBERS NOT APPLICABLE

- ITEM NOT ILLUSTRATED

HAP

21-51-30-02

BOEING PROPRIETARY - Copyright © - Unpublished Work - See title page for details.

21-51-30
FIG. 02
PAGE 2
OCT 15/08


BOEING
 737-600/700/800/900
PARTS CATALOG (MAINTENANCE)

FIG ITEM	PART NUMBER	1 2 3 4 5 6 7 NOMENCLATURE	EFFECT FROM TO	UNITS PER ASSY
2 210	S3819-14-65	.CLAMP-BACKSHELL SUPPLIER CODE: V07418 SPECIFICATION NUMBER: BACC10KD14 OPTIONAL PART: 620AS028NF14L V06324 ELECTRICAL EQUIP NUMBER: D00704T WIRING DIAGRAM REF: 215116	201967	1

MISSING ITEM NUMBERS NOT APPLICABLE

— ITEM NOT ILLUSTRATED

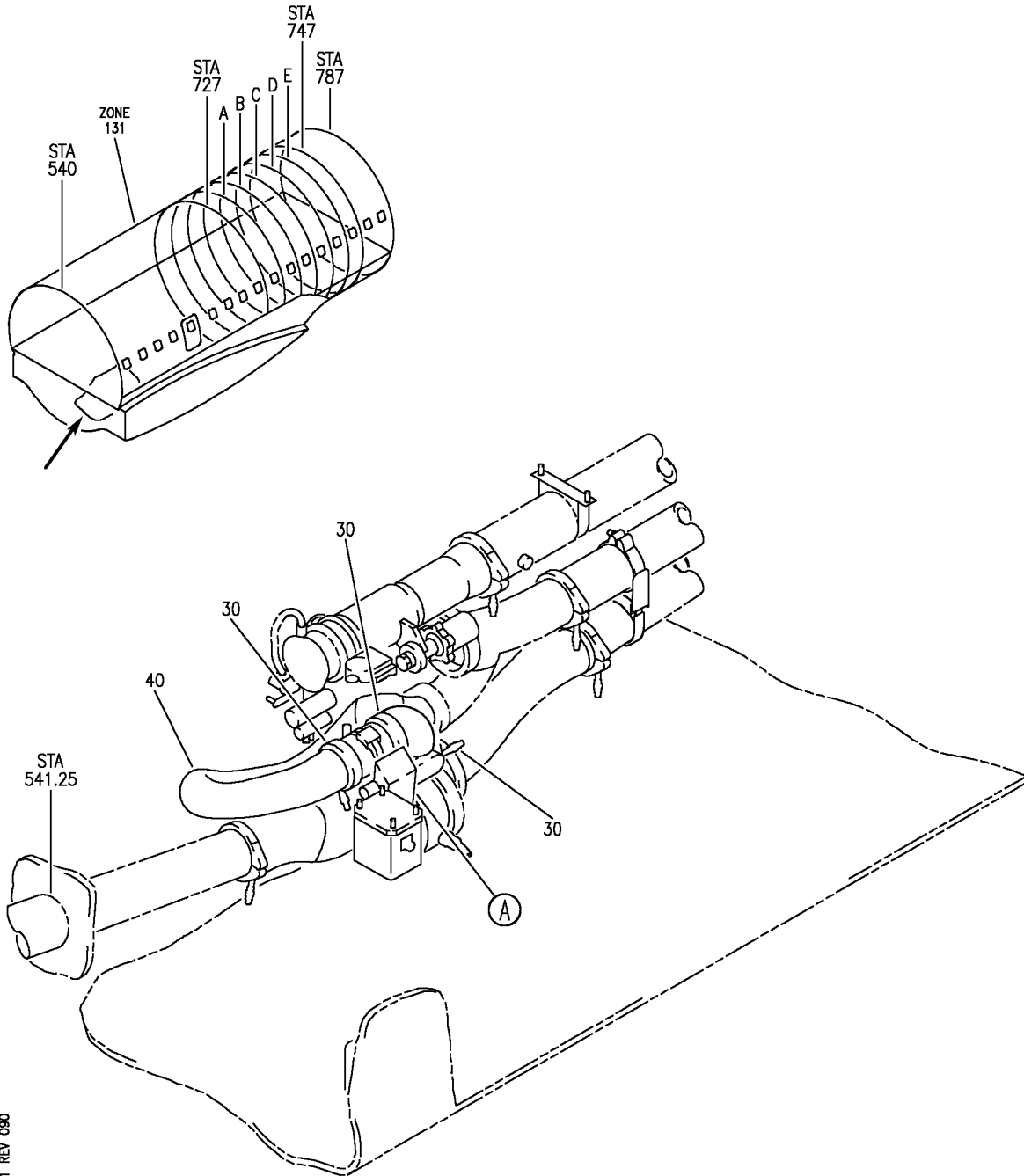
HAP

21-51-30-02

BOEING PROPRIETARY - Copyright © - Unpublished Work - See title page for details.

21-51-30
 FIG. 02
 PAGE 3
 OCT 15/08

BOEING
 737-600/700/800/900
 PARTS CATALOG (MAINTENANCE)



E 21513003 SHT 1 REV 090

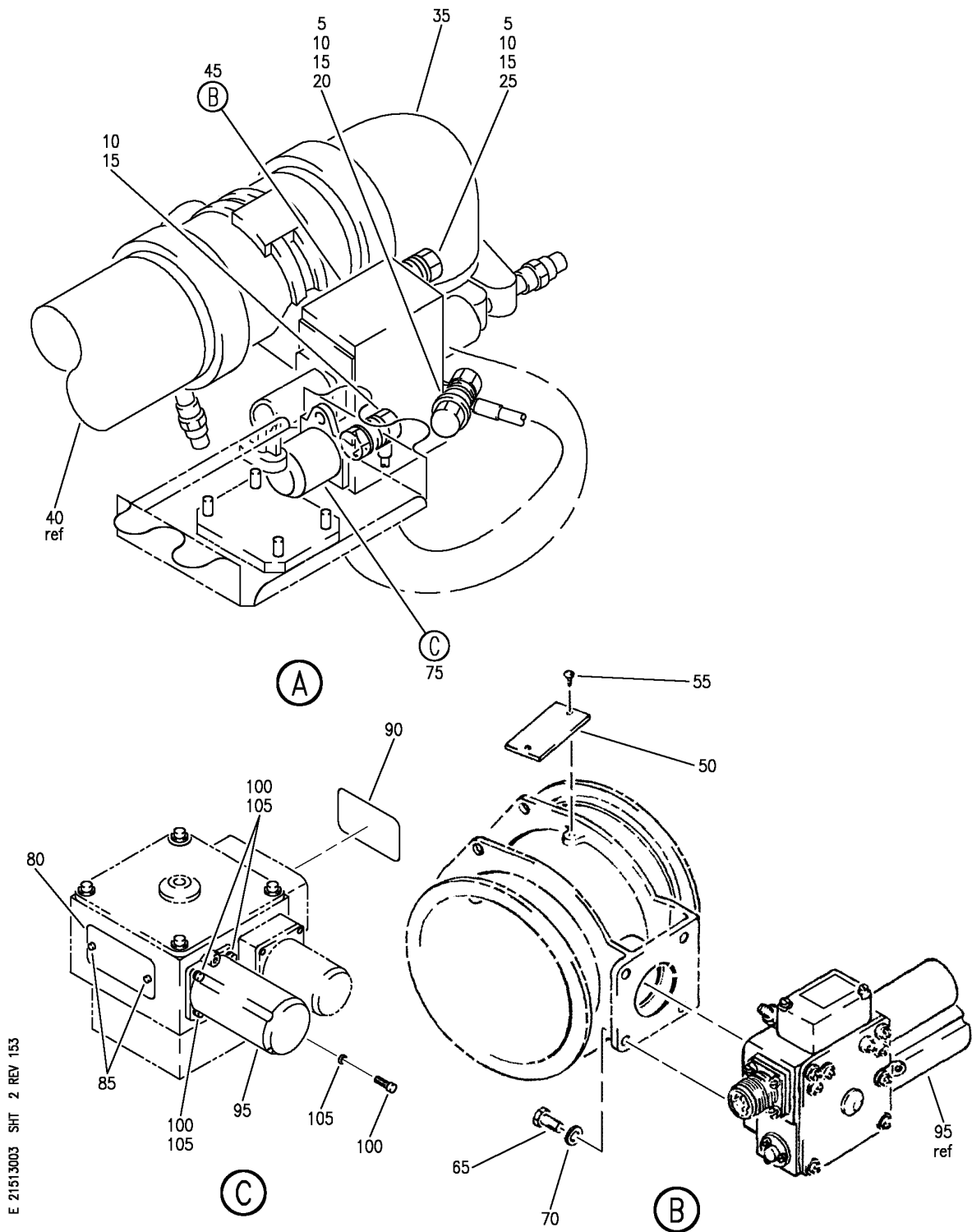
DUCT INSTL-L SIDE AIR CONDITIONING PACK (LOW LIMIT (35 DEGREE F) VALVE ONLY)
 FIGURE 3 (SHEET 1)

HAP
 FEB 10/07

21-51-30-03

21-51-30-03
 PAGE 0

BOEING
 737-600/700/800/900
 PARTS CATALOG (MAINTENANCE)



DUCT INSTL-L SIDE AIR CONDITIONING PACK (LOW LIMIT (35 DEGREE F) VALVE ONLY)
 FIGURE 3 (SHEET 2)

HAP
 JUN 15/09

21-51-30-03

21-51-30-03
 PAGE 0A

BOEING
737-600/700/800/900
PARTS CATALOG (MAINTENANCE)

FIG ITEM	PART NUMBER	1 2 3 4 5 6 7	NOMENCLATURE	EFFECT FROM TO	UNITS PER ASSY
3			DUCT INSTL-L SIDE AIR CONDITIONING PACK (LOW LIMIT (35 DEGREE F) VALVE ONLY)	101200 968999	
- 1	MODREF256350		DUCT INSTL-AIR CONDITIONING PACK (LOW LIMIT (35 DEGREE F) VALVE ONLY) MODULE NUMBER: 213A1006-1 REV C POSITION DATA: L SIDE FOR OTHER SYS DETAILS SEE: 21-61-02-03 FOR ADDITIONAL DETAILS SEE: 21-51-09-03 21-51-20-03 21-51-31-03 21-51-41-05	101106 968999	1
- 1	MODREF395390		DUCT INSTL-AIR CONDITIONING PACK (LOW LIMIT (35 DEGREE F) VALVE ONLY) MODULE NUMBER: 213A1006-1 REV D POSITION DATA: L SIDE FOR OTHER SYS DETAILS SEE: 21-61-02-03 FOR ADDITIONAL DETAILS SEE: 21-51-09-03 21-51-20-03 21-51-31-03 21-51-41-05	107200	1
5	BACS12GU3K7		.SCREW	101200 968999	2
10	NAS1149E0316R		.WASHER	101200 968999	3
15	PLH53CM		.NUT SUPPLIER CODE: VF0224 SPECIFICATION NUMBER: BACN10YR3CM OPTIONAL PART: H52732-3CM V15653	101200 968999	3

MISSING ITEM NUMBERS NOT APPLICABLE

- ITEM NOT ILLUSTRATED

HAP

21-51-30-03

21-51-30
FIG. 03
PAGE 1
FEB 15/09

BOEING
737-600/700/800/900
PARTS CATALOG (MAINTENANCE)

FIG ITEM	PART NUMBER	1 2 3 4 5 6 7	NOMENCLATURE	EFFECT FROM TO	UNITS PER ASSY	
3	20 100544-8	.	JUMPER SUPPLIER CODE: V1FF12 SPECIFICATION NUMBER: BACJ40AD44-8 OPTIONAL PART: RBEJ40AD44-8 V1GK47	101200 968999	1	
	25 RBEJ40AD44-13	.	JUMPER SUPPLIER CODE: V1GK47 SPECIFICATION NUMBER: BACJ40AD44-13 OPTIONAL PART: 100544-13 V1FF12	101200 968999	1	
	30 BACC10DU250ABE	.	CLAMP	101200 968999	3	
	35 213A1201-102	.	DUCT ASSY	101200 968999	1	
	40 213A1201-115	.	DUCT ASSY	101200 968999	1	
	45 321942-1-1	.	VALVE ASSY-ANTI-ICING CONT AIR CYCLE SYS SUPPLIER CODE: V59364 FUNCTIONAL DESCRIPTION: REGULATES THE DISCHARGE TEMPERATURE OF THE AIR CONDITIONING WATER SEPARATOR. ELECTRICAL EQUIP NUMBER: V00027 COMPONENT MAINT MANUAL REF: 21-50-91 MAINTENANCE MANUAL REF: 21-51-30	101200 968999	1	
	50 S8842B1P1	..	PLATE-IDENT SUPPLIER CODE: V59364 CONFIG CHG DATA FROM A CMM: REPLD BY S3005-1	101200 968999	1	
	50 S3005-1	..	PLATE-IDENT SUPPLIER CODE: V59364 CONFIG CHG DATA FROM A CMM: REPLS S8842B1P1	101200 968999	1	
	MISSING ITEM NUMBERS NOT APPLICABLE					

— ITEM NOT ILLUSTRATED

HAP

21-51-30-03

BOEING PROPRIETARY - Copyright © - Unpublished Work - See title page for details.

21-51-30
FIG. 03
PAGE 2
OCT 15/08

BOEING
737-600/700/800/900
PARTS CATALOG (MAINTENANCE)

FIG ITEM	PART NUMBER	1 2 3 4 5 6 7	NOMENCLATURE	EFFECT FROM TO	UNITS PER ASSY
3			ATTACHING PARTS		
55	MS24622-2	..	SCREW	101200 968999	2
			-----*-----		
65	S8429A5	..	BOLT-	101200 968999	4
			SUPPLIER CODE: V59364		
70	S8157AR52-032	..	WASHER-	101200 968999	4
			SUPPLIER CODE: V59364		
75	541932-1-1	..	ACTUATOR ASSY-ROTARY ELECTROMECHANICAL	101200 968999	1
			SUPPLIER CODE: V59364		
80	2745365-1	...	PLATE-IDENT	101200 968999	1
			SUPPLIER CODE: V59364		
			ATTACHING PARTS		
85	MS24641-1	...	SCREW	101200 968999	2
			-----*-----		
90	530862-1	...	PLATE-WIRING DIAGRAM	101200 968999	1
			SUPPLIER CODE: V59364		
95	516029-2-1	...	MOTOR-AC	101200 968999	1
			SUPPLIER CODE: V59364		
			ATTACHING PARTS		
100	AN503-6-6	...	SCREW	101200 968999	4
105	S8157C82-020	...	WASHER-SPECIAL	101200 968999	4
			SUPPLIER CODE: V59364		
			-----*-----		

MISSING ITEM NUMBERS NOT APPLICABLE

— ITEM NOT ILLUSTRATED

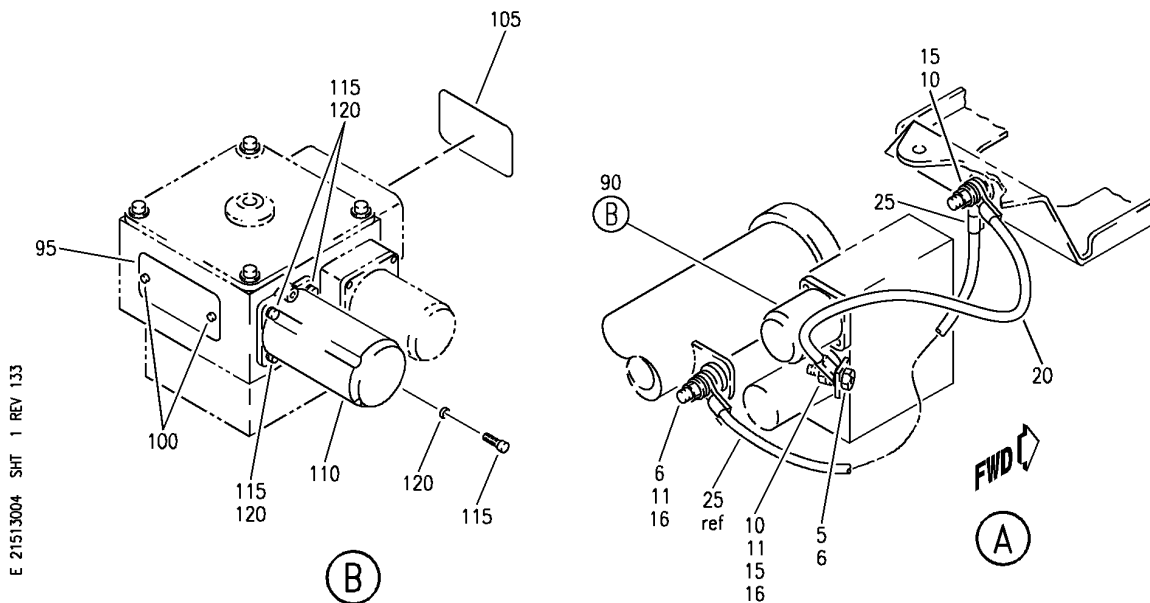
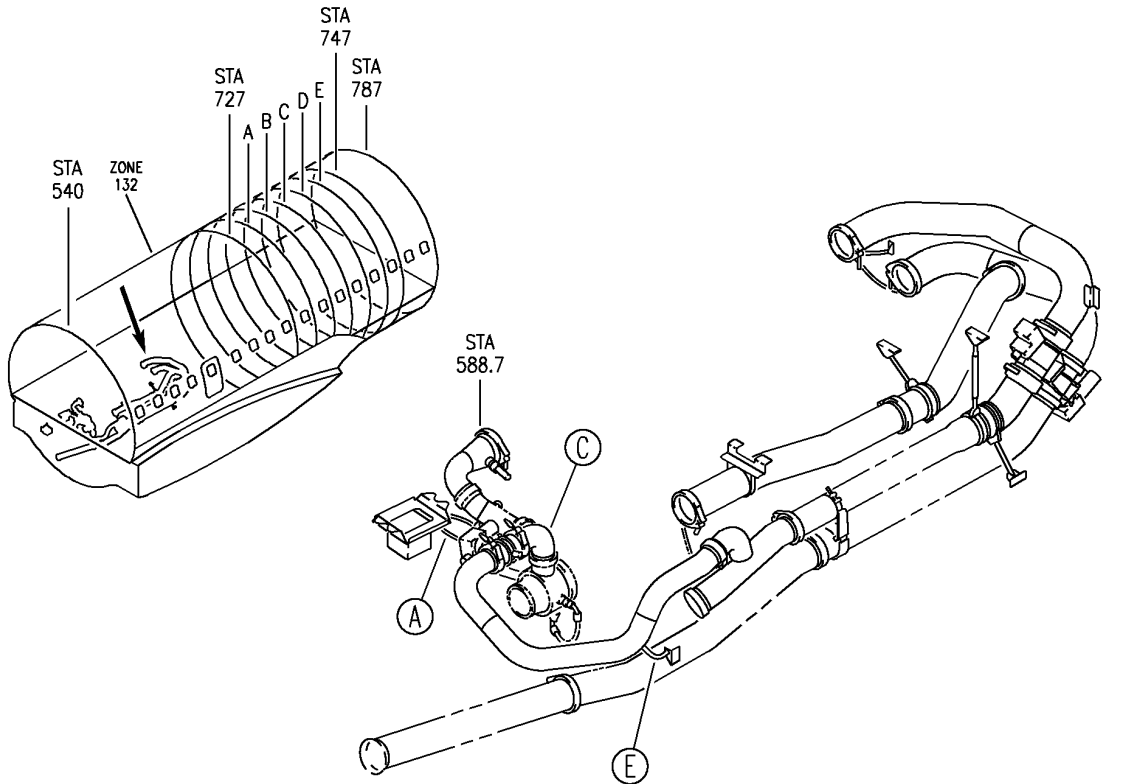
HAP

21-51-30-03

BOEING PROPRIETARY - Copyright © - Unpublished Work - See title page for details.

21-51-30
FIG. 03
PAGE 3
JUN 15/09

BOEING
 737-600/700/800/900
 PARTS CATALOG (MAINTENANCE)



E 21513004 SHT 1 REV 133

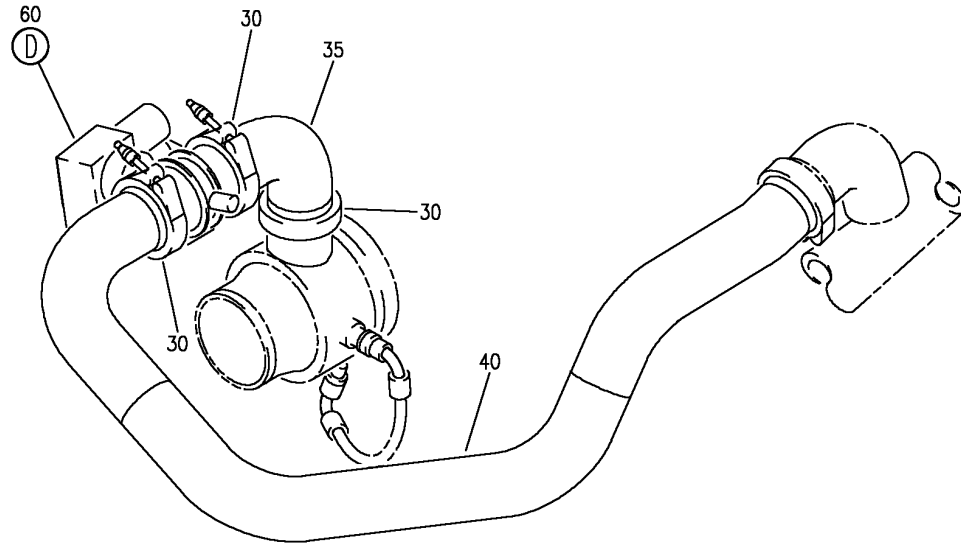
DUCT INSTL-R SIDE AIR CONDITIONING PACK (LOW LIMIT (35 DEGREE F) VALVE ONLY)
 FIGURE 4 (SHEET 1)

21-51-30-04

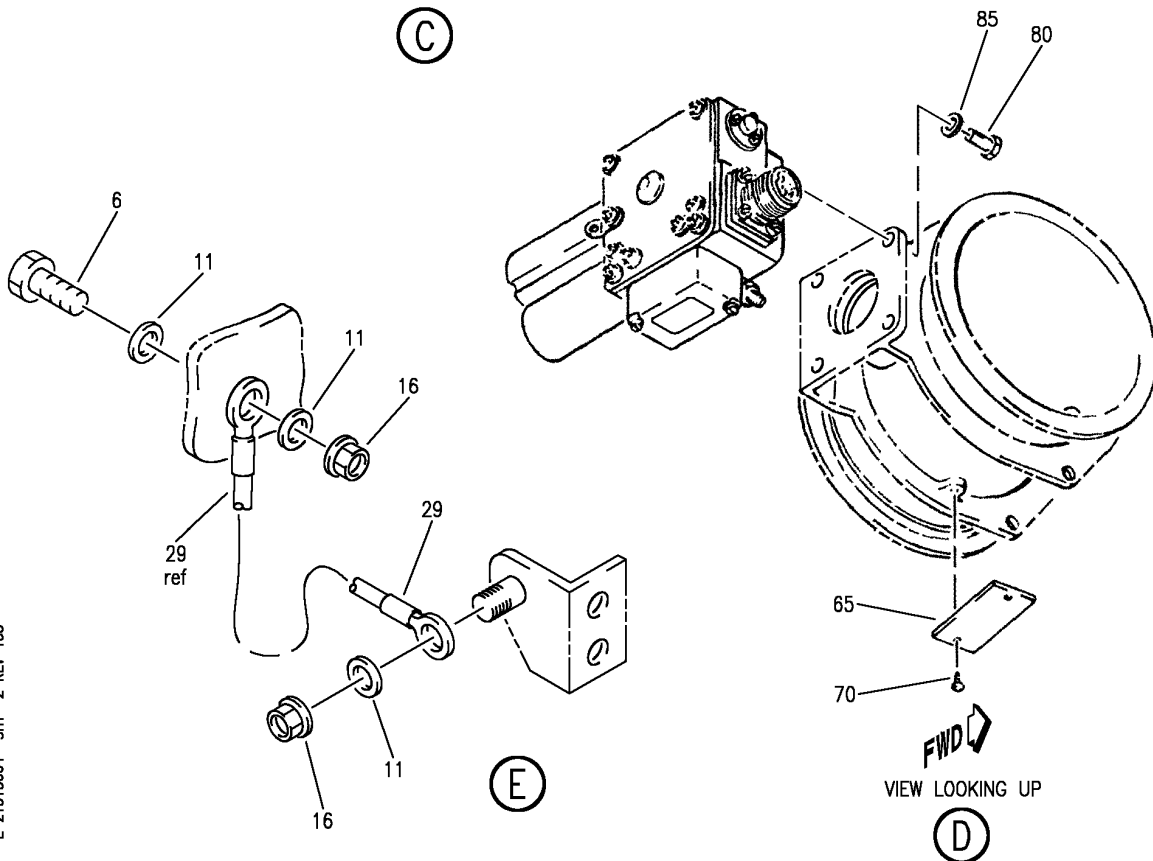
HAP
 OCT 10/07

21-51-30-04
 PAGE 0

BOEING
 737-600/700/800/900
 PARTS CATALOG (MAINTENANCE)



(C)



(E)

(D)

E 21513004 SH1 2 REV 153

DUCT INSTL-R SIDE AIR CONDITIONING PACK (LOW LIMIT (35 DEGREE F) VALVE ONLY)
 FIGURE 4 (SHEET 2)

21-51-30-04

HAP
 JUN 15/09

21-51-30-04
 PAGE 0A

BOEING
737-600/700/800/900
PARTS CATALOG (MAINTENANCE)

FIG ITEM	PART NUMBER	1 2 3 4 5 6 7	NOMENCLATURE	EFFECT FROM TO	UNITS PER ASSY
4			DUCT INSTL-R SIDE AIR CONDITIONING PACK (LOW LIMIT (35 DEGREE F) VALVE ONLY)	101200 968999	
- 1	MODREF256351		DUCT INSTL-AIR CONDITIONING PACK (LOW LIMIT (35 DEGREE F) VALVE ONLY) MODULE NUMBER: 213A1006-2 REV B POSITION DATA: R SIDE FOR OTHER SYS DETAILS SEE: 21-61-02-04 FOR ADDITIONAL DETAILS SEE: 21-51-09-04 21-51-20-04 21-51-31-04 21-51-41-06	101106 968999	1
- 1	MODREF395391		DUCT INSTL-AIR CONDITIONING PACK (LOW LIMIT (35 DEGREE F) VALVE ONLY) MODULE NUMBER: 213A1006-2 REV C POSITION DATA: R SIDE FOR OTHER SYS DETAILS SEE: 21-61-02-04 FOR ADDITIONAL DETAILS SEE: 21-51-09-04 21-51-20-04 21-51-31-04 21-51-41-06	107200	1
6	BACS12GU3K7		.SCREW	101200 968999	2
11	NAS1149E0316R		.WASHER	101200 968999	4
16	PLH53CM		.NUT SUPPLIER CODE: VF0224 SPECIFICATION NUMBER: BACN10YR3CM OPTIONAL PART: H52732-3CM V15653	101200 968999	3

MISSING ITEM NUMBERS NOT APPLICABLE

- ITEM NOT ILLUSTRATED

HAP

21-51-30-04

BOEING PROPRIETARY - Copyright © - Unpublished Work - See title page for details.

21-51-30
FIG. 04
PAGE 1
JUN 15/09

BOEING
737-600/700/800/900
PARTS CATALOG (MAINTENANCE)

FIG ITEM	PART NUMBER	1 2 3 4 5 6 7	NOMENCLATURE	EFFECT FROM TO	UNITS PER ASSY
4	20	100544-8	. JUMPER SUPPLIER CODE: V1FF12 SPECIFICATION NUMBER: BACJ40AD44-8 OPTIONAL PART: RBEJ40AD44-8 V1GK47	101200 968999	1
	25	100544-15	. JUMPER SUPPLIER CODE: V1FF12 SPECIFICATION NUMBER: BACJ40AD44-15 OPTIONAL PART: RBEJ40AD44-15 V1GK47	101200 968999	1
	29	100544-9	. JUMPER SUPPLIER CODE: V1FF12 SPECIFICATION NUMBER: BACJ40AD44-9 OPTIONAL PART: RBEJ40AD44-9 V1GK47	101200 968999	1
	30	BACC10DU250ABE	. CLAMP	101200 968999	3
	35	213A1201-159	. DUCT ASSY	101200 968999	1
	40	213A1201-141	. DUCT ASSY	101200 968999	1
	60	321942-1-1	. VALVE ASSY-ANTI-ICING CONT AIR CYCLE SYS SUPPLIER CODE: V59364 FUNCTIONAL DESCRIPTION: REGULATES THE DISCHARGE TEMPERATURE OF THE AIR CONDITIONING WATER SEPARATOR. ELECTRICAL EQUIP NUMBER: V00028 COMPONENT MAINT MANUAL REF: 21-50-91 MAINTENANCE MANUAL REF: 21-51-30	101200 968999	1
MISSING ITEM NUMBERS NOT APPLICABLE					

- ITEM NOT ILLUSTRATED

HAP

21-51-30-04

BOEING PROPRIETARY - Copyright © - Unpublished Work - See title page for details.

21-51-30
FIG. 04
PAGE 2
JUN 15/09

BOEING
737-600/700/800/900
PARTS CATALOG (MAINTENANCE)

FIG ITEM	PART NUMBER	1 2 3 4 5 6 7	NOMENCLATURE	EFFECT FROM TO	UNITS PER ASSY
4					
65	S8842B1P1	..	PLATE-IDENT SUPPLIER CODE: V59364 CONFIG CHG DATA FROM A CMM: REPLD BY S3005-1	101200 968999	1
65	S3005-1	..	PLATE-IDENT SUPPLIER CODE: V59364 CONFIG CHG DATA FROM A CMM: REPLS S8842B1P1	101200 968999	1
70	MS24622-2	..	SCREW	101200 968999	2
			-----*-----		
80	S8429A5	..	BOLT- SUPPLIER CODE: V59364	101200 968999	4
85	S8157AR52-032	..	WASHER- SUPPLIER CODE: V59364	101200 968999	4
90	541932-1-1	..	ACTUATOR ASSY-ROTARY ELECTROMECHANICAL SUPPLIER CODE: V59364	101200 968999	1
95	2745365-1	...	PLATE-IDENT SUPPLIER CODE: V59364	101200 968999	1
			ATTACHING PARTS		
100	MS24641-1	...	SCREW	101200 968999	2
			-----*-----		
105	530862-1	...	PLATE-WIRING DIAGRAM SUPPLIER CODE: V59364	101200 968999	1
110	516029-2-1	...	MOTOR-AC SUPPLIER CODE: V59364	101200 968999	1
			ATTACHING PARTS		
115	AN503-6-6	...	SCREW	101200 968999	4
120	S8157C82-020	...	WASHER-SPECIAL SUPPLIER CODE: V59364	101200 968999	4
			-----*-----		

MISSING ITEM NUMBERS NOT APPLICABLE

— ITEM NOT ILLUSTRATED

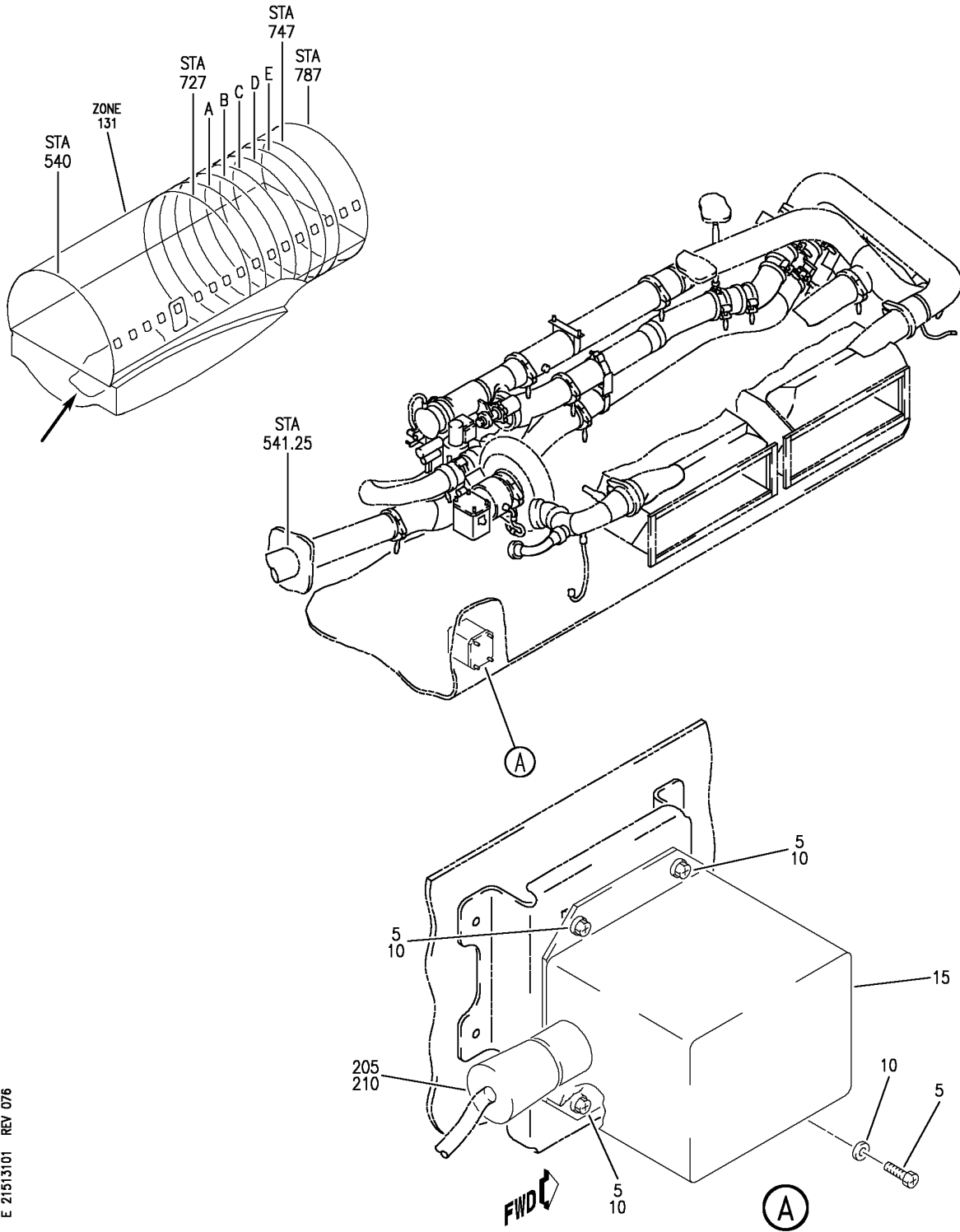
HAP

21-51-30-04

BOEING PROPRIETARY - Copyright © - Unpublished Work - See title page for details.

21-51-30
FIG. 04
PAGE 3
JUN 15/09

BOEING
 737-600/700/800/900
 PARTS CATALOG (MAINTENANCE)



E 21513101 REV 076

DUCT INSTL-L SIDE AIR CONDITIONING PACK (LOW LIMIT (35 DEGREE F) CONTROLLER ONLY)
 FIGURE 1

21-51-31-01

HAP
 OCT 15/08

21-51-31-01
 PAGE 0

BOEING
737-600/700/800/900
PARTS CATALOG (MAINTENANCE)

FIG ITEM	PART NUMBER	1 2 3 4 5 6 7	NOMENCLATURE	EFFECT FROM TO	UNITS PER ASSY
1			DUCT INSTL-L SIDE AIR CONDITIONING PACK (LOW LIMIT (35 DEGREE F) CONTROLLER ONLY)	201967	
- 1	213A1002-1		DUCT INSTL-AIR CONDITIONING PACK (LOW LIMIT (35 DEGREE F) CONTROLLER ONLY) POSITION DATA: L SIDE FOR NHA/OTHER SYS DET SEE: 21-50-00-01B	201967	RF
5	BACS12GU3K9		.SCREW	201967	4
10	NAS1149D0316J		.WASHER	201967	4
15	607510-3		.BOX ASSY-TEMP CONT WATER SEPARATOR AIR CYCLE SYS SUPPLIER CODE: V07217 FUNCTIONAL DESCRIPTION: REGULATES THE DISCHARGE TEMPERATURE OF THE AIR CONDITIONING WATER SEPARATOR. ELECTRICAL EQUIP NUMBER: M00223 COMPONENT MAINT MANUAL REF: 21-60-59 MAINTENANCE MANUAL REF: 21-51-31 FOR DETAILS SEE: 33-33-01-01	201967	1
- 200	286A5102-001		WIRE BUNDLE ASSY	201967	RF
205	BACC63CB14-7SN		.CONNECTOR-PLUG ELECTRICAL EQUIP NUMBER: D00706 WIRING DIAGRAM REF: 215116	201967	1

MISSING ITEM NUMBERS NOT APPLICABLE

- ITEM NOT ILLUSTRATED

HAP

21-51-31-01

BOEING PROPRIETARY - Copyright © - Unpublished Work - See title page for details.

21-51-31
FIG. 01
PAGE 1
OCT 15/08


BOEING
 737-600/700/800/900
PARTS CATALOG (MAINTENANCE)

FIG ITEM	PART NUMBER	1 2 3 4 5 6 7 NOMENCLATURE	EFFECT FROM TO	UNITS PER ASSY
1 210	S3819-14-65	.CLAMP-BACKSHELL SUPPLIER CODE: V07418 SPECIFICATION NUMBER: BACC10KD14 OPTIONAL PART: 620AS028NF14L V06324 ELECTRICAL EQUIP NUMBER: D00706T WIRING DIAGRAM REF: 215116	201967	1

MISSING ITEM NUMBERS NOT APPLICABLE

— ITEM NOT ILLUSTRATED

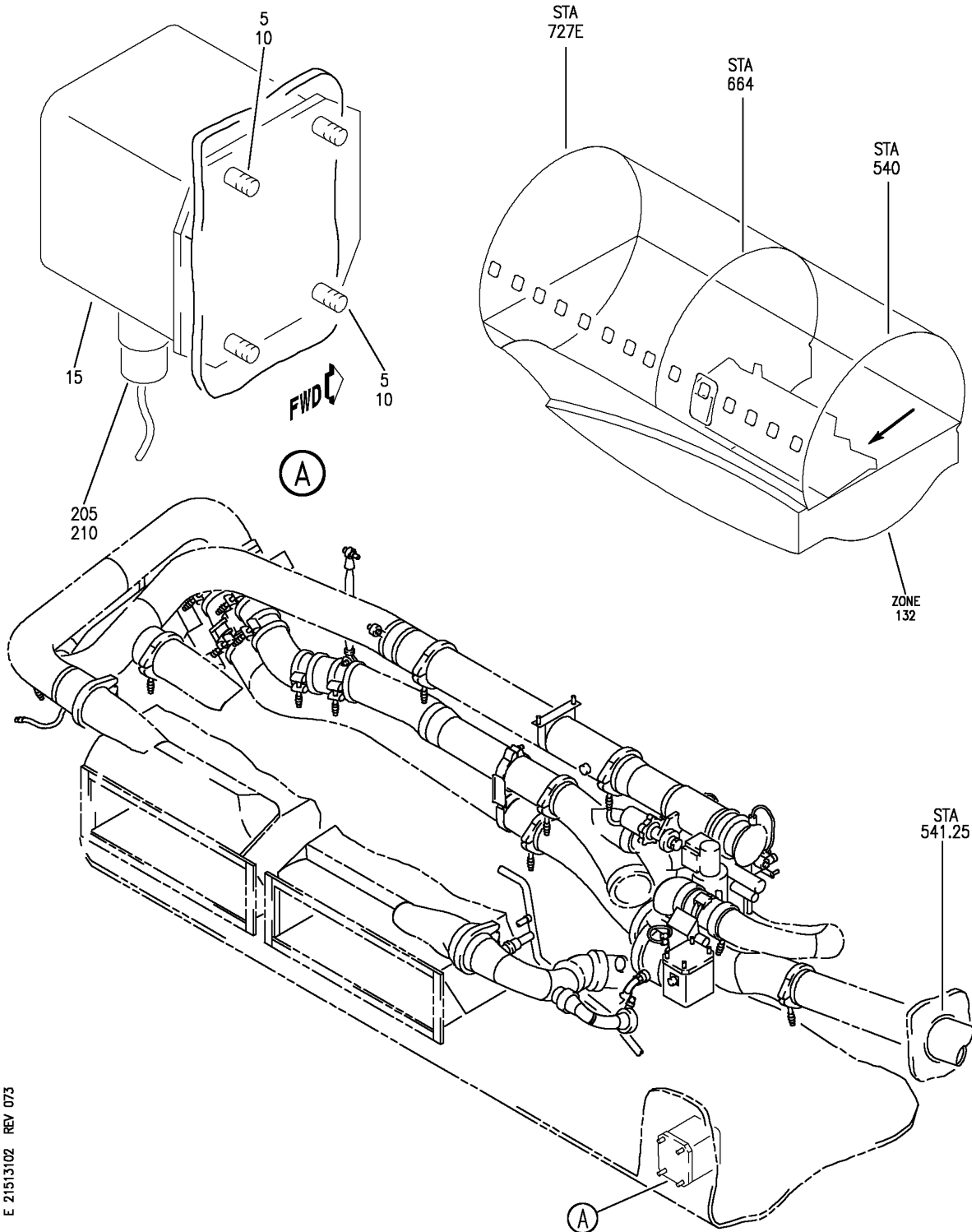
HAP

21-51-31-01

BOEING PROPRIETARY - Copyright © - Unpublished Work - See title page for details.

21-51-31
 FIG. 01
 PAGE 2
 OCT 15/08

BOEING
 737-600/700/800/900
 PARTS CATALOG (MAINTENANCE)



E 21513102 REV 073

DUCT INSTL-R SIDE AIR CONDITIONING PACK (LOW LIMIT (35 DEGREE F) CONTROLLER ONLY)
 FIGURE 2

21-51-31-02

HAP
 OCT 15/08

21-51-31-02
 PAGE 0

BOEING
737-600/700/800/900
PARTS CATALOG (MAINTENANCE)

FIG ITEM	PART NUMBER	1 2 3 4 5 6 7	NOMENCLATURE	EFFECT FROM TO	UNITS PER ASSY
2			DUCT INSTL-R SIDE AIR CONDITIONING PACK (LOW LIMIT (35 DEGREE F) CONTROLLER ONLY)	201967	
- 1	213A1002-2		DUCT INSTL-AIR CONDITIONING PACK (LOW LIMIT (35 DEGREE F) CONTROLLER ONLY) POSITION DATA: R SIDE FOR NHA/OTHER SYS DET SEE: 21-50-00-01B	201967	RF
5	BACS12GU3K9		.SCREW	201967	4
10	NAS1149D0316J		.WASHER	201967	4
15	607510-3		.BOX ASSY-TEMP CONT WATER SEPARATOR AIR CYCLE SYS SUPPLIER CODE: V07217 FUNCTIONAL DESCRIPTION: REGULATES THE DISCHARGE TEMPERATURE OF THE AIR CONDITIONING WATER SEPARATOR. ELECTRICAL EQUIP NUMBER: M00224 COMPONENT MAINT MANUAL REF: 21-60-59 MAINTENANCE MANUAL REF: 21-51-31	201967	1
- 200	286A6202-001		WIRE BUNDLE ASSY	201967	RF
205	BACC63CB14-7SN		.CONNECTOR- ELECTRICAL EQUIP NUMBER: D00708 WIRING DIAGRAM REF: 215126	201967	1
210	S3819-14-65		.CLAMP- SUPPLIER CODE: V07418 SPECIFICATION NUMBER: BACC10KD14 OPTIONAL PART: 620AS028NF14L V06324 ELECTRICAL EQUIP NUMBER: D00708T WIRING DIAGRAM REF: 215126	201967	1

MISSING ITEM NUMBERS NOT APPLICABLE

- ITEM NOT ILLUSTRATED

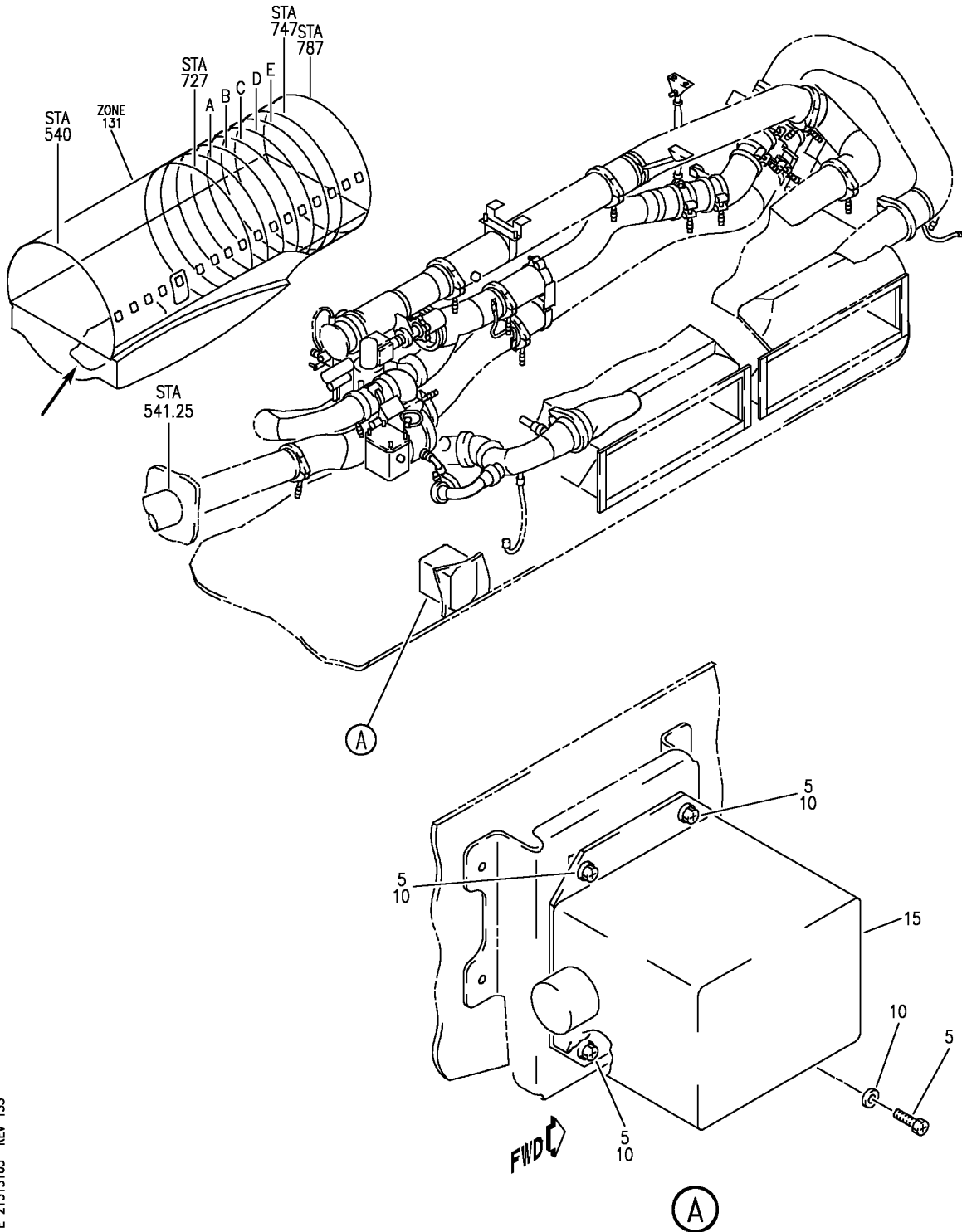
HAP

21-51-31-02

BOEING PROPRIETARY - Copyright © - Unpublished Work - See title page for details.

21-51-31
FIG. 02
PAGE 1
OCT 15/08

BOEING
 737-600/700/800/900
 PARTS CATALOG (MAINTENANCE)



E 21513103 REV 153

DUCT INSTL-L SIDE AIR CONDITIONING PACK (LOW LIMIT (35 DEGREE F) CONTROLLER ONLY)
 FIGURE 3

21-51-31-03

HAP
 JUN 15/09

21-51-31-03
 PAGE 0

BOEING
737-600/700/800/900
PARTS CATALOG (MAINTENANCE)

FIG ITEM	PART NUMBER	1 2 3 4 5 6 7	NOMENCLATURE	EFFECT FROM TO	UNITS PER ASSY
3			DUCT INSTL-L SIDE AIR CONDITIONING PACK (LOW LIMIT (35 DEGREE F) CONTROLLER ONLY)	101200 968999	
- 1	MODREF256350		DUCT INSTL-AIR CONDITIONING PACK (LOW LIMIT (35 DEGREE F) CONTROLLER ONLY) MODULE NUMBER: 213A1006-1 REV C POSITION DATA: L SIDE FOR OTHER SYS DETAILS SEE: 21-61-02-03 FOR ADDITIONAL DETAILS SEE: 21-51-09-03 21-51-20-03 21-51-30-03 21-51-41-05	101106 968999	1
- 1	MODREF395390		DUCT INSTL-AIR CONDITIONING PACK (LOW LIMIT (35 DEGREE F) CONTROLLER ONLY) MODULE NUMBER: 213A1006-1 REV D POSITION DATA: L SIDE FOR OTHER SYS DETAILS SEE: 21-61-02-03 FOR ADDITIONAL DETAILS SEE: 21-51-09-03 21-51-20-03 21-51-30-03 21-51-41-05	107200	1
5	BACS12GU3K9		.SCREW	101200 968999	4
10	NAS1149D0316J		.WASHER	101200 968999	4

MISSING ITEM NUMBERS NOT APPLICABLE

- ITEM NOT ILLUSTRATED

HAP

21-51-31-03

BOEING PROPRIETARY - Copyright © - Unpublished Work - See title page for details.

21-51-31
FIG. 03
PAGE 1
OCT 15/08


BOEING
 737-600/700/800/900
PARTS CATALOG (MAINTENANCE)

FIG ITEM	PART NUMBER	1 2 3 4 5 6 7 NOMENCLATURE	EFFECT FROM TO	UNITS PER ASSY
3 15	607510-3	.BOX ASSY-TEMP CONT WATER SEPARATOR AIR CYCLE SYS SUPPLIER CODE: V07217 FUNCTIONAL DESCRIPTION: REGULATES THE DISCHARGE TEMPERATURE OF THE AIR CONDITIONING WATER SEPARATOR. ELECTRICAL EQUIP NUMBER: M00223 COMPONENT MAINT MANUAL REF: 21-60-59 MAINTENANCE MANUAL REF: 21-51-31 FOR DETAILS SEE: 33-33-01-01	101200 968999	1

MISSING ITEM NUMBERS NOT APPLICABLE

— ITEM NOT ILLUSTRATED

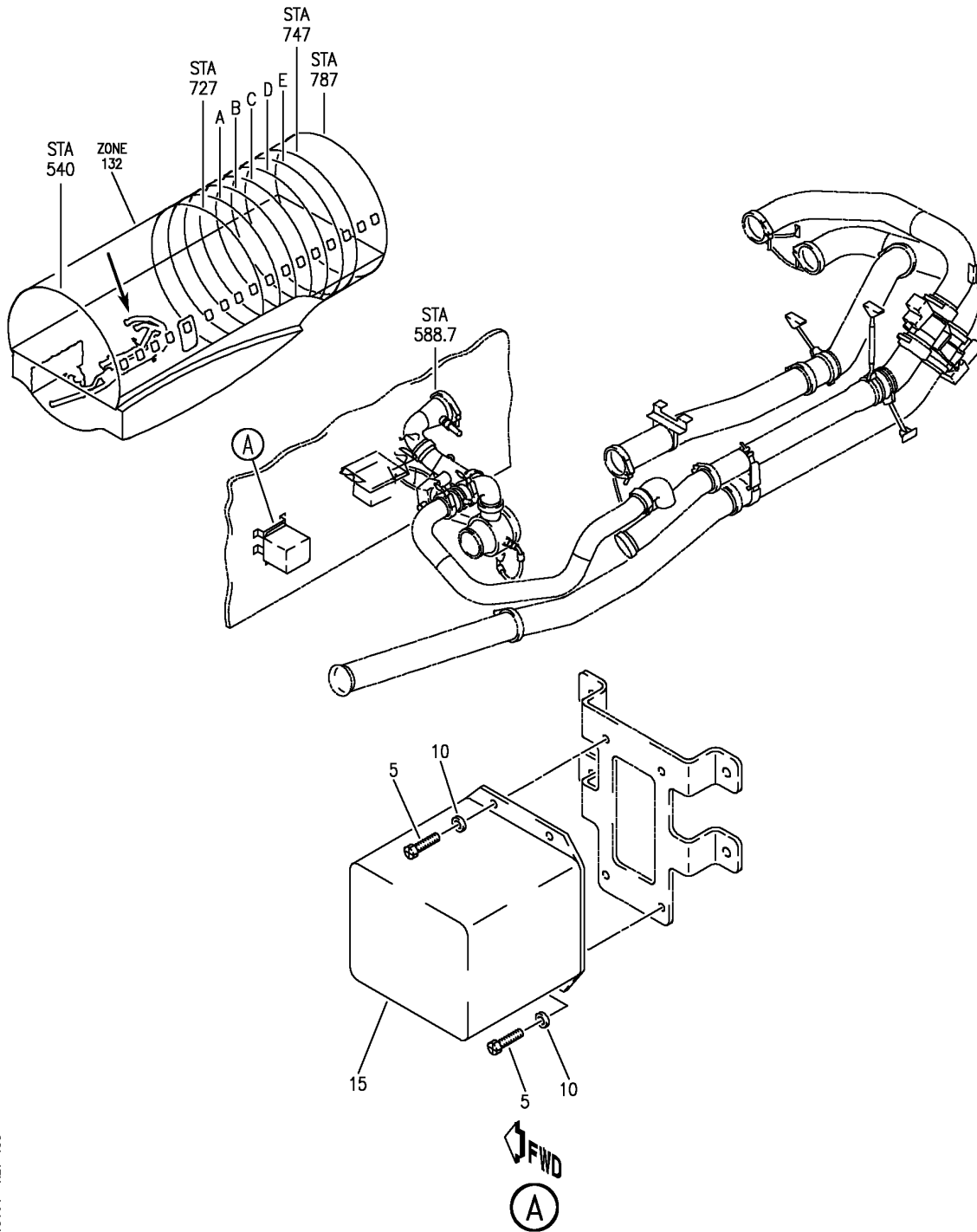
HAP

21-51-31-03

BOEING PROPRIETARY - Copyright © - Unpublished Work - See title page for details.

21-51-31
 FIG. 03
 PAGE 2
 JUN 15/09

BOEING
 737-600/700/800/900
 PARTS CATALOG (MAINTENANCE)



E 21513104 REV 153

DUCT INSTL-R SIDE AIR CONDITIONING PACK (LOW LIMIT (35 DEGREE F) CONTROLLER ONLY)

FIGURE 4

21-51-31-04

HAP
 JUN 15/09

21-51-31-04
 PAGE 0

BOEING
737-600/700/800/900
PARTS CATALOG (MAINTENANCE)

FIG ITEM	PART NUMBER	1 2 3 4 5 6 7	NOMENCLATURE	EFFECT FROM TO	UNITS PER ASSY
4			DUCT INSTL-R SIDE AIR CONDITIONING PACK (LOW LIMIT (35 DEGREE F) CONTROLLER ONLY)	101200 968999	
- 1	MODREF256351		DUCT INSTL-AIR CONDITIONING PACK (LOW LIMIT (35 DEGREE F) CONTROLLER ONLY) MODULE NUMBER: 213A1006-2 REV B POSITION DATA: R SIDE FOR OTHER SYS DETAILS SEE: 21-61-02-04 FOR ADDITIONAL DETAILS SEE: 21-51-09-04 21-51-20-04 21-51-30-04 21-51-41-06	101106 968999	1
- 1	MODREF395391		DUCT INSTL-AIR CONDITIONING PACK (LOW LIMIT (35 DEGREE F) CONTROLLER ONLY) MODULE NUMBER: 213A1006-2 REV C POSITION DATA: R SIDE FOR OTHER SYS DETAILS SEE: 21-61-02-04 FOR ADDITIONAL DETAILS SEE: 21-51-09-04 21-51-20-04 21-51-30-04 21-51-41-06	107200	1
5	BACS12GU3K9		.SCREW	101200 968999	4
10	NAS1149D0316J		.WASHER	101200 968999	4

MISSING ITEM NUMBERS NOT APPLICABLE

- ITEM NOT ILLUSTRATED

HAP

21-51-31-04

BOEING PROPRIETARY - Copyright © - Unpublished Work - See title page for details.

21-51-31
FIG. 04
PAGE 1
OCT 15/08

BOEING
737-600/700/800/900
PARTS CATALOG (MAINTENANCE)

FIG ITEM	PART NUMBER	1 2 3 4 5 6 7	NOMENCLATURE	EFFECT FROM TO	UNITS PER ASSY
4 15	607510-3		.BOX ASSY-TEMP CONT WATER SEPARATOR AIR CYCLE SYS SUPPLIER CODE: V07217 FUNCTIONAL DESCRIPTION: REGULATES THE DISCHARGE TEMPERATURE OF THE AIR CONDITIONING WATER SEPARATOR. ELECTRICAL EQUIP NUMBER: M00224 COMPONENT MAINT MANUAL REF: 21-60-59 MAINTENANCE MANUAL REF: 21-51-31 FOR DETAILS SEE: 33-33-01-01	101200 968999	1

MISSING ITEM NUMBERS NOT APPLICABLE

— ITEM NOT ILLUSTRATED

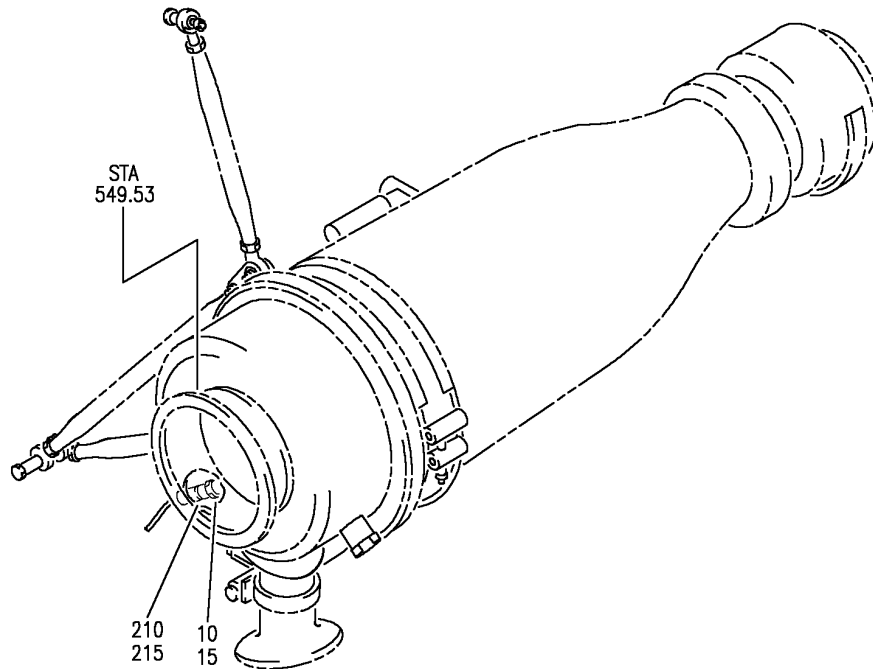
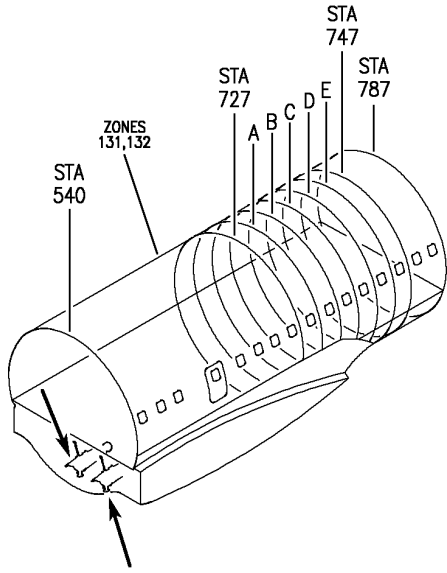
HAP

21-51-31-04

BOEING PROPRIETARY - Copyright © - Unpublished Work - See title page for details.

21-51-31
FIG. 04
PAGE 2
JUN 15/09

BOEING
 737-600/700/800/900
 PARTS CATALOG (MAINTENANCE)



E 21513201 REV 074

SEPARATOR INSTL-AIR CONDITIONING WATER (LOW LIMIT TEMPERATURE (35 DEGREE F) SENSOR ONLY)

FIGURE 1

21-51-32-01

HAP
 FEB 10/07

21-51-32-01
 PAGE 0

BOEING
737-600/700/800/900
PARTS CATALOG (MAINTENANCE)

FIG ITEM	PART NUMBER	1 2 3 4 5 6 7	NOMENCLATURE	EFFECT FROM TO	UNITS PER ASSY
1			SEPARATOR INSTL-AIR CONDITIONING WATER (LOW LIMIT TEMPERATURE (35 DEGREE F) SENSOR ONLY)	101105 201999	
- 1	213A1003-1		SEPARATOR INSTL-AIR CONDITIONING WATER (LOW LIMIT TEMPERATURE (35 DEGREE F) SENSOR ONLY) POSITION DATA: L SIDE FOR NHA/ADDITIONAL DET SEE: 21-50-00-01B	201967	RF
- 1	MODREF81149		SEPARATOR INSTL-AIR CONDITIONING WATER (LOW LIMIT TEMPERATURE (35 DEGREE F) SENSOR ONLY) MODULE NUMBER: 213A1003-1 REV A POSITION DATA: L SIDE FOR ADDITIONAL DETAILS SEE: 21-51-05-01	101105 968999	1
- 5	213A1003-2		SEPARATOR INSTL-AIR CONDITIONING WATER (LOW LIMIT TEMPERATURE (35 DEGREE F) SENSOR ONLY) POSITION DATA: R SIDE FOR NHA/ADDITIONAL DET SEE: 21-50-00-01B	201967	RF
- 5	MODREF81150		SEPARATOR INSTL-AIR CONDITIONING WATER (LOW LIMIT TEMPERATURE (35 DEGREE F) SENSOR ONLY) MODULE NUMBER: 213A1003-2 REV A POSITION DATA: R SIDE FOR ADDITIONAL DETAILS SEE: 21-51-05-01	101105 968999	1

MISSING ITEM NUMBERS NOT APPLICABLE

- ITEM NOT ILLUSTRATED

HAP

21-51-32-01

BOEING PROPRIETARY - Copyright © - Unpublished Work - See title page for details.

21-51-32
FIG. 01
PAGE 1
OCT 15/08

BOEING
737-600/700/800/900
PARTS CATALOG (MAINTENANCE)

FIG ITEM	PART NUMBER	1 2 3 4 5 6 7	NOMENCLATURE	EFFECT FROM TO	UNITS PER ASSY
1 10	R1131-908		.PACKING SUPPLIER CODE: V57268 SPECIFICATION NUMBER: BACP11K8 OPTIONAL PART: 3-908S383-70 V02697 1090-08 V95272 150701-08 V95272 AS568-908S32 V11314	101105 201999	1
15	627570-1		.SENSOR-TEMP WATER SEPARATOR A/C SUPPLIER CODE: V07217 ELECTRICAL EQUIP NUMBER: T00430 T00431	101105 201999	1
- 200	286A5102-001		WIRE BUNDLE ASSY- POSITION DATA: LH	201967	RF
- 200	286A5102-006		WIRE BUNDLE ASSY- POSITION DATA: LH	101105 968999	RF
- 205	286A6202-001		WIRE BUNDLE ASSY- POSITION DATA: RH	201967	RF
- 205	286A6202-007		WIRE BUNDLE ASSY- POSITION DATA: RH	101105 968999	RF
210	BACC63CB10-20SN		.CONNECTOR- ELECTRICAL EQUIP NUMBER: D00710 D00712 WIRING DIAGRAM REF: 215116 215126	101105 201999	1

MISSING ITEM NUMBERS NOT APPLICABLE

- ITEM NOT ILLUSTRATED

HAP

21-51-32-01

BOEING PROPRIETARY - Copyright © - Unpublished Work - See title page for details.

21-51-32
FIG. 01
PAGE 2
OCT 15/08

BOEING
737-600/700/800/900
PARTS CATALOG (MAINTENANCE)

FIG ITEM	PART NUMBER	1 2 3 4 5 6 7	NOMENCLATURE	EFFECT FROM TO	UNITS PER ASSY
1 215	S3819-10-65		.CLAMP- SUPPLIER CODE: V07418 SPECIFICATION NUMBER: BACC10KD10 OPTIONAL PART: 620AS028NF10L V06324 POSITION DATA: LH SIDE ELECTRICAL EQUIP NUMBER: D00710T WIRING DIAGRAM REF: 215116	101105 201999	1
- 220	620AA028NF10L		.CLAMP- SUPPLIER CODE: V06324 SPECIFICATION NUMBER: BACC10KE10 OPTIONAL PART: S3820-10-65 V07418 POSITION DATA: RH SIDE ELECTRICAL EQUIP NUMBER: D00712T WIRING DIAGRAM REF: 215126	101105 201999	1

MISSING ITEM NUMBERS NOT APPLICABLE

- ITEM NOT ILLUSTRATED

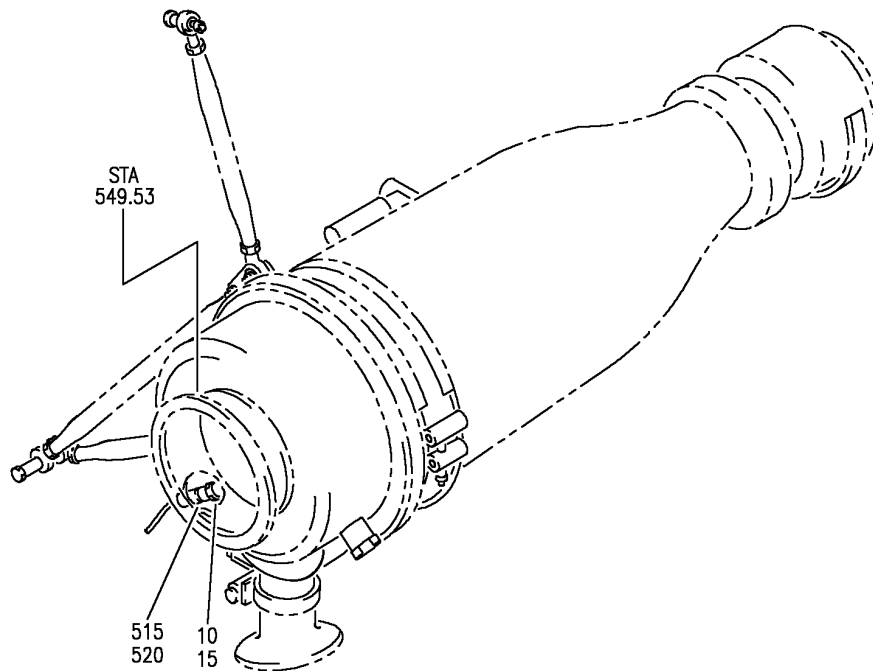
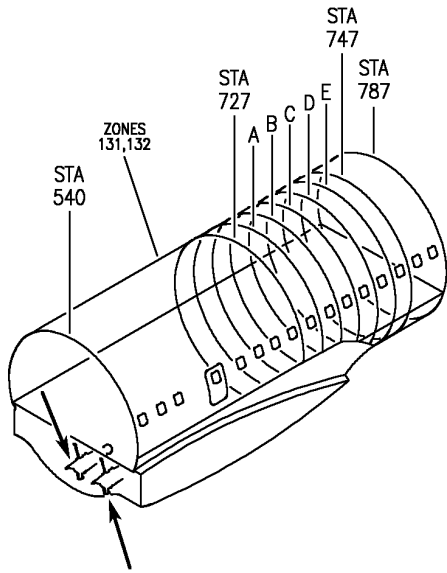
HAP

21-51-32-01

BOEING PROPRIETARY - Copyright © - Unpublished Work - See title page for details.

21-51-32
FIG. 01
PAGE 3
OCT 15/08

BOEING
 737-600/700/800/900
 PARTS CATALOG (MAINTENANCE)



E 21513202 REV 142

SEPARATOR ASSY-WATER AIR CONDITIONING (LOW LIMIT TEMPERATURE (35 DEGREE F) SENSOR ONLY)
 FIGURE 2

HAP
 JUN 15/08

21-51-32-02

21-51-32-02
 PAGE 0

BOEING
737-600/700/800/900
PARTS CATALOG (MAINTENANCE)

FIG ITEM	PART NUMBER	1 2 3 4 5 6 7	NOMENCLATURE	EFFECT FROM TO	UNITS PER ASSY
2			SEPARATOR ASSY-WATER AIR CONDITIONING (LOW LIMIT TEMPERATURE (35 DEGREE F) SENSOR ONLY)	106200	
- 1	213A1013-1		SEPARATOR ASSY-WATER AIR CONDITIONING (LOW LIMIT TEMPERATURE (35 DEGREE F) SENSOR ONLY) POSITION DATA: LH FOR NHA/ADDITIONAL DET SEE: 21-51-09-05	106200	RF
- 5	213A1013-2		SEPARATOR ASSY-WATER AIR CONDITIONING (LOW LIMIT TEMPERATURE (35 DEGREE F) SENSOR ONLY) POSITION DATA: RH FOR NHA/ADDITIONAL DET SEE: 21-51-09-05	106200	RF
10	R1131-908		.PACKING SUPPLIER CODE: V57268 SPECIFICATION NUMBER: BACP11K8 OPTIONAL PART: 3-908S383-70 V02697 1090-08 V95272 150701-08 V95272 AS568-908S32 V11314	106200	1
15	627570-1		.SENSOR-TEMP WATER SEPARATOR A/C SUPPLIER CODE: V07217 ELECTRICAL EQUIP NUMBER: T00430 T00431	106200	1
- 500	286A5102-006		WIRE BUNDLE ASSY- POSITION DATA: LH	106200	RF
- 510	286A6202-007		WIRE BUNDLE ASSY- POSITION DATA: RH	106200	RF

MISSING ITEM NUMBERS NOT APPLICABLE

- ITEM NOT ILLUSTRATED

HAP

21-51-32-02

BOEING PROPRIETARY - Copyright © - Unpublished Work - See title page for details.

21-51-32
FIG. 02
PAGE 1
OCT 15/08

BOEING
737-600/700/800/900
PARTS CATALOG (MAINTENANCE)

FIG ITEM	PART NUMBER	1 2 3 4 5 6 7	NOMENCLATURE	EFFECT FROM TO	UNITS PER ASSY
2 515	BACC63CB10-20SN	.	CONNECTOR- ELECTRICAL EQUIP NUMBER: D00710 D00712 WIRING DIAGRAM REF: 215116 215126	106200	1
520	S3819-10-65	.	CLAMP- SUPPLIER CODE: V07418 SPECIFICATION NUMBER: BACC10KD10 OPTIONAL PART: 620AS028NF10L V06324 POSITION DATA: LH SIDE ELECTRICAL EQUIP NUMBER: D00710T WIRING DIAGRAM REF: 215116	106200	1
- 525	620AA028NF10L	.	CLAMP- SUPPLIER CODE: V06324 SPECIFICATION NUMBER: BACC10KE10 OPTIONAL PART: S3820-10-65 V07418 POSITION DATA: RH SIDE ELECTRICAL EQUIP NUMBER: D00712T WIRING DIAGRAM REF: 215126	106200	1

MISSING ITEM NUMBERS NOT APPLICABLE

- ITEM NOT ILLUSTRATED

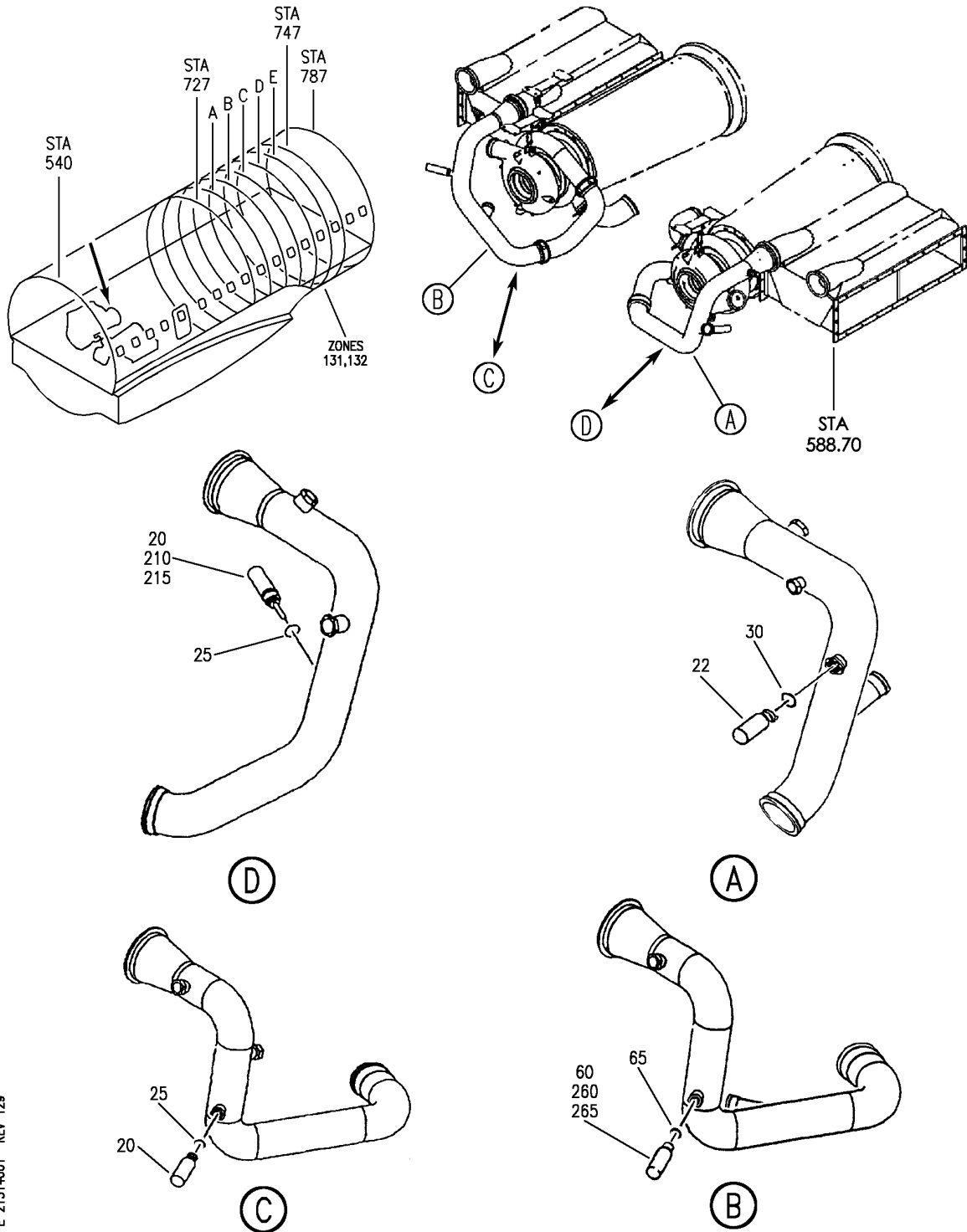
HAP

21-51-32-02

BOEING PROPRIETARY - Copyright © - Unpublished Work - See title page for details.

21-51-32
FIG. 02
PAGE 2
OCT 15/08

BOEING
 737-600/700/800/900
 PARTS CATALOG (MAINTENANCE)



E 21514001 REV 129

PACK ASSY-SECONDARY HEAT EXCHANGER UNIT (COMPRESSOR DISCHARGE OVERHEAT SWITCH ONLY)

FIGURE 1

21-51-40-01

HAP
 JUN 10/07

21-51-40-01
 PAGE 0

BOEING
737-600/700/800/900
PARTS CATALOG (MAINTENANCE)

FIG ITEM	PART NUMBER	1 2 3 4 5 6 7	NOMENCLATURE	EFFECT FROM TO	UNITS PER ASSY
1			PACK ASSY-SECONDARY HEAT EXCHANGER UNIT (COMPRESSOR DISCHARGE OVERHEAT SWITCH ONLY)	001047 054999	
- 1	2215250-1		PACK ASSY-SECONDARY HEAT EXCHANGER UNIT SERIES 1 AND 2 (COMPRESSOR DISCHARGE OVERHEAT SWITCH ONLY) SUPPLIER CODE: V70210 POSITION DATA: LH FUNCTIONAL DESCRIPTION: PROVIDES CONDITIONED AIR TO THE PASSENGER CABIN AND FLIGHT DECK SPECIFICATION NUMBER: S210A001-100 COMPONENT MAINT MANUAL REF: 21-50-74 FOR NHA/ADDITIONAL DET SEE: 21-51-03-01	101999	RF
- 10	2215490-1		PACK ASSY-SECONDARY HEAT EXCHANGER UNIT (COMPRESSOR DISCHARGE OVERHEAT SWITCH ONLY) SUPPLIER CODE: V70210 POSITION DATA: LH FUNCTIONAL DESCRIPTION: PROVIDES CONDITIONED AIR TO THE PASSENGER CABIN AND FLIGHT DECK SPECIFICATION NUMBER: S210A001-300 COMPONENT MAINT MANUAL REF: 21-50-84 FOR NHA/ADDITIONAL DET SEE: 21-51-03-01A	001046 054100	RF

MISSING ITEM NUMBERS NOT APPLICABLE

- ITEM NOT ILLUSTRATED

HAP

21-51-40-01

BOEING PROPRIETARY - Copyright © - Unpublished Work - See title page for details.

21-51-40
FIG. 01
PAGE 1
FEB 15/09

BOEING
737-600/700/800/900
PARTS CATALOG (MAINTENANCE)

FIG ITEM	PART NUMBER	1 2 3 4 5 6 7	NOMENCLATURE	EFFECT FROM TO	UNITS PER ASSY
1 - 15	2215510-1		PACK ASSY-SECONDARY HEAT EXCHANGER UNIT (COMPRESSOR DISCHARGE OVERHEAT SWITCH ONLY) SUPPLIER CODE: V70210 POSITION DATA: RH FUNCTIONAL DESCRIPTION: PROVIDES CONDITIONED AIR TO THE PASSENGER CABIN AND FLIGHT DECK SPECIFICATION NUMBER: S210A001-400 COMPONENT MAINT MANUAL REF: 21-50-86 FOR NHA/ADDITIONAL DET SEE: 21-51-03-01A	001046 054100	RF
20	572756-1		. SWITCH ASSY-THRM CPRSR DISCH SUPPLIER CODE: V70210 ELECTRICAL EQUIP NUMBER: S00002 S00005 COMPONENT MAINT MANUAL REF: 21-52-24 MAINTENANCE MANUAL REF: 21-51-40	001046 054100	1
22	572756-1		. SWITCH ASSY-THRM CPRSR DISCH SUPPLIER CODE: V70210 ELECTRICAL EQUIP NUMBER: S00002 COMPONENT MAINT MANUAL REF: 21-52-24 MAINTENANCE MANUAL REF: 21-51-40	101999	1
25	S9028A905		.. PACKING- SUPPLIER CODE: V70210 MAINTENANCE MANUAL REF: 21-51-40	001046 054100	1
30	S9028A905		.. PACKING- SUPPLIER CODE: V70210 MAINTENANCE MANUAL REF: 21-51-40	101999	1

MISSING ITEM NUMBERS NOT APPLICABLE

- ITEM NOT ILLUSTRATED

HAP

21-51-40-01

BOEING PROPRIETARY - Copyright © - Unpublished Work - See title page for details.

21-51-40
FIG. 01
PAGE 2
FEB 15/09

BOEING
737-600/700/800/900
PARTS CATALOG (MAINTENANCE)

FIG ITEM	PART NUMBER	1 2 3 4 5 6 7	NOMENCLATURE	EFFECT FROM TO	UNITS PER ASSY
1 - 50	2215290-1		PACK ASSY-SECONDARY HEAT EXCHANGER UNIT (COMPRESSOR DISCHARGE OVERHEAT SWITCH ONLY) SUPPLIER CODE: V70210 POSITION DATA: RH SIDE FUNCTIONAL DESCRIPTION: PROVIDES CONDITIONED AIR TO THE PASSENGER CABIN AND FLIGHT DECK SPECIFICATION NUMBER: S210A001-200 COMPONENT MAINT MANUAL REF: 21-50-76 FOR NHA/ADDITIONAL DET SEE: 21-51-03-01	101999	RF
60	572756-1		.SWITCH ASSY-THRM CPRSR DISCH SUPPLIER CODE: V70210 ELECTRICAL EQUIP NUMBER: S00005 COMPONENT MAINT MANUAL REF: 21-52-24 MAINTENANCE MANUAL REF: 21-51-40	101999	1
65	S9028A905		..PACKING- SUPPLIER CODE: V70210 MAINTENANCE MANUAL REF: 21-51-40	101999	1
- 200	286A5102-001		WIRE BUNDLE ASSY-	201967	RF
- 200	286A5102-301		WIRE BUNDLE ASSY	001030	RF
- 200	286A5102-006		WIRE BUNDLE ASSY	101106	RF
- 200	286A5102-303		WIRE BUNDLE ASSY	968999	
- 200	286A5102-306		WIRE BUNDLE ASSY	031035	RF
- 200	286A5102-306		WIRE BUNDLE ASSY	036047	RF
210	BACC63CB10-5S6		.PLUG- ELECTRICAL EQUIP NUMBER: D00532 WIRING DIAGRAM REF: 215115	054100 001047 054106 201999	1

MISSING ITEM NUMBERS NOT APPLICABLE

- ITEM NOT ILLUSTRATED

HAP

21-51-40-01

BOEING PROPRIETARY - Copyright © - Unpublished Work - See title page for details.

21-51-40
FIG. 01
PAGE 3
FEB 15/09

BOEING
737-600/700/800/900
PARTS CATALOG (MAINTENANCE)

FIG ITEM	PART NUMBER	1 2 3 4 5 6 7	NOMENCLATURE	EFFECT FROM TO	UNITS PER ASSY
1 215	620AA028NF10L		.CLAMP- SUPPLIER CODE: V06324 SPECIFICATION NUMBER: BACC10KE10 OPTIONAL PART: S3820-10-65 V07418 POSITION DATA: LH ELECTRICAL EQUIP NUMBER: D00532T WIRING DIAGRAM REF: 215115	001047 054106 201999	1
- 250	286A6202-001		WIRE BUNDLE ASSY	201967	RF
- 250	286A6202-007		WIRE BUNDLE ASSY	101106 968999	RF
- 250	286A6202-301		WIRE BUNDLE ASSY	001009	RF
- 250	286A6202-302		WIRE BUNDLE ASSY	010027	RF
- 250	286A6202-303		WIRE BUNDLE ASSY	028030	RF
- 250	286A6202-306		WIRE BUNDLE ASSY	031047	RF
260	BACC63CB10-5S6		.PLUG- ELECTRICAL EQUIP NUMBER: D00538 WIRING DIAGRAM REF: 215125	054100 001047 054106 201999	1
265	S3819-10-65		.CLAMP- SUPPLIER CODE: V07418 SPECIFICATION NUMBER: BACC10KD10 OPTIONAL PART: 620AS028NF10L V06324 ELECTRICAL EQUIP NUMBER: D00538T WIRING DIAGRAM REF: 215125	001047 054106 201999	1

MISSING ITEM NUMBERS NOT APPLICABLE

- ITEM NOT ILLUSTRATED

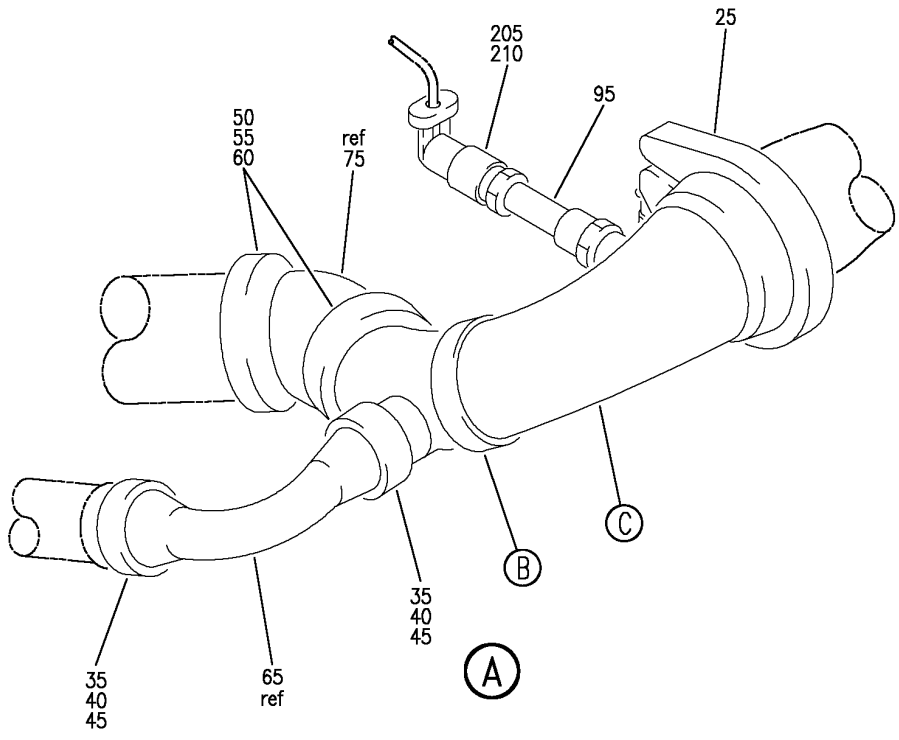
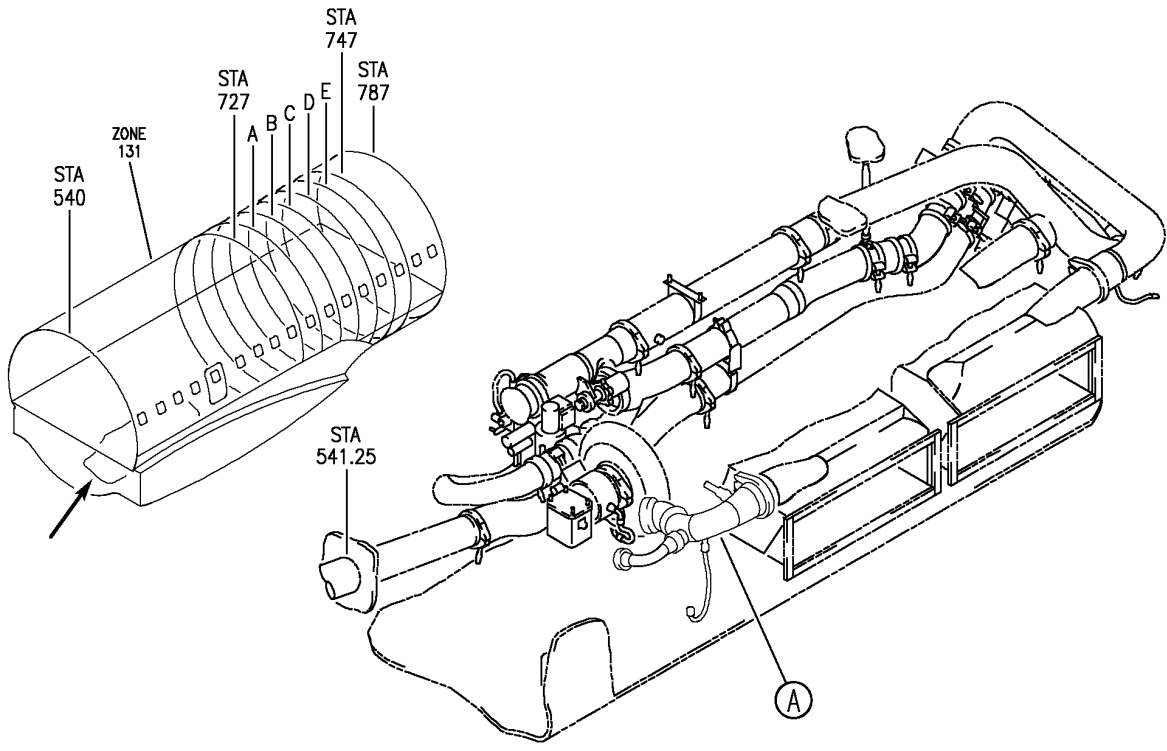
HAP

21-51-40-01

BOEING PROPRIETARY - Copyright © - Unpublished Work - See title page for details.

21-51-40
FIG. 01
PAGE 4
FEB 15/09

BOEING
 737-600/700/800/900
 PARTS CATALOG (MAINTENANCE)



E 21514101 SHT 1 REV 073

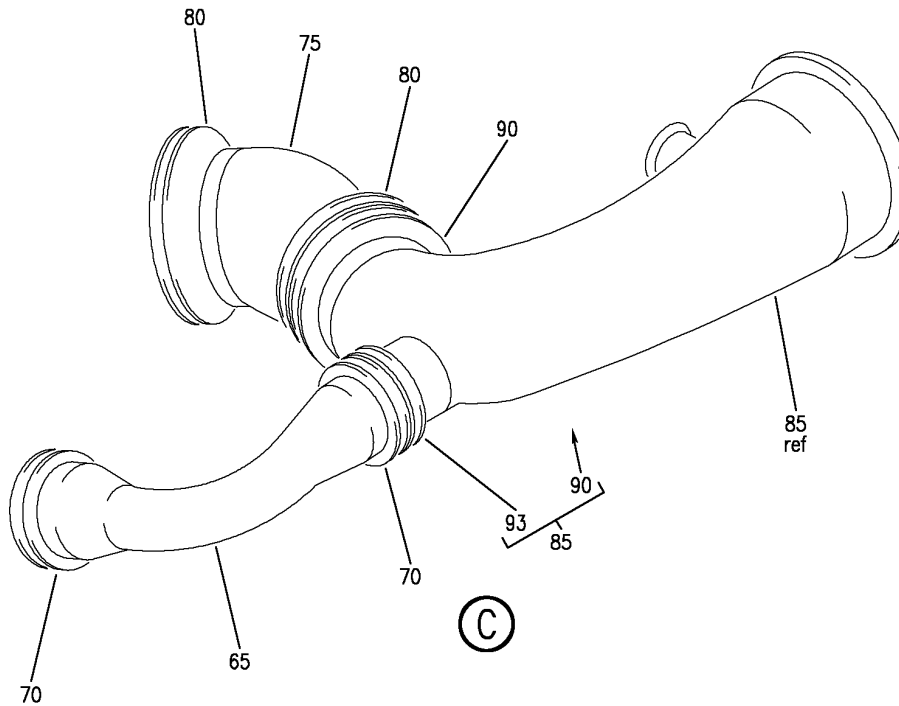
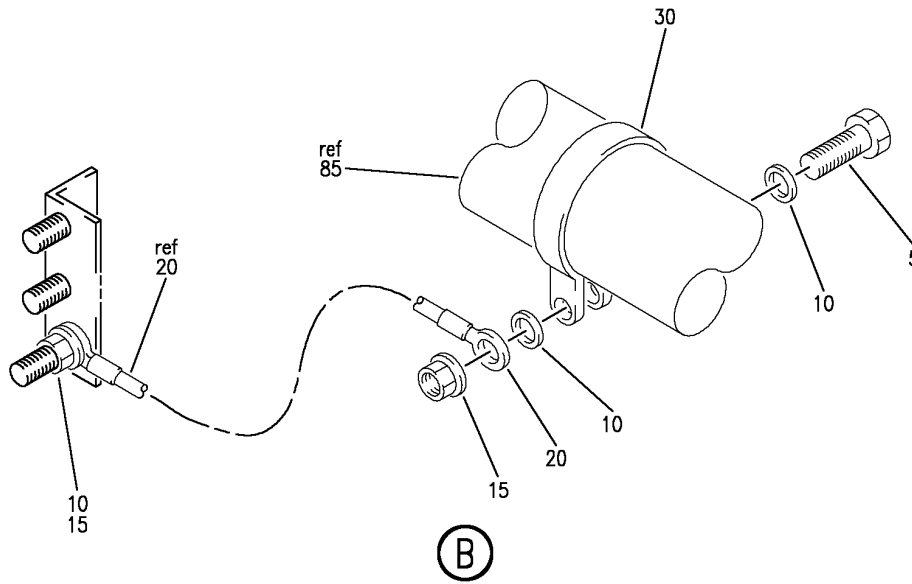
DUCT INSTL-L SIDE AIR CONDITIONING PACK (TURBINE INLET OVERHEAT SWITCH ONLY)
 FIGURE 1 (SHEET 1)

21-51-41-01

HAP
 OCT 15/08

21-51-41-01
 PAGE 0

BOEING
 737-600/700/800/900
 PARTS CATALOG (MAINTENANCE)



E 21514101 SH1 2 REV 073

DUCT INSTL-L SIDE AIR CONDITIONING PACK (TURBINE INLET OVERHEAT SWITCH ONLY)
 FIGURE 1 (SHEET 2)

21-51-41-01

HAP
 OCT 15/08

21-51-41-01
 PAGE 0A

BOEING
737-600/700/800/900
PARTS CATALOG (MAINTENANCE)

FIG ITEM	PART NUMBER	1 2 3 4 5 6 7	NOMENCLATURE	EFFECT FROM TO	UNITS PER ASSY
1			DUCT INSTL-L SIDE AIR CONDITIONING PACK (TURBINE INLET OVERHEAT SWITCH ONLY)	201967	
- 1	213A1002-1		DUCT INSTL-AIR CONDITIONING PACK (TURBINE INLET OVERHEAT SWITCH ONLY) POSITION DATA: L SIDE FOR NHA/OTHER SYS DET SEE: 21-50-00-01B	201967	RF
5	BACS12GU3K9		.SCREW	201967	1
10	NAS1149E0316P		.WASHER	201967	3
15	PLH53CD		.NUT	201967	2
			SUPPLIER CODE: VF0224 SPECIFICATION NUMBER: BACN10YR3CD OPTIONAL PART: H52732-3CD V15653		
20	RBEJ40K5A5A9		.JUMPER SUPPLIER CODE: V1GK47 SPECIFICATION NUMBER: BACJ40K5A5A9	201967	1
25	BACC10DU350ABE		.CLAMP	201967	1
30	BACC10GN40C		.CLAMP	201967	1
35	14C02-24C		.COUPLING- SUPPLIER CODE: V24984	201967	2
40	14R02-24C		.SLEEVE- SUPPLIER CODE: V24984	201967	2
45	2-222S604-70		.SEAL- SUPPLIER CODE: V02697 MAINTENANCE MANUAL REF: 21-51-03 21-51-09 OPTIONAL PART: AS3582-222	201967	2
45	AS3582-222		.SEAL- MAINTENANCE MANUAL REF: 21-51-03 21-51-09 OPTIONAL PART: 2-222S604-70 V02697	201967	2

MISSING ITEM NUMBERS NOT APPLICABLE

- ITEM NOT ILLUSTRATED

HAP

21-51-41-01

BOEING PROPRIETARY - Copyright © - Unpublished Work - See title page for details.

21-51-41
FIG. 01
PAGE 1
FEB 15/09

BOEING
737-600/700/800/900
PARTS CATALOG (MAINTENANCE)

FIG ITEM	PART NUMBER	1 2 3 4 5 6 7	NOMENCLATURE	EFFECT FROM TO	UNITS PER ASSY
1					
50	14C02-40C	.	COUPLING- SUPPLIER CODE: V24984	201967	2
55	14R02-40C	.	SLEEVE- SUPPLIER CODE: V24984	201967	2
60	2-230S604-70	.	SEAL- SUPPLIER CODE: V02697 MAINTENANCE MANUAL REF: 21-51-01 21-51-03 21-51-04	201967	2
65	213A1201-83	.	DUCT ASSY	201967	1
70	14F03-24T	..	FLANGE- SUPPLIER CODE: V24984	201967	2
75	213A1201-61	.	DUCT ASSY	201967	1
80	14F03-40T	..	FLANGE- SUPPLIER CODE: V24984	201967	2
85	213A1201-51	.	DUCT ASSY	201967	1
90	14F03-40T	..	FLANGE- SUPPLIER CODE: V24984	201967	1
93	14F03-24T	..	FLANGE- SUPPLIER CODE: V24984	201967	1
95	572757-1	.	SWITCH-THERMAL OVERHEAT AIR CYCLE MACHINE AIR CYCLE SYS SUPPLIER CODE: V70210 FUNCTIONAL DESCRIPTION: PROVIDES THERMAL OVERHEAT PROTECTION FOR AIR CYCLE MACHINE. ELECTRICAL EQUIP NUMBER: S00001 COMPONENT MAINT MANUAL REF: 21-52-20	201967	1
95	1173T12	.	SWITCH-THERMAL OVERHEAT AIR CYCLE MACHINE AIR CYCLE SYS SUPPLIER CODE: V98087 MAINTENANCE MANUAL REF: 21-51-41	201967	1
- 200	286A5102-001		WIRE BUNDLE ASSY	201967	RF

MISSING ITEM NUMBERS NOT APPLICABLE

- ITEM NOT ILLUSTRATED

HAP

21-51-41-01

21-51-41
FIG. 01
PAGE 2
JUN 15/09

BOEING
737-600/700/800/900
PARTS CATALOG (MAINTENANCE)

FIG ITEM	PART NUMBER	1 2 3 4 5 6 7	NOMENCLATURE	EFFECT FROM TO	UNITS PER ASSY
1 205	BACC63CB10-5S6	.	PLUG- ELECTRICAL EQUIP NUMBER: D00530 WIRING DIAGRAM REF: 215115	201967	1
210	620AA028NF10L	.	CLAMP-BACKSHELL SUPPLIER CODE: V06324 SPECIFICATION NUMBER: BACC10KE10 OPTIONAL PART: S3820-10-65 V07418 ELECTRICAL EQUIP NUMBER: D00530T WIRING DIAGRAM REF: 215115	201967	1

MISSING ITEM NUMBERS NOT APPLICABLE

— ITEM NOT ILLUSTRATED

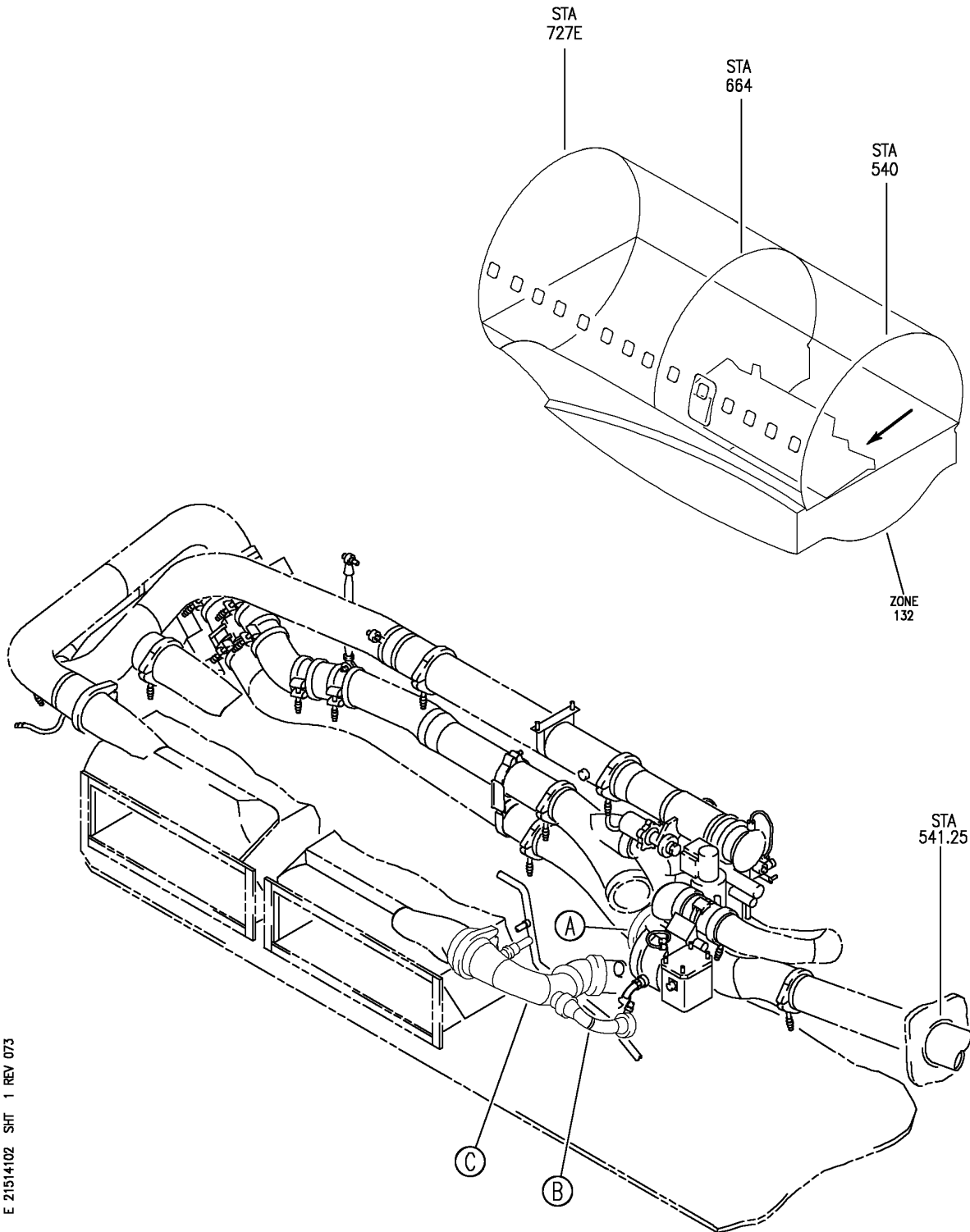
HAP

21-51-41-01

BOEING PROPRIETARY - Copyright © - Unpublished Work - See title page for details.

21-51-41
FIG. 01
PAGE 3
OCT 15/08

BOEING
737-600/700/800/900
PARTS CATALOG (MAINTENANCE)



E 21514102 SH1 1 REV 073

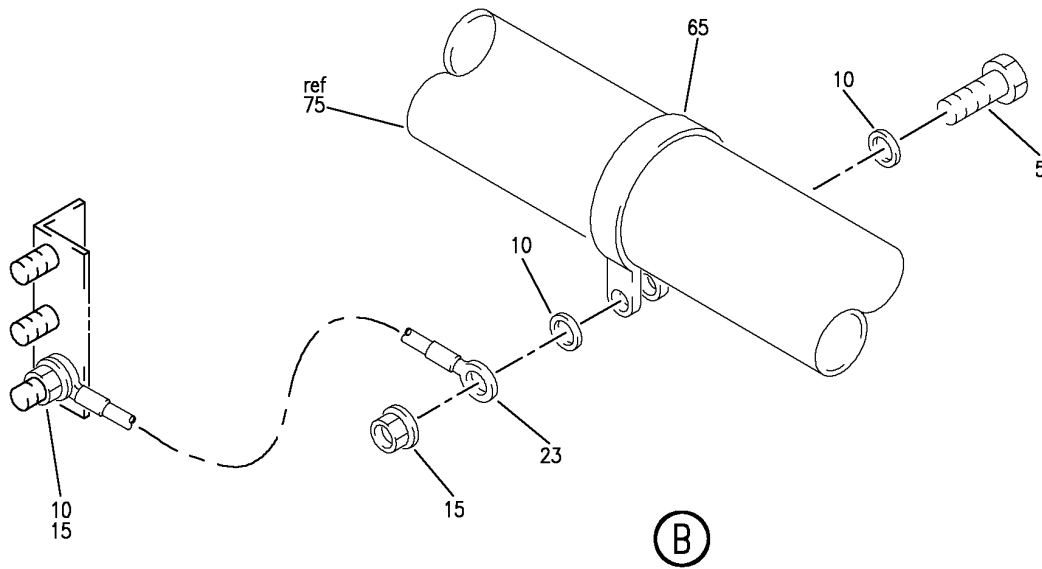
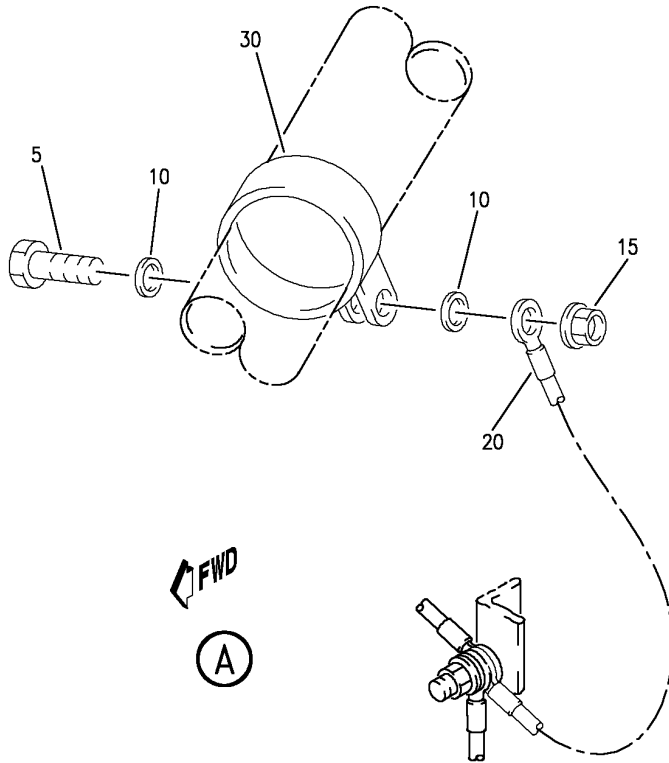
DUCT INSTL-R SIDE AIR CONDITIONING PACK (TURBINE INLET OVERHEAT SWITCH ONLY)
FIGURE 2 (SHEET 1)

HAP
OCT 15/08

21-51-41-02

21-51-41-02
PAGE 0

BOEING
 737-600/700/800/900
 PARTS CATALOG (MAINTENANCE)



E 21514102 SH1 2 REV 073

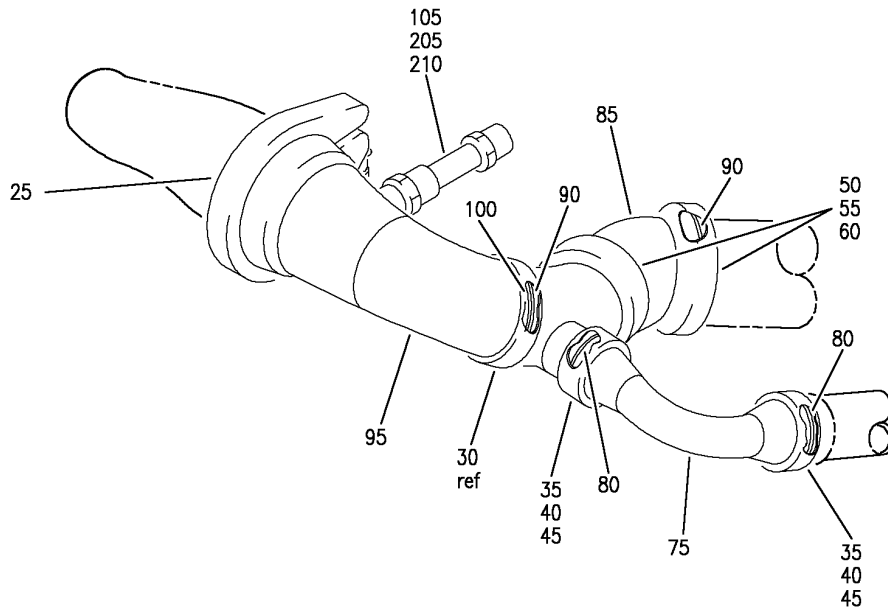
DUCT INSTL-R SIDE AIR CONDITIONING PACK (TURBINE INLET OVERHEAT SWITCH ONLY)
 FIGURE 2 (SHEET 2)

HAP
 OCT 15/08

21-51-41-02

21-51-41-02
 PAGE 0A

BOEING
 737-600/700/800/900
 PARTS CATALOG (MAINTENANCE)



©

E 21514102 SH1 3 REV 073

DUCT INSTL-R SIDE AIR CONDITIONING PACK (TURBINE INLET OVERHEAT SWITCH ONLY)
 FIGURE 2 (SHEET 3)

HAP
 OCT 15/08

21-51-41-02

21-51-41-02
 PAGE 0B

BOEING
737-600/700/800/900
PARTS CATALOG (MAINTENANCE)

FIG ITEM	PART NUMBER	1 2 3 4 5 6 7	NOMENCLATURE	EFFECT FROM TO	UNITS PER ASSY
2			DUCT INSTL-R SIDE AIR CONDITIONING PACK (TURBINE INLET OVERHEAT SWITCH ONLY)	201967	
- 1	213A1002-2		DUCT INSTL-AIR CONDITIONING PACK (TURBINE INLET OVERHEAT SWITCH ONLY) POSITION DATA: R SIDE FOR NHA/OTHER SYS DET SEE: 21-50-00-01B	201967	RF
5	BACS12GU3K9	.	SCREW	201967	2
10	NAS1149E0316P	.	WASHER	201967	5
15	H52732-3D	.	NUT	201967	3
			SUPPLIER CODE: V15653 SPECIFICATION NUMBER: BACN10YR3D		
20	RBEJ40K5A5A6	.	JUMPER- SUPPLIER CODE: V1GK47 SPECIFICATION NUMBER: BACJ40K5A5A6	201967	1
23	RBEJ40K5A5A13	.	JUMPER SUPPLIER CODE: V1GK47 SPECIFICATION NUMBER: BACJ40K5A5A13	201967	1
25	BACC10DU350ABE	.	CLAMP	201967	1
30	BACC10GN40C	.	CLAMP	201967	1
35	14C02-24C	.	COUPLING- SUPPLIER CODE: V24984	201967	2
40	14R02-24C	.	SLEEVE- SUPPLIER CODE: V24984	201967	2
45	2-222S604-70	.	SEAL- SUPPLIER CODE: V02697 MAINTENANCE MANUAL REF: 21-51-03 21-51-09 OPTIONAL PART: AS3582-222	201967	2

MISSING ITEM NUMBERS NOT APPLICABLE

- ITEM NOT ILLUSTRATED

HAP

21-51-41-02

BOEING PROPRIETARY - Copyright © - Unpublished Work - See title page for details.

21-51-41
FIG. 02
PAGE 1
FEB 15/09

BOEING
737-600/700/800/900
PARTS CATALOG (MAINTENANCE)

FIG ITEM	PART NUMBER	1 2 3 4 5 6 7	NOMENCLATURE	EFFECT FROM TO	UNITS PER ASSY
2					
45	AS3582-222		.SEAL- MAINTENANCE MANUAL REF: 21-51-03 21-51-09 OPTIONAL PART: 2-222S604-70	201967	2
50	14C02-40C		.COUPLING- SUPPLIER CODE: V24984	201967	2
55	14R02-40C		.SLEEVE- SUPPLIER CODE: V24984	201967	2
60	2-230S604-70		.SEAL- SUPPLIER CODE: V02697 MAINTENANCE MANUAL REF: 21-51-03 21-51-04	201967	2
65	BACC10GN16C		.CLAMP-	201967	1
75	213A1201-82		.DUCT ASSY-	201967	1
80	14F03-24T		..FLANGE- SUPPLIER CODE: V24984	201967	2
85	213A1201-22		.DUCT ASSY	201967	1
90	14F03-24T		..FLANGE- SUPPLIER CODE: V24984	201967	2
95	213A1201-76		.DUCT ASSY	201967	1
100	14F03-40T		..FLANGE- SUPPLIER CODE: V24984	201967	1
105	572757-1		.SWITCH-TURBINE INLET OVERHEAT SUPPLIER CODE: V70210 FUNCTIONAL DESCRIPTION: PROVIDES THERMAL OVERHEAT PROTECTION FOR AIR CYCLE MACHINE. ELECTRICAL EQUIP NUMBER: S00004 COMPONENT MAINT MANUAL REF: 21-52-20	201967	1
105	1173T12		.SWITCH-TURBINE INLET OVERHEAT SUPPLIER CODE: V98087 MAINTENANCE MANUAL REF: 21-51-41	201967	1

R
R
R
R
R
R
R
R
R
R
R
R
R
R
R
R

MISSING ITEM NUMBERS NOT APPLICABLE

- ITEM NOT ILLUSTRATED

HAP

21-51-41-02

BOEING PROPRIETARY - Copyright © - Unpublished Work - See title page for details.

21-51-41
FIG. 02
PAGE 2
JUN 15/09

BOEING
737-600/700/800/900
PARTS CATALOG (MAINTENANCE)

FIG ITEM	PART NUMBER	1 2 3 4 5 6 7	NOMENCLATURE	EFFECT FROM TO	UNITS PER ASSY
2					
- 200	286A6202-001		WIRE BUNDLE ASSY	201967	RF
205	BACC63CB10-5S6		.PLUG-	201967	1
			ELECTRICAL EQUIP NUMBER: D00536		
			WIRING DIAGRAM REF: 215125		
210	620AA028NF10L		.CLAMP-	201967	1
			SUPPLIER CODE: V06324		
			SPECIFICATION NUMBER: BACC10KE10		
			OPTIONAL PART: S3820-10-65		
			V07418		
			ELECTRICAL EQUIP NUMBER: D00536T		
			WIRING DIAGRAM REF: 215125		

MISSING ITEM NUMBERS NOT APPLICABLE

- ITEM NOT ILLUSTRATED

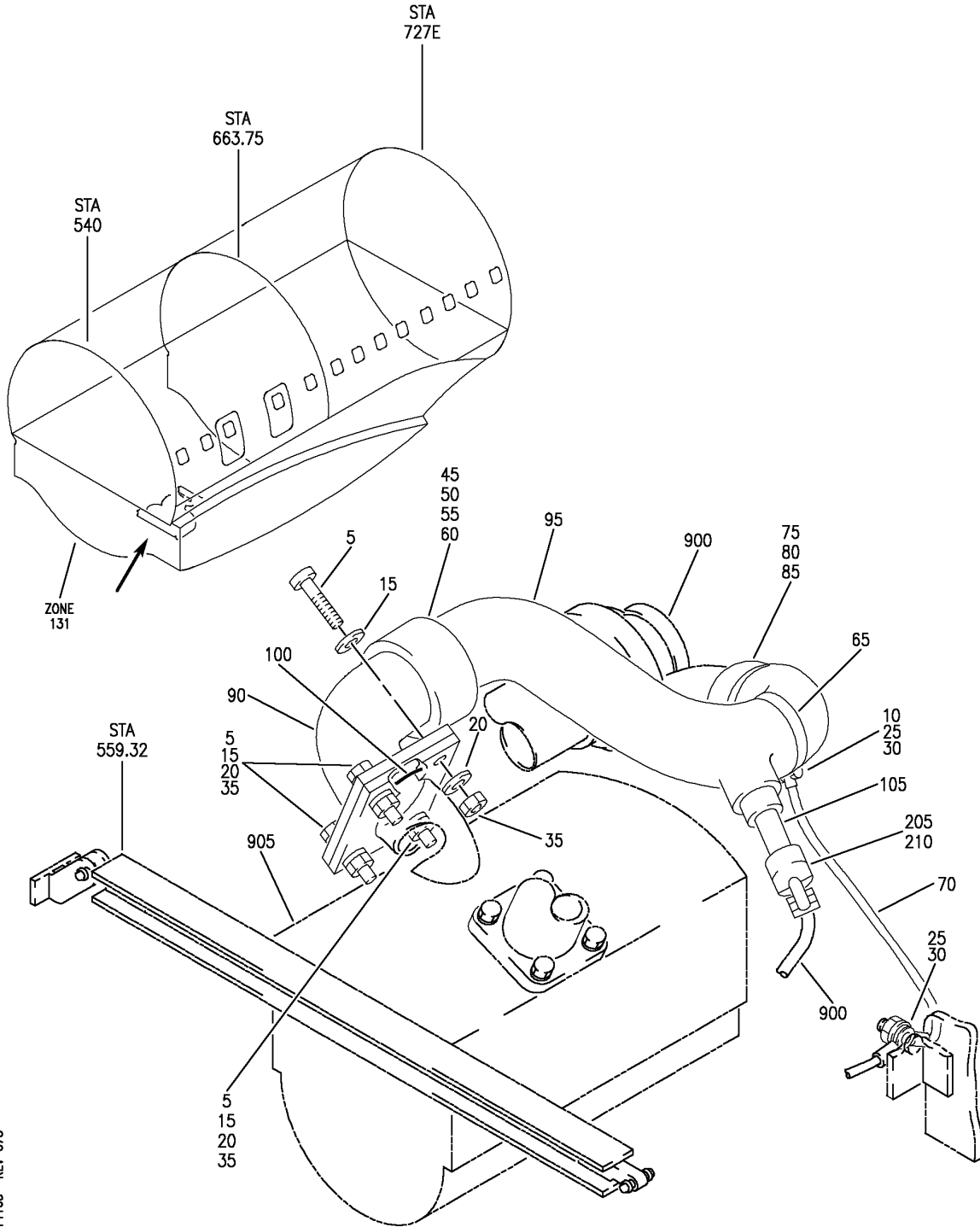
HAP

21-51-41-02

BOEING PROPRIETARY - Copyright © - Unpublished Work - See title page for details.

21-51-41
FIG. 02
PAGE 3
OCT 15/08

BOEING
 737-600/700/800/900
 PARTS CATALOG (MAINTENANCE)



E 21514103 REV 073

DUCT INSTL-L SIDE AIR CONDITIONING PACK (TURBINE INLET OVERHEAT SWITCH ONLY)
 FIGURE 3

21-51-41-03

HAP
 OCT 10/06

21-51-41-03
 PAGE 0

BOEING
737-600/700/800/900
PARTS CATALOG (MAINTENANCE)

FIG ITEM	PART NUMBER	1 2 3 4 5 6 7	NOMENCLATURE	EFFECT FROM TO	UNITS PER ASSY
3			DUCT INSTL-L SIDE AIR CONDITIONING PACK (TURBINE INLET OVERHEAT SWITCH ONLY)	001030	
- 1	213A1002-3		DUCT INSTL-AIR CONDITIONING PACK (TURBINE INLET OVERHEAT SWITCH ONLY) POSITION DATA: L SIDE FOR NHA/ADDITIONAL DET SEE: 21-50-00-01C	001030	RF
	5 BACB30NR4K6		.BOLT	001030	4
	10 BACS12GU3K9		.SCREW	001030	1
	15 BACW10BN4AC		.WASHER	001030	4
	20 NAS1149D0416J		.WASHER	001030	4
	25 NAS1149E0316P		.WASHER	001030	2
	30 PLH53CD		.NUT	001030	2
			SUPPLIER CODE: VF0224 SPECIFICATION NUMBER: BACN10YR3CD OPTIONAL PART: H52732-3CD V15653		
	35 PLH54CD		.NUT	001030	4
			SUPPLIER CODE: VF0224 SPECIFICATION NUMBER: BACN10YR4CD OPTIONAL PART: H52732-4CD V15653		
	45 21156-250		.RETAINER	001030	1
			SUPPLIER CODE: V94581 SPECIFICATION NUMBER: BACC10BR2250A OPTIONAL PART: 24170-250A V00624		
	50 17351-250		.RING	001030	1
			SUPPLIER CODE: V00624 SPECIFICATION NUMBER: BACC10BR3250 OPTIONAL PART: 2325-150 V94581		

MISSING ITEM NUMBERS NOT APPLICABLE

- ITEM NOT ILLUSTRATED

HAP

21-51-41-03

21-51-41
FIG. 03
PAGE 1
FEB 15/09

BOEING
737-600/700/800/900
PARTS CATALOG (MAINTENANCE)

FIG ITEM	PART NUMBER	1 2 3 4 5 6 7	NOMENCLATURE	EFFECT FROM TO	UNITS PER ASSY
3					
55	NK1008725-250	.	SLEEVE- SUPPLIER CODE: V00624	001030	1
60	51200-2-250	.	CLAMP SUPPLIER CODE: V8W928 SPECIFICATION NUMBER: BACC10CT2-250	001030	1
65	BACC10GN40C	.	CLAMP	001030	1
70	RBEJ40K5A5A12	.	JUMPER SUPPLIER CODE: V1GK47 SPECIFICATION NUMBER: BACJ40K5A5A12	001030	1
75	14C02-40C	.	COUPLING- SUPPLIER CODE: V24984	001030	1
80	14R02-40C	.	SLEEVE- SUPPLIER CODE: V24984	001030	1
85	2-230S604-70	.	SEAL- SUPPLIER CODE: V02697 MAINTENANCE MANUAL REF: 21-51-01	001030	1
90	65C33060-1	.	DUCT ASSY- OPTIONAL PART: 213A1211-65	001030	1
90	213A1211-65	.	DUCT ASSY- OPTIONAL PART: 65C33060-1	001030	1
95	213A1211-45	.	DUCT ASSY	001030	1

MISSING ITEM NUMBERS NOT APPLICABLE

— ITEM NOT ILLUSTRATED

HAP

21-51-41-03

BOEING PROPRIETARY - Copyright © - Unpublished Work - See title page for details.

21-51-41
FIG. 03
PAGE 2
JUN 15/08

BOEING
737-600/700/800/900
PARTS CATALOG (MAINTENANCE)

FIG ITEM	PART NUMBER	1 2 3 4 5 6 7	NOMENCLATURE	EFFECT FROM TO	UNITS PER ASSY
3 100	2-231S383-70		.PACKING SUPPLIER CODE: V02697 SPECIFICATION NUMBER: BACP11J231 OPTIONAL PART: A330-231 V95272 S424-7-2-231 V02697 AS568-231S32 V11314 13-06-231 V07096 S7E183-231 V95272 R1131-231 V57268	001030	1
R R R R R R R R R R R R	105 572757-1		.SWITCH-TURBINE INLET OVERHEAT SUPPLIER CODE: V70210 FUNCTIONAL DESCRIPTION: PROVIDES THERMAL OVERHEAT PROTECTION FOR AIR CYCLE MACHINE. ELECTRICAL EQUIP NUMBER: S00938 COMPONENT MAINT MANUAL REF: 21-52-20	001030	1
R R R R R	105 1173T12		.SWITCH-TURBINE INLET OVERHEAT SUPPLIER CODE: V98087 MAINTENANCE MANUAL REF: 21-51-41	001030	1
- 200	286A5102-301		WIRE BUNDLE ASSY	001030	RF
205	BACC63CB10-5S6		.PLUG- ELECTRICAL EQUIP NUMBER: D10056 WIRING DIAGRAM REF: 215115	001030	1

MISSING ITEM NUMBERS NOT APPLICABLE

- ITEM NOT ILLUSTRATED

HAP

21-51-41-03

BOEING PROPRIETARY - Copyright © - Unpublished Work - See title page for details.

21-51-41
FIG. 03
PAGE 3
JUN 15/09

BOEING
737-600/700/800/900
PARTS CATALOG (MAINTENANCE)

FIG ITEM	PART NUMBER	1 2 3 4 5 6 7	NOMENCLATURE	EFFECT FROM TO	UNITS PER ASSY
3 210	620AA028NF10L		.CLAMP- SUPPLIER CODE: V06324 SPECIFICATION NUMBER: BACC10KE10 OPTIONAL PART: S3820-10-65 V07418 ELECTRICAL EQUIP NUMBER: D10056T WIRING DIAGRAM REF: 215115	001030	1
900			ILLUSTRATION REFERENCE: SENSE LINE INSTL-L SIDE AIR CONDITIONING PACK 21-51-53-18	001030	RF
905			ILLUSTRATION REFERENCE: SEPARATOR AND PACK INSTL- AIR CONDITIONING (REHEATER ONLY) 21-51-13-01	001030	RF

MISSING ITEM NUMBERS NOT APPLICABLE

— ITEM NOT ILLUSTRATED

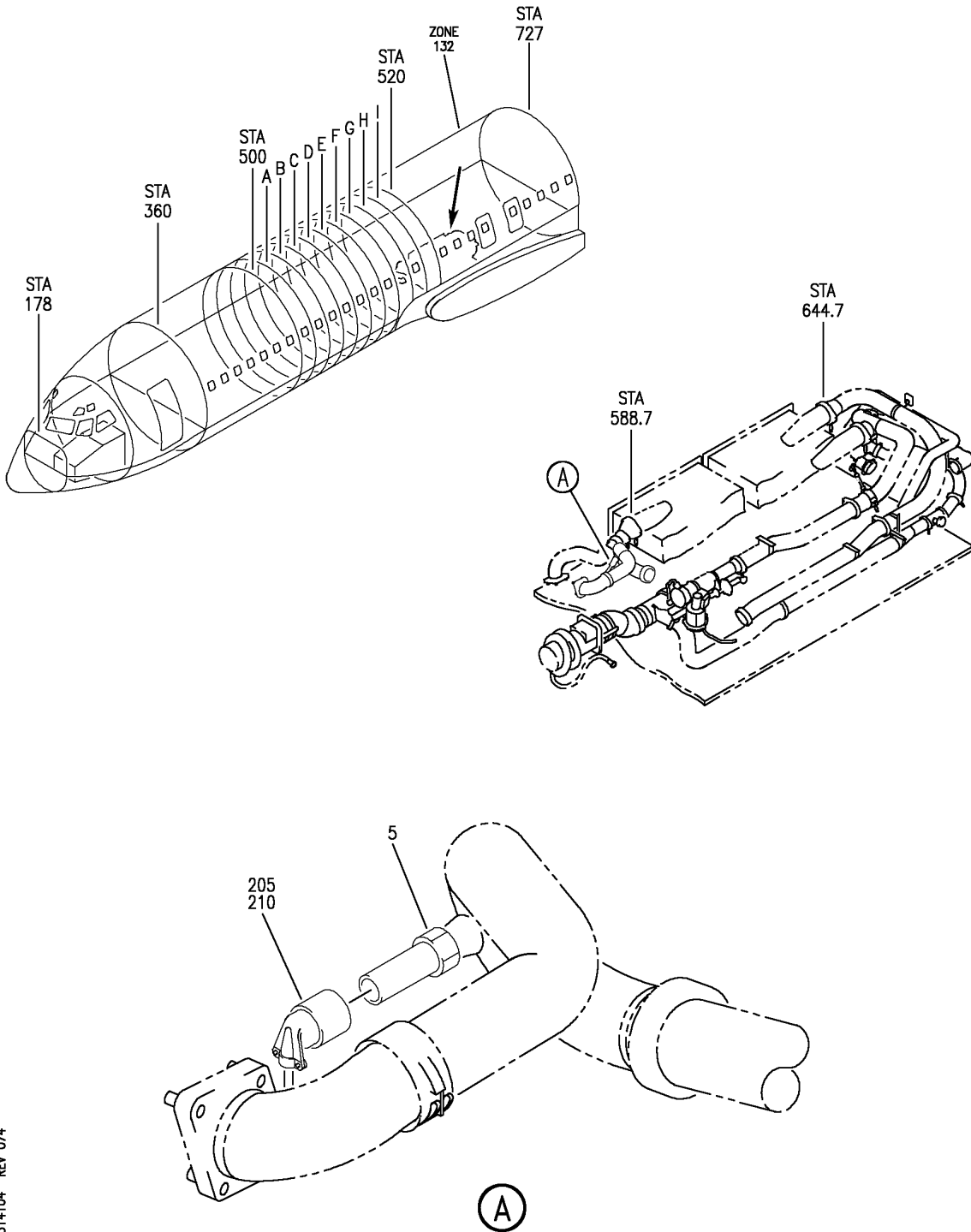
HAP

21-51-41-03

BOEING PROPRIETARY - Copyright © - Unpublished Work - See title page for details.

21-51-41
FIG. 03
PAGE 4
JUN 15/08

BOEING
 737-600/700/800/900
 PARTS CATALOG (MAINTENANCE)



E 21514104 REV 074

DUCT INSTL-R SIDE AIR CONDITIONING PACK (TURBINE INLET OVERHEAT SWITCH ONLY)
 FIGURE 4

21-51-41-04

HAP
 OCT 10/06

21-51-41-04
 PAGE 0

BOEING
737-600/700/800/900
PARTS CATALOG (MAINTENANCE)

FIG ITEM	PART NUMBER	1 2 3 4 5 6 7	NOMENCLATURE	EFFECT FROM TO	UNITS PER ASSY
4			DUCT INSTL-R SIDE AIR CONDITIONING PACK (TURBINE INLET OVERHEAT SWITCH ONLY)	001030	
- 1	213A1002-4		DUCT INSTL-AIR CONDITIONING PACK (TURBINE INLET OVERHEAT SWITCH ONLY) POSITION DATA: R SIDE FOR NHA/ADDITIONAL DET SEE: 21-50-00-01C	001030	RF
R	5 572757-1		.SWITCH-TURBINE INLET OVERHEAT SUPPLIER CODE: V70210 FUNCTIONAL DESCRIPTION: PROVIDES THERMAL OVERHEAT PROTECTION FOR AIR CYCLE MACHINE. ELECTRICAL EQUIP NUMBER: S00939 COMPONENT MAINT MANUAL REF: 21-52-20	001030	1
R	5 1173T121		.SWITCH-TURBINE INLET OVERHEAT SUPPLIER CODE: V98087 MAINTENANCE MANUAL REF: 21-51-41	001030	1
R	- 200 286A6202-301		WIRE BUNDLE ASSY	001009	RF
R	- 200 286A6202-302		WIRE BUNDLE ASSY	010027	RF
R	- 200 286A6202-303		WIRE BUNDLE ASSY	028030	RF
R	205 BACC63CB10-5S6		.PLUG- ELECTRICAL EQUIP NUMBER: D10058 WIRING DIAGRAM REF: 215125	001030	1
R	210 620AA028NF10L		.CLAMP- SUPPLIER CODE: V06324 SPECIFICATION NUMBER: BACC10KE10 OPTIONAL PART: S3820-10-65 V07418 ELECTRICAL EQUIP NUMBER: D10058T WIRING DIAGRAM REF: 215125	001030	1

MISSING ITEM NUMBERS NOT APPLICABLE

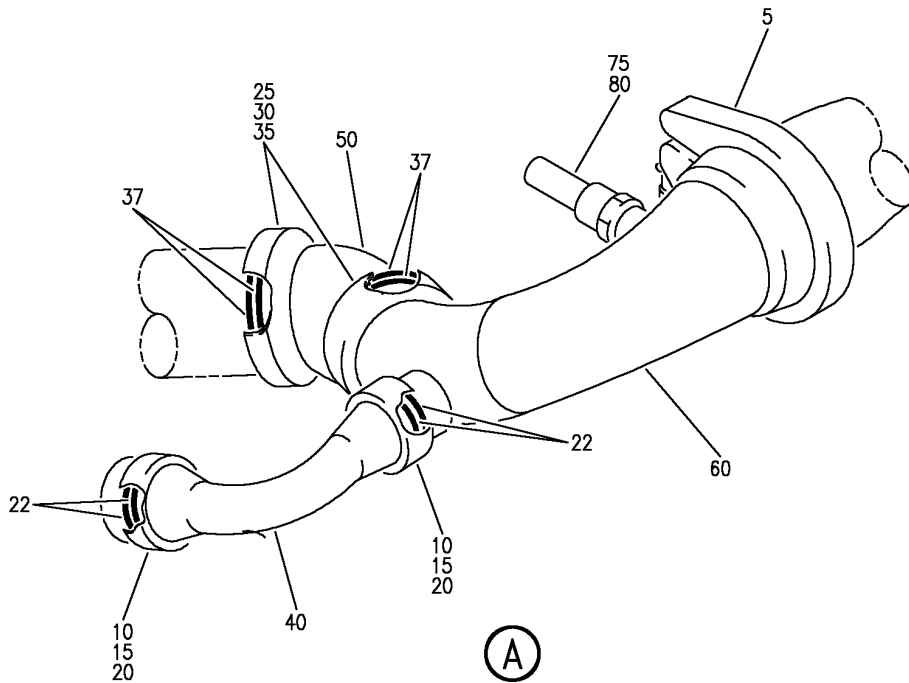
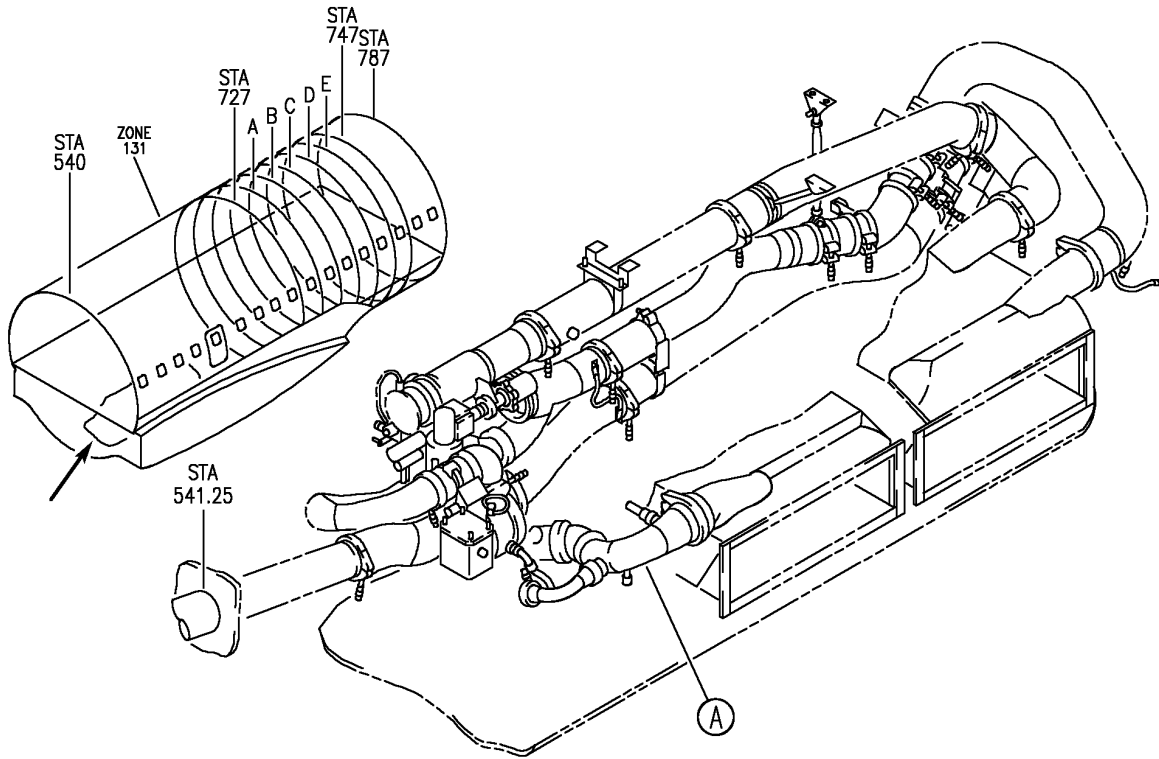
- ITEM NOT ILLUSTRATED

HAP

21-51-41-04

21-51-41
FIG. 04
PAGE 1
JUN 15/09


BOEING
 737-600/700/800/900
PARTS CATALOG (MAINTENANCE)



E 21514105 REV 153

DUCT INSTL-L SIDE AIR CONDITIONING PACK (TURBINE INLET OVERHEAT SWITCH ONLY)
 FIGURE 5

HAP
JUN 15/09

21-51-41-05

21-51-41-05
 PAGE 0

BOEING
737-600/700/800/900
PARTS CATALOG (MAINTENANCE)

FIG ITEM	PART NUMBER	1 2 3 4 5 6 7	NOMENCLATURE	EFFECT FROM TO	UNITS PER ASSY
5			DUCT INSTL-L SIDE AIR CONDITIONING PACK (TURBINE INLET OVERHEAT SWITCH ONLY)	101200 968999	
- 1	MODREF256350		DUCT INSTL-AIR CONDITIONING PACK (TURBINE INLET OVERHEAT SWITCH ONLY) MODULE NUMBER: 213A1006-1 REV C POSITION DATA: L SIDE FOR OTHER SYS DETAILS SEE: 21-61-02-03 FOR ADDITIONAL DETAILS SEE: 21-51-09-03 21-51-20-03 21-51-30-03 21-51-31-03	101106 968999	1
- 1	MODREF395390		DUCT INSTL-AIR CONDITIONING PACK (TURBINE INLET OVERHEAT SWITCH ONLY) MODULE NUMBER: 213A1006-1 REV D POSITION DATA: L SIDE FOR OTHER SYS DETAILS SEE: 21-61-02-03 FOR ADDITIONAL DETAILS SEE: 21-51-09-03 21-51-20-03 21-51-30-03 21-51-31-03	107200	1
5	BACC10DU350ABE		.CLAMP	101200 968999	1
10	14C02-24C		.COUPLING- SUPPLIER CODE: V24984 OPTIONAL PART: AS1655C24	101200 968999	2
10	14C02-24C		.COUPLING- SUPPLIER CODE: V24984 SPECIFICATION NUMBER: AS1655C24 OPTIONAL PART: 14C02-24C V24984	101200 968999	2

MISSING ITEM NUMBERS NOT APPLICABLE

- ITEM NOT ILLUSTRATED

HAP

21-51-41-05

BOEING PROPRIETARY - Copyright © - Unpublished Work - See title page for details.

21-51-41
FIG. 05
PAGE 1
OCT 15/08

BOEING
737-600/700/800/900
PARTS CATALOG (MAINTENANCE)

FIG ITEM	PART NUMBER	1 2 3 4 5 6 7	NOMENCLATURE	EFFECT FROM TO	UNITS PER ASSY
5					
15	14R02-24C	.	SLEEVE- SUPPLIER CODE: V24984 OPTIONAL PART: AS1654C24	101200 968999	2
15	14R02-24C	.	SLEEVE- SUPPLIER CODE: V24984 SPECIFICATION NUMBER: AS1654C24 OPTIONAL PART: 14R02-24C V24984	101200 968999	2
20	2-222S604-70	.	SEAL- SUPPLIER CODE: V02697 MAINTENANCE MANUAL REF: 21-51-03 21-51-09	101106 968999	2
22	2-222S604-70	.	SEAL- SUPPLIER CODE: V02697	107200	4
25	14C02-40C	.	COUPLING- SUPPLIER CODE: V24984 OPTIONAL PART: AS1655C40	101200 968999	2
25	14C02-40C	.	COUPLING- SUPPLIER CODE: V24984 SPECIFICATION NUMBER: AS1655C40 OPTIONAL PART: 14C02-40C V24984	101200 968999	2
30	14R02-40C	.	SLEEVE- SUPPLIER CODE: V24984 OPTIONAL PART: AS1654C40	101200 968999	2
30	AS1654C40	.	SLEEVE- OPTIONAL PART: 14R02-40C V24984	101200 968999	2

MISSING ITEM NUMBERS NOT APPLICABLE

— ITEM NOT ILLUSTRATED

HAP

21-51-41-05

BOEING PROPRIETARY - Copyright © - Unpublished Work - See title page for details.

21-51-41
FIG. 05
PAGE 2
OCT 15/08

BOEING
737-600/700/800/900
PARTS CATALOG (MAINTENANCE)

FIG ITEM	PART NUMBER	1 2 3 4 5 6 7	NOMENCLATURE	EFFECT FROM TO	UNITS PER ASSY
5					
35	2-230S604-70	.SEAL-	SUPPLIER CODE: V02697 MAINTENANCE MANUAL REF: 21-51-03 21-51-04	101106 968999	2
37	2-230S604-70	.SEAL-	SUPPLIER CODE: V02697	107200	4
40	213A1201-83	.DUCT ASSY		101200 968999	1
50	213A1201-61	.DUCT ASSY		101200 968999	1
60	213A1201-51	.DUCT ASSY		101200 968999	1
75	R1131-906	.PACKING	SUPPLIER CODE: V57268 SPECIFICATION NUMBER: BACP11K6 OPTIONAL PART: 3-906S383-70 V02697 1090-06 V95272 150701-06 V95272 AS568-906S32 V11314	101200 968999	1
80	572757-1	.SWITCH-THERMAL OVERHEAT AIR CYCLE MACHINE AIR CYCLE SYS	SUPPLIER CODE: V70210 FUNCTIONAL DESCRIPTION: PROVIDES THERMAL OVERHEAT PROTECTION FOR AIR CYCLE MACHINE. ELECTRICAL EQUIP NUMBER: S00001 COMPONENT MAINT MANUAL REF: 21-52-20 MAINTENANCE MANUAL REF: 21-51-41	101200 968999	1
80	1173T12	.SWITCH-THERMAL OVERHEAT AIR CYCLE MACHINE AIR CYCLE SYS	SUPPLIER CODE: V98087	101200 968999	1

MISSING ITEM NUMBERS NOT APPLICABLE

— ITEM NOT ILLUSTRATED

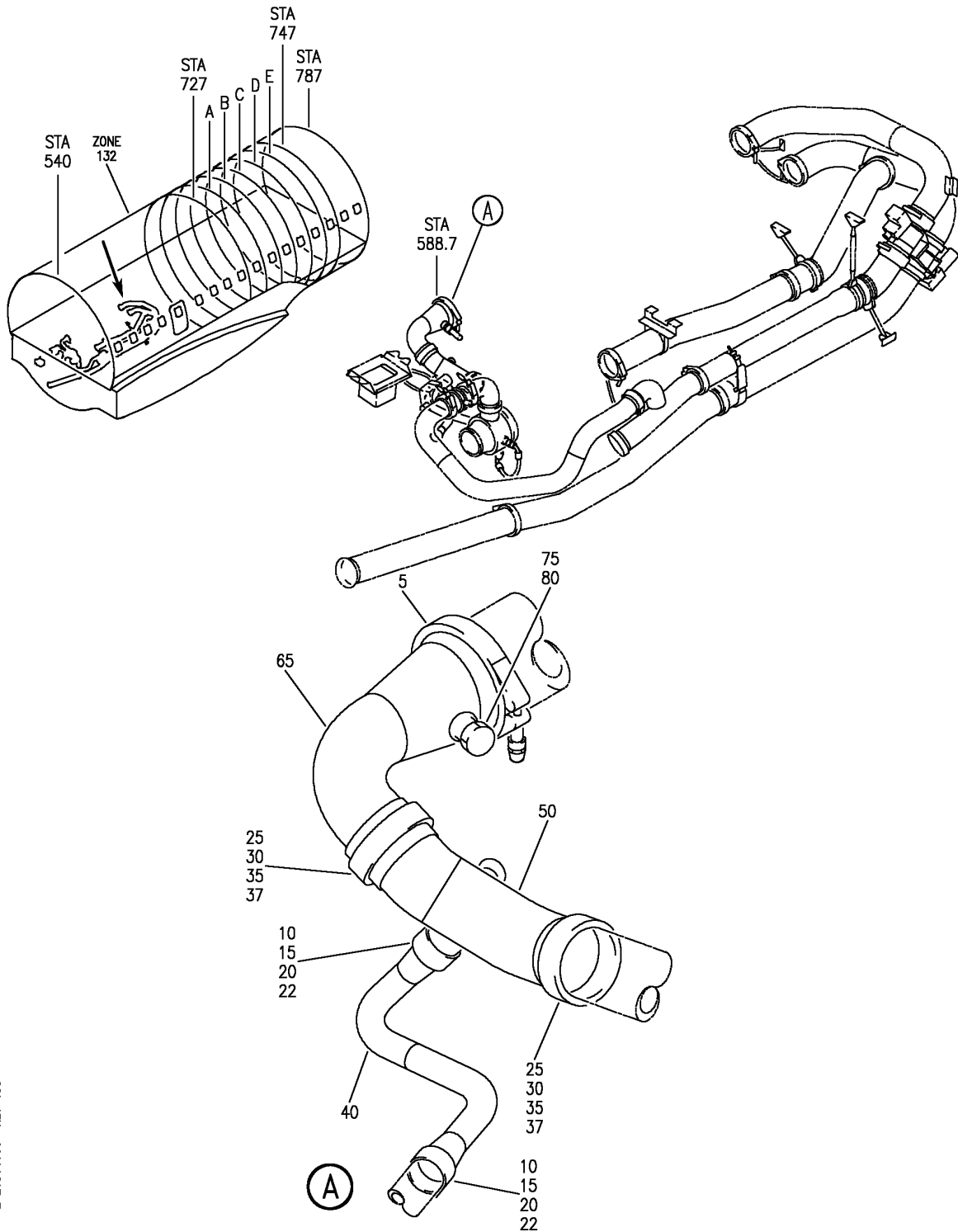
HAP

21-51-41-05

BOEING PROPRIETARY - Copyright © - Unpublished Work - See title page for details.

21-51-41
FIG. 05
PAGE 3
OCT 15/08

BOEING
 737-600/700/800/900
 PARTS CATALOG (MAINTENANCE)



E 21514106 REV 153

DUCT INSTL-R SIDE AIR CONDITIONING PACK (TURBINE INLET OVERHEAT SWITCH ONLY)
 FIGURE 6

HAP
 JUN 15/09

21-51-41-06

21-51-41-06
 PAGE 0

BOEING
737-600/700/800/900
PARTS CATALOG (MAINTENANCE)

FIG ITEM	PART NUMBER	1 2 3 4 5 6 7	NOMENCLATURE	EFFECT FROM TO	UNITS PER ASSY
6			DUCT INSTL-R SIDE AIR CONDITIONING PACK (TURBINE INLET OVERHEAT SWITCH ONLY)	101200 968999	
- 1	MODREF256351		DUCT INSTL-AIR CONDITIONING PACK (TURBINE INLET OVERHEAT SWITCH ONLY) MODULE NUMBER: 213A1006-2 REV B POSITION DATA: R SIDE FOR OTHER SYS DETAILS SEE: 21-61-02-04 FOR ADDITIONAL DETAILS SEE: 21-51-09-04 21-51-20-04 21-51-30-04 21-51-31-04	101106 968999	1
- 1	MODREF395391		DUCT INSTL-AIR CONDITIONING PACK (TURBINE INLET OVERHEAT SWITCH ONLY) MODULE NUMBER: 213A1006-2 REV C POSITION DATA: R SIDE FOR OTHER SYS DETAILS SEE: 21-61-02-04 FOR ADDITIONAL DETAILS SEE: 21-51-09-04 21-51-20-04 21-51-30-04 21-51-31-04	107200	1
5	BACC10DU350ABE		.CLAMP	101200 968999	1
10	14C02-24C		.COUPLING- SUPPLIER CODE: V24984	101200 968999	2
10	14C02-24C		.COUPLING- SUPPLIER CODE: V24984 SPECIFICATION NUMBER: AS1655C24 OPTIONAL PART: 14C02-24C V24984	101200 968999	2
15	14R02-24C		.SLEEVE- SUPPLIER CODE: V24984	101200 968999	2

MISSING ITEM NUMBERS NOT APPLICABLE

- ITEM NOT ILLUSTRATED

HAP

21-51-41-06

BOEING PROPRIETARY - Copyright © - Unpublished Work - See title page for details.

21-51-41
FIG. 06
PAGE 1
OCT 15/08

BOEING
737-600/700/800/900
PARTS CATALOG (MAINTENANCE)

FIG ITEM	PART NUMBER	1 2 3 4 5 6 7	NOMENCLATURE	EFFECT FROM TO	UNITS PER ASSY
6					
15	14R02-24C	.SLEEVE-	SUPPLIER CODE: V24984 SPECIFICATION NUMBER: AS1654C24 OPTIONAL PART: 14R02-24C V24984	101200 968999	2
20	2-222S604-70	.SEAL-	SUPPLIER CODE: V02697 MAINTENANCE MANUAL REF: 21-51-09	101106 968999	2
22	2-222S604-70	.SEAL-	SUPPLIER CODE: V02697	107200	4
25	14C02-40C	.COUPLING-	SUPPLIER CODE: V24984	101200 968999	2
25	14C02-40C	.COUPLING-	SUPPLIER CODE: V24984 SPECIFICATION NUMBER: AS1655C40 OPTIONAL PART: 14C02-40C V24984	101200 968999	2
30	14R02-40C	.SLEEVE-	SUPPLIER CODE: V24984	101200 968999	2
30	AS1654C40	.SLEEVE-	OPTIONAL PART: 14R02-40C V24984	101200 968999	2
35	2-230S604-70	.SEAL-	SUPPLIER CODE: V02697	101106 968999	2
37	2-230S604-70	.SEAL-	SUPPLIER CODE: V02697	107200	4
40	213A1201-82	.DUCT ASSY		101200 968999	1
50	213A1201-22	.DUCT ASSY		101200 968999	1
65	213A1201-76	.DUCT ASSY		101200 968999	1

MISSING ITEM NUMBERS NOT APPLICABLE

— ITEM NOT ILLUSTRATED

HAP

21-51-41-06

BOEING PROPRIETARY - Copyright © - Unpublished Work - See title page for details.

21-51-41
FIG. 06
PAGE 2
OCT 15/08

BOEING
737-600/700/800/900
PARTS CATALOG (MAINTENANCE)

FIG ITEM	PART NUMBER	1 2 3 4 5 6 7	NOMENCLATURE	EFFECT FROM TO	UNITS PER ASSY
6 75	R1131-906		.PACKING SUPPLIER CODE: V57268 SPECIFICATION NUMBER: BACP11K6 OPTIONAL PART: 3-906S383-70 V02697 1090-06 V95272 150701-06 V95272 AS568-906S32 V11314	101200 968999	1
80	572757-1		.SWITCH-THERMAL OVERHEAT AIR CYCLE MACHINE AIR CYCLE SYS SUPPLIER CODE: V70210 FUNCTIONAL DESCRIPTION: PROVIDES THERMAL OVERHEAT PROTECTION FOR AIR CYCLE MACHINE. ELECTRICAL EQUIP NUMBER: S00004 COMPONENT MAINT MANUAL REF: 21-52-20 MAINTENANCE MANUAL REF: 21-51-41	101200 968999	1
80	1173T12		.SWITCH-THERMAL OVERHEAT AIR CYCLE MACHINE AIR CYCLE SYS SUPPLIER CODE: V98087	101200 968999	1

MISSING ITEM NUMBERS NOT APPLICABLE

— ITEM NOT ILLUSTRATED

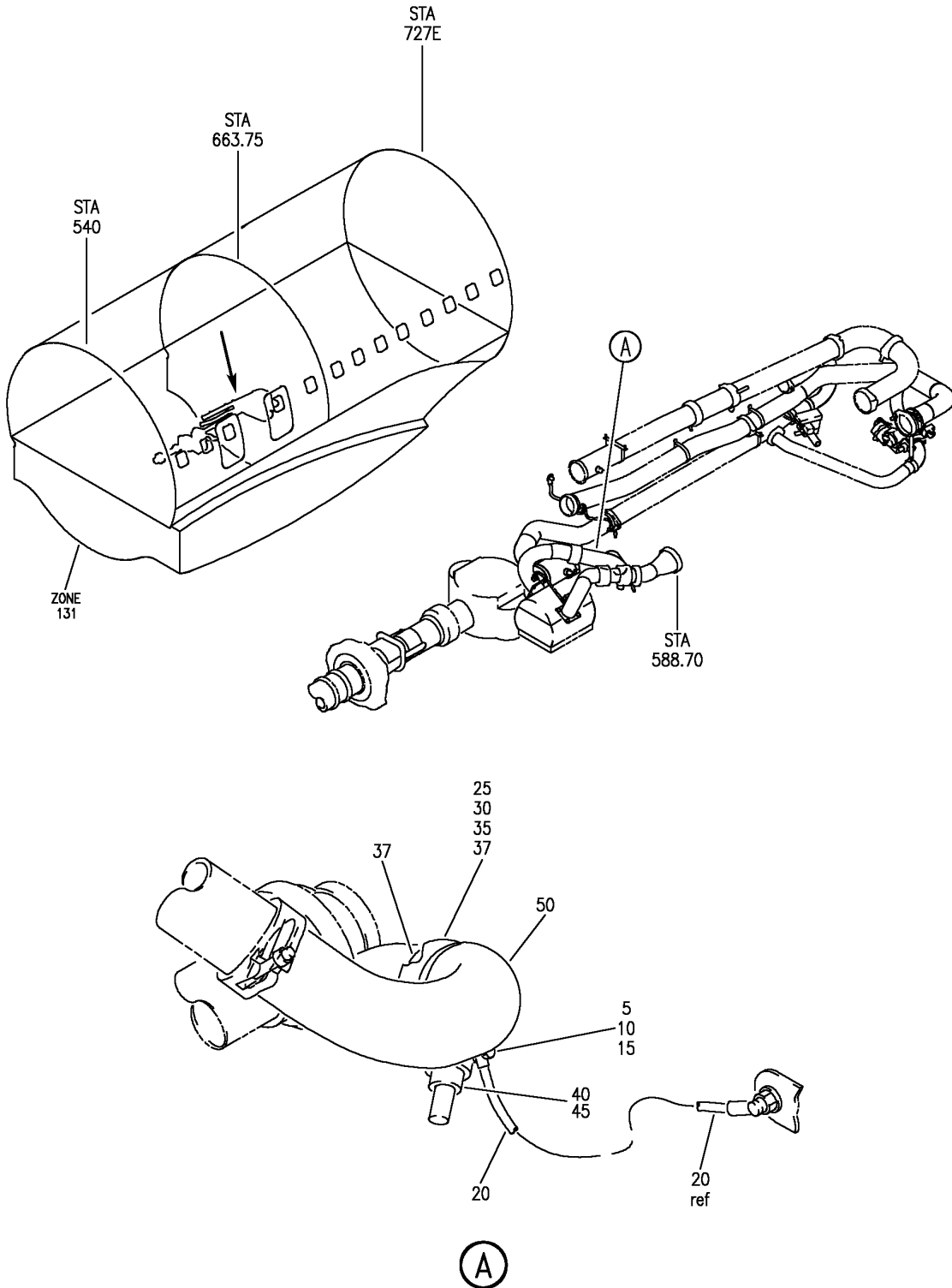
HAP

21-51-41-06

BOEING PROPRIETARY - Copyright © - Unpublished Work - See title page for details.

21-51-41
FIG. 06
PAGE 3
JUN 15/09

BOEING
 737-600/700/800/900
 PARTS CATALOG (MAINTENANCE)



E 21514107 REV 153

DUCT INSTL-L SIDE AIR CONDITIONING PACK (TURBINE INLET OVERHEAT SWITCH ONLY)
 FIGURE 7

HAP
 JUN 15/09

21-51-41-07

21-51-41-07
 PAGE 0

BOEING
737-600/700/800/900
PARTS CATALOG (MAINTENANCE)

FIG ITEM	PART NUMBER	1 2 3 4 5 6 7	NOMENCLATURE	EFFECT FROM TO	UNITS PER ASSY
7			DUCT INSTL-L SIDE AIR CONDITIONING PACK (TURBINE INLET OVERHEAT SWITCH ONLY)	031100	
- 1	MODREF256352		DUCT INSTL-AIR CONDITIONING PACK (TURBINE INLET OVERHEAT SWITCH ONLY) MODULE NUMBER: 213A1006-3 REV D POSITION DATA: L SIDE FOR ADDITIONAL DETAILS SEE: 21-51-07-03 21-51-10-03 21-51-11-04 21-51-13-02 21-51-15-03 21-51-17-04	031046 054100	1
- 1	MODREF377407		DUCT INSTL-AIR CONDITIONING PACK (TURBINE INLET OVERHEAT SWITCH ONLY) MODULE NUMBER: 213A1006-3 REV E POSITION DATA: L SIDE FOR ADDITIONAL DETAILS SEE: 21-51-07-03 21-51-10-03 21-51-11-04 21-51-15-03 21-51-17-04	047047	1
- 1	MODREF395392		DUCT INSTL-AIR CONDITIONING PACK (TURBINE INLET OVERHEAT SWITCH ONLY) MODULE NUMBER: 213A1006-3 REV F POSITION DATA: L SIDE FOR ADDITIONAL DETAILS SEE: 21-51-07-03 21-51-10-03 21-51-11-04 21-51-15-03 21-51-17-04	048053	1
5	BACS12GU3K7		.SCREW	031100	1
10	NAS1149E0316R		.WASHER	031100	2

MISSING ITEM NUMBERS NOT APPLICABLE

- ITEM NOT ILLUSTRATED

HAP

21-51-41-07

BOEING PROPRIETARY - Copyright © - Unpublished Work - See title page for details.

21-51-41
FIG. 07
PAGE 1
FEB 15/09

BOEING
737-600/700/800/900
PARTS CATALOG (MAINTENANCE)

FIG ITEM	PART NUMBER	1 2 3 4 5 6 7	NOMENCLATURE	EFFECT FROM TO	UNITS PER ASSY
7					
15	PLH53CM	.	NUT SUPPLIER CODE: VF0224 SPECIFICATION NUMBER: BACN10YR3CM OPTIONAL PART: H52732-3CM V15653	031100	1
20	100544-11	.	JUMPER SUPPLIER CODE: V1FF12 SPECIFICATION NUMBER: BACJ40AD44-11 OPTIONAL PART: RBEJ40AD44-11 V1GK47	031100	1
R	25	14C02-40C	.COUPLING- SUPPLIER CODE: V24984 OPTIONAL PART: AS1655C40	031100	1
R	25	14C02-40C	.COUPLING- SUPPLIER CODE: V24984 SPECIFICATION NUMBER: AS1655C40 OPTIONAL PART: 14C02-40C V24984	031100	1
R	30	14R02-40C	.SLEEVE- SUPPLIER CODE: V24984 OPTIONAL PART: AS1654C40	031100	1
R	30	AS1654C40	.SLEEVE- OPTIONAL PART: 14R02-40C V24984	031100	1
R	35	2-230S604-70	.SEAL- SUPPLIER CODE: V02697 MAINTENANCE MANUAL REF: 21-51-04	031047 054100	1
R	37	2-230S604-70	.SEAL- SUPPLIER CODE: V02697	048053	2

MISSING ITEM NUMBERS NOT APPLICABLE

— ITEM NOT ILLUSTRATED

HAP

21-51-41-07

BOEING PROPRIETARY - Copyright © - Unpublished Work - See title page for details.

21-51-41
FIG. 07
PAGE 2
JUN 15/09

BOEING
737-600/700/800/900
PARTS CATALOG (MAINTENANCE)

FIG ITEM	PART NUMBER	1 2 3 4 5 6 7	NOMENCLATURE	EFFECT FROM TO	UNITS PER ASSY
7 40	R1131-906		.PACKING SUPPLIER CODE: V57268 SPECIFICATION NUMBER: BACP11K6 OPTIONAL PART: 3-906S383-70 V02697 1090-06 V95272 150701-06 V95272 AS568-906S32 V11314	031046 054100	1
45	572757-1		.SWITCH-TURBINE INLET OVERHEAT SUPPLIER CODE: V70210 FUNCTIONAL DESCRIPTION: PROVIDES THERMAL OVERHEAT PROTECTION FOR AIR CYCLE MACHINE. ELECTRICAL EQUIP NUMBER: S00938 COMPONENT MAINT MANUAL REF: 21-52-20 MAINTENANCE MANUAL REF: 21-51-41	031046 054100	1
45	1173T12		.SWITCH-TURBINE INLET OVERHEAT SUPPLIER CODE: V98087	031046 054100	1
50	213A1211-89		.DUCT ASSY	031046 054100	1

MISSING ITEM NUMBERS NOT APPLICABLE

— ITEM NOT ILLUSTRATED

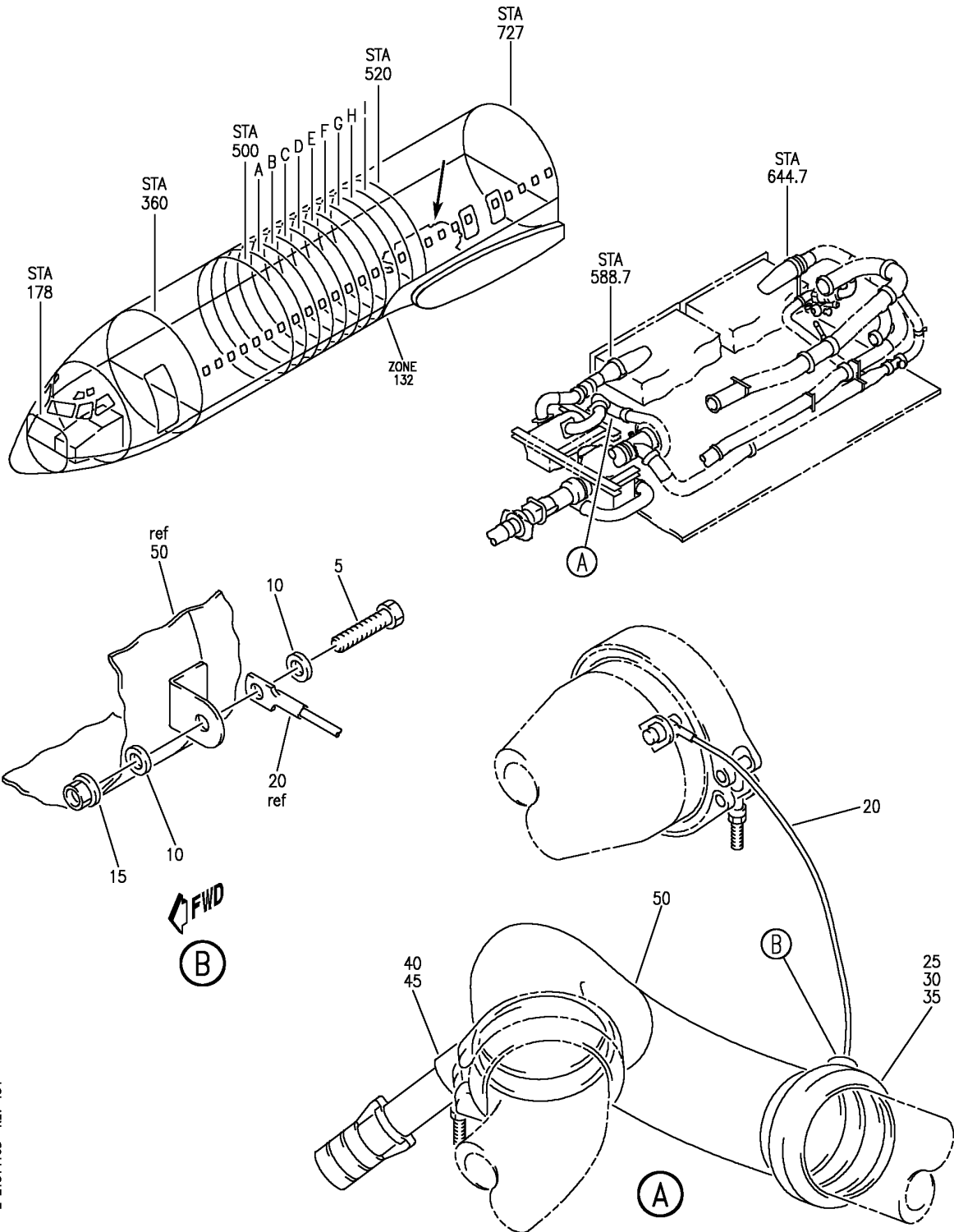
HAP

21-51-41-07

BOEING PROPRIETARY - Copyright © - Unpublished Work - See title page for details.

21-51-41
FIG. 07
PAGE 3
JUN 15/09

BOEING
737-600/700/800/900
PARTS CATALOG (MAINTENANCE)



E 21514108 REV 154

DUCT INSTL-R SIDE AIR CONDITIONING PACK (TURBINE INLET OVERHEAT SWITCH ONLY)
FIGURE 8

HAP
JUN 15/09

21-51-41-08

21-51-41-08
PAGE 0

BOEING
737-600/700/800/900
PARTS CATALOG (MAINTENANCE)

FIG ITEM	PART NUMBER	1 2 3 4 5 6 7	NOMENCLATURE	EFFECT FROM TO	UNITS PER ASSY
8			DUCT INSTL-R SIDE AIR CONDITIONING PACK (TURBINE INLET OVERHEAT SWITCH ONLY)	031100	
- 1	MODREF256353		DUCT INSTL-AIR CONDITIONING PACK (TURBINE INLET OVERHEAT SWITCH ONLY) MODULE NUMBER: 213A1006-4 REV D POSITION DATA: R SIDE FOR ADDITIONAL DETAILS SEE: 21-51-07-04 21-51-10-04 21-51-11-05 21-51-13-03 21-51-15-04 21-51-17-05	031046 054100	1
R R	- 1	MODREF377408	DUCT INSTL-AIR CONDITIONING PACK (TURBINE INLET OVERHEAT SWITCH ONLY) MODULE NUMBER: 213A1006-4 REV E POSITION DATA: R SIDE FOR ADDITIONAL DETAILS SEE: 21-51-07-04 21-51-10-04 21-51-11-05 21-51-17-05	047047	1
- 1	MODREF395393		DUCT INSTL-AIR CONDITIONING PACK (TURBINE INLET OVERHEAT SWITCH ONLY) MODULE NUMBER: 213A1006-4 REV F POSITION DATA: R SIDE FOR ADDITIONAL DETAILS SEE: 21-51-07-04 21-51-10-04 21-51-11-05 21-51-17-05	048053	1
5	BACS12GU3K7		.SCREW	031100	1
10	NAS1149E0316R		.WASHER	031100	2

MISSING ITEM NUMBERS NOT APPLICABLE

- ITEM NOT ILLUSTRATED

HAP

21-51-41-08

21-51-41
FIG. 08
PAGE 1
JUN 15/09

BOEING
737-600/700/800/900
PARTS CATALOG (MAINTENANCE)

FIG ITEM	PART NUMBER	1 2 3 4 5 6 7	NOMENCLATURE	EFFECT FROM TO	UNITS PER ASSY
8					
15	PLH53CM	.	NUT SUPPLIER CODE: VF0224 SPECIFICATION NUMBER: BACN10YR3CM OPTIONAL PART: H52732-3CM V15653	031100	1
20	100544-11	.	JUMPER SUPPLIER CODE: V1FF12 SPECIFICATION NUMBER: BACJ40AD44-11 OPTIONAL PART: RBEJ40AD44-11 V1GK47	031100	1
25	14C02-40C	.	COUPLING- SUPPLIER CODE: V24984 OPTIONAL PART: AS1655C40	031100	1
25	14C02-40C	.	COUPLING- SUPPLIER CODE: V24984 SPECIFICATION NUMBER: AS1655C40 OPTIONAL PART: 14C02-40C V24984	031100	1
30	14R02-40C	.	SLEEVE- SUPPLIER CODE: V24984 OPTIONAL PART: AS1654C40	031100	1
30	AS1654C40	.	SLEEVE- OPTIONAL PART: 14R02-40C V24984	031100	1
35	2-230S604-70	.	SEAL- SUPPLIER CODE: V02697 MAINTENANCE MANUAL REF: 21-51-04	031100	1

MISSING ITEM NUMBERS NOT APPLICABLE

— ITEM NOT ILLUSTRATED

HAP

21-51-41-08

BOEING PROPRIETARY - Copyright © - Unpublished Work - See title page for details.

21-51-41
FIG. 08
PAGE 2
FEB 15/09

BOEING
737-600/700/800/900
PARTS CATALOG (MAINTENANCE)

FIG ITEM	PART NUMBER	1 2 3 4 5 6 7	NOMENCLATURE	EFFECT FROM TO	UNITS PER ASSY
8 40	R1131-906		.PACKING SUPPLIER CODE: V57268 SPECIFICATION NUMBER: BACP11K6 OPTIONAL PART: 3-906S383-70 V02697 1090-06 V95272 150701-06 V95272 AS568-906S32 V11314	031046 054100	1
45	572757-1		.SWITCH-TURBINE INLET OVERHEAT SUPPLIER CODE: V70210 FUNCTIONAL DESCRIPTION: PROVIDES THERMAL OVERHEAT PROTECTION FOR AIR CYCLE MACHINE. ELECTRICAL EQUIP NUMBER: S00939 COMPONENT MAINT MANUAL REF: 21-52-20 MAINTENANCE MANUAL REF: 21-51-41	031046 054100	1
45	1173T12		.SWITCH-TURBINE INLET OVERHEAT SUPPLIER CODE: V98087	031046 054100	1
50	213A1211-90		.DUCT ASSY	031046 054100	1

MISSING ITEM NUMBERS NOT APPLICABLE

— ITEM NOT ILLUSTRATED

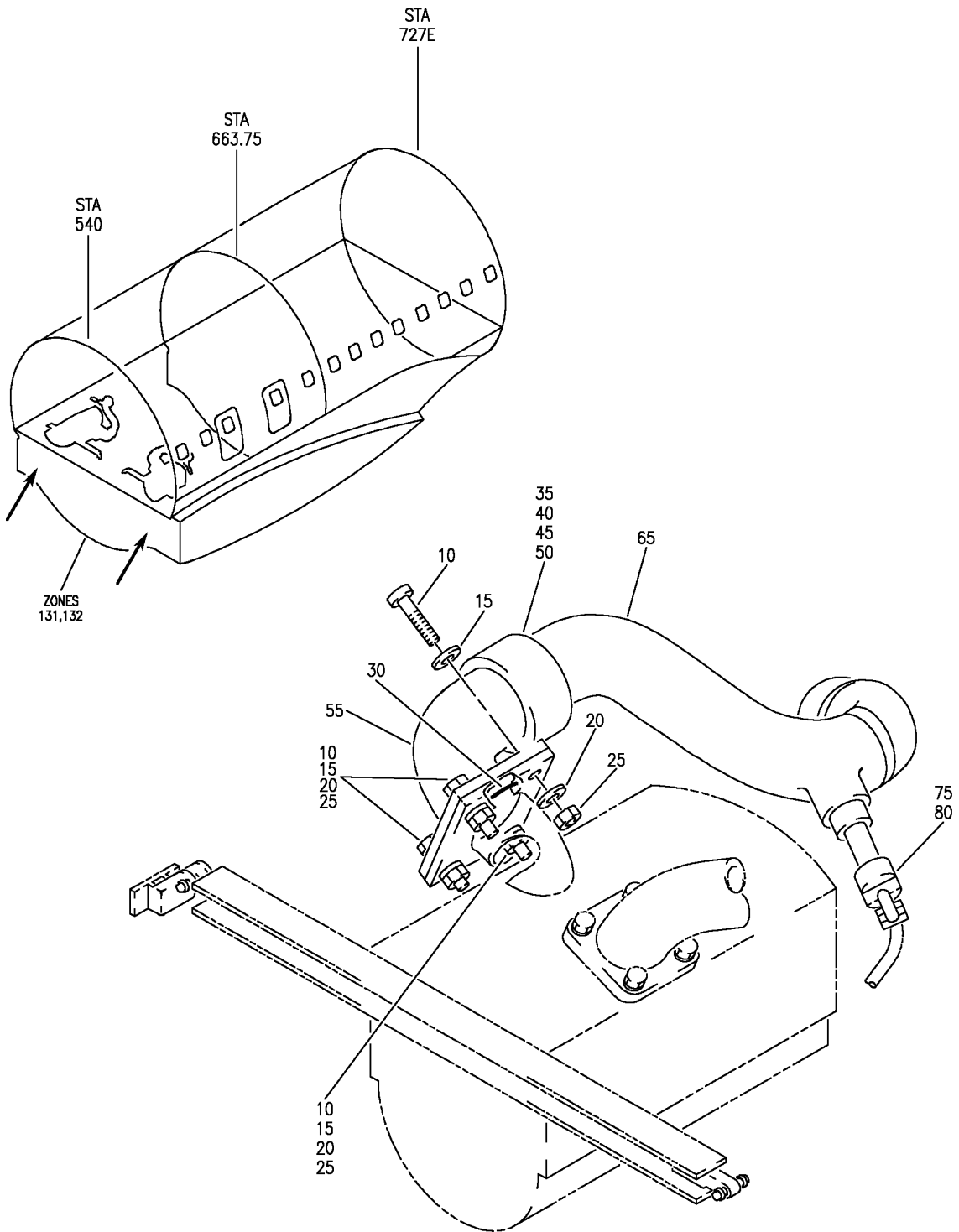
HAP

21-51-41-08

BOEING PROPRIETARY - Copyright © - Unpublished Work - See title page for details.

21-51-41
FIG. 08
PAGE 3
JUN 15/09

BOEING
 737-600/700/800/900
 PARTS CATALOG (MAINTENANCE)



E 21514109 REV 142

SEPARATOR ASSY-HIGH PRESSURE WATER (TURBINE INLET OVERHEAT SWITCH ONLY)

FIGURE 9

21-51-41-09

HAP
 JUN 15/08

21-51-41-09
 PAGE 0

BOEING
737-600/700/800/900
PARTS CATALOG (MAINTENANCE)

FIG ITEM	PART NUMBER	1 2 3 4 5 6 7	NOMENCLATURE	EFFECT FROM TO	UNITS PER ASSY
9			SEPARATOR ASSY-HIGH PRESSURE WATER (TURBINE INLET OVERHEAT SWITCH ONLY)	047053	
- 1	213A1013-3		SEPARATOR ASSY-HIGH PRESSURE WATER (TURBINE INLET OVERHEAT SWITCH ONLY) POSITION DATA: LH FOR NHA/ADDITIONAL DET SEE: 21-51-17-01	047053	RF
- 5	213A1013-4		SEPARATOR ASSY-HIGH PRESSURE WATER (TURBINE INLET OVERHEAT SWITCH ONLY) POSITION DATA: RH FOR NHA/ADDITIONAL DET SEE: 21-51-17-06	047053	RF
10	BACB30NR4K6		.BOLT	047053	4
15	BACW10BN4AC		.WASHER	047053	4
20	NAS1149D0416J		.WASHER	047053	4
25	PLH54CD		.NUT	047053	4
			SUPPLIER CODE: VF0224 SPECIFICATION NUMBER: BACN10YR4CD OPTIONAL PART: H52732-4CD V15653		
30	2-231S383-70		.PACKING SUPPLIER CODE: V02697 SPECIFICATION NUMBER: BACP11J231 OPTIONAL PART: A330-231 V95272 S424-7-2-231 V02697 AS568-231S32 V11314 13-06-231 V07096 S7E183-231 V95272 R1131-231 V57268	047053	1
MISSING ITEM NUMBERS NOT APPLICABLE					

- ITEM NOT ILLUSTRATED

HAP

21-51-41-09

BOEING PROPRIETARY - Copyright © - Unpublished Work - See title page for details.

21-51-41
FIG. 09
PAGE 1
FEB 15/09

BOEING
737-600/700/800/900
PARTS CATALOG (MAINTENANCE)

FIG ITEM	PART NUMBER	1 2 3 4 5 6 7	NOMENCLATURE	EFFECT FROM TO	UNITS PER ASSY
9					
35	21156-250		.RETAINER SUPPLIER CODE: V94581 SPECIFICATION NUMBER: BACC10BR2250A OPTIONAL PART: 24170-250A V00624	047053	1
40	17351-250		.RING SUPPLIER CODE: V00624 SPECIFICATION NUMBER: BACC10BR3250 OPTIONAL PART: 2325-150 V94581	047053	1
45	51200-2-250		.CLAMP SUPPLIER CODE: V8W928 SPECIFICATION NUMBER: BACC10CT2-250	047053	1
50	NK1008725-250		.SLEEVE- SUPPLIER CODE: V00624	047053	1
55	213A1211-87		.DUCT ASSY- POSITION DATA: LH SIDE	047053	1
- 60	213A1211-88		.DUCT ASSY- POSITION DATA: RH SIDE	047053	1
65	213A1211-89		.DUCT ASSY- POSITION DATA: LH SIDE	047053	1
- 70	213A1211-90		.DUCT ASSY- POSITION DATA: RH SIDE	047053	1
75	BACP11K7		.PACKING	047053	1
80	572757-1		.SWITCH-THERMAL OVERHEAT AIR CYCLE MACHINE AIR CYCLE SYS SUPPLIER CODE: V70210 FUNCTIONAL DESCRIPTION: PROVIDES THERMAL OVERHEAT PROTECTION FOR AIR CYCLE MACHINE. COMPONENT MAINT MANUAL REF: 21-52-20	047053	1

MISSING ITEM NUMBERS NOT APPLICABLE

- ITEM NOT ILLUSTRATED

HAP

21-51-41-09

BOEING PROPRIETARY - Copyright © - Unpublished Work - See title page for details.

21-51-41
FIG. 09
PAGE 2
FEB 15/09


BOEING
 737-600/700/800/900
PARTS CATALOG (MAINTENANCE)

FIG ITEM	PART NUMBER	1 2 3 4 5 6 7 NOMENCLATURE	EFFECT FROM TO	UNITS PER ASSY
9 80	1173T121	.SWITCH-TURBINE INLET OVERHEAT SUPPLIER CODE: V98087	047053	1

MISSING ITEM NUMBERS NOT APPLICABLE

— ITEM NOT ILLUSTRATED

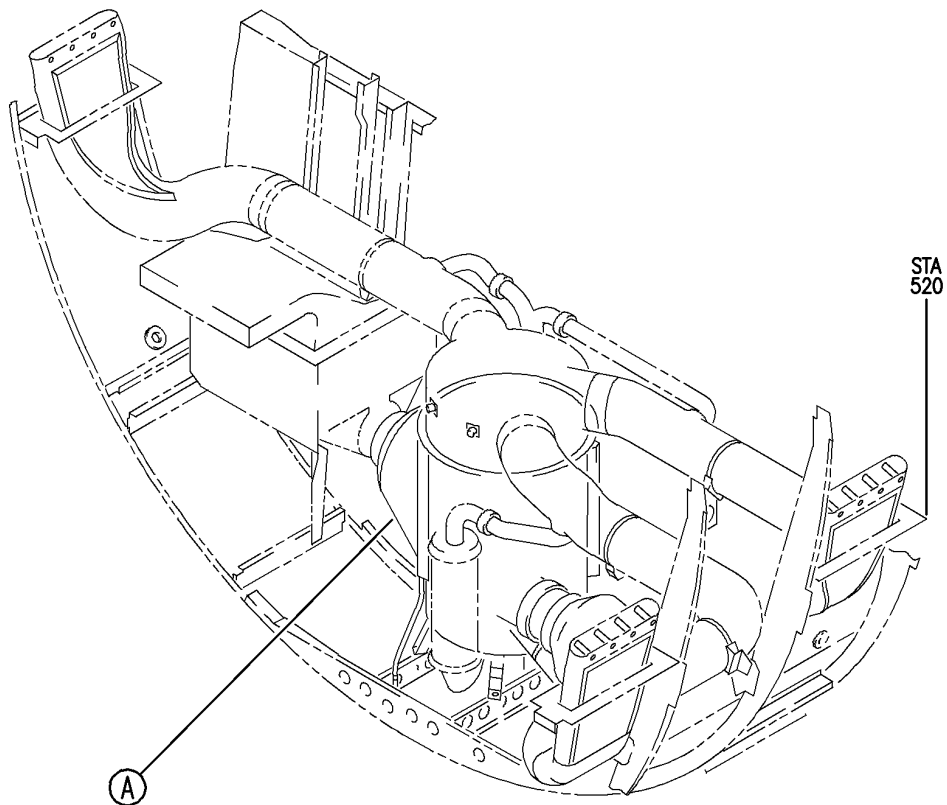
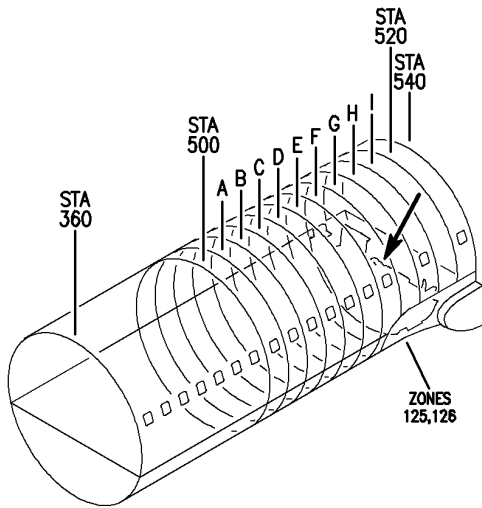
HAP

21-51-41-09

BOEING PROPRIETARY - Copyright © - Unpublished Work - See title page for details.

21-51-41
 FIG. 09
 PAGE 3
 FEB 15/09

BOEING
 737-600/700/800/900
 PARTS CATALOG (MAINTENANCE)



E 21514201 SH1 1 REV 060

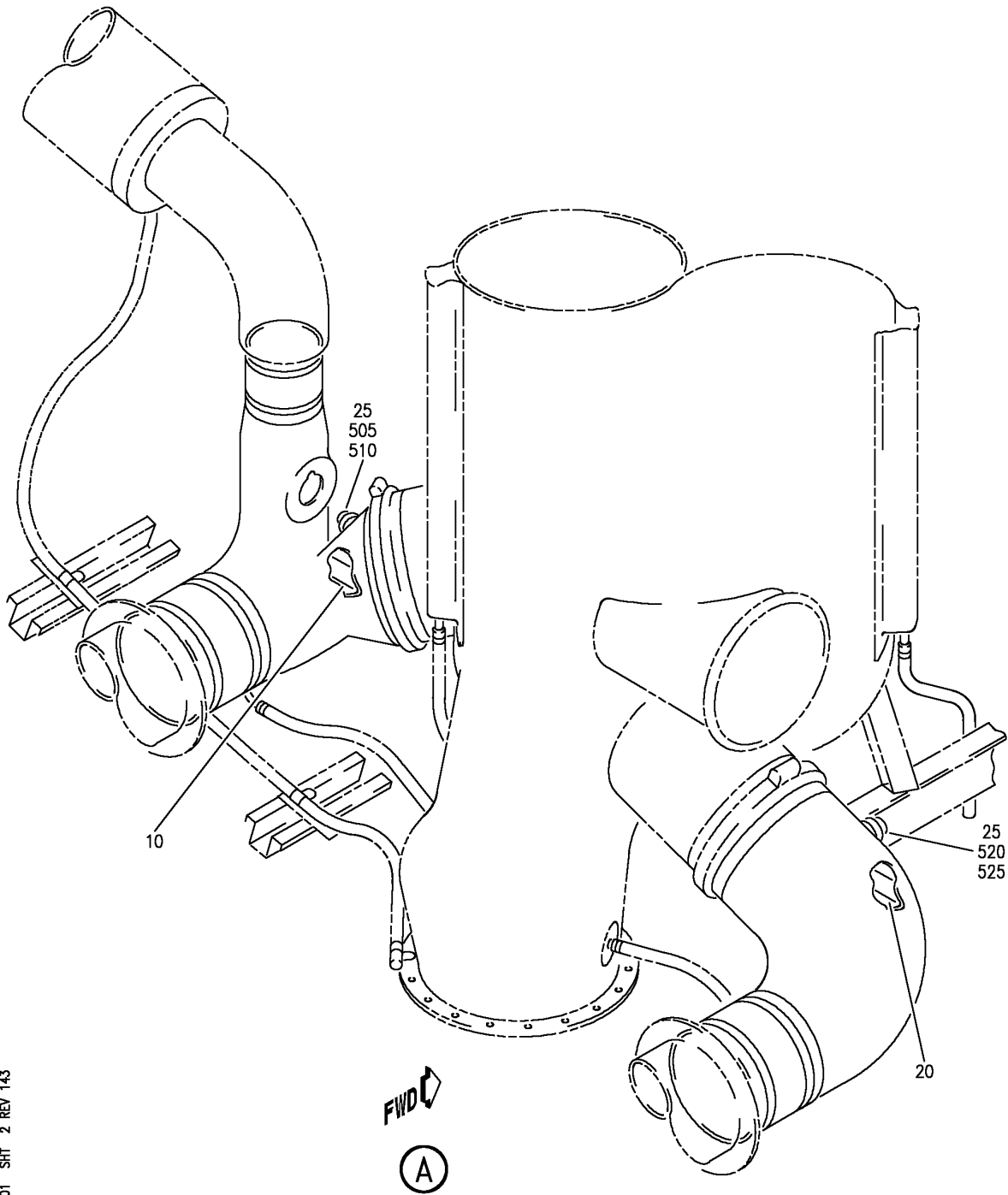
SYSTEM INSTL-AIR DISTR MIX BAY (PACK DISCHARGE OVERHEAT SWITCH ONLY)
 FIGURE 1 (SHEET 1)

21-51-42-01

HAP
 OCT 10/06

21-51-42-01
 PAGE 0

BOEING
737-600/700/800/900
PARTS CATALOG (MAINTENANCE)



E 21514201 SH1 2 REV 143

SYSTEM INSTL-AIR DISTR MIX BAY (PACK DISCHARGE OVERHEAT SWITCH ONLY)
FIGURE 1 (SHEET 2)

HAP
JUN 15/08

21-51-42-01

21-51-42-01
PAGE 0A

BOEING
737-600/700/800/900
PARTS CATALOG (MAINTENANCE)

FIG ITEM	PART NUMBER	1 2 3 4 5 6 7	NOMENCLATURE	EFFECT FROM TO	UNITS PER ASSY
1			SYSTEM INSTL-AIR DISTR MIX BAY (PACK DISCHARGE OVERHEAT SWITCH ONLY)	001100	
- 1	214A3003-1		SYSTEM INSTL-AIR DISTR MIX BAY (PACK DISCHARGE OVERHEAT SWITCH ONLY)	001007	RF
- 1	214A3003-5		FOR NHA/OTHER SYS DET SEE: 21-20-00-04C SYSTEM INSTL-AIR DISTR MIX BAY (PACK DISCHARGE OVERHEAT SWITCH ONLY)	008029	RF
- 1	214A3003-9		FOR NHA/OTHER SYS DET SEE: 21-20-00-04C SYSTEM INSTL-AIR DISTR MIX BAY (PACK DISCHARGE OVERHEAT SWITCH ONLY)	030030	RF
- 1	MODREF349763		FOR NHA/OTHER SYS DET SEE: 21-20-00-04C SYSTEM INSTL-AIR DISTR MIX BAY (PACK DISCHARGE OVERHEAT SWITCH ONLY)	044100	1
- 1	MODREF272954		MODULE NUMBER: 214A3003-12 REV E FOR OTHER SYS DETAILS SEE: 21-21-01-01 21-25-02-08 FOR ADDITIONAL DETAILS SEE: 21-51-51-02 SYSTEM INSTL-AIR DISTR MIX BAY (PACK DISCHARGE OVERHEAT SWITCH ONLY)	031043	1
- 5	214A3114-1		DUCT ASSY	001100	RF
10	BAC27DAC0067		MARKER-ALUMINUM FOIL PLACARD CONTENT: LEFT PACK DISCHARGE OVERHEAT SWITCH S934-D3940	001100	1
- 15	65C33293-1		DUCT ASSY	001100	RF

MISSING ITEM NUMBERS NOT APPLICABLE

- ITEM NOT ILLUSTRATED

HAP

21-51-42-01

BOEING PROPRIETARY - Copyright © - Unpublished Work - See title page for details.

21-51-42
FIG. 01
PAGE 1
OCT 10/07

BOEING
737-600/700/800/900
PARTS CATALOG (MAINTENANCE)

FIG ITEM	PART NUMBER	1 2 3 4 5 6 7	NOMENCLATURE	EFFECT FROM TO	UNITS PER ASSY
1					
20	BAC27DAC0068		..MARKER-ALUMINUM FOIL PLACARD CONTENT: RIGHT PACK DISCHARGE OVERHEAT SWITCH S935-D3942	001100	1
25	641172-1		.SWITCH-OVERHEAT SUPPLIER CODE: V70210 ELECTRICAL EQUIP NUMBER: S00934 S00935 COMPONENT MAINT MANUAL REF: 21-52-08 MAINTENANCE MANUAL REF: 21-51-42	001100	2
- 500	286A5526-301		WIRE BUNDLE ASSY-DISC. AB0500DL TO E1-4, E4-1 (SA2)	001001 006007	RF
- 500	286A5526-302		WIRE BUNDLE ASSY-DISC. AB0500DL TO E1-4, E4-1 (SA2)	002005	RF
- 500	286A5526-305		WIRE BUNDLE ASSY-DISC. AB0500DL TO E1-4, E4-1 (SA2)	008030	RF
- 500	286A5526-310		WIRE BUNDLE ASSY	031035	RF
- 500	286A5526-312		WIRE BUNDLE ASSY	036040	RF
- 500	286A5526-313		WIRE BUNDLE ASSY	042043 041041 044052 054100	RF
505	BACC63CB10-20SN		.CONNECTOR- ELECTRICAL EQUIP NUMBER: D03940 WIRING DIAGRAM REF: 215115	001007	1
505	BACC63CB10-2ASN		.CONNECTOR- ELECTRICAL EQUIP NUMBER: D03940 WIRING DIAGRAM REF: 215115	008052 054100	1

MISSING ITEM NUMBERS NOT APPLICABLE

- ITEM NOT ILLUSTRATED

HAP

21-51-42-01

BOEING PROPRIETARY - Copyright © - Unpublished Work - See title page for details.

21-51-42
FIG. 01
PAGE 2
FEB 15/09

BOEING
737-600/700/800/900
PARTS CATALOG (MAINTENANCE)

FIG ITEM	PART NUMBER	1 2 3 4 5 6 7	NOMENCLATURE	EFFECT FROM TO	UNITS PER ASSY
1 510	620AA028NF10L		.CLAMP- SUPPLIER CODE: V06324 SPECIFICATION NUMBER: BACC10KE10 OPTIONAL PART: S3820-10-65 V07418 ELECTRICAL EQUIP NUMBER: D03940T WIRING DIAGRAM REF: 215115	001040 042043	1
510	S3819-10-65		.CLAMP- SUPPLIER CODE: V07418 SPECIFICATION NUMBER: BACC10KD10 OPTIONAL PART: 620AS028NF10L V06324 ELECTRICAL EQUIP NUMBER: D03940T WIRING DIAGRAM REF: 215115	041041 044052 054100	1
- 515	286A6528-301		WIRE BUNDLE ASSY-DISC. AB0500DR TO E1-3, E1-4, E4-1 (SB2)	001001 006007	RF
- 515	286A6528-302		WIRE BUNDLE ASSY-DISC. AB0500DR TO E1-3, E1-4, E4-1 (SB2)	002005	RF
- 515	286A6528-304		WIRE BUNDLE ASSY-DISC. AB0500DR TO E1-3, E1-4, E4-1 (SB2)	008052 054100	RF
520	BACC63CB10-2ASN		.CONNECTOR- ELECTRICAL EQUIP NUMBER: D03942 WIRING DIAGRAM REF: 215125	001052 054100	1

MISSING ITEM NUMBERS NOT APPLICABLE

- ITEM NOT ILLUSTRATED

HAP

21-51-42-01

BOEING PROPRIETARY - Copyright © - Unpublished Work - See title page for details.

21-51-42
FIG. 01
PAGE 3
FEB 15/09


BOEING
 737-600/700/800/900
PARTS CATALOG (MAINTENANCE)

FIG ITEM	PART NUMBER	1 2 3 4 5 6 7 NOMENCLATURE	EFFECT FROM TO	UNITS PER ASSY
1 525	S3819-10-65	.CLAMP- SUPPLIER CODE: V07418 SPECIFICATION NUMBER: BACC10KD10 OPTIONAL PART: 620AS028NF10L V06324 ELECTRICAL EQUIP NUMBER: D03942T WIRING DIAGRAM REF: 215125	001052 054100	1

MISSING ITEM NUMBERS NOT APPLICABLE

— ITEM NOT ILLUSTRATED

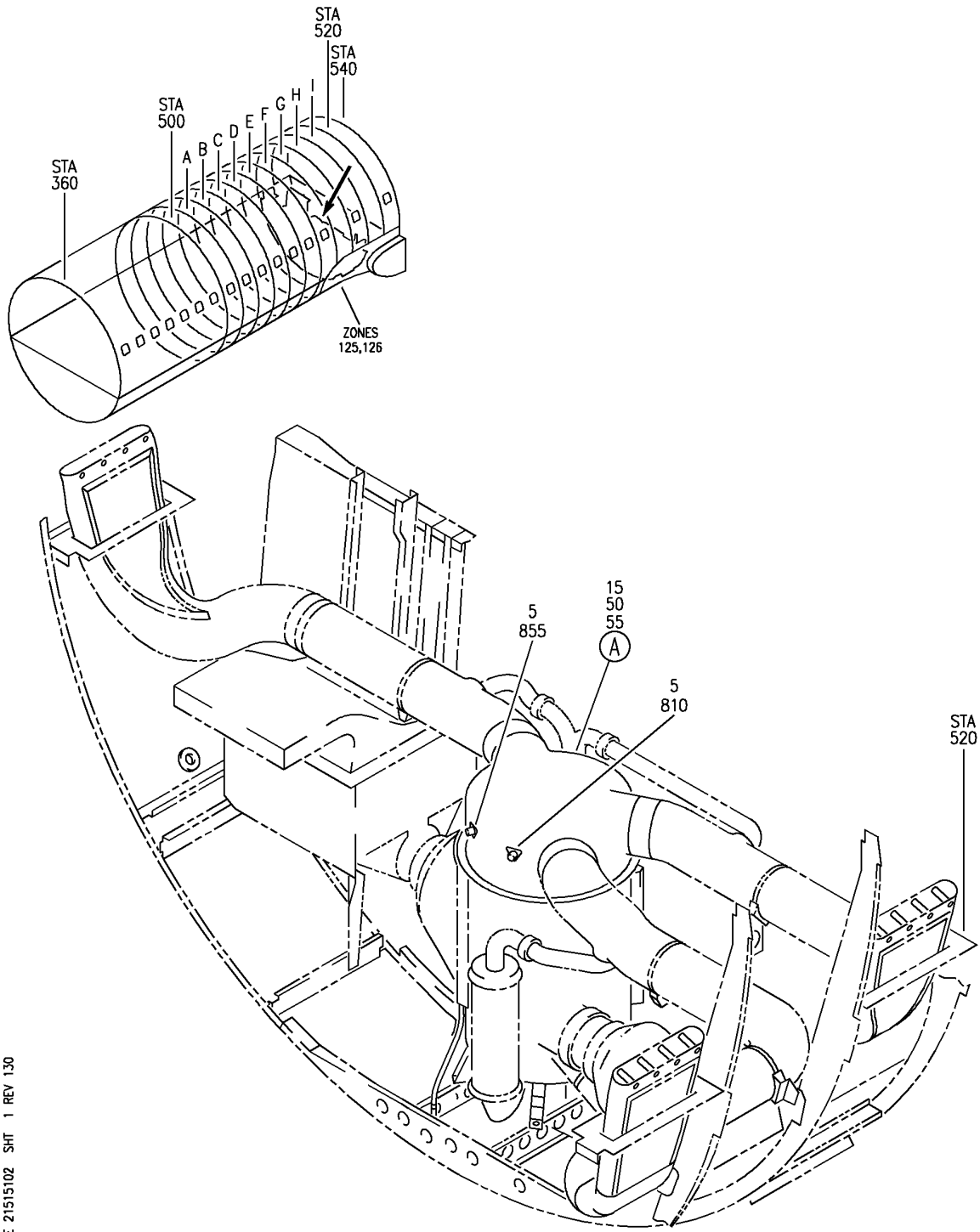
HAP

21-51-42-01

BOEING PROPRIETARY - Copyright © - Unpublished Work - See title page for details.

21-51-42
 FIG. 01
 PAGE 4
 FEB 15/09

BOEING
 737-600/700/800/900
 PARTS CATALOG (MAINTENANCE)



E 21515102 SHT 1 REV 130

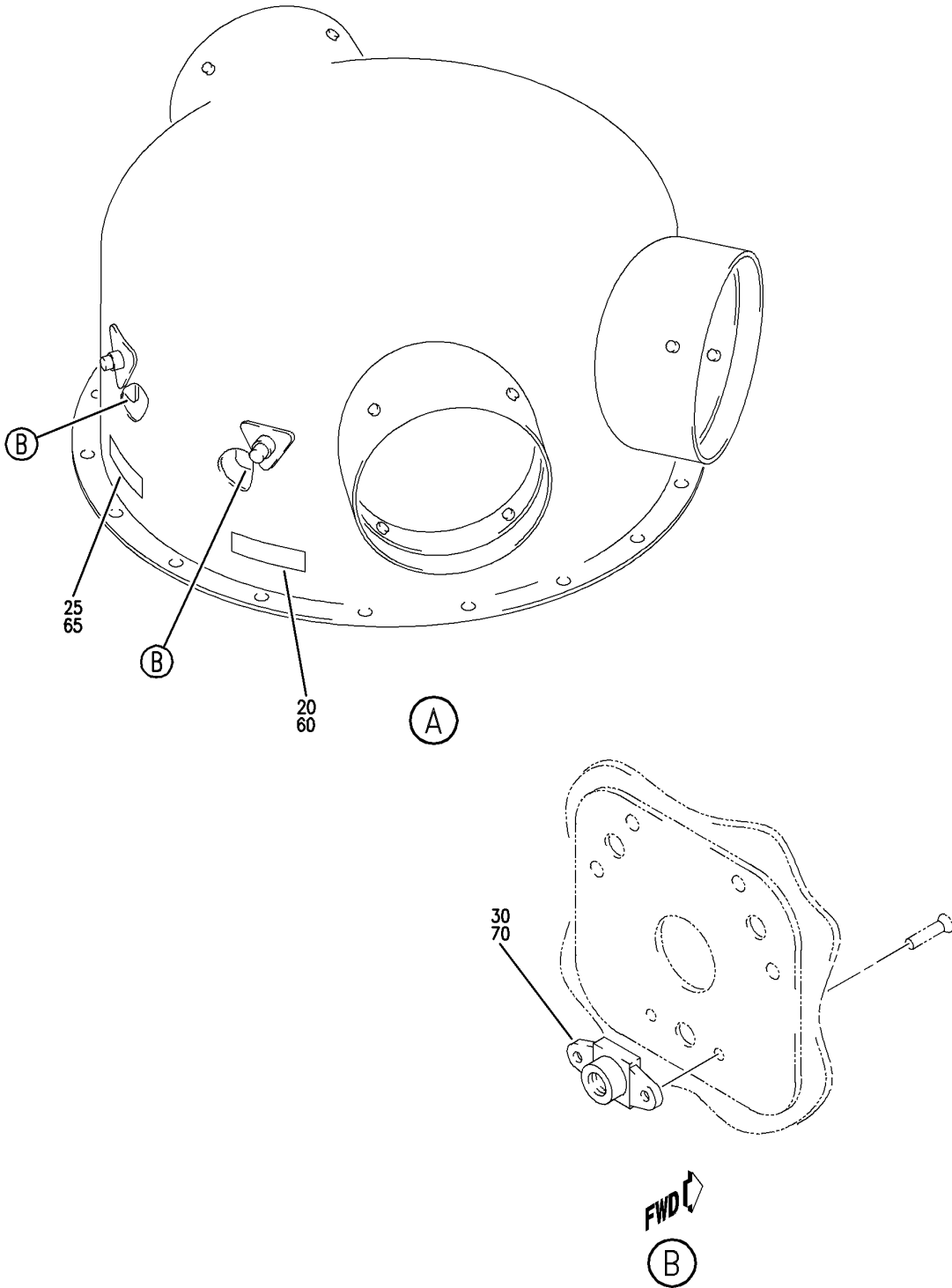
SYSTEM INSTL-AIR DISTR MIX BAY (MIX MANIFOLD TEMPERATURE SENSOR ONLY)
 FIGURE 2 (SHEET 1)

21-51-51-02

HAP
 JUN 10/07

21-51-51-02
 PAGE 0

BOEING
 737-600/700/800/900
 PARTS CATALOG (MAINTENANCE)



E 21515102 SHT 2 REV 060

SYSTEM INSTL-AIR DISTR MIX BAY (MIX MANIFOLD TEMPERATURE SENSOR ONLY)
 FIGURE 2 (SHEET 2)

21-51-51-02

HAP
 OCT 10/06

21-51-51-02
 PAGE 0A

BOEING
737-600/700/800/900
PARTS CATALOG (MAINTENANCE)

FIG ITEM	PART NUMBER	1 2 3 4 5 6 7	NOMENCLATURE	EFFECT FROM TO	UNITS PER ASSY
2			SYSTEM INSTL-AIR DISTR MIX BAY (MIX MANIFOLD TEMPERATURE SENSOR ONLY)	001100	
- 1	214A3003-1		SYSTEM INSTL-AIR DISTR MIX BAY (MIX MANIFOLD TEMPERATURE SENSOR ONLY) FOR NHA/OTHER SYS DET SEE: 21-20-00-04C	001007	RF
- 1	214A3003-5		SYSTEM INSTL-AIR DISTR MIX BAY (MIX MANIFOLD TEMPERATURE SENSOR ONLY) FOR NHA/OTHER SYS DET SEE: 21-20-00-04C	008029	RF
- 1	214A3003-9		SYSTEM INSTL-AIR DISTR MIX BAY (MIX MANIFOLD TEMPERATURE SENSOR ONLY) FOR NHA/OTHER SYS DET SEE: 21-20-00-04C	030030	RF
- 1	MODREF272954		SYSTEM INSTL-AIR DISTR MIX BAY (MIX MANIFOLD TEMPERATURE SENSOR ONLY) MODULE NUMBER: 214A3003-12 REV D FOR OTHER SYS DETAILS SEE: 21-21-01-01 21-25-02-08 FOR ADDITIONAL DETAILS SEE: 21-51-42-01	031043	1
- 2	MODREF349763		SYSTEM INSTL-AIR DISTR MIX BAY (MIX MANIFOLD TEMPERATURE SENSOR ONLY) MODULE NUMBER: 214A3003-12 REV E FOR OTHER SYS DETAILS SEE: 21-21-01-01 21-25-02-08 FOR ADDITIONAL DETAILS SEE: 21-51-42-01	044100	1

MISSING ITEM NUMBERS NOT APPLICABLE

- ITEM NOT ILLUSTRATED

HAP

21-51-51-02

BOEING PROPRIETARY - Copyright © - Unpublished Work - See title page for details.

21-51-51
FIG. 02
PAGE 1
OCT 10/07

BOEING
737-600/700/800/900
PARTS CATALOG (MAINTENANCE)

FIG ITEM	PART NUMBER	1 2 3 4 5 6 7	NOMENCLATURE	EFFECT FROM TO	UNITS PER ASSY
2	5 622878-2		.SENSOR-TEMP SUPPLIER CODE: V07217 SPECIFICATION NUMBER: 10-62091-14 ELECTRICAL EQUIP NUMBER: T00472 T00475 COMPONENT MAINT MANUAL REF: 21-65-02 MAINTENANCE MANUAL REF: 21-51-51 ATTACHING PARTS	001100	2
- 10	BACS12GU3K8		.SCREW- -----*-----	001100	6
15	214A3102-4		.MANIFOLD ASSY- POSITION DATA: UPPER	008100	RF
20	BAC27DAC0069		..MARKER-ALUMINUM FOIL PLACARD CONTENT: LEFT MIX MANIFOLD TEMP-SENSOR T472-D3868	008100	1
25	BAC27DAC0070		..MARKER-ALUMINUM FOIL PLACARD CONTENT: RIGHT MIX MANIFOLD TEMP-SENSOR T475-D3878	008100	1
30	BRF200C3D		..NUTPLATE SUPPLIER CODE: V52828 SPECIFICATION NUMBER: BACN10JR3CFD OPTIONAL PART: K51602-3BAC V15653 NS202476-02 V80539 102F9201-3 V72962 T8092C1032CD V11815 ATTACHING PARTS	008100	RF
- 35	BACR15BA3AC		..RIVET- SIZE DETERMINED ON INSTL. -----*-----	008100	RF
50	214A3102-3		.MANIFOLD ASSY- POSITION DATA: UPPER	001007	RF
55	214A3102-4		..MANIFOLD ASSY	001007	RF

MISSING ITEM NUMBERS NOT APPLICABLE

- ITEM NOT ILLUSTRATED

HAP

21-51-51-02

BOEING PROPRIETARY - Copyright © - Unpublished Work - See title page for details.

21-51-51
FIG. 02
PAGE 2
OCT 10/07

BOEING
737-600/700/800/900
PARTS CATALOG (MAINTENANCE)

FIG ITEM	PART NUMBER	1 2 3 4 5 6 7	NOMENCLATURE	EFFECT FROM TO	UNITS PER ASSY
2					
60	BAC27DAC0069	...	MARKER-ALUMINUM FOIL PLACARD CONTENT: LEFT MIX MANIFOLD TEMP-SENSOR T472-D3868	001007	1
65	BAC27DAC0070	...	MARKER-ALUMINUM FOIL PLACARD CONTENT: RIGHT MIX MANIFOLD TEMP-SENSOR T475-D3878	001007	1
70	BRF200C3D	...	NUTPLATE SUPPLIER CODE: V52828 SPECIFICATION NUMBER: BACN10JR3CFD OPTIONAL PART: K51602-3BAC V15653 NS202476-02 V80539 102F9201-3 V72962 T8092C1032CD V11815 ATTACHING PARTS	001007	RF
- 75	BACR15BA3AC	...	RIVET- SIZE DETERMINED ON INSTL. -----*-----	001007	RF
- 805	286A5104-301		WIRE BUNDLE ASSY	001001 006007	RF
- 805	286A5104-302		WIRE BUNDLE ASSY	002005	RF
- 805	286A5104-303		WIRE BUNDLE ASSY-	008052	RF
810	BACC45FT10-20S	.	CONNECTOR-PLUG ELECTRICAL EQUIP NUMBER: D03868 WIRING DIAGRAM REF: 215112	054100 001052 054100	1
- 850	286A6230-301		WIRE BUNDLE ASSY	001007	RF
- 850	286A6230-304		WIRE BUNDLE ASSY	008052 054100	RF
855	BACC45FT10-20S	.	CONNECTOR-PLUG ELECTRICAL EQUIP NUMBER: D03878 WIRING DIAGRAM REF: 215122	001052 054100	1

MISSING ITEM NUMBERS NOT APPLICABLE

- ITEM NOT ILLUSTRATED

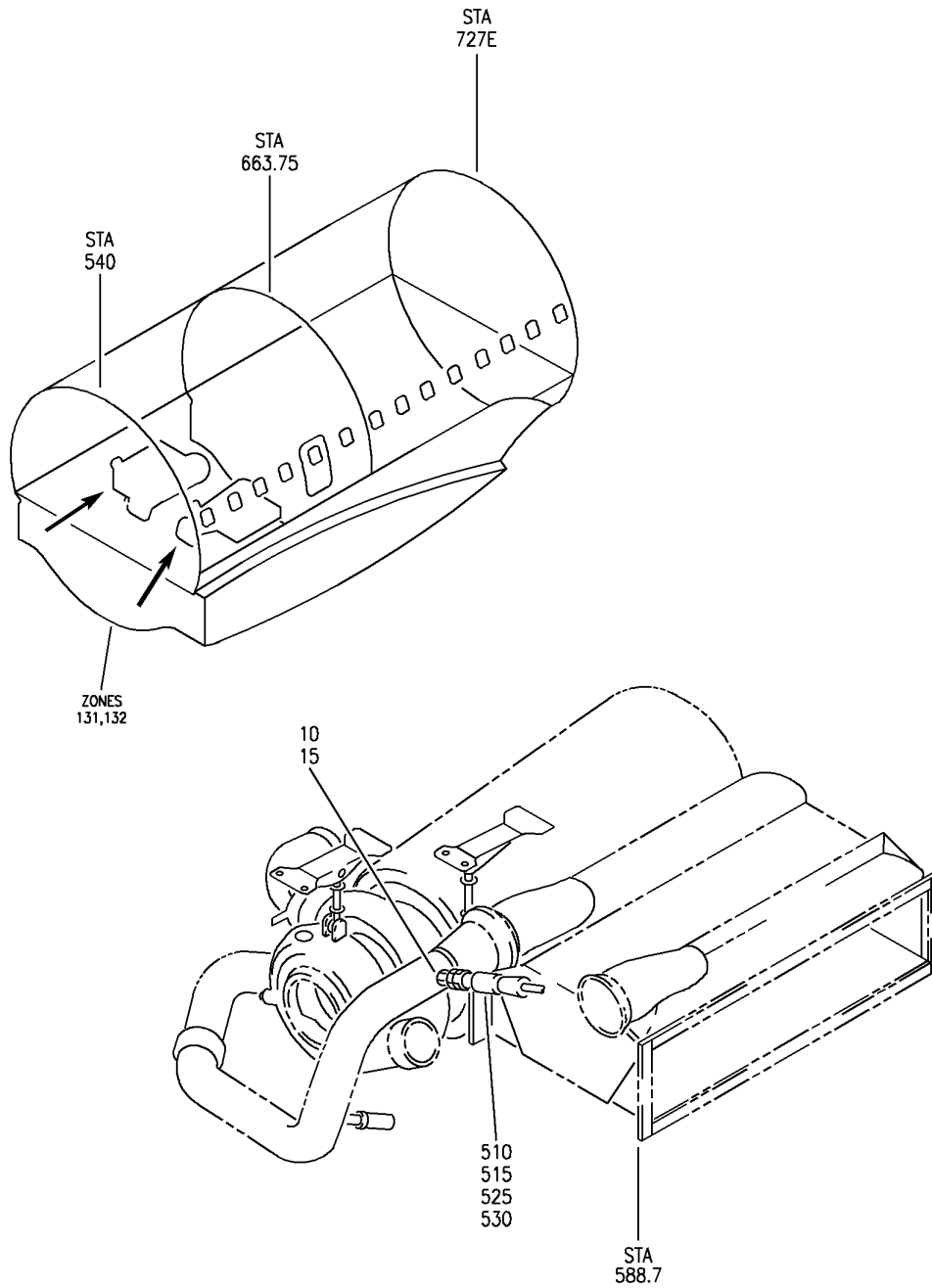
HAP

21-51-51-02

BOEING PROPRIETARY - Copyright © - Unpublished Work - See title page for details.

21-51-51
FIG. 02
PAGE 3
FEB 15/09

BOEING
737-600/700/800/900
PARTS CATALOG (MAINTENANCE)



E 21515201 REV 137

PACK INSTL-AIR CONDITIONING (PACK TEMPERATURE SENSOR ONLY)
FIGURE 1

21-51-52-01

HAP
FEB 15/08

21-51-52-01
PAGE 0

BOEING
737-600/700/800/900
PARTS CATALOG (MAINTENANCE)

FIG ITEM	PART NUMBER	1 2 3 4 5 6 7	NOMENCLATURE	EFFECT FROM TO	UNITS PER ASSY
1			PACK INSTL-AIR CONDITIONING (PACK TEMPERATURE SENSOR ONLY)	101999	
- 1	213A1001-1		PACK INSTL-AIR CONDITIONING (PACK TEMPERATURE SENSOR ONLY)(-600,-700,-700C) POSITION DATA: LH FOR NHA/ADDITIONAL DET SEE: 21-50-00-01B	201967	RF
- 1	MODREF224848		PACK INSTL-AIR CONDITIONING (HEAT EXCHANGER AND PLENUM/DIFFUSER ASSY ONLY)(-600,-700,-700C) MODULE NUMBER: 213A1001-1 REV B POSITION DATA: LH FOR ADDITIONAL DETAILS SEE: 21-51-03-01	101200 968999	1
- 5	213A1001-2		PACK INSTL-AIR CONDITIONING (PACK TEMPERATURE SENSOR ONLY)(-600,-700,-700C) POSITION DATA: RH FOR NHA/ADDITIONAL DET SEE: 21-50-00-01B	201967	RF
- 5	MODREF224849		PACK INSTL-AIR CONDITIONING (HEAT EXCHANGER AND PLENUM/DIFFUSER ASSY ONLY)(-600,-700,-700C) MODULE NUMBER: 213A1001-2 REV B POSITION DATA: RH FOR ADDITIONAL DETAILS SEE: 21-51-03-01	101200 968999	1
10	617166-1		.SENSOR-RAM AIR SUPPLIER CODE: V07217 ELECTRICAL EQUIP NUMBER: T00438 T00439 MAINTENANCE MANUAL REF: 21-51-50	101999	1

MISSING ITEM NUMBERS NOT APPLICABLE

- ITEM NOT ILLUSTRATED

HAP

21-51-52-01

BOEING PROPRIETARY - Copyright © - Unpublished Work - See title page for details.

21-51-52
FIG. 01
PAGE 1
OCT 15/08

BOEING
737-600/700/800/900
PARTS CATALOG (MAINTENANCE)

FIG ITEM	PART NUMBER	1 2 3 4 5 6 7	NOMENCLATURE	EFFECT FROM TO	UNITS PER ASSY
1 15	R1131-906		.PACKING SUPPLIER CODE: V57268 SPECIFICATION NUMBER: BACP11K6 OPTIONAL PART: 3-906S383-70 V02697 1090-06 V95272 150701-06 V95272 AS568-906S32 V11314	101999	1
- 500	286A5102-001		WIRE BUNDLE ASSY-LEFT A/C PACK (STA 536L) DISC TO A/C PACK (SA2)	201967	RF
- 500	286A5102-006		WIRE BUNDLE ASSY	101106 968999	RF
510	BACC63CB10-5SN		.CONNECTOR-SPOILER ELECTRICAL EQUIP NUMBER: D01288 WIRING DIAGRAM REF: 215114	101106 201999	1
515	S3819-10-65		.CLAMP- SUPPLIER CODE: V07418 SPECIFICATION NUMBER: BACC10KD10 OPTIONAL PART: 620AS028NF10L V06324 ELECTRICAL EQUIP NUMBER: D01288T WIRING DIAGRAM REF: 215114	101106 201999	1
- 520	286A6202-001		WIRE BUNDLE ASSY	201967	RF
- 520	286A6202-007		WIRE BUNDLE ASSY	101106 968999	RF
525	BACC63CB10-5SN		.CONNECTOR-SPOILER ELECTRICAL EQUIP NUMBER: D01290 WIRING DIAGRAM REF: 215124	101106 201999	1

MISSING ITEM NUMBERS NOT APPLICABLE

- ITEM NOT ILLUSTRATED

HAP

21-51-52-01

BOEING PROPRIETARY - Copyright © - Unpublished Work - See title page for details.

21-51-52
FIG. 01
PAGE 2
OCT 15/08

BOEING
737-600/700/800/900
PARTS CATALOG (MAINTENANCE)

FIG ITEM	PART NUMBER	1 2 3 4 5 6 7 NOMENCLATURE	EFFECT FROM TO	UNITS PER ASSY
1 530	S3819-10-65	.CLAMP- SUPPLIER CODE: V07418 SPECIFICATION NUMBER: BACC10KD10 OPTIONAL PART: 620AS028NF10L V06324 ELECTRICAL EQUIP NUMBER: D01290T WIRING DIAGRAM REF: 212511	101106 201999	1

MISSING ITEM NUMBERS NOT APPLICABLE

— ITEM NOT ILLUSTRATED

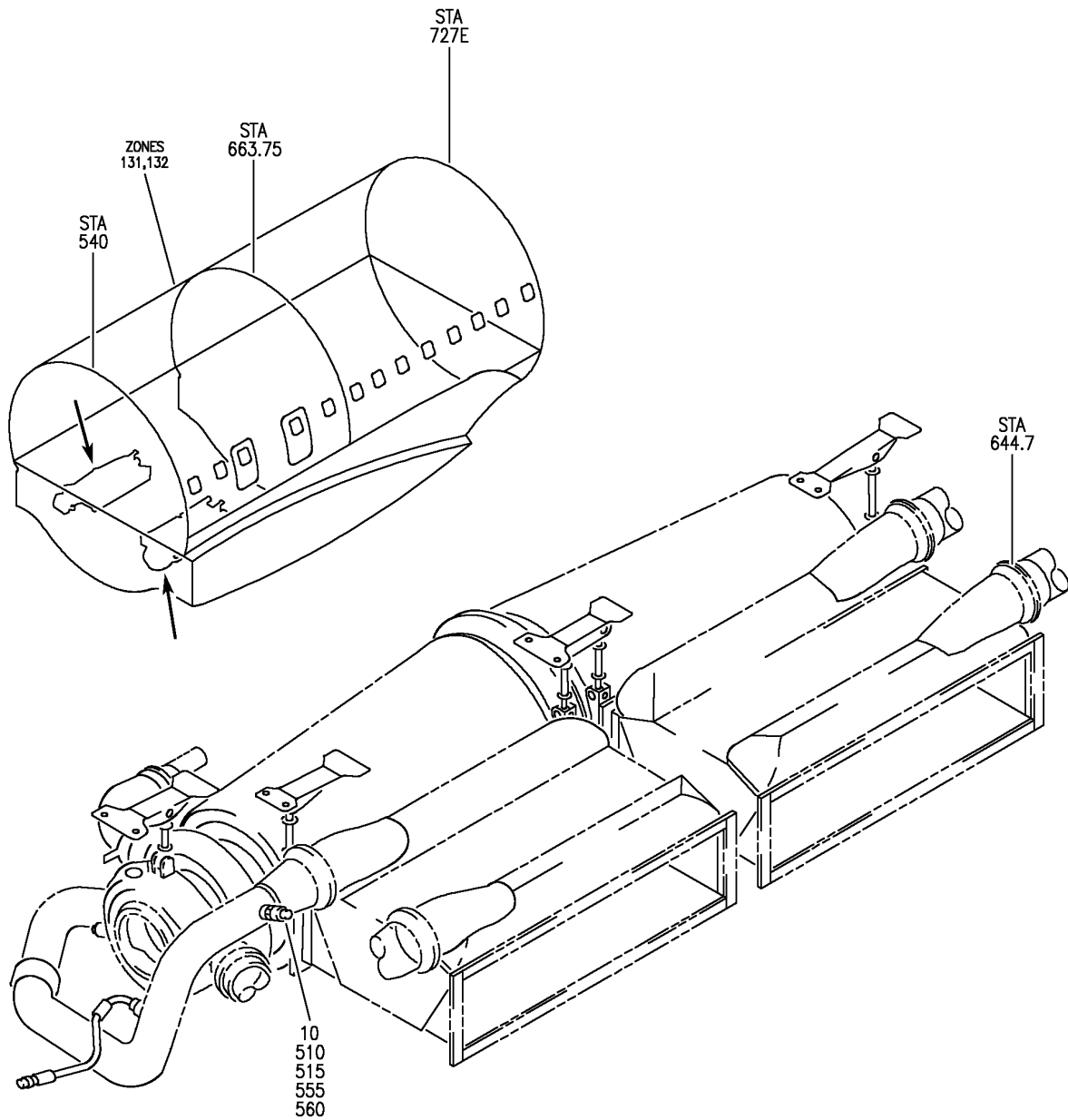
HAP

21-51-52-01

BOEING PROPRIETARY - Copyright © - Unpublished Work - See title page for details.

21-51-52
FIG. 01
PAGE 3
OCT 15/08

BOEING
737-600/700/800/900
PARTS CATALOG (MAINTENANCE)



E 21515202 REV 140

PACK INSTL-AIR CONDITIONING (PACK TEMPERATURE SENSOR ONLY)
FIGURE 2

HAP
JUN 15/08

21-51-52-02

21-51-52-02
PAGE 0

 **BOEING**
737-600/700/800/900
PARTS CATALOG (MAINTENANCE)

FIG ITEM	PART NUMBER	1 2 3 4 5 6 7	NOMENCLATURE	EFFECT FROM TO	UNITS PER ASSY
2			PACK INSTL-AIR CONDITIONING (PACK TEMPERATURE SENSOR ONLY)	001100	
- 1	213A1001-3		PACK INSTL-AIR CONDITIONING (PACK TEMPERATURE SENSOR ONLY)(-800,-900) POSITION DATA: LH FOR NHA/ADDITIONAL DET SEE: 21-50-00-01C	001030	RF
- 1	MODREF81135		PACK INSTL-AIR CONDITIONING (PACK TEMPERATURE SENSOR ONLY)(-800,-900) MODULE NUMBER: 213A1001-3 REV A POSITION DATA: LH FOR ADDITIONAL DETAILS SEE: 21-51-03-01A	031046 054100	1
- 1	MODREF377397		PACK INSTL-AIR CONDITIONING (PACK TEMPERATURE SENSOR ONLY)(-800,-900) MODULE NUMBER: 213A1001-3 REV B POSITION DATA: LH FOR ADDITIONAL DETAILS SEE: 21-51-03-01A	047053	1
- 5	213A1001-4		PACK INSTL-AIR CONDITIONING (PACK TEMPERATURE SENSOR ONLY)(-800,-900) POSITION DATA: RH FOR NHA/ADDITIONAL DET SEE: 21-50-00-01C	001030	RF
- 5	MODREF81136		PACK INSTL-AIR CONDITIONING (PACK TEMPERATURE SENSOR ONLY)(-800,-900) MODULE NUMBER: 213A1001-4 REV A POSITION DATA: RH FOR ADDITIONAL DETAILS SEE: 21-51-03-01A	031046 054100	1

MISSING ITEM NUMBERS NOT APPLICABLE

- ITEM NOT ILLUSTRATED

HAP

21-51-52-02

BOEING PROPRIETARY - Copyright © - Unpublished Work - See title page for details.

21-51-52
FIG. 02
PAGE 1
FEB 15/09

BOEING
737-600/700/800/900
PARTS CATALOG (MAINTENANCE)

FIG ITEM	PART NUMBER	1 2 3 4 5 6 7	NOMENCLATURE	EFFECT FROM TO	UNITS PER ASSY
2					
- 5	MODREF377398		PACK INSTL-AIR CONDITIONING (PACK TEMPERATURE SENSOR ONLY)(-800,-900) MODULE NUMBER: 213A1001-4 REV B POSITION DATA: RH FOR ADDITIONAL DETAILS SEE: 21-51-03-01A	047053	1
10	1150002-1		.SENSOR-RAM AIR SUPPLIER CODE: V07217 ELECTRICAL EQUIP NUMBER: T00481 T00482 COMPONENT MAINT MANUAL REF: 21-53-01 MAINTENANCE MANUAL REF: 21-51-50	001100	1
- 500	286A5102-301		WIRE BUNDLE ASSY-LEFT A/C PACK (STA 536L) DISC TO A/C PACK (SA2)	001030	RF
- 500	286A5102-303		WIRE BUNDLE ASSY	031035	RF
- 500	286A5102-306		WIRE BUNDLE ASSY	036050	RF
510	BACC63CB10-20SN		.CONNECTOR- ELECTRICAL EQUIP NUMBER: D03916 WIRING DIAGRAM REF: 215114	054100 001050 054100	1
515	S3821-10-65		.BACKSHELL- SUPPLIER CODE: V07418 SPECIFICATION NUMBER: BACC10KF10 OPTIONAL PART: 620AB028NF10L V06324 ELECTRICAL EQUIP NUMBER: D03916T WIRING DIAGRAM REF: 215114	001050 054100	1
- 550	286A6202-301		WIRE BUNDLE ASSY	001009	RF
- 550	286A6202-302		WIRE BUNDLE ASSY	010027	RF
- 550	286A6202-303		WIRE BUNDLE ASSY	028030	RF
- 550	286A6202-306		WIRE BUNDLE ASSY	031050 054100	RF

MISSING ITEM NUMBERS NOT APPLICABLE

- ITEM NOT ILLUSTRATED

HAP

21-51-52-02

BOEING PROPRIETARY - Copyright © - Unpublished Work - See title page for details.

21-51-52
FIG. 02
PAGE 2
FEB 15/09

BOEING
737-600/700/800/900
PARTS CATALOG (MAINTENANCE)

FIG ITEM	PART NUMBER	1 2 3 4 5 6 7	NOMENCLATURE	EFFECT FROM TO	UNITS PER ASSY
2 555	BACC63CB10-20SN		.CONNECTOR- ELECTRICAL EQUIP NUMBER: D03918 WIRING DIAGRAM REF: 215124	001050 054100	1
560	620AA028NF10L		.CLAMP- SUPPLIER CODE: V06324 SPECIFICATION NUMBER: BACC10KE10 OPTIONAL PART: S3820-10-65 V07418 ELECTRICAL EQUIP NUMBER: D03918T WIRING DIAGRAM REF: 215124	001046 054100	1
560	S3821-10-65		.BACKSHELL- SUPPLIER CODE: V07418 SPECIFICATION NUMBER: BACC10KF10 OPTIONAL PART: 620AB028NF10L V06324 ELECTRICAL EQUIP NUMBER: D03918T WIRING DIAGRAM REF: 215124	047050	1

MISSING ITEM NUMBERS NOT APPLICABLE

— ITEM NOT ILLUSTRATED

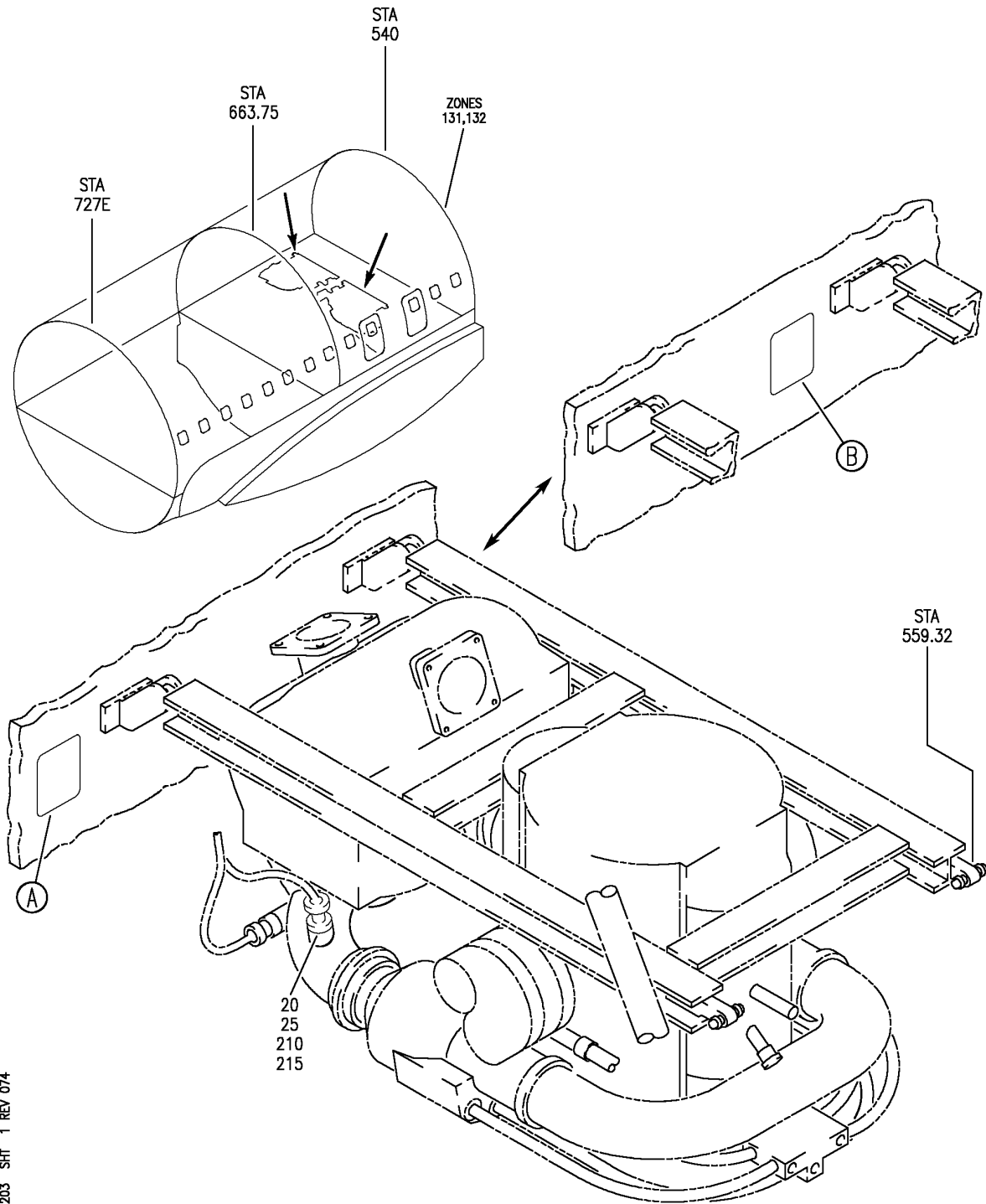
HAP

21-51-52-02

BOEING PROPRIETARY - Copyright © - Unpublished Work - See title page for details.

21-51-52
FIG. 02
PAGE 3
FEB 15/09

BOEING
 737-600/700/800/900
 PARTS CATALOG (MAINTENANCE)



E 21515203 SHT 1 REV 074

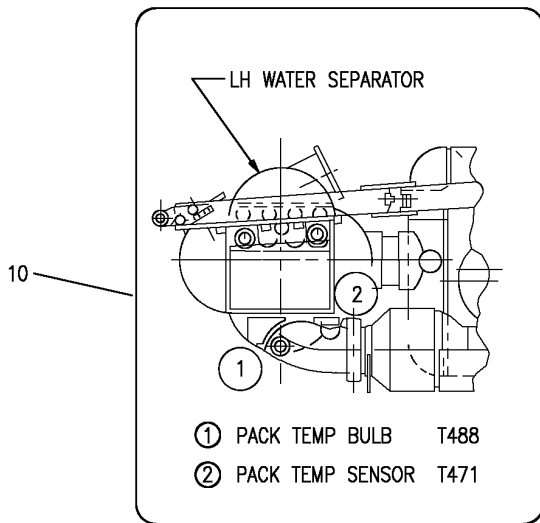
SEPARATOR INSTL -AIR CONDITIONING WATER (PACK TEMPERATURE SENSOR ONLY)
 FIGURE 3 (SHEET 1)

21-51-52-03

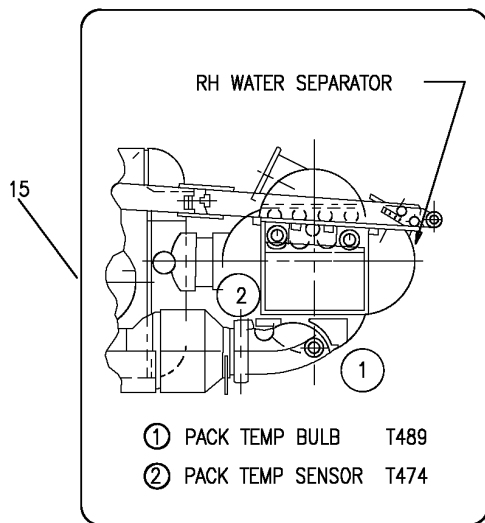
HAP
 OCT 10/06

21-51-52-03
 PAGE 0

BOEING
 737-600/700/800/900
 PARTS CATALOG (MAINTENANCE)



(A)



(B)

E 21515203 SHT 2 REV 074

SEPARATOR INSTL -AIR CONDITIONING WATER (PACK TEMPERATURE SENSOR ONLY)
 FIGURE 3 (SHEET 2)

21-51-52-03

HAP
 OCT 10/06

21-51-52-03
 PAGE 0A

BOEING
737-600/700/800/900
PARTS CATALOG (MAINTENANCE)

FIG ITEM	PART NUMBER	1 2 3 4 5 6 7	NOMENCLATURE	EFFECT FROM TO	UNITS PER ASSY
R R R	3		SEPARATOR INSTL -AIR CONDITIONING WATER (PACK TEMPERATURE SENSOR ONLY)	001046 054100	
	- 1	213A1003-3	SEPARATOR INSTL-WATER AIR CONDITIONING (PACK TEMPERATURE SENSOR ONLY) POSITION DATA: L FOR NHA/ADDITIONAL DET SEE: 21-50-00-01C	001030	RF
	- 1	MODREF81151	SEPARATOR INSTL-WATER AIR CONDITIONING (PACK TEMPERATURE SENSOR ONLY) MODULE NUMBER: 213A1003-3 REV A POSITION DATA: L FOR ADDITIONAL DETAILS SEE: 21-51-12-01 21-51-13-01 21-51-14-02 21-51-60-01	031046 054100	1
	- 5	213A1003-4	SEPARATOR INSTL-WATER AIR CONDITIONING (PACK TEMPERATURE SENSOR ONLY) POSITION DATA: R FOR NHA/ADDITIONAL DET SEE: 21-50-00-01C	001030	RF
	- 5	MODREF81152	SEPARATOR INSTL-WATER AIR CONDITIONING (PACK TEMPERATURE SENSOR ONLY) MODULE NUMBER: 213A1003-4 REV A POSITION DATA: R FOR ADDITIONAL DETAILS SEE: 21-51-12-01 21-51-13-01 21-51-14-02 21-51-60-01	031046 054100	1
	10	BAC27DAC0072	.MARKER-ALUMINUM FOIL POSITION DATA: L SIDE	001046 054100	RF
	15	BAC27DAC0071	.MARKER-ALUMINUM FOIL POSITION DATA: R SIDE	001046 054100	RF

MISSING ITEM NUMBERS NOT APPLICABLE

- ITEM NOT ILLUSTRATED

HAP

21-51-52-03

BOEING PROPRIETARY - Copyright © - Unpublished Work - See title page for details.

21-51-52
FIG. 03
PAGE 1
JUN 15/09

BOEING
737-600/700/800/900
PARTS CATALOG (MAINTENANCE)

FIG ITEM	PART NUMBER	1 2 3 4 5 6 7	NOMENCLATURE	EFFECT FROM TO	UNITS PER ASSY
3					
20	R1131-908		.PACKING SUPPLIER CODE: V57268 SPECIFICATION NUMBER: BACP11K8 OPTIONAL PART: 3-908S383-70 V02697 1090-08 V95272 150701-08 V95272 AS568-908S32 V11314	001046 054100	1
25	1150250-1		.SENSOR-PACK TEMP SUPPLIER CODE: V07217 SPECIFICATION NUMBER: 10-62091-11 ELECTRICAL EQUIP NUMBER: T00471 T00474 COMPONENT MAINT MANUAL REF: 21-52-02	001046 054100	1
- 200	286A5102-301		WIRE BUNDLE ASSY-LEFT A/C POSITION DATA: L SIDE	001030	RF
- 200	286A5102-303		WIRE BUNDLE ASSY-LEFT A/C POSITION DATA: L SIDE	031035	RF
R R R	- 200	286A5102-306	WIRE BUNDLE ASSY- POSITION DATA: L SIDE	036046 054100	RF
- 205	286A6202-301		WIRE BUNDLE ASSY-RIGHT A/C POSITION DATA: R SIDE	001009	RF
- 205	286A6202-302		WIRE BUNDLE ASSY-RIGHT A/C POSITION DATA: R SIDE	010027	RF
- 205	286A6202-303		WIRE BUNDLE ASSY-RIGHT A/C POSITION DATA: R SIDE	028030	RF
R R R	- 205	286A6202-306	WIRE BUNDLE ASSY-RIGHT A/C POSITION DATA: R SIDE	031046 054100	RF

MISSING ITEM NUMBERS NOT APPLICABLE

- ITEM NOT ILLUSTRATED

HAP

21-51-52-03

BOEING PROPRIETARY - Copyright © - Unpublished Work - See title page for details.

21-51-52
FIG. 03
PAGE 2
JUN 15/09

BOEING
737-600/700/800/900
PARTS CATALOG (MAINTENANCE)

FIG ITEM	PART NUMBER	1 2 3 4 5 6 7	NOMENCLATURE	EFFECT FROM TO	UNITS PER ASSY
3 R R R R R R R R R R	210	BACC63BN10-5SN	.PLUG- ELECTRICAL EQUIP NUMBER: D03866 D03876 WIRING DIAGRAM REF: 215112 215122	001046 054100	1
	215	MS27559-2	.SUPPORT-BACKSHELL ELECTRICAL EQUIP NUMBER: D03866T D03876T	001046 054100	1

MISSING ITEM NUMBERS NOT APPLICABLE

— ITEM NOT ILLUSTRATED

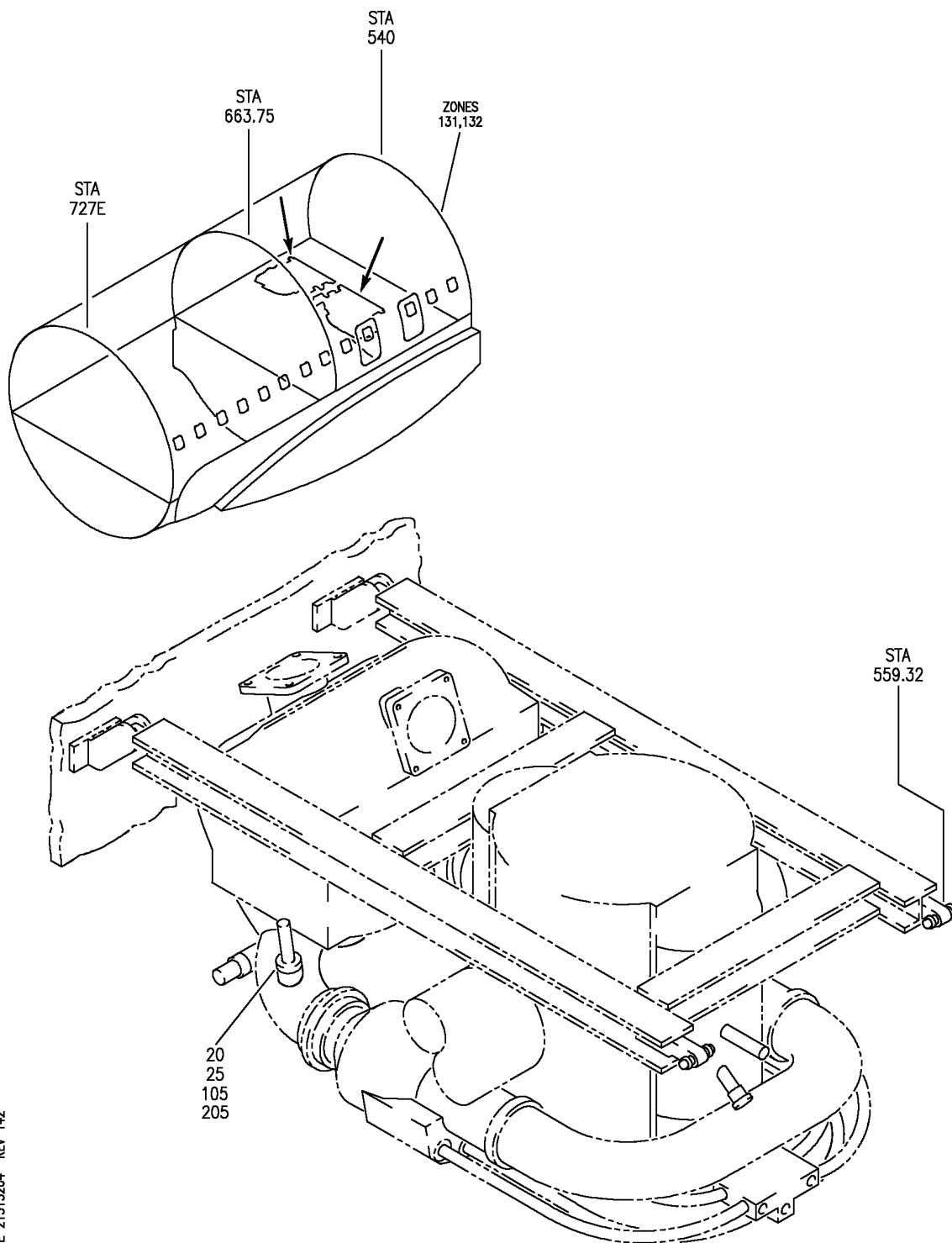
HAP

21-51-52-03

BOEING PROPRIETARY - Copyright © - Unpublished Work - See title page for details.

21-51-52
FIG. 03
PAGE 3
JUN 15/09

BOEING
 737-600/700/800/900
 PARTS CATALOG (MAINTENANCE)



E 21515204 REV 142

SEPARATOR ASSY-HIGH PRESSURE WATER (PACK TEMPERATURE SENSOR ONLY)
 FIGURE 4

21-51-52-04

HAP
 JUN 15/08

21-51-52-04
 PAGE 0

BOEING
737-600/700/800/900
PARTS CATALOG (MAINTENANCE)

FIG ITEM	PART NUMBER	1 2 3 4 5 6 7	NOMENCLATURE	EFFECT FROM TO	UNITS PER ASSY
4			SEPARATOR ASSY-HIGH PRESSURE WATER (PACK TEMPERATURE SENSOR ONLY)	047053	
- 1	213A1013-3		SEPARATOR ASSY-HIGH PRESSURE WATER (PACK TEMPERATURE SENSOR ONLY) POSITION DATA: LH FOR NHA/ADDITIONAL DET SEE: 21-51-17-01	047053	RF
- 5	213A1013-4		SEPARATOR ASSY-HIGH PRESSURE WATER (PACK TEMPERATURE SENSOR ONLY) POSITION DATA: RH FOR NHA/ADDITIONAL DET SEE: 21-51-17-06	047053	RF
20	R1131-908		.PACKING SUPPLIER CODE: V57268 SPECIFICATION NUMBER: BACP11K8 OPTIONAL PART: 3-908S383-70 V02697 1090-08 V95272 150701-08 V95272 AS568-908S32 V11314	047053	1
25	1150250-1		.SENSOR-PACK TEMP SUPPLIER CODE: V07217 SPECIFICATION NUMBER: 10-62091-11 ELECTRICAL EQUIP NUMBER: T00471 T00474 COMPONENT MAINT MANUAL REF: 21-52-02	047053	1
- 100	286A5102-306		WIRE BUNDLE ASSY	047052	RF
105	BACC63BN10-5SN		.PLUG- ELECTRICAL EQUIP NUMBER: D03866 WIRING DIAGRAM REF: 215112	047052	1
- 200	286A6202-306		WIRE BUNDLE ASSY	047052	RF

MISSING ITEM NUMBERS NOT APPLICABLE

- ITEM NOT ILLUSTRATED

HAP

21-51-52-04

21-51-52
FIG. 04
PAGE 1
FEB 15/09


BOEING
 737-600/700/800/900
PARTS CATALOG (MAINTENANCE)

FIG ITEM	PART NUMBER	1 2 3 4 5 6 7 NOMENCLATURE	EFFECT FROM TO	UNITS PER ASSY
4 205	BACC63BN10-5SN	.PLUG- ELECTRICAL EQUIP NUMBER: D03876 WIRING DIAGRAM REF: 215112	047052	1

MISSING ITEM NUMBERS NOT APPLICABLE

— ITEM NOT ILLUSTRATED

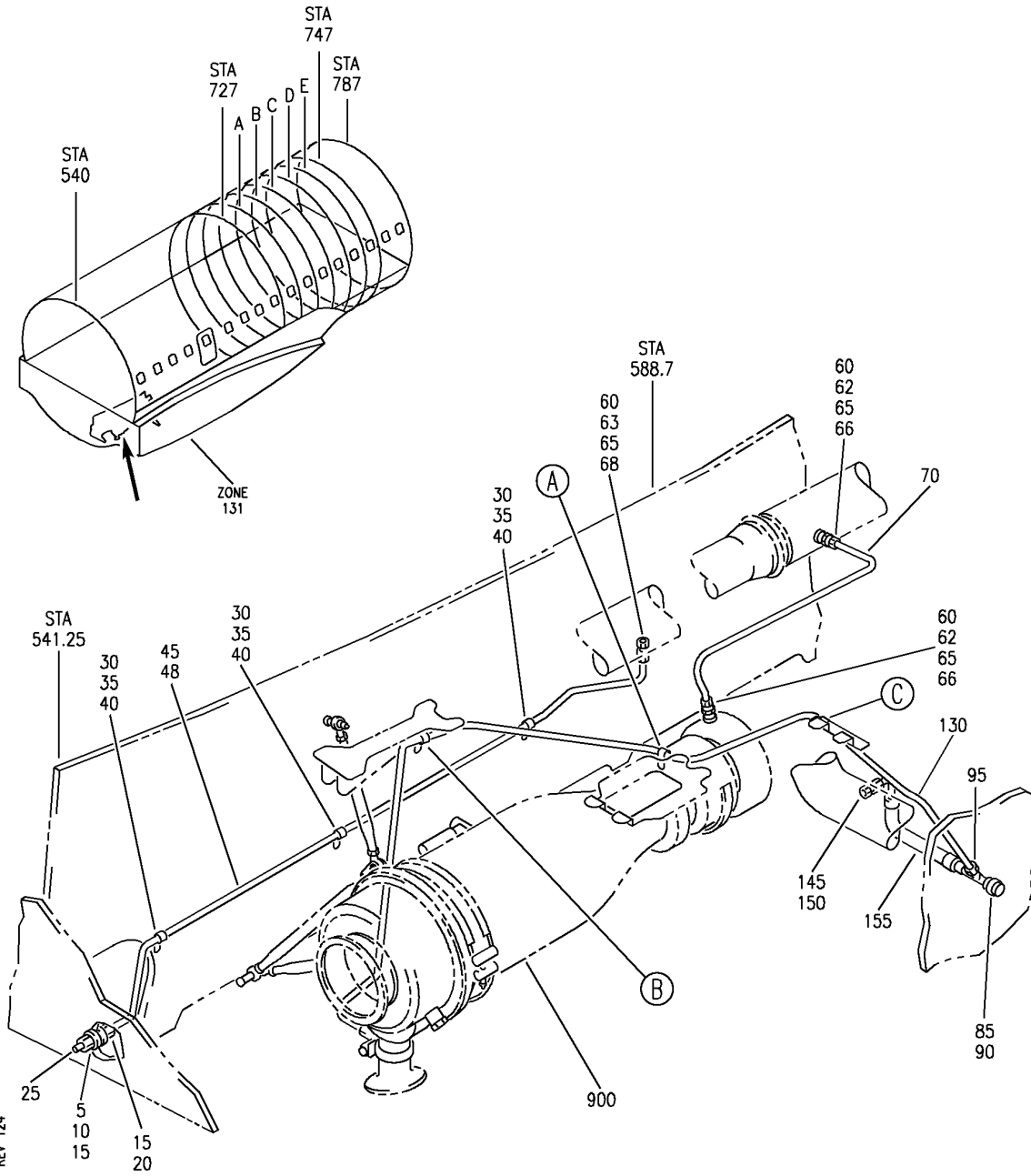
HAP

21-51-52-04

BOEING PROPRIETARY - Copyright © - Unpublished Work - See title page for details.

21-51-52
 FIG. 04
 PAGE 2
 OCT 15/08

BOEING
 737-600/700/800/900
 PARTS CATALOG (MAINTENANCE)



E 21515302 SHT 1 REV 124

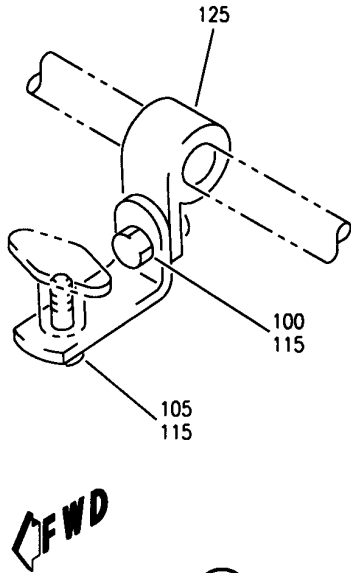
SENSE LINE INSTL-L SIDE AIR CONDITIONING PACK
 FIGURE 2 (SHEET 1)

21-51-53-02

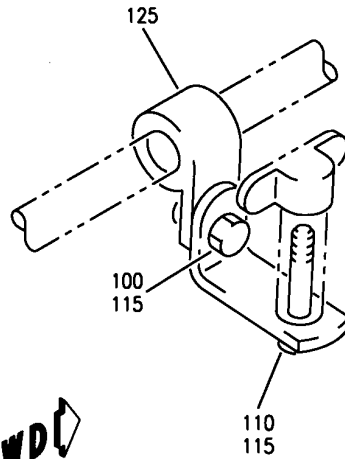
HAP
 FEB 10/07

21-51-53-02
 PAGE 0

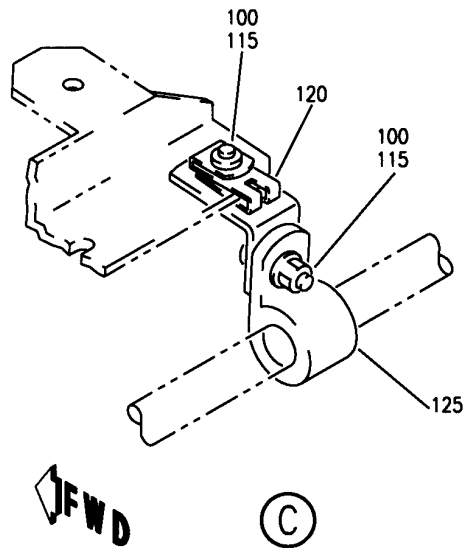
BOEING
 737-600/700/800/900
 PARTS CATALOG (MAINTENANCE)



(A)



(B)



(C)

E 21515302 SHT 2 REV 007

SENSE LINE INSTL-L SIDE AIR CONDITIONING PACK
 FIGURE 2 (SHEET 2)

21-51-53-02

HAP
 FEB 10/07

21-51-53-02
 PAGE 0A

BOEING
737-600/700/800/900
PARTS CATALOG (MAINTENANCE)

FIG ITEM	PART NUMBER	1 2 3 4 5 6 7	NOMENCLATURE	EFFECT FROM TO	UNITS PER ASSY
2			SENSE LINE INSTL-L SIDE AIR CONDITIONING PACK	101999	
- 1	213A1004-1		SENSE LINE INSTL-AIR CONDITIONING PACK POSITION DATA: L SIDE FOR NHA SEE: 21-50-00-01B	201967	RF
- 1	MODREF312780		SENSE LINE INSTL-AIR CONDITIONING PACK MODULE NUMBER: 213A1004-6 REV C POSITION DATA: L SIDE	101200 968999	1
5	BACN10CS06DN		.NUT- OPTIONAL PART: BACN10YL06	101999	1
5	BACN10YL06		.NUT- OPTIONAL PART: BACN10CS06DN	101200 968999	1
10	AFP2162W0606		.ADAPTER- SUPPLIER CODE: V30974 OPTIONAL PART: 32690 V14397	101999	1
10	32690		.ADAPTER- SUPPLIER CODE: V14397 OPTIONAL PART: AFP2162W0606 V30974	101999	1
15	NAS1149D1432J		.WASHER	101999	2
20	AN924-10D		.NUT- OPTIONAL PART: AS5178D10	101999	1
20	AS5178D10		.NUT- OPTIONAL PART: AN924-10D	101200 968999	1
25	69-28055		.SCREEN-	101999	1
30	BACS12GU3K11		.SCREW	101999	3
35	NAS1149D0332J		.WASHER	101999	3

MISSING ITEM NUMBERS NOT APPLICABLE

- ITEM NOT ILLUSTRATED

HAP

21-51-53-02

BOEING PROPRIETARY - Copyright © - Unpublished Work - See title page for details.

21-51-53
FIG. 02
PAGE 1
OCT 15/08

BOEING
737-600/700/800/900
PARTS CATALOG (MAINTENANCE)

FIG ITEM	PART NUMBER	1 2 3 4 5 6 7	NOMENCLATURE	EFFECT FROM TO	UNITS PER ASSY
2					
40	S392DH6	.CLAMP-	SUPPLIER CODE: V18076 SPECIFICATION NUMBER: BACC10BU6DH OPTIONAL PART: 393-6HT V83930 JM44LC24D6BW V22175 TA04C44D6HA V84971 393A6HT V83930 BACC10DW6D	101999	3
40	S258DT6	.CLAMP-	SUPPLIER CODE: V18076 SPECIFICATION NUMBER: BACC10DW6D OPTIONAL PART: TA4C44D6T V84971 475-6 V83930 8084D6T V72285 475A6 V83930 BACC10BU6DH	101999	3
45	213A1401-1	.TUBE ASSY-		201967	1
48	213A1401-49	.TUBE ASSY		101200 968999	1
- 50	MS21921-6D	..NUT-		201967	2
- 53	BACN10YL06	..NUT-		101200 968999	2

MISSING ITEM NUMBERS NOT APPLICABLE

- ITEM NOT ILLUSTRATED

HAP

21-51-53-02

BOEING PROPRIETARY - Copyright © - Unpublished Work - See title page for details.

21-51-53
FIG. 02
PAGE 2
OCT 15/08

BOEING
737-600/700/800/900
PARTS CATALOG (MAINTENANCE)

FIG ITEM	PART NUMBER	1 2 3 4 5 6 7	NOMENCLATURE	EFFECT FROM TO	UNITS PER ASSY
2 - 55	AP2097HP06	. .	SLEEVE SUPPLIER CODE: V01673 SPECIFICATION NUMBER: BACS13BX06HP OPTIONAL PART: 2-02903-06HP V11328 35235VN06 V08199 AFP175V06P V30974 DBOS13BX06HP V14798	101999	2
60	MS21902D6	. UNION	OPTIONAL PART: MS21902W6	101101 201969	3
60	MS21902W6	. UNION-	OPTIONAL PART: MS21902D6	101101 968969	3
62	MS21902D6	. UNION-	OPTIONAL PART: MS21902W6	101200 968999	2
62	MS21902W6	. UNION-	OPTIONAL PART: MS21902D6	101200 968999	2
63	MS21916W6-5	. REDUCER-EXT		101200 968999	1
65	R1131-906	. PACKING	SUPPLIER CODE: V57268 SPECIFICATION NUMBER: BACP11K6 OPTIONAL PART: 3-906S383-70 V02697 1090-06 V95272 150701-06 V95272 AS568-906S32 V11314 MAINTENANCE MANUAL REF: 21-51-01 21-51-04	101101 201969	3

MISSING ITEM NUMBERS NOT APPLICABLE

- ITEM NOT ILLUSTRATED

HAP

21-51-53-02

BOEING PROPRIETARY - Copyright © - Unpublished Work - See title page for details.

21-51-53
FIG. 02
PAGE 3
OCT 15/08

BOEING
737-600/700/800/900
PARTS CATALOG (MAINTENANCE)

FIG ITEM	PART NUMBER	1 2 3 4 5 6 7	NOMENCLATURE	EFFECT FROM TO	UNITS PER ASSY
2 66	R1131-906		.PACKING SUPPLIER CODE: V57268 SPECIFICATION NUMBER: BACP11K6 OPTIONAL PART: 3-906S383-70 V02697 1090-06 V95272 150701-06 V95272 AS568-906S32 V11314 MAINTENANCE MANUAL REF: 21-51-04	101200 968999	2
68	R1131-905		.PACKING SUPPLIER CODE: V57268 SPECIFICATION NUMBER: BACP11K5 OPTIONAL PART: 3-905S383-70 V02697 1090-05 V95272 150701-05 V95272 AS568-905S32 V11314 MAINTENANCE MANUAL REF: 21-51-01	101200 968999	1
70	213A1401-3		.TUBE ASSY	101999	1
- 75	BACN10YA6L		..NUT	101999	2
- 80	AS1581T06		..SLEEVE	101999	2
85	AN924-6D		.NUT- OPTIONAL PART: AS5178D06	101999	1
85	AS5178D06		.NUT- OPTIONAL PART: AN924-6D	101200 968999	1
90	NAS1149D0916J		.WASHER-	101999	1
95	2203185-1		.INJECTOR- SUPPLIER CODE: V70210 MAINTENANCE MANUAL REF: 21-51-06	101999	1

MISSING ITEM NUMBERS NOT APPLICABLE

- ITEM NOT ILLUSTRATED

HAP

21-51-53-02

BOEING PROPRIETARY - Copyright © - Unpublished Work - See title page for details.

21-51-53
FIG. 02
PAGE 4
FEB 15/09

BOEING
737-600/700/800/900
PARTS CATALOG (MAINTENANCE)

FIG ITEM	PART NUMBER	1 2 3 4 5 6 7	NOMENCLATURE	EFFECT FROM TO	UNITS PER ASSY
2					
95	2203185-2		. INJECTOR- SUPPLIER CODE: V70210 MAINTENANCE MANUAL REF: 21-51-06	101999	1
100	BACS12GU3K8		. SCREW	101999	4
105	BACS12GU3K11		. SCREW	101999	1
110	BACS12GU3K16		. SCREW	101999	1
115	NAS1149D0332J		. WASHER	101999	6
120	BRC600-8-3		. NUT SUPPLIER CODE: V52828 SPECIFICATION NUMBER: BACN10YD1 OPTIONAL PART: 130120 V60119	101999	1
125	BACC10K306-2		. CLAMP	101999	3
130	213A1401-5		. TUBE ASSY	101999	1
- 135	MS21921-6D		. . NUT	101999	2
- 140	AP2097HP06		. . SLEEVE SUPPLIER CODE: V01673 SPECIFICATION NUMBER: BACS13BX06HP OPTIONAL PART: 2-02903-06HP V11328 35235VN06 V08199 AFP175V06P V30974 DBOS13BX06HP V14798	101999	2
145	MS21902D4		. UNION- OPTIONAL PART: MS21902W4	101999	1
145	MS21902W4		. UNION- OPTIONAL PART: MS21902D4	101200 968999	1

MISSING ITEM NUMBERS NOT APPLICABLE

- ITEM NOT ILLUSTRATED

HAP

21-51-53-02

BOEING PROPRIETARY - Copyright © - Unpublished Work - See title page for details.

21-51-53
FIG. 02
PAGE 5
FEB 15/09

BOEING
737-600/700/800/900
PARTS CATALOG (MAINTENANCE)

FIG ITEM	PART NUMBER	1 2 3 4 5 6 7	NOMENCLATURE	EFFECT FROM TO	UNITS PER ASSY
2 150	R1131-904		.PACKING SUPPLIER CODE: V57268 SPECIFICATION NUMBER: BACP11K4 OPTIONAL PART: 3-904S383-70 V02697 1090-04 V95272 150701-04 V95272 AS568-904S32 V11314	101999	1
155	AS118E0080AR		.HOSE ASSY SUPPLIER CODE: V00624 SPECIFICATION NUMBER: BACH5M0080AR OPTIONAL PART: 95850M0080AR V78570 R89180080AR V50599 R89180080AR V06851	101999	1
900			ILLUSTRATION REFERENCE: SEPARATOR INSTL-AIR CONDITIONING WATER (WATER SEPARATOR AND COALESCER (BAG) ONLY) 21-51-05-01	101105 201999	RF

MISSING ITEM NUMBERS NOT APPLICABLE

— ITEM NOT ILLUSTRATED

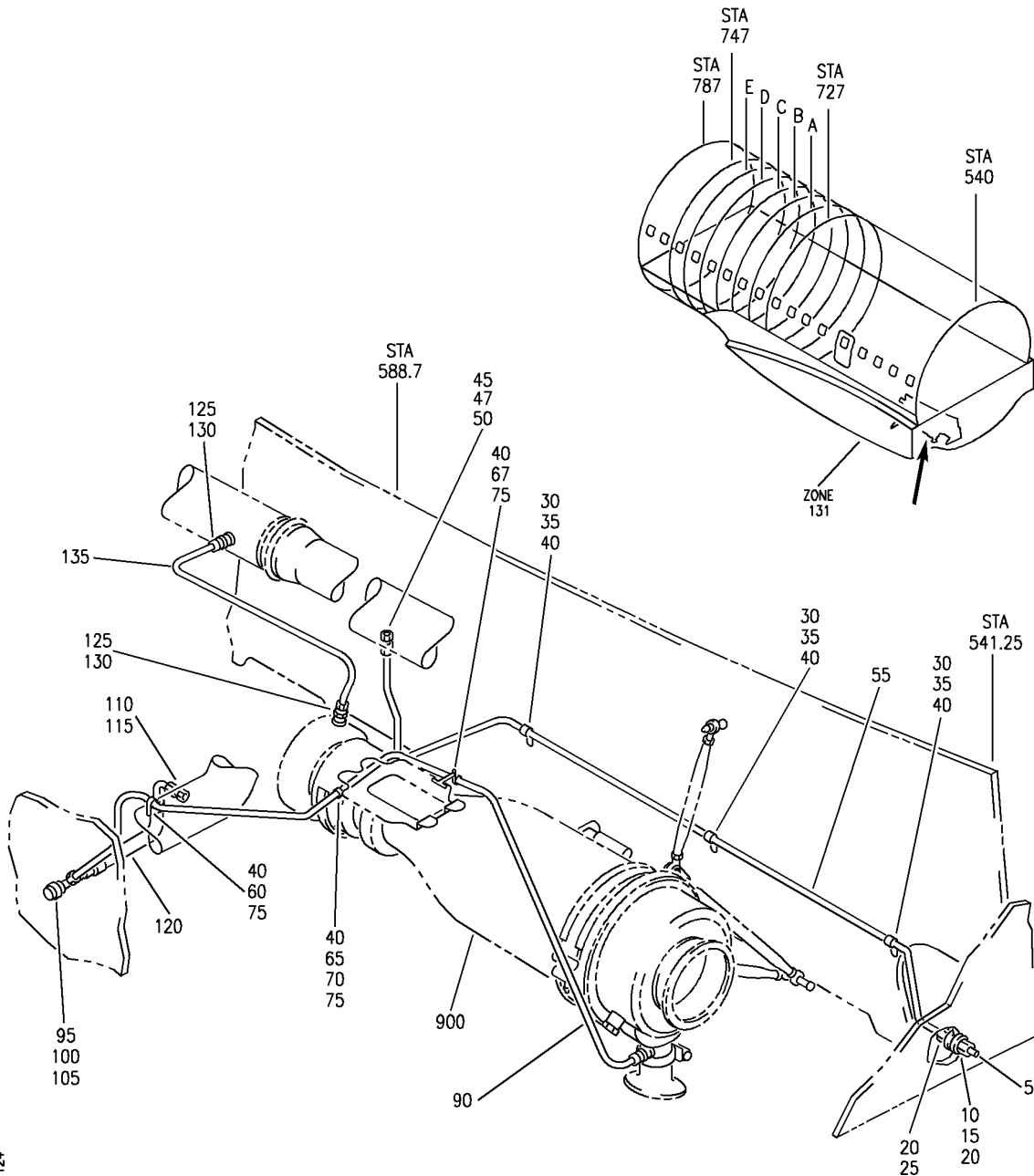
HAP

21-51-53-02

BOEING PROPRIETARY - Copyright © - Unpublished Work - See title page for details.

21-51-53
FIG. 02
PAGE 6
FEB 15/09

BOEING
 737-600/700/800/900
 PARTS CATALOG (MAINTENANCE)



E 21515303 REV 124

SENSE LINE INSTL-R SIDE AIR CONDITIONING PACK
 FIGURE 3

21-51-53-03

HAP
 FEB 10/07

21-51-53-03
 PAGE 0

BOEING
737-600/700/800/900
PARTS CATALOG (MAINTENANCE)

FIG ITEM	PART NUMBER	1 2 3 4 5 6 7	NOMENCLATURE	EFFECT FROM TO	UNITS PER ASSY
3			SENSE LINE INSTL-R SIDE AIR CONDITIONING PACK	101999	
- 1	213A1004-2		SENSE LINE INSTL-AIR CONDITIONING PACK	201967	RF
			POSITION DATA: R SIDE FOR NHA SEE: 21-50-00-01B		
- 1	MODREF245104		SENSE LINE INSTL-AIR CONDITIONING PACK	101200 968999	1
			MODULE NUMBER: 213A1004-2 REV B POSITION DATA: R SIDE		
5	69-28055		.SCREEN-VENT	101999	1
10	BACN10CS06DN		.NUT-	101999	1
			OPTIONAL PART: BACN10YL06		
10	BACN10YL06		.NUT-	101999	1
			OPTIONAL PART: BACN10CS06DN		
15	AFP2162W0606		.ADAPTER-	101999	1
			SUPPLIER CODE: V30974 OPTIONAL PART: 32690 V14397		
15	32690		.ADAPTER-	101999	1
			SUPPLIER CODE: V14397 OPTIONAL PART: AFP2162W0606 V30974		
20	NAS1149D1432J		.WASHER	101999	2
25	AN924-10D		.NUT-	101999	1
			OPTIONAL PART: AS5178D10		
25	AS5178D10		.NUT-	101999	1
			OPTIONAL PART: AN924-10D		
30	BACS12GU3K11		.SCREW	101999	3
35	NAS1149D0332J		.WASHER	101999	3

MISSING ITEM NUMBERS NOT APPLICABLE

- ITEM NOT ILLUSTRATED

HAP

21-51-53-03

BOEING PROPRIETARY - Copyright © - Unpublished Work - See title page for details.

21-51-53
FIG. 03
PAGE 1
OCT 15/08

BOEING
737-600/700/800/900
PARTS CATALOG (MAINTENANCE)

FIG ITEM	PART NUMBER	1 2 3 4 5 6 7	NOMENCLATURE	EFFECT FROM TO	UNITS PER ASSY
3 40	S392DH6		.CLAMP- SUPPLIER CODE: V18076 SPECIFICATION NUMBER: BACC10BU6DH OPTIONAL PART: 393-6HT V83930 JM44LC24D6BW V22175 TA04C44D6HA V84971 393A6HT V83930 BACC10DW6D	101999	6
40	S258DT6		.CLAMP- SUPPLIER CODE: V18076 SPECIFICATION NUMBER: BACC10DW6D OPTIONAL PART: TA4C44D6T V84971 475-6 V83930 8084D6T V72285 475A6 V83930 BACC10BU6DH	101999	6
45	MS21902D6		.UNION OPTIONAL PART: MS21902W6	101101 201969	1
45	MS21902W6		.UNION- OPTIONAL PART: MS21902D6	101101 201969	1
47	MS21916W6-5		.REDUCER-	101200 968999	1

MISSING ITEM NUMBERS NOT APPLICABLE

— ITEM NOT ILLUSTRATED

HAP

21-51-53-03

BOEING PROPRIETARY - Copyright © - Unpublished Work - See title page for details.

21-51-53
FIG. 03
PAGE 2
OCT 15/08


BOEING
 737-600/700/800/900
PARTS CATALOG (MAINTENANCE)

FIG ITEM	PART NUMBER	1 2 3 4 5 6 7	NOMENCLATURE	EFFECT FROM TO	UNITS PER ASSY
3					
50	R1131-906		.PACKING SUPPLIER CODE: V57268 SPECIFICATION NUMBER: BACP11K6 OPTIONAL PART: 3-906S383-70 V02697 1090-06 V95272 150701-06 V95272 AS568-906S32 V11314 MAINTENANCE MANUAL REF: 21-51-01	101101 201969	1
50	R1131-905		.PACKING- SUPPLIER CODE: V57268 SPECIFICATION NUMBER: BACP11K5 OPTIONAL PART: 3-905S383-70 V02697 1090-05 V95272 150701-05 V95272 AS568-905S32 V11314 MAINTENANCE MANUAL REF: 21-51-01	101200 968999	1
55	213A1401-2		.TUBE ASSY	101999	1
60	BACS12GU3K9		.SCREW	101999	1
65	BACS12GU3K28		.SCREW	101999	1
67	BACS12GU3K8		.SCREW	101999	1
70	NAS43DD3-72FC		.SPACER	101999	1
75	NAS1149D0332J		.WASHER	101999	3
90	213A1401-7		.TUBE ASSY-	101999	1
95	NAS1149D0916J		.WASHER	101999	1
100	AN924-6D		.NUT- OPTIONAL PART: AS5178D06	101999	1
100	AS5178D06		.NUT- OPTIONAL PART: AN924-6D	101999	1

R
R
R
R
R
R
R
R
R
R
R
R
R
R
R
R
R
R
R
R
R
R

MISSING ITEM NUMBERS NOT APPLICABLE

- ITEM NOT ILLUSTRATED

HAP

21-51-53-03

BOEING PROPRIETARY - Copyright © - Unpublished Work - See title page for details.

21-51-53
 FIG. 03
 PAGE 3
 JUN 15/09

BOEING
737-600/700/800/900
PARTS CATALOG (MAINTENANCE)

FIG ITEM	PART NUMBER	1 2 3 4 5 6 7	NOMENCLATURE	EFFECT FROM TO	UNITS PER ASSY
3					
105	2203185-1		.INJECTOR-WATER SUPPLIER CODE: V70210 MAINTENANCE MANUAL REF: 21-51-06	101999	1
105	2203185-2		.INJECTOR-WATER SUPPLIER CODE: V70210 MAINTENANCE MANUAL REF: 21-51-06	101999	1
110	MS21902D4		.UNION- OPTIONAL PART: MAS21902W4	101999	1
110	MS21902W4		.UNION- OPTIONAL PART: MS21902D4	101999	1
115	R1131-904		.PACKING SUPPLIER CODE: V57268 SPECIFICATION NUMBER: BACP11K4 OPTIONAL PART: 3-904S383-70 V02697 1090-04 V95272 150701-04 V95272 AS568-904S32 V11314	101999	1
120	AS118E0080AR		.HOSE ASSY SUPPLIER CODE: V00624 SPECIFICATION NUMBER: BACH5M0080AR OPTIONAL PART: 95850M0080AR V78570 R89180080AR V50599 R89180080AR V06851	101999	1
125	MS21902D6		.UNION- OPTIONAL PART: MS21902W6	101999	2
125	MS21902W6		.UNION- OPTIONAL PART: MS21902D	101999	2

MISSING ITEM NUMBERS NOT APPLICABLE

— ITEM NOT ILLUSTRATED

HAP

21-51-53-03

BOEING PROPRIETARY - Copyright © - Unpublished Work - See title page for details.

21-51-53
FIG. 03
PAGE 4
JUN 15/09

BOEING
737-600/700/800/900
PARTS CATALOG (MAINTENANCE)

FIG ITEM	PART NUMBER	1 2 3 4 5 6 7	NOMENCLATURE	EFFECT FROM TO	UNITS PER ASSY
3 130	R1131-906		.PACKING- SUPPLIER CODE: V57268 SPECIFICATION NUMBER: BACP11K6 OPTIONAL PART: 3-906S383-70 V02697 1090-06 V95272 150701-06 V95272 AS568-906S32 V11314 MAINTENANCE MANUAL REF: 21-51-01 21-51-04	101999	2
135 900	213A1401-4		.TUBE ASSY ILLUSTRATION REFERENCE: SEPARATOR INSTL-AIR CONDITIONING WATER (WATER SEPARATOR AND COALESCER (BAG) ONLY) 21-51-05-01	101999 101105 201999	1 RF

MISSING ITEM NUMBERS NOT APPLICABLE

— ITEM NOT ILLUSTRATED

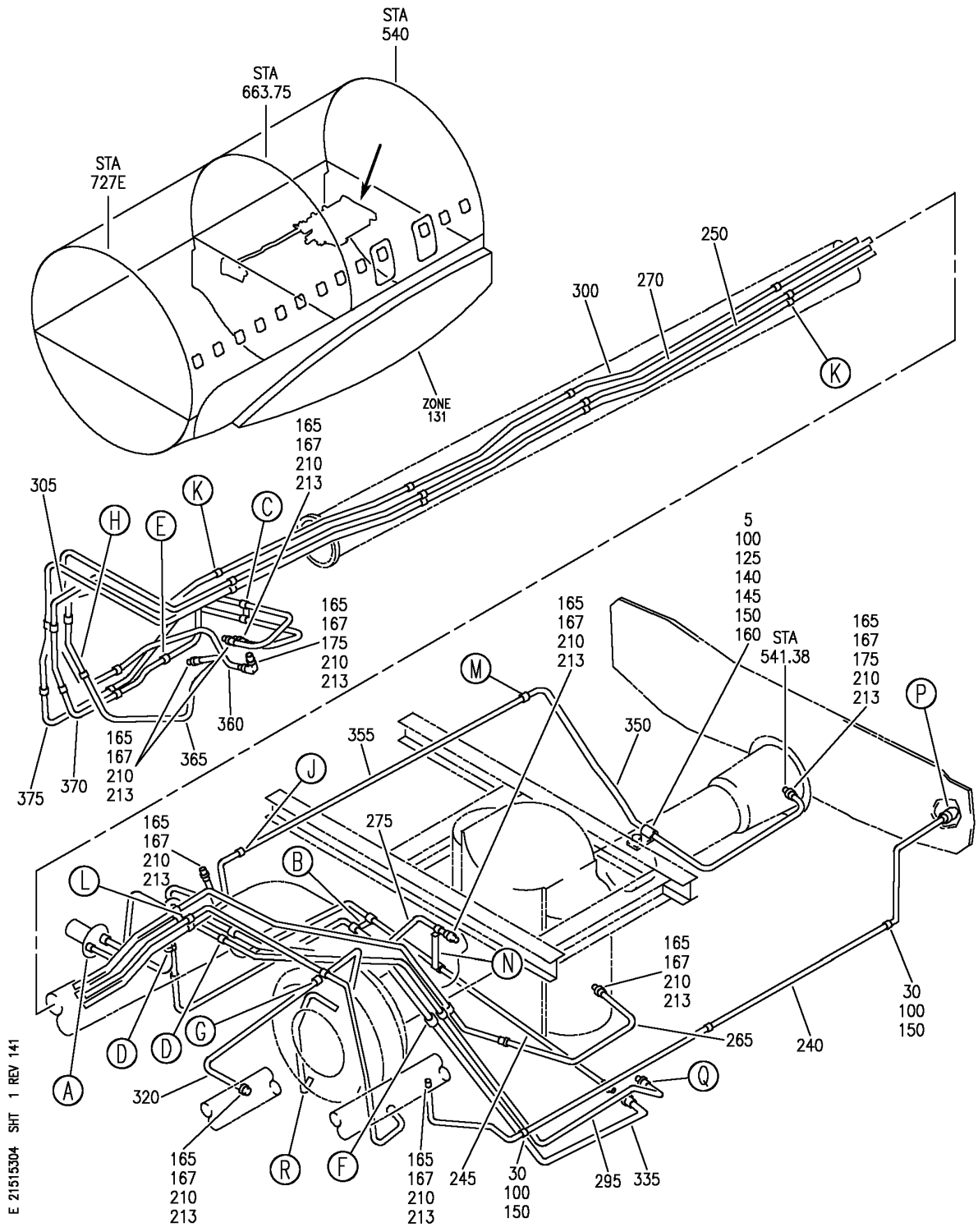
HAP

21-51-53-03

BOEING PROPRIETARY - Copyright © - Unpublished Work - See title page for details.

21-51-53
FIG. 03
PAGE 5
OCT 15/08

BOEING
737-600/700/800/900
PARTS CATALOG (MAINTENANCE)



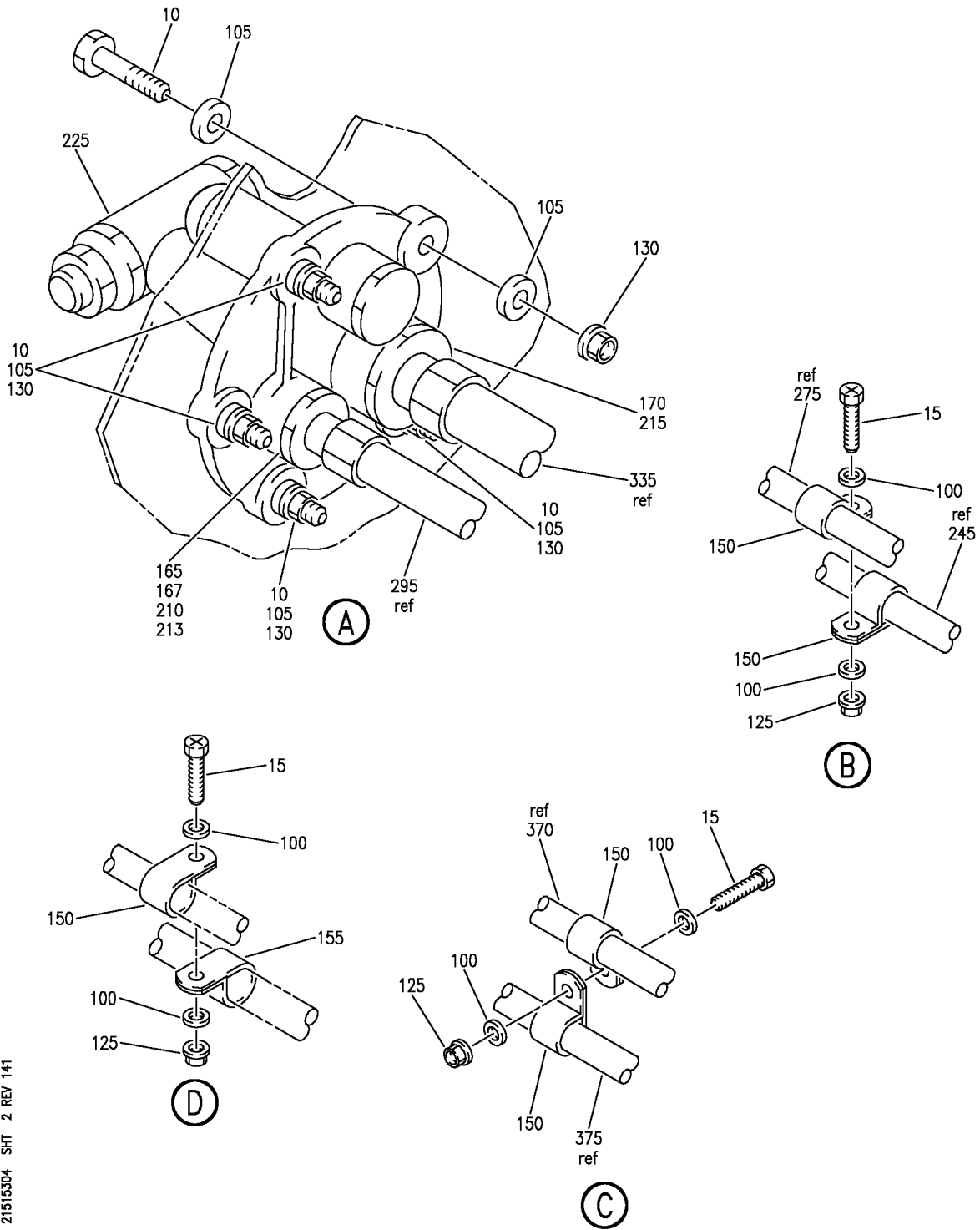
SENSE LINE INSTL-L SIDE AIR CONDITIONING PACK
 FIGURE 4 (SHEET 1)

21-51-53-04

HAP
 JUN 15/08

21-51-53-04
 PAGE 0

BOEING
 737-600/700/800/900
 PARTS CATALOG (MAINTENANCE)



E 21515304 SH1 2 REV 141

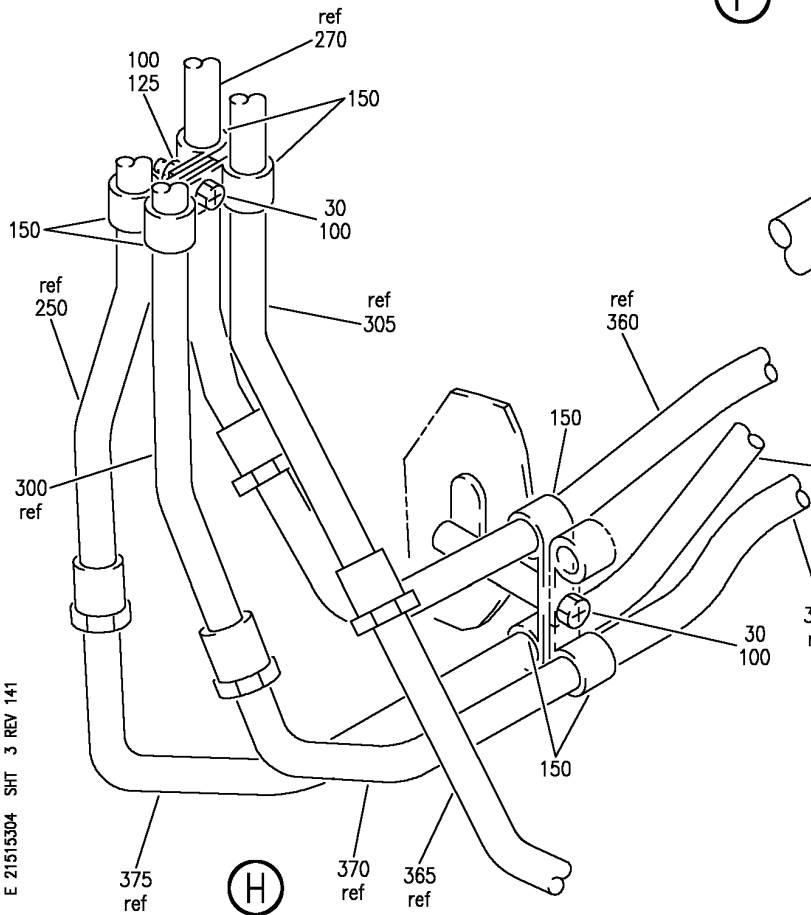
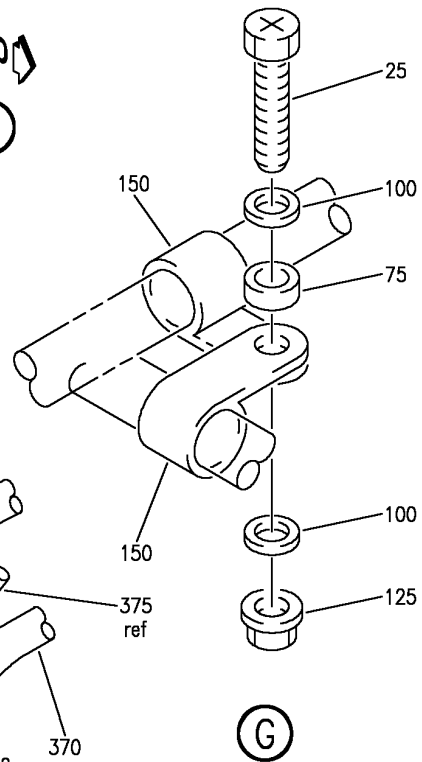
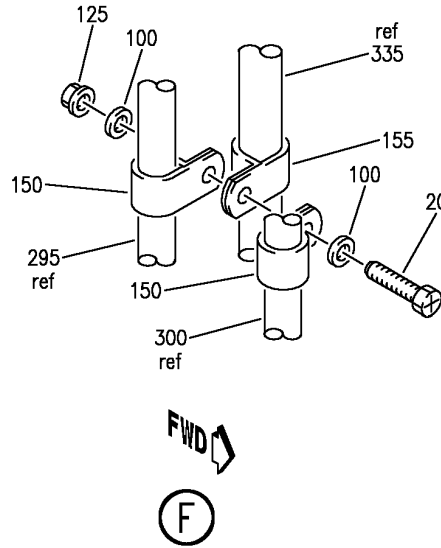
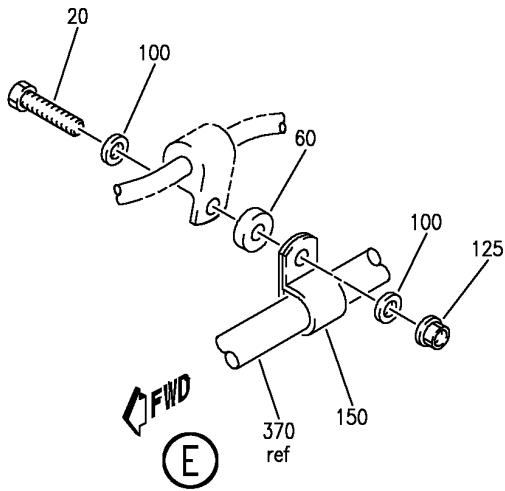
SENSE LINE INSTL-L SIDE AIR CONDITIONING PACK
 FIGURE 4 (SHEET 2)

21-51-53-04

HAP
 JUN 15/08

21-51-53-04
 PAGE 0A

BOEING
737-600/700/800/900
PARTS CATALOG (MAINTENANCE)



E 21515304 SH1 3 REV 141

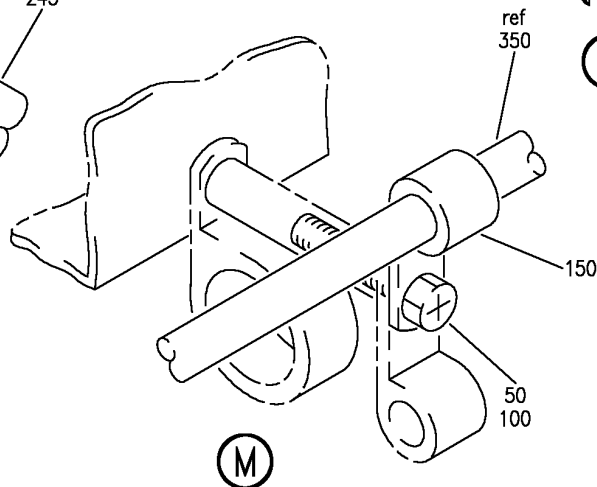
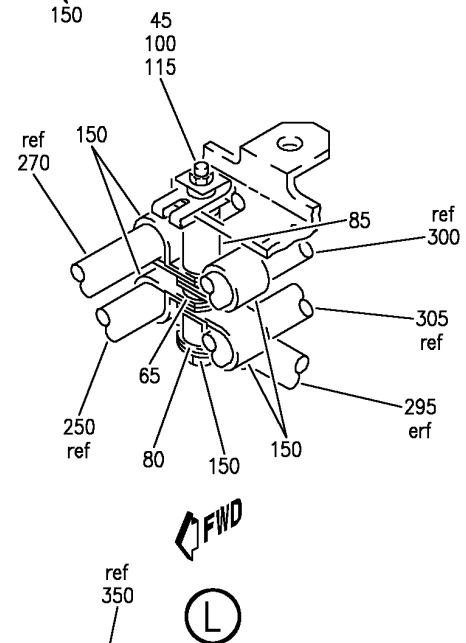
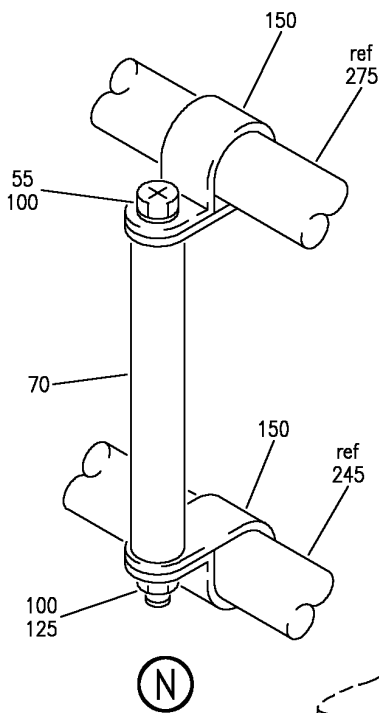
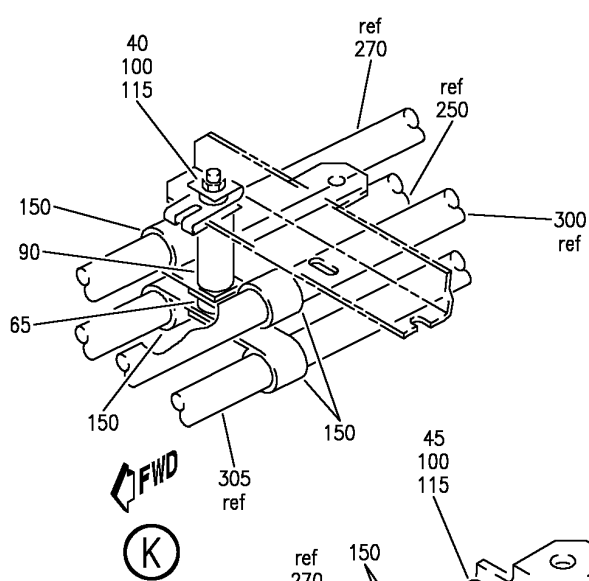
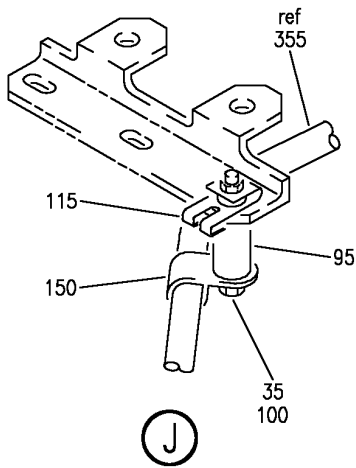
SENSE LINE INSTL-L SIDE AIR CONDITIONING PACK
FIGURE 4 (SHEET 3)

21-51-53-04

HAP
JUN 15/08

21-51-53-04
PAGE 0B


BOEING
 737-600/700/800/900
PARTS CATALOG (MAINTENANCE)



E 21515304 SH1 4 REV 089

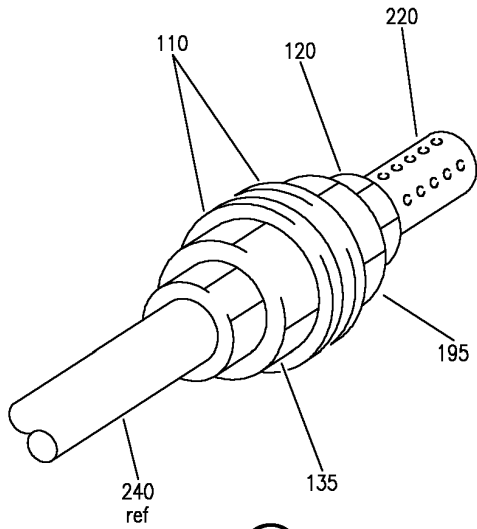
SENSE LINE INSTL-L SIDE AIR CONDITIONING PACK
 FIGURE 4 (SHEET 4)

21-51-53-04

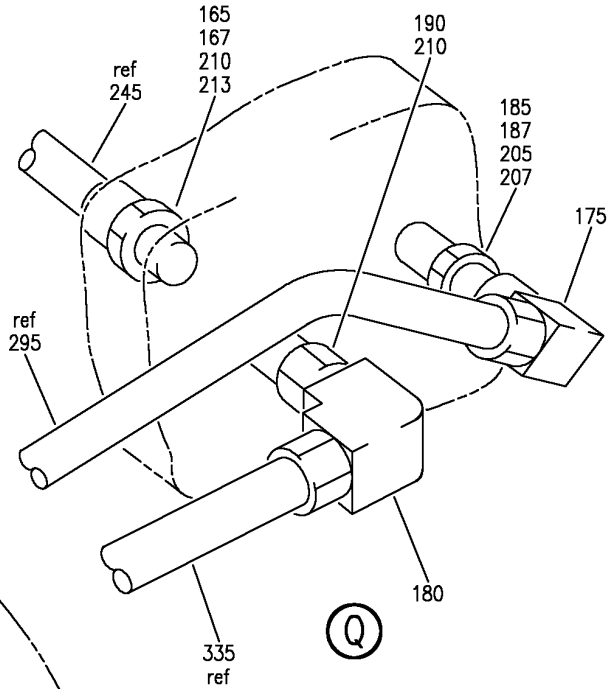
HAP
OCT 10/06

21-51-53-04
 PAGE 0C

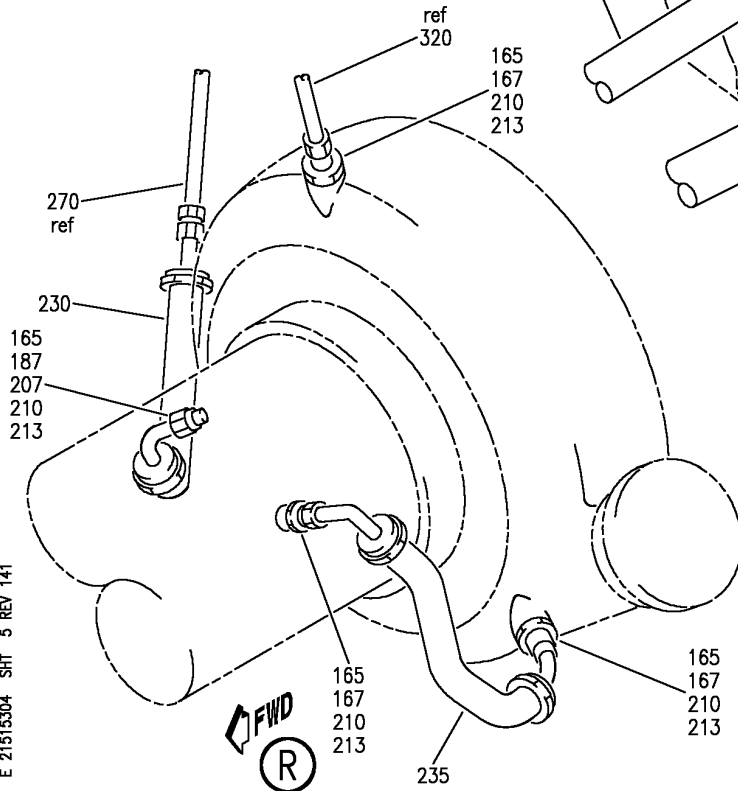
BOEING
 737-600/700/800/900
 PARTS CATALOG (MAINTENANCE)



(P)



(Q)



(R)

E 21515304 SH1 5 REV 141

SENSE LINE INSTL-L SIDE AIR CONDITIONING PACK
 FIGURE 4 (SHEET 5)

21-51-53-04

HAP
 JUN 15/08

21-51-53-04
 PAGE 0D

BOEING
737-600/700/800/900
PARTS CATALOG (MAINTENANCE)

FIG ITEM	PART NUMBER	1 2 3 4 5 6 7	NOMENCLATURE	EFFECT FROM TO	UNITS PER ASSY
4			SENSE LINE INSTL-L SIDE AIR CONDITIONING PACK	031046 054100	
- 1	MODREF245103		SENSE LINE INSTL-AIR CONDITIONING PACK	031036	1
			MODULE NUMBER: 213A1004-11 REV C		
			POSITION DATA: L SIDE		
- 1	MODREF312779		SENSE LINE INSTL-AIR CONDITIONING PACK	037046 054100	1
			MODULE NUMBER: 213A1004-11 REV D		
			POSITION DATA: L SIDE		
5	BACB30LM3-3		.BOLT	031046 054100	1
10	BACB30NR4K5		.BOLT	031046 054100	5
15	BACS12GU3K7		.SCREW	031046 054100	4
20	BACS12GU3K8		.SCREW	031046 054100	2
25	BACS12GU3K10		.SCREW	031046 054100	1
30	BACS12GU3K11		.SCREW	031046 054100	5
35	BACS12GU3K26		.SCREW	031046 054100	1
40	BACS12GU3K29		.SCREW	031046 054100	4
45	BACS12GU3K35		.SCREW	031046 054100	1
50	BACS12GU3K36		.SCREW	031046 054100	1
55	BACS12GU3K50		.SCREW	031046 054100	1
60	NAS43DD3-4FC		.SPACER	031046 054100	1
65	NAS43DD3-8FC		.SPACER	031046 054100	5
70	NAS43DD3-171FC		.SPACER	031046 054100	1
75	BACS18K10-8W		.SPACER	031046 054100	1
80	BACS18K10-34W		.SPACER	031046 054100	1
85	BACS18K10-48W		.SPACER	031046 054100	1

MISSING ITEM NUMBERS NOT APPLICABLE

- ITEM NOT ILLUSTRATED

HAP

21-51-53-04

BOEING PROPRIETARY - Copyright © - Unpublished Work - See title page for details.

21-51-53
FIG. 04
PAGE 1
FEB 15/09

 **BOEING**
737-600/700/800/900
PARTS CATALOG (MAINTENANCE)

FIG ITEM	PART NUMBER	1 2 3 4 5 6 7	NOMENCLATURE	EFFECT FROM TO	UNITS PER ASSY
4					
90	BACS18K10-63W	.	SPACER	031046 054100	4
95	BACS18K10-69W	.	SPACER	031046 054100	1
100	NAS1149D0332J	.	WASHER	031046 054100	30
105	NAS1149D0416J	.	WASHER	031046 054100	10
110	NAS1149D1432J	.	WASHER	031046 054100	2
115	BRC600-8-3GP	.	CLIPNUT SUPPLIER CODE: V52828 SPECIFICATION NUMBER: BACN10YD1G OPTIONAL PART: 130120G V60119	031046 054100	6
120	BACN10YLO6	.	NUT	031046 054100	1
125	PLH53CD	.	NUT SUPPLIER CODE: VF0224 SPECIFICATION NUMBER: BACN10YR3CD OPTIONAL PART: H52732-3CD V15653	031046 054100	10
130	PLH54CD	.	NUT SUPPLIER CODE: VF0224 SPECIFICATION NUMBER: BACN10YR4CD OPTIONAL PART: H52732-4CD V15653	031046 054100	5
135	AS5178D10	.	NUT	031046 054100	1
140	BACB19F12	.	BLOCK	031046 054100	1
145	BACC15AN12	.	CLIP	031046 054100	1

MISSING ITEM NUMBERS NOT APPLICABLE

— ITEM NOT ILLUSTRATED

HAP

21-51-53-04

BOEING PROPRIETARY - Copyright © - Unpublished Work - See title page for details.

21-51-53
FIG. 04
PAGE 2
FEB 15/09

BOEING
737-600/700/800/900
PARTS CATALOG (MAINTENANCE)

FIG ITEM	PART NUMBER	1 2 3 4 5 6 7	NOMENCLATURE	EFFECT FROM TO	UNITS PER ASSY
4 150	S258DT6	.CLAMP	SUPPLIER CODE: V18076 SPECIFICATION NUMBER: BACC10DW6D OPTIONAL PART: TA4C44D6T V84971 475-6 V83930 8084D6T V72285 475A6 V83930	031046 054100	47
155	S258DT8	.CLAMP	SUPPLIER CODE: V18076 SPECIFICATION NUMBER: BACC10DW8D OPTIONAL PART: TA4C44D8T V84971 475-8 V83930 8084D8T V72285 475A8 V83930	031046 054100	3
160	3140AB045E	.CLAMP-	SUPPLIER CODE: V94581 SPECIFICATION NUMBER: BACC10FY045SE OPTIONAL PART: BC1083-045SE V14242 NE103338-045 V8W928 BACC10BN450L5ME	031046 054100	1
160	BACC10BN450L5ME	.CLAMP-	OPTIONAL PART: BACC1010FY045SE	037046 054100	1
167	MS21902W6	.UNION		031042 044046 054100	15
170	MS21902W8	.UNION		031046 054100	1
180	NAS1762W0808	.ELBOW		031046 054100	1

MISSING ITEM NUMBERS NOT APPLICABLE

— ITEM NOT ILLUSTRATED

HAP

21-51-53-04

BOEING PROPRIETARY - Copyright © - Unpublished Work - See title page for details.

21-51-53
FIG. 04
PAGE 3
FEB 15/09

BOEING
737-600/700/800/900
PARTS CATALOG (MAINTENANCE)

FIG ITEM	PART NUMBER	1 2 3 4 5 6 7	NOMENCLATURE	EFFECT FROM TO	UNITS PER ASSY
4					
187	MS21916W6-5	.	REDUCER	031046 054100	2
190	MS21916W8-6	.	REDUCER	031046 054100	1
195	AFP2162W0606	.	ADAPTER- SUPPLIER CODE: V30974 OPTIONAL PART: 32690 V14397	031046 054100	1
195	32690	.	ADAPTER- SUPPLIER CODE: V14397 OPTIONAL PART: AFP2162W0606 V30974	031046 054100	1
207	R1131-905	.	PACKING SUPPLIER CODE: V57268 SPECIFICATION NUMBER: BACP11K5 OPTIONAL PART: 3-905S383-70 V02697 1090-05 V95272 150701-05 V95272 AS568-905S32 V11314	031046 054100	2

MISSING ITEM NUMBERS NOT APPLICABLE

— ITEM NOT ILLUSTRATED

HAP

21-51-53-04

BOEING PROPRIETARY - Copyright © - Unpublished Work - See title page for details.

21-51-53
FIG. 04
PAGE 4
FEB 15/09

BOEING
737-600/700/800/900
PARTS CATALOG (MAINTENANCE)

FIG ITEM	PART NUMBER	1 2 3 4 5 6 7	NOMENCLATURE	EFFECT FROM TO	UNITS PER ASSY
4 213	R1131-906		.PACKING SUPPLIER CODE: V57268 SPECIFICATION NUMBER: BACP11K6 OPTIONAL PART: 3-906S383-70 V02697 1090-06 V95272 150701-06 V95272 AS568-906S32 V11314 MAINTENANCE MANUAL REF: 21-51-01 21-51-04 21-51-07 21-51-11 21-51-16	031046 054100	16
215	R1131-908		.PACKING SUPPLIER CODE: V57268 SPECIFICATION NUMBER: BACP11K8 OPTIONAL PART: 3-908S383-70 V02697 1090-08 V95272 150701-08 V95272 AS568-908S32 V11314 MAINTENANCE MANUAL REF: 21-51-16	031046 054100	1
220	69-28055		.SCREEN-VENT	031046 054100	1
225	2214275-1		.NOZZLE-WATER SPRAY SUPPLIER CODE: V70210 FUNCTIONAL DESCRIPTION: COOLS THE RAM AIR ENTERING THE SECONDARY HEAT EXCHANGER. COMPONENT MAINT MANUAL REF: 21-51-92 MAINTENANCE MANUAL REF: 21-51-16	031046 054100	1

MISSING ITEM NUMBERS NOT APPLICABLE

— ITEM NOT ILLUSTRATED

HAP

21-51-53-04

BOEING PROPRIETARY - Copyright © - Unpublished Work - See title page for details.

21-51-53
FIG. 04
PAGE 5
FEB 15/09

BOEING
737-600/700/800/900
PARTS CATALOG (MAINTENANCE)

FIG ITEM	PART NUMBER	1 2 3 4 5 6 7	NOMENCLATURE	EFFECT FROM TO	UNITS PER ASSY
4					
	230 AS138-06N0080L	.HOSE	ASSY	031046 054100	1
	235 AS138-06N0130L	.HOSE	ASSY-	031046 054100	1
	235 AS116-06-0152	.HOSE-		031046 054100	1
	235 AS117-06-0123	.HOSE	ASSY-	031046 054100	1
	240 213A1401-48	.TUBE	ASSY	031036	1
	240 213A1401-49	.TUBE	ASSY	037046 054100	1
	245 213A1401-70	.TUBE	ASSY-	031046 054100	1
	250 213A1401-62	.TUBE	ASSY	031046 054100	1
-	255 AP2097HP06	..SLEEVE		031046 054100	2
		SUPPLIER CODE:			
		V01673			
		SPECIFICATION NUMBER:			
		BACS13BX06HP			
		OPTIONAL PART:			
		2-02903-06HP			
		V11328			
		35235VN06			
		V08199			
		AFP175V06P			
		V30974			
		DBOS13BX06HP			
		V14798			
-	260 BACN10YLO6	..NUT		031046 054100	2
	265 213A1401-25	.TUBE	ASSY	031046 054100	1
	270 213A1401-35	.TUBE	ASSY	031046 054100	1
	275 213A1401-17	.TUBE	ASSY	031046 054100	1

MISSING ITEM NUMBERS NOT APPLICABLE

- ITEM NOT ILLUSTRATED

HAP

21-51-53-04

BOEING PROPRIETARY - Copyright © - Unpublished Work - See title page for details.

21-51-53
FIG. 04
PAGE 6
JUN 15/09

BOEING
737-600/700/800/900
PARTS CATALOG (MAINTENANCE)

FIG ITEM	PART NUMBER	1 2 3 4 5 6 7	NOMENCLATURE	EFFECT FROM TO	UNITS PER ASSY
4 - 280	AP2097HP06	..	SLEEVE SUPPLIER CODE: V01673 SPECIFICATION NUMBER: BACS13BX06HP OPTIONAL PART: 2-02903-06HP V11328 35235VN06 V08199 AFP175V06P V30974 DBOS13BX06HP V14798	031046 054100	1
- 285	MS21921-6D	..	NUT	031046 054100	1
- 290	35056GV06	..	UNION SUPPLIER CODE: V08199 SPECIFICATION NUMBER: BACU24AB6W OPTIONAL PART: 2-01027-6W V11328 31875-6W V14397 4671097W6 V50948 AP1004W06 V01673 AFP941W6 V30974 DBOU24AB6W V14798	031046 054100	1
295	213A1401-23	.	TUBE ASSY	031046 054100	1
300	213A1401-13	.	TUBE ASSY	031046 054100	1
305	213A1401-15	.	TUBE ASSY	031046 054100	1

MISSING ITEM NUMBERS NOT APPLICABLE

- ITEM NOT ILLUSTRATED

HAP

21-51-53-04

BOEING PROPRIETARY - Copyright © - Unpublished Work - See title page for details.

21-51-53
FIG. 04
PAGE 7
FEB 15/09

BOEING
737-600/700/800/900
PARTS CATALOG (MAINTENANCE)

FIG ITEM	PART NUMBER	1 2 3 4 5 6 7	NOMENCLATURE	EFFECT FROM TO	UNITS PER ASSY
4					
- 310	AP2097HP06	..	SLEEVE SUPPLIER CODE: V01673 SPECIFICATION NUMBER: BACS13BX06HP OPTIONAL PART: 2-02903-06HP V11328 35235VN06 V08199 AFP175V06P V30974 DBOS13BX06HP V14798	031046 054100	2
- 315	MS21921-6D	..	NUT	031046 054100	2
320	213A1401-3	.TUBE	ASSY	031046 054100	1
- 325	AS1581T06	..	SLEEVE	031046 054100	2
- 330	BACN10YA6L	..	NUT	031046 054100	2
335	213A1401-21	.TUBE	ASSY	031046 054100	1
- 340	AP2097HP08	..	SLEEVE SUPPLIER CODE: V01673 SPECIFICATION NUMBER: BACS13BX08HP OPTIONAL PART: 2-02903-08HP V11328 35235VN08 V08199 AFP175V08P V30974 DBOS13BX08HP V14798	031046 054100	1
- 345	MS21921-8D	..	NUT	031046 054100	1
350	213A1401-59	.TUBE	ASSY	031046 054100	1
355	213A1401-63	.TUBE	ASSY	031046 054100	1
360	213A1401-55	.TUBE	ASSY	031046 054100	1
365	213A1401-56	.TUBE	ASSY	031046 054100	1

MISSING ITEM NUMBERS NOT APPLICABLE

- ITEM NOT ILLUSTRATED

HAP

21-51-53-04

BOEING PROPRIETARY - Copyright © - Unpublished Work - See title page for details.

21-51-53
FIG. 04
PAGE 8
FEB 15/09

 **BOEING**
737-600/700/800/900
PARTS CATALOG (MAINTENANCE)

FIG ITEM	PART NUMBER	1 2 3 4 5 6 7	NOMENCLATURE	EFFECT FROM TO	UNITS PER ASSY
4					
370	213A1401-57	.	TUBE ASSY	031046 054100	1
375	213A1401-58	.	TUBE ASSY	031046 054100	1
- 380	AP2097HP06	..	SLEEVE SUPPLIER CODE: V01673 SPECIFICATION NUMBER: BACS13BX06HP OPTIONAL PART: 2-02903-06HP V11328 35235VN06 V08199 AFP175V06P V30974 DBOS13BX06HP V14798	031046 054100	1
- 385	BACN10YL06	..	NUT	031046 054100	1
- 390	35056GV06	..	UNION SUPPLIER CODE: V08199 SPECIFICATION NUMBER: BACU24AB6W OPTIONAL PART: 2-01027-6W V11328 31875-6W V14397 4671097W6 V50948 AP1004W06 V01673 AFP941W6 V30974 DBOU24AB6W V14798	031046 054100	1

MISSING ITEM NUMBERS NOT APPLICABLE

- ITEM NOT ILLUSTRATED

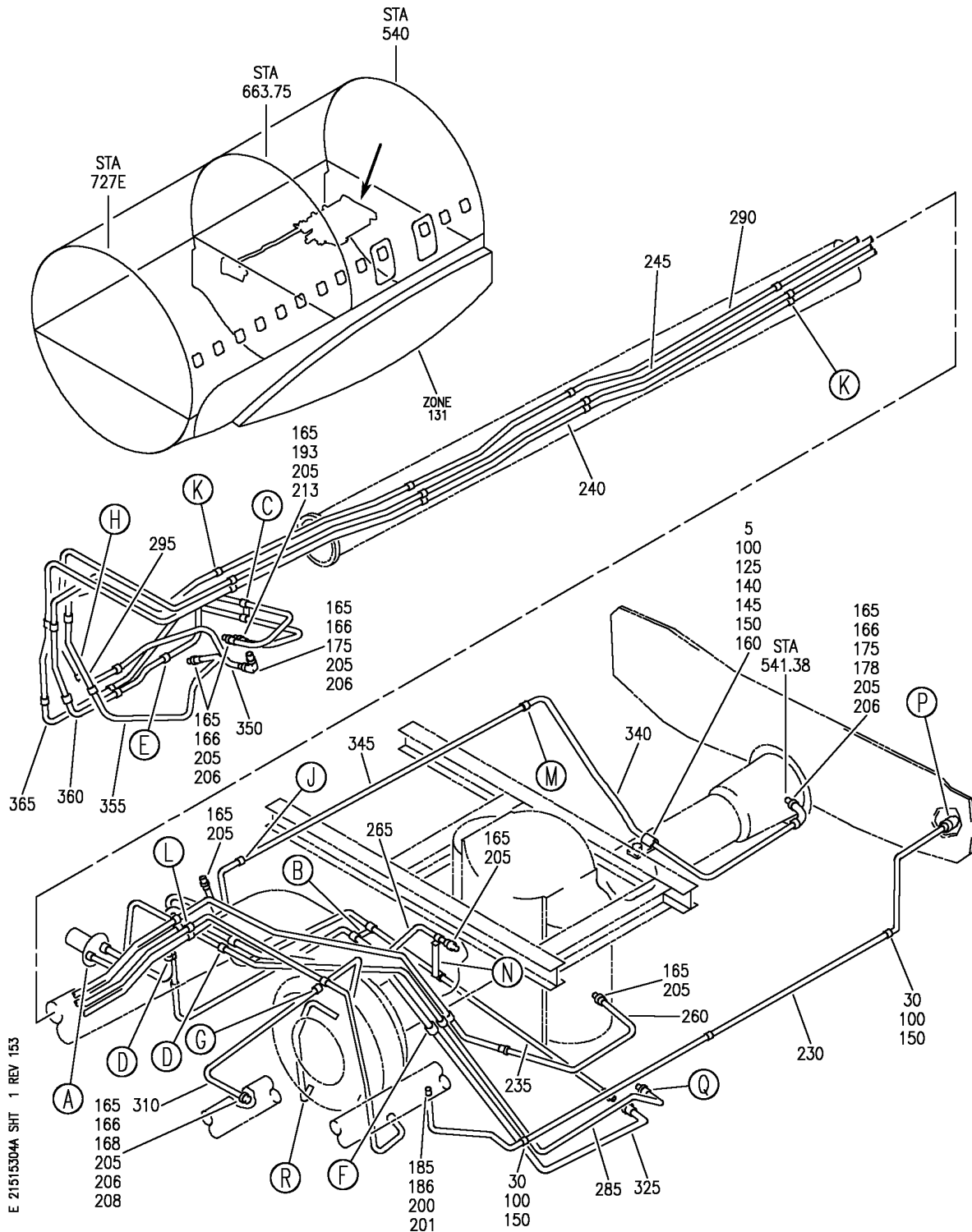
HAP

21-51-53-04

BOEING PROPRIETARY - Copyright © - Unpublished Work - See title page for details.

21-51-53
FIG. 04
PAGE 9
FEB 15/09

BOEING
 737-600/700/800/900
 PARTS CATALOG (MAINTENANCE)



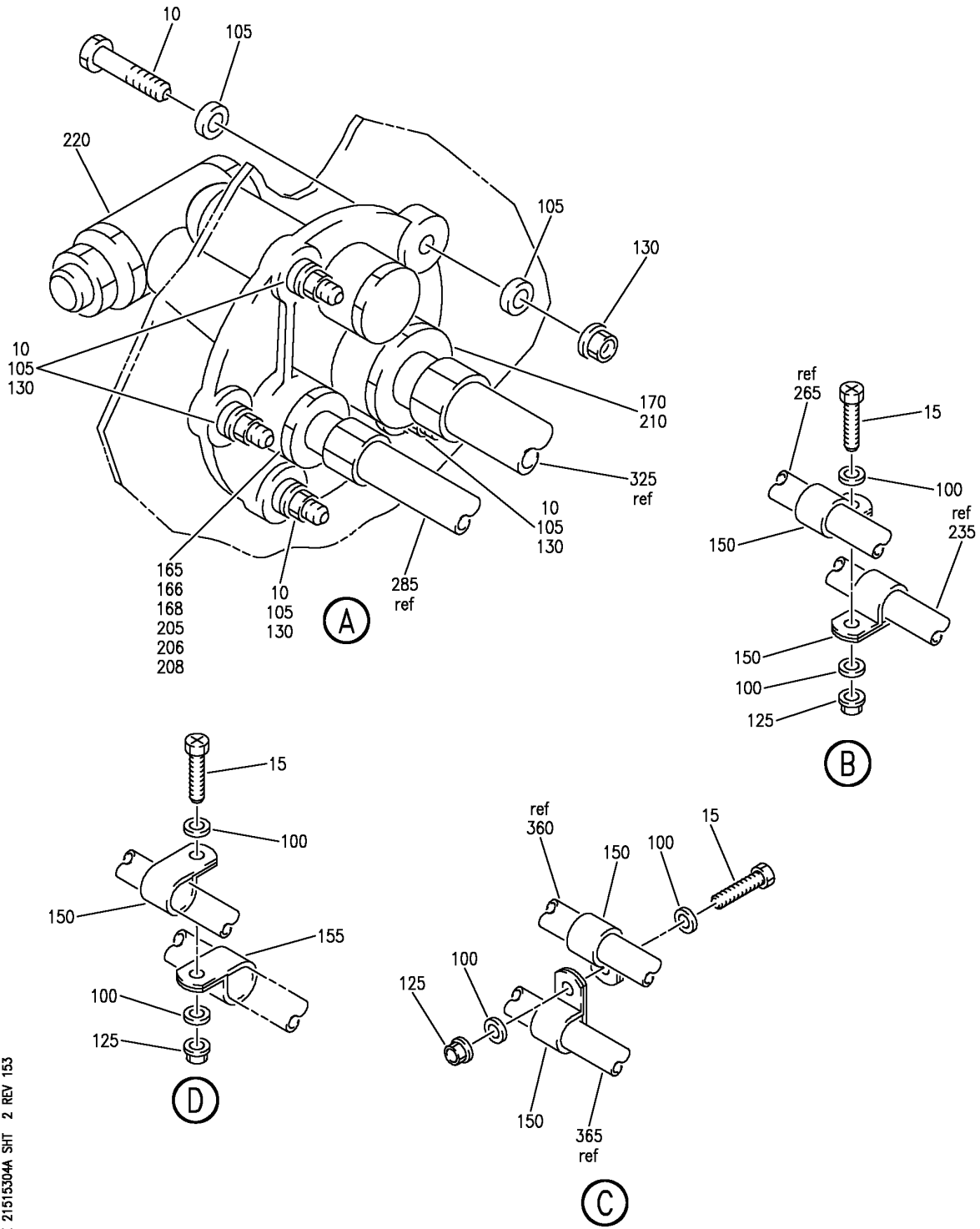
SENSE LINE INSTL-L SIDE AIR CONDITIONING PACK
 FIGURE 4A (SHEET 1)

21-51-53-04A

HAP
 JUN 15/09

21-51-53-04A
 PAGE 0

BOEING
 737-600/700/800/900
 PARTS CATALOG (MAINTENANCE)



E 21515304A SHT 2 REV 153

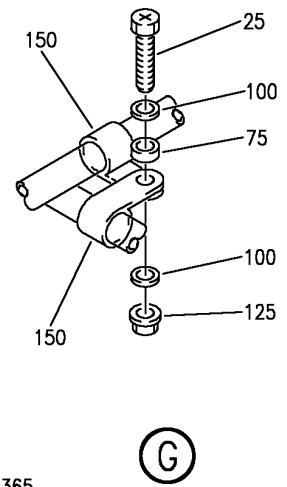
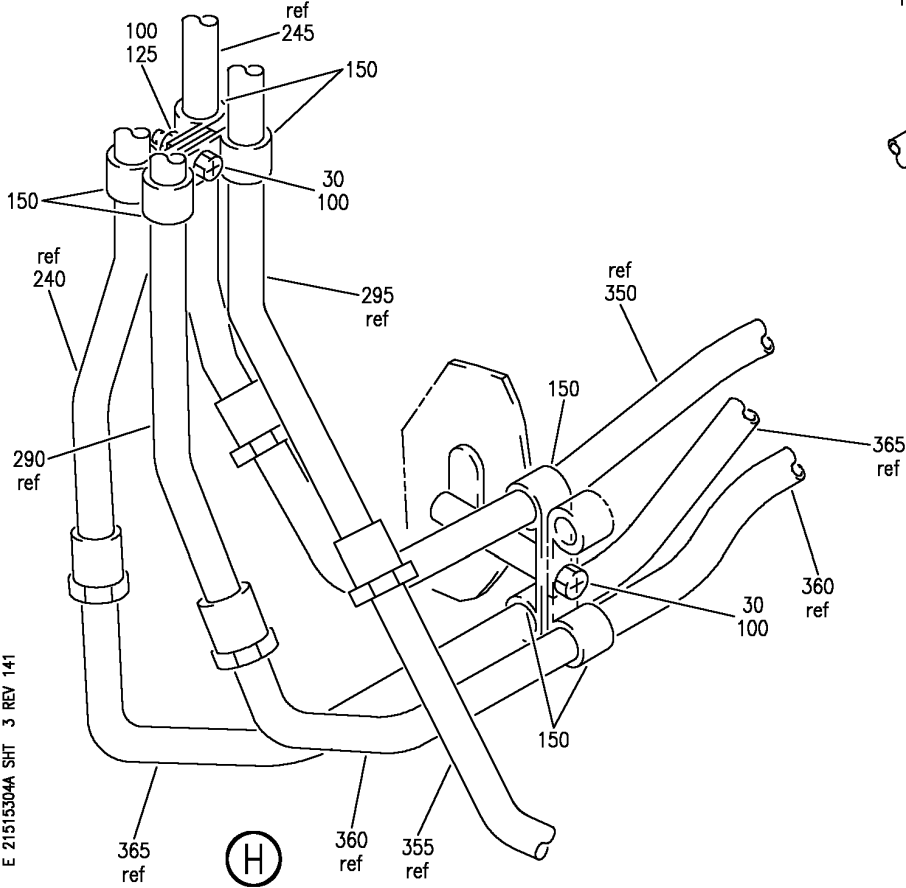
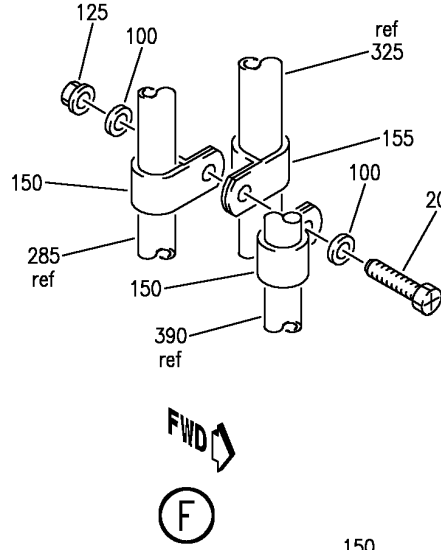
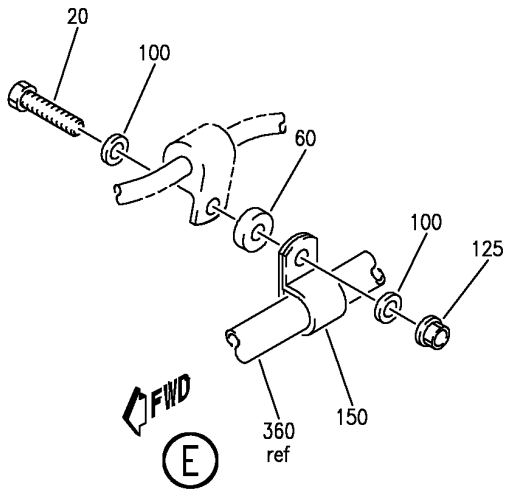
SENSE LINE INSTL-L SIDE AIR CONDITIONING PACK
 FIGURE 4A (SHEET 2)

21-51-53-04A

HAP
 JUN 15/09

21-51-53-04A
 PAGE 0A

BOEING
 737-600/700/800/900
 PARTS CATALOG (MAINTENANCE)



E 21515304A SHT 3 REV 141

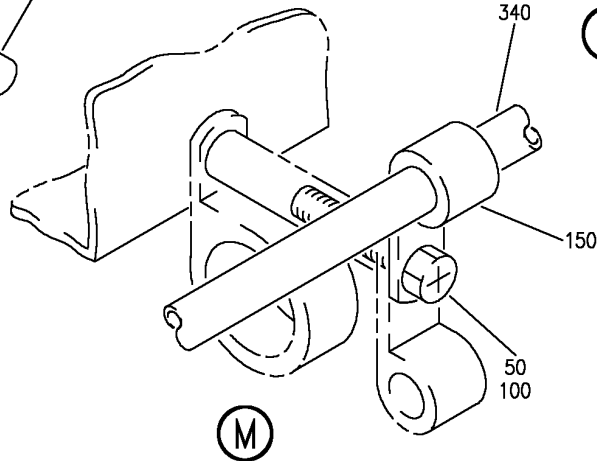
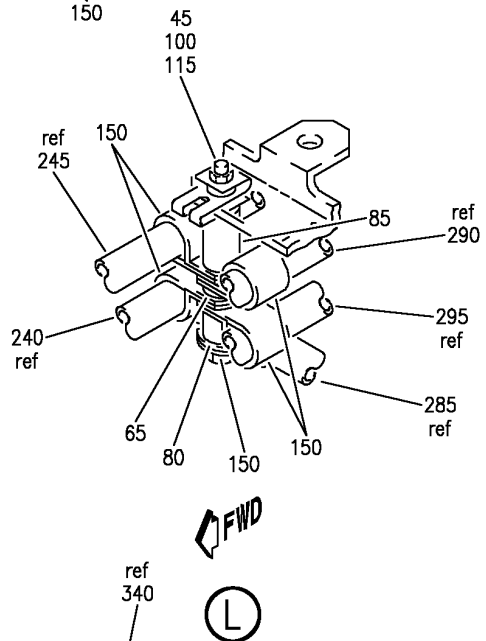
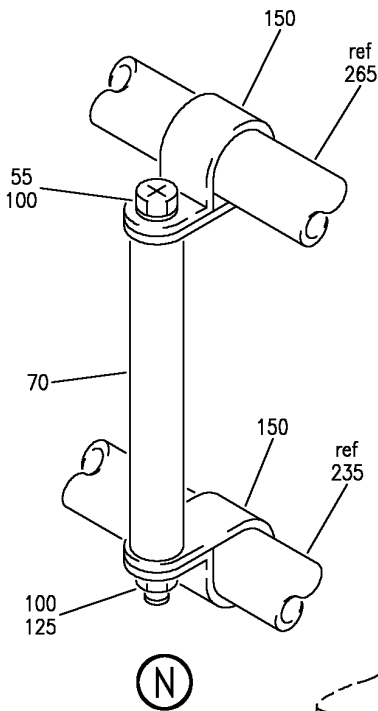
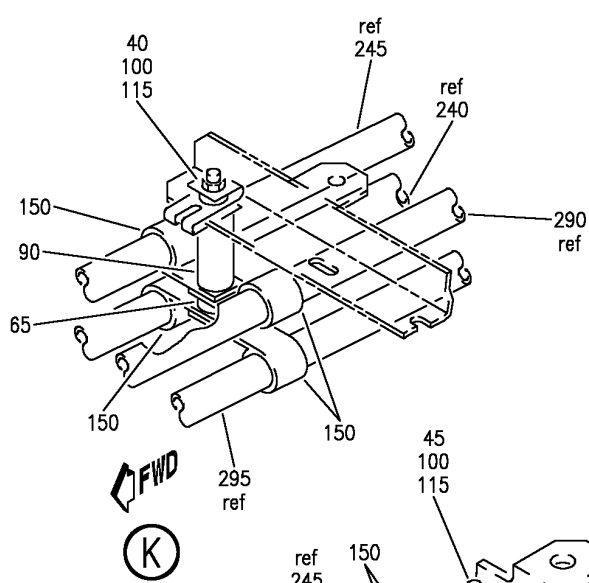
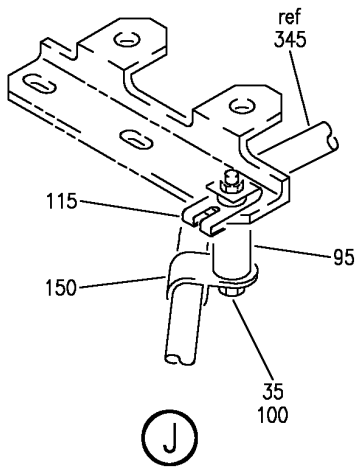
SENSE LINE INSTL-L SIDE AIR CONDITIONING PACK
 FIGURE 4A (SHEET 3)

21-51-53-04A

HAP
 JUN 15/08

21-51-53-04A
 PAGE 0B


BOEING
 737-600/700/800/900
PARTS CATALOG (MAINTENANCE)



E 21515304A SHT 4 REV 142

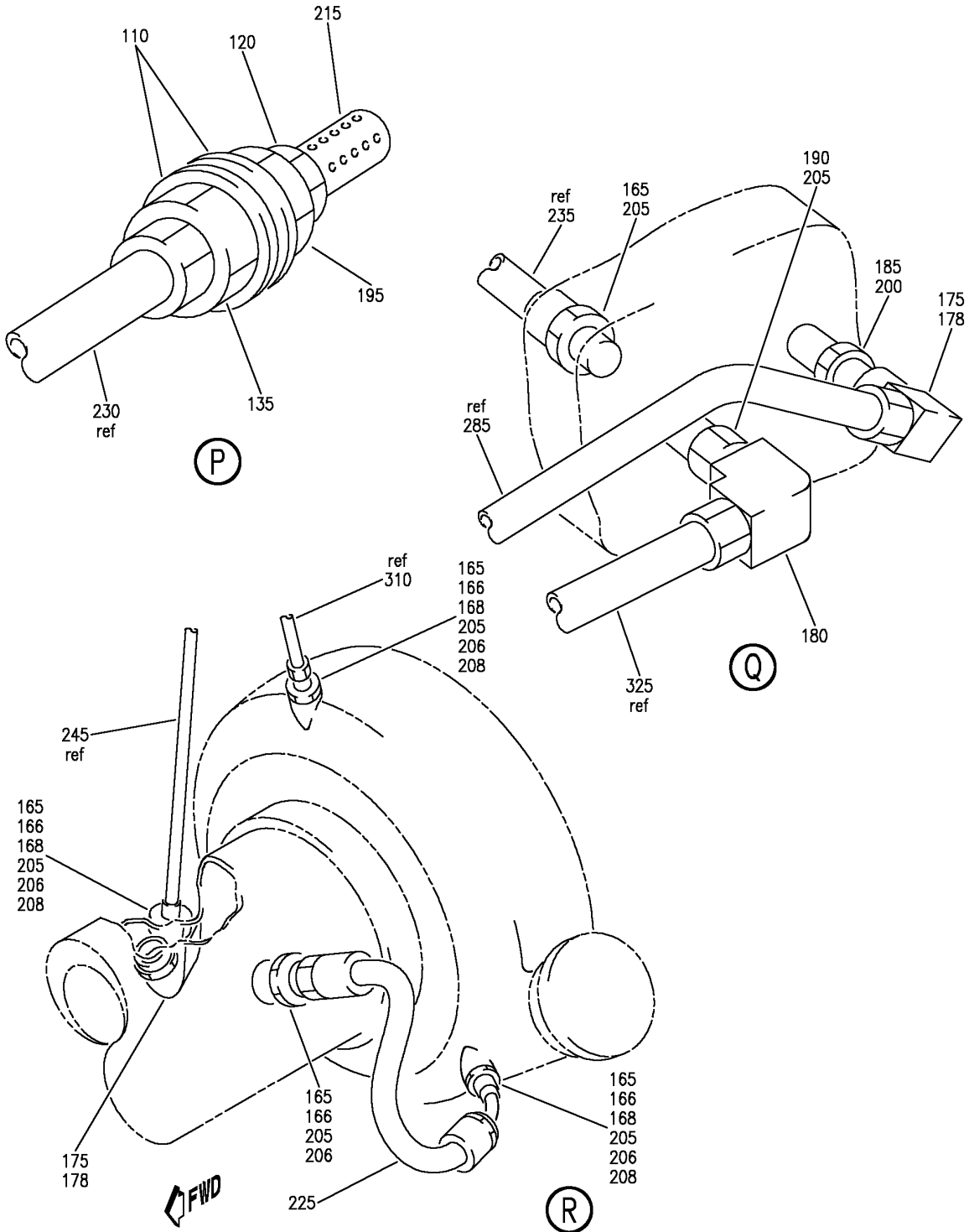
SENSE LINE INSTL-L SIDE AIR CONDITIONING PACK
FIGURE 4A (SHEET 4)

21-51-53-04A

HAP
JUN 15/08

21-51-53-04A
PAGE 0C

BOEING
 737-600/700/800/900
 PARTS CATALOG (MAINTENANCE)



E 21515304A SHT 5 REV 153

SENSE LINE INSTL-L SIDE AIR CONDITIONING PACK
 FIGURE 4A (SHEET 5)

21-51-53-04A

HAP
 JUN 15/09

21-51-53-04A
 PAGE 0D

BOEING
737-600/700/800/900
PARTS CATALOG (MAINTENANCE)

FIG ITEM	PART NUMBER	1 2 3 4 5 6 7	NOMENCLATURE	EFFECT FROM TO	UNITS PER ASSY
4 A			SENSE LINE INSTL-L SIDE AIR CONDITIONING PACK	047053	
- 1	MODREF377406		SENSE LINE INSTL-AIR CONDITIONING PACK MODULE NUMBER: 213A1004-11 REV F POSITION DATA: L SIDE	047049	1
- 1	MODREF397694		SENSE LINE INSTL-AIR CONDITIONING PACK MODULE NUMBER: 213A1004-11 REV G POSITION DATA: L SIDE	050053	1
5	BACB30LM3-3		.BOLT	047053	1
10	BACB30NR4K5		.BOLT	047053	5
15	BACS12GU3K7		.SCREW	047053	4
20	BACS12GU3K8		.SCREW	047053	2
25	BACS12GU3K10		.SCREW	047053	1
30	BACS12GU3K11		.SCREW	047053	5
35	BACS12GU3K26		.SCREW	047053	1
40	BACS12GU3K29		.SCREW	047053	4
45	BACS12GU3K35		.SCREW	047053	1
50	BACS12GU3K36		.SCREW	047053	1
55	BACS12GU3K50		.SCREW	047053	1
60	NAS43DD3-4FC		.SPACER	047053	1
65	NAS43DD3-8FC		.SPACER	047053	5
70	NAS43DD3-171FC		.SPACER	047053	1
75	NAS43DD3-6FC		.SPACER	047053	1
80	BACS18K10-34W		.SPACER	047053	1
85	BACS18K10-48W		.SPACER	047053	1
90	BACS18K10-63W		.SPACER	047053	4
95	BACS18K10-69W		.SPACER	047053	1
100	NAS1149D0332J		.WASHER	047053	30
105	NAS1149D0416J		.WASHER	047053	10
110	NAS1149D1432J		.WASHER	047053	2
115	BRC600-8-3GP		.CLIPNUT	047053	6
			SUPPLIER CODE: V52828 SPECIFICATION NUMBER: BACN10YD1G OPTIONAL PART: 130120G V60119		
120	BACN10YLO6		.NUT	047053	1

MISSING ITEM NUMBERS NOT APPLICABLE

- ITEM NOT ILLUSTRATED

HAP

21-51-53-04A

BOEING PROPRIETARY - Copyright © - Unpublished Work - See title page for details.

21-51-53
FIG. 04A
PAGE 1
FEB 15/09

 **BOEING**
737-600/700/800/900
PARTS CATALOG (MAINTENANCE)

FIG ITEM	PART NUMBER	1 2 3 4 5 6 7	NOMENCLATURE	EFFECT FROM TO	UNITS PER ASSY
4 A 125	PLH53CD	.NUT	SUPPLIER CODE: VF0224 SPECIFICATION NUMBER: BACN10YR3CD OPTIONAL PART: H52732-3CD V15653	047053	10
130	PLH54CD	.NUT	SUPPLIER CODE: VF0224 SPECIFICATION NUMBER: BACN10YR4CD OPTIONAL PART: H52732-4CD V15653	047053	5
135	AS5178D10	.NUT		047053	1
140	BACB19F12	.BLOCK		047053	1
145	BACC15AN12	.CLIP		047053	1
150	S258DT6	.CLAMP	SUPPLIER CODE: V18076 SPECIFICATION NUMBER: BACC10DW6D OPTIONAL PART: TA4C44D6T V84971 475-6 V83930 8084D6T V72285 475A6 V83930	047053	47
155	S258DT8	.CLAMP	SUPPLIER CODE: V18076 SPECIFICATION NUMBER: BACC10DW8D OPTIONAL PART: TA4C44D8T V84971 475-8 V83930 8084D8T V72285 475A8 V83930	047053	3

MISSING ITEM NUMBERS NOT APPLICABLE

— ITEM NOT ILLUSTRATED

HAP

21-51-53-04A

BOEING PROPRIETARY - Copyright © - Unpublished Work - See title page for details.

21-51-53
FIG. 04A
PAGE 2
FEB 15/09

BOEING
737-600/700/800/900
PARTS CATALOG (MAINTENANCE)

FIG ITEM	PART NUMBER	1 2 3 4 5 6 7	NOMENCLATURE	EFFECT FROM TO	UNITS PER ASSY
4 A 160	3140AB045E	.CLAMP-	SUPPLIER CODE: V94581 SPECIFICATION NUMBER: BACC10FY045SE OPTIONAL PART: BC1083-045SE V14242 NE103338-045 V8W928 BACC10BN450L5ME	047053	1
160	BACC10BN450L5ME	.CLAMP-	OPTIONAL PART: BACC1010FY045SE	047053	1
165	MS21902W6	.UNION		050053	15
166	MS21902W6	.UNION		047049	10
170	MS21902W8	.UNION		047053	1
175	NAS1762W0606	.ELBOW		047053	4
180	NAS1762W0808	.ELBOW		047053	1
186	MS21916W6-5	.REDUCER		047053	1
193	MS21916W6-4	.ADAPTER		050053	1
195	AFP2162W0606	.ADAPTER-	SUPPLIER CODE: V30974 OPTIONAL PART: 32690 V14397	047053	1
195	32690	.ADAPTER-	SUPPLIER CODE: V14397 OPTIONAL PART: AFP2162W0606 V30974	047053	1

MISSING ITEM NUMBERS NOT APPLICABLE

— ITEM NOT ILLUSTRATED

HAP

21-51-53-04A

BOEING PROPRIETARY - Copyright © - Unpublished Work - See title page for details.

21-51-53
FIG. 04A
PAGE 3
FEB 15/09

BOEING
737-600/700/800/900
PARTS CATALOG (MAINTENANCE)

FIG ITEM	PART NUMBER	1 2 3 4 5 6 7	NOMENCLATURE	EFFECT FROM TO	UNITS PER ASSY
4 A 201	R1131-905		.PACKING SUPPLIER CODE: V57268 SPECIFICATION NUMBER: BACP11K5 OPTIONAL PART: 3-905S383-70 V02697 1090-05 V95272 150701-05 V95272 AS568-905S32 V11314 MAINTENANCE MANUAL REF: 21-51-01 21-51-04	047053	1
206	R1131-906		.PACKING SUPPLIER CODE: V57268 SPECIFICATION NUMBER: BACP11K6 OPTIONAL PART: 3-906S383-70 V02697 1090-06 V95272 150701-06 V95272 AS568-906S32 V11314 MAINTENANCE MANUAL REF: 21-51-04	047053	10
210	R1131-908		.PACKING SUPPLIER CODE: V57268 SPECIFICATION NUMBER: BACP11K8 OPTIONAL PART: 3-908S383-70 V02697 1090-08 V95272 150701-08 V95272 AS568-908S32 V11314 MAINTENANCE MANUAL REF: 21-51-16	047053	1

MISSING ITEM NUMBERS NOT APPLICABLE

— ITEM NOT ILLUSTRATED

HAP

21-51-53-04A

BOEING PROPRIETARY - Copyright © - Unpublished Work - See title page for details.

21-51-53
FIG. 04A
PAGE 4
FEB 15/09

BOEING
737-600/700/800/900
PARTS CATALOG (MAINTENANCE)

FIG ITEM	PART NUMBER	1 2 3 4 5 6 7	NOMENCLATURE	EFFECT FROM TO	UNITS PER ASSY
4 A 213	R1131-904		.PACKING SUPPLIER CODE: V57268 SPECIFICATION NUMBER: BACP11K4 OPTIONAL PART: 3-904S383-70 V02697 1090-04 V95272 150701-04 V95272 AS568-904S32 V11314	050053	1
215	69-28055		.SCREEN-VENT	047053	1
220	2214275-1		.NOZZLE-WATER SPRAY SUPPLIER CODE: V70210 FUNCTIONAL DESCRIPTION: COOLS THE RAM AIR ENTERING THE SECONDARY HEAT EXCHANGER. COMPONENT MAINT MANUAL REF: 21-51-92 MAINTENANCE MANUAL REF: 21-51-16	047053	1
R	225	AS116-06-0152	.HOSE-	047053	1
R	225	AS117-06-0123	.HOSE ASSY-	047053	1
R	225	AS138-06N0130L	.HOSE ASSY-	047053	1
	230	213A1401-49	.TUBE ASSY	047053	1
	235	213A1401-70	.TUBE ASSY	047053	1
	240	213A1401-62	.TUBE ASSY	047053	1
	245	213A1401-72	.TUBE ASSY	047053	1
-	250	AP2097HP06	..SLEEVE SUPPLIER CODE: V01673 SPECIFICATION NUMBER: BACS13BX06HP OPTIONAL PART: 2-02903-06HP V11328 35235VN06 V08199 AFP175V06P V30974 DB0S13BX06HP V14798	047053	2
-	255	BACN10YL06	..NUT	047053	2
	260	213A1401-25	.TUBE ASSY	047053	1

MISSING ITEM NUMBERS NOT APPLICABLE

- ITEM NOT ILLUSTRATED

HAP

21-51-53-04A

BOEING PROPRIETARY - Copyright © - Unpublished Work - See title page for details.

21-51-53
FIG. 04A
PAGE 5
JUN 15/09

BOEING
737-600/700/800/900
PARTS CATALOG (MAINTENANCE)

FIG ITEM	PART NUMBER	1 2 3 4 5 6 7	NOMENCLATURE	EFFECT FROM TO	UNITS PER ASSY
4 A					
265	213A1401-17	.	TUBE ASSY	047053	1
- 270	AP2097HP06	..	SLEEVE	047053	1
			SUPPLIER CODE: V01673		
			SPECIFICATION NUMBER: BACS13BX06HP		
			OPTIONAL PART: 2-02903-06HP		
			V11328		
			35235VN06		
			V08199		
			AFP175V06P		
			V30974		
			DBOS13BX06HP		
			V14798		
- 275	MS21921-6D	..	NUT	047053	1
- 280	35056GV06	..	UNION	047053	1
			SUPPLIER CODE: V08199		
			SPECIFICATION NUMBER: BACU24AB6W		
			OPTIONAL PART: 2-01027-6W		
			V11328		
			31875-6W		
			V14397		
			4671097W6		
			V50948		
			AP1004W06		
			V01673		
			AFP941W6		
			V30974		
			DBOU24AB6W		
			V14798		
285	213A1401-23	.	TUBE ASSY	047053	1
290	213A1401-13	.	TUBE ASSY	047053	1
295	213A1401-15	.	TUBE ASSY	047053	1

MISSING ITEM NUMBERS NOT APPLICABLE

- ITEM NOT ILLUSTRATED

HAP

21-51-53-04A

BOEING PROPRIETARY - Copyright © - Unpublished Work - See title page for details.

21-51-53
FIG. 04A
PAGE 6
JUN 15/09

BOEING
737-600/700/800/900
PARTS CATALOG (MAINTENANCE)

FIG ITEM	PART NUMBER	1 2 3 4 5 6 7	NOMENCLATURE	EFFECT FROM TO	UNITS PER ASSY
4 A					
- 300	AP2097HP06	..	SLEEVE SUPPLIER CODE: V01673 SPECIFICATION NUMBER: BACS13BX06HP OPTIONAL PART: 2-02903-06HP V11328 35235VN06 V08199 AFP175V06P V30974 DBOS13BX06HP V14798	047053	2
- 305	MS21921-6D	..	NUT	047053	2
310	213A1401-3	.	TUBE ASSY	047053	1
- 315	AS1581T06	..	SLEEVE	047053	2
- 320	BACN10YA6L	..	NUT	047053	2
325	213A1401-21	.	TUBE ASSY	047053	1
- 330	AP2097HP08	..	SLEEVE SUPPLIER CODE: V01673 SPECIFICATION NUMBER: BACS13BX08HP OPTIONAL PART: 2-02903-08HP V11328 35235VN08 V08199 AFP175V08P V30974 DBOS13BX08HP V14798	047053	1
- 335	MS21921-8D	..	NUT	047053	1
340	213A1401-59	.	TUBE ASSY	047053	1
345	213A1401-63	.	TUBE ASSY	047053	1
350	213A1401-55	.	TUBE ASSY	047053	1
355	213A1401-56	.	TUBE ASSY	047053	1
360	213A1401-57	.	TUBE ASSY	047053	1
365	213A1401-58	.	TUBE ASSY	047053	1

MISSING ITEM NUMBERS NOT APPLICABLE

- ITEM NOT ILLUSTRATED

HAP

21-51-53-04A

BOEING PROPRIETARY - Copyright © - Unpublished Work - See title page for details.

21-51-53
FIG. 04A
PAGE 7
JUN 15/09

BOEING
737-600/700/800/900
PARTS CATALOG (MAINTENANCE)

FIG ITEM	PART NUMBER	1 2 3 4 5 6 7	NOMENCLATURE	EFFECT FROM TO	UNITS PER ASSY
4 A - 370	AP2097HP06	..	SLEEVE SUPPLIER CODE: V01673 SPECIFICATION NUMBER: BACS13BX06HP OPTIONAL PART: 2-02903-06HP V11328 35235VN06 V08199 AFP175V06P V30974 DBOS13BX06HP V14798	047053	1
- 375	BACN10YL06	..	NUT	047053	1
- 380	35056GV06	..	UNION SUPPLIER CODE: V08199 SPECIFICATION NUMBER: BACU24AB6W OPTIONAL PART: 2-01027-6W V11328 31875-6W V14397 4671097W6 V50948 AP1004W06 V01673 AFP941W6 V30974 DBOU24AB6W V14798	047053	1

MISSING ITEM NUMBERS NOT APPLICABLE

- ITEM NOT ILLUSTRATED

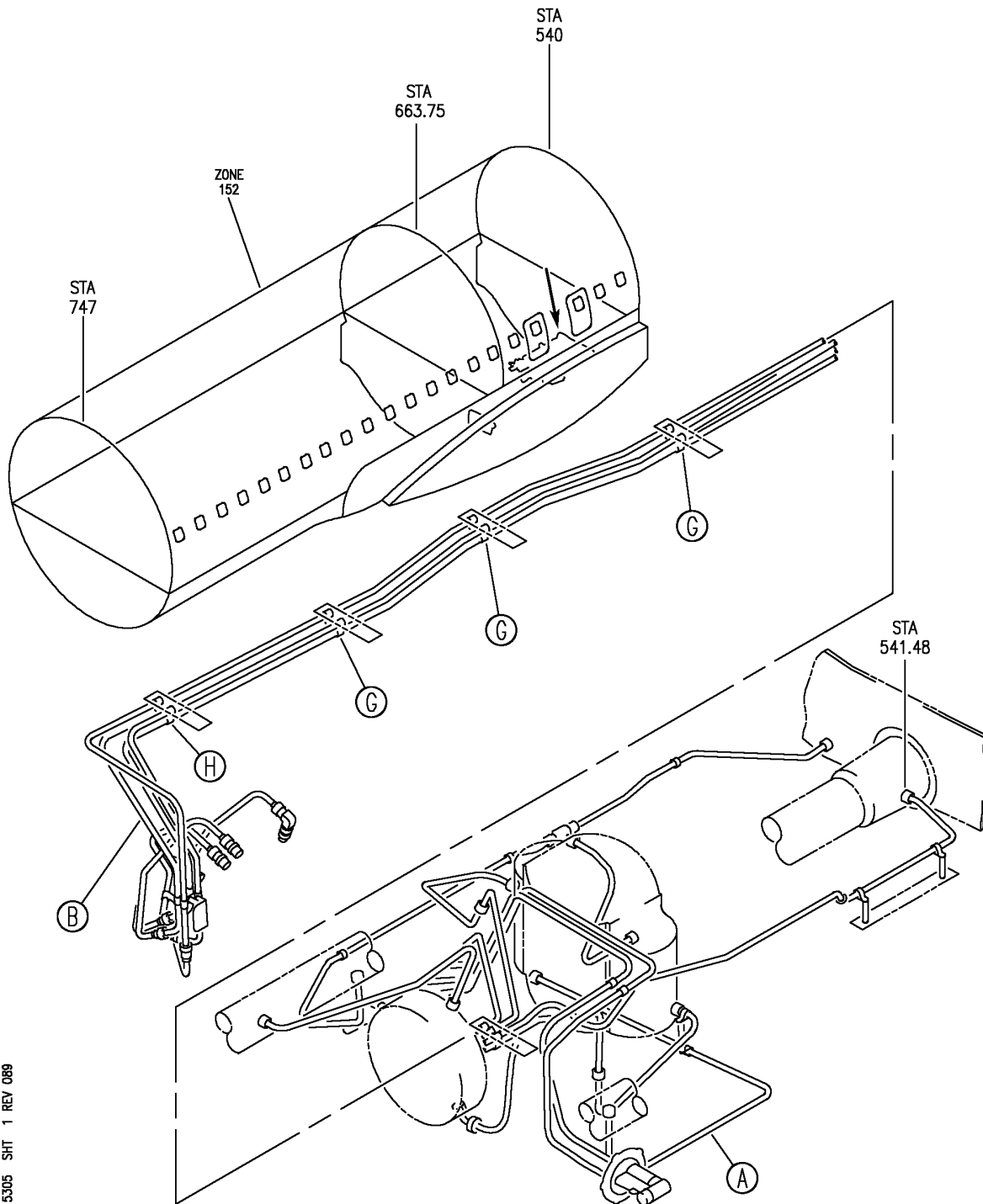
HAP

21-51-53-04A

BOEING PROPRIETARY - Copyright © - Unpublished Work - See title page for details.

21-51-53
FIG. 04A
PAGE 8
JUN 15/09

BOEING
 737-600/700/800/900
 PARTS CATALOG (MAINTENANCE)



E 21515305 SHT 1 REV 089

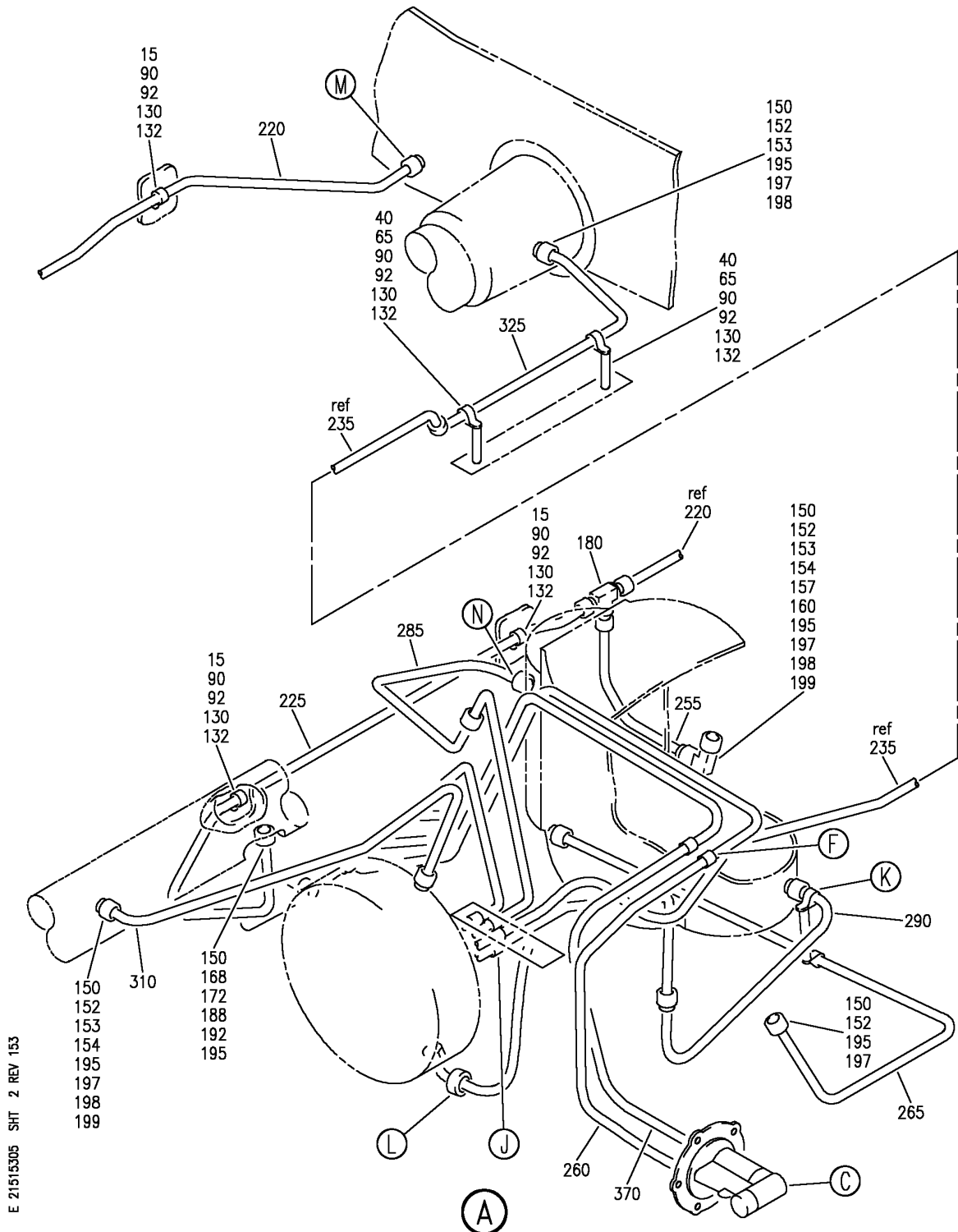
SENSE LINE INSTL-R SIDE AIR CONDITIONING PACK
 FIGURE 5 (SHEET 1)

21-51-53-05

HAP
 OCT 10/06

21-51-53-05
 PAGE 0

BOEING
 737-600/700/800/900
 PARTS CATALOG (MAINTENANCE)



E 21515305 SHT 2 REV 153

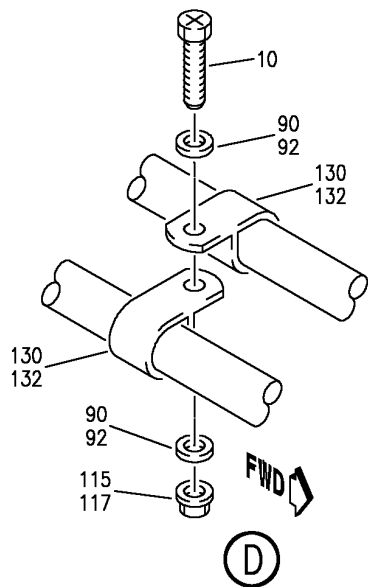
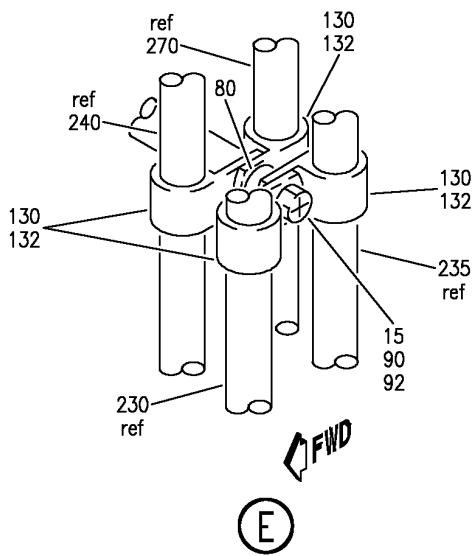
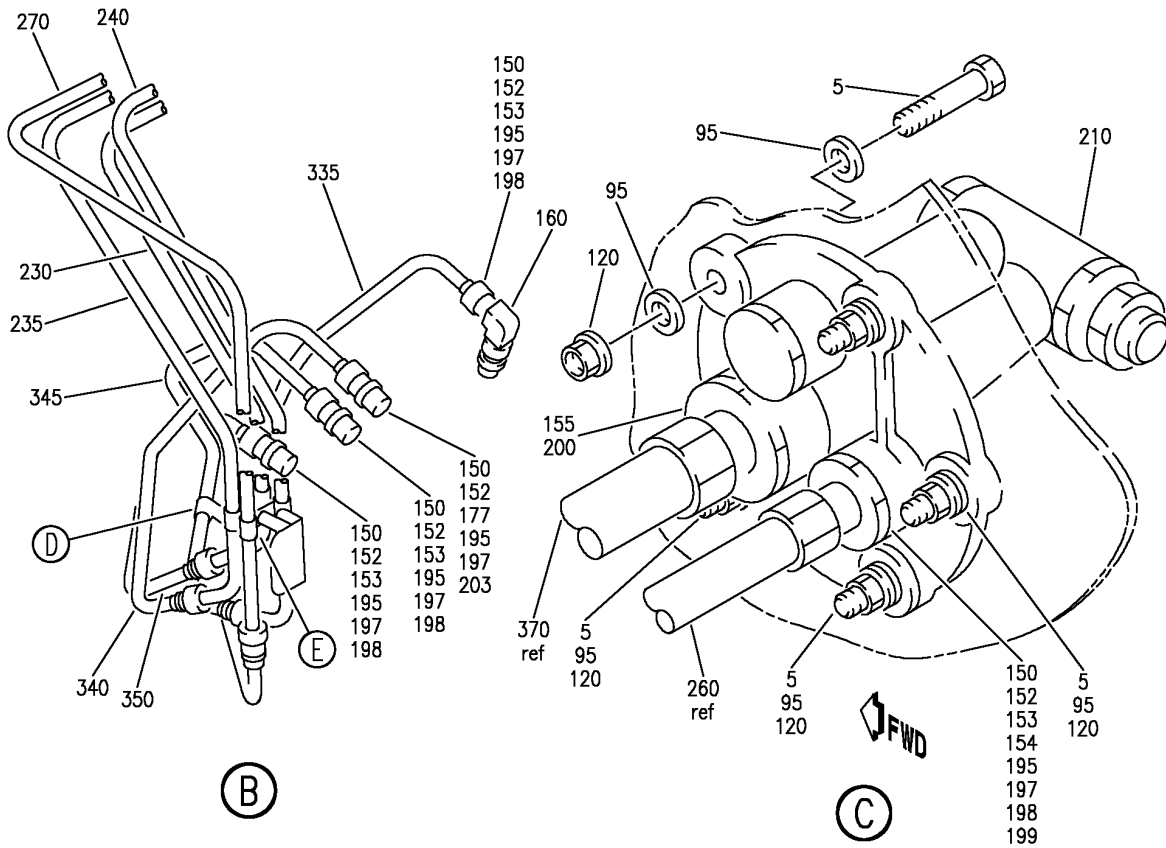
SENSE LINE INSTL-R SIDE AIR CONDITIONING PACK
 FIGURE 5 (SHEET 2)

21-51-53-05

HAP
 JUN 15/09

21-51-53-05
 PAGE 0A

BOEING
737-600/700/800/900
PARTS CATALOG (MAINTENANCE)



E 21515305 SHT 3 REV 153

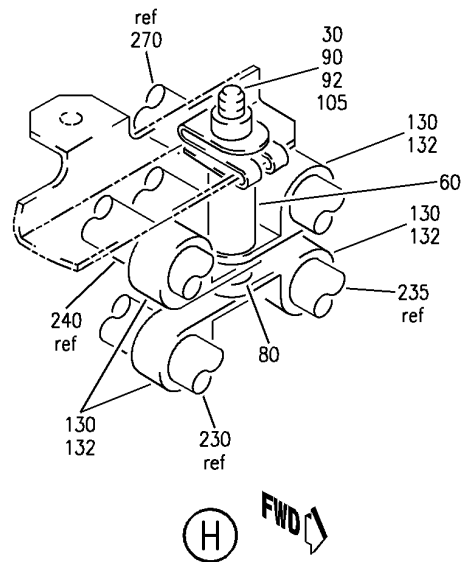
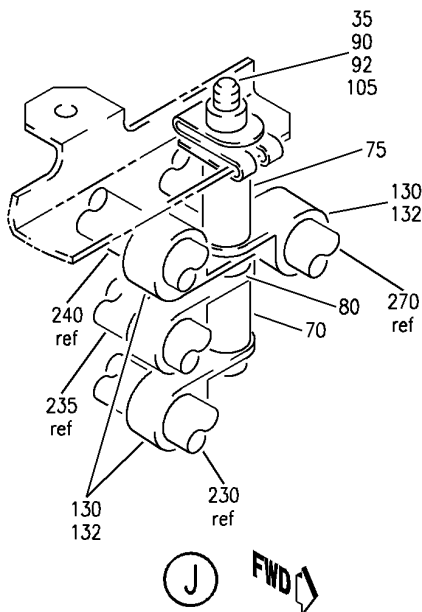
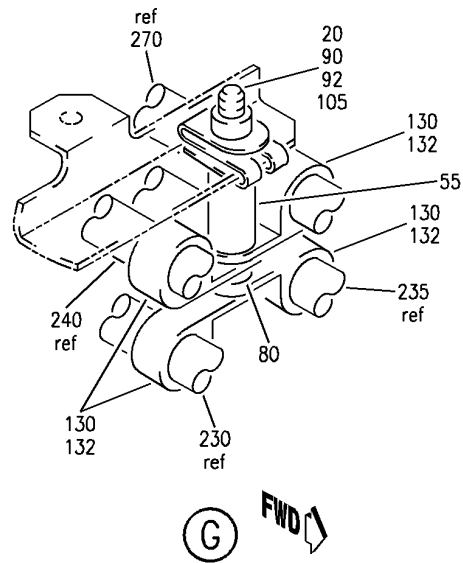
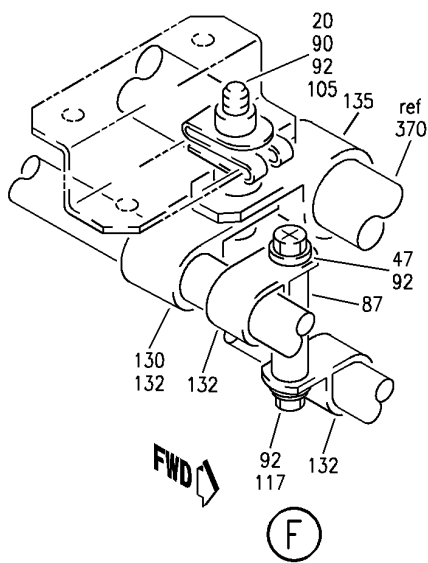
SENSE LINE INSTL-R SIDE AIR CONDITIONING PACK
 FIGURE 5 (SHEET 3)

21-51-53-05

HAP
 JUN 15/09

21-51-53-05
 PAGE 0B


BOEING
 737-600/700/800/900
PARTS CATALOG (MAINTENANCE)



E 21515305 SH4 4 REV 111

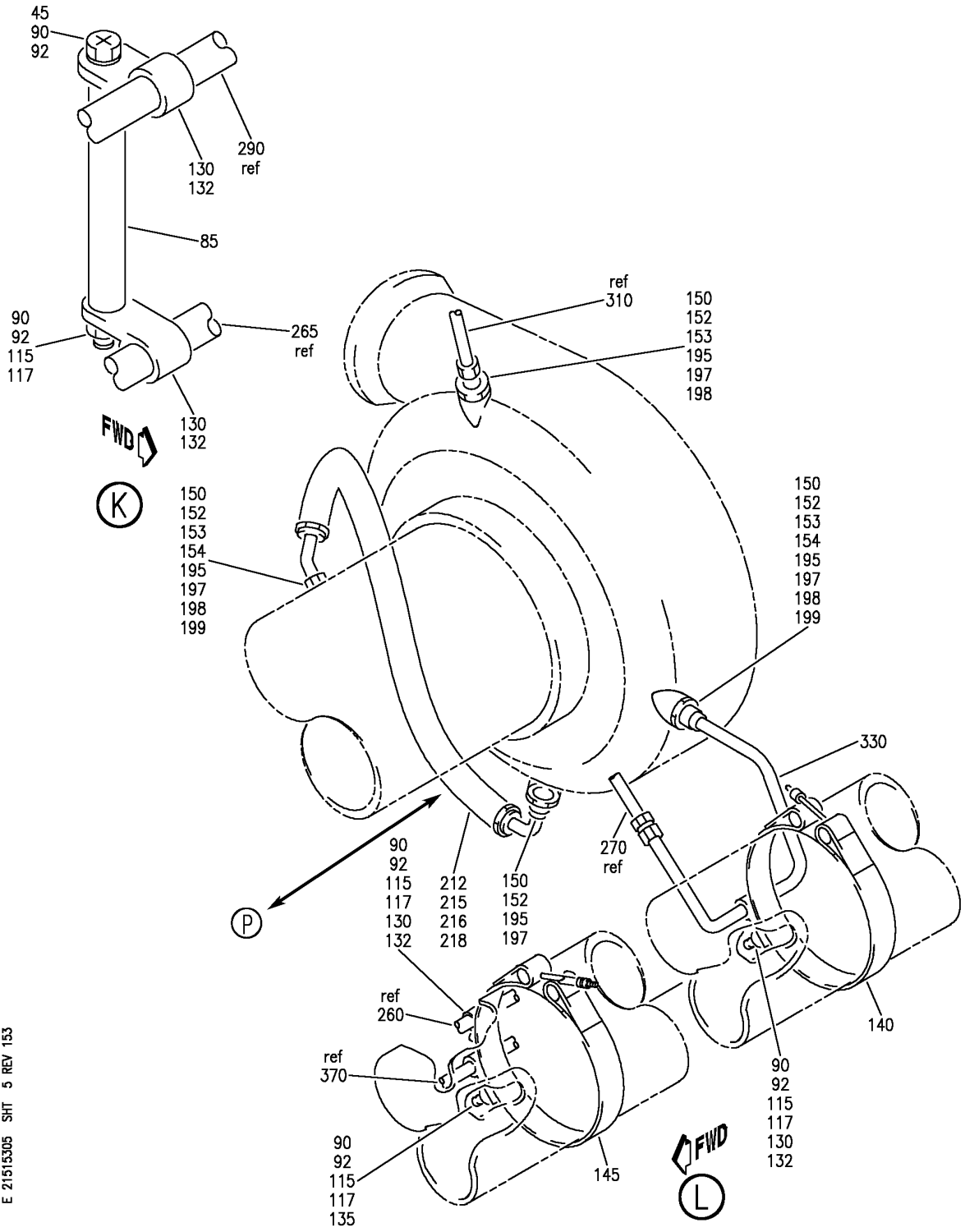
SENSE LINE INSTL-R SIDE AIR CONDITIONING PACK
 FIGURE 5 (SHEET 4)

21-51-53-05

HAP
OCT 10/06

21-51-53-05
 PAGE 0C

BOEING
737-600/700/800/900
PARTS CATALOG (MAINTENANCE)



E 21515305 SHT 5 REV 153

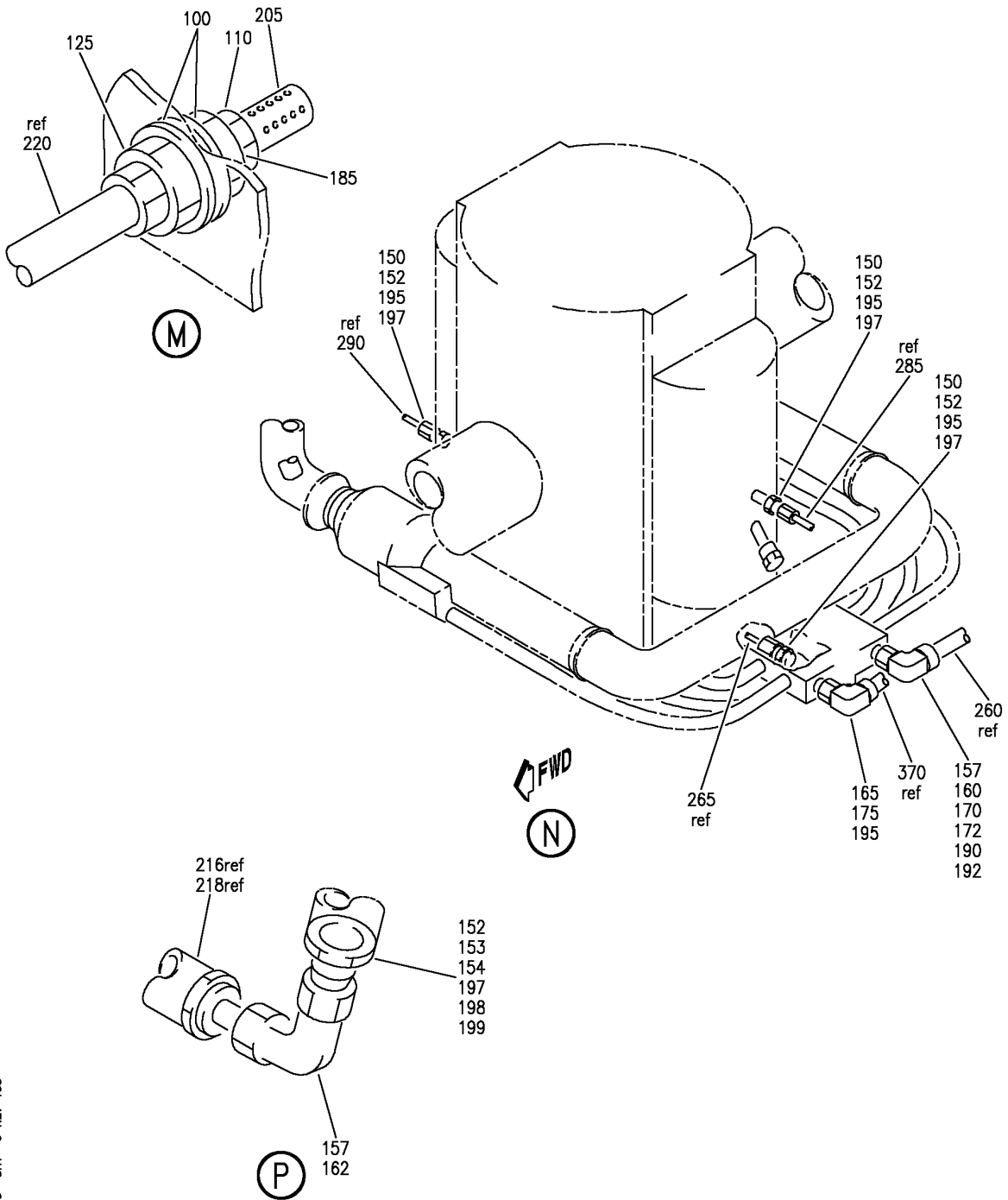
SENSE LINE INSTL-R SIDE AIR CONDITIONING PACK
 FIGURE 5 (SHEET 5)

21-51-53-05

HAP
 JUN 15/09

21-51-53-05
 PAGE 0D


BOEING
 737-600/700/800/900
PARTS CATALOG (MAINTENANCE)



E 21515305 SH1 6 REV 153

SENSE LINE INSTL-R SIDE AIR CONDITIONING PACK
 FIGURE 5 (SHEET 6)

21-51-53-05

HAP
JUN 15/09

21-51-53-05
 PAGE 0E

BOEING
737-600/700/800/900
PARTS CATALOG (MAINTENANCE)

FIG ITEM	PART NUMBER	1 2 3 4 5 6 7	NOMENCLATURE	EFFECT FROM TO	UNITS PER ASSY
R R	5		SENSE LINE INSTL-R SIDE AIR CONDITIONING PACK	031100	
	- 1	MODREF270563	SENSE LINE INSTL-AIR CONDITIONING PACK MODULE NUMBER: 213A1004-10 REV D POSITION DATA: R SIDE	031038	1
	- 1	MODREF324552	SENSE LINE INSTL-AIR CONDITIONING PACK MODULE NUMBER: 213A1004-10 REV E POSITION DATA: R SIDE	039046 054100	1
	- 1	MODREF377405	SENSE LINE INSTL-AIR CONDITIONING PACK MODULE NUMBER: 213A1004-10 REV G POSITION DATA: R SIDE	047049	1
	- 1	MODREF397695	SENSE LINE INSTL-AIR CONDITIONING PACK MODULE NUMBER: 213A1004-10 REV H POSITION DATA: R SIDE	050053	1
	5	BACB30NR4K5	.BOLT	031100	5
	10	BACS12GU3K7	.SCREW	031100	1
	15	BACS12GU3K11	.SCREW	031100	4
	20	BACS12GU3K17	.SCREW	031100	1
	25	BACS12GU3K29	.SCREW	031100	3
30	BACS12GU3K33	.SCREW	031100	1	
35	BACS12GU3K39	.SCREW	031100	1	
40	BACS12GU3K42	.SCREW	031100	2	
45	BACS12GU3K50	.SCREW	031100	1	
47	BACS12GU3K25	.SCREW	031100	1	
50	BACS18K10-31W	.SPACER	031100	1	
55	BACS18K10-63W	.SPACER	031100	3	
60	BACS18K10-77W	.SPACER	031100	1	
65	BACS18K10-128W	.SPACER	031100	2	
70	NAS42DD6-37FC	.SPACER	031100	1	
75	NAS42DD6-64FC	.SPACER	031100	1	
80	NAS43DD3-8FC	.SPACER	031100	6	
85	NAS43DD3-171FC	.SPACER	031100	1	
87	NAS43DD3-73FC	.SPACER	031100	1	
92	NAS1149D0332J	.WASHER	031100	21	
95	NAS1149D0416J	.WASHER	031100	10	
100	NAS1149D1432J	.WASHER	031100	2	

MISSING ITEM NUMBERS NOT APPLICABLE

- ITEM NOT ILLUSTRATED

HAP

21-51-53-05

21-51-53
FIG. 05
PAGE 1
JUN 15/09

BOEING
737-600/700/800/900
PARTS CATALOG (MAINTENANCE)

FIG ITEM	PART NUMBER	1 2 3 4 5 6 7	NOMENCLATURE	EFFECT FROM TO	UNITS PER ASSY
5 105	BRC600-8-3GP	.CLIPNUT	SUPPLIER CODE: V52828 SPECIFICATION NUMBER: BACN10YD1G OPTIONAL PART: 130120G V60119	031100	6
110	BACN10YLO6	.NUT		031100	1
117	PLH53CD	.NUT	SUPPLIER CODE: VF0224 SPECIFICATION NUMBER: BACN10YR3CD OPTIONAL PART: H52732-3CD V15653	031100	6
120	PLH54CD	.NUT	SUPPLIER CODE: VF0224 SPECIFICATION NUMBER: BACN10YR4CD OPTIONAL PART: H52732-4CD V15653	031100	5
125	AS5178D10	.NUT		031100	1
132	S258DT6	.CLAMP	SUPPLIER CODE: V18076 SPECIFICATION NUMBER: BACC10DW6D OPTIONAL PART: TA4C44D6T V84971 475-6 V83930 8084D6T V72285 475A6 V83930	031100	38

MISSING ITEM NUMBERS NOT APPLICABLE

— ITEM NOT ILLUSTRATED

HAP

21-51-53-05

BOEING PROPRIETARY - Copyright © - Unpublished Work - See title page for details.

21-51-53
FIG. 05
PAGE 2
FEB 15/09

BOEING
737-600/700/800/900
PARTS CATALOG (MAINTENANCE)

FIG ITEM	PART NUMBER	1 2 3 4 5 6 7	NOMENCLATURE	EFFECT FROM TO	UNITS PER ASSY
5					
135	S258DT8	.	CLAMP SUPPLIER CODE: V18076 SPECIFICATION NUMBER: BACC10DW8D OPTIONAL PART: TA4C44D8T V84971 475-8 V83930 8084D8T V72285 475A8 V83930	031100	2
140	BACC10GW0300-1E	.	CLAMP	031100	1
145	BACC10GW0300-2E	.	CLAMP	031100	1
152	MS21902W6	.	UNION	031046	16
				054100	
153	MS21902W6	.	UNION	047049	11
155	MS21902W8	.	UNION	031100	1
160	NAS1762W0606	.	ELBOW	031100	3
162	NAS1762W0606	.	ELBOW	039100	1
165	NAS1762W0808	.	ELBOW	031100	1
168	MS21916W6-5	.	REDUCER	047053	1
172	MS21916W6-5	.	REDUCER	031046	2
				054100	
175	MS21916W8-6	.	REDUCER	031100	1
177	MS21916W6-4	.	ADAPTER	050053	1
180	MS21905W6	.	TEE	031100	1
185	AFP2162W0606	.	ADAPTER- SUPPLIER CODE: V30974 OPTIONAL PART: 32690 V14397	031100	1
185	32690	.	ADAPTER- SUPPLIER CODE: V14397 OPTIONAL PART: AFP2162W0606 V30974	031100	1

MISSING ITEM NUMBERS NOT APPLICABLE

— ITEM NOT ILLUSTRATED

HAP

21-51-53-05

BOEING PROPRIETARY - Copyright © - Unpublished Work - See title page for details.

21-51-53
FIG. 05
PAGE 3
FEB 15/09

BOEING
737-600/700/800/900
PARTS CATALOG (MAINTENANCE)

FIG ITEM	PART NUMBER	1 2 3 4 5 6 7	NOMENCLATURE	EFFECT FROM TO	UNITS PER ASSY
5 188	R1131-905		.PACKING SUPPLIER CODE: V57268 SPECIFICATION NUMBER: BACP11K5 OPTIONAL PART: 3-905S383-70 V02697 1090-05 V95272 150701-05 V95272 AS568-905S32 V11314	047053	1
192	R1131-905		.PACKING SUPPLIER CODE: V57268 SPECIFICATION NUMBER: BACP11K5 OPTIONAL PART: 3-905S383-70 V02697 1090-05 V95272 150701-05 V95272 AS568-905S32 V11314	031046 054100	2
197	R1131-906		.PACKING SUPPLIER CODE: V57268 SPECIFICATION NUMBER: BACP11K6 OPTIONAL PART: 3-906S383-70 V02697 1090-06 V95272 150701-06 V95272 AS568-906S32 V11314 MAINTENANCE MANUAL REF: 21-51-04 21-51-07 21-51-11 21-51-16 21-62-01	031046 054100	17

MISSING ITEM NUMBERS NOT APPLICABLE

— ITEM NOT ILLUSTRATED

HAP

21-51-53-05

BOEING PROPRIETARY - Copyright © - Unpublished Work - See title page for details.

21-51-53
FIG. 05
PAGE 4
FEB 15/09

BOEING
737-600/700/800/900
PARTS CATALOG (MAINTENANCE)

FIG ITEM	PART NUMBER	1 2 3 4 5 6 7	NOMENCLATURE	EFFECT FROM TO	UNITS PER ASSY
5 198	R1131-906		.PACKING SUPPLIER CODE: V57268 SPECIFICATION NUMBER: BACP11K6 OPTIONAL PART: 3-906S383-70 V02697 1090-06 V95272 150701-06 V95272 AS568-906S32 V11314	047049	11
200	R1131-908		.PACKING SUPPLIER CODE: V57268 SPECIFICATION NUMBER: BACP11K8 OPTIONAL PART: 3-908S383-70 V02697 1090-08 V95272 150701-08 V95272 AS568-908S32 V11314 MAINTENANCE MANUAL REF: 21-51-16	031100	1
203	R1131-904		.PACKING SUPPLIER CODE: V57268 SPECIFICATION NUMBER: BACP11K4 OPTIONAL PART: 3-904S383-70 V02697 1090-04 V95272 150701-04 V95272 AS568-904S32 V11314	050053	1
205	69-28055		.SCREEN-VENT	031100	1

MISSING ITEM NUMBERS NOT APPLICABLE

— ITEM NOT ILLUSTRATED

HAP

21-51-53-05

BOEING PROPRIETARY - Copyright © - Unpublished Work - See title page for details.

21-51-53
FIG. 05
PAGE 5
FEB 15/09

BOEING
737-600/700/800/900
PARTS CATALOG (MAINTENANCE)

FIG ITEM	PART NUMBER	1 2 3 4 5 6 7	NOMENCLATURE	EFFECT FROM TO	UNITS PER ASSY
5					
210	2214275-1		.NOZZLE-WATER SPRAY SUPPLIER CODE: V70210 FUNCTIONAL DESCRIPTION: COOLS THE RAM AIR ENTERING THE SECONDARY HEAT EXCHANGER. COMPONENT MAINT MANUAL REF: 21-51-92 MAINTENANCE MANUAL REF: 21-51-16	031100	1
212	213A1004-12		.HOSE ASSY- OPTIONAL PART: 213A1004-13	031038	1
212	213A1004-13		.HOSE ASSY- OPTIONAL PART: 213A1004-12 AS141G0120N045L	031038	1
- 213	NAS1762W0606		..ELBOW	031038	1
R - 214	AS138-06N0130L		..HOSE ASSY- USED ON: 213A1004-12	031038	1
R - 214	AS117-06-0123		..HOSE ASSY- USED ON: 213A1004-13	031038	1
R - 214	AS116-06-0152		..HOSE-	031038	1
R 215	AS141G0120N045L		.HOSE ASSY- OPTIONAL PART: 213A1004-13	031038	1
R 216	AS138-06N0130L		.HOSE ASSY-	039100	1
R 218	AS117-06-0123		.HOSE ASSY-	039100	1
R 218	AS116-06-0152		.HOSE-	039100	1
220	213A1401-10		.TUBE ASSY	031100	1
225	213A1401-8		.TUBE ASSY	031100	1
230	213A1401-30		.TUBE ASSY	031100	1
235	213A1401-34		.TUBE ASSY	031100	1
240	213A1401-36		.TUBE ASSY	031100	1

MISSING ITEM NUMBERS NOT APPLICABLE

- ITEM NOT ILLUSTRATED

HAP

21-51-53-05

BOEING PROPRIETARY - Copyright © - Unpublished Work - See title page for details.

21-51-53
FIG. 05
PAGE 6
JUN 15/09

BOEING
737-600/700/800/900
PARTS CATALOG (MAINTENANCE)

FIG ITEM	PART NUMBER	1 2 3 4 5 6 7	NOMENCLATURE	EFFECT FROM TO	UNITS PER ASSY
5					
- 245	AP2097HP06	..	SLEEVE SUPPLIER CODE: V01673 SPECIFICATION NUMBER: BACS13BX06HP OPTIONAL PART: 2-02903-06HP V11328 35235VN06 V08199 AFP175V06P V30974 DBOS13BX06HP V14798	031100	2
- 250	MS21921-6D	..	NUT	031100	2
255	213A1401-71	.TUBE	ASSY-	031100	1
260	213A1401-60	.TUBE	ASSY	031100	1
265	213A1401-69	.TUBE	ASSY-	031100	1
270	213A1401-67	.TUBE	ASSY	031100	1
- 275	AP2097HP06	..	SLEEVE SUPPLIER CODE: V01673 SPECIFICATION NUMBER: BACS13BX06HP OPTIONAL PART: 2-02903-06HP V11328 35235VN06 V08199 AFP175V06P V30974 DBOS13BX06HP V14798	031100	2
- 280	BACN10YL06	..	NUT	031100	2
285	213A1401-28	.TUBE	ASSY	031100	1
290	213A1401-18	.TUBE	ASSY	031100	1

MISSING ITEM NUMBERS NOT APPLICABLE

- ITEM NOT ILLUSTRATED

HAP

21-51-53-05

BOEING PROPRIETARY - Copyright © - Unpublished Work - See title page for details.

21-51-53
FIG. 05
PAGE 7
JUN 15/09

BOEING
737-600/700/800/900
PARTS CATALOG (MAINTENANCE)

FIG ITEM	PART NUMBER	1 2 3 4 5 6 7	NOMENCLATURE	EFFECT FROM TO	UNITS PER ASSY
5					
- 295	AP2097HP06	..	SLEEVE SUPPLIER CODE: V01673 SPECIFICATION NUMBER: BACS13BX06HP OPTIONAL PART: 2-02903-06HP V11328 35235VN06 V08199 AFP175V06P V30974 DBOS13BX06HP V14798	031100	1
- 300	MS21921-6D	..	NUT	031100	1
- 305	35056GV06	..	UNION SUPPLIER CODE: V08199 SPECIFICATION NUMBER: BACU24AB6W OPTIONAL PART: 2-01027-6W V11328 31875-6W V14397 4671097W6 V50948 AP1004W06 V01673 AFP941W6 V30974 DBOU24AB6W V14798	031100	1
310	213A1401-4	.	TUBE ASSY	031100	1
- 315	AS1581T06	..	SLEEVE	031100	2
- 320	BACN10YA6L	..	NUT	031100	2
325	213A1401-54	.	TUBE ASSY	031100	1
330	213A1401-65	.	TUBE ASSY	031100	1
335	213A1401-50	.	TUBE ASSY	031100	1
340	213A1401-51	.	TUBE ASSY	031100	1
345	213A1401-52	.	TUBE ASSY	031100	1
350	213A1401-53	.	TUBE ASSY	031100	1

MISSING ITEM NUMBERS NOT APPLICABLE

- ITEM NOT ILLUSTRATED

HAP

21-51-53-05

BOEING PROPRIETARY - Copyright © - Unpublished Work - See title page for details.

21-51-53
FIG. 05
PAGE 8
JUN 15/09

BOEING
737-600/700/800/900
PARTS CATALOG (MAINTENANCE)

FIG ITEM	PART NUMBER	1 2 3 4 5 6 7	NOMENCLATURE	EFFECT FROM TO	UNITS PER ASSY
5 - 355	AP2097HP06	..	SLEEVE SUPPLIER CODE: V01673 SPECIFICATION NUMBER: BACS13BX06HP OPTIONAL PART: 2-02903-06HP V11328 35235VN06 V08199 AFP175V06P V30974 DBOS13BX06HP V14798	031100	1
- 360	BACN10YLO6	..	NUT	031100	1
- 365	35056GV06	..	UNION SUPPLIER CODE: V08199 SPECIFICATION NUMBER: BACU24AB6W OPTIONAL PART: 2-01027-6W V11328 31875-6W V14397 4671097W6 V50948 AP1004W06 V01673 AFP941W6 V30974 DBOU24AB6W V14798	031100	1
370	213A1401-61	.	TUBE ASSY	031100	1
- 375	AP2097HP08	..	SLEEVE SUPPLIER CODE: V01673 SPECIFICATION NUMBER: BACS13BX08HP OPTIONAL PART: 2-02903-08HP V11328 35235VN08 V08199 AFP175V08P V30974 DBOS13BX08HP V14798	031100	2
- 380	BACN10YLO8	..	NUT	031100	2

MISSING ITEM NUMBERS NOT APPLICABLE

- ITEM NOT ILLUSTRATED

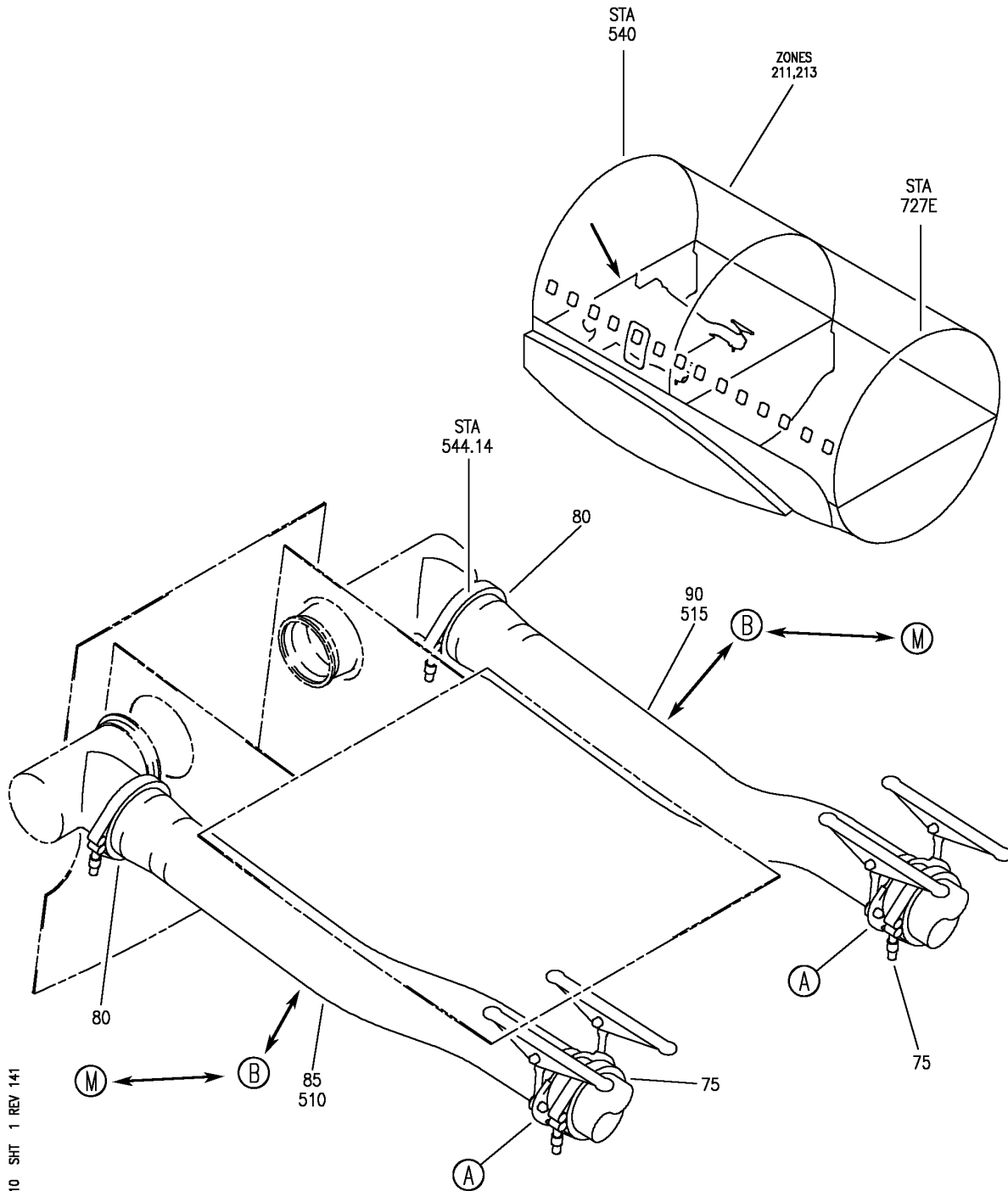
HAP

21-51-53-05

BOEING PROPRIETARY - Copyright © - Unpublished Work - See title page for details.

21-51-53
FIG. 05
PAGE 9
JUN 15/09

BOEING
 737-600/700/800/900
 PARTS CATALOG (MAINTENANCE)



E 21515310 SHT 1 REV 141

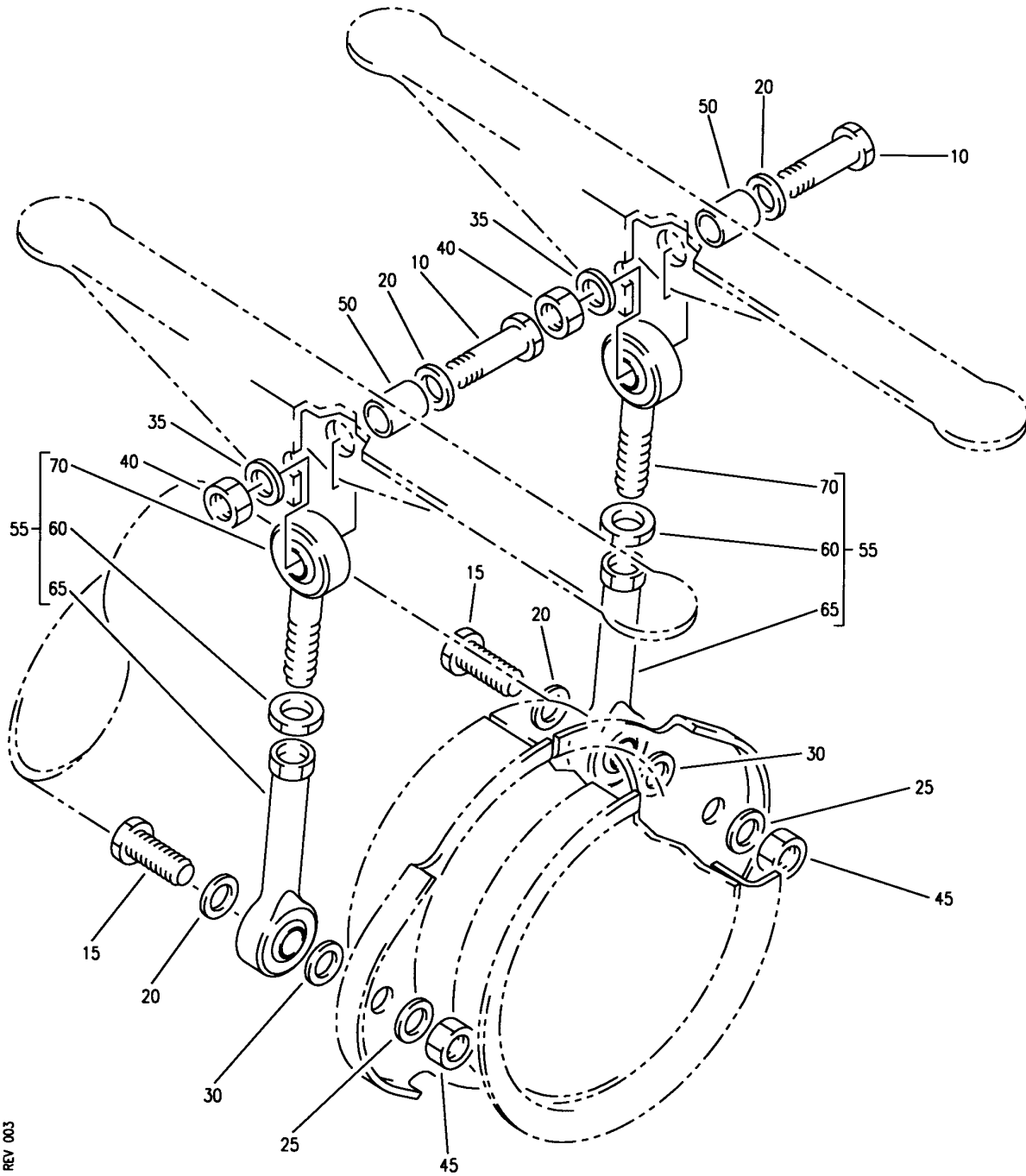
DUCT INSTL-PACK BAY AIR SUPPLY
 FIGURE 10 (SHEET 1)

21-51-53-10

HAP
 JUN 15/08

21-51-53-10
 PAGE 0

BOEING
737-600/700/800/900
PARTS CATALOG (MAINTENANCE)



E 21-51-53-10 SHT 2 REV 003

(A)

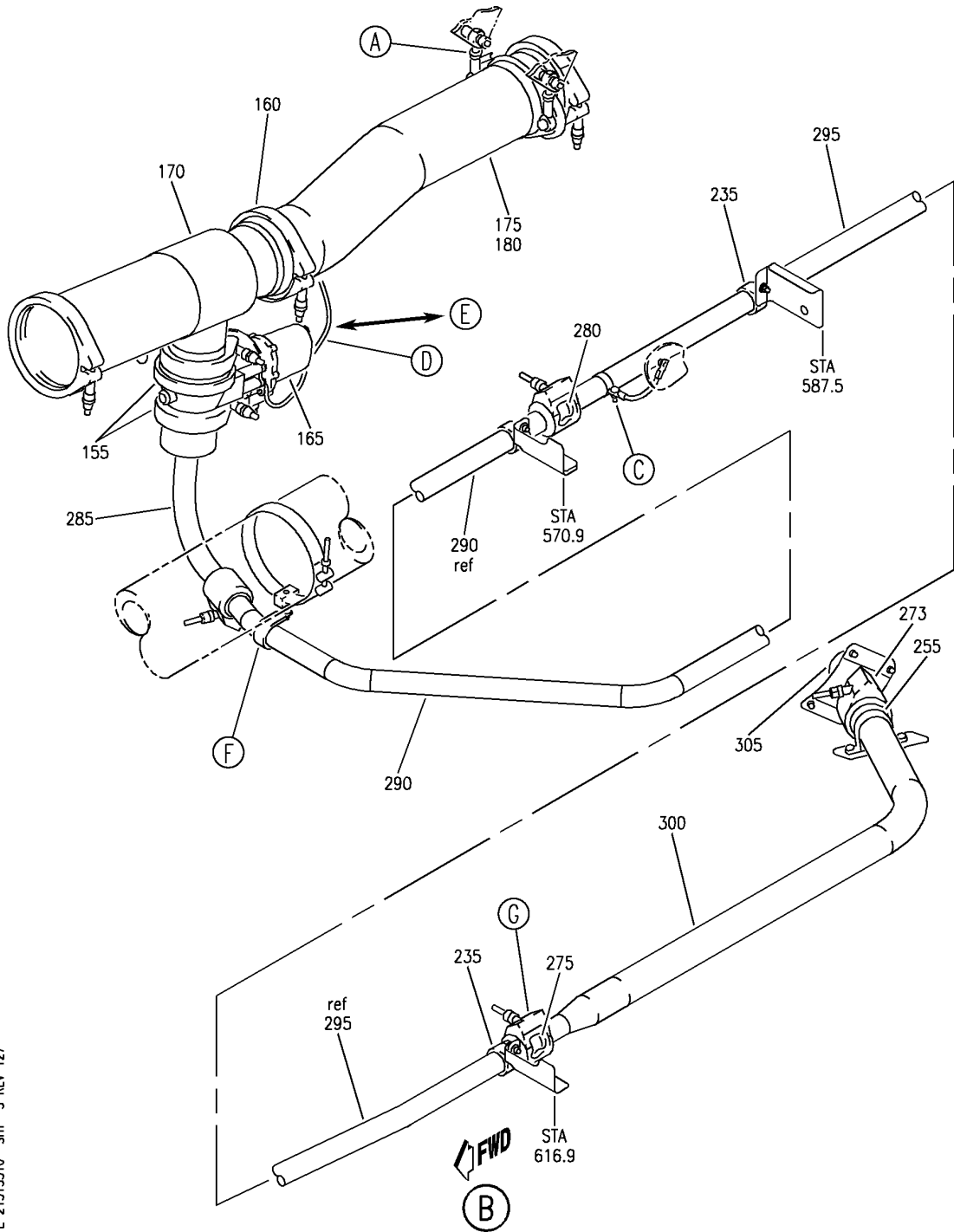
DUCT INSTL-PACK BAY AIR SUPPLY
FIGURE 10 (SHEET 2)

21-51-53-10

HAP
OCT 10/06

21-51-53-10
PAGE 0A

BOEING
 737-600/700/800/900
 PARTS CATALOG (MAINTENANCE)



E 21515310 SHT 3 REV 127

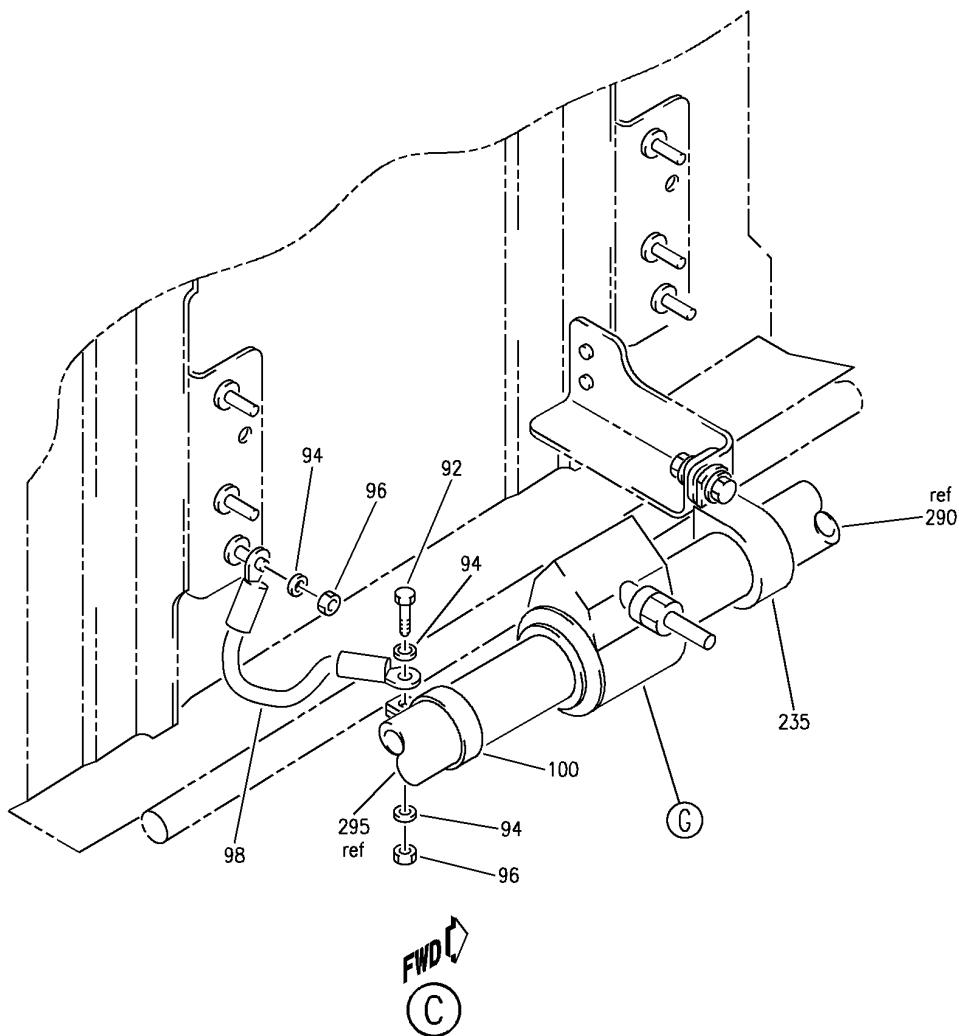
DUCT INSTL-PACK BAY AIR SUPPLY
 FIGURE 10 (SHEET 3)

21-51-53-10

HAP
 FEB 10/07

21-51-53-10
 PAGE 0B

BOEING
 737-600/700/800/900
 PARTS CATALOG (MAINTENANCE)



E 21515310 SH 4 REV 127

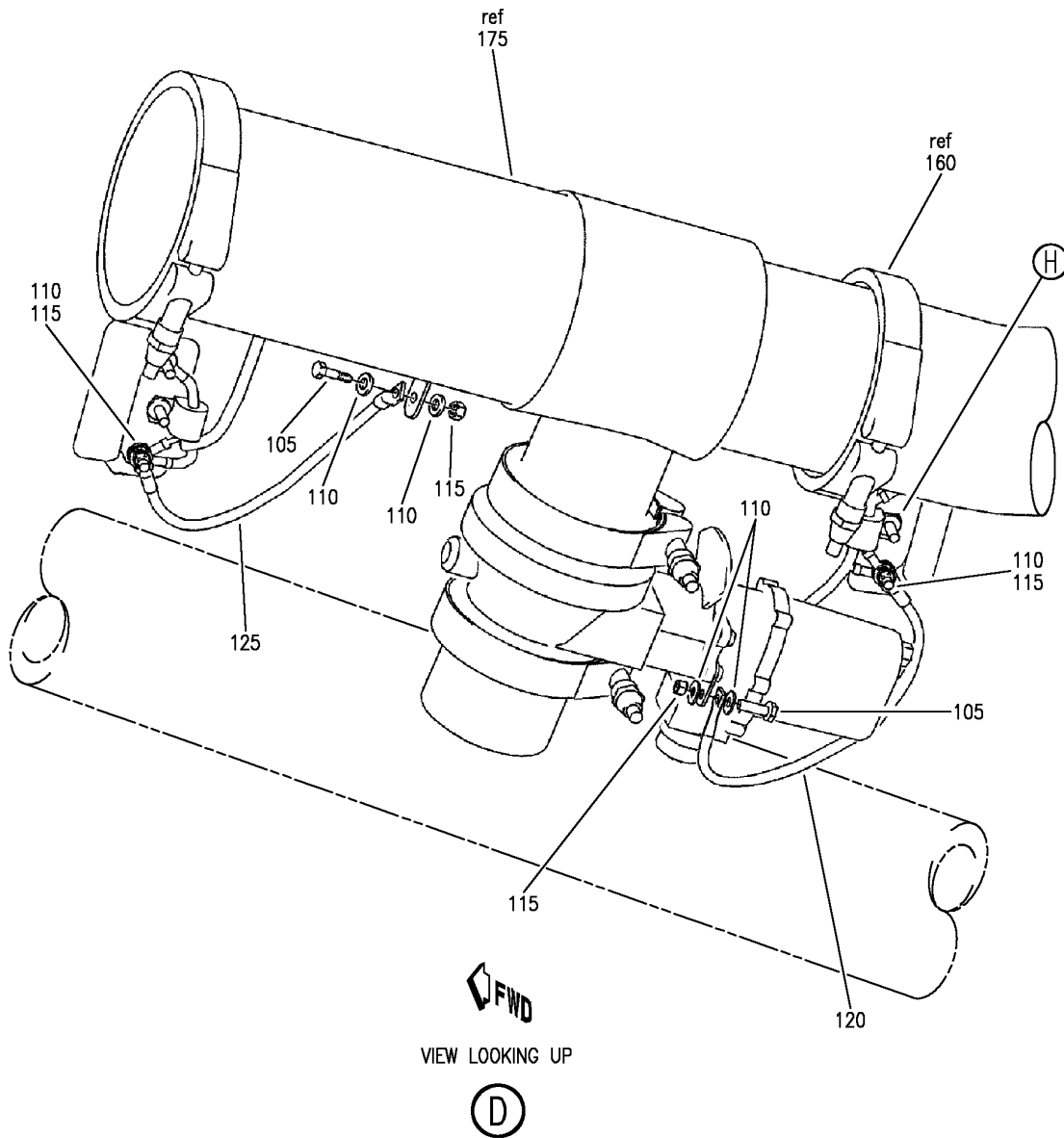
DUCT INSTL-PACK BAY AIR SUPPLY
 FIGURE 10 (SHEET 4)

21-51-53-10

HAP
 FEB 10/07

21-51-53-10
 PAGE 0C

BOEING
737-600/700/800/900
PARTS CATALOG (MAINTENANCE)



E 21515310 SH1 5 REV 127

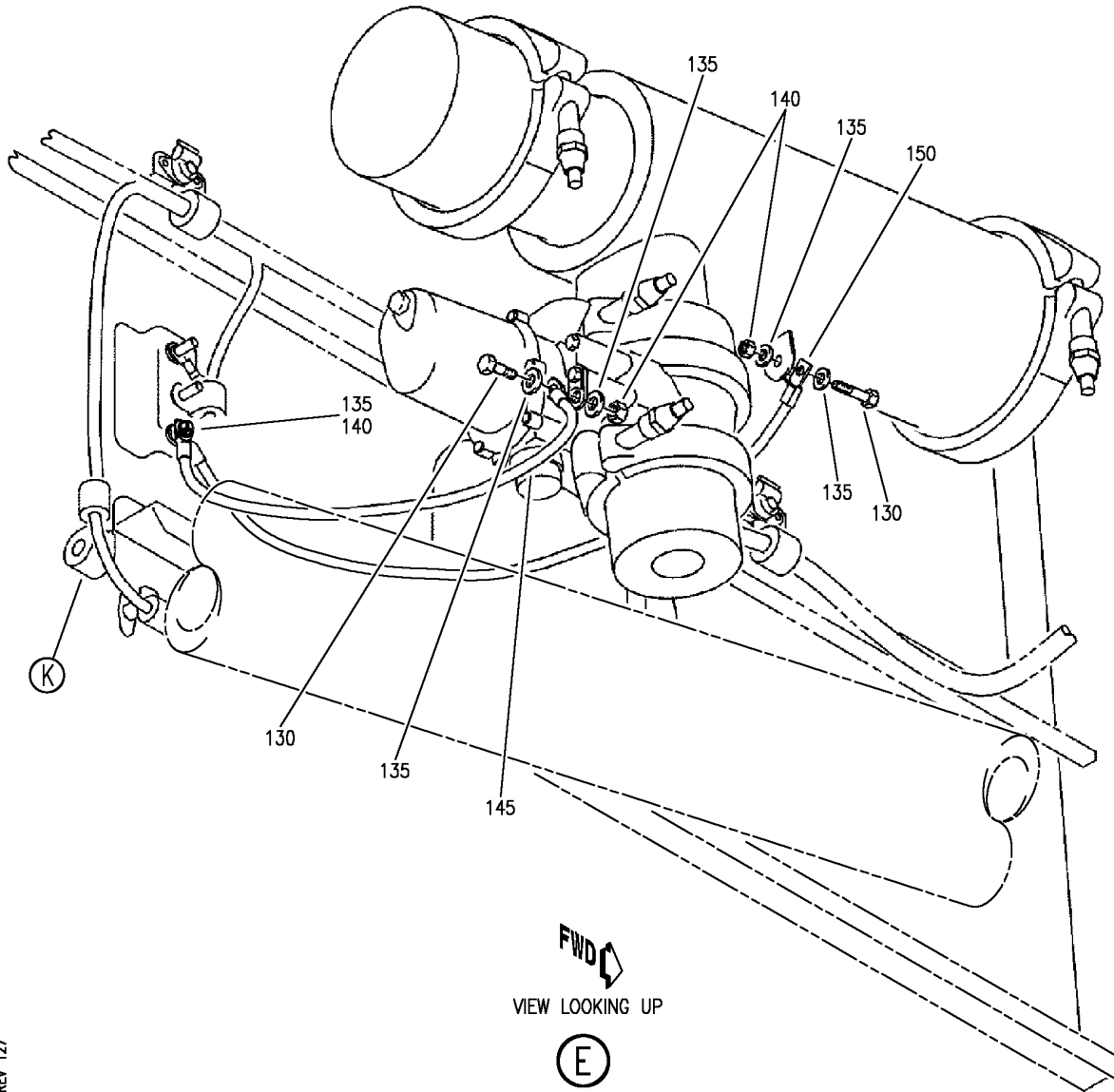
DUCT INSTL-PACK BAY AIR SUPPLY
FIGURE 10 (SHEET 5)

21-51-53-10

HAP
FEB 10/07

21-51-53-10
PAGE 0D

BOEING
737-600/700/800/900
PARTS CATALOG (MAINTENANCE)



E 21515310 SH1 6 REV 127

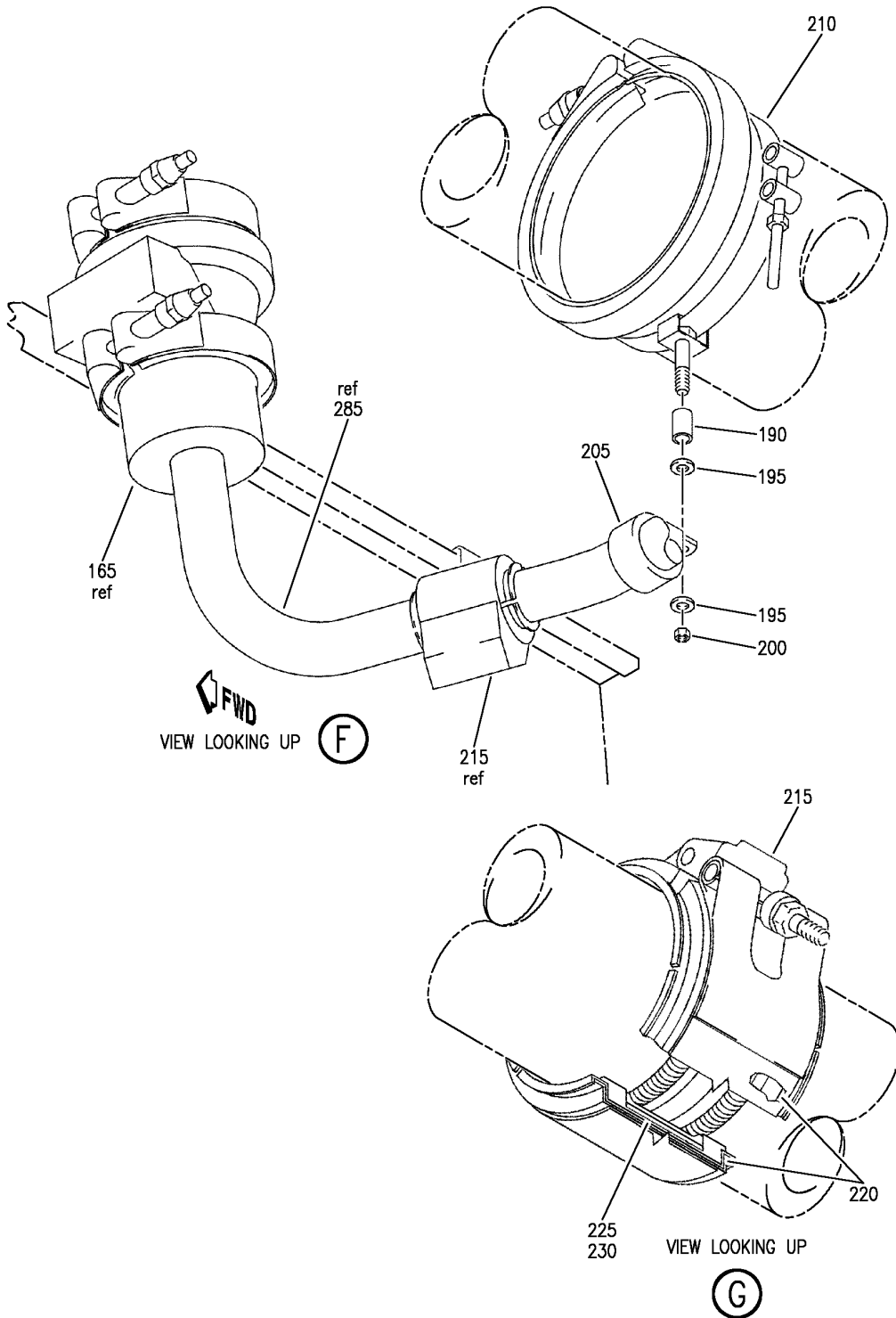
DUCT INSTL-PACK BAY AIR SUPPLY
FIGURE 10 (SHEET 6)

21-51-53-10

HAP
FEB 10/07

21-51-53-10
PAGE 0E

BOEING
 737-600/700/800/900
 PARTS CATALOG (MAINTENANCE)



E 21515310 SH1 7 REV 127

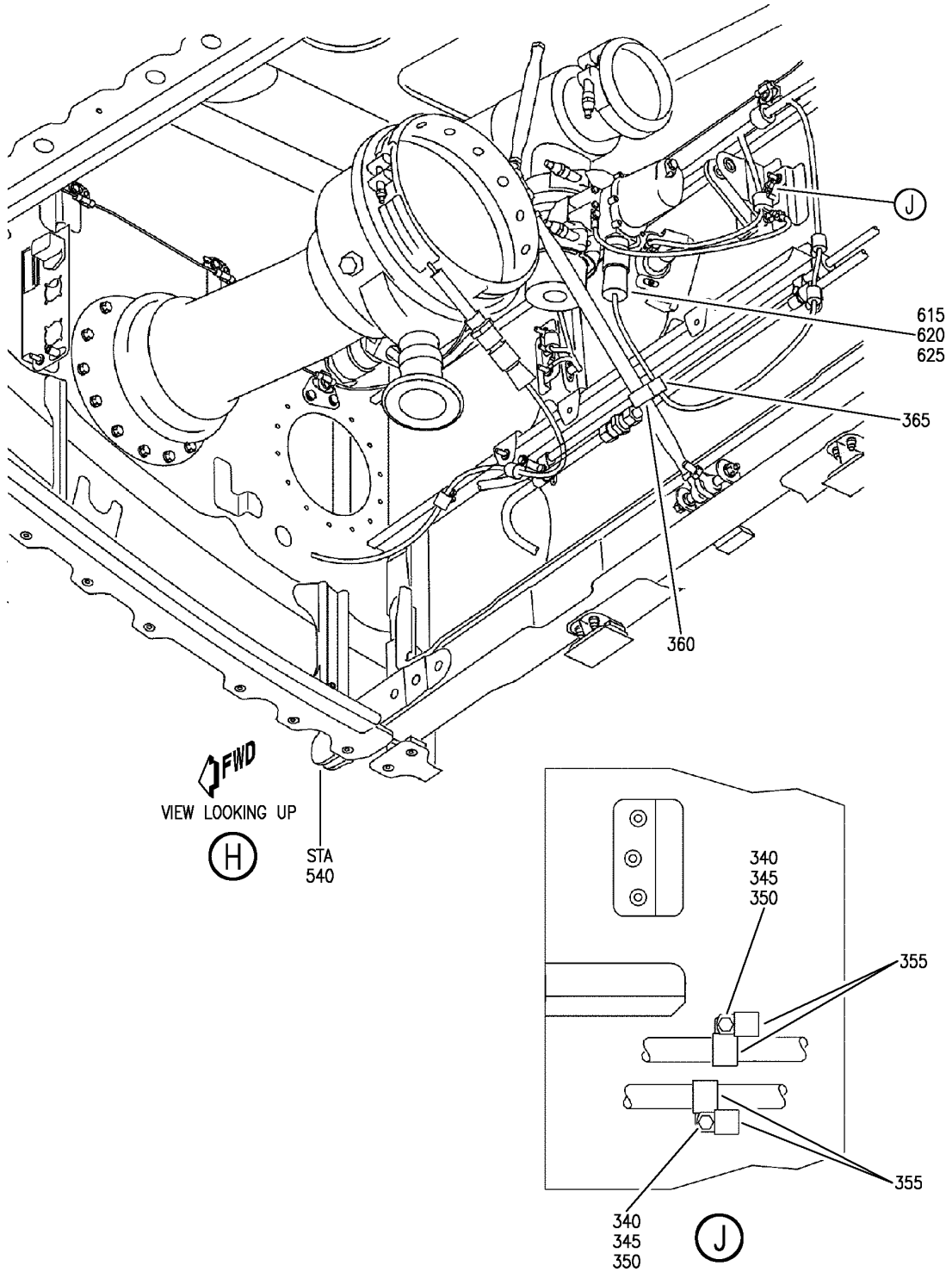
DUCT INSTL-PACK BAY AIR SUPPLY
 FIGURE 10 (SHEET 7)

21-51-53-10

HAP
 FEB 10/07

21-51-53-10
 PAGE OF

BOEING
 737-600/700/800/900
 PARTS CATALOG (MAINTENANCE)



E 21515310 SHT 8 REV 127

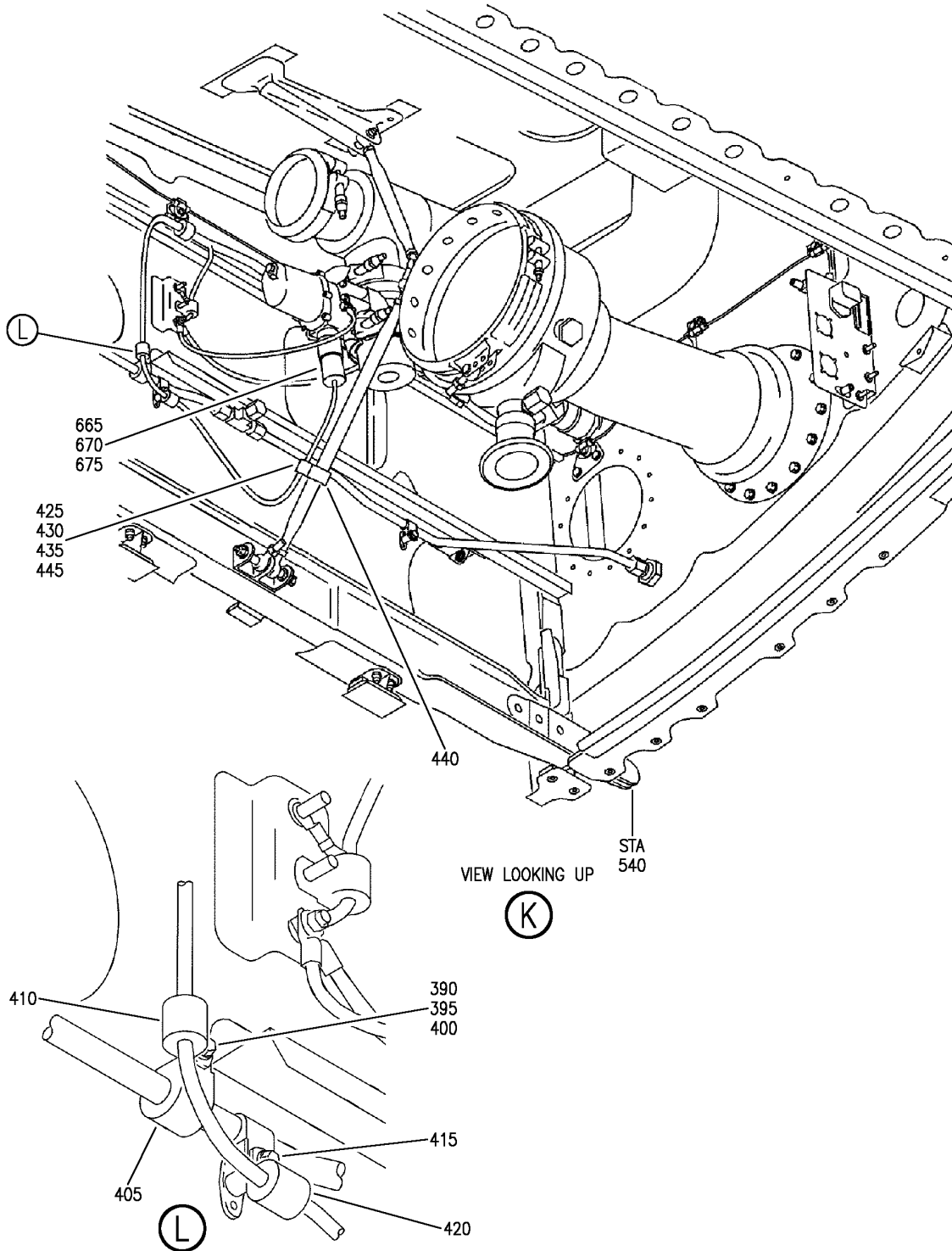
DUCT INSTL-PACK BAY AIR SUPPLY
 FIGURE 10 (SHEET 8)

21-51-53-10

HAP
 FEB 10/07

21-51-53-10
 PAGE 0G

BOEING
 737-600/700/800/900
 PARTS CATALOG (MAINTENANCE)



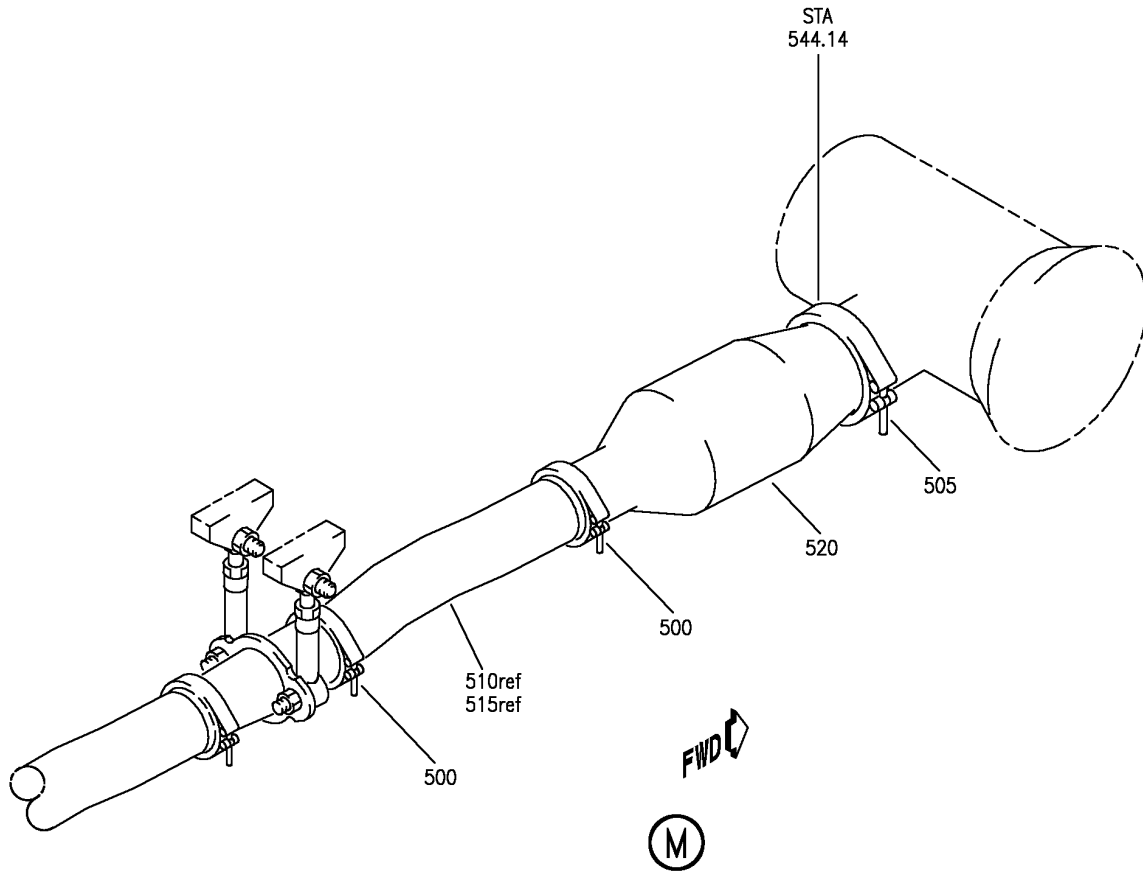
E 21515310 SHT 9 REV 127

DUCT INSTL-PACK BAY AIR SUPPLY
 FIGURE 10 (SHEET 9)

21-51-53-10

HAP
 FEB 10/07

21-51-53-10
 PAGE 0H



E 21515310 SHT 10 REV 141

DUCT INSTL-PACK BAY AIR SUPPLY
FIGURE 10 (SHEET 10)

21-51-53-10

HAP
JUN 15/08

21-51-53-10
PAGE 01

 **BOEING**
737-600/700/800/900
PARTS CATALOG (MAINTENANCE)

FIG ITEM	PART NUMBER	1 2 3 4 5 6 7	NOMENCLATURE	EFFECT FROM TO	UNITS PER ASSY
10			DUCT INSTL-PACK BAY AIR SUPPLY	001030 201967	
- 1	212A1130-1		DUCT INSTL-PACK BAY AIR SUPPLY POSITION DATA: LH FOR NHA SEE: 21-51-00-02	001030 201967	RF
- 5	212A1130-2		DUCT INSTL-PACK BAY AIR SUPPLY POSITION DATA: RH FOR NHA SEE: 21-51-00-02	001030 201967	RF
10	BACB30NR4K15		.BOLT	001030 201967	2
15	BACB30NR4K12		.BOLT-	001030 201967	2
20	BACW10BP4ACU		.WASHER	001030 201967	4
25	BACW10BP4APU		.WASHER	001030 201967	2
30	NAS1149C0463R		.WASHER	001030 201967	2
35	NAS1149D0463J		.WASHER	001030 201967	2
40	PLH54CD		.NUT SUPPLIER CODE: VF0224 SPECIFICATION NUMBER: BACN10YR4CD OPTIONAL PART: H52732-4CD V15653	001030 201967	2
45	PLH54CM		.NUT SUPPLIER CODE: V62554 SPECIFICATION NUMBER: BACN10YR4CM OPTIONAL PART: H52732-4CM V15653	001030 201967	2
50	BACB28AK04-026		.BUSHING	001030 201967	2
55	212A1125-3		.ROD ASSY-TIE	001030 201967	2
60	AN316-5R		..NUT-	001030 201967	1

MISSING ITEM NUMBERS NOT APPLICABLE

- ITEM NOT ILLUSTRATED

HAP

21-51-53-10

BOEING PROPRIETARY - Copyright © - Unpublished Work - See title page for details.

21-51-53
FIG. 10
PAGE 1
FEB 15/09

BOEING
737-600/700/800/900
PARTS CATALOG (MAINTENANCE)

FIG ITEM	PART NUMBER	1 2 3 4 5 6 7	NOMENCLATURE	EFFECT FROM TO	UNITS PER ASSY
10					
65	M81935-2-4	. .	ROD	001030 201967	1
70	M81935-1-4	. .	ROD	001030 201967	1
75	BACC10DU350ABE	. .	CLAMP-	001030 201967	1
80	BACC10DU400ABE	. .	CLAMP-	001030 201967	1
85	212A1131-9	. .	DUCT ASSY- POSITION DATA: LH SIDE	001030 201967	1
90	212A1131-10	. .	DUCT ASSY- POSITION DATA: RH SIDE	001030 201967	1

MISSING ITEM NUMBERS NOT APPLICABLE

— ITEM NOT ILLUSTRATED

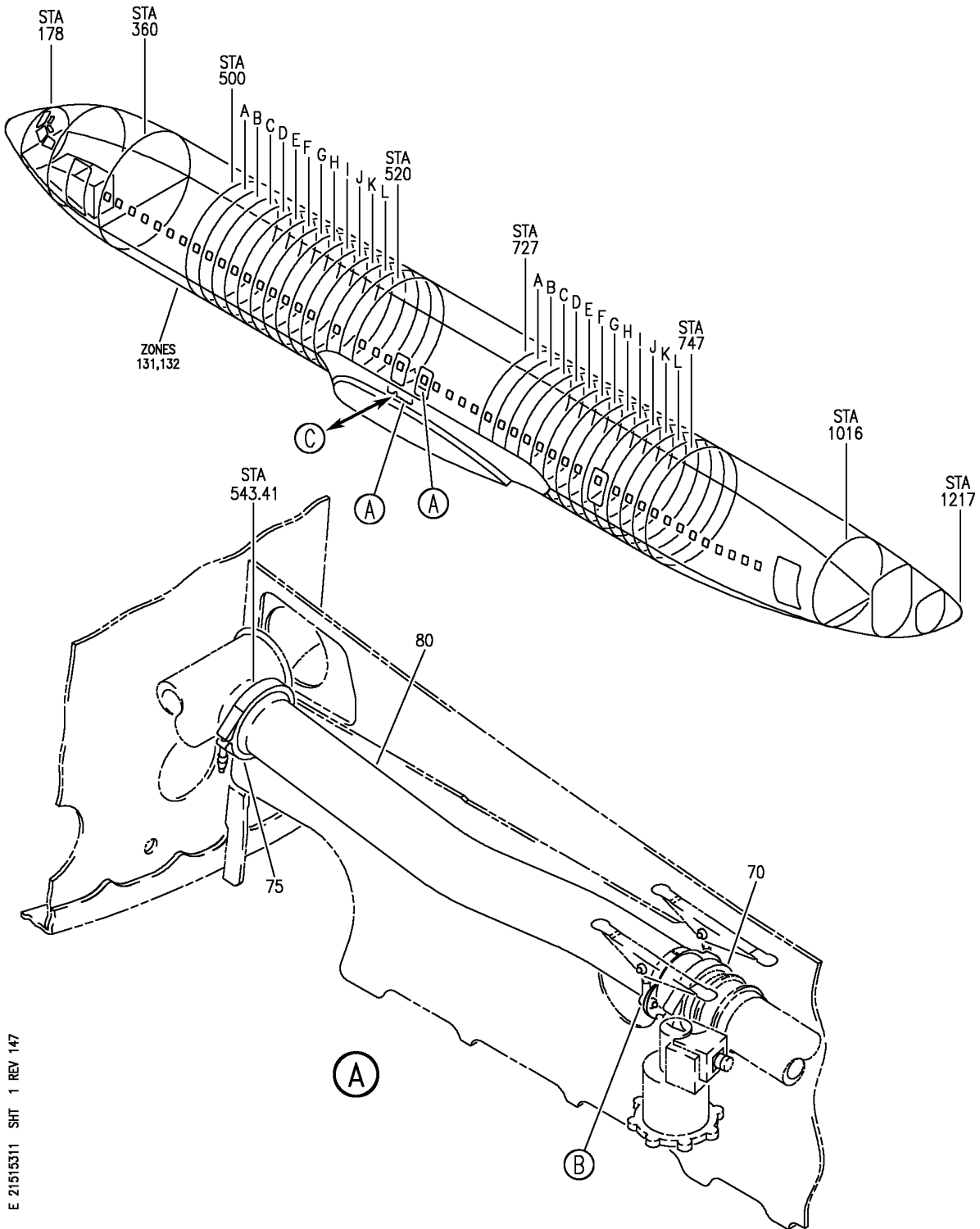
HAP

21-51-53-10

BOEING PROPRIETARY - Copyright © - Unpublished Work - See title page for details.

21-51-53
FIG. 10
PAGE 2
OCT 15/08

BOEING
 737-600/700/800/900
 PARTS CATALOG (MAINTENANCE)



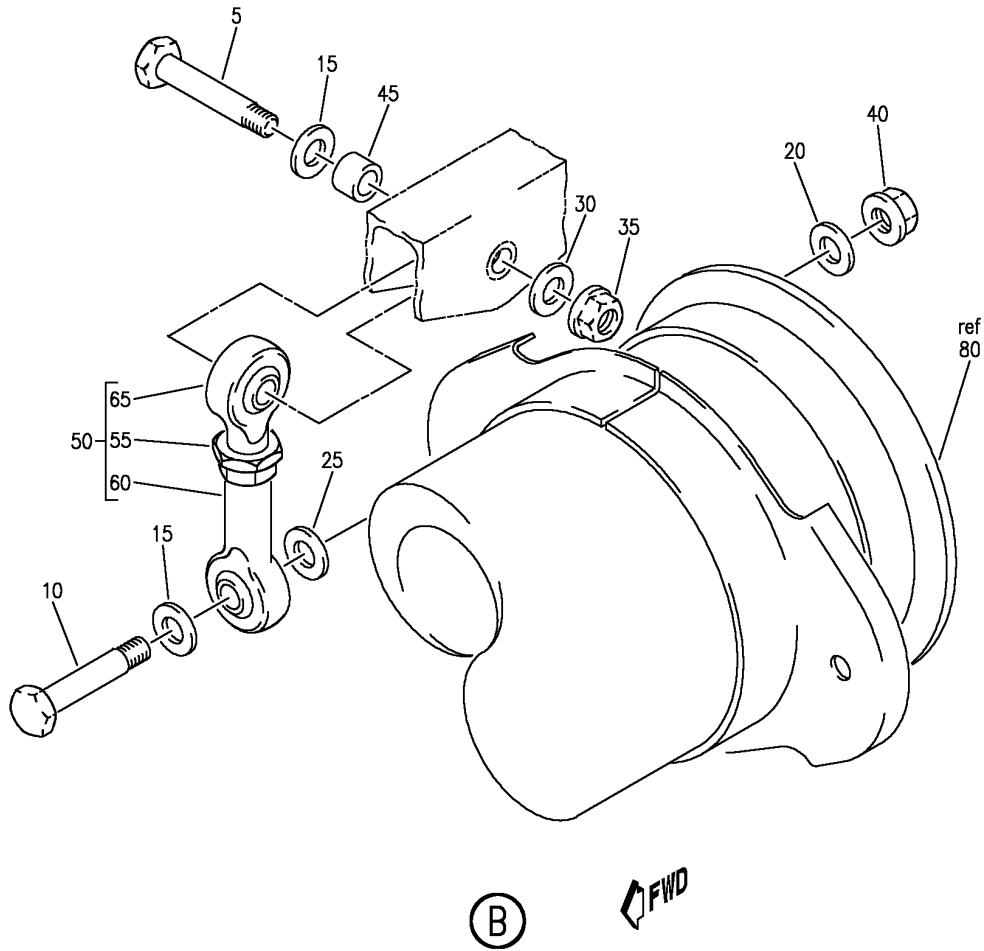
E 21515311 SH1 1 REV 147

DUCT INSTL-PACK BAY AIR SUPPLY
 FIGURE 11 (SHEET 1)

21-51-53-11

HAP
 OCT 15/08

21-51-53-11
 PAGE 0



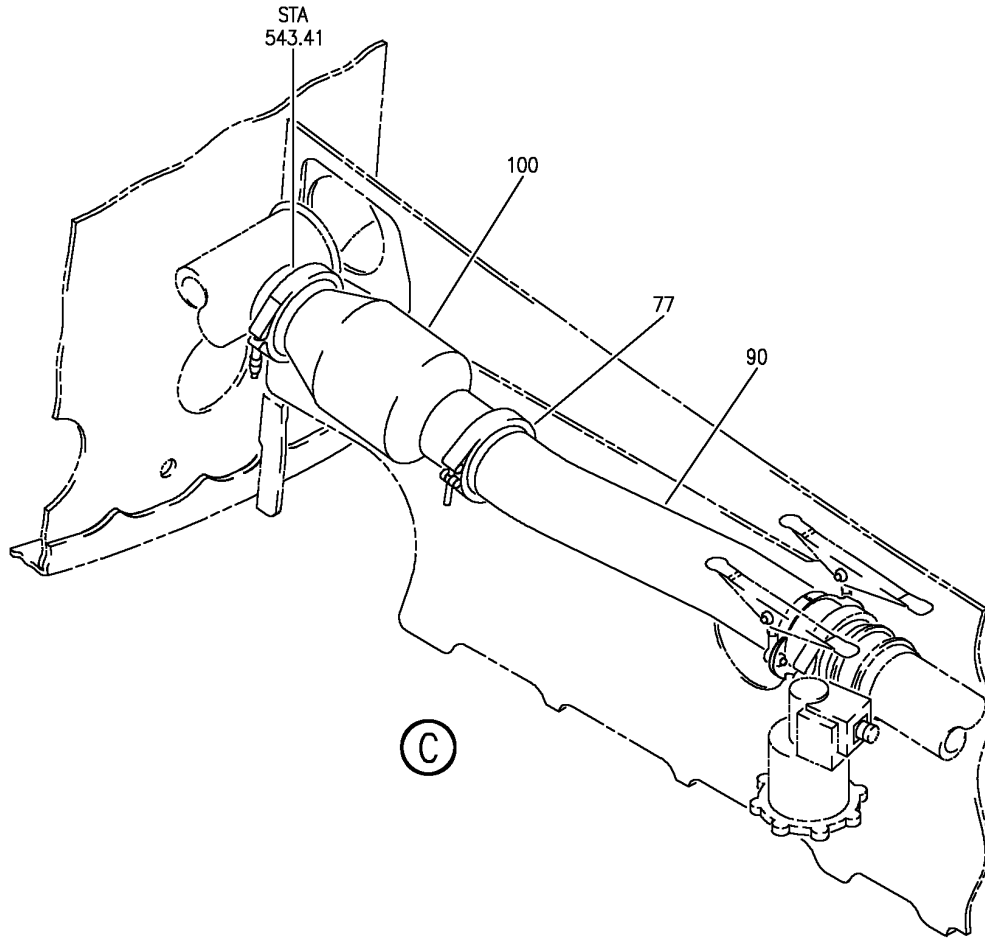
E 21515311 SH1 2 REV 147

DUCT INSTL-PACK BAY AIR SUPPLY
 FIGURE 11 (SHEET 2)

21-51-53-11

HAP
 OCT 15/08

21-51-53-11
 PAGE 0A



E 21515311 SH1 3 REV 147

DUCT INSTL-PACK BAY AIR SUPPLY
FIGURE 11 (SHEET 3)

HAP
OCT 15/08

21-51-53-11

21-51-53-11
PAGE 0B

BOEING
737-600/700/800/900
PARTS CATALOG (MAINTENANCE)

FIG ITEM	PART NUMBER	1 2 3 4 5 6 7	NOMENCLATURE	EFFECT FROM TO	UNITS PER ASSY
11			DUCT INSTL-PACK BAY AIR SUPPLY	031200 968999	
- 1	MODREF195371		DUCT INSTL-PACK BAY AIR SUPPLY MODULE NUMBER: 212A1103-1 REV B POSITION DATA: LH	031200 968999	1
- 3	MODREF195372		DUCT INSTL-PACK BAY AIR SUPPLY MODULE NUMBER: 212A1103-2 REV B POSITION DATA: RH	031200 968999	1
5	BACB30NR4K15		.BOLT	031200 968999	2
10	BACB30NR4K12		.BOLT	031200 968999	2
15	BACW10BP4ACU		.WASHER	031200 968999	4
20	BACW10BP4APU		.WASHER	031200 968999	2
25	NAS1149C0463R		.WASHER	031200 968999	2
30	NAS1149D0463J		.WASHER	031200 968999	2
35	PLH54CD		.NUT SUPPLIER CODE: VF0224 SPECIFICATION NUMBER: BACN10YR4CD OPTIONAL PART: H52732-4CD V15653	031200 968999	2
40	PLH54CM		.NUT SUPPLIER CODE: V62554 SPECIFICATION NUMBER: BACN10YR4CM OPTIONAL PART: H52732-4CM V15653	031200 968999	2
45	BACB28AK04-026		.BUSHING	031200 968999	2
50	212A1125-3		.ROD ASSY-TIE	031200 968999	2
55	AN316-5R		..NUT	031200 968999	1

MISSING ITEM NUMBERS NOT APPLICABLE

- ITEM NOT ILLUSTRATED

HAP

21-51-53-11

BOEING PROPRIETARY - Copyright © - Unpublished Work - See title page for details.

21-51-53
FIG. 11
PAGE 1
FEB 15/09


BOEING
 737-600/700/800/900
PARTS CATALOG (MAINTENANCE)

FIG ITEM	PART NUMBER	1 2 3 4 5 6 7	NOMENCLATURE	EFFECT FROM TO	UNITS PER ASSY
11					
60	M81935-2-4	. .	ROD	031200 968999	1
65	M81935-1-4	. .	ROD	031200 968999	1
70	BACC10DU350ABE	. .	CLAMP	031200 968999	1
75	BACC10DU400ABE	. .	CLAMP	031200 968999	1
80	212A1131-16	. .	DUCT ASSY- POSITION DATA: LH SIDE	031200 968999	1
- 85	212A1131-14	. .	DUCT ASSY- POSITION DATA: RH SIDE	031200 968999	1

MISSING ITEM NUMBERS NOT APPLICABLE

- ITEM NOT ILLUSTRATED

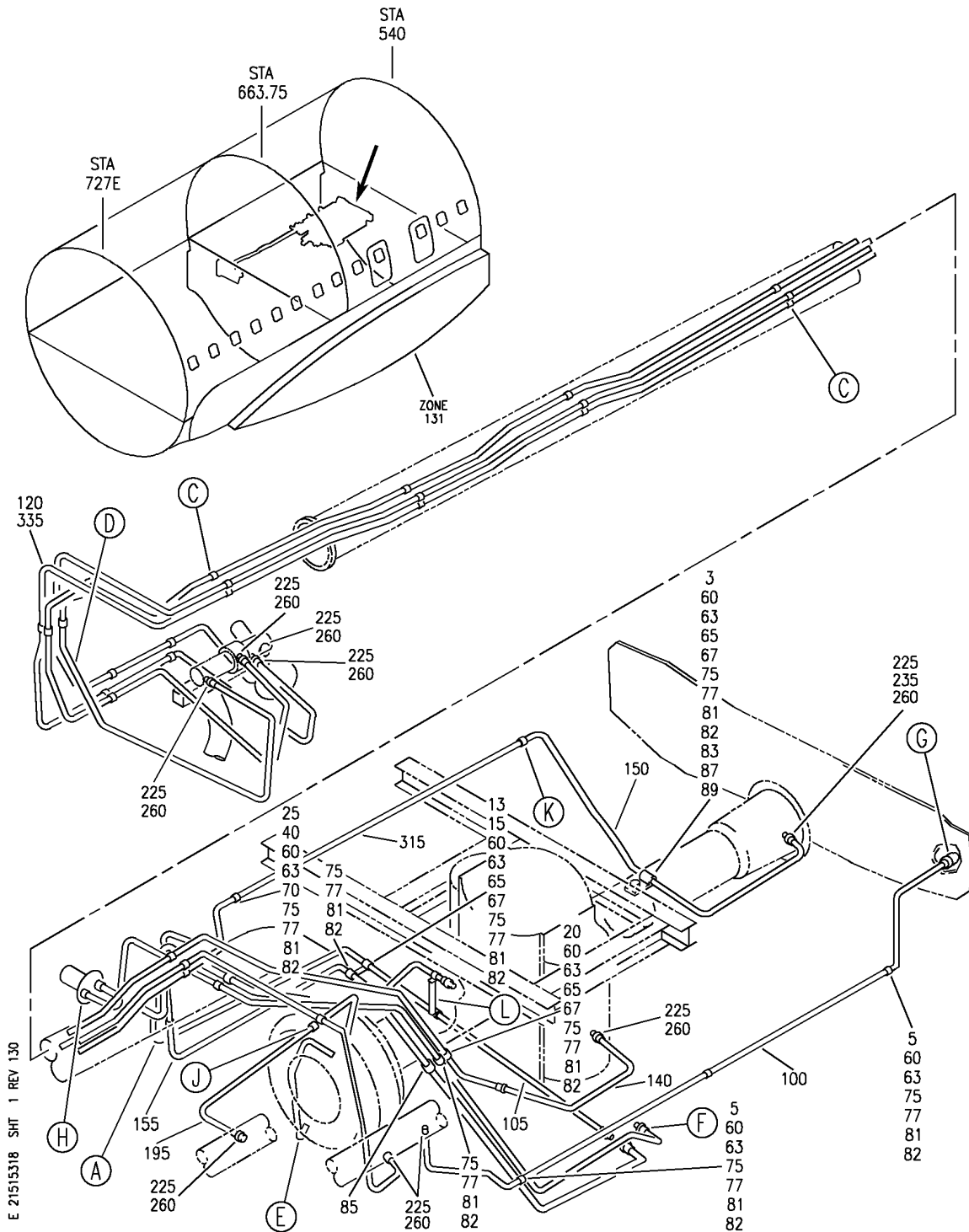
HAP

21-51-53-11

BOEING PROPRIETARY - Copyright © - Unpublished Work - See title page for details.

21-51-53
 FIG. 11
 PAGE 2
 OCT 15/08


BOEING
 737-600/700/800/900
PARTS CATALOG (MAINTENANCE)



E 21515318 SHT 1 REV 130

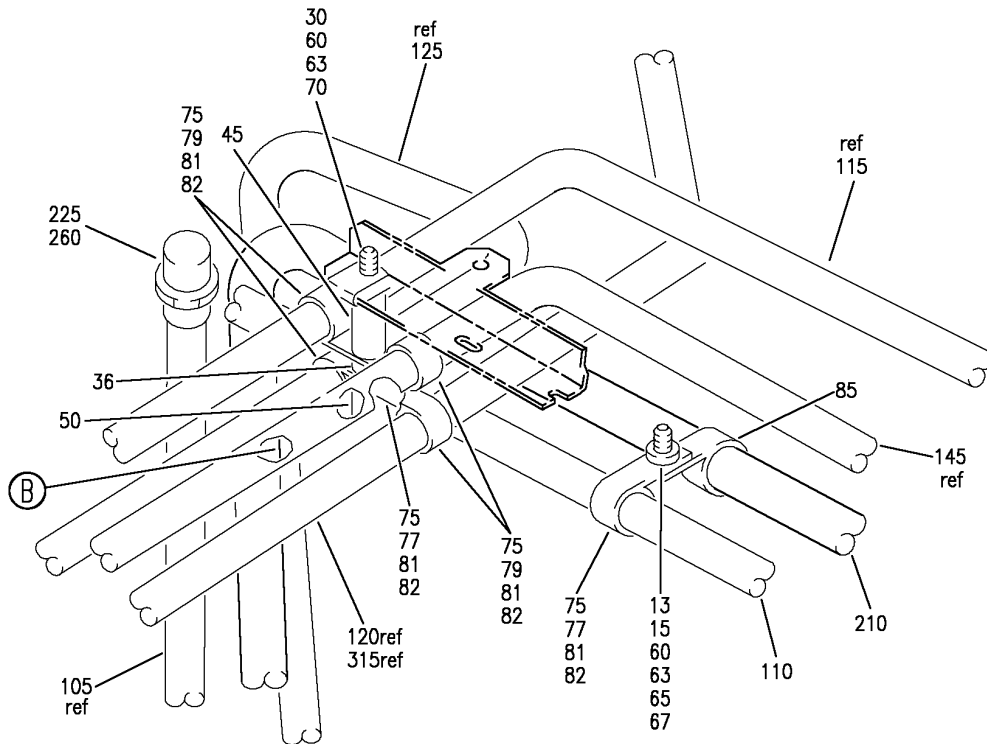
SENSE LINE INSTL-L SIDE AIR CONDITIONING PACK
 FIGURE 18 (SHEET 1)

21-51-53-18

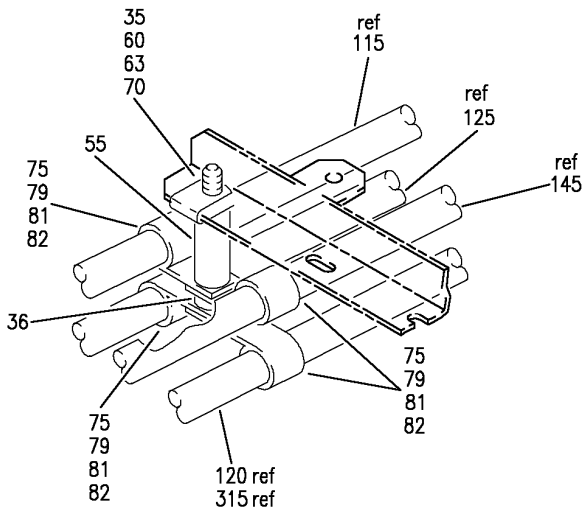
HAP
 JUN 10/07

21-51-53-18
 PAGE 0

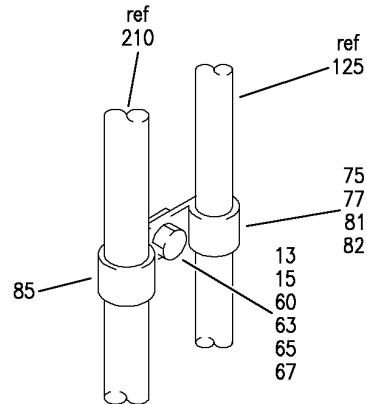
BOEING
 737-600/700/800/900
 PARTS CATALOG (MAINTENANCE)



(A)



(C)



(B)

E 21515318 SH2 2 REV 075

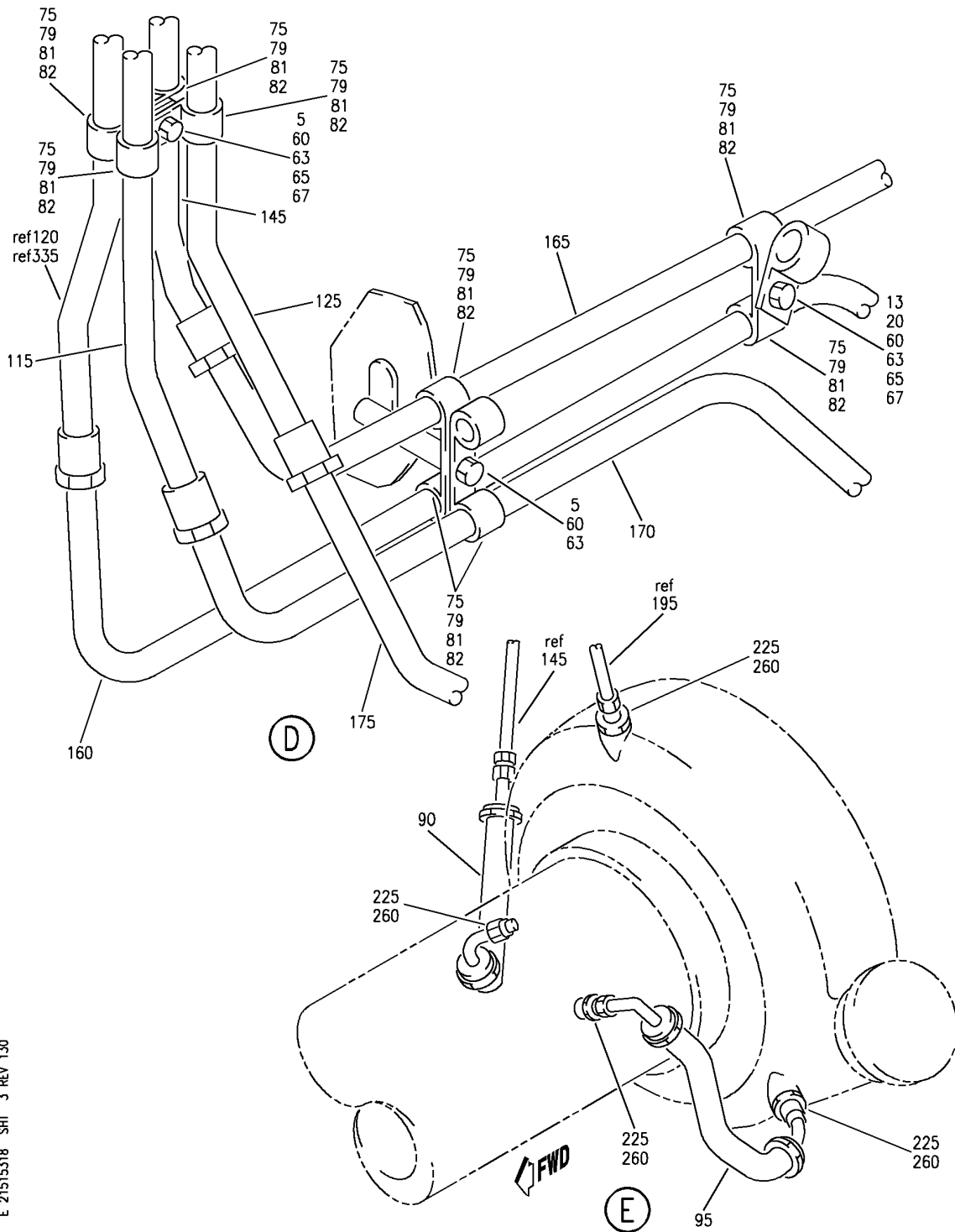
SENSE LINE INSTL-L SIDE AIR CONDITIONING PACK
 FIGURE 18 (SHEET 2)

21-51-53-18

HAP
 OCT 10/06

21-51-53-18
 PAGE 0A


BOEING
 737-600/700/800/900
PARTS CATALOG (MAINTENANCE)



E 21515318 SH1 3 REV 130

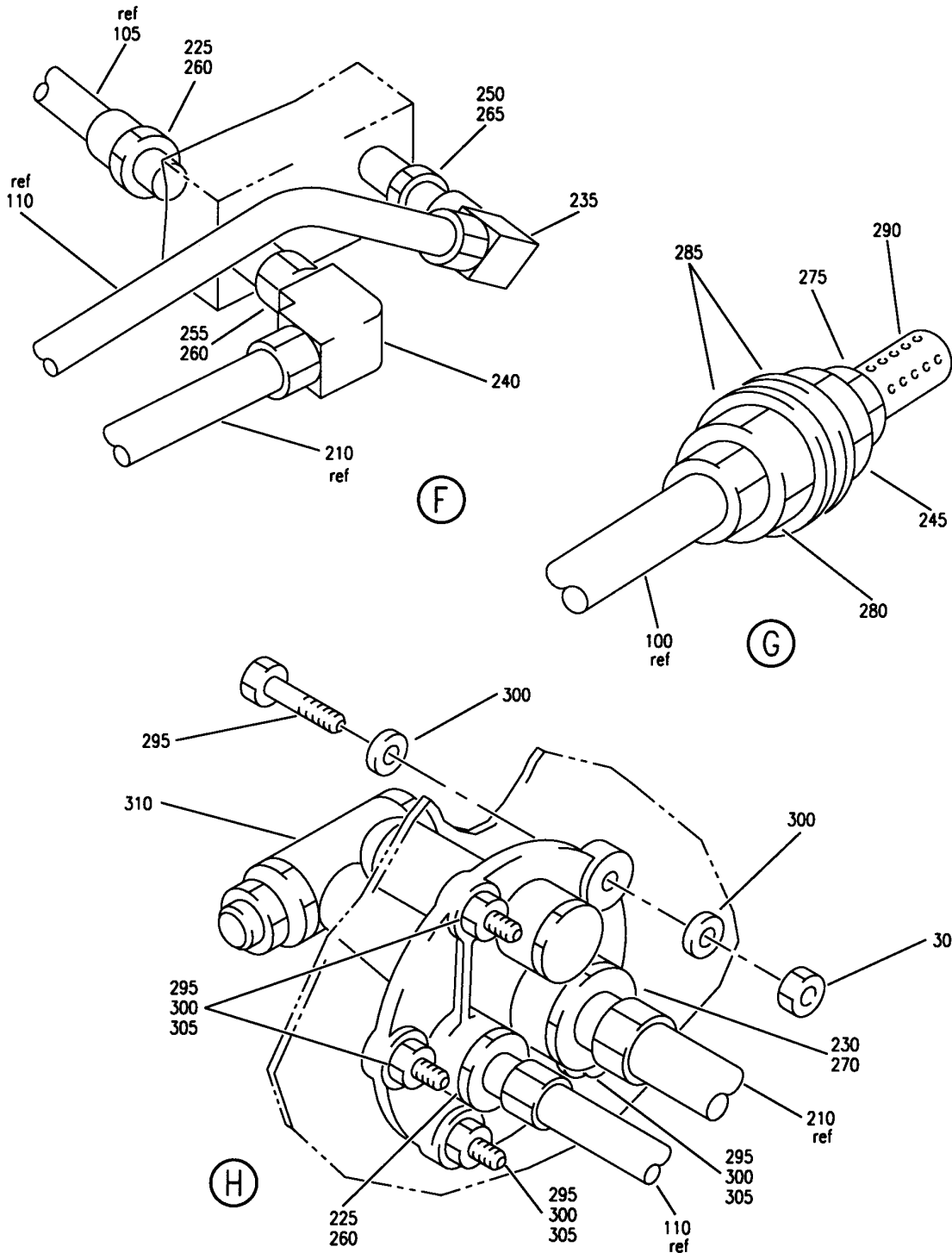
SENSE LINE INSTL-L SIDE AIR CONDITIONING PACK
 FIGURE 18 (SHEET 3)

21-51-53-18

HAP
JUN 10/07

21-51-53-18
 PAGE 0B

BOEING
 737-600/700/800/900
 PARTS CATALOG (MAINTENANCE)



E 21515318 SHT 4 REV 008

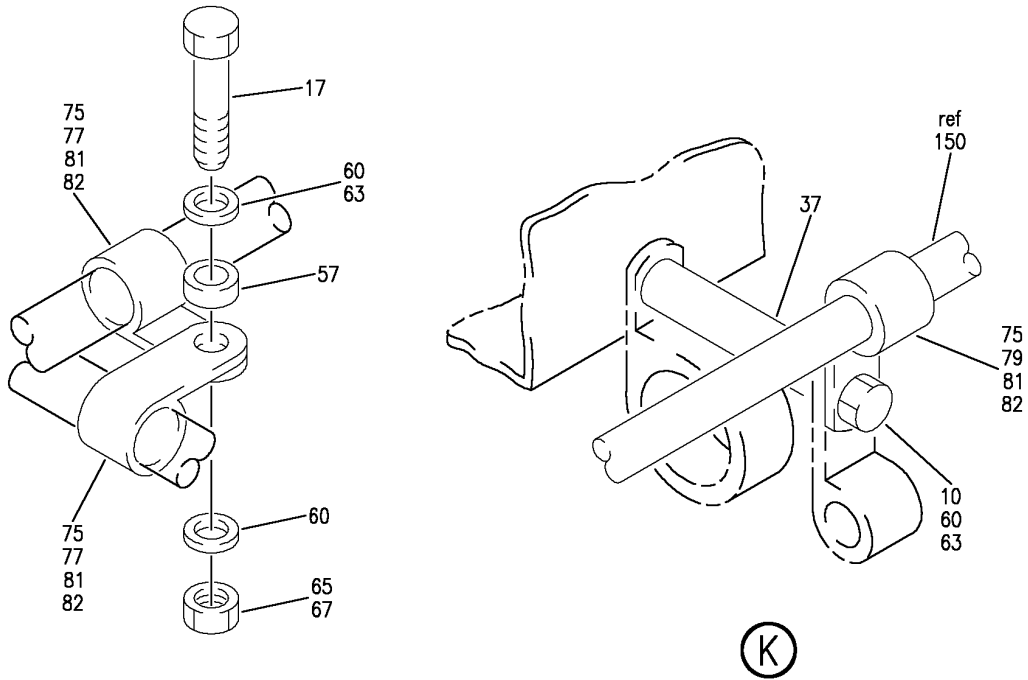
SENSE LINE INSTL-L SIDE AIR CONDITIONING PACK
 FIGURE 18 (SHEET 4)

21-51-53-18

HAP
 OCT 10/06

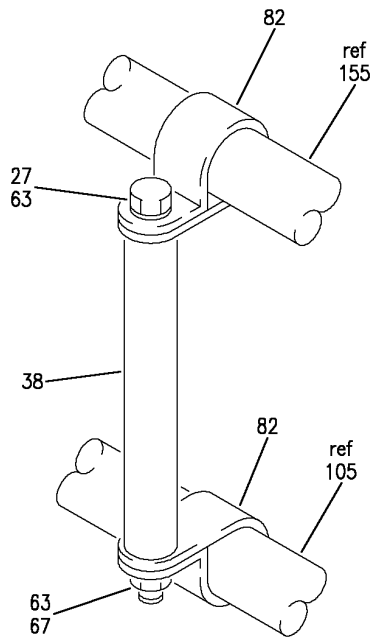
21-51-53-18
 PAGE 0C

BOEING
 737-600/700/800/900
 PARTS CATALOG (MAINTENANCE)



(J)

(K)



(L)

E 21515318 SHT 5 REV 075

SENSE LINE INSTL-L SIDE AIR CONDITIONING PACK
 FIGURE 18 (SHEET 5)

21-51-53-18

HAP
 OCT 10/06

21-51-53-18
 PAGE 0D

BOEING
737-600/700/800/900
PARTS CATALOG (MAINTENANCE)

FIG ITEM	PART NUMBER	1 2 3 4 5 6 7	NOMENCLATURE	EFFECT FROM TO	UNITS PER ASSY
18			SENSE LINE INSTL-L SIDE AIR	001030	
- 1	213A1004-3		CONDITIONING PACK		
			SENSE LINE INSTL-AIR	001011	RF
			CONDITIONING PACK		
			POSITION DATA:		
			L SIDE		
			FOR NHA SEE:		
			21-50-00-01C		
- 1	213A1004-5		SENSE LINE INSTL-AIR	012028	RF
			CONDITIONING PACK		
			POSITION DATA:		
			L SIDE		
			FOR NHA SEE:		
			21-50-00-01C		
- 1	213A1004-7		SENSE LINE INSTL-AIR	029030	RF
			CONDITIONING PACK		
			POSITION DATA:		
			L SIDE		
			FOR NHA SEE:		
			21-50-00-01C		
3	NAS6703-3		.BOLT-	001030	1
5	BACS12GU3K11		.SCREW	001030	5
10	BACS12GU3K36		.SCREW	001030	1
13	BACS12GU3K7		.SCREW	029030	4
15	BACS12GU3K7		.SCREW	001028	3
17	BACS12GU3K10		.SCREW	001030	1
20	BACS12GU3K8		.SCREW	001028	2
22	BACS12GU3K8		.SCREW	029030	1
25	BACS12GU3K26		.SCREW	001030	1
30	BACS12GU3K33		.SCREW-	001030	1
35	BACS12GU3K27		.SCREW-	001030	4
37	NAS42DD6-100FC		.SPACER	012028	1
40	BACS18K10-69W		.SPACER	001030	1
45	BACS18K10-48W		.SPACER	001030	1
50	BACS18K10-34W		.SPACER	001030	1
55	BACS18K10-63W		.SPACER	001030	4
57	BACS18K10-8W		.SPACER	001030	1
60	NAS1149D0332J		.WASHER	001030	21

MISSING ITEM NUMBERS NOT APPLICABLE

- ITEM NOT ILLUSTRATED

HAP

21-51-53-18

21-51-53
FIG. 18
PAGE 1
FEB 10/07

BOEING
737-600/700/800/900
PARTS CATALOG (MAINTENANCE)

FIG ITEM	PART NUMBER	1 2 3 4 5 6 7	NOMENCLATURE	EFFECT FROM TO	UNITS PER ASSY
18 65	BRH10C3D	.NUT	SUPPLIER CODE: V52828 SPECIFICATION NUMBER: BACN10JC3CD OPTIONAL PART: T6C1032JCD V11815 NS202486-02 V80539 102LH9075-3W V72962 H51650-3BAC V15653	001028	8
65	PLH53CD	.NUT	SUPPLIER CODE: VF0224 SPECIFICATION NUMBER: BACN10YR3CD OPTIONAL PART: H52732-3CD V15653	029030	8
70	BRC600-8-3GP	.CLIPNUT	SUPPLIER CODE: V52828 SPECIFICATION NUMBER: BACN10YD1G OPTIONAL PART: 130120G V60119	001030	6
75	S258DT6	.CLAMP-	SUPPLIER CODE: V18076	001030	45
77	S258DT6	.CLAMP-	SUPPLIER CODE: V18076 SPECIFICATION NUMBER: BACC10DW6D OPTIONAL PART: TA4C44D6T V84971 475-6 V83930 8084D6T V72285 475A6 V83930 BACC10BU6DH	001011	14

MISSING ITEM NUMBERS NOT APPLICABLE

— ITEM NOT ILLUSTRATED

HAP

21-51-53-18

BOEING PROPRIETARY - Copyright © - Unpublished Work - See title page for details.

21-51-53
FIG. 18
PAGE 2
FEB 15/09

BOEING
737-600/700/800/900
PARTS CATALOG (MAINTENANCE)

FIG ITEM	PART NUMBER	1 2 3 4 5 6 7	NOMENCLATURE	EFFECT FROM TO	UNITS PER ASSY
18 77	S392DH6		.CLAMP- SUPPLIER CODE: V18076 SPECIFICATION NUMBER: BACC10BU6DH OPTIONAL PART: 393-6HT V83930 JM44LC24D6BW V22175 TA04C44D6HA V84971 393A6HT V83930 BACC10DW6D	001011	14
79	S258DT6		.CLAMP- SUPPLIER CODE: V18076 SPECIFICATION NUMBER: BACC10DW6D OPTIONAL PART: TA4C44D6T V84971 475-6 V83930 8084D6T V72285 475A6 V83930 BACC10DW7D	001011	31
79	S258DT7		.CLAMP- SUPPLIER CODE: V18076 SPECIFICATION NUMBER: BACC10DW7D OPTIONAL PART: TA4C44D7T V84971 8084D7T V72285 475A7 V83930 475-7 V83930 BACC10DW6D	001011	31

MISSING ITEM NUMBERS NOT APPLICABLE

— ITEM NOT ILLUSTRATED

HAP

21-51-53-18

BOEING PROPRIETARY - Copyright © - Unpublished Work - See title page for details.

21-51-53
FIG. 18
PAGE 3
JUN 15/08

BOEING
737-600/700/800/900
PARTS CATALOG (MAINTENANCE)

FIG ITEM	PART NUMBER	1 2 3 4 5 6 7	NOMENCLATURE	EFFECT FROM TO	UNITS PER ASSY
18 81	S258DT6		.CLAMP SUPPLIER CODE: V18076 SPECIFICATION NUMBER: BACC10DW6D OPTIONAL PART: TA4C44D6T V84971 475-6 V83930 8084D6T V72285 475A6 V83930	012030	44
83	3140AB045E		.CLAMP- SUPPLIER CODE: V94581 SPECIFICATION NUMBER: BACC10FY045SE OPTIONAL PART: BC1083-045SE V14242 NE103338-045 V8W928 BACC10BN450L5ME	001030	1
83	BACC10BN450L5ME		.CLAMP- OPTIONAL PART: BACC10FY045SE	001030	1
85	S258DT8		.CLAMP SUPPLIER CODE: V18076 SPECIFICATION NUMBER: BACC10DW8D OPTIONAL PART: TA4C44D8T V84971 475-8 V83930 8084D8T V72285 475A8 V83930	001030	3
87	BACC15AN10		.CLIP	001030	1
89	BACB19F10		.BRACKET	001030	1
90	AS138-06-0080		.HOSE ASSY	001028	1
90	AS138-06S0080		.HOSE ASSY-	029030	1
95	AS120G080A000		.HOSE- OPTIONAL PART: AS138-06-0130	012028	1

MISSING ITEM NUMBERS NOT APPLICABLE

— ITEM NOT ILLUSTRATED

HAP

21-51-53-18

BOEING PROPRIETARY - Copyright © - Unpublished Work - See title page for details.

21-51-53
FIG. 18
PAGE 4
FEB 10/07

BOEING
737-600/700/800/900
PARTS CATALOG (MAINTENANCE)

FIG ITEM	PART NUMBER	1 2 3 4 5 6 7	NOMENCLATURE	EFFECT FROM TO	UNITS PER ASSY
18					
95	AS138-06-0130	.HOSE ASSY-		001028	1
		OPTIONAL PART:			
		AS120G080A000			
95	AS138-06S0130	.HOSE ASSY-		029030	1
100	213A1401-1	.TUBE ASSY		001028	1
100	213A1401-48	.TUBE ASSY		029030	1
105	213A1401-19	.TUBE ASSY		001030	1
110	213A1401-23	.TUBE ASSY		001030	1
115	213A1401-13	.TUBE ASSY		001030	1
120	213A1401-9	.TUBE ASSY		001011	1
125	213A1401-15	.TUBE ASSY		001030	1
- 130	AP2097HP06	.. SLEEVE		001030	2
		SUPPLIER CODE:			
		V01673			
		SPECIFICATION NUMBER:			
		BACS13BX06HP			
		OPTIONAL PART:			
		2-02903-06HP			
		V11328			
		35235VN06			
		V08199			
		AFP175V06P			
		V30974			
		DBOS13BX06HP			
		V14798			
- 131	AP2097HP06	.. SLEEVE		001011	2
		SUPPLIER CODE:			
		V01673			
		SPECIFICATION NUMBER:			
		BACS13BX06HP			
		OPTIONAL PART:			
		2-02903-06HP			
		V11328			
		35235VN06			
		V08199			
		AFP175V06P			
		V30974			
		DBOS13BX06HP			
		V14798			
- 135	MS21921-6D	.. NUT		001011	2
- 135	MS21921-6D	.. NUT		012028	2
- 135	MS21921-6D	.. NUT		029030	2
- 137	BACN10YL06	.. NUT		029030	2
140	213A1401-25	.TUBE ASSY		001030	1
145	213A1401-35	.TUBE ASSY		001030	1
150	213A1401-43	.TUBE ASSY-		001030	1
155	213A1401-17	.TUBE ASSY		001030	1
160	213A1401-27	.TUBE ASSY		001030	1
165	213A1401-31	.TUBE ASSY		001030	1

MISSING ITEM NUMBERS NOT APPLICABLE

- ITEM NOT ILLUSTRATED

HAP

21-51-53-18

21-51-53
FIG. 18
PAGE 5
FEB 10/07

BOEING
737-600/700/800/900
PARTS CATALOG (MAINTENANCE)

FIG ITEM	PART NUMBER	1 2 3 4 5 6 7	NOMENCLATURE	EFFECT FROM TO	UNITS PER ASSY
18					
- 170	213A1401-29	.TUBE	ASSY	001030	1
- 175	213A1401-33	.TUBE	ASSY	001030	1
- 180	AP2097HP06	..SLEEVE		001030	1
		SUPPLIER CODE: V01673			
		SPECIFICATION NUMBER: BACS13BX06HP			
		OPTIONAL PART: 2-02903-06HP			
		V11328			
		35235VN06			
		V08199			
		AFP175V06P			
		V30974			
		DBOS13BX06HP			
		V14798			
- 185	MS21921-6D	..NUT		001030	1
- 190	35056GV06	..UNION		001030	1
		SUPPLIER CODE: V08199			
		SPECIFICATION NUMBER: BACU24AB6W			
		OPTIONAL PART: 2-01027-6W			
		V11328			
		31875-6W			
		V14397			
		4671097W6			
		V50948			
		AP1004W06			
		V01673			
		AFP941W6			
		V30974			
		DBOU24AB6W			
		V14798			
195	213A1401-3	.TUBE	ASSY	001030	1
- 200	AS1581T06	..SLEEVE		001030	2
- 205	BACN10YA6L	..NUT		001030	2
210	213A1401-21	.TUBE	ASSY	001030	1

MISSING ITEM NUMBERS NOT APPLICABLE

- ITEM NOT ILLUSTRATED

HAP

21-51-53-18

BOEING PROPRIETARY - Copyright © - Unpublished Work - See title page for details.

21-51-53
FIG. 18
PAGE 6
FEB 10/07

BOEING
737-600/700/800/900
PARTS CATALOG (MAINTENANCE)

FIG ITEM	PART NUMBER	1 2 3 4 5 6 7	NOMENCLATURE	EFFECT FROM TO	UNITS PER ASSY
18 - 215	AP2097HP08	..	SLEEVE SUPPLIER CODE: V01673 SPECIFICATION NUMBER: BACS13BX08HP OPTIONAL PART: 2-02903-08HP V11328 35235VN08 V08199 AFP175V08P V30974 DBOS13BX08HP V14798	001030	1
- 220	MS21921-8D	..	NUT	001030	1
225	MS21902D6	.	UNION	001030	16
230	MS21902D8	.	UNION	001030	1
235	NAS1762W0606	.	ELBOW	001030	2
240	NAS1762W0808	.	ELBOW	001030	1
245	AFP2162W0606	.	ADAPTER- SUPPLIER CODE: V30974 OPTIONAL PART: 32690 V14397	001030	1
245	32690	.	ADAPTER- SUPPLIER CODE: V14397 OPTIONAL PART: AFP2162W0606 V30974	001030	1
250	MS21916D6-5	.	REDUCER-	001030	1
255	MS21916D8-6	.	REDUCER-	001030	1

MISSING ITEM NUMBERS NOT APPLICABLE

- ITEM NOT ILLUSTRATED

HAP

21-51-53-18

BOEING PROPRIETARY - Copyright © - Unpublished Work - See title page for details.

21-51-53
FIG. 18
PAGE 7
FEB 10/07

BOEING
737-600/700/800/900
PARTS CATALOG (MAINTENANCE)

FIG ITEM	PART NUMBER	1 2 3 4 5 6 7	NOMENCLATURE	EFFECT FROM TO	UNITS PER ASSY
18 260	R1131-906		.PACKING SUPPLIER CODE: V57268 SPECIFICATION NUMBER: BACP11K6 OPTIONAL PART: 3-906S383-70 V02697 1090-06 V95272 150701-06 V95272 AS568-906S32 V11314 MAINTENANCE MANUAL REF: 21-51-01 21-51-04 21-51-07 21-51-11 21-51-15 21-51-16	001030	17
265	R1131-905		.PACKING SUPPLIER CODE: V57268 SPECIFICATION NUMBER: BACP11K5 OPTIONAL PART: 3-905S383-70 V02697 1090-05 V95272 150701-05 V95272 AS568-905S32 V11314	001030	1

MISSING ITEM NUMBERS NOT APPLICABLE

— ITEM NOT ILLUSTRATED

HAP

21-51-53-18

BOEING PROPRIETARY - Copyright © - Unpublished Work - See title page for details.

21-51-53
FIG. 18
PAGE 8
FEB 10/07

BOEING
737-600/700/800/900
PARTS CATALOG (MAINTENANCE)

FIG ITEM	PART NUMBER	1 2 3 4 5 6 7	NOMENCLATURE	EFFECT FROM TO	UNITS PER ASSY
18 270	R1131-908		.PACKING SUPPLIER CODE: V57268 SPECIFICATION NUMBER: BACP11K8 OPTIONAL PART: 3-908S383-70 V02697 1090-08 V95272 150701-08 V95272 AS568-908S32 V11314 MAINTENANCE MANUAL REF: 21-51-16	001030	1
275	BACN10CS06DN		.NUT-	001030	1
280	AN924-10D		.NUT-	001030	1
285	NAS1149D1432J		.WASHER	001030	2
290	69-28055		.SCREEN-VENT	001030	1
295	BACB30NR4K5		.BOLT-	001030	5
300	NAS1149D0416J		.WASHER	001030	10
305	PLH54CD		.NUT SUPPLIER CODE: VF0224 SPECIFICATION NUMBER: BACN10YR4CD OPTIONAL PART: H52732-4CD V15653	001030	5
310	2214275-1		.NOZZLE-WATER SPRAY SUPPLIER CODE: V70210 FUNCTIONAL DESCRIPTION: COOLS THE RAM AIR ENTERING THE SECONDARY HEAT EXCHANGER. COMPONENT MAINT MANUAL REF: 21-51-92 MAINTENANCE MANUAL REF: 21-51-16	001030	1
315	213A1401-46		.TUBE ASSY	012030	1
- 320	BACN10YL06		..NUT	012030	1

MISSING ITEM NUMBERS NOT APPLICABLE

- ITEM NOT ILLUSTRATED

HAP

21-51-53-18

BOEING PROPRIETARY - Copyright © - Unpublished Work - See title page for details.

21-51-53
FIG. 18
PAGE 9
FEB 15/09

BOEING
737-600/700/800/900
PARTS CATALOG (MAINTENANCE)

FIG ITEM	PART NUMBER	1 2 3 4 5 6 7	NOMENCLATURE	EFFECT FROM TO	UNITS PER ASSY
18 - 325	AP2097HP06	..	SLEEVE SUPPLIER CODE: V01673 SPECIFICATION NUMBER: BACS13BX06HP OPTIONAL PART: 2-02903-06HP V11328 35235VN06 V08199 AFP175V06P V30974 DBOS13BX06HP V14798	012030	1
- 330	35056GV06	..	UNION SUPPLIER CODE: V08199 SPECIFICATION NUMBER: BACU24AB6W OPTIONAL PART: 2-01027-6W V11328 31875-6W V14397 4671097W6 V50948 AP1004W06 V01673 AFP941W6 V30974 DBOU24AB6W V14798	012030	1
335	213A1401-47	.	TUBE ASSY	012030	1
- 340	BACN10YL06	..	NUT	012030	2
- 345	AP2097HP06	..	SLEEVE SUPPLIER CODE: V01673 SPECIFICATION NUMBER: BACS13BX06HP OPTIONAL PART: 2-02903-06HP V11328 35235VN06 V08199 AFP175V06P V30974 DBOS13BX06HP V14798	012030	2

MISSING ITEM NUMBERS NOT APPLICABLE

- ITEM NOT ILLUSTRATED

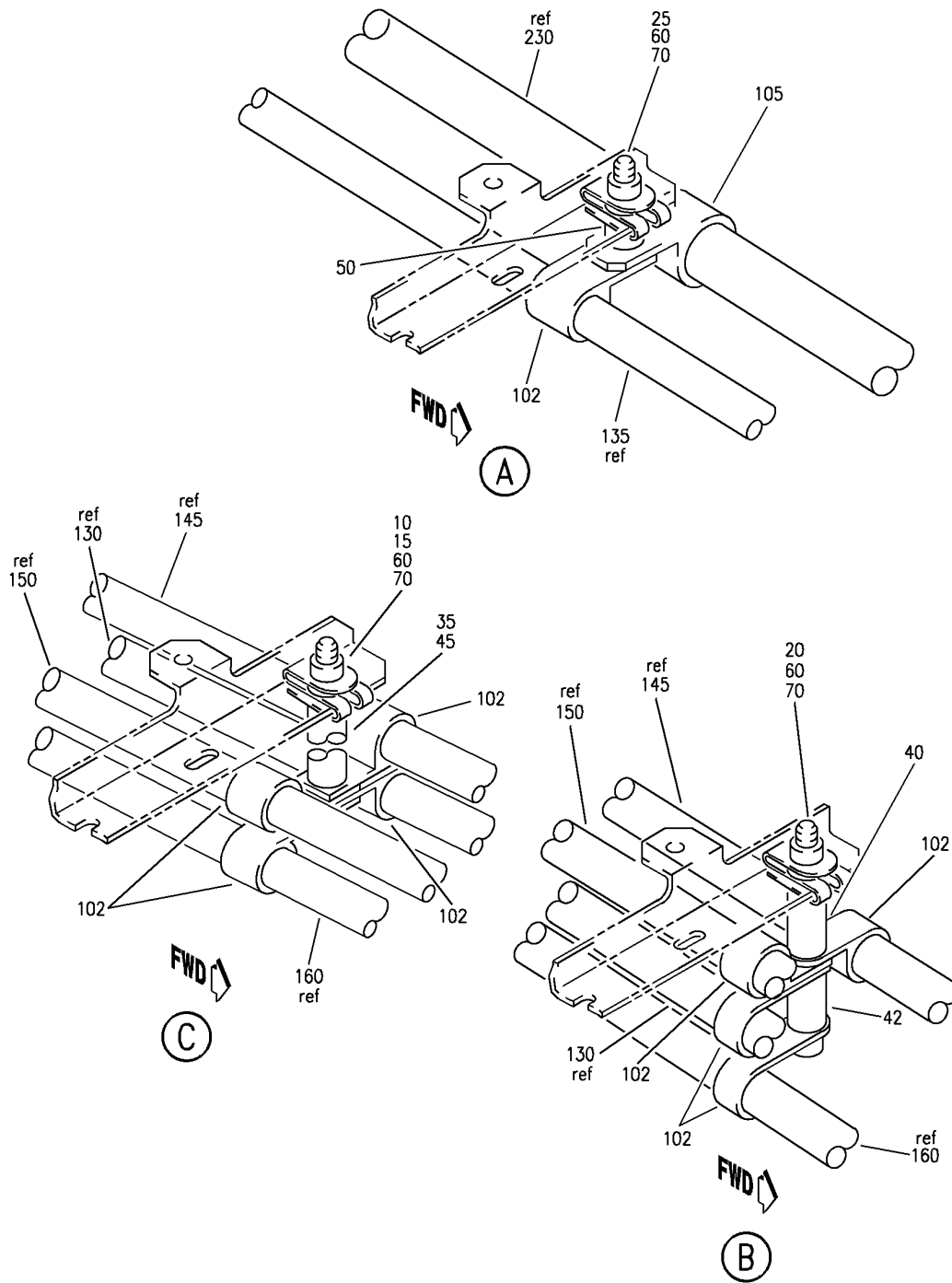
HAP

21-51-53-18

BOEING PROPRIETARY - Copyright © - Unpublished Work - See title page for details.

21-51-53
FIG. 18
PAGE 10
FEB 10/07

BOEING
 737-600/700/800/900
 PARTS CATALOG (MAINTENANCE)



E 21515319 SH2 2 REV 128

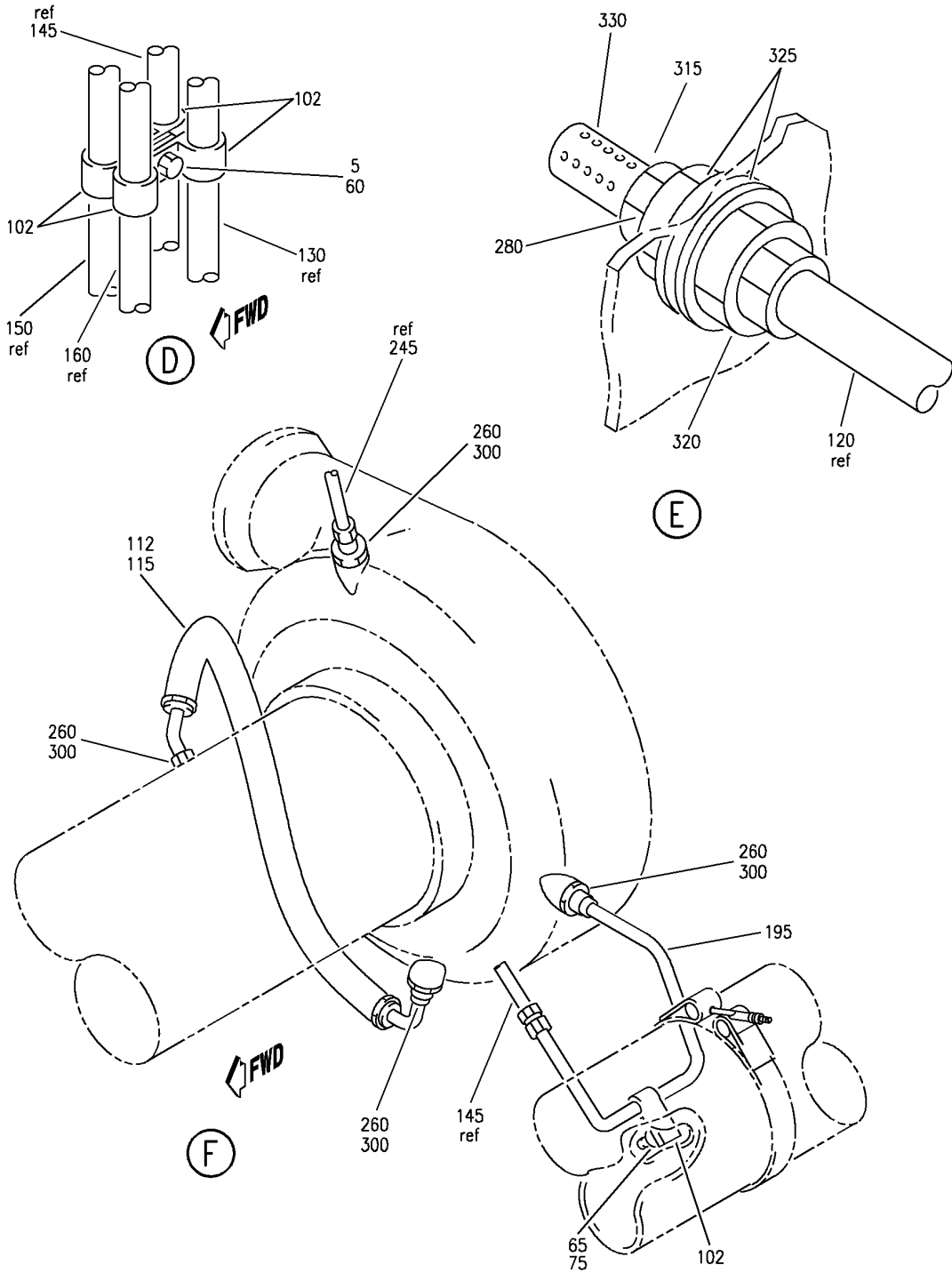
SENSE LINE INSTL-R SIDE AIR CONDITIONING PACK
 FIGURE 19 (SHEET 2)

21-51-53-19

HAP
 JUN 10/07

21-51-53-19
 PAGE 0A


BOEING
 737-600/700/800/900
PARTS CATALOG (MAINTENANCE)



E 21515319 SHT 3 REV 130

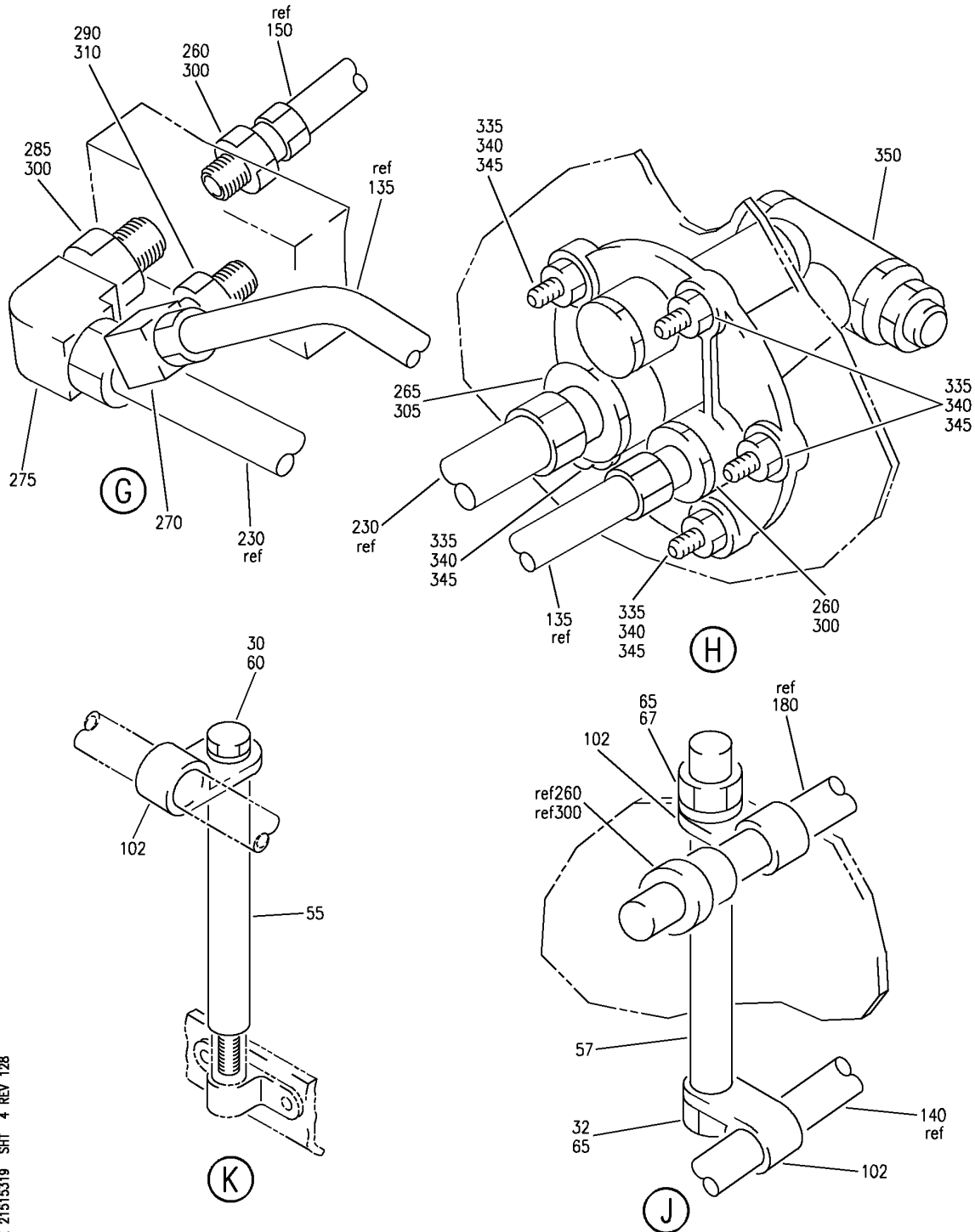
SENSE LINE INSTL-R SIDE AIR CONDITIONING PACK
 FIGURE 19 (SHEET 3)

21-51-53-19

HAP
JUN 10/07

21-51-53-19
 PAGE 0B


BOEING
 737-600/700/800/900
PARTS CATALOG (MAINTENANCE)



E 21515319 SH1 4 REV 128

SENSE LINE INSTL-R SIDE AIR CONDITIONING PACK
FIGURE 19 (SHEET 4)

21-51-53-19

HAP
JUN 10/07

21-51-53-19
PAGE 0C

BOEING
737-600/700/800/900
PARTS CATALOG (MAINTENANCE)

FIG ITEM	PART NUMBER	1 2 3 4 5 6 7	NOMENCLATURE	EFFECT FROM TO	UNITS PER ASSY
19			SENSE LINE INSTL-R SIDE AIR CONDITIONING PACK	001030	
- 1	213A1004-4		SENSE LINE INSTL-AIR CONDITIONING PACK POSITION DATA: R SIDE FOR NHA SEE: 21-50-00-01C	001030	RF
5	BACS12GU3K11	.SCREW		001030	4
10	BACS12GU3K31	.SCREW		001030	1
15	BACS12GU3K27	.SCREW		001030	3
20	BACS12GU3K37	.SCREW-		001030	1
25	BACS12GU3K17	.SCREW		001030	1
30	BACS12GU3K42	.SCREW		001030	2
32	BACS12GU3K46	.SCREW		001030	1
35	BACS18K10-63W	.SPACER		001030	3
40	NAS42DD6-64FC	.SPACER-		001030	1
42	NAS42DD6-37FC	.SPACER		001030	1
45	BACS18K10-77W	.SPACER		001030	1
50	BACS18K10-31W	.SPACER		001030	1
55	BACS18K10-128W	.SPACER		001030	2
57	NAS43DD3-156FC	.SPACER		001030	1
60	NAS1149D0332J	.WASHER		001030	14
65	NAS1149D0316J	.WASHER		001030	5
67	BRH10C3D	.NUT		001030	1
			SUPPLIER CODE: V52828 SPECIFICATION NUMBER: BACN10JC3CD OPTIONAL PART: T6C1032JCD V11815 NS202486-02 V80539 102LH9075-3W V72962 H51650-3BAC V15653		
70	BRC600-8-3GP	.CLIPNUT		001030	6
			SUPPLIER CODE: V52828 SPECIFICATION NUMBER: BACN10YD1G OPTIONAL PART: 130120G V60119		

MISSING ITEM NUMBERS NOT APPLICABLE

- ITEM NOT ILLUSTRATED

HAP

21-51-53-19

BOEING PROPRIETARY - Copyright © - Unpublished Work - See title page for details.

21-51-53
FIG. 19
PAGE 1
JUN 10/07

BOEING
737-600/700/800/900
PARTS CATALOG (MAINTENANCE)

FIG ITEM	PART NUMBER	1 2 3 4 5 6 7	NOMENCLATURE	EFFECT FROM TO	UNITS PER ASSY
19 75	PLH53CD	.	NUT SUPPLIER CODE: VF0224 SPECIFICATION NUMBER: BACN10YR3CD OPTIONAL PART: H52732-3CD V15653	001030	3
102	S258DT6	.	CLAMP- SUPPLIER CODE: V18076 SPECIFICATION NUMBER: BACC10DW6D OPTIONAL PART: TA4C44D6T V84971 475-6 V83930 8084D6T V72285 475A6 V83930 BACC10DW7D BACC10BU6DH	001030	34
102	S258DT7	.	CLAMP- SUPPLIER CODE: V18076 SPECIFICATION NUMBER: BACC10DW7D OPTIONAL PART: TA4C44D7T V84971 8084D7T V72285 475A7 V83930 475-7 V83930 BACC10DW6D	001030	34

MISSING ITEM NUMBERS NOT APPLICABLE

— ITEM NOT ILLUSTRATED

HAP

21-51-53-19

BOEING PROPRIETARY - Copyright © - Unpublished Work - See title page for details.

21-51-53
FIG. 19
PAGE 2
FEB 15/09

BOEING
737-600/700/800/900
PARTS CATALOG (MAINTENANCE)

FIG ITEM	PART NUMBER	1 2 3 4 5 6 7	NOMENCLATURE	EFFECT FROM TO	UNITS PER ASSY
19 102	S392DH6		.CLAMP- SUPPLIER CODE: V18076 SPECIFICATION NUMBER: BACC10BU6DH OPTIONAL PART: 393-6HT V83930 JM44LC24D6BW V22175 TA04C44D6HA V84971 393A6HT V83930 BACC10DW6D	001030	34
105	S258DT8		.CLAMP- SUPPLIER CODE: V18076 SPECIFICATION NUMBER: BACC10DW8D OPTIONAL PART: TA4C44D8T V84971 475-8 V83930 8084D8T V72285 475A8 V83930 BACC10BU8DH	001030	2
105	S392DH8		.CLAMP- SUPPLIER CODE: V18076 SPECIFICATION NUMBER: BACC10BU8DH OPTIONAL PART: 393-8HT V83930 JM44LC24D8BW V22175 TA04C44D8HA V84971 393A8HT V83930 BACC10DW8D	001030	2
110	BACC10GW300-2E		.CLAMP	001030	1
112	213A1004-12		.HOSE ASSY- OPTIONAL PART: 213A1004-13	001030	1

MISSING ITEM NUMBERS NOT APPLICABLE

— ITEM NOT ILLUSTRATED

HAP

21-51-53-19

BOEING PROPRIETARY - Copyright © - Unpublished Work - See title page for details.

21-51-53
FIG. 19
PAGE 3
FEB 15/09

BOEING
737-600/700/800/900
PARTS CATALOG (MAINTENANCE)

FIG ITEM	PART NUMBER	1 2 3 4 5 6 7	NOMENCLATURE	EFFECT FROM TO	UNITS PER ASSY
19					
112	213A1004-13	.HOSE ASSY-		001030	1
		OPTIONAL PART:			
		213A1004-12			
		AS141G0120N045L			
- 113	NAS1762W0606	..ELBOW		001030	1
- 114	AS138-06N0130L	..HOSE ASSY-		001030	1
		USED ON:			
		213A1004-12			
- 114	AS117-06-0123	..HOSE ASSY-		001030	1
		USED ON:			
		213A1004-13			
- 114	AS116-06-0152	..HOSE-		001030	1
115	AS141G120-045	.HOSE ASSY-		001030	1
115	AS141G0120N045L	.HOSE ASSY-		001030	1
		OPTIONAL PART:			
		213A1004-13			
120	213A1401-10	.TUBE ASSY		001030	1
125	213A1401-20	.TUBE ASSY		001030	1
130	213A1401-34	.TUBE ASSY		001030	1
135	213A1401-26	.TUBE ASSY		001030	1
140	213A1401-42	.TUBE ASSY		001030	1
145	213A1401-40	.TUBE ASSY		001030	1
150	213A1401-36	.TUBE ASSY		001030	1
155	213A1401-8	.TUBE ASSY		001030	1
160	213A1401-30	.TUBE ASSY		001030	1
- 165	AP2097HP06	..SLEEVE		001030	2
		SUPPLIER CODE:			
		V01673			
		SPECIFICATION NUMBER:			
		BACS13BX06HP			
		OPTIONAL PART:			
		2-02903-06HP			
		V11328			
		35235VN06			
		V08199			
		AFP175V06P			
		V30974			
		DB0S13BX06HP			
		V14798			
- 170	MS21921-6D	..NUT		001030	2
175	213A1401-44	.TUBE ASSY-		001030	1
180	213A1401-18	.TUBE ASSY		001030	1
185	213A1401-22	.TUBE ASSY		001030	1
190	213A1401-28	.TUBE ASSY		001030	1
195	213A1401-38	.TUBE ASSY		001030	1
200	213A1401-12	.TUBE ASSY		001030	1
205	213A1401-14	.TUBE ASSY		001030	1
210	213A1401-16	.TUBE ASSY		001030	1

MISSING ITEM NUMBERS NOT APPLICABLE

- ITEM NOT ILLUSTRATED

HAP

21-51-53-19

BOEING PROPRIETARY - Copyright © - Unpublished Work - See title page for details.

21-51-53
FIG. 19
PAGE 4
JUN 15/09

BOEING
737-600/700/800/900
PARTS CATALOG (MAINTENANCE)

FIG ITEM	PART NUMBER	1 2 3 4 5 6 7	NOMENCLATURE	EFFECT FROM TO	UNITS PER ASSY
19 - 215	AP2097HP06	..	SLEEVE SUPPLIER CODE: V01673 SPECIFICATION NUMBER: BACS13BX06HP OPTIONAL PART: 2-02903-06HP V11328 35235VN06 V08199 AFP175V06P V30974 DBOS13BX06HP V14798	001030	1
- 220	MS21921-6D	..	NUT	001030	1
- 225	35056GV06	..	UNION SUPPLIER CODE: V08199 SPECIFICATION NUMBER: BACU24AB6W OPTIONAL PART: 2-01027-6W V11328 31875-6W V14397 4671097W6 V50948 AP1004W06 V01673 AFP941W6 V30974 DBOU24AB6W V14798	001030	1
230	213A1401-24	.	TUBE ASSY	001030	1
- 235	AP2097HP08	..	SLEEVE SUPPLIER CODE: V01673 SPECIFICATION NUMBER: BACS13BX08HP OPTIONAL PART: 2-02903-08HP V11328 35235VN08 V08199 AFP175V08P V30974 DBOS13BX08HP V14798	001030	1
- 240	MS21921-8D	..	NUT	001030	1

MISSING ITEM NUMBERS NOT APPLICABLE

- ITEM NOT ILLUSTRATED

HAP

21-51-53-19

BOEING PROPRIETARY - Copyright © - Unpublished Work - See title page for details.

21-51-53
FIG. 19
PAGE 5
JUN 15/09

BOEING
737-600/700/800/900
PARTS CATALOG (MAINTENANCE)

FIG ITEM	PART NUMBER	1 2 3 4 5 6 7	NOMENCLATURE	EFFECT FROM TO	UNITS PER ASSY
19					
245	213A1401-4		.TUBE ASSY	001030	1
- 250	AS1581T06		..SLEEVE	001030	2
- 255	BACN10YA6L		..NUT	001030	2
260	MS21902D6		.UNION	001030	17
265	MS21902D8		.UNION	001030	1
270	NAS1762W0606		.ELBOW-REDUCER	001030	3
275	NAS1762W0808		.ELBOW-REDUCER	001030	1
280	AFP2162W0606		.ADAPTER-	001030	1
			SUPPLIER CODE: V30974		
			OPTIONAL PART: 32690		
			V14397		
280	32690		.ADAPTER-	001030	1
			SUPPLIER CODE: V14397		
			OPTIONAL PART: AFP2162W0606		
			V30974		
285	MS21916D8-6		.REDUCER	001030	1
290	MS21916D6-5		.REDUCER	001030	1
295	MS21905W6		.TEE	001030	1
300	R1131-906		.PACKING	001030	18
			SUPPLIER CODE: V57268		
			SPECIFICATION NUMBER: BACP11K6		
			OPTIONAL PART: 3-906S383-70		
			V02697		
			1090-06		
			V95272		
			150701-06		
			V95272		
			AS568-906S32		
			V11314		
			MAINTENANCE MANUAL REF: 21-51-01		
			21-51-04		
			21-51-07		
			21-51-11		
			21-51-15		
			21-51-16		

MISSING ITEM NUMBERS NOT APPLICABLE

- ITEM NOT ILLUSTRATED

HAP

21-51-53-19

BOEING PROPRIETARY - Copyright © - Unpublished Work - See title page for details.

21-51-53
FIG. 19
PAGE 6
JUN 15/09

BOEING
737-600/700/800/900
PARTS CATALOG (MAINTENANCE)

FIG ITEM	PART NUMBER	1 2 3 4 5 6 7	NOMENCLATURE	EFFECT FROM TO	UNITS PER ASSY
19 305	R1131-908		.PACKING SUPPLIER CODE: V57268 SPECIFICATION NUMBER: BACP11K8 OPTIONAL PART: 3-908S383-70 V02697 1090-08 V95272 150701-08 V95272 AS568-908S32 V11314 MAINTENANCE MANUAL REF: 21-51-16	001030	1
310	R1131-905		.PACKING SUPPLIER CODE: V57268 SPECIFICATION NUMBER: BACP11K5 OPTIONAL PART: 3-905S383-70 V02697 1090-05 V95272 150701-05 V95272 AS568-905S32 V11314	001030	1
315	BACN10CS06DN		.NUT	001030	1
320	AN924-10D		.NUT	001030	1
325	NAS1149D1432J		.WASHER	001030	2
330	69-28055		.SCREEN-VENT	001030	1
335	BACB30NR4K5		.BOLT-	001030	5
340	NAS1149D0416J		.WASHER	001030	5
345	PLH54CD		.NUT SUPPLIER CODE: VF0224 SPECIFICATION NUMBER: BACN10YR4CD OPTIONAL PART: H52732-4CD V15653	001030	5

MISSING ITEM NUMBERS NOT APPLICABLE

- ITEM NOT ILLUSTRATED

HAP

21-51-53-19

BOEING PROPRIETARY - Copyright © - Unpublished Work - See title page for details.

21-51-53
FIG. 19
PAGE 7
JUN 15/09


BOEING
 737-600/700/800/900
PARTS CATALOG (MAINTENANCE)

FIG ITEM	PART NUMBER	1 2 3 4 5 6 7 NOMENCLATURE	EFFECT FROM TO	UNITS PER ASSY
19 350	2214275-1	.NOZZLE-WATER SPRAY SUPPLIER CODE: V70210 FUNCTIONAL DESCRIPTION: COOLS THE RAM AIR ENTERING THE SECONDARY HEAT EXCHANGER. COMPONENT MAINT MANUAL REF: 21-51-92 MAINTENANCE MANUAL REF: 21-51-16	001030	1

MISSING ITEM NUMBERS NOT APPLICABLE

— ITEM NOT ILLUSTRATED

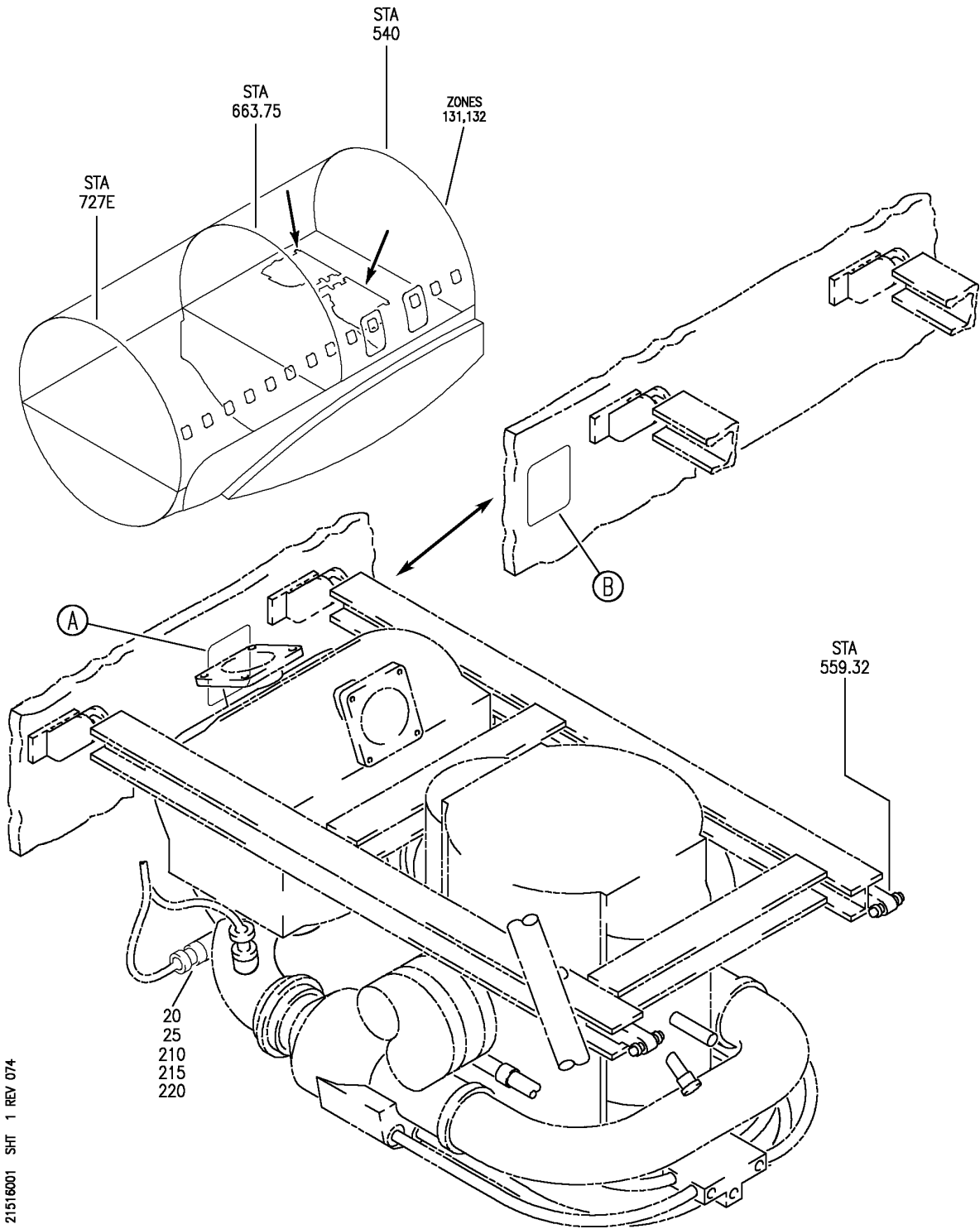
HAP

21-51-53-19

BOEING PROPRIETARY - Copyright © - Unpublished Work - See title page for details.

21-51-53
 FIG. 19
 PAGE 8
 JUN 15/09

BOEING
 737-600/700/800/900
 PARTS CATALOG (MAINTENANCE)



E 21516001 SHT 1 REV 074

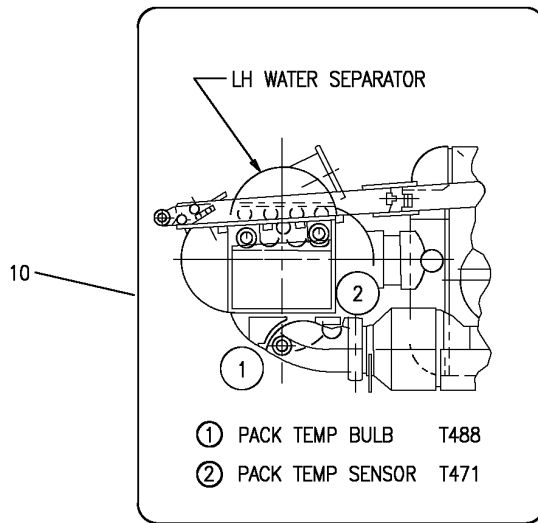
SEPARATOR INSTL -AIR CONDITIONING WATER (PACK TEMPERATURE BULB ONLY)
 FIGURE 1 (SHEET 1)

21-51-60-01

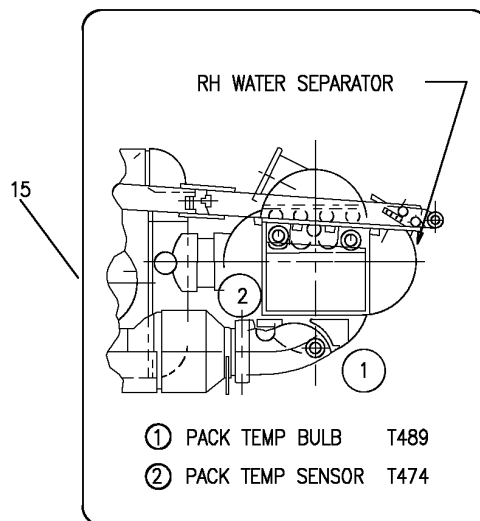
HAP
 OCT 10/06

21-51-60-01
 PAGE 0

BOEING
 737-600/700/800/900
 PARTS CATALOG (MAINTENANCE)



(A)



(B)

E 21516001 SH1 2 REV 074

SEPARATOR INSTL -AIR CONDITIONING WATER (PACK TEMPERATURE BULB ONLY)
 FIGURE 1 (SHEET 2)

21-51-60-01

HAP
 OCT 10/06

21-51-60-01
 PAGE 0A

BOEING
737-600/700/800/900
PARTS CATALOG (MAINTENANCE)

FIG ITEM	PART NUMBER	1 2 3 4 5 6 7	NOMENCLATURE	EFFECT FROM TO	UNITS PER ASSY
1			SEPARATOR INSTL -AIR CONDITIONING WATER (PACK TEMPERATURE BULB ONLY)	001047 054100	
- 1	213A1003-3		SEPARATOR INSTL-WATER AIR CONDITIONING (PACK TEMPERATURE BULB ONLY) POSITION DATA: L FOR NHA/ADDITIONAL DET SEE: 21-50-00-01C	001030	RF
- 1	MODREF81151		SEPARATOR INSTL-WATER AIR CONDITIONING (PACK TEMPERATURE BULB ONLY) MODULE NUMBER: 213A1003-3 REV A POSITION DATA: L FOR ADDITIONAL DETAILS SEE: 21-51-12-01 21-51-13-01 21-51-14-02 21-51-52-03	031046 054100	1
- 5	213A1003-4		SEPARATOR INSTL-WATER AIR CONDITIONING (PACK TEMPERATURE BULB ONLY) POSITION DATA: R FOR NHA/ADDITIONAL DET SEE: 21-50-00-01C	001030	RF
- 5	MODREF81152		SEPARATOR INSTL-WATER AIR CONDITIONING (PACK TEMPERATURE BULB ONLY) MODULE NUMBER: 213A1003-4 REV A POSITION DATA: R FOR ADDITIONAL DETAILS SEE: 21-51-12-01 21-51-13-01 21-51-14-02 21-51-52-03	031046 054100	1
10	BAC27DAC0072		.MARKER-ALUMINUM FOIL POSITION DATA: L SIDE	001046 054100	RF
15	BAC27DAC0071		.MARKER-ALUMINUM FOIL POSITION DATA: R SIDE	001046 054100	RF

MISSING ITEM NUMBERS NOT APPLICABLE

- ITEM NOT ILLUSTRATED

HAP

21-51-60-01

BOEING PROPRIETARY - Copyright © - Unpublished Work - See title page for details.

21-51-60
FIG. 01
PAGE 1
FEB 15/09

BOEING
737-600/700/800/900
PARTS CATALOG (MAINTENANCE)

FIG ITEM	PART NUMBER	1 2 3 4 5 6 7	NOMENCLATURE	EFFECT FROM TO	UNITS PER ASSY
1					
20	R1131-906		.PACKING SUPPLIER CODE: V57268 SPECIFICATION NUMBER: BACP11K6 OPTIONAL PART: 3-906S383-70 V02697 1090-06 V95272 150701-06 V95272 AS568-906S32 V11314	001046 054100	1
25	MS28034-1		.BULB-TEMP ELECTRICAL EQUIP NUMBER: T00488 T00489	001046 054100	1
- 200	286A5102-301		WIRE BUNDLE ASSY-LEFT A/C POSITION DATA: L SIDE	001030	RF
- 200	286A5102-303		WIRE BUNDLE ASSY-LEFT A/C POSITION DATA: L SIDE	031035	RF
- 200	286A5102-306		WIRE BUNDLE ASSY- POSITION DATA: L SIDE	036047 054100	RF
- 205	286A6202-301		WIRE BUNDLE ASSY-RIGHT A/C POSITION DATA: R SIDE	001009	RF
- 205	286A6202-302		WIRE BUNDLE ASSY-RIGHT A/C POSITION DATA: R SIDE	010027	RF
- 205	286A6202-303		WIRE BUNDLE ASSY-RIGHT A/C POSITION DATA: R SIDE	028030	RF
- 205	286A6202-306		WIRE BUNDLE ASSY-RIGHT A/C POSITION DATA: R SIDE	031047 054100	RF
210	BACC63CE12S3S		.CONNECTOR- ELECTRICAL EQUIP NUMBER: D03930 D03982 WIRING DIAGRAM REF: 216151	001047 054100	1

MISSING ITEM NUMBERS NOT APPLICABLE

- ITEM NOT ILLUSTRATED

HAP

21-51-60-01

BOEING PROPRIETARY - Copyright © - Unpublished Work - See title page for details.

21-51-60
FIG. 01
PAGE 2
FEB 15/09

BOEING
737-600/700/800/900
PARTS CATALOG (MAINTENANCE)

FIG ITEM	PART NUMBER	1 2 3 4 5 6 7	NOMENCLATURE	EFFECT FROM TO	UNITS PER ASSY
1 215	G65062-12		.CLAMP- SUPPLIER CODE: V06324 SPECIFICATION NUMBER: BACC10HV12 OPTIONAL PART: S2824-12 V07418 POSITION DATA: L SIDE ELECTRICAL EQUIP NUMBER: D03930T WIRING DIAGRAM REF: 216151	001047 054100	1
220	G65061-12		.CLAMP- SUPPLIER CODE: V06324 SPECIFICATION NUMBER: BACC10HW12 OPTIONAL PART: S2825-12 V07418 POSITION DATA: R SIDE ELECTRICAL EQUIP NUMBER: D03982T WIRING DIAGRAM REF: 216151	001047 054100	1

MISSING ITEM NUMBERS NOT APPLICABLE

— ITEM NOT ILLUSTRATED

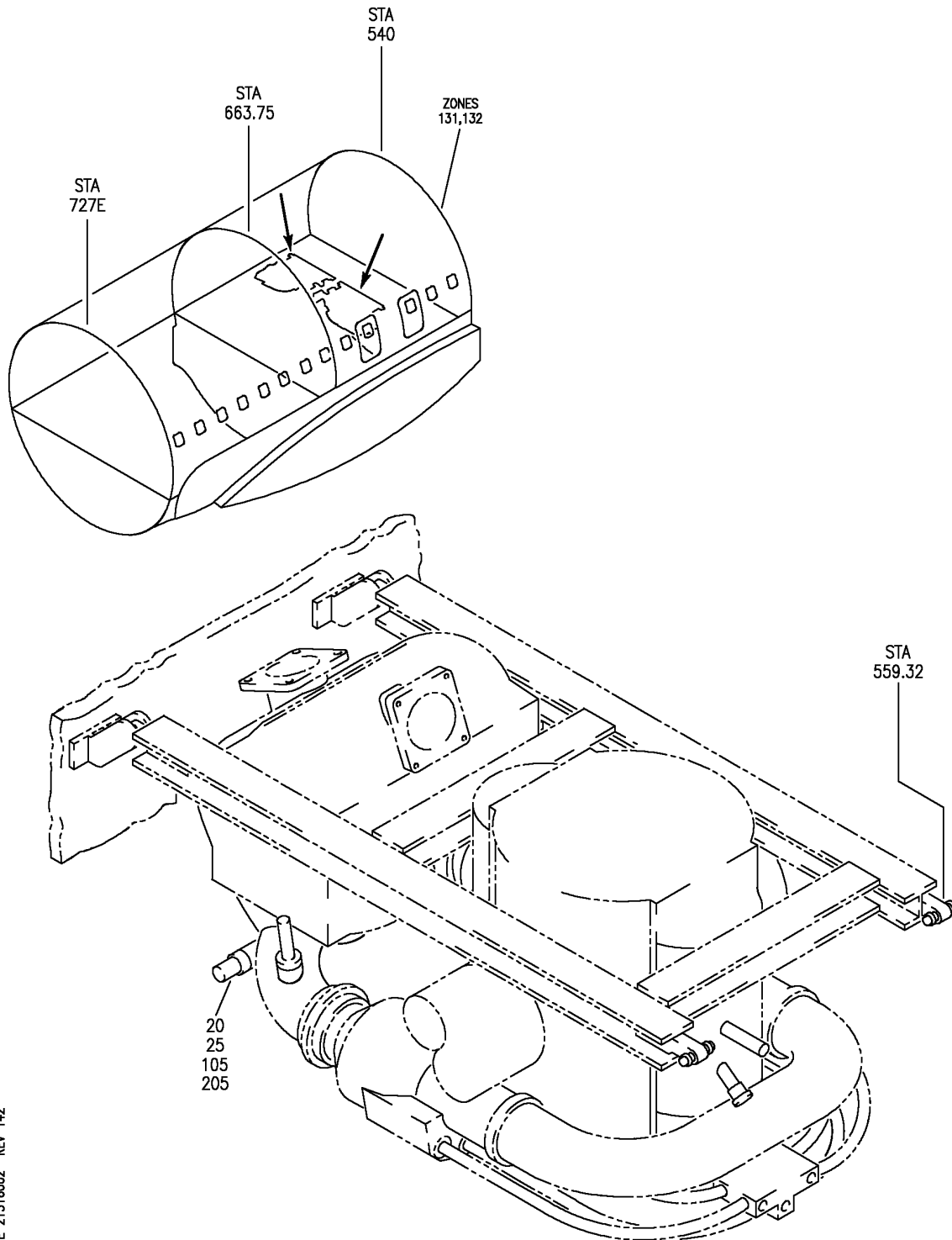
HAP

21-51-60-01

BOEING PROPRIETARY - Copyright © - Unpublished Work - See title page for details.

21-51-60
FIG. 01
PAGE 3
FEB 15/09

BOEING
 737-600/700/800/900
 PARTS CATALOG (MAINTENANCE)



E 21516002 REV 142

SEPARATOR ASSY-HIGH PRESSURE WATER (PACK TEMPERATURE BULB ONLY)
 FIGURE 2

21-51-60-02

HAP
 JUN 15/08

21-51-60-02
 PAGE 0

BOEING
737-600/700/800/900
PARTS CATALOG (MAINTENANCE)

FIG ITEM	PART NUMBER	1 2 3 4 5 6 7	NOMENCLATURE	EFFECT FROM TO	UNITS PER ASSY
2			SEPARATOR ASSY-HIGH PRESSURE WATER (PACK TEMPERATURE BULB ONLY)	047053	
- 1	213A1013-3		SEPARATOR ASSY-HIGH PRESSURE WATER (PACK TEMPERATURE BULB ONLY)	047053	RF
- 5	213A1013-4		POSITION DATA: LH FOR NHA/ADDITIONAL DET SEE: 21-51-17-01	047053	RF
20	BACP11K7		SEPARATOR ASSY-HIGH PRESSURE WATER (PACK TEMPERATURE BULB ONLY)	047053	1
25	MS28034-1		POSITION DATA: RH FOR NHA/ADDITIONAL DET SEE: 21-51-17-06	047053	1
- 100	286A5102-306		.PACKING	047052	RF
105	BACC63CE12S3S		.BULB-TEMP ELECTRICAL EQUIP NUMBER: T00488 T00489	047052	1
- 200	286A6202-306		WIRE BUNDLE ASSY	047052	RF
205	BACC63CE12S3S		.CONNECTOR- ELECTRICAL EQUIP NUMBER: D03930 WIRING DIAGRAM REF: 216151	047052	1
- 200	286A6202-306		WIRE BUNDLE ASSY	047052	RF
205	BACC63CE12S3S		.CONNECTOR- ELECTRICAL EQUIP NUMBER: D03982 WIRING DIAGRAM REF: 216151	047052	1

MISSING ITEM NUMBERS NOT APPLICABLE

- ITEM NOT ILLUSTRATED

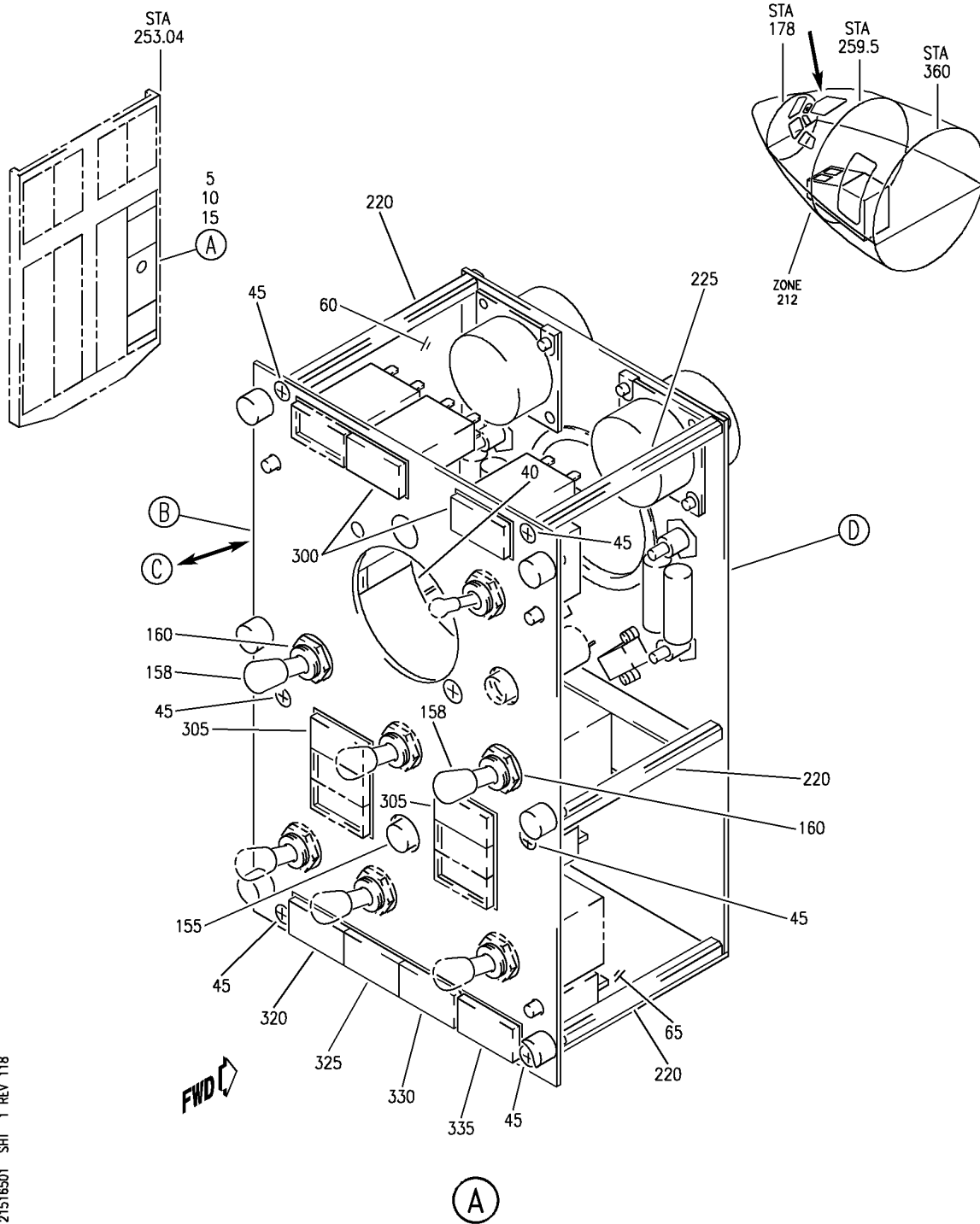
HAP

21-51-60-02

BOEING PROPRIETARY - Copyright © - Unpublished Work - See title page for details.

21-51-60
FIG. 02
PAGE 1
FEB 15/09

BOEING
 737-600/700/800/900
 PARTS CATALOG (MAINTENANCE)



E 21516501 SHT 1 REV 118

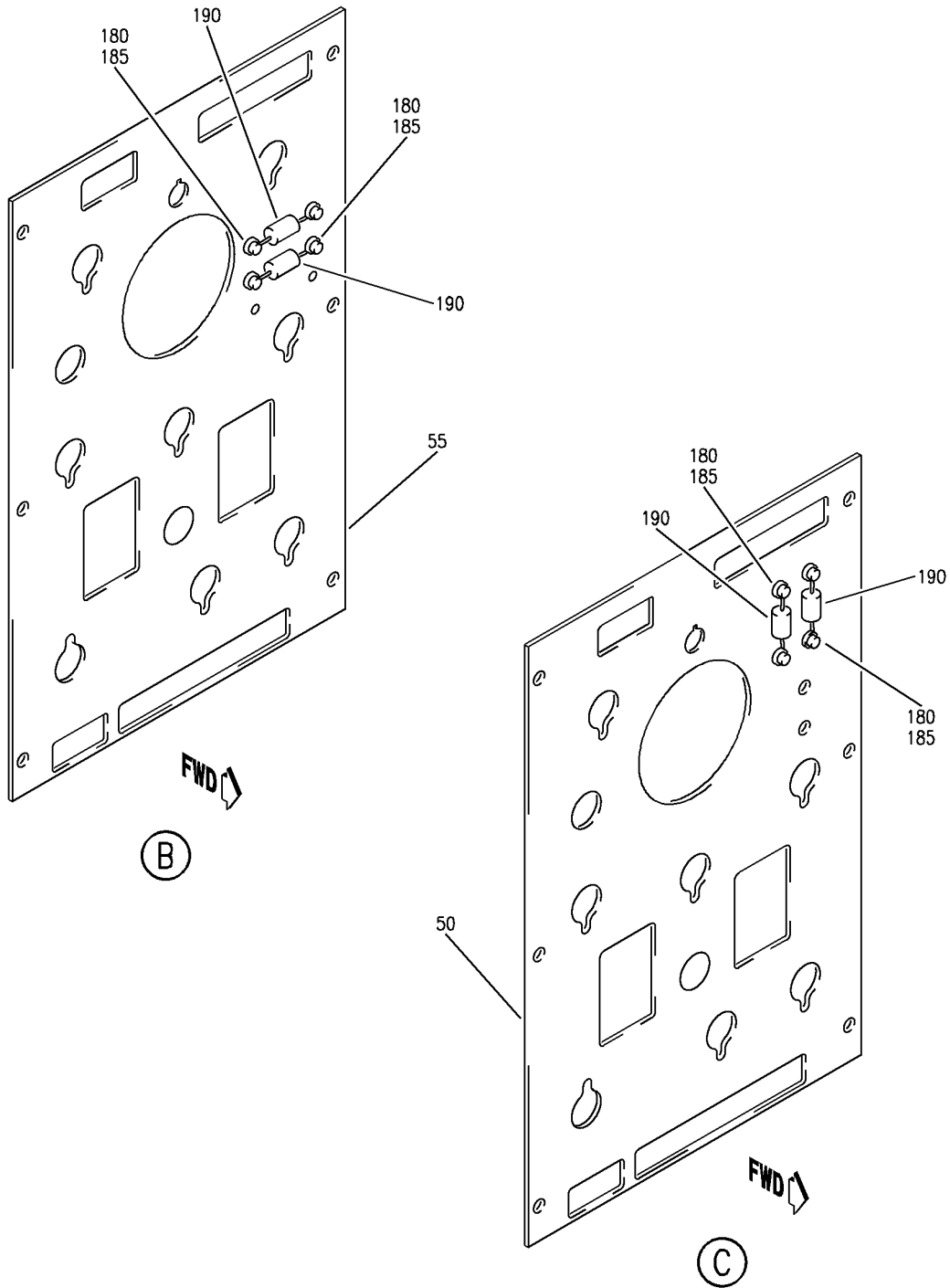
MODULE INSTL-P5 OVHD (PACK FLOW CONTROL AND PACK COOLING SYSTEM ONLY)
 FIGURE 1 (SHEET 1)

21-51-65-01

HAP
 FEB 10/07

21-51-65-01
 PAGE 0

BOEING
 737-600/700/800/900
 PARTS CATALOG (MAINTENANCE)



E 21516501 SHT 2 REV 118

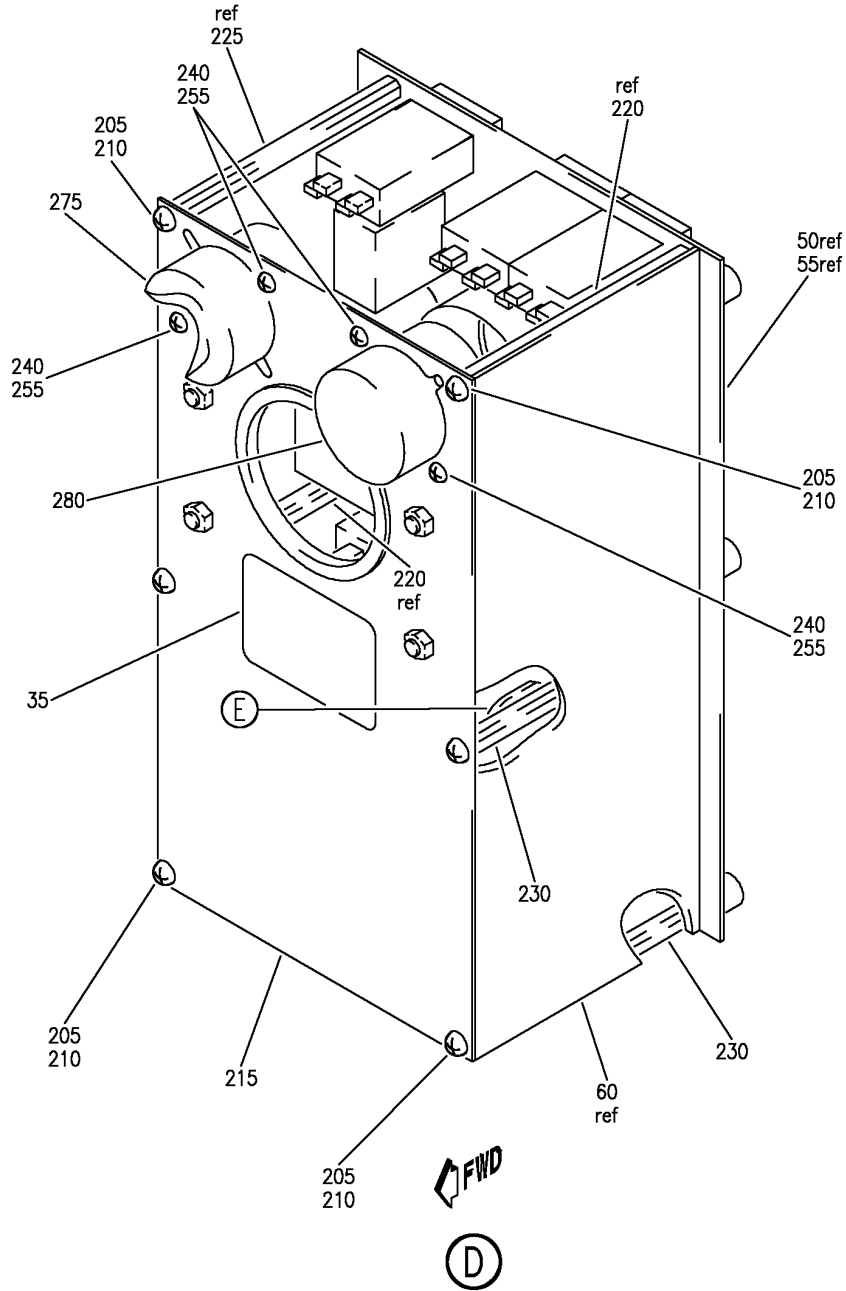
MODULE INSTL-P5 OVHD (PACK FLOW CONTROL AND PACK COOLING SYSTEM ONLY)
 FIGURE 1 (SHEET 2)

HAP
 FEB 10/07

21-51-65-01

21-51-65-01
 PAGE 0A

BOEING
 737-600/700/800/900
 PARTS CATALOG (MAINTENANCE)



E 21516501 SH1 3 REV 147

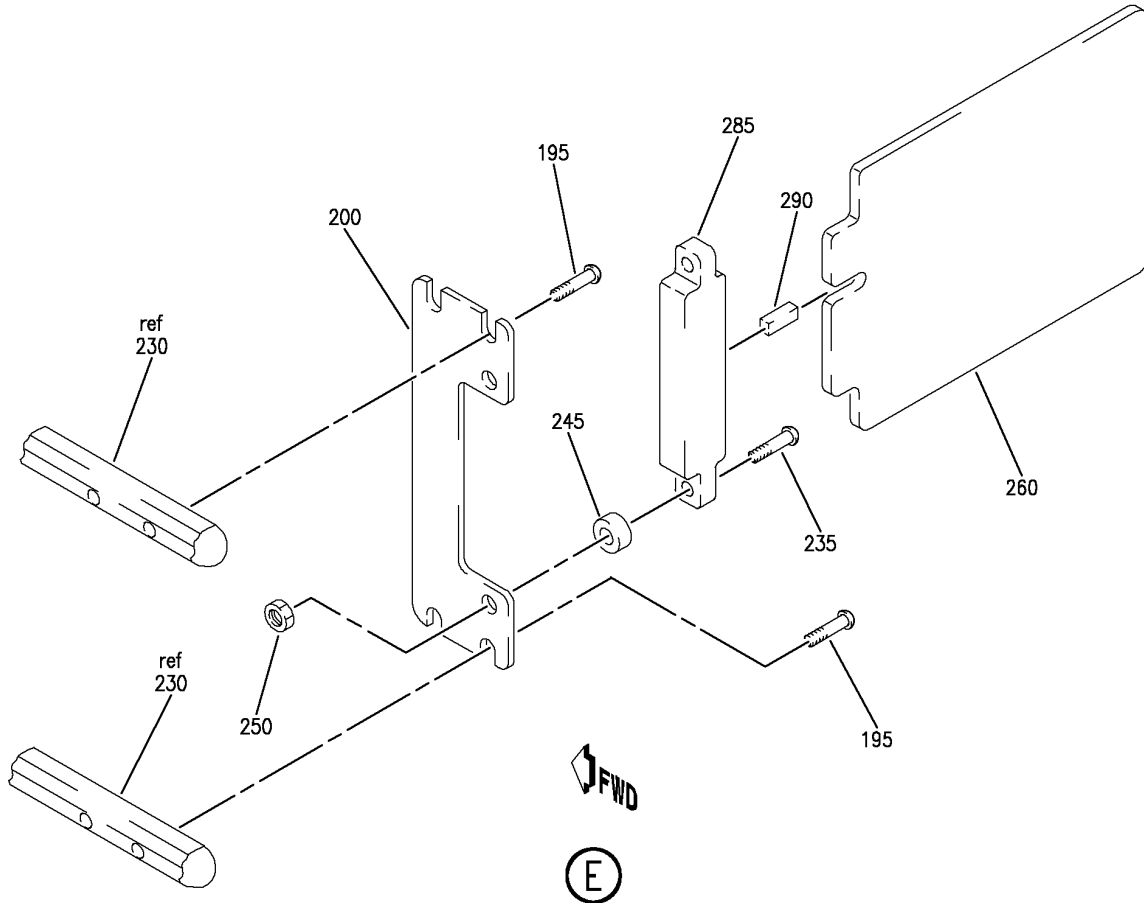
MODULE INSTL-P5 OVHD (PACK FLOW CONTROL AND PACK COOLING SYSTEM ONLY)
 FIGURE 1 (SHEET 3)

21-51-65-01

HAP
 OCT 15/08

21-51-65-01
 PAGE 0B

BOEING
737-600/700/800/900
PARTS CATALOG (MAINTENANCE)



E 21516501 SH1 4 REV 067

MODULE INSTL-P5 OVHD (PACK FLOW CONTROL AND PACK COOLING SYSTEM ONLY)
FIGURE 1 (SHEET 4)

HAP
FEB 10/07

21-51-65-01

21-51-65-01
PAGE 0C

BOEING
737-600/700/800/900
PARTS CATALOG (MAINTENANCE)

FIG ITEM	PART NUMBER	1 2 3 4 5 6 7	NOMENCLATURE	EFFECT FROM TO	UNITS PER ASSY
1			MODULE INSTL-P5 OVHD (PACK FLOW CONTROL AND PACK COOLING SYSTEM ONLY)	101200 968999	
- 1	MODREF82408		MODULE INSTL-P5 OVHD 600/700 MINOR MODEL (PACK FLOW CONTROL AND PACK COOLING SYSTEM ONLY) MODULE NUMBER: 233A3104-215101 REV A FOR OTHER SYS DETAILS SEE: 11-31-01-37G 21-25-02-09 21-61-05-07 21-61-07-02 21-61-33-01 21-61-52-01 31-11-94-04X 33-11-52-02X 49-52-52-01	101200 968999	1
5	69-37319-308		.MODULE ASSY-AIR CONDITIONING P5-10 SUPPLIER CODE: V89954 ELECTRICAL EQUIP NUMBER: P00510 COMPONENT MAINT MANUAL REF: 31-37-07 MAINTENANCE MANUAL REF: 21-51-65	101200 968999	RF
35	BAC27DCC232		..MARKER-ALUMINUM FOIL	101200 968999	1
40	MBG59235		..CLAMP SUPPLIER CODE: V98625 SPECIFICATION NUMBER: BACC10EL3 OPTIONAL PART: 640003 V91893	101200 968999	1
45	MS24693C25		..SCREW	101200 968999	6
50	69-37319-123		..BASEPLATE- SUPPLIER CODE: V89954	101200 968999	1
60	69-39493-11		..COVER ASSY	101200 968999	1
65	69-39493-12		..COVER	101200 968999	1

MISSING ITEM NUMBERS NOT APPLICABLE

- ITEM NOT ILLUSTRATED

HAP

21-51-65-01

BOEING PROPRIETARY - Copyright © - Unpublished Work - See title page for details.

21-51-65
FIG. 01
PAGE 1
OCT 15/08

BOEING
737-600/700/800/900
PARTS CATALOG (MAINTENANCE)

FIG ITEM	PART NUMBER	1 2 3 4 5 6 7	NOMENCLATURE	EFFECT FROM TO	UNITS PER ASSY
1			ATTACHING PARTS		
- 70	MS24693C2		.. SCREW	101200 968999	10
			-----*-----		
155	W20161-05		.. SWITCH-PUSH BUTTON SUPPLIER CODE: V81640	101200 968999	1
160	68AT22-1A		.. SWITCH-TG SUPPLIER CODE: V91929	101200 968999	2
180	MS24693C23		.. SCREW	101200 968999	4
185	NAS620C6		.. WASHER	101200 968999	4
190	1N5618		.. DIODE- SUPPLIER CODE: VU3384	101200 968999	2
195	MS51957-13		.. SCREW	101200 968999	4
200	69-37329-1		.. PLATE-SPRT	101200 968999	1
205	MS51957-27		.. SCREW	101200 968999	6
210	MS35338-136		.. WASHER	101200 968999	6
215	69-39493-46		.. BACKPLATE- OPTIONAL PART: 69-39493-13	101200 968999	1
215	69-39493-13		.. BACKPLATE- OPTIONAL PART: 69-39493-46	101200 968999	1
220	69-37268-13		.. STANDOFF	101200 968999	3
225	69-37268-14		.. STANDOFF	101200 968999	1
230	69-37319-4		.. STANDOFF- SUPPLIER CODE: V89954	101200 968999	2
235	MS51957-20		.. SCREW	101200 968999	2
240	MS51957-14		.. SCREW	101200 968999	4
245	NAS43DD0-17FC		.. SPACER	101200 968999	2

MISSING ITEM NUMBERS NOT APPLICABLE

- ITEM NOT ILLUSTRATED

HAP

21-51-65-01

BOEING PROPRIETARY - Copyright © - Unpublished Work - See title page for details.

21-51-65
FIG. 01
PAGE 2
OCT 15/08

BOEING
737-600/700/800/900
PARTS CATALOG (MAINTENANCE)

FIG ITEM	PART NUMBER	1 2 3 4 5 6 7	NOMENCLATURE	EFFECT FROM TO	UNITS PER ASSY
1 250	BRH10C04M		..NUT SUPPLIER CODE: V52828 SPECIFICATION NUMBER: BACN10JCO4CM OPTIONAL PART: H01-04BAC V15653 NS202101SE40 V80539 VN303D40 V92215 109LH9075-40W V72962 97E40 V80539 T6C440JM V11815	101200 968999	2
255	K19798-04		..NUT SUPPLIER CODE: V15653 SPECIFICATION NUMBER: BACN10NW1 OPTIONAL PART: RMA4812-160-40 V72962 293162 V60119	101200 968999	4
260	69-78809-5		..PRINTED CIRCUIT ASSY- UNIV MASTER CAUTION SUPPLIER CODE: V89954 COMPONENT MAINT MANUAL REF: 28-09-33 OPTIONAL PART: 69-78809-3 V89954 69-78809-4 V89954 69-78809-6 V89954 FOR SPARES PROCURE: 69-78809-6 V89954	101200 968999	1

MISSING ITEM NUMBERS NOT APPLICABLE

— ITEM NOT ILLUSTRATED

HAP

21-51-65-01

BOEING PROPRIETARY - Copyright © - Unpublished Work - See title page for details.

21-51-65
FIG. 01
PAGE 3
FEB 15/09

BOEING
737-600/700/800/900
PARTS CATALOG (MAINTENANCE)

FIG ITEM	PART NUMBER	1 2 3 4 5 6 7	NOMENCLATURE	EFFECT FROM TO	UNITS PER ASSY
1 260	69-78809-3		..PRINTED CIRCUIT ASSY- UNIV MASTER CAUTION SUPPLIER CODE: V89954 COMPONENT MAINT MANUAL REF: 28-09-33 OPTIONAL PART: 69-78809-4 V89954 69-78809-5 V89954 69-78809-6 V89954 FOR SPARES PROCURE: 69-78809-6 V89954	101200 968999	1
260	69-78809-4		..PRINTED CIRCUIT ASSY- UNIV MASTER CAUTION SUPPLIER CODE: V89954 COMPONENT MAINT MANUAL REF: 28-09-33 OPTIONAL PART: 69-78809-3 V89954 69-78809-5 V89954 69-78809-6 V89954 FOR SPARES PROCURE: 69-78809-6 V89954	101200 968999	1
260	69-78809-6		..PRINTED CIRCUIT ASSY- UNIV MASTER CAUTION SUPPLIER CODE: V89954 COMPONENT MAINT MANUAL REF: 28-09-33 OPTIONAL PART: 69-78809-3 V89954 69-78809-4 V89954 69-78809-5 V89954	101200 968999	1
- 270	69-37319-205		..WIRE BUNDLE ASSY- SUPPLIER CODE: V89954	101200 968999	1

MISSING ITEM NUMBERS NOT APPLICABLE

- ITEM NOT ILLUSTRATED

HAP

21-51-65-01

BOEING PROPRIETARY - Copyright © - Unpublished Work - See title page for details.

21-51-65
FIG. 01
PAGE 4
FEB 15/09

BOEING
737-600/700/800/900
PARTS CATALOG (MAINTENANCE)

FIG ITEM	PART NUMBER	1 2 3 4 5 6 7	NOMENCLATURE	EFFECT FROM TO	UNITS PER ASSY
1					
275	BACC45FN22-55P6	..	CONNECTOR	101200 968999	1
280	BACC45FN22-55P7	..	CONNECTOR	101200 968999	1
285	582587-1	..	CONNECTOR- SUPPLIER CODE: V00779	101200 968999	1
290	582507-1	..	CONTACT-PLUG SUPPLIER CODE: V00779	101200 968999	2
300	BCREF2616	..	LIGHT ASSY-PRESS TO TEST IND-RAM DOOR FULL OPEN SUPPLIER CODE: V81590 OVERLENGTH PART NUMBER: 318-630-1001-053 SPECIFICATION NUMBER: 10-61803-76 COMPONENT MAINT MANUAL REF: 33-10-05 FOR DETAILS SEE: 33-11-50-03	101200 968999	2
305	BCREF2578	..	LIGHT ASSY-PRESS TO TEST IND-PACK TRIP OFF SUPPLIER CODE: V81590 OVERLENGTH PART NUMBER: 318-630-1001-007 SPECIFICATION NUMBER: 10-61803-11 COMPONENT MAINT MANUAL REF: 33-10-05 FOR DETAILS SEE: 33-11-50-03	101200 968999	2
320	BCREF2606	..	LIGHT ASSY-PRESS TO TEST IND-AUTO FAIL SUPPLIER CODE: V81590 OVERLENGTH PART NUMBER: 318-630-1001-041 SPECIFICATION NUMBER: 10-61803-59 COMPONENT MAINT MANUAL REF: 33-10-05 FOR DETAILS SEE: 33-11-50-03	101200 968999	1

MISSING ITEM NUMBERS NOT APPLICABLE

— ITEM NOT ILLUSTRATED

HAP

21-51-65-01

BOEING PROPRIETARY - Copyright © - Unpublished Work - See title page for details.

21-51-65
FIG. 01
PAGE 5
FEB 15/09

BOEING
737-600/700/800/900
PARTS CATALOG (MAINTENANCE)

FIG ITEM	PART NUMBER	1 2 3 4 5 6 7	NOMENCLATURE	EFFECT FROM TO	UNITS PER ASSY
1 325	BCREF2572		..LIGHT ASSY-PRESS TO TEST IND-OFF SCHED DESCENT SUPPLIER CODE: V81590 OVERLENGTH PART NUMBER: 318-630-1001-001 SPECIFICATION NUMBER: 10-61803-1 COMPONENT MAINT MANUAL REF: 33-10-05 FOR DETAILS SEE: 33-11-50-03	101200 968999	1
330	BCREF11930		..LIGHT ASSY-PRESS TO TEST IND-ALTN SUPPLIER CODE: V81590 OVERLENGTH PART NUMBER: 318-630-1001-376 SPECIFICATION NUMBER: 10-61803-444 COMPONENT MAINT MANUAL REF: 33-10-05 FOR DETAILS SEE: 33-11-50-03	101200 968999	1
335	BCREF2604		..LIGHT ASSY-PRESS TO TEST IND-MANUAL SUPPLIER CODE: V81590 OVERLENGTH PART NUMBER: 318-630-1001-039 SPECIFICATION NUMBER: 10-61803-57 COMPONENT MAINT MANUAL REF: 33-10-05 FOR DETAILS SEE: 33-11-50-03	101200 968999	1

MISSING ITEM NUMBERS NOT APPLICABLE

— ITEM NOT ILLUSTRATED

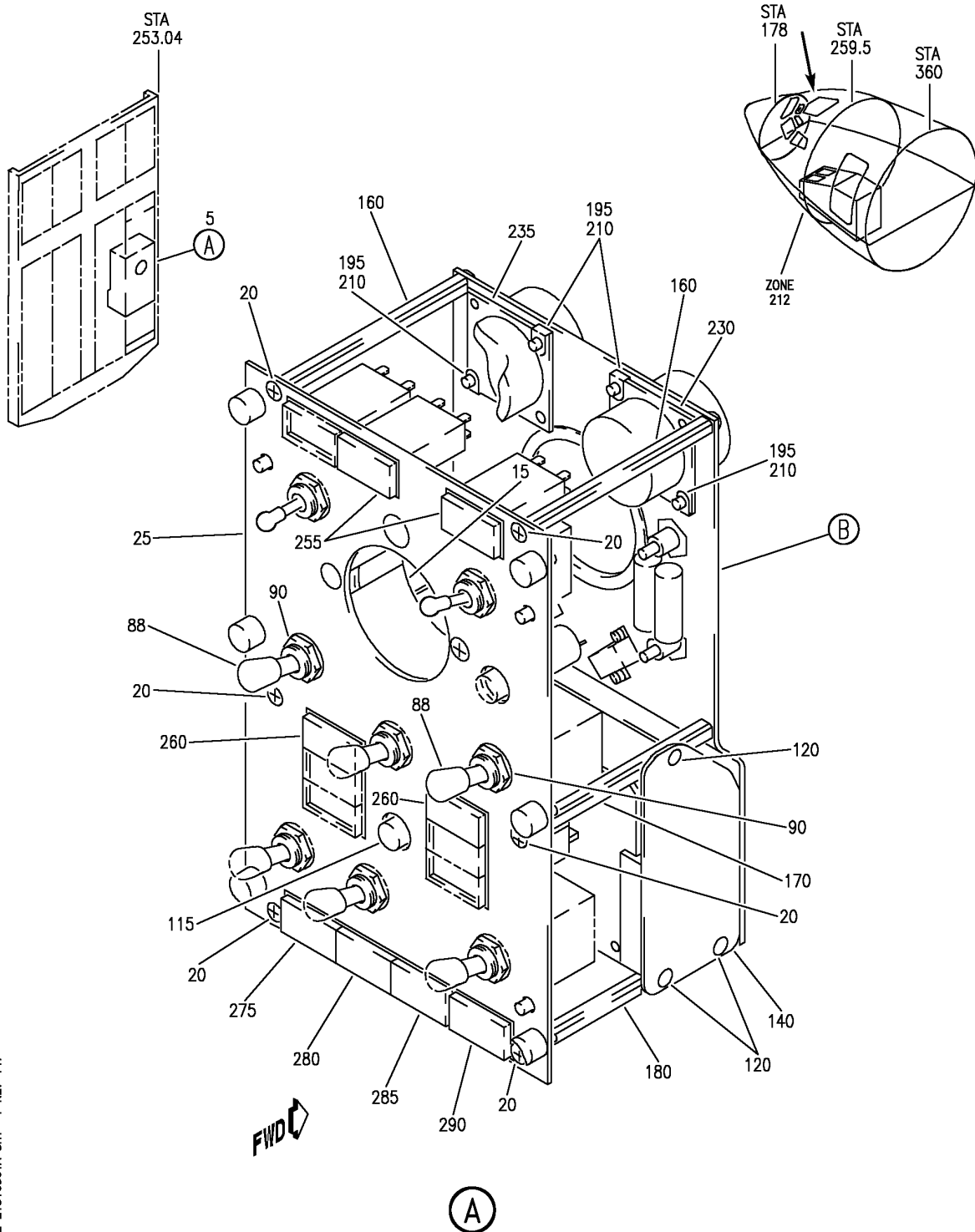
HAP

21-51-65-01

BOEING PROPRIETARY - Copyright © - Unpublished Work - See title page for details.

21-51-65
FIG. 01
PAGE 6
OCT 15/08

BOEING
 737-600/700/800/900
 PARTS CATALOG (MAINTENANCE)



E 21516501A SHT 1 REV 147

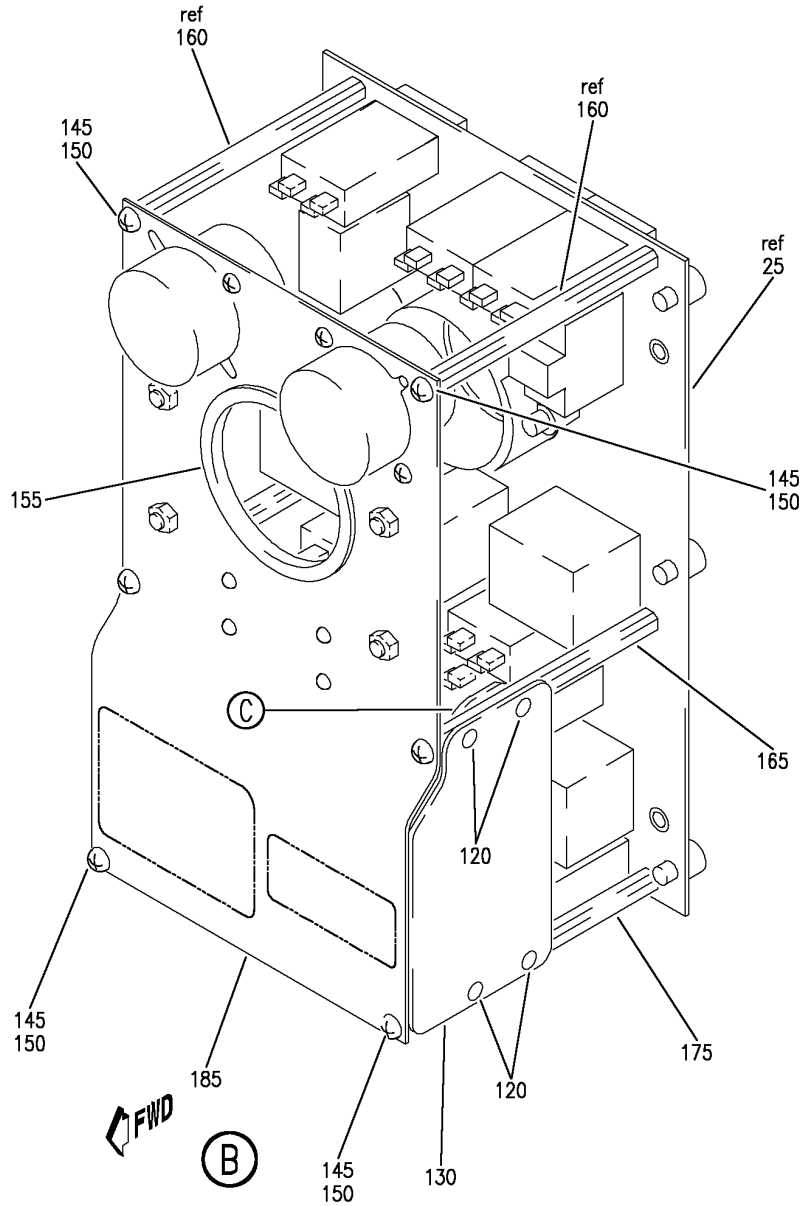
MODULE INSTL-P5 OVHD (PACK FLOW CONTROL AND PACK COOLING SYSTEM ONLY)
 FIGURE 1A (SHEET 1)

21-51-65-01A

HAP
 OCT 15/08

21-51-65-01A
 PAGE 0

BOEING
 737-600/700/800/900
 PARTS CATALOG (MAINTENANCE)



E 21516501A SHT 2 REV 066

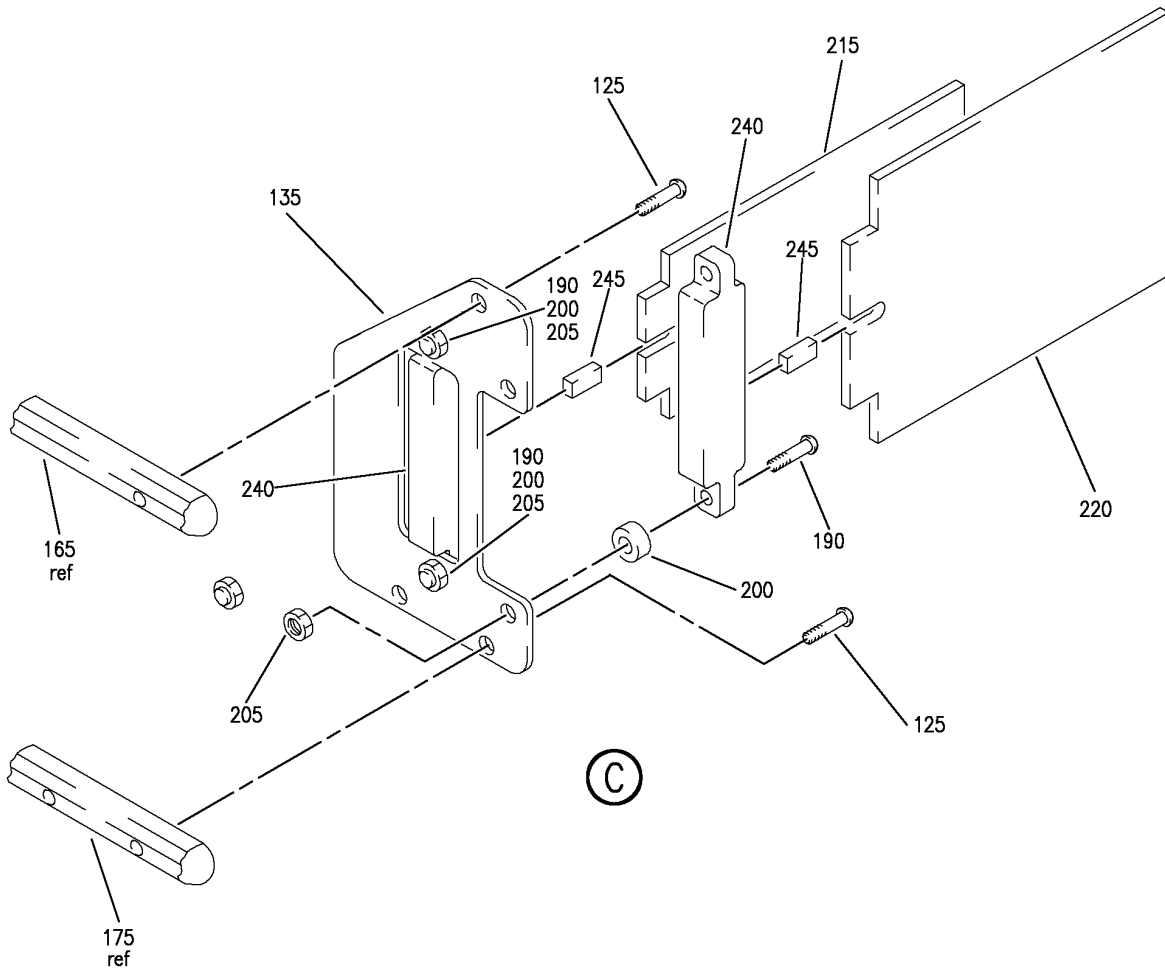
MODULE INSTL-P5 OVHD (PACK FLOW CONTROL AND PACK COOLING SYSTEM ONLY)
 FIGURE 1A (SHEET 2)

21-51-65-01A

HAP
 OCT 10/06

21-51-65-01A
 PAGE 0A

BOEING
 737-600/700/800/900
 PARTS CATALOG (MAINTENANCE)



E 21516501A SHT 3 REV 066

MODULE INSTL-P5 OVHD (PACK FLOW CONTROL AND PACK COOLING SYSTEM ONLY)
 FIGURE 1A (SHEET 3)

21-51-65-01A

HAP
 OCT 10/06

21-51-65-01A
 PAGE 0B

BOEING
737-600/700/800/900
PARTS CATALOG (MAINTENANCE)

FIG ITEM	PART NUMBER	1 2 3 4 5 6 7	NOMENCLATURE	EFFECT FROM TO	UNITS PER ASSY
1A			MODULE INSTL-P5 OVHD (PACK FLOW CONTROL AND PACK COOLING SYSTEM ONLY)	029100	
- 1	233A3104-215102		MODULE INSTL-P5 OVHD 800/900 MINOR MODEL (PACK FLOW CONTROL AND PACK COOLING SYSTEM ONLY) FOR NHA/OTHER SYS DET SEE: 31-11-00-02C	029030	RF
R R	- 1	MODREF82409	MODULE INSTL-P5 OVHD 800/900 MINOR MODEL (PACK FLOW CONTROL AND PACK COOLING SYSTEM ONLY) MODULE NUMBER: 233A3104-215102 REV A FOR OTHER SYS DETAILS SEE: 11-31-01-24Q 11-31-01-39Z 21-25-02-09 21-61-07-03 21-61-20-03 21-61-52-01 21-62-51-01 31-11-94-07Q 31-11-94-12 33-11-52-06K 33-11-52-13 49-52-52-01	031100	1
	5	69-37319-312	.MODULE ASSY-AIR CONDITIONING, P5-10 SUPPLIER CODE: V89954 FUNCTIONAL DESCRIPTION: CONTROLS THE OPERATION OF THE AIR CONDITIONING AND PNEUMATIC SYSTEMS. ELECTRICAL EQUIP NUMBER: P00510 COMPONENT MAINT MANUAL REF: 31-37-07 MAINTENANCE MANUAL REF: 21-51-65	029100	RF
	12	BAC27DCC232	..MARKER-ALUMINUM FOIL	029100	1

MISSING ITEM NUMBERS NOT APPLICABLE

- ITEM NOT ILLUSTRATED

HAP

21-51-65-01A

BOEING PROPRIETARY - Copyright © - Unpublished Work - See title page for details.

21-51-65
FIG. 01A
PAGE 1
JUN 15/09

BOEING
737-600/700/800/900
PARTS CATALOG (MAINTENANCE)

FIG ITEM	PART NUMBER	1 2 3 4 5 6 7	NOMENCLATURE	EFFECT FROM TO	UNITS PER ASSY
1A					
15	MBG59235	..	CLAMP SUPPLIER CODE: V98625 SPECIFICATION NUMBER: BACC10EL3 OPTIONAL PART: 640003 V91893	029100	1
20	MS24693C25	..	SCREW-	029100	6
25	69-37319-130	..	BASEPLATE- SUPPLIER CODE: V89954	029100	1
90	68AT22-1A	..	SWITCH-TG SUPPLIER CODE: V91929	029100	2
115	W20161-05	..	SWITCH-PUSH BUTTON SUPPLIER CODE: V81640	029100	1
120	MS24693C2	..	SCREW	029100	7
125	MS51957-13	..	SCREW-	029100	3
130	69-39493-51	..	PLATE-COVER	029100	1
135	69-39493-52	..	PLATE-SPRT	029100	1
140	69-39493-53	..	PLATE ASSY-MTG	029100	1
145	MS51957-27	..	SCREW-	029100	6
150	BACW10EC06C	..	WASHER	029100	6
155	BACG20ZB001275	..	GROMMET	029100	1
160	69-37268-10	..	STANDOFF	029100	2
165	69-39493-34	..	STANDOFF	029100	1
170	69-39493-36	..	STANDOFF	029100	1
175	69-39493-50	..	STANDOFF	029100	1
180	69-39493-49	..	STANDOFF	029100	1
185	69-39493-56	..	BACKPLATE	029100	1
190	MS51957-20	..	SCREW-	029100	4
195	MS51957-14	..	SCREW-	029100	4
200	NAS43DD0-17FC	..	SPACER	029100	4

MISSING ITEM NUMBERS NOT APPLICABLE

— ITEM NOT ILLUSTRATED

HAP

21-51-65-01A

BOEING PROPRIETARY - Copyright © - Unpublished Work - See title page for details.

21-51-65
FIG. 01A
PAGE 2
OCT 15/08

BOEING
737-600/700/800/900
PARTS CATALOG (MAINTENANCE)

FIG ITEM	PART NUMBER	1 2 3 4 5 6 7	NOMENCLATURE	EFFECT FROM TO	UNITS PER ASSY
1A 205	BRH10C04M	..	NUT SUPPLIER CODE: V52828 SPECIFICATION NUMBER: BACN10JCO4CM OPTIONAL PART: H01-04BAC V15653 NS202101SE40 V80539 VN303D40 V92215 109LH9075-40W V72962 97E40 V80539 T6C440JM V11815	029100	4
210	K19798-04	..	NUT SUPPLIER CODE: V15653 SPECIFICATION NUMBER: BACN10NW1 OPTIONAL PART: RMA4812-160-40 V72962 293162 V60119	029100	4
215	69-51813-26	..	PC ASSY- SUPPLIER CODE: V89954	029100	1
220	69-78809-5	..	PRINTED CIRCUIT ASSY- UNIV MASTER CAUTION SUPPLIER CODE: V89954 COMPONENT MAINT MANUAL REF: 28-09-33 OPTIONAL PART: 69-78809-3 V89954 69-78809-4 V89954 69-78809-6 V89954 FOR SPARES PROCURE: 69-78809-6 V89954	029100	1

MISSING ITEM NUMBERS NOT APPLICABLE

— ITEM NOT ILLUSTRATED

HAP

21-51-65-01A

BOEING PROPRIETARY - Copyright © - Unpublished Work - See title page for details.

21-51-65
FIG. 01A
PAGE 3
FEB 15/09

BOEING
737-600/700/800/900
PARTS CATALOG (MAINTENANCE)

FIG ITEM	PART NUMBER	1 2 3 4 5 6 7	NOMENCLATURE	EFFECT FROM TO	UNITS PER ASSY
1A 220	69-78809-3		..PRINTED CIRCUIT ASSY- UNIV MASTER CAUTION SUPPLIER CODE: V89954 COMPONENT MAINT MANUAL REF: 28-09-33 OPTIONAL PART: 69-78809-4 V89954 69-78809-5 V89954 69-78809-6 V89954 FOR SPARES PROCURE: 69-78809-6 V89954	029100	1
220	69-78809-4		..PRINTED CIRCUIT ASSY- UNIV MASTER CAUTION SUPPLIER CODE: V89954 COMPONENT MAINT MANUAL REF: 28-09-33 OPTIONAL PART: 69-78809-3 V89954 69-78809-5 V89954 69-78809-6 V89954 FOR SPARES PROCURE: 69-78809-6 V89954	029100	1
220	69-78809-6		..PRINTED CIRCUIT ASSY- UNIV MASTER CAUTION SUPPLIER CODE: V89954 COMPONENT MAINT MANUAL REF: 28-09-33 OPTIONAL PART: 69-78809-3 V89954 69-78809-4 V89954 69-78809-5 V89954	029100	1
- 225	69-37319-206		..WIRE BUNDLE ASSY- SUPPLIER CODE: V89954	029100	1
230	BACC45FN22-55P6		..CONNECTOR	029100	1

MISSING ITEM NUMBERS NOT APPLICABLE

- ITEM NOT ILLUSTRATED

HAP

21-51-65-01A

BOEING PROPRIETARY - Copyright © - Unpublished Work - See title page for details.

21-51-65
FIG. 01A
PAGE 4
FEB 15/09

BOEING
737-600/700/800/900
PARTS CATALOG (MAINTENANCE)

FIG ITEM	PART NUMBER	1 2 3 4 5 6 7	NOMENCLATURE	EFFECT FROM TO	UNITS PER ASSY
1A					
235	BACC45FN22-55P7	..	CONNECTOR	029100	1
240	582587-1	..	CONNECTOR- SUPPLIER CODE: V00779	029100	2
245	582507-1	..	CONTACT-PLUG SUPPLIER CODE: V00779	029100	2
255	BCREF2616	..	LIGHT ASSY-PRESS TO TEST IND-RAM DOOR FULL OPEN SUPPLIER CODE: V81590 OVERLENGTH PART NUMBER: 318-630-1001-053 SPECIFICATION NUMBER: 10-61803-76 COMPONENT MAINT MANUAL REF: 33-10-05 FOR DETAILS SEE: 33-11-50-03	029100	2
260	BCREFA1285	..	LIGHT ASSY-PRESS TO TEST IND-PACK SUPPLIER CODE: V81590 OVERLENGTH PART NUMBER: 318-630-1001-354 SPECIFICATION NUMBER: 10-61803-424 COMPONENT MAINT MANUAL REF: 33-10-05 FOR DETAILS SEE: 33-11-50-03	029100	2
275	BCREF2606	..	LIGHT ASSY-PRESS TO TEST IND-AUTO FAIL SUPPLIER CODE: V81590 OVERLENGTH PART NUMBER: 318-630-1001-041 SPECIFICATION NUMBER: 10-61803-59 COMPONENT MAINT MANUAL REF: 33-10-05 FOR DETAILS SEE: 33-11-50-03	029100	1

MISSING ITEM NUMBERS NOT APPLICABLE

— ITEM NOT ILLUSTRATED

HAP

21-51-65-01A

BOEING PROPRIETARY - Copyright © - Unpublished Work - See title page for details.

21-51-65
FIG. 01A
PAGE 5
FEB 15/09

BOEING
737-600/700/800/900
PARTS CATALOG (MAINTENANCE)

FIG ITEM	PART NUMBER	1 2 3 4 5 6 7	NOMENCLATURE	EFFECT FROM TO	UNITS PER ASSY
1A 280	BCREF2572		..LIGHT ASSY-PRESS TO TEST IND-OFF SCHED DESCENT SUPPLIER CODE: V81590 OVERLENGTH PART NUMBER: 318-630-1001-001 SPECIFICATION NUMBER: 10-61803-1 COMPONENT MAINT MANUAL REF: 33-10-05 FOR DETAILS SEE: 33-11-50-03	029100	1
285	BCREF11930		..LIGHT ASSY-PRESS TO TEST IND-ALTN SUPPLIER CODE: V81590 OVERLENGTH PART NUMBER: 318-630-1001-376 SPECIFICATION NUMBER: 10-61803-444 COMPONENT MAINT MANUAL REF: 33-10-05 FOR DETAILS SEE: 33-11-50-03	029100	1
290	BCREF2604		..LIGHT ASSY-PRESS TO TEST IND-MANUAL SUPPLIER CODE: V81590 OVERLENGTH PART NUMBER: 318-630-1001-039 SPECIFICATION NUMBER: 10-61803-57 COMPONENT MAINT MANUAL REF: 33-10-05 FOR DETAILS SEE: 33-11-50-03	029100	1

MISSING ITEM NUMBERS NOT APPLICABLE

— ITEM NOT ILLUSTRATED

HAP

21-51-65-01A

BOEING PROPRIETARY - Copyright © - Unpublished Work - See title page for details.

21-51-65
FIG. 01A
PAGE 6
OCT 15/08