

TEMPERATURE CONTROL

HAP
OCT 10/06

21-60-00
SECTION TITLE
PAGE 1

NON-ILLUSTRATED FIGURE

THE ITEMS REFLECTED IN THIS FIGURE ARE INTENTIONALLY
NON-ILLUSTRATED. THEY ARE REFERENCED TO EITHER A
NEXT HIGHER OR NEXT LOWER ASSEMBLY/INSTALLATION FIGURE.

E 21600001B REV 055

FUNCTIONAL COLLECTOR-AIR CONT SYS FINAL ASSY BASIC AND STABLE (TEMPERATURE CONTROL ONLY)
FIGURE 1B

HAP
OCT 15/08

21-60-00-01B

21-60-00-01B
PAGE 0

BOEING
737-600/700/800/900
PARTS CATALOG (MAINTENANCE)

FIG ITEM	PART NUMBER	1 2 3 4 5 6 7	NOMENCLATURE	EFFECT FROM TO	UNITS PER ASSY
1B			FUNCTIONAL COLLECTOR-AIR CONT SYS FINAL ASSY BASIC AND STABLE (TEMPERATURE CONTROL ONLY)	201967	
- 1	210A0001-700		FUNCTIONAL COLLECTOR-AIR CONT SYS FINAL ASSY MINOR MODEL BASIC AND STABLE (TEMPERATURE CONTROL ONLY) FOR NHA/OTHER SYS DET SEE: 21-00-00-37	201967	RF
- 20	218A3110-1		.SENSOR INSTL-PACK BAY OVERHEAT DETECTION POSITION DATA: SECT. 11 LH FWD FOR DETAILS SEE: 26-18-02-12	201967	1
- 25	218A3110-2		.SENSOR INSTL-PACK BAY OVERHEAT DETECTION POSITION DATA: SECT. 11 RH FWD FOR DETAILS SEE: 26-18-02-12	201967	1
- 30	218A3110-3		.SENSOR INSTL-MID PACK BAY KEEL BEAM OVERHEAT DETECTION POSITION DATA: SECT. 11 LH & RH FOR DETAILS SEE: 26-18-01-02	201967	1

MISSING ITEM NUMBERS NOT APPLICABLE

- ITEM NOT ILLUSTRATED

HAP

21-60-00-01B

BOEING PROPRIETARY - Copyright © - Unpublished Work - See title page for details.

21-60-00
FIG. 01B
PAGE 1
OCT 15/08

NON-ILLUSTRATED FIGURE

THE ITEMS REFLECTED IN THIS FIGURE ARE INTENTIONALLY
NON-ILLUSTRATED. THEY ARE REFERENCED TO EITHER A
NEXT HIGHER OR NEXT LOWER ASSEMBLY/INSTALLATION FIGURE.

E 2160001C REV 055

FUNCTIONAL COLLECTOR-AIR CONT SYS FINAL ASSY BASIC AND STABLE (TEMPERATURE CONTROL ONLY)
FIGURE 1C

HAP
OCT 10/06

21-60-00-01C

21-60-00-01C
PAGE 0

BOEING
737-600/700/800/900
PARTS CATALOG (MAINTENANCE)

FIG ITEM	PART NUMBER	1 2 3 4 5 6 7	NOMENCLATURE	EFFECT FROM TO	UNITS PER ASSY
1C			FUNCTIONAL COLLECTOR-AIR CONT SYS FINAL ASSY BASIC AND STABLE (TEMPERATURE CONTROL ONLY)	001030	
- 1	210A0001-800		FUNCTIONAL COLLECTOR-AIR CONT SYS FINAL ASSY MINOR MODEL BASIC AND STABLE (TEMPERATURE CONTROL ONLY) FOR NHA/OTHER SYS DET SEE: 21-00-00-38	001030	RF
- 20	218A3110-5		.SENSOR INSTL-PACK BAY OVERHEAT DETECTION POSITION DATA: SECT. 11 FWD LH FOR DETAILS SEE: 26-18-02-13	001030	1
- 25	218A3110-6		.SENSOR INSTL-PACK BAY OVERHEAT DETECTION POSITION DATA: SECT. 11 FWD RH FOR DETAILS SEE: 26-18-02-13B	001030	1
- 30	218A3110-7		.SENSOR INSTL-PACK BAY KEEL BEAM OVERHEAT DETECTION (LH & RH) POSITION DATA: SECT. 11 MID FOR DETAILS SEE: 26-18-01-05	001030	1
- 40	213A1005-1		.DUCT INSTL-TRIM AIR AIR CONDITIONING PACK FOR DETAILS SEE: 21-61-09-01 21-61-21-01 21-62-01-01	001004	1
- 40	213A1005-2		.DUCT INSTL-TRIM AIR AIR CONDITIONING PACK FOR DETAILS SEE: 21-61-09-01 21-61-21-01 21-62-01-01	005027	1
- 40	213A1005-4		.DUCT INSTL-TRIM AIR AIR CONDITIONING PACK FOR DETAILS SEE: 21-61-09-01 21-61-21-01 21-62-01-01	028030	1

MISSING ITEM NUMBERS NOT APPLICABLE

- ITEM NOT ILLUSTRATED

HAP

21-60-00-01C

BOEING PROPRIETARY - Copyright © - Unpublished Work - See title page for details.

21-60-00
FIG. 01C
PAGE 1
OCT 10/06

NON-ILLUSTRATED FIGURE

THE ITEMS REFLECTED IN THIS FIGURE ARE INTENTIONALLY
NON-ILLUSTRATED. THEY ARE REFERENCED TO EITHER A
NEXT HIGHER OR NEXT LOWER ASSEMBLY/INSTALLATION FIGURE.

E 2160001E REV 055

FUNCTIONAL COLLECTOR-AIR CONT SYS FINAL ASSY BASIC AND STABLE (TEMPERATURE CONTROL ONLY)
FIGURE 1E

HAP
OCT 10/06

21-60-00-01E

21-60-00-01E
PAGE 0

BOEING
737-600/700/800/900
PARTS CATALOG (MAINTENANCE)

FIG ITEM	PART NUMBER	1 2 3 4 5 6 7	NOMENCLATURE	EFFECT FROM TO	UNITS PER ASSY
1 E			FUNCTIONAL COLLECTOR-AIR CONT SYS FINAL ASSY BASIC AND STABLE (TEMPERATURE CONTROL ONLY)	001030 201967	
- 1	210A0001-678		FUNCTIONAL COLLECTOR-AIR CONT SYS FINAL ASSY MAJOR MODEL BASIC AND STABLE (TEMPERATURE CONTROL ONLY) FOR NHA/OTHER SYS DET SEE: 21-00-00-33	001030 201967	RF
- 20	218A3110-4		.SENSOR INSTL-PACK BAY REAR SPAR OVERHEAT DETECTION POSITION DATA: SECT. 11 AFT LH AND RH FOR DETAILS SEE: 26-18-01-03	001030 201967	1

MISSING ITEM NUMBERS NOT APPLICABLE

- ITEM NOT ILLUSTRATED

HAP

21-60-00-01E

BOEING PROPRIETARY - Copyright © - Unpublished Work - See title page for details.

21-60-00
FIG. 01E
PAGE 1
OCT 15/08

NON-ILLUSTRATED FIGURE

THE ITEMS REFLECTED IN THIS FIGURE ARE INTENTIONALLY
NON-ILLUSTRATED. THEY ARE REFERENCED TO EITHER A
NEXT HIGHER OR NEXT LOWER ASSEMBLY/INSTALLATION FIGURE.

E 21600003 REV 055

FUNCTIONAL COLLECTOR MINOR MODEL BASIC AND STABLE E/E EQPT INSTL (TEMPERATURE CONTROLS ONLY)

FIGURE 3

21-60-00-03

HAP
OCT 10/06

21-60-00-03
PAGE 0

BOEING
737-600/700/800/900
PARTS CATALOG (MAINTENANCE)

FIG ITEM	PART NUMBER	1 2 3 4 5 6 7	NOMENCLATURE	EFFECT FROM TO	UNITS PER ASSY
3			FUNCTIONAL COLLECTOR MINOR MODEL BASIC AND STABLE E/E EQPT INSTL (TEMPERATURE CONTROLS ONLY)	001030	
- 1	284A0012-800		FUNCTIONAL COLLECTOR- MINOR MODEL BASIC AND STABLE E/E EQPT INSTL FOR NHA SEE: 21-00-00-38	001030	RF
- 5	284A0430-800		.EQUIPMENT INSTL- FOR DETAILS SEE: 21-61-20-01	001011	1
- 10	284A0431-2		.EQUIPMENT INSTL-E3 RACK FOR DETAILS SEE: 21-60-51-01	012030	1

MISSING ITEM NUMBERS NOT APPLICABLE

- ITEM NOT ILLUSTRATED

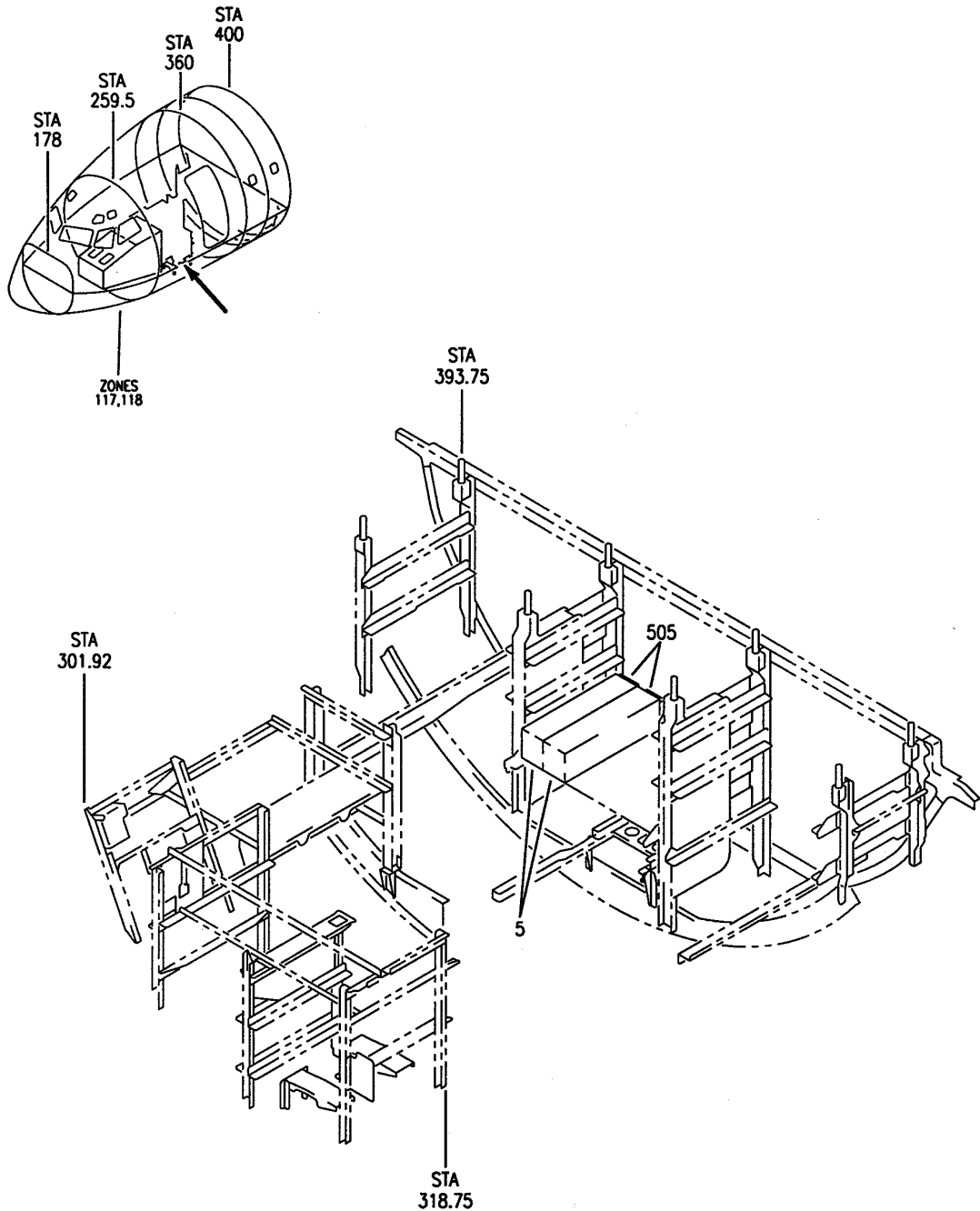
HAP

21-60-00-03

BOEING PROPRIETARY - Copyright © - Unpublished Work - See title page for details.

21-60-00
FIG. 03
PAGE 1
OCT 10/06

BOEING
737-600/700/800/900
PARTS CATALOG (MAINTENANCE)



E 21605101 REV 039

EQUIPMENT INSTL-E3-3 SHELF
FIGURE 1

21-60-51-01

HAP
OCT 10/06

21-60-51-01
PAGE 0

 **BOEING**
737-600/700/800/900
PARTS CATALOG (MAINTENANCE)

FIG ITEM	PART NUMBER	1 2 3 4 5 6 7	NOMENCLATURE	EFFECT FROM TO	UNITS PER ASSY
1					
- 1	284A0431-2		EQUIPMENT INSTL-E3-3 SHELF EQUIPMENT INSTL-E3-3 SHELF FOR NHA SEE: 21-60-00-03	012100 012030	RF
- 1	MODREF85678		EQUIPMENT INSTL-E3-3 SHELF MODULE NUMBER: 284A0431-2 REV A	031100	1
5	622814-4		.CONTROLLER- ZONE TEMPERATURE CONTROLLER UNIT SUPPLIER CODE: V07217 SPECIFICATION NUMBER: 10-62091-17 ELECTRICAL EQUIP NUMBER: M01442 M01443 COMPONENT MAINT MANUAL REF: 21-61-07 MAINTENANCE MANUAL REF: 21-61-20 OPTIONAL PART: 622814-5 V07217	012100	2
5	622814-5		.CONTROLLER- ZONE TEMPERATURE CONTROLLER UNIT SUPPLIER CODE: V07217 FUNCTIONAL DESCRIPTION: PACK/ZONE AIR CONDITIONING AND TEMPERATURE CONTROL SYSTEM CREATES CONDITIONED AIR AND IS CONTROLLED TO MAINTAIN SELECTED TEMPERATURES WITHIN THE FLIGHT DECK AND PASSENGER ZONES. SPECIFICATION NUMBER: 10-62091-17 ELECTRICAL EQUIP NUMBER: M01442 M01443 MAINTENANCE MANUAL REF: 21-61-20 OPTIONAL PART: 622814-4 V07217	012100	2

MISSING ITEM NUMBERS NOT APPLICABLE

- ITEM NOT ILLUSTRATED

HAP

21-60-51-01

BOEING PROPRIETARY - Copyright © - Unpublished Work - See title page for details.

21-60-51
FIG. 01
PAGE 1
OCT 15/08


BOEING
 737-600/700/800/900
PARTS CATALOG (MAINTENANCE)

FIG ITEM	PART NUMBER	1 2 3 4 5 6 7 NOMENCLATURE	EFFECT FROM TO	UNITS PER ASSY
1 - 500	286A0330-301	WIRE BUNDLE ASSY	012047 054100	RF
505	BACC66F11C20AA	.PLATE ASSY- ELECTRICAL EQUIP NUMBER: D03858 D03860 WIRING DIAGRAM REF: 215112 215122	012047 054100	2

MISSING ITEM NUMBERS NOT APPLICABLE

- ITEM NOT ILLUSTRATED

HAP

21-60-51-01

BOEING PROPRIETARY - Copyright © - Unpublished Work - See title page for details.

21-60-51
 FIG. 01
 PAGE 2
 FEB 15/09