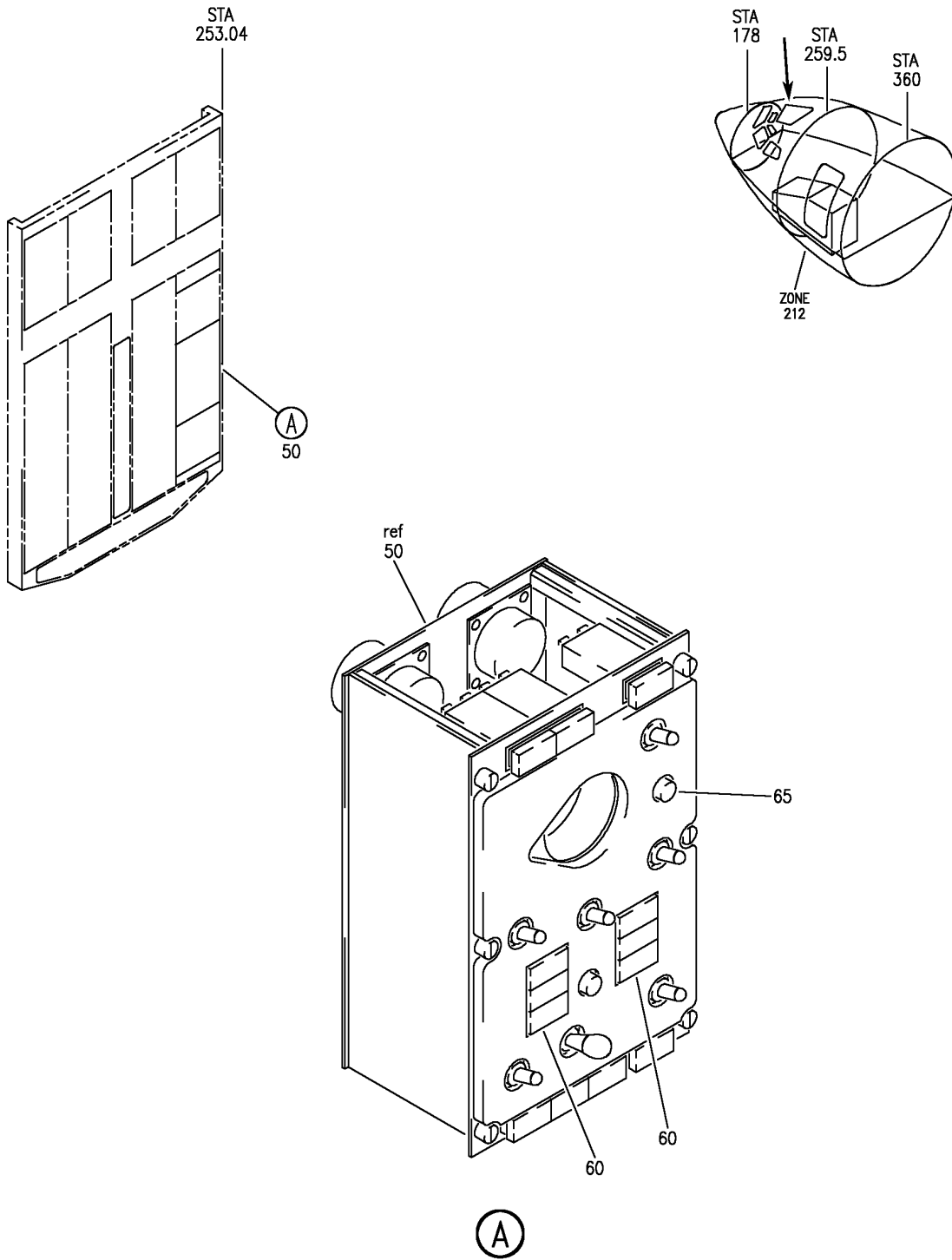


ZONE TEMP. CONTROL AND INDICATION

HAP
OCT 10/06

21-61-00
SECTION TITLE
PAGE 1

BOEING
 737-600/700/800/900
 PARTS CATALOG (MAINTENANCE)



E 21610001 REV 094

MODULE INSTL-P5 OVHD (ZONE TEMPERATURE CONTROL AND INDICATING ONLY)
 FIGURE 1

21-61-00-01

HAP
 OCT 10/06

21-61-00-01
 PAGE 0

 **BOEING**
737-600/700/800/900
PARTS CATALOG (MAINTENANCE)

FIG ITEM	PART NUMBER	1 2 3 4 5 6 7	NOMENCLATURE	EFFECT FROM TO	UNITS PER ASSY
1			MODULE INSTL-P5 OVHD (ZONE TEMPERATURE CONTROL AND INDICATING ONLY)	001028 201967	
- 1	233A3101-4		MODULE INSTL-P5 OVHD (ZONE TEMPERATURE CONTROL AND INDICATING ONLY) FOR NHA/OTHER SYS DET SEE: 31-11-00-01C	001005	RF
- 4	233A3101-52		MODULE INSTL-P5 OVHD (ZONE TEMPERATURE CONTROL AND INDICATING ONLY) FOR NHA/OTHER SYS DET SEE: 31-11-00-01C	006007	RF
- 4	233A3101-63		MODULE INSTL-P5 OVHD (ZONE TEMPERATURE CONTROL AND INDICATING ONLY) FOR NHA/OTHER SYS DET SEE: 31-11-00-01C	008011	RF
- 5	233A3101-110		MODULE INSTL-P5 OVHD (ZONE TEMPERATURE CONTROL AND INDICATING ONLY) FOR NHA/OTHER SYS DET SEE: 31-11-00-01C	012016	RF
- 5	233A3101-74		MODULE INSTL-P5 OVHD (ZONE TEMPERATURE CONTROL AND INDICATING ONLY) FOR NHA/OTHER SYS DET SEE: 31-11-00-01J	201967	RF
- 14	233A3101-225		MODULE INSTL-P5 OVHD (ZONE TEMPERATURE CONTROL AND INDICATING ONLY) FOR NHA/OTHER SYS DET SEE: 31-11-00-01C	017019	RF
- 14	233A3101-234		MODULE INSTL-P5 OVHD (ZONE TEMPERATURE CONTROL AND INDICATING ONLY) FOR NHA/OTHER SYS DET SEE: 31-11-00-01C	020028	RF
50	69-37319-308		.MODULE ASSY-AIR CONDITIONING P5-10 SUPPLIER CODE: V89954 ELECTRICAL EQUIP NUMBER: P00510 COMPONENT MAINT MANUAL REF: 31-37-07 MAINTENANCE MANUAL REF: 21-51-65	201967	RF

MISSING ITEM NUMBERS NOT APPLICABLE

- ITEM NOT ILLUSTRATED

HAP

21-61-00-01

BOEING PROPRIETARY - Copyright © - Unpublished Work - See title page for details.

21-61-00
FIG. 01
PAGE 1
OCT 15/08

BOEING
737-600/700/800/900
PARTS CATALOG (MAINTENANCE)

FIG ITEM	PART NUMBER	1 2 3 4 5 6 7	NOMENCLATURE	EFFECT FROM TO	UNITS PER ASSY
1 50	69-37319-309	.	MODULE ASSY-AIR CONDITIONING P5-10 SUPPLIER CODE: V89954 ELECTRICAL EQUIP NUMBER: P00510 COMPONENT MAINT MANUAL REF: 31-37-07 MAINTENANCE MANUAL REF: 21-51-65 PRE ALERT SB: 24A1141R1	001011	RF
50	69-37319-312	.	MODULE ASSY-AIR CONDITIONING P5-10 SUPPLIER CODE: V89954 FUNCTIONAL DESCRIPTION: CONTROLS THE OPERATION OF THE AIR CONDITIONING AND PNEUMATIC SYSTEMS. ELECTRICAL EQUIP NUMBER: P00510 COMPONENT MAINT MANUAL REF: 31-37-07 MAINTENANCE MANUAL REF: 21-51-65 POST ALERT SB: 24A1141R1	001028	RF
60	BCREF4155	..	LIGHT ASSY-PRESS TO TEST IND-WING BODY OVERHEAT SUPPLIER CODE: V81590 OVERLENGTH PART NUMBER: 318-630-1002-022 SPECIFICATION NUMBER: 10-61803-162 COMPONENT MAINT MANUAL REF: 33-10-05 FOR DETAILS SEE: 33-11-50-03K	001028 201967	2
65	W20161-01	..	SWITCH-PUSH BUTTON SUPPLIER CODE: V81640	001028 201967	1

MISSING ITEM NUMBERS NOT APPLICABLE

— ITEM NOT ILLUSTRATED

HAP

21-61-00-01

BOEING PROPRIETARY - Copyright © - Unpublished Work - See title page for details.

21-61-00
FIG. 01
PAGE 2
FEB 15/09

BOEING
737-600/700/800/900
PARTS CATALOG (MAINTENANCE)

FIG ITEM	PART NUMBER	1 2 3 4 5 6 7	NOMENCLATURE	EFFECT FROM TO	UNITS PER ASSY
1 - 70	69-78809-3		..PRINTED CIRCUIT ASSY- SUPPLIER CODE: V89954 COMPONENT MAINT MANUAL REF: 28-09-33 OPTIONAL PART: 69-78809-4 V89954 69-78809-5 V89954 69-78809-6 V89954 FOR SPARES PROCURE: 69-78809-6 V89954	001028 201967	RF
- 70	69-78809-4		..PRINTED CIRCUIT ASSY- SUPPLIER CODE: V89954 COMPONENT MAINT MANUAL REF: 28-09-33 OPTIONAL PART: 69-78809-5 V89954 69-78809-3 V89954 69-78809-6 V89954 FOR SPARES PROCURE: 69-78809-6 V89954	001028 201967	RF
- 70	69-78809-5		..PRINTED CIRCUIT ASSY- SUPPLIER CODE: V89954 COMPONENT MAINT MANUAL REF: 28-09-33 OPTIONAL PART: 69-78809-4 V89954 69-78809-3 V89954 69-78809-6 V89954 FOR SPARES PROCURE: 69-78809-6 V89954	001028 201967	RF

MISSING ITEM NUMBERS NOT APPLICABLE

- ITEM NOT ILLUSTRATED

HAP

21-61-00-01

BOEING PROPRIETARY - Copyright © - Unpublished Work - See title page for details.

21-61-00
FIG. 01
PAGE 3
FEB 15/09


BOEING
 737-600/700/800/900
PARTS CATALOG (MAINTENANCE)

FIG ITEM	PART NUMBER	1 2 3 4 5 6 7 NOMENCLATURE	EFFECT FROM TO	UNITS PER ASSY
1 - 70	69-78809-6	..PRINTED CIRCUIT ASSY- SUPPLIER CODE: V89954 COMPONENT MAINT MANUAL REF: 28-09-33 OPTIONAL PART: 69-78809-3 V89954 69-78809-4 V89954 69-78809-5 V89954	001028 201967	RF

MISSING ITEM NUMBERS NOT APPLICABLE

- ITEM NOT ILLUSTRATED

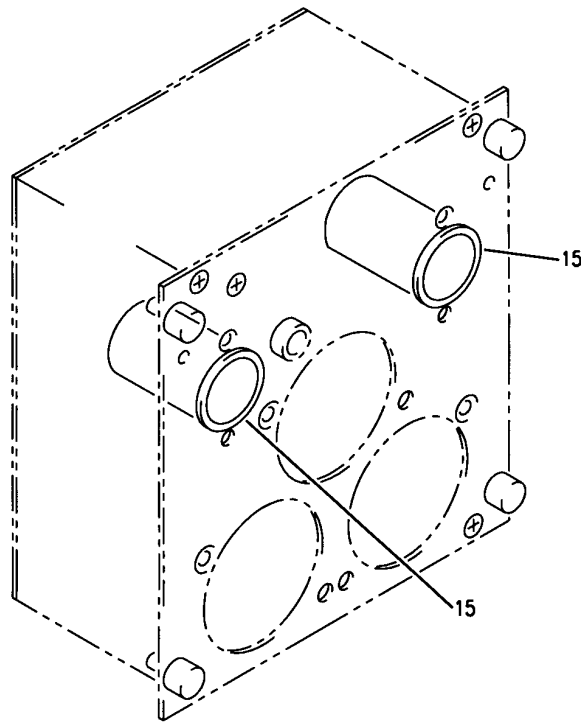
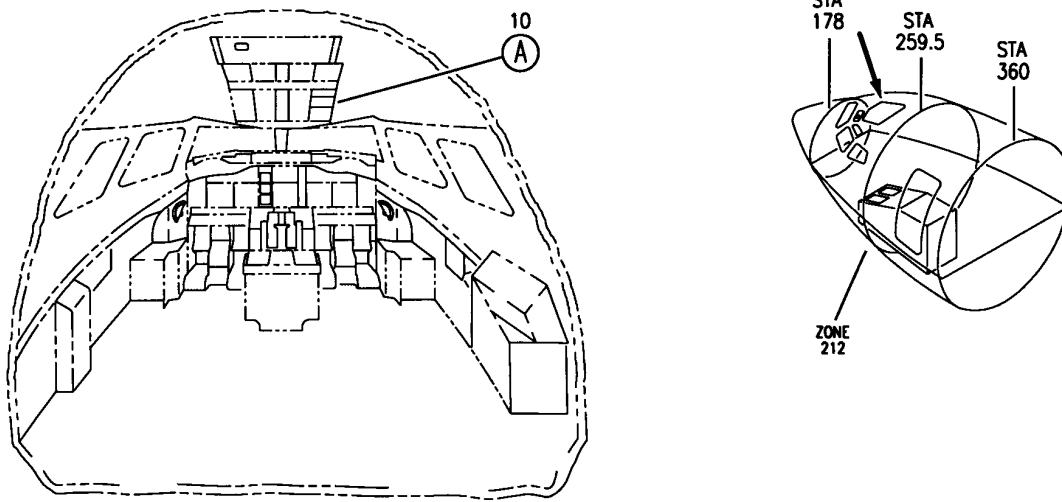
HAP

21-61-00-01

BOEING PROPRIETARY - Copyright © - Unpublished Work - See title page for details.

21-61-00
 FIG. 01
 PAGE 4
 FEB 15/09

BOEING
 737-600/700/800/900
 PARTS CATALOG (MAINTENANCE)



(A)

E 21610002 REV 02B

MODULE INSTL-P5 OVHD (ZONE TEMPERATURE CONTROL AND INDICATION ONLY)
 FIGURE 2

21-61-00-02

HAP
 OCT 15/08

21-61-00-02
 PAGE 0

BOEING
737-600/700/800/900
PARTS CATALOG (MAINTENANCE)

FIG ITEM	PART NUMBER	1 2 3 4 5 6 7	NOMENCLATURE	EFFECT FROM TO	UNITS PER ASSY
2			MODULE INSTL-P5 OVHD (ZONE TEMPERATURE CONTROL AND INDICATION ONLY)	201967	
- 3	233A3101-74		MODULE INSTL-P5 OVHD (ZONE TEMPERATURE CONTROL AND INDICATION ONLY) FOR NHA/OTHER SYS DET SEE: 31-11-00-01J	201967	RF
10	69-37324-18		.MODULE ASSY-CAB. TEMP P5-17 SUPPLIER CODE: V89954 ELECTRICAL EQUIP NUMBER: P00517 COMPONENT MAINT MANUAL REF: 31-36-31 MAINTENANCE MANUAL REF: 21-61-15	201967	1
15	114-029		..METER ASSY-ELEC IND SUPPLIER CODE: V34830 SPECIFICATION NUMBER: 10-60757-55 COMPONENT MAINT MANUAL REF: 21-30-01 MAINTENANCE MANUAL REF: 21-61-33 OPTIONAL PART: LIBBE32 V89305 FOR DETAILS SEE: 33-11-00-26	201967	2
15	154LUA104		..METER ASSY-ELEC IND SUPPLIER CODE: V50027 SPECIFICATION NUMBER: S231N212-7 COMPONENT MAINT MANUAL REF: 21-60-61 MAINTENANCE MANUAL REF: 21-61-33 OPTIONAL PART: LIBBE32 V89305 FOR DETAILS SEE: 33-11-00-26	201967	2

MISSING ITEM NUMBERS NOT APPLICABLE

- ITEM NOT ILLUSTRATED

HAP

21-61-00-02

BOEING PROPRIETARY - Copyright © - Unpublished Work - See title page for details.

21-61-00
FIG. 02
PAGE 1
OCT 15/08


BOEING
 737-600/700/800/900
PARTS CATALOG (MAINTENANCE)

FIG ITEM	PART NUMBER	1 2 3 4 5 6 7 NOMENCLATURE	EFFECT FROM TO	UNITS PER ASSY
2 15	LIBBE32	..METER ASSY-ELEC IND SUPPLIER CODE: V89305 SPECIFICATION NUMBER: 10-607057-7 OPTIONAL PART: 114-029 V34830 154LUA104 V35918 FOR DETAILS SEE: 33-11-00-26	201967	2

MISSING ITEM NUMBERS NOT APPLICABLE

— ITEM NOT ILLUSTRATED

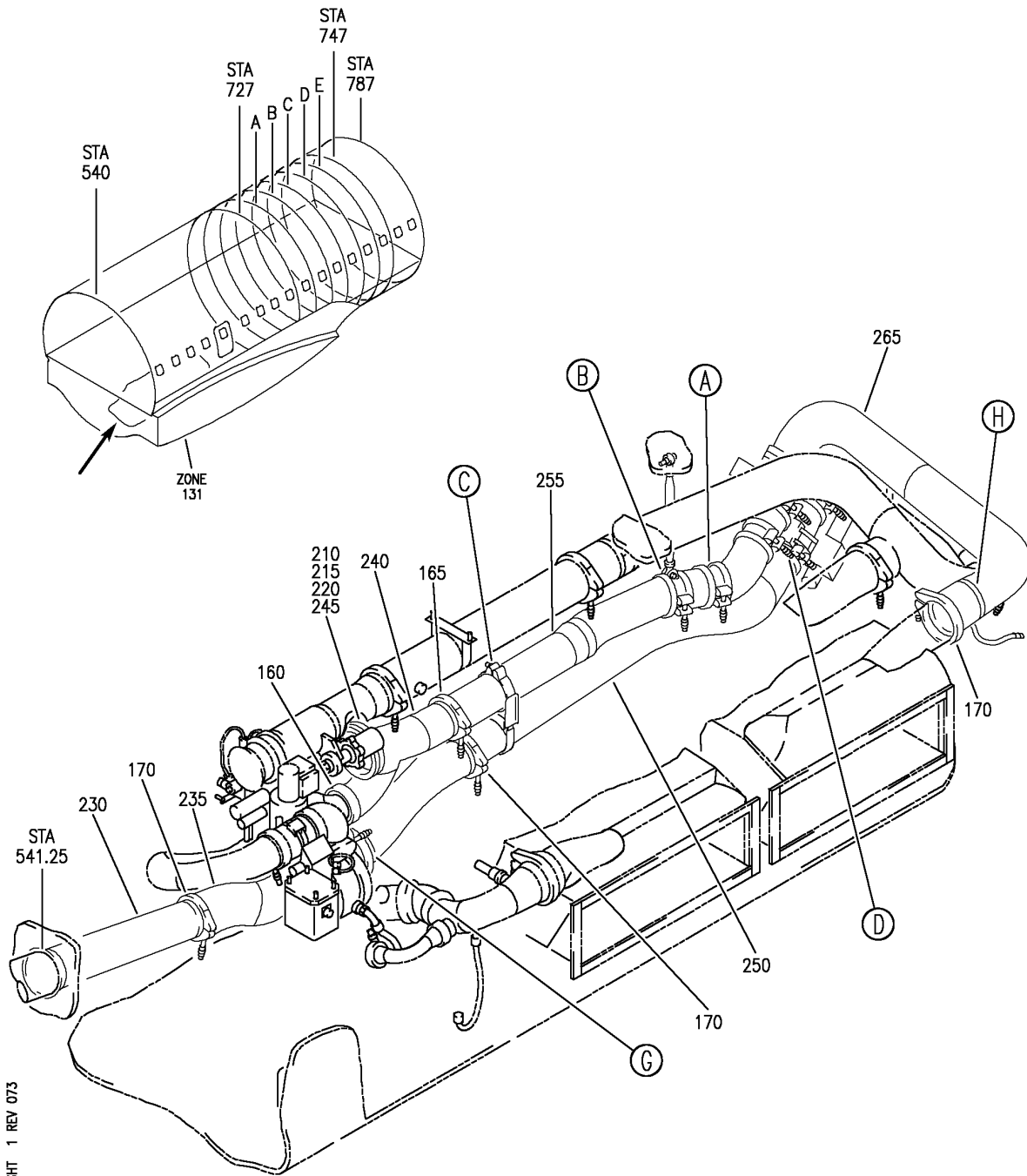
HAP

21-61-00-02

BOEING PROPRIETARY - Copyright © - Unpublished Work - See title page for details.

21-61-00
 FIG. 02
 PAGE 2
 OCT 15/08

BOEING
 737-600/700/800/900
 PARTS CATALOG (MAINTENANCE)



E 21610201 SHT 1 REV 073

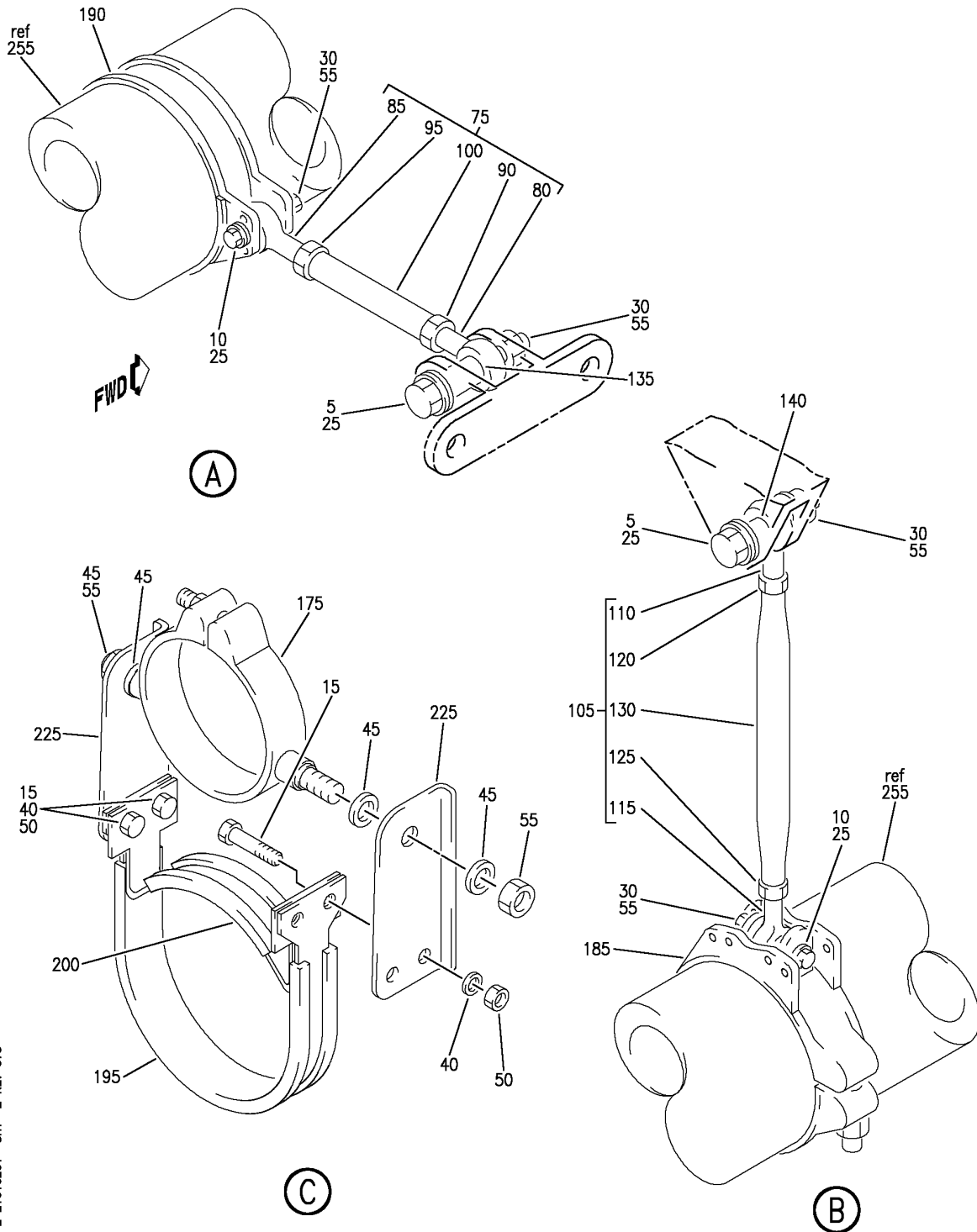
DUCT INSTL-L SIDE AIR CONDITIONING PACK (ZONE TEMPERATURE CONTROL AND INDICATION ONLY)
 FIGURE 1 (SHEET 1)

HAP
 OCT 15/08

21-61-02-01

21-61-02-01
 PAGE 0

BOEING
737-600/700/800/900
PARTS CATALOG (MAINTENANCE)



E 21610201 SHT 2 REV 073

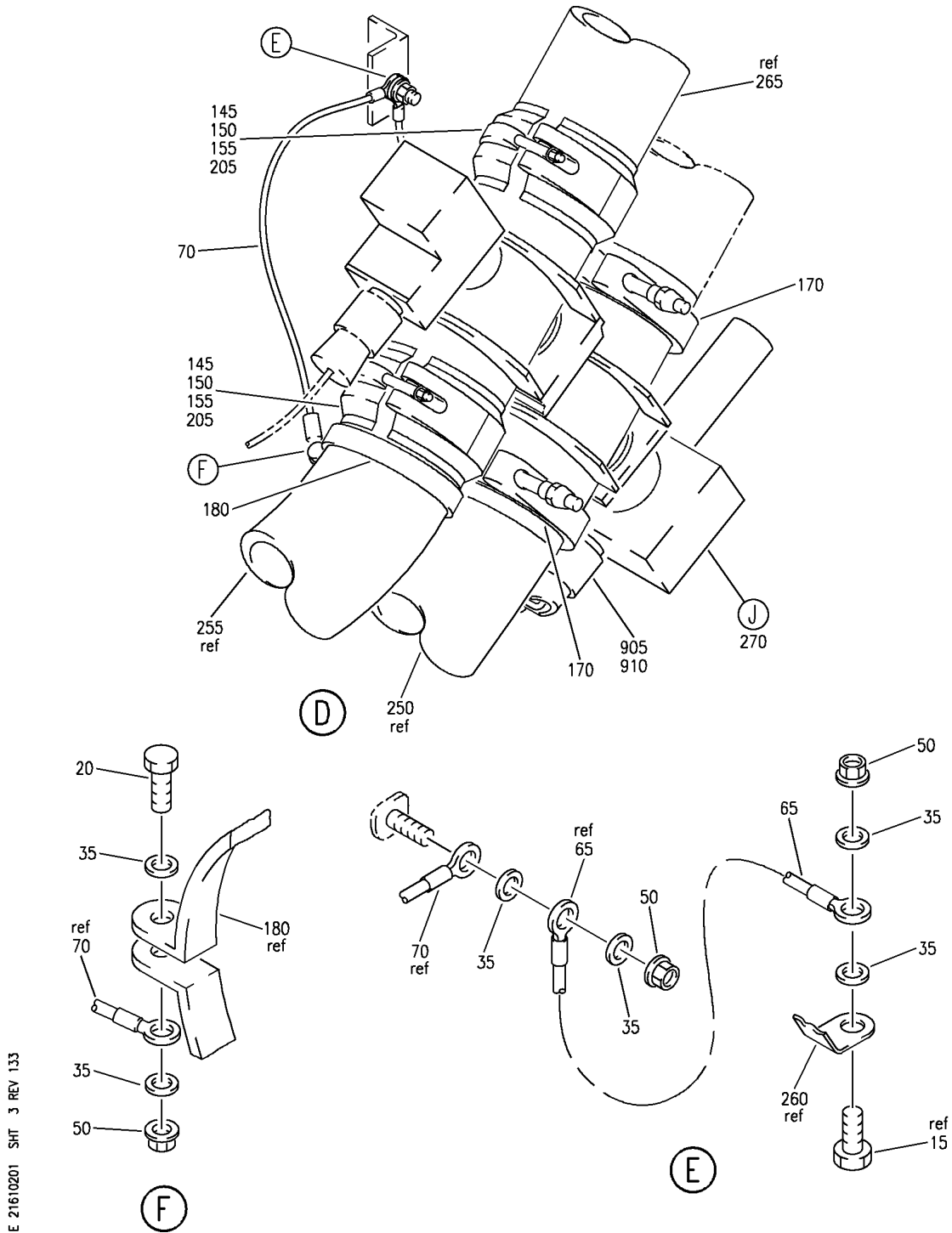
DUCT INSTL-L SIDE AIR CONDITIONING PACK (ZONE TEMPERATURE CONTROL AND INDICATION ONLY)
FIGURE 1 (SHEET 2)

21-61-02-01

HAP
OCT 15/08

21-61-02-01
PAGE 0A

BOEING
737-600/700/800/900
PARTS CATALOG (MAINTENANCE)



E 21610201 SHT 3 REV 133

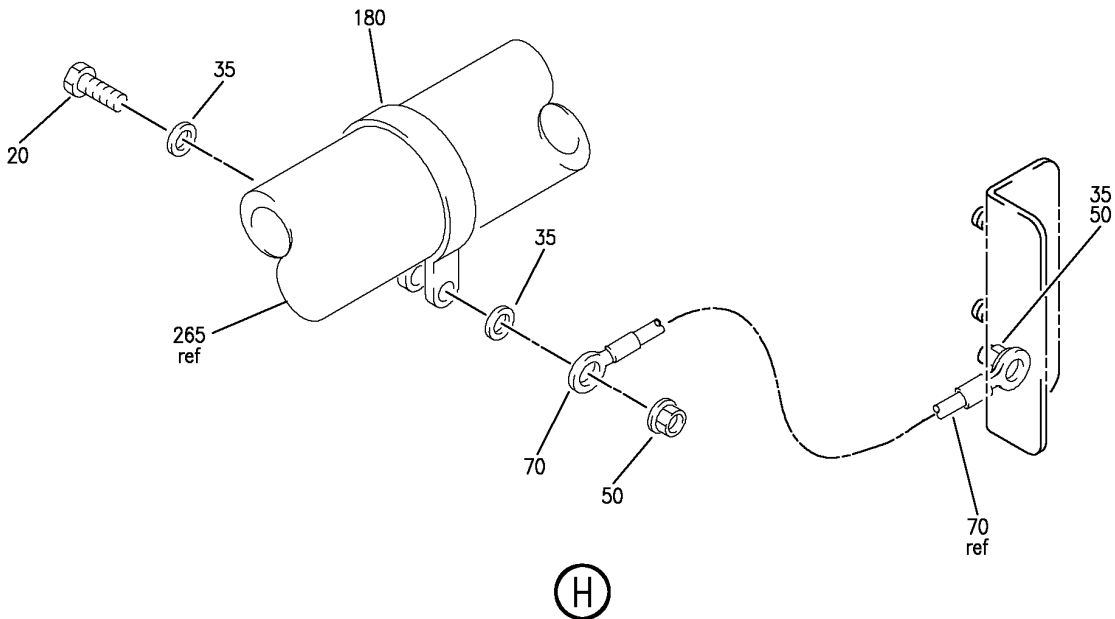
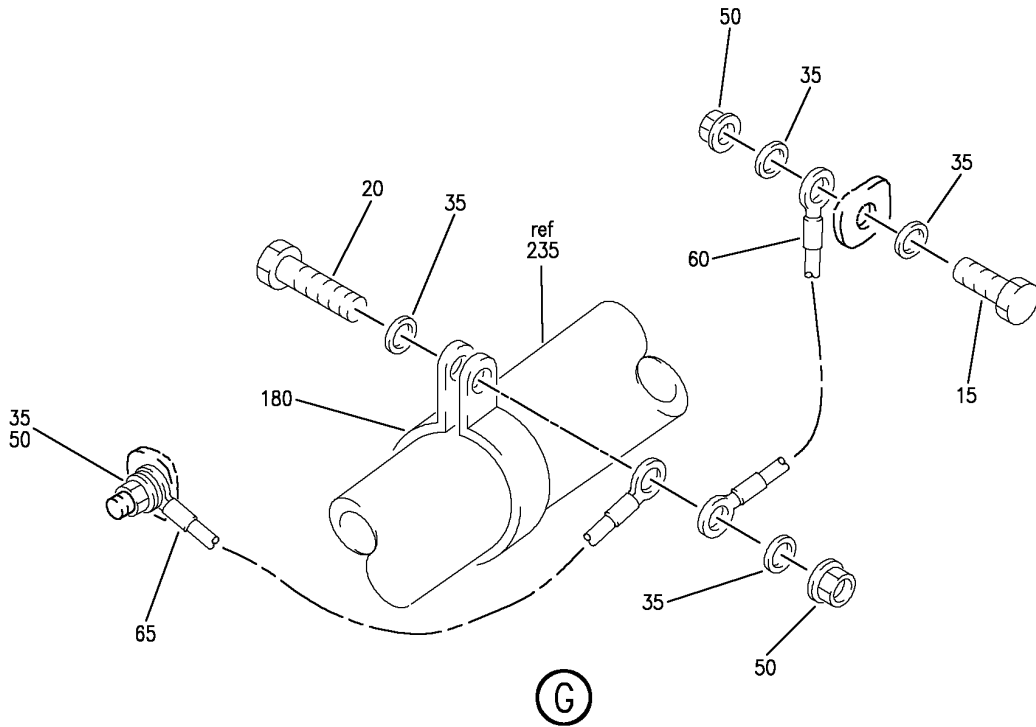
DUCT INSTL-L SIDE AIR CONDITIONING PACK (ZONE TEMPERATURE CONTROL AND INDICATION ONLY)
 FIGURE 1 (SHEET 3)

21-61-02-01

HAP
 OCT 15/08

21-61-02-01
 PAGE 0B

BOEING
 737-600/700/800/900
 PARTS CATALOG (MAINTENANCE)



E 21610201 SH1 4 REV 073

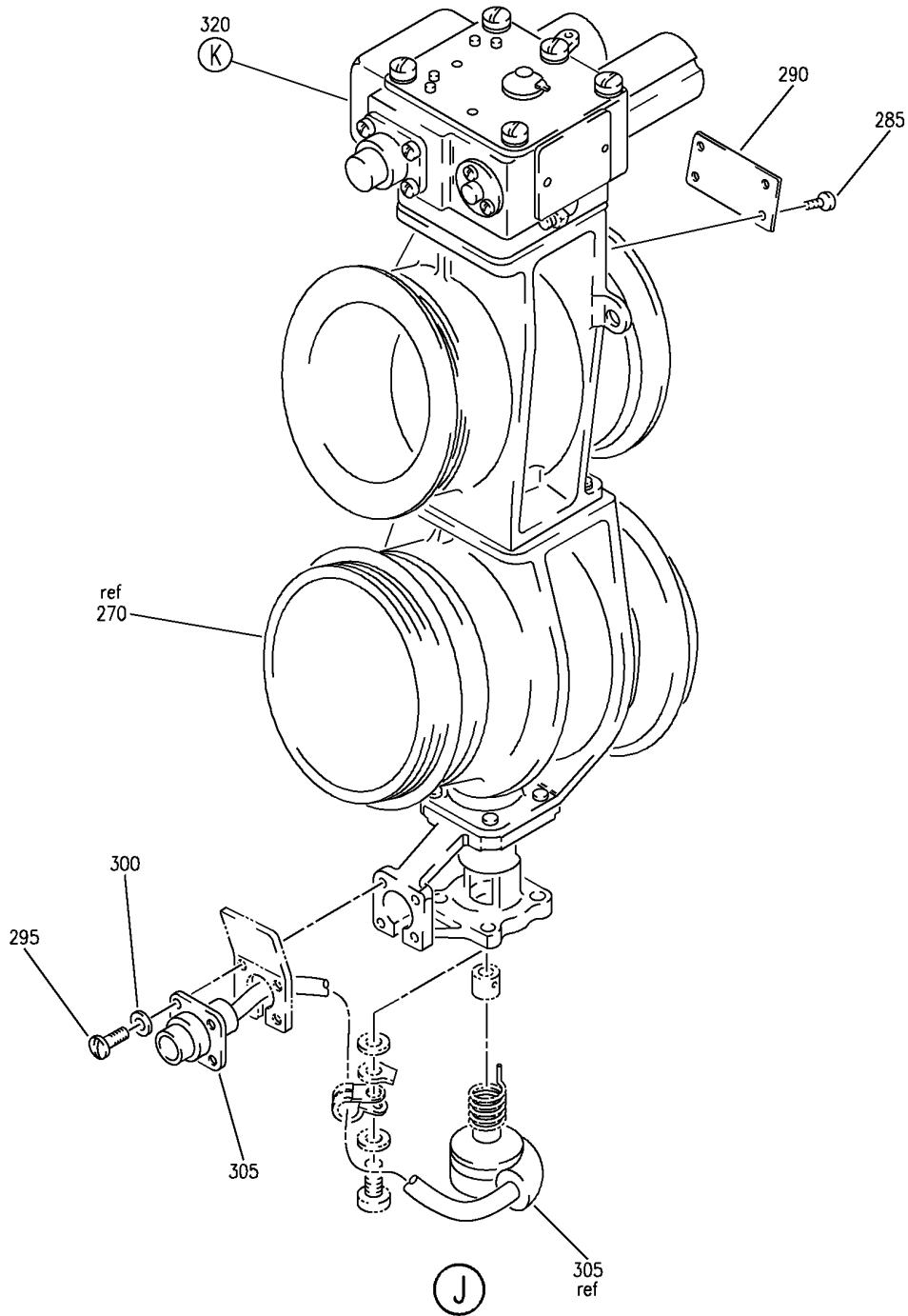
DUCT INSTL-L SIDE AIR CONDITIONING PACK (ZONE TEMPERATURE CONTROL AND INDICATION ONLY)
 FIGURE 1 (SHEET 4)

HAP
 OCT 15/08

21-61-02-01

21-61-02-01
 PAGE 0C

BOEING
737-600/700/800/900
PARTS CATALOG (MAINTENANCE)



E 21610201 SHT 5 REV 133

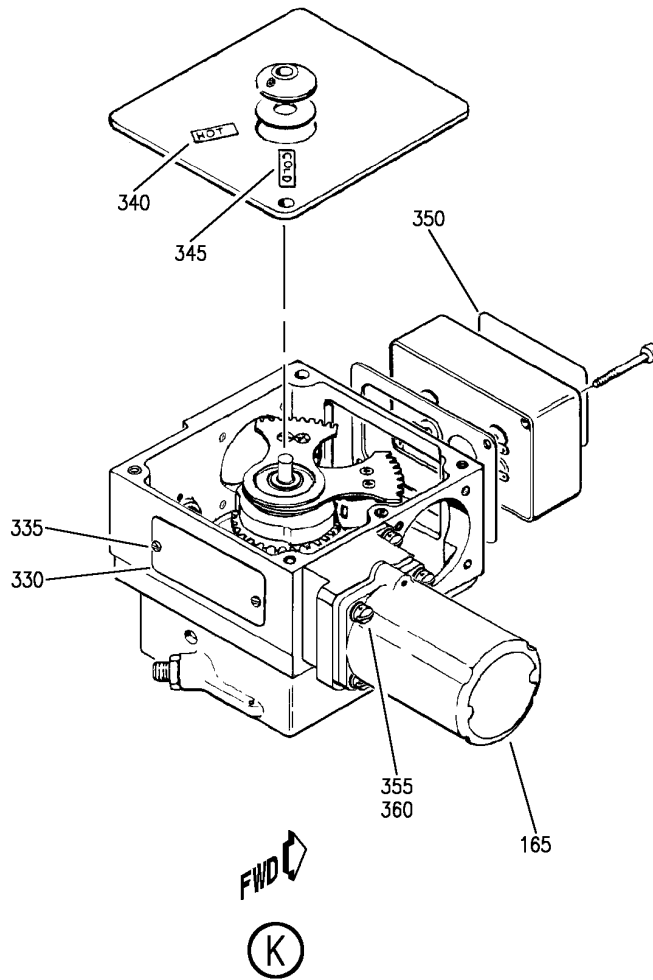
DUCT INSTL-L SIDE AIR CONDITIONING PACK (ZONE TEMPERATURE CONTROL AND INDICATION ONLY)
FIGURE 1 (SHEET 5)

HAP
OCT 15/08

21-61-02-01

21-61-02-01
PAGE 0D

BOEING
737-600/700/800/900
PARTS CATALOG (MAINTENANCE)



E 21610201 SH1 6 REV 133

DUCT INSTL-L SIDE AIR CONDITIONING PACK (ZONE TEMPERATURE CONTROL AND INDICATION ONLY)
FIGURE 1 (SHEET 6)

HAP
OCT 15/08

21-61-02-01

21-61-02-01
PAGE 0E

BOEING
737-600/700/800/900
PARTS CATALOG (MAINTENANCE)

FIG ITEM	PART NUMBER	1 2 3 4 5 6 7	NOMENCLATURE	EFFECT FROM TO	UNITS PER ASSY
1			DUCT INSTL-L SIDE AIR CONDITIONING PACK (ZONE TEMPERATURE CONTROL AND INDICATION ONLY)	201967	
- 1	213A1002-1		DUCT INSTL-AIR CONDITIONING PACK (ZONE TEMPERATURE CONTROL AND INDICATION ONLY) POSITION DATA: L SIDE FOR NHA/OTHER SYS DET SEE: 21-50-00-01B	201967	RF
5	BACB30NR4K18	.BOLT		201967	2
10	BACB30NR4K8	.BOLT		201967	2
15	BACS12GU3K7	.SCREW		201967	6
20	BACS12GU3K9	.SCREW		201967	3
25	BACW10BP4CD	.WASHER		201967	4
30	NAS1149D0416J	.WASHER		201967	4
35	NAS1149E0316P	.WASHER		201967	14
40	NAS1149C0363R	.WASHER		201967	4
45	NAS1149C0632R	.WASHER		201967	4
50	PLH53CD	.NUT		201967	12
			SUPPLIER CODE: VF0224 SPECIFICATION NUMBER: BACN10YR3CD OPTIONAL PART: H52732-3CD V15653		
55	PLH54CD	.NUT		201967	6
			SUPPLIER CODE: VF0224 SPECIFICATION NUMBER: BACN10YR4CD OPTIONAL PART: H52732-4CD V15653		
60	RBEJ40K5A5A10	.JUMPER		201967	1
			SUPPLIER CODE: V1GK47 SPECIFICATION NUMBER: BACJ40K5A5A10		
65	RBEJ40K5A5A8	.JUMPER		201967	2
			SUPPLIER CODE: V1GK47 SPECIFICATION NUMBER: BACJ40K5A5A8		

MISSING ITEM NUMBERS NOT APPLICABLE

- ITEM NOT ILLUSTRATED

HAP

21-61-02-01

BOEING PROPRIETARY - Copyright © - Unpublished Work - See title page for details.

21-61-02
FIG. 01
PAGE 1
FEB 15/09

 **BOEING**
737-600/700/800/900
PARTS CATALOG (MAINTENANCE)

FIG ITEM	PART NUMBER	1 2 3 4 5 6 7	NOMENCLATURE	EFFECT FROM TO	UNITS PER ASSY
1					
70	RBEJ40K5A5A9	.	JUMPER SUPPLIER CODE: V1GK47 SPECIFICATION NUMBER: BACJ40K5A5A9	201967	2
75	212A1125-5	.	ROD ASSY-TIE	201967	1
80	M81935-1-4	..	ROD	201967	1
85	M81935-1-4L	..	ROD	201967	1
90	AN316-5R	..	NUT	201967	1
95	AN316-5L	..	NUT	201967	1
100	212A1125-6	..	TUBE	201967	1
105	212A1125-7	.	ROD ASSY-TIE	201967	1
110	M81935-1-4	..	ROD	201967	1
115	M81935-1-4L	..	ROD	201967	1
120	AN316-5R	..	NUT	201967	1
125	AN316-5L	..	NUT	201967	1
130	212A1125-8	..	TUBE	201967	1
135	BACB28AK04-047	.	BUSHING	201967	1
140	BACB28AK04-051	.	BUSHING	201967	1
145	21156-350	.	RETAINER SUPPLIER CODE: V94581 SPECIFICATION NUMBER: BACC10BR2350A OPTIONAL PART: 24170-350A V00624	201967	2
150	17351-350	.	RING SUPPLIER CODE: V00624 SPECIFICATION NUMBER: BACC10BR3350 OPTIONAL PART: 2325-350 V94581	201967	2
155	51200-2-350	.	CLAMP SUPPLIER CODE: V8W928 SPECIFICATION NUMBER: BACC10CT2-350	201967	2
160	BACC10DU250ABE	.	CLAMP	201967	1
165	BACC10DU300ABE	.	CLAMP	201967	1
170	BACC10DU350ABE	.	CLAMP	201967	5
175	BACC10AD300WE	.	CLAMP	201967	1
180	BACC10GN56C	.	CLAMP	201967	3

MISSING ITEM NUMBERS NOT APPLICABLE

— ITEM NOT ILLUSTRATED

HAP

21-61-02-01

BOEING PROPRIETARY - Copyright © - Unpublished Work - See title page for details.

21-61-02
FIG. 01
PAGE 2
OCT 15/08

BOEING
737-600/700/800/900
PARTS CATALOG (MAINTENANCE)

FIG ITEM	PART NUMBER	1 2 3 4 5 6 7	NOMENCLATURE	EFFECT FROM TO	UNITS PER ASSY
1					
185	3015AE00EC		.CLAMP SUPPLIER CODE: V94581 SPECIFICATION NUMBER: BACC10HNO0EC OPTIONAL PART: 65790A00EC V00624	201967	1
190	BACC10HU034DC		.CLAMP	201967	1
195	BC116756CP1		.CLAMP SUPPLIER CODE: V14242 SPECIFICATION NUMBER: BACC10ER1-56CP OPTIONAL PART: S315-1-56CP V18076	201967	1
R 200	BACC10ER2-56CP		.CLAMP	201967	1
205	NK1008725-350		.SLEEVE-AIR CYCLE SYS SUPPLIER CODE: V00624	201967	2
210	14C02-48C		.COUPLING- SUPPLIER CODE: V24984	201967	1
215	14R02-48C		.SLEEVE- SUPPLIER CODE: V24984	201967	1
220	2-234S604-70		.SEAL- SUPPLIER CODE: V02697	201967	1
225	213A1270-1		.BRACKET	201967	2
230	213A1201-25		.DUCT ASSY	201967	1
235	213A1201-19		.DUCT ASSY	201967	1
240	213A1201-37		.DUCT ASSY	201967	1
245	14F03-48T		. . FLANGE- SUPPLIER CODE: V24984	201967	1
250	213A1201-15		.DUCT ASSY	201967	1
255	213A1201-31		.DUCT ASSY	201967	1
265	213A1201-27		.DUCT ASSY	201967	1

MISSING ITEM NUMBERS NOT APPLICABLE

— ITEM NOT ILLUSTRATED

HAP

21-61-02-01

BOEING PROPRIETARY - Copyright © - Unpublished Work - See title page for details.

21-61-02
FIG. 01
PAGE 3
JUN 15/09

BOEING
737-600/700/800/900
PARTS CATALOG (MAINTENANCE)

FIG ITEM	PART NUMBER	1 2 3 4 5 6 7	NOMENCLATURE	EFFECT FROM TO	UNITS PER ASSY
1 270	398116-1-1	.	VALVE ASSY-TEMP CONT THREE AND ONE-HALF INCH DIAMETER ELECTRIC DUAL MODULATING AND SHUTOFF BUTTERFLY SUPPLIER CODE: V59364 FUNCTIONAL DESCRIPTION: REGULATES HOT AIR BYPASSING AND GOING THROUGH THE AIR CYCLE SYSTEM. ELECTRICAL EQUIP NUMBER: V00023 COMPONENT MAINT MANUAL REF: 21-61-49 MAINTENANCE MANUAL REF: 21-61-02 FUNCTIONAL REFERENCE: PLACARDS AND MARKINGS FOR DETAILS SEE 11-21-14-03	201967	1
- 280	398117-1	..	VALVE ASSY-TEMP CONT THREE AND ONE-HALF INCH DIAMETER ELECTRIC DUAL MODULATING AND SHUTOFF BUTTERFLY SUPPLIER CODE: V59364	201967	1
285	MS24622-2	...	SCREW- CONFIG CHG DATA FROM A CMM: REPL BY MS51861-1C	201967	1
285	MS51861-1C	...	SCREW- CONFIG CHG DATA FROM A CMM: REPLS MS24622-2	201967	1
290	S8842B1P1	...	PLATE-IDENT SUPPLIER CODE: V59364 CONFIG CHG DATA FROM A CMM: REPL BY S3005-1	201967	1
290	S3005-1	...	PLATE-IDENT SUPPLIER CODE: V59364 CONFIG CHG DATA FROM A CMM: REPLS S8842B1P1 REPL BY S3033-1	201967	1

MISSING ITEM NUMBERS NOT APPLICABLE

- ITEM NOT ILLUSTRATED

HAP

21-61-02-01

BOEING PROPRIETARY - Copyright © - Unpublished Work - See title page for details.

21-61-02
FIG. 01
PAGE 4
OCT 15/08

 **BOEING**
737-600/700/800/900
PARTS CATALOG (MAINTENANCE)

FIG ITEM	PART NUMBER	1 2 3 4 5 6 7	NOMENCLATURE	EFFECT FROM TO	UNITS PER ASSY
1					
290	S3033-1	...	PLATE-IDENT SUPPLIER CODE: V59364 CONFIG CHG DATA FROM A CMM: REPLS S3005-1	201967	1
295	AN500AD4-5	...	SCREW- CONFIG CHG DATA FROM A CMM: REPL BY MS35275-215	201967	4
295	MS35275-215	...	SCREW- SB DATA FROM A CMM: PRE SB 21-1555 CONFIG CHG DATA FROM A CMM: REPLS AN500AD4-5 REPL BY NAS1352C04-6	201967	4
295	NAS1352C04-6	...	SCREW- SB DATA FROM A CMM: POST SB 21-1555 CONFIG CHG DATA FROM A CMM: REPLS MS35275-215	201967	4
300	S8157N8-016	...	WASHER- 0.016 IN.(0,4064 MM) THK SUPPLIER CODE: V59364	201967	4
305	662562-2	...	RESISTOR-VAR SUPPLIER CODE: V59364 CONFIG CHG DATA FROM A CMM: REPL BY 882527-7	201967	1
305	882527-7	...	RESISTOR-VAR SUPPLIER CODE: V59364 CONFIG CHG DATA FROM A CMM: REPLS 662562-2	201967	1
320	541962-1-1	..	ACTUATOR ASSY-ROTARY ELECTROMECHANICAL INSTL OUTLINE SUPPLIER CODE: V59364 SB DATA FROM A CMM: PRE SB 21-1248 CONFIG CHG DATA FROM A CMM: REPLD BY 541962-4 COMPONENT MAINT MANUAL REF: 21-60-36	201967	1

MISSING ITEM NUMBERS NOT APPLICABLE

— ITEM NOT ILLUSTRATED

HAP

21-61-02-01

BOEING PROPRIETARY - Copyright © - Unpublished Work - See title page for details.

21-61-02
FIG. 01
PAGE 5
OCT 15/08

BOEING
737-600/700/800/900
PARTS CATALOG (MAINTENANCE)

FIG ITEM	PART NUMBER	1 2 3 4 5 6 7	NOMENCLATURE	EFFECT FROM TO	UNITS PER ASSY
1 320	541962-4		..ACTUATOR ASSY-ROTARY ELECTROMECHANICAL INSTL OUTLINE SERIES 2 SUPPLIER CODE: V59364 SB DATA FROM A CMM: PRE SB 21-1544 POST SB 21-1248 CONFIG CHG DATA FROM A CMM: REPLS 541962-1-1 REPLD BY 541962-6 COMPONENT MAINT MANUAL REF: 21-60-36	201967	1
320	541962-6		..ACTUATOR ASSY-ROTARY ELECTROMECHANICAL INSTL OUTLINE SERIES 1 SUPPLIER CODE: V59364 SB DATA FROM A CMM: POST SB 21-1544 CONFIG CHG DATA FROM A CMM: REPLS 541962-4 COMPONENT MAINT MANUAL REF: 21-60-36	201967	1
- 325	541963-1		...ACTUATOR ASSY- SUPPLIER CODE: V59364 USED ON: 541962-1-1	201967	RF
- 325	541963-4		...ACTUATOR ASSY- SUPPLIER CODE: V59364 USED ON: 541962-4	201967	RF
- 325	541963-6		...ACTUATOR ASSY- SUPPLIER CODE: V59364 USED ON: 541962-6	201967	RF
330	GAREF431	PLATE-IDENT SUPPLIER CODE: V59364 USED ON: 541963-1	201967	1
330	2045580-3	PLATE-IDENT SUPPLIER CODE: V59364 USED ON: 541963-4	201967	1

MISSING ITEM NUMBERS NOT APPLICABLE

- ITEM NOT ILLUSTRATED

HAP

21-61-02-01

BOEING PROPRIETARY - Copyright © - Unpublished Work - See title page for details.

21-61-02
FIG. 01
PAGE 6
OCT 15/08

BOEING
737-600/700/800/900
PARTS CATALOG (MAINTENANCE)

FIG ITEM	PART NUMBER	1 2 3 4 5 6 7	NOMENCLATURE	EFFECT FROM TO	UNITS PER ASSY
1 330	2045580-5	PLATE-IDENT SUPPLIER CODE: V59364 USED ON: 541963-6	201967	1
335	A1ABS0204G	ATTACHING PARTS SCREW- SUPPLIER CODE: V70318 SPECIFICATION NUMBER: 656-173-9001 -----*-----	201967	2
340	526655-3	LABEL-ACTUATOR SUPPLIER CODE: V59364	201967	1
345	526655-4	LABEL-ACTUATOR SUPPLIER CODE: V59364	201967	1
350	530964-1	PLATE-WIRING DIAGRAM SUPPLIER CODE: V59364	201967	1
355	AN503-6-6	SCREW	201967	4
360	S8157C82-020	WASHER-SPECIAL SUPPLIER CODE: V59364	201967	4
365	516023-1	MOTOR ASSY-AC SUPPLIER CODE: V59364 COMPONENT MAINT MANUAL REF: 21-60-14 USED ON: 541963-1	201967	1
365	516023-2	MOTOR ASSY-AC SUPPLIER CODE: V59364 COMPONENT MAINT MANUAL REF: 21-60-14 USED ON: 541963-4 541963-6	201967	1
- 900 905	286A5102-001 BACC63CB14-7SN		WIRE BUNDLE ASSY- .CONNECTOR-PLUG ELECTRICAL EQUIP NUMBER: D00524 WIRING DIAGRAM REF: 216121	201967 201967	RF 1

MISSING ITEM NUMBERS NOT APPLICABLE

- ITEM NOT ILLUSTRATED

HAP

21-61-02-01

BOEING PROPRIETARY - Copyright © - Unpublished Work - See title page for details.

21-61-02
FIG. 01
PAGE 7
OCT 15/08


BOEING
 737-600/700/800/900
PARTS CATALOG (MAINTENANCE)

FIG ITEM	PART NUMBER	1 2 3 4 5 6 7 NOMENCLATURE	EFFECT FROM TO	UNITS PER ASSY
1 910	620AA028NF14L	.CLAMP-BACKSHELL SUPPLIER CODE: V06324 SPECIFICATION NUMBER: BACC10KE14 OPTIONAL PART: S3820-14-65 V07418 ELECTRICAL EQUIP NUMBER: D00524T WIRING DIAGRAM REF: 216121	201967	1

MISSING ITEM NUMBERS NOT APPLICABLE

— ITEM NOT ILLUSTRATED

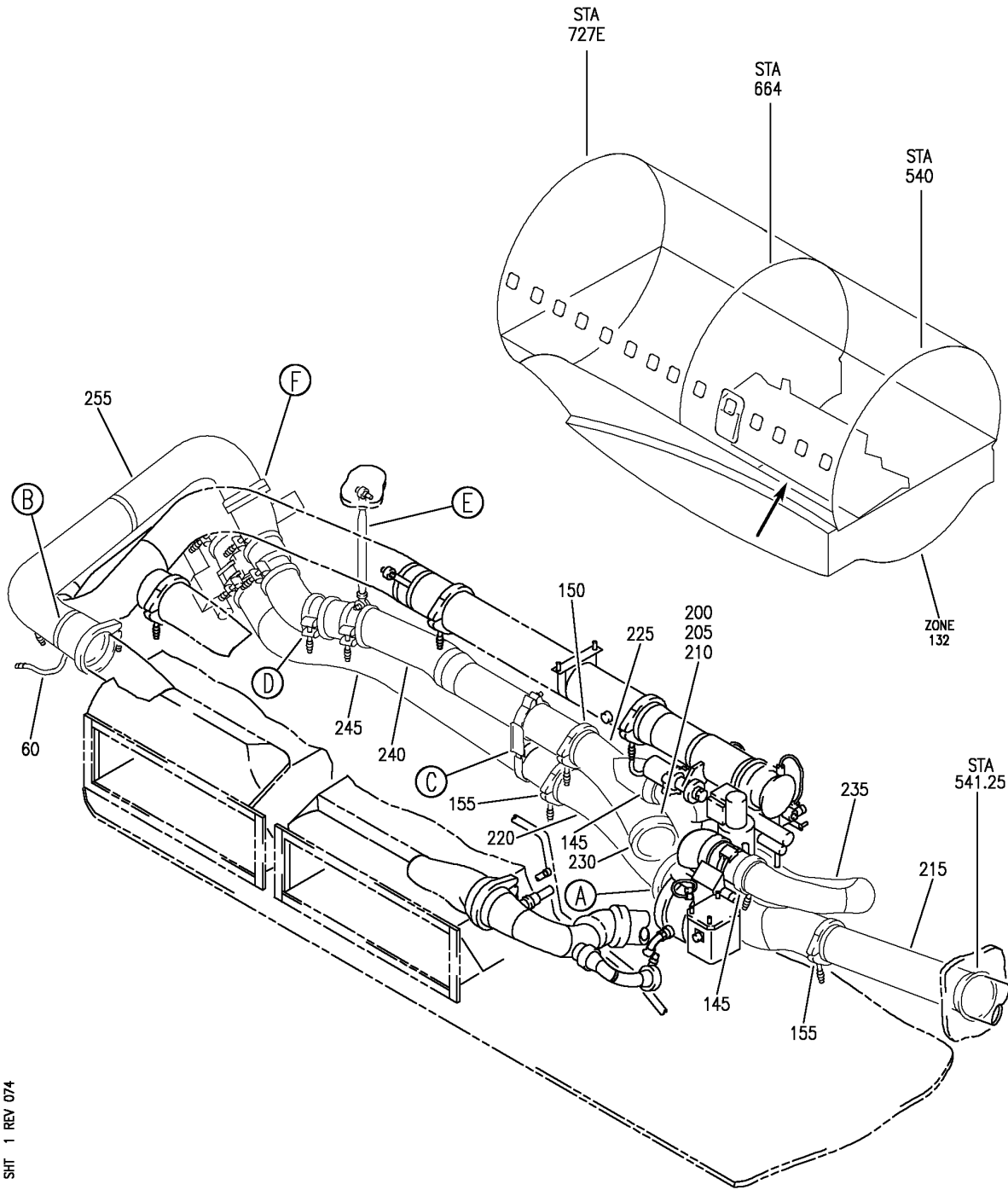
HAP

21-61-02-01

BOEING PROPRIETARY - Copyright © - Unpublished Work - See title page for details.

21-61-02
 FIG. 01
 PAGE 8
 OCT 15/08

BOEING
 737-600/700/800/900
 PARTS CATALOG (MAINTENANCE)



E 21610202 SHT 1 REV 074

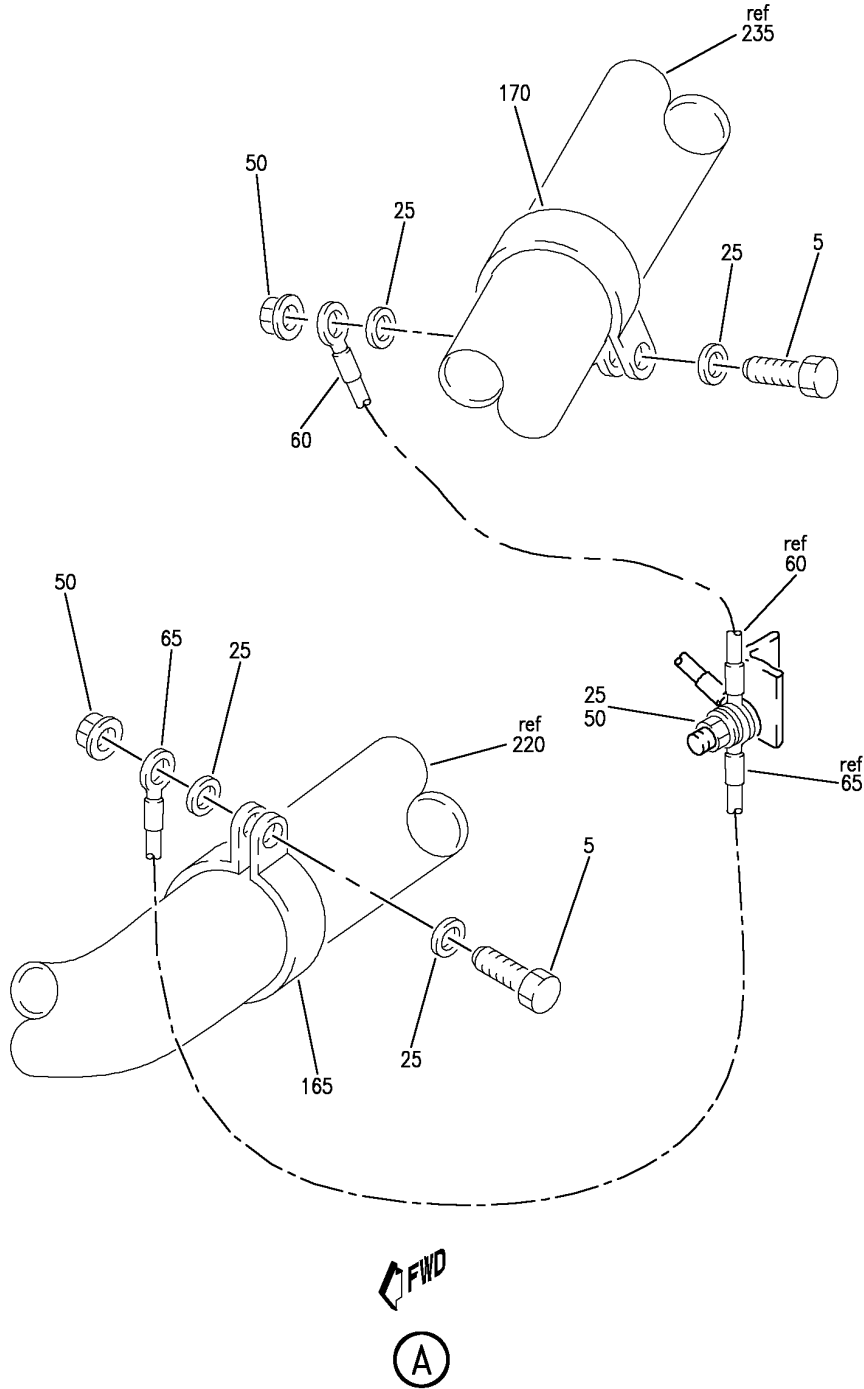
DUCT INSTL-R SIDE AIR CONDITIONING PACK (ZONE TEMPERATURE CONTROL AND INDICATION ONLY)
 FIGURE 2 (SHEET 1)

HAP
 OCT 15/08

21-61-02-02

21-61-02-02
 PAGE 0

BOEING
 737-600/700/800/900
 PARTS CATALOG (MAINTENANCE)



E 21610202 SH1 2 REV 074

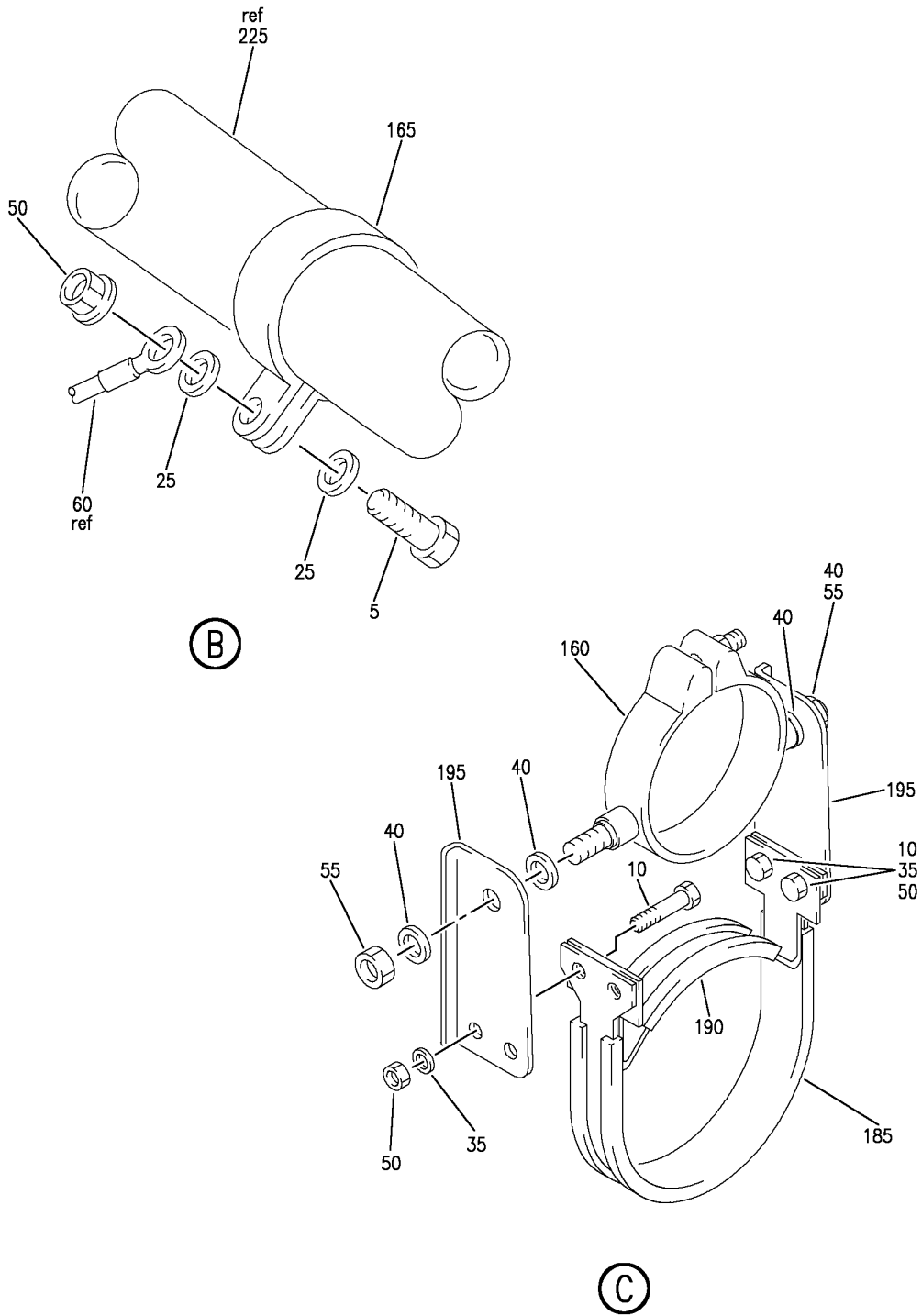
DUCT INSTL-R SIDE AIR CONDITIONING PACK (ZONE TEMPERATURE CONTROL AND INDICATION ONLY)
 FIGURE 2 (SHEET 2)

HAP
 OCT 15/08

21-61-02-02

21-61-02-02
 PAGE 0A

BOEING
 737-600/700/800/900
 PARTS CATALOG (MAINTENANCE)



E 21610202 SH1 3 REV 074

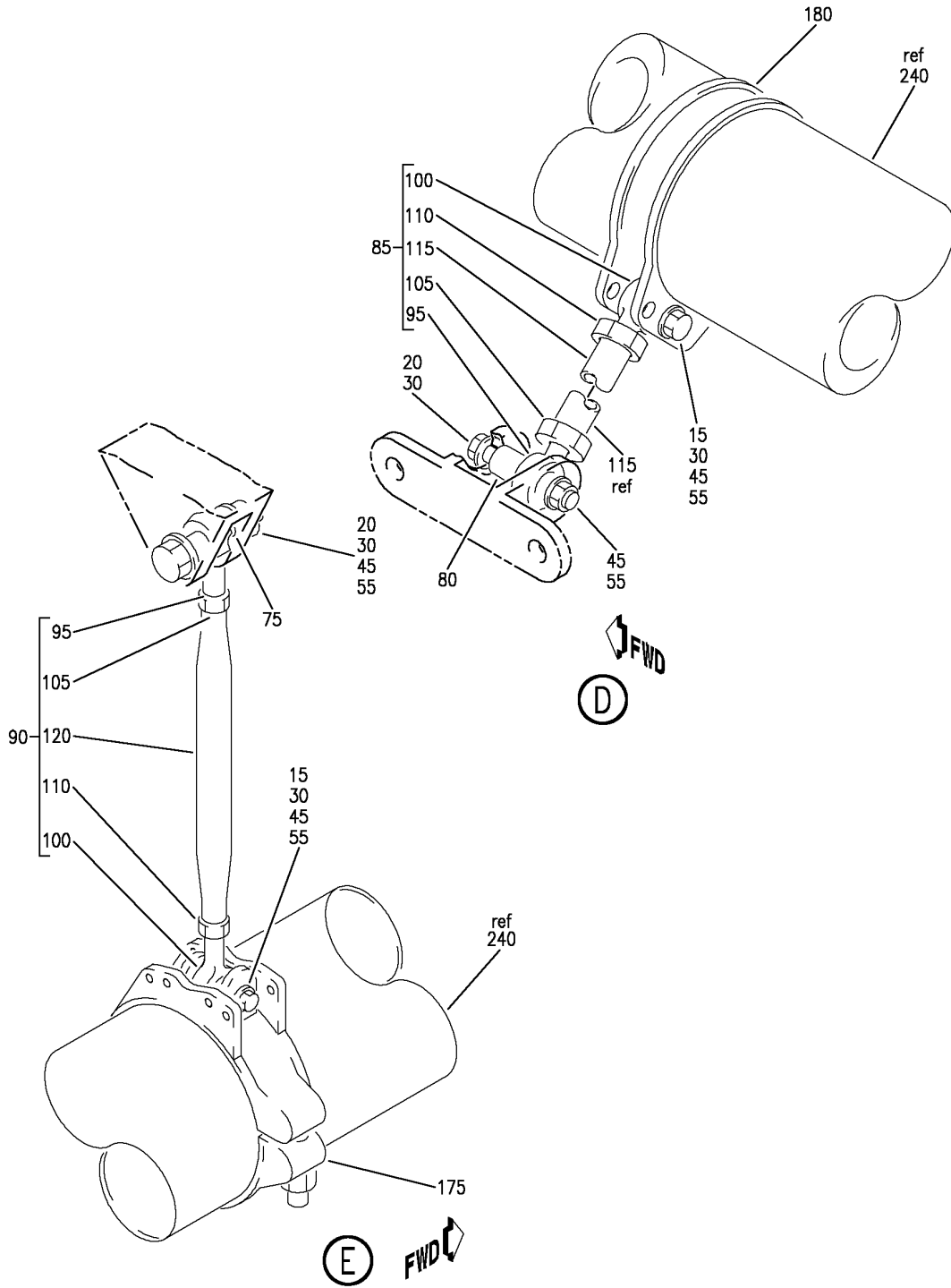
DUCT INSTL-R SIDE AIR CONDITIONING PACK (ZONE TEMPERATURE CONTROL AND INDICATION ONLY)
 FIGURE 2 (SHEET 3)

HAP
 OCT 15/08

21-61-02-02

21-61-02-02
 PAGE 0B

BOEING
 737-600/700/800/900
 PARTS CATALOG (MAINTENANCE)



E 21610202 SH1 4 REV 074

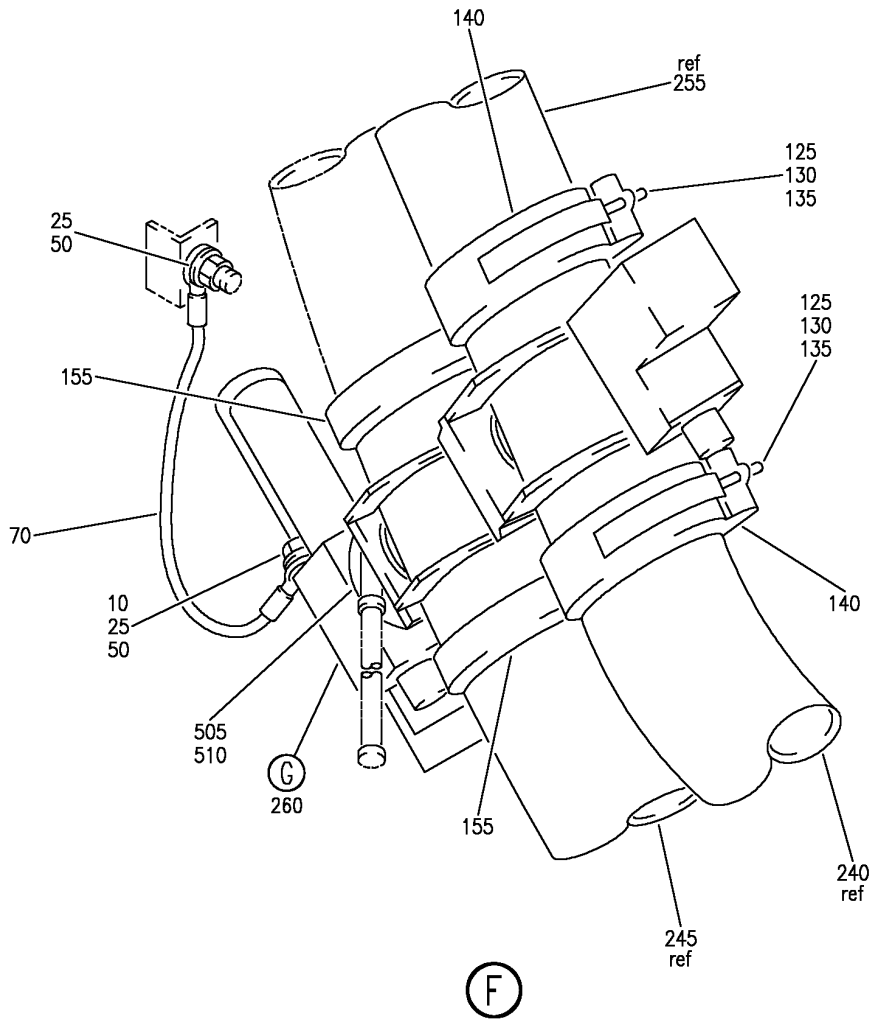
DUCT INSTL-R SIDE AIR CONDITIONING PACK (ZONE TEMPERATURE CONTROL AND INDICATION ONLY)
 FIGURE 2 (SHEET 4)

HAP
 OCT 15/08

21-61-02-02

21-61-02-02
 PAGE 0C

BOEING
 737-600/700/800/900
 PARTS CATALOG (MAINTENANCE)



E 21610202 SHT 5 REV 088

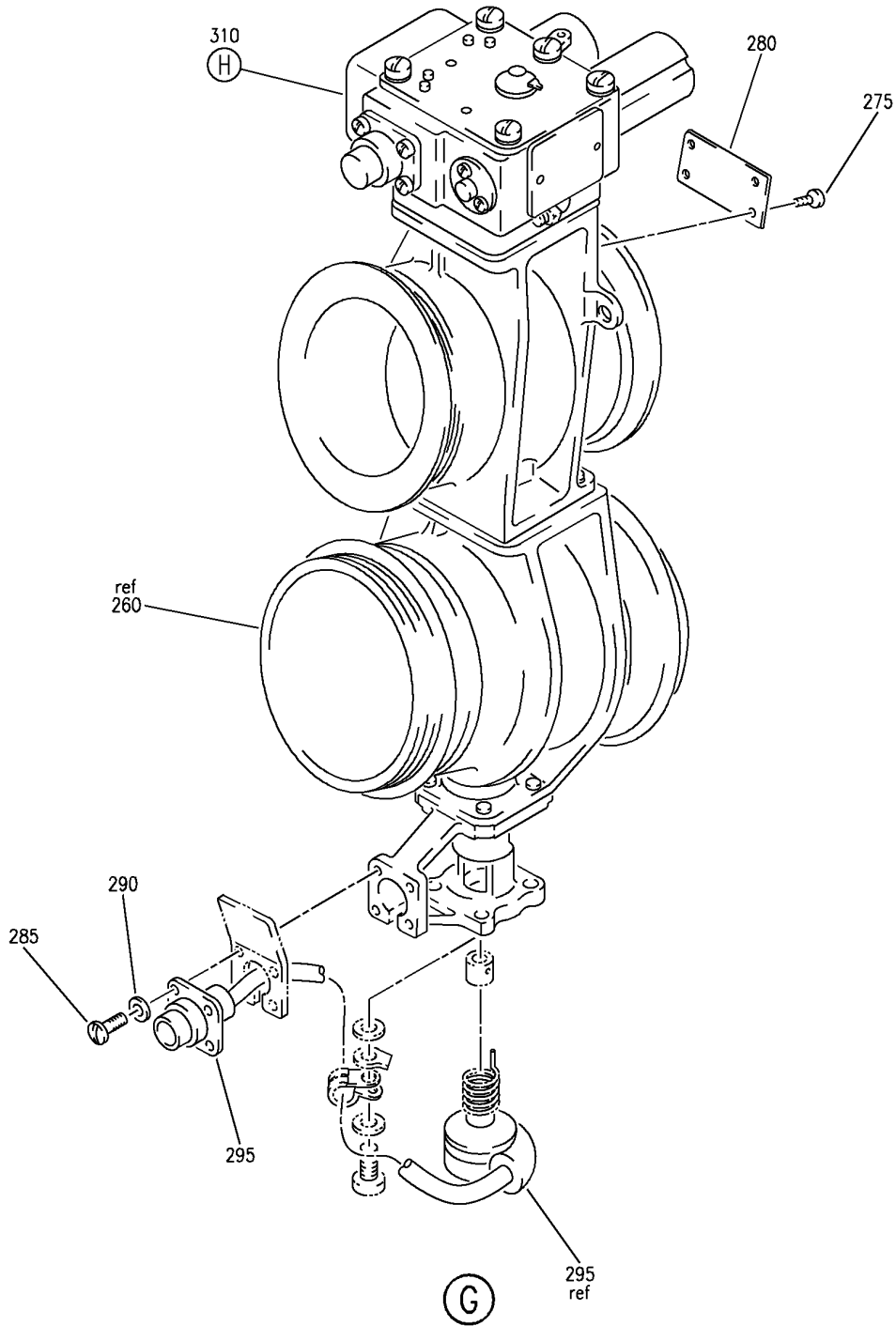
DUCT INSTL-R SIDE AIR CONDITIONING PACK (ZONE TEMPERATURE CONTROL AND INDICATION ONLY)
 FIGURE 2 (SHEET 5)

HAP
 OCT 15/08

21-61-02-02

21-61-02-02
 PAGE 0D

BOEING
737-600/700/800/900
PARTS CATALOG (MAINTENANCE)



E 21610202 SHT 6 REV 133

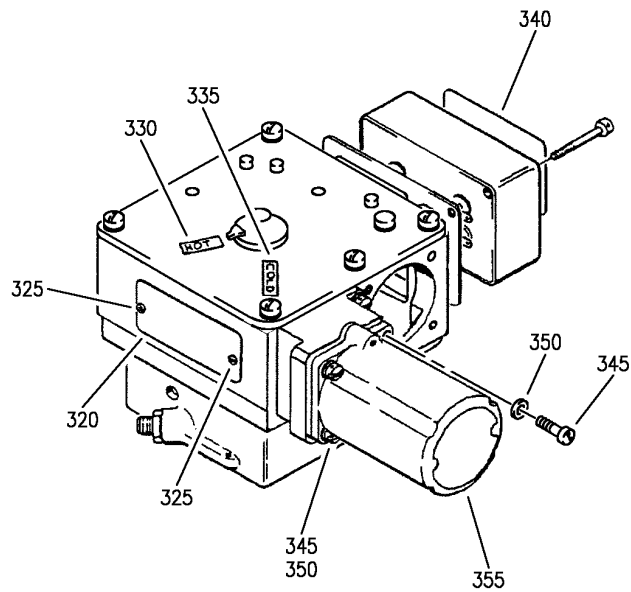
DUCT INSTL-R SIDE AIR CONDITIONING PACK (ZONE TEMPERATURE CONTROL AND INDICATION ONLY)
FIGURE 2 (SHEET 6)

HAP
OCT 15/08

21-61-02-02

21-61-02-02
PAGE 0E

BOEING
737-600/700/800/900
PARTS CATALOG (MAINTENANCE)



(H)

E 21610202 SH1 7 REV 133

DUCT INSTL-R SIDE AIR CONDITIONING PACK (ZONE TEMPERATURE CONTROL AND INDICATION ONLY)
FIGURE 2 (SHEET 7)

HAP
OCT 15/08

21-61-02-02

21-61-02-02
PAGE OF

BOEING PROPRIETARY - Copyright © - Unpublished Work - See title page for details.

BOEING
737-600/700/800/900
PARTS CATALOG (MAINTENANCE)

FIG ITEM	PART NUMBER	1 2 3 4 5 6 7	NOMENCLATURE	EFFECT FROM TO	UNITS PER ASSY
2			DUCT INSTL-R SIDE AIR CONDITIONING PACK (ZONE TEMPERATURE CONTROL AND INDICATION ONLY)	201967	
- 1	213A1002-2		DUCT INSTL-AIR CONDITIONING PACK (ZONE TEMPERATURE CONTROL AND INDICATION ONLY) POSITION DATA: R SIDE FOR NHA/OTHER SYS DET SEE: 21-50-00-01B	201967	RF
5	BACS12GU3K9	.SCREW		201967	3
10	BACS12GU3K7	.SCREW		201967	5
15	BACB30NR4K8	.BOLT		201967	2
20	BACB30NR4K18	.BOLT		201967	2
25	NAS1149E0316P	.WASHER		201967	9
30	NAS1149D0416J	.WASHER		201967	4
35	NAS1149C0363R	.WASHER		201967	4
40	NAS1149C0632R	.WASHER		201967	4
45	BACW10BP4CD	.WASHER		201967	4
50	PLH53CD	.NUT		201967	10
			SUPPLIER CODE: VF0224 SPECIFICATION NUMBER: BACN10YR3CD OPTIONAL PART: H52732-3CD V15653		
55	PLH54CD	.NUT		201967	6
			SUPPLIER CODE: VF0224 SPECIFICATION NUMBER: BACN10YR4CD OPTIONAL PART: H52732-4CD V15653		
60	RBEJ40K5A5A6	.JUMPER		201967	2
			SUPPLIER CODE: V1GK47 SPECIFICATION NUMBER: BACJ40K5A5A6		
65	RBEJ40K5A5A9	.JUMPER		201967	1
			SUPPLIER CODE: V1GK47 SPECIFICATION NUMBER: BACJ40K5A5A9		

MISSING ITEM NUMBERS NOT APPLICABLE

- ITEM NOT ILLUSTRATED

HAP

21-61-02-02

BOEING PROPRIETARY - Copyright © - Unpublished Work - See title page for details.

21-61-02
FIG. 02
PAGE 1
FEB 15/09

BOEING
737-600/700/800/900
PARTS CATALOG (MAINTENANCE)

FIG ITEM	PART NUMBER	1 2 3 4 5 6 7	NOMENCLATURE	EFFECT FROM TO	UNITS PER ASSY
2					
70	RBEJ40K5A5A10	.	JUMPER SUPPLIER CODE: V1GK47 SPECIFICATION NUMBER: BACJ40K5A5A10	201967	1
75	BACB28AK04-051	.	BUSHING	201967	1
80	BACB28AK04-047	.	BUSHING	201967	1
85	212A1125-5	.	ROD ASSY-TIE	201967	1
90	212A1125-7	.	ROD ASSY-TIE	201967	1
95	M81935-1-4	..	ROD	201967	1
100	M81935-1-4L	..	ROD	201967	1
105	AN316-5R	..	NUT	201967	1
110	AN316-5L	..	NUT	201967	1
115	212A1125-6	..	TUBE- USED ON: 212A1125-5	201967	1
120	212A1125-8	..	TUBE- USED ON: 212A1125-7	201967	1
125	21156-350	.	RETAINER SUPPLIER CODE: V94581 SPECIFICATION NUMBER: BACC10BR2350A OPTIONAL PART: 24170-350A V00624	201967	2
130	17351-350	.	RING SUPPLIER CODE: V00624 SPECIFICATION NUMBER: BACC10BR3350 OPTIONAL PART: 2325-350 V94581	201967	2
135	NK1008725-350	.	SLEEVE- SUPPLIER CODE: V00624	201967	2
140	51200-2-350	.	CLAMP SUPPLIER CODE: V8W928 SPECIFICATION NUMBER: BACC10CT2-350	201967	2
145	BACC10DU250ABE	.	CLAMP	201967	2
150	BACC10DU300ABE	.	CLAMP	201967	1
155	BACC10DU350ABE	.	CLAMP	201967	4
160	BACC10AD300WE	.	CLAMP	201967	1
165	BACC10GN56C	.	CLAMP	201967	2
170	BACC10GN40C	.	CLAMP	201967	1

MISSING ITEM NUMBERS NOT APPLICABLE

— ITEM NOT ILLUSTRATED

HAP

21-61-02-02

BOEING PROPRIETARY - Copyright © - Unpublished Work - See title page for details.

21-61-02
FIG. 02
PAGE 2
OCT 15/08

 **BOEING**
737-600/700/800/900
PARTS CATALOG (MAINTENANCE)

FIG ITEM	PART NUMBER	1 2 3 4 5 6 7	NOMENCLATURE	EFFECT FROM TO	UNITS PER ASSY
2					
175	3015AE00EC		.CLAMP SUPPLIER CODE: V94581 SPECIFICATION NUMBER: BACC10HNO0EC OPTIONAL PART: 65790A00EC V00624	201967	1
180	BACC10HU034DC		.CLAMP	201967	1
185	BC116756CP1		.CLAMP SUPPLIER CODE: V14242 SPECIFICATION NUMBER: BACC10ER1-56CP OPTIONAL PART: S315-1-56CP V18076	201967	1
R 190	BACC10ER2-56CP		.CLAMP	201967	1
195	213A1270-1		.BRACKET	201967	2
200	14C02-48C		.COUPLING- SUPPLIER CODE: V24984	201967	1
205	14R02-48C		.SLEEVE- SUPPLIER CODE: V24984	201967	1
210	2-234S604-70		.SEAL- SUPPLIER CODE: V02697 MAINTENANCE MANUAL REF: 21-51-01	201967	1
215	213A1201-25		.DUCT ASSY	201967	1
220	213A1201-19		.DUCT ASSY	201967	1
225	213A1201-64		.DUCT ASSY	201967	1
230	14F03-48T		.. FLANGE- SUPPLIER CODE: V24984	201967	1
235	213A1201-70		.DUCT ASSY	201967	1
240	213A1201-60		.DUCT ASSY	201967	1
245	213A1201-36		.DUCT ASSY	201967	1
255	213A1201-48		.DUCT ASSY	201967	1

MISSING ITEM NUMBERS NOT APPLICABLE

— ITEM NOT ILLUSTRATED

HAP

21-61-02-02

BOEING PROPRIETARY - Copyright © - Unpublished Work - See title page for details.

21-61-02
FIG. 02
PAGE 3
JUN 15/09

BOEING
737-600/700/800/900
PARTS CATALOG (MAINTENANCE)

FIG ITEM	PART NUMBER	1 2 3 4 5 6 7	NOMENCLATURE	EFFECT FROM TO	UNITS PER ASSY
2 260	398116-1-1	.	VALVE ASSY-TEMP CONT THREE AND ONE-HALF INCH DIAMETER ELECTRIC DUAL MODULATING AND SHUTOFF BUTTERFLY SUPPLIER CODE: V59364 FUNCTIONAL DESCRIPTION: REGULATES HOT AIR BYPASSING AND GOING THROUGH THE AIR CYCLE SYSTEM. ELECTRICAL EQUIP NUMBER: V00022 COMPONENT MAINT MANUAL REF: 21-61-49 MAINTENANCE MANUAL REF: 21-61-02 FUNCTIONAL REFERENCE: PLACARDS AND MARKINGS FOR DETAILS SEE 11-21-14-03	201967	1
- 270	398117-1	..	VALVE ASSY-TEMP CONT THREE AND ONE-HALF INCH DIAMETER ELECTRIC DUAL MODULATING AND SHUTOFF BUTTERFLY SUPPLIER CODE: V59364	201967	1
275	MS24622-2	...	SCREW- CONFIG CHG DATA FROM A CMM: REPL BY MS51861-1C	201967	1
275	MS51861-1C	...	SCREW- CONFIG CHG DATA FROM A CMM: REPLS MS24622-2	201967	1
280	S8842B1P1	...	PLATE-IDENT SUPPLIER CODE: V59364 CONFIG CHG DATA FROM A CMM: REPL BY S3005-1	201967	1
280	S3005-1	...	PLATE-IDENT SUPPLIER CODE: V59364 CONFIG CHG DATA FROM A CMM: REPLS S8842B1P1 REPL BY S3033-1	201967	1

MISSING ITEM NUMBERS NOT APPLICABLE

- ITEM NOT ILLUSTRATED

HAP

21-61-02-02

BOEING PROPRIETARY - Copyright © - Unpublished Work - See title page for details.

21-61-02
FIG. 02
PAGE 4
OCT 15/08

BOEING
737-600/700/800/900
PARTS CATALOG (MAINTENANCE)

FIG ITEM	PART NUMBER	1 2 3 4 5 6 7	NOMENCLATURE	EFFECT FROM TO	UNITS PER ASSY
2 280	S3033-1		...PLATE-IDENT SUPPLIER CODE: V59364 CONFIG CHG DATA FROM A CMM: REPLS S3005-1	201967	1
285	AN500AD4-5		...SCREW- CONFIG CHG DATA FROM A CMM: REPL BY MS35275-215	201967	4
285	MS35275-215		...SCREW- SB DATA FROM A CMM: PRE SB 21-1555 CONFIG CHG DATA FROM A CMM: REPLS AN500AD4-5 REPL BY NAS1352C04-6	201967	4
285	NAS1352C04-6		...SCREW- SB DATA FROM A CMM: POST SB 21-1555 CONFIG CHG DATA FROM A CMM: REPLS MS35275-215	201967	4
290	S8157N8-016		...WASHER- 0.016 IN.(0,4064 MM) THK SUPPLIER CODE: V59364	201967	4
295	662562-2		...RESISTOR-VAR SUPPLIER CODE: V59364 CONFIG CHG DATA FROM A CMM: REPL BY 882527-7	201967	1
295	882527-7		...RESISTOR-VAR SUPPLIER CODE: V59364 CONFIG CHG DATA FROM A CMM: REPLS 662562-2	201967	1
310	541962-1-1		..ACTUATOR ASSY-ROTARY ELECTROMECHANICAL INSTL OUTLINE SUPPLIER CODE: V59364 SB DATA FROM A CMM: PRE SB 21-1248 CONFIG CHG DATA FROM A CMM: REPLD BY 541962-4 COMPONENT MAINT MANUAL REF: 21-60-36	201967	1

MISSING ITEM NUMBERS NOT APPLICABLE

— ITEM NOT ILLUSTRATED

HAP

21-61-02-02

BOEING PROPRIETARY - Copyright © - Unpublished Work - See title page for details.

21-61-02
FIG. 02
PAGE 5
OCT 15/08

BOEING
737-600/700/800/900
PARTS CATALOG (MAINTENANCE)

FIG ITEM	PART NUMBER	1 2 3 4 5 6 7	NOMENCLATURE	EFFECT FROM TO	UNITS PER ASSY
2 310	541962-4		..ACTUATOR ASSY-ROTARY ELECTROMECHANICAL INSTL OUTLINE SERIES 2 SUPPLIER CODE: V59364 SB DATA FROM A CMM: PRE SB 21-1544 POST SB 21-1248 CONFIG CHG DATA FROM A CMM: REPLS 541962-1-1 REPLD BY 541962-6 COMPONENT MAINT MANUAL REF: 21-60-36	201967	1
310	541962-6		..ACTUATOR ASSY-ROTARY ELECTROMECHANICAL INSTL OUTLINE SERIES SUPPLIER CODE: V59364 SB DATA FROM A CMM: POST SB 21-1544 CONFIG CHG DATA FROM A CMM: REPLS 541962-4 COMPONENT MAINT MANUAL REF: 21-60-36	201967	1
- 315	541963-1		...ACTUATOR ASSY- SUPPLIER CODE: V59364 USED ON: 541962-1-1	201967	RF
- 315	541963-4		...ACTUATOR ASSY- SUPPLIER CODE: V59364 USED ON: 541962-4	201967	RF
- 315	541963-6		...ACTUATOR ASSY- SUPPLIER CODE: V59364 USED ON: 541962-6	201967	RF
320	GAREF431	PLATE-IDENT SUPPLIER CODE: V59364 USED ON: 541963-1	201967	1
320	2045580-3	PLATE-IDENT SUPPLIER CODE: V59364 USED ON: 541963-4	201967	1

MISSING ITEM NUMBERS NOT APPLICABLE

- ITEM NOT ILLUSTRATED

HAP

21-61-02-02

BOEING PROPRIETARY - Copyright © - Unpublished Work - See title page for details.

21-61-02
FIG. 02
PAGE 6
OCT 15/08

BOEING
737-600/700/800/900
PARTS CATALOG (MAINTENANCE)

FIG ITEM	PART NUMBER	1 2 3 4 5 6 7	NOMENCLATURE	EFFECT FROM TO	UNITS PER ASSY
2					
320	2045580-5	PLATE-IDENT SUPPLIER CODE: V59364 USED ON: 541963-6 ATTACHING PARTS	201967	1
325	A1ABS0204G	SCREW- SUPPLIER CODE: V70318 SPECIFICATION NUMBER: 656-173-9001 -----*-----	201967	2
330	526655-3	LABEL-ACTUATOR SUPPLIER CODE: V59364	201967	1
335	526655-4	LABEL-ACTUATOR SUPPLIER CODE: V59364	201967	1
340	530964-1	PLATE-WIRING DIAGRAM SUPPLIER CODE: V59364	201967	1
345	AN503-6-6	SCREW	201967	4
350	S8157C82-020	WASHER-SPECIAL SUPPLIER CODE: V59364	201967	4
355	516023-1	MOTOR ASSY-AC SUPPLIER CODE: V59364 COMPONENT MAINT MANUAL REF: 21-60-14 USED ON: 541963-1	201967	1
355	516023-2	MOTOR ASSY-AC SUPPLIER CODE: V59364 COMPONENT MAINT MANUAL REF: 21-60-14 USED ON: 541963-4 541963-6	201967	1
- 500	286A6202-001		WIRE BUNDLE ASSY	201967	RF
505	BACC63CB14-7SN	.CON	CONNECTOR- ELECTRICAL EQUIP NUMBER: D00522 WIRING DIAGRAM REF: 216122	201967	1

MISSING ITEM NUMBERS NOT APPLICABLE

- ITEM NOT ILLUSTRATED

HAP

21-61-02-02

BOEING PROPRIETARY - Copyright © - Unpublished Work - See title page for details.

21-61-02
FIG. 02
PAGE 7
OCT 15/08

BOEING
737-600/700/800/900
PARTS CATALOG (MAINTENANCE)

FIG ITEM	PART NUMBER	1 2 3 4 5 6 7	NOMENCLATURE	EFFECT FROM TO	UNITS PER ASSY
2 510	620AA028NF14L		.CLAMP- SUPPLIER CODE: V06324 SPECIFICATION NUMBER: BACC10KE14 OPTIONAL PART: S3820-14-65 V07418 ELECTRICAL EQUIP NUMBER: D00522T WIRING DIAGRAM REF: 216122	201967	1
900			ILLUSTRATION REFERENCE: PACK INSTL-AIR CONDITIONING (HEAT EXCHANGER AND PLENUM/DIFFUSER ASSY ONLY) 21-51-03-01	201967	RF

MISSING ITEM NUMBERS NOT APPLICABLE

— ITEM NOT ILLUSTRATED

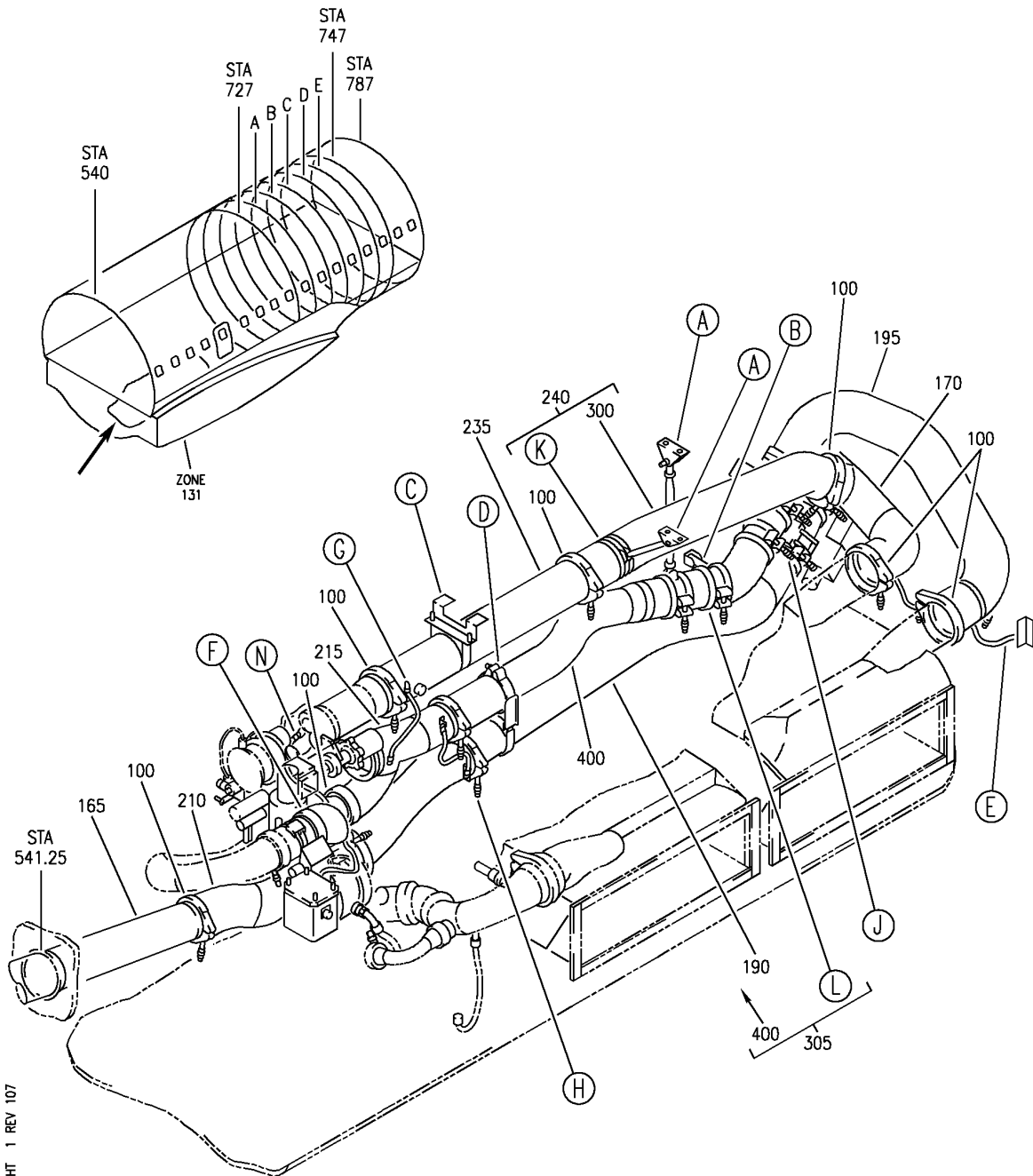
HAP

21-61-02-02

BOEING PROPRIETARY - Copyright © - Unpublished Work - See title page for details.

21-61-02
FIG. 02
PAGE 8
OCT 15/08

BOEING
737-600/700/800/900
PARTS CATALOG (MAINTENANCE)



E 21610203 SHT 1 REV 107

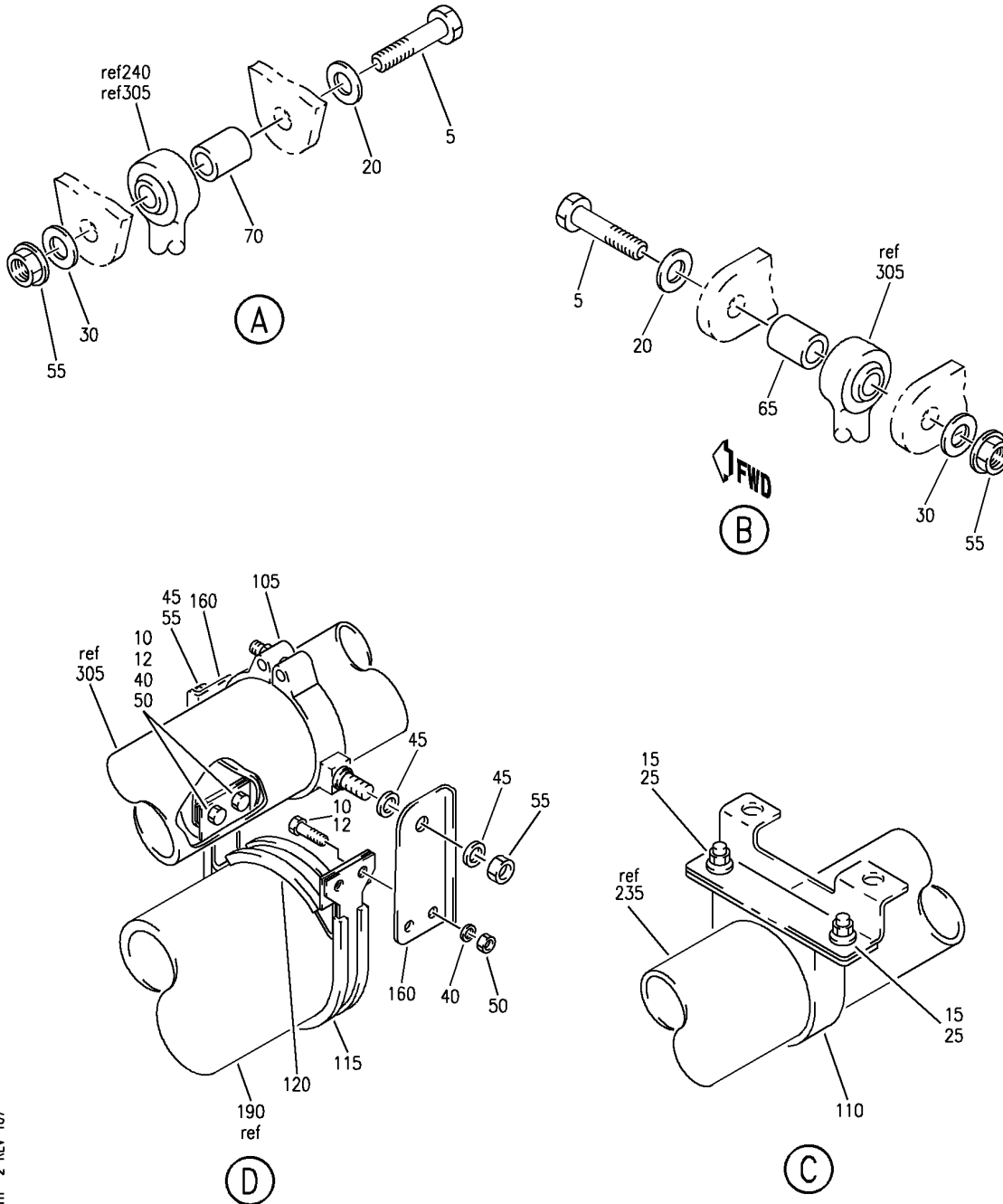
DUCT INSTL-L SIDE AIR CONDITIONING PACK (ZONE TEMPERATURE CONTROL AND INDICATION ONLY)
 FIGURE 3 (SHEET 1)

HAP
 FEB 10/07

21-61-02-03

21-61-02-03
 PAGE 0

BOEING
 737-600/700/800/900
 PARTS CATALOG (MAINTENANCE)



E 21610203 SHT 2 REV 107

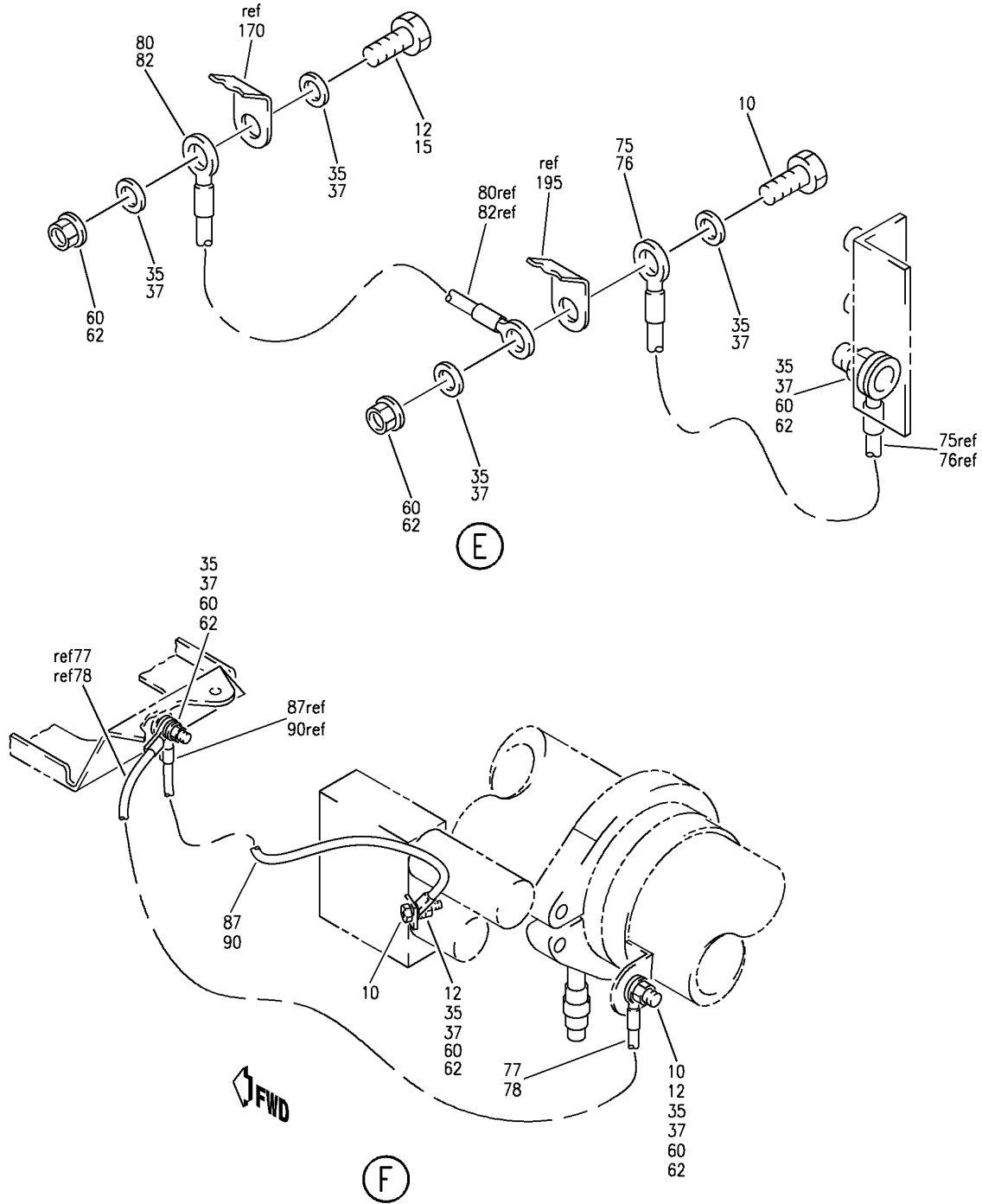
DUCT INSTL-L SIDE AIR CONDITIONING PACK (ZONE TEMPERATURE CONTROL AND INDICATION ONLY)
 FIGURE 3 (SHEET 2)

21-61-02-03

HAP
 FEB 10/07

21-61-02-03
 PAGE 0A

BOEING
 737-600/700/800/900
 PARTS CATALOG (MAINTENANCE)



E 21610203 SHT 3 REV 107

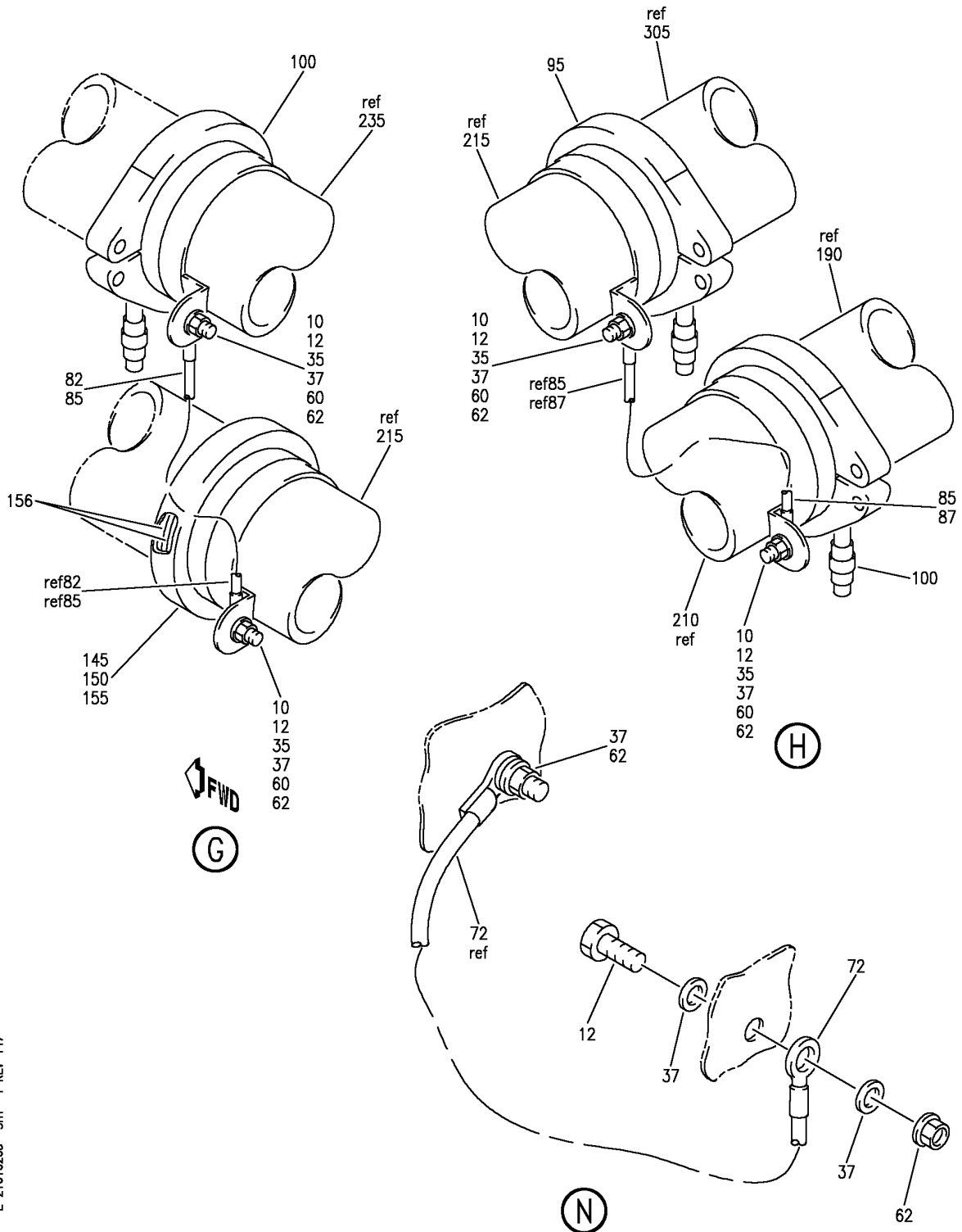
DUCT INSTL-L SIDE AIR CONDITIONING PACK (ZONE TEMPERATURE CONTROL AND INDICATION ONLY)
 FIGURE 3 (SHEET 3)

HAP
 FEB 10/07

21-61-02-03

21-61-02-03
 PAGE 0B

BOEING
737-600/700/800/900
PARTS CATALOG (MAINTENANCE)



E 21610203 SHT 4 REV 147

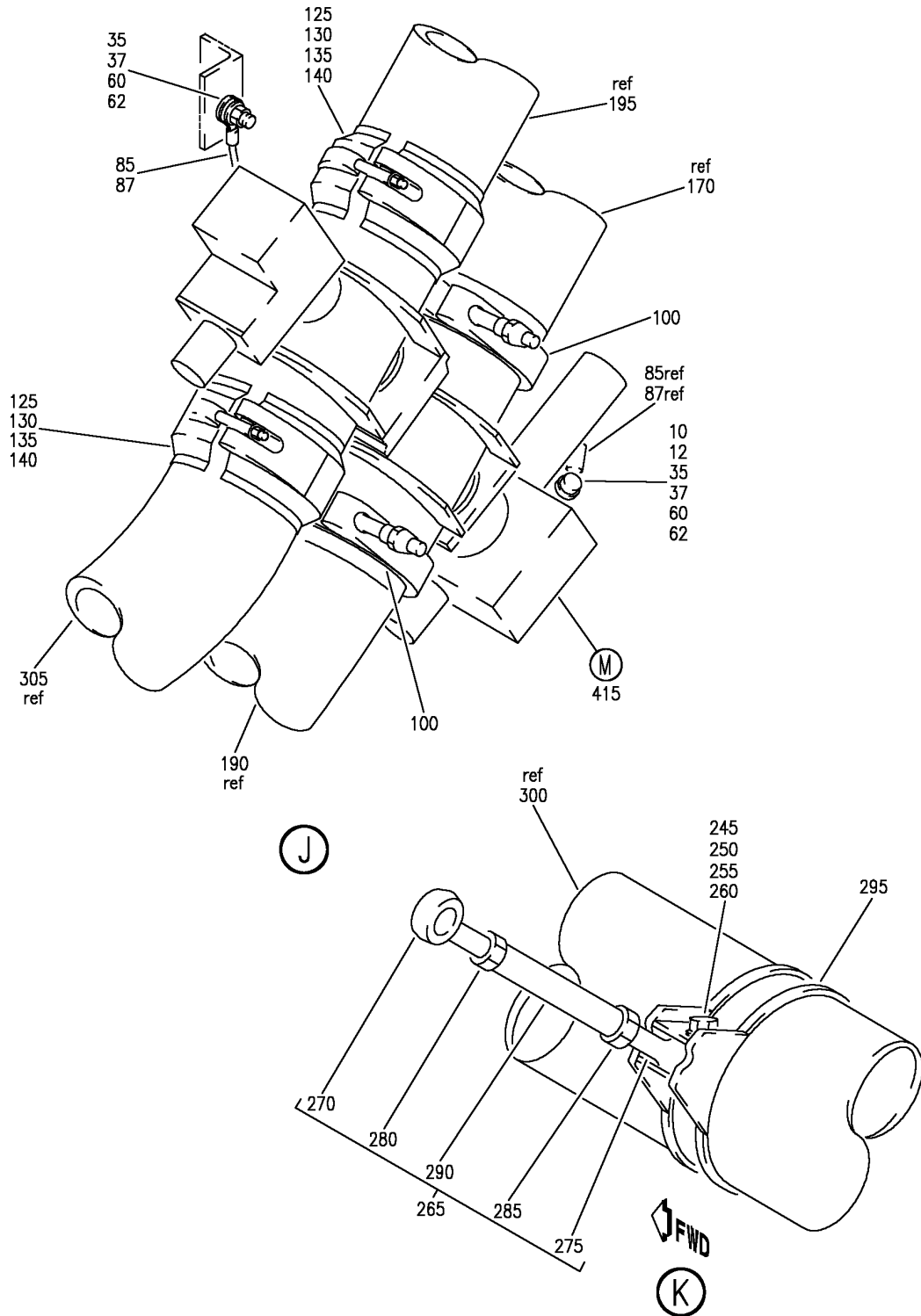
DUCT INSTL-L SIDE AIR CONDITIONING PACK (ZONE TEMPERATURE CONTROL AND INDICATION ONLY)
FIGURE 3 (SHEET 4)

21-61-02-03

HAP
OCT 15/08

21-61-02-03
PAGE 0C

BOEING
737-600/700/800/900
PARTS CATALOG (MAINTENANCE)



E 21610203 SHT 5 REV 153

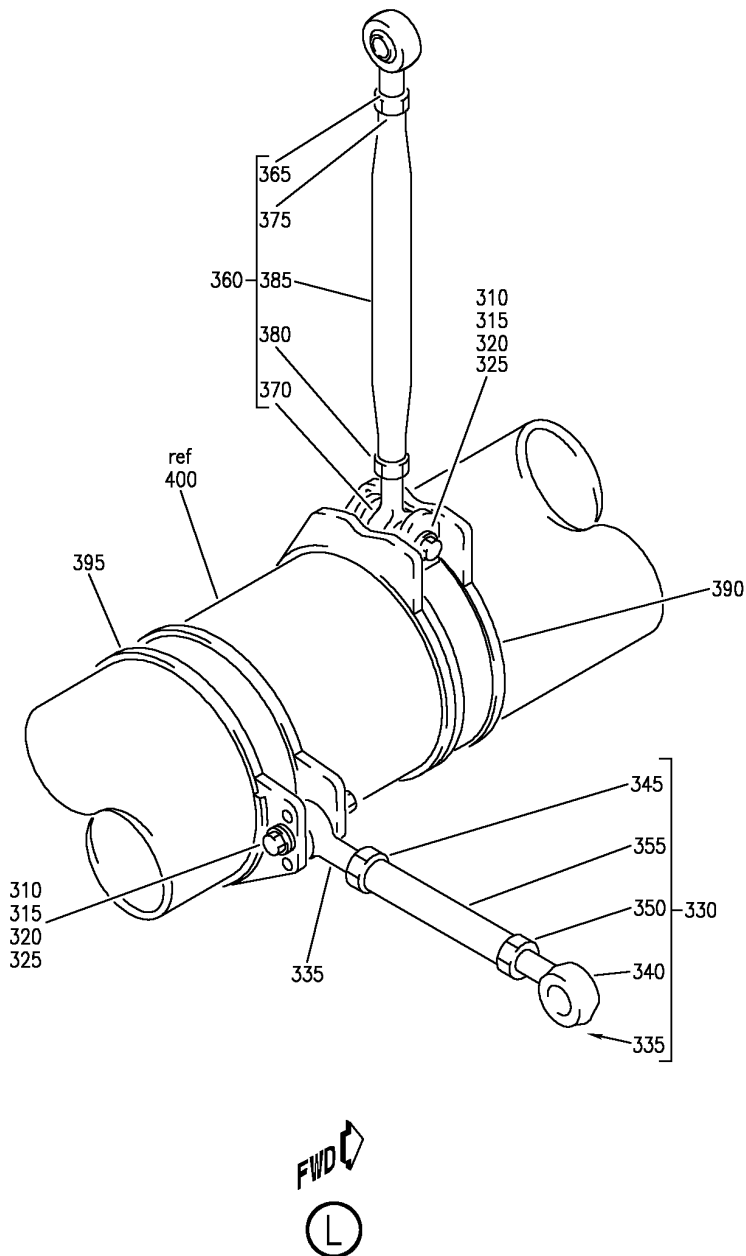
DUCT INSTL-L SIDE AIR CONDITIONING PACK (ZONE TEMPERATURE CONTROL AND INDICATION ONLY)
 FIGURE 3 (SHEET 5)

HAP
 JUN 15/09

21-61-02-03

21-61-02-03
 PAGE 0D

BOEING
 737-600/700/800/900
 PARTS CATALOG (MAINTENANCE)



E 21610203 SH1 6 REV 090

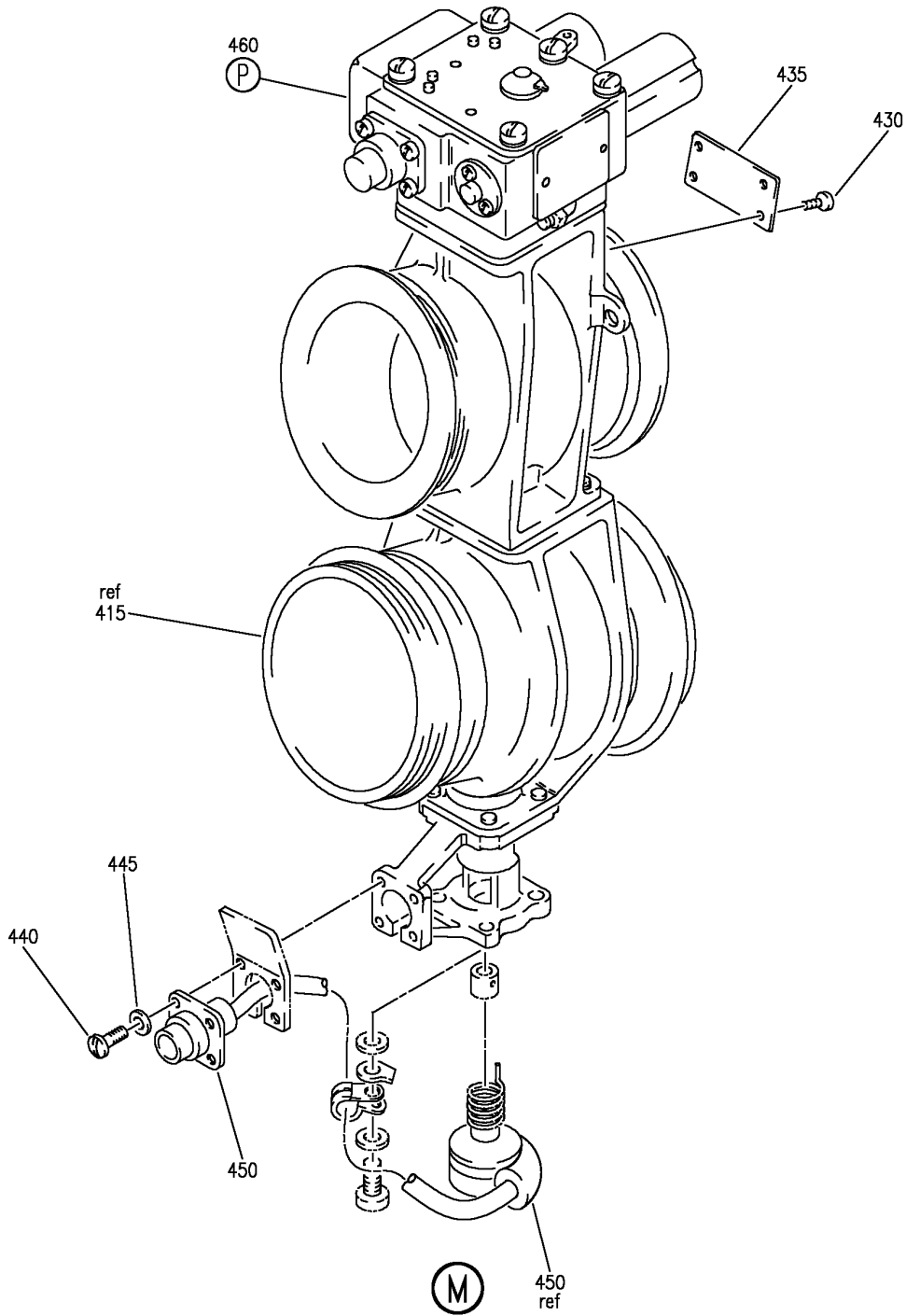
DUCT INSTL-L SIDE AIR CONDITIONING PACK (ZONE TEMPERATURE CONTROL AND INDICATION ONLY)
 FIGURE 3 (SHEET 6)

HAP
 FEB 10/07

21-61-02-03

21-61-02-03
 PAGE 0E

BOEING
737-600/700/800/900
PARTS CATALOG (MAINTENANCE)



E 21610203 SH7 7 REV 147

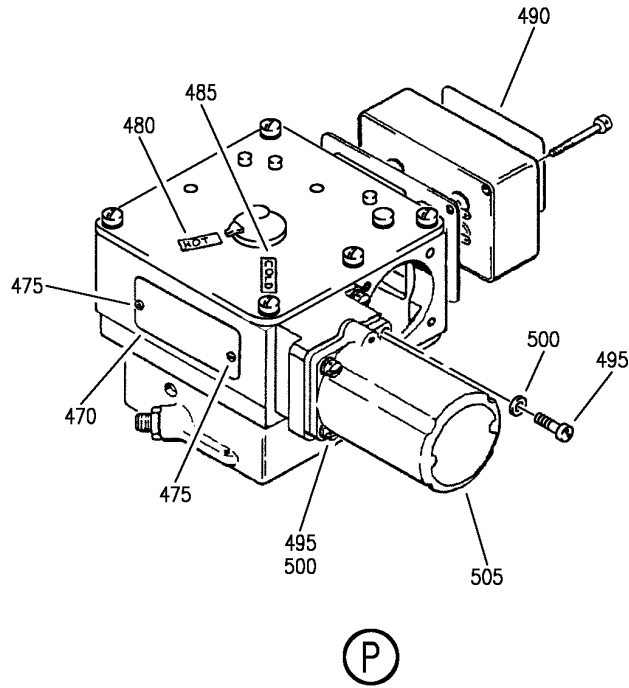
DUCT INSTL-L SIDE AIR CONDITIONING PACK (ZONE TEMPERATURE CONTROL AND INDICATION ONLY)
FIGURE 3 (SHEET 7)

HAP
OCT 15/08

21-61-02-03

21-61-02-03
PAGE OF

BOEING
737-600/700/800/900
PARTS CATALOG (MAINTENANCE)



E 21610203 SHIT 8 REV 147

DUCT INSTL-L SIDE AIR CONDITIONING PACK (ZONE TEMPERATURE CONTROL AND INDICATION ONLY)
FIGURE 3 (SHEET 8)

HAP
OCT 15/08

21-61-02-03

21-61-02-03
PAGE 08

BOEING
737-600/700/800/900
PARTS CATALOG (MAINTENANCE)

FIG ITEM	PART NUMBER	1 2 3 4 5 6 7	NOMENCLATURE	EFFECT FROM TO	UNITS PER ASSY
3			DUCT INSTL-L SIDE AIR CONDITIONING PACK (ZONE TEMPERATURE CONTROL AND INDICATION ONLY)	101200 968999	
- 1	MODREF256350		DUCT INSTL-AIR CONDITIONING PACK (ZONE TEMPERATURE CONTROL AND INDICATION ONLY) MODULE NUMBER: 213A1006-1 REV C POSITION DATA: L SIDE FOR OTHER SYS DETAILS SEE: 21-51-09-03 21-51-20-03 21-51-30-03 21-51-31-03 21-51-41-05	101106 968999	1
- 1	MODREF395390		DUCT INSTL-AIR CONDITIONING PACK (ZONE TEMPERATURE CONTROL AND INDICATION ONLY) MODULE NUMBER: 213A1006-1 REV D POSITION DATA: L SIDE FOR OTHER SYS DETAILS SEE: 21-51-09-03 21-51-20-03 21-51-30-03 21-51-31-03 21-51-41-05	107200	1
5	BACB30NR4K18		.BOLT	101200 968999	3
12	BACS12GU3K7		.SCREW	101200 968999	13
15	BACS12GU3K9		.SCREW	101200 968999	3
20	BACW10BP4CD		.WASHER	101200 968999	3
25	NAS1149D0316J		.WASHER	101200 968999	2
30	NAS1149D0416J		.WASHER	101200 968999	3
37	NAS1149E0316R		.WASHER	101200 968999	22
40	NAS1149C0363R		.WASHER	101200 968999	4

MISSING ITEM NUMBERS NOT APPLICABLE

- ITEM NOT ILLUSTRATED

HAP

21-61-02-03

BOEING PROPRIETARY - Copyright © - Unpublished Work - See title page for details.

21-61-02
FIG. 03
PAGE 1
OCT 15/08

 **BOEING**
737-600/700/800/900
PARTS CATALOG (MAINTENANCE)

FIG ITEM	PART NUMBER	1 2 3 4 5 6 7	NOMENCLATURE	EFFECT FROM TO	UNITS PER ASSY
3					
45	NAS1149C0632R	.	WASHER	101200 968999	4
50	PLH53CD	.	NUT SUPPLIER CODE: VF0224 SPECIFICATION NUMBER: BACN10YR3CD OPTIONAL PART: H52732-3CD V15653	101200 968999	4
55	PLH54CD	.	NUT SUPPLIER CODE: VF0224 SPECIFICATION NUMBER: BACN10YR4CD OPTIONAL PART: H52732-4CD V15653	101200 968999	5
62	PLH53CM	.	NUT SUPPLIER CODE: VF0224 SPECIFICATION NUMBER: BACN10YR3CM OPTIONAL PART: H52732-3CM V15653	101200 968999	14
65	BACB28AK04-047	.	BUSHING	101200 968999	1
70	BACB28AK04-051	.	BUSHING	101200 968999	2
72	100544-9	.	JUMPER SUPPLIER CODE: V1FF12 SPECIFICATION NUMBER: BACJ40AD44-9 OPTIONAL PART: RBEJ40AD44-9 V1GK47	101200 968999	1
76	100544-12	.	JUMPER SUPPLIER CODE: V1FF12 SPECIFICATION NUMBER: BACJ40AD44-12 OPTIONAL PART: RBEJ40AD44-12 V1GK47	101200 968999	1

MISSING ITEM NUMBERS NOT APPLICABLE

— ITEM NOT ILLUSTRATED

HAP

21-61-02-03

BOEING PROPRIETARY - Copyright © - Unpublished Work - See title page for details.

21-61-02
FIG. 03
PAGE 2
FEB 15/09

BOEING
737-600/700/800/900
PARTS CATALOG (MAINTENANCE)

FIG ITEM	PART NUMBER	1 2 3 4 5 6 7	NOMENCLATURE	EFFECT FROM TO	UNITS PER ASSY
3 78	RBEJ40AD44-13	. JUMPER	SUPPLIER CODE: V1GK47 SPECIFICATION NUMBER: BACJ40AD44-13 OPTIONAL PART: 100544-13 V1FF12	101200 968999	1
82	100544-10	. JUMPER	SUPPLIER CODE: V1FF12 SPECIFICATION NUMBER: BACJ40AD44-10 OPTIONAL PART: RBEJ40AD44-10 V1GK47	101200 968999	2
87	100544-8	. JUMPER	SUPPLIER CODE: V1FF12 SPECIFICATION NUMBER: BACJ40AD44-8 OPTIONAL PART: RBEJ40AD44-8 V1GK47	101200 968999	3
95	BACC10DU300ABE	. CLAMP		101200 968999	1
100	BACC10DU350ABE	. CLAMP		101200 968999	11
105	BACC10AD300WE	. CLAMP		101200 968999	1
110	TA04C36H56	. CLAMP	SUPPLIER CODE: V84971 SPECIFICATION NUMBER: BACC10CC56C OPTIONAL PART: JM45SC3H56T V22175 421SS56 V83930	101200 968999	1
115	BC116756CP1	. CLAMP	SUPPLIER CODE: V14242 SPECIFICATION NUMBER: BACC10ER1-56CP OPTIONAL PART: S315-1-56CP V18076	101200 968999	1

MISSING ITEM NUMBERS NOT APPLICABLE

— ITEM NOT ILLUSTRATED

HAP

21-61-02-03

BOEING PROPRIETARY - Copyright © - Unpublished Work - See title page for details.

21-61-02
FIG. 03
PAGE 3
OCT 15/08

BOEING
737-600/700/800/900
PARTS CATALOG (MAINTENANCE)

FIG ITEM	PART NUMBER	1 2 3 4 5 6 7	NOMENCLATURE	EFFECT FROM TO	UNITS PER ASSY
3					
120	BACC10ER2-56CP	.	CLAMP	101200 968999	1
125	21156-350	.	RETAINER SUPPLIER CODE: V94581 SPECIFICATION NUMBER: BACC10BR2350A OPTIONAL PART: 24170-350A V00624	101200 968999	2
130	17351-350	.	RING SUPPLIER CODE: V00624 SPECIFICATION NUMBER: BACC10BR3350 OPTIONAL PART: 2325-350 V94581	101200 968999	2
135	51200-2-350	.	CLAMP SUPPLIER CODE: V8W928 SPECIFICATION NUMBER: BACC10CT2-350	101200 968999	2
140	NK1008725-350	.	SLEEVE-AIR CYCLE SYS SUPPLIER CODE: V00624	101200 968999	2
145	14C02-48C	.	COUPLING- SUPPLIER CODE: V24984 OPTIONAL PART: AS1655C48	101200 968999	1
145	14C02-48C	.	COUPLING- SUPPLIER CODE: V24984 SPECIFICATION NUMBER: AS1655C48 OPTIONAL PART: 14C02-48C V24984	101200 968999	1
150	14R02-48C	.	SLEEVE- SUPPLIER CODE: V24984 OPTIONAL PART: AS1654C48	101200 968999	1

MISSING ITEM NUMBERS NOT APPLICABLE

— ITEM NOT ILLUSTRATED

HAP

21-61-02-03

BOEING PROPRIETARY - Copyright © - Unpublished Work - See title page for details.

21-61-02
FIG. 03
PAGE 4
OCT 15/08

BOEING
737-600/700/800/900
PARTS CATALOG (MAINTENANCE)

FIG ITEM	PART NUMBER	1 2 3 4 5 6 7	NOMENCLATURE	EFFECT FROM TO	UNITS PER ASSY
3					
150	14R02-48C	.	SLEEVE- SUPPLIER CODE: V24984 SPECIFICATION NUMBER: AS1654C48 OPTIONAL PART: 14R02-48C V24984	101200 968999	1
155	2-234S604-70	.	SEAL- SUPPLIER CODE: V02697 MAINTENANCE MANUAL REF: 21-51-01	101106 968999	1
156	2-234S604-70	.	SEAL- SUPPLIER CODE: V02697	107200	2
160	213A1270-1	.	BRACKET	101200 968999	2
165	213A1201-25	.	DUCT ASSY	101200 968999	1
170	213A1201-105	.	DUCT ASSY	101200 968999	1
190	213A1201-107	.	DUCT ASSY	101200 968999	1
195	213A1201-109	.	DUCT ASSY	101200 968999	1
210	213A1201-113	.	DUCT ASSY	101200 968999	1
215	213A1201-114	.	DUCT ASSY	101200 968999	1
235	213A1201-154	.	DUCT ASSY	101200 968999	1
240	213A1201-155	.	DUCT ASSY	101200 968999	1
245	BACB30NR4K9	..	BOLT	101200 968999	1
250	BACW10BP4CD	..	WASHER	101200 968999	1
255	NAS1149D0416J	..	WASHER	101200 968999	1
260	PLH54CD	..	NUT SUPPLIER CODE: VF0224 SPECIFICATION NUMBER: BACN10YR4CD OPTIONAL PART: H52732-4CD V15653	101200 968999	1

MISSING ITEM NUMBERS NOT APPLICABLE

— ITEM NOT ILLUSTRATED

HAP

21-61-02-03

BOEING PROPRIETARY - Copyright © - Unpublished Work - See title page for details.

21-61-02
FIG. 03
PAGE 5
FEB 15/09

BOEING
737-600/700/800/900
PARTS CATALOG (MAINTENANCE)

FIG ITEM	PART NUMBER	1 2 3 4 5 6 7	NOMENCLATURE	EFFECT FROM TO	UNITS PER ASSY
3					
265	212A1125-9	..	ROD ASSY-TIE	101106 968999	1
270	M81935-1-4	...	ROD	101200 968999	1
275	M81935-1-4L	...	ROD	101200 968999	1
280	AN316-5R	...	NUT	101200 968999	1
285	AN316-5L	...	NUT	101200 968999	1
290	212A1125-10	...	TUBE	101200 968999	1
295	3015AE120EC	..	CLAMP SUPPLIER CODE: V94581 SPECIFICATION NUMBER: BACC10HN120EC OPTIONAL PART: 65790A120EC V00624	101200 968999	1
300	213A1201-103	..	DUCT ASSY	101200 968999	1
305	213A1201-157	.	DUCT ASSY	101200 968999	1
310	BACB30NR4K8	..	BOLT	101200 968999	2
315	BACW10BP4CD	..	WASHER	101200 968999	2
320	NAS1149D0416J	..	WASHER	101200 968999	2
325	PLH54CD	..	NUT SUPPLIER CODE: VFO224 SPECIFICATION NUMBER: BACN10YR4CD OPTIONAL PART: H52732-4CD V15653	101200 968999	2
330	212A1125-29	..	ROD ASSY-TIE	101200 968999	1
335	M81935-1-4	...	ROD	101200 968999	1
340	M81935-1-4L	...	ROD	101200 968999	1
345	BACN11U5CD2N	...	NUT	101200 968999	1
350	BACN11U5CD2LN	...	NUT	101200 968999	1

MISSING ITEM NUMBERS NOT APPLICABLE

— ITEM NOT ILLUSTRATED

HAP

21-61-02-03

BOEING PROPRIETARY - Copyright © - Unpublished Work - See title page for details.

21-61-02
FIG. 03
PAGE 6
FEB 15/09

BOEING
737-600/700/800/900
PARTS CATALOG (MAINTENANCE)

FIG ITEM	PART NUMBER	1 2 3 4 5 6 7	NOMENCLATURE	EFFECT FROM TO	UNITS PER ASSY
3					
355	212A1125-10	...	TUBE	101200 968999	1
360	212A1125-30	..	ROD ASSY-TIE	101200 968999	1
365	M81935-1-4	...	ROD	101200 968999	1
370	M81935-1-4L	...	ROD	101200 968999	1
375	BACN11U5CD2N	...	NUT	101200 968999	1
380	BACN11U5CD2LN	...	NUT	101200 968999	1
385	212A1125-8	...	TUBE	101200 968999	1
390	3015AE00EC	..	CLAMP SUPPLIER CODE: V94581 SPECIFICATION NUMBER: BACC10HNO0EC OPTIONAL PART: 65790A00EC V00624	101200 968999	1
395	BACC10HU034DCL	..	CLAMP	101200 968999	1
400	213A1201-111	..	DUCT ASSY	101200 968999	1
415	398116-1-1	. VALVE ASSY-TEMP CONT THREE AND ONE-HALF INCH DIAMETER ELECTRIC DUAL MODULATING AND SHUTOFF BUTTERFLY SUPPLIER CODE: V59364 FUNCTIONAL DESCRIPTION: REGULATES HOT AIR BYPASSING AND GOING THROUGH THE AIR CYCLE SYSTEM. ELECTRICAL EQUIP NUMBER: V00023 T00407 COMPONENT MAINT MANUAL REF: 21-61-49 MAINTENANCE MANUAL REF: 21-61-02 FUNCTIONAL REFERENCE: PLACARDS AND MARKINGS FOR DETAILS SEE 11-21-14-03	101200 968999	1	

MISSING ITEM NUMBERS NOT APPLICABLE

— ITEM NOT ILLUSTRATED

HAP

21-61-02-03

BOEING PROPRIETARY - Copyright © - Unpublished Work - See title page for details.

21-61-02
FIG. 03
PAGE 7
FEB 15/09

BOEING
737-600/700/800/900
PARTS CATALOG (MAINTENANCE)

FIG ITEM	PART NUMBER	1 2 3 4 5 6 7	NOMENCLATURE	EFFECT FROM TO	UNITS PER ASSY
3 - 425	398117-1		.. VALVE ASSY-TEMP CONT THREE AND ONE-HALF INCH DIAMETER ELECTRIC DUAL MODULATING AND SHUTOFF BUTTERFLY SUPPLIER CODE: V59364	101200 968999	1
430	MS24622-2		... SCREW- CONFIG CHG DATA FROM A CMM: REPL BY MS51861-1C	101200 968999	1
430	MS51861-1C		... SCREW- CONFIG CHG DATA FROM A CMM: REPLS MS24622-2	101200 968999	1
435	S8842B1P1		... PLATE-IDENT SUPPLIER CODE: V59364 CONFIG CHG DATA FROM A CMM: REPL BY S3005-1	101200 968999	1
435	S3005-1		... PLATE-IDENT SUPPLIER CODE: V59364 CONFIG CHG DATA FROM A CMM: REPLS S8842B1P1 REPL BY S3033-1	101200 968999	1
435	S3033-1		... PLATE-IDENT SUPPLIER CODE: V59364 CONFIG CHG DATA FROM A CMM: REPLS S3005-1	101200 968999	1
440	AN500AD4-5		... SCREW- CONFIG CHG DATA FROM A CMM: REPL BY MS35275-215	101200 968999	4
440	MS35275-215		... SCREW- SB DATA FROM A CMM: PRE SB 21-1555 CONFIG CHG DATA FROM A CMM: REPLS AN500AD4-5 REPL BY NAS1352C04-6	101200 968999	4
440	NAS1352C04-6		... SCREW- SB DATA FROM A CMM: POST SB 21-1555 CONFIG CHG DATA FROM A CMM: REPLS MS35275-215	101200 968999	4
445	S8157N8-016		... WASHER- 0.016 IN.(0,4064 MM) THK SUPPLIER CODE: V59364	101200 968999	4

MISSING ITEM NUMBERS NOT APPLICABLE

- ITEM NOT ILLUSTRATED

HAP

21-61-02-03

BOEING PROPRIETARY - Copyright © - Unpublished Work - See title page for details.

21-61-02
FIG. 03
PAGE 8
OCT 15/08

BOEING
737-600/700/800/900
PARTS CATALOG (MAINTENANCE)

FIG ITEM	PART NUMBER	1 2 3 4 5 6 7	NOMENCLATURE	EFFECT FROM TO	UNITS PER ASSY
3 450	662562-2	...	RESISTOR-VAR SUPPLIER CODE: V59364 CONFIG CHG DATA FROM A CMM: REPL BY 882527-7	101200 968999	1
450	882527-7	...	RESISTOR-VAR SUPPLIER CODE: V59364 CONFIG CHG DATA FROM A CMM: REPLS 662562-2	101200 968999	1
460	541962-1-1	..	ACTUATOR ASSY-ROTARY ELECTROMECHANICAL INSTL OUTLINE SUPPLIER CODE: V59364 SB DATA FROM A CMM: PRE SB 21-1248 CONFIG CHG DATA FROM A CMM: REPLD BY 541962-4 COMPONENT MAINT MANUAL REF: 21-60-36	101200 968999	1
460	541962-4	..	ACTUATOR ASSY-ROTARY ELECTROMECHANICAL INSTL OUTLINE SERIES 2 SUPPLIER CODE: V59364 SB DATA FROM A CMM: PRE SB 21-1544 POST SB 21-1248 CONFIG CHG DATA FROM A CMM: REPLS 541962-1-1 REPLD BY 541962-6 COMPONENT MAINT MANUAL REF: 21-60-36	101200 968999	1
460	541962-6	..	ACTUATOR ASSY-ROTARY ELECTROMECHANICAL INSTL OUTLINE SERIES 1 SUPPLIER CODE: V59364 SB DATA FROM A CMM: POST SB 21-1544 CONFIG CHG DATA FROM A CMM: REPLS 541962-4 COMPONENT MAINT MANUAL REF: 21-60-36	101200 968999	1

MISSING ITEM NUMBERS NOT APPLICABLE

— ITEM NOT ILLUSTRATED

HAP

21-61-02-03

BOEING PROPRIETARY - Copyright © - Unpublished Work - See title page for details.

21-61-02
FIG. 03
PAGE 9
OCT 15/08

BOEING
737-600/700/800/900
PARTS CATALOG (MAINTENANCE)

FIG ITEM	PART NUMBER	1 2 3 4 5 6 7	NOMENCLATURE	EFFECT FROM TO	UNITS PER ASSY
3					
- 465	541963-1	...	ACTUATOR ASSY- SUPPLIER CODE: V59364 USED ON: 541962-1-1	101200 968999	RF
- 465	541963-4	...	ACTUATOR ASSY- SUPPLIER CODE: V59364 USED ON: 541962-4	101200 968999	RF
- 465	541963-6	...	ACTUATOR ASSY- SUPPLIER CODE: V59364 USED ON: 541962-6	101200 968999	RF
470	GAREF431	PLATE-IDENT SUPPLIER CODE: V59364 USED ON: 541963-1	101200 968999	1
470	2045580-3	PLATE-IDENT SUPPLIER CODE: V59364 USED ON: 541963-4	101200 968999	1
470	2045580-5	PLATE-IDENT SUPPLIER CODE: V59364 USED ON: 541963-6	101200 968999	1
475	A1ABS0204G	ATTACHING PARTS SCREW- SUPPLIER CODE: V70318 SPECIFICATION NUMBER: 656-173-9001 -----*-----	101200 968999	2
480	526655-3	LABEL-ACTUATOR SUPPLIER CODE: V59364	101200 968999	1
485	526655-4	LABEL-ACTUATOR SUPPLIER CODE: V59364	101200 968999	1
490	530964-1	PLATE-WIRING DIAGRAM SUPPLIER CODE: V59364	101200 968999	1
495	AN503-6-6	SCREW	101200 968999	4

MISSING ITEM NUMBERS NOT APPLICABLE

- ITEM NOT ILLUSTRATED

HAP

21-61-02-03

BOEING PROPRIETARY - Copyright © - Unpublished Work - See title page for details.

21-61-02
FIG. 03
PAGE 10
OCT 15/08


BOEING
 737-600/700/800/900
PARTS CATALOG (MAINTENANCE)

FIG ITEM	PART NUMBER	1 2 3 4 5 6 7	NOMENCLATURE	EFFECT FROM TO	UNITS PER ASSY
3					
500	S8157C82-020	WASHER-SPECIAL SUPPLIER CODE: V59364	101200 968999	4
505	516023-1	MOTOR ASSY-AC SUPPLIER CODE: V59364 COMPONENT MAINT MANUAL REF: 21-60-14 USED ON: 541963-1	101200 968999	1
505	516023-2	MOTOR ASSY-AC SUPPLIER CODE: V59364 COMPONENT MAINT MANUAL REF: 21-60-14 USED ON: 541963-4 541963-6	101200 968999	1

MISSING ITEM NUMBERS NOT APPLICABLE

— ITEM NOT ILLUSTRATED

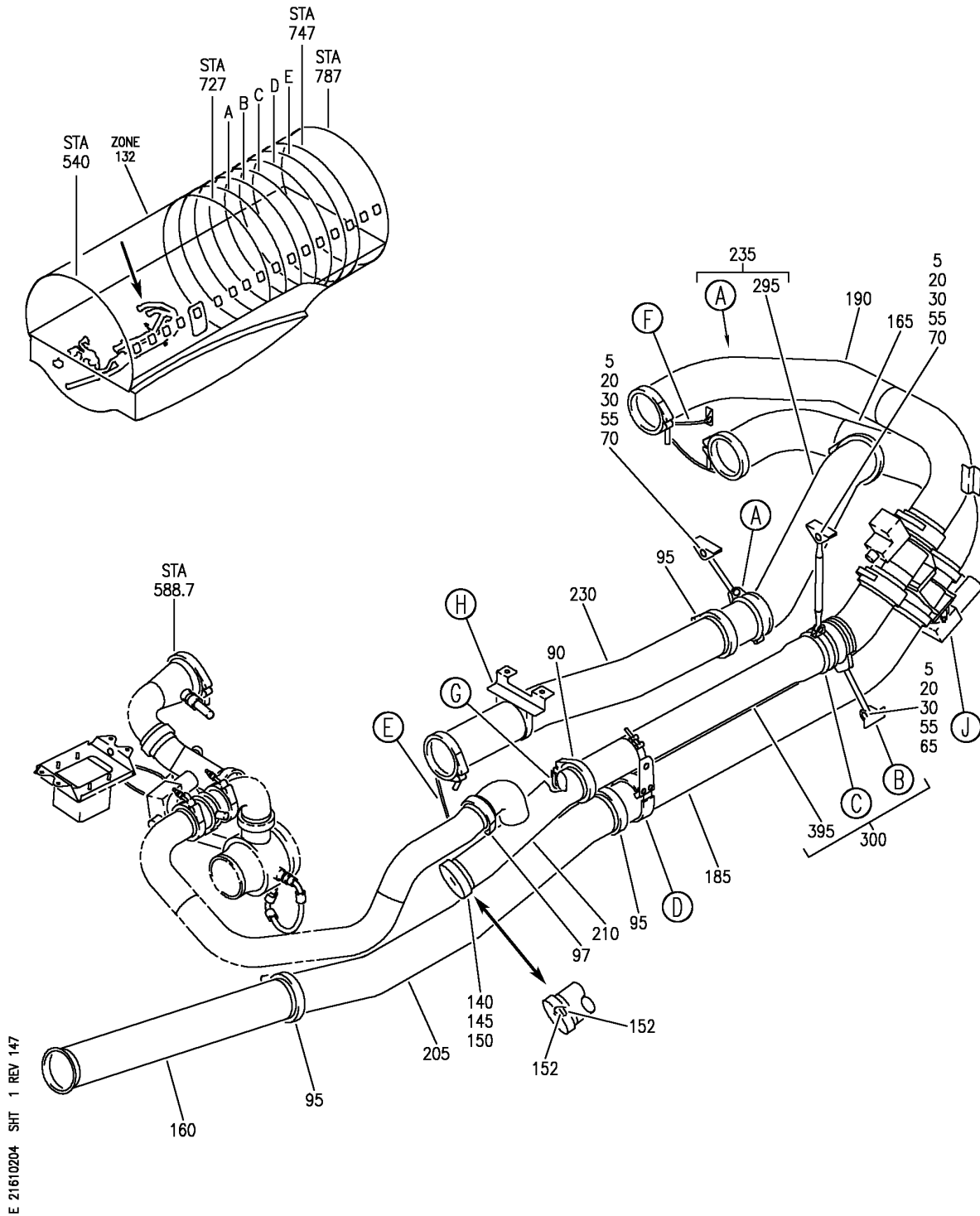
HAP

21-61-02-03

BOEING PROPRIETARY - Copyright © - Unpublished Work - See title page for details.

21-61-02
 FIG. 03
 PAGE 11
 JUN 15/09

BOEING
 737-600/700/800/900
 PARTS CATALOG (MAINTENANCE)



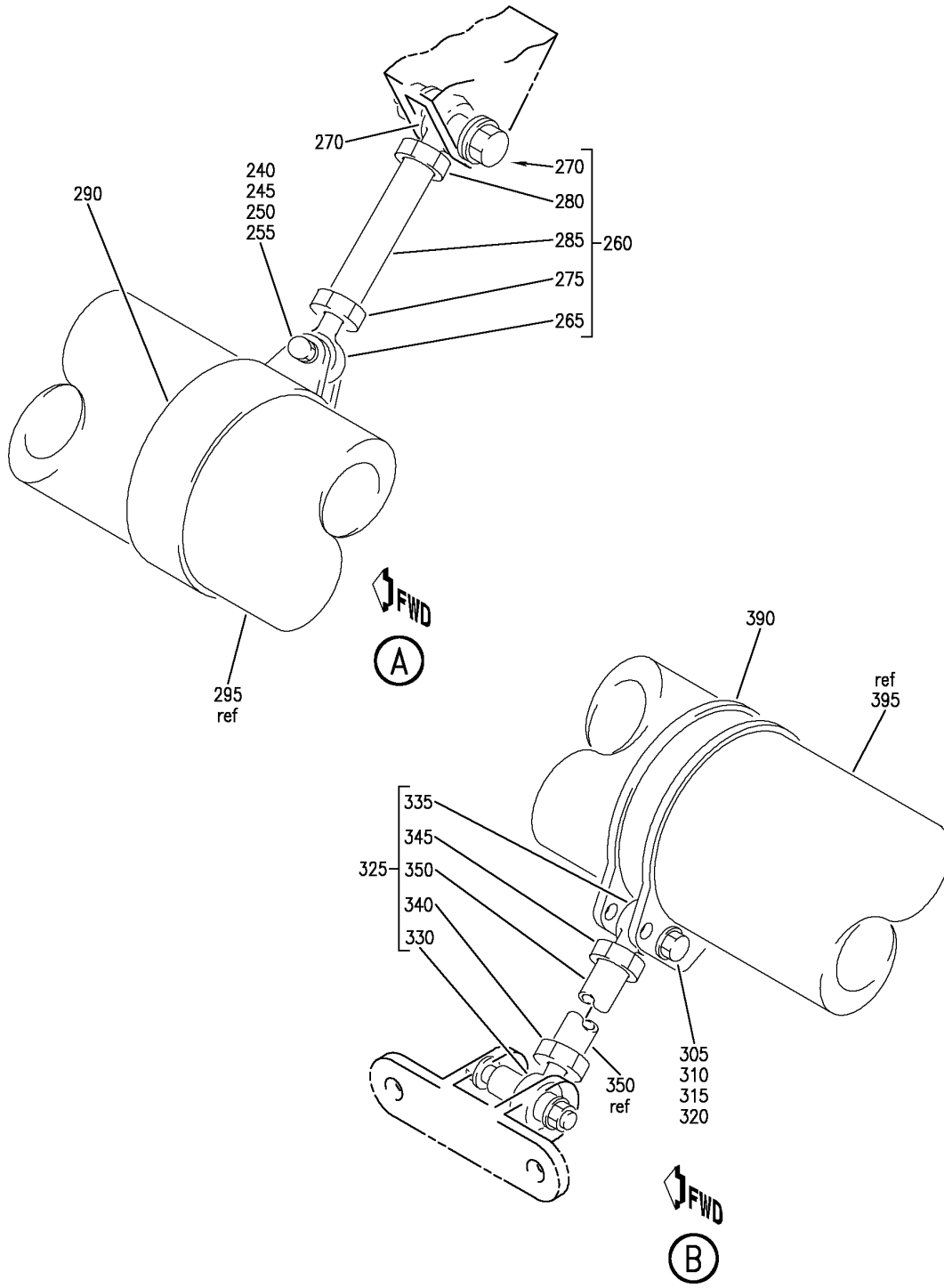
DUCT INSTL-R SIDE AIR CONDITIONING PACK (ZONE TEMPERATURE CONTROL AND INDICATION ONLY)
 FIGURE 4 (SHEET 1)

HAP
 OCT 15/08

21-61-02-04

21-61-02-04
 PAGE 0

BOEING
 737-600/700/800/900
 PARTS CATALOG (MAINTENANCE)



E 21610204 SHT 2 REV 090

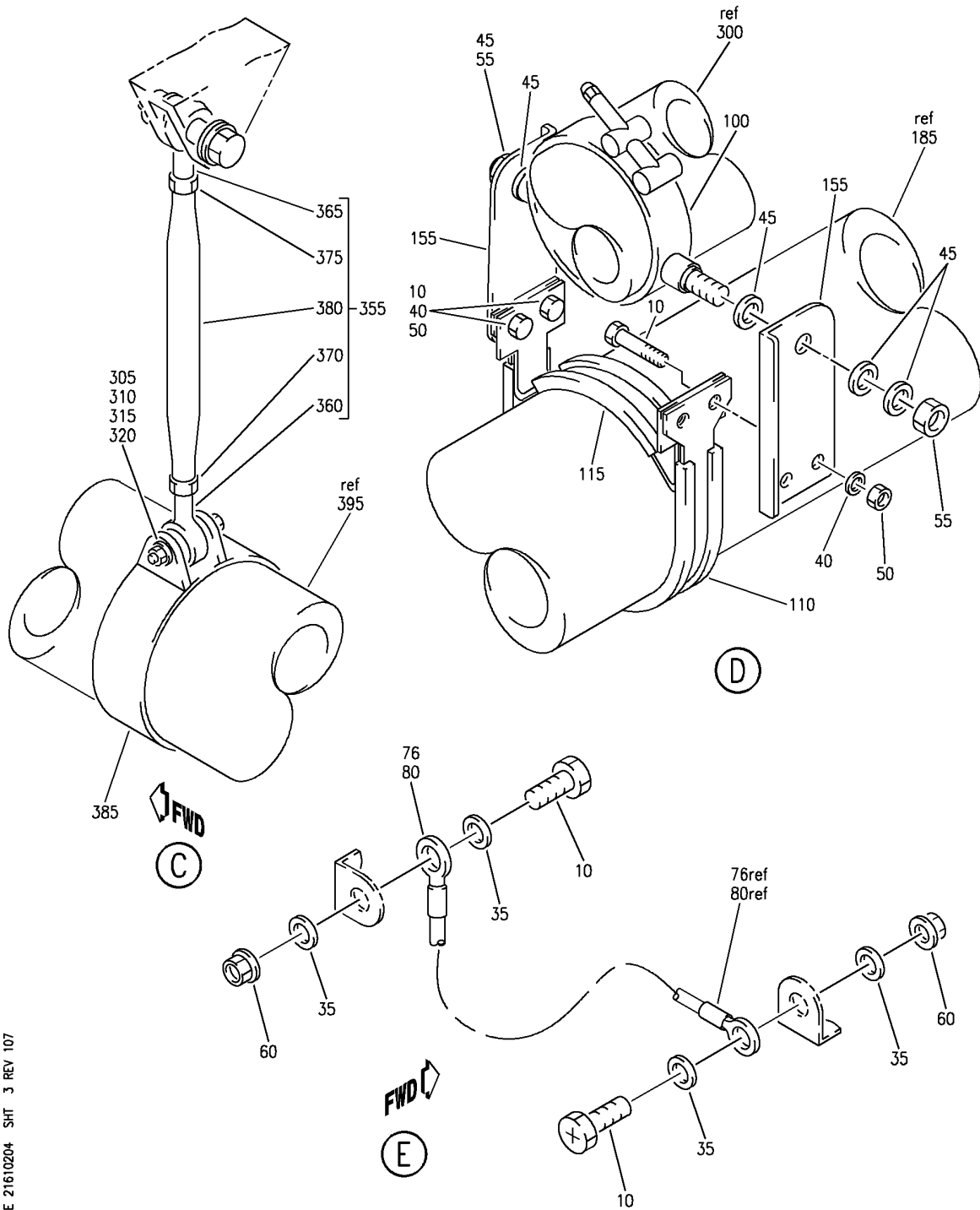
DUCT INSTL-R SIDE AIR CONDITIONING PACK (ZONE TEMPERATURE CONTROL AND INDICATION ONLY)
 FIGURE 4 (SHEET 2)

HAP
 FEB 10/07

21-61-02-04

21-61-02-04
 PAGE 0A

BOEING
 737-600/700/800/900
 PARTS CATALOG (MAINTENANCE)



E 21610204 SHT 3 REV 107

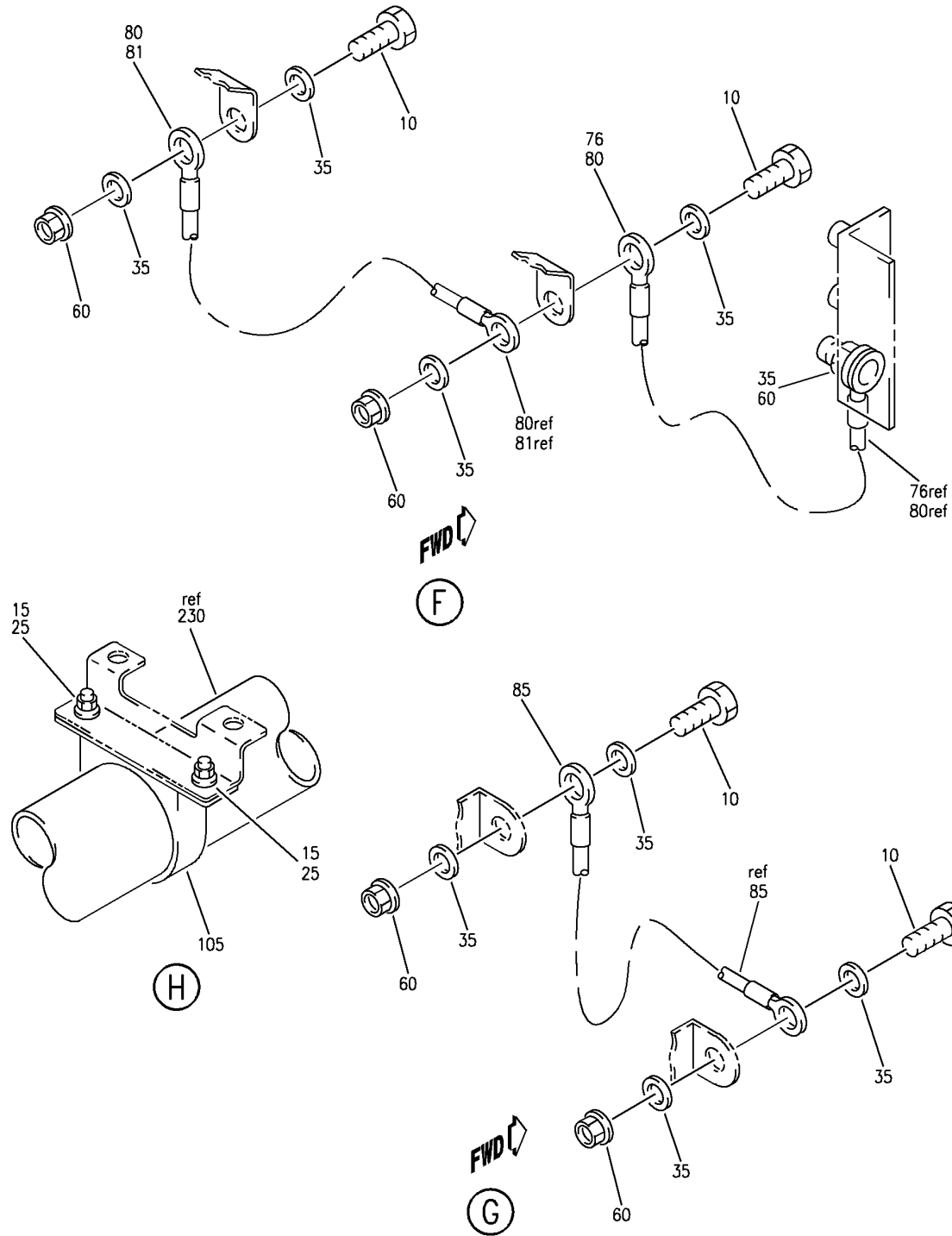
DUCT INSTL-R SIDE AIR CONDITIONING PACK (ZONE TEMPERATURE CONTROL AND INDICATION ONLY)
 FIGURE 4 (SHEET 3)

HAP
 FEB 10/07

21-61-02-04

21-61-02-04
 PAGE 0B

BOEING
 737-600/700/800/900
 PARTS CATALOG (MAINTENANCE)



E 21610204 SHT 4 REV 107

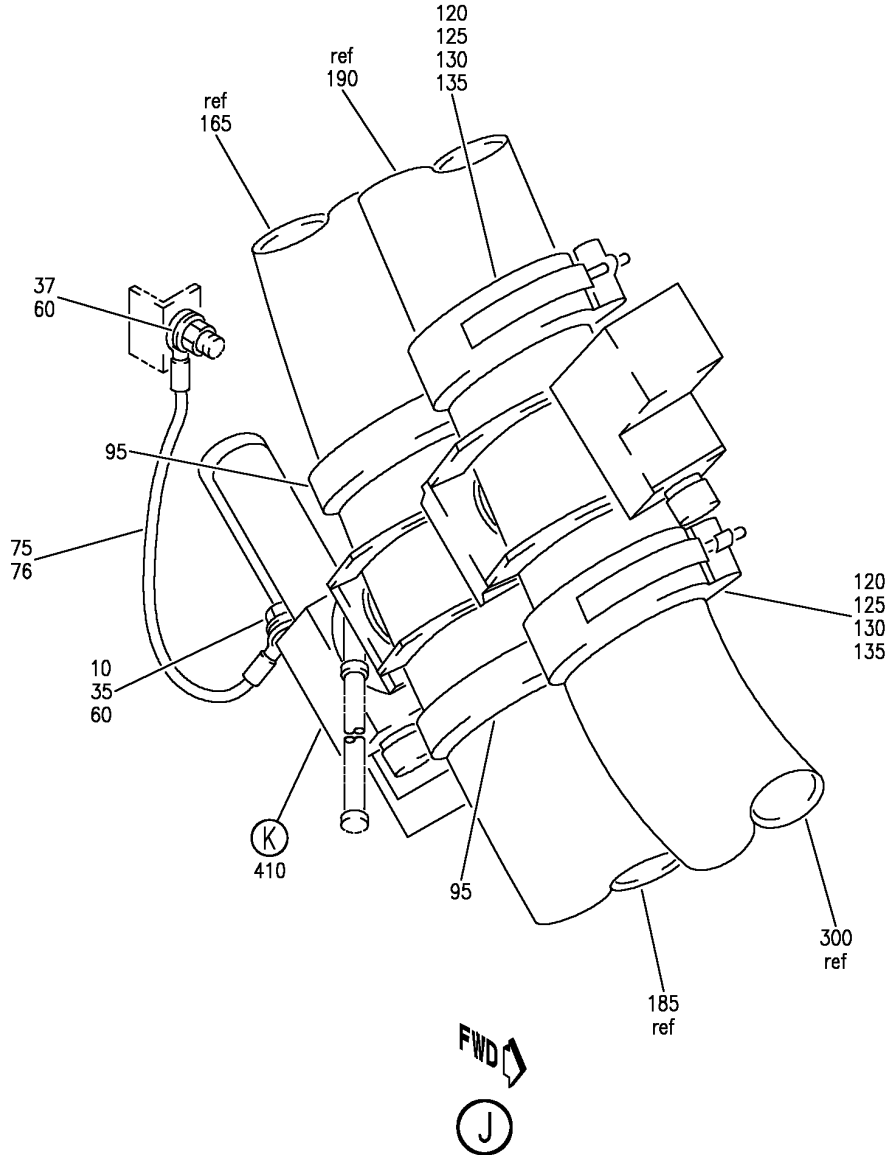
DUCT INSTL-R SIDE AIR CONDITIONING PACK (ZONE TEMPERATURE CONTROL AND INDICATION ONLY)
 FIGURE 4 (SHEET 4)

HAP
 FEB 10/07

21-61-02-04

21-61-02-04
 PAGE 0C

BOEING
 737-600/700/800/900
 PARTS CATALOG (MAINTENANCE)



E 21610204 SH1 5 REV 153

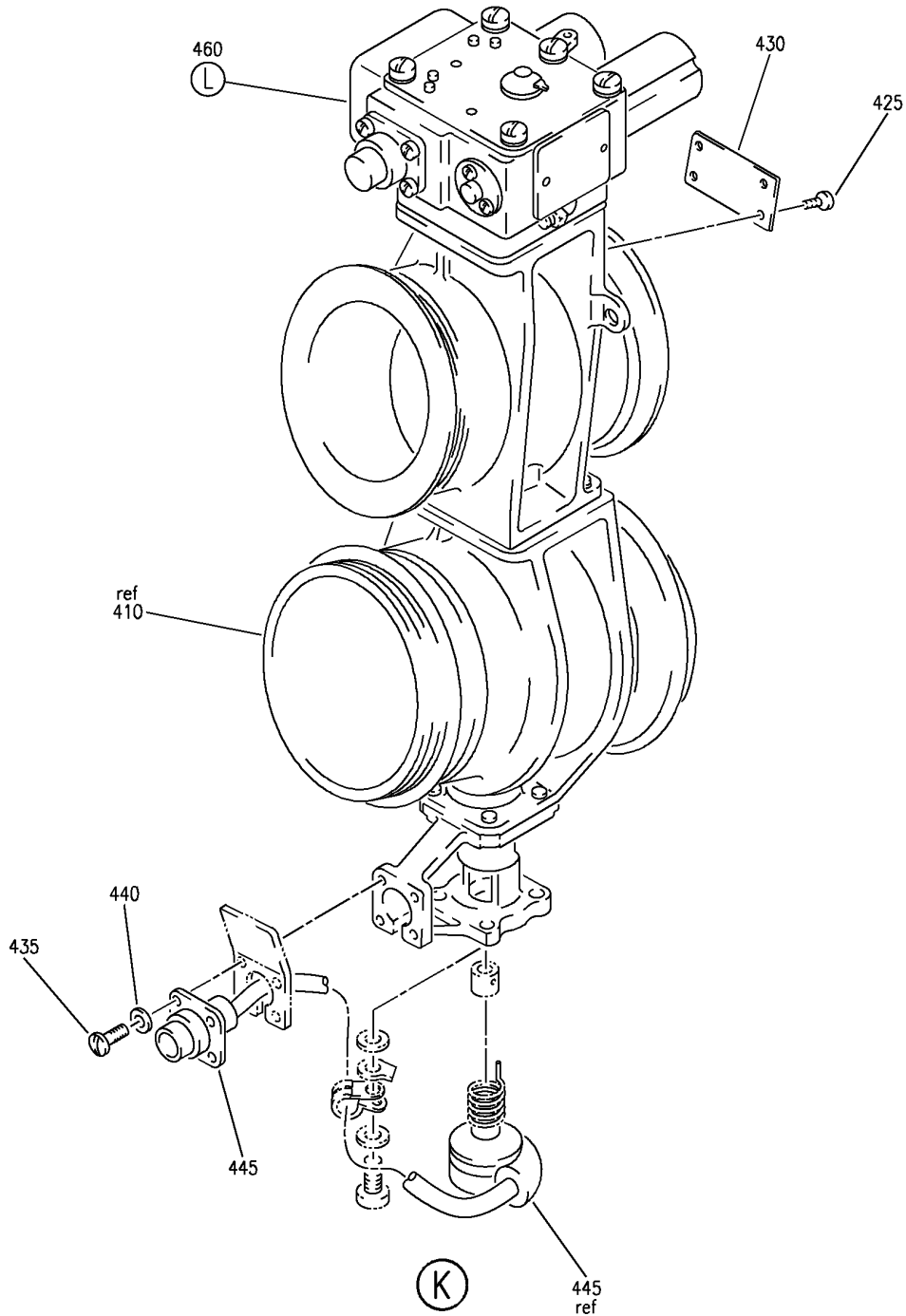
DUCT INSTL-R SIDE AIR CONDITIONING PACK (ZONE TEMPERATURE CONTROL AND INDICATION ONLY)
 FIGURE 4 (SHEET 5)

HAP
 JUN 15/09

21-61-02-04

21-61-02-04
 PAGE 0D

BOEING
737-600/700/800/900
PARTS CATALOG (MAINTENANCE)



E 21610204 SHT 6 REV 133

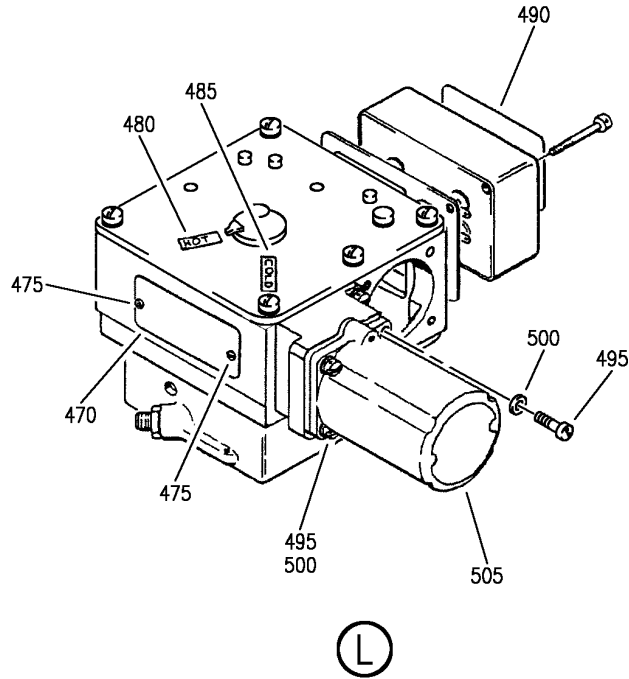
DUCT INSTL-R SIDE AIR CONDITIONING PACK (ZONE TEMPERATURE CONTROL AND INDICATION ONLY)
FIGURE 4 (SHEET 6)

HAP
OCT 10/07

21-61-02-04

21-61-02-04
PAGE 0E

BOEING
737-600/700/800/900
PARTS CATALOG (MAINTENANCE)



E 21610204 SH7 7 REV 133

DUCT INSTL-R SIDE AIR CONDITIONING PACK (ZONE TEMPERATURE CONTROL AND INDICATION ONLY)
FIGURE 4 (SHEET 7)

HAP
OCT 10/07

21-61-02-04

21-61-02-04
PAGE OF

BOEING
737-600/700/800/900
PARTS CATALOG (MAINTENANCE)

FIG ITEM	PART NUMBER	1 2 3 4 5 6 7	NOMENCLATURE	EFFECT FROM TO	UNITS PER ASSY
4			DUCT INSTL-R SIDE AIR CONDITIONING PACK (ZONE TEMPERATURE CONTROL AND INDICATION ONLY)	101200 968999	
- 1	MODREF256351		DUCT INSTL-AIR CONDITIONING PACK (ZONE TEMPERATURE CONTROL AND INDICATION ONLY) MODULE NUMBER: 213A1006-2 REV B POSITION DATA: R SIDE FOR OTHER SYS DETAILS SEE: 21-51-09-04 21-51-20-04 21-51-30-04 21-51-31-04 21-51-41-06	101106 968999	1
- 1	MODREF395391		DUCT INSTL-AIR CONDITIONING PACK (ZONE TEMPERATURE CONTROL AND INDICATION ONLY) MODULE NUMBER: 213A1006-2 REV C POSITION DATA: R SIDE FOR OTHER SYS DETAILS SEE: 21-51-09-04 21-51-20-04 21-51-30-04 21-51-31-04 21-51-41-06	107200	1
5	BACB30NR4K18		.BOLT	101200 968999	3
10	BACS12GU3K7		.SCREW	101200 968999	10
15	BACS12GU3K9		.SCREW	101200 968999	3
20	BACW10BP4CD		.WASHER	101200 968999	3
25	NAS1149D0316J		.WASHER	101200 968999	2
30	NAS1149D0416J		.WASHER	101200 968999	3
35	NAS1149E0316R		.WASHER	101200 968999	13
37	NAS1149D0316R		.WASHER	101200 968999	1

MISSING ITEM NUMBERS NOT APPLICABLE

- ITEM NOT ILLUSTRATED

HAP

21-61-02-04

BOEING PROPRIETARY - Copyright © - Unpublished Work - See title page for details.

21-61-02
FIG. 04
PAGE 1
OCT 15/08

BOEING
737-600/700/800/900
PARTS CATALOG (MAINTENANCE)

FIG ITEM	PART NUMBER	1 2 3 4 5 6 7	NOMENCLATURE	EFFECT FROM TO	UNITS PER ASSY
4					
40	NAS1149C0363R	.	WASHER	101200 968999	4
45	NAS1149C0632R	.	WASHER	101200 968999	6
50	PLH53CD	.	NUT SUPPLIER CODE: VF0224 SPECIFICATION NUMBER: BACN10YR3CD OPTIONAL PART: H52732-3CD V15653	101200 968999	4
55	PLH54CD	.	NUT SUPPLIER CODE: VF0224 SPECIFICATION NUMBER: BACN10YR4CD OPTIONAL PART: H52732-4CD V15653	101200 968999	5
60	PLH53CM	.	NUT SUPPLIER CODE: VF0224 SPECIFICATION NUMBER: BACN10YR3CM OPTIONAL PART: H52732-3CM V15653	101200 968999	9
65	BACB28AK04-047	.	BUSHING	101200 968999	1
70	BACB28AK04-051	.	BUSHING	101200 968999	2
76	100544-12	.	JUMPER SUPPLIER CODE: V1FF12 SPECIFICATION NUMBER: BACJ40AD44-12 OPTIONAL PART: RBEJ40AD44-12 V1GK47	101200 968999	3
81	100544-10	.	JUMPER SUPPLIER CODE: V1FF12 SPECIFICATION NUMBER: BACJ40AD44-10 OPTIONAL PART: RBEJ40AD44-10 V1GK47	101200 968999	1

MISSING ITEM NUMBERS NOT APPLICABLE

— ITEM NOT ILLUSTRATED

HAP

21-61-02-04

BOEING PROPRIETARY - Copyright © - Unpublished Work - See title page for details.

21-61-02
FIG. 04
PAGE 2
FEB 15/09

BOEING
737-600/700/800/900
PARTS CATALOG (MAINTENANCE)

FIG ITEM	PART NUMBER	1 2 3 4 5 6 7	NOMENCLATURE	EFFECT FROM TO	UNITS PER ASSY
4					
85	100544-8	.	JUMPER- SUPPLIER CODE: V1FF12 SPECIFICATION NUMBER: BACJ40AD44-8 OPTIONAL PART: RBEJ40AD44-8 V1GK47	101200 968999	1
90	BACC10DU300ABE	.	CLAMP	101200 968999	1
95	BACC10DU350ABE	.	CLAMP	101200 968999	5
97	BACC10DU250ABE	.	CLAMP	101200 968999	1
100	BACC10AD300WE	.	CLAMP	101200 968999	1
105	TA04C36H56	.	CLAMP SUPPLIER CODE: V84971 SPECIFICATION NUMBER: BACC10CC56C OPTIONAL PART: JM45SC3H56T V22175 421SS56 V83930	101200 968999	1
110	BC116756CP1	.	CLAMP SUPPLIER CODE: V14242 SPECIFICATION NUMBER: BACC10ER1-56CP OPTIONAL PART: S315-1-56CP V18076	101200 968999	1
115	BACC10ER2-56CP	.	CLAMP	101200 968999	1
120	21156-350	.	RETAINER SUPPLIER CODE: V94581 SPECIFICATION NUMBER: BACC10BR2350A OPTIONAL PART: 24170-350A V00624	101200 968999	2

MISSING ITEM NUMBERS NOT APPLICABLE

— ITEM NOT ILLUSTRATED

HAP

21-61-02-04

BOEING PROPRIETARY - Copyright © - Unpublished Work - See title page for details.

21-61-02
FIG. 04
PAGE 3
OCT 15/08

BOEING
737-600/700/800/900
PARTS CATALOG (MAINTENANCE)

FIG ITEM	PART NUMBER	1 2 3 4 5 6 7	NOMENCLATURE	EFFECT FROM TO	UNITS PER ASSY
4 125	17351-350	.RING SUPPLIER CODE: V00624 SPECIFICATION NUMBER: BACC10BR3350 OPTIONAL PART: 2325-350 V94581		101200 968999	2
130	51200-2-350	.CLAMP SUPPLIER CODE: V8W928 SPECIFICATION NUMBER: BACC10CT2-350		101200 968999	2
135	NK1008725-350	.SLEEVE-AIR CYCLE SYS SUPPLIER CODE: V00624		101200 968999	2
140	14C02-48C	.COUPLING- SUPPLIER CODE: V24984		101200 968999	1
140	14C02-48C	.COUPLING- SUPPLIER CODE: V24984 SPECIFICATION NUMBER: AS1655C48 OPTIONAL PART: 14C02-48C V24984		101200 968999	1
145	14R02-48C	.SLEEVE- SUPPLIER CODE: V24984		101200 968999	1
145	14R02-48C	.SLEEVE- SUPPLIER CODE: V24984 SPECIFICATION NUMBER: AS1654C48 OPTIONAL PART: 14R02-48C V24984		101200 968999	1
150	2-234S604-70	.SEAL- SUPPLIER CODE: V02697		101106 968999	1
152	2-234S604-70	.SEAL- SUPPLIER CODE: V02697		107200	2
155	213A1270-1	.BRACKET		101200 968999	2
160	213A1201-25	.DUCT ASSY		101200 968999	1

MISSING ITEM NUMBERS NOT APPLICABLE

— ITEM NOT ILLUSTRATED

HAP

21-61-02-04

BOEING PROPRIETARY - Copyright © - Unpublished Work - See title page for details.

21-61-02
FIG. 04
PAGE 4
OCT 15/08

BOEING
737-600/700/800/900
PARTS CATALOG (MAINTENANCE)

FIG ITEM	PART NUMBER	1 2 3 4 5 6 7	NOMENCLATURE	EFFECT FROM TO	UNITS PER ASSY
4					
165	213A1201-106	.	DUCT ASSY	101200 968999	1
185	213A1201-108	.	DUCT ASSY	101200 968999	1
190	213A1201-110	.	DUCT ASSY	101200 968999	1
205	213A1201-160	.	DUCT ASSY	101200 968999	1
210	213A1201-140	.	DUCT ASSY	101200 968999	1
230	213A1201-139	.	DUCT ASSY	101200 968999	1
235	213A1201-156	.	DUCT ASSY	101200 968999	1
240	BACB30NR4K9	..	BOLT	101200 968999	1
245	BACW10BP4CD	..	WASHER	101200 968999	1
250	NAS1149D0416J	..	WASHER	101200 968999	1
255	PLH54CD	..	NUT	101200 968999	1
			SUPPLIER CODE: VF0224		
			SPECIFICATION NUMBER: BACN10YR4CD		
			OPTIONAL PART: H52732-4CD V15653		
260	212A1125-9	..	ROD ASSY-TIE	101200 968999	1
265	M81935-1-4	...	ROD	101200 968999	1
270	M81935-1-4L	...	ROD	101200 968999	1
275	AN316-5R	...	NUT	101200 968999	1
280	AN316-5L	...	NUT	101200 968999	1
285	212A1125-10	...	TUBE	101200 968999	1
290	3015AE120EC	..	CLAMP	101200 968999	1
			SUPPLIER CODE: V94581		
			SPECIFICATION NUMBER: BACC10HN120EC		
			OPTIONAL PART: 65790A120EC V00624		

MISSING ITEM NUMBERS NOT APPLICABLE

— ITEM NOT ILLUSTRATED

HAP

21-61-02-04

21-61-02
FIG. 04
PAGE 5
FEB 15/09

 **BOEING**
737-600/700/800/900
PARTS CATALOG (MAINTENANCE)

FIG ITEM	PART NUMBER	1 2 3 4 5 6 7	NOMENCLATURE	EFFECT FROM TO	UNITS PER ASSY
4					
295	213A1201-104	..	DUCT ASSY	101200 968999	1
300	213A1201-158	..	DUCT ASSY	101200 968999	1
305	BACB30NR4K8	..	BOLT	101200 968999	2
310	BACW10BP4CD	..	WASHER	101200 968999	2
315	NAS1149D0416J	..	WASHER	101200 968999	2
320	PLH54CD	..	NUT SUPPLIER CODE: VFO224 SPECIFICATION NUMBER: BACN10YR4CD OPTIONAL PART: H52732-4CD V15653	101200 968999	2
325	212A1125-29	..	ROD ASSY-TIE	101200 968999	1
330	M81935-1-4	...	ROD	101200 968999	1
335	M81935-1-4L	...	ROD	101200 968999	1
340	BACN11U5CD2N	...	NUT	101200 968999	1
345	BACN11U5CD2LN	...	NUT	101200 968999	1
350	212A1125-10	...	TUBE	101200 968999	1
355	212A1125-30	..	ROD ASSY-TIE	101200 968999	1
360	M81935-1-4	...	ROD	101200 968999	1
365	M81935-1-4L	...	ROD	101200 968999	1
370	BACN11U5CD2N	...	NUT	101200 968999	1
375	BACN11U5CD2LN	...	NUT	101200 968999	1
380	212A1125-8	...	TUBE	101200 968999	1

MISSING ITEM NUMBERS NOT APPLICABLE

— ITEM NOT ILLUSTRATED

HAP

21-61-02-04

BOEING PROPRIETARY - Copyright © - Unpublished Work - See title page for details.

21-61-02
FIG. 04
PAGE 6
FEB 15/09

BOEING
737-600/700/800/900
PARTS CATALOG (MAINTENANCE)

FIG ITEM	PART NUMBER	1 2 3 4 5 6 7	NOMENCLATURE	EFFECT FROM TO	UNITS PER ASSY
4 385	3015AE00EC	..	CLAMP SUPPLIER CODE: V94581 SPECIFICATION NUMBER: BACC10HNO0EC OPTIONAL PART: 65790A00EC V00624	101200 968999	1
390	BACC10HU034DCL	..	CLAMP	101200 968999	1
395	213A1201-112	..	DUCT ASSY	101200 968999	1
410	398116-1-1	. VALVE ASSY-TEMP CONT	THREE AND ONE-HALF INCH DIAMETER ELECTRIC DUAL MODULATING AND SHUTOFF BUTTERFLY SUPPLIER CODE: V59364 FUNCTIONAL DESCRIPTION: REGULATES HOT AIR BYPASSING AND GOING THROUGH THE AIR CYCLE SYSTEM. ELECTRICAL EQUIP NUMBER: V00022 T00406 COMPONENT MAINT MANUAL REF: 21-61-49 MAINTENANCE MANUAL REF: 21-61-02 FUNCTIONAL REFERENCE: PLACARDS AND MARKINGS FOR DETAILS SEE 11-21-14-03	101200 968999	1
- 420	398117-1	.. VALVE ASSY-TEMP CONT	THREE AND ONE-HALF INCH DIAMETER ELECTRIC DUAL MODULATING AND SHUTOFF BUTTERFLY SUPPLIER CODE: V59364	101200 968999	1
425	MS24622-2	... SCREW-	CONFIG CHG DATA FROM A CMM: REPL BY MS51861-1C	101200 968999	1
425	MS51861-1C	... SCREW-	CONFIG CHG DATA FROM A CMM: REPLS MS24622-2	101200 968999	1

MISSING ITEM NUMBERS NOT APPLICABLE

- ITEM NOT ILLUSTRATED

HAP

21-61-02-04

BOEING PROPRIETARY - Copyright © - Unpublished Work - See title page for details.

21-61-02
FIG. 04
PAGE 7
OCT 15/08

BOEING
737-600/700/800/900
PARTS CATALOG (MAINTENANCE)

FIG ITEM	PART NUMBER	1 2 3 4 5 6 7	NOMENCLATURE	EFFECT FROM TO	UNITS PER ASSY
4					
430	S8842B1P1	...	PLATE-IDENT SUPPLIER CODE: V59364 CONFIG CHG DATA FROM A CMM: REPL BY S3005-1	101200 968999	1
430	S3005-1	...	PLATE-IDENT SUPPLIER CODE: V59364 CONFIG CHG DATA FROM A CMM: REPLS S8842B1P1 REPL BY S3033-1	101200 968999	1
430	S3033-1	...	PLATE-IDENT SUPPLIER CODE: V59364 CONFIG CHG DATA FROM A CMM: REPLS S3005-1	101200 968999	1
435	AN500AD4-5	...	SCREW- CONFIG CHG DATA FROM A CMM: REPL BY MS35275-215	101200 968999	4
435	MS35275-215	...	SCREW- SB DATA FROM A CMM: PRE SB 21-1555 CONFIG CHG DATA FROM A CMM: REPLS AN500AD4-5 REPL BY NAS1352C04-6	101200 968999	4
435	NAS1352C04-6	...	SCREW- SB DATA FROM A CMM: POST SB 21-1555 CONFIG CHG DATA FROM A CMM: REPLS MS35275-215	101200 968999	4
440	S8157N8-016	...	WASHER- 0.016 IN.(0,4064 MM) THK SUPPLIER CODE: V59364	101200 968999	4
445	662562-2	...	RESISTOR-VAR SUPPLIER CODE: V59364 CONFIG CHG DATA FROM A CMM: REPL BY 882527-7	101200 968999	1
445	882527-7	...	RESISTOR-VAR SUPPLIER CODE: V59364 CONFIG CHG DATA FROM A CMM: REPLS 662562-2	101200 968999	1

MISSING ITEM NUMBERS NOT APPLICABLE

— ITEM NOT ILLUSTRATED

HAP

21-61-02-04

BOEING PROPRIETARY - Copyright © - Unpublished Work - See title page for details.

21-61-02
FIG. 04
PAGE 8
OCT 15/08

BOEING
737-600/700/800/900
PARTS CATALOG (MAINTENANCE)

FIG ITEM	PART NUMBER	1 2 3 4 5 6 7	NOMENCLATURE	EFFECT FROM TO	UNITS PER ASSY
4 460	541962-1-1		..ACTUATOR ASSY-ROTARY ELECTROMECHANICAL INSTL OUTLINE SUPPLIER CODE: V59364 SB DATA FROM A CMM: PRE SB 21-1248 CONFIG CHG DATA FROM A CMM: REPLD BY 541962-4 COMPONENT MAINT MANUAL REF: 21-60-36	101200 968999	1
460	541962-4		..ACTUATOR ASSY-ROTARY ELECTROMECHANICAL INSTL OUTLINE SERIES 2 SUPPLIER CODE: V59364 SB DATA FROM A CMM: PRE SB 21-1544 POST SB 21-1248 CONFIG CHG DATA FROM A CMM: REPLS 541962-1-1 REPLD BY 541962-6 COMPONENT MAINT MANUAL REF: 21-60-36	101200 968999	1
460	541962-6		..ACTUATOR ASSY-ROTARY ELECTROMECHANICAL INSTL OUTLINE SERIES 1 SUPPLIER CODE: V59364 SB DATA FROM A CMM: POST SB 21-1544 CONFIG CHG DATA FROM A CMM: REPLS 541962-4 COMPONENT MAINT MANUAL REF: 21-60-36	101200 968999	1
- 465	541963-1		...ACTUATOR ASSY- SUPPLIER CODE: V59364 USED ON: 541962-1-1	101200 968999	RF
- 465	541963-4		...ACTUATOR ASSY- SUPPLIER CODE: V59364 USED ON: 541962-4	101200 968999	RF

MISSING ITEM NUMBERS NOT APPLICABLE

- ITEM NOT ILLUSTRATED

HAP

21-61-02-04

BOEING PROPRIETARY - Copyright © - Unpublished Work - See title page for details.

21-61-02
FIG. 04
PAGE 9
OCT 15/08

BOEING
737-600/700/800/900
PARTS CATALOG (MAINTENANCE)

FIG ITEM	PART NUMBER	1 2 3 4 5 6 7	NOMENCLATURE	EFFECT FROM TO	UNITS PER ASSY
4 - 465	541963-6		...ACTUATOR ASSY- SUPPLIER CODE: V59364 USED ON: 541962-6	101200 968999	RF
470	GAREF431	PLATE-IDENT SUPPLIER CODE: V59364 USED ON: 541963-1	101200 968999	1
470	2045580-3	PLATE-IDENT SUPPLIER CODE: V59364 USED ON: 541963-4	101200 968999	1
470	2045580-5	PLATE-IDENT SUPPLIER CODE: V59364 USED ON: 541963-6	101200 968999	1
475	A1ABS0204G		ATTACHING PARTSSCREW- SUPPLIER CODE: V70318 SPECIFICATION NUMBER: 656-173-9001 -----*-----	101200 968999	2
480	526655-3	LABEL-ACTUATOR SUPPLIER CODE: V59364	101200 968999	1
485	526655-4	LABEL-ACTUATOR SUPPLIER CODE: V59364	101200 968999	1
490	530964-1	PLATE-WIRING DIAGRAM SUPPLIER CODE: V59364	101200 968999	1
495	AN503-6-6	SCREW	101200 968999	4
500	S8157C82-020	WASHER-SPECIAL SUPPLIER CODE: V59364	101200 968999	4
505	516023-1	MOTOR ASSY-AC SUPPLIER CODE: V59364 COMPONENT MAINT MANUAL REF: 21-60-14 USED ON: 541963-1	101200 968999	1

MISSING ITEM NUMBERS NOT APPLICABLE

- ITEM NOT ILLUSTRATED

HAP

21-61-02-04

BOEING PROPRIETARY - Copyright © - Unpublished Work - See title page for details.

21-61-02
FIG. 04
PAGE 10
OCT 15/08

BOEING
737-600/700/800/900
PARTS CATALOG (MAINTENANCE)

FIG ITEM	PART NUMBER	1 2 3 4 5 6 7 NOMENCLATURE	EFFECT FROM TO	UNITS PER ASSY
4 505	516023-2 MOTOR ASSY-AC SUPPLIER CODE: V59364 COMPONENT MAINT MANUAL REF: 21-60-14 USED ON: 541963-4 541963-6	101200 968999	1

MISSING ITEM NUMBERS NOT APPLICABLE

— ITEM NOT ILLUSTRATED

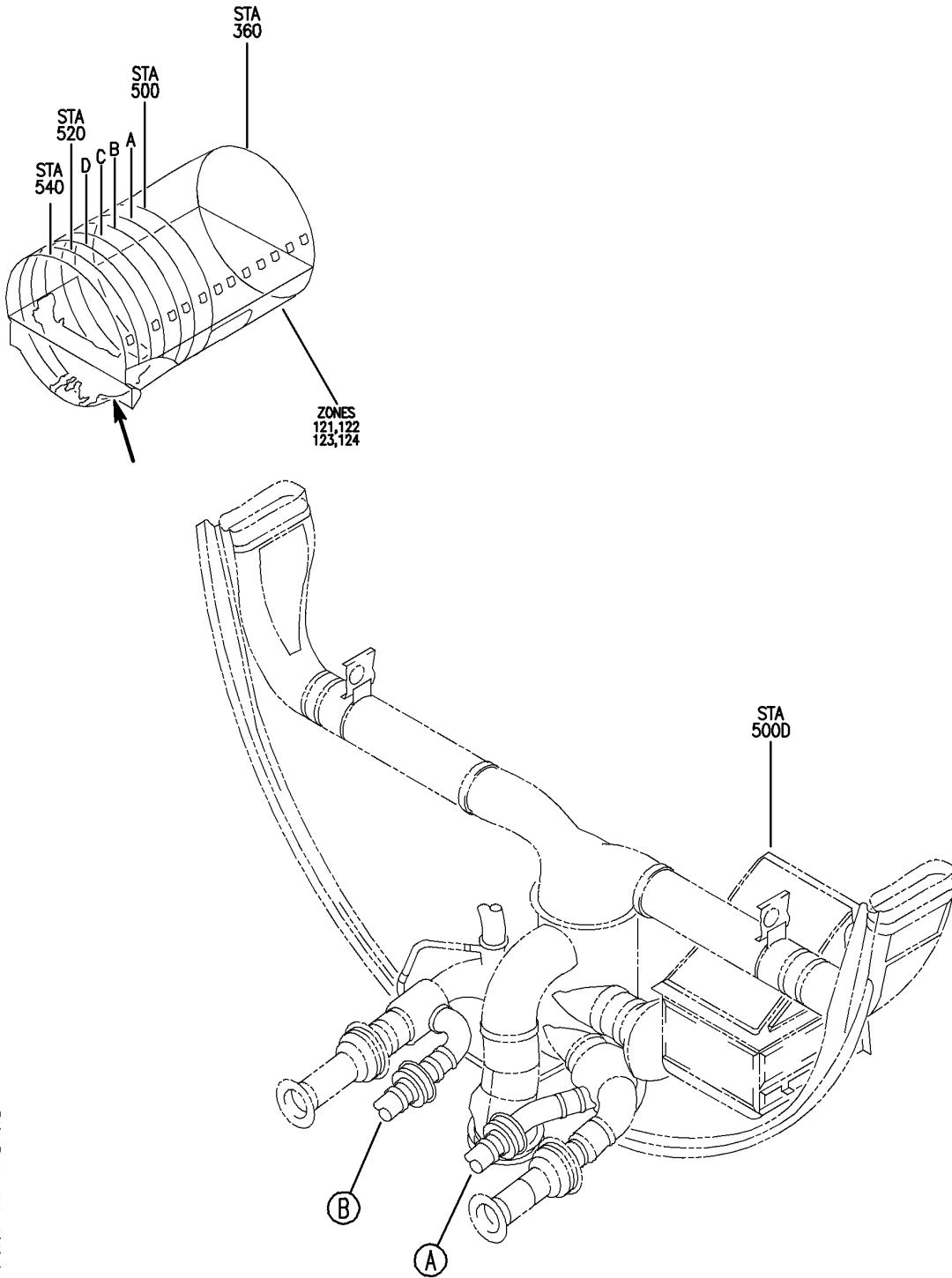
HAP

21-61-02-04

BOEING PROPRIETARY - Copyright © - Unpublished Work - See title page for details.

21-61-02
FIG. 04
PAGE 11
JUN 15/09

BOEING
 737-600/700/800/900
 PARTS CATALOG (MAINTENANCE)



E 21610303 SHT 1 REV 052

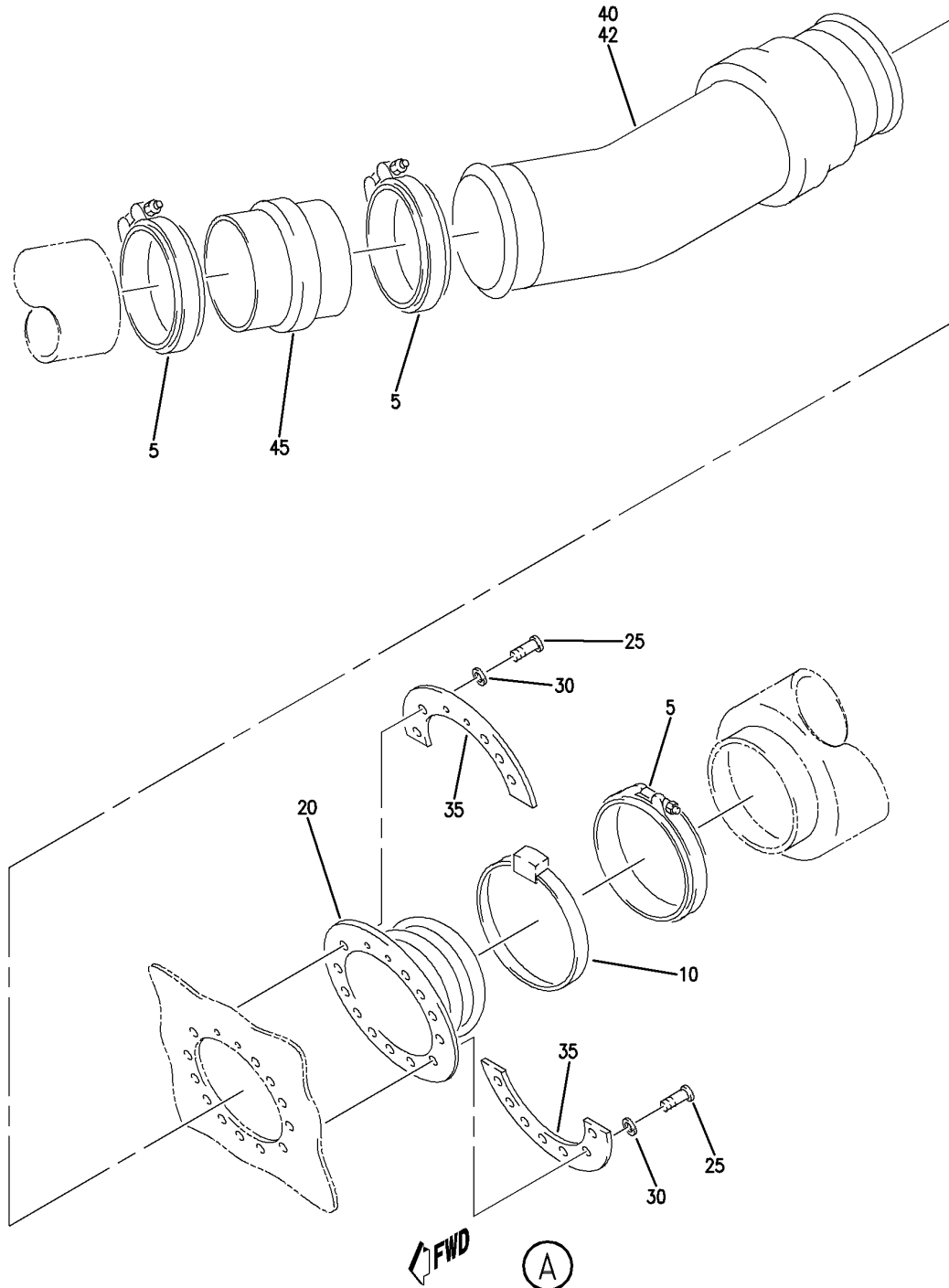
DUCT INSTL-AIR DISTR MIX BAY SYS BASELINE CONFIGURATION FOR 737-700 (HOT AIR CHECK VALVE ONLY)
 FIGURE 3 (SHEET 1)

HAP
 FEB 10/07

21-61-03-03

21-61-03-03
 PAGE 0

BOEING
 737-600/700/800/900
 PARTS CATALOG (MAINTENANCE)



E 21610303 SHT 2 REV 059

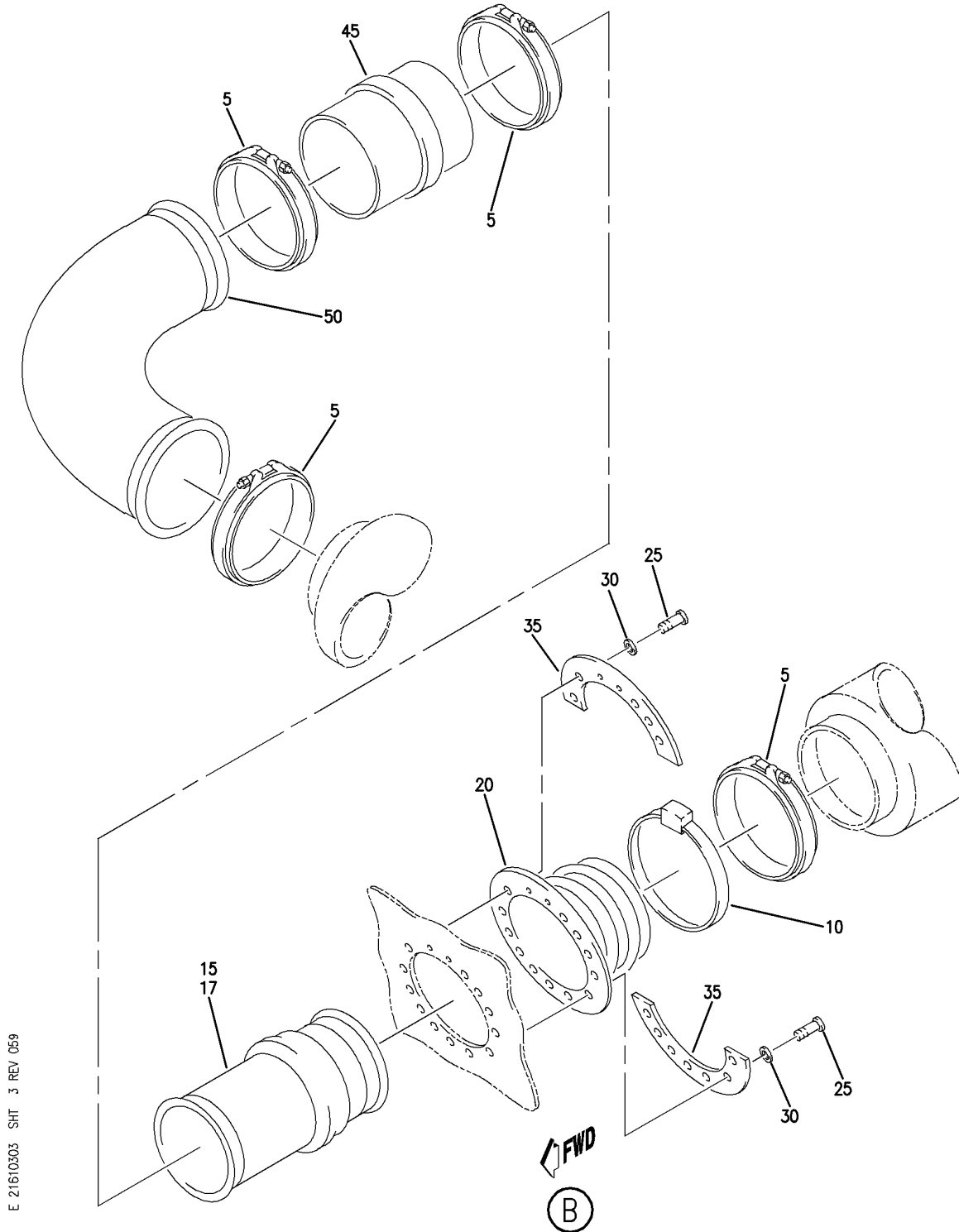
DUCT INSTL-AIR DISTR MIX BAY SYS BASELINE CONFIGURATION FOR 737-700 (HOT AIR CHECK VALVE ONLY)
 FIGURE 3 (SHEET 2)

HAP
 FEB 10/07

21-61-03-03

21-61-03-03
 PAGE 0A

BOEING
 737-600/700/800/900
 PARTS CATALOG (MAINTENANCE)



E 21610303 SHT 3 REV 059

DUCT INSTL-AIR DISTR MIX BAY SYS BASELINE CONFIGURATION FOR 737-700 (HOT AIR CHECK VALVE ONLY)
 FIGURE 3 (SHEET 3)

HAP
 FEB 10/07

21-61-03-03

21-61-03-03
 PAGE 0B

BOEING
737-600/700/800/900
PARTS CATALOG (MAINTENANCE)

FIG ITEM	PART NUMBER	1 2 3 4 5 6 7	NOMENCLATURE	EFFECT FROM TO	UNITS PER ASSY
3			DUCT INSTL-AIR DISTR MIX BAY SYS BASELINE CONFIGURATION FOR 737-700 (HOT AIR CHECK VALVE ONLY)	101999	
- 1	214A3001-2		DUCT INSTL-AIR DISTR SYS MIX BAY BASELINE CONFIGURATION FOR 737-700 (HOT AIR CHECK VALVE ONLY)	201967	RF
- 1	MODREF251484		FOR NHA/OTHER SYS DET SEE: 21-20-00-04B DUCT INSTL-AIR DISTR SYS MIX BAY BASELINE CONFIGURATION FOR 737-700 (HOT AIR CHECK VALVE ONLY)	101101 968971	1
- 1	MODREF357285		MODULE NUMBER: 214A3001-14 REV D FOR OTHER SYS DETAILS SEE: 21-21-02-04 21-21-51-05 21-25-01-04 21-25-02-06 21-25-03-06 DUCT INSTL-AIR DISTR SYS MIX BAY BASELINE CONFIGURATION FOR 737-700 (HOT AIR CHECK VALVE ONLY)	102106 972999	1
MISSING ITEM NUMBERS NOT APPLICABLE					

- ITEM NOT ILLUSTRATED

HAP

21-61-03-03

BOEING PROPRIETARY - Copyright © - Unpublished Work - See title page for details.

21-61-03
FIG. 03
PAGE 1
OCT 15/08

BOEING
737-600/700/800/900
PARTS CATALOG (MAINTENANCE)

FIG ITEM	PART NUMBER	1 2 3 4 5 6 7	NOMENCLATURE	EFFECT FROM TO	UNITS PER ASSY
3 -	1 MODREF394945		DUCT INSTL-AIR DISTR SYS MIX BAY BASELINE CONFIGURATION FOR 737-700 (HOT AIR CHECK VALVE ONLY) MODULE NUMBER: 214A3001-14 REV G FOR OTHER SYS DETAILS SEE: 21-21-02-04 21-21-51-05B 21-25-01-04 21-25-02-06 21-25-03-06	107200	1
	5 BACC10DU350ABE	.CLAMP-		101999	7
	10 NAS1922-0450-3	.CLAMP-		202967	2
	10 BACC10BN438L5ME	.CLAMP-		101106	2
		POST SERVICE BULLETIN:		201201	
		21-1127		968999	
	10 BACC10BN450L5ME	.CLAMP		107200	2
	15 214A3111-9	.DUCT ASSY-		201967	1
	17 214A3111-13	.DUCT ASSY-		101200	1
				968999	
	20 D1859-38	.SEAL-FLEX		201967	2
		SUPPLIER CODE:			
		V75345			
		SPECIFICATION NUMBER:			
		10-3274-38			
		OPTIONAL PART:			
		BOE2003-0038			
		V16632			
		OPTIONAL PART:			
		0420-0000-0127			
		V04927			
		1301058-1			
		V14711			
	20 BOE2003-0038	.SEAL-FLEX		201967	2
		SUPPLIER CODE:			
		V16632			
		SPECIFICATION NUMBER:			
		10-3274-38			
		OPTIONAL PART:			
		D1859-38			
		V75345			
		OPTIONAL PART:			
		0420-0000-0127			
		V04927			
		1301058-1			
		V14711			

MISSING ITEM NUMBERS NOT APPLICABLE

- ITEM NOT ILLUSTRATED

HAP

21-61-03-03

BOEING PROPRIETARY - Copyright © - Unpublished Work - See title page for details.

21-61-03
FIG. 03
PAGE 2
OCT 15/08

BOEING
737-600/700/800/900
PARTS CATALOG (MAINTENANCE)

FIG ITEM	PART NUMBER	1 2 3 4 5 6 7	NOMENCLATURE	EFFECT FROM TO	UNITS PER ASSY
3					
20	0420-0000-0127	.SEAL-FLEX SUPPLIER CODE: V04927 OPTIONAL PART: D1859-38 V75345 BOE2003-0038 V16632 1301058-1 V14711		201967	2
20	1301058-1	.SEAL-FLEX SUPPLIER CODE: V14711 OPTIONAL PART: D1859-38 V75345 BOE2003-0038 V16632 0420-0000-0127 V04927		201967	2
20	BOE2236-0015	.SEAL-FLEX SUPPLIER CODE: V16632 SPECIFICATION NUMBER: S212W301-15		101999	2
25	BACB30NM3K6	.BOLT		101999	24
30	NAS1149D0332J	.WASHER		101999	24
35	69-41847-2	.RING		101999	4
40	214A3111-11	.DUCT ASSY-		201967	1
42	214A3111-14	.DUCT ASSY- OPTIONAL PART: 214A3111-19		101200 968999	1
42	214A3111-19	.DUCT ASSY- OPTIONAL PART: 214A3111-14		101200 968999	1

MISSING ITEM NUMBERS NOT APPLICABLE

— ITEM NOT ILLUSTRATED

HAP

21-61-03-03

BOEING PROPRIETARY - Copyright © - Unpublished Work - See title page for details.

21-61-03
FIG. 03
PAGE 3
OCT 15/08

BOEING
737-600/700/800/900
PARTS CATALOG (MAINTENANCE)

FIG ITEM	PART NUMBER	1 2 3 4 5 6 7	NOMENCLATURE	EFFECT FROM TO	UNITS PER ASSY
3 45	123266-1-1		.VALVE- SUPPLIER CODE: V59364 FUNCTIONAL DESCRIPTION: PREVENTS LOSS OF AIR FROM DISTRIBUTION SYSTEM SHOULD A FAILURE OCCUR IN THE AIR CYCLE SYSTEM. SPECIFICATION NUMBER: 10-60508-1 COMPONENT MAINT MANUAL REF: 36-10-89 OPTIONAL PART: 123266-2-1 V99193 123544-1-1 V99193	101999	2
45	123266-2-1		.VALVE- SUPPLIER CODE: V59364 FUNCTIONAL DESCRIPTION: PREVENTS LOSS OF AIR FROM DISTRIBUTION SYSTEM SHOULD A FAILURE OCCUR IN THE AIR CYCLE SYSTEM. SPECIFICATION NUMBER: 10-60508-1 COMPONENT MAINT MANUAL REF: 36-10-89 OPTIONAL PART: 123266-1-1 V59364 123544-1-1 V59364	101999	2

MISSING ITEM NUMBERS NOT APPLICABLE

— ITEM NOT ILLUSTRATED

HAP

21-61-03-03

BOEING PROPRIETARY - Copyright © - Unpublished Work - See title page for details.

21-61-03
FIG. 03
PAGE 4
OCT 15/08


BOEING
 737-600/700/800/900
PARTS CATALOG (MAINTENANCE)

FIG ITEM	PART NUMBER	1 2 3 4 5 6 7	NOMENCLATURE	EFFECT FROM TO	UNITS PER ASSY
3 45	123544-1-1		.VALVE- SUPPLIER CODE: V59364 FUNCTIONAL DESCRIPTION: PREVENTS LOSS OF AIR FROM DISTRIBUTION SYSTEM SHOULD A FAILURE OCCUR IN THE AIR CYCLE SYSTEM. SPECIFICATION NUMBER: 10-60508-1 COMPONENT MAINT MANUAL REF: 21-09-03 OPTIONAL PART: 123266-1-1 V59364 123266-2-1 V59364	101999	2
50	214A3111-7		.DUCT ASSY	101999	1

MISSING ITEM NUMBERS NOT APPLICABLE

— ITEM NOT ILLUSTRATED

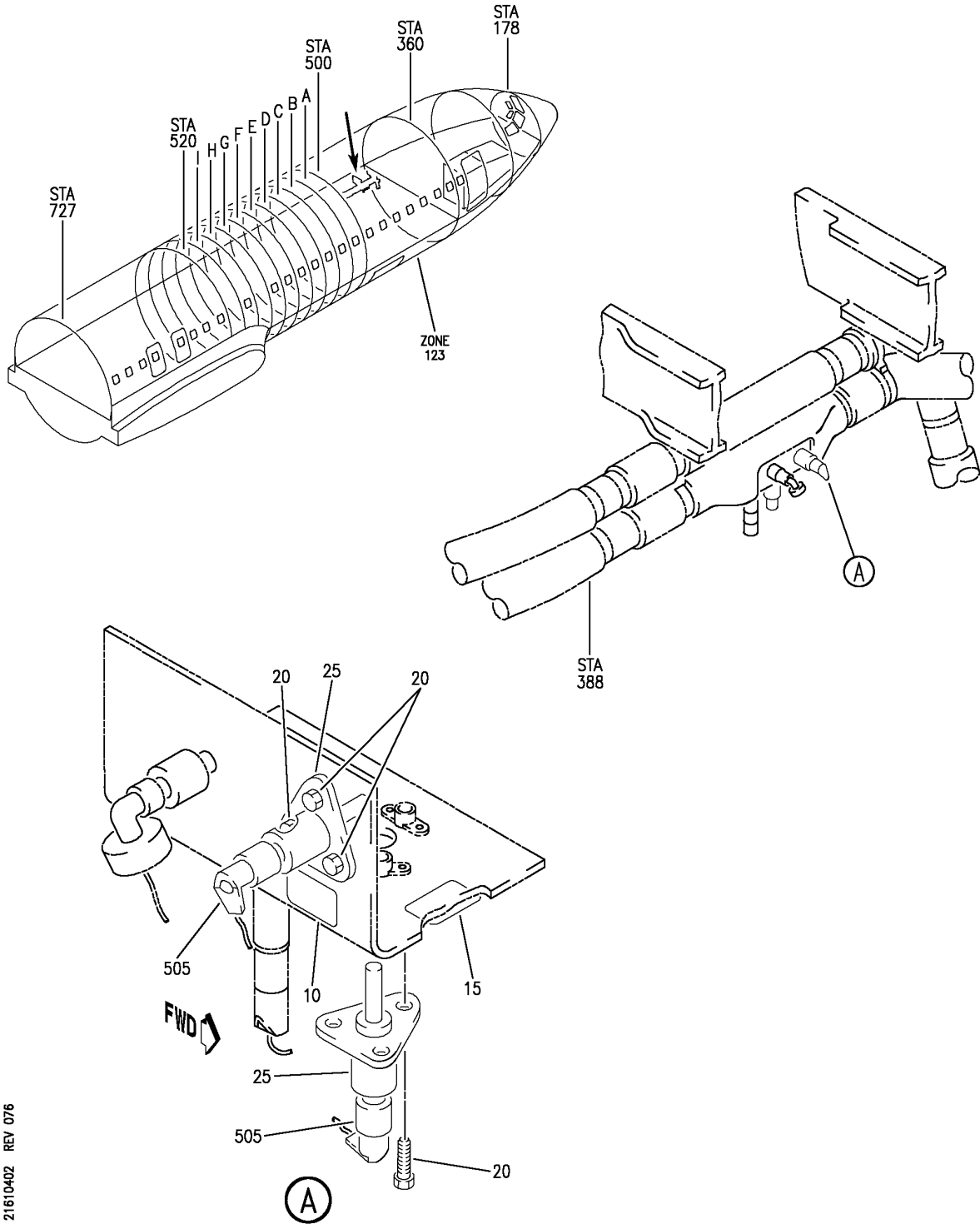
HAP

21-61-03-03

BOEING PROPRIETARY - Copyright © - Unpublished Work - See title page for details.

21-61-03
 FIG. 03
 PAGE 5
 OCT 15/08

BOEING
 737-600/700/800/900
 PARTS CATALOG (MAINTENANCE)



E 21610402 REV 076

DUCT INSTL-AFT E/E BAY FLIGHT DECK AIR DISTR (DUCT TEMPERATURE LIMIT SENSOR ONLY)
 FIGURE 2

HAP
 OCT 10/06

21-61-04-02

21-61-04-02
 PAGE 0

BOEING
737-600/700/800/900
PARTS CATALOG (MAINTENANCE)

FIG ITEM	PART NUMBER	1 2 3 4 5 6 7	NOMENCLATURE	EFFECT FROM TO	UNITS PER ASSY
2			DUCT INSTL-AFT E/E BAY FLIGHT DECK AIR DISTR (DUCT TEMPERATURE LIMIT SENSOR ONLY)	001011	
- 1	214A1002-3		DUCT INSTL-E/E BAY FLIGHT DECK AIR DISTR SYS (DUCT TEMPERATURE LIMIT SENSOR ONLY) POSITION DATA: STA 262 TO STA 350 AFT FOR NHA/OTHER SYS DET SEE: 21-20-00-04C	001001 006007	RF
- 1	214A1002-7		DUCT INSTL-E/E BAY FLIGHT DECK AIR DISTR SYS (DUCT TEMPERATURE LIMIT SENSOR ONLY) POSITION DATA: STA 262 TO STA 350 AFT FOR NHA/OTHER SYS DET SEE: 21-20-00-04C	002005 008011	RF
- 5 10	214A1113-5 BAC27DAC97		.DUCT ASSY ..MARKER- PLACARD CONTENT: CONTROL CABIN DUCT TEMP SENSOR-PRIMARY T00478-D03884	001011 001011	RF 1
15	BAC27DAC98		..MARKER- PLACARD CONTENT: CONTROL CABIN DUCT TEMP SENSOR-BACKUP T00477-D03882	001011	1
20 25	BACS12GU3K7 622878-2		.SCREW .SENSOR- SUPPLIER CODE: V07217 SPECIFICATION NUMBER: 10-62091-14 ELECTRICAL EQUIP NUMBER: T00478 T00477 COMPONENT MAINT MANUAL REF: 21-65-02 MAINTENANCE MANUAL REF: 21-51-51	001011 001011	6 2

MISSING ITEM NUMBERS NOT APPLICABLE

- ITEM NOT ILLUSTRATED

HAP

21-61-04-02

BOEING PROPRIETARY - Copyright © - Unpublished Work - See title page for details.

21-61-04
FIG. 02
PAGE 1
JUN 15/09

BOEING
737-600/700/800/900
PARTS CATALOG (MAINTENANCE)

FIG ITEM	PART NUMBER	1 2 3 4 5 6 7	NOMENCLATURE	EFFECT FROM TO	UNITS PER ASSY
R R R R R R	2 30	66-3478-3	.GASKET- MANUFACTURED FROM: SHEET RUBBER BMS1-11 GRADE 60 .062IN 1.50IN 1.70IN SPARES ORDER MATERIAL CODE: 5210623070	001011	2
	- 500	286A6214-301	WIRE BUNDLE ASSY	001007	RF
	- 500	286A6214-309	WIRE BUNDLE ASSY	008011	RF
	505	BACC45FT10-2S	.CONNECTOR-PLUG ELECTRICAL EQUIP NUMBER: D03882 D03884 WIRING DIAGRAM REF: 216111 216112	001011	2
	510	457EA005C10	.CLAMP- SUPPLIER CODE: V06324 SPECIFICATION NUMBER: BACC10JC10 OPTIONAL PART: GTR21-10CD V06324 S3642-10 V07418 ELECTRICAL EQUIP NUMBER: D03882T D03884T WIRING DIAGRAM REF: 216111 216112	001011	2

MISSING ITEM NUMBERS NOT APPLICABLE

- ITEM NOT ILLUSTRATED

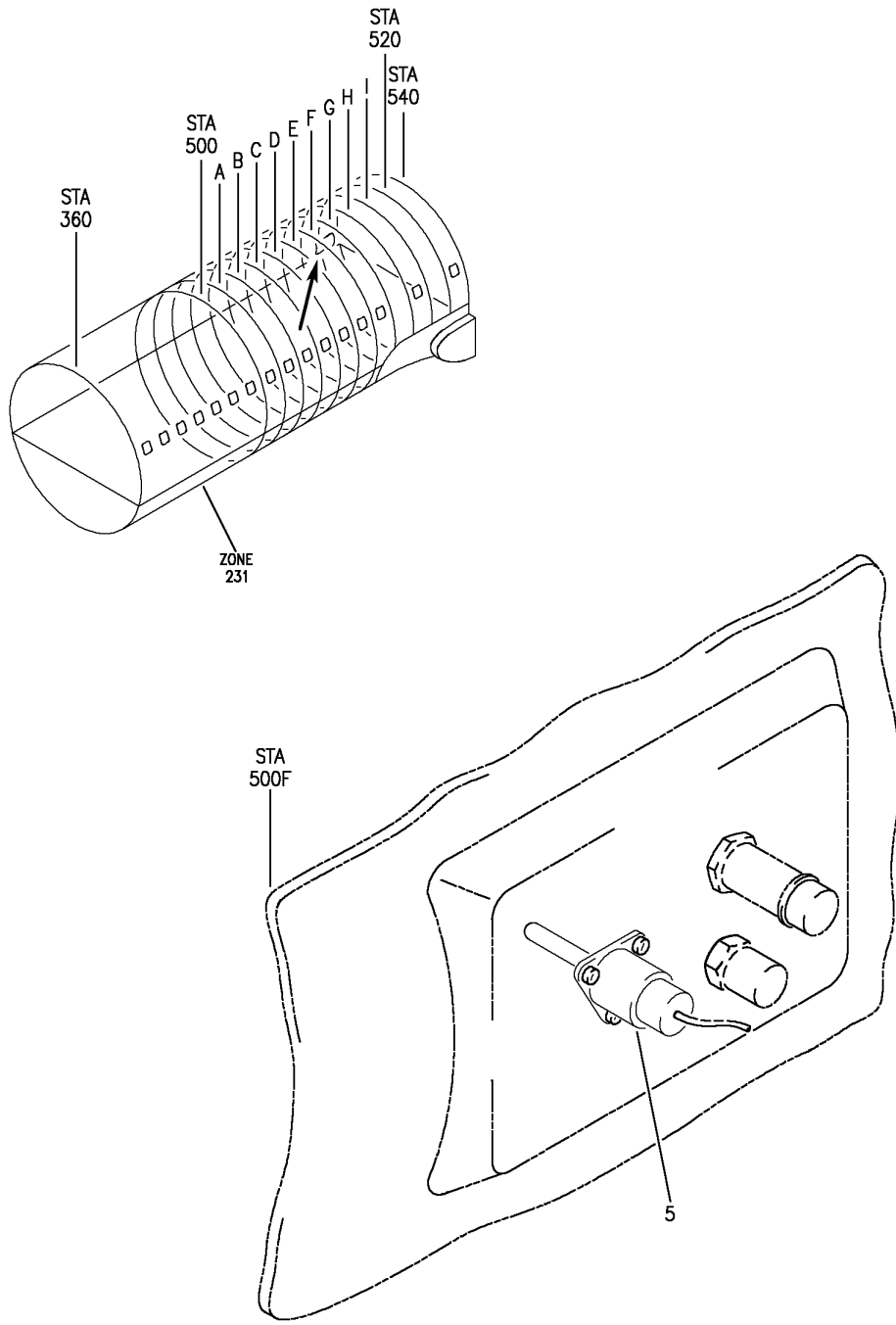
HAP

21-61-04-02

BOEING PROPRIETARY - Copyright © - Unpublished Work - See title page for details.

21-61-04
FIG. 02
PAGE 2
JUN 15/09

BOEING
737-600/700/800/900
PARTS CATALOG (MAINTENANCE)



E 21610405 REV 149

DUCT INSTL-OVHD AIR DISTR SYS (DUCT TEMPERATURE LIMIT SENSOR ONLY)
FIGURE 5

HAP
FEB 15/09

21-61-04-05

21-61-04-05
PAGE 0

BOEING
737-600/700/800/900
PARTS CATALOG (MAINTENANCE)

FIG ITEM	PART NUMBER	1 2 3 4 5 6 7	NOMENCLATURE	EFFECT FROM TO	UNITS PER ASSY
5			DUCT INSTL-OVHD AIR DISTR SYS (DUCT TEMPERATURE LIMIT SENSOR ONLY)	001100	
- 1	214A2011-1SP		DUCT INSTL-OVHD AIR DISTR SYS (DUCT TEMPERATURE LIMIT SENSOR ONLY) FOR NHA/OTHER SYS DET SEE: 21-20-00-09C	001011	RF
- 1	214A2011-5SP		DUCT INSTL-OVHD AIR DISTR SYS (DUCT TEMPERATURE LIMIT SENSOR ONLY) FOR NHA/OTHER SYS DET SEE: 21-20-00-04C	012029	RF
- 1	214A2011-7B		DUCT INSTL-OVHD AIR DISTR SYS (DUCT TEMPERATURE LIMIT SENSOR ONLY) FOR NHA/OTHER SYS DET SEE: 21-20-00-04C	030030	RF
- 1	MODREF231659		DUCT INSTL-OVHD AIR DISTR SYS (DUCT TEMPERATURE LIMIT SENSOR ONLY) MODULE NUMBER: 214A2011-9B REV B FOR OTHER SYS DETAILS SEE: 21-23-01-05A FOR ADDITIONAL DETAILS SEE: 21-61-05-05 21-61-30-05	031036	1
- 1	MODREF291252		DUCT INSTL-OVHD AIR DISTR SYS (DUCT TEMPERATURE LIMIT SENSOR ONLY) MODULE NUMBER: 214A2011-9B REV C FOR OTHER SYS DETAILS SEE: 21-23-01-05A FOR ADDITIONAL DETAILS SEE: 21-61-05-05 21-61-30-05	037046 054100	1
- 1	MODREF363241		DUCT INSTL-OVHD AIR DISTR SYS (DUCT TEMPERATURE LIMIT SENSOR ONLY) MODULE NUMBER: 214A2011-9B REV D FOR OTHER SYS DETAILS SEE: 21-23-01-05A FOR ADDITIONAL DETAILS SEE: 21-61-05-05 21-61-30-05	047048	1

MISSING ITEM NUMBERS NOT APPLICABLE

- ITEM NOT ILLUSTRATED

HAP

21-61-04-05

21-61-04
FIG. 05
PAGE 1
FEB 15/09

BOEING
737-600/700/800/900
PARTS CATALOG (MAINTENANCE)

FIG ITEM	PART NUMBER	1 2 3 4 5 6 7	NOMENCLATURE	EFFECT FROM TO	UNITS PER ASSY
5 -	1 MODREF402168		DUCT INSTL-OVHD AIR DISTR SYS (DUCT TEMPERATURE LIMIT SENSOR ONLY) MODULE NUMBER: 214A2011-9B REV E FOR OTHER SYS DETAILS SEE: 21-23-01-05A FOR ADDITIONAL DETAILS SEE: 21-61-05-05 21-61-30-05	049053	1
	5 622878-2		.SENSOR- SUPPLIER CODE: V07217 SPECIFICATION NUMBER: 10-62091-14 ELECTRICAL EQUIP NUMBER: T00533 MAINTENANCE MANUAL REF: 21-51-51	001100	1
R R R R R R R	5 622878-1		.SENSOR- SUPPLIER CODE: V07217 SPECIFICATION NUMBER: 10-62091-2 ELECTRICAL EQUIP NUMBER: T00533 MAINTENANCE MANUAL REF: 21-51-51	001100	1
-	10 NAS1802-08-7P		ATTACHING PARTS .SCREW	001030	3
-	10 NAS1802-3-7P		.SCREW -----*-----	031100	3

MISSING ITEM NUMBERS NOT APPLICABLE

- ITEM NOT ILLUSTRATED

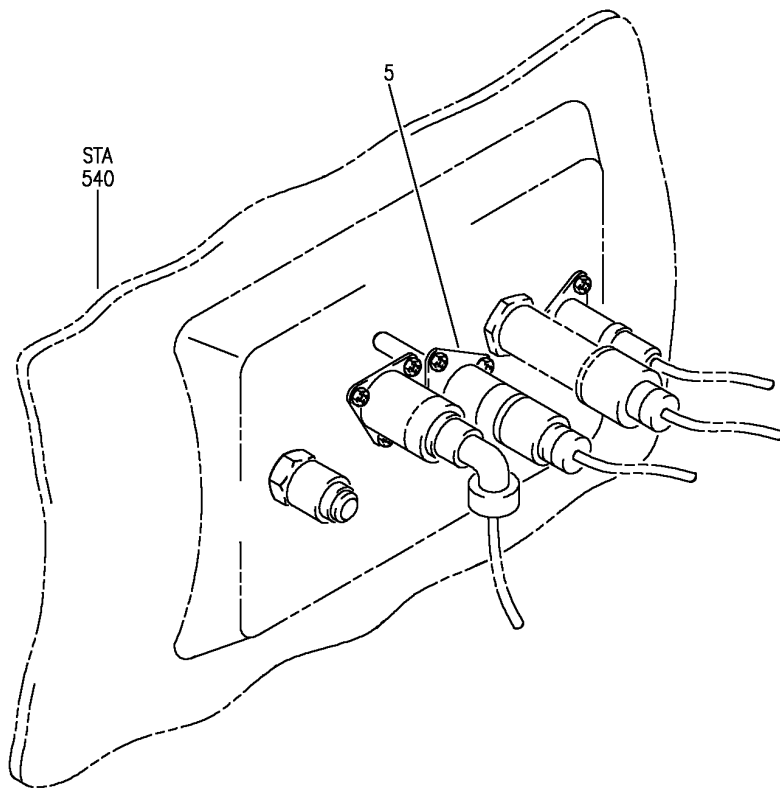
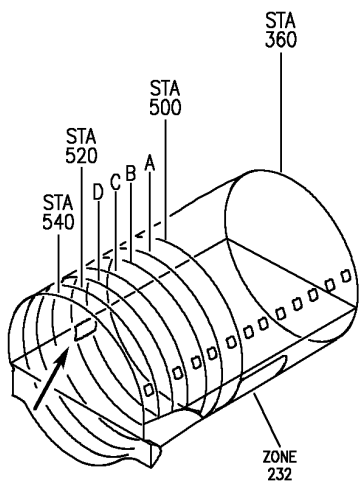
HAP

21-61-04-05

BOEING PROPRIETARY - Copyright © - Unpublished Work - See title page for details.

21-61-04
FIG. 05
PAGE 2
JUN 15/09

BOEING
 737-600/700/800/900
 PARTS CATALOG (MAINTENANCE)



E 21610420 REV 150

DUCT INSTL-OVHD AIR DISTR SYS (DUCT TEMPERATURE LIMIT SENSOR ONLY)
 FIGURE 20

HAP
 FEB 15/09

21-61-04-20

21-61-04-20
 PAGE 0

BOEING
737-600/700/800/900
PARTS CATALOG (MAINTENANCE)

FIG ITEM	PART NUMBER	1 2 3 4 5 6 7	NOMENCLATURE	EFFECT FROM TO	UNITS PER ASSY
20			DUCT INSTL-OVHD AIR DISTR SYS (DUCT TEMPERATURE LIMIT SENSOR ONLY)	101200 968999	
- 1	MODREF232298		DUCT INSTL-OVHD AIR DISTR SYS (DUCT TEMPERATURE LIMIT SENSOR ONLY) MODULE NUMBER: 214A2002-25B REV B FOR OTHER SYS DETAILS SEE: 21-23-01-20A FOR ADDITIONAL DETAILS SEE: 21-61-05-20 21-61-08-20 21-61-30-20	101105 968999	1
- 1	MODREF362511		DUCT INSTL-OVHD AIR DISTR SYS (DUCT TEMPERATURE LIMIT SENSOR ONLY) MODULE NUMBER: 214A2002-25B REV C FOR OTHER SYS DETAILS SEE: 21-23-01-20A FOR ADDITIONAL DETAILS SEE: 21-61-05-20 21-61-08-20 21-61-30-20	106106	1
- 1	MODREF402147		DUCT INSTL-OVHD AIR DISTR SYS (DUCT TEMPERATURE LIMIT SENSOR ONLY) MODULE NUMBER: 214A2002-25B REV D FOR OTHER SYS DETAILS SEE: 21-23-01-20A FOR ADDITIONAL DETAILS SEE: 21-61-05-20 21-61-08-20 21-61-30-20	107200	1
10	548388-1		.SENSOR- SUPPLIER CODE: V07217 SPECIFICATION NUMBER: 10-60498-7 ELECTRICAL EQUIP NUMBER: T00416	101200 968999	1
- 15	NAS1802-08-7P		ATTACHING PARTS .SCREW -----*-----	101200 968999	3

MISSING ITEM NUMBERS NOT APPLICABLE

- ITEM NOT ILLUSTRATED

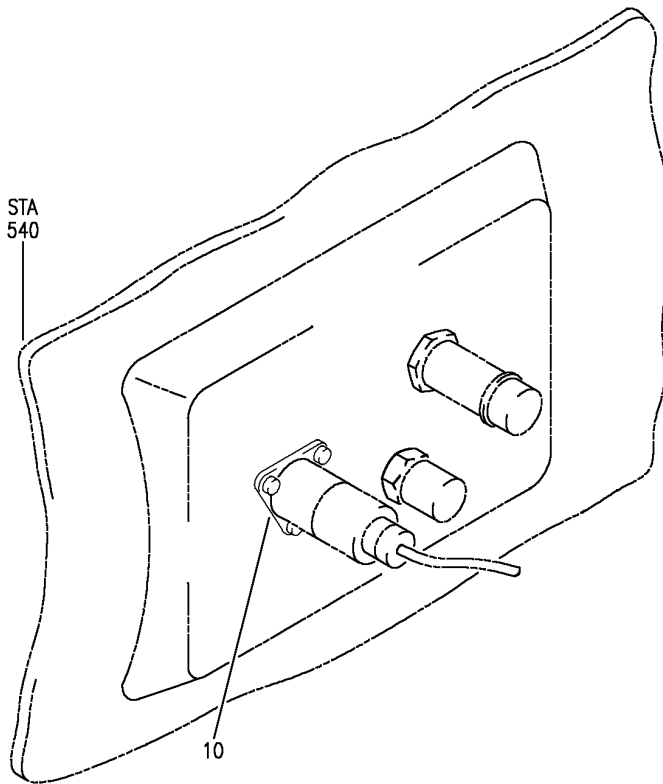
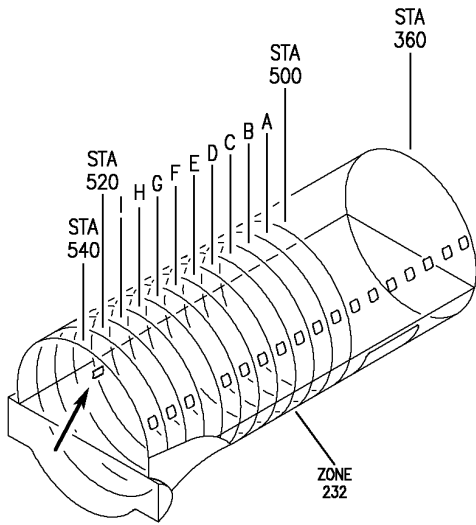
HAP

21-61-04-20

BOEING PROPRIETARY - Copyright © - Unpublished Work - See title page for details.

21-61-04
FIG. 20
PAGE 1
FEB 15/09

BOEING
737-600/700/800/900
PARTS CATALOG (MAINTENANCE)



E 21610422 REV 149

DUCT INSTL-OVHD AIR DISTR SYS (DUCT TEMPERATURE LIMIT SENSOR ONLY)
FIGURE 22

HAP
FEB 15/09

21-61-04-22

21-61-04-22
PAGE 0

BOEING
737-600/700/800/900
PARTS CATALOG (MAINTENANCE)

FIG ITEM	PART NUMBER	1 2 3 4 5 6 7	NOMENCLATURE	EFFECT FROM TO	UNITS PER ASSY
22			DUCT INSTL-OVHD AIR DISTR SYS (DUCT TEMPERATURE LIMIT SENSOR ONLY)	012100	
- 1	214A2012-9SP		DUCT INSTL-OVHD AIR DISTR SYS (DUCT TEMPERATURE LIMIT SENSOR ONLY) FOR NHA/OTHER SYS DET SEE: 21-20-00-04C	012019	RF
- 1	214A2012-17SP		DUCT INSTL-OVHD AIR DISTR SYS (DUCT TEMPERATURE LIMIT SENSOR ONLY) FOR NHA/OTHER SYS DET SEE: 21-20-00-04C	020029	RF
- 1	214A2012-21B		DUCT INSTL-OVHD AIR DISTR SYS (DUCT TEMPERATURE LIMIT SENSOR ONLY) FOR NHA/OTHER SYS DET SEE: 21-20-00-04C	030030	RF
- 1	MODREF232091		DUCT INSTL-OVHD AIR DISTR SYS (DUCT TEMPERATURE LIMIT SENSOR ONLY) MODULE NUMBER: 214A2012-23B REV B FOR OTHER SYS DETAILS SEE: 21-23-01-22A FOR ADDITIONAL DETAILS SEE: 21-61-05-22 21-61-30-22	031036	1
- 1	MODREF317963		DUCT INSTL-OVHD AIR DISTR SYS (DUCT TEMPERATURE LIMIT SENSOR ONLY) MODULE NUMBER: 214A2012-23B REV E FOR OTHER SYS DETAILS SEE: 21-23-01-22B FOR ADDITIONAL DETAILS SEE: 21-61-05-22 21-61-30-22	037046 054100	1

MISSING ITEM NUMBERS NOT APPLICABLE

- ITEM NOT ILLUSTRATED

HAP

21-61-04-22

BOEING PROPRIETARY - Copyright © - Unpublished Work - See title page for details.

21-61-04
FIG. 22
PAGE 1
FEB 15/09

BOEING
737-600/700/800/900
PARTS CATALOG (MAINTENANCE)

FIG ITEM	PART NUMBER	1 2 3 4 5 6 7	NOMENCLATURE	EFFECT FROM TO	UNITS PER ASSY
22 -	1 MODREF362512		DUCT INSTL-OVHD AIR DISTR SYS (DUCT TEMPERATURE LIMIT SENSOR ONLY) MODULE NUMBER: 214A2012-23B REV F FOR OTHER SYS DETAILS SEE: 21-23-01-22B FOR ADDITIONAL DETAILS SEE: 21-61-05-22 21-61-30-22	047048	1
-	1 MODREF402149		DUCT INSTL-OVHD AIR DISTR SYS (DUCT TEMPERATURE LIMIT SENSOR ONLY) MODULE NUMBER: 214A2012-23B REV G FOR OTHER SYS DETAILS SEE: 21-23-01-22B FOR ADDITIONAL DETAILS SEE: 21-61-05-22 21-61-30-22	049053	1
	10 622878-2		.SENSOR- SUPPLIER CODE: V07217 SPECIFICATION NUMBER: 10-62091-14 ELECTRICAL EQUIP NUMBER: T00536 COMPONENT MAINT MANUAL REF: 21-65-02 MAINTENANCE MANUAL REF: 21-51-51 21-61-04 ATTACHING PARTS	012100	1
-	15 NAS1802-08-7P		.SCREW	012030	3
-	15 NAS1802-3-7P		.SCREW -----*-----	031100	3

MISSING ITEM NUMBERS NOT APPLICABLE

- ITEM NOT ILLUSTRATED

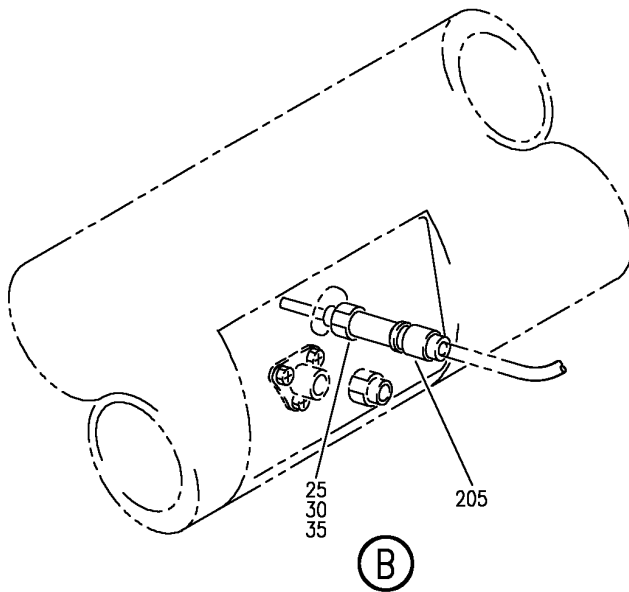
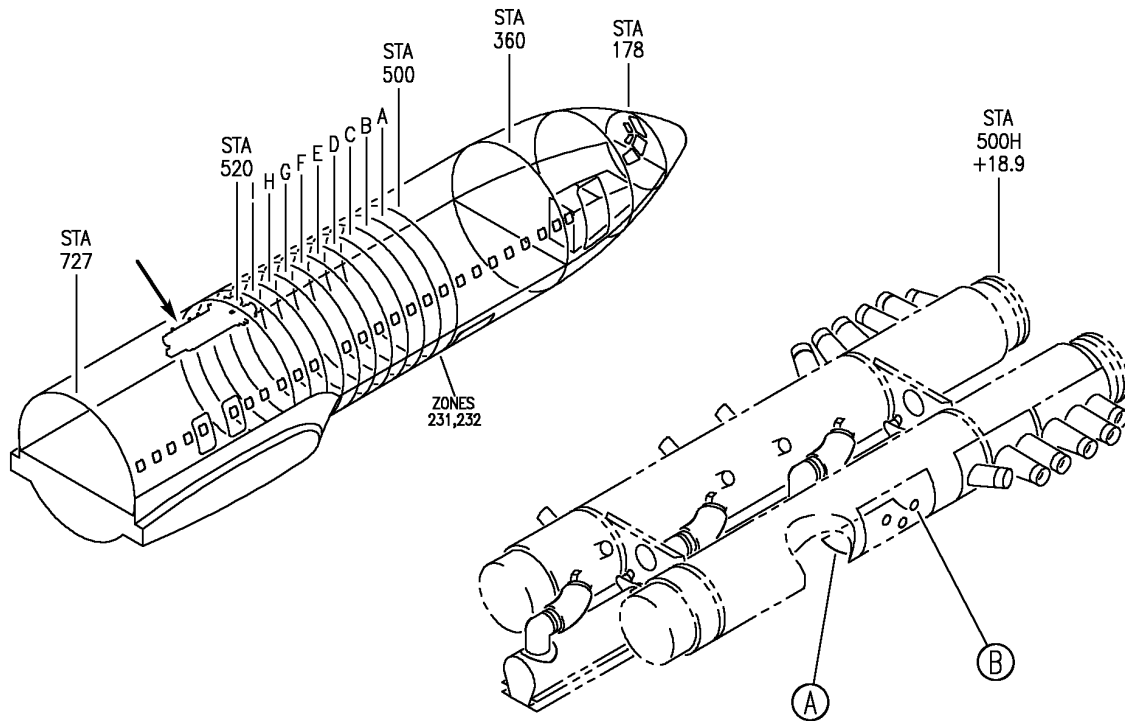
HAP

21-61-04-22

BOEING PROPRIETARY - Copyright © - Unpublished Work - See title page for details.

21-61-04
FIG. 22
PAGE 2
FEB 15/09

BOEING
737-600/700/800/900
PARTS CATALOG (MAINTENANCE)



SWITCH, ZONE DUCT OVERHEAT (AFT CABIN)	S1077
BULB, SUPPLY DUCT TEMPERATURE (AFT CABIN)	T535
SENSOR, DUCT TEMPERATURE (AFT CABIN)	T536

A

E 21610501B REV 077

DUCT INSTL-MID OVHD AIR DISTR SYS (DUCT OVERHEAT SWITCH ONLY)
FIGURE 1B

21-61-05-01B

HAP
OCT 10/06

21-61-05-01B
PAGE 0

BOEING
737-600/700/800/900
PARTS CATALOG (MAINTENANCE)

FIG ITEM	PART NUMBER	1 2 3 4 5 6 7	NOMENCLATURE	EFFECT FROM TO	UNITS PER ASSY
1B			DUCT INSTL-MID OVHD AIR DISTR SYS (DUCT OVERHEAT SWITCH ONLY)	001011	
- 1	214A2012-3SP		DUCT INSTL-OVHD AIR DISTR SYS (DUCT OVERHEAT SWITCH ONLY) POSITION DATA: MID FOR NHA/OTHER SYS DET SEE: 21-20-00-09C	001011	RF
- 5	214A2012-4SP		.DUCT ASSY	001011	RF
- 10	214A2107-10		..DUCT SEGMENT ASSY	001011	RF
- 15	214A2108-9		...DUCT ASSY- POSITION DATA: R	001011	RF
20	BAC27DAC87	MARKER	001011	1
25	641121-1		.SWITCH ASSY- SUPPLIER CODE: V07217 FUNCTIONAL DESCRIPTION: DETECTS OVERHEAT CONDITIONS IN THE AIR CONDITIONING PNEUMATIC DUCTING. SPECIFICATION NUMBER: S210T130-18 ELECTRICAL EQUIP NUMBER: S01077 COMPONENT MAINT MANUAL REF: 21-51-46	001011	1
30	MS9385-05		..PACKING	001011	1
35	2-11S383-70		.PACKING SUPPLIER CODE: V02697 SPECIFICATION NUMBER: BACP11J11 OPTIONAL PART: A330-11 V95272 S424-7-2-11 V02697 AS568-11S32 V11314 13-06-11 V07096 S7E183-11 V95272 R1131-11 V57268	001011	1

MISSING ITEM NUMBERS NOT APPLICABLE

- ITEM NOT ILLUSTRATED

HAP

21-61-05-01B

BOEING PROPRIETARY - Copyright © - Unpublished Work - See title page for details.

21-61-05
FIG. 01B
PAGE 1
FEB 15/08

BOEING
737-600/700/800/900
PARTS CATALOG (MAINTENANCE)

FIG ITEM	PART NUMBER	1 2 3 4 5 6 7	NOMENCLATURE	EFFECT FROM TO	UNITS PER ASSY
1B					
- 200	286A6288-301		WIRE BUNDLE ASSY	001007	RF
- 200	286A6288-302		WIRE BUNDLE ASSY	008011	RF
205	BACC45FT10-5S		.CONNECTOR- ELECTRICAL EQUIP NUMBER: D11836 WIRING DIAGRAM REF: 216114	001011	1
MISSING ITEM NUMBERS NOT APPLICABLE					

- ITEM NOT ILLUSTRATED

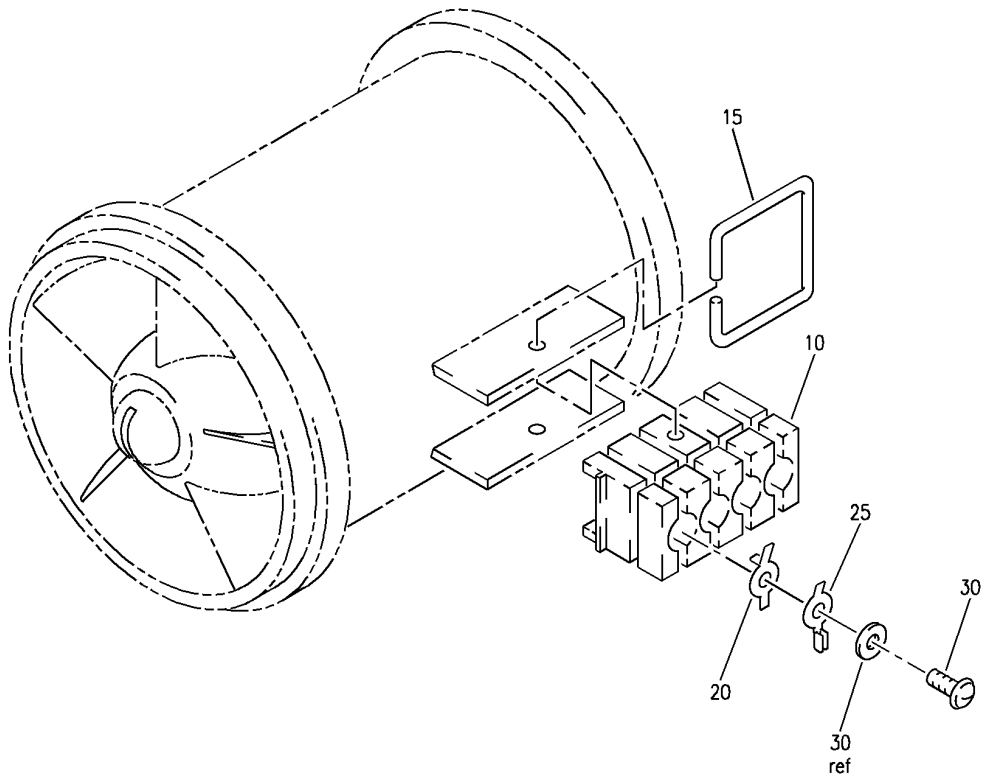
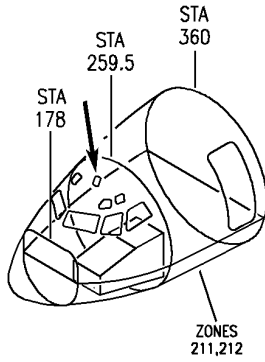
HAP

21-61-05-01B

BOEING PROPRIETARY - Copyright © - Unpublished Work - See title page for details.

21-61-05
FIG. 01B
PAGE 2
FEB 15/08

BOEING
737-600/700/800/900
PARTS CATALOG (MAINTENANCE)



E 21610502 REV 125

FAN ASSY-VANEAXIAL
FIGURE 2

21-61-05-02

HAP
FEB 10/07

21-61-05-02
PAGE 0

BOEING
737-600/700/800/900
PARTS CATALOG (MAINTENANCE)

FIG ITEM	PART NUMBER	1 2 3 4 5 6 7	NOMENCLATURE	EFFECT FROM TO	UNITS PER ASSY
2			FAN ASSY-VANEAXIAL	031200 968999	
- 1	024116		FAN ASSY-VANEAXIAL SUPPLIER CODE: V82877 COMPONENT MAINT MANUAL REF: 21-61-02 FOR NHA SEE: 21-61-51-02	031200 968999	RF
10	200033		.BOARD-TERM. SUPPLIER CODE: V82877 ATTACHING PARTS	031200 968999	1
15	476231		.CLIP-RETAINING SUPPLIER CODE: V82877	031200 968999	1
20	477012		-----*----- .TERMINAL-LUG SUPPLIER CODE: V82877	031200 968999	3
25	476280		.TERMINAL-LUG SUPPLIER CODE: V82877 ATTACHING PARTS	031200 968999	3
30	121893		.SCREW- SUPPLIER CODE: V82877 -----*-----	031200 968999	3

MISSING ITEM NUMBERS NOT APPLICABLE

- ITEM NOT ILLUSTRATED

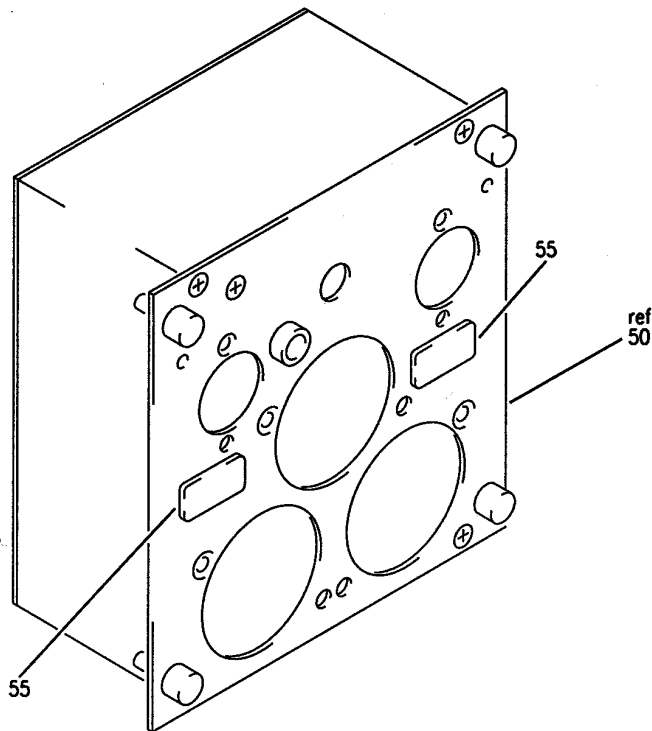
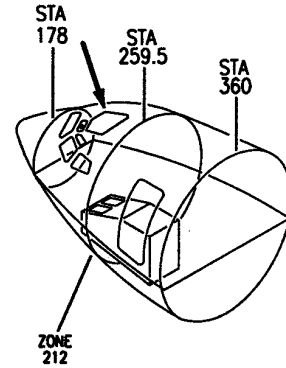
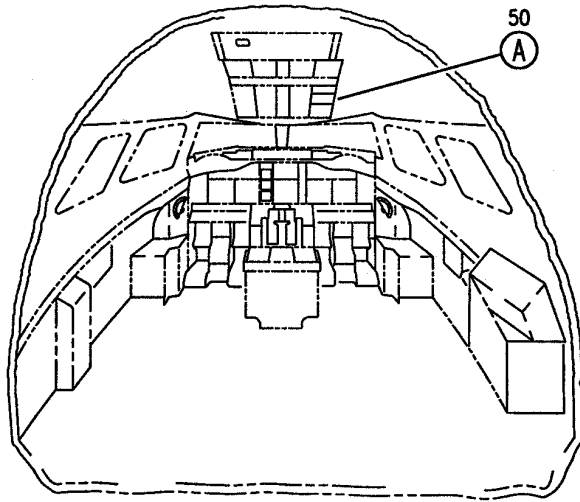
HAP

21-61-05-02

BOEING PROPRIETARY - Copyright © - Unpublished Work - See title page for details.

21-61-05
FIG. 02
PAGE 1
OCT 15/08

BOEING
 737-600/700/800/900
 PARTS CATALOG (MAINTENANCE)



(A)

E 21610503 REV 038

MODULE INSTL-P5 OVHD (DUCT OVERHEAT SWITCH ONLY)
 FIGURE 3

21-61-05-03

HAP
 OCT 15/08

21-61-05-03
 PAGE 0

BOEING
737-600/700/800/900
PARTS CATALOG (MAINTENANCE)

FIG ITEM	PART NUMBER	1 2 3 4 5 6 7	NOMENCLATURE	EFFECT FROM TO	UNITS PER ASSY
3			MODULE INSTL-P5 OVHD (DUCT OVERHEAT SWITCH ONLY)	201967	
- 3	233A3101-74		MODULE INSTL-P5 OVHD (DUCT OVERHEAT SWITCH ONLY) FOR NHA/OTHER SYS DET SEE: 31-11-00-01J	201967	RF
50	69-37324-18		.MODULE ASSY-CAB. TEMP P5-17 SUPPLIER CODE: V89954 ELECTRICAL EQUIP NUMBER: P00517 COMPONENT MAINT MANUAL REF: 31-36-31	201967	RF
55	BCREF2575		..LIGHT ASSY-PRESS TO TEST IND-DUCT OVERHEAT SUPPLIER CODE: V81590 OVERLENGTH PART NUMBER: 318-630-1001-004 SPECIFICATION NUMBER: 10-61803-8 COMPONENT MAINT MANUAL REF: 33-10-05 FOR DETAILS SEE: 33-11-50-05C	201967	2

MISSING ITEM NUMBERS NOT APPLICABLE

- ITEM NOT ILLUSTRATED

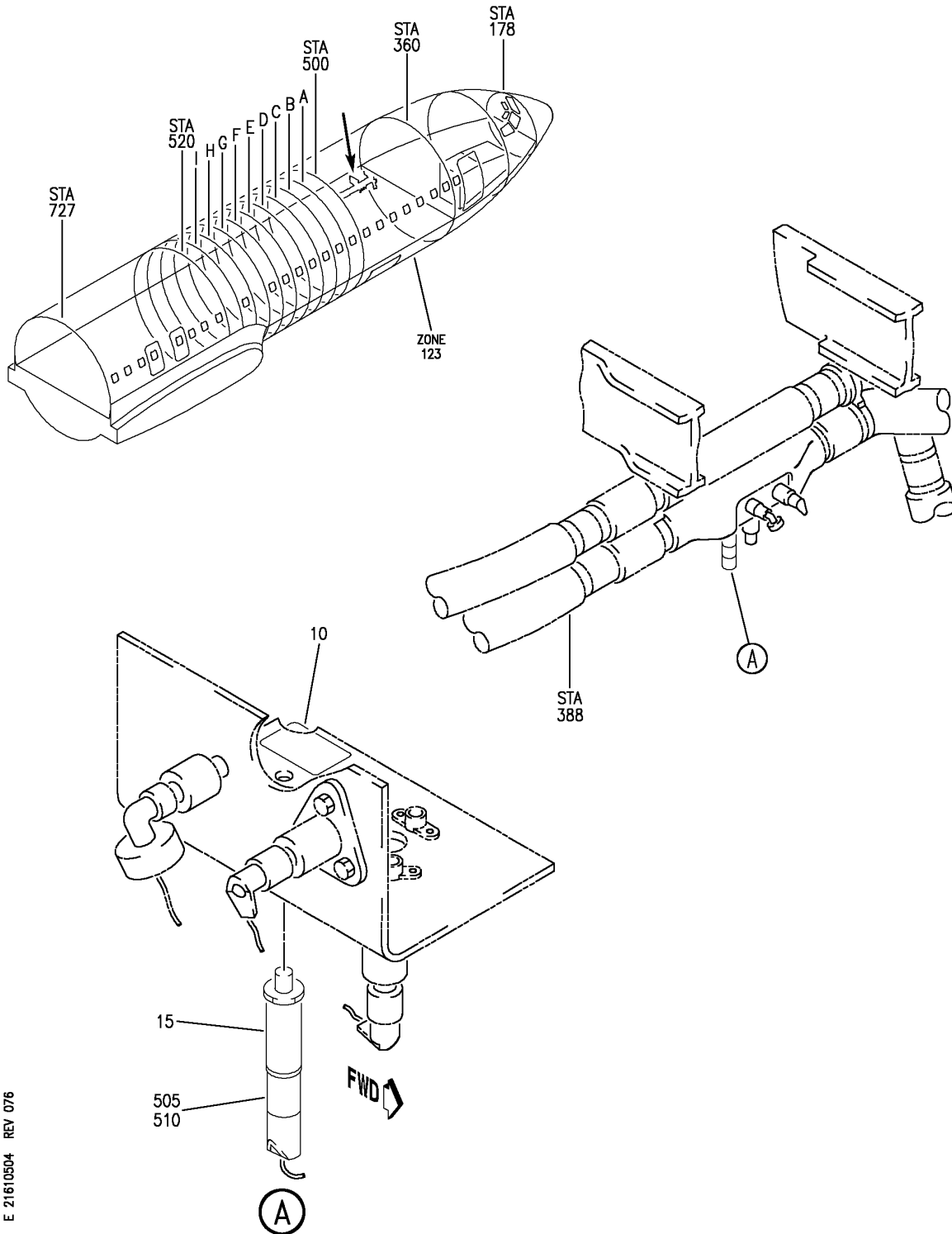
HAP

21-61-05-03

BOEING PROPRIETARY - Copyright © - Unpublished Work - See title page for details.

21-61-05
FIG. 03
PAGE 1
OCT 15/08

BOEING
 737-600/700/800/900
 PARTS CATALOG (MAINTENANCE)



E 21610504 REV 076

DUCT INSTL-AFT E/E BAY FLIGHT DECK AIR DISTR (DUCT OVERHEAT SWITCH ONLY)
 FIGURE 4

HAP
 OCT 10/06

21-61-05-04

21-61-05-04
 PAGE 0

BOEING
737-600/700/800/900
PARTS CATALOG (MAINTENANCE)

FIG ITEM	PART NUMBER	1 2 3 4 5 6 7	NOMENCLATURE	EFFECT FROM TO	UNITS PER ASSY
4			DUCT INSTL-AFT E/E BAY FLIGHT DECK AIR DISTR (DUCT OVERHEAT SWITCH ONLY)	001011	
- 1	214A1002-3		DUCT INSTL-E/E BAY FLIGHT DECK AIR DISTR SYS (DUCT OVERHEAT SWITCH ONLY) POSITION DATA: STA 262 TO STA 350 AFT FOR NHA/OTHER SYS DET SEE: 21-20-00-04C	001001 006007	RF
- 1	214A1002-7		DUCT INSTL-E/E BAY FLIGHT DECK AIR DISTR SYS (DUCT OVERHEAT SWITCH ONLY) POSITION DATA: STA 262 TO STA 350 AFT FOR NHA/OTHER SYS DET SEE: 21-20-00-04C	002005 008011	RF
- 5 10	214A1113-5 BAC27DAC100		.DUCT ASSY ..MARKER- PLACARD CONTENT: CONTROL CABIN DUCT OVERHEAT SWITCH S00931-D03892	001011 001011	RF 1
15	641121-1		.SWITCH ASSY- SUPPLIER CODE: V07217 FUNCTIONAL DESCRIPTION: DETECTS OVERHEAT CONDITIONS IN THE AIR CONDITIONING PNEUMATIC DUCTING. SPECIFICATION NUMBER: S210T130-18 ELECTRICAL EQUIP NUMBER: S00931 COMPONENT MAINT MANUAL REF: 21-51-46	001011	1
- 20	MS9385-05		..PACKING MAINTENANCE MANUAL REF: 21-61-05	001011	1
- 500	286A6214-301		WIRE BUNDLE ASSY	001007	RF
- 500	286A6214-309		WIRE BUNDLE ASSY	008011	RF
505	BACC45FT10-5S		.CONNECTOR-PLUG ELECTRICAL EQUIP NUMBER: D03892 WIRING DIAGRAM REF: 216111	001011	1

MISSING ITEM NUMBERS NOT APPLICABLE

- ITEM NOT ILLUSTRATED

HAP

21-61-05-04

21-61-05
FIG. 04
PAGE 1
JUN 15/08


BOEING
 737-600/700/800/900
PARTS CATALOG (MAINTENANCE)

FIG ITEM	PART NUMBER	1 2 3 4 5 6 7 NOMENCLATURE	EFFECT FROM TO	UNITS PER ASSY
4 510	457EA005C10	.CLAMP- SUPPLIER CODE: V06324 SPECIFICATION NUMBER: BACC10JC10 OPTIONAL PART: GTR21-10CD V06324 S3642-10 V07418 ELECTRICAL EQUIP NUMBER: D03892T WIRING DIAGRAM REF: 216111	001011	1

MISSING ITEM NUMBERS NOT APPLICABLE

— ITEM NOT ILLUSTRATED

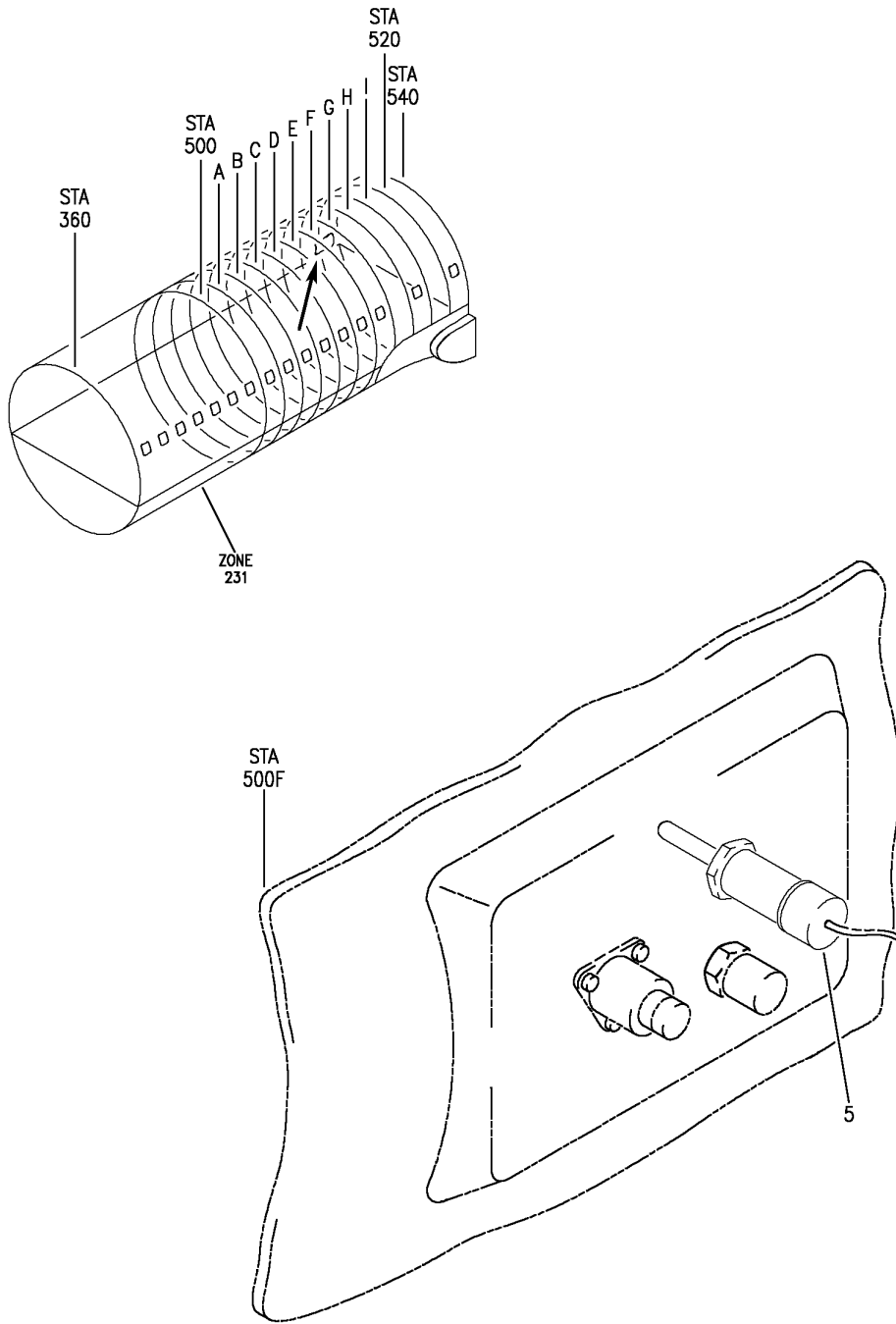
HAP

21-61-05-04

BOEING PROPRIETARY - Copyright © - Unpublished Work - See title page for details.

21-61-05
 FIG. 04
 PAGE 2
 OCT 10/06

BOEING
 737-600/700/800/900
 PARTS CATALOG (MAINTENANCE)



E 21610505 REV 149

DUCT INSTL-OVHD AIR DISTR SYS (DUCT OVERHEAT SWITCH ONLY)
 FIGURE 5

21-61-05-05

HAP
 FEB 15/09

21-61-05-05
 PAGE 0

 **BOEING**
737-600/700/800/900
PARTS CATALOG (MAINTENANCE)

FIG ITEM	PART NUMBER	1 2 3 4 5 6 7	NOMENCLATURE	EFFECT FROM TO	UNITS PER ASSY
5			DUCT INSTL-OVHD AIR DISTR SYS (DUCT OVERHEAT SWITCH ONLY)	001100	
- 1	214A2011-1SP		DUCT INSTL-OVHD AIR DISTR SYS (DUCT OVERHEAT SWITCH ONLY) FOR NHA/OTHER SYS DET SEE: 21-20-00-09C	001011	RF
- 1	214A2011-5SP		DUCT INSTL-OVHD AIR DISTR SYS (DUCT OVERHEAT SWITCH ONLY) FOR NHA/OTHER SYS DET SEE: 21-20-00-04C	012029	RF
- 1	214A2011-7B		DUCT INSTL-OVHD AIR DISTR SYS (DUCT OVERHEAT SWITCH ONLY) FOR NHA/OTHER SYS DET SEE: 21-20-00-04C	030030	RF
- 1	MODREF231659		DUCT INSTL-OVHD AIR DISTR SYS (DUCT OVERHEAT SWITCH ONLY) MODULE NUMBER: 214A2011-9B REV B FOR OTHER SYS DETAILS SEE: 21-23-01-05A FOR ADDITIONAL DETAILS SEE: 21-61-04-05 21-61-30-05	031036	1
- 1	MODREF291252		DUCT INSTL-OVHD AIR DISTR SYS (DUCT OVERHEAT SWITCH ONLY) MODULE NUMBER: 214A2011-9B REV C FOR OTHER SYS DETAILS SEE: 21-23-01-05A FOR ADDITIONAL DETAILS SEE: 21-61-04-05 21-61-30-05	037046 054100	1
- 1	MODREF363241		DUCT INSTL-OVHD AIR DISTR SYS (DUCT OVERHEAT SWITCH ONLY) MODULE NUMBER: 214A2011-9B REV D FOR OTHER SYS DETAILS SEE: 21-23-01-05A FOR ADDITIONAL DETAILS SEE: 21-61-04-05 21-61-30-05	047048	1

MISSING ITEM NUMBERS NOT APPLICABLE

- ITEM NOT ILLUSTRATED

HAP

21-61-05-05

BOEING PROPRIETARY - Copyright © - Unpublished Work - See title page for details.

21-61-05
FIG. 05
PAGE 1
FEB 15/09

BOEING
737-600/700/800/900
PARTS CATALOG (MAINTENANCE)

FIG ITEM	PART NUMBER	1 2 3 4 5 6 7	NOMENCLATURE	EFFECT FROM TO	UNITS PER ASSY
5 -	1 MODREF402168		DUCT INSTL-OVHD AIR DISTR SYS (DUCT OVERHEAT SWITCH ONLY) MODULE NUMBER: 214A2011-9B REV E FOR OTHER SYS DETAILS SEE: 21-23-01-05A FOR ADDITIONAL DETAILS SEE: 21-61-04-05 21-61-30-05	049053	1
	5 641121-1		. SWITCH ASSY- SUPPLIER CODE: V07217 FUNCTIONAL DESCRIPTION: DETECTS OVERHEAT CONDITIONS IN THE AIR CONDITIONING PNEUMATIC DUCTING. SPECIFICATION NUMBER: S210T130-18 ELECTRICAL EQUIP NUMBER: S01076 COMPONENT MAINT MANUAL REF: 21-51-46	001100	1
-	10 MS9385-05		.. PACKING	001100	1

MISSING ITEM NUMBERS NOT APPLICABLE

- ITEM NOT ILLUSTRATED

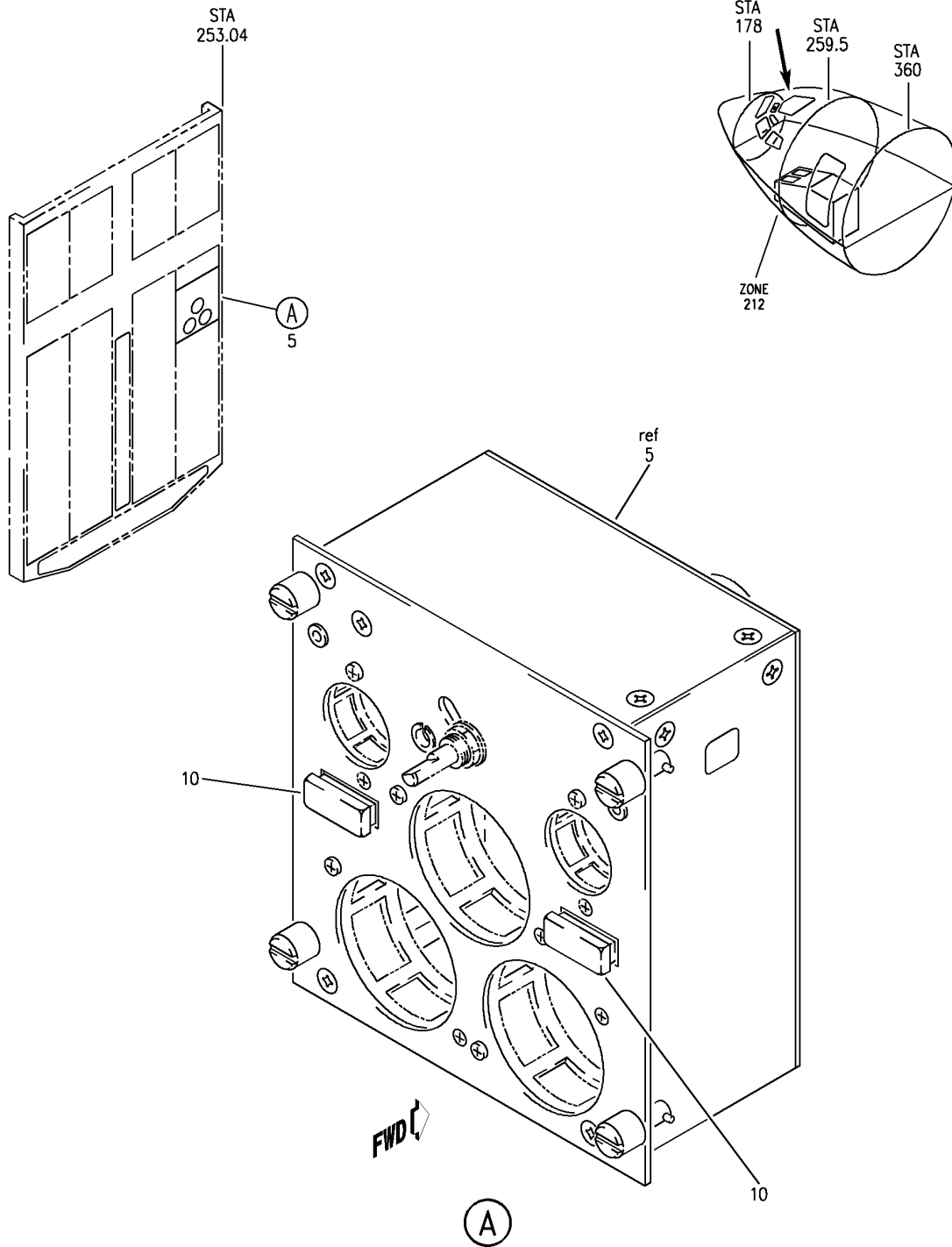
HAP

21-61-05-05

BOEING PROPRIETARY - Copyright © - Unpublished Work - See title page for details.

21-61-05
FIG. 05
PAGE 2
FEB 15/09

BOEING
737-600/700/800/900
PARTS CATALOG (MAINTENANCE)



E 21610507 REV 118

MODULE INSTL-P5 OVHD (DUCT OVERHEAT SWITCH ONLY)
FIGURE 7

21-61-05-07

HAP
FEB 10/07

21-61-05-07
PAGE 0

BOEING
737-600/700/800/900
PARTS CATALOG (MAINTENANCE)

FIG ITEM	PART NUMBER	1 2 3 4 5 6 7	NOMENCLATURE	EFFECT FROM TO	UNITS PER ASSY
7			MODULE INSTL-P5 OVHD (DUCT OVERHEAT SWITCH ONLY)	101200 968999	
- 1	MODREF82408		MODULE INSTL-P5 OVHD (DUCT OVERHEAT SWITCH ONLY) MODULE NUMBER: 233A3104-215101 REV A FOR OTHER SYS DETAILS SEE: 11-31-01-37G 21-25-02-09 21-51-65-01 31-11-94-04X 33-11-52-02X 49-52-52-01 FOR ADDITIONAL DETAILS SEE: 21-61-07-02 21-61-33-01 21-61-52-01	101200 968999	1
5	69-37324-18		.MODULE ASSY-CAB. TEMP P5-17 SUPPLIER CODE: V89954 ELECTRICAL EQUIP NUMBER: P00517 COMPONENT MAINT MANUAL REF: 31-36-31 MAINTENANCE MANUAL REF: 21-61-15	101200 968999	RF
10	BCREF2575		..LIGHT ASSY-PRESS TO TEST IND-DUCT OVERHEAT SUPPLIER CODE: V81590 OVERLENGTH PART NUMBER: 318-630-1001-004 SPECIFICATION NUMBER: 10-61803-8 COMPONENT MAINT MANUAL REF: 33-10-05 FOR DETAILS SEE: 33-11-50-05C	101200 968999	2

MISSING ITEM NUMBERS NOT APPLICABLE

- ITEM NOT ILLUSTRATED

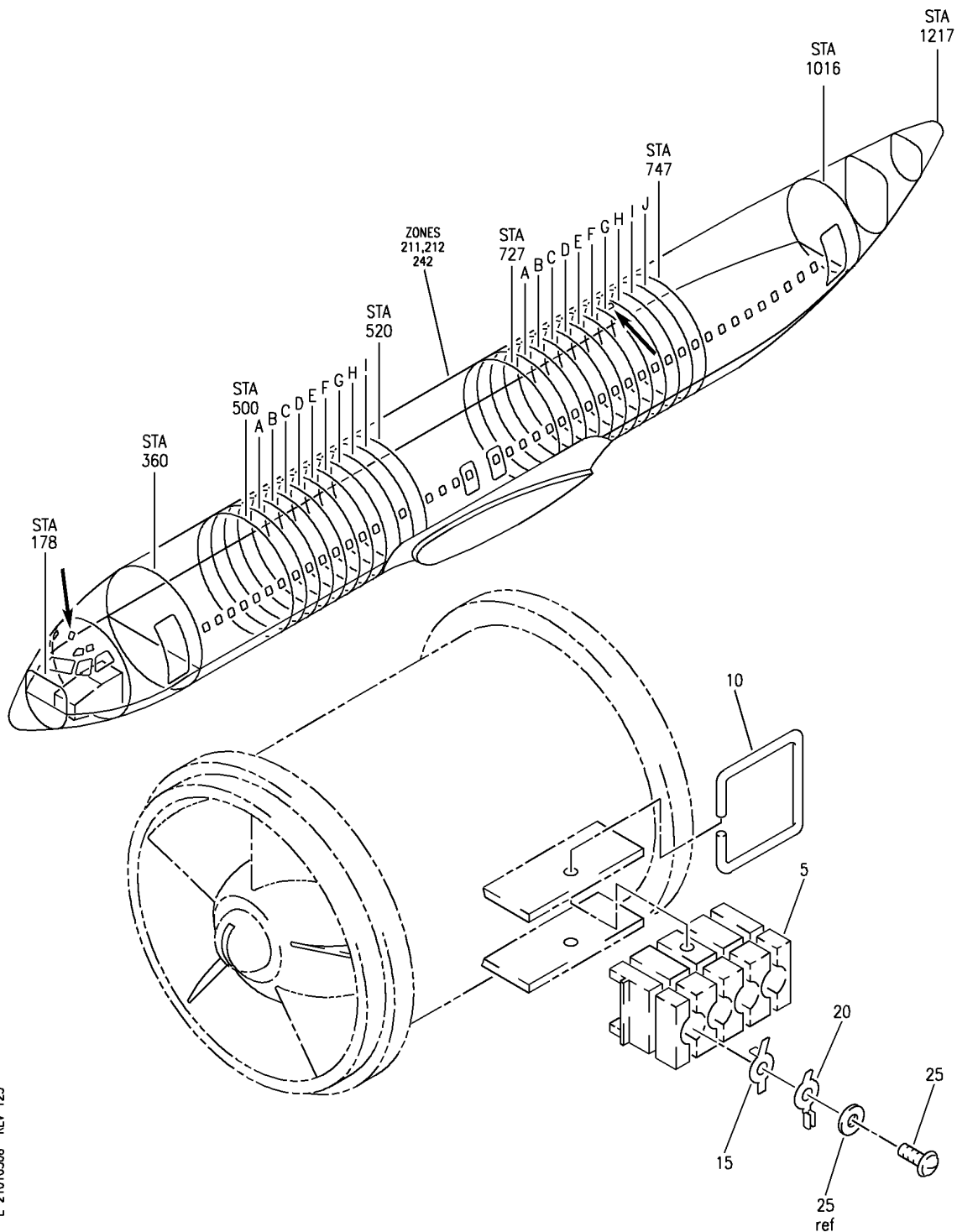
HAP

21-61-05-07

BOEING PROPRIETARY - Copyright © - Unpublished Work - See title page for details.

21-61-05
FIG. 07
PAGE 1
OCT 15/08

BOEING
 737-600/700/800/900
 PARTS CATALOG (MAINTENANCE)



E 21610508 REV 125

FAN ASSY-VANEAXIAL
 FIGURE 8

21-61-05-08

HAP
 FEB 10/07

21-61-05-08
 PAGE 0

BOEING
737-600/700/800/900
PARTS CATALOG (MAINTENANCE)

FIG ITEM	PART NUMBER	1 2 3 4 5 6 7	NOMENCLATURE	EFFECT FROM TO	UNITS PER ASSY
8			FAN ASSY-VANEAXIAL	001030 201967	
- 1	024116		FAN ASSY-VANEAXIAL SUPPLIER CODE: V82877 COMPONENT MAINT MANUAL REF: 21-61-02 FOR NHA SEE: 21-61-51-05	001030 201967	RF
5	200033		.BOARD-TERM. SUPPLIER CODE: V82877	001030 201967	1
10	476231		ATTACHING PARTS .CLIP-RETAINING SUPPLIER CODE: V82877	001030 201967	1
15	477012		-----*----- .TERMINAL-LUG SUPPLIER CODE: V82877	001030 201967	3
20	476280		.TERMINAL-LUG SUPPLIER CODE: V82877	001030 201967	3
25	121893		ATTACHING PARTS .SCREW- SUPPLIER CODE: V82877 -----*-----	001030 201967	3

MISSING ITEM NUMBERS NOT APPLICABLE

- ITEM NOT ILLUSTRATED

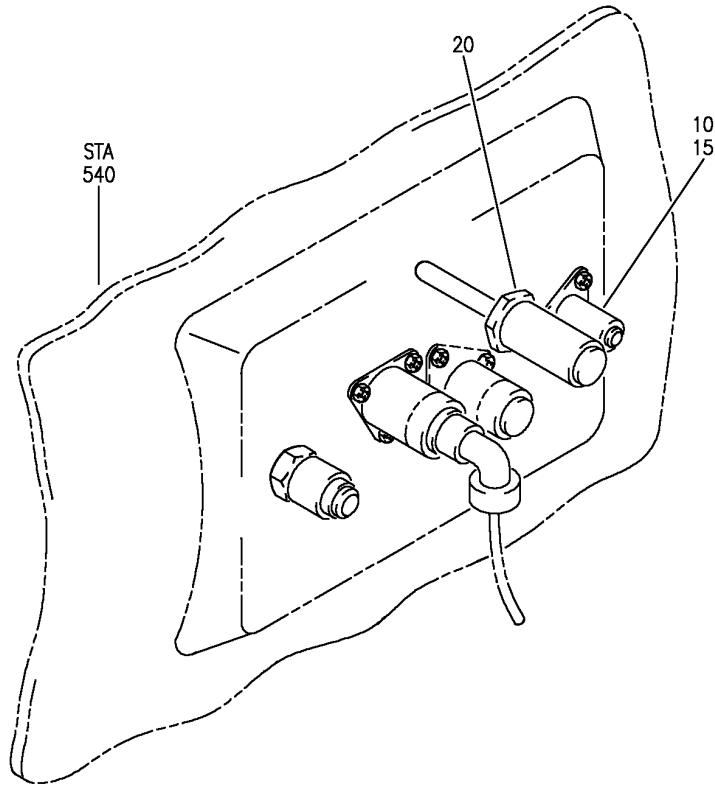
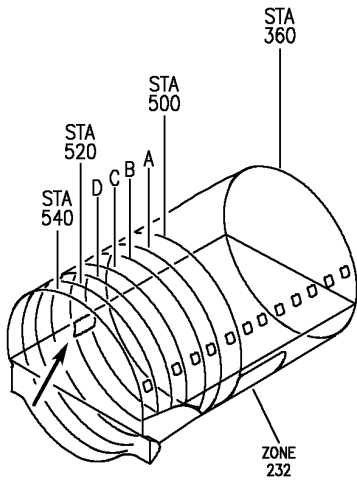
HAP

21-61-05-08

BOEING PROPRIETARY - Copyright © - Unpublished Work - See title page for details.

21-61-05
FIG. 08
PAGE 1
OCT 15/08

BOEING
 737-600/700/800/900
 PARTS CATALOG (MAINTENANCE)



E 21610520 REV 150

DUCT INSTL-OVHD AIR DISTR SYS (DUCT OVERHEAT SWITCH ONLY)
 FIGURE 20

HAP
 FEB 15/09

21-61-05-20

21-61-05-20
 PAGE 0


BOEING
 737-600/700/800/900
PARTS CATALOG (MAINTENANCE)

FIG ITEM	PART NUMBER	1 2 3 4 5 6 7	NOMENCLATURE	EFFECT FROM TO	UNITS PER ASSY
20			DUCT INSTL-OVHD AIR DISTR SYS (DUCT OVERHEAT SWITCH ONLY)	101200 968999	
- 1	MODREF232298		DUCT INSTL-OVHD AIR DISTR SYS (DUCT OVERHEAT SWITCH ONLY) MODULE NUMBER: 214A2002-25B REV B FOR OTHER SYS DETAILS SEE: 21-23-01-20A FOR ADDITIONAL DETAILS SEE: 21-61-04-20 21-61-08-20 21-61-30-20	101105 968999	1
- 1	MODREF362511		DUCT INSTL-OVHD AIR DISTR SYS (DUCT OVERHEAT SWITCH ONLY) MODULE NUMBER: 214A2002-25B REV C FOR OTHER SYS DETAILS SEE: 21-23-01-20A FOR ADDITIONAL DETAILS SEE: 21-61-04-20 21-61-08-20 21-61-30-20	106106	1
- 1	MODREF402147		DUCT INSTL-OVHD AIR DISTR SYS (DUCT OVERHEAT SWITCH ONLY) MODULE NUMBER: 214A2002-25B REV D FOR OTHER SYS DETAILS SEE: 21-23-01-20A FOR ADDITIONAL DETAILS SEE: 21-61-04-20 21-61-08-20 21-61-30-20	107200	1
R R R R R R R	10 66-3478-3		.GASKET- MANUFACTURED FROM: SHEET RUBBER BMS1-11 GRADE 60 .062IN 1.50IN 1.70IN SPARES ORDER MATERIAL CODE: 5210623070	101200 968999	1

MISSING ITEM NUMBERS NOT APPLICABLE

- ITEM NOT ILLUSTRATED

HAP

21-61-05-20

BOEING PROPRIETARY - Copyright © - Unpublished Work - See title page for details.

21-61-05
 FIG. 20
 PAGE 1
 JUN 15/09

BOEING
737-600/700/800/900
PARTS CATALOG (MAINTENANCE)

FIG ITEM	PART NUMBER	1 2 3 4 5 6 7	NOMENCLATURE	EFFECT FROM TO	UNITS PER ASSY
20 15	67321-27-250	.	SWITCH- SUPPLIER CODE: V73168 SPECIFICATION NUMBER: 10-60924-1 ELECTRICAL EQUIP NUMBER: S00006 MAINTENANCE MANUAL REF: 21-51-42 OPTIONAL PART: 1173T212 V98087 67321-15-250 V73168 ATTACHING PARTS	101200 968999	1
- 17	NAS1802-08-7P	.	SCREW	101200 968999	3
20	641121-1	-----*-----	. SWITCH ASSY- SUPPLIER CODE: V07217 FUNCTIONAL DESCRIPTION: DETECTS OVERHEAT CONDITIONS IN THE AIR CONDITIONING PNEUMATIC DUCTING. SPECIFICATION NUMBER: S210T130-18 ELECTRICAL EQUIP NUMBER: S00014 COMPONENT MAINT MANUAL REF: 21-51-46 MAINTENANCE MANUAL REF: 21-61-05	101200 968999	1
- 25	MS9385-05	..	PACKING MAINTENANCE MANUAL REF: 21-61-05	101200 968999	1

MISSING ITEM NUMBERS NOT APPLICABLE

- ITEM NOT ILLUSTRATED

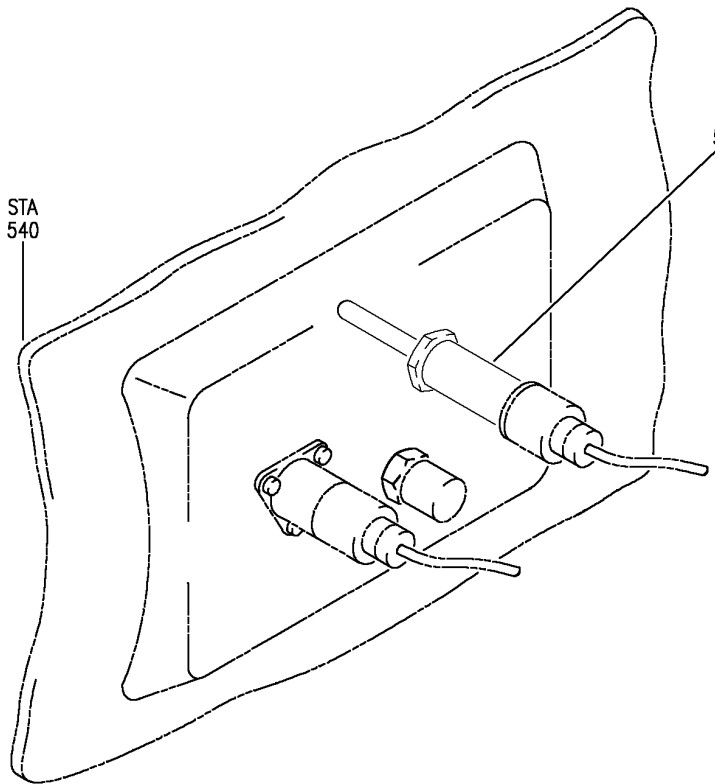
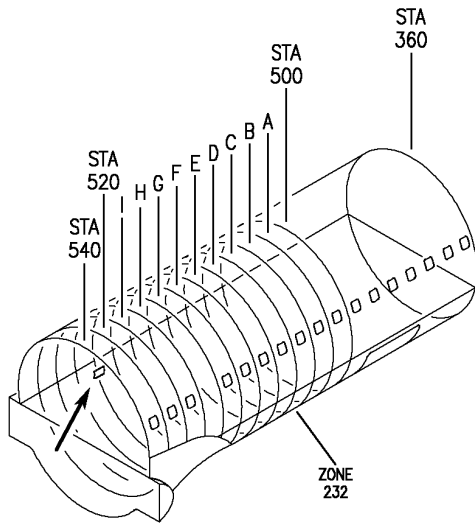
HAP

21-61-05-20

BOEING PROPRIETARY - Copyright © - Unpublished Work - See title page for details.

21-61-05
FIG. 20
PAGE 2
FEB 15/09

BOEING
737-600/700/800/900
PARTS CATALOG (MAINTENANCE)



E 21610522 REV 149

DUCT INSTL-OVHD AIR DISTR SYS (DUCT OVERHEAT SWITCH ONLY)
FIGURE 22

HAP
FEB 15/09

21-61-05-22

21-61-05-22
PAGE 0

BOEING
737-600/700/800/900
PARTS CATALOG (MAINTENANCE)

FIG ITEM	PART NUMBER	1 2 3 4 5 6 7	NOMENCLATURE	EFFECT FROM TO	UNITS PER ASSY
22			DUCT INSTL-OVHD AIR DISTR SYS (DUCT OVERHEAT SWITCH ONLY)	012100	
- 1	214A2012-9SP		DUCT INSTL-OVHD AIR DISTR SYS (DUCT OVERHEAT SWITCH ONLY)	012019	RF
- 1	214A2012-17SP		FOR NHA/OTHER SYS DET SEE: 21-20-00-04C DUCT INSTL-OVHD AIR DISTR SYS (DUCT OVERHEAT SWITCH ONLY)	020029	RF
- 1	214A2012-21B		FOR NHA/OTHER SYS DET SEE: 21-20-00-04C DUCT INSTL-OVHD AIR DISTR SYS (DUCT OVERHEAT SWITCH ONLY)	030030	RF
- 1	MODREF232091		FOR NHA/OTHER SYS DET SEE: 21-20-00-04C DUCT INSTL-OVHD AIR DISTR SYS (DUCT OVERHEAT SWITCH ONLY)	031036	1
- 1	MODREF317963		MODULE NUMBER: 214A2012-23B REV B FOR OTHER SYS DETAILS SEE: 21-23-01-22A FOR ADDITIONAL DETAILS SEE: 21-61-04-22 21-61-30-22 DUCT INSTL-OVHD AIR DISTR SYS (DUCT OVERHEAT SWITCH ONLY)	037046 054100	1

MISSING ITEM NUMBERS NOT APPLICABLE

- ITEM NOT ILLUSTRATED

HAP

21-61-05-22

BOEING PROPRIETARY - Copyright © - Unpublished Work - See title page for details.

21-61-05
FIG. 22
PAGE 1
FEB 15/09

BOEING
737-600/700/800/900
PARTS CATALOG (MAINTENANCE)

FIG ITEM	PART NUMBER	1 2 3 4 5 6 7	NOMENCLATURE	EFFECT FROM TO	UNITS PER ASSY
22 -	1 MODREF362512		DUCT INSTL-OVHD AIR DISTR SYS (DUCT OVERHEAT SWITCH ONLY) MODULE NUMBER: 214A2012-23B REV F FOR OTHER SYS DETAILS SEE: 21-23-01-22B FOR ADDITIONAL DETAILS SEE: 21-61-04-22 21-61-30-22	047048	1
-	1 MODREF402149		DUCT INSTL-OVHD AIR DISTR SYS (DUCT OVERHEAT SWITCH ONLY) MODULE NUMBER: 214A2012-23B REV G FOR OTHER SYS DETAILS SEE: 21-23-01-22B FOR ADDITIONAL DETAILS SEE: 21-61-04-22 21-61-30-22	049053	1
	5 641121-1		. SWITCH ASSY- SUPPLIER CODE: V07217 FUNCTIONAL DESCRIPTION: DETECTS OVERHEAT CONDITIONS IN THE AIR CONDITIONING PNEUMATIC DUCTING. SPECIFICATION NUMBER: S210T130-18 ELECTRICAL EQUIP NUMBER: S01077 COMPONENT MAINT MANUAL REF: 21-51-46 MAINTENANCE MANUAL REF: 21-61-05	012100	1
-	10 MS9385-05		.. PACKING MAINTENANCE MANUAL REF: 21-61-05	012100	1

MISSING ITEM NUMBERS NOT APPLICABLE

- ITEM NOT ILLUSTRATED

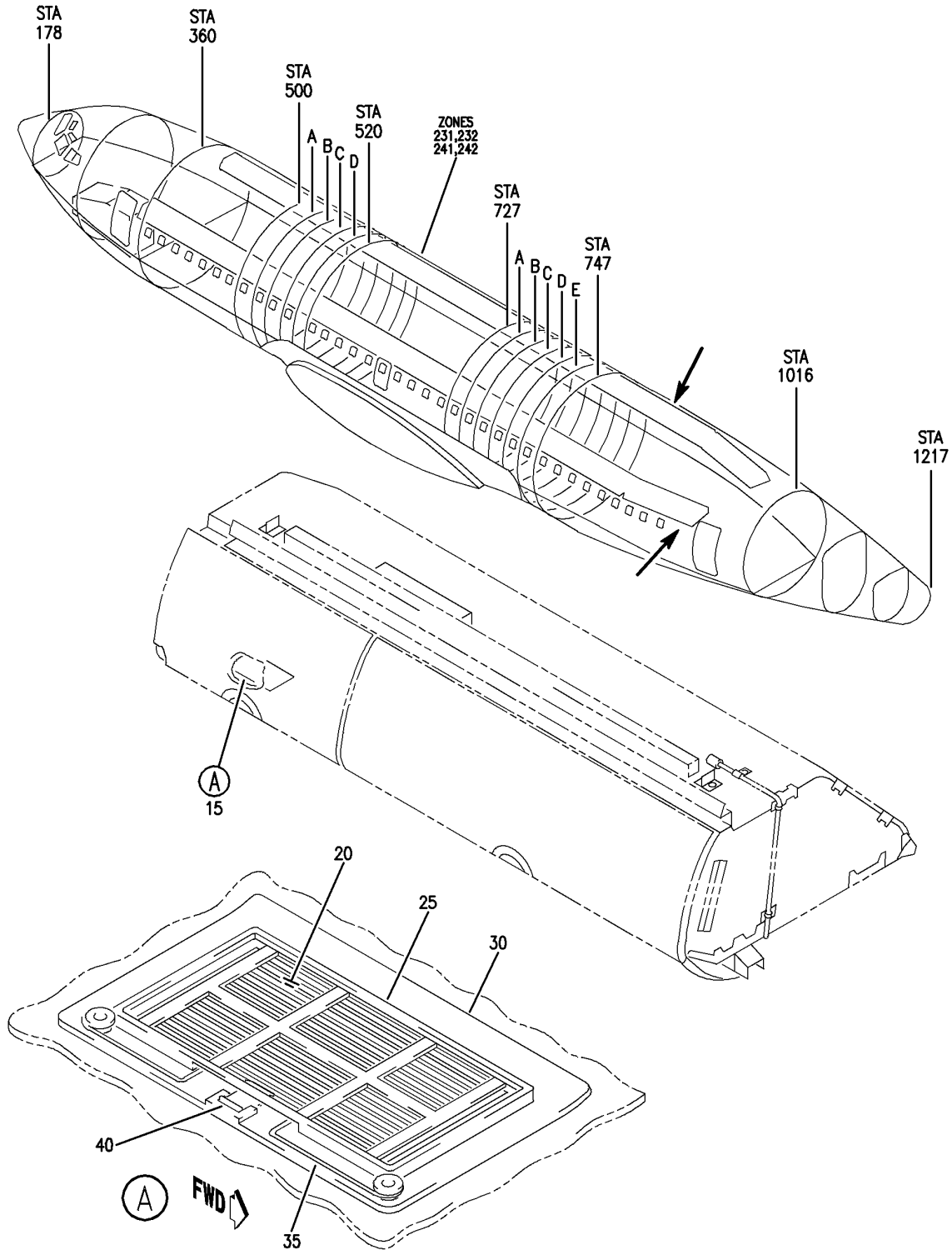
HAP

21-61-05-22

BOEING PROPRIETARY - Copyright © - Unpublished Work - See title page for details.

21-61-05
FIG. 22
PAGE 2
FEB 15/09

BOEING
 737-600/700/800/900
 PARTS CATALOG (MAINTENANCE)



E 21610604 REV 060

COMPARTMENT ASSY-60 IN. OVHD STOWAGE BULLNOSE CONFIG (CABIN TEMPERATURE SENSOR ASSEMBLY FILTER ONLY)

FIGURE 4

21-61-06-04

HAP
 OCT 15/08

21-61-06-04
 PAGE 0

BOEING
737-600/700/800/900
PARTS CATALOG (MAINTENANCE)

FIG ITEM	PART NUMBER	1 2 3 4 5 6 7	NOMENCLATURE	EFFECT FROM TO	UNITS PER ASSY
4			COMPARTMENT ASSY-60 IN. OVHD STOWAGE BULLNOSE CONFIG (CABIN TEMPERATURE SENSOR ASSEMBLY FILTER ONLY)	201967	
- 1	412A1170-104SP		COMPARTMENT ASSY-60 IN. OVHD STOWAGE BULLNOSE CONFIG (CABIN TEMPERATURE SENSOR ASSEMBLY FILTER ONLY) POSITION DATA: RH FOR NHA/OTHER SYS DET SEE: 25-24-30-27	202967	RF
- 1	412A1170-304B		COMPARTMENT ASSY-60 IN. OVHD STOWAGE BULLNOSE CONFIG (CABIN TEMPERATURE SENSOR ASSEMBLY FILTER ONLY) POSITION DATA: RH FOR NHA/OTHER SYS DET SEE: 25-24-30-27	201201	RF
15	412A1605-40A		.COVER ASSY-BULLNOSE	201967	RF
20	412N1122-3A		..GRILLE-	201967	1
25	412A1605-41		..FILTER MAINTENANCE MANUAL REF: 21-61-06	201967	1
30	412N1123-3		..RETAINER	201967	1
35	412N1125-1		..SPRING	201967	1
40	412N1125-2		..SPRING	201967	1

MISSING ITEM NUMBERS NOT APPLICABLE

- ITEM NOT ILLUSTRATED

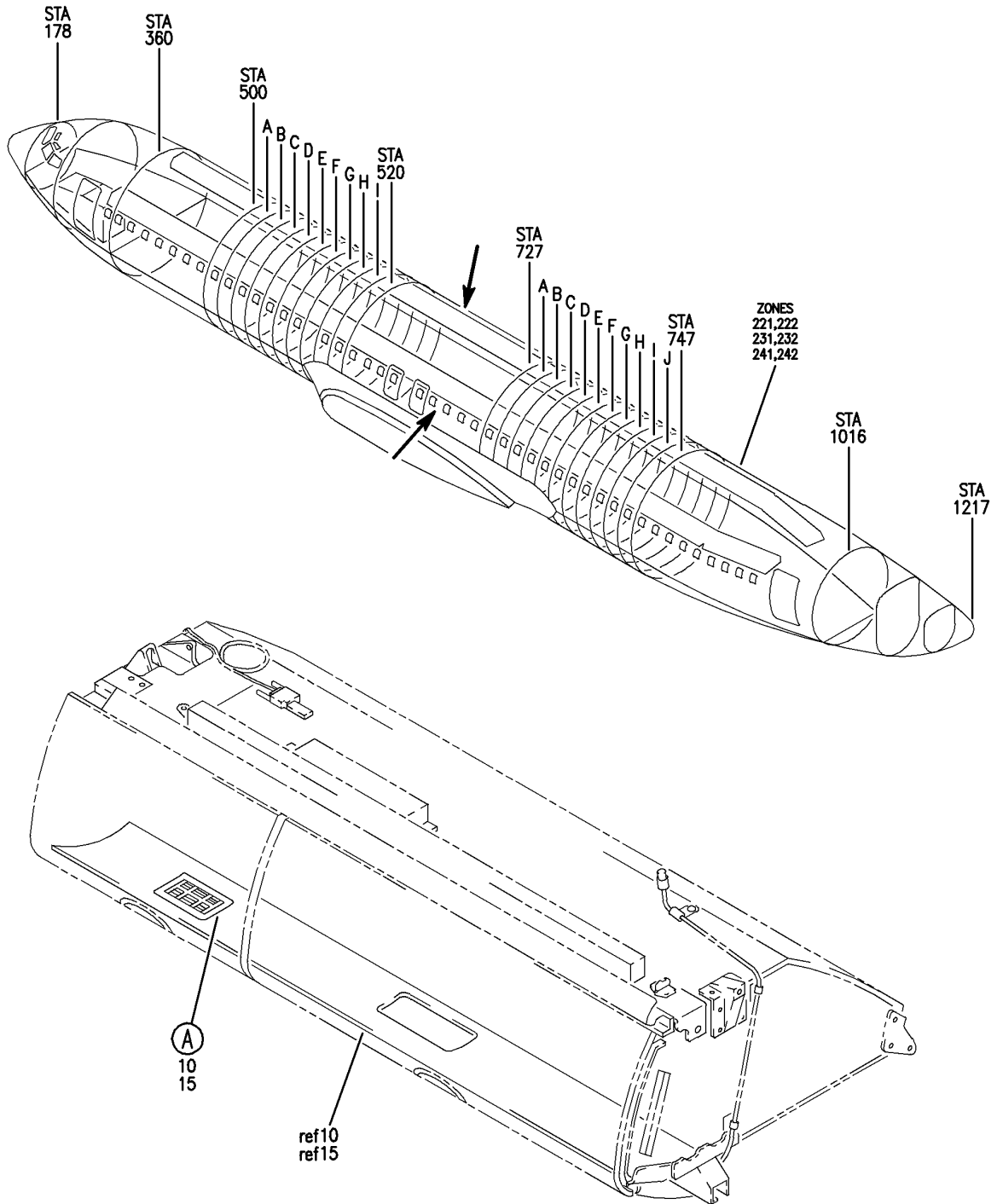
HAP

21-61-06-04

BOEING PROPRIETARY - Copyright © - Unpublished Work - See title page for details.

21-61-06
FIG. 04
PAGE 1
OCT 15/08

BOEING
 737-600/700/800/900
 PARTS CATALOG (MAINTENANCE)



E 21610605 SH1 1 REV 060

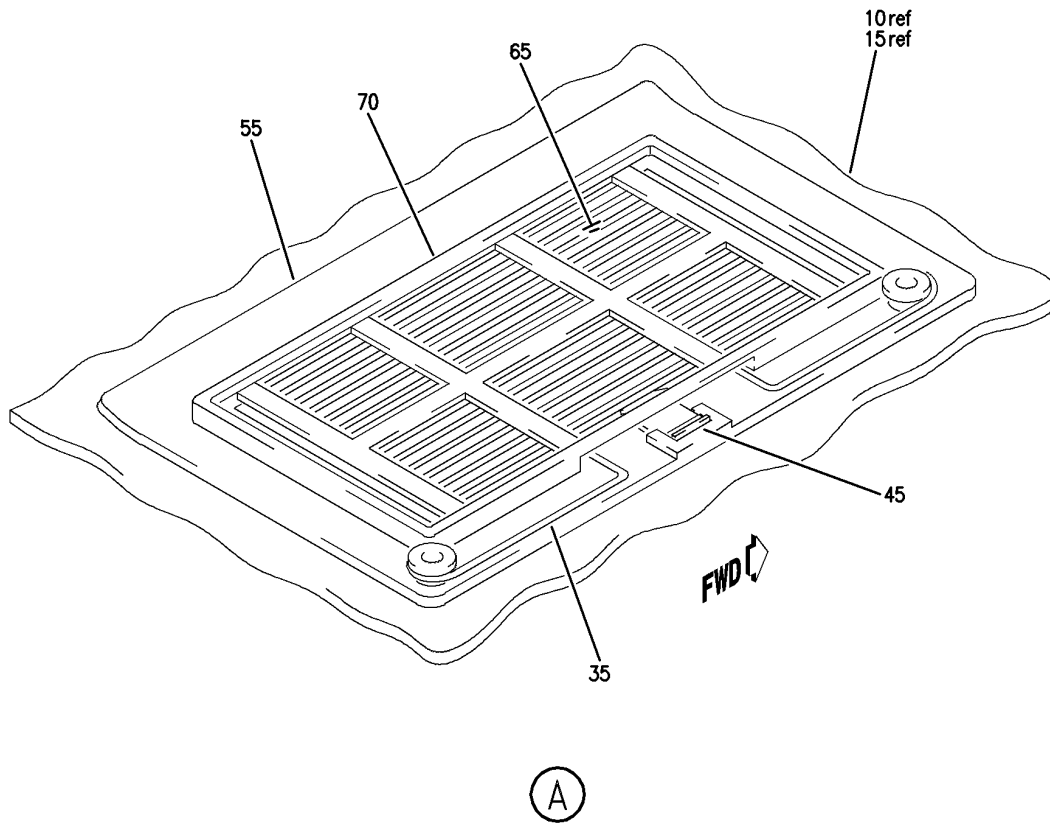
COMPARTMENT ASSY-60 IN. OVHD STOWAGE HNDRL CONFIGURATION (AIR FILTER ONLY)
 FIGURE 5 (SHEET 1)

21-61-06-05

HAP
 OCT 10/06

21-61-06-05
 PAGE 0

BOEING
737-600/700/800/900
PARTS CATALOG (MAINTENANCE)



E 21610605 SHT 2 REV 060

COMPARTMENT ASSY-60 IN. OVHD STOWAGE HANDL CONFIGURATION (AIR FILTER ONLY)
FIGURE 5 (SHEET 2)

HAP
OCT 10/06

21-61-06-05

21-61-06-05
PAGE 0A

BOEING
737-600/700/800/900
PARTS CATALOG (MAINTENANCE)

FIG ITEM	PART NUMBER	1 2 3 4 5 6 7	NOMENCLATURE	EFFECT FROM TO	UNITS PER ASSY
5			COMPARTMENT ASSY-60 IN. OVHD STOWAGE HNDRL CONFIGURATION (AIR FILTER ONLY)	001030	
- 1	412A1150-104SP		COMPARTMENT ASSY-60 IN. OVHD STOWAGE HNDRL CONFIGURATION (AIR FILTER ONLY) PRE SERVICE BULLETIN: 25-1373 FOR NHA/OTHER SYS DET SEE: 25-24-30-24B	002005 008008	RF
- 1	412A1150-304B		COMPARTMENT ASSY-60 IN. OVHD STOWAGE HNDRL CONFIGURATION (AIR FILTER ONLY) FOR NHA/OTHER SYS DET SEE: 25-24-30-24B	009030	RF
- 1	412A1150-304SP		COMPARTMENT ASSY-60 IN. OVHD STOWAGE HNDRL CONFIGURATION (AIR FILTER ONLY) POST SERVICE BULLETIN: 25-1373 FOR NHA/OTHER SYS DET SEE: 25-24-30-24B	002005 008008	RF
- 1	412A1150-4SP		COMPARTMENT ASSY-60 IN. OVHD STOWAGE HNDRL CONFIGURATION (AIR FILTER ONLY) FOR NHA/OTHER SYS DET SEE: 25-24-30-22	001001 006007	RF
15	412A1600-40A		.COVER ASSY-	001030	1
35	412N1125-1		..SPRING	001030	1
45	412N1125-2		..SPRING	001030	1
55	412N1123-3		..RETAINER	001030	1
65	412N1122-3A		..GRILLE MAINTENANCE MANUAL REF: 21-61-06	001030	1
70	412A1600-41		..FILTER MAINTENANCE MANUAL REF: 21-61-06	001030	1

MISSING ITEM NUMBERS NOT APPLICABLE

- ITEM NOT ILLUSTRATED

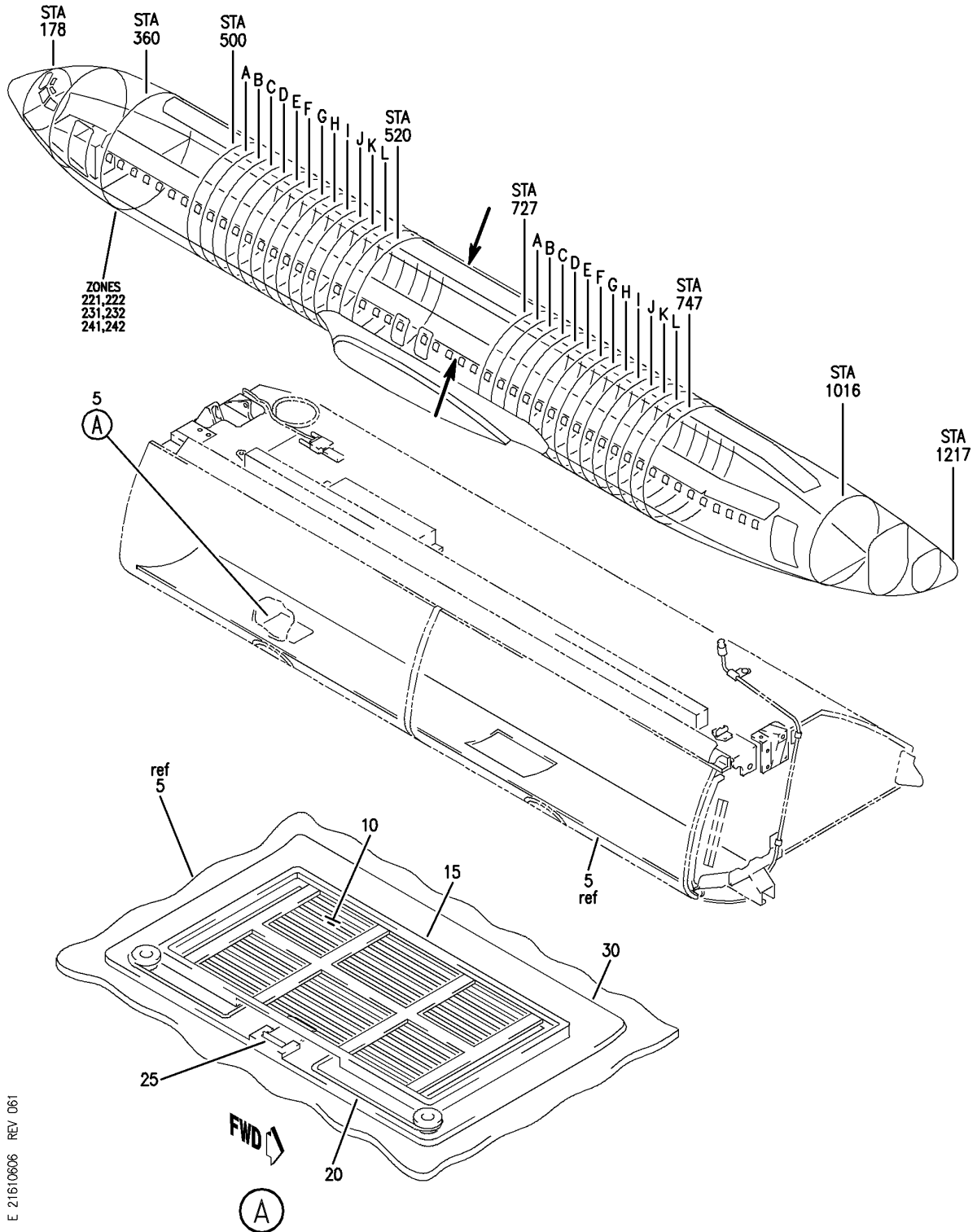
HAP

21-61-06-05

BOEING PROPRIETARY - Copyright © - Unpublished Work - See title page for details.

21-61-06
FIG. 05
PAGE 1
OCT 10/06

BOEING
737-600/700/800/900
PARTS CATALOG (MAINTENANCE)



E 21610606 REV 061

COMPARTMENT ASSY-80 IN. OVHD STOWAGE HANDLING CONFIG (CABIN TEMPERATURE SENSOR ASSEMBLY FILTER ONLY)
FIGURE 6

HAP
OCT 10/06

21-61-06-06

21-61-06-06
PAGE 0

BOEING
737-600/700/800/900
PARTS CATALOG (MAINTENANCE)

FIG ITEM	PART NUMBER	1 2 3 4 5 6 7	NOMENCLATURE	EFFECT FROM TO	UNITS PER ASSY
6			COMPARTMENT ASSY-80 IN. OVHD STOWAGE HNDRL CONFIG (CABIN TEMPERATURE SENSOR ASSEMBLY FILTER ONLY)	001030	
- 1	412A1100-124SP		COMPARTMENT ASSY-80 IN. OVHD STOWAGE HNDRL CONFIG (CABIN TEMPERATURE SENSOR ASSEMBLY FILTER ONLY) PRE SERVICE BULLETIN: 25-1373 FOR NHA/OTHER SYS DET SEE: 25-24-30-80A	002005 008008	RF
- 1	412A1100-224SP		COMPARTMENT ASSY-80 IN. OVHD STOWAGE HNDRL CONFIG (CABIN TEMPERATURE SENSOR ASSEMBLY FILTER ONLY) POST SERVICE BULLETIN: 25-1373 FOR NHA/OTHER SYS DET SEE: 25-24-30-80A	002005 008008	RF
- 1	412A1100-224B		COMPARTMENT ASSY-80 IN. OVHD STOWAGE HNDRL CONFIG (CABIN TEMPERATURE SENSOR ASSEMBLY FILTER ONLY) FOR NHA/OTHER SYS DET SEE: 25-24-30-83	009030	RF
- 1	412A1100-24SP		COMPARTMENT ASSY-80 IN. OVHD STOWAGE HNDRL CONFIG (CABIN TEMPERATURE SENSOR ASSEMBLY FILTER ONLY) PRE SERVICE BULLETIN: 25-1373 FOR NHA/OTHER SYS DET SEE: 25-24-30-80A	001001 006007	RF
- 1	002A0007-60N		COMPARTMENT ASSY-80 IN. OVHD STOWAGE HNDRL CONFIG (CABIN TEMPERATURE SENSOR ASSEMBLY FILTER ONLY) POST SERVICE BULLETIN: 25-1373 FOR NHA/OTHER SYS DET SEE: 25-24-30-80A	001001 006007	RF
5	412A1600-72SP		.COVER ASSY-HDNRL	002005 008008	1
5	412A1600-72A		.COVER ASSY-HDNRL	001001 006007 009030	1

MISSING ITEM NUMBERS NOT APPLICABLE

- ITEM NOT ILLUSTRATED

HAP

21-61-06-06

BOEING PROPRIETARY - Copyright © - Unpublished Work - See title page for details.

21-61-06
FIG. 06
PAGE 1
OCT 10/06


BOEING
 737-600/700/800/900
PARTS CATALOG (MAINTENANCE)

FIG ITEM	PART NUMBER	1 2 3 4 5 6 7	NOMENCLATURE	EFFECT FROM TO	UNITS PER ASSY
6	10 412N1122-3SP	..	GRILLE- MAINTENANCE MANUAL REF: 21-61-06	002005 008008	1
	10 412N1122-3A	..	GRILLE- MAINTENANCE MANUAL REF: 21-61-06	001001 006007 009030	1
	15 412A1600-41	..	FILTER MAINTENANCE MANUAL REF: 21-61-06	001030	1
	20 412N1125-1	..	SPRING	001030	2
	25 412N1125-2	..	SPRING	001030	2
	30 412N1123-3	..	RETAINER	001030	1

MISSING ITEM NUMBERS NOT APPLICABLE

— ITEM NOT ILLUSTRATED

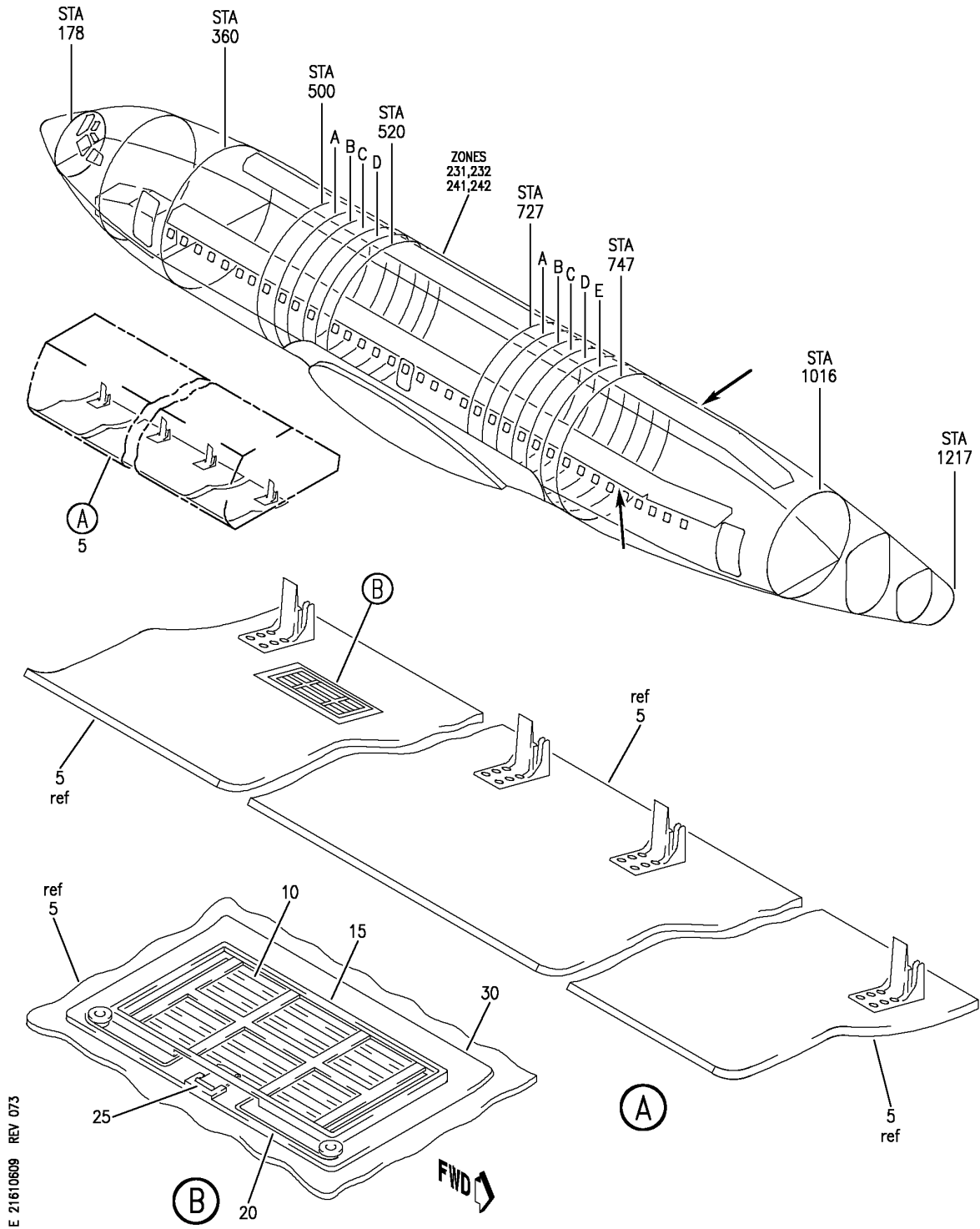
HAP

21-61-06-06

BOEING PROPRIETARY - Copyright © - Unpublished Work - See title page for details.

21-61-06
 FIG. 06
 PAGE 2
 OCT 10/06

BOEING
737-600/700/800/900
PARTS CATALOG (MAINTENANCE)



E 21610609 REV 073

TOP ASSY-FWD RH 60 IN. OVHD STOWAGE BIG BIN (CABIN TEMPERATURE SENSOR ASSEMBLY FILTER ONLY)
 FIGURE 9

HAP
 OCT 10/07

21-61-06-09

21-61-06-09
 PAGE 0

BOEING
737-600/700/800/900
PARTS CATALOG (MAINTENANCE)

FIG ITEM	PART NUMBER	1 2 3 4 5 6 7	NOMENCLATURE	EFFECT FROM TO	UNITS PER ASSY
9			TOP ASSY-FWD RH 60 IN. OVHD STOWAGE BIG BIN (CABIN TEMPERATURE SENSOR ASSEMBLY FILTER ONLY)	031200 968999	
- 1	412A1052-58B		TOP ASSY-60 IN. OVHD STOWAGE BIG BIN BULLNOSE CONFIGURATION (CABIN TEMPERATURE SENSOR ASSEMBLY FILTER ONLY) POSITION DATA: FWD RH FOR NHA/OTHER SYS DET SEE: 25-24-30-22B	101101 968971	RF
- 1	412A1052-96B		TOP ASSY-60 IN. OVHD STOWAGE BIG BIN BULLNOSE CONFIGURATION (CABIN TEMPERATURE SENSOR ASSEMBLY FILTER ONLY) POSITION DATA: FWD RH FOR NHA/OTHER SYS DET SEE: 25-24-30-26	031043	RF
- 1	412A1052-1096B		TOP ASSY-60 IN. OVHD STOWAGE BIG BIN BULLNOSE CONFIGURATION (CABIN TEMPERATURE SENSOR ASSEMBLY FILTER ONLY) POSITION DATA: FWD RH FOR NHA/OTHER SYS DET SEE: 25-24-30-26	044100	RF
- 2	412A1052-1058B		TOP ASSY-60 IN. OVHD STOWAGE BIG BIN BULLNOSE CONFIGURATION (CABIN TEMPERATURE SENSOR ASSEMBLY FILTER ONLY) POSITION DATA: FWD RH FOR NHA/OTHER SYS DET SEE: 25-24-30-22B	102200 972999	RF
5	412A1607-20B		.COVER ASSY	031200 968999	RF
10	412N1122-3A		..GRILLE	031200 968999	1
15	412A1605-41		..FILTER MAINTENANCE MANUAL REF: 21-61-06	031200 968999	1
20	412N1125-1		..SPRING	031200 968999	1

MISSING ITEM NUMBERS NOT APPLICABLE

- ITEM NOT ILLUSTRATED

HAP

21-61-06-09

BOEING PROPRIETARY - Copyright © - Unpublished Work - See title page for details.

21-61-06
FIG. 09
PAGE 1
OCT 15/08


BOEING
 737-600/700/800/900
PARTS CATALOG (MAINTENANCE)

FIG ITEM	PART NUMBER	1 2 3 4 5 6 7	NOMENCLATURE	EFFECT FROM TO	UNITS PER ASSY
9	25 412N1125-2		. . SPRING	031200 968999	1
30	412N1123-3		. . RETAINER	031200 968999	1
MISSING ITEM NUMBERS NOT APPLICABLE					

— ITEM NOT ILLUSTRATED

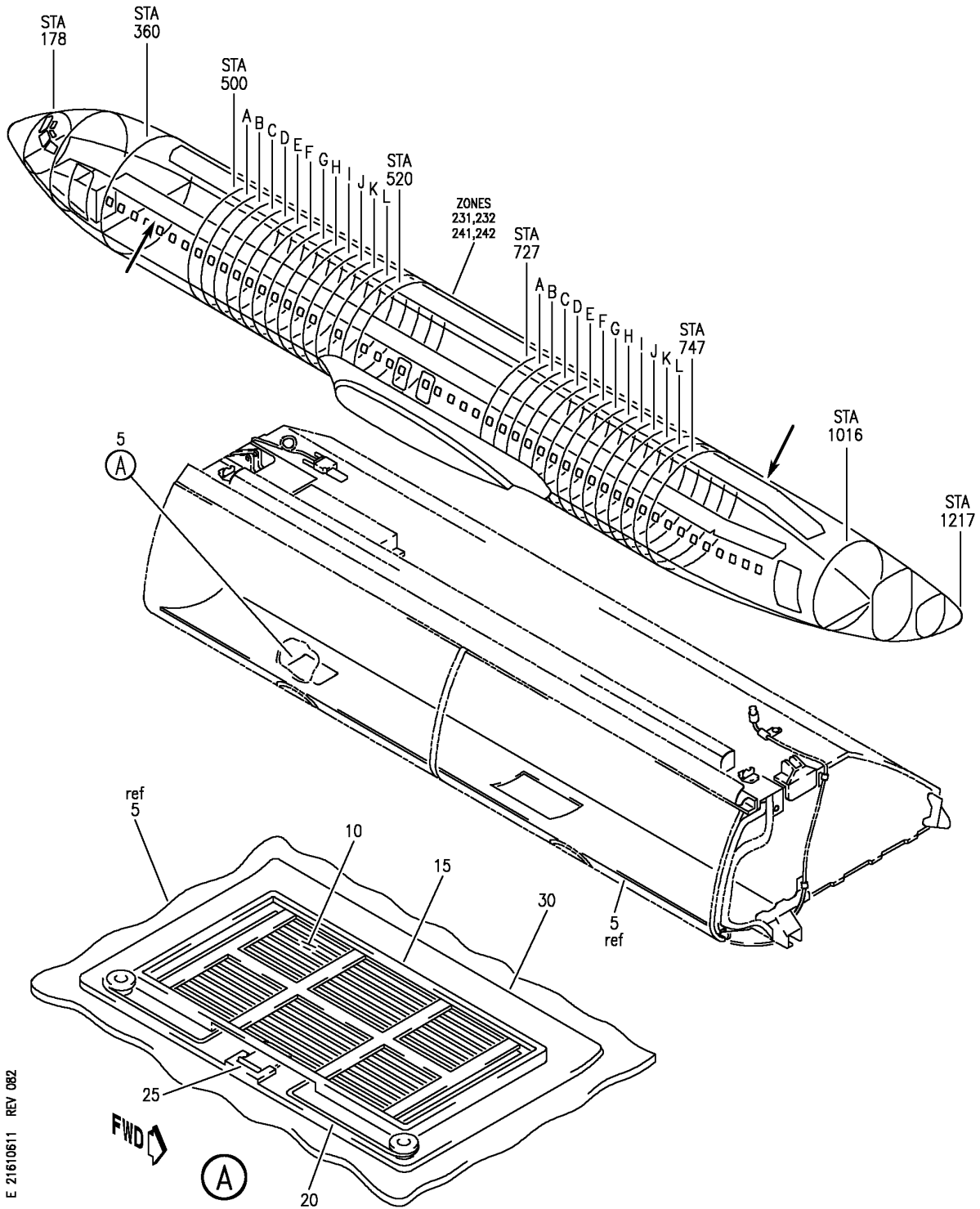
HAP

21-61-06-09

BOEING PROPRIETARY - Copyright © - Unpublished Work - See title page for details.

21-61-06
 FIG. 09
 PAGE 2
 OCT 15/08

BOEING
 737-600/700/800/900
 PARTS CATALOG (MAINTENANCE)



E 21610611 REV 082

TOP ASSY-80 IN. BIG BIN OVHD STOWAGE BULLNOSE CONFIG (CABIN TEMPERATURE SENSOR ASSEMBLY FILTER ONLY)
 FIGURE 11

HAP
 OCT 10/06

21-61-06-11

21-61-06-11
 PAGE 0

BOEING
737-600/700/800/900
PARTS CATALOG (MAINTENANCE)

FIG ITEM	PART NUMBER	1 2 3 4 5 6 7	NOMENCLATURE	EFFECT FROM TO	UNITS PER ASSY
11			TOP ASSY-80 IN. BIG BIN OVHD STOWAGE BULLNOSE CONFIG (CABIN TEMPERATURE SENSOR ASSEMBLY FILTER ONLY)	031100	
- 1	412A1057-32B		TOP ASSY-80 IN. BIG BIN OVHD STOWAGE BULLNOSE CONFIG (CABIN TEMPERATURE SENSOR ASSEMBLY FILTER ONLY) POSITION DATA: RH FOR NHA/OTHER SYS DET SEE: 25-24-30-84	031043	RF
- 1	412A1057-1032B		TOP ASSY-80 IN. BIG BIN OVHD STOWAGE BULLNOSE CONFIG (CABIN TEMPERATURE SENSOR ASSEMBLY FILTER ONLY) POSITION DATA: RH POST RAPID REVISION: RR97237-17B FOR NHA/OTHER SYS DET SEE: 25-24-30-84	044100	RF
5	412A1607-36B		.COVER ASSY	031100	RF
10	412N1122-3A		..GRILLE	031100	1
15	412A1605-41		..FILTER MAINTENANCE MANUAL REF: 21-61-06	031100	1
20	412N1125-1		..SPRING	031100	2
25	412N1125-2		..SPRING	031100	2
30	412N1123-3		..RETAINER	031100	1

MISSING ITEM NUMBERS NOT APPLICABLE

- ITEM NOT ILLUSTRATED

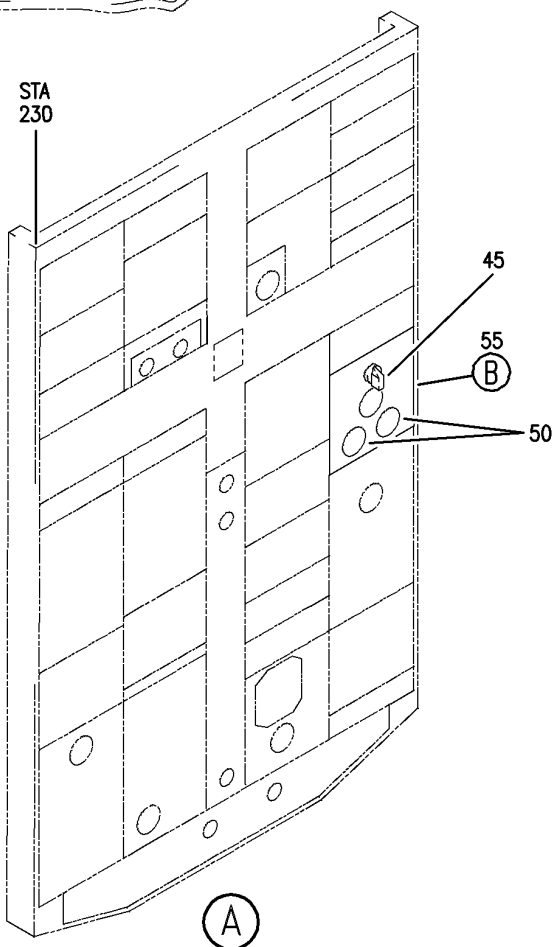
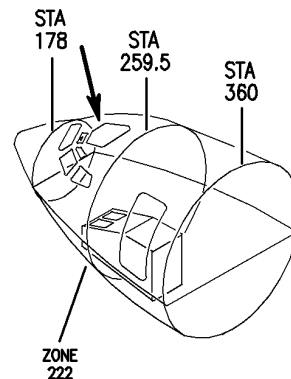
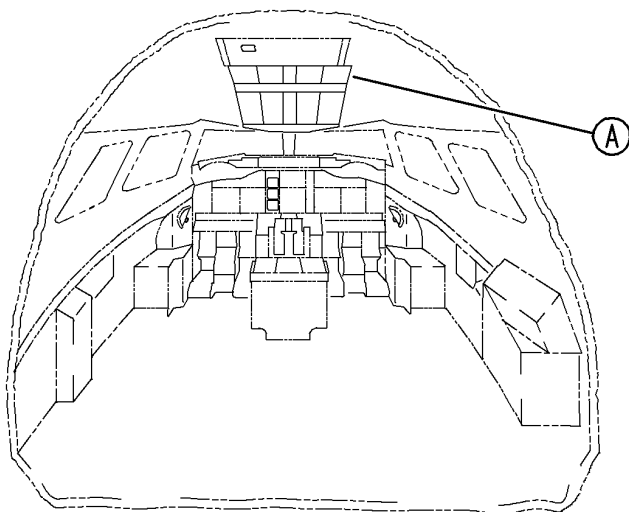
HAP

21-61-06-11

BOEING PROPRIETARY - Copyright © - Unpublished Work - See title page for details.

21-61-06
FIG. 11
PAGE 1
FEB 15/09

BOEING
 737-600/700/800/900
 PARTS CATALOG (MAINTENANCE)



E 21610701 SHT 1 REV 047

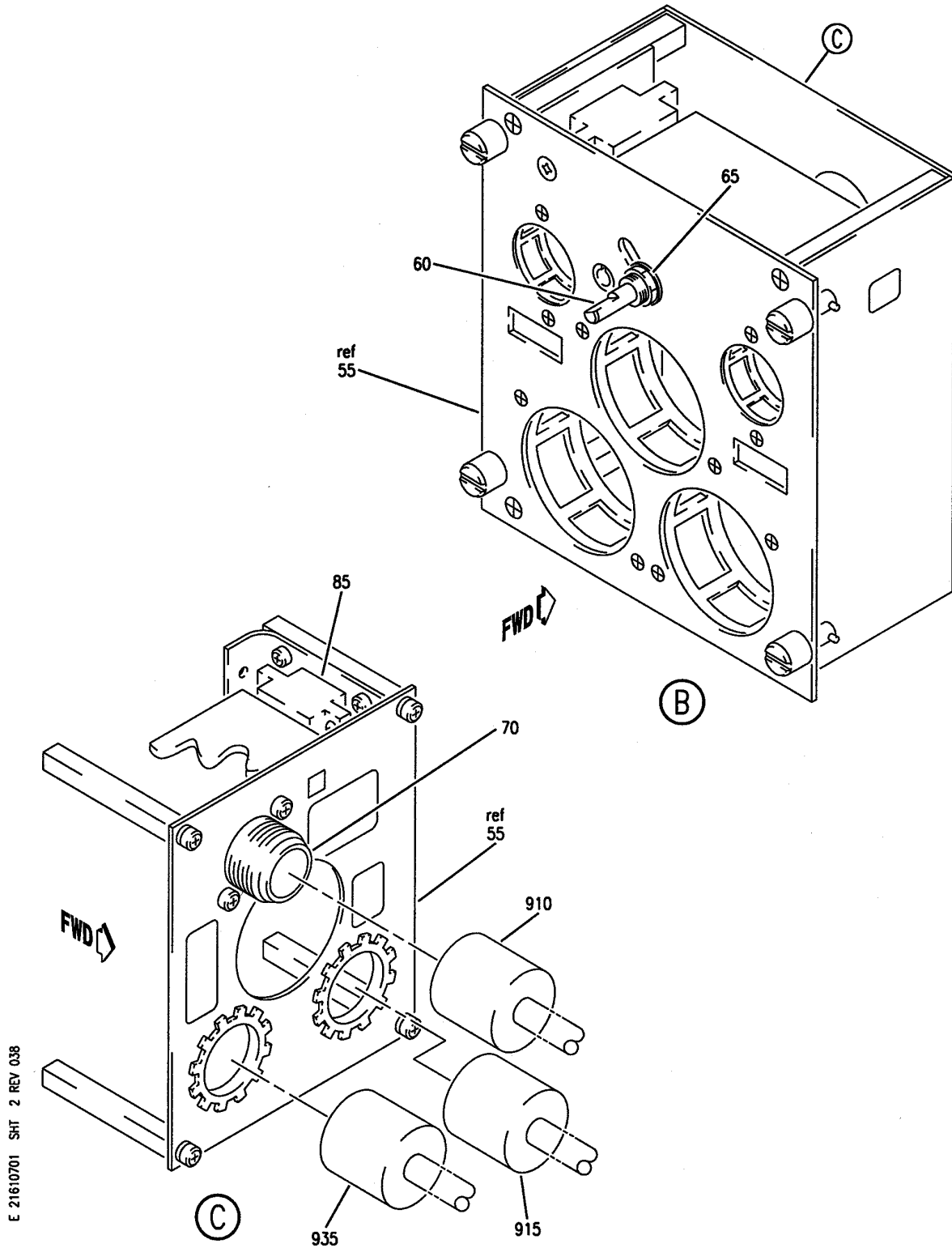
MODULE INSTL-P5 OVHD (CABIN TEMPERATURE SELECTOR ONLY)
 FIGURE 1 (SHEET 1)

21-61-07-01

HAP
 OCT 15/08

21-61-07-01
 PAGE 0

BOEING
737-600/700/800/900
PARTS CATALOG (MAINTENANCE)



MODULE INSTL-P5 OVHD (CABIN TEMPERATURE SELECTOR ONLY)
FIGURE 1 (SHEET 2)

21-61-07-01

HAP
OCT 15/08

21-61-07-01
PAGE 0A

BOEING
737-600/700/800/900
PARTS CATALOG (MAINTENANCE)

FIG ITEM	PART NUMBER	1 2 3 4 5 6 7	NOMENCLATURE	EFFECT FROM TO	UNITS PER ASSY
1			MODULE INSTL-P5 OVHD (CABIN TEMPERATURE SELECTOR ONLY)	201967	
- 3	233A3101-74		MODULE INSTL-P5 OVHD (CABIN TEMPERATURE SELECTOR ONLY) FOR NHA/OTHER SYS DET SEE: 31-11-00-01J	201967	RF
45	GP043-102		.KNOB- SUPPLIER CODE: V81590	201967	1
50	607400-1-1		.SELECTOR-CAB. TEMP SUPPLIER CODE: V07217 ELECTRICAL EQUIP NUMBER: M00392 M00393 COMPONENT MAINT MANUAL REF: 21-60-51 MAINTENANCE MANUAL REF: 21-61-07	201967	2
50	607400-1		.SELECTOR-CAB. TEMP SUPPLIER CODE: V07217 ELECTRICAL EQUIP NUMBER: M00392 M00393 COMPONENT MAINT MANUAL REF: 21-60-51 MAINTENANCE MANUAL REF: 21-61-07	201967	2
55	69-37324-18		.MODULE ASSY-CAB. TEMP P5-17 SUPPLIER CODE: V89954 ELECTRICAL EQUIP NUMBER: P00517 COMPONENT MAINT MANUAL REF: 31-36-31 MAINTENANCE MANUAL REF: 21-61-15	201967	RF
60	1-1919-1S2		..SWITCH-ROTARY SUPPLIER CODE: V91812 SPECIFICATION NUMBER: BACS30AZ3-1S2	201967	1
65	MS25082-7		..NUT	201967	1
70	BACC45FN16-24P6		..CONNECTOR	201967	1
- 75	BACS12CB04-5		ATTACHING PARTS ..SCREW	201967	2

MISSING ITEM NUMBERS NOT APPLICABLE

- ITEM NOT ILLUSTRATED

HAP

21-61-07-01

BOEING PROPRIETARY - Copyright © - Unpublished Work - See title page for details.

21-61-07
FIG. 01
PAGE 1
FEB 15/09

BOEING
737-600/700/800/900
PARTS CATALOG (MAINTENANCE)

FIG ITEM	PART NUMBER	1 2 3 4 5 6 7	NOMENCLATURE	EFFECT FROM TO	UNITS PER ASSY
1					
- 80	K19798-04		..NUT SUPPLIER CODE: V15653 SPECIFICATION NUMBER: BACN10NW1 OPTIONAL PART: RMA4812-160-40 V72962 293162 V60119 -----*-----	201967	2
85	582551-1		..CONNECTOR- SUPPLIER CODE: V00779 ATTACHING PARTS	201967	1
- 90	BACS12CB06-14		..SCREW	201967	2
- 95	NAS43DD1-17		..SPACER	201967	2
- 100	NAS679A06W		..NUT -----*-----	201967	2
- 901	286A2216-026		WIRE BUNDLE ASSY- REWORKED BY ALERT SB: 24A1141R1	201967	RF
- 905	280A3109-13301		.TAPE-ID PLACARD CONTENT: D00618 M/W M00392 CONT CAB TEMP POST ALERT SB: 24A1141R1	201967	1
- 907	280A3109-13501		.TAPE-ID PLACARD CONTENT: D00656 M/W P005-17 J1 CAB TEMP POST ALERT SB: 24A1141R1	201967	1
910	BACC45FT16-24S6		.PLUG- ELECTRICAL EQUIP NUMBER: D00656 WIRING DIAGRAM REF: 215121	201967	1
915	BACC45FT12-12S6		.PLUG- ELECTRICAL EQUIP NUMBER: D00618 WIRING DIAGRAM REF: 216111	201967	1
- 927	286A2218-047		WIRE BUNDLE ASSY- REWORKED BY ALERT SB: 24A1141R1	201967	RF

MISSING ITEM NUMBERS NOT APPLICABLE

- ITEM NOT ILLUSTRATED

HAP

21-61-07-01

BOEING PROPRIETARY - Copyright © - Unpublished Work - See title page for details.

21-61-07
FIG. 01
PAGE 2
FEB 15/09


BOEING
 737-600/700/800/900
PARTS CATALOG (MAINTENANCE)

FIG ITEM	PART NUMBER	1 2 3 4 5 6 7	NOMENCLATURE	EFFECT FROM TO	UNITS PER ASSY
1 - 934	280A3109-13401		.TAPE-ID PLACARD CONTENT: D00620 M/W M00393 CONT CAB TEMP POST ALERT SB: 24A1141R1	201967	1
935	BACC45FT12-12S6		.PLUG- ELECTRICAL EQUIP NUMBER: D00620 WIRING DIAGRAM REF: 215111	201967	1

MISSING ITEM NUMBERS NOT APPLICABLE

- ITEM NOT ILLUSTRATED

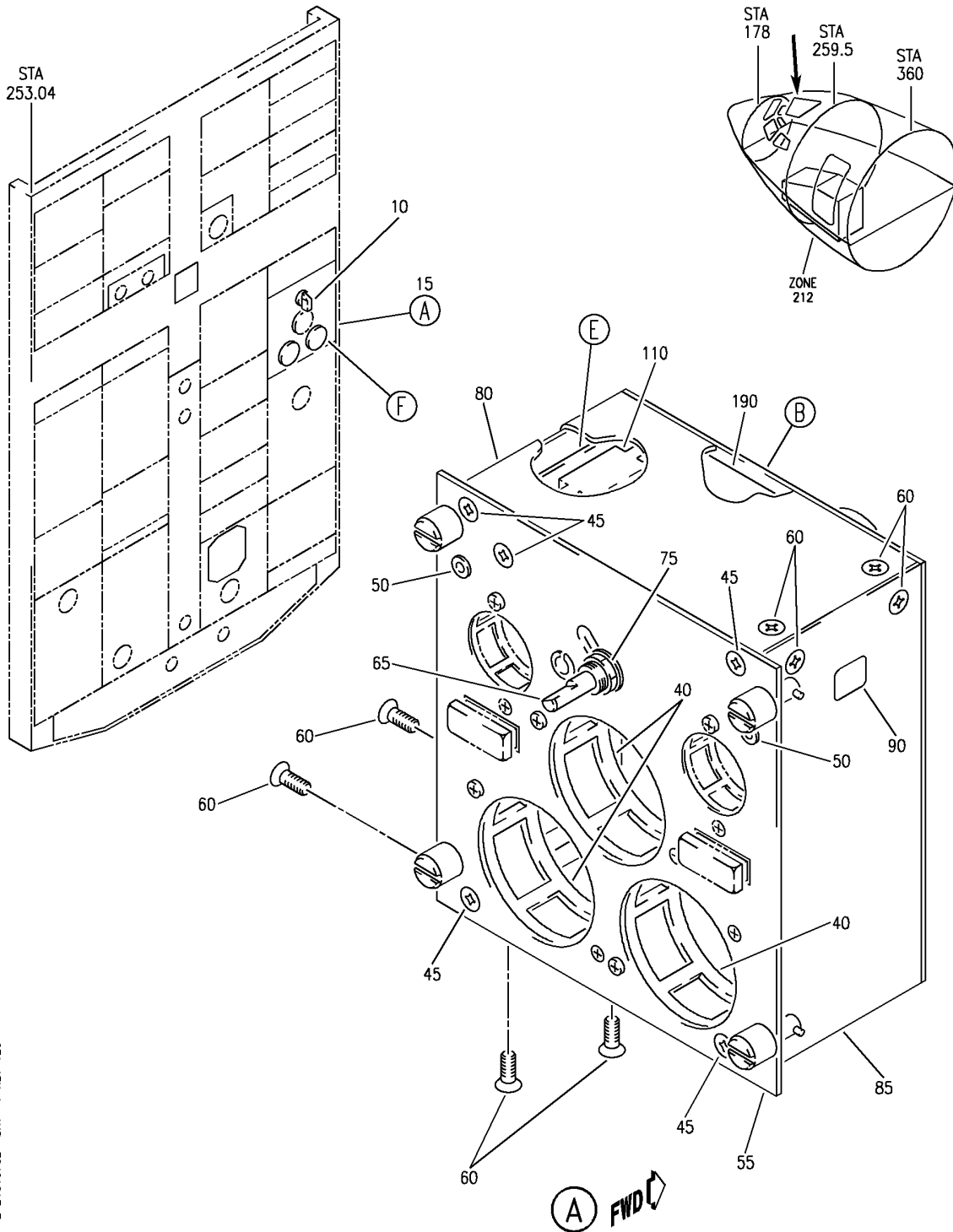
HAP

21-61-07-01

BOEING PROPRIETARY - Copyright © - Unpublished Work - See title page for details.

21-61-07
 FIG. 01
 PAGE 3
 FEB 15/09

BOEING
 737-600/700/800/900
 PARTS CATALOG (MAINTENANCE)



E 21610702 SHT 1 REV 120

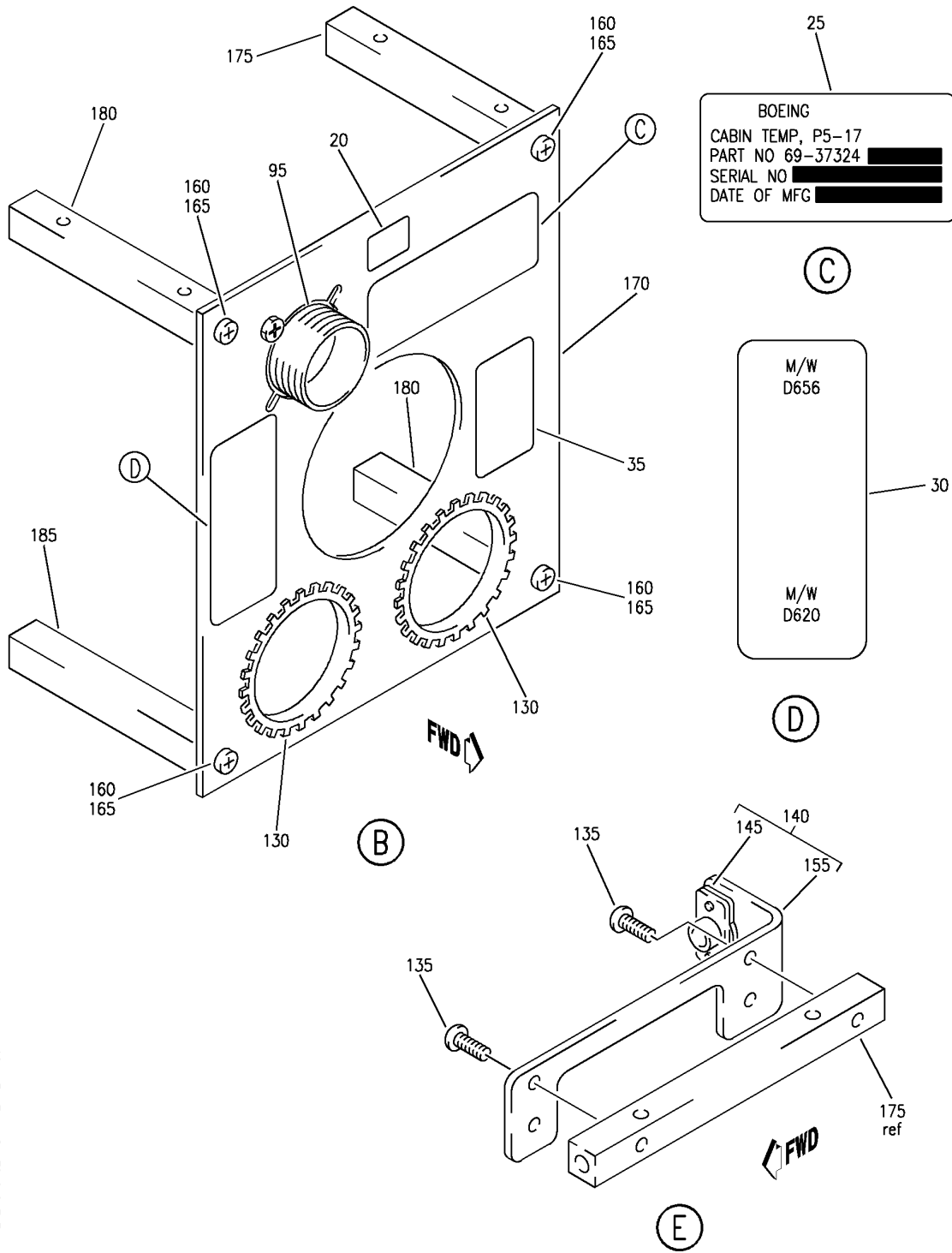
MODULE INSTL-P5 OVHD 600/700 MINOR MODEL (CABIN TEMPERATURE SELECTOR ONLY)
 FIGURE 2 (SHEET 1)

21-61-07-02

HAP
 FEB 10/07

21-61-07-02
 PAGE 0

BOEING
737-600/700/800/900
PARTS CATALOG (MAINTENANCE)



E 21610702 SHT 2 REV 106

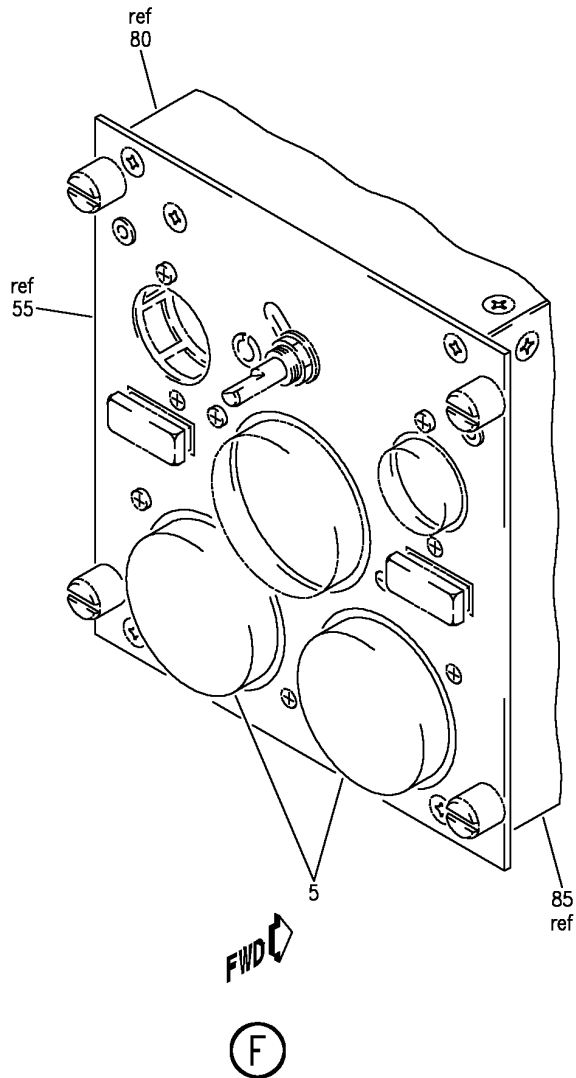
MODULE INSTL-P5 OVHD 600/700 MINOR MODEL (CABIN TEMPERATURE SELECTOR ONLY)
FIGURE 2 (SHEET 2)

21-61-07-02

HAP
FEB 10/07

21-61-07-02
PAGE 0A

BOEING
737-600/700/800/900
PARTS CATALOG (MAINTENANCE)



E 21610702 SH1 3 REV 150

MODULE INSTL-P5 OVHD 600/700 MINOR MODEL (CABIN TEMPERATURE SELECTOR ONLY)
FIGURE 2 (SHEET 3)

HAP
FEB 15/09

21-61-07-02

21-61-07-02
PAGE 0B

BOEING
737-600/700/800/900
PARTS CATALOG (MAINTENANCE)

FIG ITEM	PART NUMBER	1 2 3 4 5 6 7	NOMENCLATURE	EFFECT FROM TO	UNITS PER ASSY
2			MODULE INSTL-P5 OVHD 600/700 MINOR MODEL (CABIN TEMPERATURE SELECTOR ONLY)	101200 968999	
- 1	MODREF82408		MODULE INSTL-P5 OVHD (CABIN TEMPERATURE SELECTOR ONLY) MODULE NUMBER: 233A3104-215101 REV A FOR OTHER SYS DETAILS SEE: 11-31-01-37G 21-25-02-09 21-51-65-01 31-11-94-04X 33-11-52-02X 49-52-52-01 FOR ADDITIONAL DETAILS SEE: 21-61-05-07 21-61-33-01 21-61-52-01	101200 968999	1
5	607400-1-1		.SELECTOR-CAB. TEMP SUPPLIER CODE: V07217 ELECTRICAL EQUIP NUMBER: M00392 M00393 COMPONENT MAINT MANUAL REF: 21-60-51 MAINTENANCE MANUAL REF: 21-61-07	101200 968999	2
5	607400-1		.SELECTOR-CAB. TEMP SUPPLIER CODE: V07217 ELECTRICAL EQUIP NUMBER: M00392 M00393 COMPONENT MAINT MANUAL REF: 21-60-51 MAINTENANCE MANUAL REF: 21-61-07	101200 968999	2
10	GP043-102		.KNOB- SUPPLIER CODE: V81590	101200 968999	1

R
R
R
R
R
R
R
R
R

MISSING ITEM NUMBERS NOT APPLICABLE

- ITEM NOT ILLUSTRATED

HAP

21-61-07-02

BOEING PROPRIETARY - Copyright © - Unpublished Work - See title page for details.

21-61-07
FIG. 02
PAGE 1
JUN 15/09

BOEING
737-600/700/800/900
PARTS CATALOG (MAINTENANCE)

FIG ITEM	PART NUMBER	1 2 3 4 5 6 7	NOMENCLATURE	EFFECT FROM TO	UNITS PER ASSY
2					
15	69-37324-18		.MODULE ASSY-CAB. TEMP SUPPLIER CODE: V89954 ELECTRICAL EQUIP NUMBER: P00517 COMPONENT MAINT MANUAL REF: 31-36-31 MAINTENANCE MANUAL REF: 21-61-15	101200 968999	RF
20	BACM10L00-1CU		..MARKER-ALUMINUM FOIL PLACARD CONTENT: UP	101200 968999	1
25	BAC27DCC237		..MARKER-ALUMINUM FOIL	101200 968999	1
30	BAC27DCC251		..MARKER-ALUMINUM FOIL SUPPLIER CODE: V89954	101200 968999	1
35	BAC27DCC256		..MARKER-ALUMINUM FOIL SUPPLIER CODE: V89954	101200 968999	1
40	MBG59235		..CLAMP SUPPLIER CODE: V98625 SPECIFICATION NUMBER: BACC10EL3 OPTIONAL PART: 640003 V91893	101200 968999	3
45	NAS514P632-5		..SCREW	101200 968999	5
50	SF6G6CBB5D		..NUT SUPPLIER CODE: V12324 SPECIFICATION NUMBER: BACN10PA06-6	101200 968999	2
55	69-37324-7		..BASEPLATE- SUPPLIER CODE: V89954	101200 968999	1
60	NAS514P440-4		..SCREW	101200 968999	8
65	1-1919-1S2		..SWITCH-ROTARY SUPPLIER CODE: V91812 SPECIFICATION NUMBER: BACS30AZ3-1S2	101200 968999	1
75	MS25082-7		..NUT	101200 968999	1

MISSING ITEM NUMBERS NOT APPLICABLE

— ITEM NOT ILLUSTRATED

HAP

21-61-07-02

BOEING PROPRIETARY - Copyright © - Unpublished Work - See title page for details.

21-61-07
FIG. 02
PAGE 2
FEB 15/09

BOEING
737-600/700/800/900
PARTS CATALOG (MAINTENANCE)

FIG ITEM	PART NUMBER	1 2 3 4 5 6 7	NOMENCLATURE	EFFECT FROM TO	UNITS PER ASSY
2					
80	69-40716-9	..	COVER ASSY- SUPPLIER CODE: V89954 OPTIONAL PART: 69-40716-5 V89954	101200 968999	1
80	69-40716-5	..	COVER- SUPPLIER CODE: V89954 OPTIONAL PART: 69-40716-9 V89954	101200 968999	1
85	69-40716-8	..	COVER ASSY- SUPPLIER CODE: V89954 OPTIONAL PART: 69-40716-1 V89954	101200 968999	1
85	69-40716-1	..	COVER ASSY- SUPPLIER CODE: V89954 OPTIONAL PART: 69-40716-8 V89954	101200 968999	1
90	BAC27DCC404	...	MARKER-ALUMINUM FOIL SUPPLIER CODE: V89954	101200 968999	1
95	BACC45FN16-24P6	..	CONNECTOR	101200 968999	1
			ATTACHING PARTS		
- 100	BACS12CB04-5	..	SCREW	101200 968999	2
- 105	K19798-04	..	NUT SUPPLIER CODE: V15653 SPECIFICATION NUMBER: BACN10NW1 OPTIONAL PART: RMA4812-160-40 V72962 293162 V60119	101200 968999	2
			-----*-----		
110	582551-1	..	CONNECTOR- SUPPLIER CODE: V00779	101200 968999	1
			ATTACHING PARTS		
- 115	BACS12CB06-14	..	SCREW	101200 968999	2

MISSING ITEM NUMBERS NOT APPLICABLE

- ITEM NOT ILLUSTRATED

HAP

21-61-07-02

BOEING PROPRIETARY - Copyright © - Unpublished Work - See title page for details.

21-61-07
FIG. 02
PAGE 3
FEB 15/09

BOEING
737-600/700/800/900
PARTS CATALOG (MAINTENANCE)

FIG ITEM	PART NUMBER	1 2 3 4 5 6 7	NOMENCLATURE	EFFECT FROM TO	UNITS PER ASSY
2					
- 120	NAS43DD1-17	..	SPACER	101200 968999	2
- 125	NAS679A06W	..	NUT	101200 968999	2
			-----*-----		
130	BACG20ZA000393	..	GROMMET	101200 968999	2
135	BACS12CB04-4	..	SCREW	101200 968999	2
140	69-40716-3	..	PLATE ASSY-MTG SUPPLIER CODE: V89954	101200 968999	1
145	NAS686A06	...	NUTPLATE	101200 968999	1
			ATTACHING PARTS		
- 150	MS20426D3	...	RIVET- SIZE DETERMINED ON INSTL. -----*-----	101200 968999	2
155	69-40716-4	...	PLATE-CONN SUPPLIER CODE: V89954	101200 968999	1
160	BACS12CB06-5	..	SCREW	101200 968999	4
165	MS35337-41	..	WASHER	101200 968999	4
170	69-40716-2	..	BACKPLATE- SUPPLIER CODE: V89954	101200 968999	1
175	69-37324-4	..	STANDOFF- SUPPLIER CODE: V89954	101200 968999	1
180	69-37268-3	..	STANDOFF	101200 968999	2
185	69-37268-4	..	STANDOFF	101200 968999	1
190	69-39653-1	..	PC ASSY- SUPPLIER CODE: V89954 COMPONENT MAINT MANUAL REF: 31-36-34	101200 968999	1

MISSING ITEM NUMBERS NOT APPLICABLE

- ITEM NOT ILLUSTRATED

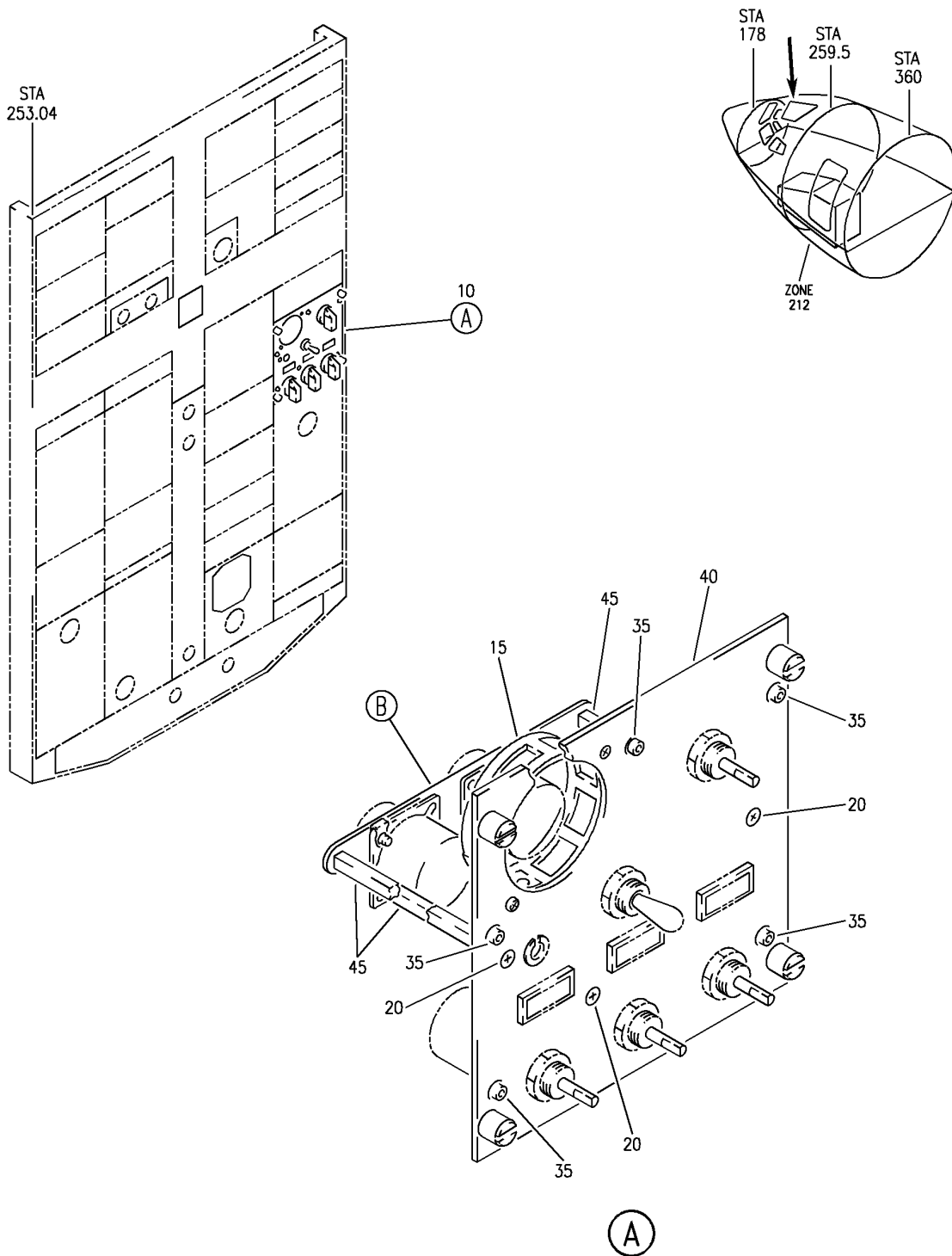
HAP

21-61-07-02

BOEING PROPRIETARY - Copyright © - Unpublished Work - See title page for details.

21-61-07
FIG. 02
PAGE 4
FEB 15/09

BOEING
 737-600/700/800/900
 PARTS CATALOG (MAINTENANCE)



E 21610703 SHT 1 REV 120

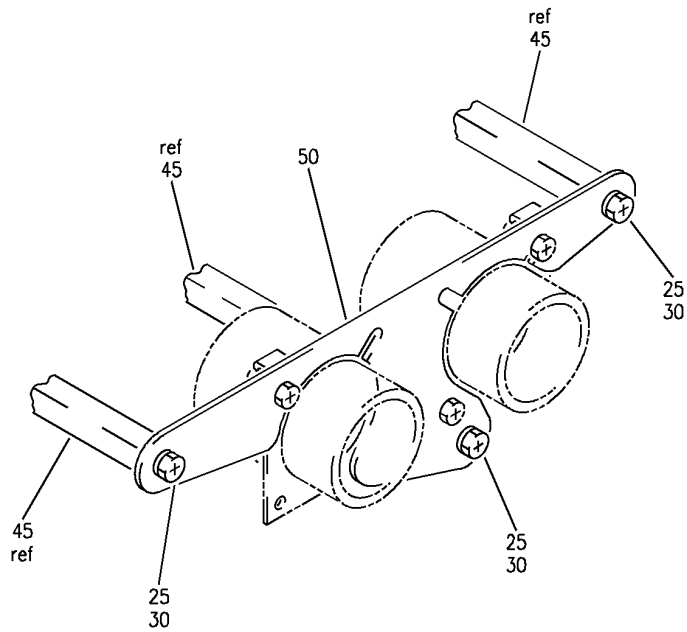
MODULE INSTL-P5 OVHD 800/900 MINOR MODEL (CABIN TEMPERATURE SELECTOR ONLY)
 FIGURE 3 (SHEET 1)

HAP
 OCT 10/06

21-61-07-03

21-61-07-03
 PAGE 0

BOEING
737-600/700/800/900
PARTS CATALOG (MAINTENANCE)



FWD  (B)

E 21610703 SH1 2 REV 120

MODULE INSTL-P5 OVHD 800/900 MINOR MODEL (CABIN TEMPERATURE SELECTOR ONLY)
FIGURE 3 (SHEET 2)

HAP
OCT 10/06

21-61-07-03

21-61-07-03
PAGE 0A


BOEING
 737-600/700/800/900
PARTS CATALOG (MAINTENANCE)

FIG ITEM	PART NUMBER	1 2 3 4 5 6 7	NOMENCLATURE	EFFECT FROM TO	UNITS PER ASSY
3			MODULE INSTL-P5 OVHD 800/900 MINOR MODEL (CABIN TEMPERATURE SELECTOR ONLY)	029100	
- 1	233A3104-215102		MODULE INSTL-P5 OVHD 800/900 MINOR MODEL (CABIN TEMPERATURE SELECTOR ONLY)	029030	RF
- 1	MODREF82409		FOR NHA/OTHER SYS DET SEE: 31-11-00-02C MODULE INSTL-P5 OVHD 800/900 MINOR MODEL (CABIN TEMPERATURE SELECTOR ONLY)	031100	1
R			MODULE NUMBER: 233A3104-215102 REV A		
R			FOR OTHER SYS DETAILS SEE:		
R			11-31-01-24Q		
R			11-31-01-39Z		
R			21-25-02-09		
R			21-51-65-01A		
R			21-62-51-01		
R			31-11-94-07Q		
R			31-11-94-12		
R			33-11-52-06K		
R			33-11-52-13		
R			49-52-52-01		
R			FOR ADDITIONAL DETAILS SEE:		
R			21-61-20-03		
R			21-61-52-01		
10	69-37324-78		.MODULE ASSY-CAB. TEMP SUPPLIER CODE: V89954 ELECTRICAL EQUIP NUMBER: P00517 COMPONENT MAINT MANUAL REF: 31-36-99 MAINTENANCE MANUAL REF: 21-61-15	029100	RF
15	MBG59235		..CLAMP SUPPLIER CODE: V98625 SPECIFICATION NUMBER: BACC10EL3 OPTIONAL PART: 640003 V91893	029100	1
20	NAS514P632-5		..SCREW	029100	3
25	NAS1801-06-5		..SCREW	029100	3

MISSING ITEM NUMBERS NOT APPLICABLE

- ITEM NOT ILLUSTRATED

HAP

21-61-07-03

BOEING PROPRIETARY - Copyright © - Unpublished Work - See title page for details.

21-61-07
 FIG. 03
 PAGE 1
 JUN 15/09

BOEING
737-600/700/800/900
PARTS CATALOG (MAINTENANCE)

FIG ITEM	PART NUMBER	1 2 3 4 5 6 7	NOMENCLATURE	EFFECT FROM TO	UNITS PER ASSY
3					
30	MS35338-41	..	WASHER	029100	3
35	SF6G6CBB5D	..	NUT	029100	5
			SUPPLIER CODE: V12324		
			SPECIFICATION NUMBER: BACN10PA06-6		
40	69-37324-79	..	BASEPLATE-	029100	1
			SUPPLIER CODE: V89954		
45	69-37268-8	..	STANDOFF	029100	3
50	69-37324-76	..	BACKPLATE-	029100	1
			SUPPLIER CODE: V89954		

MISSING ITEM NUMBERS NOT APPLICABLE

— ITEM NOT ILLUSTRATED

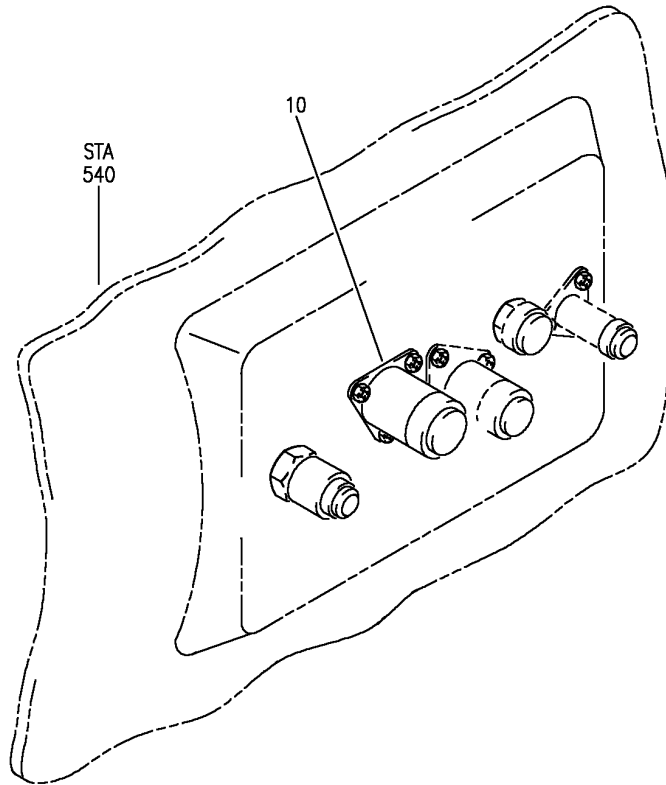
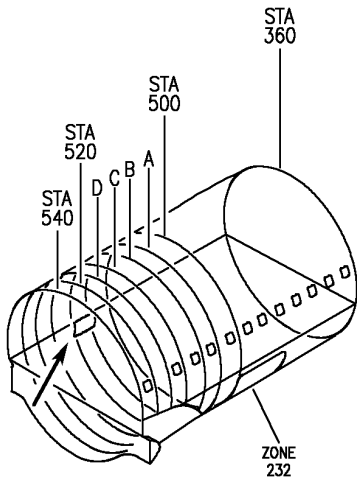
HAP

21-61-07-03

BOEING PROPRIETARY - Copyright © - Unpublished Work - See title page for details.

21-61-07
FIG. 03
PAGE 2
JUN 15/09

BOEING
737-600/700/800/900
PARTS CATALOG (MAINTENANCE)



E 21610820 REV 150

DUCT INSTL-OVHD AIR DISTR SYS (DUCT TEMPERATURE ANTICIPATOR SENSOR ONLY)
FIGURE 20

HAP
FEB 15/09

21-61-08-20

21-61-08-20
PAGE 0

BOEING
737-600/700/800/900
PARTS CATALOG (MAINTENANCE)

FIG ITEM	PART NUMBER	1 2 3 4 5 6 7	NOMENCLATURE	EFFECT FROM TO	UNITS PER ASSY
20			DUCT INSTL-OVHD AIR DISTR SYS (DUCT TEMPERATURE ANTICIPATOR SENSOR ONLY)	101200 968999	
- 1	MODREF232298		DUCT INSTL-OVHD AIR DISTR SYS (DUCT TEMPERATURE ANTICIPATOR SENSOR ONLY) MODULE NUMBER: 214A2002-25B REV B FOR OTHER SYS DETAILS SEE: 21-23-01-20A FOR ADDITIONAL DETAILS SEE: 21-61-04-20 21-61-05-20 21-61-30-20	101105 968999	1
- 1	MODREF362511		DUCT INSTL-OVHD AIR DISTR SYS (DUCT TEMPERATURE ANTICIPATOR SENSOR ONLY) MODULE NUMBER: 214A2002-25B REV C FOR OTHER SYS DETAILS SEE: 21-23-01-20A FOR ADDITIONAL DETAILS SEE: 21-61-04-20 21-61-05-20 21-61-30-20	106106	1
- 1	MODREF402147		DUCT INSTL-OVHD AIR DISTR SYS (DUCT TEMPERATURE ANTICIPATOR SENSOR ONLY) MODULE NUMBER: 214A2002-25B REV D FOR OTHER SYS DETAILS SEE: 21-23-01-20A FOR ADDITIONAL DETAILS SEE: 21-61-04-20 21-61-05-20 21-61-30-20	107200	1
10	548384-1		.ANTICIPATOR-TEMP SUPPLIER CODE: V07217 SPECIFICATION NUMBER: 10-60498-4 ELECTRICAL EQUIP NUMBER: T00417 MAINTENANCE MANUAL REF: 21-61-08	101200 968999	1

MISSING ITEM NUMBERS NOT APPLICABLE

- ITEM NOT ILLUSTRATED

HAP

21-61-08-20

BOEING PROPRIETARY - Copyright © - Unpublished Work - See title page for details.

21-61-08
FIG. 20
PAGE 1
FEB 15/09


BOEING
 737-600/700/800/900
PARTS CATALOG (MAINTENANCE)

FIG ITEM	PART NUMBER	1 2 3 4 5 6 7 NOMENCLATURE	EFFECT FROM TO	UNITS PER ASSY
20 - 15	NAS1802-08-7P	ATTACHING PARTS . SCREW -----*-----	101200 968999	3

MISSING ITEM NUMBERS NOT APPLICABLE

- ITEM NOT ILLUSTRATED

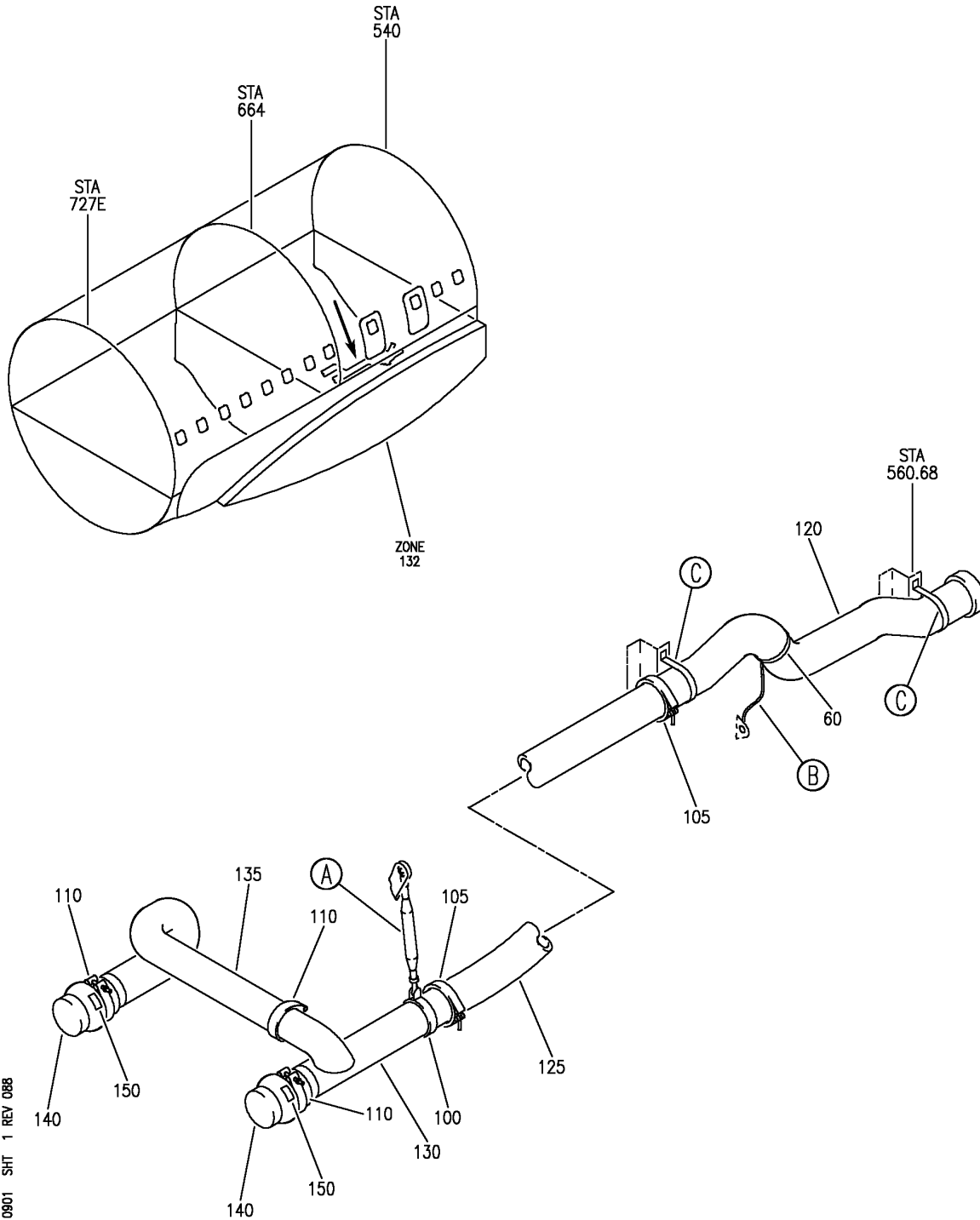
HAP

21-61-08-20

BOEING PROPRIETARY - Copyright © - Unpublished Work - See title page for details.

21-61-08
 FIG. 20
 PAGE 2
 FEB 15/09

BOEING
 737-600/700/800/900
 PARTS CATALOG (MAINTENANCE)



E 21610801 SHT 1 REV 088

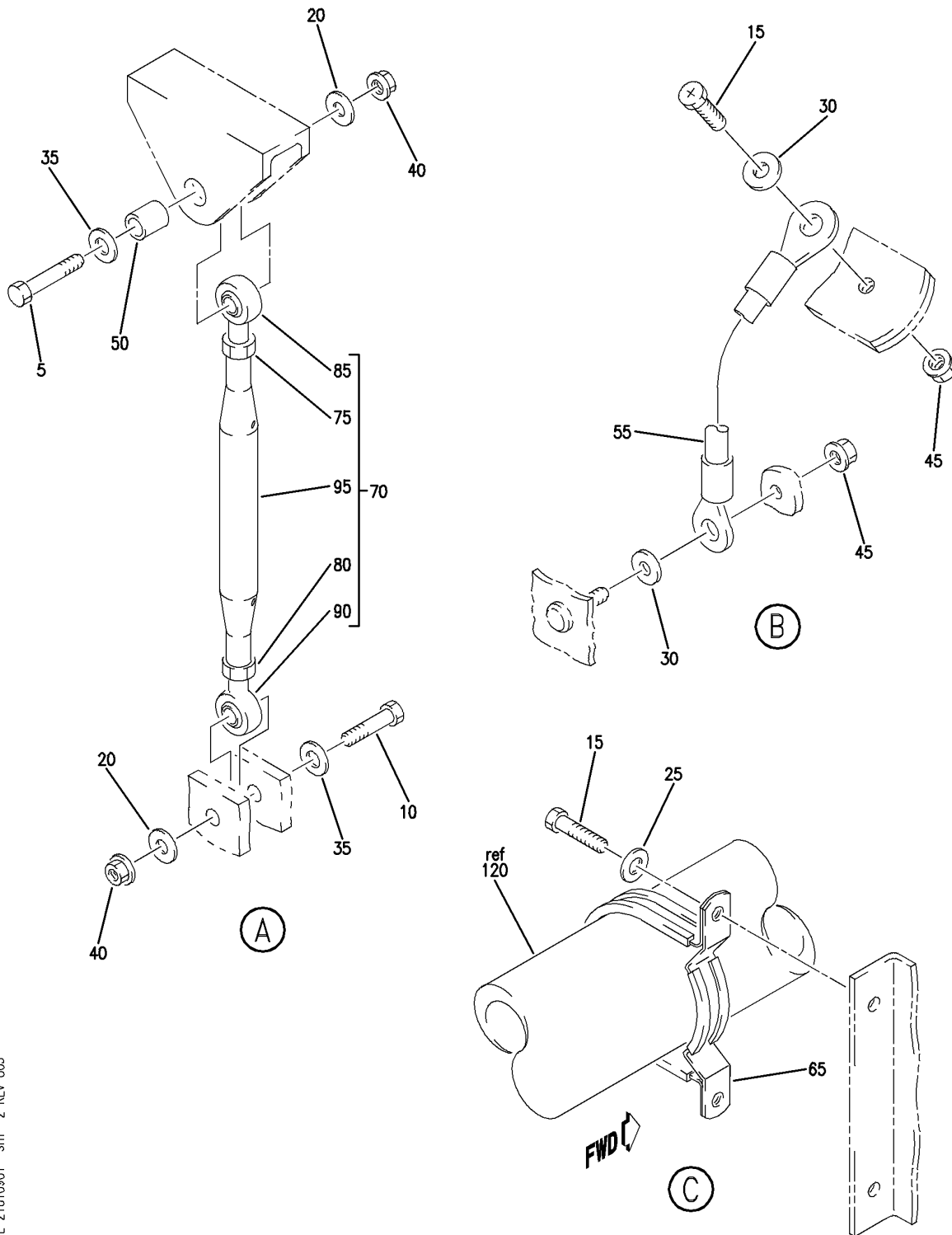
DUCT INSTL-AIR CONDITIONING PACK TRIM AIR (TRIM AIR CHECK VALVE ONLY)
 FIGURE 1 (SHEET 1)

21-61-09-01

HAP
 OCT 10/06

21-61-09-01
 PAGE 0

BOEING
 737-600/700/800/900
 PARTS CATALOG (MAINTENANCE)



E 21610901 SHT 2 REV 063

DUCT INSTL-AIR CONDITIONING PACK TRIM AIR (TRIM AIR CHECK VALVE ONLY)
 FIGURE 1 (SHEET 2)

21-61-09-01

HAP
 OCT 10/06

21-61-09-01
 PAGE 0A

BOEING
737-600/700/800/900
PARTS CATALOG (MAINTENANCE)

FIG ITEM	PART NUMBER	1 2 3 4 5 6 7	NOMENCLATURE	EFFECT FROM TO	UNITS PER ASSY
1			DUCT INSTL-AIR CONDITIONING PACK TRIM AIR (TRIM AIR CHECK VALVE ONLY)	001030	
- 1	213A1005-1		DUCT INSTL-AIR CONDITIONING PACK TRIM AIR (TRIM AIR CHECK VALVE ONLY) FOR NHA/OTHER SYS DET SEE: 21-60-00-01C	001004	RF
- 1	213A1005-2		DUCT INSTL-AIR CONDITIONING PACK TRIM AIR (TRIM AIR CHECK VALVE ONLY) FOR NHA/OTHER SYS DET SEE: 21-60-00-01C	005027	RF
- 1	213A1005-4		DUCT INSTL-AIR CONDITIONING PACK TRIM AIR (TRIM AIR CHECK VALVE ONLY) FOR NHA/OTHER SYS DET SEE: 21-60-00-01C	028030	RF
5	BACB30NR4K18		.BOLT	001030	1
10	BACB30NR4K8		.BOLT	001030	1
15	BACS12GU3K9		.SCREW	001030	5
20	NAS1149D0416J		.WASHER	001030	2
25	NAS1149D0316J		.WASHER	001030	4
30	NAS1149E0316P		.WASHER	001030	2
35	BACW10BP4CD		.WASHER	001030	2
40	PLH54CD		.NUT	001030	2
			SUPPLIER CODE: VF0224 SPECIFICATION NUMBER: BACN10YR4CD OPTIONAL PART: H52732-4CD V15653		
45	PLH53CD		.NUT SUPPLIER CODE: VF0224 SPECIFICATION NUMBER: BACN10YR3CD OPTIONAL PART: H52732-3CD V15653	001030	2
50	BACB28AK04-050		.BUSHING	001030	1
55	RBEJ40K5A5A7		.JUMPER SUPPLIER CODE: V1GK47 SPECIFICATION NUMBER: BACJ40K5A5A7	001030	1
60	BACC10GN48C		.CLAMP	001030	1

MISSING ITEM NUMBERS NOT APPLICABLE

- ITEM NOT ILLUSTRATED

HAP

21-61-09-01

21-61-09
FIG. 01
PAGE 1
FEB 15/09

 **BOEING**
737-600/700/800/900
PARTS CATALOG (MAINTENANCE)

FIG ITEM	PART NUMBER	1 2 3 4 5 6 7	NOMENCLATURE	EFFECT FROM TO	UNITS PER ASSY
1					
65	421SS48	.	CLAMP SUPPLIER CODE: V83930 SPECIFICATION NUMBER: BACC10CC48C OPTIONAL PART: JM45SC3H48T V22175 TA04C36H11 V84971	001030	2
70	212A1125-27	.	TIE ROD ASSY	001030	1
75	AN316-5R	..	NUT	001030	1
80	AN316-5L	..	NUT	001030	1
85	M81935-1-4	..	ROD-END	001030	1
90	M81935-1-4L	..	ROD-END	001030	1
95	212A1125-28	..	TUBE	001030	1
100	BACC10HU030CA	.	CLAMP	001030	1
105	BACC10DU300ABE	.	CLAMP	001030	2
110	BACC10DU250ABE	.	CLAMP	001030	3
120	213A1501-12	.	DUCT ASSY	001030	1
125	213A1501-8	.	DUCT ASSY	001030	1
130	213A1501-6	.	DUCT ASSY	001030	1
135	213A1501-1	.	DUCT ASSY	001030	1
140	3202444-1	.	VALVE ASSY-TRIM AIR CHECK SUPPLIER CODE: V59364 FUNCTIONAL DESCRIPTION: PREVENTS REVERSE AIR FLOW COMPONENT MAINT MANUAL REF: 21-61-37 MAINTENANCE MANUAL REF: 21-61-09	001030	2
- 145	3202443-101	..	VALVE ASSY-TRIM AIR CHECK SUPPLIER CODE: V59364	001030	1
150	S3003-1	...	PLATE-ID SUPPLIER CODE: V59364 SB DATA FROM A CMM: PRE SPB VAL1131	001030	1
150	S3030-2	...	PLATE-ID SUPPLIER CODE: V59364 SB DATA FROM A CMM: POST SPB VAL1131	001030	1

MISSING ITEM NUMBERS NOT APPLICABLE

- ITEM NOT ILLUSTRATED

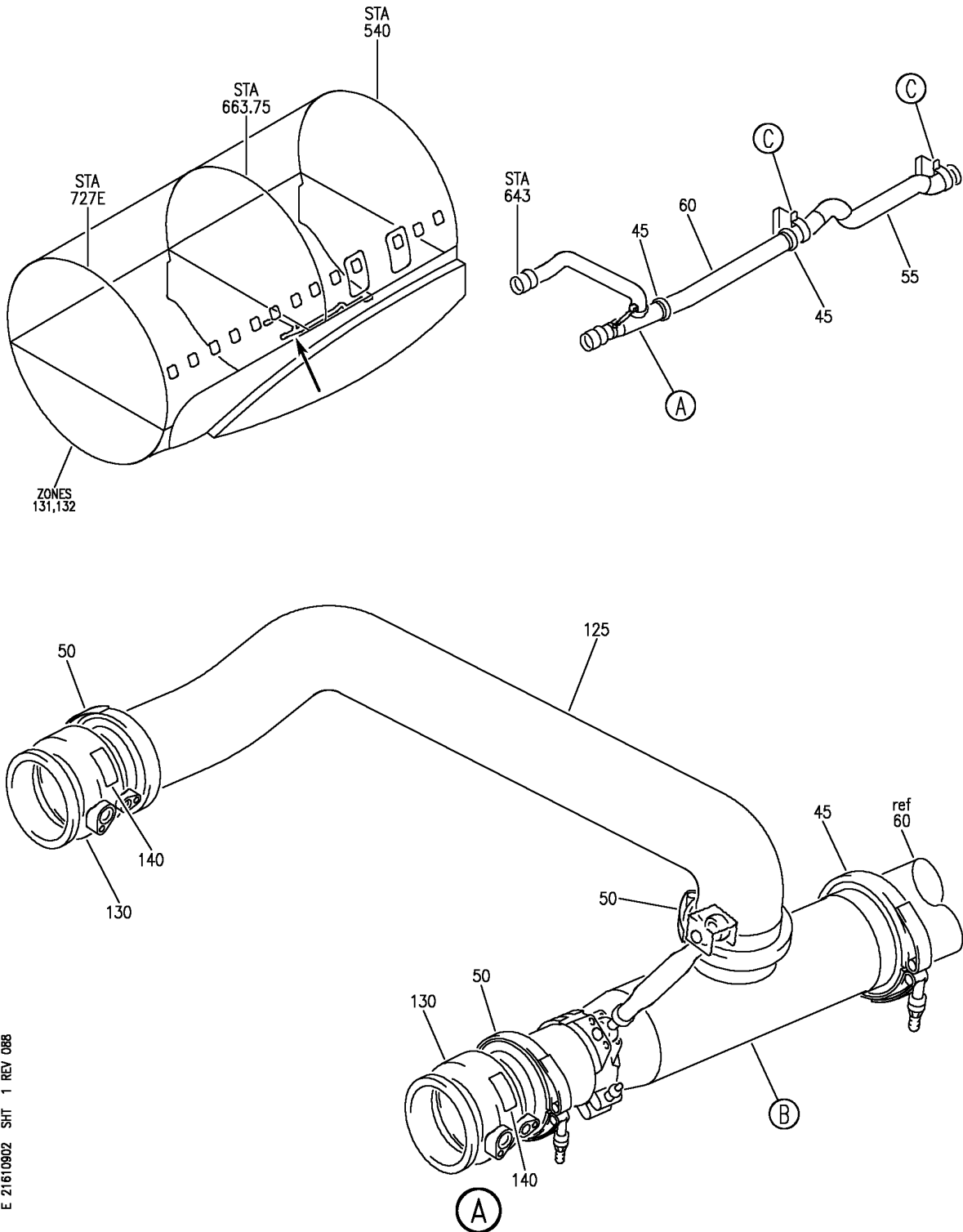
HAP

21-61-09-01

BOEING PROPRIETARY - Copyright © - Unpublished Work - See title page for details.

21-61-09
FIG. 01
PAGE 2
OCT 10/06

BOEING
 737-600/700/800/900
 PARTS CATALOG (MAINTENANCE)



E 21610802 SHT 1 REV 088

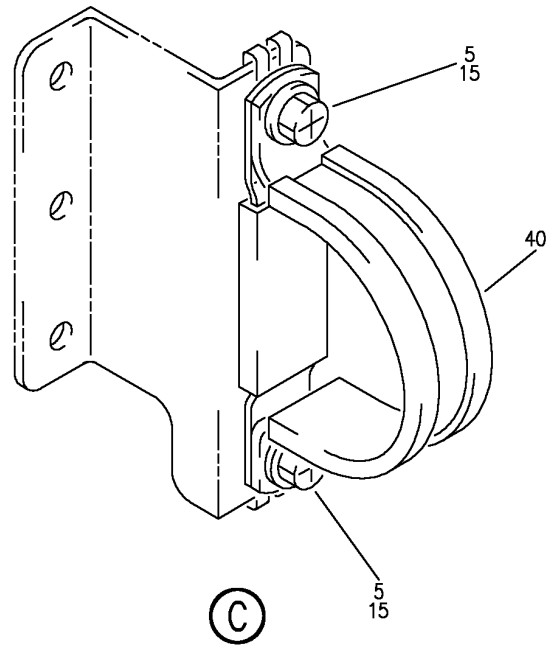
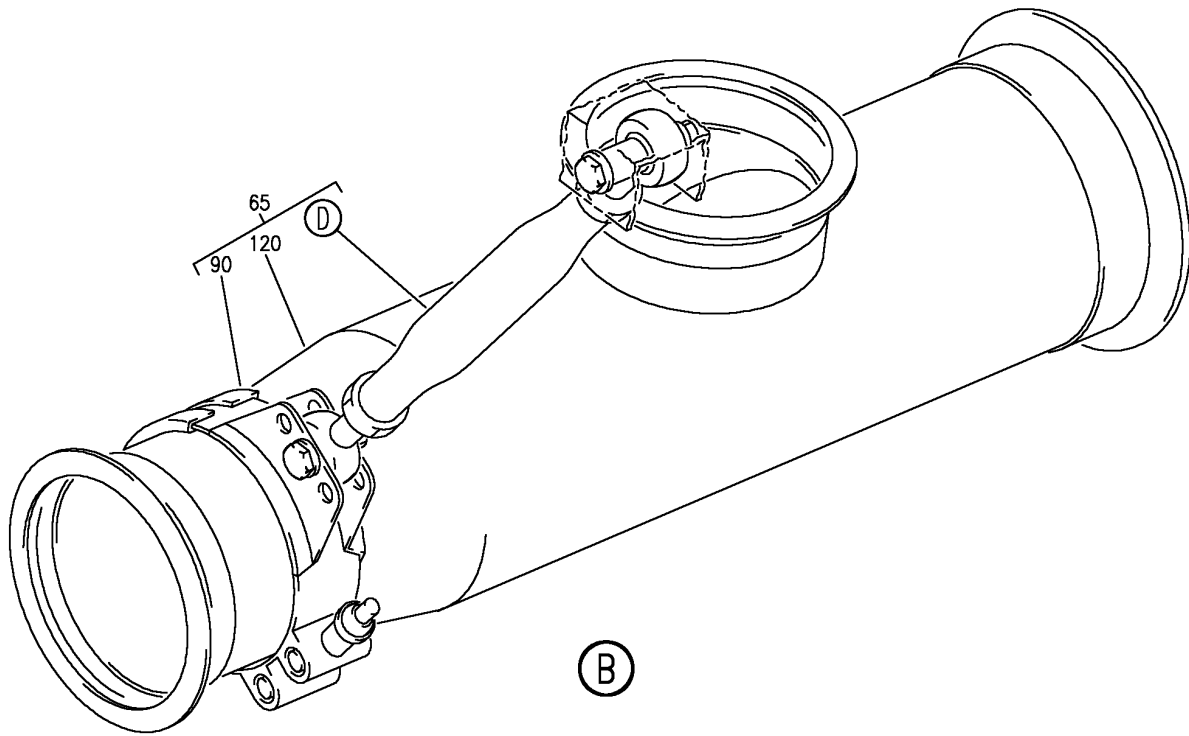
DUCT INSTL-AIR CONDITIONING PACK TRIM AIR (TRIM AIR CHECK VALVE ONLY)
 FIGURE 2 (SHEET 1)

HAP
 OCT 10/06

21-61-09-02

21-61-09-02
 PAGE 0

BOEING
737-600/700/800/900
PARTS CATALOG (MAINTENANCE)



E 21610802 SHT 2 REV 088

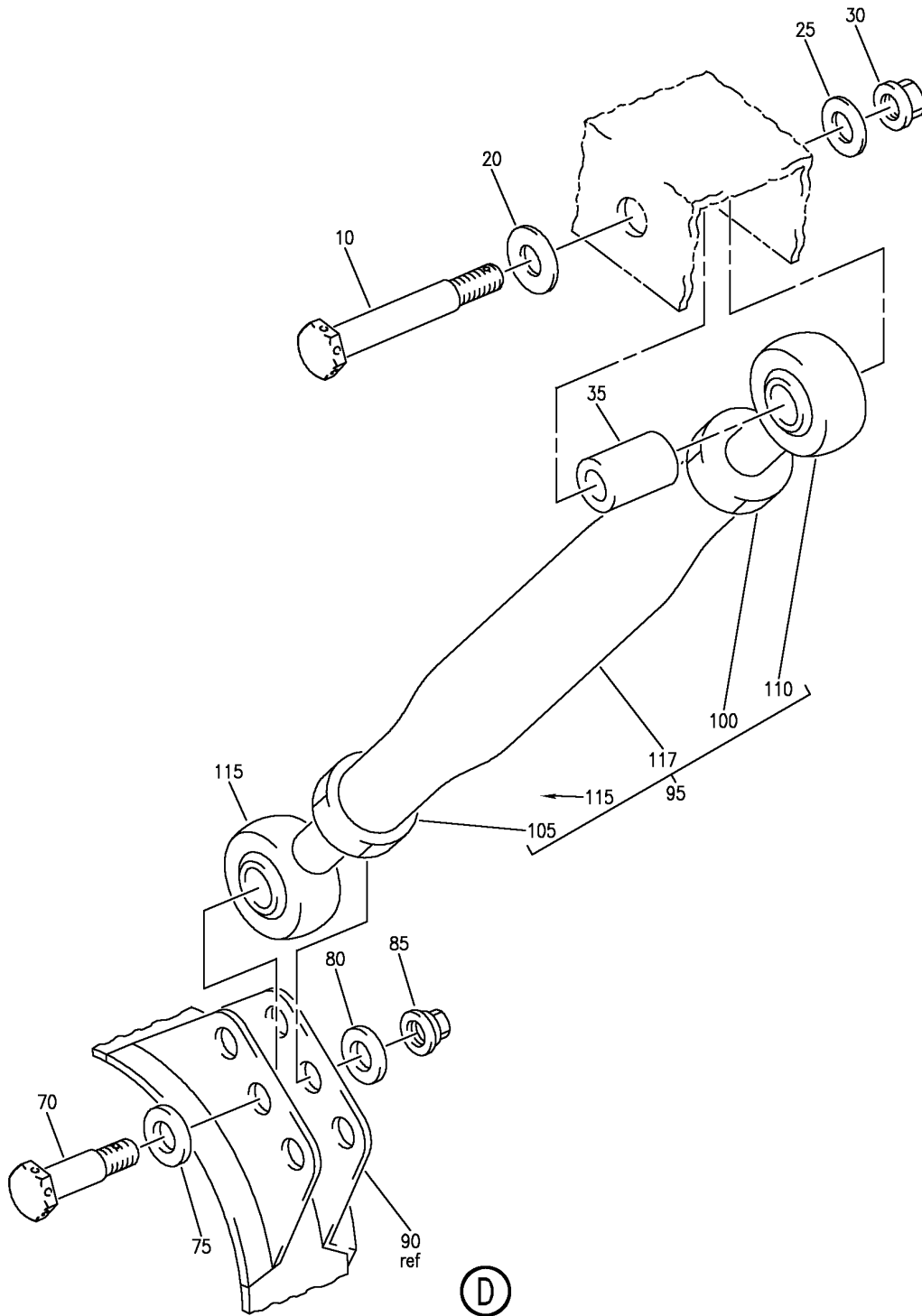
DUCT INSTL-AIR CONDITIONING PACK TRIM AIR (TRIM AIR CHECK VALVE ONLY)
FIGURE 2 (SHEET 2)

HAP
OCT 10/06

21-61-09-02

21-61-09-02
PAGE 0A

BOEING
 737-600/700/800/900
 PARTS CATALOG (MAINTENANCE)



E 21610902 SHT 3 REV 088

DUCT INSTL-AIR CONDITIONING PACK TRIM AIR (TRIM AIR CHECK VALVE ONLY)
 FIGURE 2 (SHEET 3)

21-61-09-02

HAP
 OCT 10/06

21-61-09-02
 PAGE 08

BOEING
737-600/700/800/900
PARTS CATALOG (MAINTENANCE)

FIG ITEM	PART NUMBER	1 2 3 4 5 6 7	NOMENCLATURE	EFFECT FROM TO	UNITS PER ASSY
2			DUCT INSTL-AIR CONDITIONING PACK TRIM AIR (TRIM AIR CHECK VALVE ONLY)	031100	
- 1	MODREF270564		DUCT INSTL-AIR CONDITIONING PACK TRIM AIR (TRIM AIR CHECK VALVE ONLY)	031043 054100	1
- 1	MODREF357091		MODULE NUMBER: 213A1007-1 REV E FOR OTHER SYS DETAILS SEE: 21-62-01-03 FOR ADDITIONAL DETAILS SEE: 21-61-21-02 DUCT INSTL-AIR CONDITIONING PACK TRIM AIR (TRIM AIR CHECK VALVE ONLY)	044053	1
5	BACS12GU3K9		.SCREW	031100	4
10	BACB30NR4K18		.BOLT	031100	1
15	NAS1149D0316J		.WASHER	031100	4
20	BACW10BP4CD		.WASHER	031100	1
25	NAS1149D0416J		.WASHER	031100	1
30	PLH54CD		.NUT	031100	1
			SUPPLIER CODE: VF0224 SPECIFICATION NUMBER: BACN10YR4CD OPTIONAL PART: H52732-4CD V15653		
35	BACB28AK04-050		.BUSHING	031100	1
40	421SS48		.CLAMP	031100	2
			SUPPLIER CODE: V83930 SPECIFICATION NUMBER: BACC10CC48C OPTIONAL PART: JM45SC3H48T V22175 TA04C36H11 V84971		
45	BACC10DU300ABE		.CLAMP	031100	2
50	BACC10DU250ABE		.CLAMP	031100	3
55	213A1501-72		.DUCT ASSY-	031100	1
60	213A1501-43		.DUCT ASSY	031100	1

MISSING ITEM NUMBERS NOT APPLICABLE

- ITEM NOT ILLUSTRATED

HAP

21-61-09-02

21-61-09
FIG. 02
PAGE 1
FEB 15/09

BOEING
737-600/700/800/900
PARTS CATALOG (MAINTENANCE)

FIG ITEM	PART NUMBER	1 2 3 4 5 6 7	NOMENCLATURE	EFFECT FROM TO	UNITS PER ASSY
2					
65	213A1501-55	.DUCT	ASSY	031100	1
70	BACB30NR4K9	..BOLT		031100	1
75	BACW10BP4CD	..WASHER		031100	1
80	NAS1149D0416J	..WASHER		031100	1
85	PLH54CD	..NUT		031100	1
		SUPPLIER CODE: VFO224			
		SPECIFICATION NUMBER: BACN10YR4CD			
		OPTIONAL PART: H52732-4CD V15653			
90	BACC10HU024FAL	..CLAMP-		031100	1
95	212A1125-32	..ROD	ASSY	031100	1
100	BACN11U5CD2N	...NUT		031100	1
105	BACN11U5CD2LN	...NUT		031100	1
110	M81935-1-4	...ROD		031100	1
115	M81935-1-4L	...ROD		031100	1
117	212A1125-28	...TUBE		031100	1
120	213A1501-42	..DUCT	ASSY	031100	1
125	213A1501-41	.DUCT	ASSY	031100	1
130	3202444-1	.VALVE	ASSY-TRIM AIR CHECK	031100	2
		SUPPLIER CODE: V59364			
		FUNCTIONAL DESCRIPTION: PREVENTS REVERSE AIR FLOW			
		COMPONENT MAINT MANUAL REF: 21-61-37			
		MAINTENANCE MANUAL REF: 21-61-09			
- 135	3202443-101	..VALVE	ASSY-TRIM AIR CHECK	031100	1
		SUPPLIER CODE: V59364			
140	S3003-1	...PLATE-ID		031100	1
		SUPPLIER CODE: V59364			
		SB DATA FROM A CMM: PRE SPB VAL1131			
140	S3030-2	...PLATE-ID		031100	1
		SUPPLIER CODE: V59364			
		SB DATA FROM A CMM: POST SPB VAL1131			

MISSING ITEM NUMBERS NOT APPLICABLE

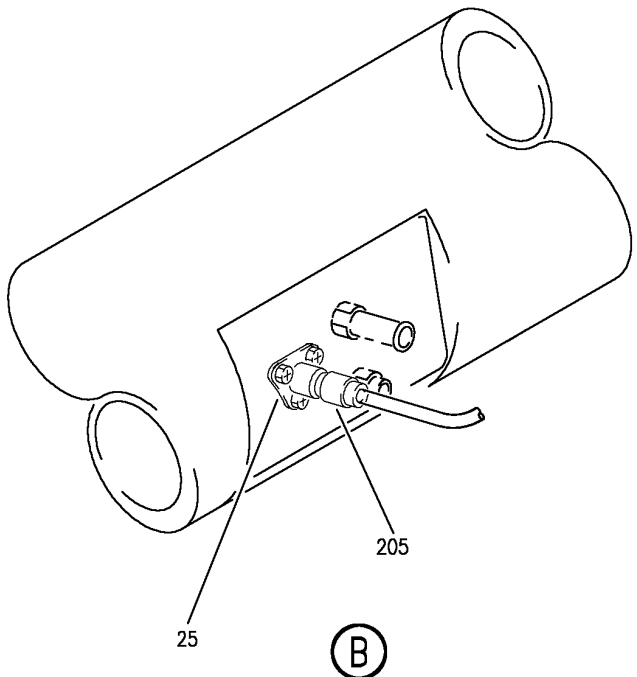
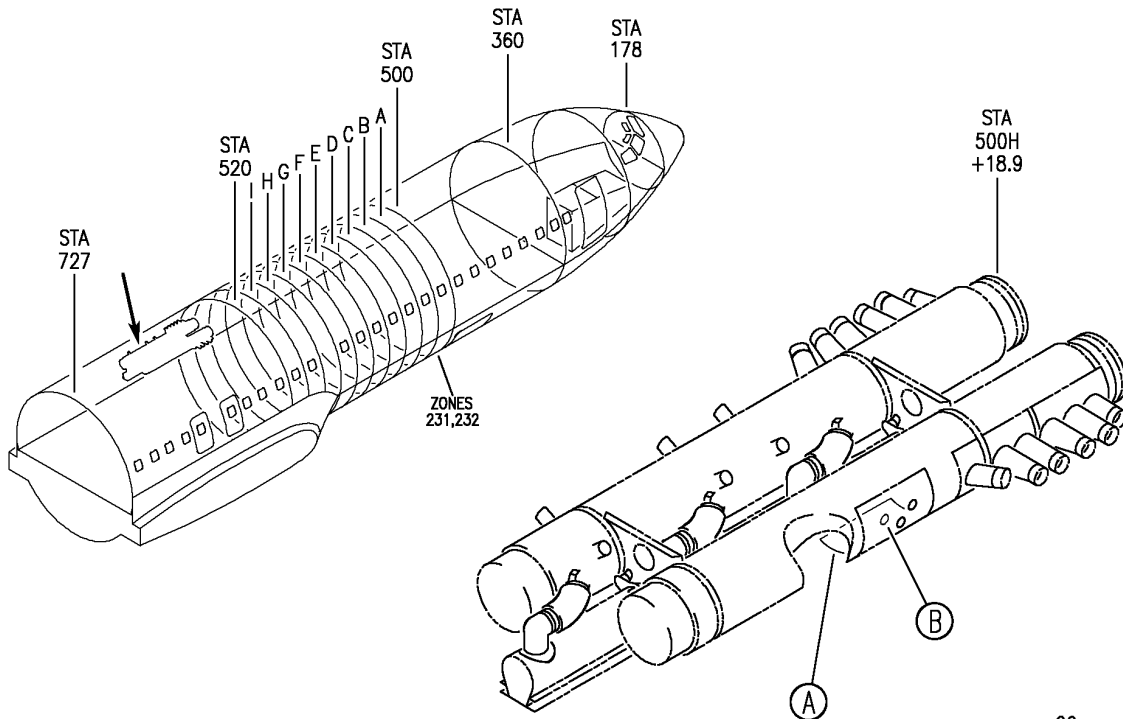
- ITEM NOT ILLUSTRATED

HAP

21-61-09-02

21-61-09
FIG. 02
PAGE 2
FEB 15/09

BOEING
 737-600/700/800/900
 PARTS CATALOG (MAINTENANCE)



SWITCH, ZONE DUCT OVERHEAT (AFT CABIN)	S1077
BULB, SUPPLY DUCT TEMPERATURE (AFT CABIN)	T535
SENSOR, DUCT TEMPERATURE (AFT CABIN)	T536

(A)

E 21611001B REV 076

DUCT INSTL-MID OVHD AIR DISTR SYS (CABIN TEMPERATURE SENSOR ONLY)
 FIGURE 1B

HAP
 OCT 10/06

21-61-10-01B

21-61-10-01B
 PAGE 0

BOEING
737-600/700/800/900
PARTS CATALOG (MAINTENANCE)

FIG ITEM	PART NUMBER	1 2 3 4 5 6 7	NOMENCLATURE	EFFECT FROM TO	UNITS PER ASSY
1B			DUCT INSTL-MID OVHD AIR DISTR SYS (CABIN TEMPERATURE SENSOR ONLY)	001011	
- 1	214A2012-3SP		DUCT INSTL-OVHD AIR DISTR SYS (CABIN TEMPERATURE SENSOR ONLY) POSITION DATA: MID FOR NHA/OTHER SYS DET SEE: 21-20-00-09C	001011	RF
- 5	214A2012-4SP		.DUCT ASSY	001011	RF
- 10	214A2107-10		..DUCT SEGMENT ASSY	001011	RF
- 15	214A2108-9		...DUCT ASSY- POSITION DATA: R	001011	RF
20	BAC27DAC87	MARKER	001011	RF
25	622878-2		.SENSOR-TEMP SUPPLIER CODE: V07217 SPECIFICATION NUMBER: 10-62091-14 ELECTRICAL EQUIP NUMBER: T00536 COMPONENT MAINT MANUAL REF: 21-65-02 MAINTENANCE MANUAL REF: 21-51-51	001011	1
- 30	NAS1802-08-7P		ATTACHING PARTS .SCREW -----*-----	001011	3
- 200	286A6288-301		WIRE BUNDLE ASSY	001007	RF
- 200	286A6288-302		WIRE BUNDLE ASSY	008011	RF
205	BACC45FT10-2S		.CONNECTOR- ELECTRICAL EQUIP NUMBER: D11840 WIRING DIAGRAM REF: 216114	001011	1

MISSING ITEM NUMBERS NOT APPLICABLE

- ITEM NOT ILLUSTRATED

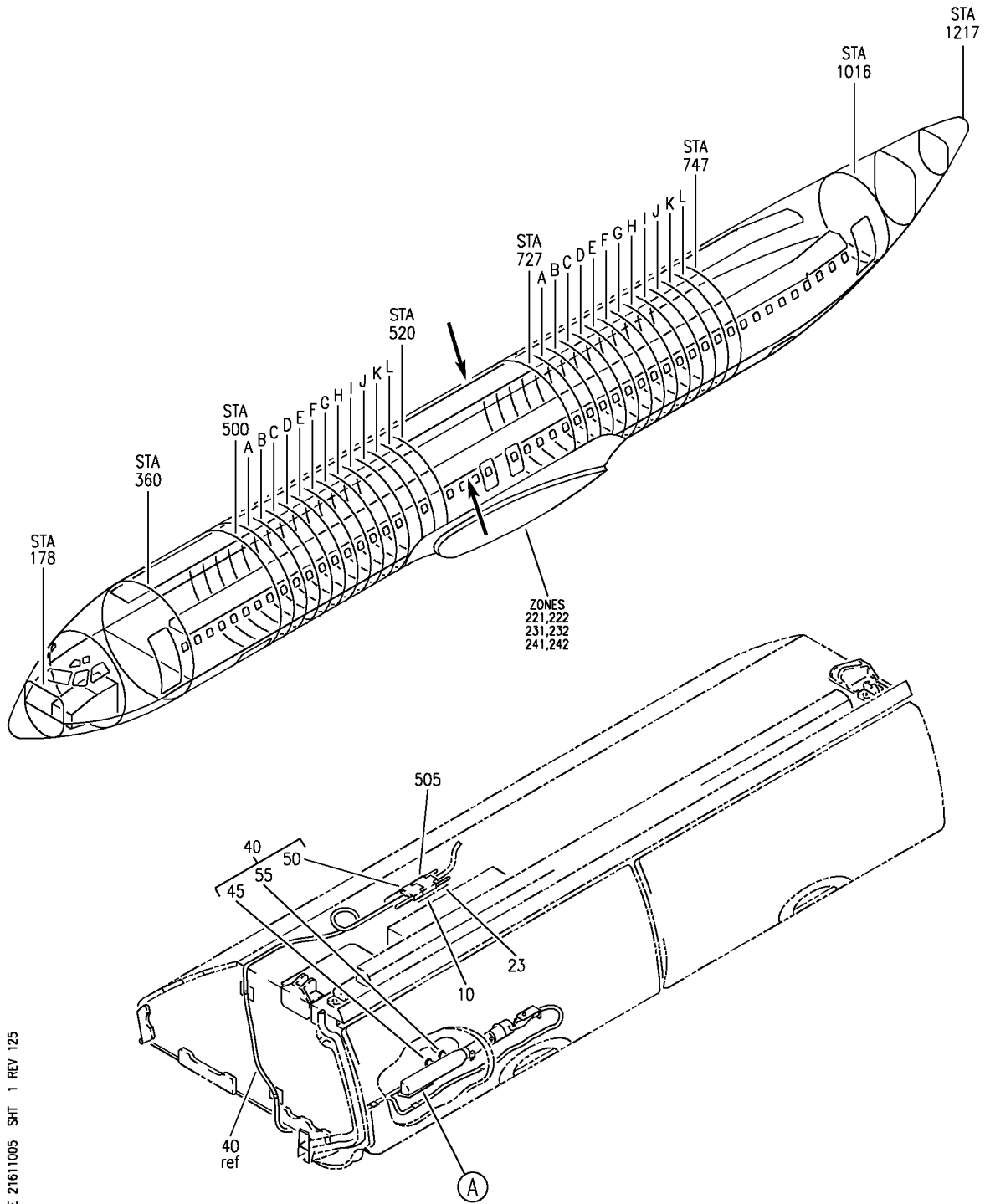
HAP

21-61-10-01B

BOEING PROPRIETARY - Copyright © - Unpublished Work - See title page for details.

21-61-10
FIG. 01B
PAGE 1
JUN 15/08

BOEING
 737-600/700/800/900
 PARTS CATALOG (MAINTENANCE)



E 21611005 SHT 1 REV 125

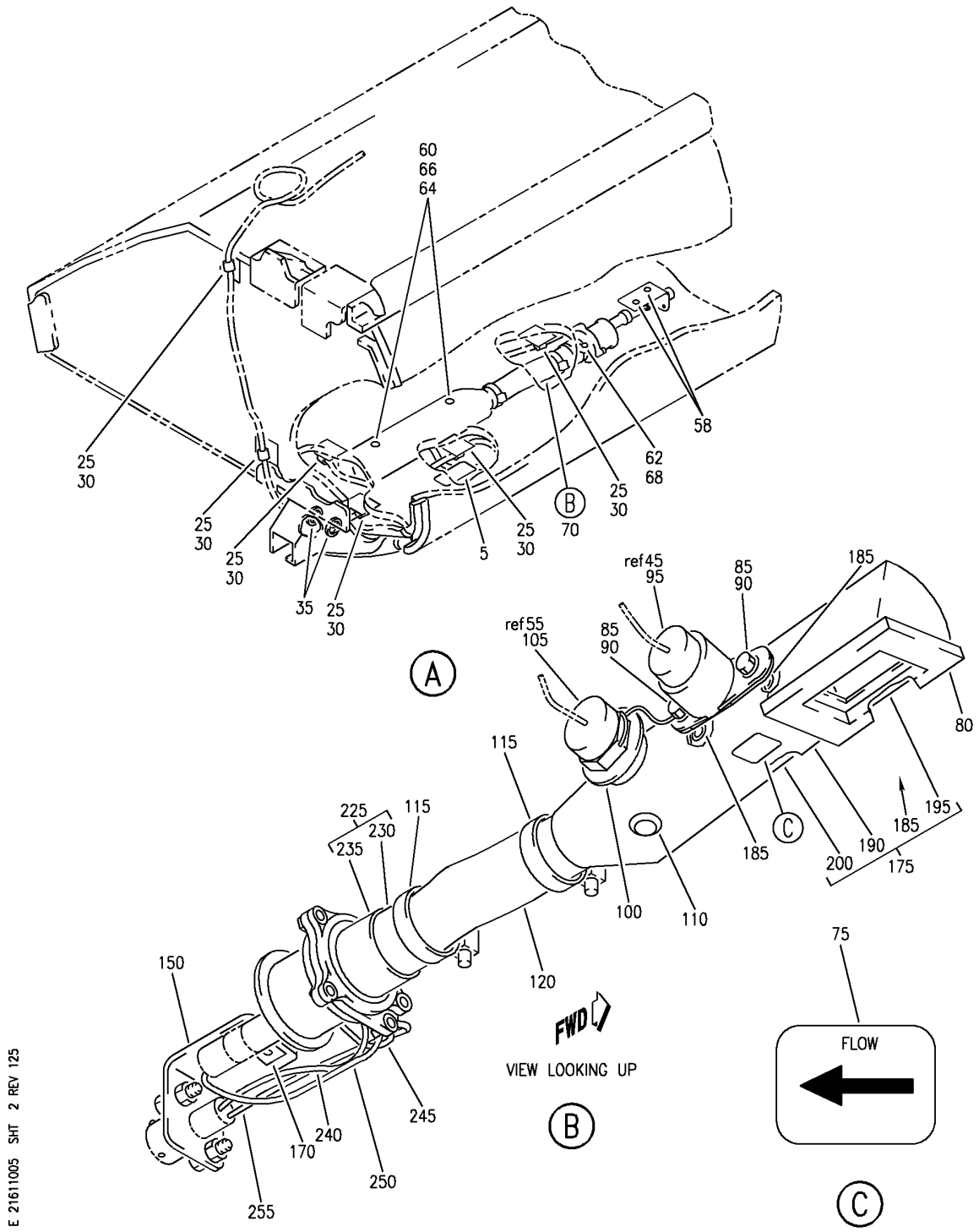
COMPARTMENT ASSY-80 IN. OVHD STOWAGE (CABIN TEMPERATURE SENSOR ONLY)
 FIGURE 5 (SHEET 1)

HAP
 FEB 10/07

21-61-10-05

21-61-10-05
 PAGE 0

BOEING
 737-600/700/800/900
 PARTS CATALOG (MAINTENANCE)



COMPARTMENT ASSY-80 IN. OVHD STOWAGE (CABIN TEMPERATURE SENSOR ONLY)
 FIGURE 5 (SHEET 2)

21-61-10-05

HAP
 FEB 10/07

21-61-10-05
 PAGE 0A

BOEING
737-600/700/800/900
PARTS CATALOG (MAINTENANCE)

FIG ITEM	PART NUMBER	1 2 3 4 5 6 7	NOMENCLATURE	EFFECT FROM TO	UNITS PER ASSY
5			COMPARTMENT ASSY-80 IN. OVHD STOWAGE (CABIN TEMPERATURE SENSOR ONLY)	001030	
- 1	412A1100-124SP		COMPARTMENT ASSY-80 IN. OVHD STOWAGE (CABIN TEMPERATURE SENSOR ONLY) PRE SERVICE BULLETIN: 25-1373 FOR NHA/OTHER SYS DET SEE: 25-24-30-80A	002005 008008	RF
- 1	412A1100-224SP		COMPARTMENT ASSY-80 IN. OVHD STOWAGE (CABIN TEMPERATURE SENSOR ONLY) POST SERVICE BULLETIN: 25-1373 FOR NHA/OTHER SYS DET SEE: 25-24-30-80A	002005 008008	RF
- 1	412A1100-224B		COMPARTMENT ASSY-80 IN. OVHD STOWAGE (CABIN TEMPERATURE SENSOR ONLY) FOR NHA/OTHER SYS DET SEE: 25-24-30-83	009030	RF
- 1	412A1100-24SP		COMPARTMENT ASSY-80 IN. OVHD STOWAGE (CABIN TEMPERATURE SENSOR ONLY) PRE SERVICE BULLETIN: 25-1373 FOR NHA/OTHER SYS DET SEE: 25-24-30-80A	001001 006007	RF
- 1	002A0007-60N		COMPARTMENT ASSY-80 IN. OVHD STOWAGE (CABIN TEMPERATURE SENSOR ONLY) POST SERVICE BULLETIN: 25-1373 FOR NHA/OTHER SYS DET SEE: 25-24-30-80A	001001 006007	RF
5	BAC27DAC0062		.MARKER-TEMP SENSOR PLACARD CONTENT: AFT CABIN ZONE TEMP SENSOR MODULE M01446	001030	1
10	ATM00TA20		.CONNECTOR-MTG SUPPLIER CODE: V05574 SPECIFICATION NUMBER: S280W557-1 OPTIONAL PART: ATM01TA20 V05574	001030	1

MISSING ITEM NUMBERS NOT APPLICABLE

- ITEM NOT ILLUSTRATED

HAP

21-61-10-05

BOEING PROPRIETARY - Copyright © - Unpublished Work - See title page for details.

21-61-10
FIG. 05
PAGE 1
OCT 10/06

BOEING
737-600/700/800/900
PARTS CATALOG (MAINTENANCE)

FIG ITEM	PART NUMBER	1 2 3 4 5 6 7	NOMENCLATURE	EFFECT FROM TO	UNITS PER ASSY
5			ATTACHING PARTS		
- 15	NAS623-3-1		.SCREW	001030	2
- 20	NAS620A10L		.WASHER	001030	2
			-----*-----		
23	BACT44E1S		.TRACK-ELECTRICAL CONN MTG	002005 008030	1
25	PLT1MXMR		.STRAP SUPPLIER CODE: V06383 SPECIFICATION NUMBER: BACS38K9	001030	6
30	MB3		.MOUNTING BASE- SUPPLIER CODE: V06383	001030	6
35	NAS557-14B		.GROMMET	001030	2
40	286A4180-301		.WIRE BUNDLE-TEMP SENSOR POSITION DATA: AFT ELECTRICAL EQUIP NUMBER: M01446 OPTIONAL PART: 286A4180-302	001030	1
40	286A4180-302		.WIRE BUNDLE-TEMP SENSOR POSITION DATA: AFT ELECTRICAL EQUIP NUMBER: M01446 OPTIONAL PART: 286A4180-301	009030	1
45	BACC45FT10-5S		..CONNECTOR- ELECTRICAL EQUIP NUMBER: D03910 WIRING DIAGRAM REF: 216114	001030	1
50	S280W557-241		..RECEPTACLE- ELECTRICAL EQUIP NUMBER: D41834J WIRING DIAGRAM REF: 216114 USED ON: 286A4180-301	001030	1
50	BACC65AK241P		..RECEPTACLE- ELECTRICAL EQUIP NUMBER: D41834J WIRING DIAGRAM REF: 216114 USED ON: 286A4180-302	009030	1

MISSING ITEM NUMBERS NOT APPLICABLE

- ITEM NOT ILLUSTRATED

HAP

21-61-10-05

BOEING PROPRIETARY - Copyright © - Unpublished Work - See title page for details.

21-61-10
FIG. 05
PAGE 2
FEB 10/07

BOEING
737-600/700/800/900
PARTS CATALOG (MAINTENANCE)

FIG ITEM	PART NUMBER	1 2 3 4 5 6 7	NOMENCLATURE	EFFECT FROM TO	UNITS PER ASSY
5					
55	017832-3000	..	PLUG- SUPPLIER CODE: V57895 ELECTRICAL EQUIP NUMBER: D03922 WIRING DIAGRAM REF: 216114	001030	1
58	BACS12FA3K4	.S	CREW	001030	2
60	BACS12FA3K6	.S	CREW	001030	2
62	BACS12FA3K7	.S	CREW	001030	1
64	NAS1149D0332J	.W	ASHER	001030	2
66	NAS1149D0363J	.W	ASHER	001030	2
68	MS25281R24	.C	LAMP	001030	1
70	213A4101-13	.S	ENSOR ASSY-TEMP SUPPLIER CODE: V89954 ELECTRICAL EQUIP NUMBER: M01446 FUNCTIONAL REFERENCE: PLACARDS AND MARKINGS FOR DETAILS SEE 11-32-04-01F	001030	1
75	BAC27NEC0077	..	MARKER-ALUMINUM FOIL	001030	1
80	215N1005-3	..	SEAL-BELLOW SUPPLIER CODE: V89954	001030	1
85	BACS12GU3K8D	..	SCREW	001030	2
90	NAS1149D0332J	..	WASHER	001030	2
95	624018-1	..	ENSOR- SUPPLIER CODE: V07217 SPECIFICATION NUMBER: S210T130-21 COMPONENT MAINT MANUAL REF: 21-61-01	001030	1
100	69-78616-1	..	WASHER- SUPPLIER CODE: V89954	001030	1
105	1122027	..	ETECTOR- SUPPLIER CODE: V60678	001030	1

MISSING ITEM NUMBERS NOT APPLICABLE

— ITEM NOT ILLUSTRATED

HAP

21-61-10-05

BOEING PROPRIETARY - Copyright © - Unpublished Work - See title page for details.

21-61-10
FIG. 05
PAGE 3
FEB 10/07

BOEING
737-600/700/800/900
PARTS CATALOG (MAINTENANCE)

FIG ITEM	PART NUMBER	1 2 3 4 5 6 7	NOMENCLATURE	EFFECT FROM TO	UNITS PER ASSY
5 110	AMD630-703BUTTON- SUPPLIER CODE: V96144 MISCELLANEOUS DATA: REPLACED BY BACP20B43 FULLY INTERCHANGEABLE. BACP20B43 NOT DOCUMENTED. OPTIONAL PART: BACP20B43	001030	1
110	D3161PLCBUTTON- SUPPLIER CODE: V57771 SPECIFICATION NUMBER: BACP20B43 OPTIONAL PART: SS48152 V83058 AMD630-703 V96144	001030	1
115	NAS1922-0125-3CLAMP	001030	2
120	BACD40R05A43SLEEVE	001030	1
150	215N1004-2BRACKET	001030	1
170	BACS38K9CSTRAP	001030	1
175	215N1003-27DUCT ASSY	001030	1
185	6041-3BR225INSERT- SUPPLIER CODE: V01556	001030	2
190	215N1003-28DUCT	001030	1
195	215N1003-29ISOLATOR	001030	1
200	215N1003-30ISOLATOR	001030	1
225	215N1003-31DUCT ASSY	001030	1
230	215N1003-32DUCT	001030	1
235	215N1003-33ISOLATOR	001030	1
240	213A4101-2WIRE BUNDLE ASSY- SUPPLIER CODE: V89954	001030	1
245	213A4101-4WIRE BUNDLE ASSY- SUPPLIER CODE: V89954	001030	1
250	213A4101-6WIRE BUNDLE ASSY- SUPPLIER CODE: V89954	001030	1
255	213A4101-8WIRE BUNDLE ASSY- SUPPLIER CODE: V89954	001030	1
- 500	286A6288-301		WIRE BUNDLE ASSY	001007	RF
- 500	286A6288-302		WIRE BUNDLE ASSY	008011	RF
- 500	286A6288-303		WIRE BUNDLE ASSY	012027	RF

MISSING ITEM NUMBERS NOT APPLICABLE

- ITEM NOT ILLUSTRATED

HAP

21-61-10-05

21-61-10
FIG. 05
PAGE 4
FEB 10/07

BOEING
737-600/700/800/900
PARTS CATALOG (MAINTENANCE)

FIG ITEM	PART NUMBER	1 2 3 4 5 6 7	NOMENCLATURE	EFFECT FROM TO	UNITS PER ASSY
5					
- 500	286A6288-306		WIRE BUNDLE ASSY	028030	RF
505	S280W557-141		.PLUG-	001027	1
			ELECTRICAL EQUIP NUMBER: D41834P		
			WIRING DIAGRAM REF: 216113		
505	BACC65AJ141S		.PLUG-	028030	1
			ELECTRICAL EQUIP NUMBER: D41834P		
			WIRING DIAGRAM REF: 216113		

MISSING ITEM NUMBERS NOT APPLICABLE

- ITEM NOT ILLUSTRATED

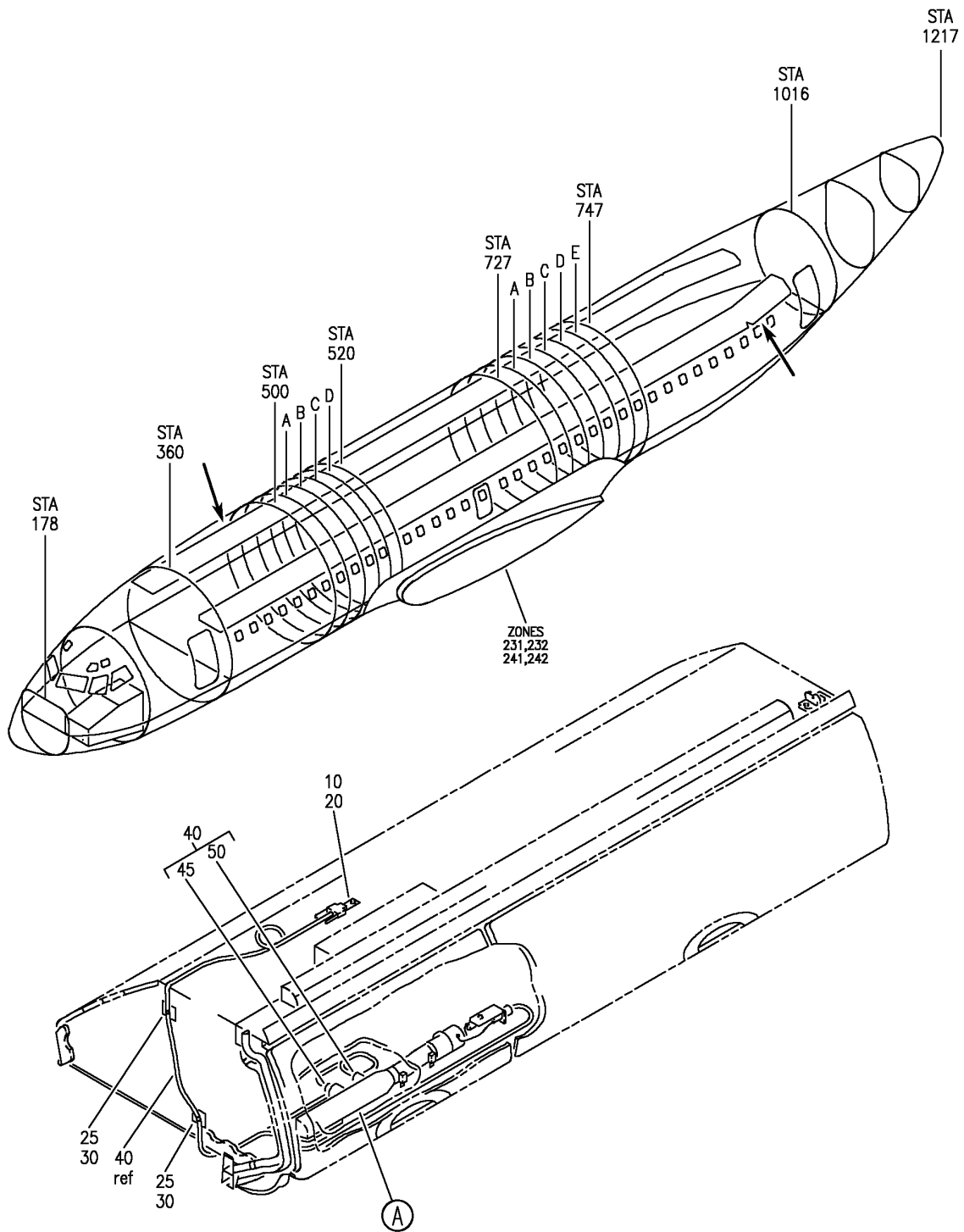
HAP

21-61-10-05

BOEING PROPRIETARY - Copyright © - Unpublished Work - See title page for details.

21-61-10
FIG. 05
PAGE 5
FEB 10/07

BOEING
 737-600/700/800/900
 PARTS CATALOG (MAINTENANCE)



E 21611008 SHT 1 REV 087

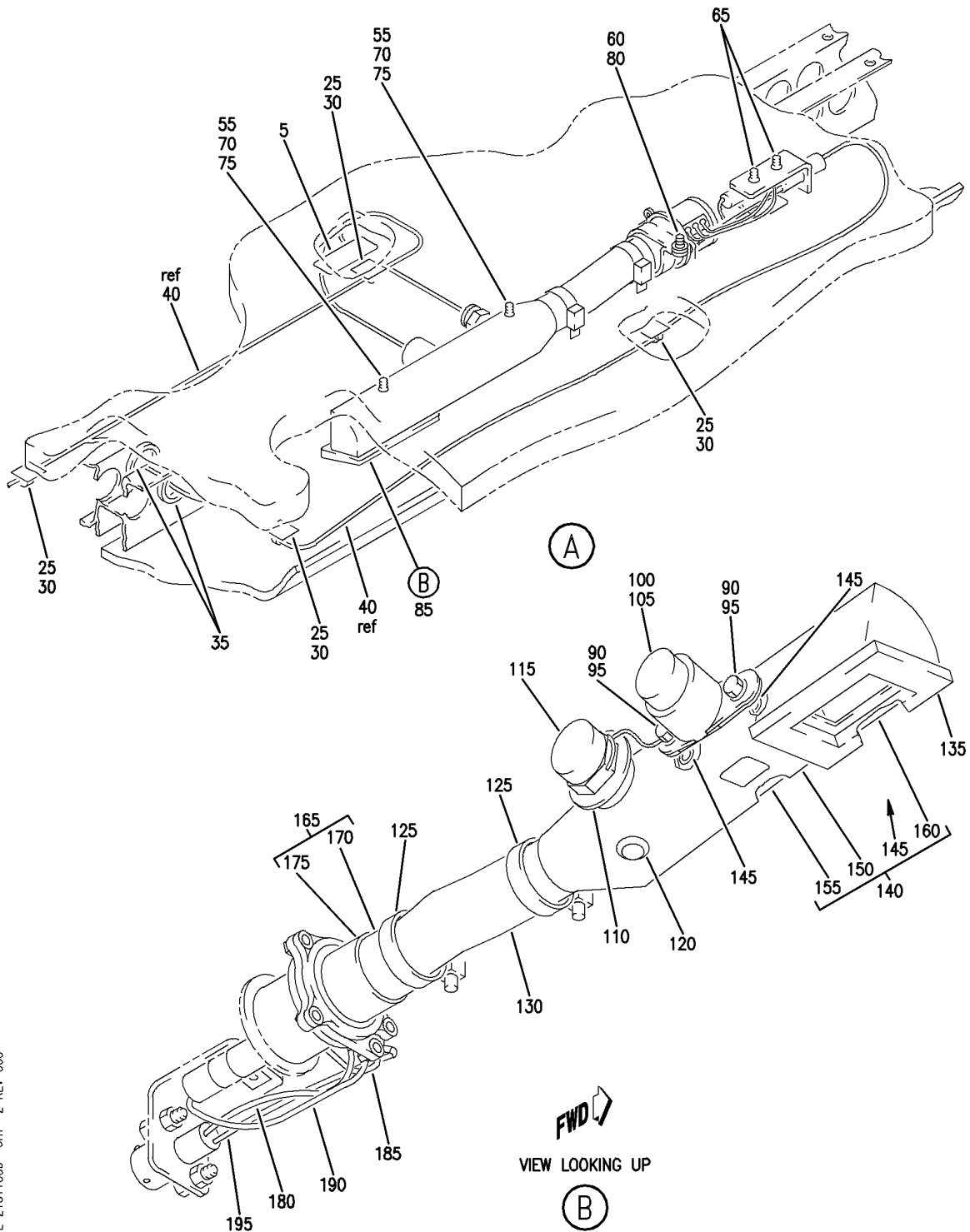
COMPARTMENT ASSY-60 IN. OVHD STOWAGE BULLNOSE CONFIGURATION (CABIN TEMPERATURE SENSOR ONLY)
 FIGURE 8 (SHEET 1)

HAP
 OCT 15/08

21-61-10-08

21-61-10-08
 PAGE 0

BOEING
 737-600/700/800/900
 PARTS CATALOG (MAINTENANCE)



E 21611008 SH1 2 REV 060

COMPARTMENT ASSY-60 IN. OVHD STOWAGE BULLNOSE CONFIGURATION (CABIN TEMPERATURE SENSOR ONLY)
 FIGURE 8 (SHEET 2)

HAP
 OCT 15/08

21-61-10-08

21-61-10-08
 PAGE 0A

BOEING
737-600/700/800/900
PARTS CATALOG (MAINTENANCE)

FIG ITEM	PART NUMBER	1 2 3 4 5 6 7	NOMENCLATURE	EFFECT FROM TO	UNITS PER ASSY
8			COMPARTMENT ASSY-60 IN. OVHD STOWAGE BULLNOSE CONFIGURATION (CABIN TEMPERATURE SENSOR ONLY)	201967	
- 1	412A1170-104SP		COMPARTMENT ASSY-60 IN. OVHD STOWAGE BULLNOSE CONFIGURATION (CABIN TEMPERATURE SENSOR ONLY) FOR NHA/OTHER SYS DET SEE: 25-24-30-27	202967	RF
- 1	412A1170-304B		COMPARTMENT ASSY-60 IN. OVHD STOWAGE BULLNOSE CONFIGURATION (CABIN TEMPERATURE SENSOR ONLY) FOR NHA/OTHER SYS DET SEE: 25-24-30-27	201201	RF
	5 BAC27DAC77		.MARKER- PLACARD CONTENT: PASSENGER CABIN TEMP BULB M01719-D10964 PASSENGER CABIN TEMP SENSOR M01719-D10962	201967	1
	10 ATM00TA20		.CONNECTOR- SUPPLIER CODE: V05574 SPECIFICATION NUMBER: S280W557-1 OPTIONAL PART: ATM01TA20 V05574 ATTACHING PARTS	202967	1
- 15	NAS623-3-1		.SCREW	202967	2
- 17	NAS620A10L		.WASHER	202967	2
	20 BACT44E1S		-----*----- .TRACK-ELECTRICAL CONN MTG ATTACHING PARTS	201201	1
- 22	NAS623-3-1		.SCREW	201201	2
- 23	NAS620A10L		.WASHER	201201	2
	25 PLT1MXMR		-----*----- .STRAP SUPPLIER CODE: V06383 SPECIFICATION NUMBER: BACS38K9	201967	6
	30 MB3		.MOUNTING BASE- SUPPLIER CODE: V06383	201967	6
	35 NAS557-14B		.GROMMET	201967	2

MISSING ITEM NUMBERS NOT APPLICABLE

- ITEM NOT ILLUSTRATED

HAP

21-61-10-08

BOEING PROPRIETARY - Copyright © - Unpublished Work - See title page for details.

21-61-10
FIG. 08
PAGE 1
OCT 15/08

BOEING
737-600/700/800/900
PARTS CATALOG (MAINTENANCE)

FIG ITEM	PART NUMBER	1 2 3 4 5 6 7	NOMENCLATURE	EFFECT FROM TO	UNITS PER ASSY
8					
40	286A4140-001		.WIRE BUNDLE ASSY- ELECTRICAL EQUIP NUMBER: M01719 OPTIONAL PART: 286A4140-004	201967	1
40	286A4140-004		.WIRE BUNDLE ASSY- ELECTRICAL EQUIP NUMBER: M01719 OPTIONAL PART: 286A4140-001	201201	1
45	BACC45FT12-3S		..CONNECTOR- ELECTRICAL EQUIP NUMBER: D10962 WIRING DIAGRAM REF: 216122	201967	1
50	017832-3000		..PLUG- SUPPLIER CODE: V57895 ELECTRICAL EQUIP NUMBER: D10964 WIRING DIAGRAM REF: 216151	201967	1
55	BACS12FA3K6		.SCREW	201967	2
60	BACS12FA3K7		.SCREW	201967	1
65	BACS12FA3K4		.SCREW	201967	2
70	NAS1149D0332J		.WASHER	201967	2
75	NAS1149D0363J		.WASHER	201967	2
80	MS25281R24		.CLAMP	201967	1
85	213A4101-1		.SENSOR ASSY-TEMP SUPPLIER CODE: V89954 ELECTRICAL EQUIP NUMBER: M01719 FUNCTIONAL REFERENCE: PLACARDS AND MARKINGS FOR DETAILS SEE 11-32-04-01	201967	1
90	BACS12GU3K8D		..SCREW	201967	2
95	NAS1149D0332J		..WASHER	201967	2
100	66-19331-1		..GASKET- MANUFACTURED FROM: SHT SYN RUBBER BMS1-11 GRADE 40 .062IN 1.00IN 2.40IN SPARES ORDER MATERIAL CODE: 5210623010	201967	1

R
R
R
R
R
R
R

MISSING ITEM NUMBERS NOT APPLICABLE

- ITEM NOT ILLUSTRATED

HAP

21-61-10-08

21-61-10
FIG. 08
PAGE 2
JUN 15/09

 **BOEING**
737-600/700/800/900
PARTS CATALOG (MAINTENANCE)

FIG ITEM	PART NUMBER	1 2 3 4 5 6 7	NOMENCLATURE	EFFECT FROM TO	UNITS PER ASSY
8					
105	548392-1	..	SENSOR- SUPPLIER CODE: V07217 SPECIFICATION NUMBER: 10-60498-3	201967	1
110	69-78616-1	..	WASHER- SUPPLIER CODE: V89954	201967	1
115	1122027	..	DETECTOR- SUPPLIER CODE: V60678	201967	1
120	AMD630-703	..	BUTTON- SUPPLIER CODE: V96144 MISCELLANEOUS DATA: REPLACED BY BACP20B43 FULLY INTERCHANGEABLE. BACP20B43 NOT DOCUMENTED. OPTIONAL PART: BACP20B43	201967	1
120	D3161PLC	..	BUTTON- SUPPLIER CODE: V57771 SPECIFICATION NUMBER: BACP20B43 OPTIONAL PART: SS48152 V83058 AMD630-703 V96144	201967	1
125	NAS1922-0125-3	..	CLAMP	201967	2
130	BACD40R05A43	..	SLEEVE	201967	1
135	215N1005-2	..	SEAL-BELLOW SUPPLIER CODE: V89954	201967	1
140	215N1003-27	..	DUCT ASSY	201967	1
145	6041-3BR225	...	INSERT- SUPPLIER CODE: V01556	201967	2
150	215N1003-28	...	DUCT	201967	1
155	215N1003-29	...	ISOLATOR	201967	1
160	215N1003-30	...	ISOLATOR	201967	1
165	215N1003-31	..	DUCT ASSY	201967	1
170	215N1003-32	...	DUCT	201967	1
175	215N1003-33	...	ISOLATOR	201967	1
180	213A4101-2	..	WIRE BUNDLE ASSY- SUPPLIER CODE: V89954	201967	1

MISSING ITEM NUMBERS NOT APPLICABLE

— ITEM NOT ILLUSTRATED

HAP

21-61-10-08

21-61-10
FIG. 08
PAGE 3
JUN 15/09


BOEING
 737-600/700/800/900
PARTS CATALOG (MAINTENANCE)

FIG ITEM	PART NUMBER	1 2 3 4 5 6 7	NOMENCLATURE	EFFECT FROM TO	UNITS PER ASSY
8					
185	213A4101-4		..WIRE BUNDLE ASSY- SUPPLIER CODE: V89954	201967	1
190	213A4101-6		..WIRE BUNDLE ASSY- SUPPLIER CODE: V89954	201967	1
195	213A4101-8		..WIRE BUNDLE ASSY- SUPPLIER CODE: V89954	201967	1
MISSING ITEM NUMBERS NOT APPLICABLE					

— ITEM NOT ILLUSTRATED

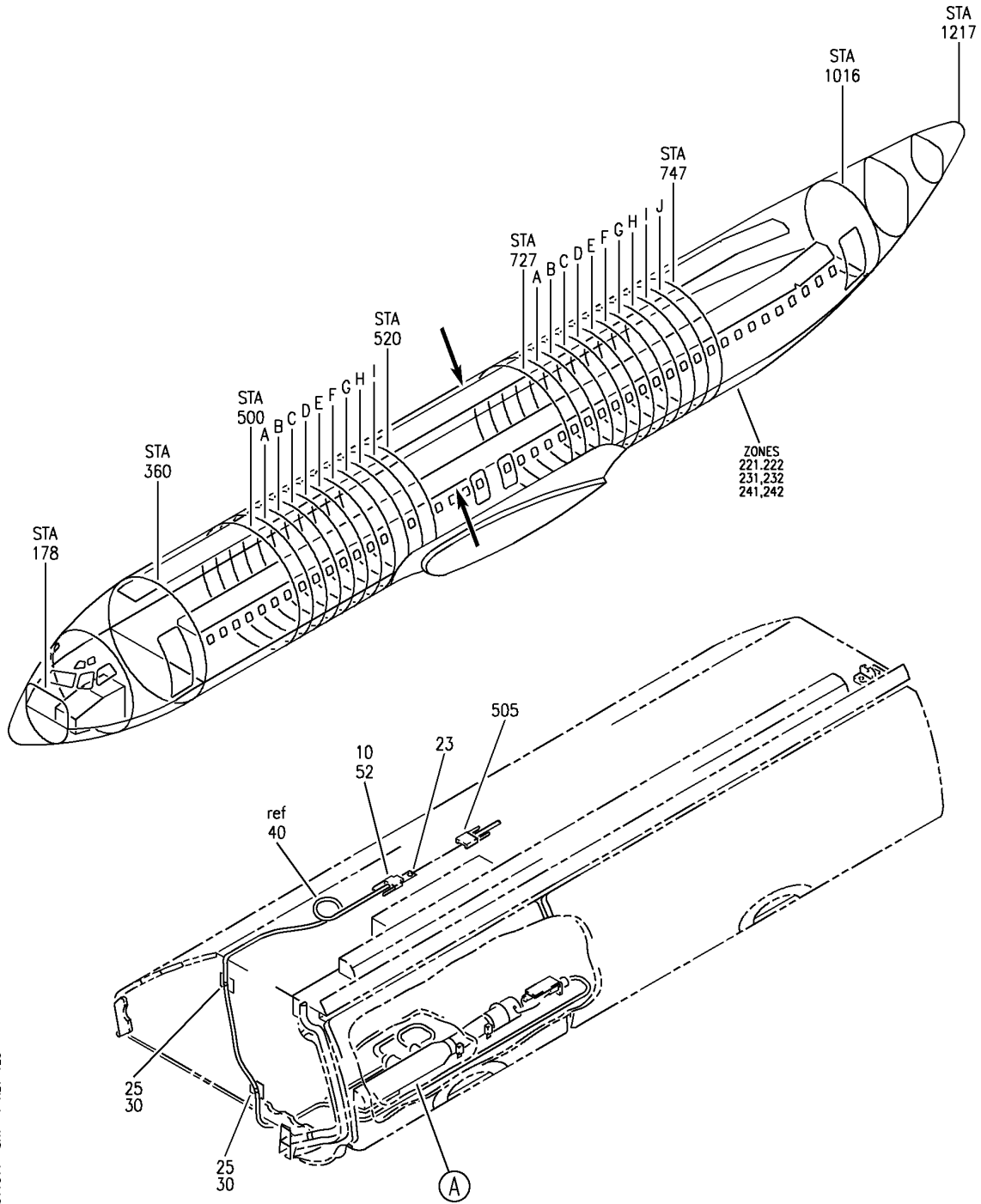
HAP

21-61-10-08

BOEING PROPRIETARY - Copyright © - Unpublished Work - See title page for details.

21-61-10
 FIG. 08
 PAGE 4
 JUN 15/09

BOEING
 737-600/700/800/900
 PARTS CATALOG (MAINTENANCE)



E 21611011 SHT 1 REV 125

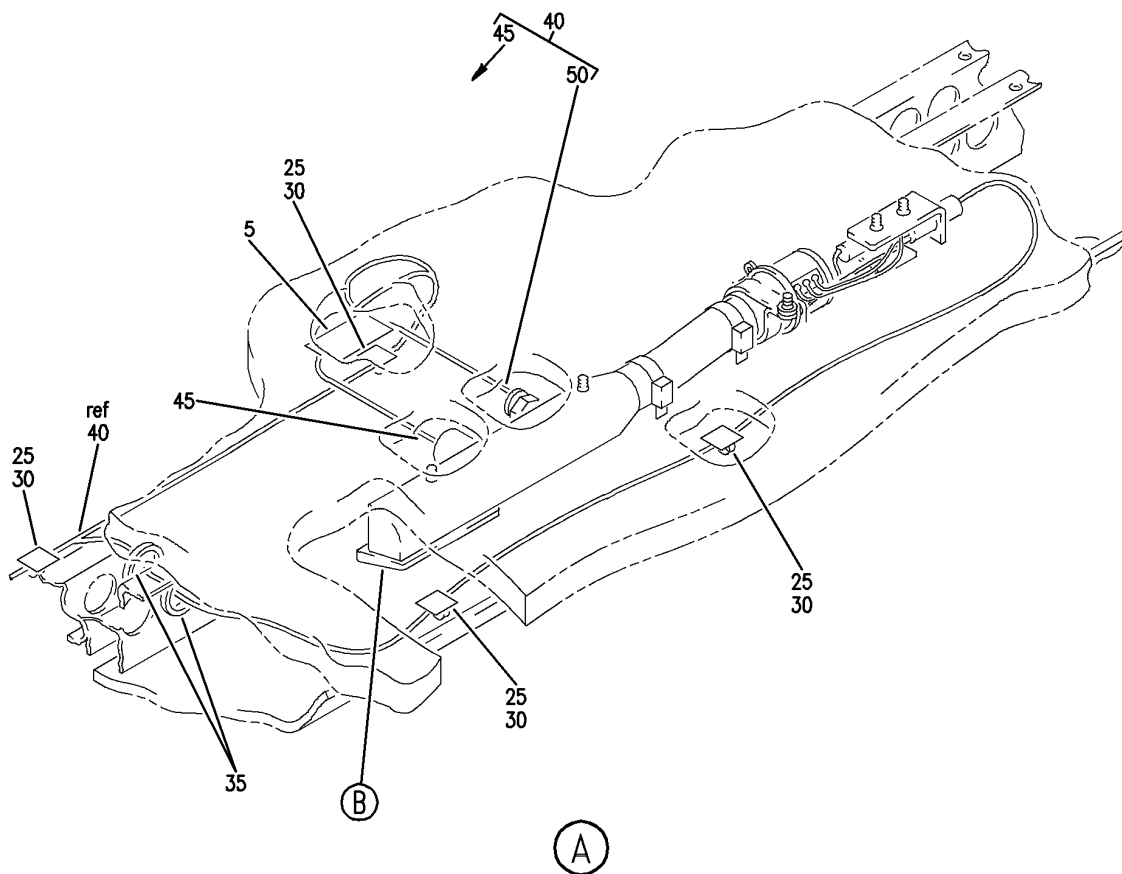
COMPARTMENT ASSY-60 IN. OVHD STOWAGE HNDRL CONFIGURATION (CABIN TEMPERATURE SENSOR ONLY)
 FIGURE 11 (SHEET 1)

HAP
 FEB 10/07

21-61-10-11

21-61-10-11
 PAGE 0

BOEING
 737-600/700/800/900
 PARTS CATALOG (MAINTENANCE)



E 21611011 SH1 2 REV 061

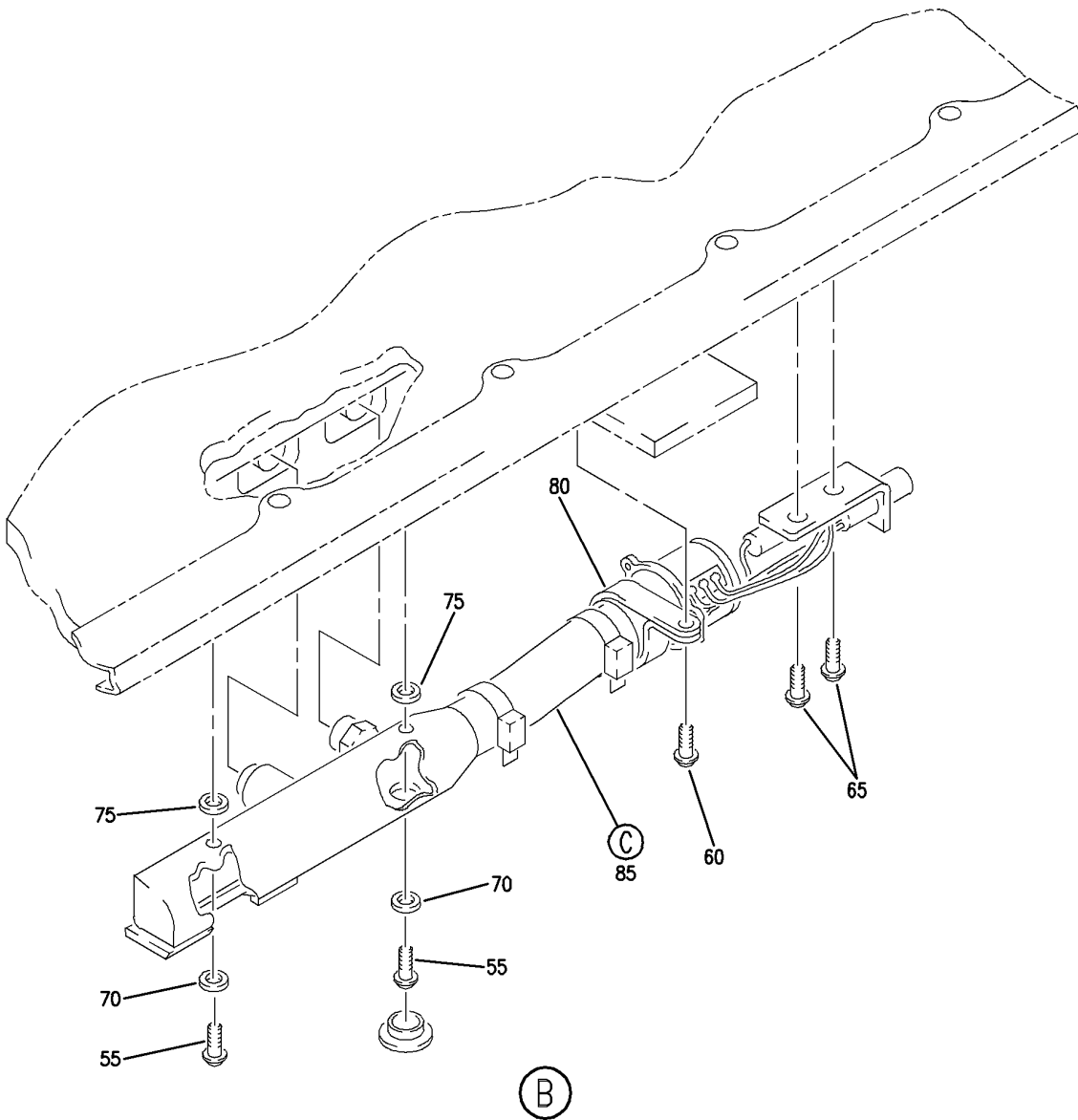
COMPARTMENT ASSY-60 IN. OVHD STOWAGE HANDLING CONFIGURATION (CABIN TEMPERATURE SENSOR ONLY)
 FIGURE 11 (SHEET 2)

HAP
 OCT 10/06

21-61-10-11

21-61-10-11
 PAGE 0A

BOEING
 737-600/700/800/900
 PARTS CATALOG (MAINTENANCE)



E 21611011 SHIT 3 REV 061

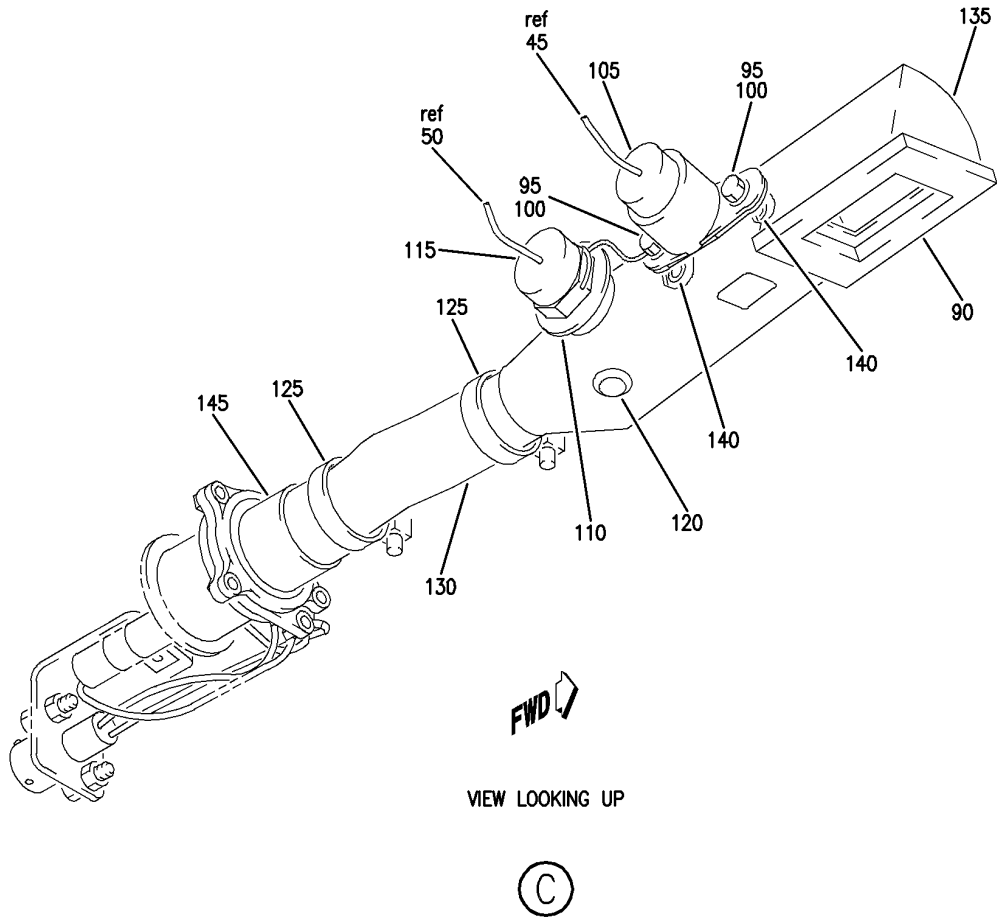
COMPARTMENT ASSY-60 IN. OVHD STOWAGE HNDRL CONFIGURATION (CABIN TEMPERATURE SENSOR ONLY)
 FIGURE 11 (SHEET 3)

HAP
 OCT 10/06

21-61-10-11

21-61-10-11
 PAGE 0B

BOEING
 737-600/700/800/900
 PARTS CATALOG (MAINTENANCE)



E 21611011 SH1 4 REV 061

COMPARTMENT ASSY-60 IN. OVHD STOWAGE HANDLING CONFIGURATION (CABIN TEMPERATURE SENSOR ONLY)
 FIGURE 11 (SHEET 4)

HAP
 OCT 10/06

21-61-10-11

21-61-10-11
 PAGE 0C

BOEING
737-600/700/800/900
PARTS CATALOG (MAINTENANCE)

FIG ITEM	PART NUMBER	1 2 3 4 5 6 7	NOMENCLATURE	EFFECT FROM TO	UNITS PER ASSY
11			COMPARTMENT ASSY-60 IN. OVHD STOWAGE HNDRL CONFIGURATION (CABIN TEMPERATURE SENSOR ONLY)	001030	
- 1	412A1150-304B		COMPARTMENT ASSY-60 IN. OVHD STOWAGE HNDRL CONFIGURATION (CABIN TEMPERATURE SENSOR ONLY) FOR NHA/OTHER SYS DET SEE: 25-24-30-24B	009030	RF
- 1	412A1150-4SP		COMPARTMENT ASSY-60 IN. OVHD STOWAGE HNDRL CONFIGURATION (CABIN TEMPERATURE SENSOR ONLY) PRE SERVICE BULLETIN: 25-1373 FOR NHA/OTHER SYS DET SEE: 25-24-30-22	001001 006007	RF
- 1	002A0007-74N		COMPARTMENT ASSY-60 IN. OVHD STOWAGE HNDRL CONFIGURATION (CABIN TEMPERATURE SENSOR ONLY) POST SERVICE BULLETIN: 25-1373 FOR NHA/OTHER SYS DET SEE: 25-24-30-22	001001 006007	RF
- 1	412A1150-104SP		COMPARTMENT ASSY-60 IN. OVHD STOWAGE HNDRL CONFIGURATION (CABIN TEMPERATURE SENSOR ONLY) PRE SERVICE BULLETIN: 25-1373 FOR NHA/OTHER SYS DET SEE: 25-24-30-24B	002005 008008	RF
- 1	412A1150-304SP		COMPARTMENT ASSY-60 IN. OVHD STOWAGE HNDRL CONFIGURATION (CABIN TEMPERATURE SENSOR ONLY) POST SERVICE BULLETIN: 25-1373 FOR NHA/OTHER SYS DET SEE: 25-24-30-24B	002005 008008	RF
5	BAC27DAC0061		.MARKER- PLACARD CONTENT: FWD CABIN ZONE TEMP SENSOR MODULE M01445	001030	1

MISSING ITEM NUMBERS NOT APPLICABLE

- ITEM NOT ILLUSTRATED

HAP

21-61-10-11

BOEING PROPRIETARY - Copyright © - Unpublished Work - See title page for details.

21-61-10
FIG. 11
PAGE 1
OCT 10/06

BOEING
737-600/700/800/900
PARTS CATALOG (MAINTENANCE)

FIG ITEM	PART NUMBER	1 2 3 4 5 6 7	NOMENCLATURE	EFFECT FROM TO	UNITS PER ASSY
11					
10	ATM00TA20		.CONNECTOR-MTG SUPPLIER CODE: V05574 SPECIFICATION NUMBER: S280W557-1 OPTIONAL PART: ATM01TA20 V05574 ATTACHING PARTS	001030	1
- 15	NAS623-3-1		.SCREW	001030	2
- 20	NAS620A10L		.WASHER	001030	2
			-----*-----		
23	BACT44E1S		.TRACK-ELECTRICAL CONN. MTG USED ON: 412A1100-252B 412A1150-304B 412A1150-418B 412A1150-424B 412A1150-448B 412A1150-418SP 412A1150-304SP	002005 008030	1
25	PLT1MXMR		.STRAP SUPPLIER CODE: V06383 SPECIFICATION NUMBER: BACS38K9	001030	6
30	MB3		.MOUNTING BASE- SUPPLIER CODE: V06383	001030	6
35	NAS557-14B		.GROMMET	001030	2
40	286A4160-301		.WIRE BUNDLE ASSY-PASS. CAB. TEMP SENSOR ELECTRICAL EQUIP NUMBER: M01445 OPTIONAL PART: 286A4160-304	001030	1
40	286A4160-304		.WIRE BUNDLE ASSY-PASS. CAB. TEMP SENSOR OPTIONAL PART: 286A4160-301	009030	1
45	BACC45FT10-5S		..CONNECTOR- ELECTRICAL EQUIP NUMBER: D03906 WIRING DIAGRAM REF: 216113	001030	1

MISSING ITEM NUMBERS NOT APPLICABLE

- ITEM NOT ILLUSTRATED

HAP

21-61-10-11

BOEING PROPRIETARY - Copyright © - Unpublished Work - See title page for details.

21-61-10
FIG. 11
PAGE 2
FEB 10/07

BOEING
737-600/700/800/900
PARTS CATALOG (MAINTENANCE)

FIG ITEM	PART NUMBER	1 2 3 4 5 6 7	NOMENCLATURE	EFFECT FROM TO	UNITS PER ASSY
11					
50	017832-3000	..	PLUG- SUPPLIER CODE: V57895 ELECTRICAL EQUIP NUMBER: D03920 WIRING DIAGRAM REF: 216151	001030	1
52	S280W557-241	..	RECEPTACLE- ELECTRICAL EQUIP NUMBER: D41820J WIRING DIAGRAM REF: 216113 USED ON: 286A4160-301	001030	1
52	BACC65AK241P	..	RECEPTACLE- ELECTRICAL EQUIP NUMBER: D41820J WIRING DIAGRAM REF: 216113 USED ON: 286A4160-304	009030	1
55	BACS12FA3K6	.	SCREW	001030	2
60	BACS12FA3K7	.	SCREW	001030	1
65	BACS12FA3K4	.	SCREW	001030	2
70	NAS1149D0332J	.	WASHER	001030	2
75	NAS1149D0363J	.	WASHER	001030	2
80	MS25281R24	.	CLAMP	001030	1
85	213A4101-13	.	SENSOR ASSY-TEMP SUPPLIER CODE: V89954 FUNCTIONAL REFERENCE: PLACARDS AND MARKINGS FOR DETAILS SEE 11-32-04-01F	001030	1
90	215N1005-3	..	SEAL-BELLOW SUPPLIER CODE: V89954	001030	1
95	BACS12GU3K8D	..	SCREW	001030	2
100	NAS1149D0332J	..	WASHER	001030	2
105	624018-1	..	SENSOR- SUPPLIER CODE: V07217 SPECIFICATION NUMBER: S210T130-21 COMPONENT MAINT MANUAL REF: 21-61-01	001030	1
110	69-78616-1	..	WASHER- SUPPLIER CODE: V89954	001030	1

MISSING ITEM NUMBERS NOT APPLICABLE

— ITEM NOT ILLUSTRATED

HAP

21-61-10-11

BOEING PROPRIETARY - Copyright © - Unpublished Work - See title page for details.

21-61-10
FIG. 11
PAGE 3
FEB 10/07

BOEING
737-600/700/800/900
PARTS CATALOG (MAINTENANCE)

FIG ITEM	PART NUMBER	1 2 3 4 5 6 7	NOMENCLATURE	EFFECT FROM TO	UNITS PER ASSY
11					
115	1122027	..	DETECTOR- SUPPLIER CODE: V60678	001030	1
120	AMD630-703	..	BUTTON- SUPPLIER CODE: V96144 MISCELLANEOUS DATA: REPLACED BY BACP20B43 FULLY INTERCHANGEABLE. BACP20B43 NOT DOCUMENTED. OPTIONAL PART: BACP20B43	001030	1
120	D3161PLC	..	BUTTON- SUPPLIER CODE: V57771 SPECIFICATION NUMBER: BACP20B43 OPTIONAL PART: SS48152 V83058 AMD630-703 V96144	001030	1
125	NAS1922-0125-3	..	CLAMP	001030	2
130	BACD40R05A43	..	SLEEVE	001030	1
135	215N1003-27	..	DUCT ASSY	001030	1
140	6041-3BR225	...	INSERT- SUPPLIER CODE: V01556	001030	2
145	215N1003-31	..	DUCT ASSY	001030	1
- 500	286A6288-301		WIRE BUNDLE ASSY	001007	RF
- 500	286A6288-302		WIRE BUNDLE ASSY	008011	RF
- 500	286A6288-303		WIRE BUNDLE ASSY	012027	RF
- 500	286A6288-306		WIRE BUNDLE ASSY	028030	RF
505	S280W557-141	.	PLUG- ELECTRICAL EQUIP NUMBER: D41820P WIRING DIAGRAM REF: 216113	001027	1
505	BACC65AJ141S	.	PLUG- ELECTRICAL EQUIP NUMBER: D41820P WIRING DIAGRAM REF: 216113	028030	1

MISSING ITEM NUMBERS NOT APPLICABLE

- ITEM NOT ILLUSTRATED

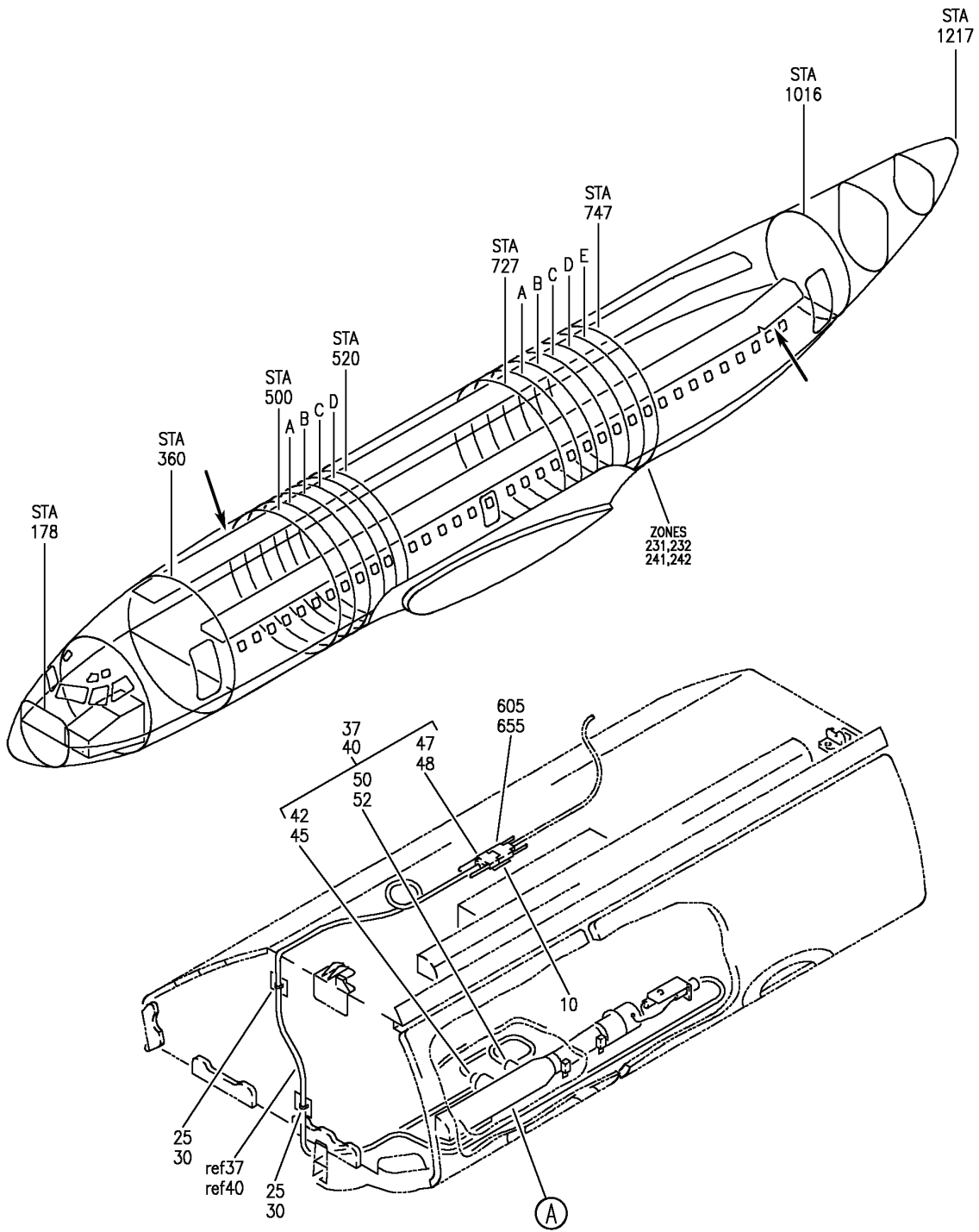
HAP

21-61-10-11

BOEING PROPRIETARY - Copyright © - Unpublished Work - See title page for details.

21-61-10
FIG. 11
PAGE 4
OCT 10/07

BOEING
 737-600/700/800/900
 PARTS CATALOG (MAINTENANCE)



E 21611013 SHT 1 REV 080

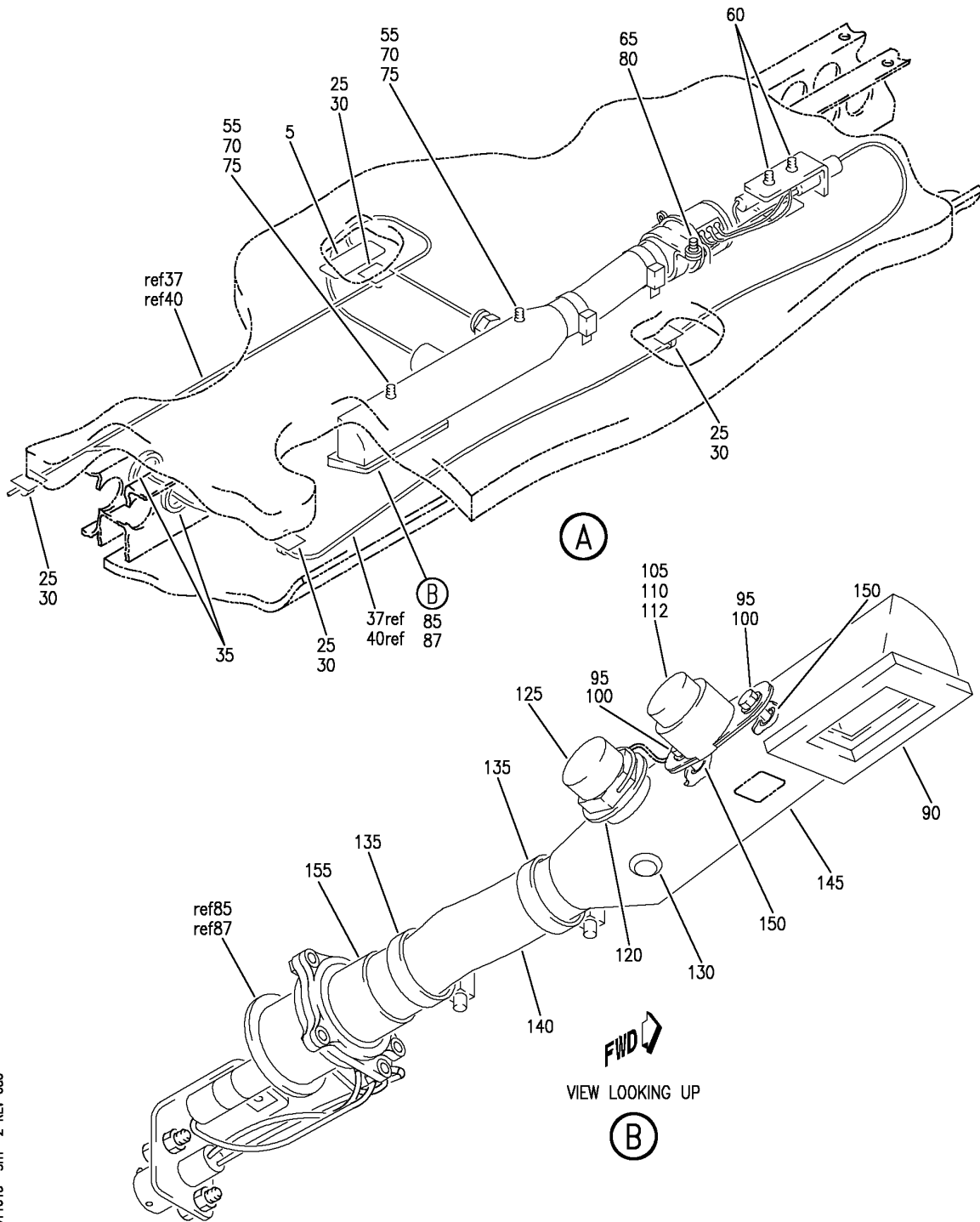
TOP ASSY-FWD RH 60 IN. OVHD STOWAGE BIG BIN BULLNOSE CONFIGURATION (CABIN TEMPERATURE SENSOR ONLY)
 FIGURE 13 (SHEET 1)

HAP
 OCT 10/07

21-61-10-13

21-61-10-13
 PAGE 0

BOEING
 737-600/700/800/900
 PARTS CATALOG (MAINTENANCE)



E 21611013 SH1 2 REV 080

TOP ASSY-FWD RH 60 IN. OVHD STOWAGE BIG BIN BULLNOSE CONFIGURATION (CABIN TEMPERATURE SENSOR ONLY)
 FIGURE 13 (SHEET 2)

HAP
 OCT 10/07

21-61-10-13

21-61-10-13
 PAGE 0A

BOEING
737-600/700/800/900
PARTS CATALOG (MAINTENANCE)

FIG ITEM	PART NUMBER	1 2 3 4 5 6 7	NOMENCLATURE	EFFECT FROM TO	UNITS PER ASSY
13			TOP ASSY-FWD RH 60 IN. OVHD STOWAGE BIG BIN BULLNOSE CONFIGURATION (CABIN TEMPERATURE SENSOR ONLY)	031200 968999	
- 1	412A1052-58B		TOP ASSY-60 IN. OVHD STOWAGE BIG BIN BULLNOSE CONFIGURATION (CABIN TEMPERATURE SENSOR ONLY) POSITION DATA: FWD RH FOR NHA/OTHER SYS DET SEE: 25-24-30-22B	101101 968971	RF
- 1	412A1052-96B		TOP ASSY-60 IN. OVHD STOWAGE BIG BIN BULLNOSE CONFIGURATION (CABIN TEMPERATURE SENSOR ONLY) POSITION DATA: FWD RH FOR NHA/OTHER SYS DET SEE: 25-24-30-26	031043	RF
- 1	412A1052-1096B		TOP ASSY-60 IN. OVHD STOWAGE BIG BIN BULLNOSE CONFIGURATION (CABIN TEMPERATURE SENSOR ONLY) POSITION DATA: FWD RH FOR NHA/OTHER SYS DET SEE: 25-24-30-26	044100	RF
- 2	412A1052-1058B		TOP ASSY-60 IN. OVHD STOWAGE BIG BIN BULLNOSE CONFIGURATION (CABIN TEMPERATURE SENSOR ONLY) POSITION DATA: FWD RH FOR NHA/OTHER SYS DET SEE: 25-24-30-22B	102200 972999	RF
5	BAC27DAC77		.MARKER- PLACARD CONTENT: PASSENGER CABIN TEMP SENSOR FAN M01719-D10960	101200 968999	1
5	BAC27DAC0061		.MARKER- PLACARD CONTENT: FWD CABIN TEMP SENSOR MODULE M01445	031100	1
10	BACT44E1S		.TRACK	031200 968999	1

MISSING ITEM NUMBERS NOT APPLICABLE

- ITEM NOT ILLUSTRATED

HAP

21-61-10-13

BOEING PROPRIETARY - Copyright © - Unpublished Work - See title page for details.

21-61-10
FIG. 13
PAGE 1
OCT 15/08

BOEING
737-600/700/800/900
PARTS CATALOG (MAINTENANCE)

FIG ITEM	PART NUMBER	1 2 3 4 5 6 7	NOMENCLATURE	EFFECT FROM TO	UNITS PER ASSY
13			ATTACHING PARTS		
- 15	NAS623-3-1		.SCREW- OPTIONAL PART: BACB30ZG3-1	031200 968999	2
- 15	BACB30ZG3-1		.BOLT- OPTIONAL PART: NAS623-3-1	031200 968999	2
- 20	NAS620A10L		.WASHER	031200 968999	2
			-----*-----		
25	PLT1MXMR		.STRAP SUPPLIER CODE: V06383 SPECIFICATION NUMBER: BACS38K9	031200 968999	6
30	MB3		.MOUNTING BASE-CABLE TIE SUPPLIER CODE: V06383	031200 968999	6
35	NAS557-14B		.GROMMET	031200 968999	2
37	286A4160-304		.WIRE BUNDLE ASSY- ELECTRICAL EQUIP NUMBER: M01445	031100	1
40	286A4140-004		.WIRE BUNDLE ASSY-TEMP SENSOR ELECTRICAL EQUIP NUMBER: M01719	101200 968999	1
42	BACC45FT10-5S		..CONNECTOR- ELECTRICAL EQUIP NUMBER: D03906 WIRING DIAGRAM REF: 216113	031100	1
45	BACC45FT12-3S		..CONNECTOR- ELECTRICAL EQUIP NUMBER: D10962 WIRING DIAGRAM REF: 216122	101200 968999	1
47	BACC65AK221P		..RECEPTACLE- ELECTRICAL EQUIP NUMBER: D41436J WIRING DIAGRAM REF: 216122	101200 968999	1
48	BACC65AK241P		..RECEPTACLE- ELECTRICAL EQUIP NUMBER: D41820J WIRING DIAGRAM REF: 216113	031100	1

MISSING ITEM NUMBERS NOT APPLICABLE

- ITEM NOT ILLUSTRATED

HAP

21-61-10-13

BOEING PROPRIETARY - Copyright © - Unpublished Work - See title page for details.

21-61-10
FIG. 13
PAGE 2
OCT 15/08

BOEING
737-600/700/800/900
PARTS CATALOG (MAINTENANCE)

FIG ITEM	PART NUMBER	1 2 3 4 5 6 7	NOMENCLATURE	EFFECT FROM TO	UNITS PER ASSY
13					
50	017832-3000	..	PLUG- SUPPLIER CODE: V57895 ELECTRICAL EQUIP NUMBER: D10964 WIRING DIAGRAM REF: 216151	101200 968999	1
52	017832-3000	..	PLUG- SUPPLIER CODE: V57895 ELECTRICAL EQUIP NUMBER: D03920 WIRING DIAGRAM REF: 216151	031100	1
55	BACS12FA3K6	.	SCREW	031200 968999	2
60	BACS12FA3K4	.	SCREW	031200 968999	2
65	BACS12FA3K7	.	SCREW	031200 968999	1
70	NAS1149D0332J	.	WASHER	031200 968999	2
75	NAS1149D0363J	.	WASHER	031200 968999	2
80	MS25281R24	.	CLAMP	031200 968999	1
85	213A4101-1	.	SENSOR ASSY-TEMP SUPPLIER CODE: V89954 ELECTRICAL EQUIP NUMBER: M01719 FUNCTIONAL REFERENCE: PLACARDS AND MARKINGS FOR DETAILS SEE 11-32-04-01	101200 968999	1
87	213A4101-12	.	SENSOR ASSY-TEMP SUPPLIER CODE: V89954 ELECTRICAL EQUIP NUMBER: M01445 FUNCTIONAL REFERENCE: PLACARDS AND MARKINGS FOR DETAILS SEE 11-32-04-01E	031100	1
90	215N1005-2	..	SEAL-BELLOW SUPPLIER CODE: V89954	031200 968999	1
95	BACS12GU3K8D	..	SCREW	031200 968999	2

MISSING ITEM NUMBERS NOT APPLICABLE

— ITEM NOT ILLUSTRATED

HAP

21-61-10-13

BOEING PROPRIETARY - Copyright © - Unpublished Work - See title page for details.

21-61-10
FIG. 13
PAGE 3
OCT 15/08

BOEING
737-600/700/800/900
PARTS CATALOG (MAINTENANCE)

FIG ITEM	PART NUMBER	1 2 3 4 5 6 7	NOMENCLATURE	EFFECT FROM TO	UNITS PER ASSY
R R R R R R	13 100	NAS1149D0332J	.. WASHER	031200 968999	2
	105	66-19331-1	.. GASKET- MANUFACTURED FROM: SHT SYN RUBBER BMS1-11 GRADE 40 .062IN 1.00IN 2.40IN SPARES ORDER MATERIAL CODE: 5210623010	031200 968999	1
	110	548392-1	.. SENSOR- SUPPLIER CODE: V07217 SPECIFICATION NUMBER: 10-60498-3	101200 968999	1
	112	624018-1	.. SENSOR- SUPPLIER CODE: V07217 SPECIFICATION NUMBER: S210T130-21 COMPONENT MAINT MANUAL REF: 21-61-01	031100	1
	120	69-78616-1	.. WASHER- SUPPLIER CODE: V89954	031200 968999	1
	125	1122027	.. DETECTOR- SUPPLIER CODE: V60678	031200 968999	1
	130	AMD630-703	.. BUTTON- SUPPLIER CODE: V96144 MISCELLANEOUS DATA: REPLACED BY BACP20B43 FULLY INTERCHANGEABLE. BACP20B43 NOT DOCUMENTED. OPTIONAL PART: BACP20B43	031200 968999	1
	130	D3161PLC	.. BUTTON- SUPPLIER CODE: V57771 SPECIFICATION NUMBER: BACP20B43 OPTIONAL PART: SS48152 V83058 AMD630-703 V96144	031200 968999	1
	135	NAS1922-0125-3	.. CLAMP	031200 968999	2

MISSING ITEM NUMBERS NOT APPLICABLE

— ITEM NOT ILLUSTRATED

HAP

21-61-10-13

BOEING PROPRIETARY - Copyright © - Unpublished Work - See title page for details.

21-61-10
FIG. 13
PAGE 4
JUN 15/09

 **BOEING**
737-600/700/800/900
PARTS CATALOG (MAINTENANCE)

FIG ITEM	PART NUMBER	1 2 3 4 5 6 7	NOMENCLATURE	EFFECT FROM TO	UNITS PER ASSY
13					
140	BACD40R05A43	..	SLEEVE	031200 968999	1
145	215N1003-27	..	DUCT ASSY	031200 968999	1
150	6041-3BR225	...	INSERT- SUPPLIER CODE: V01556	031200 968999	2
155	215N1003-31	..	DUCT ASSY	031200 968999	1
- 600	286A4142-135		WIRE BUNDLE ASSY	101200 968999	1
605	BACC65AJ121S	.PLUG-	ELECTRICAL EQUIP NUMBER: D41436P WIRING DIAGRAM REF: 216122	101200 968999	1
- 650	286A6288-306		WIRE BUNDLE ASSY	031046 051052 054100	1
655	BACC65AJ141S	.PLUG-	ELECTRICAL EQUIP NUMBER: D41820P WIRING DIAGRAM REF: 216113	031046 051052 054100	1

MISSING ITEM NUMBERS NOT APPLICABLE

- ITEM NOT ILLUSTRATED

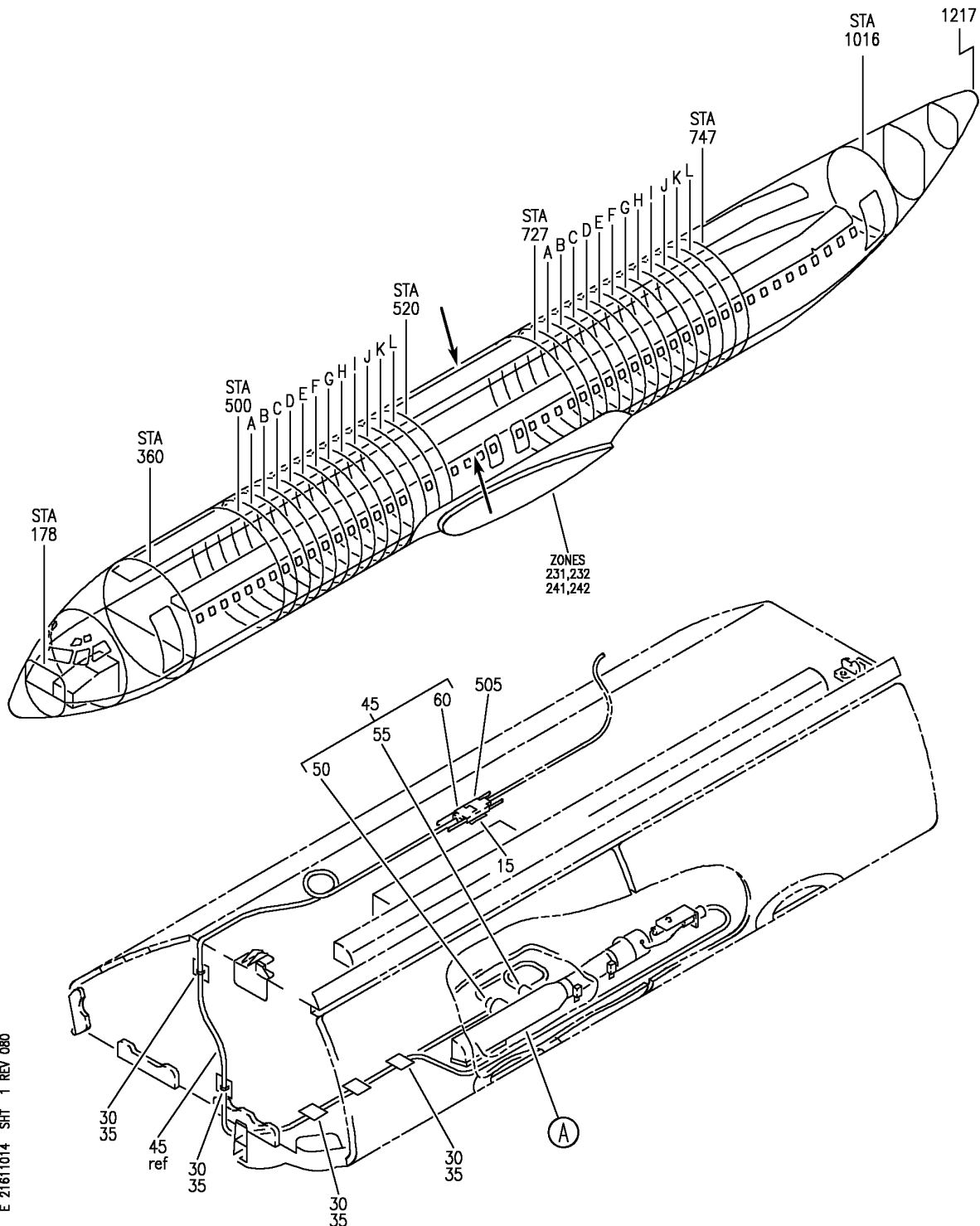
HAP

21-61-10-13

BOEING PROPRIETARY - Copyright © - Unpublished Work - See title page for details.

21-61-10
FIG. 13
PAGE 5
JUN 15/09

BOEING
 737-600/700/800/900
 PARTS CATALOG (MAINTENANCE)



E 21611014 SHT 1 REV 080

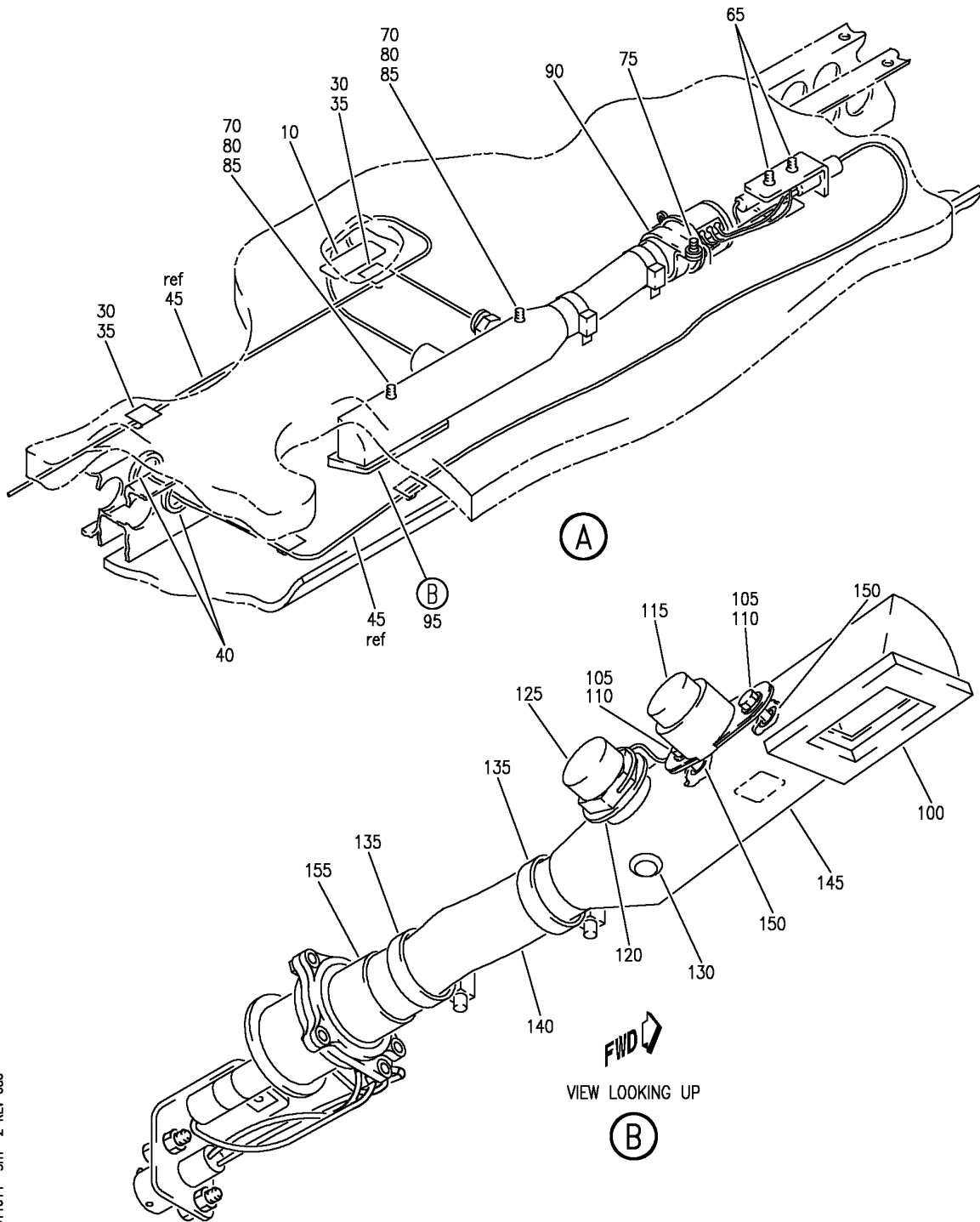
TOP ASSY-RH 80 IN. BIG BIN OVHD STOWAGE BULLNOSE CONFIGURATION (CABIN TEMPERATURE SENSOR ONLY)
 FIGURE 14 (SHEET 1)

HAP
 OCT 10/07

21-61-10-14

21-61-10-14
 PAGE 0

BOEING
 737-600/700/800/900
 PARTS CATALOG (MAINTENANCE)



E 21611014 SHT 2 REV 080

TOP ASSY-RH 80 IN. BIG BIN OVHD STOWAGE BULLNOSE CONFIGURATION (CABIN TEMPERATURE SENSOR ONLY)
 FIGURE 14 (SHEET 2)

HAP
 OCT 10/07

21-61-10-14

21-61-10-14
 PAGE 0A

BOEING
737-600/700/800/900
PARTS CATALOG (MAINTENANCE)

FIG ITEM	PART NUMBER	1 2 3 4 5 6 7	NOMENCLATURE	EFFECT FROM TO	UNITS PER ASSY
14			TOP ASSY-RH 80 IN. BIG BIN OVHD STOWAGE BULLNOSE CONFIGURATION (CABIN TEMPERATURE SENSOR ONLY)	031100	
- 1	412A1057-32B		TOP ASSY-80 IN. BIG BIN OVHD STOWAGE BULLNOSE CONFIGURATION (CABIN TEMPERATURE SENSOR ONLY) POSITION DATA: RH FOR NHA/OTHER SYS DET SEE: 25-24-30-84	031043	RF
- 1	412A1057-1032B		TOP ASSY-80 IN. BIG BIN OVHD STOWAGE BULLNOSE CONFIGURATION (CABIN TEMPERATURE SENSOR ONLY) POSITION DATA: RH POST RAPID REVISION: RR97237-17B FOR NHA/OTHER SYS DET SEE: 25-24-30-84	044100	RF
10	BAC27DAC0062		.MARKER- PLACARD CONTENT: AFT CABIN TEMP SENSOR MODULE M01446	031100	1
15	BACT44E1S		.TRACK-ELECTRICAL CONN MTG ATTACHING PARTS	031100	1
- 20	NAS623-3-1		.SCREW- OPTIONAL PART: BACB30ZG3-1	031100	2
- 20	BACB30ZG3-1		.BOLT- OPTIONAL PART: NAS623-3-1	031100	2
- 25	NAS620A10L		.WASHER -----*-----	031100	2
30	PLT1MXMR		.STRAP SUPPLIER CODE: V06383 SPECIFICATION NUMBER: BACS38K9	031100	7
35	MB3		.MOUNTING BASE-CABLE TIE SUPPLIER CODE: V06383	031100	7
40	NAS557-14B		.GROMMET	031100	2
45	286A4180-302		.WIRE BUNDLE-TEMP SENSOR ELECTRICAL EQUIP NUMBER: M01446	031100	1

MISSING ITEM NUMBERS NOT APPLICABLE

- ITEM NOT ILLUSTRATED

HAP

21-61-10-14

21-61-10
FIG. 14
PAGE 1
FEB 15/09

 **BOEING**
737-600/700/800/900
PARTS CATALOG (MAINTENANCE)

FIG ITEM	PART NUMBER	1 2 3 4 5 6 7	NOMENCLATURE	EFFECT FROM TO	UNITS PER ASSY
14					
50	BACC45FT10-5S	..	CONNECTOR- ELECTRICAL EQUIP NUMBER: D03910 WIRING DIAGRAM REF: 216114	031100	1
55	017832-3000	..	PLUG- SUPPLIER CODE: V57895 ELECTRICAL EQUIP NUMBER: D03922 WIRING DIAGRAM REF: 216114	031100	1
60	BACC65AK241P	..	RECEPTACLE- ELECTRICAL EQUIP NUMBER: D41834J WIRING DIAGRAM REF: 216114	031100	1
65	BACS12FA3K4	.	SCREW	031100	2
70	BACS12FA3K6	.	SCREW	031100	2
75	BACS12FA3K7	.	SCREW	031100	1
80	NAS1149D0332J	.	WASHER	031100	2
85	NAS1149D0363J	.	WASHER	031100	2
90	MS25281R24	.	CLAMP	031100	1
95	213A4101-12	.	SENSOR ASSY-TEMP SUPPLIER CODE: V89954 ELECTRICAL EQUIP NUMBER: M01446 FUNCTIONAL REFERENCE: PLACARDS AND MARKINGS FOR DETAILS SEE 11-32-04-01E	031100	1
100	215N1005-2	..	SEAL-BELLOW SUPPLIER CODE: V89954	031100	1
105	BACS12GU3K8D	..	SCREW	031100	2
110	NAS1149D0332J	..	WASHER	031100	2
115	624018-1	..	SENSOR- SUPPLIER CODE: V07217 SPECIFICATION NUMBER: S210T130-21 COMPONENT MAINT MANUAL REF: 21-61-01	031100	1
120	69-78616-1	..	WASHER- SUPPLIER CODE: V89954	031100	1

MISSING ITEM NUMBERS NOT APPLICABLE

— ITEM NOT ILLUSTRATED

HAP

21-61-10-14

BOEING PROPRIETARY - Copyright © - Unpublished Work - See title page for details.

21-61-10
FIG. 14
PAGE 2
OCT 10/07

BOEING
737-600/700/800/900
PARTS CATALOG (MAINTENANCE)

FIG ITEM	PART NUMBER	1 2 3 4 5 6 7	NOMENCLATURE	EFFECT FROM TO	UNITS PER ASSY
14					
125	1122027	..	DETECTOR- SUPPLIER CODE: V60678	031100	1
130	AMD630-703	..	BUTTON- SUPPLIER CODE: V96144 MISCELLANEOUS DATA: REPLACED BY BACP20B43 FULLY INTERCHANGEABLE. BACP20B43 NOT DOCUMENTED. OPTIONAL PART: BACP20B43	031100	1
130	D3161PLC	..	BUTTON- SUPPLIER CODE: V57771 SPECIFICATION NUMBER: BACP20B43 OPTIONAL PART: SS48152 V83058 AMD630-703 V96144	031100	1
135	NAS1922-0125-3	..	CLAMP	031100	2
140	BACD40R05A43	..	SLEEVE	031100	1
145	215N1003-27	..	DUCT ASSY	031100	1
150	6041-3BR225	...	INSERT- SUPPLIER CODE: V01556	031100	2
155	215N1003-31	..	DUCT ASSY	031100	1
- 500	286A6288-306		WIRE BUNDLE ASSY	031100	1
505	BACC65AJ141S	.	PLUG- ELECTRICAL EQUIP NUMBER: D41834P WIRING DIAGRAM REF: 216114	031100	1

MISSING ITEM NUMBERS NOT APPLICABLE

- ITEM NOT ILLUSTRATED

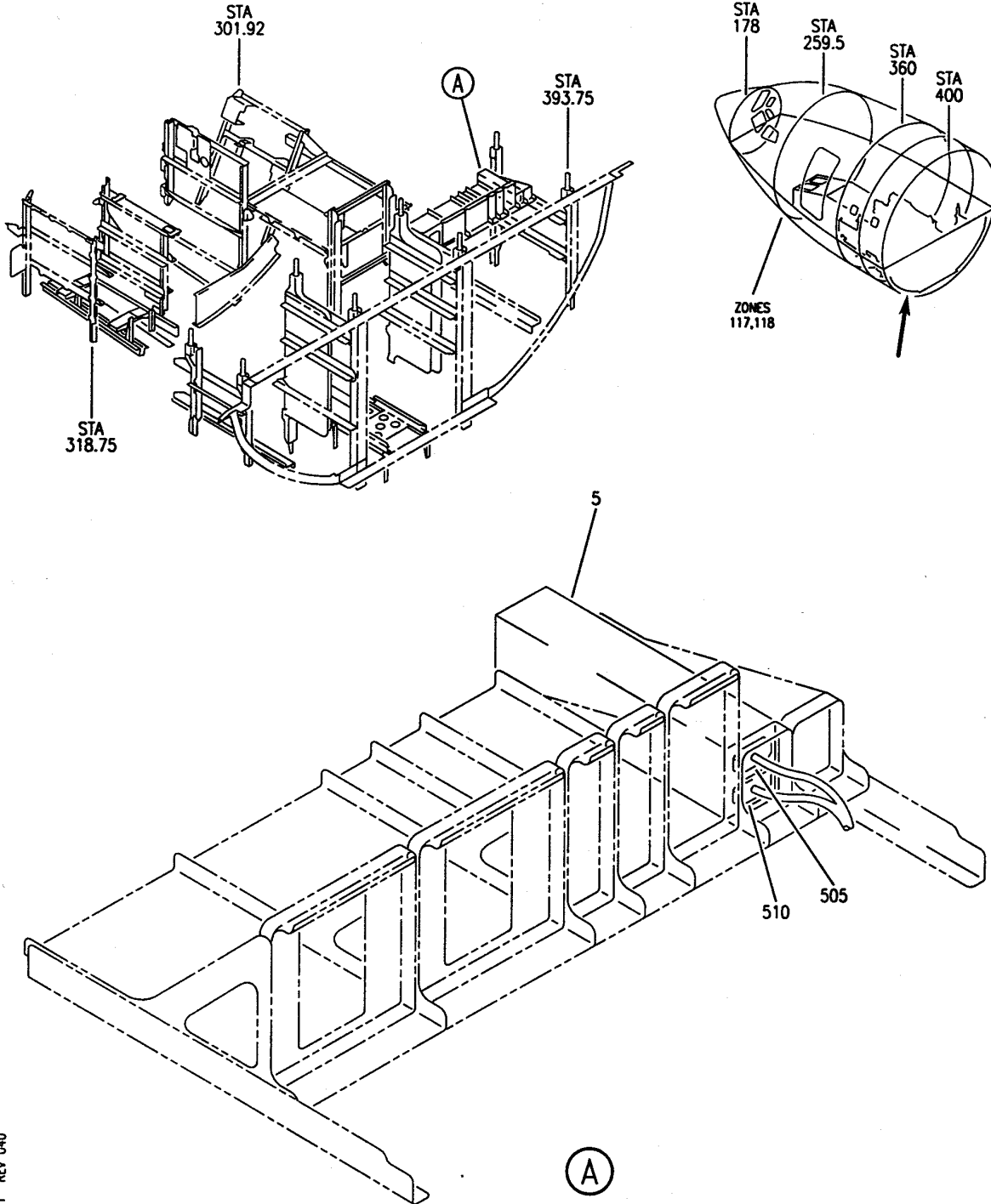
HAP

21-61-10-14

BOEING PROPRIETARY - Copyright © - Unpublished Work - See title page for details.

21-61-10
FIG. 14
PAGE 3
OCT 10/07

BOEING
 737-600/700/800/900
 PARTS CATALOG (MAINTENANCE)



E 21611101 REV 040

EQUIPMENT INSTL-E4 RACK (ZONE TEMPERATURE CONTROL INDICATION ONLY)
 FIGURE 1

21-61-11-01

HAP
 FEB 10/07

21-61-11-01
 PAGE 0

BOEING
737-600/700/800/900
PARTS CATALOG (MAINTENANCE)

FIG ITEM	PART NUMBER	1 2 3 4 5 6 7	NOMENCLATURE	EFFECT FROM TO	UNITS PER ASSY
1			EQUIPMENT INSTL-E4 RACK (ZONE TEMPERATURE CONTROL INDICATION ONLY)	101200 968999	
- 2	MODREF202977		EQUIPMENT INSTL-E4 RACK (ZONE TEMPERATURE CONTROL INDICATION ONLY) MODULE NUMBER: 284A0441-15 REV A FOR OTHER SYS DETAILS SEE: 21-51-02-02 23-51-01-03 24-21-81-03A 24-32-11-02 24-41-21-02 27-62-35-02 30-41-11-03	101200 968999	1
5	548376-6		.CONTROLLER ASSY-CABIN SUPPLIER CODE: V07217 POSITION DATA: E4-1 SHELF SPECIFICATION NUMBER: 10-60498-13 ELECTRICAL EQUIP NUMBER: M00345 COMPONENT MAINT MANUAL REF: 21-60-56 MAINTENANCE MANUAL REF: 21-61-01 FOR DETAILS SEE: 33-33-01-02	101200 968999	1
- 501	286A0410-051		WIRE BUNDLE ASSY-	101106 968999	RF
505	DPAMA32-33S		.PLUG-PLATE ASSY SUPPLIER CODE: V71468 ELECTRICAL EQUIP NUMBER: D00456 WIRING DIAGRAM REF: 216122	101106 968999	1
510	DPAMA32-33S		.PLUG-PLATE ASSY SUPPLIER CODE: V71468 ELECTRICAL EQUIP NUMBER: D00454 WIRING DIAGRAM REF: 216121	101106 968999	1

MISSING ITEM NUMBERS NOT APPLICABLE

- ITEM NOT ILLUSTRATED

HAP

21-61-11-01

21-61-11
FIG. 01
PAGE 1
OCT 15/08

BOEING
737-600/700/800/900
PARTS CATALOG (MAINTENANCE)

FIG ITEM	PART NUMBER	1 2 3 4 5 6 7	NOMENCLATURE	EFFECT FROM TO	UNITS PER ASSY
1			ATTACHING PARTS		
- 515	MS35190-213		.SCREW	101106 968999	4
- 520	PLH502CD		.NUT	101106 968999	4
			SUPPLIER CODE: V62554		
			SPECIFICATION NUMBER: BACN10YR02CD		
			OPTIONAL PART: H52732-02CD		
			V15653		
- 525	MS35190-213		.SCREW	101106 968999	2
- 530	PLH502CD		.NUT	101106 968999	2
			SUPPLIER CODE: V62554		
			SPECIFICATION NUMBER: BACN10YR02CD		
			OPTIONAL PART: H52732-02CD		
			V15653		
			-----*-----		

MISSING ITEM NUMBERS NOT APPLICABLE

- ITEM NOT ILLUSTRATED

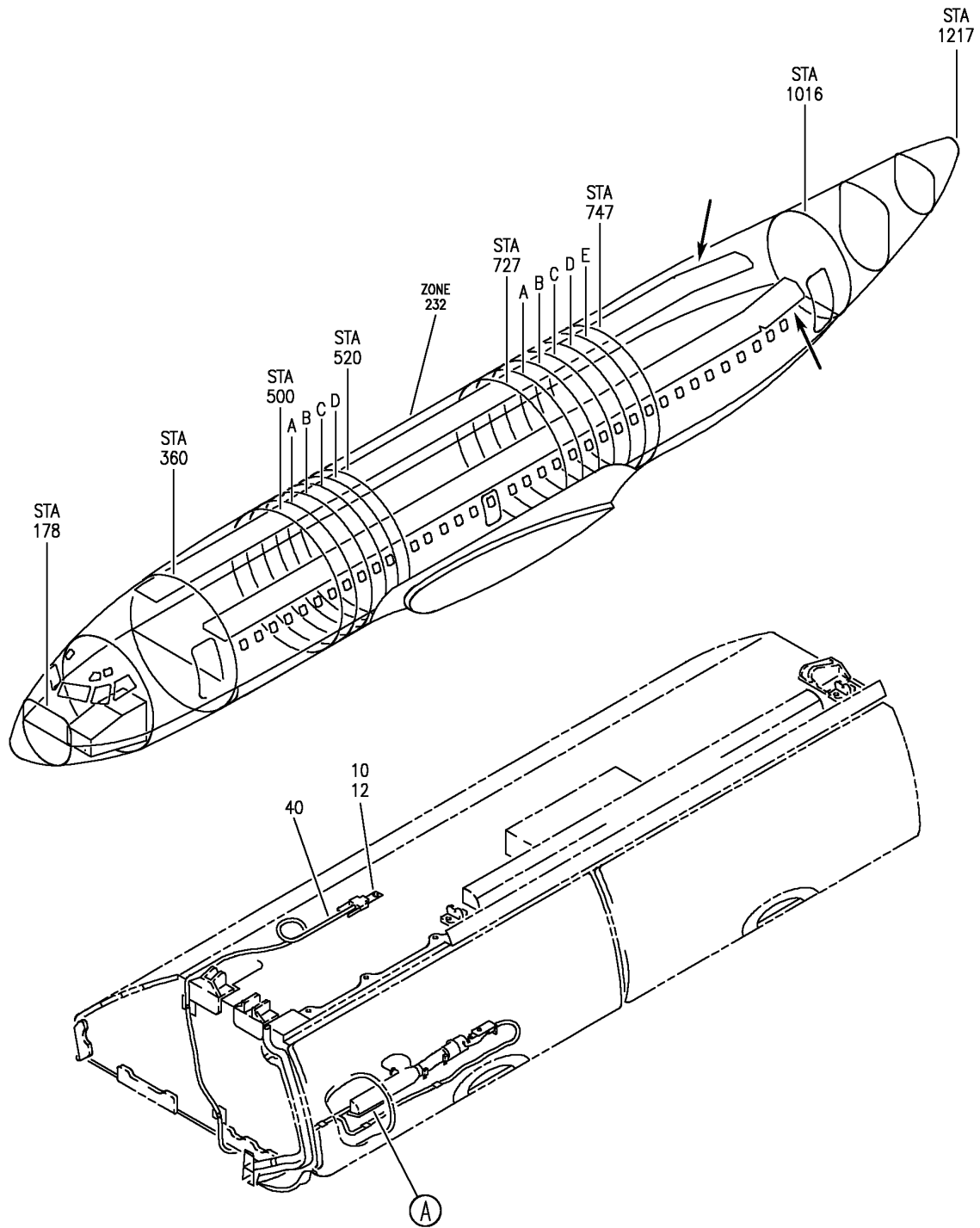
HAP

21-61-11-01

BOEING PROPRIETARY - Copyright © - Unpublished Work - See title page for details.

21-61-11
FIG. 01
PAGE 2
OCT 15/08

BOEING
 737-600/700/800/900
 PARTS CATALOG (MAINTENANCE)



E 2161111 SHT 1 REV 082

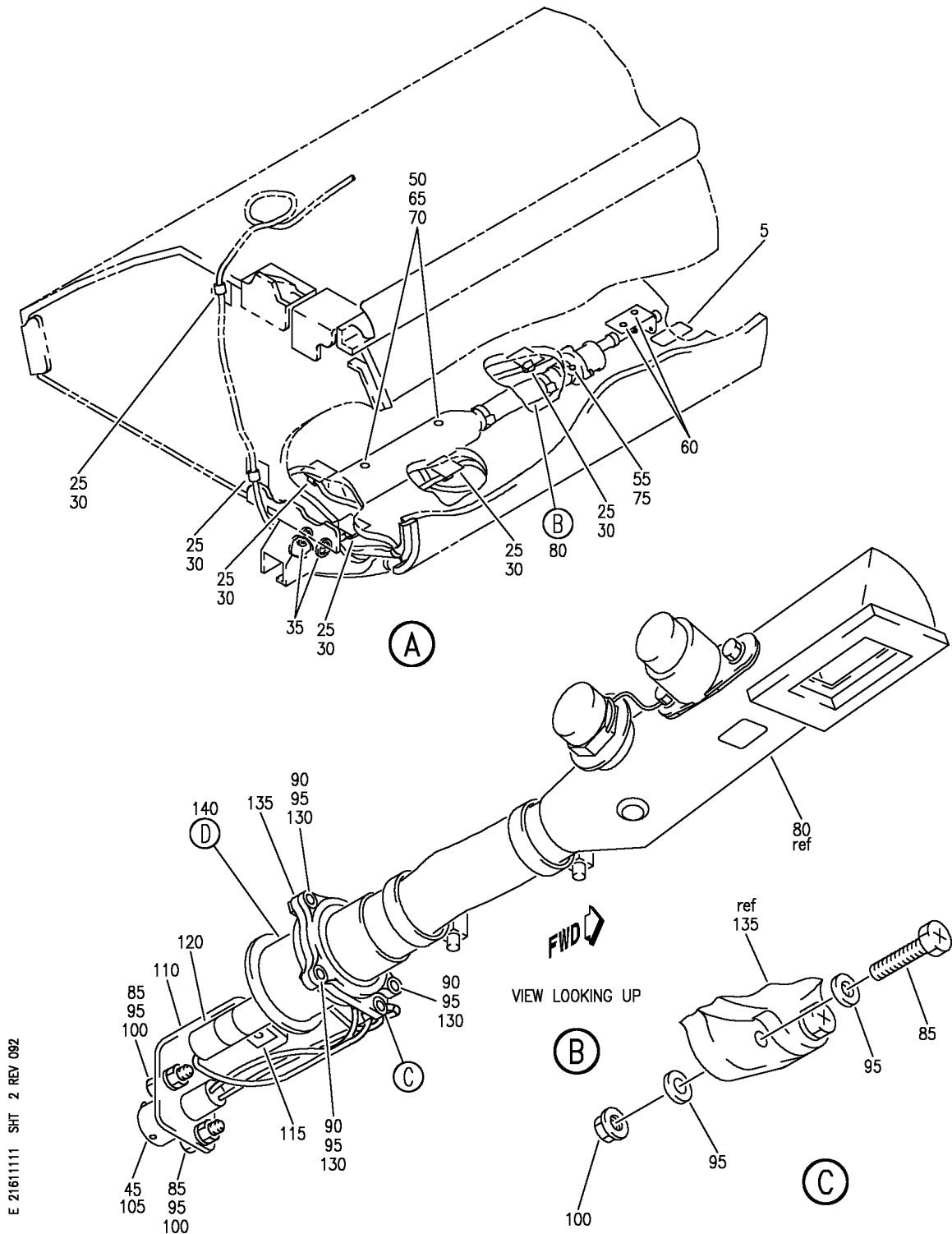
COMPARTMENT ASSY-60 IN. OVHD STORAGE BULLNOSE CONFIGURATION (ZONE TEMPERATURE SENSOR FAN ONLY)
 FIGURE 11 (SHEET 1)

HAP
 OCT 15/08

21-61-11-11

21-61-11-11
 PAGE 0

BOEING
 737-600/700/800/900
 PARTS CATALOG (MAINTENANCE)



E 21611111 SHT 2 REV 082

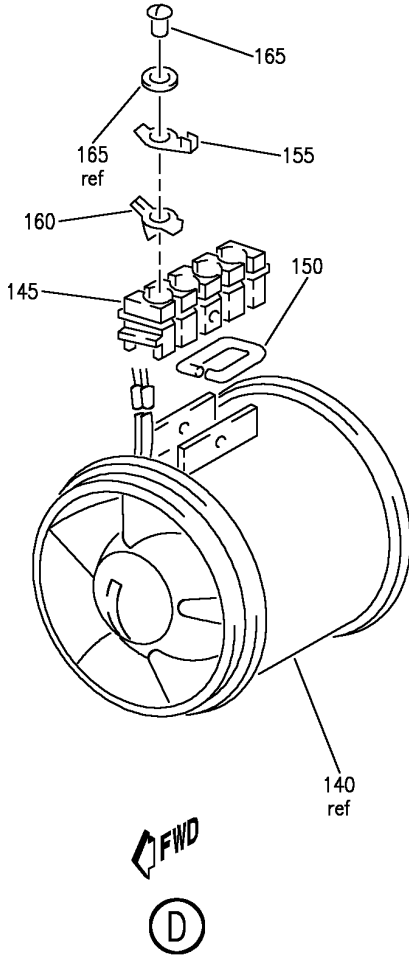
COMPARTMENT ASSY-60 IN. OVHD STORAGE BULLNOSE CONFIGURATION (ZONE TEMPERATURE SENSOR FAN ONLY)
 FIGURE 11 (SHEET 2)

21-61-11-11

HAP
 OCT 15/08

21-61-11-11
 PAGE 0A

BOEING
737-600/700/800/900
PARTS CATALOG (MAINTENANCE)



E 21611111 SHT 3 REV 092

COMPARTMENT ASSY-60 IN. OVHD STOWAGE BULLNOSE CONFIGURATION (ZONE TEMPERATURE SENSOR FAN ONLY)
FIGURE 11 (SHEET 3)

HAP
OCT 15/08

21-61-11-11

21-61-11-11
PAGE 0B

BOEING
737-600/700/800/900
PARTS CATALOG (MAINTENANCE)

FIG ITEM	PART NUMBER	1 2 3 4 5 6 7	NOMENCLATURE	EFFECT FROM TO	UNITS PER ASSY
11			COMPARTMENT ASSY-60 IN. OVHD STOWAGE BULLNOSE CONFIGURATION (ZONE TEMPERATURE SENSOR FAN ONLY)	201967	
- 1	412A1170-104SP		COMPARTMENT ASSY-60 IN. OVHD STOWAGE BULLNOSE CONFIGURATION (ZONE TEMPERATURE SENSOR FAN ONLY) FOR NHA/OTHER SYS DET SEE: 25-24-30-27	202967	RF
- 1	412A1170-304B		COMPARTMENT ASSY-60 IN. OVHD STOWAGE BULLNOSE CONFIGURATION (ZONE TEMPERATURE SENSOR FAN ONLY) FOR NHA/OTHER SYS DET SEE: 25-24-30-27	201201	RF
5	BAC27DAC75		.MARKER- PLACARD CONTENT: PASSENGER CABIN TEMP SENSOR FAN M01719-D10960	201967	1
10	ATM00TA20		.CONNECTOR- SUPPLIER CODE: V05574 SPECIFICATION NUMBER: S280W557-1 OPTIONAL PART: ATM01TA20 V05574	201967	RF
12	BACT44E1S		.TRACK-ELECTRICAL CONN MTG ATTACHING PARTS	201967	RF
- 15	NAS623-3-1		.SCREW	201967	RF
- 20	NAS620A10L		.WASHER	201967	RF
			-----*-----		
25	PLT1MXMR		.STRAP SUPPLIER CODE: V06383 SPECIFICATION NUMBER: BACS38K9	201967	RF
30	MB3		.MOUNTING BASE- SUPPLIER CODE: V06383	201967	RF
35	NAS557-14B		.GROMMET	201967	RF

MISSING ITEM NUMBERS NOT APPLICABLE

- ITEM NOT ILLUSTRATED

HAP

21-61-11-11

BOEING PROPRIETARY - Copyright © - Unpublished Work - See title page for details.

21-61-11
FIG. 11
PAGE 1
OCT 15/08

BOEING
737-600/700/800/900
PARTS CATALOG (MAINTENANCE)

FIG ITEM	PART NUMBER	1 2 3 4 5 6 7	NOMENCLATURE	EFFECT FROM TO	UNITS PER ASSY
11					
40	286A4140-001		.WIRE BUNDLE ASSY- ELECTRICAL EQUIP NUMBER: M01719 OPTIONAL PART: 286A4140-004	201967	RF
40	286A4140-004		.WIRE BUNDLE ASSY- ELECTRICAL EQUIP NUMBER: M01719 OPTIONAL PART: 286A4140-001	201967	RF
45	BACC45FT8-3S		..CONNECTOR- ELECTRICAL EQUIP NUMBER: D10960 WIRING DIAGRAM REF: 216122	201967	1
50	BACS12FA3K6		.SCREW	201967	RF
55	BACS12FA3K7		.SCREW	201967	RF
60	BACS12FA3K4		.SCREW	201967	RF
65	NAS1149D0332J		.WASHER	201967	RF
70	NAS1149D0363J		.WASHER	201967	RF
75	MS25281R24		.CLAMP	201967	RF
80	213A4101-1		.SENSOR ASSY-TEMP SUPPLIER CODE: V89954 ELECTRICAL EQUIP NUMBER: M01719 FUNCTIONAL REFERENCE: PLACARDS AND MARKINGS FOR DETAILS SEE 11-32-04-01	201967	RF
85	NAS1801-04-5		..SCREW- OPTIONAL PART: BACS12HN04-5	201967	3
85	BACS12HN04-5		..SCREW- OPTIONAL PART: NAS1801-04-5	201967	3
90	NAS1801-04-6		..SCREW- OPTIONAL PART: BACS12HN04-6	201967	3
90	BACS12HN04-6		..SCREW- OPTIONAL PART: NAS1801-04-6	201967	3
95	NAS1149DN416J		..WASHER	201967	7

MISSING ITEM NUMBERS NOT APPLICABLE

— ITEM NOT ILLUSTRATED

HAP

21-61-11-11

BOEING PROPRIETARY - Copyright © - Unpublished Work - See title page for details.

21-61-11
FIG. 11
PAGE 2
OCT 15/08

 **BOEING**
737-600/700/800/900
PARTS CATALOG (MAINTENANCE)

FIG ITEM	PART NUMBER	1 2 3 4 5 6 7	NOMENCLATURE	EFFECT FROM TO	UNITS PER ASSY
11 100	BRH10C04D	..	NUT SUPPLIER CODE: V52828 SPECIFICATION NUMBER: BACN10JCO4CD OPTIONAL PART: H51650-04BAC V15653 102LH9075-40W V72962 NS202486-40 V80539 T6C440JCD V11815	201967	3
105	BACC45FN8-3P	..	CONNECTOR	201967	1
110	215N1004-2	..	BRACKET	201967	1
115	BACS38K9C	..	STRAP	201967	1
120	720PA12	..	CAPACITOR- SUPPLIER CODE: V56289 OPTIONAL PART: 259P3349330T13 V56289 720P334X9400S13 V56289	201967	1
120	720P334X9400S13	..	CAPACITOR- SUPPLIER CODE: V56289 OPTIONAL PART: 259P3349330T13 V56289 720PA12 V56289	201967	1
120	259P3349330T13	..	CAPACITOR- SUPPLIER CODE: V56289 OPTIONAL PART: 720P334X9400S13 V56289 720PA12 V56289	201967	1
120	720PA16	..	CAPACITOR- SUPPLIER CODE: V56289	201967	1
130	271166	..	CLAMP- SUPPLIER CODE: V82877	201967	3
135	215N1004-4	..	FLANGE	201967	1

MISSING ITEM NUMBERS NOT APPLICABLE

— ITEM NOT ILLUSTRATED

HAP

21-61-11-11

BOEING PROPRIETARY - Copyright © - Unpublished Work - See title page for details.

21-61-11
FIG. 11
PAGE 3
FEB 15/09

BOEING
737-600/700/800/900
PARTS CATALOG (MAINTENANCE)

FIG ITEM	PART NUMBER	1 2 3 4 5 6 7	NOMENCLATURE	EFFECT FROM TO	UNITS PER ASSY
11 140	024116		.. FAN ASSY-VANEAXIAL SUPPLIER CODE: V82877 COMPONENT MAINT MANUAL REF: 21-61-02 MAINTENANCE MANUAL REF: 21-61-11	201967	1
145	200033		...BOARD-TERM. SUPPLIER CODE: V82877 ATTACHING PARTS	201967	1
150	476231		...CLIP-RETAINING SUPPLIER CODE: V82877	201967	1
155	477012		...TERMINAL-LUG SUPPLIER CODE: V82877	201967	3
160	476280		...TERMINAL- SUPPLIER CODE: V82877 ATTACHING PARTS	201967	3
165	121893		...SCREW- SUPPLIER CODE: V82877 -----*-----	201967	3

MISSING ITEM NUMBERS NOT APPLICABLE

— ITEM NOT ILLUSTRATED

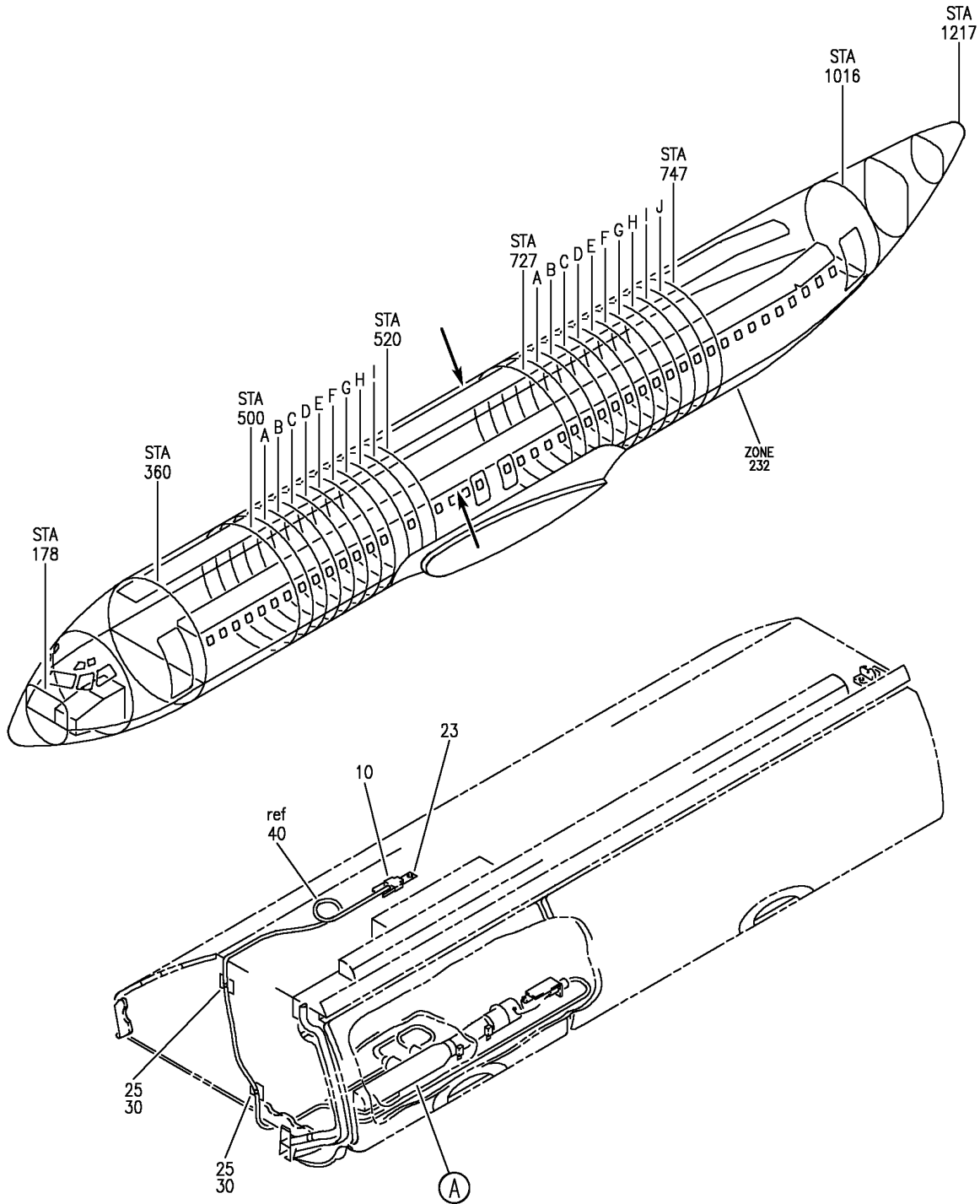
HAP

21-61-11-11

BOEING PROPRIETARY - Copyright © - Unpublished Work - See title page for details.

21-61-11
FIG. 11
PAGE 4
FEB 15/09

BOEING
 737-600/700/800/900
 PARTS CATALOG (MAINTENANCE)



E 2161112 SHT 1 REV 092

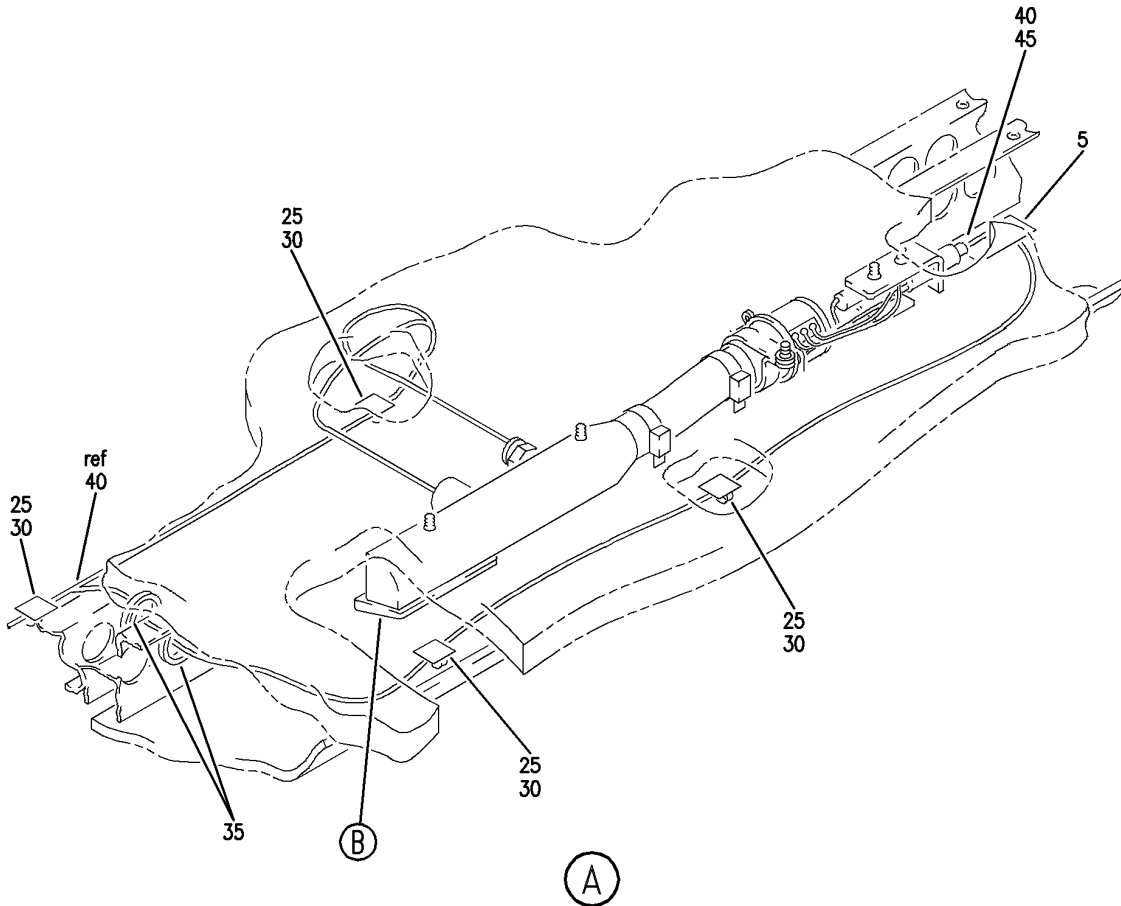
COMPARTMENT ASSY-60 IN. OVHD STOWAGE HNDRL CONFIGURATION (ZONE TEMPERATURE SENSOR FAN ONLY)
 FIGURE 12 (SHEET 1)

HAP
 OCT 10/06

21-61-11-12

21-61-11-12
 PAGE 0

BOEING
 737-600/700/800/900
 PARTS CATALOG (MAINTENANCE)



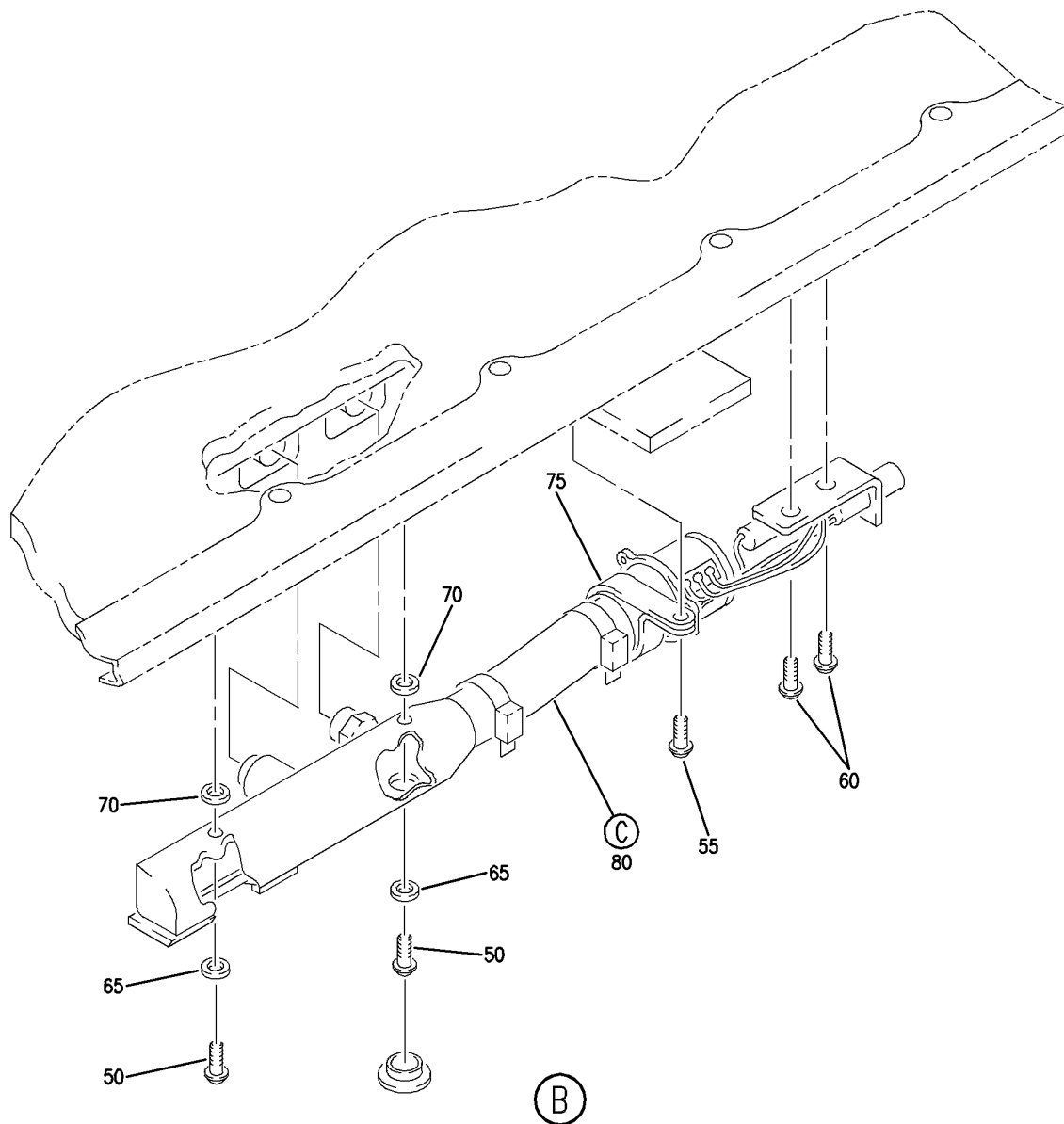
E 2161112 SHIT 2 REV 061

COMPARTMENT ASSY-60 IN. OVHD STOWAGE HNDRL CONFIGURATION (ZONE TEMPERATURE SENSOR FAN ONLY)
 FIGURE 12 (SHEET 2)

HAP
 OCT 10/06

21-61-11-12

21-61-11-12
 PAGE 0A



E 2161112 SHIT 3 REV 061

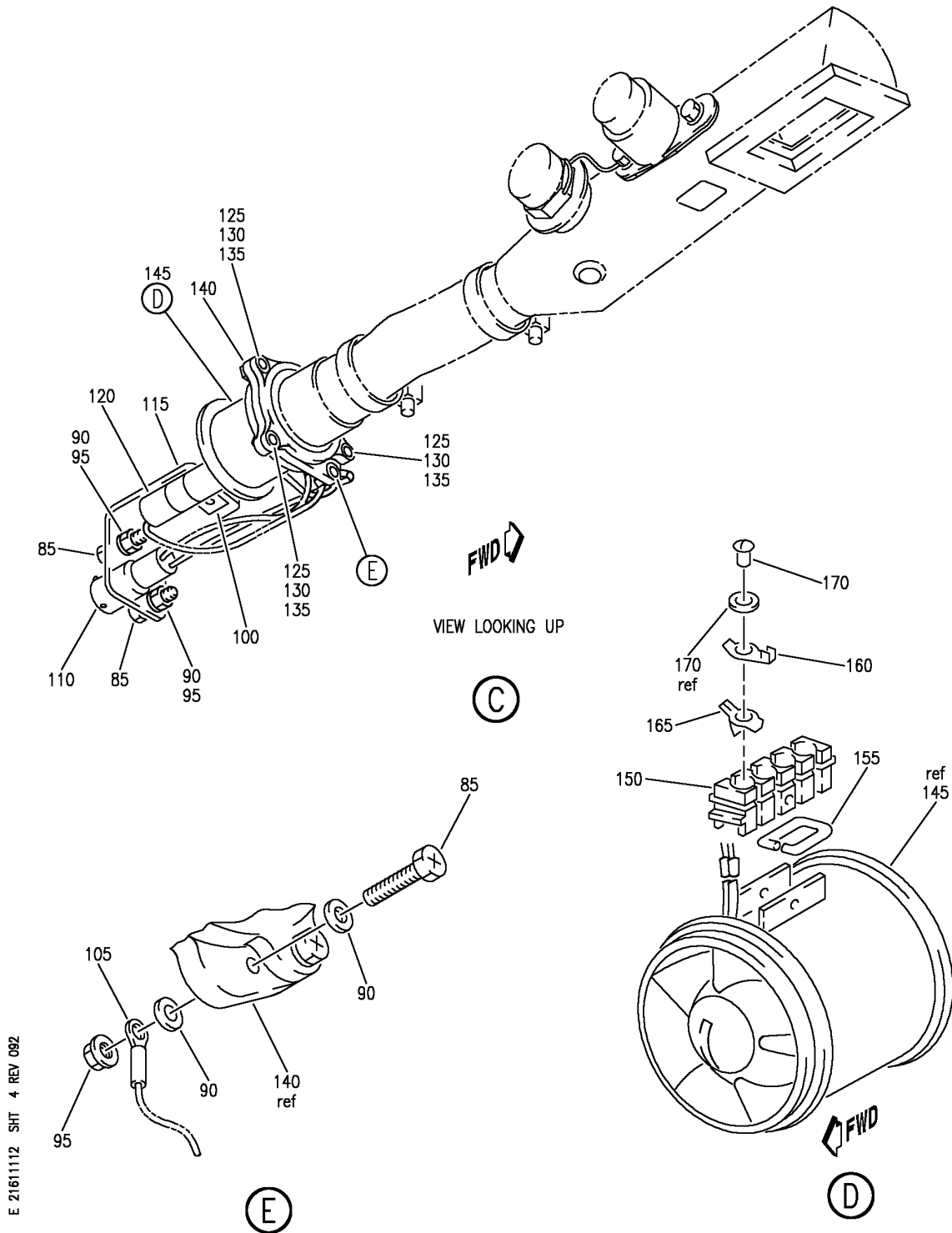
COMPARTMENT ASSY-60 IN. OVHD STOWAGE HNDRL CONFIGURATION (ZONE TEMPERATURE SENSOR FAN ONLY)
 FIGURE 12 (SHEET 3)

HAP
 OCT 10/06

21-61-11-12

21-61-11-12
 PAGE 0B

BOEING
 737-600/700/800/900
 PARTS CATALOG (MAINTENANCE)



E 2161112 SHT 4 REV 092

COMPARTMENT ASSY-60 IN. OVHD STOWAGE HNDRL CONFIGURATION (ZONE TEMPERATURE SENSOR FAN ONLY)
 FIGURE 12 (SHEET 4)

HAP
 OCT 10/06

21-61-11-12

21-61-11-12
 PAGE 0C

BOEING
737-600/700/800/900
PARTS CATALOG (MAINTENANCE)

FIG ITEM	PART NUMBER	1 2 3 4 5 6 7	NOMENCLATURE	EFFECT FROM TO	UNITS PER ASSY
12			COMPARTMENT ASSY-60 IN. OVHD STOWAGE HNDRL CONFIGURATION (ZONE TEMPERATURE SENSOR FAN ONLY)	001030	
- 1	412A1150-304B		COMPARTMENT ASSY-60 IN. OVHD STOWAGE HNDRL CONFIGURATION (ZONE TEMPERATURE SENSOR FAN ONLY) FOR NHA/OTHER SYS DET SEE: 25-24-30-24B	009030	RF
- 1	412A1150-4SP		COMPARTMENT ASSY-60 IN. OVHD STOWAGE HNDRL CONFIGURATION (ZONE TEMPERATURE SENSOR FAN ONLY) PRE SERVICE BULLETIN: 25-1373 FOR NHA/OTHER SYS DET SEE: 25-24-30-22	001001 006007	RF
- 1	002A0007-74N		COMPARTMENT ASSY-60 IN. OVHD STOWAGE HNDRL CONFIGURATION (ZONE TEMPERATURE SENSOR FAN ONLY) POST SERVICE BULLETIN: 25-1373 FOR NHA/OTHER SYS DET SEE: 25-24-30-22	001001 006007	RF
- 1	412A1150-104SP		COMPARTMENT ASSY-60 IN. OVHD STOWAGE HNDRL CONFIGURATION (ZONE TEMPERATURE SENSOR FAN ONLY) PRE SERVICE BULLETIN: 25-1373 FOR NHA/OTHER SYS DET SEE: 25-24-30-24B	002005 008008	RF
- 1	412A1150-304SP		COMPARTMENT ASSY-60 IN. OVHD STOWAGE HNDRL CONFIGURATION (ZONE TEMPERATURE SENSOR FAN ONLY) POST SERVICE BULLETIN: 25-1373 FOR NHA/OTHER SYS DET SEE: 25-24-30-24B	002005 008008	RF

MISSING ITEM NUMBERS NOT APPLICABLE

- ITEM NOT ILLUSTRATED

HAP

21-61-11-12

BOEING PROPRIETARY - Copyright © - Unpublished Work - See title page for details.

21-61-11
FIG. 12
PAGE 1
OCT 10/06

BOEING
737-600/700/800/900
PARTS CATALOG (MAINTENANCE)

FIG ITEM	PART NUMBER	1 2 3 4 5 6 7	NOMENCLATURE	EFFECT FROM TO	UNITS PER ASSY
12					
5	BAC27DAC113		.MARKER- PLACARD CONTENT: PASSENGER CABIN TEMP SENSOR FAN M01445-D3908	001030	1
10	ATM00TA20		.CONNECTOR-MTG SUPPLIER CODE: V05574 SPECIFICATION NUMBER: S280W557-1 OPTIONAL PART: ATM01TA20 V05574 ATTACHING PARTS	001030	RF
- 15	NAS623-3-1		.SCREW	001030	RF
- 20	NAS620A10L		.WASHER	001030	RF
			-----*-----		
23	BACT44E1S		.TRACK-ELECTRICAL CONN MTG USED ON: 412A1100-252B 412A1150-304B 412A1150-418B 412A1150-424B 412A1150-448B 412A1150-418SP 412A1150-304SP	002005 008030	RF
25	PLT1MXMR		.STRAP SUPPLIER CODE: V06383 SPECIFICATION NUMBER: BACS38K9	001030	RF
30	MB3		.MOUNTING BASE-CABLE TIE SUPPLIER CODE: V06383	001030	RF
35	NAS557-14B		.GROMMET	001030	RF
40	286A4160-301		.WIRE BUNDLE ASSY-PASS. CAB. TEMP SENSOR ELECTRICAL EQUIP NUMBER: M01445 OPTIONAL PART: 286A4160-304	001030	RF
40	286A4160-304		.WIRE BUNDLE ASSY-PASS. CAB. TEMP SENSOR ELECTRICAL EQUIP NUMBER: M01445 OPTIONAL PART: 286A4160-301	009030	RF

MISSING ITEM NUMBERS NOT APPLICABLE

- ITEM NOT ILLUSTRATED

HAP

21-61-11-12

BOEING PROPRIETARY - Copyright © - Unpublished Work - See title page for details.

21-61-11
FIG. 12
PAGE 2
FEB 10/07

BOEING
737-600/700/800/900
PARTS CATALOG (MAINTENANCE)

FIG ITEM	PART NUMBER	1 2 3 4 5 6 7	NOMENCLATURE	EFFECT FROM TO	UNITS PER ASSY
12					
45	BACC45FT8-3S	..	CONNECTOR- ELECTRICAL EQUIP NUMBER: D03908 WIRING DIAGRAM REF: 216113	001030	1
50	BACS12FA3K6	.	SCREW	001030	RF
55	BACS12FA3K7	.	SCREW	001030	RF
60	BACS12FA3K4	.	SCREW	001030	RF
65	NAS1149D0332J	.	WASHER	001030	RF
70	NAS1149D0363J	.	WASHER	001030	RF
75	MS25281R24	.	CLAMP	001030	RF
80	213A4101-13	.	SENSOR ASSY-TEMP BULLNOSE SUPPLIER CODE: V89954 ELECTRICAL EQUIP NUMBER: M01445 FUNCTIONAL REFERENCE: PLACARDS AND MARKINGS FOR DETAILS SEE 11-32-04-01F	001030	RF
85	NAS1801-04-5	..	SCREW- OPTIONAL PART: BACS12HN04-5	001030	3
85	BACS12HN04-5	..	SCREW- OPTIONAL PART: NAS1801-04-5	001030	3
90	NAS1149DN416J	..	WASHER	001030	4
95	BRH10C04D	..	NUT SUPPLIER CODE: V52828 SPECIFICATION NUMBER: BACN10JCO4CD OPTIONAL PART: H51650-04BAC V15653 102LH9075-40W V72962 NS202486-40 V80539 T6C440JCD V11815	001030	3
100	BACS38K9C	..	STRAP	001030	1
105	52273-1	..	TERMINAL SUPPLIER CODE: V00779 SPECIFICATION NUMBER: BACT12AR201	001030	1
110	BACC45FN8-3P	..	CONNECTOR	001030	1
115	215N1004-2	..	BRACKET	001030	1

MISSING ITEM NUMBERS NOT APPLICABLE

— ITEM NOT ILLUSTRATED

HAP

21-61-11-12

21-61-11
FIG. 12
PAGE 3
FEB 15/09

BOEING
737-600/700/800/900
PARTS CATALOG (MAINTENANCE)

FIG ITEM	PART NUMBER	1 2 3 4 5 6 7	NOMENCLATURE	EFFECT FROM TO	UNITS PER ASSY
12 120	720PA16		.. CAPACITOR- SUPPLIER CODE: V56289 OPTIONAL PART: 259P3349330T13 V56289 720P334X9400S13 V56289 720PA12 V56289	001030	1
120	720PA12		.. CAPACITOR- SUPPLIER CODE: V56289 OPTIONAL PART: 259P3349330T13 V56289 720P334X9400S13 V56289 720PA16 V56289	001030	1
120	720P334X9400S13		.. CAPACITOR- SUPPLIER CODE: V56289 OPTIONAL PART: 259P3349330T13 V56289 720PA12 V56289 720PA16 V56289	001030	1
120	259P3349330T13		.. CAPACITOR- SUPPLIER CODE: V56289 OPTIONAL PART: 720P334X9400S13 V56289 720PA12 V56289 720PA16 V56289	001030	1
125	NAS1801-04-6		.. SCREW- OPTIONAL PART: BACS12HN04-5	001030	3
125	BACS12HN04-6		.. SCREW- OPTIONAL PART: NAS1801-04-6	001030	3
130	NAS1149DN416J		.. WASHER	001030	3

MISSING ITEM NUMBERS NOT APPLICABLE

— ITEM NOT ILLUSTRATED

HAP

21-61-11-12

BOEING PROPRIETARY - Copyright © - Unpublished Work - See title page for details.

21-61-11
FIG. 12
PAGE 4
FEB 15/09

BOEING
737-600/700/800/900
PARTS CATALOG (MAINTENANCE)

FIG ITEM	PART NUMBER	1 2 3 4 5 6 7	NOMENCLATURE	EFFECT FROM TO	UNITS PER ASSY
12					
135	271166	..	CLAMP- SUPPLIER CODE: V82877	001030	3
140	215N1004-4	..	FLANGE	001030	1
145	024116	..	FAN ASSY-VANEAXIAL SUPPLIER CODE: V82877 COMPONENT MAINT MANUAL REF: 21-61-02 MAINTENANCE MANUAL REF: 21-61-11	001030	1
150	200033	...	BOARD-TERM. SUPPLIER CODE: V82877 ATTACHING PARTS	001030	1
155	476231	...	CLIP-RETAINING SUPPLIER CODE: V82877 -----*-----	001030	1
160	477012	...	TERMINAL-LUG SUPPLIER CODE: V82877	001030	3
165	476280	...	TERMINAL- SUPPLIER CODE: V82877 ATTACHING PARTS	001030	3
170	121893	...	SCREW- SUPPLIER CODE: V82877 -----*-----	001030	3

MISSING ITEM NUMBERS NOT APPLICABLE

— ITEM NOT ILLUSTRATED

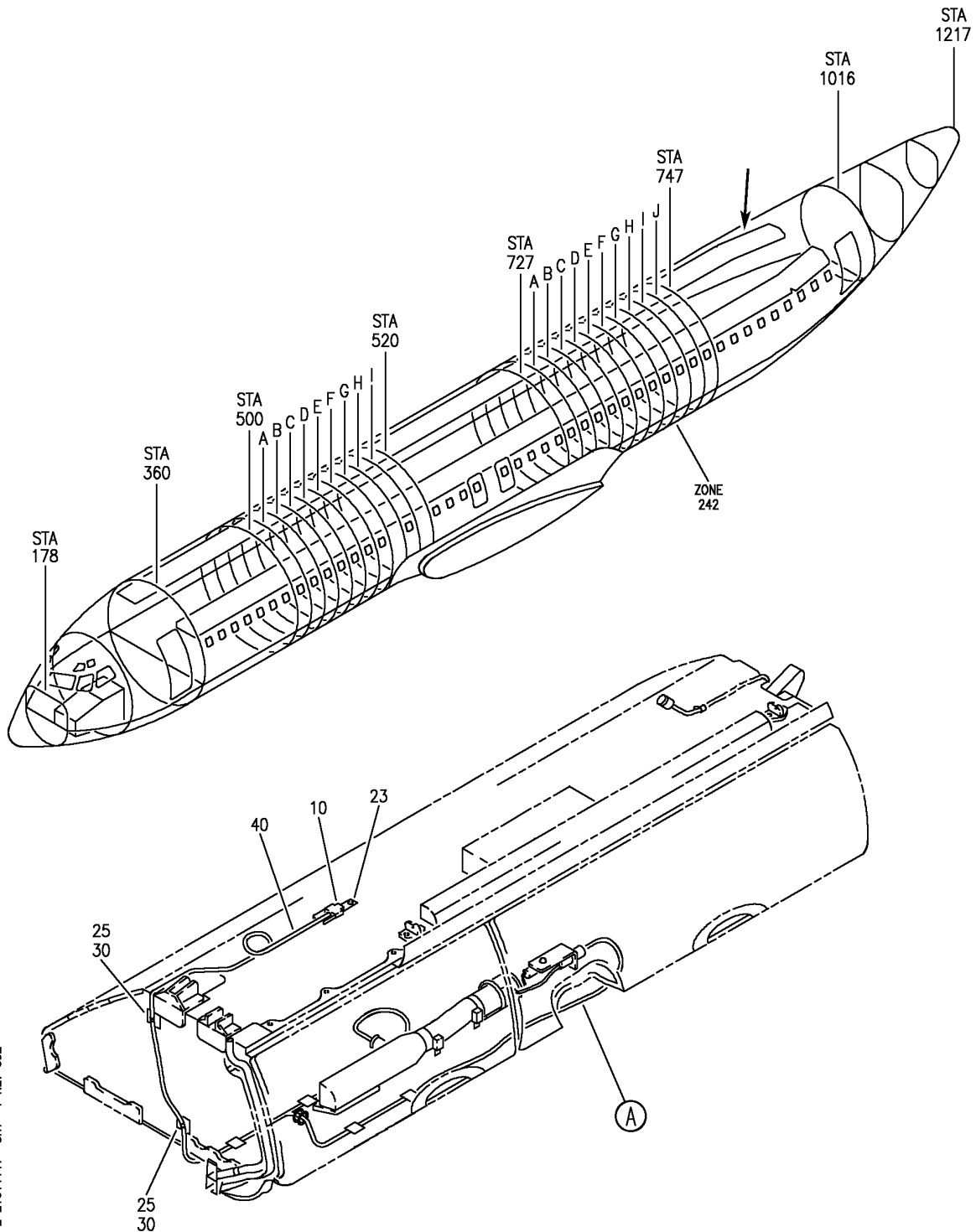
HAP

21-61-11-12

BOEING PROPRIETARY - Copyright © - Unpublished Work - See title page for details.

21-61-11
FIG. 12
PAGE 5
OCT 10/06

BOEING
 737-600/700/800/900
 PARTS CATALOG (MAINTENANCE)



E 2161117 SHT 1 REV 092

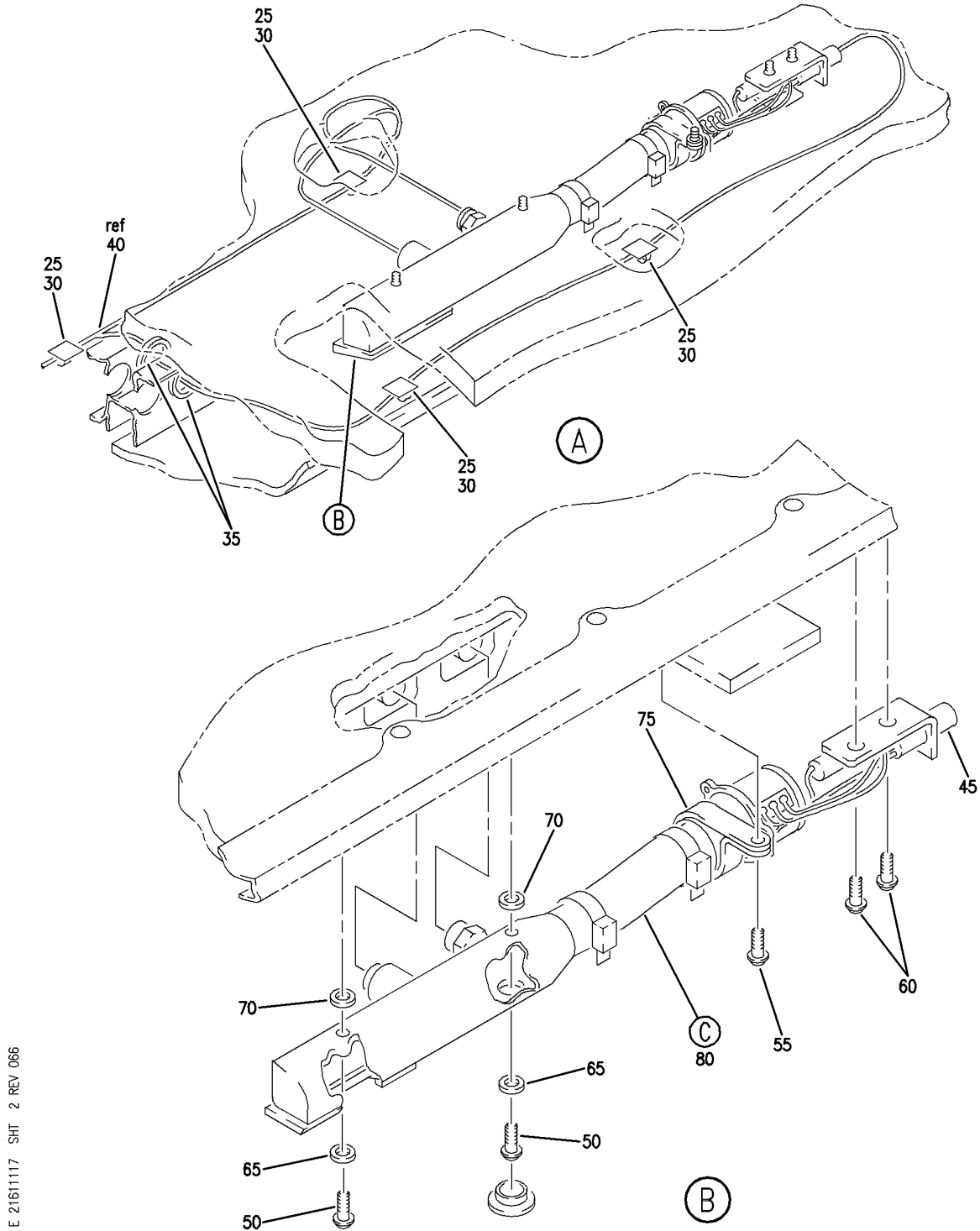
COMPARTMENT ASSY-80 IN. OVHD STOWAGE HNDRL CONFIGURATION (ZONE TEMPERATURE SENSOR FAN ONLY)
 FIGURE 17 (SHEET 1)

HAP
 OCT 10/06

21-61-11-17

21-61-11-17
 PAGE 0

BOEING
 737-600/700/800/900
 PARTS CATALOG (MAINTENANCE)



E 2161117 SHT 2 REV 066

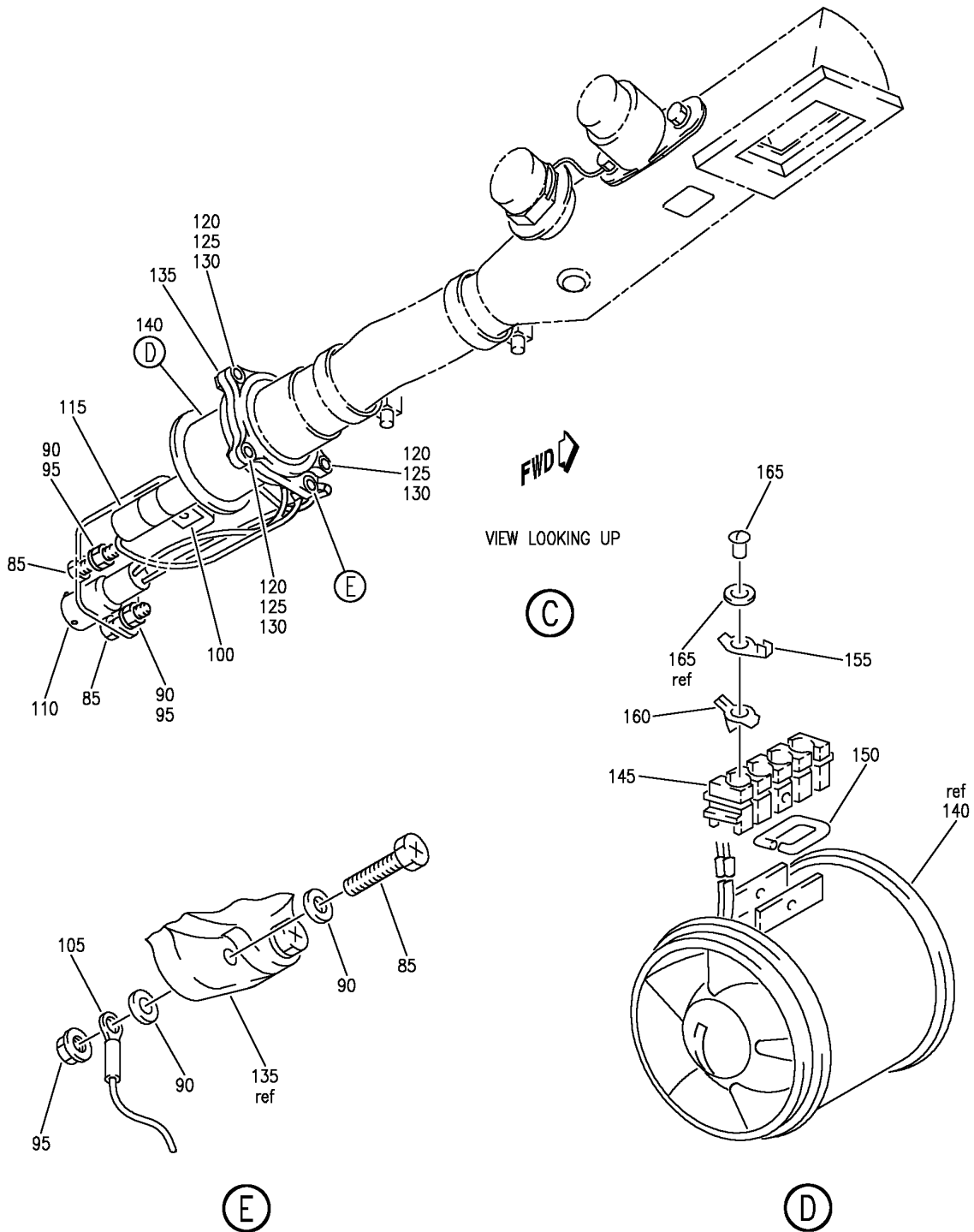
COMPARTMENT ASSY-80 IN. OVHD STOWAGE HNDRL CONFIGURATION (ZONE TEMPERATURE SENSOR FAN ONLY)
 FIGURE 17 (SHEET 2)

HAP
 OCT 10/06

21-61-11-17

21-61-11-17
 PAGE 0A

BOEING
 737-600/700/800/900
 PARTS CATALOG (MAINTENANCE)



E 2161117 SHT 3 REV 082

COMPARTMENT ASSY-80 IN. OVHD STOWAGE HNDRL CONFIGURATION (ZONE TEMPERATURE SENSOR FAN ONLY)
 FIGURE 17 (SHEET 3)

HAP
 OCT 10/06

21-61-11-17

21-61-11-17
 PAGE 0B

BOEING
737-600/700/800/900
PARTS CATALOG (MAINTENANCE)

FIG ITEM	PART NUMBER	1 2 3 4 5 6 7	NOMENCLATURE	EFFECT FROM TO	UNITS PER ASSY
17			COMPARTMENT ASSY-80 IN. OVHD STOWAGE HNDRL CONFIGURATION (ZONE TEMPERATURE SENSOR FAN ONLY)	001030	
- 1	412A1100-124SP		COMPARTMENT ASSY-80 IN. OVHD STOWAGE HNDRL CONFIGURATION (ZONE TEMPERATURE SENSOR FAN ONLY) PRE SERVICE BULLETIN: 25-1373 FOR NHA/OTHER SYS DET SEE: 25-24-30-80A	002005 008008	RF
- 1	412A1100-224SP		COMPARTMENT ASSY-80 IN. OVHD STOWAGE HNDRL CONFIGURATION (ZONE TEMPERATURE SENSOR FAN ONLY) POST SERVICE BULLETIN: 25-1373 FOR NHA/OTHER SYS DET SEE: 25-24-30-80A	002005 008008	RF
- 1	412A1100-224B		COMPARTMENT ASSY-80 IN. OVHD STOWAGE HNDRL CONFIGURATION (ZONE TEMPERATURE SENSOR FAN ONLY) FOR NHA/OTHER SYS DET SEE: 25-24-30-83	009030	RF
- 1	412A1100-24SP		COMPARTMENT ASSY-80 IN. OVHD STOWAGE HNDRL CONFIGURATION (ZONE TEMPERATURE SENSOR FAN ONLY) PRE SERVICE BULLETIN: 25-1373 FOR NHA/OTHER SYS DET SEE: 25-24-30-80A	001001 006007	RF
- 1	002A0007-60N		COMPARTMENT ASSY-80 IN. OVHD STOWAGE HNDRL CONFIGURATION (ZONE TEMPERATURE SENSOR FAN ONLY) POST SERVICE BULLETIN: 25-1373 FOR NHA/OTHER SYS DET SEE: 25-24-30-80A	001001 006007	RF

MISSING ITEM NUMBERS NOT APPLICABLE

- ITEM NOT ILLUSTRATED

HAP

21-61-11-17

BOEING PROPRIETARY - Copyright © - Unpublished Work - See title page for details.

21-61-11
FIG. 17
PAGE 1
OCT 10/06

BOEING
737-600/700/800/900
PARTS CATALOG (MAINTENANCE)

FIG ITEM	PART NUMBER	1 2 3 4 5 6 7	NOMENCLATURE	EFFECT FROM TO	UNITS PER ASSY
17					
10	ATM00TA20		.CONNECTOR-MTG SUPPLIER CODE: V05574 SPECIFICATION NUMBER: S280W557-1 OPTIONAL PART: ATM01TA20 V05574 ATTACHING PARTS	001030	RF
- 15	NAS623-3-1		.SCREW	001030	RF
- 20	NAS620A10L		.WASHER	001030	RF
			-----*-----		
23	BACT44E1S		.TRACK-ELECTRICAL CONN MTG	002005 008030	RF
25	PLT1MXMR		.STRAP SUPPLIER CODE: V06383 SPECIFICATION NUMBER: BACS38K9	001030	RF
30	MB3		.MOUNTING BASE- SUPPLIER CODE: V06383	001030	RF
35	NAS557-14B		.GROMMET	002005 008030	RF
40	286A4180-301		.WIRE BUNDLE-TEMP SENSOR ELECTRICAL EQUIP NUMBER: M01446 OPTIONAL PART: 286A4180-302	001030	RF
40	286A4180-302		.WIRE BUNDLE-TEMP SENSOR ELECTRICAL EQUIP NUMBER: M01446 OPTIONAL PART: 286A4180-301	002005 008030	RF
45	BACC45FT8-3S		..CONNECTOR- ELECTRICAL EQUIP NUMBER: D03912 WIRING DIAGRAM REF: 216114	001030	1
50	BACS12FA3K6		.SCREW	001030	RF
55	BACS12FA3K7		.SCREW	001030	RF
60	BACS12FA3K4		.SCREW	001030	RF
65	NAS1149D0332J		.WASHER	001030	RF
70	NAS1149D0363J		.WASHER	001030	RF
75	MS25281R24		.CLAMP	001030	RF

MISSING ITEM NUMBERS NOT APPLICABLE

- ITEM NOT ILLUSTRATED

HAP

21-61-11-17

BOEING PROPRIETARY - Copyright © - Unpublished Work - See title page for details.

21-61-11
FIG. 17
PAGE 2
FEB 10/07

BOEING
737-600/700/800/900
PARTS CATALOG (MAINTENANCE)

FIG ITEM	PART NUMBER	1 2 3 4 5 6 7	NOMENCLATURE	EFFECT FROM TO	UNITS PER ASSY
17 80	213A4101-13		. SENSOR ASSY-TEMP SUPPLIER CODE: V89954 ELECTRICAL EQUIP NUMBER: M01446 FUNCTIONAL REFERENCE: PLACARDS AND MARKINGS FOR DETAILS SEE 11-32-04-01F	001030	RF
85	NAS1801-04-5		.. SCREW- OPTIONAL PART: BACS12HN04-5	001030	3
85	BACS12HN04-5		.. SCREW- OPTIONAL PART: NAS1801-04-5	001030	3
90 95	NAS1149DN416J BRH10C04D		.. WASHER .. NUT SUPPLIER CODE: V52828 SPECIFICATION NUMBER: BACN10JCO4CD OPTIONAL PART: H51650-04BAC V15653 102LH9075-40W V72962 NS202486-40 V80539 T6C440JCD V11815	001030 001030	4 3
100 105	BACS38K9C 52273-1		.. STRAP .. TERMINAL SUPPLIER CODE: V00779 SPECIFICATION NUMBER: BACT12AR201	001030 001030	1 1
110 115	BACC45FN8-3P 720PA12		.. CONNECTOR .. CAPACITOR- SUPPLIER CODE: V56289 OPTIONAL PART: 259P3349330T13 V56289 720P334X9400S13 V56289 720PA16 V56289	001030 001030	1 1

MISSING ITEM NUMBERS NOT APPLICABLE

- ITEM NOT ILLUSTRATED

HAP

21-61-11-17

BOEING PROPRIETARY - Copyright © - Unpublished Work - See title page for details.

21-61-11
FIG. 17
PAGE 3
FEB 15/09

BOEING
737-600/700/800/900
PARTS CATALOG (MAINTENANCE)

FIG ITEM	PART NUMBER	1 2 3 4 5 6 7	NOMENCLATURE	EFFECT FROM TO	UNITS PER ASSY
17 115	720P334X9400S13	..	CAPACITOR- SUPPLIER CODE: V56289 OPTIONAL PART: 259P3349330T13 V56289 720PA12 V56289 720PA16 V56289	001030	1
115	259P3349330T13	..	CAPACITOR- SUPPLIER CODE: V56289 OPTIONAL PART: 720P334X9400S13 V56289 720PA12 V56289 720PA16 V56289	001030	1
115	720PA16	..	CAPACITOR- SUPPLIER CODE: V56289 OPTIONAL PART: 259P3349330T13 V56289 720P334X9400S13 V56289 720PA12 V56289	001030	1
120	NAS1801-04-6	..	SCREW- OPTIONAL PART: BACS12HN04-6	001030	3
120	BACS12HN04-6	..	SCREW- OPTIONAL PART: NAS1801-04-6	001030	3
125	NAS1149DN416J	..	WASHER	001030	3
130	271166	..	CLAMP- SUPPLIER CODE: V82877	001030	3
135	215N1004-4	..	FLANGE	001030	1
140	024116	..	FAN ASSY-VANEAXIAL SUPPLIER CODE: V82877 COMPONENT MAINT MANUAL REF: 21-61-02 MAINTENANCE MANUAL REF: 21-61-11	001030	1

MISSING ITEM NUMBERS NOT APPLICABLE

— ITEM NOT ILLUSTRATED

HAP

21-61-11-17

BOEING PROPRIETARY - Copyright © - Unpublished Work - See title page for details.

21-61-11
FIG. 17
PAGE 4
JUN 15/08


BOEING
 737-600/700/800/900
PARTS CATALOG (MAINTENANCE)

FIG ITEM	PART NUMBER	1 2 3 4 5 6 7	NOMENCLATURE	EFFECT FROM TO	UNITS PER ASSY
17 145	200033		...BOARD-TERM. SUPPLIER CODE: V82877 ATTACHING PARTS	001030	1
150	476231		...CLIP-RETAINING SUPPLIER CODE: V82877 -----*-----	001030	1
155	477012		...TERMINAL-LUG SUPPLIER CODE: V82877	001030	3
160	476280		...TERMINAL- SUPPLIER CODE: V82877 ATTACHING PARTS	001030	3
165	121893		...SCREW- SUPPLIER CODE: V82877 -----*-----	001030	3

MISSING ITEM NUMBERS NOT APPLICABLE

— ITEM NOT ILLUSTRATED

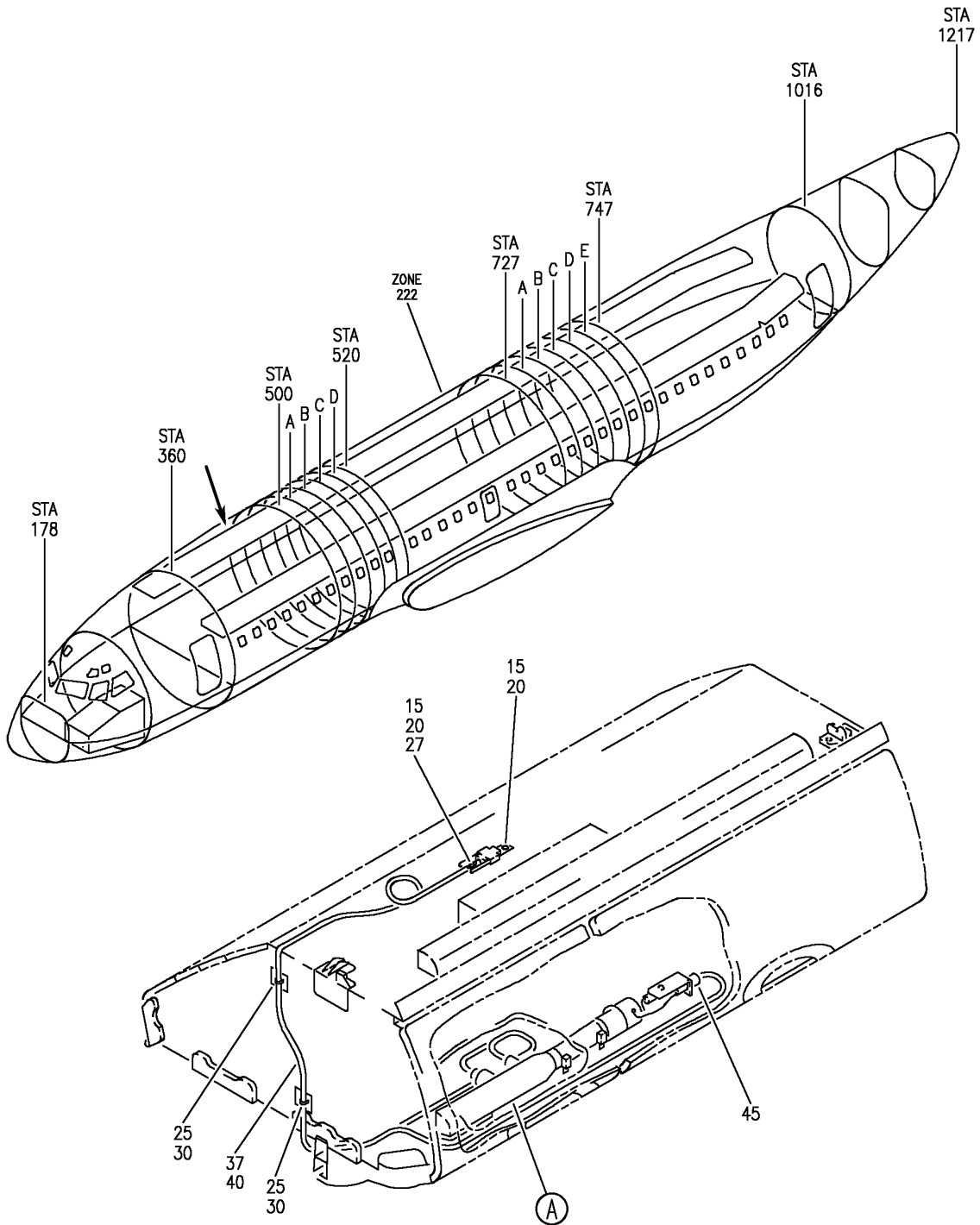
HAP

21-61-11-17

BOEING PROPRIETARY - Copyright © - Unpublished Work - See title page for details.

21-61-11
 FIG. 17
 PAGE 5
 JUN 15/08

BOEING
 737-600/700/800/900
 PARTS CATALOG (MAINTENANCE)



E 2161119 SH1 1 REV 092

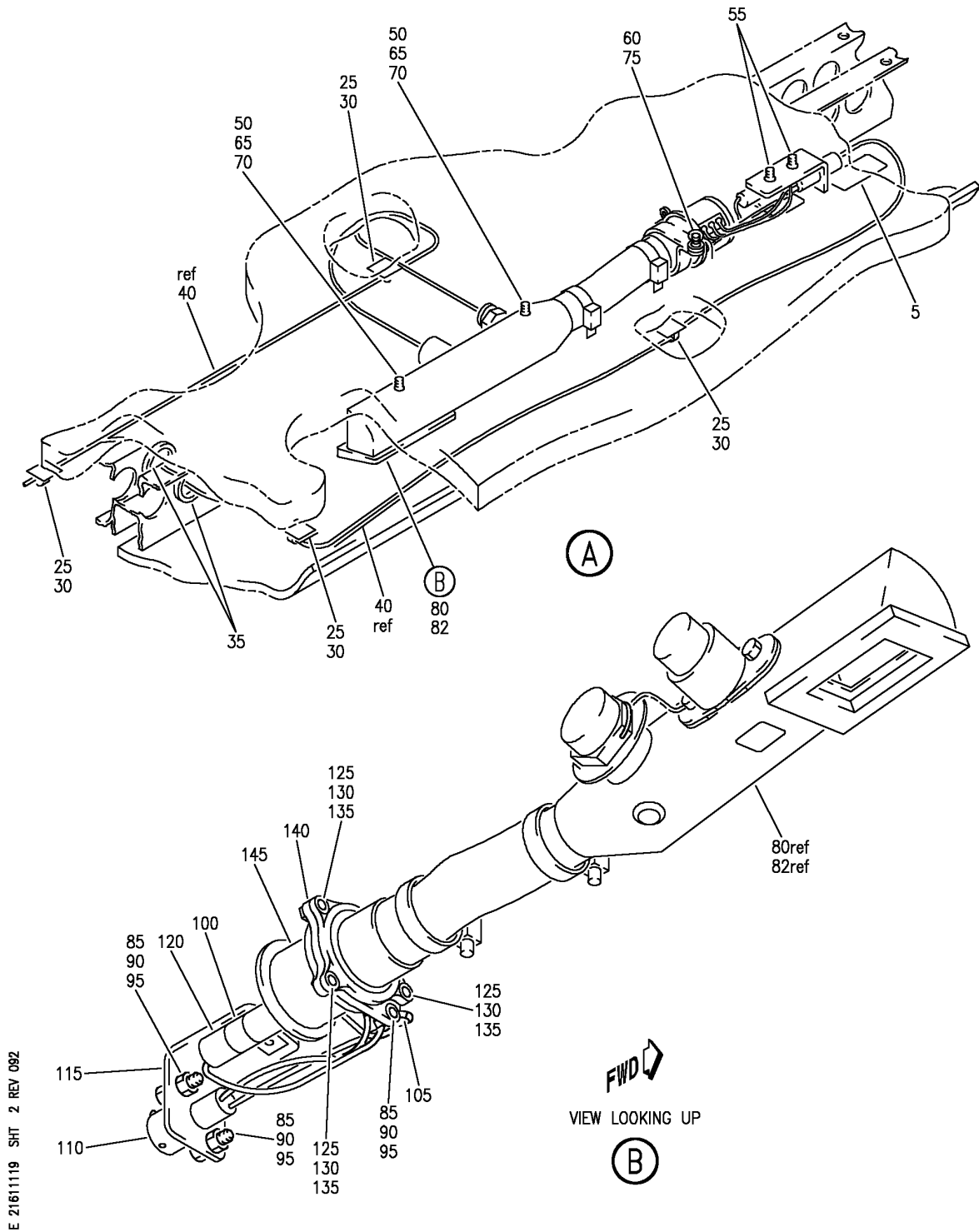
TOP ASSY-FWD RH 60 IN. OVHD STOWAGE BIG BIN BULLNOSE CONFIG (ZONE TEMPERATURE SENSOR FAN ONLY)
 FIGURE 19 (SHEET 1)

HAP
 OCT 10/07

21-61-11-19

21-61-11-19
 PAGE 0

BOEING
 737-600/700/800/900
 PARTS CATALOG (MAINTENANCE)



E 2161119 SHT 2 REV 092

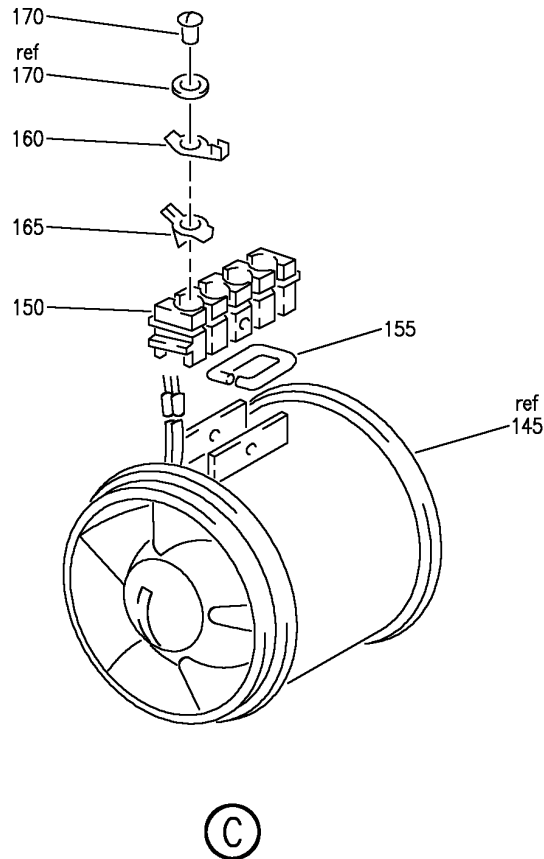
TOP ASSY-FWD RH 60 IN. OVHD STOWAGE BIG BIN BULLNOSE CONFIG (ZONE TEMPERATURE SENSOR FAN ONLY)
 FIGURE 19 (SHEET 2)

HAP
 OCT 10/07

21-61-11-19

21-61-11-19
 PAGE 0A

BOEING
737-600/700/800/900
PARTS CATALOG (MAINTENANCE)



E 2161119 SH1 3 REV 092

TOP ASSY-FWD RH 60 IN. OVHD STOWAGE BIG BIN BULLNOSE CONFIG (ZONE TEMPERATURE SENSOR FAN ONLY)
FIGURE 19 (SHEET 3)

HAP
OCT 10/07

21-61-11-19

21-61-11-19
PAGE 0B

BOEING
737-600/700/800/900
PARTS CATALOG (MAINTENANCE)

FIG ITEM	PART NUMBER	1 2 3 4 5 6 7	NOMENCLATURE	EFFECT FROM TO	UNITS PER ASSY
19			TOP ASSY-FWD RH 60 IN. OVHD STOWAGE BIG BIN BULLNOSE CONFIG (ZONE TEMPERATURE SENSOR FAN ONLY)	031200 968999	
- 1	412A1052-58B		TOP ASSY-60 IN. OVHD STOWAGE BIG BIN BULLNOSE CONFIGURATION (ZONE TEMPERATURE SENSOR FAN ONLY) POSITION DATA: FWD RH FOR NHA/OTHER SYS DET SEE: 25-24-30-22B	101101 968971	RF
- 1	412A1052-96B		TOP ASSY-60 IN. OVHD STOWAGE BIG BIN BULLNOSE CONFIGURATION (ZONE TEMPERATURE SENSOR FAN ONLY) POSITION DATA: FWD RH FOR NHA/OTHER SYS DET SEE: 25-24-30-26	031043	RF
- 1	412A1052-1096B		TOP ASSY-60 IN. OVHD STOWAGE BIG BIN BULLNOSE CONFIGURATION (ZONE TEMPERATURE SENSOR FAN ONLY) POSITION DATA: FWD RH FOR NHA/OTHER SYS DET SEE: 25-24-30-26	044100	RF
- 2	412A1052-1058B		TOP ASSY-60 IN. OVHD STOWAGE BIG BIN BULLNOSE CONFIGURATION (ZONE TEMPERATURE SENSOR FAN ONLY) POSITION DATA: FWD RH FOR NHA/OTHER SYS DET SEE: 25-24-30-22B	102200 972999	RF
5	BAC27DAC75		.MARKER- PLACARD CONTENT: PASSENGER CABIN TEMP SENSOR FAN M01719-D10960	101200 968999	1
15	NAS623-3-1		.SCREW- OPTIONAL PART: BACB30ZG3-1	031200 968999	RF

MISSING ITEM NUMBERS NOT APPLICABLE

- ITEM NOT ILLUSTRATED

HAP

21-61-11-19

BOEING PROPRIETARY - Copyright © - Unpublished Work - See title page for details.

21-61-11
FIG. 19
PAGE 1
OCT 15/08

BOEING
737-600/700/800/900
PARTS CATALOG (MAINTENANCE)

FIG ITEM	PART NUMBER	1 2 3 4 5 6 7	NOMENCLATURE	EFFECT FROM TO	UNITS PER ASSY
19					
15	BACB30ZG3-1	.BOLT-		031200	RF
		OPTIONAL PART:		968999	
		NAS623-3-1			
20	NAS620A10L	.WASHER		031200	RF
				968999	
25	PLT1MXMR	.STRAP		031200	RF
		SUPPLIER CODE:		968999	
		V06383			
		SPECIFICATION NUMBER:			
		BACS38K9			
27	BACT44E1S	.TRACK-ELECTRICAL CONN MTG		031200	RF
				968999	
30	MB3	.MOUNTING BASE-CABLE TIE		031200	RF
		SUPPLIER CODE:		968999	
		V06383			
35	NAS557-14B	.GROMMET		031200	RF
				968999	
37	286A4160-304	.WIRE BUNDLE ASSY-		031050	RF
		ELECTRICAL EQUIP NUMBER:		054100	
		M01445			
40	286A4140-004	.WIRE BUNDLE ASSY-TEMP		101103	RF
		SENSOR		105200	
		ELECTRICAL EQUIP NUMBER:		968971	
		M02491		973999	
45	BACC45FT8-3S	..CONNECTOR-		101103	1
		ELECTRICAL EQUIP NUMBER:		105200	
		D10960		968971	
		WIRING DIAGRAM REF:		973999	
		216122			
45	BACC45FT8-3S	..CONNECTOR-		031050	1
		ELECTRICAL EQUIP NUMBER:		054100	
		D03908			
		WIRING DIAGRAM REF:			
		216113			
47	457ES010-08	..CLAMP-		101103	1
		SUPPLIER CODE:		105200	
		V06324		968971	
		SPECIFICATION NUMBER:		973999	
		BACC10JS08			
		OPTIONAL PART:			
		SCP6023S0800B			
		V07418			
		ELECTRICAL EQUIP NUMBER:			
		D10960T			
		WIRING DIAGRAM REF:			
		216122			
50	BACS12FA3K6	.SCREW		031200	RF
				968999	

MISSING ITEM NUMBERS NOT APPLICABLE

— ITEM NOT ILLUSTRATED

HAP

21-61-11-19

BOEING PROPRIETARY - Copyright © - Unpublished Work - See title page for details.

21-61-11
FIG. 19
PAGE 2
JUN 15/09

BOEING
737-600/700/800/900
PARTS CATALOG (MAINTENANCE)

FIG ITEM	PART NUMBER	1 2 3 4 5 6 7	NOMENCLATURE	EFFECT FROM TO	UNITS PER ASSY
19					
55	BACS12FA3K4	.	SCREW	031200 968999	RF
60	BACS12FA3K7	.	SCREW	031200 968999	RF
65	NAS1149D0332J	.	WASHER	031200 968999	RF
70	NAS1149D0363J	.	WASHER	031200 968999	RF
75	MS25281R24	.	CLAMP	031200 968999	RF
80	213A4101-1	.	SENSOR ASSY-TEMP SUPPLIER CODE: V89954 ELECTRICAL EQUIP NUMBER: M01719 FUNCTIONAL REFERENCE: PLACARDS AND MARKINGS FOR DETAILS SEE 11-32-04-01	101200 968999	RF
82	213A4101-12	.	SENSOR ASSY-TEMP SUPPLIER CODE: V89954 ELECTRICAL EQUIP NUMBER: M01445 FUNCTIONAL REFERENCE: PLACARDS AND MARKINGS FOR DETAILS SEE 11-32-04-01E	031100	RF
85	NAS1801-04-5	..	SCREW- OPTIONAL PART: BACS12HN04-5	031200 968999	3
85	BACS12HN04-5	..	SCREW- OPTIONAL PART: NAS1801-04-5	031200 968999	3
90	NAS1149DN416J	..	WASHER	031200 968999	4

MISSING ITEM NUMBERS NOT APPLICABLE

— ITEM NOT ILLUSTRATED

HAP

21-61-11-19

BOEING PROPRIETARY - Copyright © - Unpublished Work - See title page for details.

21-61-11
FIG. 19
PAGE 3
OCT 15/08

BOEING
737-600/700/800/900
PARTS CATALOG (MAINTENANCE)

FIG ITEM	PART NUMBER	1 2 3 4 5 6 7	NOMENCLATURE	EFFECT FROM TO	UNITS PER ASSY
19 95	BRH10C04D	..	NUT SUPPLIER CODE: V52828 SPECIFICATION NUMBER: BACN10JC04CD OPTIONAL PART: H51650-04BAC V15653 102LH9075-40W V72962 NS202486-40 V80539 T6C440JCD V11815	031200 968999	3
100	BACS38K9C	..	STRAP	031200 968999	1
105	52273-1	..	TERMINAL SUPPLIER CODE: V00779 SPECIFICATION NUMBER: BACT12AR201	031200 968999	1
110	BACC45FN8-3P	..	CONNECTOR	031200 968999	1
115	215N1004-2	..	BRACKET	031200 968999	1
120	720PA12	..	CAPACITOR- SUPPLIER CODE: V56289 OPTIONAL PART: 259P3349330T13 V56289 720P334X9400S13 V56289 720PA16 V56289	031200 968999	1
120	259P3349330T13	..	CAPACITOR- SUPPLIER CODE: V56289 OPTIONAL PART: 720PA12 V56289 720P334X9400S13 V56289 720PA16 V56289	031200 968999	1

MISSING ITEM NUMBERS NOT APPLICABLE

— ITEM NOT ILLUSTRATED

HAP

21-61-11-19

BOEING PROPRIETARY - Copyright © - Unpublished Work - See title page for details.

21-61-11
FIG. 19
PAGE 4
FEB 15/09

BOEING
737-600/700/800/900
PARTS CATALOG (MAINTENANCE)

FIG ITEM	PART NUMBER	1 2 3 4 5 6 7	NOMENCLATURE	EFFECT FROM TO	UNITS PER ASSY
19 120	720P334X9400S13	..	CAPACITOR- SUPPLIER CODE: V56289 OPTIONAL PART: 259P3349330T13 V56289 720PA12 V56289 720PA16 V56289	031200 968999	1
120	720PA16	..	CAPACITOR- SUPPLIER CODE: V56289 OPTIONAL PART: 259P3349330T13 V56289 720P334X9400S13 V56289 720PA12 V56289	031200 968999	1
125	NAS1801-04-6	..	SCREW- OPTIONAL PART: BACS12HN04-6	031200 968999	3
125	BACS12HN04-6	..	SCREW- OPTIONAL PART: NAS1801-04-6	031200 968999	3
130	NAS1149DN416J	..	WASHER	031200 968999	3
135	271166	..	CLAMP- SUPPLIER CODE: V82877	031200 968999	3
140	215N1004-4	..	FLANGE	031200 968999	1
145	024116	..	FAN ASSY-VANEAXIAL SUPPLIER CODE: V82877 COMPONENT MAINT MANUAL REF: 21-61-02 MAINTENANCE MANUAL REF: 21-61-11	031200 968999	1
150	200033	...	BOARD-TERM. SUPPLIER CODE: V82877	031200 968999	1
155	476231	...	CLIP-RETAINING SUPPLIER CODE: V82877 -----*-----	031200 968999	1

MISSING ITEM NUMBERS NOT APPLICABLE

— ITEM NOT ILLUSTRATED

HAP

21-61-11-19

BOEING PROPRIETARY - Copyright © - Unpublished Work - See title page for details.

21-61-11
FIG. 19
PAGE 5
OCT 15/08


BOEING
 737-600/700/800/900
PARTS CATALOG (MAINTENANCE)

FIG ITEM	PART NUMBER	1 2 3 4 5 6 7	NOMENCLATURE	EFFECT FROM TO	UNITS PER ASSY
19					
160	477012	...	TERMINAL-LUG SUPPLIER CODE: V82877	031200 968999	3
165	476280	...	TERMINAL- SUPPLIER CODE: V82877	031200 968999	3
170	121893	...	ATTACHING PARTS SCREW- SUPPLIER CODE: V82877 -----*-----	031200 968999	3

MISSING ITEM NUMBERS NOT APPLICABLE

— ITEM NOT ILLUSTRATED

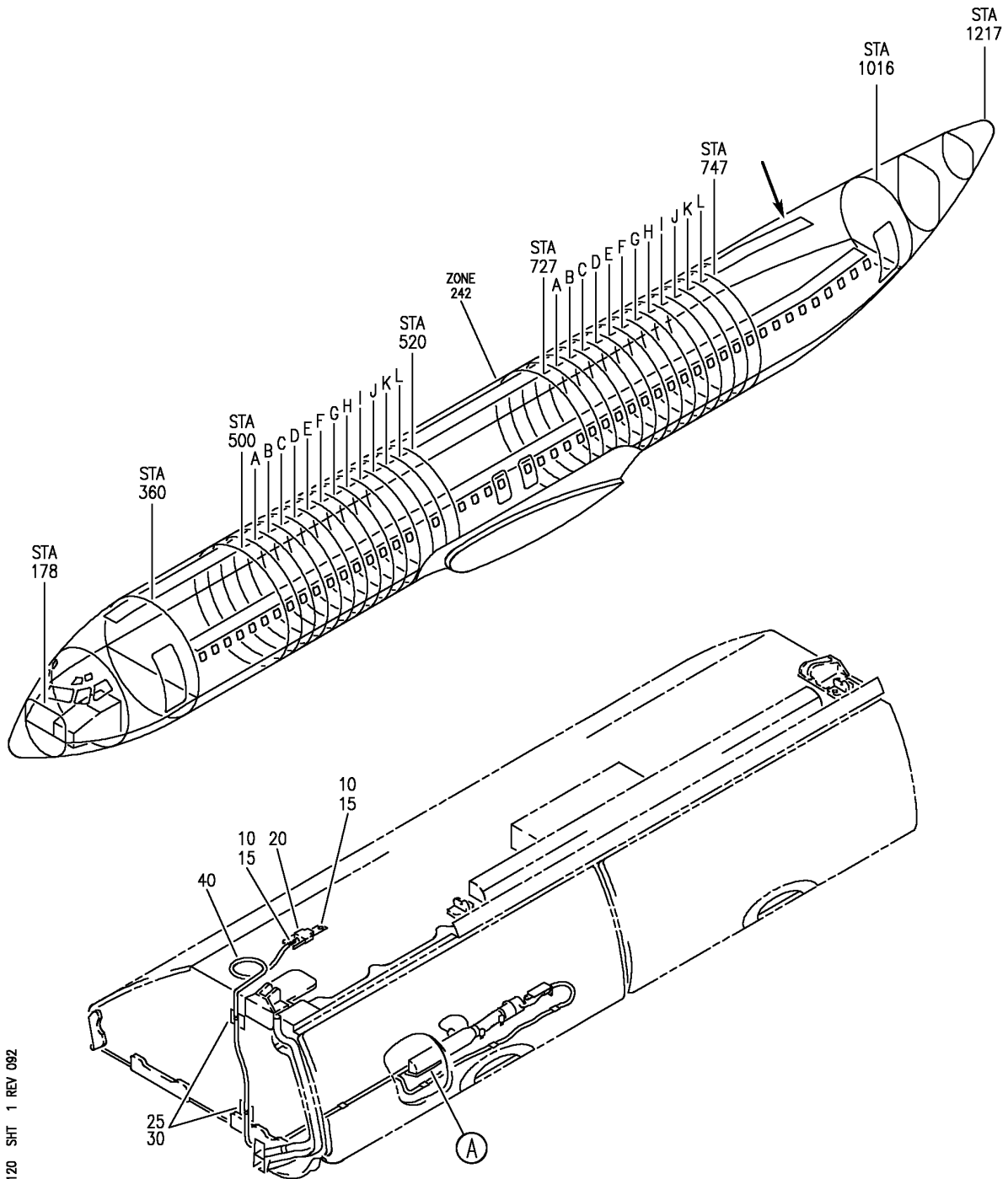
HAP

21-61-11-19

BOEING PROPRIETARY - Copyright © - Unpublished Work - See title page for details.

21-61-11
 FIG. 19
 PAGE 6
 OCT 15/08

BOEING
 737-600/700/800/900
 PARTS CATALOG (MAINTENANCE)



E 2161120 SHT 1 REV 092

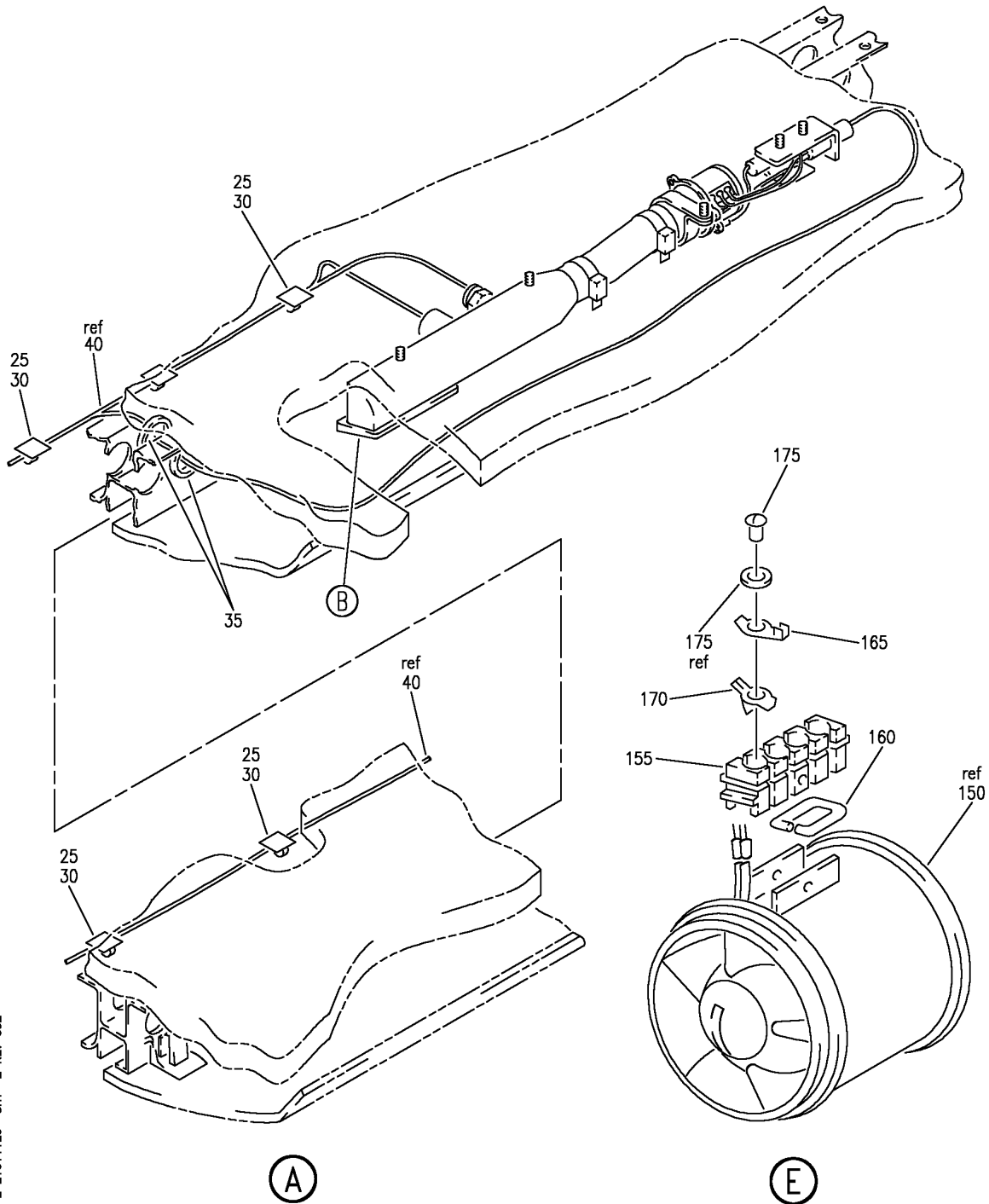
TOP ASSY-RH 80 IN. BIG BIN OVHD STOWAGE BULLNOSE CONFIGURATION (ZONE TEMPERATURE SENSOR FAN ONLY)
 FIGURE 20 (SHEET 1)

HAP
 OCT 10/07

21-61-11-20

21-61-11-20
 PAGE 0

BOEING
 737-600/700/800/900
 PARTS CATALOG (MAINTENANCE)



E 21611120 SHT 2 REV 092

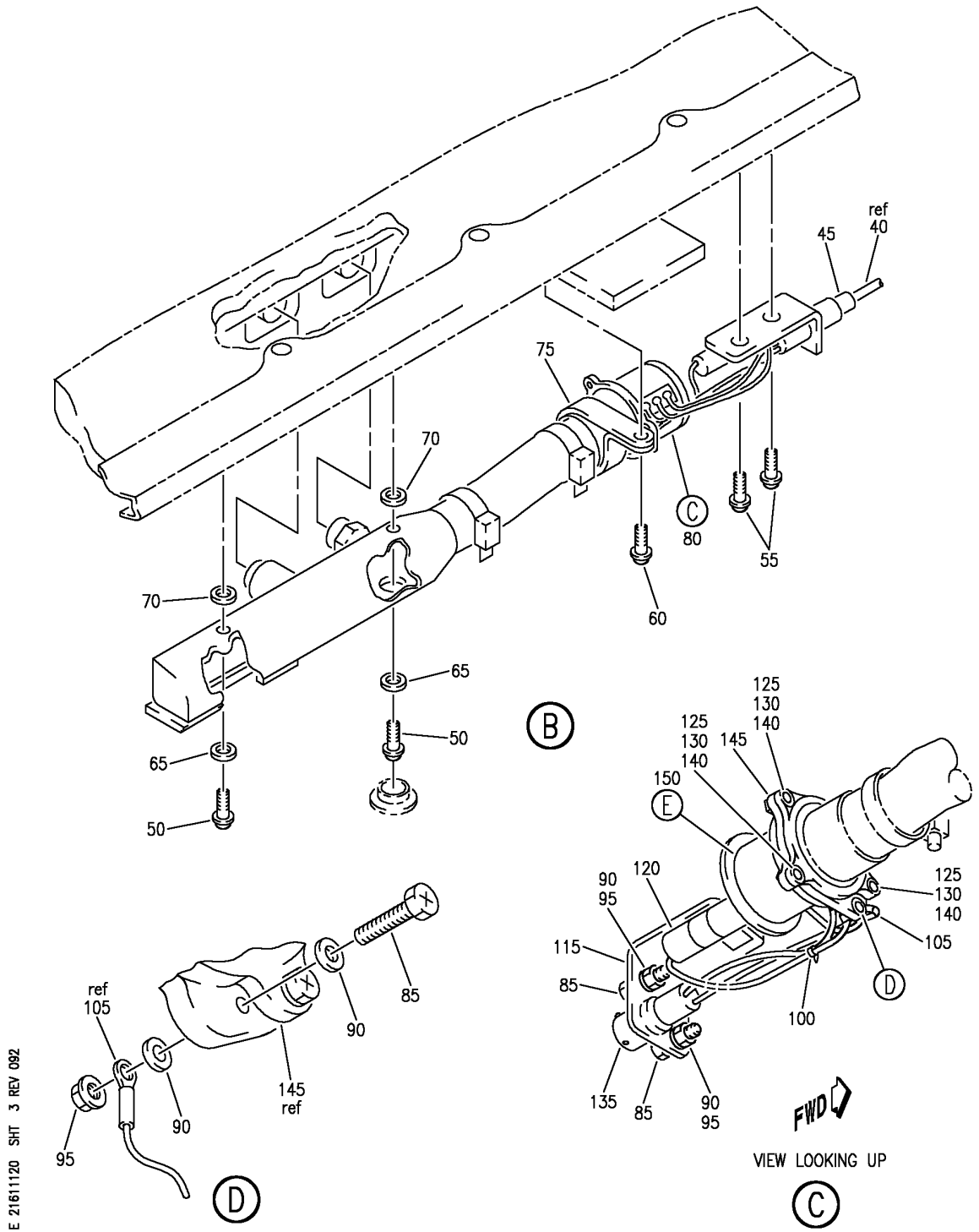
TOP ASSY-RH 80 IN. BIG BIN OVHD STOWAGE BULLNOSE CONFIGURATION (ZONE TEMPERATURE SENSOR FAN ONLY)
 FIGURE 20 (SHEET 2)

HAP
 OCT 10/07

21-61-11-20

21-61-11-20
 PAGE 0A

BOEING
 737-600/700/800/900
 PARTS CATALOG (MAINTENANCE)



TOP ASSY-RH 80 IN. BIG BIN OVHD STOWAGE BULLNOSE CONFIGURATION (ZONE TEMPERATURE SENSOR FAN ONLY)
 FIGURE 20 (SHEET 3)

HAP
 OCT 10/07

21-61-11-20

21-61-11-20
 PAGE 0B

BOEING
737-600/700/800/900
PARTS CATALOG (MAINTENANCE)

FIG ITEM	PART NUMBER	1 2 3 4 5 6 7	NOMENCLATURE	EFFECT FROM TO	UNITS PER ASSY
20			TOP ASSY-RH 80 IN. BIG BIN OVHD STOWAGE BULLNOSE CONFIGURATION (ZONE TEMPERATURE SENSOR FAN ONLY)	031100	
- 1	412A1057-32B		TOP ASSY-80 IN. BIG BIN OVHD STOWAGE BULLNOSE CONFIGURATION (ZONE TEMPERATURE SENSOR FAN ONLY) POSITION DATA: RH FOR NHA/OTHER SYS DET SEE: 25-24-30-84	031043	RF
- 1	412A1057-1032B		TOP ASSY-80 IN. BIG BIN OVHD STOWAGE BULLNOSE CONFIGURATION (ZONE TEMPERATURE SENSOR FAN ONLY) POSITION DATA: RH POST RAPID REVISION: RR97237-17B FOR NHA/OTHER SYS DET SEE: 25-24-30-84	044100	RF
10	NAS623-3-1		.SCREW- OPTIONAL PART: BACB30ZG3-1	031100	RF
10	BACB30ZG3-1		.BOLT- OPTIONAL PART: NAS623-3-1	031100	RF
15	NAS620A10L		.WASHER	031100	RF
20	BACT44E1S		.TRACK-ELECTRICAL CONN MTG	031100	RF
25	PLT1MXMR		.STRAP SUPPLIER CODE: V06383 SPECIFICATION NUMBER: BACS38K9	031100	RF
30	MB3		.MOUNTING BASE-CABLE TIE SUPPLIER CODE: V06383	031100	RF
35	NAS557-14B		.GROMMET	031100	RF
40	286A4180-302		.WIRE BUNDLE- ELECTRICAL EQUIP NUMBER: M01446	031100	RF

MISSING ITEM NUMBERS NOT APPLICABLE

- ITEM NOT ILLUSTRATED

HAP

21-61-11-20

BOEING PROPRIETARY - Copyright © - Unpublished Work - See title page for details.

21-61-11
FIG. 20
PAGE 1
FEB 15/09

BOEING
737-600/700/800/900
PARTS CATALOG (MAINTENANCE)

FIG ITEM	PART NUMBER	1 2 3 4 5 6 7	NOMENCLATURE	EFFECT FROM TO	UNITS PER ASSY
20					
45	BACC45FT8-3S	..	CONNECTOR- ELECTRICAL EQUIP NUMBER: D03912 WIRING DIAGRAM REF: 216114	031100	1
50	BACS12FA3K6	.	SCREW	031100	RF
55	BACS12FA3K4	.	SCREW	031100	RF
60	BACS12FA3K7	.	SCREW	031100	RF
65	NAS1149D0332J	.	WASHER	031100	RF
70	NAS1149D0363J	.	WASHER	031100	RF
75	MS25281R24	.	CLAMP	031100	RF
80	213A4101-12	.	SENSOR ASSY-TEMP SUPPLIER CODE: V89954 ELECTRICAL EQUIP NUMBER: M01446 FUNCTIONAL REFERENCE: PLACARDS AND MARKINGS FOR DETAILS SEE 11-32-04-01E	031100	RF
85	NAS1801-04-5	..	SCREW- OPTIONAL PART: BACS12HN04-5	031100	3
85	BACS12HN04-5	..	SCREW- OPTIONAL PART: NAS1801-04-5	031100	3
90	NAS1149DN416J	..	WASHER	031100	4
95	BRH10C04D	..	NUT SUPPLIER CODE: V52828 SPECIFICATION NUMBER: BACN10JCO4CD OPTIONAL PART: H51650-04BAC V15653 102LH9075-40W V72962 NS202486-40 V80539 T6C440JCD V11815	031100	3
100	BACS38K9C	..	STRAP	031100	1
105	52273-1	..	TERMINAL SUPPLIER CODE: V00779 SPECIFICATION NUMBER: BACT12AR201	031100	1
115	215N1004-2	..	BRACKET	031100	1

MISSING ITEM NUMBERS NOT APPLICABLE

— ITEM NOT ILLUSTRATED

HAP

21-61-11-20

BOEING PROPRIETARY - Copyright © - Unpublished Work - See title page for details.

21-61-11
FIG. 20
PAGE 2
FEB 15/09

 **BOEING**
737-600/700/800/900
PARTS CATALOG (MAINTENANCE)

FIG ITEM	PART NUMBER	1 2 3 4 5 6 7	NOMENCLATURE	EFFECT FROM TO	UNITS PER ASSY
20 120	720PA12		.. CAPACITOR- SUPPLIER CODE: V56289 OPTIONAL PART: 259P3349330T13 V56289 720P334X9400S13 V56289 720PA16 V56289	031100	1
120	259P3349330T13		.. CAPACITOR- SUPPLIER CODE: V56289 OPTIONAL PART: 720PA12 V56289 720P334X9400S13 V56289 720PA16 V56289	031100	1
120	720P334X9400S13		.. CAPACITOR- SUPPLIER CODE: V56289 OPTIONAL PART: 259P3349330T13 V56289 720PA12 V56289 720PA16 V56289	031100	1
120	720PA16		.. CAPACITOR- SUPPLIER CODE: V56289 OPTIONAL PART: 259P3349330T13 V56289 720P334X9400S13 V56289 720PA12 V56289	031100	1
125	NAS1801-04-6		.. SCREW- OPTIONAL PART: BACS12HN04-6	031100	3
125	BACS12HN04-6		.. SCREW- OPTIONAL PART: NAS1801-04-6	031100	3
130	NAS1149DN416J		.. WASHER	031100	3
135	BACC45FN8-3P		.. CONNECTOR	031100	1

MISSING ITEM NUMBERS NOT APPLICABLE

— ITEM NOT ILLUSTRATED

HAP

21-61-11-20

BOEING PROPRIETARY - Copyright © - Unpublished Work - See title page for details.

21-61-11
FIG. 20
PAGE 3
OCT 10/07

BOEING
737-600/700/800/900
PARTS CATALOG (MAINTENANCE)

FIG ITEM	PART NUMBER	1 2 3 4 5 6 7	NOMENCLATURE	EFFECT FROM TO	UNITS PER ASSY
20					
140	271166		.. CLAMP- SUPPLIER CODE: V82877	031100	3
145	215N1004-4		.. FLANGE	031100	1
150	024116		.. FAN ASSY-VANEAXIAL SUPPLIER CODE: V82877 COMPONENT MAINT MANUAL REF: 21-61-02 MAINTENANCE MANUAL REF: 21-61-11	031100	1
155	200033		... BOARD-TERM. SUPPLIER CODE: V82877	031100	1
160	476231		... CLIP-RETAINING SUPPLIER CODE: V82877	031100	1
165	477012		... TERMINAL-LUG SUPPLIER CODE: V82877	031100	3
170	476280		... TERMINAL- SUPPLIER CODE: V82877	031100	3
175	121893		... SCREW- SUPPLIER CODE: V82877	031100	3

MISSING ITEM NUMBERS NOT APPLICABLE

— ITEM NOT ILLUSTRATED

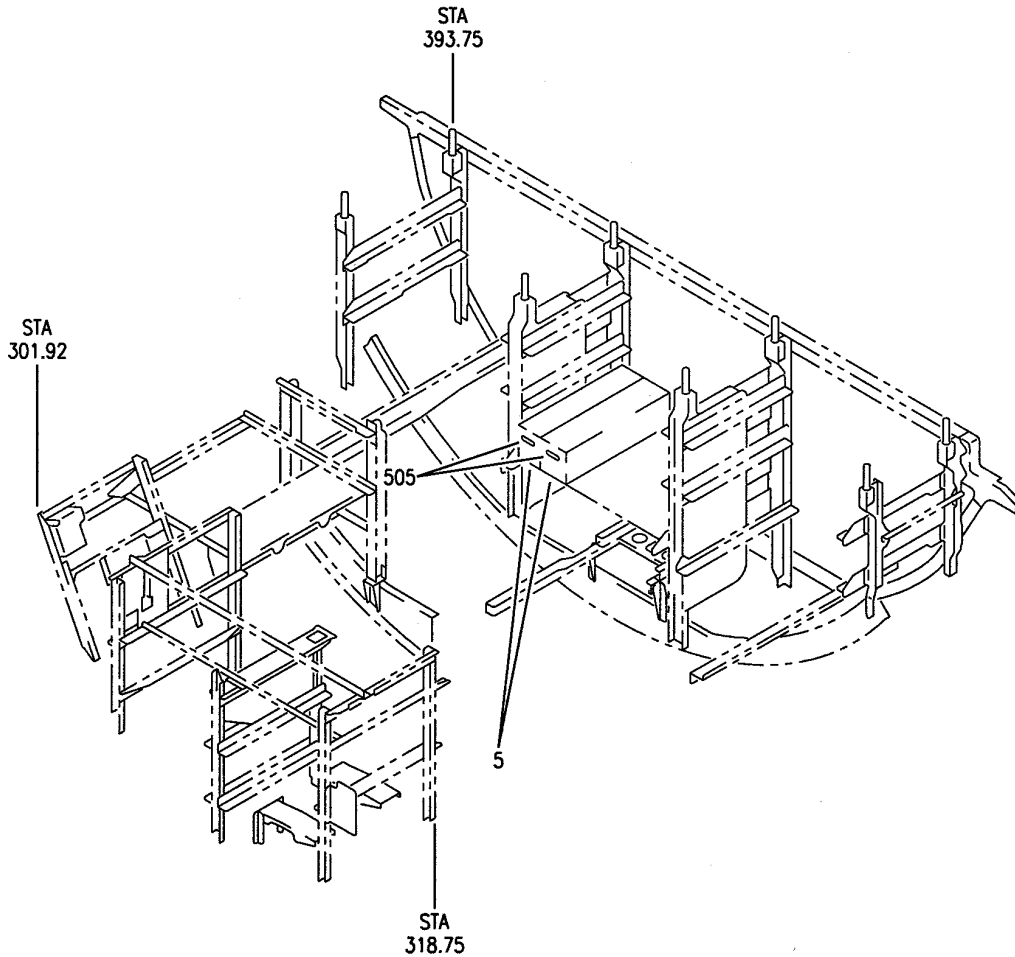
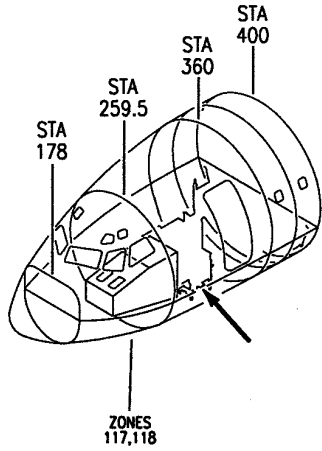
HAP

21-61-11-20

BOEING PROPRIETARY - Copyright © - Unpublished Work - See title page for details.

21-61-11
FIG. 20
PAGE 4
JUN 15/08

BOEING
737-600/700/800/900
PARTS CATALOG (MAINTENANCE)



E 21612001 REV 036

EQUIPMENT INSTL-ELEC/ELEX BAY E3 RACK
FIGURE 1

21-61-20-01

HAP
OCT 10/06

21-61-20-01
PAGE 0

BOEING
737-600/700/800/900
PARTS CATALOG (MAINTENANCE)

FIG ITEM	PART NUMBER	1 2 3 4 5 6 7	NOMENCLATURE	EFFECT FROM TO	UNITS PER ASSY
1			EQUIPMENT INSTL-ELEC/ELEX BAY E3 RACK	001011	
- 1	284A0430-800		EQUIPMENT INSTL-ELEC/ELEX BAY POSITION DATA: E3 RACK FOR NHA SEE: 21-60-00-03	001011	RF
5	622814-4		.CONTROLLER-ZONE TEMP SUPPLIER CODE: V07217 SPECIFICATION NUMBER: 10-62091-17 ELECTRICAL EQUIP NUMBER: M01442 M01443 COMPONENT MAINT MANUAL REF: 21-61-07 MAINTENANCE MANUAL REF: 21-61-20 OPTIONAL PART: 622814-5 V07217	001011	2
5	622814-5		.CONTROLLER-ZONE TEMP SUPPLIER CODE: V07217 FUNCTIONAL DESCRIPTION: PACK/ZONE AIR CONDITIONING AND TEMPERATURE CONTROL SYSTEM CREATES CONDITIONED AIR AND IS CONTROLLED TO MAINTAIN SELECTED TEMPERATURES WITHIN THE FLIGHT DECK AND PASSENGER ZONES. SPECIFICATION NUMBER: 10-62091-17 ELECTRICAL EQUIP NUMBER: M01442 M01443 MAINTENANCE MANUAL REF: 21-61-20 OPTIONAL PART: 622814-4 V07217	001011	2
- 500	286A0330-301		WIRE BUNDLE ASSY	001011	1

MISSING ITEM NUMBERS NOT APPLICABLE

- ITEM NOT ILLUSTRATED

HAP

21-61-20-01

BOEING PROPRIETARY - Copyright © - Unpublished Work - See title page for details.

21-61-20
FIG. 01
PAGE 1
OCT 15/08


BOEING
 737-600/700/800/900
PARTS CATALOG (MAINTENANCE)

FIG ITEM	PART NUMBER	1 2 3 4 5 6 7 NOMENCLATURE	EFFECT FROM TO	UNITS PER ASSY
1 505	BACC66F11C20AA	.PLATE ASSY-PLUG ELECTRICAL EQUIP NUMBER: D03858 D03860 WIRING DIAGRAM REF: 215112	001011	2

MISSING ITEM NUMBERS NOT APPLICABLE

— ITEM NOT ILLUSTRATED

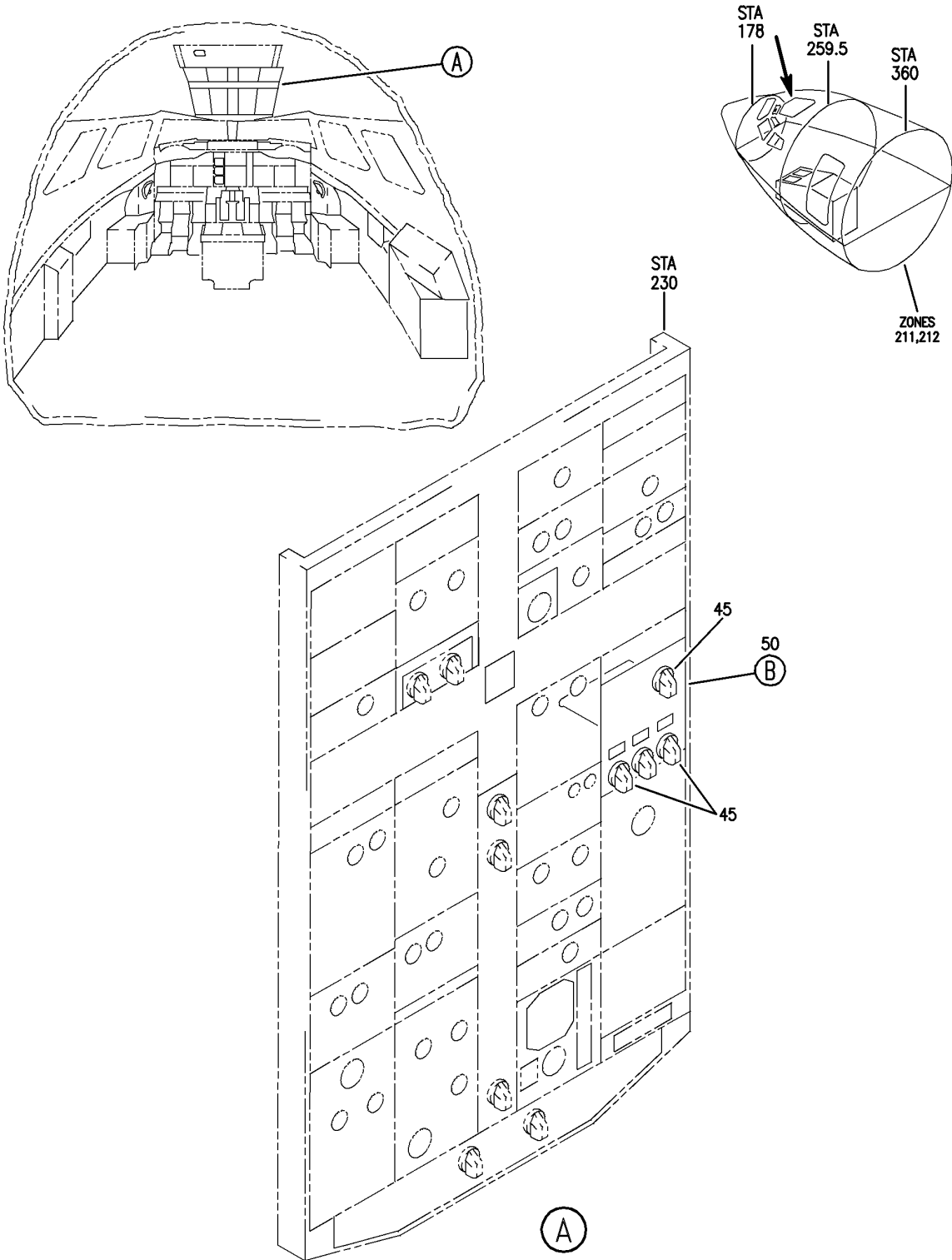
HAP

21-61-20-01

BOEING PROPRIETARY - Copyright © - Unpublished Work - See title page for details.

21-61-20
 FIG. 01
 PAGE 2
 OCT 15/08

BOEING
 737-600/700/800/900
 PARTS CATALOG (MAINTENANCE)



E 21612002 SHT 1 REV 053

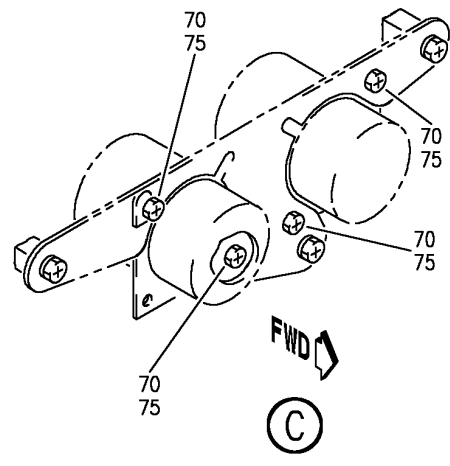
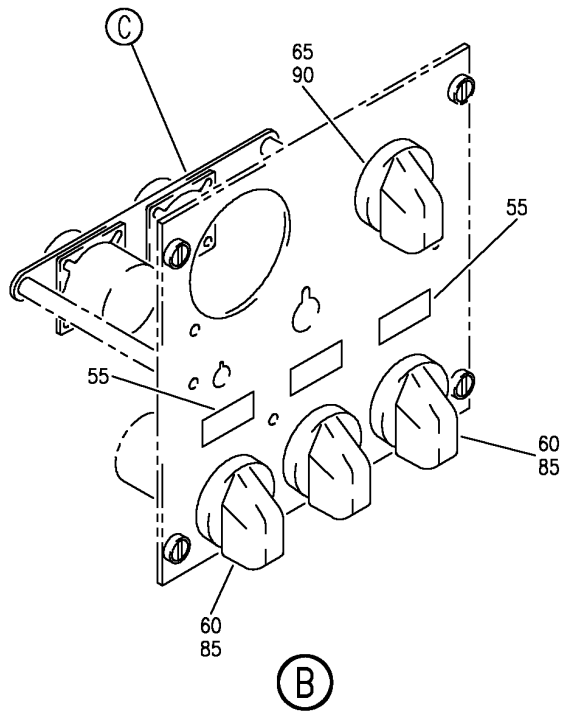
MODULE INSTL-P5 OVHD (PACK/ZONE TEMPERATURE CONTROLLER ONLY)
 FIGURE 2 (SHEET 1)

21-61-20-02

HAP
 OCT 10/06

21-61-20-02
 PAGE 0

BOEING
 737-600/700/800/900
 PARTS CATALOG (MAINTENANCE)



E 2161/2002 SHT 2 REV 152

MODULE INSTL-P5 OVHD (PACK/ZONE TEMPERATURE CONTROLLER ONLY)
 FIGURE 2 (SHEET 2)

21-61-20-02

HAP
 JUN 15/09

21-61-20-02
 PAGE 0A

BOEING
737-600/700/800/900
PARTS CATALOG (MAINTENANCE)

FIG ITEM	PART NUMBER	1 2 3 4 5 6 7	NOMENCLATURE	EFFECT FROM TO	UNITS PER ASSY
2			MODULE INSTL-P5 OVHD (PACK/ZONE TEMPERATURE CONTROLLER ONLY)	001028	
- 1	233A3101-4		MODULE INSTL-P5 OVHD (PACK/ZONE TEMPERATURE CONTROLLER ONLY) FOR NHA/OTHER SYS DET SEE: 31-11-00-01C	001005	RF
- 2	233A3101-52		MODULE INSTL-P5 OVHD (PACK/ZONE TEMPERATURE CONTROLLER ONLY) FOR NHA/OTHER SYS DET SEE: 31-11-00-01C	006007	RF
- 2	233A3101-63		MODULE INSTL-P5 OVHD (PACK/ZONE TEMPERATURE CONTROLLER ONLY) FOR NHA/OTHER SYS DET SEE: 31-11-00-01C	008011	RF
- 4	233A3101-110		MODULE INSTL-P5 OVHD (PACK/ZONE TEMPERATURE CONTROLLER ONLY) FOR NHA/OTHER SYS DET SEE: 31-11-00-01C	012016	RF
- 7	233A3101-225		MODULE INSTL-P5 OVHD (PACK/ZONE TEMPERATURE CONTROLLER ONLY) FOR NHA/OTHER SYS DET SEE: 31-11-00-01C	017019	RF
- 8	233A3101-234		MODULE INSTL-P5 OVHD (PACK/ZONE TEMPERATURE CONTROLLER ONLY) FOR NHA/OTHER SYS DET SEE: 31-11-00-01C	020028	RF
45	GP043-102		.KNOB- SUPPLIER CODE: V81590	001028	4
50	69-37324-78		.MODULE ASSY-CAB. TEMP P5-17 SUPPLIER CODE: V89954 ELECTRICAL EQUIP NUMBER: P00517 COMPONENT MAINT MANUAL REF: 31-36-99 MAINTENANCE MANUAL REF: 21-61-15	001028	RF

MISSING ITEM NUMBERS NOT APPLICABLE

- ITEM NOT ILLUSTRATED

HAP

21-61-20-02

BOEING PROPRIETARY - Copyright © - Unpublished Work - See title page for details.

21-61-20
FIG. 02
PAGE 1
OCT 10/06

BOEING
737-600/700/800/900
PARTS CATALOG (MAINTENANCE)

FIG ITEM	PART NUMBER	1 2 3 4 5 6 7	NOMENCLATURE	EFFECT FROM TO	UNITS PER ASSY
2					
55	BCREFA2200		..LIGHT ASSY-IND-ZONE TEMP SUPPLIER CODE: V81590 OVERLENGTH PART NUMBER: 318-630-1001-353 SPECIFICATION NUMBER: 10-61803-423 COMPONENT MAINT MANUAL REF: 33-10-05 FOR DETAILS SEE: 33-11-50-03C	001028	3
60	1150010-1		..SWITCH-ROTARY SUPPLIER CODE: V07217 FUNCTIONAL DESCRIPTION: USED TO ACTIVATE AIRCRAFT TEMPERATURE CONTROL SYSTEM. SPECIFICATION NUMBER: 10-62091-1 COMPONENT MAINT MANUAL REF: 21-61-08 MAINTENANCE MANUAL REF: 21-61-07	001028	3
65	1-1919-1N7		..SWITCH SUPPLIER CODE: V91812 SPECIFICATION NUMBER: BACS30AZ3-1N7	001028	1
70	NAS1801-04-5		..SCREW	001028	4
75	K19798-04		..NUT SUPPLIER CODE: V15653 SPECIFICATION NUMBER: BACN10NW1 OPTIONAL PART: RMA4812-160-40 V72962 293162 V60119	001028	4
- 80	69-37324-77		..WIRE BUNDLE ASSY- SUPPLIER CODE: V89954	001028	1
85	BACC45FT12-12S		...CONNECTOR	001028	3
90	BACC45FN16-24P6		...CONNECTOR	001028	1
- 900	286A2216-302		WIRE BUNDLE ASSY- REWORKED BY ALERT SB: 24A1141R1	002005	RF

MISSING ITEM NUMBERS NOT APPLICABLE

- ITEM NOT ILLUSTRATED

R
R
R

HAP

21-61-20-02

BOEING PROPRIETARY - Copyright © - Unpublished Work - See title page for details.

21-61-20
FIG. 02
PAGE 2
JUN 15/09

BOEING
737-600/700/800/900
PARTS CATALOG (MAINTENANCE)

FIG ITEM	PART NUMBER	1 2 3 4 5 6 7	NOMENCLATURE	EFFECT FROM TO	UNITS PER ASSY
R R R R R R R	2 - 900	286A2216-304	WIRE BUNDLE ASSY- REWORKED BY ALERT SB: 24A1141R1	001001 006007	RF
	- 900	286A2216-313	WIRE BUNDLE ASSY- REWORKED BY ALERT SB: 24A1141R1	008011	RF
	- 900	286A2216-317	WIRE BUNDLE ASSY- REWORKED BY ALERT SB: 24A1141R1	012022	RF
	- 903	280A3109-13601	.TAPE-ID PLACARD CONTENT: D03996 M/W P005-17 J1 CAB TEMP POST ALERT SB: 24A1141R1	001022	1

MISSING ITEM NUMBERS NOT APPLICABLE

- ITEM NOT ILLUSTRATED

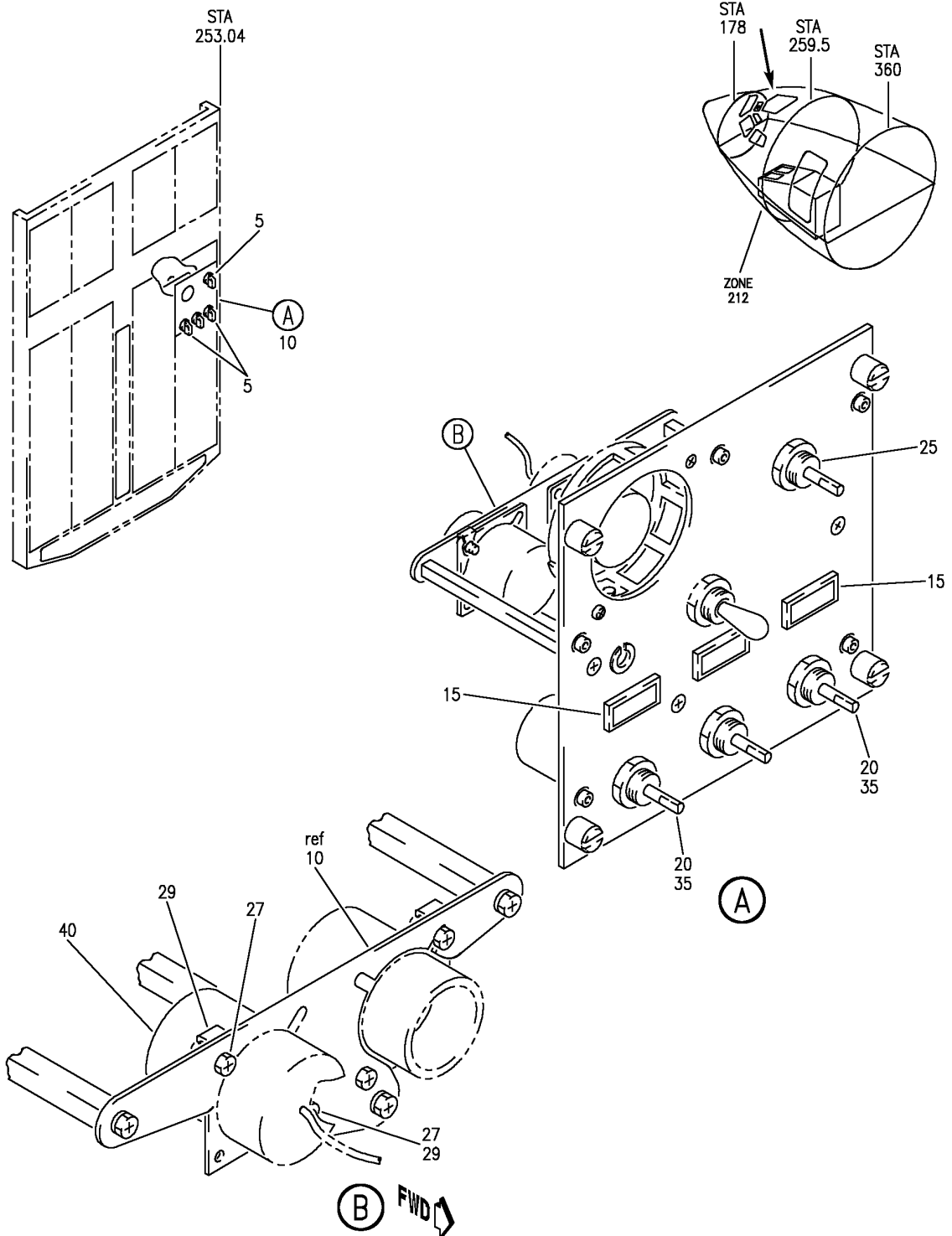
HAP

21-61-20-02

BOEING PROPRIETARY - Copyright © - Unpublished Work - See title page for details.

21-61-20
FIG. 02
PAGE 3
JUN 15/09

BOEING
 737-600/700/800/900
 PARTS CATALOG (MAINTENANCE)



E 21612003 REV 150

MODULE INSTL-P5 OVHD (PACK/ZONE TEMPERATURE CONTROLLER ONLY)
 FIGURE 3

21-61-20-03

HAP
 FEB 15/09

21-61-20-03
 PAGE 0

BOEING
737-600/700/800/900
PARTS CATALOG (MAINTENANCE)

FIG ITEM	PART NUMBER	1 2 3 4 5 6 7	NOMENCLATURE	EFFECT FROM TO	UNITS PER ASSY
3			MODULE INSTL-P5 OVHD (PACK/ZONE TEMPERATURE CONTROLLER ONLY)	029100	
- 1	233A3104-215102		MODULE INSTL-P5 OVHD (PACK/ZONE TEMPERATURE CONTROLLER ONLY) FOR NHA/OTHER SYS DET SEE: 31-11-00-02C	029030	RF
R R	- 1	MODREF82409	MODULE INSTL-P5 OVHD (PACK/ZONE TEMPERATURE CONTROLLER ONLY) MODULE NUMBER: 233A3104-215102 REV A FOR OTHER SYS DETAILS SEE: 11-31-01-24Q 11-31-01-39Z 21-25-02-09 21-51-65-01A 21-62-51-01 31-11-94-07Q 31-11-94-12 33-11-52-06K 33-11-52-13 49-52-52-01 FOR ADDITIONAL DETAILS SEE: 21-61-07-03 21-61-52-01	031100	1
	5	GP043-102	.KNOB- SUPPLIER CODE: V81590	029100	4
	10	69-37324-78	.MODULE ASSY-CAB. TEMP P5-17 SUPPLIER CODE: V89954 ELECTRICAL EQUIP NUMBER: P00517 COMPONENT MAINT MANUAL REF: 31-36-99	029100	RF

MISSING ITEM NUMBERS NOT APPLICABLE

- ITEM NOT ILLUSTRATED

HAP

21-61-20-03

BOEING PROPRIETARY - Copyright © - Unpublished Work - See title page for details.

21-61-20
FIG. 03
PAGE 1
JUN 15/09

BOEING
737-600/700/800/900
PARTS CATALOG (MAINTENANCE)

FIG ITEM	PART NUMBER	1 2 3 4 5 6 7	NOMENCLATURE	EFFECT FROM TO	UNITS PER ASSY
3					
15	BCREFA2200		..LIGHT ASSY-IND-ZONE TEMP SUPPLIER CODE: V81590 OVERLENGTH PART NUMBER: 318-630-1001-353 SPECIFICATION NUMBER: 10-61803-423 COMPONENT MAINT MANUAL REF: 33-10-05 FOR DETAILS SEE: 33-11-50-03C	029100	3
20	1150010-1		..SWITCH-ROTARY SUPPLIER CODE: V07217 FUNCTIONAL DESCRIPTION: USED TO ACTIVATE AIRCRAFT TEMPERATURE CONTROL SYSTEM. SPECIFICATION NUMBER: 10-62091-1 COMPONENT MAINT MANUAL REF: 21-61-08 MAINTENANCE MANUAL REF: 21-61-07	029100	3
25	1-1919-1N7		..SWITCH SUPPLIER CODE: V91812 SPECIFICATION NUMBER: BACS30AZ3-1N7	029100	1
27	NAS1801-04-5		..SCREW	029100	2
29	K19798-04		..NUT SUPPLIER CODE: V15653 SPECIFICATION NUMBER: BACN10NW1 OPTIONAL PART: RMA4812-160-40 V72962 293162 V60119	029100	2
- 30	69-37324-77		..WIRE BUNDLE ASSY- SUPPLIER CODE: V89954	029100	RF
35	BACC45FT12-12S		...CONNECTOR	029100	3
40	BACC45FN16-24P6		...CONNECTOR	029100	1

MISSING ITEM NUMBERS NOT APPLICABLE

- ITEM NOT ILLUSTRATED

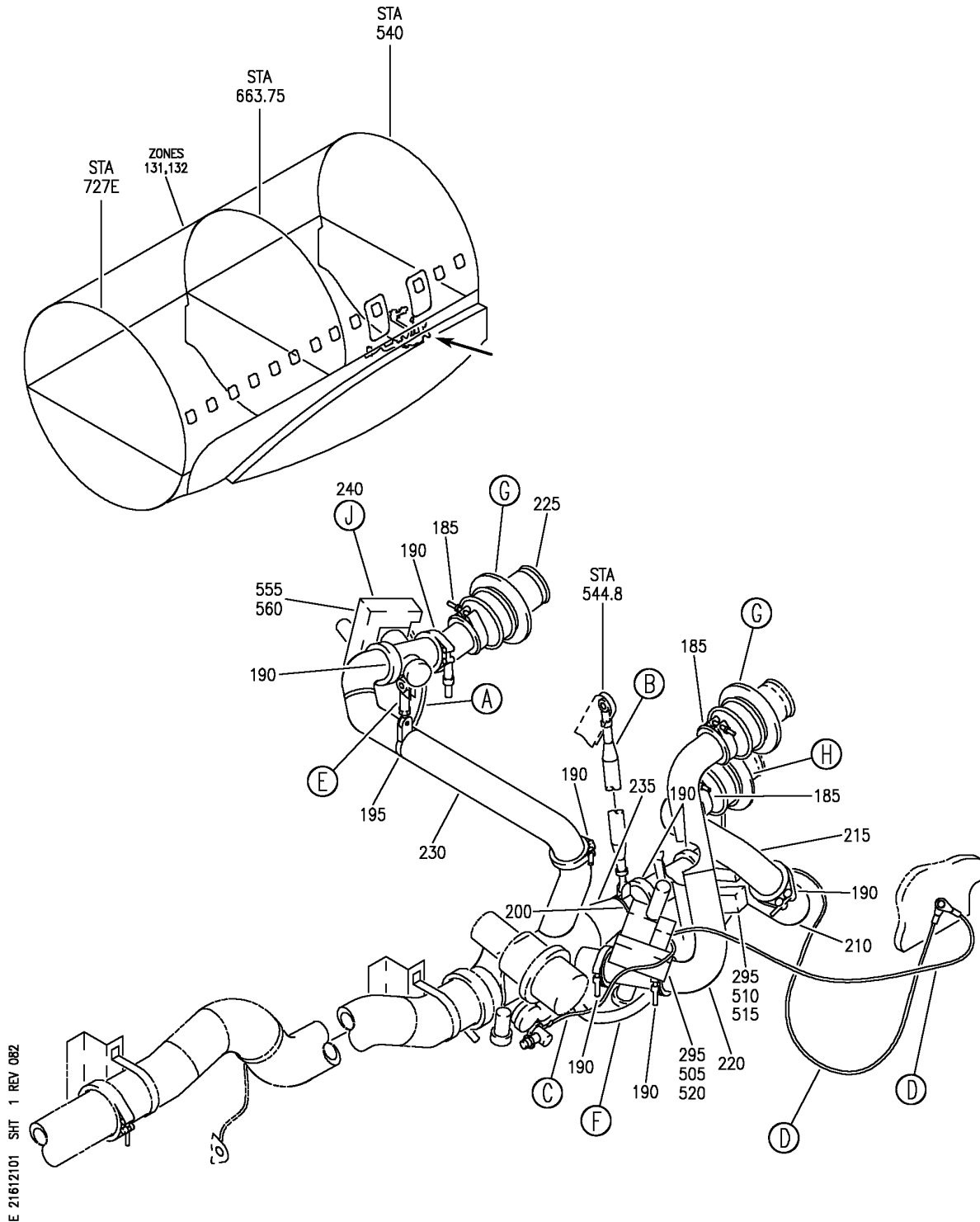
HAP

21-61-20-03

BOEING PROPRIETARY - Copyright © - Unpublished Work - See title page for details.

21-61-20
FIG. 03
PAGE 2
FEB 15/09

BOEING
 737-600/700/800/900
 PARTS CATALOG (MAINTENANCE)



E 21612101 SHT 1 REV 082

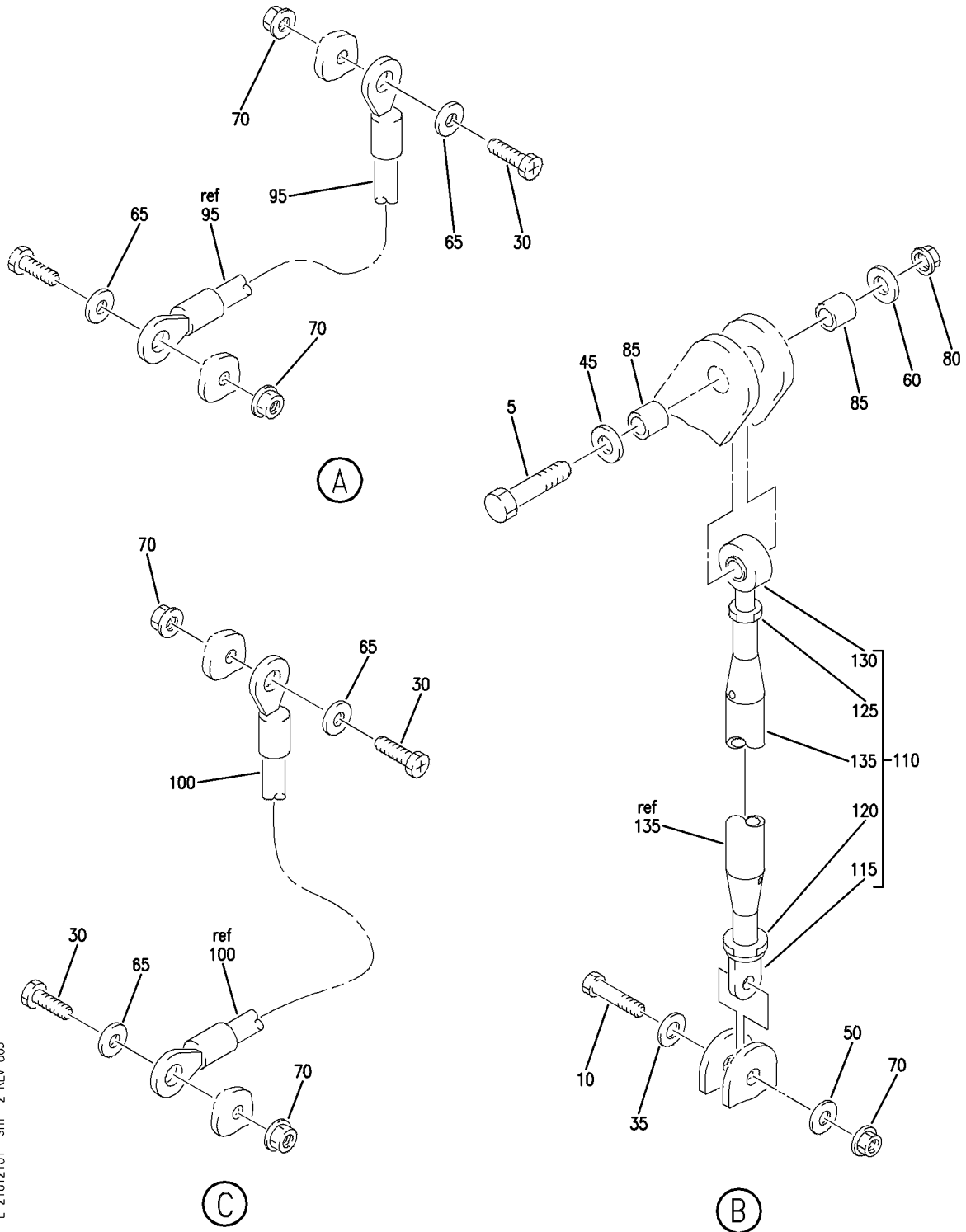
DUCT INSTL-AIR CONDITIONING PACK TRIM AIR (ZONE TRIM AIR MODULATING VALVE ONLY)
 FIGURE 1 (SHEET 1)

HAP
 OCT 10/06

21-61-21-01

21-61-21-01
 PAGE 0

BOEING
 737-600/700/800/900
 PARTS CATALOG (MAINTENANCE)



E 21612101 SHT 2 REV 063

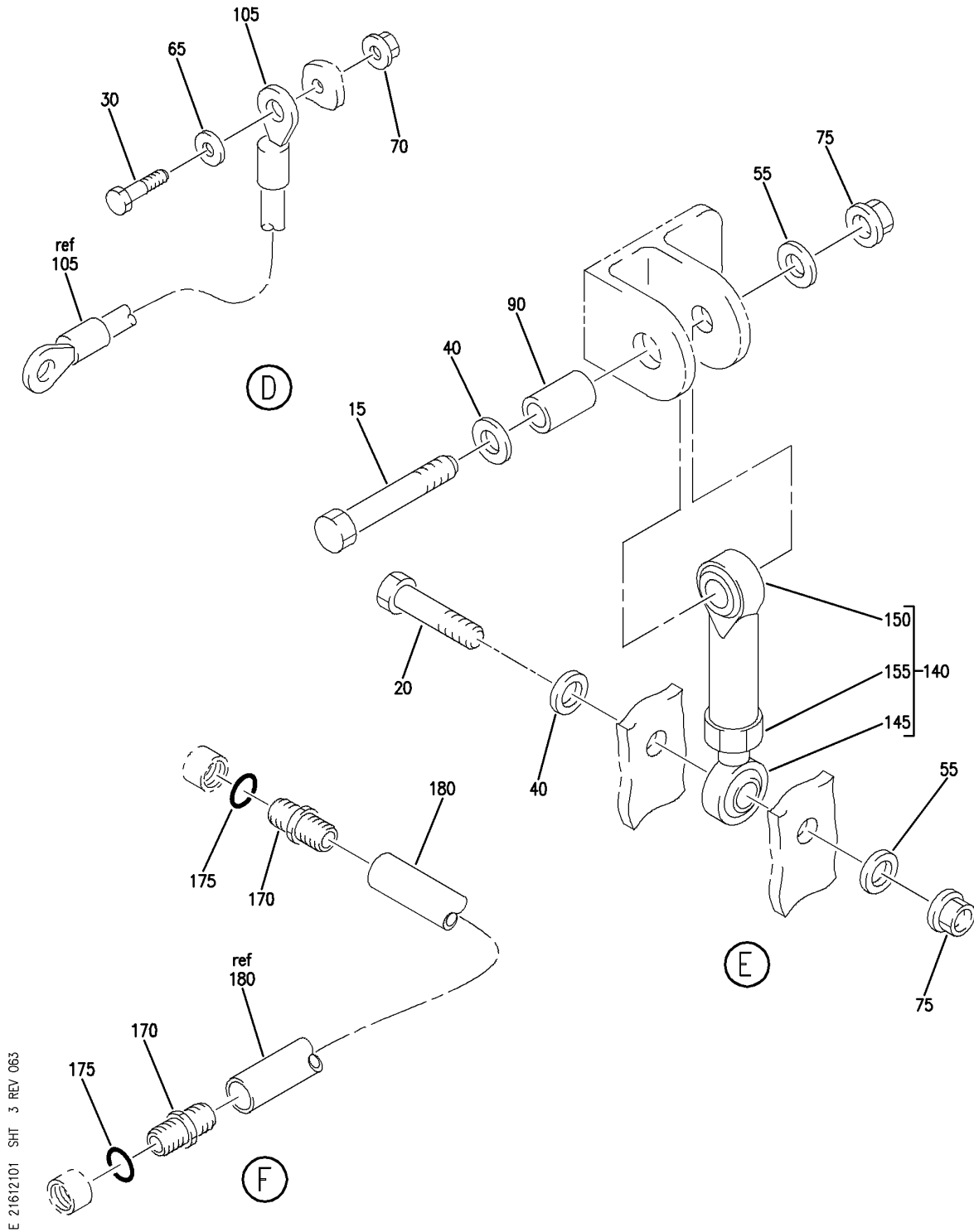
DUCT INSTL-AIR CONDITIONING PACK TRIM AIR (ZONE TRIM AIR MODULATING VALVE ONLY)
 FIGURE 1 (SHEET 2)

21-61-21-01

HAP
 OCT 10/06

21-61-21-01
 PAGE 0A

BOEING
 737-600/700/800/900
 PARTS CATALOG (MAINTENANCE)



E 21612101 SHT 3 REV 063

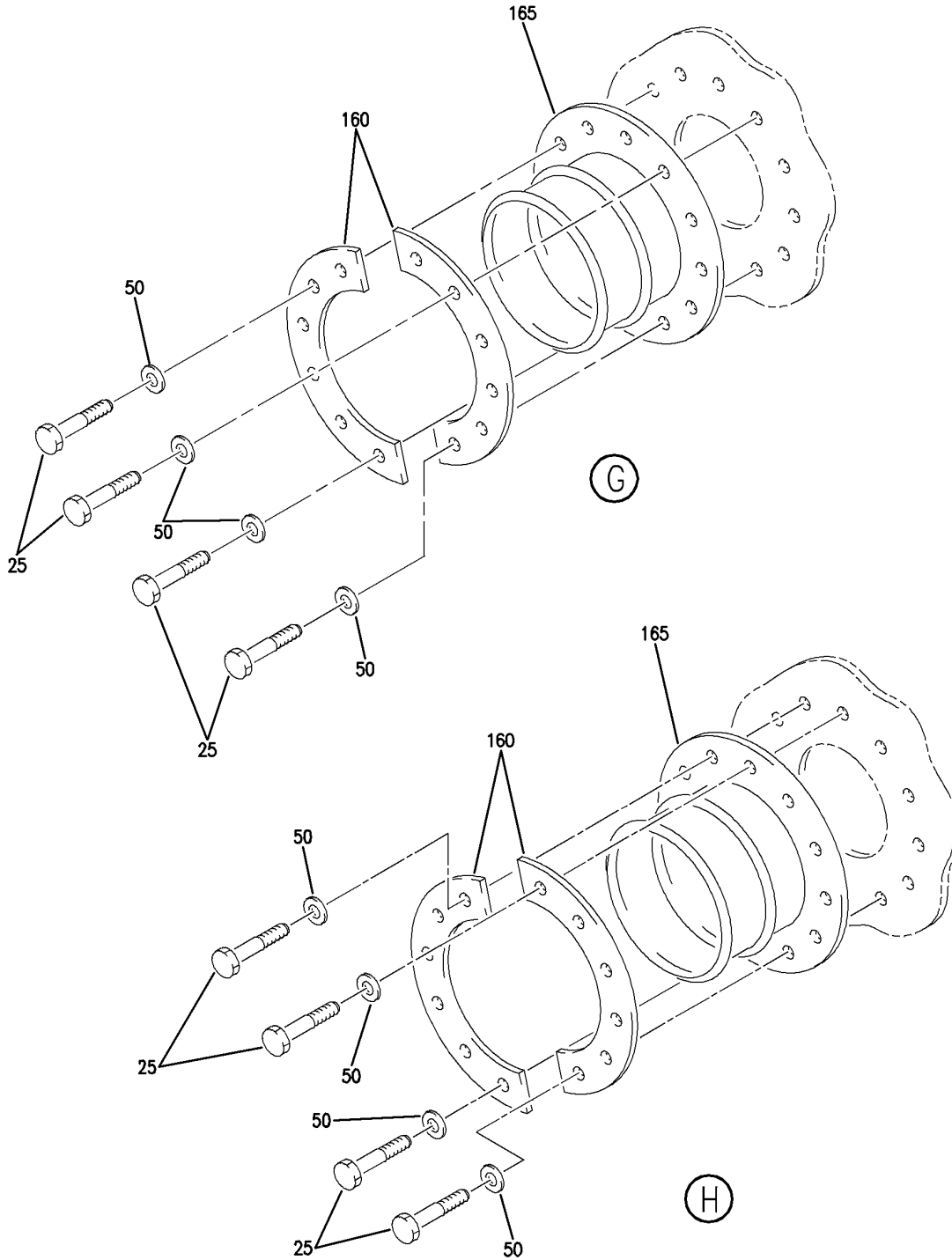
DUCT INSTL-AIR CONDITIONING PACK TRIM AIR (ZONE TRIM AIR MODULATING VALVE ONLY)
 FIGURE 1 (SHEET 3)

21-61-21-01

HAP
 OCT 10/06

21-61-21-01
 PAGE 0B

BOEING
737-600/700/800/900
PARTS CATALOG (MAINTENANCE)



E 21612101 SHT 4 REV 063

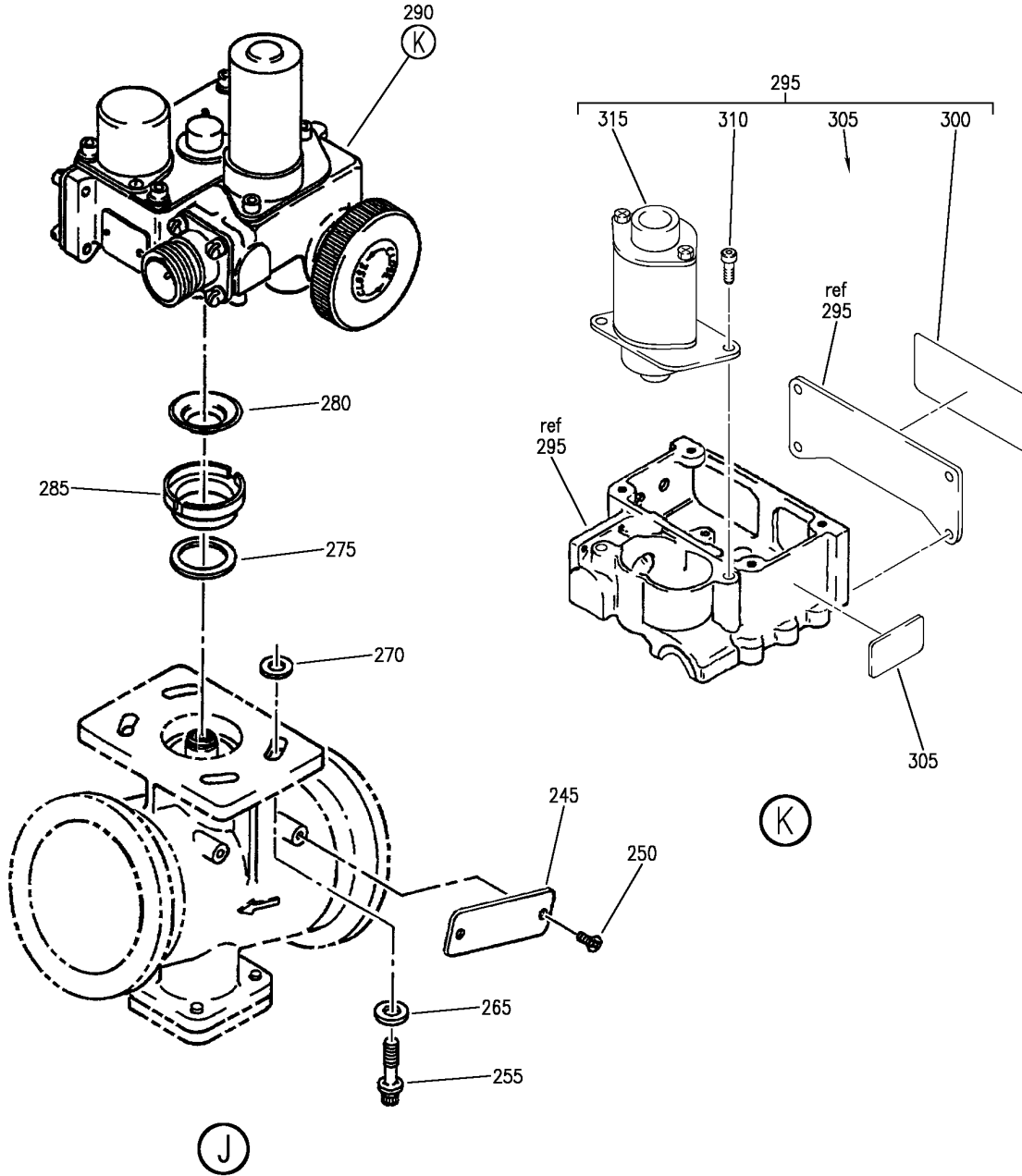
DUCT INSTL-AIR CONDITIONING PACK TRIM AIR (ZONE TRIM AIR MODULATING VALVE ONLY)
FIGURE 1 (SHEET 4)

21-61-21-01

HAP
OCT 10/06

21-61-21-01
PAGE 0C

BOEING
 737-600/700/800/900
 PARTS CATALOG (MAINTENANCE)



E 21612101 SHT 5 REV 124

DUCT INSTL-AIR CONDITIONING PACK TRIM AIR (ZONE TRIM AIR MODULATING VALVE ONLY)
 FIGURE 1 (SHEET 5)

HAP
 FEB 10/07

21-61-21-01

21-61-21-01
 PAGE 0D

BOEING
737-600/700/800/900
PARTS CATALOG (MAINTENANCE)

FIG ITEM	PART NUMBER	1 2 3 4 5 6 7	NOMENCLATURE	EFFECT FROM TO	UNITS PER ASSY
1			DUCT INSTL-AIR CONDITIONING PACK TRIM AIR (ZONE TRIM AIR MODULATING VALVE ONLY)	001030	
- 1	213A1005-1		DUCT INSTL-AIR CONDITIONING PACK TRIM AIR (ZONE TRIM AIR MODULATING VALVE ONLY)	001004	RF
- 1	213A1005-2		FOR NHA/OTHER SYS DET SEE: 21-60-00-01C DUCT INSTL-AIR CONDITIONING PACK TRIM AIR (ZONE TRIM AIR MODULATING VALVE ONLY)	005027	RF
- 1	213A1005-4		DUCT INSTL-AIR CONDITIONING PACK TRIM AIR (ZONE TRIM AIR MODULATING VALVE ONLY)	028030	RF
	5 BACB30NR5K17		.BOLT	001030	1
	10 BACB30NM3K4		.BOLT	001030	1
	15 BACB30NR4K21		.BOLT	001030	1
	20 BACB30NR4K10		.BOLT	001030	1
	25 BACB30NM3K6		.BOLT	001030	32
	30 BACS12GU3K7		.SCREW	001030	5
	35 BACW10BP3CD		.WASHER	001030	1
	40 BACW10BP4CD		.WASHER	001030	2
	45 BACW10BP5CD		.WASHER	001030	1
	50 NAS1149D0316J		.WASHER	001030	33
	55 NAS1149D0416J		.WASHER	001030	2
	60 NAS1149D0516J		.WASHER	001030	1
	65 NAS1149E0316P		.WASHER	001030	6
	70 PLH53CD		.NUT	001030	7
			SUPPLIER CODE: VF0224		
			SPECIFICATION NUMBER: BACN10YR3CD		
			OPTIONAL PART: H52732-3CD V15653		

MISSING ITEM NUMBERS NOT APPLICABLE

- ITEM NOT ILLUSTRATED

HAP

21-61-21-01

21-61-21
FIG. 01
PAGE 1
FEB 15/09

BOEING
737-600/700/800/900
PARTS CATALOG (MAINTENANCE)

FIG ITEM	PART NUMBER	1 2 3 4 5 6 7	NOMENCLATURE	EFFECT FROM TO	UNITS PER ASSY
1					
75	PLH54CD	.NUT	SUPPLIER CODE: VF0224 SPECIFICATION NUMBER: BACN10YR4CD OPTIONAL PART: H52732-4CD V15653	001030	2
80	PLH55CD	.NUT	SUPPLIER CODE: VF0224 SPECIFICATION NUMBER: BACN10YR5CD OPTIONAL PART: H52732-5CD V15653	001030	1
85	BACB28AK05-031	.BUSHING		001030	2
90	BACB28AK04-066	.BUSHING		001030	1
95	RBEJ40K5A5A12	.JUMPER	SUPPLIER CODE: V1GK47 SPECIFICATION NUMBER: BACJ40K5A5A12	001030	1
100	RBEJ40K5A5A13	.JUMPER	SUPPLIER CODE: V1GK47 SPECIFICATION NUMBER: BACJ40K5A5A13	001030	1
105	940CW20-28	.JUMPER	SUPPLIER CODE: V91812 SPECIFICATION NUMBER: BACJ40AB20-28 OPTIONAL PART: 100220-28 V1FF12 RBEJ40AB20-28 V1GK47	001030	2
110	212A1125-25	.ROD ASSY		001030	1
115	AN43BC4A	..BOLT		001030	1
120	MS20002C4	..WASHER		001030	1
125	AN316-5R	..NUT		001030	1
130	M81935-1-5	..BEARING		001030	1
135	212A1125-26	..TUBE		001030	1
140	212A1125-3	.ROD ASSY		001030	1
145	M81935-1-4	..ROD-END		001030	1
150	M81935-2-4	..ROD-END		001030	1
155	AN316-5R	..NUT		001030	1
160	65C33276-2	.RING		001030	6

MISSING ITEM NUMBERS NOT APPLICABLE

— ITEM NOT ILLUSTRATED

HAP

21-61-21-01

BOEING PROPRIETARY - Copyright © - Unpublished Work - See title page for details.

21-61-21
FIG. 01
PAGE 2
FEB 15/09

BOEING
737-600/700/800/900
PARTS CATALOG (MAINTENANCE)

FIG ITEM	PART NUMBER	1 2 3 4 5 6 7	NOMENCLATURE	EFFECT FROM TO	UNITS PER ASSY
1					
165	BOE2003-0051	.	SEAL-PRESSURE SUPPLIER CODE: V16632 SPECIFICATION NUMBER: 10-3274-51 OPTIONAL PART: D1859-51 V75345	001030	3
165	D1859-51	.	SEAL-PRESSURE SUPPLIER CODE: V75345 SPECIFICATION NUMBER: 10-3274-51 OPTIONAL PART: BOE2003-0051 V16632	001030	3
165	BOE2236-0018	.	SEAL-PRESSURE SUPPLIER CODE: V16632 SPECIFICATION NUMBER: S212W301-18	001030	3
170	MS21902D6	.	UNION	001030	2
175	R1131-906	.	PACKING SUPPLIER CODE: V57268 SPECIFICATION NUMBER: BACP11K6 OPTIONAL PART: 3-906S383-70 V02697 1090-06 V95272 150701-06 V95272 AS568-906S32 V11314	001030	2
180	AS140G0151S250	.	HOSE ASSY	028030	1
180	AS140G121-090	.	HOSE ASSY	001004	1
180	AS138-06S0114	.	HOSE ASSY	005027	1
185	BACC10BN288L5ME	.	CLAMP	001030	3
190	BACC10DU200ABE	.	CLAMP	001030	8
195	BACC10HU020FA	.	CLAMP	001030	1
200	BACC10GN32C	.	CLAMP	001030	1
210	213A1501-28	.	DUCT ASSY	001030	1
215	213A1501-40	.	DUCT ASSY	028030	1
215	213A1501-32	.	DUCT ASSY	001027	1
220	213A1501-39	.	DUCT ASSY	028030	1
220	213A1501-34	.	DUCT ASSY	001027	1
225	213A1501-25	.	DUCT ASSY	001027	1

MISSING ITEM NUMBERS NOT APPLICABLE

— ITEM NOT ILLUSTRATED

HAP

21-61-21-01

BOEING PROPRIETARY - Copyright © - Unpublished Work - See title page for details.

21-61-21
FIG. 01
PAGE 3
FEB 15/09

BOEING
737-600/700/800/900
PARTS CATALOG (MAINTENANCE)

FIG ITEM	PART NUMBER	1 2 3 4 5 6 7	NOMENCLATURE	EFFECT FROM TO	UNITS PER ASSY
1					
225	213A1501-38	.	DUCT ASSY	028030	1
230	213A1501-22	.	DUCT ASSY	001030	1
235	213A1501-18	.	DUCT ASSY	001030	1
240	398908-3	.	VALVE ASSY-TEMP CONT SUPPLIER CODE: V59364 FUNCTIONAL DESCRIPTION: ELECTRICALLY ACTUATED TO MODULATE OR SHUTOFF AIRFLOW IN THE PNEUMATIC SYSTEM SPECIFICATION NUMBER: 10-62091-13 ELECTRICAL EQUIP NUMBER: V00143 V00144 V00145 COMPONENT MAINT MANUAL REF: 21-50-83	001030	3
245	S3033-1	..	PLATE-IDENT SUPPLIER CODE: V59364 ATTACHING PARTS	001030	1
250	MS51861-1C	..	SCREW -----*-----	001030	2
255	MS9033-06	..	BOLT	001030	4
265	AN960C10	..	WASHER	001030	4
270	112072-91	..	WASHER-THRUST SUPPLIER CODE: V59364	001030	4
275	S8157N106-005	..	WASHER- SUPPLIER CODE: V59364 SELECT FROM ITEM.	001030	1
275	S8157N106-010	..	WASHER- SUPPLIER CODE: V59364 SELECT FROM ITEM.	001030	1
275	S8157N106-016	..	WASHER- SUPPLIER CODE: V59364 SELECT FROM ITEM.	001030	1
275	S8157N106-063	..	WASHER- SUPPLIER CODE: V59364 SELECT FROM ITEM.	001030	1
280	880291-1	..	SHIELD-MOISTURE SUPPLIER CODE: V59364	001030	1

MISSING ITEM NUMBERS NOT APPLICABLE

— ITEM NOT ILLUSTRATED

HAP

21-61-21-01

BOEING PROPRIETARY - Copyright © - Unpublished Work - See title page for details.

21-61-21
FIG. 01
PAGE 4
FEB 15/09

BOEING
737-600/700/800/900
PARTS CATALOG (MAINTENANCE)

FIG ITEM	PART NUMBER	1 2 3 4 5 6 7	NOMENCLATURE	EFFECT FROM TO	UNITS PER ASSY
1					
285	880345-1	..	SPACER-SLEEVE SUPPLIER CODE: V59364	001030	1
290	2740028-2	..	ACTUATOR-ROTARY ELECTRO MECHANICAL SUPPLIER CODE: V70210 FUNCTIONAL DESCRIPTION: PROVIDES ELECTRICAL AND MANUAL CONTROL TO OPERATE EITHER A TRIM AIR MODULATING VALVE OR A TEMPERATURE CONTROL VALVE. SB DATA FROM A CMM: POST SB 21-1363 COMPONENT MAINT MANUAL REF: 21-51-94	001030	1
295	2740029-3	...	ACTUATOR ASSY- SUPPLIER CODE: V70210	001030	RF
300	2041179-1	DECAL- SUPPLIER CODE: V70210	001030	1
305	2743410-3	PLATE-IDENT SUPPLIER CODE: V70210	001030	1
310	MS24677-7	SCREW	001030	2
315	516038-3	MOTOR-AC SUPPLIER CODE: V70210 CONFIG CHG DATA FROM A CMM: REPL BY 516038-5	001030	1
315	516038-5	MOTOR-AC SUPPLIER CODE: V70210 CONFIG CHG DATA FROM A CMM: REPLS 516038-3	001030	1
- 500	286A6202-301		WIRE BUNDLE ASSY	001009	RF
- 500	286A6202-302		WIRE BUNDLE ASSY	010027	RF
- 500	286A6202-303		WIRE BUNDLE ASSY-	028030	RF
505	BACC63CB14-15SN	.	PLUG- ELECTRICAL EQUIP NUMBER: D03890 WIRING DIAGRAM REF: 216114	001030	1

MISSING ITEM NUMBERS NOT APPLICABLE

- ITEM NOT ILLUSTRATED

HAP

21-61-21-01

BOEING PROPRIETARY - Copyright © - Unpublished Work - See title page for details.

21-61-21
FIG. 01
PAGE 5
FEB 15/09

BOEING
737-600/700/800/900
PARTS CATALOG (MAINTENANCE)

FIG ITEM	PART NUMBER	1 2 3 4 5 6 7	NOMENCLATURE	EFFECT FROM TO	UNITS PER ASSY
1					
510	BACC63CB14-15S	.	PLUG- ELECTRICAL EQUIP NUMBER: D03888 WIRING DIAGRAM REF: 216113	005027	1
515	S3821-14-65	.	CLAMP- SUPPLIER CODE: V07418 SPECIFICATION NUMBER: BACC10KF14 OPTIONAL PART: 620AB028NF14L V06324 ELECTRICAL EQUIP NUMBER: D03888T WIRING DIAGRAM REF: 216113	001030	1
520	S3819-14-65	.	CLAMP- SUPPLIER CODE: V07418 SPECIFICATION NUMBER: BACC10KD14 OPTIONAL PART: 620AS028NF14L V06324 ELECTRICAL EQUIP NUMBER: D03890T WIRING DIAGRAM REF: 216115	001030	1
- 550	286A5502-301		WIRE BUNDLE ASSY	001028	RF
- 550	286A5502-302		WIRE BUNDLE ASSY-	029030	RF
555	BACC63CB14-15SN	.	PLUG- ELECTRICAL EQUIP NUMBER: D03886 WIRING DIAGRAM REF: 216111	001030	1
560	620AA028NF14L	.	CLAMP- SUPPLIER CODE: V06324 SPECIFICATION NUMBER: BACC10KE14 OPTIONAL PART: S3820-14-65 V07418 ELECTRICAL EQUIP NUMBER: D03886T WIRING DIAGRAM REF: 216111	001030	1

MISSING ITEM NUMBERS NOT APPLICABLE

- ITEM NOT ILLUSTRATED

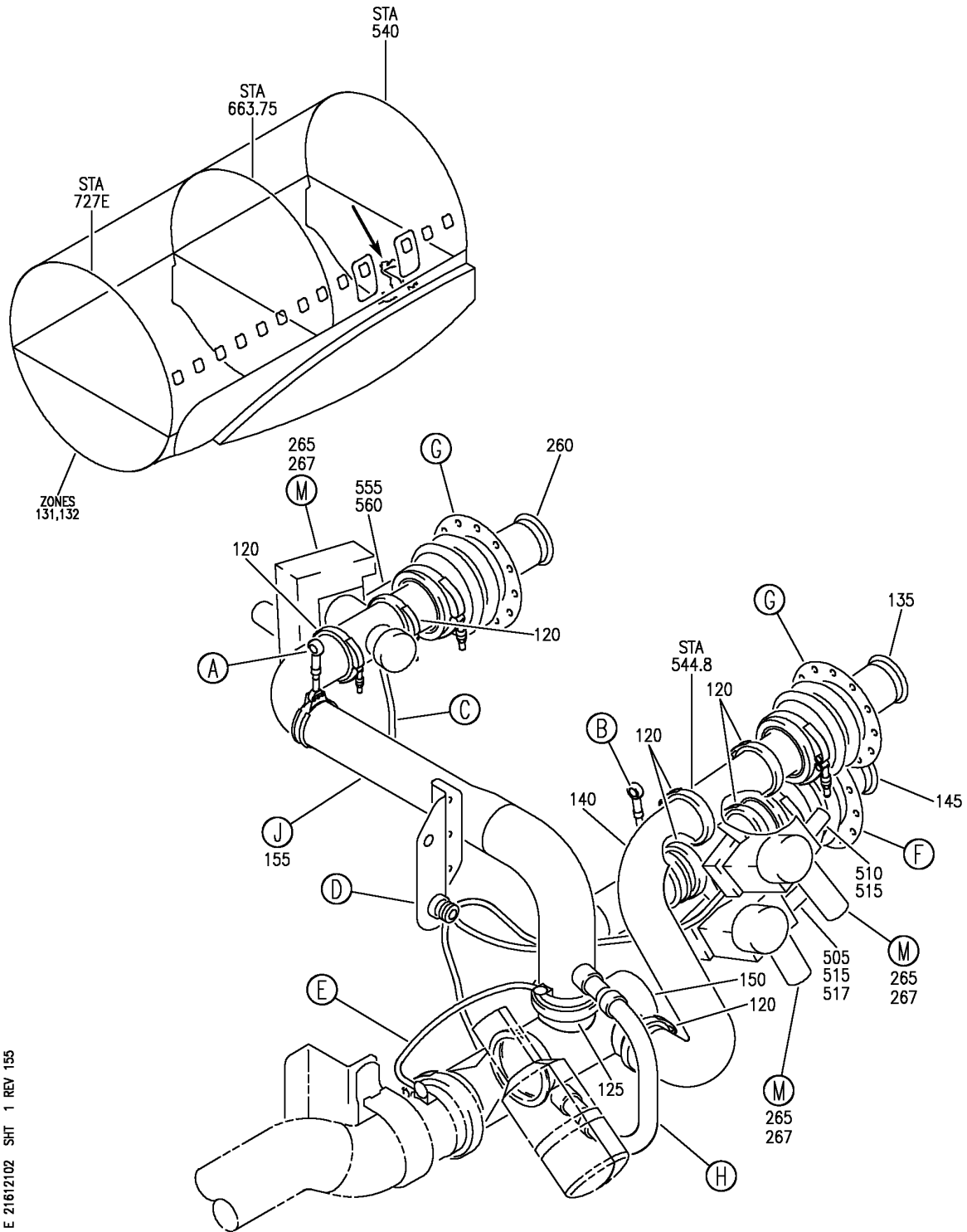
HAP

21-61-21-01

BOEING PROPRIETARY - Copyright © - Unpublished Work - See title page for details.

21-61-21
FIG. 01
PAGE 6
FEB 15/09

BOEING
 737-600/700/800/900
 PARTS CATALOG (MAINTENANCE)



E 21612102 SHT 1 REV 155

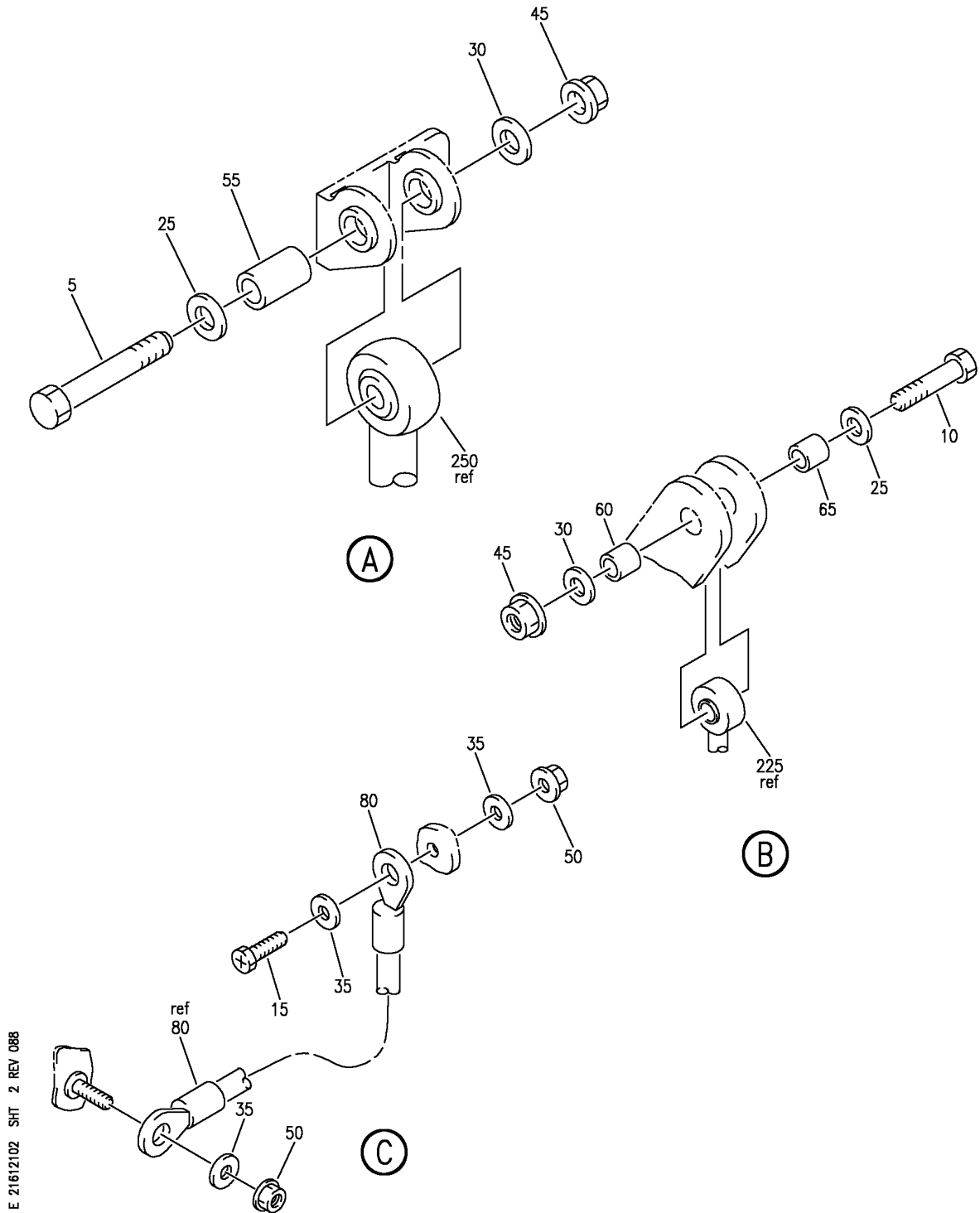
DUCT INSTL-AIR CONDITIONING PACK TRIM AIR (ZONE TRIM AIR MODULATING VALVE ONLY)
 FIGURE 2 (SHEET 1)

21-61-21-02

HAP
 JUN 15/09

21-61-21-02
 PAGE 0

BOEING
 737-600/700/800/900
 PARTS CATALOG (MAINTENANCE)



E 21612102 SHT 2 REV 088

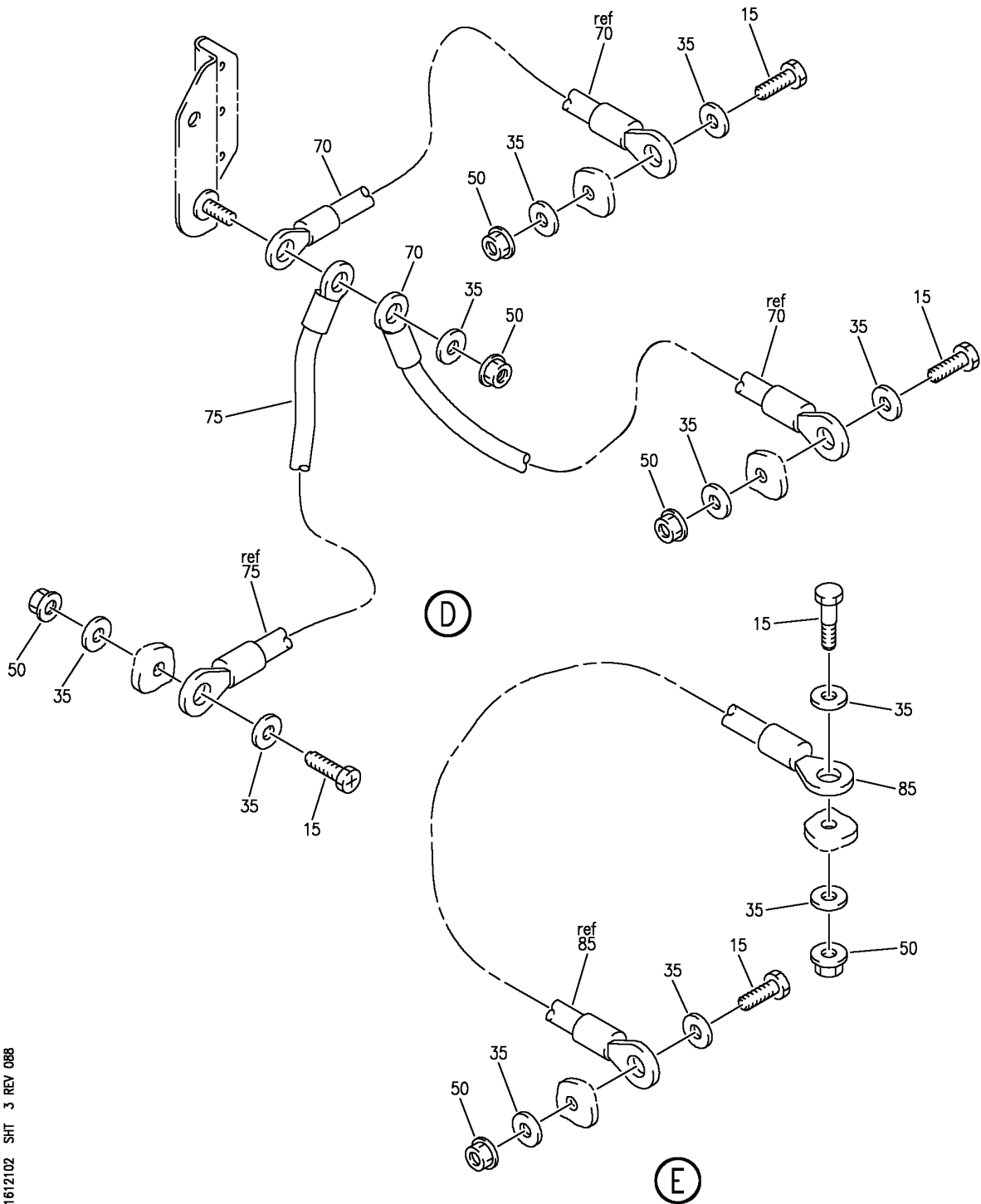
DUCT INSTL-AIR CONDITIONING PACK TRIM AIR (ZONE TRIM AIR MODULATING VALVE ONLY)
 FIGURE 2 (SHEET 2)

HAP
 OCT 10/06

21-61-21-02

21-61-21-02
 PAGE 0A

BOEING
 737-600/700/800/900
 PARTS CATALOG (MAINTENANCE)



E 21612102 SHT 3 REV 088

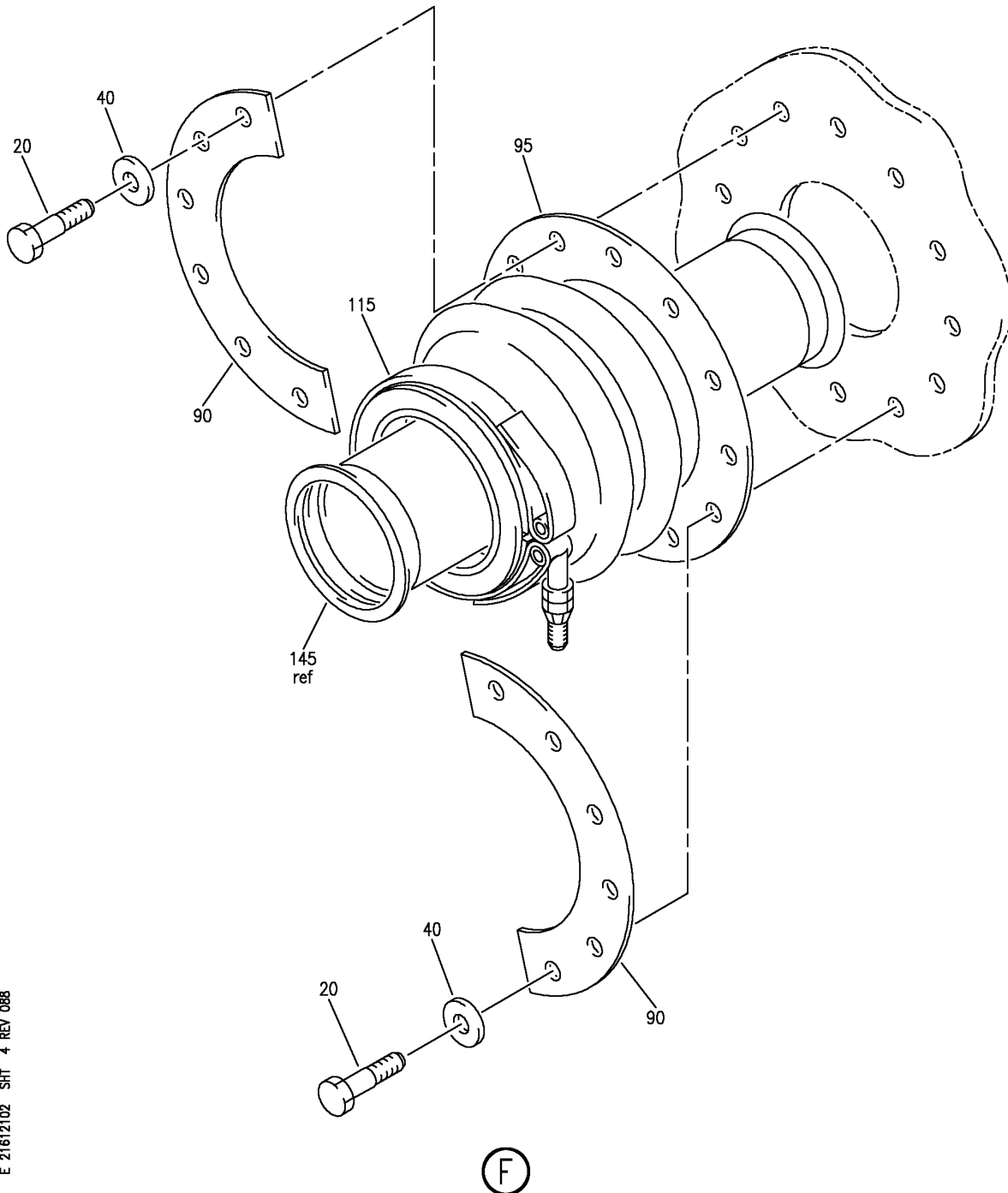
DUCT INSTL-AIR CONDITIONING PACK TRIM AIR (ZONE TRIM AIR MODULATING VALVE ONLY)
 FIGURE 2 (SHEET 3)

21-61-21-02

HAP
 OCT 10/06

21-61-21-02
 PAGE 08

BOEING
737-600/700/800/900
PARTS CATALOG (MAINTENANCE)



E 21612102 SHT 4 REV 088

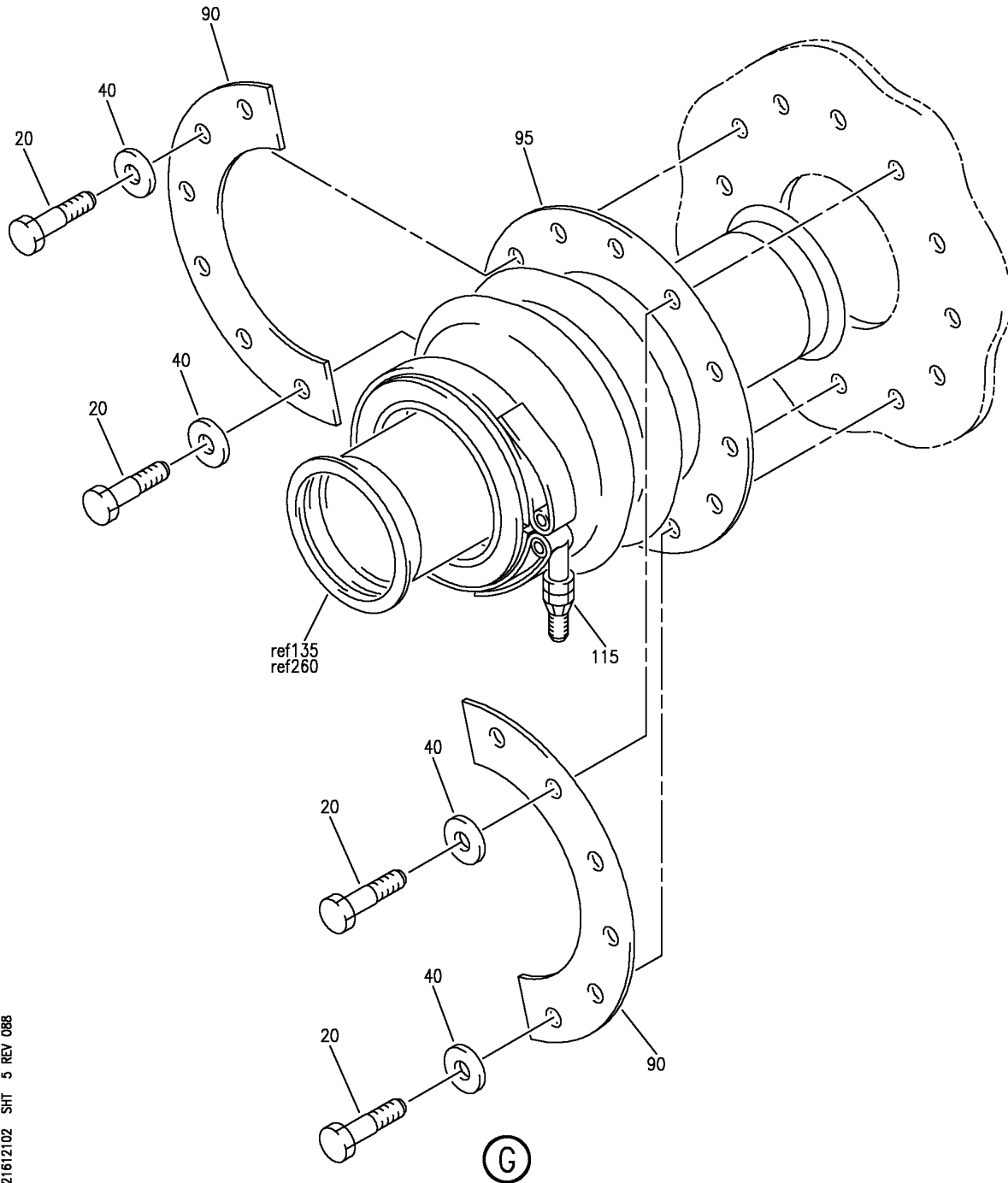
DUCT INSTL-AIR CONDITIONING PACK TRIM AIR (ZONE TRIM AIR MODULATING VALVE ONLY)
FIGURE 2 (SHEET 4)

HAP
OCT 10/06

21-61-21-02

21-61-21-02
PAGE 0C

BOEING
737-600/700/800/900
PARTS CATALOG (MAINTENANCE)



E 21612102 SHT 5 REV 088

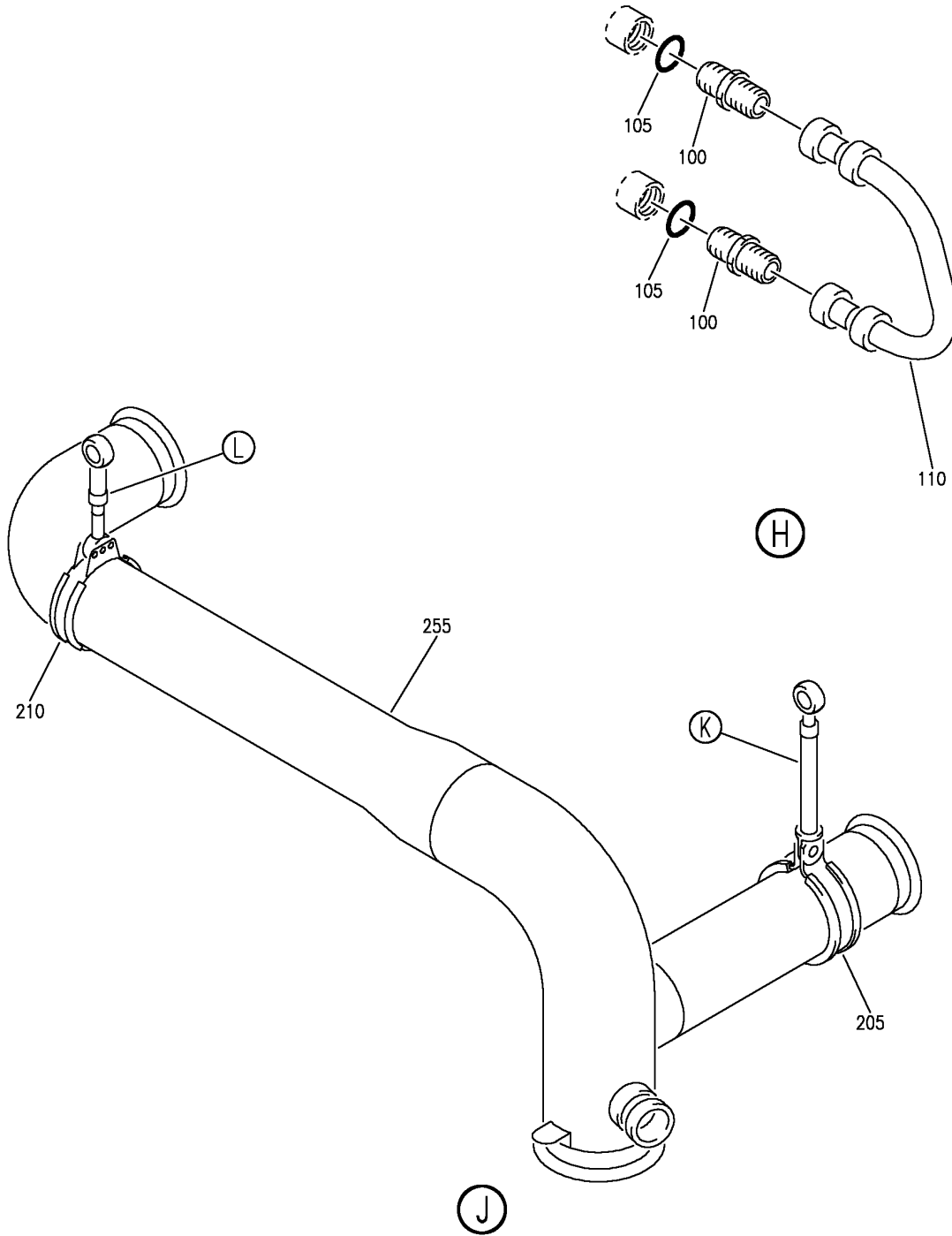
DUCT INSTL-AIR CONDITIONING PACK TRIM AIR (ZONE TRIM AIR MODULATING VALVE ONLY)
FIGURE 2 (SHEET 5)

HAP
OCT 10/06

21-61-21-02

21-61-21-02
PAGE 0D

BOEING
 737-600/700/800/900
 PARTS CATALOG (MAINTENANCE)



E 21612102 SHT 6 REV 088

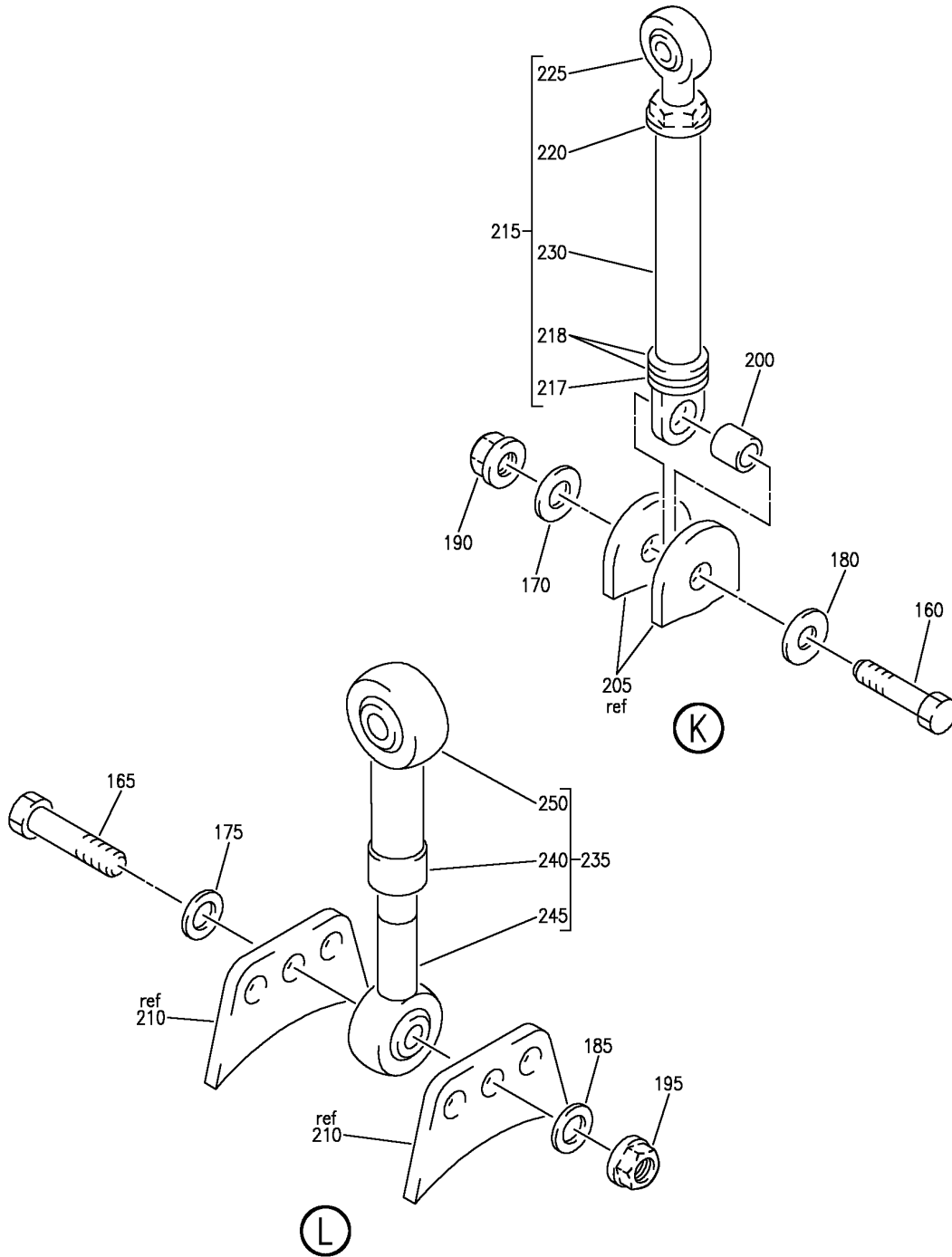
DUCT INSTL-AIR CONDITIONING PACK TRIM AIR (ZONE TRIM AIR MODULATING VALVE ONLY)
 FIGURE 2 (SHEET 6)

HAP
 OCT 10/06

21-61-21-02

21-61-21-02
 PAGE 0E

BOEING
 737-600/700/800/900
 PARTS CATALOG (MAINTENANCE)



E 21612102 SHT 7 REV 087

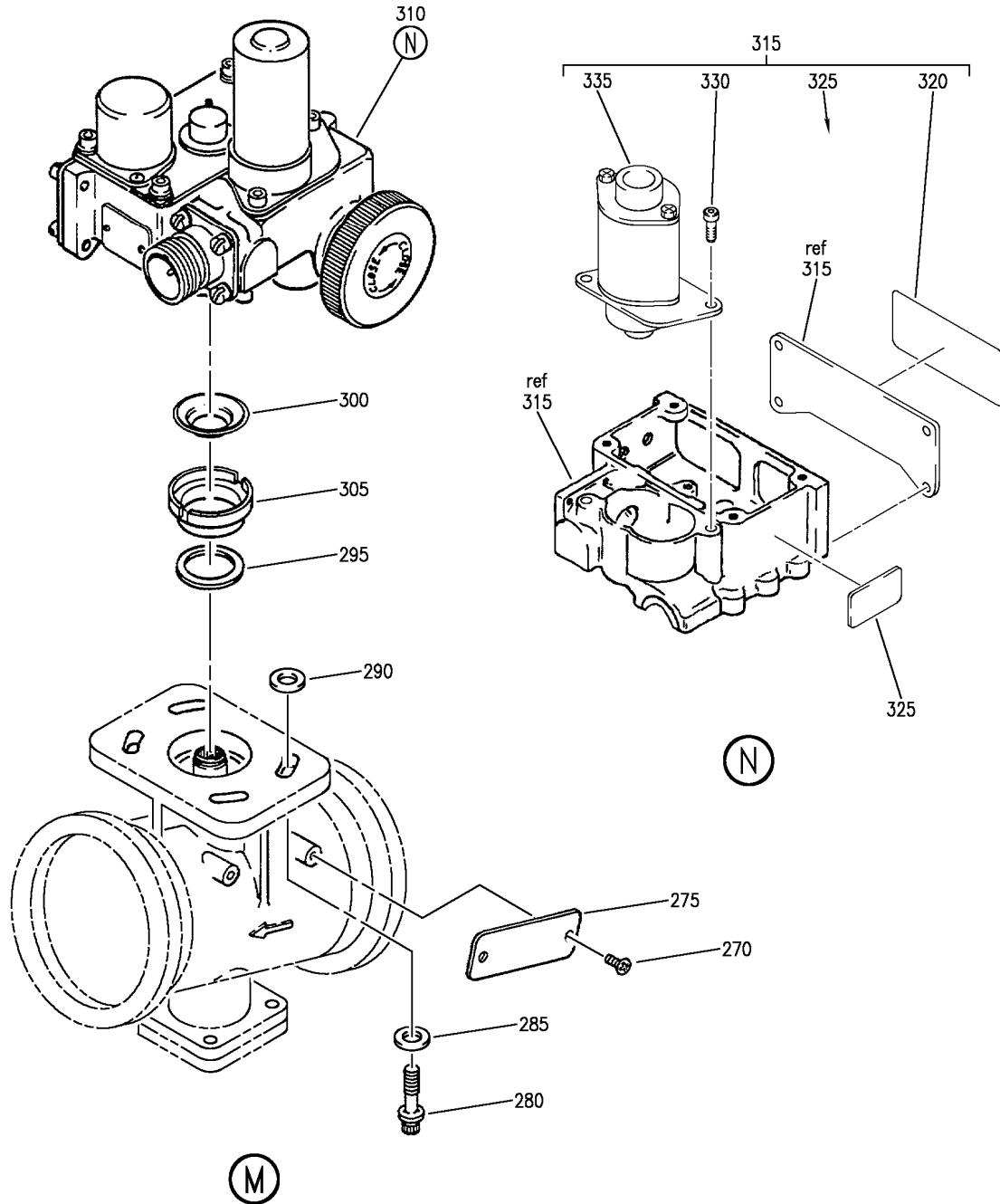
DUCT INSTL-AIR CONDITIONING PACK TRIM AIR (ZONE TRIM AIR MODULATING VALVE ONLY)
 FIGURE 2 (SHEET 7)

21-61-21-02

HAP
 OCT 10/06

21-61-21-02
 PAGE OF

BOEING
 737-600/700/800/900
 PARTS CATALOG (MAINTENANCE)



E 21612102 SHT 8 REV 124

DUCT INSTL-AIR CONDITIONING PACK TRIM AIR (ZONE TRIM AIR MODULATING VALVE ONLY)
 FIGURE 2 (SHEET 8)

21-61-21-02

HAP
 FEB 10/07

21-61-21-02
 PAGE 08

BOEING
737-600/700/800/900
PARTS CATALOG (MAINTENANCE)

FIG ITEM	PART NUMBER	1 2 3 4 5 6 7	NOMENCLATURE	EFFECT FROM TO	UNITS PER ASSY
2			DUCT INSTL-AIR CONDITIONING PACK TRIM AIR (ZONE TRIM AIR MODULATING VALVE ONLY)	031100	
- 1	MODREF270564		DUCT INSTL-AIR CONDITIONING PACK TRIM AIR (ZONE TRIM AIR MODULATING VALVE ONLY) MODULE NUMBER: 213A1007-1 REV E FOR OTHER SYS DETAILS SEE: 21-62-01-03 FOR ADDITIONAL DETAILS SEE: 21-61-09-02	031043 054100	1
- 1	MODREF357091		DUCT INSTL-AIR CONDITIONING PACK TRIM AIR (ZONE TRIM AIR MODULATING VALVE ONLY) MODULE NUMBER: 213A1007-1 REV G FOR OTHER SYS DETAILS SEE: 21-62-01-03 FOR ADDITIONAL DETAILS SEE: 21-61-09-02	044053	1
5	BACB30NR4K21	.BOLT		031100	1
10	BACB30NR4K17	.BOLT		031100	1
15	BACS12GU3K7	.SCREW		031100	6
20	BACB30NM3K6	.BOLT		031100	32
25	BACW10BP4CD	.WASHER		031100	2
30	NAS1149D0416J	.WASHER		031100	2
35	NAS1149E0316R	.WASHER		031100	14
40	NAS1149D0316J	.WASHER		031100	32
45	PLH54CD	.NUT		031100	2
			SUPPLIER CODE: VF0224 SPECIFICATION NUMBER: BACN10YR4CD OPTIONAL PART: H52732-4CD V15653		
50	PLH53CM	.NUT		031100	8
			SUPPLIER CODE: VF0224 SPECIFICATION NUMBER: BACN10YR3CM OPTIONAL PART: H52732-3CM V15653		
55	BACB28AK04-066	.BUSHING		031100	1

MISSING ITEM NUMBERS NOT APPLICABLE

- ITEM NOT ILLUSTRATED

HAP

21-61-21-02

BOEING PROPRIETARY - Copyright © - Unpublished Work - See title page for details.

21-61-21
FIG. 02
PAGE 1
FEB 15/09

BOEING
737-600/700/800/900
PARTS CATALOG (MAINTENANCE)

FIG ITEM	PART NUMBER	1 2 3 4 5 6 7	NOMENCLATURE	EFFECT FROM TO	UNITS PER ASSY
2					
60	BACB28BA0407037	.	BUSHING	031100	1
65	BACB28BA0407022	.	BUSHING	031100	1
70	RBEJ40AD44-21	.	JUMPER	031100	2
			SUPPLIER CODE: V1GK47		
			SPECIFICATION NUMBER: BACJ40AD44-21		
			OPTIONAL PART: 100544-21		
			V1FF12		
75	RBEJ40AD44-18	.	JUMPER	031100	1
			SUPPLIER CODE: V1GK47		
			SPECIFICATION NUMBER: BACJ40AD44-18		
			OPTIONAL PART: 100544-18		
			V1FF12		
80	100544-12	.	JUMPER	031100	1
			SUPPLIER CODE: V1FF12		
			SPECIFICATION NUMBER: BACJ40AD44-12		
			OPTIONAL PART: RBEJ40AD44-12		
			V1GK47		
85	100544-10	.	JUMPER	031100	1
			SUPPLIER CODE: V1FF12		
			SPECIFICATION NUMBER: BACJ40AD44-10		
			OPTIONAL PART: RBEJ40AD44-10		
			V1GK47		
90	65C33276-2	.	RING	031100	6
95	BOE2236-0018	.	SEAL-PRESSURE	031100	3
			SUPPLIER CODE: V16632		
			SPECIFICATION NUMBER: S212W301-18		
100	MS21902W6	.	UNION	031100	2

MISSING ITEM NUMBERS NOT APPLICABLE

— ITEM NOT ILLUSTRATED

HAP

21-61-21-02

BOEING PROPRIETARY - Copyright © - Unpublished Work - See title page for details.

21-61-21
FIG. 02
PAGE 2
OCT 10/07

BOEING
737-600/700/800/900
PARTS CATALOG (MAINTENANCE)

FIG ITEM	PART NUMBER	1 2 3 4 5 6 7	NOMENCLATURE	EFFECT FROM TO	UNITS PER ASSY
2 105	R1131-906	.	PACKING SUPPLIER CODE: V57268 SPECIFICATION NUMBER: BACP11K6 OPTIONAL PART: 3-906S383-70 V02697 1090-06 V95272 150701-06 V95272 AS568-906S32 V11314	031100	2
110	AS138-06N0130L	.	HOSE ASSY	031100	1
115	BACC10BN288L5ME	.	CLAMP	031043	3
				054100	
115	BACC10BN300L5ME	.	CLAMP	044053	3
120	BACC10DU200ABE	.	CLAMP	031100	7
125	BACC10DU250ABE	.	CLAMP	031100	1
135	213A1501-48	.	DUCT ASSY	031100	1
140	213A1501-47	.	DUCT ASSY	031100	1
145	213A1501-49	.	DUCT ASSY	031100	1
150	213A1501-45	.	DUCT ASSY	031100	1
155	213A1501-58	.	DUCT ASSY	031100	1
160	BACB30NM3K6	..	BOLT	031100	1
165	BACB30NR4K9	..	BOLT	031100	1
170	BACW10BP3CD	..	WASHER	031100	1
175	BACW10BP4CD	..	WASHER	031100	1
180	NAS1149D0316J	..	WASHER	031100	1
185	NAS1149D0416J	..	WASHER	031100	1
190	PLH53CD	..	NUT SUPPLIER CODE: VF0224 SPECIFICATION NUMBER: BACN10YR3CD OPTIONAL PART: H52732-3CD V15653	031100	1
195	PLH54CD	..	NUT SUPPLIER CODE: VF0224 SPECIFICATION NUMBER: BACN10YR4CD OPTIONAL PART: H52732-4CD V15653	031100	1

MISSING ITEM NUMBERS NOT APPLICABLE

— ITEM NOT ILLUSTRATED

HAP

21-61-21-02

BOEING PROPRIETARY - Copyright © - Unpublished Work - See title page for details.

21-61-21
FIG. 02
PAGE 3
FEB 15/09

BOEING
737-600/700/800/900
PARTS CATALOG (MAINTENANCE)

FIG ITEM	PART NUMBER	1 2 3 4 5 6 7	NOMENCLATURE	EFFECT FROM TO	UNITS PER ASSY
2					
200	BACB28BA0305018	..	BUSHING- OPTIONAL PART: BACB28BA0305020	031100	1
200	BACB28BA0305020	..	BUSHING- OPTIONAL PART: BACB28BA0305018	031100	1
205	969SS32PBR	..	CLAMP SUPPLIER CODE: V83930 SPECIFICATION NUMBER: BACC10HR32 OPTIONAL PART: S59432 V18076 TA035000532 V84971 44CC5H32PB V22175	031100	1
210	BACC10HU020FAL	..	CLAMP	031100	1
215	212A1125-34	..	ROD ASSY	031100	1
217	AN44C4	...	BOLT	031100	1
218	BACW10BP5CD	...	WASHER	031100	2
220	PLH55CD	...	NUT- SUPPLIER CODE: VF0224 SPECIFICATION NUMBER: BACN10YR5CD OPTIONAL PART: H52732-5CD V15653	031100	1
225	M81935-1-4	...	ROD-	031100	1
230	212A1125-37	...	TUBE-	031100	1
235	212A1125-33	..	ROD ASSY	031100	1
240	BACN11U5CD2N	...	NUT	031100	1
245	M81935-1-4	...	ROD	031100	1
250	M81935-2-4	...	ROD	031100	1
255	213A1501-46	..	DUCT ASSY	031100	1
260	213A1501-50	.	DUCT ASSY	031100	1

MISSING ITEM NUMBERS NOT APPLICABLE

— ITEM NOT ILLUSTRATED

HAP

21-61-21-02

BOEING PROPRIETARY - Copyright © - Unpublished Work - See title page for details.

21-61-21
FIG. 02
PAGE 4
FEB 15/09

BOEING
737-600/700/800/900
PARTS CATALOG (MAINTENANCE)

FIG ITEM	PART NUMBER	1 2 3 4 5 6 7	NOMENCLATURE	EFFECT FROM TO	UNITS PER ASSY
2 265	398908-3		. VALVE ASSY-TEMP CONT SUPPLIER CODE: V59364 FUNCTIONAL DESCRIPTION: ELECTRICALLY ACTUATED TO MODULATE OR SHUTOFF AIRFLOW IN THE PNEUMATIC SYSTEM SPECIFICATION NUMBER: 10-62091-13 ELECTRICAL EQUIP NUMBER: V00143 V00144 V00145 COMPONENT MAINT MANUAL REF: 21-50-83	031100	3
270	MS51861-1C		.. SCREW	031100	2
275	S3033-1		.. PLATE-IDENT SUPPLIER CODE: V59364	031100	1
280	MS9033-06		.. BOLT	031100	4
285	AN960C10		.. WASHER	031100	4
290	112072-91		.. WASHER-THRUST SUPPLIER CODE: V59364	031100	4
295	S8157N106-005		.. WASHER- SUPPLIER CODE: V59364 SELECT FROM ITEM.	031100	1
295	S8157N106-010		.. WASHER- SUPPLIER CODE: V59364 SELECT FROM ITEM.	031100	1
295	S8157N106-016		.. WASHER- SUPPLIER CODE: V59364 SELECT FROM ITEM.	031100	1
295	S8157N106-063		.. WASHER- SUPPLIER CODE: V59364 SELECT FROM ITEM.	031100	1
300	880291-1		.. SHIELD-MOISTURE SUPPLIER CODE: V59364	031100	1
305	880345-1		.. SPACER-SLEEVE SUPPLIER CODE: V59364	031100	1

MISSING ITEM NUMBERS NOT APPLICABLE

- ITEM NOT ILLUSTRATED

HAP

21-61-21-02

BOEING PROPRIETARY - Copyright © - Unpublished Work - See title page for details.

21-61-21
FIG. 02
PAGE 5
OCT 15/08

BOEING
737-600/700/800/900
PARTS CATALOG (MAINTENANCE)

FIG ITEM	PART NUMBER	1 2 3 4 5 6 7	NOMENCLATURE	EFFECT FROM TO	UNITS PER ASSY
2					
310	2740028-2	..	ACTUATOR-ROTARY ELECTRO MECHANICAL SUPPLIER CODE: V70210 FUNCTIONAL DESCRIPTION: PROVIDES ELECTRICAL AND MANUAL CONTROL TO OPERATE EITHER A TRIM AIR MODULATING VALVE OR A TEMPERATURE CONTROL VALVE. SB DATA FROM A CMM: POST SB 21-1363 COMPONENT MAINT MANUAL REF: 21-51-94	031100	1
315	2740029-3	...	ACTUATOR ASSY- SUPPLIER CODE: V70210	031100	RF
320	2041179-1	DECAL- SUPPLIER CODE: V70210	031100	1
325	2743410-3	PLATE-IDENT SUPPLIER CODE: V70210	031100	1
330	MS24677-7	SCREW	031100	2
335	516038-3	MOTOR-AC SUPPLIER CODE: V70210 CONFIG CHG DATA FROM A CMM: REPL BY 516038-5	031100	1
335	516038-5	MOTOR-AC SUPPLIER CODE: V70210 CONFIG CHG DATA FROM A CMM: REPLS 516038-3	031100	1
- 500	286A6202-306		WIRE BUNDLE ASSY	031047 054100	RF
505	BACC63CB14-15S	.PLUG-	ELECTRICAL EQUIP NUMBER: D03888 WIRING DIAGRAM REF: 216113	031047 054100	1
510	BACC63CB14-15SN	.PLUG-	ELECTRICAL EQUIP NUMBER: D03890 WIRING DIAGRAM REF: 216114	031047 054100	1

R
R
R
R
R
R
R
R
R

MISSING ITEM NUMBERS NOT APPLICABLE

- ITEM NOT ILLUSTRATED

HAP

21-61-21-02

21-61-21
FIG. 02
PAGE 6
JUN 15/09

BOEING
737-600/700/800/900
PARTS CATALOG (MAINTENANCE)

FIG ITEM	PART NUMBER	1 2 3 4 5 6 7	NOMENCLATURE	EFFECT FROM TO	UNITS PER ASSY
2 515	S3821-14-65		.CLAMP- SUPPLIER CODE: V07418 SPECIFICATION NUMBER: BACC10KF14 OPTIONAL PART: 620AB028NF14L V06324 ELECTRICAL EQUIP NUMBER: D03888T D03890T WIRING DIAGRAM REF: 216113 216115	031047 054100	2
- 550	286A5502-304		WIRE BUNDLE ASSY	031047 054100	RF
555	BACC63CB14-15SN		.PLUG- ELECTRICAL EQUIP NUMBER: D03886 WIRING DIAGRAM REF: 216111	031047 054100	1
560	620AA028NF14L		.CLAMP- SUPPLIER CODE: V06324 SPECIFICATION NUMBER: BACC10KE14 OPTIONAL PART: S3820-14-65 V07418 ELECTRICAL EQUIP NUMBER: D03886T WIRING DIAGRAM REF: 216111	031047 054100	1

MISSING ITEM NUMBERS NOT APPLICABLE

- ITEM NOT ILLUSTRATED

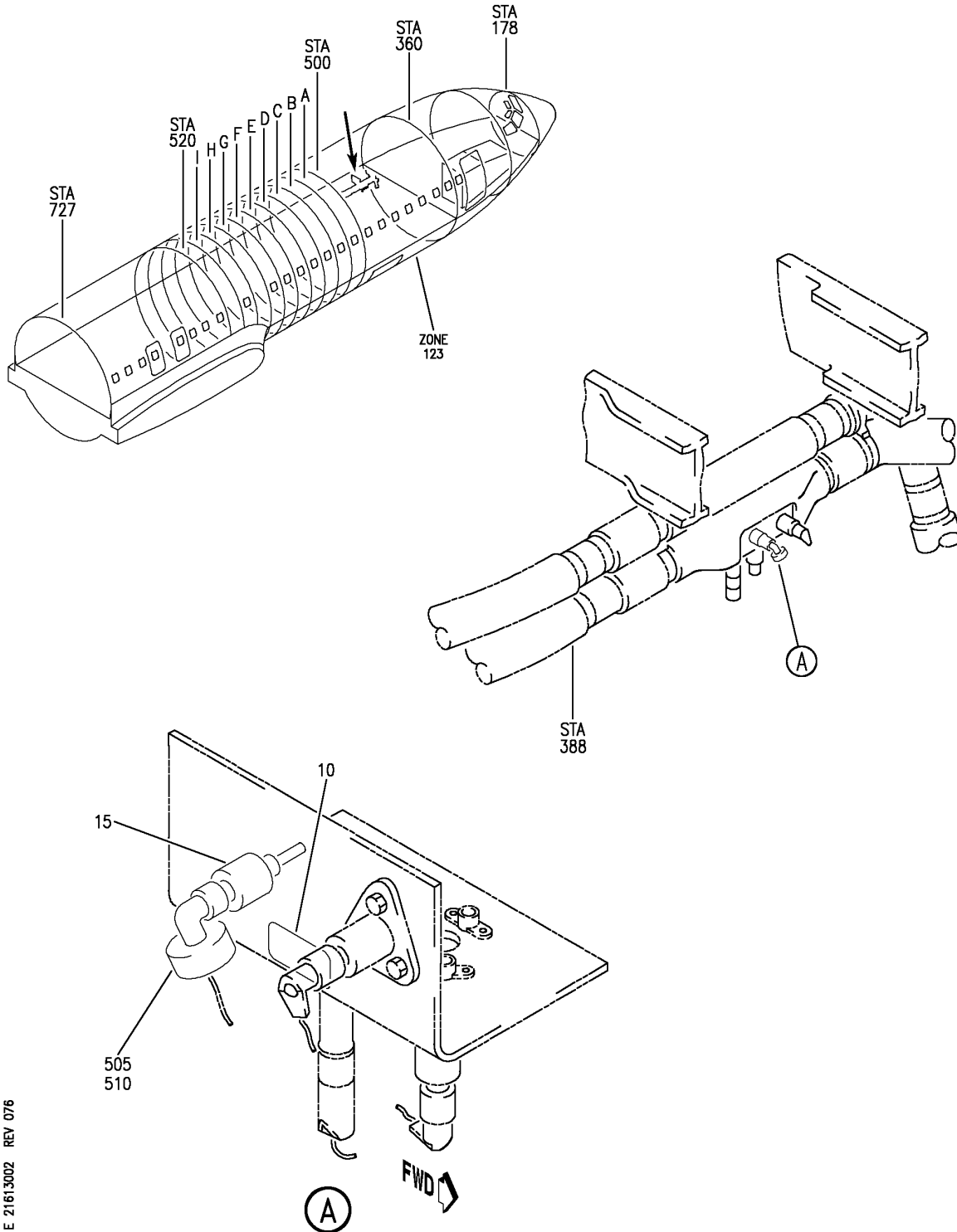
HAP

21-61-21-02

BOEING PROPRIETARY - Copyright © - Unpublished Work - See title page for details.

21-61-21
FIG. 02
PAGE 7
FEB 15/09

BOEING
 737-600/700/800/900
 PARTS CATALOG (MAINTENANCE)



E 21613002 REV 076

DUCT INSTL-AFT E/E BAY FLIGHT DECK AIR DISTR (DUCT TEMPERATURE BULB ONLY)
 FIGURE 2

HAP
 OCT 10/06

21-61-30-02

21-61-30-02
 PAGE 0

BOEING
737-600/700/800/900
PARTS CATALOG (MAINTENANCE)

FIG ITEM	PART NUMBER	1 2 3 4 5 6 7	NOMENCLATURE	EFFECT FROM TO	UNITS PER ASSY
2			DUCT INSTL-AFT E/E BAY FLIGHT DECK AIR DISTR (DUCT TEMPERATURE BULB ONLY)	001011	
- 1	214A1002-3		DUCT INSTL-E/E BAY FLIGHT DECK AIR DISTR SYS (DUCT TEMPERATURE BULB ONLY) POSITION DATA: STA 262 TO STA 350 AFT FOR NHA/OTHER SYS DET SEE: 21-20-00-04C	001001 006007	RF
- 1	214A1002-7		DUCT INSTL-E/E BAY FLIGHT DECK AIR DISTR SYS (DUCT TEMPERATURE BULB ONLY) POSITION DATA: STA 262 TO STA 350 AFT FOR NHA/OTHER SYS DET SEE: 21-20-00-04C	002005 008011	RF
- 5 10	214A1113-5 BACC27DAC99		.DUCT ASSY .MARKER- PLACARD CONTENT: CONTROL CABIN SUPPLY TEMP BULB T00485-D03924	001011 001011	RF 1
15	MS28034-1		.BULB- ELECTRICAL EQUIP NUMBER: T00485	001011	1
- 500	286A6214-301		WIRE BUNDLE ASSY	001007	RF
- 500	286A6214-309		WIRE BUNDLE ASSY	008011	RF
505	BACC63CE12S3S		.CONNECTOR-PLUG ELECTRICAL EQUIP NUMBER: D03924 WIRING DIAGRAM REF: 216151	001011	1
510	G65061-12		.CLAMP- SUPPLIER CODE: V06324 SPECIFICATION NUMBER: BACC10HW12 OPTIONAL PART: S2825-12 V07418 ELECTRICAL EQUIP NUMBER: D03924T WIRING DIAGRAM REF: 216151	001011	1

MISSING ITEM NUMBERS NOT APPLICABLE

- ITEM NOT ILLUSTRATED

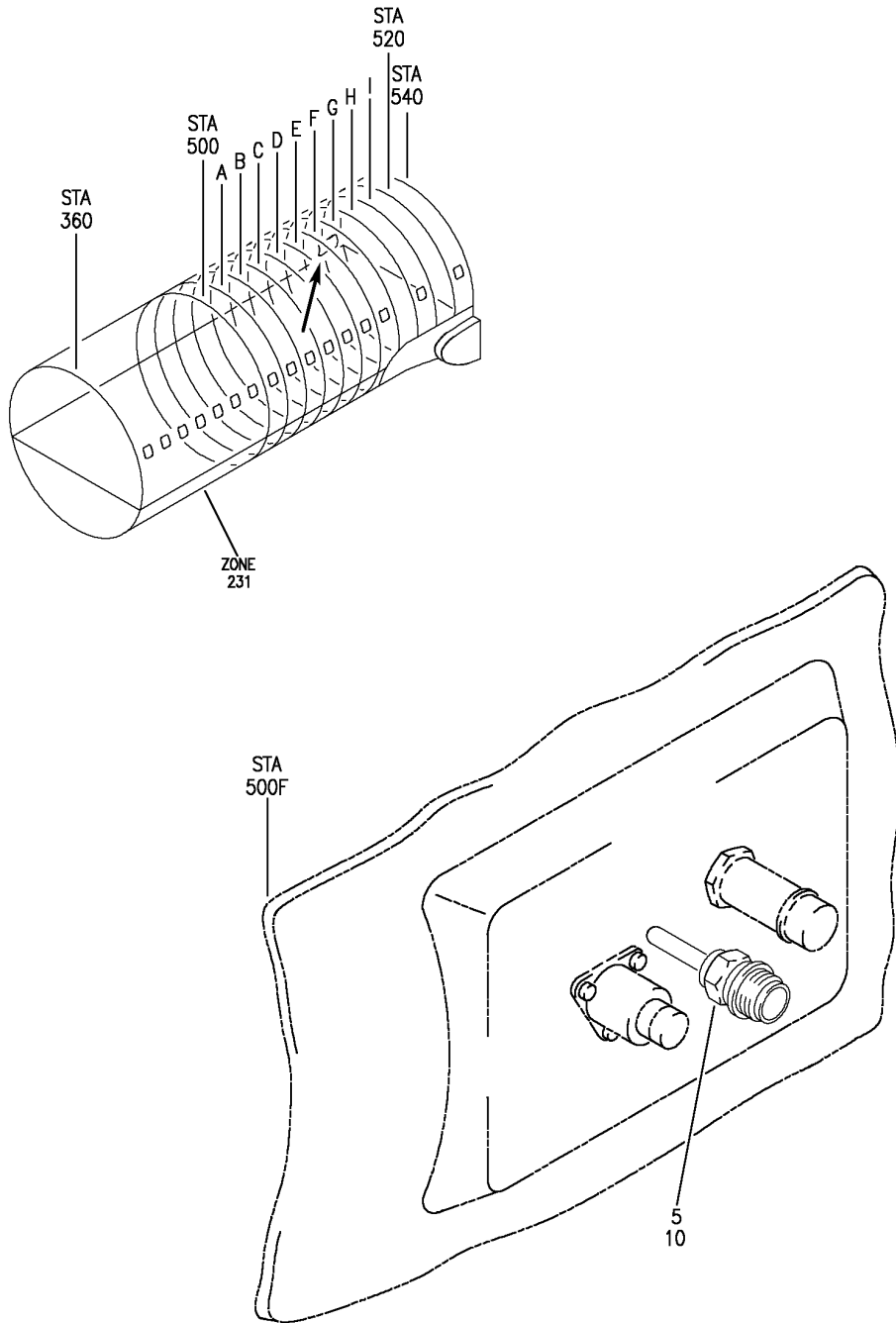
HAP

21-61-30-02

BOEING PROPRIETARY - Copyright © - Unpublished Work - See title page for details.

21-61-30
FIG. 02
PAGE 1
OCT 10/06

BOEING
737-600/700/800/900
PARTS CATALOG (MAINTENANCE)



E 21613005 REV 149

DUCT INSTL-OVHD AIR DISTR SYS (DUCT TEMPERATURE BULB ONLY)
FIGURE 5

21-61-30-05

HAP
FEB 15/09

21-61-30-05
PAGE 0

BOEING
737-600/700/800/900
PARTS CATALOG (MAINTENANCE)

FIG ITEM	PART NUMBER	1 2 3 4 5 6 7	NOMENCLATURE	EFFECT FROM TO	UNITS PER ASSY
5			DUCT INSTL-OVHD AIR DISTR SYS (DUCT TEMPERATURE BULB ONLY)	001100	
- 1	214A2011-1SP		DUCT INSTL-OVHD AIR DISTR SYS (DUCT TEMPERATURE BULB ONLY) FOR NHA/OTHER SYS DET SEE: 21-20-00-09C	001011	RF
- 1	214A2011-5SP		DUCT INSTL-OVHD AIR DISTR SYS (DUCT TEMPERATURE BULB ONLY) FOR NHA/OTHER SYS DET SEE: 21-20-00-04C	012029	RF
- 1	214A2011-7B		DUCT INSTL-OVHD AIR DISTR SYS (DUCT TEMPERATURE BULB ONLY) FOR NHA/OTHER SYS DET SEE: 21-20-00-04C	030030	RF
- 1	MODREF231659		DUCT INSTL-OVHD AIR DISTR SYS (DUCT TEMPERATURE BULB ONLY) MODULE NUMBER: 214A2011-9B REV B FOR OTHER SYS DETAILS SEE: 21-23-01-05A FOR ADDITIONAL DETAILS SEE: 21-61-04-05 21-61-05-05	031036	1
- 1	MODREF291252		DUCT INSTL-OVHD AIR DISTR SYS (DUCT TEMPERATURE BULB ONLY) MODULE NUMBER: 214A2011-9B REV C FOR OTHER SYS DETAILS SEE: 21-23-01-05A FOR ADDITIONAL DETAILS SEE: 21-61-04-05 21-61-05-05	037046 054100	1
- 1	MODREF363241		DUCT INSTL-OVHD AIR DISTR SYS (DUCT TEMPERATURE BULB ONLY) MODULE NUMBER: 214A2011-9B REV D FOR OTHER SYS DETAILS SEE: 21-23-01-05A FOR ADDITIONAL DETAILS SEE: 21-61-04-05 21-61-05-05	047048	1

MISSING ITEM NUMBERS NOT APPLICABLE

- ITEM NOT ILLUSTRATED

HAP

21-61-30-05

BOEING PROPRIETARY - Copyright © - Unpublished Work - See title page for details.

21-61-30
FIG. 05
PAGE 1
FEB 15/09

BOEING
737-600/700/800/900
PARTS CATALOG (MAINTENANCE)

FIG ITEM	PART NUMBER	1 2 3 4 5 6 7	NOMENCLATURE	EFFECT FROM TO	UNITS PER ASSY
5 -	1 MODREF402168		DUCT INSTL-OVHD AIR DISTR SYS (DUCT TEMPERATURE BULB ONLY) MODULE NUMBER: 214A2011-9B REV E FOR OTHER SYS DETAILS SEE: 21-23-01-05A FOR ADDITIONAL DETAILS SEE: 21-61-04-05 21-61-05-05	049053	1
	5 MS28034-1		.BULB- ELECTRICAL EQUIP NUMBER: T00534	001100	1
	10 2-113S383-70		.PACKING SUPPLIER CODE: V02697 SPECIFICATION NUMBER: BACP11J113 OPTIONAL PART: A330-113 V95272 S7E183-113 V95272 13-06-113 V07096 S424-7-2-113 V02697 R1131-113 V57268 AS568-113S32 V11314	001100	1

MISSING ITEM NUMBERS NOT APPLICABLE

- ITEM NOT ILLUSTRATED

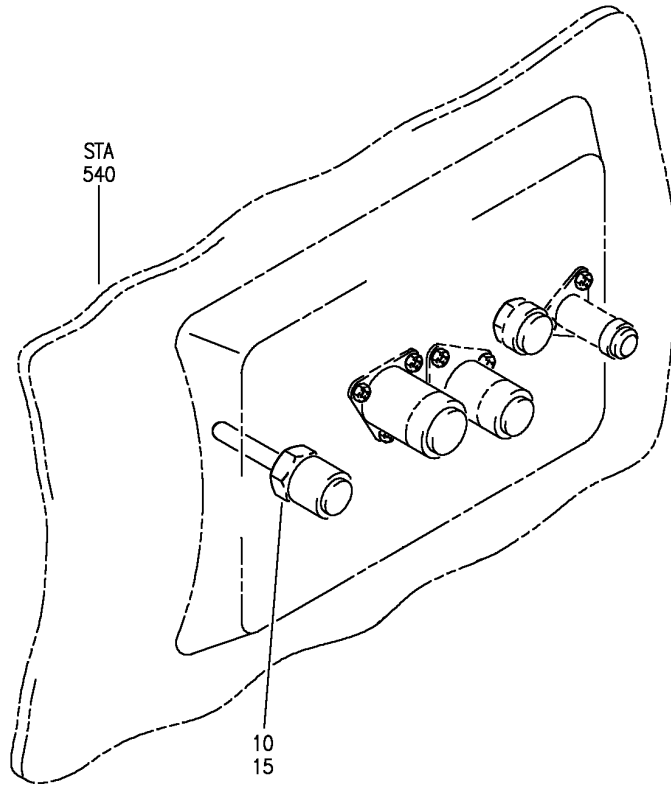
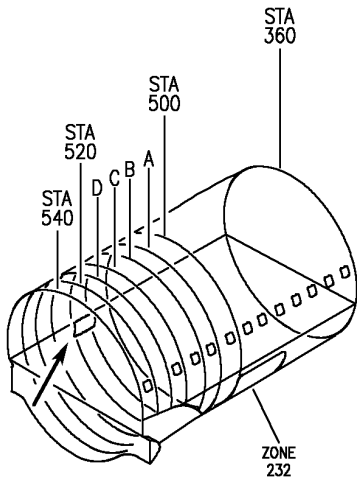
HAP

21-61-30-05

BOEING PROPRIETARY - Copyright © - Unpublished Work - See title page for details.

21-61-30
FIG. 05
PAGE 2
FEB 15/09

BOEING
 737-600/700/800/900
 PARTS CATALOG (MAINTENANCE)



E 21613020 REV 150

DUCT INSTL-OVHD AIR DISTR SYS (DUCT TEMPERATURE BULB ONLY)
 FIGURE 20

21-61-30-20

HAP
 FEB 15/09

21-61-30-20
 PAGE 0

BOEING
737-600/700/800/900
PARTS CATALOG (MAINTENANCE)

FIG ITEM	PART NUMBER	1 2 3 4 5 6 7	NOMENCLATURE	EFFECT FROM TO	UNITS PER ASSY
20			DUCT INSTL-OVHD AIR DISTR SYS (DUCT TEMPERATURE BULB ONLY)	101200 968999	
- 1	MODREF232298		DUCT INSTL-OVHD AIR DISTR SYS (DUCT TEMPERATURE BULB ONLY) MODULE NUMBER: 214A2002-25B REV B FOR OTHER SYS DETAILS SEE: 21-23-01-20A FOR ADDITIONAL DETAILS SEE: 21-61-04-20 21-61-05-20 21-61-08-20	101105 968999	1
- 1	MODREF362511		DUCT INSTL-OVHD AIR DISTR SYS (DUCT TEMPERATURE BULB ONLY) MODULE NUMBER: 214A2002-25B REV C FOR OTHER SYS DETAILS SEE: 21-23-01-20A FOR ADDITIONAL DETAILS SEE: 21-61-04-20 21-61-05-20 21-61-08-20	106106	1
- 1	MODREF402147		DUCT INSTL-OVHD AIR DISTR SYS (DUCT TEMPERATURE BULB ONLY) MODULE NUMBER: 214A2002-25B REV D FOR OTHER SYS DETAILS SEE: 21-23-01-20A FOR ADDITIONAL DETAILS SEE: 21-61-04-20 21-61-05-20 21-61-08-20	107200	1

MISSING ITEM NUMBERS NOT APPLICABLE

- ITEM NOT ILLUSTRATED

HAP

21-61-30-20

BOEING PROPRIETARY - Copyright © - Unpublished Work - See title page for details.

21-61-30
FIG. 20
PAGE 1
FEB 15/09


BOEING
 737-600/700/800/900
PARTS CATALOG (MAINTENANCE)

FIG ITEM	PART NUMBER	1 2 3 4 5 6 7	NOMENCLATURE	EFFECT FROM TO	UNITS PER ASSY
20 10	2-113S383-70		.PACKING SUPPLIER CODE: V02697 SPECIFICATION NUMBER: BACP11J113 OPTIONAL PART: A330-113 V95272 S7E183-113 V95272 13-06-113 V07096 S424-7-2-113 V02697 R1131-113 V57268 AS568-113S32 V11314	101200 968999	1
15	MS28034-1		.BULB-TEMPERATURE ELECTRICAL EQUIP NUMBER: T00402	101200 968999	1

MISSING ITEM NUMBERS NOT APPLICABLE

— ITEM NOT ILLUSTRATED

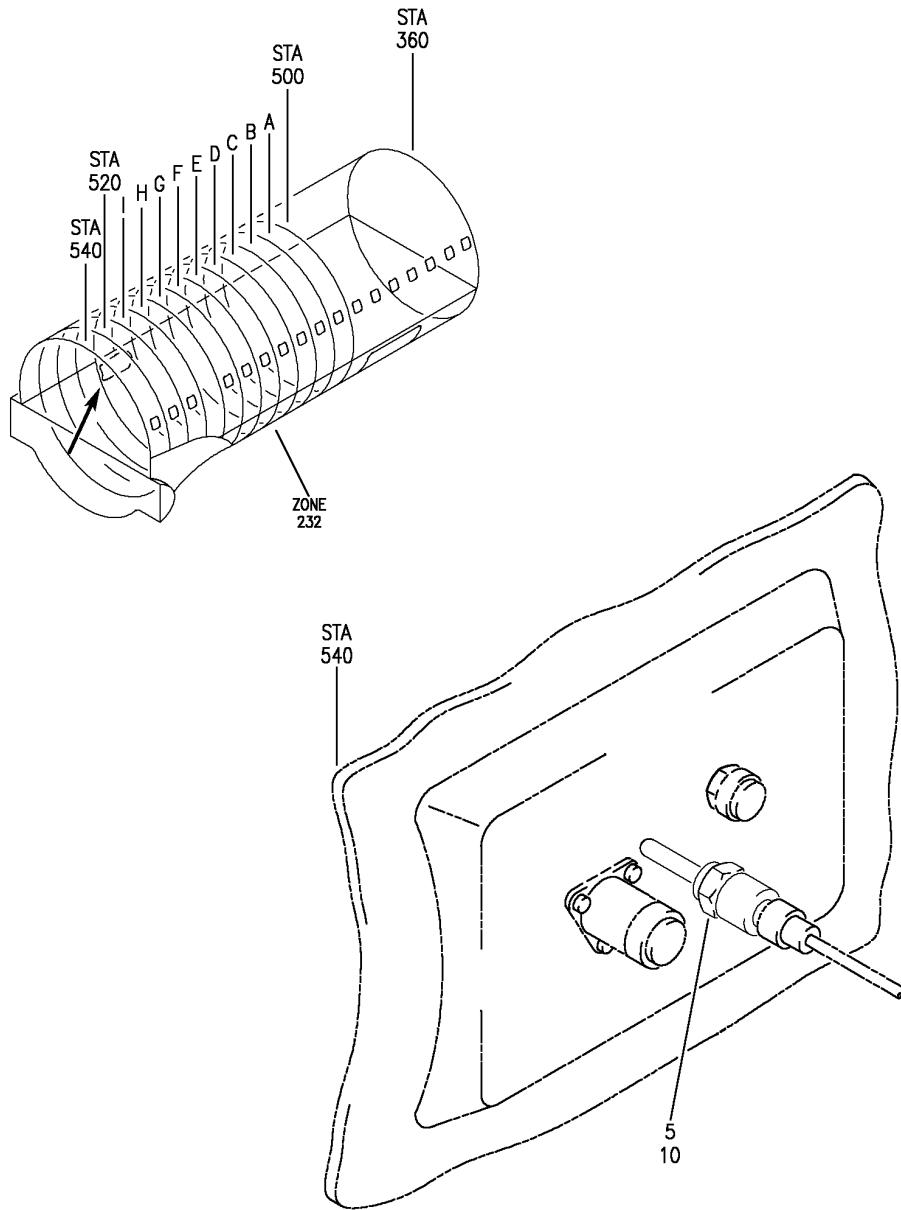
HAP

21-61-30-20

BOEING PROPRIETARY - Copyright © - Unpublished Work - See title page for details.

21-61-30
 FIG. 20
 PAGE 2
 FEB 15/09

BOEING
737-600/700/800/900
PARTS CATALOG (MAINTENANCE)



E 21613022 REV 149

DUCT INSTL-OVHD AIR DISTR SYS (DUCT TEMPERATURE BULB ONLY)
FIGURE 22

HAP
FEB 15/09

21-61-30-22

21-61-30-22
PAGE 0

BOEING
737-600/700/800/900
PARTS CATALOG (MAINTENANCE)

FIG ITEM	PART NUMBER	1 2 3 4 5 6 7	NOMENCLATURE	EFFECT FROM TO	UNITS PER ASSY
22			DUCT INSTL-OVHD AIR DISTR SYS (DUCT TEMPERATURE BULB ONLY)	012100	
- 1	214A2012-9SP		DUCT INSTL-OVHD AIR DISTR SYS (DUCT TEMPERATURE BULB ONLY)	012019	RF
- 1	214A2012-17SP		FOR NHA/OTHER SYS DET SEE: 21-20-00-04C DUCT INSTL-OVHD AIR DISTR SYS (DUCT TEMPERATURE BULB ONLY)	020029	RF
- 1	214A2012-21B		FOR NHA/OTHER SYS DET SEE: 21-20-00-04C DUCT INSTL-OVHD AIR DISTR SYS (DUCT TEMPERATURE BULB ONLY)	030030	RF
- 1	MODREF232091		FOR NHA/OTHER SYS DET SEE: 21-20-00-04C DUCT INSTL-OVHD AIR DISTR SYS (DUCT TEMPERATURE BULB ONLY)	031036	1
- 1	MODREF317963		MODULE NUMBER: 214A2012-23B REV B FOR OTHER SYS DETAILS SEE: 21-23-01-22A FOR ADDITIONAL DETAILS SEE: 21-61-04-22 21-61-05-22 DUCT INSTL-OVHD AIR DISTR SYS (DUCT TEMPERATURE BULB ONLY)	037046 054100	1
MISSING ITEM NUMBERS NOT APPLICABLE					

- ITEM NOT ILLUSTRATED

HAP

21-61-30-22

BOEING PROPRIETARY - Copyright © - Unpublished Work - See title page for details.

21-61-30
FIG. 22
PAGE 1
FEB 15/09

BOEING
737-600/700/800/900
PARTS CATALOG (MAINTENANCE)

FIG ITEM	PART NUMBER	1 2 3 4 5 6 7	NOMENCLATURE	EFFECT FROM TO	UNITS PER ASSY
22 -	1 MODREF362512		DUCT INSTL-OVHD AIR DISTR SYS (DUCT TEMPERATURE BULB ONLY) MODULE NUMBER: 214A2012-23B REV F FOR OTHER SYS DETAILS SEE: 21-23-01-22B FOR ADDITIONAL DETAILS SEE: 21-61-04-22 21-61-05-22	047048	1
-	1 MODREF402149		DUCT INSTL-OVHD AIR DISTR SYS (DUCT TEMPERATURE BULB ONLY) MODULE NUMBER: 214A2012-23B REV G FOR OTHER SYS DETAILS SEE: 21-23-01-22B FOR ADDITIONAL DETAILS SEE: 21-61-04-22 21-61-05-22	049053	1
	5 2-113S383-70		.PACKING SUPPLIER CODE: V02697 SPECIFICATION NUMBER: BACP11J113 OPTIONAL PART: A330-113 V95272 S7E183-113 V95272 13-06-113 V07096 S424-7-2-113 V02697 R1131-113 V57268 AS568-113S32 V11314	012100	1
	10 MS28034-1		.BULB- ELECTRICAL EQUIP NUMBER: T00535	012100	1

MISSING ITEM NUMBERS NOT APPLICABLE

- ITEM NOT ILLUSTRATED

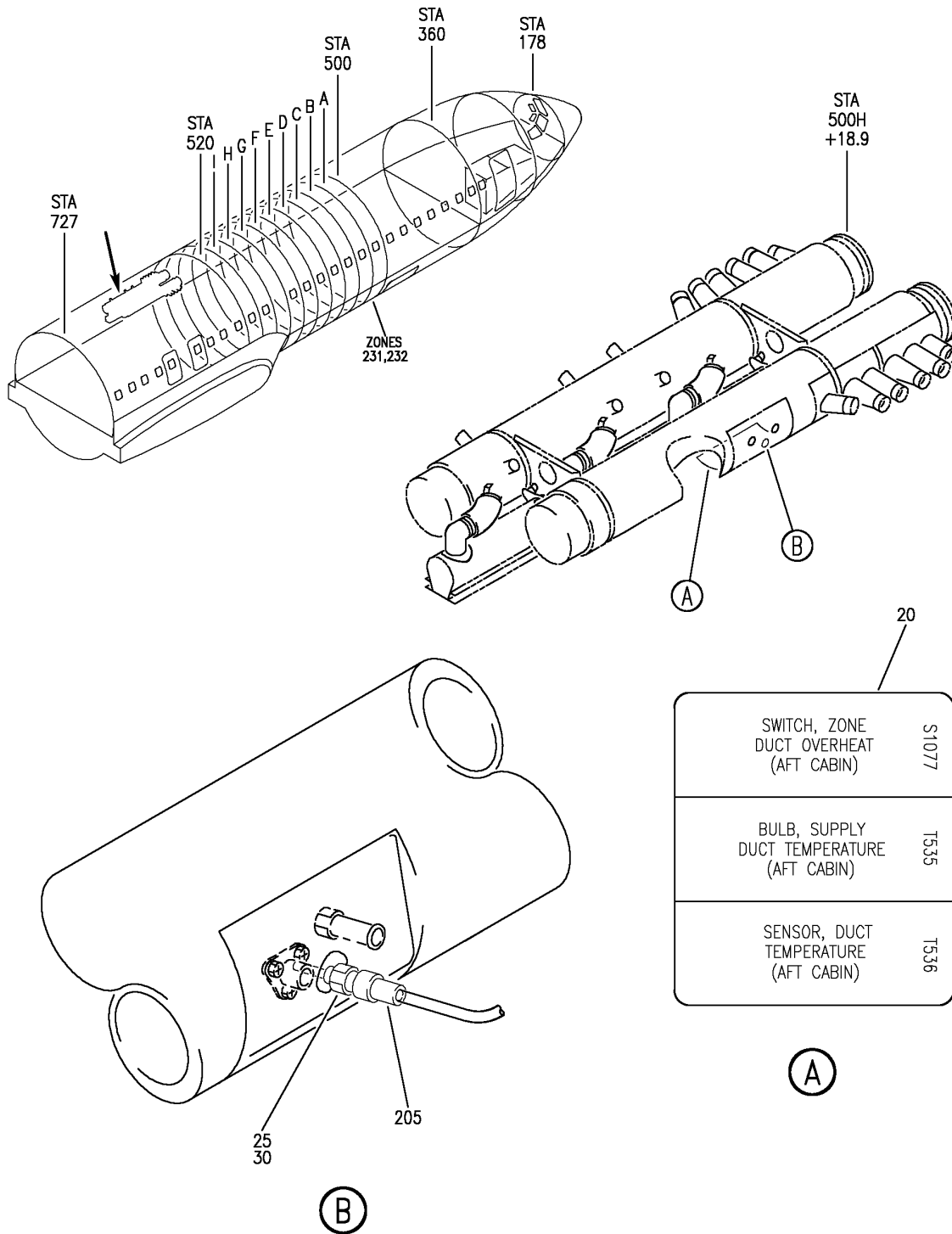
HAP

21-61-30-22

BOEING PROPRIETARY - Copyright © - Unpublished Work - See title page for details.

21-61-30
FIG. 22
PAGE 2
FEB 15/09

BOEING
737-600/700/800/900
PARTS CATALOG (MAINTENANCE)



E 21613101A REV 076

DUCT INSTL-MID OVHD AIR DISTR SYS (CABIN TEMPERATURE BULB ONLY)
FIGURE 1A

21-61-31-01A

HAP
OCT 10/06

21-61-31-01A
PAGE 0

BOEING
737-600/700/800/900
PARTS CATALOG (MAINTENANCE)

FIG ITEM	PART NUMBER	1 2 3 4 5 6 7	NOMENCLATURE	EFFECT FROM TO	UNITS PER ASSY
1A			DUCT INSTL-MID OVHD AIR DISTR SYS (CABIN TEMPERATURE BULB ONLY)	001011	
- 1	214A2012-3SP		DUCT INSTL-OVHD AIR DISTR SYS (CABIN TEMPERATURE BULB ONLY) POSITION DATA: MID FOR NHA/OTHER SYS DET SEE: 21-20-00-09C	001011	RF
- 5	214A2012-4SP		.DUCT ASSY	001011	RF
- 10	214A2107-10		..DUCT SEGMENT ASSY	001011	RF
- 15	214A2108-9		...DUCT ASSY- POSITION DATA: R	001011	RF
20	BAC27DAC87	MARKER	001011	RF
25	MS28034-1		.BULB-TEMP ELECTRICAL EQUIP NUMBER: T00535	001011	1
30	2-113S383-70		.PACKING SUPPLIER CODE: V02697 SPECIFICATION NUMBER: BACP11J113 OPTIONAL PART: A330-113 V95272 S7E183-113 V95272 13-06-113 V07096 S424-7-2-113 V02697 R1131-113 V57268 AS568-113S32 V11314	001011	1
- 200	286A6288-301		WIRE BUNDLE ASSY	001007	RF
- 200	286A6288-302		WIRE BUNDLE ASSY	008011	RF
205	BACC63CE12S3S		.CONNECTOR- ELECTRICAL EQUIP NUMBER: D11838 WIRING DIAGRAM REF: 216151	001011	1

MISSING ITEM NUMBERS NOT APPLICABLE

- ITEM NOT ILLUSTRATED

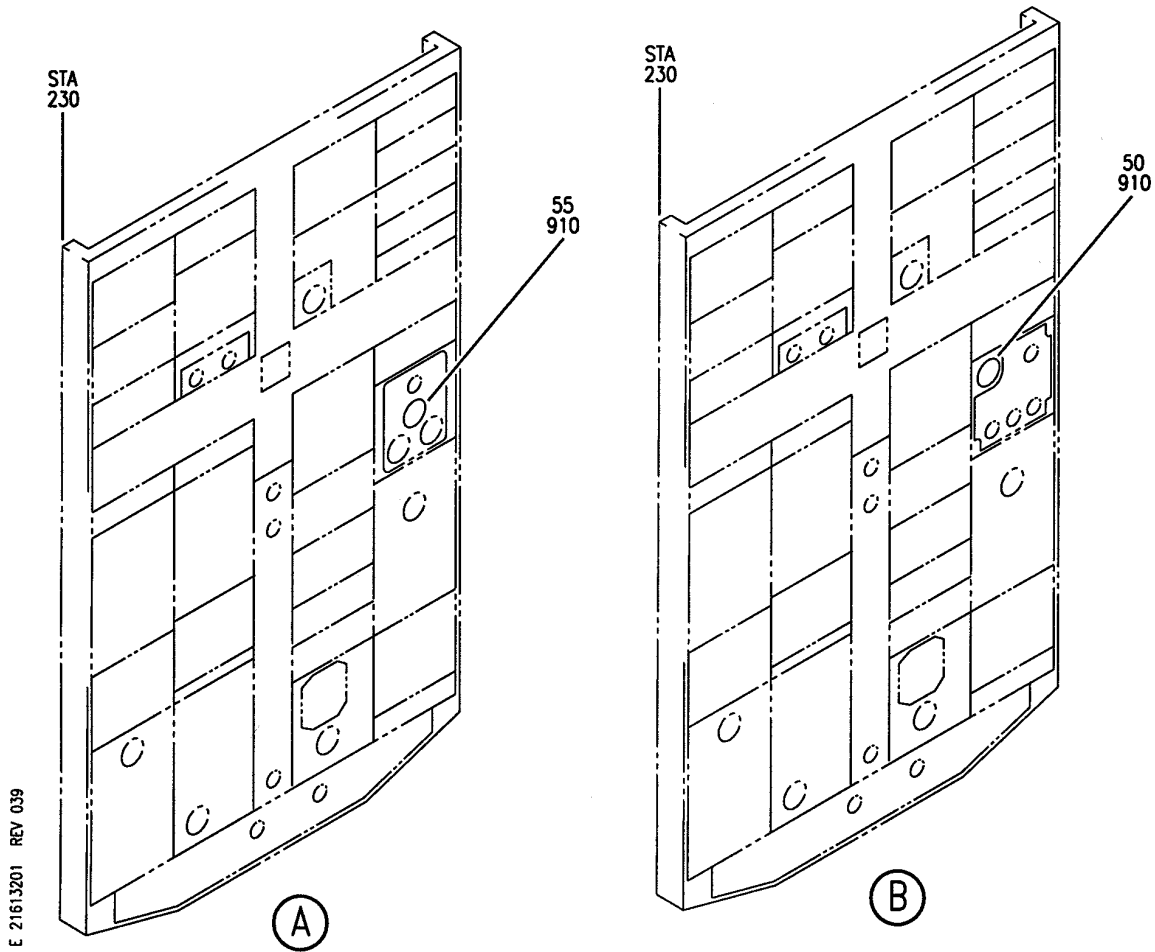
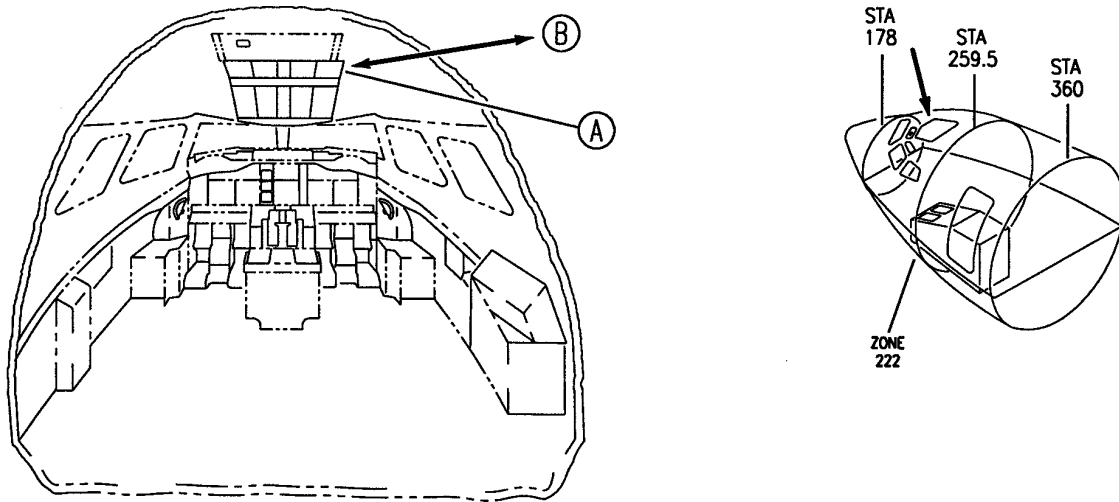
HAP

21-61-31-01A

BOEING PROPRIETARY - Copyright © - Unpublished Work - See title page for details.

21-61-31
FIG. 01A
PAGE 1
OCT 10/06

BOEING
 737-600/700/800/900
 PARTS CATALOG (MAINTENANCE)



E 21613201 REV 039

MODULE INSTL-P5 OVHD (CABIN TEMPERATURE INDICATOR ONLY)
 FIGURE 1

21-61-32-01

HAP
 OCT 10/06

21-61-32-01
 PAGE 0

BOEING
737-600/700/800/900
PARTS CATALOG (MAINTENANCE)

FIG ITEM	PART NUMBER	1 2 3 4 5 6 7	NOMENCLATURE	EFFECT FROM TO	UNITS PER ASSY
1			MODULE INSTL-P5 OVHD (CABIN TEMPERATURE INDICATOR ONLY)	001028 201967	
- 1	233A3101-4		MODULE INSTL-P5 OVHD (CABIN TEMPERATURE INDICATOR ONLY) FOR NHA/OTHER SYS DET SEE: 31-11-00-01C	001005	RF
- 4	233A3101-52		MODULE INSTL-P5 OVHD (CABIN TEMPERATURE INDICATOR ONLY) FOR NHA/OTHER SYS DET SEE: 31-11-00-01C	006007	RF
- 4	233A3101-63		MODULE INSTL-P5 OVHD (CABIN TEMPERATURE INDICATOR ONLY) FOR NHA/OTHER SYS DET SEE: 31-11-00-01C	008011	RF
- 5	233A3101-74		MODULE INSTL-P5 OVHD (CABIN TEMPERATURE INDICATOR ONLY) FOR NHA/OTHER SYS DET SEE: 31-11-00-01J	201967	RF
- 7	233A3101-110		MODULE INSTL-P5 OVHD (CABIN TEMPERATURE INDICATOR ONLY) FOR NHA/OTHER SYS DET SEE: 31-11-00-01C	012016	RF
- 14	233A3101-225		MODULE INSTL-P5 OVHD (CABIN TEMPERATURE INDICATOR ONLY) FOR NHA/OTHER SYS DET SEE: 31-11-00-01C	017019	RF
- 14	233A3101-234		MODULE INSTL-P5 OVHD (CABIN TEMPERATURE INDICATOR ONLY) FOR NHA/OTHER SYS DET SEE: 31-11-00-01C	020028	RF

MISSING ITEM NUMBERS NOT APPLICABLE

- ITEM NOT ILLUSTRATED

HAP

21-61-32-01

BOEING PROPRIETARY - Copyright © - Unpublished Work - See title page for details.

21-61-32
FIG. 01
PAGE 1
OCT 15/08

 **BOEING**
737-600/700/800/900
PARTS CATALOG (MAINTENANCE)

FIG ITEM	PART NUMBER	1 2 3 4 5 6 7	NOMENCLATURE	EFFECT FROM TO	UNITS PER ASSY
1					
50	162BL903		.INDICATOR-CAB. TEMP SUPPLIER CODE: V50027 FUNCTIONAL DESCRIPTION: INDICATES TEMPERATURE IN THE PASSENGER CABIN OR SUPPLY DUCT AS SELECTED BY THE FLIGHT CREW. ELECTRICAL EQUIP NUMBER: N00011 COMPONENT MAINT MANUAL REF: 31-20-20 MAINTENANCE MANUAL REF: 21-61-32	001028	1
55	162BL903		.INDICATOR-CAB. TEMP SUPPLIER CODE: V50027 FUNCTIONAL DESCRIPTION: INDICATES TEMPERATURE IN THE PASSENGER CABIN OR SUPPLY DUCT AS SELECTED BY THE FLIGHT CREW. ELECTRICAL EQUIP NUMBER: N00011 COMPONENT MAINT MANUAL REF: 31-20-20 MAINTENANCE MANUAL REF: 21-61-32	201967	1
R	- 901	286A2114-024	WIRE BUNDLE ASSY- REWORKED BY ALERT SB: 24A1141R1	201967	RF
R	- 901	286A2114-302	WIRE BUNDLE ASSY- REWORKED BY ALERT SB: 24A1141R1	001001	RF
R	- 901	286A2114-308	WIRE BUNDLE ASSY- REWORKED BY ALERT SB: 24A1141R1	006007	RF
R	- 901	286A2114-309	WIRE BUNDLE ASSY- REWORKED BY ALERT SB: 24A1141R1	002004	RF
R	- 901	286A2114-310	WIRE BUNDLE ASSY- REWORKED BY ALERT SB: 24A1141R1	005005	RF
R	- 901	286A2114-315	WIRE BUNDLE ASSY- REWORKED BY ALERT SB: 24A1141R1	008011	RF
R	- 903	286A2114-329	WIRE BUNDLE ASSY- REWORKED BY ALERT SB: 24A1141R1	012022	RF

MISSING ITEM NUMBERS NOT APPLICABLE

- ITEM NOT ILLUSTRATED

HAP

21-61-32-01

BOEING PROPRIETARY - Copyright © - Unpublished Work - See title page for details.

21-61-32
FIG. 01
PAGE 2
JUN 15/09


BOEING
 737-600/700/800/900
PARTS CATALOG (MAINTENANCE)

FIG ITEM	PART NUMBER	1 2 3 4 5 6 7 NOMENCLATURE	EFFECT FROM TO	UNITS PER ASSY
1 - 907	280A3109-13201	.TAPE-ID PLACARD CONTENT: D00090 M/W N00011 TEMP IND POST ALERT SB: 24A1141R1	001022 201967	1

MISSING ITEM NUMBERS NOT APPLICABLE

- ITEM NOT ILLUSTRATED

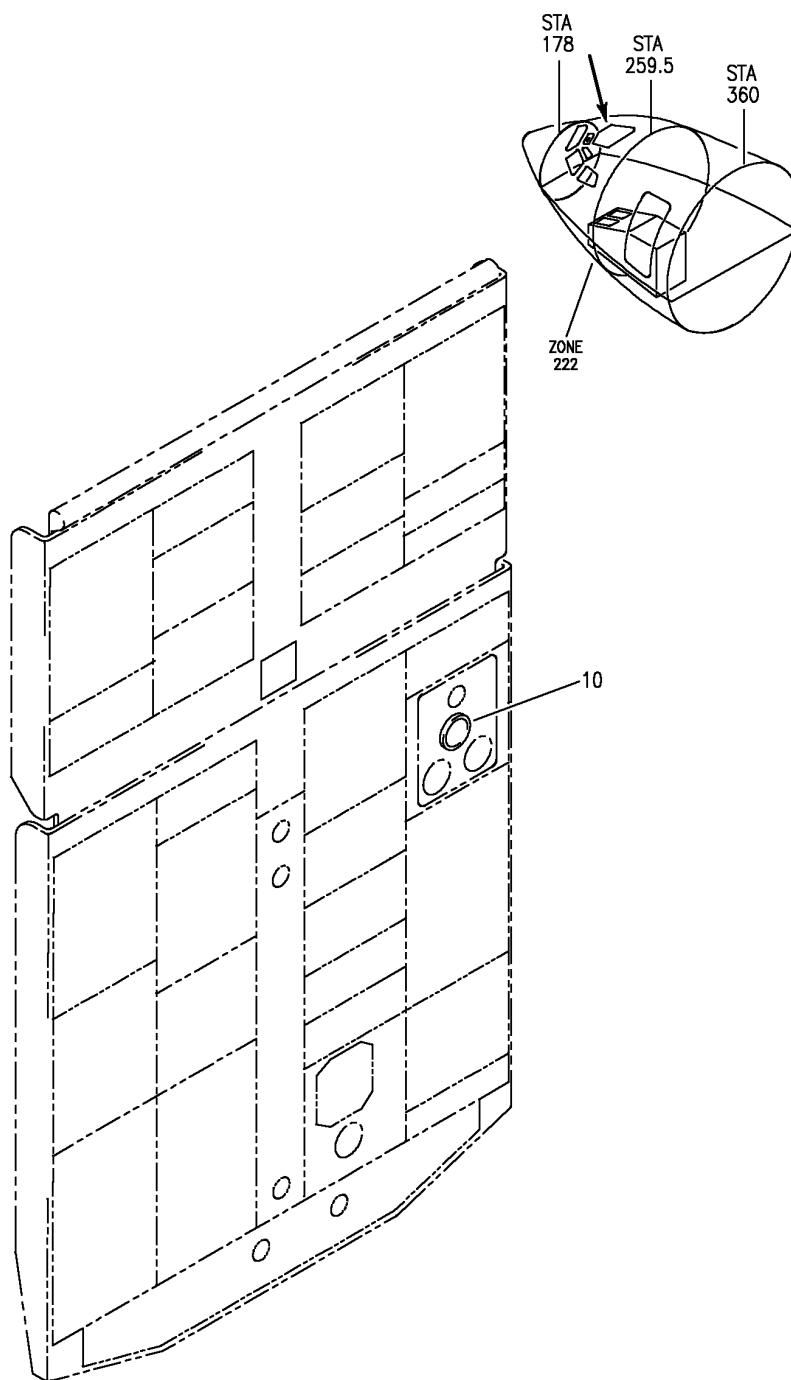
HAP

21-61-32-01

BOEING PROPRIETARY - Copyright © - Unpublished Work - See title page for details.

21-61-32
 FIG. 01
 PAGE 3
 JUN 15/09

BOEING
737-600/700/800/900
PARTS CATALOG (MAINTENANCE)



E 21613210 REV 150

INDICATOR INSTL-P5 OVHD CAB. TEMP (AIR CONDITIONING ONLY)
FIGURE 10

21-61-32-10

HAP
FEB 15/09

21-61-32-10
PAGE 0

BOEING
737-600/700/800/900
PARTS CATALOG (MAINTENANCE)

FIG ITEM	PART NUMBER	1 2 3 4 5 6 7	NOMENCLATURE	EFFECT FROM TO	UNITS PER ASSY
10			INDICATOR INSTL-P5 OVHD CAB. TEMP (AIR CONDITIONING ONLY)	101200 968999	
- 1	MODREF319443		INDICATOR INSTL-P5 OVHD CAB. TEMP C (AIR CONDITIONING ONLY) MODULE NUMBER: 233A3104-216103 REV B FOR OTHER SYS DETAILS SEE: 31-11-94-04X	101200 968999	1
10	162BL903		.INDICATOR- SUPPLIER CODE: V50027 FUNCTIONAL DESCRIPTION: INDICATES TEMPERATURE IN THE PASSENGER CABIN OR SUPPLY DUCT AS SELECTED BY THE FLIGHT CREW. ELECTRICAL EQUIP NUMBER: N00011 COMPONENT MAINT MANUAL REF: 31-20-20 MAINTENANCE MANUAL REF: 21-61-32	101200 968999	1

MISSING ITEM NUMBERS NOT APPLICABLE

- ITEM NOT ILLUSTRATED

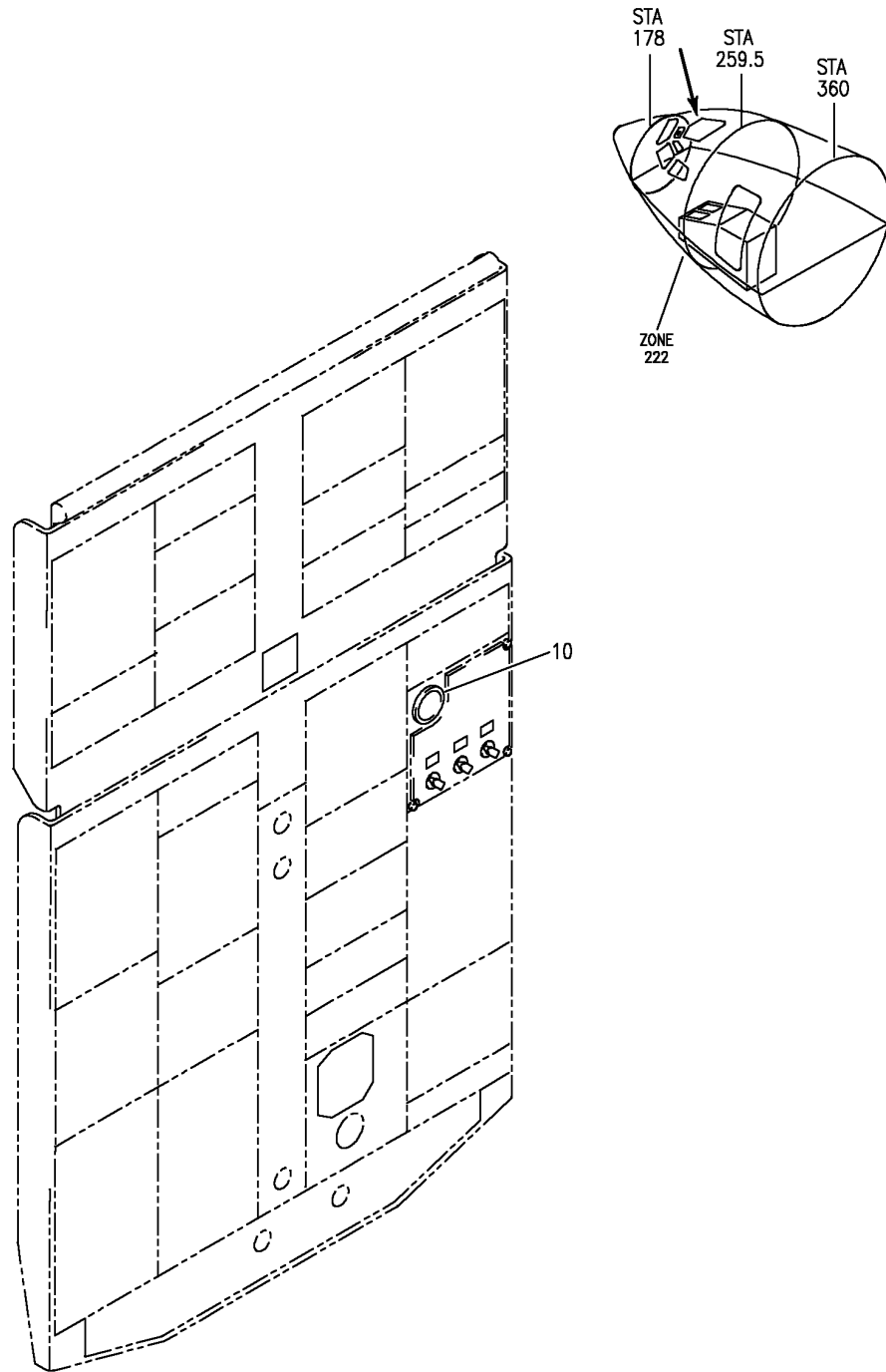
HAP

21-61-32-10

BOEING PROPRIETARY - Copyright © - Unpublished Work - See title page for details.

21-61-32
FIG. 10
PAGE 1
FEB 15/09

BOEING
737-600/700/800/900
PARTS CATALOG (MAINTENANCE)



E 21613210A REV 150

INDICATOR INSTL-P5 OVHD CAB. TEMP F (AIR CONDITIONING ONLY)
FIGURE 10A

21-61-32-10A

HAP
FEB 15/09

21-61-32-10A
PAGE 0

BOEING
737-600/700/800/900
PARTS CATALOG (MAINTENANCE)

FIG ITEM	PART NUMBER	1 2 3 4 5 6 7	NOMENCLATURE	EFFECT FROM TO	UNITS PER ASSY
10A			INDICATOR INSTL-P5 OVHD CAB. TEMP F (AIR CONDITIONING ONLY)	029100	
- 1	233A3104-216103		INDICATOR INSTL-P5 OVHD CAB. TEMP C (AIR CONDITIONING ONLY) FOR NHA/OTHER SYS DET SEE: 31-11-00-01C	029030	RF
- 1	MODREF82413		INDICATOR INSTL-P5 OVHD CAB. TEMP C (AIR CONDITIONING ONLY) MODULE NUMBER: 233A3104-216103 REV A FOR OTHER SYS DETAILS SEE: 31-11-94-12	031036 038038	1
- 1	MODREF319443		INDICATOR INSTL-P5 OVHD CAB. TEMP C (AIR CONDITIONING ONLY) MODULE NUMBER: 233A3104-216103 REV B FOR OTHER SYS DETAILS SEE: 31-11-94-07Q	037037 039100	1
10	162BL903		.INDICATOR- SUPPLIER CODE: V50027 FUNCTIONAL DESCRIPTION: INDICATES TEMPERATURE IN THE PASSENGER CABIN OR SUPPLY DUCT AS SELECTED BY THE FLIGHT CREW. ELECTRICAL EQUIP NUMBER: N00011 COMPONENT MAINT MANUAL REF: 31-20-20 MAINTENANCE MANUAL REF: 21-61-32	029100	1

R
R
R
R
R
R

MISSING ITEM NUMBERS NOT APPLICABLE

- ITEM NOT ILLUSTRATED

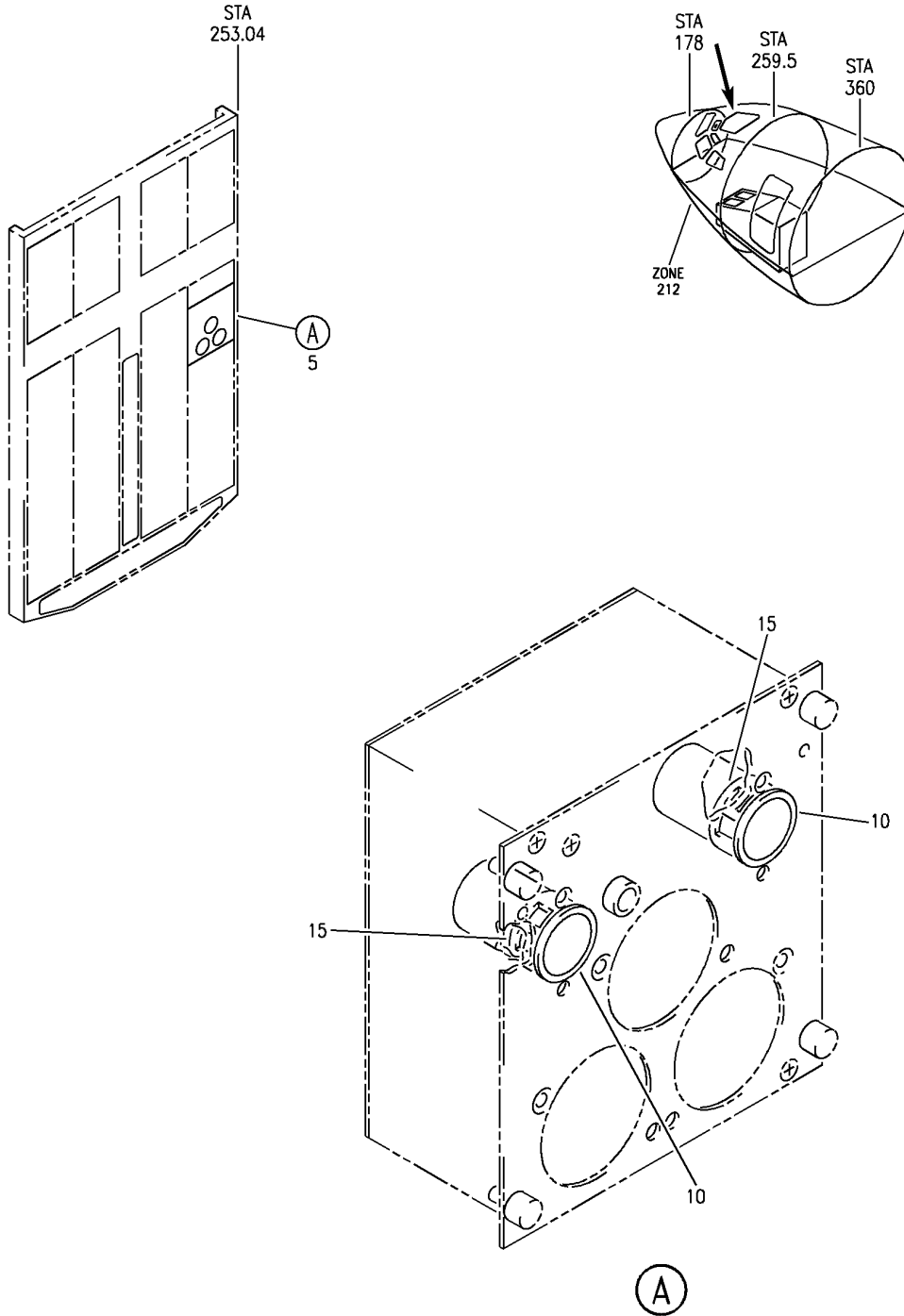
HAP

21-61-32-10A

BOEING PROPRIETARY - Copyright © - Unpublished Work - See title page for details.

21-61-32
FIG. 10A
PAGE 1
JUN 15/09

BOEING
 737-600/700/800/900
 PARTS CATALOG (MAINTENANCE)



E 21613301 REV 118

MODULE INSTL-P5 OVHD (AIR MIX VALVE POSITION INDICATOR ONLY)
 FIGURE 1

21-61-33-01

HAP
 FEB 10/07

21-61-33-01
 PAGE 0

BOEING
737-600/700/800/900
PARTS CATALOG (MAINTENANCE)

FIG ITEM	PART NUMBER	1 2 3 4 5 6 7	NOMENCLATURE	EFFECT FROM TO	UNITS PER ASSY
1			MODULE INSTL-P5 OVHD (AIR MIX VALVE POSITION INDICATOR ONLY)	101200 968999	
- 1	MODREF82408		MODULE INSTL-P5 OVHD 600/700 MINOR MODEL (AIR MIX VALVE POSITION INDICATOR ONLY) MODULE NUMBER: 233A3104-215101 REV A FOR OTHER SYS DETAILS SEE: 11-31-01-37G 21-25-02-09 21-51-65-01 31-11-94-04X 33-11-52-02X 49-52-52-01 FOR ADDITIONAL DETAILS SEE: 21-61-05-07 21-61-07-02 21-61-52-01	101200 968999	1
5	69-37324-18		.MODULE ASSY-CAB. TEMP P5-17 SUPPLIER CODE: V89954 ELECTRICAL EQUIP NUMBER: P00517 COMPONENT MAINT MANUAL REF: 31-36-31 MAINTENANCE MANUAL REF: 21-61-15	101200 968999	RF
10	114-029		..METER ASSY-ELEC IND SUPPLIER CODE: V34830 SPECIFICATION NUMBER: 10-60757-55 COMPONENT MAINT MANUAL REF: 21-30-01 MAINTENANCE MANUAL REF: 21-61-33 FOR DETAILS SEE: 33-11-00-26	101200 968999	2

MISSING ITEM NUMBERS NOT APPLICABLE

- ITEM NOT ILLUSTRATED

HAP

21-61-33-01

BOEING PROPRIETARY - Copyright © - Unpublished Work - See title page for details.

21-61-33
FIG. 01
PAGE 1
OCT 15/08


BOEING
 737-600/700/800/900
PARTS CATALOG (MAINTENANCE)

FIG ITEM	PART NUMBER	1 2 3 4 5 6 7	NOMENCLATURE	EFFECT FROM TO	UNITS PER ASSY
1 10	154LUA104		..METER ASSY-ELEC IND SUPPLIER CODE: V50027 SPECIFICATION NUMBER: S231N212-7 COMPONENT MAINT MANUAL REF: 21-60-61 MAINTENANCE MANUAL REF: 21-61-33 FOR DETAILS SEE: 33-11-00-26	101200 968999	2
15	BACC10EL1		..CLAMP	101200 968999	2

MISSING ITEM NUMBERS NOT APPLICABLE

— ITEM NOT ILLUSTRATED

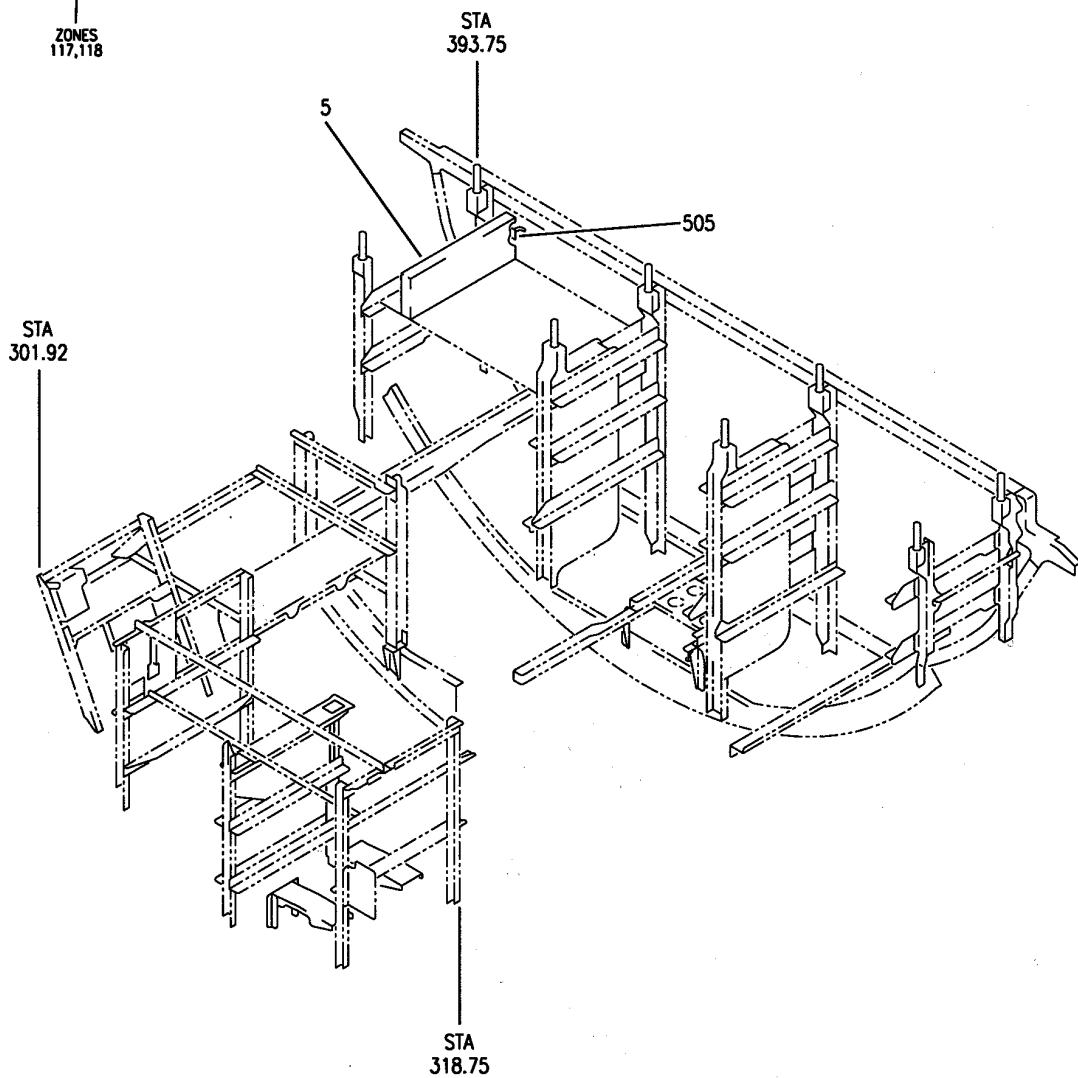
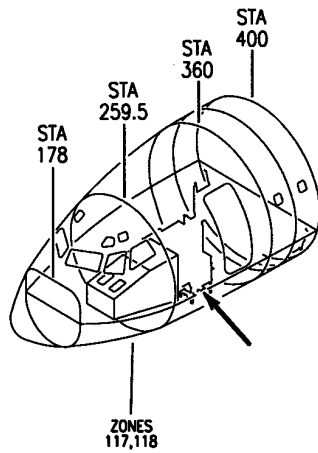
HAP

21-61-33-01

BOEING PROPRIETARY - Copyright © - Unpublished Work - See title page for details.

21-61-33
 FIG. 01
 PAGE 2
 OCT 15/08

BOEING
 737-600/700/800/900
 PARTS CATALOG (MAINTENANCE)



E 21613501 REV 037

EQUIPMENT INSTL-ELEC/ELEX BAY E4 RACK (CABIN TEMPERATURE MODULE PRINTED CIRCUIT ASSEMBLY ONLY)

FIGURE 1

21-61-35-01

HAP
 OCT 15/08

21-61-35-01
 PAGE 0

BOEING
737-600/700/800/900
PARTS CATALOG (MAINTENANCE)

FIG ITEM	PART NUMBER	1 2 3 4 5 6 7	NOMENCLATURE	EFFECT FROM TO	UNITS PER ASSY
1			EQUIPMENT INSTL-ELEC/ELEX BAY E4 RACK (CABIN TEMPERATURE MODULE PRINTED CIRCUIT ASSEMBLY ONLY)	201967	
- 1	284A0440-670		EQUIPMENT INSTL-ELEC/ELEX BAY (CABIN TEMPERATURE MODULE PRINTED CIRCUIT ASSEMBLY ONLY)	201967	RF
5	548376-6		POSITION DATA: E4 RACK FOR NHA/OTHER SYS DET SEE: 25-50-00-12A .CONTROLLER ASSY-CABIN SUPPLIER CODE: V07217 SPECIFICATION NUMBER: 10-60498-13 ELECTRICAL EQUIP NUMBER: M00345 COMPONENT MAINT MANUAL REF: 21-60-56 MAINTENANCE MANUAL REF: 21-61-01 FOR DETAILS SEE: 33-33-01-02	201967	1
- 502	286A0410-053		WIRE BUNDLE ASSY-E4-1 SHELF ELECTRICAL EQUIPMENT RB2	201967	RF
505	DPAMA32-33S		.PLUG- SUPPLIER CODE: V71468 ELECTRICAL EQUIP NUMBER: D00456 WIRING DIAGRAM REF: 216122	201967	1

MISSING ITEM NUMBERS NOT APPLICABLE

- ITEM NOT ILLUSTRATED

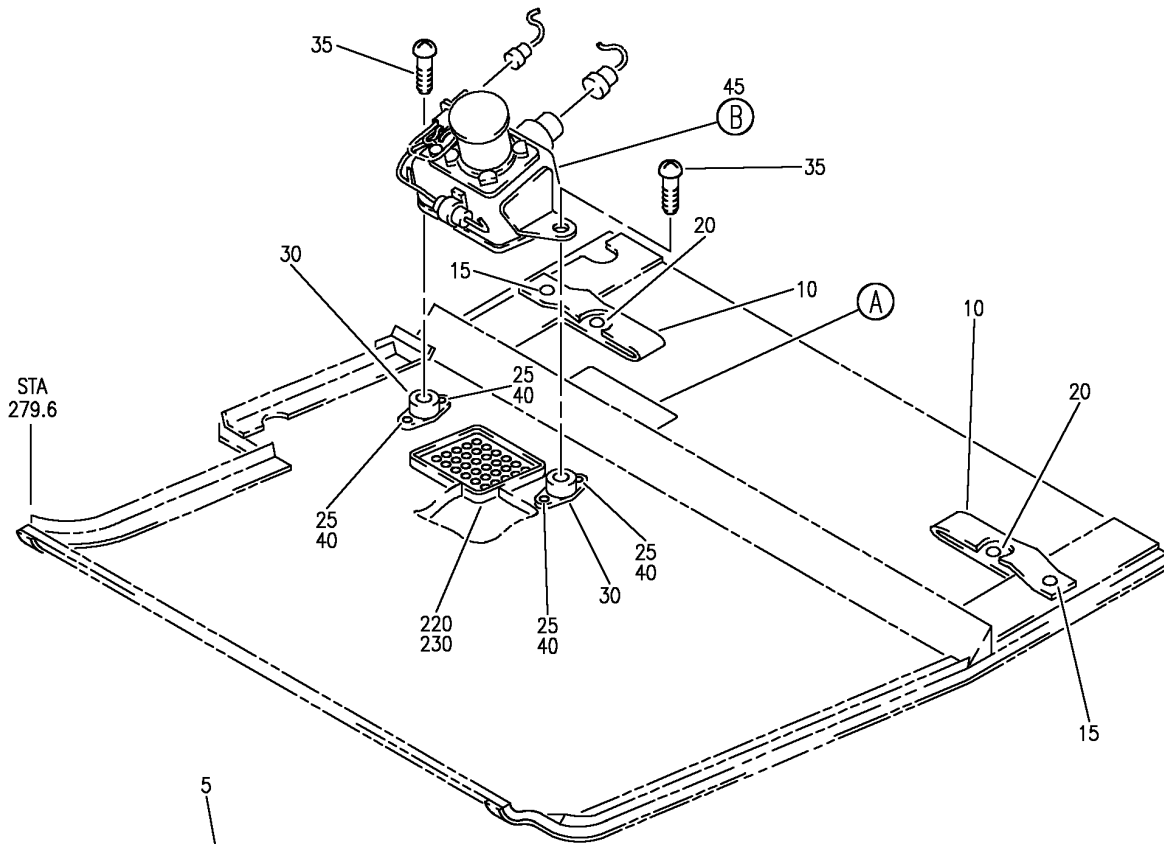
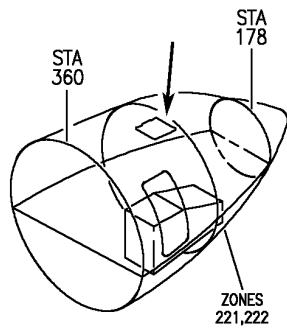
HAP

21-61-35-01

BOEING PROPRIETARY - Copyright © - Unpublished Work - See title page for details.

21-61-35
FIG. 01
PAGE 1
OCT 15/08

BOEING
 737-600/700/800/900
 PARTS CATALOG (MAINTENANCE)



FLIGHT DECK TEMP SENSOR FAN M01718-D10956	FLIGHT DECK TEMP SENSOR M01718-D10958
---	---

(A)

E 21615102 SHT 1 REV 150

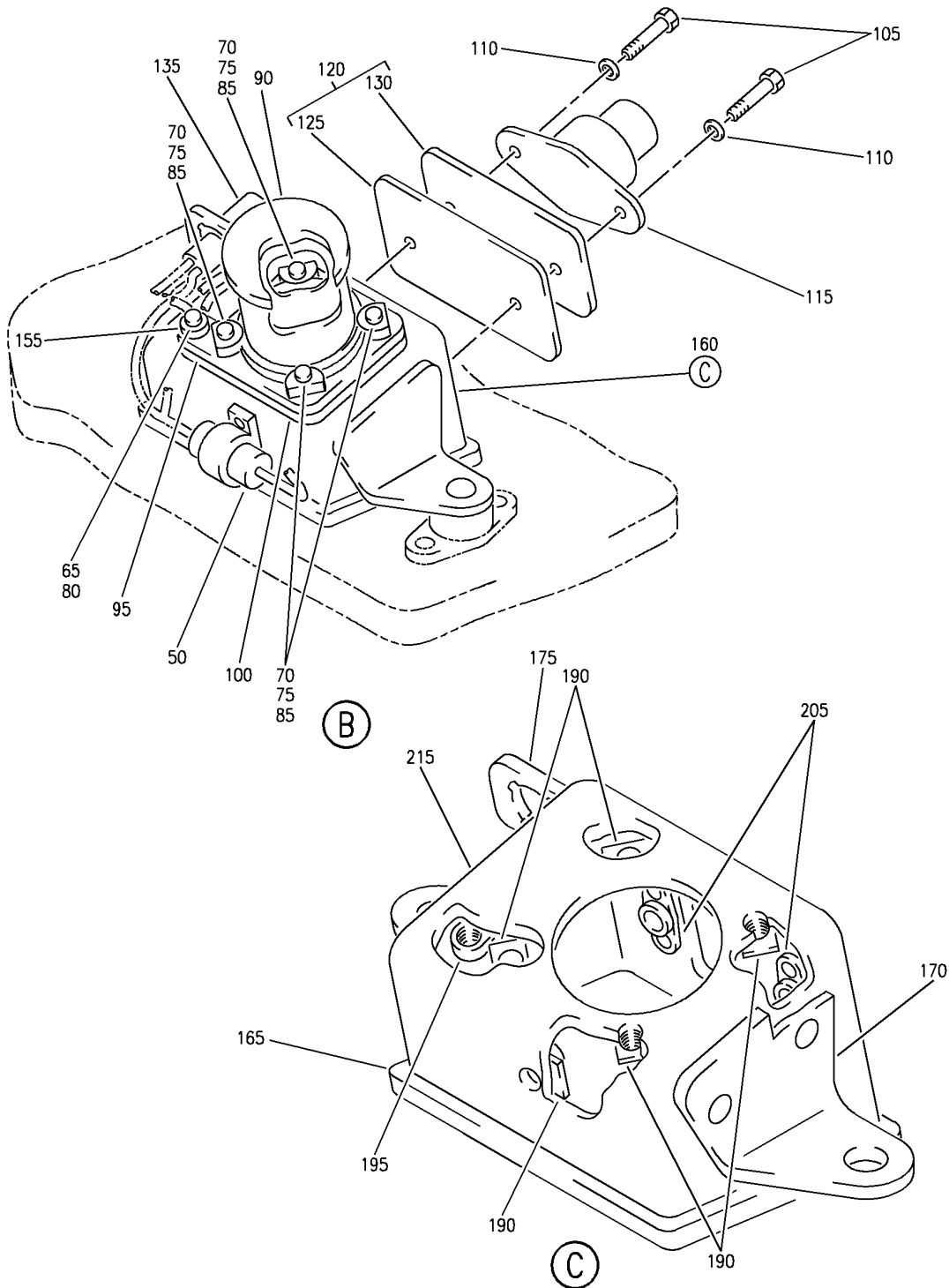
LINING ASSY-AFT CLG (AIR CONDITIONING ONLY)
 FIGURE 2 (SHEET 1)

21-61-51-02

HAP
 FEB 15/09

21-61-51-02
 PAGE 0

BOEING
 737-600/700/800/900
 PARTS CATALOG (MAINTENANCE)



E 21615102 SHT 2 REV 125

LINING ASSY-AFT CLG (AIR CONDITIONING ONLY)
 FIGURE 2 (SHEET 2)

21-61-51-02

HAP
 FEB 10/07

21-61-51-02
 PAGE 0A

BOEING
737-600/700/800/900
PARTS CATALOG (MAINTENANCE)

FIG ITEM	PART NUMBER	1 2 3 4 5 6 7	NOMENCLATURE	EFFECT FROM TO	UNITS PER ASSY
2			LINING ASSY-AFT CLG (AIR CONDITIONING ONLY)	031200 968999	
- 1	232A1411-27		LINING ASSY-AFT CLG (AIR CONDITIONING ONLY) FOR NHA/OTHER SYS DET SEE: 25-11-21-37	101200 968999	1
- 1	232A1411-31		LINING ASSY-AFT CLG (AIR CONDITIONING ONLY) FOR NHA/OTHER SYS DET SEE: 25-11-21-37	031100	1
5	BAC27DAC76		.DECAL	031200 968999	1
10	BACS38A301A9N		.STRAP	031200 968999	2
15	BACS12FA3K8		ATTACHING PARTS .SCREW	031200 968999	2
20	BACS12FA3K4		.SCREW	031200 968999	2
25	NAS601-4P		-----*----- .SCREW	031200 968999	4
30	SL2642-3		.MOUNT-ISOLATOR SUPPLIER CODE: V97393	031200 968999	2
35	BACS12FA3K5		.SCREW	031200 968999	2
40	NAS1149DN832J		.WASHER	031200 968999	8
45	213A6101-12		.HOUSING ASSY-TEMP SENSOR	101200 968999	1
45	213A6101-13		.HOUSING ASSY-TEMP SENSOR	031100	1
50	720P334X9400S13		..CAPACITOR- SUPPLIER CODE: V56289 ELECTRICAL EQUIP NUMBER: C0001 ATTACHING PARTS	031200 968999	1
- 55	NAS1801-04-5		..SCREW	031200 968999	1
- 60	NAS1149DN416J		..WASHER	031200 968999	1
65	NAS1801-04-5		-----*----- ..SCREW	101200 968999	1

MISSING ITEM NUMBERS NOT APPLICABLE

- ITEM NOT ILLUSTRATED

HAP

21-61-51-02

BOEING PROPRIETARY - Copyright © - Unpublished Work - See title page for details.

21-61-51
FIG. 02
PAGE 1
OCT 15/08

BOEING
737-600/700/800/900
PARTS CATALOG (MAINTENANCE)

FIG ITEM	PART NUMBER	1 2 3 4 5 6 7	NOMENCLATURE	EFFECT FROM TO	UNITS PER ASSY
2					
70	NAS1801-04-8	..	SCREW	031200 968999	4
75	NAS1149DN416J	..	WASHER	031200 968999	4
80	NAS1149DN416J	..	WASHER	101200 968999	1
85	271166	..	CLAMP- SUPPLIER CODE: V82877	031200 968999	4
90	024116	..	FAN ASSY-VANEAXIAL SUPPLIER CODE: V82877 COMPONENT MAINT MANUAL REF: 21-61-02 MAINTENANCE MANUAL REF: 21-61-11 FOR DETAILS SEE: 21-61-05-02	031200 968999	1
95	215N1003-10	..	FLANGE	031200 968999	1
100	213A6401-1	..	GASKET MAINTENANCE MANUAL REF: 21-61-11	031200 968999	1
105	BACS12GU3K10	..	SCREW	031200 968999	2
110	NAS1149D0332J	..	WASHER	031200 968999	2
115	548392-1	..	SENSOR- SUPPLIER CODE: V07217 SPECIFICATION NUMBER: 10-60498-3	101200 968999	1
115	624018-1	..	SENSOR- SUPPLIER CODE: V07217 SPECIFICATION NUMBER: S210T130-21 COMPONENT MAINT MANUAL REF: 21-61-01	031100	1
120	69-76311-1	..	PLATE ASSY-MTG	031200 968999	1
125	69-76311-3	...	GASKET	031200 968999	1
130	69-76311-2	...	PLATE	031200 968999	1
135	BACC45FN8-3P	..	CONNECTOR- ELECTRICAL EQUIP NUMBER: J00001	031200 968999	1

MISSING ITEM NUMBERS NOT APPLICABLE

— ITEM NOT ILLUSTRATED

HAP

21-61-51-02

21-61-51
FIG. 02
PAGE 2
OCT 15/08

BOEING
737-600/700/800/900
PARTS CATALOG (MAINTENANCE)

FIG ITEM	PART NUMBER	1 2 3 4 5 6 7	NOMENCLATURE	EFFECT FROM TO	UNITS PER ASSY
2			ATTACHING PARTS		
- 140	NAS1801-04-5	..	SCREW	031200 968999	2
- 145	NAS1149DN416J	..	WASHER	031200 968999	2
- 150	BRH10C04D	..	NUT	031200 968999	2
			SUPPLIER CODE: V52828		
			SPECIFICATION NUMBER: BACN10JCO4CD		
			OPTIONAL PART: H51650-04BAC		
			V15653		
			102LH9075-40W		
			V72962		
			NS202486-40		
			V80539		
			T6C440JCD		
			V11815		
			-----*-----		
155	52273-1	..	TERMINAL	031200 968999	1
			SUPPLIER CODE: V00779		
			SPECIFICATION NUMBER: BACT12AR201		
160	213A6102-3	..	HOUSING ASSY	031200 968999	1
165	213A6403-1	...	SEAL	031200 968999	1
170	213A6402-3	...	BRACKET	031200 968999	1
175	213A6402-4	...	BRACKET	031200 968999	1
			ATTACHING PARTS		
- 180	BACR15DA4	...	RIVET-	031200 968999	4
			SIZE DETERMINED ON INSTL.		
- 185	NAS1149DN432J	...	WASHER	031200 968999	4
			-----*-----		

MISSING ITEM NUMBERS NOT APPLICABLE

- ITEM NOT ILLUSTRATED

HAP

21-61-51-02

BOEING PROPRIETARY - Copyright © - Unpublished Work - See title page for details.

21-61-51
FIG. 02
PAGE 3
FEB 15/09

BOEING
737-600/700/800/900
PARTS CATALOG (MAINTENANCE)

FIG ITEM	PART NUMBER	1 2 3 4 5 6 7	NOMENCLATURE	EFFECT FROM TO	UNITS PER ASSY
2 190	RMF9201M40	...	NUTPLATE SUPPLIER CODE: V72962 SPECIFICATION NUMBER: BACN10JN04 OPTIONAL PART: BRFM20A04L V52828 MF1000-04BAC V15653 NS103218-40 V80539 MF53049-04 V15653 T8124S04S V11815 VN252A40L V92215	031200 968999	5
195	T8077S440	...	NUTPLATE SUPPLIER CODE: V11815 SPECIFICATION NUMBER: BACN10JP04B OPTIONAL PART: MK2000-04BAC V15653 NS103198-40 V80539 RMA9207M40 V72962 VN201A1-40L V92215 BRM100A04L V52828	031200 968999	1
- 200	BACR15DR3	...	RIVET- SIZE DETERMINED ON INSTL. -----*-----	031200 968999	12

MISSING ITEM NUMBERS NOT APPLICABLE

- ITEM NOT ILLUSTRATED

HAP

21-61-51-02

BOEING PROPRIETARY - Copyright © - Unpublished Work - See title page for details.

21-61-51
FIG. 02
PAGE 4
OCT 15/08

BOEING
737-600/700/800/900
PARTS CATALOG (MAINTENANCE)

FIG ITEM	PART NUMBER	1 2 3 4 5 6 7	NOMENCLATURE	EFFECT FROM TO	UNITS PER ASSY
2 205	T8076S1032		...NUTPLATE SUPPLIER CODE: V11815 SPECIFICATION NUMBER: BACN10JP3A OPTIONAL PART: MK1000-3BAC V15653 NS103197-02 V80539 RMA9201M3 V72962 VN202A1-02 V92215 BRM200A3 V52828 ATTACHING PARTS	031200 968999	2
- 210	BACR15DR3		...RIVET- SIZE DETERMINED ON INSTL. -----*-----	031200 968999	4
215	213A6405-1		...HOUSING	031200 968999	1
220	232A1413-3		.COVER-FILTER	031200 968999	1
- 225	WHS10F5TPKL16GY		ATTACHING PARTS .SCREW- SUPPLIER CODE: V12324 -----*-----	031200 968999	4
230	213A6404-1		.FILTER- MAINTENANCE MANUAL REF: 21-61-06	031200 968999	1

MISSING ITEM NUMBERS NOT APPLICABLE

- ITEM NOT ILLUSTRATED

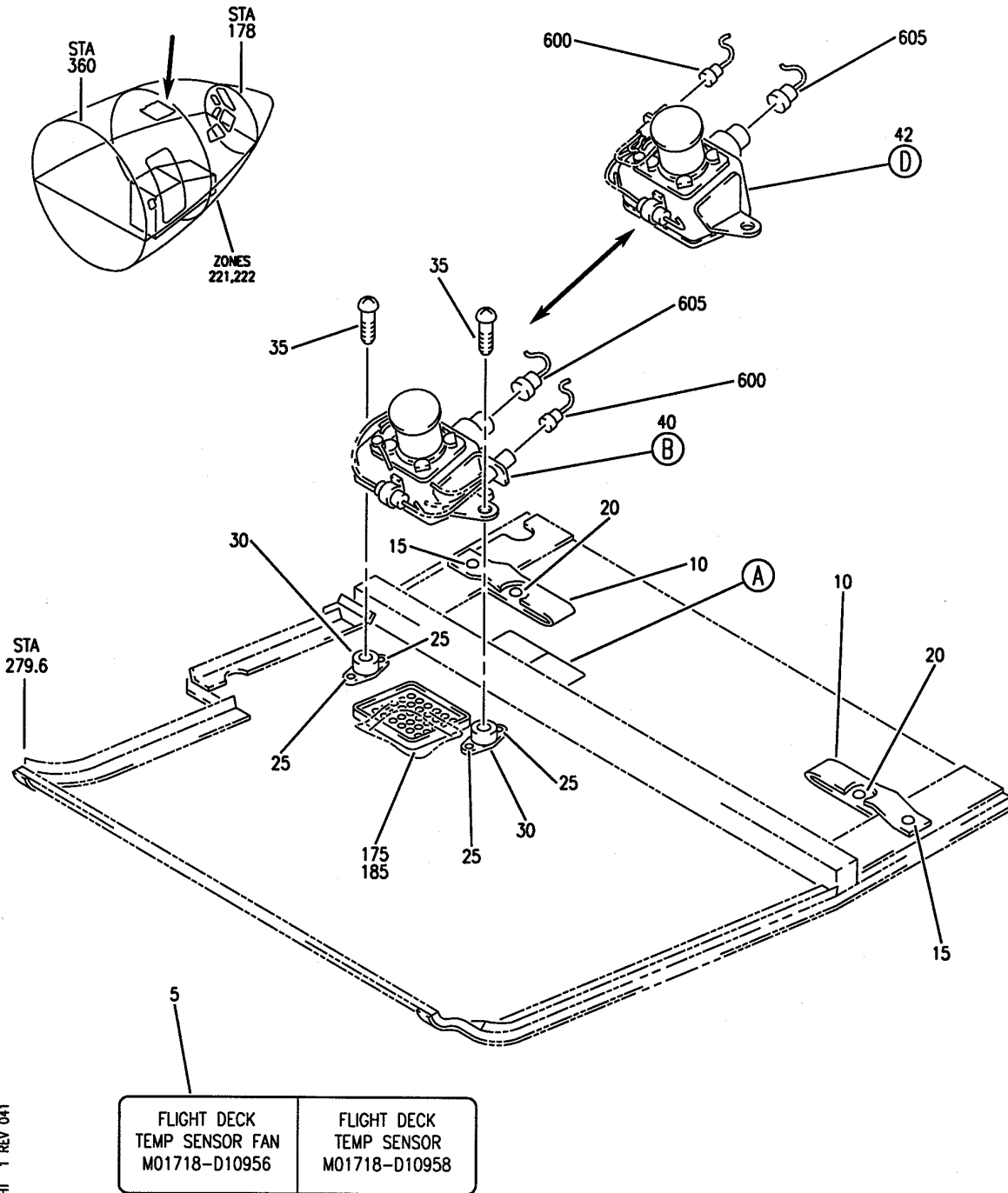
HAP

21-61-51-02

BOEING PROPRIETARY - Copyright © - Unpublished Work - See title page for details.

21-61-51
FIG. 02
PAGE 5
FEB 15/09

BOEING
 737-600/700/800/900
 PARTS CATALOG (MAINTENANCE)



E 21615105 SHT 1 REV 041

(A)

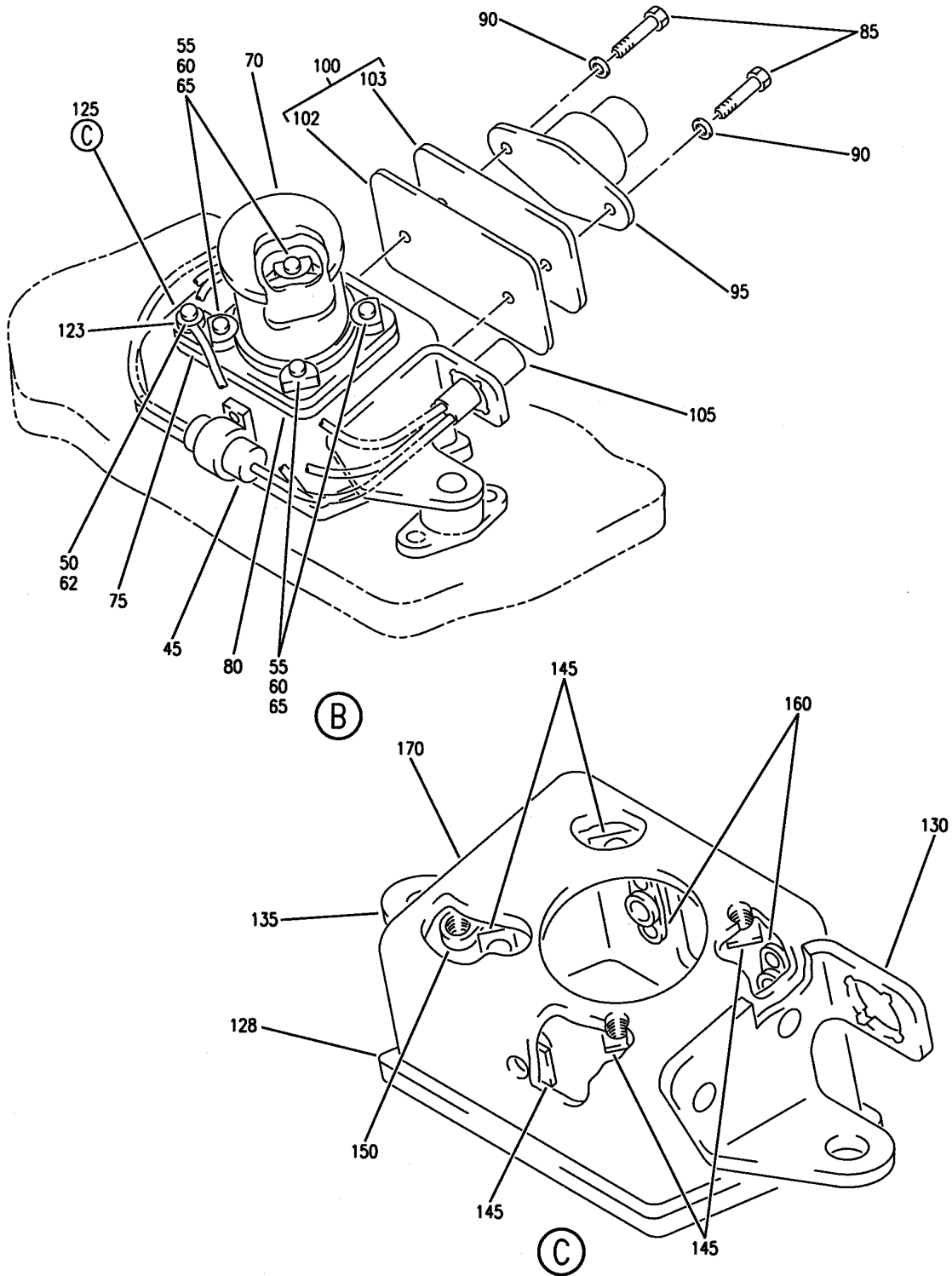
LINING ASSY-AFT CLG (AIR CONDITIONING ONLY)
 FIGURE 5 (SHEET 1)

21-61-51-05

HAP
 OCT 10/06

21-61-51-05
 PAGE 0

BOEING
 737-600/700/800/900
 PARTS CATALOG (MAINTENANCE)



E 21615105 SHT 2 REV 041

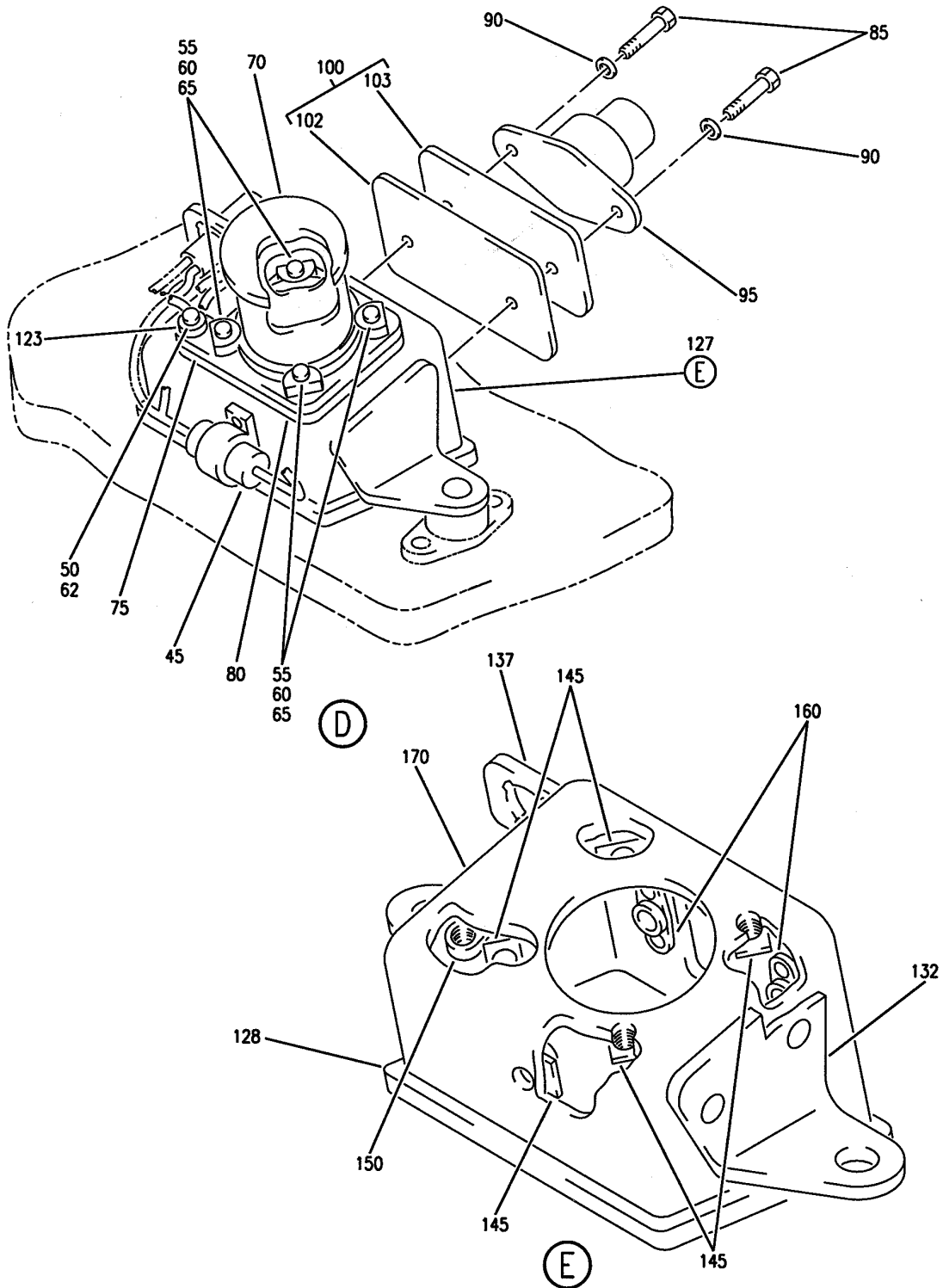
LINING ASSY-AFT CLG (AIR CONDITIONING ONLY)
 FIGURE 5 (SHEET 2)

21-61-51-05

HAP
 OCT 10/06

21-61-51-05
 PAGE 0A

BOEING
 737-600/700/800/900
 PARTS CATALOG (MAINTENANCE)



E 21615105 SHT 3 REV 041

LINING ASSY-AFT CLG (AIR CONDITIONING ONLY)
 FIGURE 5 (SHEET 3)

21-61-51-05

HAP
 OCT 10/06

21-61-51-05
 PAGE 0B

BOEING
737-600/700/800/900
PARTS CATALOG (MAINTENANCE)

FIG ITEM	PART NUMBER	1 2 3 4 5 6 7	NOMENCLATURE	EFFECT FROM TO	UNITS PER ASSY
5			LINING ASSY-AFT CLG (AIR CONDITIONING ONLY)	001030 201967	
- 1	232A1411-15		LINING ASSY-AFT CLG (AIR CONDITIONING ONLY) FOR NHA/OTHER SYS DET SEE: 25-11-21-18	201967	RF
- 1	232A1411-16		LINING ASSY-AFT CLG (AIR CONDITIONING ONLY) FOR NHA/OTHER SYS DET SEE: 25-11-21-18	001011	RF
- 1	232A1411-19		LINING ASSY-AFT CLG (AIR CONDITIONING ONLY) FOR NHA/OTHER SYS DET SEE: 25-11-21-18	012030	RF
5	BAC27DAC76		.DECAL-	001030 201967	1
10	BACS38A301A9N		.STRAP	001030 201967	2
15	BACS12FA3K8		ATTACHING PARTS .SCREW	001030 201967	2
20	BACS12FA3K4		.SCREW-	001030 201967	2
25	NAS601-4P		-----*----- .SCREW-	001030 201967	4
30	SL26A2-3		.MOUNT-ISOLATOR SUPPLIER CODE: V97393	001030 201967	2
35	BACS12FA3K5		.SCREW-	001030 201967	2
40	213A6101-1		.HOUSING ASSY-TEMP SENSOR	201967	1
40	213A6101-11		.HOUSING ASSY-TEMP SENSOR	001011	1
42	213A6101-12		.HOUSING ASSY-TEMP SENSOR	201967	1
42	213A6101-13		.HOUSING ASSY-TEMP SENSOR	001030	1
45	720P334X9400S13		..CAPACITOR- SUPPLIER CODE: V56289 ELECTRICAL EQUIP NUMBER: C00001 ATTACHING PARTS	001030 201967	1
- 47	NAS1801-04-5		..SCREW-	001030 201967	1

MISSING ITEM NUMBERS NOT APPLICABLE

- ITEM NOT ILLUSTRATED

HAP

21-61-51-05

BOEING PROPRIETARY - Copyright © - Unpublished Work - See title page for details.

21-61-51
FIG. 05
PAGE 1
OCT 15/08

BOEING
737-600/700/800/900
PARTS CATALOG (MAINTENANCE)

FIG ITEM	PART NUMBER	1 2 3 4 5 6 7	NOMENCLATURE	EFFECT FROM TO	UNITS PER ASSY
5					
- 48	NAS1149DN416J	..	WASHER	001030 201967	1
			-----*-----		
50	NAS1801-04-5	..	SCREW-	201967	1
55	NAS1801-04-8	..	SCREW-	001030 201967	4
60	NAS1149DN416J	..	WASHER	001030 201967	4
62	NAS1149DN416J	..	WASHER	201967	1
65	271166	..	CLAMP-	001030 201967	4
			SUPPLIER CODE: V82877		
70	024116	..	FAN ASSY-VANEAXIAL	001030 201967	1
			SUPPLIER CODE: V82877		
			COMPONENT MAINT MANUAL REF: 21-61-02		
			MAINTENANCE MANUAL REF: 21-61-11		
			FOR DETAILS SEE: 21-61-05-08		
75	215N1003-10	..	FLANGE	001030 201967	1
80	213A6401-1	..	GASKET	001030 201967	1
			MAINTENANCE MANUAL REF: 21-61-11		
85	BACS12GU3K10	..	SCREW	001030 201967	2
90	NAS1149D0332J	..	WASHER	001030 201967	2
95	548392-1	..	SENSOR-	201967	1
			SUPPLIER CODE: V07217		
			SPECIFICATION NUMBER: 10-60498-3		
			MAINTENANCE MANUAL REF: 21-61-10		
95	624018-1	..	SENSOR-	001030	1
			SUPPLIER CODE: V07217		
			SPECIFICATION NUMBER: S210T130-21		
			COMPONENT MAINT MANUAL REF: 21-61-01		
			MAINTENANCE MANUAL REF: 21-61-10		
100	69-76311-1	..	PLATE ASSY-MTG	001030 201967	1

MISSING ITEM NUMBERS NOT APPLICABLE

- ITEM NOT ILLUSTRATED

HAP

21-61-51-05

BOEING PROPRIETARY - Copyright © - Unpublished Work - See title page for details.

21-61-51
FIG. 05
PAGE 2
OCT 15/08

BOEING
737-600/700/800/900
PARTS CATALOG (MAINTENANCE)

FIG ITEM	PART NUMBER	1 2 3 4 5 6 7	NOMENCLATURE	EFFECT FROM TO	UNITS PER ASSY
5					
102	69-76311-3	...	GASKET	001030 201967	1
103	69-76311-2	...	PLATE	001030 201967	1
105	BACC45FN8-3P	..	CONNECTOR- ELECTRICAL EQUIP NUMBER: J00001 ATTACHING PARTS	001030 201967	1
- 110	NAS1801-04-5	..	SCREW-	001030 201967	2
- 115	NAS1149DN416J	..	WASHER	001030 201967	2
- 120	BRH10C04D	..	NUT SUPPLIER CODE: V52828 SPECIFICATION NUMBER: BACN10JCO4CD OPTIONAL PART: H51650-04BAC V15653 102LH9075-40W V72962 NS202486-40 V80539 T6C440JCD V11815 -----*-----	001030 201967	2
123	52273-1	..	TERMINAL SUPPLIER CODE: V00779 SPECIFICATION NUMBER: BACT12AR201	001030 201967	1
125	213A6102-1	..	HOUSING ASSY-	001011 201967	1
127	213A6102-3	..	HOUSING ASSY- USED ON: 213A6101-12 213A6101-13	001030 201967	1
128	213A6403-1	...	SEAL	001030 201967	1
130	213A6402-2	...	BRACKET-	001011 201967	1
132	213A6402-3	...	BRACKET- USED ON: 213A6102-3	001030 201967	1
135	213A6402-1	...	BRACKET-	001011 201967	1

MISSING ITEM NUMBERS NOT APPLICABLE

- ITEM NOT ILLUSTRATED

HAP

21-61-51-05

BOEING PROPRIETARY - Copyright © - Unpublished Work - See title page for details.

21-61-51
FIG. 05
PAGE 3
FEB 15/09

BOEING
737-600/700/800/900
PARTS CATALOG (MAINTENANCE)

FIG ITEM	PART NUMBER	1 2 3 4 5 6 7	NOMENCLATURE	EFFECT FROM TO	UNITS PER ASSY
5 137	213A6402-4		...BRACKET- USED ON: 213A6102-3 ATTACHING PARTS	001030 201967	1
- 140	NAS1398D4		...RIVET- SIZE DETERMINED ON INSTL.	001011 201967	4
- 140	BACR15DA4		...RIVET- SIZE DETERMINED ON INSTL. USED ON: 213A6102-3	001030 201967	4
- 142	NAS1149DN432J		...WASHER- USED ON: 213A6102-3 -----*-----	001030 201967	4
145	RMF9201M40		...NUTPLATE SUPPLIER CODE: V72962 SPECIFICATION NUMBER: BACN10JN04 OPTIONAL PART: BRFM20A04L V52828 MF1000-04BAC V15653 NS103218-40 V80539 MF53049-04 V15653 T8124S04S V11815 VN252A40L V92215	001030 201967	5
150	T8077S440		...NUTPLATE SUPPLIER CODE: V11815 SPECIFICATION NUMBER: BACN10JP04B OPTIONAL PART: MK2000-04BAC V15653 NS103198-40 V80539 RMA9207M40 V72962 VN201A1-40L V92215 BRM100A04L V52828	001030 201967	1

MISSING ITEM NUMBERS NOT APPLICABLE

- ITEM NOT ILLUSTRATED

HAP

21-61-51-05

BOEING PROPRIETARY - Copyright © - Unpublished Work - See title page for details.

21-61-51
FIG. 05
PAGE 4
OCT 15/08

BOEING
737-600/700/800/900
PARTS CATALOG (MAINTENANCE)

FIG ITEM	PART NUMBER	1 2 3 4 5 6 7	NOMENCLATURE	EFFECT FROM TO	UNITS PER ASSY
5			ATTACHING PARTS		
- 155	BACR15DR3	...	RIVET- SIZE DETERMINED ON INSTL. -----*-----	001030 201967	12
160	T8076S1032	...	NUTPLATE SUPPLIER CODE: V11815 SPECIFICATION NUMBER: BACN10JP3A OPTIONAL PART: MK1000-3BAC V15653 NS103197-02 V80539 RMA9201M3 V72962 VN202A1-02 V92215 BRM200A3 V52828	001030 201967	2
- 165	BACR15DR3	...	RIVET- SIZE DETERMINED ON INSTL. -----*-----	001030 201967	4
170	213A6405-1	...	HOUSING	001030 201967	1
175	232A1413-3	.	COVER-FILTER MAINTENANCE MANUAL REF: 21-61-06	001030 201967	1
- 180	WHS10F5TPKL16GY	.	SCREW- SUPPLIER CODE: V12324 -----*-----	001030 201967	4
185	213A6404-1	.	FILTER- MAINTENANCE MANUAL REF: 21-61-06	001030 201967	1
- 502	286A2216-323		WIRE BUNDLE ASSY-	023027	RF
- 502	286A2216-330		WIRE BUNDLE ASSY-	028030	RF
- 505	286A2216-026		WIRE BUNDLE ASSY	201967	RF
- 505	286A2216-302		WIRE BUNDLE ASSY	002005	RF
- 505	286A2216-304		WIRE BUNDLE ASSY	001001 006007	RF
- 510	286A2216-313		WIRE BUNDLE ASSY	008011	RF
- 510	286A2216-317		WIRE BUNDLE ASSY-	012022	RF

MISSING ITEM NUMBERS NOT APPLICABLE

- ITEM NOT ILLUSTRATED

HAP

21-61-51-05

21-61-51
FIG. 05
PAGE 5
OCT 15/08

BOEING
737-600/700/800/900
PARTS CATALOG (MAINTENANCE)

FIG ITEM	PART NUMBER	1 2 3 4 5 6 7	NOMENCLATURE	EFFECT FROM TO	UNITS PER ASSY
5 600	BACC45FT8-3S		.CONNECTOR- ELECTRICAL EQUIP NUMBER: D10956 WIRING DIAGRAM REF: 216121	001030 201967	1
605	BACC45FT12-3S		.CONNECTOR- ELECTRICAL EQUIP NUMBER: D10958 WIRING DIAGRAM REF: 216121	201967	1
605	BACC45FT10-5S		.CONNECTOR- ELECTRICAL EQUIP NUMBER: D10958 WIRING DIAGRAM REF: 216111	001030	1

MISSING ITEM NUMBERS NOT APPLICABLE

— ITEM NOT ILLUSTRATED

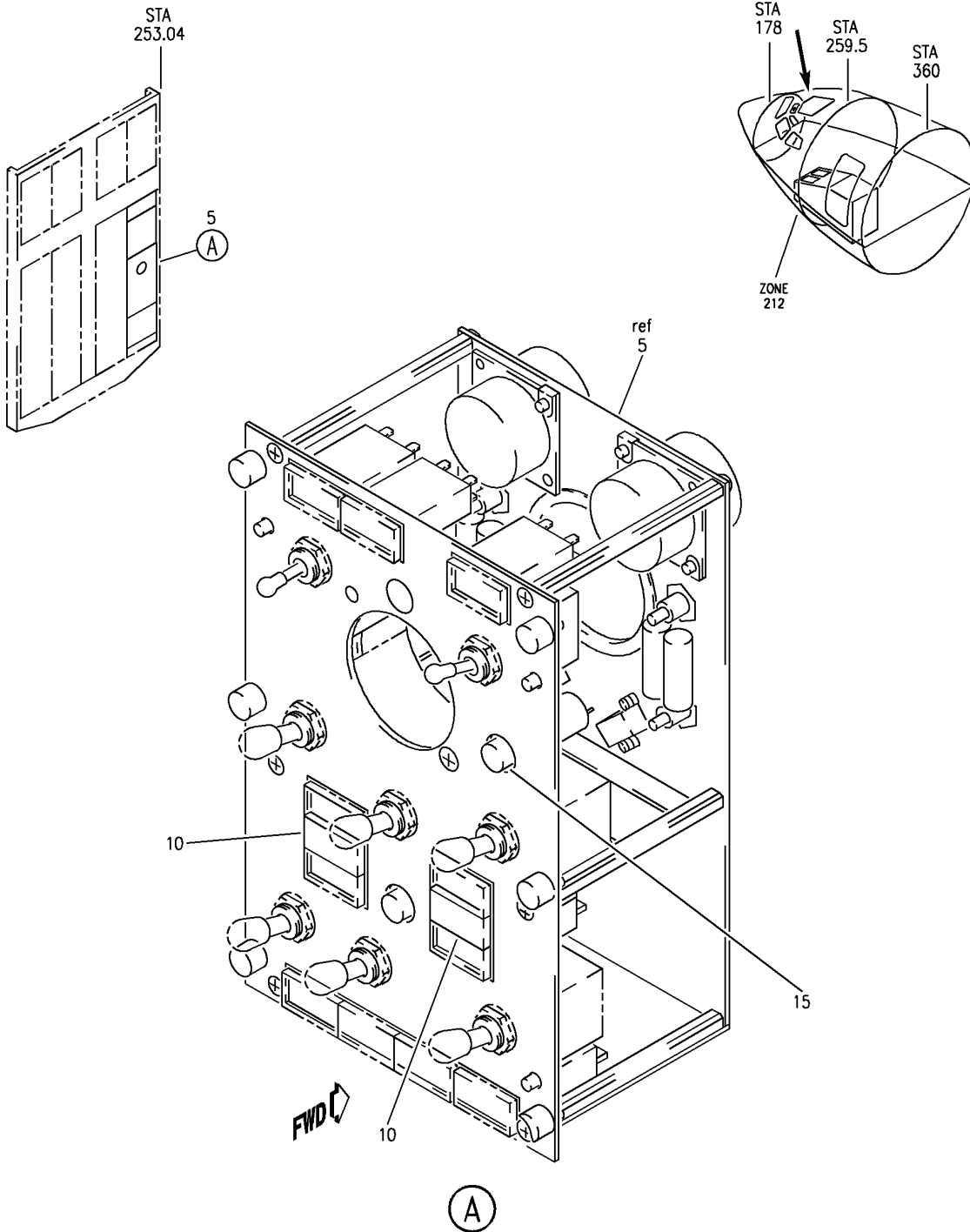
HAP

21-61-51-05

BOEING PROPRIETARY - Copyright © - Unpublished Work - See title page for details.

21-61-51
FIG. 05
PAGE 6
OCT 15/08

BOEING
 737-600/700/800/900
 PARTS CATALOG (MAINTENANCE)



E 21615201 REV 118

MODULE INSTL-P5 OVHD (ZONE TEMPERATURE CONTROL AND INDICATION ONLY)
 FIGURE 1

21-61-52-01

HAP
 OCT 10/06

21-61-52-01
 PAGE 0


BOEING
 737-600/700/800/900
PARTS CATALOG (MAINTENANCE)

FIG ITEM	PART NUMBER	1 2 3 4 5 6 7	NOMENCLATURE	EFFECT FROM TO	UNITS PER ASSY
1			MODULE INSTL-P5 OVHD (ZONE TEMPERATURE CONTROL AND INDICATION ONLY)	029200 968999	
- 1	233A3104-215102		MODULE INSTL-P5 OVHD (ZONE TEMPERATURE CONTROL AND INDICATION ONLY) FOR NHA/OTHER SYS DET SEE: 31-11-00-02C	029030	RF
- 1	MODREF82408		MODULE INSTL-P5 OVHD (ZONE TEMPERATURE CONTROL AND INDICATION ONLY) MODULE NUMBER: 233A3104-215101 REV A FOR OTHER SYS DETAILS SEE: 11-31-01-37G 21-25-02-09 21-51-65-01 31-11-94-04X 33-11-52-02X 49-52-52-01	101200 968999	1
- 1	MODREF82409		MODULE INSTL-P5 OVHD (ZONE TEMPERATURE CONTROL AND INDICATION ONLY) MODULE NUMBER: 233A3104-215102 REV A FOR OTHER SYS DETAILS SEE: 11-31-01-24Q 11-31-01-39Z 21-25-02-09 21-51-65-01A 21-62-51-01 31-11-94-07Q 31-11-94-12 33-11-52-06K 33-11-52-13 49-52-52-01	031100	1

R
R
R
R
R
R
R
R
R
R
R
R
R
R
R
R
R
R
R
R
R
R

MISSING ITEM NUMBERS NOT APPLICABLE

- ITEM NOT ILLUSTRATED

HAP

21-61-52-01

21-61-52
 FIG. 01
 PAGE 1
 JUN 15/09

BOEING
737-600/700/800/900
PARTS CATALOG (MAINTENANCE)

FIG ITEM	PART NUMBER	1 2 3 4 5 6 7	NOMENCLATURE	EFFECT FROM TO	UNITS PER ASSY
1	5 69-37319-308	.	MODULE ASSY-AIR CONDITIONING SUPPLIER CODE: V89954 ELECTRICAL EQUIP NUMBER: P00510 COMPONENT MAINT MANUAL REF: 31-37-07	101200 968999	RF
	5 69-37319-312	.	MODULE ASSY-AIR CONDITIONING SUPPLIER CODE: V89954 FUNCTIONAL DESCRIPTION: CONTROLS THE OPERATION OF THE AIR CONDITIONING AND PNEUMATIC SYSTEMS. ELECTRICAL EQUIP NUMBER: P00510 COMPONENT MAINT MANUAL REF: 31-37-07	029100	RF
	10 BCRE4155	..	LIGHT ASSY-PRESS TO TEST IND-WING BODY OVERHEAT SUPPLIER CODE: V81590 OVERLENGTH PART NUMBER: 318-630-1002-022 SPECIFICATION NUMBER: 10-61803-162 COMPONENT MAINT MANUAL REF: 33-10-05 FOR DETAILS SEE: 33-11-50-03	029200 968999	2
	15 W20161-01	..	SWITCH-PUSH BUTTON SUPPLIER CODE: V81640	029200 968999	1

MISSING ITEM NUMBERS NOT APPLICABLE

— ITEM NOT ILLUSTRATED

HAP

21-61-52-01

BOEING PROPRIETARY - Copyright © - Unpublished Work - See title page for details.

21-61-52
FIG. 01
PAGE 2
FEB 15/09

BOEING
737-600/700/800/900
PARTS CATALOG (MAINTENANCE)

FIG ITEM	PART NUMBER	1 2 3 4 5 6 7	NOMENCLATURE	EFFECT FROM TO	UNITS PER ASSY
1 - 20	69-78809-3		..PRINTED CIRCUIT ASSY- SUPPLIER CODE: V89954 COMPONENT MAINT MANUAL REF: 28-09-33 OPTIONAL PART: 69-78809-4 V89954 69-78809-5 V89954 69-78809-6 V89954 FOR SPARES PROCURE: 69-78809-6 V89954	029200 968999	RF
- 20	69-78809-4		..PRINTED CIRCUIT ASSY- SUPPLIER CODE: V89954 COMPONENT MAINT MANUAL REF: 28-09-33 OPTIONAL PART: 69-78809-3 V89954 69-78809-5 V89954 69-78809-6 V89954 FOR SPARES PROCURE: 69-78809-6 V89954	029200 968999	RF
- 20	69-78809-5		..PRINTED CIRCUIT ASSY- SUPPLIER CODE: V89954 COMPONENT MAINT MANUAL REF: 28-09-33 OPTIONAL PART: 69-78809-3 V89954 69-78809-4 V89954 69-78809-6 V89954 FOR SPARES PROCURE: 69-78809-6 V89954	029200 968999	RF

MISSING ITEM NUMBERS NOT APPLICABLE

- ITEM NOT ILLUSTRATED

HAP

21-61-52-01

BOEING PROPRIETARY - Copyright © - Unpublished Work - See title page for details.

21-61-52
FIG. 01
PAGE 3
FEB 15/09


BOEING
 737-600/700/800/900
PARTS CATALOG (MAINTENANCE)

FIG ITEM	PART NUMBER	1 2 3 4 5 6 7 NOMENCLATURE	EFFECT FROM TO	UNITS PER ASSY
1 - 20	69-78809-6	..PRINTED CIRCUIT ASSY- SUPPLIER CODE: V89954 COMPONENT MAINT MANUAL REF: 28-09-33 OPTIONAL PART: 69-78809-3 V89954 69-78809-4 V89954 69-78809-5 V89954	029200 968999	RF

MISSING ITEM NUMBERS NOT APPLICABLE

- ITEM NOT ILLUSTRATED

HAP

21-61-52-01

BOEING PROPRIETARY - Copyright © - Unpublished Work - See title page for details.

21-61-52
 FIG. 01
 PAGE 4
 FEB 15/09