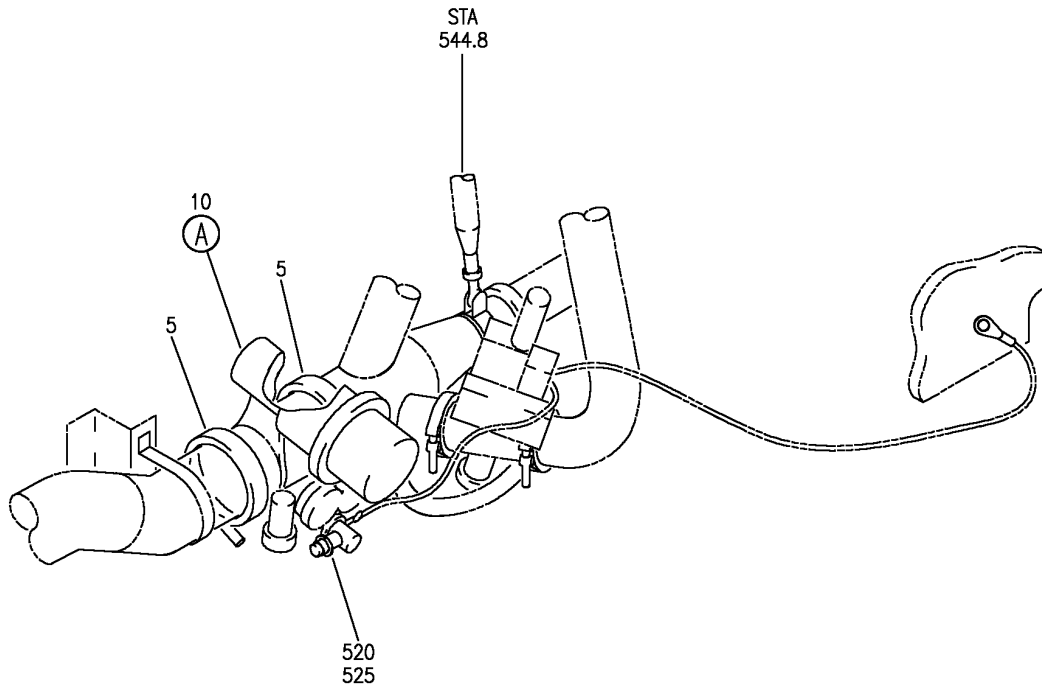
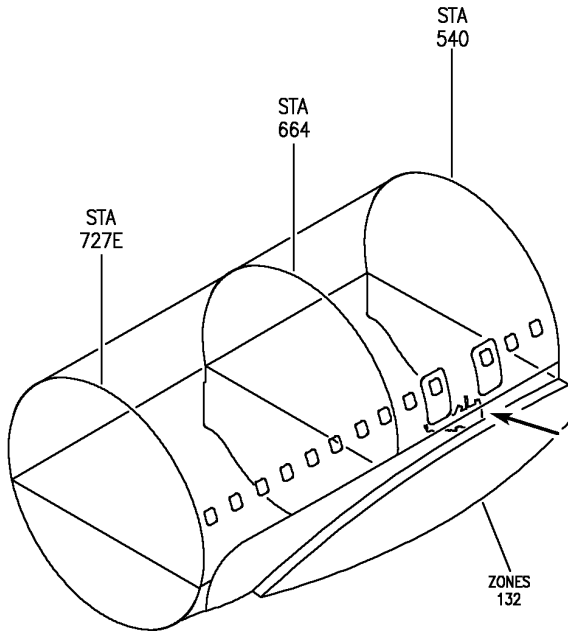


TRIM AIR PRESSURE REGULATION AND SHUTOFF CONTROL

HAP
OCT 10/06

21-62-00
SECTION TITLE
PAGE 1

BOEING
 737-600/700/800/900
 PARTS CATALOG (MAINTENANCE)



E 21620101 SHT 1 REV 084

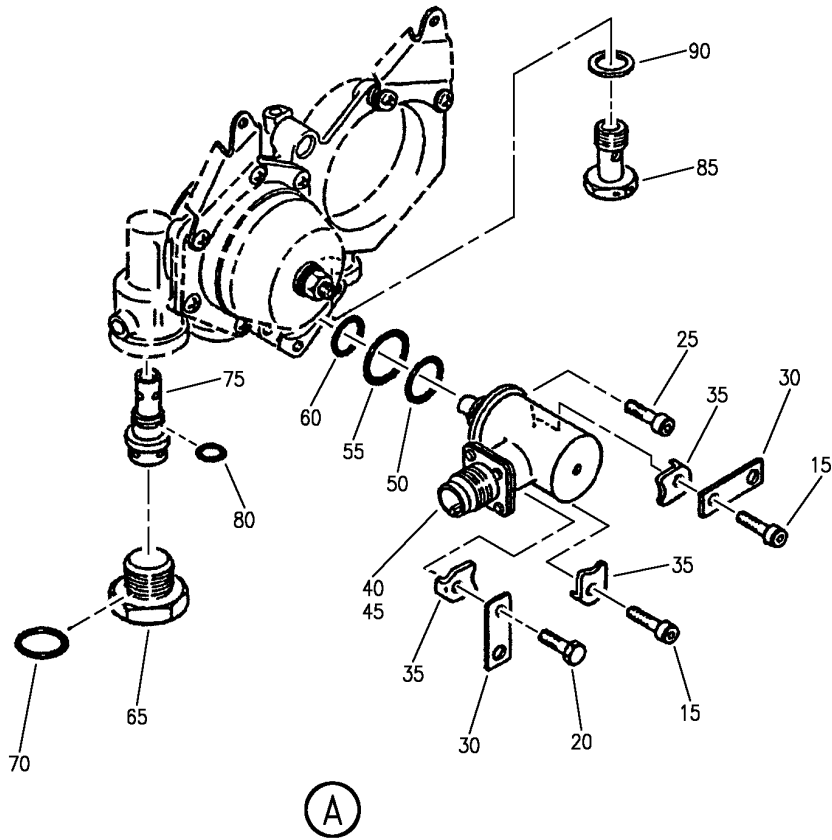
DUCT INSTL-AIR CONDITIONING PACK TRIM AIR (TRIM AIR PRESSURE REGULATING AND SHUTOFF VALVE ONLY)
 FIGURE 1 (SHEET 1)

HAP
 OCT 10/06

21-62-01-01

21-62-01-01
 PAGE 0

BOEING
 737-600/700/800/900
 PARTS CATALOG (MAINTENANCE)



E 21620101 SHT 2 REV 084

DUCT INSTL-AIR CONDITIONING PACK TRIM AIR (TRIM AIR PRESSURE REGULATING AND SHUTOFF VALVE ONLY)
 FIGURE 1 (SHEET 2)

HAP
 OCT 10/06

21-62-01-01

21-62-01-01
 PAGE 0A

BOEING
737-600/700/800/900
PARTS CATALOG (MAINTENANCE)

| FIG ITEM | PART NUMBER | 1 2 3 4 5 6 7 | NOMENCLATURE | EFFECT FROM TO | UNITS PER ASSY |
|----------|----------------|---------------|--|----------------|----------------|
| 1 | | | DUCT INSTL-AIR CONDITIONING PACK TRIM AIR (TRIM AIR PRESSURE REGULATING AND SHUTOFF VALVE ONLY) | 001030 | |
| - 1 | 213A1005-1 | | DUCT INSTL-AIR CONDITIONING PACK TRIM AIR (TRIM AIR PRESSURE REGULATING AND SHUTOFF VALVE ONLY) | 001004 | RF |
| - 1 | 213A1005-2 | | FOR NHA/OTHER SYS DET SEE: 21-60-00-01C DUCT INSTL-AIR CONDITIONING PACK TRIM AIR (TRIM AIR PRESSURE REGULATING AND SHUTOFF VALVE ONLY) | 005027 | RF |
| - 1 | 213A1005-4 | | FOR NHA/OTHER SYS DET SEE: 21-60-00-01C DUCT INSTL-AIR CONDITIONING PACK TRIM AIR (TRIM AIR PRESSURE REGULATING AND SHUTOFF VALVE ONLY) | 028030 | RF |
| 5 | BACC10DU300ABE | | .CLAMP | 001030 | 2 |
| 10 | 3214972-1 | | .VALVE ASSY-ZONE TEMP CONT SUPPLIER CODE: V59364 FUNCTIONAL DESCRIPTION: REGULATES TRIM AIR PRESSURE SPECIFICATION NUMBER: 10-62091-5 ELECTRICAL EQUIP NUMBER: V00146 COMPONENT MAINT MANUAL REF: 21-61-11 MAINTENANCE MANUAL REF: 21-62-01 | 001030 | 1 |
| 15 | MS16995-26 | | ..SCREW | 001030 | 2 |
| 20 | S9073C08-7R | | ..SCREW-MACHINE SUPPLIER CODE: V59364 | 001030 | 1 |
| 25 | MS35275-244 | | ..SCREW | 001030 | 1 |
| 30 | 662096-4 | | ..LUG-TERM. SUPPLIER CODE: V59364 | 001030 | 2 |
| 35 | 3160543-3 | | ..CLIP-RTNR SUPPLIER CODE: V59364 | 001030 | 3 |

MISSING ITEM NUMBERS NOT APPLICABLE

- ITEM NOT ILLUSTRATED

HAP

21-62-01-01

BOEING PROPRIETARY - Copyright © - Unpublished Work - See title page for details.

21-62-01
FIG. 01
PAGE 1
OCT 10/06

BOEING
737-600/700/800/900
PARTS CATALOG (MAINTENANCE)

| FIG ITEM | PART NUMBER | 1 2 3 4 5 6 7 | NOMENCLATURE | EFFECT FROM TO | UNITS PER ASSY |
|----------|---------------|---------------|---|----------------|----------------|
| 1 | | | | | |
| 40 | 319545-96 | | .. VALVE ASSY-SOL. SUPPLIER CODE: V59364 FUNCTIONAL DESCRIPTION: PROVIDE ELECTRICAL CONTROL FOR REGULATING AIRFLOW IN AN AIRCRAFT PNEUMATIC SYSTEM. COMPONENT MAINT MANUAL REF: 24-09-05 | 001030 | 1 |
| 45 | 319675-75 | | ... SOLENOID- SUPPLIER CODE: V59364 | 001030 | 1 |
| 50 | S8990-564 | | .. PACKING-PREFORMED SUPPLIER CODE: V59364 | 001030 | 1 |
| 55 | S8990-565 | | .. PACKING-PREFORMED SUPPLIER CODE: V59364 | 001030 | 1 |
| 60 | S8990-563 | | .. PACKING-PREFORMED SUPPLIER CODE: V59364 | 001030 | 1 |
| 65 | AN814-8DL | | .. PLUG | 001030 | 1 |
| 70 | S8990-608 | | .. PACKING-PREFORMED SUPPLIER CODE: V59364 | 001030 | 1 |
| 75 | 974391-2 | | .. VALVE-RELIEF SUPPLIER CODE: V59364 | 001030 | 1 |
| 80 | S8990-012 | | .. PACKING-PREFORMED SUPPLIER CODE: V59364 | 001030 | 1 |
| 85 | 974315-1 | | .. BOLT-FLUID PASSAGE SUPPLIER CODE: V59364 | 001030 | 1 |
| 90 | S8157N456-032 | | .. WASHER-SPECIAL SUPPLIER CODE: V59364 | 001030 | 1 |
| - 515 | 286A6502-303 | | WIRE BUNDLE ASSY | 001028 | RF |
| - 515 | 286A6502-304 | | WIRE BUNDLE ASSY | 029030 | RF |

MISSING ITEM NUMBERS NOT APPLICABLE

- ITEM NOT ILLUSTRATED

HAP

21-62-01-01

BOEING PROPRIETARY - Copyright © - Unpublished Work - See title page for details.

21-62-01
FIG. 01
PAGE 2
OCT 15/08

BOEING
737-600/700/800/900
PARTS CATALOG (MAINTENANCE)

| FIG ITEM | PART NUMBER | 1 2 3 4 5 6 7 | NOMENCLATURE | EFFECT FROM TO | UNITS PER ASSY |
|-------------|---------------|---------------|---|-------------------|----------------------|
| 1 520 | C0909A10-05S6 | | .PLUG- SUPPLIER CODE: V13556 SPECIFICATION NUMBER: BACC63BN10-5S6 OPTIONAL PART: 48-63N10-5S6 V02660 R071210-5S6 V41118 ELECTRICAL EQUIP NUMBER: D03914 WIRING DIAGRAM REF: 216115 | 001030 | 1 |
| 525 | MS27559-2 | | .SUPPORT-BACKSHELL ELECTRICAL EQUIP NUMBER: D03914T | 001030 | 1 |

MISSING ITEM NUMBERS NOT APPLICABLE

— ITEM NOT ILLUSTRATED

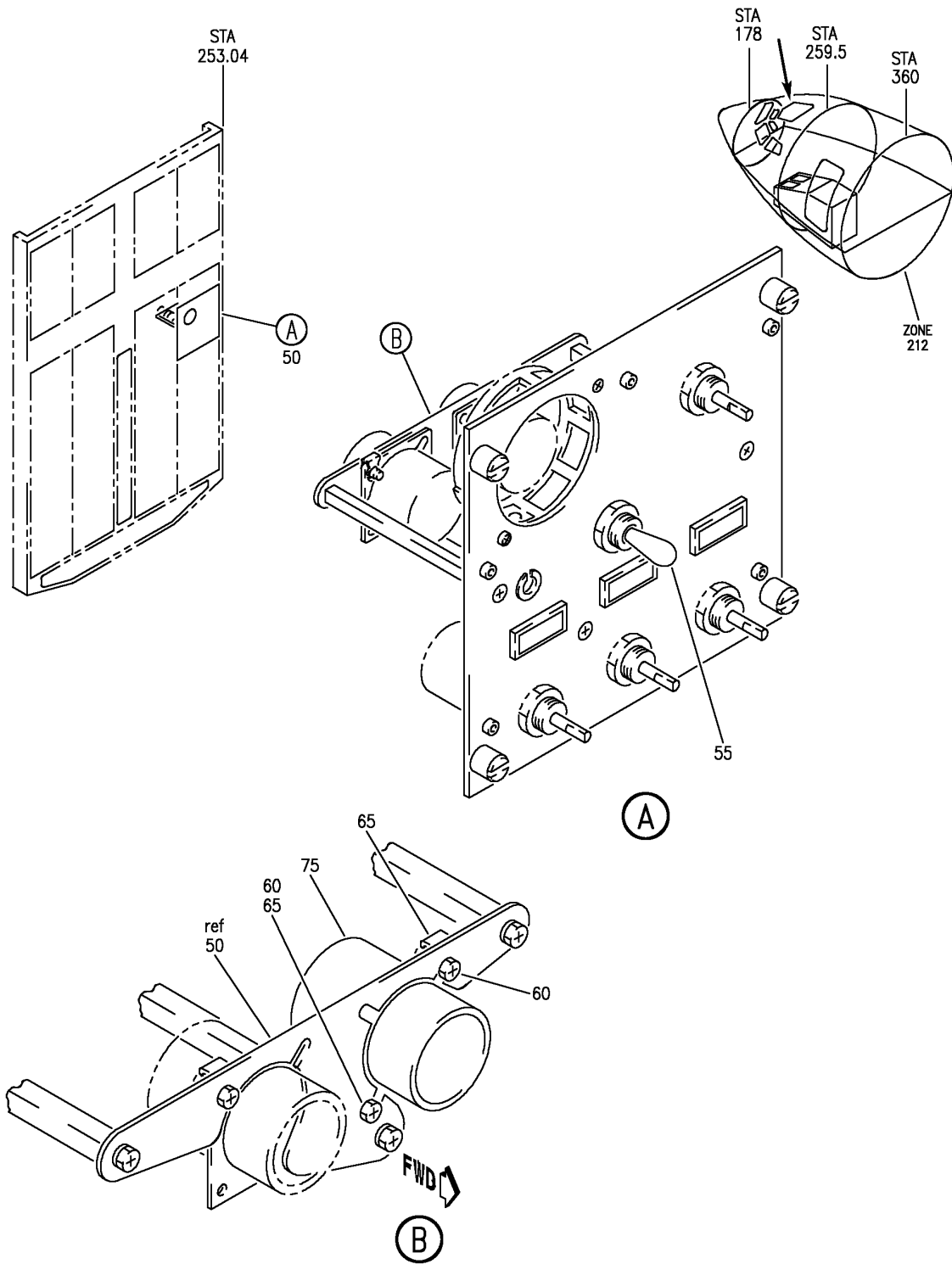
HAP

21-62-01-01

BOEING PROPRIETARY - Copyright © - Unpublished Work - See title page for details.

21-62-01
FIG. 01
PAGE 3
OCT 15/08

BOEING
 737-600/700/800/900
 PARTS CATALOG (MAINTENANCE)



E 21620102 REV 152

MODULE INSTL-P5 OVHD (TRIM AIR PRESSURE REGULATING AND SHUTOFF VALVE ONLY)
 FIGURE 2

21-62-01-02

HAP
 JUN 15/09

21-62-01-02
 PAGE 0

BOEING
737-600/700/800/900
PARTS CATALOG (MAINTENANCE)

| FIG ITEM | PART NUMBER | 1 2 3 4 5 6 7 | NOMENCLATURE | EFFECT FROM TO | UNITS PER ASSY |
|----------|--------------|---------------|--|----------------|----------------|
| 2 | | | MODULE INSTL-P5 OVHD (TRIM AIR PRESSURE REGULATING AND SHUTOFF VALVE ONLY) | 001028 | |
| - 1 | 233A3101-4 | | MODULE INSTL-P5 OVHD (TRIM AIR PRESSURE REGULATING AND SHUTOFF VALVE ONLY) FOR NHA/OTHER SYS DET SEE: 31-11-00-01C | 001005 | RF |
| - 2 | 233A3101-52 | | MODULE INSTL-P5 OVHD (TRIM AIR PRESSURE REGULATING AND SHUTOFF VALVE ONLY) FOR NHA/OTHER SYS DET SEE: 31-11-00-01C | 006007 | RF |
| - 2 | 233A3101-63 | | MODULE INSTL-P5 OVHD (TRIM AIR PRESSURE REGULATING AND SHUTOFF VALVE ONLY) FOR NHA/OTHER SYS DET SEE: 31-11-00-01C | 008011 | RF |
| - 4 | 233A3101-110 | | MODULE INSTL-P5 OVHD (TRIM AIR PRESSURE REGULATING AND SHUTOFF VALVE ONLY) FOR NHA/OTHER SYS DET SEE: 31-11-00-01C | 012016 | RF |
| - 7 | 233A3101-225 | | MODULE INSTL-P5 OVHD (TRIM AIR PRESSURE REGULATING AND SHUTOFF VALVE ONLY) FOR NHA/OTHER SYS DET SEE: 31-11-00-01C | 017019 | RF |
| - 8 | 233A3101-234 | | MODULE INSTL-P5 OVHD (TRIM AIR PRESSURE REGULATING AND SHUTOFF VALVE ONLY) FOR NHA/OTHER SYS DET SEE: 31-11-00-01C | 020028 | RF |
| 50 | 69-37324-78 | | .MODULE ASSY-CAB. TEMP P5-17 SUPPLIER CODE: V89954 ELECTRICAL EQUIP NUMBER: P00517 COMPONENT MAINT MANUAL REF: 31-36-99 | 001028 | RF |
| 55 | MS24659-23D | | ..SWITCH | 001028 | 1 |
| 60 | NAS1801-04-5 | | ..SCREW | 001028 | 2 |

MISSING ITEM NUMBERS NOT APPLICABLE

- ITEM NOT ILLUSTRATED

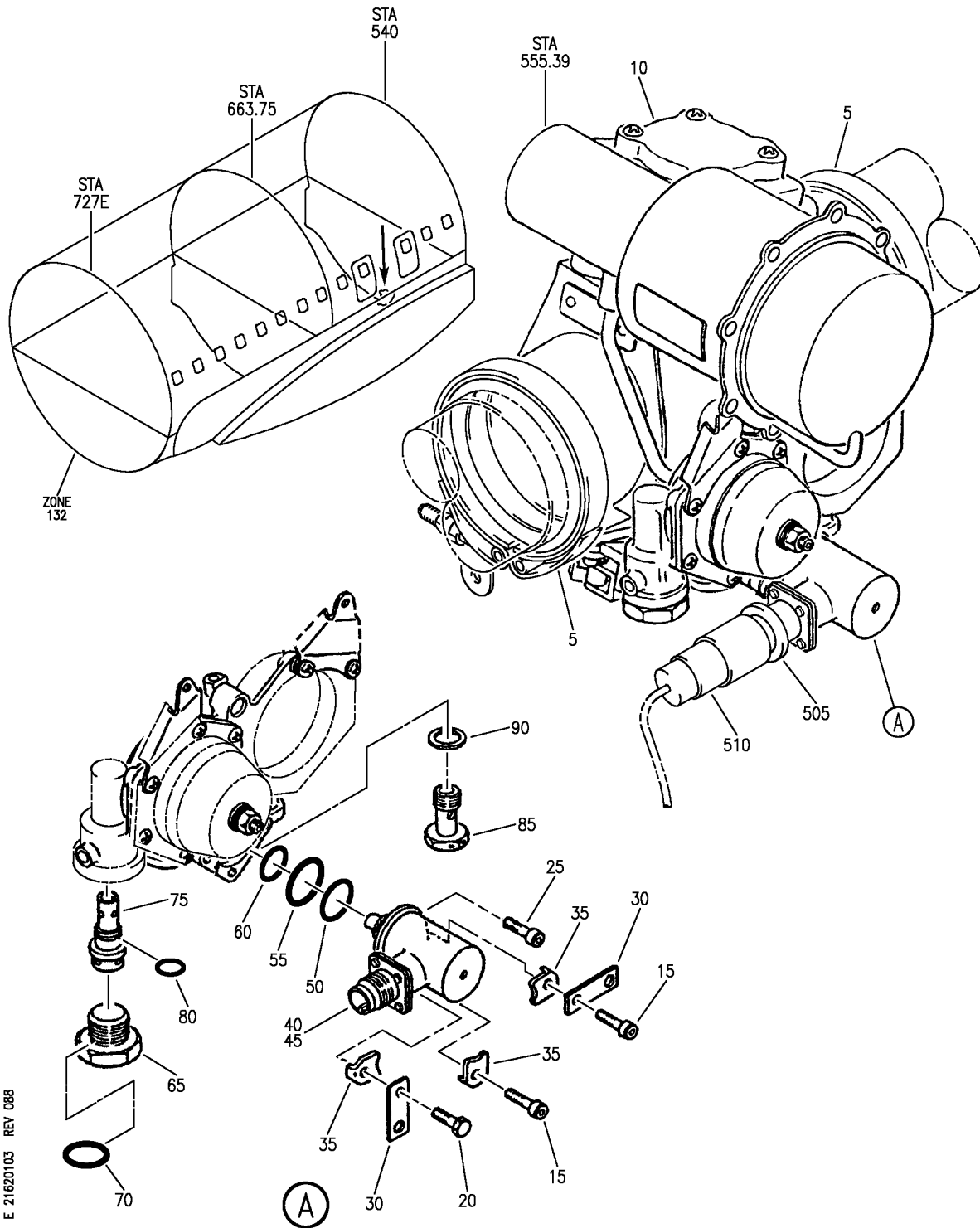
HAP

21-62-01-02

BOEING PROPRIETARY - Copyright © - Unpublished Work - See title page for details.

21-62-01
FIG. 02
PAGE 1
OCT 10/06

BOEING
 737-600/700/800/900
 PARTS CATALOG (MAINTENANCE)



E 21620103 REV 068

DUCT INSTL-AIR CONDITIONING PACK TRIM AIR (TRIM AIR PRESSURE REGULATING AND SHUTOFF VALVE ONLY)
 FIGURE 3

HAP
 OCT 10/06

21-62-01-03

21-62-01-03
 PAGE 0

BOEING
737-600/700/800/900
PARTS CATALOG (MAINTENANCE)

| FIG ITEM | PART NUMBER | 1 2 3 4 5 6 7 | NOMENCLATURE | EFFECT FROM TO | UNITS PER ASSY |
|----------|-----------------------------|---------------|--|------------------|----------------|
| 3 | | | DUCT INSTL-AIR CONDITIONING PACK TRIM AIR (TRIM AIR PRESSURE REGULATING AND SHUTOFF VALVE ONLY) | 031100 | |
| - 1 | MODREF270564 | | DUCT INSTL-AIR CONDITIONING PACK TRIM AIR (TRIM AIR PRESSURE REGULATING AND SHUTOFF VALVE ONLY) MODULE NUMBER: 213A1007-1 REV E FOR OTHER SYS DETAILS SEE: 21-61-09-02 21-61-21-02 | 031043 054100 | 1 |
| - 1 | MODREF357091 | | DUCT INSTL-AIR CONDITIONING PACK TRIM AIR (TRIM AIR PRESSURE REGULATING AND SHUTOFF VALVE ONLY) MODULE NUMBER: 213A1007-1 REV G FOR OTHER SYS DETAILS SEE: 21-61-09-02 21-61-21-02 | 044053 | 1 |
| 5 10 | BACC10DU300ABE 3214972-1 | | .CLAMP .VALVE ASSY-ZONE TEMP CONT SUPPLIER CODE: V59364 FUNCTIONAL DESCRIPTION: REGULATES TRIM AIR PRESSURE SPECIFICATION NUMBER: 10-62091-5 ELECTRICAL EQUIP NUMBER: V00146 COMPONENT MAINT MANUAL REF: 21-61-11 MAINTENANCE MANUAL REF: 21-62-01 | 031100 031100 | 2 1 |
| 15 20 | MS16995-26 S9073C08-7R | | ..SCREW ..SCREW-MACHINE SUPPLIER CODE: V59364 | 031100 031100 | 2 1 |
| 25 30 | MS35275-244 662096-4 | | ..SCREW ..LUG-TERM. SUPPLIER CODE: V59364 | 031100 031100 | 1 2 |
| 35 | 3160543-3 | | ..CLIP-RTNR SUPPLIER CODE: V59364 | 031100 | 3 |

MISSING ITEM NUMBERS NOT APPLICABLE

- ITEM NOT ILLUSTRATED

HAP

21-62-01-03

BOEING PROPRIETARY - Copyright © - Unpublished Work - See title page for details.

21-62-01
FIG. 03
PAGE 1
FEB 15/09

BOEING
737-600/700/800/900
PARTS CATALOG (MAINTENANCE)

| FIG ITEM | PART NUMBER | 1 2 3 4 5 6 7 | NOMENCLATURE | EFFECT FROM TO | UNITS PER ASSY |
|-------------|---------------|---------------|---|-------------------|----------------------|
| 3 | | | | | |
| 40 | 319545-96 | | .. VALVE ASSY-SOL. SUPPLIER CODE: V59364 FUNCTIONAL DESCRIPTION: PROVIDE ELECTRICAL CONTROL FOR REGULATING AIRFLOW IN AN AIRCRAFT PNEUMATIC SYSTEM. COMPONENT MAINT MANUAL REF: 24-09-05 | 031100 | 1 |
| 45 | 319675-75 | | ... SOLENOID- SUPPLIER CODE: V59364 | 031100 | 1 |
| 50 | S8990-564 | | .. PACKING-PREFORMED SUPPLIER CODE: V59364 | 031100 | 1 |
| 55 | S8990-565 | | .. PACKING-PREFORMED SUPPLIER CODE: V59364 | 031100 | 1 |
| 60 | S8990-563 | | .. PACKING-PREFORMED SUPPLIER CODE: V59364 | 031100 | 1 |
| 65 | AN814-8DL | | .. PLUG | 031100 | 1 |
| 70 | S8990-608 | | .. PACKING-PREFORMED SUPPLIER CODE: V59364 | 031100 | 1 |
| 75 | 974391-2 | | .. VALVE-RELIEF SUPPLIER CODE: V59364 | 031100 | 1 |
| 80 | S8990-012 | | .. PACKING-PREFORMED SUPPLIER CODE: V59364 | 031100 | 1 |
| 85 | 974315-1 | | .. BOLT-FLUID PASSAGE SUPPLIER CODE: V59364 | 031100 | 1 |
| 90 | S8157N456-032 | | .. WASHER-SPECIAL SUPPLIER CODE: V59364 | 031100 | 1 |
| - 500 | 286A6502-306 | | WIRE BUNDLE ASSY | 031048 054100 | RF |

MISSING ITEM NUMBERS NOT APPLICABLE

- ITEM NOT ILLUSTRATED

HAP

21-62-01-03

BOEING PROPRIETARY - Copyright © - Unpublished Work - See title page for details.

21-62-01
FIG. 03
PAGE 2
FEB 15/09

BOEING
737-600/700/800/900
PARTS CATALOG (MAINTENANCE)

| FIG ITEM | PART NUMBER | 1 2 3 4 5 6 7 | NOMENCLATURE | EFFECT FROM TO | UNITS PER ASSY |
|-------------|---------------|---------------|---|-------------------|----------------------|
| 3 505 | C0909A10-05S6 | | .PLUG- SUPPLIER CODE: V13556 SPECIFICATION NUMBER: BACC63BN10-5S6 OPTIONAL PART: 48-63N10-5S6 V02660 R071210-5S6 V41118 ELECTRICAL EQUIP NUMBER: D03914 WIRING DIAGRAM REF: 216115 | 031048 054100 | 1 |
| 510 | MS27559-2 | | .SUPPORT-BACKSHELL ELECTRICAL EQUIP NUMBER: D03914T WIRING DIAGRAM REF: 216115 | 031048 054100 | 1 |

MISSING ITEM NUMBERS NOT APPLICABLE

— ITEM NOT ILLUSTRATED

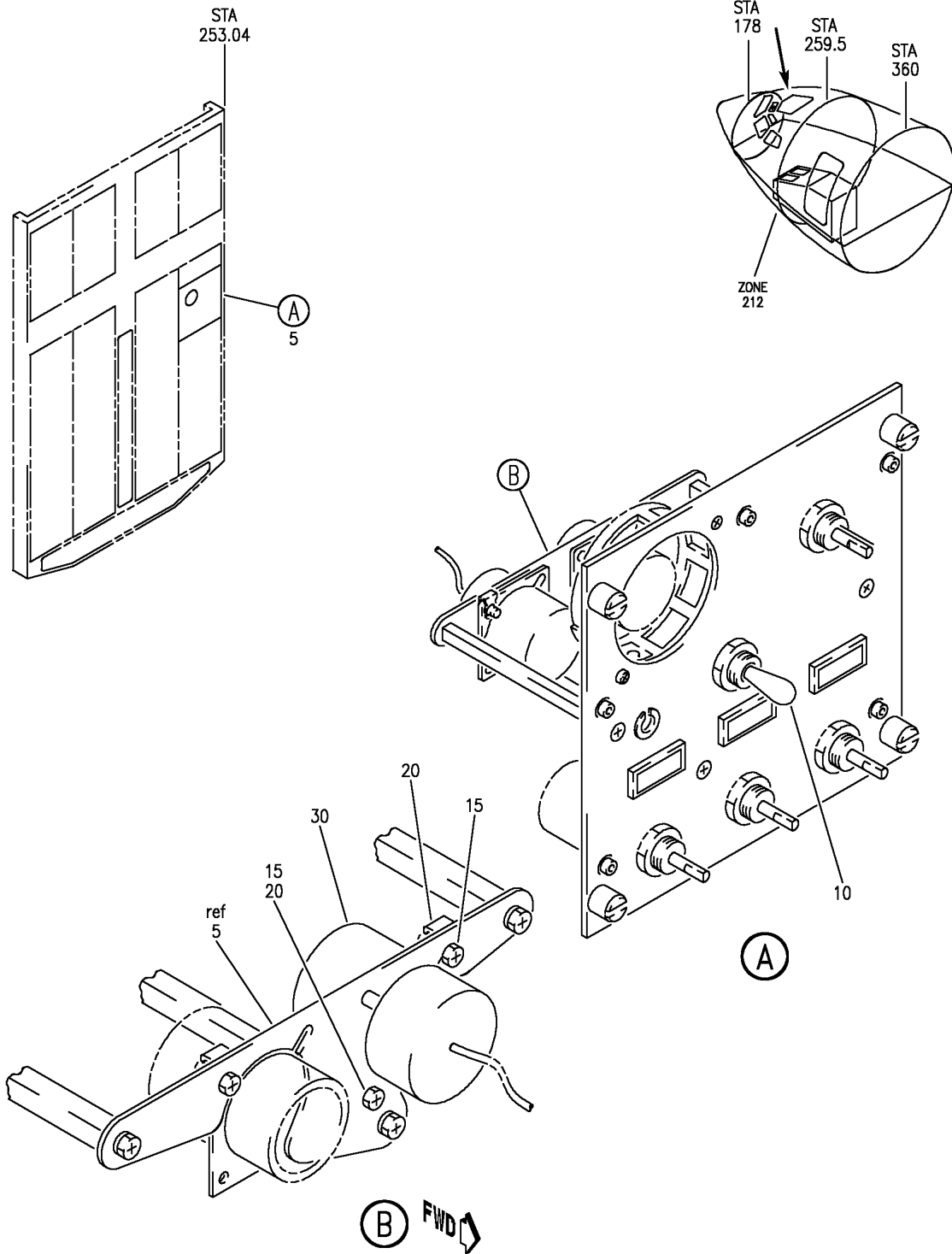
HAP

21-62-01-03

BOEING PROPRIETARY - Copyright © - Unpublished Work - See title page for details.

21-62-01
FIG. 03
PAGE 3
FEB 15/09

BOEING
 737-600/700/800/900
 PARTS CATALOG (MAINTENANCE)



E 21625101 REV 150

MODULE INSTL-P5 OVHD (TRIM AIR PRESSURE REGULATION AND SHUTOFF CONTROL ONLY)
 FIGURE 1

21-62-51-01

HAP
 FEB 15/09

21-62-51-01
 PAGE 0


BOEING
 737-600/700/800/900
PARTS CATALOG (MAINTENANCE)

| FIG ITEM | PART NUMBER | 1 2 3 4 5 6 7 | NOMENCLATURE | EFFECT FROM TO | UNITS PER ASSY |
|-------------|----------------|---------------|---|-------------------|----------------------|
| 1 | | | | | |
| - 25 | 69-37324-77 | | ..WIRE BUNDLE ASSY- SUPPLIER CODE: V89954 | 029100 | RF |
| 30 | BACC45FN16-24P | | ...CONNECTOR | 029100 | 1 |

MISSING ITEM NUMBERS NOT APPLICABLE

- ITEM NOT ILLUSTRATED

HAP

21-62-51-01

BOEING PROPRIETARY - Copyright © - Unpublished Work - See title page for details.

21-62-51
 FIG. 01
 PAGE 2
 JUN 15/09