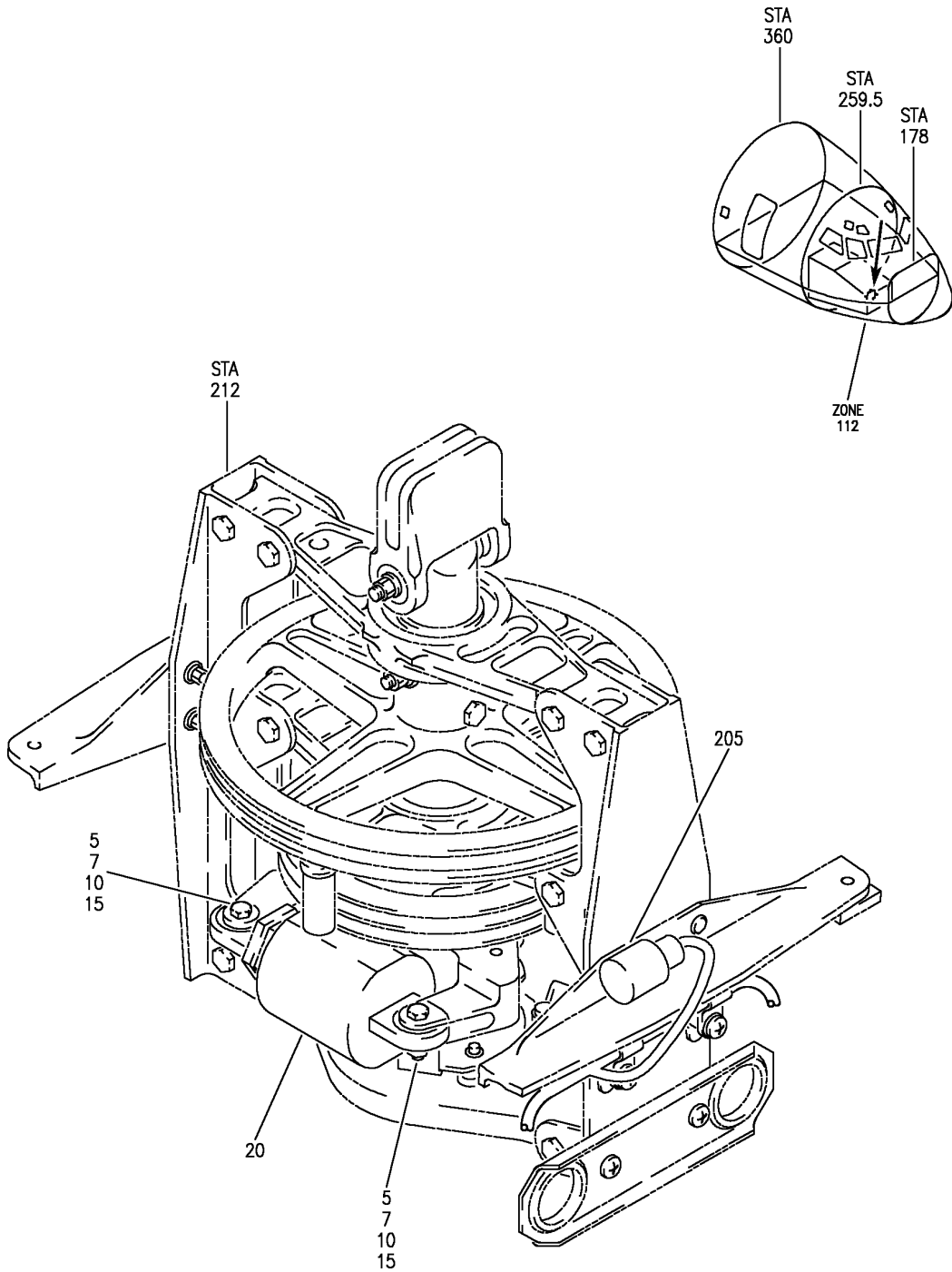


DIGITAL FLIGHT CONTROL SYSTEM

HAP
OCT 10/06

22-11-00
SECTION TITLE
PAGE 1

BOEING
 737-600/700/800/900
 PARTS CATALOG (MAINTENANCE)



E 2211101 REV 152

DRUM MECHANISM ASSY-AIL. CONT (AUTOFLIGHT ONLY)
 FIGURE 1

22-11-11-01

HAP
 JUN 15/09

22-11-11-01
 PAGE 0

BOEING
737-600/700/800/900
PARTS CATALOG (MAINTENANCE)

FIG ITEM	PART NUMBER	1 2 3 4 5 6 7	NOMENCLATURE	EFFECT FROM TO	UNITS PER ASSY
1			DRUM MECHANISM ASSY-AIL. CONT (AUTOFLIGHT ONLY)		
- 1	251A1814-3		DRUM MECHANISM ASSY-AIL. CONT (AUTOFLIGHT ONLY) COMPONENT MAINT MANUAL REF: 27-11-35 FOR NHA/OTHER SYS DET SEE: 27-11-51-05	001007	RF
- 1	251A1814-4		DRUM MECHANISM ASSY-AIL. CONT (AUTOFLIGHT ONLY) COMPONENT MAINT MANUAL REF: 27-11-35 FOR NHA/OTHER SYS DET SEE: 27-11-51-05	008009 201967	RF
- 1	251A1814-5		DRUM MECHANISM ASSY-AIL. CONT (AUTOFLIGHT ONLY) COMPONENT MAINT MANUAL REF: 27-11-35 FOR NHA/OTHER SYS DET SEE: 27-11-51-05	010019	RF
- 1	251A1814-9		DRUM MECHANISM ASSY-AIL. CONT (AUTOFLIGHT ONLY) COMPONENT MAINT MANUAL REF: 27-11-35 FOR NHA/OTHER SYS DET SEE: 27-11-51-05	020030	RF
- 1	251A1814-10		DRUM MECHANISM ASSY-AIL. CONT (AUTOFLIGHT ONLY) COMPONENT MAINT MANUAL REF: 27-11-35 FOR NHA/OTHER SYS DET SEE: 27-11-51-05	031200 968999	RF
	5 BACB30LM3-9		.BOLT-	031200 968999	2
	7 NAS603-9		.SCREW	001030 037043 101101 201971	2
	10 NAS1149E0332P		.WASHER		2
	15 PLH53CD		.NUT		2
			SUPPLIER CODE: VF0224 SPECIFICATION NUMBER: BACN10YR3CD OPTIONAL PART: H52732-3CD V15653		

R
R
R
R

MISSING ITEM NUMBERS NOT APPLICABLE

- ITEM NOT ILLUSTRATED

HAP

22-11-11-01

22-11-11
FIG. 01
PAGE 1
JUN 15/09

BOEING
737-600/700/800/900
PARTS CATALOG (MAINTENANCE)

FIG ITEM	PART NUMBER	1 2 3 4 5 6 7	NOMENCLATURE	EFFECT FROM TO	UNITS PER ASSY
1 20	GM5341-8		.TRANSDUCER- SUPPLIER CODE: V22863 FUNCTIONAL DESCRIPTION: THIS ELECTRICALLY ENERGIZED, DUAL OUTPUT FORCE TRANSDUCER PRO- VIDES ELECTRICAL SIG- NALS TO THE AUTOPILOT AS A FUNCTION OF CON- TROL WHEEL AND COLUMN FORCES SPECIFICATION NUMBER: 10-61072-8 MISCELLANEOUS DATA: GM5341-7 PREFERRED PART FOR ELEVATOR. GM5341-8 PREFERRED PART FOR AILERON ELECTRICAL EQUIP NUMBER: M00221 COMPONENT MAINT MANUAL REF: 22-10-02 USED ON: 251A1814-3	001019 201967	1
20	GM10603		.TRANSDUCER- SUPPLIER CODE: V22863 SPECIFICATION NUMBER: S251A102-1 ELECTRICAL EQUIP NUMBER: M00221 COMPONENT MAINT MANUAL REF: 22-10-03		1
- 200	286A5369-012		WIRE BUNDLE ASSY-	002004 006006	RF
- 200	286A5369-013		WIRE BUNDLE ASSY	001001 005005 007019 201967	RF
- 200	286A5369-023		WIRE BUNDLE ASSY	020048 054106 968999	RF
205	BACC45FN10-5S		.PLUG- ELECTRICAL EQUIP NUMBER: D00397 WIRING DIAGRAM REF: 221111	001048 054106 201999	1

MISSING ITEM NUMBERS NOT APPLICABLE

- ITEM NOT ILLUSTRATED

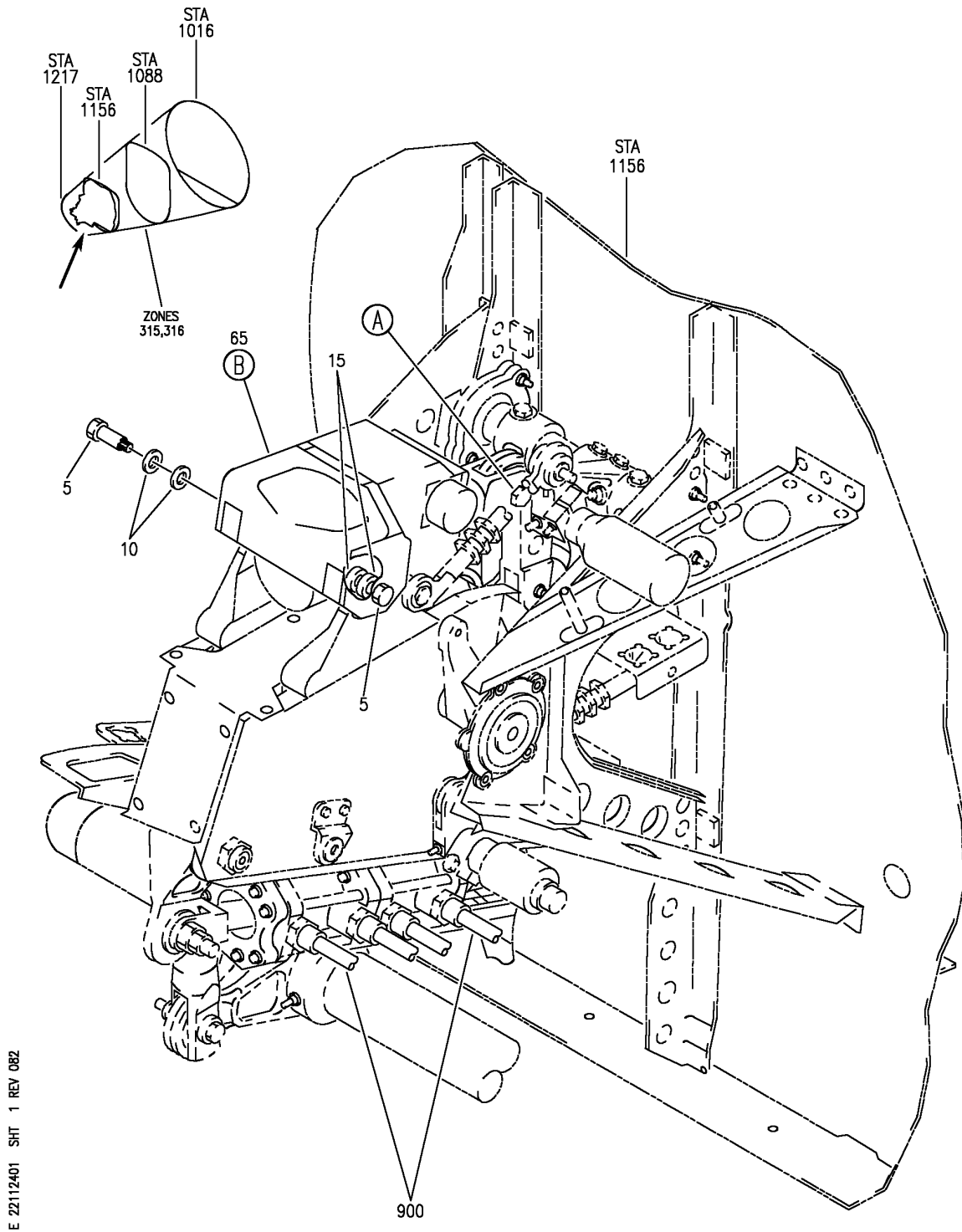
HAP

22-11-11-01

BOEING PROPRIETARY - Copyright © - Unpublished Work - See title page for details.

22-11-11
FIG. 01
PAGE 2
FEB 15/09

BOEING
737-600/700/800/900
PARTS CATALOG (MAINTENANCE)



E 22112401 SHT 1 REV 082

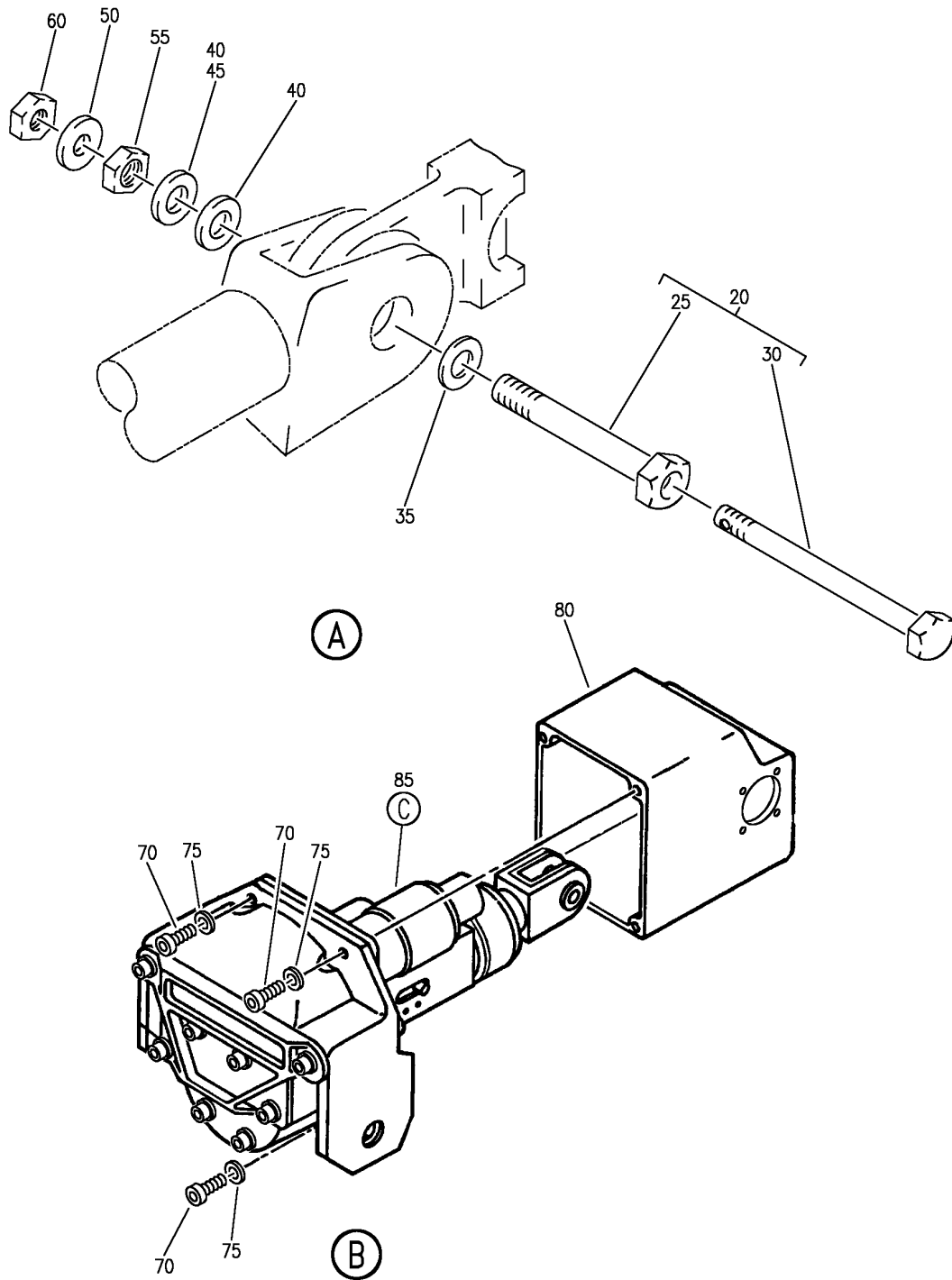
CONTROL INSTL-FEEL AND CENTERING ELEV (MACH TRIM ACTUATOR ONLY)
FIGURE 1 (SHEET 1)

22-11-24-01

HAP
OCT 10/06

22-11-24-01
PAGE 0

BOEING
 737-600/700/800/900
 PARTS CATALOG (MAINTENANCE)



E 22112401 SHT 2 REV 082

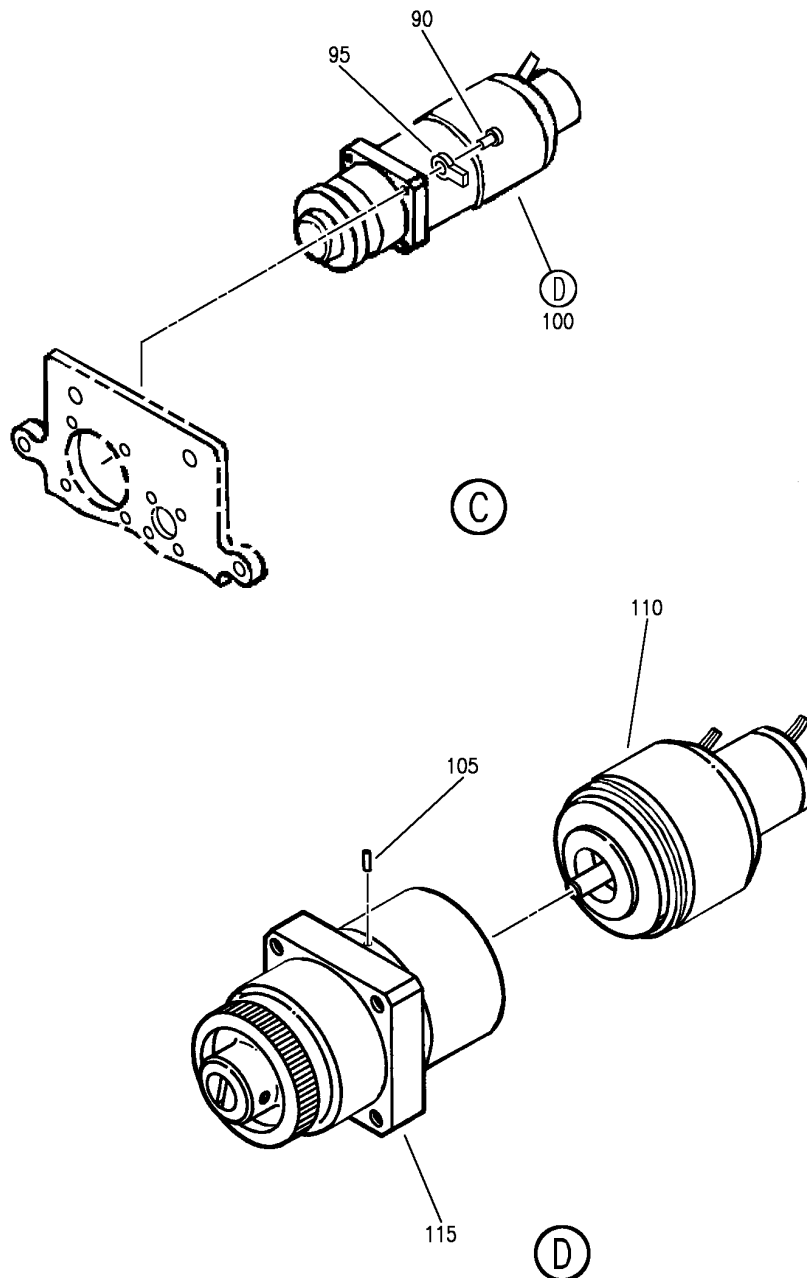
CONTROL INSTL-FEEL AND CENTERING ELEV (MACH TRIM ACTUATOR ONLY)
 FIGURE 1 (SHEET 2)

22-11-24-01

HAP
 OCT 10/06

22-11-24-01
 PAGE 0A

BOEING
737-600/700/800/900
PARTS CATALOG (MAINTENANCE)



E 22112401 SH1 3 REV 082

CONTROL INSTL-FEEL AND CENTERING ELEV (MACH TRIM ACTUATOR ONLY)
FIGURE 1 (SHEET 3)

22-11-24-01

HAP
OCT 10/06

22-11-24-01
PAGE 0B

BOEING
737-600/700/800/900
PARTS CATALOG (MAINTENANCE)

FIG ITEM	PART NUMBER	1 2 3 4 5 6 7	NOMENCLATURE	EFFECT FROM TO	UNITS PER ASSY
1			CONTROL INSTL-FEEL AND CENTERING ELEV (MACH TRIM ACTUATOR ONLY)		
- 1	251A2101-4		CONTROL INSTL-FEEL AND CENTERING ELEV (MACH TRIM ACTUATOR ONLY) FOR NHA/OTHER SYS DET SEE: 27-30-00-06	001007	RF
- 1	251A2101-7		CONTROL INSTL-FEEL AND CENTERING ELEV (MACH TRIM ACTUATOR ONLY) FOR NHA/OTHER SYS DET SEE: 27-30-00-06	008030 201967	RF
- 1	MODREF84007		CONTROL INSTL-FEEL AND CENTERING ELEV (MACH TRIM ACTUATOR ONLY) MODULE NUMBER: 251A2101-7 REV A FOR OTHER SYS DETAILS SEE: 27-31-64-01 FOR ADDITIONAL DETAILS SEE: 22-11-31-01	031043 101101 968971	1
- 1	MODREF346528		CONTROL INSTL-FEEL AND CENTERING ELEV (MACH TRIM ACTUATOR ONLY) MODULE NUMBER: 251A2101-7 REV B FOR OTHER SYS DETAILS SEE: 27-31-64-01 FOR ADDITIONAL DETAILS SEE: 22-11-31-01	044049 054100 102106 972999	1
- 1	MODREF405496		CONTROL INSTL-FEEL AND CENTERING ELEV (MACH TRIM ACTUATOR ONLY) MODULE NUMBER: 251A2101-7 REV D FOR OTHER SYS DETAILS SEE: 27-31-64-01 FOR ADDITIONAL DETAILS SEE: 22-11-31-01	050053 107200	1
5	69-49750-4		.BOLT		2
10	NAS1149D0516J		.WASHER		2

MISSING ITEM NUMBERS NOT APPLICABLE

- ITEM NOT ILLUSTRATED

HAP

22-11-24-01

BOEING PROPRIETARY - Copyright © - Unpublished Work - See title page for details.

22-11-24
FIG. 01
PAGE 1
FEB 15/09

BOEING
737-600/700/800/900
PARTS CATALOG (MAINTENANCE)

FIG ITEM	PART NUMBER	1 2 3 4 5 6 7	NOMENCLATURE	EFFECT FROM TO	UNITS PER ASSY
R R R R R R R R R R R R R R R	1 15	MKP5AFS428	.BEARING SUPPLIER CODE: V06144 SPECIFICATION NUMBER: BACB10AP5 OPTIONAL PART: LLMKP5A V38443 MKP5AFS428 V21335 MKP5ATT V43991 MKP5A2TS V43991 MKP5E6531 V21335 MKP5AG20 V38443 MKP5ALY196 V40920 MKP5A V38443 MCS25E VK8455 MCS205E VK8455 MKP5ASD610 V83086 MKP5ANJC V06144	001049 054106 201999	2
	15	SSMKP5ASD529	.BEARING SUPPLIER CODE: V50294 SPECIFICATION NUMBER: BACB10FS05RJ OPTIONAL PART: ACMKP5AFS428 V21335 SSMKP5RAP V21760	050053 107200	2
	20	69-27158-6	.BOLT ASSY	001007	1
	20	251A2098-1	.BOLT ASSY	008999	1
	25	69-27163-4	..BOLT-HOLLOW	001007	1
	25	251A2147-1	..BOLT-HOLLOW	008999	1
	30	NAS1104-29	..BOLT	001007	1
	30	BACB30NR4K30	..BOLT- OPTIONAL PART: 251A1665-4	008999	1

MISSING ITEM NUMBERS NOT APPLICABLE

— ITEM NOT ILLUSTRATED

HAP

22-11-24-01

BOEING PROPRIETARY - Copyright © - Unpublished Work - See title page for details.

22-11-24
FIG. 01
PAGE 2
JUN 15/09

BOEING
737-600/700/800/900
PARTS CATALOG (MAINTENANCE)

FIG ITEM	PART NUMBER	1 2 3 4 5 6 7	NOMENCLATURE	EFFECT FROM TO	UNITS PER ASSY
1					
30	251A1665-4		..BOLT- OPTIONAL PART: BACB30NR4K30	008999	1
35	BACW10BP6ACU		.WASHER	008999	1
40	NAS1149D0663J		.WASHER	001007	2
45	NAS1149E0663R		.WASHER	008999	1
50	NAS1149D0463J		.WASHER	001007	1
50	NAS1149E0463R		.WASHER	008999	1
55	MS21042L6		.NUT	001007	1
55	PLH56CD		.NUT SUPPLIER CODE: VF0224 SPECIFICATION NUMBER: BACN10YR6CD OPTIONAL PART: H52732-6CD V15653	008999	1
60	MS21042L4		.NUT	001007	1
60	PLH54CD		.NUT SUPPLIER CODE: VF0224 SPECIFICATION NUMBER: BACN10YR4CD OPTIONAL PART: H52732-4CD V15653	008999	1
65	2A7206B		.ACTUATOR ASSY- MACH TRIM SUPPLIER CODE: V19710 FUNCTIONAL DESCRIPTION: RECENTERS THE ELEVATOR FEEL & CENTERING UNIT AS A FUNCTION OF MACH NUMBER SPECIFICATION NUMBER: 10-61369-9 COMPONENT MAINT MANUAL REF: 22-21-01		1
70	9974568015A		..SCREW- SUPPLIER CODE: V19710		4
75	9994560505A		..WASHER- SUPPLIER CODE: V19710		4
80	2273486002B		..COVER- SUPPLIER CODE: V19710		1

MISSING ITEM NUMBERS NOT APPLICABLE

— ITEM NOT ILLUSTRATED

HAP

22-11-24-01

BOEING PROPRIETARY - Copyright © - Unpublished Work - See title page for details.

22-11-24
FIG. 01
PAGE 3
JUN 15/09

BOEING
737-600/700/800/900
PARTS CATALOG (MAINTENANCE)

FIG ITEM	PART NUMBER	1 2 3 4 5 6 7	NOMENCLATURE	EFFECT FROM TO	UNITS PER ASSY
1					
85	2273480016-1		..FINAL ASSY- SUPPLIER CODE: V19710		1
90	MS35275-216		...SCREW		4
95	2994471701L		...TERMINAL-SOLDER LUG SUPPLIER CODE: V19710		1
100	1561200021A		...GEARHEAD AND MOTOR ASSY- SUPPLIER CODE: V19710		1
105	2994569838L	PIN-SPIRAL SUPPLIER CODE: V19710		1
110	1461200101B	MOTOR-BRAKE SUPPLIER CODE: V19710		1
115	2S3A334801A	GEARHEAD-SPUR SUPPLIER CODE: V19710		1
900			ILLUSTRATION REFERENCE: PLUMBING INSTL-SECT. 48 BHD STA 1156 29-11-52-14B	001052 054999	RF

MISSING ITEM NUMBERS NOT APPLICABLE

— ITEM NOT ILLUSTRATED

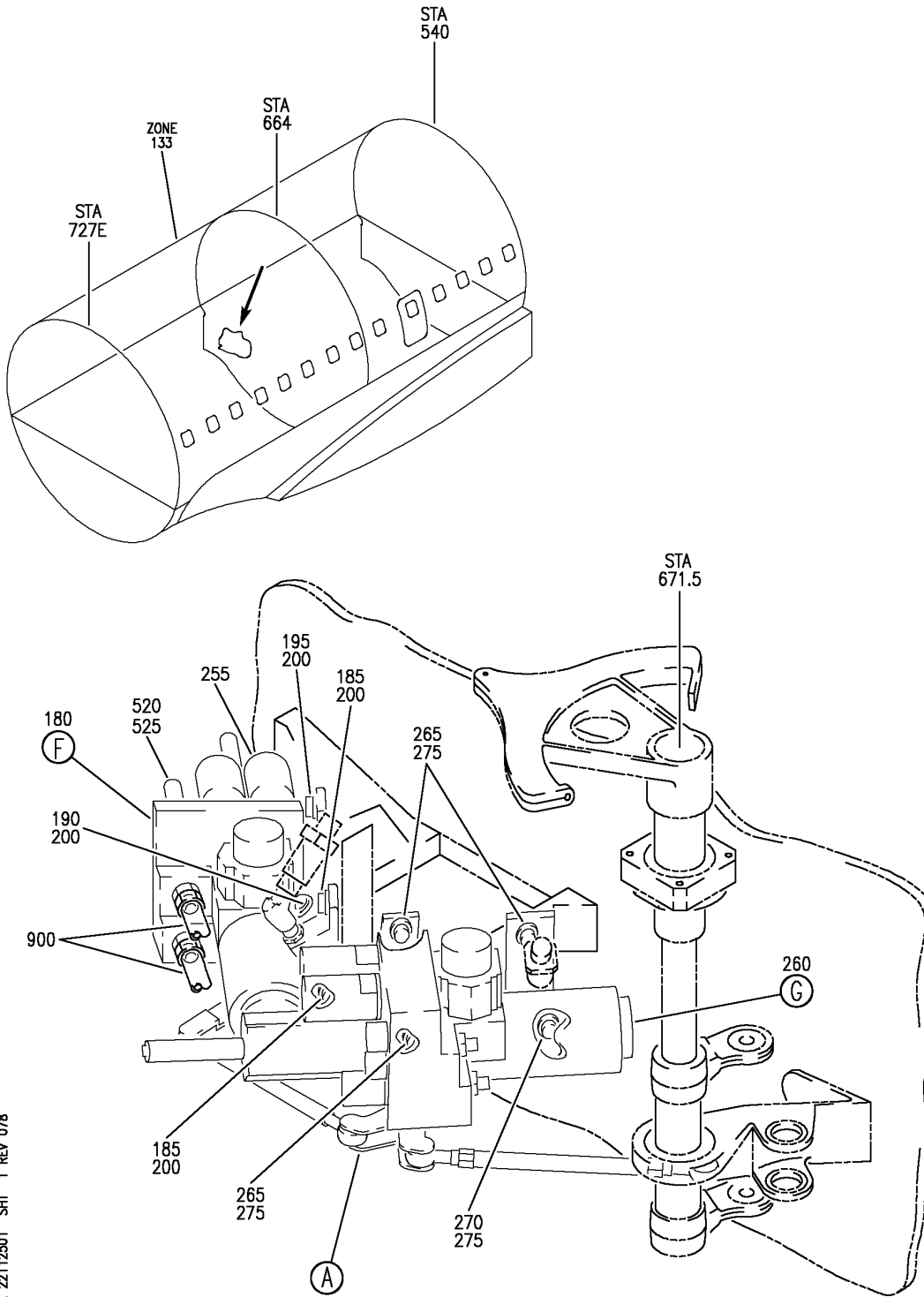
HAP

22-11-24-01

BOEING PROPRIETARY - Copyright © - Unpublished Work - See title page for details.

22-11-24
FIG. 01
PAGE 4
JUN 15/09

BOEING
 737-600/700/800/900
 PARTS CATALOG (MAINTENANCE)



E 22112501 SH1 1 REV 078

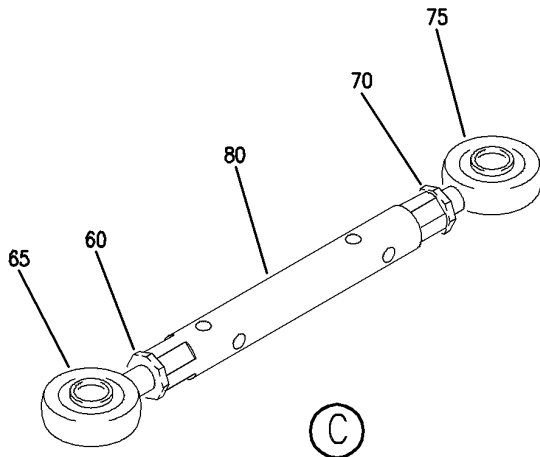
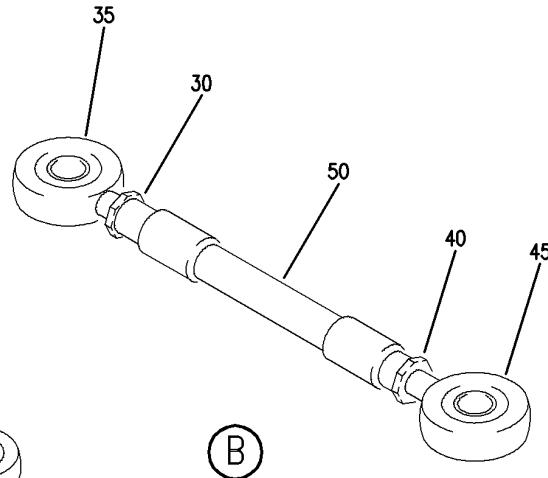
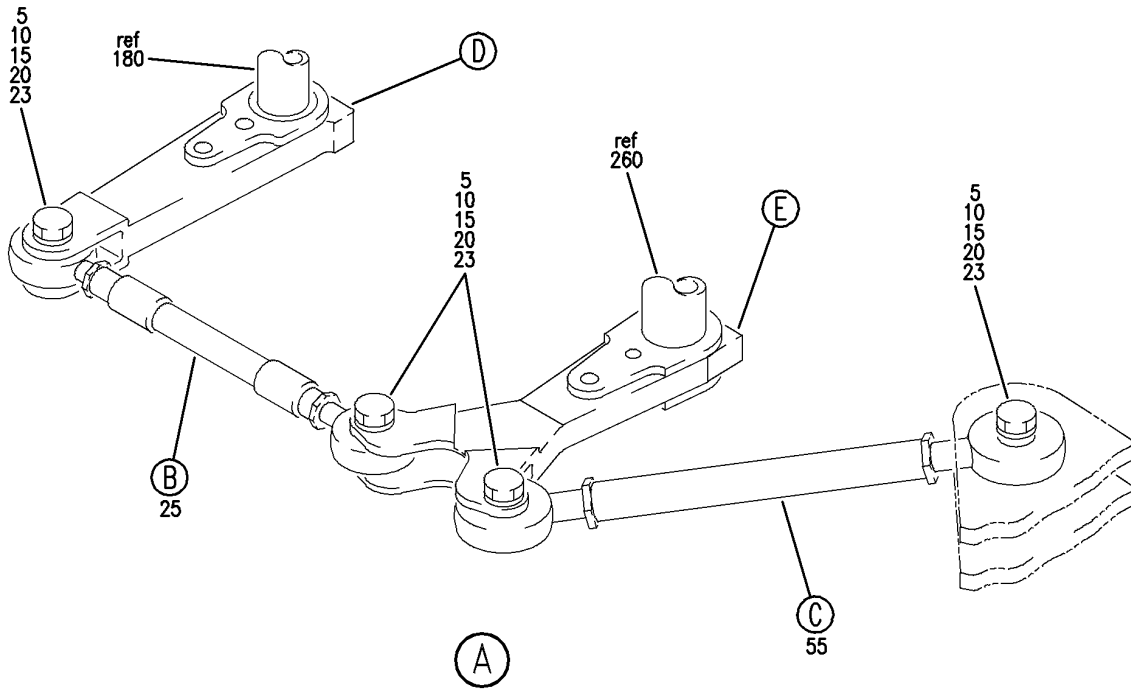
ACTUATOR INSTL-AIL. CONT AUTOPILOT
 FIGURE 1 (SHEET 1)

22-11-25-01

HAP
 OCT 10/06

22-11-25-01
 PAGE 0

BOEING
 737-600/700/800/900
 PARTS CATALOG (MAINTENANCE)



E 22112501 SHT 2 REV 054

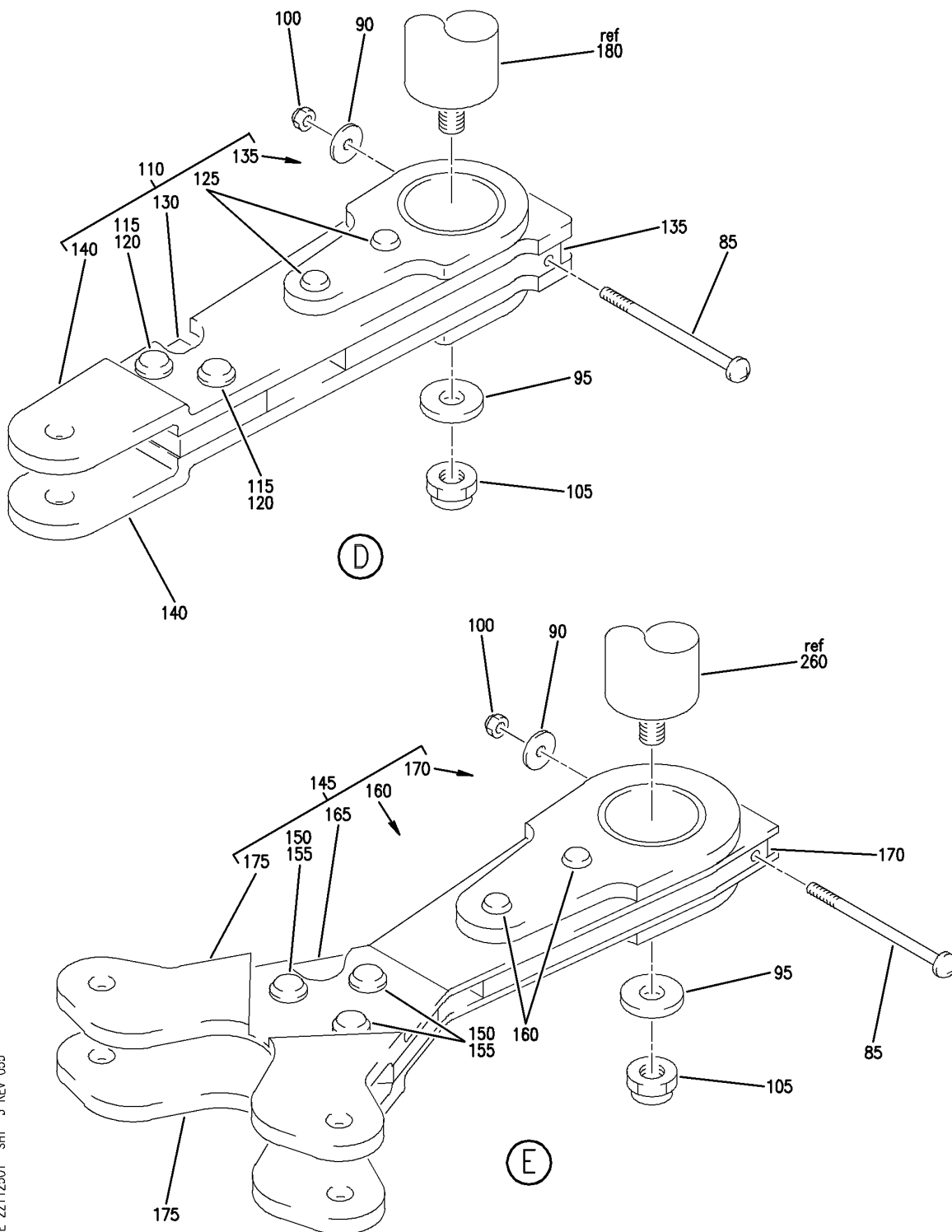
ACTUATOR INSTL-AIL. CONT AUTOPILOT
 FIGURE 1 (SHEET 2)

22-11-25-01

HAP
 OCT 10/06

22-11-25-01
 PAGE 0A

BOEING
 737-600/700/800/900
 PARTS CATALOG (MAINTENANCE)



E 22112501 SHT 3 REV 055

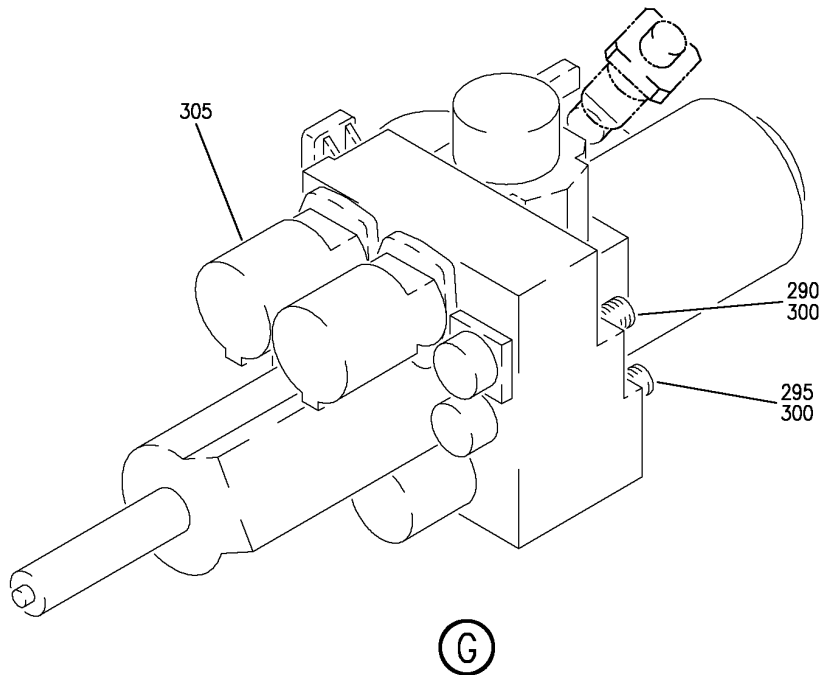
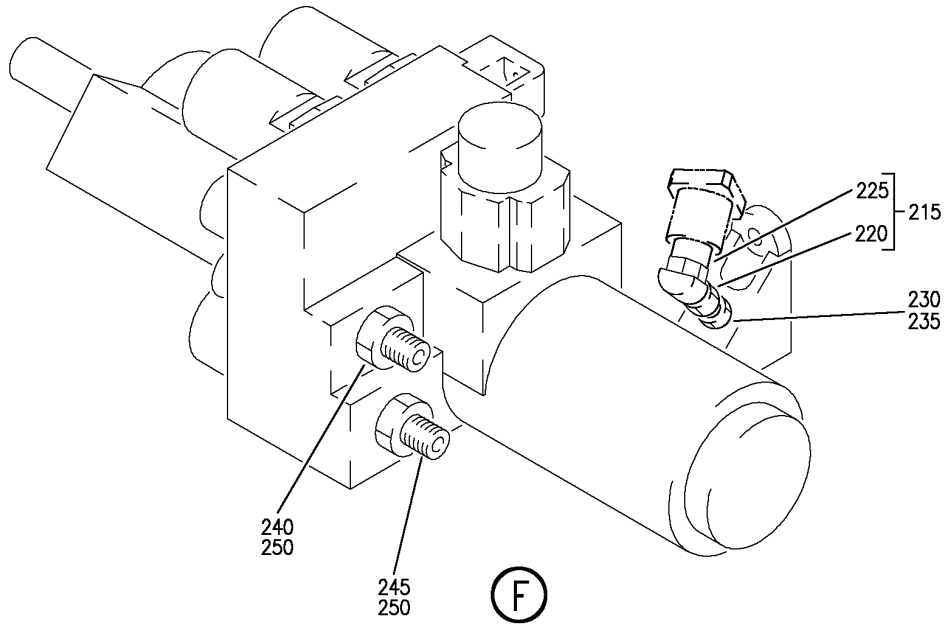
ACTUATOR INSTL-AIL. CONT AUTOPILOT
 FIGURE 1 (SHEET 3)

22-11-25-01

HAP
 OCT 10/06

22-11-25-01
 PAGE 0B

BOEING
 737-600/700/800/900
 PARTS CATALOG (MAINTENANCE)



E 22112501 SH- 4 REV 078

ACTUATOR INSTL-AIL. CONT AUTOPILOT
 FIGURE 1 (SHEET 4)

22-11-25-01

HAP
 OCT 10/06

22-11-25-01
 PAGE 0C

BOEING
737-600/700/800/900
PARTS CATALOG (MAINTENANCE)

FIG ITEM	PART NUMBER	1 2 3 4 5 6 7	NOMENCLATURE	EFFECT FROM TO	UNITS PER ASSY
1			ACTUATOR INSTL-AIL. CONT AUTOPILOT		
- 1	251A1670-1		ACTUATOR INSTL-AIL. CONT AUTOPILOT POSITION DATA: STA 664 FOR NHA SEE: 27-00-00-17A	001030 201967	RF
- 1	MODREF83938		ACTUATOR INSTL-AIL. CONT AUTOPILOT MODULE NUMBER: 251A1670-1 REV A POSITION DATA: STA 664	031038 968968	1
- 1	MODREF331967		ACTUATOR INSTL-AIL. CONT AUTOPILOT MODULE NUMBER: 251A1670-1 REV B POSITION DATA: STA 664	039200 969999	1
5	BACB30NR4K15		.BOLT		4
10	BACW10BP4CD		.WASHER		4
15	BACW10BP4DP		.WASHER		4
20	PLH54CD		.NUT- SUPPLIER CODE: VF0224 SPECIFICATION NUMBER: BACN10YR4CD OPTIONAL PART: H52732-4CD V15653 BACN10JC4CD		4
23	BRH10C4D		.NUT- SUPPLIER CODE: V52828 SPECIFICATION NUMBER: BACN10JC4CD OPTIONAL PART: T6C428JCD V11815 NS202486-048 V80539 102LH9075-4W V72962 H51650-4BAC V15653 BACN10YR4CD		4
25	69-71010-7		.ROD ASSY		1
30	NAS509-7		..NUT		1

MISSING ITEM NUMBERS NOT APPLICABLE

- ITEM NOT ILLUSTRATED

HAP

22-11-25-01

BOEING PROPRIETARY - Copyright © - Unpublished Work - See title page for details.

22-11-25
FIG. 01
PAGE 1
FEB 15/09

BOEING
737-600/700/800/900
PARTS CATALOG (MAINTENANCE)

FIG ITEM	PART NUMBER	1 2 3 4 5 6 7	NOMENCLATURE	EFFECT FROM TO	UNITS PER ASSY
1 35	REP4M7-2FS428		.. BEARING SUPPLIER CODE: V73134 SPECIFICATION NUMBER: BACB10AD13 OPTIONAL PART: HHRE4M7-1 V38443 REP4M7-2E9171B V21335 ABR4M104 VS0352 REP4M7CP62 VF0222 REP4M7-2FS428 V21335 REB4M7-21 V92563 DBM4-7A1-501 V77896 ABR4M104B V15860 REP4M7-013J V73134		1
40	NAS509-6		.. NUT		1
45	REP4M6-5FS428		.. BEARING SUPPLIER CODE: V73134 SPECIFICATION NUMBER: BACB10AD12 OPTIONAL PART: HHRE4M6-2 V38443 REP4M6-5E9171B V21335 ABR4M103 VS0352 REP4M6-2CP62 VF0222 REP4M6-5FS428 V21335 REB4M6-21 V92563 DBM4-6B1-501 V77896 ABR4M103B V15860 REP4M6-012J V73134		1

MISSING ITEM NUMBERS NOT APPLICABLE

— ITEM NOT ILLUSTRATED

HAP

22-11-25-01

BOEING PROPRIETARY - Copyright © - Unpublished Work - See title page for details.

22-11-25
FIG. 01
PAGE 2
FEB 15/09

BOEING
737-600/700/800/900
PARTS CATALOG (MAINTENANCE)

FIG ITEM	PART NUMBER	1 2 3 4 5 6 7	NOMENCLATURE	EFFECT FROM TO	UNITS PER ASSY
1					
50	69-71010-10	..	ROD		1
55	251A1673-1	.ROD	ASSY		1
60	NAS509-7	..	NUT		1
65	REP4M7-2FS428	..	BEARING		1
			SUPPLIER CODE: V73134		
			SPECIFICATION NUMBER: BACB10AD13		
			OPTIONAL PART: HHRE4M7-1		
			V38443		
			REP4M7-2E9171B		
			V21335		
			ABR4M104		
			VS0352		
			REP4M7CP62		
			VF0222		
			REP4M7-2FS428		
			V21335		
			REB4M7-21		
			V92563		
			DBM4-7A1-501		
			V77896		
			ABR4M104B		
			V15860		
			REP4M7-013J		
			V73134		
70	NAS509-6	..	NUT		1

MISSING ITEM NUMBERS NOT APPLICABLE

— ITEM NOT ILLUSTRATED

HAP

22-11-25-01

BOEING PROPRIETARY - Copyright © - Unpublished Work - See title page for details.

22-11-25
FIG. 01
PAGE 3
FEB 15/09

BOEING
737-600/700/800/900
PARTS CATALOG (MAINTENANCE)

FIG ITEM	PART NUMBER	1 2 3 4 5 6 7	NOMENCLATURE	EFFECT FROM TO	UNITS PER ASSY
1 75	REP4M6-5FS428		.. BEARING SUPPLIER CODE: V73134 SPECIFICATION NUMBER: BACB10AD12 OPTIONAL PART: HHRE4M6-2 V38443 REP4M6-5E9171B V21335 ABR4M103 VS0352 REP4M6-2CP62 VF0222 REP4M6-5FS428 V21335 REB4M6-21 V92563 DBM4-6B1-501 V77896 ABR4M103B V15860 REP4M6-012J V73134		1
80	251A1673-2		.. ROD		1
85	NAS623-3-23		. SCREW		2
90	BACW10BP3DP		. WASHER		2
95	66-26123-1		. WASHER		2
100	BRH10C3D		. NUT SUPPLIER CODE: V52828 SPECIFICATION NUMBER: BACN10JC3CD OPTIONAL PART: T6C1032JCD V11815 NS202486-02 V80539 102LH9075-3W V72962 H51650-3BAC V15653		2

MISSING ITEM NUMBERS NOT APPLICABLE

— ITEM NOT ILLUSTRATED

HAP

22-11-25-01

BOEING PROPRIETARY - Copyright © - Unpublished Work - See title page for details.

22-11-25
FIG. 01
PAGE 4
FEB 15/09

BOEING
737-600/700/800/900
PARTS CATALOG (MAINTENANCE)

FIG ITEM	PART NUMBER	1 2 3 4 5 6 7	NOMENCLATURE	EFFECT FROM TO	UNITS PER ASSY
1 105	BRH10C4D	.	NUT SUPPLIER CODE: V52828 SPECIFICATION NUMBER: BACN10JC4CD OPTIONAL PART: T6C428JCD V11815 NS202486-048 V80539 102LH9075-4W V72962 H51650-4BAC V15653		2
110	69-70991-11	.	LEVER ASSY- COMPONENT MAINT MANUAL REF: 27-09-05 OVERHAUL MANUAL REF: 27-09-05 FUNCTIONAL REFERENCE: PLACARDS AND MARKINGS FOR DETAILS SEE 11-30-00-76		1
110	69-70991-9	.	LEVER ASSY- FUNCTIONAL REFERENCE: PLACARDS AND MARKINGS FOR DETAILS SEE 11-30-00-76		1
115	HL1012AZ5-9	..	LOCKBOLT SUPPLIER CODE: V60516 SPECIFICATION NUMBER: BACB30NX5HK9		2
120	HL1087-5	..	COLLAR SUPPLIER CODE: V73197 SPECIFICATION NUMBER: BACC30BH5 OPTIONAL PART: HL1087-5 V56878 HL1087-5 V9N513 HL1087-5 V5M902		2
125	66-26121-3	..	RIVET		2
130	66-26127-2	..	SPACER		1

MISSING ITEM NUMBERS NOT APPLICABLE

— ITEM NOT ILLUSTRATED

HAP

22-11-25-01

BOEING PROPRIETARY - Copyright © - Unpublished Work - See title page for details.

22-11-25
FIG. 01
PAGE 5
FEB 15/09

BOEING
737-600/700/800/900
PARTS CATALOG (MAINTENANCE)

FIG ITEM	PART NUMBER	1 2 3 4 5 6 7	NOMENCLATURE	EFFECT FROM TO	UNITS PER ASSY
1					
135	65C19771-2	..	FITTING- USED ON: 69-70991-11		1
135	65C19771-6	..	FITTING- USED ON: 69-70991-9		1
140	65C19772-3	..	ARM		2
145	69-71002-11	.LEVER ASSY-	COMPONENT MAINT MANUAL REF: 27-09-05 OVERHAUL MANUAL REF: 27-09-05 FUNCTIONAL REFERENCE: PLACARDS AND MARKINGS FOR DETAILS SEE 11-30-00-76		1
150	HL1012AZ5-9	..	LOCKBOLT- SUPPLIER CODE: V60516 SPECIFICATION NUMBER: BACB30NX5HK9 POSITION DATA: NEAR SIDE		3
155	HL1087-5	..	COLLAR- SUPPLIER CODE: V73197 SPECIFICATION NUMBER: BACC30BH5 OPTIONAL PART: HL1087-5 V56878 HL1087-5 V9N513 HL1087-5 V5M902 POSITION DATA: NEAR SIDE		3
160	66-26121-3	..	RIVET		2
165	66-26127-1	..	SPACER		1
170	65C19771-3	..	FITTING		1
175	65C19773-4	..	ARM		2
180	251A1671-2	.ACTUATOR ASSY-AUTOPILOT	AIL. (AUTOPILOT AILERON ACTUATOR ONLY) FOR DETAILS SEE: 22-11-40-01 ATTACHING PARTS		1
185	BACB30LE4K8	.BOLT			2
190	BACB30LE4K10	.BOLT			1

MISSING ITEM NUMBERS NOT APPLICABLE

— ITEM NOT ILLUSTRATED

HAP

22-11-25-01

BOEING PROPRIETARY - Copyright © - Unpublished Work - See title page for details.

22-11-25
FIG. 01
PAGE 6
FEB 15/09

BOEING
737-600/700/800/900
PARTS CATALOG (MAINTENANCE)

FIG ITEM	PART NUMBER	1 2 3 4 5 6 7	NOMENCLATURE	EFFECT FROM TO	UNITS PER ASSY
1					
195	BACB30LE4K9	.	BOLT		1
200	BACW10CT8J	.	WASHER		4
		-----*			
215	251A1674-1	..	FITTING ASSY-SWIVEL		1
220	AS1790T04N	...	NUT		1
225	251A1674-2	...	BODY		1
230	MS21902-4T	..	UNION		1
235	NAS1612-4	..	PACKING-	001046	1
				054105	
				201999	
240	AFP2326-4	..	REDUCER-		1
			SUPPLIER CODE:		
			V30974		
			SPECIFICATION NUMBER:		
			BACR17E6-4		
			OPTIONAL PART:		
			AP10276-4		
			V01673		
			BC916T6-4		
			V50948		
			DBOR17E6-4		
			V14798		
			ER21916T6-4		
			V88334		
			ER31916-6-4		
			V88334		
			F23-6-4		
			V73197		
			2-01075T6-4		
			V11328		
			31778-6-4		
			V14397		
			US2114-6-4		
			V50808		
			AP1027T6-4		
			V01673		
			US21146-4		
			V50808		
			317786-4		
			V14397		
			MS21916-6-4T		
240	MS21916-6-4T	..	REDUCER-		1
			OPTIONAL PART:		
			BACR17E6-4		
245	MS21902-6T	..	UNION		1
250	NAS1612-6	..	PACKING-	001046	2
				054105	
				201999	

MISSING ITEM NUMBERS NOT APPLICABLE

— ITEM NOT ILLUSTRATED

HAP

22-11-25-01

22-11-25
FIG. 01
PAGE 7
FEB 15/09

BOEING
737-600/700/800/900
PARTS CATALOG (MAINTENANCE)

FIG ITEM	PART NUMBER	1 2 3 4 5 6 7	NOMENCLATURE	EFFECT FROM TO	UNITS PER ASSY
1 255	158300-101		..ACTUATOR ASSY- SUPPLIER CODE: V19156 FUNCTIONAL DESCRIPTION: OPERATES AN ELECTRO- HYDRAULIC POSITION SERVO FOR THE AUTOPILOT RUNWAY APPROACH SYSTEM. SPECIFICATION NUMBER: 10-61985-5 ELECTRICAL EQUIP NUMBER: M01024 COMPONENT MAINT MANUAL REF: 27-10-02 FOR DETAILS SEE: 27-11-54-50		1
260	251A1671-1		.ACTUATOR ASSY-AUTOPILOT AIL. (AUTOPILOT AILERON ACTUATOR ONLY) FOR DETAILS SEE: 22-11-40-01		1
265	BACB30LE4K8		ATTACHING PARTS .BOLT		3
270	BACB30LE4K9		.BOLT		1
275	BACW10CT8J		.WASHER -----*-----		4

MISSING ITEM NUMBERS NOT APPLICABLE

— ITEM NOT ILLUSTRATED

HAP

22-11-25-01

BOEING PROPRIETARY - Copyright © - Unpublished Work - See title page for details.

22-11-25
FIG. 01
PAGE 8
FEB 15/09

BOEING
737-600/700/800/900
PARTS CATALOG (MAINTENANCE)

FIG ITEM	PART NUMBER	1 2 3 4 5 6 7	NOMENCLATURE	EFFECT FROM TO	UNITS PER ASSY
1 290	AFP2326-4		.. REDUCER- SUPPLIER CODE: V30974 SPECIFICATION NUMBER: BACR17E6-4 OPTIONAL PART: AP10276-4 V01673 BC916T6-4 V50948 DBOR17E6-4 V14798 ER21916T6-4 V88334 ER31916-6-4 V88334 F23-6-4 V73197 2-01075T6-4 V11328 31778-6-4 V14397 US2114-6-4 V50808 AP1027T6-4 V01673 US21146-4 V50808 317786-4 V14397 MS21916-6-4T		1
290	MS21916-6-4T		.. REDUCER- OPTIONAL PART: BACR17E6-4		1
295	MS21902-6T		.. UNION		1
300	NAS1612-6		.. PACKING-	001046 054105 201999	2

MISSING ITEM NUMBERS NOT APPLICABLE

— ITEM NOT ILLUSTRATED

HAP

22-11-25-01

BOEING PROPRIETARY - Copyright © - Unpublished Work - See title page for details.

22-11-25
FIG. 01
PAGE 9
FEB 15/09

BOEING
737-600/700/800/900
PARTS CATALOG (MAINTENANCE)

FIG ITEM	PART NUMBER	1 2 3 4 5 6 7	NOMENCLATURE	EFFECT FROM TO	UNITS PER ASSY
1 305	158300-101		..ACTUATOR ASSY- SUPPLIER CODE: V19156 FUNCTIONAL DESCRIPTION: OPERATES AN ELECTROHYDRAULIC POSITION SERVO FOR THE AUTOPILOT RUNWAY APPROACH SYSTEM. SPECIFICATION NUMBER: 10-61985-5 COMPONENT MAINT MANUAL REF: 27-10-02 FOR DETAILS SEE: 27-11-54-50		1
- 500	286A5375-002		WIRE BUNDLE ASSY-	001007	RF
- 500	286A5375-011		WIRE BUNDLE ASSY	201967	RF
- 500	286A5375-022		WIRE BUNDLE ASSY	008028	RF
- 502	286A5375-044		WIRE BUNDLE ASSY-	029030	RF
- 502	286A5375-053		WIRE BUNDLE ASSY-	031035	RF
- 502	286A5375-059		WIRE BUNDLE ASSY-	037043	RF
- 503	286A5375-067		WIRE BUNDLE ASSY-	101101	RF
				968971	
- 503	286A5375-069		WIRE BUNDLE ASSY-	036036	RF
- 503	286A5375-070		WIRE BUNDLE ASSY	044048	RF
				054100	
- 503	286A5375-071		WIRE BUNDLE ASSY	102106	RF
				972999	
520	BACC63BP16C24SN		.PLUG- ELECTRICAL EQUIP NUMBER: D01691 WIRING DIAGRAM REF: 221131	001030 201967	1
520	BACC63BP16H24SN		.PLUG- ELECTRICAL EQUIP NUMBER: D01691 WIRING DIAGRAM REF: 221131	031048 054106 968999	1

MISSING ITEM NUMBERS NOT APPLICABLE

- ITEM NOT ILLUSTRATED

HAP

22-11-25-01

BOEING PROPRIETARY - Copyright © - Unpublished Work - See title page for details.

22-11-25
FIG. 01
PAGE 10
FEB 15/09

BOEING
737-600/700/800/900
PARTS CATALOG (MAINTENANCE)

FIG ITEM	PART NUMBER	1 2 3 4 5 6 7	NOMENCLATURE	EFFECT FROM TO	UNITS PER ASSY
1 525	S3819-16-65		.BACKSHELL- SUPPLIER CODE: V07418 SPECIFICATION NUMBER: BACC10KD16 OPTIONAL PART: 620AS028NF16L V06324 ELECTRICAL EQUIP NUMBER: D01691T WIRING DIAGRAM REF: 221131	001030 201967	1
525	M85049-52S16A		.BACKSHELL- ELECTRICAL EQUIP NUMBER: D01691T WIRING DIAGRAM REF: 221131	031045 054103 968971	1
900			ILLUSTRATION REFERENCE: PLUMBING INSTL-MAIN WHL WELL PRESSURE DECK HYDR 29-11-52-12	001048 054106 201999	RF

MISSING ITEM NUMBERS NOT APPLICABLE

— ITEM NOT ILLUSTRATED

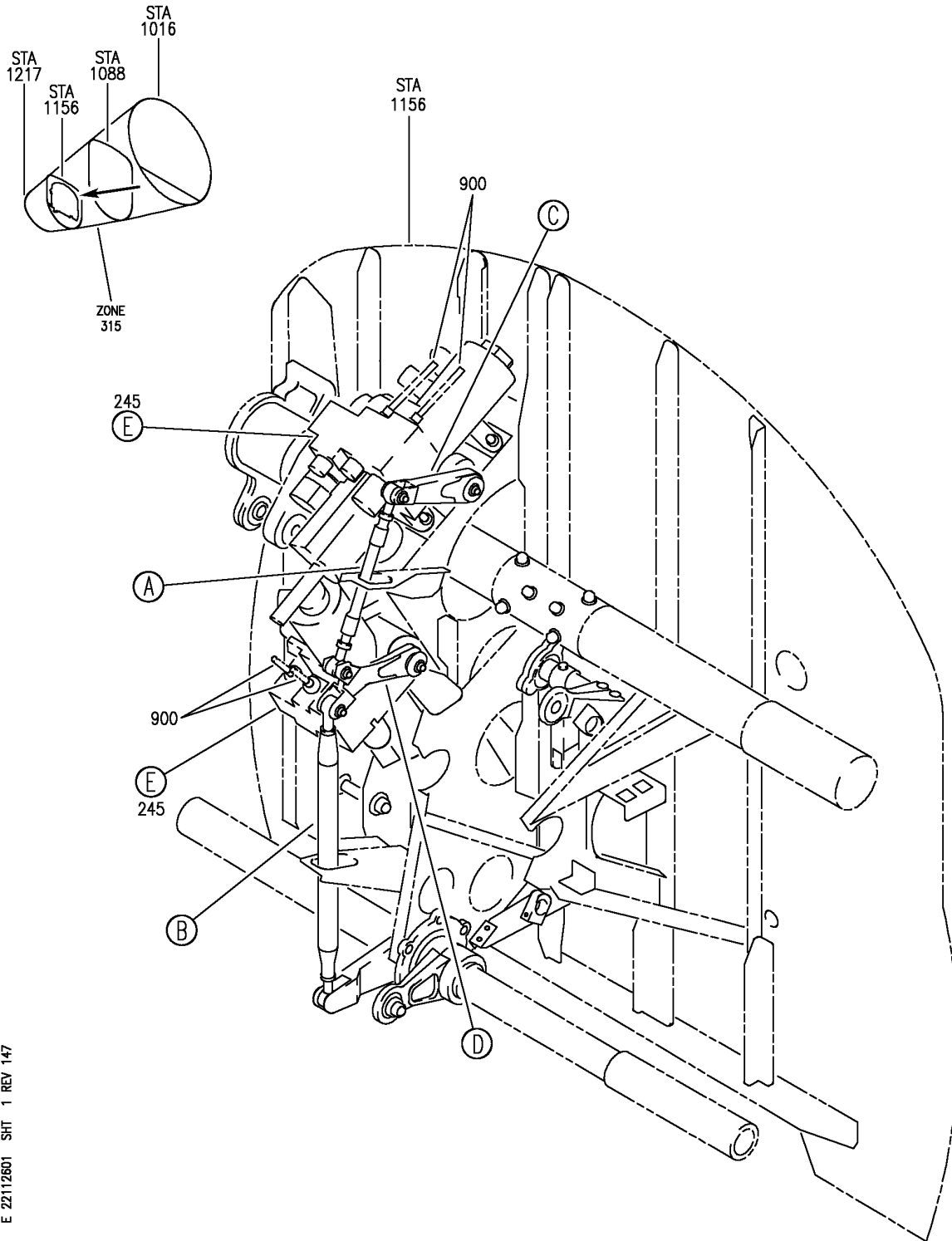
HAP

22-11-25-01

BOEING PROPRIETARY - Copyright © - Unpublished Work - See title page for details.

22-11-25
FIG. 01
PAGE 11
FEB 15/09

BOEING
737-600/700/800/900
PARTS CATALOG (MAINTENANCE)



E 22112601 SHT 1 REV 147

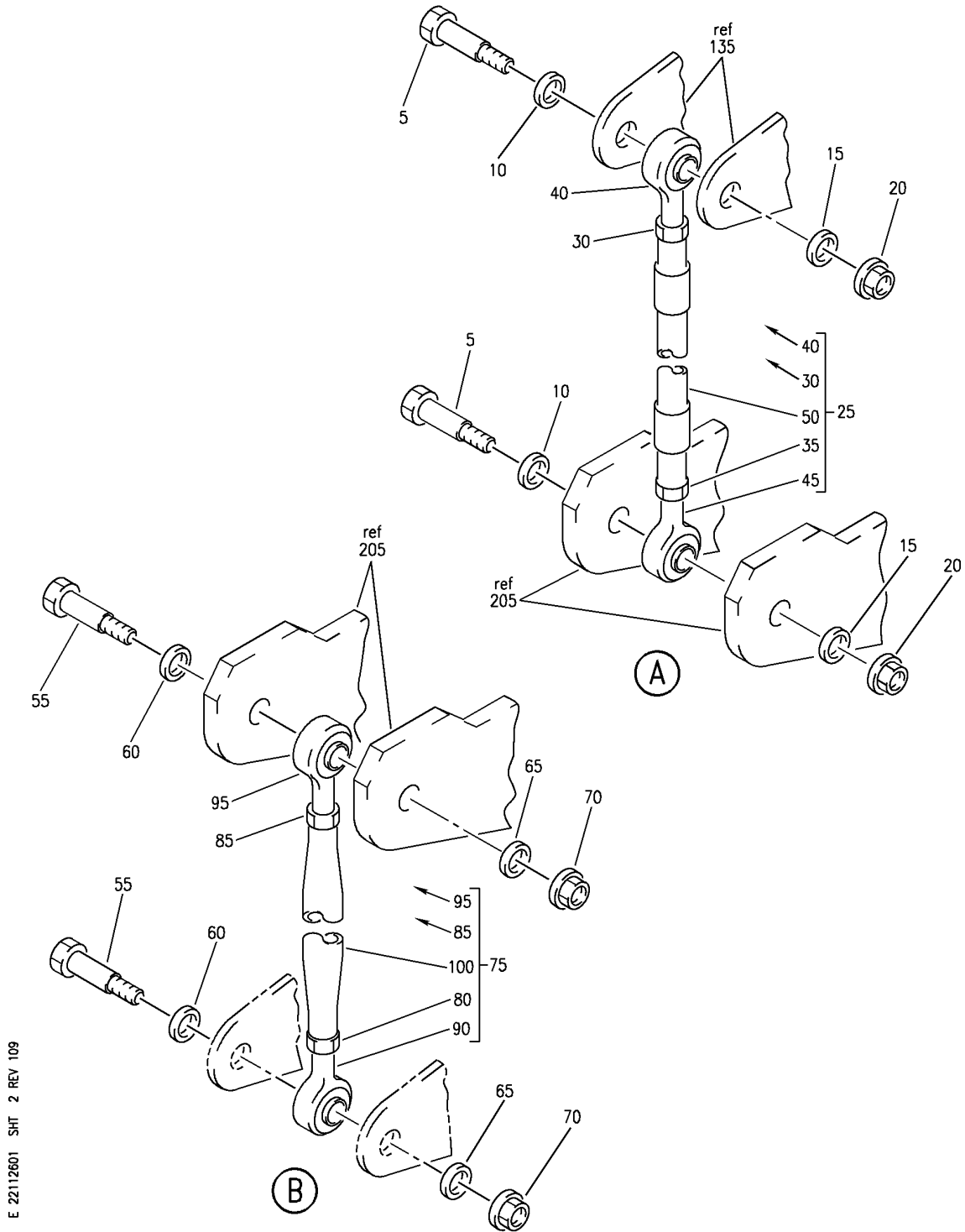
ACTUATOR INSTL-AUTOPILOT
FIGURE 1 (SHEET 1)

22-11-26-01

HAP
OCT 15/08

22-11-26-01
PAGE 0

BOEING
 737-600/700/800/900
 PARTS CATALOG (MAINTENANCE)



E 22112601 SHT 2 REV 109

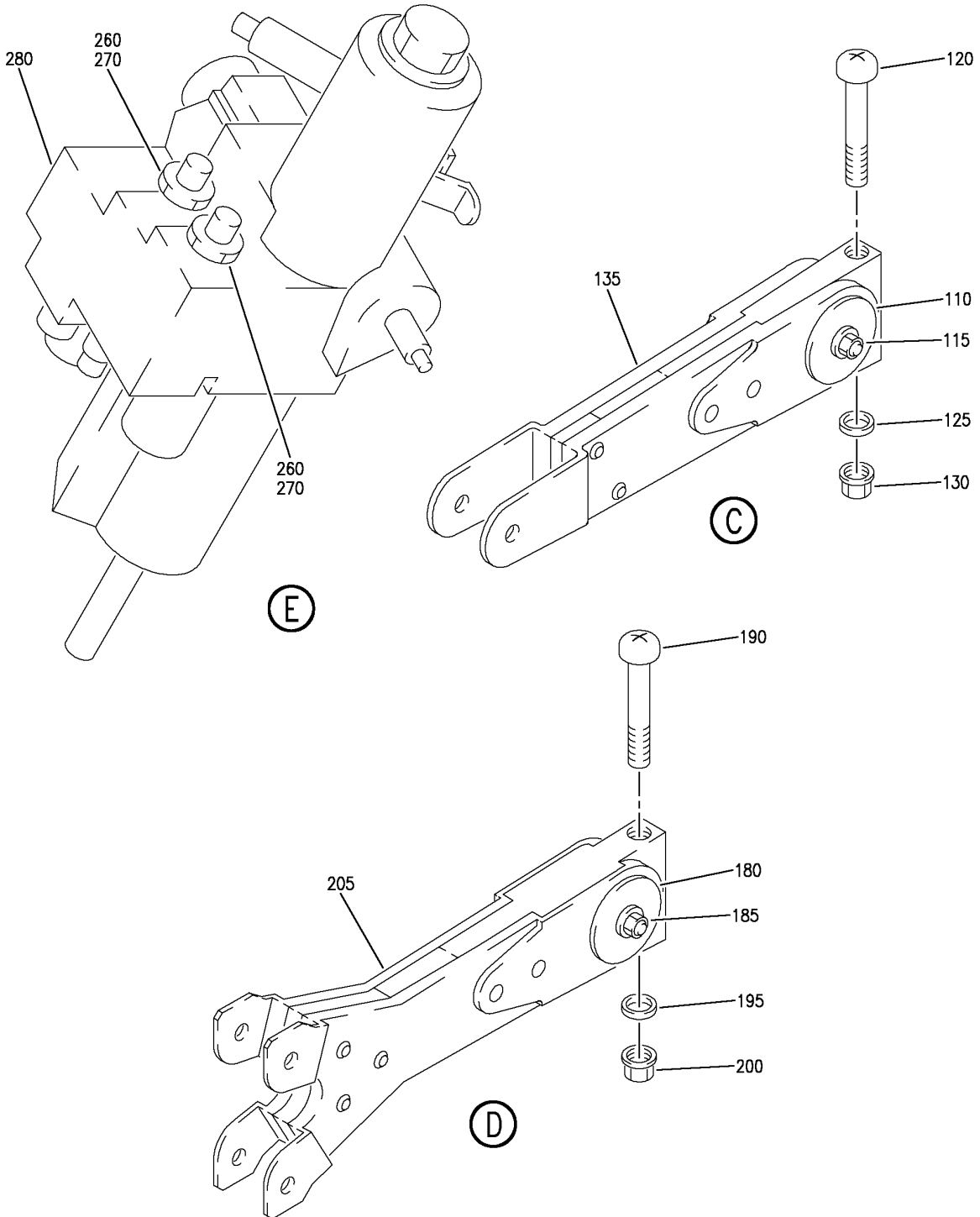
ACTUATOR INSTL-AUTOPILOT
 FIGURE 1 (SHEET 2)

22-11-26-01

HAP
 OCT 10/06

22-11-26-01
 PAGE 0A

BOEING
 737-600/700/800/900
 PARTS CATALOG (MAINTENANCE)



E 22112601 SH1 3 REV 074

ACTUATOR INSTL-AUTOPILOT
 FIGURE 1 (SHEET 3)

22-11-26-01

HAP
 OCT 10/06

22-11-26-01
 PAGE 0B

BOEING
737-600/700/800/900
PARTS CATALOG (MAINTENANCE)

FIG ITEM	PART NUMBER	1 2 3 4 5 6 7	NOMENCLATURE	EFFECT FROM TO	UNITS PER ASSY
1					
- 1	251A2103-1		ACTUATOR INSTL-AUTOPILOT ACTUATOR INSTL-AUTOPILOT FOR NHA SEE: 27-30-00-06	001030 201967	RF
- 1	MODREF84009		ACTUATOR INSTL-AUTOPILOT MODULE NUMBER: 251A2103-1 REV A	031200 968999	1
5	BACB30LJ4-15		.BOLT		2
10	BACW10BN4AC		.WASHER		2
15	NAS1149D0463J		.WASHER		2
20	PLH54CD		.NUT		2
			SUPPLIER CODE: VF0224		
			SPECIFICATION NUMBER: BACN10YR4CD		
			OPTIONAL PART: H52732-4CD V15653		
25	69-71010-9		.ROD ASSY		1
30	NAS509-6		..NUT		1
35	NAS509-7		..NUT		1
40	REP4M6-5FS428		..BEARING		1
			SUPPLIER CODE: V73134		
			SPECIFICATION NUMBER: BACB10AD12		
			OPTIONAL PART: HHRE4M6-2 V38443 REP4M6-5E9171B V21335 ABR4M103 VS0352 REP4M6-2CP62 VF0222 REP4M6-5FS428 V21335 REB4M6-21 V92563 DBM4-6B1-501 V77896 ABR4M103B V15860 REP4M6-012J V73134		

MISSING ITEM NUMBERS NOT APPLICABLE

- ITEM NOT ILLUSTRATED

HAP

22-11-26-01

BOEING PROPRIETARY - Copyright © - Unpublished Work - See title page for details.

22-11-26
FIG. 01
PAGE 1
FEB 15/09

BOEING
737-600/700/800/900
PARTS CATALOG (MAINTENANCE)

FIG ITEM	PART NUMBER	1 2 3 4 5 6 7	NOMENCLATURE	EFFECT FROM TO	UNITS PER ASSY
1					
45	REP4M7-2FS428		.. BEARING SUPPLIER CODE: V73134 SPECIFICATION NUMBER: BACB10AD13 OPTIONAL PART: HHRE4M7-1 V38443 REP4M7-2E9171B V21335 ABR4M104 VS0352 REP4M7CP62 VF0222 REP4M7-2FS428 V21335 REB4M7-21 V92563 DBM4-7A1-501 V77896 ABR4M104B V15860 REP4M7-013J V73134		1
50	69-71010-12		.. ROD		1
55	BACB30LJ4-15		. BOLT		2
60	BACW10BN4AC		. WASHER		2
65	NAS1149D0463J		. WASHER		2
70	PLH54CD		. NUT SUPPLIER CODE: VF0224 SPECIFICATION NUMBER: BACN10YR4CD OPTIONAL PART: H52732-4CD V15653		2
75	65-45166-12		. ROD ASSY		1
80	AN316-6R		.. NUT		1
85	AN316-7R		.. NUT		1

MISSING ITEM NUMBERS NOT APPLICABLE

— ITEM NOT ILLUSTRATED

HAP

22-11-26-01

BOEING PROPRIETARY - Copyright © - Unpublished Work - See title page for details.

22-11-26
FIG. 01
PAGE 2
FEB 15/09

BOEING
737-600/700/800/900
PARTS CATALOG (MAINTENANCE)

FIG ITEM	PART NUMBER	1 2 3 4 5 6 7	NOMENCLATURE	EFFECT FROM TO	UNITS PER ASSY
1 90	REP4M6-5FS428		.. BEARING- SUPPLIER CODE: V73134 SPECIFICATION NUMBER: BACB10AD12 OPTIONAL PART: HHRE4M6-2 V38443 REP4M6-5E9171B V21335 ABR4M103 VS0352 REP4M6-2CP62 VF0222 REP4M6-5FS428 V21335 REB4M6-21 V92563 DBM4-6B1-501 V77896 ABR4M103B V15860 REP4M6-012J V73134 REP4M6-5E9171 V21335 REP4M6-5FS428 V21335		1
90	REP4M6-5E9171		.. BEARING- SUPPLIER CODE: V21335 OPTIONAL PART: BACB10AD12 REP4M6-5FS428 V21335		1
90	REP4M6-5FS428		.. BEARING- SUPPLIER CODE: V21335 OPTIONAL PART: BACB10AD12 REP4M6-5E9171 V21335		1

MISSING ITEM NUMBERS NOT APPLICABLE

— ITEM NOT ILLUSTRATED

HAP

22-11-26-01

BOEING PROPRIETARY - Copyright © - Unpublished Work - See title page for details.

22-11-26
FIG. 01
PAGE 3
FEB 15/09

BOEING
737-600/700/800/900
PARTS CATALOG (MAINTENANCE)

FIG ITEM	PART NUMBER	1 2 3 4 5 6 7	NOMENCLATURE	EFFECT FROM TO	UNITS PER ASSY
1 95	REP4M7-2FS428		.. BEARING- SUPPLIER CODE: V73134 SPECIFICATION NUMBER: BACB10AD13 OPTIONAL PART: HHRE4M7-1 V38443 REP4M7-2E9171B V21335 ABR4M104 VS0352 REP4M7CP62 VF0222 REP4M7-2FS428 V21335 REB4M7-21 V92563 DBM4-7A1-501 V77896 ABR4M104B V15860 REP4M7-013J V73134 REP4M7-2E9171 V21335 REP4M7-2FS428 V21335		1
95	REP4M7-2E9171		.. BEARING- SUPPLIER CODE: V21335 OPTIONAL PART: BACB10AD13 REP4M7-2FS428 V21335		1
95	REP4M7-2FS428		.. BEARING- SUPPLIER CODE: V21335 OPTIONAL PART: BACB10AD13 REP4M7-2E9171 V21335		1
100	65-45166-13		.. ROD		1
110	66-26123-1		. WASHER		1

MISSING ITEM NUMBERS NOT APPLICABLE

— ITEM NOT ILLUSTRATED

HAP

22-11-26-01

BOEING PROPRIETARY - Copyright © - Unpublished Work - See title page for details.

22-11-26
FIG. 01
PAGE 4
FEB 15/09

 **BOEING**
737-600/700/800/900
PARTS CATALOG (MAINTENANCE)

FIG ITEM	PART NUMBER	1 2 3 4 5 6 7	NOMENCLATURE	EFFECT FROM TO	UNITS PER ASSY
1					
115	PLH54CD	.NUT	SUPPLIER CODE: VF0224 SPECIFICATION NUMBER: BACN10YR4CD OPTIONAL PART: H52732-4CD V15653		1
120	BACB30NT3K23	.BOLT			1
125	NAS1149D0363J	.WASHER			1
130	PLH53CD	.NUT	SUPPLIER CODE: VF0224 SPECIFICATION NUMBER: BACN10YR3CD OPTIONAL PART: H52732-3CD V15653		1
135	69-70991-10	.LEVER ASSY-	COMPONENT MAINT MANUAL REF: 27-09-05 OPTIONAL PART: 69-70991-12 FOR DETAILS SEE: 11-30-00-76		1
135	69-70991-12	.LEVER ASSY-	COMPONENT MAINT MANUAL REF: 27-09-05 OPTIONAL PART: 69-70991-10 FOR DETAILS SEE: 11-30-00-76 INTER/ACROSS MODEL I/W P/N: 69-70991-8		1
135	69-70991-8	.LEVER ASSY-	FOR DETAILS SEE: 11-30-00-76		1
180	66-26123-1	.WASHER			1
185	PLH54CD	.NUT	SUPPLIER CODE: VF0224 SPECIFICATION NUMBER: BACN10YR4CD OPTIONAL PART: H52732-4CD V15653		1
190	BACB30NT3K23	.BOLT			1
195	NAS1149D0363J	.WASHER			1

MISSING ITEM NUMBERS NOT APPLICABLE

— ITEM NOT ILLUSTRATED

HAP

22-11-26-01

BOEING PROPRIETARY - Copyright © - Unpublished Work - See title page for details.

22-11-26
FIG. 01
PAGE 5
FEB 15/09

BOEING
737-600/700/800/900
PARTS CATALOG (MAINTENANCE)

FIG ITEM	PART NUMBER	1 2 3 4 5 6 7	NOMENCLATURE	EFFECT FROM TO	UNITS PER ASSY
1					
200	PLH53CD		.NUT SUPPLIER CODE: VF0224 SPECIFICATION NUMBER: BACN10YR3CD OPTIONAL PART: H52732-3CD V15653		1
205	69-71002-10		.LEVER ASSY- COMPONENT MAINT MANUAL REF: 27-09-05 OPTIONAL PART: 69-71002-12 FOR DETAILS SEE: 11-30-00-76		1
205	69-71002-12		.LEVER ASSY- COMPONENT MAINT MANUAL REF: 27-09-05 OPTIONAL PART: 69-71002-10 FOR DETAILS SEE: 11-30-00-76		1
205	69-71002-8		.LEVER ASSY- COMPONENT MAINT MANUAL REF: 27-09-05 FOR DETAILS SEE: 11-30-00-76		1
205	69-71002-6		.LEVER ASSY- COMPONENT MAINT MANUAL REF: 27-09-05 FOR DETAILS SEE: 11-30-00-76		1
245	251A2099-1		.ACTUATOR ASSY- (AUTOPILOT ELEVATOR ACTUATOR ONLY) FOR DETAILS SEE: 22-11-40-02 ATTACHING PARTS		2
- 250	BACB30LE4K7		.BOLT-		8
- 255	BACW10BP4CD		.WASHER-		8
			-----*-----		
260	MS21916-6-4T		..REDUCER- OPTIONAL PART: BACR17E6-4		2

MISSING ITEM NUMBERS NOT APPLICABLE

- ITEM NOT ILLUSTRATED

HAP

22-11-26-01

BOEING PROPRIETARY - Copyright © - Unpublished Work - See title page for details.

22-11-26
FIG. 01
PAGE 6
FEB 15/09

BOEING
737-600/700/800/900
PARTS CATALOG (MAINTENANCE)

FIG ITEM	PART NUMBER	1 2 3 4 5 6 7	NOMENCLATURE	EFFECT FROM TO	UNITS PER ASSY
1 260	AFP2326-4		.. REDUCER- SUPPLIER CODE: V30974 SPECIFICATION NUMBER: BACR17E6-4 OPTIONAL PART: AP10276-4 V01673 BC916T6-4 V50948 DBOR17E6-4 V14798 ER21916T6-4 V88334 ER31916-6-4 V88334 F23-6-4 V73197 2-01075T6-4 V11328 31778-6-4 V14397 US2114-6-4 V50808 AP1027T6-4 V01673 US21146-4 V50808 317786-4 V14397 MS21916-6-4T		2
270	NAS1612-6		.. PACKING-		2

MISSING ITEM NUMBERS NOT APPLICABLE

- ITEM NOT ILLUSTRATED

HAP

22-11-26-01

BOEING PROPRIETARY - Copyright © - Unpublished Work - See title page for details.

22-11-26
FIG. 01
PAGE 7
FEB 15/09

BOEING
737-600/700/800/900
PARTS CATALOG (MAINTENANCE)

FIG ITEM	PART NUMBER	1 2 3 4 5 6 7	NOMENCLATURE	EFFECT FROM TO	UNITS PER ASSY
1 280	158300-101		..ACTUATOR ASSY-AUTOPILOT, AILERON SUPPLIER CODE: V19156 FUNCTIONAL DESCRIPTION: OPERATES AN ELECTRO- HYDRAULIC POSITION SERVO FOR THE AUTOPILOT RUNWAY APPROACH SYSTEM. SPECIFICATION NUMBER: 10-61985-5 ELECTRICAL EQUIP NUMBER: M01020 M01022 COMPONENT MAINT MANUAL REF: 27-10-02 MAINTENANCE MANUAL REF: 22-11-26 FOR DETAILS SEE: 27-11-54-50 ILLUSTRATION REFERENCE: PLUMBING INSTL-SECT. 48 BHD STA 1156 29-11-52-14B		1
900				001052 054999	RF

MISSING ITEM NUMBERS NOT APPLICABLE

— ITEM NOT ILLUSTRATED

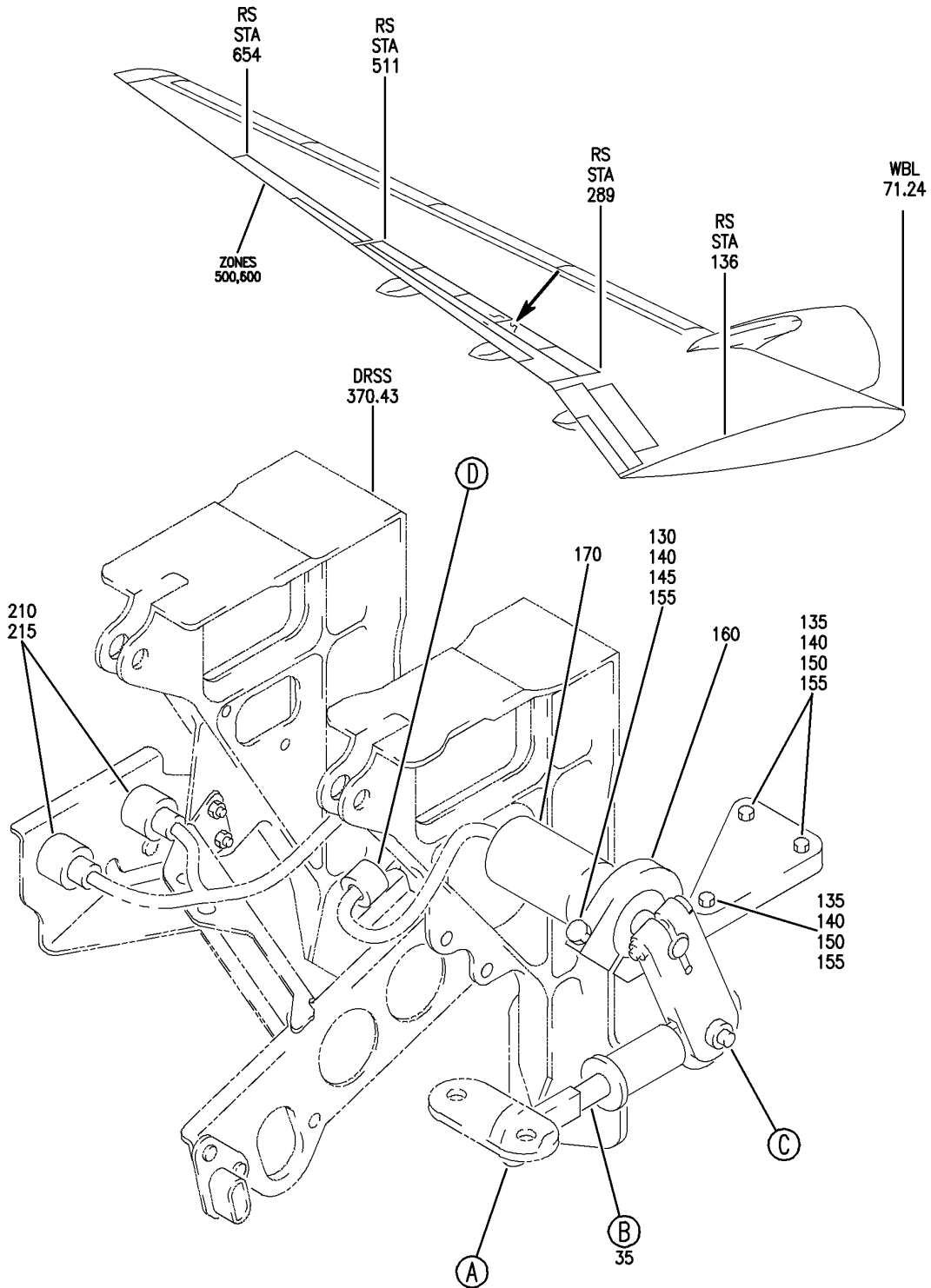
HAP

22-11-26-01

BOEING PROPRIETARY - Copyright © - Unpublished Work - See title page for details.

22-11-26
FIG. 01
PAGE 8
FEB 15/09

BOEING
 737-600/700/800/900
 PARTS CATALOG (MAINTENANCE)



E 22112701 SH 1 REV 060

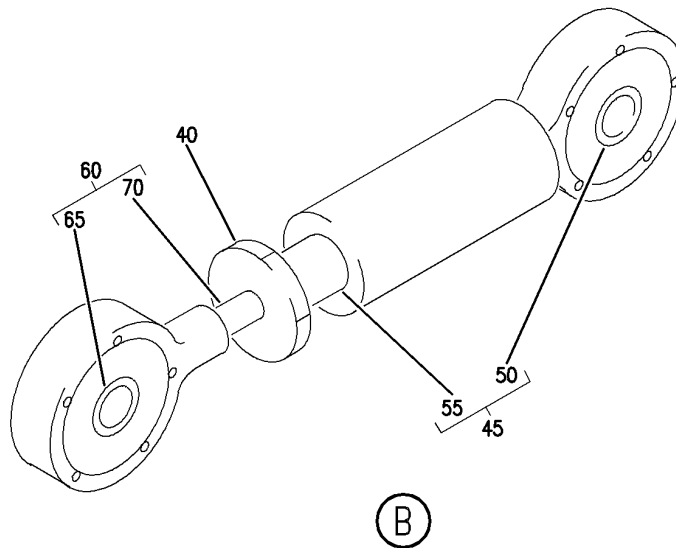
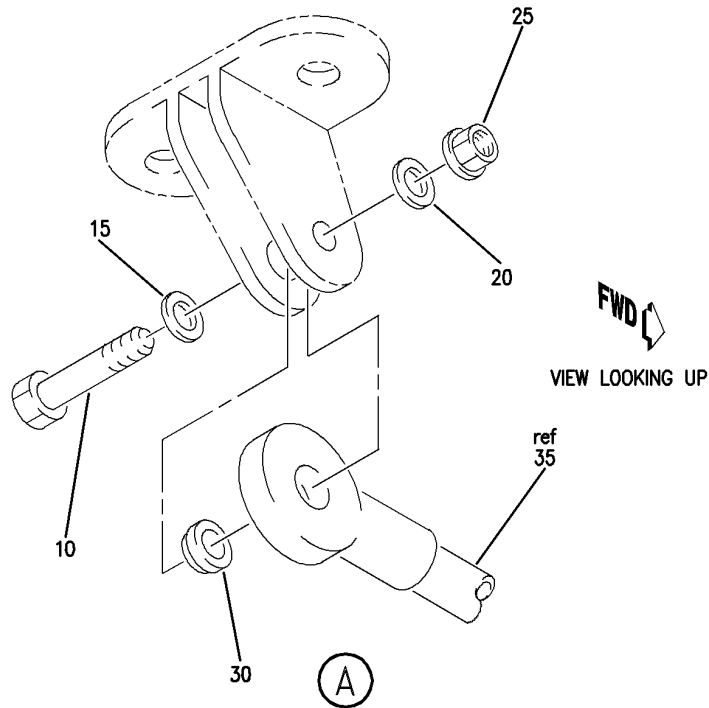
TRANSMITTER INSTL-FLIGHT SPOILER (AUTOFLIGHT ONLY)
 FIGURE 1 (SHEET 1)

22-11-27-01

HAP
 OCT 10/06

22-11-27-01
 PAGE 0

BOEING
 737-600/700/800/900
 PARTS CATALOG (MAINTENANCE)



E 22112701 SH1 2 REV 060

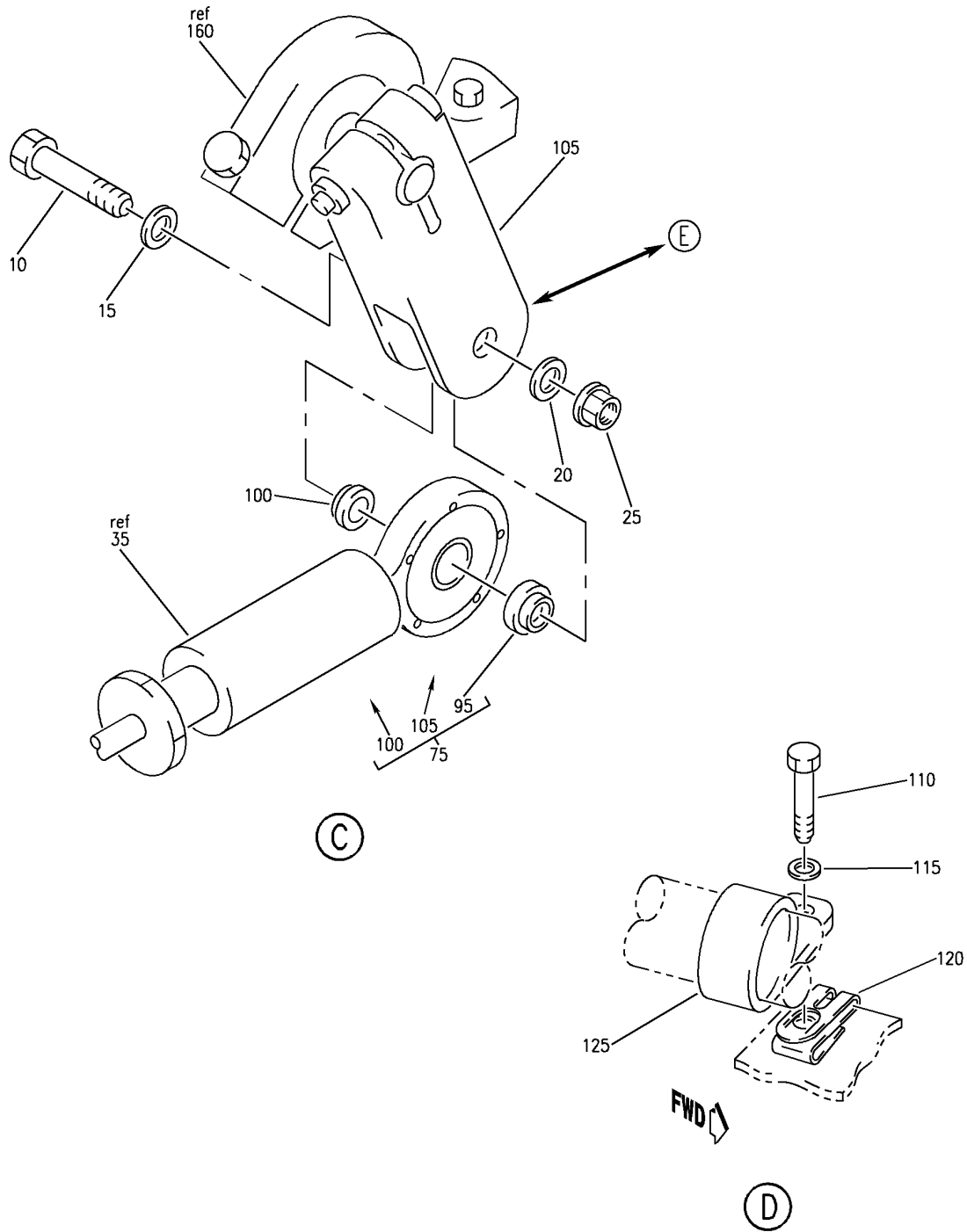
TRANSMITTER INSTL-FLIGHT SPOILER (AUTOFLIGHT ONLY)
 FIGURE 1 (SHEET 2)

22-11-27-01

HAP
 OCT 10/06

22-11-27-01
 PAGE 0A

BOEING
 737-600/700/800/900
 PARTS CATALOG (MAINTENANCE)



E 22112701 SHT 3 REV 112

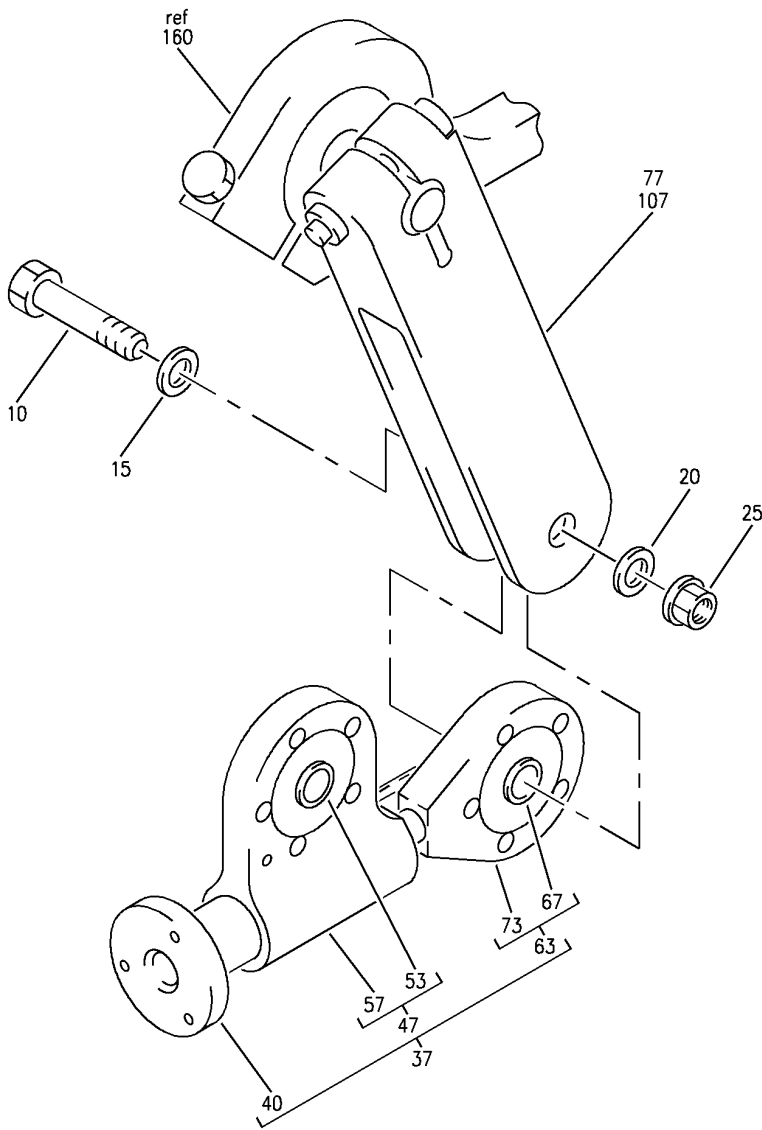
TRANSMITTER INSTL-FLIGHT SPOILER (AUTOFLIGHT ONLY)
 FIGURE 1 (SHEET 3)

22-11-27-01

HAP
 OCT 10/06

22-11-27-01
 PAGE 0B

BOEING
737-600/700/800/900
PARTS CATALOG (MAINTENANCE)



(E)

E 22112701 SHT 4 REV 112

TRANSMITTER INSTL-FLIGHT SPOILER (AUTOFLIGHT ONLY)
FIGURE 1 (SHEET 4)

22-11-27-01

HAP
OCT 10/06

22-11-27-01
PAGE 0C

BOEING
737-600/700/800/900
PARTS CATALOG (MAINTENANCE)

FIG ITEM	PART NUMBER	1 2 3 4 5 6 7	NOMENCLATURE	EFFECT FROM TO	UNITS PER ASSY
1			TRANSMITTER INSTL-FLIGHT SPOILER (AUTOFLIGHT ONLY)		
- 1	251A1230-1		TRANSMITTER INSTL-FLIGHT SPOILER (AUTOFLIGHT ONLY) POSITION DATA: LH FOR NHA/OTHER SYS DET SEE: 27-00-00-26A	001003	RF
- 1	251A1230-3		TRANSMITTER INSTL-FLIGHT SPOILER (AUTOFLIGHT ONLY) POSITION DATA: LH FOR NHA/OTHER SYS DET SEE: 27-00-00-26A	004007	RF
- 1	251A1230-5		TRANSMITTER INSTL-FLIGHT SPOILER (AUTOFLIGHT ONLY) POSITION DATA: LH FOR NHA/OTHER SYS DET SEE: 27-00-00-26A	008030 201967	RF
- 1	MODREF264213		TRANSMITTER INSTL-FLIGHT SPOILER (AUTOFLIGHT ONLY) MODULE NUMBER: 251A1230-5 REV B POSITION DATA: LH	031036 101101 968969	1
- 1	MODREF273859		TRANSMITTER INSTL-FLIGHT SPOILER (AUTOFLIGHT ONLY) MODULE NUMBER: 251A1230-7 REV A POSITION DATA: LH	037040 042042	1
- 1	MODREF333278		TRANSMITTER INSTL-FLIGHT SPOILER (AUTOFLIGHT ONLY) MODULE NUMBER: 251A1230-7 REV B POSITION DATA: LH	041041 043043	1
- 1	MODREF333276		TRANSMITTER INSTL-FLIGHT SPOILER (AUTOFLIGHT ONLY) MODULE NUMBER: 251A1230-5 REV C POSITION DATA: LH	970971	1

MISSING ITEM NUMBERS NOT APPLICABLE

- ITEM NOT ILLUSTRATED

HAP

22-11-27-01

BOEING PROPRIETARY - Copyright © - Unpublished Work - See title page for details.

22-11-27
FIG. 01
PAGE 1
OCT 15/08

BOEING
737-600/700/800/900
PARTS CATALOG (MAINTENANCE)

FIG ITEM	PART NUMBER	1 2 3 4 5 6 7	NOMENCLATURE	EFFECT FROM TO	UNITS PER ASSY
1					
- 1	MODREF346523		TRANSMITTER INSTL-FLIGHT SPOILER (AUTOFLIGHT ONLY) MODULE NUMBER: 251A1230-5 REV D POSITION DATA: LH	102200 972999	1
- 1	MODREF346525		TRANSMITTER INSTL-FLIGHT SPOILER (AUTOFLIGHT ONLY) MODULE NUMBER: 251A1230-7 REV C POSITION DATA: LH	044100	1
- 5	251A1230-2		TRANSMITTER INSTL-FLIGHT SPOILER (AUTOFLIGHT ONLY) POSITION DATA: RH FOR NHA/OTHER SYS DET SEE: 27-00-00-25A	001003	RF
- 5	251A1230-4		TRANSMITTER INSTL-FLIGHT SPOILER (AUTOFLIGHT ONLY) POSITION DATA: RH FOR NHA/OTHER SYS DET SEE: 27-00-00-25A	004007	RF
- 5	251A1230-6		TRANSMITTER INSTL-FLIGHT SPOILER (AUTOFLIGHT ONLY) POSITION DATA: RH FOR NHA/OTHER SYS DET SEE: 27-00-00-25A	008030 201967	RF
- 5	MODREF264214		TRANSMITTER INSTL-FLIGHT SPOILER (AUTOFLIGHT ONLY) MODULE NUMBER: 251A1230-6 REV B POSITION DATA: RH	031036 101101 968969	1
- 5	MODREF273860		TRANSMITTER INSTL-FLIGHT SPOILER (AUTOFLIGHT ONLY) MODULE NUMBER: 251A1230-8 REV A POSITION DATA: RH	037040 042042	1
- 5	MODREF333279		TRANSMITTER INSTL-FLIGHT SPOILER (AUTOFLIGHT ONLY) MODULE NUMBER: 251A1230-8 REV B POSITION DATA: RH	041041 043043	1

MISSING ITEM NUMBERS NOT APPLICABLE

- ITEM NOT ILLUSTRATED

HAP

22-11-27-01

BOEING PROPRIETARY - Copyright © - Unpublished Work - See title page for details.

22-11-27
FIG. 01
PAGE 2
OCT 15/08

BOEING
737-600/700/800/900
PARTS CATALOG (MAINTENANCE)

FIG ITEM	PART NUMBER	1 2 3 4 5 6 7	NOMENCLATURE	EFFECT FROM TO	UNITS PER ASSY
1					
- 5	MODREF333277		TRANSMITTER INSTL-FLIGHT SPOILER (AUTOFLIGHT ONLY) MODULE NUMBER: 251A1230-6 REV C POSITION DATA: RH	970971	1
- 5	MODREF346524		TRANSMITTER INSTL-FLIGHT SPOILER (AUTOFLIGHT ONLY) MODULE NUMBER: 251A1230-6 REV D POSITION DATA: RH	102200 972999	1
- 5	MODREF346526		TRANSMITTER INSTL-FLIGHT SPOILER (AUTOFLIGHT ONLY) MODULE NUMBER: 251A1230-8 REV C POSITION DATA: RH	044100	1
10	BACB30NM3K12		.BOLT		2
15	BACW10BP3CD		.WASHER		2
20	BACW10BP3DP		.WASHER		2
25	PLH53CD		.NUT SUPPLIER CODE: VF0224 SPECIFICATION NUMBER: BACN10YR3CD OPTIONAL PART: H52732-3CD V15653		2
30	BACB28Y3C027		.BUSHING	001007	1
30	BACB28AK03-027		.BUSHING	008999	1
35	69-43490-7		.ROD ASSY	001036 101999	1
37	69-43490-15		.ROD ASSY	037100	1
40	69-43493-1		..NUT-HEX HEAD		1
45	69-43491-1		..ROD END ASSY	001036 101999	1
47	69-43491-7		..ROD END ASSY	037100	1

MISSING ITEM NUMBERS NOT APPLICABLE

- ITEM NOT ILLUSTRATED

HAP

22-11-27-01

BOEING PROPRIETARY - Copyright © - Unpublished Work - See title page for details.

22-11-27
FIG. 01
PAGE 3
FEB 15/09

BOEING
737-600/700/800/900
PARTS CATALOG (MAINTENANCE)

FIG ITEM	PART NUMBER	1 2 3 4 5 6 7	NOMENCLATURE	EFFECT FROM TO	UNITS PER ASSY
1 50	KSP3LFS428	...	BEARING SUPPLIER CODE: V21335 SPECIFICATION NUMBER: BACB10AC3L OPTIONAL PART: HHKSP3L V38443 KSP3LE9440A V21335 KSP3L2TS V43991 KSP3LG27 V30163	001036 101999	1
53	ACMKSP3LFS428	...	BEARING SUPPLIER CODE: V21335 SPECIFICATION NUMBER: BACB10FP03LJ OPTIONAL PART: SSMKSP3LJSD705 V83086 SSMKSP3LSD529 V50294	037100	1
55	69-43491-2	...	ROD	001036 101999	1
57	69-43491-8	...	ROD	037100	1
60	69-43492-11	..	ROD ASSY-END	001036 101999	1
63	69-43492-15	..	ROD ASSY-END	037100	1
65	KSP3LFS428	...	BEARING SUPPLIER CODE: V21335 SPECIFICATION NUMBER: BACB10AC3L OPTIONAL PART: HHKSP3L V38443 KSP3LE9440A V21335 KSP3L2TS V43991 KSP3LG27 V30163	001036 101999	1

MISSING ITEM NUMBERS NOT APPLICABLE

— ITEM NOT ILLUSTRATED

HAP

22-11-27-01

BOEING PROPRIETARY - Copyright © - Unpublished Work - See title page for details.

22-11-27
FIG. 01
PAGE 4
JUN 15/08

BOEING
737-600/700/800/900
PARTS CATALOG (MAINTENANCE)

FIG ITEM	PART NUMBER	1 2 3 4 5 6 7	NOMENCLATURE	EFFECT FROM TO	UNITS PER ASSY
1					
67	ACMKSP3LFS428	...	BEARING SUPPLIER CODE: V21335 SPECIFICATION NUMBER: BACB10FP03LJ OPTIONAL PART: SSMKSP3LJSD705 V83086 SSMKSP3LSD529 V50294	037100	1
70	69-43492-12	...	ROD	001036 101999	1
73	69-43492-16	...	ROD	037100	1
75	69-71009-3	.	ARM ASSY-SENSOR	001036 101999	1
77	69-71009-5	.	ARM ASSY-SENSOR ATTACHING PARTS	037100	1
- 80	BACB30NM3K10	.	BOLT		1
- 85	NAS1149D0363J	.	WASHER		1
- 90	PLH53CD	.	NUT SUPPLIER CODE: VF0224 SPECIFICATION NUMBER: BACN10YR3CD OPTIONAL PART: H52732-3CD V15653 -----*-----		1
95	BACB28Y3C022	..	BUSHING		1
100	BACB28X3C010	..	BUSHING		1
105	69-71009-4	..	ARM	001036 101999	1
107	69-71009-6	..	ARM	037100	1
110	BACS12GU3K9	.	SCREW		1
115	NAS1149D0363J	.	WASHER		1
120	130069	.	NUT SUPPLIER CODE: V60119 SPECIFICATION NUMBER: BACN10FX16 OPTIONAL PART: A11330-6-3 V72962 A4972-6-02 V72962		1
125	BACC10JU103	.	CLAMP		1
130	BACB30NM3K25	.	BOLT		1
135	BACB30NM3K5	.	BOLT		3
140	BACW10BN3AC	.	WASHER		4

MISSING ITEM NUMBERS NOT APPLICABLE

- ITEM NOT ILLUSTRATED

HAP

22-11-27-01

22-11-27
FIG. 01
PAGE 5
FEB 15/09

BOEING
737-600/700/800/900
PARTS CATALOG (MAINTENANCE)

FIG ITEM	PART NUMBER	1 2 3 4 5 6 7	NOMENCLATURE	EFFECT FROM TO	UNITS PER ASSY
1					
145	BACW10BP3DP	.	WASHER		1
150	NAS1149D0363J	.	WASHER		3
155	PLH53CD	.	NUT		4
			SUPPLIER CODE: VF0224		
			SPECIFICATION NUMBER: BACN10YR3CD		
			OPTIONAL PART: H52732-3CD V15653		
160	251A1231-3	.	CLAMP-		1
			POSITION DATA: LH SIDE		
- 165	251A1231-4	.	CLAMP-		1
			POSITION DATA: RH SIDE		
170	H504B	.	TRANSMITTER-		1
			SUPPLIER CODE: V33463		
			FUNCTIONAL DESCRIPTION: PROVIDES ELECTRICAL SIGNALS CORRESPONDING TO CONTROL SURFACE MOVEMENT		
			SPECIFICATION NUMBER: S250N104-5		
			ELECTRICAL EQUIP NUMBER: M00930 M00931		
			COMPONENT MAINT MANUAL REF: 27-01-05		
			OPTIONAL PART: ZR2A V51761		
			OPTIONAL PART: H504C V33463		
			INTER/ACROSS MODEL I/W P/N: 13TX5315A V51761 H504A V33463		

MISSING ITEM NUMBERS NOT APPLICABLE

- ITEM NOT ILLUSTRATED

HAP

22-11-27-01

BOEING PROPRIETARY - Copyright © - Unpublished Work - See title page for details.

22-11-27
FIG. 01
PAGE 6
FEB 15/09

BOEING
737-600/700/800/900
PARTS CATALOG (MAINTENANCE)

FIG ITEM	PART NUMBER	1 2 3 4 5 6 7	NOMENCLATURE	EFFECT FROM TO	UNITS PER ASSY
1 170	ZR2A		. TRANSMITTER- SUPPLIER CODE: V51761 FUNCTIONAL DESCRIPTION: PROVIDES ELECTRICAL SIGNALS CORRESPONDING TO CONTROL SURFACE MOVEMENT SPECIFICATION NUMBER: S250N104-5 ELECTRICAL EQUIP NUMBER: M00930 M00931 COMPONENT MAINT MANUAL REF: 27-09-06 OPTIONAL PART: H504B V33463		1
170	H504C		. TRANSMITTER- SUPPLIER CODE: V33463 FUNCTIONAL DESCRIPTION: PROVIDES ELECTRICAL SIGNALS CORRESPONDING TO CONTROL SURFACE MOVEMENT SPECIFICATION NUMBER: S250N104-7 ELECTRICAL EQUIP NUMBER: M00930 M00931 COMPONENT MAINT MANUAL REF: 27-01-05 OPTIONAL PART: H504B V33463		1

MISSING ITEM NUMBERS NOT APPLICABLE

— ITEM NOT ILLUSTRATED

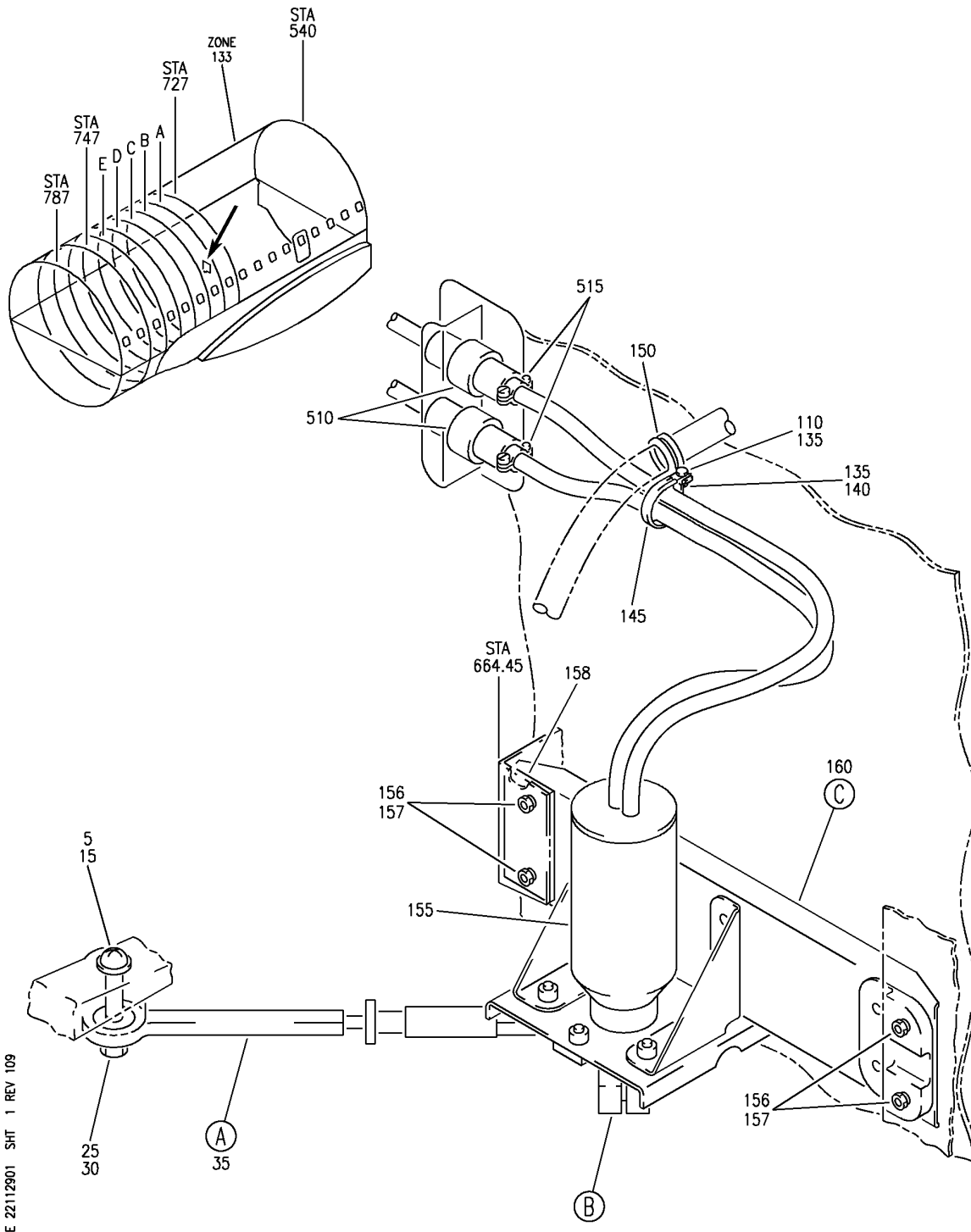
HAP

22-11-27-01

BOEING PROPRIETARY - Copyright © - Unpublished Work - See title page for details.

22-11-27
FIG. 01
PAGE 7
JUN 15/08

BOEING
 737-600/700/800/900
 PARTS CATALOG (MAINTENANCE)



E 22112901 SHT 1 REV 109

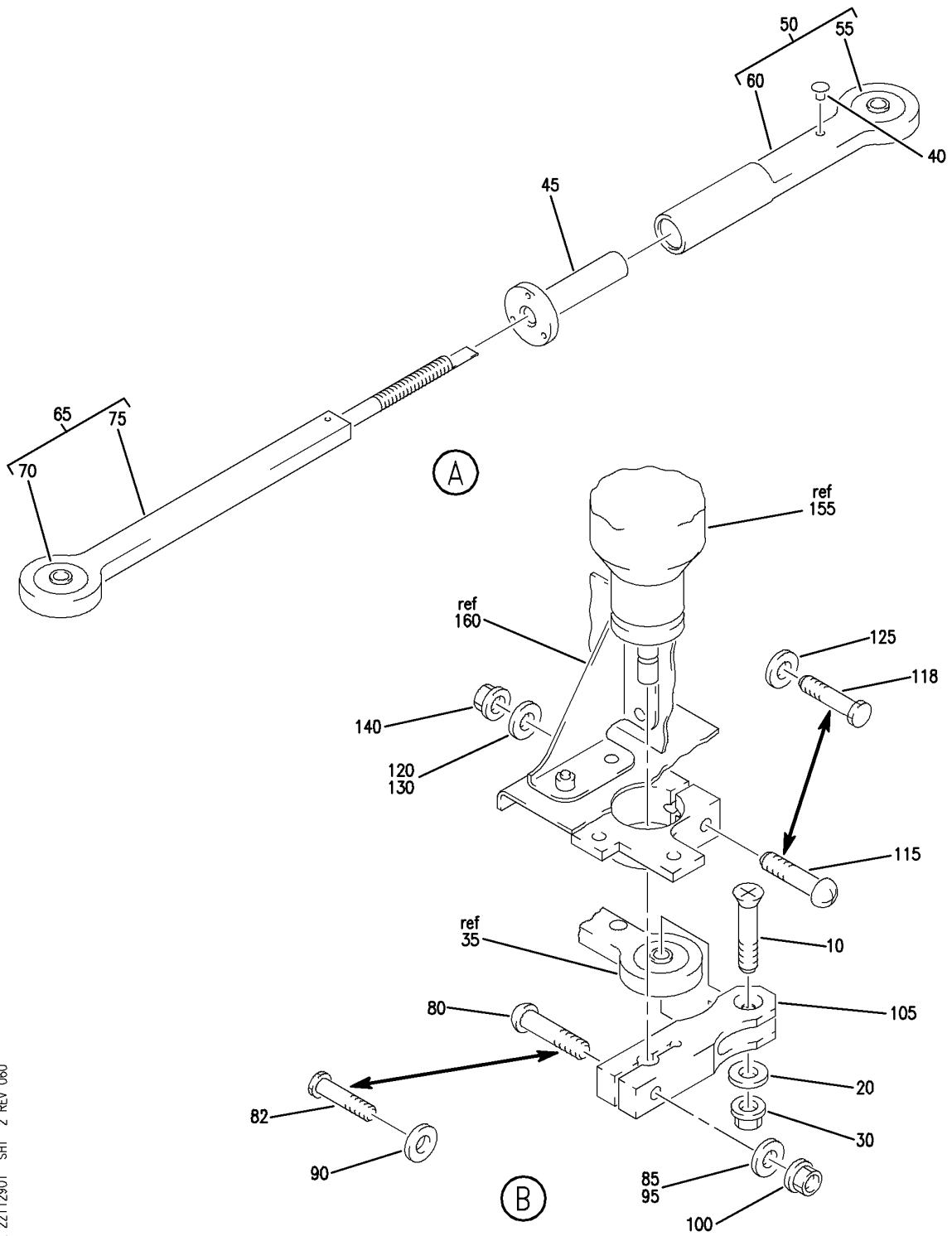
SENSOR INSTL-AIL. CONT POSITION
 FIGURE 1 (SHEET 1)

22-11-29-01

HAP
 OCT 10/06

22-11-29-01
 PAGE 0

BOEING
 737-600/700/800/900
 PARTS CATALOG (MAINTENANCE)



E 22112901 SHT 2 REV 060

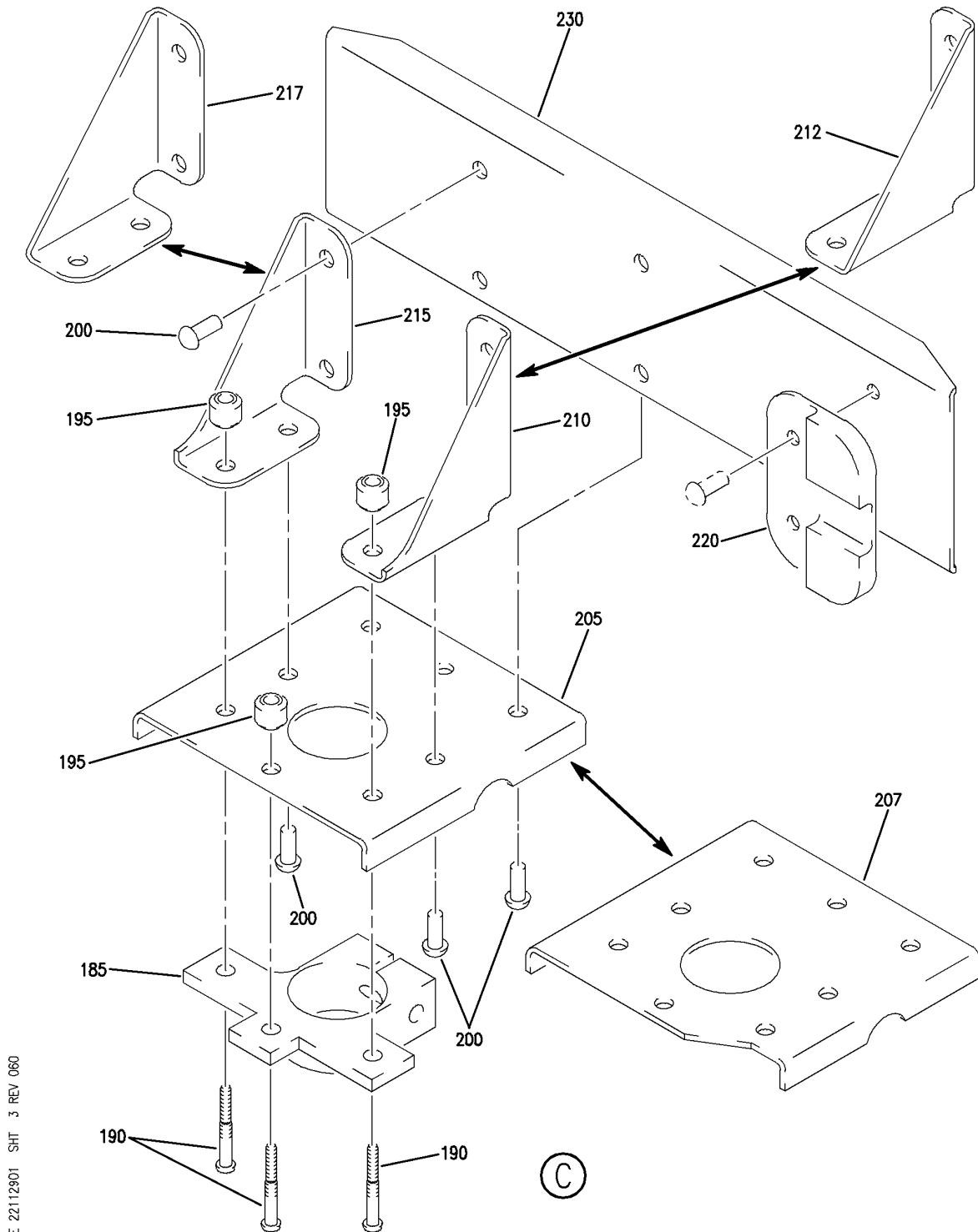
SENSOR INSTL-AIL. CONT POSITION
 FIGURE 1 (SHEET 2)

22-11-29-01

HAP
 OCT 10/06

22-11-29-01
 PAGE 0A

BOEING
737-600/700/800/900
PARTS CATALOG (MAINTENANCE)



E 22112901 SHT 3 REV 060

SENSOR INSTL-AIL. CONT POSITION
FIGURE 1 (SHEET 3)

22-11-29-01

HAP
OCT 10/06

22-11-29-01
PAGE 0B

BOEING
737-600/700/800/900
PARTS CATALOG (MAINTENANCE)

FIG ITEM	PART NUMBER	1 2 3 4 5 6 7	NOMENCLATURE	EFFECT FROM TO	UNITS PER ASSY
1			SENSOR INSTL-AIL. CONT POSITION		
- 1	251A1680-1		SENSOR INSTL-AIL. CONT POSITION FOR NHA SEE: 27-00-00-17A	001001	RF
- 1	251A1680-2		SENSOR INSTL-AIL. CONT POSITION FOR NHA SEE: 27-00-00-17A	002002	RF
- 1	251A1680-4		SENSOR INSTL-AIL. CONT POSITION FOR NHA SEE: 27-00-00-17A	003005	RF
- 1	251A1680-5		SENSOR INSTL-AIL. CONT POSITION FOR NHA SEE: 27-00-00-17A	006007	RF
- 1	251A1680-6		SENSOR INSTL-AIL. CONT POSITION FOR NHA SEE: 27-00-00-17A	008030 201967	RF
- 1	MODREF83940		SENSOR INSTL-AIL. CONT POSITION MODULE NUMBER: 251A1680-6 REV A	031043 101101 968971	1
- 1	MODREF346527		SENSOR INSTL-AIL. CONT POSITION MODULE NUMBER: 251A1680-6 REV B	044100 102200 972999	1
5	BACB30NT3K27		.BOLT		1
10	BACB30NN3K8		.BOLT		1
15	NAS1149D0363J		.WASHER- POSITION DATA: UNDER HEAD	006999	1
20	NAS1149D0363J		.WASHER		1
25	BACW10Q3		.WASHER		1
30	PLH53CD		.NUT SUPPLIER CODE: VF0224 SPECIFICATION NUMBER: BACN10YR3CD OPTIONAL PART: H52732-3CD V15653		2
35	69-43490-12		.ROD ASSY		1
40	MS20470D		..RIVET- SIZE DETERMINED ON INSTL.		1
45	69-43493-1		..NUT		1

MISSING ITEM NUMBERS NOT APPLICABLE

- ITEM NOT ILLUSTRATED

HAP

22-11-29-01

BOEING PROPRIETARY - Copyright © - Unpublished Work - See title page for details.

22-11-29
FIG. 01
PAGE 1
FEB 15/09

BOEING
737-600/700/800/900
PARTS CATALOG (MAINTENANCE)

FIG ITEM	PART NUMBER	1 2 3 4 5 6 7	NOMENCLATURE	EFFECT FROM TO	UNITS PER ASSY
1					
50	69-43491-3	..	END ASSY-ROD		1
55	KSP3LFS428	...	BEARING		1
			SUPPLIER CODE: V21335		
			SPECIFICATION NUMBER: BACB10AC3L		
			OPTIONAL PART: HHKSP3L V38443 KSP3LE9440A V21335 KSP3L2TS V43991 KSP3LG27 V30163		
60	69-43491-4	...	END		1
65	69-43492-7	..	END ASSY-ROD		1
70	KSP3LFS428	...	BEARING		1
			SUPPLIER CODE: V21335		
			SPECIFICATION NUMBER: BACB10AC3L		
			OPTIONAL PART: HHKSP3L V38443 KSP3LE9440A V21335 KSP3L2TS V43991 KSP3LG27 V30163		
75	69-43492-8	...	END		1
80	BACB30NT3K12	.	BOLT	001005	1
82	BACB30NM3K13	.	BOLT	006999	1
85	NAS1149D0363J	.	WASHER	001005	1
90	BACW10BP3CD	.	WASHER-	006999	1
			POSITION DATA: UNDER HEAD		
95	BACW10BP3DP	.	WASHER-	006999	1
			POSITION DATA: UNDER NUT		
100	PLH53CD	.	NUT		1
			SUPPLIER CODE: VF0224		
			SPECIFICATION NUMBER: BACN10YR3CD		
			OPTIONAL PART: H52732-3CD V15653		

MISSING ITEM NUMBERS NOT APPLICABLE

— ITEM NOT ILLUSTRATED

HAP

22-11-29-01

BOEING PROPRIETARY - Copyright © - Unpublished Work - See title page for details.

22-11-29
FIG. 01
PAGE 2
FEB 15/09

BOEING
737-600/700/800/900
PARTS CATALOG (MAINTENANCE)

FIG ITEM	PART NUMBER	1 2 3 4 5 6 7	NOMENCLATURE	EFFECT FROM TO	UNITS PER ASSY
1					
105	69-71007-1		.ARM-CRANK		1
110	BACS12GU3K7		.SCREW		1
115	BACB30NT3K17		.BOLT	001005	1
118	BACB30NM3K18		.BOLT	006999	1
120	NAS1149D0363J		.WASHER	001005	1
125	BACW10BP3CD		.WASHER-	006999	1
			POSITION DATA: UNDER HEAD		
130	BACW10BP3DP		.WASHER-	006999	1
			POSITION DATA: UNDER NUT		
135	NAS1149D0316J		.WASHER		2
140	PLH53CD		.NUT		2
			SUPPLIER CODE: VF0224		
			SPECIFICATION NUMBER: BACN10YR3CD		
			OPTIONAL PART: H52732-3CD V15653		
145	JM44LC13WS6R		.CLAMP		1
			SUPPLIER CODE: V22175		
			SPECIFICATION NUMBER: BACC10GE6		
			OPTIONAL PART: TA12C32WS6 V84971 509S6 V83930 S714WH6 V18076		
150	MS21919WCE8		.CLAMP		1

MISSING ITEM NUMBERS NOT APPLICABLE

— ITEM NOT ILLUSTRATED

HAP

22-11-29-01

BOEING PROPRIETARY - Copyright © - Unpublished Work - See title page for details.

22-11-29
FIG. 01
PAGE 3
FEB 15/09


BOEING
 737-600/700/800/900
PARTS CATALOG (MAINTENANCE)

FIG ITEM	PART NUMBER	1 2 3 4 5 6 7	NOMENCLATURE	EFFECT FROM TO	UNITS PER ASSY
1 155	H504B		.TRANSMITTER- SUPPLIER CODE: V33463 FUNCTIONAL DESCRIPTION: PROVIDES ELECTRICAL SIGNALS CORRESPONDING TO CONTROL SURFACE MOVEMENT SPECIFICATION NUMBER: S250N104-5 ELECTRICAL EQUIP NUMBER: M00937 COMPONENT MAINT MANUAL REF: 27-01-05 MAINTENANCE MANUAL REF: 22-11-29 OPTIONAL PART: ZR2A V51761 OPTIONAL PART: H504C V33463		1
155	ZR2A		.TRANSMITTER-POSITION SENSOR ELEV CONT SUPPLIER CODE: V51761 FUNCTIONAL DESCRIPTION: PROVIDE ELECTRICAL SIGNALS CORRESPONDING TO CONTROL SURFACE MOVEMENT SPECIFICATION NUMBER: S250N104-5 ELECTRICAL EQUIP NUMBER: M00937 COMPONENT MAINT MANUAL REF: 27-09-06 MAINTENANCE MANUAL REF: 22-11-29 OPTIONAL PART: H504B V33463		1

MISSING ITEM NUMBERS NOT APPLICABLE

— ITEM NOT ILLUSTRATED

HAP

22-11-29-01

BOEING PROPRIETARY - Copyright © - Unpublished Work - See title page for details.

22-11-29
 FIG. 01
 PAGE 4
 OCT 10/07

BOEING
737-600/700/800/900
PARTS CATALOG (MAINTENANCE)

FIG ITEM	PART NUMBER	1 2 3 4 5 6 7	NOMENCLATURE	EFFECT FROM TO	UNITS PER ASSY
R R R R R R R R R R R R	155	H504C	.TRANSMITTER- SUPPLIER CODE: V33463 FUNCTIONAL DESCRIPTION: PROVIDES ELECTRICAL SIGNALS CORRESPONDING TO CONTROL SURFACE MOVEMENT SPECIFICATION NUMBER: S250N104-7 ELECTRICAL EQUIP NUMBER: M00937 COMPONENT MAINT MANUAL REF: 27-01-05 MAINTENANCE MANUAL REF: 22-11-29 OPTIONAL PART: H504B V33463		1
	156	BACB30NX6K	.BOLT- SIZE DETERMINED ON INSTL.		4
	157	HL1187-6	.COLLAR SUPPLIER CODE: V5M902 SPECIFICATION NUMBER: BACC30X6 OPTIONAL PART: HL87-6 V92215 HL87-6 V73197 HL1187-6 V56878 HL1187-6 V92215 HL87-6 V56878 HL1187-6 V73197	001043 101101 201971	4
MISSING ITEM NUMBERS NOT APPLICABLE					

— ITEM NOT ILLUSTRATED

HAP

22-11-29-01

BOEING PROPRIETARY - Copyright © - Unpublished Work - See title page for details.

22-11-29
FIG. 01
PAGE 5
JUN 15/09

BOEING
737-600/700/800/900
PARTS CATALOG (MAINTENANCE)

FIG ITEM	PART NUMBER	1 2 3 4 5 6 7	NOMENCLATURE	EFFECT FROM TO	UNITS PER ASSY
1					
157	HL1087-6	.	COLLAR SUPPLIER CODE: V73197 SPECIFICATION NUMBER: BACC30BH6 OPTIONAL PART: HL1087-6 V56878 HL1087-6 V92215 HL1087-6 V9N513	044100 102200 972999	4
158	BACS40R008E018F	.	SHIM	008030 201967	AR
160	251A1681-3	.	BRACKET ASSY	001001 006007	1
160	251A1681-8	.	BRACKET ASSY	002005 008043 101101 201971	1
185	66-26125-1	..	BRACKET ATTACHING PARTS		1
190	LGPL2SPV6-6AC	..	BOLT SUPPLIER CODE: V17446 SPECIFICATION NUMBER: BACB30VN6K6 OPTIONAL PART: LGPL2SPV6-6AC V92215 81669V6K6 V56878 LGPL2SPV6-6AC V56878		3
195	3SLCC6	..	COLLAR SUPPLIER CODE: V17446 SPECIFICATION NUMBER: BACC30BK6 OPTIONAL PART: 3SLCC6 V92215 -----*-----		3
200	BACR15BB5D	..	RIVET- SIZE DETERMINED ON INSTL.		9
205	251A1681-7	..	BRACKET	001001 006007	1

MISSING ITEM NUMBERS NOT APPLICABLE

— ITEM NOT ILLUSTRATED

HAP

22-11-29-01

BOEING PROPRIETARY - Copyright © - Unpublished Work - See title page for details.

22-11-29
FIG. 01
PAGE 6
JUN 15/09

BOEING
737-600/700/800/900
PARTS CATALOG (MAINTENANCE)

FIG ITEM	PART NUMBER	1 2 3 4 5 6 7	NOMENCLATURE	EFFECT FROM TO	UNITS PER ASSY
1					
207	251A1681-11	..	BRACKET	002005 008043 101101 201971	1
210	251A1681-5	..	BRACKET	001001 006007	1
212	251A1681-9	..	BRACKET	002005 008043 101101 201971	1
215	251A1681-6	..	BRACKET	001001 006007	1
217	251A1681-10	..	BRACKET	002005 008043 101101 201971	1
220	251A1681-2	..	SHIM ATTACHING PARTS		1
- 225	BACR15BB6D	..	RIVET- SIZE DETERMINED ON INSTL. -----*-----		2
230	69-71008-1	..	BRACKET		1
- 500	286A5367-002		WIRE BUNDLE ASSY-AUTOPILOT E1-1 TO ACCEL PWR CONT UNIT SYS - A	001007	RF
- 500	286A5367-022		WIRE BUNDLE ASSY-AUTOPILOT E1-1 TO ACCEL PWR CONT UNIT SYS - A	008028	RF
- 500	286A5367-026		WIRE BUNDLE ASSY-AUTOPILOT E1-1 TO ACCEL PWR CONT UNIT SYS - A	201967	RF
- 501	286A5367-038		WIRE BUNDLE ASSY-AUTOPILOT E1-1 TO ACCEL PWR CONT UNIT SYS - A	029030	RF
- 501	286A5367-046		WIRE BUNDLE ASSY-	031036	RF
- 501	286A5367-050		WIRE BUNDLE ASSY	101101 968971	RF
- 502	286A5367-053		WIRE BUNDLE ASSY-	037043	RF
- 502	286A5367-062		WIRE BUNDLE ASSY	044048 054100	RF
- 502	286A5367-060		WIRE BUNDLE ASSY	102106 972999	RF
- 505	286A5375-002		WIRE BUNDLE ASSY-AUTOPILOT E1-4 TO ACCEC/PWR CONT UNIT SYS - B	001007	RF
- 505	286A5375-011		WIRE BUNDLE ASSY-AUTOPILOT E1-4 TO ACCEC/PWR CONT UNIT SYS - B	201967	RF

MISSING ITEM NUMBERS NOT APPLICABLE

- ITEM NOT ILLUSTRATED

HAP

22-11-29-01

22-11-29
FIG. 01
PAGE 7
JUN 15/09

 **BOEING**
737-600/700/800/900
PARTS CATALOG (MAINTENANCE)

FIG ITEM	PART NUMBER	1 2 3 4 5 6 7	NOMENCLATURE	EFFECT FROM TO	UNITS PER ASSY
1					
- 505	286A5375-022		WIRE BUNDLE ASSY-AUTOPILOT E1-4 TO ACCEC/PWR CONT UNIT SYS - B	008028	RF
- 506	286A5375-044		WIRE BUNDLE ASSY-AUTOPILOT E1-4 TO ACCEC/PWR CONT UNIT SYS - B	029030	RF
- 507	286A5375-053		WIRE BUNDLE ASSY-	031035	RF
- 507	286A5375-059		WIRE BUNDLE ASSY-	037043	RF
- 507	286A5375-067		WIRE BUNDLE ASSY	101101	RF
				968971	
- 507	286A5375-069		WIRE BUNDLE ASSY-	036036	RF
- 507	286A5375-070		WIRE BUNDLE ASSY	044048	RF
				054100	
- 507	286A5375-071		WIRE BUNDLE ASSY	102106	RF
				972999	
510	BACC63BV10F5SN		.RECEPTACLE- ELECTRICAL EQUIP NUMBER: D01707 D01709 WIRING DIAGRAM REF: 221131	001030 201967	1
510	BACC63BV10H5SN		.RECEPTACLE- ELECTRICAL EQUIP NUMBER: D01707 D01709 WIRING DIAGRAM REF: 221131	031048 054106 968999	1
515	S3819-10-65		.CLAMP- SUPPLIER CODE: V07418 SPECIFICATION NUMBER: BACC10KD10 OPTIONAL PART: 620AS028NF10L V06324 ELECTRICAL EQUIP NUMBER: D01707T D01709T WIRING DIAGRAM REF: 221131	001028 201967	1
515	620AB049C10		.BACKSHELL- SUPPLIER CODE: V6D470 ELECTRICAL EQUIP NUMBER: D01707T D01709T WIRING DIAGRAM REF: 221131	031048 054106 968999	1

MISSING ITEM NUMBERS NOT APPLICABLE

- ITEM NOT ILLUSTRATED

HAP

22-11-29-01

22-11-29
FIG. 01
PAGE 8
JUN 15/09


BOEING
 737-600/700/800/900
PARTS CATALOG (MAINTENANCE)

FIG ITEM	PART NUMBER	1 2 3 4 5 6 7 NOMENCLATURE	EFFECT FROM TO	UNITS PER ASSY
1 515	S3821-10-65	.BACKSHELL- SUPPLIER CODE: V07418 SPECIFICATION NUMBER: BACC10KF10 OPTIONAL PART: 620AB028NF10L V06324 ELECTRICAL EQUIP NUMBER: D01707T D01709T WIRING DIAGRAM REF: 221131	029030	1

MISSING ITEM NUMBERS NOT APPLICABLE

— ITEM NOT ILLUSTRATED

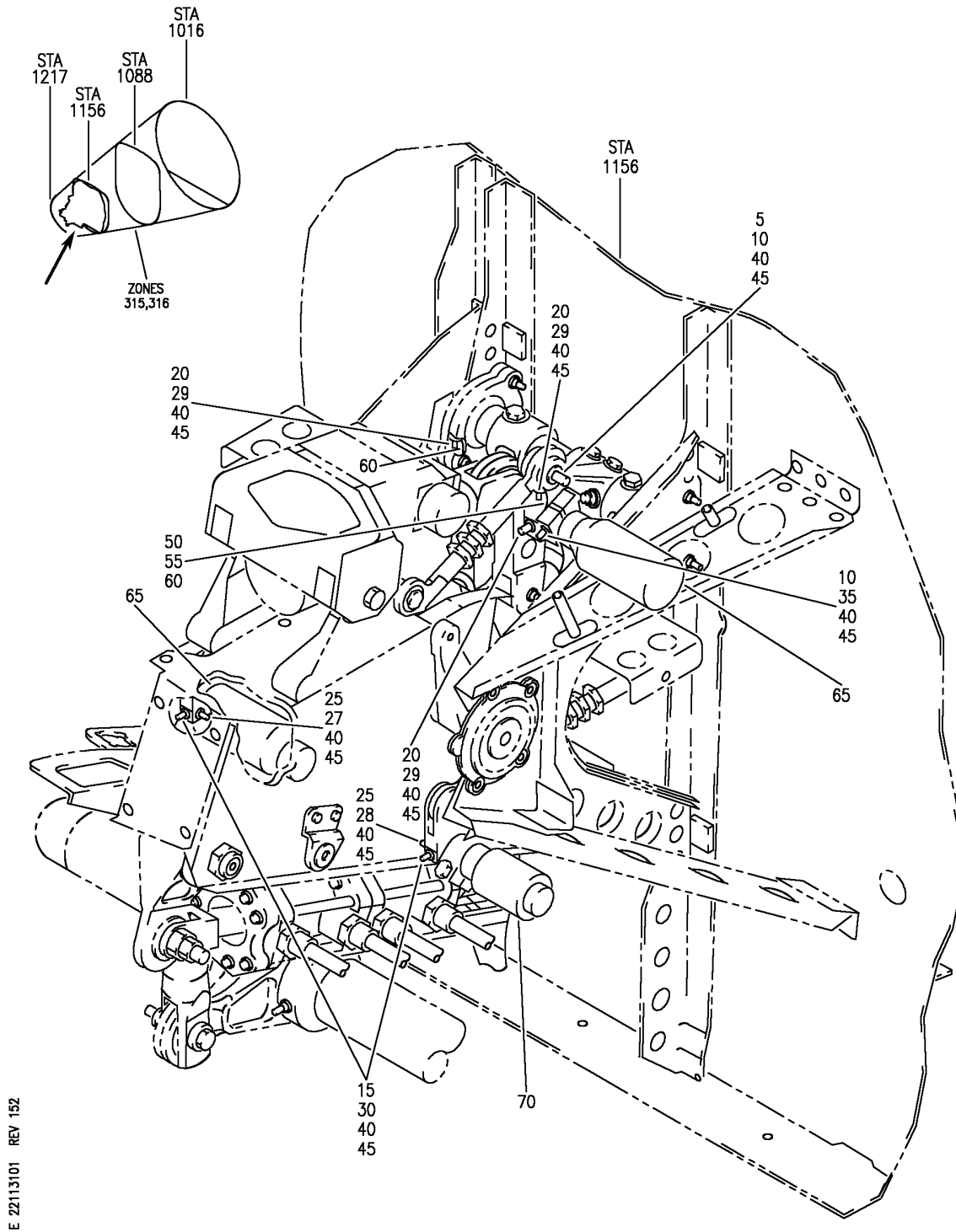
HAP

22-11-29-01

BOEING PROPRIETARY - Copyright © - Unpublished Work - See title page for details.

22-11-29
 FIG. 01
 PAGE 9
 JUN 15/09

BOEING
 737-600/700/800/900
 PARTS CATALOG (MAINTENANCE)



E 22113101 REV 152

CONTROL INSTL-FEEL AND CENTERING (DIGITAL FLIGHT CONTROL SYSTEM ONLY)
 FIGURE 1

22-11-31-01

HAP
 JUN 15/09

22-11-31-01
 PAGE 0

BOEING
737-600/700/800/900
PARTS CATALOG (MAINTENANCE)

FIG ITEM	PART NUMBER	1 2 3 4 5 6 7	NOMENCLATURE	EFFECT FROM TO	UNITS PER ASSY
1			CONTROL INSTL-FEEL AND CENTERING (DIGITAL FLIGHT CONTROL SYSTEM ONLY)		
- 1	251A2101-4		CONTROL INSTL-FEEL AND CENTERING ELEV (DIGITAL FLIGHT CONTROL SYSTEM ONLY) FOR NHA/OTHER SYS DET SEE: 27-30-00-06	001007	RF
- 1	251A2101-7		CONTROL INSTL-FEEL AND CENTERING ELEV (DIGITAL FLIGHT CONTROL SYSTEM ONLY) FOR NHA/OTHER SYS DET SEE: 27-30-00-06	008030 201967	RF
- 1	MODREF84007		CONTROL INSTL-FEEL AND CENTERING ELEV (DIGITAL FLIGHT CONTROL SYSTEM ONLY) MODULE NUMBER: 251A2101-7 REV A FOR OTHER SYS DETAILS SEE: 27-31-64-01 FOR ADDITIONAL DETAILS SEE: 22-11-24-01	031043 101101 968971	1
- 1	MODREF346528		CONTROL INSTL-FEEL AND CENTERING ELEV (DIGITAL FLIGHT CONTROL SYSTEM ONLY) MODULE NUMBER: 251A2101-7 REV B FOR OTHER SYS DETAILS SEE: 27-31-64-01 FOR ADDITIONAL DETAILS SEE: 22-11-24-01	044049 054100 102106 972999	1
- 1	MODREF405496		CONTROL INSTL-FEEL AND CENTERING ELEV (DIGITAL FLIGHT CONTROL SYSTEM ONLY) MODULE NUMBER: 251A2101-7 REV D FOR OTHER SYS DETAILS SEE: 27-31-64-01 FOR ADDITIONAL DETAILS SEE: 22-11-24-01	050053 107200	1
5	BACB30LU3D10		.BOLT	001007	1
10	BACB30LU3D10		.BOLT	008043 101101 201971	2

MISSING ITEM NUMBERS NOT APPLICABLE

- ITEM NOT ILLUSTRATED

HAP

22-11-31-01

22-11-31
FIG. 01
PAGE 1
FEB 15/09

BOEING
737-600/700/800/900
PARTS CATALOG (MAINTENANCE)

FIG ITEM	PART NUMBER	1 2 3 4 5 6 7	NOMENCLATURE	EFFECT FROM TO	UNITS PER ASSY
1					
10	BACB30LH3D10	.	BOLT	044100 102200 972999	2
15	BACB30NT3K13	.	BOLT	008999	2
20	NAS6703-19	.	BOLT	008043 101101 201971	3
20	BACB30LM3-19	.	BOLT	044100 102200 972999	3
25	NAS6703-10	.	BOLT	008043 101101 201971	2
25	BACB30LM3-10	.	BOLT	044049 054100 102106 972999	2
27	BACB30LM3-10	.	BOLT	050053 107200	1
28	BACB30LM3-9	.	BOLT	050053 107200	1
29	NAS603-19	.	SCREW	001007	3
35	NAS623-3-13	.	SCREW	001007	1
40	NAS1149D0363J	.	WASHER		9
45	PLH53CD	.	NUT	008999	9
			SUPPLIER CODE: VF0224		
			SPECIFICATION NUMBER: BACN10YR3CD		
			OPTIONAL PART: H52732-3CD V15653		
45	MS21042L3	.	NUT	001007	9
50	69-73363-5	.	ARM-SENSOR	001007	1
			QUALIFIED I/W DATA: 251A2385-1 T/W BACB30LU3D10 CAN REPLACE BUT NOT BE REPLACED BY 69-73363-5 T/W NAS623-3-13		
55	251A2385-1	.	ARM-SENSOR	008999	1
			QUALIFIED I/W DATA: 251A2385-1 T/W BACB30LU3D10 CAN REPLACE BUT NOT BE REPLACED BY 69-73363-5 T/W NAS623-3-13		
60	69-73363-7	.	ARM-SENSOR		2

MISSING ITEM NUMBERS NOT APPLICABLE

— ITEM NOT ILLUSTRATED

HAP

22-11-31-01

BOEING PROPRIETARY - Copyright © - Unpublished Work - See title page for details.

22-11-31
FIG. 01
PAGE 2
JUN 15/09

BOEING
737-600/700/800/900
PARTS CATALOG (MAINTENANCE)

FIG ITEM	PART NUMBER	1 2 3 4 5 6 7	NOMENCLATURE	EFFECT FROM TO	UNITS PER ASSY
1 65	H504B		. TRANSMITTER-POSITION CONT SURF. SUPPLIER CODE: V33463 FUNCTIONAL DESCRIPTION: PROVIDES ELECTRICAL SIGNALS CORRESPONDING TO CONTROL SURFACE MOVEMENT SPECIFICATION NUMBER: S250N104-5 COMPONENT MAINT MANUAL REF: 27-01-05 MAINTENANCE MANUAL REF: 22-11-31 OPTIONAL PART: ZR2A V51761 OPTIONAL PART: H504C V33463		2
65	ZR2A		. TRANSMITTER-POSITION CONT SURF. SUPPLIER CODE: V51761 FUNCTIONAL DESCRIPTION: PROVIDES ELECTRICAL SIGNALS CORRESPONDING TO CONTROL SURFACE MOVEMENT SPECIFICATION NUMBER: S250N104-5 COMPONENT MAINT MANUAL REF: 27-09-06 MAINTENANCE MANUAL REF: 22-11-31 OPTIONAL PART: H504B V33463		2

MISSING ITEM NUMBERS NOT APPLICABLE

— ITEM NOT ILLUSTRATED

HAP

22-11-31-01

BOEING PROPRIETARY - Copyright © - Unpublished Work - See title page for details.

22-11-31
FIG. 01
PAGE 3
OCT 15/08

BOEING
737-600/700/800/900
PARTS CATALOG (MAINTENANCE)

FIG ITEM	PART NUMBER	1 2 3 4 5 6 7	NOMENCLATURE	EFFECT FROM TO	UNITS PER ASSY
R R R R R R R R R R R R	1 65	H504C	.TRANSMITTER-POSITION CONT SURF. SUPPLIER CODE: V33463 FUNCTIONAL DESCRIPTION: PROVIDES ELECTRICAL SIGNALS CORRESPONDING TO CONTROL SURFACE MOVEMENT SPECIFICATION NUMBER: S250N104-7 COMPONENT MAINT MANUAL REF: 27-01-05 MAINTENANCE MANUAL REF: 22-11-31 OPTIONAL PART: H504B V33463		2
	70	H505B	.TRANSMITTER-POSITION CONT SURF. SUPPLIER CODE: V33463 FUNCTIONAL DESCRIPTION: PROVIDES ELECTRICAL SIGNALS CORRESPONDING TO CONTROL SURFACE MOVEMENT SPECIFICATION NUMBER: S250N104-4 COMPONENT MAINT MANUAL REF: 27-01-07 OPTIONAL PART: ZR1A V51761		1
	70	ZR1A	.TRANSMITTER-POSITION CONT SURF. SUPPLIER CODE: V51761 FUNCTIONAL DESCRIPTION: PROVIDES ELECTRICAL SIGNALS CORRESPONDING TO CONTROL SURFACE MOVEMENT SPECIFICATION NUMBER: S250N104-4 COMPONENT MAINT MANUAL REF: 27-09-07 MAINTENANCE MANUAL REF: 22-11-31 OPTIONAL PART: H505B V33463		1

MISSING ITEM NUMBERS NOT APPLICABLE

— ITEM NOT ILLUSTRATED

HAP

22-11-31-01

BOEING PROPRIETARY - Copyright © - Unpublished Work - See title page for details.

22-11-31
FIG. 01
PAGE 4
JUN 15/09

BOEING
737-600/700/800/900
PARTS CATALOG (MAINTENANCE)

FIG ITEM	PART NUMBER	1 2 3 4 5 6 7	NOMENCLATURE	EFFECT FROM TO	UNITS PER ASSY
1	70 H509B		. TRANSMITTER- SUPPLIER CODE: V33463 SPECIFICATION NUMBER: S250N104-6 COMPONENT MAINT MANUAL REF: 27-01-06 MAINTENANCE MANUAL REF: 22-11-31 OPTIONAL PART: ZR3A V51761		1
	70 ZR3A		. TRANSMITTER- SUPPLIER CODE: V51761 FUNCTIONAL DESCRIPTION: PROVIDES AN ELECTRICAL SIGNAL PROPORTIONAL TO THE POSITION OF A CONTROL SURFACE (AILERON, SPOILER, RUDDER OR ELEVATOR) SPECIFICATION NUMBER: S250N104-6 COMPONENT MAINT MANUAL REF: 27-09-07 MAINTENANCE MANUAL REF: 22-11-31 OPTIONAL PART: H509B V33463		1

MISSING ITEM NUMBERS NOT APPLICABLE

— ITEM NOT ILLUSTRATED

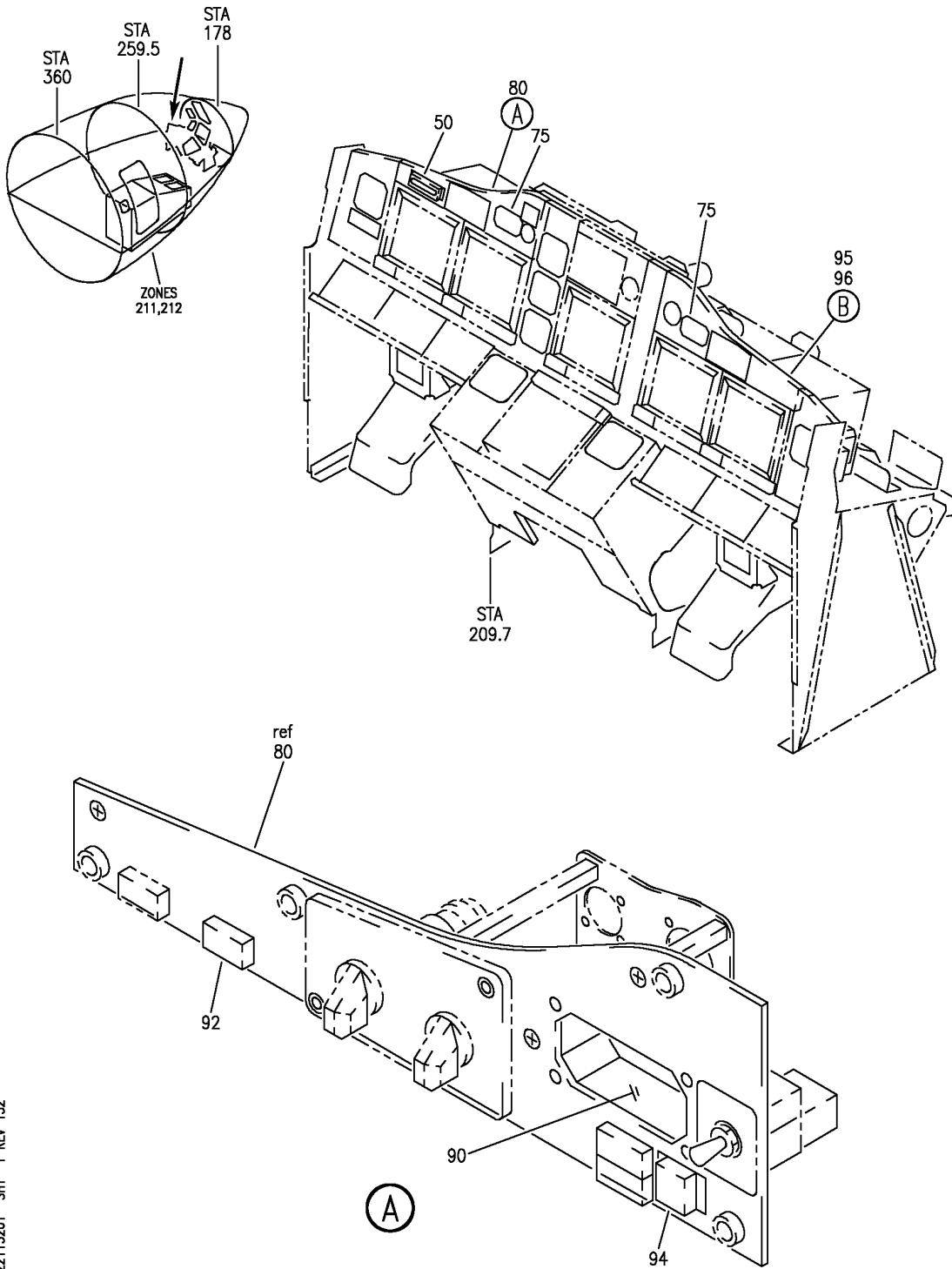
HAP

22-11-31-01

BOEING PROPRIETARY - Copyright © - Unpublished Work - See title page for details.

22-11-31
FIG. 01
PAGE 5
OCT 15/08

BOEING
 737-600/700/800/900
 PARTS CATALOG (MAINTENANCE)



E 22113201 SHT 1 REV 152

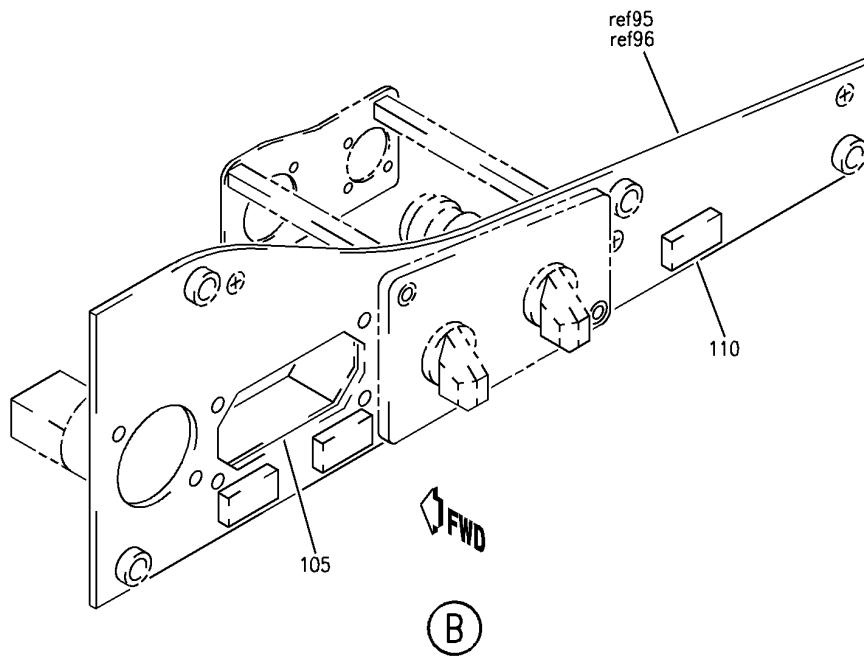
PANEL INSTL-FWD (DIGITAL FLIGHT CONTROL SYSTEM ONLY)
 FIGURE 1 (SHEET 1)

22-11-32-01

HAP
 JUN 15/09

22-11-32-01
 PAGE 0

BOEING
737-600/700/800/900
PARTS CATALOG (MAINTENANCE)



E 22113201 SHT 2 REV 134

PANEL INSTL-FWD (DIGITAL FLIGHT CONTROL SYSTEM ONLY)
FIGURE 1 (SHEET 2)

22-11-32-01

HAP
OCT 10/07

22-11-32-01
PAGE 0A

BOEING PROPRIETARY - Copyright © - Unpublished Work - See title page for details.

BOEING
737-600/700/800/900
PARTS CATALOG (MAINTENANCE)

FIG ITEM	PART NUMBER	1 2 3 4 5 6 7	NOMENCLATURE	EFFECT FROM TO	UNITS PER ASSY
1			PANEL INSTL-FWD (DIGITAL FLIGHT CONTROL SYSTEM ONLY)	001030 201967	
- 1	233A2101-3		PANEL INSTL-(DIGITAL FLIGHT CONTROL SYSTEM ONLY) POSITION DATA: FWD FOR NHA/OTHER SYS DET SEE: 31-11-00-01C	001005	RF
- 2	233A2101-20		PANEL INSTL-(DIGITAL FLIGHT CONTROL SYSTEM ONLY) POSITION DATA: FWD FOR NHA/OTHER SYS DET SEE: 31-11-00-01C	008011	RF
- 5	233A2101-84		PANEL INSTL-(DIGITAL FLIGHT CONTROL SYSTEM ONLY) POSITION DATA: FWD FOR NHA/OTHER SYS DET SEE: 31-11-00-01C	017020	RF
- 5	233A2101-91		PANEL INSTL-(DIGITAL FLIGHT CONTROL SYSTEM ONLY) POSITION DATA: FWD FOR NHA/OTHER SYS DET SEE: 31-11-00-01C	006007	RF
- 6	233A2101-103		PANEL INSTL-(DIGITAL FLIGHT CONTROL SYSTEM ONLY) POSITION DATA: FWD FOR NHA/OTHER SYS DET SEE: 31-11-00-01C	201967	RF
- 9	233A2101-165		PANEL INSTL-(DIGITAL FLIGHT CONTROL SYSTEM ONLY) POSITION DATA: FWD FOR NHA/OTHER SYS DET SEE: 31-11-00-01J	012016	RF
- 11	233A2101-262		PANEL INSTL-(DIGITAL FLIGHT CONTROL SYSTEM ONLY) POSITION DATA: FWD FOR NHA/OTHER SYS DET SEE: 31-11-00-01C	021022	RF

MISSING ITEM NUMBERS NOT APPLICABLE

- ITEM NOT ILLUSTRATED

HAP

22-11-32-01

BOEING PROPRIETARY - Copyright © - Unpublished Work - See title page for details.

22-11-32
FIG. 01
PAGE 1
OCT 15/08

BOEING
737-600/700/800/900
PARTS CATALOG (MAINTENANCE)

FIG ITEM	PART NUMBER	1 2 3 4 5 6 7	NOMENCLATURE	EFFECT FROM TO	UNITS PER ASSY
1					
- 14	233A2101-304		PANEL INSTL-(DIGITAL FLIGHT CONTROL SYSTEM ONLY) POSITION DATA: FWD FOR NHA/OTHER SYS DET SEE: 31-11-00-01C	028030	RF
- 18	233A2101-207		PANEL INSTL-(DIGITAL FLIGHT CONTROL SYSTEM ONLY) POSITION DATA: FWD FOR NHA/OTHER SYS DET SEE: 31-11-00-01C	023027	RF
75	D434-56-001		.ANNUNCIATOR ASSY- AUTOFLIGHT STATUS SUPPLIER CODE: VK0673 FUNCTIONAL DESCRIPTION: PROVIDES THE FLIGHT CREW WITH A VISUAL STATUS INDICATION FOR THE AUTOPILOT, AUTOTHROTTLE, AND FMC SYSTEM. SPECIFICATION NUMBER: 10-62058-6 ELECTRICAL EQUIP NUMBER: N00170 N00171 COMPONENT MAINT MANUAL REF: 22-41-56 FOR DETAILS SEE: 33-11-01-10	001030 201967	2
80	233A2221-5		.PANEL ASSY-CDS DISPLAY CONT P1-3 SUPPLIER CODE: V89954 POSITION DATA: L ELECTRICAL EQUIP NUMBER: P00103 COMPONENT MAINT MANUAL REF: 31-11-30	001022 201967	RF

MISSING ITEM NUMBERS NOT APPLICABLE

- ITEM NOT ILLUSTRATED

HAP

22-11-32-01

BOEING PROPRIETARY - Copyright © - Unpublished Work - See title page for details.

22-11-32
FIG. 01
PAGE 2
OCT 15/08

BOEING
737-600/700/800/900
PARTS CATALOG (MAINTENANCE)

FIG ITEM	PART NUMBER	1 2 3 4 5 6 7	NOMENCLATURE	EFFECT FROM TO	UNITS PER ASSY
1 80	233A2221-9		.PANEL ASSY-CDS DISPLAY CONT P1-3 SUPPLIER CODE: V89954 POSITION DATA: L ELECTRICAL EQUIP NUMBER: P00103 COMPONENT MAINT MANUAL REF: 31-11-30	001030 201967	RF
90	123-1532C		..CLAMP- SUPPLIER CODE: V28277	001030 201967	1
92	BCREF7860		..LIGHT ASSY-PRESS TO TEST IND-AUTOLAND SUPPLIER CODE: V81590 OVERLENGTH PART NUMBER: 318-630-1012-003	001030 201967	1
94	BCREF6835		..LIGHT ASSY-PRESS TO TEST IND STAB. TRIM SUPPLIER CODE: V81590 OVERLENGTH PART NUMBER: 432-632-1089-005 FOR DETAILS SEE: 33-11-50-03Q	001030 201967	1
95	233A2222-5		.PANEL ASSY-CDS DISPLAY CONT P3-1 SUPPLIER CODE: V89954 POSITION DATA: R ELECTRICAL EQUIP NUMBER: P00301 COMPONENT MAINT MANUAL REF: 31-11-59 POST RAPID REVISION: RR97183-11-A	201967	RF
95	233A2222-6		.PANEL ASSY-CDS DISPLAY CONT P3-1 SUPPLIER CODE: V89954 POSITION DATA: R ELECTRICAL EQUIP NUMBER: P00301 COMPONENT MAINT MANUAL REF: 31-11-59	001022	RF

MISSING ITEM NUMBERS NOT APPLICABLE

— ITEM NOT ILLUSTRATED

HAP

22-11-32-01

BOEING PROPRIETARY - Copyright © - Unpublished Work - See title page for details.

22-11-32
FIG. 01
PAGE 3
OCT 15/08

BOEING
737-600/700/800/900
PARTS CATALOG (MAINTENANCE)

FIG ITEM	PART NUMBER	1 2 3 4 5 6 7	NOMENCLATURE	EFFECT FROM TO	UNITS PER ASSY
1 95	233A2222-15		.PANEL ASSY-CDS DISPLAY CONT P3-1 SUPPLIER CODE: V89954 POSITION DATA: R ELECTRICAL EQUIP NUMBER: P00301 COMPONENT MAINT MANUAL REF: 31-11-59	023030	RF
105	123-1532C		..CLAMP- SUPPLIER CODE: V28277	001030 201967	1
110	BCREF7860		..LIGHT ASSY-PRESS TO TEST IND-AUTOLAND SUPPLIER CODE: V81590 OVERLENGTH PART NUMBER: 318-630-1012-003	001030 201967	1

MISSING ITEM NUMBERS NOT APPLICABLE

— ITEM NOT ILLUSTRATED

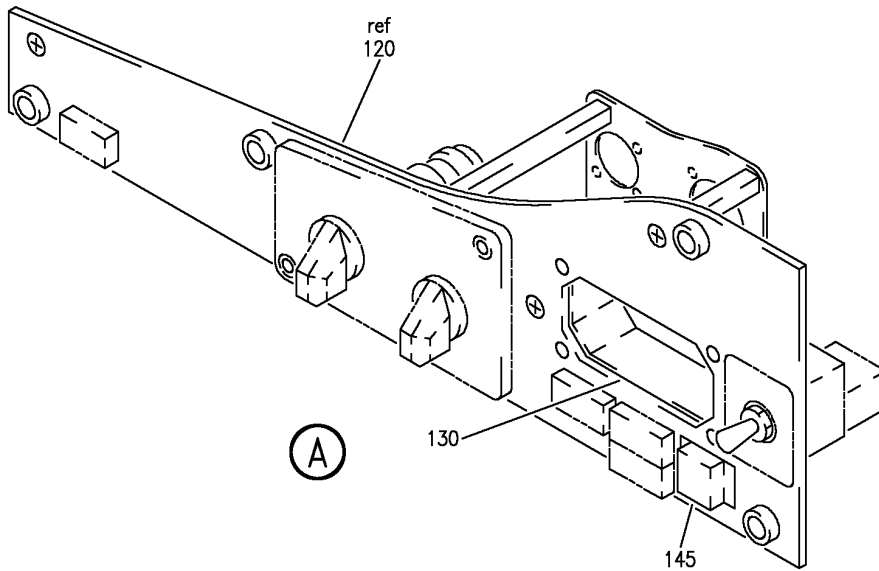
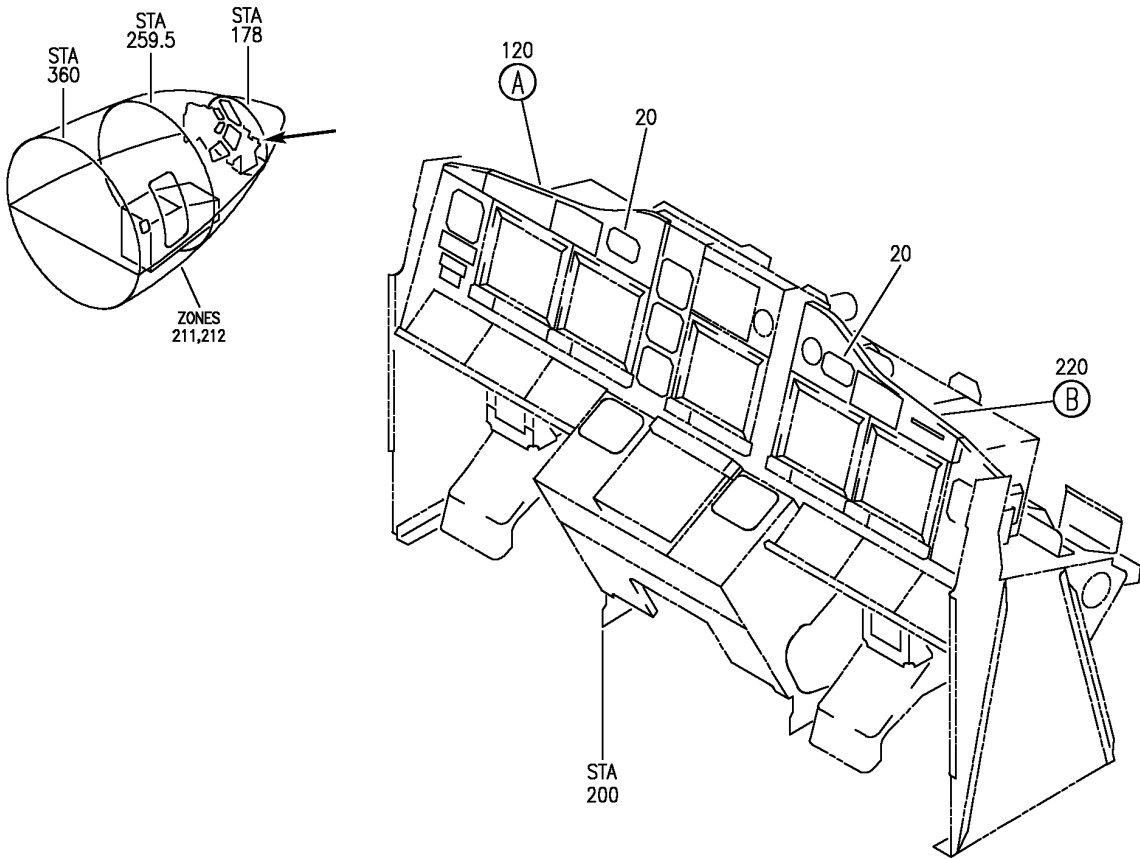
HAP

22-11-32-01

BOEING PROPRIETARY - Copyright © - Unpublished Work - See title page for details.

22-11-32
FIG. 01
PAGE 4
OCT 15/08

BOEING
 737-600/700/800/900
 PARTS CATALOG (MAINTENANCE)



E 22113202 SHT 1 REV 151

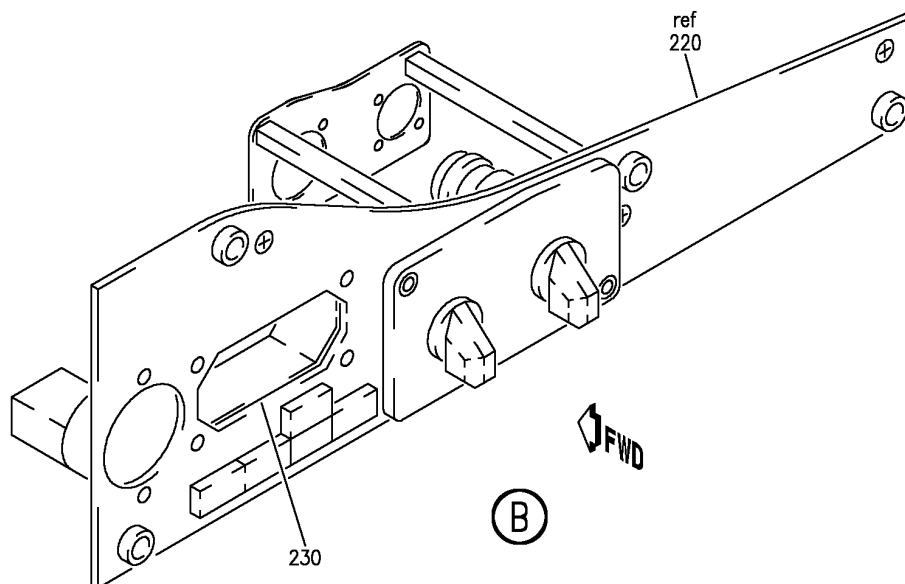
PANEL INSTL-FWD (AUTOFLIGHT ONLY)
 FIGURE 2 (SHEET 1)

22-11-32-02

HAP
 FEB 15/09

22-11-32-02
 PAGE 0

BOEING
737-600/700/800/900
PARTS CATALOG (MAINTENANCE)



E 22113202 SH1 2 REV 144

PANEL INSTL-FWD (AUTOFLIGHT ONLY)
FIGURE 2 (SHEET 2)

22-11-32-02

HAP
OCT 15/08

22-11-32-02
PAGE 0A

BOEING
737-600/700/800/900
PARTS CATALOG (MAINTENANCE)

FIG ITEM	PART NUMBER	1 2 3 4 5 6 7	NOMENCLATURE	EFFECT FROM TO	UNITS PER ASSY
2			PANEL INSTL-FWD (AUTOFLIGHT ONLY)	031200 968999	
- 1	MODREF282027		PANEL INSTL-(AUTOFLIGHT ONLY) MODULE NUMBER: 233A2103-1 REV D POSITION DATA: FWD FOR OTHER SYS DETAILS SEE: 11-31-01-26 27-58-02-02 31-11-21-06 31-11-31-06 31-11-51-08 31-11-81-02 31-25-11-04 31-62-11-03 31-62-13-03 32-41-00-04 32-51-00-03 33-11-00-13	031036	1
- 1	MODREF292667		PANEL INSTL-(AUTOFLIGHT ONLY) MODULE NUMBER: 233A2103-1 REV E POSITION DATA: FWD FOR OTHER SYS DETAILS SEE: 11-31-01-26 27-58-02-02 31-11-21-06 31-11-31-06 31-11-51-08 31-25-11-04 31-62-11-03 31-62-13-03 32-41-00-04 32-51-00-03 33-11-00-13	037200 968999	1

MISSING ITEM NUMBERS NOT APPLICABLE

- ITEM NOT ILLUSTRATED

HAP

22-11-32-02

BOEING PROPRIETARY - Copyright © - Unpublished Work - See title page for details.

22-11-32
FIG. 02
PAGE 1
OCT 15/08

BOEING
737-600/700/800/900
PARTS CATALOG (MAINTENANCE)

FIG ITEM	PART NUMBER	1 2 3 4 5 6 7	NOMENCLATURE	EFFECT FROM TO	UNITS PER ASSY
2 20	D434-56-001		.ANNUNCIATOR ASSY- AUTOFLIGHT STATUS SUPPLIER CODE: VK0673 FUNCTIONAL DESCRIPTION: PROVIDES THE FLIGHT CREW WITH A VISUAL STATUS INDICATION FOR THE AUTOPILOT, AUTOTHROTTLE, AND FMC SYSTEM. SPECIFICATION NUMBER: 10-62058-6 ELECTRICAL EQUIP NUMBER: N00170 N00171 COMPONENT MAINT MANUAL REF: 22-41-56 FOR DETAILS SEE: 33-11-01-10	031200 968999	2

MISSING ITEM NUMBERS NOT APPLICABLE

— ITEM NOT ILLUSTRATED

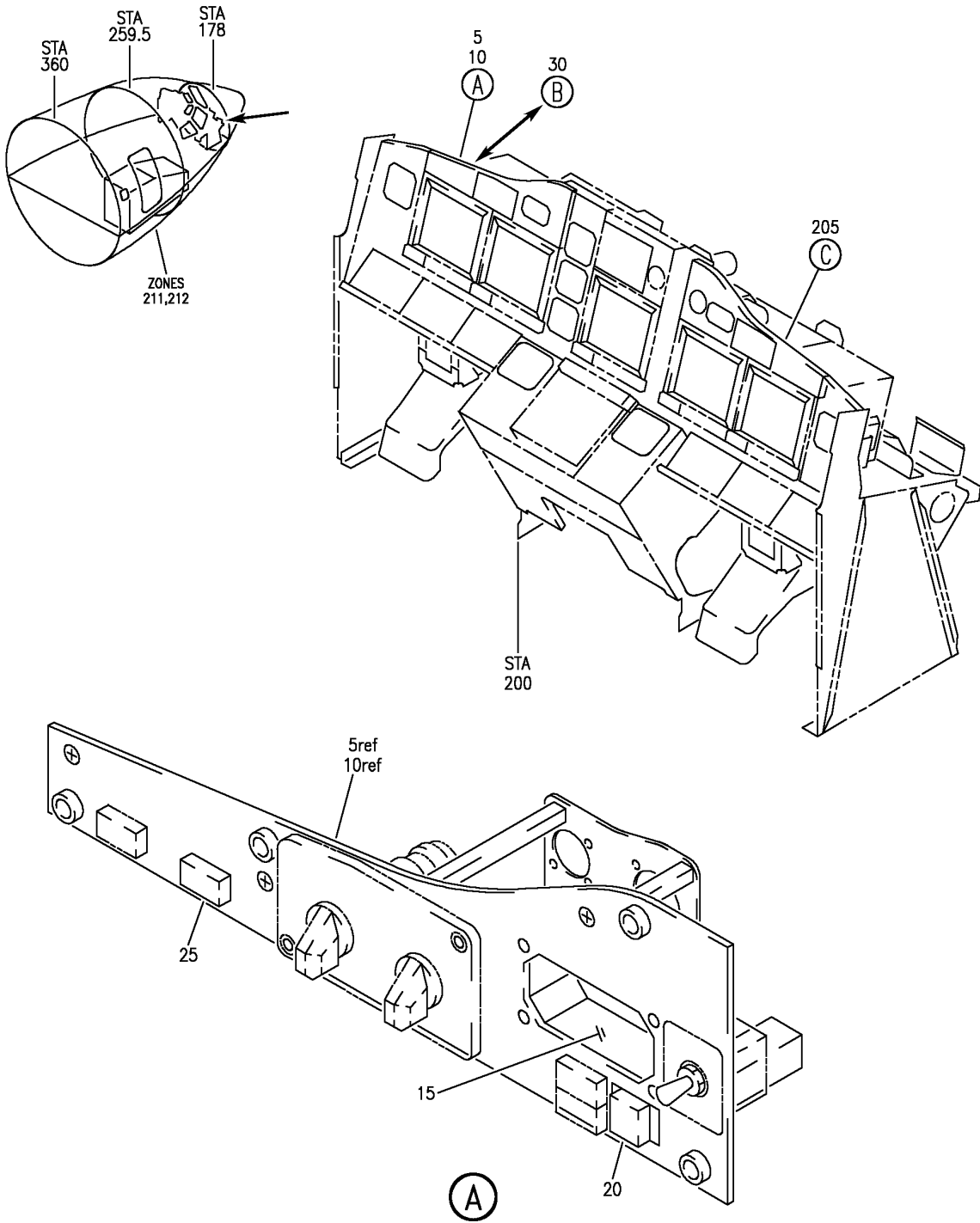
HAP

22-11-32-02

BOEING PROPRIETARY - Copyright © - Unpublished Work - See title page for details.

22-11-32
FIG. 02
PAGE 2
FEB 15/09

BOEING
 737-600/700/800/900
 PARTS CATALOG (MAINTENANCE)



E 22113208 SHT 1 REV 147

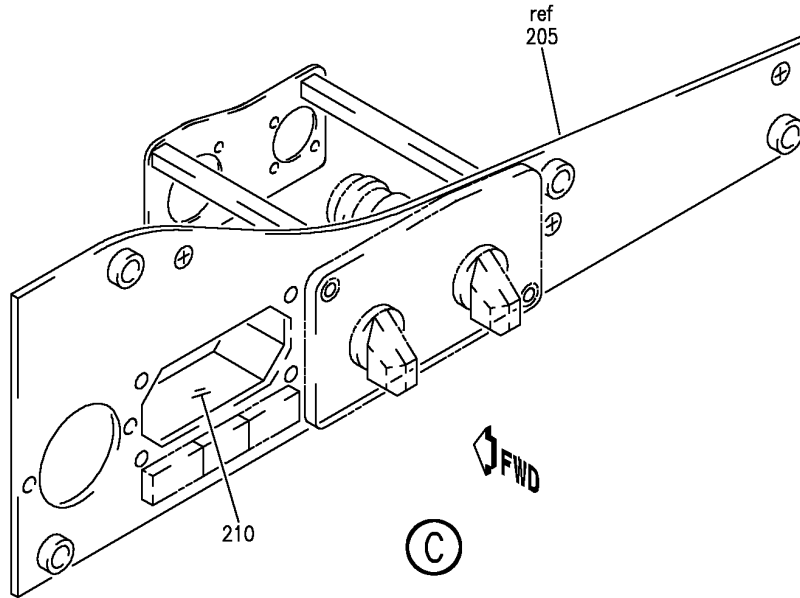
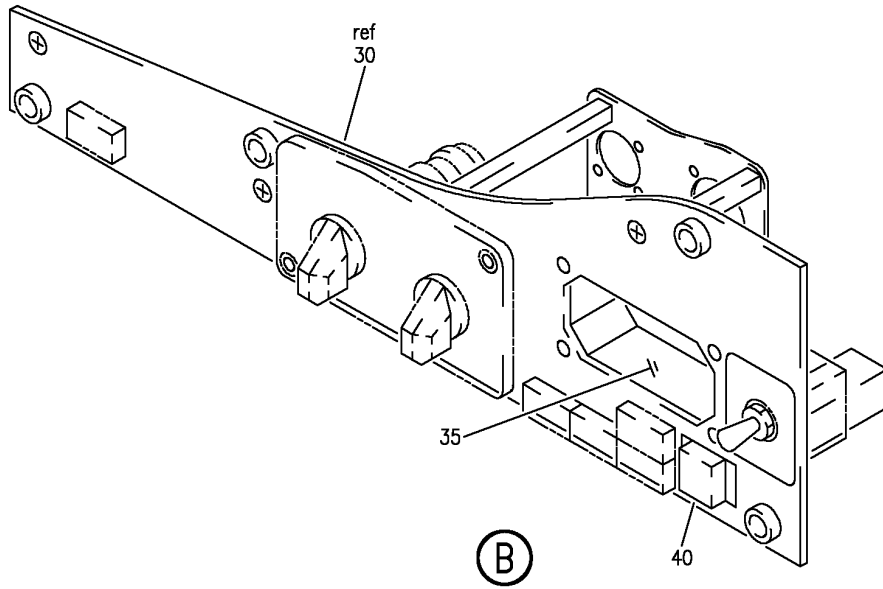
PANEL INSTL-FWD (AUTOFLIGHT ONLY)
 FIGURE 8 (SHEET 1)

22-11-32-08

HAP
 OCT 15/08

22-11-32-08
 PAGE 0

BOEING
737-600/700/800/900
PARTS CATALOG (MAINTENANCE)



E 22113208 SH1 2 REV 147

PANEL INSTL-FWD (AUTOFLIGHT ONLY)
FIGURE 8 (SHEET 2)

22-11-32-08

HAP
OCT 15/08

22-11-32-08
PAGE 0A

BOEING
737-600/700/800/900
PARTS CATALOG (MAINTENANCE)

FIG ITEM	PART NUMBER	1 2 3 4 5 6 7	NOMENCLATURE	EFFECT FROM TO	UNITS PER ASSY
8			PANEL INSTL-FWD (AUTOFLIGHT ONLY)	031043 101101 968971	
- 1	MODREF192075		PANEL INSTL-(AUTOFLIGHT ONLY) MODULE NUMBER: 233A2103-1309 REV A POSITION DATA: FWD FOR OTHER SYS DETAILS SEE: 11-31-01-26 27-62-52-08 31-11-21-08 32-61-52-08 33-11-00-48	031043 101101 968971	1
5	233A2221-9		.PANEL ASSY-CDS DISPLAY CONT P1-3 SUPPLIER CODE: V89954 ELECTRICAL EQUIP NUMBER: P00103 COMPONENT MAINT MANUAL REF: 31-11-30	031043 101101 968971	RF
15	123-1532C		..CLAMP- SUPPLIER CODE: V28277	031043 101101 968971	1
20	BCREF6835		..LIGHT ASSY-PRESS TO TEST IND-STAB. TRIM SUPPLIER CODE: V81590 OVERLENGTH PART NUMBER: 432-632-1089-005 FOR DETAILS SEE: 33-11-50-03J	031043 101101 968971	1
30	233A2221-17		.PANEL ASSY-CDS DISPLAY CONT P1-3 SUPPLIER CODE: V89954 ELECTRICAL EQUIP NUMBER: P00103 COMPONENT MAINT MANUAL REF: 31-11-30	031043 101101 968971	RF

MISSING ITEM NUMBERS NOT APPLICABLE

- ITEM NOT ILLUSTRATED

HAP

22-11-32-08

BOEING PROPRIETARY - Copyright © - Unpublished Work - See title page for details.

22-11-32
FIG. 08
PAGE 1
FEB 15/09

BOEING
737-600/700/800/900
PARTS CATALOG (MAINTENANCE)

FIG ITEM	PART NUMBER	1 2 3 4 5 6 7	NOMENCLATURE	EFFECT FROM TO	UNITS PER ASSY
8					
30	233A2221-29		.PANEL ASSY-CDS DISPLAY CONT P1-3 SUPPLIER CODE: V89954 ELECTRICAL EQUIP NUMBER: P00103 COMPONENT MAINT MANUAL REF: 31-11-30	031043 101101 968971	RF
35	123-1532C		..CLAMP- SUPPLIER CODE: V28277	031043 101101 968971	1
40	BCREF6835		..LIGHT ASSY-PRESS TO TEST IND-STAB. TRIM SUPPLIER CODE: V81590 OVERLENGTH PART NUMBER: 432-632-1089-005 FOR DETAILS SEE: 33-11-50-03J	031043 101101 968971	1
- 200	MODREF192096		PANEL INSTL-(AUTOFLIGHT ONLY) MODULE NUMBER: 233A2103-3115 REV A POSITION DATA: FWD FOR OTHER SYS DETAILS SEE: 27-51-50-02 27-62-52-08 31-11-51-22 32-41-00-04 32-61-52-08 33-11-00-48	031043 101101 968971	1
205	233A2222-15		.PANEL ASSY-CDS DISPLAY CONT P3-1 SUPPLIER CODE: V89954 ELECTRICAL EQUIP NUMBER: P00301 COMPONENT MAINT MANUAL REF: 31-11-59	031043 101101 968971	RF
210	123-1532C		..CLAMP- SUPPLIER CODE: V28277	031043 101101 968971	1

MISSING ITEM NUMBERS NOT APPLICABLE

- ITEM NOT ILLUSTRATED

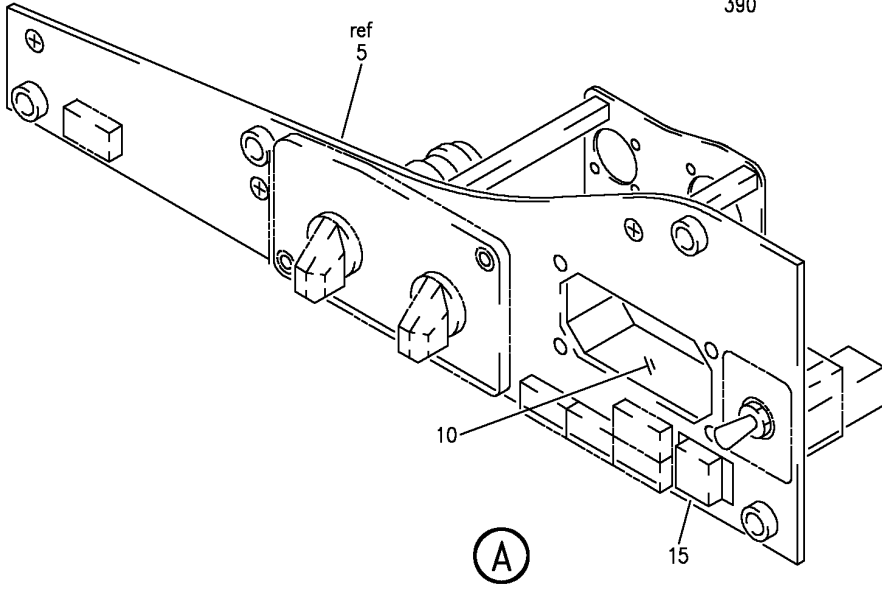
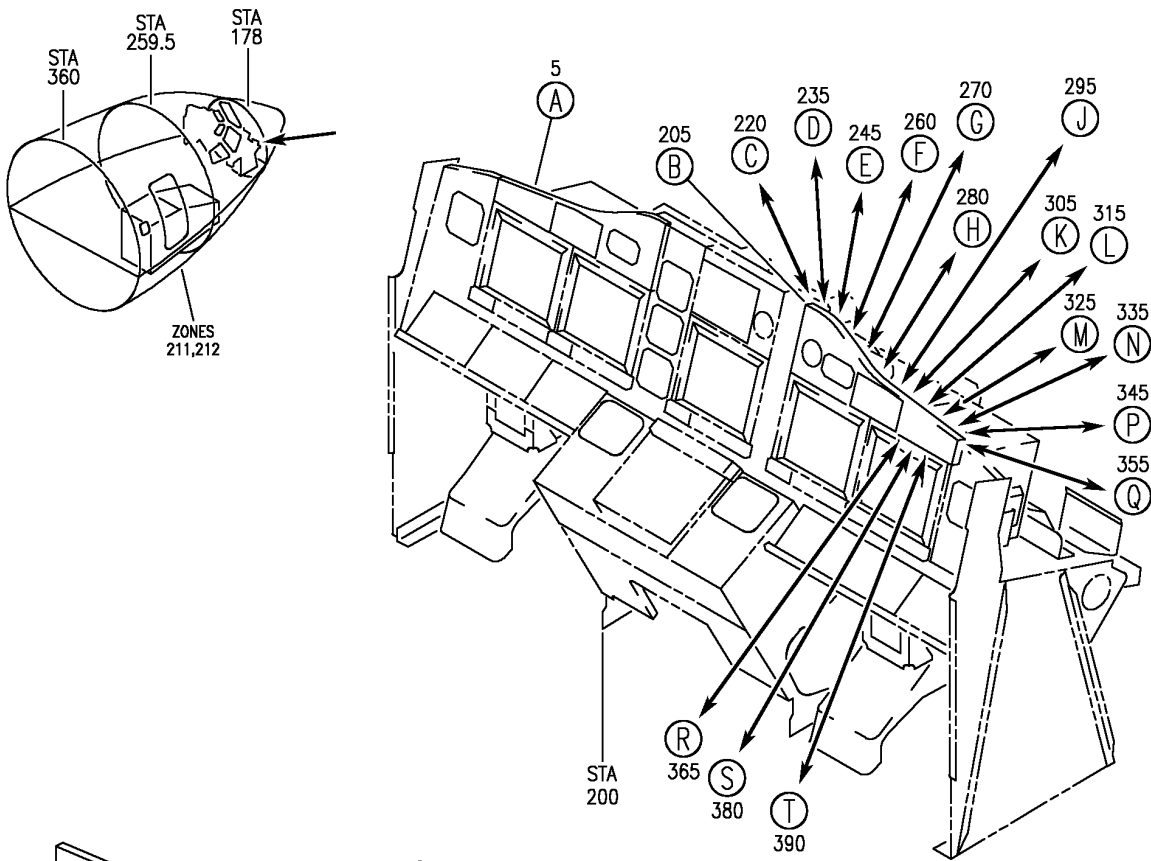
HAP

22-11-32-08

BOEING PROPRIETARY - Copyright © - Unpublished Work - See title page for details.

22-11-32
FIG. 08
PAGE 2
JUN 15/09

BOEING
 737-600/700/800/900
 PARTS CATALOG (MAINTENANCE)



E 22113211 SHT 1 REV 145

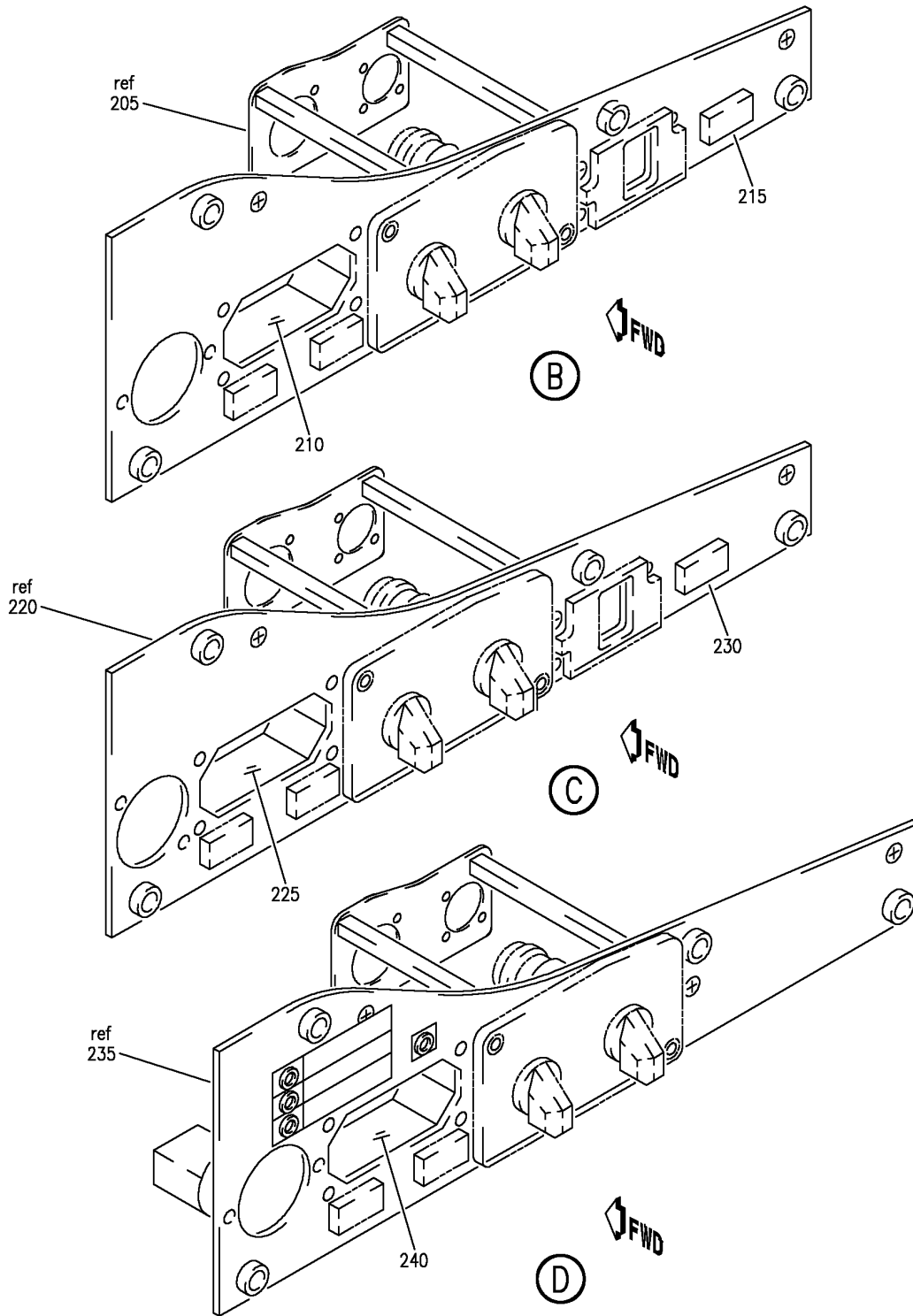
PANEL INSTL-FWD (AUTOFLIGHT ONLY)
 FIGURE 11 (SHEET 1)

22-11-32-11

HAP
 OCT 15/08

22-11-32-11
 PAGE 0

BOEING
 737-600/700/800/900
 PARTS CATALOG (MAINTENANCE)



E 22113211 SH1 2 REV 145

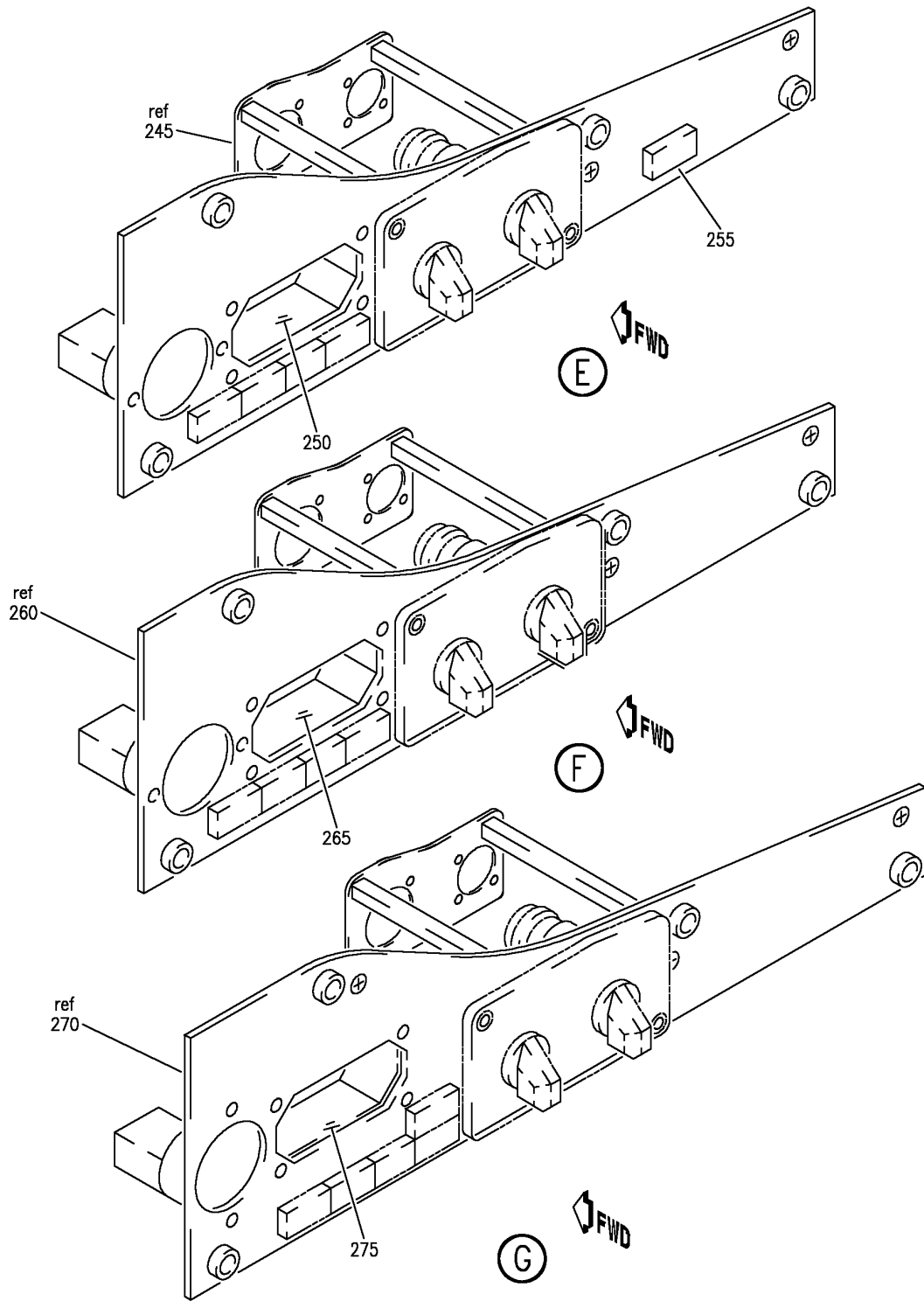
PANEL INSTL-FWD (AUTOFLIGHT ONLY)
 FIGURE 11 (SHEET 2)

22-11-32-11

HAP
 OCT 15/08

22-11-32-11
 PAGE 0A

BOEING
737-600/700/800/900
PARTS CATALOG (MAINTENANCE)



E 22113211 SH1 3 REV 145

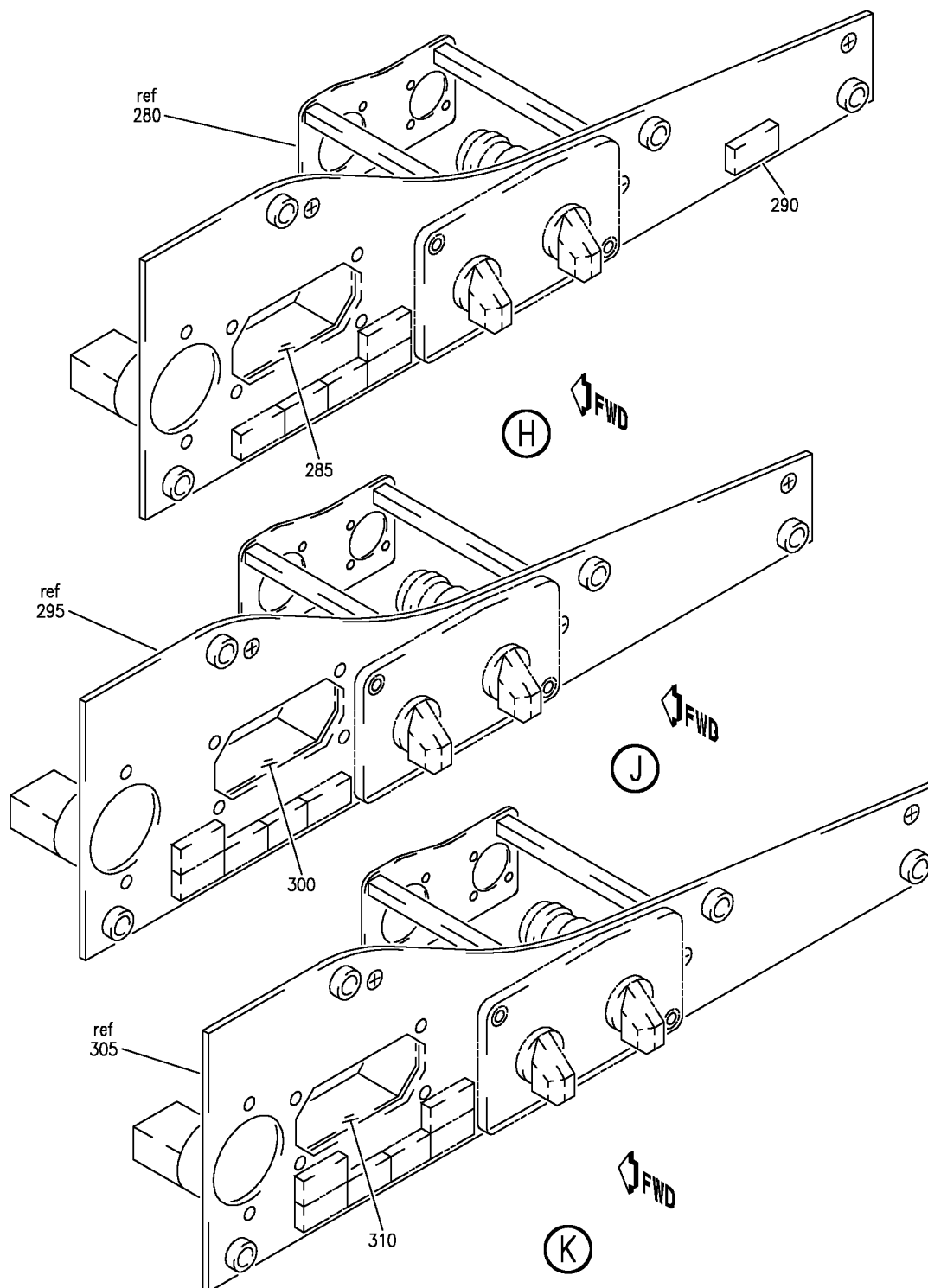
PANEL INSTL-FWD (AUTOFLIGHT ONLY)
FIGURE 11 (SHEET 3)

22-11-32-11

HAP
OCT 15/08

22-11-32-11
PAGE 0B

BOEING
737-600/700/800/900
PARTS CATALOG (MAINTENANCE)



E 22113211 SH1 4 REV 145

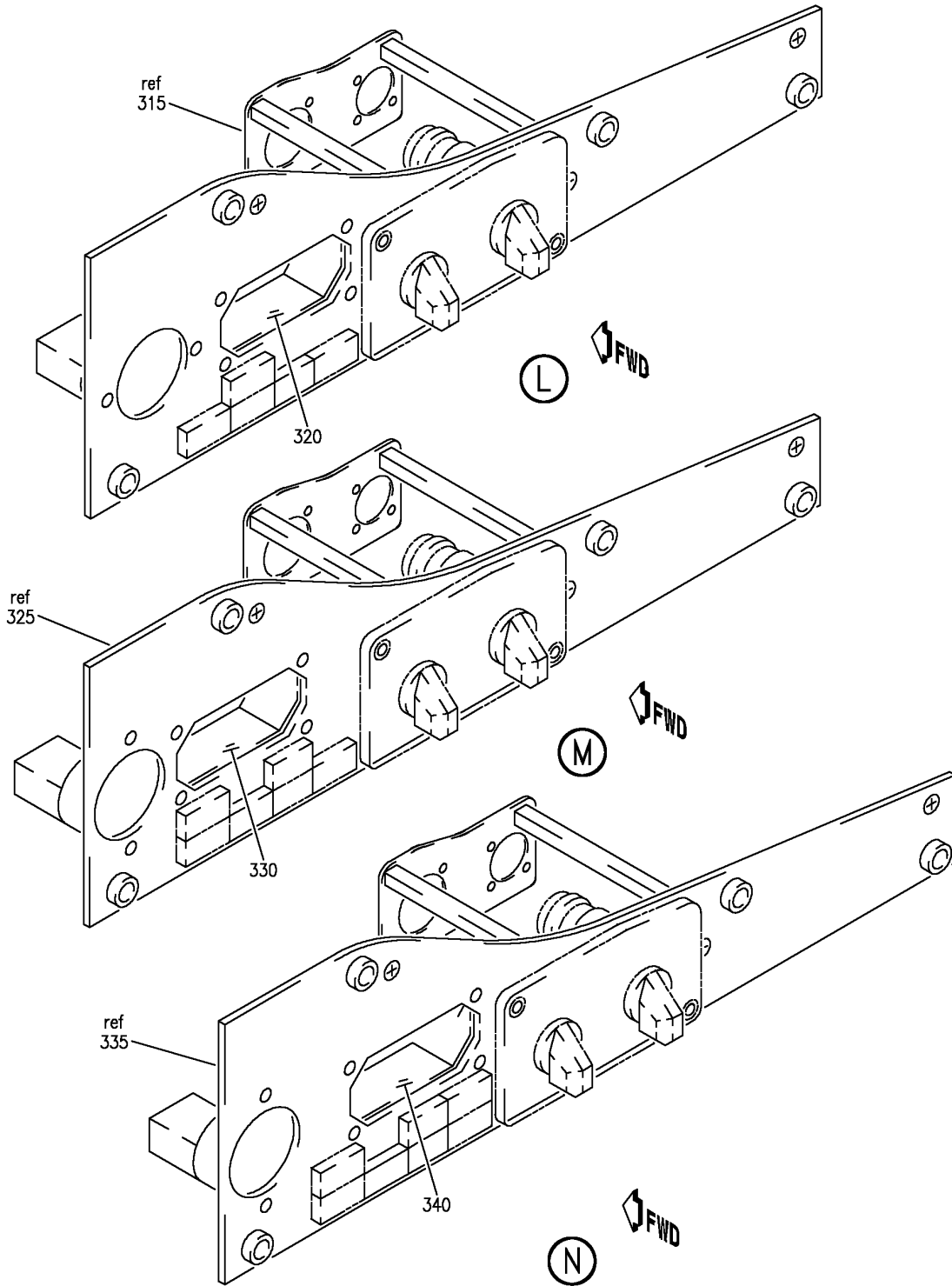
PANEL INSTL-FWD (AUTOFLIGHT ONLY)
FIGURE 11 (SHEET 4)

22-11-32-11

HAP
OCT 15/08

22-11-32-11
PAGE 0C

BOEING
737-600/700/800/900
PARTS CATALOG (MAINTENANCE)



E 22113211 SH1 5 REV 145

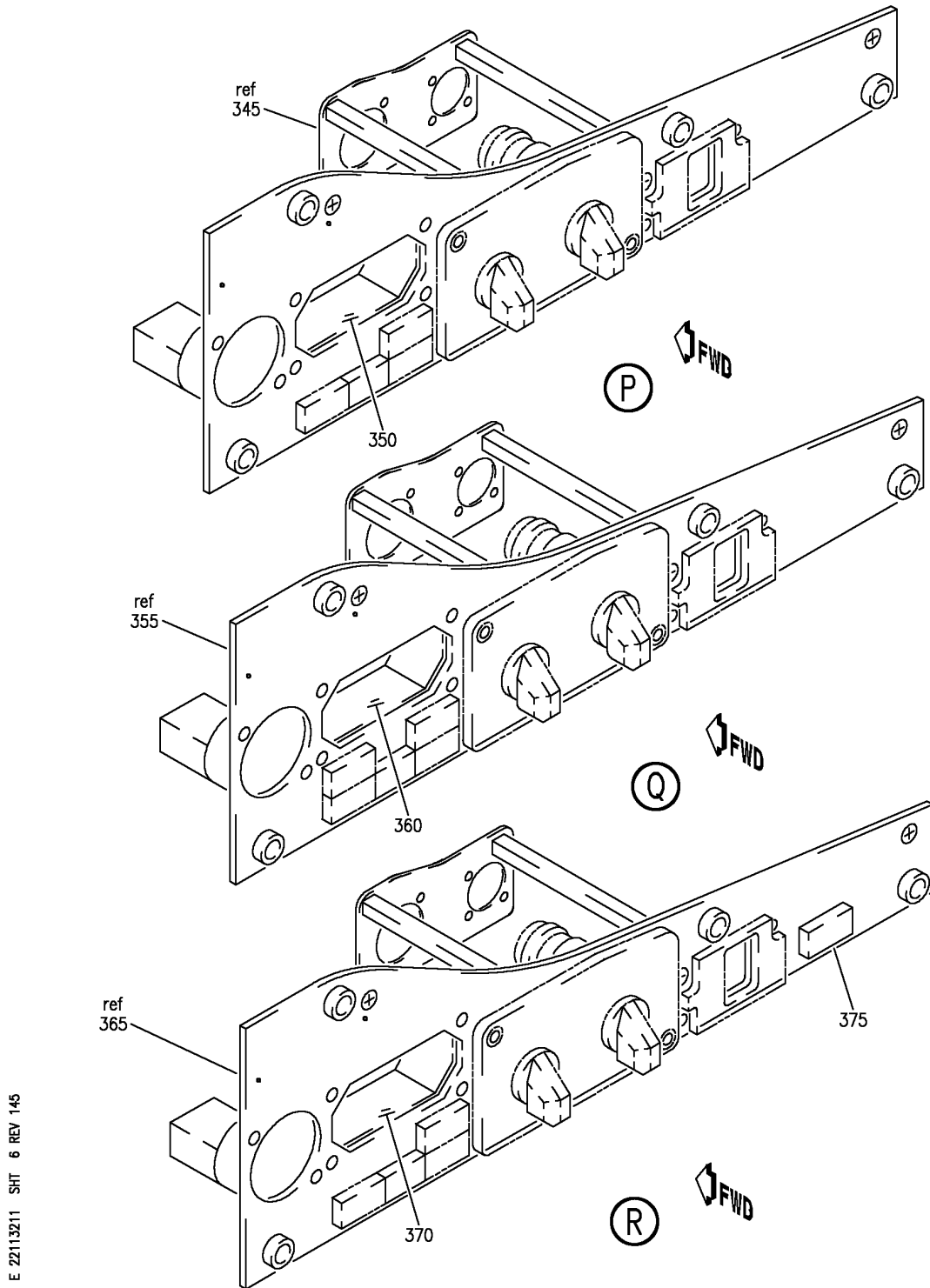
PANEL INSTL-FWD (AUTOFLIGHT ONLY)
FIGURE 11 (SHEET 5)

22-11-32-11

HAP
OCT 15/08

22-11-32-11
PAGE 0D

BOEING
737-600/700/800/900
PARTS CATALOG (MAINTENANCE)



E 22113211 SH1 6 REV 145

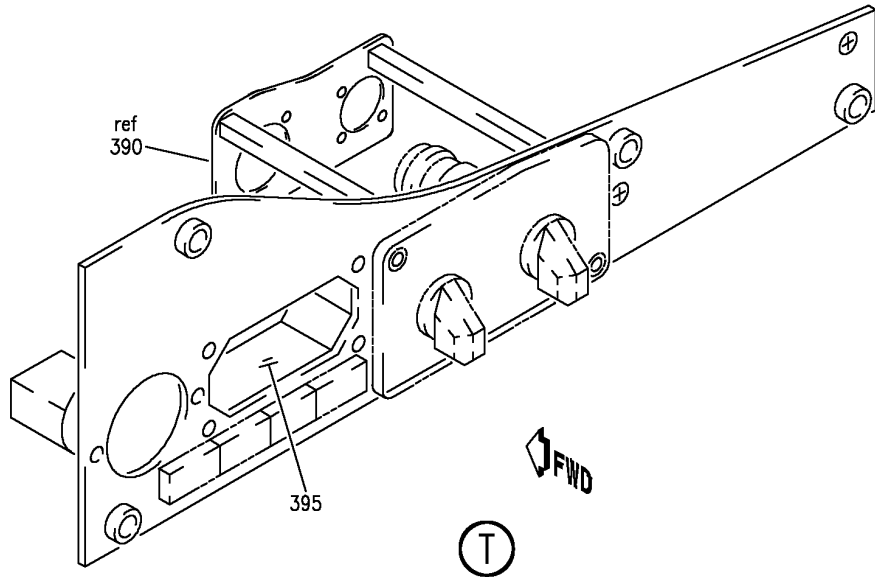
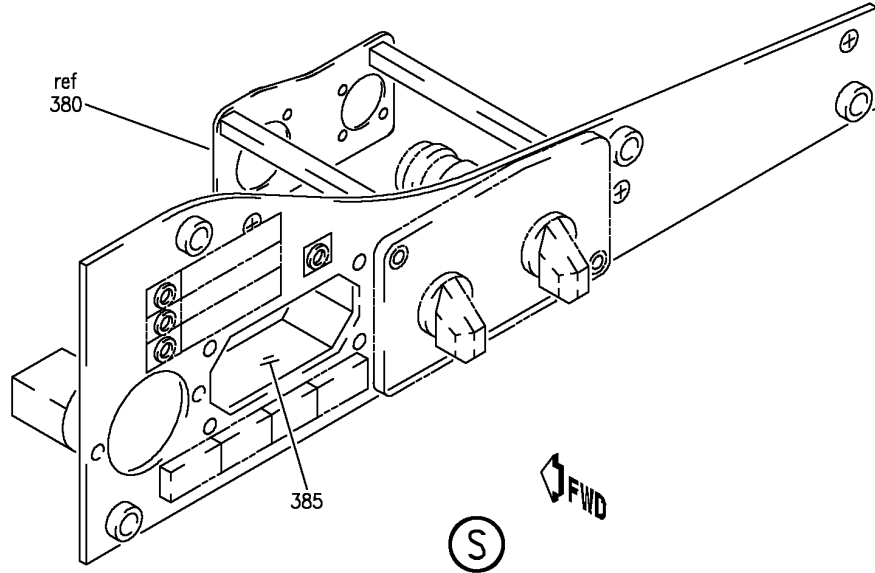
PANEL INSTL-FWD (AUTOFLIGHT ONLY)
FIGURE 11 (SHEET 6)

22-11-32-11

HAP
OCT 15/08

22-11-32-11
PAGE 0E

BOEING
737-600/700/800/900
PARTS CATALOG (MAINTENANCE)



E 22113211 SH7 7 REV 145

PANEL INSTL-FWD (AUTOFLIGHT ONLY)
FIGURE 11 (SHEET 7)

22-11-32-11

HAP
OCT 15/08

22-11-32-11
PAGE OF

BOEING
737-600/700/800/900
PARTS CATALOG (MAINTENANCE)

FIG ITEM	PART NUMBER	1 2 3 4 5 6 7	NOMENCLATURE	EFFECT FROM TO	UNITS PER ASSY
11			PANEL INSTL-FWD (AUTOFLIGHT ONLY)	044100 102200 972999	
- 1	MODREF334795		PANEL INSTL-(AUTOFLIGHT ONLY) MODULE NUMBER: 233A2103-1309 REV B POSITION DATA: FWD FOR OTHER SYS DETAILS SEE: 11-31-01-26 21-33-02-03 27-62-52-11 31-11-21-11 31-51-51-03 32-61-52-11 33-11-00-31	044047 054100 102106 972999	1
- 1	MODREF384332		PANEL INSTL-(AUTOFLIGHT ONLY) MODULE NUMBER: 233A2103-1309 REV C POSITION DATA: FWD FOR OTHER SYS DETAILS SEE: 11-31-01-26 21-33-02-03 27-62-52-11 31-11-21-11 31-51-51-03 32-61-52-11 33-11-00-31	048053 107200	1
5	233A2221-17		.PANEL ASSY-CDS DISPLAY CONT P1-3 SUPPLIER CODE: V89954 ELECTRICAL EQUIP NUMBER: P00103 COMPONENT MAINT MANUAL REF: 31-11-30	044047 054100 102106 972999	RF
5	233A2221-29		.PANEL ASSY-CDS DISPLAY CONT P1-3 SUPPLIER CODE: V89954 ELECTRICAL EQUIP NUMBER: P00103 COMPONENT MAINT MANUAL REF: 31-11-30	044100 102200 972999	RF

MISSING ITEM NUMBERS NOT APPLICABLE

- ITEM NOT ILLUSTRATED

HAP

22-11-32-11

BOEING PROPRIETARY - Copyright © - Unpublished Work - See title page for details.

22-11-32
FIG. 11
PAGE 1
FEB 15/09


BOEING
 737-600/700/800/900
PARTS CATALOG (MAINTENANCE)

FIG ITEM	PART NUMBER	1 2 3 4 5 6 7	NOMENCLATURE	EFFECT FROM TO	UNITS PER ASSY
11					
10	123-1532C		..CLAMP- SUPPLIER CODE: V28277	044100 102200 972999	1
15	BCREF6835		..LIGHT ASSY-PRESS TO TEST IND-STAB. TRIM SUPPLIER CODE: V81590 OVERLENGTH PART NUMBER: 432-632-1089-005 FOR DETAILS SEE: 33-11-50-03J	044100 102200 972999	1

MISSING ITEM NUMBERS NOT APPLICABLE

— ITEM NOT ILLUSTRATED

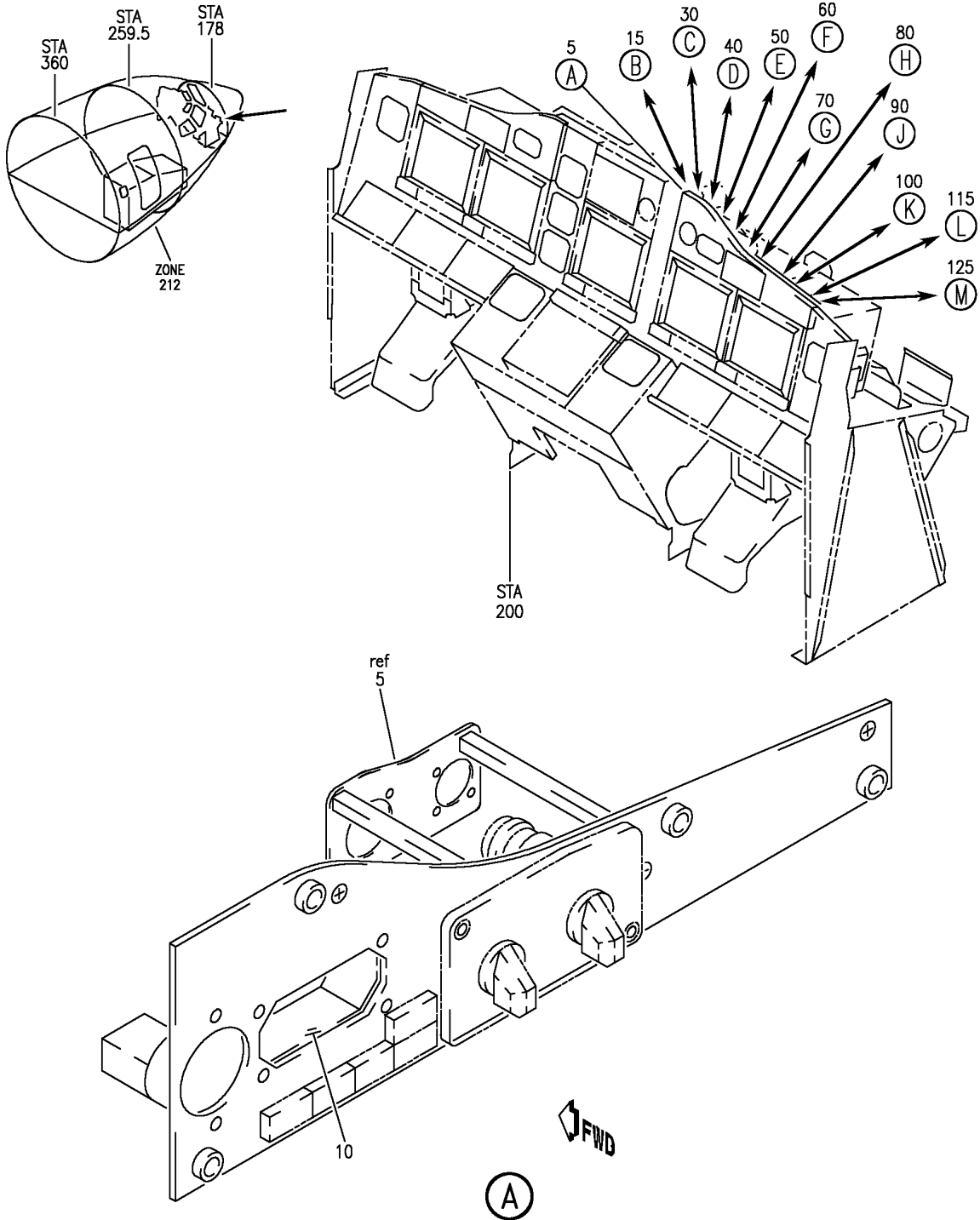
HAP

22-11-32-11

BOEING PROPRIETARY - Copyright © - Unpublished Work - See title page for details.

22-11-32
 FIG. 11
 PAGE 2
 JUN 15/09

BOEING
 737-600/700/800/900
 PARTS CATALOG (MAINTENANCE)



E 22113216 SH1 1 REV 145

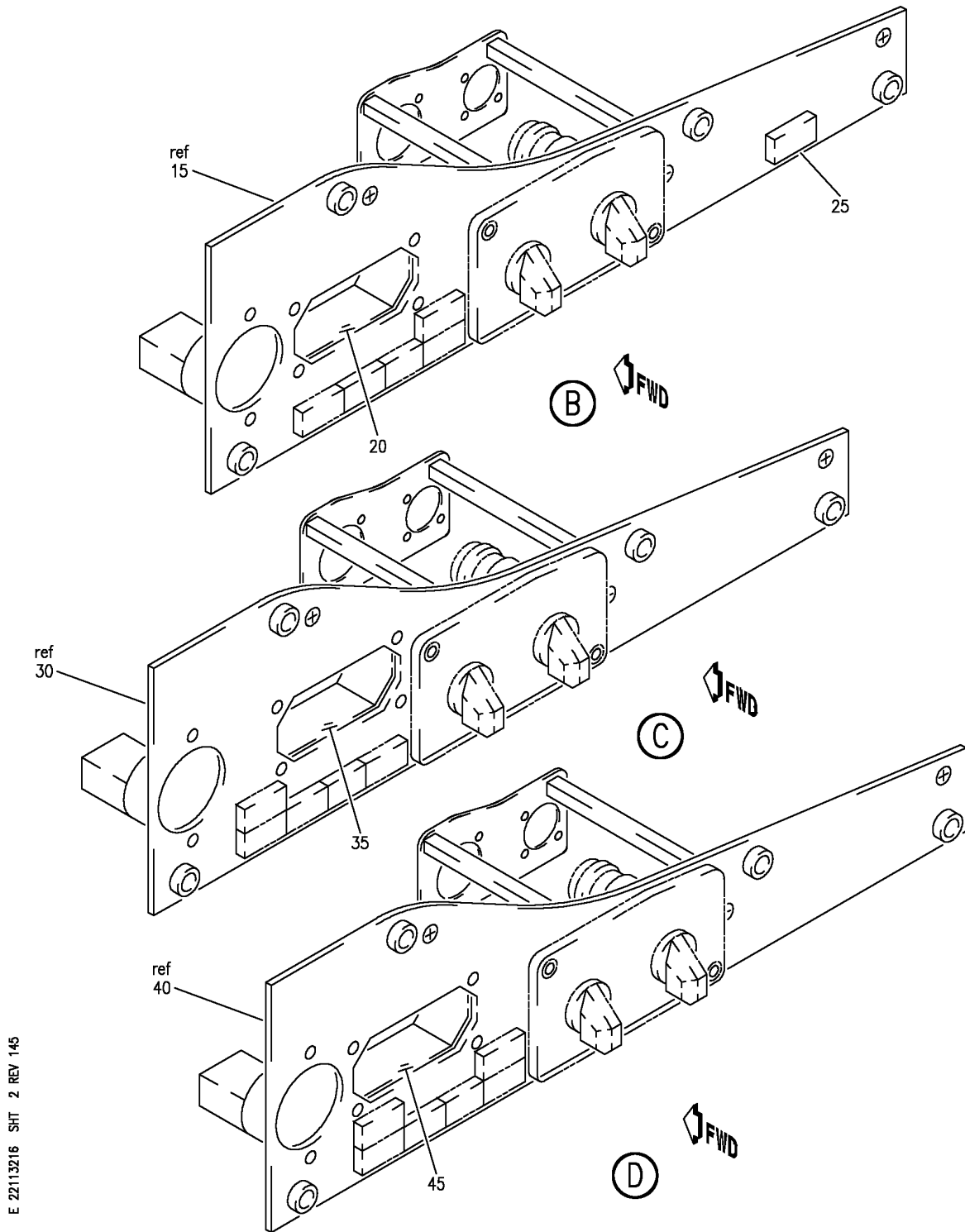
PANEL INSTL-FWD (AUTOFLIGHT ONLY)
 FIGURE 16

22-11-32-16

HAP
 OCT 15/08

22-11-32-16
 PAGE 0

BOEING
737-600/700/800/900
PARTS CATALOG (MAINTENANCE)



E 22113216 SH1 2 REV 145

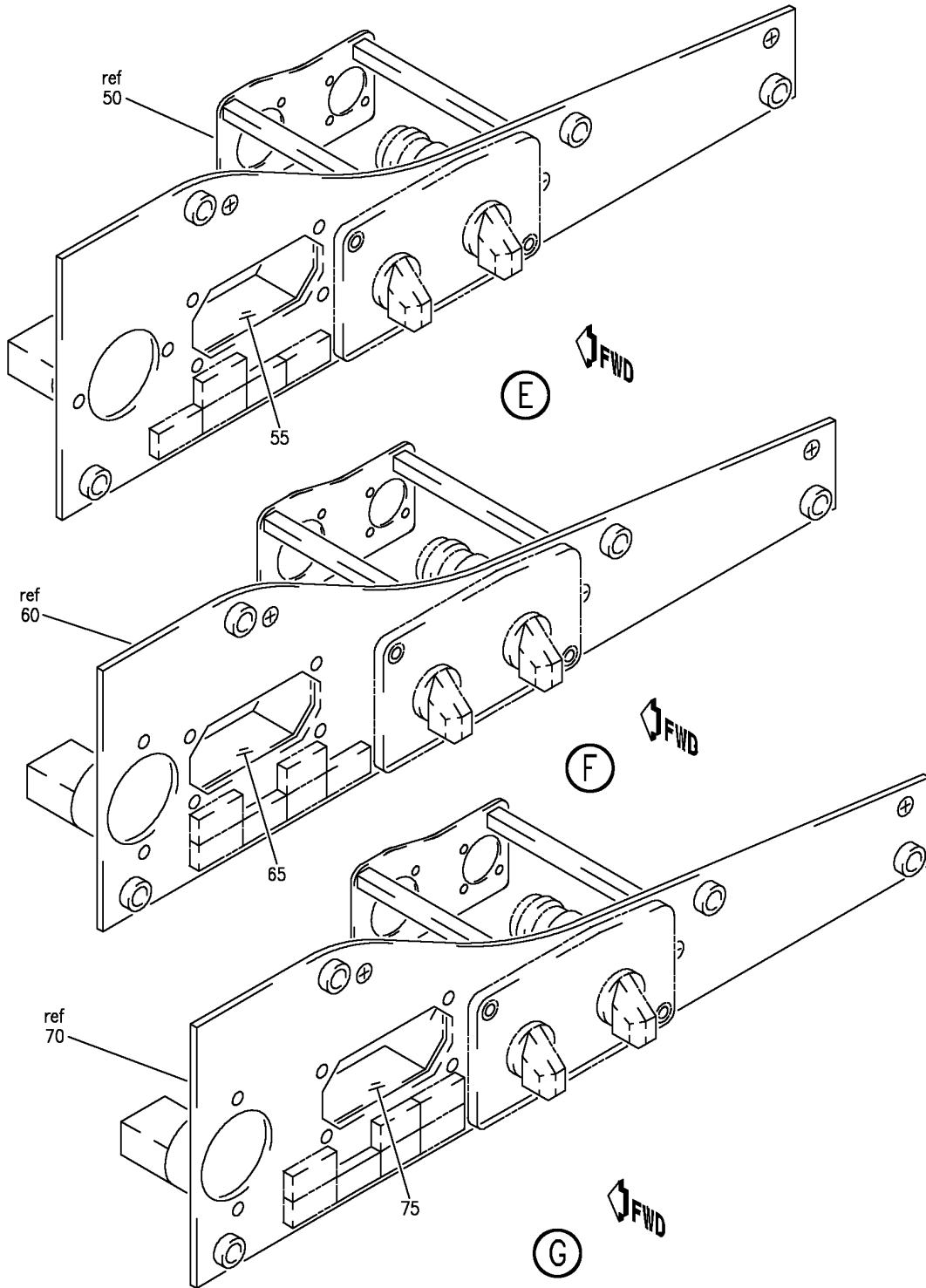
PANEL INSTL-FWD (AUTOFLIGHT ONLY)
FIGURE 16

22-11-32-16

HAP
OCT 15/08

22-11-32-16
PAGE 0A

BOEING
737-600/700/800/900
PARTS CATALOG (MAINTENANCE)



E 22113216 SH1 3 REV 145

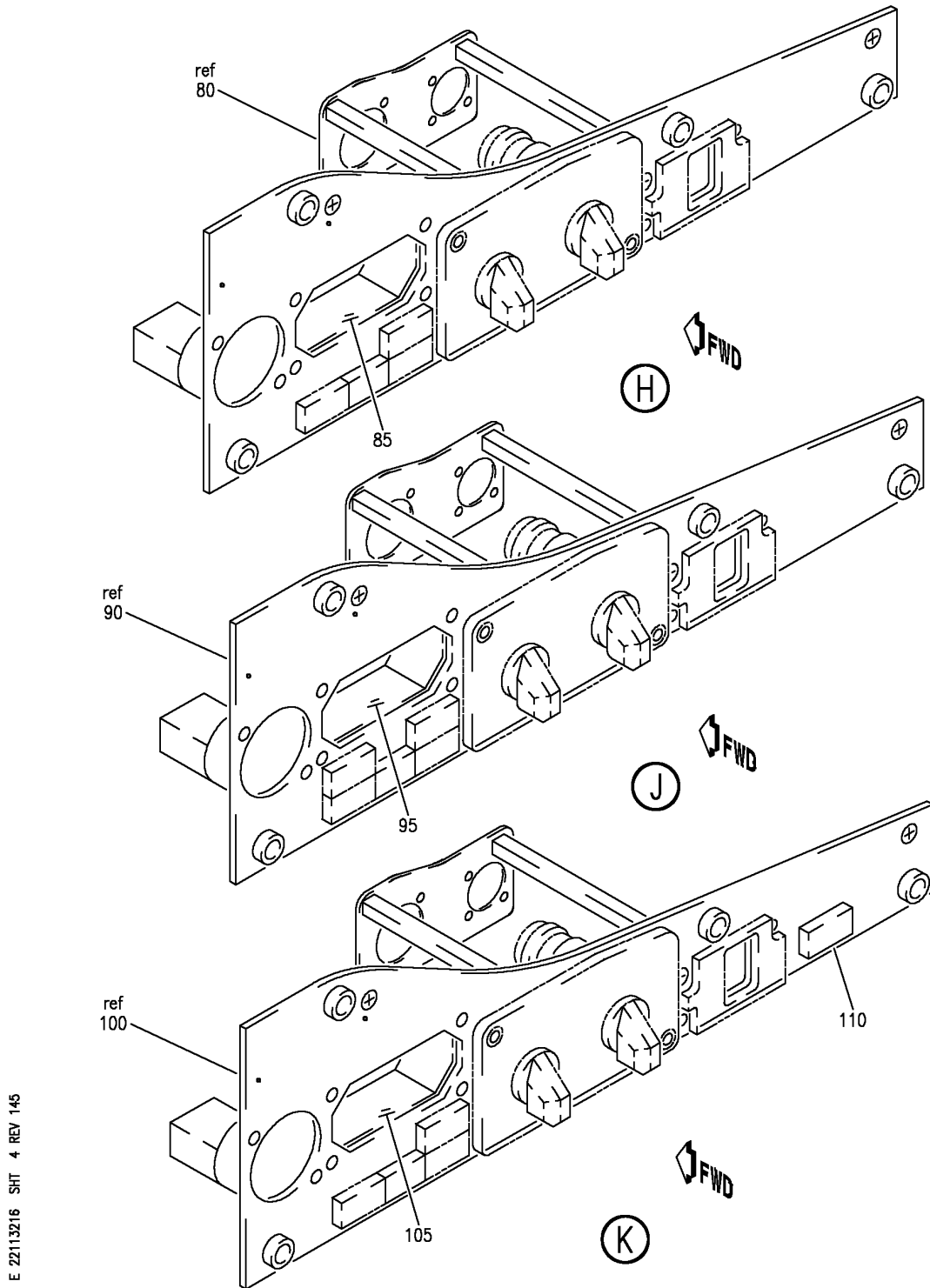
PANEL INSTL-FWD (AUTOFLIGHT ONLY)
FIGURE 16

22-11-32-16

HAP
OCT 15/08

22-11-32-16
PAGE 0B

BOEING
737-600/700/800/900
PARTS CATALOG (MAINTENANCE)



E 22113216 SH1 4 REV 145

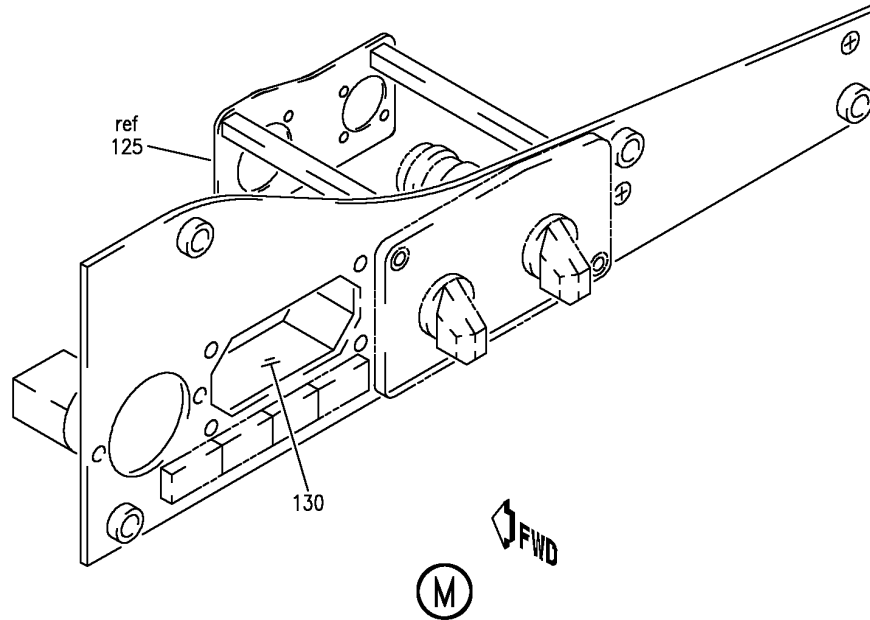
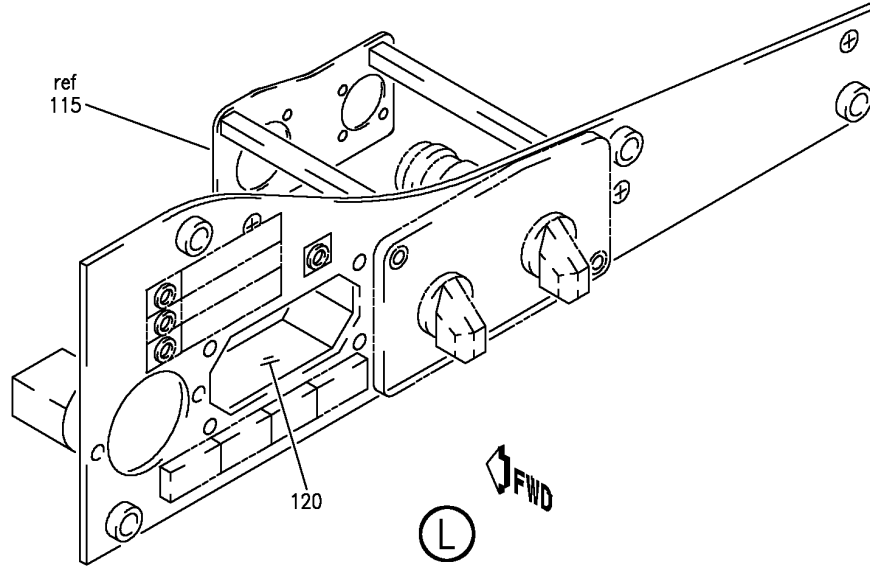
PANEL INSTL-FWD (AUTOFLIGHT ONLY)
FIGURE 16

22-11-32-16

HAP
OCT 15/08

22-11-32-16
PAGE 0C

BOEING
737-600/700/800/900
PARTS CATALOG (MAINTENANCE)



E 22113216 SH1 5 REV 145

PANEL INSTL-FWD (AUTOFLIGHT ONLY)
FIGURE 16

22-11-32-16

HAP
OCT 15/08

22-11-32-16
PAGE 0D

BOEING
737-600/700/800/900
PARTS CATALOG (MAINTENANCE)

FIG ITEM	PART NUMBER	1 2 3 4 5 6 7	NOMENCLATURE	EFFECT FROM TO	UNITS PER ASSY
16			PANEL INSTL-FWD (AUTOFLIGHT ONLY)	044100 102200 972999	
- 1	MODREF338671		PANEL INSTL-(AUTOFLIGHT ONLY) MODULE NUMBER: 233A2103-3115 REV B POSITION DATA: FWD FOR OTHER SYS DETAILS SEE: 21-33-02-08 27-51-50-05 27-62-52-16 31-11-51-16 31-51-51-08 32-41-00-04 32-61-52-16 33-11-00-36	044047 054100 102106 972999	1
- 1	MODREF384329		PANEL INSTL-(AUTOFLIGHT ONLY) MODULE NUMBER: 233A2103-3115 REV C POSITION DATA: FWD FOR OTHER SYS DETAILS SEE: 21-33-02-08 27-51-50-05 27-62-52-16 31-11-51-16 31-51-51-08 32-41-00-04 32-61-52-16 33-11-00-36	048053 107200	1
5	233A2222-30		.PANEL ASSY-CDS DISPLAY CONT P3-1 SUPPLIER CODE: V89954 ELECTRICAL EQUIP NUMBER: P00301 COMPONENT MAINT MANUAL REF: 31-11-59	044047 054100 102106 972999	RF
5	233A2222-52		.PANEL ASSY-CDS DISPLAY CONT P3-1 SUPPLIER CODE: V89954 ELECTRICAL EQUIP NUMBER: P00301 COMPONENT MAINT MANUAL REF: 31-11-59	048053 107200	RF

MISSING ITEM NUMBERS NOT APPLICABLE

- ITEM NOT ILLUSTRATED

HAP

22-11-32-16

BOEING PROPRIETARY - Copyright © - Unpublished Work - See title page for details.

22-11-32
FIG. 16
PAGE 1
FEB 15/09

BOEING
737-600/700/800/900
PARTS CATALOG (MAINTENANCE)

FIG ITEM	PART NUMBER	1 2 3 4 5 6 7	NOMENCLATURE	EFFECT FROM TO	UNITS PER ASSY
16			TEMPORARY BREAKDOWN FOR: 233A2222-52	048053 107200	
10	123-1532C	..	CLAMP- SUPPLIER CODE: V28277	044100 102200 972999	1
15	233A2222-31	.	PANEL ASSY-CDS DISPLAY CONT P3-1 SUPPLIER CODE: V89954 ELECTRICAL EQUIP NUMBER: P00301 COMPONENT MAINT MANUAL REF: 31-11-59	044047 054100 102106 972999	RF
20	123-1532C	..	CLAMP- SUPPLIER CODE: V28277	044047 054100 102106 972999	1
25	BCREF17054	..	LIGHT ASSY-PRESS TO TEST IND-AUTOLAND SUPPLIER CODE: V81590 OVERLENGTH PART NUMBER: 318-630-1012-103	044047 054100 102106 972999	1
30	233A2222-32	.	PANEL ASSY-CDS DISPLAY CONT P3-1 SUPPLIER CODE: V89954 ELECTRICAL EQUIP NUMBER: P00301 COMPONENT MAINT MANUAL REF: 31-11-59	044047 054100 102106 972999	RF
35	123-1532C	..	CLAMP- SUPPLIER CODE: V28277	044047 054100 102106 972999	1
40	233A2222-33	.	PANEL ASSY-CDS DISPLAY CONT P3-1 SUPPLIER CODE: V89954 ELECTRICAL EQUIP NUMBER: P00301 COMPONENT MAINT MANUAL REF: 31-11-59	044047 054100 102106 972999	RF
45	123-1532C	..	CLAMP- SUPPLIER CODE: V28277	044047 054100 102106 972999	1

MISSING ITEM NUMBERS NOT APPLICABLE

— ITEM NOT ILLUSTRATED

HAP

22-11-32-16

BOEING PROPRIETARY - Copyright © - Unpublished Work - See title page for details.

22-11-32
FIG. 16
PAGE 2
FEB 15/09

BOEING
737-600/700/800/900
PARTS CATALOG (MAINTENANCE)

FIG ITEM	PART NUMBER	1 2 3 4 5 6 7	NOMENCLATURE	EFFECT FROM TO	UNITS PER ASSY
16					
50	233A2222-34		.PANEL ASSY-CDS DISPLAY CONT P3-1 SUPPLIER CODE: V89954 ELECTRICAL EQUIP NUMBER: P00301 COMPONENT MAINT MANUAL REF: 31-11-59	044047 054100 102106 972999	RF
55	123-1532C		..CLAMP- SUPPLIER CODE: V28277	044047 054100 102106 972999	1
60	233A2222-35		.PANEL ASSY-CDS DISPLAY CONT P3-1 SUPPLIER CODE: V89954 ELECTRICAL EQUIP NUMBER: P00301 COMPONENT MAINT MANUAL REF: 31-11-59	044047 054100 102106 972999	RF
65	123-1532C		..CLAMP- SUPPLIER CODE: V28277	044047 054100 102106 972999	1
70	233A2222-36		.PANEL ASSY-CDS DISPLAY CONT P3-1 SUPPLIER CODE: V89954 ELECTRICAL EQUIP NUMBER: P00301 COMPONENT MAINT MANUAL REF: 31-11-59	044047 054100 102106 972999	RF
75	123-1532C		..CLAMP- SUPPLIER CODE: V28277	044047 054100 102106 972999	1
80	233A2222-38		.PANEL ASSY-CDS DISPLAY CONT P3-1 SUPPLIER CODE: V89954 ELECTRICAL EQUIP NUMBER: P00301 COMPONENT MAINT MANUAL REF: 31-11-59	044047 054100 102106 972999	RF
85	123-1532C		..CLAMP- SUPPLIER CODE: V28277	044047 054100 102106 972999	1

MISSING ITEM NUMBERS NOT APPLICABLE

— ITEM NOT ILLUSTRATED

HAP

22-11-32-16

BOEING PROPRIETARY - Copyright © - Unpublished Work - See title page for details.

22-11-32
FIG. 16
PAGE 3
FEB 15/09

BOEING
737-600/700/800/900
PARTS CATALOG (MAINTENANCE)

FIG ITEM	PART NUMBER	1 2 3 4 5 6 7	NOMENCLATURE	EFFECT FROM TO	UNITS PER ASSY
16					
90	233A2222-39		.PANEL ASSY-CDS DISPLAY CONT P3-1 SUPPLIER CODE: V89954 ELECTRICAL EQUIP NUMBER: P00301 COMPONENT MAINT MANUAL REF: 31-11-59	044047 054100 102106 972999	RF
95	123-1532C		..CLAMP- SUPPLIER CODE: V28277	044047 054100 102106 972999	1
100	233A2222-40		.PANEL ASSY-CDS DISPLAY CONT P3-1 SUPPLIER CODE: V89954 ELECTRICAL EQUIP NUMBER: P00301 COMPONENT MAINT MANUAL REF: 31-11-59	044047 054100 102106 972999	RF
105	123-1532C		..CLAMP- SUPPLIER CODE: V28277	044047 054100 102106 972999	1
110	BCREF17054		..LIGHT ASSY-PRESS TO TEST IND-AUTOLAND SUPPLIER CODE: V81590 OVERLENGTH PART NUMBER: 318-630-1012-103	044047 054100 102106 972999	1
115	233A2222-41		.PANEL ASSY-CDS DISPLAY CONT P3-1 SUPPLIER CODE: V89954 ELECTRICAL EQUIP NUMBER: P00301 COMPONENT MAINT MANUAL REF: 31-11-59	044047 054100 102106 972999	RF
120	123-1532C		..CLAMP- SUPPLIER CODE: V28277	044047 054100 102106 972999	1

MISSING ITEM NUMBERS NOT APPLICABLE

— ITEM NOT ILLUSTRATED

HAP

22-11-32-16

BOEING PROPRIETARY - Copyright © - Unpublished Work - See title page for details.

22-11-32
FIG. 16
PAGE 4
FEB 15/09

BOEING
737-600/700/800/900
PARTS CATALOG (MAINTENANCE)

FIG ITEM	PART NUMBER	1 2 3 4 5 6 7	NOMENCLATURE	EFFECT FROM TO	UNITS PER ASSY
16 125	233A2222-51		.PANEL ASSY-CDS DISPLAY CONT P3-1 SUPPLIER CODE: V89954 ELECTRICAL EQUIP NUMBER: P00301 COMPONENT MAINT MANUAL REF: 31-11-59	044047 054100 102106 972999	RF
130	123-1532C		..CLAMP- SUPPLIER CODE: V28277	044047 054100 102106 972999	1

MISSING ITEM NUMBERS NOT APPLICABLE

— ITEM NOT ILLUSTRATED

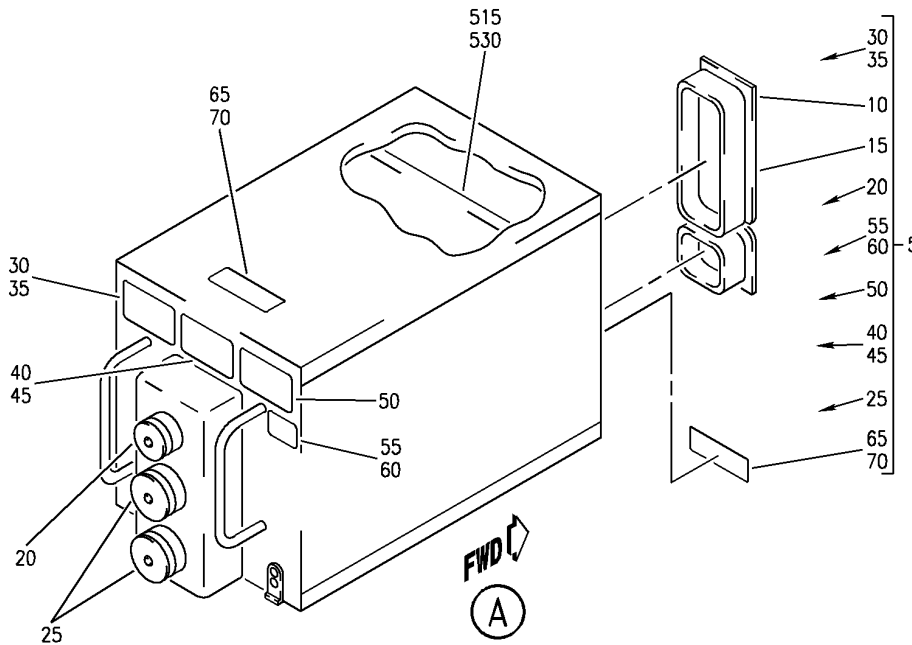
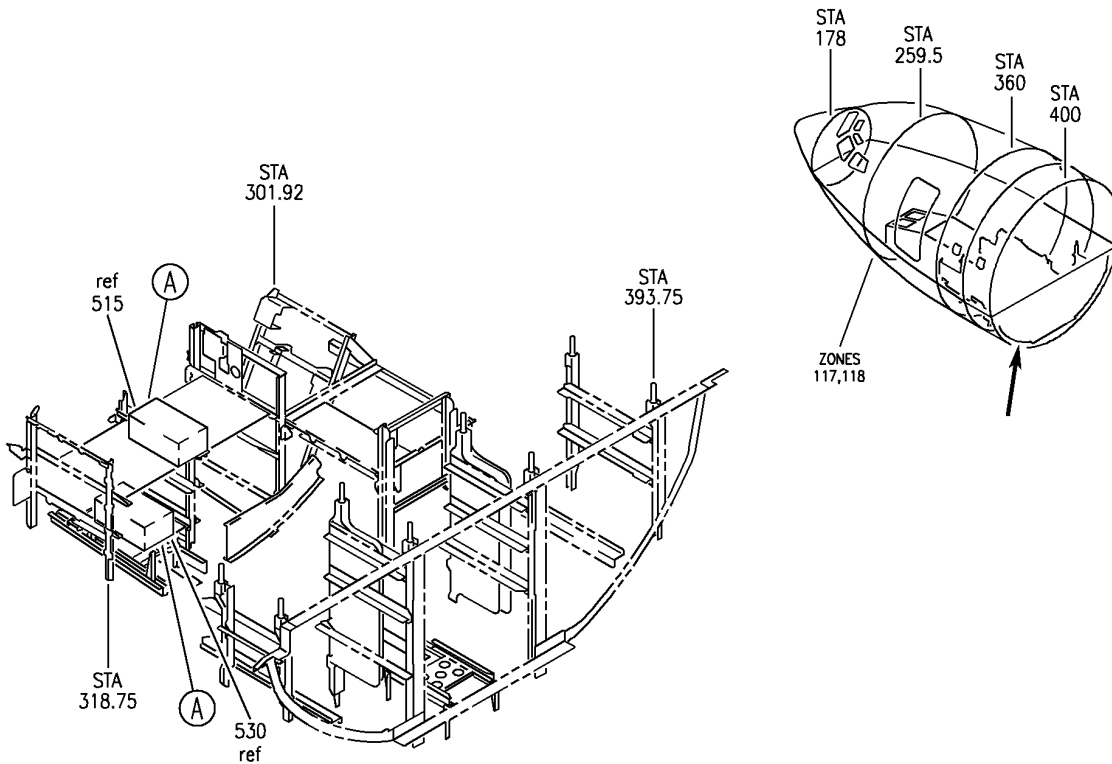
HAP

22-11-32-16

BOEING PROPRIETARY - Copyright © - Unpublished Work - See title page for details.

22-11-32
FIG. 16
PAGE 5
FEB 15/09

BOEING
 737-600/700/800/900
 PARTS CATALOG (MAINTENANCE)



E 22113301 REV 137

EQUIPMENT AND SOFTWARE INSTL-E/E BAY E1 RACK (FLIGHT CONTROL COMPUTER ONLY)
 FIGURE 1 (SHEET 1)

22-11-33-01

HAP
 FEB 15/08

22-11-33-01
 PAGE 0


BOEING
737-600/700/800/900
PARTS CATALOG (MAINTENANCE)

FIG ITEM	PART NUMBER	1 2 3 4 5 6 7	NOMENCLATURE	EFFECT FROM TO	UNITS PER ASSY
1			EQUIPMENT AND SOFTWARE INSTL-E/E BAY E1 RACK (FLIGHT CONTROL COMPUTER ONLY)	001011 201967	
- 1	284A0410-5		EQUIPMENT INSTL-E/E BAY E1 RACK (FLIGHT CONTROL COMPUTER ONLY) FOR NHA/OTHER SYS DET SEE: 25-50-00-08	008011 201967	RF
- 1	284A0410-7		EQUIPMENT INSTL-E/E BAY E1 RACK (FLIGHT CONTROL COMPUTER ONLY) FOR NHA/OTHER SYS DET SEE: 25-50-00-08	001007	RF
R R R R R R R R R R R R R R R R R R R	5 4082499-902		.COMPUTER ASSY-FLIGHT CONT SUPPLIER CODE: V58960 FUNCTIONAL DESCRIPTION: SENDS AUTOPILOT COMMANDS TO THE CONTROL SURFACE ACTUATORS AND PROVIDES INFORMATION TO THE COMMON DISPLAY SYSTEM. SPECIFICATION NUMBER: 10-62038-7 ELECTRICAL EQUIP NUMBER: M01875 M01876 COMPONENT MAINT MANUAL REF: 22-12-23 MAINTENANCE MANUAL REF: 22-11-33 QUALIFIED I/W DATA: 4082499-902 I/W 4082500-901 ONLY FOR 737-700 AND SUBJECT TO INSTRUCTIONS WITHIN SB 737-22-1129 SOFTWARE DRAWING REF: 22-11-33-01 POST SERVICE LETTER: 22-047	001011 201967	2
30	4078256-478		.. PLATE-IDENT SUPPLIER CODE: V58960 USED ON: 4082499-902	001011 201967	1
MISSING ITEM NUMBERS NOT APPLICABLE					

- ITEM NOT ILLUSTRATED

HAP

22-11-33-01

22-11-33
FIG. 01
PAGE 1
JUN 15/09

BOEING
737-600/700/800/900
PARTS CATALOG (MAINTENANCE)

FIG ITEM	PART NUMBER	1 2 3 4 5 6 7	NOMENCLATURE	EFFECT FROM TO	UNITS PER ASSY
1					
40	4078256-477		.. PLATE-IDENT SUPPLIER CODE: V58960 USED ON: 4082499-902	001011 201967	1
50	4078256-223		.. PLATE-IDENT SUPPLIER CODE: V58960	001011 201967	1
55	4039590-32		.. DECAL- SUPPLIER CODE: V58960 USED ON: 4082499-902	001011 201967	1
65	4039590-21		.. DECAL- SUPPLIER CODE: V58960 USED ON: 4082499-902	001011 201967	2
- 200	241A1001-10		SOFTWARE INSTL- FOR NHA SEE: 25-10-00-02	001007	RF
- 200	241A1001-30		SOFTWARE INSTL- FOR NHA SEE: 25-10-00-02 25-10-00-06	008011 201967	RF
- 210	2212HNP03B05		. SOFTWARE-FCC OPS SUPPLIER CODE: V58960 MISCELLANEOUS DATA: LOAD EACH FCC WITH SAME SOFTWARE. DO NOT INTERMIX QUALIFIED I/W DATA: 2271COLAC102 MUST REPLACE EXISTING HONEYWELL FCC OPS SOFTWARE IF SHIPSET OF ROCKWELL COLLINS FLIGHT CONTROL COMPUTERS 822-1604-XXX IS INSTALLED IN LIEU OF HONEYWELL FCC SHIPSET. USED WITH: 4082499-902 4082499-903 HARDWARE REFERENCE SEE: 22-11-33-01 POST SERVICE LETTER: 22-044	202967	2

MISSING ITEM NUMBERS NOT APPLICABLE

- ITEM NOT ILLUSTRATED

HAP

22-11-33-01

22-11-33
FIG. 01
PAGE 2
JUN 15/09


BOEING
 737-600/700/800/900
PARTS CATALOG (MAINTENANCE)

FIG ITEM	PART NUMBER	1 2 3 4 5 6 7	NOMENCLATURE	EFFECT FROM TO	UNITS PER ASSY
1 - 210	221FHNP03B08		.SOFTWARE-FCC OPS SUPPLIER CODE: V58960 MISCELLANEOUS DATA: REPLACES 2212HNP03B05 AND 2213HNP03B04 LOAD BOTH FCC UNITS WITH SAME SOFTWARE. QUANTITY: 1 DISK USED WITH: 4082499-902 4082499-903 HARDWARE REFERENCE SEE: 22-11-33-01 FOR SPARES PROCURE: 10-62038-708 PS4082500-909 POST SERVICE LETTER: 22-047	201201	2
R R	- 210 221EHNP03B09		.SOFTWARE-FCC OPS SUPPLIER CODE: V58960 MISCELLANEOUS DATA: LOAD EACH FCC WITH SAME SOFTWARE. DO NOT INTERMIX DISKETTE QUANTITY: 1 DISK QUALIFIED I/W DATA: 2271COLAC102 MUST REPLACE EXISTING HONEYWELL FCC OPS SOFTWARE IF SHIPSET OF ROCKWELL COLLINS FLIGHT CONTROL COMPUTERS 822-1604-XXX IS INSTALLED IN LIEU OF HONEYWELL FCC SHIPSET. USED WITH: 4082499-903 HARDWARE REFERENCE SEE: 22-11-33-01 FOR SPARES PROCURE: PS4082500-910 V58960	001011 202967	2

MISSING ITEM NUMBERS NOT APPLICABLE

- ITEM NOT ILLUSTRATED

HAP

22-11-33-01

BOEING PROPRIETARY - Copyright © - Unpublished Work - See title page for details.

22-11-33
 FIG. 01
 PAGE 3
 JUN 15/09

BOEING
737-600/700/800/900
PARTS CATALOG (MAINTENANCE)

FIG ITEM	PART NUMBER	1 2 3 4 5 6 7	NOMENCLATURE	EFFECT FROM TO	UNITS PER ASSY
1					
R R R R R R R R R R R	- 211 2216HNP03B10		.SOFTWARE-FCC OPS SUPPLIER CODE: V58960 USED WITH: 4082499-902 HARDWARE REFERENCE SEE: 22-11-33-01 FOR SPARES PROCURE: 10-62038-710 PS4082500-911 V58960 POST SERVICE BULLETIN: 22-1192 31-1382	001011 201201	2
	- 500 286A0111-019		WIRE BUNDLE ASSY-E1-1 SHELF POST SERVICE BULLETIN: 31-1136	001001	RF
	- 501 286A0111-025		WIRE BUNDLE ASSY-E1-1 SHELF POST SERVICE BULLETIN: 31-1136	002004	RF
	- 501 286A0111-045		WIRE BUNDLE ASSY-E1-1 SHELF POST SERVICE BULLETIN: 31-1136	005005	RF
	- 502 286A0111-051		WIRE BUNDLE ASSY-E1-1 SHELF POST SERVICE BULLETIN: 31-1136	006007	RF
	- 502 286A0111-054		WIRE BUNDLE ASSY-E1-1 SHELF	201967	RF
	- 504 286A0111-084		WIRE BUNDLE ASSY-E1-1 SHELF POST SERVICE BULLETIN: 31-1136	008011	RF
	- 512 RBTB20-4		.BLOCK-TERMINAL SUPPLIER CODE: V09922 SPECIFICATION NUMBER: S280W555-104 OPTIONAL PART: RBTB20-4W V09922 POST SERVICE BULLETIN: 31-1136	001011	1
	515 BCREP15789		.PLATE ASSY-PLUG OVERLENGTH PART NUMBER: BACC66H39F01AA01 ELECTRICAL EQUIP NUMBER: D10135 WIRING DIAGRAM REF: 221111 POST SERVICE BULLETIN: 31-1136	001011 201967	1

MISSING ITEM NUMBERS NOT APPLICABLE

- ITEM NOT ILLUSTRATED

HAP

22-11-33-01

22-11-33
FIG. 01
PAGE 4
JUN 15/09

BOEING
737-600/700/800/900
PARTS CATALOG (MAINTENANCE)

FIG ITEM	PART NUMBER	1 2 3 4 5 6 7	NOMENCLATURE	EFFECT FROM TO	UNITS PER ASSY
1					
- 516	MTCPQKT1R2SGAC	.	RECEPTACLE-CONDUCTIVE SUPPLIER CODE: V06090 POSITION DATA: POSITION 03 ELECTRICAL EQUIP NUMBER: D45133J POST SERVICE BULLETIN: 31-1136	001011	1
- 517	MTCPQKT2R22SGDD	.	RECEPTACLE-CONDUCTIVE SUPPLIER CODE: V06090 POSITION DATA: POSITION 20 ELECTRICAL EQUIP NUMBER: D41155J WIRING DIAGRAM REF: 346112 POST SERVICE BULLETIN: 31-1136	001011	1
-517A	MTCPQKT1R2SGAD	.	RECEPTACLE-CONDUCTIVE SUPPLIER CODE: V06090 POSITION DATA: POSITION 04 ELECTRICAL EQUIP NUMBER: D41145J WIRING DIAGRAM REF: 221151 POST SERVICE BULLETIN: 31-1136	001011	1
- 520	286A0141-017		WIRE BUNDLE ASSY-E1-4 SHELF POST SERVICE BULLETIN: 31-1136	002004	RF
- 521	286A0141-024		WIRE BUNDLE ASSY-E1-4 SHELF POST SERVICE BULLETIN: 31-1136	001001	RF
- 521	286A0141-042		WIRE BUNDLE ASSY-E1-4 SHELF POST SERVICE BULLETIN: 31-1136	005005	RF
- 522	286A0141-049		WIRE BUNDLE ASSY-E1-4 SHELF POST SERVICE BULLETIN: 31-1136	006007	RF
- 523	286A0141-074		WIRE BUNDLE ASSY-E1-4 SHELF POST SERVICE BULLETIN: 31-1136	008011	RF
- 524	286A0141-101		WIRE BUNDLE ASSY-E1-4 SHELF	201967	RF

MISSING ITEM NUMBERS NOT APPLICABLE

- ITEM NOT ILLUSTRATED

HAP

22-11-33-01

22-11-33
FIG. 01
PAGE 5
JUN 15/09

 **BOEING**
737-600/700/800/900
PARTS CATALOG (MAINTENANCE)

FIG ITEM	PART NUMBER	1 2 3 4 5 6 7	NOMENCLATURE	EFFECT FROM TO	UNITS PER ASSY
1 530	BCREF15789		.PLATE ASSY-PLUG OVERLENGTH PART NUMBER: BACC66H39F01AA01 ELECTRICAL EQUIP NUMBER: D10137 WIRING DIAGRAM REF: 221111 POST SERVICE BULLETIN: 31-1136	001011 201967	1
- 535	BACC63CB22-55P8		.PLUG- POSITION DATA: POS 3 ELECTRICAL EQUIP NUMBER: D41453P WIRING DIAGRAM REF: 343121 POST SERVICE BULLETIN: 31-1136	001011	1
- 540	BACC63CB22-55P6		.PLUG- POSITION DATA: POS 19 ELECTRICAL EQUIP NUMBER: D40806P WIRING DIAGRAM REF: 261211 POST SERVICE BULLETIN: 31-1136	001011	1
- 545	BACC63CB20-41S9		.PLUG- POSITION DATA: POS 05 ELECTRICAL EQUIP NUMBER: D45143P WIRING DIAGRAM REF: 221151 POST SERVICE BULLETIN: 31-1136	001011	1
- 550	RBTB20-4		.BLOCK-TERMINAL SUPPLIER CODE: V09922 SPECIFICATION NUMBER: S280W555-104 OPTIONAL PART: RBTB20-4W V09922 POST SERVICE BULLETIN: 31-1136	001011	1

MISSING ITEM NUMBERS NOT APPLICABLE

- ITEM NOT ILLUSTRATED

HAP

22-11-33-01

BOEING PROPRIETARY - Copyright © - Unpublished Work - See title page for details.

22-11-33
FIG. 01
PAGE 6
JUN 15/09

 **BOEING**
737-600/700/800/900
PARTS CATALOG (MAINTENANCE)

FIG ITEM	PART NUMBER	1 2 3 4 5 6 7 NOMENCLATURE	EFFECT FROM TO	UNITS PER ASSY
1 - 570	AA832-06	. TERMINAL- SUPPLIER CODE: V98410 SPECIFICATION NUMBER: BACT12AC2 OPTIONAL PART: R1885SN V14726 36151 V00779 51863 V00779 POST SERVICE BULLETIN: 31-1136	001011	3

MISSING ITEM NUMBERS NOT APPLICABLE

- ITEM NOT ILLUSTRATED

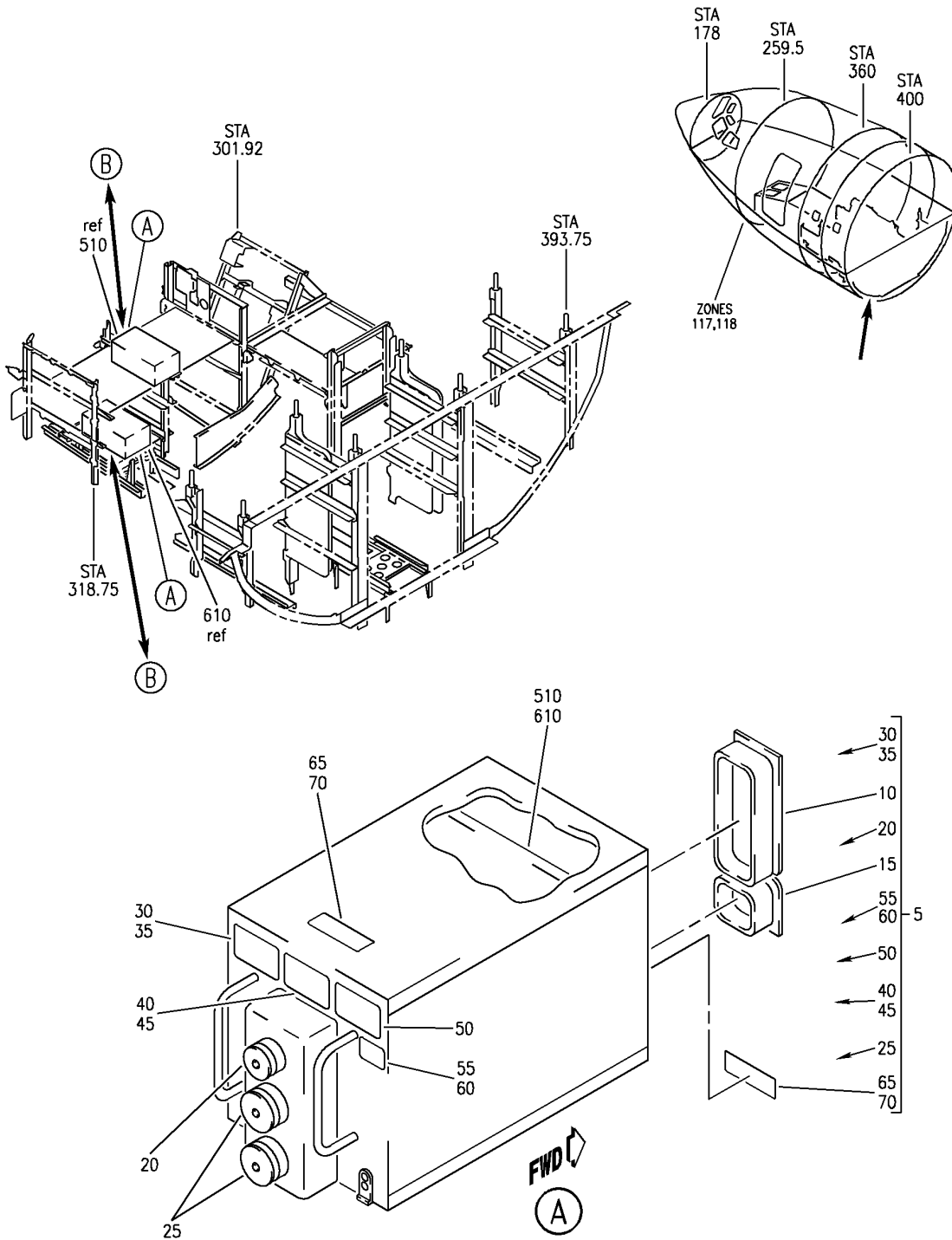
HAP

22-11-33-01

BOEING PROPRIETARY - Copyright © - Unpublished Work - See title page for details.

22-11-33
FIG. 01
PAGE 7
JUN 15/09

BOEING
 737-600/700/800/900
 PARTS CATALOG (MAINTENANCE)



E 22113302 SH1 1 REV 137

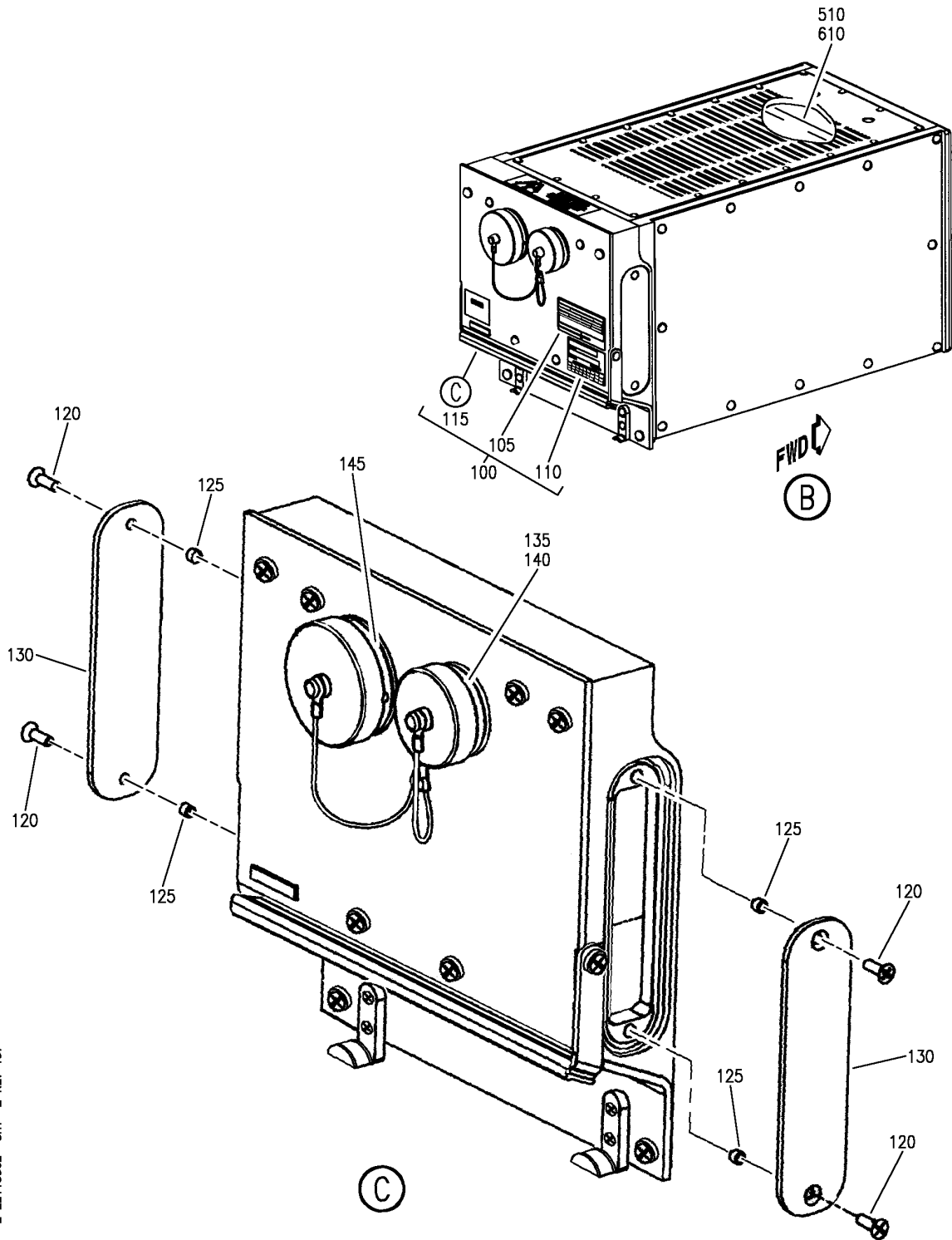
EQUIPMENT INSTL-E1 RACK E/E BAY (FLIGHT CONTROL COMPUTER ONLY)
 FIGURE 2 (SHEET 1)

22-11-33-02

HAP
 FEB 15/08

22-11-33-02
 PAGE 0

BOEING
 737-600/700/800/900
 PARTS CATALOG (MAINTENANCE)



E 22113302 SHT 2 REV 137

EQUIPMENT INSTL-E1 RACK E/E BAY (FLIGHT CONTROL COMPUTER ONLY)
 FIGURE 2 (SHEET 2)

22-11-33-02

HAP
 FEB 15/08

22-11-33-02
 PAGE 0A

 **BOEING**
737-600/700/800/900
PARTS CATALOG (MAINTENANCE)

FIG ITEM	PART NUMBER	1 2 3 4 5 6 7	NOMENCLATURE	EFFECT FROM TO	UNITS PER ASSY
2			EQUIPMENT INSTL-E1 RACK E/E BAY (FLIGHT CONTROL COMPUTER ONLY)	012030	
- 1	284A0411-1		EQUIPMENT INSTL-E1 RACK E/E BAY (FLIGHT CONTROL COMPUTER ONLY) FOR NHA/OTHER SYS DET SEE: 25-50-00-08	012014	RF
- 1	284A0411-3		EQUIPMENT INSTL-E1 RACK E/E BAY (FLIGHT CONTROL COMPUTER ONLY) FOR NHA/OTHER SYS DET SEE: 25-50-00-08	015019	RF
- 1	284A0411-4		EQUIPMENT INSTL-E1 RACK E/E BAY (FLIGHT CONTROL COMPUTER ONLY) FOR NHA/OTHER SYS DET SEE: 25-50-00-08	028030	RF
- 1	284A0411-5		EQUIPMENT INSTL-E1 RACK E/E BAY (FLIGHT CONTROL COMPUTER ONLY) FOR NHA/OTHER SYS DET SEE: 25-50-00-08	020022	RF
- 1	284A0411-6		EQUIPMENT INSTL-E1 RACK E/E BAY (FLIGHT CONTROL COMPUTER ONLY) FOR NHA/OTHER SYS DET SEE: 25-50-00-08	023027	RF

MISSING ITEM NUMBERS NOT APPLICABLE

- ITEM NOT ILLUSTRATED

HAP

22-11-33-02

BOEING PROPRIETARY - Copyright © - Unpublished Work - See title page for details.

22-11-33
FIG. 02
PAGE 1
FEB 15/08

BOEING
737-600/700/800/900
PARTS CATALOG (MAINTENANCE)

FIG ITEM	PART NUMBER	1 2 3 4 5 6 7	NOMENCLATURE	EFFECT FROM TO	UNITS PER ASSY
2 5	4082499-902		.COMPUTER ASSY-FLIGHT CONT SUPPLIER CODE: V58960 FUNCTIONAL DESCRIPTION: SENDS AUTOPILOT COMMANDS TO THE CONTROL SURFACE ACTUATORS AND PROVIDES INFORMATION TO THE COMMON DISPLAY SYSTEM. SPECIFICATION NUMBER: 10-62038-7 ELECTRICAL EQUIP NUMBER: M01875 M01876 COMPONENT MAINT MANUAL REF: 22-12-23 MAINTENANCE MANUAL REF: 22-11-33 QUALIFIED I/W DATA: 4082499-903 IS INTERCHANGEABLE WITH 4082499-902 IN SHIP SETS ONLY SUBJECT TO GUIDELINES AND LIMITATIONS WITHIN SERVICE LETTER 737-SL-22-046. SOFTWARE DRAWING REF: 22-11-33-02A	012019	2

MISSING ITEM NUMBERS NOT APPLICABLE

— ITEM NOT ILLUSTRATED

HAP

22-11-33-02

BOEING PROPRIETARY - Copyright © - Unpublished Work - See title page for details.

22-11-33
FIG. 02
PAGE 2
OCT 15/08

BOEING
737-600/700/800/900
PARTS CATALOG (MAINTENANCE)

FIG ITEM	PART NUMBER	1 2 3 4 5 6 7	NOMENCLATURE	EFFECT FROM TO	UNITS PER ASSY
2					
5	4082499-903		.COMPUTER ASSY-FLIGHT CONT SUPPLIER CODE: V58960 FUNCTIONAL DESCRIPTION: SENDS AUTOPILOT COMMANDS TO THE CONTROL SURFACE ACTUATORS AND PROVIDES INFORMATION TO THE COMMON DISPLAY SYSTEM. SPECIFICATION NUMBER: 10-62038-8 ELECTRICAL EQUIP NUMBER: M01875 M01876 COMPONENT MAINT MANUAL REF: 22-12-23 MAINTENANCE MANUAL REF: 22-11-33 QUALIFIED I/W DATA: 822-1604-101 MAY REPLACE 4082499-903 ONE -WAY I/W IN SHIPSETS ONLY. 4082499-903 IS INTERCHANGEABLE WITH 4082499-902 IN SHIP SETS ONLY SUBJECT TO GUIDELINES AND LIMITATIONS WITHIN SERVICE LETTER 737-SL-22-046. SOFTWARE DRAWING REF: 22-11-33-02A	020030	2
10	025-1157-001		..DUSTCAP- SUPPLIER CODE: V71468	012030	1
15	025-1158-001		..DUSTCAP- SUPPLIER CODE: V71468 OPTIONAL PART: 4041437-6 V58960	012030	1
20	MS27511B18R		..COVER-	012030	1
25	MS27511B22R		..COVER-	012030	2
30	4078256-478		..PLATE-IDENT SUPPLIER CODE: V58960 USED ON: 4082499-902	012019	1

MISSING ITEM NUMBERS NOT APPLICABLE

— ITEM NOT ILLUSTRATED

HAP

22-11-33-02

BOEING PROPRIETARY - Copyright © - Unpublished Work - See title page for details.

22-11-33
FIG. 02
PAGE 3
OCT 15/08

BOEING
737-600/700/800/900
PARTS CATALOG (MAINTENANCE)

FIG ITEM	PART NUMBER	1 2 3 4 5 6 7	NOMENCLATURE	EFFECT FROM TO	UNITS PER ASSY
2					
35	4078256-773	..	PLATE-IDENT SUPPLIER CODE: V58960 USED ON: 4082499-903	020030	1
40	4078256-477	..	PLATE-IDENT SUPPLIER CODE: V58960 USED ON: 4082499-902	012019	1
45	4078256-772	..	PLATE-IDENT SUPPLIER CODE: V58960 USED ON: 4082499-903	020030	1
50	4078256-223	..	PLATE-IDENT SUPPLIER CODE: V58960 CONFIG CHG DATA FROM A CMM: REPL BY 4078256-238	012030	1
50	4078256-238	..	PLATE-IDENT SUPPLIER CODE: V58960 CONFIG CHG DATA FROM A CMM: REPL 4078256-223	012030	1
55	4039590-32	..	DECAL- SUPPLIER CODE: V58960 CONFIG CHG DATA FROM A CMM: REPLACED BY 4077565-2 USED ON: 4082499-902	012019	1
55	4077565-2	..	DECAL- SUPPLIER CODE: V58960 CONFIG CHG DATA FROM A CMM: REPLACES 4039590-32 USED ON: 4082499-902	012019	1
60	4077565-2	..	DECAL- SUPPLIER CODE: V58960 USED ON: 4082499-903	020030	1
65	4039590-21	..	DECAL- SUPPLIER CODE: V58960 USED ON: 4082499-902	012019	2

MISSING ITEM NUMBERS NOT APPLICABLE

— ITEM NOT ILLUSTRATED

HAP

22-11-33-02

BOEING PROPRIETARY - Copyright © - Unpublished Work - See title page for details.

22-11-33
FIG. 02
PAGE 4
JUN 15/08

BOEING
737-600/700/800/900
PARTS CATALOG (MAINTENANCE)

FIG ITEM	PART NUMBER	1 2 3 4 5 6 7	NOMENCLATURE	EFFECT FROM TO	UNITS PER ASSY
2	70 4077565-1		..DECAL- SUPPLIER CODE: V07416 USED ON: 4082499-903	020030	2
- 502	286A0111-157		WIRE BUNDLE ASSY	012030	RF
510	BCREF15789		.PLATE ASSY-PLUG OVERLENGTH PART NUMBER: BACC66H39F01AA01 ELECTRICAL EQUIP NUMBER: D10135 WIRING DIAGRAM REF: 221111 ATTACHING PARTS	012030	1
- 515	NAS1801-06		.SCREW- SIZE DETERMINED ON INSTL.	012030	4
- 520	PLH506CD		.NUT SUPPLIER CODE: VF0224 SPECIFICATION NUMBER: BACN10YRO6CD OPTIONAL PART: H52732-06CD V15653 -----*-----	012030	4
- 601	286A0141-126		WIRE BUNDLE ASSY	012030	RF
610	BCREF15789		.PLATE ASSY-PLUG OVERLENGTH PART NUMBER: BACC66H39F01AA01 ELECTRICAL EQUIP NUMBER: D10137 WIRING DIAGRAM REF: 221111 ATTACHING PARTS	012030	1
- 615	NAS1801-06		.SCREW- SIZE DETERMINED ON INSTL.	012030	4
- 620	PLH506CD		.NUT SUPPLIER CODE: VF0224 SPECIFICATION NUMBER: BACN10YRO6CD OPTIONAL PART: H52732-06CD V15653 -----*-----	012030	4

MISSING ITEM NUMBERS NOT APPLICABLE

- ITEM NOT ILLUSTRATED

HAP

22-11-33-02

BOEING PROPRIETARY - Copyright © - Unpublished Work - See title page for details.

22-11-33
FIG. 02
PAGE 5
FEB 15/09

NON-ILLUSTRATED FIGURE

THE ITEMS REFLECTED IN THIS FIGURE ARE INTENTIONALLY
NON-ILLUSTRATED. THEY ARE REFERENCED TO EITHER A
NEXT HIGHER OR NEXT LOWER ASSEMBLY/INSTALLATION FIGURE.

E 22113302A REV 137

SOFTWARE INSTL
FIGURE 2A

22-11-33-02A

HAP
FEB 15/08

22-11-33-02A
PAGE 0

BOEING
737-600/700/800/900
PARTS CATALOG (MAINTENANCE)

FIG ITEM	PART NUMBER	1 2 3 4 5 6 7	NOMENCLATURE	EFFECT FROM TO	UNITS PER ASSY
2A					
- 1	241A1001-30		SOFTWARE INSTL SOFTWARE INSTL- FOR NHA SEE: 25-10-00-02	012030 012014	RF
- 1	241A1001-40		SOFTWARE INSTL- FOR NHA SEE: 25-10-00-02	015027	RF
- 1	241A1001-50		SOFTWARE INSTL- FOR NHA SEE: 25-10-00-02	028030	RF
- 21	2216HNP03B10		.SOFTWARE-FCC OPS SUPPLIER CODE: V58960 USED WITH: 4082499-902 HARDWARE REFERENCE SEE: 22-11-33-01 22-11-33-02 FOR SPARES PROCURE: 10-62038-710 PS4082500-911 V58960 POST SERVICE BULLETIN: 22-1192	012019	2
- 21	2216HNP03B10		.SOFTWARE-FCC OPS SUPPLIER CODE: V58960 USED WITH: 4082499-903 HARDWARE REFERENCE SEE: 22-11-33-01 22-11-33-02 FOR SPARES PROCURE: 10-62038-710 PS4082500-911 V58960 POST SERVICE BULLETIN: 22-1192	020030	2

MISSING ITEM NUMBERS NOT APPLICABLE

- ITEM NOT ILLUSTRATED

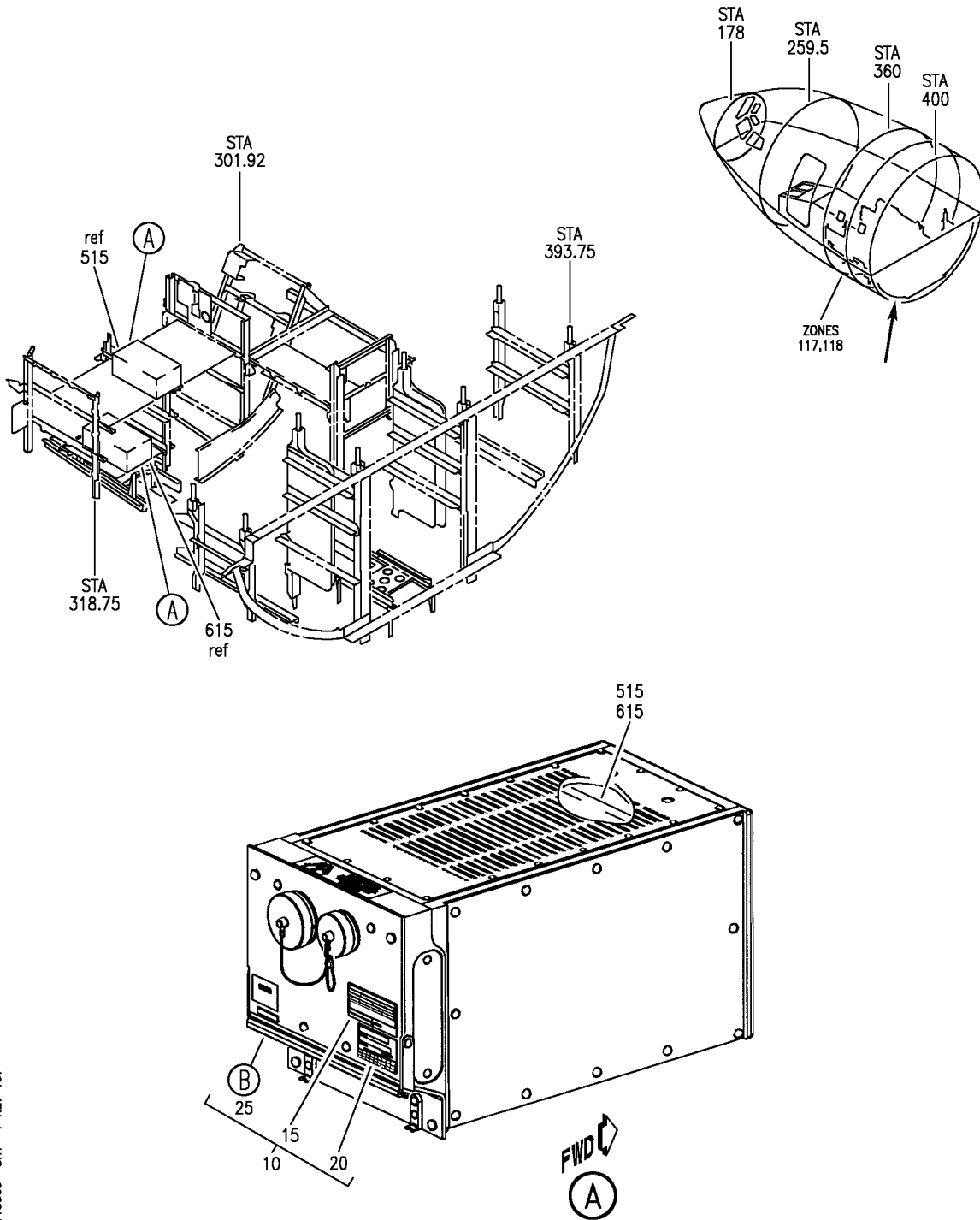
HAP

22-11-33-02A

BOEING PROPRIETARY - Copyright © - Unpublished Work - See title page for details.

22-11-33
FIG. 02A
PAGE 1
JUN 15/08

BOEING
 737-600/700/800/900
 PARTS CATALOG (MAINTENANCE)



E 22113303 SHT 1 REV 137

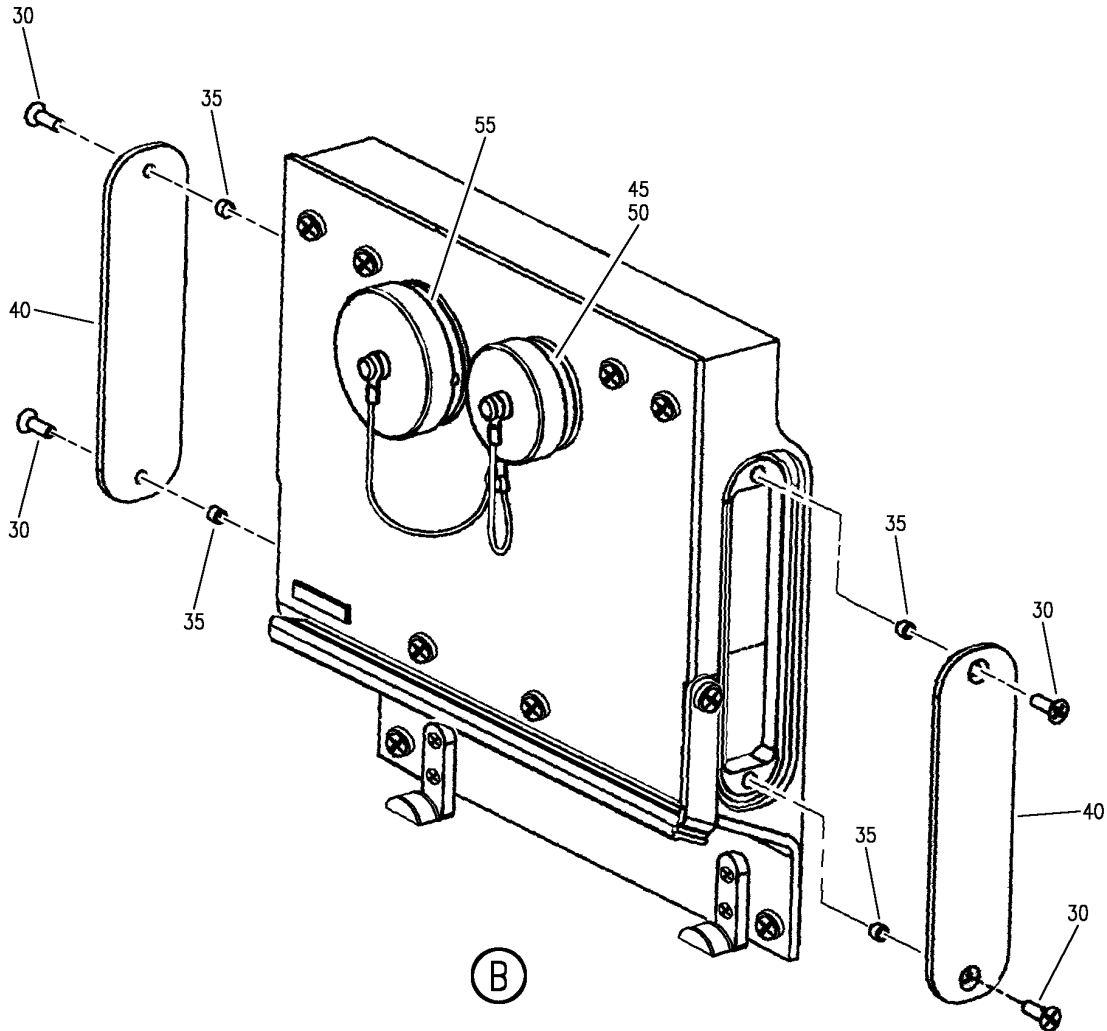
EQUIPMENT INSTL-E1 RACK E/E BAY (FLIGHT CONTROL COMPUTER ONLY)
 FIGURE 3 (SHEET 1)

22-11-33-03

HAP
 FEB 15/08

22-11-33-03
 PAGE 0

BOEING
737-600/700/800/900
PARTS CATALOG (MAINTENANCE)



E 22113303 SH1 2 REV 137

EQUIPMENT INSTL-E1 RACK E/E BAY (FLIGHT CONTROL COMPUTER ONLY)
FIGURE 3 (SHEET 2)

22-11-33-03

HAP
FEB 15/08

22-11-33-03
PAGE 0A

BOEING
737-600/700/800/900
PARTS CATALOG (MAINTENANCE)

FIG ITEM	PART NUMBER	1 2 3 4 5 6 7	NOMENCLATURE	EFFECT FROM TO	UNITS PER ASSY
3			EQUIPMENT INSTL-E1 RACK E/E BAY (FLIGHT CONTROL COMPUTER ONLY)	031200 968999	
- 1	MODREF246952		EQUIPMENT INSTL-E1 RACK E/E BAY MODULE NUMBER: 284A0411-22601 REV A	031037 039041 047047 049050 054103 970971	1
- 1	MODREF246953		EQUIPMENT INSTL-E1 RACK E/E BAY (FLIGHT CONTROL COMPUTER ONLY) MODULE NUMBER: 284A0411-22602 REV A	038038 042046 048048 051053 104200 968969 972999	1

MISSING ITEM NUMBERS NOT APPLICABLE

- ITEM NOT ILLUSTRATED

HAP

22-11-33-03

BOEING PROPRIETARY - Copyright © - Unpublished Work - See title page for details.

22-11-33
FIG. 03
PAGE 1
FEB 15/09

BOEING
737-600/700/800/900
PARTS CATALOG (MAINTENANCE)

FIG ITEM	PART NUMBER	1 2 3 4 5 6 7	NOMENCLATURE	EFFECT FROM TO	UNITS PER ASSY
3 10	822-1604-101		.COMPUTER ASSY-FLIGHT CONT (FLIGHT CONTROL COMPUTER ONLY) SUPPLIER CODE: V4V792 FUNCTIONAL DESCRIPTION: SENDS AUTOPILOT COMMANDS TO THE CONTROL SURFACE ACTUATORS AND PROVIDES INFORMATION TO THE COMMON DISPLAY SYSTEM. SPECIFICATION NUMBER: S241A100-101 ELECTRICAL EQUIP NUMBER: M01875 M01876 COMPONENT MAINT MANUAL REF: 22-12-93 MAINTENANCE MANUAL REF: 22-11-33 QUALIFIED I/W DATA: 822-1604-151 IS INTERCHANGEABLE WITH 822-1604-101 PROVIDED THE CORRECT SOFTWARE IS INSTALLED, SEE FCC INTERCHANGE DOCUMENT 241A0001 FOR GUIDELINES. 822-1604-101 MAY REPLACE 4082499-903 ONE-WAY I/W IN SHIPSETS ONLY. SOFTWARE DRAWING REF: 22-11-33-03A FUNCTIONAL REFERENCE: PLACARDS AND MARKINGS FOR DETAILS SEE 11-36-01-97	031037 039041 047047 049050 054103 970971	2

MISSING ITEM NUMBERS NOT APPLICABLE

— ITEM NOT ILLUSTRATED

HAP

22-11-33-03

22-11-33
FIG. 03
PAGE 2
FEB 15/09

 **BOEING**
737-600/700/800/900
PARTS CATALOG (MAINTENANCE)

FIG ITEM	PART NUMBER	1 2 3 4 5 6 7	NOMENCLATURE	EFFECT FROM TO	UNITS PER ASSY
3 10	822-1604-151	.	COMPUTER ASSY-FLIGHT CONT (FLIGHT CONTROL COMPUTER ONLY) SUPPLIER CODE: V4V792 FUNCTIONAL DESCRIPTION: SENDS AUTOPILOT COMMANDS TO THE CONTROL SURFACE ACTUATORS AND PROVIDES INFORMATION TO THE COMMON DISPLAY SYSTEM. SPECIFICATION NUMBER: S241A100-151 ELECTRICAL EQUIP NUMBER: M01875 M01876 COMPONENT MAINT MANUAL REF: 22-12-93 MAINTENANCE MANUAL REF: 22-11-33 QUALIFIED I/W DATA: 822-1604-151 IS INTERCHANGEABLE WITH 822-1604-101 PROVIDED THE CORRECT SOFTWARE IS INSTALLED, SEE FCC INTERCHANGE DOCUMENT 241A0001 FOR GUIDELINES. SOFTWARE DRAWING REF: 22-11-33-03A FUNCTIONAL REFERENCE: PLACARDS AND MARKINGS FOR DETAILS SEE 11-36-01-97	038038 042046 048048 051053 104200 968969 972999	2
15	829-0416-000	..	PLATE-IDENT SUPPLIER CODE: V4V792	031200 968999	1
20	829-0200-001	..	PLATE-IDENT SUPPLIER CODE: V4V792	031200 968999	1
25	830-8163-001	..	CHASSIS ASSY-FRONT A13 SUPPLIER CODE: V4V792	031200 968999	RF
30	MS51959-29B	...	SCREW- OPTIONAL PART: 342-1865-000 V4V792	031200 968999	4

MISSING ITEM NUMBERS NOT APPLICABLE

— ITEM NOT ILLUSTRATED

HAP

22-11-33-03

22-11-33
FIG. 03
PAGE 3
FEB 15/09

BOEING
737-600/700/800/900
PARTS CATALOG (MAINTENANCE)

FIG ITEM	PART NUMBER	1 2 3 4 5 6 7	NOMENCLATURE	EFFECT FROM TO	UNITS PER ASSY
3					
30	342-1865-000	...	SCREW- SUPPLIER CODE: V4V792 OPTIONAL PART: MS51959-29B	031200 968999	4
35	340-0641-00	...	SLEEVE-SPR SUPPLIER CODE: V91314 OPTIONAL PART: 340-0641-000 V4V792	031200 968999	4
35	340-0641-000	...	SLEEVE-SPR SUPPLIER CODE: V4V792 OPTIONAL PART: 340-0641-00 V91314	031200 968999	4
40	830-8160-013	...	COVER-TEST ACCESS SUPPLIER CODE: VD0001	031200 968999	2
45	830-8160-073	...	COVER ASSY-CONN. SUPPLIER CODE: V4V792	031200 968999	1
50	MS27511F18R	COVER- OPTIONAL PART: 357-8980-240 V4V792	031200 968999	1
50	357-8980-240	COVER-ELEC, SUPPLIER CODE: V4V792 OPTIONAL PART: MS27511F18R	031200 968999	1
55	MS27511F24R	...	COVER- OPTIONAL PART: 357-8980-270 V4V792	031200 968999	1
55	357-8980-270	...	COVER-ELEC SUPPLIER CODE: V4V792 OPTIONAL PART: MS27511F24R	031200 968999	1
- 500	286A0111-004		WIRE BUNDLE ASSY	031048 054100	RF
- 500	286A0111-099		WIRE BUNDLE ASSY	101106 968999	RF

MISSING ITEM NUMBERS NOT APPLICABLE

- ITEM NOT ILLUSTRATED

HAP

22-11-33-03

22-11-33
FIG. 03
PAGE 4
FEB 15/09

BOEING
737-600/700/800/900
PARTS CATALOG (MAINTENANCE)

FIG ITEM	PART NUMBER	1 2 3 4 5 6 7	NOMENCLATURE	EFFECT FROM TO	UNITS PER ASSY
3 515	BCREF15789		.PLATE ASSY-PLUG OVERLENGTH PART NUMBER: BACC66H39F01AA01 ELECTRICAL EQUIP NUMBER: D10135 WIRING DIAGRAM REF: 221111 ATTACHING PARTS	031048 054106 968999	1
- 520	NAS1801-06		.SCREW- SIZE DETERMINED ON INSTL.	031048 054106 968999	4
- 525	PLH506CD		.NUT SUPPLIER CODE: VF0224 SPECIFICATION NUMBER: BACN10YRO6CD OPTIONAL PART: H52732-06CD V15653 -----*-----	031048 054106 968999	4
- 600	286A0141-034		WIRE BUNDLE ASSY	031048 054100	RF
- 600	286A0141-035		WIRE BUNDLE ASSY	101106 968999	RF
615	BCREF15789		.PLATE ASSY-PLUG OVERLENGTH PART NUMBER: BACC66H39F01AA01 ELECTRICAL EQUIP NUMBER: D10137 WIRING DIAGRAM REF: 221111 ATTACHING PARTS	031048 054106 968999	1
- 620	NAS1801-06		.SCREW- SIZE DETERMINED ON INSTL.	031048 054106 968999	4
- 625	PLH506CD		.NUT SUPPLIER CODE: VF0224 SPECIFICATION NUMBER: BACN10YRO6CD OPTIONAL PART: H52732-06CD V15653 -----*-----	031048 054106 968999	4

MISSING ITEM NUMBERS NOT APPLICABLE

- ITEM NOT ILLUSTRATED

HAP

22-11-33-03

BOEING PROPRIETARY - Copyright © - Unpublished Work - See title page for details.

22-11-33
FIG. 03
PAGE 5
FEB 15/09

NON-ILLUSTRATED FIGURE

THE ITEMS REFLECTED IN THIS FIGURE ARE INTENTIONALLY
NON-ILLUSTRATED. THEY ARE REFERENCED TO EITHER A
NEXT HIGHER OR NEXT LOWER ASSEMBLY/INSTALLATION FIGURE.

E 22113303A REV 137

SOFTWARE INSTL
FIGURE 3A

22-11-33-03A

HAP
FEB 15/08

22-11-33-03A
PAGE 0

BOEING
737-600/700/800/900
PARTS CATALOG (MAINTENANCE)

FIG ITEM	PART NUMBER	1 2 3 4 5 6 7	NOMENCLATURE	EFFECT FROM TO	UNITS PER ASSY
3A			SOFTWARE INSTL	031200 968999	
- 1	MODREF240400		SOFTWARE INSTL- MODULE NUMBER: 241A1001-90 REV A	031036	1
- 1	MODREF300010		SOFTWARE INSTL- MODULE NUMBER: 241A1001-100 REV A	037040 042043 101101 968969	1
- 1	MODREF331961		SOFTWARE INSTL- MODULE NUMBER: 241A1001-110 REV B	041041 044100 102200 970999	1
- 20	2277COLAC104		.SOFTWARE-FCC OPS SUPPLIER CODE: V4V792 MISCELLANEOUS DATA: DISKETTE QUANTITY: 1 DISK USED WITH: 822-1604-101 HARDWARE REFERENCE SEE: 22-11-33-03 FOR SPARES PROCURE: 831-5854-130 V4V792	031036	2
- 20	2276COLAC105		.SOFTWARE-FCC OPS SUPPLIER CODE: V58960 USED WITH: 822-1604-101 HARDWARE REFERENCE SEE: 22-11-33-03 FOR SPARES PROCURE: 831-5854-140 V4V792	037037 039040 101101	2
- 20	2276COLAC105		.SOFTWARE-FCC OPS SUPPLIER CODE: V58960 USED WITH: 822-1604-151 HARDWARE REFERENCE SEE: 22-11-33-03 FOR SPARES PROCURE: 831-5854-140 V4V792	038038 042043 968969	2

MISSING ITEM NUMBERS NOT APPLICABLE

- ITEM NOT ILLUSTRATED

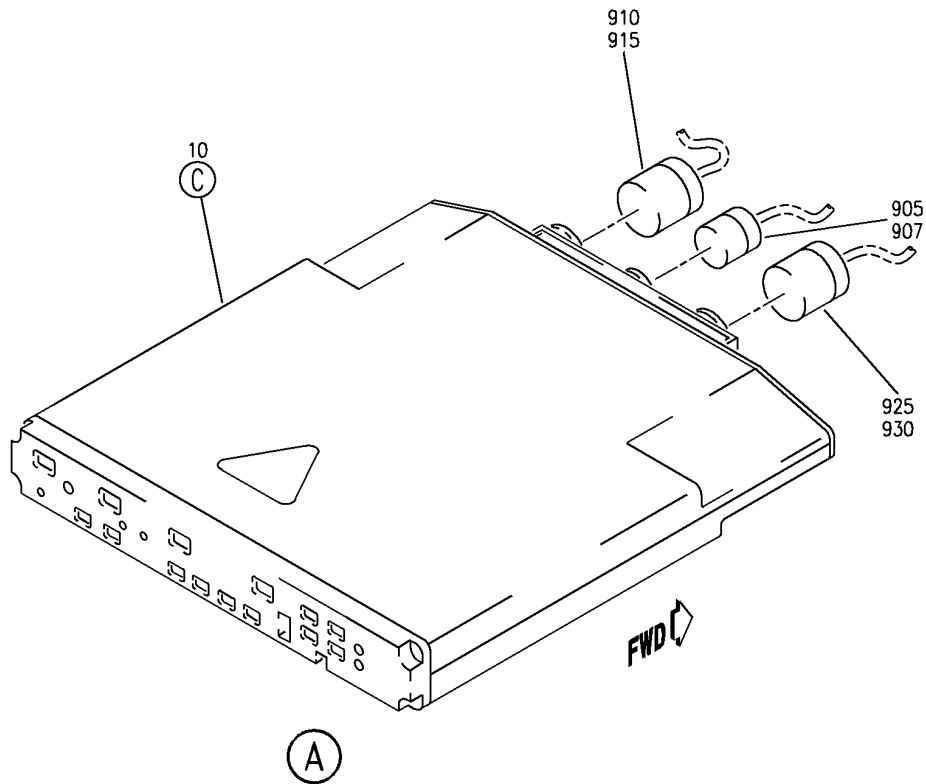
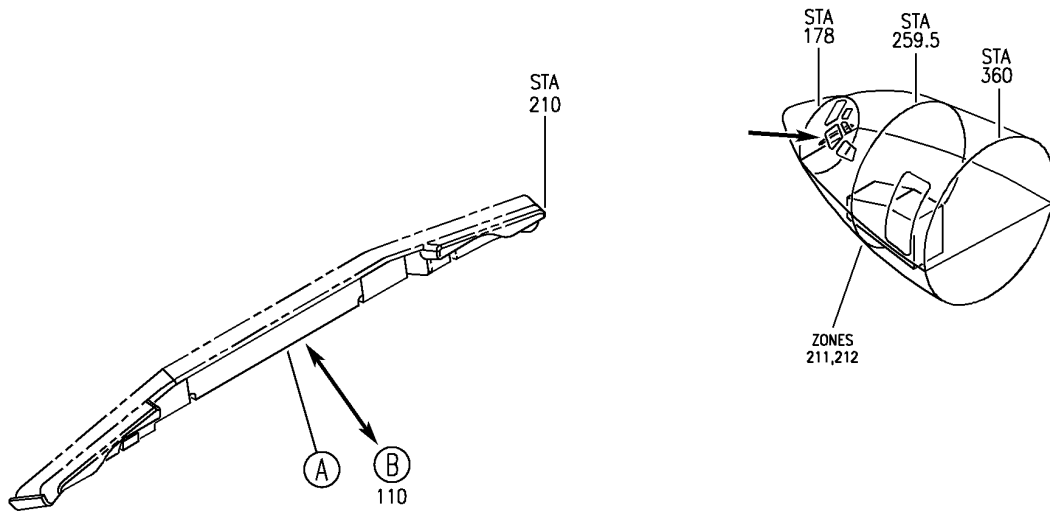
HAP

22-11-33-03A

BOEING PROPRIETARY - Copyright © - Unpublished Work - See title page for details.

22-11-33
FIG. 03A
PAGE 1
OCT 15/08

BOEING
 737-600/700/800/900
 PARTS CATALOG (MAINTENANCE)



E 22113401 SHT 1 REV 125

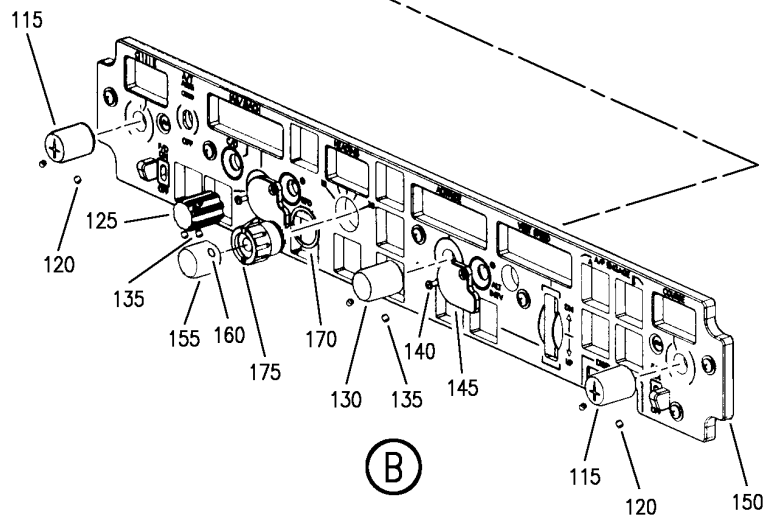
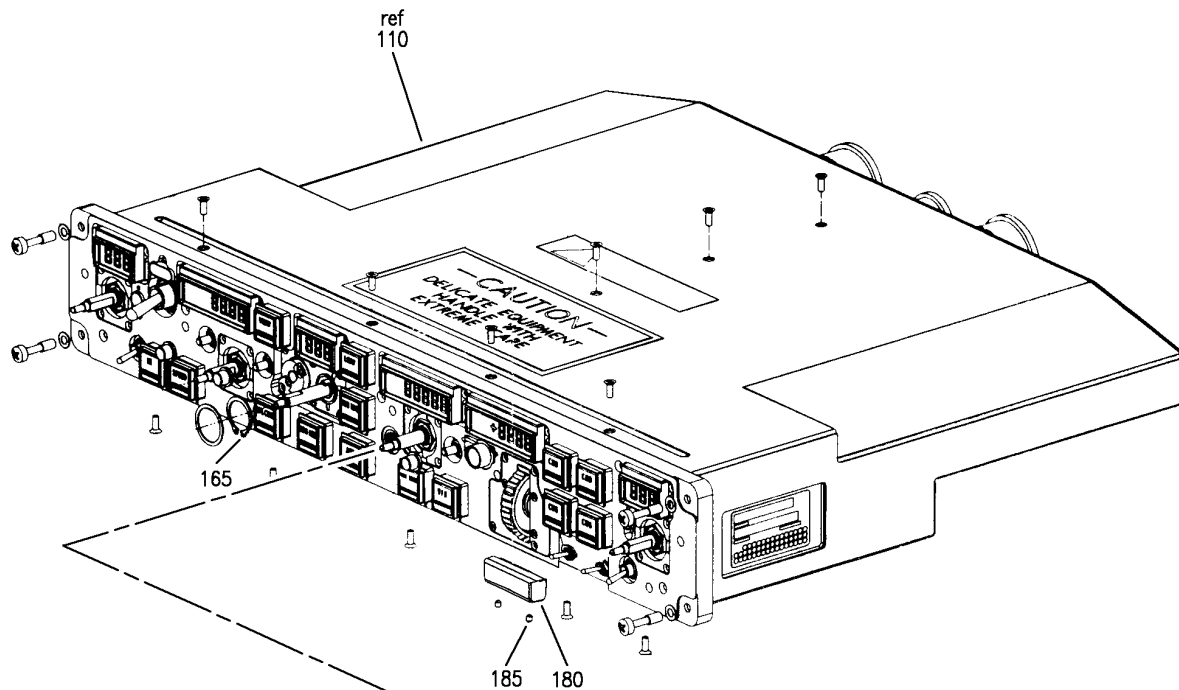
PANEL INSTL-PILOTS GLARESHIELD (DFCS MODE CONTROL PANEL ONLY)
 FIGURE 1 (SHEET 1)

22-11-34-01

HAP
 FEB 10/07

22-11-34-01
 PAGE 0

BOEING
 737-600/700/800/900
 PARTS CATALOG (MAINTENANCE)



E 22113401 SHT 2 REV 125

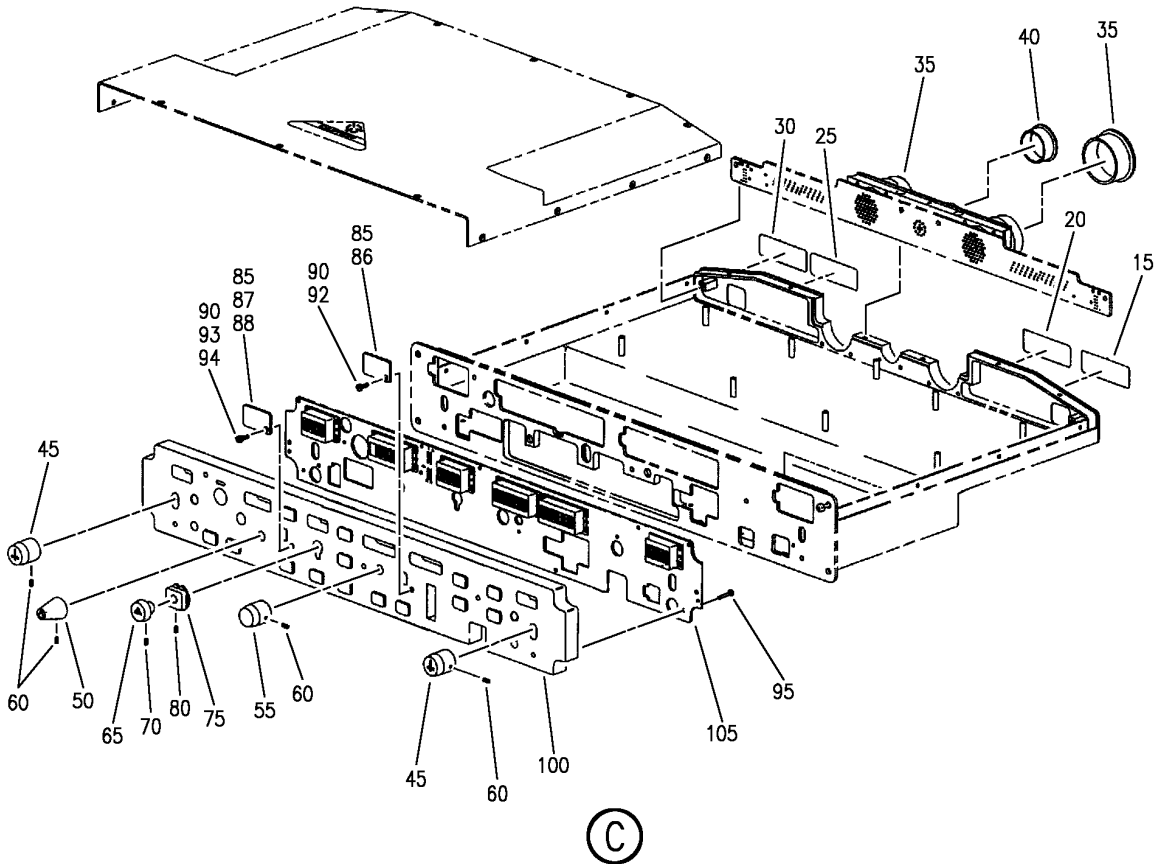
PANEL INSTL-PILOTS GLARESHIELD (DFCS MODE CONTROL PANEL ONLY)
 FIGURE 1 (SHEET 2)

22-11-34-01

HAP
 FEB 10/07

22-11-34-01
 PAGE 0A

BOEING
 737-600/700/800/900
 PARTS CATALOG (MAINTENANCE)



E 22113401 SHT 3 REV 133

PANEL INSTL-PILOTS GLARESHIELD (DFCS MODE CONTROL PANEL ONLY)
 FIGURE 1 (SHEET 3)

22-11-34-01

HAP
 OCT 10/07

22-11-34-01
 PAGE 0B

BOEING
737-600/700/800/900
PARTS CATALOG (MAINTENANCE)

FIG ITEM	PART NUMBER	1 2 3 4 5 6 7	NOMENCLATURE	EFFECT FROM TO	UNITS PER ASSY
1			PANEL INSTL-PILOTS GLARESHIELD (DFCS MODE CONTROL PANEL ONLY)	001030 201967	
- 1	233A8103-3		PANEL INSTL-PILOTS GLARESHIELD (DFCS MODE CONTROL PANEL ONLY)	001007	RF
- 2	233A8103-101		FOR NHA/OTHER SYS DET SEE: 31-11-00-01C PANEL INSTL-PILOTS GLARESHIELD (DFCS MODE CONTROL PANEL ONLY)	201967	RF
- 2	233A8103-102		FOR NHA/OTHER SYS DET SEE: 31-11-00-01J PANEL INSTL-PILOTS GLARESHIELD (DFCS MODE CONTROL PANEL ONLY)	008030	RF
			FOR NHA/OTHER SYS DET SEE: 31-11-00-01C		

MISSING ITEM NUMBERS NOT APPLICABLE

- ITEM NOT ILLUSTRATED

HAP

22-11-34-01

BOEING PROPRIETARY - Copyright © - Unpublished Work - See title page for details.

22-11-34
FIG. 01
PAGE 1
OCT 15/08

BOEING
737-600/700/800/900
PARTS CATALOG (MAINTENANCE)

FIG ITEM	PART NUMBER	1 2 3 4 5 6 7	NOMENCLATURE	EFFECT FROM TO	UNITS PER ASSY
1 10	4082260-939		.PANEL ASSY-MODE CONT SUPPLIER CODE: V58960 FUNCTIONAL DESCRIPTION: ALLOWS THE FLIGHT CREW TO SELECT AND ENGAGE THE DESIRED AUTOPILOT FLIGHT DIRECTOR MODE. SPECIFICATION NUMBER: 10-62038-239 ELECTRICAL EQUIP NUMBER: M00198 COMPONENT MAINT MANUAL REF: 22-19-20 MAINTENANCE MANUAL REF: 22-11-34 QUALIFIED I/W DATA: 822-1567-102 I/W 4082260-939 EXCEPT INSTALLATION OF 822-1567-102 IS REQUIRED TO MAINTAIN FULL FUNCTIONALITY ON ACFT WITH THE MDA ALTITUDE SELECT OPTION ACTIVATED AND ACFT EQUIPPED FOR CAT IIIB AUTOLAND. USE OF 4082260-939 AS SUBSTITUTE ON CAT IIIB ACFT WILL RESULT IN AN AUTOMATIC DOWNGRADE OF AUTOLAND STATUS ACCOMPANIED BY A "NO LAND 3" ANNUNCIATION	001030	1
15	4078256-280		..PLATE-IDENT SUPPLIER CODE: V58960 CONFIG CHG DATA FROM A CMM: REPL BY 4089643-206 USED ON: 4082260-937	201967	1
15	4078256-245		..PLATE-IDENT SUPPLIER CODE: V58960 CONFIG CHG DATA FROM A CMM: REPL BY 4089643-209 USED ON: 4082260-939	001030	1

MISSING ITEM NUMBERS NOT APPLICABLE

— ITEM NOT ILLUSTRATED

HAP

22-11-34-01

BOEING PROPRIETARY - Copyright © - Unpublished Work - See title page for details.

22-11-34
FIG. 01
PAGE 3
FEB 15/09

BOEING
737-600/700/800/900
PARTS CATALOG (MAINTENANCE)

FIG ITEM	PART NUMBER	1 2 3 4 5 6 7	NOMENCLATURE	EFFECT FROM TO	UNITS PER ASSY
1					
15	4089643-206	..	PLATE-IDENT SUPPLIER CODE: V58960 CONFIG CHG DATA FROM A CMM: REPLS 4078256-280 USED ON: 4082260-937	201967	1
15	4089643-209	..	PLATE-IDENT SUPPLIER CODE: V58960 CONFIG CHG DATA FROM A CMM: REPLS 4078256-245 USED ON: 4082260-939	001030	1
20	4078256-246	..	PLATE-IDENT SUPPLIER CODE: V58960 CONFIG CHG DATA FROM A CMM: REPL BY 4089643-207 USED ON: 4082260-937	201967	1
20	4078256-992	..	PLATE-IDENT SUPPLIER CODE: V58960 CONFIG CHG DATA FROM A CMM: REPL BY 4089643-208 USED ON: 4082260-939	001030	1
20	4089643-207	..	PLATE-IDENT SUPPLIER CODE: V58960 CONFIG CHG DATA FROM A CMM: REPLS 4078256-246 USED ON: 4082260-937	201967	1
20	4089643-208	..	PLATE-IDENT SUPPLIER CODE: V58960 CONFIG CHG DATA FROM A CMM: REPLS 4078256-992 USED ON: 4082260-939	001030	1
25	4085643-141	..	LABEL- SUPPLIER CODE: V58960 CONFIG CHG DATA FROM A CMM: REPLS 4078256-525 USED ON: 4082260-937	201967	1

MISSING ITEM NUMBERS NOT APPLICABLE

— ITEM NOT ILLUSTRATED

HAP

22-11-34-01

BOEING PROPRIETARY - Copyright © - Unpublished Work - See title page for details.

22-11-34
FIG. 01
PAGE 4
FEB 15/09

BOEING
737-600/700/800/900
PARTS CATALOG (MAINTENANCE)

FIG ITEM	PART NUMBER	1 2 3 4 5 6 7	NOMENCLATURE	EFFECT FROM TO	UNITS PER ASSY
1					
25	4085643-142	..	LABEL- SUPPLIER CODE: V58960 USED ON: 4082260-939	001030	1
30	4078256-223	..	PLATE-IDENT SUPPLIER CODE: V58960 CONFIG CHG DATA FROM A CMM: REPLD BY 4078256-346	001030 201967	1
30	4078256-346	..	PLATE-IDENT SUPPLIER CODE: V58960 CONFIG CHG DATA FROM A CMM: REPLS 4078256-223 REPLD BY 4078256-238	001030 201967	1
30	4078256-238	..	PLATE-IDENT SUPPLIER CODE: V58960 CONFIG CHG DATA FROM A CMM: REPLS 4078256-346	001030 201967	1
35	CEP24	..	COVER- SUPPLIER CODE: V99017 OPTIONAL PART: 733395-487 V58960	001030 201967	2
35	733395-487	..	COVER- SUPPLIER CODE: V58960 OPTIONAL PART: CEP24 V99017	001030 201967	2
40	CEP16	..	COVER- SUPPLIER CODE: V99017 OPTIONAL PART: 733395-480 V58960	001030 201967	1
40	733395-480	..	COVER- SUPPLIER CODE: V58960 OPTIONAL PART: CEP16 V99017	001030 201967	1
45	4045626-901	..	KNOB- SUPPLIER CODE: V58960	001030 201967	2

MISSING ITEM NUMBERS NOT APPLICABLE

— ITEM NOT ILLUSTRATED

HAP

22-11-34-01

BOEING PROPRIETARY - Copyright © - Unpublished Work - See title page for details.

22-11-34
FIG. 01
PAGE 5
FEB 15/09

BOEING
737-600/700/800/900
PARTS CATALOG (MAINTENANCE)

FIG ITEM	PART NUMBER	1 2 3 4 5 6 7	NOMENCLATURE	EFFECT FROM TO	UNITS PER ASSY
1					
50	4050515	..	KNOB- SUPPLIER CODE: V58960	001030 201967	1
55	4045626-903	..	KNOB- SUPPLIER CODE: V58960	001030 201967	1
60	MS21342-203	..	ATTACHING PARTS SETSCREW- OPTIONAL PART: 1784551-24 V58960	001030 201967	8
60	1784551-24	..	SETSCREW- SUPPLIER CODE: V58960 OPTIONAL PART: MS21342-203 -----*	001030 201967	8
65	4049119-902	..	KNOB- SUPPLIER CODE: V58960 ATTACHING PARTS	001030 201967	1
70	MS21342-213	..	SETSCREW- OPTIONAL PART: 1784551-44 V58960	001030 201967	2
70	1784551-44	..	SCREW- SUPPLIER CODE: V58960 OPTIONAL PART: MS21342-213 -----*	001030 201967	2
75	4045621	..	KNOB- SUPPLIER CODE: V58960 ATTACHING PARTS	001030 201967	1
80	MS51053-412	..	SETSCREW- OPTIONAL PART: 2500856-6 V58960	001030 201967	2
80	2500856-6	..	SCREW- SUPPLIER CODE: V58960 OPTIONAL PART: MS51053-412 -----*	001030 201967	2

MISSING ITEM NUMBERS NOT APPLICABLE

— ITEM NOT ILLUSTRATED

HAP

22-11-34-01

22-11-34
FIG. 01
PAGE 6
FEB 15/09

BOEING
737-600/700/800/900
PARTS CATALOG (MAINTENANCE)

FIG ITEM	PART NUMBER	1 2 3 4 5 6 7	NOMENCLATURE	EFFECT FROM TO	UNITS PER ASSY
1 85	4082560		.. COVER- SUPPLIER CODE: V58960 USED ON: 4082260-937	201967	2
90	FH2C4CPLIOGY		ATTACHING PARTS .. SCREW- SUPPLIER CODE: V12324 OPTIONAL PART: 4038784-62 V58960	201967	2
90	4038784-62		.. SCREW- SUPPLIER CODE: V58960 OPTIONAL PART: FH2C4CPLIOGY V12324 -----*-----	201967	2
95	NAS662C2R6		.. SCREW- USED ON: 4082260-939	001030	17
100	4088463-2		.. PANEL-INTEGRATED SWITCH-LIGHTED SUPPLIER CODE: V58960 USED ON: 4082260-939	001030	1
105	4088334-1		.. CIRCUIT CARD ASSY-DISPLAY SUPPLIER CODE: V65907 USED ON: 4082260-939	001030	1
- 900	286A2363-001		WIRE BUNDLE ASSY	001001 006007	RF
- 900	286A2363-002		WIRE BUNDLE ASSY-	002005 008030 201967	RF
905	BACC63CB14-15SN		. PLUG-CONDUCTIVE ELECTRICAL EQUIP NUMBER: D00301 WIRING DIAGRAM REF: 221151	001030 201967	1

MISSING ITEM NUMBERS NOT APPLICABLE

- ITEM NOT ILLUSTRATED

HAP

22-11-34-01

BOEING PROPRIETARY - Copyright © - Unpublished Work - See title page for details.

22-11-34
FIG. 01
PAGE 7
FEB 15/09

BOEING
737-600/700/800/900
PARTS CATALOG (MAINTENANCE)

FIG ITEM	PART NUMBER	1 2 3 4 5 6 7	NOMENCLATURE	EFFECT FROM TO	UNITS PER ASSY
1 907	S3819-14-65		.CLAMP- SUPPLIER CODE: V07418 SPECIFICATION NUMBER: BACC10KD14 OPTIONAL PART: 620AS028NF14L V06324 ELECTRICAL EQUIP NUMBER: D00301T WIRING DIAGRAM REF: 221111	001030 201967	1
910	BACC63CB22-55SN		.PLUG-CONDUCTIVE ELECTRICAL EQUIP NUMBER: D00299 WIRING DIAGRAM REF: 211111	001030 201967	1
915	S3819-22-65		.BACKSHELL- SUPPLIER CODE: V07418 SPECIFICATION NUMBER: BACC10KD22 OPTIONAL PART: 620AS028NF22L V06324 ELECTRICAL EQUIP NUMBER: D00299T WIRING DIAGRAM REF: 221111	001030 201967	1
- 920	286A2465-001		WIRE BUNDLE ASSY-	001030 201967	RF
925	BACC63CB22-55S6		.PLUG-CONDUCTIVE ELECTRICAL EQUIP NUMBER: D01815 WIRING DIAGRAM REF: 221111	001030 201967	1
930	S3819-22-65		.BACKSHELL- SUPPLIER CODE: V07418 SPECIFICATION NUMBER: BACC10KD22 OPTIONAL PART: 620AS028NF22L V06324 ELECTRICAL EQUIP NUMBER: D01815T WIRING DIAGRAM REF: 221111	001030 201967	1

MISSING ITEM NUMBERS NOT APPLICABLE

- ITEM NOT ILLUSTRATED

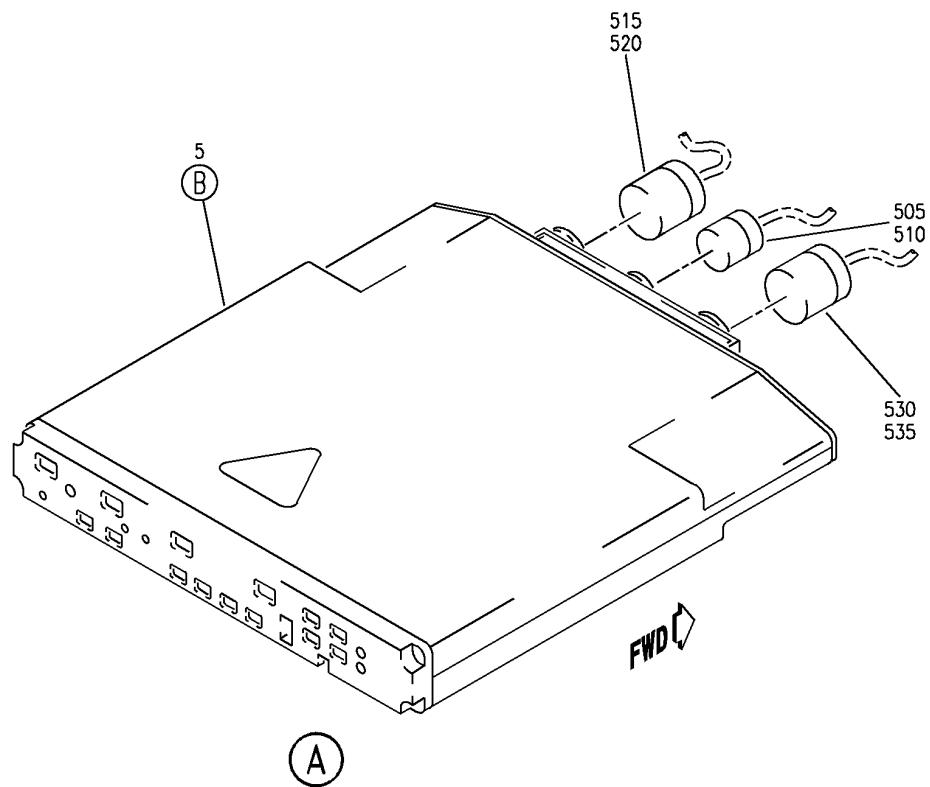
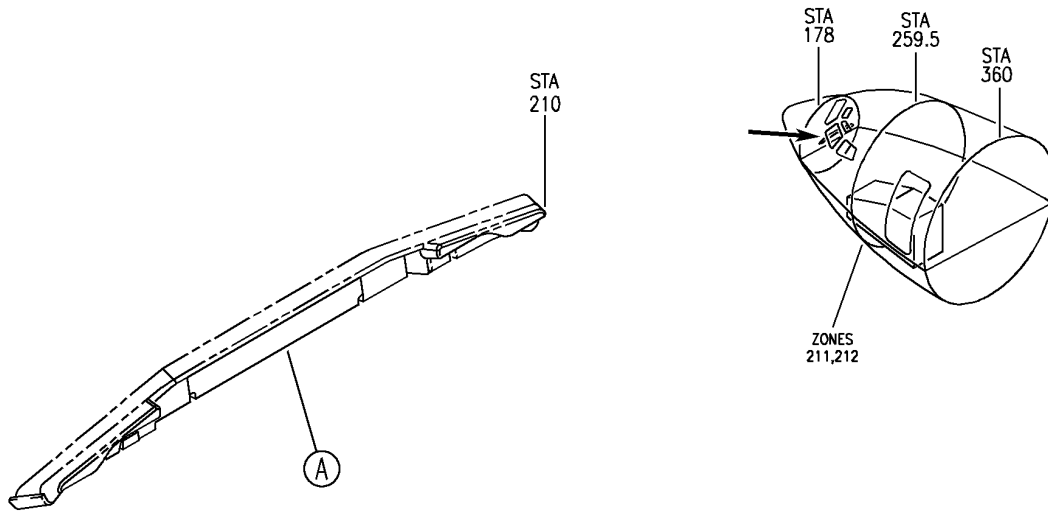
HAP

22-11-34-01

BOEING PROPRIETARY - Copyright © - Unpublished Work - See title page for details.

22-11-34
FIG. 01
PAGE 8
OCT 15/08

BOEING
 737-600/700/800/900
 PARTS CATALOG (MAINTENANCE)



E 22113402 SH1 1 REV 122

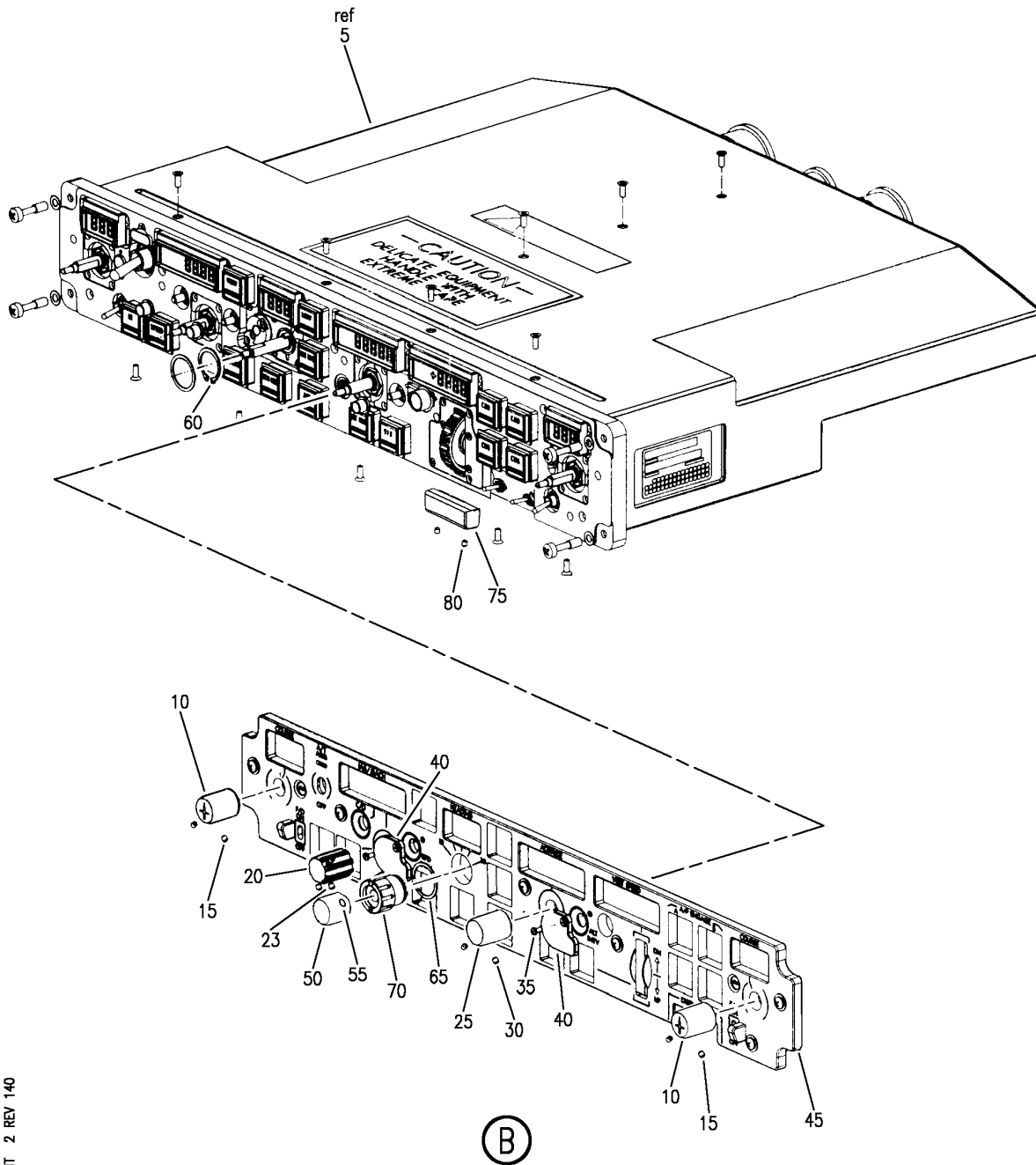
PANEL INSTL-PILOTS GLARESHIELD (DFCS MODE CONTROL PANEL ONLY)
 FIGURE 2 (SHEET 1)

22-11-34-02

HAP
 OCT 10/06

22-11-34-02
 PAGE 0

BOEING
 737-600/700/800/900
 PARTS CATALOG (MAINTENANCE)



E 22113402 SH1 2 REV 140

PANEL INSTL-PILOTS GLARESHIELD (DFCS MODE CONTROL PANEL ONLY)
 FIGURE 2 (SHEET 2)

22-11-34-02

HAP
 JUN 15/08

22-11-34-02
 PAGE 0A

BOEING
737-600/700/800/900
PARTS CATALOG (MAINTENANCE)

FIG ITEM	PART NUMBER	1 2 3 4 5 6 7	NOMENCLATURE	EFFECT FROM TO	UNITS PER ASSY
2			PANEL INSTL-PILOTS GLARESHIELD (DFCS MODE CONTROL PANEL ONLY)	031200 968999	
- 1	MODREF83493		PANEL INSTL-PILOTS GLARESHIELD (DFCS MODE CONTROL PANEL ONLY) MODULE NUMBER: 233A8103-107 REV A FOR OTHER SYS DETAILS SEE: 31-11-41-02	031200 968999	1
5	822-1567-102		.PANEL ASSY-MODE CONT SUPPLIER CODE: V4V792 FUNCTIONAL DESCRIPTION: ALLOWS THE FLIGHT CREW TO SELECT AND ENGAGE THE DESIRED AUTOPILOT FLIGHT DIRECTOR MODE. SPECIFICATION NUMBER: S241A100-242 ELECTRICAL EQUIP NUMBER: M00198 COMPONENT MAINT MANUAL REF: 22-12-82 MAINTENANCE MANUAL REF: 22-11-34 QUALIFIED I/W DATA: 822-1567-102 I/W 4082260-939 EXCEPT INSTALLATION OF 822-1567-102 IS REQUIRED TO MAINTAIN FULL FUNCTIONALITY ON ACFT WITH THE MDA ALTITUDE SELECT OPTION ACTIVATED AND ACFT EQUIPPED FOR CAT IIIB AUTOLAND. USE OF 4082260-939 AS SUBSTITUTE ON CAT IIIB ACFT WILL RESULT IN AN AUTOMATIC DOWNGRADE OF AUTOLAND STATUS ACCOMPANIED BY A "NO LAND 3" ANNUNCIATION	031200 968999	1
10	830-3377-040		..KNOB-CONT SUPPLIER CODE: V4V792	031200 968999	2

MISSING ITEM NUMBERS NOT APPLICABLE

- ITEM NOT ILLUSTRATED

HAP

22-11-34-02

BOEING PROPRIETARY - Copyright © - Unpublished Work - See title page for details.

22-11-34
FIG. 02
PAGE 1
OCT 15/08

BOEING
737-600/700/800/900
PARTS CATALOG (MAINTENANCE)

FIG ITEM	PART NUMBER	1 2 3 4 5 6 7	NOMENCLATURE	EFFECT FROM TO	UNITS PER ASSY
2			ATTACHING PARTS		
15	MS51963-9	..	SETSCREW- OPTIONAL PART: 328-5020-000 V4V792	031200 968999	4
15	328-5020-000	..	SETSCREW- SUPPLIER CODE: V4V792 OPTIONAL PART: MS51963-9 -----*-----	031200 968999	4
20	830-3377-050	..	KNOB-CONT SUPPLIER CODE: V4V792 ATTACHING PARTS	031200 968999	1
23	MS51963-9	..	SETSCREW- OPTIONAL PART: 328-5020-000 V4V792	031200 968999	2
23	328-5020-000	..	SETSCREW- SUPPLIER CODE: V4V792 OPTIONAL PART: MS51963-9 -----*-----	031200 968999	2
25	830-3377-060	..	KNOB-CONT SUPPLIER CODE: V4V792 ATTACHING PARTS	031200 968999	1
30	MS51963-9	..	SETSCREW- OPTIONAL PART: 328-5020-000 V4V792	031200 968999	2
30	328-5020-000	..	SETSCREW- SUPPLIER CODE: V4V792 OPTIONAL PART: MS51963-9 -----*-----	031200 968999	2
35	830-8181-012	..	SCREW- SUPPLIER CODE: VOFY16	031200 968999	2
45	754-0370-002	..	PANEL-ILLUMINATED SUPPLIER CODE: V59057	031200 968999	1
50	830-3203-040	..	KNOB-CONT SUPPLIER CODE: VOFY16	031200 968999	1

MISSING ITEM NUMBERS NOT APPLICABLE

— ITEM NOT ILLUSTRATED

HAP

22-11-34-02

BOEING PROPRIETARY - Copyright © - Unpublished Work - See title page for details.

22-11-34
FIG. 02
PAGE 2
OCT 15/08

BOEING
737-600/700/800/900
PARTS CATALOG (MAINTENANCE)

FIG ITEM	PART NUMBER	1 2 3 4 5 6 7	NOMENCLATURE	EFFECT FROM TO	UNITS PER ASSY
2			ATTACHING PARTS		
55	MS51963-9	..	SETSCREW- OPTIONAL PART: 328-5020-000 V4V792	031200 968999	2
55	328-5020-000	..	SETSCREW- SUPPLIER CODE: V4V792 OPTIONAL PART: MS51963-9	031200 968999	2
60	5100-62MD	..	-----*----- RING-RETAINING SUPPLIER CODE: V79136 OPTIONAL PART: 310-0034-000 V4V792	031200 968999	1
60	310-0034-000	..	RING-RETAINING SUPPLIER CODE: V4V792 OPTIONAL PART: 5100-62MD V79136	031200 968999	1
65	830-0702-001	..	WASHER- SUPPLIER CODE: V4V792	031200 968999	2
70	830-3202-010	..	KNOB- SUPPLIER CODE: V4V792	031200 968999	1
75	830-3201-003	..	BAR-SWITCH SUPPLIER CODE: V64335	031200 968999	1
80	MS51963-9	..	ATTACHING PARTS SETSCREW- OPTIONAL PART: 328-5020-000 V4V792	031200 968999	2
80	328-5020-000	..	SETSCREW- SUPPLIER CODE: V4V792 OPTIONAL PART: MS51963-9	031200 968999	2
- 500	286A2363-006		WIRE BUNDLE ASSY	101200 968999	RF
- 500	286A2363-007		WIRE BUNDLE ASSY	031100	RF

MISSING ITEM NUMBERS NOT APPLICABLE

- ITEM NOT ILLUSTRATED

HAP

22-11-34-02

BOEING PROPRIETARY - Copyright © - Unpublished Work - See title page for details.

22-11-34
FIG. 02
PAGE 3
OCT 15/08

BOEING
737-600/700/800/900
PARTS CATALOG (MAINTENANCE)

FIG ITEM	PART NUMBER	1 2 3 4 5 6 7	NOMENCLATURE	EFFECT FROM TO	UNITS PER ASSY
2 505	BACC63CB14-15SN	.PLUG-CONDUCTIVE	ELECTRICAL EQUIP NUMBER: D00301 WIRING DIAGRAM REF: 221151	031200 968999	1
510	S3819-14-65	.CLAMP-	SUPPLIER CODE: V07418 SPECIFICATION NUMBER: BACC10KD14 OPTIONAL PART: 620AS028NF14L V06324 ELECTRICAL EQUIP NUMBER: D00301T WIRING DIAGRAM REF: 221111	031200 968999	1
515	BACC63CB22-55SN	.PLUG-CONDUCTIVE	ELECTRICAL EQUIP NUMBER: D00299 WIRING DIAGRAM REF: 211111	031200 968999	1
520	S3819-22-65	.BACKSHELL-	SUPPLIER CODE: V07418 SPECIFICATION NUMBER: BACC10KD22 OPTIONAL PART: 620AS028NF22L V06324 ELECTRICAL EQUIP NUMBER: D00299T WIRING DIAGRAM REF: 221111	031200 968999	1
- 525	286A2465-004	WIRE BUNDLE ASSY		101200 968999	RF
- 525	286A2465-005	WIRE BUNDLE ASSY		031100	RF
530	BACC63CB22-55S6	.PLUG-CONDUCTIVE	ELECTRICAL EQUIP NUMBER: D01815 WIRING DIAGRAM REF: 221111	031200 968999	1

MISSING ITEM NUMBERS NOT APPLICABLE

- ITEM NOT ILLUSTRATED

HAP

22-11-34-02

BOEING PROPRIETARY - Copyright © - Unpublished Work - See title page for details.

22-11-34
FIG. 02
PAGE 4
OCT 15/08


BOEING
 737-600/700/800/900
PARTS CATALOG (MAINTENANCE)

FIG ITEM	PART NUMBER	1 2 3 4 5 6 7 NOMENCLATURE	EFFECT FROM TO	UNITS PER ASSY
2 535	S3819-22-65	.BACKSHELL- SUPPLIER CODE: V07418 SPECIFICATION NUMBER: BACC10KD22 OPTIONAL PART: 620AS028NF22L V06324 ELECTRICAL EQUIP NUMBER: D01815T WIRING DIAGRAM REF: 221111	031200 968999	1

MISSING ITEM NUMBERS NOT APPLICABLE

— ITEM NOT ILLUSTRATED

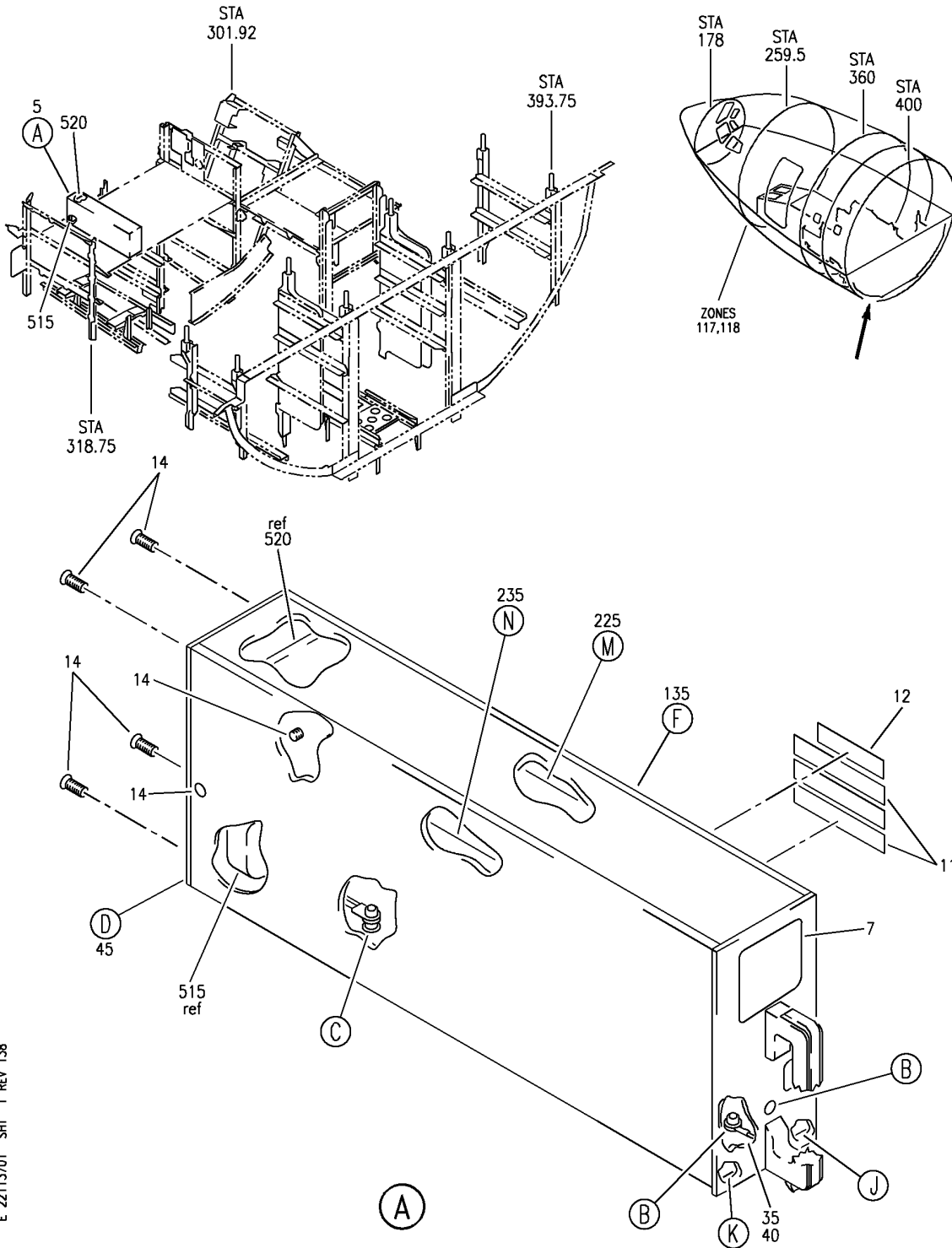
HAP

22-11-34-02

BOEING PROPRIETARY - Copyright © - Unpublished Work - See title page for details.

22-11-34
 FIG. 02
 PAGE 5
 OCT 15/08

BOEING
737-600/700/800/900
PARTS CATALOG (MAINTENANCE)



E 22113701 SHT 1 REV 138

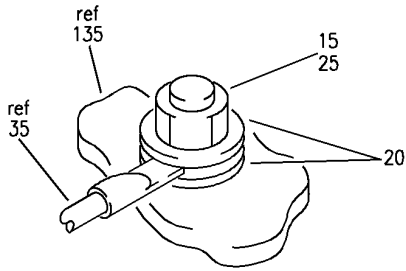
EQUIPMENT INSTL-E/E BAY E1 RACK (INTEGRATED FLIGHT INSTRUMENT ACCESSORY UNIT ONLY)
FIGURE 1 (SHEET 1)

HAP
FEB 15/08

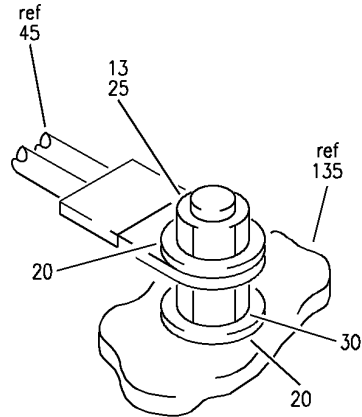
22-11-37-01

22-11-37-01
PAGE 0

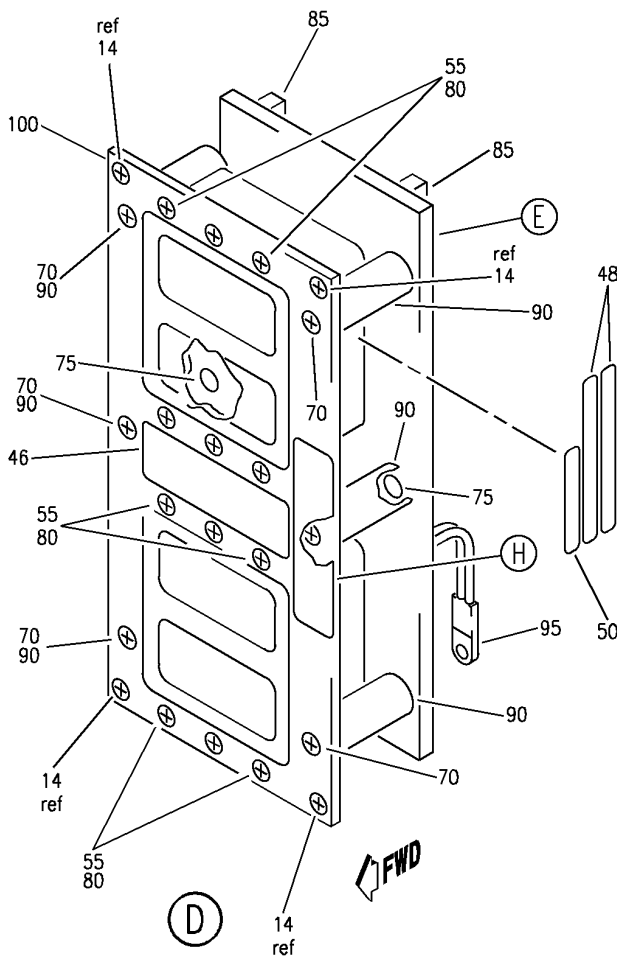
BOEING
737-600/700/800/900
PARTS CATALOG (MAINTENANCE)



(B)



(C)



(D)

9
CAUTION
ELECTROSTATIC SENSITIVE DEVICE CONDUCTIVE CONNECTOR DUST COVER REQUIRED

(H)

E 22113701 SHT 2 REV 138

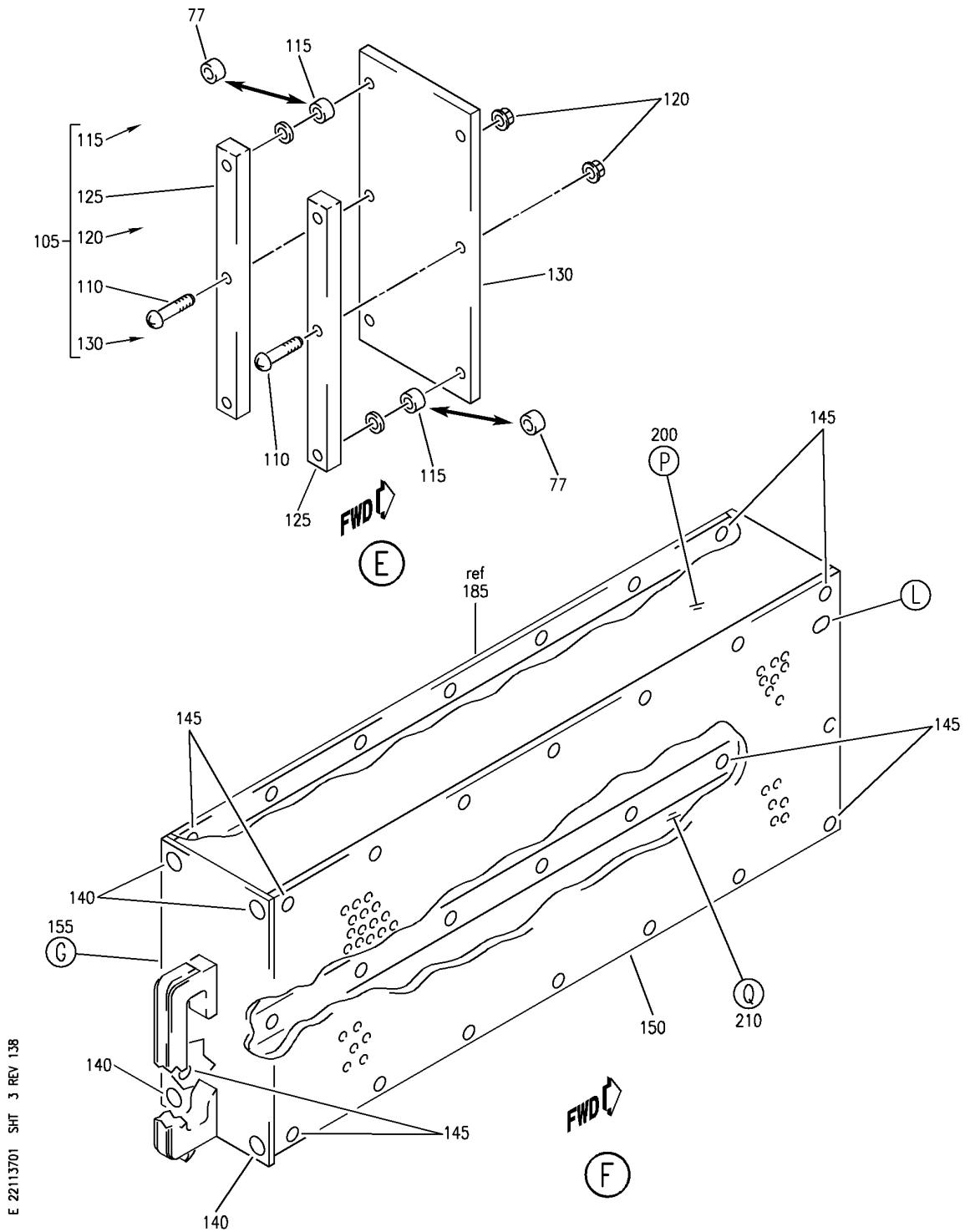
EQUIPMENT INSTL-E/E BAY E1 RACK (INTEGRATED FLIGHT INSTRUMENT ACCESSORY UNIT ONLY)
FIGURE 1 (SHEET 2)

HAP
FEB 15/08

22-11-37-01

22-11-37-01
PAGE 0A


BOEING
 737-600/700/800/900
PARTS CATALOG (MAINTENANCE)

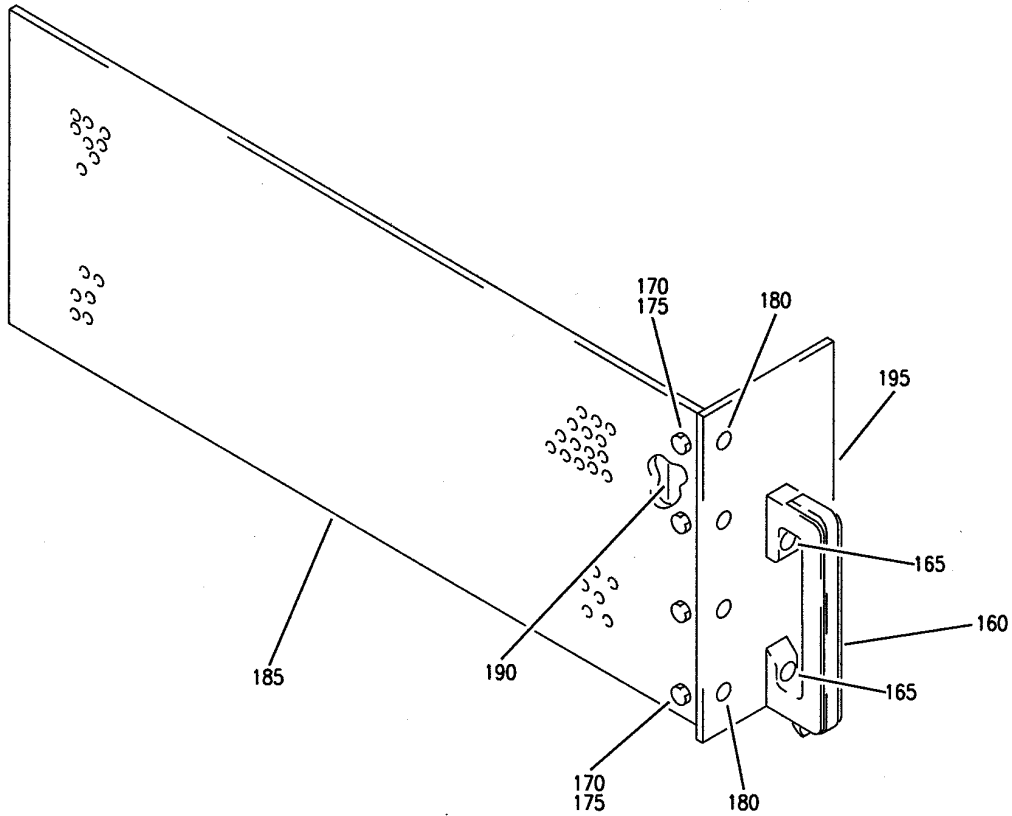


EQUIPMENT INSTL-E/E BAY E1 RACK (INTEGRATED FLIGHT INSTRUMENT ACCESSORY UNIT ONLY)
 FIGURE 1 (SHEET 3)

HAP
FEB 15/08

22-11-37-01

22-11-37-01
 PAGE 0B



(G)

8
 A3

8
 A2

8
 A1

(L)

(K)

(J)

E 22113701 SHT 4 REV 036

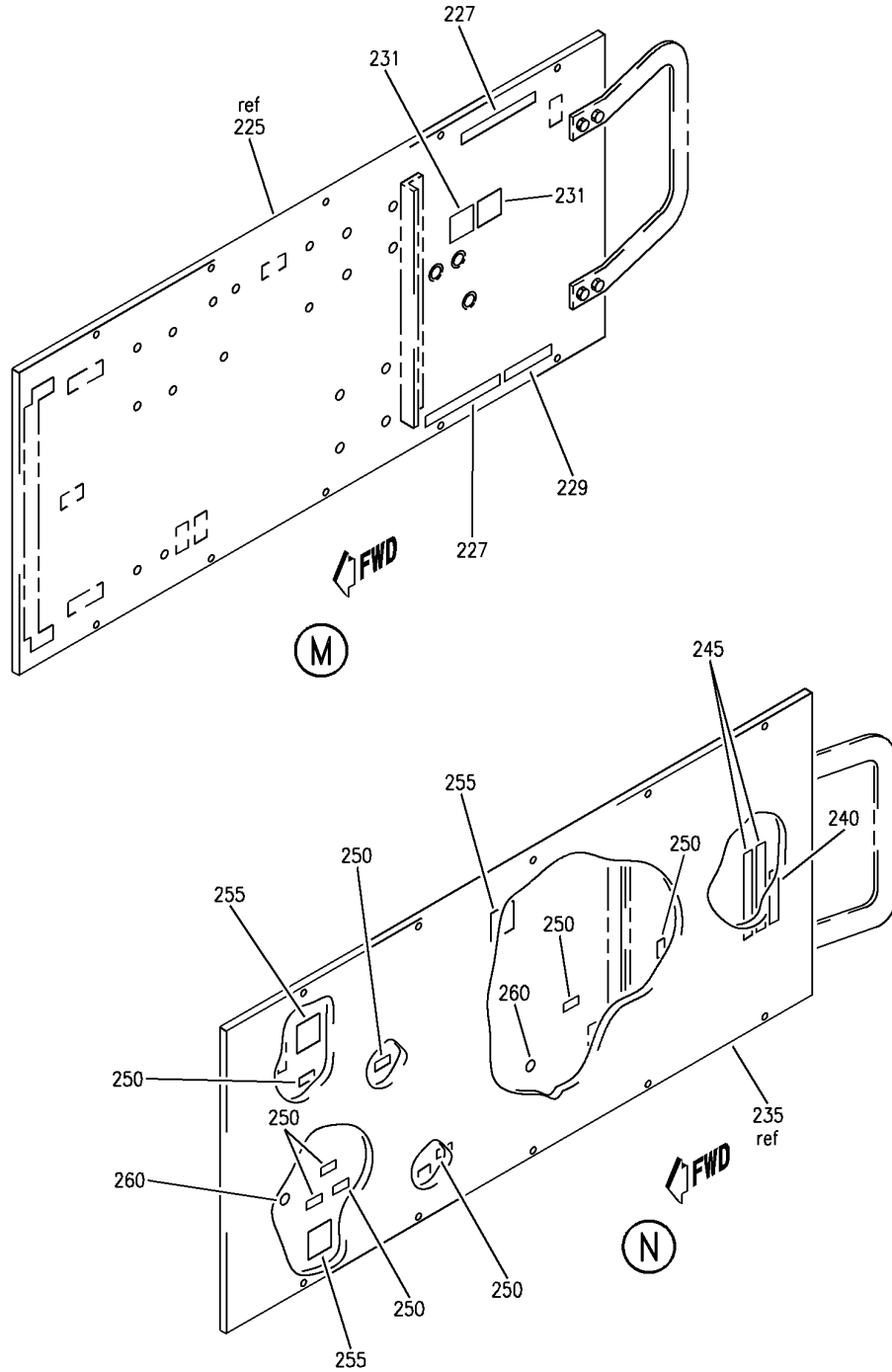
EQUIPMENT INSTL-E/E BAY E1 RACK (INTEGRATED FLIGHT INSTRUMENT ACCESSORY UNIT ONLY)
 FIGURE 1 (SHEET 4)

HAP
 OCT 10/06

22-11-37-01

22-11-37-01
 PAGE 0C

BOEING
 737-600/700/800/900
 PARTS CATALOG (MAINTENANCE)



E 22113701 SHT 5 REV 138

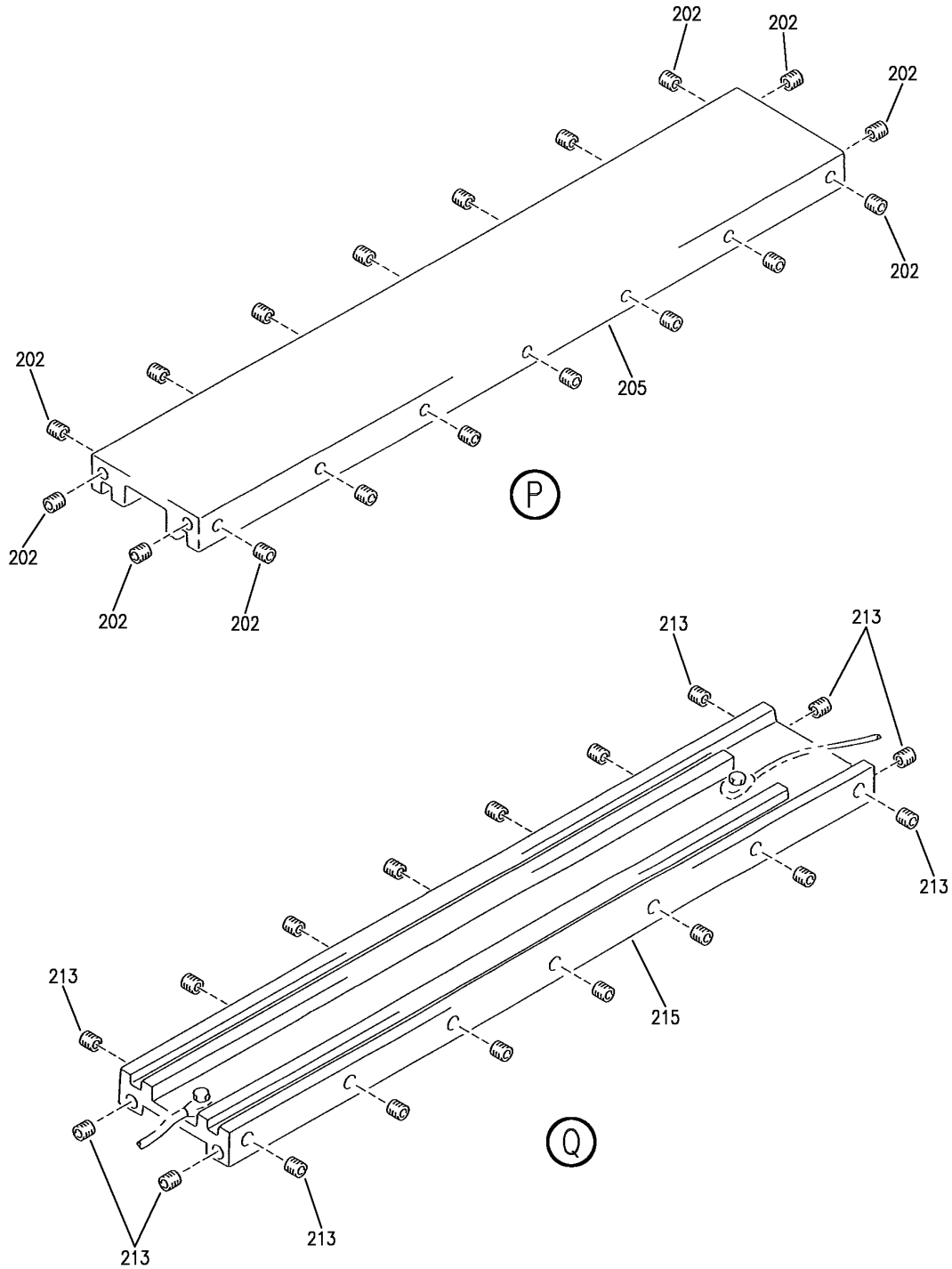
EQUIPMENT INSTL-E/E BAY E1 RACK (INTEGRATED FLIGHT INSTRUMENT ACCESSORY UNIT ONLY)
 FIGURE 1 (SHEET 5)

HAP
 FEB 15/08

22-11-37-01

22-11-37-01
 PAGE 0D

BOEING
737-600/700/800/900
PARTS CATALOG (MAINTENANCE)



E 22113701 SHT 6 REV 138

EQUIPMENT INSTL-E/E BAY E1 RACK (INTEGRATED FLIGHT INSTRUMENT ACCESSORY UNIT ONLY)
FIGURE 1 (SHEET 6)

HAP
FEB 15/08

22-11-37-01

22-11-37-01
PAGE 0E

BOEING
737-600/700/800/900
PARTS CATALOG (MAINTENANCE)

FIG ITEM	PART NUMBER	1 2 3 4 5 6 7	NOMENCLATURE	EFFECT FROM TO	UNITS PER ASSY
1			EQUIPMENT INSTL-E/E BAY E1 RACK (INTEGRATED FLIGHT INSTRUMENT ACCESSORY UNIT ONLY)	001047 054106 201999	
- 1	284A0410-5		EQUIPMENT INSTL-E/E BAY E1 RACK (INTEGRATED FLIGHT INSTRUMENT ACCESSORY UNIT ONLY) FOR NHA/OTHER SYS DET SEE: 25-50-00-08	008011 201967	RF
- 1	284A0410-7		EQUIPMENT INSTL-E/E BAY E1 RACK (INTEGRATED FLIGHT INSTRUMENT ACCESSORY UNIT ONLY) FOR NHA/OTHER SYS DET SEE: 25-50-00-08	001007	RF
- 3	MODREF268707		EQUIPMENT INSTL-E/E BAY E1 RACK (INTEGRATED FLIGHT INSTRUMENT ACCESSORY UNIT ONLY) MODULE NUMBER: 284A0411-20 REV A FOR OTHER SYS DETAILS SEE: 26-18-01-11 32-42-21-01	031047 054106 968999	1
- 3	284A0411-4		EQUIPMENT INSTL-E/E BAY E1 RACK (INTEGRATED FLIGHT INSTRUMENT ACCESSORY UNIT ONLY) FOR NHA/OTHER SYS DET SEE: 25-50-00-08	028030	RF
- 3	284A0411-5		EQUIPMENT INSTL-E/E BAY E1 RACK (INTEGRATED FLIGHT INSTRUMENT ACCESSORY UNIT ONLY) FOR NHA/OTHER SYS DET SEE: 25-50-00-08	020022	RF
- 4	284A0411-1		EQUIPMENT INSTL-E/E BAY E1 RACK (INTEGRATED FLIGHT INSTRUMENT ACCESSORY UNIT ONLY) FOR NHA/OTHER SYS DET SEE: 25-50-00-08	012014	RF
- 4	284A0411-3		EQUIPMENT INSTL-E/E BAY E1 RACK (INTEGRATED FLIGHT INSTRUMENT ACCESSORY UNIT ONLY) FOR NHA/OTHER SYS DET SEE: 25-50-00-08	015019	RF

MISSING ITEM NUMBERS NOT APPLICABLE

- ITEM NOT ILLUSTRATED

HAP

22-11-37-01

BOEING PROPRIETARY - Copyright © - Unpublished Work - See title page for details.

22-11-37
FIG. 01
PAGE 1
FEB 15/09

BOEING
737-600/700/800/900
PARTS CATALOG (MAINTENANCE)

FIG ITEM	PART NUMBER	1 2 3 4 5 6 7	NOMENCLATURE	EFFECT FROM TO	UNITS PER ASSY
1					
- 4	284A0411-6		EQUIPMENT INSTL-E/E BAY E1 RACK (INTEGRATED FLIGHT INSTRUMENT ACCESSORY UNIT ONLY) FOR NHA/OTHER SYS DET SEE: 25-50-00-08	023027	RF
5	65-52820-2		.MODULE ASSY-IFSAU SUPPLIER CODE: V89954 ELECTRICAL EQUIP NUMBER: M01474 COMPONENT MAINT MANUAL REF: 22-10-40 MAINTENANCE MANUAL REF: 22-11-37 FUNCTIONAL REFERENCE: PLACARDS AND MARKINGS FOR DETAILS SEE 11-30-00-05	001047 054106 201999	1
7	BAC27DEX5878		..MARKER-ALUMINUM FOIL SUPPLIER CODE: V89954	001047 054106 201999	1
8	BAC27TEX3349		..DECALSET- (INCLUDES DECALS IDENTIFIED ON THE ILLUSTRATION)	001047 054106 201999	1
11	S906-10207-2		..LABEL-	001047 054106 201999	3
12	S906-10207-4		..LABEL-	001047 054106 201999	1
13	NAS514P632-10B		..SCREW- OPTIONAL PART: BACS12GX06H10	001047 054106 201999	1
13	BACS12GX06H10		..SCREW- OPTIONAL PART: NAS514P632-10B	001047 054106 201999	1
14	NAS514P440-4B		..SCREW- OPTIONAL PART: BACS12GX04H4	001047 054106 201999	6
14	BACS12GX04H4		..SCREW- OPTIONAL PART: NAS514P440-4B	001047 054106 201999	6
15	NAS514P632-8B		..SCREW- OPTIONAL PART: BACS12GX06H8	001047 054106 201999	2

MISSING ITEM NUMBERS NOT APPLICABLE

- ITEM NOT ILLUSTRATED

HAP

22-11-37-01

22-11-37
FIG. 01
PAGE 2
FEB 15/09

BOEING
737-600/700/800/900
PARTS CATALOG (MAINTENANCE)

FIG ITEM	PART NUMBER	1 2 3 4 5 6 7	NOMENCLATURE	EFFECT FROM TO	UNITS PER ASSY
1					
15	BACS12GX06H8	..	SCREW- OPTIONAL PART: NAS514P632-8B	001047 054106 201999	2
20	AN960D6L	..	WASHER- OPTIONAL PART: NAS1149DN616J	001047 054106 201999	6
20	NAS1149DN616J	..	WASHER- OPTIONAL PART: AN960D6L	001047 054106 201999	6
25	MS21042-06	..	NUT- OPTIONAL PART: BACN10JCO6CD BACN11AG06 MS21042L06	001047 054106 201999	3
25	BACN11AG06	..	NUT- OPTIONAL PART: MS21042-06	001047 054106 201999	3
25	BRH10C06D	..	NUT- SUPPLIER CODE: V52828 SPECIFICATION NUMBER: BACN10JCO6CD OPTIONAL PART: T6C632JCD V11815 NS202486-62 V80539 102LH9075-62W V72962 H51650-06BAC V15653 MS21042-06	001047 054106 201999	3
25	MS21042L06	..	NUT- OPTIONAL PART: MS21042-06	001047 054106 201999	3
30	MS35649-265T	..	NUT-	001047 054106 201999	1
35	940CW10-6	..	JUMPER- SUPPLIER CODE: V91812 SPECIFICATION NUMBER: BACJ40AB10-6 OPTIONAL PART: 100210-6 V1FF12 RBEJ40AB10-6 V1GK47	001047 054106 201999	1

MISSING ITEM NUMBERS NOT APPLICABLE

— ITEM NOT ILLUSTRATED

HAP

22-11-37-01

BOEING PROPRIETARY - Copyright © - Unpublished Work - See title page for details.

22-11-37
FIG. 01
PAGE 3
FEB 15/09

BOEING
737-600/700/800/900
PARTS CATALOG (MAINTENANCE)

FIG ITEM	PART NUMBER	1 2 3 4 5 6 7	NOMENCLATURE	EFFECT FROM TO	UNITS PER ASSY
1					
40	BACT63C01	..	TUBING- OPTIONAL PART: BACT63C02	001047 054106 201999	AR
40	BACT63C02	..	TUBING- OPTIONAL PART: BACT63C01	001047 054106 201999	AR
45	69-73646-4	..	BACKPLANE ASSY- SUPPLIER CODE: V89954 OPTIONAL PART: 69-73646-8 V89954 69-73646-6 V89954 FUNCTIONAL REFERENCE: PLACARDS AND MARKINGS FOR DETAILS SEE 11-36-01-87	001047 054106 201999	1
45	69-73646-6	..	BACKPLANE ASSY- SUPPLIER CODE: V89954 OPTIONAL PART: 69-73646-8 V89954 69-73646-4 V89954 FUNCTIONAL REFERENCE: PLACARDS AND MARKINGS FOR DETAILS SEE 11-36-01-87	001047 054106 201999	1
45	69-73646-8	..	BACKPLANE ASSY- SUPPLIER CODE: V89954 OPTIONAL PART: 69-73646-4 V89954 69-73646-6 V89954 FUNCTIONAL REFERENCE: PLACARDS AND MARKINGS FOR DETAILS SEE 11-36-01-87	001047 054106 201999	1
46	BAC27TEX4218	...	MARKER- SUPPLIER CODE: V89954	001047 054106 201999	1
48	S906-10207-2	...	LABEL- USED ON: 69-73646-8	001047 054106 201999	2

MISSING ITEM NUMBERS NOT APPLICABLE

— ITEM NOT ILLUSTRATED

HAP

22-11-37-01

BOEING PROPRIETARY - Copyright © - Unpublished Work - See title page for details.

22-11-37
FIG. 01
PAGE 4
FEB 15/09

BOEING
737-600/700/800/900
PARTS CATALOG (MAINTENANCE)

FIG ITEM	PART NUMBER	1 2 3 4 5 6 7	NOMENCLATURE	EFFECT FROM TO	UNITS PER ASSY
1					
50	S906-10207-4	...	LABEL- USED ON: 69-73646-8	001047 054106 201999	1
55	NAS514P440-6B	...	SCREW- USED ON: 69-73646-4	001047 054106 201999	12
55	BACS12GX04H6	...	SCREW- OPTIONAL PART: NAS514P440-6B USED ON: 69-73646-8	001047 054106 201999	12
55	NAS514P440-6B	...	SCREW- OPTIONAL PART: BACS12GX04H6 USED ON: 69-73646-8	001047 054106 201999	12
70	NAS514P632-5B	...	SCREW- OPTIONAL PART: BACS12GX06H5	001047 054106 201999	6
70	BACS12GX06H5	...	SCREW- OPTIONAL PART: NAS514P632-5B	001047 054106 201999	6
75	MS51957-141	...	SCREW-	001047 054106 201999	2
77	NAS42DD3-4N	...	SPACER- USED ON: 69-73646-8	001047 054106 201999	6
80	MS21042L04	...	NUT-	001047 054106 201999	12
85	906-10069-1	...	CONNECTOR- SUPPLIER CODE: V89954	001047 054106 201999	2
90	906-30006-32	...	STANDOFF- SUPPLIER CODE: V89954 USED ON: 69-73646-4 69-73646-6	001047 054106 201999	6

MISSING ITEM NUMBERS NOT APPLICABLE

— ITEM NOT ILLUSTRATED

HAP

22-11-37-01

BOEING PROPRIETARY - Copyright © - Unpublished Work - See title page for details.

22-11-37
FIG. 01
PAGE 5
FEB 15/09

BOEING
737-600/700/800/900
PARTS CATALOG (MAINTENANCE)

FIG ITEM	PART NUMBER	1 2 3 4 5 6 7	NOMENCLATURE	EFFECT FROM TO	UNITS PER ASSY
1 95	BB837-06		... TERMINAL- SUPPLIER CODE: V98410 SPECIFICATION NUMBER: BACT12AC7 OPTIONAL PART: R1901SN V14726 36158 V00779 51864 V00779	001047 054106 201999	1
100	906-30006-4		... PLATE ASSY-REAR SUPPLIER CODE: V89954	001047 054106 201999	1
105	69-73646-5		... PRINTED CIRCUIT ASSY- SUPPLIER CODE: V89954 USED ON: 69-73646-4	001047 054106 201999	1
110	MS51957-7	 SCREW- USED ON: 69-73646-5	001047 054106 201999	2
115	NAS42DD3-4N	 SPACER- OPTIONAL PART: NAS42DD3-4 USED ON: 69-73646-5	001047 054106 201999	6
115	NAS42DD3-4	 SPACER- OPTIONAL PART: NAS42DD3-4N USED ON: 69-73646-5	001047 054106 201999	6
120	MS35649-224	 NUT- USED ON: 69-73646-5	001047 054106 201999	2
125	900-70018-10018	 CONNECTOR- SUPPLIER CODE: V89954 OPTIONAL PART: BCREF16123 USED ON: 69-73646-5	001047 054106 201999	2

MISSING ITEM NUMBERS NOT APPLICABLE

- ITEM NOT ILLUSTRATED

HAP

22-11-37-01

BOEING PROPRIETARY - Copyright © - Unpublished Work - See title page for details.

22-11-37
FIG. 01
PAGE 6
FEB 15/09

BOEING
737-600/700/800/900
PARTS CATALOG (MAINTENANCE)

FIG ITEM	PART NUMBER	1 2 3 4 5 6 7	NOMENCLATURE	EFFECT FROM TO	UNITS PER ASSY
1 125	BCREF16123	CONNECTOR- OVERLENGTH PART NUMBER: S906-71564-20276 OPTIONAL PART: 900-70018-10018 V89954 USED ON: 69-73646-5 69-73646-7	001047 054106 201999	2
130	906-30007-7	BOARD- SUPPLIER CODE: V89954 USED ON: 69-73646-5	001047 054106 201999	1
135	65C34766-1	..	ENCLOSURE ASSY- SUPPLIER CODE: V89954	001047 054106 201999	1
140	NAS1801-04-5	...	SCREW-	001047 054106 201999	4
145	NAS514P440-4B	...	SCREW-	001047 054106 201999	28
150	906-30006-10	...	PANEL- SUPPLIER CODE: V89954 POSITION DATA: RH SIDE	001047 054106 201999	1
155	906-30006-30	...	PANEL ASSY-FRONT SUPPLIER CODE: V89954	001047 054106 201999	1
160	40L2-2A	HANDLE- SUPPLIER CODE: V71286	001047 054106 201999	1
165	NAS514P1032-5	SCREW-	001047 054106 201999	2
170	NAS1801-04-5	SCREW-	001047 054106 201999	4
175	92-1660-40	NUT- SUPPLIER CODE: V72962 SPECIFICATION NUMBER: BACN10DN40 OPTIONAL PART: 92-1660-440 V15653	001047 054106 201999	4

MISSING ITEM NUMBERS NOT APPLICABLE

— ITEM NOT ILLUSTRATED

HAP

22-11-37-01

22-11-37
FIG. 01
PAGE 7
FEB 15/09

BOEING
737-600/700/800/900
PARTS CATALOG (MAINTENANCE)

FIG ITEM	PART NUMBER	1 2 3 4 5 6 7	NOMENCLATURE	EFFECT FROM TO	UNITS PER ASSY
1					
180	BACR15BA2D	RIVET- SIZE DETERMINED ON INSTL.	001047 054106 201999	4
185	906-30006-11	PANEL- SUPPLIER CODE: V89954 POSITION DATA: LH SIDE	001047 054106 201999	1
190	906-30006-13	HINGE- SUPPLIER CODE: V89954	001047 054106 201999	1
195	906-30006-31	PANEL-FRONT SUPPLIER CODE: V89954	001047 054106 201999	1
200	906-30006-6	...	GUIDE ASSY-TOP CARD SUPPLIER CODE: V89954	001047 054106 201999	1
202	MS212A9C0415	INSERT-	001047 054106 201999	18
205	906-30006-7	GUIDE- SUPPLIER CODE: V89954	001047 054106 201999	1
210	906-30006-27	...	GUIDE ASSY-BOTTOM CARD SUPPLIER CODE: V89954	001047 054106 201999	1
213	MS212A9C0415	INSERT-	001047 054106 201999	18
215	906-30006-9	GUIDE- SUPPLIER CODE: V89954	001047 054106 201999	1
225	69-73645-5	..	PRINTED CIRCUIT ASSY- SUPPLIER CODE: V89954 OPTIONAL PART: 69-73645-6 V89954 69-73645-7 V89954	001047 054106 201999	1
225	69-73645-6	..	PRINTED CIRCUIT ASSY- SUPPLIER CODE: V89954 OPTIONAL PART: 69-73645-5 V89954 69-73645-7 V89954	001047 054106 201999	1

MISSING ITEM NUMBERS NOT APPLICABLE

— ITEM NOT ILLUSTRATED

HAP

22-11-37-01

22-11-37
FIG. 01
PAGE 8
FEB 15/09

BOEING
737-600/700/800/900
PARTS CATALOG (MAINTENANCE)

FIG ITEM	PART NUMBER	1 2 3 4 5 6 7	NOMENCLATURE	EFFECT FROM TO	UNITS PER ASSY
1					
225	69-73645-7		..PRINTED CIRCUIT ASSY- SUPPLIER CODE: V89954 OPTIONAL PART: 69-73645-5 V89954 69-73645-6 V89954	001047 054106 201999	1
227	S906-10207-2		...LABEL- USED ON: 69-73645-7	001047 054106 201999	2
229	S906-10207-4		...LABEL- USED ON: 69-73645-7	001047 054106 201999	1
231	3SBH1351A2		...RELAY- SUPPLIER CODE: V00779 OPTIONAL PART: M39016-14-002M	001047 054106 201999	2
231	M39016-14-002M		...RELAY- OPTIONAL PART: 3SBH1351A2 V01526	001047 054106 201999	2
235	69-73644-6		..PRINTED CIRCUIT ASSY- FLIGHT SUPPLIER CODE: V89954 OPTIONAL PART: 69-73644-7 V89954	001047 054106 201999	1
235	69-73644-7		..PRINTED CIRCUIT ASSY- FLIGHT SUPPLIER CODE: V89954 OPTIONAL PART: 69-73644-6 V89954	001047 054106 201999	1
240	S906-10207-4		...LABEL- USED ON: 69-73644-7	001047 054106 201999	1
245	S906-10207-2		...LABEL- USED ON: 69-73644-7	001047 054106 201999	2

MISSING ITEM NUMBERS NOT APPLICABLE

— ITEM NOT ILLUSTRATED

HAP

22-11-37-01

BOEING PROPRIETARY - Copyright © - Unpublished Work - See title page for details.

22-11-37
FIG. 01
PAGE 9
FEB 15/09

BOEING
737-600/700/800/900
PARTS CATALOG (MAINTENANCE)

FIG ITEM	PART NUMBER	1 2 3 4 5 6 7	NOMENCLATURE	EFFECT FROM TO	UNITS PER ASSY
1 250	OMA134H	...	RELAY- SUPPLIER CODE: V60185 OPTIONAL PART: OMA134 V60185 OMA134L V60185 OMA134LH V60185	001047 054106 201999	8
250	OMA134	...	RELAY- SUPPLIER CODE: V60185 OPTIONAL PART: OMA134H V60185 OMA134L V60185 OMA134LH V60185	001047 054106 201999	8
250	OMA134L	...	RELAY- SUPPLIER CODE: V60185 OPTIONAL PART: OMA134 V60185 OMA134H V60185 OMA134LH V60185	001047 054106 201999	8
250	OMA134LH	...	RELAY- SUPPLIER CODE: V60185 OPTIONAL PART: OMA134 V60185 OMA134H V60185 OMA134L V60185	001047 054106 201999	8
255	3SBH1351A2	...	RELAY- SUPPLIER CODE: V00779 OPTIONAL PART: M39016-14-002M	001047 054106 201999	3
255	M39016-14-002M	...	RELAY- OPTIONAL PART: 3SBH1351A2 V01526	001047 054106 201999	3

MISSING ITEM NUMBERS NOT APPLICABLE

— ITEM NOT ILLUSTRATED

HAP

22-11-37-01

BOEING PROPRIETARY - Copyright © - Unpublished Work - See title page for details.

22-11-37
FIG. 01
PAGE 10
FEB 15/09

BOEING
737-600/700/800/900
PARTS CATALOG (MAINTENANCE)

FIG ITEM	PART NUMBER	1 2 3 4 5 6 7	NOMENCLATURE	EFFECT FROM TO	UNITS PER ASSY
1 260	JANTX2N2907A		...TRANSISTOR- SUPPLIER CODE: V04713 OPTIONAL PART: 89120-00025 VS5006	001047 054106 201999	2
- 500	286A0111-004		WIRE BUNDLE ASSY-E1-1 SHELF	046047	RF
- 500	286A0111-019		WIRE BUNDLE ASSY-E1-1 SHELF	001001	RF
- 501	286A0111-025		WIRE BUNDLE ASSY-E1-1 SHELF	002004	RF
- 501	286A0111-045		WIRE BUNDLE ASSY-E1-1 SHELF	005005	RF
- 502	286A0111-051		WIRE BUNDLE ASSY-E1-1 SHELF	006007	RF
- 502	286A0111-054		WIRE BUNDLE ASSY-E1-1 SHELF	201967	RF
- 504	286A0111-084		WIRE BUNDLE ASSY-E1-1 SHELF	008011	RF
- 505	286A0111-099		WIRE BUNDLE ASSY-E1-1 SHELF	104106 972999	RF
- 508	286A0111-157		WIRE BUNDLE ASSY-E1-1 SHELF	012030	RF
515	BCREFA3165		.PLATE ASSY-PLUG SUPPLIER CODE: V00779 OVERLENGTH PART NUMBER: BD2P124S124S8004 ELECTRICAL EQUIP NUMBER: D02209 WIRING DIAGRAM REF: 221111	001030 046047 104106 201967 972999	1
520	BCREF113870		.PLATE ASSY-PLUG SUPPLIER CODE: V00779 OVERLENGTH PART NUMBER: BD2P124S124S8805 ELECTRICAL EQUIP NUMBER: D00235 WIRING DIAGRAM REF: 342115	001030 046047 104106 201967 972999	1

MISSING ITEM NUMBERS NOT APPLICABLE

- ITEM NOT ILLUSTRATED

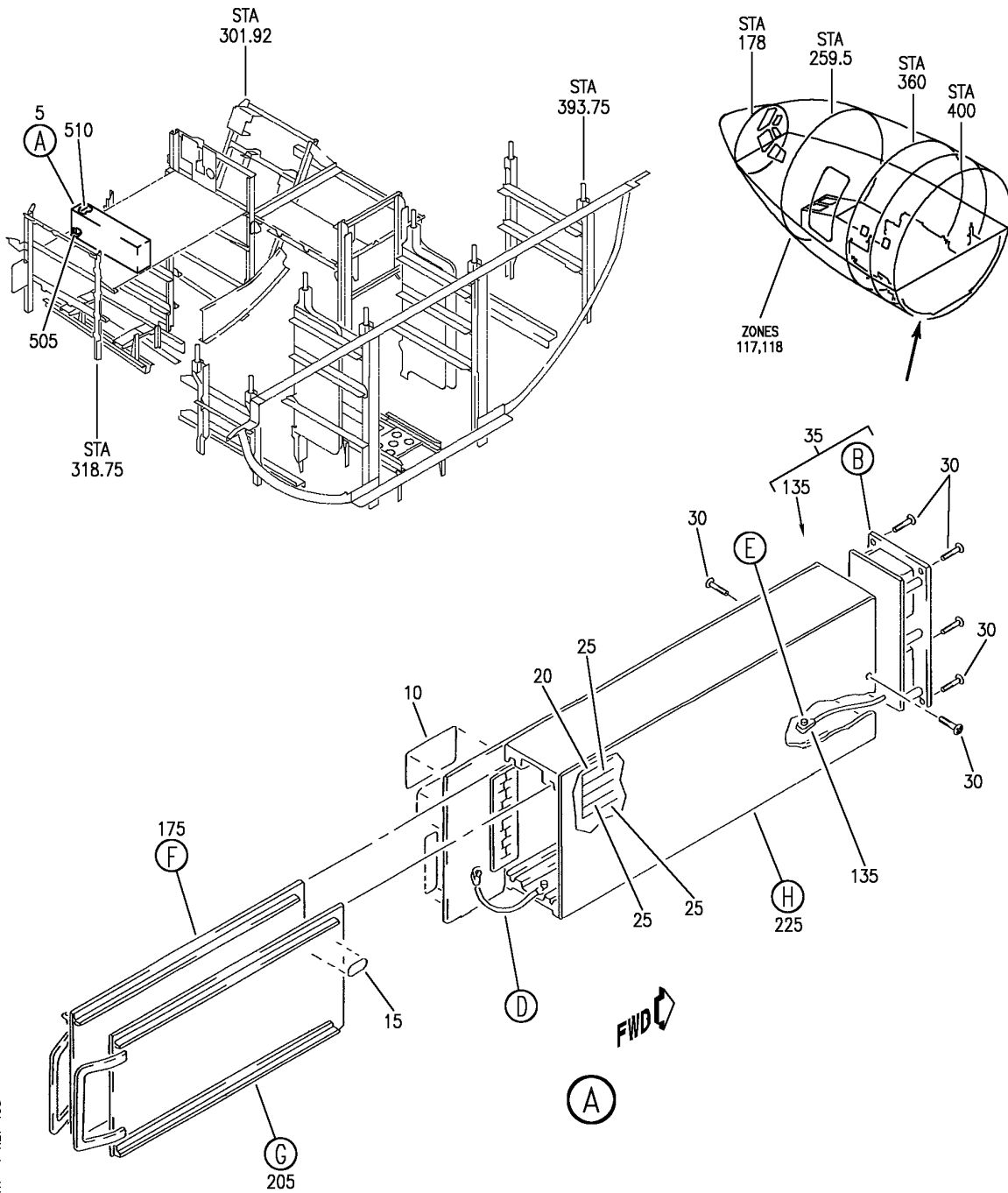
HAP

22-11-37-01

BOEING PROPRIETARY - Copyright © - Unpublished Work - See title page for details.

22-11-37
FIG. 01
PAGE 11
FEB 15/09

BOEING
 737-600/700/800/900
 PARTS CATALOG (MAINTENANCE)



E 22113702 SHT 1 REV 138

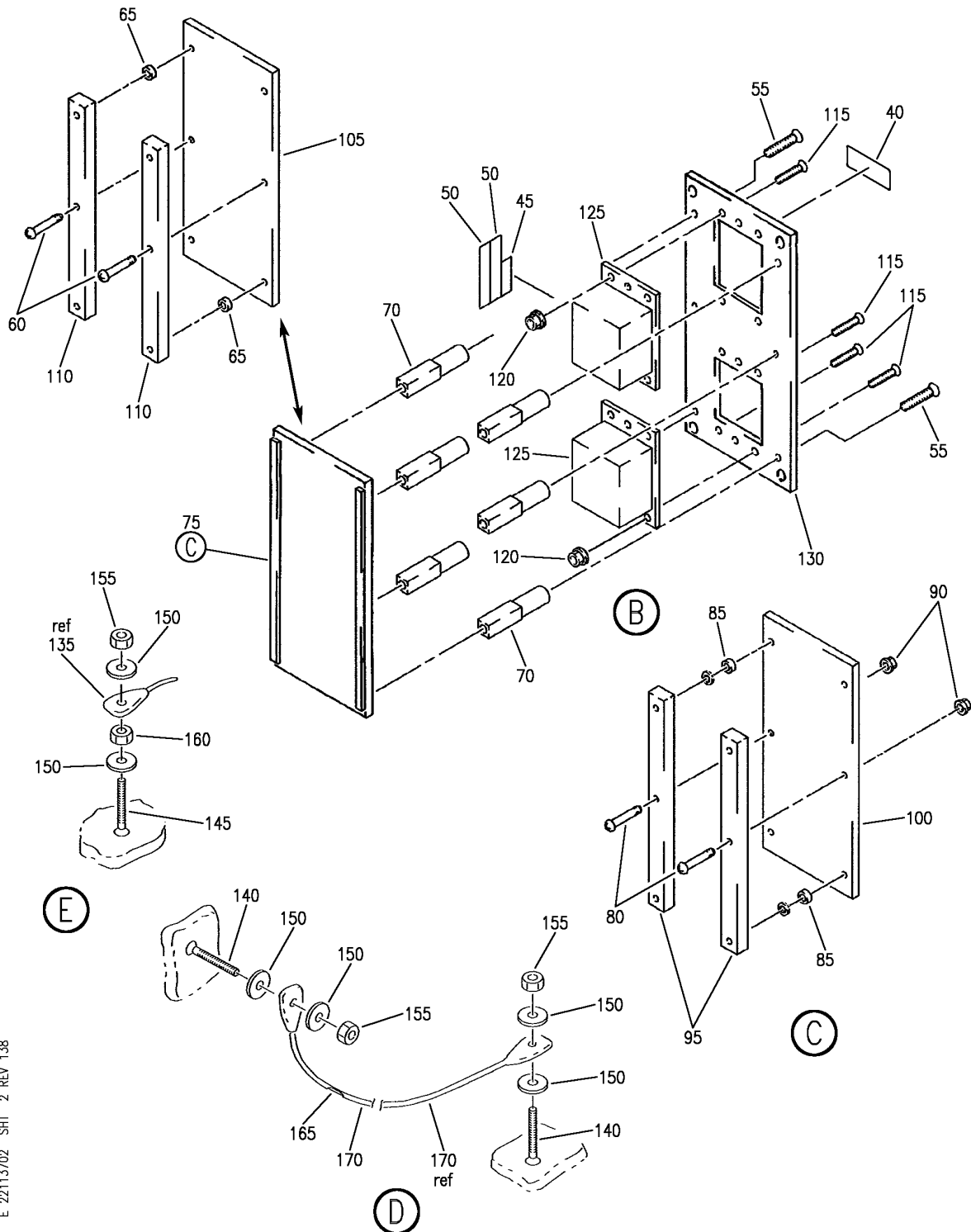
EQUIPMENT INSTL-E1-1 RACK E/E BAY (INTEGRATED FLIGHT INSTRUMENT ACCESSORY UNIT ONLY)
 FIGURE 2 (SHEET 1)

HAP
 JUN 15/08

22-11-37-02

22-11-37-02
 PAGE 0


BOEING
 737-600/700/800/900
PARTS CATALOG (MAINTENANCE)



E 22113702 SHT 2 REV 138

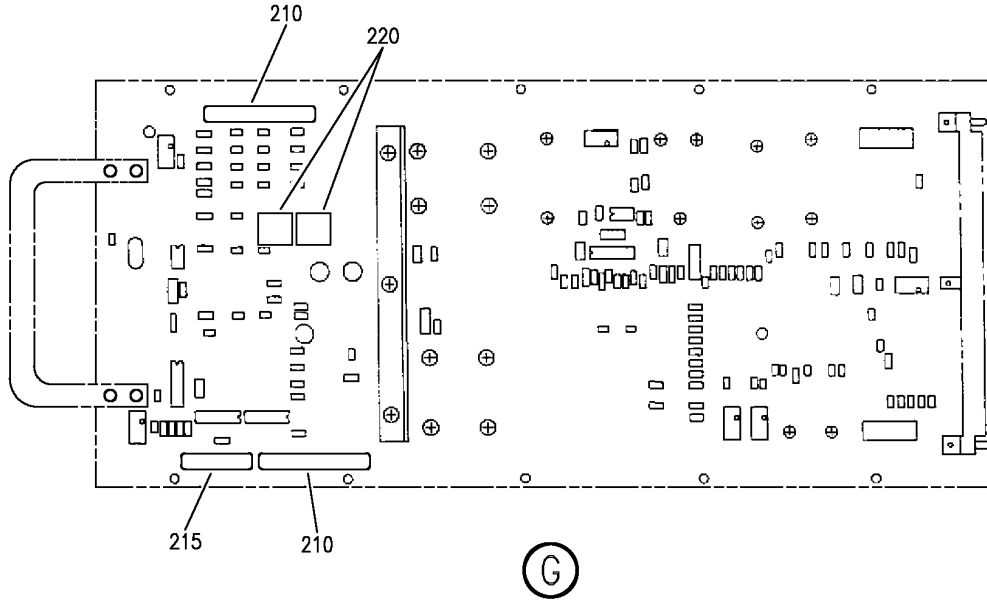
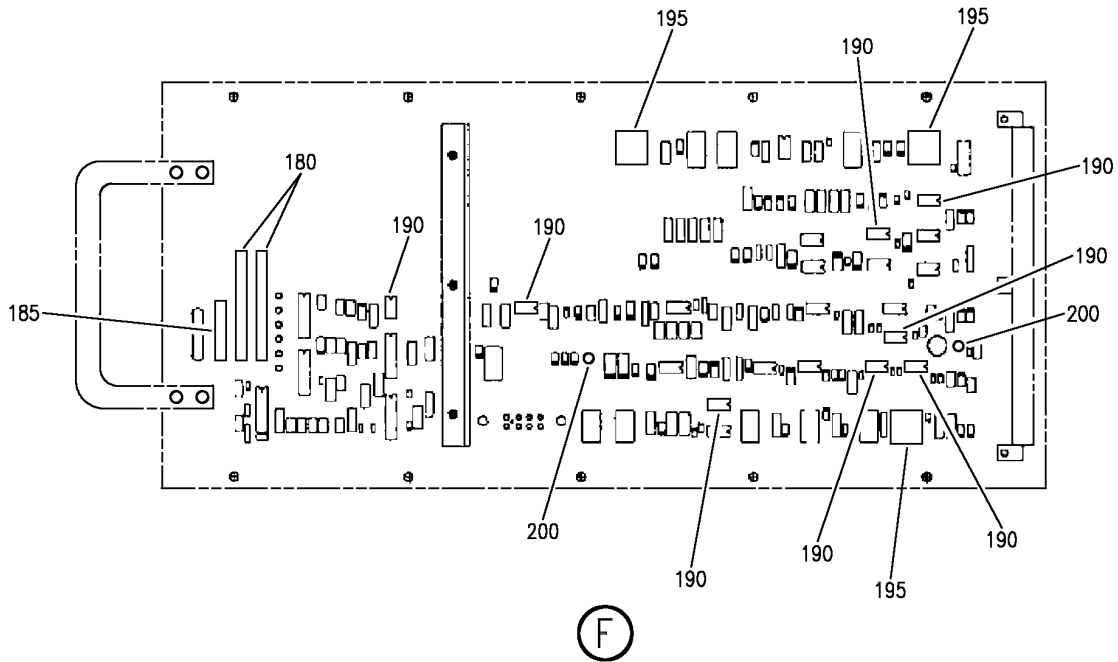
EQUIPMENT INSTL-E1-1 RACK E/E BAY (INTEGRATED FLIGHT INSTRUMENT ACCESSORY UNIT ONLY)
FIGURE 2 (SHEET 2)

HAP
JUN 15/08

22-11-37-02

22-11-37-02
PAGE 0A

BOEING
 737-600/700/800/900
 PARTS CATALOG (MAINTENANCE)



E 22113702 SHT 3 REV 138

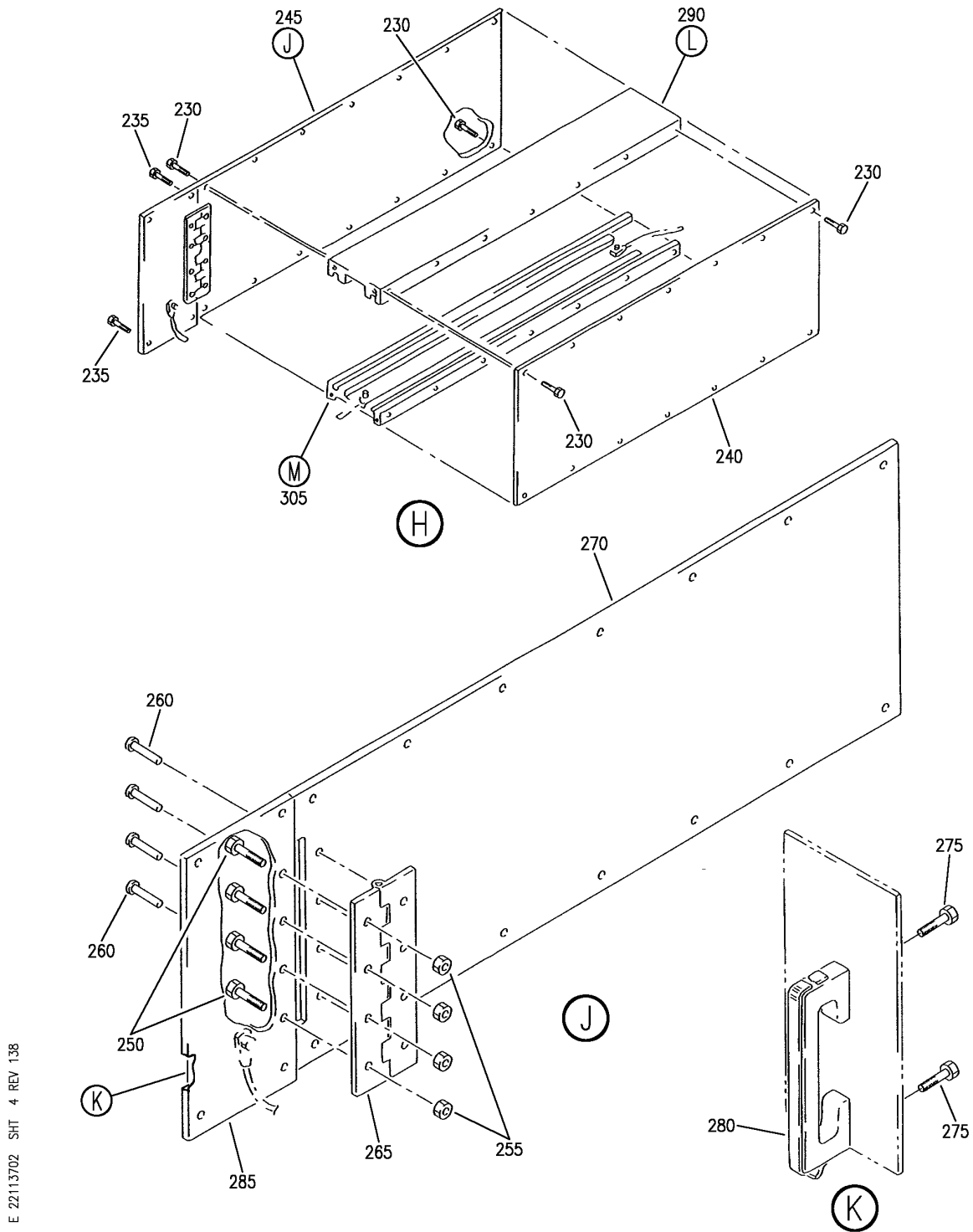
EQUIPMENT INSTL-E1-1 RACK E/E BAY (INTEGRATED FLIGHT INSTRUMENT ACCESSORY UNIT ONLY)
 FIGURE 2 (SHEET 3)

HAP
 JUN 15/08

22-11-37-02

22-11-37-02
 PAGE 0B


BOEING
 737-600/700/800/900
PARTS CATALOG (MAINTENANCE)



E 22113702 SHT 4 REV 138

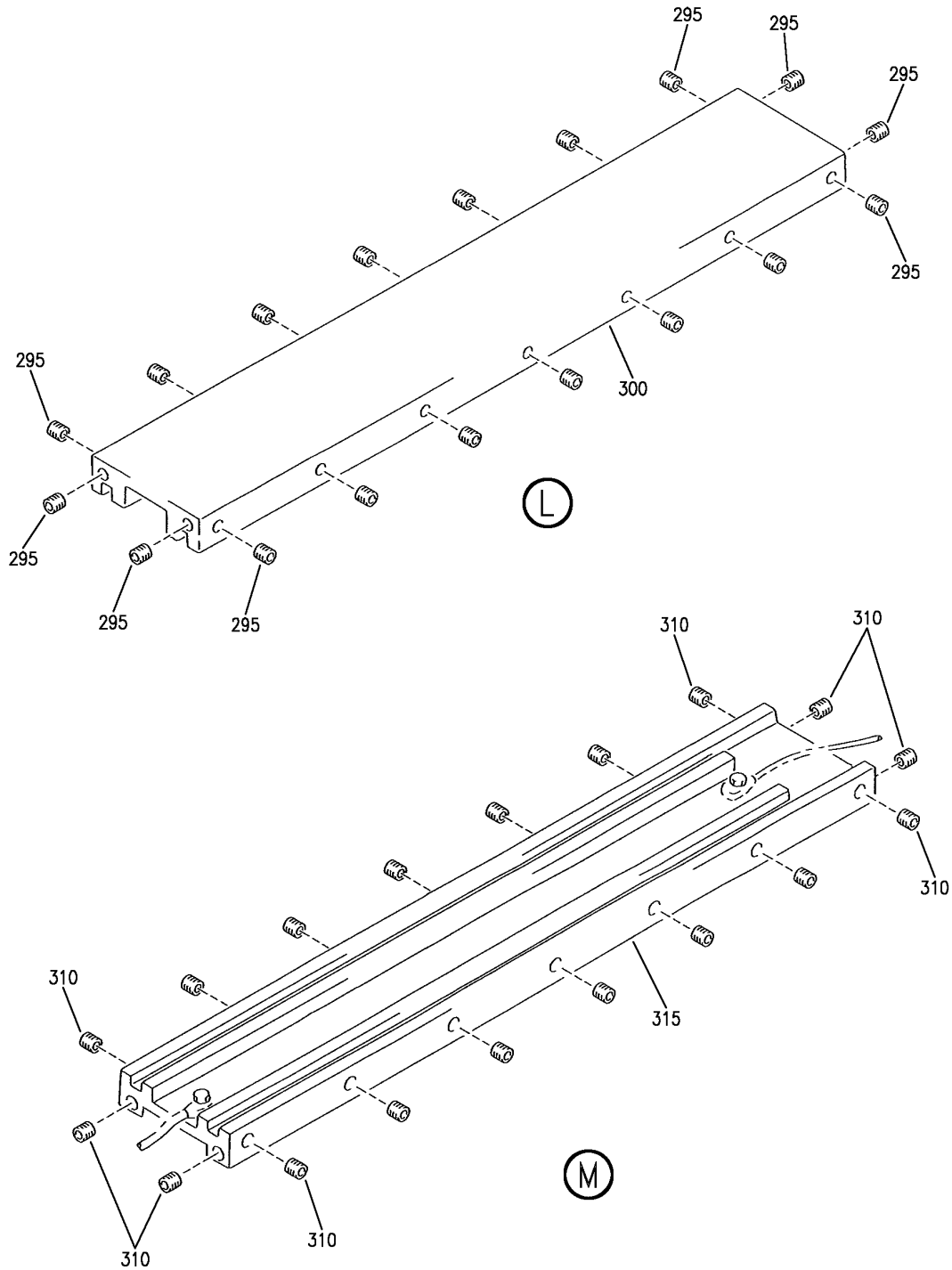
EQUIPMENT INSTL-E1-1 RACK E/E BAY (INTEGRATED FLIGHT INSTRUMENT ACCESSORY UNIT ONLY)
 FIGURE 2 (SHEET 4)

HAP
 JUN 15/08

22-11-37-02

22-11-37-02
 PAGE 0C

BOEING
737-600/700/800/900
PARTS CATALOG (MAINTENANCE)



E 22113702 SHT 5 REV 138

EQUIPMENT INSTL-E1-1 RACK E/E BAY (INTEGRATED FLIGHT INSTRUMENT ACCESSORY UNIT ONLY)
FIGURE 2 (SHEET 5)

HAP
JUN 15/08

22-11-37-02

22-11-37-02
PAGE 0D

BOEING
737-600/700/800/900
PARTS CATALOG (MAINTENANCE)

FIG ITEM	PART NUMBER	1 2 3 4 5 6 7	NOMENCLATURE	EFFECT FROM TO	UNITS PER ASSY
2			EQUIPMENT INSTL-E1-1 RACK E/E BAY (INTEGRATED FLIGHT INSTRUMENT ACCESSORY UNIT ONLY)	048053 107200	
- 1	MODREF360929		EQUIPMENT INSTL-E1-1 RACK E/E BAY (INTEGRATED FLIGHT INSTRUMENT ACCESSORY UNIT ONLY)	048053 107200	1
5	65-52820-2		MODULE NUMBER: 284A0411-221101 REV A MODULE ASSY-IFSAU SUPPLIER CODE: V89954 ELECTRICAL EQUIP NUMBER: M01474 COMPONENT MAINT MANUAL REF: 22-10-40 MAINTENANCE MANUAL REF: 22-11-37 FUNCTIONAL REFERENCE: PLACARDS AND MARKINGS FOR DETAILS SEE 11-30-00-05	048053 107200	1
10	BAC27DEX5878		MARKER-ALUMINUM FOIL SUPPLIER CODE: V89954	048053 107200	1
15	BAC27TEX3349		DECALSET- (INCLUDES DECALS IDENTIFIED ON THE ILLUSTRATION)	048053 107200	1
20	S906-10207-4		LABEL	048053 107200	1
25	S906-10207-2		LABEL	048053 107200	3
30	BACS12GX04H4		SCREW- OPTIONAL PART: NAS514P440-4B	048053 107200	6
30	NAS514P440-4B		SCREW- OPTIONAL PART: BACS12GX04H4	048053 107200	6

MISSING ITEM NUMBERS NOT APPLICABLE

- ITEM NOT ILLUSTRATED

HAP

22-11-37-02

22-11-37
FIG. 02
PAGE 1
FEB 15/09

 **BOEING**
737-600/700/800/900
PARTS CATALOG (MAINTENANCE)

FIG ITEM	PART NUMBER	1 2 3 4 5 6 7	NOMENCLATURE	EFFECT FROM TO	UNITS PER ASSY
2					
35	69-73646-4		..BACKPLANE ASSY- SUPPLIER CODE: V89954 OPTIONAL PART: 69-73646-8 V89954 69-73646-6 V89954 FUNCTIONAL REFERENCE: PLACARDS AND MARKINGS FOR DETAILS SEE 11-36-01-87	048053 107200	1
35	69-73646-8		..BACKPLANE ASSY- SUPPLIER CODE: V89954 OPTIONAL PART: 69-73646-4 V89954 69-73646-6 V89954 FUNCTIONAL REFERENCE: PLACARDS AND MARKINGS FOR DETAILS SEE 11-36-01-87	048053 107200	1
35	69-73646-6		..BACKPLANE ASSY- SUPPLIER CODE: V89954 OPTIONAL PART: 69-73646-4 V89954 69-73646-8 V89954 FUNCTIONAL REFERENCE: PLACARDS AND MARKINGS FOR DETAILS SEE 11-36-01-87	048053 107200	1
40	BAC27TEX4218		...MARKER- SUPPLIER CODE: V89954	048053 107200	1
45	S906-10207-4		...LABEL- USED ON: 69-73646-8	048053 107200	1
50	S906-10207-2		...LABEL- USED ON: 69-73646-8	048053 107200	2
55	BACS12GX06H5		...SCREW- OPTIONAL PART: NAS514P632-5B	048053 107200	6

MISSING ITEM NUMBERS NOT APPLICABLE

— ITEM NOT ILLUSTRATED

HAP

22-11-37-02

BOEING PROPRIETARY - Copyright © - Unpublished Work - See title page for details.

22-11-37
FIG. 02
PAGE 2
FEB 15/09

BOEING
737-600/700/800/900
PARTS CATALOG (MAINTENANCE)

FIG ITEM	PART NUMBER	1 2 3 4 5 6 7	NOMENCLATURE	EFFECT FROM TO	UNITS PER ASSY
2					
55	NAS514P632-5B	...	SCREW- OPTIONAL PART: BACS12GX06H5	048053 107200	6
60	MS51957-141	...	SCREW- USED ON: 69-73646-4 69-73646-8	048053 107200	2
65	NAS42DD3-4N	...	SPACER- USED ON: 69-73646-8	048053 107200	6
70	906-30006-32	...	STANDOFF- SUPPLIER CODE: V89954 USED ON: 69-73646-4 69-73646-8	048053 107200	6
75	69-73646-5	...	PRINTED CIRCUIT ASSY- SUPPLIER CODE: V89954 USED ON: 69-73646-4	048053 107200	1
80	MS51957-7	SCREW	048053 107200	2
85	NAS42DD3-4N	SPACER- OPTIONAL PART: NAS42DD3-4	048053 107200	6
85	NAS42DD3-4	SPACER- OPTIONAL PART: NAS42DD3-4N	048053 107200	6
90	MS35649-224	NUT	048053 107200	2
95	900-70018-10018	CONNECTOR- SUPPLIER CODE: V89954 OPTIONAL PART: BCREF16123	048053 107200	2
95	BCREF16123	CONNECTOR- OVERLENGTH PART NUMBER: S906-71564-20276 OPTIONAL PART: 900-70018-10018 V89954	048053 107200	2
100	906-30007-7	BOARD- SUPPLIER CODE: V89954	048053 107200	1

MISSING ITEM NUMBERS NOT APPLICABLE

— ITEM NOT ILLUSTRATED

HAP

22-11-37-02

22-11-37
FIG. 02
PAGE 3
FEB 15/09

BOEING PROPRIETARY - Copyright © - Unpublished Work - See title page for details.

BOEING
737-600/700/800/900
PARTS CATALOG (MAINTENANCE)

FIG ITEM	PART NUMBER	1 2 3 4 5 6 7	NOMENCLATURE	EFFECT FROM TO	UNITS PER ASSY
2 105	906-30007-15	...	BOARD- SUPPLIER CODE: V89954 USED ON: 69-73646-8	048053 107200	1
110	900-70018-10018	...	CONNECTOR- SUPPLIER CODE: V89954 OPTIONAL PART: BCREF16123 USED ON: 69-73646-8	048053 107200	2
110	BCREF16123	...	CONNECTOR- OVERLENGTH PART NUMBER: S906-71564-20276 OPTIONAL PART: 900-70018-10018 V89954 USED ON: 69-73646-8	048053 107200	2
115	NAS514P440-6B	...	SCREW- USED ON: 69-73646-4	048053 107200	12
115	BACS12GX04H6	...	SCREW- OPTIONAL PART: NAS514P440-6B USED ON: 69-73646-8	048053 107200	12
115	NAS514P440-6B	...	SCREW- OPTIONAL PART: BACS12GX04H6 USED ON: 69-73646-8	048053 107200	12
120	MS21042L04	...	NUT	048053 107200	12
125	906-10069-1	...	CONNECTOR- SUPPLIER CODE: V89954	048053 107200	2
130	906-30006-4	...	PLATE ASSY-REAR SUPPLIER CODE: V89954	048053 107200	1

MISSING ITEM NUMBERS NOT APPLICABLE

— ITEM NOT ILLUSTRATED

HAP

22-11-37-02

BOEING PROPRIETARY - Copyright © - Unpublished Work - See title page for details.

22-11-37
FIG. 02
PAGE 4
FEB 15/09

BOEING
737-600/700/800/900
PARTS CATALOG (MAINTENANCE)

FIG ITEM	PART NUMBER	1 2 3 4 5 6 7	NOMENCLATURE	EFFECT FROM TO	UNITS PER ASSY
2 135	BB837-06	...	TERMINAL SUPPLIER CODE: V98410 SPECIFICATION NUMBER: BACT12AC7 OPTIONAL PART: R1901SN V14726 36158 V00779 51864 V00779	048053 107200	1
140	BACS12GX06H8	..	SCREW- OPTIONAL PART: NAS514P632-8B	048053 107200	2
140	NAS514P632-8B	..	SCREW- OPTIONAL PART: BACS12GX06H8	048053 107200	2
145	BACS12GX06H10	..	SCREW- OPTIONAL PART: NAS514P632-10B	048053 107200	1
145	NAS514P632-10B	..	SCREW- OPTIONAL PART: BACS12GX06H10	048053 107200	1
150	AN960D6L	..	WASHER- OPTIONAL PART: NAS1149DN616J	048053 107200	6
150	NAS1149DN616J	..	WASHER- OPTIONAL PART: AN960D6L	048053 107200	6
155	BRH10C06D	..	NUT- SUPPLIER CODE: V52828 SPECIFICATION NUMBER: BACN10JC06CD OPTIONAL PART: T6C632JCD V11815 NS202486-62 V80539 102LH9075-62W V72962 H51650-06BAC V15653 BACN11AG06 MS21042L06 MS21042-06	048053 107200	3

MISSING ITEM NUMBERS NOT APPLICABLE

— ITEM NOT ILLUSTRATED

HAP

22-11-37-02

BOEING PROPRIETARY - Copyright © - Unpublished Work - See title page for details.

22-11-37
FIG. 02
PAGE 5
FEB 15/09

BOEING
737-600/700/800/900
PARTS CATALOG (MAINTENANCE)

FIG ITEM	PART NUMBER	1 2 3 4 5 6 7	NOMENCLATURE	EFFECT FROM TO	UNITS PER ASSY
2					
155	BACN11AG06	..NUT-	OPTIONAL PART: BACN10JCO6CD MS21042L06 MS21042-06	048053 107200	3
155	MS21042L06	..NUT-	OPTIONAL PART: BACN10JCO6CD BACN11AG06 MS21042-06	048053 107200	3
155	MS21042-06	..NUT-	OPTIONAL PART: BACN10JCO6CD BACN11AG06 MS21042L06	048053 107200	3
160	MS35649-265T	..NUT		048053 107200	1
165	940CW10-6	..JUMPER	SUPPLIER CODE: V91812 SPECIFICATION NUMBER: BACJ40AB10-6 OPTIONAL PART: 100210-6 V1FF12 RBEJ40AB10-6 V1GK47	048053 107200	1
170	BACT63C01	..TUBING-	OPTIONAL PART: BACT63C02	048053 107200	AR
170	BACT63C02	..TUBING-	OPTIONAL PART: BACT63C01	048053 107200	AR
175	69-73644-6	..PRINTED CIRCUIT ASSY-	FLIGHT SUPPLIER CODE: V89954 OPTIONAL PART: 69-73644-7 V89954	048053 107200	1
175	69-73644-7	..PRINTED CIRCUIT ASSY-	FLIGHT SUPPLIER CODE: V89954 OPTIONAL PART: 69-73644-6 V89954	048053 107200	1

MISSING ITEM NUMBERS NOT APPLICABLE

— ITEM NOT ILLUSTRATED

HAP

22-11-37-02

BOEING PROPRIETARY - Copyright © - Unpublished Work - See title page for details.

22-11-37
FIG. 02
PAGE 6
FEB 15/09

BOEING
737-600/700/800/900
PARTS CATALOG (MAINTENANCE)

FIG ITEM	PART NUMBER	1 2 3 4 5 6 7	NOMENCLATURE	EFFECT FROM TO	UNITS PER ASSY
2					
180	S906-10207-2	...	LABEL- USED ON: 69-73644-7	048053 107200	2
185	S906-10207-4	...	LABEL- USED ON: 69-73644-7	048053 107200	1
190	OMA134H	...	RELAY- SUPPLIER CODE: V60185 OPTIONAL PART: OMA134 V60185 OMA134L V60185 OMA134LH V60185	048053 107200	8
190	OMA134	...	RELAY- SUPPLIER CODE: V60185 OPTIONAL PART: OMA134H V60185 OMA134L V60185 OMA134LH V60185	048053 107200	8
190	OMA134L	...	RELAY- SUPPLIER CODE: V60185 OPTIONAL PART: OMA134 V60185 OMA134H V60185 OMA134LH V60185	048053 107200	8
190	OMA134LH	...	RELAY- SUPPLIER CODE: V60185 OPTIONAL PART: OMA134 V60185 OMA134H V60185 OMA134L V60185	048053 107200	8

MISSING ITEM NUMBERS NOT APPLICABLE

— ITEM NOT ILLUSTRATED

HAP

22-11-37-02

BOEING PROPRIETARY - Copyright © - Unpublished Work - See title page for details.

22-11-37
FIG. 02
PAGE 7
FEB 15/09

BOEING
737-600/700/800/900
PARTS CATALOG (MAINTENANCE)

FIG ITEM	PART NUMBER	1 2 3 4 5 6 7	NOMENCLATURE	EFFECT FROM TO	UNITS PER ASSY
2					
195	M39016-14-002M	...	RELAY- OPTIONAL PART: 3SBH1351A2 V00779	048053 107200	3
195	3SBH1351A2	...	RELAY- SUPPLIER CODE: V00779 OPTIONAL PART: M39016-14-002M	048053 107200	3
200	JANTX2N2907A	...	TRANSISTOR- SUPPLIER CODE: V04713 OPTIONAL PART: 89120-00025 VS5006	048053 107200	2
205	69-73645-5	..	PRINTED CIRCUIT ASSY- SUPPLIER CODE: V89954 OPTIONAL PART: 69-73645-6 V89954 69-73645-7 V89954	048053 107200	1
205	69-73645-6	..	PRINTED CIRCUIT ASSY- SUPPLIER CODE: V89954 OPTIONAL PART: 69-73645-5 V89954 69-73645-7 V89954	048053 107200	1
205	69-73645-7	..	PRINTED CIRCUIT ASSY- SUPPLIER CODE: V89954 OPTIONAL PART: 69-73645-5 V89954 69-73645-6 V89954	048053 107200	1
210	S906-10207-2	...	LABEL- USED ON: 69-73645-7	048053 107200	2
215	S906-10207-4	...	LABEL- USED ON: 69-73645-7	048053 107200	1
220	M39016-14-002M	...	RELAY- OPTIONAL PART: 3SBH1351A2 V01526	048053 107200	2

MISSING ITEM NUMBERS NOT APPLICABLE

— ITEM NOT ILLUSTRATED

HAP

22-11-37-02

BOEING PROPRIETARY - Copyright © - Unpublished Work - See title page for details.

22-11-37
FIG. 02
PAGE 8
FEB 15/09

 **BOEING**
737-600/700/800/900
PARTS CATALOG (MAINTENANCE)

FIG ITEM	PART NUMBER	1 2 3 4 5 6 7	NOMENCLATURE	EFFECT FROM TO	UNITS PER ASSY
2					
220	3SBH1351A2	...	RELAY- SUPPLIER CODE: V00779 OPTIONAL PART: M39016-14-002M	048053 107200	2
225	65C34766-1	..	ENCLOSURE ASSY- SUPPLIER CODE: V89954	048053 107200	1
230	NAS514P440-4B	...	SCREW	048053 107200	28
235	NAS1801-04-5	...	SCREW	048053 107200	4
240	906-30006-10	...	PANEL- SUPPLIER CODE: V89954 POSITION DATA: RH SIDE	048053 107200	1
245	906-30006-30	...	PANEL ASSY-FRONT SUPPLIER CODE: V89954	048053 107200	1
250	NAS1801-04-5	SCREW	048053 107200	4
255	92-1660-40	NUT SUPPLIER CODE: V72962 SPECIFICATION NUMBER: BACN10DN40 OPTIONAL PART: 92-1660-440 V15653	048053 107200	4
260	BACR15BA2D	RIVET- SIZE DETERMINED ON INSTL.	048053 107200	4
265	906-30006-13	HINGE- SUPPLIER CODE: V89954	048053 107200	1
270	906-30006-11	PANEL- SUPPLIER CODE: V89954 POSITION DATA: LH SIDE	048053 107200	1
275	NAS514P1032-5	SCREW	048053 107200	2
280	40L2-2A	HANDLE- SUPPLIER CODE: V71286	048053 107200	1
285	906-30006-31	PANEL- SUPPLIER CODE: V89954	048053 107200	1

MISSING ITEM NUMBERS NOT APPLICABLE

- ITEM NOT ILLUSTRATED

HAP

22-11-37-02

22-11-37
FIG. 02
PAGE 9
FEB 15/09

BOEING
737-600/700/800/900
PARTS CATALOG (MAINTENANCE)

FIG ITEM	PART NUMBER	1 2 3 4 5 6 7	NOMENCLATURE	EFFECT FROM TO	UNITS PER ASSY
2					
290	906-30006-6	...	GUIDE ASSY-TOP CARD SUPPLIER CODE: V89954	048053 107200	1
295	MS212A9C0415	INSERT	048053 107200	18
300	906-30006-7	GUIDE- SUPPLIER CODE: V89954	048053 107200	1
305	906-30006-27	...	GUIDE ASSY-BOTTOM CARD SUPPLIER CODE: V89954	048053 107200	1
310	MS212A9C0415	INSERT	048053 107200	18
315	906-30006-9	GUIDE- SUPPLIER CODE: V89954	048053 107200	1
- 500	286A0111-004		WIRE BUNDLE ASSY	048048	RF
505	BCREFA3165	.	PLATE ASSY-PLUG SUPPLIER CODE: V00779 OVERLENGTH PART NUMBER: BD2P124S124S8004 ELECTRICAL EQUIP NUMBER: D02209 WIRING DIAGRAM REF: 221111	048048	1
510	BCREF113870	.	PLATE ASSY-PLUG SUPPLIER CODE: V00779 OVERLENGTH PART NUMBER: BD2P124S124S8805 ELECTRICAL EQUIP NUMBER: D00235 WIRING DIAGRAM REF: 342115	048048	1

MISSING ITEM NUMBERS NOT APPLICABLE

- ITEM NOT ILLUSTRATED

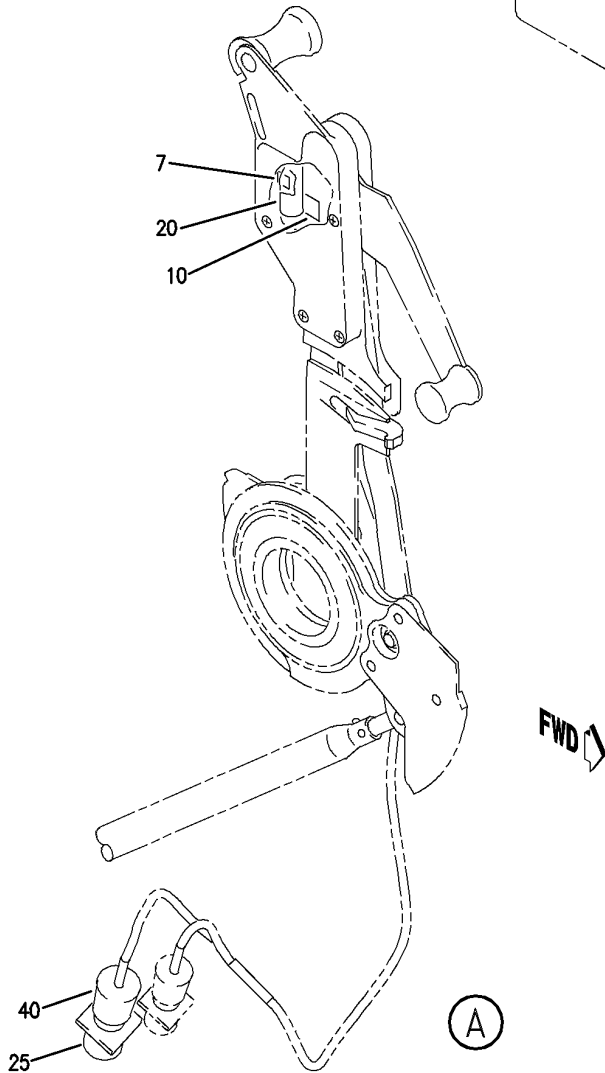
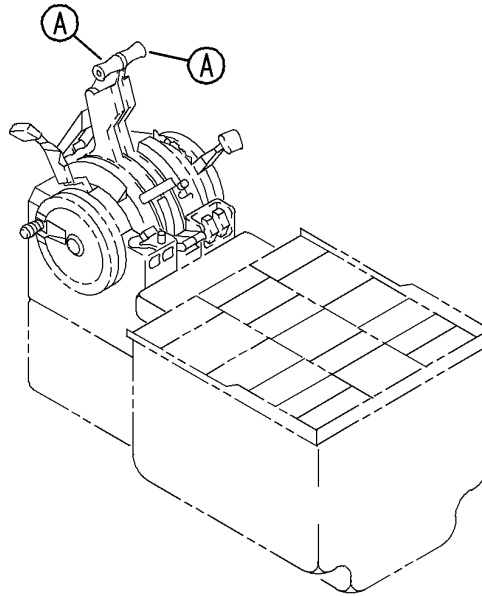
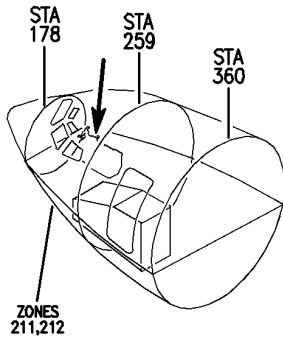
HAP

22-11-37-02

BOEING PROPRIETARY - Copyright © - Unpublished Work - See title page for details.

22-11-37
FIG. 02
PAGE 10
FEB 15/09

BOEING
 737-600/700/800/900
 PARTS CATALOG (MAINTENANCE)



E 22113901 REV 064

LEVER ASSY-CONT STAND THRUST (DIGITAL FLIGHT CONTROL SYSTEM ONLY)
 FIGURE 1

22-11-39-01

HAP
 OCT 10/06

22-11-39-01
 PAGE 0

BOEING
737-600/700/800/900
PARTS CATALOG (MAINTENANCE)

FIG ITEM	PART NUMBER	1 2 3 4 5 6 7	NOMENCLATURE	EFFECT FROM TO	UNITS PER ASSY
1			LEVER ASSY-CONT STAND THRUST (DIGITAL FLIGHT CONTROL SYSTEM ONLY)		
- 1	254A1240-1		LEVER ASSY-CONT STAND THRUST (DIGITAL FLIGHT CONTROL SYSTEM ONLY) POSITION DATA: LH COMPONENT MAINT MANUAL REF: 76-11-07 FOR NHA/OTHER SYS DET SEE: 76-11-01-01	001001	RF
- 1	254A1240-3		LEVER ASSY-CONT STAND THRUST (DIGITAL FLIGHT CONTROL SYSTEM ONLY) POSITION DATA: LH COMPONENT MAINT MANUAL REF: 76-11-07 OPTIONAL PART: 254A1240-9 FOR NHA/OTHER SYS DET SEE: 76-11-01-02		RF
- 1	254A1240-7		LEVER ASSY-CONT STAND THRUST (DIGITAL FLIGHT CONTROL SYSTEM ONLY) POSITION DATA: LH COMPONENT MAINT MANUAL REF: 76-11-07 OPTIONAL PART: 254A1240-9 FOR NHA/OTHER SYS DET SEE: 76-11-01-02		RF
- 1	254A1240-9		LEVER ASSY-CONT STAND THRUST (DIGITAL FLIGHT CONTROL SYSTEM ONLY) POSITION DATA: LH COMPONENT MAINT MANUAL REF: 76-11-07 OPTIONAL PART: 254A1240-3 254A1240-7 FOR NHA/OTHER SYS DET SEE: 76-11-01-02		RF

MISSING ITEM NUMBERS NOT APPLICABLE

- ITEM NOT ILLUSTRATED

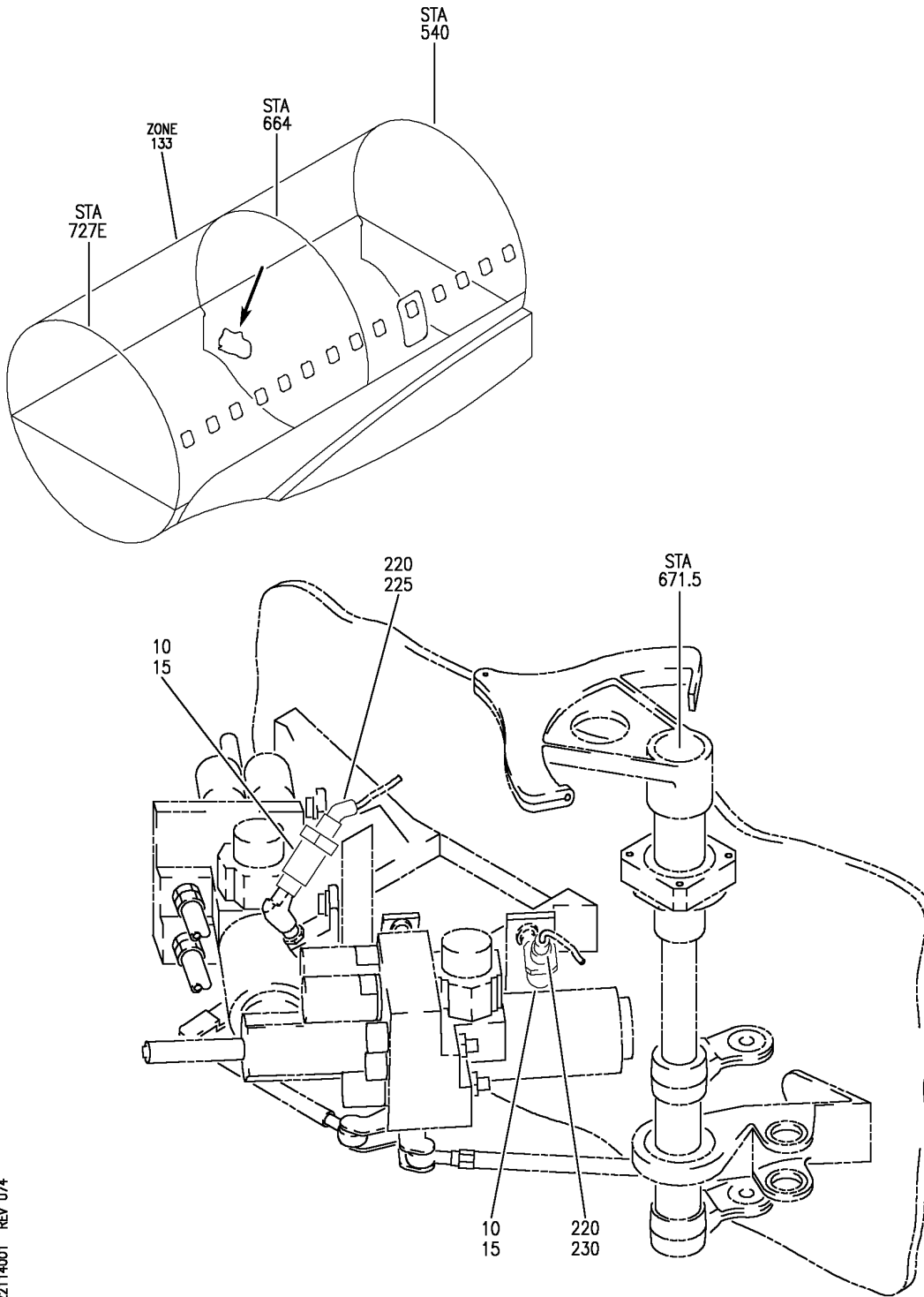
HAP

22-11-39-01

BOEING PROPRIETARY - Copyright © - Unpublished Work - See title page for details.

22-11-39
FIG. 01
PAGE 1
JUN 15/09

BOEING
 737-600/700/800/900
 PARTS CATALOG (MAINTENANCE)



E 22114001 REV 074

ACTUATOR ASSY-AIL. CONT AUTOPILOT (HYDRAULIC PRESSURE SWITCH ONLY)
 FIGURE 1

22-11-40-01

HAP
 OCT 10/06

22-11-40-01
 PAGE 0

BOEING
737-600/700/800/900
PARTS CATALOG (MAINTENANCE)

FIG ITEM	PART NUMBER	1 2 3 4 5 6 7	NOMENCLATURE	EFFECT FROM TO	UNITS PER ASSY
1			ACTUATOR ASSY-AIL. CONT AUTOPILOT (HYDRAULIC PRESSURE SWITCH ONLY)		
- 1	251A1671-1		ACTUATOR ASSY-AIL. CONT AUTOPILOT (HYDRAULIC PRESSURE SWITCH ONLY) FOR NHA/ADDITIONAL DET SEE: 22-11-25-01		RF
- 5	251A1671-2		ACTUATOR ASSY-AIL. CONT AUTOPILOT (HYDRAULIC PRESSURE SWITCH ONLY) FOR NHA/ADDITIONAL DET SEE: 22-11-25-01		RF
10	211C223-278		.SWITCH- SUPPLIER CODE: V02750 FUNCTIONAL DESCRIPTION: THIS SWITCH CLOSSES AN ELECTRICAL CIRCUIT WHEN HYDRAULIC PRESSURE IS SENSED. SPECIFICATION NUMBER: S271T452-17 ELECTRICAL EQUIP NUMBER: S00772 S00774 COMPONENT MAINT MANUAL REF: 29-09-02 OPTIONAL PART: 211C223-527 V02750	001045 054103 201971	1
10	211C223-527		.SWITCH- SUPPLIER CODE: V02750 FUNCTIONAL DESCRIPTION: THIS SWITCH CLOSSES AN ELECTRICAL CIRCUIT WHEN HYDRAULIC PRESSURE IS SENSED. SPECIFICATION NUMBER: S271T452-17 ELECTRICAL EQUIP NUMBER: S00772 S00774 COMPONENT MAINT MANUAL REF: 29-09-05 OPTIONAL PART: 211C223-278 V02750	001045 054103 201971	1

MISSING ITEM NUMBERS NOT APPLICABLE

- ITEM NOT ILLUSTRATED

HAP

22-11-40-01

BOEING PROPRIETARY - Copyright © - Unpublished Work - See title page for details.

22-11-40
FIG. 01
PAGE 1
FEB 15/09

BOEING
737-600/700/800/900
PARTS CATALOG (MAINTENANCE)

FIG ITEM	PART NUMBER	1 2 3 4 5 6 7	NOMENCLATURE	EFFECT FROM TO	UNITS PER ASSY
1					
15	NAS1612-4		.PACKING-		1
- 200	286A5375-002		WIRE BUNDLE ASSY	001007	RF
- 200	286A5375-011		WIRE BUNDLE ASSY	201967	RF
- 200	286A5375-022		WIRE BUNDLE ASSY	008028	RF
- 201	286A5375-053		WIRE BUNDLE ASSY	031035	RF
- 201	286A5375-059		WIRE BUNDLE ASSY	037043	RF
- 201	286A5375-067		WIRE BUNDLE ASSY	101101	RF
				968971	
- 201	286A5375-069		WIRE BUNDLE ASSY	036036	RF
- 201	286A5375-070		WIRE BUNDLE ASSY	044045	RF
				054100	
- 202	286A5375-071		WIRE BUNDLE ASSY	102103	RF
- 205	286A5375-044		WIRE BUNDLE ASSY	029030	RF
- 210	286A5367-002		WIRE BUNDLE ASSY	001007	RF
- 210	286A5367-022		WIRE BUNDLE ASSY	008028	RF
- 210	286A5367-026		WIRE BUNDLE ASSY	201967	RF
- 215	286A5367-038		WIRE BUNDLE ASSY	029030	RF
- 215	286A5367-046		WIRE BUNDLE ASSY	031036	RF
- 215	286A5367-050		WIRE BUNDLE ASSY	101101	RF
				968971	
- 215	286A5367-053		WIRE BUNDLE ASSY	037043	RF
- 216	286A5367-060		WIRE BUNDLE ASSY	102103	RF
- 216	286A5367-062		WIRE BUNDLE ASSY	044045	RF
				054100	
220	BACC63BP10C5SN		.PLUG-	001045	2
			ELECTRICAL EQUIP NUMBER:	054103	
			D01859	201971	
			D01863		
			WIRING DIAGRAM REF:		
			221112		
220	BACC63BP10H5SN		.PLUG-	001045	2
			ELECTRICAL EQUIP NUMBER:	054103	
			D01859	201971	
			D01863		
			WIRING DIAGRAM REF:		
			221112		
225	620AA028NF10L		.CLAMP-	001030	1
			SUPPLIER CODE:	201967	
			V06324		
			SPECIFICATION NUMBER:		
			BACC10KE10		
			OPTIONAL PART:		
			S3820-10-65		
			V07418		
			ELECTRICAL EQUIP NUMBER:		
			D01859T		
			WIRING DIAGRAM REF:		
			221131		

MISSING ITEM NUMBERS NOT APPLICABLE

- ITEM NOT ILLUSTRATED

HAP

22-11-40-01

22-11-40
FIG. 01
PAGE 2
FEB 15/09

BOEING
737-600/700/800/900
PARTS CATALOG (MAINTENANCE)

FIG ITEM	PART NUMBER	1 2 3 4 5 6 7	NOMENCLATURE	EFFECT FROM TO	UNITS PER ASSY
1					
225	M85049-51S10A		.BACKSHELL- ELECTRICAL EQUIP NUMBER: D01859T WIRING DIAGRAM REF: 221131	031045 054103 968971	1
230	S3819-10-65		.CLAMP- SUPPLIER CODE: V07418 SPECIFICATION NUMBER: BACC10KD10 OPTIONAL PART: 620AS028NF10L V06324 ELECTRICAL EQUIP NUMBER: D01863T WIRING DIAGRAM REF: 221112	001030 201967	1
230	M85049-52S10A		.BACKSHELL- ELECTRICAL EQUIP NUMBER: D01863T WIRING DIAGRAM REF: 221112	031045 054103 968971	1

MISSING ITEM NUMBERS NOT APPLICABLE

— ITEM NOT ILLUSTRATED

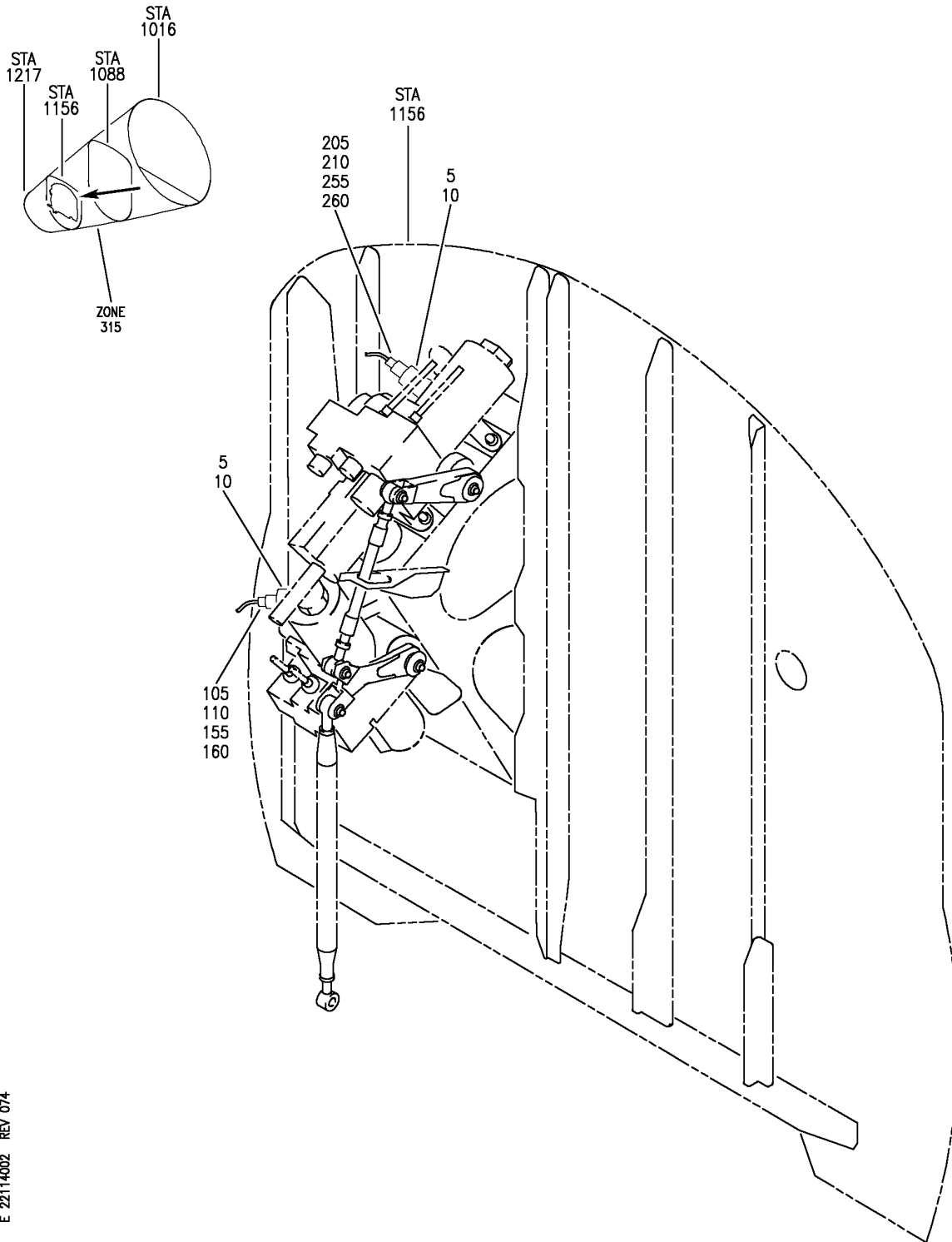
HAP

22-11-40-01

BOEING PROPRIETARY - Copyright © - Unpublished Work - See title page for details.

22-11-40
FIG. 01
PAGE 3
FEB 15/09

BOEING
 737-600/700/800/900
 PARTS CATALOG (MAINTENANCE)



E 22114002 REV 074

ACTUATOR ASSY-AUTOPILOT (HYDRAULIC PRESSURE SWITCH ONLY)
 FIGURE 2

22-11-40-02

HAP
 OCT 10/06

22-11-40-02
 PAGE 0

BOEING
737-600/700/800/900
PARTS CATALOG (MAINTENANCE)

FIG ITEM	PART NUMBER	1 2 3 4 5 6 7	NOMENCLATURE	EFFECT FROM TO	UNITS PER ASSY
2			ACTUATOR ASSY-AUTOPILOT (HYDRAULIC PRESSURE SWITCH ONLY)		
- 1	251A2099-1		ACTUATOR ASSY-AUTOPILOT (HYDRAULIC PRESSURE SWITCH ONLY) FOR NHA SEE: 22-11-26-01		RF
5	NAS1612-4		.PACKING-		2
10	211C223-278		.SWITCH-AUTOPILOT ACTR PRESSURE SUPPLIER CODE: V02750 FUNCTIONAL DESCRIPTION: THIS SWITCH CLOSSES AN ELECTRICAL CIRCUIT WHEN HYDRAULIC PRESSURE IS SENSED. SPECIFICATION NUMBER: S271T452-17 ELECTRICAL EQUIP NUMBER: S00771 S00773 COMPONENT MAINT MANUAL REF: 29-09-02 MAINTENANCE MANUAL REF: 22-11-40 OPTIONAL PART: 211C223-527 V02750		2

MISSING ITEM NUMBERS NOT APPLICABLE

- ITEM NOT ILLUSTRATED

HAP

22-11-40-02

BOEING PROPRIETARY - Copyright © - Unpublished Work - See title page for details.

22-11-40
FIG. 02
PAGE 1
OCT 10/06

BOEING
737-600/700/800/900
PARTS CATALOG (MAINTENANCE)

FIG ITEM	PART NUMBER	1 2 3 4 5 6 7	NOMENCLATURE	EFFECT FROM TO	UNITS PER ASSY
2					
10	211C223-527		.SWITCH-AUTOPILOT ACTR PRESSURE SUPPLIER CODE: V02750 FUNCTIONAL DESCRIPTION: THIS SWITCH CLOSSES AN ELECTRICAL CIRCUIT WHEN HYDRAULIC PRESSURE IS SENSED. SPECIFICATION NUMBER: S271T452-17 ELECTRICAL EQUIP NUMBER: S00771 S00773 COMPONENT MAINT MANUAL REF: 29-09-05 MAINTENANCE MANUAL REF: 22-11-40 OPTIONAL PART: 211C223-278 V02750		2
- 100	286A3377-038		WIRE BUNDLE ASSY	001007	RF
105	BACC63BP10C5SN		.PLUG- ELECTRICAL EQUIP NUMBER: D01861 WIRING DIAGRAM REF: 221112	001007	1
110	S3819-10-65		.CLAMP- SUPPLIER CODE: V07418 SPECIFICATION NUMBER: BACC10KD10 OPTIONAL PART: 620AS028NF10L V06324 ELECTRICAL EQUIP NUMBER: D01861T WIRING DIAGRAM REF: 221112	001007	1
- 150	286A3397-021		WIRE BUNDLE ASSY	008022 201967	RF
- 150	286A3397-024		WIRE BUNDLE ASSY	023030	RF
- 150	286A3397-041		WIRE BUNDLE ASSY	031043 101101 968971	RF
- 151	286A3397-049		WIRE BUNDLE ASSY	044048 054100 102106 972999	RF

MISSING ITEM NUMBERS NOT APPLICABLE

- ITEM NOT ILLUSTRATED

HAP

22-11-40-02

22-11-40
FIG. 02
PAGE 2
FEB 15/09

BOEING
737-600/700/800/900
PARTS CATALOG (MAINTENANCE)

FIG ITEM	PART NUMBER	1 2 3 4 5 6 7	NOMENCLATURE	EFFECT FROM TO	UNITS PER ASSY
2 155	BACC63BP10C5SN	.PLUG-	ELECTRICAL EQUIP NUMBER: D01861 WIRING DIAGRAM REF: 221112	008048 054106 201999	1
160	S3819-10-65	.CLAMP-	SUPPLIER CODE: V07418 SPECIFICATION NUMBER: BACC10KD10 OPTIONAL PART: 620AS028NF10L V06324 ELECTRICAL EQUIP NUMBER: D01861T WIRING DIAGRAM REF: 221112	008048 054106 201999	1
- 200	286A3379-038	WIRE BUNDLE ASSY		001007	RF
205	BACC63BP10C5SN	.PLUG-	ELECTRICAL EQUIP NUMBER: D01857 WIRING DIAGRAM REF: 221112	001007	1
210	S3819-10-65	.CLAMP-	SUPPLIER CODE: V07418 SPECIFICATION NUMBER: BACC10KD10 OPTIONAL PART: 620AS028NF10L V06324 ELECTRICAL EQUIP NUMBER: D01857T WIRING DIAGRAM REF: 221112	001007	1
- 250	286A3399-021	WIRE BUNDLE ASSY		008022 201967	RF
- 250	286A3399-024	WIRE BUNDLE ASSY		023030	RF
- 250	286A3399-036	WIRE BUNDLE ASSY		031043 101101 968971	RF
- 251	286A3399-047	WIRE BUNDLE ASSY		044048 054100 102106 972999	RF

MISSING ITEM NUMBERS NOT APPLICABLE

- ITEM NOT ILLUSTRATED

HAP

22-11-40-02

BOEING PROPRIETARY - Copyright © - Unpublished Work - See title page for details.

22-11-40
FIG. 02
PAGE 3
FEB 15/09

BOEING
737-600/700/800/900
PARTS CATALOG (MAINTENANCE)

FIG ITEM	PART NUMBER	1 2 3 4 5 6 7	NOMENCLATURE	EFFECT FROM TO	UNITS PER ASSY
2 255	BACC63BP10C5SN		.PLUG- ELECTRICAL EQUIP NUMBER: D01857 WIRING DIAGRAM REF: 221112	008048 054106 201999	1
260	S3819-10-65		.CLAMP- SUPPLIER CODE: V07418 SPECIFICATION NUMBER: BACC10KD10 OPTIONAL PART: 620AS028NF10L V06324 ELECTRICAL EQUIP NUMBER: D01857T WIRING DIAGRAM REF: 221112	008048 054106 201999	1

MISSING ITEM NUMBERS NOT APPLICABLE

— ITEM NOT ILLUSTRATED

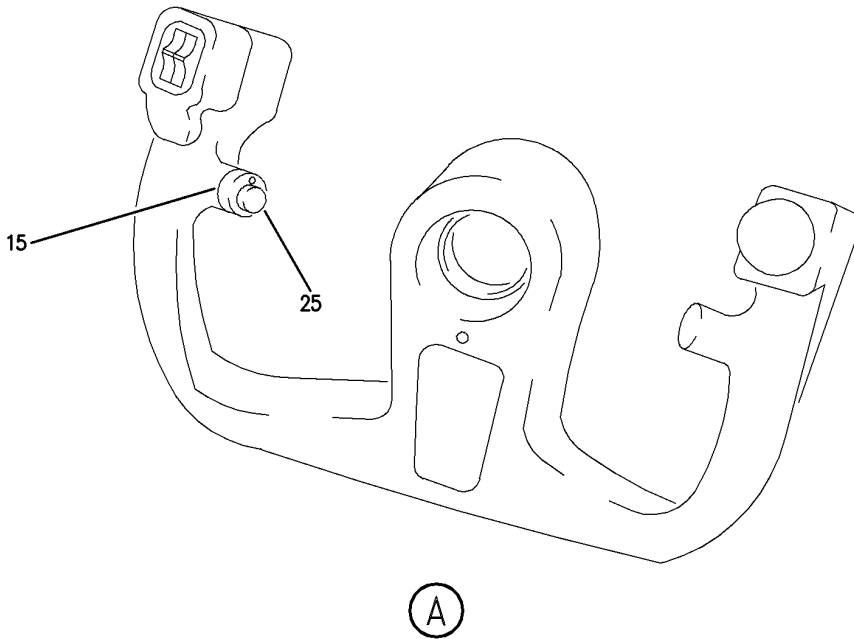
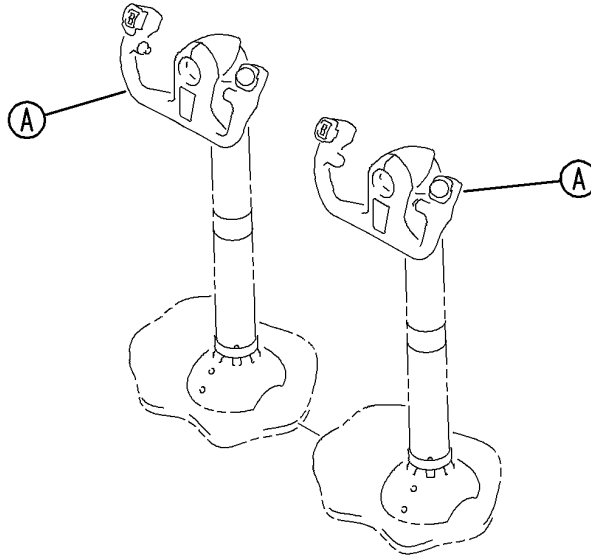
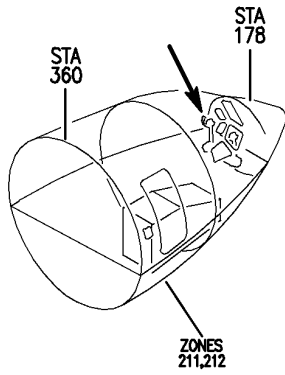
HAP

22-11-40-02

BOEING PROPRIETARY - Copyright © - Unpublished Work - See title page for details.

22-11-40
FIG. 02
PAGE 4
FEB 15/09

BOEING
737-600/700/800/900
PARTS CATALOG (MAINTENANCE)



E 22114101 REV 059

WHEEL ASSY-CONT COLUMN (AUTOFLIGHT ONLY)
FIGURE 1

22-11-41-01

HAP
OCT 10/06

22-11-41-01
PAGE 0

BOEING
737-600/700/800/900
PARTS CATALOG (MAINTENANCE)

FIG ITEM	PART NUMBER	1 2 3 4 5 6 7	NOMENCLATURE	EFFECT FROM TO	UNITS PER ASSY
1			WHEEL ASSY-CONT COLUMN (AUTOFLIGHT ONLY)		
- 5	65-45123-75		WHEEL ASSY-CONT COLUMN (AUTOFLIGHT ONLY) POSITION DATA: CAPT SIDE FOR NHA/OTHER SYS DET SEE: 27-11-41-02	001011	RF
- 5	65-45123-77		WHEEL ASSY-CONT COLUMN (AUTOFLIGHT ONLY) POSITION DATA: CAPT SIDE FOR NHA/OTHER SYS DET SEE: 27-11-41-02	012999	RF
- 5	65-45123-71		WHEEL ASSY-CONT COLUMN (AUTOFLIGHT ONLY) POSITION DATA: CAPT SIDE QUALIFIED I/W DATA: 65-45123-59 WHICH DOES NOT CONTAIN AN ALTITUDE CLEARANCE REMINDER IS I/W -61 OR -67 OR -71 WHICH CONTAINS AN ALTITUDE CLEARANCE REMINDER ACCORDING TO CUSTOMER PREFERENCE. FOR NHA/OTHER SYS DET SEE: 27-11-41-02	001011	RF
- 5	65-45123-73		WHEEL ASSY-CONT COLUMN (AUTOFLIGHT ONLY) POSITION DATA: CAPT SIDE FOR NHA/OTHER SYS DET SEE: 27-11-41-02	012999	RF
- 5	65-45123-67		WHEEL ASSY-CONT COLUMN (AUTOFLIGHT ONLY) POSITION DATA: CAPT SIDE FOR NHA/OTHER SYS DET SEE: 27-11-41-02	001011	RF
- 5	65-45123-69		WHEEL ASSY-CONT COLUMN (AUTOFLIGHT ONLY) POSITION DATA: CAPT SIDE FOR NHA/OTHER SYS DET SEE: 27-11-41-02	012999	RF

MISSING ITEM NUMBERS NOT APPLICABLE

- ITEM NOT ILLUSTRATED

HAP

22-11-41-01

BOEING PROPRIETARY - Copyright © - Unpublished Work - See title page for details.

22-11-41
FIG. 01
PAGE 1
FEB 15/09

BOEING
737-600/700/800/900
PARTS CATALOG (MAINTENANCE)

FIG ITEM	PART NUMBER	1 2 3 4 5 6 7	NOMENCLATURE	EFFECT FROM TO	UNITS PER ASSY
1					
- 5	65-45123-61		WHEEL ASSY-CONT COLUMN (AUTOFLIGHT ONLY) POSITION DATA: CAPT SIDE FOR NHA/OTHER SYS DET SEE: 27-11-41-02	001011	RF
- 5	65-45123-63		WHEEL ASSY-CONT COLUMN (AUTOFLIGHT ONLY) POSITION DATA: CAPT SIDE FOR NHA/OTHER SYS DET SEE: 27-11-41-02	012999	RF
- 10	65-45123-76		WHEEL ASSY-CONT COLUMN (AUTOFLIGHT ONLY) POSITION DATA: FIRST OFFICER SIDE FOR NHA/OTHER SYS DET SEE: 27-11-41-02	001011	RF
- 10	65-45123-78		WHEEL ASSY-CONT COLUMN (AUTOFLIGHT ONLY) POSITION DATA: FIRST OFFICER SIDE FOR NHA/OTHER SYS DET SEE: 27-11-41-02	012999	RF
- 10	65-45123-70		WHEEL ASSY-CONT COLUMN (AUTOFLIGHT ONLY) POSITION DATA: FIRST OFFICER SIDE FOR NHA/OTHER SYS DET SEE: 27-11-41-02	012999	RF
- 10	65-45123-72		WHEEL ASSY-CONT COLUMN (AUTOFLIGHT ONLY) POSITION DATA: FIRST OFFICER SIDE FOR NHA/OTHER SYS DET SEE: 27-11-41-02	001011	RF
- 10	65-45123-74		WHEEL ASSY-CONT COLUMN (AUTOFLIGHT ONLY) POSITION DATA: FIRST OFFICER SIDE FOR NHA/OTHER SYS DET SEE: 27-11-41-02	012999	RF
- 10	65-45123-68		WHEEL ASSY-CONT COLUMN (AUTOFLIGHT ONLY) POSITION DATA: FIRST OFFICER SIDE FOR NHA/OTHER SYS DET SEE: 27-11-41-02	001011	RF

MISSING ITEM NUMBERS NOT APPLICABLE

- ITEM NOT ILLUSTRATED

HAP

22-11-41-01

22-11-41
FIG. 01
PAGE 2
FEB 15/09

BOEING
737-600/700/800/900
PARTS CATALOG (MAINTENANCE)

FIG ITEM	PART NUMBER	1 2 3 4 5 6 7	NOMENCLATURE	EFFECT FROM TO	UNITS PER ASSY
1					
- 10	65-45123-62		WHEEL ASSY-CONT COLUMN (AUTOFLIGHT ONLY) POSITION DATA: FIRST OFFICER SIDE FOR NHA/OTHER SYS DET SEE: 27-11-41-02	001011	RF
- 10	65-45123-64		WHEEL ASSY-CONT COLUMN (AUTOFLIGHT ONLY) POSITION DATA: FIRST OFFICER SIDE FOR NHA/OTHER SYS DET SEE: 27-11-41-02	012999	RF
15	69B82799-1		.PLATE-SWITCH ATTACHING PARTS		1
- 20	NAS600-7B		.SCREW		1
25	721101A1		-----*----- .SWITCH-AUTOPILOT DISENGAGE SUPPLIER CODE: V07150 ELECTRICAL EQUIP NUMBER: S00231 S00232 MAINTENANCE MANUAL REF: 22-11-41 OPTIONAL PART: SW43896 V07150		1
25	SW43896		.SWITCH-AUTOPILOT DISENGAGE SUPPLIER CODE: V07150 ELECTRICAL EQUIP NUMBER: S00231 S00232 MAINTENANCE MANUAL REF: 22-11-41 OPTIONAL PART: 721101A1 V07150		1

MISSING ITEM NUMBERS NOT APPLICABLE

- ITEM NOT ILLUSTRATED

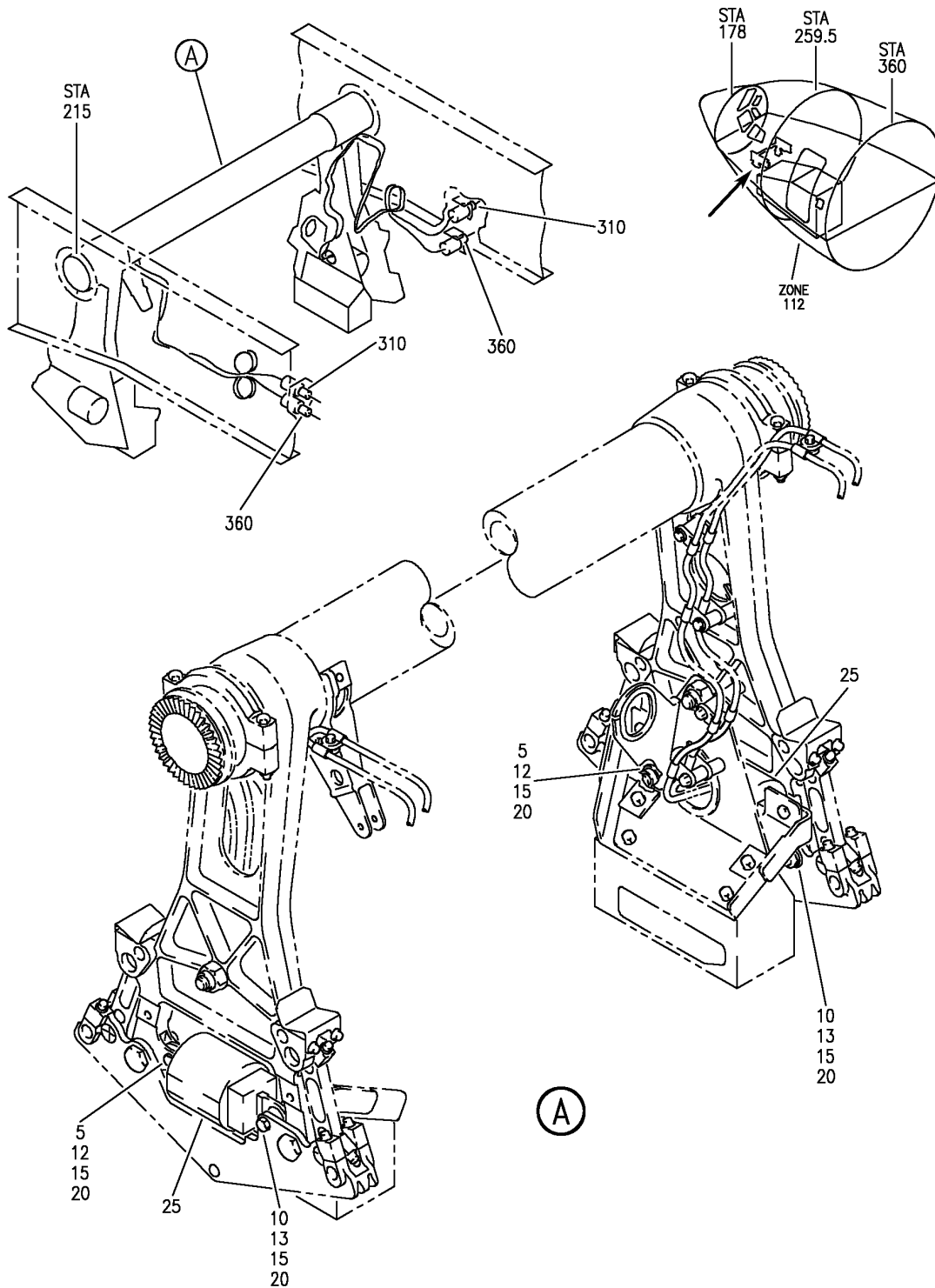
HAP

22-11-41-01

BOEING PROPRIETARY - Copyright © - Unpublished Work - See title page for details.

22-11-41
FIG. 01
PAGE 3
FEB 15/09

BOEING
 737-600/700/800/900
 PARTS CATALOG (MAINTENANCE)



E 22119201 REV 152

QUADRANT INSTL-(AUTO FLIGHT ONLY)
 FIGURE 1

22-11-92-01

HAP
 JUN 15/09

22-11-92-01
 PAGE 0

BOEING
737-600/700/800/900
PARTS CATALOG (MAINTENANCE)

FIG ITEM	PART NUMBER	1 2 3 4 5 6 7	NOMENCLATURE	EFFECT FROM TO	UNITS PER ASSY
1			QUADRANT INSTL-(AUTO FLIGHT ONLY)		
- 1	251A2109-1		QUADRANT INSTL-(AUTO FLIGHT ONLY) FOR NHA/OTHER SYS DET SEE: 27-30-00-06	001019 201967	RF
- 1	251A2109-7		QUADRANT INSTL-(AUTO FLIGHT ONLY) FOR NHA/OTHER SYS DET SEE: 27-30-00-06	020027	RF
- 1	251A2109-8		QUADRANT INSTL-(AUTO FLIGHT ONLY) FOR NHA/OTHER SYS DET SEE: 27-30-00-06	028030	RF
- 1	MODREF84014		QUADRANT INSTL-(AUTO FLIGHT ONLY) MODULE NUMBER: 251A2109-8 REV A FOR OTHER SYS DETAILS SEE: 27-31-61-01	031036	1
- 1	MODREF280534		QUADRANT INSTL-(AUTO FLIGHT ONLY) MODULE NUMBER: 251A2109-8 REV B FOR OTHER SYS DETAILS SEE: 27-31-61-01	037200 968999	1
	5 BACB30LM3-8		.BOLT-	037200 968999	2
	10 BACB30LM3-18		.BOLT-	037200 968999	2
	12 NAS603-8		.SCREW-	001036 201967	2
	13 NAS603-18		.SCREW-	001036 201967	2
	15 NAS1149D0332J		.WASHER-		4
	20 BRH10C3D		.NUT-		4
			SUPPLIER CODE: V52828 SPECIFICATION NUMBER: BACN10JC3CD OPTIONAL PART: T6C1032JCD V11815 NS202486-02 V80539 102LH9075-3W V72962 H51650-3BAC V15653		

R
R
R
R

MISSING ITEM NUMBERS NOT APPLICABLE

- ITEM NOT ILLUSTRATED

HAP

22-11-92-01

22-11-92
FIG. 01
PAGE 1
JUN 15/09

BOEING
737-600/700/800/900
PARTS CATALOG (MAINTENANCE)

FIG ITEM	PART NUMBER	1 2 3 4 5 6 7	NOMENCLATURE	EFFECT FROM TO	UNITS PER ASSY
1 25	GM5341-7		. TRANSDUCER- SUPPLIER CODE: V22863 FUNCTIONAL DESCRIPTION: THIS ELECTRICALLY ENERGIZED, DUAL OUTPUT FORCE TRANSDUCER PROVIDES ELECTRICAL SIGNALS TO THE AUTOPILOT AS A FUNCTION OF CONTROL WHEEL AND COLUMN FORCES. SPECIFICATION NUMBER: 10-61072-7 MISCELLANEOUS DATA: GM5341-7 PREFERRED PART FOR ELEVATOR. GM5341-8 PREFERRED PART FOR AILERON ELECTRICAL EQUIP NUMBER: M00219 M00220 COMPONENT MAINT MANUAL REF: 22-10-02 MAINTENANCE MANUAL REF: 22-11-92	001019 201967	2
25	GM10503		. TRANSDUCER- SUPPLIER CODE: V22863 FUNCTIONAL DESCRIPTION: THIS ELECTRICALLY ENERGIZED, DUAL OUTPUT FORCE TRANSDUCER PROVIDES ELECTRICAL SIGNALS TO THE AUTOPILOT AS A FUNCTION OF CONTROL WHEEL AND COLUMN FORCES. SPECIFICATION NUMBER: S251A102-2 ELECTRICAL EQUIP NUMBER: M00219 M00220 COMPONENT MAINT MANUAL REF: 22-10-04 MAINTENANCE MANUAL REF: 22-11-92		2
- 300	286A5369-012		WIRE BUNDLE ASSY-	002004 006006	RF

MISSING ITEM NUMBERS NOT APPLICABLE

- ITEM NOT ILLUSTRATED

HAP

22-11-92-01

BOEING PROPRIETARY - Copyright © - Unpublished Work - See title page for details.

22-11-92
FIG. 01
PAGE 2
OCT 15/08

BOEING
737-600/700/800/900
PARTS CATALOG (MAINTENANCE)

FIG ITEM	PART NUMBER	1 2 3 4 5 6 7	NOMENCLATURE	EFFECT FROM TO	UNITS PER ASSY
1					
- 300	286A5369-013		WIRE BUNDLE ASSY	001001 005005 007019 201967	RF
- 300	286A5369-023		WIRE BUNDLE ASSY	020048 054106 968999	RF
310	BACC45FN10-5S		.PLUG- ELECTRICAL EQUIP NUMBER: D00383 D00385 WIRING DIAGRAM REF: 221111	001048 054106 201999	2
- 350	286A5457-002		WIRE BUNDLE ASSY	001019 201967	RF
- 350	286A5457-023		WIRE BUNDLE ASSY	020048 054106 968999	RF
360	BACC45FN10-5S		.PLUG- ELECTRICAL EQUIP NUMBER: D01673 D01675 WIRING DIAGRAM REF: 221111	001048 054106 201999	2

MISSING ITEM NUMBERS NOT APPLICABLE

- ITEM NOT ILLUSTRATED

HAP

22-11-92-01

BOEING PROPRIETARY - Copyright © - Unpublished Work - See title page for details.

22-11-92
FIG. 01
PAGE 3
FEB 15/09