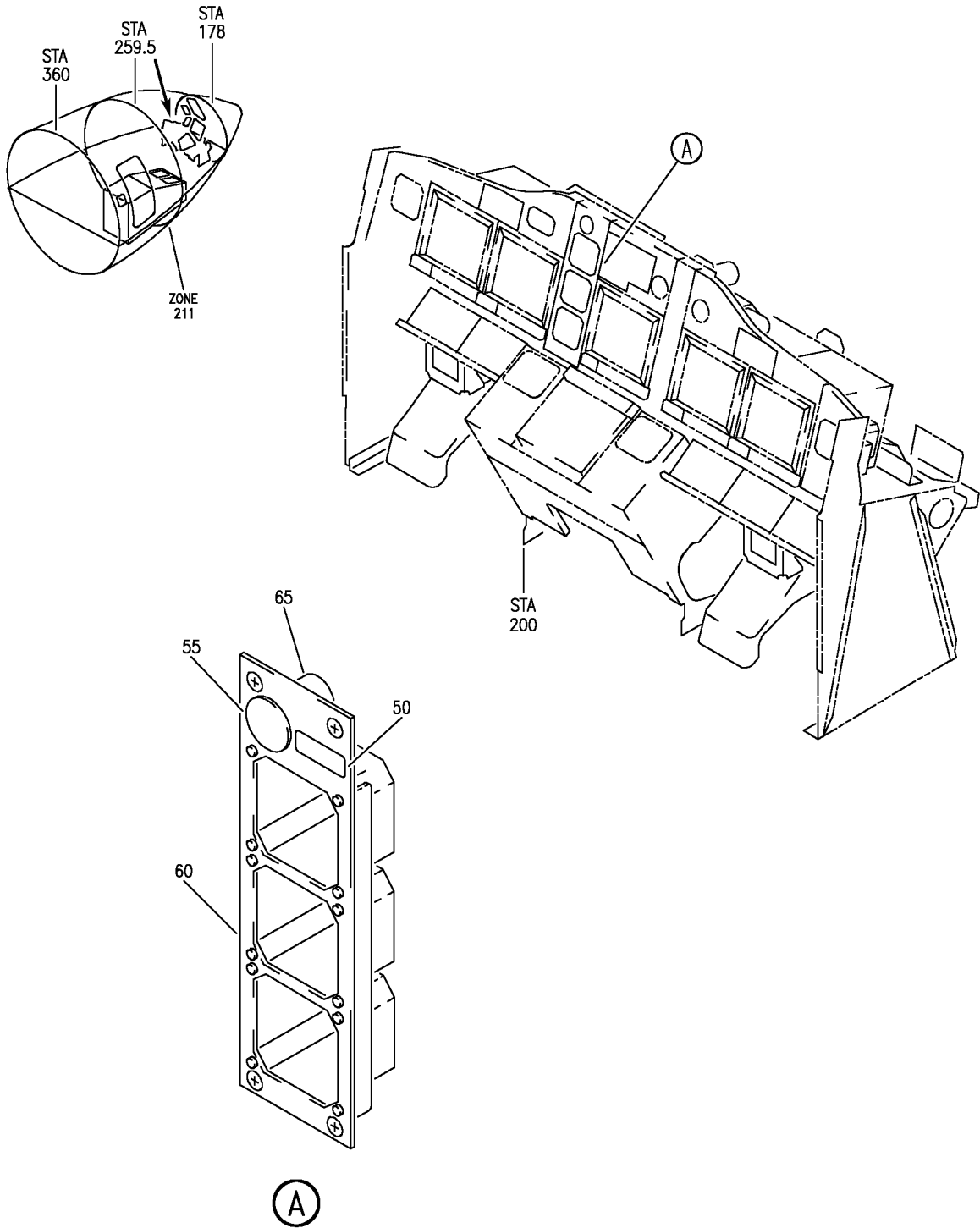


YAW DAMPER SYSTEM

HAP
OCT 10/06

22-23-00
SECTION TITLE
PAGE 1

BOEING
737-600/700/800/900
PARTS CATALOG (MAINTENANCE)



E 22230001 REV 147

PANEL INSTL-FWD (YAW DAMPER SYSTEM ONLY)

FIGURE 1

22-23-00-01

HAP
OCT 15/08

22-23-00-01
PAGE 0

BOEING
737-600/700/800/900
PARTS CATALOG (MAINTENANCE)

FIG ITEM	PART NUMBER	1 2 3 4 5 6 7	NOMENCLATURE	EFFECT FROM TO	UNITS PER ASSY
1			PANEL INSTL-FWD (YAW DAMPER SYSTEM ONLY)	201967	
- 7	233A2101-103		PANEL INSTL-(YAW DAMPER SYSTEM ONLY) POSITION DATA: FWD FOR NHA/OTHER SYS DET SEE: 31-11-00-01J	201967	RF
50	BAC27DCC2990		.DECAL- PLACARD CONTENT: YAW DAMPER	201967	1
55	253884		.INDICATOR- SUPPLIER CODE: V61349 FUNCTIONAL DESCRIPTION: ALLOWS FLIGHT CREW TO MONITOR THE YAW DAMPER SYSTEM BY DISPLAYING CONTROL SURFACE POSITION. SPECIFICATION NUMBER: 10-60775-6 ELECTRICAL EQUIP NUMBER: N00041 COMPONENT MAINT MANUAL REF: 27-80-01	201967	1
60	233A2225-2		.PANEL ASSY-STBY INSTR CONT P2-1 ELECTRICAL EQUIP NUMBER: P00201	201967	RF
65	MBG59234		..CLAMP- SUPPLIER CODE: V98625 SPECIFICATION NUMBER: BACC10EL2 OPTIONAL PART: 640002 V91893	201967	1

MISSING ITEM NUMBERS NOT APPLICABLE

- ITEM NOT ILLUSTRATED

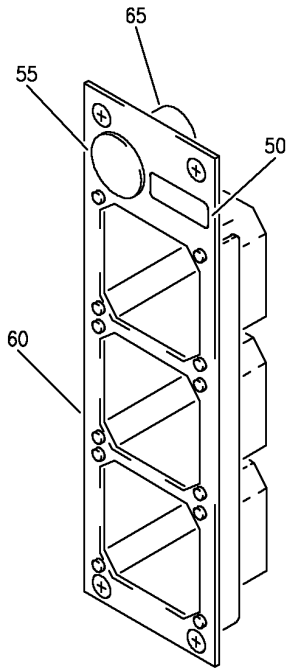
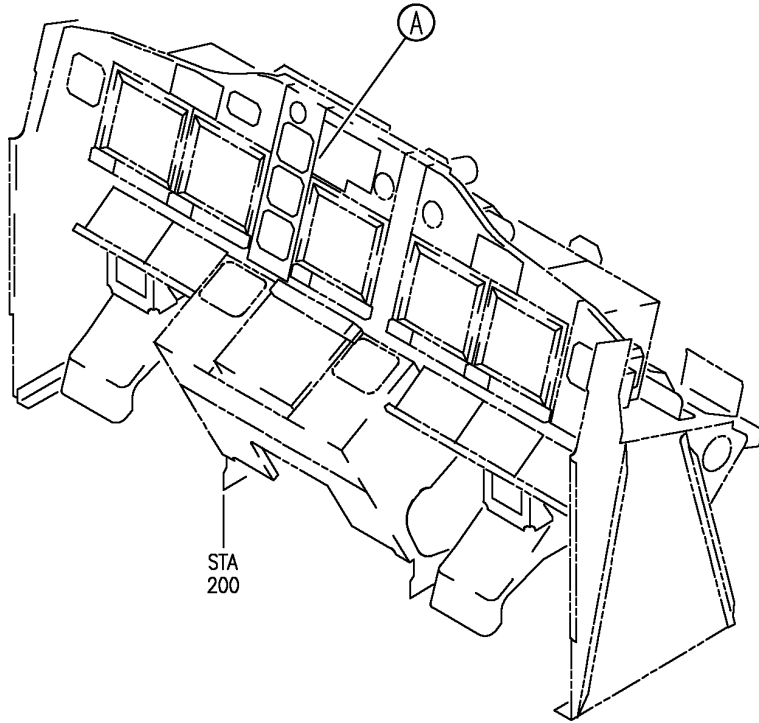
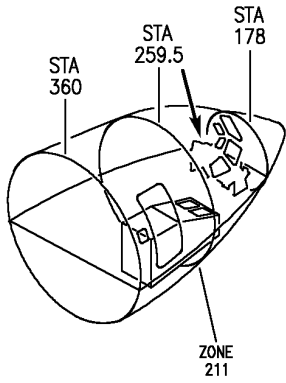
HAP

22-23-00-01

BOEING PROPRIETARY - Copyright © - Unpublished Work - See title page for details.

22-23-00
FIG. 01
PAGE 1
OCT 15/08

BOEING
737-600/700/800/900
PARTS CATALOG (MAINTENANCE)



A

E 22230001B REV 151

PANEL INSTL-FWD (YAW DAMPER SYSTEM ONLY)
FIGURE 1B

22-23-00-01B

HAP
FEB 15/09

22-23-00-01B
PAGE 0

BOEING
737-600/700/800/900
PARTS CATALOG (MAINTENANCE)

FIG ITEM	PART NUMBER	1 2 3 4 5 6 7	NOMENCLATURE	EFFECT FROM TO	UNITS PER ASSY
1B			PANEL INSTL-FWD (YAW DAMPER SYSTEM ONLY)	001030	
- 1	233A2101-3		PANEL INSTL-(YAW DAMPER SYSTEM ONLY) POSITION DATA: FWD FOR NHA/OTHER SYS DET SEE: 31-11-00-01C	001005	RF
- 1	233A2101-20		PANEL INSTL-(YAW DAMPER SYSTEM ONLY) POSITION DATA: FWD FOR NHA/OTHER SYS DET SEE: 31-11-00-01C	008011	RF
- 2	233A2101-84		PANEL INSTL-(YAW DAMPER SYSTEM ONLY) POSITION DATA: FWD FOR NHA/OTHER SYS DET SEE: 31-11-00-01C	017020	RF
- 3	233A2101-91		PANEL INSTL-(YAW DAMPER SYSTEM ONLY) POSITION DATA: FWD FOR NHA/OTHER SYS DET SEE: 31-11-00-01C	006007	RF
- 5	233A2101-165		PANEL INSTL-(YAW DAMPER SYSTEM ONLY) POSITION DATA: FWD FOR NHA/OTHER SYS DET SEE: 31-11-00-01C	012016	RF
- 6	233A2101-207		PANEL INSTL-(YAW DAMPER SYSTEM ONLY) POSITION DATA: FWD FOR NHA/OTHER SYS DET SEE: 31-11-00-01C	023027	RF
- 8	233A2101-262		PANEL INSTL-(YAW DAMPER SYSTEM ONLY) POSITION DATA: FWD FOR NHA/OTHER SYS DET SEE: 31-11-00-01C	021022	RF

MISSING ITEM NUMBERS NOT APPLICABLE

- ITEM NOT ILLUSTRATED

HAP

22-23-00-01B

BOEING PROPRIETARY - Copyright © - Unpublished Work - See title page for details.

22-23-00
FIG. 01B
PAGE 1
OCT 10/06

BOEING
737-600/700/800/900
PARTS CATALOG (MAINTENANCE)

FIG ITEM	PART NUMBER	1 2 3 4 5 6 7	NOMENCLATURE	EFFECT FROM TO	UNITS PER ASSY
1B - 9	233A2101-304		PANEL INSTL-(YAW DAMPER SYSTEM ONLY) POSITION DATA: FWD FOR NHA/OTHER SYS DET SEE: 31-11-00-01C	028030	RF
50	BAC27DCC2990		.DECAL- PLACARD CONTENT: YAW DAMPER	001030	1
55	253884		.INDICATOR- SUPPLIER CODE: V61349 FUNCTIONAL DESCRIPTION: ALLOWS FLIGHT CREW TO MONITOR THE YAW DAMPER SYSTEM BY DISPLAYING CONTROL SURFACE POSITION. SPECIFICATION NUMBER: 10-60775-6 ELECTRICAL EQUIP NUMBER: N00041 COMPONENT MAINT MANUAL REF: 27-80-01	001030	1
60	233A2225-2		.PANEL ASSY-STBY INSTR CONT P2-1 ELECTRICAL EQUIP NUMBER: P00201	001030	RF
65	MBG59234		..CLAMP SUPPLIER CODE: V98625 SPECIFICATION NUMBER: BACC10EL2 OPTIONAL PART: 640002 V91893	001030	1

MISSING ITEM NUMBERS NOT APPLICABLE

- ITEM NOT ILLUSTRATED

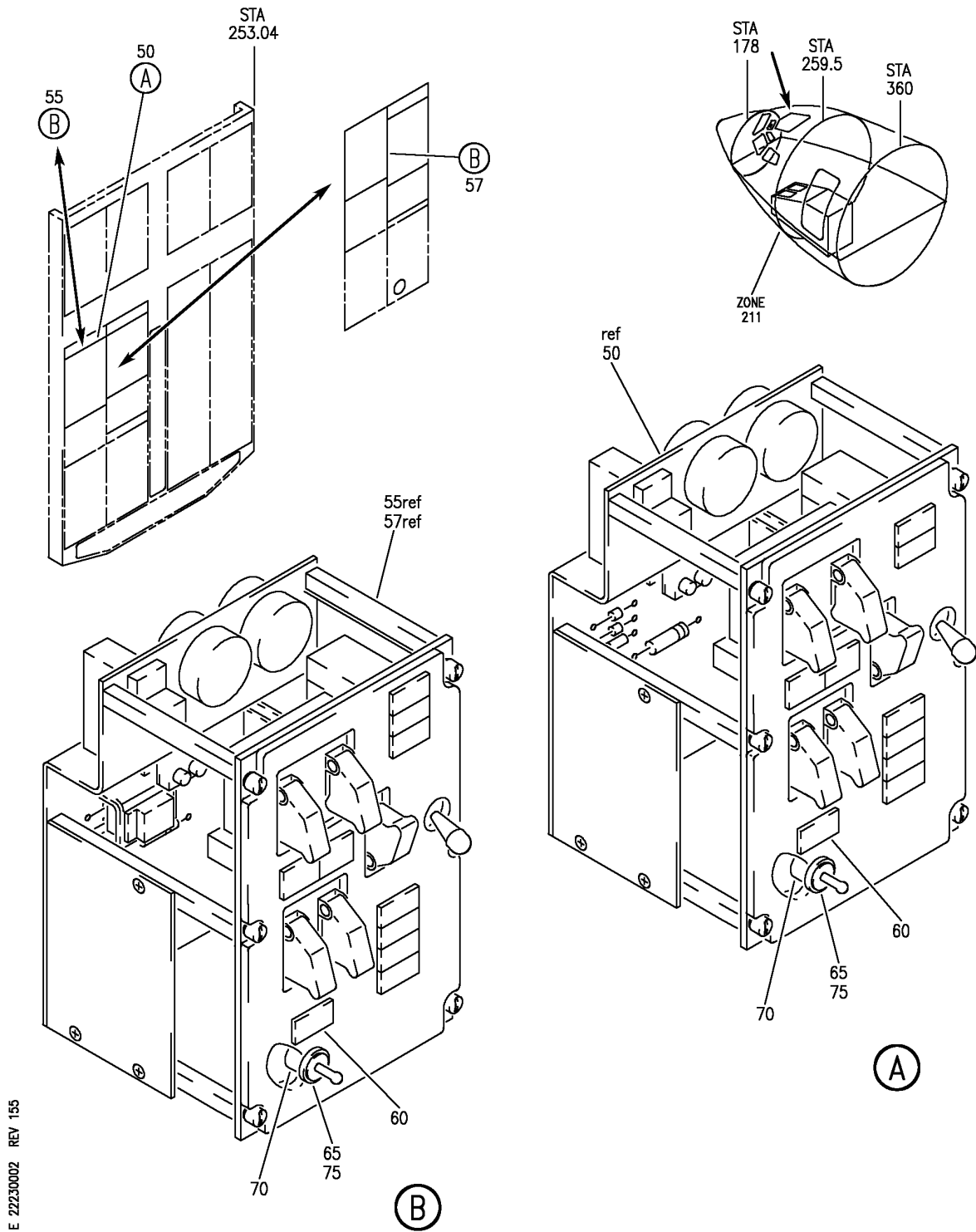
HAP

22-23-00-01B

BOEING PROPRIETARY - Copyright © - Unpublished Work - See title page for details.

22-23-00
FIG. 01B
PAGE 2
FEB 15/09

BOEING
 737-600/700/800/900
 PARTS CATALOG (MAINTENANCE)



MODULE INSTL-P5 OVHD (YAW DAMPER SYSTEM ONLY)
 FIGURE 2

22-23-00-02

HAP
 JUN 15/09

22-23-00-02
 PAGE 0

BOEING
737-600/700/800/900
PARTS CATALOG (MAINTENANCE)

FIG ITEM	PART NUMBER	1 2 3 4 5 6 7	NOMENCLATURE	EFFECT FROM TO	UNITS PER ASSY
2			MODULE INSTL-P5 OVHD (YAW DAMPER SYSTEM ONLY)	001028 201967	
- 1	233A3101-4		MODULE INSTL-P5 OVHD (YAW DAMPER SYSTEM ONLY) FOR NHA/OTHER SYS DET SEE: 31-11-00-01C	001005	RF
- 4	233A3101-52		MODULE INSTL-P5 OVHD (YAW DAMPER SYSTEM ONLY) FOR NHA/OTHER SYS DET SEE: 31-11-00-01C	006007	RF
- 4	233A3101-63		MODULE INSTL-P5 OVHD (YAW DAMPER SYSTEM ONLY) FOR NHA/OTHER SYS DET SEE: 31-11-00-01C	008011	RF
- 5	233A3101-74		MODULE INSTL-P5 OVHD (YAW DAMPER SYSTEM ONLY) FOR NHA/OTHER SYS DET SEE: 31-11-00-01J	201967	RF
- 7	233A3101-110		MODULE INSTL-P5 OVHD (YAW DAMPER SYSTEM ONLY) FOR NHA/OTHER SYS DET SEE: 31-11-00-01C	012016	RF
- 14	233A3101-225		MODULE INSTL-P5 OVHD (YAW DAMPER SYSTEM ONLY) FOR NHA/OTHER SYS DET SEE: 31-11-00-01C	017019	RF
- 14	233A3101-234		MODULE INSTL-P5 OVHD (YAW DAMPER SYSTEM ONLY) FOR NHA/OTHER SYS DET SEE: 31-11-00-01C	020028	RF
R R R R R R R R R R R R	50 233A3209-1		.MODULE ASSY-FLIGHT CONTROLS, P5-3 SUPPLIER CODE: V89954 ELECTRICAL EQUIP NUMBER: P00503 COMPONENT MAINT MANUAL REF: 31-37-09 QUALIFIED I/W DATA: 233A3209-2 REPLACES 233A3209-1 ONE-WAY INTERCHANGEABLE UPON INCORPORATION OF SB 737-27-1262 PRE SERVICE BULLETIN: 27-1262	014014 202967	RF

MISSING ITEM NUMBERS NOT APPLICABLE

- ITEM NOT ILLUSTRATED

HAP

22-23-00-02

BOEING PROPRIETARY - Copyright © - Unpublished Work - See title page for details.

22-23-00
FIG. 02
PAGE 1
JUN 15/09

BOEING
737-600/700/800/900
PARTS CATALOG (MAINTENANCE)

FIG ITEM	PART NUMBER	1 2 3 4 5 6 7	NOMENCLATURE	EFFECT FROM TO	UNITS PER ASSY
2 55	233A3209-2	.	MODULE ASSY-FLIGHT CONTROLS, P5-3 SUPPLIER CODE: V89954 ELECTRICAL EQUIP NUMBER: P00503 COMPONENT MAINT MANUAL REF: 31-37-09 QUALIFIED I/W DATA: 233A3209-2 REPLACES 233A3209-1 ONE-WAY INTERCHANGEABLE UPON INCORPORATION OF SB 737-27-1262 POST SERVICE BULLETIN: 27-1262	001028 201967	RF
60	BCREF2573	..	LIGHT ASSY-PRESS TO TEST IND-YAW DAMPER SUPPLIER CODE: V81590 OVERLENGTH PART NUMBER: 318-630-1001-002 SPECIFICATION NUMBER: 10-61803-5 COMPONENT MAINT MANUAL REF: 33-10-05 FOR DETAILS SEE: 33-11-50-05F	001028 201967	1
65	26ET61T	..	SWITCH- SUPPLIER CODE: V91929	001028 201967	1
70	JANTX1N5618	..	DIODE- OPTIONAL PART: 1N5061	001028 201967	1
70	1N5061	..	DIODE- OPTIONAL PART: JANTX1N5618	001028 201967	1
75	69-44578-2	..	CAP-CUSHION	001028 201967	1

MISSING ITEM NUMBERS NOT APPLICABLE

— ITEM NOT ILLUSTRATED

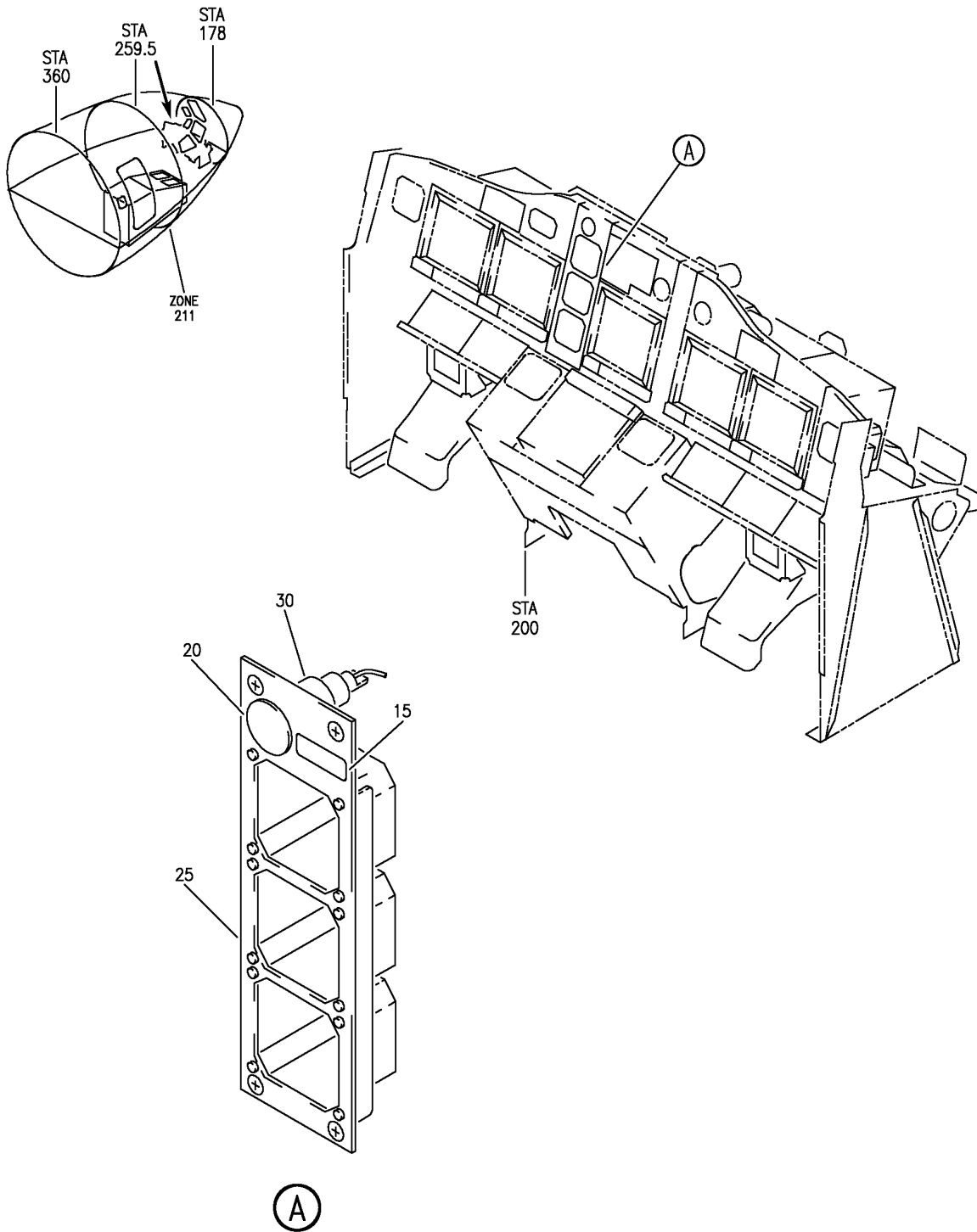
HAP

22-23-00-02

BOEING PROPRIETARY - Copyright © - Unpublished Work - See title page for details.

22-23-00
FIG. 02
PAGE 2
OCT 15/08

BOEING
 737-600/700/800/900
 PARTS CATALOG (MAINTENANCE)



E 22230003 REV 067

PANEL INSTL-FWD (AUTOFLIGHT ONLY)
 FIGURE 3

22-23-00-03

HAP
 OCT 10/06

22-23-00-03
 PAGE 0

BOEING
737-600/700/800/900
PARTS CATALOG (MAINTENANCE)

FIG ITEM	PART NUMBER	1 2 3 4 5 6 7	NOMENCLATURE	EFFECT FROM TO	UNITS PER ASSY
3			PANEL INSTL-FWD (AUTOFLIGHT ONLY)	031200 968999	
- 1	MODREF192084		PANEL INSTL-(AUTOFLIGHT ONLY) MODULE NUMBER: 233A2103-2103 REV A POSITION DATA: FWD FOR OTHER SYS DETAILS SEE: 31-11-31-05 34-22-07-02 34-24-02-02	031037 039041 047047 049050 054103 970971	1
- 1	MODREF192085		PANEL INSTL-(AUTOFLIGHT ONLY) MODULE NUMBER: 233A2103-2104 REV A POSITION DATA: FWD FOR OTHER SYS DETAILS SEE: 31-11-31-05 34-22-07-02 34-24-02-02	038038 042046 048048 051053 104200 968969 972999	1
15	BAC27DCC2990		.DECAL- PLACARD CONTENT: YAW DAMPER	031200 968999	1
20	253884		.INDICATOR- SUPPLIER CODE: V61349 FUNCTIONAL DESCRIPTION: ALLOWS FLIGHT CREW TO MONITOR THE YAW DAMPER SYSTEM BY DISPLAYING CONTROL SURFACE POSITION. SPECIFICATION NUMBER: 10-60775-6 ELECTRICAL EQUIP NUMBER: N00041 COMPONENT MAINT MANUAL REF: 27-80-01 MAINTENANCE MANUAL REF: 22-23-00	031200 968999	1
25	233A2225-2		.PANEL ASSY-STBY INSTR CONT P2-1 ELECTRICAL EQUIP NUMBER: P00201	031200 968999	RF

MISSING ITEM NUMBERS NOT APPLICABLE

- ITEM NOT ILLUSTRATED

HAP

22-23-00-03

BOEING PROPRIETARY - Copyright © - Unpublished Work - See title page for details.

22-23-00
FIG. 03
PAGE 1
FEB 15/09


BOEING
 737-600/700/800/900
PARTS CATALOG (MAINTENANCE)

FIG ITEM	PART NUMBER	1 2 3 4 5 6 7 NOMENCLATURE	EFFECT FROM TO	UNITS PER ASSY
3 30	MBG59234	.. CLAMP SUPPLIER CODE: V98625 SPECIFICATION NUMBER: BACC10EL2 OPTIONAL PART: 640002 V91893	031200 968999	1

MISSING ITEM NUMBERS NOT APPLICABLE

— ITEM NOT ILLUSTRATED

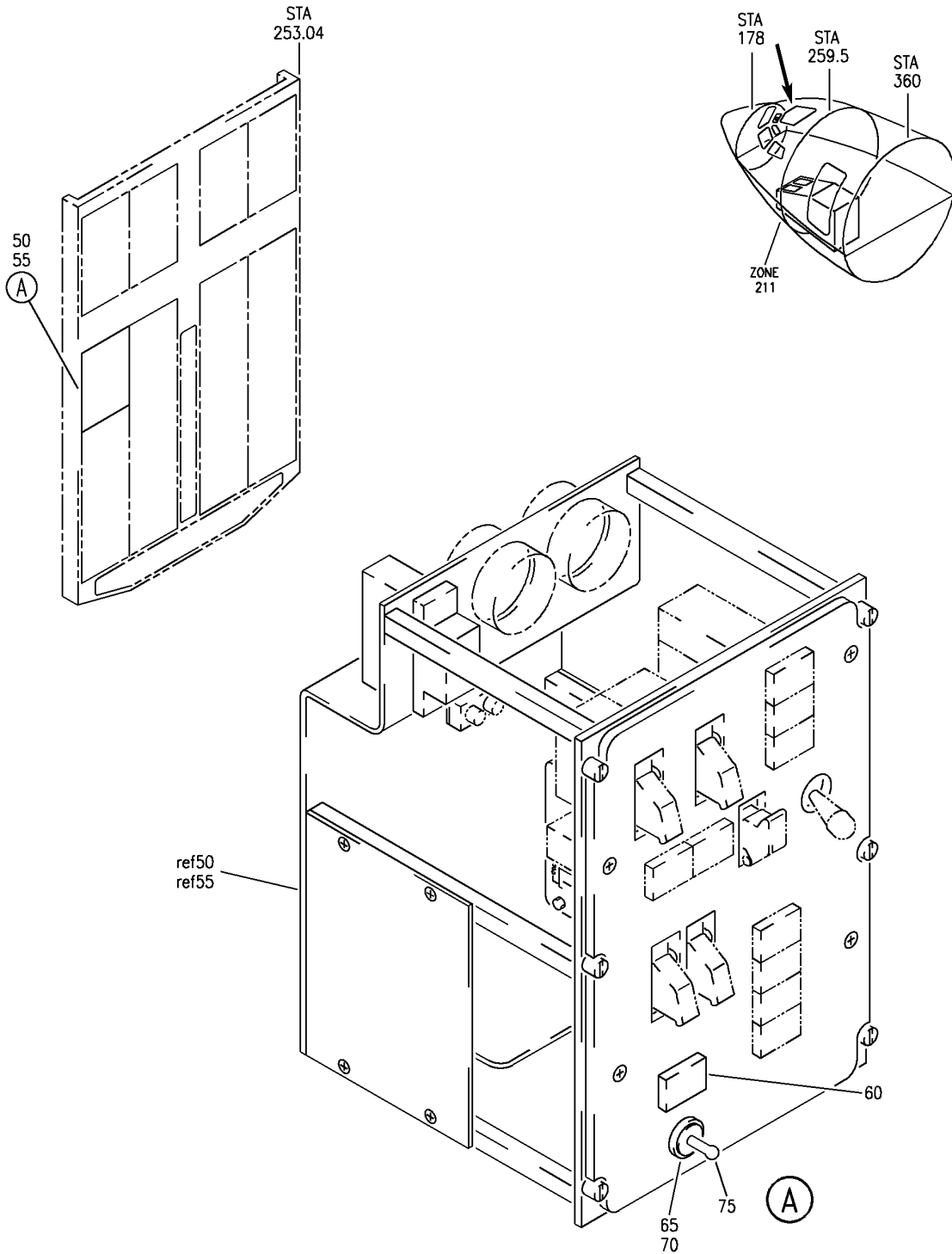
HAP

22-23-00-03

BOEING PROPRIETARY - Copyright © - Unpublished Work - See title page for details.

22-23-00
 FIG. 03
 PAGE 2
 FEB 15/09

BOEING
 737-600/700/800/900
 PARTS CATALOG (MAINTENANCE)



E 22235101 REV 118

MODULE INSTL-INSTR SWITCHING PNL P5-28/ FLIGHT CONT P5-3 (AUTOFLIGHT ONLY)
 FIGURE 1

22-23-51-01

HAP
 OCT 10/06

22-23-51-01
 PAGE 0

BOEING
737-600/700/800/900
PARTS CATALOG (MAINTENANCE)

FIG ITEM	PART NUMBER	1 2 3 4 5 6 7	NOMENCLATURE	EFFECT FROM TO	UNITS PER ASSY
1			MODULE INSTL-INSTR SWITCHING PNL P5-28/ FLIGHT CONT P5-3 (AUTOFLIGHT ONLY)	031200 968999	
- 1	MODREF82463		MODULE INSTL-INSTR SWITCHING PNL P5-28/ FLIGHT CONT P5-3 (AUTOFLIGHT ONLY) MODULE NUMBER: 233A3104-346106 REV A FOR OTHER SYS DETAILS SEE: 11-31-01-24Q 27-09-45-02 27-21-24-03 27-31-37-03 27-31-52-01 27-51-50-03 27-61-52-01 27-83-51-01 29-33-21-02 29-34-21-02 29-34-31-03 31-11-94-12 31-62-14-01 33-11-52-13 34-31-52-03 34-51-52-01	031036 038038	1
MISSING ITEM NUMBERS NOT APPLICABLE					

- ITEM NOT ILLUSTRATED

HAP

22-23-51-01

BOEING PROPRIETARY - Copyright © - Unpublished Work - See title page for details.

22-23-51
FIG. 01
PAGE 1
OCT 15/08

BOEING
737-600/700/800/900
PARTS CATALOG (MAINTENANCE)

FIG ITEM	PART NUMBER	1 2 3 4 5 6 7	NOMENCLATURE	EFFECT FROM TO	UNITS PER ASSY
1 60	BCREF2573		..LIGHT ASSY-PRESS TO TEST IND-YAW DAMPER SUPPLIER CODE: V81590 OVERLENGTH PART NUMBER: 318-630-1001-002 SPECIFICATION NUMBER: 10-61803-5 COMPONENT MAINT MANUAL REF: 33-10-05 FOR DETAILS SEE: 33-11-50-05A	031200 968999	1
65	26ET61T		..SWITCH- SUPPLIER CODE: V91929	031200 968999	1
70	JANTX1N5618		..DIODE- OPTIONAL PART: 1N5061	031200 968999	1
70	1N5061		..DIODE- OPTIONAL PART: JANTX1N5618	031200 968999	1
75	69-44578-2		..CAP-CUSHION	031200 968999	1

MISSING ITEM NUMBERS NOT APPLICABLE

— ITEM NOT ILLUSTRATED

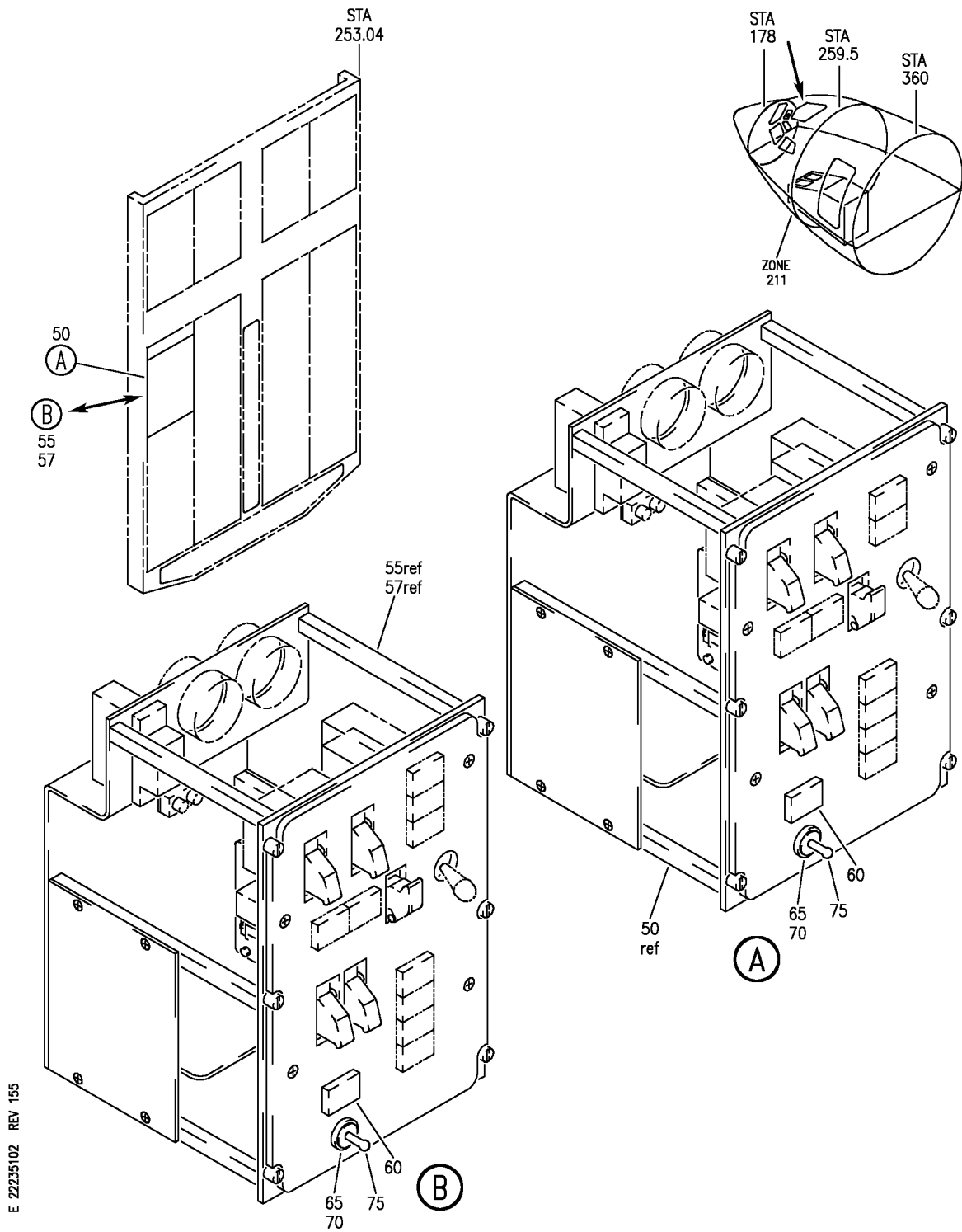
HAP

22-23-51-01

BOEING PROPRIETARY - Copyright © - Unpublished Work - See title page for details.

22-23-51
FIG. 01
PAGE 3
OCT 15/08

BOEING
 737-600/700/800/900
 PARTS CATALOG (MAINTENANCE)



E 22235102 REV 155

MODULE INSTL-INSTR SWITCHING PNL P5-28/ FLIGHT CONT P5-3 (AUTOFLIGHT ONLY)
 FIGURE 2

HAP
 JUN 15/09

22-23-51-02

22-23-51-02
 PAGE 0

BOEING
737-600/700/800/900
PARTS CATALOG (MAINTENANCE)

FIG ITEM	PART NUMBER	1 2 3 4 5 6 7	NOMENCLATURE	EFFECT FROM TO	UNITS PER ASSY
2			MODULE INSTL-INSTR SWITCHING PNL P5-28/ FLIGHT CONT P5-3 (AUTOFLIGHT ONLY)	029030	
- 1	233A3104-346104		MODULE INSTL-INSTR SWITCHING PNL P5-28/ FLIGHT CONT P5-3 (AUTOFLIGHT ONLY) FOR NHA/OTHER SYS DET SEE: 31-11-00-01C	029030	RF
55	233A3209-2		.MODULE ASSY- SUPPLIER CODE: V89954 ELECTRICAL EQUIP NUMBER: P00503 COMPONENT MAINT MANUAL REF: 31-37-09 QUALIFIED I/W DATA: 233A3209-2 REPLACES 233A3209-1 ONE-WAY INTERCHANGEABLE UPON INCORPORATION OF SB 737-27-1262 POST SERVICE BULLETIN: 27-1262	029030	RF
60	BCREF2573		..LIGHT ASSY-PRESS TO TEST IND-YAW DAMPER SUPPLIER CODE: V81590 OVERLENGTH PART NUMBER: 318-630-1001-002 SPECIFICATION NUMBER: 10-61803-5 COMPONENT MAINT MANUAL REF: 33-10-05 FOR DETAILS SEE: 33-11-50-05A	029030	1
65	26ET61T		..SWITCH- SUPPLIER CODE: V91929	029030	1
70	JANTX1N5618		..DIODE- OPTIONAL PART: 1N5061	029030	1
70	1N5061		..DIODE- OPTIONAL PART: JANTX1N5618	029030	1
75	69-44578-2		..CAP-CUSHION	029030	1

MISSING ITEM NUMBERS NOT APPLICABLE

- ITEM NOT ILLUSTRATED

HAP

22-23-51-02

BOEING PROPRIETARY - Copyright © - Unpublished Work - See title page for details.

22-23-51
FIG. 02
PAGE 1
JUN 15/09