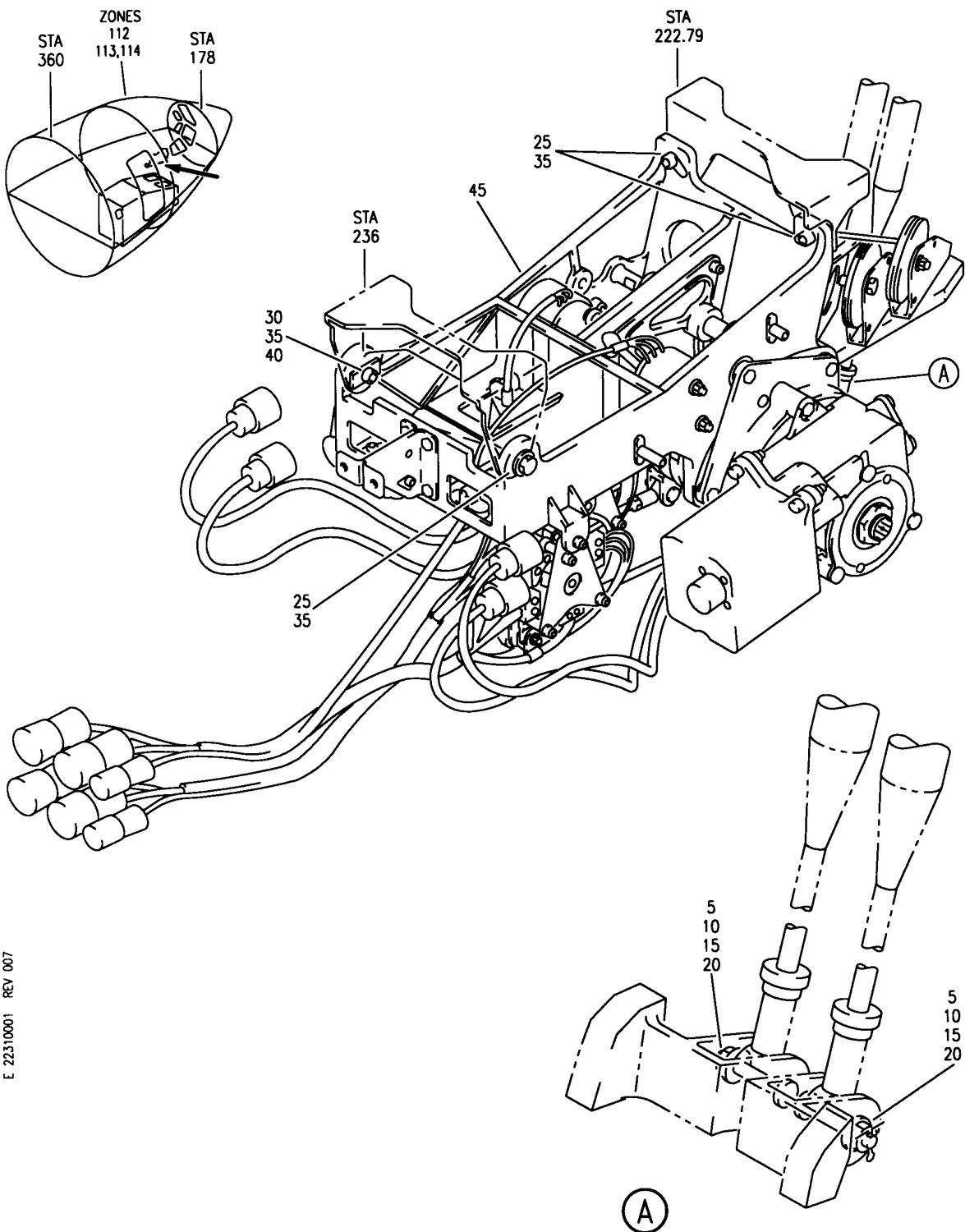


AUTOTHROTTLE SYSTEM

HAP
OCT 10/06

22-31-00
SECTION TITLE
PAGE 1

BOEING
 737-600/700/800/900
 PARTS CATALOG (MAINTENANCE)



E 22310001 REV 007

AUTOTHROTTLE INSTL
 FIGURE 1

22-31-00-01

HAP
 OCT 10/06

22-31-00-01
 PAGE 0

BOEING
737-600/700/800/900
PARTS CATALOG (MAINTENANCE)

FIG ITEM	PART NUMBER	1 2 3 4 5 6 7	NOMENCLATURE	EFFECT FROM TO	UNITS PER ASSY
1			AUTOTHROTTLE INSTL		
- 1	254A1100-5		AUTOTHROTTLE INSTL- FOR NHA SEE: 27-00-00-17B	028030	RF
- 1	254A1100-3		AUTOTHROTTLE INSTL- FOR NHA SEE: 27-00-00-17B	001007	RF
- 1	254A1100-4		AUTOTHROTTLE INSTL- FOR NHA SEE: 27-00-00-17B	008027 201967	RF
- 1	MODREF250330		AUTOTHROTTLE INSTL- MODULE NUMBER: 254A1100-5 REV C	031033	1
- 1	MODREF286064		AUTOTHROTTLE INSTL- MODULE NUMBER: 254A1100-5 REV D	034052 054200 968999	1
- 1	MODREF391975		AUTOTHROTTLE INSTL- MODULE NUMBER: 254A1100-5 REV E	053053	1
5	BACP18BC02C04P		.PIN		2
10	BACB30LJ4D14		.BOLT		2
15	NAS1149D0463J		.WASHER		2
20	PLH54CD		.NUT		2
			SUPPLIER CODE: VF0224		
			SPECIFICATION NUMBER: BACN10YR4CD		
			OPTIONAL PART: H52732-4CD V15653		
25	BACB30NM4K8		.BOLT		3
30	BACB30NM4K10		.BOLT		1
35	NAS1149D0463J		.WASHER	001052 054999	4
35	BACW10BN4AC		.WASHER	053053	4
40	BACB28BA0406042		.BUSHING		1
45	254A1110-5		.AUTOTHROTTLE ASSY- COMPONENT MAINT MANUAL REF: 22-32-24	001030 201967	1
			USED ON: 254A1100-5 MODREF84188		
			FOR DETAILS SEE: 22-31-51-01 22-31-91-01		

MISSING ITEM NUMBERS NOT APPLICABLE

- ITEM NOT ILLUSTRATED

HAP

22-31-00-01

22-31-00
FIG. 01
PAGE 1
FEB 15/09

BOEING
737-600/700/800/900
PARTS CATALOG (MAINTENANCE)

FIG ITEM	PART NUMBER	1 2 3 4 5 6 7	NOMENCLATURE	EFFECT FROM TO	UNITS PER ASSY
1					
45	254A1110-3		.AUTOTHROTTLE ASSY- COMPONENT MAINT MANUAL REF: 22-32-24 USED ON: 254A1100-3 FOR DETAILS SEE: 22-31-51-01 22-31-91-01	001030 201967	1
45	254A1110-4		.AUTOTHROTTLE ASSY- COMPONENT MAINT MANUAL REF: 22-32-24 USED ON: 254A1100-4 FOR DETAILS SEE: 22-31-51-01 22-31-91-01	001030 201967	1
45	254A1110-6		.AUTOTHROTTLE ASSY- COMPONENT MAINT MANUAL REF: 22-32-24 USED ON: MODREF210881 FOR DETAILS SEE: 22-31-51-01 22-31-91-01	001030 201967	1
R	45	254A1110-7	.AUTOTHROTTLE ASSY- COMPONENT MAINT MANUAL REF: 22-32-24 FOR DETAILS SEE: 22-31-51-01 22-31-91-01		1
R					
R					
R					
R					
R	45	254A1110-8	.AUTOTHROTTLE ASSY- COMPONENT MAINT MANUAL REF: 22-32-24 FOR DETAILS SEE: 22-31-51-01 22-31-91-01		1
R					
R					
R					
R					
R	45	254A1110-10	.AUTOTHROTTLE ASSY- COMPONENT MAINT MANUAL REF: 22-32-24 FOR DETAILS SEE: 22-31-51-01 22-31-91-01		1
R					
R					
R					
R					
R	45	254A1110-11	.AUTOTHROTTLE ASSY- COMPONENT MAINT MANUAL REF: 22-32-24 FOR DETAILS SEE: 22-31-51-01 22-31-91-01		1
R					
R					
R					
R					
R					

MISSING ITEM NUMBERS NOT APPLICABLE

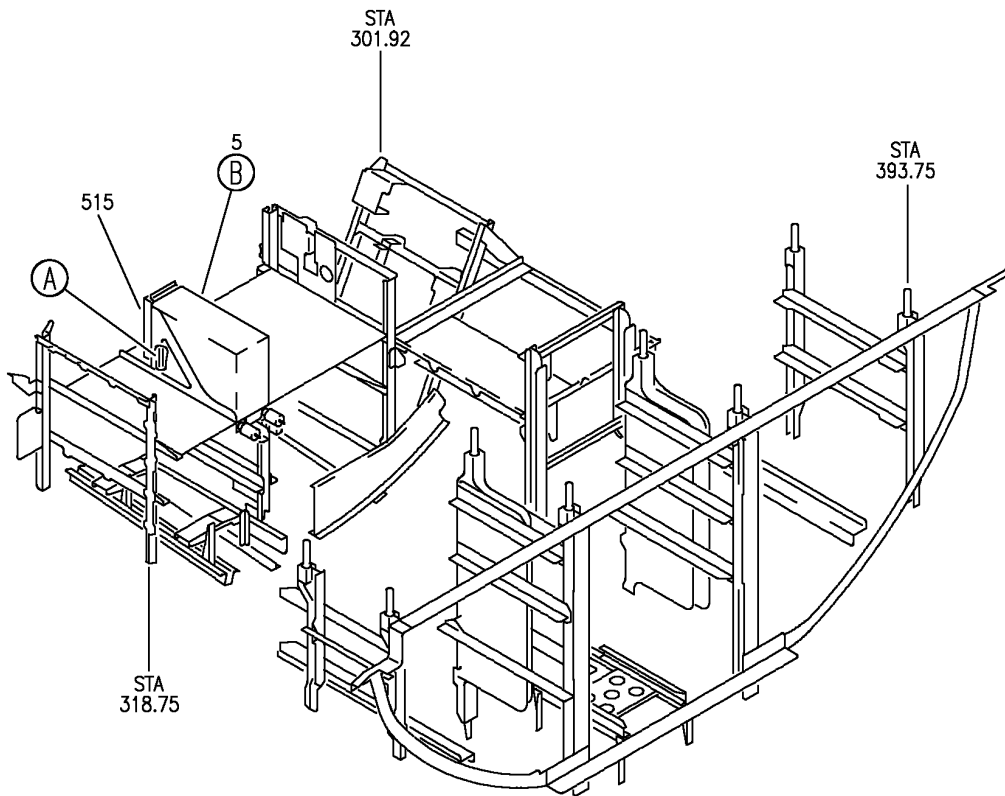
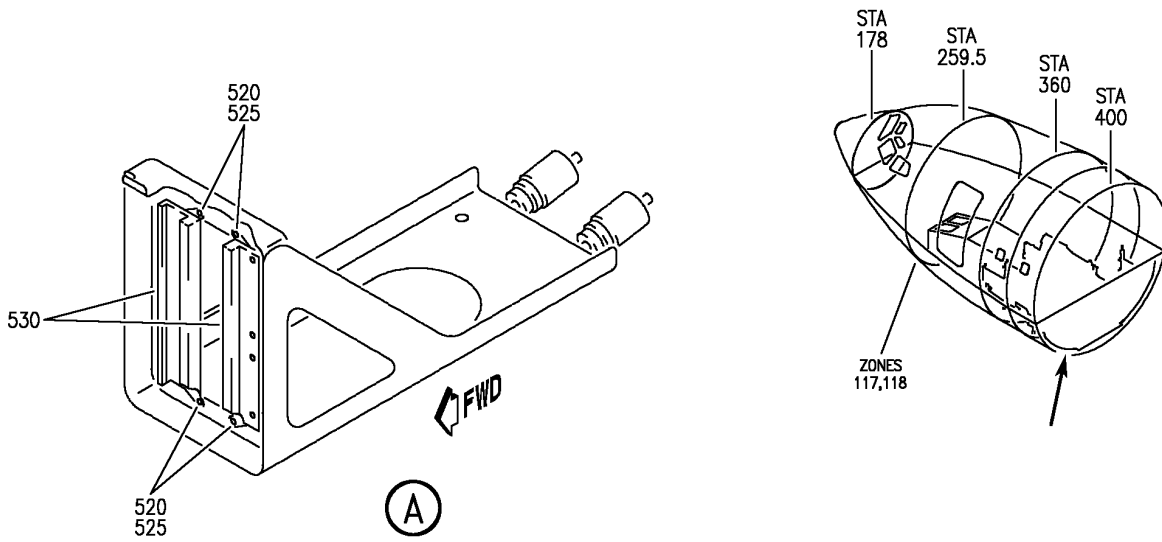
— ITEM NOT ILLUSTRATED

HAP

22-31-00-01

22-31-00
FIG. 01
PAGE 2
JUN 15/09

BOEING
 737-600/700/800/900
 PARTS CATALOG (MAINTENANCE)



E 22311001 SHT 1 REV 086

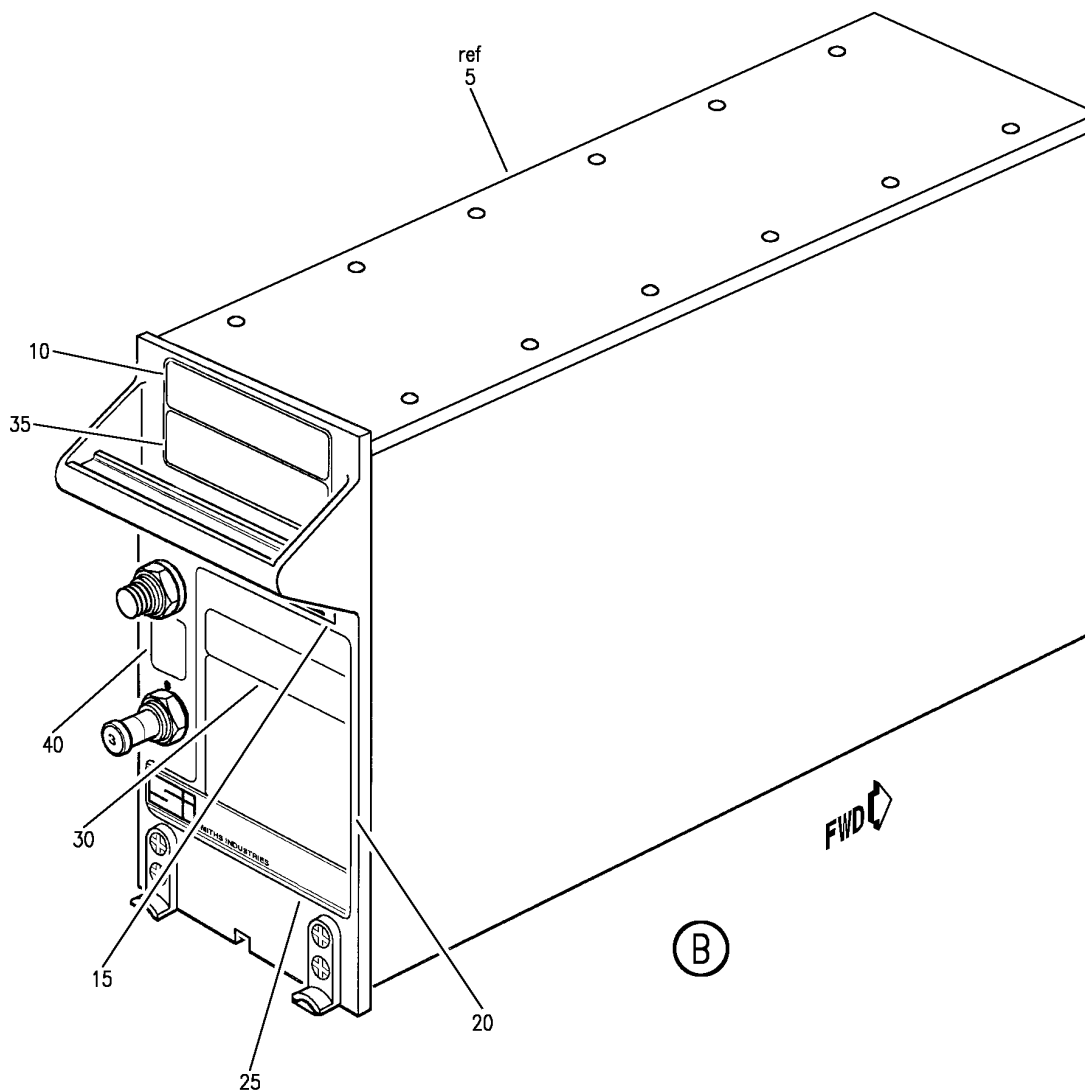
EQUIPMENT INSTL-E/E BAY E1 RACK (AUTO THROTTLE SYSTEM ONLY)
 FIGURE 1 (SHEET 1)

HAP
 OCT 10/06

22-31-10-01

22-31-10-01
 PAGE 0

BOEING
737-600/700/800/900
PARTS CATALOG (MAINTENANCE)



E 22311001 SHT 2 REV 086

EQUIPMENT INSTL-E/E BAY E1 RACK (AUTO THROTTLE SYSTEM ONLY)
FIGURE 1 (SHEET 2)

22-31-10-01

HAP
OCT 10/06

22-31-10-01
PAGE 0A

BOEING
737-600/700/800/900
PARTS CATALOG (MAINTENANCE)

FIG ITEM	PART NUMBER	1 2 3 4 5 6 7	NOMENCLATURE	EFFECT FROM TO	UNITS PER ASSY
1			EQUIPMENT INSTL-E/E BAY E1 RACK (AUTOTHROTTLE SYSTEM ONLY)	001030 201967	
- 1	284A0410-5		EQUIPMENT INSTL-E/E BAY E1 RACK (AUTOTHROTTLE SYSTEM ONLY) MODIFICATION DRAWING REF: 737-8845 REFERENCE AIRLINE MOD: E.O.APB737-8007 VHAP FOR NHA/OTHER SYS DET SEE: 25-50-00-08	008011 201967	RF
- 1	284A0410-7		EQUIPMENT INSTL-E/E BAY E1 RACK (AUTOTHROTTLE SYSTEM ONLY) MODIFICATION DRAWING REF: 737-8845 REFERENCE AIRLINE MOD: E.O.APB737-8007 VHAP FOR NHA/OTHER SYS DET SEE: 25-50-00-08	001007	RF
- 3	284A0411-1		EQUIPMENT INSTL-E/E BAY E1 RACK (AUTOTHROTTLE SYSTEM ONLY) MODIFICATION DRAWING REF: 737-8845 REFERENCE AIRLINE MOD: E.O.APB737-8007 VHAP FOR NHA/OTHER SYS DET SEE: 25-50-00-08	012014	RF
- 3	284A0411-3		EQUIPMENT INSTL-E/E BAY E1 RACK (AUTOTHROTTLE SYSTEM ONLY) MODIFICATION DRAWING REF: 737-8845 REFERENCE AIRLINE MOD: E.O.APB737-8007 VHAP FOR NHA/OTHER SYS DET SEE: 25-50-00-08	015019	RF

MISSING ITEM NUMBERS NOT APPLICABLE

- ITEM NOT ILLUSTRATED

HAP

22-31-10-01

22-31-10
FIG. 01
PAGE 1
FEB 15/09

BOEING
737-600/700/800/900
PARTS CATALOG (MAINTENANCE)

FIG ITEM	PART NUMBER	1 2 3 4 5 6 7	NOMENCLATURE	EFFECT FROM TO	UNITS PER ASSY
1 -	3 284A0411-4		EQUIPMENT INSTL-E/E BAY E1 RACK (AUTOTHROTTLE SYSTEM ONLY) FOR NHA/OTHER SYS DET SEE: 25-50-00-08	028030	RF
-	3 284A0411-5		EQUIPMENT INSTL-E/E BAY E1 RACK (AUTOTHROTTLE SYSTEM ONLY) MODIFICATION DRAWING REF: 737-8845 REFERENCE AIRLINE MOD: E.O.APB737-8007 VHAP FOR NHA/OTHER SYS DET SEE: 25-50-00-08	020022	RF
-	3 284A0411-6		EQUIPMENT INSTL-E/E BAY E1 RACK (AUTOTHROTTLE SYSTEM ONLY) MODIFICATION DRAWING REF: 737-8845 REFERENCE AIRLINE MOD: E.O.APB737-8007 VHAP E.O.APB737-8009 VHAP FOR NHA/OTHER SYS DET SEE: 25-50-00-08	023027	RF

MISSING ITEM NUMBERS NOT APPLICABLE

- ITEM NOT ILLUSTRATED

HAP

22-31-10-01

BOEING PROPRIETARY - Copyright © - Unpublished Work - See title page for details.

22-31-10
FIG. 01
PAGE 2
FEB 15/09

BOEING
737-600/700/800/900
PARTS CATALOG (MAINTENANCE)

FIG ITEM	PART NUMBER	1 2 3 4 5 6 7	NOMENCLATURE	EFFECT FROM TO	UNITS PER ASSY
1 5	760SUE1-1		.COMPUTER ASSY-AUTOTHROTTLE SUPPLIER CODE: VK5294 FUNCTIONAL DESCRIPTION: OPERATES BOTH ENGINE THRUST LEVERS INDEPENDENTLY TO OBTAIN THE BEST PERFORMANCE FROM EACH ENGINE SPECIFICATION NUMBER: 10-62017-51 ELECTRICAL EQUIP NUMBER: M00917 COMPONENT MAINT MANUAL REF: 22-30-16 MAINTENANCE MANUAL REF: 22-31-10 QUALIFIED I/W DATA: 760SUE2-2 I/W 760SUE1-1 PER CUSTOMER REQUIREMENTS. 760SUE2-2 MUST BE INSTALLED IF THE QUIET CLIMB SYSTEM FUNCTIONALITY IS ENABLED. 760SUE2-4 I/W 760SUE1-1 EXCEPT 760SUE2-4 IS REQUIRED FOR 737-900 AND AIRCRAFT DELIVERED WITH PRODUCTION WINGLETS AND AIRCRAFT UTILIZING QUIET CLIMB SYSTEM PRE AIRLINE MOD: E.O.APB737-8007 VHAP	001014 202967	1

MISSING ITEM NUMBERS NOT APPLICABLE

— ITEM NOT ILLUSTRATED

HAP

22-31-10-01

BOEING PROPRIETARY - Copyright © - Unpublished Work - See title page for details.

22-31-10
FIG. 01
PAGE 3
FEB 15/09

BOEING
737-600/700/800/900
PARTS CATALOG (MAINTENANCE)

FIG ITEM	PART NUMBER	1 2 3 4 5 6 7	NOMENCLATURE	EFFECT FROM TO	UNITS PER ASSY
1 5	760SUE2-2		.COMPUTER ASSY-AUTOTHROTTLE SUPPLIER CODE: VK5294 FUNCTIONAL DESCRIPTION: OPERATES BOTH ENGINE THRUST LEVERS INDEPENDENTLY TO OBTAIN THE BEST PERFORMANCE FROM EACH ENGINE SPECIFICATION NUMBER: 10-62017-52 ELECTRICAL EQUIP NUMBER: M00917 COMPONENT MAINT MANUAL REF: 22-30-16 MAINTENANCE MANUAL REF: 22-31-10 QUALIFIED I/W DATA: 760SUE2-2 I/W 760SUE1-1 PER CUSTOMER REQUIREMENTS. 760SUE2-2 MUST BE INSTALLED IF THE QUIET CLIMB SYSTEM FUNCTIONALITY IS ENABLED. 760SUE2-4 I/W 760SUE2-2 EXCEPT 760SUE2-4 IS REQUIRED FOR 737-900 AND AIRCRAFT DELIVERED WITH PRODUCTION WINGLETS POST SERVICE LETTER: 22-045 PRE AIRLINE MOD: E.O.APB737-8007 VHAP E.O.APB737-8009 VHAP	015027 201201	1

MISSING ITEM NUMBERS NOT APPLICABLE

— ITEM NOT ILLUSTRATED

HAP

22-31-10-01

BOEING PROPRIETARY - Copyright © - Unpublished Work - See title page for details.

22-31-10
FIG. 01
PAGE 4
FEB 15/09

BOEING
737-600/700/800/900
PARTS CATALOG (MAINTENANCE)

FIG ITEM	PART NUMBER	1 2 3 4 5 6 7	NOMENCLATURE	EFFECT FROM TO	UNITS PER ASSY
1 5	760SUE2-4		.COMPUTER ASSY-AUTOTHROTTLE SUPPLIER CODE: VK5294 FUNCTIONAL DESCRIPTION: OPERATES BOTH ENGINE THRUST LEVERS INDEPENDENTLY TO OBTAIN THE BEST PERFORMANCE FROM EACH ENGINE. SPECIFICATION NUMBER: 10-62017-54 ELECTRICAL EQUIP NUMBER: M00917 COMPONENT MAINT MANUAL REF: 22-30-16 MAINTENANCE MANUAL REF: 22-31-10 QUALIFIED I/W DATA: 760SUE2-4 I/W 760SUE2-2 EXCEPT 760SUE2-4 IS REQUIRED FOR 737-900 AND AIRCRAFT DELIVERED WITH PRODUCTION WINGLETS 760SUE2-4 I/W 760SUE1-1 EXCEPT 760SUE2-4 IS REQUIRED FOR 737-900 AND AIRCRAFT DELIVERED WITH PRODUCTION WINGLETS AND AIRCRAFT UTILIZING QUIET CLIMB SYSTEM FUNCTIONALITY POST AIRLINE MOD: E.O.APB737-8007 VHAP E.O.APB737-8009 VHAP	012013 015030	1

MISSING ITEM NUMBERS NOT APPLICABLE

— ITEM NOT ILLUSTRATED

HAP

22-31-10-01

BOEING PROPRIETARY - Copyright © - Unpublished Work - See title page for details.

22-31-10
FIG. 01
PAGE 5
FEB 15/09

BOEING
737-600/700/800/900
PARTS CATALOG (MAINTENANCE)

FIG ITEM	PART NUMBER	1 2 3 4 5 6 7	NOMENCLATURE	EFFECT FROM TO	UNITS PER ASSY
R R	1 5	760SUE2-4	. COMPUTER ASSY-AUTOTHROTTLE SUPPLIER CODE: VK5294 FUNCTIONAL DESCRIPTION: OPERATES BOTH ENGINE THRUST LEVERS INDEPENDENTLY TO OBTAIN THE BEST PERFORMANCE FROM EACH ENGINE. SPECIFICATION NUMBER: 10-62017-54 ELECTRICAL EQUIP NUMBER: M00917 COMPONENT MAINT MANUAL REF: 22-30-16 MAINTENANCE MANUAL REF: 22-31-10 POST AIRLINE MOD: E.O.APB737-8007 VHAP	001011	1
	10	STD3514-4	..NAMEPLATE- SUPPLIER CODE: VK5294	001030 201967	1
	15	STD3631-1	..LABEL-STATIC SENSITIVE SUPPLIER CODE: VK5294	001030 201967	1
	20	SUE29810-1	..LABEL- SUPPLIER CODE: VK5294	001030 201967	1
	25	SUE29854-1	..LABEL- SUPPLIER CODE: VK5294	001030 201967	1
	30	SUE29809-1	..NAMEPLATE- SUPPLIER CODE: VK5294 SB DATA FROM A CMM: PRE SB22-1268 USED ON: 760SUE1-1 PRE AIRLINE MOD: E.O.APB737-8007 VHAP	001014 202967	1

MISSING ITEM NUMBERS NOT APPLICABLE

— ITEM NOT ILLUSTRATED

HAP

22-31-10-01

22-31-10
FIG. 01
PAGE 6
JUN 15/09

BOEING
737-600/700/800/900
PARTS CATALOG (MAINTENANCE)

FIG ITEM	PART NUMBER	1 2 3 4 5 6 7	NOMENCLATURE	EFFECT FROM TO	UNITS PER ASSY
1					
30	SUE29809-2		..NAMEPLATE- SUPPLIER CODE: VK5294 SB DATA FROM A CMM: SB22-1268 USED ON: 760SUE2-2 POST SERVICE LETTER: 22-045 PRE AIRLINE MOD: E.O.APB737-8007 VHAP E.O.APB737-8009 VHAP	015027 201201	1
30	SUE29809-4		..NAMEPLATE- SUPPLIER CODE: VK5294 SB DATA FROM A CMM: SB22-1268 POST AIRLINE MOD: E.O.APB737-8007 VHAP E.O.APB737-8009 VHAP	001013 015030	1
35	SUE29852-1		..LABEL- SUPPLIER CODE: VK5294	001030 201967	1
40	SUE29853-1		..LABEL- SUPPLIER CODE: VK5294	001030 201967	1
- 500	286A0111-019		WIRE BUNDLE ASSY- AUTOTHROTTLE	001001	RF
- 501	286A0111-025		WIRE BUNDLE ASSY- AUTOTHROTTLE	002004	RF
- 502	286A0111-045		WIRE BUNDLE ASSY- AUTOTHROTTLE	005005	RF
- 504	286A0111-084		WIRE BUNDLE ASSY- AUTOTHROTTLE	008011	RF
- 507	286A0111-157		WIRE BUNDLE ASSY- AUTOTHROTTLE	012030	RF
- 510	286A0111-051		WIRE BUNDLE ASSY- AUTOTHROTTLE	006007	RF
- 511	286A0111-054		WIRE BUNDLE ASSY- AUTOTHROTTLE	201967	RF

MISSING ITEM NUMBERS NOT APPLICABLE

- ITEM NOT ILLUSTRATED

HAP

22-31-10-01

BOEING PROPRIETARY - Copyright © - Unpublished Work - See title page for details.

22-31-10
FIG. 01
PAGE 7
FEB 15/09

BOEING
737-600/700/800/900
PARTS CATALOG (MAINTENANCE)

FIG ITEM	PART NUMBER	1 2 3 4 5 6 7	NOMENCLATURE	EFFECT FROM TO	UNITS PER ASSY
1 515	BCREF15923		.PLATE ASSY-PLUG OVERLENGTH PART NUMBER: BACC66F13C01AA01 ELECTRICAL EQUIP NUMBER: D10009 WIRING DIAGRAM REF: 223111	001030 201967	1
520	NAS1801-06		.SCREW- POSITION DATA: FAR SIDE	001030 201967	4
525	PLH506CD		.NUT- SUPPLIER CODE: VF0224 SPECIFICATION NUMBER: BACN10YRO6CD OPTIONAL PART: H52732-06CD V15653 POSITION DATA: NEAR SIDE	001030 201967	4
530	S280W601-301		.TRACK-MTG ELECTRICAL EQUIP NUMBER: GB1109 GB1110	001030 201967	2

MISSING ITEM NUMBERS NOT APPLICABLE

— ITEM NOT ILLUSTRATED

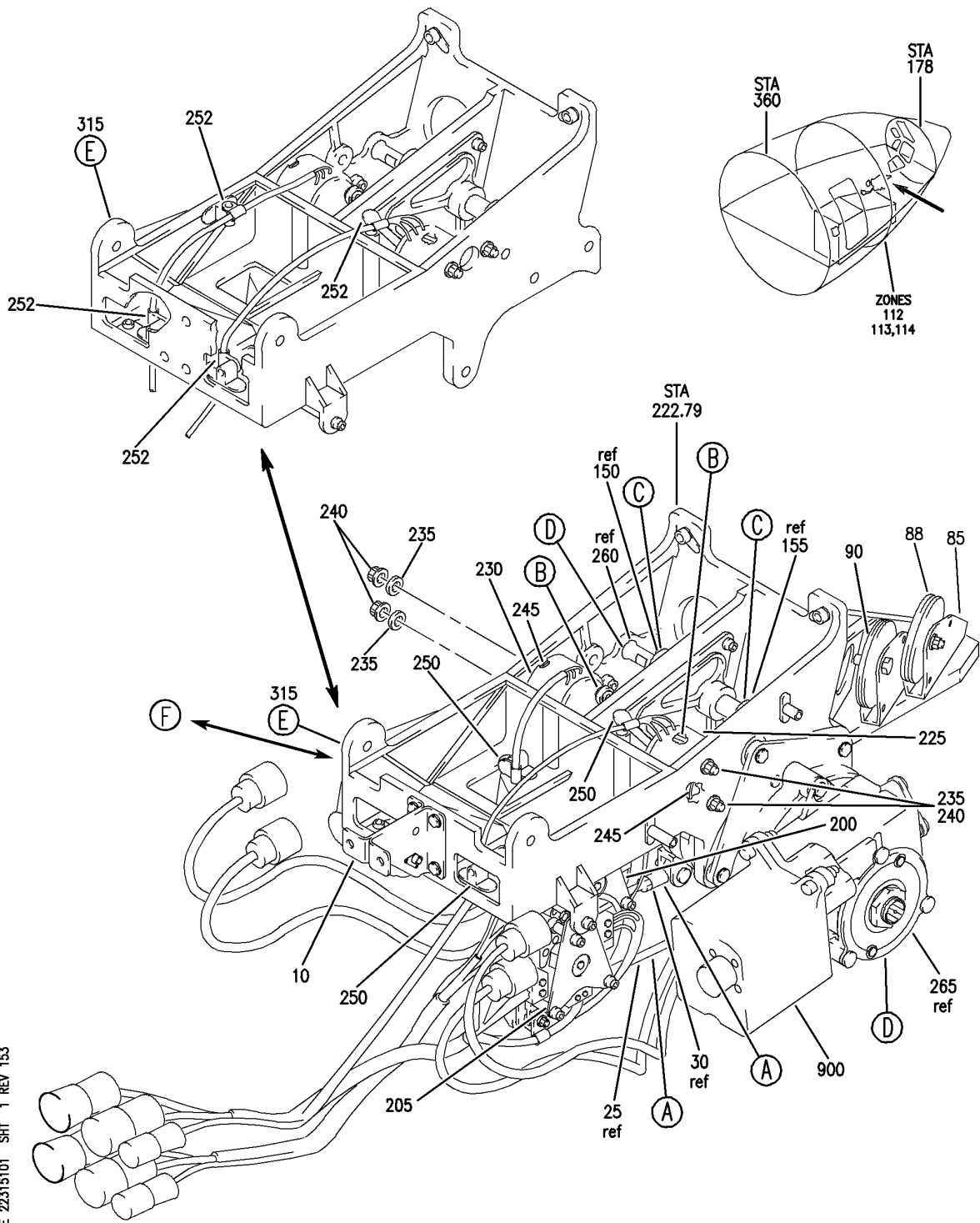
HAP

22-31-10-01

BOEING PROPRIETARY - Copyright © - Unpublished Work - See title page for details.

22-31-10
FIG. 01
PAGE 8
FEB 15/09

BOEING
 737-600/700/800/900
 PARTS CATALOG (MAINTENANCE)



E 22315101 SHT 1 REV 153

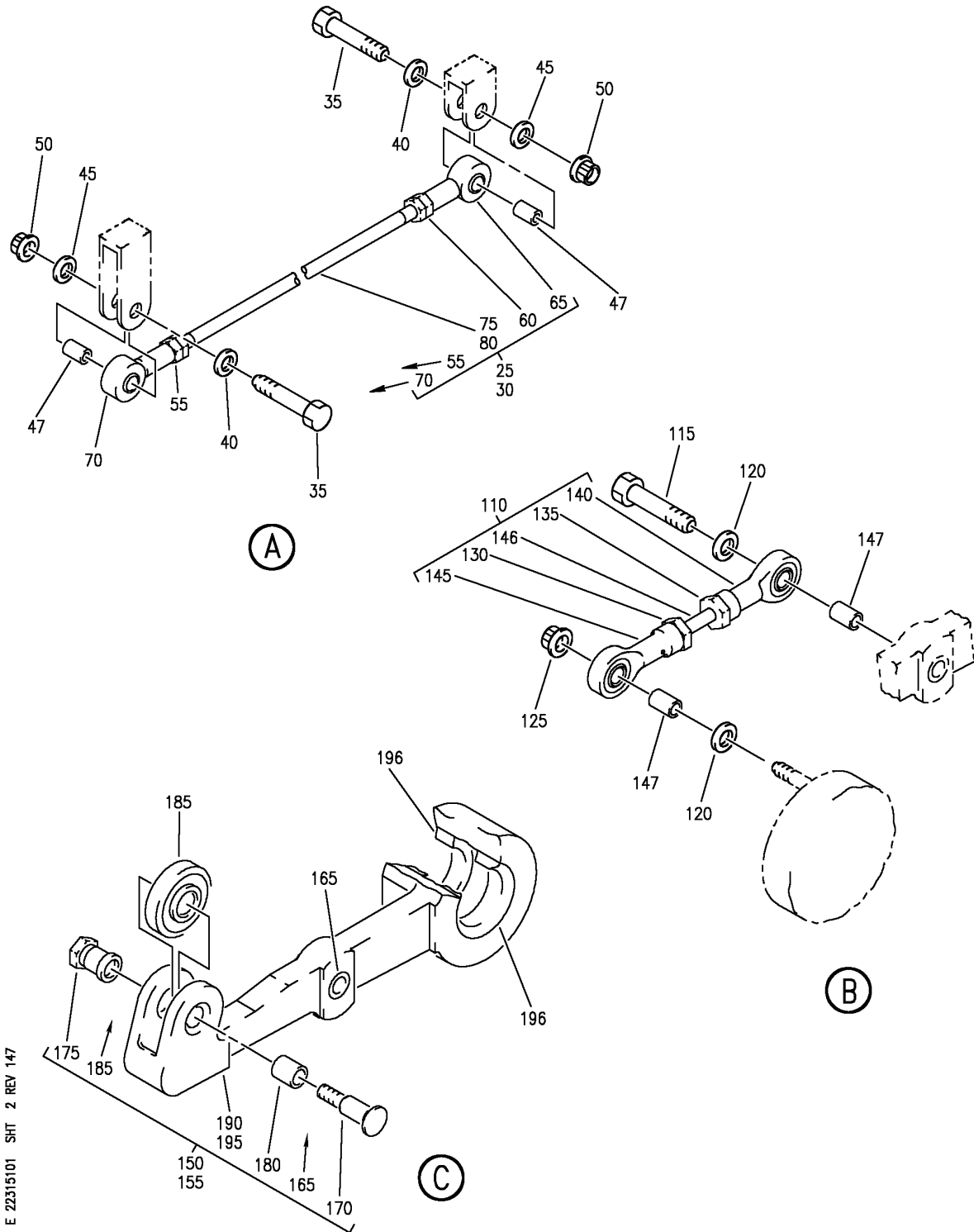
AUTOHRTLLE ASSY (AUTOHRTLLE DISENGAGED SWITCH ONLY)
 FIGURE 1 (SHEET 1)

22-31-51-01

HAP
 JUN 15/09

22-31-51-01
 PAGE 0

BOEING
 737-600/700/800/900
 PARTS CATALOG (MAINTENANCE)



E 22315101 SH1 2 REV 147

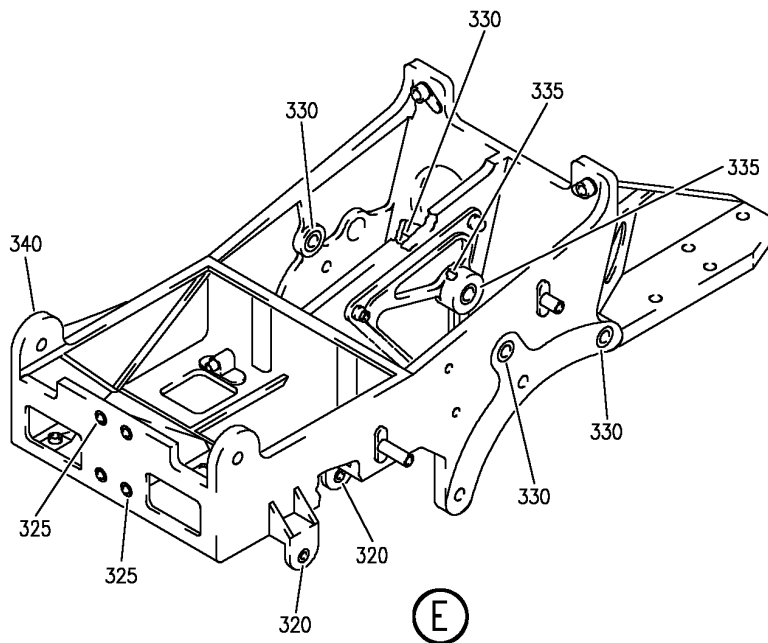
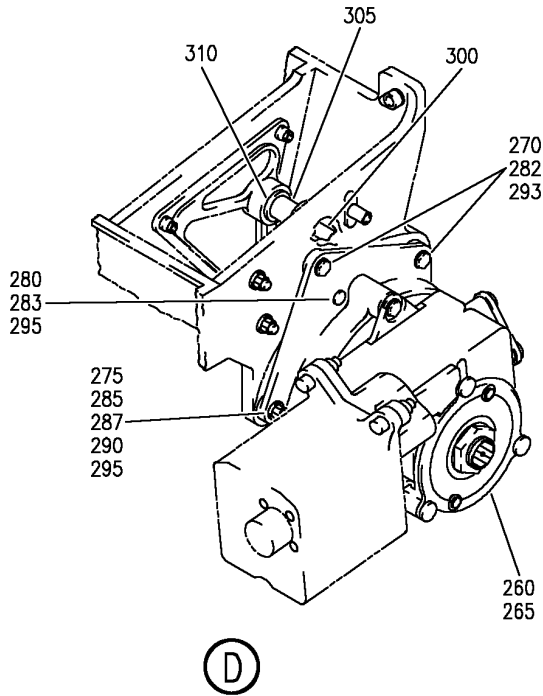
AUTOTHROTTLE ASSY (AUTOTHROTTLE DISENGAGED SWITCH ONLY)
 FIGURE 1 (SHEET 2)

22-31-51-01

HAP
 OCT 15/08

22-31-51-01
 PAGE 0A

BOEING
 737-600/700/800/900
 PARTS CATALOG (MAINTENANCE)



E 22315101 SHT 3 REV 155

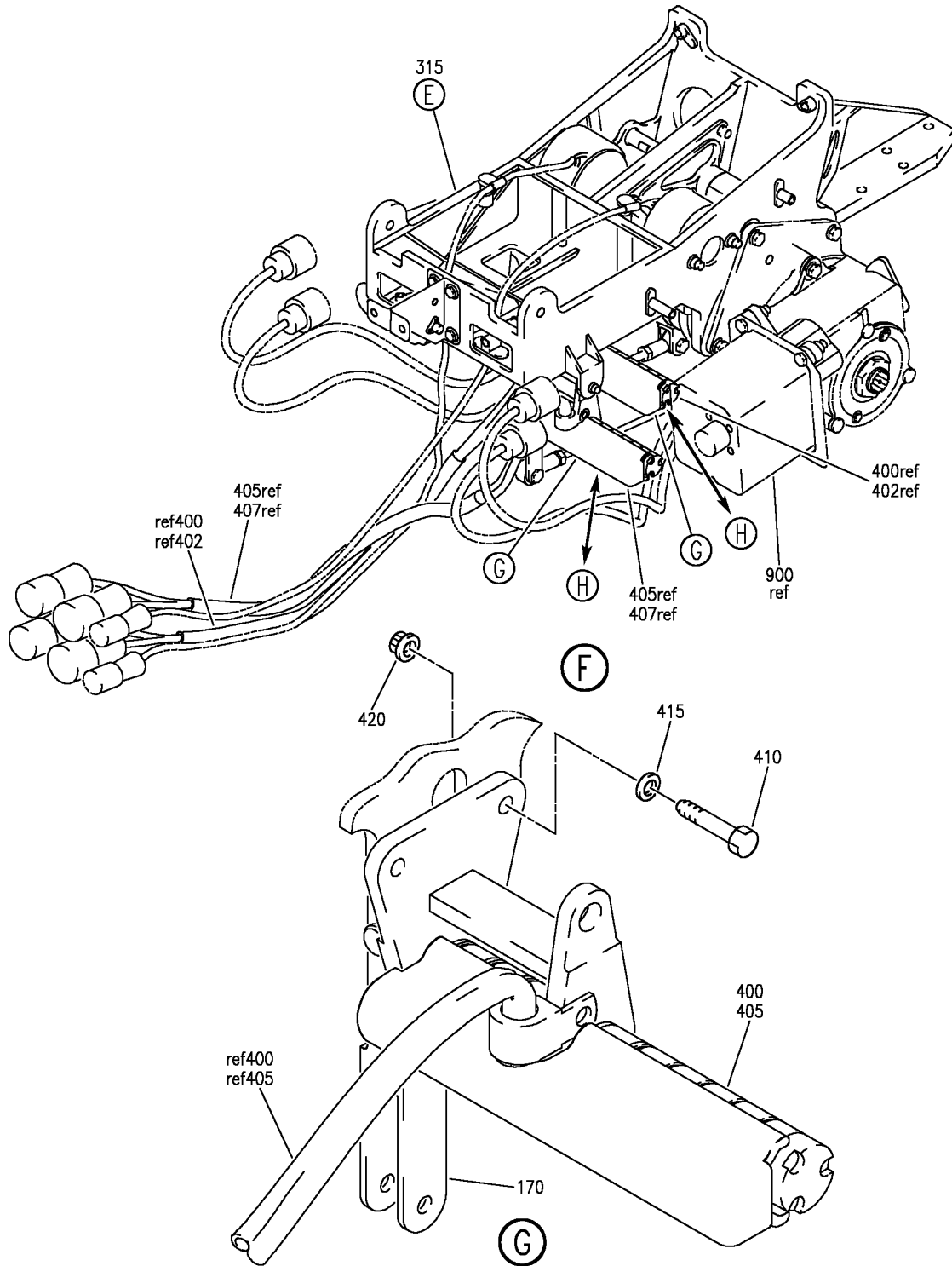
AUTOTHROTTLE ASSY (AUTOTHROTTLE DISENGAGED SWITCH ONLY)
 FIGURE 1 (SHEET 3)

22-31-51-01

HAP
 JUN 15/09

22-31-51-01
 PAGE 0B

BOEING
 737-600/700/800/900
 PARTS CATALOG (MAINTENANCE)



E 22315101 SH1 4 REV 155

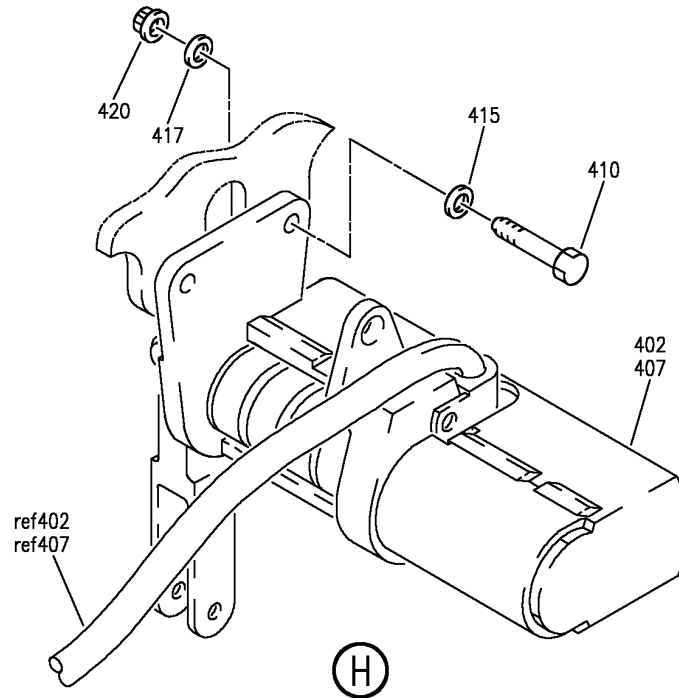
AUTOTHROTTLE ASSY (AUTOTHROTTLE DISENGAGED SWITCH ONLY)
 FIGURE 1 (SHEET 4)

22-31-51-01

HAP
 JUN 15/09

22-31-51-01
 PAGE 0C

BOEING
737-600/700/800/900
PARTS CATALOG (MAINTENANCE)



E 22315101 SH1 5 REV 155

AUTOTHROTTLE ASSY (AUTOTHROTTLE DISENGAGED SWITCH ONLY)
FIGURE 1 (SHEET 5)

22-31-51-01

HAP
JUN 15/09

22-31-51-01
PAGE 0D

BOEING
737-600/700/800/900
PARTS CATALOG (MAINTENANCE)

FIG ITEM	PART NUMBER	1 2 3 4 5 6 7	NOMENCLATURE	EFFECT FROM TO	UNITS PER ASSY
R R R R R R R R R R R R R	1				
	45	NAS1149D0332J	.WASHER- USED ON: 254A1110-3 254A1110-4 254A1110-5 254A1110-6 254A1110-7 254A1110-8		4
	45	NAS1149D0363J	.WASHER- USED ON: 254A1110-10 254A1110-11 -----*-----		4
	47	BACB28Y3C014	.BUSHING ATTACHING PARTS		2
	50	PLH53CD	.NUT SUPPLIER CODE: VF0224 SPECIFICATION NUMBER: BACN10YR3CD OPTIONAL PART: H52732-3CD V15653 -----*-----		4
	55	MS35649-2252	..NUT		1
	60	MS35691-5	..NUT		1
	65	SF3-4A1-501	..ROD END-BRG SUPPLIER CODE: V77896		1
	70	SF3-4A1-502	..ROD END-BRG SUPPLIER CODE: V77896		1
	75	254A1114-2	..ROD- USED ON: 254A1114-1		1
	80	254A1114-4	..ROD- USED ON: 254A1114-3		1
	85	69-37978-6	.BRACKET ASSY		1

MISSING ITEM NUMBERS NOT APPLICABLE

— ITEM NOT ILLUSTRATED

HAP

22-31-51-01

BOEING PROPRIETARY - Copyright © - Unpublished Work - See title page for details.

22-31-51
FIG. 01
PAGE 3
JUN 15/09

BOEING
737-600/700/800/900
PARTS CATALOG (MAINTENANCE)

FIG ITEM	PART NUMBER	1 2 3 4 5 6 7	NOMENCLATURE	EFFECT FROM TO	UNITS PER ASSY
1 125	PLH53CD	.	NUT SUPPLIER CODE: VF0224 SPECIFICATION NUMBER: BACN10YR3CD OPTIONAL PART: H52732-3CD V15653 -----*-----		2
130	MS35649-204	..	NUT		1
135	NAS671-10	..	NUT		1
140	AW3-5	..	ROD END-BRG SUPPLIER CODE: V56644 OPTIONAL PART: KBE3-61 V97613 USED ON: 254N1016-3	001030 201967	1
140	KBE3-61	..	ROD END-BRG SUPPLIER CODE: V97613 OPTIONAL PART: AW3-5 V56644 USED ON: 254N1016-3	001030 201967	1
145	AW3-7	..	ROD END-BRG SUPPLIER CODE: V56644 OPTIONAL PART: KBE3-103 V97613 USED ON: 254N1016-3	001030 201967	1
145	KBE3-103	..	ROD END-BRG SUPPLIER CODE: V97613 OPTIONAL PART: AW3-7 V56644 USED ON: 254N1016-3	001030 201967	1
146	254N1016-4	..	ROD- USED ON: 254N1016-3	001030 201967	1
146	254N1016-6	..	ROD- USED ON: 254N1016-5		1

MISSING ITEM NUMBERS NOT APPLICABLE

— ITEM NOT ILLUSTRATED

HAP

22-31-51-01

BOEING PROPRIETARY - Copyright © - Unpublished Work - See title page for details.

22-31-51
FIG. 01
PAGE 5
JUN 15/09

BOEING
737-600/700/800/900
PARTS CATALOG (MAINTENANCE)

FIG ITEM	PART NUMBER	1 2 3 4 5 6 7	NOMENCLATURE	EFFECT FROM TO	UNITS PER ASSY
1					
147	BACB28Y3C010	.	BUSHING		4
150	254A1162-5	.	LATCH ASSY		1
155	254A1162-6	.	LATCH ASSY		1
165	MS21209F1-15P	..	INSERT		1
170	HST11AG6-8	..	BOLT		1
			SUPPLIER CODE: V06725		
			SPECIFICATION NUMBER: BACB30VU6K8		
			OPTIONAL PART: HST11AG6-8		
			V73197		
			HST11AG6-8		
			V56878		
			HST11AG6-8		
			V0PTK6		
175	BACC30BL6	..	COLLAR		1
180	BACB28Y3C014	..	BUSHING		1
185	BACB10FT3LR	..	BEARING		1
190	254A1162-7	..	LATCH-		1
			USED ON: 254A1162-5		
195	254A1162-8	..	LATCH-		1
			USED ON: 254A1162-6		
196	SSMKP5ASD524	.	BEARING-		4
			SUPPLIER CODE: V50294		
			SPECIFICATION NUMBER: BACB10FS05J		
			OPTIONAL PART: PACMKP05JAA3908		
			V21335		
			SSMKP05JASD705		
			V83086		
			PACMKP5AFS428		
			V21335		
			ACMKP05JAP510LY		
			V40920		
			SSMKP05JAP		
			V21760		
			SSMKP05AP		
			V21760		
			PACMKP05JAFS428		
			V21335		

MISSING ITEM NUMBERS NOT APPLICABLE

— ITEM NOT ILLUSTRATED

HAP

22-31-51-01

BOEING PROPRIETARY - Copyright © - Unpublished Work - See title page for details.

22-31-51
FIG. 01
PAGE 6
JUN 15/09


BOEING
 737-600/700/800/900
PARTS CATALOG (MAINTENANCE)

FIG ITEM	PART NUMBER	1 2 3 4 5 6 7	NOMENCLATURE	EFFECT FROM TO	UNITS PER ASSY
1 200	254A1150-1		.SWITCHPACK ASSY- MAINTENANCE MANUAL REF: 76-11-07 USED ON: 254A1110-3 FUNCTIONAL REFERENCE: AUTOFLIGHT FOR DETAILS SEE 22-31-51-02 EXHAUST FOR DETAILS SEE 78-34-04-01 78-34-05-02 ICE & RAIN PROTECTION FOR DETAILS SEE 30-11-51-01 INDICATING/RECORDING FOR DETAILS SEE 31-51-51-01 LANDING GEAR FOR DETAILS SEE 32-43-51-01 32-61-11-01		1
	200 254A1150-7		.SWITCHPACK ASSY- MAINTENANCE MANUAL REF: 76-11-07 USED ON: 254A1110-3 FOR SPARES PROCURE: 254A1150-9 FUNCTIONAL REFERENCE: AUTOFLIGHT FOR DETAILS SEE 22-31-51-02 EXHAUST FOR DETAILS SEE 78-34-04-01 78-34-05-02 ICE & RAIN PROTECTION FOR DETAILS SEE 30-11-51-01 INDICATING/RECORDING FOR DETAILS SEE 31-51-51-01 LANDING GEAR FOR DETAILS SEE 32-43-51-01 32-61-11-01		1

MISSING ITEM NUMBERS NOT APPLICABLE

— ITEM NOT ILLUSTRATED

HAP

22-31-51-01

22-31-51
 FIG. 01
 PAGE 7
 JUN 15/09


BOEING
 737-600/700/800/900
PARTS CATALOG (MAINTENANCE)

FIG ITEM	PART NUMBER	1 2 3 4 5 6 7	NOMENCLATURE	EFFECT FROM TO	UNITS PER ASSY
1	254A1150-10		.SWITCHPACK ASSY- MAINTENANCE MANUAL REF: 76-11-07 USED ON: 254A1110-3 254A1110-4 254A1110-5 254A1110-6 FUNCTIONAL REFERENCE: AUTOFLIGHT FOR DETAILS SEE 22-31-51-02 EXHAUST FOR DETAILS SEE 78-34-04-01 78-34-05-02 ICE & RAIN PROTECTION FOR DETAILS SEE 30-11-51-01 INDICATING/RECORDING FOR DETAILS SEE 31-51-51-01 LANDING GEAR FOR DETAILS SEE 32-43-51-01 32-61-11-01 ATTACHING PARTS		1
R -	210	BACB30NM3K5	.BOLT-		4
R -	215	NAS1149D0332J	.WASHER-		4
R -	220	PLH53CD	.NUT-		4
			SUPPLIER CODE: VF0224 SPECIFICATION NUMBER: BACN10YR3CD OPTIONAL PART: H52732-3CD V15653 -----*-----		
	225	196299-001	.SOLENOID-ROTARY SUPPLIER CODE: V81840 POSITION DATA: RIGHT MAINTENANCE MANUAL REF: 76-11-06		1

MISSING ITEM NUMBERS NOT APPLICABLE

- ITEM NOT ILLUSTRATED

HAP

22-31-51-01

BOEING PROPRIETARY - Copyright © - Unpublished Work - See title page for details.

22-31-51
 FIG. 01
 PAGE 10
 JUN 15/09

BOEING
737-600/700/800/900
PARTS CATALOG (MAINTENANCE)

FIG ITEM	PART NUMBER	1 2 3 4 5 6 7	NOMENCLATURE	EFFECT FROM TO	UNITS PER ASSY
1					
230	196298-001		.SOLENOID-ROTARY SUPPLIER CODE: V81840 POSITION DATA: LEFT MAINTENANCE MANUAL REF: 76-11-06 ATTACHING PARTS		1
235	NAS1149D0432J		.WASHER-		4
240	PLH54CD		.NUT- SUPPLIER CODE: VF0224 SPECIFICATION NUMBER: BACN10YR4CD OPTIONAL PART: H52732-4CD V15653 -----*-----		4
245	254A1163-2		.SPACER-		2
250	BACC10DK3		.CLAMP- USED ON: 254A1110-3 254A1110-4	001030 201967	3
252	BACC10DK3		.CLAMP- USED ON: 254A1110-5 254A1110-6 254A1110-7 254A1110-8 254A1110-10 254A1110-11 ATTACHING PARTS		4
- 255	BACS12GU3K8		.SCREW- USED ON: 254A1110-3 254A1110-4	001030 201967	3
- 257	BACS12GU3K8		.SCREW- USED ON: 254A1110-5 254A1110-6 254A1110-7 254A1110-8 254A1110-10 254A1110-11 -----*-----		4

MISSING ITEM NUMBERS NOT APPLICABLE

- ITEM NOT ILLUSTRATED

HAP

22-31-51-01

BOEING PROPRIETARY - Copyright © - Unpublished Work - See title page for details.

22-31-51
FIG. 01
PAGE 11
JUN 15/09

BOEING
737-600/700/800/900
PARTS CATALOG (MAINTENANCE)

FIG ITEM	PART NUMBER	1 2 3 4 5 6 7	NOMENCLATURE	EFFECT FROM TO	UNITS PER ASSY
1					
270	BACB30NM4K5		.BOLT- OPTIONAL PART: BACB30LM4K5		4
275	BACB30LM4K11		.BOLT- OPTIONAL PART: BACB30NM4K11		2
275	BACB30NM4K11		.BOLT- OPTIONAL PART: BACB30LM4K11		2
280	254A1112-1		.PIN		2
282	NAS1149D0432J		.WASHER- USED ON: 254A1110-3 254A1110-4 254A1110-5 254A1110-6 254A1110-7 254A1110-8		4
283	NAS1149D0432J		.WASHER		2
285	NAS1149D0432J		.WASHER- POSITION DATA: UNDER HEAD/UNDER NUT USED ON: 254A1110-3 254A1110-4 254A1110-5 254A1110-6 254A1110-7 254A1110-8		4
287	BACW10BP4CD		.WASHER- POSITION DATA: UNDER HEAD USED ON: 254A1110-10 254A1110-11		2
290	NAS1149D0432J		.WASHER- POSITION DATA: UNDER NUT USED ON: 254A1110-10 254A1110-11		2
293	BACW10BP4CD		-----*----- .WASHER- USED ON: 254A1110-10 254A1110-11		2

MISSING ITEM NUMBERS NOT APPLICABLE

— ITEM NOT ILLUSTRATED

HAP

22-31-51-01

BOEING PROPRIETARY - Copyright © - Unpublished Work - See title page for details.

22-31-51
FIG. 01
PAGE 13
JUN 15/09

BOEING
737-600/700/800/900
PARTS CATALOG (MAINTENANCE)

FIG ITEM	PART NUMBER	1 2 3 4 5 6 7	NOMENCLATURE	EFFECT FROM TO	UNITS PER ASSY
1			ATTACHING PARTS		
295	PLH54CD		.NUT SUPPLIER CODE: VF0224 SPECIFICATION NUMBER: BACN10YR4CD OPTIONAL PART: H52732-4CD V15653 -----*-----		4
300	254A1165-1		.SHAFT- OPTIONAL PART: 254A1165-2		2
300	254A1165-2		.SHAFT- OPTIONAL PART: 254A1165-1		2
305	BACB28Z5-095		.BEARING- USED ON: 254A1110-3 254A1110-4	001030 201967	2
310	BACW10BP5DP		.WASHER- USED ON: 254A1110-3 254A1110-4	001030 201967	2
315	254A1121-6		.FRAME ASSY- USED ON: 254A1110-5 254A1110-6 254A1110-7 254A1110-8		1
315	254A1121-4		.FRAME ASSY- USED ON: 254A1110-3 254A1110-4	001030 201967	1
320	BACB28Y3D022		..BUSHING		2
325	MS21209F1-10P		..INSERT		4
330	MS21209F4-15P		..INSERT		4
335	MS21209F5-15P		..INSERT		2
340	254A1121-5		..FRAME-		1
400	254A1150-11		.SWITCHPACK ASSY- USED ON: 254A1110-7 254A1110-8 FOR DETAILS SEE: 22-31-51-02		1

R
R
R
R
R
R

MISSING ITEM NUMBERS NOT APPLICABLE

- ITEM NOT ILLUSTRATED

HAP

22-31-51-01

BOEING PROPRIETARY - Copyright © - Unpublished Work - See title page for details.

22-31-51
FIG. 01
PAGE 14
JUN 15/09

BOEING
737-600/700/800/900
PARTS CATALOG (MAINTENANCE)

FIG ITEM	PART NUMBER	1 2 3 4 5 6 7	NOMENCLATURE	EFFECT FROM TO	UNITS PER ASSY
1					
R	402	254A1150-13	.SWITCHPACK ASSY- USED ON: 254A1110-10 254A1110-11 FOR DETAILS SEE: 22-31-51-02		1
R					
R					
R					
R					
R	405	254A1150-12	.SWITCHPACK ASSY- USED ON: 254A1110-7 254A1110-8 FOR DETAILS SEE: 22-31-51-02		1
R					
R					
R					
R					
R	407	254A1150-14	.SWITCHPACK ASSY- USED ON: 254A1110-10 254A1110-11 FOR DETAILS SEE: 22-31-51-02		1
R					
R					
R					
R					
R	410	BACB30NM3K5	.BOLT- USED ON: 254A1110-7 254A1110-8		4
R					
R					
R					
R	410	BACB30NM3K6	.BOLT- USED ON: 254A1110-10 254A1110-11		4
R					
R					
R					
R	415	NAS1149D0332J	.WASHER- USED ON: 254A1110-7 254A1110-8		4
R					
R					
R					
R	415	BACW10BP3CD	.WASHER- USED ON: 254A1110-10 254A1110-11		4
R					
R					
R					
R	417	NAS1149D0363J	.WASHER- USED ON: 254A1110-10 254A1110-11		4
R					
R					
R					

MISSING ITEM NUMBERS NOT APPLICABLE

— ITEM NOT ILLUSTRATED

HAP

22-31-51-01

BOEING PROPRIETARY - Copyright © - Unpublished Work - See title page for details.

22-31-51
FIG. 01
PAGE 15
JUN 15/09

BOEING
737-600/700/800/900
PARTS CATALOG (MAINTENANCE)

FIG ITEM	PART NUMBER	1 2 3 4 5 6 7	NOMENCLATURE	EFFECT FROM TO	UNITS PER ASSY
1 420	PLH53CD		.NUT- SUPPLIER CODE: VF0224 SPECIFICATION NUMBER: BACN10YR3CD OPTIONAL PART: H52732-3CD V15653 USED ON: 254A1110-7 254A1110-8 254A1110-10 254A1110-11 -----*-----		4

MISSING ITEM NUMBERS NOT APPLICABLE

— ITEM NOT ILLUSTRATED

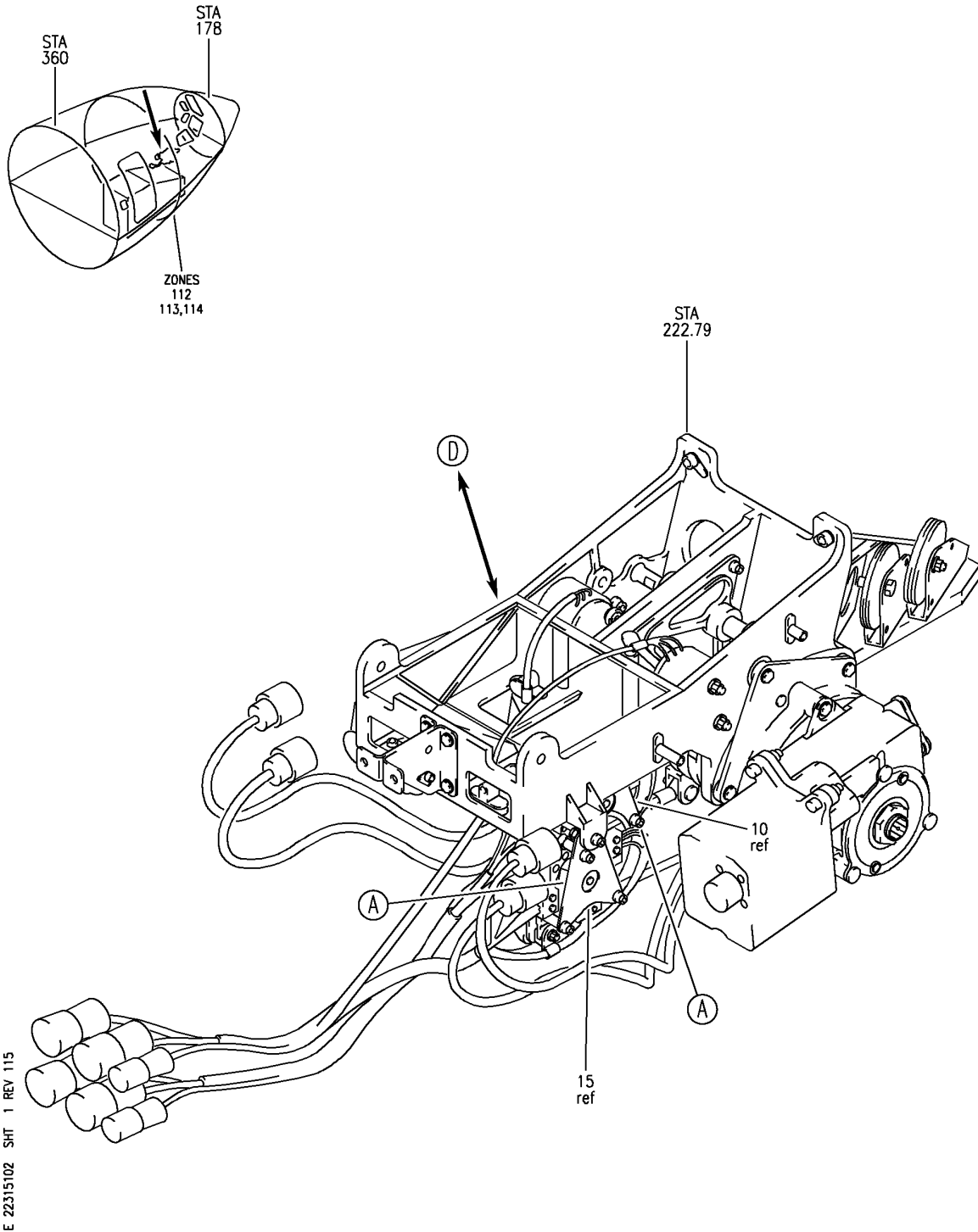
HAP

22-31-51-01

BOEING PROPRIETARY - Copyright © - Unpublished Work - See title page for details.

22-31-51
FIG. 01
PAGE 16
JUN 15/09

BOEING
 737-600/700/800/900
 PARTS CATALOG (MAINTENANCE)



E 22315102 SHT 1 REV 115

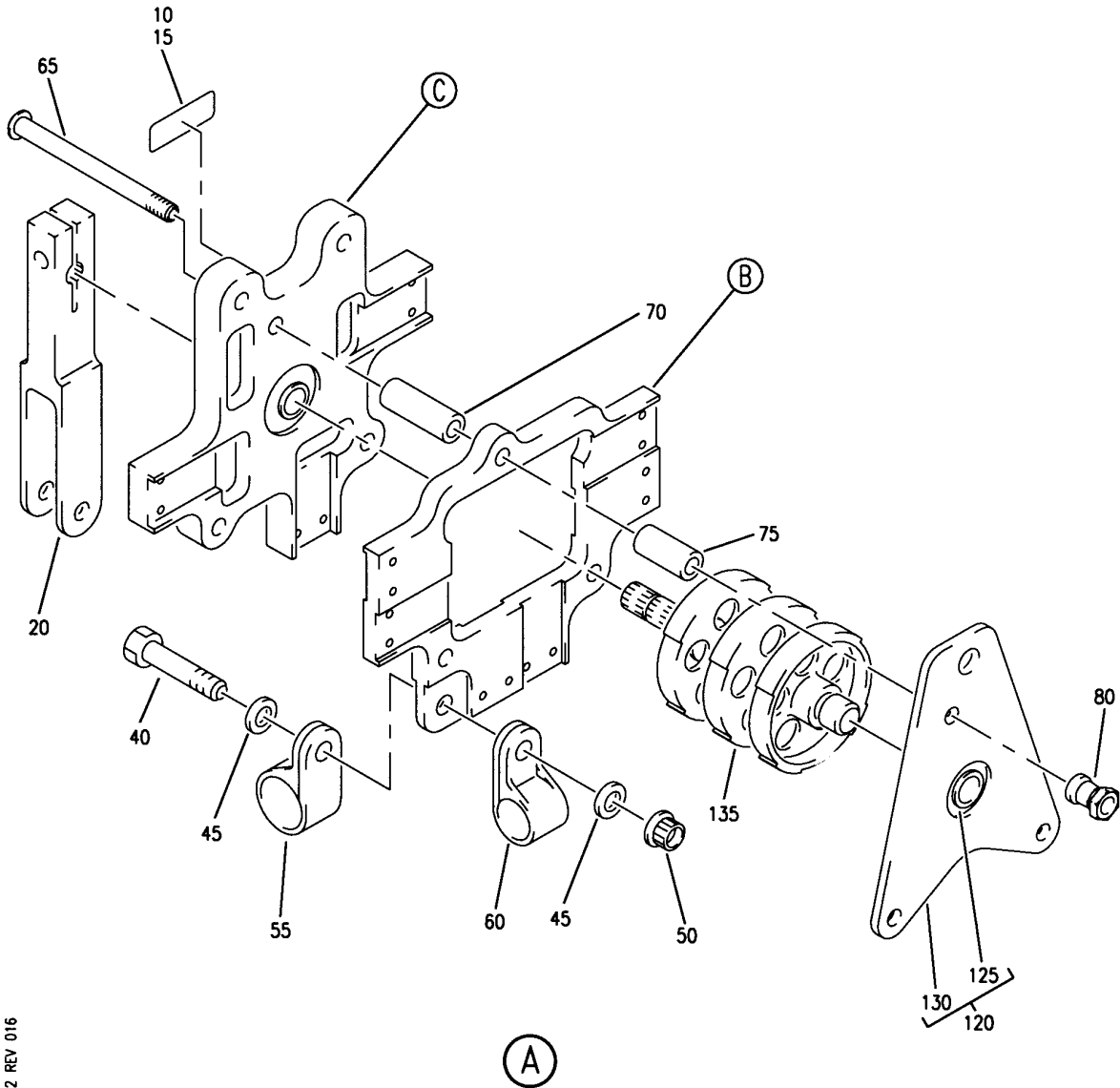
SWITCHPACK ASSY AUTOThrottle (AUTOFLIGHT ONLY)
 FIGURE 2 (SHEET 1)

22-31-51-02

HAP
 OCT 10/06

22-31-51-02
 PAGE 0

BOEING
 737-600/700/800/900
 PARTS CATALOG (MAINTENANCE)



E 22315102 SH1 2 REV 016

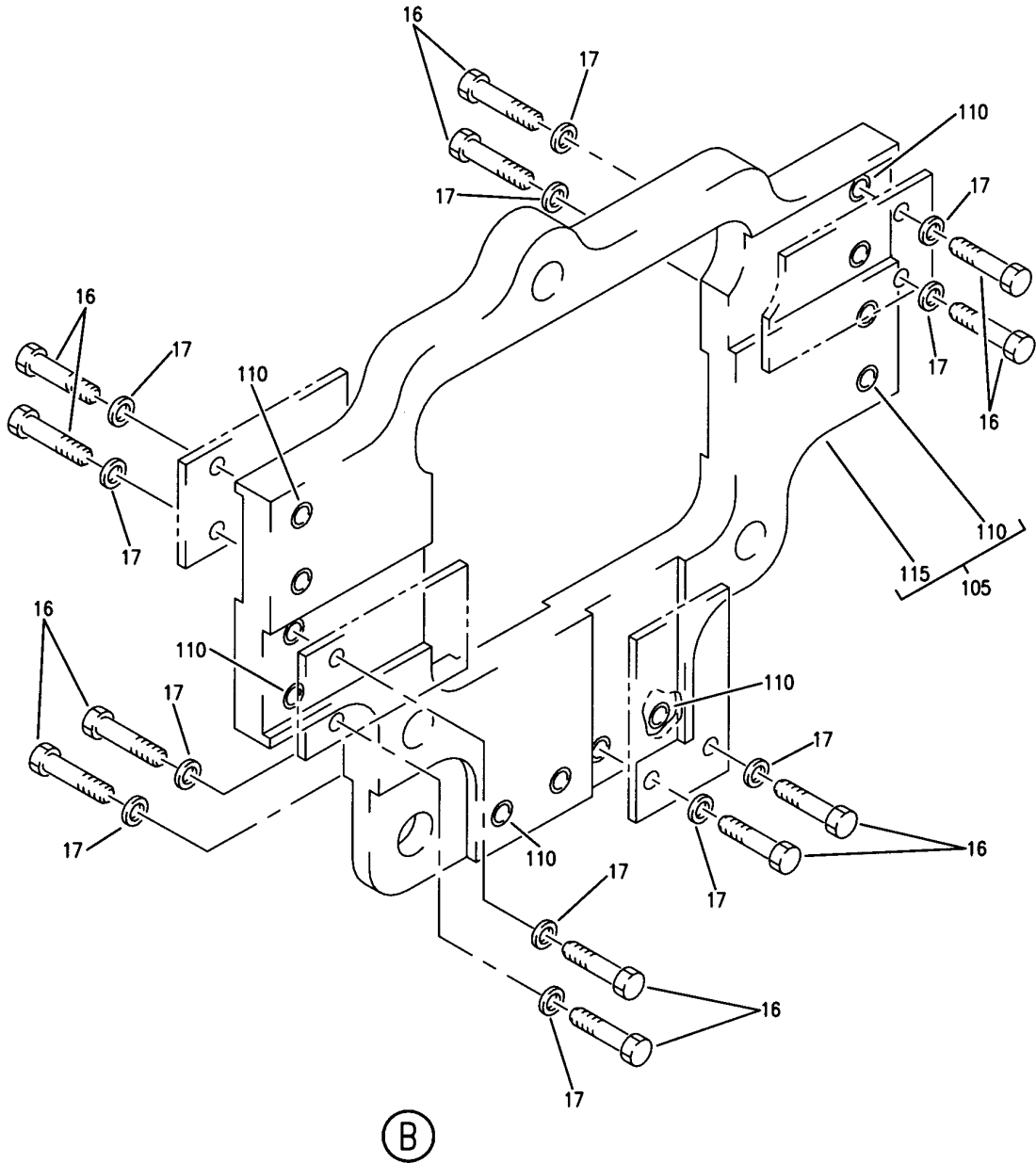
SWITCHPACK ASSY AUTO THROTTLE (AUTOFLIGHT ONLY)
 FIGURE 2 (SHEET 2)

22-31-51-02

HAP
 OCT 10/06

22-31-51-02
 PAGE 0A

BOEING
737-600/700/800/900
PARTS CATALOG (MAINTENANCE)



E 22315102 SH1 3 REV 007

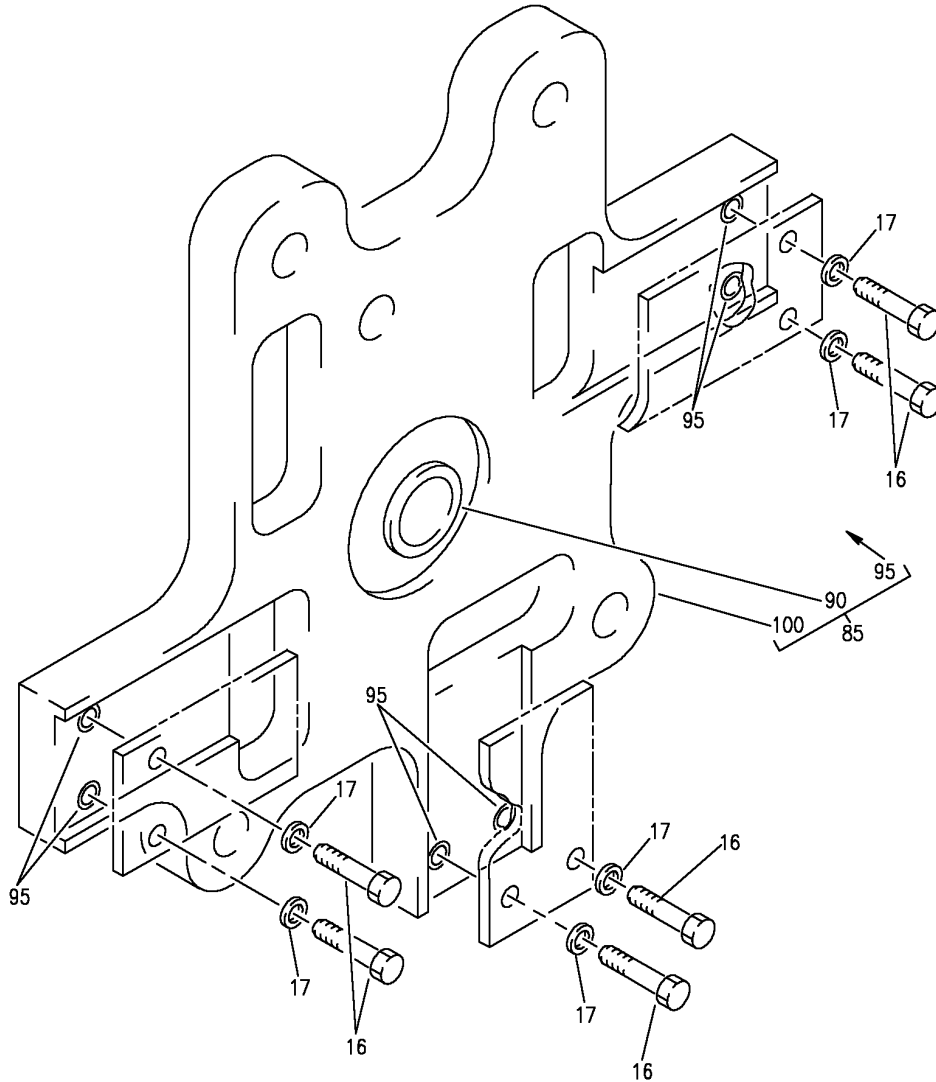
SWITCHPACK ASSY AUTO THROTTLE (AUTOFLIGHT ONLY)
FIGURE 2 (SHEET 3)

22-31-51-02

HAP
OCT 10/06

22-31-51-02
PAGE 0B

BOEING
737-600/700/800/900
PARTS CATALOG (MAINTENANCE)



(C)

E 22315102 SHT 4 REV 119

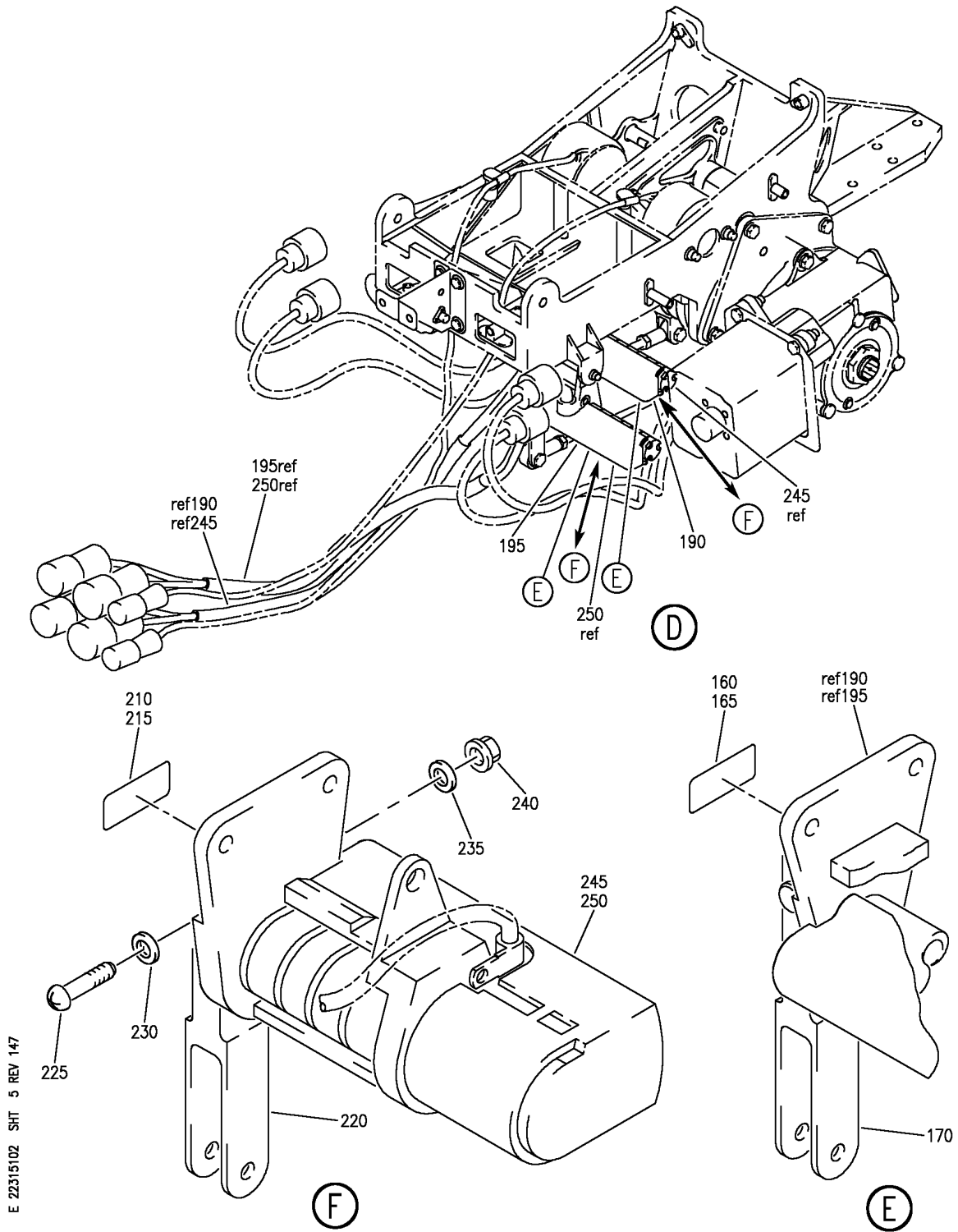
SWITCHPACK ASSY AUTO THROTTLE (AUTOFLIGHT ONLY)
FIGURE 2 (SHEET 4)

22-31-51-02

HAP
OCT 10/06

22-31-51-02
PAGE 0C

BOEING
 737-600/700/800/900
 PARTS CATALOG (MAINTENANCE)



SWITCHPACK ASSY AUTOHROTTLER (AUTOFLIGHT ONLY)
 FIGURE 2 (SHEET 5)

22-31-51-02

HAP
 OCT 15/08

22-31-51-02
 PAGE 0D

BOEING
737-600/700/800/900
PARTS CATALOG (MAINTENANCE)

FIG ITEM	PART NUMBER	1 2 3 4 5 6 7	NOMENCLATURE	EFFECT FROM TO	UNITS PER ASSY
R R R R R R R R R R R R R R R	2 10	BAC27DCT515	.MARKER- PLACARD CONTENT: M01766 USED ON: 254A1150-1 254A1150-7 254A1150-9		1
	15	BAC27DCT516	.MARKER- PLACARD CONTENT: M01767 USED ON: 254A1150-2 254A1150-8 254A1150-10		1
	16	NAS1352N02-3P	.SCREW		18
	17	NAS620-2	.WASHER		18
	20	254A1154-1	.CRANK- USED ON: 254A1150-1 254A1150-2		1
	20	254A1154-2	.CRANK- USED ON: 254A1150-9 254A1150-10 254A1150-7 254A1150-8		1
	- 25	NAS623-3-10	ATTACHING PARTS .SCREW- USED ON: 254A1150-1 254A1150-2		1
	- 25	BACB30NT3K10	.BOLT- USED ON: 254A1150-9 254A1150-10 254A1150-7 254A1150-8		1
	- 30	NAS1149D0332J	.WASHER-		1
	- 35	PLH53CD	.NUT SUPPLIER CODE: VF0224 SPECIFICATION NUMBER: BACN10YR3CD OPTIONAL PART: H52732-3CD V15653 -----*-----		1
	40	NAS1801-3-11	.SCREW		1
	45	NAS1149D0332J	.WASHER-		2

MISSING ITEM NUMBERS NOT APPLICABLE

- ITEM NOT ILLUSTRATED

HAP

22-31-51-02

BOEING PROPRIETARY - Copyright © - Unpublished Work - See title page for details.

22-31-51
FIG. 02
PAGE 2
JUN 15/09

BOEING
737-600/700/800/900
PARTS CATALOG (MAINTENANCE)

FIG ITEM	PART NUMBER	1 2 3 4 5 6 7	NOMENCLATURE	EFFECT FROM TO	UNITS PER ASSY
2					
R	50		.NUT		1
R			SUPPLIER CODE:		
R			VF0224		
R			SPECIFICATION NUMBER:		
R			BACN10YR3CD		
R			OPTIONAL PART:		
R			H52732-3CD		
R			V15653		
R	55		.CLAMP		1
R	60		.CLAMP		1
R	65		.BOLT		3
R			SUPPLIER CODE:		
R			V73197		
R			SPECIFICATION NUMBER:		
R			BACB30VT6K34		
R			OPTIONAL PART:		
R			HST10AG6-34		
R			VOPTK6		
R			HST10AG6-34		
R			V06725		
R			HST10AG6-34		
R			V56878		
R			WC10K6-34		
R			V60516		
R	70		.SPACER		3
R	75		.SPACER		3
R	80		.COLLAR		3
R	85		.PLATE ASSY		1
R	90		..BEARING		1
R			SUPPLIER CODE:		
R			V83086		
R			SPECIFICATION NUMBER:		
R			BACB10FS5		
R			OPTIONAL PART:		
R			ACMKP5AP510LY19		
R			V40920		
R			PACMKP5AA3908		
R			V21335		
R			PACMKP5AFS428		
R			V21335		
R			SSMKP5AP		
R			V21760		
R	95		..INSERT		6
R	100		..PLATE		1
R	105		.PLATE ASSY		1
R	110		..INSERT		12
R	115		..PLATE		1
R	120		.PLATE ASSY		1

MISSING ITEM NUMBERS NOT APPLICABLE

— ITEM NOT ILLUSTRATED

HAP

22-31-51-02

BOEING PROPRIETARY - Copyright © - Unpublished Work - See title page for details.

22-31-51
FIG. 02
PAGE 3
JUN 15/09

BOEING
737-600/700/800/900
PARTS CATALOG (MAINTENANCE)

FIG ITEM	PART NUMBER	1 2 3 4 5 6 7	NOMENCLATURE	EFFECT FROM TO	UNITS PER ASSY
2					
R	125	SSMKP5ASD705	.. BEARING SUPPLIER CODE: V83086 SPECIFICATION NUMBER: BACB10FS5 OPTIONAL PART: ACMKP5AP510LY19 V40920 PACMKP5AA3908 V21335 PACMKP5AFS428 V21335 SSMKP5AP V21760		1
R	130	254A1151-6	.. PLATE		1
R	135	254A1152-1	.CAM- OPTIONAL PART: 254A1152-2 USED ON: 254A1150-1 254A1150-2		1
R	135	254A1152-2	.CAM- OPTIONAL PART: 254A1152-1 USED ON: 254A1150-1 254A1150-2		1
R	135	254A1152-3	.CAM- USED ON: 254A1150-7 254A1150-8		1
R	135	254A1152-4	.CAM- USED ON: 254A1150-9 254A1150-10		1
R	- 150	254A1150-11	SWITCHPACK ASSY- AUTOTHROTTLE FOR NHA SEE: 22-31-51-01		RF
R	- 155	254A1150-12	SWITCHPACK ASSY- AUTOTHROTTLE FOR NHA SEE: 22-31-51-01		RF
R	160	BAC27DCT515	.MARKER- PLACARD CONTENT: M01766 USED ON: 254A1150-11		1

MISSING ITEM NUMBERS NOT APPLICABLE

- ITEM NOT ILLUSTRATED

HAP

22-31-51-02

BOEING PROPRIETARY - Copyright © - Unpublished Work - See title page for details.

22-31-51
FIG. 02
PAGE 4
JUN 15/09

BOEING
737-600/700/800/900
PARTS CATALOG (MAINTENANCE)

FIG ITEM	PART NUMBER	1 2 3 4 5 6 7	NOMENCLATURE	EFFECT FROM TO	UNITS PER ASSY
2					
R	165	BAC27DCT516	.MARKER- PLACARD CONTENT: M01767 USED ON: 254A1150-12		1
R					
R					
R					
R	170	254A1154-2	.CRANK- ATTACHING PARTS		1
R	- 175	BACB30NT3K10	.BOLT		1
R	- 180	NAS1149D0332J	.WASHER		1
R	- 185	PLH53CD	.NUT		1
R			SUPPLIER CODE: VF0224		
R			SPECIFICATION NUMBER: BACN10YR3CD		
R			OPTIONAL PART: H52732-3CD V15653		
R			-----*-----		
R	190	CS601-59	.SWITCH ASSY-CAM SUPPLIER CODE: V08127 USED ON: 254A1150-11		1
R					
R					
R					
R	195	CS601-60	.SWITCH ASSY-CAM SUPPLIER CODE: V08127 USED ON: 254A1150-12		1
R					
R					
R	- 200	254A1150-13	SWITCHPACK ASSY- FOR NHA SEE: 22-31-51-01		RF
R					
R	- 205	254A1150-14	SWITCHPACK ASSY- FOR NHA SEE: 22-31-51-01		RF
R					
R	210	BAC27DCT515	.MARKER- PLACARD CONTENT: M01766 USED ON: 254A1150-13		1
R					
R					
R	215	BAC27DCT516	.MARKER- PLACARD CONTENT: M01767 USED ON: 254A1150-14		1
R					
R	220	254A1154-2	.CRANK ATTACHING PARTS		1
R	225	BACB30NT3K10	.BOLT		1
R	230	BACW10BN3AC	.WASHER		1
R	235	NAS1149D0332J	.WASHER		1

MISSING ITEM NUMBERS NOT APPLICABLE

- ITEM NOT ILLUSTRATED

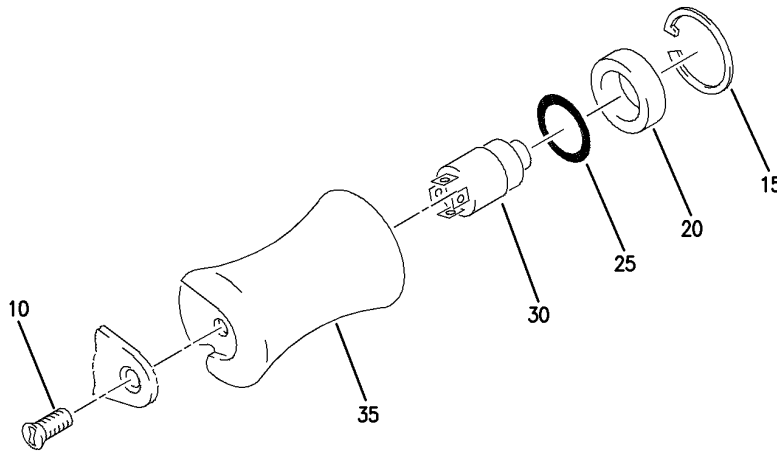
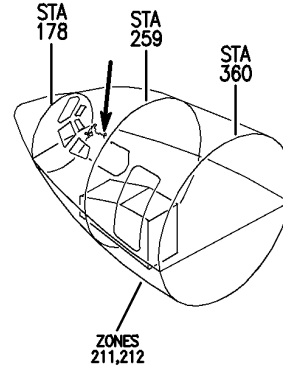
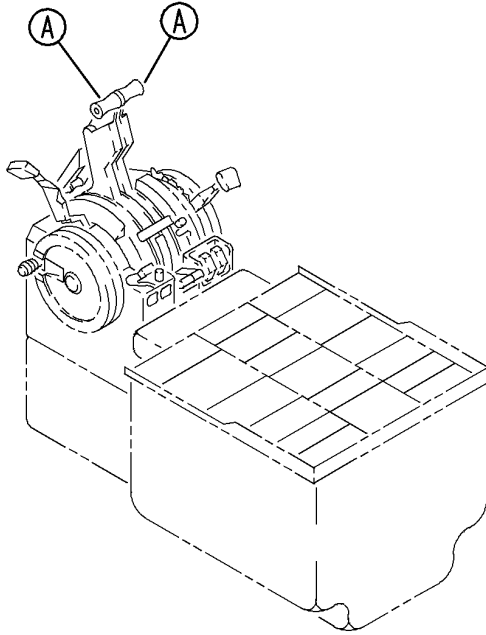
HAP

22-31-51-02

BOEING PROPRIETARY - Copyright © - Unpublished Work - See title page for details.

22-31-51
FIG. 02
PAGE 5
JUN 15/09

BOEING
 737-600/700/800/900
 PARTS CATALOG (MAINTENANCE)



(A)

E 22315103 REV 062

LEVER ASSY-CONT STAND THRUST (AUTOTHROTTLE ONLY)
 FIGURE 3

22-31-51-03

HAP
 OCT 10/06

22-31-51-03
 PAGE 0

BOEING
737-600/700/800/900
PARTS CATALOG (MAINTENANCE)

FIG ITEM	PART NUMBER	1 2 3 4 5 6 7	NOMENCLATURE	EFFECT FROM TO	UNITS PER ASSY
3			LEVER ASSY-CONT STAND THRUST (AUTOTHROTTLE ONLY)		
R R R R R R R R	- 1 254A1240-1		LEVER ASSY-CONT STAND THRUST (AUTOTHROTTLE ONLY) POSITION DATA: LH COMPONENT MAINT MANUAL REF: 76-11-07 FOR NHA/OTHER SYS DET SEE: 76-11-01-01	001001	RF
	- 1 254A1240-3		LEVER ASSY-CONT STAND THRUST (AUTOTHROTTLE ONLY) POSITION DATA: LH COMPONENT MAINT MANUAL REF: 76-11-07 OPTIONAL PART: 254A1240-9 FOR NHA/OTHER SYS DET SEE: 76-11-01-02		RF
	- 1 254A1240-7		LEVER ASSY-CONT STAND THRUST (AUTOTHROTTLE ONLY) POSITION DATA: LH COMPONENT MAINT MANUAL REF: 76-11-07 OPTIONAL PART: 254A1240-9 FOR NHA/OTHER SYS DET SEE: 76-11-01-02		RF
	- 1 254A1240-9		LEVER ASSY-CONT STAND THRUST (AUTOTHROTTLE ONLY) POSITION DATA: LH COMPONENT MAINT MANUAL REF: 76-11-07 OPTIONAL PART: 254A1240-3 254A1240-7 FOR NHA/OTHER SYS DET SEE: 76-11-01-02		RF

MISSING ITEM NUMBERS NOT APPLICABLE

- ITEM NOT ILLUSTRATED

HAP

22-31-51-03

BOEING PROPRIETARY - Copyright © - Unpublished Work - See title page for details.

22-31-51
FIG. 03
PAGE 1
JUN 15/09

BOEING
737-600/700/800/900
PARTS CATALOG (MAINTENANCE)

FIG ITEM	PART NUMBER	1 2 3 4 5 6 7	NOMENCLATURE	EFFECT FROM TO	UNITS PER ASSY
R R R R R R R	3 - 5	254A1240-2	LEVER ASSY-CONT STAND THRUST (AUTOTHROTTLE ONLY) POSITION DATA: RH COMPONENT MAINT MANUAL REF: 76-11-07 FOR NHA/OTHER SYS DET SEE: 76-11-01-01	001001	RF
	- 5	254A1240-4	LEVER ASSY-CONT STAND THRUST (AUTOTHROTTLE ONLY) POSITION DATA: RH COMPONENT MAINT MANUAL REF: 76-11-07 OPTIONAL PART: 254A1240-10 FOR NHA/OTHER SYS DET SEE: 76-11-01-02		RF
	- 5	254A1240-8	LEVER ASSY-CONT STAND THRUST (AUTOTHROTTLE ONLY) POSITION DATA: RH COMPONENT MAINT MANUAL REF: 76-11-07 OPTIONAL PART: 254A1240-10 FOR NHA/OTHER SYS DET SEE: 76-11-01-02		RF
	- 5	254A1240-10	LEVER ASSY-CONT STAND THRUST (AUTOTHROTTLE ONLY) POSITION DATA: RH COMPONENT MAINT MANUAL REF: 76-11-07 OPTIONAL PART: 254A1240-4 254A1240-8 FOR NHA/OTHER SYS DET SEE: 76-11-01-02		RF
	10 15 20 25	BACS12BP3P5 MS16625-4086 69-35353-1 M83461-1-114	.SCREW .RING .RETAINER .PACKING		RF 1 1 1
MISSING ITEM NUMBERS NOT APPLICABLE					

- ITEM NOT ILLUSTRATED

HAP

22-31-51-03

BOEING PROPRIETARY - Copyright © - Unpublished Work - See title page for details.

22-31-51
FIG. 03
PAGE 2
JUN 15/09

BOEING
737-600/700/800/900
PARTS CATALOG (MAINTENANCE)

FIG ITEM	PART NUMBER	1 2 3 4 5 6 7	NOMENCLATURE	EFFECT FROM TO	UNITS PER ASSY
3					
30	P8-4000003		.SWITCH-PUSH TO TALK SUPPLIER CODE: V21649 MISCELLANEOUS DATA: PER SERVICE LTR 737-SL-23-11-A C2006 MAY BE REPLACED BY P8-4000003 FULLY INTER- CHANGEABLE ELECTRICAL EQUIP NUMBER: S00113 S00114 MAINTENANCE MANUAL REF: 22-31-51		1
35	65-45117-13		.KNOB ASSY- POSITION DATA: LH SIDE		RF
- 40	65-45117-14		.KNOB ASSY- POSITION DATA: RH SIDE		RF

MISSING ITEM NUMBERS NOT APPLICABLE

- ITEM NOT ILLUSTRATED

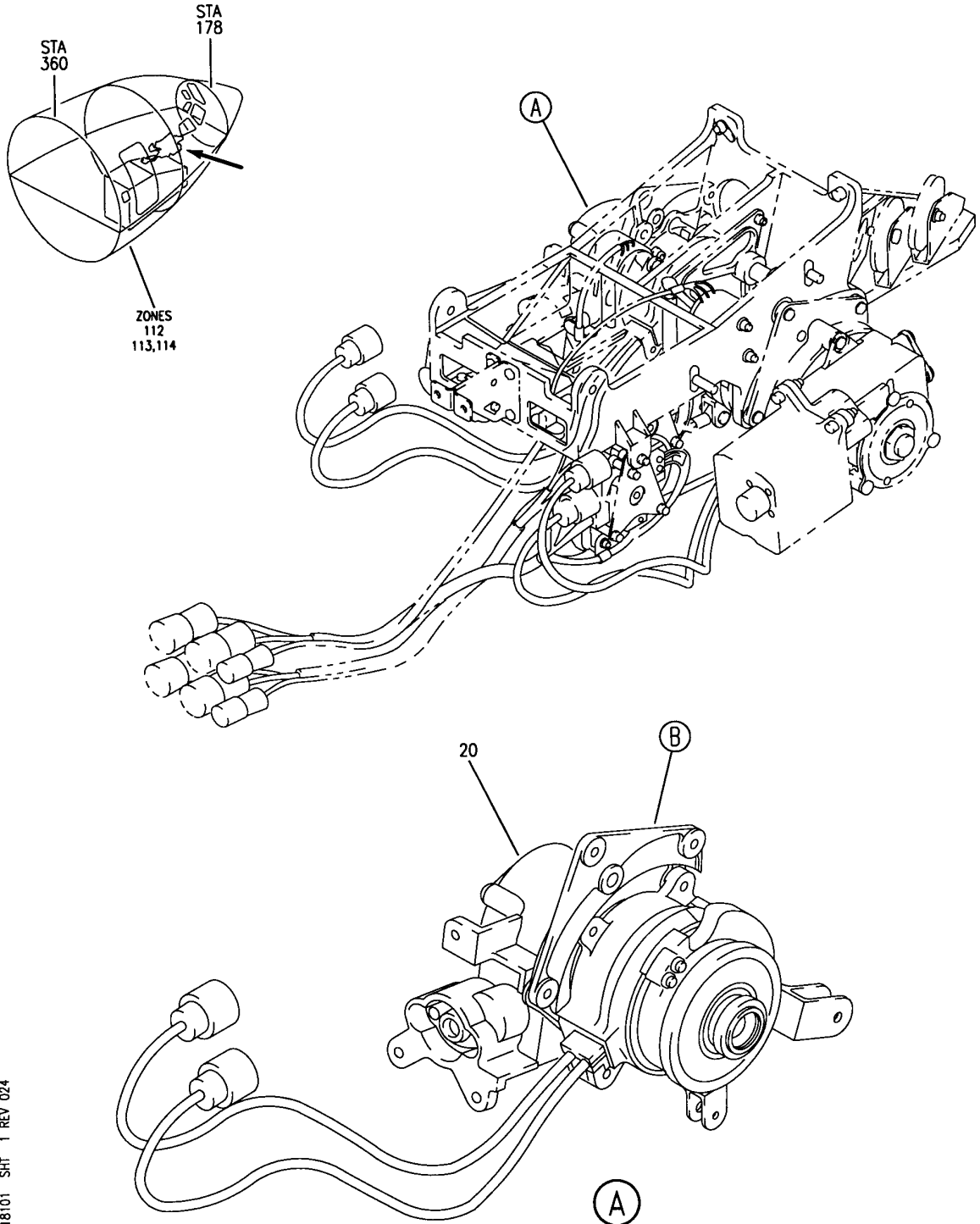
HAP

22-31-51-03

BOEING PROPRIETARY - Copyright © - Unpublished Work - See title page for details.

22-31-51
FIG. 03
PAGE 3
OCT 10/06

BOEING
737-600/700/800/900
PARTS CATALOG (MAINTENANCE)



E 22318101 SH1 1 REV 024

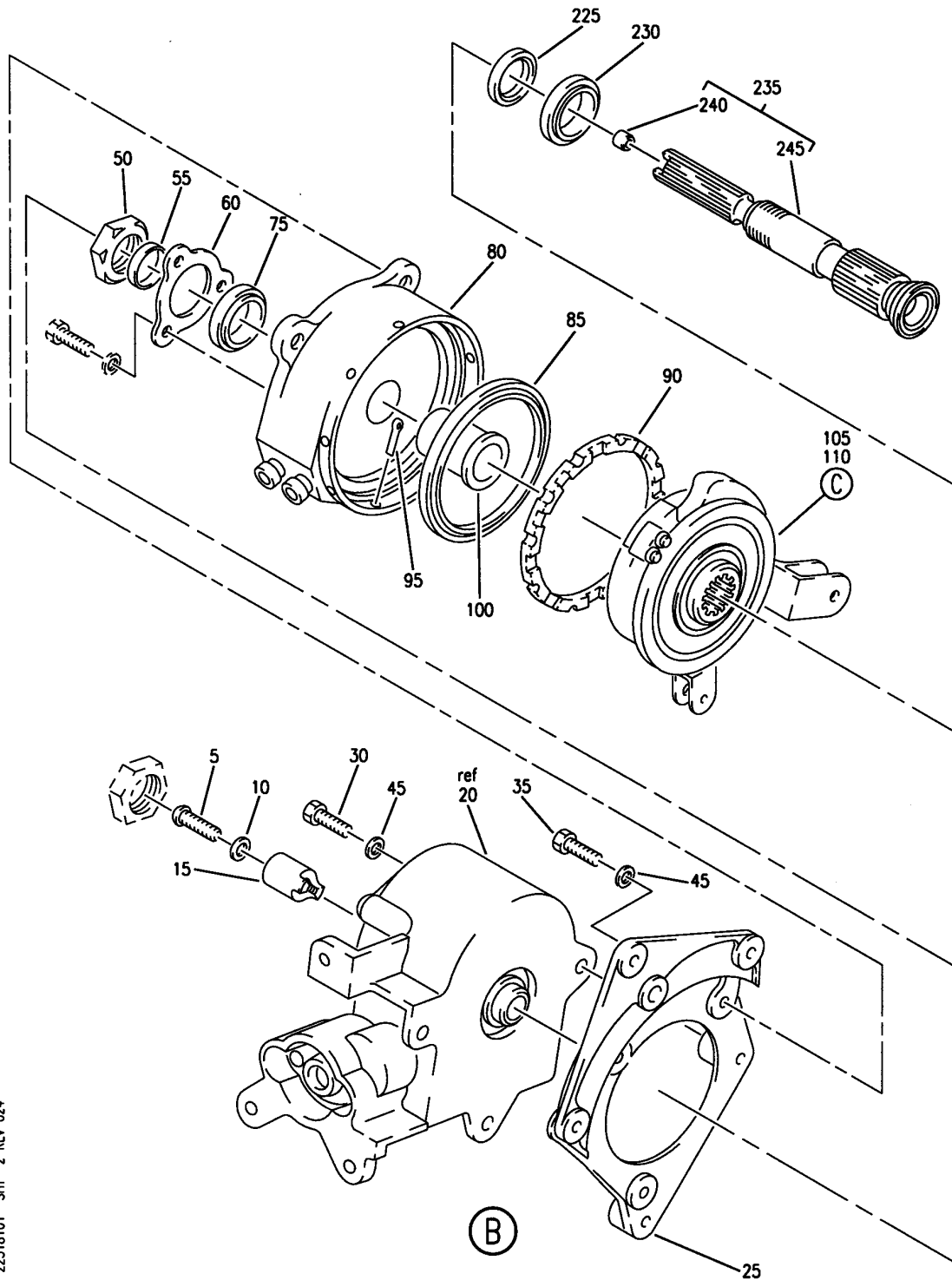
MECHANISM ASSY-AUTOTHROTTLE LEFT
FIGURE 1 (SHEET 1)

22-31-81-01

HAP
OCT 10/06

22-31-81-01
PAGE 0

BOEING
 737-600/700/800/900
 PARTS CATALOG (MAINTENANCE)



E 22318101 SHT 2 REV 024

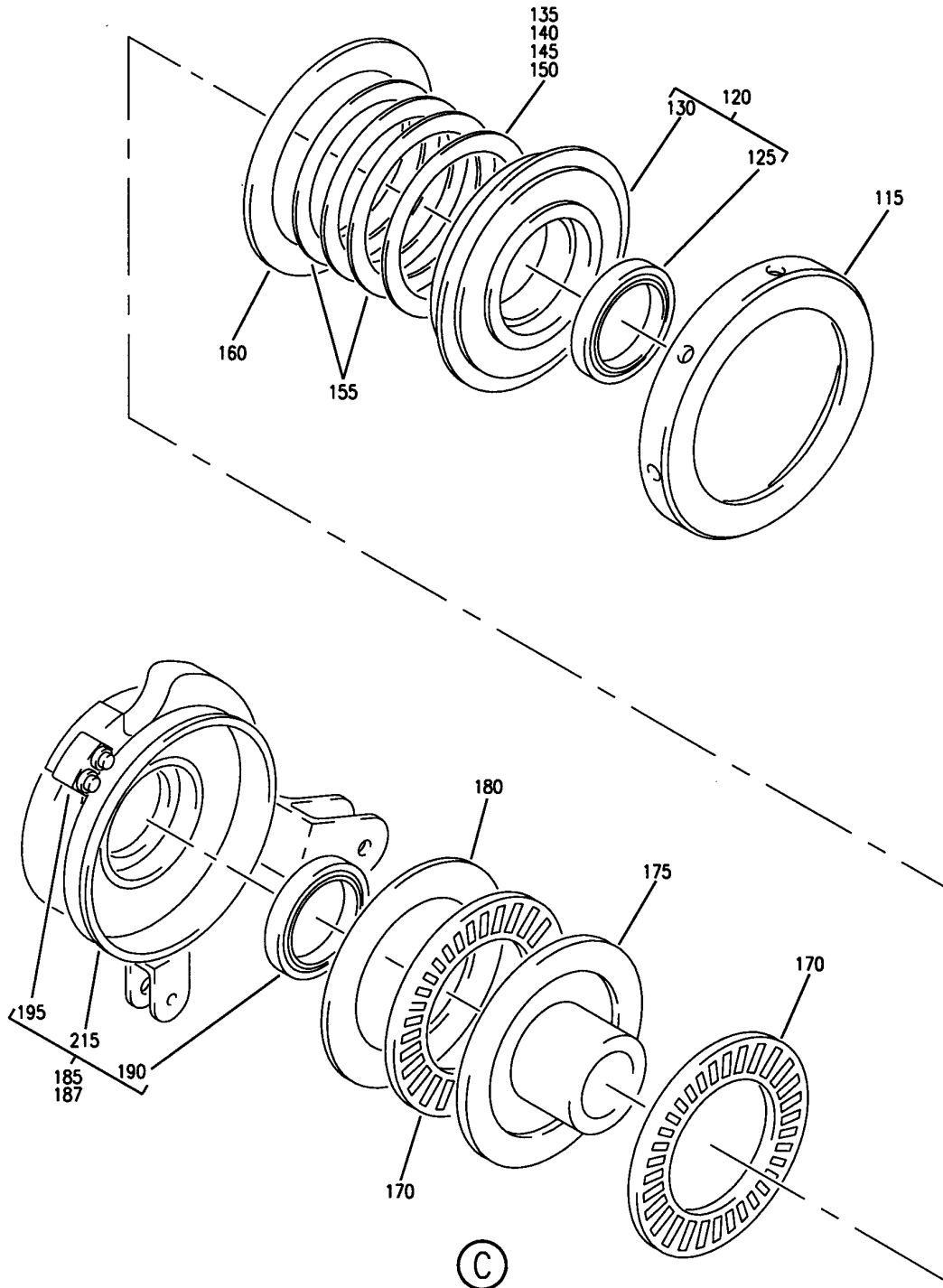
MECHANISM ASSY-AUTOThrottle LEFT
 FIGURE 1 (SHEET 2)

22-31-81-01

HAP
 OCT 10/06

22-31-81-01
 PAGE 0A

BOEING
 737-600/700/800/900
 PARTS CATALOG (MAINTENANCE)



E 22318101 SHT 3 REV 024

MECHANISM ASSY-AUTOTHROTTLE LEFT
 FIGURE 1 (SHEET 3)

22-31-81-01

HAP
 OCT 10/06

22-31-81-01
 PAGE 08

BOEING
737-600/700/800/900
PARTS CATALOG (MAINTENANCE)

FIG ITEM	PART NUMBER	1 2 3 4 5 6 7	NOMENCLATURE	EFFECT FROM TO	UNITS PER ASSY
1					
R	35	BACB30NM4K5	.BOLT-		3
R			OPTIONAL PART:		
R			BACB30LM4-5		
R			USED ON:		
R			254A1140-5		
R	35	BACB30LM4-6	.BOLT-		3
R			USED ON:		
R			254A1140-7		
R	45	NAS1149D0432J	.WASHER		6
			-----*-----		
R	50	SL7165C14C	.NUT-		1
R			SUPPLIER CODE:		
R			V97393		
R	55	254N1169-2	.SPACER		1
R	60	254N1154-2	.PLATE		1
			ATTACHING PARTS		
R	-	65	BACS12CK3-5	.SCREW-	3
R	-	70	NAS1149D0332J	.WASHER	3
			-----*-----		
R	75	ACMB540DDFS428	.BEARING-		1
R			SUPPLIER CODE:		
R			V06144		
R			SPECIFICATION NUMBER:		
R			BACB10FU14RJ		
R			OPTIONAL PART:		
R			SSMB540DDSD629		
R			V83086		
R			AMB540DDRJC		
R			V06144		
R			ACMB540DDFS428		
R			V21335		
R	80	CU09644005	.RESOLVER ASSY-		1
R			SUPPLIER CODE:		
R			V05088		
R			SPECIFICATION NUMBER:		
R			S254N101-6		
R			ELECTRICAL EQUIP NUMBER:		
R			M01819		
R			COMPONENT MAINT MANUAL REF:		
R			73-20-01		
R			MAINTENANCE MANUAL REF:		
R			76-11-05		
R			USED ON:		
R			254A1140-5		

MISSING ITEM NUMBERS NOT APPLICABLE

- ITEM NOT ILLUSTRATED

HAP

22-31-81-01

BOEING PROPRIETARY - Copyright © - Unpublished Work - See title page for details.

22-31-81
FIG. 01
PAGE 2
JUN 15/09

BOEING
737-600/700/800/900
PARTS CATALOG (MAINTENANCE)

FIG ITEM	PART NUMBER	1 2 3 4 5 6 7	NOMENCLATURE	EFFECT FROM TO	UNITS PER ASSY
1					
R	105	254A1141-3	.BRAKE ASSY- POSITION DATA: LEFT MAINTENANCE MANUAL REF: 22-31-81 76-11-05 OPTIONAL PART: 254A1141-5		1
R	105	254A1141-7	.BRAKE ASSY- POSITION DATA: LEFT		1
R	115	254A1143-1	..NUT		1
R	120	253T7539-3	..CAP ASSY		1
R	125	MB542DDFS428	...BEARING SUPPLIER CODE: V06144 SPECIFICATION NUMBER: BACB10AS21 OPTIONAL PART: LLMB542 V38443 MB542-2TS V43991 MB542DDFS428 V21335 MB542TT V43991 MB542DDG20 V38443 MT342E VK8455 MB542DDLY196 V40920 MB542DD V06144 MB542DDNJC V06144 MB542DDSD610 V83086		1
R	130	253T7539-4	...CAP		1
R	135	253T7530-1	..SHIM		AR
R	140	253T7530-2	..SHIM		AR
R	145	253T7530-3	..SHIM		AR
R	150	253T7530-4	..SHIM		AR
R	155	254N1161-1	..SPRING		3
R	160	253T7536-2	..STATOR- USED ON: 254A1141-3		1
R					

MISSING ITEM NUMBERS NOT APPLICABLE

— ITEM NOT ILLUSTRATED

HAP

22-31-81-01

BOEING PROPRIETARY - Copyright © - Unpublished Work - See title page for details.

22-31-81
FIG. 01
PAGE 4
JUN 15/09

BOEING
737-600/700/800/900
PARTS CATALOG (MAINTENANCE)

FIG ITEM	PART NUMBER	1 2 3 4 5 6 7	NOMENCLATURE	EFFECT FROM TO	UNITS PER ASSY
1					
R	160	253T7536-3	.. STATOR- USED ON: 254A1141-5		1
R	160	254A7536-1	.. STATOR- USED ON: 254A1141-7		1
R	170	90650	.. ROLLER ASSY-SKEWED SUPPLIER CODE: V82402		2
R	175	253T7535-1	.. ROTOR- OPTIONAL PART: 253T7535-3 USED ON: 254A1141-3		1
R	175	253T7535-2	.. ROTOR- OPTIONAL PART: 253T7535-4 USED ON: 254A1141-5		1
R	175	253T7535-3	.. ROTOR- OPTIONAL PART: 253T7535-1 USED ON: 254A1141-3		1
R	175	253T7535-4	.. ROTOR- OPTIONAL PART: 253T7535-2 USED ON: 254A1141-5		1
R	175	254A7535-1	.. ROTOR- USED ON: 254A1141-7		1
R	180	254N1166-1	.. DISC- USED ON: 254A1141-3		1
R	180	254N1166-2	.. DISC- USED ON: 254A1141-5		1
R	180	254A1166-1	.. DISC- USED ON: 254A1141-7		1
R	185	254A1149-5	.. HOUSING ASSY		1

MISSING ITEM NUMBERS NOT APPLICABLE

— ITEM NOT ILLUSTRATED

HAP

22-31-81-01

BOEING PROPRIETARY - Copyright © - Unpublished Work - See title page for details.

22-31-81
FIG. 01
PAGE 5
JUN 15/09

BOEING
737-600/700/800/900
PARTS CATALOG (MAINTENANCE)

FIG ITEM	PART NUMBER	1 2 3 4 5 6 7	NOMENCLATURE	EFFECT FROM TO	UNITS PER ASSY
1	190 MB542DDFS428		... BEARING- SUPPLIER CODE: V06144 SPECIFICATION NUMBER: BACB10AS21 OPTIONAL PART: LLMB542 V38443 MB542-2TS V43991 MB542DDFS428 V21335 MB542TT V43991 MB542DDG20 V38443 MT342E VK8455 MB542DDL196 V40920 MB542DD V06144 MB542DDNJC V06144 MB542DDSD610 V83086 BACB10FU21RJ		1
	190 ACMB542DDFS428		... BEARING- SUPPLIER CODE: V06144 SPECIFICATION NUMBER: BACB10FU21RJ OPTIONAL PART: SSMB542DDSD629 V83086 AMB542DDRJC V06144 ACMB542DDFS428 V21335 BACB10AS21		1
	195 254A1139-1		... INSERT ATTACHING PARTS		1
-	200 WC331K5-10		... BOLT- SUPPLIER CODE: V60516 SPECIFICATION NUMBER: BACB30YP5K10		2
-	210 BACC30BL5		... COLLAR -----*-----		2

MISSING ITEM NUMBERS NOT APPLICABLE

- ITEM NOT ILLUSTRATED

HAP

22-31-81-01

BOEING PROPRIETARY - Copyright © - Unpublished Work - See title page for details.

22-31-81
FIG. 01
PAGE 6
JUN 15/09

BOEING
737-600/700/800/900
PARTS CATALOG (MAINTENANCE)

FIG ITEM	PART NUMBER	1 2 3 4 5 6 7	NOMENCLATURE	EFFECT FROM TO	UNITS PER ASSY
1					
R	215	254A1149-7	. . . HOUSING		1
R	225	254A1141-1	. BRAKE ASSY		1
R	230	ACMB541DDFS428	. BEARING-		1
R			SUPPLIER CODE:		
R			V06144		
R			SPECIFICATION NUMBER:		
R			BACB10FU17RJ		
R			OPTIONAL PART:		
R			SSMB541DDSD629		
R			V83086		
R			AMB541DDRJC		
R			V06144		
R			ACMB541DDFS428		
R			V21335		
R	235	254A1145-1	. SHAFT ASSY		1
R	240	MS21209F1-25P	. . INSERT		1
R	245	254A1145-2	. . SHAFT		1

MISSING ITEM NUMBERS NOT APPLICABLE

— ITEM NOT ILLUSTRATED

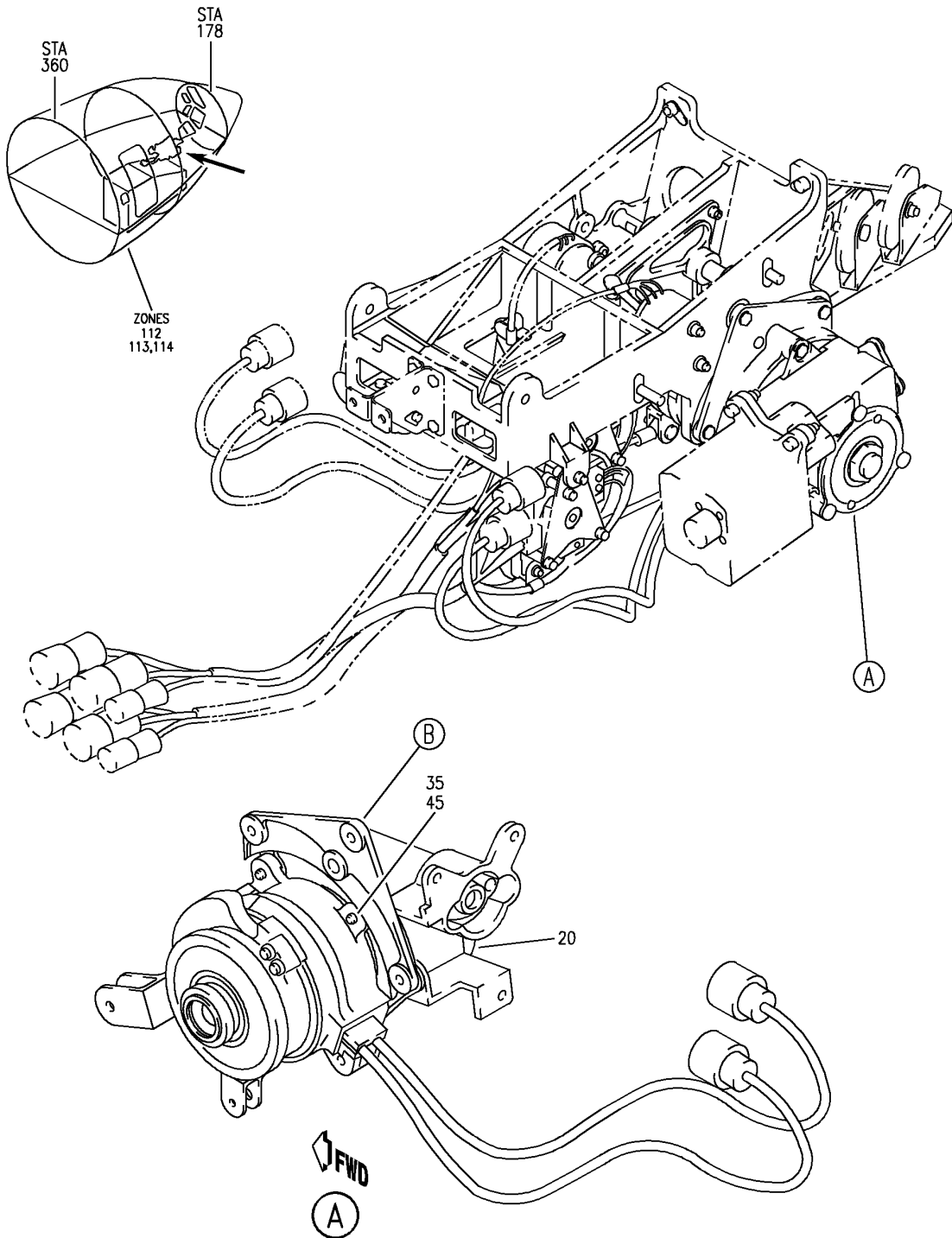
HAP

22-31-81-01

BOEING PROPRIETARY - Copyright © - Unpublished Work - See title page for details.

22-31-81
FIG. 01
PAGE 7
JUN 15/09

BOEING
 737-600/700/800/900
 PARTS CATALOG (MAINTENANCE)



E 22318102 SHT 1 REV 104

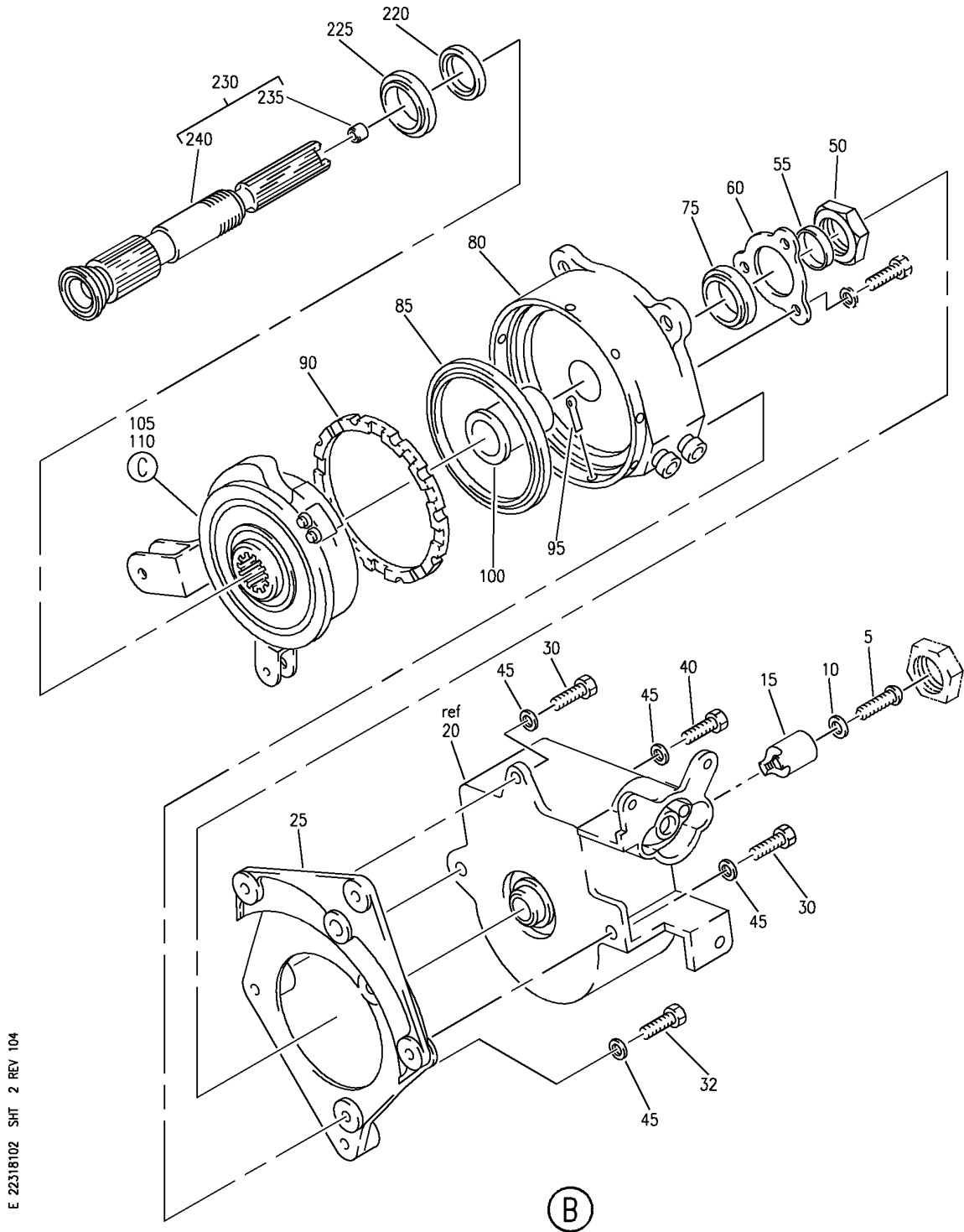
MECHANISM ASSY-AUTOTHROTTLE R
 FIGURE 2 (SHEET 1)

22-31-81-02

HAP
 OCT 10/06

22-31-81-02
 PAGE 0

BOEING
 737-600/700/800/900
 PARTS CATALOG (MAINTENANCE)



E 22318102 SH1 2 REV 104

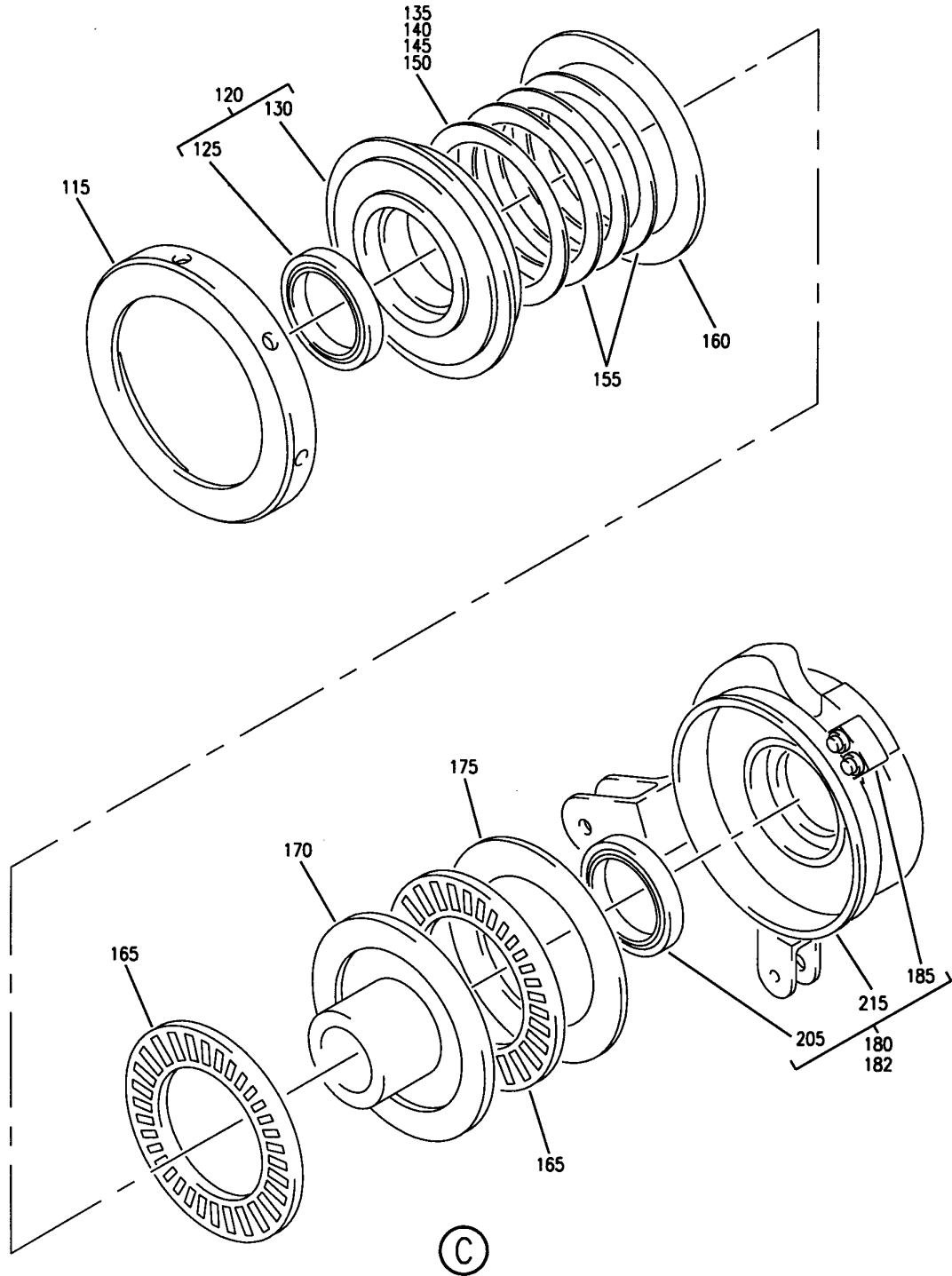
MECHANISM ASSY-AUTOTHROTTLE R
 FIGURE 2 (SHEET 2)

22-31-81-02

HAP
 OCT 10/06

22-31-81-02
 PAGE 0A

BOEING
737-600/700/800/900
PARTS CATALOG (MAINTENANCE)



E 22318102 SH1 3 REV 024

MECHANISM ASSY-AUTOTHROTTLE R
FIGURE 2 (SHEET 3)

22-31-81-02

HAP
OCT 10/06

22-31-81-02
PAGE 08

BOEING
737-600/700/800/900
PARTS CATALOG (MAINTENANCE)

FIG ITEM	PART NUMBER	1 2 3 4 5 6 7	NOMENCLATURE	EFFECT FROM TO	UNITS PER ASSY
2			MECHANISM ASSY-AUTOTHROTTLE R		
R					
R					
R	1	254A1140-6	MECHANISM ASSY-AUTOTHROTTLE POSITION DATA: R		RF
R					
R					
R					
R					
R	1	254A1140-8	MECHANISM ASSY-AUTOTHROTTLE POSITION DATA: R		RF
R					
R					
R					
R	5	BACS12CK3-28	.SCREW-		1
R	10	NAS1149D0332J	.WASHER		1
R	15	254W4130-1	.PLUG-RAMP		1
R	20	254A1147-1	.GEARBOX ASSY- COMPONENT MAINT MANUAL REF: 22-35-02 MAINTENANCE MANUAL REF: 22-31-91 FOR DETAILS SEE: 22-31-91-02		1
R					
R					
R					
R					
R	20	254A1147-3	.GEARBOX ASSY- COMPONENT MAINT MANUAL REF: 22-35-02 MAINTENANCE MANUAL REF: 22-31-91 FOR DETAILS SEE: 22-31-91-02		1
R					
R					
R					
R					
R	25	254A1142-6	.BRACKET ASSY ATTACHING PARTS		1
R					
R	30	BACB30LM4-2	.BOLT- OPTIONAL PART: BACB30NM4K2 USED ON: 254A1140-6		2
R					
R					
R					
R	30	BACB30NM4K2	.BOLT- OPTIONAL PART: BACB30LM4-2 USED ON: 254A1140-6		2
R					
R					
R					
R	30	BACB30LM4-3	.BOLT- USED ON: 254A1140-8		2
R					
R					
R	32	BACB30LM4-7	.BOLT- OPTIONAL PART: BACB30NM4K7 USED ON: 254A1140-6		1
R					
R					
R					
R					

MISSING ITEM NUMBERS NOT APPLICABLE

— ITEM NOT ILLUSTRATED

HAP

22-31-81-02

BOEING PROPRIETARY - Copyright © - Unpublished Work - See title page for details.

22-31-81
FIG. 02
PAGE 1
JUN 15/09

BOEING
737-600/700/800/900
PARTS CATALOG (MAINTENANCE)

FIG ITEM	PART NUMBER	1 2 3 4 5 6 7	NOMENCLATURE	EFFECT FROM TO	UNITS PER ASSY
2					
R	32	BACB30NM4K7	.BOLT-		1
R			OPTIONAL PART:		
R			BACB30LM4-7		
R			USED ON:		
R			254A1140-6		
R	32	BACB30LM4-8	.BOLT-		1
R			USED ON:		
R			254A1140-8		
R	35	BACB30LM4-5	.BOLT-		1
R			OPTIONAL PART:		
R			BACB30NM4K5		
R			USED ON:		
R			254A1140-6		
R	35	BACB30NM4K5	.BOLT-		1
R			OPTIONAL PART:		
R			BACB30LM4-5		
R			USED ON:		
R			254A1140-6		
R	35	BACB30LM4-6	.BOLT-		1
R			USED ON:		
R			254A1140-8		
R	40	BACB30LM4-14	.BOLT-		1
R			OPTIONAL PART:		
R			BACB30NM4K14		
R	40	BACB30NM4K14	.BOLT-		1
R			OPTIONAL PART:		
R			BACB30LM4-14		
R	45	NAS1149D0432J	.WASHER-		5
R			USED ON:		
R			254A1140-6		
R	45	BACW10BN4AC	.WASHER-		5
R			USED ON:		
R			254A1140-8		
R			-----*-----		
R	50	SL7165C14C	.NUT-		1
R			SUPPLIER CODE:		
R			V97393		
R	55	254N1169-2	.SPACER		1
R	60	254N1154-2	.PLATE		1
R			ATTACHING PARTS		
R	- 65	BACS12CK3-5	.SCREW-		3
R	- 70	NAS1149D0332J	.WASHER		3
			-----*-----		

MISSING ITEM NUMBERS NOT APPLICABLE

- ITEM NOT ILLUSTRATED

HAP

22-31-81-02

BOEING PROPRIETARY - Copyright © - Unpublished Work - See title page for details.

22-31-81
FIG. 02
PAGE 2
JUN 15/09

BOEING
737-600/700/800/900
PARTS CATALOG (MAINTENANCE)

FIG ITEM	PART NUMBER	1 2 3 4 5 6 7	NOMENCLATURE	EFFECT FROM TO	UNITS PER ASSY	
R R R R R R R R R R R R R R	2 85	2140-32A	.SCRAPER SUPPLIER CODE: V26303 SPECIFICATION NUMBER: BACS34A32A OPTIONAL PART: TF005-32A V07128 RMS34A32A V94878 DW96801-32A V02886 CWR76-32B V26879		1	
	90	254N1155-1	.NUT-SEAT		1	
	95	BACP18BC01C06P	.PIN		1	
	100	254W4105-1	.SPACER		1	
	105	254A1141-4	.BRAKE ASSY- MAINTENANCE MANUAL REF: 22-31-81 76-11-05		1	
	105	254A1141-6	.BRAKE ASSY- MAINTENANCE MANUAL REF: 22-31-81 76-11-05		1	
	105	254A1141-8	.BRAKE ASSY-		1	
	115	254A1143-1	..NUT		1	
	120	253T7539-3	..CAP ASSY		1	
	MISSING ITEM NUMBERS NOT APPLICABLE					

— ITEM NOT ILLUSTRATED

HAP

22-31-81-02

BOEING PROPRIETARY - Copyright © - Unpublished Work - See title page for details.

22-31-81
FIG. 02
PAGE 4
JUN 15/09

BOEING
737-600/700/800/900
PARTS CATALOG (MAINTENANCE)

FIG ITEM	PART NUMBER	1 2 3 4 5 6 7	NOMENCLATURE	EFFECT FROM TO	UNITS PER ASSY
R R R R R R R R R R R R R R	2 125	MB542DDFS428	... BEARING SUPPLIER CODE: V06144 SPECIFICATION NUMBER: BACB10AS21 OPTIONAL PART: LLMB542 V38443 MB542-2TS V43991 MB542DDFS428 V21335 MB542TT V43991 MB542DDG20 V38443 MT342E VK8455 MB542DDLY196 V40920 MB542DD V06144 MB542DDNJC V06144 MB542DDSD610 V83086		1
	130	253T7539-4	... CAP		1
	135	253T7530-1	.. SHIM		AR
	140	253T7530-2	.. SHIM		AR
	145	253T7530-3	.. SHIM		AR
	150	253T7530-4	.. SHIM		AR
	155	254N1161-1	.. SPRING		3
	160	253T7536-2	.. STATOR- USED ON: 254A1141-4		1
	160	253T7536-3	.. STATOR- USED ON: 254A1141-6		1
	160	254A7536-1	.. STATOR- USED ON: 254A1141-8		1
	165	90650	.. ROLLER ASSY-SKEWED SUPPLIER CODE: V82402		2
	170	253T7535-1	.. ROTOR- OPTIONAL PART: 253T7535-3 USED ON: 254A1141-4		1

MISSING ITEM NUMBERS NOT APPLICABLE

— ITEM NOT ILLUSTRATED

HAP

22-31-81-02

BOEING PROPRIETARY - Copyright © - Unpublished Work - See title page for details.

22-31-81
FIG. 02
PAGE 5
JUN 15/09

BOEING
737-600/700/800/900
PARTS CATALOG (MAINTENANCE)

FIG ITEM	PART NUMBER	1 2 3 4 5 6 7	NOMENCLATURE	EFFECT FROM TO	UNITS PER ASSY
R R R R R R R R R R R R	2 205	MB542DDFS428	... BEARING- SUPPLIER CODE: V06144 SPECIFICATION NUMBER: BACB10AS21 OPTIONAL PART: LLMB542 V38443 MB542-2TS V43991 MB542DDFS428 V21335 MB542TT V43991 MB542DDG20 V38443 MT342E VK8455 MB542DDLY196 V40920 MB542DD V06144 MB542DDNJC V06144 MB542DDSD610 V83086 BACB10FU21RJ		1
	205	ACMB542DDFS428	... BEARING- SUPPLIER CODE: V06144 SPECIFICATION NUMBER: BACB10FU21RJ OPTIONAL PART: SSMB542DDSD629 V83086 AMB542DDRJC V06144 ACMB542DDFS428 V21335 BACB10AS21		1
	215	254A1149-8	... HOUSING		1
	220	254A1144-1	. SPACER		1
	MISSING ITEM NUMBERS NOT APPLICABLE				

— ITEM NOT ILLUSTRATED

HAP

22-31-81-02

BOEING PROPRIETARY - Copyright © - Unpublished Work - See title page for details.

22-31-81
FIG. 02
PAGE 7
JUN 15/09

BOEING
737-600/700/800/900
PARTS CATALOG (MAINTENANCE)

FIG ITEM	PART NUMBER	1 2 3 4 5 6 7	NOMENCLATURE	EFFECT FROM TO	UNITS PER ASSY
R R R R R R R R R R R R	2 225	ACMB541DDFS428	.BEARING- SUPPLIER CODE: V06144 SPECIFICATION NUMBER: BACB10FU17RJ OPTIONAL PART: SSMB541DDSD629 V83086 AMB541DDRJC V06144 ACMB541DDFS428 V21335		1
	230	254A1145-1	.SHAFT ASSY		1
	235	MS21209F1-25P	..INSERT		1
	240	254A1145-2	..SHAFT		1

MISSING ITEM NUMBERS NOT APPLICABLE

— ITEM NOT ILLUSTRATED

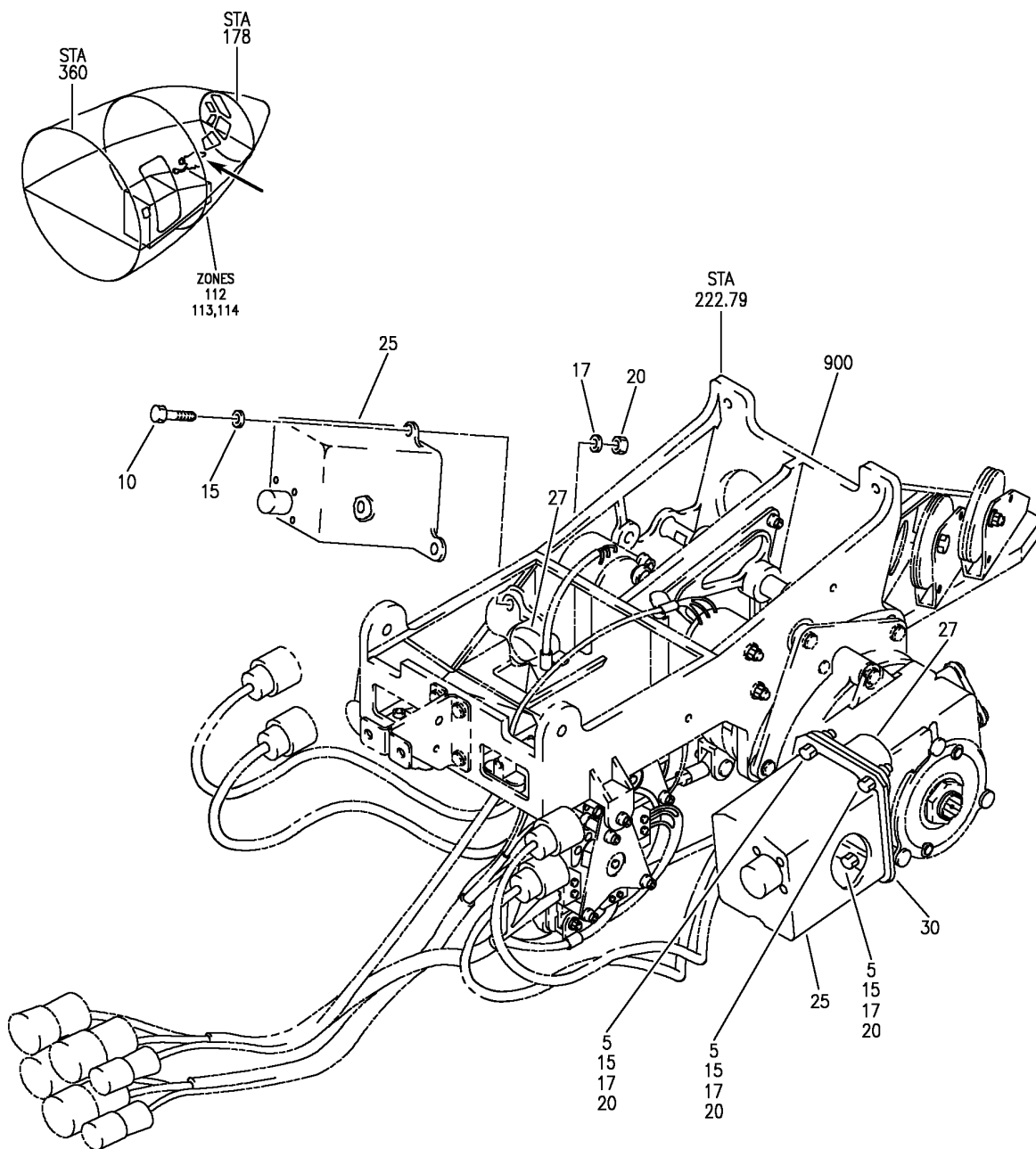
HAP

22-31-81-02

BOEING PROPRIETARY - Copyright © - Unpublished Work - See title page for details.

22-31-81
FIG. 02
PAGE 8
JUN 15/09

BOEING
737-600/700/800/900
PARTS CATALOG (MAINTENANCE)



E 22319101 REV 155

AUTOTHROTTLE ASSY
FIGURE 1

22-31-91-01

HAP
JUN 15/09

22-31-91-01
PAGE 0

BOEING
737-600/700/800/900
PARTS CATALOG (MAINTENANCE)

FIG ITEM	PART NUMBER	1 2 3 4 5 6 7	NOMENCLATURE	EFFECT FROM TO	UNITS PER ASSY
1			AUTOTHROTTLE ASSY		
- 1	254A1110-5		AUTOTHROTTLE ASSY- COMPONENT MAINT MANUAL REF: 22-32-24 FOR NHA/ADDITIONAL DET SEE: 22-31-00-01	001030 201967	RF
- 1	254A1110-3		AUTOTHROTTLE ASSY- COMPONENT MAINT MANUAL REF: 22-32-24 FOR NHA/ADDITIONAL DET SEE: 22-31-00-01	001030 201967	RF
- 1	254A1110-4		AUTOTHROTTLE ASSY- COMPONENT MAINT MANUAL REF: 22-32-24 FOR NHA/ADDITIONAL DET SEE: 22-31-00-01	001030 201967	RF
- 1	254A1110-6		AUTOTHROTTLE ASSY- COMPONENT MAINT MANUAL REF: 22-32-24 FOR NHA/ADDITIONAL DET SEE: 22-31-00-01	001030 201967	RF
R R	- 1	254A1110-7	AUTOTHROTTLE ASSY- COMPONENT MAINT MANUAL REF: 22-32-24 FOR NHA/ADDITIONAL DET SEE: 22-31-00-01		RF
R R	- 1	254A1110-8	AUTOTHROTTLE ASSY- COMPONENT MAINT MANUAL REF: 22-32-24 FOR NHA/ADDITIONAL DET SEE: 22-31-00-01		RF
R R	- 1	254A1110-10	AUTOTHROTTLE ASSY- (AUTOTHROTTLE DISENGAGED SWITCH ONLY) COMPONENT MAINT MANUAL REF: 22-32-24 FOR NHA/ADDITIONAL DET SEE: 22-31-00-01		RF
R R	- 1	254A1110-11	AUTOTHROTTLE ASSY- (AUTOTHROTTLE DISENGAGED SWITCH ONLY) COMPONENT MAINT MANUAL REF: 22-32-24 FOR NHA/ADDITIONAL DET SEE: 22-31-00-01		RF
R R	5	NAS6604-8	.BOLT- USED ON: 254A1110-3 254A1110-4	001030 201967	3

MISSING ITEM NUMBERS NOT APPLICABLE

- ITEM NOT ILLUSTRATED

HAP

22-31-91-01

22-31-91
FIG. 01
PAGE 1
JUN 15/09

BOEING
737-600/700/800/900
PARTS CATALOG (MAINTENANCE)

FIG ITEM	PART NUMBER	1 2 3 4 5 6 7	NOMENCLATURE	EFFECT FROM TO	UNITS PER ASSY
1					
20	PLH54CD		.NUT SUPPLIER CODE: VF0224 SPECIFICATION NUMBER: BACN10YR4CD OPTIONAL PART: H52732-4CD V15653		6
25	305RAA1		.MOTOR ASSY-SERVO AUTOTHROTTLE SUPPLIER CODE: VK5294 FUNCTIONAL DESCRIPTION: THIS UNIT MOVES THE THRUST LEVERS ON COMMAND FROM THE AUTOTHROTTLE COMPUTER AND TRANSMITS RATE AND FORCE BACK TO THE AUTOTHROTTLE COMPUTER SPECIFICATION NUMBER: S254A114-1 COMPONENT MAINT MANUAL REF: 22-30-15 MAINTENANCE MANUAL REF: 22-31-91		2
27	SP33034		..COVER-PROTECTIVE		1
30	254A1153-1		.GUARD		1
900			ILLUSTRATION REFERENCE: AUTOTHROTTLE ASSY (AUTOTHROTTLE DISENGAGED SWITCH ONLY) 22-31-51-01	001045 054103 201971	

MISSING ITEM NUMBERS NOT APPLICABLE

— ITEM NOT ILLUSTRATED

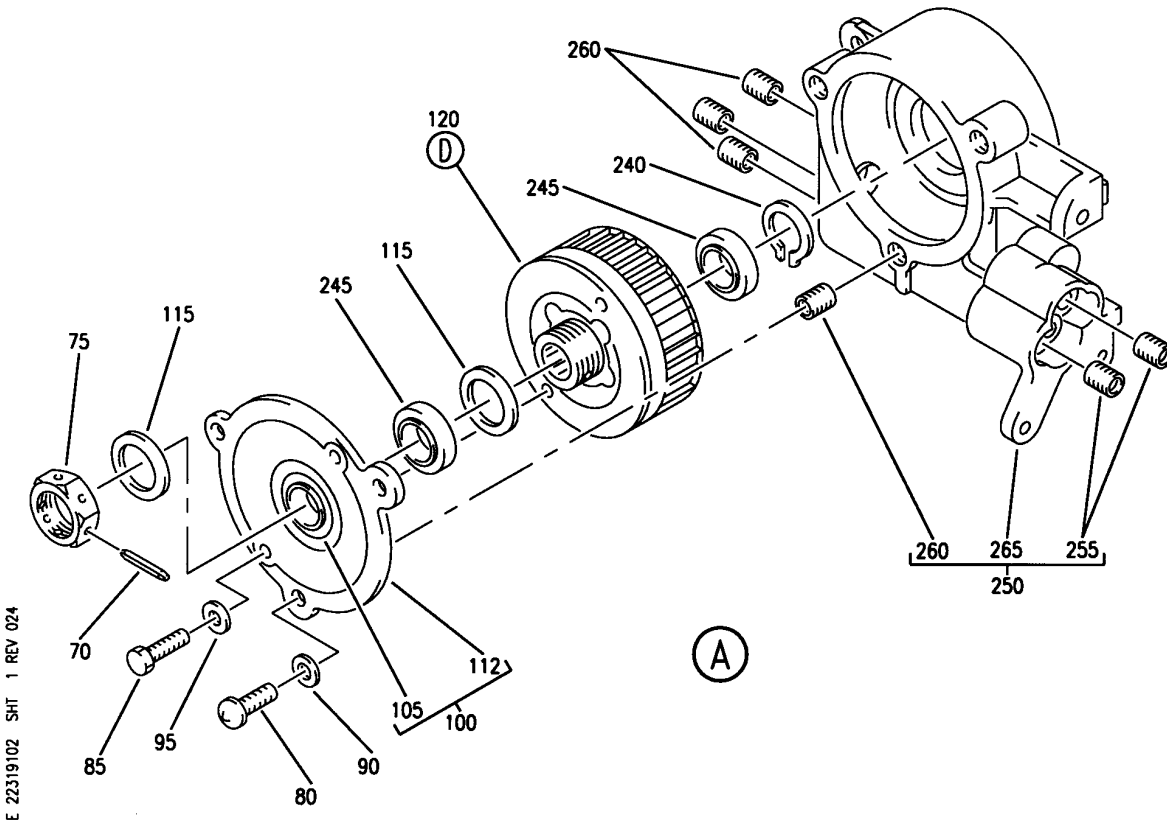
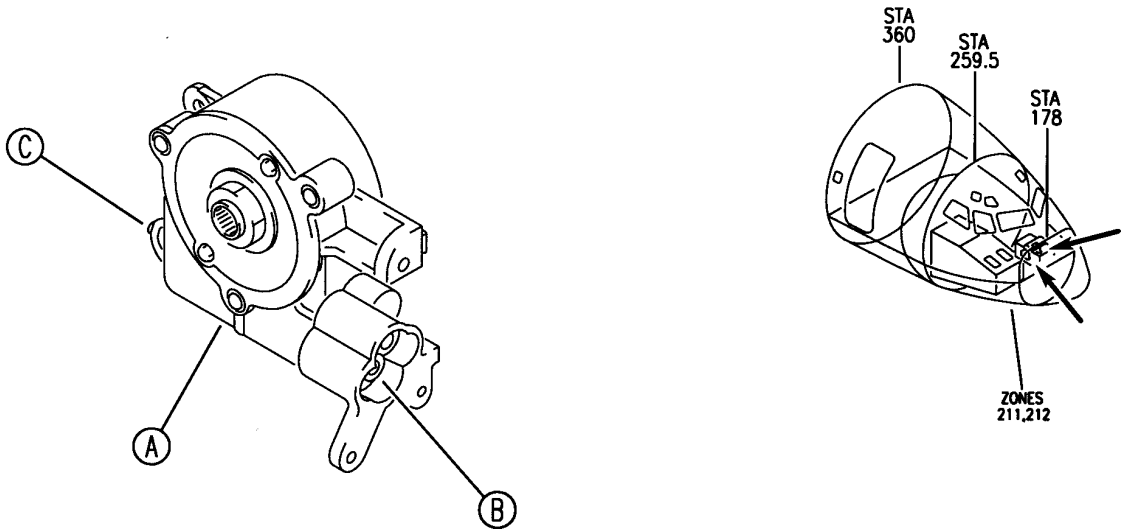
HAP

22-31-91-01

BOEING PROPRIETARY - Copyright © - Unpublished Work - See title page for details.

22-31-91
FIG. 01
PAGE 3
JUN 15/09

BOEING
 737-600/700/800/900
 PARTS CATALOG (MAINTENANCE)



E 22319102 SHT 1 REV 024

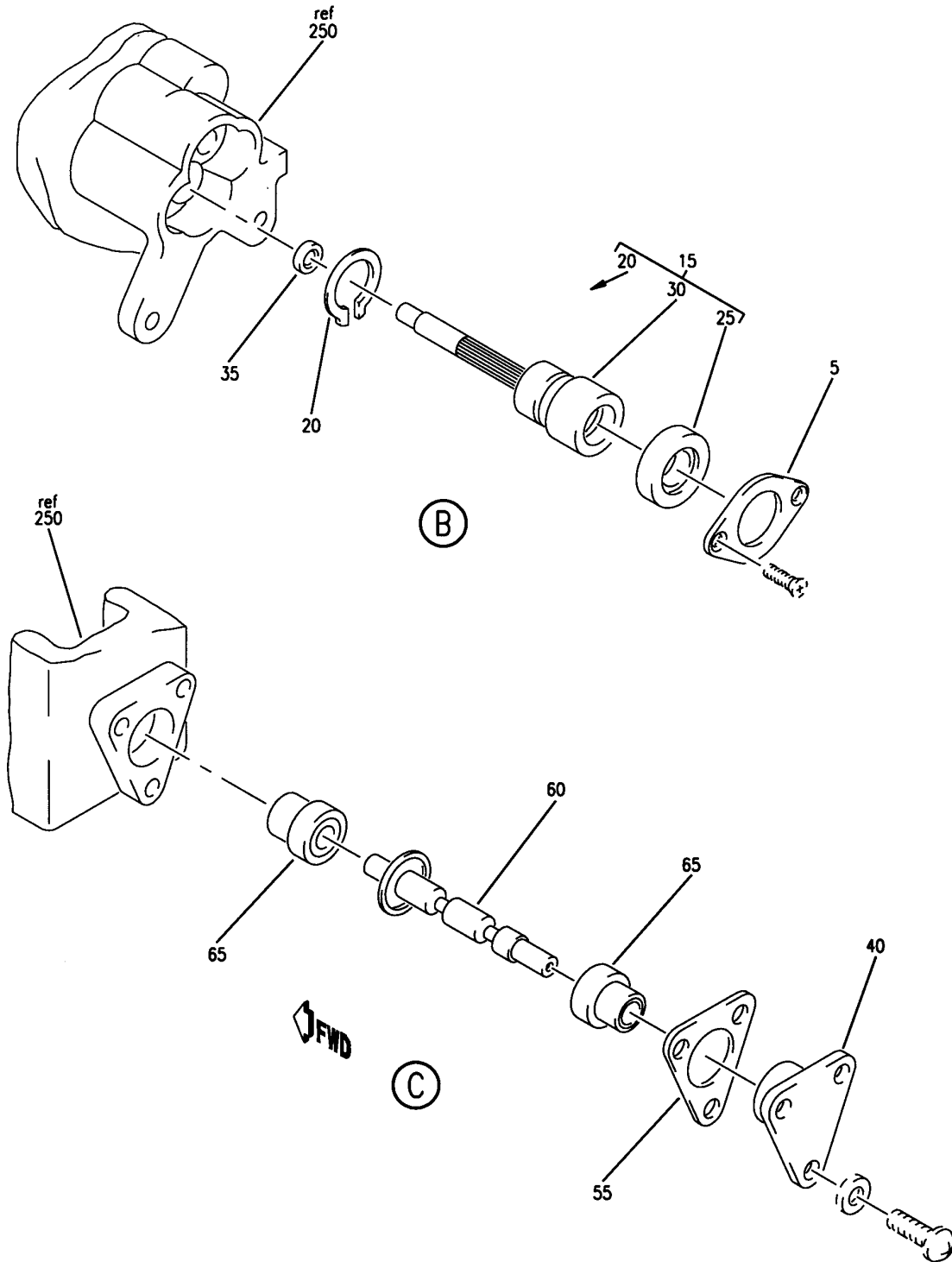
GEARBOX ASSY-AUTOTHROTTLE
 FIGURE 2 (SHEET 1)

22-31-91-02

HAP
 OCT 10/06

22-31-91-02
 PAGE 0

BOEING
737-600/700/800/900
PARTS CATALOG (MAINTENANCE)



E 22319102 SHT 2 REV 024

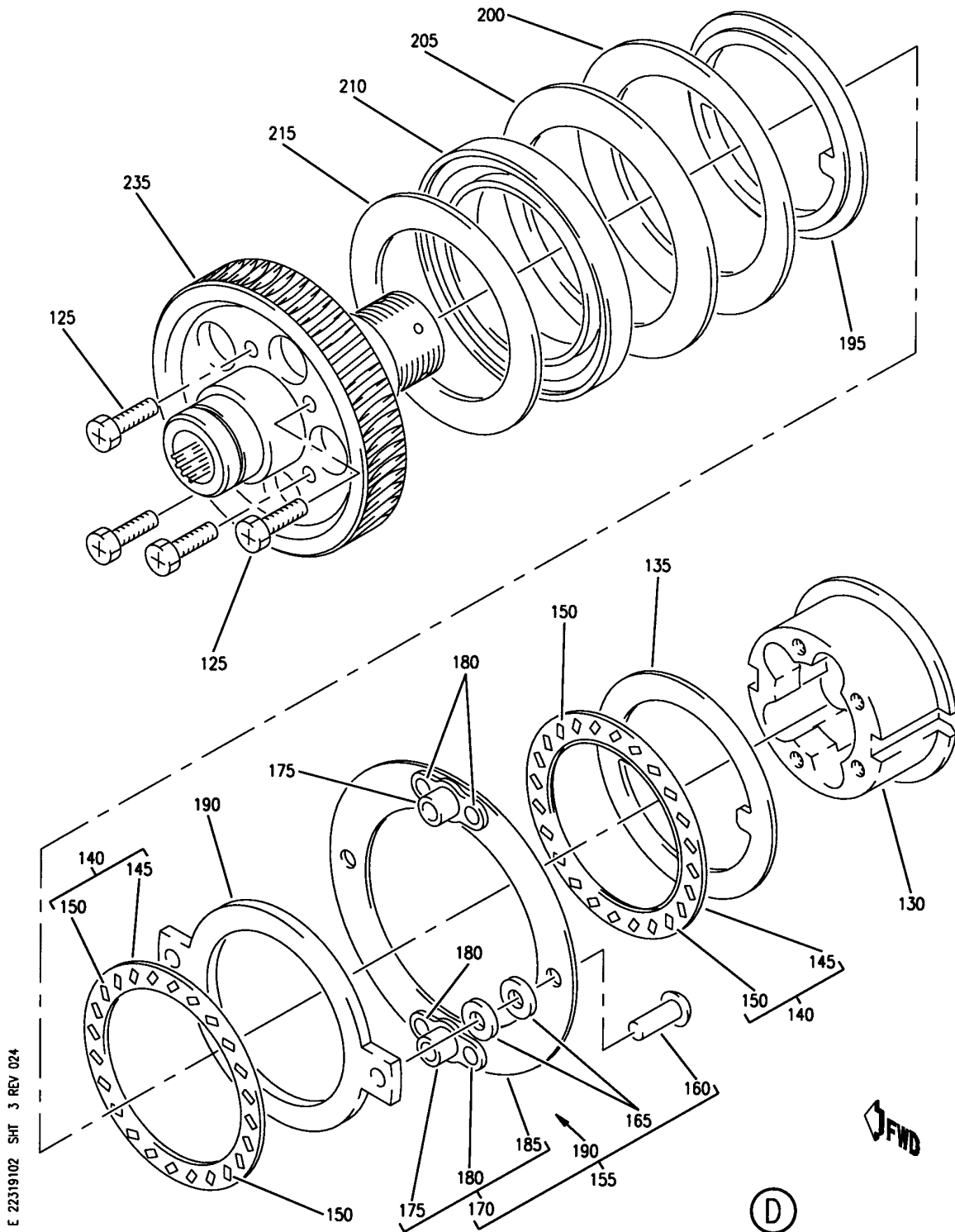
GEARBOX ASSY-AUTOTHROTTLE
FIGURE 2 (SHEET 2)

22-31-91-02

HAP
OCT 10/06

22-31-91-02
PAGE 0A

BOEING
 737-600/700/800/900
 PARTS CATALOG (MAINTENANCE)



E 22319102 SH1 3 REV 024

GEARBOX ASSY-AUTOTHROTTLE
 FIGURE 2 (SHEET 3)

22-31-91-02

HAP
 OCT 10/06

22-31-91-02
 PAGE 08

BOEING
737-600/700/800/900
PARTS CATALOG (MAINTENANCE)

FIG ITEM	PART NUMBER	1 2 3 4 5 6 7	NOMENCLATURE	EFFECT FROM TO	UNITS PER ASSY
2					
R			GEARBOX ASSY-AUTOTHROTTLE		
R	- 1	254A1147-1	GEARBOX ASSY-AUTOTHROTTLE		RF
R			COMPONENT MAINT MANUAL REF:		
R			22-35-02		
R			OPTIONAL PART:		
R			254A1147-3		
R			FOR NHA SEE:		
R			22-31-81-01		
R			22-31-81-02		
R	- 1	254A1147-3	GEARBOX ASSY-AUTOTHROTTLE		RF
R			COMPONENT MAINT MANUAL REF:		
R			22-35-02		
R			OPTIONAL PART:		
R			254A1147-1		
R			FOR NHA SEE:		
R			22-31-81-01		
R			22-31-81-02		
R	5	253T7120-1	.RETAINER-BRG		1
R			ATTACHING PARTS		
R	- 10	NAS514P832-7P	.SCREW		2
R			-----*-----		
R	15	253T7114-2	.SHAFT ASSY		1
R	20	BACR12Y75	..RING		1
R	25	B538DDFS428	..BEARING		1
R			SUPPLIER CODE:		
R			V06144		
R			SPECIFICATION NUMBER:		
R			BACB10CF10PP		
R			OPTIONAL PART:		
R			B538DDFS101		
R			V06144		
R			T338E		
R			VK8455		
R			B538SSG27		
R			V30163		
R			B538DDFS428		
R			V21335		
R			B538DD		
R			V38443		
R			B538-2TS		
R			V43991		
R			B538FS101		
R			V06144		
R			B538DDP		
R			V21760		
R			B538DDNJC		
R			V06144		
R	30	253T7116-1	..SHAFT		1

MISSING ITEM NUMBERS NOT APPLICABLE

- ITEM NOT ILLUSTRATED

HAP

22-31-91-02

BOEING PROPRIETARY - Copyright © - Unpublished Work - See title page for details.

22-31-91
FIG. 02
PAGE 1
JUN 15/09

BOEING
737-600/700/800/900
PARTS CATALOG (MAINTENANCE)

FIG ITEM	PART NUMBER	1 2 3 4 5 6 7	NOMENCLATURE	EFFECT FROM TO	UNITS PER ASSY
2					
R	35	R33KDD5A4298	.BEARING SUPPLIER CODE: V21335 SPECIFICATION NUMBER: BACB10AT3MM OPTIONAL PART: 33KDD5FS160 V21335 R3NFFM V38443 R3PP V43991 R3FF1L1-01 V21760 77R3 V29337 R3ZZ VS0352		1
R	40	253T7118-1	.CAP-END ATTACHING PARTS		1
R -	45	NAS603-8P	.SCREW		3
R -	50	NAS1149D0332J	.WASHER -----*-----		3
R	55	253T7119-1	.SHIM		1
R	60	253T7115-1	.WORM-SERVO		1
R	65	NKX10ZTN	.BEARING- SUPPLIER CODE: V27737		2
R	70	MS16562-1	.PIN		1
R	75	66-22132-1	.NUT		1
R	80	NAS603-8P	.SCREW		3
R	85	NAS1801-06-13	.SCREW		2
R	90	NAS1149D0332J	.WASHER		3
R	95	NAS1149DN632J	.WASHER		2
R	100	254W4142-1	.COVER ASSY-END		1

MISSING ITEM NUMBERS NOT APPLICABLE

- ITEM NOT ILLUSTRATED

HAP

22-31-91-02

BOEING PROPRIETARY - Copyright © - Unpublished Work - See title page for details.

22-31-91
FIG. 02
PAGE 2
JUN 15/09

 **BOEING**
737-600/700/800/900
PARTS CATALOG (MAINTENANCE)

FIG ITEM	PART NUMBER	1 2 3 4 5 6 7	NOMENCLATURE	EFFECT FROM TO	UNITS PER ASSY
2					
R	135	254W4151-1	..DISC-FRICTION		1
R			USED ON:		
R			254A1147-2		
R	135	254W4151-2	..DISC-FRICTION		1
R			USED ON:		
R			254A1147-4		
R	140	254W4152-1	..ROLLER ASSY-SKEWED		2
R	145	254W4152-2	...CAGE		2
R	150	254W4152-3	...ROLLER		24
R	155	254W4148-1	..DISC ASSY-		1
R			USED ON:		
R			254A1147-2		
R	155	254W4148-8	..DISC ASSY-		1
R			USED ON:		
R			254A1147-4		
R	160	MS20615-4MP7	...RIVET		2
R	165	NAS620C5	...WASHER		4
R	170	254W4150-1	...RING ASSY		1
R	175	BACN10JP06ACDNUTPLATE		2
R	180	MS206153MP3RIVET		4
R	185	254W4150-2RING		1
R	190	254W4149-2	...DISC		1
R	195	254W4147-1	..PLATE-PRESSURE		1
R			USED ON:		
R			254A1147-2		
R	195	254W4147-2	..PLATE-PRESSURE		1
R			USED ON:		
R			254A1147-4		
R	200	254W4146-1	..SPRING-		1
R			OPTIONAL PART:		
R			254A1172-1		
R	205	254A1172-1	..SPRING-		1
R			OPTIONAL PART:		
R			254W4146-1		
R	210	254W4145-1	..SPRING		1
R	215	254W4144-1	..SHIM		1
R	220	254W4144-2	..SHIM		1
R	225	254W4144-3	..SHIM		1
R	230	254W4144-4	..SHIM		1
R	235	254W4141-1	..GEAR-WORM		1
R	240	MS16624-2087	.RING		1

MISSING ITEM NUMBERS NOT APPLICABLE

— ITEM NOT ILLUSTRATED

HAP

22-31-91-02

BOEING PROPRIETARY - Copyright © - Unpublished Work - See title page for details.

22-31-91
FIG. 02
PAGE 4
JUN 15/09

BOEING
737-600/700/800/900
PARTS CATALOG (MAINTENANCE)

FIG ITEM	PART NUMBER	1 2 3 4 5 6 7	NOMENCLATURE	EFFECT FROM TO	UNITS PER ASSY
R R R R R R R R R R R R R R R R R	2 245	MB540DDFS428	.BEARING SUPPLIER CODE: V06144 SPECIFICATION NUMBER: BACB10AS14 OPTIONAL PART: LLMB540 V38443 MB540-2TS V43991 MB540DDFS428 V21335 MB540TT V43991 MB540DDG20 V38443 MT340E VK8455 MB540DDL196 V40920 MB540DD V06144 MB540DDNJC V06144 MB540DDSD610 V83086		1
	250	253T7117-5	.HOUSING ASSY		1
	255	BACS13W2CN3	..INSERT		2
	260	BACS13W3CN4	..SLEEVE		6
	265	253T7117-6	..HOUSING		1

MISSING ITEM NUMBERS NOT APPLICABLE

— ITEM NOT ILLUSTRATED

HAP

22-31-91-02

BOEING PROPRIETARY - Copyright © - Unpublished Work - See title page for details.

22-31-91
FIG. 02
PAGE 5
JUN 15/09