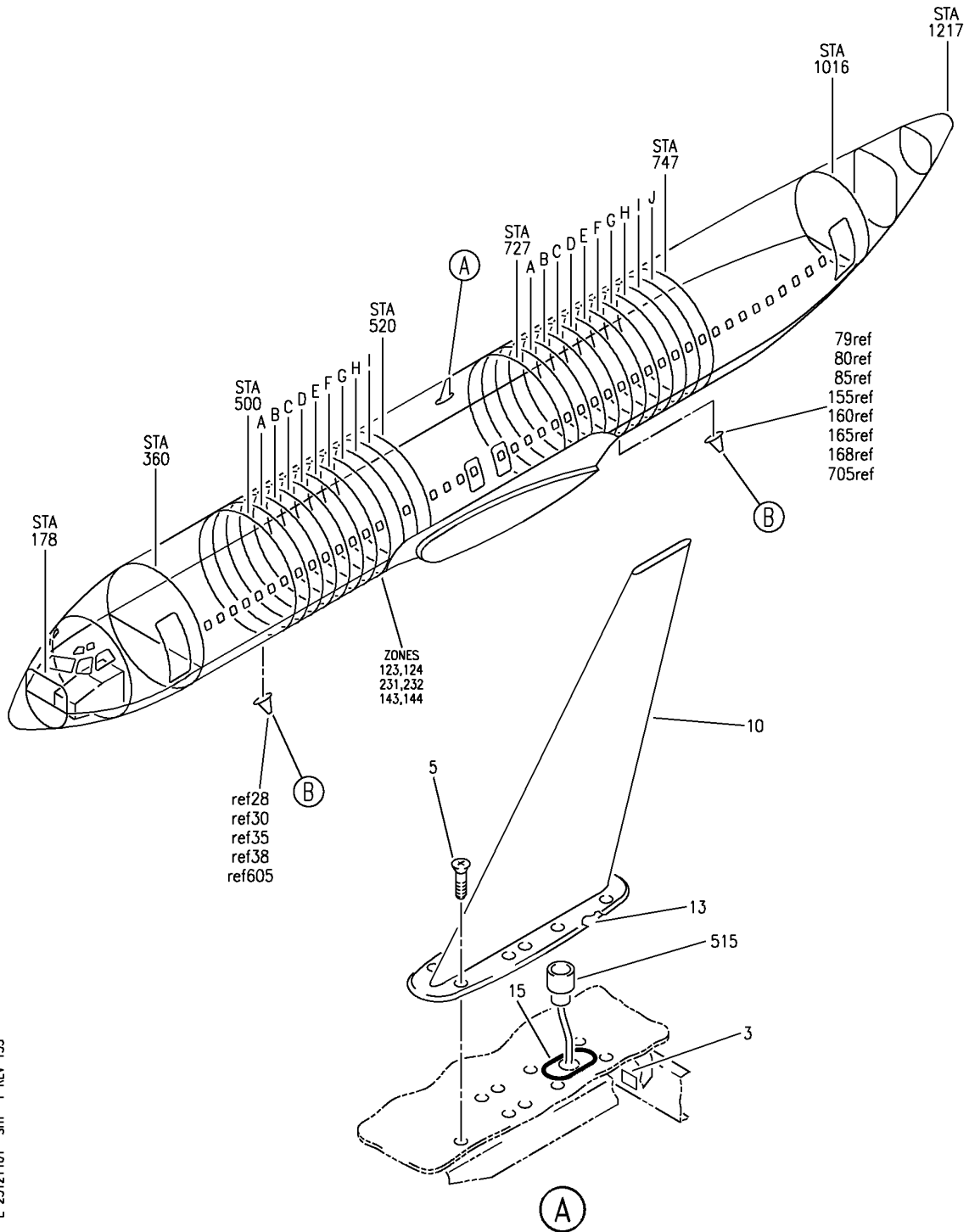


VHF COMMUNICATION SYSTEM

HAP
OCT 10/06

23-12-00
SECTION TITLE
PAGE 1

BOEING
 737-600/700/800/900
 PARTS CATALOG (MAINTENANCE)



E 23121101 SHT 1 REV 135

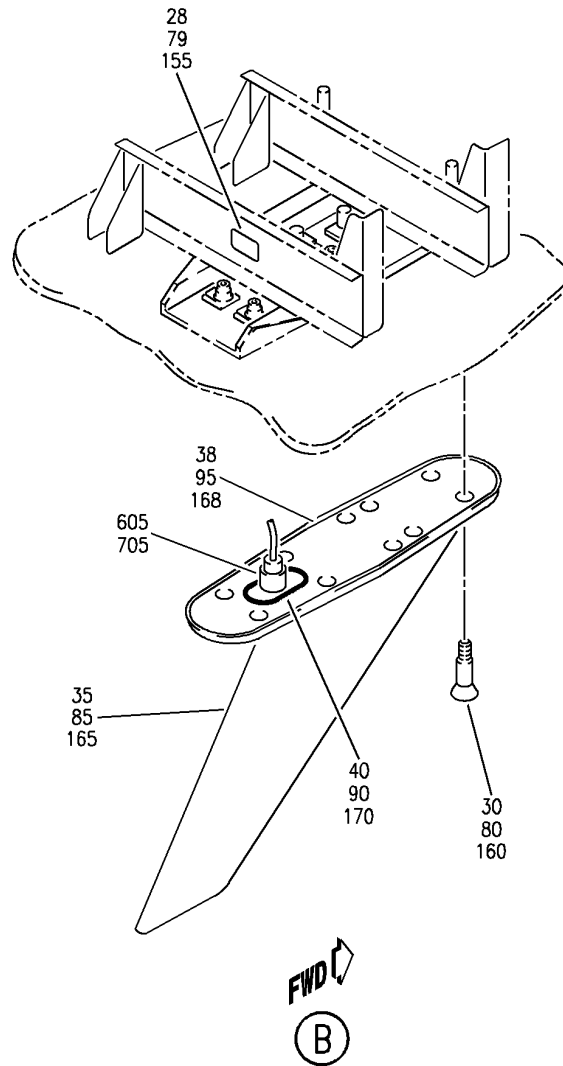
ANTENNA INSTL-VHF
 FIGURE 1 (SHEET 1)

23-12-11-01

HAP
 OCT 10/07

23-12-11-01
 PAGE 0

BOEING
737-600/700/800/900
PARTS CATALOG (MAINTENANCE)



E 23121101 SHT 2 REV 100

ANTENNA INSTL-VHF
FIGURE 1 (SHEET 2)

23-12-11-01

HAP
OCT 10/06

23-12-11-01
PAGE 0A

BOEING
737-600/700/800/900
PARTS CATALOG (MAINTENANCE)

FIG ITEM	PART NUMBER	1 2 3 4 5 6 7	NOMENCLATURE	EFFECT FROM TO	UNITS PER ASSY
1			ANTENNA INSTL-VHF		
- 1	284A0501-11		ANTENNA INSTL-VHF NO. 2 POSITION DATA: STA 630.36 FOR NHA SEE: 23-10-00-05	001013 201967	RF
- 1	284A0501-18		ANTENNA INSTL-VHF POSITION DATA: STA 630.36 FOR NHA SEE: 23-10-00-05	014019	RF
- 1	284A0501-1		ANTENNA INSTL-VHF NO.1 POSITION DATA: STA 630.36 FOR NHA SEE: 23-10-00-05	020030	RF
- 1	MODREF101666		ANTENNA INSTL-VHF NO.1 MODULE NUMBER: 284A0501-1 REV B POSITION DATA: STA 630.36	031045 054103 968971	1
3	BAC27DEX6859		.MARKER- PLACARD CONTENT: M00057 VHF ANTENNA POST ALERT SB: 23A1170R1 23A1170R2	001045 054103 201971	1
5	BACB30NN4K11		.BOLT-	001045 054103 201971	10

MISSING ITEM NUMBERS NOT APPLICABLE

- ITEM NOT ILLUSTRATED

HAP

23-12-11-01

BOEING PROPRIETARY - Copyright © - Unpublished Work - See title page for details.

23-12-11
FIG. 01
PAGE 1
FEB 15/09

BOEING
737-600/700/800/900
PARTS CATALOG (MAINTENANCE)

FIG ITEM	PART NUMBER	1 2 3 4 5 6 7	NOMENCLATURE	EFFECT FROM TO	UNITS PER ASSY
1 10	DMC50-17		.ANTENNA- SUPPLIER CODE: V00752 FUNCTIONAL DESCRIPTION: PROVIDES COMMUNICATION OPERATION IN A SHORT STUB, BLADE ANTENNA WITH AN OMNIDIRECTIONAL RADIATION PATTERN. ELECTRICAL EQUIP NUMBER: M00057 MAINTENANCE MANUAL REF: 23-12-11 QUALIFIED I/W DATA: DMC50-17-3 I/W DMC50-17 SUBJECT TO CUSTOMER PREFERENCE. DMC50-17-3 HAS RED STRIPE MARKINGS FOR HIGHER VISIBILITY. OPTIONAL PART: BCREFD00040 V00752	001045 054103 201971	1
R R R R R	10	S65-8262-2	.ANTENNA- SUPPLIER CODE: V13691 MAINTENANCE MANUAL REF: 23-12-11	001045 054103 201971	1
	15	MS9068-140	.PACKING	001045 054103 201971	1
R R R R R R R R R R	- 25	284A0501-15	ANTENNA INSTL-VHF NO. 3 POSITION DATA: STA 470.88 FOR NHA SEE: 23-10-00-02	201967	RF
R R R R R R R R R R	- 25	284A0501-16	ANTENNA INSTL-VHF NO. 3 POSITION DATA: STA 470.88 FOR NHA SEE: 23-10-00-03	001013	RF
R R R R R R R R R R	- 25	284A0501-20	ANTENNA INSTL-VHF NO. 3 POSITION DATA: STA 470.88 FOR NHA SEE: 23-10-00-03	014030	RF

MISSING ITEM NUMBERS NOT APPLICABLE

- ITEM NOT ILLUSTRATED

HAP

23-12-11-01

BOEING PROPRIETARY - Copyright © - Unpublished Work - See title page for details.

23-12-11
FIG. 01
PAGE 2
JUN 15/09

BOEING
737-600/700/800/900
PARTS CATALOG (MAINTENANCE)

FIG ITEM	PART NUMBER	1 2 3 4 5 6 7	NOMENCLATURE	EFFECT FROM TO	UNITS PER ASSY
R R R R R R R	1 - 25	MODREF85807	ANTENNA INSTL-VHF NO. 3 MODULE NUMBER: 284A0501-26 REV A POSITION DATA: STA 470.88	044053 101200 968999	1
	- 25	MODREF101664	ANTENNA INSTL-VHF NO. 3 MODULE NUMBER: 284A0501-19 REV B POSITION DATA: STA 470.88	031043 054100	1
	28	BAC27DEX6861	.MARKER- PLACARD CONTENT: M00225 VHF ANTENNA	014200 968999	1
	30	BACB30NN4K15	.BOLT- OPTIONAL PART: BACB30NN4K14		10
	30	BACB30NN4K14	.BOLT- OPTIONAL PART: BACB30NN4K15		10
	35	DMC50-17	.ANTENNA- SUPPLIER CODE: V00752 FUNCTIONAL DESCRIPTION: PROVIDES COMMUNICATION OPERATION IN A SHORT STUB, BLADE ANTENNA WITH AN OMNIDIRECTIONAL RADIATION PATTERN. ELECTRICAL EQUIP NUMBER: M00225 MAINTENANCE MANUAL REF: 23-12-11 QUALIFIED I/W DATA: DMC50-17-3 I/W DMC50-17 SUBJECT TO CUSTOMER PREFERENCE. DMC50-17-3 HAS RED STIPE MARKINGS FOR HIGHER VISIBILITY. OPTIONAL PART: BCREFD00040 V00752	031043 054100 201967	1

MISSING ITEM NUMBERS NOT APPLICABLE

- ITEM NOT ILLUSTRATED

HAP

23-12-11-01

BOEING PROPRIETARY - Copyright © - Unpublished Work - See title page for details.

23-12-11
FIG. 01
PAGE 3
JUN 15/09

BOEING
737-600/700/800/900
PARTS CATALOG (MAINTENANCE)

FIG ITEM	PART NUMBER	1 2 3 4 5 6 7	NOMENCLATURE	EFFECT FROM TO	UNITS PER ASSY
1					
35	DMC50-17-2		.ANTENNA- SUPPLIER CODE: V00752 FUNCTIONAL DESCRIPTION: PROVIDES COMMUNICATION OPERATION IN A SHORT STUB, BLADE ANTENNA WITH AN OMNIDIRECTIONAL RADIATION PATTERN. ELECTRICAL EQUIP NUMBER: M00225 MAINTENANCE MANUAL REF: 23-12-11	001030	1
35	S65-8262-2		.ANTENNA- SUPPLIER CODE: V13691	031043 054100 201967	1
35	DMC50-17-3		.ANTENNA- SUPPLIER CODE: V00752 ELECTRICAL EQUIP NUMBER: M00225 MAINTENANCE MANUAL REF: 23-12-11 QUALIFIED I/W DATA: DMC50-17-3 I/W DMC50-17 SUBJECT TO CUSTOMER PREFERENCE. DMC50-17-3 HAS RED STRIPE MARKINGS FOR HIGHER VISIBILITY.	044053 101200 968999	1
40	MS9068-140		.PACKING		1
- 150	284A0501-14		ANTENNA INSTL-VHF NO. 1 POSITION DATA: STA727D + 10.88 FOR NHA SEE: 23-10-00-03	001013	RF
- 150	284A0501-23		ANTENNA INSTL-VHF POSITION DATA: STA 727D + 10.88 FOR NHA SEE: 23-10-00-03	014019	RF
- 150	284A0501-12		ANTENNA INSTL-VHF NO. 1 POSITION DATA: STA 727D + 10.88 FOR NHA SEE: 23-10-00-02A	201967	RF

MISSING ITEM NUMBERS NOT APPLICABLE

- ITEM NOT ILLUSTRATED

HAP

23-12-11-01

BOEING PROPRIETARY - Copyright © - Unpublished Work - See title page for details.

23-12-11
FIG. 01
PAGE 4
FEB 15/09

BOEING
737-600/700/800/900
PARTS CATALOG (MAINTENANCE)

FIG ITEM	PART NUMBER	1 2 3 4 5 6 7	NOMENCLATURE	EFFECT FROM TO	UNITS PER ASSY
1					
- 150	284A0501-34		ANTENNA INSTL-VHF NO.2 POSITION DATA: STA 727D + 10.88 FOR NHA SEE: 23-10-00-03	020030	RF
R R R R R	- 151 MODREF101663		ANTENNA INSTL-VHF NO.2 MODULE NUMBER: 284A0501-29 REV B POSITION DATA: STA 727D + 10.88	031043 054100	1
	- 151 MODREF85813		ANTENNA INSTL-VHF NO.2 MODULE NUMBER: 284A0501-35 REV A POSITION DATA: STA 727D + 10.88	044053	1
	- 151 MODREF85814		ANTENNA INSTL-VHF NO.2 MODULE NUMBER: 284A0501-36 REV A POSITION DATA: STA 727D + 10.88	101200 968999	1
	155 BAC27DEX6860		.MARKER- PLACARD CONTENT: M00058 VHF ANTENNA POST ALERT SB: 23A1170R1 23A1170R2	001047 054999	1
	160 BACB30NN4K15		.BOLT- OPTIONAL PART: BACB30NN4K14		10
	160 BACB30NN4K14		.BOLT- OPTIONAL PART: BACB30NN4K15		10

MISSING ITEM NUMBERS NOT APPLICABLE

- ITEM NOT ILLUSTRATED

HAP

23-12-11-01

BOEING PROPRIETARY - Copyright © - Unpublished Work - See title page for details.

23-12-11
FIG. 01
PAGE 5
JUN 15/09

BOEING
737-600/700/800/900
PARTS CATALOG (MAINTENANCE)

FIG ITEM	PART NUMBER	1 2 3 4 5 6 7	NOMENCLATURE	EFFECT FROM TO	UNITS PER ASSY
1 165	DMC50-17		.ANTENNA- SUPPLIER CODE: V00752 FUNCTIONAL DESCRIPTION: PROVIDES COMMUNICATION OPERATION IN A SHORT STUB, BLADE ANTENNA WITH AN OMNIDIRECTIONAL RADIATION PATTERN. ELECTRICAL EQUIP NUMBER: M00058 MAINTENANCE MANUAL REF: 23-12-11 QUALIFIED I/W DATA: DMC50-17-3 I/W DMC50-17 SUBJECT TO CUSTOMER PREFERENCE. DMC50-17-3 HAS RED STRIPE MARKINGS FOR HIGHER VISIBILITY. OPTIONAL PART: BCREFD00040 V00752	031043 054100 201967	1
165	DMC50-17-2		.ANTENNA- SUPPLIER CODE: V00752 FUNCTIONAL DESCRIPTION: PROVIDES COMMUNICATION OPERATION IN A SHORT STUB, BLADE ANTENNA WITH AN OMNIDIRECTIONAL RADIATION PATTERN. ELECTRICAL EQUIP NUMBER: M00058 MAINTENANCE MANUAL REF: 23-12-11	001030	1
165	DMC50-17-3		.ANTENNA- SUPPLIER CODE: V00752 ELECTRICAL EQUIP NUMBER: M00058 MAINTENANCE MANUAL REF: 23-12-11 QUALIFIED I/W DATA: DMC50-17-3 I/W DMC50-17 SUBJECT TO CUSTOMER PREFERENCE. DMC50-17-3 HAS RED STRIPE MARKINGS FOR HIGHER VISIBILITY.	044053 101200 968999	1

MISSING ITEM NUMBERS NOT APPLICABLE

— ITEM NOT ILLUSTRATED

HAP

23-12-11-01

23-12-11
FIG. 01
PAGE 6
FEB 15/09

BOEING
737-600/700/800/900
PARTS CATALOG (MAINTENANCE)

FIG ITEM	PART NUMBER	1 2 3 4 5 6 7	NOMENCLATURE	EFFECT FROM TO	UNITS PER ASSY
1					
165	S65-8262-2		.ANTENNA- SUPPLIER CODE: V13691	031043 054100 201967	1
170	MS9068-140		.PACKING		1
- 500	286A5413-002		WIRE BUNDLE ASSY-	001011	RF
- 500	286A5413-007		WIRE BUNDLE ASSY-	012013 015016	RF
- 500	286A5413-013		WIRE BUNDLE ASSY-	020030	RF
- 500	286A5413-018		WIRE BUNDLE ASSY-	014014 017019	RF
- 501	286A5413-017		WIRE BUNDLE ASSY-	201967	RF
- 501	286A5413-034		WIRE BUNDLE ASSY-	101106 968999	RF
- 501	286A5413-035		WIRE BUNDLE ASSY-	031047	RF
515	796-17-9		.PLUG- SUPPLIER CODE: V91836 ELECTRICAL EQUIP NUMBER: D00115 WIRING DIAGRAM REF: 231211	001047 054106 201999	1
- 600	286A5415-005		WIRE BUNDLE ASSY-	001007	RF
- 600	286A5415-006		WIRE BUNDLE ASSY-	008047 054106 201999	RF
605	795-21-9		.PLUG- SUPPLIER CODE: V91836 ELECTRICAL EQUIP NUMBER: D00335 WIRING DIAGRAM REF: 231231	001047 054106 201999	1
- 700	286A5417-001		WIRE BUNDLE ASSY-	201967	RF
- 700	286A5417-003		WIRE BUNDLE ASSY-	001011	RF
- 700	286A5417-007		WIRE BUNDLE ASSY-	012013 015030	RF
- 700	286A5417-018		WIRE BUNDLE ASSY-	014014	RF
- 701	286A5417-024		WIRE BUNDLE ASSY-	101101 968971	RF
- 701	286A5417-026		WIRE BUNDLE ASSY	031043	RF
- 701	286A5417-035		WIRE BUNDLE ASSY	102106 972999	RF
- 701	286A5417-037		WIRE BUNDLE ASSY	044047 054100	RF

MISSING ITEM NUMBERS NOT APPLICABLE

- ITEM NOT ILLUSTRATED

HAP

23-12-11-01

23-12-11
FIG. 01
PAGE 7
JUN 15/09


BOEING
 737-600/700/800/900
PARTS CATALOG (MAINTENANCE)

FIG ITEM	PART NUMBER	1 2 3 4 5 6 7 NOMENCLATURE	EFFECT FROM TO	UNITS PER ASSY
1 705	795-21-9	.PLUG- SUPPLIER CODE: V91836 ELECTRICAL EQUIP NUMBER: D00117 WIRING DIAGRAM REF: 231221	001047 054106 201999	1

MISSING ITEM NUMBERS NOT APPLICABLE

— ITEM NOT ILLUSTRATED

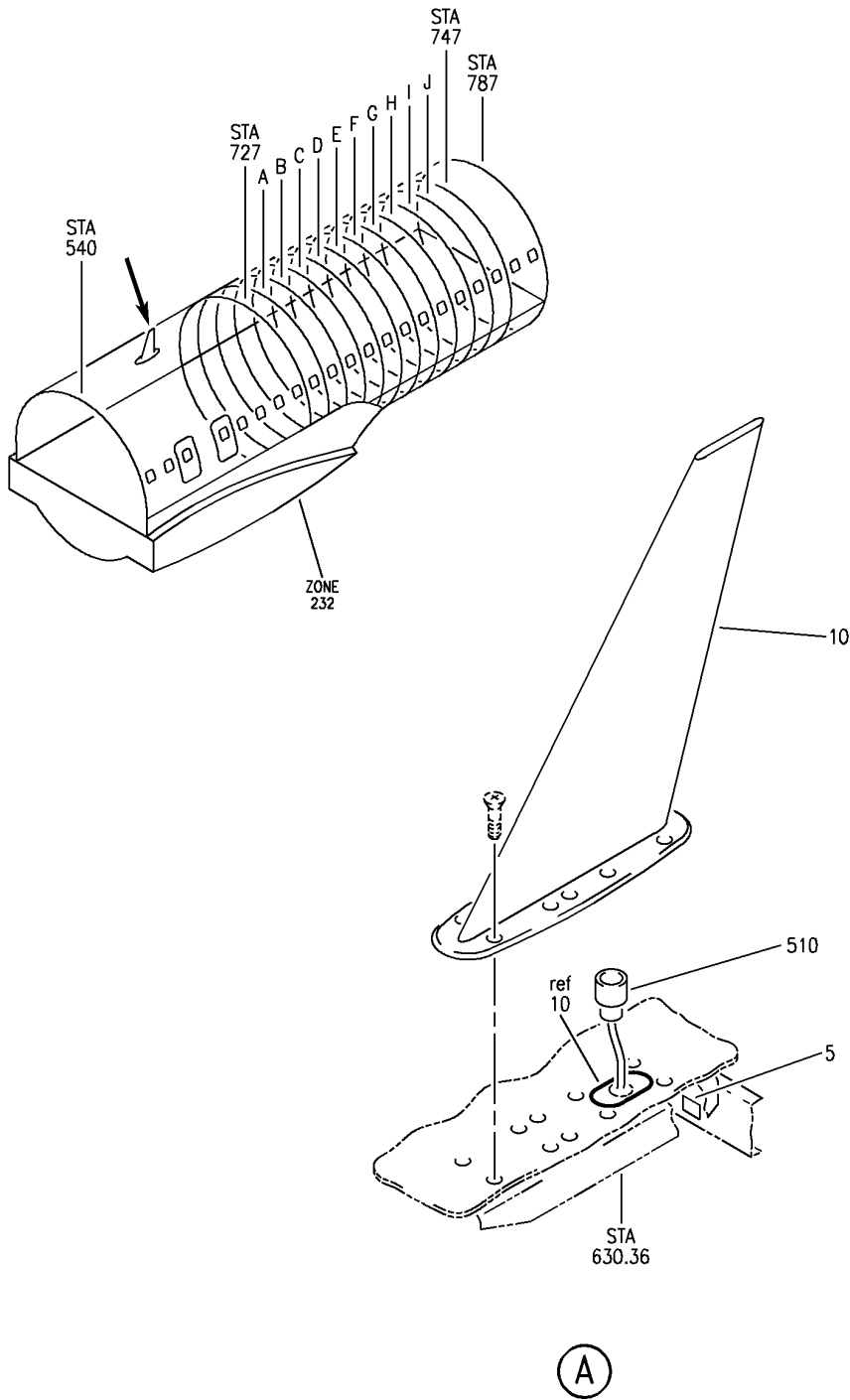
HAP

23-12-11-01

BOEING PROPRIETARY - Copyright © - Unpublished Work - See title page for details.

23-12-11
 FIG. 01
 PAGE 8
 FEB 15/09

BOEING
 737-600/700/800/900
 PARTS CATALOG (MAINTENANCE)



E 23121102 REV 139

ANTENNA INSTL-STA 630.36 VHF NO. 1
 FIGURE 2

23-12-11-02

HAP
 FEB 15/08

23-12-11-02
 PAGE 0

BOEING
737-600/700/800/900
PARTS CATALOG (MAINTENANCE)

FIG ITEM	PART NUMBER	1 2 3 4 5 6 7	NOMENCLATURE	EFFECT FROM TO	UNITS PER ASSY
2			ANTENNA INSTL-ST A 630.36 VHF NO. 1	046053 104200 972999	
- 1	MODREF365249		ANTENNA INSTL-VHF NO. 1 MODULE NUMBER: 284A0501-37 REV A POSITION DATA: STA 630.36	046053 104200 972999	1
5	BAC27DEX6859		.MARKER- PLACARD CONTENT: M00057 VHF ANTENNA	046053 104200 972999	1
10	DMC50-17-3		.ANTENNA- SUPPLIER CODE: V00752 ELECTRICAL EQUIP NUMBER: M00057 QUALIFIED I/W DATA: DMC50-17-3 I/W DMC50-17 SUBJECT TO CUSTOMER PREFERENCE. DMC50-17-3 HAS RED STRIPE MARKINGS FOR HIGHER VISIBILITY. ATTACHING PARTS	046053 104200 972999	1
- 15	BACB30NN4K11		.BOLT	046053 104200 972999	10
- 500	286A5413-034		-----*----- WIRE BUNDLE ASSY	104106 972999	RF
- 500	286A5413-035		WIRE BUNDLE ASSY	046047	RF
510	796-17-9		.PLUG- SUPPLIER CODE: V91836 ELECTRICAL EQUIP NUMBER: D00115 WIRING DIAGRAM REF: 231211	046047 104106 972999	1

MISSING ITEM NUMBERS NOT APPLICABLE

- ITEM NOT ILLUSTRATED

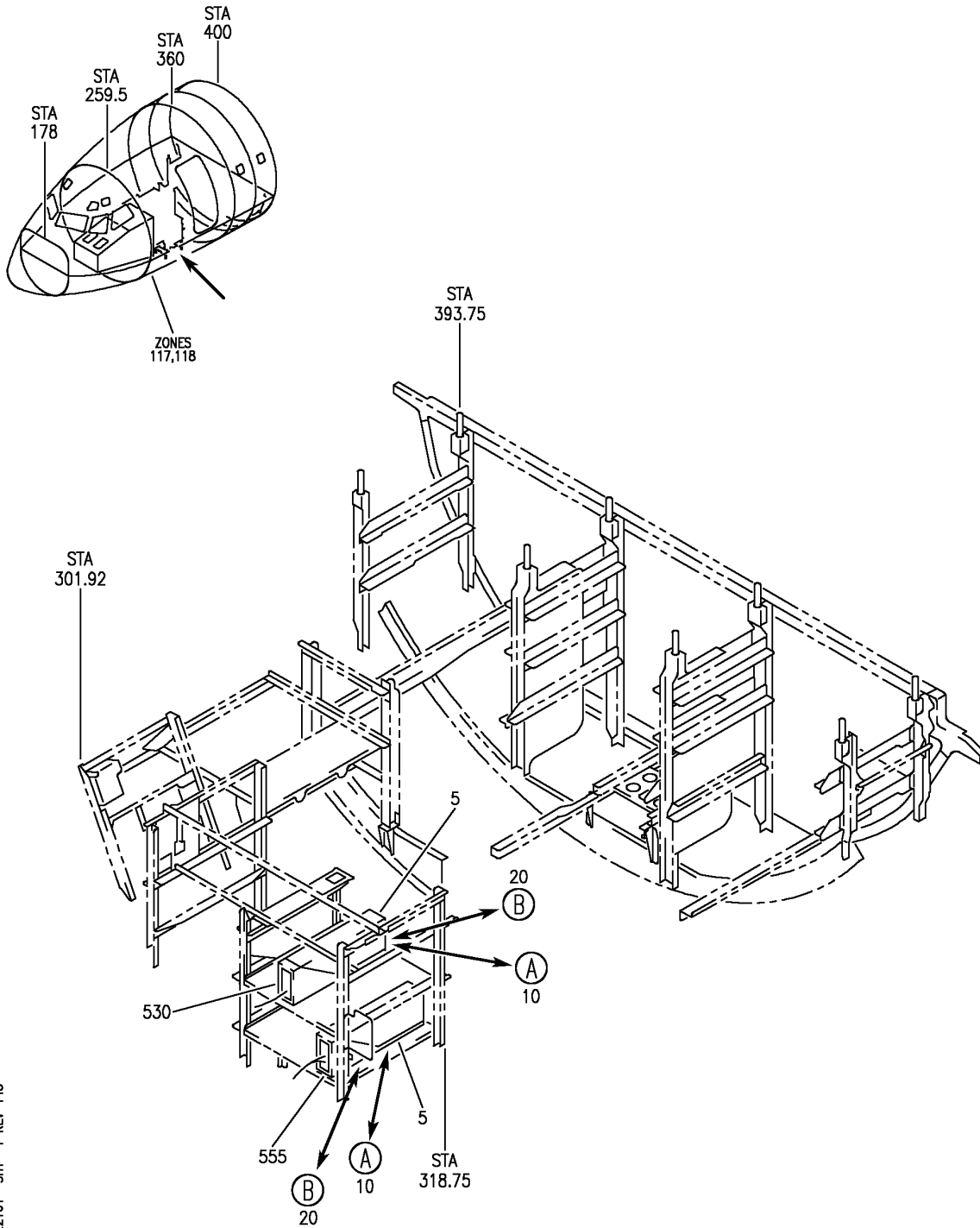
HAP

23-12-11-02

BOEING PROPRIETARY - Copyright © - Unpublished Work - See title page for details.

23-12-11
FIG. 02
PAGE 1
JUN 15/09

BOEING
 737-600/700/800/900
 PARTS CATALOG (MAINTENANCE)



E 23122101 SHT 1 REV 145

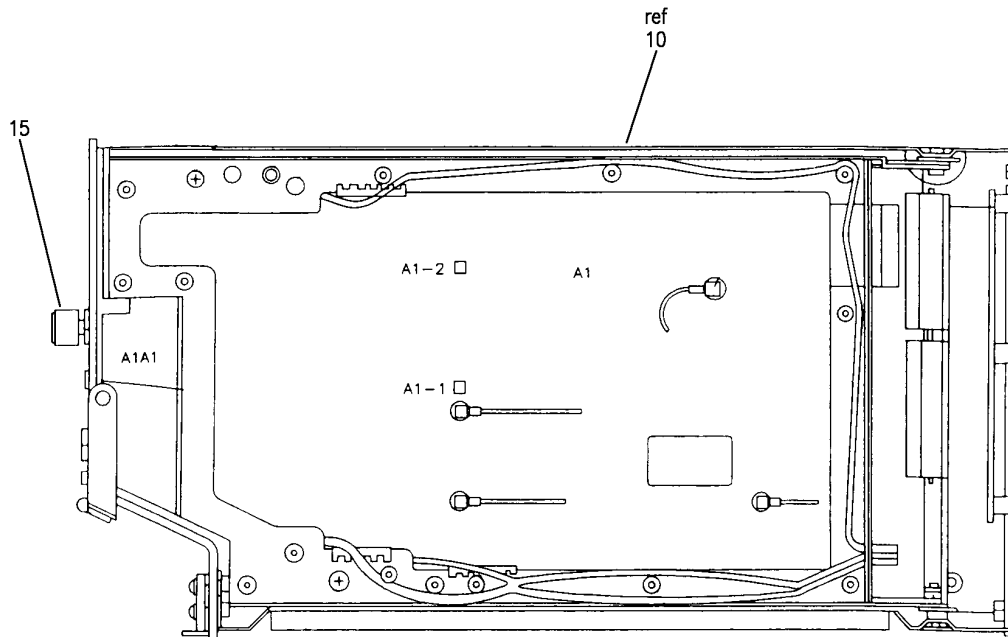
EQUIPMENT INSTL-ELEC/ELEX BAY E1 RACK (VHF TRANSCEIVER ONLY)
 FIGURE 1 (SHEET 1)

23-12-21-01

HAP
 OCT 15/08

23-12-21-01
 PAGE 0

BOEING
737-600/700/800/900
PARTS CATALOG (MAINTENANCE)



(A)

E 23122101 SHT 2 REV 070

EQUIPMENT INSTL-ELEC/ELEX BAY E1 RACK (VHF TRANSCEIVER ONLY)
FIGURE 1 (SHEET 2)

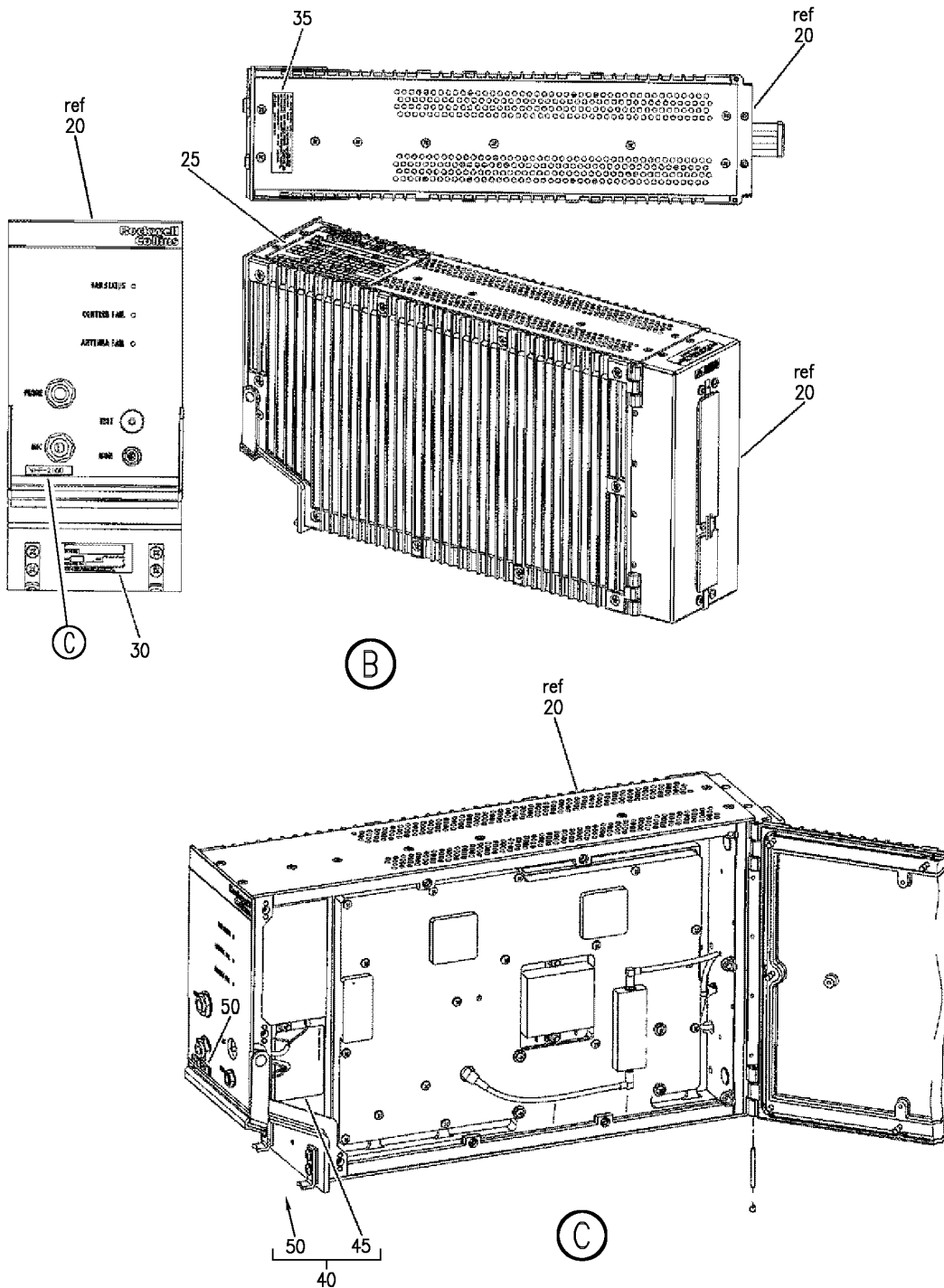
HAP
OCT 10/06

23-12-21-01

23-12-21-01
PAGE 0A

BOEING PROPRIETARY - Copyright © - Unpublished Work - See title page for details.


BOEING
 737-600/700/800/900
PARTS CATALOG (MAINTENANCE)



E 23122101 SHT 3 REV 145

EQUIPMENT INSTL-ELEC/ELEX BAY E1 RACK (VHF TRANSCEIVER ONLY)
FIGURE 1 (SHEET 3)

23-12-21-01

HAP
OCT 15/08

23-12-21-01
PAGE 0B

BOEING
737-600/700/800/900
PARTS CATALOG (MAINTENANCE)

FIG ITEM	PART NUMBER	1 2 3 4 5 6 7	NOMENCLATURE	EFFECT FROM TO	UNITS PER ASSY
1			EQUIPMENT INSTL-ELEC/ELEX BAY E1 RACK (VHF TRANSCEIVER ONLY)	001011 201967	
- 1	284A0410-5		EQUIPMENT INSTL-ELEC/ELEX BAY (VHF TRANSCEIVER ONLY) POSITION DATA: E1 RACK FOR NHA/OTHER SYS DET SEE: 25-50-00-08	008011 201967	RF
- 1	284A0410-7		EQUIPMENT INSTL-ELEC/ELEX BAY (VHF TRANSCEIVER ONLY) POSITION DATA: E1 RACK FOR NHA/OTHER SYS DET SEE: 25-50-00-08	001007	RF
5	064-50000-0110		.TRANSCEIVER-VHF COMM SUPPLIER CODE: V97896 FUNCTIONAL DESCRIPTION: PROVIDES HIGH QUALITY VOICE AND DATA COMMUNICATION WITH GROUND STATIONS OR OTHER AIRPLANES AT SHORT TO MEDIUM RANGE. ELECTRICAL EQUIP NUMBER: M00149 M00150 COMPONENT MAINT MANUAL REF: 23-20-36 MAINTENANCE MANUAL REF: 23-12-21 QUALIFIED I/W DATA: 064-50000-2000 MAY REPLACE 064-50000-0110 IN SHIPSETS 064-50000-0110 IS I/W 064-50000-0101 EXCEPT 8.33KHZ CHANNEL SPACING OPERATION REQUIRES A SHIPSET OF 064-50000-0110. PRE SERVICE BULLETIN: 23-1245	001011	2

MISSING ITEM NUMBERS NOT APPLICABLE

- ITEM NOT ILLUSTRATED

HAP

23-12-21-01

BOEING PROPRIETARY - Copyright © - Unpublished Work - See title page for details.

23-12-21
FIG. 01
PAGE 1
OCT 15/08

BOEING
737-600/700/800/900
PARTS CATALOG (MAINTENANCE)

FIG ITEM	PART NUMBER	1 2 3 4 5 6 7	NOMENCLATURE	EFFECT FROM TO	UNITS PER ASSY
1 5	822-1047-003		.TRANSCEIVER-VHF COMM SUPPLIER CODE: V4V792 FUNCTIONAL DESCRIPTION: PROVIDES HIGH QUALITY VOICE AND DATA COMMUNICATION WITH GROUND STATIONS OR OTHER AIRPLANES AT SHORT TO MEDIUM RANGE. ELECTRICAL EQUIP NUMBER: M00149 M00150 WIRING DIAGRAM REF: 231211 COMPONENT MAINT MANUAL REF: 23-12-91 MAINTENANCE MANUAL REF: 23-12-21	201967	2

MISSING ITEM NUMBERS NOT APPLICABLE

- ITEM NOT ILLUSTRATED

HAP

23-12-21-01

BOEING PROPRIETARY - Copyright © - Unpublished Work - See title page for details.

23-12-21
FIG. 01
PAGE 2
OCT 15/08

BOEING
737-600/700/800/900
PARTS CATALOG (MAINTENANCE)

FIG ITEM	PART NUMBER	1 2 3 4 5 6 7	NOMENCLATURE	EFFECT FROM TO	UNITS PER ASSY
1	5 064-50000-2000		.TRANSCEIVER-VHF COMM SUPPLIER CODE: V97896 FUNCTIONAL DESCRIPTION: PROVIDES HIGH QUALITY VOICE AND DATA COMMUNICATION WITH GROUND STATIONS OR OTHER AIRPLANES AT SHORT TO MEDIUM RANGE. ELECTRICAL EQUIP NUMBER: M00149 M00150 COMPONENT MAINT MANUAL REF: 23-20-36 MAINTENANCE MANUAL REF: 23-12-21 QUALIFIED I/W DATA: 064-50000-2000 MAY REPLACE 064-50000-0110 IN SHIPSETS 064-50000-2000 MAY REPLACE 064-50000-0101 IN SHIPSETS OR 064-5000-2000 MAY BE REPLACED BY 064-50000-0101 IN SHIPSETS PROVIDED AIRCRAFT DOESN'T HAVE 8.33 CHANNEL SPACING OR AOA/M2 DATA LINK. POST SERVICE BULLETIN: 23-1245	001011	2
- 500	286A0131-020		WIRE BUNDLE ASSY-E1-3 SHELF	002003	1
- 501	286A0131-026		WIRE BUNDLE ASSY-E1-3 SHELF	006007	1
- 502	286A0131-042		WIRE BUNDLE ASSY-E1-3 SHELF	201967	1
- 504	286A0131-079		WIRE BUNDLE ASSY-E1-3 SHELF	008011	1
- 504	286A0131-086		WIRE BUNDLE ASSY-E1-3 SHELF	001001	1
- 504	286A0131-092		WIRE BUNDLE ASSY-E1-3 SHELF	004005	1
530	BCREF15988		.PLATE ASSY- OVERLENGTH PART NUMBER: BACC66F11C04AE01 ELECTRICAL EQUIP NUMBER: D00199 WIRING DIAGRAM REF: 231211	001011 201967	1
- 550	286A0151-003		WIRE BUNDLE ASSY-E1-5 SHELF	001001	1
- 550	286A0151-009		WIRE BUNDLE ASSY-E1-5 SHELF	002004	1
- 551	286A0151-022		WIRE BUNDLE ASSY-E1-5 SHELF	005005	1

MISSING ITEM NUMBERS NOT APPLICABLE

- ITEM NOT ILLUSTRATED

HAP

23-12-21-01

23-12-21
FIG. 01
PAGE 3
JUN 15/09

BOEING
737-600/700/800/900
PARTS CATALOG (MAINTENANCE)

FIG ITEM	PART NUMBER	1 2 3 4 5 6 7	NOMENCLATURE	EFFECT FROM TO	UNITS PER ASSY
1					
- 551	286A0151-039		WIRE BUNDLE ASSY-E1-5 SHELF	201967	1
- 552	286A0151-044		WIRE BUNDLE ASSY-E1-5 SHELF	008011	1
- 553	286A0151-062		WIRE BUNDLE ASSY-E1-5 SHELF	006007	1
555	BCREF13311		.PLUG- OVERLENGTH PART NUMBER: BACC66F11F04AE01 ELECTRICAL EQUIP NUMBER: D00201 WIRING DIAGRAM REF: 231221	001011 201967	1
MISSING ITEM NUMBERS NOT APPLICABLE					

- ITEM NOT ILLUSTRATED

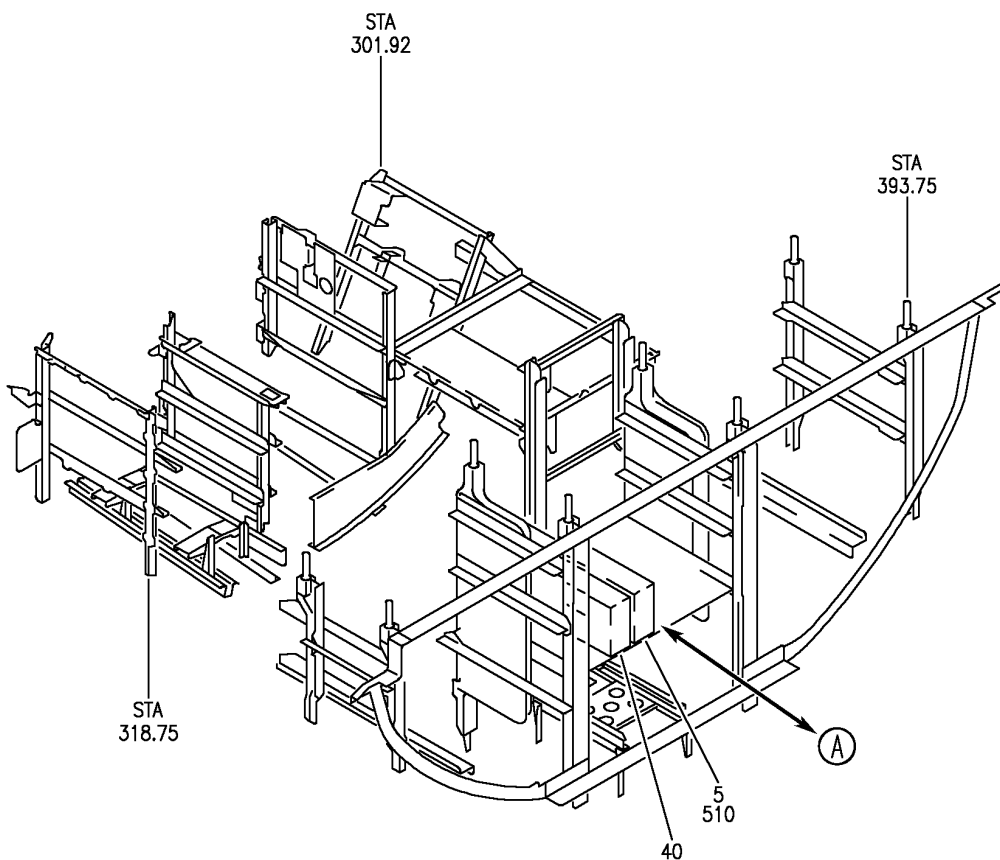
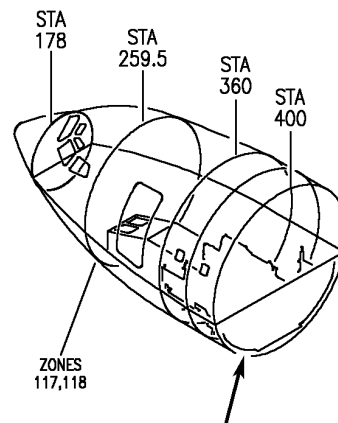
HAP

23-12-21-01

BOEING PROPRIETARY - Copyright © - Unpublished Work - See title page for details.

23-12-21
FIG. 01
PAGE 4
JUN 15/09

BOEING
 737-600/700/800/900
 PARTS CATALOG (MAINTENANCE)



E 23122103 REV 144

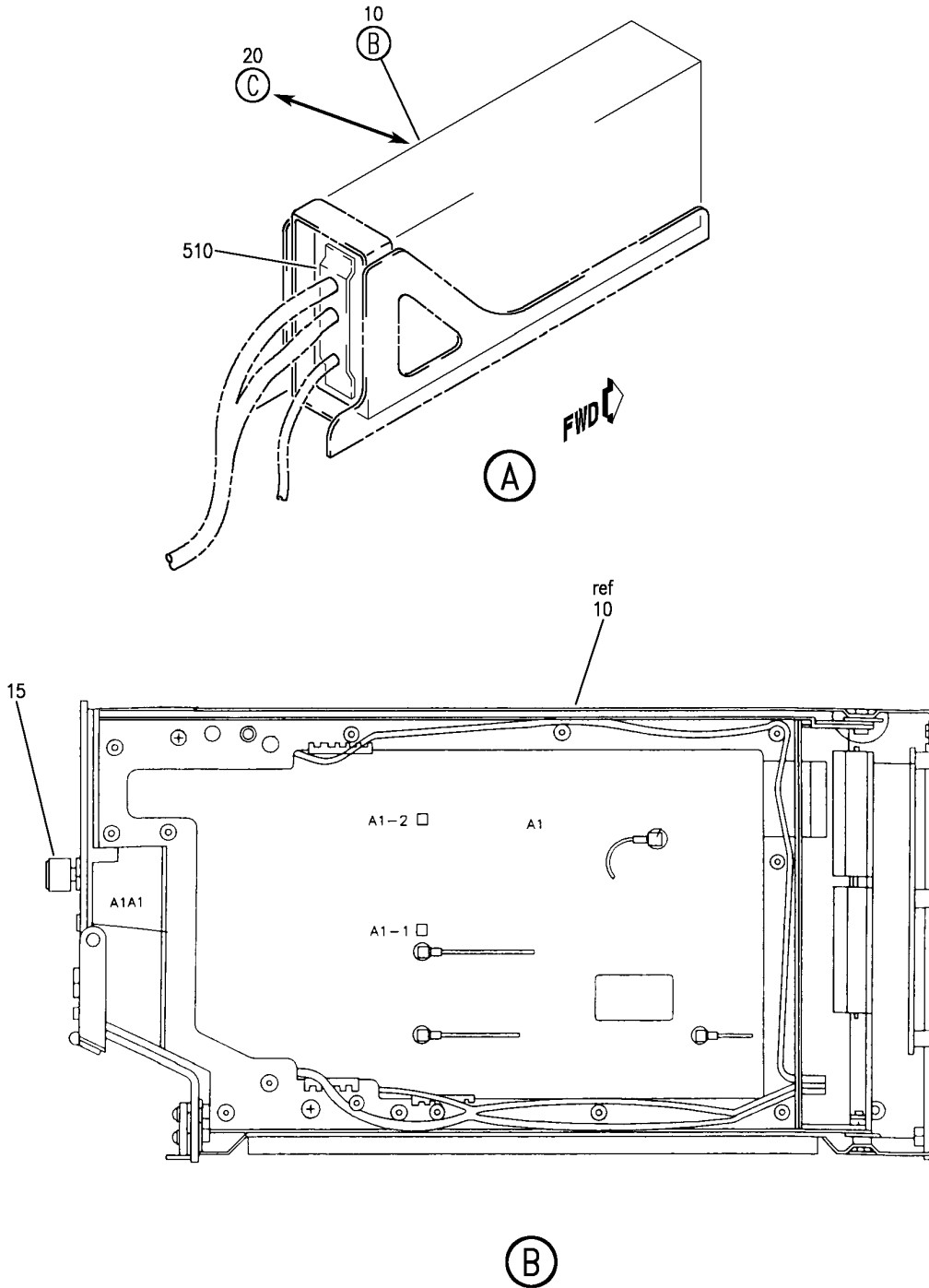
EQUIPMENT INSTL-ELEC/ELEX BAY E3 RACK
 FIGURE 3 (SHEET 1)

23-12-21-03

HAP
 OCT 15/08

23-12-21-03
 PAGE 0

BOEING
 737-600/700/800/900
 PARTS CATALOG (MAINTENANCE)



E 23122103 SH1 2 REV 145

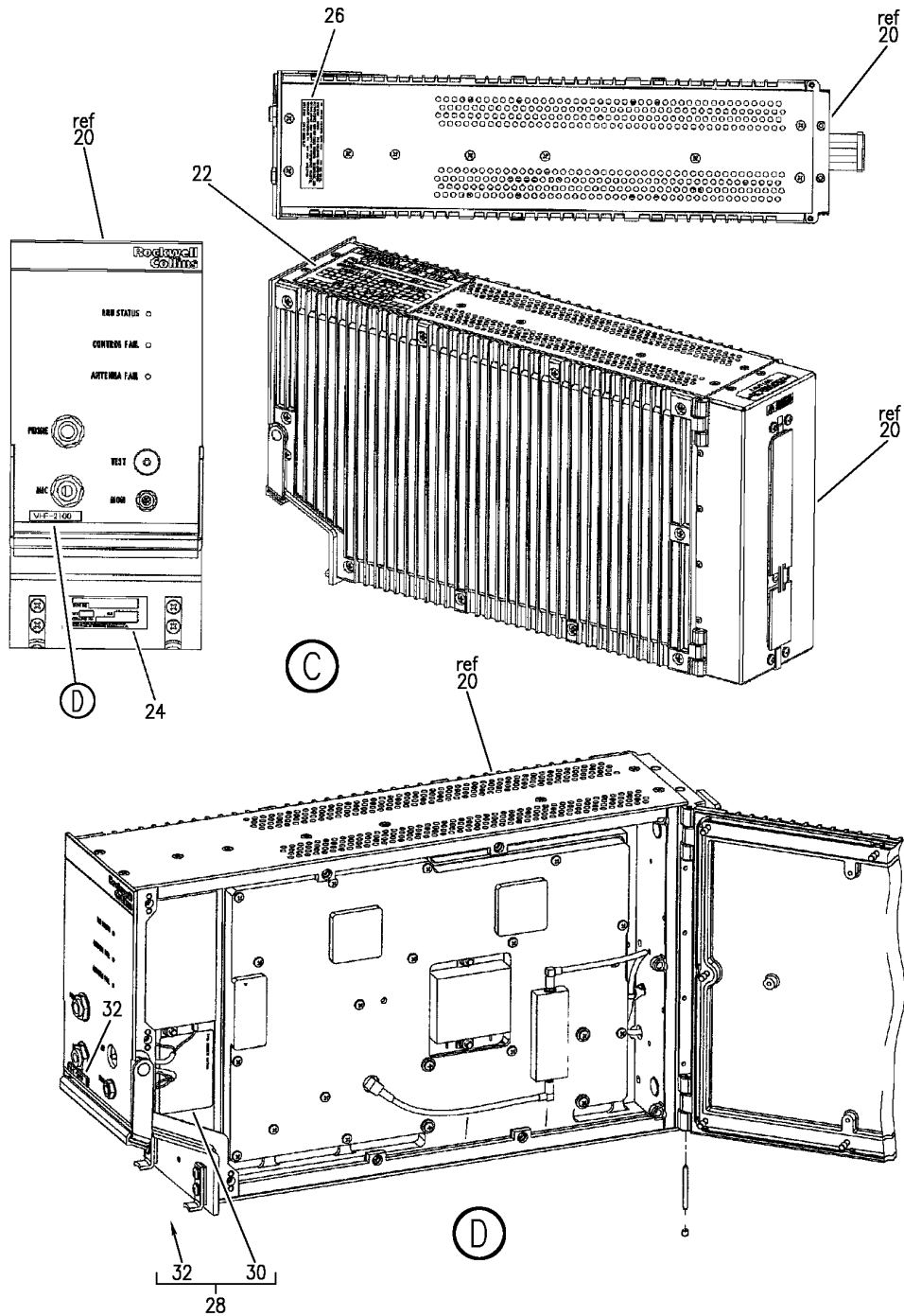
EQUIPMENT INSTL-ELEC/ELEX BAY E3 RACK
 FIGURE 3 (SHEET 2)

23-12-21-03

HAP
 OCT 15/08

23-12-21-03
 PAGE 0A

BOEING
 737-600/700/800/900
 PARTS CATALOG (MAINTENANCE)



E 23122103 SH1 3 REV 145

EQUIPMENT INSTL-ELEC/ELEX BAY E3 RACK
 FIGURE 3 (SHEET 3)

23-12-21-03

HAP
 OCT 15/08

23-12-21-03
 PAGE 0B

BOEING
737-600/700/800/900
PARTS CATALOG (MAINTENANCE)

FIG ITEM	PART NUMBER	1 2 3 4 5 6 7	NOMENCLATURE	EFFECT FROM TO	UNITS PER ASSY
3			EQUIPMENT INSTL-ELEC/ELEX BAY E3 RACK	001011	
- 1	284A0430-109		EQUIPMENT INSTL-ELEC/ELEX BAY	001011	RF
5	064-50000-0110		POSITION DATA: E3 RACK FOR NHA SEE: 23-10-00-03 .TRANSCEIVER-VHF COMM SUPPLIER CODE: V97896 FUNCTIONAL DESCRIPTION: PROVIDES HIGH QUALITY VOICE AND DATA COMMUNICATION WITH GROUND STATIONS OR OTHER AIRPLANES AT SHORT TO MEDIUM RANGE. ELECTRICAL EQUIP NUMBER: M00411 COMPONENT MAINT MANUAL REF: 23-20-36 MAINTENANCE MANUAL REF: 23-12-21 QUALIFIED I/W DATA: 064-50000-2000 MAY REPLACE 064-50000-0110 IN SHIPSETS 064-50000-0110 IS I/W 064-50000-0101 EXCEPT 8.33KHZ CHANNEL SPACING OPERATION REQUIRES A SHIPSET OF 064-50000-0110. PRE SERVICE BULLETIN: 23-1245	001011	1

MISSING ITEM NUMBERS NOT APPLICABLE

- ITEM NOT ILLUSTRATED

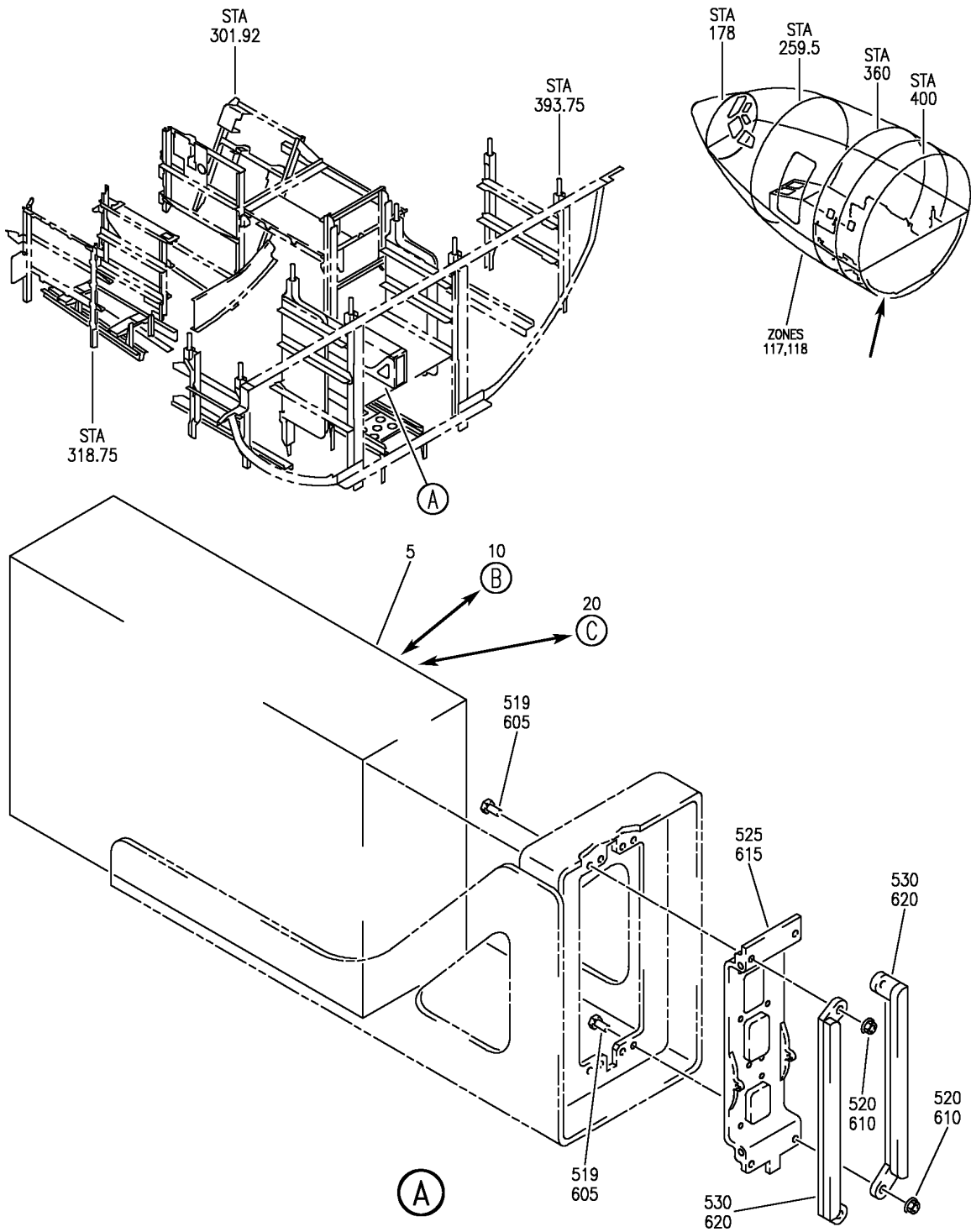
HAP

23-12-21-03

BOEING PROPRIETARY - Copyright © - Unpublished Work - See title page for details.

23-12-21
FIG. 03
PAGE 1
OCT 15/08

BOEING
 737-600/700/800/900
 PARTS CATALOG (MAINTENANCE)



E 23122104 SHT 1 REV 145

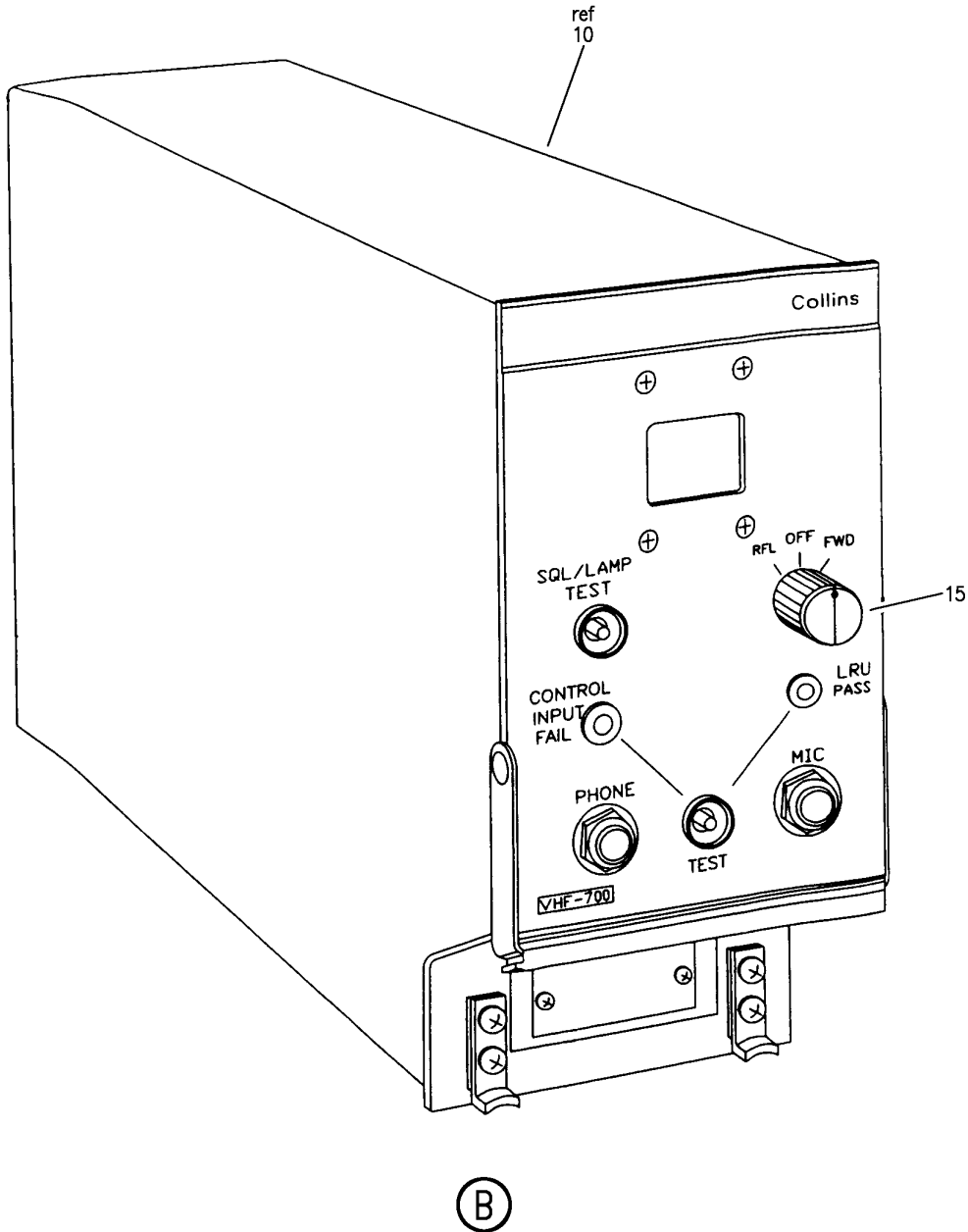
EQUIPMENT INSTL-VHF COMM NO. 3 E3-3 SHELF
 FIGURE 4 (SHEET 1)

23-12-21-04

HAP
 OCT 15/08

23-12-21-04
 PAGE 0

BOEING
737-600/700/800/900
PARTS CATALOG (MAINTENANCE)



E 23122104 SH1 2 REV 070

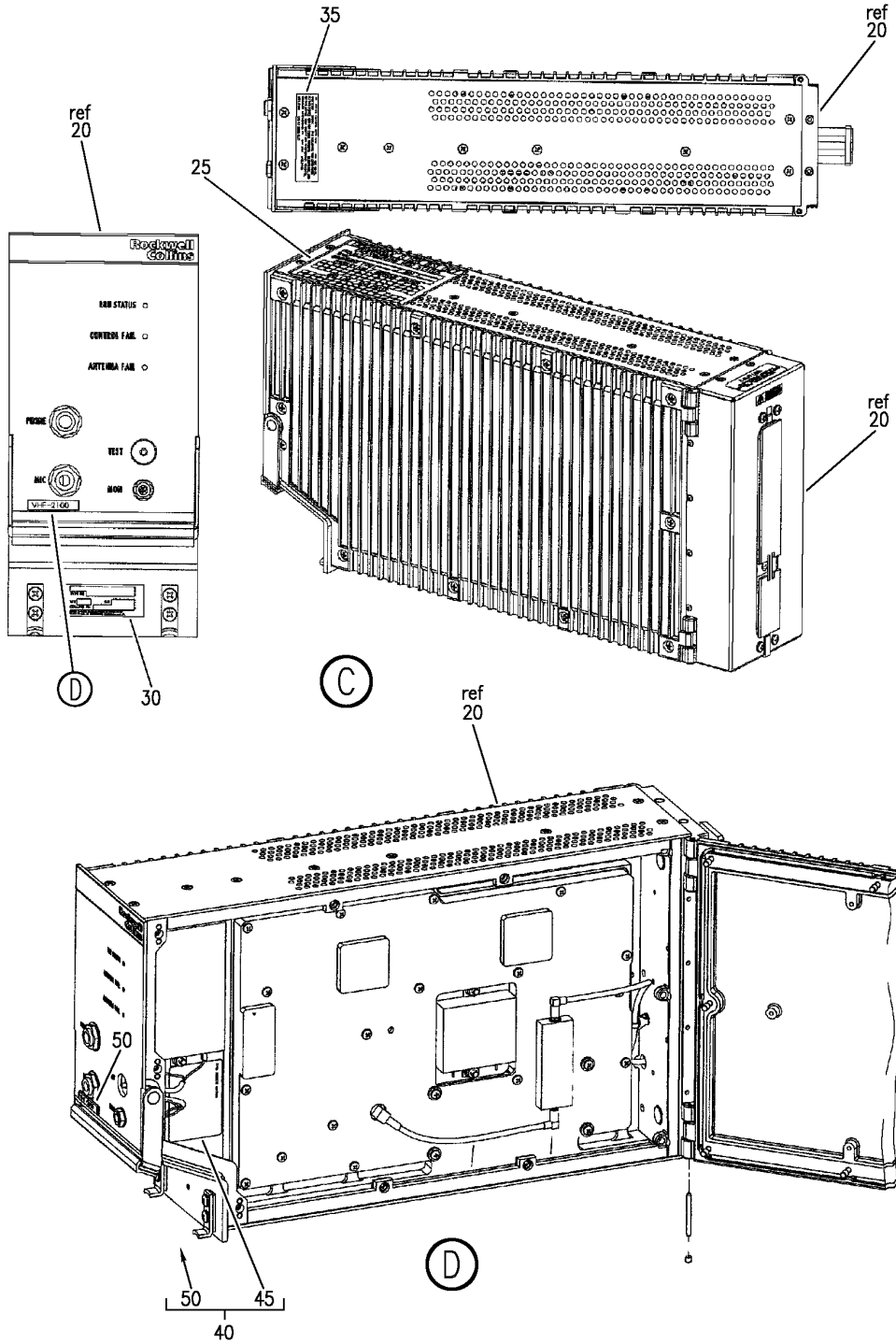
EQUIPMENT INSTL-VHF COMM NO. 3 E3-3 SHELF
FIGURE 4 (SHEET 2)

23-12-21-04

HAP
OCT 10/06

23-12-21-04
PAGE 0A

BOEING
737-600/700/800/900
PARTS CATALOG (MAINTENANCE)



E 23122104 SHT 3 REV 145

EQUIPMENT INSTL-VHF COMM NO. 3 E3-3 SHELF
FIGURE 4 (SHEET 3)

23-12-21-04

HAP
OCT 15/08

23-12-21-04
PAGE 0B


BOEING
 737-600/700/800/900
PARTS CATALOG (MAINTENANCE)

FIG ITEM	PART NUMBER	1 2 3 4 5 6 7	NOMENCLATURE	EFFECT FROM TO	UNITS PER ASSY
4			EQUIPMENT INSTL-VHF COMM NO. 3 E3-3 SHELF	012200 968999	
- 1	284A0431-231205		EQUIPMENT INSTL-VHF COMM NO. 3 E3-3 SHELF FOR NHA SEE: 23-10-00-03	012030	RF
- 2	MODREF205106		EQUIPMENT INSTL-VHF COMM NO. 3 E3-3 SHELF MODULE NUMBER: 284A0431-231208 REV B	031200 968999	1
5	064-50000-2000		.TRANSCEIVER-VHF SUPPLIER CODE: V97896 FUNCTIONAL DESCRIPTION: PROVIDES HIGH QUALITY VOICE AND DATA COMMUNICATION WITH GROUND STATIONS OR OTHER AIRPLANES AT SHORT TO MEDIUM RANGE. ELECTRICAL EQUIP NUMBER: M00411 COMPONENT MAINT MANUAL REF: 23-20-36 MAINTENANCE MANUAL REF: 23-12-21 QUALIFIED I/W DATA: 064-50000-2000 MAY REPLACE 064-50000-0110 IN SHIPSETS 064-50000-2000 MAY REPLACE 064-50000-0101 IN SHIPSETS OR 064-5000-2000 MAY BE REPLACED BY 064-50000-0101 IN SHIPSETS PROVIDED AIRCRAFT DOESN'T HAVE 8.33 CHANNEL SPACING OR AOA/M2 DATA LINK. POST SERVICE BULLETIN: 23-1245	012200 968999	1

MISSING ITEM NUMBERS NOT APPLICABLE

- ITEM NOT ILLUSTRATED

HAP

23-12-21-04

BOEING PROPRIETARY - Copyright © - Unpublished Work - See title page for details.

23-12-21
 FIG. 04
 PAGE 1
 OCT 15/08

BOEING
737-600/700/800/900
PARTS CATALOG (MAINTENANCE)

FIG ITEM	PART NUMBER	1 2 3 4 5 6 7	NOMENCLATURE	EFFECT FROM TO	UNITS PER ASSY
4	5 064-50000-0110		.TRANSCEIVER-VHF VHF TRANSCEIVER NO. 3 SUPPLIER CODE: V97896 FUNCTIONAL DESCRIPTION: PROVIDES HIGH QUALITY VOICE AND DATA COMMUNICATION WITH GROUND STATIONS OR OTHER AIRPLANES AT SHORT TO MEDIUM RANGE. ELECTRICAL EQUIP NUMBER: M00411 COMPONENT MAINT MANUAL REF: 23-20-36 MAINTENANCE MANUAL REF: 23-12-21 QUALIFIED I/W DATA: 064-50000-2000 MAY REPLACE 064-50000-0110 IN SHIPSETS 064-50000-0110 IS I/W 064-50000-0101 EXCEPT 8.33KHZ CHANNEL SPACING OPERATION REQUIRES A SHIPSET OF 064-50000-0110. PRE SERVICE BULLETIN: 23-1245	012030	1
- 504	286A0331-240		WIRE BUNDLE ASSY	031040 042046 101104 968972	RF
- 505	286A0331-097		WIRE BUNDLE ASSY	012030	RF
- 506	286A0331-279		WIRE BUNDLE ASSY	041041 054100	RF
519	NAS1801-06		.SCREW- POSITION DATA: FAR SIDE SIZE DETERMINED ON INSTL.	012046 054104 968972	4

MISSING ITEM NUMBERS NOT APPLICABLE

- ITEM NOT ILLUSTRATED

HAP

23-12-21-04

BOEING PROPRIETARY - Copyright © - Unpublished Work - See title page for details.

23-12-21
FIG. 04
PAGE 2
FEB 15/09

BOEING
737-600/700/800/900
PARTS CATALOG (MAINTENANCE)

FIG ITEM	PART NUMBER	1 2 3 4 5 6 7	NOMENCLATURE	EFFECT FROM TO	UNITS PER ASSY
4 520	PLH506CD		.NUT- SUPPLIER CODE: VF0224 SPECIFICATION NUMBER: BACN10YR06CD OPTIONAL PART: H52732-06CD V15653 POSITION DATA: NEAR SIDE	012046 054104 968972	4
525	BCREF13311		.PLUG- OVERLENGTH PART NUMBER: BACC66F11F04AE01 ELECTRICAL EQUIP NUMBER: D00539 WIRING DIAGRAM REF: 231231 232711	012046 054104 968972	1
530	RBGP48-116N		.BACKSHELL-GND BLK SUPPLIER CODE: V09922 SPECIFICATION NUMBER: S280W601-116 ELECTRICAL EQUIP NUMBER: D00539T WIRING DIAGRAM REF: 231231 232711	012046 054104 968972	2

MISSING ITEM NUMBERS NOT APPLICABLE

— ITEM NOT ILLUSTRATED

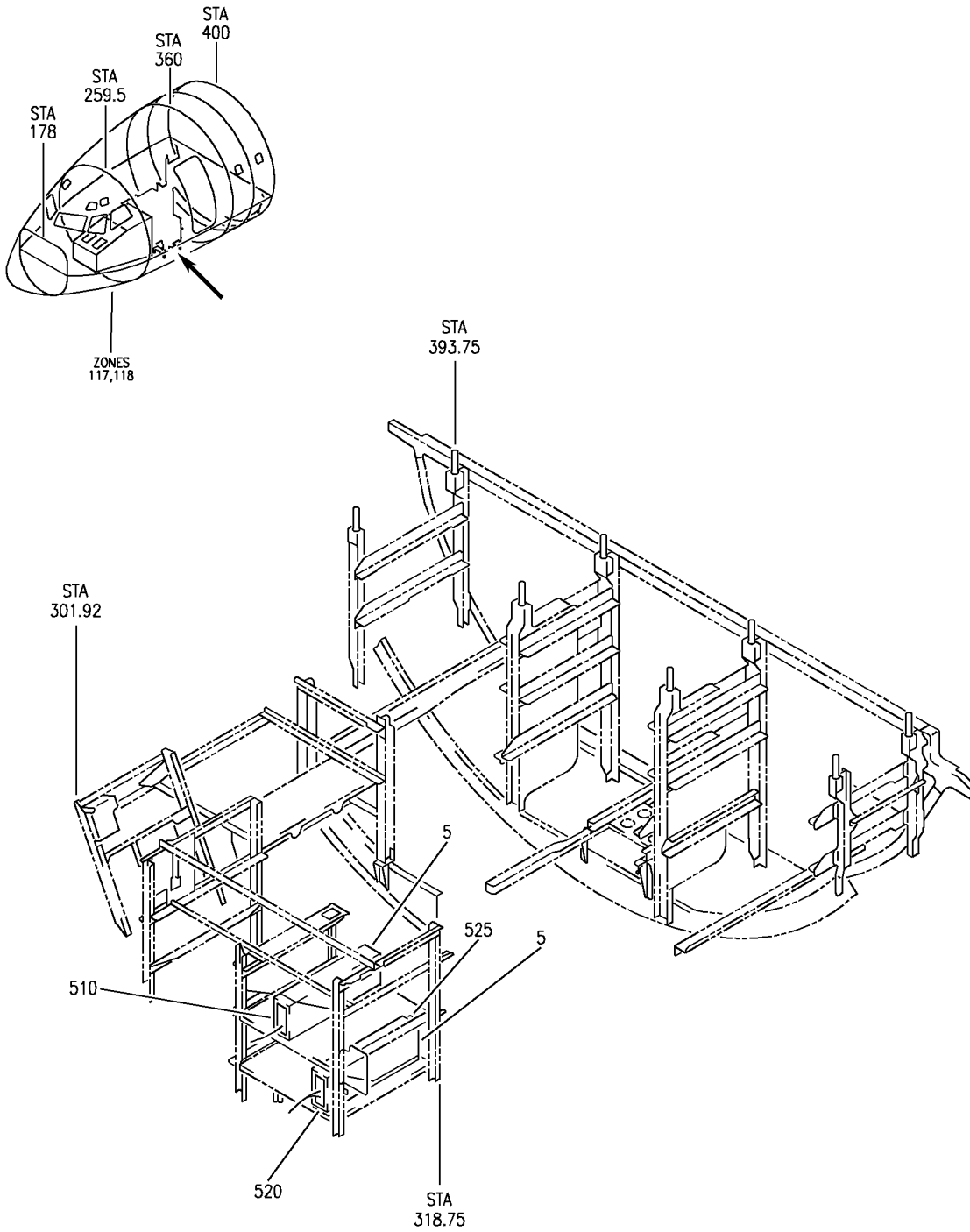
HAP

23-12-21-04

BOEING PROPRIETARY - Copyright © - Unpublished Work - See title page for details.

23-12-21
FIG. 04
PAGE 3
FEB 15/09

BOEING
 737-600/700/800/900
 PARTS CATALOG (MAINTENANCE)



E 23122105 SH1 1 REV 123

EQUIPMENT INSTL-E1 RACK VHF XCVR NO.1 AND NO. 2
 FIGURE 5

23-12-21-05

HAP
 OCT 10/06

23-12-21-05
 PAGE 0

BOEING
737-600/700/800/900
PARTS CATALOG (MAINTENANCE)

FIG ITEM	PART NUMBER	1 2 3 4 5 6 7	NOMENCLATURE	EFFECT FROM TO	UNITS PER ASSY
5			EQUIPMENT INSTL-E1 RACK VHF XCVR NO.1 AND NO. 2	031200 968999	
- 2	MODREF197349		EQUIPMENT INSTL-E1 RACK VHF XCVR NO.1 AND NO.2 MODULE NUMBER: 284A0411-231209 REV B	031036	1
- 2	MODREF306973		EQUIPMENT INSTL-E1 RACK VHF XCVR NO.1 AND NO.2 MODULE NUMBER: 284A0411-231209 REV C	037200 968999	1
5	064-50000-2000		.TRANSCEIVER-VHF COMM SUPPLIER CODE: V97896 FUNCTIONAL DESCRIPTION: PROVIDES HIGH QUALITY VOICE AND DATA COMMUNICATION WITH GROUND STATIONS OR OTHER AIRPLANES AT SHORT TO MEDIUM RANGE. ELECTRICAL EQUIP NUMBER: M00149 M00150 COMPONENT MAINT MANUAL REF: 23-20-36 MAINTENANCE MANUAL REF: 23-12-21 QUALIFIED I/W DATA: 064-50000-2000 MAY REPLACE 064-50000-0110 IN SHIPSETS 064-50000-2000 MAY REPLACE 064-50000-0101 IN SHIPSETS OR 064-5000-2000 MAY BE REPLACED BY 064-50000-0101 IN SHIPSETS PROVIDED AIRCRAFT DOESN'T HAVE 8.33 CHANNEL SPACING OR AOA/M2 DATA LINK.	031200 968999	2
- 506	286A0131-184		WIRE BUNDLE ASSY-	031047 054100	RF
- 507	286A0131-165		WIRE BUNDLE ASSY-	101106 968999	RF

MISSING ITEM NUMBERS NOT APPLICABLE

- ITEM NOT ILLUSTRATED

HAP

23-12-21-05

BOEING PROPRIETARY - Copyright © - Unpublished Work - See title page for details.

23-12-21
FIG. 05
PAGE 1
FEB 15/09

BOEING
737-600/700/800/900
PARTS CATALOG (MAINTENANCE)

FIG ITEM	PART NUMBER	1 2 3 4 5 6 7	NOMENCLATURE	EFFECT FROM TO	UNITS PER ASSY
5 510	BCREF15988		.PLATE ASSY-PLUG OVERLENGTH PART NUMBER: BACC66F11C04AE01 ELECTRICAL EQUIP NUMBER: D00199 WIRING DIAGRAM REF: 231211 ATTACHING PARTS	031047 054106 968999	1
- 512	NAS1801-06		.SCREW- POSITION DATA: FAR SIDE SIZE DETERMINED ON INSTL.	031047 054106 968999	4
- 514	PLH506CD		.NUT- SUPPLIER CODE: VF0224 SPECIFICATION NUMBER: BACN10YR06CD OPTIONAL PART: H52732-06CD V15653 POSITION DATA: NEAR SIDE -----*-----	031047 054106 968999	4
- 515	286A0151-007		WIRE BUNDLE ASSY-E1-5 SHELF	031047 054106 968999	RF
520	BCREF13311		.PLUG- OVERLENGTH PART NUMBER: BACC66F11F04AE01 ELECTRICAL EQUIP NUMBER: D00201 WIRING DIAGRAM REF: 231221 ATTACHING PARTS	031047 054106 968999	1
- 522	NAS1801-06		.SCREW- POSITION DATA: FAR SIDE SIZE DETERMINED ON INSTL.	031047 054106 968999	4
- 524	PLH506CD		.NUT- SUPPLIER CODE: VF0224 SPECIFICATION NUMBER: BACN10YR06CD OPTIONAL PART: H52732-06CD V15653 POSITION DATA: NEAR SIDE -----*-----	031047 054106 968999	4

MISSING ITEM NUMBERS NOT APPLICABLE

- ITEM NOT ILLUSTRATED

HAP

23-12-21-05

23-12-21
FIG. 05
PAGE 2
FEB 15/09


BOEING
 737-600/700/800/900
PARTS CATALOG (MAINTENANCE)

FIG ITEM	PART NUMBER	1 2 3 4 5 6 7 NOMENCLATURE	EFFECT FROM TO	UNITS PER ASSY
5 525	RBGP48-116N	.BACKSHELL- SUPPLIER CODE: V09922 SPECIFICATION NUMBER: S280W601-116 ELECTRICAL EQUIP NUMBER: D00201T WIRING DIAGRAM REF: 231221	031047 054106 968999	1

MISSING ITEM NUMBERS NOT APPLICABLE

— ITEM NOT ILLUSTRATED

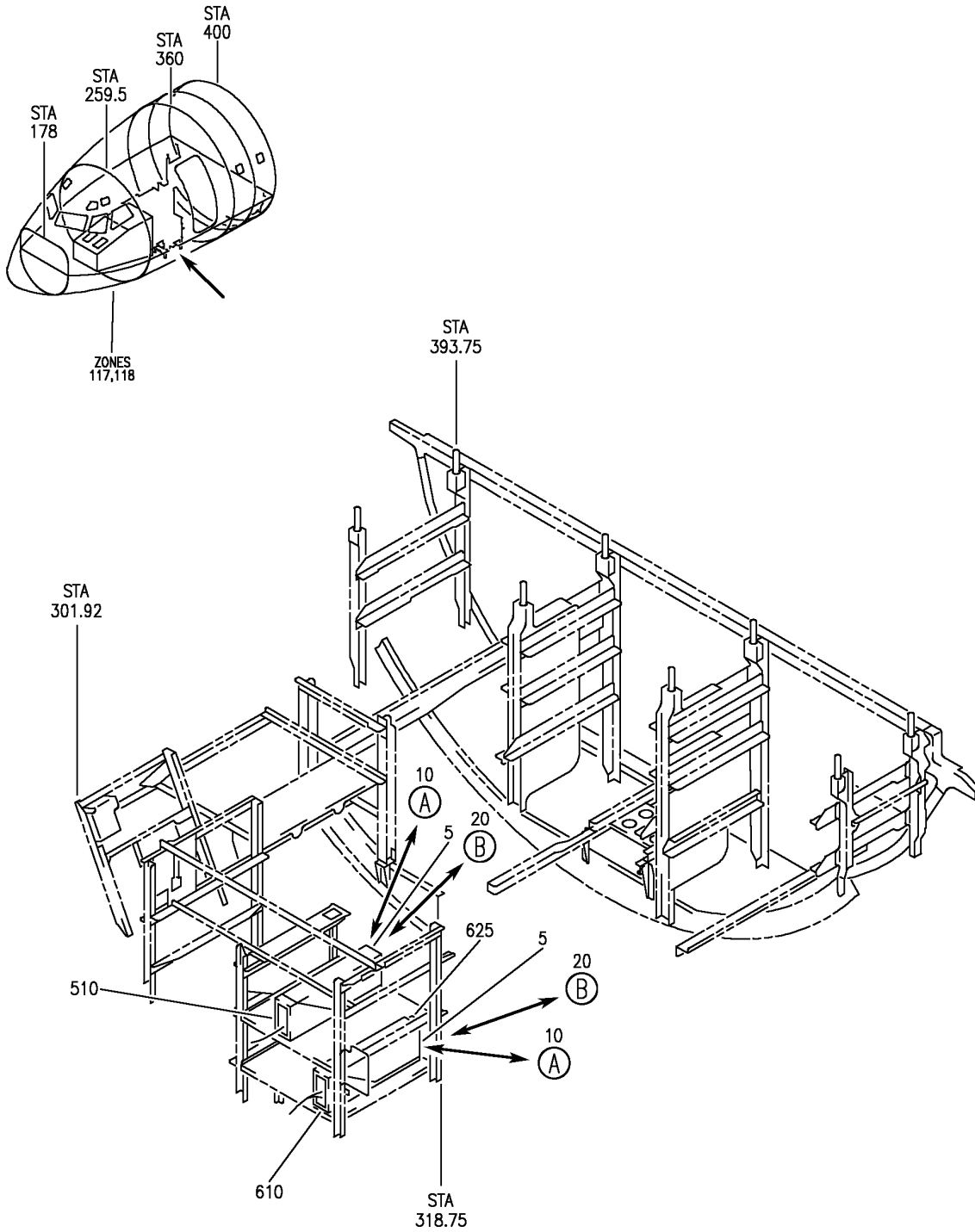
HAP

23-12-21-05

BOEING PROPRIETARY - Copyright © - Unpublished Work - See title page for details.

23-12-21
 FIG. 05
 PAGE 3
 FEB 15/09

BOEING
 737-600/700/800/900
 PARTS CATALOG (MAINTENANCE)



E 23122105A SHT 1 REV 145

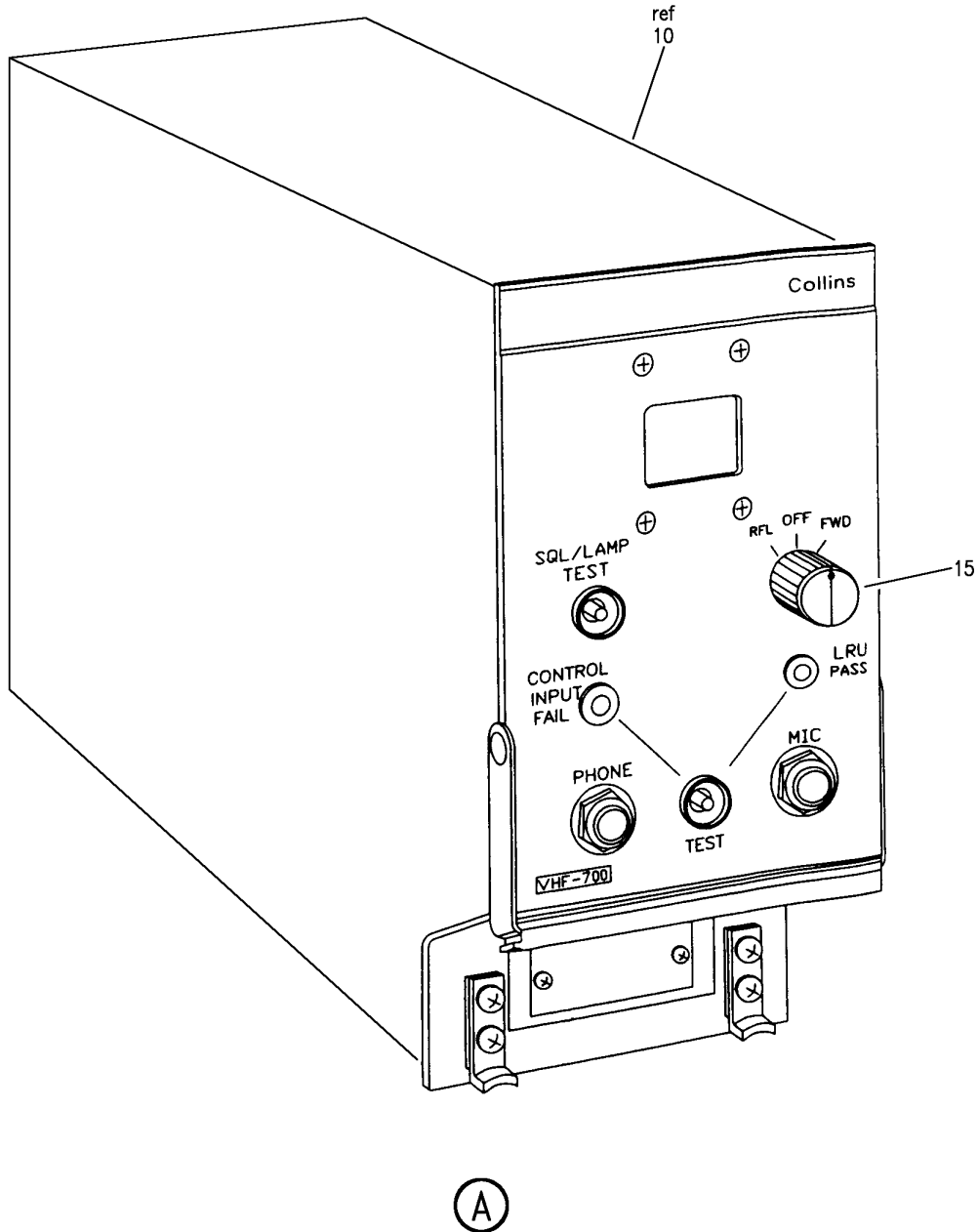
EQUIPMENT INSTL-E1 RACK VHF XCVR NO.1 AND NO. 2
 FIGURE 5A (SHEET 1)

23-12-21-05A

HAP
 OCT 15/08

23-12-21-05A
 PAGE 0

BOEING
 737-600/700/800/900
 PARTS CATALOG (MAINTENANCE)



E 23122105A SHT 2 REV 123

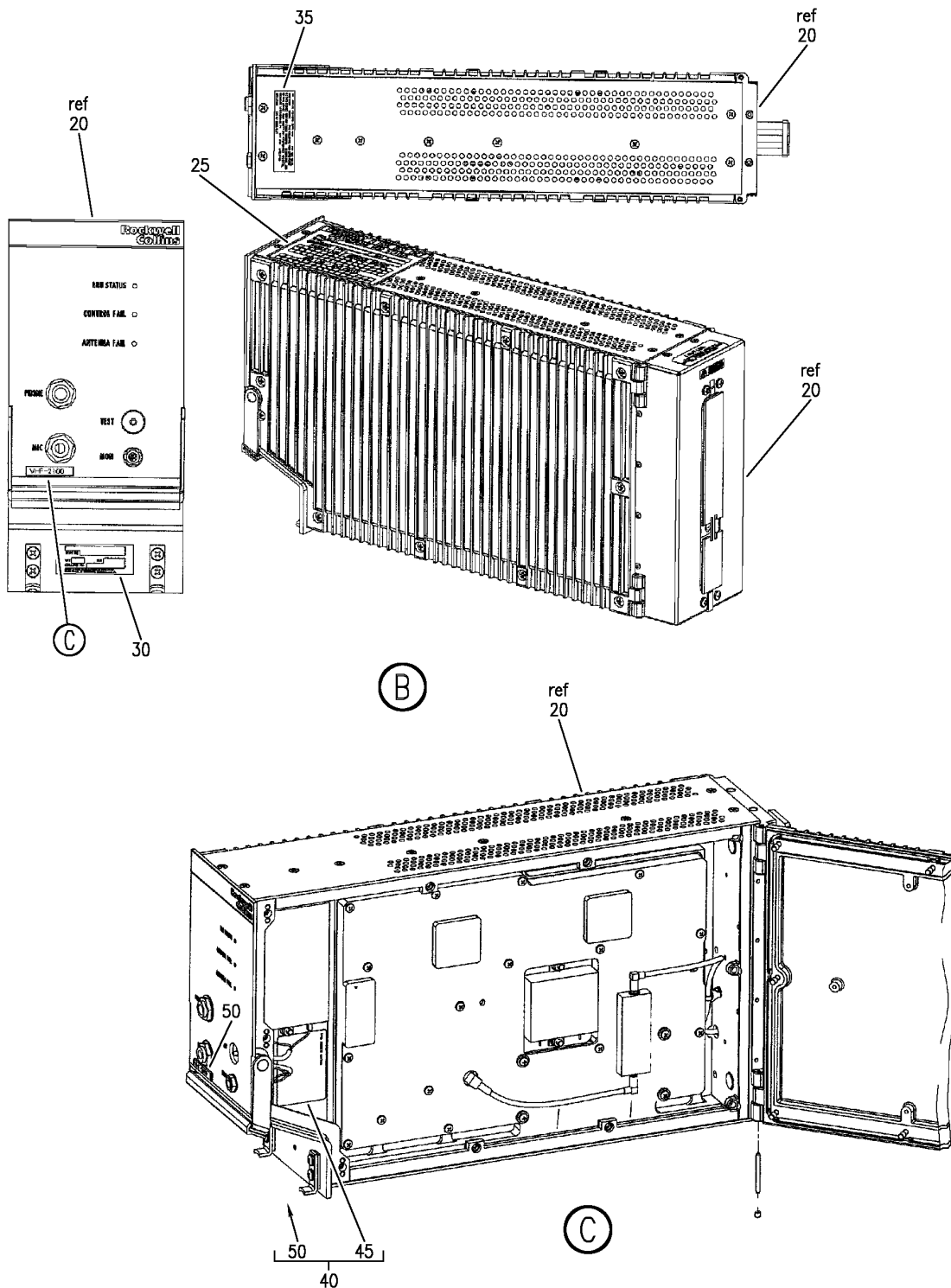
EQUIPMENT INSTL-E1 RACK VHF XCVR NO.1 AND NO. 2
 FIGURE 5A (SHEET 2)

23-12-21-05A

HAP
 FEB 10/07

23-12-21-05A
 PAGE 0A

BOEING
737-600/700/800/900
PARTS CATALOG (MAINTENANCE)



E 23122105A SHT 3 REV 145

EQUIPMENT INSTL-E1 RACK VHF XCVR NO.1 AND NO. 2
FIGURE 5A (SHEET 3)

23-12-21-05A

HAP
OCT 15/08

23-12-21-05A
PAGE 0B

BOEING
737-600/700/800/900
PARTS CATALOG (MAINTENANCE)

FIG ITEM	PART NUMBER	1 2 3 4 5 6 7	NOMENCLATURE	EFFECT FROM TO	UNITS PER ASSY
5A			EQUIPMENT INSTL-E1 RACK VHF XCVR NO.1 AND NO. 2	012030	
- 1	284A0411-231205		EQUIPMENT INSTL-E1 RACK VHF XCVR NO.1 AND NO.2 FOR NHA SEE: 23-10-00-03	012030	RF
5	064-50000-2000		.TRANSCEIVER-VHF COMM SUPPLIER CODE: V97896 FUNCTIONAL DESCRIPTION: PROVIDES HIGH QUALITY VOICE AND DATA COMMUNICATION WITH GROUND STATIONS OR OTHER AIRPLANES AT SHORT TO MEDIUM RANGE. ELECTRICAL EQUIP NUMBER: M00149 M00150 COMPONENT MAINT MANUAL REF: 23-20-36 MAINTENANCE MANUAL REF: 23-12-21 QUALIFIED I/W DATA: 064-50000-2000 MAY REPLACE 064-50000-0110 IN SHIPSETS 064-50000-2000 MAY REPLACE 064-50000-0101 IN SHIPSETS OR 064-5000-2000 MAY BE REPLACED BY 064-50000-0101 IN SHIPSETS PROVIDED AIRCRAFT DOESN'T HAVE 8.33 CHANNEL SPACING OR AOA/M2 DATA LINK. POST SERVICE BULLETIN: 23-1245	012030	2

MISSING ITEM NUMBERS NOT APPLICABLE

- ITEM NOT ILLUSTRATED

HAP

23-12-21-05A

BOEING PROPRIETARY - Copyright © - Unpublished Work - See title page for details.

23-12-21
FIG. 05A
PAGE 1
FEB 15/09

BOEING
737-600/700/800/900
PARTS CATALOG (MAINTENANCE)

FIG ITEM	PART NUMBER	1 2 3 4 5 6 7	NOMENCLATURE	EFFECT FROM TO	UNITS PER ASSY
5A 5	064-50000-0110		.TRANSCEIVER-VHF COMM SUPPLIER CODE: V97896 FUNCTIONAL DESCRIPTION: PROVIDES HIGH QUALITY VOICE AND DATA COMMUNICATION WITH GROUND STATIONS OR OTHER AIRPLANES AT SHORT TO MEDIUM RANGE. ELECTRICAL EQUIP NUMBER: M00149 M00150 COMPONENT MAINT MANUAL REF: 23-20-36 MAINTENANCE MANUAL REF: 23-12-21 QUALIFIED I/W DATA: 064-50000-2000 MAY REPLACE 064-50000-0110 IN SHIPSETS 064-50000-0110 IS I/W 064-50000-0101 EXCEPT 8.33KHZ CHANNEL SPACING OPERATION REQUIRES A SHIPSET OF 064-50000-0110. PRE SERVICE BULLETIN: 23-1245	012030	2
- 501 510	286A0131-079 BCREF15988		WIRE BUNDLE ASSY-E1-3 SHELF .PLATE ASSY-PLUG OVERLENGTH PART NUMBER: BACC66F11C04AE01 ELECTRICAL EQUIP NUMBER: D00199 WIRING DIAGRAM REF: 231211	012030 012030	RF 1
- 515	NAS1801-06		ATTACHING PARTS .SCREW- POSITION DATA: FAR SIDE SIZE DETERMINED ON INSTL.	012030	4

MISSING ITEM NUMBERS NOT APPLICABLE

- ITEM NOT ILLUSTRATED

HAP

23-12-21-05A

BOEING PROPRIETARY - Copyright © - Unpublished Work - See title page for details.

23-12-21
FIG. 05A
PAGE 2
FEB 15/09

BOEING
737-600/700/800/900
PARTS CATALOG (MAINTENANCE)

FIG ITEM	PART NUMBER	1 2 3 4 5 6 7	NOMENCLATURE	EFFECT FROM TO	UNITS PER ASSY
5A - 520	PLH506CD		.NUT- SUPPLIER CODE: VF0224 SPECIFICATION NUMBER: BACN10YR06CD OPTIONAL PART: H52732-06CD V15653 POSITION DATA: NEAR SIDE -----*-----	012030	4
- 600 610	286A0151-044 BCREF13311		WIRE BUNDLE ASSY-E1-5 SHELF .PLUG- OVERLENGTH PART NUMBER: BACC66F11F04AE01 ELECTRICAL EQUIP NUMBER: D00201 WIRING DIAGRAM REF: 231221 ATTACHING PARTS	012030 012030	RF 1
- 615	NAS1801-06		.SCREW- POSITION DATA: FAR SIDE SIZE DETERMINED ON INSTL.	012030	4
- 620	PLH506CD		.NUT- SUPPLIER CODE: VF0224 SPECIFICATION NUMBER: BACN10YR06CD OPTIONAL PART: H52732-06CD V15653 POSITION DATA: NEAR SIDE -----*-----	012030	4
625	RBGP48-116N		.BACKSHELL- SUPPLIER CODE: V09922 SPECIFICATION NUMBER: S280W601-116 ELECTRICAL EQUIP NUMBER: D00201T WIRING DIAGRAM REF: 231221	012030	1

MISSING ITEM NUMBERS NOT APPLICABLE

- ITEM NOT ILLUSTRATED

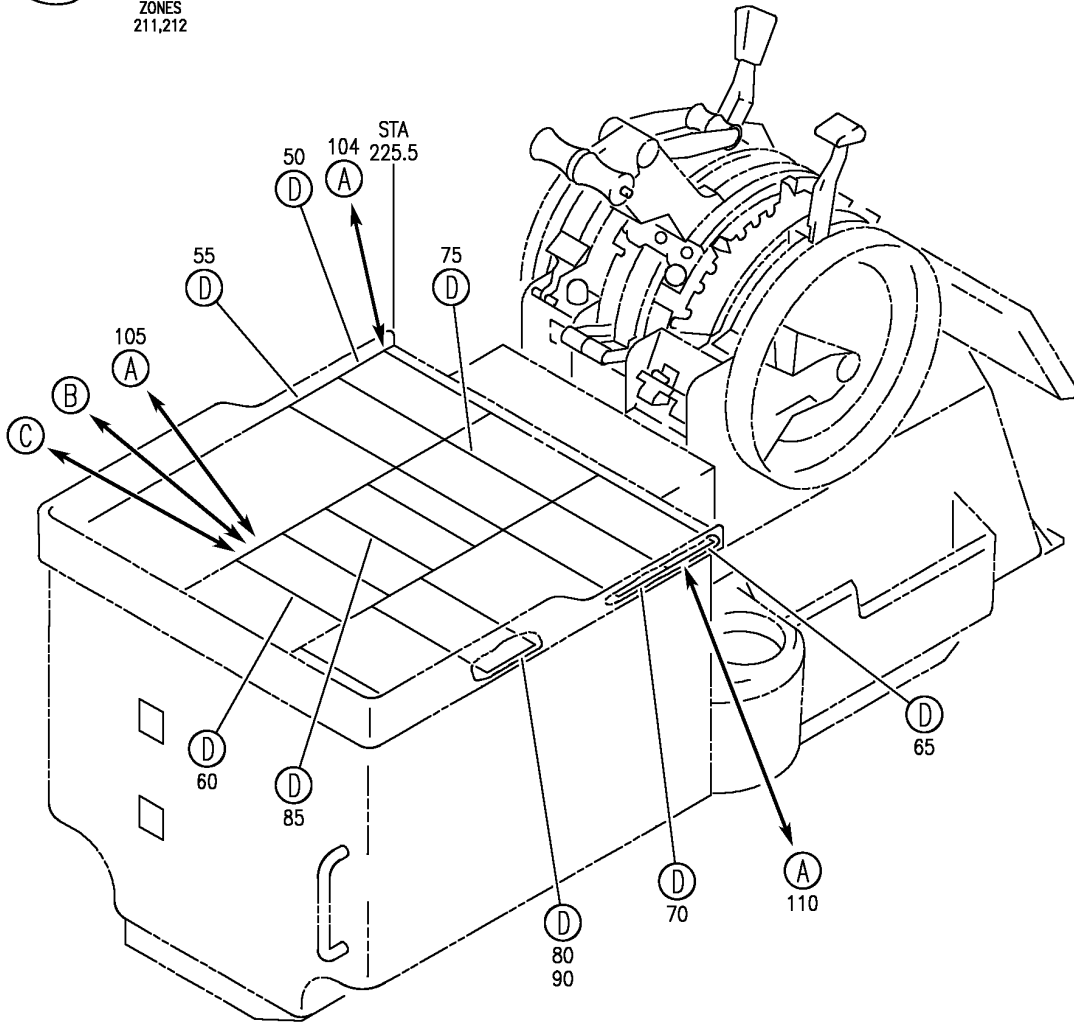
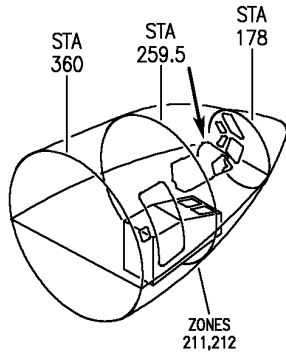
HAP

23-12-21-05A

BOEING PROPRIETARY - Copyright © - Unpublished Work - See title page for details.

23-12-21
FIG. 05A
PAGE 3
FEB 15/09

BOEING
 737-600/700/800/900
 PARTS CATALOG (MAINTENANCE)



E 23123101 SH1 1 REV 147

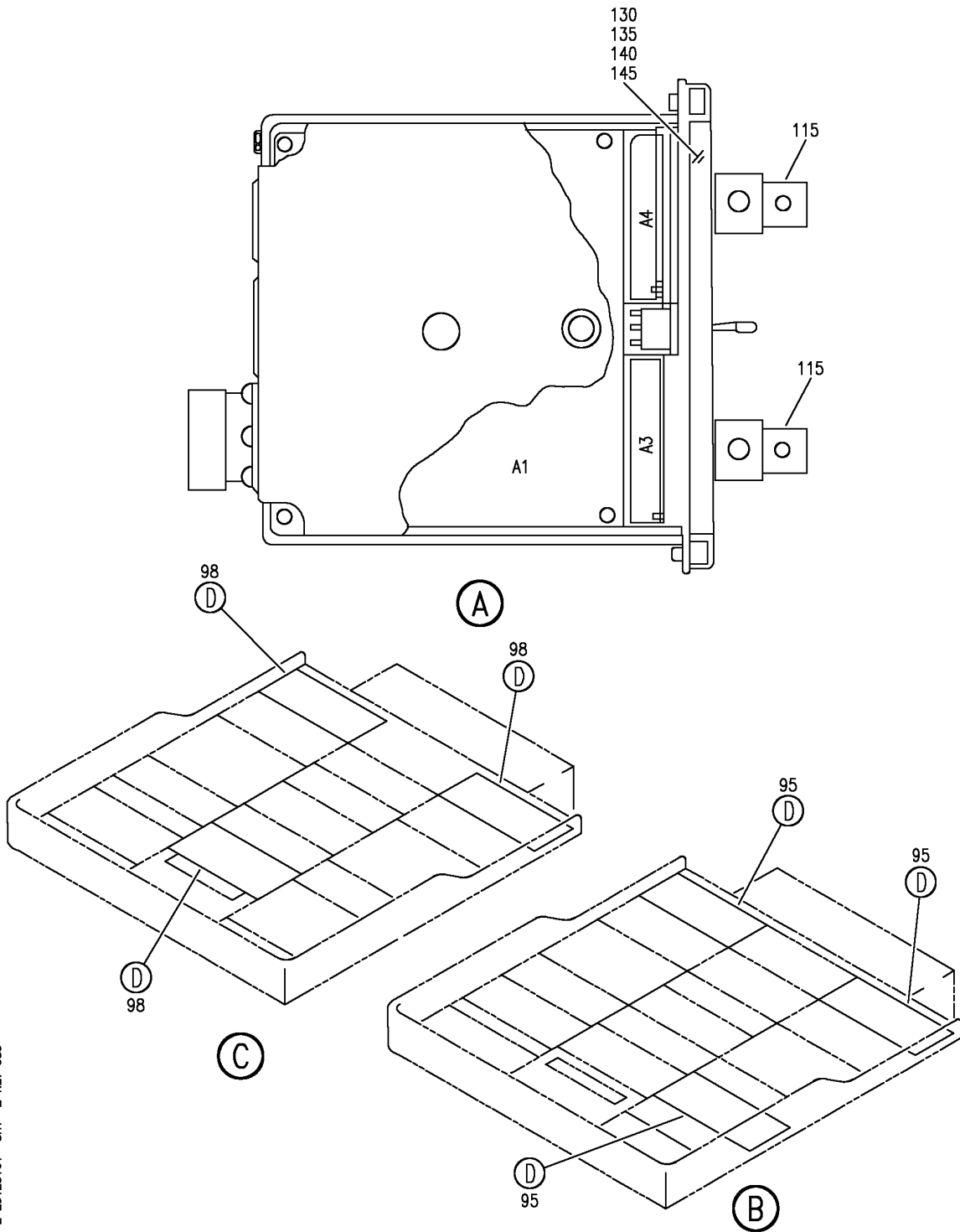
MODULE INSTL-AFT ELECTRONICS PNL P8 (VHF COMMUNICATION CONTROL PANEL ONLY)
 FIGURE 1 (SHEET 1)

HAP
 OCT 15/08

23-12-31-01

23-12-31-01
 PAGE 0

BOEING
 737-600/700/800/900
 PARTS CATALOG (MAINTENANCE)



E 23123101 SHT 2 REV 080

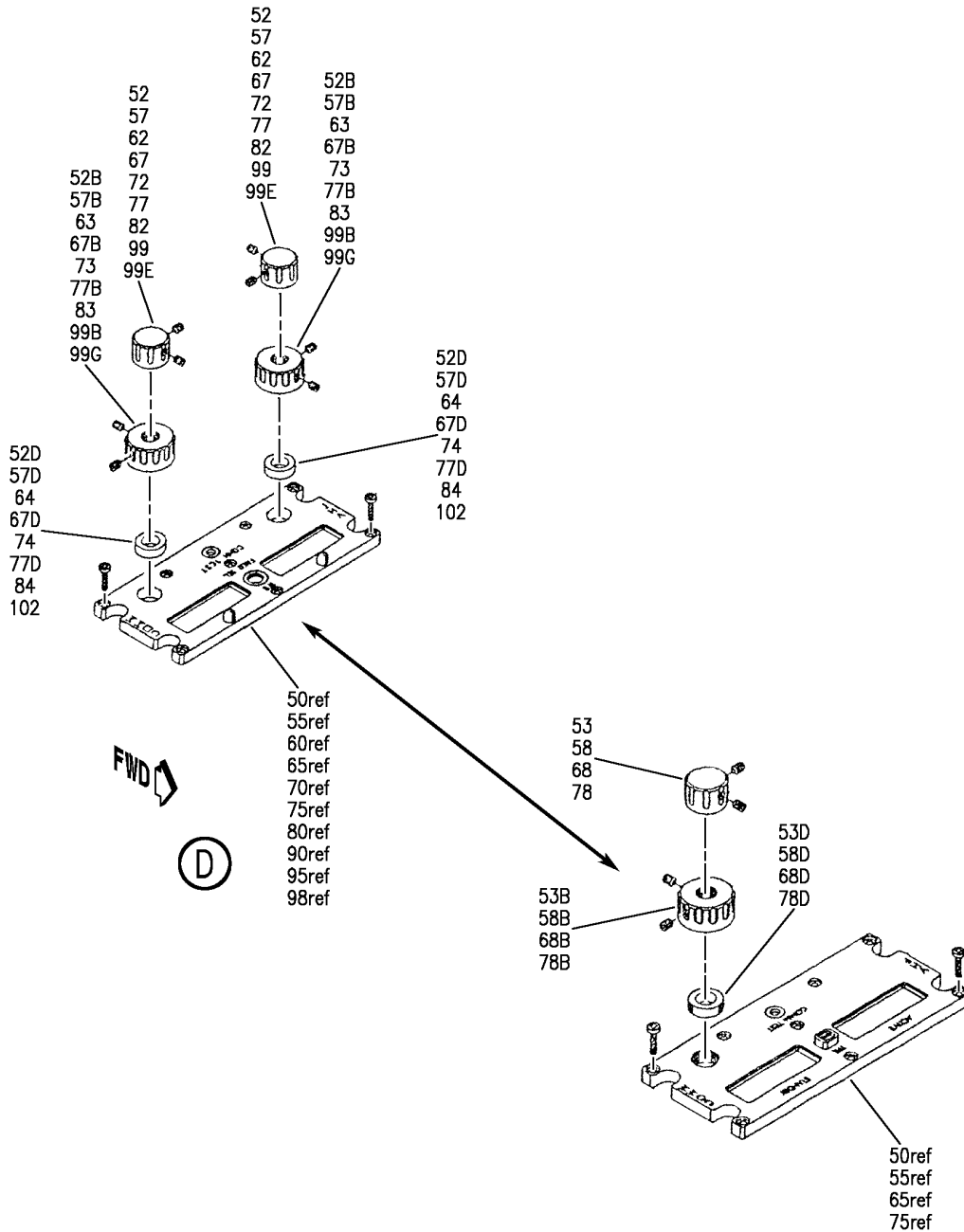
MODULE INSTL-AFT ELECTRONICS PNL P8 (VHF COMMUNICATION CONTROL PANEL ONLY)
 FIGURE 1 (SHEET 2)

23-12-31-01

HAP
 OCT 10/06

23-12-31-01
 PAGE 0A


BOEING
 737-600/700/800/900
PARTS CATALOG (MAINTENANCE)



E 23123101 SHT 3 REV 080

MODULE INSTL-AFT ELECTRONICS PNL P8 (VHF COMMUNICATION CONTROL PANEL ONLY)
 FIGURE 1 (SHEET 3)

23-12-31-01

HAP
OCT 10/06

23-12-31-01
 PAGE 0B

BOEING
737-600/700/800/900
PARTS CATALOG (MAINTENANCE)

FIG ITEM	PART NUMBER	1 2 3 4 5 6 7	NOMENCLATURE	EFFECT FROM TO	UNITS PER ASSY
1			MODULE INSTL-AFT ELECTRONICS PNL P8 (VHF COMMUNICATION CONTROL PANEL ONLY)	001030	
- 1	233A6101-4		MODULE INSTL-ELECTRONICS PNL P8 (VHF COMMUNICATION CONTROL PANEL ONLY) POSITION DATA: AFT FOR NHA/OTHER SYS DET SEE: 31-11-00-01C	008011	RF
- 2	233A6101-32		MODULE INSTL-ELECTRONICS PNL P8 (VHF COMMUNICATION CONTROL PANEL ONLY) POSITION DATA: AFT FOR NHA/OTHER SYS DET SEE: 31-11-00-01C	001007	RF
- 4	233A6101-93		MODULE INSTL-ELECTRONICS PNL P8 (VHF COMMUNICATION CONTROL PANEL ONLY) POSITION DATA: AFT FOR NHA/OTHER SYS DET SEE: 31-11-00-01C	012016	RF
- 5	233A6101-145		MODULE INSTL-ELECTRONICS PNL P8 (VHF COMMUNICATION CONTROL PANEL ONLY) POSITION DATA: AFT FOR NHA/OTHER SYS DET SEE: 31-11-00-01C	017030	RF

MISSING ITEM NUMBERS NOT APPLICABLE

- ITEM NOT ILLUSTRATED

HAP

23-12-31-01

BOEING PROPRIETARY - Copyright © - Unpublished Work - See title page for details.

23-12-31
FIG. 01
PAGE 1
OCT 10/06

BOEING
737-600/700/800/900
PARTS CATALOG (MAINTENANCE)

FIG ITEM	PART NUMBER	1 2 3 4 5 6 7	NOMENCLATURE	EFFECT FROM TO	UNITS PER ASSY
1 50	G7400-12		.PANEL ASSY-VHF COMM CONT (COMMUNICATIONS ONLY) SUPPLIER CODE: V99837 FUNCTIONAL DESCRIPTION: ALLOWS FLIGHT CREW TO SELECT THE VHF TRANSCEIVER IN USE AND TUNE THE SELECTED RADIO TO THE DESIRED FREQUENCY ELECTRICAL EQUIP NUMBER: P00802 COMPONENT MAINT MANUAL REF: 23-10-26 MAINTENANCE MANUAL REF: 23-12-31 FUNCTIONAL REFERENCE: LIGHTS FOR DETAILS SEE 33-17-00-16B	001030	1
52	240-0039		..KNOB-GRAY, INNER BLIND FRACTIONAL FRQUENCY SUPPLIER CODE: V99837 MISCELLANEOUS DATA: TWO SET SCREWS INCLUDED OPTIONAL PART: RC428-107 V15084	001030	2
- 52A	RC428-107		..KNOB-GRAY, INNER BLIND FRACTIONAL FRQUENCY SUPPLIER CODE: V15084 OPTIONAL PART: 240-0039 V99837	001030	2
52B	240-0036		..KNOB-GRAY, OUTER THRU HOLE, WHOLE FREQUENCY SUPPLIER CODE: V99837 MISCELLANEOUS DATA: TWO SET SCREWS INCLUDED OPTIONAL PART: RC445-139 V15084	001030	2

MISSING ITEM NUMBERS NOT APPLICABLE

- ITEM NOT ILLUSTRATED

HAP

23-12-31-01

BOEING PROPRIETARY - Copyright © - Unpublished Work - See title page for details.

23-12-31
FIG. 01
PAGE 2
OCT 15/08

BOEING
737-600/700/800/900
PARTS CATALOG (MAINTENANCE)

FIG ITEM	PART NUMBER	1 2 3 4 5 6 7	NOMENCLATURE	EFFECT FROM TO	UNITS PER ASSY
1 - 52C	RC445-139		.. KNOB-GRAY, OUTER THRU HOLE, WHOLE FREQUENCY SUPPLIER CODE: V15084 OPTIONAL PART: 240-0036 V99837	001030	2
52D	600A26824A004		.. SPACER-GRAY SUPPLIER CODE: V99837	001030	2
65	G7400-12		. PANEL ASSY-VHF COMM CONT (COMMUNICATIONS ONLY) SUPPLIER CODE: V99837 FUNCTIONAL DESCRIPTION: ALLOWS FLIGHT CREW TO SELECT THE VHF TRANSCEIVER IN USE AND TUNE THE SELECTED RADIO TO THE DESIRED FREQUENCY ELECTRICAL EQUIP NUMBER: P00803 COMPONENT MAINT MANUAL REF: 23-10-26 MAINTENANCE MANUAL REF: 23-12-31 FOR DETAILS SEE: 33-17-00-16B	001030	1
67	240-0039		.. KNOB-GRAY, INNER BLIND FRACTIONAL FRQUENCY SUPPLIER CODE: V99837 MISCELLANEOUS DATA: TWO SET SCREWS INCLUDED OPTIONAL PART: RC428-107 V15084	001030	2
- 67A	RC428-107		.. KNOB-GRAY, INNER BLIND FRACTIONAL FRQUENCY SUPPLIER CODE: V15084 OPTIONAL PART: 240-0039 V99837	001030	2

MISSING ITEM NUMBERS NOT APPLICABLE

- ITEM NOT ILLUSTRATED

HAP

23-12-31-01

BOEING PROPRIETARY - Copyright © - Unpublished Work - See title page for details.

23-12-31
FIG. 01
PAGE 3
JUN 15/09

BOEING
737-600/700/800/900
PARTS CATALOG (MAINTENANCE)

FIG ITEM	PART NUMBER	1 2 3 4 5 6 7	NOMENCLATURE	EFFECT FROM TO	UNITS PER ASSY
1 67B	240-0036		.. KNOB-GRAY, OUTER THRU HOLE, WHOLE FREQUENCY SUPPLIER CODE: V99837 MISCELLANEOUS DATA: TWO SET SCREWS INCLUDED OPTIONAL PART: RC445-139 V15084	001030	2
- 67C	RC445-139		.. KNOB-GRAY, OUTER THRU HOLE, WHOLE FREQUENCY SUPPLIER CODE: V15084 OPTIONAL PART: 240-0036 V99837	001030	2
67D	600A26824A004		.. SPACER-GRAY SUPPLIER CODE: V99837	001030	2

MISSING ITEM NUMBERS NOT APPLICABLE

- ITEM NOT ILLUSTRATED

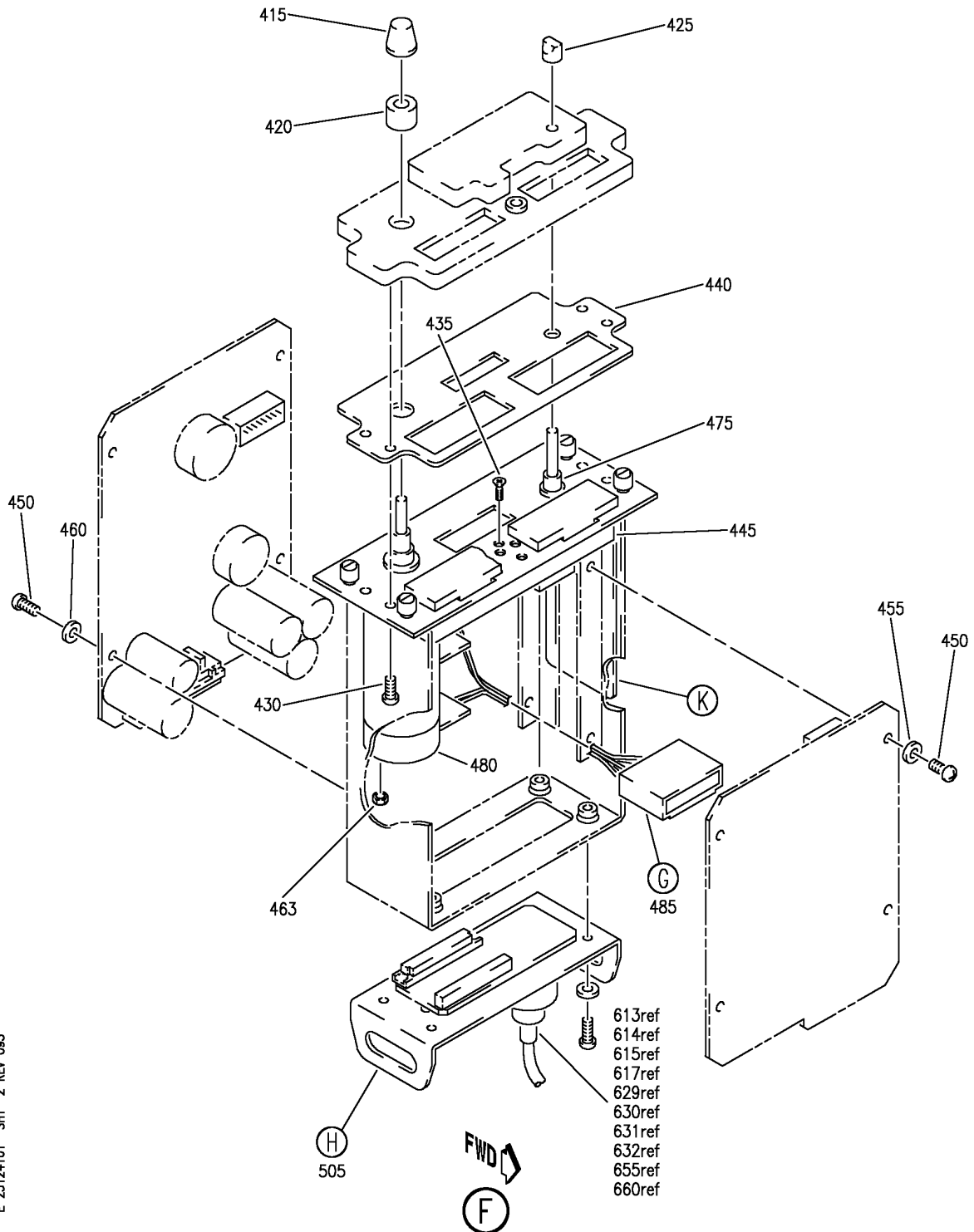
HAP

23-12-31-01

BOEING PROPRIETARY - Copyright © - Unpublished Work - See title page for details.

23-12-31
FIG. 01
PAGE 4
OCT 15/08

BOEING
 737-600/700/800/900
 PARTS CATALOG (MAINTENANCE)



E 23124101 SH1 2 REV 083

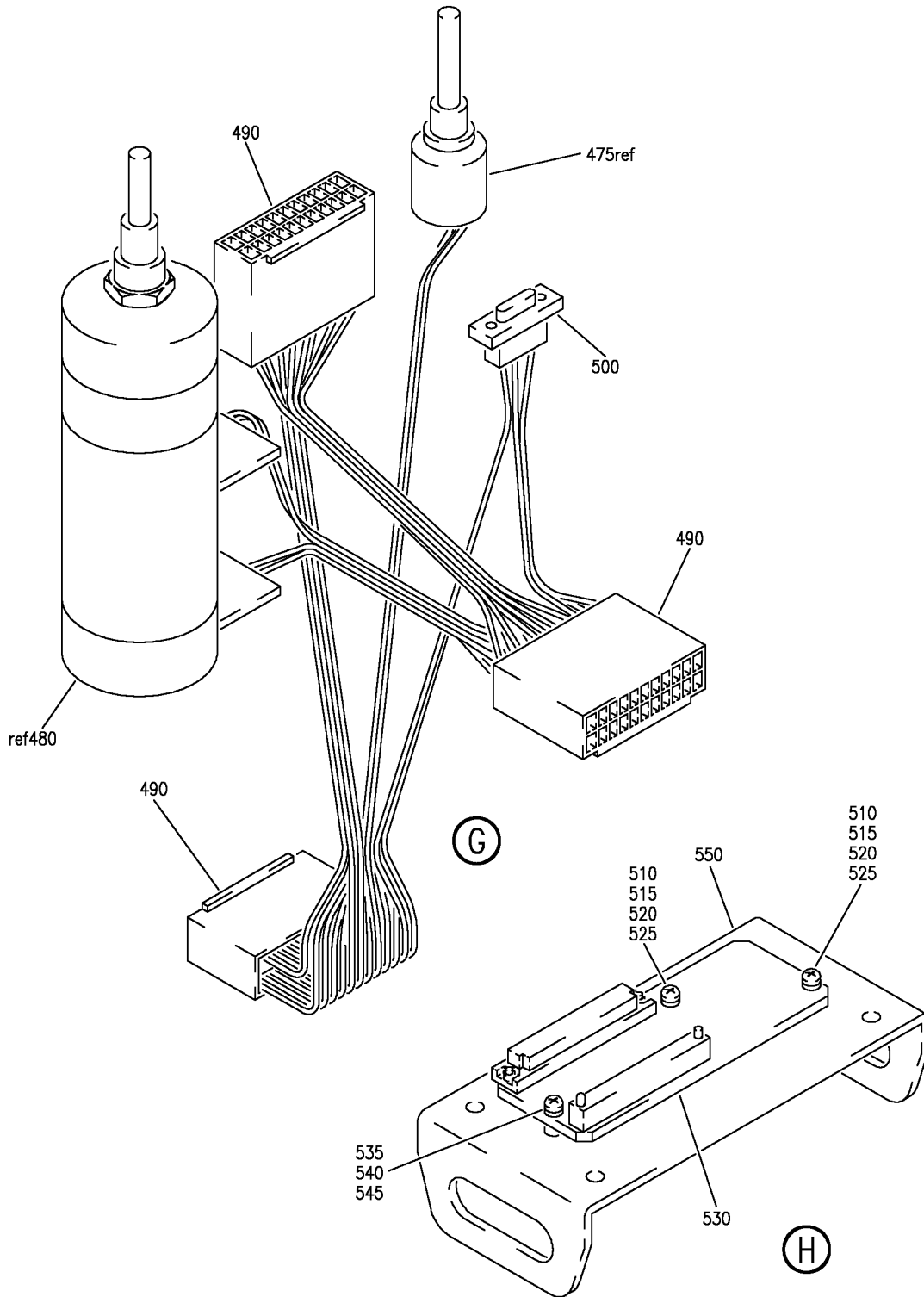
MODULE INSTL-AFT ELECTRONICS PNL P8 (RADIO TUNING PANEL ONLY)
 FIGURE 1 (SHEET 2)

23-12-41-01

HAP
 OCT 15/08

23-12-41-01
 PAGE 0A

BOEING
 737-600/700/800/900
 PARTS CATALOG (MAINTENANCE)



E 23124101 SHT 3 REV 083

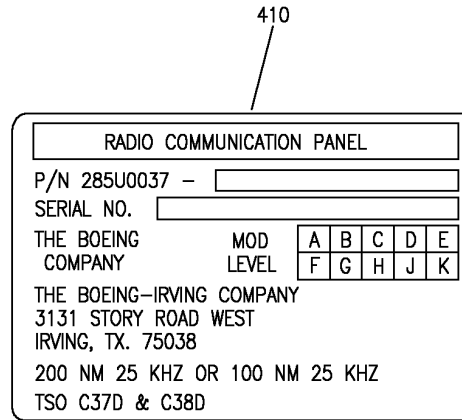
MODULE INSTL-AFT ELECTRONICS PNL P8 (RADIO TUNING PANEL ONLY)
 FIGURE 1 (SHEET 3)

23-12-41-01

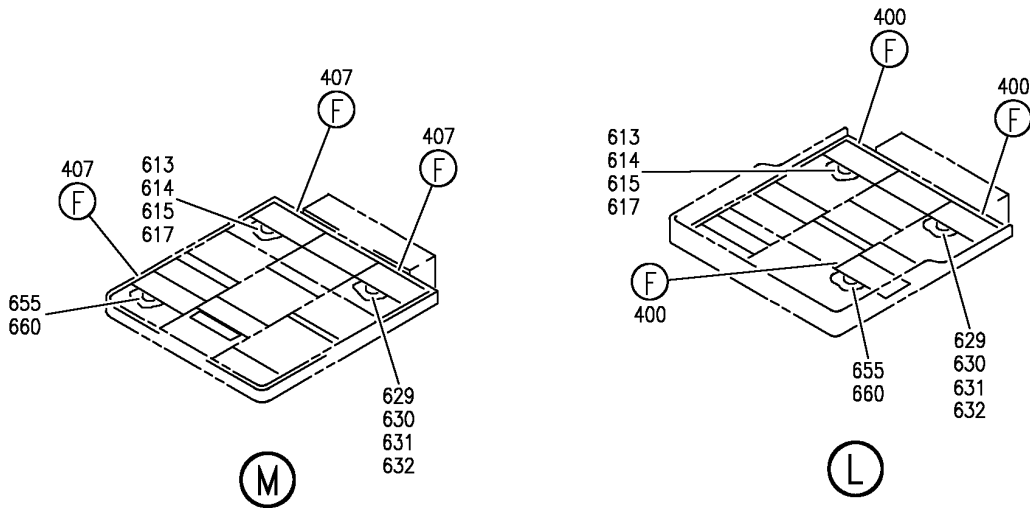
HAP
 OCT 15/08

23-12-41-01
 PAGE 0B

BOEING
 737-600/700/800/900
 PARTS CATALOG (MAINTENANCE)



(K)



E 23124101 SH1 4 REV 083

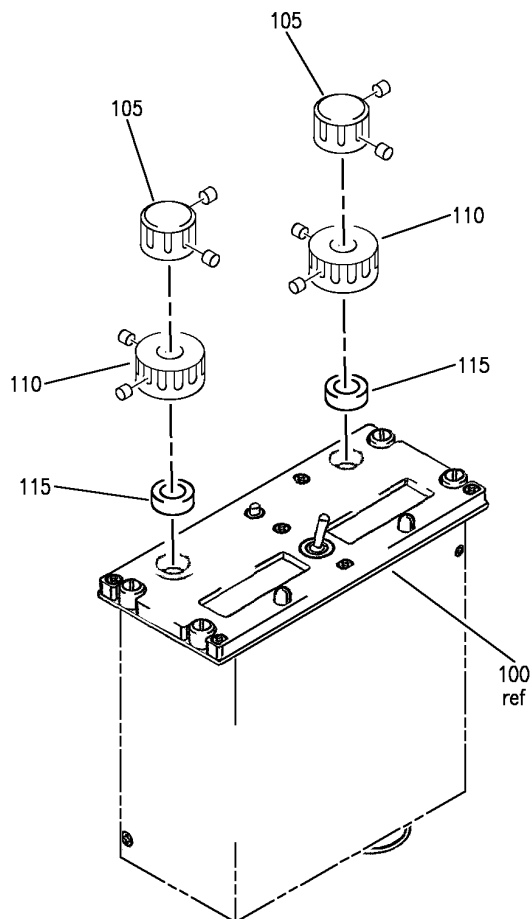
MODULE INSTL-AFT ELECTRONICS PNL P8 (RADIO TUNING PANEL ONLY)
 FIGURE 1 (SHEET 4)

23-12-41-01

HAP
 OCT 15/08

23-12-41-01
 PAGE 0C

BOEING
737-600/700/800/900
PARTS CATALOG (MAINTENANCE)



E 23124101 SH1 5 REV 144

MODULE INSTL-AFT ELECTRONICS PNL P8 (RADIO TUNING PANEL ONLY)
FIGURE 1 (SHEET 5)

23-12-41-01

HAP
OCT 15/08

23-12-41-01
PAGE 0D

BOEING
737-600/700/800/900
PARTS CATALOG (MAINTENANCE)

FIG ITEM	PART NUMBER	1 2 3 4 5 6 7	NOMENCLATURE	EFFECT FROM TO	UNITS PER ASSY
1			MODULE INSTL-AFT ELECTRONICS PNL P8 (RADIO TUNING PANEL ONLY)	201967	
- 3	233A6101-50		MODULE INSTL-ELECTRONICS PNL P8 (RADIO TUNING PANEL ONLY) POSITION DATA: AFT FOR NHA/OTHER SYS DET SEE: 31-11-00-01J	201967	RF
35	G7404-04		.PANEL-RADIO TUNING SUPPLIER CODE: V99837 FUNCTIONAL DESCRIPTION: ALLOWS FLIGHT CREW TO SELECT THE VHF AND HF TRANSCEIVER IN USE AND TUNE THE SELECTED RADIO TO THE DESIRED FREQUENCY. ELECTRICAL EQUIP NUMBER: P00871 MAINTENANCE MANUAL REF: 23-12-41 QUALIFIED I/W DATA: G7404-124 MAY REPLACE G7404-04 IN SHIPSETS ONLY.	201967	1
50	G7404-04		.PANEL-RADIO TUNING SUPPLIER CODE: V99837 FUNCTIONAL DESCRIPTION: ALLOWS FLIGHT CREW TO SELECT THE VHF AND HF TRANSCEIVER IN USE AND TUNE THE SELECTED RADIO TO THE DESIRED FREQUENCY. ELECTRICAL EQUIP NUMBER: P00873 MAINTENANCE MANUAL REF: 23-12-41 QUALIFIED I/W DATA: G7404-124 MAY REPLACE G7404-04 IN SHIPSETS ONLY.	201967	1

MISSING ITEM NUMBERS NOT APPLICABLE

- ITEM NOT ILLUSTRATED

HAP

23-12-41-01

BOEING PROPRIETARY - Copyright © - Unpublished Work - See title page for details.

23-12-41
FIG. 01
PAGE 1
OCT 15/08

BOEING
737-600/700/800/900
PARTS CATALOG (MAINTENANCE)

FIG ITEM	PART NUMBER	1 2 3 4 5 6 7	NOMENCLATURE	EFFECT FROM TO	UNITS PER ASSY
1 85	G7404-04		.PANEL-RADIO TUNING SUPPLIER CODE: V99837 FUNCTIONAL DESCRIPTION: ALLOWS FLIGHT CREW TO SELECT THE VHF AND HF TRANSCEIVER IN USE AND TUNE THE SELECTED RADIO TO THE DESIRED FREQUENCY. ELECTRICAL EQUIP NUMBER: P00872 MAINTENANCE MANUAL REF: 23-12-41 QUALIFIED I/W DATA: G7404-124 MAY REPLACE G7404-04 IN SHIPSETS ONLY.	201967	1
- 603 613	286A2413-022 BACC63CB20-41SN		WIRE BUNDLE ASSY .PLUG- ELECTRICAL EQUIP NUMBER: D00203 WIRING DIAGRAM REF: 231211	201967 201967	RF 1
614	S3819-20-65		.BACKSHELL- SUPPLIER CODE: V07418 SPECIFICATION NUMBER: BACC10KD20 OPTIONAL PART: 620AS028NF20L V06324 ELECTRICAL EQUIP NUMBER: D00203T WIRING DIAGRAM REF: 231211	201967	1
615	BACC63CB16-24SN		.PLUG- ELECTRICAL EQUIP NUMBER: D10601 WIRING DIAGRAM REF: 231211 231241	201967	1

MISSING ITEM NUMBERS NOT APPLICABLE

- ITEM NOT ILLUSTRATED

HAP

23-12-41-01

BOEING PROPRIETARY - Copyright © - Unpublished Work - See title page for details.

23-12-41
FIG. 01
PAGE 2
OCT 15/08

 **BOEING**
737-600/700/800/900
PARTS CATALOG (MAINTENANCE)

FIG ITEM	PART NUMBER	1 2 3 4 5 6 7	NOMENCLATURE	EFFECT FROM TO	UNITS PER ASSY
1 617	S3819-16-65		.BACKSHELL- SUPPLIER CODE: V07418 SPECIFICATION NUMBER: BACC10KD16 OPTIONAL PART: 620AS028NF16L V06324 ELECTRICAL EQUIP NUMBER: D10601T WIRING DIAGRAM REF: 231211	201967	1
- 622 629	286A2415-006 BACC63CB20-41SN		WIRE BUNDLE ASSY .PLUG- ELECTRICAL EQUIP NUMBER: D00209 WIRING DIAGRAM REF: 231221	201967 201967	RF 1
630	BACC63CB16-24SN		.PLUG- ELECTRICAL EQUIP NUMBER: D10603 WIRING DIAGRAM REF: 231221	201967	1
631	S3819-20-65		.BACKSHELL- SUPPLIER CODE: V07418 SPECIFICATION NUMBER: BACC10KD20 OPTIONAL PART: 620AS028NF20L V06324 ELECTRICAL EQUIP NUMBER: D00209T WIRING DIAGRAM REF: 231221	201967	1
632	S3819-16-65		.BACKSHELL- SUPPLIER CODE: V07418 SPECIFICATION NUMBER: BACC10KD16 OPTIONAL PART: 620AS028NF16L V06324 ELECTRICAL EQUIP NUMBER: D10603T WIRING DIAGRAM REF: 231221	201967	1
- 643	286A2417-026		WIRE BUNDLE ASSY	201967	RF

MISSING ITEM NUMBERS NOT APPLICABLE

- ITEM NOT ILLUSTRATED

HAP

23-12-41-01

BOEING PROPRIETARY - Copyright © - Unpublished Work - See title page for details.

23-12-41
FIG. 01
PAGE 3
OCT 15/08

BOEING
737-600/700/800/900
PARTS CATALOG (MAINTENANCE)

FIG ITEM	PART NUMBER	1 2 3 4 5 6 7	NOMENCLATURE	EFFECT FROM TO	UNITS PER ASSY
1 655	BACC63CB20-41SN	.PLUG-	ELECTRICAL EQUIP NUMBER: D00549 WIRING DIAGRAM REF: 231231	201967	1
655	BACC63CB16-24SN	.PLUG-	ELECTRICAL EQUIP NUMBER: D10605 WIRING DIAGRAM REF: 231111 231241	201967	1
660	S3819-20-65	.BACKSHELL-	SUPPLIER CODE: V07418 SPECIFICATION NUMBER: BACC10KD20 OPTIONAL PART: 620AS028NF20L V06324 ELECTRICAL EQUIP NUMBER: D00549T WIRING DIAGRAM REF: 231231	201967	1
660	S3819-16-65	.BACKSHELL-	SUPPLIER CODE: V07418 SPECIFICATION NUMBER: BACC10KD16 OPTIONAL PART: 620AS028NF16L V06324 ELECTRICAL EQUIP NUMBER: D10605T WIRING DIAGRAM REF: 231231 231111	201967	1

MISSING ITEM NUMBERS NOT APPLICABLE

— ITEM NOT ILLUSTRATED

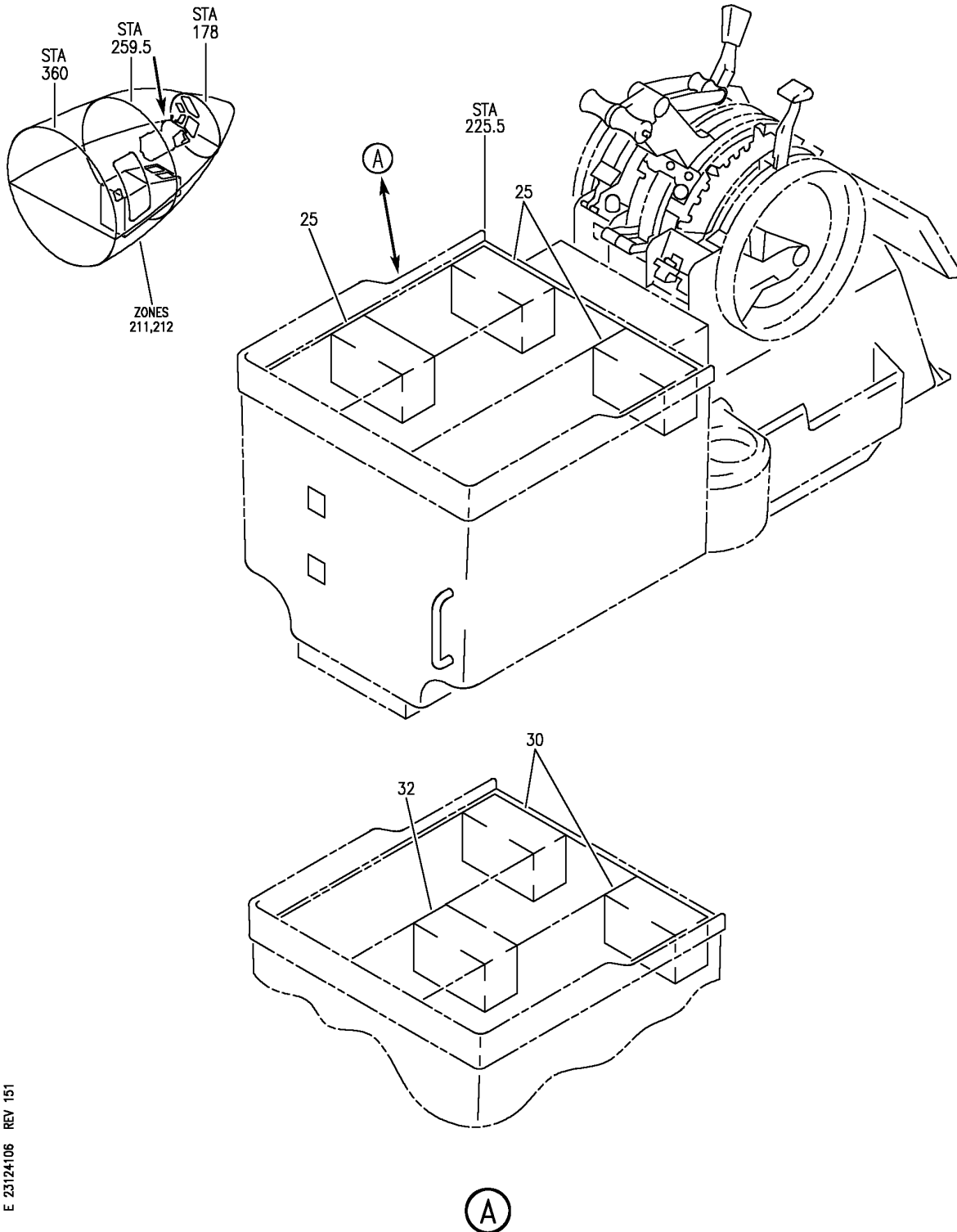
HAP

23-12-41-01

BOEING PROPRIETARY - Copyright © - Unpublished Work - See title page for details.

23-12-41
FIG. 01
PAGE 4
OCT 15/08

BOEING
 737-600/700/800/900
 PARTS CATALOG (MAINTENANCE)



E 23124106 REV 151

MODULE INSTL-P8 AISLE STAND RADIO TUNING PNL (COMMUNICATIONS ONLY)
 FIGURE 6 (SHEET 1)

23-12-41-06

HAP
 FEB 15/09

23-12-41-06
 PAGE 0

BOEING
737-600/700/800/900
PARTS CATALOG (MAINTENANCE)

FIG ITEM	PART NUMBER	1 2 3 4 5 6 7	NOMENCLATURE	EFFECT FROM TO	UNITS PER ASSY
R R	6		MODULE INSTL-P8 AISLE STAND RADIO TUNING PNL (COMMUNICATIONS ONLY)	041041 047047 049050 054100 107200	
	- 1	MODREF233501	MODULE INSTL-P8 AISLE STAND RADIO TUNING PNL (COMMUNICATIONS ONLY) MODULE NUMBER: 233A6104-231023 REV B FOR OTHER SYS DETAILS SEE: 31-11-91-83M	041041 047047 049050 054100 107200	1
	25	G7404-124	.PANEL- SUPPLIER CODE: V99837 FUNCTIONAL DESCRIPTION: ALLOWS FLIGHT CREW TO SELECT THE VHF AND HF TRANSCIVER IN USE AND TUNE THE SELECTED RADIO TO THE DESIRED FREQUENCY. ELECTRICAL EQUIP NUMBER: P00871 P00872 P00873 COMPONENT MAINT MANUAL REF: 23-10-37 MAINTENANCE MANUAL REF: 23-12-41 QUALIFIED I/W DATA: G7404-124 MAY REPLACE G7404-24 IN SHIPSETS ONLY. G7404-124 MAY REPLACE G7404-04 IN SHIPSETS ONLY. POST RAPID REVISION: RR97237-28B	041041 047047 049050 054100 107200	3

MISSING ITEM NUMBERS NOT APPLICABLE

- ITEM NOT ILLUSTRATED

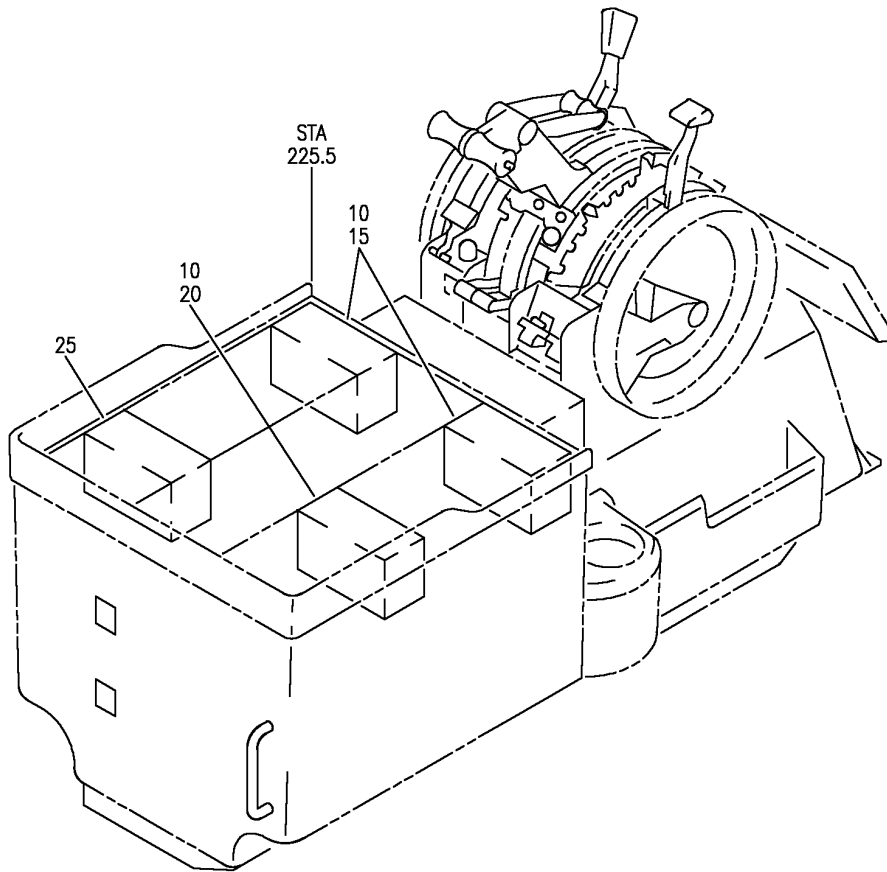
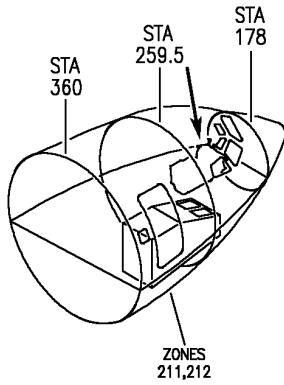
HAP

23-12-41-06

BOEING PROPRIETARY - Copyright © - Unpublished Work - See title page for details.

23-12-41
FIG. 06
PAGE 1
JUN 15/09

BOEING
737-600/700/800/900
PARTS CATALOG (MAINTENANCE)



E 23124106S REV 153

MODULE INSTL-P8 AISLE STAND RADIO TUNING PNL (COMMUNICATIONS ONLY)
FIGURE 6S

HAP
JUN 15/09

23-12-41-06S

23-12-41-06S
PAGE 0

BOEING
737-600/700/800/900
PARTS CATALOG (MAINTENANCE)

FIG ITEM	PART NUMBER	1 2 3 4 5 6 7	NOMENCLATURE	EFFECT FROM TO	UNITS PER ASSY
R R	6S		MODULE INSTL-P8 AISLE STAND RADIO TUNING PNL (COMMUNICATIONS ONLY)	031040 042046 048048 051053 101106 968999	
	- 1	MODREF233501	MODULE INSTL-P8 AISLE STAND RADIO TUNING PNL (COMMUNICATIONS ONLY) MODULE NUMBER: 233A6104-231023 REV B FOR OTHER SYS DETAILS SEE: 31-11-91-81N 31-11-91-82S	031040 042046 048048 051053 101106 968999	1
	10	G7404-124	.PANEL- SUPPLIER CODE: V99837 FUNCTIONAL DESCRIPTION: ALLOWS FLIGHT CREW TO SELECT THE VHF AND HF TRANSCEIVER IN USE AND TUNE THE SELECTED RADIO TO THE DESIRED FREQUENCY. ELECTRICAL EQUIP NUMBER: P00871 P00872 P00873 COMPONENT MAINT MANUAL REF: 23-10-37 MAINTENANCE MANUAL REF: 23-12-41 QUALIFIED I/W DATA: G7404-124 MAY REPLACE G7404-04 IN SHIPSETS ONLY. G7404-124 MAY REPLACE G7404-24 IN SHIPSETS ONLY.	031040 042046 048048 051053 101106 968999	3

MISSING ITEM NUMBERS NOT APPLICABLE

- ITEM NOT ILLUSTRATED

HAP

23-12-41-06S

BOEING PROPRIETARY - Copyright © - Unpublished Work - See title page for details.

23-12-41
FIG. 06S
PAGE 1
JUN 15/09