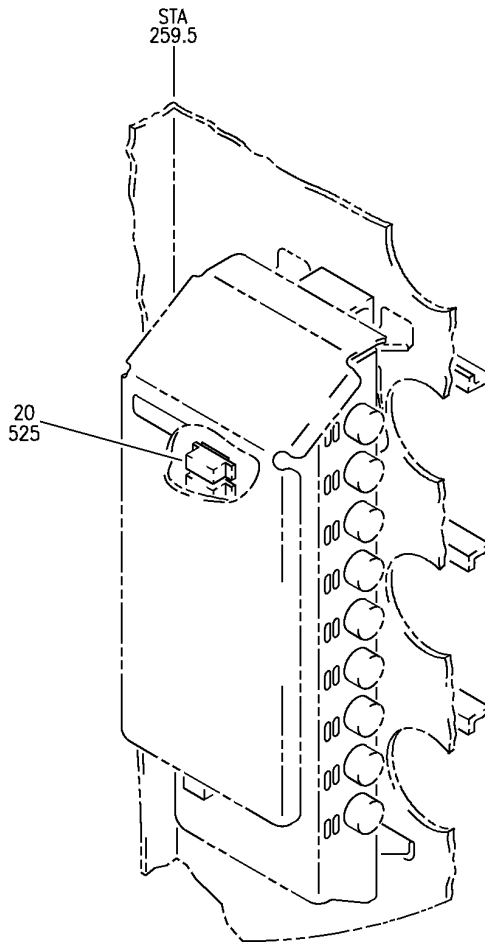
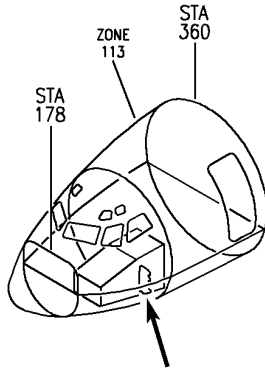


SELCAL SYSTEM

HAP
OCT 10/06

23-22-00
SECTION TITLE
PAGE 1

BOEING
737-600/700/800/900
PARTS CATALOG (MAINTENANCE)



E 23221101 REV 118

JUNCTION BOX INSTL AND ASSY-J22 (SELCAL SYSTEM ONLY)
FIGURE 1

23-22-11-01

HAP
OCT 10/06

23-22-11-01
PAGE 0

BOEING
737-600/700/800/900
PARTS CATALOG (MAINTENANCE)

FIG ITEM	PART NUMBER	1 2 3 4 5 6 7	NOMENCLATURE	EFFECT FROM TO	UNITS PER ASSY
1			JUNCTION BOX INSTL AND ASSY-J22 (SELCAL SYSTEM ONLY)		
- 1	284A1222-115		JUNCTION BOX INSTL-J22 (SELCAL SYSTEM ONLY) FOR NHA/OTHER SYS DET SEE: 25-50-00-12	201967	RF
- 1	284A1222-118		JUNCTION BOX INSTL-J22 (SELCAL SYSTEM ONLY) FOR NHA/OTHER SYS DET SEE: 25-50-00-13	008030	RF
- 2	MODREF250333		JUNCTION BOX INSTL-J22 (SELCAL SYSTEM ONLY) MODULE NUMBER: 284A1222-134 REV E FOR OTHER SYS DETAILS SEE: 25-50-52-54 27-62-11-01 32-09-51-01 32-42-51-01 34-40-51-01 52-71-51-03 73-20-51-01 76-21-51-01 78-30-51-01	031040 042042 968969	1
- 2	MODREF337066		JUNCTION BOX INSTL-J22 (SELCAL SYSTEM ONLY) MODULE NUMBER: 284A1222-134 REV G FOR OTHER SYS DETAILS SEE: 25-50-52-54 27-62-11-01 32-09-51-01 32-42-51-01 34-40-51-01 52-71-51-03 73-20-51-01 76-21-51-01 78-30-51-01	041041 043200 970999	1
- 3	284A1222-118		JUNCTION BOX INSTL-J22 (SELCAL SYSTEM ONLY) POST SERVICE BULLETIN: 23-1107 FOR NHA/OTHER SYS DET SEE: 25-50-51-76	005007	RF

MISSING ITEM NUMBERS NOT APPLICABLE

- ITEM NOT ILLUSTRATED

HAP

23-22-11-01

BOEING PROPRIETARY - Copyright © - Unpublished Work - See title page for details.

23-22-11
FIG. 01
PAGE 1
OCT 15/08

BOEING
737-600/700/800/900
PARTS CATALOG (MAINTENANCE)

FIG ITEM	PART NUMBER	1 2 3 4 5 6 7	NOMENCLATURE	EFFECT FROM TO	UNITS PER ASSY
1					
- 5	284A1222-3		JUNCTION BOX ASSY-J22 (SELCAL SYSTEM ONLY) PRE SERVICE BULLETIN: 23-1107 FOR NHA/OTHER SYS DET SEE: 25-50-51-76	006007	RF
- 5	284A1222-17		JUNCTION BOX ASSY-J22 (SELCAL SYSTEM ONLY) REWORKED BY SB: 23-1107 FOR NHA/OTHER SYS DET SEE: 25-50-51-76	001004	RF
- 5	284A1222-18		JUNCTION BOX ASSY-J22 (SELCAL SYSTEM ONLY) PRE SERVICE BULLETIN: 23-1107 FOR NHA/OTHER SYS DET SEE: 25-50-51-76	005005	RF
20	ES210-1632		.RELAY- SUPPLIER CODE: V99699 SPECIFICATION NUMBER: BACR13CF2AB OPTIONAL PART: JD4L018 V35344 JD4L031 V35344 BR246S0111 V56623 BR64S105 V56623 FCA210-71 V78290 61GB2319-1A320 V98927 ELECTRICAL EQUIP NUMBER: R00454		1
- 500	286A0076-031		WIRE BUNDLE ASSY	201967	RF
- 504	286A0076-125		WIRE BUNDLE ASSY-	031048 054106 968999	RF
- 505	286A0076-332		WIRE BUNDLE ASSY	008011	RF
- 512	286A0076-355		WIRE BUNDLE ASSY-	012030	RF
- 513	286A0076-303		WIRE BUNDLE ASSY	002004	RF
- 513	286A0076-306		WIRE BUNDLE ASSY	001001	RF
- 513	286A0076-310		WIRE BUNDLE ASSY	005005	RF
- 513	286A0076-312		WIRE BUNDLE ASSY	006007	RF

MISSING ITEM NUMBERS NOT APPLICABLE

- ITEM NOT ILLUSTRATED

HAP

23-22-11-01

23-22-11
FIG. 01
PAGE 2
FEB 15/09

BOEING
737-600/700/800/900
PARTS CATALOG (MAINTENANCE)

FIG ITEM	PART NUMBER	1 2 3 4 5 6 7 NOMENCLATURE	EFFECT FROM TO	UNITS PER ASSY
1 525	RSF116200	. SOCKET- SUPPLIER CODE: V58982 SPECIFICATION NUMBER: BACS16X1A OPTIONAL PART: 102-006-1 V09922 000300-1538 V05574 ELECTRICAL EQUIP NUMBER: D02775 WIRING DIAGRAM REF: 232211	001048 054106 201999	1

MISSING ITEM NUMBERS NOT APPLICABLE

— ITEM NOT ILLUSTRATED

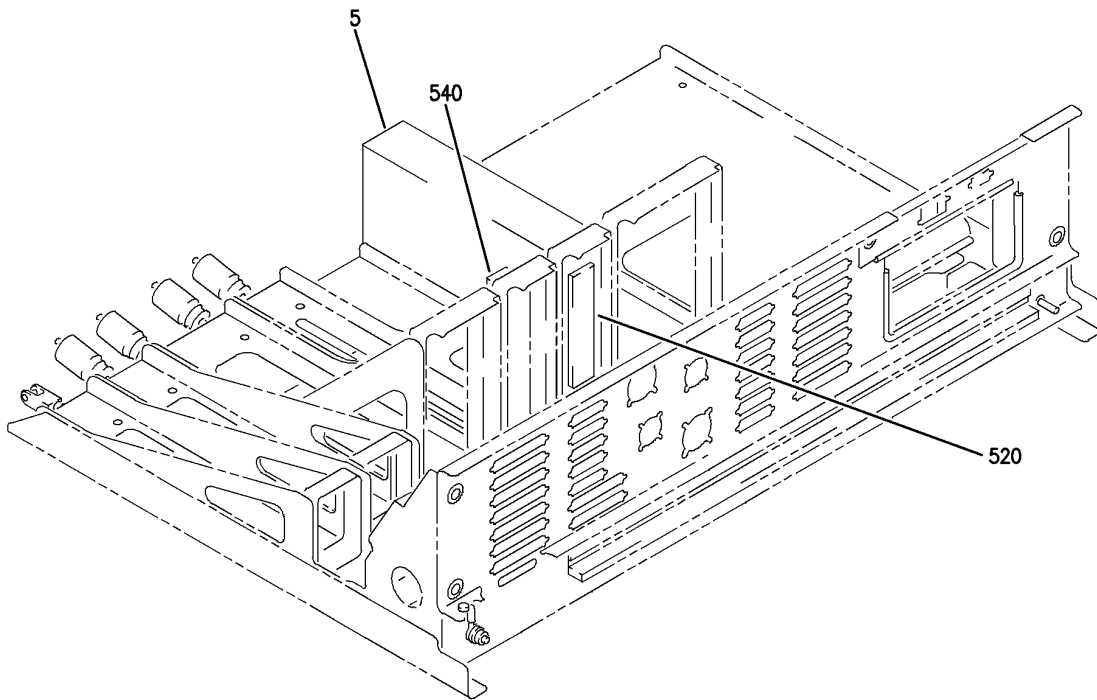
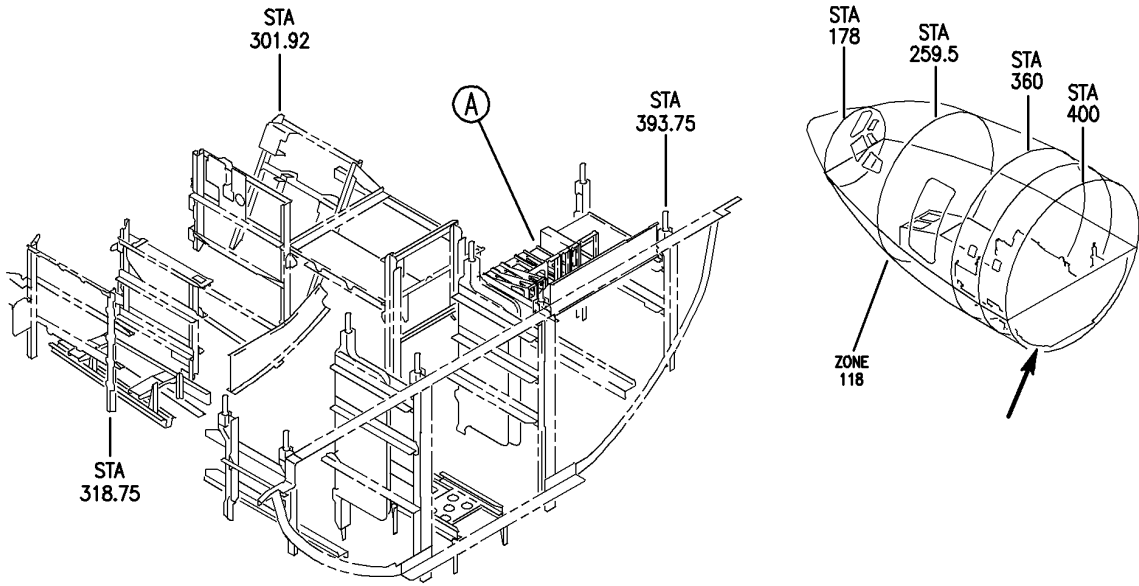
HAP

23-22-11-01

BOEING PROPRIETARY - Copyright © - Unpublished Work - See title page for details.

23-22-11
FIG. 01
PAGE 3
FEB 15/09

BOEING
 737-600/700/800/900
 PARTS CATALOG (MAINTENANCE)



(A)

E 23221102 REV 061

EQUIPMENT INSTL-E4 RACK SELCAL DECODER
 FIGURE 2

23-22-11-02

HAP
 OCT 10/06

23-22-11-02
 PAGE 0

BOEING
737-600/700/800/900
PARTS CATALOG (MAINTENANCE)

FIG ITEM	PART NUMBER	1 2 3 4 5 6 7	NOMENCLATURE	EFFECT FROM TO	UNITS PER ASSY
2			EQUIPMENT INSTL-E4 RACK SELCAL DECODER	037200 968999	
- 1	MODREF202695		EQUIPMENT INSTL-E4 RACK SELCAL DECODER	037200 968999	1
5	SC2253AD01		MODULE NUMBER: 284A0441-232109 REV A .DECODER-SELCAL SUPPLIER CODE: VF6168 POSITION DATA: E4-1 SHELF FUNCTIONAL DESCRIPTION: PROCESSES INPUT FROM EACH OF THE HF AND VHF COMMUNICATION UNITS TO ENABLE ANNUNCIATIONS TO THE FLIGHT CREW THAT A GROUND PARTY IS AWAITING VOICE COMMUNICATION. ELECTRICAL EQUIP NUMBER: M00025 COMPONENT MAINT MANUAL REF: 23-22-34 MAINTENANCE MANUAL REF: 23-28-11	037200 968999	1
5	NA138-714B		.DECODER-SELCAL SUPPLIER CODE: V30242 POSITION DATA: E4-1 SHELF FUNCTIONAL DESCRIPTION: PROCESSES INPUT FROM EACH OF THE HF AND VHF COMMUNICATION UNITS TO ENABLE ANNUNCIATION TO THE FLIGHT CREW THAT A GROUND PARTY IS AWAITING VOICE COMMUNICATION. ELECTRICAL EQUIP NUMBER: M00025 COMPONENT MAINT MANUAL REF: 23-20-10 MAINTENANCE MANUAL REF: 23-28-11	037200 968999	1

MISSING ITEM NUMBERS NOT APPLICABLE

- ITEM NOT ILLUSTRATED

HAP

23-22-11-02

BOEING PROPRIETARY - Copyright © - Unpublished Work - See title page for details.

23-22-11
FIG. 02
PAGE 1
OCT 15/08

BOEING
737-600/700/800/900
PARTS CATALOG (MAINTENANCE)

FIG ITEM	PART NUMBER	1 2 3 4 5 6 7	NOMENCLATURE	EFFECT FROM TO	UNITS PER ASSY
2	5 1200008-000		.DECODER-SELCAL SUPPLIER CODE: V30242 POSITION DATA: E4-1 SHELF FUNCTIONAL DESCRIPTION: PROCESSES INPUT FROM EACH OF THE HF AND VHF COMMUNICATION UNITS TO ENABLE ANNUNCIATION TO THE FLIGHT CREW THAT A GROUND PARTY IS AWAITING VOICE COMMUNICATION. ELECTRICAL EQUIP NUMBER: M00025 COMPONENT MAINT MANUAL REF: 23-20-04 MAINTENANCE MANUAL REF: 23-28-11	037200 968999	1
	5 SL3924AA01		.DECODER-SELCAL SUPPLIER CODE: VF6168 POSITION DATA: E4-1 SHELF FUNCTIONAL DESCRIPTION: PROCESSES INPUT FROM EACH OF THE HF AND VHF COMMUNICATION UNITS TO ENABLE ANNUNCIATION TO THE FLIGHT CREW THAT A GROUND PARTY IS AWAITING VOICE COMMUNICATION. ELECTRICAL EQUIP NUMBER: M00025 COMPONENT MAINT MANUAL REF: 23-22-34 MAINTENANCE MANUAL REF: 23-28-11	037200 968999	1

MISSING ITEM NUMBERS NOT APPLICABLE

— ITEM NOT ILLUSTRATED

HAP

23-22-11-02

BOEING PROPRIETARY - Copyright © - Unpublished Work - See title page for details.

23-22-11
FIG. 02
PAGE 2
OCT 15/08

BOEING
737-600/700/800/900
PARTS CATALOG (MAINTENANCE)

FIG ITEM	PART NUMBER	1 2 3 4 5 6 7	NOMENCLATURE	EFFECT FROM TO	UNITS PER ASSY
2	5 NA138-714C		.DECODER-SEL CAL SUPPLIER CODE: V30242 FUNCTIONAL DESCRIPTION: PROCESSES INPUT FROM EACH OF THE HF AND VHF COMMUNICATION UNITS TO ENABLE ANNUNCIATION TO THE FLIGHT CREW THAT A GROUND PARTY IS AWAITING VOICE COMMUNICATION. COMPONENT MAINT MANUAL REF: 23-20-02 MAINTENANCE MANUAL REF: 23-28-11	037200 968999	1
- 516	286A0411-001		WIRE BUNDLE ASSY	101101 968969	RF
- 517	286A0411-169		WIRE BUNDLE ASSY	037048 054100	RF
520	BCREF11763		.PLATE ASSY-PLUG OVERLENGTH PART NUMBER: BACC66F11F03AA01 ELECTRICAL EQUIP NUMBER: D02555 WIRING DIAGRAM REF: 232211	037040 042043 101101 968969	1
- 525	NAS1801-06		.SCREW- POSITION DATA: FAR SIDE SIZE DETERMINED ON INSTL.	037040 042043 101101 968969	4
- 530	PLH506CD		.NUT- SUPPLIER CODE: VF0224 SPECIFICATION NUMBER: BACN10YRO6CD OPTIONAL PART: H52732-06CD V15653 POSITION DATA: NEAR SIDE	037040 042043 101101 968969	4
540	RBGP48-116N		.BACKSHELL-GND. BLK SUPPLIER CODE: V09922 SPECIFICATION NUMBER: S280W601-116 ELECTRICAL EQUIP NUMBER: D02555T WIRING DIAGRAM REF: 232201	037040 042043 101101 968969	1

MISSING ITEM NUMBERS NOT APPLICABLE

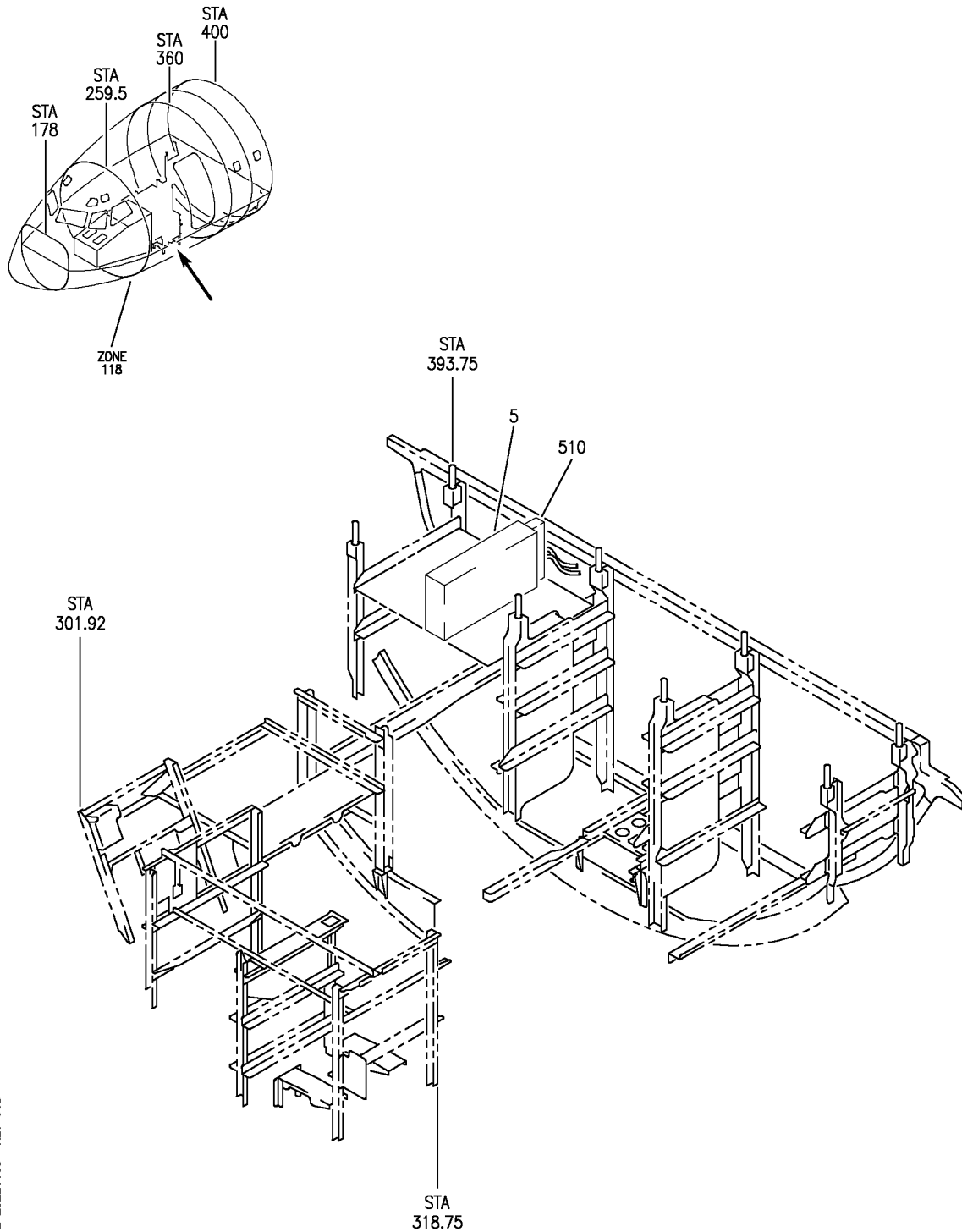
- ITEM NOT ILLUSTRATED

HAP

23-22-11-02

23-22-11
FIG. 02
PAGE 3
FEB 15/09

BOEING
737-600/700/800/900
PARTS CATALOG (MAINTENANCE)



E 23221103 REV 068

EQUIPMENT INSTL-E4-1 SELCAL
FIGURE 3

23-22-11-03

HAP
OCT 15/08

23-22-11-03
PAGE 0

BOEING
737-600/700/800/900
PARTS CATALOG (MAINTENANCE)

FIG ITEM	PART NUMBER	1 2 3 4 5 6 7	NOMENCLATURE	EFFECT FROM TO	UNITS PER ASSY
3			EQUIPMENT INSTL-E4-1 SELCAL	201967	
- 1	284A0440-102		EQUIPMENT INSTL-E4-1 SELCAL	201967	RF
			FOR NHA SEE: 23-20-00-02		
5	1200008-000		.DECODER- SUPPLIER CODE: V30242	201967	1
			FUNCTIONAL DESCRIPTION: PROCESSES INPUT FROM EACH OF THE HF AND VHF COMMUNICATION UNITS TO ENABLE ANNUNCIATION TO THE FLIGHT CREW THAT A GROUND PARTY IS AWAITING VOICE COMMUNICATION. ELECTRICAL EQUIP NUMBER: M00025 COMPONENT MAINT MANUAL REF: 23-20-04		
5	NA138-714B		.DECODER- SUPPLIER CODE: V30242	201967	1
			FUNCTIONAL DESCRIPTION: PROCESSES INPUT FROM EACH OF THE HF AND VHF COMMUNICATION UNITS TO ENABLE ANNUNCIATION TO THE FLIGHT CREW THAT A GROUND PARTY IS AWAITING VOICE COMMUNICATION. ELECTRICAL EQUIP NUMBER: M00025 COMPONENT MAINT MANUAL REF: 23-20-10 MAINTENANCE MANUAL REF: 23-28-11		

MISSING ITEM NUMBERS NOT APPLICABLE

- ITEM NOT ILLUSTRATED

HAP

23-22-11-03

BOEING PROPRIETARY - Copyright © - Unpublished Work - See title page for details.

23-22-11
FIG. 03
PAGE 1
OCT 15/08

BOEING
737-600/700/800/900
PARTS CATALOG (MAINTENANCE)

FIG ITEM	PART NUMBER	1 2 3 4 5 6 7	NOMENCLATURE	EFFECT FROM TO	UNITS PER ASSY
3					
5	SL3924AA01		.DECODER-SELCAL SUPPLIER CODE: VF6168 POSITION DATA: E4-1 SHELF FUNCTIONAL DESCRIPTION: PROCESSES INPUT FROM EACH OF THE HF AND VHF COMMUNICATION UNITS TO ENABLE ANNUNCIATION TO THE FLIGHT CREW THAT A GROUND PARTY IS AWAITING VOICE COMMUNICATION. ELECTRICAL EQUIP NUMBER: M00025 COMPONENT MAINT MANUAL REF: 23-22-34 MAINTENANCE MANUAL REF: 23-28-11	201967	1
5	NA138-714C		.DECODER- SUPPLIER CODE: V30242 FUNCTIONAL DESCRIPTION: PROCESSES INPUT FROM EACH OF THE HF AND VHF COMMUNICATION UNITS TO ENABLE ANNUNCIATION TO THE FLIGHT CREW THAT A GROUND PARTY IS AWAITING VOICE COMMUNICATION. ELECTRICAL EQUIP NUMBER: M00025 COMPONENT MAINT MANUAL REF: 23-20-04 MAINTENANCE MANUAL REF: 23-28-11	201967	1
R - 503	286A0411-081		WIRE BUNDLE ASSY	202967	RF
R - 504	286A0411-130		WIRE BUNDLE ASSY	201201	RF
510	BCREF11763		.PLATE ASSY-PLUG OVERLENGTH PART NUMBER: BACC66F11F03AA01 ELECTRICAL EQUIP NUMBER: D02555 WIRING DIAGRAM REF: 232211	201967	1

MISSING ITEM NUMBERS NOT APPLICABLE

- ITEM NOT ILLUSTRATED

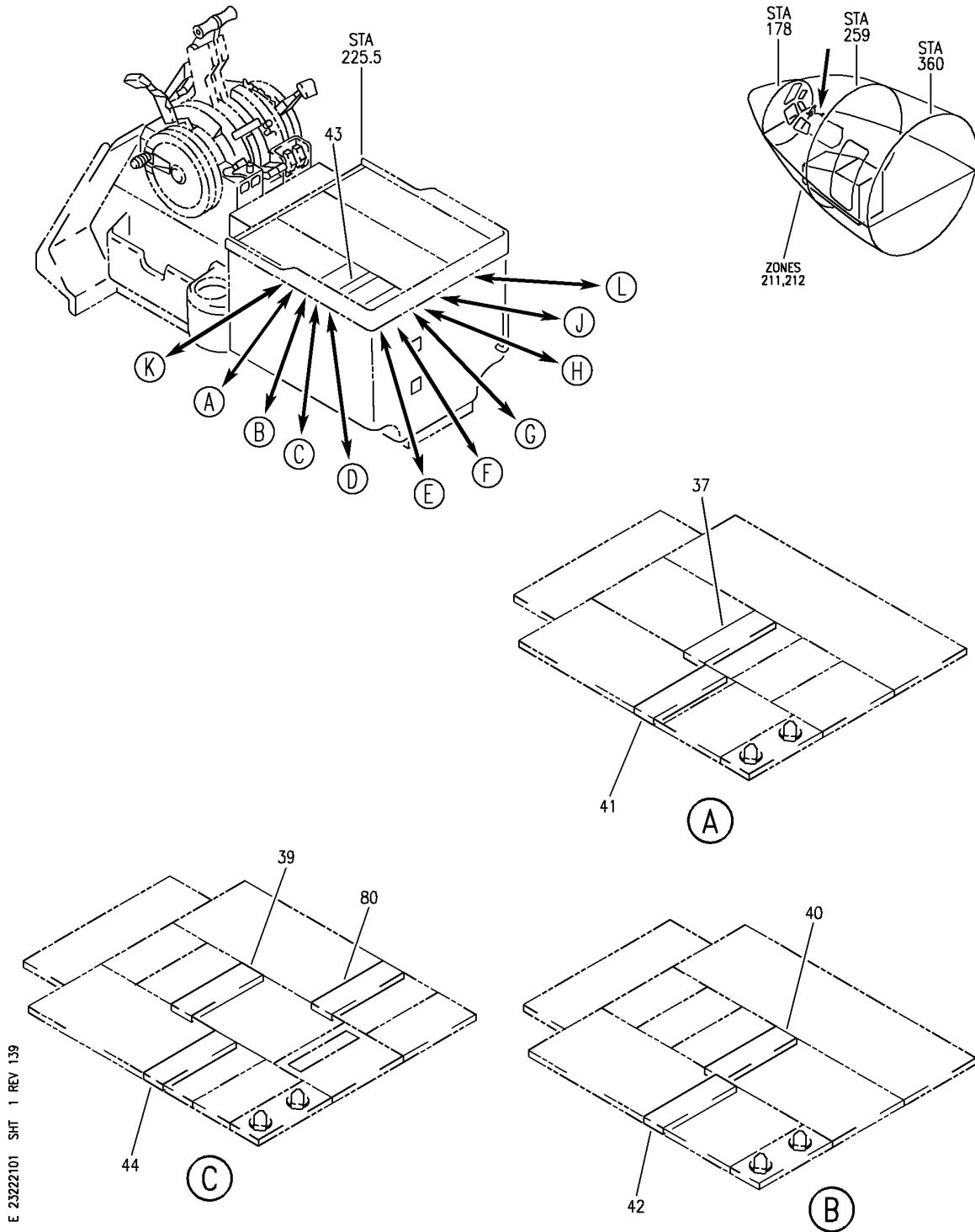
HAP

23-22-11-03

BOEING PROPRIETARY - Copyright © - Unpublished Work - See title page for details.

23-22-11
FIG. 03
PAGE 2
JUN 15/09

BOEING
 737-600/700/800/900
 PARTS CATALOG (MAINTENANCE)



E 23222101 SHT 1 REV 139

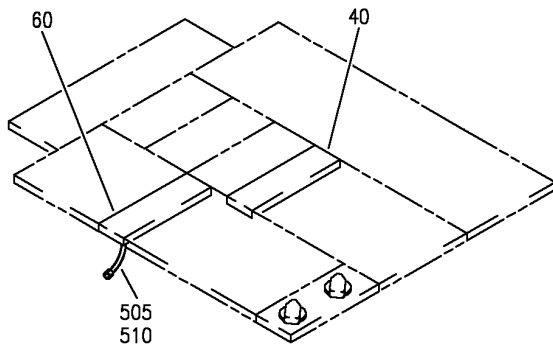
MODULE INSTL-AFT ELECTRONICS PNL P8 (SELCAL CONTROL PANEL ONLY)
 FIGURE 1 (SHEET 1)

23-22-21-01

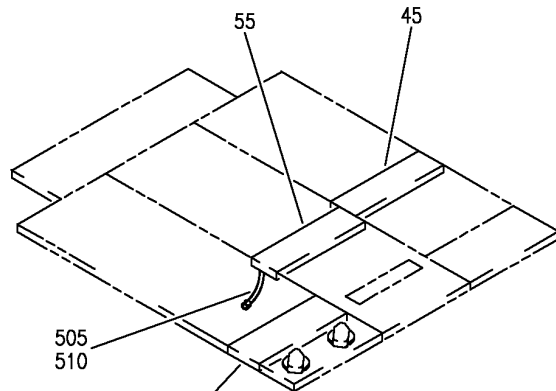
HAP
 OCT 15/08

23-22-21-01
 PAGE 0

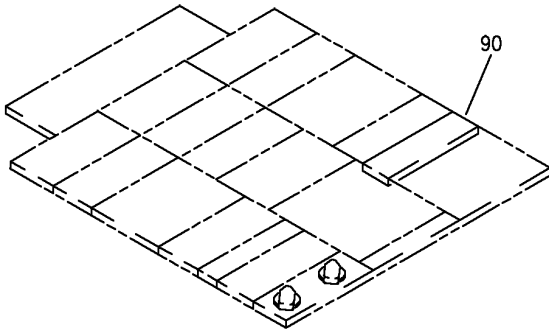
BOEING
 737-600/700/800/900
 PARTS CATALOG (MAINTENANCE)



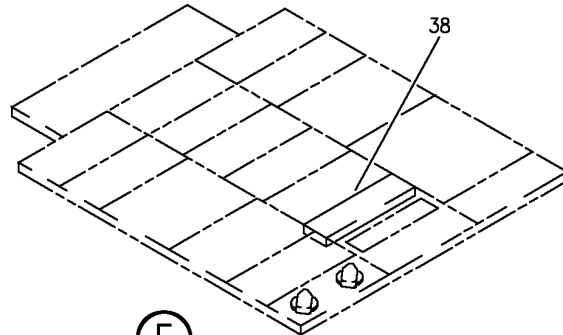
(D)



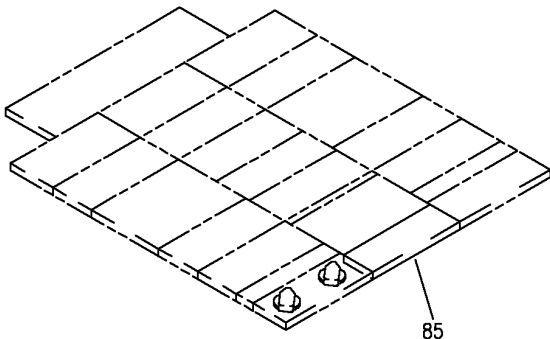
(E)



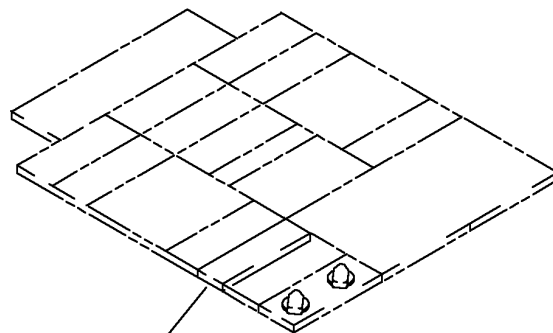
(J)



(F)



(H)



(G)

E 23222101 SHT 2 REV 083

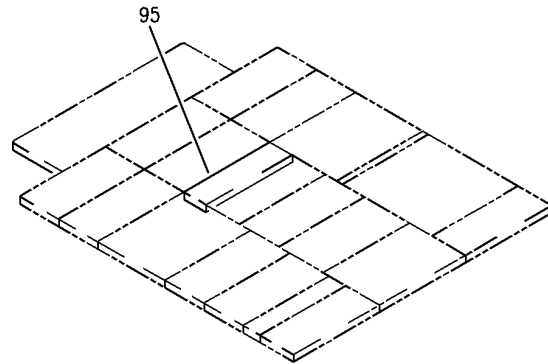
MODULE INSTL-AFT ELECTRONICS PNL P8 (SELCAL CONTROL PANEL ONLY)
 FIGURE 1 (SHEET 2)

23-22-21-01

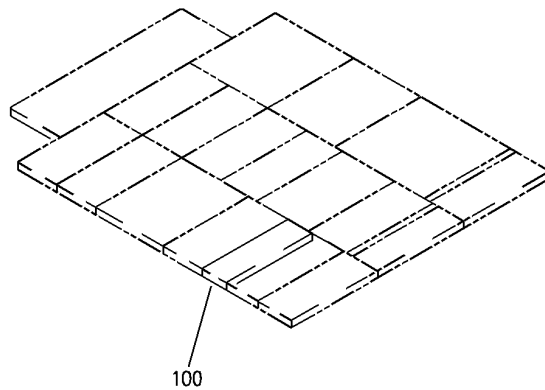
HAP
 OCT 15/08

23-22-21-01
 PAGE 0A

BOEING
737-600/700/800/900
PARTS CATALOG (MAINTENANCE)



(K)



(L)

E 23222101 SHT 3 REV 139

MODULE INSTL-AFT ELECTRONICS PNL P8 (SELCAL CONTROL PANEL ONLY)
FIGURE 1 (SHEET 3)

23-22-21-01

HAP
OCT 15/08

23-22-21-01
PAGE 0B

BOEING
737-600/700/800/900
PARTS CATALOG (MAINTENANCE)

FIG ITEM	PART NUMBER	1 2 3 4 5 6 7	NOMENCLATURE	EFFECT FROM TO	UNITS PER ASSY
1			MODULE INSTL-AFT ELECTRONICS PNL P8 (SELCAL CONTROL PANEL ONLY)	201967	
- 3	233A6101-50		MODULE INSTL-ELECTRONICS PNL P8 (SELCAL CONTROL PANEL ONLY) POSITION DATA: AFT FOR NHA/OTHER SYS DET SEE: 31-11-00-01J	201967	RF
44	G7165-01		.PANEL-SELCAL CONT SUPPLIER CODE: V99837 FUNCTIONAL DESCRIPTION: PROVIDES A LIGHTED INDICATION TO THE FLIGHT CREW THAT A GROUND CALL IS BEING RECEIVED. ELECTRICAL EQUIP NUMBER: P00866 COMPONENT MAINT MANUAL REF: 23-20-07 MAINTENANCE MANUAL REF: 23-28-21	201967	1
- 500	286A2401-009		WIRE BUNDLE ASSY-	201967	RF
505	MS3475W14-19S		.PLUG- ELECTRICAL EQUIP NUMBER: D00551 WIRING DIAGRAM REF: 232211	201967	1
510	S3819-14-65		.CLAMP- SUPPLIER CODE: V07418 SPECIFICATION NUMBER: BACC10KD14 OPTIONAL PART: 620AS028NF14L V06324 ELECTRICAL EQUIP NUMBER: D00551T WIRING DIAGRAM REF: 232211	201967	1
- 515	M39029-1-101		.PIN- POST SERVICE BULLETIN: 33-1133	201967	1

MISSING ITEM NUMBERS NOT APPLICABLE

- ITEM NOT ILLUSTRATED

HAP

23-22-21-01

BOEING PROPRIETARY - Copyright © - Unpublished Work - See title page for details.

23-22-21
FIG. 01
PAGE 1
OCT 15/08