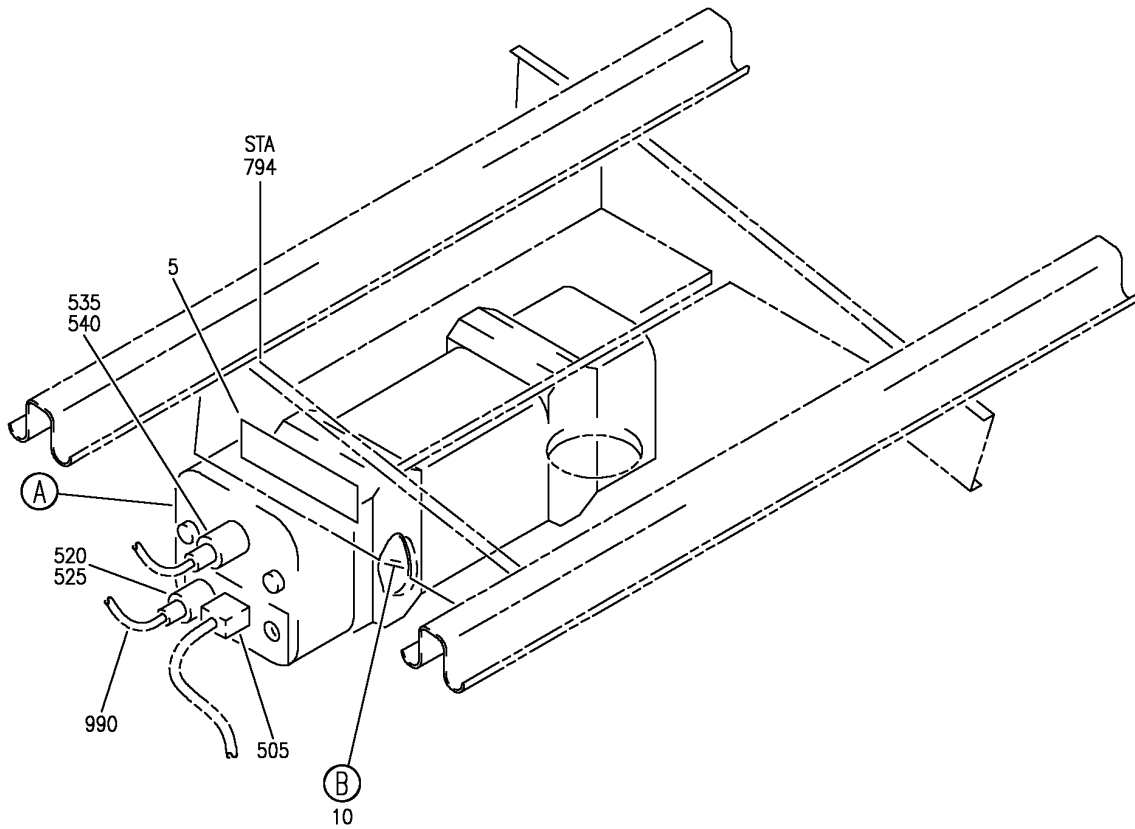
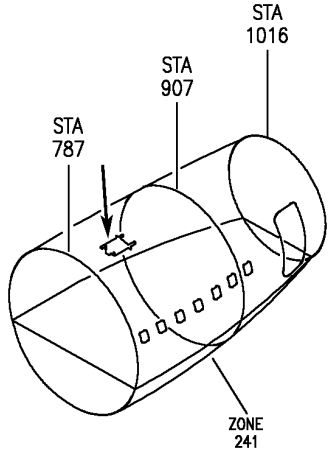


EMERGENCY LOCATOR TRANSMITTER

HAP
OCT 10/06

23-24-00
SECTION TITLE
PAGE 1

BOEING
 737-600/700/800/900
 PARTS CATALOG (MAINTENANCE)



E 23240001 SHT 1 REV 086

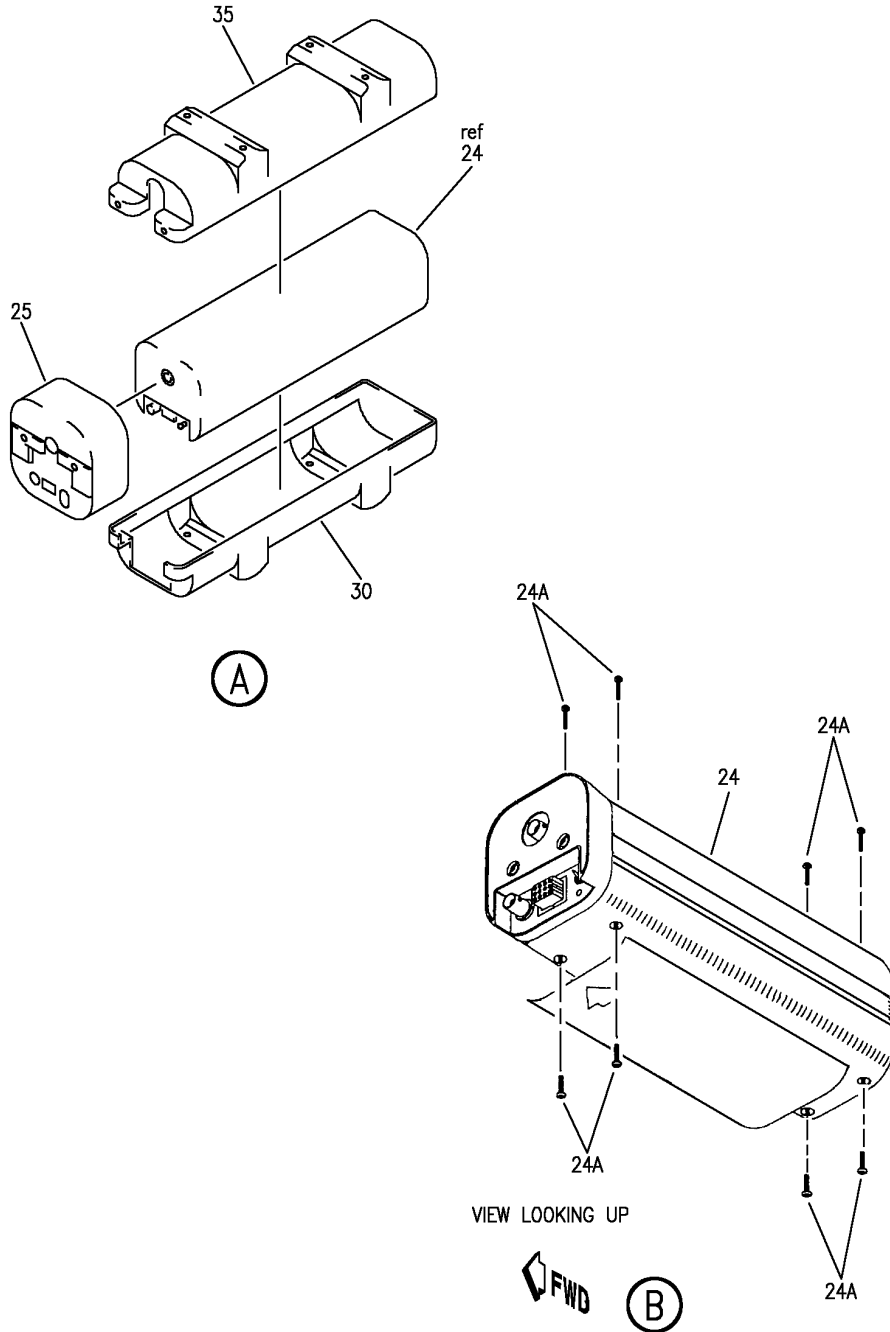
TRANSMITTER INSTL-EMER LOCATOR XMTR SYS
 FIGURE 1 (SHEET 1)

23-24-00-01

HAP
 OCT 10/06

23-24-00-01
 PAGE 0

BOEING
 737-600/700/800/900
 PARTS CATALOG (MAINTENANCE)



E 23240001 SH1 2 REV 086

TRANSMITTER INSTL-EMER LOCATOR XMTR SYS
 FIGURE 1 (SHEET 2)

23-24-00-01

HAP
 OCT 10/06

23-24-00-01
 PAGE 0A

BOEING
737-600/700/800/900
PARTS CATALOG (MAINTENANCE)

FIG ITEM	PART NUMBER	1 2 3 4 5 6 7	NOMENCLATURE	EFFECT FROM TO	UNITS PER ASSY
1			TRANSMITTER INSTL-EMER LOCATOR XMTR SYS	001011	
- 1	284A0513-4		TRANSMITTER INSTL-EMER LOCATOR XMTR SYS FOR NHA SEE: 23-20-00-03	001011	RF
5	BAC27DEX5815		.DECAL- PLACARD CONTENT: M1523 EMERGENCY LOCATOR XMTR (ELT)	001011	1
10	453-0004		.TRANSMITTER ASSY- SUPPLIER CODE: V60253 ELECTRICAL EQUIP NUMBER: M01523 QUALIFIED I/W DATA: 453-5004 CAN REPLACE OR BE REPLACED BY 453-0004 PROVIDED NAV INTERFACE UNIT 453-6501 IS NOT INSTALLED, WHICH REQUIRES THE USE OF 453-5004.	001011	1
- 15	BACB30LK06-4		ATTACHING PARTS .BOLT- POSITION DATA: FAR SIDE	001011	4
- 20	NAS1149CN632B		.WASHER- POSITION DATA: FAR SIDE -----*-----	001011	4
24	452-0133		TEMPORARY BREAKDOWN FOR: 453-0001 ..BATTERY PACK-406 LITHIUM SUPPLIER CODE: V60253	001011	1
24A	217-0606		ATTACHING PARTS ..SCREW- SUPPLIER CODE: V60253 -----*-----	001011	8
25	452-3051		.MOUNTING FRAME ASSY- END CAP SUPPLIER CODE: V60253 ELECTRICAL EQUIP NUMBER: M01523C	001011	1

MISSING ITEM NUMBERS NOT APPLICABLE

- ITEM NOT ILLUSTRATED

HAP

23-24-00-01

BOEING PROPRIETARY - Copyright © - Unpublished Work - See title page for details.

23-24-00
FIG. 01
PAGE 1
JUN 15/08

BOEING
737-600/700/800/900
PARTS CATALOG (MAINTENANCE)

FIG ITEM	PART NUMBER	1 2 3 4 5 6 7	NOMENCLATURE	EFFECT FROM TO	UNITS PER ASSY
1					
30	452-3052		.MOUNTING FRAME ASSY- TOP (CUSTOMER FURNISHED) SUPPLIER CODE: V60253 ELECTRICAL EQUIP NUMBER: M01523A	002011	1
30	452-3052		.MOUNTING FRAME ASSY- TOP SUPPLIER CODE: V60253 ELECTRICAL EQUIP NUMBER: M01523A	001001	1
35	452-3053		.MOUNTING FRAME ASSY- BOTTOM (CUSTOMER FURNISHED) SUPPLIER CODE: V60253 ELECTRICAL EQUIP NUMBER: M01523B	002011	1
35	452-3053		.MOUNTING FRAME ASSY- BOTTOM SUPPLIER CODE: V60253 ELECTRICAL EQUIP NUMBER: M01523B	001001	1
- 501	286A3419-011		WIRE BUNDLE ASSY	001011	RF
505	03-06-2122		.PLUG- SUPPLIER CODE: V27264 ELECTRICAL EQUIP NUMBER: D03003 WIRING DIAGRAM REF: 232411	001011	1
- 515	286A3595-002		WIRE BUNDLE ASSY	001011	RF
520	POACONNECTOR		.PLUG-121.5/243 MHZ XMTR SUPPLIER CODE: V60253 ELECTRICAL EQUIP NUMBER: D02905 WIRING DIAGRAM REF: 232411	001011	1

MISSING ITEM NUMBERS NOT APPLICABLE

- ITEM NOT ILLUSTRATED

HAP

23-24-00-01

BOEING PROPRIETARY - Copyright © - Unpublished Work - See title page for details.

23-24-00
FIG. 01
PAGE 2
JUN 15/08

BOEING
737-600/700/800/900
PARTS CATALOG (MAINTENANCE)

FIG ITEM	PART NUMBER	1 2 3 4 5 6 7	NOMENCLATURE	EFFECT FROM TO	UNITS PER ASSY
1 525	611-6052		.COAX ASSY-ELT ANTENNA 406 MHZ SUPPLIER CODE: V60253 ELECTRICAL EQUIP NUMBER: D02905 WIRING DIAGRAM REF: 232411	001011	1
- 530	286A3597-007		WIRE BUNDLE ASSY	007007	RF
- 531	286A3597-002		WIRE BUNDLE ASSY	001001	RF
- 531	286A3597-006		WIRE BUNDLE ASSY	006006 002005	RF
535	POACONNECTOR		.PLUG-406 MHZ XMTR SUPPLIER CODE: V60253 ELECTRICAL EQUIP NUMBER: D10583 WIRING DIAGRAM REF: 232411	001011	1
540	611-6052		.COAX ASSY-ELT ANTENNA 406 MHZ SUPPLIER CODE: V60253 ELECTRICAL EQUIP NUMBER: D10583 WIRING DIAGRAM REF: 232411	001011	1
990			ILLUSTRATION REFERENCE: ANTENNA INSTL-EMER LOCATOR XMTR SYS 23-24-02-01	001011	RF

MISSING ITEM NUMBERS NOT APPLICABLE

- ITEM NOT ILLUSTRATED

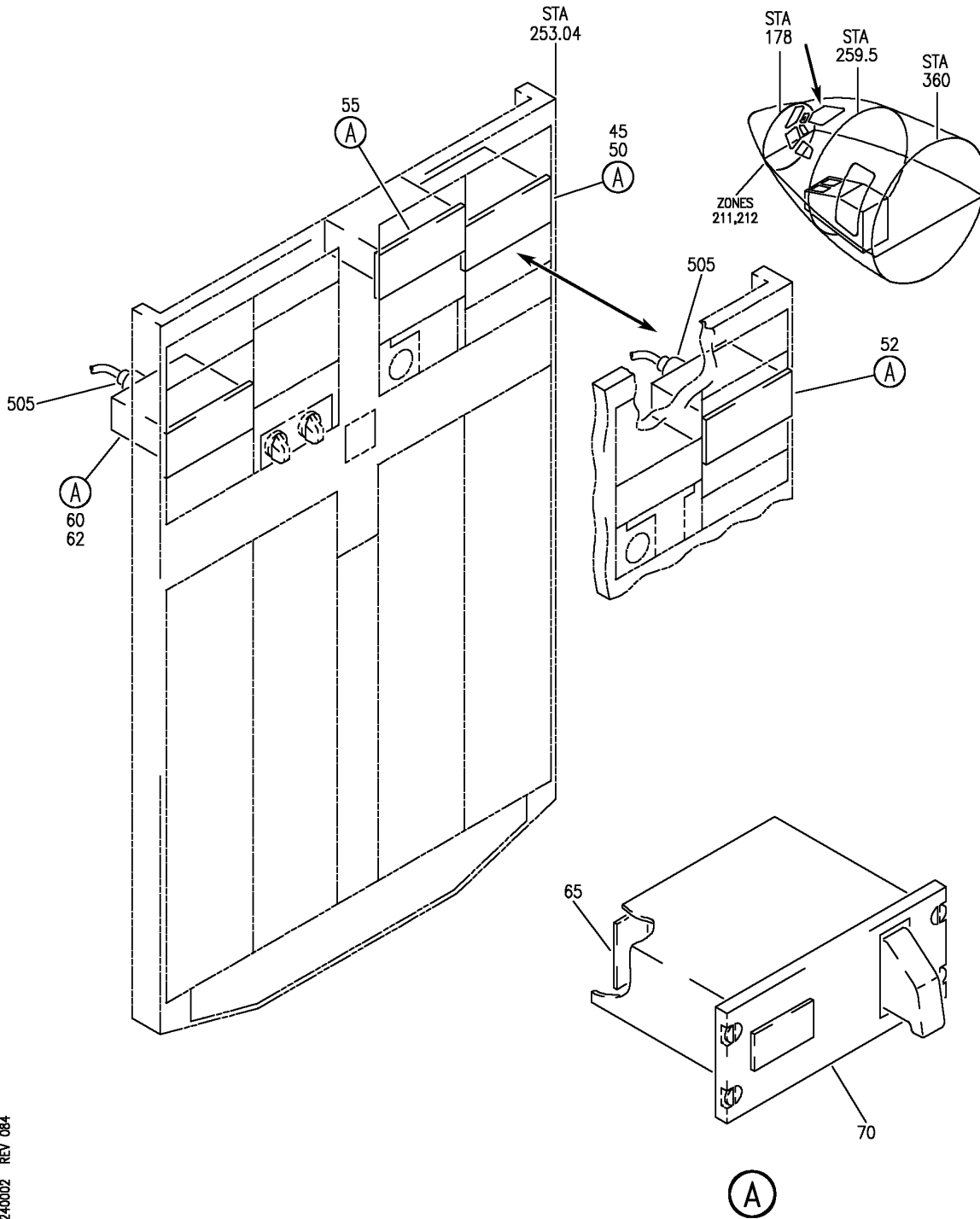
HAP

23-24-00-01

BOEING PROPRIETARY - Copyright © - Unpublished Work - See title page for details.

23-24-00
FIG. 01
PAGE 3
OCT 10/06

BOEING
 737-600/700/800/900
 PARTS CATALOG (MAINTENANCE)



E 23240002 REV 084

MODULE INSTL-P5 OVHD (EMERGENCY LOCATOR (EMERGENCY LOCATOR TRANSMITTER SYSTEM ONLY))

FIGURE 2

23-24-00-02

HAP
 OCT 10/06

23-24-00-02
 PAGE 0

BOEING
737-600/700/800/900
PARTS CATALOG (MAINTENANCE)

FIG ITEM	PART NUMBER	1 2 3 4 5 6 7	NOMENCLATURE	EFFECT FROM TO	UNITS PER ASSY
2			MODULE INSTL-P5 OVHD (EMERGENCY LOCATOR (EMERGENCY LOCATOR TRANSMITTER SYSTEM ONLY)	001028	
- 1	233A3101-4		MODULE INSTL-P5 OVHD (EMERGENCY LOCATOR TRANSMITTER SYSTEM ONLY) FOR NHA/OTHER SYS DET SEE: 31-11-00-01C	001005	RF
- 2	233A3101-52		MODULE INSTL-P5 OVHD (EMERGENCY LOCATOR TRANSMITTER SYSTEM ONLY) FOR NHA/OTHER SYS DET SEE: 31-11-00-01C	006007	RF
- 2	233A3101-63		MODULE INSTL-P5 OVHD (EMERGENCY LOCATOR TRANSMITTER SYSTEM ONLY) FOR NHA/OTHER SYS DET SEE: 31-11-00-01C	008011	RF
- 4	233A3101-110		MODULE INSTL-P5 OVHD (EMERGENCY LOCATOR TRANSMITTER SYSTEM ONLY) FOR NHA/OTHER SYS DET SEE: 31-11-00-01C	012016	RF
- 7	233A3101-225		MODULE INSTL-P5 OVHD (EMERGENCY LOCATOR TRANSMITTER SYSTEM ONLY) FOR NHA/OTHER SYS DET SEE: 31-11-00-01C	017019	RF
- 7	233A3101-234		MODULE INSTL-P5 OVHD (EMERGENCY LOCATOR TRANSMITTER SYSTEM ONLY) FOR NHA/OTHER SYS DET SEE: 31-11-00-01C	020028	RF
60	453-0161		.PANEL ASSY-CONT EMER LOCATOR SUPPLIER CODE: V60253 ELECTRICAL EQUIP NUMBER: P00580	001028	1

MISSING ITEM NUMBERS NOT APPLICABLE

- ITEM NOT ILLUSTRATED

HAP

23-24-00-02

BOEING PROPRIETARY - Copyright © - Unpublished Work - See title page for details.

23-24-00
FIG. 02
PAGE 1
FEB 15/09

BOEING
737-600/700/800/900
PARTS CATALOG (MAINTENANCE)

FIG ITEM	PART NUMBER	1 2 3 4 5 6 7	NOMENCLATURE	EFFECT FROM TO	UNITS PER ASSY
2 60	G7116-01		.PANEL ASSY-CONT EMER LOCATOR SUPPLIER CODE: V99837 ELECTRICAL EQUIP NUMBER: P00580 COMPONENT MAINT MANUAL REF: 25-60-02 MAINTENANCE MANUAL REF: 23-24-03	001028	1
65	591-3054		..LABEL-GABLES 737 SUPPLIER CODE: V60253 PLACARD CONTENT: CONTROL PANEL	001028	1
70	452-0161		..PANEL-CONT GABLES, G7116-01 SUPPLIER CODE: V60253	001028	1
- 500	286A2589-003		WIRE BUNDLE ASSY- REWORKED BY ALERT SB: 24A1141R1	001007	RF
- 500	286A2589-010		WIRE BUNDLE ASSY- REWORKED BY ALERT SB: 24A1141R1	008011	RF
- 501	286A2589-022		WIRE BUNDLE ASSY- REWORKED BY ALERT SB: 24A1141R1	012022	RF
- 504	280A3109-15401		.TAPE-ID PLACARD CONTENT: D02889 M/W P005-80 ELT CONT PNL POST ALERT SB: 24A1141R1	001022	1
505	BACC45FT16A24S7		.PLUG- ELECTRICAL EQUIP NUMBER: D02889 WIRING DIAGRAM REF: 232411 PRE ALERT SB: 24A1141R1	001022	1
505	BACC45FT16-24S7		.PLUG- ELECTRICAL EQUIP NUMBER: D02889 WIRING DIAGRAM REF: 232411 POST ALERT SB: 24A1141R1	001022	1

MISSING ITEM NUMBERS NOT APPLICABLE

- ITEM NOT ILLUSTRATED

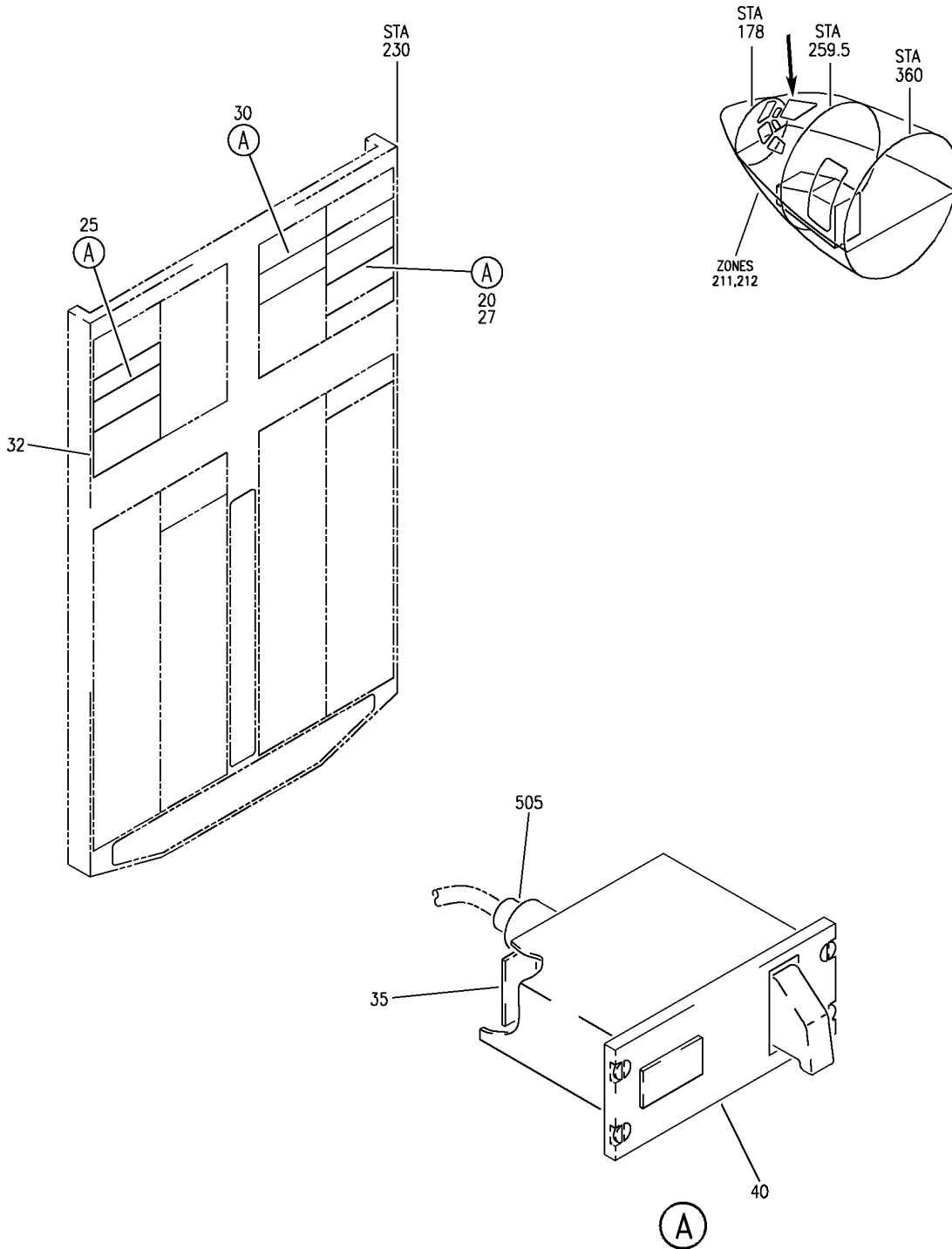
HAP

23-24-00-02

BOEING PROPRIETARY - Copyright © - Unpublished Work - See title page for details.

23-24-00
FIG. 02
PAGE 2
FEB 15/09

BOEING
 737-600/700/800/900
 PARTS CATALOG (MAINTENANCE)



E 23240003 REV 130

MODULE INSTL-P5 OVHD (EMERGENCY LOCATOR TRANSMITTER SYSTEM ONLY)
 FIGURE 3

23-24-00-03

HAP
 JUN 10/07

23-24-00-03
 PAGE 0

BOEING
737-600/700/800/900
PARTS CATALOG (MAINTENANCE)

FIG ITEM	PART NUMBER	1 2 3 4 5 6 7	NOMENCLATURE	EFFECT FROM TO	UNITS PER ASSY
3			MODULE INSTL-P5 OVHD (EMERGENCY LOCATOR TRANSMITTER SYSTEM ONLY)	029200 968999	
- 1	233A3104-115		MODULE INSTL-P5 OVHD (EMERGENCY LOCATOR TRANSMITTER SYSTEM ONLY)	029030	RF
- 3	MODREF101057		FOR NHA/OTHER SYS DET SEE: 31-11-00-01C		
			MODULE INSTL-P5 OVHD (EMERGENCY LOCATOR TRANSMITTER SYSTEM ONLY)	031036 038038	1
			MODULE NUMBER: 233A3104-115 REV B		
			FOR OTHER SYS DETAILS SEE: 23-32-03-93 23-71-12-02 31-11-94-12 31-11-95-14 33-11-52-13		
R R R R R R R R R R R	- 5	MODREF321087	MODULE INSTL-P5 OVHD (EMERGENCY LOCATOR TRANSMITTER SYSTEM ONLY)	037037 039200 968999	1
			MODULE NUMBER: 233A3104-115 REV D		
			FOR OTHER SYS DETAILS SEE: 23-32-03-93 23-71-12-02 31-11-94-04X 31-11-94-07Q 31-11-95-07Q 31-11-95-32 33-11-52-02X 33-11-52-06K		
	25	453-0161	.PANEL ASSY-CONT EMER LOCATOR	029200 968999	1
			SUPPLIER CODE: V60253		
			ELECTRICAL EQUIP NUMBER: P00580		
			MAINTENANCE MANUAL REF: 23-24-03		

MISSING ITEM NUMBERS NOT APPLICABLE

- ITEM NOT ILLUSTRATED

HAP

23-24-00-03

BOEING PROPRIETARY - Copyright © - Unpublished Work - See title page for details.

23-24-00
FIG. 03
PAGE 1
JUN 15/09

BOEING
737-600/700/800/900
PARTS CATALOG (MAINTENANCE)

FIG ITEM	PART NUMBER	1 2 3 4 5 6 7	NOMENCLATURE	EFFECT FROM TO	UNITS PER ASSY
3 25	G7116-01		.PANEL ASSY-CONT EMER LOCATOR SUPPLIER CODE: V99837 ELECTRICAL EQUIP NUMBER: P00580 COMPONENT MAINT MANUAL REF: 25-60-02 MAINTENANCE MANUAL REF: 23-24-03	029200 968999	1
35	591-3054		.. LABEL-GABLES 737 SUPPLIER CODE: V60253 PLACARD CONTENT: CONTROL PANEL	029200 968999	1
40	452-0161		.. PANEL-CONT GABLES, G7116-01 SUPPLIER CODE: V60253	029200 968999	1

MISSING ITEM NUMBERS NOT APPLICABLE

— ITEM NOT ILLUSTRATED

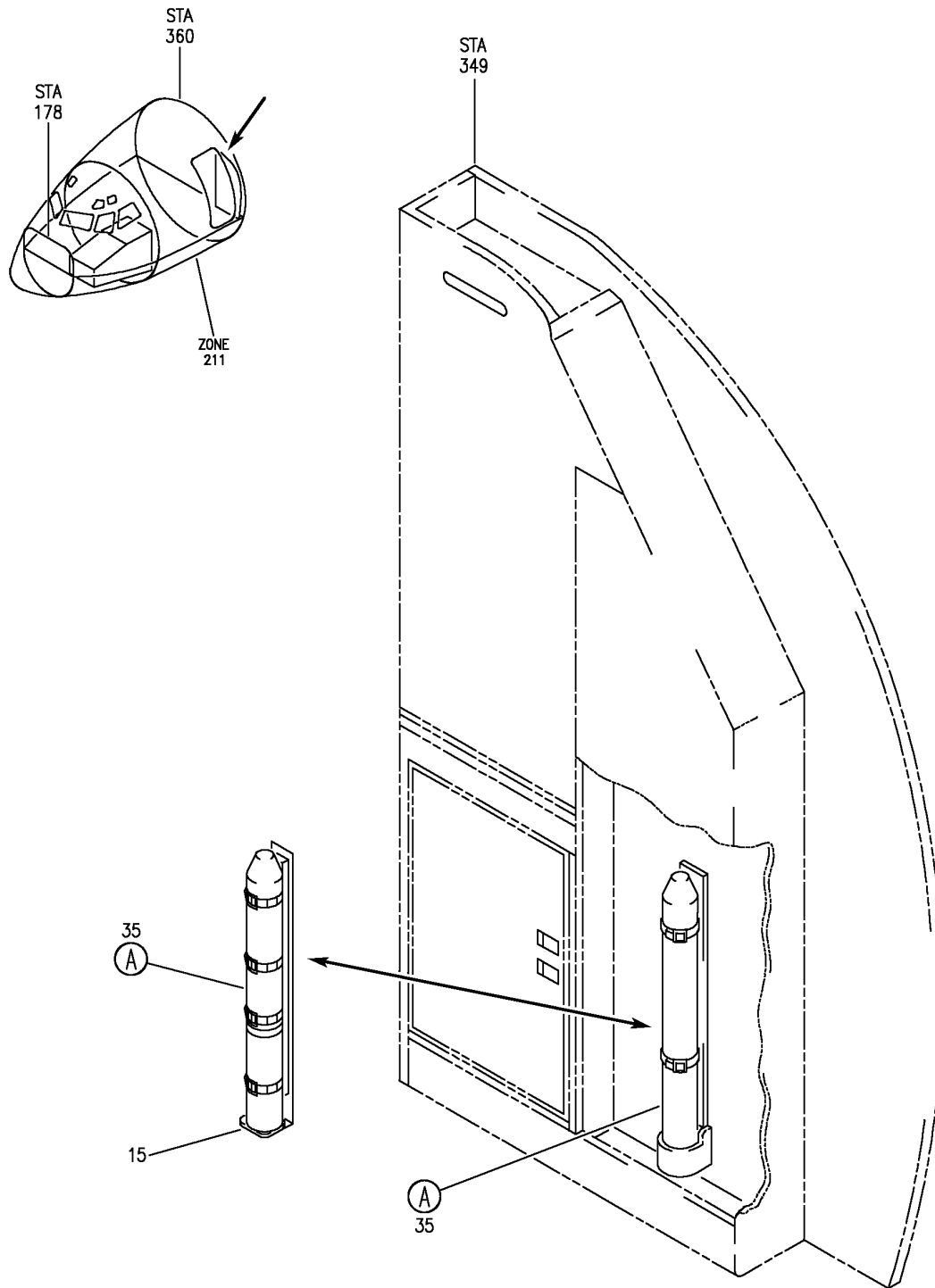
HAP

23-24-00-03

BOEING PROPRIETARY - Copyright © - Unpublished Work - See title page for details.

23-24-00
FIG. 03
PAGE 2
FEB 15/09

BOEING
737-600/700/800/900
PARTS CATALOG (MAINTENANCE)



E 23240038 SH1 1 REV 150

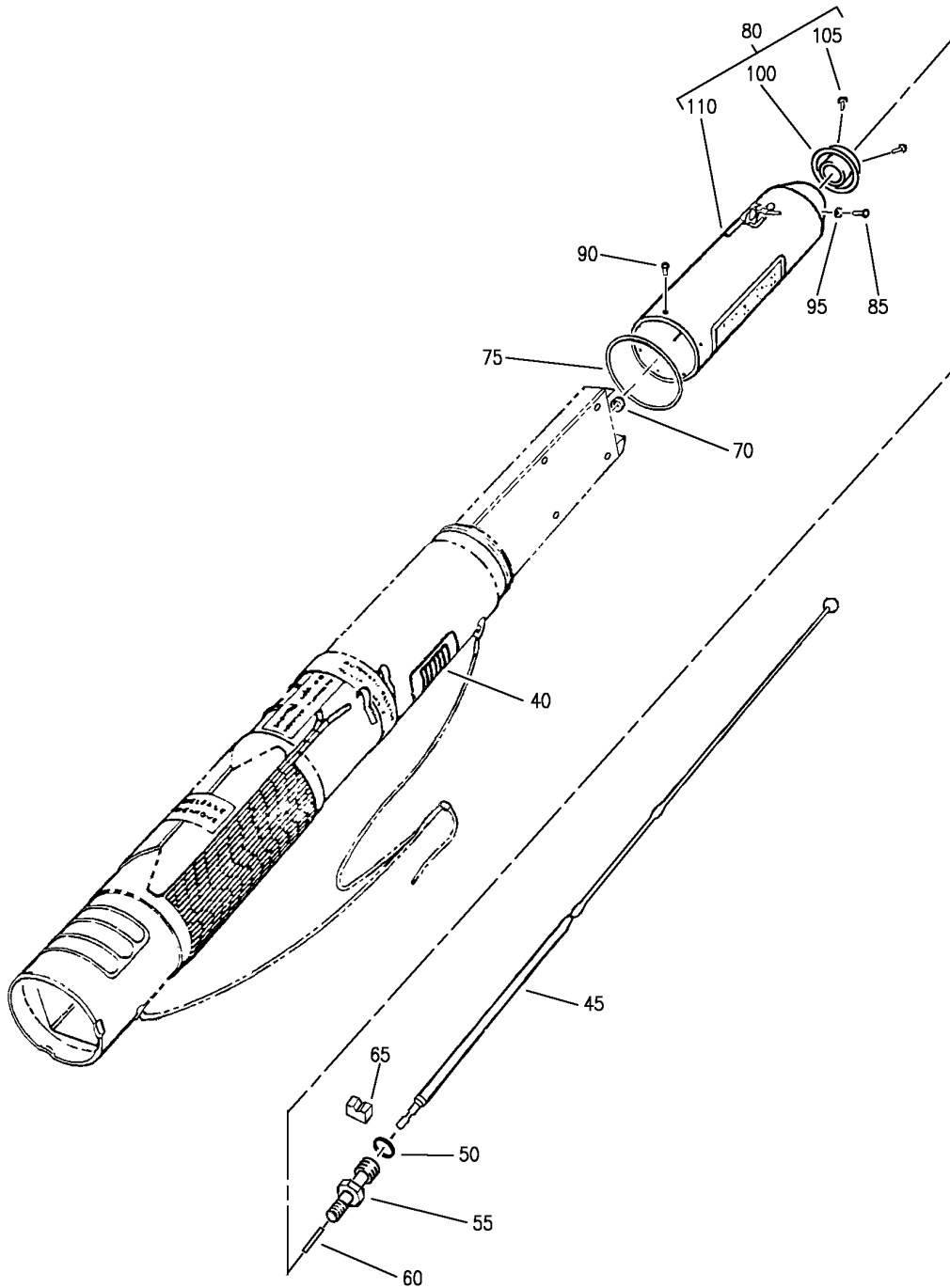
EQUIPMENT INSTL-EMER (COMMUNICATIONS ONLY)
FIGURE 38 (SHEET 1)

23-24-00-38

HAP
FEB 15/09

23-24-00-38
PAGE 0

BOEING
 737-600/700/800/900
 PARTS CATALOG (MAINTENANCE)



(A)

E 23240038 SHT 2 REV 082

EQUIPMENT INSTL-EMER (COMMUNICATIONS ONLY)
 FIGURE 38 (SHEET 2)

23-24-00-38

HAP
 OCT 15/08

23-24-00-38
 PAGE 0A

BOEING
737-600/700/800/900
PARTS CATALOG (MAINTENANCE)

FIG ITEM	PART NUMBER	1 2 3 4 5 6 7	NOMENCLATURE	EFFECT FROM TO	UNITS PER ASSY
38			EQUIPMENT INSTL-EMER (COMMUNICATIONS ONLY)	201967	
- 1	416A1021-1SP		EQUIPMENT INSTL-EMER (COMMUNICATIONS ONLY) FOR NHA/OTHER SYS DET SEE: 25-60-00-40A	201967	RF
15	1151816-1		.BRACKET-EMER XMTR LOCATOR SUPPLIER CODE: V07217	201967	1
- 25	BACS12GU3K7		ATTACHING PARTS .SCREW	201967	3
- 30	NAS1149D0316J		.WASHER	201967	3
			-----*-----		
35	1151324-1		.TRANSMITTER ASSY-LOCATOR EMER (COMMUNICATIONS ONLY) SUPPLIER CODE: V07217 FUNCTIONAL DESCRIPTION: TRANSMITS RADIO BEACON FOR EMERGENCY LOCATION MISCELLANEOUS DATA: ELT P/N 1151324-1 (CONTAINS THE UNITED STATES COUNTRY CODE) MAY BE INTERCHANGED WITH A 1151324-1MXXX SERIES (CONTAINS AN ALTERNATE UNIQUE COUNTRY CODE) SUBJECT TO CUSTOMER'S PREFERENCE AND OPERATIONAL REQUIREMENTS. COMPONENT MAINT MANUAL REF: 25-60-10 FUNCTIONAL REFERENCE: PLACARDS AND MARKINGS FOR DETAILS SEE 11-30-00-56B	201967	1
40	CS554-1		..PLATE-IDENT USA ONLY SUPPLIER CODE: V07217 OPTIONAL PART: CS554-2 V07217	201967	1

MISSING ITEM NUMBERS NOT APPLICABLE

- ITEM NOT ILLUSTRATED

HAP

23-24-00-38

BOEING PROPRIETARY - Copyright © - Unpublished Work - See title page for details.

23-24-00
FIG. 38
PAGE 1
OCT 15/08

BOEING
737-600/700/800/900
PARTS CATALOG (MAINTENANCE)

FIG ITEM	PART NUMBER	1 2 3 4 5 6 7	NOMENCLATURE	EFFECT FROM TO	UNITS PER ASSY
38					
40	CS554-2		.. PLATE-IDENT USA ONLY SUPPLIER CODE: V07217 OPTIONAL PART: CS554-1 V07217	201967	1
45	1029879-1		.. ANTENNA- SUPPLIER CODE: V07217	201967	1
50	2-015N674-70		.. PACKING- SUPPLIER CODE: V17506 OPTIONAL PART: 561-902-9001 V07217	201967	1
50	561-902-9001		.. PACKING- SUPPLIER CODE: V07217 OPTIONAL PART: 2-015N674-70 V17506	201967	1
55	1029885-1		.. SOCKET-ANTENNA SUPPLIER CODE: V07217	201967	1
60	1030266-1		.. STRAP- SUPPLIER CODE: V07217	201967	1
65	1030983-1		.. BLOCK-LOCATION SUPPLIER CODE: V07217	201967	1
70	610351-2		.. STEPWASHER-INSULATING SUPPLIER CODE: V07217	201967	1
75	2-143N674-70		.. PACKING- SUPPLIER CODE: V17506 OPTIONAL PART: 561-902-9002 V07217	201967	1
75	561-902-9002		.. PACKING- SUPPLIER CODE: V07217 OPTIONAL PART: 2-143N674-70 V17506	201967	1
80	1030123-1		.. COVER ASSY- SUPPLIER CODE: V07217	201967	1

MISSING ITEM NUMBERS NOT APPLICABLE

— ITEM NOT ILLUSTRATED

HAP

23-24-00-38

BOEING PROPRIETARY - Copyright © - Unpublished Work - See title page for details.

23-24-00
FIG. 38
PAGE 2
OCT 15/08

BOEING
737-600/700/800/900
PARTS CATALOG (MAINTENANCE)

FIG ITEM	PART NUMBER	1 2 3 4 5 6 7	NOMENCLATURE	EFFECT FROM TO	UNITS PER ASSY
38			ATTACHING PARTS		
85	MS3212-2	..	SCREW	201967	2
90	MS51957-14	..	SCREW	201967	3
95	1026126-1	..	WASHER-	201967	2
			SUPPLIER CODE: V07217		
			-----*-----		
100	1029859-1	...	BUSHING-COVER	201967	1
			SUPPLIER CODE: V07217		
			ATTACHING PARTS		
105	MS51861-1C	...	SCREW	201967	4
			-----*-----		
110	1029858-1	...	COVER-XMTR	201967	1
			SUPPLIER CODE: V07217		

MISSING ITEM NUMBERS NOT APPLICABLE

— ITEM NOT ILLUSTRATED

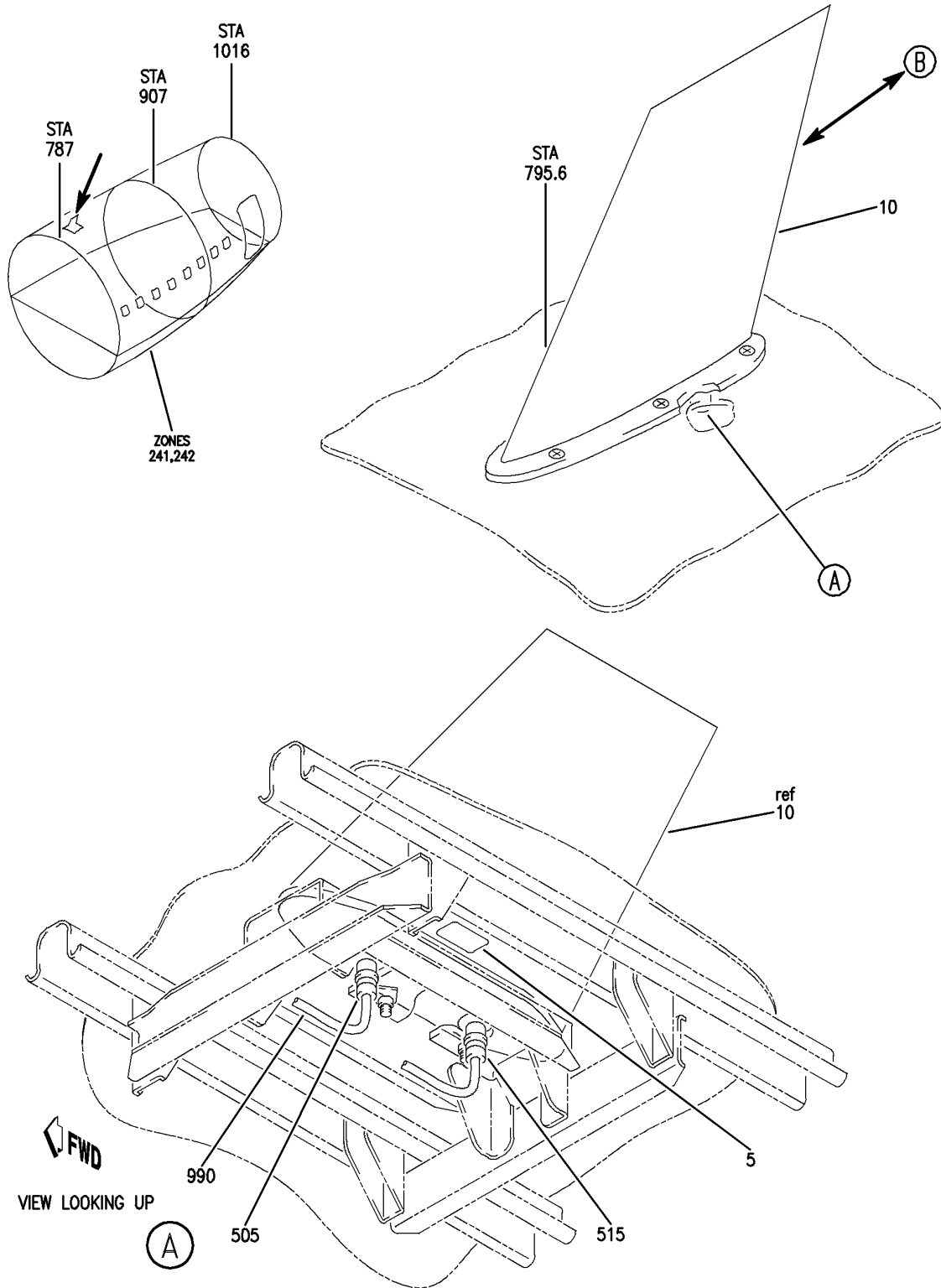
HAP

23-24-00-38

BOEING PROPRIETARY - Copyright © - Unpublished Work - See title page for details.

23-24-00
FIG. 38
PAGE 3
OCT 15/08

BOEING
 737-600/700/800/900
 PARTS CATALOG (MAINTENANCE)



E 23240201 SHT 1 REV 046

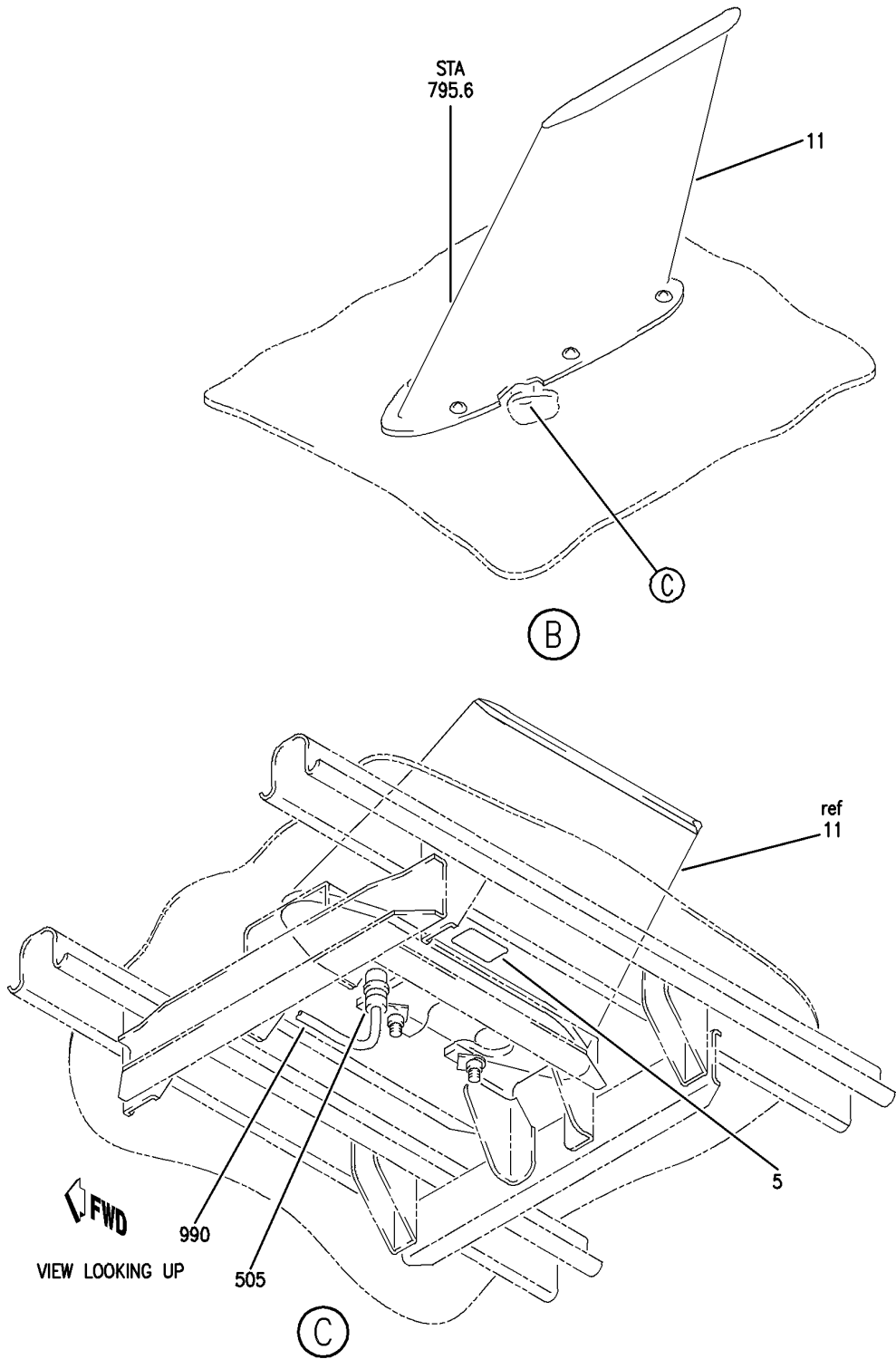
ANTENNA INSTL-EMER LOCATOR XMTR SYS
 FIGURE 1 (SHEET 1)

23-24-02-01

HAP
 OCT 10/06

23-24-02-01
 PAGE 0

BOEING
 737-600/700/800/900
 PARTS CATALOG (MAINTENANCE)



E 23240201 SH1 2 REV 046

ANTENNA INSTL-EMER LOCATOR XMTR SYS
 FIGURE 1 (SHEET 2)

23-24-02-01

HAP
 OCT 10/06

23-24-02-01
 PAGE 0A

BOEING
737-600/700/800/900
PARTS CATALOG (MAINTENANCE)

FIG ITEM	PART NUMBER	1 2 3 4 5 6 7	NOMENCLATURE	EFFECT FROM TO	UNITS PER ASSY
1			ANTENNA INSTL-EMER LOCATOR XMTR SYS	001011	
- 1	284A0513-1		ANTENNA INSTL-EMER LOCATOR XMTR SYS FOR NHA SEE: 23-20-00-03	001011	RF
5	BAC27DEX5817		.DECAL- PLACARD CONTENT: M1522 ANTENNA ELT	001011	1
10	110-328-01		.ANTENNA- SUPPLIER CODE: V60253 ELECTRICAL EQUIP NUMBER: M01522 WIRING DIAGRAM REF: 232411 MAINTENANCE MANUAL REF: 23-24-02	001011	1
- 15	BACB30LH3-10		ATTACHING PARTS .BOLT- -----*-----	001011	6
- 510	286A3597-002		WIRE BUNDLE ASSY	001001	1
- 510	286A3597-006		WIRE BUNDLE ASSY	006006 002005	1
- 510	286A3597-007		WIRE BUNDLE ASSY	008011 007007	1
515	POACONNECTOR		.PLUG-406 MHZ ELT ANTENNA SUPPLIER CODE: V60253 ELECTRICAL EQUIP NUMBER: D10585 WIRING DIAGRAM REF: 232411	001011	1
990			ILLUSTRATION REFERENCE: TRANSMITTER INSTL-EMER LOCATOR XMTR SYS 23-24-00-01	001011	RF

MISSING ITEM NUMBERS NOT APPLICABLE

- ITEM NOT ILLUSTRATED

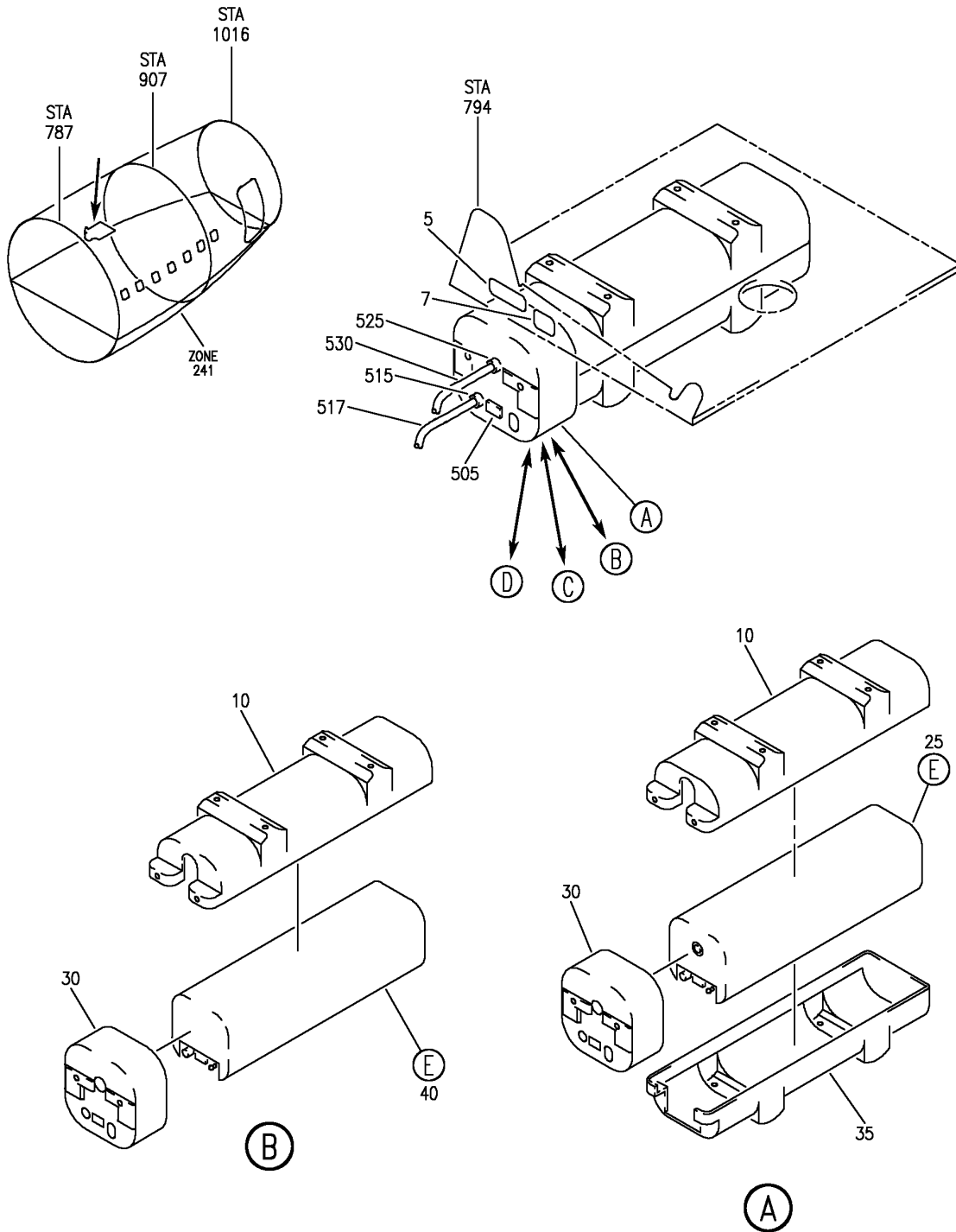
HAP

23-24-02-01

BOEING PROPRIETARY - Copyright © - Unpublished Work - See title page for details.

23-24-02
FIG. 01
PAGE 1
JUN 15/08

BOEING
 737-600/700/800/900
 PARTS CATALOG (MAINTENANCE)



E 23240203 SHT 1 REV 086

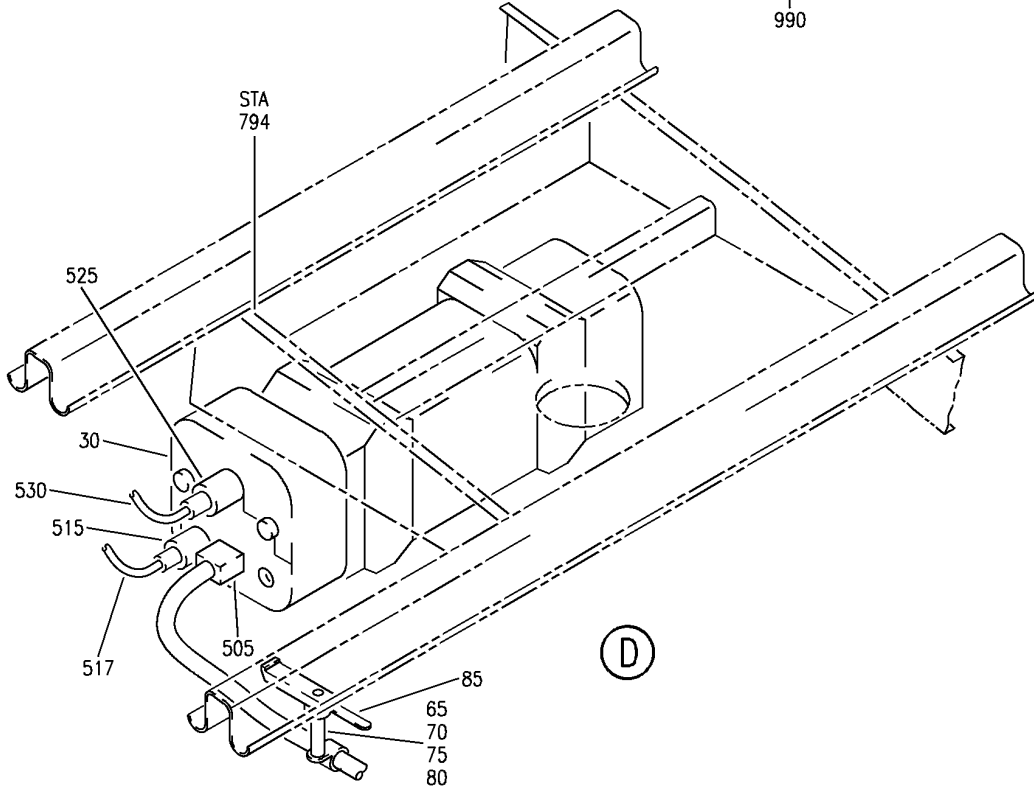
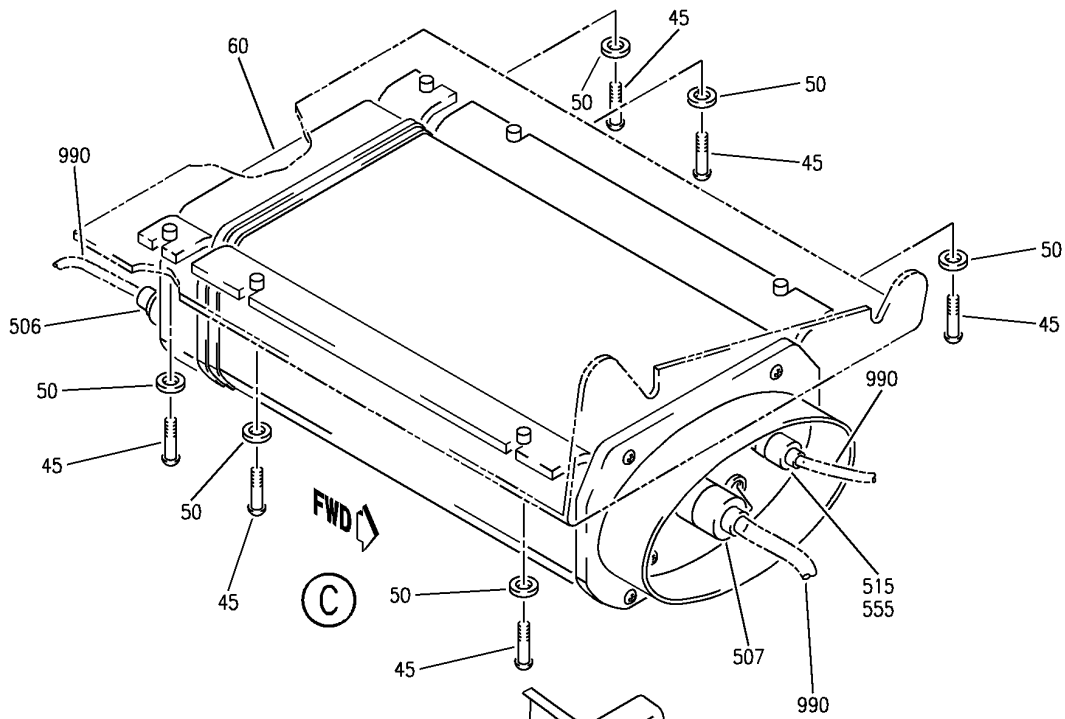
TRANSMITTER INSTL-EMER LOCATOR XMTR SYS STA 794.0
 FIGURE 3 (SHEET 1)

23-24-02-03

HAP
 OCT 10/06

23-24-02-03
 PAGE 0

BOEING
 737-600/700/800/900
 PARTS CATALOG (MAINTENANCE)



E 23240203 SHT 2 REV 120

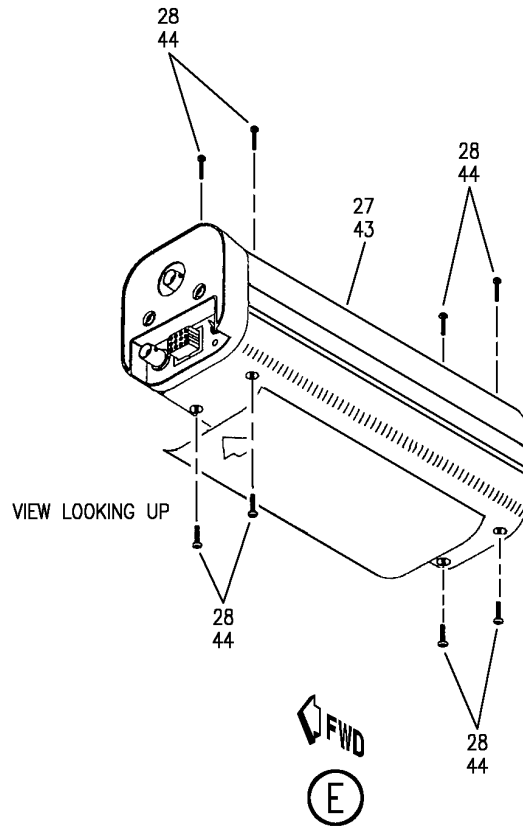
TRANSMITTER INSTL-EMER LOCATOR XMTR SYS STA 794.0
 FIGURE 3 (SHEET 2)

23-24-02-03

HAP
 OCT 10/06

23-24-02-03
 PAGE 0A

BOEING
737-600/700/800/900
PARTS CATALOG (MAINTENANCE)



E 23240203 SH1 3 REV 086

TRANSMITTER INSTL-EMER LOCATOR XMTR SYS STA 794.0
FIGURE 3 (SHEET 3)

23-24-02-03

HAP
OCT 10/06

23-24-02-03
PAGE 08

BOEING
737-600/700/800/900
PARTS CATALOG (MAINTENANCE)

FIG ITEM	PART NUMBER	1 2 3 4 5 6 7	NOMENCLATURE	EFFECT FROM TO	UNITS PER ASSY
3			TRANSMITTER INSTL-EMER LOCATOR XMTR SYS STA 794.0	012200 968999	
- 1	284A0513-10		TRANSMITTER INSTL-EMER LOCATOR XMTR ARTEX 3 FREQ POSITION DATA: STA.794.0 FOR NHA SEE: 23-20-00-03	012021	RF
- 1	284A0513-15		TRANSMITTER INSTL-EMER LOCATOR XMTR ARTEX 3 FREQ POSITION DATA: STA 794.0 FOR NHA SEE: 23-20-00-03	022030	RF
- 1	MODREF260428		TRANSMITTER INSTL-EMER LOCATOR XMTR ARTEX 3 FREQ MODULE NUMBER: 284A0513-15 REV D POSITION DATA: STA 794.0	031036	1
- 1	MODREF305781		TRANSMITTER INSTL-EMER LOCATOR XMTR MODULE NUMBER: 284A0513-15 REV G	037200 968999	1
5	BAC27DEX5815		.DECAL- PLACARD CONTENT: M1523 EMERGENCY LOCATOR XMTR (ELT)	012200 968999	1
10	452-3053		.MOUNTING FRAME ASSY- BOTTOM 406 SERIES SUPPLIER CODE: V60253 ELECTRICAL EQUIP NUMBER: M01523B	012021	1
10	452-5050		.MOUNTING FRAME ASSY-BOTTOM 406 SERIES SUPPLIER CODE: V60253 ELECTRICAL EQUIP NUMBER: M01523B	022200 968999	1
- 15	BACB30LK06-4		ATTACHING PARTS .BOLT-	012200 968999	4
- 20	NAS1149CN632B		.WASHER-	012200 968999	4
			-----*-----		

MISSING ITEM NUMBERS NOT APPLICABLE

- ITEM NOT ILLUSTRATED

HAP

23-24-02-03

BOEING PROPRIETARY - Copyright © - Unpublished Work - See title page for details.

23-24-02
FIG. 03
PAGE 1
OCT 15/08

 **BOEING**
737-600/700/800/900
PARTS CATALOG (MAINTENANCE)

FIG ITEM	PART NUMBER	1 2 3 4 5 6 7	NOMENCLATURE	EFFECT FROM TO	UNITS PER ASSY
3 25	453-0004	.	TRANSMITTER ASSY-EMER B406-1 SERIES SUPPLIER CODE: V60253 ELECTRICAL EQUIP NUMBER: M01523 MAINTENANCE MANUAL REF: 23-24-00 QUALIFIED I/W DATA: 453-5004 CAN REPLACE OR BE REPLACED BY 453-0004 PROVIDED NAV INTERFACE UNIT 453-6501 IS NOT INSTALLED, WHICH REQUIRES THE USE OF 453-5004.	012021	1
R R	25	453-5004	.TRANSMITTER ASSY-EMER B406-4 SERIES SUPPLIER CODE: V60253 MISCELLANEOUS DATA: SUPPORTS 121.5, 243.0, AND 406.025 MHZ TRANSMISSION FOR ALL AIRPLANES CONFIGURED WITH AN OPERATIONAL ELT/NAV INTERFACE UNIT AND PROGRAMMABLE SWITCH MODULE, THE ELT 406 MHZ MESSAGE PROTOCOL MUST BE STANDARD LOCATION PROTOCOL (LONG MESSAGE) ENCODED WITH AIRCRAFT 24-BIT ADDRESS TO BE COMPATIBLE WITH THE 24-BIT ICAO CODE. THE UNIQUE AIRPLANE'S 24-BIT ICAO ADDRESS (MODE-S CODE) WILL AUTOMATICALLY BE ENCODED BY THE ELT/NAV INTERFACE UNIT INTO THE ELT DURING ITS INSTALLATION. NOTE: FOR AIRPLANE'S CONFIGURED WITH AN OPERATIONAL ELT / NAV INTERFACE UNIT, NO OTHER MESSAGE PROTOCOLS ARE	022200 968999	1

MISSING ITEM NUMBERS NOT APPLICABLE

— ITEM NOT ILLUSTRATED

HAP

23-24-02-03

BOEING PROPRIETARY - Copyright © - Unpublished Work - See title page for details.

23-24-02
FIG. 03
PAGE 2
JUN 15/09

BOEING
737-600/700/800/900
PARTS CATALOG (MAINTENANCE)

FIG ITEM	PART NUMBER	1 2 3 4 5 6 7	NOMENCLATURE	EFFECT FROM TO	UNITS PER ASSY
R R	3		<p>COMPATIBLE, INCLUDING STANDARD LOCATION PROTOCOL (LONG MESSAGE) ENCODED WITH ELT SERIAL IDENTIFICATION. IF AN IMPROPERLY PROGRAMMED ELT IS INSTALLED IN AN AIRPLANE CONFIGURED WITH AN OPERATIONAL ELT/NAV INTERFACE UNIT, TWO MINUTES AFTER POWER IS APPLIED, AN ERROR CONDITION WILL BE ANNUNCIATED WITH THE LED ON THE ELT FLASHING RAPIDLY.</p> <p>ELECTRICAL EQUIP NUMBER: M01523</p> <p>MAINTENANCE MANUAL REF: 23-24-00</p> <p>QUALIFIED I/W DATA: 453-5004 CAN REPLACE OR BE REPLACED BY 453-0004 PROVIDED NAV INTERFACE UNIT 453-6501 IS NOT INSTALLED, WHICH REQUIRES THE USE OF 453-5004.</p>		
	27	452-0133	.. BATTERY PACK-406 LITHIUM SUPPLIER CODE: V60253	012200 968999	1
	28	217-0606	ATTACHING PARTS .. SCREW- SUPPLIER CODE: V60253	012200 968999	8
	30	452-3051	-----*----- . MOUNTING FRAME ASSY- SUPPLIER CODE: V60253	012021	1
	30	452-5052	. MOUNTING FRAME ASSY- SUPPLIER CODE: V60253 ELECTRICAL EQUIP NUMBER: M01523C	022200 968999	1

MISSING ITEM NUMBERS NOT APPLICABLE

— ITEM NOT ILLUSTRATED

HAP

23-24-02-03

23-24-02
FIG. 03
PAGE 3
JUN 15/09

BOEING
737-600/700/800/900
PARTS CATALOG (MAINTENANCE)

FIG ITEM	PART NUMBER	1 2 3 4 5 6 7	NOMENCLATURE	EFFECT FROM TO	UNITS PER ASSY
3					
35	452-3052		.MOUNTING FRAME ASSY-TOP 406 SERIES SUPPLIER CODE: V60253 ELECTRICAL EQUIP NUMBER: M01523A	012200 968999	1
- 500	286A3419-011		WIRE BUNDLE ASSY	012030	RF
- 502	286A3419-060		WIRE BUNDLE ASSY-	031048	RF
- 502	286A3419-069		WIRE BUNDLE ASSY	054100 101106	RF
505	03-06-2122		.PLUG- SUPPLIER CODE: V27264 ELECTRICAL EQUIP NUMBER: D03003 WIRING DIAGRAM REF: 232411	968999 012048 054106 968999	1
- 510	286A3595-002		WIRE BUNDLE ASSY-	012030	RF
- 510	286A3595-003		WIRE BUNDLE ASSY-	031048	RF
				054106 968999	
515	POACONNECTOR		.PLUG-121-243 MHZ XMTR SUPPLIER CODE: V60253 ELECTRICAL EQUIP NUMBER: D02905 WIRING DIAGRAM REF: 232411	012048 054106 968999	1
517	611-6013-04		.COAX ASSY-ELT ANT. 121.5/243 MHZ SUPPLIER CODE: V60253 ELECTRICAL EQUIP NUMBER: M01524 WIRING DIAGRAM REF: 232411	012048 054106 968999	1
- 520	286A3597-003		WIRE BUNDLE ASSY-	031048	RF
- 520	286A3597-006		WIRE BUNDLE ASSY	054106 968999	RF
525	POACONNECTOR		.PLUG-406 MHZ XMTR SUPPLIER CODE: V60253 ELECTRICAL EQUIP NUMBER: D10583 WIRING DIAGRAM REF: 232411	012030 012048 054106 968999	1

MISSING ITEM NUMBERS NOT APPLICABLE

- ITEM NOT ILLUSTRATED

HAP

23-24-02-03

23-24-02
FIG. 03
PAGE 4
JUN 15/09

BOEING
737-600/700/800/900
PARTS CATALOG (MAINTENANCE)

FIG ITEM	PART NUMBER	1 2 3 4 5 6 7	NOMENCLATURE	EFFECT FROM TO	UNITS PER ASSY
3 530	611-6052		.COAX ASSY-ELT ANT. 406 MHZ SUPPLIER CODE: V60253 ELECTRICAL EQUIP NUMBER: M02040 WIRING DIAGRAM REF: 232411	012048 054106 968999	1
990			ILLUSTRATION REFERENCE: ANTENNA INSTL-EMER LOCATOR XMTR, STA 795.60 23-24-02-04	012200 968999	RF

MISSING ITEM NUMBERS NOT APPLICABLE

— ITEM NOT ILLUSTRATED

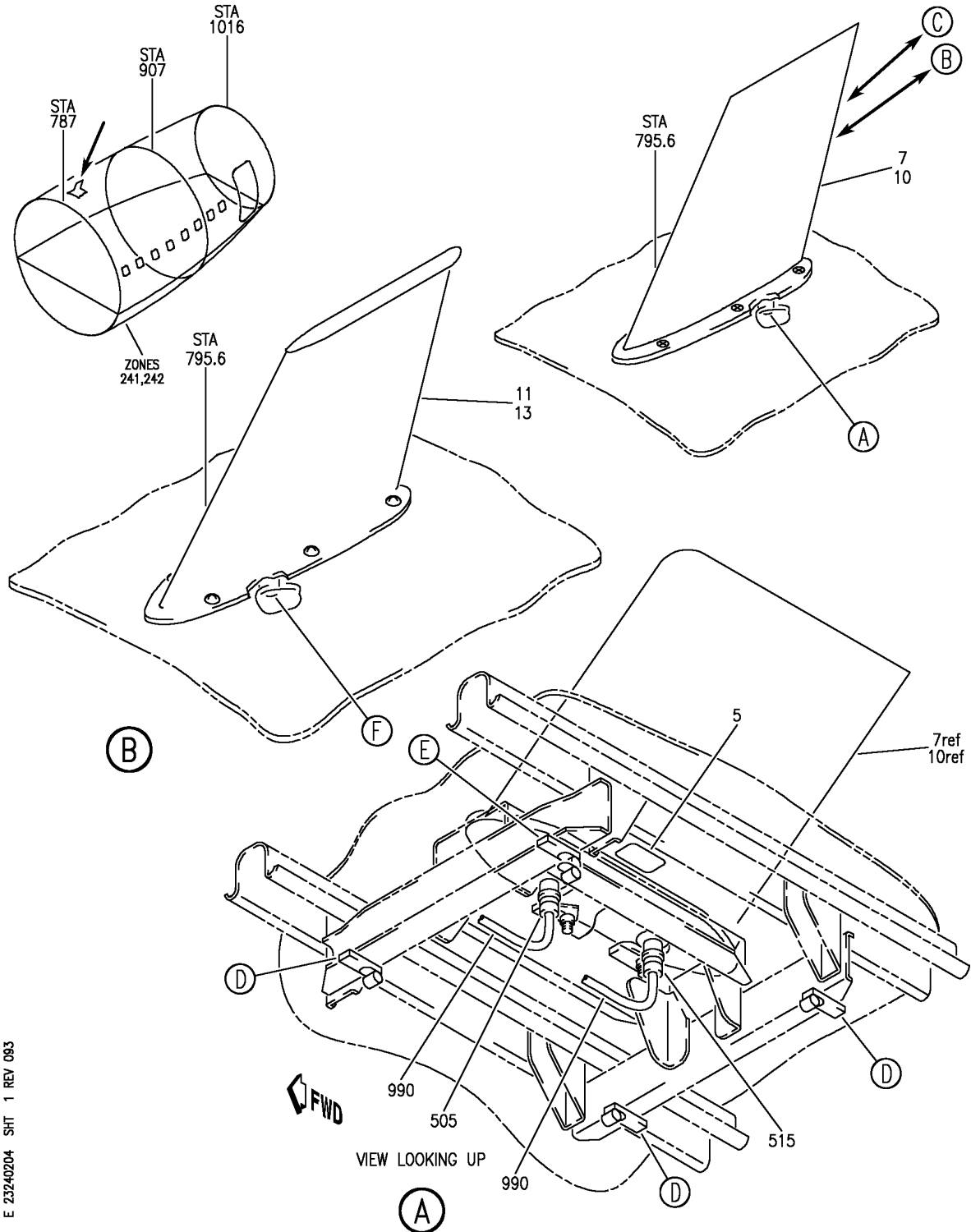
HAP

23-24-02-03

BOEING PROPRIETARY - Copyright © - Unpublished Work - See title page for details.

23-24-02
FIG. 03
PAGE 5
JUN 15/09

BOEING
 737-600/700/800/900
 PARTS CATALOG (MAINTENANCE)



E 23240204 SHT 1 REV 083

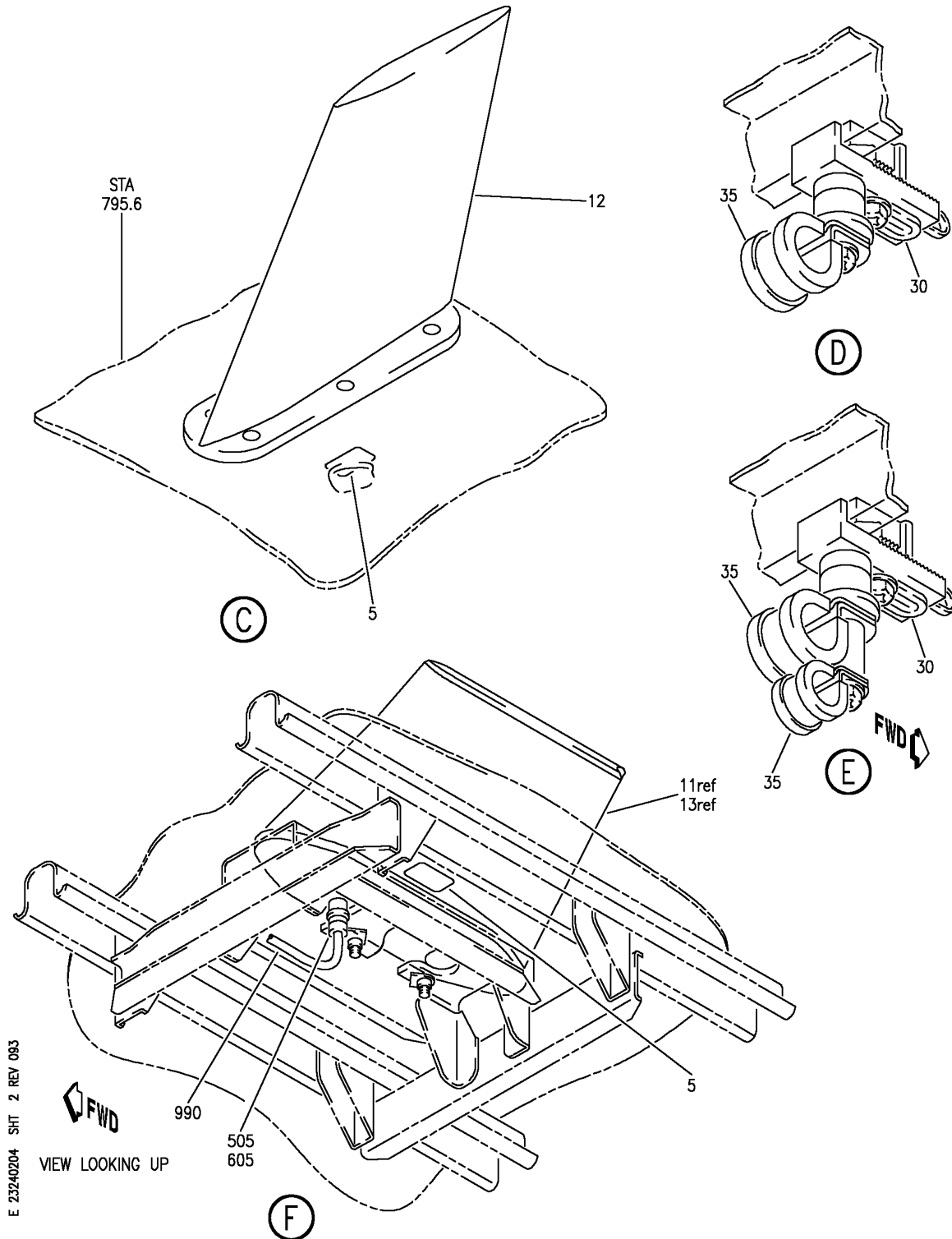
ANTENNA INSTL-EMER LOCATOR XMTR, STA 795.60
 FIGURE 4 (SHEET 1)

23-24-02-04

HAP
 OCT 10/06

23-24-02-04
 PAGE 0

BOEING
 737-600/700/800/900
 PARTS CATALOG (MAINTENANCE)



E 23240204 SHT 2 REV 083

FWD
 VIEW LOOKING UP

ANTENNA INSTL-EMER LOCATOR XMTR, STA 795.60
 FIGURE 4 (SHEET 2)

23-24-02-04

HAP
 OCT 10/06

23-24-02-04
 PAGE 0A

BOEING
737-600/700/800/900
PARTS CATALOG (MAINTENANCE)

FIG ITEM	PART NUMBER	1 2 3 4 5 6 7	NOMENCLATURE	EFFECT FROM TO	UNITS PER ASSY
4			ANTENNA INSTL-EMER LOCATOR XMTR, STA 795.60	001001 006006 012200 968999	
- 1	284A0513-9		ANTENNA INSTL-EMER LOCATOR XMTR ARTEX 3-FREQ FOR NHA SEE: 23-20-00-03	012013	RF
- 1	284A0513-13		ANTENNA INSTL-EMER LOCATOR XMTR ARTEX 3-FREQ POSITION DATA: STA 795.60 LBL 4.80 WL 306 LH FOR NHA SEE: 23-20-00-03	014030	RF
- 1	MODREF260427		ANTENNA INSTL-EMER LOCATOR XMTR MODULE NUMBER: 284A0513-13 REV C POSITION DATA: STA 795.60 LBL 4.80 WL 306 LH	031036	1
- 1	MODREF305780		ANTENNA INSTL-EMER LOCATOR XMTR MODULE NUMBER: 284A0513-13 REV F POSITION DATA: STA 795.60 LBL 4.80 WL 306 LH	037200 968999	1
5	BAC27DEX5817		.DECAL- PLACARD CONTENT: M1522 ANTENNA ELT	012200 968999	1
10	110-328-01		.ANTENNA-406 BLADE SUPPLIER CODE: V60253 ELECTRICAL EQUIP NUMBER: M01522 MAINTENANCE MANUAL REF: 23-24-02	012013 015200 968999	1
10	110-328-01		.ANTENNA-406 BLADE SUPPLIER CODE: V60253 ELECTRICAL EQUIP NUMBER: M01522 MAINTENANCE MANUAL REF: 23-24-02	014014	1

MISSING ITEM NUMBERS NOT APPLICABLE

- ITEM NOT ILLUSTRATED

HAP

23-24-02-04

BOEING PROPRIETARY - Copyright © - Unpublished Work - See title page for details.

23-24-02
FIG. 04
PAGE 1
OCT 15/08

BOEING
737-600/700/800/900
PARTS CATALOG (MAINTENANCE)

FIG ITEM	PART NUMBER	1 2 3 4 5 6 7	NOMENCLATURE	EFFECT FROM TO	UNITS PER ASSY
4			ATTACHING PARTS		
- 15	BACB30LH3-10		.BOLT-	012200 968999	6
- 500	286A3595-002		-----*----- WIRE BUNDLE ASSY- ELT ANTENNA (121.5/243 MHZ)	012030	RF
- 500	286A3595-003		WIRE BUNDLE ASSY- ELT ANTENNA (121.5/243 MHZ)	031052 054200 968999	RF
505	POACONNECTOR		.PLUG-121-243 MHZ XMTR SUPPLIER CODE: V60253 ELECTRICAL EQUIP NUMBER: D02907 WIRING DIAGRAM REF: 232411	012052 054200 968999	1
- 510	286A3597-002		WIRE BUNDLE ASSY- ELT ANTENNA (406 MHZ)	001001 006006	RF
- 510	286A3597-003		WIRE BUNDLE ASSY- ELT ANTENNA (406 MHZ)	031052 054200 968999	RF
- 510	286A3597-006		WIRE BUNDLE ASSY- ELT ANTENNA (406 MHZ)	012030	RF
515	POACONNECTOR		.PLUG-TNC COAX 150-1122 SUPPLIER CODE: V60253 ELECTRICAL EQUIP NUMBER: D10585 WIRING DIAGRAM REF: 232411	001001 006006 012052 054200 968999	1
990			ILLUSTRATION REFERENCE: TRANSMITTER INSTL-EMER LOCATOR XMTR SYS STA 794.0 23-24-02-03	012200 968999	RF

MISSING ITEM NUMBERS NOT APPLICABLE

- ITEM NOT ILLUSTRATED

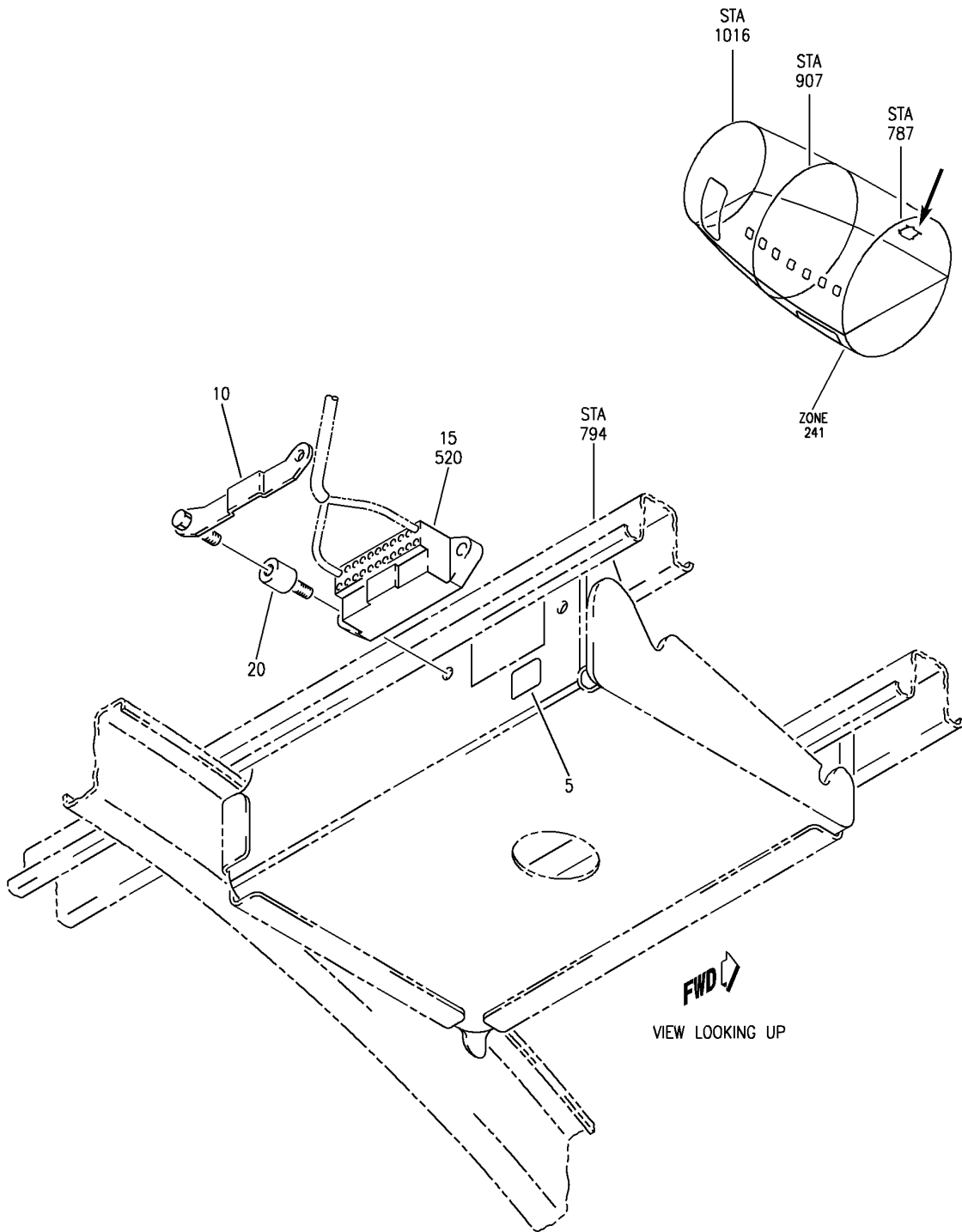
HAP

23-24-02-04

BOEING PROPRIETARY - Copyright © - Unpublished Work - See title page for details.

23-24-02
FIG. 04
PAGE 2
FEB 15/09

BOEING
737-600/700/800/900
PARTS CATALOG (MAINTENANCE)



E 23245109 REV 131

PROGRAM SWITCH INSTL-EMER LOCATOR XMTR SYS
FIGURE 9

23-24-51-09

HAP
JUN 10/07

23-24-51-09
PAGE 0

BOEING
737-600/700/800/900
PARTS CATALOG (MAINTENANCE)

FIG ITEM	PART NUMBER	1 2 3 4 5 6 7	NOMENCLATURE	EFFECT FROM TO	UNITS PER ASSY
9			PROGRAM SWITCH INSTL-EMER LOCATOR XMTR SYS	001200 968999	
- 1	284A0513-5		PROGRAM SWITCH INSTL-EMER LOCATOR XMTR SYS FOR NHA SEE: 23-20-00-03	001030	RF
- 1	MODREF85854		PROGRAM SWITCH INSTL-EMER LOCATOR XMTR SYS MODULE NUMBER: 284A0513-5 REV A	031200 968999	1
5	BAC27DEX6292		.DECAL- PLACARD CONTENT: M2115 PROGRAMMABLE SWITCH MODULE (ELT)	001200 968999	1
10	RBDSC1P15		.COVER-SWITCH MODULE SUPPLIER CODE: V09922	001200 968999	1
15	RBDSC2		.MODULE-SWITCH SUPPLIER CODE: V09922 ELECTRICAL EQUIP NUMBER: M02115	001200 968999	1
20	RBDSC1P12		.STUD-MTG SUPPLIER CODE: V09922	001200 968999	2
- 500	286A3429-014		WIRE BUNDLE ASSY	031052 054100	RF
- 502	286A3429-037		WIRE BUNDLE ASSY	101200 968999	RF
520	SWITCH1-24		.SWITCH-DIP ELECTRICAL EQUIP NUMBER: M02115S1 WIRING DIAGRAM REF: 232411 POST RAPID REVISION: RR97089-58B RR97089-58D	031052 054200 968999	1

MISSING ITEM NUMBERS NOT APPLICABLE

- ITEM NOT ILLUSTRATED

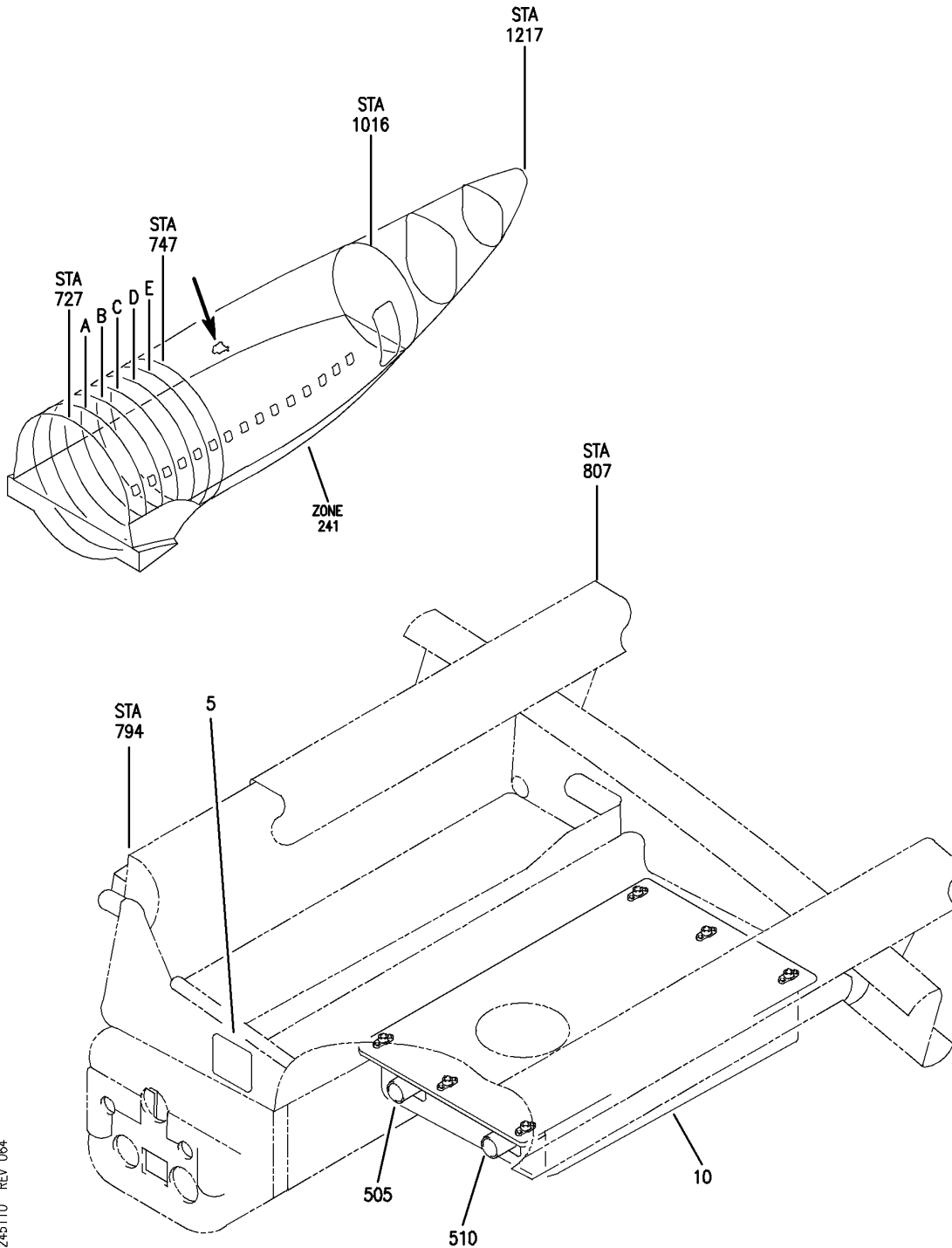
HAP

23-24-51-09

BOEING PROPRIETARY - Copyright © - Unpublished Work - See title page for details.

23-24-51
FIG. 09
PAGE 1
FEB 15/09

BOEING
737-600/700/800/900
PARTS CATALOG (MAINTENANCE)



E 23245110 REV 064

INTERFACE UNIT INSTL-EMER LOCATOR XMTR SYS
FIGURE 10

23-24-51-10

HAP
OCT 10/06

23-24-51-10
PAGE 0

BOEING
737-600/700/800/900
PARTS CATALOG (MAINTENANCE)

FIG ITEM	PART NUMBER	1 2 3 4 5 6 7	NOMENCLATURE	EFFECT FROM TO	UNITS PER ASSY
10			INTERFACE UNIT INSTL-EMER LOCATOR XMTR SYS	031200 968999	
- 1	MODREF260429		INTERFACE UNIT INSTL-EMER LOCATOR XMTR SYS MODULE NUMBER: 284A0513-3 REV C	031036	1
- 1	MODREF291342		INTERFACE UNIT INSTL-EMER LOCATOR XMTR SYS MODULE NUMBER: 284A0513-3 REV E	037200 968999	1
5	BAC27DEX6291		.DECAL- PLACARD CONTENT: M2114 INTERFACE UNIT (ELT)	031200 968999	1
10	453-6501		.INTERFACE UNIT- SUPPLIER CODE: V60253 ELECTRICAL EQUIP NUMBER: M02114 MAINTENANCE MANUAL REF: 23-24-00 ATTACHING PARTS	031200 968999	1
- 15	BACB30LK06-4		.BOLT	031200 968999	6
- 20	NAS1149CN632B		.WASHER	031200 968999	6
- 500	286A3419-060		-----*----- WIRE BUNDLE ASSY-	031050 054100	RF
- 500	286A3419-069		WIRE BUNDLE ASSY	101200 968999	RF
505	BACC45FT18A31P		.PLUG- ELECTRICAL EQUIP NUMBER: D10715 WIRING DIAGRAM REF: 232411	031050 054200 968999	1
510	BACC45FT16A24S		.PLUG- ELECTRICAL EQUIP NUMBER: D10717 WIRING DIAGRAM REF: 232411	031050 054200 968999	1

R
R
R
R
R
R
R

MISSING ITEM NUMBERS NOT APPLICABLE

- ITEM NOT ILLUSTRATED

HAP

23-24-51-10

BOEING PROPRIETARY - Copyright © - Unpublished Work - See title page for details.

23-24-51
FIG. 10
PAGE 1
JUN 15/09