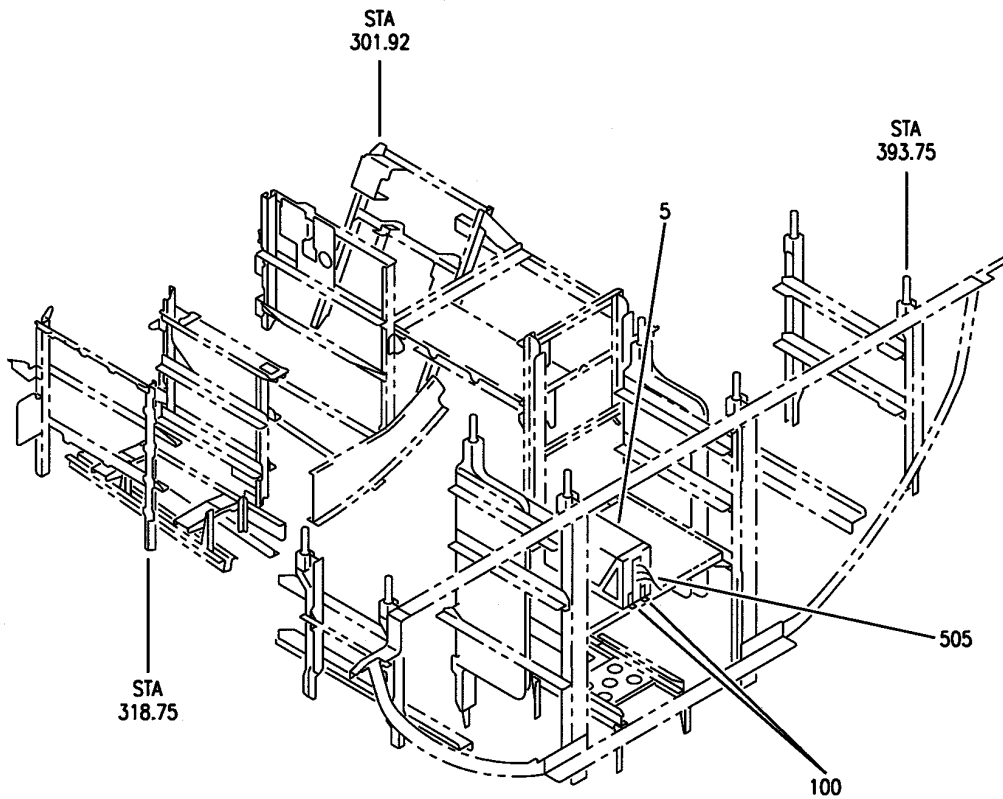
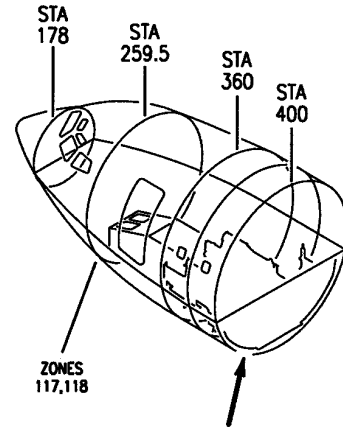


**AIRCRAFT COMMUNICATIONS ADDRESSING
AND REPORTING SYSTEM (ACARS)**

HAP
OCT 10/06

23-27-00
SECTION TITLE
PAGE 1

BOEING
737-600/700/800/900
PARTS CATALOG (MAINTENANCE)



E 23273201 REV 033

EQUIPMENT, SOFTWARE INSTL
FIGURE 1

23-27-32-01

HAP
OCT 10/06

23-27-32-01
PAGE 0

BOEING
737-600/700/800/900
PARTS CATALOG (MAINTENANCE)

FIG ITEM	PART NUMBER	1 2 3 4 5 6 7	NOMENCLATURE	EFFECT FROM TO	UNITS PER ASSY
1			EQUIPMENT, SOFTWARE INSTL	001011	
- 1	284A0430-114		EQUIPMENT INSTL-ELEC/ELEX BAY POSITION DATA: E3 RACK FOR NHA SEE: 23-20-00-03	001011	RF
R	5	965-0758-003	.UNIT-ACARS MANAGEMENT (CUSTOMER FURNISHED) SUPPLIER CODE: V97896 ELECTRICAL EQUIP NUMBER: M01109 COMPONENT MAINT MANUAL REF: 23-20-13 MAINTENANCE MANUAL REF: 23-27-32 SOFTWARE DRAWING REF: 23-27-32-01 POST AIRLINE MOD: COC#23-01-08 VHAP	001011	1
R					
R					
R					
R					
R					
R					
R					
R					
R					
R					
R					
R					
100	405-0255-001		..HOOK- SUPPLIER CODE: V97896 USED ON: 965-0758-003 ATTACHING PARTS	001011	2
- 105	MS24693C27		..SCREW-	001011	4
- 400	221A3001-30		SOFTWARE INSTL-PREMODULE FOR NHA SEE: 25-10-00-02	001011	RF
- 410	998-3513-501		.SOFTWARE-ACARS APP SUPPLIER CODE: V97896 USED WITH: 965-0758-003 HARDWARE REFERENCE SEE: 23-27-32-01 POST AIRLINE MOD: COC#23-01-08 VHAP	001011	1

MISSING ITEM NUMBERS NOT APPLICABLE

- ITEM NOT ILLUSTRATED

HAP

23-27-32-01

BOEING PROPRIETARY - Copyright © - Unpublished Work - See title page for details.

23-27-32
FIG. 01
PAGE 1
JUN 15/09

BOEING
737-600/700/800/900
PARTS CATALOG (MAINTENANCE)

FIG ITEM	PART NUMBER	1 2 3 4 5 6 7	NOMENCLATURE	EFFECT FROM TO	UNITS PER ASSY
1					
- 415	998-3512-502		.SOFTWARE-ACARS CORE SUPPLIER CODE: V97896 USED WITH: 965-0758-003 HARDWARE REFERENCE SEE: 23-27-32-01 POST AIRLINE MOD: COC#23-01-08 VHAP	001011	1
- 480	221A3001-40		SOFTWARE INSTL-PREMODULE FOR NHA SEE: 25-10-00-02	001011	RF
- 490	998-3965-501		.SOFTWARE-DATABASE SUPPLIER CODE: V97896 USED WITH: 965-0758-003 HARDWARE REFERENCE SEE: 23-27-32-01 POST AIRLINE MOD: COC#23-01-08 VHAP	001011	1
- 500	286A0331-002		WIRE BUNDLE ASSY-E3-3 SHELF	001002	1
- 501	286A0331-050		WIRE BUNDLE ASSY-E3-3 SHELF	003007	1
- 501	286A0331-052		WIRE BUNDLE ASSY-E3-3 SHELF	008011	1
505	BKA21C09AA01		.PLATE ASSY- SUPPLIER CODE: V71468 SPECIFICATION NUMBER: BCREF8371 OPTIONAL PART: S621C11AA01 V59610 NIC66H21C09AA01 V00779 OVERLENGTH PART NUMBER: BACC66H21C09AA01 ELECTRICAL EQUIP NUMBER: D01967 WIRING DIAGRAM REF: 232711	001011	1

MISSING ITEM NUMBERS NOT APPLICABLE

- ITEM NOT ILLUSTRATED

HAP

23-27-32-01

23-27-32
FIG. 01
PAGE 2
FEB 15/09


BOEING
 737-600/700/800/900
PARTS CATALOG (MAINTENANCE)

FIG ITEM	PART NUMBER	1 2 3 4 5 6 7	NOMENCLATURE	EFFECT FROM TO	UNITS PER ASSY
1 - 550	620200		.PIN- SUPPLIER CODE: VF0987 SPECIFICATION NUMBER: BACC47EF1 OPTIONAL PART: 8660-202 V59610 208262-3 V00779 317-2222-301 V55104 030-2259-000 V71468 POST AIRLINE MOD: COC#23-01-08 VHAP	001011	2
- 555	M39029-31-241		.PIN- SUPPLIER CODE: V1UYA8 POST AIRLINE MOD: COC#23-01-08 VHAP	001011	2

MISSING ITEM NUMBERS NOT APPLICABLE

- ITEM NOT ILLUSTRATED

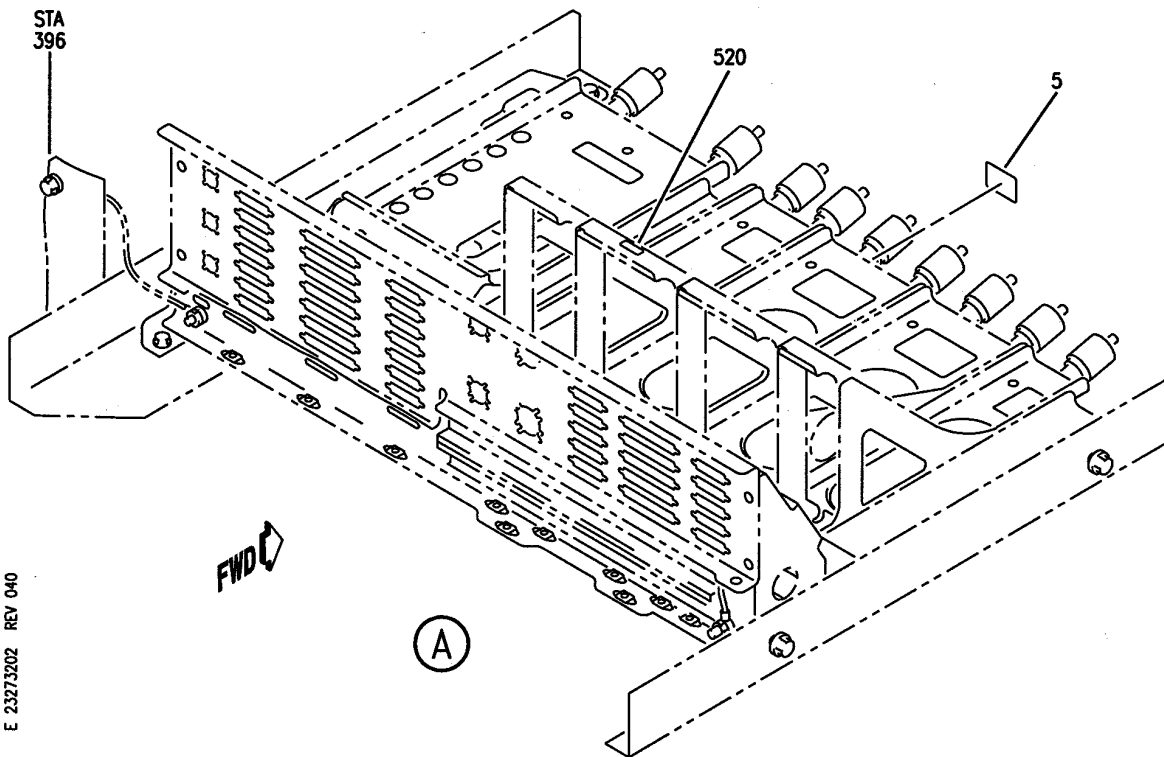
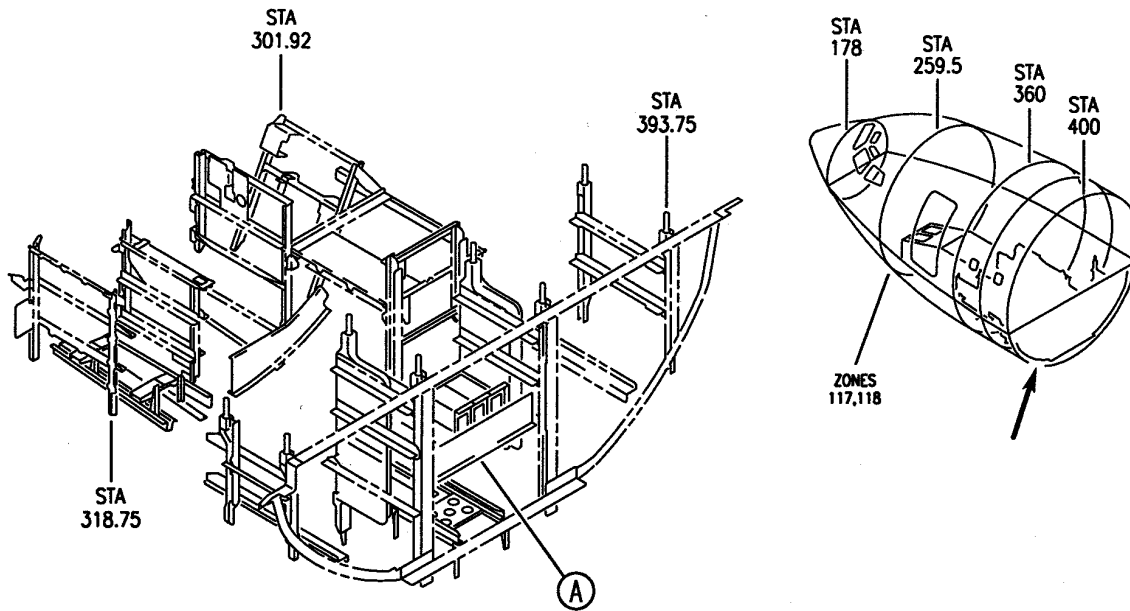
HAP

23-27-32-01

BOEING PROPRIETARY - Copyright © - Unpublished Work - See title page for details.

23-27-32
 FIG. 01
 PAGE 3
 JUN 15/08

BOEING
 737-600/700/800/900
 PARTS CATALOG (MAINTENANCE)



E 23273202 REV 040

EQUIPMENT AND SOFTWARE INSTL-E3-3 SHELF ACARS
 FIGURE 2

23-27-32-02

HAP
 OCT 10/06

23-27-32-02
 PAGE 0

BOEING
737-600/700/800/900
PARTS CATALOG (MAINTENANCE)

FIG ITEM	PART NUMBER	1 2 3 4 5 6 7	NOMENCLATURE	EFFECT FROM TO	UNITS PER ASSY
2			EQUIPMENT AND SOFTWARE INSTL-E3-3 SHELF ACARS	012030	
- 1	284A0431-232201		EQUIPMENT INSTL-ACARS E3-3 SHELF FOR NHA SEE: 23-20-00-03	012030	RF
R	5	965-0758-003	.UNIT-MANAGEMENT SUPPLIER CODE: V97896 ELECTRICAL EQUIP NUMBER: M01109 COMPONENT MAINT MANUAL REF: 23-20-13 MAINTENANCE MANUAL REF: 23-27-32 POST AIRLINE MOD: COC#23-01-08 VHAP	012030	1
R					
R					
R					
R					
R					
R					
R					
R					
- 20	405-0255-001		..HOOK- SUPPLIER CODE: V97896	012030	2
- 25	MS24693C27		ATTACHING PARTS ..SCREW	012030	4
- 450	221A3001-200		-----*----- SOFTWARE INSTL-PREMODULE FOR NHA SEE: 25-10-00-02	012013 015017 019027	RF
- 450	221A3001-30		SOFTWARE INSTL-PREMODULE FOR NHA SEE: 25-10-00-02	014014 018018	RF
- 450	221A3001-400		SOFTWARE INSTL-PREMODULE FOR NHA SEE: 25-10-00-02	028030	RF
- 460	998-3513-501		.SOFTWARE-ACARS APP SUPPLIER CODE: V97896 USED WITH: 965-0758-003 HARDWARE REFERENCE SEE: 23-27-32-02 POST AIRLINE MOD: COC#23-01-08 VHAP	012030	1

MISSING ITEM NUMBERS NOT APPLICABLE

- ITEM NOT ILLUSTRATED

HAP

23-27-32-02

23-27-32
FIG. 02
PAGE 1
JUN 15/09

BOEING
737-600/700/800/900
PARTS CATALOG (MAINTENANCE)

FIG ITEM	PART NUMBER	1 2 3 4 5 6 7	NOMENCLATURE	EFFECT FROM TO	UNITS PER ASSY
2 - 465	998-3512-502		.SOFTWARE-ACARS CORE SUPPLIER CODE: V97896 USED WITH: 965-0758-003 HARDWARE REFERENCE SEE: 23-27-32-02 POST AIRLINE MOD: COC#23-01-08 VHAP	012030	1
- 480	221A3001-40		SOFTWARE INSTL-PREMODULE FOR NHA SEE: 25-10-00-02	014014 018018	RF
- 480	221A3001-210		SOFTWARE INSTL-PREMODULE FOR NHA SEE: 25-10-00-02	012013 015017 019027	RF
- 480	221A3001-390		SOFTWARE INSTL-PREMODULE FOR NHA SEE: 25-10-00-02	028030	RF
- 490	998-3965-501		.SOFTWARE- SUPPLIER CODE: V1D914 USED WITH: 965-0758-003 HARDWARE REFERENCE SEE: 23-27-32-02 POST AIRLINE MOD: COC#23-01-08 VHAP	012030	1
- 500 520	286A0331-097 BKA21C09AA01		WIRE BUNDLE ASSY .PLATE ASSY-PLUG SUPPLIER CODE: V71468 SPECIFICATION NUMBER: BCREF8371 OPTIONAL PART: S621C11AA01 V59610 NIC66H21C09AA01 V00779 OVERLENGTH PART NUMBER: BACC66H21C09AA01 ELECTRICAL EQUIP NUMBER: D01967 WIRING DIAGRAM REF: 232711 232731	012030 012030	RF 1

MISSING ITEM NUMBERS NOT APPLICABLE

- ITEM NOT ILLUSTRATED

HAP

23-27-32-02

23-27-32
FIG. 02
PAGE 2
FEB 15/09

BOEING
737-600/700/800/900
PARTS CATALOG (MAINTENANCE)

FIG ITEM	PART NUMBER	1 2 3 4 5 6 7	NOMENCLATURE	EFFECT FROM TO	UNITS PER ASSY
2			ATTACHING PARTS		
- 525	NAS1801-06		.SCREW-	012030	4
			POSITION DATA:		
			FAR SIDE		
			SIZE DETERMINED ON INSTL.		
- 530	PLH506CD		.NUT-	012030	4
			SUPPLIER CODE:		
			VF0224		
			SPECIFICATION NUMBER:		
			BACN10YR06CD		
			OPTIONAL PART:		
			H52732-06CD		
			V15653		
			POSITION DATA:		
			NEAR SIDE		
			-----*-----		
- 555	620200		.PIN-	012030	2
			SUPPLIER CODE:		
			VF0987		
			SPECIFICATION NUMBER:		
			BACC47EF1		
			OPTIONAL PART:		
			8660-202		
			V59610		
			208262-3		
			V00779		
			317-2222-301		
			V55104		
			030-2259-000		
			V71468		
			POST AIRLINE MOD:		
			COC#23-01-08		
			VHAP		
- 560	M39029-31-241		.PIN-	012030	2
			SUPPLIER CODE:		
			V1UYA8		
			POST AIRLINE MOD:		
			COC#23-01-08		
			VHAP		

MISSING ITEM NUMBERS NOT APPLICABLE

- ITEM NOT ILLUSTRATED

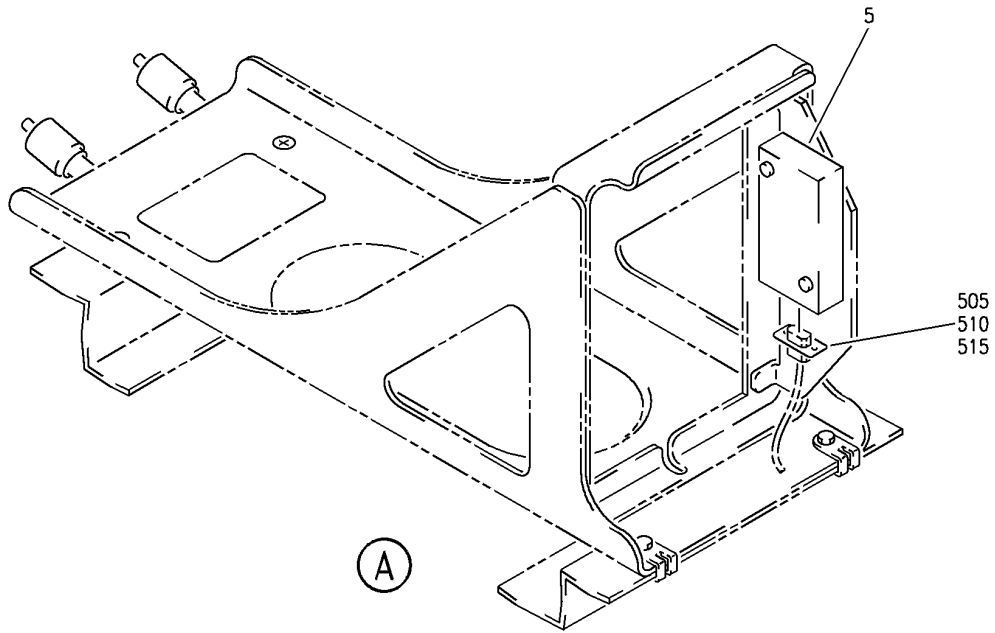
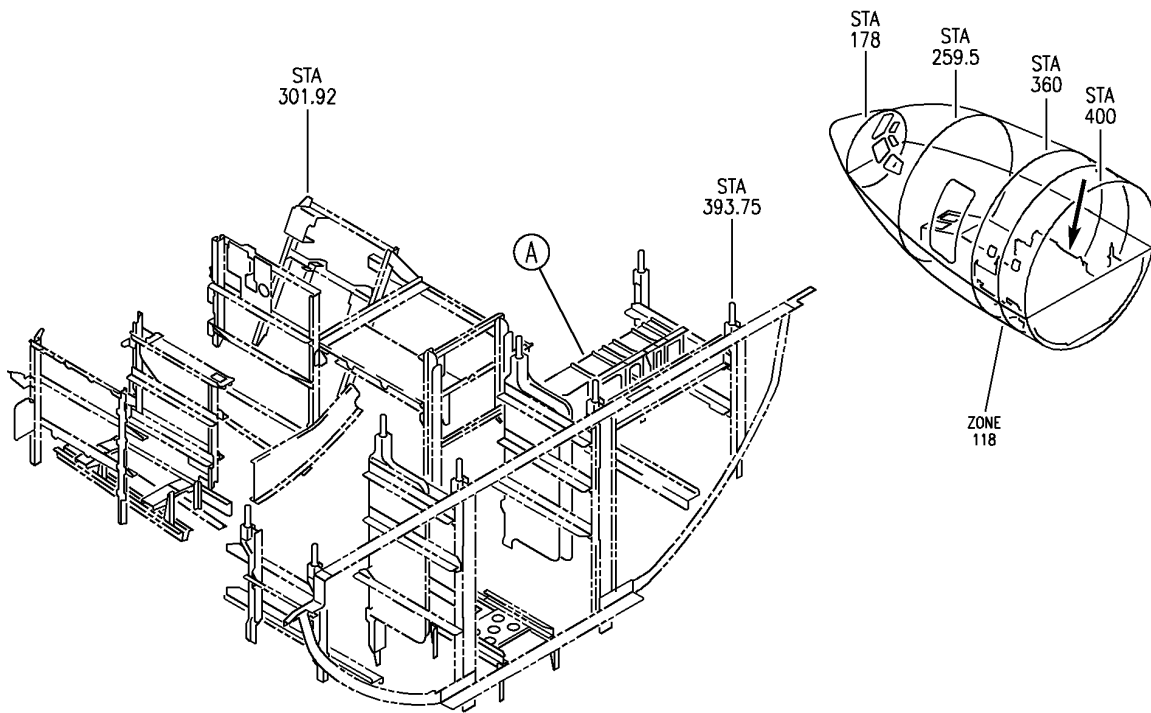
HAP

23-27-32-02

BOEING PROPRIETARY - Copyright © - Unpublished Work - See title page for details.

23-27-32
FIG. 02
PAGE 3
FEB 15/09

BOEING
737-600/700/800/900
PARTS CATALOG (MAINTENANCE)



E 23273505 REV 115

EQUIPMENT INSTL-E4-1 RACK APM
FIGURE 5

23-27-35-05

HAP
OCT 10/06

23-27-35-05
PAGE 0

BOEING
737-600/700/800/900
PARTS CATALOG (MAINTENANCE)

FIG ITEM	PART NUMBER	1 2 3 4 5 6 7	NOMENCLATURE	EFFECT FROM TO	UNITS PER ASSY
5			EQUIPMENT INSTL-E4-1 RACK APM	031200 968999	
- 1	MODREF275083		EQUIPMENT INSTL-E4-1 RACK E/E APM	031036	1
- 1	MODREF306516		MODULE NUMBER: 284A0441-232205 REV A EQUIPMENT INSTL-E4-1 RACK E/E APM	038038	1
- 1	MODREF315130		MODULE NUMBER: 284A0441-232205 REV B EQUIPMENT INSTL-E4-1 RACK E/E APM	037037 039040	1
- 1	MODREF338741		MODULE NUMBER: 284A0441-232205 REV C EQUIPMENT INSTL-E4-1 RACK E/E APM	042042 968969	1
- 1	MODREF341041		MODULE NUMBER: 284A0441-232205 REV E EQUIPMENT INSTL-E4-1 RACK E/E APM	041041 043043	1
- 1	MODREF341041		MODULE NUMBER: 284A0441-232205 REV E EQUIPMENT INSTL-E4-1 RACK E/E APM	054101 970971	1
- 1	MODREF341041		MODULE NUMBER: 284A0441-232205 REV E EQUIPMENT INSTL-E4-1 RACK E/E APM	044053 102200	1
5	964-0465-001		MODULE-AIRPLANE PERSONALITY SUPPLIER CODE: V97896 ELECTRICAL EQUIP NUMBER: M02502 MAINTENANCE MANUAL REF: 23-27-35	031200 968999	1
- 10	NAS514P440-14		ATTACHING PARTS .SCREW	031200 968999	2
- 500	286A0411-169		-----*----- WIRE BUNDLE ASSY	031052	RF
- 500	286A0411-001		WIRE BUNDLE ASSY	054100 101200	RF
505	M24308-2-281F		.RECEPTACLE- ELECTRICAL EQUIP NUMBER: D11813 WIRING DIAGRAM REF: 232739	968999 031052 054200 968999	1

MISSING ITEM NUMBERS NOT APPLICABLE

- ITEM NOT ILLUSTRATED

HAP

23-27-35-05

BOEING PROPRIETARY - Copyright © - Unpublished Work - See title page for details.

23-27-35
FIG. 05
PAGE 1
FEB 15/09

BOEING
737-600/700/800/900
PARTS CATALOG (MAINTENANCE)

FIG ITEM	PART NUMBER	1 2 3 4 5 6 7	NOMENCLATURE	EFFECT FROM TO	UNITS PER ASSY
5 510	DE44994		.CLAMP- SUPPLIER CODE: V71468 ELECTRICAL EQUIP NUMBER: D11813T WIRING DIAGRAM REF: 232739	031052 054200 968999	1
515	D20419		.CONNECTOR- SUPPLIER CODE: V71468 ELECTRICAL EQUIP NUMBER: D11813U WIRING DIAGRAM REF: 232739	031052 054200 968999	1

MISSING ITEM NUMBERS NOT APPLICABLE

— ITEM NOT ILLUSTRATED

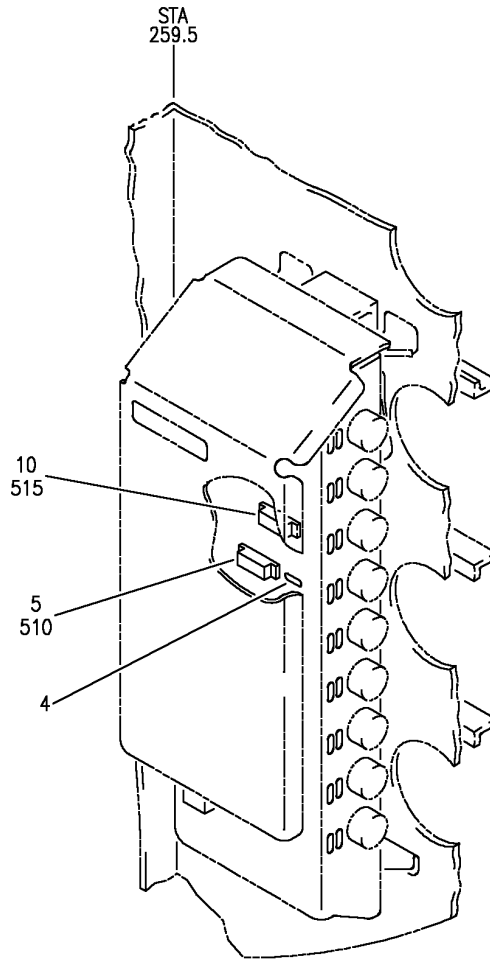
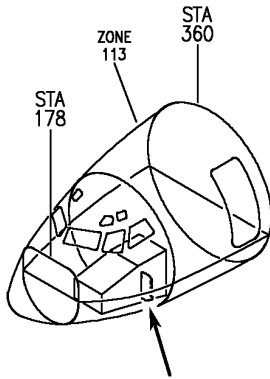
HAP

23-27-35-05

BOEING PROPRIETARY - Copyright © - Unpublished Work - See title page for details.

23-27-35
FIG. 05
PAGE 2
FEB 15/09

BOEING
737-600/700/800/900
PARTS CATALOG (MAINTENANCE)



E 23275101 REV 143

JUNCTION BOX INSTL-J24 (AIRCRAFT COMMUNICATIONS ADDRESSING AND REPORTING SYSTEMS ONLY)

FIGURE 1

23-27-51-01

HAP
OCT 15/08

23-27-51-01
PAGE 0

BOEING
737-600/700/800/900
PARTS CATALOG (MAINTENANCE)

FIG ITEM	PART NUMBER	1 2 3 4 5 6 7	NOMENCLATURE	EFFECT FROM TO	UNITS PER ASSY
1			JUNCTION BOX INSTL-J24 (AIRCRAFT COMMUNICATIONS ADDRESSING AND REPORTING SYSTEMS ONLY)	201967	
- 1	284A1224-118		JUNCTION BOX INSTL-J24 (AIRCRAFT COMMUNICATIONS ADDRESSING AND REPORTING SYSTEMS ONLY)	201967	RF
5	W260F4AM11		FOR NHA/OTHER SYS DET SEE: 25-50-00-12 .RELAY- SUPPLIER CODE: VF0219 SPECIFICATION NUMBER: BACR13CD2 OPTIONAL PART: BR16S233 V09026 EE4AA005 V35344 3SAV1338A2 V01526 HFW1206K03 V58614 HFW1204K01 V71482 ELECTRICAL EQUIP NUMBER: R00299	201967	1
- 500 510	286A0080-077 RSE120026		WIRE BUNDLE ASSY- .PLUG- SUPPLIER CODE: V58982 SPECIFICATION NUMBER: BACS16AG1 OPTIONAL PART: 451120-026 V58982 ELECTRICAL EQUIP NUMBER: D01971 WIRING DIAGRAM REF: 232713	201967 201967	RF 1

MISSING ITEM NUMBERS NOT APPLICABLE

- ITEM NOT ILLUSTRATED

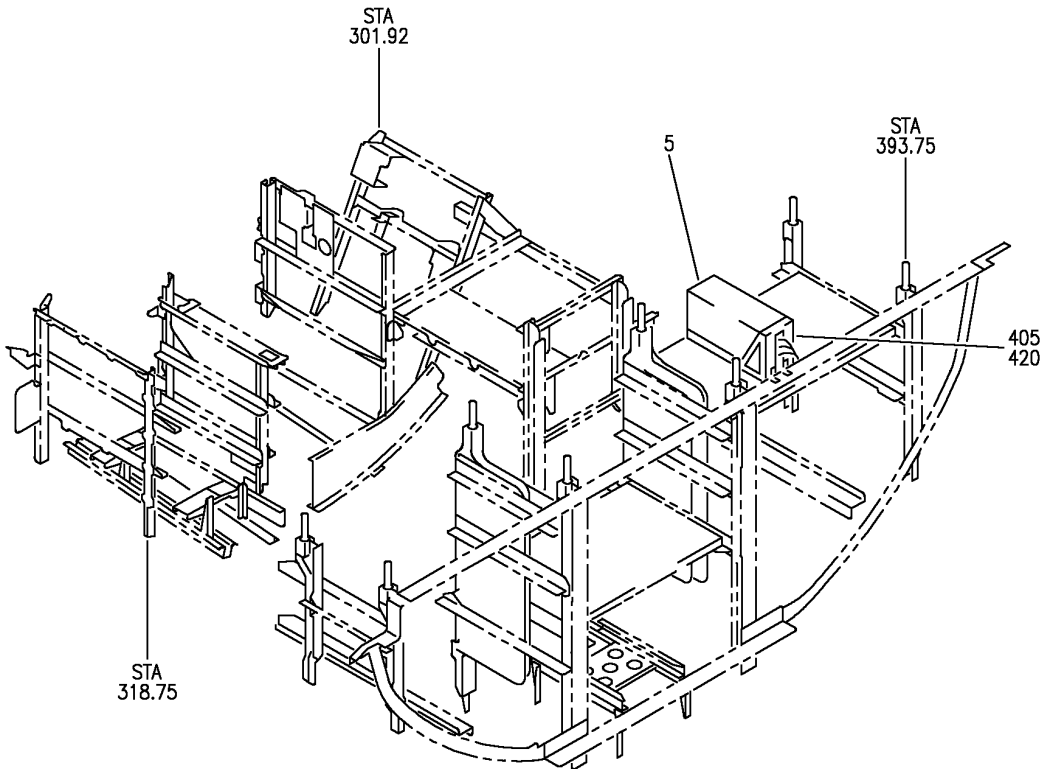
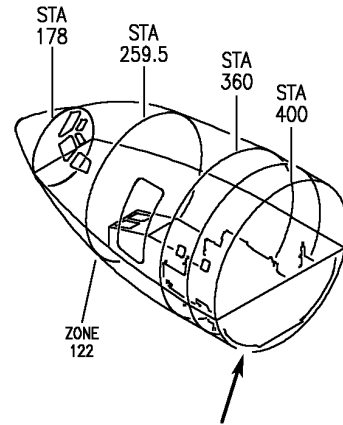
HAP

23-27-51-01

BOEING PROPRIETARY - Copyright © - Unpublished Work - See title page for details.

23-27-51
FIG. 01
PAGE 1
OCT 15/08

BOEING
 737-600/700/800/900
 PARTS CATALOG (MAINTENANCE)



E 23275106 SHT 1 REV 088

EQUIPMENT AND SOFTWARE INSTL-E4-1 SHELF COMM MANAGEMENT UNIT
 FIGURE 6

23-27-51-06

HAP
 JUN 15/08

23-27-51-06
 PAGE 0


BOEING
 737-600/700/800/900
PARTS CATALOG (MAINTENANCE)

FIG ITEM	PART NUMBER	1 2 3 4 5 6 7	NOMENCLATURE	EFFECT FROM TO	UNITS PER ASSY
6			EQUIPMENT AND SOFTWARE INSTL-E4-1 SHELF COMM MANAGEMENT UNIT	031200 968999	
- 1	MODREF275082		EQUIPMENT INSTL-E4-1 SHELF COMM MANAGEMENT UNIT MODULE NUMBER: 284A0441-232203 REV D	031036	1
- 1	MODREF306515		EQUIPMENT INSTL-E4-1 SHELF COMM MANAGEMENT UNIT MODULE NUMBER: 284A0441-232203 REV E	038038	1
- 1	MODREF315129		EQUIPMENT INSTL-E4-1 SHELF COMM MANAGEMENT UNIT MODULE NUMBER: 284A0441-232203 REV F POST RAPID REVISION: RR97089-74B RR97237-3C	037037 039200 968999	1
R R	5	965-0758-002	.UNIT- SUPPLIER CODE: V97896 FUNCTIONAL DESCRIPTION: COMMUNICATIONS MANAGEMENT UNIT, PROVIDES EFFICIENT ROUTING OF AIR/GROUND DATA COMMUNICATIONS AND ON-BOARD DATA ROUTING. ELECTRICAL EQUIP NUMBER: M02127 COMPONENT MAINT MANUAL REF: 23-20-13 MAINTENANCE MANUAL REF: 23-27-33 POST RAPID REVISION: RR97089-74B RR97237-3C	031200 968999	1
- 200	MODREF198544		SOFTWARE INSTL- MODULE NUMBER: 221A3001-470 REV A	031036 038038 042042 968969	1

MISSING ITEM NUMBERS NOT APPLICABLE

- ITEM NOT ILLUSTRATED

HAP

23-27-51-06

BOEING PROPRIETARY - Copyright © - Unpublished Work - See title page for details.

23-27-51
 FIG. 06
 PAGE 1
 JUN 15/09

BOEING
737-600/700/800/900
PARTS CATALOG (MAINTENANCE)

FIG ITEM	PART NUMBER	1 2 3 4 5 6 7	NOMENCLATURE	EFFECT FROM TO	UNITS PER ASSY
6 - 200	MODREF320348		SOFTWARE INSTL- MODULE NUMBER: 221A3001-590 REV A POST RAPID REVISION: RR97089-67B RR97089-69B RR97089-68B RR97065-691B RR97237-3C RR97237-4B	037037 039041 043200 970999	1
- 220	998-2830-518	.	SOFTWARE-CMU CORE SUPPLIER CODE: V97896 MISCELLANEOUS DATA: DISKETTE QTY: 1 DISKS USED WITH: 965-0758-002 HARDWARE REFERENCE SEE: 23-27-51-06 FOR SPARES PROCURE: 963-2400-001 V13499	031036 038038 042042 968969	1
- 220	998-2830-520	.	SOFTWARE-CMU CORE SUPPLIER CODE: V97896 MISCELLANEOUS DATA: DISKETTE QTY: 2 DISKS USED WITH: 965-0758-002 HARDWARE REFERENCE SEE: 23-27-51-06 FOR SPARES PROCURE: 963-2400-005 V13499 POST RAPID REVISION: RR97089-67B RR97089-69B RR97089-68B RR97065-691B RR97237-3C RR97237-4B	037037 039041 043200 970999	1

MISSING ITEM NUMBERS NOT APPLICABLE

- ITEM NOT ILLUSTRATED

HAP

23-27-51-06

BOEING PROPRIETARY - Copyright © - Unpublished Work - See title page for details.

23-27-51
FIG. 06
PAGE 2
JUN 15/09

BOEING
737-600/700/800/900
PARTS CATALOG (MAINTENANCE)

FIG ITEM	PART NUMBER	1 2 3 4 5 6 7	NOMENCLATURE	EFFECT FROM TO	UNITS PER ASSY
6					
- 225	998-2833-515		.SOFTWARE-CMU APPLICATION SUPPLIER CODE: V97896 MISCELLANEOUS DATA: DISKETTE QTY: 1 DISKS USED WITH: 965-0758-002 HARDWARE REFERENCE SEE: 23-27-51-06 FOR SPARES PROCURE: 963-2400-001 V13499	031036 038038 042042 968969	1
- 225	998-2833-518		.SOFTWARE-CMU APPLICATION SUPPLIER CODE: V97896 MISCELLANEOUS DATA: DISKETTE QTY: 2 DISKS USED WITH: 965-0758-002 HARDWARE REFERENCE SEE: 23-27-51-06 FOR SPARES PROCURE: 963-2400-005 V13499 POST RAPID REVISION: RR97089-67B RR97089-69B RR97089-68B RR97065-691B RR97089-74B RR97237-3C RR97237-4B	037037 039041 043200 970999	1
- 250	MODREF198546		SOFTWARE INSTL- MODULE NUMBER: 221A3001-480 REV A	031036 038038 042042 968969	1
- 250	MODREF329212		SOFTWARE INSTL- MODULE NUMBER: 221A3001-610 REV A POST RAPID REVISION: RR97089-67B RR97089-69B RR97089-68B RR97065-691B RR97237-3C RR97237-4B	037037 039041 043200 970999	1

MISSING ITEM NUMBERS NOT APPLICABLE

- ITEM NOT ILLUSTRATED

HAP

23-27-51-06

BOEING PROPRIETARY - Copyright © - Unpublished Work - See title page for details.

23-27-51
FIG. 06
PAGE 3
JUN 15/09

BOEING
737-600/700/800/900
PARTS CATALOG (MAINTENANCE)

FIG ITEM	PART NUMBER	1 2 3 4 5 6 7	NOMENCLATURE	EFFECT FROM TO	UNITS PER ASSY
6 - 255	998-3070-501		.SOFTWARE-VM DATA SUPPLIER CODE: V97896 MISCELLANEOUS DATA: DISKETTE QTY: 1 DISKS USED WITH: 965-0758-002 HARDWARE REFERENCE SEE: 23-27-51-06 FOR SPARES PROCURE: 963-0101-025 V97896	031036 038038 042042 968969	1
- 255	998-3070-502		.SOFTWARE-VM DATA SUPPLIER CODE: V97896 MISCELLANEOUS DATA: DISKETTE QTY: 1 DISK USED WITH: 965-0758-002 HARDWARE REFERENCE SEE: 23-27-51-06 FOR SPARES PROCURE: 963-0101-033 V97896 POST RAPID REVISION: RR97089-67B RR97089-69B RR97089-68B RR97065-691B RR97237-3C RR97237-4B	037037 039041 043200 970999	1
- 400	286A0411-001		WIRE BUNDLE ASSY	101200 968999	RF
- 400 405	286A0411-169 BCREF11748		WIRE BUNDLE ASSY .PLATE ASSY-PLUG OVERLENGTH PART NUMBER: BACC66H21C58AA01 ELECTRICAL EQUIP NUMBER: D10727 WIRING DIAGRAM REF: 232731	031100 031200 968999	RF 1
- 410	NAS1801-06		ATTACHING PARTS .SCREW- POSITION DATA: FAR SIDE SIZE DETERMINED ON INSTL.	031200 968999	4

MISSING ITEM NUMBERS NOT APPLICABLE

- ITEM NOT ILLUSTRATED

HAP

23-27-51-06

BOEING PROPRIETARY - Copyright © - Unpublished Work - See title page for details.

23-27-51
FIG. 06
PAGE 4
JUN 15/09

BOEING
737-600/700/800/900
PARTS CATALOG (MAINTENANCE)

FIG ITEM	PART NUMBER	1 2 3 4 5 6 7	NOMENCLATURE	EFFECT FROM TO	UNITS PER ASSY
6 - 415	PLH506CD		.NUT- SUPPLIER CODE: VF0224 SPECIFICATION NUMBER: BACN10YR06CD OPTIONAL PART: H52732-06CD V15653 POSITION DATA: NEAR SIDE	031200 968999	4
420	RBGP48-116N		-----*----- .BACKSHELL-GROUND BLOCK ARINC 600 SUPPLIER CODE: V09922 SPECIFICATION NUMBER: S280W601-116 ELECTRICAL EQUIP NUMBER: D10727T WIRING DIAGRAM REF: 232731	031100	1

MISSING ITEM NUMBERS NOT APPLICABLE

- ITEM NOT ILLUSTRATED

HAP

23-27-51-06

BOEING PROPRIETARY - Copyright © - Unpublished Work - See title page for details.

23-27-51
FIG. 06
PAGE 5
JUN 15/09