

PASSENGER VIDEO SYSTEM

HAP
OCT 10/06

23-32-00
SECTION TITLE
PAGE 1

NON-ILLUSTRATED FIGURE

THE ITEMS REFLECTED IN THIS FIGURE ARE INTENTIONALLY
NON-ILLUSTRATED. THEY ARE REFERENCED TO EITHER A
NEXT HIGHER OR NEXT LOWER ASSEMBLY/INSTALLATION FIGURE.

E 23320001A REV 052

FUNCTIONAL COLLECTOR CUSTOMER UNIQUE (PASSENGER VIDEO SYSTEM ONLY)
FIGURE 1A

23-32-00-01A

HAP
OCT 15/08

23-32-00-01A
PAGE 0

BOEING
737-600/700/800/900
PARTS CATALOG (MAINTENANCE)

FIG ITEM	PART NUMBER	1 2 3 4 5 6 7	NOMENCLATURE	EFFECT FROM TO	UNITS PER ASSY
1 A			FUNCTIONAL COLLECTOR CUSTOMER UNIQUE (PASSENGER VIDEO SYSTEM ONLY)	201967	
- 1	400A9101-2610		FUNCTIONAL COLLECTOR- CUSTOMER UNIQUE (PASSENGER VIDEO SYSTEM ONLY) FOR NHA/OTHER SYS DET SEE: 23-00-00-02	201967	RF
- 520	417A7360-19		.EQUIPMENT INSTL-VIDEO FOR DETAILS SEE: 23-32-51-11	201967	1
- 850	65C31254-25		.EQUIPMENT INSTL-VIDEO GND STUD AND STRAP FOR DETAILS SEE: 23-32-51-07	201967	1

MISSING ITEM NUMBERS NOT APPLICABLE

- ITEM NOT ILLUSTRATED

HAP

23-32-00-01A

BOEING PROPRIETARY - Copyright © - Unpublished Work - See title page for details.

23-32-00
FIG. 01A
PAGE 1
OCT 15/08

NON-ILLUSTRATED FIGURE

THE ITEMS REFLECTED IN THIS FIGURE ARE INTENTIONALLY
NON-ILLUSTRATED. THEY ARE REFERENCED TO EITHER A
NEXT HIGHER OR NEXT LOWER ASSEMBLY/INSTALLATION FIGURE.

E 23320001B REV 052

FUNCTIONAL COLLECTOR CUSTOMER UNIQUE (PASSENGER VIDEO SYSTEM ONLY)
FIGURE 1B

23-32-00-01B

HAP
OCT 10/06

23-32-00-01B
PAGE 0

BOEING
737-600/700/800/900
PARTS CATALOG (MAINTENANCE)

FIG ITEM	PART NUMBER	1 2 3 4 5 6 7	NOMENCLATURE	EFFECT FROM TO	UNITS PER ASSY
1B			FUNCTIONAL COLLECTOR CUSTOMER UNIQUE (PASSENGER VIDEO SYSTEM ONLY)	001030	
- 1	400A9101-3001		FUNCTIONAL COLLECTOR- CUSTOMER UNIQUE (PASSENGER VIDEO SYSTEM ONLY) FOR NHA/OTHER SYS DET SEE: 23-00-00-03	001017 019019	RF
- 10	400A0028-3001		FUNCTIONAL COLLECTOR- CUSTOMER UNIQUE (PASSENGER VIDEO SYSTEM ONLY) FOR NHA/OTHER SYS DET SEE: 23-00-00-03	018018 020030	RF
- 50	417A7360-2		.EQUIPMENT INSTL-VIDEO FOR DETAILS SEE: 23-32-01-10 23-32-02-10	001011	1
- 56	417A7360-147		.EQUIPMENT INSTL-GND FOR DETAILS SEE: 23-32-01-65 23-32-02-65	028030	1
- 60	417A7360-42		.EQUIPMENT INSTL-VIDEO FOR DETAILS SEE: 23-32-01-10 23-32-02-10	012022	1
- 61	417A7360-105		.EQUIPMENT INSTL-VIDEO FOR DETAILS SEE: 23-32-01-10 23-32-02-10	023027	1
- 62	417A7360-130		.BRACKET INSTL-GND POSITION DATA: STA 360 FOR DETAILS SEE: 23-32-51-15	028030	1
- 70	417A7380-1		.EQUIPMENT INSTL-2 VDU CLUSTER 737-800 FOR DETAILS SEE: 23-32-03-23	001011	1
- 70	417A7380-7		.EQUIPMENT INSTL-2 VDU CLUSTER, WITH TERM PLUG 737-800 FOR DETAILS SEE: 23-32-03-03	001011	1

MISSING ITEM NUMBERS NOT APPLICABLE

- ITEM NOT ILLUSTRATED

HAP

23-32-00-01B

BOEING PROPRIETARY - Copyright © - Unpublished Work - See title page for details.

23-32-00
FIG. 01B
PAGE 1
OCT 10/06

 **BOEING**
737-600/700/800/900
PARTS CATALOG (MAINTENANCE)

FIG ITEM	PART NUMBER	1 2 3 4 5 6 7	NOMENCLATURE	EFFECT FROM TO	UNITS PER ASSY
1B					
- 75	417A7380-5		.EQUIPMENT INSTL-3 VDU CLUSTER, WITH TERM PLUG 737-800 FOR DETAILS SEE: 23-32-03-04	001011	1
- 75	417A7380-6		.EQUIPMENT INSTL-3 VDU CLUSTER, 737-800 FOR DETAILS SEE: 23-32-03-40	001011	1
- 148	417A7663-20		.EQUIPMENT INSTL-3 VDU CLUSTER, NO TERM PLUG 737-800 POSITION DATA: STA 702.19, LBL 26.53 WL 300.33 FOR DETAILS SEE: 23-32-03-50	012030	1
- 150	417A7663-14		.EQUIPMENT INSTL-3 VDU CLUSTER, 737-800 POSITION DATA: STA 500F + 18.19 LBL 26.53, WL 300.33 FOR DETAILS SEE: 23-32-03-14	012030	1
- 153	417A7663-28		.EQUIPMENT INSTL-2 VDU CLUSTER, WITH TERM PLUG 737-800 POSITION DATA: STA 727J+16.19 LBL 26.53 WL 300.33 FOR DETAILS SEE: 23-32-03-52	012030	1
- 155	417A7663-25		.EQUIPMENT INSTL-2 VDU CLUSTER, NO TERM PLUG 737-800 FOR DETAILS SEE: 23-32-03-51	012030	1

MISSING ITEM NUMBERS NOT APPLICABLE

- ITEM NOT ILLUSTRATED

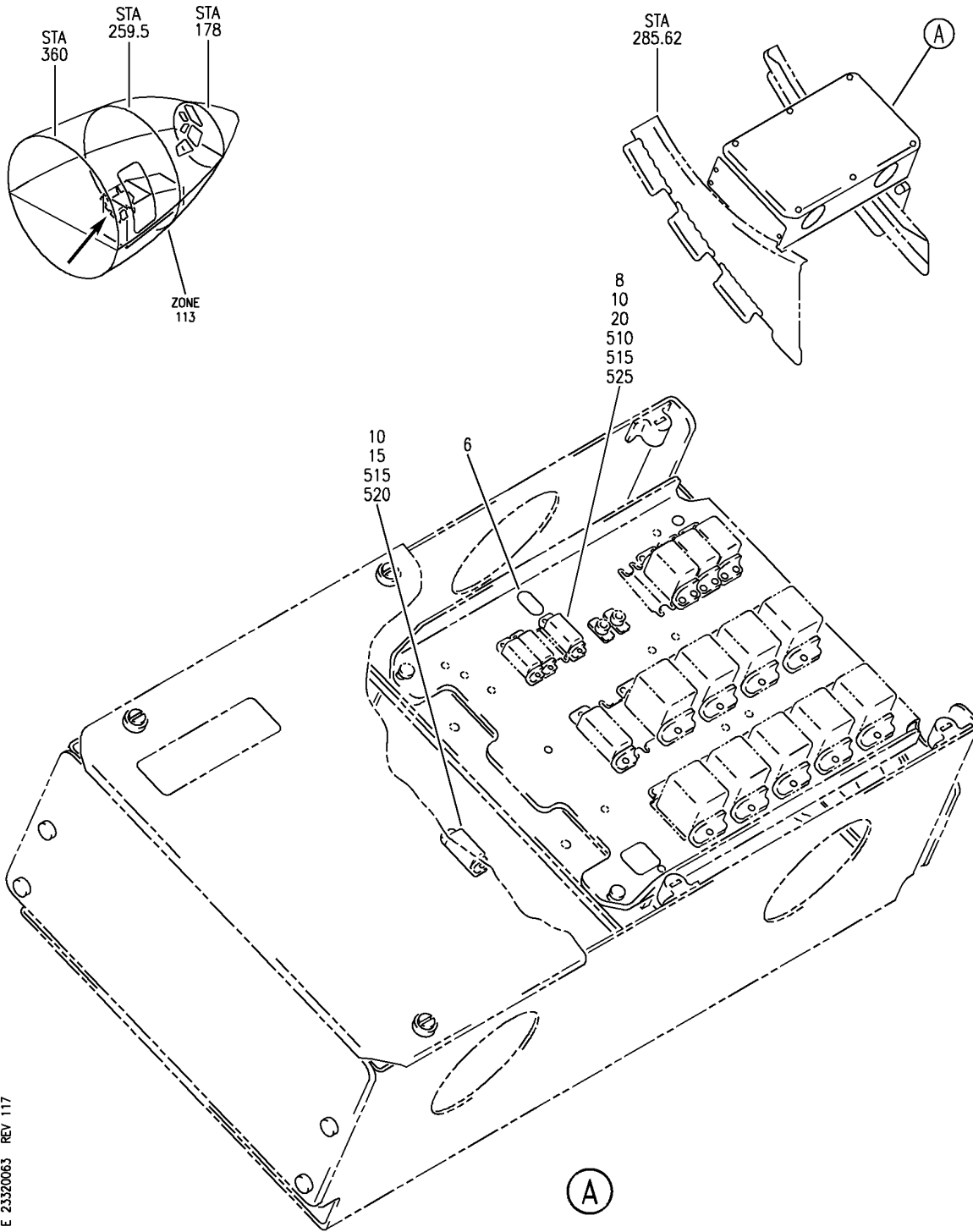
HAP

23-32-00-01B

BOEING PROPRIETARY - Copyright © - Unpublished Work - See title page for details.

23-32-00
FIG. 01B
PAGE 2
OCT 10/06

BOEING
 737-600/700/800/900
 PARTS CATALOG (MAINTENANCE)



E 23320063 REV 117

JUNCTION BOX INSTL-J20 (PASSENGER VIDEO SYSTEM ONLY)
 FIGURE 63

23-32-00-63

HAP
 OCT 10/06

23-32-00-63
 PAGE 0

BOEING
737-600/700/800/900
PARTS CATALOG (MAINTENANCE)

FIG ITEM	PART NUMBER	1 2 3 4 5 6 7	NOMENCLATURE	EFFECT FROM TO	UNITS PER ASSY
63			JUNCTION BOX INSTL-J20 (PASSENGER VIDEO SYSTEM ONLY)	001200 968999	
- 1	284A1203-102		JUNCTION BOX INSTL-J20 (PASSENGER VIDEO SYSTEM ONLY) PRE ALERT SB: 28A1206 FOR NHA/OTHER SYS DET SEE: 25-50-00-13	008027	RF
- 1	284A1203-124		JUNCTION BOX INSTL-J20 (PASSENGER VIDEO SYSTEM ONLY) PRE ALERT SB: 28A1206 FOR NHA/OTHER SYS DET SEE: 25-50-00-13	028030	RF
- 2	284A1203-12		JUNCTION BOX ASSY-J20 (PASSENGER VIDEO SYSTEM ONLY) PRE ALERT SB: 28A1206 FOR NHA/OTHER SYS DET SEE: 25-50-51-72	001007	RF
- 2	MODREF209768		JUNCTION BOX INSTL-J20 MODULE NUMBER: 284A1203-202 REV B	031200 968999	1
- 3	284A9200-53		JUNCTION BOX INSTL-J20 (PASSENGER VIDEO SYSTEM ONLY) POST ALERT SB: 28A1206 FOR NHA/OTHER SYS DET SEE: 25-50-00-13	008027	RF
- 4	284A9200-76		JUNCTION BOX INSTL-J20 (PASSENGER VIDEO SYSTEM ONLY) POST ALERT SB: 28A1206 FOR NHA/OTHER SYS DET SEE: 25-50-00-13	028030	RF
- 4	284A9200-53		JUNCTION BOX INSTL-J20 (PASSENGER VIDEO SYSTEM ONLY) POST ALERT SB: 28A1206 FOR NHA/OTHER SYS DET SEE: 25-50-51-72	001007	RF

MISSING ITEM NUMBERS NOT APPLICABLE

- ITEM NOT ILLUSTRATED

HAP

23-32-00-63

BOEING PROPRIETARY - Copyright © - Unpublished Work - See title page for details.

23-32-00
FIG. 63
PAGE 1
OCT 15/08

BOEING
737-600/700/800/900
PARTS CATALOG (MAINTENANCE)

FIG ITEM	PART NUMBER	1 2 3 4 5 6 7	NOMENCLATURE	EFFECT FROM TO	UNITS PER ASSY
63					
6	BAC27DEX7105		.MARKER- PLACARD CONTENT: R361 POST ALERT SB: 28A1206	001030	1
8	W260F4AM11		.RELAY- SUPPLIER CODE: VF0219 SPECIFICATION NUMBER: BACR13CD2 OPTIONAL PART: BR16S233 V09026 EE4AA005 V35344 3SAV1338A2 V01526 HFW1206K03 V58614 HFW1204K01 V71482 ELECTRICAL EQUIP NUMBER: R00361 USED ON: MODREF192329	001030	1
20	W260F4AM11		.RELAY- SUPPLIER CODE: VF0219 SPECIFICATION NUMBER: BACR13CD2 OPTIONAL PART: BR16S233 V09026 EE4AA005 V35344 3SAV1338A2 V01526 HFW1206K03 V58614 HFW1204K01 V71482 ELECTRICAL EQUIP NUMBER: R00361 USED ON: MODREF209768	031200 968999	1
- 500	286A0072-014		WIRE BUNDLE ASSY-	001027	RF
- 501	286A0072-044		WIRE BUNDLE ASSY-	028030	RF

MISSING ITEM NUMBERS NOT APPLICABLE

- ITEM NOT ILLUSTRATED

HAP

23-32-00-63

BOEING PROPRIETARY - Copyright © - Unpublished Work - See title page for details.

23-32-00
FIG. 63
PAGE 2
OCT 15/08


BOEING
 737-600/700/800/900
PARTS CATALOG (MAINTENANCE)

FIG ITEM	PART NUMBER	1 2 3 4 5 6 7 NOMENCLATURE	EFFECT FROM TO	UNITS PER ASSY
63 510	RSE120026	.PLUG-RELAY SUPPLIER CODE: V58982 SPECIFICATION NUMBER: BACS16AG1 OPTIONAL PART: 451120-026 V58982 ELECTRICAL EQUIP NUMBER: D02375 WIRING DIAGRAM REF: 233106	001030	1

MISSING ITEM NUMBERS NOT APPLICABLE

— ITEM NOT ILLUSTRATED

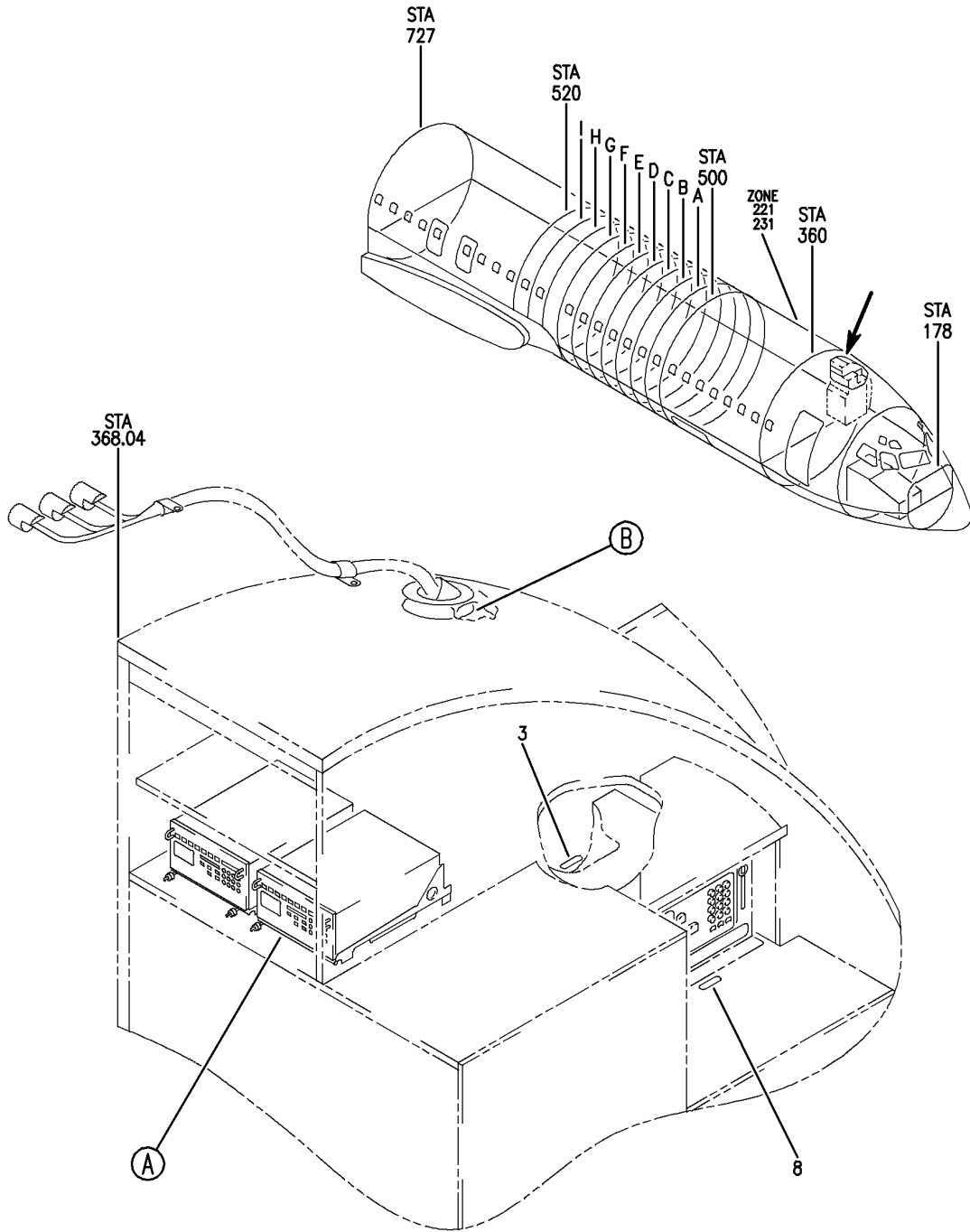
HAP

23-32-00-63

BOEING PROPRIETARY - Copyright © - Unpublished Work - See title page for details.

23-32-00
 FIG. 63
 PAGE 3
 FEB 10/07

BOEING
 737-600/700/800/900
 PARTS CATALOG (MAINTENANCE)



E 23320110 SHT 1 REV 063

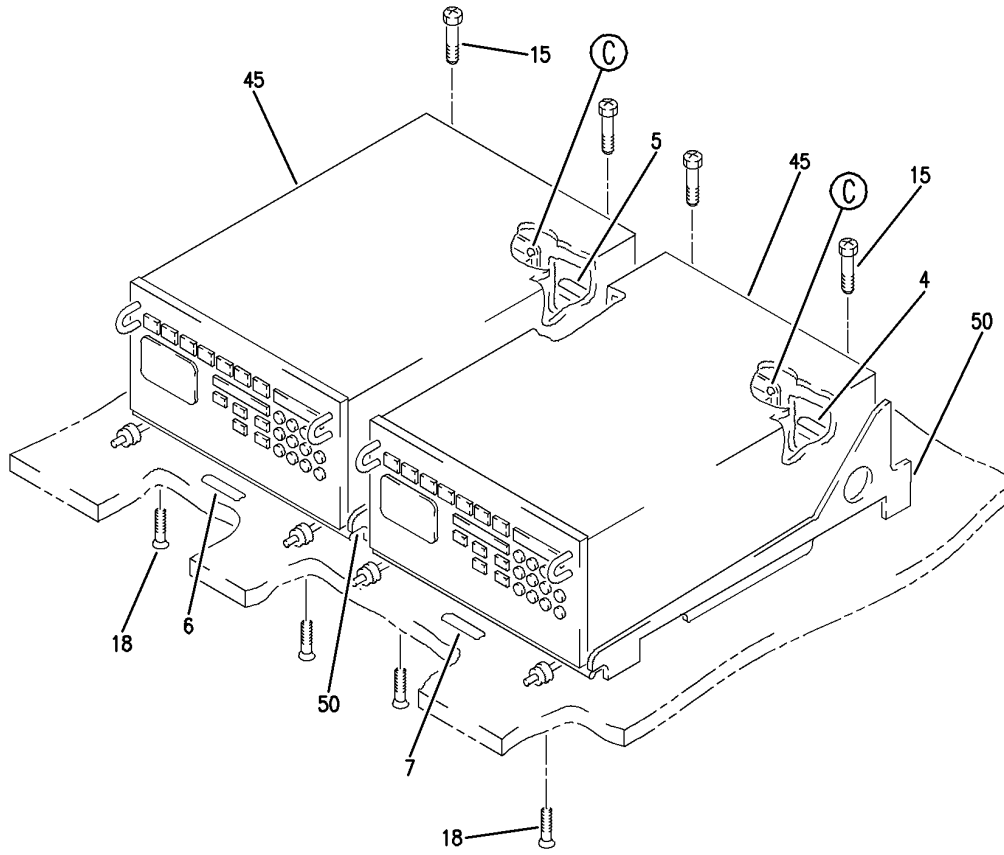
EQUIPMENT INSTL-VIDEO (TAPE REPRODUCER ONLY) 737-800
 FIGURE 10 (SHEET 1)

23-32-01-10

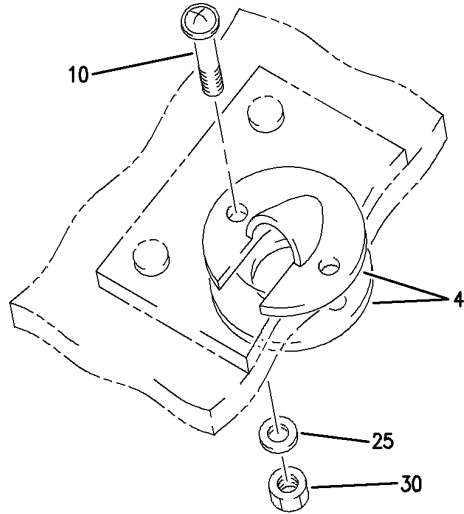
HAP
 OCT 10/06

23-32-01-10
 PAGE 0

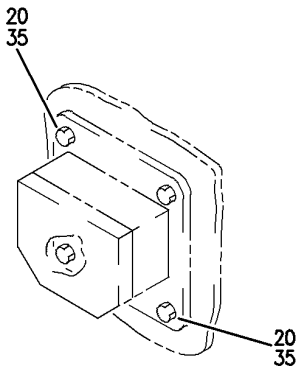
BOEING
 737-600/700/800/900
 PARTS CATALOG (MAINTENANCE)



(A)



(B)



(C)

E 23320110 SHT 2 REV 063

EQUIPMENT INSTL-VIDEO (TAPE REPRODUCER ONLY) 737-800
 FIGURE 10 (SHEET 2)

23-32-01-10

HAP
 OCT 10/06

23-32-01-10
 PAGE 0A

BOEING
737-600/700/800/900
PARTS CATALOG (MAINTENANCE)

FIG ITEM	PART NUMBER	1 2 3 4 5 6 7	NOMENCLATURE	EFFECT FROM TO	UNITS PER ASSY
10			EQUIPMENT INSTL-VIDEO (TAPE REPRODUCER ONLY) 737-800	001027	
- 1	417A7360-2		EQUIPMENT INSTL-VIDEO (TAPE REPRODUCER ONLY) FOR NHA/ADDITIONAL DET SEE: 23-32-00-01B	001011	RF
- 1	417A7360-42		EQUIPMENT INSTL-VIDEO (TAPE REPRODUCER ONLY) FOR NHA/ADDITIONAL DET SEE: 23-32-00-01B	012022	RF
- 1	417A7360-105		EQUIPMENT INSTL-VIDEO (TAPE REPRODUCER ONLY) FOR NHA/ADDITIONAL DET SEE: 23-32-00-01B	023027	RF
3	BAC27WEL1443		.PLACARD- PLACARD CONTENT: M2065,VSCU	023027	1
4	BAC27WEL1436		.PLACARD- PLACARD CONTENT: M2067,VTR 2	023027	1
5	BAC27WEL1435		.PLACARD- PLACARD CONTENT: M2066,VTR 1	023027	1
6	BAC29PPS38884		.PLACARD- PLACARD CONTENT: VTR1	023027	1
7	BAC29PPS38885		.PLACARD- PLACARD CONTENT: VTR2	023027	1
8	BAC29PPS38886		.PLACARD- PLACARD CONTENT: VSCU	023027	1
10	BACS12FA3K11		.SCREW	001027	2
15	BACS12FA08K20		.SCREW	001011	4
15	BACS12FA08K22		.SCREW	012027	4
18	BACS12ER08K20		.SCREW	001011	4
18	BACS12ER08K22		.SCREW	012027	4
20	MS35190-223		.SCREW	001027	8
25	NAS1149D0332J		.WASHER- POSITION DATA: UNDER SEAL	001027	2
30	MS21042L3		.NUT- POSITION DATA: UNDER SEAL	001027	2

MISSING ITEM NUMBERS NOT APPLICABLE

- ITEM NOT ILLUSTRATED

HAP

23-32-01-10

BOEING PROPRIETARY - Copyright © - Unpublished Work - See title page for details.

23-32-01
FIG. 10
PAGE 1
OCT 10/06

BOEING
737-600/700/800/900
PARTS CATALOG (MAINTENANCE)

FIG ITEM	PART NUMBER	1 2 3 4 5 6 7	NOMENCLATURE	EFFECT FROM TO	UNITS PER ASSY
10 35	PLH504CD	.NUT	SUPPLIER CODE: VF0224 SPECIFICATION NUMBER: BACN10YR04CD OPTIONAL PART: H52732-04CD V15653	001027	8
40	69-73775-1	.SEAL		001027	2
45	743-0293-001	.REPRODUCER UNIT-VIDEO HI8	SUPPLIER CODE: V62204 FUNCTIONAL DESCRIPTION: PLAYS/REPRODUCES VIDEO PROGRAM FROM PRERECORDED VIDEO TAPES OR OTHER MEDIA ELECTRICAL EQUIP NUMBER: M02067 WIRING DIAGRAM REF: 233211 COMPONENT MAINT MANUAL REF: 23-32-69 QUALIFIED I/W DATA: 743-0304-001 IS INTERCHANGEABLE WITH 743-0293-001 EXCEPT OLDER TAPES CREATED FOR 743-0293-001 WILL NOT ALLOW USE OF THE RANDOM ACCESS FEATURE WHEN PLAYED ON 743-0304-001.	001013 015022	2

MISSING ITEM NUMBERS NOT APPLICABLE

— ITEM NOT ILLUSTRATED

HAP

23-32-01-10

BOEING PROPRIETARY - Copyright © - Unpublished Work - See title page for details.

23-32-01
FIG. 10
PAGE 2
FEB 15/09

BOEING
737-600/700/800/900
PARTS CATALOG (MAINTENANCE)

FIG ITEM	PART NUMBER	1 2 3 4 5 6 7	NOMENCLATURE	EFFECT FROM TO	UNITS PER ASSY
10 45	743-0293-001	.	REPRODUCER UNIT-VIDEO HI8 (CUSTOMER FURNISHED) SUPPLIER CODE: V62204 FUNCTIONAL DESCRIPTION: PLAYS/REPRODUCES VIDEO PROGRAM FROM PRERECORDED VIDEO TAPES OR OTHER MEDIA ELECTRICAL EQUIP NUMBER: M02067 WIRING DIAGRAM REF: 233211 COMPONENT MAINT MANUAL REF: 23-32-69 QUALIFIED I/W DATA: 743-0304-001 IS INTERCHANGEABLE WITH 743-0293-001 EXCEPT OLDER TAPES CREATED FOR 743-0293-001 WILL NOT ALLOW USE OF THE RANDOM ACCESS FEATURE WHEN PLAYED ON 743-0304-001.	014014	2
45	743-0304-001	.	REPRODUCER UNIT-VIDEO SUPPLIER CODE: V62204 FUNCTIONAL DESCRIPTION: PLAYS/REPRODUCES VIDEO PROGRAM FROM PRERECORDED VIDEO TAPES OR OTHER MEDIA. ELECTRICAL EQUIP NUMBER: M02066 M02067 WIRING DIAGRAM REF: 233211 COMPONENT MAINT MANUAL REF: 23-32-69 QUALIFIED I/W DATA: 743-0304-001 IS INTERCHANGEABLE WITH 743-0293-001 EXCEPT OLDER TAPES CREATED FOR 743-0293-001 WILL NOT ALLOW USE OF THE RANDOM ACCESS FEATURE WHEN PLAYED ON 743-0304-001.	023027	2

MISSING ITEM NUMBERS NOT APPLICABLE

— ITEM NOT ILLUSTRATED

HAP

23-32-01-10

BOEING PROPRIETARY - Copyright © - Unpublished Work - See title page for details.

23-32-01
FIG. 10
PAGE 3
FEB 15/08

BOEING
737-600/700/800/900
PARTS CATALOG (MAINTENANCE)

FIG ITEM	PART NUMBER	1 2 3 4 5 6 7	NOMENCLATURE	EFFECT FROM TO	UNITS PER ASSY
10					
50	617-6192-001		.TRAY ASSY-VRU SUPPLIER CODE: V3Y989	001013 015027	2
50	617-6192-001		.TRAY ASSY-VRU (CUSTOMER FURNISHED) SUPPLIER CODE: V3Y989	014014	2
- 500	286A3599-004		.WIRE BUNDLE ASSY-VIDEO CONTROL CENTER-GALLEY G7	003011	RF
- 500	286A3599-013		.WIRE BUNDLE ASSY-VIDEO CONTROL CENTER-GALLEY G7	012027	RF
- 500	286A3599-008		.WIRE BUNDLE ASSY-VIDEO CONTROL CENTER-GALLEY G7	001002	RF
505	BCREF11584		..PLUG- SUPPLIER CODE: V71468 OVERLENGTH PART NUMBER: DPXBMA32W4-33S0005 ELECTRICAL EQUIP NUMBER: D10659 D10661 WIRING DIAGRAM REF: 233211	001027	2
- 510	249-1983-000		..CONTACT-COAX SUPPLIER CODE: V71468 ELECTRICAL EQUIP NUMBER: D10659T D10661T WIRING DIAGRAM REF: 233211	001027	2

MISSING ITEM NUMBERS NOT APPLICABLE

- ITEM NOT ILLUSTRATED

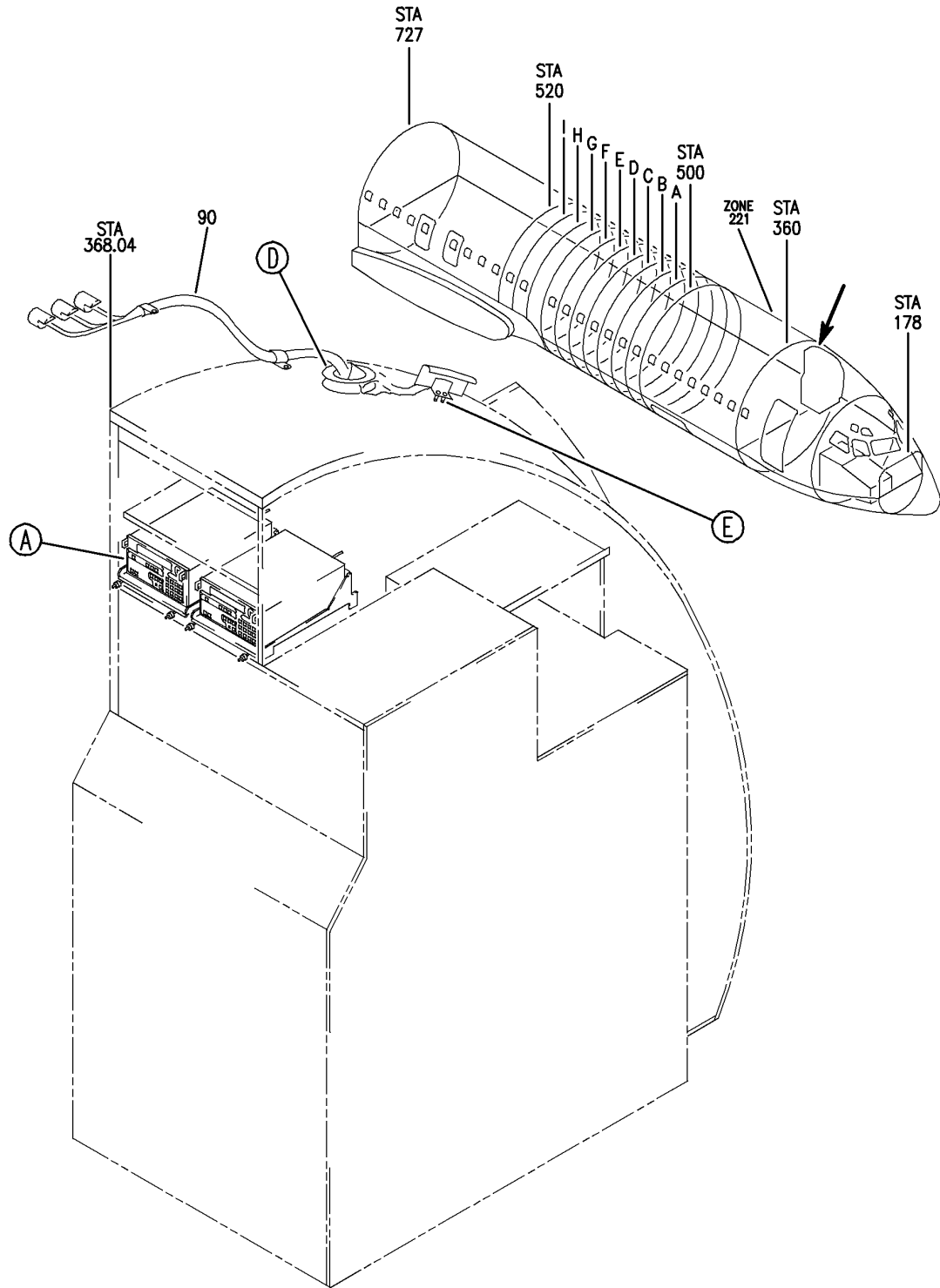
HAP

23-32-01-10

BOEING PROPRIETARY - Copyright © - Unpublished Work - See title page for details.

23-32-01
FIG. 10
PAGE 4
OCT 10/06

BOEING
 737-600/700/800/900
 PARTS CATALOG (MAINTENANCE)



E 23320165 SHT 1 REV 063

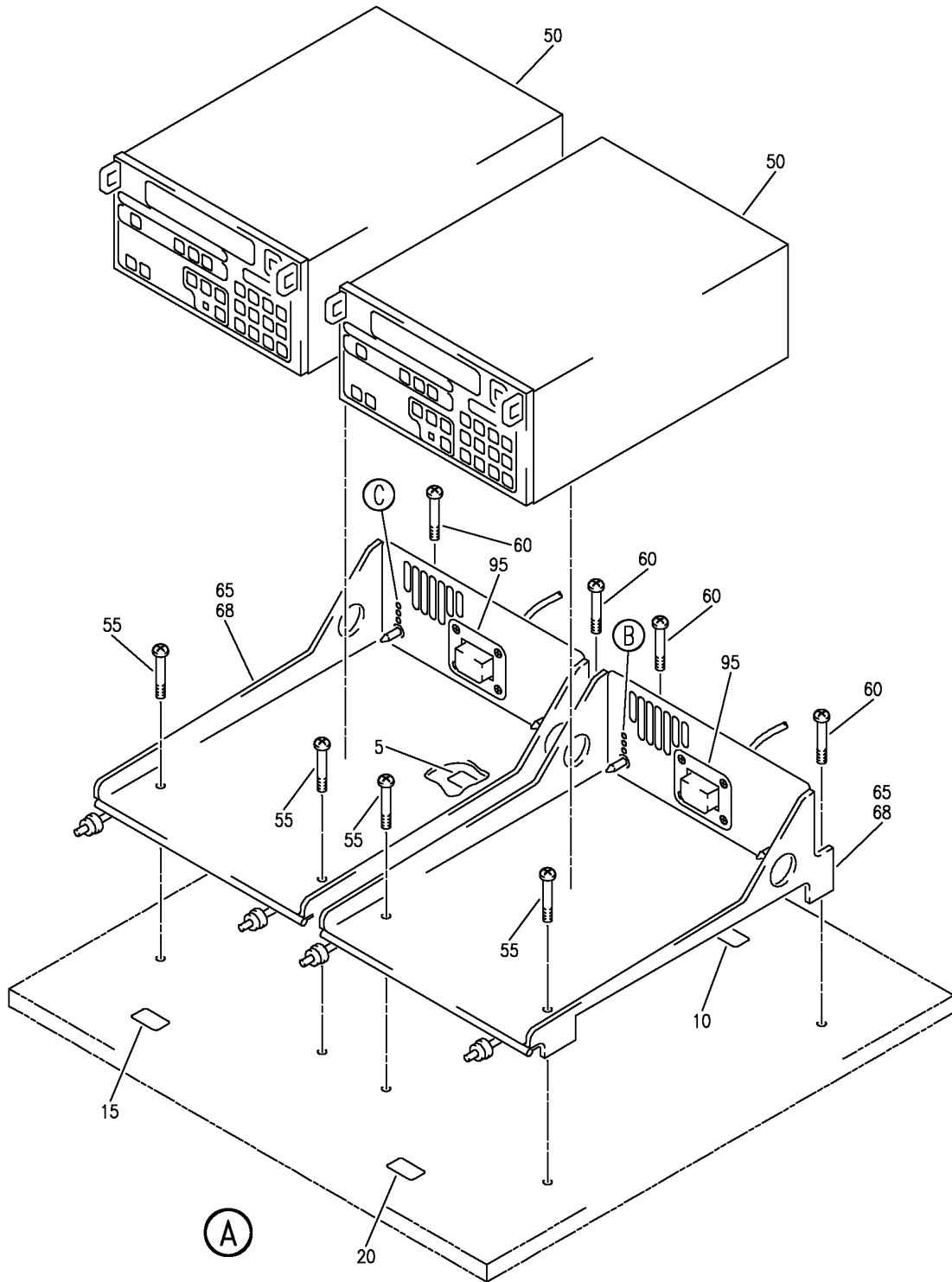
EQUIPMENT INSTL-VIDEO (VIDEO TAPE REPRODUCER ONLY)
 FIGURE 65 (SHEET 1)

23-32-01-65

HAP
 OCT 10/06

23-32-01-65
 PAGE 0

BOEING
 737-600/700/800/900
 PARTS CATALOG (MAINTENANCE)



E 23320165 SHT 2 REV 082

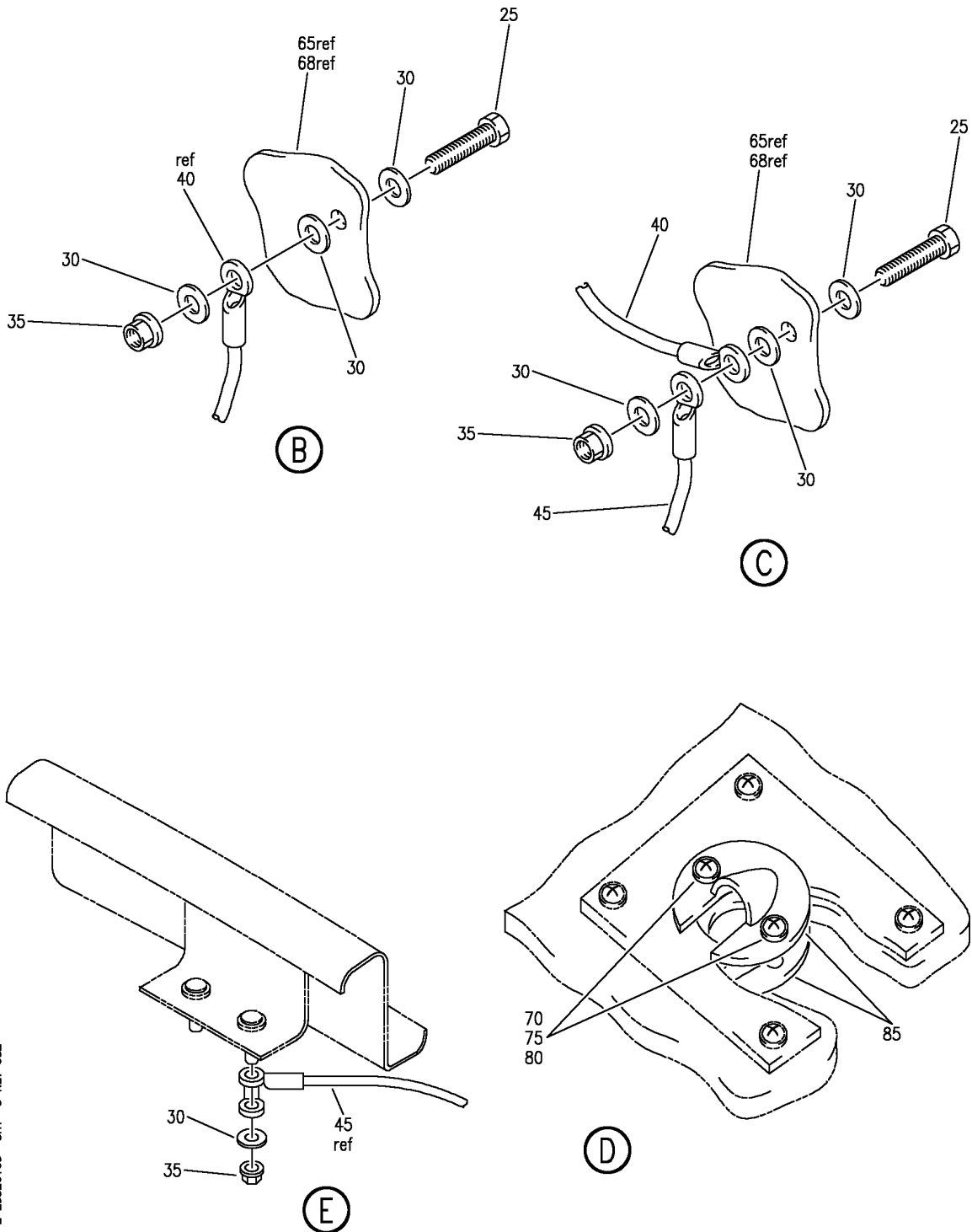
EQUIPMENT INSTL-VIDEO (VIDEO TAPE REPRODUCER ONLY)
 FIGURE 65 (SHEET 2)

23-32-01-65

HAP
 OCT 10/06

23-32-01-65
 PAGE 0A

BOEING
 737-600/700/800/900
 PARTS CATALOG (MAINTENANCE)



E 23320165 SHT 3 REV 082

EQUIPMENT INSTL-VIDEO (VIDEO TAPE REPRODUCER ONLY)
 FIGURE 65 (SHEET 3)

23-32-01-65

HAP
 OCT 10/06

23-32-01-65
 PAGE 0B

BOEING
737-600/700/800/900
PARTS CATALOG (MAINTENANCE)

FIG ITEM	PART NUMBER	1 2 3 4 5 6 7	NOMENCLATURE	EFFECT FROM TO	UNITS PER ASSY
65			EQUIPMENT INSTL-VIDEO (VIDEO TAPE REPRODUCER ONLY)	028030	
- 1	417A7360-147		EQUIPMENT INSTL-VIDEO (VIDEO TAPE REPRODUCER ONLY) FOR NHA/ADDITIONAL DET SEE: 23-32-00-01B	028030	RF
5	BAC27WEL1435		.PLACARD- PLACARD CONTENT: M2066 VTR 1	028030	1
10	BAC27WEL1436		.PLACARD- PLACARD CONTENT: M2067 VTR 2	028030	1
15	BAC29PPS38884		.PLACARD- PLACARD CONTENT: VTR 1	028030	1
20	BAC29PPS38885		.PLACARD- PLACARD CONTENT: VTR 2	028030	1
25	BACS12GU3K10		.SCREW	028030	2
30	NAS1149D0316H		.WASHER	028030	7
35	PLH53CD		.NUT SUPPLIER CODE: VF0224 SPECIFICATION NUMBER: BACN10YR3CD OPTIONAL PART: H52732-3CD V15653	028030	3
40	1002BB26		.JUMPER- SUPPLIER CODE: V1FF12 SPECIFICATION NUMBER: BACJ40A20-26	028030	1
45	1022BB51		.JUMPER- SUPPLIER CODE: V1FF12 SPECIFICATION NUMBER: BACJ40A20-51	028030	1

MISSING ITEM NUMBERS NOT APPLICABLE

- ITEM NOT ILLUSTRATED

HAP

23-32-01-65

BOEING PROPRIETARY - Copyright © - Unpublished Work - See title page for details.

23-32-01
FIG. 65
PAGE 1
FEB 15/09

BOEING
737-600/700/800/900
PARTS CATALOG (MAINTENANCE)

FIG ITEM	PART NUMBER	1 2 3 4 5 6 7	NOMENCLATURE	EFFECT FROM TO	UNITS PER ASSY
65 50	743-0304-001		.REPRODUCER UNIT-VIDEO SUPPLIER CODE: V62204 FUNCTIONAL DESCRIPTION: PLAYS/REPRODUCES VIDEO PROGRAM FROM PRERECORDED VIDEO TAPES OR OTHER MEDIA. ELECTRICAL EQUIP NUMBER: M02066 M02067 COMPONENT MAINT MANUAL REF: 23-32-69 QUALIFIED I/W DATA: 743-0304-001 IS INTERCHANGEABLE WITH 743-0293-001 EXCEPT OLDER TAPES CREATED FOR 743-0293-001 WILL NOT ALLOW USE OF THE RANDOM ACCESS FEATURE WHEN PLAYED ON 743-0304-001.	028030	2
55	BACS12ER08K22		.SCREW	028030	4
60	BACS12FA08K22		.SCREW	028030	4
65	617-6192-001		.TRAY ASSY- SUPPLIER CODE: V3Y989	028030	2
70	BACS12FA3K11		.SCREW	028030	2
75	NAS1149D0332J		.WASHER	028030	2
80	PLH53CD		.NUT SUPPLIER CODE: VF0224 SPECIFICATION NUMBER: BACN10YR3CD OPTIONAL PART: H52732-3CD V15653	028030	2
85	69-73775-1		.SEAL	028030	2
90	286A3599-013		.WIRE BUNDLE ASSY-VIDEO	028030	1
95	BCREF11584		..PLUG- SUPPLIER CODE: V71468 OVERLENGTH PART NUMBER: DPXBMA32W4-33S0005 ELECTRICAL EQUIP NUMBER: D10659 D10661 WIRING DIAGRAM REF: 233211	028030	2

MISSING ITEM NUMBERS NOT APPLICABLE

— ITEM NOT ILLUSTRATED

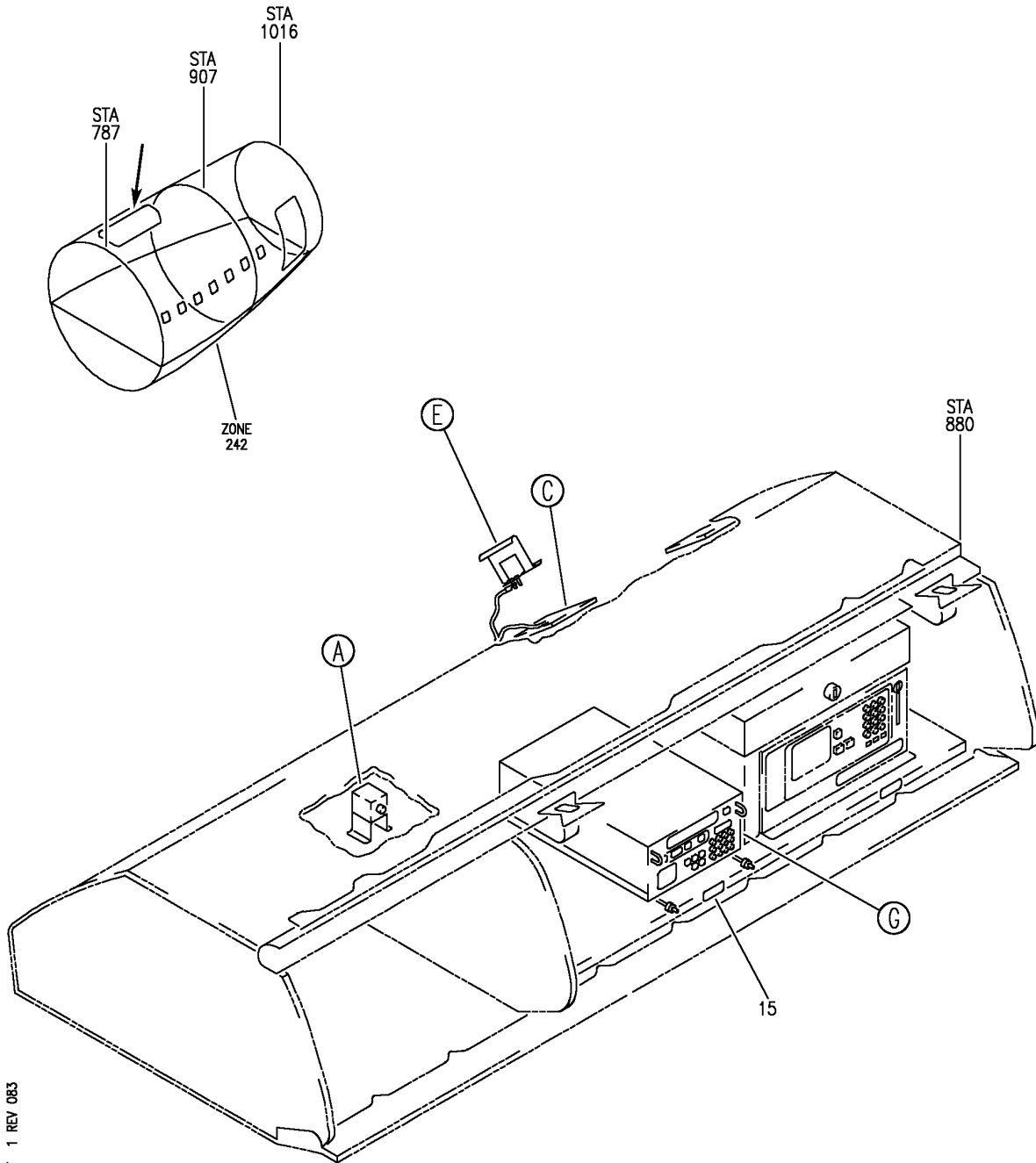
HAP

23-32-01-65

BOEING PROPRIETARY - Copyright © - Unpublished Work - See title page for details.

23-32-01
FIG. 65
PAGE 2
FEB 15/09

BOEING
737-600/700/800/900
PARTS CATALOG (MAINTENANCE)



E 23320175 SHT 1 REV 083

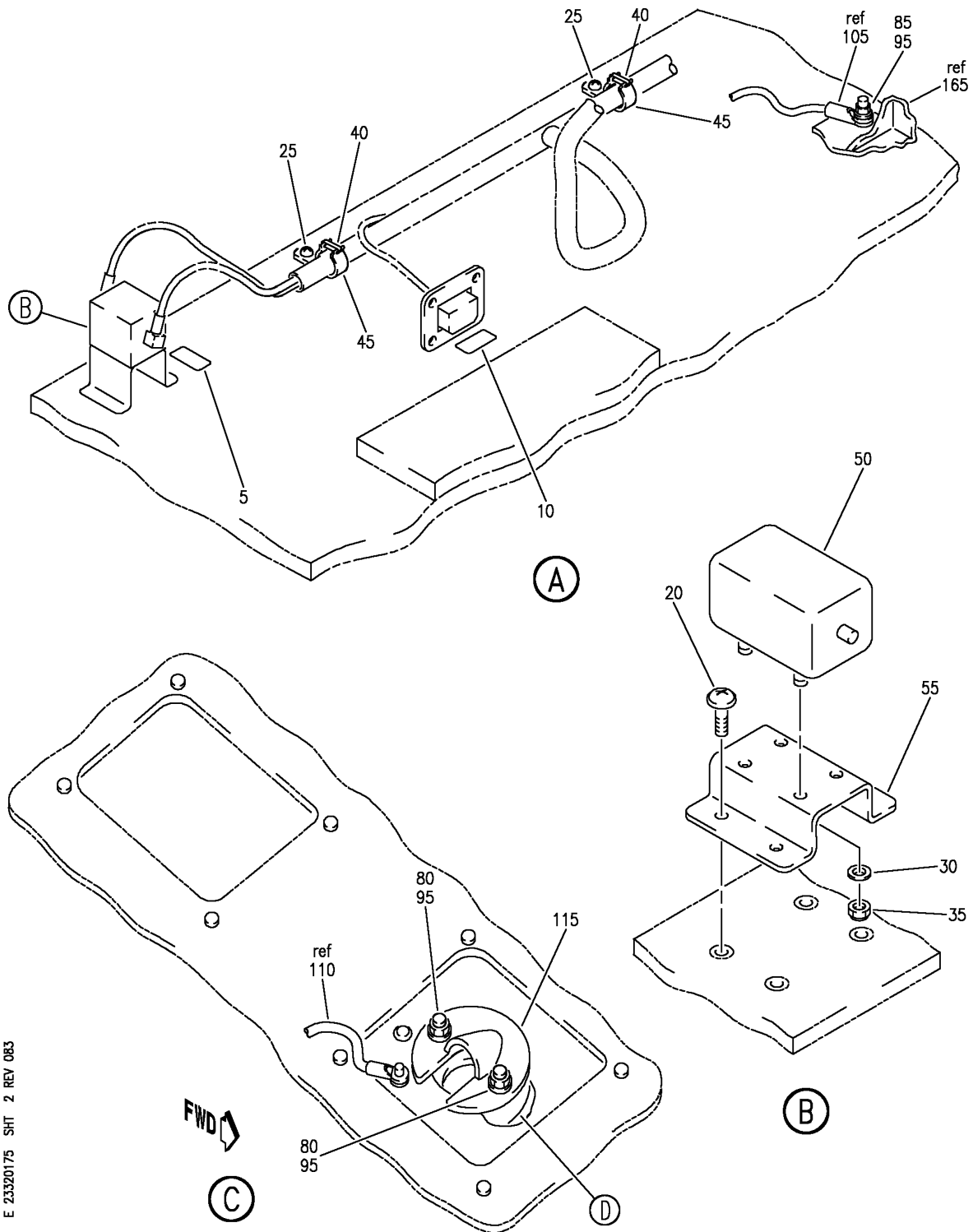
EQUIPMENT INSTL-VIDEO (VIDEO TAPE REPRODUCER ONLY)
FIGURE 75 (SHEET 1)

23-32-01-75

HAP
OCT 10/06

23-32-01-75
PAGE 0

BOEING
 737-600/700/800/900
 PARTS CATALOG (MAINTENANCE)



E 23320175 SHT 2 REV 083

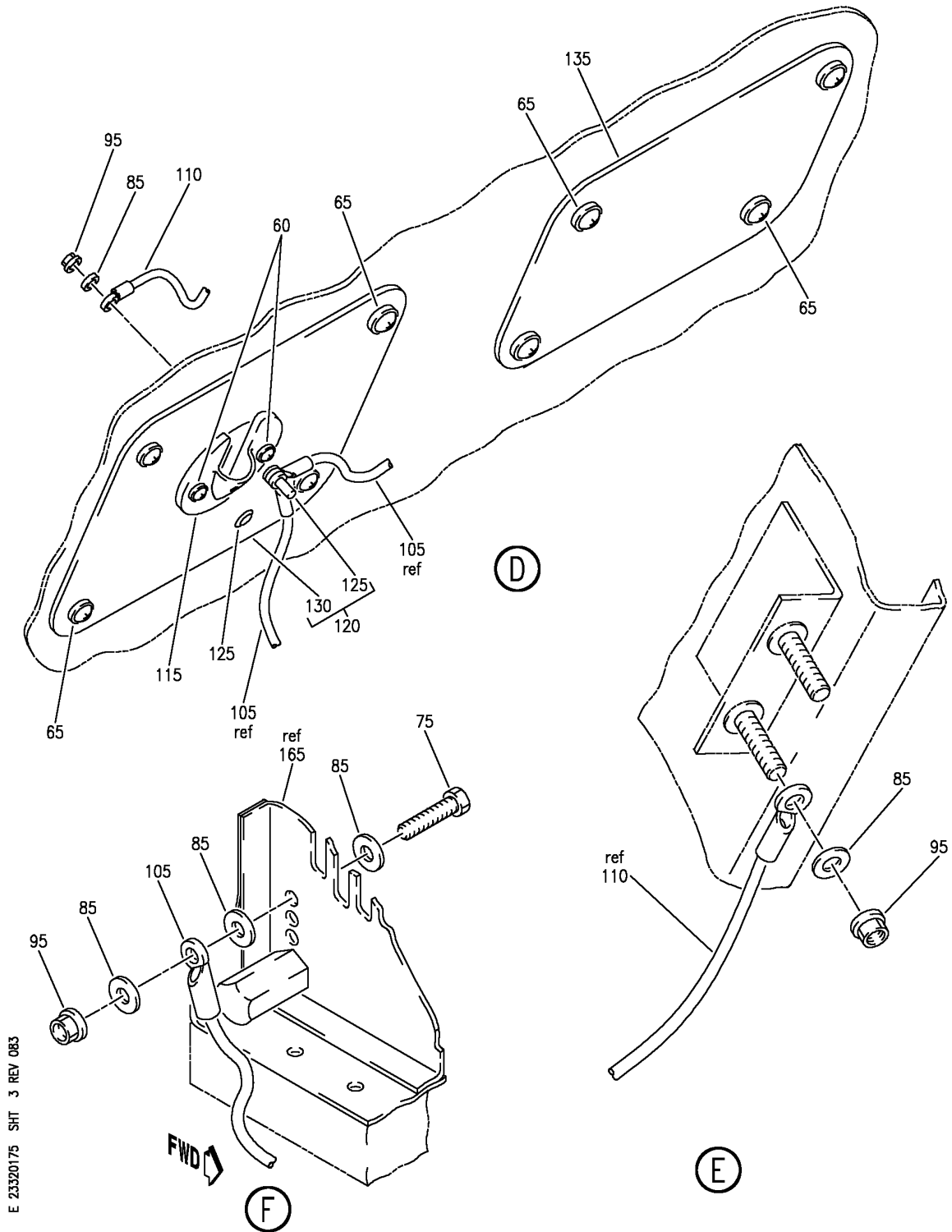
EQUIPMENT INSTL-VIDEO (VIDEO TAPE REPRODUCER ONLY)
 FIGURE 75 (SHEET 2)

23-32-01-75

HAP
 OCT 10/06

23-32-01-75
 PAGE 0A

BOEING
737-600/700/800/900
PARTS CATALOG (MAINTENANCE)



E 23320175 SHT 3 REV 083

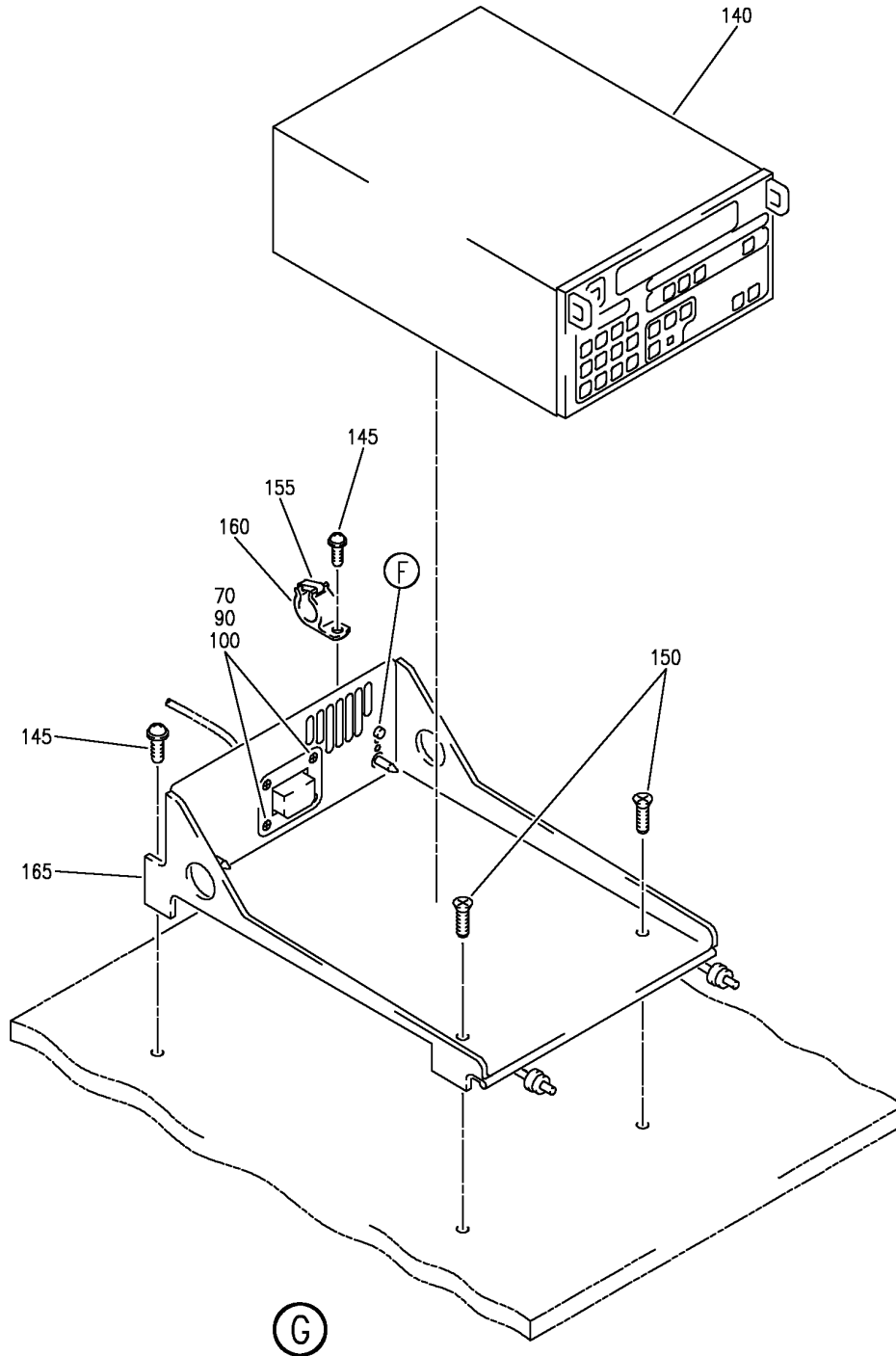
EQUIPMENT INSTL-VIDEO (VIDEO TAPE REPRODUCER ONLY)
 FIGURE 75 (SHEET 3)

23-32-01-75

HAP
 OCT 10/06

23-32-01-75
 PAGE 0B

BOEING
737-600/700/800/900
PARTS CATALOG (MAINTENANCE)



E 23320175 SH1 4 REV 083

EQUIPMENT INSTL-VIDEO (VIDEO TAPE REPRODUCER ONLY)
FIGURE 75 (SHEET 4)

23-32-01-75

HAP
OCT 10/06

23-32-01-75
PAGE 0C

BOEING
737-600/700/800/900
PARTS CATALOG (MAINTENANCE)

FIG ITEM	PART NUMBER	1 2 3 4 5 6 7	NOMENCLATURE	EFFECT FROM TO	UNITS PER ASSY
75			EQUIPMENT INSTL-VIDEO (VIDEO TAPE REPRODUCER ONLY)	031200 968999	
- 1	MODREF274777		EQUIPMENT INSTL-VIDEO (VIDEO TAPE REPRODUCER ONLY) MODULE NUMBER: 417A7360-223B REV A POSITION DATA: STA 820 TO STA 880 AFT RH FOR ADDITIONAL DETAILS SEE: 23-32-02-75	031037 039040	1
- 1	MODREF312202		EQUIPMENT INSTL-VIDEO (VIDEO TAPE REPRODUCER ONLY) MODULE NUMBER: 417A7360-243B REV A POSITION DATA: STA 820 TO STA 880 AFT RH FOR ADDITIONAL DETAILS SEE: 23-32-02-75	038038	1
- 1	MODREF316898		EQUIPMENT INSTL-VIDEO (VIDEO TAPE REPRODUCER ONLY) MODULE NUMBER: 417A7360-243B REV B POSITION DATA: STA 820 TO STA 880 AFT RH FOR ADDITIONAL DETAILS SEE: 23-32-02-75	042043 101101 968969	1
- 1	MODREF329356		EQUIPMENT INSTL-VIDEO (VIDEO TAPE REPRODUCER ONLY) MODULE NUMBER: 417A7360-243B REV C POSITION DATA: STA 820 TO STA 880 AFT RH FOR ADDITIONAL DETAILS SEE: 23-32-02-75	970971	1

MISSING ITEM NUMBERS NOT APPLICABLE

- ITEM NOT ILLUSTRATED

HAP

23-32-01-75

BOEING PROPRIETARY - Copyright © - Unpublished Work - See title page for details.

23-32-01
FIG. 75
PAGE 1
OCT 15/08

BOEING
737-600/700/800/900
PARTS CATALOG (MAINTENANCE)

FIG ITEM	PART NUMBER	1 2 3 4 5 6 7	NOMENCLATURE	EFFECT FROM TO	UNITS PER ASSY
75 -	1 MODREF338825		EQUIPMENT INSTL-VIDEO (VIDEO TAPE REPRODUCER ONLY) MODULE NUMBER: 417A7360-243B REV D POSITION DATA: STA 820 TO STA 880 AFT RH FOR ADDITIONAL DETAILS SEE: 23-32-02-75	041041 054100	1
-	1 MODREF347758		EQUIPMENT INSTL-VIDEO (VIDEO TAPE REPRODUCER ONLY) MODULE NUMBER: 417A7360-243B REV E POSITION DATA: STA 820 TO STA 880 AFT RH FOR ADDITIONAL DETAILS SEE: 23-32-02-75	044046 102103	1
-	1 MODREF354003		EQUIPMENT INSTL-VIDEO (VIDEO TAPE REPRODUCER ONLY) MODULE NUMBER: 417A7360-243B REV F POSITION DATA: STA 820 TO STA 880 AFT RH FOR ADDITIONAL DETAILS SEE: 23-32-02-75	047047 104106 972999	1
-	1 MODREF388916		EQUIPMENT INSTL-VIDEO (VIDEO TAPE REPRODUCER ONLY) MODULE NUMBER: 417A7360-243B REV G POSITION DATA: STA 820 TO STA 880 AFT RH FOR ADDITIONAL DETAILS SEE: 23-32-02-75	048053 107200	1
	5 BAC27WEL1517		.PLACARD- PLACARD CONTENT: T3009 XFMR 1	031200 968999	1
	10 BAC27WEL1435		.PLACARD- PLACARD CONTENT: M2066 VTR 1	031200 968999	1
	15 BAC29PPS38884		.PLACARD- PLACARD CONTENT: VTR 1	031200 968999	1

MISSING ITEM NUMBERS NOT APPLICABLE

- ITEM NOT ILLUSTRATED

HAP

23-32-01-75

BOEING PROPRIETARY - Copyright © - Unpublished Work - See title page for details.

23-32-01
FIG. 75
PAGE 2
FEB 15/09

BOEING
737-600/700/800/900
PARTS CATALOG (MAINTENANCE)

FIG ITEM	PART NUMBER	1 2 3 4 5 6 7	NOMENCLATURE	EFFECT FROM TO	UNITS PER ASSY
75					
20	BACS12FA3K5	.	SCREW	031200 968999	4
25	BACS12FA3K6	.	SCREW	031200 968999	2
30	NAS1149DN816J	.	WASHER	031200 968999	4
35	BRH10C06D	.	NUT SUPPLIER CODE: V52828 SPECIFICATION NUMBER: BACN10JC06CD OPTIONAL PART: T6C632JCD V11815 NS202486-62 V80539 102LH9075-62W V72962 H51650-06BAC V15653	031200 968999	4
40	T05R0	.	STRAP SUPPLIER CODE: V53421 SPECIFICATION NUMBER: BACS38K1 OPTIONAL PART: PLT2SM V06383	031200 968999	2
45	287T0011-3	.	CLAMP	031200 968999	2
50	0017CC	.	TRANSFORMER- SUPPLIER CODE: V98821 ELECTRICAL EQUIP NUMBER: T03009 OPTIONAL PART: 159007 V70093	031200 968999	1
50	159007	.	TRANSFORMER- SUPPLIER CODE: V70093 ELECTRICAL EQUIP NUMBER: T03009 OPTIONAL PART: 0017CC V98821	031200 968999	1
55	417A7363-80B	.	BRACKET-SPRT	031200 968999	1

MISSING ITEM NUMBERS NOT APPLICABLE

— ITEM NOT ILLUSTRATED

HAP

23-32-01-75

BOEING PROPRIETARY - Copyright © - Unpublished Work - See title page for details.

23-32-01
FIG. 75
PAGE 3
OCT 15/08

BOEING
737-600/700/800/900
PARTS CATALOG (MAINTENANCE)

FIG ITEM	PART NUMBER	1 2 3 4 5 6 7	NOMENCLATURE	EFFECT FROM TO	UNITS PER ASSY
75					
60	BACS12FA3K9	.	SCREW	031200 968999	2
65	BACS12FA3K4	.	SCREW	031200 968999	8
70	MS35190-224	.	SCREW	031200 968999	4
75	BACS12GU3K7	.	SCREW	031200 968999	1
80	NAS1149D0332J	.	WASHER	031200 968999	2
85	NAS1149D0316H	.	WASHER	031200 968999	6
90	NAS1149DN416J	.	WASHER	031200 968999	4
95	PLH53CD	.	NUT SUPPLIER CODE: VF0224 SPECIFICATION NUMBER: BACN10YR3CD OPTIONAL PART: H52732-3CD V15653	031200 968999	6
100	PLH504CD	.	NUT SUPPLIER CODE: VF0224 SPECIFICATION NUMBER: BACN10YRO4CD OPTIONAL PART: H52732-04CD V15653	031200 968999	4
105	1002BB26	.	JUMPER SUPPLIER CODE: V1FF12 SPECIFICATION NUMBER: BACJ40A20-26	031200 968999	1
110	1002BB36	.	JUMPER SUPPLIER CODE: V1FF12 SPECIFICATION NUMBER: BACJ40A20-36	031200 968999	1
115	69-73775-1	.	SEAL	031200 968999	2
120	417A7363-39B	.	BRACKET ASSY	031200 968999	1

MISSING ITEM NUMBERS NOT APPLICABLE

— ITEM NOT ILLUSTRATED

HAP

23-32-01-75

BOEING PROPRIETARY - Copyright © - Unpublished Work - See title page for details.

23-32-01
FIG. 75
PAGE 4
FEB 15/09

BOEING
737-600/700/800/900
PARTS CATALOG (MAINTENANCE)

FIG ITEM	PART NUMBER	1 2 3 4 5 6 7	NOMENCLATURE	EFFECT FROM TO	UNITS PER ASSY
75 125	VNS1924CA1-8	..	STUD-GND SUPPLIER CODE: V5M902 SPECIFICATION NUMBER: BACS53B1EA1 OPTIONAL PART: VNS1924CA3-1-8 V92215	031200 968999	2
130	417A7363-38B	..	BRACKET ASSY	031200 968999	1
135	417A7363-17B	.	BRACKET	031200 968999	1
140	743-0304-001	.	REPRODUCER UNIT-VIDEO SUPPLIER CODE: V62204 FUNCTIONAL DESCRIPTION: PLAYS/REPRODUCES VIDEO PROGRAM FROM PRERECORDED VIDEO TAPES OR OTHER MEDIA. ELECTRICAL EQUIP NUMBER: M02066 COMPONENT MAINT MANUAL REF: 23-32-69 QUALIFIED I/W DATA: 743-0304-001 IS INTERCHANGEABLE WITH 743-0293-001 EXCEPT OLDER TAPES CREATED FOR 743-0293-001 WILL NOT ALLOW USE OF THE RANDOM ACCESS FEATURE WHEN PLAYED ON 743-0304-001.	031200 968999	1
145	BACS12FA3K19	.	SCREW	031200 968999	2
150	BACS12ER3K19	.	SCREW	031200 968999	2
155	T05R0	.	STRAP SUPPLIER CODE: V53421 SPECIFICATION NUMBER: BACS38K1 OPTIONAL PART: PLT2SM V06383	031200 968999	1
160	287T0011-1	.	CLAMP	031200 968999	1

MISSING ITEM NUMBERS NOT APPLICABLE

— ITEM NOT ILLUSTRATED

HAP

23-32-01-75

BOEING PROPRIETARY - Copyright © - Unpublished Work - See title page for details.

23-32-01
FIG. 75
PAGE 5
OCT 15/08

BOEING
737-600/700/800/900
PARTS CATALOG (MAINTENANCE)

FIG ITEM	PART NUMBER	1 2 3 4 5 6 7	NOMENCLATURE	EFFECT FROM TO	UNITS PER ASSY
75 165	617-6192-001		.TRAY ASSY-VRU (CUSTOMER FURNISHED) SUPPLIER CODE: V3Y989	031200 968999	1
- 300	286A3573-212		.WIRE BUNDLE ASSY- ELECTRICAL EQUIP NUMBER: D10659	031036	1
- 300	286A3573-217		.WIRE BUNDLE ASSY- ELECTRICAL EQUIP NUMBER: D10659	038038 042045	1
- 300	286A3573-116		.WIRE BUNDLE ASSY- ELECTRICAL EQUIP NUMBER: D10659	037037 039040	1
- 300	286A3573-117		.WIRE BUNDLE ASSY- ELECTRICAL EQUIP NUMBER: D10659	968969	1
- 300	286A3573-120		.WIRE BUNDLE ASSY- ELECTRICAL EQUIP NUMBER: D10659	101103 970971	1
- 300	286A3573-121		.WIRE BUNDLE ASSY- ELECTRICAL EQUIP NUMBER: D10659	041041 054100	1
- 300	286A3573-133		.WIRE BUNDLE ASSY- ELECTRICAL EQUIP NUMBER: D10659	046046 051053	1
- 300	286A3573-135		.WIRE BUNDLE ASSY- ELECTRICAL EQUIP NUMBER: D10659	104200 972999	1
- 300	286A3573-138		.WIRE BUNDLE ASSY- ELECTRICAL EQUIP NUMBER: D10659	047050	1
- 315	756-16-9		..PLUG- SUPPLIER CODE: VS5065 ELECTRICAL EQUIP NUMBER: D11369 D11371 WIRING DIAGRAM REF: 233213	031200 968999	2

MISSING ITEM NUMBERS NOT APPLICABLE

- ITEM NOT ILLUSTRATED

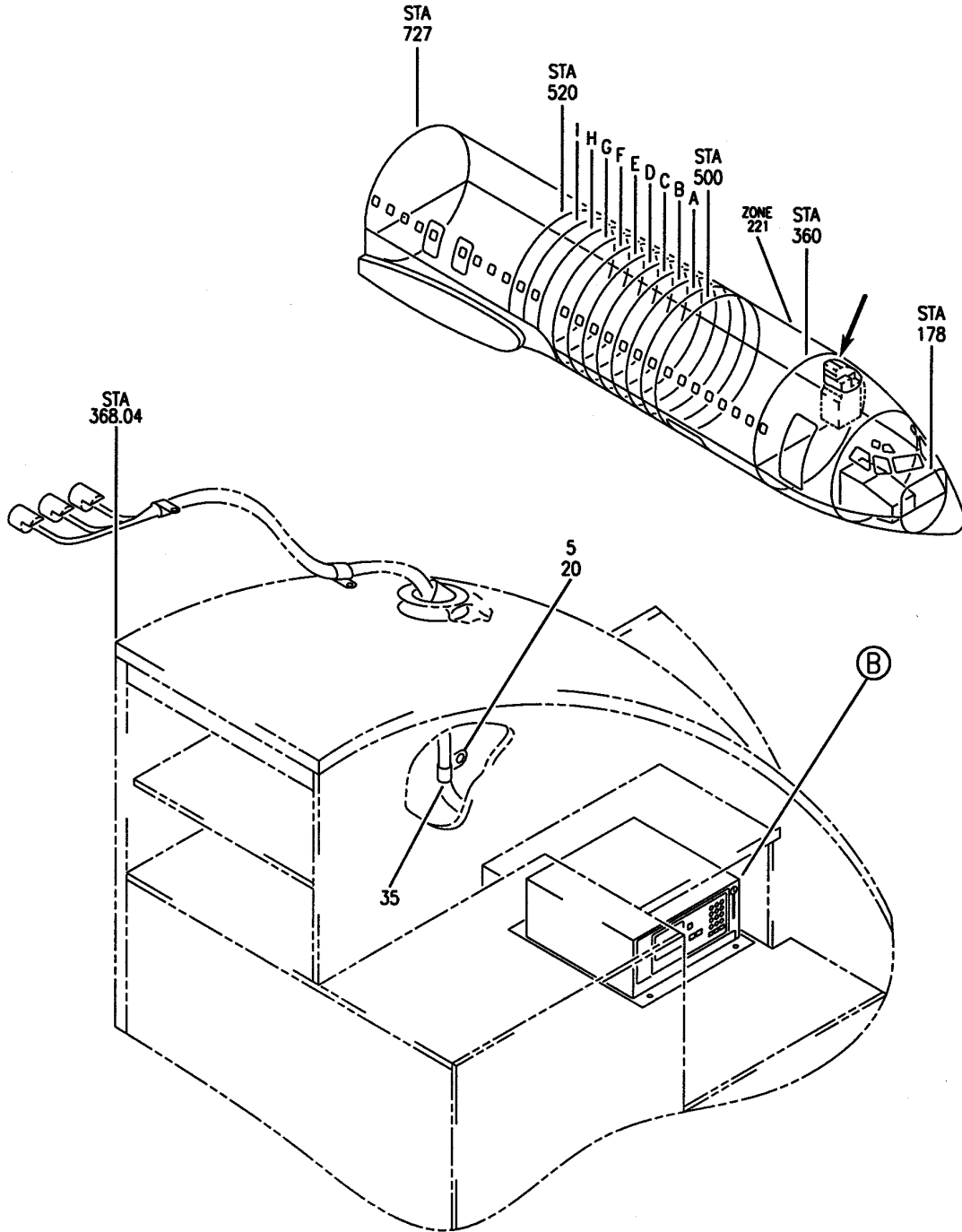
HAP

23-32-01-75

BOEING PROPRIETARY - Copyright © - Unpublished Work - See title page for details.

23-32-01
FIG. 75
PAGE 6
FEB 15/09

BOEING
 737-600/700/800/900
 PARTS CATALOG (MAINTENANCE)



E 23320210 SHT 1 REV 035

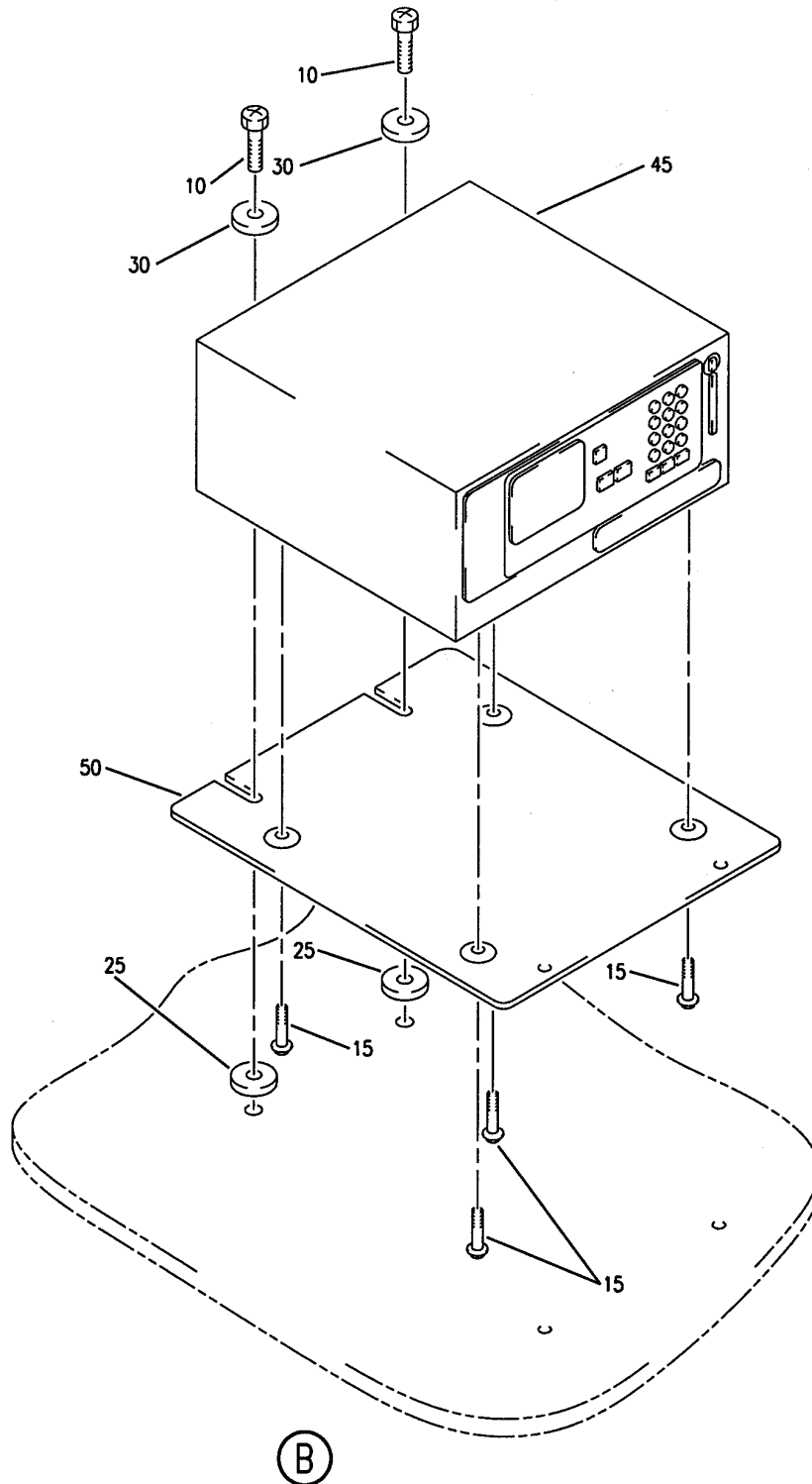
EQUIPMENT INSTL-VIDEO (SYSTEM CONTROL UNIT ONLY) 737-800
 FIGURE 10 (SHEET 1)

23-32-02-10

HAP
 OCT 10/06

23-32-02-10
 PAGE 0

BOEING
737-600/700/800/900
PARTS CATALOG (MAINTENANCE)



E 23320210 SHT 2 REV 035

EQUIPMENT INSTL-VIDEO (SYSTEM CONTROL UNIT ONLY) 737-800
FIGURE 10 (SHEET 2)

23-32-02-10

HAP
OCT 10/06

23-32-02-10
PAGE 0A

BOEING
737-600/700/800/900
PARTS CATALOG (MAINTENANCE)

FIG ITEM	PART NUMBER	1 2 3 4 5 6 7	NOMENCLATURE	EFFECT FROM TO	UNITS PER ASSY
10			EQUIPMENT INSTL-VIDEO (SYSTEM CONTROL UNIT ONLY) 737-800	001027	
- 1	417A7360-2		EQUIPMENT INSTL-VIDEO (SYSTEM CONTROL UNIT ONLY) FOR NHA/ADDITIONAL DET SEE: 23-32-00-01B	001011	RF
- 1	417A7360-42		EQUIPMENT INSTL-VIDEO (SYSTEM CONTROL UNIT ONLY) FOR NHA/ADDITIONAL DET SEE: 23-32-00-01B	012022	RF
- 1	417A7360-105		EQUIPMENT INSTL-VIDEO (SYSTEM CONTROL UNIT ONLY) FOR NHA/ADDITIONAL DET SEE: 23-32-00-01B	023027	RF
5	BACS12FA3K34	.SCREW		001027	1
10	BACS12GU08K7	.SCREW		001027	2
15	BACS12FA3K7	.SCREW		001027	4
20	NAS42DD6-104FC	.SPACER		001027	1
25	624-1069-001	.SPACER-		001013	2
		SUPPLIER CODE:		015027	
		V3Y989			
25	624-1069-001	.SPACER-		014014	2
		(CUSTOMER FURNISHED)			
		SUPPLIER CODE:			
		V3Y989			
30	AN970-3	.WASHER		001027	2
35	BACC10DK12	.CLAMP		001027	1

MISSING ITEM NUMBERS NOT APPLICABLE

- ITEM NOT ILLUSTRATED

HAP

23-32-02-10

BOEING PROPRIETARY - Copyright © - Unpublished Work - See title page for details.

23-32-02
FIG. 10
PAGE 1
OCT 15/08

BOEING
737-600/700/800/900
PARTS CATALOG (MAINTENANCE)

FIG ITEM	PART NUMBER	1 2 3 4 5 6 7	NOMENCLATURE	EFFECT FROM TO	UNITS PER ASSY
10 45	743-0315-002		.CONTROL UNIT-SYSTEM PROGRAMMABLE SUPPLIER CODE: V62204 FUNCTIONAL DESCRIPTION: AUTOMATICALLY OPERATES VIDEO AND AUDIO SYSTEM FUNCTIONS ACCORDING TO SELECTED PROGRAM MODE ELECTRICAL EQUIP NUMBER: M02065 WIRING DIAGRAM REF: 233213 233212 233211 COMPONENT MAINT MANUAL REF: 23-33-14 MAINTENANCE MANUAL REF: 23-32-02	001013 015027	1
45	743-0315-002		.CONTROL UNIT-SYSTEM PROGRAMMABLE (CUSTOMER FURNISHED) SUPPLIER CODE: V62204 FUNCTIONAL DESCRIPTION: AUTOMATICALLY OPERATES VIDEO AND AUDIO SYSTEM FUNCTIONS ACCORDING TO SELECTED PROGRAM MODE ELECTRICAL EQUIP NUMBER: M02065 WIRING DIAGRAM REF: 233213 233212 233211 COMPONENT MAINT MANUAL REF: 23-33-14 MAINTENANCE MANUAL REF: 23-32-02	014014	1
50	617-6250-005		.ADAPTER-PLATE PSCU SUPPLIER CODE: V3Y989	001013 015027	1
50	617-6250-005		.ADAPTER-PLATE PSCU (CUSTOMER FURNISHED) SUPPLIER CODE: V3Y989	014014	1

MISSING ITEM NUMBERS NOT APPLICABLE

— ITEM NOT ILLUSTRATED

HAP

23-32-02-10

BOEING PROPRIETARY - Copyright © - Unpublished Work - See title page for details.

23-32-02
FIG. 10
PAGE 2
OCT 15/08

BOEING
737-600/700/800/900
PARTS CATALOG (MAINTENANCE)

FIG ITEM	PART NUMBER	1 2 3 4 5 6 7	NOMENCLATURE	EFFECT FROM TO	UNITS PER ASSY
10					
- 500	286A3599-004		.WIRE BUNDLE ASSY-VIDEO CONTROL CENTER-GALLEY G7	003011	RF
- 500	286A3599-013		.WIRE BUNDLE ASSY-VIDEO CONTROL CENTER-GALLEY G7	012027	RF
- 500	286A3599-008		.WIRE BUNDLE ASSY-VIDEO CONTROL CENTER-GALLEY G7	001002	RF
- 505	280U0013-101		..CONNECTOR-PLUG ELECTRICAL EQUIP NUMBER: D10667 WIRING DIAGRAM REF: 233213	001027	1
- 510	BACC45FT22-55S		..CONNECTOR- ELECTRICAL EQUIP NUMBER: D10669 WIRING DIAGRAM REF: 233212	001027	1
- 515	BACC45FT22-55S6		..CONNECTOR- ELECTRICAL EQUIP NUMBER: D10671 WIRING DIAGRAM REF: 233213	001027	1
- 520	BACC45FT22-55S7		.CONNECTOR- ELECTRICAL EQUIP NUMBER: D10673 WIRING DIAGRAM REF: 233211	001027	1
- 525	BACC45FT22-55S8		..CONNECTOR- ELECTRICAL EQUIP NUMBER: D10675 WIRING DIAGRAM REF: 233212	001027	1

MISSING ITEM NUMBERS NOT APPLICABLE

- ITEM NOT ILLUSTRATED

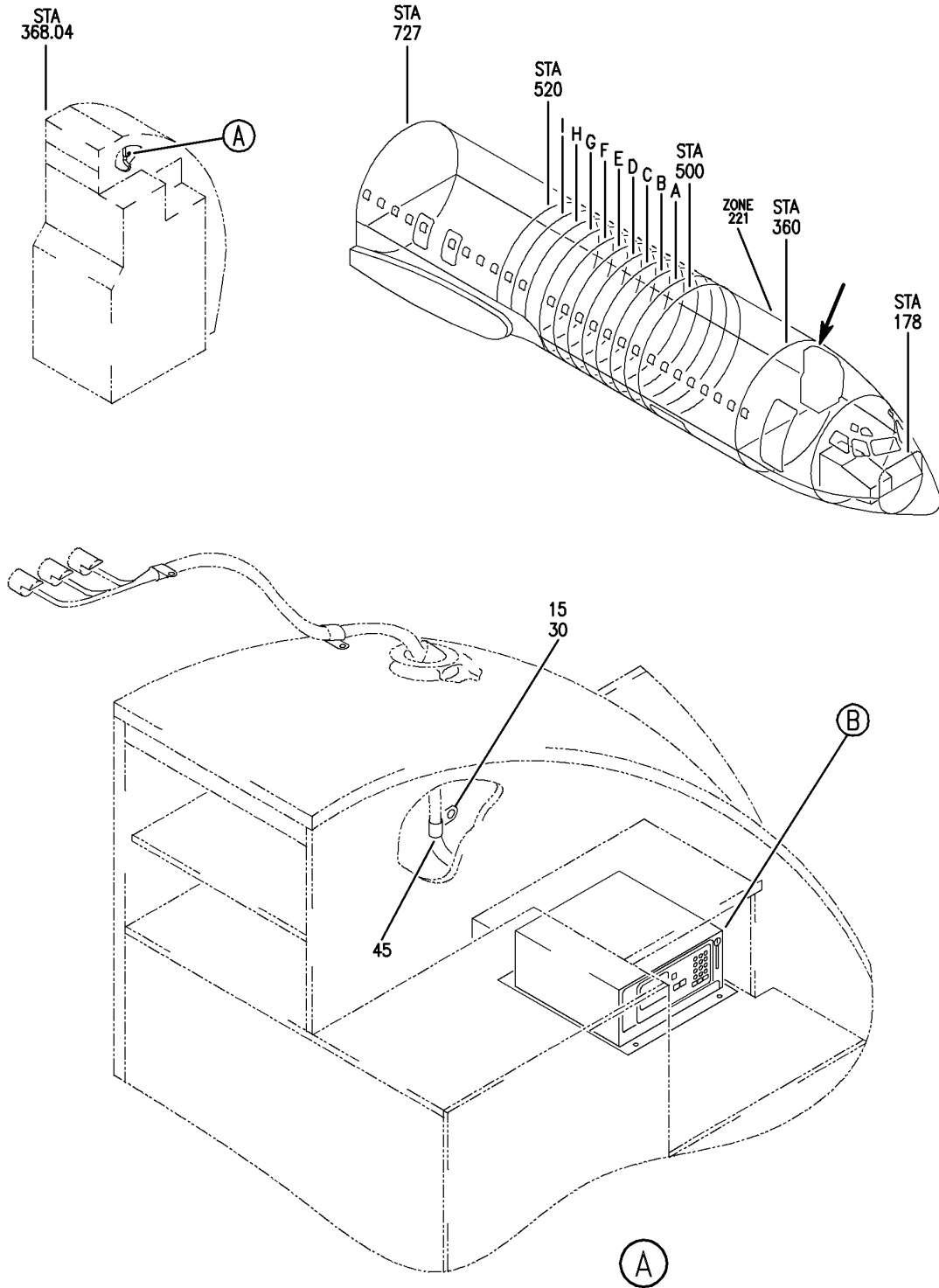
HAP

23-32-02-10

BOEING PROPRIETARY - Copyright © - Unpublished Work - See title page for details.

23-32-02
FIG. 10
PAGE 3
OCT 15/08

BOEING
 737-600/700/800/900
 PARTS CATALOG (MAINTENANCE)



E 23320265 SHT 1 REV 061

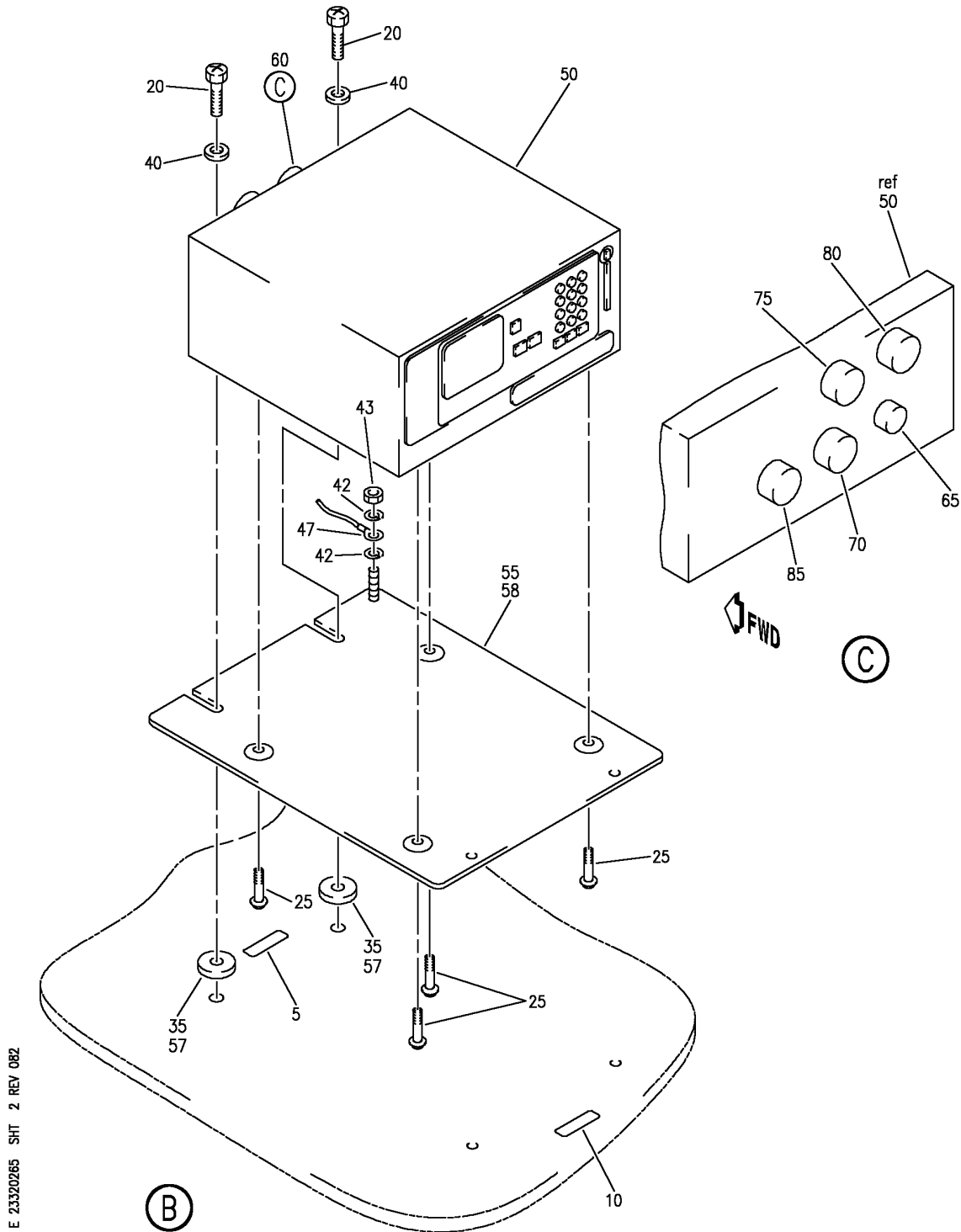
EQUIPMENT INSTL-VIDEO (SYSTEM CONTROL UNIT ONLY)
 FIGURE 65 (SHEET 1)

23-32-02-65

HAP
 OCT 10/06

23-32-02-65
 PAGE 0


BOEING
 737-600/700/800/900
PARTS CATALOG (MAINTENANCE)



E 23320265 SHT 2 REV 082

EQUIPMENT INSTL-VIDEO (SYSTEM CONTROL UNIT ONLY)
FIGURE 65 (SHEET 2)

23-32-02-65

HAP
OCT 10/06

23-32-02-65
PAGE 0A

BOEING
737-600/700/800/900
PARTS CATALOG (MAINTENANCE)

FIG ITEM	PART NUMBER	1 2 3 4 5 6 7	NOMENCLATURE	EFFECT FROM TO	UNITS PER ASSY
65			EQUIPMENT INSTL-VIDEO (SYSTEM CONTROL UNIT ONLY)	028030	
- 1	417A7360-147		EQUIPMENT INSTL-VIDEO (SYSTEM CONTROL UNIT ONLY) FOR NHA/ADDITIONAL DET SEE: 23-32-00-01B	028030	RF
5	BAC27WEL1443		.PLACARD- PLACARD CONTENT: M2065 VSCU	028030	1
10	BAC29PPS38886		.PLACARD- PLACARD CONTENT: VSCU	028030	1
15	BACS12FA3K34		.SCREW	028030	1
20	BACS12GU08K7		.SCREW	028030	2
25	BACS12FA3K7		.SCREW	028030	4
30	NAS42DD6-104FC		.SPACER	028030	1
35	624-1069-001		.SPACER- SUPPLIER CODE: V3Y989	028030	2
40	AN970-3		.WASHER	028030	2
42	NAS1149D0316H		.WASHER	028030	2
43	PLH53CD		.NUT SUPPLIER CODE: VF0224 SPECIFICATION NUMBER: BACN10YR3CD OPTIONAL PART: H52732-3CD V15653	028030	1
45	BACC10DK12		.CLAMP	028030	1
47	1022BB51		.JUMPER SUPPLIER CODE: V1FF12 SPECIFICATION NUMBER: BACJ40A20-51	028030	1

MISSING ITEM NUMBERS NOT APPLICABLE

- ITEM NOT ILLUSTRATED

HAP

23-32-02-65

BOEING PROPRIETARY - Copyright © - Unpublished Work - See title page for details.

23-32-02
FIG. 65
PAGE 1
FEB 15/09


BOEING
 737-600/700/800/900
PARTS CATALOG (MAINTENANCE)

FIG ITEM	PART NUMBER	1 2 3 4 5 6 7	NOMENCLATURE	EFFECT FROM TO	UNITS PER ASSY
65 50	743-0315-002	.	CONTROL UNIT-SYSTEM PROGRAMMABLE SUPPLIER CODE: V62204 FUNCTIONAL DESCRIPTION: AUTOMATICALLY OPERATES VIDEO AND AUDIO SYSTEM FUNCTIONS ACCORDING TO SELECTED PROGRAM MODE ELECTRICAL EQUIP NUMBER: M02065 WIRING DIAGRAM REF: 233213 233212 233211 COMPONENT MAINT MANUAL REF: 23-33-14 MAINTENANCE MANUAL REF: 23-32-02 23-61-00	028030	1
55	617-6250-005	.	ADAPTER-PLATE PSCU SUPPLIER CODE: V3Y989	028030	1
60	286A3599-013	.	WIRE BUNDLE ASSY-VIDEO	028030	RF
65	280U0013-101	..	CONNECTOR-PLUG ELECTRICAL EQUIP NUMBER: D10667 WIRING DIAGRAM REF: 233213	028030	1
70	BACC45FT22-55S	..	CONNECTOR- ELECTRICAL EQUIP NUMBER: D10669 WIRING DIAGRAM REF: 233212	028030	1
75	BACC45FT22-55S6	..	CONNECTOR- ELECTRICAL EQUIP NUMBER: D10671 WIRING DIAGRAM REF: 233213	028030	1
80	BACC45FT22-55S7	..	CONNECTOR- ELECTRICAL EQUIP NUMBER: D10673 WIRING DIAGRAM REF: 233211	028030	1

MISSING ITEM NUMBERS NOT APPLICABLE

— ITEM NOT ILLUSTRATED

HAP

23-32-02-65

BOEING PROPRIETARY - Copyright © - Unpublished Work - See title page for details.

23-32-02
 FIG. 65
 PAGE 2
 OCT 15/08


BOEING
 737-600/700/800/900
PARTS CATALOG (MAINTENANCE)

FIG ITEM	PART NUMBER	1 2 3 4 5 6 7 NOMENCLATURE	EFFECT FROM TO	UNITS PER ASSY
65 85	BACC45FT22-55S8	..CONNECTOR- ELECTRICAL EQUIP NUMBER: D10675 WIRING DIAGRAM REF: 233212	028030	1

MISSING ITEM NUMBERS NOT APPLICABLE

— ITEM NOT ILLUSTRATED

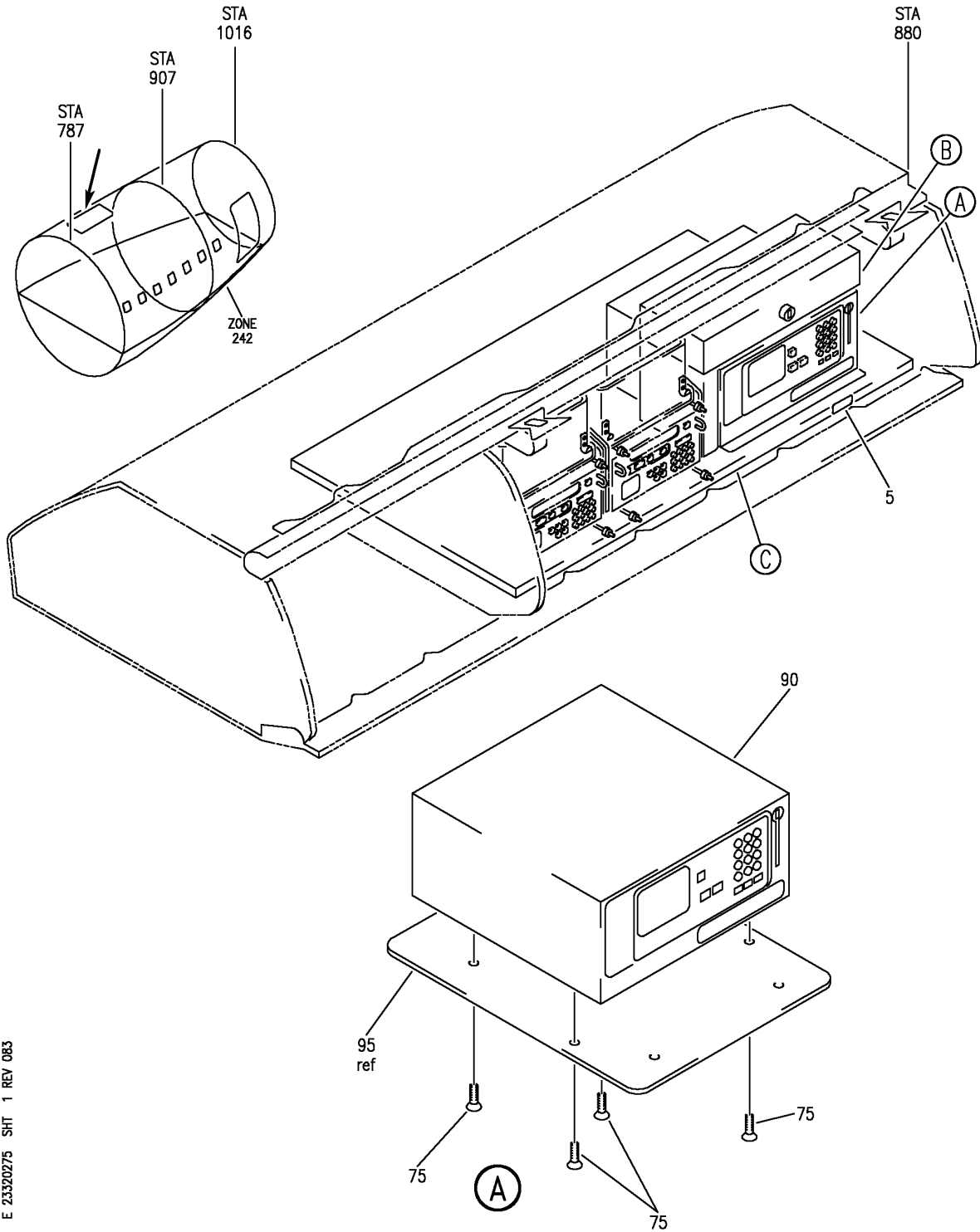
HAP

23-32-02-65

BOEING PROPRIETARY - Copyright © - Unpublished Work - See title page for details.

23-32-02
 FIG. 65
 PAGE 3
 OCT 15/08

BOEING
 737-600/700/800/900
 PARTS CATALOG (MAINTENANCE)



E 23320275 SHT 1 REV 083

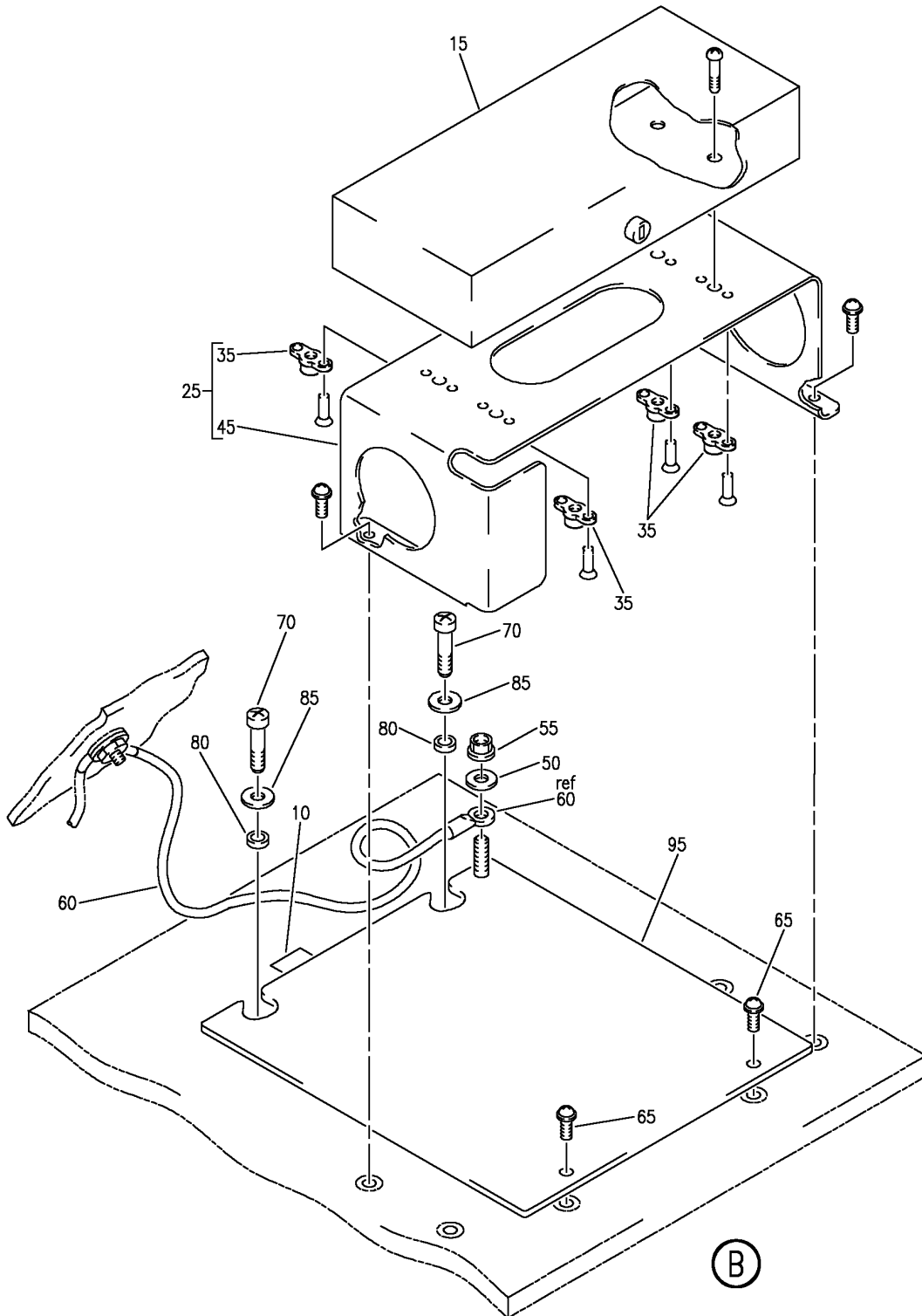
EQUIPMENT INSTL-VIDEO (VIDEO SYSTEM CONTROL UNIT ONLY)
 FIGURE 75 (SHEET 1)

23-32-02-75

HAP
 OCT 10/06

23-32-02-75
 PAGE 0

BOEING
737-600/700/800/900
PARTS CATALOG (MAINTENANCE)



E 23320275 SHT 2 REV 083

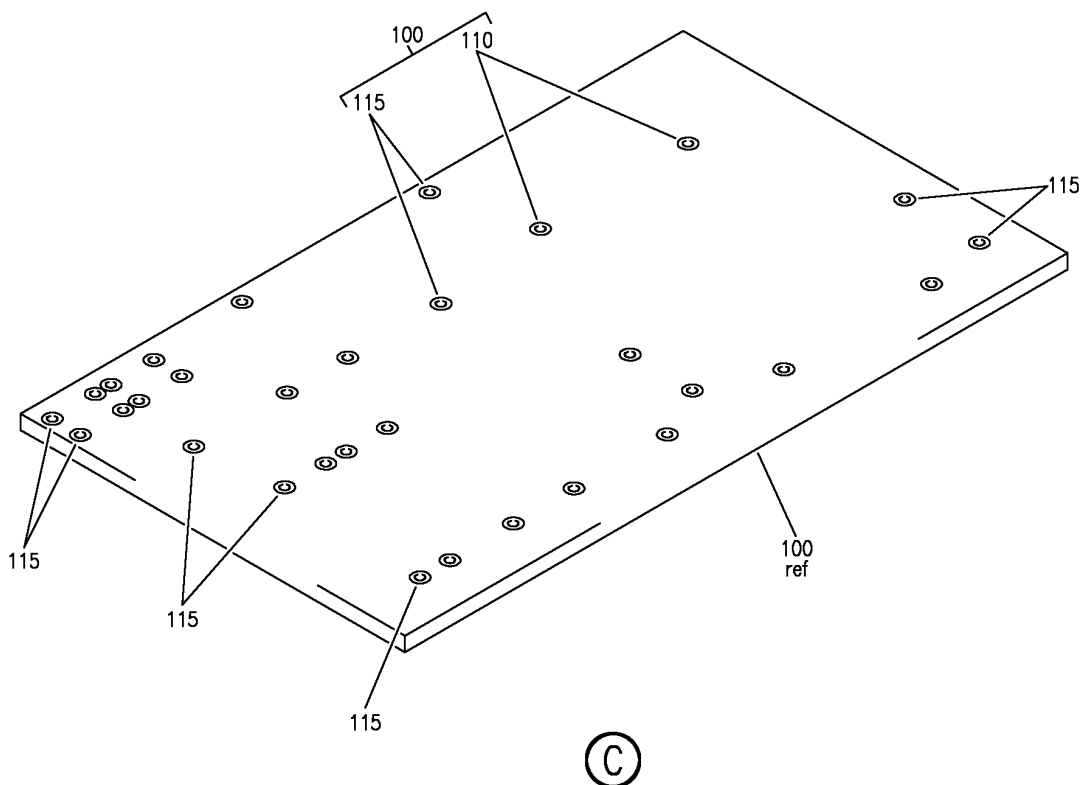
EQUIPMENT INSTL-VIDEO (VIDEO SYSTEM CONTROL UNIT ONLY)
FIGURE 75 (SHEET 2)

23-32-02-75

HAP
OCT 10/06

23-32-02-75
PAGE 0A

BOEING
737-600/700/800/900
PARTS CATALOG (MAINTENANCE)



E 23320275 SH1 3 REV 083

EQUIPMENT INSTL-VIDEO (VIDEO SYSTEM CONTROL UNIT ONLY)
FIGURE 75 (SHEET 3)

23-32-02-75

HAP
OCT 10/06

23-32-02-75
PAGE 0B

BOEING
737-600/700/800/900
PARTS CATALOG (MAINTENANCE)

FIG ITEM	PART NUMBER	1 2 3 4 5 6 7	NOMENCLATURE	EFFECT FROM TO	UNITS PER ASSY
75			EQUIPMENT INSTL-VIDEO (VIDEO SYSTEM CONTROL UNIT ONLY)	031200 968999	
- 1	MODREF274777		EQUIPMENT INSTL-VIDEO (VIDEO SYSTEM CONTROL UNIT ONLY) MODULE NUMBER: 417A7360-223B REV A POSITION DATA: STA 820 TO STA 880 AFT RH FOR ADDITIONAL DETAILS SEE: 23-32-01-75	031037 039040	1
- 1	MODREF312202		EQUIPMENT INSTL-VIDEO (VIDEO SYSTEM CONTROL UNIT ONLY) MODULE NUMBER: 417A7360-243B REV A POSITION DATA: STA 820 TO STA 880 AFT RH FOR ADDITIONAL DETAILS SEE: 23-32-01-75	038038	1
- 1	MODREF316898		EQUIPMENT INSTL-VIDEO (VIDEO SYSTEM CONTROL UNIT ONLY) MODULE NUMBER: 417A7360-243B REV B POSITION DATA: STA 820 TO STA 880 AFT RH FOR ADDITIONAL DETAILS SEE: 23-32-01-75	042043 101101 968969	1
- 1	MODREF329356		EQUIPMENT INSTL-VIDEO (VIDEO SYSTEM CONTROL UNIT ONLY) MODULE NUMBER: 417A7360-243B REV C POSITION DATA: STA 820 TO STA 880 AFT RH FOR ADDITIONAL DETAILS SEE: 23-32-01-75	970971	1

MISSING ITEM NUMBERS NOT APPLICABLE

- ITEM NOT ILLUSTRATED

HAP

23-32-02-75

BOEING PROPRIETARY - Copyright © - Unpublished Work - See title page for details.

23-32-02
FIG. 75
PAGE 1
OCT 15/08

BOEING
737-600/700/800/900
PARTS CATALOG (MAINTENANCE)

FIG ITEM	PART NUMBER	1 2 3 4 5 6 7	NOMENCLATURE	EFFECT FROM TO	UNITS PER ASSY
75 -	1 MODREF338825		EQUIPMENT INSTL-VIDEO (VIDEO SYSTEM CONTROL UNIT ONLY) MODULE NUMBER: 417A7360-243B REV D POSITION DATA: STA 820 TO STA 880 AFT RH FOR ADDITIONAL DETAILS SEE: 23-32-01-75	041041 054100	1
-	1 MODREF347758		EQUIPMENT INSTL-VIDEO (VIDEO SYSTEM CONTROL UNIT ONLY) MODULE NUMBER: 417A7360-243B REV E POSITION DATA: STA 820 TO STA 880 AFT RH FOR ADDITIONAL DETAILS SEE: 23-32-01-75	044046 102103	1
-	1 MODREF354003		EQUIPMENT INSTL-VIDEO (VIDEO SYSTEM CONTROL UNIT ONLY) MODULE NUMBER: 417A7360-243B REV F POSITION DATA: STA 820 TO STA 880 AFT RH FOR ADDITIONAL DETAILS SEE: 23-32-01-75	047047 104106 972999	1
-	1 MODREF388916		EQUIPMENT INSTL-VIDEO (VIDEO SYSTEM CONTROL UNIT ONLY) MODULE NUMBER: 417A7360-243B REV G POSITION DATA: STA 820 TO STA 880 AFT RH FOR ADDITIONAL DETAILS SEE: 23-32-01-75	048053 107200	1
	5 BAC29PPS38886		.PLACARD- PLACARD CONTENT: VSCU	031200 968999	1
	10 BAC27WEL1443		.PLACARD- PLACARD CONTENT: M2065 VSCU	031200 968999	1
	15 617-5053-001		.STOWAGE UNIT-CASSETTE SUPPLIER CODE: V62204	031200 968999	1

MISSING ITEM NUMBERS NOT APPLICABLE

- ITEM NOT ILLUSTRATED

HAP

23-32-02-75

BOEING PROPRIETARY - Copyright © - Unpublished Work - See title page for details.

23-32-02
FIG. 75
PAGE 2
FEB 15/09

BOEING
737-600/700/800/900
PARTS CATALOG (MAINTENANCE)

FIG ITEM	PART NUMBER	1 2 3 4 5 6 7	NOMENCLATURE	EFFECT FROM TO	UNITS PER ASSY
75			ATTACHING PARTS		
- 20	BACS12FA3K6		.SCREW	031200 968999	4
			-----*-----		
25	417N7102-261		.BRACKET ASSY	031200 968999	1
			ATTACHING PARTS		
- 30	BACS12FA3K5		.SCREW	031200 968999	4
			-----*-----		
35	T8076S1032		..NUTPLATE	031200 968999	4
			SUPPLIER CODE: V11815		
			SPECIFICATION NUMBER: BACN10JP3A		
			OPTIONAL PART: MK1000-3BAC		
			V15653		
			NS103197-02		
			V80539		
			RMA9201M3		
			V72962		
			VN202A1-02		
			V92215		
			BRM200A3		
			V52828		
			ATTACHING PARTS		
- 40	BACR15BA3D		..RIVET-	031200 968999	8
			SIZE DETERMINED ON INSTL.		
			-----*-----		
45	417N7102-260		..BRACKET	031200 968999	1
50	NAS1149D0316H		.WASHER	031200 968999	1
55	PLH53CD		.NUT	031200 968999	1
			SUPPLIER CODE: VF0224		
			SPECIFICATION NUMBER: BACN10YR3CD		
			OPTIONAL PART: H52732-3CD		
			V15653		
60	1002BB26		.JUMPER	031200 968999	1
			SUPPLIER CODE: V1FF12		
			SPECIFICATION NUMBER: BACJ40A20-26		
65	BACS12FA3K5		.SCREW	031200 968999	2

MISSING ITEM NUMBERS NOT APPLICABLE

- ITEM NOT ILLUSTRATED

HAP

23-32-02-75

23-32-02
FIG. 75
PAGE 3
FEB 15/09

BOEING
737-600/700/800/900
PARTS CATALOG (MAINTENANCE)

FIG ITEM	PART NUMBER	1 2 3 4 5 6 7	NOMENCLATURE	EFFECT FROM TO	UNITS PER ASSY
75					
70	BACS12GU08K7	.	SCREW	031200 968999	2
75	BACS12ER3K6	.	SCREW	031200 968999	4
80	624-1069-001	.	SPACER- SUPPLIER CODE: V3Y989	031200 968999	2
85	AN970-3	.	WASHER	031200 968999	2
90	743-0315-005	.	CONTROL UNIT-SYSTEM PROGRAMMABLE SUPPLIER CODE: V3Y989 ELECTRICAL EQUIP NUMBER: M02065 MAINTENANCE MANUAL REF: 23-32-02 23-61-00	031037 039040	1
90	743-0315-006	.	CONTROL UNIT-SYSTEM SUPPLIER CODE: V62204 FUNCTIONAL DESCRIPTION: AUTOMATICALLY OPERATES VIDEO AND AUDIO SYSTEM FUNCTIONS ACCORDING TO SELECTED PROGRAM MODE. ELECTRICAL EQUIP NUMBER: M02065 MAINTENANCE MANUAL REF: 23-32-02 23-61-00	038038 041200 968999	1
95	617-6250-007	.	PLATE-ADAPTER SUPPLIER CODE: V3Y989	031200 968999	1
100	417A7361-43B	.	PANEL ASSY	031200 968999	1
			ATTACHING PARTS		
- 105	BACS12ER3K16	.	SCREW	031200 968999	10
			-----*-----		
110	SL2334-08A3	..	INSERT- SUPPLIER CODE: V97393	031200 968999	2
115	SL2334-3A3	..	INSERT- SUPPLIER CODE: V97393	031200 968999	29

MISSING ITEM NUMBERS NOT APPLICABLE

- ITEM NOT ILLUSTRATED

HAP

23-32-02-75

BOEING PROPRIETARY - Copyright © - Unpublished Work - See title page for details.

23-32-02
FIG. 75
PAGE 4
FEB 15/09

BOEING
737-600/700/800/900
PARTS CATALOG (MAINTENANCE)

FIG ITEM	PART NUMBER	1 2 3 4 5 6 7	NOMENCLATURE	EFFECT FROM TO	UNITS PER ASSY
75 - 300	286A3573-212		.WIRE BUNDLE ASSY- ELECTRICAL EQUIP NUMBER: D10667 D10669 D10671 D10673 D10675	031036	1
- 300	286A3573-217		.WIRE BUNDLE ASSY- ELECTRICAL EQUIP NUMBER: D10667 D10669 D10671 D10673 D10675	038038 042045	1
- 300	286A3573-116		.WIRE BUNDLE ASSY- ELECTRICAL EQUIP NUMBER: D10667 D10669 D10671 D10673 D10675	037037 039040	1
- 300	286A3573-117		.WIRE BUNDLE ASSY- ELECTRICAL EQUIP NUMBER: D10667 D10669 D10671 D10673 D10675	968969	1
- 300	286A3573-120		.WIRE BUNDLE ASSY- ELECTRICAL EQUIP NUMBER: D10667 D10669 D10671 D10673 D10675	101103 970971	1
- 300	286A3573-121		.WIRE BUNDLE ASSY- ELECTRICAL EQUIP NUMBER: D10667 D10669 D10671 D10673 D10675	041041 050050 054100	1
- 300	286A3573-133		.WIRE BUNDLE ASSY- ELECTRICAL EQUIP NUMBER: D10667 D10669 D10671 D10673 D10675	046046 051053	1

MISSING ITEM NUMBERS NOT APPLICABLE

- ITEM NOT ILLUSTRATED

HAP

23-32-02-75

BOEING PROPRIETARY - Copyright © - Unpublished Work - See title page for details.

23-32-02
FIG. 75
PAGE 5
FEB 15/09


BOEING
 737-600/700/800/900
PARTS CATALOG (MAINTENANCE)

FIG ITEM	PART NUMBER	1 2 3 4 5 6 7	NOMENCLATURE	EFFECT FROM TO	UNITS PER ASSY
75 - 300	286A3573-135		.WIRE BUNDLE ASSY- ELECTRICAL EQUIP NUMBER: D10667 D10669 D10671 D10673 D10675	104200 972999	1
- 300	286A3573-138		.WIRE BUNDLE ASSY- ELECTRICAL EQUIP NUMBER: D10667 D10669 D10671 D10673 D10675	047050	1

MISSING ITEM NUMBERS NOT APPLICABLE

- ITEM NOT ILLUSTRATED

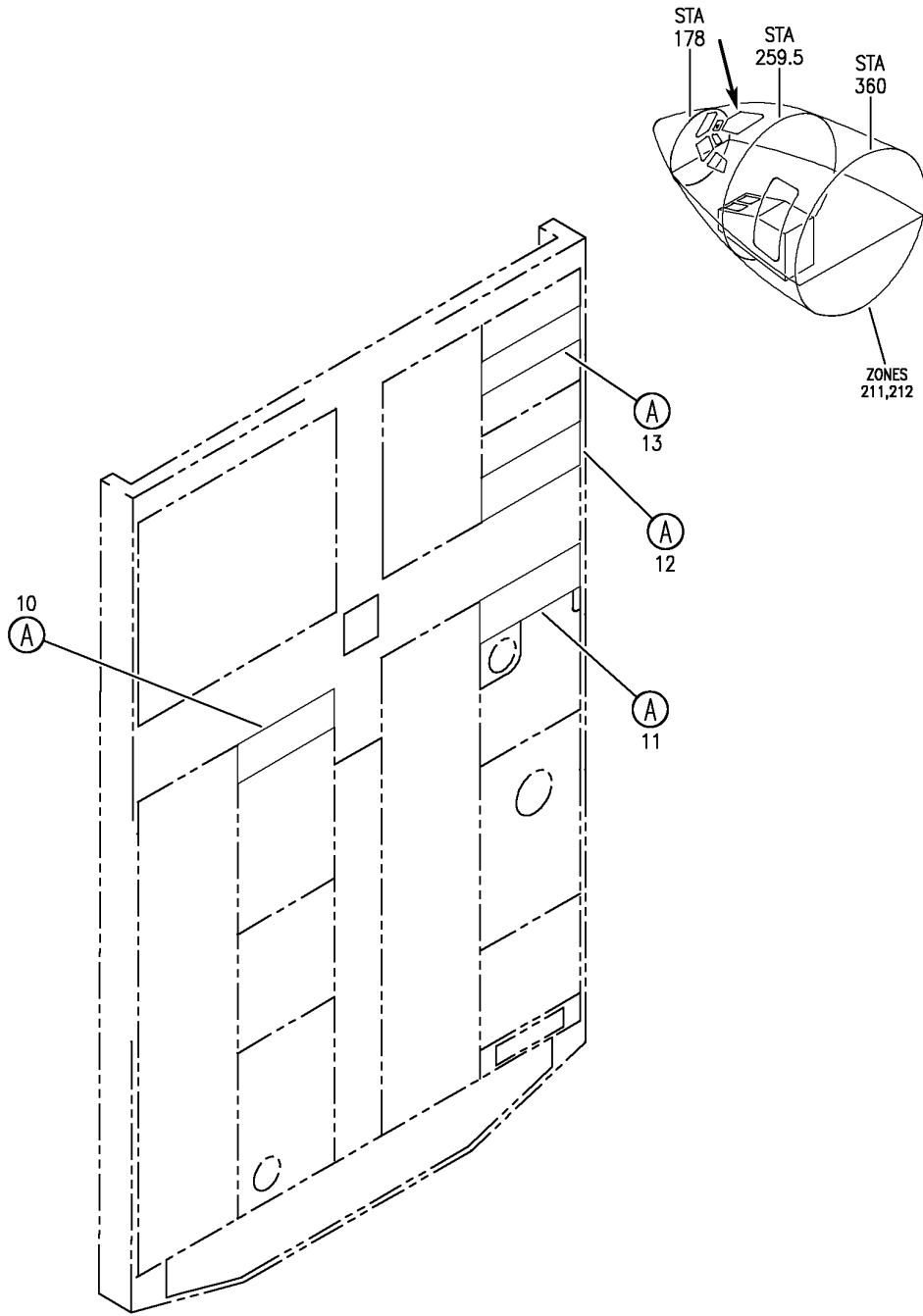
HAP

23-32-02-75

BOEING PROPRIETARY - Copyright © - Unpublished Work - See title page for details.

23-32-02
 FIG. 75
 PAGE 6
 FEB 15/09

BOEING
737-600/700/800/900
PARTS CATALOG (MAINTENANCE)



E 23320301 SH1 1 REV 074

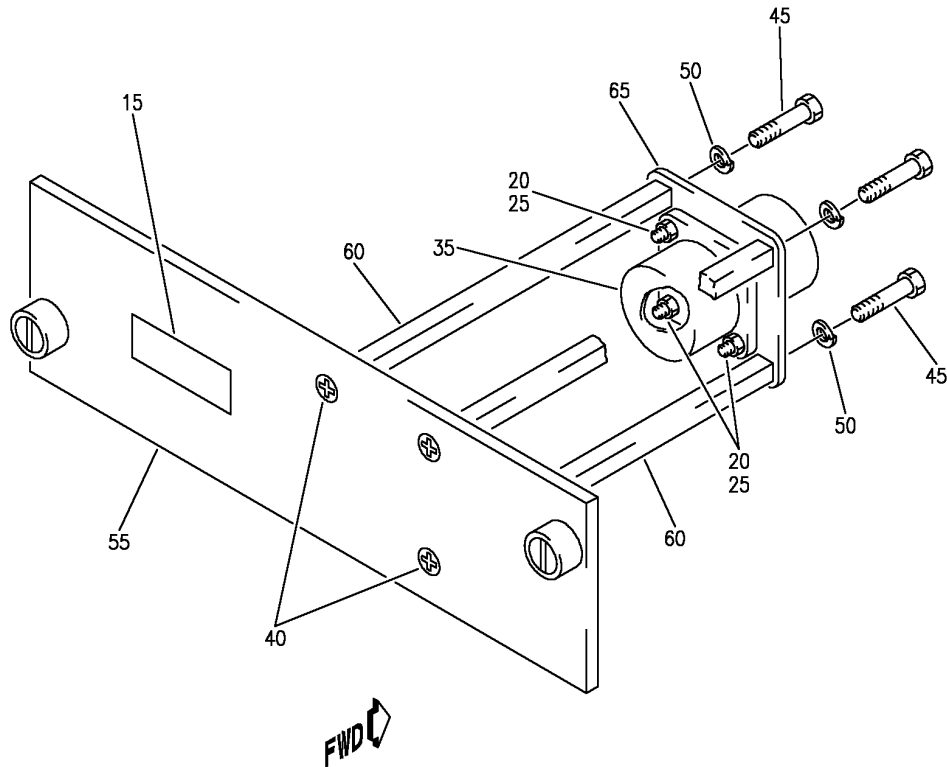
MODULE INSTL-P5 OVHD (PASSENGER VIDEO SYSTEM ONLY)
FIGURE 1 (SHEET 1)

23-32-03-01

HAP
OCT 10/06

23-32-03-01
PAGE 0

BOEING
737-600/700/800/900
PARTS CATALOG (MAINTENANCE)



(A)

E 23320301 SHT 2 REV 153

MODULE INSTL-P5 OVHD (PASSENGER VIDEO SYSTEM ONLY)
FIGURE 1 (SHEET 2)

23-32-03-01

HAP
JUN 15/09

23-32-03-01
PAGE 0A

BOEING
737-600/700/800/900
PARTS CATALOG (MAINTENANCE)

FIG ITEM	PART NUMBER	1 2 3 4 5 6 7	NOMENCLATURE	EFFECT FROM TO	UNITS PER ASSY
1			MODULE INSTL-P5 OVHD (PASSENGER VIDEO SYSTEM ONLY)	001028	
- 1	233A3101-4		MODULE INSTL-P5 OVHD (PASSENGER VIDEO SYSTEM ONLY) FOR NHA/OTHER SYS DET SEE: 31-11-00-01C	001005	RF
- 1	233A3101-52		MODULE INSTL-P5 OVHD (PASSENGER VIDEO SYSTEM ONLY) FOR NHA/OTHER SYS DET SEE: 31-11-00-01C	006007	RF
- 1	233A3101-63		MODULE INSTL-P5 OVHD (PASSENGER VIDEO SYSTEM ONLY) FOR NHA/OTHER SYS DET SEE: 31-11-00-01C	008011	RF
- 2	233A3101-110		MODULE INSTL-P5 OVHD (PASSENGER VIDEO SYSTEM ONLY) FOR NHA/OTHER SYS DET SEE: 31-11-00-01C	012016	RF
- 3	233A3101-225		MODULE INSTL-P5 OVHD (PASSENGER VIDEO SYSTEM ONLY) FOR NHA/OTHER SYS DET SEE: 31-11-00-01C	017019	RF
- 3	233A3101-234		MODULE INSTL-P5 OVHD (PASSENGER VIDEO SYSTEM ONLY) FOR NHA/OTHER SYS DET SEE: 31-11-00-01C	020028	RF
10	69-78190-1		.MODULE ASSY-VIDEO ANN. P5-81 SUPPLIER CODE: V89954 ELECTRICAL EQUIP NUMBER: P00581	001028	RF

MISSING ITEM NUMBERS NOT APPLICABLE

- ITEM NOT ILLUSTRATED

HAP

23-32-03-01

BOEING PROPRIETARY - Copyright © - Unpublished Work - See title page for details.

23-32-03
FIG. 01
PAGE 1
OCT 10/06

BOEING
737-600/700/800/900
PARTS CATALOG (MAINTENANCE)

FIG ITEM	PART NUMBER	1 2 3 4 5 6 7	NOMENCLATURE	EFFECT FROM TO	UNITS PER ASSY
1					
15	BCREF15495		..LIGHT ASSY-IND VIDEO ON SUPPLIER CODE: V81590 OVERLENGTH PART NUMBER: 318-630-1001-361 SPECIFICATION NUMBER: 10-61803-431 COMPONENT MAINT MANUAL REF: 33-10-05 FOR DETAILS SEE: 33-11-50-12	001028	1
20	NAS1801-04-5		..SCREW	001028	3
25	K19798-04		..NUT SUPPLIER CODE: V15653 SPECIFICATION NUMBER: BACN10NW1 OPTIONAL PART: RMA4812-160-40 V72962 293162 V60119	001028	3
- 30	69-78190-3		..WIRE BUNDLE ASSY- SUPPLIER CODE: V89954	001028	RF
R R R R R	35	48-10R10-5P	...RECEPTACLE- SUPPLIER CODE: V02660 SPECIFICATION NUMBER: BACC45FN10-5P	001028	1
	40	NAS514P632-5	..SCREW	001028	3
	45	NAS1801-06-5	..SCREW	001028	3
	50	MS35338-41	..WASHER	001028	3
	55	69-78190-2	..BASEPLATE ASSY- SUPPLIER CODE: V89954	001028	1
	60	66-13524-2	..SPACER	001028	3
	65	69-43873-54	..BRACKET-SPRT	001028	1
R R R R R R R	- 900	286A2508-306	WIRE BUNDLE ASSY- REWORKED BY ALERT SB: 24A1141R1	002005	RF
	- 900	286A2508-321	WIRE BUNDLE ASSY- REWORKED BY ALERT SB: 24A1141R1	008011	RF
	- 900	286A2508-309	WIRE BUNDLE ASSY- REWORKED BY ALERT SB: 24A1141R1	001001 006007	RF

MISSING ITEM NUMBERS NOT APPLICABLE

- ITEM NOT ILLUSTRATED

HAP

23-32-03-01

BOEING PROPRIETARY - Copyright © - Unpublished Work - See title page for details.

23-32-03
FIG. 01
PAGE 2
JUN 15/09


BOEING
 737-600/700/800/900
PARTS CATALOG (MAINTENANCE)

FIG ITEM	PART NUMBER	1 2 3 4 5 6 7	NOMENCLATURE	EFFECT FROM TO	UNITS PER ASSY
R R R	1 - 901	286A2508-353	WIRE BUNDLE ASSY- REWORKED BY ALERT SB: 24A1141R1	012022	RF
	- 908	280A3109-15501	.TAPE-ID PLACARD CONTENT: D02921 M/W P005-81 VIDEO PANEL POST ALERT SB: 24A1141R1	001022	1

MISSING ITEM NUMBERS NOT APPLICABLE

- ITEM NOT ILLUSTRATED

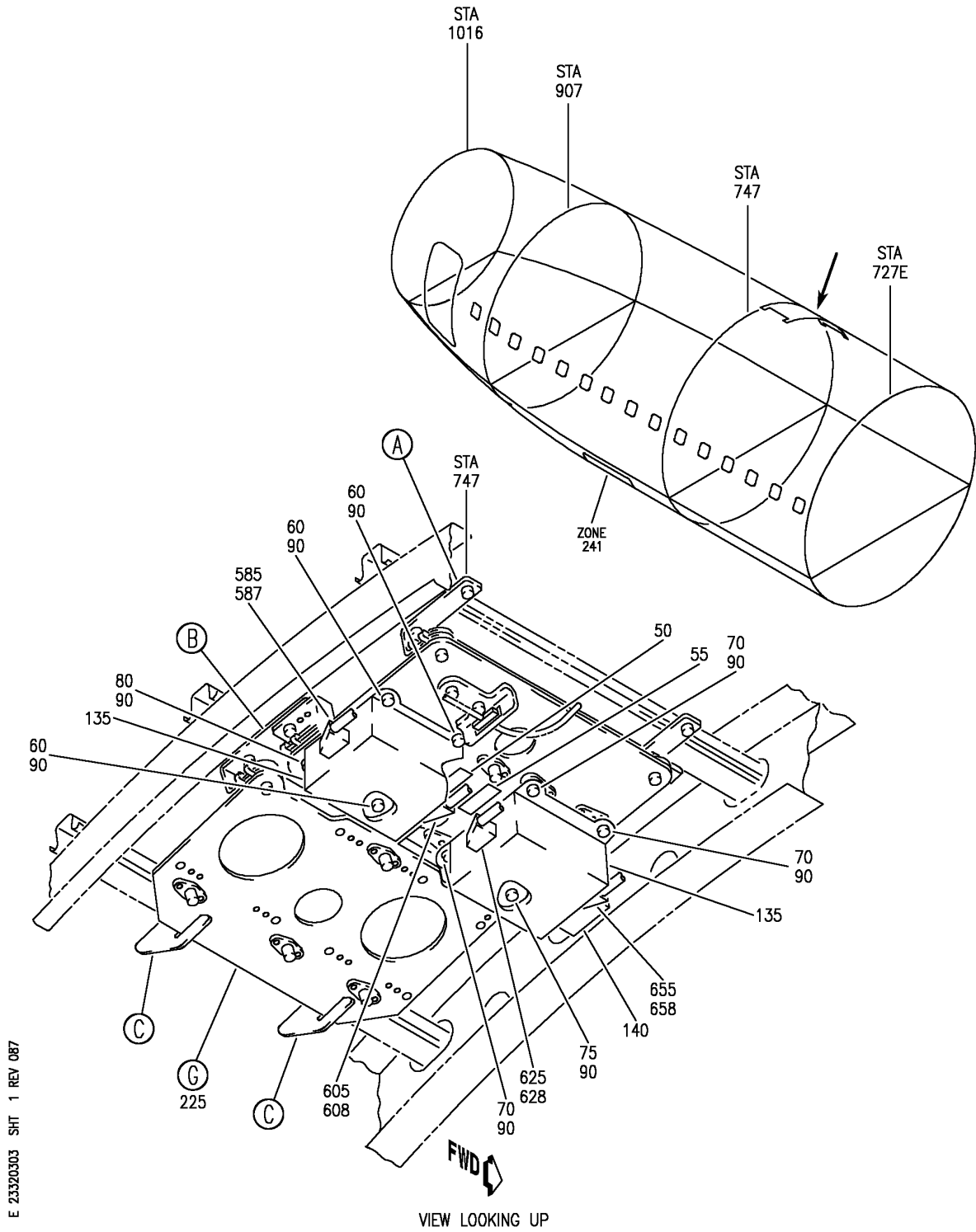
HAP

23-32-03-01

BOEING PROPRIETARY - Copyright © - Unpublished Work - See title page for details.

23-32-03
 FIG. 01
 PAGE 3
 JUN 15/09

BOEING
 737-600/700/800/900
 PARTS CATALOG (MAINTENANCE)



E 23320303 SHT 1 REV 087

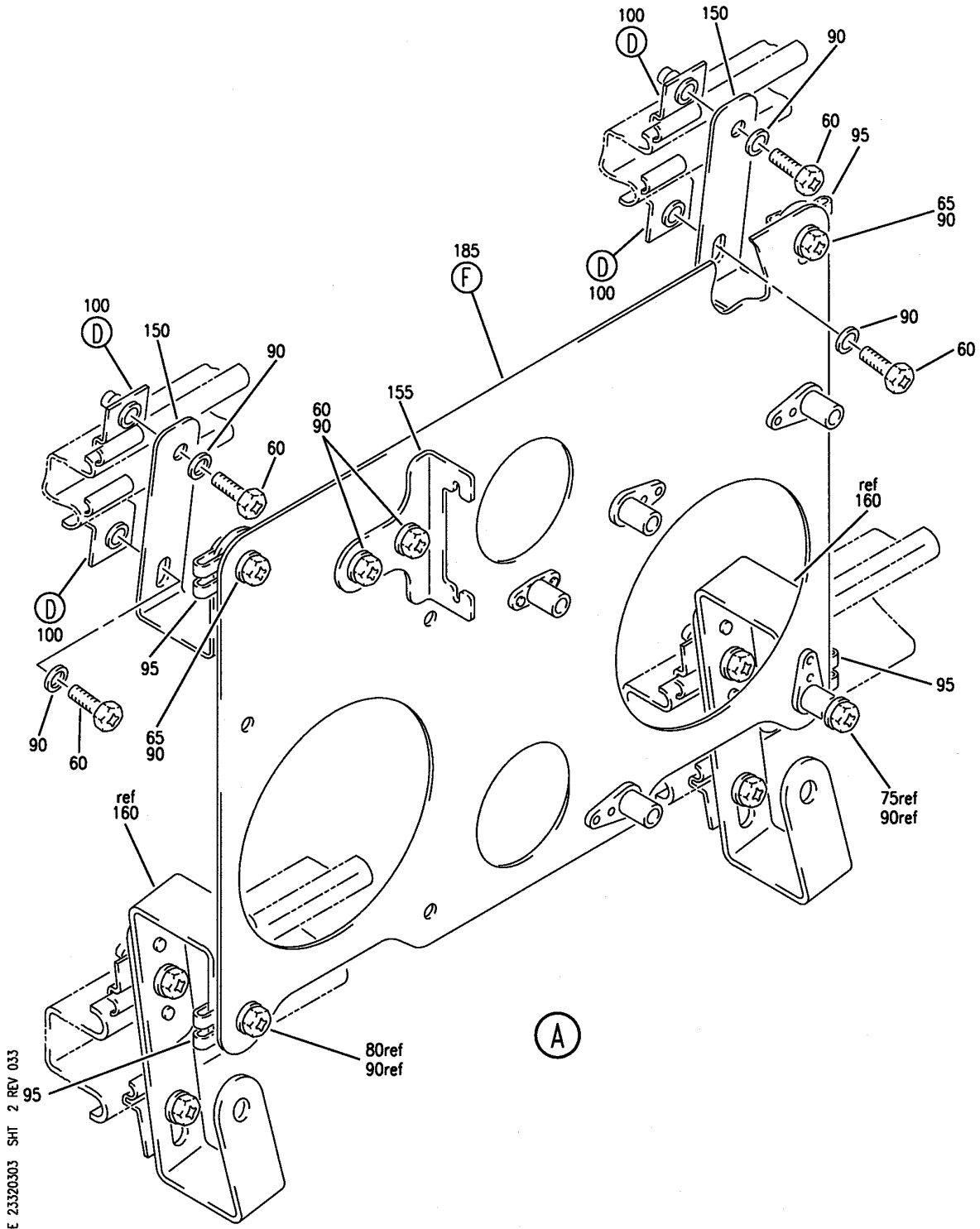
EQUIPMENT INSTL-2 VDU CLUSTER
 FIGURE 3 (SHEET 1)

23-32-03-03

HAP
 OCT 10/06

23-32-03-03
 PAGE 0

BOEING
 737-600/700/800/900
 PARTS CATALOG (MAINTENANCE)



E 23320303 SHT 2 REV 033

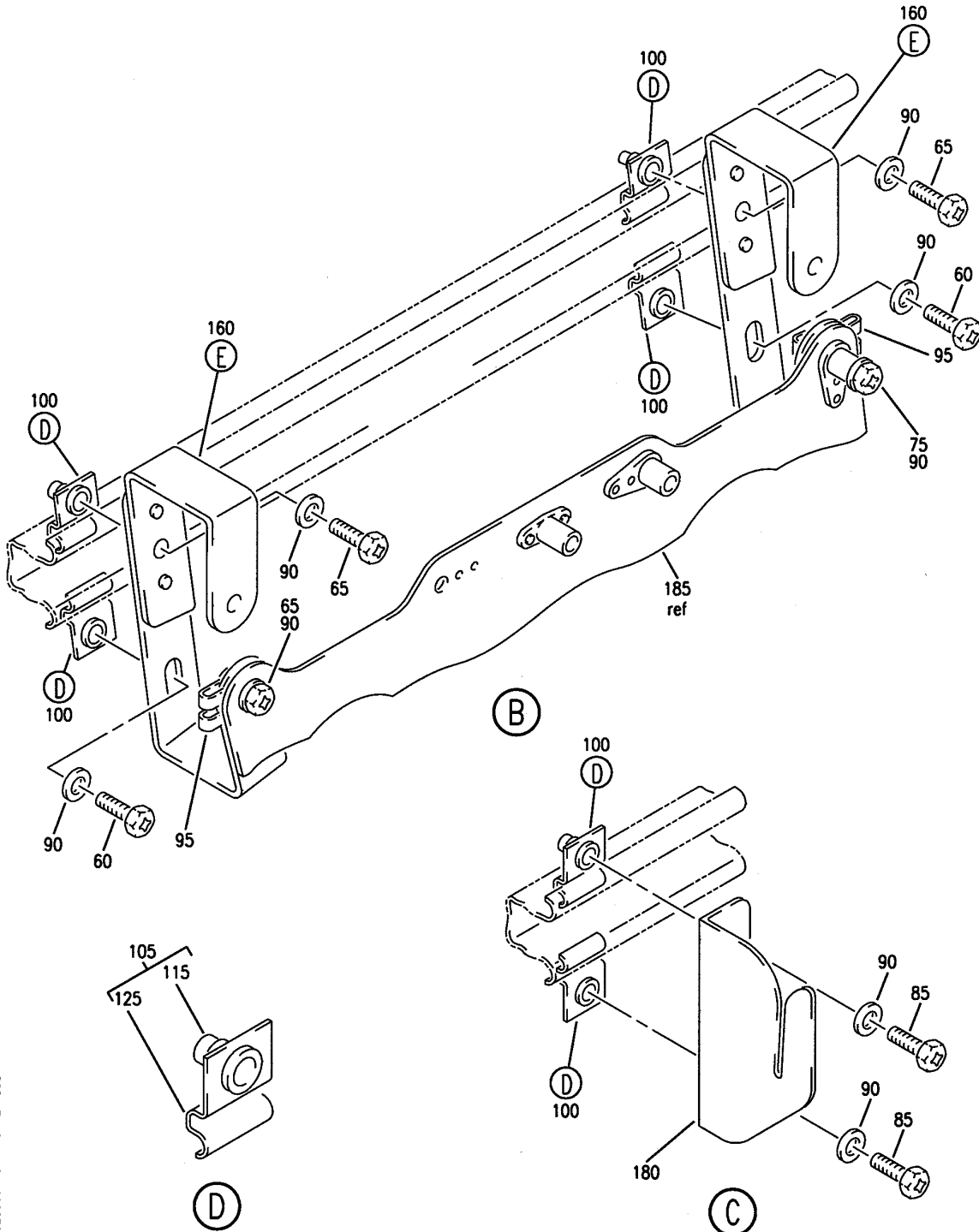
EQUIPMENT INSTL-2 VDU CLUSTER
 FIGURE 3 (SHEET 2)

23-32-03-03

HAP
 OCT 10/06

23-32-03-03
 PAGE 0A

BOEING
 737-600/700/800/900
 PARTS CATALOG (MAINTENANCE)



E 23320303 SH1 3 REV 033

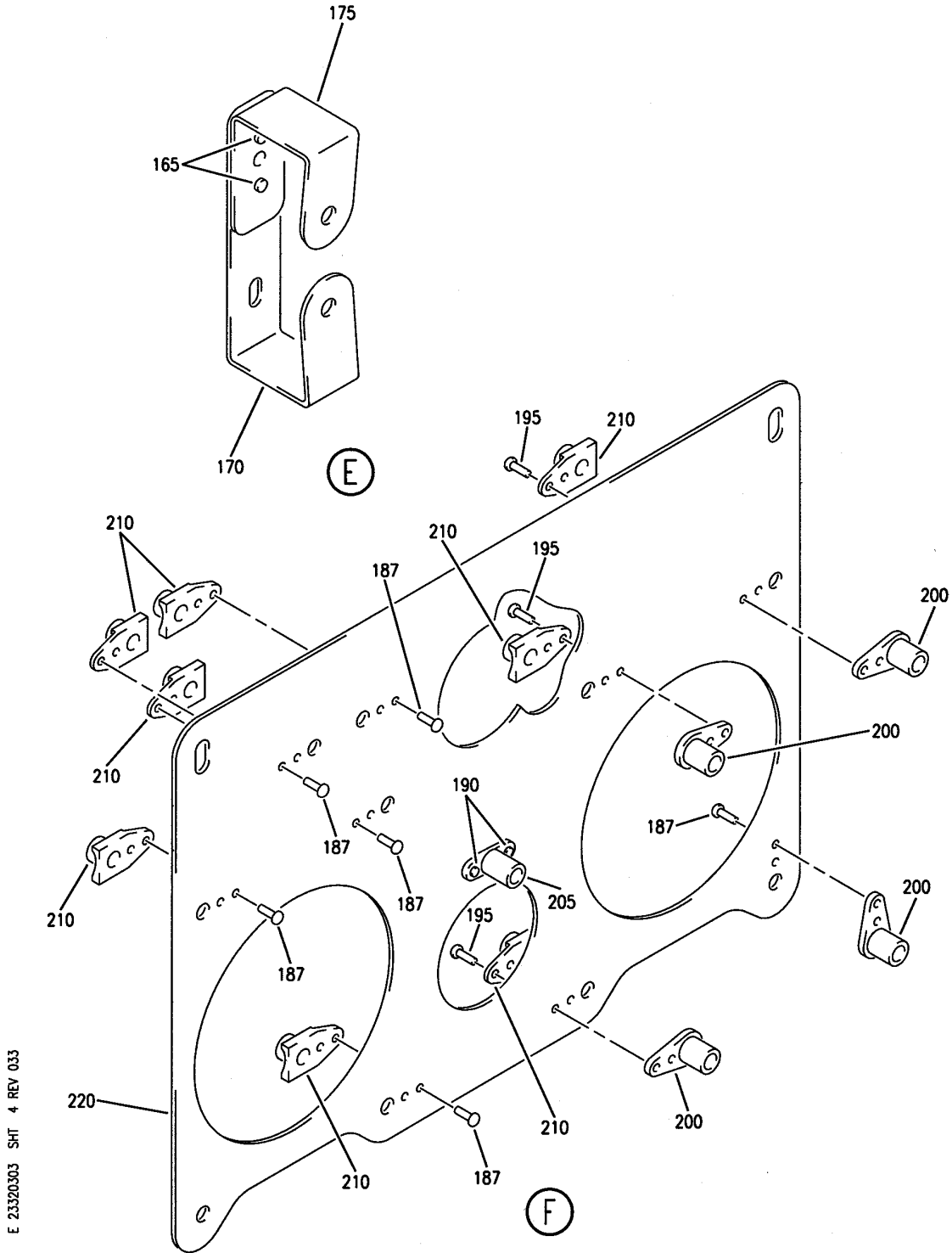
EQUIPMENT INSTL-2 VDU CLUSTER
 FIGURE 3 (SHEET 3)

23-32-03-03

HAP
 OCT 10/06

23-32-03-03
 PAGE 0B

BOEING
737-600/700/800/900
PARTS CATALOG (MAINTENANCE)



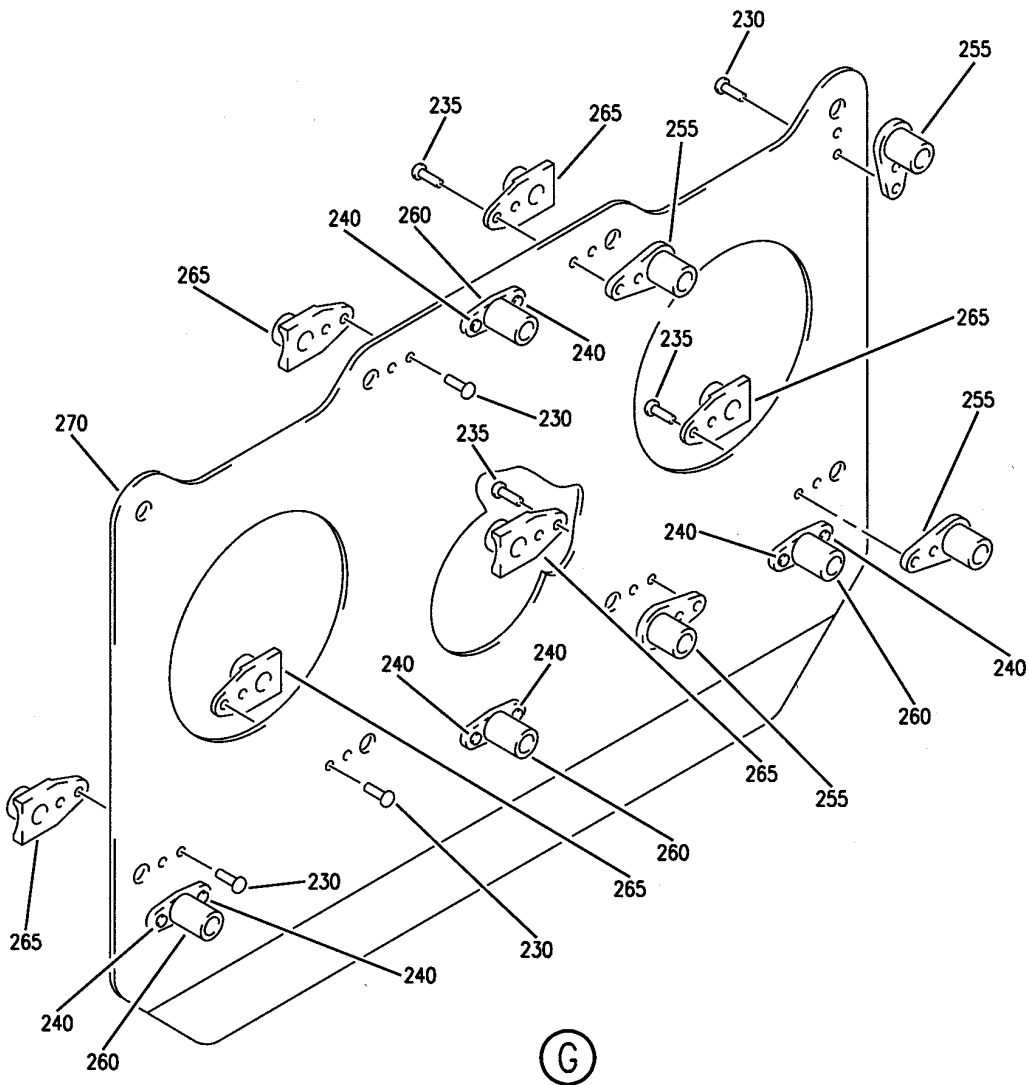
EQUIPMENT INSTL-2 VDU CLUSTER
FIGURE 3 (SHEET 4)

23-32-03-03

HAP
OCT 10/06

23-32-03-03
PAGE 0C

BOEING
737-600/700/800/900
PARTS CATALOG (MAINTENANCE)



E 23320303 SH1 5 REV 033

EQUIPMENT INSTL-2 VDU CLUSTER
FIGURE 3 (SHEET 5)

23-32-03-03

HAP
OCT 10/06

23-32-03-03
PAGE 0D

BOEING
737-600/700/800/900
PARTS CATALOG (MAINTENANCE)

FIG ITEM	PART NUMBER	1 2 3 4 5 6 7	NOMENCLATURE	EFFECT FROM TO	UNITS PER ASSY
3			EQUIPMENT INSTL-2 VDU CLUSTER	001011	
- 1	417A7380-7		EQUIPMENT INSTL-2 VDU CLUSTER WITH TERM. PLUG POSITION DATA: STA 727J-747 FOR NHA SEE: 23-32-00-01B	001011	RF
50	BAC27DEX6678		.DECAL- PLACARD CONTENT: M1946	001011	1
55	BAC27DEX6679		.DECAL- PLACARD CONTENT: M1947	001011	1
60	BACS12GU3K9		.SCREW	001011	11
65	BACS12GU3K10		.SCREW	001011	5
70	BACS12GU3K17		.SCREW	001011	3
75	BACS12GU3K18		.SCREW	001011	2
80	BACS12GU3K11		.SCREW	001011	1
85	BACS12GU3K8		.SCREW	001011	4
90	NAS1149D0332J		.WASHER	001011	26
95	BACN10VR2CG		.NUT	001011	6
100	69-37170-1		.CLIP ASSY	001011	12
105	69-37170-6		..CLIP ASSY- OPTIONAL PART: 69-37170-4	001011	1
105	69-37170-4		..CLIP ASSY- OPTIONAL PART: 69-37170-6	001011	1
115	79NC2-02		...NUT- SUPPLIER CODE: V72962 OPTIONAL PART: NC2-1032 V27687 USED ON: 69-37170-6	001011	1
115	NC2-1032		...NUT- SUPPLIER CODE: V27687 OPTIONAL PART: 79NC2-02 V72962 USED ON: 69-37170-6	001011	1

MISSING ITEM NUMBERS NOT APPLICABLE

- ITEM NOT ILLUSTRATED

HAP

23-32-03-03

23-32-03
FIG. 03
PAGE 1
OCT 10/06

BOEING
737-600/700/800/900
PARTS CATALOG (MAINTENANCE)

FIG ITEM	PART NUMBER	1 2 3 4 5 6 7	NOMENCLATURE	EFFECT FROM TO	UNITS PER ASSY
3					
- 120	SL854C3F1CM		...INSERT- SUPPLIER CODE: V97393 USED ON: 69-37170-4	001011	1
125	69-37170-5		...CLIP- USED ON: 69-37170-6	001011	1
- 130	69-37170-3		...CLIP- USED ON: 69-37170-4	001011	1
135	700-2200-001		.DISTRIBUTION UNIT-SMART VIDEO SUPPLIER CODE: V62204 FUNCTIONAL DESCRIPTION: RECEIVES COMMANDS FROM THE SYSTEM CONTROL UNIT AND ROUTES SELECTED VIDEO SIGNAL TO MONITORS OR PROJECTORS. COMPONENT MAINT MANUAL REF: 23-32-03	001011	2
140	700-1516-002		.PLUG-TERMINATION SUPPLIER CODE: V62204	001011	1
150	417N7105-155		.BRACKET	001011	2
155	417N7102-198		.BRACKET	001011	1
160	417N7105-158		.BRACKET ASSY	001011	2
165	BACR15CE6D		..RIVET- SIZE DETERMINED ON INSTL.	001011	2
170	417N7105-157		..BRACKET	001011	1
175	417N7105-156		..BRACKET	001011	1
180	417N7105-159		.BRACKET	001011	2
185	417N7102-216		.BRACKET ASSY	001011	1
187	BACR15BA3ADC		..RIVET- SIZE DETERMINED ON INSTL.	001011	12
190	BACR15BA4ADC		..RIVET- SIZE DETERMINED ON INSTL.	001011	2
195	BACR15BB3ADC		..RIVET- SIZE DETERMINED ON INSTL.	001011	6
200	295926-50		..SPACER SUPPLIER CODE: V60119 SPECIFICATION NUMBER: BACS18R50B	001011	4

MISSING ITEM NUMBERS NOT APPLICABLE

- ITEM NOT ILLUSTRATED

HAP

23-32-03-03

23-32-03
FIG. 03
PAGE 2
JUN 15/08

BOEING
737-600/700/800/900
PARTS CATALOG (MAINTENANCE)

FIG ITEM	PART NUMBER	1 2 3 4 5 6 7	NOMENCLATURE	EFFECT FROM TO	UNITS PER ASSY
3					
205	WSI4A6B	..	NUTPLATE SUPPLIER CODE: V04169 SPECIFICATION NUMBER: BACN10TL3A6B	001011	1
210	F177-3	..	NUTPLATE SUPPLIER CODE: V72962 SPECIFICATION NUMBER: BACN10JA3 OPTIONAL PART: F2400-3 V15653 43610-02 V80539 BRF110A3 V52828 BRF170A3 V52828	001011	8
220	417N7102-205	..	BRACKET	001011	1
225	417N7102-212	.	BRACKET ASSY	001011	1
230	BACR15BA3ADC	..	RIVET- SIZE DETERMINED ON INSTL.	001011	8
235	BACR15BB3ADC	..	RIVET- SIZE DETERMINED ON INSTL.	001011	6
240	BACR15BA4ADC	..	RIVET- SIZE DETERMINED ON INSTL.	001011	8
255	295926-50	..	SPACER- SUPPLIER CODE: V60119 SPECIFICATION NUMBER: BACS18R50B	001011	4
260	WSI4A6B	..	NUTPLATE SUPPLIER CODE: V04169 SPECIFICATION NUMBER: BACN10TL3A6B	001011	4

MISSING ITEM NUMBERS NOT APPLICABLE

— ITEM NOT ILLUSTRATED

HAP

23-32-03-03

BOEING PROPRIETARY - Copyright © - Unpublished Work - See title page for details.

23-32-03
FIG. 03
PAGE 3
OCT 10/06

BOEING
737-600/700/800/900
PARTS CATALOG (MAINTENANCE)

FIG ITEM	PART NUMBER	1 2 3 4 5 6 7	NOMENCLATURE	EFFECT FROM TO	UNITS PER ASSY
3 265	F177-3		..NUTPLATE SUPPLIER CODE: V72962 SPECIFICATION NUMBER: BACN10JA3 OPTIONAL PART: F2400-3 V15653 43610-02 V80539 BRF110A3 V52828 BRF170A3 V52828	001011	6
270 - 581 585	417N7102-201 286A3053-001 CAMA11W1P		..BRACKET WIRE BUNDLE ASSY .PLUG- SUPPLIER CODE: V55104 ELECTRICAL EQUIP NUMBER: D10301 WIRING DIAGRAM REF: 233261 OPTIONAL SUPPLIER CODE: 71771 PRE ALERT SB: 23A1169R2	001011 001011 001011	1 RF 1
585	CAMA11W1PEK87		.PLUG- SUPPLIER CODE: V71771 ELECTRICAL EQUIP NUMBER: D10301 WIRING DIAGRAM REF: 233261 OPTIONAL SUPPLIER CODE: 55104 POST ALERT SB: 23A1169R2	001011	1
- 586	MS27488-20		.PLUG- POST ALERT SB: 23A1169R2	001011	5

MISSING ITEM NUMBERS NOT APPLICABLE

- ITEM NOT ILLUSTRATED

HAP

23-32-03-03

BOEING PROPRIETARY - Copyright © - Unpublished Work - See title page for details.

23-32-03
FIG. 03
PAGE 4
FEB 10/07

BOEING
737-600/700/800/900
PARTS CATALOG (MAINTENANCE)

FIG ITEM	PART NUMBER	1 2 3 4 5 6 7	NOMENCLATURE	EFFECT FROM TO	UNITS PER ASSY
3 587	234A021-3		.BACKSHELL- SUPPLIER CODE: V06090 ELECTRICAL EQUIP NUMBER: D10301U WIRING DIAGRAM REF: 233261 OPTIONAL SUPPLIER CODE: 06060 PRE ALERT SB: 23A1169R2	001011	1
587	CDSA2P		.BACKSHELL- SUPPLIER CODE: V71771 ELECTRICAL EQUIP NUMBER: D10301U WIRING DIAGRAM REF: 233261 OPTIONAL SUPPLIER CODE: 55104 POST ALERT SB: 23A1169R2	001011	1
- 589	CQMEF200		.CONTACT-COAX SUPPLIER CODE: V71771 POST ALERT SB: 23A1169R2	001011	1
- 590	CQMEM200		.CONTACT-COAX SUPPLIER CODE: V71771 SERVICE BULLETIN OPT DATA: CQMEM200A V71771 POST ALERT SB: 23A1169R2	001011	1
- 590	CQMEM200A		.CONTACT-COAX SUPPLIER CODE: V71771 SERVICE BULLETIN OPT DATA: CQMEM200 V71771 POST ALERT SB: 23A1169R2	001011	1
- 591	M39029-64-369		.CONTACT- POST ALERT SB: 23A1169R2	001011	10
- 592	002A0006-37		.ID TAPE- POST ALERT SB: 23A1169R2	001011	1

MISSING ITEM NUMBERS NOT APPLICABLE

- ITEM NOT ILLUSTRATED

HAP

23-32-03-03

BOEING PROPRIETARY - Copyright © - Unpublished Work - See title page for details.

23-32-03
FIG. 03
PAGE 5
FEB 10/07

BOEING
737-600/700/800/900
PARTS CATALOG (MAINTENANCE)

FIG ITEM	PART NUMBER	1 2 3 4 5 6 7	NOMENCLATURE	EFFECT FROM TO	UNITS PER ASSY
3					
- 593	287A9508-5	.ID TAPE-	POST ALERT SB: 23A1169R2	001011	1
- 594	287A9508-6	.ID TAPE-	POST ALERT SB: 23A1169R2	001011	1
- 595	287A9508-7	.ID TAPE-	POST ALERT SB: 23A1169R2	001011	1
- 596	287A9508-8	.ID TAPE-	POST ALERT SB: 23A1169R2	001011	1
- 597	287A9508-9	.ID TAPE-	POST ALERT SB: 23A1169R2	001011	1
- 601	286A3055-001		WIRE BUNDLE ASSY	001009	RF
- 601	286A3055-011		WIRE BUNDLE ASSY	010011	RF
605	CAMA11W1P	.PLUG-	SUPPLIER CODE: V55104 ELECTRICAL EQUIP NUMBER: D10303 WIRING DIAGRAM REF: 233261 OPTIONAL SUPPLIER CODE: 71771 PRE ALERT SB: 23A1169R2	001011	1
605	CAMA11W1PEK87	.PLUG-	SUPPLIER CODE: V71771 ELECTRICAL EQUIP NUMBER: D10303 WIRING DIAGRAM REF: 233261 OPTIONAL SUPPLIER CODE: 55104 POST ALERT SB: 23A1169R2	001011	1
- 606	MS27488-20	.PLUG-	POST ALERT SB: 23A1169R2	001011	5

MISSING ITEM NUMBERS NOT APPLICABLE

- ITEM NOT ILLUSTRATED

HAP

23-32-03-03

BOEING PROPRIETARY - Copyright © - Unpublished Work - See title page for details.

23-32-03
FIG. 03
PAGE 6
FEB 10/07

BOEING
737-600/700/800/900
PARTS CATALOG (MAINTENANCE)

FIG ITEM	PART NUMBER	1 2 3 4 5 6 7	NOMENCLATURE	EFFECT FROM TO	UNITS PER ASSY
3 608	234A021-3		.BACKSHELL- SUPPLIER CODE: V06090 ELECTRICAL EQUIP NUMBER: D10303U WIRING DIAGRAM REF: 233261 OPTIONAL SUPPLIER CODE: 06060 PRE ALERT SB: 23A1169R2	001011	1
608	CDSA2P		.BACKSHELL- SUPPLIER CODE: V71771 ELECTRICAL EQUIP NUMBER: D10303U WIRING DIAGRAM REF: 233261 OPTIONAL SUPPLIER CODE: 55104 POST ALERT SB: 23A1169R2	001011	1
- 609	CQMEF200		.CONTACT-COAX SUPPLIER CODE: V71771 POST ALERT SB: 23A1169R2	001011	1
- 610	CQMEM200		.CONTACT-COAX SUPPLIER CODE: V71771 SERVICE BULLETIN OPT DATA: CQMEM200A V71771 POST ALERT SB: 23A1169R2	001011	1
- 610	CQMEM200A		.CONTACT-COAX SUPPLIER CODE: V71771 SERVICE BULLETIN OPT DATA: CQMEM200 V71771 POST ALERT SB: 23A1169R2	001011	1
- 611	M39029-64-369		.CONTACT- POST ALERT SB: 23A1169R2	001011	10
- 612	002A0006-37		.ID TAPE- POST ALERT SB: 23A1169R2	001011	1

MISSING ITEM NUMBERS NOT APPLICABLE

- ITEM NOT ILLUSTRATED

HAP

23-32-03-03

BOEING PROPRIETARY - Copyright © - Unpublished Work - See title page for details.

23-32-03
FIG. 03
PAGE 7
FEB 10/07

BOEING
737-600/700/800/900
PARTS CATALOG (MAINTENANCE)

FIG ITEM	PART NUMBER	1 2 3 4 5 6 7	NOMENCLATURE	EFFECT FROM TO	UNITS PER ASSY
3					
- 613	287A9508-5		.ID TAPE- POST ALERT SB: 23A1169R2	001011	1
- 614	287A9508-6		.ID TAPE- POST ALERT SB: 23A1169R2	001011	1
- 615	287A9508-7		.ID TAPE- POST ALERT SB: 23A1169R2	001011	1
- 616	287A9508-8		.ID TAPE- POST ALERT SB: 23A1169R2	001011	1
- 617	287A9508-9		.ID TAPE- POST ALERT SB: 23A1169R2	001011	1
- 621	286A3057-002		WIRE BUNDLE ASSY	001011	RF
625	CAMA11W1P		.PLUG- SUPPLIER CODE: V55104 ELECTRICAL EQUIP NUMBER: D10309 WIRING DIAGRAM REF: 233262 OPTIONAL SUPPLIER CODE: 71771 PRE ALERT SB: 23A1169R2	001011	1
625	CAMA11W1PEK87		.PLUG- SUPPLIER CODE: V71771 ELECTRICAL EQUIP NUMBER: D10309 WIRING DIAGRAM REF: 233262 OPTIONAL SUPPLIER CODE: 55104 POST ALERT SB: 23A1169R2	001011	1
- 626	MS27488-20		.PLUG- POST ALERT SB: 23A1169R2	001011	5

MISSING ITEM NUMBERS NOT APPLICABLE

- ITEM NOT ILLUSTRATED

HAP

23-32-03-03

BOEING PROPRIETARY - Copyright © - Unpublished Work - See title page for details.

23-32-03
FIG. 03
PAGE 8
FEB 10/07

BOEING
737-600/700/800/900
PARTS CATALOG (MAINTENANCE)

FIG ITEM	PART NUMBER	1 2 3 4 5 6 7	NOMENCLATURE	EFFECT FROM TO	UNITS PER ASSY
3 628	234A021-3		.BACKSHELL- SUPPLIER CODE: V06090 ELECTRICAL EQUIP NUMBER: D10309U WIRING DIAGRAM REF: 233262 OPTIONAL SUPPLIER CODE: 06060 PRE ALERT SB: 23A1169R2	001011	1
628	CDSA2P		.BACKSHELL- SUPPLIER CODE: V71771 ELECTRICAL EQUIP NUMBER: D10309U WIRING DIAGRAM REF: 233262 OPTIONAL SUPPLIER CODE: 55104 POST ALERT SB: 23A1169R2	001011	1
- 630	CQMEM200		.CONTACT-COAX SUPPLIER CODE: V71771 SERVICE BULLETIN OPT DATA: CQMEM200A V71771 POST ALERT SB: 23A1169R2	001011	1
- 630	CQMEM200A		.CONTACT-COAX SUPPLIER CODE: V71771 SERVICE BULLETIN OPT DATA: CQMEM200 V71771 POST ALERT SB: 23A1169R2	001011	1
- 635	CQMEF200		.CONTACT-COAX SUPPLIER CODE: V71771 POST ALERT SB: 23A1169R2	001011	1
- 640	M39029-64-369		.CONTACT- POST ALERT SB: 23A1169R2	001011	10
- 641	002A0006-37		.ID TAPE- POST ALERT SB: 23A1169R2	001011	1

MISSING ITEM NUMBERS NOT APPLICABLE

- ITEM NOT ILLUSTRATED

HAP

23-32-03-03

BOEING PROPRIETARY - Copyright © - Unpublished Work - See title page for details.

23-32-03
FIG. 03
PAGE 9
FEB 10/07

BOEING
737-600/700/800/900
PARTS CATALOG (MAINTENANCE)

FIG ITEM	PART NUMBER	1 2 3 4 5 6 7	NOMENCLATURE	EFFECT FROM TO	UNITS PER ASSY
3					
- 642	287A9508-5	.ID TAPE-	POST ALERT SB: 23A1169R2	001011	1
- 643	287A9508-6	.ID TAPE-	POST ALERT SB: 23A1169R2	001011	1
- 644	287A9508-7	.ID TAPE-	POST ALERT SB: 23A1169R2	001011	1
- 645	287A9508-8	.ID TAPE-	POST ALERT SB: 23A1169R2	001011	1
- 646	287A9508-9	.ID TAPE-	POST ALERT SB: 23A1169R2	001011	1
- 651	286A3059-002		WIRE BUNDLE ASSY	001009	RF
- 651	286A3059-009		WIRE BUNDLE ASSY	010011	RF
655	CAMA11W1P	.PLUG-	SUPPLIER CODE: V55104 ELECTRICAL EQUIP NUMBER: D10311 WIRING DIAGRAM REF: 233262 OPTIONAL SUPPLIER CODE: 71771 PRE ALERT SB: 23A1169R2	001011	1
655	CAMA11W1PEK87	.PLUG-	SUPPLIER CODE: V71771 ELECTRICAL EQUIP NUMBER: D10311 WIRING DIAGRAM REF: 233262 OPTIONAL SUPPLIER CODE: 55104 POST ALERT SB: 23A1169R2	001011	1
- 656	MS27488-20	.PLUG-	POST ALERT SB: 23A1169R2	001011	5

MISSING ITEM NUMBERS NOT APPLICABLE

- ITEM NOT ILLUSTRATED

HAP

23-32-03-03

BOEING PROPRIETARY - Copyright © - Unpublished Work - See title page for details.

23-32-03
FIG. 03
PAGE 10
FEB 10/07

BOEING
737-600/700/800/900
PARTS CATALOG (MAINTENANCE)

FIG ITEM	PART NUMBER	1 2 3 4 5 6 7	NOMENCLATURE	EFFECT FROM TO	UNITS PER ASSY
3 658	234A021-3		.BACKSHELL- SUPPLIER CODE: V06090 ELECTRICAL EQUIP NUMBER: D10311U WIRING DIAGRAM REF: 233262 OPTIONAL SUPPLIER CODE: 06060 PRE ALERT SB: 23A1169R2	001011	1
658	CDSA2P		.BACKSHELL- SUPPLIER CODE: V71771 ELECTRICAL EQUIP NUMBER: D10311U WIRING DIAGRAM REF: 233262 OPTIONAL SUPPLIER CODE: 55104 POST ALERT SB: 23A1169R2	001011	1
- 660	CQMEM200		.CONTACT-COAX SUPPLIER CODE: V71771 SERVICE BULLETIN OPT DATA: CQMEM200A V71771 POST ALERT SB: 23A1169R2	001011	1
- 660	CQMEM200A		.CONTACT-COAX SUPPLIER CODE: V71771 SERVICE BULLETIN OPT DATA: CQMEM200 V71771 POST ALERT SB: 23A1169R2	001011	1
- 665	CQMEF200		.CONTACT-COAX SUPPLIER CODE: V71771 POST ALERT SB: 23A1169R2	001011	1
- 670	M39029-64-369		.CONTACT- POST ALERT SB: 23A1169R2	001011	10
- 675	002A0006-37		.ID TAPE- POST ALERT SB: 23A1169R2	001011	1

MISSING ITEM NUMBERS NOT APPLICABLE

- ITEM NOT ILLUSTRATED

HAP

23-32-03-03

BOEING PROPRIETARY - Copyright © - Unpublished Work - See title page for details.

23-32-03
FIG. 03
PAGE 11
FEB 10/07


BOEING
 737-600/700/800/900
PARTS CATALOG (MAINTENANCE)

FIG ITEM	PART NUMBER	1 2 3 4 5 6 7	NOMENCLATURE	EFFECT FROM TO	UNITS PER ASSY
3					
- 677	287A9508-5		.ID TAPE- POST ALERT SB: 23A1169R2	001011	1
- 679	287A9508-6		.ID TAPE- POST ALERT SB: 23A1169R2	001011	1
- 681	287A9508-7		.ID TAPE- POST ALERT SB: 23A1169R2	001011	1
- 683	287A9508-8		.ID TAPE- POST ALERT SB: 23A1169R2	001011	1
- 685	287A9508-9		.ID TAPE- POST ALERT SB: 23A1169R2	001011	1

MISSING ITEM NUMBERS NOT APPLICABLE

- ITEM NOT ILLUSTRATED

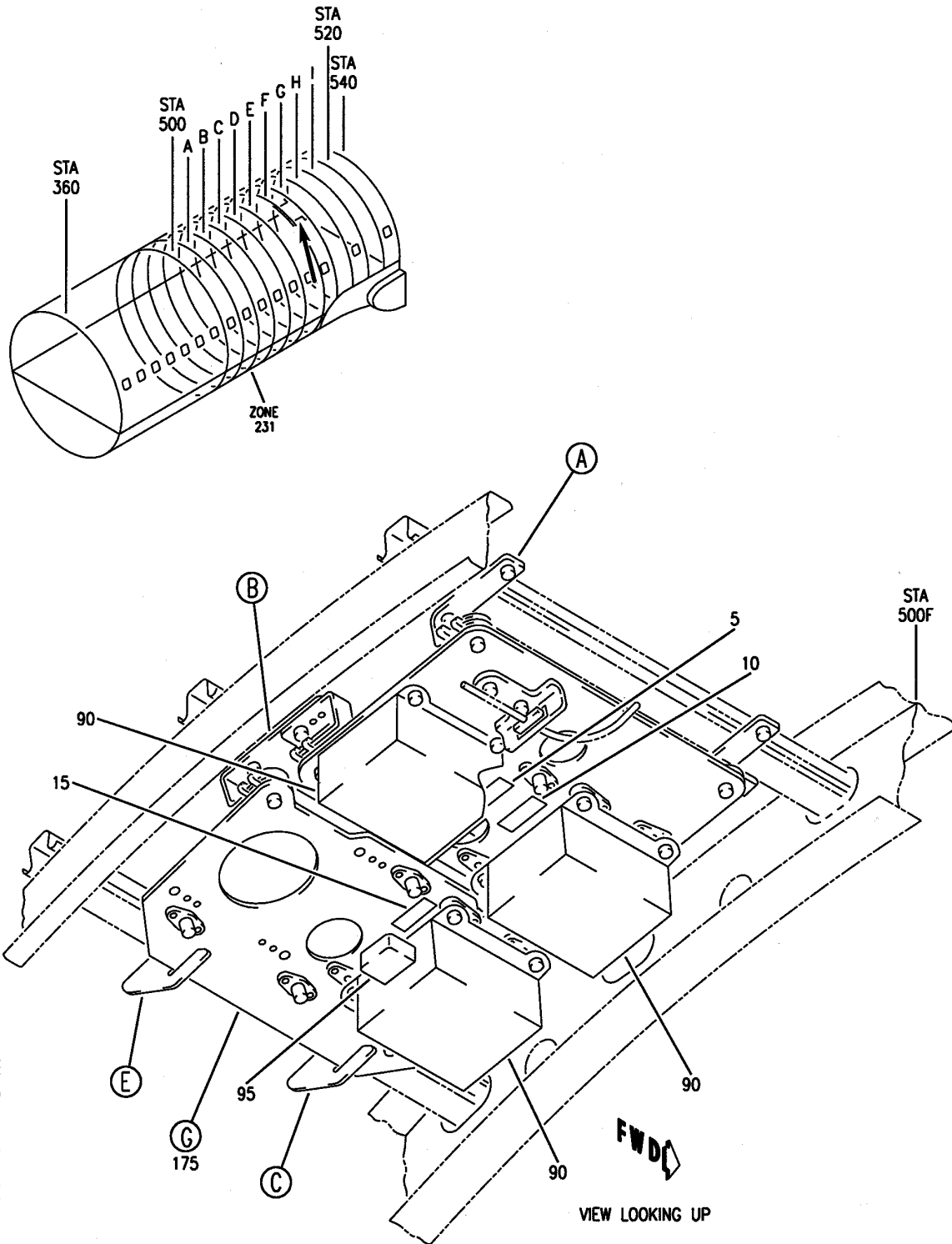
HAP

23-32-03-03

BOEING PROPRIETARY - Copyright © - Unpublished Work - See title page for details.

23-32-03
 FIG. 03
 PAGE 12
 OCT 10/06

BOEING
 737-600/700/800/900
 PARTS CATALOG (MAINTENANCE)



E 23320304 SHT 1 REV 033

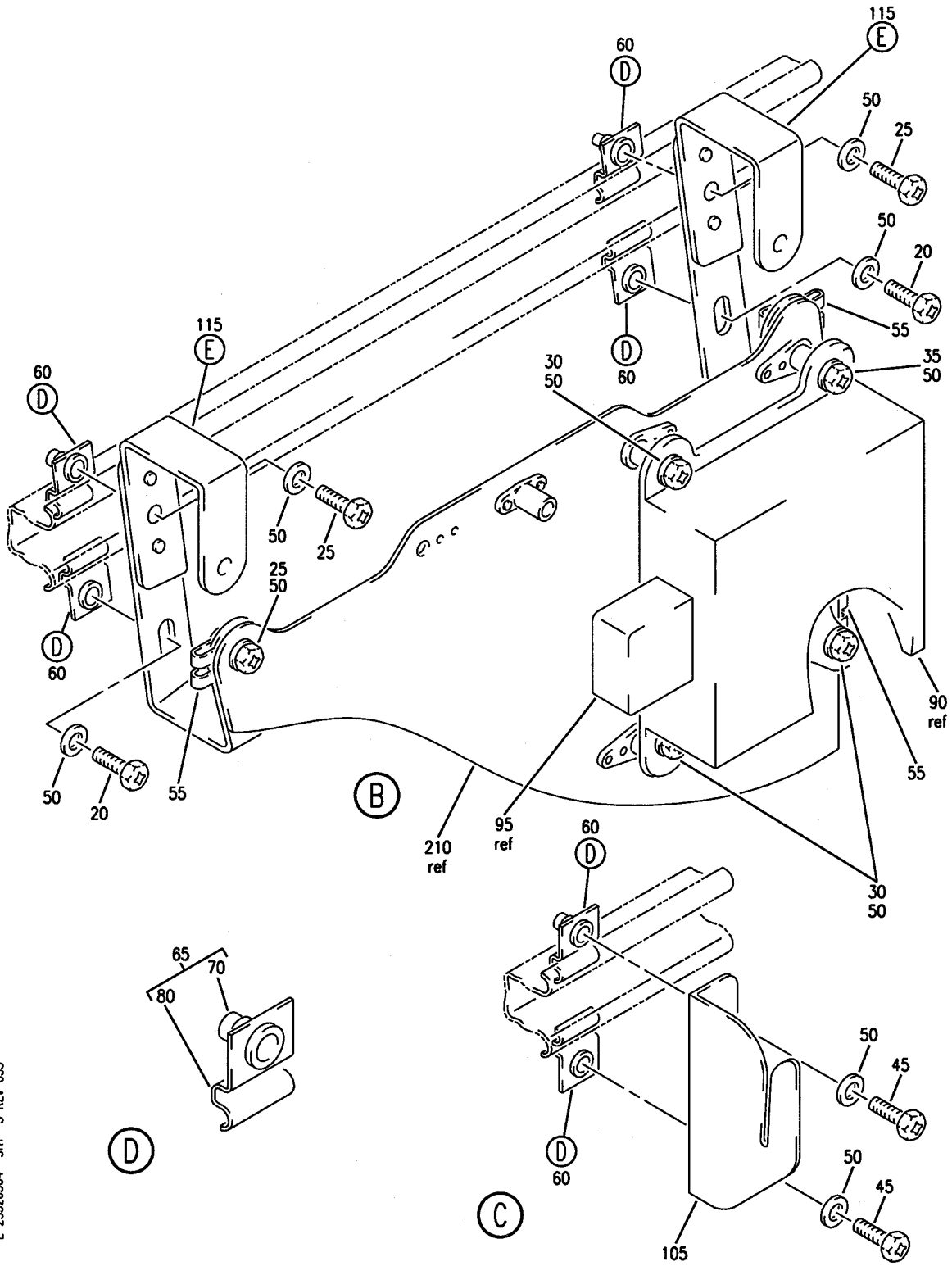
EQUIPMENT INSTL- 3 VDU CLUSTER
 FIGURE 4 (SHEET 1)

23-32-03-04

HAP
 OCT 10/06

23-32-03-04
 PAGE 0

BOEING
 737-600/700/800/900
 PARTS CATALOG (MAINTENANCE)



E 23320304 SHF 3 REV 033

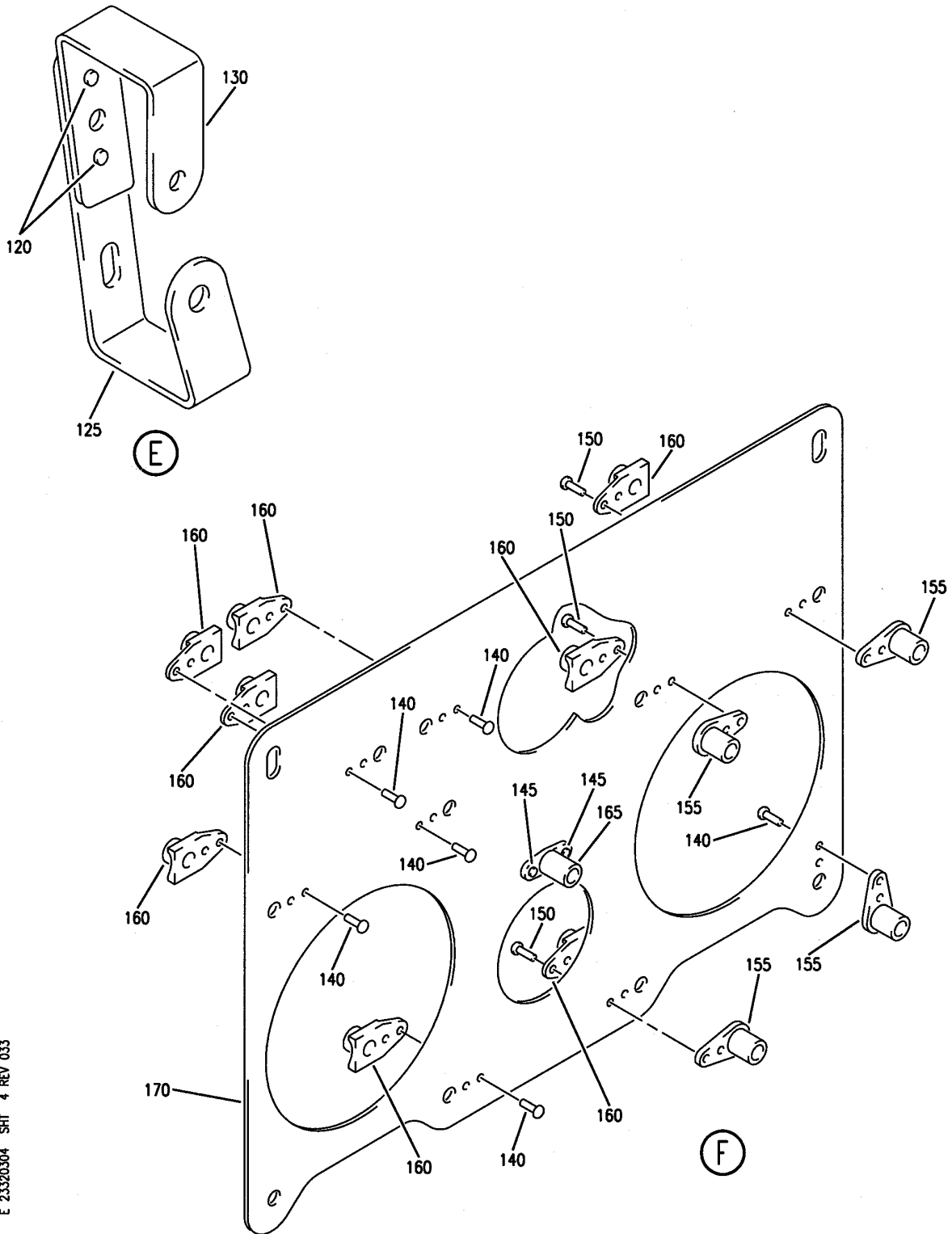
EQUIPMENT INSTL- 3 VDU CLUSTER
 FIGURE 4 (SHEET 3)

23-32-03-04

HAP
 OCT 10/06

23-32-03-04
 PAGE 0B

BOEING
 737-600/700/800/900
 PARTS CATALOG (MAINTENANCE)



E 23320304 SHT 4 REV 033

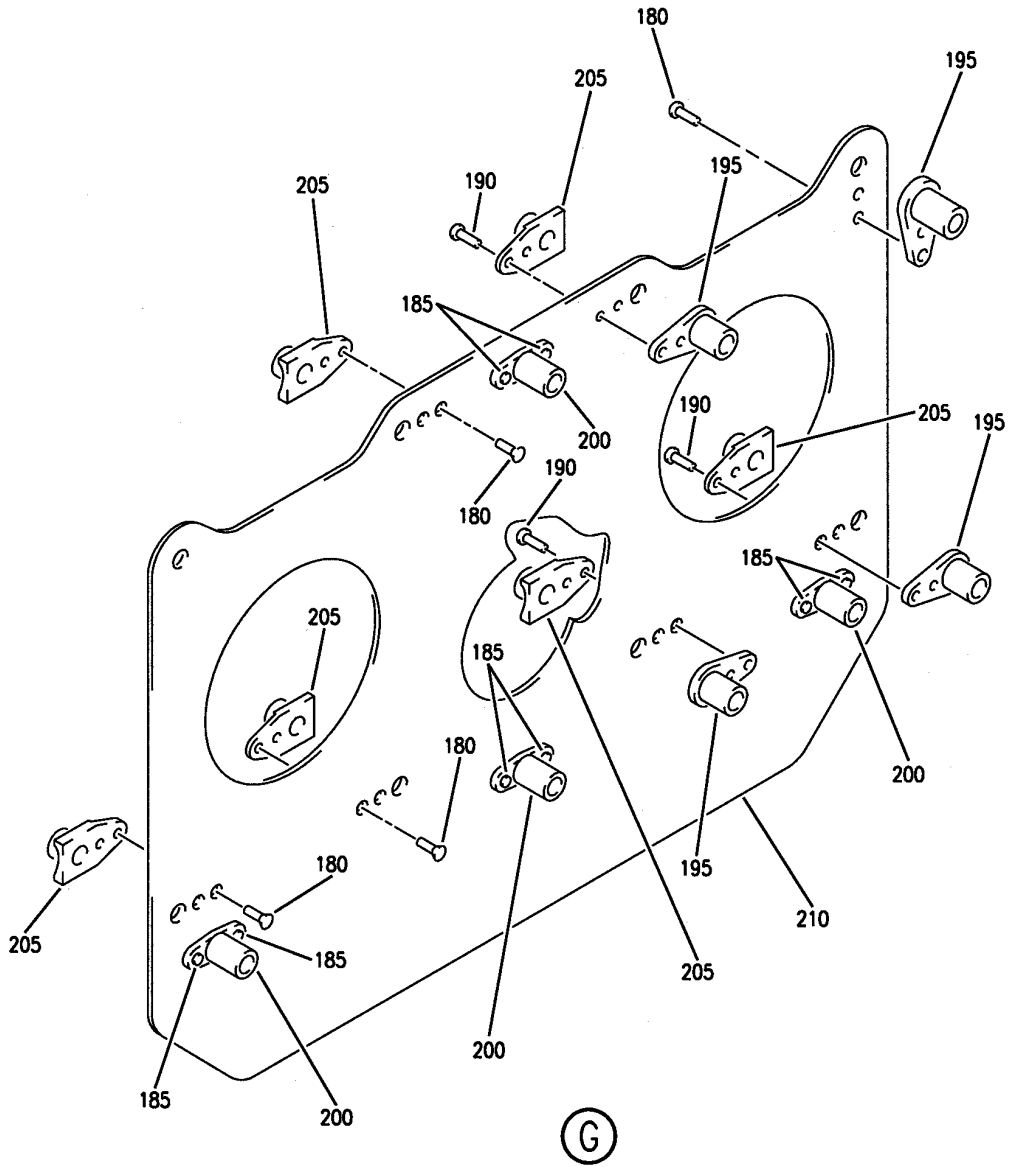
EQUIPMENT INSTL- 3 VDU CLUSTER
 FIGURE 4 (SHEET 4)

23-32-03-04

HAP
 OCT 10/06

23-32-03-04
 PAGE 0C

BOEING
737-600/700/800/900
PARTS CATALOG (MAINTENANCE)



E 23320304 SHT 5 REV 033

EQUIPMENT INSTL- 3 VDU CLUSTER
FIGURE 4 (SHEET 5)

23-32-03-04

HAP
OCT 10/06

23-32-03-04
PAGE 0D

BOEING
737-600/700/800/900
PARTS CATALOG (MAINTENANCE)

FIG ITEM	PART NUMBER	1 2 3 4 5 6 7	NOMENCLATURE	EFFECT FROM TO	UNITS PER ASSY
4			EQUIPMENT INSTL- 3 VDU CLUSTER	001011	
- 1	417A7380-5		EQUIPMENT INSTL-3 VDU CLUSTER WITH TERM. PLUG POSITION DATA: STA 500F-500G FOR NHA SEE: 23-32-00-01B	001011	RF
	5 BAC27DEX6670		.DECAL-VINYL PLACARD CONTENT: M1938	001011	1
	10 BAC27DEX6671		.DECAL-VINYL PLACARD CONTENT: M1939	001011	1
	15 BAC27DEX6672		.DECAL-VINYL PLACARD CONTENT: M1940	001011	1
	20 BACS12GU3K9		.SCREW	001011	11
	25 BACS12GU3K10		.SCREW	001011	5
	30 BACS12GU3K17		.SCREW	001011	6
	35 BACS12GU3K18		.SCREW	001011	2
	40 BACS12GU3K11		.SCREW	001011	1
	45 BACS12GU3K8		.SCREW	001011	4
	50 NAS1149D0332J		.WASHER	001011	29
	55 BACN10VR2CG		.NUT	001011	6
	60 69-37170-1		.CLIP ASSY	001011	12
	65 69-37170-6		..CLIP ASSY- OPTIONAL PART: 69-37170-4	001011	1
	65 69-37170-4		..CLIP ASSY- OPTIONAL PART: 69-37170-6	001011	1
	70 79NC2-02		...NUT- SUPPLIER CODE: V72962 OPTIONAL PART: NC2-1032 V27687 USED ON: 69-37170-6	001011	1
	70 NC2-1032		...NUT- SUPPLIER CODE: V27687 OPTIONAL PART: 79NC2-02 V72962 USED ON: 69-37170-6	001011	1

MISSING ITEM NUMBERS NOT APPLICABLE

- ITEM NOT ILLUSTRATED

HAP

23-32-03-04

BOEING PROPRIETARY - Copyright © - Unpublished Work - See title page for details.

23-32-03
FIG. 04
PAGE 1
OCT 10/06

BOEING
737-600/700/800/900
PARTS CATALOG (MAINTENANCE)

FIG ITEM	PART NUMBER	1 2 3 4 5 6 7	NOMENCLATURE	EFFECT FROM TO	UNITS PER ASSY
4					
- 75	SL854C3F1CM		...INSERT- SUPPLIER CODE: V97393 USED ON: 69-37170-4	001011	1
80	69-37170-5		...CLIP- USED ON: 69-37170-6	001011	1
- 85	69-37170-3		...CLIP- USED ON: 69-37170-4	001011	1
90	700-2200-001		.DISTRIBUTION UNIT-SMART VIDEO SUPPLIER CODE: V62204 FUNCTIONAL DESCRIPTION: RECEIVES COMMANDS FROM THE SYSTEM CONTROL UNIT AND ROUTES SELECTED VIDEO SIGNAL TO MONITORS OR PROJECTORS. COMPONENT MAINT MANUAL REF: 23-32-03	001011	3
95	700-1516-002		.PLUG-TERMINATION SUPPLIER CODE: V62204	001011	1
100	417N7105-155		.BRACKET	001011	2
105	417N7105-159		.BRACKET	001011	2
110	417N7102-198		.BRACKET	001011	1
115	417N7105-158		.BRACKET ASSY	001011	2
120	BACR15CE6D		..RIVET- SIZE DETERMINED ON INSTL.	001011	2
125	417N7105-157		..BRACKET	001011	1
130	417N7105-156		..BRACKET	001011	1
135	417N7102-216		.BRACKET ASSY	001011	1
140	BACR15BA3ADC		..RIVET- SIZE DETERMINED ON INSTL.	001011	12
145	BACR15BA4ADC		..RIVET- SIZE DETERMINED ON INSTL.	001011	2
150	BACR15BB3ADC		..RIVET- SIZE DETERMINED ON INSTL.	001011	6
155	295926-50		..SPACER SUPPLIER CODE: V60119 SPECIFICATION NUMBER: BACS18R50B	001011	4

MISSING ITEM NUMBERS NOT APPLICABLE

- ITEM NOT ILLUSTRATED

HAP

23-32-03-04

23-32-03
FIG. 04
PAGE 2
JUN 15/08

BOEING
737-600/700/800/900
PARTS CATALOG (MAINTENANCE)

FIG ITEM	PART NUMBER	1 2 3 4 5 6 7	NOMENCLATURE	EFFECT FROM TO	UNITS PER ASSY
4 160	F177-3	..	NUTPLATE SUPPLIER CODE: V72962 SPECIFICATION NUMBER: BACN10JA3 OPTIONAL PART: F2400-3 V15653 43610-02 V80539 BRF110A3 V52828 BRF170A3 V52828	001011	8
165	WSI4A6B	..	NUTPLATE SUPPLIER CODE: V04169 SPECIFICATION NUMBER: BACN10TL3A6B	001011	1
170	417N7102-205	..	BRACKET	001011	1
175	417N7102-212	.	BRACKET ASSY	001011	1
180	BACR15BA3ADC	..	RIVET- SIZE DETERMINED ON INSTL.	001011	8
185	BACR15BA4ADC	..	RIVET- SIZE DETERMINED ON INSTL.	001011	8
190	BACR15BB3ADC	..	RIVET- SIZE DETERMINED ON INSTL.	001011	6
195	295926-50	..	SPACER SUPPLIER CODE: V60119 SPECIFICATION NUMBER: BACS18R50B	001011	4
200	WSI4A6B	..	NUTPLATE SUPPLIER CODE: V04169 SPECIFICATION NUMBER: BACN10TL3A6B	001011	4

MISSING ITEM NUMBERS NOT APPLICABLE

— ITEM NOT ILLUSTRATED

HAP

23-32-03-04

BOEING PROPRIETARY - Copyright © - Unpublished Work - See title page for details.

23-32-03
FIG. 04
PAGE 3
OCT 10/06

BOEING
737-600/700/800/900
PARTS CATALOG (MAINTENANCE)

FIG ITEM	PART NUMBER	1 2 3 4 5 6 7	NOMENCLATURE	EFFECT FROM TO	UNITS PER ASSY
4 205	F177-3		..NUTPLATE SUPPLIER CODE: V72962 SPECIFICATION NUMBER: BACN10JA3 OPTIONAL PART: F2400-3 V15653 43610-02 V80539 BRF110A3 V52828 BRF170A3 V52828	001011	6
210	417N7102-201		..BRACKET	001011	1
- 541	286A3017-001		WIRE BUNDLE ASSY	001011	RF
- 545	CAMA11W1P		.PLUG- SUPPLIER CODE: V55104 ELECTRICAL EQUIP NUMBER: D10237 WIRING DIAGRAM REF: 233241 OPTIONAL SUPPLIER CODE: 71771 PRE ALERT SB: 23A1169R2	001011	1
- 547	CAMA11W1PEK87		.PLUG- SUPPLIER CODE: V71771 ELECTRICAL EQUIP NUMBER: D10237 WIRING DIAGRAM REF: 233241 OPTIONAL SUPPLIER CODE: 55104 POST ALERT SB: 23A1169R1	001011	1
- 549	CDSA2P		.BACKSHELL-90 DEG SUPPLIER CODE: V71771 ELECTRICAL EQUIP NUMBER: D10237U WIRING DIAGRAM REF: 233241 OPTIONAL SUPPLIER CODE: 55104 POST ALERT SB: 23A1169R1	001011	1

MISSING ITEM NUMBERS NOT APPLICABLE

- ITEM NOT ILLUSTRATED

HAP

23-32-03-04

BOEING PROPRIETARY - Copyright © - Unpublished Work - See title page for details.

23-32-03
FIG. 04
PAGE 4
FEB 10/07

BOEING
737-600/700/800/900
PARTS CATALOG (MAINTENANCE)

FIG ITEM	PART NUMBER	1 2 3 4 5 6 7	NOMENCLATURE	EFFECT FROM TO	UNITS PER ASSY
4					
- 551	MS27488-20		.PLUG- POST ALERT SB: 23A1169R1	001011	2
- 553	CQMEF200		.CONTACT- SUPPLIER CODE: V71771 POST ALERT SB: 23A1169R1	001011	1
- 555	CQMEM200		.CONTACT- SUPPLIER CODE: V71771 SERVICE BULLETIN OPT DATA: CQMEM200A V71771 POST ALERT SB: 23A1169R1	001011	1
- 555	CQMEM200A		.CONTACT- SUPPLIER CODE: V71771 SERVICE BULLETIN OPT DATA: CQMEM200 V71771 POST ALERT SB: 23A1169R1	001011	1
- 557	M39029-64-369		.CONTACT- POST ALERT SB: 23A1169R1	001011	AR
- 561	286A3019-012		WIRE BUNDLE ASSY	010011	RF
- 561	286A3019-001		WIRE BUNDLE ASSY	001009	RF
- 565	CAMA11W1P		.PLUG- SUPPLIER CODE: V55104 ELECTRICAL EQUIP NUMBER: D10239 WIRING DIAGRAM REF: 233241 OPTIONAL SUPPLIER CODE: 71771 PRE ALERT SB: 23A1169R2	001011	1

MISSING ITEM NUMBERS NOT APPLICABLE

- ITEM NOT ILLUSTRATED

HAP

23-32-03-04

BOEING PROPRIETARY - Copyright © - Unpublished Work - See title page for details.

23-32-03
FIG. 04
PAGE 5
FEB 10/07

BOEING
737-600/700/800/900
PARTS CATALOG (MAINTENANCE)

FIG ITEM	PART NUMBER	1 2 3 4 5 6 7	NOMENCLATURE	EFFECT FROM TO	UNITS PER ASSY
4					
- 567	CAMA11W1PEK87		.PLUG- SUPPLIER CODE: V71771 ELECTRICAL EQUIP NUMBER: D10239 WIRING DIAGRAM REF: 233241 OPTIONAL SUPPLIER CODE: 55104 POST ALERT SB: 23A1169R1	001011	1
- 569	CDSA2P		.BACKSHELL-90 DEG SUPPLIER CODE: V71771 ELECTRICAL EQUIP NUMBER: D10239U WIRING DIAGRAM REF: 233241 OPTIONAL SUPPLIER CODE: 55104 POST ALERT SB: 23A1169R1	001011	1
- 571	MS27488-20		.PLUG- POST ALERT SB: 23A1169R1	001011	2
- 573	CQMEF200		.CONTACT- SUPPLIER CODE: V71771 POST ALERT SB: 23A1169R1	001011	1
- 575	CQMEM200		.CONTACT- SUPPLIER CODE: V71771 SERVICE BULLETIN OPT DATA: CQMEM200A V71771 POST ALERT SB: 23A1169R1	001011	1
- 575	CQMEM200A		.CONTACT- SUPPLIER CODE: V71771 SERVICE BULLETIN OPT DATA: CQMEM200 V71771 POST ALERT SB: 23A1169R1	001011	1
- 577	M39029-64-369		.CONTACT- POST ALERT SB: 23A1169R1	001011	AR

MISSING ITEM NUMBERS NOT APPLICABLE

- ITEM NOT ILLUSTRATED

HAP

23-32-03-04

BOEING PROPRIETARY - Copyright © - Unpublished Work - See title page for details.

23-32-03
FIG. 04
PAGE 6
FEB 10/07

 **BOEING**
737-600/700/800/900
PARTS CATALOG (MAINTENANCE)

FIG ITEM	PART NUMBER	1 2 3 4 5 6 7	NOMENCLATURE	EFFECT FROM TO	UNITS PER ASSY
4					
- 581	286A3021-002		WIRE BUNDLE ASSY	001011	RF
- 583	CAMA11W1P		.PLUG-	001011	2
			SUPPLIER CODE: V55104		
			ELECTRICAL EQUIP NUMBER: D10245		
			WIRING DIAGRAM REF: 233242		
			OPTIONAL SUPPLIER CODE: 71771		
			PRE ALERT SB: 23A1169R1		
- 585	CAMA11W1PEK87		.PLUG-	001011	1
			SUPPLIER CODE: V71771		
			ELECTRICAL EQUIP NUMBER: D10245		
			WIRING DIAGRAM REF: 233242		
			OPTIONAL SUPPLIER CODE: 55104		
			POST ALERT SB: 23A1169R1		
- 586	CDSA2P		.BACKSHELL-90 DEG	001011	1
			SUPPLIER CODE: V71771		
			ELECTRICAL EQUIP NUMBER: D10245U		
			WIRING DIAGRAM REF: 233242		
			OPTIONAL SUPPLIER CODE: 55104		
			POST ALERT SB: 23A1169R1		
- 587	MS27488-20		.PLUG-	001011	5
			POST ALERT SB: 23A1169R1		
- 588	CQMEF200		.CONTACT-	001011	1
			SUPPLIER CODE: V71771		
			POST ALERT SB: 23A1169R1		

MISSING ITEM NUMBERS NOT APPLICABLE

- ITEM NOT ILLUSTRATED

HAP

23-32-03-04

BOEING PROPRIETARY - Copyright © - Unpublished Work - See title page for details.

23-32-03
FIG. 04
PAGE 7
OCT 10/07

BOEING
737-600/700/800/900
PARTS CATALOG (MAINTENANCE)

FIG ITEM	PART NUMBER	1 2 3 4 5 6 7	NOMENCLATURE	EFFECT FROM TO	UNITS PER ASSY
4					
- 590	CQMEM200	.	CONTACT-COAX SUPPLIER CODE: V71771 SERVICE BULLETIN OPT DATA: CQMEM200A V71771 POST ALERT SB: 23A1169R1	001011	1
- 590	CQMEM200A	.	CONTACT-COAX SUPPLIER CODE: V71771 SERVICE BULLETIN OPT DATA: CQMEM200 V71771 POST ALERT SB: 23A1169R1	001011	1
- 595	M39029-64-369	.	CONTACT- POST ALERT SB: 23A1169R1	001011	10
- 596	002A0006-37	.	ID TAPE- POST ALERT SB: 23A1169R1	001011	1
- 597	287A9508-5	.	ID TAPE- PLACARD CONTENT: J01 POST ALERT SB: 23A1169R1	001011	1
- 598	287A9508-6	.	ID TAPE- PLACARD CONTENT: J02 POST ALERT SB: 23A1169R1	001011	1
- 599	287A9508-7	.	ID TAPE- PLACARD CONTENT: J03 POST ALERT SB: 23A1169R1	001011	1
-599A	287A9508-8	.	ID TAPE- PLACARD CONTENT: J04 POST ALERT SB: 23A1169R1	001011	1
-599B	287A9508-9	.	ID TAPE- PLACARD CONTENT: J05 POST ALERT SB: 23A1169R1	001011	1
- 601	286A3023-002		WIRE BUNDLE ASSY	001009	RF
- 601	286A3023-012		WIRE BUNDLE ASSY	010011	RF

MISSING ITEM NUMBERS NOT APPLICABLE

- ITEM NOT ILLUSTRATED

HAP

23-32-03-04

BOEING PROPRIETARY - Copyright © - Unpublished Work - See title page for details.

23-32-03
FIG. 04
PAGE 8
FEB 10/07

BOEING
737-600/700/800/900
PARTS CATALOG (MAINTENANCE)

FIG ITEM	PART NUMBER	1 2 3 4 5 6 7	NOMENCLATURE	EFFECT FROM TO	UNITS PER ASSY
4 - 603	CAMA11W1P		.PLUG- SUPPLIER CODE: V55104 ELECTRICAL EQUIP NUMBER: D10247 WIRING DIAGRAM REF: 233242 OPTIONAL SUPPLIER CODE: 71771 PRE ALERT SB: 23A1169R1	001011	2
- 605	CAMA11W1PEK87		.PLUG- SUPPLIER CODE: V71771 ELECTRICAL EQUIP NUMBER: D10247 WIRING DIAGRAM REF: 233242 OPTIONAL SUPPLIER CODE: 55104 POST ALERT SB: 23A1169R1	001011	1
- 606	CDSA2P		.BACKSHELL-90 DEG SUPPLIER CODE: V71771 ELECTRICAL EQUIP NUMBER: D10247U WIRING DIAGRAM REF: 233242 OPTIONAL SUPPLIER CODE: 55104 POST ALERT SB: 23A1169R1	001011	1
- 606	234A021-3		.BACKSHELL-90 DEG SUPPLIER CODE: V06090 ELECTRICAL EQUIP NUMBER: D10247U WIRING DIAGRAM REF: 233242 OPTIONAL SUPPLIER CODE: 06060 PRE ALERT SB: 23A1169R1	001011	1
- 607	MS27488-20		.PLUG- POST ALERT SB: 23A1169R1	001011	5

MISSING ITEM NUMBERS NOT APPLICABLE

- ITEM NOT ILLUSTRATED

HAP

23-32-03-04

BOEING PROPRIETARY - Copyright © - Unpublished Work - See title page for details.

23-32-03
FIG. 04
PAGE 9
FEB 10/07

BOEING
737-600/700/800/900
PARTS CATALOG (MAINTENANCE)

FIG ITEM	PART NUMBER	1 2 3 4 5 6 7	NOMENCLATURE	EFFECT FROM TO	UNITS PER ASSY
4					
- 608	CQMEF200		.CONTACT- SUPPLIER CODE: V71771 POST ALERT SB: 23A1169R1	001011	1
- 610	CQMEM200		.CONTACT-COAX SUPPLIER CODE: V71771 SERVICE BULLETIN OPT DATA: CQMEM200A V71771 POST ALERT SB: 23A1169R1	001011	1
- 610	CQMEM200A		.CONTACT-COAX SUPPLIER CODE: V71771 SERVICE BULLETIN OPT DATA: CQMEM200 V71771 POST ALERT SB: 23A1169R1	001011	1
- 615	M39029-64-369		.CONTACT- POST ALERT SB: 23A1169R1	001011	10
- 616	002A0006-37		.ID TAPE- POST ALERT SB: 23A1169R1	001011	1
- 617	287A9508-5		.ID TAPE- PLACARD CONTENT: J01 POST ALERT SB: 23A1169R1	001011	1
- 618	287A9508-6		.ID TAPE- PLACARD CONTENT: J02 POST ALERT SB: 23A1169R1	001011	1
- 619	287A9508-7		.ID TAPE- PLACARD CONTENT: J03 POST ALERT SB: 23A1169R1	001011	1
-619A	287A9508-8		.ID TAPE- PLACARD CONTENT: J04 POST ALERT SB: 23A1169R1	001011	1

MISSING ITEM NUMBERS NOT APPLICABLE

- ITEM NOT ILLUSTRATED

HAP

23-32-03-04

BOEING PROPRIETARY - Copyright © - Unpublished Work - See title page for details.

23-32-03
FIG. 04
PAGE 10
FEB 10/07

BOEING
737-600/700/800/900
PARTS CATALOG (MAINTENANCE)

FIG ITEM	PART NUMBER	1 2 3 4 5 6 7	NOMENCLATURE	EFFECT FROM TO	UNITS PER ASSY
4 -619B	287A9508-9		.ID TAPE- PLACARD CONTENT: J05 POST ALERT SB: 23A1169R1	001011	1
- 679 685	286A3029-002 CAMA11W1P		WIRE BUNDLE ASSY .PLUG- SUPPLIER CODE: V55104 ELECTRICAL EQUIP NUMBER: D10253 WIRING DIAGRAM REF: 233243 OPTIONAL SUPPLIER CODE: 71771 PRE ALERT SB: 23A1169R1	001011 001011	RF 1
685	CAMA11W1PEK87		.PLUG- SUPPLIER CODE: V71771 ELECTRICAL EQUIP NUMBER: D10253 WIRING DIAGRAM REF: 233243 OPTIONAL SUPPLIER CODE: 55104 POST ALERT SB: 23A1169R1	001011	1
- 686	CDSA2P		.BACKSHELL-90 DEG SUPPLIER CODE: V71771 ELECTRICAL EQUIP NUMBER: D10253U WIRING DIAGRAM REF: 233243 OPTIONAL SUPPLIER CODE: 55104 POST ALERT SB: 23A1169R1	001011	1

MISSING ITEM NUMBERS NOT APPLICABLE

- ITEM NOT ILLUSTRATED

HAP

23-32-03-04

BOEING PROPRIETARY - Copyright © - Unpublished Work - See title page for details.

23-32-03
FIG. 04
PAGE 11
FEB 10/07

BOEING
737-600/700/800/900
PARTS CATALOG (MAINTENANCE)

FIG ITEM	PART NUMBER	1 2 3 4 5 6 7	NOMENCLATURE	EFFECT FROM TO	UNITS PER ASSY
4					
- 686	234A021-3		.BACKSHELL-90 DEG SUPPLIER CODE: V06090 ELECTRICAL EQUIP NUMBER: D10253U WIRING DIAGRAM REF: 233243 OPTIONAL SUPPLIER CODE: 06060 PRE ALERT SB: 23A1169R1	001011	1
- 687	MS27488-20		.PLUG- POST ALERT SB: 23A1169R1	001011	5
- 688	CQMEF200		.CONTACT- SUPPLIER CODE: V71771 POST ALERT SB: 23A1169R1	001011	1
- 690	CQMEM200		.CONTACT-COAX SUPPLIER CODE: V71771 SERVICE BULLETIN OPT DATA: CQMEM200A V71771 POST ALERT SB: 23A1169R1	001011	1
- 690	CQMEM200A		.CONTACT-COAX SUPPLIER CODE: V71771 SERVICE BULLETIN OPT DATA: CQMEM200 V71771 POST ALERT SB: 23A1169R1	001011	1
- 695	M39029-64-369		.CONTACT- POST ALERT SB: 23A1169R1	001011	10
- 701	286A3031-002		WIRE BUNDLE ASSY-	001009	RF
- 701	286A3031-009		WIRE BUNDLE ASSY-	010011	RF

MISSING ITEM NUMBERS NOT APPLICABLE

- ITEM NOT ILLUSTRATED

HAP

23-32-03-04

BOEING PROPRIETARY - Copyright © - Unpublished Work - See title page for details.

23-32-03
FIG. 04
PAGE 12
FEB 10/07

BOEING
737-600/700/800/900
PARTS CATALOG (MAINTENANCE)

FIG ITEM	PART NUMBER	1 2 3 4 5 6 7	NOMENCLATURE	EFFECT FROM TO	UNITS PER ASSY
4 705	CAMA11W1P		.PLUG- SUPPLIER CODE: V55104 ELECTRICAL EQUIP NUMBER: D10255 WIRING DIAGRAM REF: 233243 OPTIONAL SUPPLIER CODE: 71771 PRE ALERT SB: 23A1169R1	001011	1
705	CAMA11W1PEK87		.PLUG- SUPPLIER CODE: V71771 ELECTRICAL EQUIP NUMBER: D10255 WIRING DIAGRAM REF: 233243 OPTIONAL SUPPLIER CODE: 55104 POST ALERT SB: 23A1169R1	001011	1
- 706	CDSA2P		.BACKSHELL-90 DEG SUPPLIER CODE: V71771 ELECTRICAL EQUIP NUMBER: D10255U WIRING DIAGRAM REF: 233243 OPTIONAL SUPPLIER CODE: 55104 POST ALERT SB: 23A1169R1	001011	1
- 706	234A021-3		.BACKSHELL-90 DEG SUPPLIER CODE: V06090 ELECTRICAL EQUIP NUMBER: D10255U WIRING DIAGRAM REF: 233243 OPTIONAL SUPPLIER CODE: 06060 PRE ALERT SB: 23A1169R1	001011	1
- 707	MS27488-20		.PLUG- POST ALERT SB: 23A1169R1	001011	5

MISSING ITEM NUMBERS NOT APPLICABLE

- ITEM NOT ILLUSTRATED

HAP

23-32-03-04

BOEING PROPRIETARY - Copyright © - Unpublished Work - See title page for details.

23-32-03
FIG. 04
PAGE 13
OCT 10/07

BOEING
737-600/700/800/900
PARTS CATALOG (MAINTENANCE)

FIG ITEM	PART NUMBER	1 2 3 4 5 6 7	NOMENCLATURE	EFFECT FROM TO	UNITS PER ASSY
4 - 708	CQMEF200		.CONTACT- SUPPLIER CODE: V71771 POST ALERT SB: 23A1169R1	001011	1
- 710	CQMEM200		.CONTACT-COAX SUPPLIER CODE: V71771 SERVICE BULLETIN OPT DATA: CQMEM200A V71771 POST ALERT SB: 23A1169R1	001011	1
- 710	CQMEM200A		.CONTACT-COAX SUPPLIER CODE: V71771 SERVICE BULLETIN OPT DATA: CQMEM200 V71771 POST ALERT SB: 23A1169R1	001011	1
- 715	M39029-64-369		.CONTACT- POST ALERT SB: 23A1169R1	001011	10

MISSING ITEM NUMBERS NOT APPLICABLE

- ITEM NOT ILLUSTRATED

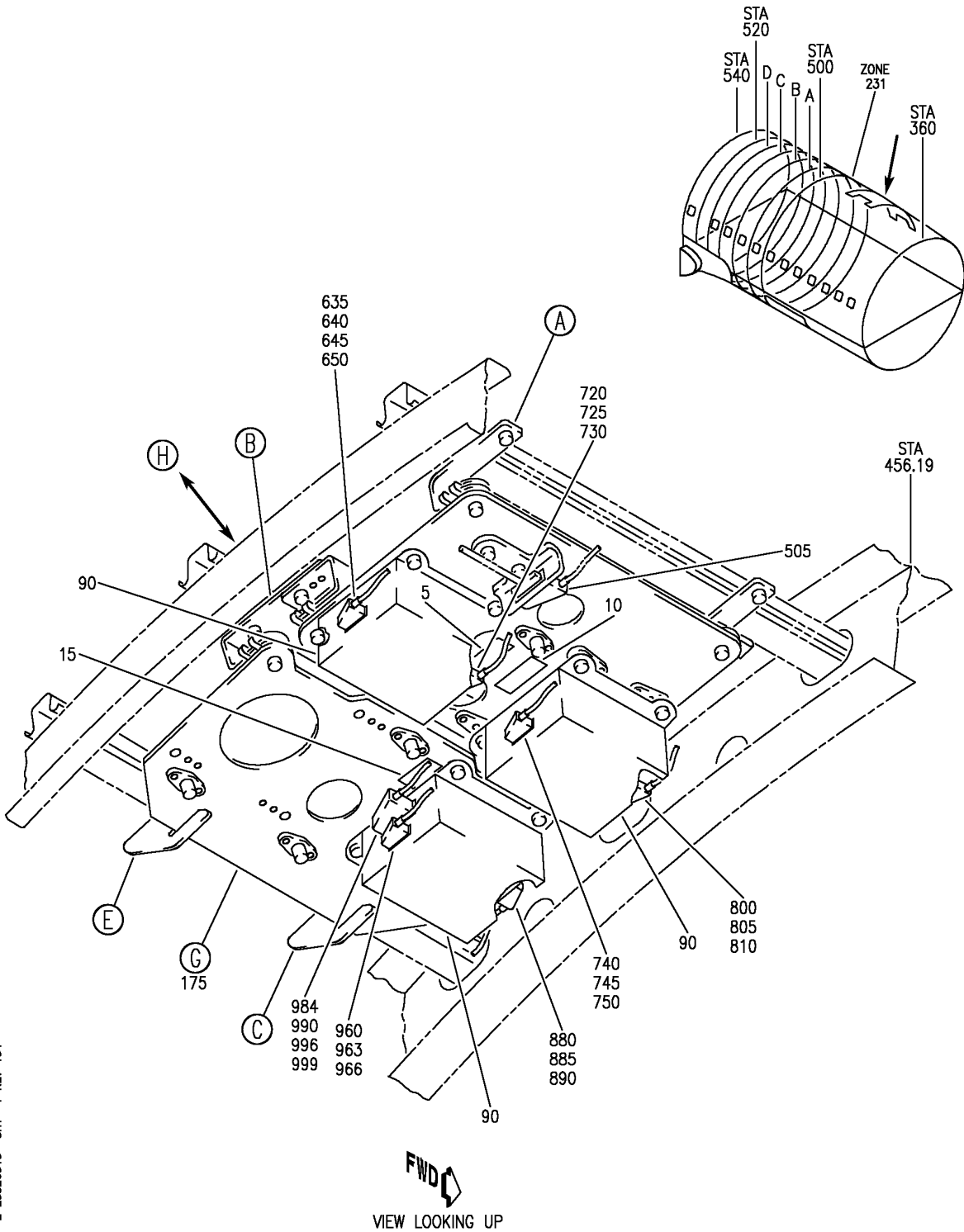
HAP

23-32-03-04

BOEING PROPRIETARY - Copyright © - Unpublished Work - See title page for details.

23-32-03
FIG. 04
PAGE 14
FEB 10/07

BOEING
 737-600/700/800/900
 PARTS CATALOG (MAINTENANCE)



E 23320313 SH1 1 REV 154

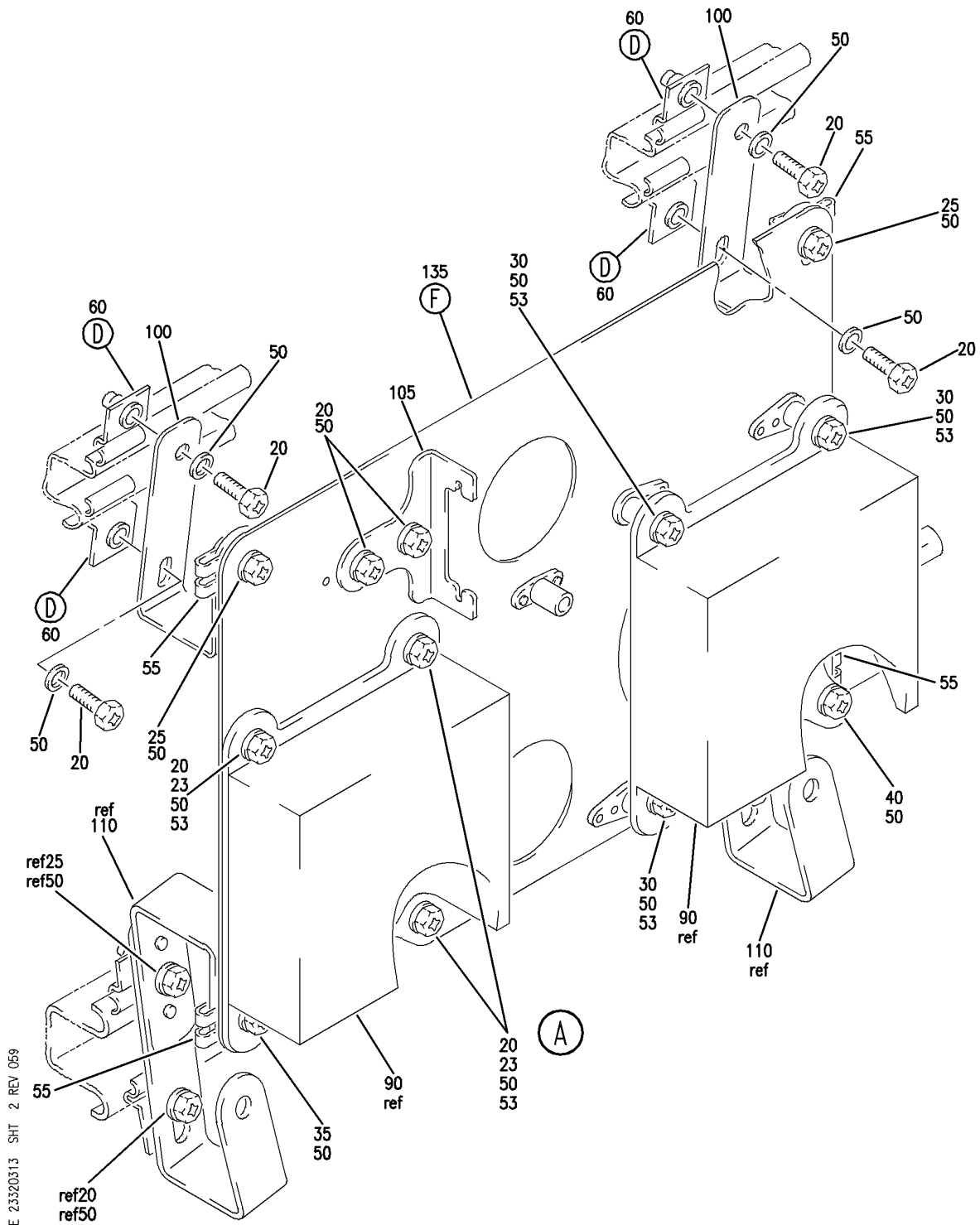
EQUIPMENT INSTL-3 VDU CLUSTER, NO TERM. PLUG 737-800, 737-700
 FIGURE 13 (SHEET 1)

23-32-03-13

HAP
 JUN 15/09

23-32-03-13
 PAGE 0

BOEING
 737-600/700/800/900
 PARTS CATALOG (MAINTENANCE)



E 23320313 SHT 2 REV 059

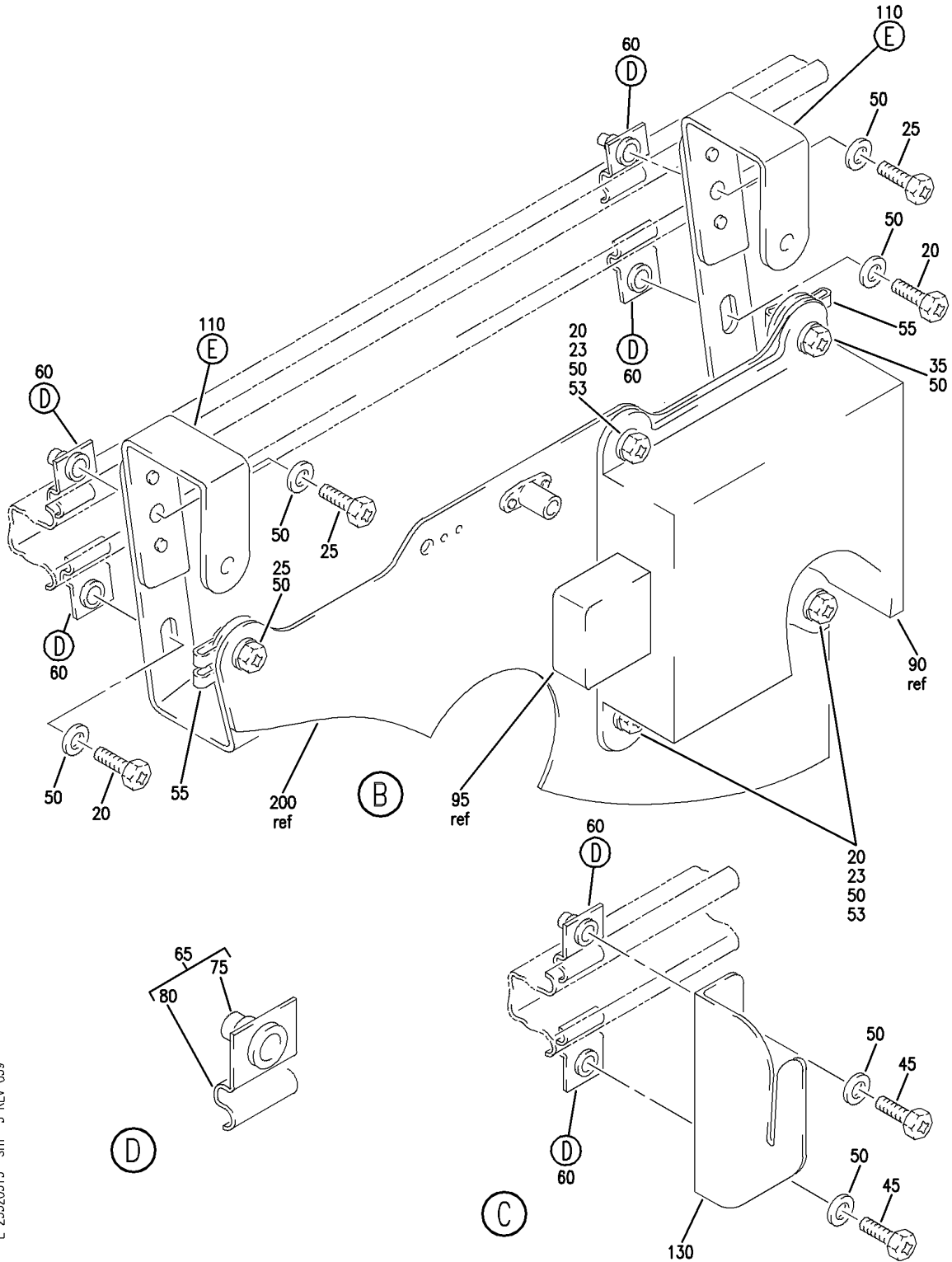
EQUIPMENT INSTL-3 VDU CLUSTER, NO TERM. PLUG 737-800, 737-700
 FIGURE 13 (SHEET 2)

23-32-03-13

HAP
 FEB 10/07

23-32-03-13
 PAGE 0A

BOEING
 737-600/700/800/900
 PARTS CATALOG (MAINTENANCE)



E 23320313 SHT 3 REV 059

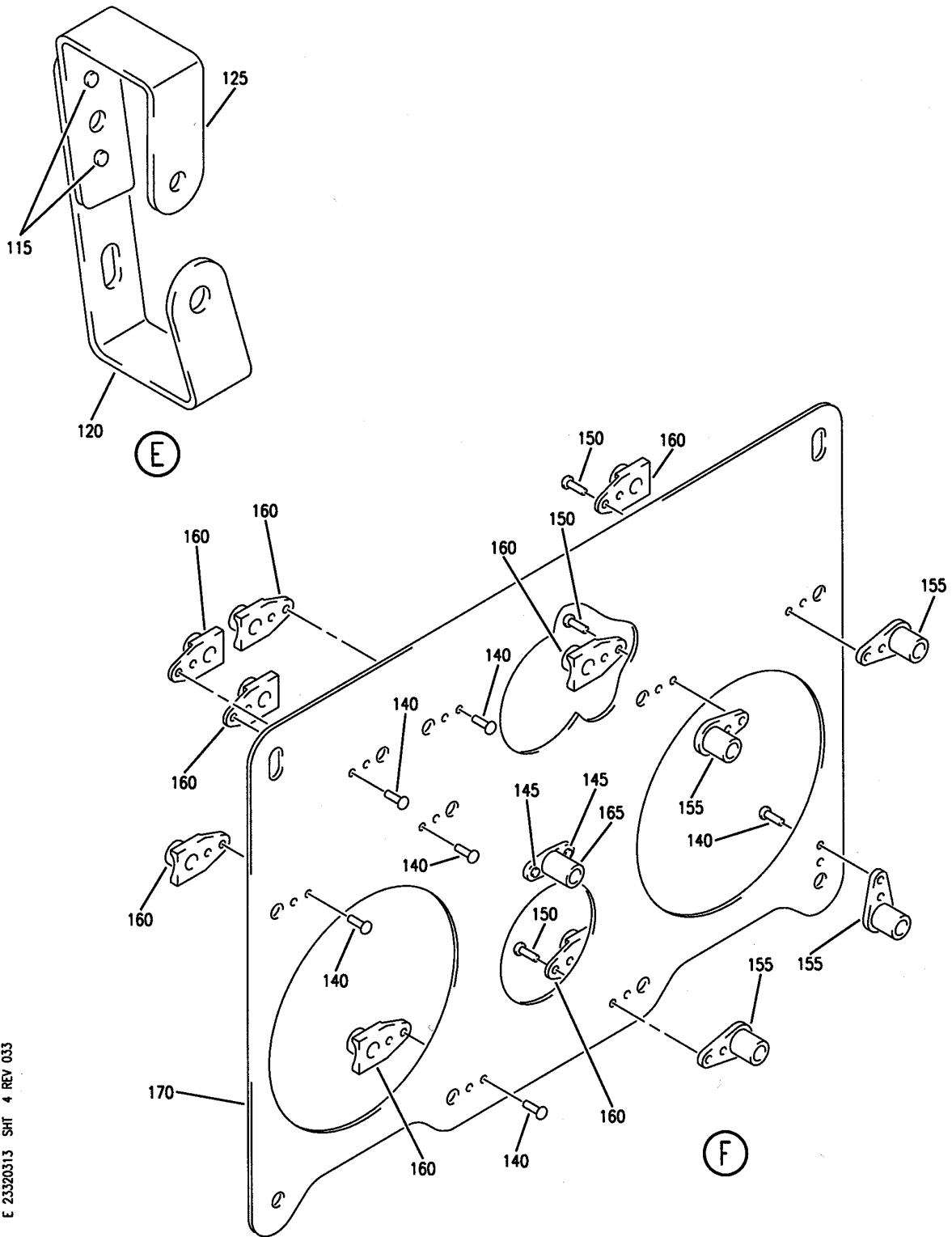
EQUIPMENT INSTL-3 VDU CLUSTER, NO TERM. PLUG 737-800, 737-700
 FIGURE 13 (SHEET 3)

23-32-03-13

HAP
 FEB 10/07

23-32-03-13
 PAGE 0B

BOEING
 737-600/700/800/900
 PARTS CATALOG (MAINTENANCE)



E 23320313 SHIT 4 REV 033

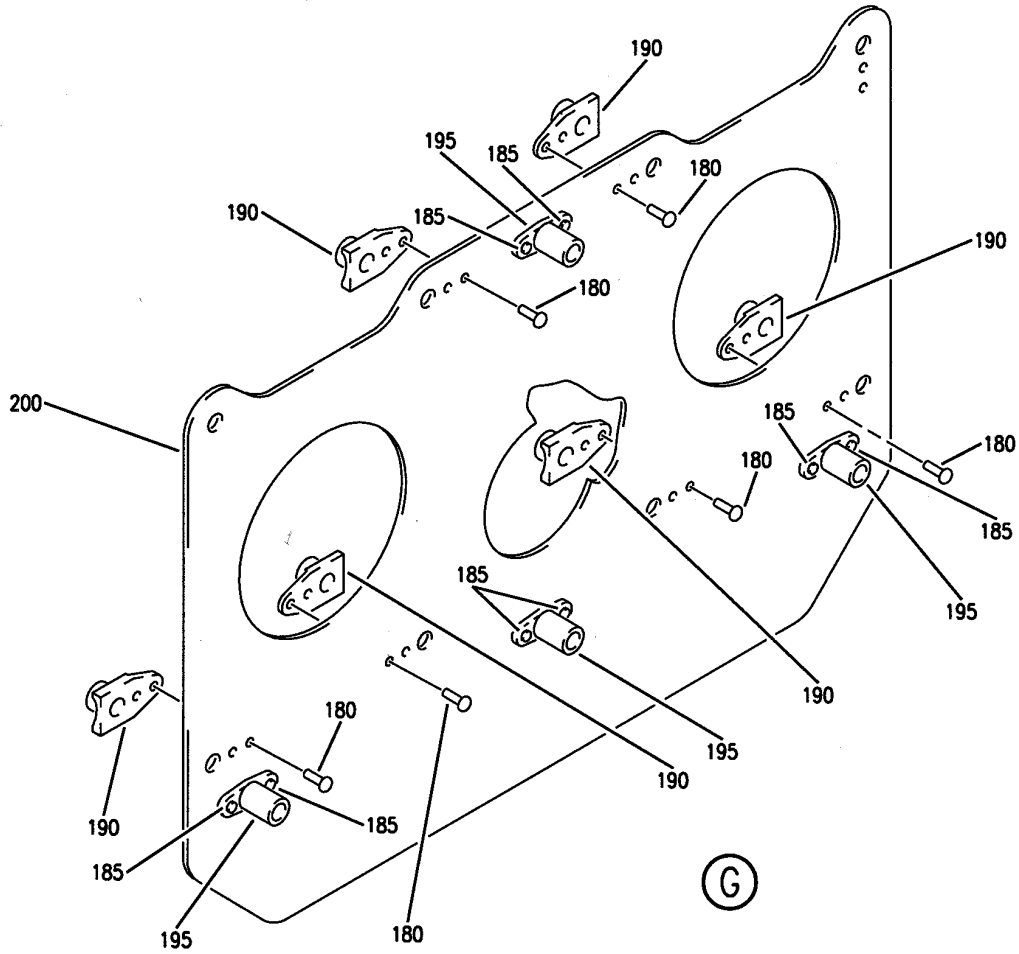
EQUIPMENT INSTL-3 VDU CLUSTER, NO TERM. PLUG 737-800, 737-700
 FIGURE 13 (SHEET 4)

23-32-03-13

HAP
 FEB 10/07

23-32-03-13
 PAGE 0C

BOEING
737-600/700/800/900
PARTS CATALOG (MAINTENANCE)



E 23320313 SHT 5 REV 033

EQUIPMENT INSTL-3 VDU CLUSTER, NO TERM. PLUG 737-800, 737-700
FIGURE 13 (SHEET 5)

23-32-03-13

HAP
FEB 10/07

23-32-03-13
PAGE 0D

BOEING
737-600/700/800/900
PARTS CATALOG (MAINTENANCE)

FIG ITEM	PART NUMBER	1 2 3 4 5 6 7	NOMENCLATURE	EFFECT FROM TO	UNITS PER ASSY
13			EQUIPMENT INSTL-3 VDU CLUSTER, NO TERM. PLUG 737-800, 737-700	101200 968999	
- 2	MODREF311123		EQUIPMENT INSTL-3 VDU CLUSTER, NO TERM. PLUG MODULE NUMBER: 417A7663-53 REV AD POSITION DATA: STA 456.69, LBL 26.30 WL 299.98	101101 968969	1
- 2	MODREF324392		EQUIPMENT INSTL-3 VDU CLUSTER, NO TERM. PLUG MODULE NUMBER: 417A7663-53 REV AE POSITION DATA: STA 456.69, LBL 26.30 WL 299.98	102103 970971	1
- 2	MODREF366788		EQUIPMENT INSTL-3 VDU CLUSTER, NO TERM. PLUG MODULE NUMBER: 417A7663-53 REV AG POSITION DATA: STA 456.69, LBL 26.30 WL 299.98	104105 972972	1
- 2	MODREF372583		EQUIPMENT INSTL-3 VDU CLUSTER, NO TERM. PLUG MODULE NUMBER: 417A7663-53 REV AH POSITION DATA: STA 456.69, LBL 26.30 WL 299.98	106200 973999	1
5	BAC27DEX6666		.DECAL- PLACARD CONTENT: M1934	101200 968999	1
10	BAC27DEX6667		.DECAL- PLACARD CONTENT: M1935	101200 968999	1
15	BAC27DEX6668		.DECAL- PLACARD CONTENT: M1936	101200 968999	1
23	BACS12GU3K9		.SCREW	101200 968999	6
30	BACS12GU3K17		.SCREW	101200 968999	3
53	NAS1149D0332J		.WASHER	101200 968999	9

MISSING ITEM NUMBERS NOT APPLICABLE

- ITEM NOT ILLUSTRATED

HAP

23-32-03-13

BOEING PROPRIETARY - Copyright © - Unpublished Work - See title page for details.

23-32-03
FIG. 13
PAGE 1
OCT 15/08

BOEING
737-600/700/800/900
PARTS CATALOG (MAINTENANCE)

FIG ITEM	PART NUMBER	1 2 3 4 5 6 7	NOMENCLATURE	EFFECT FROM TO	UNITS PER ASSY
13 90	700-2200-001		.DISTRIBUTION UNIT-VIDEO SMART (CUSTOMER FURNISHED) SUPPLIER CODE: V62204 FUNCTIONAL DESCRIPTION: RECEIVES COMMAND FROM THE SYSTEM CONTROL UNIT AND ROUTES SELECTED VIDEO SIGNAL TO MONITORS OR PROJECTORS ELECTRICAL EQUIP NUMBER: M01934 M01935 M01936 COMPONENT MAINT MANUAL REF: 23-32-03	101200 968999	3
R R R R	- 502 286A3605-702		WIRE BUNDLE ASSY- ELECTRICAL EQUIP NUMBER: D10201T D10201U	101200 968999	RF
	505 DBMA25S		.RECEPTACLE- SUPPLIER CODE: V71468 ELECTRICAL EQUIP NUMBER: D10201 WIRING DIAGRAM REF: 233231	101200 968999	1

MISSING ITEM NUMBERS NOT APPLICABLE

- ITEM NOT ILLUSTRATED

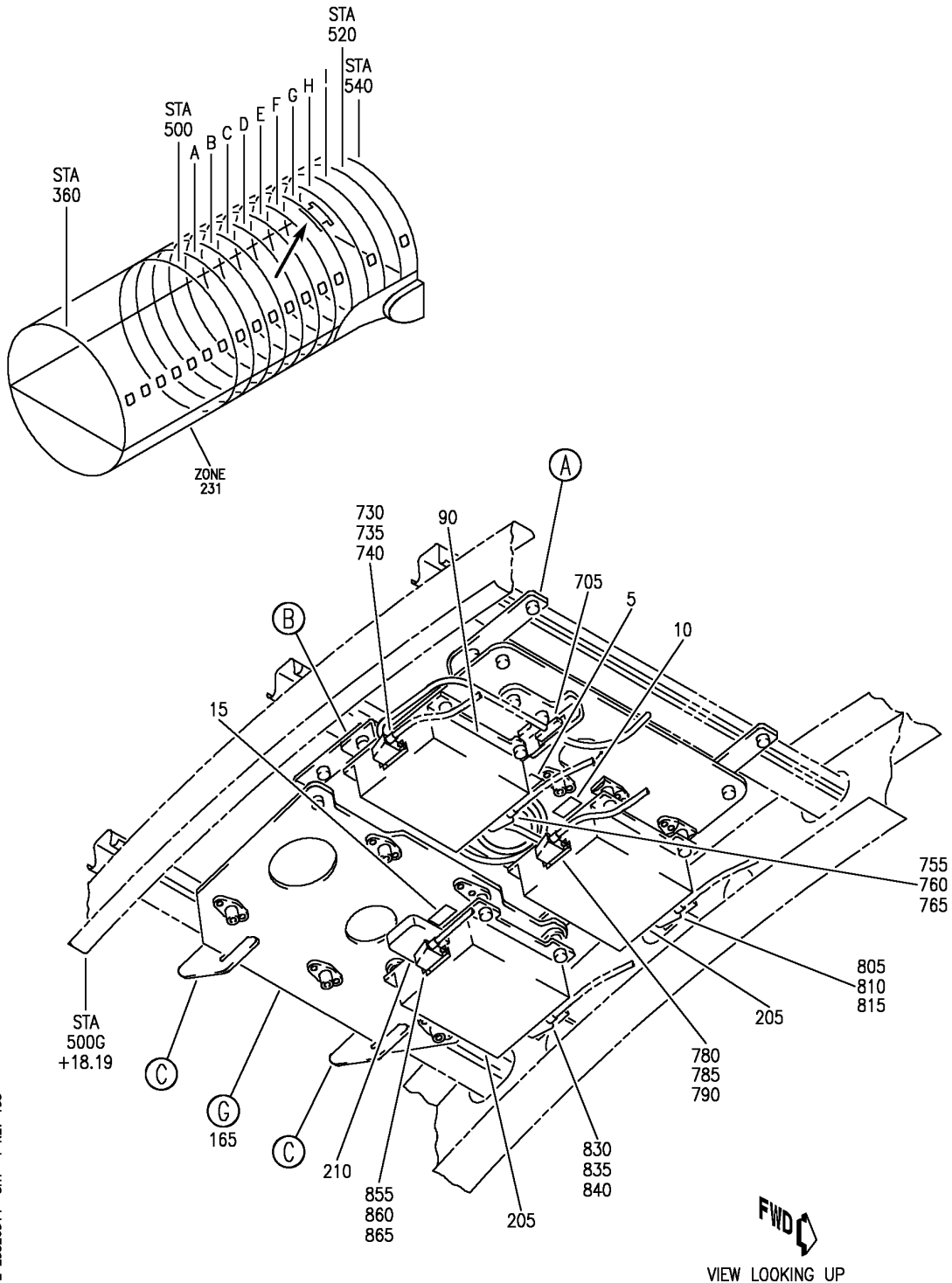
HAP

23-32-03-13

BOEING PROPRIETARY - Copyright © - Unpublished Work - See title page for details.

23-32-03
FIG. 13
PAGE 2
JUN 15/09

BOEING
737-600/700/800/900
PARTS CATALOG (MAINTENANCE)



E 23320314 SHT 1 REV 155

STA 500G
 +18.19



VIEW LOOKING UP

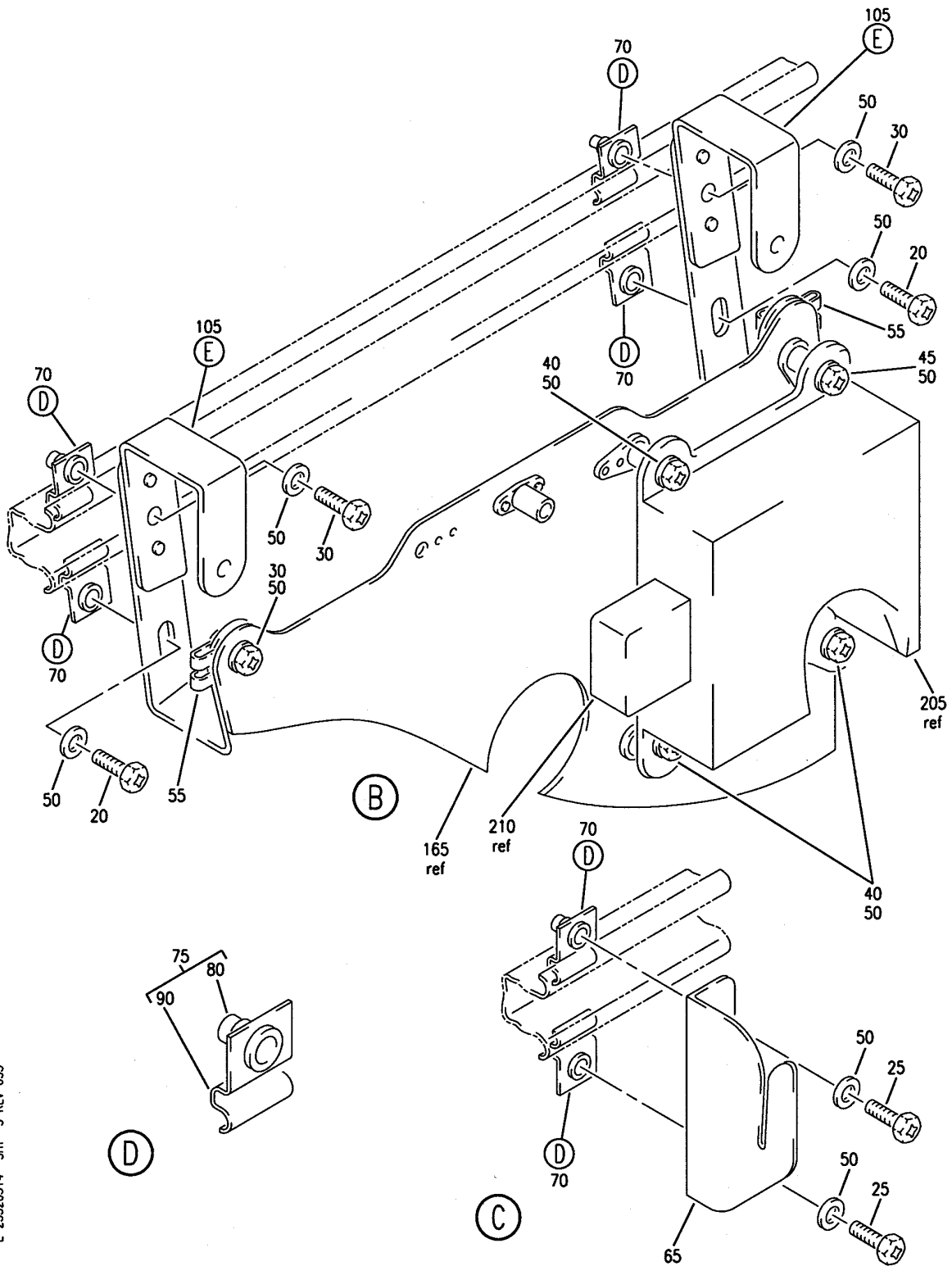
EQUIPMENT INSTL-3 VDU CLUSTER, WITH TERM PLUG AND WIRE BUNDLE ASSYS 737-800
 FIGURE 14 (SHEET 1)

23-32-03-14

HAP
 JUN 15/09

23-32-03-14
 PAGE 0

BOEING
 737-600/700/800/900
 PARTS CATALOG (MAINTENANCE)



E 23320314 SHT 3 REV 033

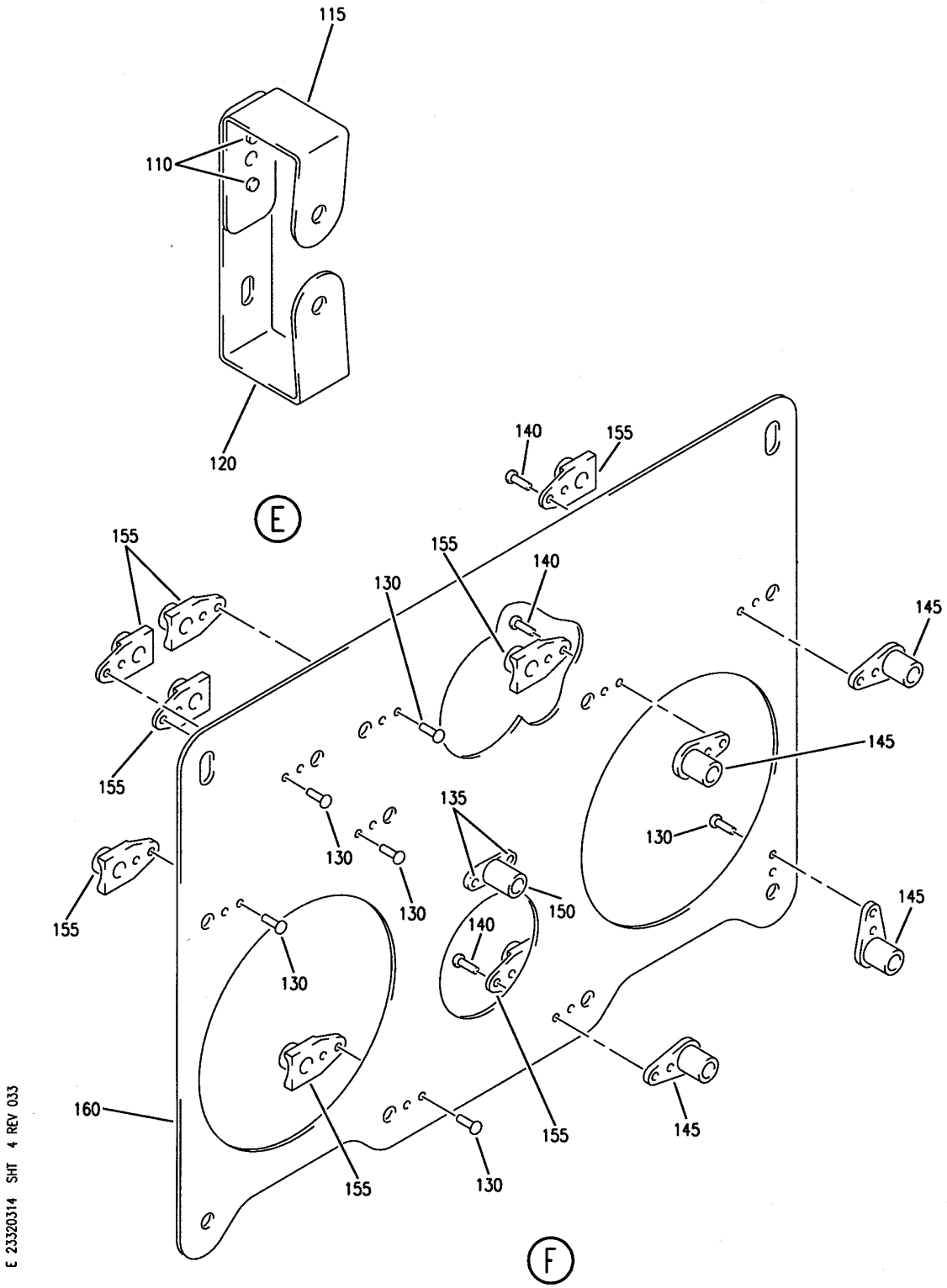
EQUIPMENT INSTL-3 VDU CLUSTER, WITH TERM PLUG AND WIRE BUNDLE ASSYS 737-800
 FIGURE 14 (SHEET 3)

23-32-03-14

HAP
 OCT 10/06

23-32-03-14
 PAGE 0B

BOEING
 737-600/700/800/900
 PARTS CATALOG (MAINTENANCE)



E 23320314 SHT 4 REV 033

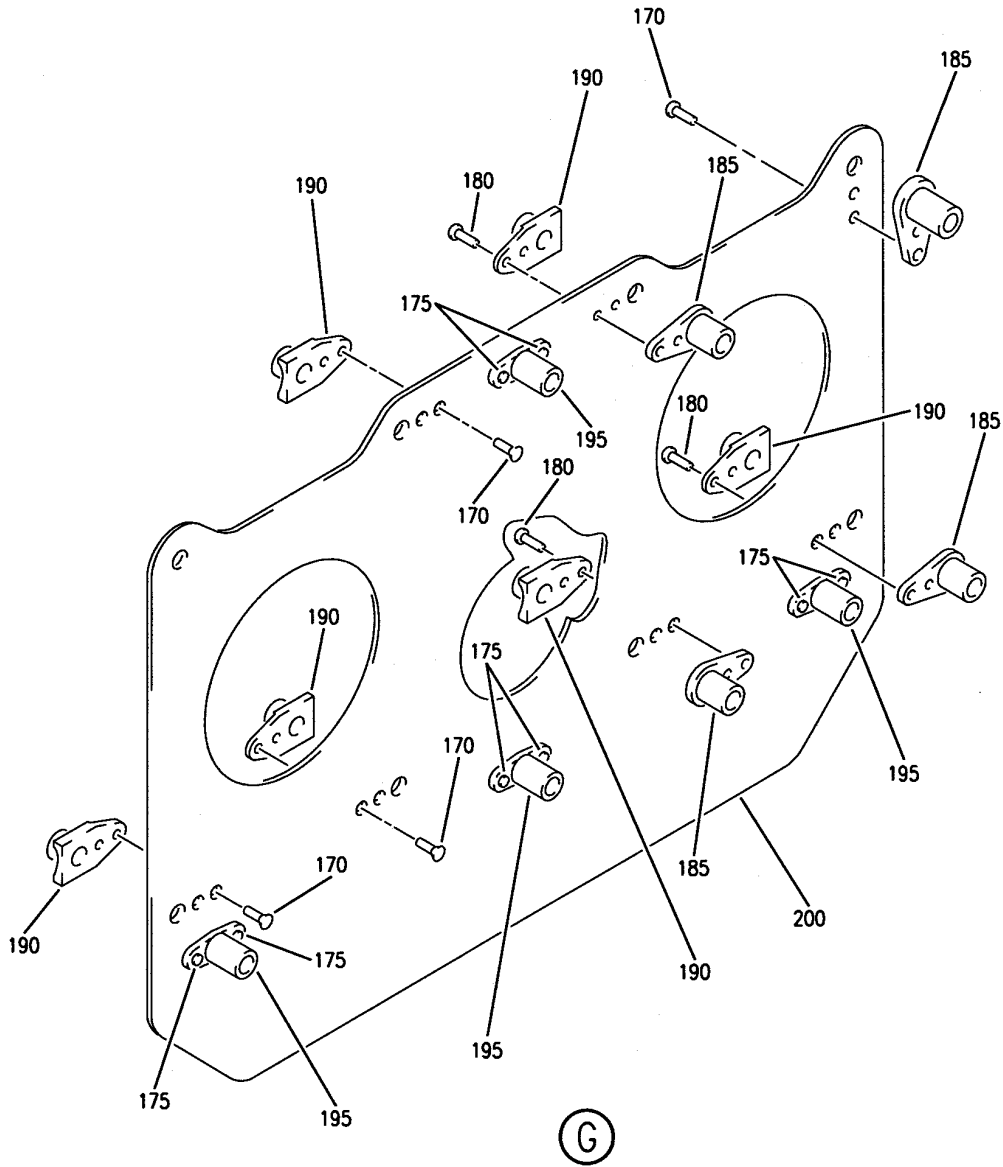
EQUIPMENT INSTL-3 VDU CLUSTER, WITH TERM PLUG AND WIRE BUNDLE ASSYS 737-800
 FIGURE 14 (SHEET 4)

23-32-03-14

HAP
 OCT 10/06

23-32-03-14
 PAGE 0C

BOEING
737-600/700/800/900
PARTS CATALOG (MAINTENANCE)



E 23320314 SH1 5 REV 033

EQUIPMENT INSTL-3 VDU CLUSTER, WITH TERM PLUG AND WIRE BUNDLE ASSYS 737-800
FIGURE 14 (SHEET 5)

HAP
OCT 10/06

23-32-03-14

23-32-03-14
PAGE 0D

BOEING
737-600/700/800/900
PARTS CATALOG (MAINTENANCE)

FIG ITEM	PART NUMBER	1 2 3 4 5 6 7	NOMENCLATURE	EFFECT FROM TO	UNITS PER ASSY
14			EQUIPMENT INSTL-3 VDU CLUSTER, WITH TERM PLUG AND WIRE BUNDLE ASSYS 737-800	012030	
- 1	417A7663-14		EQUIPMENT INSTL-3 VDU CLUSTER WITH TERM. PLUG POSITION DATA: STA 500F + 18.19, LBL 26.53 WL 300.33 FOR NHA SEE: 23-32-00-01B	012030	RF
	5 BAC27DEX6670		.DECAL-VINYL PLACARD CONTENT: M1938	012030	1
	10 BAC27DEX6671		.DECAL-VINYL PLACARD CONTENT: M1939	012030	1
	15 BAC27DEX6672		.DECAL-VINYL PLACARD CONTENT: M1940	012030	1
	20 BACS12GU3K9		.SCREW	012030	11
	25 BACS12GU3K8		.SCREW	012030	4
	30 BACS12GU3K10		.SCREW	012030	5
	35 BACS12GU3K11		.SCREW	012030	1
	40 BACS12GU3K17		.SCREW	012030	6
	45 BACS12GU3K18		.SCREW	012030	2
	50 NAS1149D0332J		.WASHER	012030	29
	55 BACN10VR2CG		.NUT	012030	6
	60 417N7105-155		.BRACKET-SPRT	012030	2
	65 417N7105-159		.BRACKET-SPRT	012030	2
	70 69-37170-1		.CLIP ASSY-STGR	012030	12
	75 69-37170-6		..CLIP ASSY- OPTIONAL PART: 69-37170-4	012030	1
	75 69-37170-4		..CLIP ASSY- OPTIONAL PART: 69-37170-6	012030	1
	80 79NC2-02		...NUT- SUPPLIER CODE: V72962 OPTIONAL PART: NC2-1032 V27687 USED ON: 69-37170-6	012030	1

MISSING ITEM NUMBERS NOT APPLICABLE

- ITEM NOT ILLUSTRATED

HAP

23-32-03-14

23-32-03
FIG. 14
PAGE 1
OCT 10/06

BOEING
737-600/700/800/900
PARTS CATALOG (MAINTENANCE)

FIG ITEM	PART NUMBER	1 2 3 4 5 6 7	NOMENCLATURE	EFFECT FROM TO	UNITS PER ASSY
14					
80	NC2-1032		...NUT- SUPPLIER CODE: V27687 OPTIONAL PART: 79NC2-02 V72962 USED ON: 69-37170-6	012030	1
- 85	SL854C3F1CM		...INSERT- SUPPLIER CODE: V97393 USED ON: 69-37170-4	012030	1
90	69-37170-5		...CLIP- USED ON: 69-37170-6	012030	1
- 95	69-37170-3		...CLIP- USED ON: 69-37170-4	012030	1
100	417N7102-198		.BRACKET-SPRT	012030	1
105	417N7105-158		.BRACKET ASSY	012030	2
110	BACR15CE6AD		..RIVET- SIZE DETERMINED ON INSTL.	012030	2
115	417N7105-156		..BRACKET	012030	1
120	417N7105-157		..BRACKET	012030	1
125	417N7102-216		.BRACKET ASSY	012030	1
130	BACR15BA3ADC		..RIVET- SIZE DETERMINED ON INSTL.	012030	12
135	BACR15BA4ADC		..RIVET- SIZE DETERMINED ON INSTL.	012030	2
140	BACR15BB3ADC		..RIVET- SIZE DETERMINED ON INSTL.	012030	6
145	295926-50		..SPACER- SUPPLIER CODE: V60119 SPECIFICATION NUMBER: BACS18R50B	012030	4
150	WSI4A6B		..NUTPLATE- SUPPLIER CODE: V04169 SPECIFICATION NUMBER: BACN10TL3A6B	012030	1

MISSING ITEM NUMBERS NOT APPLICABLE

- ITEM NOT ILLUSTRATED

HAP

23-32-03-14

BOEING PROPRIETARY - Copyright © - Unpublished Work - See title page for details.

23-32-03
FIG. 14
PAGE 2
FEB 10/07

BOEING
737-600/700/800/900
PARTS CATALOG (MAINTENANCE)

FIG ITEM	PART NUMBER	1 2 3 4 5 6 7	NOMENCLATURE	EFFECT FROM TO	UNITS PER ASSY
14 155	F177-3		..NUTPLATE- SUPPLIER CODE: V72962 SPECIFICATION NUMBER: BACN10JA3 OPTIONAL PART: F2400-3 V15653 43610-02 V80539 BRF110A3 V52828 BRF170A3 V52828	012030	8
160	417N7102-205		..BRACKET	012030	1
165	417N7102-212		.BRACKET ASSY	012030	1
170	BACR15BA3ADC		..RIVET- SIZE DETERMINED ON INSTL.	012030	8
175	BACR15BA4ADC		..RIVET- SIZE DETERMINED ON INSTL.	012030	8
180	BACR15BB3ADC		..RIVET- SIZE DETERMINED ON INSTL.	012030	6
185	295926-50		..SPACER- SUPPLIER CODE: V60119 SPECIFICATION NUMBER: BACS18R50B	012030	4
190	F177-3		..NUTPLATE- SUPPLIER CODE: V72962 SPECIFICATION NUMBER: BACN10JA3 OPTIONAL PART: F2400-3 V15653 43610-02 V80539 BRF110A3 V52828 BRF170A3 V52828	012030	6
195	WSI4A6B		..NUTPLATE- SUPPLIER CODE: V04169 SPECIFICATION NUMBER: BACN10TL3A6B	012030	4
200	417N7102-201		..BRACKET-SPRT	012030	1

MISSING ITEM NUMBERS NOT APPLICABLE

— ITEM NOT ILLUSTRATED

HAP

23-32-03-14

BOEING PROPRIETARY - Copyright © - Unpublished Work - See title page for details.

23-32-03
FIG. 14
PAGE 3
OCT 10/06

BOEING
737-600/700/800/900
PARTS CATALOG (MAINTENANCE)

FIG ITEM	PART NUMBER	1 2 3 4 5 6 7	NOMENCLATURE	EFFECT FROM TO	UNITS PER ASSY
14 205	700-2200-001		.DISTRIBUTION UNIT- SUPPLIER CODE: V62204 FUNCTIONAL DESCRIPTION: RECEIVES COMMANDS FROM THE SYSTEM CONTROL UNIT AND ROUTES SELECTED VIDEO SIGNAL TO MONITORS OR PROJECTORS. ELECTRICAL EQUIP NUMBER: M01938 M01939 M01940 WIRING DIAGRAM REF: 233241 233242 233243 COMPONENT MAINT MANUAL REF: 23-32-03	012030	3
210	700-1516-002		.PLUG-TERM SUPPLIER CODE: V62204 ELECTRICAL EQUIP NUMBER: M02047 WIRING DIAGRAM REF: 233263	012030	1
R R R R R R	- 700 286A3071-002		WIRE BUNDLE ASSY-VIDEO VDU CLUSTER NO. 1 TO VDU CLUSTER NO. 2 ELECTRICAL EQUIP NUMBER: D10233T D10233U	012030	RF
	705 DBMA25S		.RECEPTACLE- SUPPLIER CODE: V71468 ELECTRICAL EQUIP NUMBER: D10233 WIRING DIAGRAM REF: 233241	012030	1
	- 727 286A3017-111		WIRE BUNDLE ASSY	012019	RF

MISSING ITEM NUMBERS NOT APPLICABLE

- ITEM NOT ILLUSTRATED

HAP

23-32-03-14

BOEING PROPRIETARY - Copyright © - Unpublished Work - See title page for details.

23-32-03
FIG. 14
PAGE 4
JUN 15/09

BOEING
737-600/700/800/900
PARTS CATALOG (MAINTENANCE)

FIG ITEM	PART NUMBER	1 2 3 4 5 6 7	NOMENCLATURE	EFFECT FROM TO	UNITS PER ASSY
14 730	CAMA11W1P		.PLUG- SUPPLIER CODE: V55104 ELECTRICAL EQUIP NUMBER: D10237 WIRING DIAGRAM REF: 233241 OPTIONAL SUPPLIER CODE: 71771 PRE ALERT SB: 23A1169R2	012019	1
R R R R R R R R R	730		CAMA11W1PEK87 .PLUG- SUPPLIER CODE: V71771 ELECTRICAL EQUIP NUMBER: D10237 WIRING DIAGRAM REF: 233241 OPTIONAL SUPPLIER CODE: 55104 POST ALERT SB: 23A1169R2	012019	1
	735		D110278 .LATCH ASSY-END DISC. SUPPLIER CODE: V71468 ELECTRICAL EQUIP NUMBER: D10237T WIRING DIAGRAM REF: 233241	012019	1
	740		234A021-3 .BACKSHELL- SUPPLIER CODE: V06090 ELECTRICAL EQUIP NUMBER: D10237U WIRING DIAGRAM REF: 233241 OPTIONAL SUPPLIER CODE: 06060 PRE ALERT SB: 23A1169R2	012019	1
R R R R R R R	740		CDSA2P .BACKSHELL-90 DEG SUPPLIER CODE: V06090 ELECTRICAL EQUIP NUMBER: D10237U WIRING DIAGRAM REF: 233241 POST ALERT SB: 23A1169R2	012019	1

MISSING ITEM NUMBERS NOT APPLICABLE

— ITEM NOT ILLUSTRATED

HAP

23-32-03-14

BOEING PROPRIETARY - Copyright © - Unpublished Work - See title page for details.

23-32-03
FIG. 14
PAGE 5
JUN 15/09

BOEING
737-600/700/800/900
PARTS CATALOG (MAINTENANCE)

FIG ITEM	PART NUMBER	1 2 3 4 5 6 7	NOMENCLATURE	EFFECT FROM TO	UNITS PER ASSY
14					
- 743	MS27488-20		.PLUG- POST ALERT SB: 23A1169R2	012019	1
- 744	CQMEF200		.CONTACT- SUPPLIER CODE: V71771 POST ALERT SB: 23A1169R2	012019	1
- 745	CQMEM200		.CONTACT- SUPPLIER CODE: V71771 SERVICE BULLETIN OPT DATA: CQMEM200A V71771 POST ALERT SB: 23A1169R2	012019	1
- 745	CQMEM200A		.CONTACT- SUPPLIER CODE: V71771 SERVICE BULLETIN OPT DATA: CQMEM200 V71771 POST ALERT SB: 23A1169R2	012019	1
- 747	M39029-64-369		.CONTACT- POST ALERT SB: 23A1169R2	012019	AR
- 748	287A9508-5		.ID TAPE- PLACARD CONTENT: J01 POST ALERT SB: 23A1169R2	012019	1
-748A	287A9508-6		.ID TAPE- PLACARD CONTENT: J02 POST ALERT SB: 23A1169R2	012019	1
-748B	287A9508-7		.ID TAPE- PLACARD CONTENT: J03 POST ALERT SB: 23A1169R2	012019	1
-748C	287A9508-8		.ID TAPE- PLACARD CONTENT: J04 POST ALERT SB: 23A1169R2	012019	1

MISSING ITEM NUMBERS NOT APPLICABLE

- ITEM NOT ILLUSTRATED

HAP

23-32-03-14

23-32-03
FIG. 14
PAGE 6
JUN 15/09

BOEING
737-600/700/800/900
PARTS CATALOG (MAINTENANCE)

FIG ITEM	PART NUMBER	1 2 3 4 5 6 7	NOMENCLATURE	EFFECT FROM TO	UNITS PER ASSY
14 -748D	287A9508-9		.ID TAPE- PLACARD CONTENT: J05 POST ALERT SB: 23A1169R2	012019	1
-748E	287A9508-10		.ID TAPE- PLACARD CONTENT: J07 POST ALERT SB: 23A1169R2	012019	1
-748F	287A9508-11		.ID TAPE- PLACARD CONTENT: J08 POST ALERT SB: 23A1169R2	012019	1
-748G	287A9508-12		.ID TAPE- PLACARD CONTENT: J09 POST ALERT SB: 23A1169R2	012019	1
- 752 755	286A3019-111 CAMA11W1P		WIRE BUNDLE ASSY .PLUG- SUPPLIER CODE: V55104 ELECTRICAL EQUIP NUMBER: D10239 WIRING DIAGRAM REF: 233241 OPTIONAL SUPPLIER CODE: 71771 PRE ALERT SB: 23A1169R2	012019 012019	RF 1
R R R R R R R R R R	755 CAMA11W1PEK87		.PLUG- SUPPLIER CODE: V71771 ELECTRICAL EQUIP NUMBER: D10239 WIRING DIAGRAM REF: 233241 OPTIONAL SUPPLIER CODE: 55104 POST ALERT SB: 23A1169R2	012019	1

MISSING ITEM NUMBERS NOT APPLICABLE

- ITEM NOT ILLUSTRATED

HAP

23-32-03-14

BOEING PROPRIETARY - Copyright © - Unpublished Work - See title page for details.

23-32-03
FIG. 14
PAGE 7
JUN 15/09

BOEING
737-600/700/800/900
PARTS CATALOG (MAINTENANCE)

FIG ITEM	PART NUMBER	1 2 3 4 5 6 7	NOMENCLATURE	EFFECT FROM TO	UNITS PER ASSY
14 760	D110278		.LATCH ASSY-END DISC. SUPPLIER CODE: V71468 ELECTRICAL EQUIP NUMBER: D10239T WIRING DIAGRAM REF: 233241	012019	1
765	234A021-3		.BACKSHELL- SUPPLIER CODE: V06090 ELECTRICAL EQUIP NUMBER: D10239U WIRING DIAGRAM REF: 233241 OPTIONAL SUPPLIER CODE: 06060 PRE ALERT SB: 23A1169R2	012019	1
R R R R R R R R	765 CDSA2P		.BACKSHELL-90 DEG SUPPLIER CODE: V06090 ELECTRICAL EQUIP NUMBER: D10239U WIRING DIAGRAM REF: 233241 POST ALERT SB: 23A1169R2	012019	1
- 768	MS27488-20		.PLUG- POST ALERT SB: 23A1169R2	012019	1
- 769	CQMEF200		.CONTACT- SUPPLIER CODE: V71771 POST ALERT SB: 23A1169R2	012019	1
- 770	CQMEM200		.CONTACT- SUPPLIER CODE: V71771 SERVICE BULLETIN OPT DATA: CQMEM200A V71771 POST ALERT SB: 23A1169R2	012019	1

MISSING ITEM NUMBERS NOT APPLICABLE

- ITEM NOT ILLUSTRATED

HAP

23-32-03-14

BOEING PROPRIETARY - Copyright © - Unpublished Work - See title page for details.

23-32-03
FIG. 14
PAGE 8
JUN 15/09

 **BOEING**
737-600/700/800/900
PARTS CATALOG (MAINTENANCE)

FIG ITEM	PART NUMBER	1 2 3 4 5 6 7	NOMENCLATURE	EFFECT FROM TO	UNITS PER ASSY
14					
- 770	CQMEM200A		.CONTACT- SUPPLIER CODE: V71771 SERVICE BULLETIN OPT DATA: CQMEM200 V71771 POST ALERT SB: 23A1169R2	012019	1
- 773	M39029-64-369		.CONTACT- POST ALERT SB: 23A1169R2	012019	AR
- 774	287A9508-5		.ID TAPE- PLACARD CONTENT: J01 POST ALERT SB: 23A1169R2	012019	1
-774A	287A9508-6		.ID TAPE- PLACARD CONTENT: J02 POST ALERT SB: 23A1169R2	012019	1
-774B	287A9508-7		.ID TAPE- PLACARD CONTENT: J03 POST ALERT SB: 23A1169R2	012019	1
-774C	287A9508-8		.ID TAPE- PLACARD CONTENT: J04 POST ALERT SB: 23A1169R2	012019	1
-774D	287A9508-9		.ID TAPE- PLACARD CONTENT: J05 POST ALERT SB: 23A1169R2	012019	1
-774E	287A9508-10		.ID TAPE- PLACARD CONTENT: J07 POST ALERT SB: 23A1169R2	012019	1
-774F	287A9508-11		.ID TAPE- PLACARD CONTENT: J08 POST ALERT SB: 23A1169R2	012019	1

MISSING ITEM NUMBERS NOT APPLICABLE

- ITEM NOT ILLUSTRATED

HAP

23-32-03-14

BOEING PROPRIETARY - Copyright © - Unpublished Work - See title page for details.

23-32-03
FIG. 14
PAGE 9
JUN 15/09

BOEING
737-600/700/800/900
PARTS CATALOG (MAINTENANCE)

FIG ITEM	PART NUMBER	1 2 3 4 5 6 7	NOMENCLATURE	EFFECT FROM TO	UNITS PER ASSY
14 -774G	287A9508-12		.ID TAPE- PLACARD CONTENT: J09 POST ALERT SB: 23A1169R2	012019	1
- 777 780	286A3021-109 CAMA11W1P		WIRE BUNDLE ASSY .PLUG- SUPPLIER CODE: V55104 ELECTRICAL EQUIP NUMBER: D10245 WIRING DIAGRAM REF: 233242 OPTIONAL SUPPLIER CODE: 71771 PRE ALERT SB: 23A1169R2	012019 012019	RF 1
R R R R R R R R R R	780 CAMA11W1PEK87		.PLUG- SUPPLIER CODE: V71771 ELECTRICAL EQUIP NUMBER: D10245 WIRING DIAGRAM REF: 233242 OPTIONAL SUPPLIER CODE: 55104 POST ALERT SB: 23A1169R2	012019	1
	785 D110278		.LATCH ASSY-END DISC. SUPPLIER CODE: V71468 ELECTRICAL EQUIP NUMBER: D10245T WIRING DIAGRAM REF: 233242	012019	1
	790 234A021-3		.BACKSHELL- SUPPLIER CODE: V06090 ELECTRICAL EQUIP NUMBER: D10245U D10253U WIRING DIAGRAM REF: 233242 233423 OPTIONAL SUPPLIER CODE: 06060 PRE ALERT SB: 23A1169R2	012019	1

MISSING ITEM NUMBERS NOT APPLICABLE

- ITEM NOT ILLUSTRATED

HAP

23-32-03-14

BOEING PROPRIETARY - Copyright © - Unpublished Work - See title page for details.

23-32-03
FIG. 14
PAGE 10
JUN 15/09

BOEING
737-600/700/800/900
PARTS CATALOG (MAINTENANCE)

FIG ITEM	PART NUMBER	1 2 3 4 5 6 7	NOMENCLATURE	EFFECT FROM TO	UNITS PER ASSY
R R R R R R R R R	14 790	CDSA2P	.BACKSHELL-90 DEG SUPPLIER CODE: V06090 ELECTRICAL EQUIP NUMBER: D10245 WIRING DIAGRAM REF: 233242 POST ALERT SB: 23A1169R2	012019	1
	- 793	MS27488-20	.PLUG- POST ALERT SB: 23A1169R2	012019	1
	- 794	CQMEF200	.CONTACT- SUPPLIER CODE: V71771 POST ALERT SB: 23A1169R2	012019	1
	- 795	CQMEM200	.CONTACT- SUPPLIER CODE: V71771 SERVICE BULLETIN OPT DATA: CQMEM200A V71771 POST ALERT SB: 23A1169R2	012019	1
	- 795	CQMEM200A	.CONTACT- SUPPLIER CODE: V71771 SERVICE BULLETIN OPT DATA: CQMEM200 V71771 POST ALERT SB: 23A1169R2	012019	1
	- 798	M39029-64-369	.CONTACT- POST ALERT SB: 23A1169R2	012019	AR
	- 799	287A9508-5	.ID TAPE- PLACARD CONTENT: J01 POST ALERT SB: 23A1169R2	012019	1
	-799A	287A9508-6	.ID TAPE- PLACARD CONTENT: J02 POST ALERT SB: 23A1169R2	012019	1
	MISSING ITEM NUMBERS NOT APPLICABLE				

- ITEM NOT ILLUSTRATED

HAP

23-32-03-14

BOEING PROPRIETARY - Copyright © - Unpublished Work - See title page for details.

23-32-03
FIG. 14
PAGE 11
JUN 15/09

BOEING
737-600/700/800/900
PARTS CATALOG (MAINTENANCE)

FIG ITEM	PART NUMBER	1 2 3 4 5 6 7	NOMENCLATURE	EFFECT FROM TO	UNITS PER ASSY
14 -799B	287A9508-7	.ID TAPE-	PLACARD CONTENT: J03 POST ALERT SB: 23A1169R2	012019	1
-799C	287A9508-8	.ID TAPE-	PLACARD CONTENT: J04 POST ALERT SB: 23A1169R2	012019	1
-799D	287A9508-9	.ID TAPE-	PLACARD CONTENT: J05 POST ALERT SB: 23A1169R2	012019	1
-799E	287A9508-10	.ID TAPE-	PLACARD CONTENT: J07 POST ALERT SB: 23A1169R2	012019	1
-799F	287A9508-11	.ID TAPE-	PLACARD CONTENT: J08 POST ALERT SB: 23A1169R2	012019	1
-799G	287A9508-12	.ID TAPE-	PLACARD CONTENT: J09 POST ALERT SB: 23A1169R2	012019	1
- 803 805	286A3023-110 CAMA11W1P	WIRE BUNDLE ASSY .PLUG-	SUPPLIER CODE: V55104 ELECTRICAL EQUIP NUMBER: D10247 WIRING DIAGRAM REF: 233242 OPTIONAL SUPPLIER CODE: 71771 PRE ALERT SB: 23A1169R2	012019 012019	RF 1

MISSING ITEM NUMBERS NOT APPLICABLE

- ITEM NOT ILLUSTRATED

HAP

23-32-03-14

BOEING PROPRIETARY - Copyright © - Unpublished Work - See title page for details.

23-32-03
FIG. 14
PAGE 12
JUN 15/09

BOEING
737-600/700/800/900
PARTS CATALOG (MAINTENANCE)

FIG ITEM	PART NUMBER	1 2 3 4 5 6 7	NOMENCLATURE	EFFECT FROM TO	UNITS PER ASSY
R R R R R R R R	14 805	CAMA11W1PEK87	.PLUG- SUPPLIER CODE: V71771 ELECTRICAL EQUIP NUMBER: D10247 WIRING DIAGRAM REF: 233242 OPTIONAL SUPPLIER CODE: 55104 POST ALERT SB: 23A1169R2	012019	1
	810	D110278	.LATCH ASSY-END DISC. SUPPLIER CODE: V71468 ELECTRICAL EQUIP NUMBER: D10247T WIRING DIAGRAM REF: 233242	012019	1
	815	234A021-3	.BACKSHELL- SUPPLIER CODE: V06090 ELECTRICAL EQUIP NUMBER: D10247U WIRING DIAGRAM REF: 233242 OPTIONAL SUPPLIER CODE: 06060 PRE ALERT SB: 23A1169R2	012019	1
R R R R R R R	815	CDSA2P	.BACKSHELL-90 DEG SUPPLIER CODE: V06090 ELECTRICAL EQUIP NUMBER: D10247U WIRING DIAGRAM REF: 233242 POST ALERT SB: 23A1169R2	012019	1
	- 818	MS27488-20	.PLUG- POST ALERT SB: 23A1169R1	012019	1
	- 819	CQMEF200	.CONTACT- SUPPLIER CODE: V71771 POST ALERT SB: 23A1169R2	012019	1

MISSING ITEM NUMBERS NOT APPLICABLE

- ITEM NOT ILLUSTRATED

HAP

23-32-03-14

BOEING PROPRIETARY - Copyright © - Unpublished Work - See title page for details.

23-32-03
FIG. 14
PAGE 13
JUN 15/09

 **BOEING**
737-600/700/800/900
PARTS CATALOG (MAINTENANCE)

FIG ITEM	PART NUMBER	1 2 3 4 5 6 7	NOMENCLATURE	EFFECT FROM TO	UNITS PER ASSY
14					
- 820	CQMEM200		.CONTACT- SUPPLIER CODE: V71771 SERVICE BULLETIN OPT DATA: CQMEM200A V71771 POST ALERT SB: 23A1169R2	012019	1
- 820	CQMEM200A		.CONTACT- SUPPLIER CODE: V71771 SERVICE BULLETIN OPT DATA: CQMEM200 V71771 POST ALERT SB: 23A1169R2	012019	1
- 822	M39029-64-369		.CONTACT- POST ALERT SB: 23A1169R2	012019	AR
- 823	287A9508-5		.ID TAPE- PLACARD CONTENT: J01 POST ALERT SB: 23A1169R2	012019	1
-823A	287A9508-6		.ID TAPE- PLACARD CONTENT: J02 POST ALERT SB: 23A1169R2	012019	1
-823B	287A9508-7		.ID TAPE- PLACARD CONTENT: J03 POST ALERT SB: 23A1169R2	012019	1
-823C	287A9508-8		.ID TAPE- PLACARD CONTENT: J04 POST ALERT SB: 23A1169R2	012019	1
-823D	287A9508-9		.ID TAPE- PLACARD CONTENT: J05 POST ALERT SB: 23A1169R2	012019	1
-823E	287A9508-10		.ID TAPE- PLACARD CONTENT: J07 POST ALERT SB: 23A1169R2	012019	1

MISSING ITEM NUMBERS NOT APPLICABLE

- ITEM NOT ILLUSTRATED

HAP

23-32-03-14

BOEING PROPRIETARY - Copyright © - Unpublished Work - See title page for details.

23-32-03
FIG. 14
PAGE 14
JUN 15/09

BOEING
737-600/700/800/900
PARTS CATALOG (MAINTENANCE)

FIG ITEM	PART NUMBER	1 2 3 4 5 6 7	NOMENCLATURE	EFFECT FROM TO	UNITS PER ASSY
14 -823F	287A9508-11		.ID TAPE- PLACARD CONTENT: J08 POST ALERT SB: 23A1169R2	012019	1
-823G	287A9508-12		.ID TAPE- PLACARD CONTENT: J09 POST ALERT SB: 23A1169R2	012019	1
- 827 830	286A3029-107 CAMA11W1P		WIRE BUNDLE ASSY .PLUG- SUPPLIER CODE: V55104 ELECTRICAL EQUIP NUMBER: D10253 WIRING DIAGRAM REF: 233243 OPTIONAL SUPPLIER CODE: 71771 PRE ALERT SB: 23A1169R2	012019 012019	RF 1
R R R R R R R R R	830 CAMA11W1PEK87		.PLUG- SUPPLIER CODE: V71771 ELECTRICAL EQUIP NUMBER: D10253 WIRING DIAGRAM REF: 233243 OPTIONAL SUPPLIER CODE: 55104 POST ALERT SB: 23A1169R2	012019	1
	835 D110278		.LATCH ASSY-END DISC. SUPPLIER CODE: V71468 ELECTRICAL EQUIP NUMBER: D10253T WIRING DIAGRAM REF: 233243	012019	1

MISSING ITEM NUMBERS NOT APPLICABLE

- ITEM NOT ILLUSTRATED

HAP

23-32-03-14

BOEING PROPRIETARY - Copyright © - Unpublished Work - See title page for details.

23-32-03
FIG. 14
PAGE 15
JUN 15/09

BOEING
737-600/700/800/900
PARTS CATALOG (MAINTENANCE)

FIG ITEM	PART NUMBER	1 2 3 4 5 6 7	NOMENCLATURE	EFFECT FROM TO	UNITS PER ASSY
14 840	234A021-3		.BACKSHELL- SUPPLIER CODE: V06090 ELECTRICAL EQUIP NUMBER: D10253U WIRING DIAGRAM REF: 233243 OPTIONAL SUPPLIER CODE: 06060 PRE ALERT SB: 23A1169R2	012019	1
R R R R R R R R	840 CDSA2P		.BACKSHELL-90 DEG SUPPLIER CODE: V06090 ELECTRICAL EQUIP NUMBER: D10253U WIRING DIAGRAM REF: 233243 POST ALERT SB: 23A1169R2	012019	1
-	842 MS27488-20		.PLUG- POST ALERT SB: 23A1169R2	012019	1
-	843 CQMEF200		.CONTACT- SUPPLIER CODE: V71771 POST ALERT SB: 23A1169R2	012019	1
-	844 CQMEM200		.CONTACT- SUPPLIER CODE: V71771 SERVICE BULLETIN OPT DATA: CQMEM200A V71771 POST ALERT SB: 23A1169R2	012019	1
-	844 CQMEM200A		.CONTACT- SUPPLIER CODE: V71771 SERVICE BULLETIN OPT DATA: CQMEM200 V71771 POST ALERT SB: 23A1169R2	012019	1
-	846 M39029-64-369		.CONTACT- POST ALERT SB: 23A1169R2	012019	AR

MISSING ITEM NUMBERS NOT APPLICABLE

- ITEM NOT ILLUSTRATED

HAP

23-32-03-14

BOEING PROPRIETARY - Copyright © - Unpublished Work - See title page for details.

23-32-03
FIG. 14
PAGE 16
JUN 15/09

 **BOEING**
737-600/700/800/900
PARTS CATALOG (MAINTENANCE)

FIG ITEM	PART NUMBER	1 2 3 4 5 6 7	NOMENCLATURE	EFFECT FROM TO	UNITS PER ASSY
14					
- 847	287A9508-5		.ID TAPE- PLACARD CONTENT: J01 POST ALERT SB: 23A1169R2	012019	1
-847A	287A9508-6		.ID TAPE- PLACARD CONTENT: J02 POST ALERT SB: 23A1169R2	012019	1
-847B	287A9508-7		.ID TAPE- PLACARD CONTENT: J03 POST ALERT SB: 23A1169R2	012019	1
-847C	287A9508-8		.ID TAPE- PLACARD CONTENT: J04 POST ALERT SB: 23A1169R2	012019	1
-847D	287A9508-9		.ID TAPE- PLACARD CONTENT: J05 POST ALERT SB: 23A1169R2	012019	1
-847E	287A9508-10		.ID TAPE- PLACARD CONTENT: J07 POST ALERT SB: 23A1169R2	012019	1
-847F	287A9508-11		.ID TAPE- PLACARD CONTENT: J08 POST ALERT SB: 23A1169R2	012019	1
-847G	287A9508-12		.ID TAPE- PLACARD CONTENT: J09 POST ALERT SB: 23A1169R2	012019	1
- 852	286A3031-108		WIRE BUNDLE ASSY	012019	RF

MISSING ITEM NUMBERS NOT APPLICABLE

- ITEM NOT ILLUSTRATED

HAP

23-32-03-14

BOEING PROPRIETARY - Copyright © - Unpublished Work - See title page for details.

23-32-03
FIG. 14
PAGE 17
JUN 15/09

BOEING
737-600/700/800/900
PARTS CATALOG (MAINTENANCE)

FIG ITEM	PART NUMBER	1 2 3 4 5 6 7	NOMENCLATURE	EFFECT FROM TO	UNITS PER ASSY
14 855	CAMA11W1P		.PLUG- SUPPLIER CODE: V55104 ELECTRICAL EQUIP NUMBER: D10255 WIRING DIAGRAM REF: 233243 OPTIONAL SUPPLIER CODE: 71771 PRE ALERT SB: 23A1169R2	012019	1
R R R R R R R R R	855		.PLUG- SUPPLIER CODE: V71771 ELECTRICAL EQUIP NUMBER: D10255 WIRING DIAGRAM REF: 233243 OPTIONAL SUPPLIER CODE: 55104 POST ALERT SB: 23A1169R2	012019	1
-	857	M39029-64-369	.CONTACT- POST ALERT SB: 23A1169R2	012019	AR
	860	D110278	.LATCH ASSY-END DISC. SUPPLIER CODE: V71468 ELECTRICAL EQUIP NUMBER: D10255T WIRING DIAGRAM REF: 233243	012019	1
	865	234A021-3	.BACKSHELL- SUPPLIER CODE: V06090 ELECTRICAL EQUIP NUMBER: D10255U WIRING DIAGRAM REF: 233243 OPTIONAL SUPPLIER CODE: 06060 PRE ALERT SB: 23A1169R2	012019	1

MISSING ITEM NUMBERS NOT APPLICABLE

- ITEM NOT ILLUSTRATED

HAP

23-32-03-14

BOEING PROPRIETARY - Copyright © - Unpublished Work - See title page for details.

23-32-03
FIG. 14
PAGE 18
JUN 15/09

BOEING
737-600/700/800/900
PARTS CATALOG (MAINTENANCE)

FIG ITEM	PART NUMBER	1 2 3 4 5 6 7	NOMENCLATURE	EFFECT FROM TO	UNITS PER ASSY
R R R R R R R R R	14 865	CDSA2P	.BACKSHELL-90 DEG SUPPLIER CODE: V06090 ELECTRICAL EQUIP NUMBER: D10255U WIRING DIAGRAM REF: 233243 POST ALERT SB: 23A1169R2	012019	1
	- 867	MS27488-20	.PLUG- POST ALERT SB: 23A1169R2	012019	1
	- 868	CQMEF200	.CONTACT- SUPPLIER CODE: V71771 POST ALERT SB: 23A1169R2	012019	1
	- 869	CQMEM200	.CONTACT- SUPPLIER CODE: V71771 SERVICE BULLETIN OPT DATA: CQMEM200A V71771 POST ALERT SB: 23A1169R2	012019	1
	- 869	CQMEM200A	.CONTACT- SUPPLIER CODE: V71771 SERVICE BULLETIN OPT DATA: CQMEM200 V71771 POST ALERT SB: 23A1169R2	012019	1
	- 871	287A9508-5	.ID TAPE- PLACARD CONTENT: J01 POST ALERT SB: 23A1169R2	012019	1
	- 872	287A9508-6	.ID TAPE- PLACARD CONTENT: J02 POST ALERT SB: 23A1169R2	012019	1
	- 873	287A9508-7	.ID TAPE- PLACARD CONTENT: J03 POST ALERT SB: 23A1169R2	012019	1
	MISSING ITEM NUMBERS NOT APPLICABLE				

- ITEM NOT ILLUSTRATED

HAP

23-32-03-14

BOEING PROPRIETARY - Copyright © - Unpublished Work - See title page for details.

23-32-03
FIG. 14
PAGE 19
JUN 15/09

BOEING
737-600/700/800/900
PARTS CATALOG (MAINTENANCE)

FIG ITEM	PART NUMBER	1 2 3 4 5 6 7	NOMENCLATURE	EFFECT FROM TO	UNITS PER ASSY
14 - 874	287A9508-8		.ID TAPE- PLACARD CONTENT: J04 POST ALERT SB: 23A1169R2	012019	1
- 876	287A9508-9		.ID TAPE- PLACARD CONTENT: J05 POST ALERT SB: 23A1169R2	012019	1
- 877	287A9508-10		.ID TAPE- PLACARD CONTENT: J07 POST ALERT SB: 23A1169R2	012019	1
- 878	287A9508-11		.ID TAPE- PLACARD CONTENT: J08 POST ALERT SB: 23A1169R2	012019	1
- 879	287A9508-12		.ID TAPE- PLACARD CONTENT: J09 POST ALERT SB: 23A1169R2	012019	1

MISSING ITEM NUMBERS NOT APPLICABLE

- ITEM NOT ILLUSTRATED

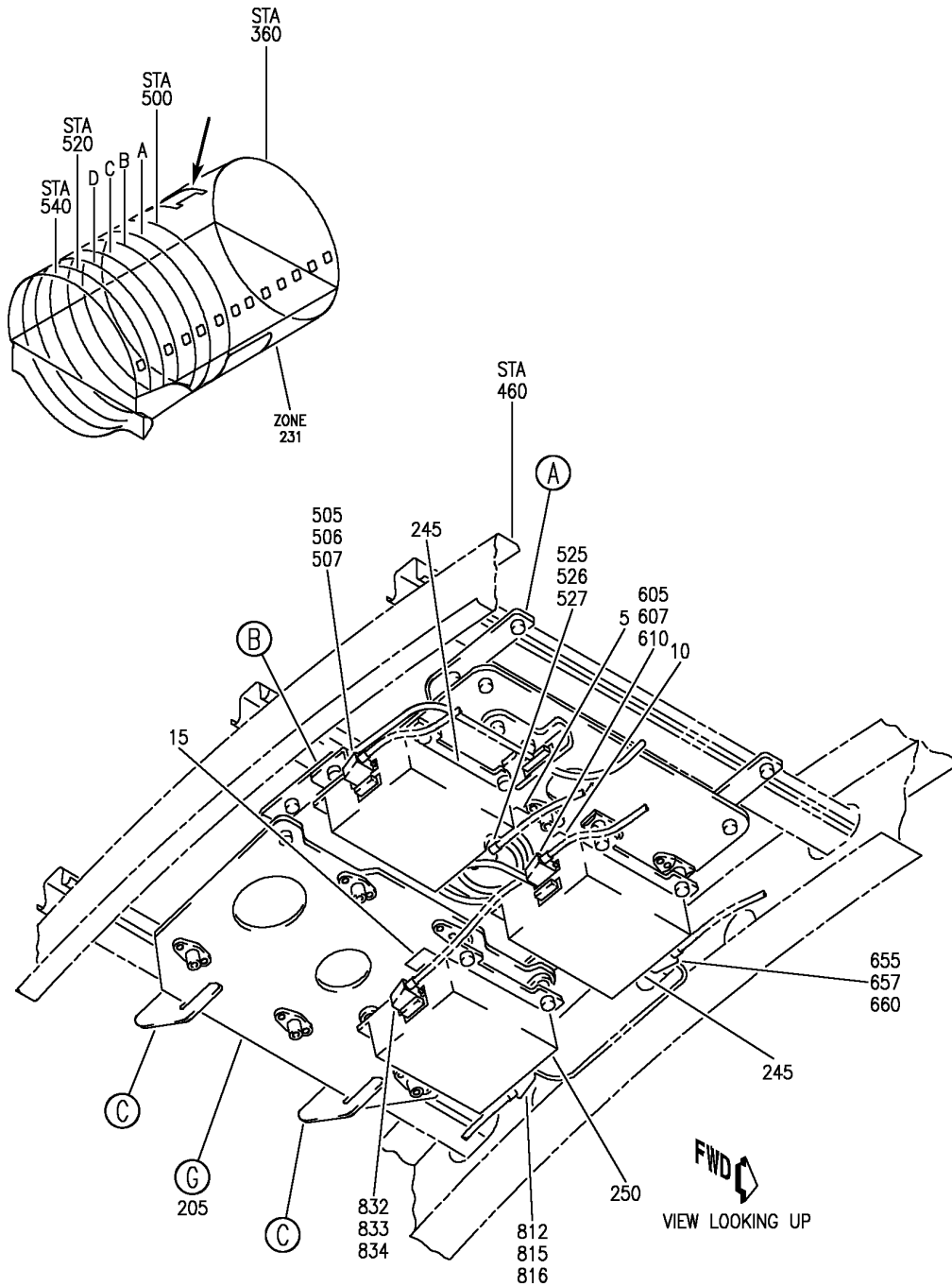
HAP

23-32-03-14

BOEING PROPRIETARY - Copyright © - Unpublished Work - See title page for details.

23-32-03
FIG. 14
PAGE 20
JUN 15/09

BOEING
 737-600/700/800/900
 PARTS CATALOG (MAINTENANCE)



E 23320323 SH1 1 REV 083

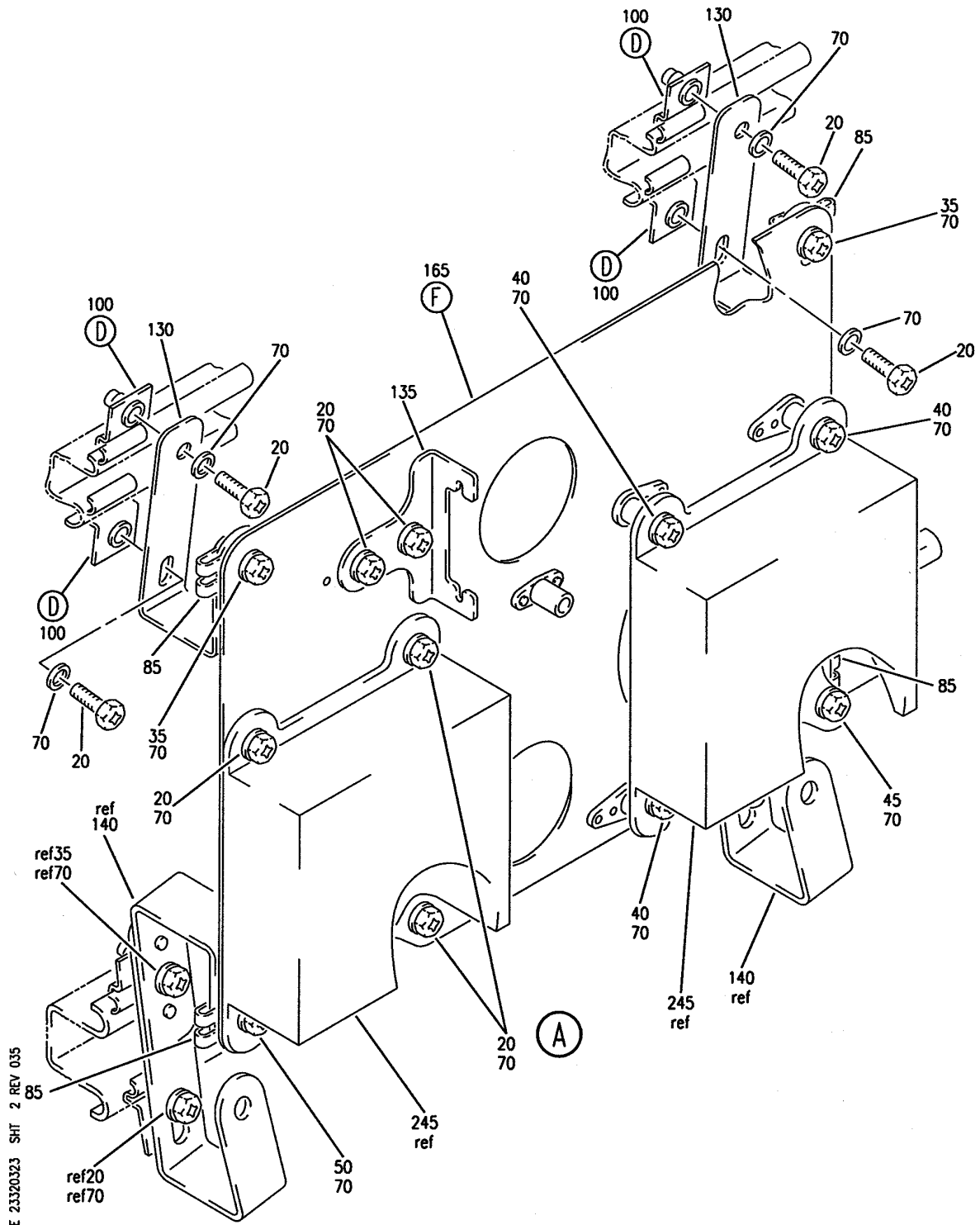
EQUIPMENT INSTL-2 VDU CLUSTER, NO TERM PLUG 737-700, 737-800
 FIGURE 23 (SHEET 1)

23-32-03-23

HAP
 OCT 10/06

23-32-03-23
 PAGE 0

BOEING
737-600/700/800/900
PARTS CATALOG (MAINTENANCE)



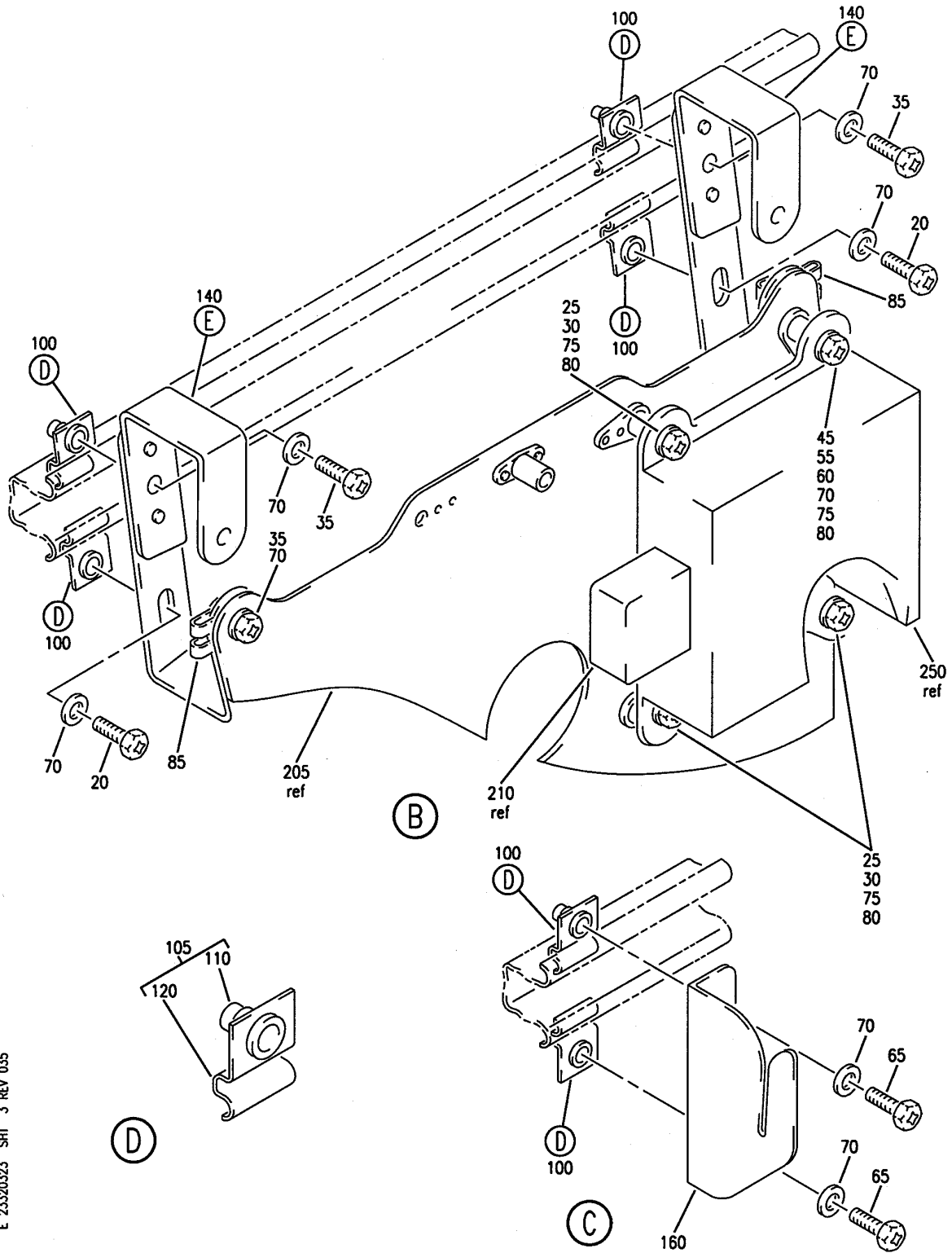
EQUIPMENT INSTL-2 VDU CLUSTER, NO TERM PLUG 737-700, 737-800
FIGURE 23 (SHEET 2)

23-32-03-23

HAP
OCT 10/06

23-32-03-23
PAGE 0A

BOEING
 737-600/700/800/900
 PARTS CATALOG (MAINTENANCE)



E 23320323 SHT 3 REV 035

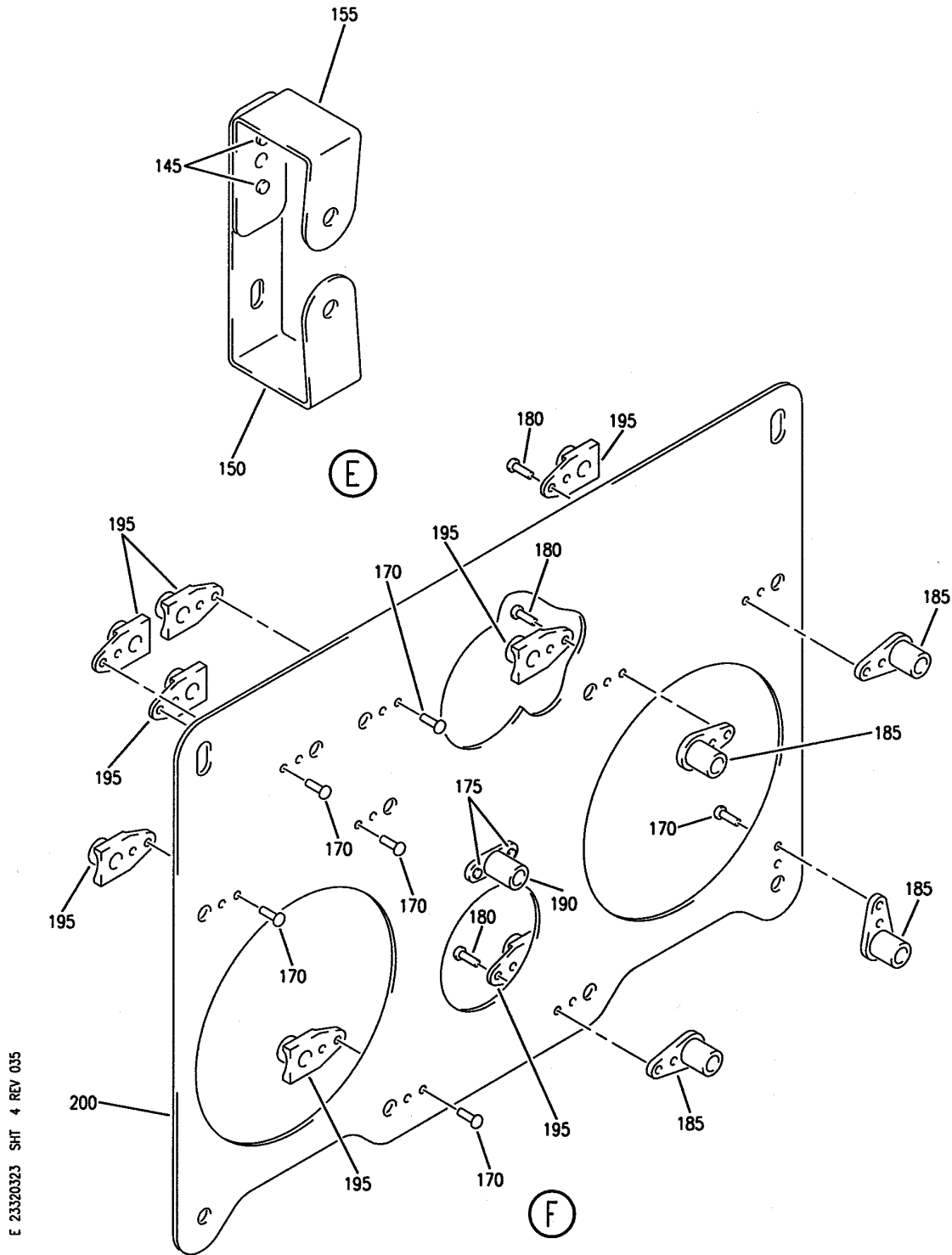
EQUIPMENT INSTL-2 VDU CLUSTER, NO TERM PLUG 737-700, 737-800
 FIGURE 23 (SHEET 3)

23-32-03-23

HAP
 OCT 10/06

23-32-03-23
 PAGE 0B

BOEING
 737-600/700/800/900
 PARTS CATALOG (MAINTENANCE)



E 23320323 SH1 4 REV 035

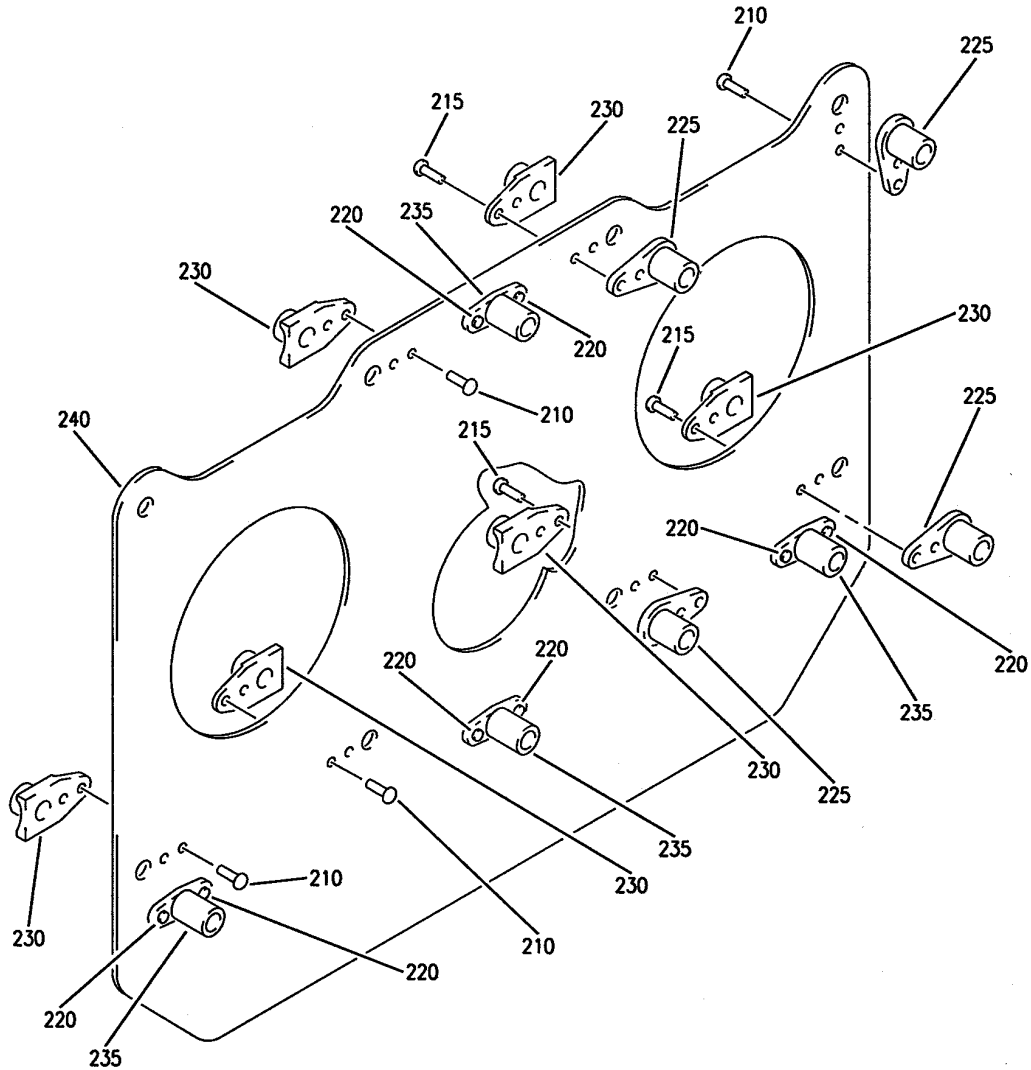
EQUIPMENT INSTL-2 VDU CLUSTER, NO TERM PLUG 737-700, 737-800
 FIGURE 23 (SHEET 4)

23-32-03-23

HAP
 OCT 10/06

23-32-03-23
 PAGE 0C

BOEING
 737-600/700/800/900
 PARTS CATALOG (MAINTENANCE)



(G)

E 23320323 SHT 5 REV 035

EQUIPMENT INSTL-2 VDU CLUSTER, NO TERM PLUG 737-700, 737-800
 FIGURE 23 (SHEET 5)

23-32-03-23

HAP
 OCT 10/06

23-32-03-23
 PAGE 0D

BOEING
737-600/700/800/900
PARTS CATALOG (MAINTENANCE)

FIG ITEM	PART NUMBER	1 2 3 4 5 6 7	NOMENCLATURE	EFFECT FROM TO	UNITS PER ASSY
23			EQUIPMENT INSTL-2 VDU CLUSTER, NO TERM PLUG 737-700, 737-800	001011	
- 1	417A7380-1		EQUIPMENT INSTL-2 VDU CLUSTER, NO TERM PLUG POSITION DATA: STA 440-460 FOR NHA SEE: 23-32-00-01B	001011	RF
5	BAC27DEX6666		.DECAL-VINYL PLACARD CONTENT: M1934	001011	1
10	BAC27DEX6667		.DECAL-VINYL PLACARD CONTENT: M1935	001011	1
20	BACS12GU3K9		.SCREW	001011	11
35	BACS12GU3K10		.SCREW	001011	5
40	BACS12GU3K17		.SCREW	001011	3
45	BACS12GU3K18		.SCREW	001011	2
50	BACS12GU3K11		.SCREW	001011	1
65	BACS12GU3K8		.SCREW	001011	4
70	NAS1149D0332J		.WASHER	001011	26
85	BACN10VR2CG		.NUT	001011	6
100	69-37170-1		.CLIP ASSY	001011	12
105	69-37170-6		..CLIP ASSY- OPTIONAL PART: 69-37170-4	001011	1
105	69-37170-4		..CLIP ASSY- OPTIONAL PART: 69-37170-6	001011	1
110	79NC2-02		...NUT- SUPPLIER CODE: V72962 OPTIONAL PART: NC2-1032 V27687 USED ON: 69-37170-6	001011	1
110	NC2-1032		...NUT- SUPPLIER CODE: V27687 OPTIONAL PART: 79NC2-02 V72962 USED ON: 69-37170-6	001011	1

MISSING ITEM NUMBERS NOT APPLICABLE

- ITEM NOT ILLUSTRATED

HAP

23-32-03-23

BOEING PROPRIETARY - Copyright © - Unpublished Work - See title page for details.

23-32-03
FIG. 23
PAGE 1
OCT 10/06

BOEING
737-600/700/800/900
PARTS CATALOG (MAINTENANCE)

FIG ITEM	PART NUMBER	1 2 3 4 5 6 7	NOMENCLATURE	EFFECT FROM TO	UNITS PER ASSY
23					
- 115	SL854C3F1CM		...INSERT- SUPPLIER CODE: V97393 USED ON: 69-37170-4	001011	1
120	69-37170-5		...CLIP- USED ON: 69-37170-6	001011	1
- 125	69-37170-3		...CLIP- USED ON: 69-37170-4	001011	1
130	417N7105-155		.BRACKET	001011	2
135	417N7102-198		.BRACKET	001011	1
140	417N7105-158		.BRACKET ASSY	001011	2
145	BACR15CE6AD		..RIVET- SIZE DETERMINED ON INSTL.	001011	2
150	417N7105-157		..BRACKET	001011	1
155	417N7105-156		..BRACKET	001011	1
160	417N7105-159		.BRACKET	001011	2
165	417N7102-216		.BRACKET ASSY	001011	1
170	BACR15BA3ADC		..RIVET- SIZE DETERMINED ON INSTL.	001011	12
175	BACR15BA4ADC		..RIVET- SIZE DETERMINED ON INSTL.	001011	2
180	BACR15BB3ADC		..RIVET- SIZE DETERMINED ON INSTL.	001011	6
185	295926-50		..SPACER SUPPLIER CODE: V60119 SPECIFICATION NUMBER: BACS18R50B	001011	4
190	WSI4A6B		..NUTPLATE SUPPLIER CODE: V04169 SPECIFICATION NUMBER: BACN10TL3A6B	001011	1

MISSING ITEM NUMBERS NOT APPLICABLE

- ITEM NOT ILLUSTRATED

HAP

23-32-03-23

BOEING PROPRIETARY - Copyright © - Unpublished Work - See title page for details.

23-32-03
FIG. 23
PAGE 2
OCT 10/06

BOEING
737-600/700/800/900
PARTS CATALOG (MAINTENANCE)

FIG ITEM	PART NUMBER	1 2 3 4 5 6 7	NOMENCLATURE	EFFECT FROM TO	UNITS PER ASSY
23 195	F177-3	..	NUTPLATE SUPPLIER CODE: V72962 SPECIFICATION NUMBER: BACN10JA3 OPTIONAL PART: F2400-3 V15653 43610-02 V80539 BRF110A3 V52828 BRF170A3 V52828	001011	8
200	417N7102-205	..	BRACKET	001011	1
205	417N7102-212	.	BRACKET ASSY	001011	1
210	BACR15BA3ADC	..	RIVET- SIZE DETERMINED ON INSTL.	001011	8
215	BACR15BB3ADC	..	RIVET- SIZE DETERMINED ON INSTL.	001011	6
220	BACR15BA4ADC	..	RIVET- SIZE DETERMINED ON INSTL.	001011	8
225	295926-50	..	SPACER SUPPLIER CODE: V60119 SPECIFICATION NUMBER: BACS18R50B	001011	4
230	F177-3	..	NUTPLATE SUPPLIER CODE: V72962 SPECIFICATION NUMBER: BACN10JA3 OPTIONAL PART: F2400-3 V15653 43610-02 V80539 BRF110A3 V52828 BRF170A3 V52828	001011	6
235	WSI4A6B	..	NUTPLATE SUPPLIER CODE: V04169 SPECIFICATION NUMBER: BACN10TL3A6B	001011	4
240	417N7102-201	..	BRACKET	001011	1

MISSING ITEM NUMBERS NOT APPLICABLE

— ITEM NOT ILLUSTRATED

HAP

23-32-03-23

BOEING PROPRIETARY - Copyright © - Unpublished Work - See title page for details.

23-32-03
FIG. 23
PAGE 3
OCT 10/06

BOEING
737-600/700/800/900
PARTS CATALOG (MAINTENANCE)

FIG ITEM	PART NUMBER	1 2 3 4 5 6 7	NOMENCLATURE	EFFECT FROM TO	UNITS PER ASSY
23 245	700-2200-001		.DISTRIBUTION UNIT-VIDEO SMART SUPPLIER CODE: V62204 FUNCTIONAL DESCRIPTION: RECEIVES COMMANDS FROM THE SYSTEM CONTROL UNIT AND ROUTES SELECTED VIDEO SIGNAL TO MONITORS OR PROJECTORS COMPONENT MAINT MANUAL REF: 23-32-03	001011	2
- 500 505	286A3005-002 CAMA11W1P		WIRE BUNDLE ASSY .PLUG- SUPPLIER CODE: V55104 ELECTRICAL EQUIP NUMBER: D10205 WIRING DIAGRAM REF: 233231 OPTIONAL SUPPLIER CODE: 71771 PRE ALERT SB: 23A1169R2	001011 001011	RF 1
505	CAMA11W1PEK87		.PLUG- SUPPLIER CODE: V71771 ELECTRICAL EQUIP NUMBER: D10205 WIRING DIAGRAM REF: 233231 OPTIONAL SUPPLIER CODE: 55104 POST ALERT SB: 23A1169R2	001011	1
506	D110278		.LATCH ASSY-END DISC SUPPLIER CODE: V71468 ELECTRICAL EQUIP NUMBER: D10205T WIRING DIAGRAM REF: 233231	001011	1

MISSING ITEM NUMBERS NOT APPLICABLE

- ITEM NOT ILLUSTRATED

HAP

23-32-03-23

BOEING PROPRIETARY - Copyright © - Unpublished Work - See title page for details.

23-32-03
FIG. 23
PAGE 4
JUN 15/08

BOEING
737-600/700/800/900
PARTS CATALOG (MAINTENANCE)

FIG ITEM	PART NUMBER	1 2 3 4 5 6 7	NOMENCLATURE	EFFECT FROM TO	UNITS PER ASSY
23 507	CDSA2P		.BACKSHELL-90 DEGREE THERMOFIT SUPPLIER CODE: V06090 ELECTRICAL EQUIP NUMBER: D10205U WIRING DIAGRAM REF: 233231 POST ALERT SB: 23A1169R2	001011	1
507	234A021-3		.BACKSHELL-90 DEGREE SUPPLIER CODE: V06090 ELECTRICAL EQUIP NUMBER: D10205U WIRING DIAGRAM REF: 233231 OPTIONAL SUPPLIER CODE: 06060 PRE ALERT SB: 23A1169R2	001011	1
- 509	MS27488-20		.PLUG- POST ALERT SB: 23A1169R2	001011	2
- 511	CQMEF200		.CONTACT- SUPPLIER CODE: V71771 POST ALERT SB: 23A1169R2	001011	1
- 513	CQMEM200		.CONTACT- SUPPLIER CODE: V71771 SERVICE BULLETIN OPT DATA: CQMEM200A V71771 POST ALERT SB: 23A1169R2	001011	1
- 513	CQMEM200A		.CONTACT- SUPPLIER CODE: V71771 SERVICE BULLETIN OPT DATA: CQMEM200 V71771 POST ALERT SB: 23A1169R2	001011	1
- 515	M39029-64-369		.CONTACT- POST ALERT SB: 23A1169R2	001011	AR
- 520	286A3007-002		WIRE BUNDLE ASSY	001009	RF

MISSING ITEM NUMBERS NOT APPLICABLE

- ITEM NOT ILLUSTRATED

HAP

23-32-03-23

23-32-03
FIG. 23
PAGE 5
OCT 10/06

BOEING
737-600/700/800/900
PARTS CATALOG (MAINTENANCE)

FIG ITEM	PART NUMBER	1 2 3 4 5 6 7	NOMENCLATURE	EFFECT FROM TO	UNITS PER ASSY
23					
- 520	286A3007-015		WIRE BUNDLE ASSY	010011	RF
525	CAMA11W1P		.PLUG-	001011	1
			SUPPLIER CODE: V55104		
			ELECTRICAL EQUIP NUMBER: D10207		
			WIRING DIAGRAM REF: 233231		
			OPTIONAL SUPPLIER CODE: 71771		
			PRE ALERT SB: 23A1169R2		
525	CAMA11W1PEK87		.PLUG-	001011	1
			SUPPLIER CODE: V71771		
			ELECTRICAL EQUIP NUMBER: D10207		
			WIRING DIAGRAM REF: 233231		
			OPTIONAL SUPPLIER CODE: 55104		
			POST ALERT SB: 23A1169R2		
526	D110278		.LATCH ASSY-END DISC	001011	1
			SUPPLIER CODE: V71468		
			ELECTRICAL EQUIP NUMBER: D10207T		
			WIRING DIAGRAM REF: 233231		
527	CDSA2P		.BACKSHELL-90 DEGREE	001011	1
			THERMOFIT		
			SUPPLIER CODE: V06090		
			ELECTRICAL EQUIP NUMBER: D10207U		
			WIRING DIAGRAM REF: 233231		
			POST ALERT SB: 23A1169R2		

MISSING ITEM NUMBERS NOT APPLICABLE

- ITEM NOT ILLUSTRATED

HAP

23-32-03-23

BOEING PROPRIETARY - Copyright © - Unpublished Work - See title page for details.

23-32-03
FIG. 23
PAGE 6
FEB 10/07

BOEING
737-600/700/800/900
PARTS CATALOG (MAINTENANCE)

FIG ITEM	PART NUMBER	1 2 3 4 5 6 7	NOMENCLATURE	EFFECT FROM TO	UNITS PER ASSY
23 527	234A021-3		.BACKSHELL-90 DEGREE SUPPLIER CODE: V06090 ELECTRICAL EQUIP NUMBER: D10207U WIRING DIAGRAM REF: 233231 OPTIONAL SUPPLIER CODE: 06060 PRE ALERT SB: 23A1169R2	001011	1
- 529	MS27488-20		.PLUG- POST ALERT SB: 23A1169R2	001011	2
- 531	CQMEF200		.CONTACT- SUPPLIER CODE: V71771 POST ALERT SB: 23A1169R2	001011	1
- 533	CQMEM200		.CONTACT- SUPPLIER CODE: V71771 SERVICE BULLETIN OPT DATA: CQMEM200A V71771 POST ALERT SB: 23A1169R2	001011	1
- 533	CQMEM200A		.CONTACT- SUPPLIER CODE: V71771 SERVICE BULLETIN OPT DATA: CQMEM200 V71771 POST ALERT SB: 23A1169R2	001011	1
- 535	M39029-64-369		.CONTACT- POST ALERT SB: 23A1169R2	001011	AR
- 600	286A3009-001		WIRE BUNDLE ASSY	001011	RF

MISSING ITEM NUMBERS NOT APPLICABLE

- ITEM NOT ILLUSTRATED

HAP

23-32-03-23

BOEING PROPRIETARY - Copyright © - Unpublished Work - See title page for details.

23-32-03
FIG. 23
PAGE 7
FEB 10/07


BOEING
 737-600/700/800/900
PARTS CATALOG (MAINTENANCE)

FIG ITEM	PART NUMBER	1 2 3 4 5 6 7	NOMENCLATURE	EFFECT FROM TO	UNITS PER ASSY
23 605	CAMA11W1PEK87	.PLUG-	SUPPLIER CODE: V71771 ELECTRICAL EQUIP NUMBER: D10213 WIRING DIAGRAM REF: 233232 OPTIONAL SUPPLIER CODE: 55104 POST ALERT SB: 23A1169R2	001011	1
605	CAMA11W1P	.PLUG-	SUPPLIER CODE: V55104 ELECTRICAL EQUIP NUMBER: D10213 WIRING DIAGRAM REF: 233232 OPTIONAL SUPPLIER CODE: 71771 PRE ALERT SB: 23A1169R2	001011	1
607	D110278	.LATCH ASSY-END DISC	SUPPLIER CODE: V71468 ELECTRICAL EQUIP NUMBER: D10213T WIRING DIAGRAM REF: 233232	001011	1
610	CDSA2P	.BACKSHELL-90 DEGREE THERMOFIT	SUPPLIER CODE: V06090 ELECTRICAL EQUIP NUMBER: D10213U WIRING DIAGRAM REF: 233232 POST ALERT SB: 23A1169R2	001011	1

MISSING ITEM NUMBERS NOT APPLICABLE

— ITEM NOT ILLUSTRATED

HAP

23-32-03-23

BOEING PROPRIETARY - Copyright © - Unpublished Work - See title page for details.

23-32-03
 FIG. 23
 PAGE 8
 FEB 10/07

BOEING
737-600/700/800/900
PARTS CATALOG (MAINTENANCE)

FIG ITEM	PART NUMBER	1 2 3 4 5 6 7	NOMENCLATURE	EFFECT FROM TO	UNITS PER ASSY
23 610	234A021-3		.BACKSHELL-90 DEGREE SUPPLIER CODE: V06090 ELECTRICAL EQUIP NUMBER: D10213U WIRING DIAGRAM REF: 233232 OPTIONAL SUPPLIER CODE: 06060 PRE ALERT SB: 23A1169R2	001011	1
- 615	MS27488-20		.PLUG- POST ALERT SB: 23A1169R2	001011	2
- 620	CQMEF200		.CONTACT- SUPPLIER CODE: V71771 POST ALERT SB: 23A1169R2	001011	1
- 625	CQMEM200		.CONTACT- SUPPLIER CODE: V71771 SERVICE BULLETIN OPT DATA: CQMEM200A V71771 POST ALERT SB: 23A1169R2	001011	1
- 625	CQMEM200A		.CONTACT- SUPPLIER CODE: V71771 SERVICE BULLETIN OPT DATA: CQMEM200 V71771 POST ALERT SB: 23A1169R2	001011	1
- 630	M39029-64-369		.CONTACT- POST ALERT SB: 23A1169R2	001011	AR
- 643	287A9508-9		.ID TAPE- PLACARD CONTENT: J05 POST ALERT SB: 23A1169R2	001011	1
- 650	286A3011-001		WIRE BUNDLE ASSY	001009	RF
- 650	286A3011-009		WIRE BUNDLE ASSY	010011	RF

MISSING ITEM NUMBERS NOT APPLICABLE

- ITEM NOT ILLUSTRATED

HAP

23-32-03-23

BOEING PROPRIETARY - Copyright © - Unpublished Work - See title page for details.

23-32-03
FIG. 23
PAGE 9
FEB 10/07

BOEING
737-600/700/800/900
PARTS CATALOG (MAINTENANCE)

FIG ITEM	PART NUMBER	1 2 3 4 5 6 7	NOMENCLATURE	EFFECT FROM TO	UNITS PER ASSY
23 655	CAMA11W1PEK87		.PLUG- SUPPLIER CODE: V71771 ELECTRICAL EQUIP NUMBER: D10215 WIRING DIAGRAM REF: 233232 OPTIONAL SUPPLIER CODE: 55104 POST ALERT SB: 23A1169R2	001011	1
655	CAMA11W1P		.PLUG- SUPPLIER CODE: V55104 ELECTRICAL EQUIP NUMBER: D10215 WIRING DIAGRAM REF: 233232 OPTIONAL SUPPLIER CODE: 71771 PRE ALERT SB: 23A1169R2	001011	1
657	D110278		.LATCH ASSY-END DISC SUPPLIER CODE: V71468 ELECTRICAL EQUIP NUMBER: D10215T WIRING DIAGRAM REF: 233232	001011	1
660	CDSA2P		.BACKSHELL-90 DEGREE THERMOFIT SUPPLIER CODE: V06090 ELECTRICAL EQUIP NUMBER: D10215U WIRING DIAGRAM REF: 233232 POST ALERT SB: 23A1169R2	001011	1

MISSING ITEM NUMBERS NOT APPLICABLE

— ITEM NOT ILLUSTRATED

HAP

23-32-03-23

BOEING PROPRIETARY - Copyright © - Unpublished Work - See title page for details.

23-32-03
FIG. 23
PAGE 10
FEB 10/07

BOEING
737-600/700/800/900
PARTS CATALOG (MAINTENANCE)

FIG ITEM	PART NUMBER	1 2 3 4 5 6 7	NOMENCLATURE	EFFECT FROM TO	UNITS PER ASSY
23 660	234A021-3		.BACKSHELL-90 DEGREE SUPPLIER CODE: V06090 ELECTRICAL EQUIP NUMBER: D10215U WIRING DIAGRAM REF: 233232 OPTIONAL SUPPLIER CODE: 06060 PRE ALERT SB: 23A1169R2	001011	1
- 665	MS27488-20		.PLUG- POST ALERT SB: 23A1169R2	001011	2
- 670	CQMEF200		.CONTACT- SUPPLIER CODE: V71771 POST ALERT SB: 23A1169R2	001011	1
- 675	CQMEM200		.CONTACT- SUPPLIER CODE: V71771 SERVICE BULLETIN OPT DATA: CQMEM200A V71771 POST ALERT SB: 23A1169R2	001011	1
- 675	CQMEM200A		.CONTACT- SUPPLIER CODE: V71771 SERVICE BULLETIN OPT DATA: CQMEM200 V71771 POST ALERT SB: 23A1169R2	001011	1
- 680	M39029-64-369		.CONTACT- POST ALERT SB: 23A1169R2	001011	AR

MISSING ITEM NUMBERS NOT APPLICABLE

- ITEM NOT ILLUSTRATED

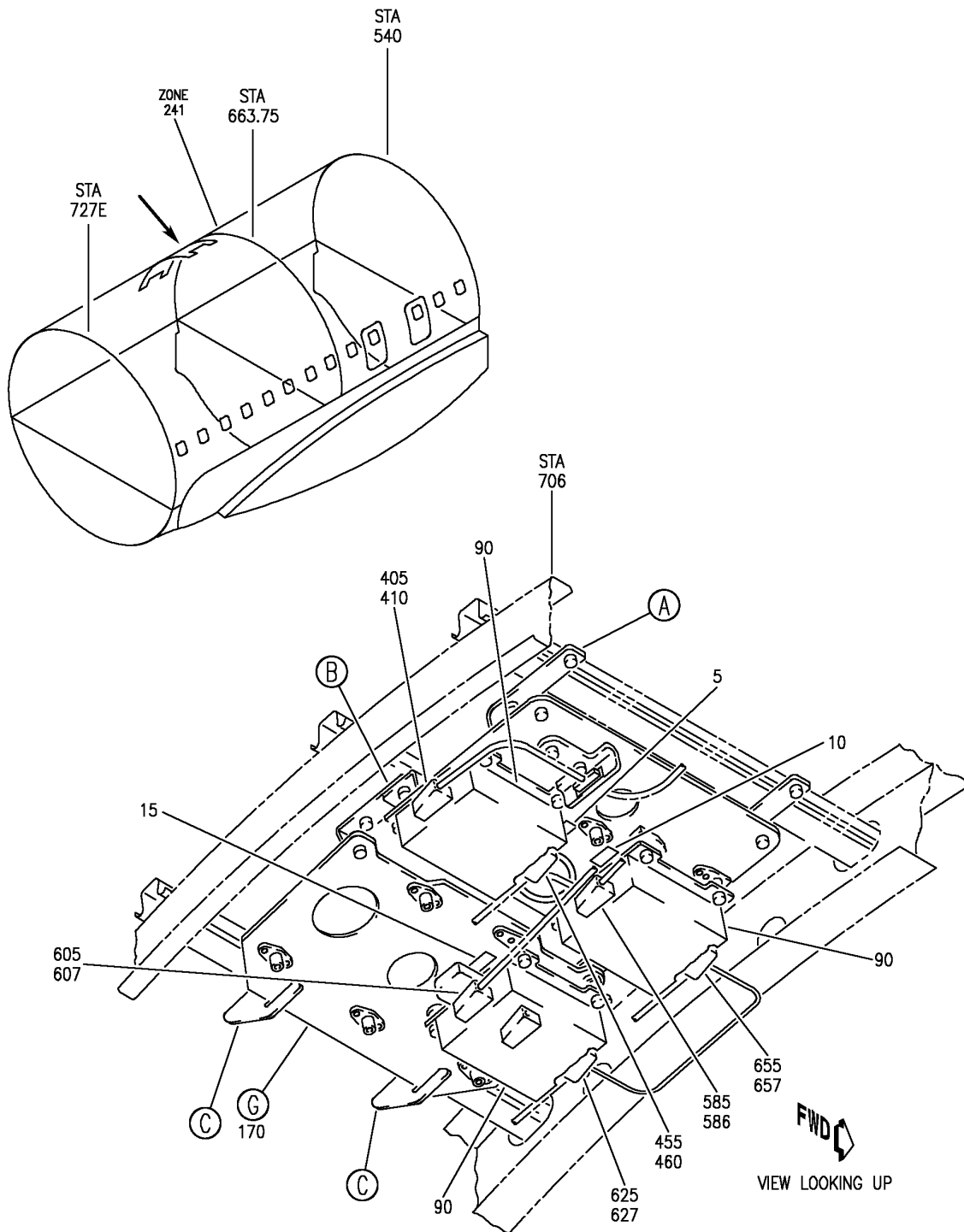
HAP

23-32-03-23

BOEING PROPRIETARY - Copyright © - Unpublished Work - See title page for details.

23-32-03
FIG. 23
PAGE 11
FEB 10/07

BOEING
 737-600/700/800/900
 PARTS CATALOG (MAINTENANCE)



E 23320340 SHT 1 REV 083

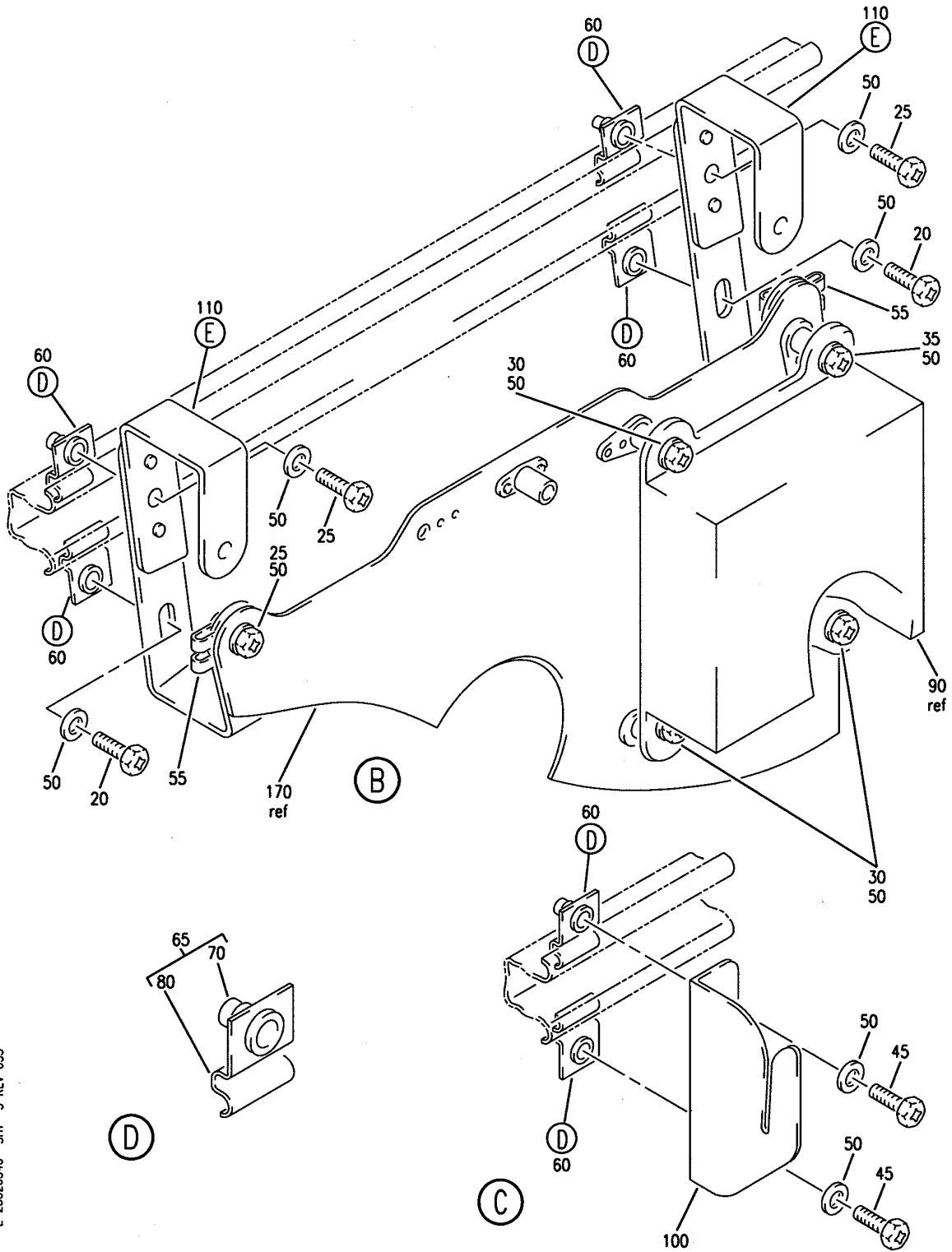
EQUIPMENT INSTL- 3 VDU CLUSTER
 FIGURE 40 (SHEET 1)

23-32-03-40

HAP
 OCT 10/06

23-32-03-40
 PAGE 0

BOEING
 737-600/700/800/900
 PARTS CATALOG (MAINTENANCE)



E 23320340 SHT 3 REV 033

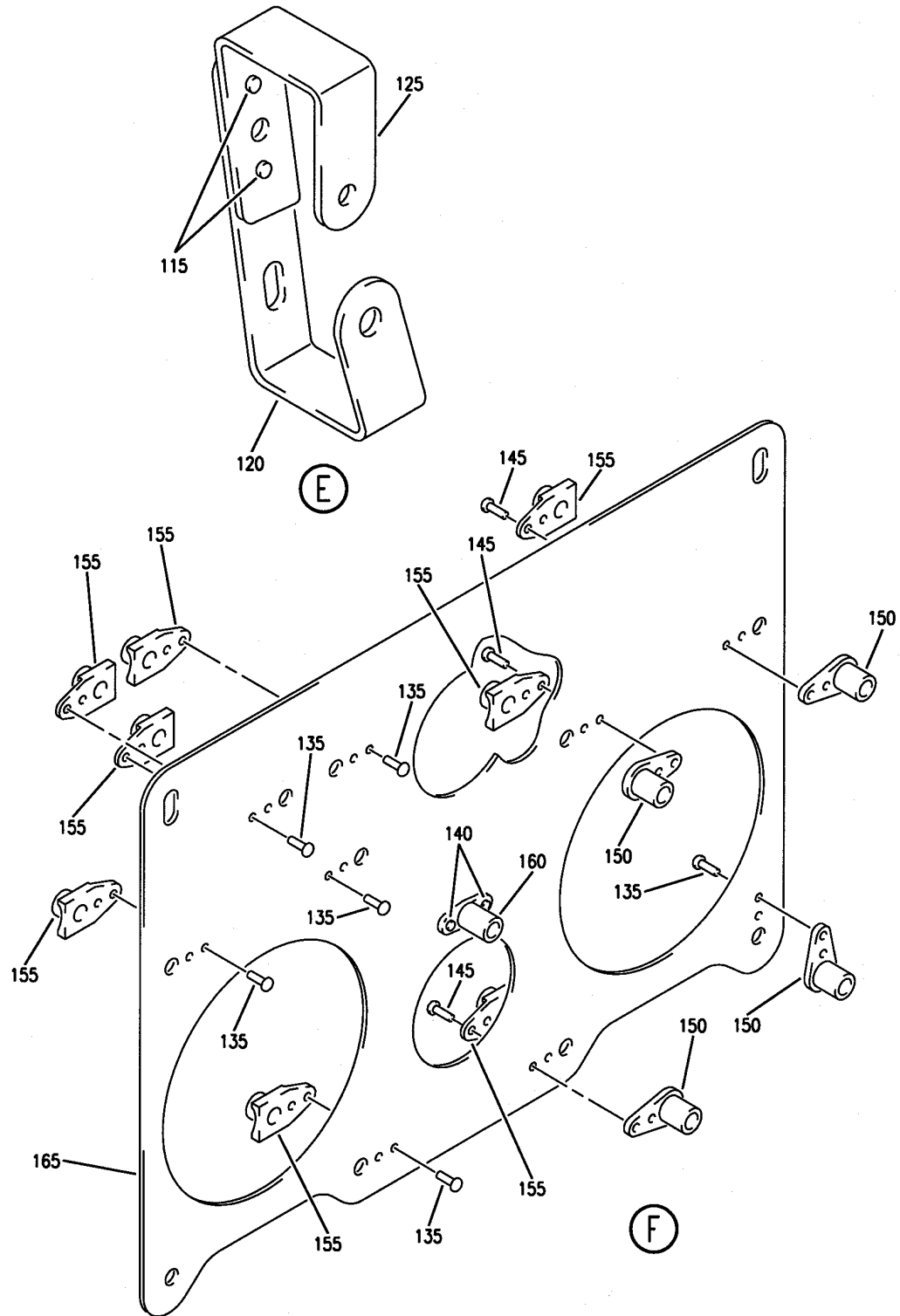
EQUIPMENT INSTL- 3 VDU CLUSTER
 FIGURE 40 (SHEET 3)

23-32-03-40

HAP
 OCT 10/06

23-32-03-40
 PAGE 0B

BOEING
 737-600/700/800/900
 PARTS CATALOG (MAINTENANCE)



E 23320340 SHT 4 REV 033

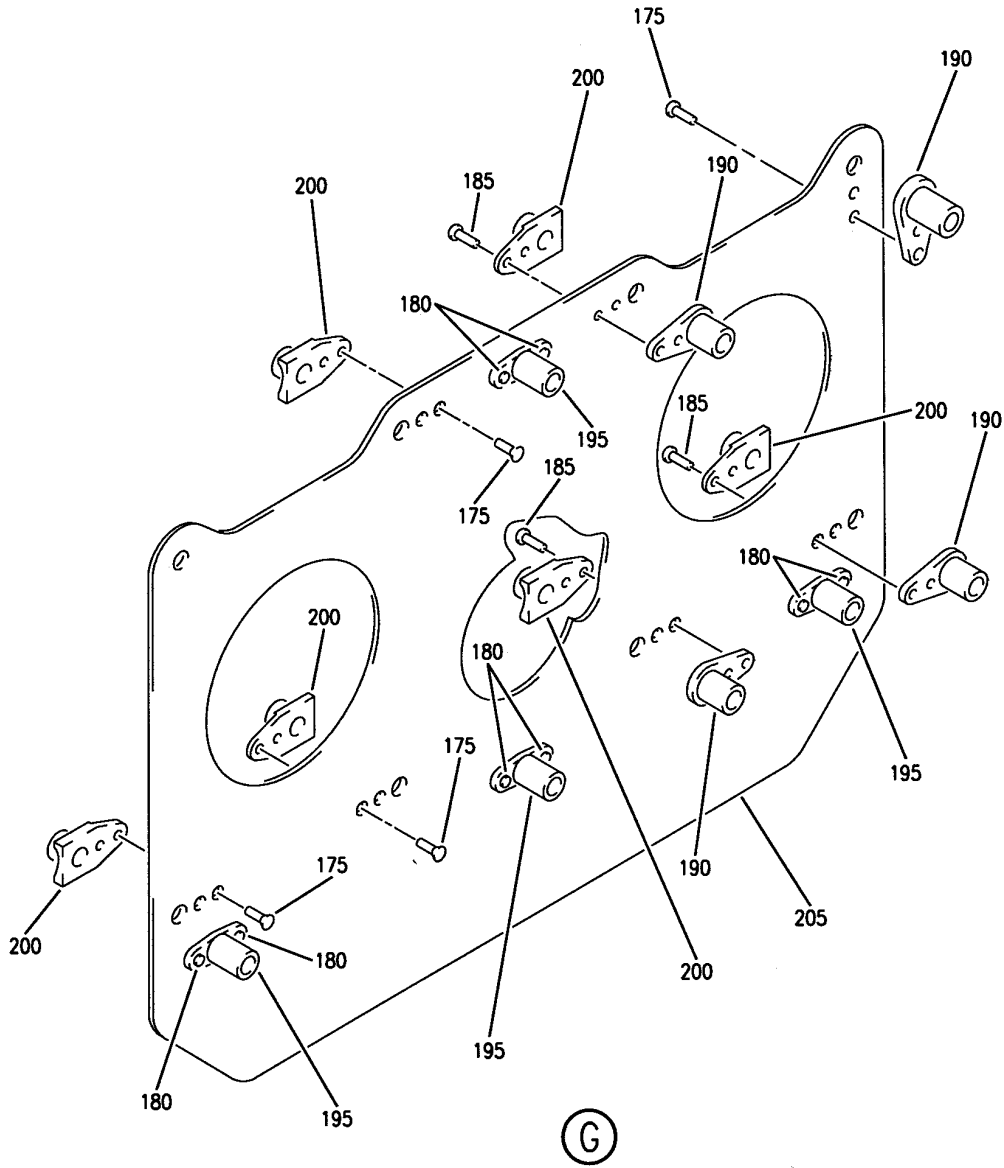
EQUIPMENT INSTL- 3 VDU CLUSTER
 FIGURE 40 (SHEET 4)

23-32-03-40

HAP
 OCT 10/06

23-32-03-40
 PAGE 0C

BOEING
737-600/700/800/900
PARTS CATALOG (MAINTENANCE)



E 23320340 SHT 5 REV 033

EQUIPMENT INSTL- 3 VDU CLUSTER
FIGURE 40 (SHEET 5)

23-32-03-40

HAP
OCT 10/06

23-32-03-40
PAGE 0D

BOEING
737-600/700/800/900
PARTS CATALOG (MAINTENANCE)

FIG ITEM	PART NUMBER	1 2 3 4 5 6 7	NOMENCLATURE	EFFECT FROM TO	UNITS PER ASSY
40			EQUIPMENT INSTL- 3 VDU CLUSTER	001011	
- 1	417A7380-6		EQUIPMENT INSTL-3 VDU CLUSTER POSITION DATA: STA 685-706 FOR NHA SEE: 23-32-00-01B	001011	RF
5	BAC27DEX6674		.DECAL-VINYL PLACARD CONTENT: M1942	001011	1
10	BAC27DEX6675		.DECAL-VINYL PLACARD CONTENT: M1943	001011	1
15	BAC27DEX6676		.DECAL-VINYL PLACARD CONTENT: M1944	001011	1
20	BACS12GU3K9		.SCREW	001011	11
25	BACS12GU3K10		.SCREW	001011	5
30	BACS12GU3K17		.SCREW	001011	6
35	BACS12GU3K18		.SCREW	001011	2
40	BACS12GU3K11		.SCREW	001011	1
45	BACS12GU3K8		.SCREW	001011	4
50	NAS1149D0332J		.WASHER	001011	29
55	BACN10VR2CG		.NUT	001011	6
60	69-37170-1		.CLIP ASSY	001011	12
65	69-37170-6		..CLIP ASSY- OPTIONAL PART: 69-37170-4	001011	1
65	69-37170-4		..CLIP ASSY- OPTIONAL PART: 69-37170-6	001011	1
70	79NC2-02		...NUT- SUPPLIER CODE: V72962 OPTIONAL PART: NC2-1032 V27687 USED ON: 69-37170-6	001011	1
70	NC2-1032		...NUT- SUPPLIER CODE: V27687 OPTIONAL PART: 79NC2-02 V72962 USED ON: 69-37170-6	001011	1

MISSING ITEM NUMBERS NOT APPLICABLE

- ITEM NOT ILLUSTRATED

HAP

23-32-03-40

BOEING PROPRIETARY - Copyright © - Unpublished Work - See title page for details.

23-32-03
FIG. 40
PAGE 1
OCT 10/06

BOEING
737-600/700/800/900
PARTS CATALOG (MAINTENANCE)

FIG ITEM	PART NUMBER	1 2 3 4 5 6 7	NOMENCLATURE	EFFECT FROM TO	UNITS PER ASSY
40					
- 75	SL854C3F1CM	...	INSERT- SUPPLIER CODE: V97393 USED ON: 69-37170-4	001011	1
80	69-37170-5	...	CLIP- USED ON: 69-37170-6	001011	1
- 85	69-37170-3	...	CLIP- USED ON: 69-37170-4	001011	1
90	700-2200-001	.	DISTRIBUTION UNIT-SMART VIDEO SUPPLIER CODE: V62204 FUNCTIONAL DESCRIPTION: RECEIVES COMMANDS FROM THE SYSTEM CONTROL UNIT AND ROUTES SELECTED VIDEO SIGNAL TO MONITORS OR PROJECTORS. COMPONENT MAINT MANUAL REF: 23-32-03	001011	3
95	417N7105-155	.	BRACKET	001011	2
100	417N7105-159	.	BRACKET	001011	2
105	417N7102-198	.	BRACKET	001011	1
110	417N7105-158	.	BRACKET ASSY	001011	2
115	BACR15CE6D	..	RIVET- SIZE DETERMINED ON INSTL.	001011	2
120	417N7105-157	..	BRACKET	001011	1
125	417N7105-156	..	BRACKET	001011	1
130	417N7102-216	.	BRACKET ASSY	001011	1
135	BACR15BA3ADC	..	RIVET- SIZE DETERMINED ON INSTL.	001011	12
140	BACR15BA4ADC	..	RIVET- SIZE DETERMINED ON INSTL.	001011	2
145	BACR15BB3ADC	..	RIVET- SIZE DETERMINED ON INSTL.	001011	6
150	295926-50	..	SPACER SUPPLIER CODE: V60119 SPECIFICATION NUMBER: BACS18R50B	001011	4

MISSING ITEM NUMBERS NOT APPLICABLE

- ITEM NOT ILLUSTRATED

HAP

23-32-03-40

BOEING PROPRIETARY - Copyright © - Unpublished Work - See title page for details.

23-32-03
FIG. 40
PAGE 2
JUN 15/08

BOEING
737-600/700/800/900
PARTS CATALOG (MAINTENANCE)

FIG ITEM	PART NUMBER	1 2 3 4 5 6 7	NOMENCLATURE	EFFECT FROM TO	UNITS PER ASSY
40 155	F177-3	.	NUTPLATE SUPPLIER CODE: V72962 SPECIFICATION NUMBER: BACN10JA3 OPTIONAL PART: F2400-3 V15653 43610-02 V80539 BRF110A3 V52828 BRF170A3 V52828	001011	8
160	WSI4A6B	..	NUTPLATE SUPPLIER CODE: V04169 SPECIFICATION NUMBER: BACN10TL3A6B	001011	1
165	417N7102-205	..	BRACKET	001011	1
170	417N7102-212	.	BRACKET ASSY	001011	1
175	BACR15BA3ADC	..	RIVET- SIZE DETERMINED ON INSTL.	001011	8
180	BACR15BA4ADC	..	RIVET- SIZE DETERMINED ON INSTL.	001011	8
185	BACR15BB3ADC	..	RIVET- SIZE DETERMINED ON INSTL.	001011	6
190	295926-50	..	SPACER SUPPLIER CODE: V60119 SPECIFICATION NUMBER: BACS18R50B	001011	4
195	WSI4A6B	..	NUTPLATE SUPPLIER CODE: V04169 SPECIFICATION NUMBER: BACN10TL3A6B	001011	4

MISSING ITEM NUMBERS NOT APPLICABLE

— ITEM NOT ILLUSTRATED

HAP

23-32-03-40

BOEING PROPRIETARY - Copyright © - Unpublished Work - See title page for details.

23-32-03
FIG. 40
PAGE 3
OCT 10/06

BOEING
737-600/700/800/900
PARTS CATALOG (MAINTENANCE)

FIG ITEM	PART NUMBER	1 2 3 4 5 6 7	NOMENCLATURE	EFFECT FROM TO	UNITS PER ASSY
40 200	F177-3		..NUTPLATE SUPPLIER CODE: V72962 SPECIFICATION NUMBER: BACN10JA3 OPTIONAL PART: F2400-3 V15653 43610-02 V80539 BRF110A3 V52828 BRF170A3 V52828	001011	6
205 - 400 405	417N7102-201 286A3033-001 CAMA11W1PEK87		..BRACKET WIRE BUNDLE ASSY .PLUG- SUPPLIER CODE: V71771 ELECTRICAL EQUIP NUMBER: D10269 WIRING DIAGRAM REF: 233251 OPTIONAL SUPPLIER CODE: 55104 POST ALERT SB: 23A1169R1	001011 001011 001011	1 RF 1
405	CAMA11W1P		.PLUG- SUPPLIER CODE: V55104 ELECTRICAL EQUIP NUMBER: D10269 WIRING DIAGRAM REF: 233251 OPTIONAL SUPPLIER CODE: 71771 PRE ALERT SB: 23A1169R1	001011	1
410	CDSA2P		.BACKSHELL-90 DEG SUPPLIER CODE: V71771 ELECTRICAL EQUIP NUMBER: D10269U WIRING DIAGRAM REF: 233251 OPTIONAL SUPPLIER CODE: 55104 POST ALERT SB: 23A1169R1	001011	1

MISSING ITEM NUMBERS NOT APPLICABLE

- ITEM NOT ILLUSTRATED

HAP

23-32-03-40

BOEING PROPRIETARY - Copyright © - Unpublished Work - See title page for details.

23-32-03
FIG. 40
PAGE 4
FEB 10/07

BOEING
737-600/700/800/900
PARTS CATALOG (MAINTENANCE)

FIG ITEM	PART NUMBER	1 2 3 4 5 6 7	NOMENCLATURE	EFFECT FROM TO	UNITS PER ASSY
40 410	234A021-3		.BACKSHELL-90 DEG SUPPLIER CODE: V06090 ELECTRICAL EQUIP NUMBER: D10269U WIRING DIAGRAM REF: 233251 OPTIONAL SUPPLIER CODE: 06060 PRE ALERT SB: 23A1169R1	001011	1
- 415	MS27488-20		.PLUG- POST ALERT SB: 23A1169R1	001011	2
- 420	CQMEF200		.CONTACT- SUPPLIER CODE: V71771 POST ALERT SB: 23A1169R1	001011	1
- 425	CQMEM200		.CONTACT-COAX SUPPLIER CODE: V71771 SERVICE BULLETIN OPT DATA: CQMEM200A V71771 POST ALERT SB: 23A1169R1	001011	1
- 425	CQMEM200A		.CONTACT-COAX SUPPLIER CODE: V71771 SERVICE BULLETIN OPT DATA: CQMEM200 V71771 POST ALERT SB: 23A1169R1	001011	1
- 430	M39029-64-369		.CONTACT- POST ALERT SB: 23A1169R1	001011	10
- 450	286A3035-001		WIRE BUNDLE ASSY	001009	RF
- 450	286A3035-010		WIRE BUNDLE ASSY	010011	RF

MISSING ITEM NUMBERS NOT APPLICABLE

- ITEM NOT ILLUSTRATED

HAP

23-32-03-40

BOEING PROPRIETARY - Copyright © - Unpublished Work - See title page for details.

23-32-03
FIG. 40
PAGE 5
OCT 10/06

 **BOEING**
737-600/700/800/900
PARTS CATALOG (MAINTENANCE)

FIG ITEM	PART NUMBER	1 2 3 4 5 6 7	NOMENCLATURE	EFFECT FROM TO	UNITS PER ASSY
40 455	CAMA11W1PEK87	.PLUG-	SUPPLIER CODE: V71771 ELECTRICAL EQUIP NUMBER: D10271 WIRING DIAGRAM REF: 233251 OPTIONAL SUPPLIER CODE: 55104 POST ALERT SB: 23A1169R1	001011	1
455	CAMA11W1P	.PLUG-	SUPPLIER CODE: V55104 ELECTRICAL EQUIP NUMBER: D10271 WIRING DIAGRAM REF: 233251 OPTIONAL SUPPLIER CODE: 71771 PRE ALERT SB: 23A1169R1	001011	1
460	CDSA2P	.BACKSHELL-90 DEG	SUPPLIER CODE: V71771 ELECTRICAL EQUIP NUMBER: D10271U WIRING DIAGRAM REF: 233251 OPTIONAL SUPPLIER CODE: 55104 POST ALERT SB: 23A1169R1	001011	1
460	234A021-3	.BACKSHELL-90 DEG	SUPPLIER CODE: V06090 ELECTRICAL EQUIP NUMBER: D10271U WIRING DIAGRAM REF: 233251 OPTIONAL SUPPLIER CODE: 06060 PRE ALERT SB: 23A1169R1	001011	1
- 465	MS27488-20	.PLUG-	POST ALERT SB: 23A1169R1	001011	2

MISSING ITEM NUMBERS NOT APPLICABLE

- ITEM NOT ILLUSTRATED

HAP

23-32-03-40

BOEING PROPRIETARY - Copyright © - Unpublished Work - See title page for details.

23-32-03
FIG. 40
PAGE 6
FEB 10/07

BOEING
737-600/700/800/900
PARTS CATALOG (MAINTENANCE)

FIG ITEM	PART NUMBER	1 2 3 4 5 6 7	NOMENCLATURE	EFFECT FROM TO	UNITS PER ASSY
40					
- 470	CQMEF200		.CONTACT- SUPPLIER CODE: V71771 POST ALERT SB: 23A1169R1	001011	1
- 475	CQMEM200		.CONTACT-COAX SUPPLIER CODE: V71771 SERVICE BULLETIN OPT DATA: CQMEM200A V71771 POST ALERT SB: 23A1169R1	001011	1
- 475	CQMEM200A		.CONTACT-COAX SUPPLIER CODE: V71771 SERVICE BULLETIN OPT DATA: CQMEM200 V71771 POST ALERT SB: 23A1169R1	001011	1
- 480	M39029-64-369		.CONTACT- POST ALERT SB: 23A1169R1	001011	10
- 580	286A3041-001		WIRE BUNDLE ASSY	001011	RF
585	CAMA11W1P		.PLUG- SUPPLIER CODE: V55104 ELECTRICAL EQUIP NUMBER: D10277 WIRING DIAGRAM REF: 233252 OPTIONAL SUPPLIER CODE: 71771 PRE ALERT SB: 23A1169R1	001011	1
585	CAMA11W1PEK87		.PLUG- SUPPLIER CODE: V71771 ELECTRICAL EQUIP NUMBER: D10277 WIRING DIAGRAM REF: 233252 OPTIONAL SUPPLIER CODE: 55104 POST ALERT SB: 23A1169R1	001011	1

MISSING ITEM NUMBERS NOT APPLICABLE

- ITEM NOT ILLUSTRATED

HAP

23-32-03-40

BOEING PROPRIETARY - Copyright © - Unpublished Work - See title page for details.

23-32-03
FIG. 40
PAGE 7
FEB 10/07

BOEING
737-600/700/800/900
PARTS CATALOG (MAINTENANCE)

FIG ITEM	PART NUMBER	1 2 3 4 5 6 7	NOMENCLATURE	EFFECT FROM TO	UNITS PER ASSY
40 586	CDSA2P		.BACKSHELL-90 DEG SUPPLIER CODE: V71771 ELECTRICAL EQUIP NUMBER: D10277U WIRING DIAGRAM REF: 233252 OPTIONAL SUPPLIER CODE: 55104 POST ALERT SB: 23A1169R1	001011	1
586	234A021-3		.BACKSHELL-90 DEG SUPPLIER CODE: V06090 ELECTRICAL EQUIP NUMBER: D10277U WIRING DIAGRAM REF: 233252 OPTIONAL SUPPLIER CODE: 06060 PRE ALERT SB: 23A1169R1	001011	1
- 587	MS27488-20		.PLUG- POST ALERT SB: 23A1169R1	001011	5
- 588	CQMEF200		.CONTACT- SUPPLIER CODE: V71771 POST ALERT SB: 23A1169R1	001011	1
- 590	CQMEM200		.CONTACT-COAX SUPPLIER CODE: V71771 SERVICE BULLETIN OPT DATA: CQMEM200A V71771 POST ALERT SB: 23A1169R1	001011	1
- 590	CQMEM200A		.CONTACT-COAX SUPPLIER CODE: V71771 SERVICE BULLETIN OPT DATA: CQMEM200 V71771 POST ALERT SB: 23A1169R1	001011	1
- 595	M39029-64-369		.CONTACT- POST ALERT SB: 23A1169R1	001011	10

MISSING ITEM NUMBERS NOT APPLICABLE

- ITEM NOT ILLUSTRATED

HAP

23-32-03-40

BOEING PROPRIETARY - Copyright © - Unpublished Work - See title page for details.

23-32-03
FIG. 40
PAGE 8
FEB 10/07

 **BOEING**
737-600/700/800/900
PARTS CATALOG (MAINTENANCE)

FIG ITEM	PART NUMBER	1 2 3 4 5 6 7	NOMENCLATURE	EFFECT FROM TO	UNITS PER ASSY
40					
- 596	002A0006-37	.ID TAPE-	POST ALERT SB: 23A1169R2	001011	1
- 597	287A9508-5	.ID TAPE-	POST ALERT SB: 23A1169R2	001011	1
- 598	287A9508-6	.ID TAPE-	POST ALERT SB: 23A1169R2	001011	1
- 599	287A9508-7	.ID TAPE-	POST ALERT SB: 23A1169R2	001011	1
-599A	287A9508-8	.ID TAPE-	POST ALERT SB: 23A1169R2	001011	1
-599B	287A9508-9	.ID TAPE-	POST ALERT SB: 23A1169R2	001011	1
- 600	286A3047-002		WIRE BUNDLE ASSY	001009	RF
- 600	286A3047-010		WIRE BUNDLE ASSY	010011	RF
- 601	002A0006-37	.ID TAPE-	POST ALERT SB: 23A1169R2	001011	1
- 602	287A9508-5	.ID TAPE-	POST ALERT SB: 23A1169R2	001011	1
- 603	287A9508-6	.ID TAPE-	POST ALERT SB: 23A1169R2	001011	1
- 604	287A9508-7	.ID TAPE-	POST ALERT SB: 23A1169R2	001011	1
-604A	287A9508-8	.ID TAPE-	POST ALERT SB: 23A1169R2	001011	1
-604B	287A9508-9	.ID TAPE-	POST ALERT SB: 23A1169R2	001011	1
605	CAMA11W1P	.PLUG-	SUPPLIER CODE: V55104 ELECTRICAL EQUIP NUMBER: D10287 WIRING DIAGRAM REF: 233253 OPTIONAL SUPPLIER CODE: 71771 PRE ALERT SB: 23A1169R1	001011	1

MISSING ITEM NUMBERS NOT APPLICABLE

- ITEM NOT ILLUSTRATED

HAP

23-32-03-40

BOEING PROPRIETARY - Copyright © - Unpublished Work - See title page for details.

23-32-03
FIG. 40
PAGE 9
FEB 10/07

BOEING
737-600/700/800/900
PARTS CATALOG (MAINTENANCE)

FIG ITEM	PART NUMBER	1 2 3 4 5 6 7	NOMENCLATURE	EFFECT FROM TO	UNITS PER ASSY
40 605	CAMA11W1PEK87		.PLUG- SUPPLIER CODE: V71771 ELECTRICAL EQUIP NUMBER: D10287 WIRING DIAGRAM REF: 233253 OPTIONAL SUPPLIER CODE: 55104 POST ALERT SB: 23A1169R1	001011	1
607	CDSA2P		.BACKSHELL-90 DEG SUPPLIER CODE: V71771 ELECTRICAL EQUIP NUMBER: D10287U WIRING DIAGRAM REF: 233253 OPTIONAL SUPPLIER CODE: 55104 POST ALERT SB: 23A1169R1	001011	1
607	234A021-3		.BACKSHELL-90 DEG SUPPLIER CODE: V06090 ELECTRICAL EQUIP NUMBER: D10287U WIRING DIAGRAM REF: 233253 OPTIONAL SUPPLIER CODE: 06060 PRE ALERT SB: 23A1169R1	001011	1
- 608	MS27488-20		.PLUG- POST ALERT SB: 23A1169R1	001011	5
- 609	CQMEF200		.CONTACT- SUPPLIER CODE: V71771 POST ALERT SB: 23A1169R1	001011	1
- 610	CQMEM200		.CONTACT-COAX SUPPLIER CODE: V71771 SERVICE BULLETIN OPT DATA: CQMEM200A V71771 POST ALERT SB: 23A1169R1	001011	1

MISSING ITEM NUMBERS NOT APPLICABLE

- ITEM NOT ILLUSTRATED

HAP

23-32-03-40

BOEING PROPRIETARY - Copyright © - Unpublished Work - See title page for details.

23-32-03
FIG. 40
PAGE 10
FEB 10/07

BOEING
737-600/700/800/900
PARTS CATALOG (MAINTENANCE)

FIG ITEM	PART NUMBER	1 2 3 4 5 6 7	NOMENCLATURE	EFFECT FROM TO	UNITS PER ASSY
40					
- 610	CQMEM200A		.CONTACT-COAX SUPPLIER CODE: V71771 SERVICE BULLETIN OPT DATA: CQMEM200 V71771 POST ALERT SB: 23A1169R1	001011	1
- 615	M39029-64-369		.CONTACT- POST ALERT SB: 23A1169R1	001011	10
- 620	286A3045-002		WIRE BUNDLE ASSY	001011	RF
625	CAMA11W1P		.PLUG- SUPPLIER CODE: V55104 ELECTRICAL EQUIP NUMBER: D10285 WIRING DIAGRAM REF: 233253 OPTIONAL SUPPLIER CODE: 71771 PRE ALERT SB: 23A1169R1	001011	1
625	CAMA11W1PEK87		.PLUG- SUPPLIER CODE: V71771 ELECTRICAL EQUIP NUMBER: D10285 WIRING DIAGRAM REF: 233253 OPTIONAL SUPPLIER CODE: 55104 POST ALERT SB: 23A1169R1	001011	1
627	CDSA2P		.BACKSHELL-90 DEG SUPPLIER CODE: V71771 ELECTRICAL EQUIP NUMBER: D10285U WIRING DIAGRAM REF: 233253 OPTIONAL SUPPLIER CODE: 55104 POST ALERT SB: 23A1169R1	001011	1

MISSING ITEM NUMBERS NOT APPLICABLE

- ITEM NOT ILLUSTRATED

HAP

23-32-03-40

BOEING PROPRIETARY - Copyright © - Unpublished Work - See title page for details.

23-32-03
FIG. 40
PAGE 11
FEB 10/07

BOEING
737-600/700/800/900
PARTS CATALOG (MAINTENANCE)

FIG ITEM	PART NUMBER	1 2 3 4 5 6 7	NOMENCLATURE	EFFECT FROM TO	UNITS PER ASSY
40 627	234A021-3		.BACKSHELL-90 DEG SUPPLIER CODE: V06090 ELECTRICAL EQUIP NUMBER: D10285U WIRING DIAGRAM REF: 233252 OPTIONAL SUPPLIER CODE: 06060 PRE ALERT SB: 23A1169R1	001011	1
- 628	MS27488-20		.PLUG- POST ALERT SB: 23A1169R1	001011	5
- 629	CQMEF200		.CONTACT- SUPPLIER CODE: V71771 POST ALERT SB: 23A1169R1	001011	1
- 630	CQMEM200		.CONTACT-COAX SUPPLIER CODE: V71771 SERVICE BULLETIN OPT DATA: CQMEM200A V71771 POST ALERT SB: 23A1169R1	001011	1
- 630	CQMEM200A		.CONTACT-COAX SUPPLIER CODE: V71771 SERVICE BULLETIN OPT DATA: CQMEM200 V71771 POST ALERT SB: 23A1169R1	001011	1
- 633	M39029-64-369		.CONTACT- POST ALERT SB: 23A1169R1	001011	10
- 635	002A0006-37		.ID TAPE- POST ALERT SB: 23A1169R2	001011	1
- 636	287A9508-5		.ID TAPE- POST ALERT SB: 23A1169R2	001011	1
- 637	287A9508-6		.ID TAPE- POST ALERT SB: 23A1169R2	001011	1

MISSING ITEM NUMBERS NOT APPLICABLE

- ITEM NOT ILLUSTRATED

HAP

23-32-03-40

BOEING PROPRIETARY - Copyright © - Unpublished Work - See title page for details.

23-32-03
FIG. 40
PAGE 12
FEB 10/07

BOEING
737-600/700/800/900
PARTS CATALOG (MAINTENANCE)

FIG ITEM	PART NUMBER	1 2 3 4 5 6 7	NOMENCLATURE	EFFECT FROM TO	UNITS PER ASSY
40					
- 638	287A9508-7		.ID TAPE- POST ALERT SB: 23A1169R2	001011	1
- 639	287A9508-8		.ID TAPE- POST ALERT SB: 23A1169R2	001011	1
- 640	287A9508-9		.ID TAPE- POST ALERT SB: 23A1169R2	001011	1
- 650	286A3043-004		WIRE BUNDLE ASSY	001009	RF
- 650	286A3043-007		WIRE BUNDLE ASSY	010011	RF
655	CAMA11W1P		.PLUG- SUPPLIER CODE: V55104 ELECTRICAL EQUIP NUMBER: D10279 WIRING DIAGRAM REF: 233252 OPTIONAL SUPPLIER CODE: 71771 PRE ALERT SB: 23A1169R1	001011	1
655	CAMA11W1PEK87		.PLUG- SUPPLIER CODE: V71771 ELECTRICAL EQUIP NUMBER: D10279 WIRING DIAGRAM REF: 233252 OPTIONAL SUPPLIER CODE: 55104 POST ALERT SB: 23A1169R1	001011	1
657	CDSA2P		.BACKSHELL-90 DEG SUPPLIER CODE: V71771 ELECTRICAL EQUIP NUMBER: D10279U WIRING DIAGRAM REF: 233252 OPTIONAL SUPPLIER CODE: 55104 POST ALERT SB: 23A1169R1	001011	1

MISSING ITEM NUMBERS NOT APPLICABLE

- ITEM NOT ILLUSTRATED

HAP

23-32-03-40

BOEING PROPRIETARY - Copyright © - Unpublished Work - See title page for details.

23-32-03
FIG. 40
PAGE 13
FEB 10/07

BOEING
737-600/700/800/900
PARTS CATALOG (MAINTENANCE)

FIG ITEM	PART NUMBER	1 2 3 4 5 6 7	NOMENCLATURE	EFFECT FROM TO	UNITS PER ASSY
40 657	234A021-3		.BACKSHELL-90 DEG SUPPLIER CODE: V06090 ELECTRICAL EQUIP NUMBER: D10279U WIRING DIAGRAM REF: 233252 OPTIONAL SUPPLIER CODE: 06060 PRE ALERT SB: 23A1169R1	001011	1
- 658	MS27488-20		.PLUG- POST ALERT SB: 23A1169R1	001011	5
- 659	CQMEF200		.CONTACT- SUPPLIER CODE: V71771 POST ALERT SB: 23A1169R1	001011	1
- 660	CQMEM200		.CONTACT-COAX SUPPLIER CODE: V71771 SERVICE BULLETIN OPT DATA: CQMEM200A V71771 POST ALERT SB: 23A1169R1	001011	1
- 660	CQMEM200A		.CONTACT-COAX SUPPLIER CODE: V71771 SERVICE BULLETIN OPT DATA: CQMEM200 V71771 POST ALERT SB: 23A1169R1	001011	1
- 665	M39029-64-369		.CONTACT- POST ALERT SB: 23A1169R2	001011	10
- 666	002A0006-37		.ID TAPE- POST ALERT SB: 23A1169R2	001011	1
- 667	287A9508-5		.ID TAPE- POST ALERT SB: 23A1169R2	001011	1
- 668	287A9508-6		.ID TAPE- POST ALERT SB: 23A1169R2	001011	1

MISSING ITEM NUMBERS NOT APPLICABLE

- ITEM NOT ILLUSTRATED

HAP

23-32-03-40

BOEING PROPRIETARY - Copyright © - Unpublished Work - See title page for details.

23-32-03
FIG. 40
PAGE 14
FEB 10/07


BOEING
 737-600/700/800/900
PARTS CATALOG (MAINTENANCE)

FIG ITEM	PART NUMBER	1 2 3 4 5 6 7	NOMENCLATURE	EFFECT FROM TO	UNITS PER ASSY
40					
- 669	287A9508-7		.ID TAPE- POST ALERT SB: 23A1169R2	001011	1
- 670	287A9508-8		.ID TAPE- POST ALERT SB: 23A1169R2	001011	1
- 671	287A9508-9		.ID TAPE- POST ALERT SB: 23A1169R2	001011	1
MISSING ITEM NUMBERS NOT APPLICABLE					

- ITEM NOT ILLUSTRATED

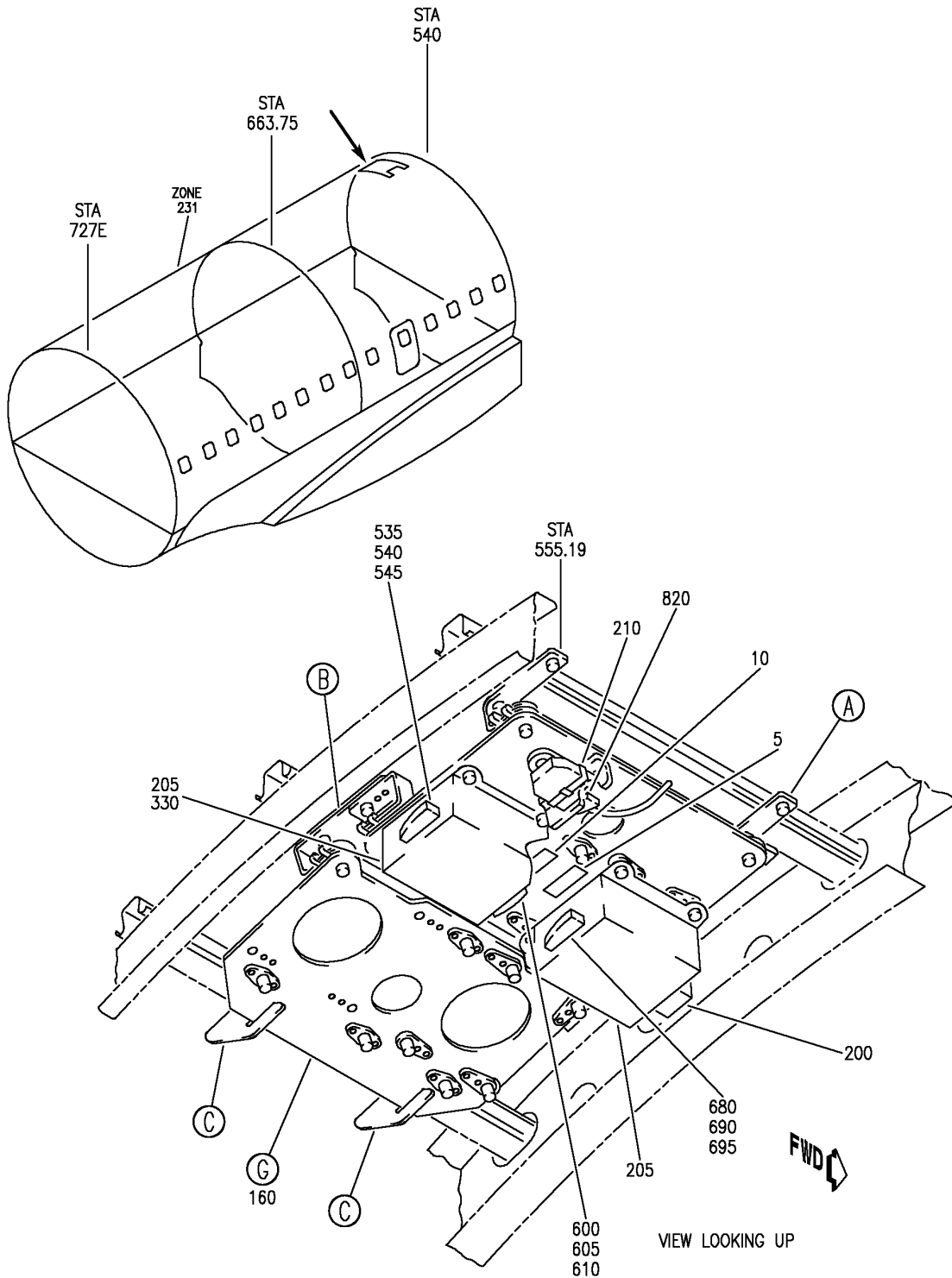
HAP

23-32-03-40

BOEING PROPRIETARY - Copyright © - Unpublished Work - See title page for details.

23-32-03
 FIG. 40
 PAGE 15
 FEB 10/07

BOEING
 737-600/700/800/900
 PARTS CATALOG (MAINTENANCE)



E 23320347 SHT 1 REV 154

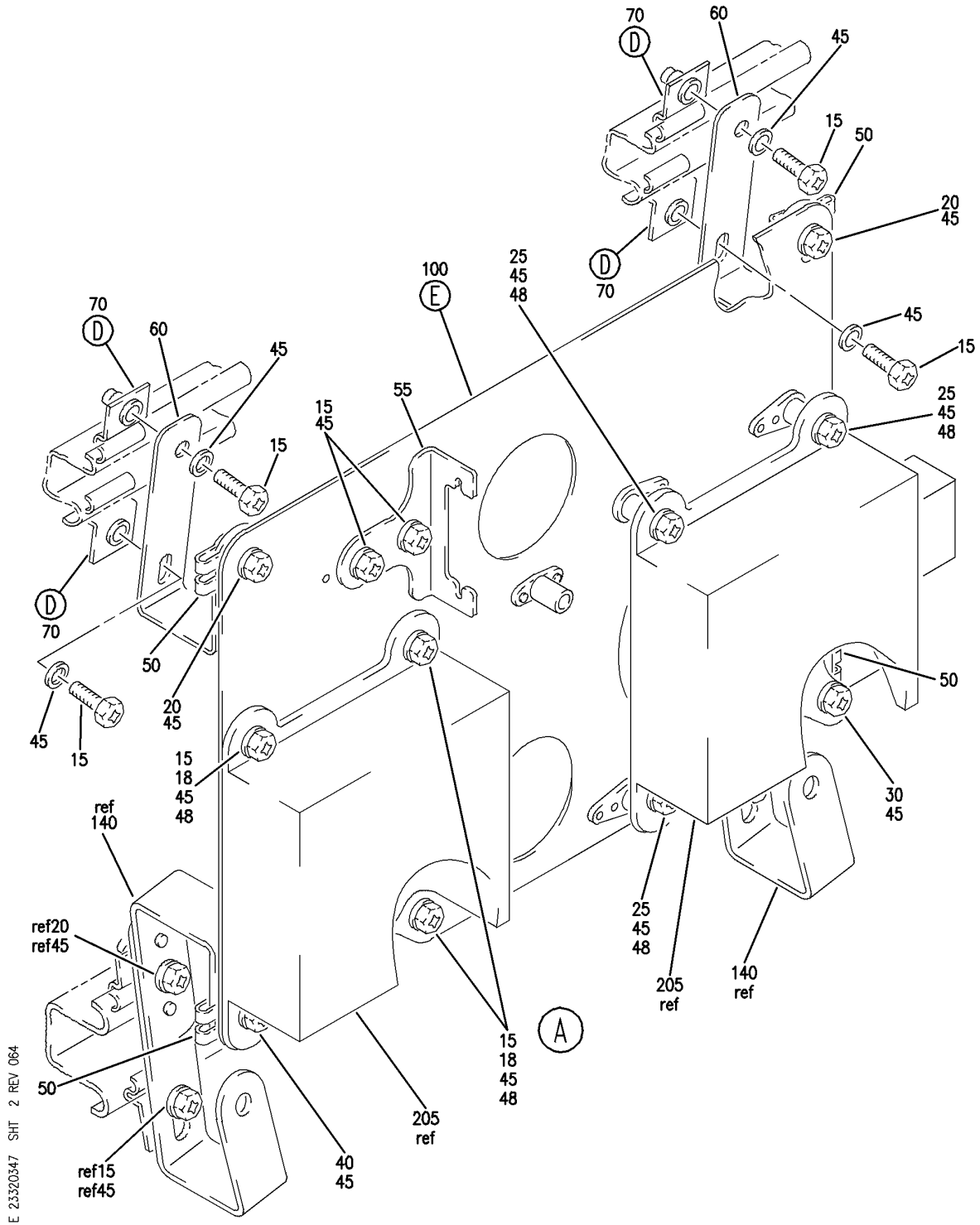
EQUIPMENT INSTL-2 VDU CLUSTER WITH TERM. PLUG 737-600, 737-700
 FIGURE 47 (SHEET 1)

23-32-03-47

HAP
 JUN 15/09

23-32-03-47
 PAGE 0

BOEING
737-600/700/800/900
PARTS CATALOG (MAINTENANCE)



E 23320347 SHT 2 REV 064

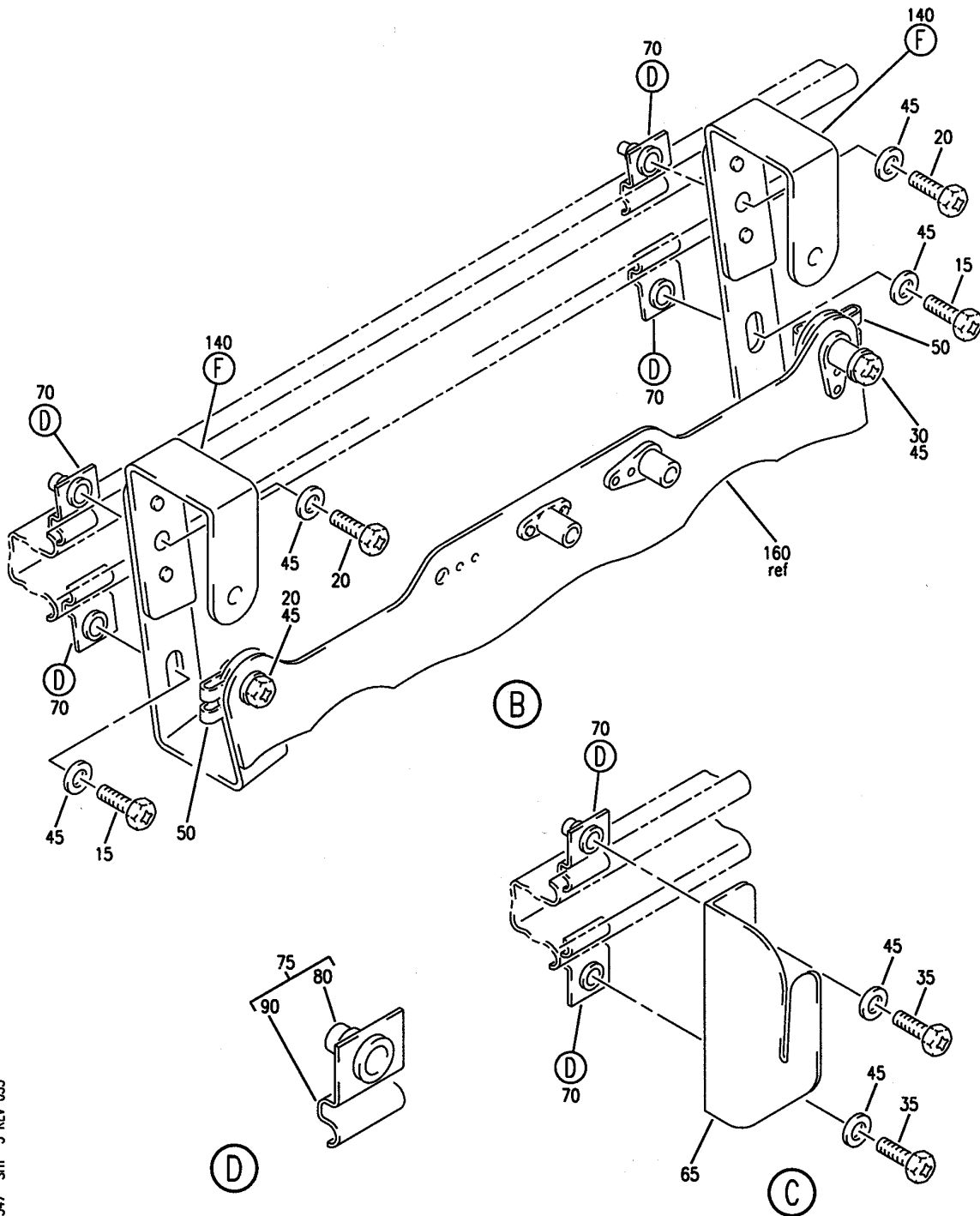
EQUIPMENT INSTL-2 VDU CLUSTER WITH TERM. PLUG 737-600, 737-700
 FIGURE 47 (SHEET 2)

23-32-03-47

HAP
 FEB 10/07

23-32-03-47
 PAGE 0A

BOEING
 737-600/700/800/900
 PARTS CATALOG (MAINTENANCE)



E 23320347 SHIT 3 REV 035

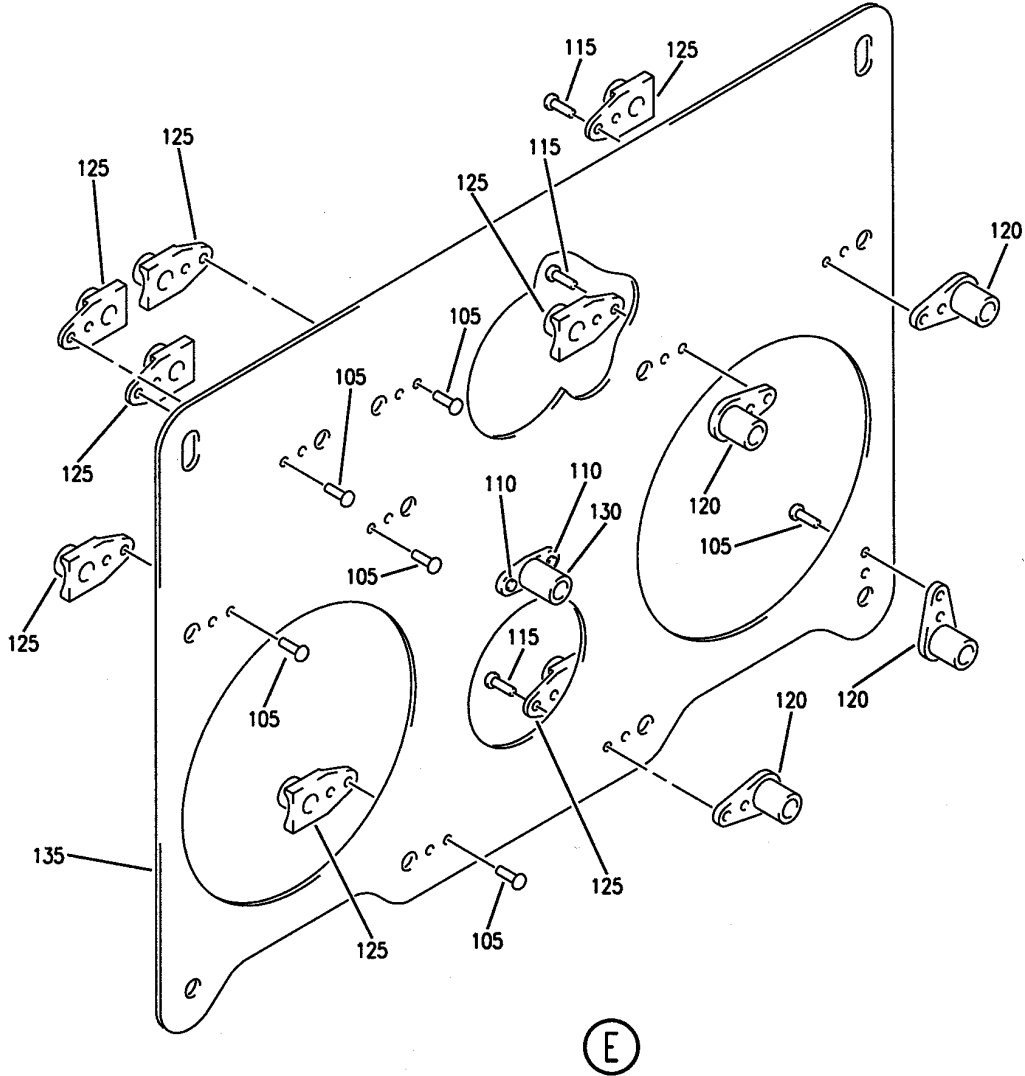
EQUIPMENT INSTL-2 VDU CLUSTER WITH TERM. PLUG 737-600, 737-700
 FIGURE 47 (SHEET 3)

23-32-03-47

HAP
 FEB 10/07

23-32-03-47
 PAGE 0B

BOEING
737-600/700/800/900
PARTS CATALOG (MAINTENANCE)



E 23320347 SHT 4 REV 035

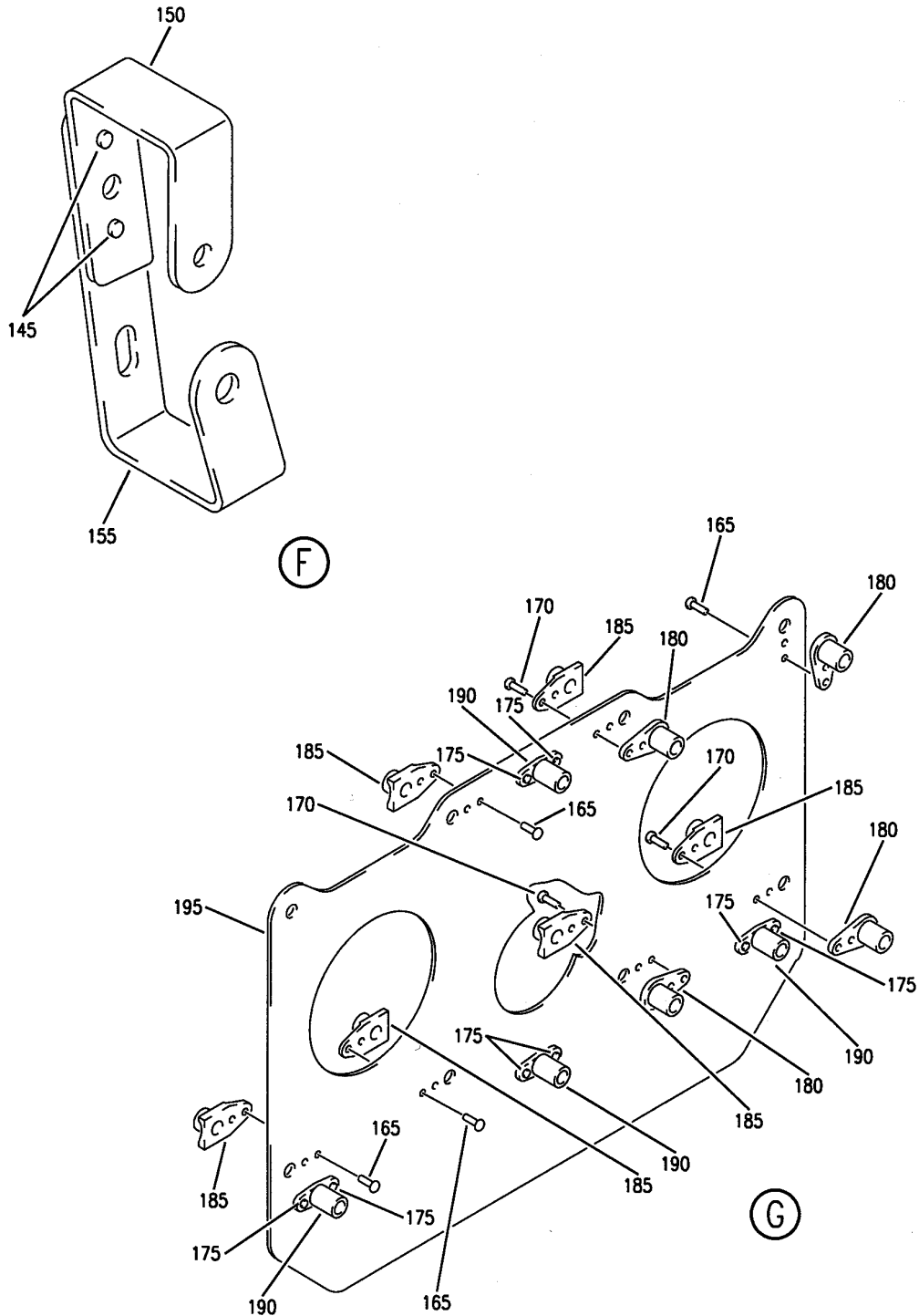
EQUIPMENT INSTL-2 VDU CLUSTER WITH TERM. PLUG 737-600, 737-700
FIGURE 47 (SHEET 4)

23-32-03-47

HAP
FEB 10/07

23-32-03-47
PAGE 0C

BOEING
 737-600/700/800/900
 PARTS CATALOG (MAINTENANCE)



E 23320347 SMT 5 REV 035

EQUIPMENT INSTL-2 VDU CLUSTER WITH TERM. PLUG 737-600, 737-700
 FIGURE 47 (SHEET 5)

23-32-03-47

HAP
 FEB 10/07

23-32-03-47
 PAGE 0D

BOEING
737-600/700/800/900
PARTS CATALOG (MAINTENANCE)

FIG ITEM	PART NUMBER	1 2 3 4 5 6 7	NOMENCLATURE	EFFECT FROM TO	UNITS PER ASSY
47			EQUIPMENT INSTL-2 VDU CLUSTER WITH TERM. PLUG 737-600, 737-700	101200 968999	
- 2	MODREF311124		EQUIPMENT INSTL-2 VDU CLUSTER WITH TERM. PLUG MODULE NUMBER: 417A7663-54 REV R POSITION DATA: STA 555.69, LBL 26.53 WL 300.33	101200 968999	1
5	BAC27DEX6671		.DECAL- PLACARD CONTENT: M1939	101200 968999	1
10	BAC27DEX6670		.DECAL- PLACARD CONTENT: M1938	101200 968999	1
18	BACS12GU3K9		.SCREW	101200 968999	3
25	BACS12GU3K17		.SCREW	101200 968999	3
48	NAS1149D0332J		.WASHER	101200 968999	6
200	700-1516-002		.PLUG-TERMINATION (CUSTOMER FURNISHED) SUPPLIER CODE: V62204 ELECTRICAL EQUIP NUMBER: M02047	101200 968999	1
205	700-2200-001		.DISTRIBUTION UNIT-VIDEO (CUSTOMER FURNISHED) SUPPLIER CODE: V62204 FUNCTIONAL DESCRIPTION: RECEIVES COMMANDS FROM THE SYSTEM CONTROL UNIT AND ROUTES SELECTED VIDEO SIGNAL TO MONITORS OR PROJECTORS ELECTRICAL EQUIP NUMBER: M01938 M01939 COMPONENT MAINT MANUAL REF: 23-32-03	101200 968999	2

MISSING ITEM NUMBERS NOT APPLICABLE

- ITEM NOT ILLUSTRATED

HAP

23-32-03-47

BOEING PROPRIETARY - Copyright © - Unpublished Work - See title page for details.

23-32-03
FIG. 47
PAGE 1
OCT 15/08

BOEING
737-600/700/800/900
PARTS CATALOG (MAINTENANCE)

FIG ITEM	PART NUMBER	1 2 3 4 5 6 7	NOMENCLATURE	EFFECT FROM TO	UNITS PER ASSY
47 210	PLT4SM		.STRAP SUPPLIER CODE: V06383 SPECIFICATION NUMBER: BACS38K2 OPTIONAL PART: T05L0 V53421	101200 968999	1
R R R R	- 800	286A3605-702	WIRE BUNDLE ASSY- ELECTRICAL EQUIP NUMBER: D10233T D10233U	101200 968999	RF
	820	DBMA25S	.RECEPTACLE- SUPPLIER CODE: V71468 ELECTRICAL EQUIP NUMBER: D10233 WIRING DIAGRAM REF: 233241	101200 968999	1

MISSING ITEM NUMBERS NOT APPLICABLE

- ITEM NOT ILLUSTRATED

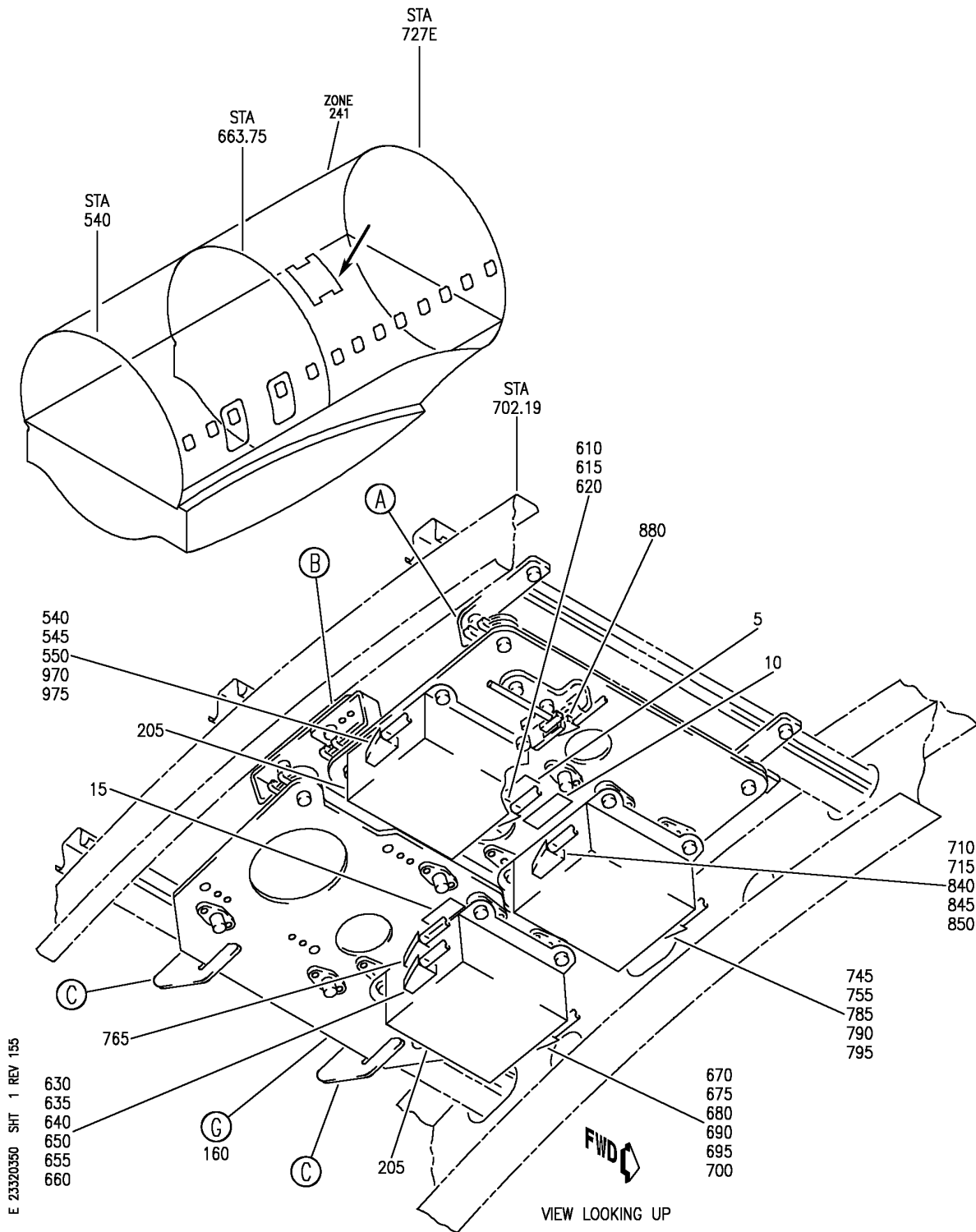
HAP

23-32-03-47

BOEING PROPRIETARY - Copyright © - Unpublished Work - See title page for details.

23-32-03
FIG. 47
PAGE 2
JUN 15/09

BOEING
 737-600/700/800/900
 PARTS CATALOG (MAINTENANCE)



E 23320350 SHT 1 REV 155

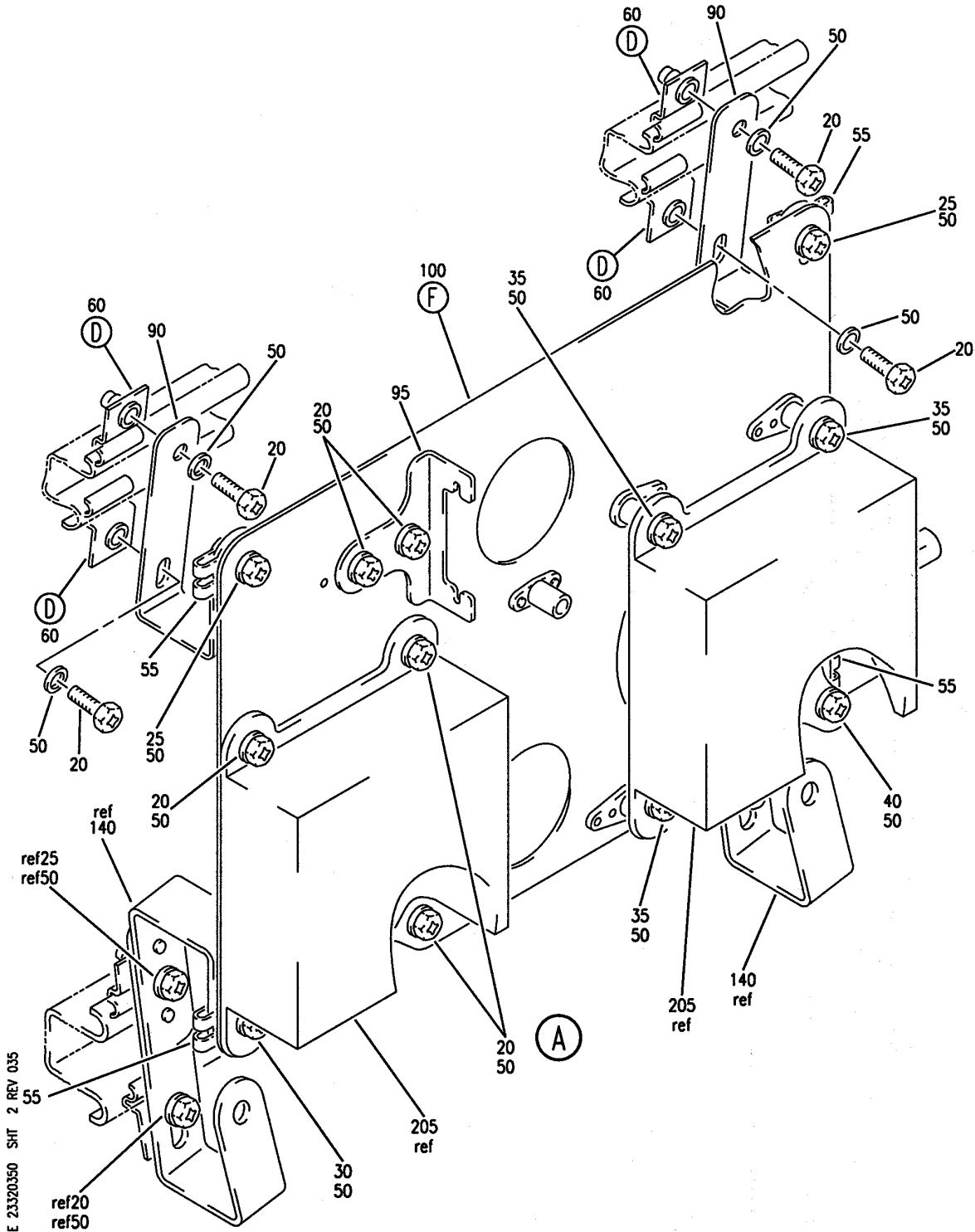
EQUIPMENT INSTL-3 VDU CLUSTER, NO TERM PLUG 737-800
 FIGURE 50 (SHEET 1)

23-32-03-50

HAP
 JUN 15/09

23-32-03-50
 PAGE 0

BOEING
737-600/700/800/900
PARTS CATALOG (MAINTENANCE)



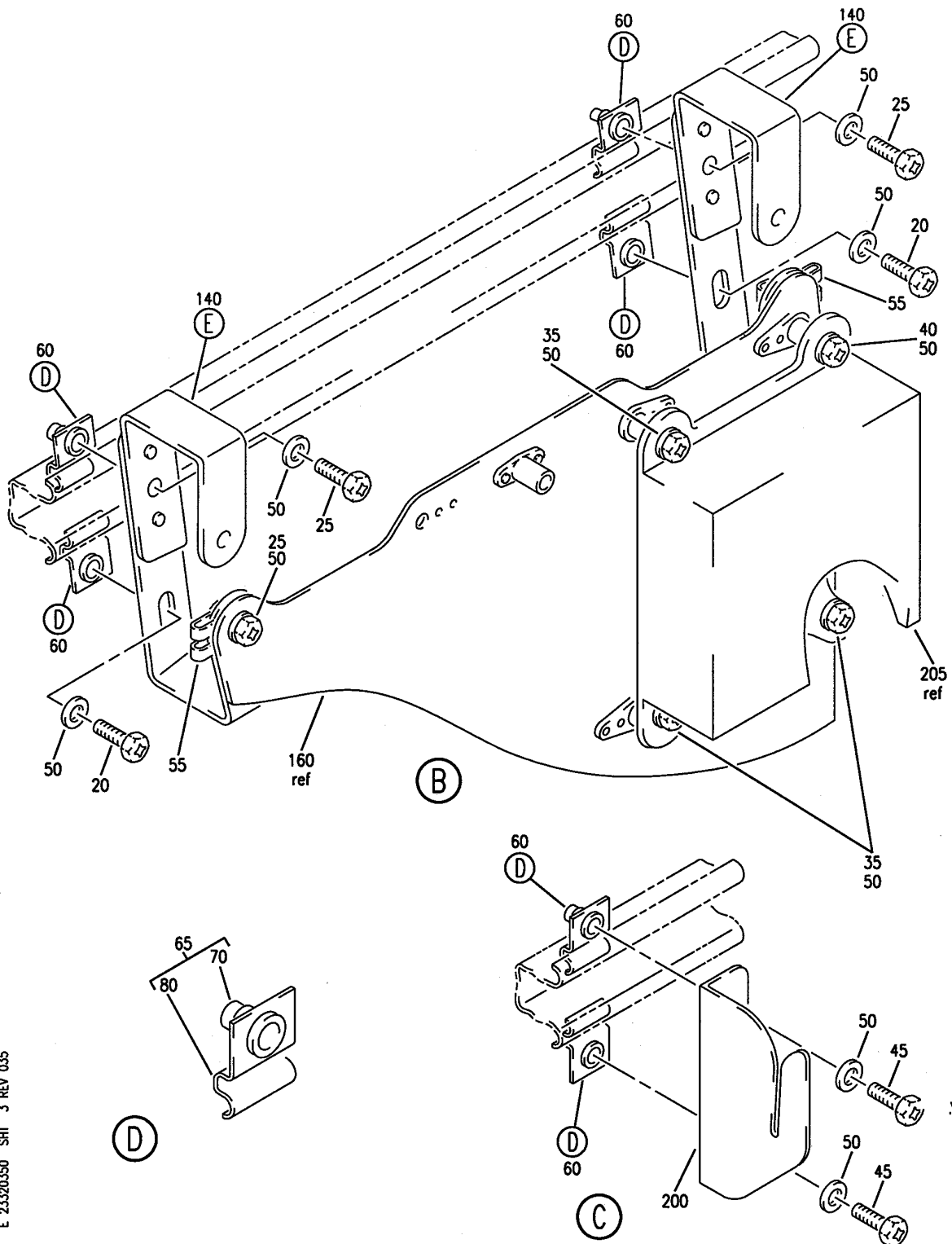
EQUIPMENT INSTL-3 VDU CLUSTER, NO TERM PLUG 737-800
FIGURE 50 (SHEET 2)

23-32-03-50

HAP
OCT 10/06

23-32-03-50
PAGE 0A

BOEING
 737-600/700/800/900
 PARTS CATALOG (MAINTENANCE)



E 23320350 SHT 3 REV 035

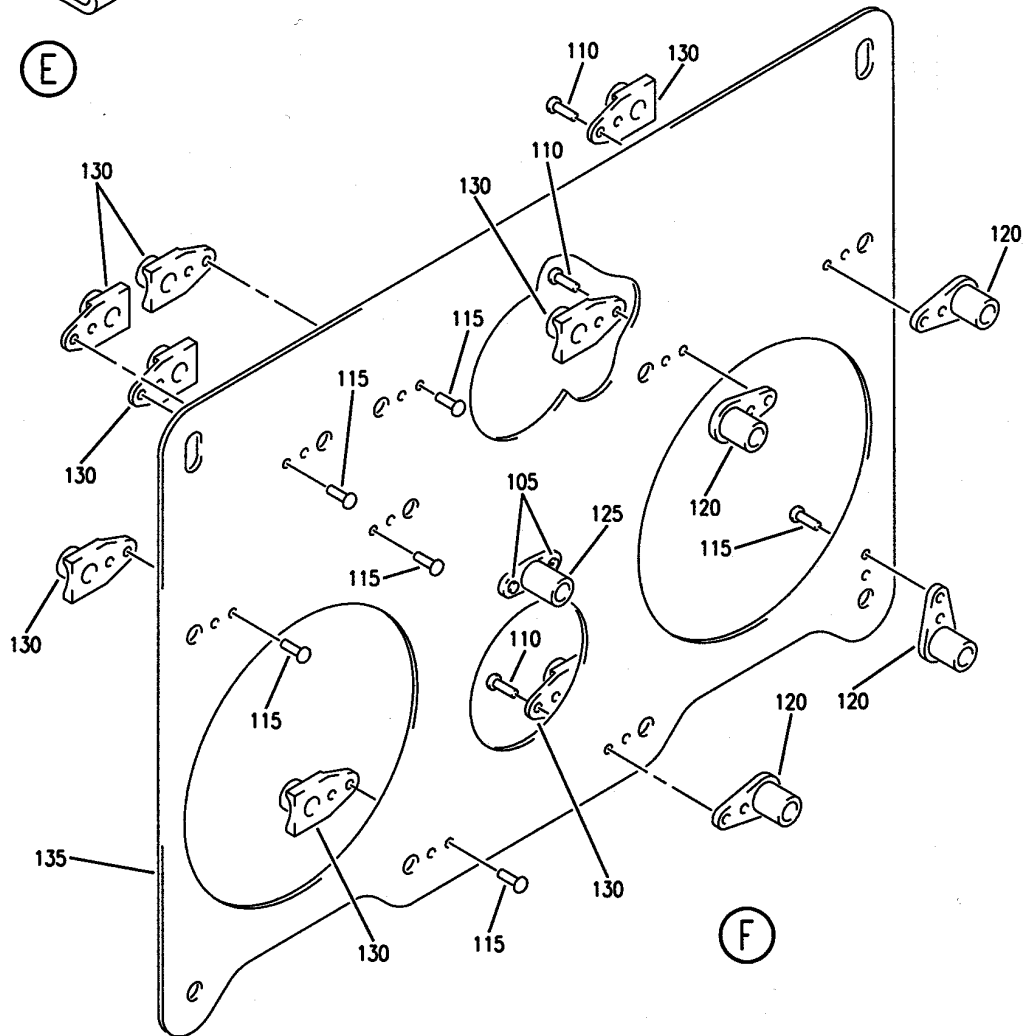
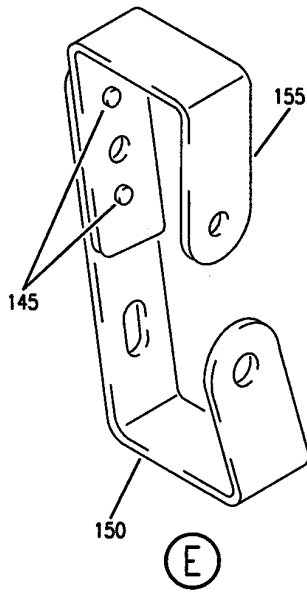
EQUIPMENT INSTL-3 VDU CLUSTER, NO TERM PLUG 737-800
 FIGURE 50 (SHEET 3)

23-32-03-50

HAP
 OCT 10/06

23-32-03-50
 PAGE 0B

BOEING
 737-600/700/800/900
 PARTS CATALOG (MAINTENANCE)



E 23320350 SH1 4 REV 035

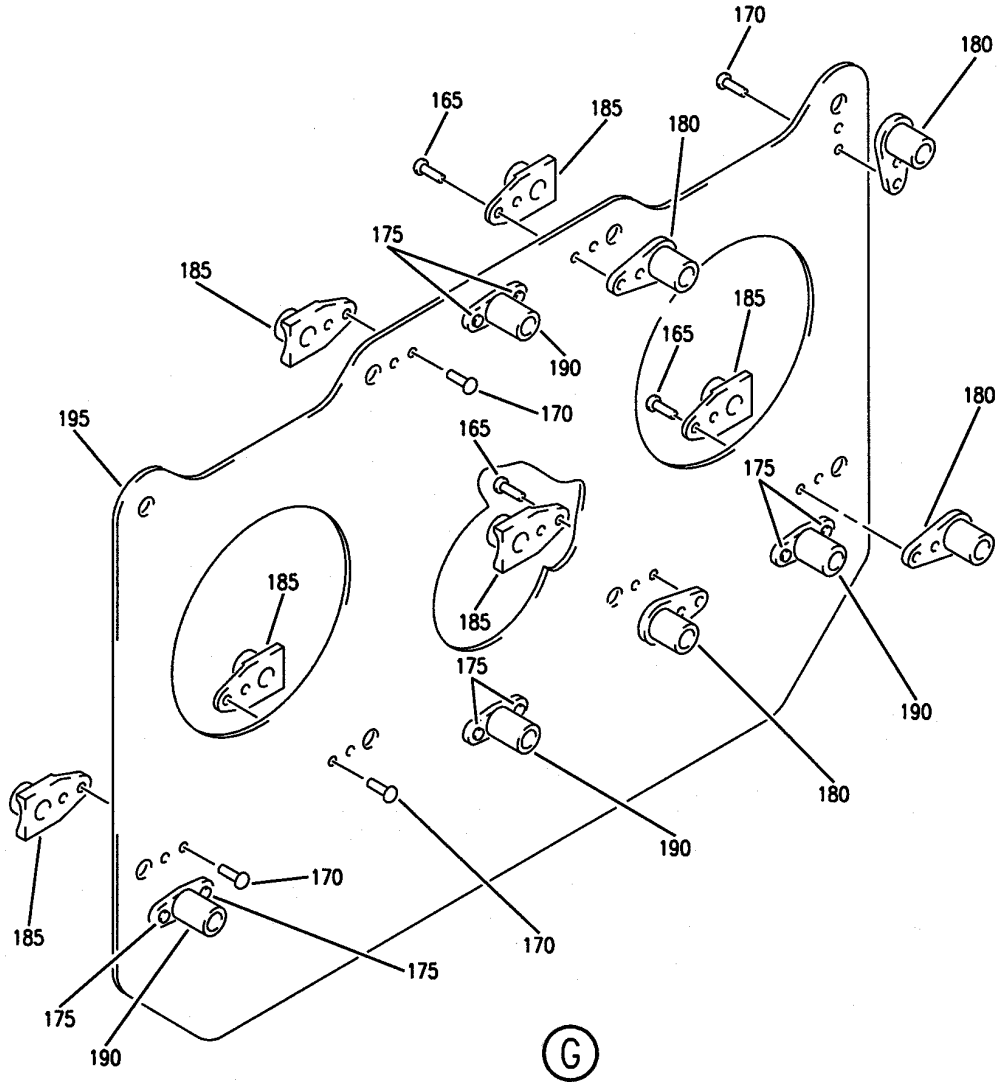
EQUIPMENT INSTL-3 VDU CLUSTER, NO TERM PLUG 737-800
 FIGURE 50 (SHEET 4)

23-32-03-50

HAP
 OCT 10/06

23-32-03-50
 PAGE 0C

BOEING
737-600/700/800/900
PARTS CATALOG (MAINTENANCE)



E 23320350 SHT 5 REV 035

EQUIPMENT INSTL-3 VDU CLUSTER, NO TERM PLUG 737-800
FIGURE 50 (SHEET 5)

23-32-03-50

HAP
OCT 10/06

23-32-03-50
PAGE 0D

BOEING PROPRIETARY - Copyright © - Unpublished Work - See title page for details.

BOEING
737-600/700/800/900
PARTS CATALOG (MAINTENANCE)

FIG ITEM	PART NUMBER	1 2 3 4 5 6 7	NOMENCLATURE	EFFECT FROM TO	UNITS PER ASSY
50			EQUIPMENT INSTL-3 VDU CLUSTER, NO TERM PLUG 737-800	012030	
- 1	417A7663-20		EQUIPMENT INSTL-3 VDU CLUSTER NO TERM. PLUG POSITION DATA: STA 702.19 LBL 26.53, WL 300.33 FOR NHA SEE: 23-32-00-01B	012030	RF
	5 BAC27DEX6674		.DECAL- PLACARD CONTENT: M1942	012030	1
	10 BAC27DEX6675		.DECAL- PLACARD CONTENT: M1943	012030	1
	15 BAC27DEX6676		.DECAL- PLACARD CONTENT: M1944	012030	1
	20 BACS12GU3K9		.SCREW	012030	11
	25 BACS12GU3K10		.SCREW	012030	5
	30 BACS12GU3K11		.SCREW	012030	1
	35 BACS12GU3K17		.SCREW	012030	6
	40 BACS12GU3K18		.SCREW	012030	2
	45 BACS12GU3K8		.SCREW	012030	4
	50 NAS1149D0332J		.WASHER	012030	29
	55 BACN10VR2CG		.NUT	012030	6
	60 69-37170-1		.CLIP ASSY-STGR	012030	12
	65 69-37170-6		..CLIP ASSY-STGR OPTIONAL PART: 69-37170-4	012030	1
	65 69-37170-4		..CLIP ASSY-STGR OPTIONAL PART: 69-37170-6	012030	1
	70 79NC2-02		...NUT- SUPPLIER CODE: V72962 OPTIONAL PART: NC2-1032 V27687 USED ON: 69-37170-6	012030	1

MISSING ITEM NUMBERS NOT APPLICABLE

- ITEM NOT ILLUSTRATED

HAP

23-32-03-50

BOEING PROPRIETARY - Copyright © - Unpublished Work - See title page for details.

23-32-03
FIG. 50
PAGE 1
OCT 10/06

BOEING
737-600/700/800/900
PARTS CATALOG (MAINTENANCE)

FIG ITEM	PART NUMBER	1 2 3 4 5 6 7	NOMENCLATURE	EFFECT FROM TO	UNITS PER ASSY
50					
70	NC2-1032	...	NUT- SUPPLIER CODE: V27687 OPTIONAL PART: 79NC2-02 V72962 USED ON: 69-37170-6	012030	1
- 75	SL854C3F1CM	...	INSERT- SUPPLIER CODE: V97393 USED ON: 69-37170-4	012030	1
80	69-37170-5	...	CLIP- USED ON: 69-37170-6	012030	1
- 85	69-37170-3	...	CLIP- USED ON: 69-37170-4	012030	1
90	417N7105-155	.	BRACKET-SPRT	012030	2
95	417N7102-198	.	BRACKET-SPRT	012030	1
100	417N7102-216	.	BRACKET ASSY- VDU SPRT	012030	1
105	BACR15BA4ADC	..	RIVET- SIZE DETERMINED ON INSTL.	012030	2
110	BACR15BB3ADC	..	RIVET- SIZE DETERMINED ON INSTL.	012030	6
115	BACR15BA3ADC	..	RIVET- SIZE DETERMINED ON INSTL.	012030	12
120	295926-50	..	SPACER SUPPLIER CODE: V60119 SPECIFICATION NUMBER: BACS18R50B	012030	4
125	WSI4A6B	..	NUTPLATE SUPPLIER CODE: V04169 SPECIFICATION NUMBER: BACN10TL3A6B	012030	1

MISSING ITEM NUMBERS NOT APPLICABLE

- ITEM NOT ILLUSTRATED

HAP

23-32-03-50

BOEING PROPRIETARY - Copyright © - Unpublished Work - See title page for details.

23-32-03
FIG. 50
PAGE 2
OCT 10/06

BOEING
737-600/700/800/900
PARTS CATALOG (MAINTENANCE)

FIG ITEM	PART NUMBER	1 2 3 4 5 6 7	NOMENCLATURE	EFFECT FROM TO	UNITS PER ASSY
50 130	F177-3		..NUTPLATE SUPPLIER CODE: V72962 SPECIFICATION NUMBER: BACN10JA3 OPTIONAL PART: F2400-3 V15653 43610-02 V80539 BRF110A3 V52828 BRF170A3 V52828	012030	8
135	417N7102-205		..BRACKET	012030	1
140	417N7105-158		.BRACKET ASSY	012030	2
145	BACR15CE6AD		..RIVET- SIZE DETERMINED ON INSTL.	012030	2
150	417N7105-157		..BRACKET	012030	1
155	417N7105-156		..BRACKET	012030	1
160	417N7102-212		.BRACKET ASSY- VDU SPRT	012030	1
165	BACR15BB3ADC		..RIVET- SIZE DETERMINED ON INSTL.	012030	6
170	BACR15BA3ADC		..RIVET- SIZE DETERMINED ON INSTL.	012030	8
175	BACR15BA4ADC		..RIVET- SIZE DETERMINED ON INSTL.	012030	8
180	295926-50		..SPACER SUPPLIER CODE: V60119 SPECIFICATION NUMBER: BACS18R50B	012030	4
185	F177-3		..NUTPLATE SUPPLIER CODE: V72962 SPECIFICATION NUMBER: BACN10JA3 OPTIONAL PART: F2400-3 V15653 43610-02 V80539 BRF110A3 V52828 BRF170A3 V52828	012030	6

MISSING ITEM NUMBERS NOT APPLICABLE

— ITEM NOT ILLUSTRATED

HAP

23-32-03-50

BOEING PROPRIETARY - Copyright © - Unpublished Work - See title page for details.

23-32-03
FIG. 50
PAGE 3
OCT 10/06

BOEING
737-600/700/800/900
PARTS CATALOG (MAINTENANCE)

FIG ITEM	PART NUMBER	1 2 3 4 5 6 7	NOMENCLATURE	EFFECT FROM TO	UNITS PER ASSY
50					
190	WSI4A6B		..NUTPLATE SUPPLIER CODE: V04169 SPECIFICATION NUMBER: BACN10TL3A6B	012030	4
195	417N7102-201		..BRACKET	012030	1
200	417N7105-159		.BRACKET-SPRT	012030	2
205	700-2200-001		.DISTRIBUTION UNIT-VIDEO SUPPLIER CODE: V62204 FUNCTIONAL DESCRIPTION: RECEIVES COMMANDS FROM THE SYSTEM CONTROL UNIT AND ROUTES SELECTED VIDEO SIGNAL TO MONITORS OR PROJECTORS ELECTRICAL EQUIP NUMBER: M01942 M01943 M01944 COMPONENT MAINT MANUAL REF: 23-32-03	012030	3
- 535	286A3033-107		WIRE BUNDLE ASSY	012019	RF
540	CAMA11W1P		.PLUG- SUPPLIER CODE: V55104 ELECTRICAL EQUIP NUMBER: D10269 WIRING DIAGRAM REF: 233251 OPTIONAL SUPPLIER CODE: 71771 PRE ALERT SB: 23A1169R2	012019	1
540	CAMA11W1PEK87		.PLUG- SUPPLIER CODE: V71771 ELECTRICAL EQUIP NUMBER: D10269 WIRING DIAGRAM REF: 233251 OPTIONAL SUPPLIER CODE: 55104 POST ALERT SB: 23A1169R2	012019	1

MISSING ITEM NUMBERS NOT APPLICABLE

- ITEM NOT ILLUSTRATED

HAP

23-32-03-50

BOEING PROPRIETARY - Copyright © - Unpublished Work - See title page for details.

23-32-03
FIG. 50
PAGE 4
JUN 15/09

BOEING
737-600/700/800/900
PARTS CATALOG (MAINTENANCE)

FIG ITEM	PART NUMBER	1 2 3 4 5 6 7	NOMENCLATURE	EFFECT FROM TO	UNITS PER ASSY
50 545	D110278		.LATCH ASSY-END DISC. LATCH ASSY SUPPLIER CODE: V71468 ELECTRICAL EQUIP NUMBER: D10269T WIRING DIAGRAM REF: 233251	012019	1
550	234A021-3		.BACKSHELL-90 DEG THERMOFIT SUPPLIER CODE: V06090 ELECTRICAL EQUIP NUMBER: D10269U WIRING DIAGRAM REF: 233251 OPTIONAL SUPPLIER CODE: 06060 PRE ALERT SB: 23A1169R2	012019	1
550	CDSA2P		.BACKSHELL-90 DEG SUPPLIER CODE: V06090 ELECTRICAL EQUIP NUMBER: D10269U WIRING DIAGRAM REF: 233251 POST ALERT SB: 23A1169R2	012019	1
- 551	MS27488-20		.PLUG- POST ALERT SB: 23A1169R2	012019	2
- 552	CQMEF200		.CONTACT- SUPPLIER CODE: V71771 POST ALERT SB: 23A1169R2	012019	1
- 553	CQMEM200		.CONTACT- SUPPLIER CODE: V71771 SERVICE BULLETIN OPT DATA: CQMEM200A V71771 POST ALERT SB: 23A1169R2	012019	1

MISSING ITEM NUMBERS NOT APPLICABLE

- ITEM NOT ILLUSTRATED

HAP

23-32-03-50

BOEING PROPRIETARY - Copyright © - Unpublished Work - See title page for details.

23-32-03
FIG. 50
PAGE 5
JUN 15/09

BOEING
737-600/700/800/900
PARTS CATALOG (MAINTENANCE)

FIG ITEM	PART NUMBER	1 2 3 4 5 6 7	NOMENCLATURE	EFFECT FROM TO	UNITS PER ASSY
50 - 553	CQMEM200A		.CONTACT- SUPPLIER CODE: V71771 SERVICE BULLETIN OPT DATA: CQMEM200 V71771 POST ALERT SB: 23A1169R2	012019	1
- 605 610	286A3035-107 CAMA11W1P		WIRE BUNDLE ASSY .PLUG- SUPPLIER CODE: V55104 ELECTRICAL EQUIP NUMBER: D10271 WIRING DIAGRAM REF: 233251 OPTIONAL SUPPLIER CODE: 71771 PRE ALERT SB: 23A1169R2	012019 012019	RF 1
610	CAMA11W1PEK87		.PLUG- SUPPLIER CODE: V71771 ELECTRICAL EQUIP NUMBER: D10271 WIRING DIAGRAM REF: 233251 OPTIONAL SUPPLIER CODE: 55104 POST ALERT SB: 23A1169R2	012019	1
615	D110278		.LATCH ASSY-END DISC. LATCH ASSY SUPPLIER CODE: V71468 ELECTRICAL EQUIP NUMBER: D10271T WIRING DIAGRAM REF: 233251	012019	1

MISSING ITEM NUMBERS NOT APPLICABLE

- ITEM NOT ILLUSTRATED

HAP

23-32-03-50

BOEING PROPRIETARY - Copyright © - Unpublished Work - See title page for details.

23-32-03
FIG. 50
PAGE 6
JUN 15/09

BOEING
737-600/700/800/900
PARTS CATALOG (MAINTENANCE)

FIG ITEM	PART NUMBER	1 2 3 4 5 6 7	NOMENCLATURE	EFFECT FROM TO	UNITS PER ASSY
50 620	234A021-3		.BACKSHELL-90 DEG THERMOFIT SUPPLIER CODE: V06090 ELECTRICAL EQUIP NUMBER: D10271U WIRING DIAGRAM REF: 233251 OPTIONAL SUPPLIER CODE: 06060 PRE ALERT SB: 23A1169R2	012019	1
620	CDSA2P		.BACKSHELL-90 DEG SUPPLIER CODE: V06090 ELECTRICAL EQUIP NUMBER: D10271U WIRING DIAGRAM REF: 233251 POST ALERT SB: 23A1169R2	012019	1
- 621	MS27488-20		.PLUG- POST ALERT SB: 23A1169R2	012019	2
- 622	CQMEF200		.CONTACT- SUPPLIER CODE: V71771 POST ALERT SB: 23A1169R2	012019	1
- 623	CQMEM200		.CONTACT- SUPPLIER CODE: V71771 SERVICE BULLETIN OPT DATA: CQMEM200A V71771 POST ALERT SB: 23A1169R2	012019	1
- 623	CQMEM200A		.CONTACT- SUPPLIER CODE: V71771 SERVICE BULLETIN OPT DATA: CQMEM200 V71771 POST ALERT SB: 23A1169R2	012019	1
- 625	286A3047-114		WIRE BUNDLE ASSY	012019	RF

MISSING ITEM NUMBERS NOT APPLICABLE

- ITEM NOT ILLUSTRATED

HAP

23-32-03-50

BOEING PROPRIETARY - Copyright © - Unpublished Work - See title page for details.

23-32-03
FIG. 50
PAGE 7
JUN 15/09

BOEING
737-600/700/800/900
PARTS CATALOG (MAINTENANCE)

FIG ITEM	PART NUMBER	1 2 3 4 5 6 7	NOMENCLATURE	EFFECT FROM TO	UNITS PER ASSY
50 630	CAMA11W1P		.PLUG- SUPPLIER CODE: V55104 ELECTRICAL EQUIP NUMBER: D10287 WIRING DIAGRAM REF: 233253 OPTIONAL SUPPLIER CODE: 71771 PRE ALERT SB: 23A1169R1	012019	1
630	CAMA11W1PEK87		.PLUG- SUPPLIER CODE: V71771 ELECTRICAL EQUIP NUMBER: D10287 WIRING DIAGRAM REF: 233253 OPTIONAL SUPPLIER CODE: 55104 POST ALERT SB: 23A1169R1	012019	1
635	D110278		.LATCH ASSY-END DISC. LATCH ASSY SUPPLIER CODE: V71468 ELECTRICAL EQUIP NUMBER: D10287T WIRING DIAGRAM REF: 233253	012019	1
640	234A021-3		.BACKSHELL-90 DEG THERMOFIT SUPPLIER CODE: V06090 ELECTRICAL EQUIP NUMBER: D10287U WIRING DIAGRAM REF: 233253 OPTIONAL SUPPLIER CODE: 06060 PRE ALERT SB: 23A1169R1	012019	1

MISSING ITEM NUMBERS NOT APPLICABLE

— ITEM NOT ILLUSTRATED

HAP

23-32-03-50

BOEING PROPRIETARY - Copyright © - Unpublished Work - See title page for details.

23-32-03
FIG. 50
PAGE 8
JUN 15/09

BOEING
737-600/700/800/900
PARTS CATALOG (MAINTENANCE)

FIG ITEM	PART NUMBER	1 2 3 4 5 6 7	NOMENCLATURE	EFFECT FROM TO	UNITS PER ASSY
50 640	CDSA2P		.BACKSHELL-90 DEG SUPPLIER CODE: V06090 ELECTRICAL EQUIP NUMBER: D10287U WIRING DIAGRAM REF: 233253 POST ALERT SB: 23A1169R1	012019	1
- 641	MS27488-20		.PLUG- POST ALERT SB: 23A1169R1	012019	2
- 642	CQMEF200		.CONTACT- SUPPLIER CODE: V71771 POST ALERT SB: 23A1169R1	012019	1
- 643	CQMEM200		.CONTACT- SUPPLIER CODE: V71771 SERVICE BULLETIN OPT DATA: CQMEM200A V71771 POST ALERT SB: 23A1169R1	012019	1
- 643	CQMEM200A		.CONTACT- SUPPLIER CODE: V71771 SERVICE BULLETIN OPT DATA: CQMEM200 V71771 POST ALERT SB: 23A1169R1	012019	1
- 685 690	286A3045-113 CAMA11W1P		WIRE BUNDLE ASSY .PLUG- SUPPLIER CODE: V55104 ELECTRICAL EQUIP NUMBER: D10285 WIRING DIAGRAM REF: 233253 OPTIONAL SUPPLIER CODE: 71771 PRE ALERT SB: 23A1169R1	012019 012019	RF 1

MISSING ITEM NUMBERS NOT APPLICABLE

- ITEM NOT ILLUSTRATED

HAP

23-32-03-50

BOEING PROPRIETARY - Copyright © - Unpublished Work - See title page for details.

23-32-03
FIG. 50
PAGE 9
JUN 15/09

BOEING
737-600/700/800/900
PARTS CATALOG (MAINTENANCE)

FIG ITEM	PART NUMBER	1 2 3 4 5 6 7	NOMENCLATURE	EFFECT FROM TO	UNITS PER ASSY
50 690	CAMA11W1PEK87		.PLUG- SUPPLIER CODE: V71771 ELECTRICAL EQUIP NUMBER: D10285 WIRING DIAGRAM REF: 233253 OPTIONAL SUPPLIER CODE: 55104 POST ALERT SB: 23A1169R1	012019	1
695	D110278		.LATCH ASSY-END DISC. LATCH ASSY SUPPLIER CODE: V71468 ELECTRICAL EQUIP NUMBER: D10285T WIRING DIAGRAM REF: 233253	012019	1
700	234A021-3		.BACKSHELL-90 DEG THERMOFIT SUPPLIER CODE: V06090 ELECTRICAL EQUIP NUMBER: D10285U WIRING DIAGRAM REF: 233253 OPTIONAL SUPPLIER CODE: 06060 PRE ALERT SB: 23A1169R1	012019	1
700	CDSA2P		.BACKSHELL-90 DEG SUPPLIER CODE: V06090 ELECTRICAL EQUIP NUMBER: D10285U WIRING DIAGRAM REF: 233253 POST ALERT SB: 23A1169R1	012019	1
- 701	MS27488-20		.PLUG- POST ALERT SB: 23A1169R1	012019	2
- 702	CQMEF200		.CONTACT- SUPPLIER CODE: V71771 POST ALERT SB: 23A1169R1	012019	1

MISSING ITEM NUMBERS NOT APPLICABLE

- ITEM NOT ILLUSTRATED

HAP

23-32-03-50

BOEING PROPRIETARY - Copyright © - Unpublished Work - See title page for details.

23-32-03
FIG. 50
PAGE 10
JUN 15/09

BOEING
737-600/700/800/900
PARTS CATALOG (MAINTENANCE)

FIG ITEM	PART NUMBER	1 2 3 4 5 6 7	NOMENCLATURE	EFFECT FROM TO	UNITS PER ASSY
50					
- 703	CQMEM200		.CONTACT- SUPPLIER CODE: V71771 SERVICE BULLETIN OPT DATA: CQMEM200A V71771 POST ALERT SB: 23A1169R1	012019	1
- 703	CQMEM200A		.CONTACT- SUPPLIER CODE: V71771 SERVICE BULLETIN OPT DATA: CQMEM200 V71771 POST ALERT SB: 23A1169R1	012019	1
R R R R R	- 760	286A3073-012	WIRE BUNDLE ASSY-VIDEO VDU CLUSTER NO.3 TO VDU CLUSTER NO.4 ELECTRICAL EQUIP NUMBER: D10283T D10283U	012030	RF
	765	DBMA25P	.PLUG- SUPPLIER CODE: V71468 ELECTRICAL EQUIP NUMBER: D10283 WIRING DIAGRAM REF: 233261	012030	1
	- 780	286A3043-103	WIRE BUNDLE ASSY	012019	RF
	785	CAMA11W1P	.PLUG- SUPPLIER CODE: V55104 ELECTRICAL EQUIP NUMBER: D10279 WIRING DIAGRAM REF: 233252 OPTIONAL SUPPLIER CODE: 71771 PRE ALERT SB: 23A1169R2	012019	1

MISSING ITEM NUMBERS NOT APPLICABLE

- ITEM NOT ILLUSTRATED

HAP

23-32-03-50

BOEING PROPRIETARY - Copyright © - Unpublished Work - See title page for details.

23-32-03
FIG. 50
PAGE 11
JUN 15/09

BOEING
737-600/700/800/900
PARTS CATALOG (MAINTENANCE)

FIG ITEM	PART NUMBER	1 2 3 4 5 6 7	NOMENCLATURE	EFFECT FROM TO	UNITS PER ASSY
R R R R R R R R	50 785	CAMA11W1PEK87	.PLUG- SUPPLIER CODE: V71771 ELECTRICAL EQUIP NUMBER: D10279 WIRING DIAGRAM REF: 233252 OPTIONAL SUPPLIER CODE: 55104 POST ALERT SB: 23A1169R2	012019	1
	790	D110278	.LATCH ASSY-END DISC. LATCH ASSY SUPPLIER CODE: V71468 ELECTRICAL EQUIP NUMBER: D10279T WIRING DIAGRAM REF: 233252	012019	1
	795	234A021-3	.BACKSHELL-90 DEG THERMOFIT SUPPLIER CODE: V06090 ELECTRICAL EQUIP NUMBER: D10279U WIRING DIAGRAM REF: 233252 OPTIONAL SUPPLIER CODE: 06060 PRE ALERT SB: 23A1169R2	012019	1
R R R R R R R	795	CDSA2P	.BACKSHELL-90 DEG SUPPLIER CODE: V06090 ELECTRICAL EQUIP NUMBER: D10279U WIRING DIAGRAM REF: 233252 POST ALERT SB: 23A1169R2	012019	1
	- 796	MS27488-20	.PLUG- POST ALERT SB: 23A1169R2	012019	2
	- 797	CQMEF200	.CONTACT- SUPPLIER CODE: V71771 POST ALERT SB: 23A1169R2	012019	1

MISSING ITEM NUMBERS NOT APPLICABLE

- ITEM NOT ILLUSTRATED

HAP

23-32-03-50

BOEING PROPRIETARY - Copyright © - Unpublished Work - See title page for details.

23-32-03
FIG. 50
PAGE 12
JUN 15/09

BOEING
737-600/700/800/900
PARTS CATALOG (MAINTENANCE)

FIG ITEM	PART NUMBER	1 2 3 4 5 6 7	NOMENCLATURE	EFFECT FROM TO	UNITS PER ASSY
50 - 798	CQMEM200		.CONTACT- SUPPLIER CODE: V71771 SERVICE BULLETIN OPT DATA: CQMEM200A V71771 POST ALERT SB: 23A1169R2	012019	1
- 798	CQMEM200A		.CONTACT- SUPPLIER CODE: V71771 SERVICE BULLETIN OPT DATA: CQMEM200 V71771 POST ALERT SB: 23A1169R2	012019	1
- 835 840	286A3041-103 CAMA11W1P		WIRE BUNDLE ASSY .PLUG- SUPPLIER CODE: V55104 ELECTRICAL EQUIP NUMBER: D10277 WIRING DIAGRAM REF: 233252 OPTIONAL SUPPLIER CODE: 71771 PRE ALERT SB: 23A1169R2	012019 012019	RF 1
R R R R R R R R R	840 CAMA11W1PEK87		.PLUG- SUPPLIER CODE: V71771 ELECTRICAL EQUIP NUMBER: D10277 WIRING DIAGRAM REF: 233252 OPTIONAL SUPPLIER CODE: 55104 POST ALERT SB: 23A1169R2	012019	1
845	D110278		.LATCH ASSY-END DISC. LATCH ASSY SUPPLIER CODE: V71468 ELECTRICAL EQUIP NUMBER: D10277T WIRING DIAGRAM REF: 233252	012019	1

MISSING ITEM NUMBERS NOT APPLICABLE

- ITEM NOT ILLUSTRATED

HAP

23-32-03-50

BOEING PROPRIETARY - Copyright © - Unpublished Work - See title page for details.

23-32-03
FIG. 50
PAGE 13
JUN 15/09

BOEING
737-600/700/800/900
PARTS CATALOG (MAINTENANCE)

FIG ITEM	PART NUMBER	1 2 3 4 5 6 7	NOMENCLATURE	EFFECT FROM TO	UNITS PER ASSY
50					
850	234A021-3		.BACKSHELL-90 DEG THERMOFIT SUPPLIER CODE: V06090 ELECTRICAL EQUIP NUMBER: D10277U WIRING DIAGRAM REF: 233252 OPTIONAL SUPPLIER CODE: 06060 PRE SERVICE BULLETIN: 23A1169R2	012019	1
R	850	CDSA2P	.BACKSHELL-90 DEG SUPPLIER CODE: V06090 ELECTRICAL EQUIP NUMBER: D10277U WIRING DIAGRAM REF: 233252 POST ALERT SB: 23A1169R2	012019	1
R					
R					
R					
R					
R					
R					
R					
-	851	MS27488-20	.PLUG- POST ALERT SB: 23A1169R2	012019	2
-	852	CQMEF200	.CONTACT- SUPPLIER CODE: V71771 POST ALERT SB: 23A1169R2	012019	1
-	853	CQMEM200	.CONTACT- SUPPLIER CODE: V71771 SERVICE BULLETIN OPT DATA: CQMEM200A V71771 POST ALERT SB: 23A1169R2	012019	1
-	853	CQMEM200A	.CONTACT- SUPPLIER CODE: V71771 SERVICE BULLETIN OPT DATA: CQMEM200 V71771 POST ALERT SB: 23A1169R2	012019	1
-	854	M39029-64-369	.CONTACT- POST ALERT SB: 23A1169R2	012019	AR

MISSING ITEM NUMBERS NOT APPLICABLE

- ITEM NOT ILLUSTRATED

HAP

23-32-03-50

BOEING PROPRIETARY - Copyright © - Unpublished Work - See title page for details.

23-32-03
FIG. 50
PAGE 14
JUN 15/09

BOEING
737-600/700/800/900
PARTS CATALOG (MAINTENANCE)

FIG ITEM	PART NUMBER	1 2 3 4 5 6 7	NOMENCLATURE	EFFECT FROM TO	UNITS PER ASSY
R R R R R	50 - 875	286A3591-002	WIRE BUNDLE ASSY-VIDEO DSC BRKT (NEAR CLUSTER 3) TO VDU CLUSTER 1 AND 3 ELECTRICAL EQUIP NUMBER: D10265T D10265U	012030	RF
	880	DBMA25S	.RECEPTACLE- SUPPLIER CODE: V71468 ELECTRICAL EQUIP NUMBER: D10265 WIRING DIAGRAM REF: 233251	012030	1

MISSING ITEM NUMBERS NOT APPLICABLE

- ITEM NOT ILLUSTRATED

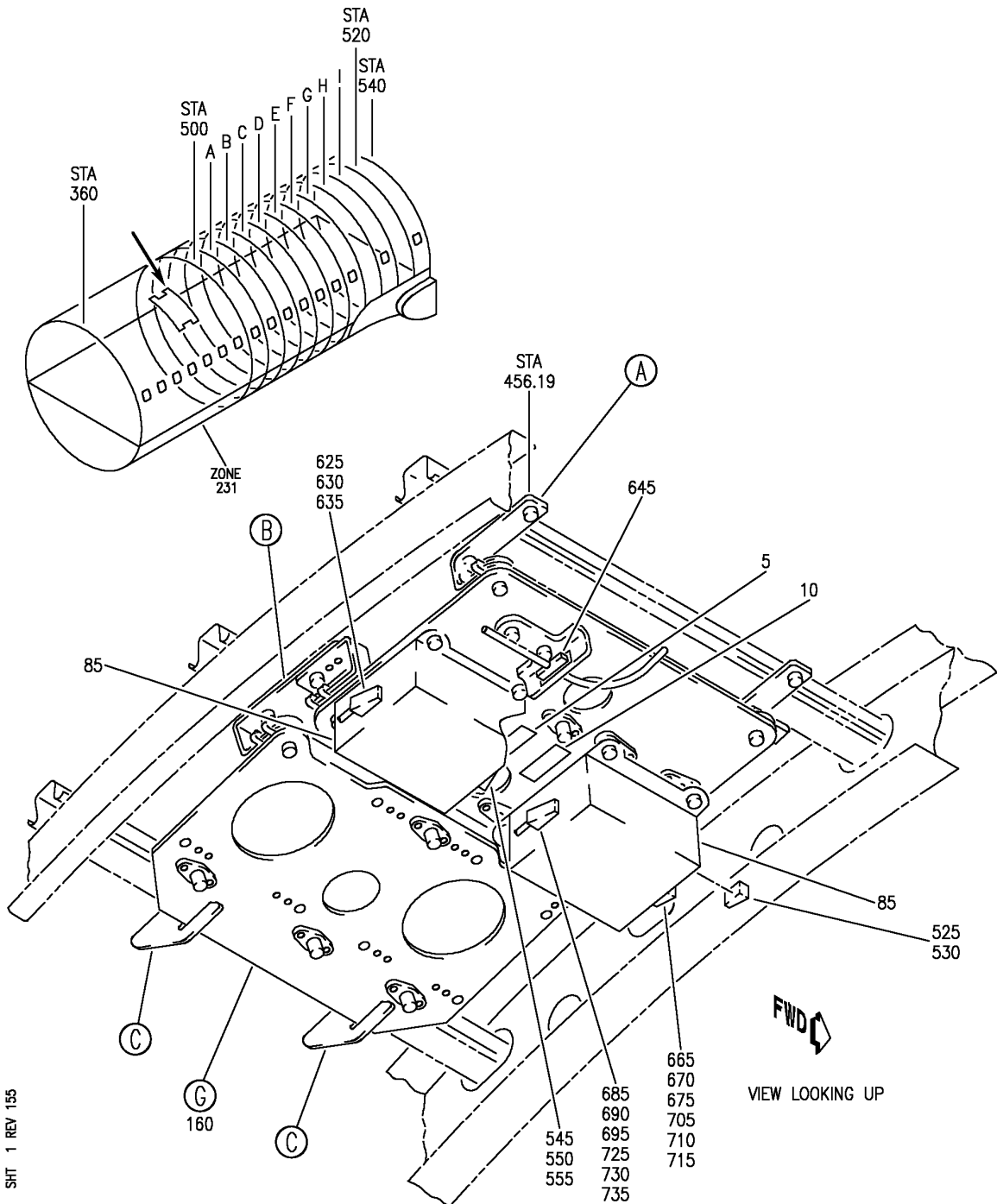
HAP

23-32-03-50

BOEING PROPRIETARY - Copyright © - Unpublished Work - See title page for details.

23-32-03
FIG. 50
PAGE 15
JUN 15/09

BOEING
 737-600/700/800/900
 PARTS CATALOG (MAINTENANCE)



E 23320351 SHT 1 REV 155

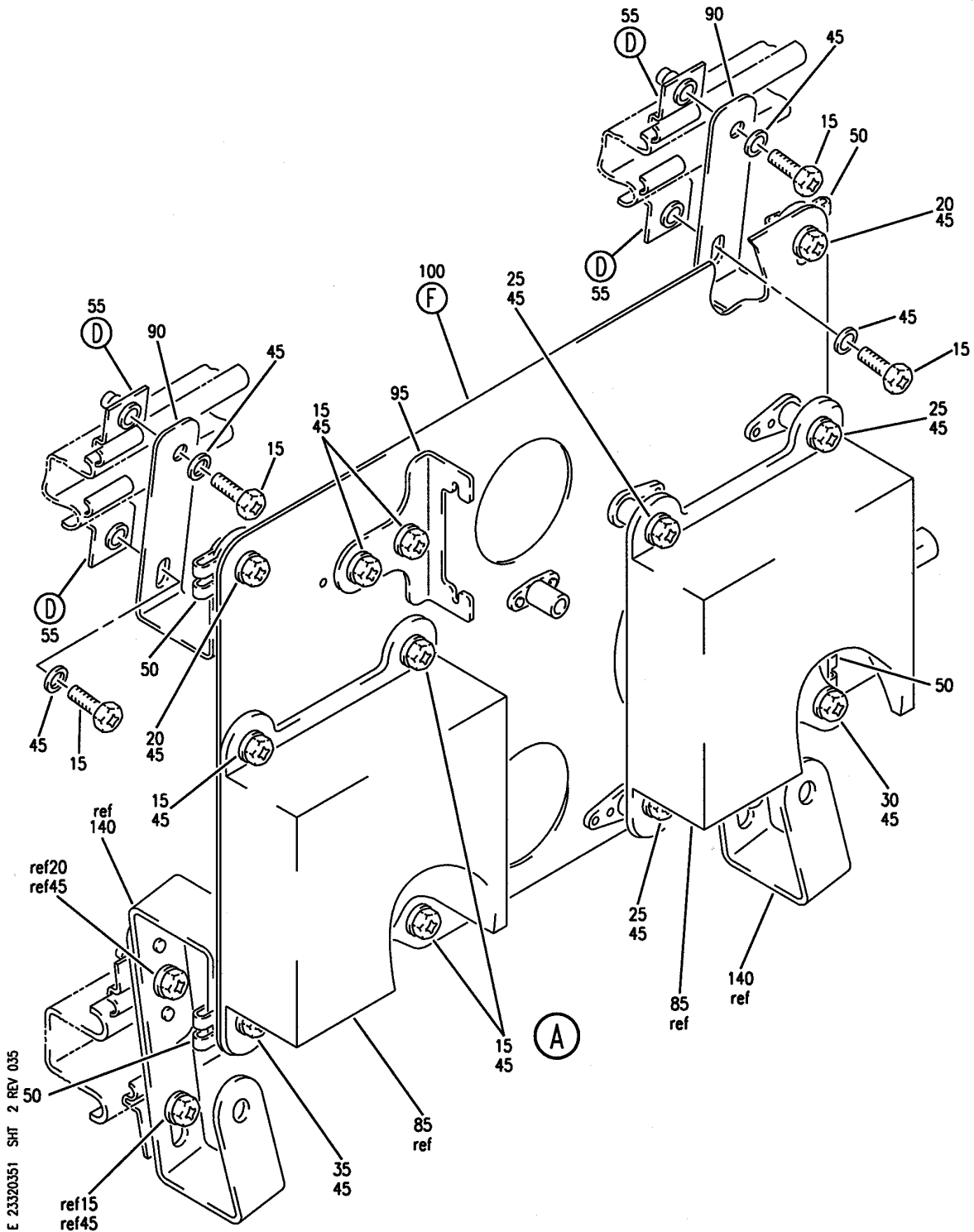
EQUIPMENT INSTL-2 VDU CLUSTER, NO TERM PLUG 737-800
 FIGURE 51 (SHEET 1)

23-32-03-51

HAP
 JUN 15/09

23-32-03-51
 PAGE 0

BOEING
 737-600/700/800/900
 PARTS CATALOG (MAINTENANCE)



E 23320351 SHF 2 REV 035

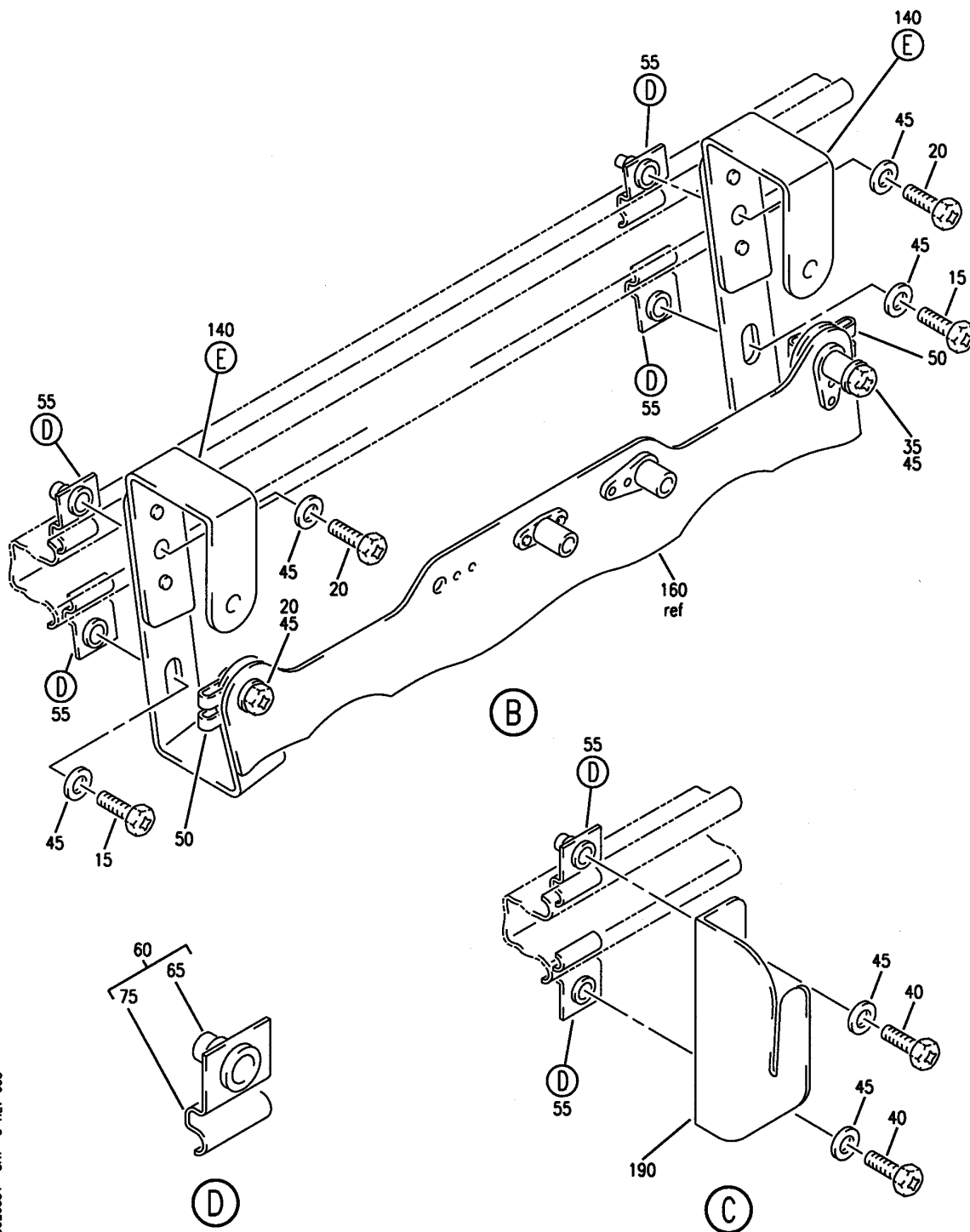
EQUIPMENT INSTL-2 VDU CLUSTER, NO TERM PLUG 737-800
 FIGURE 51 (SHEET 2)

23-32-03-51

HAP
 OCT 10/06

23-32-03-51
 PAGE 0A

BOEING
 737-600/700/800/900
 PARTS CATALOG (MAINTENANCE)



E 23320351 SHT 3 REV 035

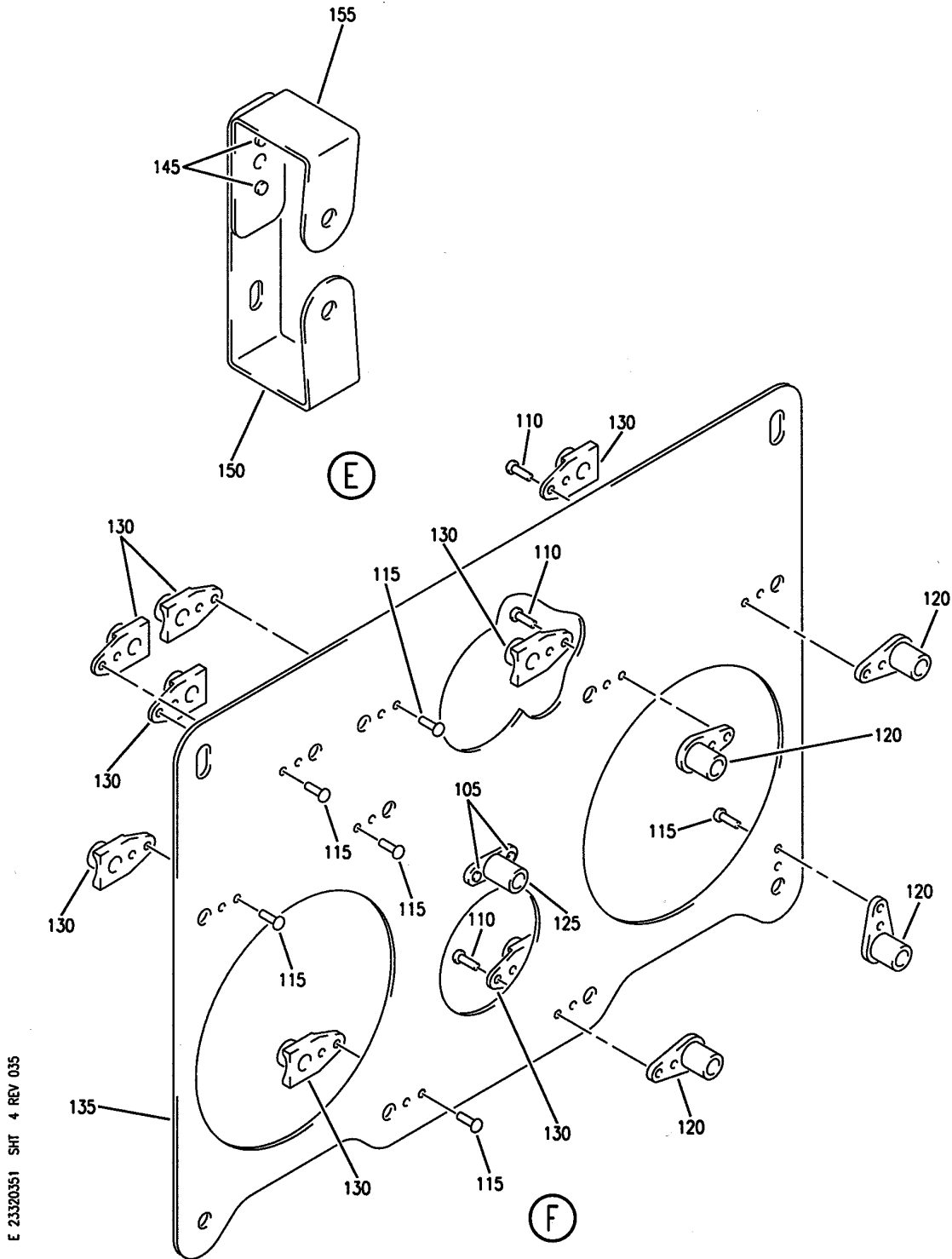
EQUIPMENT INSTL-2 VDU CLUSTER, NO TERM PLUG 737-800
 FIGURE 51 (SHEET 3)

23-32-03-51

HAP
 OCT 10/06

23-32-03-51
 PAGE 0B

BOEING
 737-600/700/800/900
 PARTS CATALOG (MAINTENANCE)



E 23320351 SH1 4 REV 035

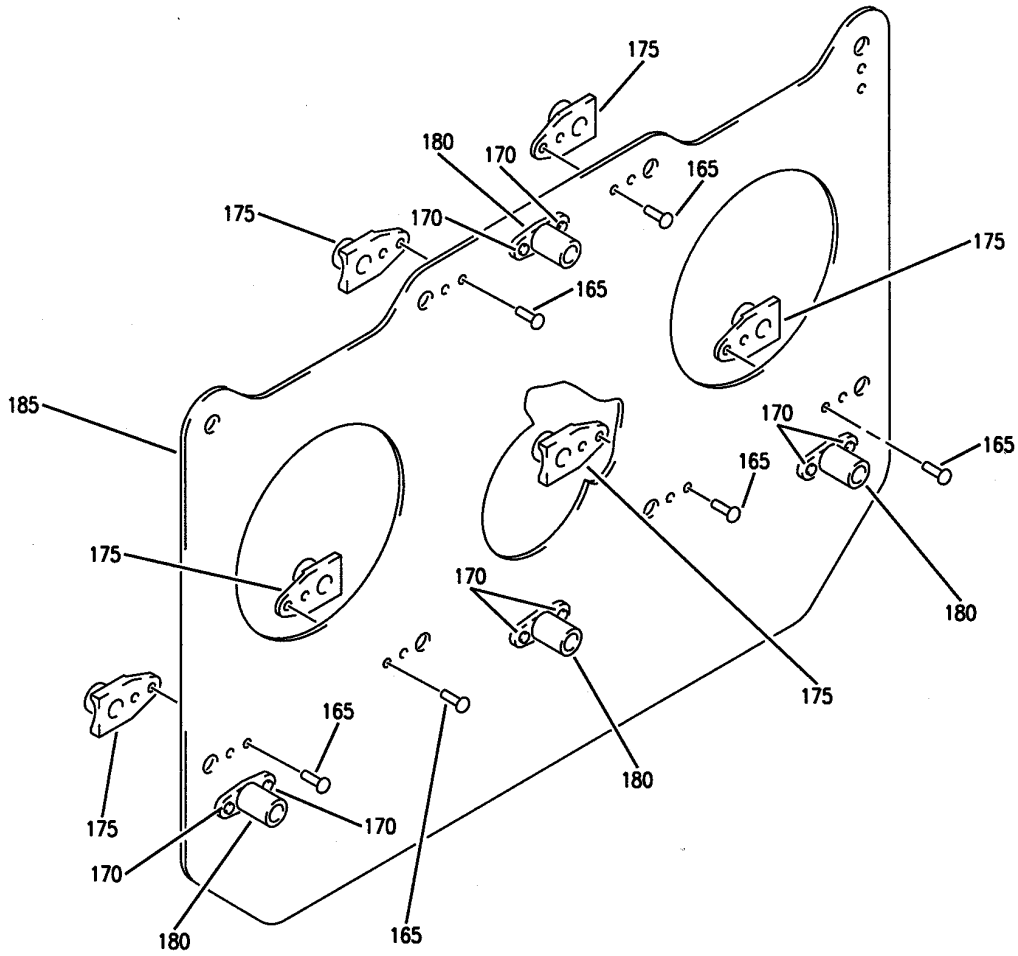
EQUIPMENT INSTL-2 VDU CLUSTER, NO TERM PLUG 737-800
 FIGURE 51 (SHEET 4)

23-32-03-51

HAP
 OCT 10/06

23-32-03-51
 PAGE 0C

BOEING
 737-600/700/800/900
 PARTS CATALOG (MAINTENANCE)



(G)

E 23320351 SHT 5 REV 035

EQUIPMENT INSTL-2 VDU CLUSTER, NO TERM PLUG 737-800
 FIGURE 51 (SHEET 5)

23-32-03-51

HAP
 OCT 10/06

23-32-03-51
 PAGE 0D

BOEING
737-600/700/800/900
PARTS CATALOG (MAINTENANCE)

FIG ITEM	PART NUMBER	1 2 3 4 5 6 7	NOMENCLATURE	EFFECT FROM TO	UNITS PER ASSY
51			EQUIPMENT INSTL-2 VDU CLUSTER, NO TERM PLUG 737-800	012030	
- 1	417A7663-25		EQUIPMENT INSTL-2 VDU CLUSTER, NO TERM PLUG POSITION DATA: STA 456.19, LH LBL 26.30, WL 299.98 FOR NHA SEE: 23-32-00-01B	012030	RF
	5 BAC27DEX6666		.DECAL-VINYL PLACARD CONTENT: M1934	012030	1
	10 BAC27DEX6667		.DECAL-VINYL PLACARD CONTENT: M1935	012030	1
	15 BACS12GU3K9		.SCREW	012030	11
	20 BACS12GU3K10		.SCREW	012030	5
	25 BACS12GU3K17		.SCREW	012030	3
	30 BACS12GU3K18		.SCREW	012030	1
	35 BACS12GU3K11		.SCREW	012030	2
	40 BACS12GU3K8		.SCREW	012030	4
	45 NAS1149D0332J		.WASHER	012030	26
	50 BACN10VR2CG		.NUT-CLIP	012030	6
	55 69-37170-1		.CLIP ASSY-STGR	012030	12
	60 69-37170-6		..CLIP ASSY-STGR	012030	1
			OPTIONAL PART: 69-37170-4		
	60 69-37170-4		..CLIP ASSY-STGR	012030	1
			OPTIONAL PART: 69-37170-6		
	65 79NC2-02		...NUT-CLINCH	012030	1
			SUPPLIER CODE: V72962		
			OPTIONAL PART: NC2-1032		
			V27687		
			USED ON: 69-37170-6		
	65 NC2-1032		...NUT-CLINCH	012030	1
			SUPPLIER CODE: V27687		
			OPTIONAL PART: 79NC2-02		
			V72962		
			USED ON: 69-37170-6		

MISSING ITEM NUMBERS NOT APPLICABLE

- ITEM NOT ILLUSTRATED

HAP

23-32-03-51

BOEING PROPRIETARY - Copyright © - Unpublished Work - See title page for details.

23-32-03
FIG. 51
PAGE 1
OCT 10/06

BOEING
737-600/700/800/900
PARTS CATALOG (MAINTENANCE)

FIG ITEM	PART NUMBER	1 2 3 4 5 6 7	NOMENCLATURE	EFFECT FROM TO	UNITS PER ASSY
51					
- 70	SL854C3F1CM		...INSERT- SUPPLIER CODE: V97393 USED ON: 69-37170-4	012030	1
75	69-37170-5		...CLIP- USED ON: 69-37170-6	012030	1
- 80	69-37170-3		...CLIP- USED ON: 69-37170-4	012030	1
85	700-2200-001		.DISTRIBUTION UNIT-VIDEO (CUSTOMER FURNISHED) SUPPLIER CODE: V62204 FUNCTIONAL DESCRIPTION: RECEIVES COMMANDS FROM SYSTEM CONTROL UNIT AND ROUTES SELECTED VIDEO SIGNAL TO MONITORS OR PROJECTORS ELECTRICAL EQUIP NUMBER: M01934 M01935 WIRING DIAGRAM REF: 233231 233232 COMPONENT MAINT MANUAL REF: 23-32-03	012030	2
90	417N7105-155		.BRACKET-SUPPORT POSITION DATA: 1 NS, 1 FS	012030	2
95	417N7102-198		.BRACKET-SUPPORT	012030	1
100	417N7102-216		.BRACKET ASSY-VDU SUPPORT	012030	1
105	BACR15BA4ADC		..RIVET- SIZE DETERMINED ON INSTL.	012030	2
110	BACR15BB3ADC		..RIVET- SIZE DETERMINED ON INSTL.	012030	6
115	BACR15BA3ADC		..RIVET- SIZE DETERMINED ON INSTL.	012030	12
120	295926-50		..SPACER- SUPPLIER CODE: V60119 SPECIFICATION NUMBER: BACS18R50B	012030	4

MISSING ITEM NUMBERS NOT APPLICABLE

- ITEM NOT ILLUSTRATED

HAP

23-32-03-51

BOEING PROPRIETARY - Copyright © - Unpublished Work - See title page for details.

23-32-03
FIG. 51
PAGE 2
FEB 15/08

BOEING
737-600/700/800/900
PARTS CATALOG (MAINTENANCE)

FIG ITEM	PART NUMBER	1 2 3 4 5 6 7	NOMENCLATURE	EFFECT FROM TO	UNITS PER ASSY
51 125	WSI4A6B		..NUTPLATE- SUPPLIER CODE: V04169 SPECIFICATION NUMBER: BACN10TL3A6B	012030	1
130	F177-3		..NUTPLATE- SUPPLIER CODE: V72962 SPECIFICATION NUMBER: BACN10JA3 OPTIONAL PART: F2400-3 V15653 43610-02 V80539 BRF110A3 V52828 BRF170A3 V52828	012030	8
135	417N7102-205		..BRACKET-VDU SUPPORT	012030	1
140	417N7105-158		.BRACKET ASSY- POSITION DATA: 1 NS, 1 FS	012030	2
145	BACR15CE6AD		..RIVET- SIZE DETERMINED ON INSTL.	012030	2
150	417N7105-157		..BRACKET	012030	1
155	417N7105-156		..BRACKET	012030	1
160	417N7102-241		.BRACKET ASSY	012030	1
165	BACR15BA3ADC		..RIVET- SIZE DETERMINED ON INSTL.	012030	12
170	BACR15BA4ADC		..RIVET- SIZE DETERMINED ON INSTL.	012030	8
175	F177-3		..NUTPLATE- SUPPLIER CODE: V72962 SPECIFICATION NUMBER: BACN10JA3 OPTIONAL PART: F2400-3 V15653 43610-02 V80539 BRF110A3 V52828 BRF170A3 V52828	012030	6

MISSING ITEM NUMBERS NOT APPLICABLE

— ITEM NOT ILLUSTRATED

HAP

23-32-03-51

BOEING PROPRIETARY - Copyright © - Unpublished Work - See title page for details.

23-32-03
FIG. 51
PAGE 3
OCT 10/06

BOEING
737-600/700/800/900
PARTS CATALOG (MAINTENANCE)

FIG ITEM	PART NUMBER	1 2 3 4 5 6 7	NOMENCLATURE	EFFECT FROM TO	UNITS PER ASSY
51 180	WSI4A6B		..NUTPLATE- SUPPLIER CODE: V04169 SPECIFICATION NUMBER: BACN10TL3A6B	012030	4
185	417N7102-201		..BRACKET-VDU SUPPORT	012030	1
190	417N7105-159		.BRACKET-SUPPORT POSITION DATA: 1 NS, 1 FS	012030	2
R R R R R	- 520	286A3071-002	WIRE BUNDLE ASSY-VIDEO VDU CLUSTER NO.1 TO VDU CLUSTER NO.2 ELECTRICAL EQUIP NUMBER: D10211U	012030	RF
	525	DBMA25P	.PLUG- SUPPLIER CODE: V71468 ELECTRICAL EQUIP NUMBER: D10211 WIRING DIAGRAM REF: 233241	012030	1
	530	D110278	.LATCH ASSY-END DISC SUPPLIER CODE: V71468 ELECTRICAL EQUIP NUMBER: D10211T WIRING DIAGRAM REF: 233241	012030	1
	- 540	286A3007-105	WIRE BUNDLE ASSY-PSU MOUNTED LCD VIDEO MONITOR NO.4 TO VDU IN CLUSTER NO.1 POST ALERT SB: 23A1169R1	012019	RF
	545	CAMA11W1P	.PLUG- SUPPLIER CODE: V55104 ELECTRICAL EQUIP NUMBER: D10207 WIRING DIAGRAM REF: 233231 OPTIONAL SUPPLIER CODE: 71771 PRE ALERT SB: 23A1169R2	012019	1

MISSING ITEM NUMBERS NOT APPLICABLE

- ITEM NOT ILLUSTRATED

HAP

23-32-03-51

BOEING PROPRIETARY - Copyright © - Unpublished Work - See title page for details.

23-32-03
FIG. 51
PAGE 4
JUN 15/09

BOEING
737-600/700/800/900
PARTS CATALOG (MAINTENANCE)

FIG ITEM	PART NUMBER	1 2 3 4 5 6 7	NOMENCLATURE	EFFECT FROM TO	UNITS PER ASSY
R R R R R R R R R	51 545	CAMA11W1PEK87	.PLUG- SUPPLIER CODE: V71771 ELECTRICAL EQUIP NUMBER: D10207 WIRING DIAGRAM REF: 233231 OPTIONAL SUPPLIER CODE: 55104 POST ALERT SB: 23A1169R2	012019	1
	550	D110278	.LATCH ASSY-END DISC. SUPPLIER CODE: V71468 ELECTRICAL EQUIP NUMBER: D10207T WIRING DIAGRAM REF: 233231	012019	1
	555	234A021-3	.BACKSHELL-90 DEGREE THERMOFIT SUPPLIER CODE: V06090 ELECTRICAL EQUIP NUMBER: D10207U WIRING DIAGRAM REF: 233231 OPTIONAL SUPPLIER CODE: 06060 PRE ALERT SB: 23A1169R2	012019	1
R R R R R R R R	555	CDSA2P	.BACKSHELL-90 DEGREE THERMOFIT SUPPLIER CODE: V06090 ELECTRICAL EQUIP NUMBER: D10207U WIRING DIAGRAM REF: 233231 POST ALERT SB: 23A1169R2	012019	1
	- 556	MS27488-20	.PLUG- POST ALERT SB: 23A1169R2	012019	2
	- 557	M39029-64-369	.CONTACT- POST ALERT SB: 23A1169R2	012019	AR

MISSING ITEM NUMBERS NOT APPLICABLE

- ITEM NOT ILLUSTRATED

HAP

23-32-03-51

BOEING PROPRIETARY - Copyright © - Unpublished Work - See title page for details.

23-32-03
FIG. 51
PAGE 5
JUN 15/09

BOEING
737-600/700/800/900
PARTS CATALOG (MAINTENANCE)

FIG ITEM	PART NUMBER	1 2 3 4 5 6 7	NOMENCLATURE	EFFECT FROM TO	UNITS PER ASSY
51					
- 558	CQMEF200		.CONTACT- SUPPLIER CODE: V71771 POST ALERT SB: 23A1169R2	012019	1
- 559	CQMEM200		.CONTACT- SUPPLIER CODE: V71771 SERVICE BULLETIN OPT DATA: CQMEM200A V71771 POST ALERT SB: 23A1169R2	012019	1
- 559	CQMEM200A		.CONTACT- SUPPLIER CODE: V71771 SERVICE BULLETIN OPT DATA: CQMEM200 V71771 POST ALERT SB: 23A1169R2	012019	1
- 620	286A3005-104		WIRE BUNDLE ASSY- POST ALERT SB: 23A1169R1	012019	RF
625	CAMA11W1P		.PLUG- SUPPLIER CODE: V55104 ELECTRICAL EQUIP NUMBER: D10205 WIRING DIAGRAM REF: 233231 OPTIONAL SUPPLIER CODE: 71771 PRE ALERT SB: 23A1169R2	012019	1
625	CAMA11W1PEK87		.PLUG- SUPPLIER CODE: V71771 ELECTRICAL EQUIP NUMBER: D10205 WIRING DIAGRAM REF: 233231 OPTIONAL SUPPLIER CODE: 55104 POST ALERT SB: 23A1169R2	012019	1

R
R
R
R
R
R
R
R
R
R

MISSING ITEM NUMBERS NOT APPLICABLE

- ITEM NOT ILLUSTRATED

HAP

23-32-03-51

BOEING PROPRIETARY - Copyright © - Unpublished Work - See title page for details.

23-32-03
FIG. 51
PAGE 6
JUN 15/09

BOEING
737-600/700/800/900
PARTS CATALOG (MAINTENANCE)

FIG ITEM	PART NUMBER	1 2 3 4 5 6 7	NOMENCLATURE	EFFECT FROM TO	UNITS PER ASSY
51 630	D110278		.LATCH ASSY-END DISC. SUPPLIER CODE: V71468 ELECTRICAL EQUIP NUMBER: D10205T WIRING DIAGRAM REF: 233231	012019	1
635	234A021-3		.BACKSHELL-90 DEGREE THERMOFIT SUPPLIER CODE: V06090 ELECTRICAL EQUIP NUMBER: D10205U WIRING DIAGRAM REF: 233231 OPTIONAL SUPPLIER CODE: 06060 PRE ALERT SB: 23A1169R2	012019	1
R R R R R R R R	635 CDSA2P		.BACKSHELL-90 DEGREE SUPPLIER CODE: V06090 ELECTRICAL EQUIP NUMBER: D10205U WIRING DIAGRAM REF: 233231 POST ALERT SB: 23A1169R2	012019	1
- 636	MS27488-20		.PLUG- POST ALERT SB: 23A1169R2	012019	2
- 637	M39029-64-369		.CONTACT- POST ALERT SB: 23A1169R2	012019	AR
- 638	CQMEF200		.CONTACT- SUPPLIER CODE: V71771 POST ALERT SB: 23A1169R2	012019	1
- 639	CQMEM200		.CONTACT- SUPPLIER CODE: V71771 SERVICE BULLETIN OPT DATA: CQMEM200A V71771 POST ALERT SB: 23A1169R2	012019	1

MISSING ITEM NUMBERS NOT APPLICABLE

- ITEM NOT ILLUSTRATED

HAP

23-32-03-51

BOEING PROPRIETARY - Copyright © - Unpublished Work - See title page for details.

23-32-03
FIG. 51
PAGE 7
JUN 15/09

BOEING
737-600/700/800/900
PARTS CATALOG (MAINTENANCE)

FIG ITEM	PART NUMBER	1 2 3 4 5 6 7	NOMENCLATURE	EFFECT FROM TO	UNITS PER ASSY
51 670	D110278		.LATCH ASSY-END DISC. SUPPLIER CODE: V71468 ELECTRICAL EQUIP NUMBER: D10215T WIRING DIAGRAM REF: 233232	012019	1
675	234A021-3		.BACKSHELL-90 DEGREE THERMOFIT SUPPLIER CODE: V06090 ELECTRICAL EQUIP NUMBER: D10215U WIRING DIAGRAM REF: 233232 OPTIONAL SUPPLIER CODE: 06060 PRE ALERT SB: 23A1169R2	012019	1
675	CDSA2P		.BACKSHELL-90 DEGREE THERMOFIT SUPPLIER CODE: V06090 ELECTRICAL EQUIP NUMBER: D10215U WIRING DIAGRAM REF: 233232 POST ALERT SB: 23A1169R2	012019	1
- 676	MS27488-20		.PLUG- POST ALERT SB: 23A1169R2	012019	2
-676A	M39029-64-369		.CONTACT- POST ALERT SB: 23A1169R2	012019	AR
-676B	CQMEF200		.CONTACT- SUPPLIER CODE: V71771 POST ALERT SB: 23A1169R2	012019	1
- 677	CQMEM200		.CONTACT- SUPPLIER CODE: V71771 SERVICE BULLETIN OPT DATA: CQMEM200A V71771 POST ALERT SB: 23A1169R2	012019	1

R
R
R
R
R
R
R
R

MISSING ITEM NUMBERS NOT APPLICABLE

- ITEM NOT ILLUSTRATED

HAP

23-32-03-51

23-32-03
FIG. 51
PAGE 9
JUN 15/09

BOEING
737-600/700/800/900
PARTS CATALOG (MAINTENANCE)

FIG ITEM	PART NUMBER	1 2 3 4 5 6 7	NOMENCLATURE	EFFECT FROM TO	UNITS PER ASSY
51					
- 677	CQMEM200A		.CONTACT- SUPPLIER CODE: V71771 SERVICE BULLETIN OPT DATA: CQMEM200 V71771 POST ALERT SB: 23A1169R2	012019	1
- 680	286A3009-107		WIRE BUNDLE ASSY	012019	RF
685	CAMA11W1P		.PLUG- SUPPLIER CODE: V55104 ELECTRICAL EQUIP NUMBER: D10213 WIRING DIAGRAM REF: 233232 OPTIONAL SUPPLIER CODE: 71771 PRE ALERT SB: 23A1169R2	012019	1
685	CAMA11W1PEK87		.PLUG- SUPPLIER CODE: V71771 ELECTRICAL EQUIP NUMBER: D10213 WIRING DIAGRAM REF: 233232 OPTIONAL SUPPLIER CODE: 55104 POST ALERT SB: 23A1169R2	012019	1
690	D110278		.LATCH ASSY-END DISC. SUPPLIER CODE: V71468 ELECTRICAL EQUIP NUMBER: D10213T WIRING DIAGRAM REF: 233232	012019	1

R
R
R
R
R
R
R
R
R
R

MISSING ITEM NUMBERS NOT APPLICABLE

- ITEM NOT ILLUSTRATED

HAP

23-32-03-51

BOEING PROPRIETARY - Copyright © - Unpublished Work - See title page for details.

23-32-03
FIG. 51
PAGE 10
JUN 15/09

BOEING
737-600/700/800/900
PARTS CATALOG (MAINTENANCE)

FIG ITEM	PART NUMBER	1 2 3 4 5 6 7	NOMENCLATURE	EFFECT FROM TO	UNITS PER ASSY
51 695	234A021-3		.BACKSHELL-90 DEGREE THERMOFIT SUPPLIER CODE: V06090 ELECTRICAL EQUIP NUMBER: D10213U WIRING DIAGRAM REF: 233232 OPTIONAL SUPPLIER CODE: 06060 PRE ALERT SB: 23A1169R2	012019	1
R R R R R R R R R	695 CDSA2P		.BACKSHELL-90 DEGREE THERMOFIT SUPPLIER CODE: V06090 ELECTRICAL EQUIP NUMBER: D10213U WIRING DIAGRAM REF: 233232 POST ALERT SB: 23A1169R2	012019	1
- 696	MS27488-20		.PLUG- POST ALERT SB: 23A1169R2	012019	2
-696A	M39029-64-369		.CONTACT- POST ALERT SB: 23A1169R2	012019	AR
-696B	CQMEF200		.CONTACT- SUPPLIER CODE: V71771 POST ALERT SB: 23A1169R2	012019	1
- 697	CQMEM200		.CONTACT- SUPPLIER CODE: V71771 SERVICE BULLETIN OPT DATA: CQMEM200A V71771 POST ALERT SB: 23A1169R2	012019	1
- 697	CQMEM200A		.CONTACT- SUPPLIER CODE: V71771 SERVICE BULLETIN OPT DATA: CQMEM200 V71771 POST ALERT SB: 23A1169R2	012019	1

MISSING ITEM NUMBERS NOT APPLICABLE

- ITEM NOT ILLUSTRATED

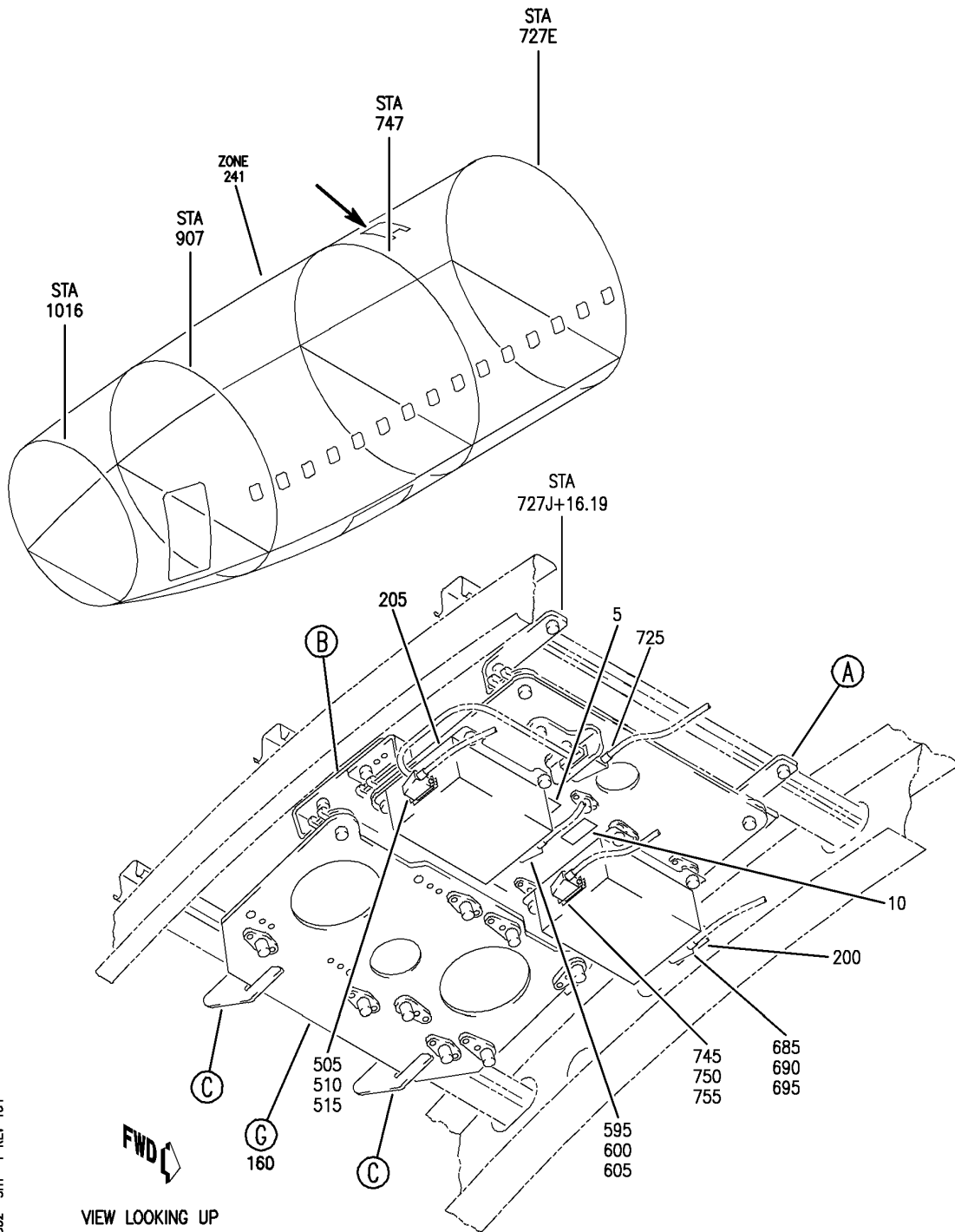
HAP

23-32-03-51

BOEING PROPRIETARY - Copyright © - Unpublished Work - See title page for details.

23-32-03
FIG. 51
PAGE 11
JUN 15/09

BOEING
 737-600/700/800/900
 PARTS CATALOG (MAINTENANCE)



E 23320352 SH1 1 REV 154

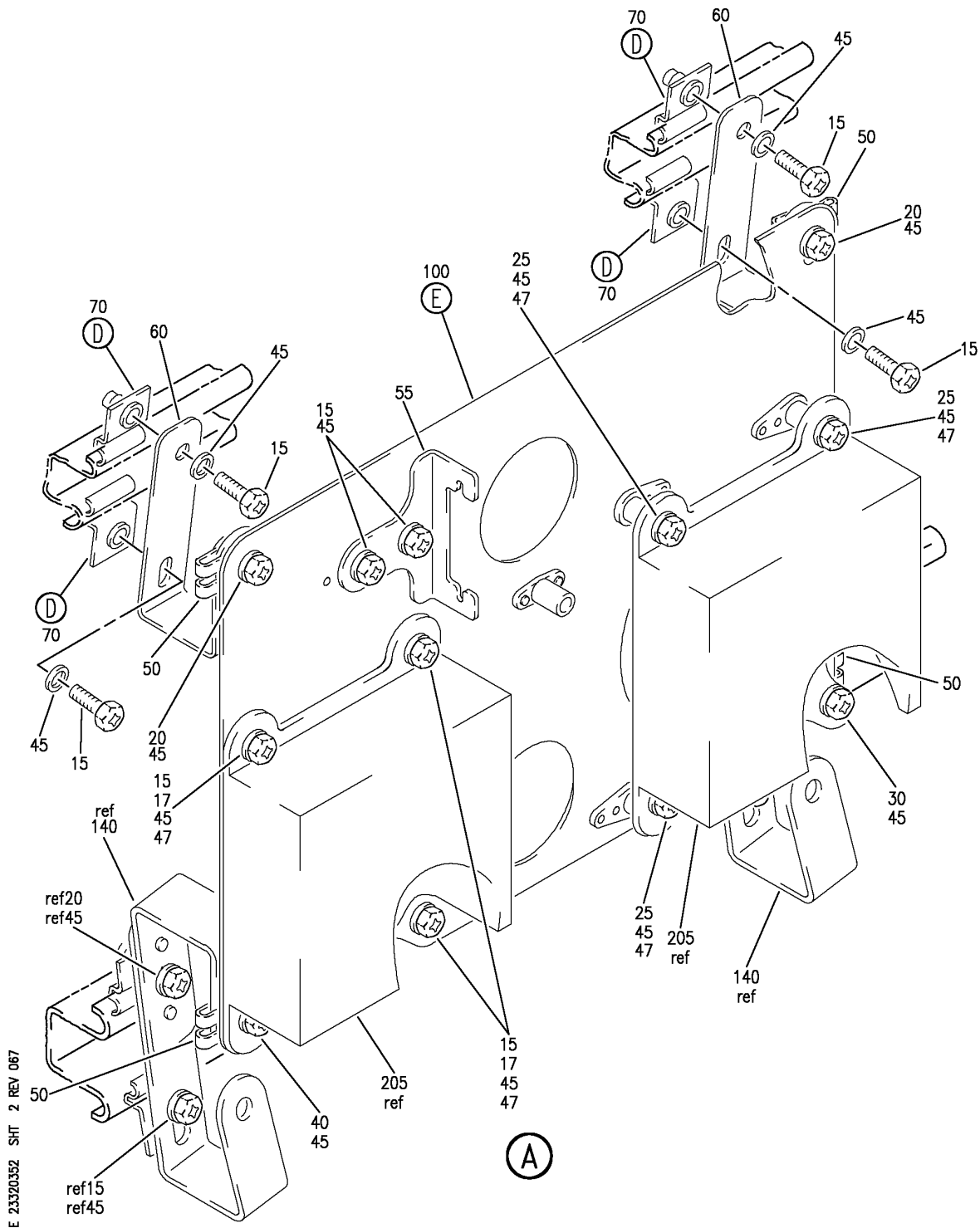
EQUIPMENT INSTL-2 VDU CLUSTER, WITH TERM PLUG 737-800
 FIGURE 52 (SHEET 1)

23-32-03-52

HAP
 JUN 15/09

23-32-03-52
 PAGE 0


BOEING
 737-600/700/800/900
PARTS CATALOG (MAINTENANCE)



E 23320352 SHT 2 REV 067

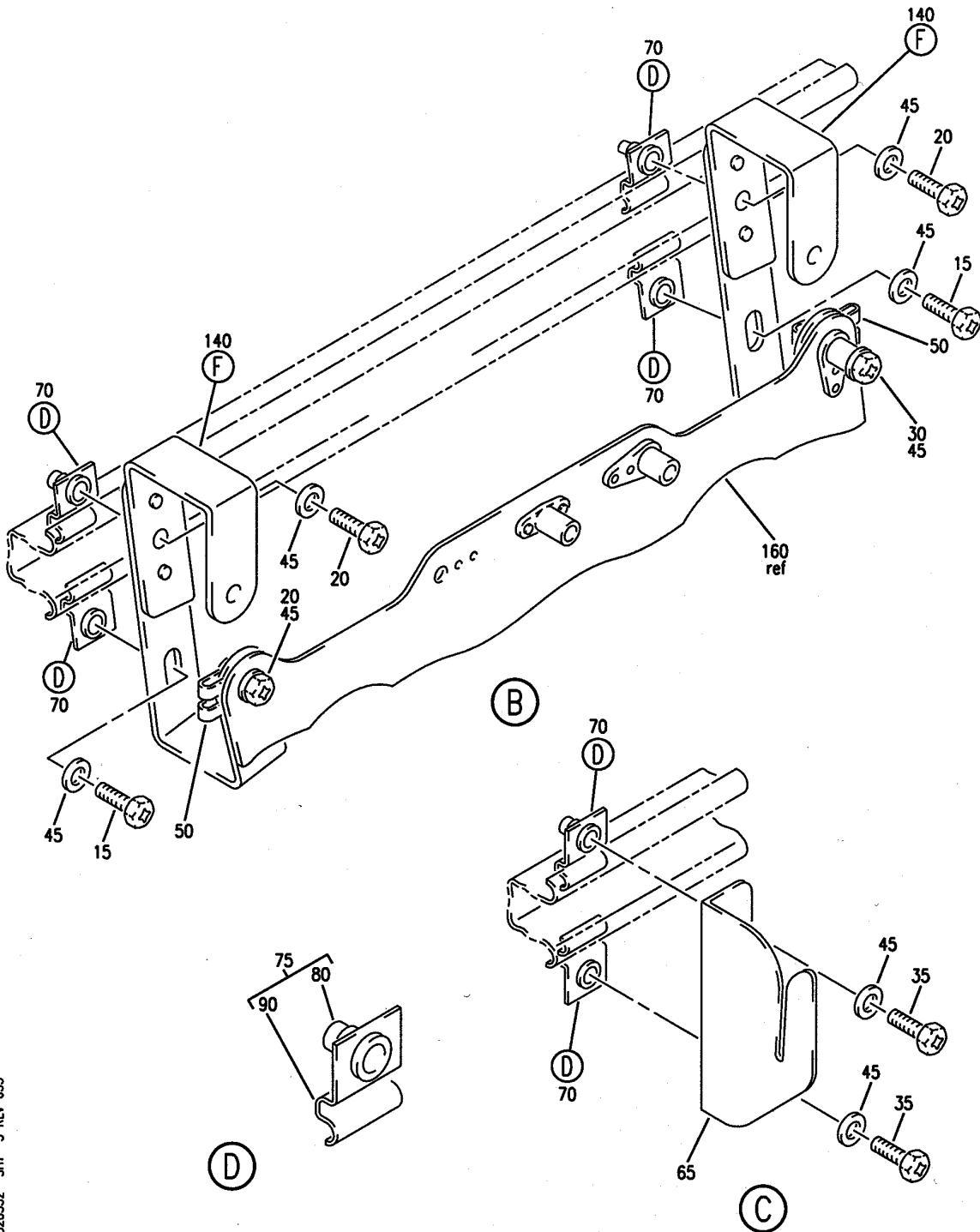
EQUIPMENT INSTL-2 VDU CLUSTER, WITH TERM PLUG 737-800
FIGURE 52 (SHEET 2)

23-32-03-52

HAP
OCT 10/06

23-32-03-52
PAGE 0A

BOEING
 737-600/700/800/900
 PARTS CATALOG (MAINTENANCE)



E 23320352 SH1 3 REV 035

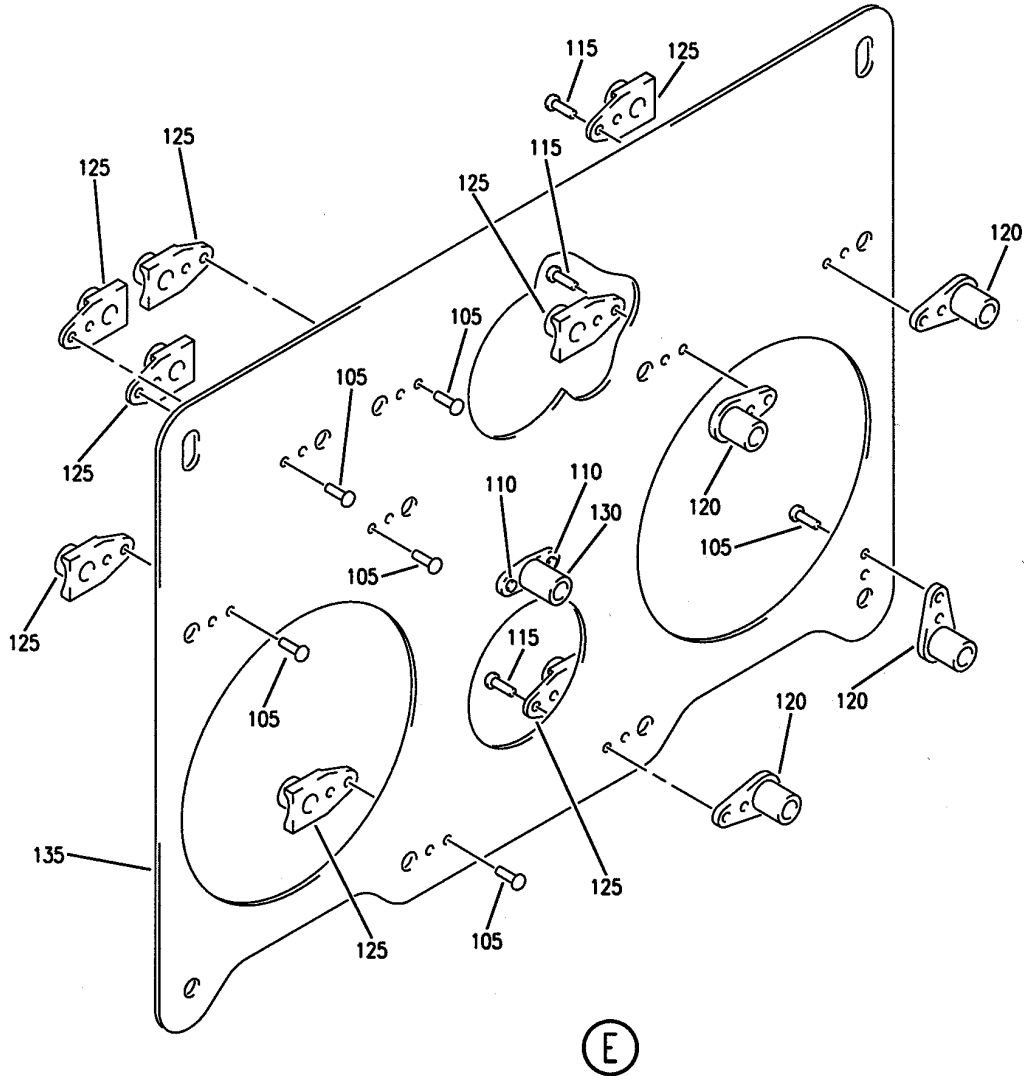
EQUIPMENT INSTL-2 VDU CLUSTER, WITH TERM PLUG 737-800
 FIGURE 52 (SHEET 3)

23-32-03-52

HAP
 OCT 10/06

23-32-03-52
 PAGE 0B

BOEING
737-600/700/800/900
PARTS CATALOG (MAINTENANCE)



E 23320352 SHT 4 REV 035

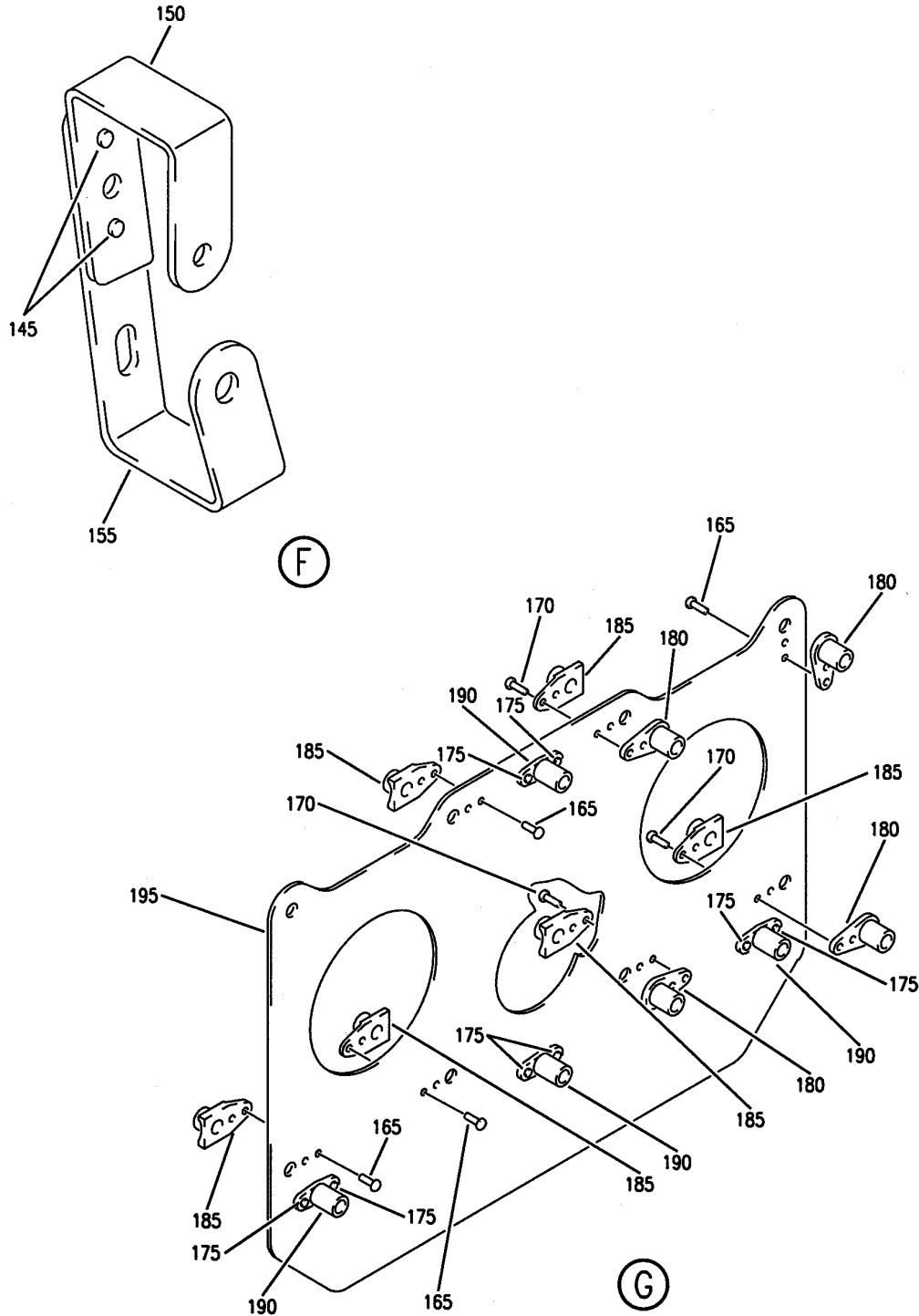
EQUIPMENT INSTL-2 VDU CLUSTER, WITH TERM PLUG 737-800
FIGURE 52 (SHEET 4)

23-32-03-52

HAP
OCT 10/06

23-32-03-52
PAGE 0C

BOEING
 737-600/700/800/900
 PARTS CATALOG (MAINTENANCE)



E 23320352 SHT 5 REV 035

EQUIPMENT INSTL-2 VDU CLUSTER, WITH TERM PLUG 737-800
 FIGURE 52 (SHEET 5)

23-32-03-52

HAP
 OCT 10/06

23-32-03-52
 PAGE 0D

BOEING
737-600/700/800/900
PARTS CATALOG (MAINTENANCE)

FIG ITEM	PART NUMBER	1 2 3 4 5 6 7	NOMENCLATURE	EFFECT FROM TO	UNITS PER ASSY
52			EQUIPMENT INSTL-2 VDU CLUSTER, WITH TERM PLUG 737-800	012100	
- 1	417A7663-28		EQUIPMENT INSTL-2 VDU CLUSTER, WITH TERM. PLUG POSITION DATA: STA 727J+16.19 FOR NHA SEE: 23-32-00-01B	012030	RF
- 1	MODREF268512		EQUIPMENT INSTL-2 VDU CLUSTER, WITH TERM. PLUG MODULE NUMBER: 417A7663-66 REV B POSITION DATA: STA 727J+16.69, LBL 26.53, WL 300.33	031036	1
- 1	MODREF310166		EQUIPMENT INSTL-2 VDU CLUSTER, WITH TERM. PLUG MODULE NUMBER: 417A7663-66 REV C POSITION DATA: STA 727J+16.69, LBL 26.53, WL 300.33	037040 042043	1
- 1	MODREF340591		EQUIPMENT INSTL-2 VDU CLUSTER, WITH TERM. PLUG MODULE NUMBER: 417A7663-66 REV D POSITION DATA: STA 727J+16.69, LBL 26.53, WL 300.33	041041 054100	1
- 1	MODREF355896		EQUIPMENT INSTL-2 VDU CLUSTER, WITH TERM. PLUG MODULE NUMBER: 417A7663-66 REV G POSITION DATA: STA 727J+16.69, LBL 26.53, WL 300.33	044047	1
- 1	MODREF393610		EQUIPMENT INSTL-2 VDU CLUSTER, WITH TERM. PLUG MODULE NUMBER: 417A7663-66 REV H POSITION DATA: STA 727J+16.69, LBL 26.53, WL 300.33	048053	1
R R R	5 BAC27DEX6679		.DECAL- PLACARD CONTENT: M1947	012100	1

MISSING ITEM NUMBERS NOT APPLICABLE

- ITEM NOT ILLUSTRATED

HAP

23-32-03-52

BOEING PROPRIETARY - Copyright © - Unpublished Work - See title page for details.

23-32-03
FIG. 52
PAGE 1
JUN 15/09

BOEING
737-600/700/800/900
PARTS CATALOG (MAINTENANCE)

FIG ITEM	PART NUMBER	1 2 3 4 5 6 7	NOMENCLATURE	EFFECT FROM TO	UNITS PER ASSY
52					
10	BAC27DEX6678	.	DECAL- PLACARD CONTENT: M1946	012100	1
15	BACS12GU3K9	.	SCREW	012030	11
17	BACS12GU3K9	.	SCREW	031100	3
20	BACS12GU3K10	.	SCREW	012030	5
25	BACS12GU3K17	.	SCREW	012100	3
30	BACS12GU3K18	.	SCREW	012030	2
35	BACS12GU3K8	.	SCREW	012030	4
40	BACS12GU3K11	.	SCREW	012030	1
45	NAS1149D0332J	.	WASHER	012030	26
47	NAS1149D0332J	.	WASHER	031100	6
50	BACN10VR2CG	.	NUT	012030	6
55	417N7102-198	.	BRACKET-SUPPORT	012030	1
60	417N7105-155	.	BRACKET-SUPPORT	012030	2
65	417N7105-159	.	BRACKET-SUPPORT	012030	2
70	69-37170-1	.	CLIP ASSY-STGR	012030	12
75	69-37170-6	..	CLIP ASSY-STRINGER OPTIONAL PART: 69-37170-4	012030	1
75	69-37170-4	..	CLIP ASSY-STRINGER OPTIONAL PART: 69-37170-6	012030	1
80	79NC2-02	...	NUT-CLINCH SUPPLIER CODE: V72962 OPTIONAL PART: NC2-1032 V27687 USED ON: 69-37170-6	012030	1
80	NC2-1032	...	NUT-CLINCH SUPPLIER CODE: V27687 OPTIONAL PART: 79NC2-02 V72962 USED ON: 69-37170-6	012030	1
- 85	SL854C3F1CM	...	INSERT- SUPPLIER CODE: V97393 USED ON: 69-37170-4	012030	1
90	69-37170-5	...	CLIP- USED ON: 69-37170-6	012030	1

MISSING ITEM NUMBERS NOT APPLICABLE

- ITEM NOT ILLUSTRATED

HAP

23-32-03-52

BOEING PROPRIETARY - Copyright © - Unpublished Work - See title page for details.

23-32-03
FIG. 52
PAGE 2
OCT 15/08

 **BOEING**
737-600/700/800/900
PARTS CATALOG (MAINTENANCE)

FIG ITEM	PART NUMBER	1 2 3 4 5 6 7	NOMENCLATURE	EFFECT FROM TO	UNITS PER ASSY
52					
- 95	69-37170-3		...CLIP- USED ON: 69-37170-4	012030	1
100	417N7102-216		.BRACKET ASSY	012030	1
105	BACR15BA3ADC		..RIVET- SIZE DETERMINED ON INSTL.	012030	12
110	BACR15BA4ADC		..RIVET- SIZE DETERMINED ON INSTL.	012030	2
115	BACR15BB3ADC		..RIVET- SIZE DETERMINED ON INSTL.	012030	6
120	295926-50		..SPACER SUPPLIER CODE: V60119 SPECIFICATION NUMBER: BACS18R50B	012030	4
125	F177-3		..NUTPLATE SUPPLIER CODE: V72962 SPECIFICATION NUMBER: BACN10JA3 OPTIONAL PART: F2400-3 V15653 43610-02 V80539 BRF110A3 V52828 BRF170A3 V52828	012030	8
130	WSI4A6B		..NUTPLATE SUPPLIER CODE: V04169 SPECIFICATION NUMBER: BACN10TL3A6B	012030	1
135	417N7102-205		..BRACKET-VDU SUPPORT	012030	1
140	417N7105-158		.BRACKET ASSY	012030	2
145	BACR15CE6AD		..RIVET- SIZE DETERMINED ON INSTL.	012030	2
150	417N7105-156		..BRACKET	012030	1
155	417N7105-157		..BRACKET	012030	1
160	417N7102-212		.BRACKET ASSY	012030	1
165	BACR15BA3ADC		..RIVET- SIZE DETERMINED ON INSTL.	012030	8
170	BACR15BB3ADC		..RIVET- SIZE DETERMINED ON INSTL.	012030	6
175	BACR15BA4ADC		..RIVET- SIZE DETERMINED ON INSTL.	012030	8

MISSING ITEM NUMBERS NOT APPLICABLE

- ITEM NOT ILLUSTRATED

HAP

23-32-03-52

23-32-03
FIG. 52
PAGE 3
OCT 15/08

BOEING
737-600/700/800/900
PARTS CATALOG (MAINTENANCE)

FIG ITEM	PART NUMBER	1 2 3 4 5 6 7	NOMENCLATURE	EFFECT FROM TO	UNITS PER ASSY
52 180	295926-50	..	SPACER SUPPLIER CODE: V60119 SPECIFICATION NUMBER: BACS18R50B	012030	4
185	F177-3	..	NUTPLATE SUPPLIER CODE: V72962 SPECIFICATION NUMBER: BACN10JA3 OPTIONAL PART: F2400-3 V15653 43610-02 V80539 BRF110A3 V52828 BRF170A3 V52828	012030	6
190	WSI4A6B	..	NUTPLATE SUPPLIER CODE: V04169 SPECIFICATION NUMBER: BACN10TL3A6B	012030	4
195	417N7102-201	..	BRACKET-VDU SUPPORT	012030	1
200	700-1516-002	.PLUG-TERMINATION SUPPLIER CODE: V62204		012100	1
205	700-2200-001	.DISTRIBUTION UNIT-VIDEO SUPPLIER CODE: V62204 FUNCTIONAL DESCRIPTION: RECEIVES COMMANDS FROM THE SYSTEM CONTROL UNIT AND ROUTES SELECTED VIDEO SIGNAL TO MONITORS OR PROJECTORS ELECTRICAL EQUIP NUMBER: M01946 M01947 COMPONENT MAINT MANUAL REF: 23-32-03		012100	2
- 500	286A3053-115		WIRE BUNDLE ASSY	012019	RF

MISSING ITEM NUMBERS NOT APPLICABLE

- ITEM NOT ILLUSTRATED

HAP

23-32-03-52

BOEING PROPRIETARY - Copyright © - Unpublished Work - See title page for details.

23-32-03
FIG. 52
PAGE 4
JUN 15/09

BOEING
737-600/700/800/900
PARTS CATALOG (MAINTENANCE)

FIG ITEM	PART NUMBER	1 2 3 4 5 6 7	NOMENCLATURE	EFFECT FROM TO	UNITS PER ASSY
52 505	CAMA11W1P		.PLUG- SUPPLIER CODE: V55104 ELECTRICAL EQUIP NUMBER: D10301 WIRING DIAGRAM REF: 233261 OPTIONAL SUPPLIER CODE: 71771 PRE ALERT SB: 23A1169R2	012019	1
R R R R R R R R R R	505		.PLUG-BP SUPPLIER CODE: V71771 ELECTRICAL EQUIP NUMBER: D10301 WIRING DIAGRAM REF: 233261 OPTIONAL SUPPLIER CODE: 55104 POST ALERT SB: 23A1169R2	012019	1
	510	D110278	.LATCH ASSY-END DISC. LATCH ASSY SUPPLIER CODE: V71468 ELECTRICAL EQUIP NUMBER: D10301T WIRING DIAGRAM REF: 233261	012019	1
	515	234A021-3	.BACKSHELL-90 DEG THERMOFIT SUPPLIER CODE: V06090 ELECTRICAL EQUIP NUMBER: D10301U WIRING DIAGRAM REF: 233261 OPTIONAL SUPPLIER CODE: 06060 PRE ALERT SB: 23A1169R2	012019	1

MISSING ITEM NUMBERS NOT APPLICABLE

— ITEM NOT ILLUSTRATED

HAP

23-32-03-52

BOEING PROPRIETARY - Copyright © - Unpublished Work - See title page for details.

23-32-03
FIG. 52
PAGE 5
JUN 15/09

BOEING
737-600/700/800/900
PARTS CATALOG (MAINTENANCE)

FIG ITEM	PART NUMBER	1 2 3 4 5 6 7	NOMENCLATURE	EFFECT FROM TO	UNITS PER ASSY
R R R R R R R R	52 515	CDSA2P	.BACKSHELL-90 DEG THERMOFIT SUPPLIER CODE: V06090 ELECTRICAL EQUIP NUMBER: D10301U WIRING DIAGRAM REF: 233261 POST ALERT SB: 23A1169R2	012019	1
	- 516	MS27488-20	.PLUG- POST ALERT SB: 23A1169R2	012019	2
	- 517	M39029-64-369	.CONTACT- POST ALERT SB: 23A1169R2 POST SERVICE LETTER: 24-159	012019	AR
	- 518	CQMEF200	.CONTACT- SUPPLIER CODE: V71771 POST ALERT SB: 23A1169R2	012019	1
	- 519	CQMEM200	.CONTACT- SUPPLIER CODE: V71771 SERVICE BULLETIN OPT DATA: CQMEM200A V71771 POST ALERT SB: 23A1169R2	012019	1
	- 519	CQMEM200A	.CONTACT- SUPPLIER CODE: V71771 SERVICE BULLETIN OPT DATA: CQMEM200 V71771 POST ALERT SB: 23A1169R2	012019	1
	- 590	286A3055-113	WIRE BUNDLE ASSY	012019	RF
	MISSING ITEM NUMBERS NOT APPLICABLE				

- ITEM NOT ILLUSTRATED

HAP

23-32-03-52

BOEING PROPRIETARY - Copyright © - Unpublished Work - See title page for details.

23-32-03
FIG. 52
PAGE 6
JUN 15/09

BOEING
737-600/700/800/900
PARTS CATALOG (MAINTENANCE)

FIG ITEM	PART NUMBER	1 2 3 4 5 6 7	NOMENCLATURE	EFFECT FROM TO	UNITS PER ASSY
52 595	CAMA11W1P		.PLUG- SUPPLIER CODE: V55104 ELECTRICAL EQUIP NUMBER: D10303 WIRING DIAGRAM REF: 233261 OPTIONAL SUPPLIER CODE: 71771 PRE ALERT SB: 23A1169R2	012019	1
R R R R R R R R R R	595		CAMA11W1PEK87 .PLUG- SUPPLIER CODE: V71771 ELECTRICAL EQUIP NUMBER: D10303 WIRING DIAGRAM REF: 233261 OPTIONAL SUPPLIER CODE: 55104 POST ALERT SB: 23A1169R2	012019	1
600	D110278		.LATCH ASSY-END DISC. LATCH ASSY SUPPLIER CODE: V71468 ELECTRICAL EQUIP NUMBER: D10303T WIRING DIAGRAM REF: 233261	012019	1
605	204A021-3		.BACKSHELL-90 DEG THERMOFIT SUPPLIER CODE: V06090 ELECTRICAL EQUIP NUMBER: D10303U WIRING DIAGRAM REF: 233261 PRE ALERT SB: 23A1169R2	012019	1

MISSING ITEM NUMBERS NOT APPLICABLE

— ITEM NOT ILLUSTRATED

HAP

23-32-03-52

BOEING PROPRIETARY - Copyright © - Unpublished Work - See title page for details.

23-32-03
FIG. 52
PAGE 7
JUN 15/09

BOEING
737-600/700/800/900
PARTS CATALOG (MAINTENANCE)

FIG ITEM	PART NUMBER	1 2 3 4 5 6 7	NOMENCLATURE	EFFECT FROM TO	UNITS PER ASSY
R R R R R R R R	52 605	CDSA2P	.BACKSHELL-90 DEG THERMOFIT SUPPLIER CODE: V06090 ELECTRICAL EQUIP NUMBER: D10303U WIRING DIAGRAM REF: 233261 POST ALERT SB: 23A1169R2	012019	1
	- 606	MS27488-20	.PLUG- POST ALERT SB: 23A1169R2	012019	2
	- 607	M39029-64-369	.CONTACT- POST ALERT SB: 23A1169R2 POST SERVICE LETTER: 24-159	012019	AR
	- 608	CQMEF200	.CONTACT- SUPPLIER CODE: V71771 POST ALERT SB: 23A1169R2	012019	1
	- 609	CQMEM200	.CONTACT- SUPPLIER CODE: V71771 SERVICE BULLETIN OPT DATA: CQMEM200A V71771 POST ALERT SB: 23A1169R2	012019	1
	- 609	CQMEM200A	.CONTACT- SUPPLIER CODE: V71771 SERVICE BULLETIN OPT DATA: CQMEM200 V71771 POST ALERT SB: 23A1169R2	012019	1
	- 680	286A3059-106	WIRE BUNDLE ASSY	012019	RF
	MISSING ITEM NUMBERS NOT APPLICABLE				

- ITEM NOT ILLUSTRATED

HAP

23-32-03-52

BOEING PROPRIETARY - Copyright © - Unpublished Work - See title page for details.

23-32-03
FIG. 52
PAGE 8
JUN 15/09

BOEING
737-600/700/800/900
PARTS CATALOG (MAINTENANCE)

FIG ITEM	PART NUMBER	1 2 3 4 5 6 7	NOMENCLATURE	EFFECT FROM TO	UNITS PER ASSY
52 685	CAMA11W1P		.PLUG- SUPPLIER CODE: V55104 ELECTRICAL EQUIP NUMBER: D10311 WIRING DIAGRAM REF: 233262 OPTIONAL SUPPLIER CODE: 71771 PRE ALERT SB: 23A1169R2	012019	1
R R R R R R R R R	685	CAMA11W1PEK87	.PLUG- SUPPLIER CODE: V71771 ELECTRICAL EQUIP NUMBER: D10311 WIRING DIAGRAM REF: 233262 OPTIONAL SUPPLIER CODE: 55104 POST ALERT SB: 23A1169R2	012019	1
	690	D110278	.LATCH ASSY-END DISC. LATCH ASSY SUPPLIER CODE: V71468 ELECTRICAL EQUIP NUMBER: D10311T WIRING DIAGRAM REF: 233262	012019	1
	695	204A021-3	.BACKSHELL-90 DEG THERMOFIT SUPPLIER CODE: V06090 ELECTRICAL EQUIP NUMBER: D10311U WIRING DIAGRAM REF: 233262 PRE ALERT SB: 23A1169R2	012019	1

MISSING ITEM NUMBERS NOT APPLICABLE

— ITEM NOT ILLUSTRATED

HAP

23-32-03-52

BOEING PROPRIETARY - Copyright © - Unpublished Work - See title page for details.

23-32-03
FIG. 52
PAGE 9
JUN 15/09

BOEING
737-600/700/800/900
PARTS CATALOG (MAINTENANCE)

FIG ITEM	PART NUMBER	1 2 3 4 5 6 7	NOMENCLATURE	EFFECT FROM TO	UNITS PER ASSY
R R R R R R R	52 695	CDSA2P	.BACKSHELL-90 DEG THERMOFIT SUPPLIER CODE: V06090 ELECTRICAL EQUIP NUMBER: D10311U WIRING DIAGRAM REF: 233262 POST ALERT SB: 23A1169R2	012019	1
	- 696	MS27488-20	.PLUG- POST ALERT SB: 23A1169R2	012019	2
	- 697	M39029-64-369	.CONTACT- POST ALERT SB: 23A1169R2	012019	AR
	- 698	CQMEF200	.CONTACT- SUPPLIER CODE: V71771 POST ALERT SB: 23A1169R2	012019	1
	- 699	CQMEM200	.CONTACT- SUPPLIER CODE: V71771 SERVICE BULLETIN OPT DATA: CQMEM200A V71771 POST ALERT SB: 23A1169R2	012019	1
	- 699	CQMEM200A	.CONTACT- SUPPLIER CODE: V71771 SERVICE BULLETIN OPT DATA: CQMEM200 V71771 POST ALERT SB: 23A1169R2	012019	1
R R R R R R R	- 720	286A3073-012	WIRE BUNDLE ASSY-VIDEO VDU CLUSTER NO.3 TO VDU CLUSTER NO. 4 ELECTRICAL EQUIP NUMBER: D10297T D10297U	012030	RF
	- 720	286A3605-005	WIRE BUNDLE ASSY- ELECTRICAL EQUIP NUMBER: D10297T D10297U	031047 049100	RF

MISSING ITEM NUMBERS NOT APPLICABLE

- ITEM NOT ILLUSTRATED

HAP

23-32-03-52

BOEING PROPRIETARY - Copyright © - Unpublished Work - See title page for details.

23-32-03
FIG. 52
PAGE 10
JUN 15/09

BOEING
737-600/700/800/900
PARTS CATALOG (MAINTENANCE)

FIG ITEM	PART NUMBER	1 2 3 4 5 6 7	NOMENCLATURE	EFFECT FROM TO	UNITS PER ASSY
52 725	DBMA25S		.RECEPTACLE- SUPPLIER CODE: V71468 ELECTRICAL EQUIP NUMBER: D10297 WIRING DIAGRAM REF: 233261	012100	1
- 740	286A3057-106		WIRE BUNDLE ASSY- POST ALERT SB: 23A1169R1	012019	RF
745	CAMA11W1P		.PLUG- SUPPLIER CODE: V55104 ELECTRICAL EQUIP NUMBER: D10309 WIRING DIAGRAM REF: 233262 OPTIONAL SUPPLIER CODE: 71771 PRE ALERT SB: 23A1169R2	012019	1
R R R R R R R R R R	745	CAMA11W1PEK87	.PLUG- SUPPLIER CODE: V71771 ELECTRICAL EQUIP NUMBER: D10309 WIRING DIAGRAM REF: 233262 OPTIONAL SUPPLIER CODE: 55104 POST ALERT SB: 23A1169R2	012019	1
	750	D110278	.LATCH ASSY-END DISC. LATCH ASSY SUPPLIER CODE: V71468 ELECTRICAL EQUIP NUMBER: D10309T WIRING DIAGRAM REF: 233262	012019	1

MISSING ITEM NUMBERS NOT APPLICABLE

- ITEM NOT ILLUSTRATED

HAP

23-32-03-52

BOEING PROPRIETARY - Copyright © - Unpublished Work - See title page for details.

23-32-03
FIG. 52
PAGE 11
JUN 15/09

BOEING
737-600/700/800/900
PARTS CATALOG (MAINTENANCE)

FIG ITEM	PART NUMBER	1 2 3 4 5 6 7	NOMENCLATURE	EFFECT FROM TO	UNITS PER ASSY
52					
755	204A021-3		.BACKSHELL-90 DEG THERMOFIT SUPPLIER CODE: V06090 ELECTRICAL EQUIP NUMBER: D10309U WIRING DIAGRAM REF: 233262 PRE ALERT SB: 23A1169R2	012019	1
R	755	CDSA2P	.BACKSHELL-90 DEG THERMOFIT SUPPLIER CODE: V06090 ELECTRICAL EQUIP NUMBER: D10309U WIRING DIAGRAM REF: 233262 POST ALERT SB: 23A1169R2	012019	1
R					
R					
R					
R					
R					
R					
R					
-	756	MS27488-20	.PLUG- POST ALERT SB: 23A1169R2	012019	2
-	757	M39029-64-369	.CONTACT- POST ALERT SB: 23A1169R2	012019	AR
-	758	CQMEF200	.CONTACT- SUPPLIER CODE: V71771 POST ALERT SB: 23A1169R2	012019	1
-	759	CQMEM200	.CONTACT- SUPPLIER CODE: V71771 SERVICE BULLETIN OPT DATA: CQMEM200A V71771 POST ALERT SB: 23A1169R2	012019	1
-	759	CQMEM200A	.CONTACT- SUPPLIER CODE: V71771 SERVICE BULLETIN OPT DATA: CQMEM200 V71771 POST ALERT SB: 23A1169R2	012019	1

MISSING ITEM NUMBERS NOT APPLICABLE

- ITEM NOT ILLUSTRATED

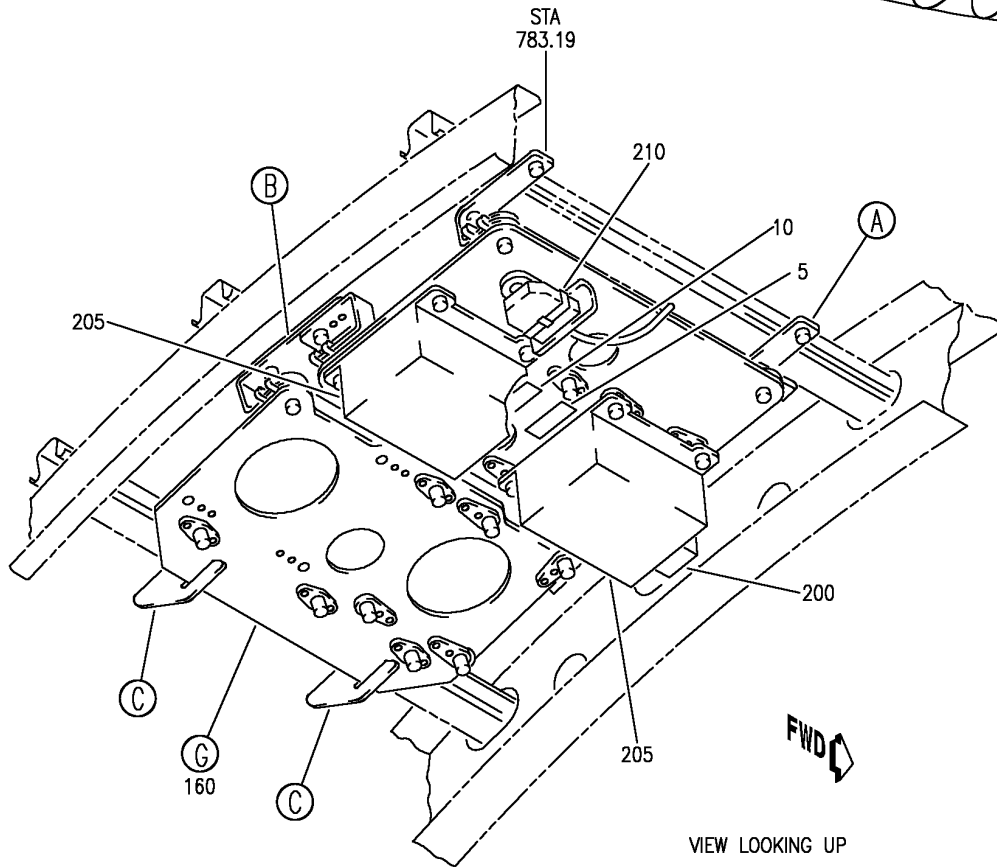
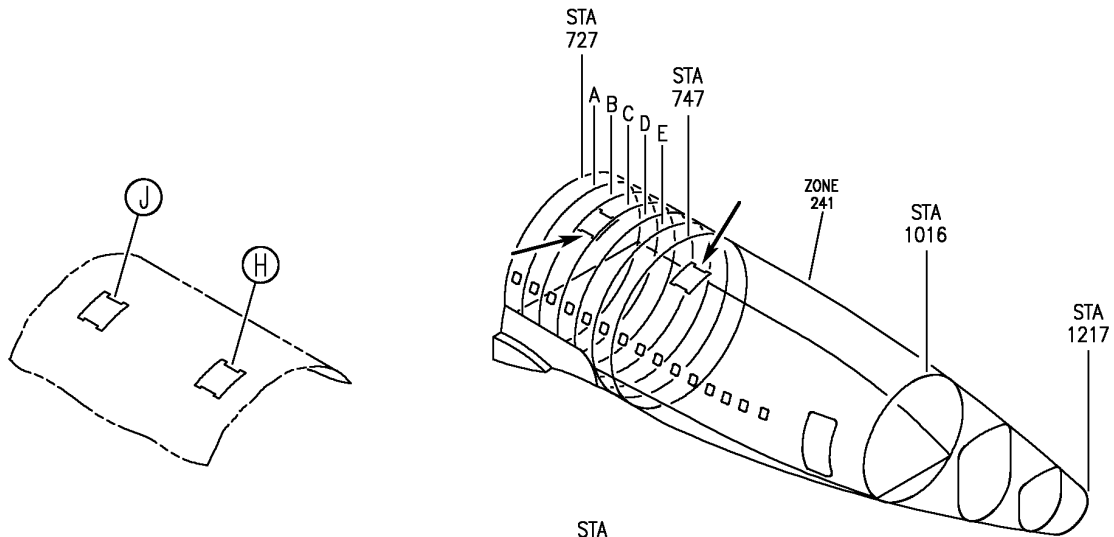
HAP

23-32-03-52

BOEING PROPRIETARY - Copyright © - Unpublished Work - See title page for details.

23-32-03
FIG. 52
PAGE 12
JUN 15/09

BOEING
 737-600/700/800/900
 PARTS CATALOG (MAINTENANCE)



(H)

E 23320355 SH1 1 REV 089

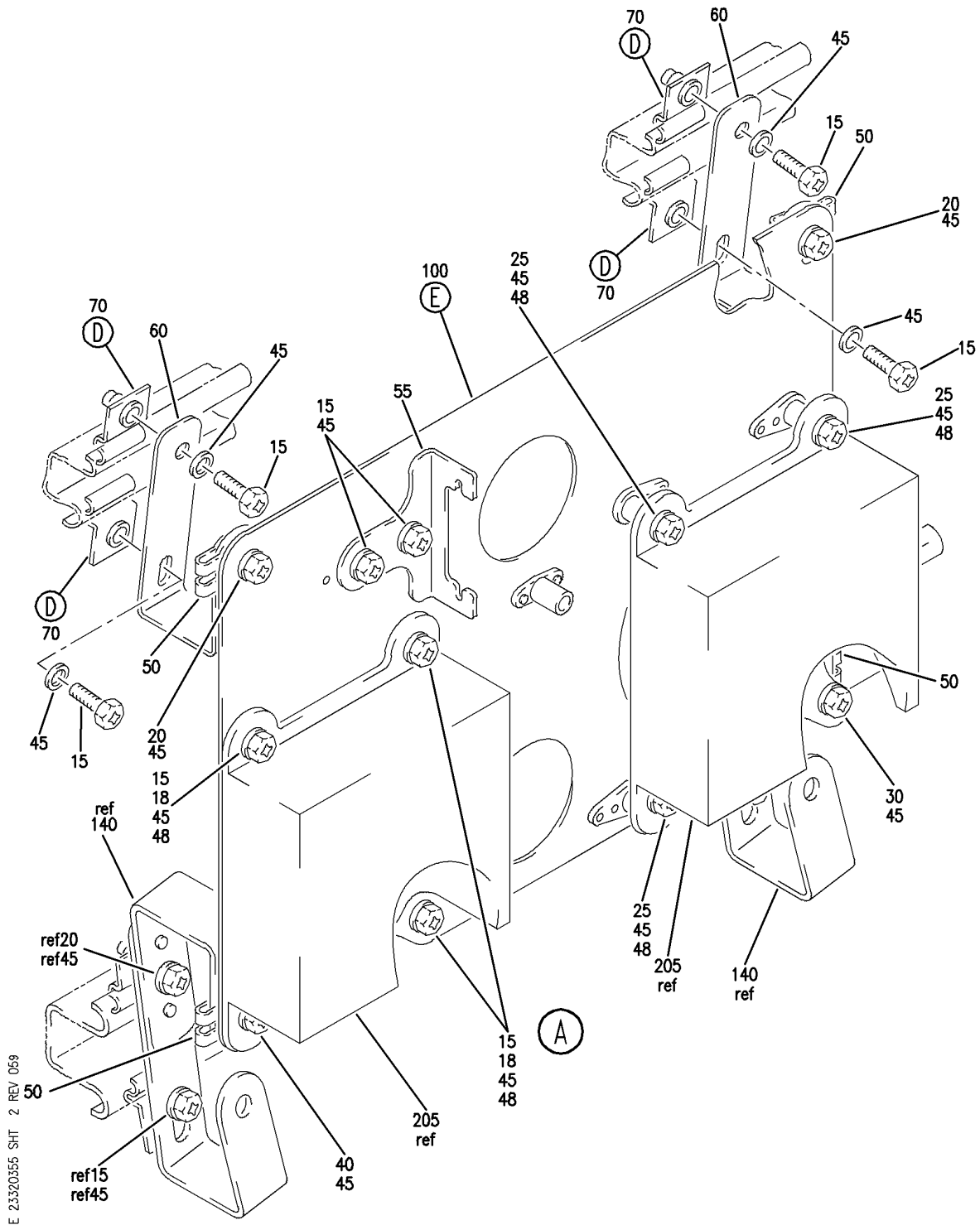
EQUIPMENT INSTL-2 VDU CLUSTER WITH TERM. PLUG
 FIGURE 55 (SHEET 1)

23-32-03-55

HAP
 FEB 10/07

23-32-03-55
 PAGE 0

BOEING
 737-600/700/800/900
 PARTS CATALOG (MAINTENANCE)



E 23320355 SHT 2 REV 059

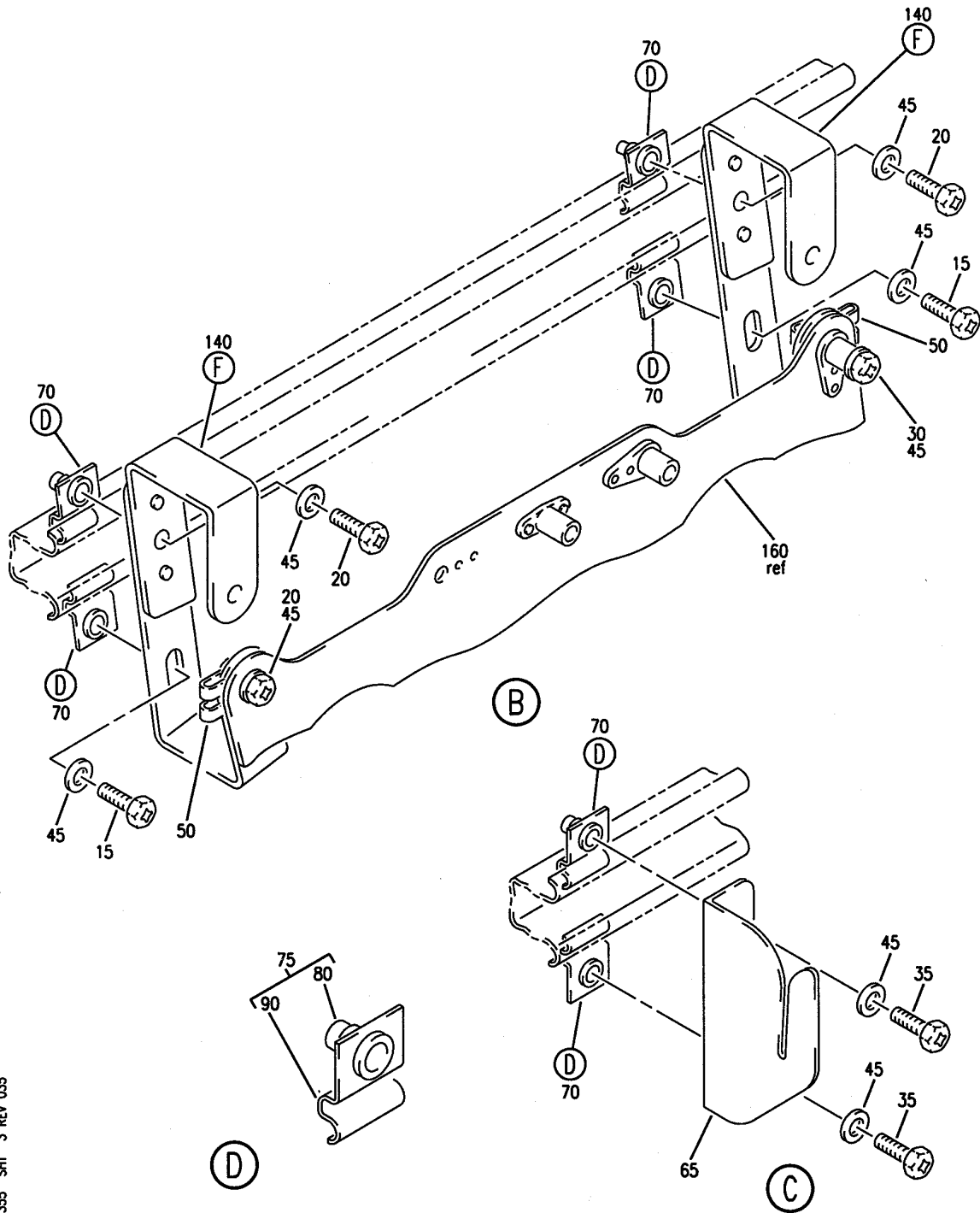
EQUIPMENT INSTL-2 VDU CLUSTER WITH TERM. PLUG
 FIGURE 55 (SHEET 2)

23-32-03-55

HAP
 FEB 10/07

23-32-03-55
 PAGE 0A

BOEING
 737-600/700/800/900
 PARTS CATALOG (MAINTENANCE)



E 23320355 SH1 3 REV 035

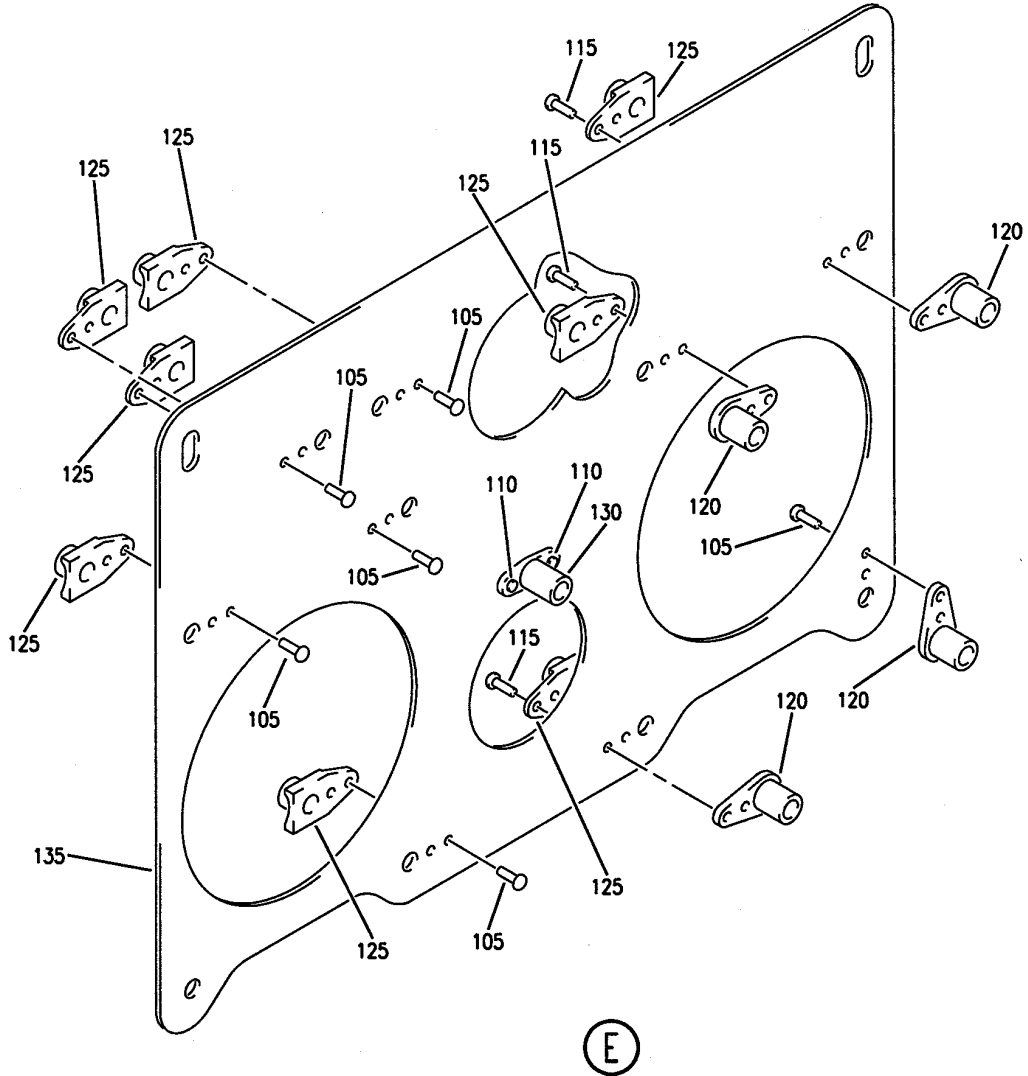
EQUIPMENT INSTL-2 VDU CLUSTER WITH TERM. PLUG
 FIGURE 55 (SHEET 3)

23-32-03-55

HAP
 FEB 10/07

23-32-03-55
 PAGE 0B

BOEING
737-600/700/800/900
PARTS CATALOG (MAINTENANCE)



E 23320355 SH1 4 REV 035

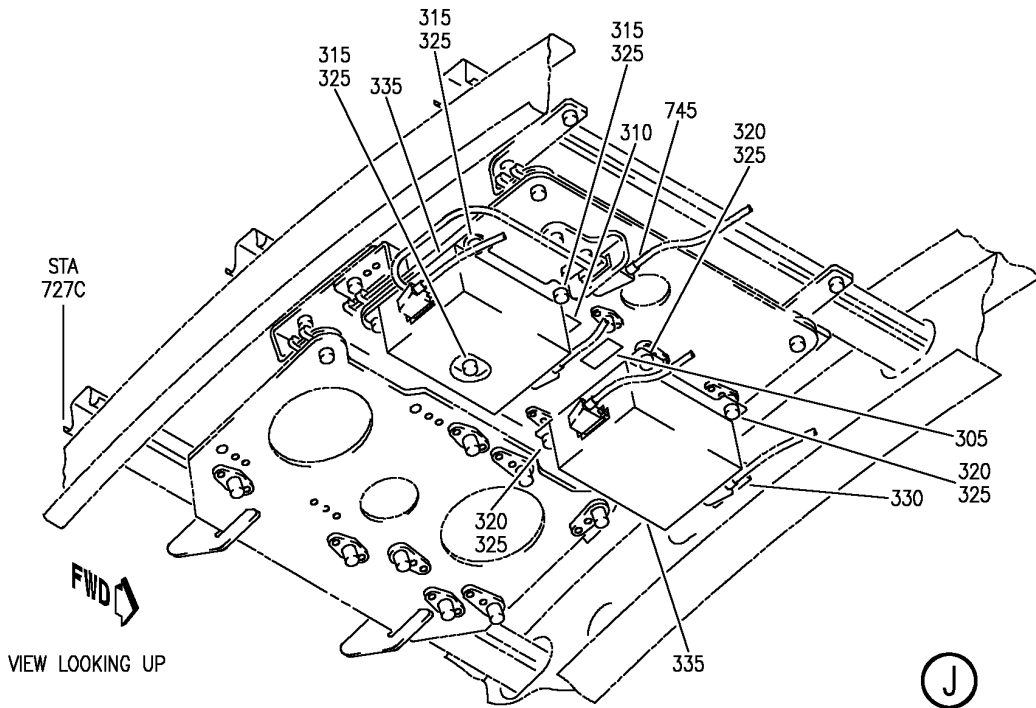
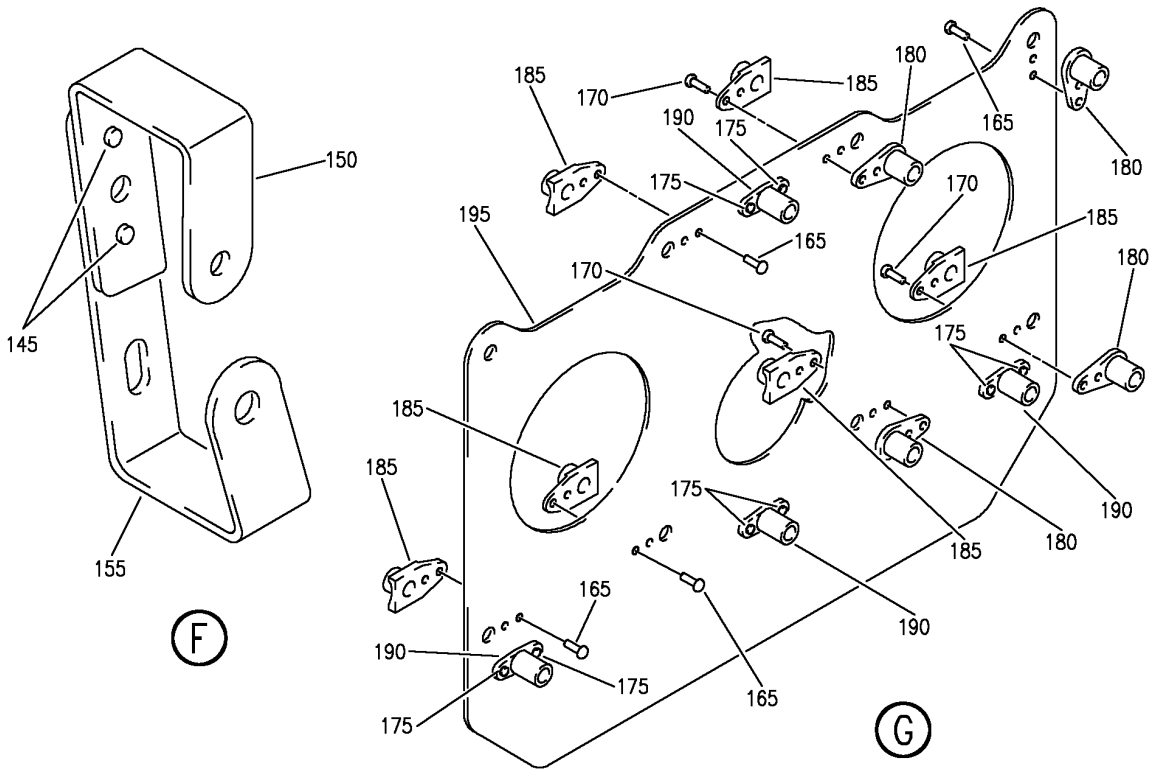
EQUIPMENT INSTL-2 VDU CLUSTER WITH TERM. PLUG
FIGURE 55 (SHEET 4)

23-32-03-55

HAP
FEB 10/07

23-32-03-55
PAGE 0C

BOEING
 737-600/700/800/900
 PARTS CATALOG (MAINTENANCE)



E 23320355 SHT 5 REV 154

EQUIPMENT INSTL-2 VDU CLUSTER WITH TERM. PLUG
 FIGURE 55 (SHEET 5)

23-32-03-55

HAP
 JUN 15/09

23-32-03-55
 PAGE 0D

BOEING
737-600/700/800/900
PARTS CATALOG (MAINTENANCE)

FIG ITEM	PART NUMBER	1 2 3 4 5 6 7	NOMENCLATURE	EFFECT FROM TO	UNITS PER ASSY
55			EQUIPMENT INSTL-2 VDU CLUSTER WITH TERM. PLUG	101200 968999	
- 1	MODREF311126		EQUIPMENT INSTL-2 VDU CLUSTER WITH TERM. PLUG MODULE NUMBER: 417A7663-56 REV P POSITION DATA: STA 783.69, LBL 26.53 WL 300.33	101200 968999	1
5	BAC27DEX6679		.DECAL- PLACARD CONTENT: M1947	101200 968999	1
10	BAC27DEX6678		.DECAL- PLACARD CONTENT: M1946	101200 968999	1
18	BACS12GU3K9		.SCREW	101200 968999	3
25	BACS12GU3K17		.SCREW	101200 968999	3
48	NAS1149D0332J		.WASHER	101200 968999	6
200	700-1516-002		.PLUG-TERMINATION (CUSTOMER FURNISHED) SUPPLIER CODE: V62204 ELECTRICAL EQUIP NUMBER: M02048	101200 968999	1
205	700-2200-001		.DISTRIBUTION UNIT-VIDEO (CUSTOMER FURNISHED) SUPPLIER CODE: V62204 FUNCTIONAL DESCRIPTION: RECEIVES COMMANDS FROM THE SYSTEM CONTROL UNIT AND ROUTES SELECTED VIDEO SIGNAL TO MONITORS OR PROJECTORS ELECTRICAL EQUIP NUMBER: M01946 M01947 COMPONENT MAINT MANUAL REF: 23-32-03	101200 968999	2

MISSING ITEM NUMBERS NOT APPLICABLE

- ITEM NOT ILLUSTRATED

HAP

23-32-03-55

BOEING PROPRIETARY - Copyright © - Unpublished Work - See title page for details.

23-32-03
FIG. 55
PAGE 1
OCT 15/08

BOEING
737-600/700/800/900
PARTS CATALOG (MAINTENANCE)

FIG ITEM	PART NUMBER	1 2 3 4 5 6 7	NOMENCLATURE	EFFECT FROM TO	UNITS PER ASSY
55 210	PLT4SM		.STRAP SUPPLIER CODE: V06383 SPECIFICATION NUMBER: BACS38K2 OPTIONAL PART: T05L0 V53421	101200 968999	1
R R R R	- 740	286A3605-702	WIRE BUNDLE ASSY- ELECTRICAL EQUIP NUMBER: D10297T D10297U	101200 968999	RF
	745	DBMA25S	.RECEPTACLE- SUPPLIER CODE: V71468 ELECTRICAL EQUIP NUMBER: D10297 WIRING DIAGRAM REF: 233261	101200 968999	1

MISSING ITEM NUMBERS NOT APPLICABLE

- ITEM NOT ILLUSTRATED

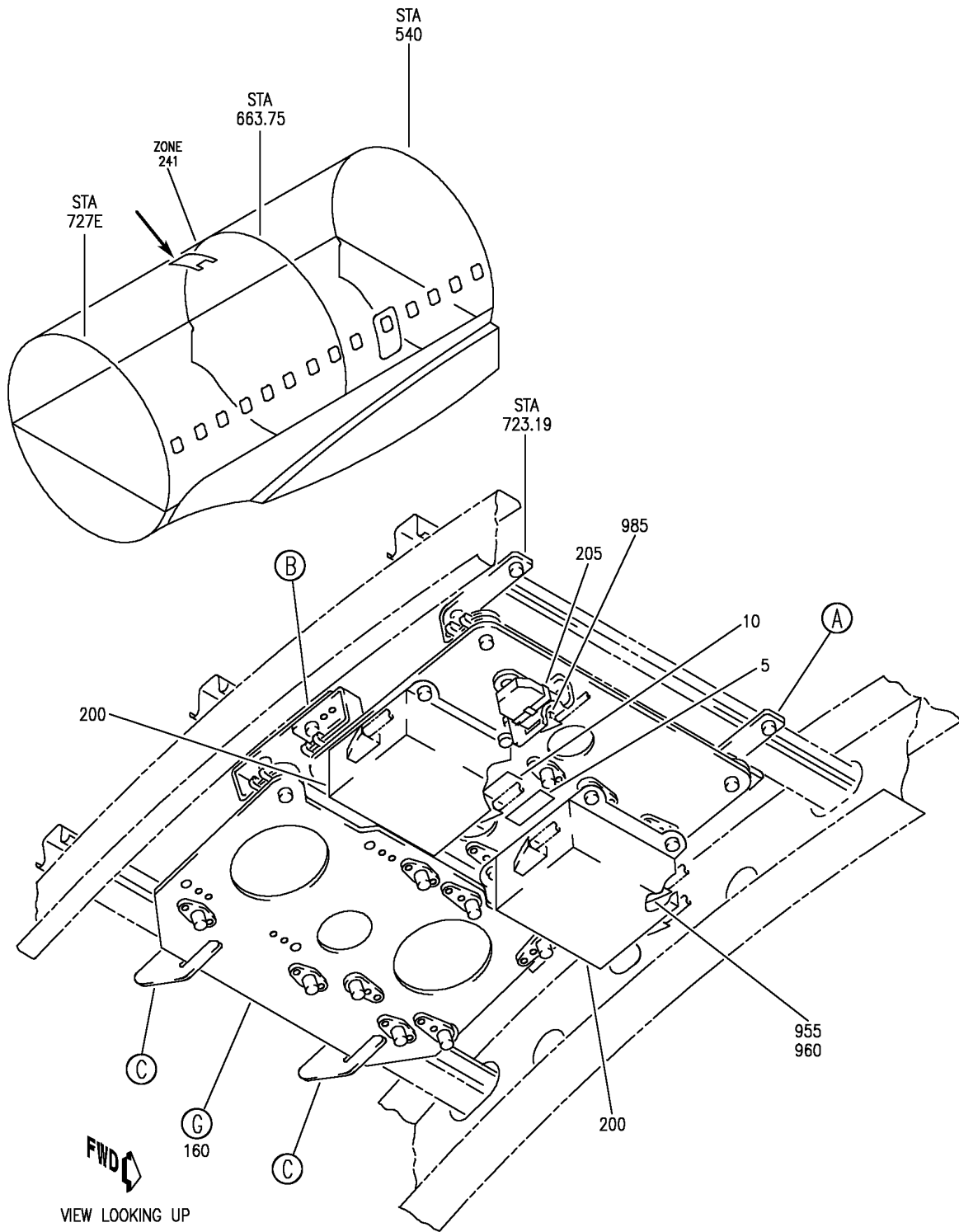
HAP

23-32-03-55

BOEING PROPRIETARY - Copyright © - Unpublished Work - See title page for details.

23-32-03
FIG. 55
PAGE 2
JUN 15/09

BOEING
 737-600/700/800/900
 PARTS CATALOG (MAINTENANCE)



E 23320362 SH1 1 REV 154

FWD
 VIEW LOOKING UP

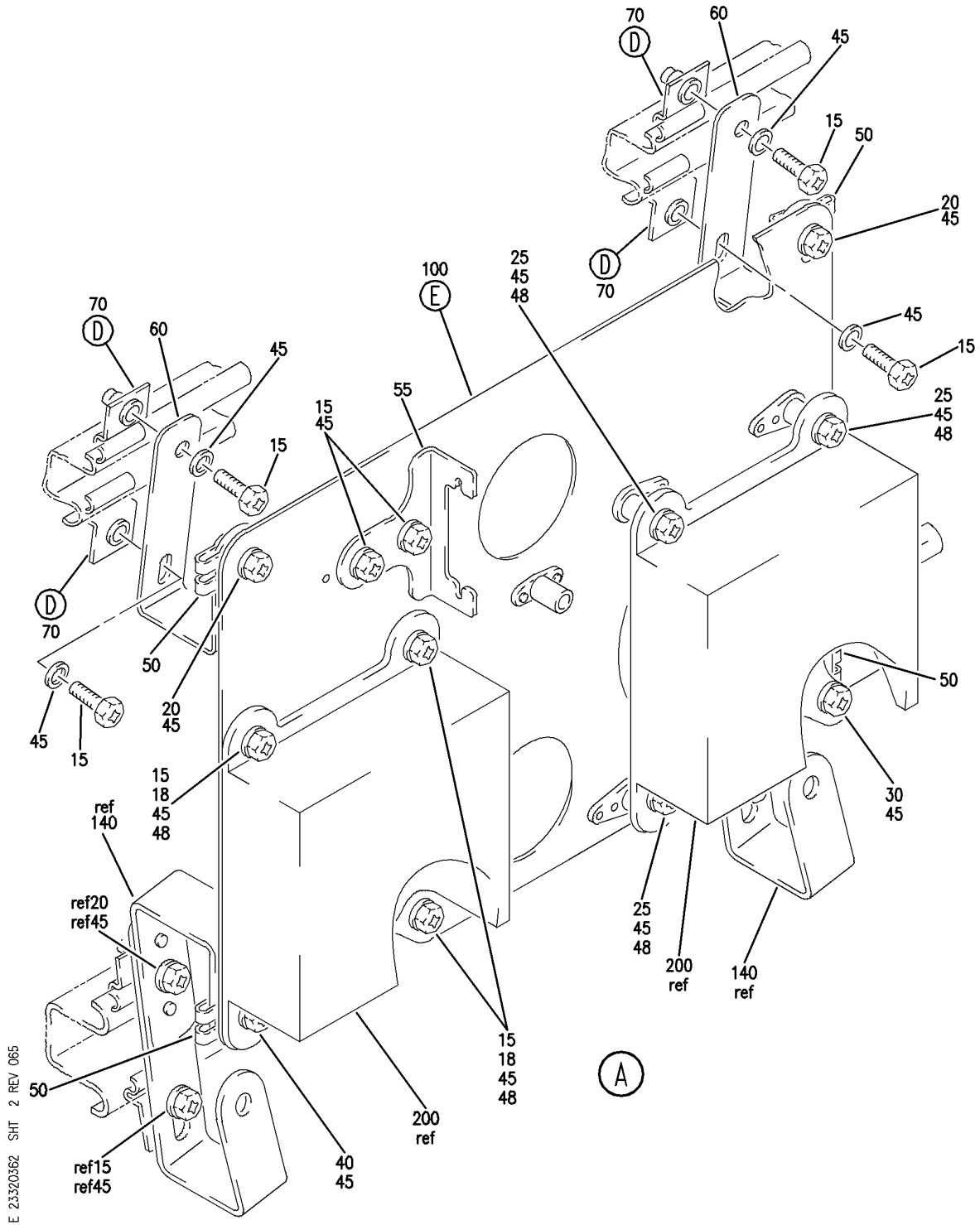
EQUIPMENT INSTL-2 VDU CLUSTER NO TERM. PLUG 737-700
 FIGURE 62 (SHEET 1)

23-32-03-62

HAP
 JUN 15/09

23-32-03-62
 PAGE 0

BOEING
 737-600/700/800/900
 PARTS CATALOG (MAINTENANCE)



E 23320362 SHT 2 REV 065

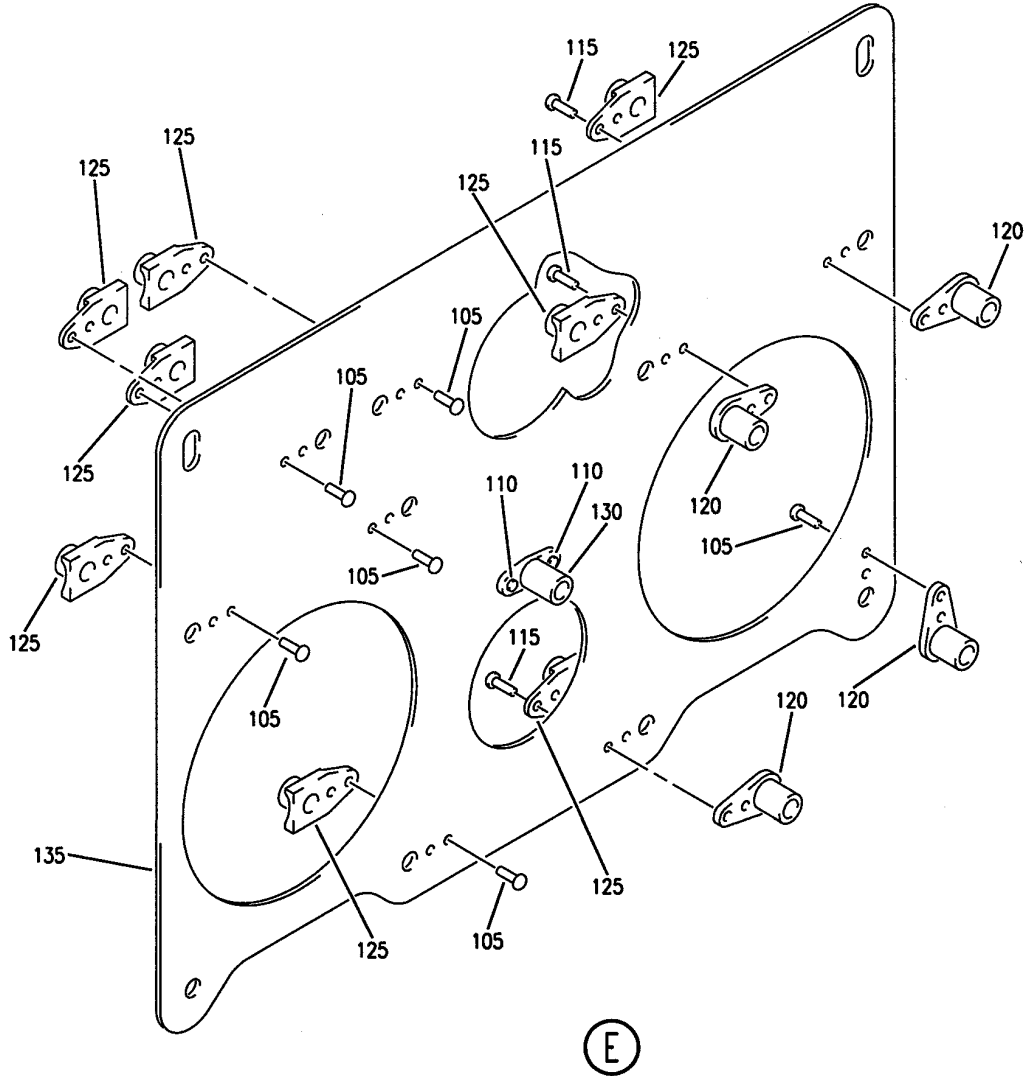
EQUIPMENT INSTL-2 VDU CLUSTER NO TERM. PLUG 737-700
 FIGURE 62 (SHEET 2)

23-32-03-62

HAP
 FEB 10/07

23-32-03-62
 PAGE 0A

BOEING
737-600/700/800/900
PARTS CATALOG (MAINTENANCE)



E 23320362 SHIT 4 REV 035

EQUIPMENT INSTL-2 VDU CLUSTER NO TERM. PLUG 737-700
FIGURE 62 (SHEET 4)

23-32-03-62

HAP
FEB 10/07

23-32-03-62
PAGE 0C

BOEING PROPRIETARY - Copyright © - Unpublished Work - See title page for details.

BOEING
737-600/700/800/900
PARTS CATALOG (MAINTENANCE)

FIG ITEM	PART NUMBER	1 2 3 4 5 6 7	NOMENCLATURE	EFFECT FROM TO	UNITS PER ASSY
62			EQUIPMENT INSTL-2 VDU CLUSTER NO TERM. PLUG 737-700	101200 968999	
- 2	MODREF311125		EQUIPMENT INSTL-2 VDU CLUSTER NO TERM. PLUG MODULE NUMBER: 417A7663-55 REV R POSITION DATA: STA 723.69, LBL 26.53 WL 300.33	101200 968999	1
5	BAC27DEX6675		.DECAL- PLACARD CONTENT: M1943	101200 968999	1
10	BAC27DEX6674		.DECAL- PLACARD CONTENT: M1942	101200 968999	1
18	BACS12GU3K9		.SCREW	101200 968999	3
25	BACS12GU3K17		.SCREW	101200 968999	3
48	NAS1149D0332J		.WASHER	101200 968999	6
200	700-2200-001		.DISTRIBUTION UNIT-VIDEO (CUSTOMER FURNISHED) SUPPLIER CODE: V62204 FUNCTIONAL DESCRIPTION: RECEIVES COMMANDS FROM THE SYSTEM CONTROL UNIT AND ROUTES SELECTED VIDEO SIGNAL TO MONITORS OR PROJECTORS ELECTRICAL EQUIP NUMBER: M01942 M01943 COMPONENT MAINT MANUAL REF: 23-32-03	101200 968999	2
205	PLT4SM		.STRAP SUPPLIER CODE: V06383 SPECIFICATION NUMBER: BACS38K2 OPTIONAL PART: T05L0 V53421	101200 968999	1

MISSING ITEM NUMBERS NOT APPLICABLE

- ITEM NOT ILLUSTRATED

HAP

23-32-03-62

BOEING PROPRIETARY - Copyright © - Unpublished Work - See title page for details.

23-32-03
FIG. 62
PAGE 1
JUN 15/09

BOEING
737-600/700/800/900
PARTS CATALOG (MAINTENANCE)

FIG ITEM	PART NUMBER	1 2 3 4 5 6 7	NOMENCLATURE	EFFECT FROM TO	UNITS PER ASSY
62 - 980 985	286A3605-702		WIRE BUNDLE ASSY- ELECTRICAL EQUIP NUMBER: D10265T D10265U	101200 968999	RF
	DBMA25S		.RECEPTACLE- SUPPLIER CODE: V71468 ELECTRICAL EQUIP NUMBER: D10265 WIRING DIAGRAM REF: 233251	101200 968999	1

MISSING ITEM NUMBERS NOT APPLICABLE

- ITEM NOT ILLUSTRATED

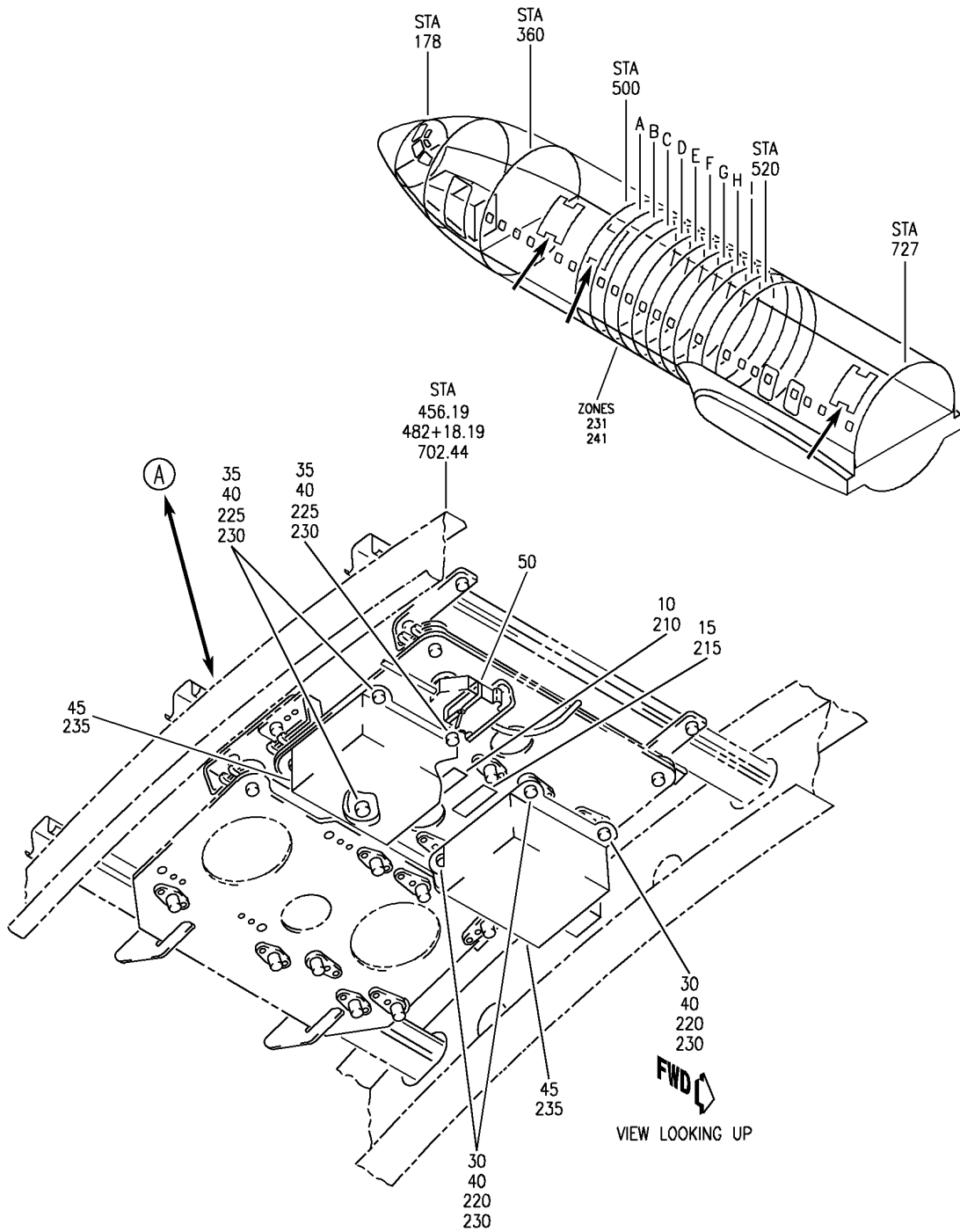
HAP

23-32-03-62

BOEING PROPRIETARY - Copyright © - Unpublished Work - See title page for details.

23-32-03
FIG. 62
PAGE 2
JUN 15/09

BOEING
737-600/700/800/900
PARTS CATALOG (MAINTENANCE)



E 23320387 SHT 1 REV 113

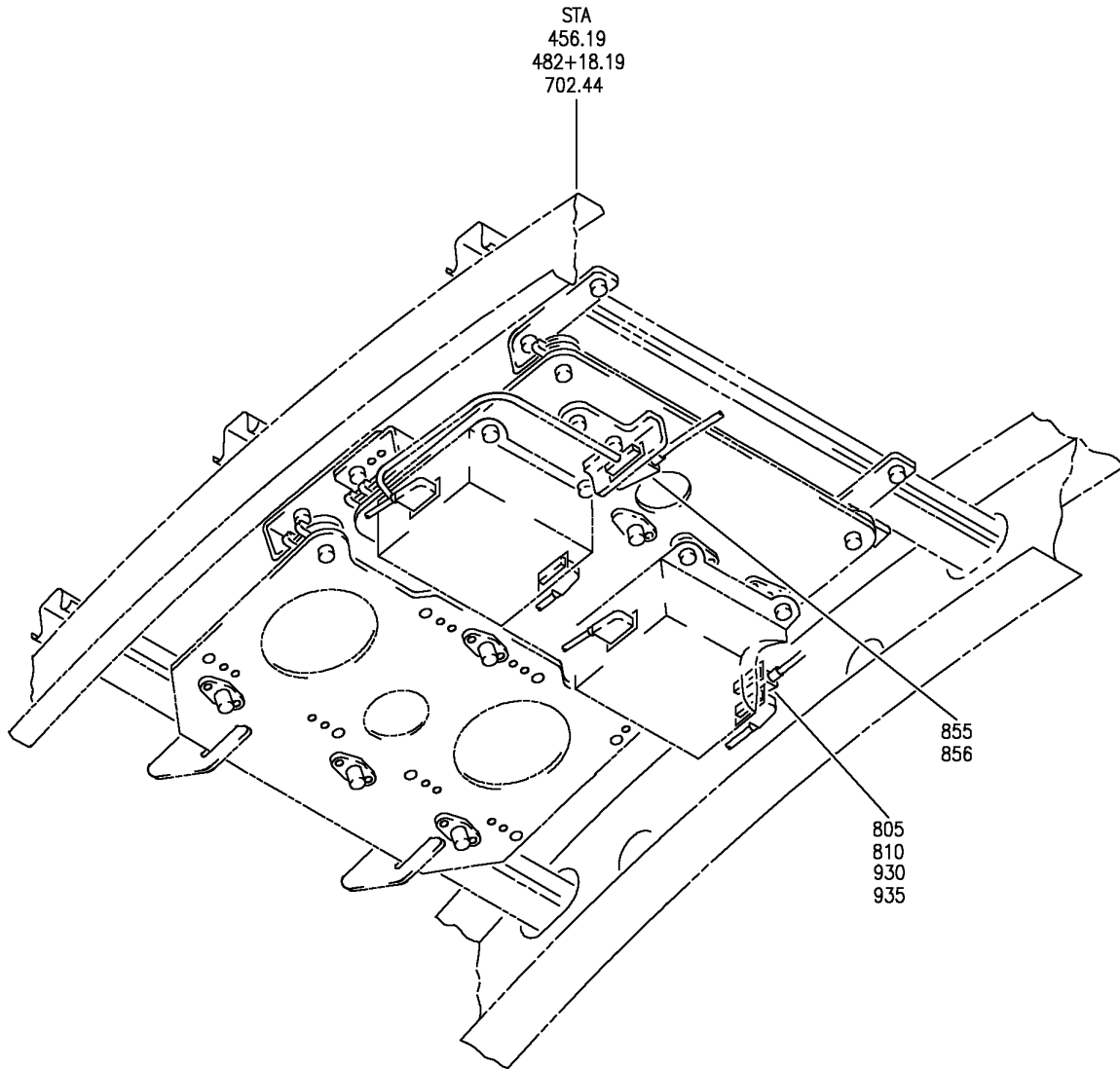
EQUIPMENT INSTL-2 VDU CLUSTER NO TERM. PLUG
 FIGURE 87 (SHEET 1)

23-32-03-87

HAP
 OCT 10/06

23-32-03-87
 PAGE 0

BOEING
737-600/700/800/900
PARTS CATALOG (MAINTENANCE)



FWD

VIEW LOOKING UP

(A)

E 23320387 SHT 2 REV 154

EQUIPMENT INSTL-2 VDU CLUSTER NO TERM. PLUG
FIGURE 87 (SHEET 2)

23-32-03-87

HAP
JUN 15/09

23-32-03-87
PAGE 0A

BOEING
737-600/700/800/900
PARTS CATALOG (MAINTENANCE)

FIG ITEM	PART NUMBER	1 2 3 4 5 6 7	NOMENCLATURE	EFFECT FROM TO	UNITS PER ASSY
87			EQUIPMENT INSTL-2 VDU CLUSTER NO TERM. PLUG	031100	
- 1	MODREF272864		EQUIPMENT INSTL-2 VDU CLUSTER NO TERM. PLUG MODULE NUMBER: 417A7663-49 REV R POSITION DATA: STA 456.19, LBL 26.13, WL 299.62	031036	1
- 2	MODREF310163		EQUIPMENT INSTL-2 VDU CLUSTER NO TERM. PLUG MODULE NUMBER: 417A7663-49 REV W POSITION DATA: STA 456.19, LBL 26.13, WL 299.62	038038	1
- 2	MODREF316599		EQUIPMENT INSTL-2 VDU CLUSTER NO TERM. PLUG MODULE NUMBER: 417A7663-49 REV AB POSITION DATA: STA 456.19, LBL 26.13, WL 299.62	037037 039040 042043	1
- 2	MODREF340588		EQUIPMENT INSTL-2 VDU CLUSTER NO TERM. PLUG MODULE NUMBER: 417A7663-49 REV AD POSITION DATA: STA 456.19, LBL 26.13, WL 299.62	041041 054100	1
- 2	MODREF355893		EQUIPMENT INSTL-2 VDU CLUSTER NO TERM. PLUG MODULE NUMBER: 417A7663-49 REV AG POSITION DATA: STA 456.19, LBL 26.13, WL 299.62	044045	1
- 2	MODREF366785		EQUIPMENT INSTL-2 VDU CLUSTER NO TERM. PLUG MODULE NUMBER: 417A7663-49 REV AJ POSITION DATA: STA 456.19, LBL 26.13, WL 299.62	046046	1

MISSING ITEM NUMBERS NOT APPLICABLE

- ITEM NOT ILLUSTRATED

HAP

23-32-03-87

BOEING PROPRIETARY - Copyright © - Unpublished Work - See title page for details.

23-32-03
FIG. 87
PAGE 1
FEB 15/09

BOEING
737-600/700/800/900
PARTS CATALOG (MAINTENANCE)

FIG ITEM	PART NUMBER	1 2 3 4 5 6 7	NOMENCLATURE	EFFECT FROM TO	UNITS PER ASSY
87 -	2 MODREF373783		EQUIPMENT INSTL-2 VDU CLUSTER NO TERM. PLUG MODULE NUMBER: 417A7663-49 REV AK POSITION DATA: STA 456.19, LBL 26.13, WL 299.62	047047	1
-	2 MODREF393607		EQUIPMENT INSTL-2 VDU CLUSTER NO TERM. PLUG MODULE NUMBER: 417A7663-49 REV AN POSITION DATA: STA 456.19, LBL 26.13, WL 299.62	048053	1
	10 BAC27DEX6666		.DECAL- PLACARD CONTENT: M1934	031100	1
	15 BAC27DEX6667		.DECAL- PLACARD CONTENT: M1935	031100	1
	30 BACS12GU3K17		.SCREW-	031100	3
	35 BACS12GU3K9		.SCREW-	031100	3
	40 NAS1149D0332J		.WASHER-	031100	6
	45 700-2200-001		.DISTRIBUTION UNIT-VIDEO (CUSTOMER FURNISHED) SUPPLIER CODE: V62204 FUNCTIONAL DESCRIPTION: RECEIVES COMMANDS FROM THE SYSTEM CONTROL UNIT AND ROUTES SELECTED VIDEO SIGNAL TO MONITORS OR PROJECTORS. ELECTRICAL EQUIP NUMBER: M01934 M01935 COMPONENT MAINT MANUAL REF: 23-32-03	031100	2
	50 PLT4SM		.STRAP SUPPLIER CODE: V06383 SPECIFICATION NUMBER: BACS38K2 OPTIONAL PART: T05L0 V53421	031100	1

MISSING ITEM NUMBERS NOT APPLICABLE

- ITEM NOT ILLUSTRATED

HAP

23-32-03-87

BOEING PROPRIETARY - Copyright © - Unpublished Work - See title page for details.

23-32-03
FIG. 87
PAGE 2
JUN 15/09

BOEING
737-600/700/800/900
PARTS CATALOG (MAINTENANCE)

FIG ITEM	PART NUMBER	1 2 3 4 5 6 7	NOMENCLATURE	EFFECT FROM TO	UNITS PER ASSY
R R R R R	87 - 851	286A3605-005	WIRE BUNDLE ASSY- ELECTRICAL EQUIP NUMBER: D10201T D10201U D10265T D10265U	031100	RF
	856	DBMA25S	.RECEPTACLE- SUPPLIER CODE: V71468 ELECTRICAL EQUIP NUMBER: D10201 WIRING DIAGRAM REF: 233231	031100	1

MISSING ITEM NUMBERS NOT APPLICABLE

- ITEM NOT ILLUSTRATED

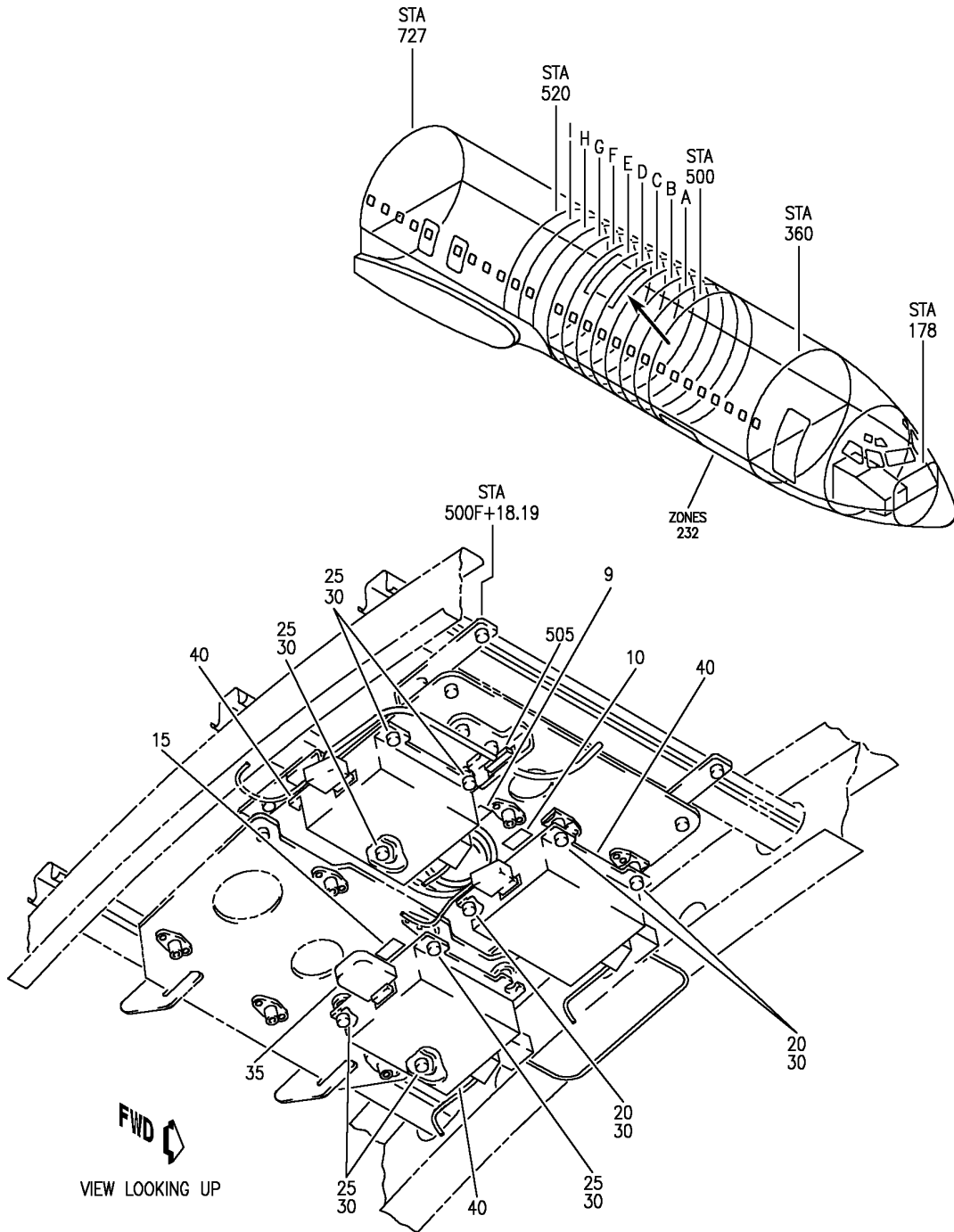
HAP

23-32-03-87

BOEING PROPRIETARY - Copyright © - Unpublished Work - See title page for details.

23-32-03
FIG. 87
PAGE 3
JUN 15/09

BOEING
 737-600/700/800/900
 PARTS CATALOG (MAINTENANCE)



E 23320388 REV 154

EQUIPMENT INSTL-3 VDU CLUSTER WITH TERM. PLUG
 FIGURE 88

23-32-03-88

HAP
 JUN 15/09

23-32-03-88
 PAGE 0

BOEING
737-600/700/800/900
PARTS CATALOG (MAINTENANCE)

FIG ITEM	PART NUMBER	1 2 3 4 5 6 7	NOMENCLATURE	EFFECT FROM TO	UNITS PER ASSY
88			EQUIPMENT INSTL-3 VDU CLUSTER WITH TERM. PLUG	031100	
- 1	MODREF268510		EQUIPMENT INSTL-3 VDU CLUSTER WITH TERM. PLUG MODULE NUMBER: 417A7663-50 REV T POSITION DATA: STA 500F+18.19 LBL 26.53 WL 300.33	031031	1
- 1	MODREF270369		EQUIPMENT INSTL-3 VDU CLUSTER WITH TERM. PLUG MODULE NUMBER: 417A7663-50 REV U POSITION DATA: STA 500F+18.19 LBL 26.53 WL 300.33	032035	1
- 1	MODREF274142		EQUIPMENT INSTL-3 VDU CLUSTER WITH TERM. PLUG MODULE NUMBER: 417A7663-50 REV V POSITION DATA: STA 500F+18.19 LBL 26.53 WL 300.33	036036	1
- 2	MODREF310164		EQUIPMENT INSTL-3 VDU CLUSTER WITH TERM. PLUG MODULE NUMBER: 417A7663-50 REV AC POSITION DATA: STA 500F+18.19 LBL 26.53 WL 300.33	038038	1
- 2	MODREF316600		EQUIPMENT INSTL-3 VDU CLUSTER WITH TERM. PLUG MODULE NUMBER: 417A7663-50 REV AF POSITION DATA: STA 500F+18.19 LBL 26.53 WL 300.33	037037 039040 042043	1
- 2	MODREF340589		EQUIPMENT INSTL-3 VDU CLUSTER WITH TERM. PLUG MODULE NUMBER: 417A7663-50 REV AH POSITION DATA: STA 500F+18.19 LBL 26.53 WL 300.33	041041 054100	1

MISSING ITEM NUMBERS NOT APPLICABLE

- ITEM NOT ILLUSTRATED

HAP

23-32-03-88

23-32-03
FIG. 88
PAGE 1
FEB 15/09

BOEING
737-600/700/800/900
PARTS CATALOG (MAINTENANCE)

FIG ITEM	PART NUMBER	1 2 3 4 5 6 7	NOMENCLATURE	EFFECT FROM TO	UNITS PER ASSY
88					
- 2	MODREF355894		EQUIPMENT INSTL-3 VDU CLUSTER WITH TERM. PLUG MODULE NUMBER: 417A7663-50 REV AL POSITION DATA: STA 500F+18.19 LBL 26.53 WL 300.33	044045	1
- 2	MODREF366786		EQUIPMENT INSTL-3 VDU CLUSTER WITH TERM. PLUG MODULE NUMBER: 417A7663-50 REV AN POSITION DATA: STA 500F+18.19 LBL 26.53 WL 300.33	046046	1
- 2	MODREF373784		EQUIPMENT INSTL-3 VDU CLUSTER WITH TERM. PLUG MODULE NUMBER: 417A7663-50 REV AR POSITION DATA: STA 500F+18.19 LBL 26.53 WL 300.33	047047	1
- 3	MODREF393608		EQUIPMENT INSTL-3 VDU CLUSTER WITH TERM. PLUG MODULE NUMBER: 417A7663-50 REV AW POSITION DATA: STA 500F+18.19 LBL 26.53 WL 300.33	048053	1
9	BAC27DEX6670		.DECAL- PLACARD CONTENT: M1938	031100	1
10	BAC27DEX6671		.DECAL- PLACARD CONTENT: M1939	031100	1
15	BAC27DEX6672		.DECAL- PLACARD CONTENT: M1940	031100	1
20	BACS12GU3K17		.SCREW	031100	3
25	BACS12GU3K9		.SCREW	031100	6
30	NAS1149D0332J		.WASHER	031100	9
35	700-1516-002		.PLUG-TERMINATION SUPPLIER CODE: V62204 ELECTRICAL EQUIP NUMBER: M02047	031100	1

MISSING ITEM NUMBERS NOT APPLICABLE

- ITEM NOT ILLUSTRATED

HAP

23-32-03-88

BOEING PROPRIETARY - Copyright © - Unpublished Work - See title page for details.

23-32-03
FIG. 88
PAGE 2
FEB 15/09

BOEING
737-600/700/800/900
PARTS CATALOG (MAINTENANCE)

FIG ITEM	PART NUMBER	1 2 3 4 5 6 7	NOMENCLATURE	EFFECT FROM TO	UNITS PER ASSY
88 40	700-2200-001		.DISTRIBUTION UNIT-VIDEO SUPPLIER CODE: V62204 FUNCTIONAL DESCRIPTION: RECEIVES COMMANDS FROM THE SYSTEM CONTROL UNIT AND ROUTES SELECTED VIDEO SIGNAL TO MONITORS OR PROJECTORS. ELECTRICAL EQUIP NUMBER: M01938 M01939 M01940 COMPONENT MAINT MANUAL REF: 23-32-03	031100	3
R R R - 500	286A3605-005		WIRE BUNDLE ASSY- ELECTRICAL EQUIP NUMBER: D1023U	031100	RF
505	DBMA25S		.RECEPTACLE- SUPPLIER CODE: V71468 ELECTRICAL EQUIP NUMBER: D10233 WIRING DIAGRAM REF: 233241	031100	1

MISSING ITEM NUMBERS NOT APPLICABLE

- ITEM NOT ILLUSTRATED

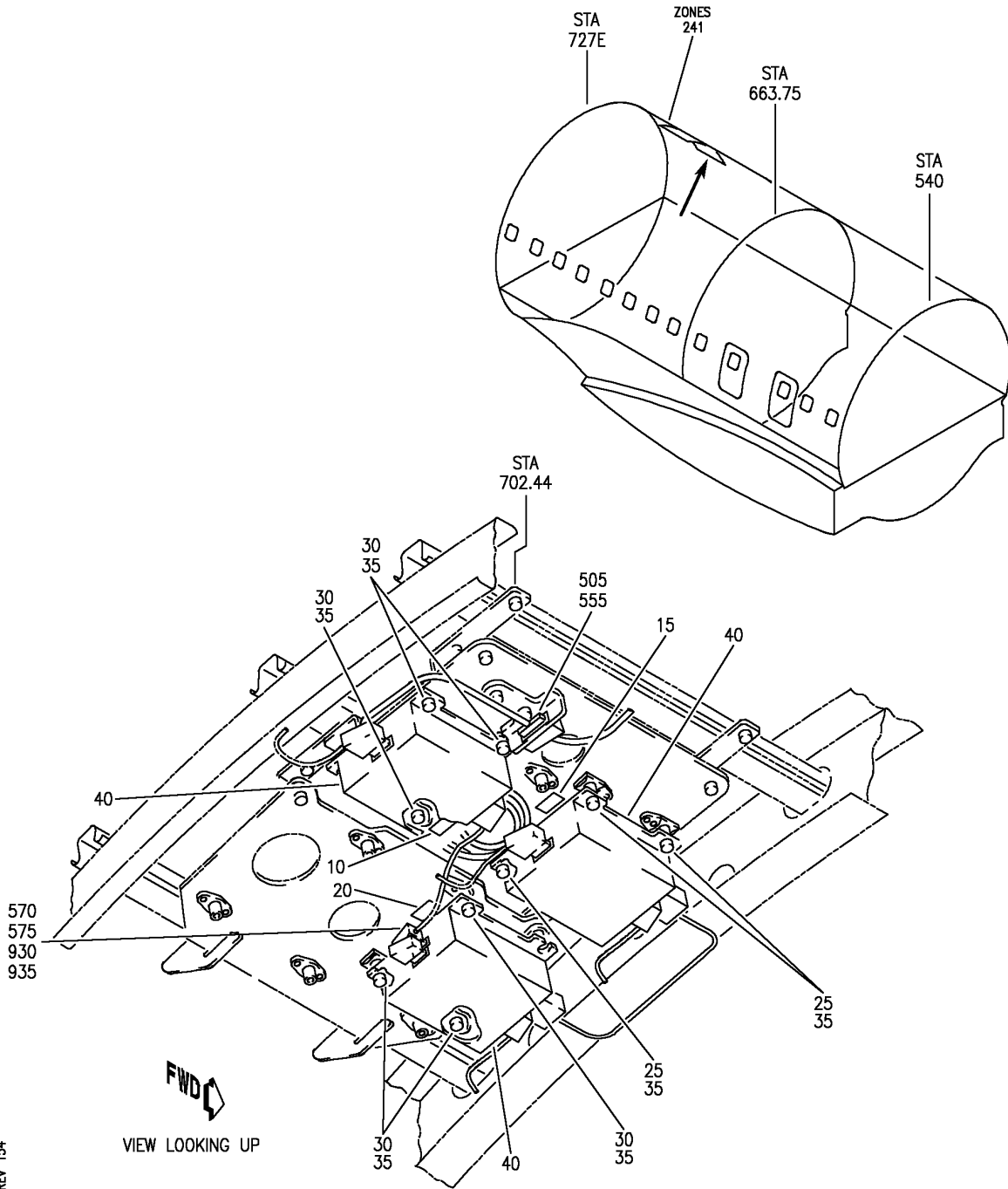
HAP

23-32-03-88

BOEING PROPRIETARY - Copyright © - Unpublished Work - See title page for details.

23-32-03
FIG. 88
PAGE 3
JUN 15/09

BOEING
 737-600/700/800/900
 PARTS CATALOG (MAINTENANCE)



E 23320388A REV 154

EQUIPMENT INSTL-3 VDU CLUSTER NO TERM. PLUG
 FIGURE 88A

23-32-03-88A

HAP
 JUN 15/09

23-32-03-88A
 PAGE 0

BOEING
737-600/700/800/900
PARTS CATALOG (MAINTENANCE)

FIG ITEM	PART NUMBER	1 2 3 4 5 6 7	NOMENCLATURE	EFFECT FROM TO	UNITS PER ASSY
88A			EQUIPMENT INSTL-3 VDU CLUSTER NO TERM. PLUG	031100	
- 1	MODREF268511		EQUIPMENT INSTL-3 VDU CLUSTER NO TERM. PLUG MODULE NUMBER: 417A7663-60 REV H POSITION DATA: STA 702.44, LBL 26.53 WL 300.33	031031	1
- 1	MODREF270370		EQUIPMENT INSTL-3 VDU CLUSTER NO TERM. PLUG MODULE NUMBER: 417A7663-60 REV J POSITION DATA: STA 702.44, LBL 26.53 WL 300.33	032036	1
- 1	MODREF310165		EQUIPMENT INSTL-3 VDU CLUSTER NO TERM. PLUG MODULE NUMBER: 417A7663-60 REV K POSITION DATA: STA 702.44, LBL 26.53 WL 300.33	037040 042043	1
- 1	MODREF340590		EQUIPMENT INSTL-3 VDU CLUSTER NO TERM. PLUG MODULE NUMBER: 417A7663-60 REV L POSITION DATA: STA 702.44, LBL 26.53 WL 300.33	041041 054100	1
- 1	MODREF355895		EQUIPMENT INSTL-3 VDU CLUSTER NO TERM. PLUG MODULE NUMBER: 417A7663-60 REV P POSITION DATA: STA 702.44, LBL 26.53 WL 300.33	044045	1
- 1	MODREF366789		EQUIPMENT INSTL-3 VDU CLUSTER NO TERM. PLUG MODULE NUMBER: 417A7663-60 REV R POSITION DATA: STA 702.44, LBL 26.53 WL 300.33	046047	1

MISSING ITEM NUMBERS NOT APPLICABLE

- ITEM NOT ILLUSTRATED

HAP

23-32-03-88A

BOEING PROPRIETARY - Copyright © - Unpublished Work - See title page for details.

23-32-03
FIG. 88A
PAGE 1
FEB 15/09

BOEING
737-600/700/800/900
PARTS CATALOG (MAINTENANCE)

FIG ITEM	PART NUMBER	1 2 3 4 5 6 7	NOMENCLATURE	EFFECT FROM TO	UNITS PER ASSY
88A - 1	MODREF393609		EQUIPMENT INSTL-3 VDU CLUSTER NO TERM. PLUG MODULE NUMBER: 417A7663-60 REV T POSITION DATA: STA 702.44, LBL 26.53 WL 300.33	048053	1
	10 BAC27DEX6674		.DECAL- PLACARD CONTENT: M1942	031100	1
	15 BAC27DEX6675		.DECAL- PLACARD CONTENT: M1943	031100	1
	20 BAC27DEX6676		.DECAL- PLACARD CONTENT: M1944	031100	1
	25 BACS12GU3K17		.SCREW	031100	3
	30 BACS12GU3K9		.SCREW	031100	6
	35 NAS1149D0332J		.WASHER	031100	9
	40 700-2200-001		.DISTRIBUTION UNIT-VIDEO SUPPLIER CODE: V62204 FUNCTIONAL DESCRIPTION: RECEIVES COMMANDS FROM THE SYSTEM CONTROL UNIT AND ROUTES SELECTED VIDEO SIGNAL TO MONITORS OR PROJECTORS. ELECTRICAL EQUIP NUMBER: M01942 M01943 M01944 COMPONENT MAINT MANUAL REF: 23-32-03	031100	3
R R R R R	- 550 286A3605-005		WIRE BUNDLE ASSY- ELECTRICAL EQUIP NUMBER: D10265T D10265U D10283U	031047 049100	RF
	555 DBMA25S		.RECEPTACLE- SUPPLIER CODE: V71468 ELECTRICAL EQUIP NUMBER: D10265 WIRING DIAGRAM REF: 233251	031047 049100	1

MISSING ITEM NUMBERS NOT APPLICABLE

- ITEM NOT ILLUSTRATED

HAP

23-32-03-88A

BOEING PROPRIETARY - Copyright © - Unpublished Work - See title page for details.

23-32-03
FIG. 88A
PAGE 2
JUN 15/09


BOEING
 737-600/700/800/900
PARTS CATALOG (MAINTENANCE)

FIG ITEM	PART NUMBER	1 2 3 4 5 6 7	NOMENCLATURE	EFFECT FROM TO	UNITS PER ASSY
88A 570	DBMA25P		.PLUG- SUPPLIER CODE: V71468 ELECTRICAL EQUIP NUMBER: D10283 WIRING DIAGRAM REF: 233261	031047 049100	1
575	D110278		.LATCH ASSY-SPR SUPPLIER CODE: V71468 ELECTRICAL EQUIP NUMBER: D10283T WIRING DIAGRAM REF: 233261	031047 049100	2

MISSING ITEM NUMBERS NOT APPLICABLE

— ITEM NOT ILLUSTRATED

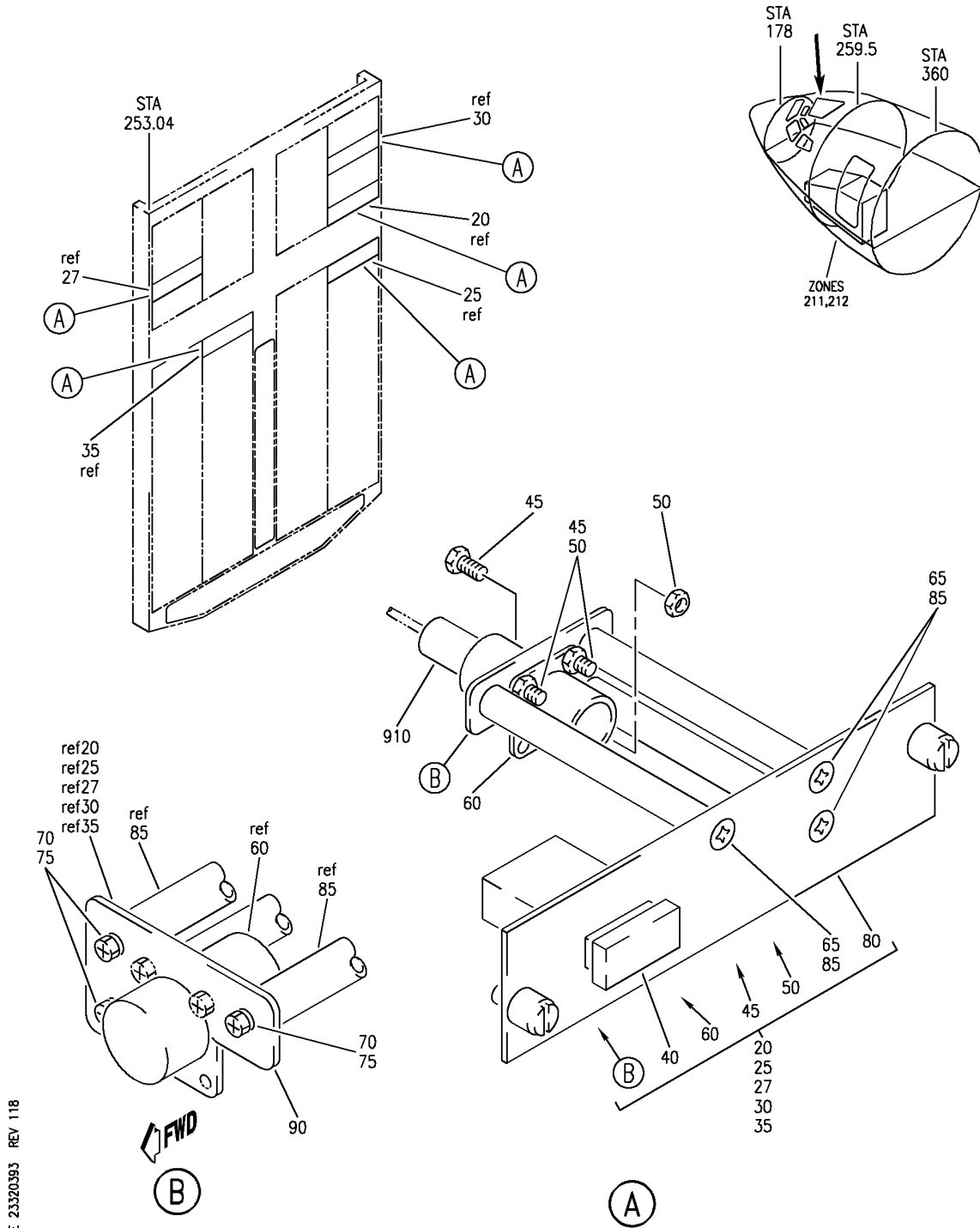
HAP

23-32-03-88A

BOEING PROPRIETARY - Copyright © - Unpublished Work - See title page for details.

23-32-03
 FIG. 88A
 PAGE 3
 JUN 15/09

BOEING
 737-600/700/800/900
 PARTS CATALOG (MAINTENANCE)



E 23320393 REV 118

MODULE INSTL-P5 OVHD (PASSENGER VIDEO SYSTEM ONLY)
 FIGURE 93

23-32-03-93

HAP
 OCT 10/06

23-32-03-93
 PAGE 0

BOEING
737-600/700/800/900
PARTS CATALOG (MAINTENANCE)

FIG ITEM	PART NUMBER	1 2 3 4 5 6 7	NOMENCLATURE	EFFECT FROM TO	UNITS PER ASSY
93			MODULE INSTL-P5 OVHD (PASSENGER VIDEO SYSTEM ONLY)	029200 968999	
- 1	233A3104-115		MODULE INSTL-P5 OVHD (PASSENGER VIDEO SYSTEM ONLY) FOR NHA/OTHER SYS DET SEE: 31-11-00-01C	029030	RF
- 2	MODREF101057		MODULE INSTL-P5 OVHD (PASSENGER VIDEO SYSTEM ONLY) MODULE NUMBER: 233A3104-115 REV B FOR OTHER SYS DETAILS SEE: 23-24-00-03 23-71-12-02 31-11-94-12 31-11-95-14 33-11-52-13	031036 038038	1
R R R R R R R R R R R R	- 3	MODREF321087	MODULE INSTL-P5 OVHD (PASSENGER VIDEO SYSTEM ONLY) MODULE NUMBER: 233A3104-115 REV D FOR OTHER SYS DETAILS SEE: 23-24-00-03 23-71-12-02 31-11-94-04X 31-11-94-07Q 31-11-95-07Q 31-11-95-32 33-11-52-02X 33-11-52-06K	037037 039200 968999	1
	35	69-78190-1	.MODULE ASSY-VIDEO ANN. P5-81 SUPPLIER CODE: V89954 ELECTRICAL EQUIP NUMBER: P00581	029200 968999	RF

MISSING ITEM NUMBERS NOT APPLICABLE

- ITEM NOT ILLUSTRATED

HAP

23-32-03-93

23-32-03
FIG. 93
PAGE 1
JUN 15/09

BOEING
737-600/700/800/900
PARTS CATALOG (MAINTENANCE)

FIG ITEM	PART NUMBER	1 2 3 4 5 6 7	NOMENCLATURE	EFFECT FROM TO	UNITS PER ASSY
93					
40	BCREF15495		..LIGHT ASSY-IND VIDEO ON SUPPLIER CODE: V81590 OVERLENGTH PART NUMBER: 318-630-1001-361 SPECIFICATION NUMBER: 10-61803-431 COMPONENT MAINT MANUAL REF: 33-10-05 FOR DETAILS SEE: 33-11-50-12	029200 968999	1
45	NAS1801-04-5		..SCREW	029200 968999	3
50	K19798-04		..NUT SUPPLIER CODE: V15653 SPECIFICATION NUMBER: BACN10NW1 OPTIONAL PART: RMA4812-160-40 V72962 293162 V60119	029200 968999	3
- 55	69-78190-3		..WIRE BUNDLE ASSY- SUPPLIER CODE: V89954	029200 968999	RF
60	48-10R10-5P		...RECEPTACLE- SUPPLIER CODE: V02660 SPECIFICATION NUMBER: BACC45FN10-5P	029200 968999	1
65	NAS514P632-5		..SCREW	029200 968999	3
70	NAS1801-06-5		..SCREW	029200 968999	3
75	MS35338-41		..WASHER	029200 968999	3
80	69-78190-2		..BASEPLATE ASSY- SUPPLIER CODE: V89954	029200 968999	1
85	66-13524-2		..SPACER	029200 968999	3
90	69-43873-54		..BRACKET-SPRT	029200 968999	1

MISSING ITEM NUMBERS NOT APPLICABLE

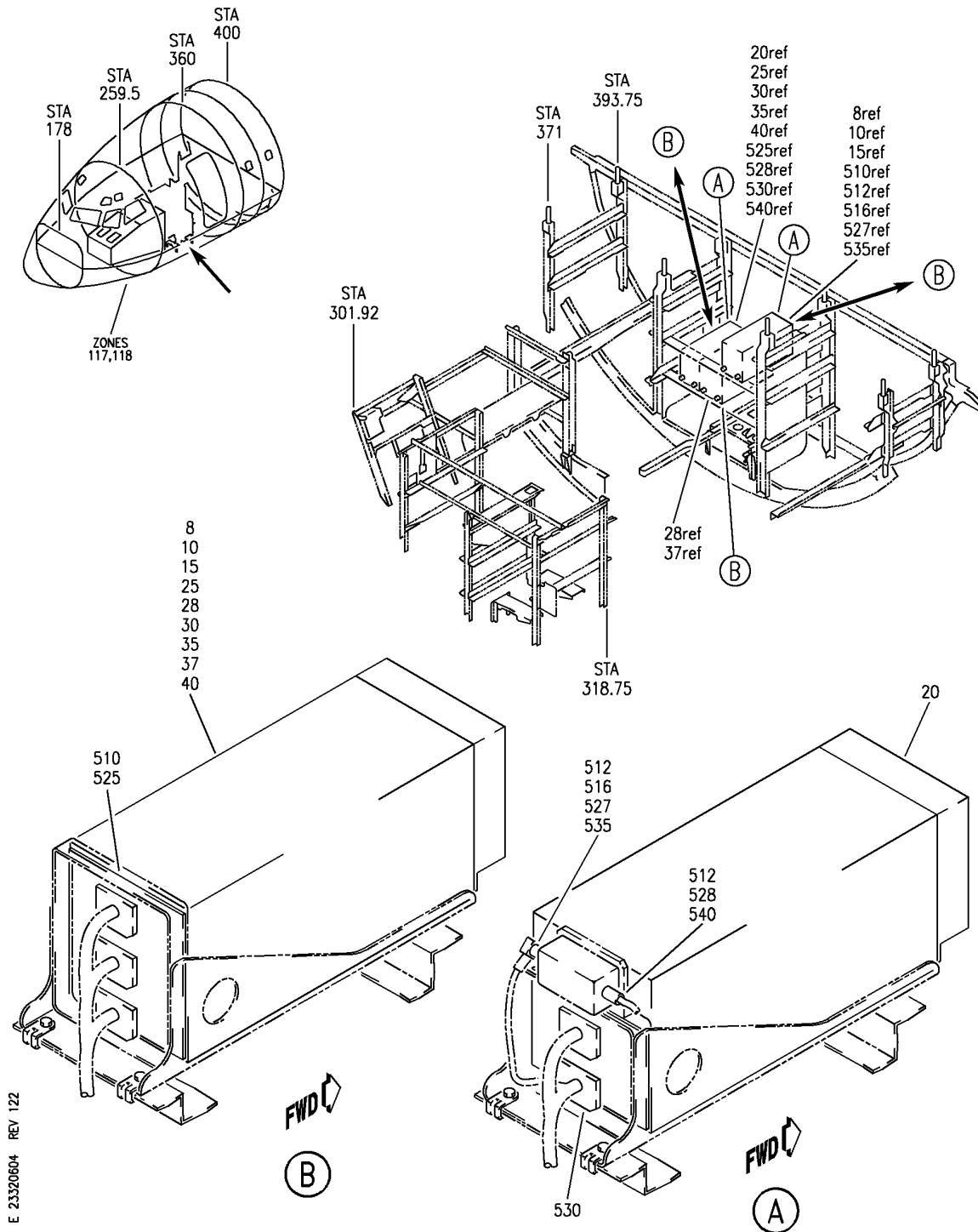
- ITEM NOT ILLUSTRATED

HAP

23-32-03-93

23-32-03
FIG. 93
PAGE 2
JUN 15/09

BOEING
 737-600/700/800/900
 PARTS CATALOG (MAINTENANCE)



E 23320604 REV 122

EQUIPMENT AND SOFTWARE INSTL- E3 DIGITAL INTERFACE UNIT AIRSHOW
 FIGURE 4

23-32-06-04

HAP
 OCT 10/06

23-32-06-04
 PAGE 0

BOEING
737-600/700/800/900
PARTS CATALOG (MAINTENANCE)

FIG ITEM	PART NUMBER	1 2 3 4 5 6 7	NOMENCLATURE	EFFECT FROM TO	UNITS PER ASSY
4			EQUIPMENT AND SOFTWARE	012030	
- 1	284A0431-134		INSTL- E3 DIGITAL INTERFACE UNIT AIRSHOW EQUIPMENT INSTL-E3-2 DIGITAL INTERFACE UNIT AIRSHOW 420 FOR NHA SEE: 23-30-00-12	028030	RF
- 1	284A0431-126		EQUIPMENT INSTL-E3-2 DIGITAL INTERFACE UNIT AIRSHOW 420 FOR NHA SEE: 23-30-00-12	012027	RF
8	FTS0004-000-000		.UNIT-DIGITAL INTERFACE SUPPLIER CODE: VC1008 MAINTENANCE MANUAL REF: 23-32-06 POST AIRLINE MOD: COC NO.230206 VHAP	012030	1
10	921111		.CADDY-CD ROM AIRSHOW 420 SUPPLIER CODE: V70093 ELECTRICAL EQUIP NUMBER: M02260	012013 015027	1
10	921111		.CADDY-CD ROM AIRSHOW 420 (CUSTOMER FURNISHED) SUPPLIER CODE: V70093 ELECTRICAL EQUIP NUMBER: M02260	014014	1
15	BCREF16533		.CDROM-AS420 SUPPLIER CODE: V70093 OVERLENGTH PART NUMBER: 921900-01-9999-7 MISCELLANEOUS DATA: THIS DEFAULT CDROM IS TYPICALLY REPLACED AFTER DELIVERY WITH AIRLINE CUSTOMIZED SOFTWARE. CONTACT SUPPLIER FOR SPARES SUPPORT.	012013 015030	1

MISSING ITEM NUMBERS NOT APPLICABLE

- ITEM NOT ILLUSTRATED

HAP

23-32-06-04

BOEING PROPRIETARY - Copyright © - Unpublished Work - See title page for details.

23-32-06
FIG. 04
PAGE 1
OCT 15/08

BOEING
737-600/700/800/900
PARTS CATALOG (MAINTENANCE)

FIG ITEM	PART NUMBER	1 2 3 4 5 6 7	NOMENCLATURE	EFFECT FROM TO	UNITS PER ASSY
4 15	BCREF16533		.CDROM-AS420 (CUSTOMER FURNISHED) SUPPLIER CODE: V70093 OVERLENGTH PART NUMBER: 921900-01-9999-7 MISCELLANEOUS DATA: THIS DEFAULT CDROM IS TYPICALLY REPLACED AFTER DELIVERY WITH AIRLINE CUSTOMIZED SOFTWARE. CONTACT SUPPLIER FOR SPARES SUPPORT.	014014	1
- 500 510	286A0321-154 BCREF136276		WIRE BUNDLE ASSY .PLUG- OVERLENGTH PART NUMBER: RM3P32C2S67S32C2S0001 ELECTRICAL EQUIP NUMBER: D02813 WIRING DIAGRAM REF: 233221	012030 012030	RF 1

MISSING ITEM NUMBERS NOT APPLICABLE

- ITEM NOT ILLUSTRATED

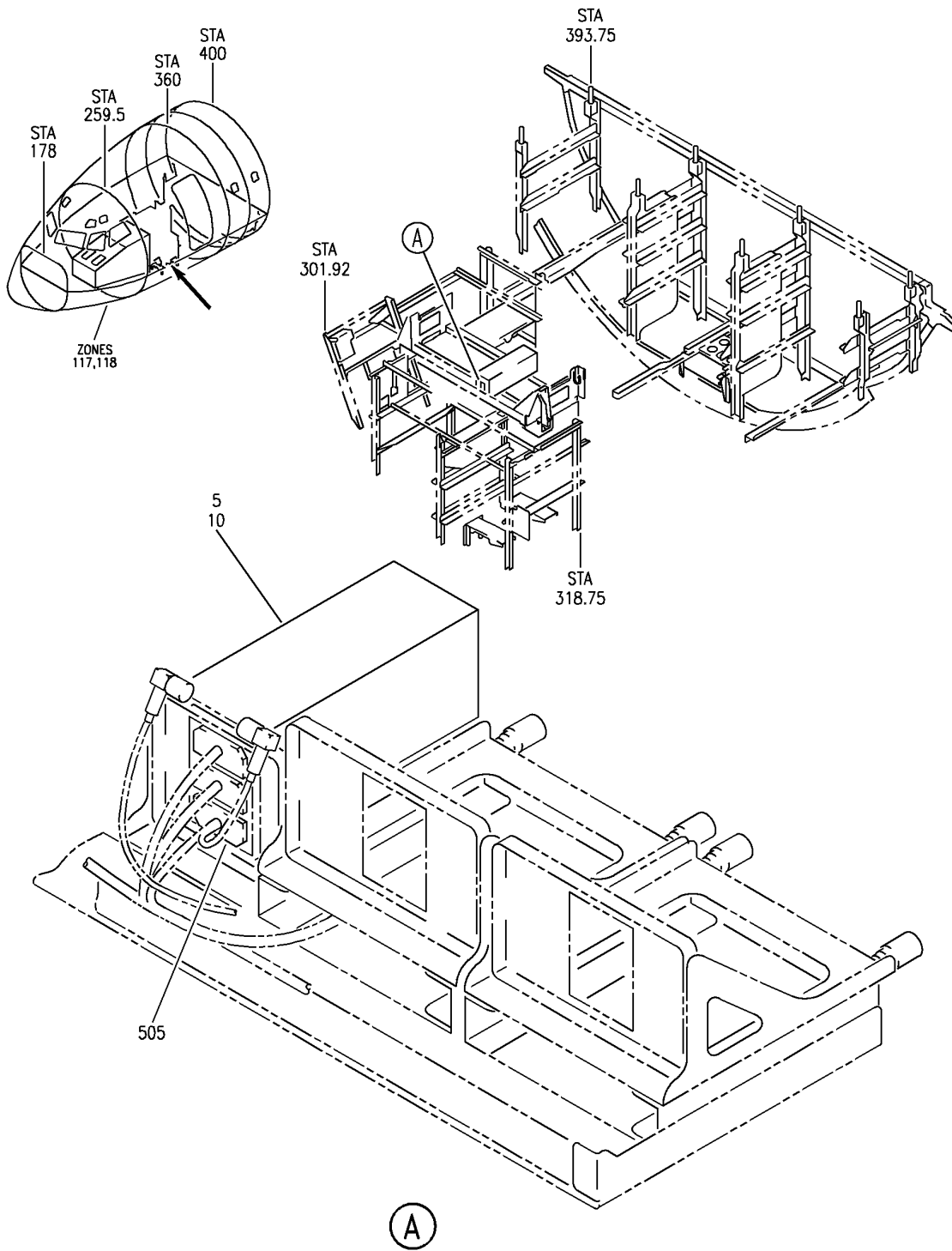
HAP

23-32-06-04

BOEING PROPRIETARY - Copyright © - Unpublished Work - See title page for details.

23-32-06
FIG. 04
PAGE 2
OCT 10/06

BOEING
737-600/700/800/900
PARTS CATALOG (MAINTENANCE)



E 23320611 REV 124

EQUIPMENT AND SOFTWARE INSTL-E8-1 RACK E/E BAY
FIGURE 11

23-32-06-11

HAP
JUN 10/07

23-32-06-11
PAGE 0

BOEING
737-600/700/800/900
PARTS CATALOG (MAINTENANCE)

FIG ITEM	PART NUMBER	1 2 3 4 5 6 7	NOMENCLATURE	EFFECT FROM TO	UNITS PER ASSY
11			EQUIPMENT AND SOFTWARE INSTL-E8-1 RACK E/E BAY	038038 041100 104200 968969 972999	
- 1	MODREF312782		EQUIPMENT INSTL-E8-1 RACK E/E BAY MODULE NUMBER: 284A0481-233202 REV A	038038 042043 968969	RF
- 1	MODREF343476		EQUIPMENT INSTL-E8-1 RACK E/E BAY MODULE NUMBER: 284A0481-233202 REV B	041041 044046 054100	RF
- 1	MODREF376017		EQUIPMENT INSTL-E8-1 RACK E/E BAY MODULE NUMBER: 284A0481-233202 REV C	047053 104200 972999	RF
5	925010-101		.MEDIA UNIT-AIRSHOW SYS DIGITAL SUPPLIER CODE: V70093 FUNCTIONAL DESCRIPTION: SUPPORTS DISPLAY OF THE AIRSHOW PASSENGER IN-FLIGHT INFORMATION SYSTEM ELECTRICAL EQUIP NUMBER: M01499	038038 041100 104200 968969 972999	1
- 200	MODREF325003		SOFTWARE INSTL- MODULE NUMBER: 222A4003-10 REV C	038038 042042 968969	1
- 200	MODREF376007		SOFTWARE INSTL- MODULE NUMBER: 222A4003-30 REV A	047053 104200 972999	1
- 200	MODREF337057		SOFTWARE INSTL- MODULE NUMBER: 222A4003-20 REV A	041041 043043	1
- 200	MODREF346043		SOFTWARE INSTL- MODULE NUMBER: 222A4003-20 REV B	054100	1
- 200	MODREF358386		SOFTWARE INSTL- MODULE NUMBER: 222A4003-20 REV C	044046	1

MISSING ITEM NUMBERS NOT APPLICABLE

- ITEM NOT ILLUSTRATED

HAP

23-32-06-11

23-32-06
FIG. 11
PAGE 1
FEB 15/09

BOEING
737-600/700/800/900
PARTS CATALOG (MAINTENANCE)

FIG ITEM	PART NUMBER	1 2 3 4 5 6 7	NOMENCLATURE	EFFECT FROM TO	UNITS PER ASSY
11 - 205	925930-001-17	.	SOFTWARE-PLATFORM SUPPLIER CODE: V70093 MISCELLANEOUS DATA: NON-ONBOARD LOADABLE- NO DISK SET REQUIRED USED WITH: 925010-101 HARDWARE REFERENCE SEE: 23-32-06-11	038038 042042 968969	1
- 205	925930-001-19	.	SOFTWARE-PLATFORM SUPPLIER CODE: V70093 MISCELLANEOUS DATA: NON-ONBOARD LOADABLE- NO DISK SET REQUIRED USED WITH: 925010-101 HARDWARE REFERENCE SEE: 23-32-06-11	041041 043043 054100	1
- 205	925930-001-29	.	SOFTWARE-PLATFORM SUPPLIER CODE: V70093 MISCELLANEOUS DATA: NON-ONBOARD LOADABLE- NO DISK SET REQUIRED USED WITH: 925010-101 HARDWARE REFERENCE SEE: 23-32-06-11 POST RAPID REVISION: RR97237-6B	044053 104200 972999	1
- 210	925930-002-15	.	SOFTWARE-ASX SUPPLIER CODE: V70093 MISCELLANEOUS DATA: NON-ONBOARD LOADABLE- NO DISK SET REQUIRED USED WITH: 925010-101 HARDWARE REFERENCE SEE: 23-32-06-11	038038 042042 968969	1

MISSING ITEM NUMBERS NOT APPLICABLE

- ITEM NOT ILLUSTRATED

HAP

23-32-06-11

BOEING PROPRIETARY - Copyright © - Unpublished Work - See title page for details.

23-32-06
FIG. 11
PAGE 2
FEB 15/09

BOEING
737-600/700/800/900
PARTS CATALOG (MAINTENANCE)

FIG ITEM	PART NUMBER	1 2 3 4 5 6 7	NOMENCLATURE	EFFECT FROM TO	UNITS PER ASSY
11 - 210	925930-002-17	.	SOFTWARE-ASX SUPPLIER CODE: V70093 MISCELLANEOUS DATA: NON-ONBOARD LOADABLE- NO DISK SET REQUIRED USED WITH: 925010-101 HARDWARE REFERENCE SEE: 23-32-06-11	041041 043043 054100	1
- 210	925930-002-25	.	SOFTWARE-ASX SUPPLIER CODE: V70093 MISCELLANEOUS DATA: NON-ONBOARD LOADABLE- NO DISK SET REQUIRED USED WITH: 925010-101 HARDWARE REFERENCE SEE: 23-32-06-11 POST RAPID REVISION: RR97237-6B	044053 104200 972999	1
- 215	925930-005-12	.	SOFTWARE-WEB SITE SUPPLIER CODE: V70093 MISCELLANEOUS DATA: NON-ONBOARD LOADABLE- NO DISK SET REQUIRED USED WITH: 925010-101 HARDWARE REFERENCE SEE: 23-32-06-11	038038 042042 968969	1
- 215	925930-005-13	.	SOFTWARE-WEB SITE SUPPLIER CODE: V70093 MISCELLANEOUS DATA: NON-ONBOARD LOADABLE- NO DISK SET REQUIRED USED WITH: 925010-101 HARDWARE REFERENCE SEE: 23-32-06-11	041041 043043 054100	1

MISSING ITEM NUMBERS NOT APPLICABLE

- ITEM NOT ILLUSTRATED

HAP

23-32-06-11

BOEING PROPRIETARY - Copyright © - Unpublished Work - See title page for details.

23-32-06
FIG. 11
PAGE 3
FEB 15/09

BOEING
737-600/700/800/900
PARTS CATALOG (MAINTENANCE)

FIG ITEM	PART NUMBER	1 2 3 4 5 6 7	NOMENCLATURE	EFFECT FROM TO	UNITS PER ASSY
11 - 215	925930-005-19		.SOFTWARE-WEB SITE SUPPLIER CODE: V70093 MISCELLANEOUS DATA: NON-ONBOARD LOADABLE- NO DISK SET REQUIRED USED WITH: 925010-101 HARDWARE REFERENCE SEE: 23-32-06-11 POST RAPID REVISION: RR97237-6B	044053 104200 972999	1
- 220	925930-1505-06		.SOFTWARE-AIRSHOW 4200/ASX SPRT FILES SUPPLIER CODE: V70093 MISCELLANEOUS DATA: NON-ONBOARD LOADABLE- NO DISK SET REQUIRED USED WITH: 925010-101 HARDWARE REFERENCE SEE: 23-32-06-11	038038 042042 968969	1
- 220	925930-1505-08		.SOFTWARE-AIRSHOW 4200/ASX SPRT FILES SUPPLIER CODE: V70093 MISCELLANEOUS DATA: NON-ONBOARD LOADABLE- NO DISK SET REQUIRED USED WITH: 925010-101 HARDWARE REFERENCE SEE: 23-32-06-11	041041 043043 054100	1
- 220	925930-1505-15		.SOFTWARE-AIRSHOW 4200/ASX SPRT FILES SUPPLIER CODE: V70093 MISCELLANEOUS DATA: NON-ONBOARD LOADABLE- NO DISK SET REQUIRED USED WITH: 925010-101 HARDWARE REFERENCE SEE: 23-32-06-11 POST RAPID REVISION: RR97237-6B	044053 104200 972999	1

MISSING ITEM NUMBERS NOT APPLICABLE

- ITEM NOT ILLUSTRATED

HAP

23-32-06-11

BOEING PROPRIETARY - Copyright © - Unpublished Work - See title page for details.

23-32-06
FIG. 11
PAGE 4
FEB 15/09

BOEING
737-600/700/800/900
PARTS CATALOG (MAINTENANCE)

FIG ITEM	PART NUMBER	1 2 3 4 5 6 7	NOMENCLATURE	EFFECT FROM TO	UNITS PER ASSY
11 - 225	925930-500-03	.	SOFTWARE-TOP0 BORDERLESS OCEAN TERRAIN MAPS SUPPLIER CODE: V70093 MISCELLANEOUS DATA: NON-ONBOARD LOADABLE- NO DISK SET REQUIRED USED WITH: 925010-101 HARDWARE REFERENCE SEE: 23-32-06-11	038038 041043 054100 968969	1
- 225	925930-500-04	.	SOFTWARE-TOP0 BORDERLESS OCEAN TERRAIN MAPS SUPPLIER CODE: V70093 MISCELLANEOUS DATA: NON-ONBOARD LOADABLE- NO DISK SET REQUIRED USED WITH: 925010-101 HARDWARE REFERENCE SEE: 23-32-06-11 POST RAPID REVISION: RR97237-6B	044053 104200 972999	1
- 230	925930-501-03	.	SOFTWARE-TOP0 BORDERS OCEAN TERRAIN MAPS SUPPLIER CODE: V70093 MISCELLANEOUS DATA: NON-ONBOARD LOADABLE- NO DISK SET REQUIRED USED WITH: 925010-101 HARDWARE REFERENCE SEE: 23-32-06-11	038038 041043 054100 968969	1
- 230	925930-501-04	.	SOFTWARE-TOP0 BORDERS OCEAN TERRAIN MAPS SUPPLIER CODE: V70093 MISCELLANEOUS DATA: NON-ONBOARD LOADABLE- NO DISK SET REQUIRED USED WITH: 925010-101 HARDWARE REFERENCE SEE: 23-32-06-11 POST RAPID REVISION: RR97237-6B	044053 104200 972999	1

MISSING ITEM NUMBERS NOT APPLICABLE

- ITEM NOT ILLUSTRATED

HAP

23-32-06-11

23-32-06
FIG. 11
PAGE 5
FEB 15/09

BOEING
737-600/700/800/900
PARTS CATALOG (MAINTENANCE)

FIG ITEM	PART NUMBER	1 2 3 4 5 6 7	NOMENCLATURE	EFFECT FROM TO	UNITS PER ASSY
11 - 235	925930-502-03		.SOFTWARE-PHOTO BORDERLESS OCEAN TERRAIN MAPS SUPPLIER CODE: V70093 MISCELLANEOUS DATA: NON-ONBOARD LOADABLE- NO DISK SET REQUIRED USED WITH: 925010-101 HARDWARE REFERENCE SEE: 23-32-06-11	038038 041100 104200 968969 972999	1
- 240	925930-503-03		.SOFTWARE-PHOTO BORDER OCEAN TERRAIN MAPS SUPPLIER CODE: V70093 MISCELLANEOUS DATA: NON-ONBOARD LOADABLE- NO DISK SET REQUIRED USED WITH: 925010-101 HARDWARE REFERENCE SEE: 23-32-06-11	038038 041100 104200 968969 972999	1
- 245	925930-504-02		.SOFTWARE-MISC MAPS SUPPLIER CODE: V70093 MISCELLANEOUS DATA: NON-ONBOARD LOADABLE- NO DISK SET REQUIRED USED WITH: 925010-101 HARDWARE REFERENCE SEE: 23-32-06-11	038038 041100 104200 968969 972999	1
- 250	925930-511-01		.SOFTWARE-HI FOCUS MAP SET SUPPLIER CODE: V70093 MISCELLANEOUS DATA: NON-ONBOARD LOADABLE- NO DISK SET REQUIRED USED WITH: 925010-101 HARDWARE REFERENCE SEE: 23-32-06-11	038038 041100 104200 968969 972999	1

MISSING ITEM NUMBERS NOT APPLICABLE

- ITEM NOT ILLUSTRATED

HAP

23-32-06-11

BOEING PROPRIETARY - Copyright © - Unpublished Work - See title page for details.

23-32-06
FIG. 11
PAGE 6
OCT 15/08

BOEING
737-600/700/800/900
PARTS CATALOG (MAINTENANCE)

FIG ITEM	PART NUMBER	1 2 3 4 5 6 7	NOMENCLATURE	EFFECT FROM TO	UNITS PER ASSY
11 - 255	925930-512-00		.SOFTWARE-METRO MAP SET SUPPLIER CODE: V70093 MISCELLANEOUS DATA: NON-ONBOARD LOADABLE- NO DISK SET REQUIRED USED WITH: 925010-101 HARDWARE REFERENCE SEE: 23-32-06-11	038038 041100 104200 968969 972999	1
- 260	925930-513-00		.SOFTWARE-GND TEST SPRT FILES SUPPLIER CODE: V70093 MISCELLANEOUS DATA: NON-ONBOARD LOADABLE- NO DISK SET REQUIRED USED WITH: 925010-101 HARDWARE REFERENCE SEE: 23-32-06-11	038038 041100 104200 968969 972999	1
- 265	925950-9999-01		.SOFTWARE-AIRSHOW 4200 GND TEST CONFIGURATION SUPPLIER CODE: V70093 MISCELLANEOUS DATA: NON-ONBOARD LOADABLE- NO DISK SET REQUIRED USED WITH: 925010-101 HARDWARE REFERENCE SEE: 23-32-06-11	038038 042042 968969	1
- 265	925950-9999-02		.SOFTWARE-GND TEST CONFIGURATION SUPPLIER CODE: V70093 MISCELLANEOUS DATA: NON-ONBOARD LOADABLE- NO DISK SET REQUIRED USED WITH: 925010-101 HARDWARE REFERENCE SEE: 23-32-06-11	041041 043043 054100	1

MISSING ITEM NUMBERS NOT APPLICABLE

- ITEM NOT ILLUSTRATED

HAP

23-32-06-11

BOEING PROPRIETARY - Copyright © - Unpublished Work - See title page for details.

23-32-06
FIG. 11
PAGE 7
FEB 15/09

BOEING
737-600/700/800/900
PARTS CATALOG (MAINTENANCE)

FIG ITEM	PART NUMBER	1 2 3 4 5 6 7	NOMENCLATURE	EFFECT FROM TO	UNITS PER ASSY
11 - 265	925950-9999-07	.	SOFTWARE-GND TEST CONFIGURATION SUPPLIER CODE: V70093 MISCELLANEOUS DATA: NON-ONBOARD LOADABLE- NO DISK SET REQUIRED USED WITH: 925010-101 HARDWARE REFERENCE SEE: 23-32-06-11 POST RAPID REVISION: RR97237-6B	044053 104200 972999	1
- 270	925988-02	.	SOFTWARE-TIMEZONE DATABASE SUPPLIER CODE: V70093 MISCELLANEOUS DATA: NON-ONBOARD LOADABLE- NO DISK SET REQUIRED USED WITH: 925010-101 HARDWARE REFERENCE SEE: 23-32-06-11	041041 043043 054100	1
- 270	925988-09	.	SOFTWARE-TIMEZONE DATABASE SUPPLIER CODE: V70093 MISCELLANEOUS DATA: NON-ONBOARD LOADABLE- NO DISK SET REQUIRED USED WITH: 925010-101 HARDWARE REFERENCE SEE: 23-32-06-11 POST RAPID REVISION: RR97237-6B	044053 104200 972999	1
- 275	925999-01	.	SOFTWARE-JEPPENSEN DATABASE SUPPLIER CODE: V70093 MISCELLANEOUS DATA: NON-ONBOARD LOADABLE- NO DISK SET REQUIRED USED WITH: 925010-101 HARDWARE REFERENCE SEE: 23-32-06-11	041041 043043 054100	1

MISSING ITEM NUMBERS NOT APPLICABLE

- ITEM NOT ILLUSTRATED

HAP

23-32-06-11

BOEING PROPRIETARY - Copyright © - Unpublished Work - See title page for details.

23-32-06
FIG. 11
PAGE 8
FEB 15/09

BOEING
737-600/700/800/900
PARTS CATALOG (MAINTENANCE)

FIG ITEM	PART NUMBER	1 2 3 4 5 6 7	NOMENCLATURE	EFFECT FROM TO	UNITS PER ASSY
11 - 275	925999-03		.SOFTWARE-JEPPENSEN DATABASE SUPPLIER CODE: V70093 MISCELLANEOUS DATA: NON-ONBOARD LOADABLE- NO DISK SET REQUIRED USED WITH: 925010-101 HARDWARE REFERENCE SEE: 23-32-06-11 POST RAPID REVISION: RR97237-6B	044053 104200 972999	1
- 500	286A0811-059		WIRE BUNDLE ASSY	038038 041100	RF
- 500	286A0811-062		WIRE BUNDLE ASSY	104200 968969 972999	RF
505	BCREF136276		.PLUG- OVERLENGTH PART NUMBER: RM3P32C2S67S32C2S0001 ELECTRICAL EQUIP NUMBER: D02813 WIRING DIAGRAM REF: 233221	048048	1
505	BCREF50822		.PLUG- OVERLENGTH PART NUMBER: BACC66H52F01AA01 ELECTRICAL EQUIP NUMBER: D02813 WIRING DIAGRAM REF: 233221	038038 041047 049100 104200 968969 972999	1
- 515	MS35190-223		ATTACHING PARTS .SCREW	038038 041100 104200 968969 972999	4
- 520	PLH504CD		.NUT SUPPLIER CODE: VF0224 SPECIFICATION NUMBER: BACN10YR04CD OPTIONAL PART: H52732-04CD V15653 -----*-----	038038 041100 104200 968969 972999	4

MISSING ITEM NUMBERS NOT APPLICABLE

- ITEM NOT ILLUSTRATED

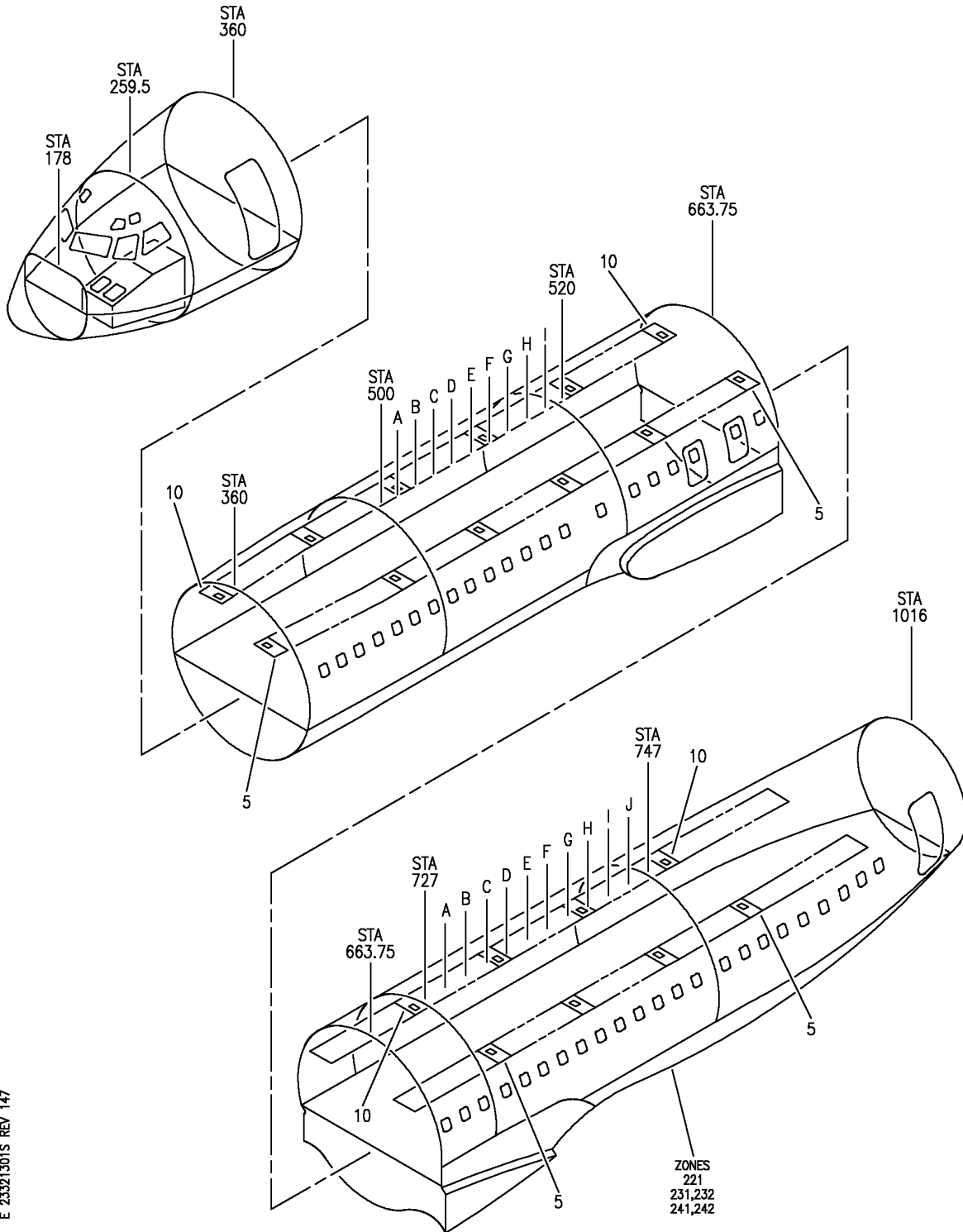
HAP

23-32-06-11

BOEING PROPRIETARY - Copyright © - Unpublished Work - See title page for details.

23-32-06
FIG. 11
PAGE 9
FEB 15/09

BOEING
 737-600/700/800/900
 PARTS CATALOG (MAINTENANCE)



E 23321301S REV 147

SERVICE UNIT INSTL-PASS. (COMMUNICATIONS ONLY)
 FIGURE 1S

23-32-13-01S

HAP
 OCT 15/08

23-32-13-01S
 PAGE 0

BOEING
737-600/700/800/900
PARTS CATALOG (MAINTENANCE)

FIG ITEM	PART NUMBER	1 2 3 4 5 6 7	NOMENCLATURE	EFFECT FROM TO	UNITS PER ASSY
1S			SERVICE UNIT INSTL-PASS. (COMMUNICATIONS ONLY)	048048	
- 1	MODREF395670		SERVICE UNIT INSTL-PASS. (COMMUNICATIONS ONLY)	048048	1
			MODULE NUMBER: 417A3100-580B REV A FOR OTHER SYS DETAILS SEE: 25-23-61-77Z		
5	1303910-101		.MONITOR-RETRACTOR LCD 10.4 IN. SUPPLIER CODE: V62204 POSITION DATA: LH FUNCTIONAL DESCRIPTION: DISPLAYS VIDEO PROGRAMS FOR PASSENGER ENTERTAINMENT. COMPONENT MAINT MANUAL REF: 44-20-05 MAINTENANCE MANUAL REF: 23-32-13	048048	10
10	1303910-100		.MONITOR-RETRACTOR LCD 10.4 IN. SUPPLIER CODE: V62204 POSITION DATA: RH FUNCTIONAL DESCRIPTION: DISPLAYS VIDEO PROGRAMS FOR PASSENGER ENTERTAINMENT. COMPONENT MAINT MANUAL REF: 44-20-05	048048	10

MISSING ITEM NUMBERS NOT APPLICABLE

- ITEM NOT ILLUSTRATED

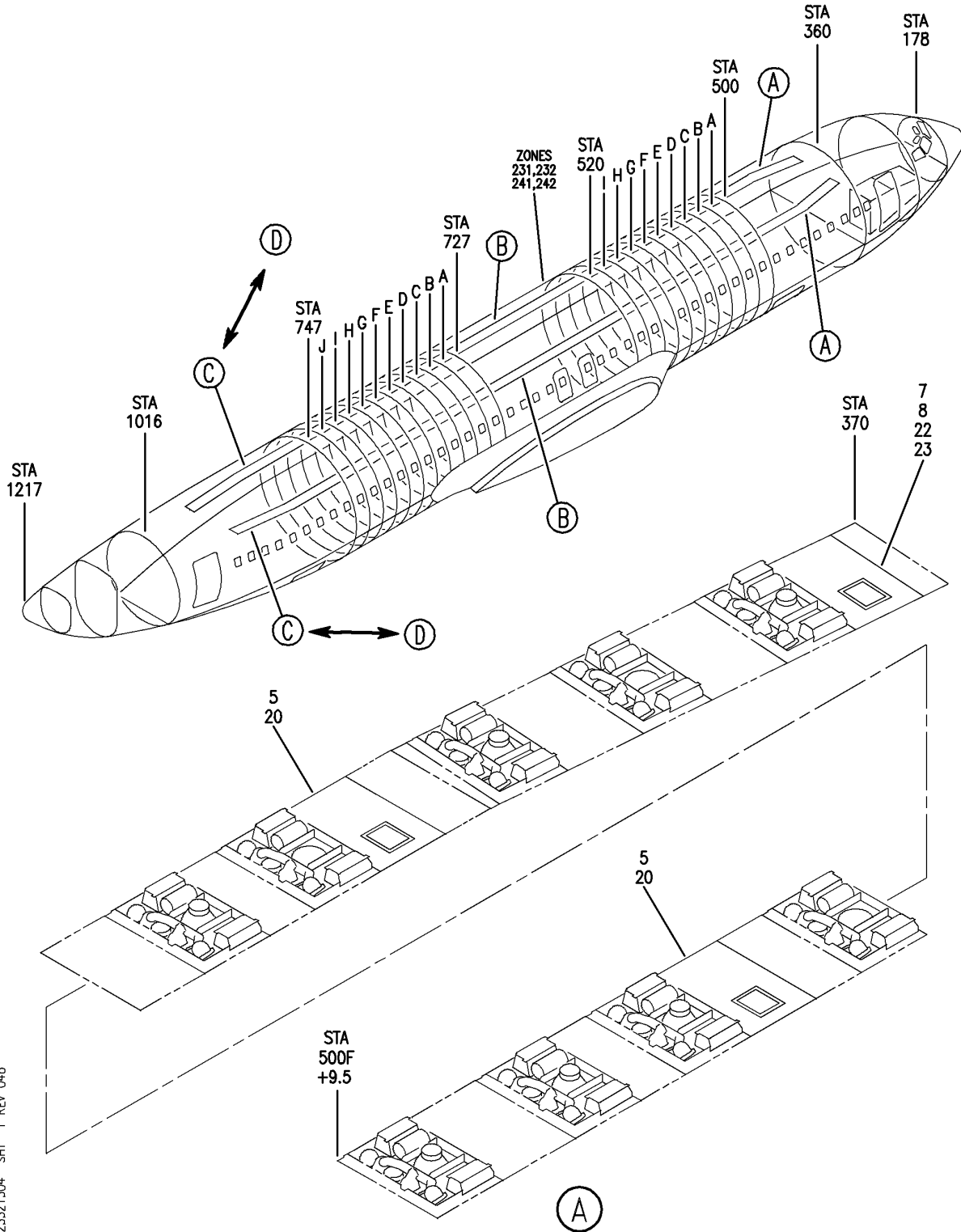
HAP

23-32-13-01S

BOEING PROPRIETARY - Copyright © - Unpublished Work - See title page for details.

23-32-13
FIG. 01S
PAGE 1
FEB 15/09

BOEING
 737-600/700/800/900
 PARTS CATALOG (MAINTENANCE)



E 23321304 SHT 1 REV 046

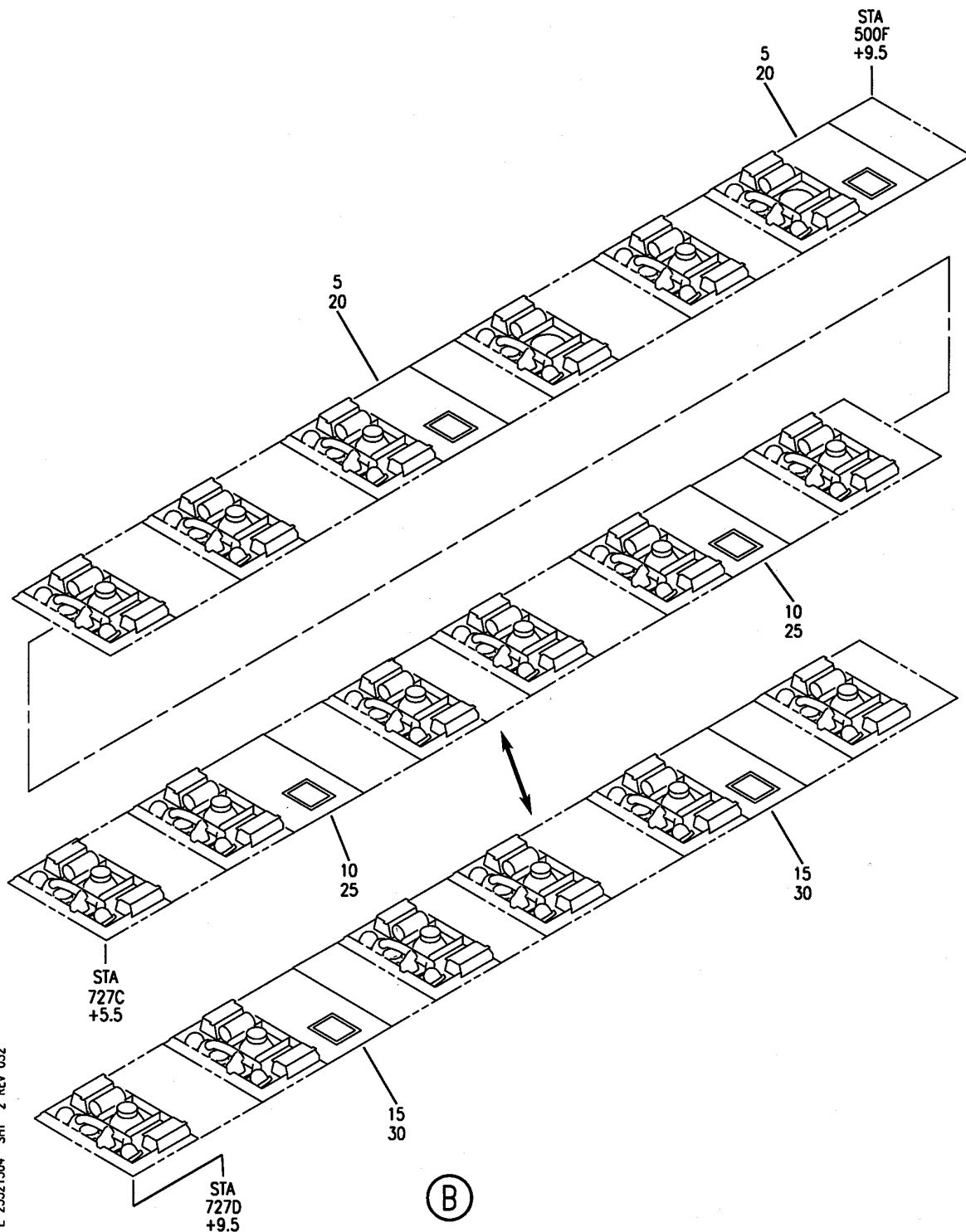
SERVICE UNIT INSTL-PASS. (COMMUNICATIONS ONLY)
 FIGURE 4 (SHEET 1)

23-32-13-04

HAP
 OCT 10/06

23-32-13-04
 PAGE 0

BOEING
 737-600/700/800/900
 PARTS CATALOG (MAINTENANCE)



E 23321304 SHT 2 REV 032

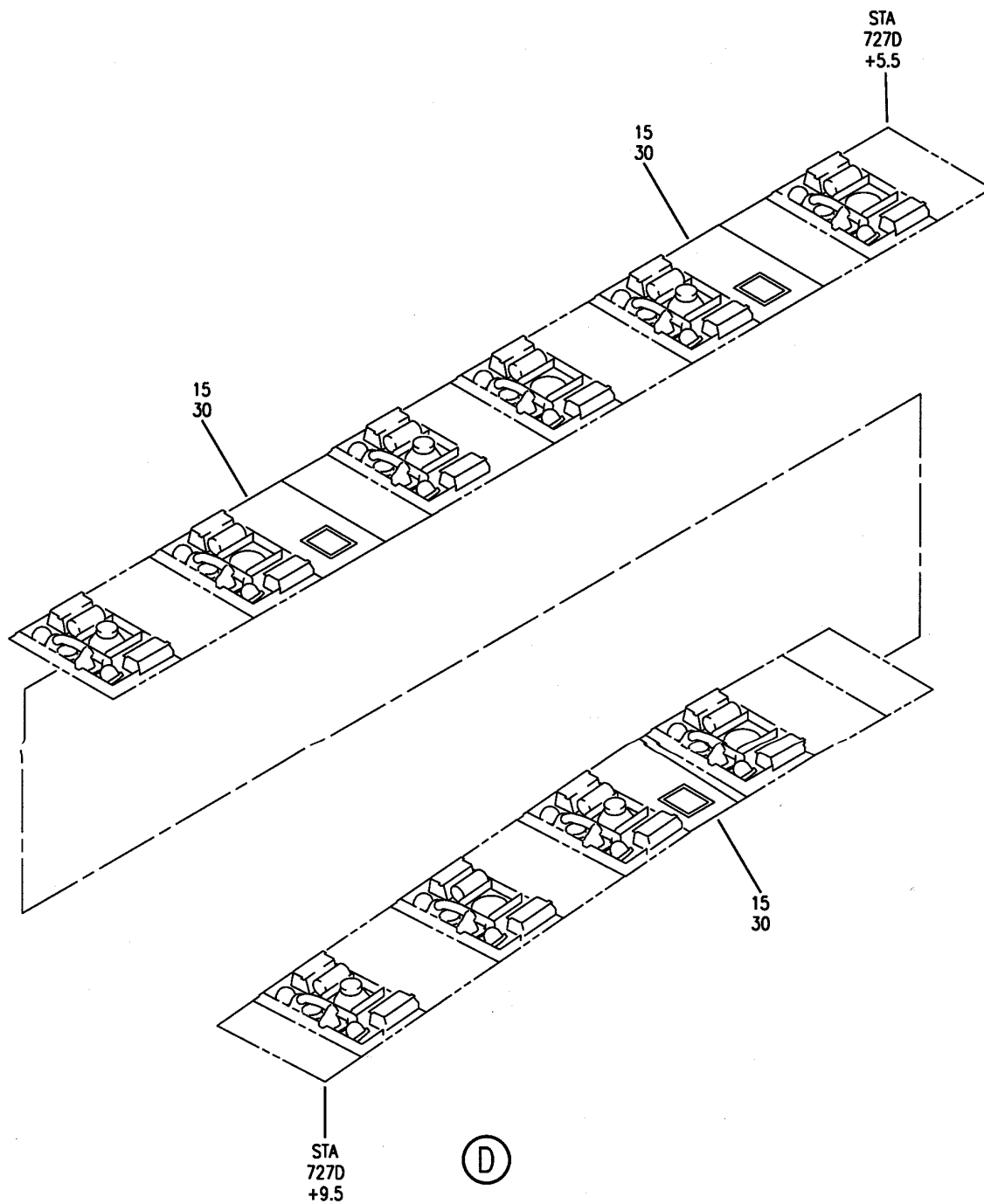
SERVICE UNIT INSTL-PASS. (COMMUNICATIONS ONLY)
 FIGURE 4 (SHEET 2)

23-32-13-04

HAP
 OCT 10/06

23-32-13-04
 PAGE 0A

BOEING
737-600/700/800/900
PARTS CATALOG (MAINTENANCE)



E 23321304 SHT 4 REV 032

SERVICE UNIT INSTL-PASS. (COMMUNICATIONS ONLY)
FIGURE 4 (SHEET 4)

23-32-13-04

HAP
OCT 10/06

23-32-13-04
PAGE 0C

BOEING
737-600/700/800/900
PARTS CATALOG (MAINTENANCE)

FIG ITEM	PART NUMBER	1 2 3 4 5 6 7	NOMENCLATURE	EFFECT FROM TO	UNITS PER ASSY
4			SERVICE UNIT INSTL-PASS. (COMMUNICATIONS ONLY)	001004 006007	
- 1	417A3100-2SP		SERVICE UNIT INSTL-PASS. (COMMUNICATIONS ONLY) FOR NHA/OTHER SYS DET SEE: 25-23-00-03	001004 006007	1
5	617-6265-001		.MONITOR-LIQUID CRYSTAL DISPLAY VIDEO, 8.6 IN. SUPPLIER CODE: V62204 POSITION DATA: LH SIDE FUNCTIONAL DESCRIPTION: DISPLAYS VIDEO PROGRAMS FOR PASSENGER ENTERTAINMENT COMPONENT MAINT MANUAL REF: 23-33-15 MAINTENANCE MANUAL REF: 23-32-13	001004 006007	4
7	617-6265-001		.MONITOR-LIQUID CRYSTAL DISPLAY VIDEO, 8.6 IN. SUPPLIER CODE: V62204 POSITION DATA: LH SIDE FUNCTIONAL DESCRIPTION: DISPLAYS VIDEO PROGRAMS FOR PASSENGER ENTERTAINMENT COMPONENT MAINT MANUAL REF: 23-33-15 MAINTENANCE MANUAL REF: 23-32-13 PRE SERVICE BULLETIN: 25-1360	001004 006007	1

MISSING ITEM NUMBERS NOT APPLICABLE

- ITEM NOT ILLUSTRATED

HAP

23-32-13-04

BOEING PROPRIETARY - Copyright © - Unpublished Work - See title page for details.

23-32-13
FIG. 04
PAGE 1
OCT 15/08

BOEING
737-600/700/800/900
PARTS CATALOG (MAINTENANCE)

FIG ITEM	PART NUMBER	1 2 3 4 5 6 7	NOMENCLATURE	EFFECT FROM TO	UNITS PER ASSY
4 8	617-6265-001		.MONITOR-LIQUID CRYSTAL DISPLAY VIDEO, 8.6 IN. SUPPLIER CODE: V62204 POSITION DATA: LH SIDE FUNCTIONAL DESCRIPTION: DISPLAYS VIDEO PROGRAMS FOR PASSENGER ENTERTAINMENT COMPONENT MAINT MANUAL REF: 23-33-15 MAINTENANCE MANUAL REF: 23-32-13 POST SERVICE BULLETIN: 25-1360	001004 006007	1
15	617-6265-001		.MONITOR-LIQUID CRYSTAL DISPLAY VIDEO, 8.6 IN. SUPPLIER CODE: V62204 POSITION DATA: LH SIDE FUNCTIONAL DESCRIPTION: DISPLAYS VIDEO PROGRAMS FOR PASSENGER ENTERTAINMENT COMPONENT MAINT MANUAL REF: 23-33-15 MAINTENANCE MANUAL REF: 23-32-13 POST RAPID REVISION: RR97089-20-A	001004 006007	5
20	617-6265-002		.MONITOR-LIQUID CRYSTAL DISPLAY VIDEO, 8.6 IN. SUPPLIER CODE: V62204 POSITION DATA: RH SIDE FUNCTIONAL DESCRIPTION: DISPLAYS VIDEO PROGRAMS FOR PASSENGER ENTERTAINMENT COMPONENT MAINT MANUAL REF: 23-33-15 MAINTENANCE MANUAL REF: 23-32-13	001004 006007	4

MISSING ITEM NUMBERS NOT APPLICABLE

— ITEM NOT ILLUSTRATED

HAP

23-32-13-04

BOEING PROPRIETARY - Copyright © - Unpublished Work - See title page for details.

23-32-13
FIG. 04
PAGE 2
OCT 15/08

BOEING
737-600/700/800/900
PARTS CATALOG (MAINTENANCE)

FIG ITEM	PART NUMBER	1 2 3 4 5 6 7	NOMENCLATURE	EFFECT FROM TO	UNITS PER ASSY
4 22	617-6265-002		.MONITOR-LIQUID CRYSTAL DISPLAY VIDEO, 8.6 IN. SUPPLIER CODE: V62204 POSITION DATA: RH SIDE FUNCTIONAL DESCRIPTION: DISPLAYS VIDEO PROGRAMS FOR PASSENGER ENTERTAINMENT COMPONENT MAINT MANUAL REF: 23-33-15 MAINTENANCE MANUAL REF: 23-32-13 PRE SERVICE BULLETIN: 25-1360	001004 006007	1
23	617-6265-002		.MONITOR-LIQUID CRYSTAL DISPLAY VIDEO, 8.6 IN. SUPPLIER CODE: V62204 POSITION DATA: RH SIDE FUNCTIONAL DESCRIPTION: DISPLAYS VIDEO PROGRAMS FOR PASSENGER ENTERTAINMENT COMPONENT MAINT MANUAL REF: 23-33-15 MAINTENANCE MANUAL REF: 23-32-13 POST SERVICE BULLETIN: 25-1360	001004 006007	1
30	617-6265-002		.MONITOR-LIQUID CRYSTAL DISPLAY VIDEO, 8.6 IN. SUPPLIER CODE: V62204 POSITION DATA: RH SIDE FUNCTIONAL DESCRIPTION: DISPLAYS VIDEO PROGRAMS FOR PASSENGER ENTERTAINMENT COMPONENT MAINT MANUAL REF: 23-33-15 MAINTENANCE MANUAL REF: 23-32-13 POST RAPID REVISION: RR97089-20-A	001004 006007	5

MISSING ITEM NUMBERS NOT APPLICABLE

— ITEM NOT ILLUSTRATED

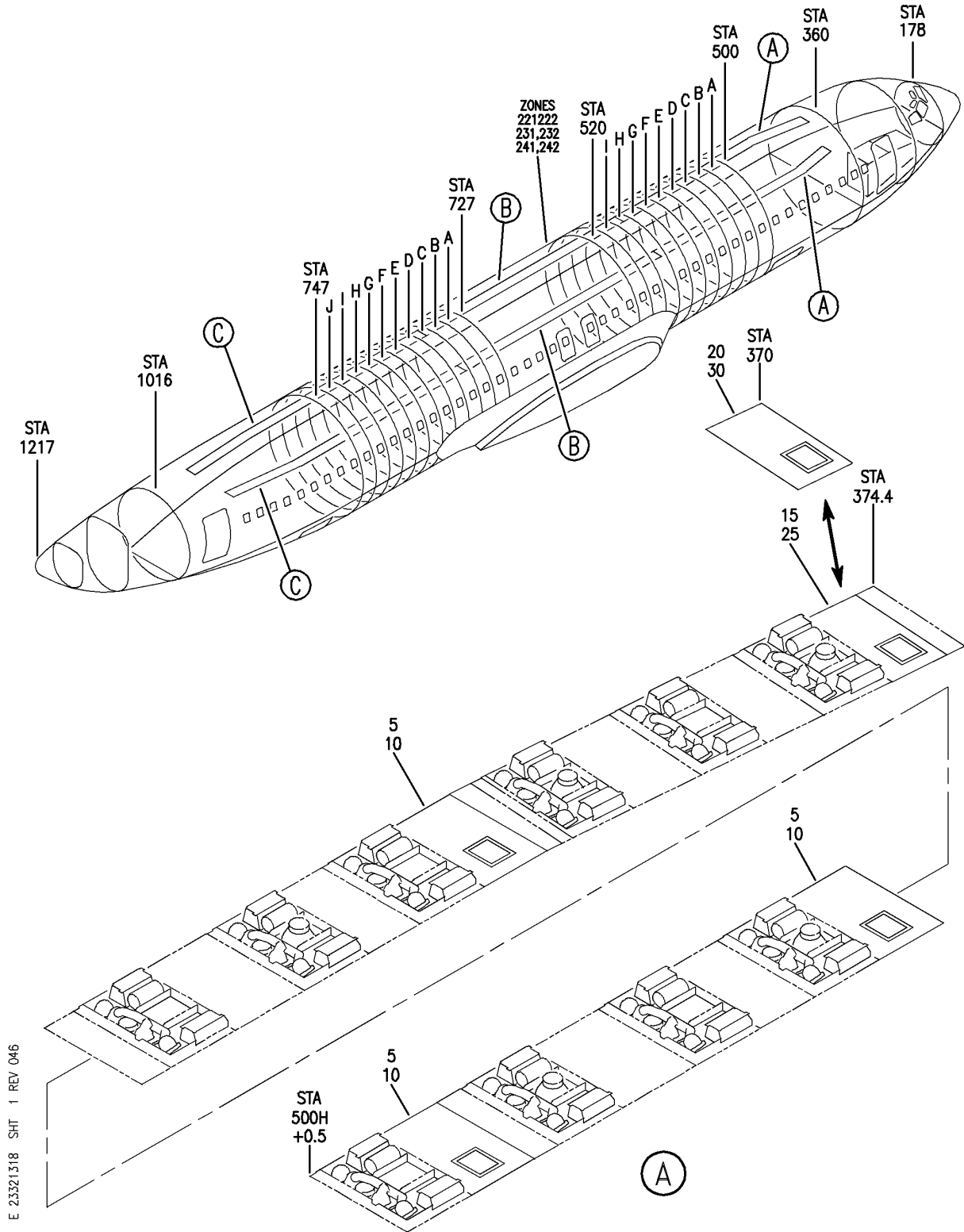
HAP

23-32-13-04

BOEING PROPRIETARY - Copyright © - Unpublished Work - See title page for details.

23-32-13
FIG. 04
PAGE 3
OCT 15/08

BOEING
 737-600/700/800/900
 PARTS CATALOG (MAINTENANCE)



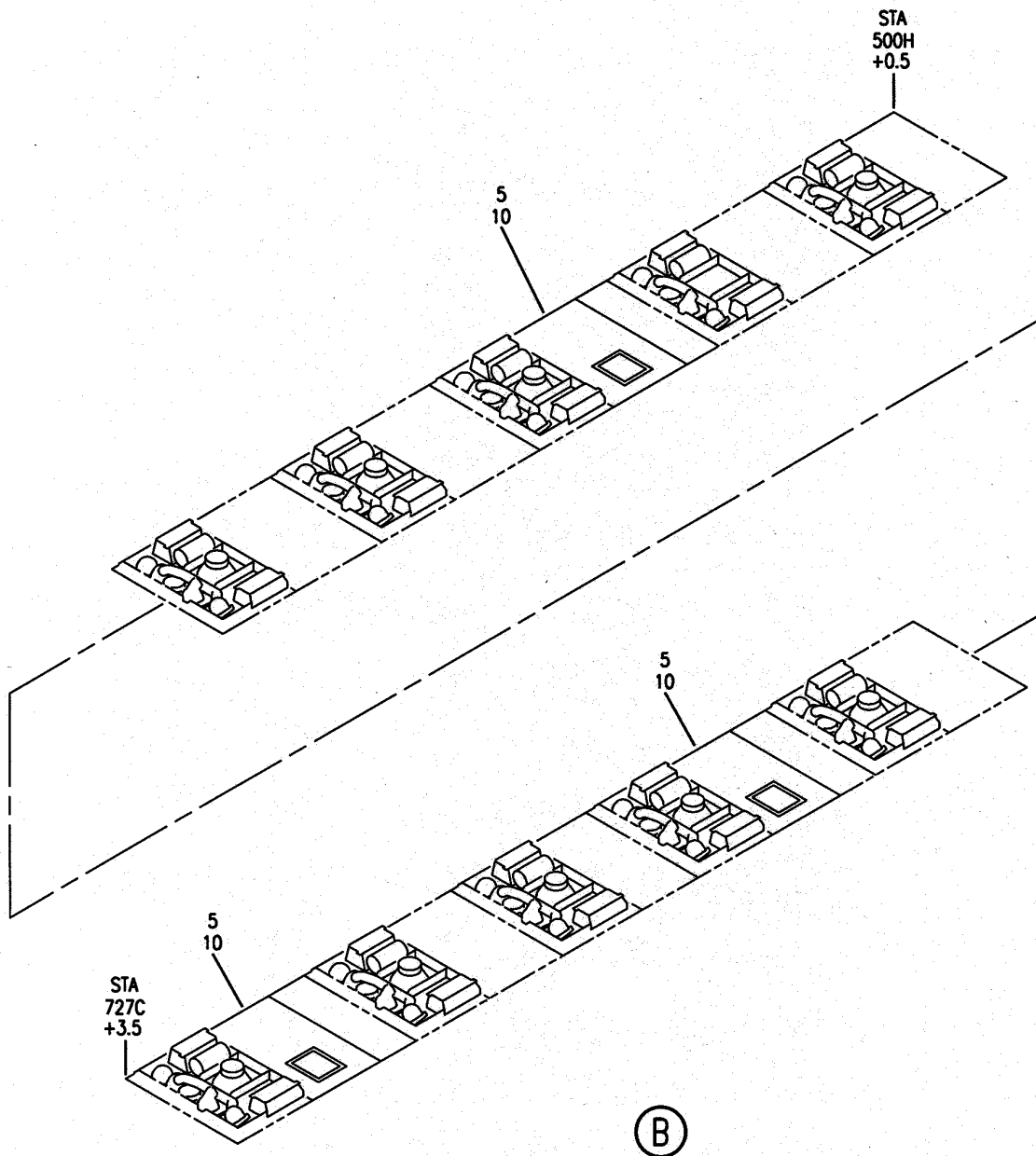
SERVICE UNIT INSTL-PASS. (COMMUNICATIONS ONLY)
 FIGURE 18 (SHEET 1)

23-32-13-18

HAP
 OCT 10/06

23-32-13-18
 PAGE 0

BOEING
 737-600/700/800/900
 PARTS CATALOG (MAINTENANCE)



E 23321318 SHT 2 REV 032

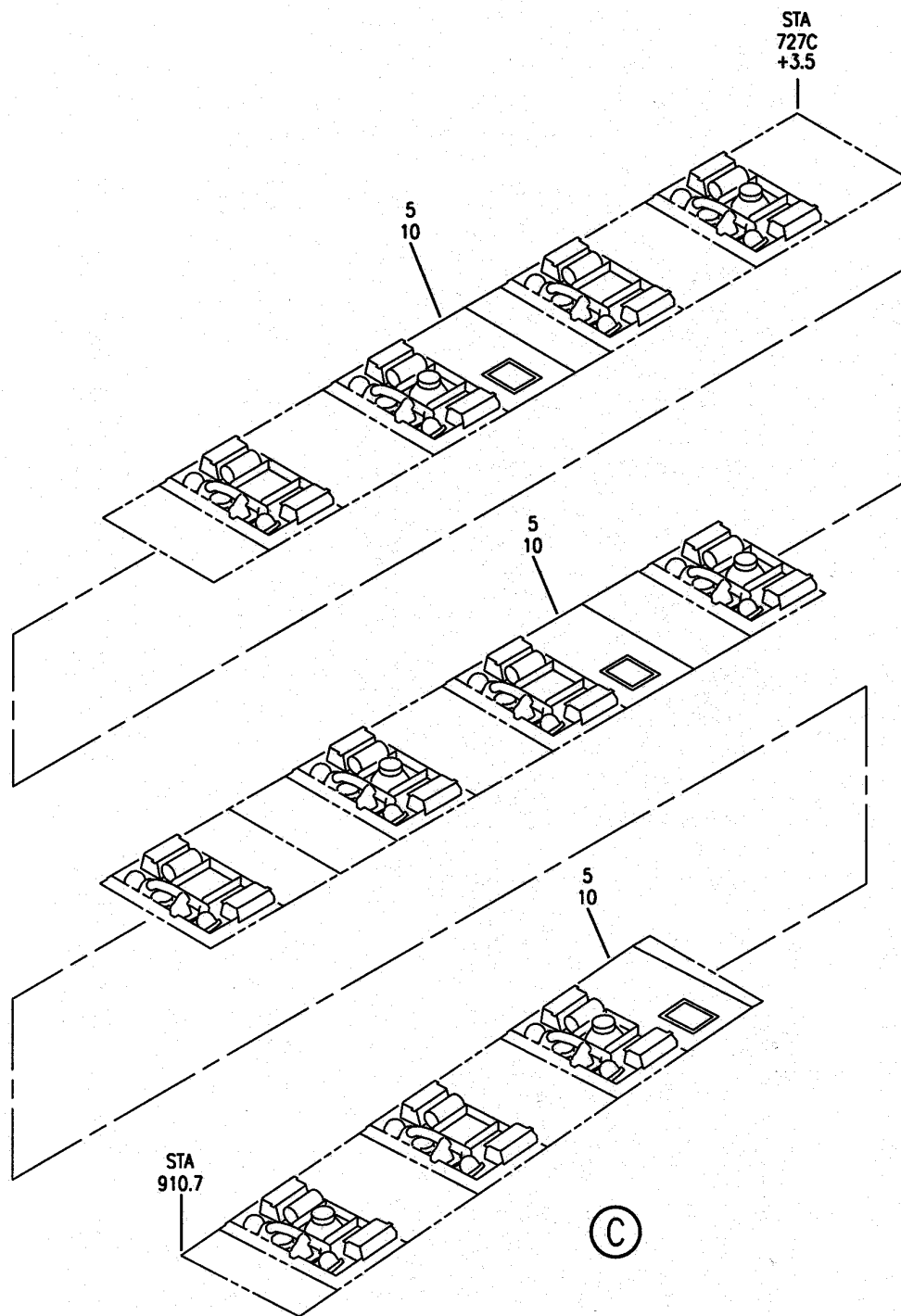
SERVICE UNIT INSTL-PASS. (COMMUNICATIONS ONLY)
 FIGURE 18 (SHEET 2)

23-32-13-18

HAP
 OCT 10/06

23-32-13-18
 PAGE 0A

BOEING
 737-600/700/800/900
 PARTS CATALOG (MAINTENANCE)



E 23321318 SHT 3 REV 032

SERVICE UNIT INSTL-PASS. (COMMUNICATIONS ONLY)
 FIGURE 18 (SHEET 3)

23-32-13-18

HAP
 OCT 10/06

23-32-13-18
 PAGE 0B

BOEING
737-600/700/800/900
PARTS CATALOG (MAINTENANCE)

FIG ITEM	PART NUMBER	1 2 3 4 5 6 7	NOMENCLATURE	EFFECT FROM TO	UNITS PER ASSY
18			SERVICE UNIT INSTL-PASS. (COMMUNICATIONS ONLY)	005005	
- 1	417A3100-51SP		SERVICE UNIT INSTL-PASS. (COMMUNICATIONS ONLY) FOR NHA/OTHER SYS DET SEE: 25-23-00-03	005005	RF
5	617-6265-001		.MONITOR-LIQUID CRYSTAL DISPLAY VIDEO, 8.6 IN. (CUSTOMER FURNISHED) SUPPLIER CODE: V62204 POSITION DATA: LH SIDE FUNCTIONAL DESCRIPTION: DISPLAYS VIDEO PROGRAMS FOR PASSENGER ENTERTAINMENT COMPONENT MAINT MANUAL REF: 23-33-15 MAINTENANCE MANUAL REF: 23-32-13	005005	9
10	617-6265-002		.MONITOR-LIQUID CRYSTAL DISPLAY VIDEO, 8.6 IN. (CUSTOMER FURNISHED) SUPPLIER CODE: V62204 POSITION DATA: RH SIDE FUNCTIONAL DESCRIPTION: DISPLAYS VIDEO PROGRAMS FOR PASSENGER ENTERTAINMENT COMPONENT MAINT MANUAL REF: 23-33-15 MAINTENANCE MANUAL REF: 23-32-13	005005	9

MISSING ITEM NUMBERS NOT APPLICABLE

- ITEM NOT ILLUSTRATED

HAP

23-32-13-18

BOEING PROPRIETARY - Copyright © - Unpublished Work - See title page for details.

23-32-13
FIG. 18
PAGE 1
FEB 15/08

BOEING
737-600/700/800/900
PARTS CATALOG (MAINTENANCE)

FIG ITEM	PART NUMBER	1 2 3 4 5 6 7	NOMENCLATURE	EFFECT FROM TO	UNITS PER ASSY
18 15	617-6265-001		.MONITOR-LIQUID CRYSTAL DISPLAY VIDEO, 8.6 IN. (CUSTOMER FURNISHED) SUPPLIER CODE: V62204 POSITION DATA: LH SIDE FUNCTIONAL DESCRIPTION: DISPLAYS VIDEO PROGRAMS FOR PASSENGER ENTERTAINMENT COMPONENT MAINT MANUAL REF: 23-33-15 MAINTENANCE MANUAL REF: 23-32-13 PRE SERVICE BULLETIN: 25-1360	005005	1
20	617-6265-001		.MONITOR-LIQUID CRYSTAL DISPLAY VIDEO, 8.6 IN. (CUSTOMER FURNISHED) SUPPLIER CODE: V62204 POSITION DATA: LH SIDE FUNCTIONAL DESCRIPTION: DISPLAYS VIDEO PROGRAMS FOR PASSENGER ENTERTAINMENT COMPONENT MAINT MANUAL REF: 23-33-15 MAINTENANCE MANUAL REF: 23-32-13 POST SERVICE BULLETIN: 25-1360	005005	1

MISSING ITEM NUMBERS NOT APPLICABLE

— ITEM NOT ILLUSTRATED

HAP

23-32-13-18

BOEING PROPRIETARY - Copyright © - Unpublished Work - See title page for details.

23-32-13
FIG. 18
PAGE 2
OCT 15/08

BOEING
737-600/700/800/900
PARTS CATALOG (MAINTENANCE)

FIG ITEM	PART NUMBER	1 2 3 4 5 6 7	NOMENCLATURE	EFFECT FROM TO	UNITS PER ASSY
18 25	617-6265-002		.MONITOR-LIQUID CRYSTAL DISPLAY VIDEO, 8.6 IN. (CUSTOMER FURNISHED) SUPPLIER CODE: V62204 POSITION DATA: RH SIDE FUNCTIONAL DESCRIPTION: DISPLAYS VIDEO PROGRAMS FOR PASSENGER ENTERTAINMENT COMPONENT MAINT MANUAL REF: 23-33-15 MAINTENANCE MANUAL REF: 23-32-13 PRE SERVICE BULLETIN: 25-1360	005005	1
30	617-6265-002		.MONITOR-LIQUID CRYSTAL DISPLAY VIDEO, 8.6 IN. (CUSTOMER FURNISHED) SUPPLIER CODE: V62204 POSITION DATA: RH SIDE FUNCTIONAL DESCRIPTION: DISPLAYS VIDEO PROGRAMS FOR PASSENGER ENTERTAINMENT COMPONENT MAINT MANUAL REF: 23-33-15 MAINTENANCE MANUAL REF: 23-32-13 POST SERVICE BULLETIN: 25-1360	005005	1

MISSING ITEM NUMBERS NOT APPLICABLE

— ITEM NOT ILLUSTRATED

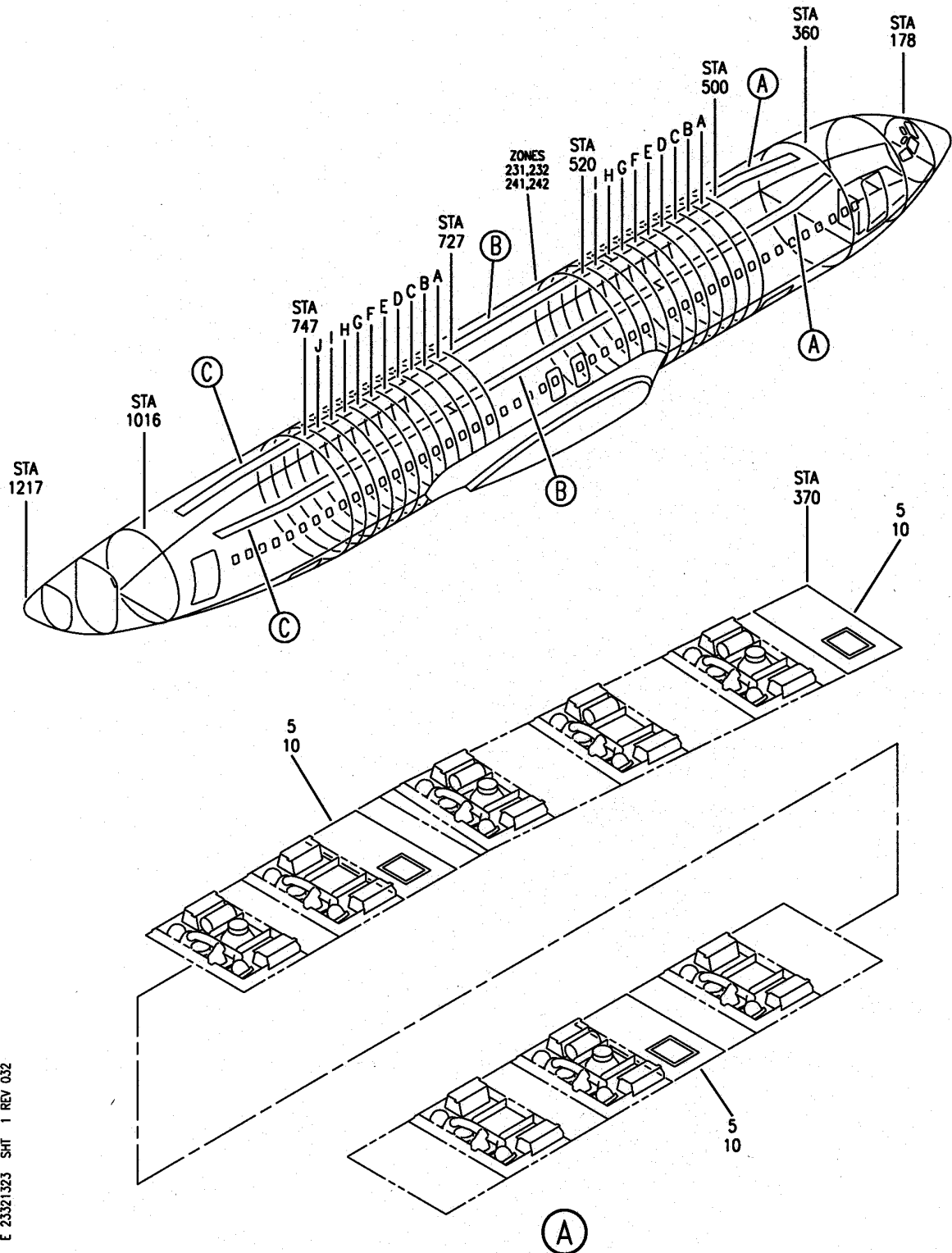
HAP

23-32-13-18

BOEING PROPRIETARY - Copyright © - Unpublished Work - See title page for details.

23-32-13
FIG. 18
PAGE 3
OCT 15/08

BOEING
 737-600/700/800/900
 PARTS CATALOG (MAINTENANCE)



E 23321323 SHT 1 REV 032

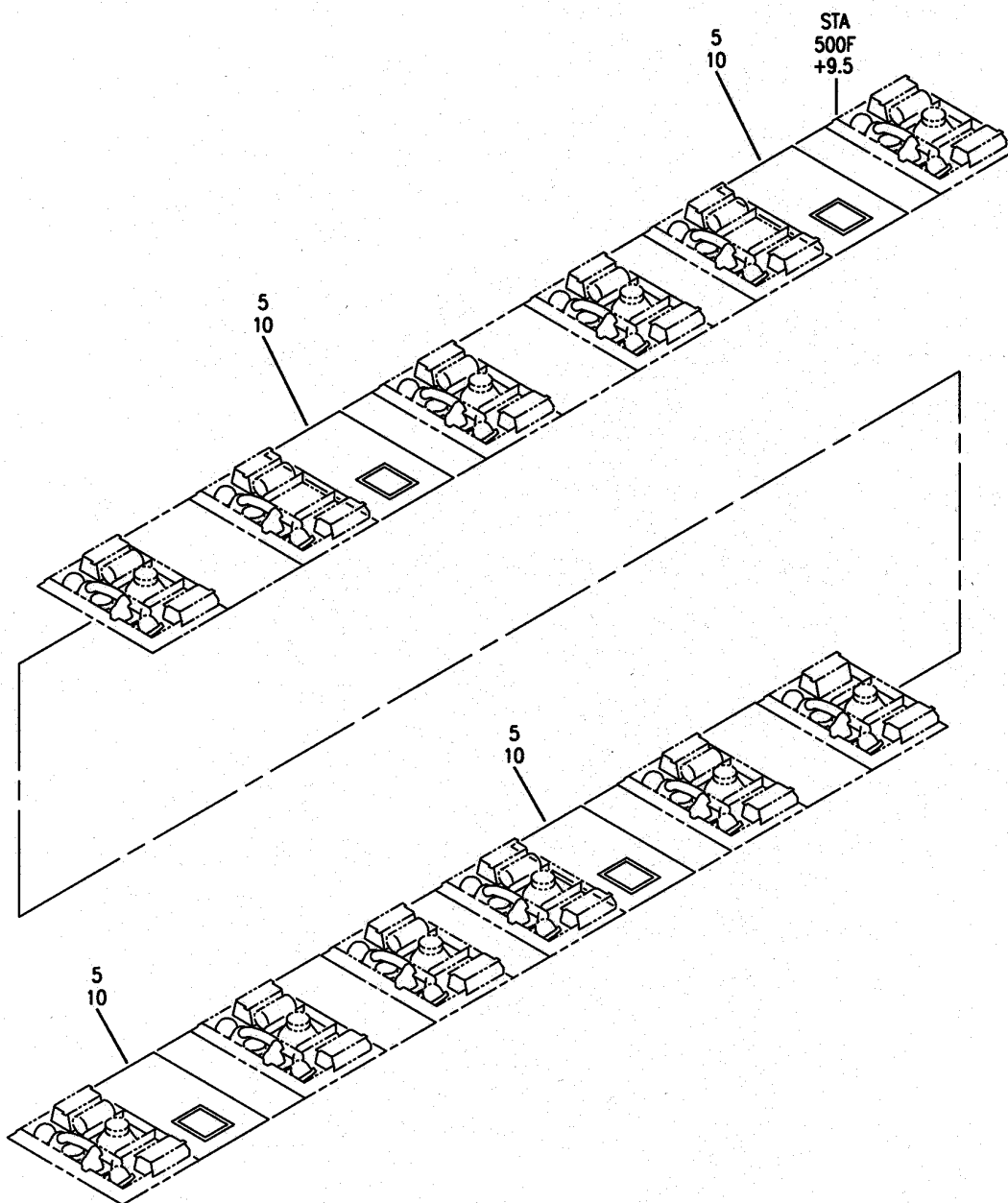
SERVICE UNIT INSTL-PASS. (COMMUNICATIONS ONLY)
 FIGURE 23 (SHEET 1)

23-32-13-23

HAP
 OCT 10/06

23-32-13-23
 PAGE 0

BOEING
737-600/700/800/900
PARTS CATALOG (MAINTENANCE)



E 23321323 SHT 2 REV 032

(B)

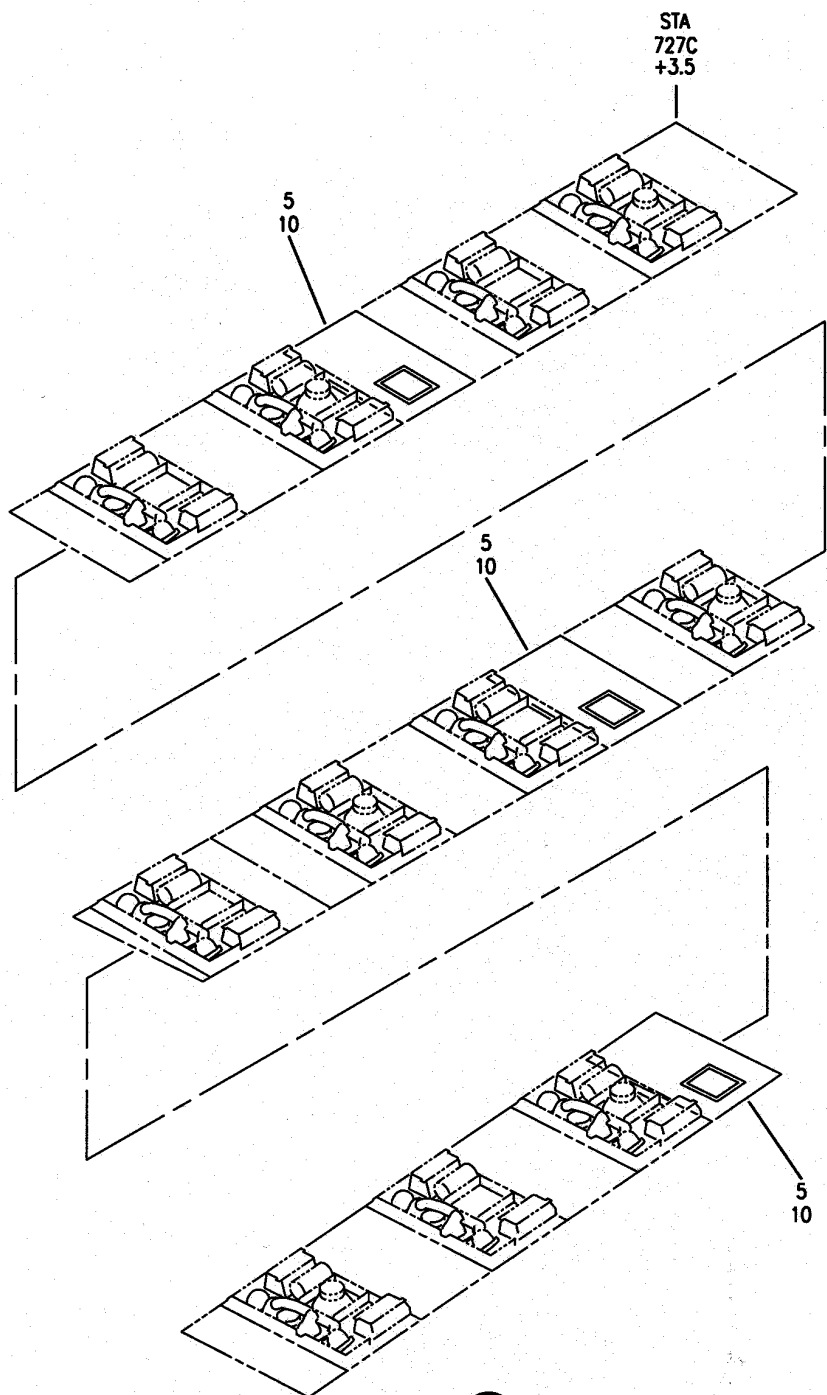
SERVICE UNIT INSTL-PASS. (COMMUNICATIONS ONLY)
FIGURE 23 (SHEET 2)

23-32-13-23

HAP
OCT 10/06

23-32-13-23
PAGE 0A

BOEING
737-600/700/800/900
PARTS CATALOG (MAINTENANCE)



E 23321323 SH1 3 REV 032

(C)

SERVICE UNIT INSTL-PASS. (COMMUNICATIONS ONLY)
FIGURE 23 (SHEET 3)

23-32-13-23

HAP
OCT 10/06

23-32-13-23
PAGE 0B

BOEING
737-600/700/800/900
PARTS CATALOG (MAINTENANCE)

FIG ITEM	PART NUMBER	1 2 3 4 5 6 7	NOMENCLATURE	EFFECT FROM TO	UNITS PER ASSY
23			SERVICE UNIT INSTL-PASS. (COMMUNICATIONS ONLY)	008011	
- 1	417A3100-71SP		SERVICE UNIT INSTL-PASS. (COMMUNICATIONS ONLY) FOR NHA/OTHER SYS DET SEE: 25-23-00-03	008011	RF
5	617-6265-001		.MONITOR-LIQUID CRYSTAL DISPLAY VIDEO, 8.6 IN. (CUSTOMER FURNISHED) SUPPLIER CODE: V62204 POSITION DATA: LH SIDE FUNCTIONAL DESCRIPTION: DISPLAYS VIDEO PROGRAMS FOR PASSENGER ENTERTAINMENT COMPONENT MAINT MANUAL REF: 23-33-15 MAINTENANCE MANUAL REF: 23-32-13	008011	10
10	617-6265-002		.MONITOR-LIQUID CRYSTAL DISPLAY VIDEO, 8.6 IN. (CUSTOMER FURNISHED) SUPPLIER CODE: V62204 POSITION DATA: RH SIDE FUNCTIONAL DESCRIPTION: DISPLAYS VIDEO PROGRAMS FOR PASSENGER ENTERTAINMENT COMPONENT MAINT MANUAL REF: 23-33-15 MAINTENANCE MANUAL REF: 23-32-13	008011	10

MISSING ITEM NUMBERS NOT APPLICABLE

- ITEM NOT ILLUSTRATED

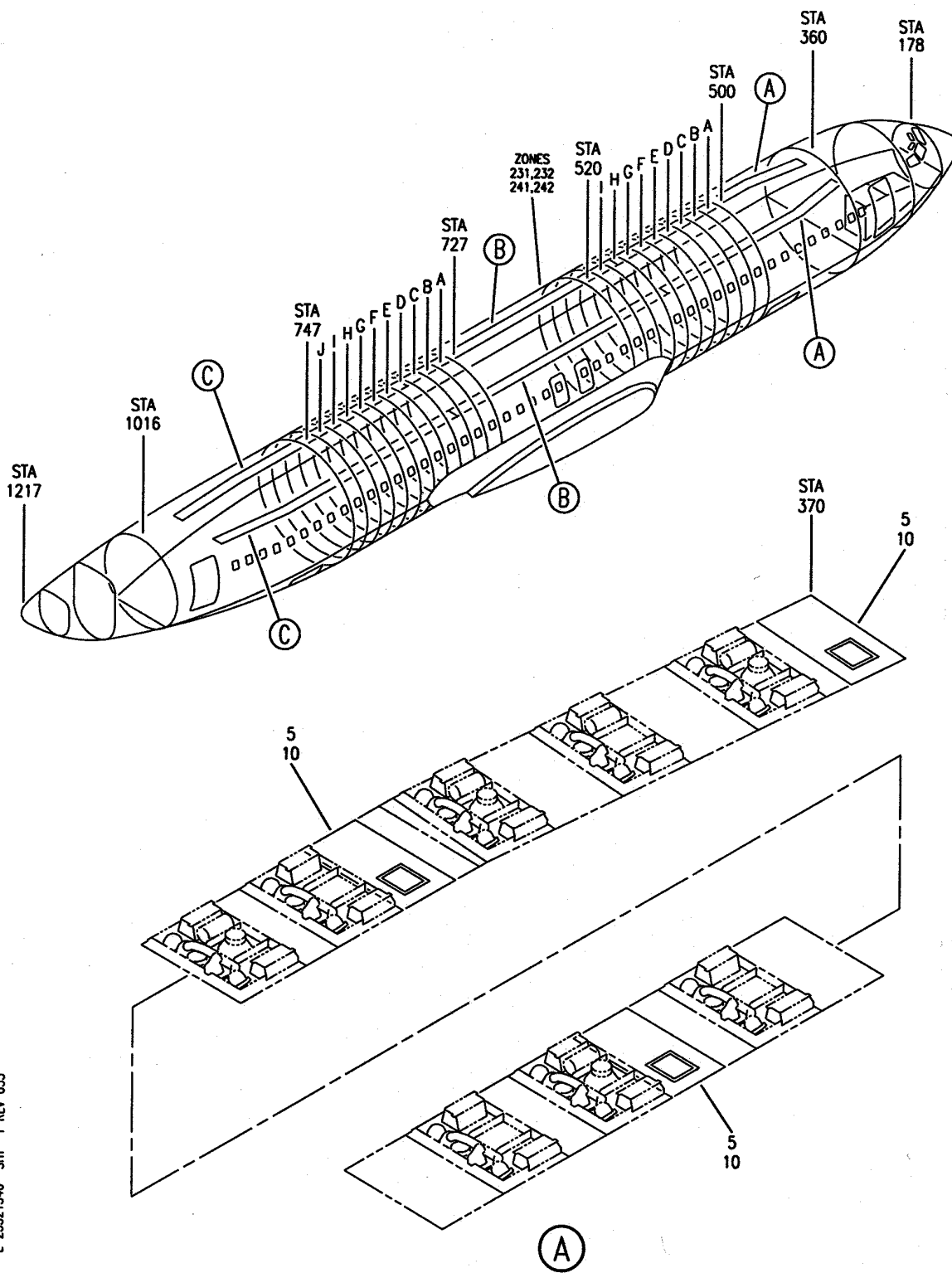
HAP

23-32-13-23

BOEING PROPRIETARY - Copyright © - Unpublished Work - See title page for details.

23-32-13
FIG. 23
PAGE 1
FEB 15/08

BOEING
 737-600/700/800/900
 PARTS CATALOG (MAINTENANCE)



E 23321346 SHT 1 REV 035

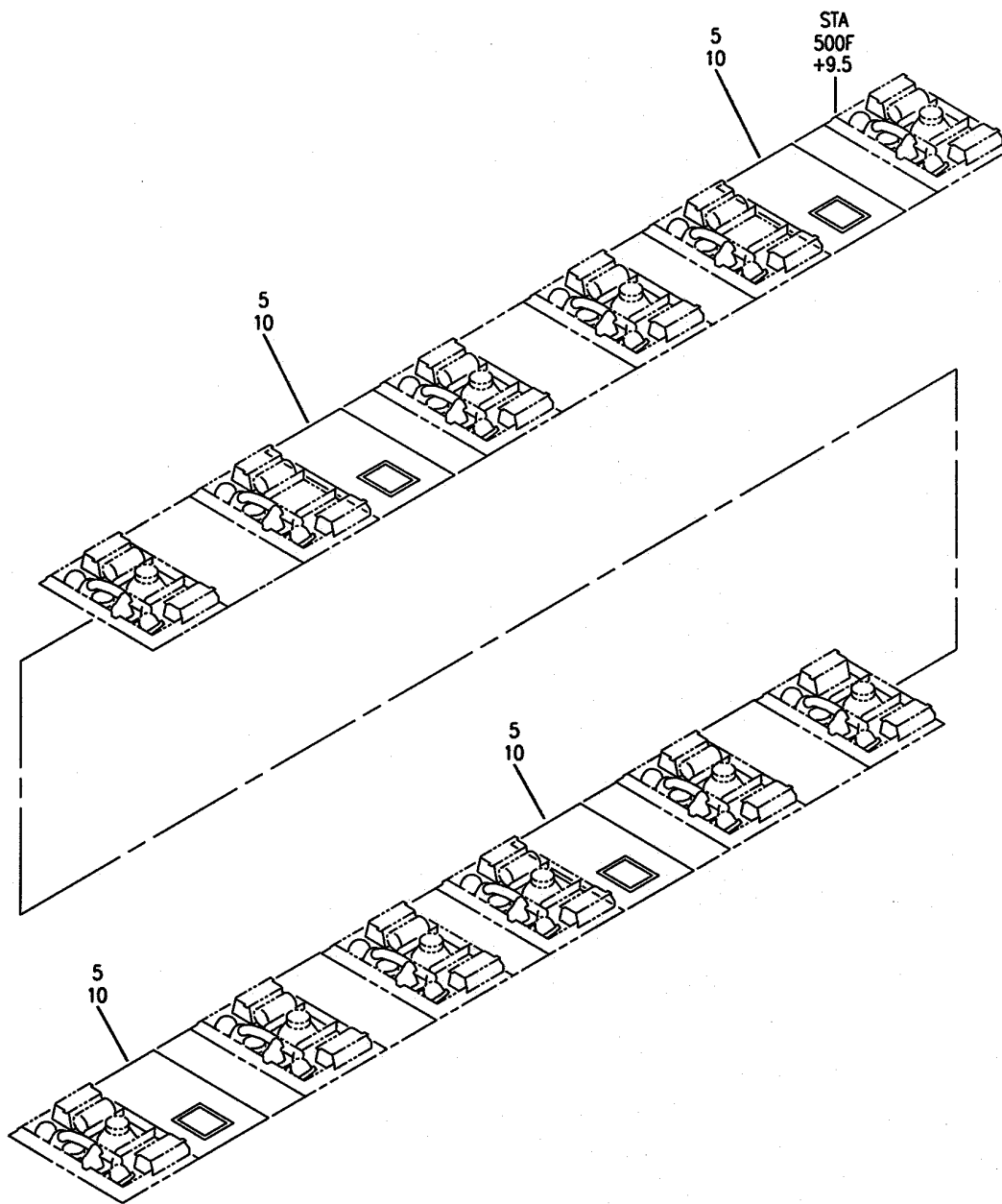
SERVICE UNIT INSTL- PASS. (COMMUNICATIONS ONLY)
 FIGURE 46 (SHEET 1)

23-32-13-46

HAP
 OCT 10/06

23-32-13-46
 PAGE 0

BOEING
737-600/700/800/900
PARTS CATALOG (MAINTENANCE)



E 23321346 SHT 2 REV 035

(B)

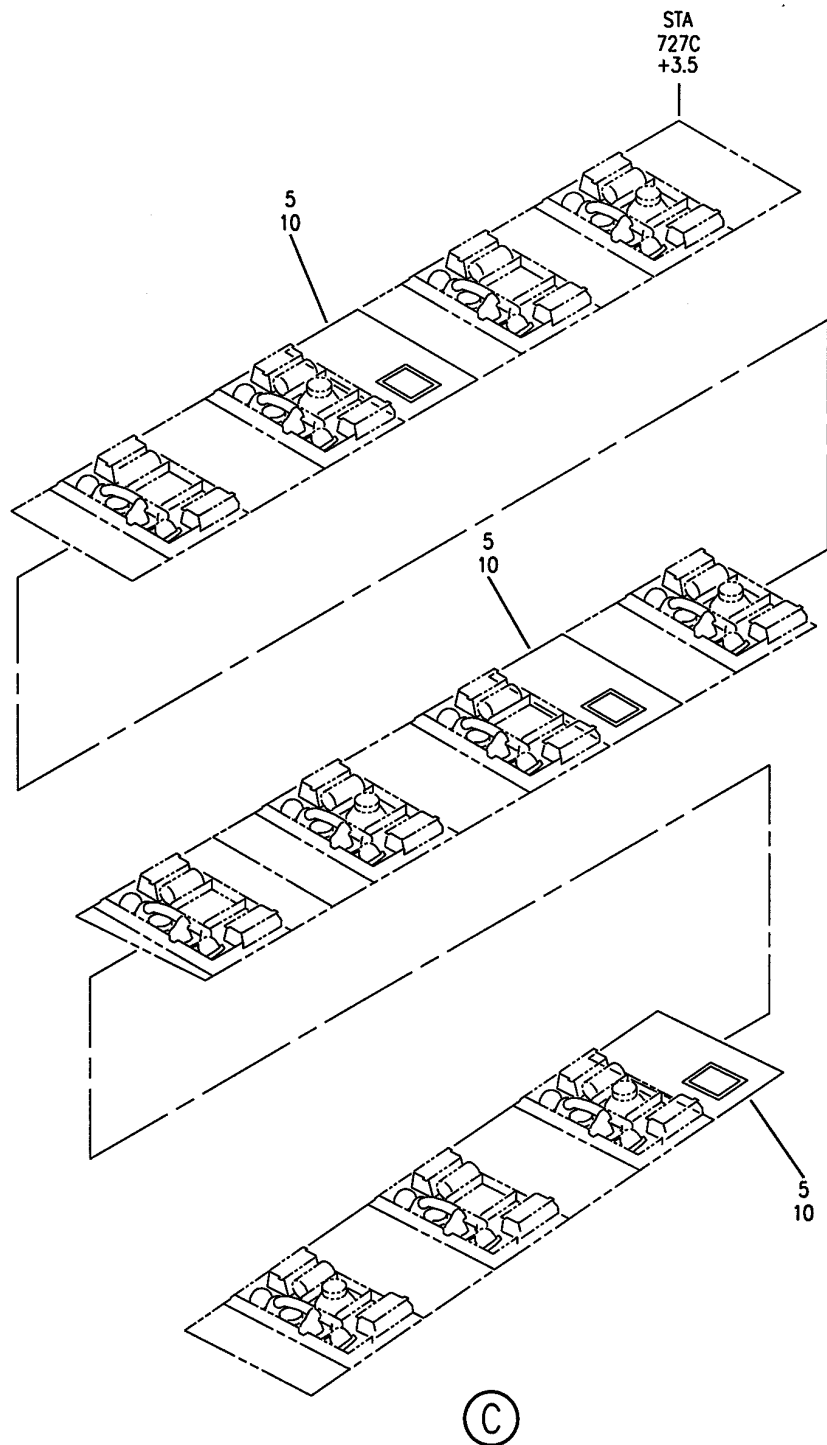
SERVICE UNIT INSTL- PASS. (COMMUNICATIONS ONLY)
FIGURE 46 (SHEET 2)

23-32-13-46

HAP
OCT 10/06

23-32-13-46
PAGE 0A

BOEING
737-600/700/800/900
PARTS CATALOG (MAINTENANCE)



E 23321346 SHT 3 REV 035

SERVICE UNIT INSTL- PASS. (COMMUNICATIONS ONLY)
FIGURE 46 (SHEET 3)

23-32-13-46

HAP
OCT 10/06

23-32-13-46
PAGE 0B

BOEING
737-600/700/800/900
PARTS CATALOG (MAINTENANCE)

FIG ITEM	PART NUMBER	1 2 3 4 5 6 7	NOMENCLATURE	EFFECT FROM TO	UNITS PER ASSY
46			SERVICE UNIT INSTL- PASS. (COMMUNICATIONS ONLY)	012016	
- 1	417A3100-129SP		SERVICE UNIT INSTL-PASS. (COMMUNICATIONS ONLY) FOR NHA/OTHER SYS DET SEE: 25-23-00-03	012016	RF
5	617-6265-001		.MONITOR-LIQUID CRYSTAL DISPLAY VIDEO, 8.6 IN. SUPPLIER CODE: V62204 POSITION DATA: LH FUNCTIONAL DESCRIPTION: DISPLAYS VIDEO PROGRAMS FOR PASSENGER ENTERTAINMENT COMPONENT MAINT MANUAL REF: 23-33-15 MAINTENANCE MANUAL REF: 23-32-13	012016	10
10	617-6265-002		.MONITOR-LIQUID CRYSTAL DISPLAY VIDEO, 8.6 IN. SUPPLIER CODE: V62204 POSITION DATA: RH FUNCTIONAL DESCRIPTION: DISPLAYS VIDEO PROGRAMS FOR PASSENGER ENTERTAINMENT COMPONENT MAINT MANUAL REF: 23-33-15	012016	10

MISSING ITEM NUMBERS NOT APPLICABLE

- ITEM NOT ILLUSTRATED

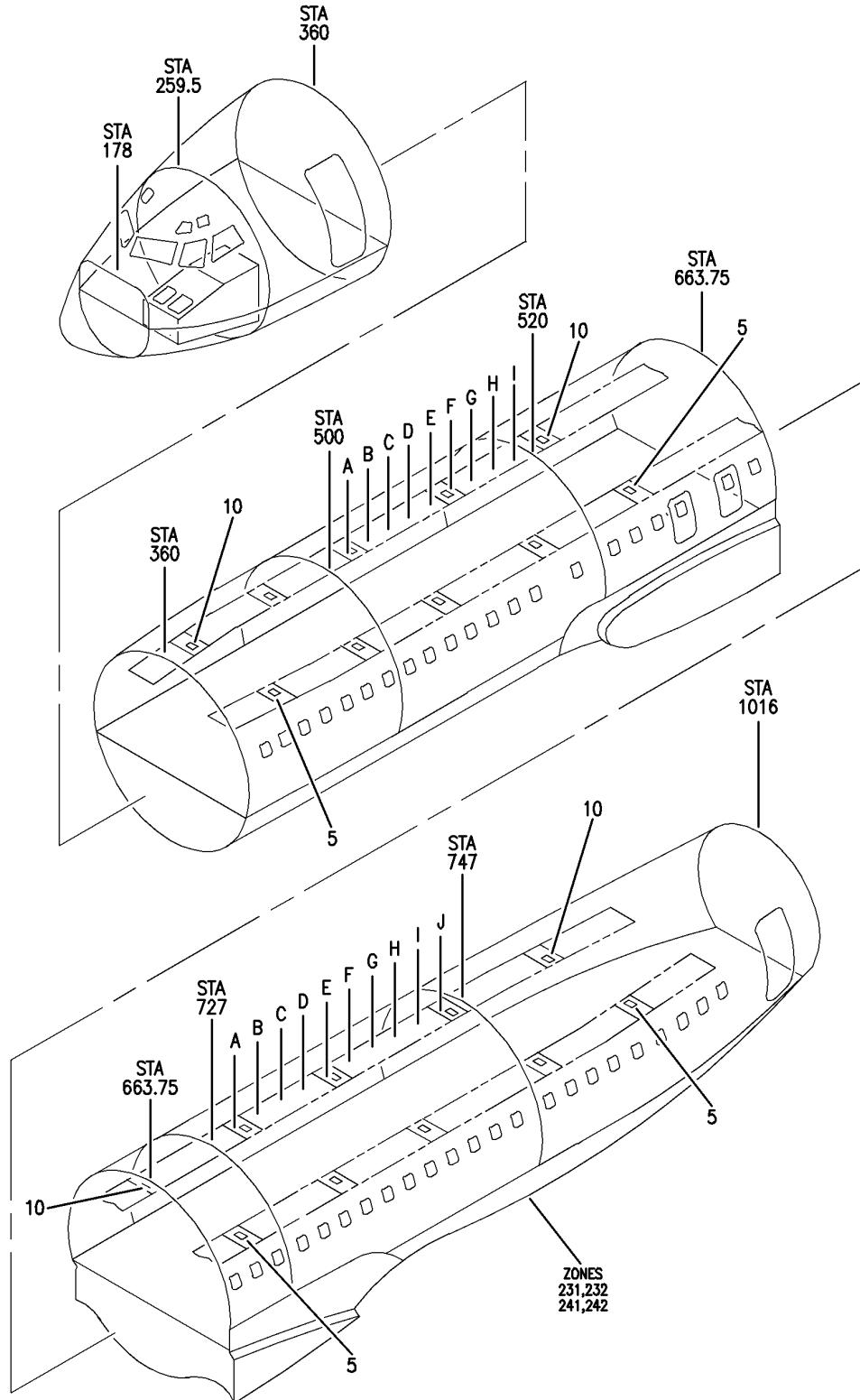
HAP

23-32-13-46

BOEING PROPRIETARY - Copyright © - Unpublished Work - See title page for details.

23-32-13
FIG. 46
PAGE 1
OCT 15/08

BOEING
 737-600/700/800/900
 PARTS CATALOG (MAINTENANCE)



E 23321362 REV 046

SERVICE UNIT INSTL-PASS. (COMMUNICATIONS ONLY)
 FIGURE 62

23-32-13-62

HAP
 OCT 10/06

23-32-13-62
 PAGE 0

BOEING
737-600/700/800/900
PARTS CATALOG (MAINTENANCE)

FIG ITEM	PART NUMBER	1 2 3 4 5 6 7	NOMENCLATURE	EFFECT FROM TO	UNITS PER ASSY
62			SERVICE UNIT INSTL-PASS. (COMMUNICATIONS ONLY)	017030	
- 1	417A3100-171B		SERVICE UNIT INSTL-PASS. (COMMUNICATIONS ONLY) FOR NHA/OTHER SYS DET SEE: 25-23-00-03	017030	RF
5	617-6265-001		.MONITOR-LIQUID CRYSTAL DISPLAY VIDEO, 8.6 IN. SUPPLIER CODE: V62204 POSITION DATA: LH SIDE FUNCTIONAL DESCRIPTION: DISPLAYS VIDEO PROGRAMS FOR PASSENGER ENTERTAINMENT COMPONENT MAINT MANUAL REF: 23-33-15 MAINTENANCE MANUAL REF: 23-32-13	017030	10
10	617-6265-002		.MONITOR-LIQUID CRYSTAL DISPLAY VIDEO, 8.6 IN. SUPPLIER CODE: V62204 POSITION DATA: RH SIDE FUNCTIONAL DESCRIPTION: DISPLAYS VIDEO PROGRAMS FOR PASSENGER ENTERTAINMENT COMPONENT MAINT MANUAL REF: 23-33-15	017030	10

MISSING ITEM NUMBERS NOT APPLICABLE

- ITEM NOT ILLUSTRATED

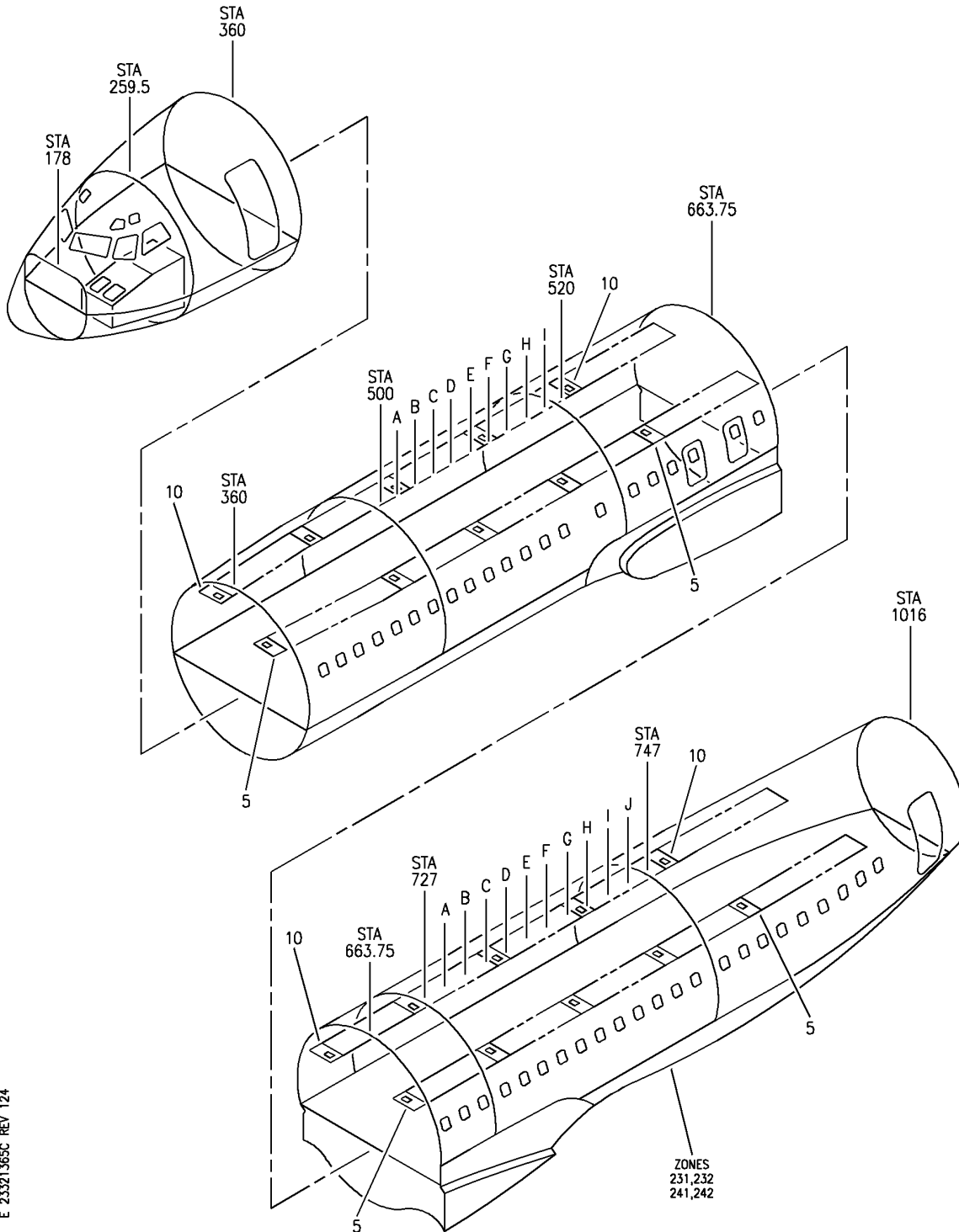
HAP

23-32-13-62

BOEING PROPRIETARY - Copyright © - Unpublished Work - See title page for details.

23-32-13
FIG. 62
PAGE 1
FEB 15/09

BOEING
 737-600/700/800/900
 PARTS CATALOG (MAINTENANCE)



E 23321365C REV 124

SERVICE UNIT INSTL-PASS. (COMMUNICATIONS ONLY)
 FIGURE 65C

23-32-13-65C

HAP
 FEB 10/07

23-32-13-65C
 PAGE 0

BOEING
737-600/700/800/900
PARTS CATALOG (MAINTENANCE)

FIG ITEM	PART NUMBER	1 2 3 4 5 6 7	NOMENCLATURE	EFFECT FROM TO	UNITS PER ASSY
65C			SERVICE UNIT INSTL-PASS. (COMMUNICATIONS ONLY)	038038 041047	
- 1	MODREF309704		SERVICE UNIT INSTL-PASS. (COMMUNICATIONS ONLY) MODULE NUMBER: 417A3100-490B REV A FOR OTHER SYS DETAILS SEE: 25-23-61-72G	038038 042043	1
- 1	MODREF337784		SERVICE UNIT INSTL-PASS. (COMMUNICATIONS ONLY) MODULE NUMBER: 417A3100-490B REV B FOR OTHER SYS DETAILS SEE: 25-23-61-72G	041041 044047	1
5	1303910-101		.MONITOR-RETRACTOR LCD 10.4 IN. SUPPLIER CODE: V62204 POSITION DATA: LH FUNCTIONAL DESCRIPTION: DISPLAYS VIDEO PROGRAMS FOR PASSENGER ENTERTAINMENT. COMPONENT MAINT MANUAL REF: 44-20-05 MAINTENANCE MANUAL REF: 23-32-13	038038 041047	10
10	1303910-100		.MONITOR-RETRACTOR LCD 10.4 IN. SUPPLIER CODE: V62204 POSITION DATA: RH FUNCTIONAL DESCRIPTION: DISPLAYS VIDEO PROGRAMS FOR PASSENGER ENTERTAINMENT. COMPONENT MAINT MANUAL REF: 44-20-05	038038 041047	10

MISSING ITEM NUMBERS NOT APPLICABLE

- ITEM NOT ILLUSTRATED

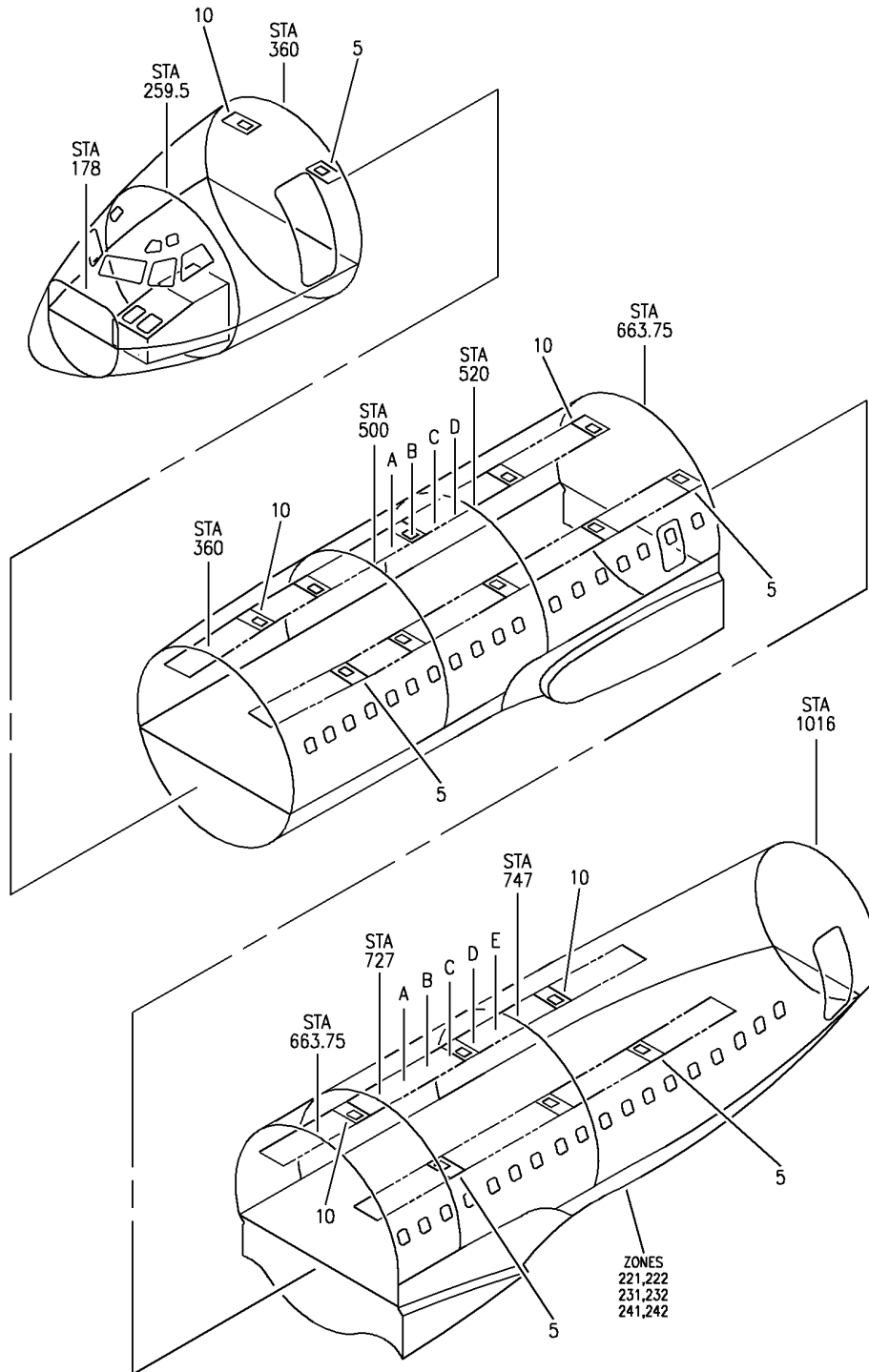
HAP

23-32-13-65C

BOEING PROPRIETARY - Copyright © - Unpublished Work - See title page for details.

23-32-13
FIG. 65C
PAGE 1
FEB 15/09

BOEING
737-600/700/800/900
PARTS CATALOG (MAINTENANCE)



E 23321365P REV 126

SERVICE UNIT INSTL-PASS. (COMMUNICATIONS ONLY)
 FIGURE 65P

23-32-13-65P

HAP
 FEB 10/07

23-32-13-65P
 PAGE 0

BOEING
737-600/700/800/900
PARTS CATALOG (MAINTENANCE)

FIG ITEM	PART NUMBER	1 2 3 4 5 6 7	NOMENCLATURE	EFFECT FROM TO	UNITS PER ASSY
65P			SERVICE UNIT INSTL-PASS. (COMMUNICATIONS ONLY)	101200 968999	
- 1	MODREF314282		SERVICE UNIT INSTL-PASS. (COMMUNICATIONS ONLY)	101200 968999	1
			MODULE NUMBER: 417A3100-506B REV A FOR OTHER SYS DETAILS SEE: 25-23-61-72T		
5	1303910-101		.MONITOR-RETRACTOR LCD 10.4 IN. SUPPLIER CODE: V62204 POSITION DATA: LH FUNCTIONAL DESCRIPTION: DISPLAYS VIDEO PROGRAMS FOR PASSENGER ENTERTAINMENT. COMPONENT MAINT MANUAL REF: 44-20-05 MAINTENANCE MANUAL REF: 23-32-13	101200 968999	9
10	1303910-100		.MONITOR-RETRACTOR LCD 10.4 IN. SUPPLIER CODE: V62204 POSITION DATA: RH FUNCTIONAL DESCRIPTION: DISPLAYS VIDEO PROGRAMS FOR PASSENGER ENTERTAINMENT. COMPONENT MAINT MANUAL REF: 44-20-05	101200 968999	9

MISSING ITEM NUMBERS NOT APPLICABLE

- ITEM NOT ILLUSTRATED

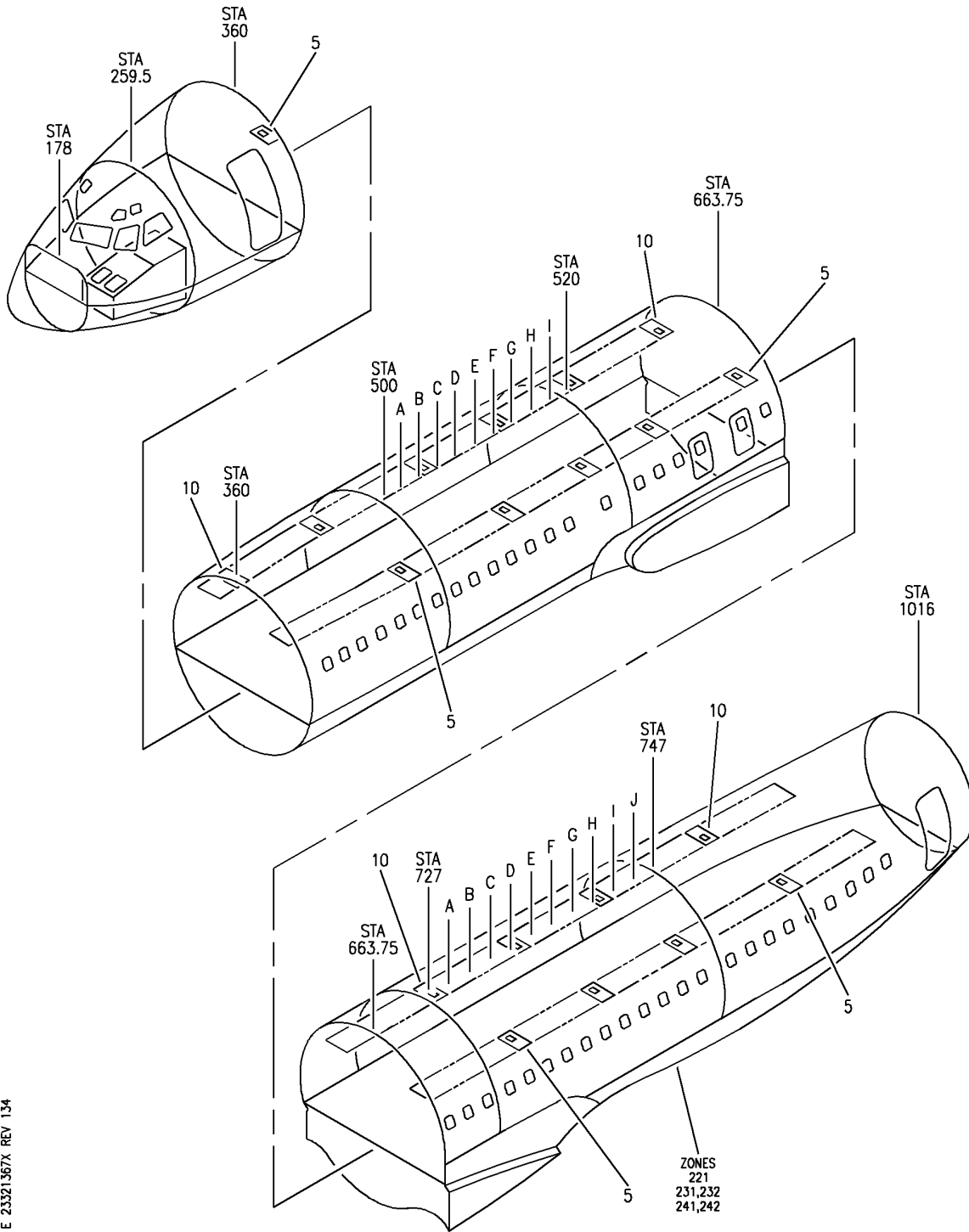
HAP

23-32-13-65P

BOEING PROPRIETARY - Copyright © - Unpublished Work - See title page for details.

23-32-13
FIG. 65P
PAGE 1
FEB 15/09

BOEING
 737-600/700/800/900
 PARTS CATALOG (MAINTENANCE)



E 23321367X REV 134

SERVICE UNIT INSTL-PASS. (COMMUNICATIONS ONLY)
 FIGURE 67X

23-32-13-67X

HAP
 OCT 15/08

23-32-13-67X
 PAGE 0

BOEING
737-600/700/800/900
PARTS CATALOG (MAINTENANCE)

FIG ITEM	PART NUMBER	1 2 3 4 5 6 7	NOMENCLATURE	EFFECT FROM TO	UNITS PER ASSY
67X			SERVICE UNIT INSTL-PASS. (COMMUNICATIONS ONLY)	049100	
- 1	MODREF346686		SERVICE UNIT INSTL-PASS. (COMMUNICATIONS ONLY)	049050 054100	1
- 1	MODREF395914		MODULE NUMBER: 417A3100-544B REV A FOR OTHER SYS DETAILS SEE: 25-23-61-75H		
			SERVICE UNIT INSTL-PASS. (COMMUNICATIONS ONLY)	051053	1
			MODULE NUMBER: 417A3100-544B REV B FOR OTHER SYS DETAILS SEE: 25-23-61-75H		
5	1303910-101		.MONITOR-LIQUID CRYSTAL DISPLAY RETRACTOR 10.4 IN. VIDEO SUPPLIER CODE: V62204 POSITION DATA: LH FUNCTIONAL DESCRIPTION: DISPLAYS VIDEO PROGRAMS FOR PASSENGER ENTERTAINMENT. COMPONENT MAINT MANUAL REF: 44-20-05 MAINTENANCE MANUAL REF: 23-32-13	049100	10
10	1303910-100		.MONITOR-LIQUID CRYSTAL DISPLAY RETRACTOR 10.4 IN. VIDEO SUPPLIER CODE: V62204 POSITION DATA: RH FUNCTIONAL DESCRIPTION: DISPLAYS VIDEO PROGRAMS FOR PASSENGER ENTERTAINMENT. COMPONENT MAINT MANUAL REF: 44-20-05	049100	10

MISSING ITEM NUMBERS NOT APPLICABLE

- ITEM NOT ILLUSTRATED

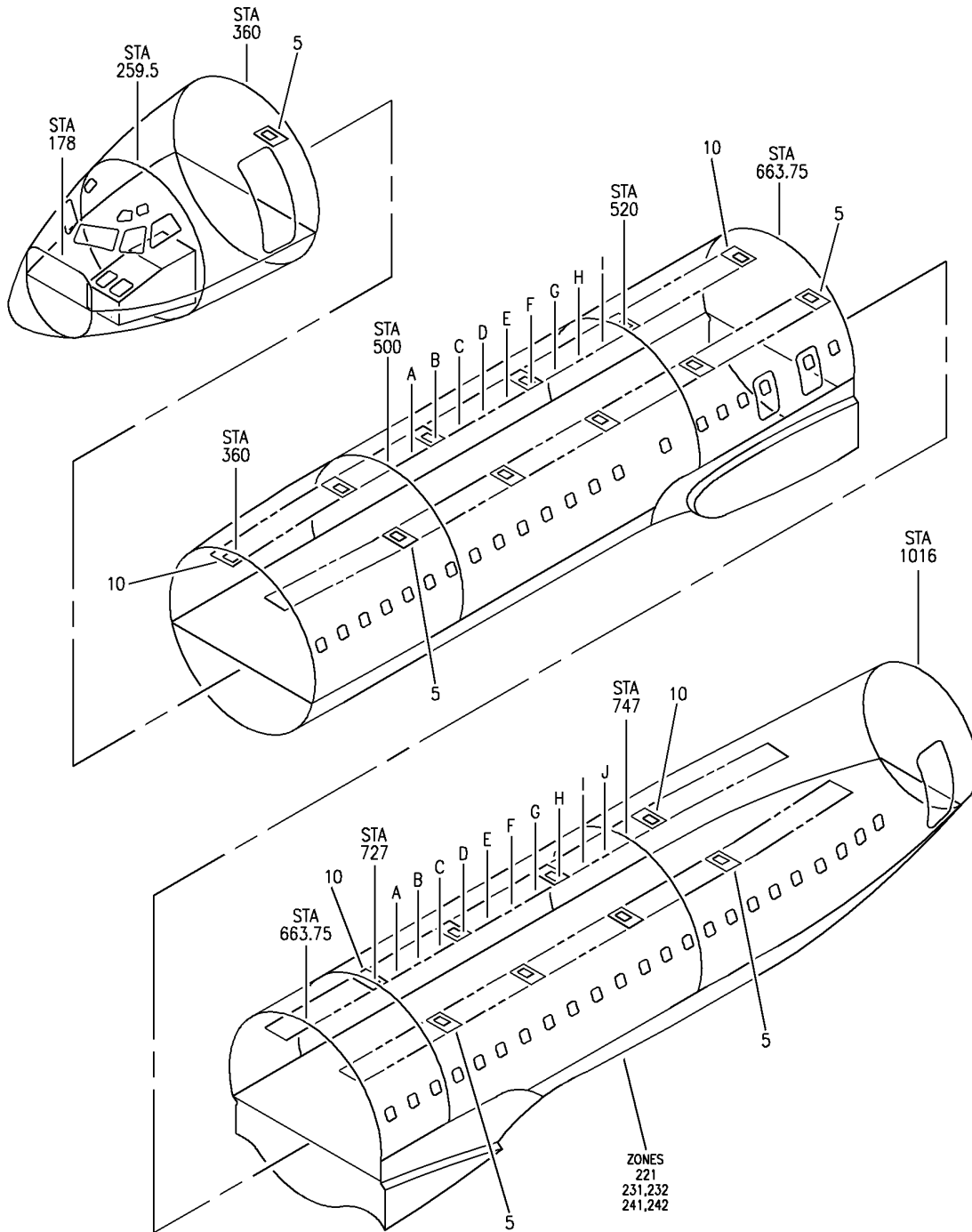
HAP

23-32-13-67X

BOEING PROPRIETARY - Copyright © - Unpublished Work - See title page for details.

23-32-13
FIG. 67X
PAGE 1
FEB 15/09

BOEING
 737-600/700/800/900
 PARTS CATALOG (MAINTENANCE)



E 23321370M REV 115

SERVICE UNIT INSTL-PASS. (COMMUNICATIONS ONLY)
 FIGURE 70M

23-32-13-70M

HAP
 OCT 10/06

23-32-13-70M
 PAGE 0

BOEING
737-600/700/800/900
PARTS CATALOG (MAINTENANCE)

FIG ITEM	PART NUMBER	1 2 3 4 5 6 7	NOMENCLATURE	EFFECT FROM TO	UNITS PER ASSY
70M					
- 1	MODREF272770		SERVICE UNIT INSTL-PASS. (COMMUNICATIONS ONLY) SERVICE UNIT INSTL-PASS. (COMMUNICATIONS ONLY) MODULE NUMBER: 417A3100-451B REV A FOR OTHER SYS DETAILS SEE: 25-23-61-70M	031037 039040 031037 039040	1
5	1303910-101		.MONITOR-LCD RETRACTOR 10.4 IN. VIDEO SUPPLIER CODE: V62204 POSITION DATA: LH FUNCTIONAL DESCRIPTION: DISPLAYS VIDEO PROGRAMS FOR PASSENGER ENTERTAINMENT. COMPONENT MAINT MANUAL REF: 44-20-05 MAINTENANCE MANUAL REF: 23-32-13	031037 039040	10
10	1303910-100		.MONITOR-LCD RETRACTOR 10.4 IN. VIDEO SUPPLIER CODE: V62204 POSITION DATA: RH FUNCTIONAL DESCRIPTION: DISPLAYS VIDEO PROGRAMS FOR PASSENGER ENTERTAINMENT. COMPONENT MAINT MANUAL REF: 44-20-05	031037 039040	10

MISSING ITEM NUMBERS NOT APPLICABLE

- ITEM NOT ILLUSTRATED

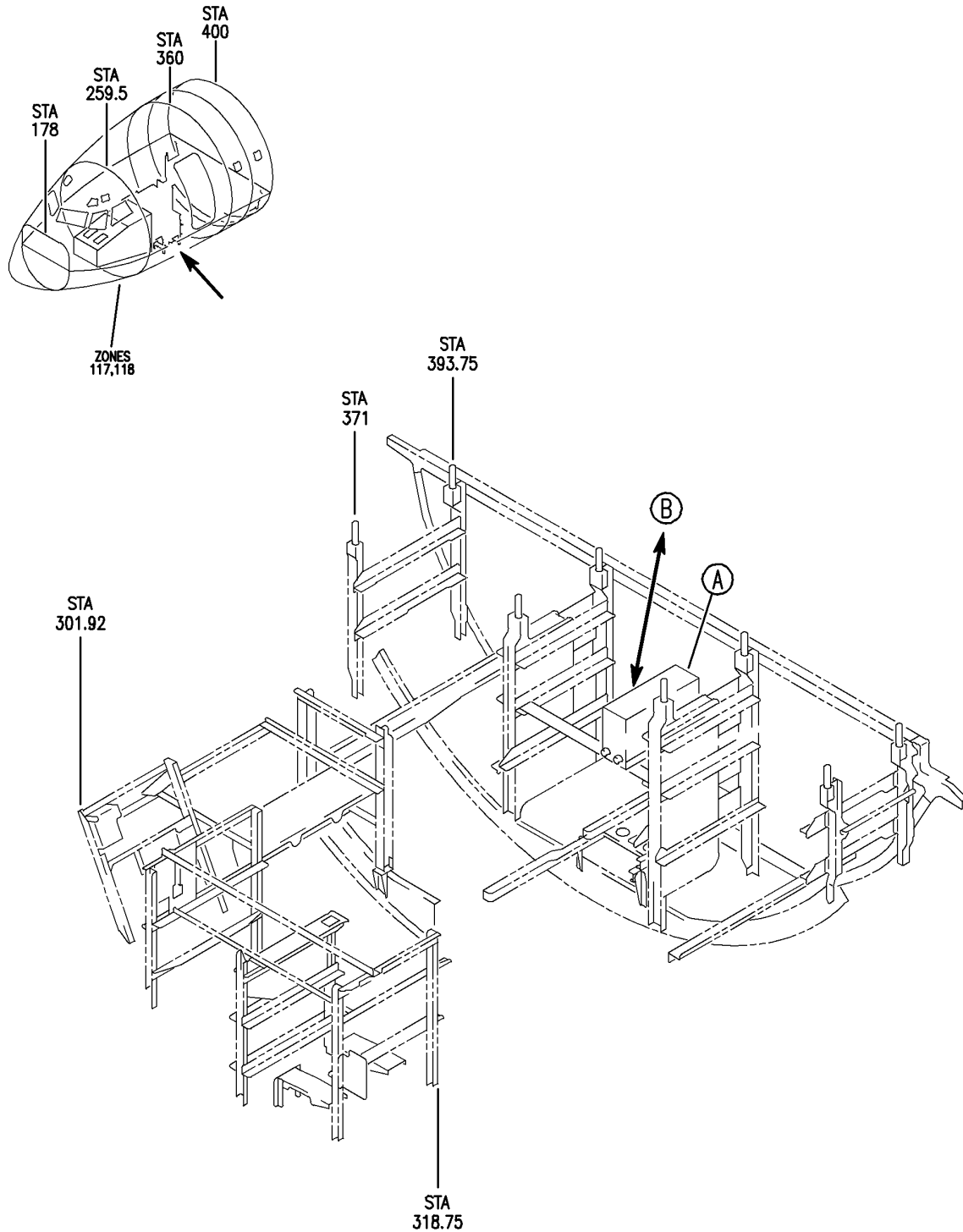
HAP

23-32-13-70M

BOEING PROPRIETARY - Copyright © - Unpublished Work - See title page for details.

23-32-13
FIG. 70M
PAGE 1
FEB 15/09

BOEING
 737-600/700/800/900
 PARTS CATALOG (MAINTENANCE)



E 23322101 SHT 1 REV 063

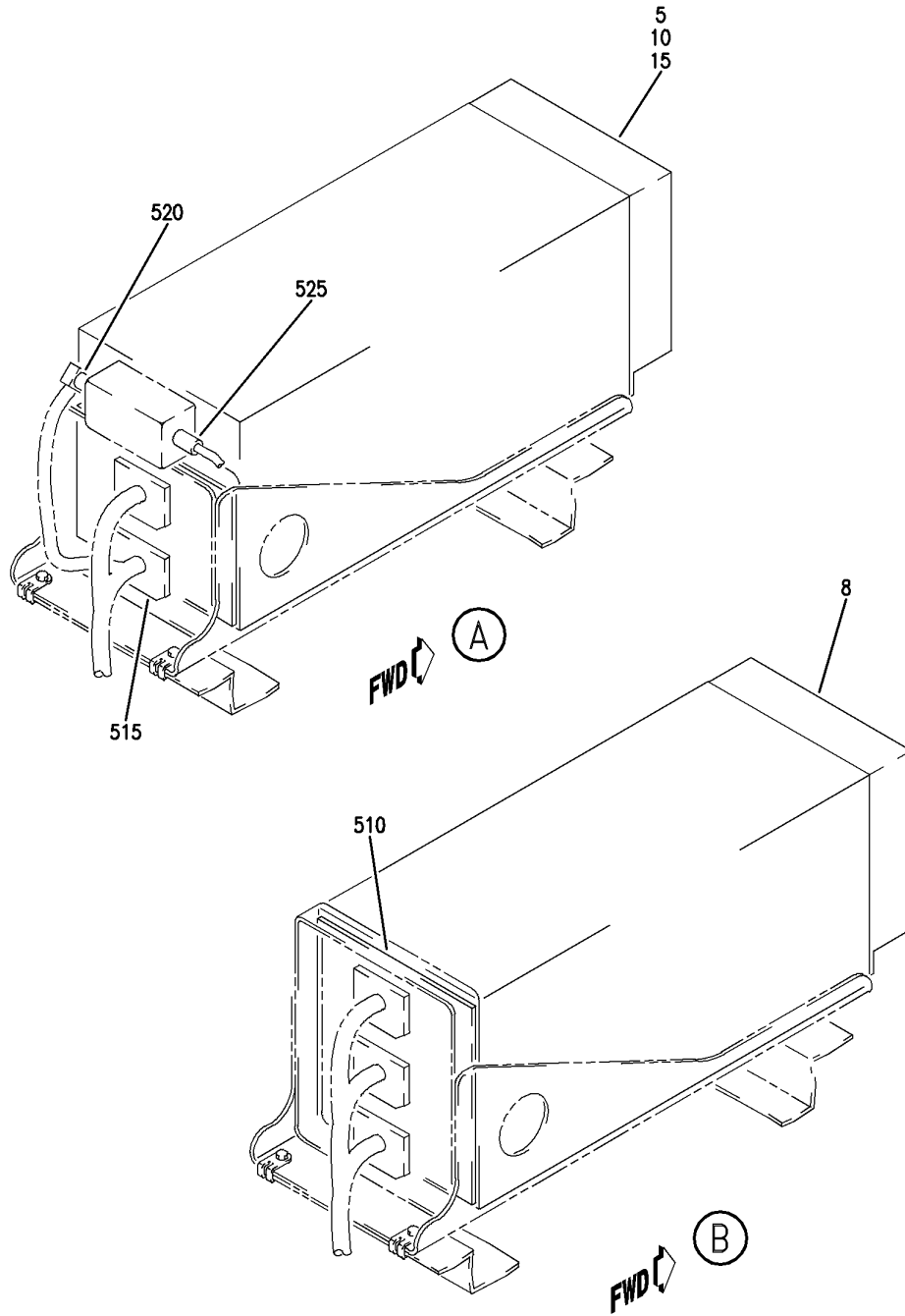
EQUIPMENT AND SOFTWARE INSTL- E3-2 DIGITAL INTERFACE UNIT AIRSHOW
 FIGURE 1 (SHEET 1)

HAP
 OCT 10/06

23-32-21-01

23-32-21-01
 PAGE 0

BOEING
737-600/700/800/900
PARTS CATALOG (MAINTENANCE)



E 23322101 SHT 2 REV 063

EQUIPMENT AND SOFTWARE INSTL- E3-2 DIGITAL INTERFACE UNIT AIRSHOW
FIGURE 1 (SHEET 2)

23-32-21-01

HAP
OCT 10/06

23-32-21-01
PAGE 0A

BOEING
737-600/700/800/900
PARTS CATALOG (MAINTENANCE)

FIG ITEM	PART NUMBER	1 2 3 4 5 6 7	NOMENCLATURE	EFFECT FROM TO	UNITS PER ASSY
1			EQUIPMENT AND SOFTWARE INSTL- E3-2 DIGITAL INTERFACE UNIT AIRSHOW	001011	
- 1	284A0430-106		EQUIPMENT INSTL-E3-2 DIGITAL INTERFACE UNIT AIRSHOW 420 FOR NHA SEE: 23-30-00-12	001011	RF
8	FTS0004-000-000		.UNIT-DIGITAL INTERFACE SUPPLIER CODE: VC1008 POST AIRLINE MOD: COC NO.230206 VHAP	001011	1
10	921111		.CADDY-CD ROM AS420 SUPPLIER CODE: V70093 ELECTRICAL EQUIP NUMBER: M02260	001011	1
15	BCREF14864		.CDROM-AS420 SUPPLIER CODE: V70093 OVERLENGTH PART NUMBER: 921900-01-9999-3 MISCELLANEOUS DATA: THIS DEFAULT CDROM IS TYPICALLY REPLACED AFTER DELIVERY WITH AIRLINE CUSTOMIZED SOFTWARE. CONTACT SUPPLIER FOR SPARES SUPPORTS. ELECTRICAL EQUIP NUMBER: M02261	001007	1
15	BCREF15425		.CDROM-AS420 SUPPLIER CODE: V70093 OVERLENGTH PART NUMBER: 921900-01-9999-4 MISCELLANEOUS DATA: THIS DEFAULT CDROM IS TYPICALLY REPLACED AFTER DELIVERY WITH AIRLINE CUSTOMIZED SOFTWARE. CONTACT SUPPLIER FOR SPARES SUPPORT. ELECTRICAL EQUIP NUMBER: M02261	008011	1
- 500	286A0321-024		WIRE BUNDLE ASSY-E3-2 SHELF	002004	RF

MISSING ITEM NUMBERS NOT APPLICABLE

- ITEM NOT ILLUSTRATED

HAP

23-32-21-01

BOEING PROPRIETARY - Copyright © - Unpublished Work - See title page for details.

23-32-21
FIG. 01
PAGE 1
OCT 10/06

BOEING
737-600/700/800/900
PARTS CATALOG (MAINTENANCE)

FIG ITEM	PART NUMBER	1 2 3 4 5 6 7	NOMENCLATURE	EFFECT FROM TO	UNITS PER ASSY
1					
- 500	286A0321-028		WIRE BUNDLE ASSY-E3-2 SHELF	001001	RF
- 500	286A0321-064		WIRE BUNDLE ASSY-E3-2 SHELF	006007	RF
- 500	286A0321-065		WIRE BUNDLE ASSY-E3-2 SHELF	005005	RF
- 500	286A0321-069		WIRE BUNDLE ASSY-E3-2 SHELF	008011	RF
510	BCREF136276		.PLUG-	006011	1
			OVERLENGTH PART NUMBER: RM3P32C2S67S32C2S0001		
			ELECTRICAL EQUIP NUMBER: D02813		
			WIRING DIAGRAM REF: 233221		
510	BCREF14908		.PLUG-	001005	1
			OVERLENGTH PART NUMBER: CPX3MA32C2S67S32C2S33-00 01		
			ELECTRICAL EQUIP NUMBER: D02813		
			WIRING DIAGRAM REF: 233221		

MISSING ITEM NUMBERS NOT APPLICABLE

- ITEM NOT ILLUSTRATED

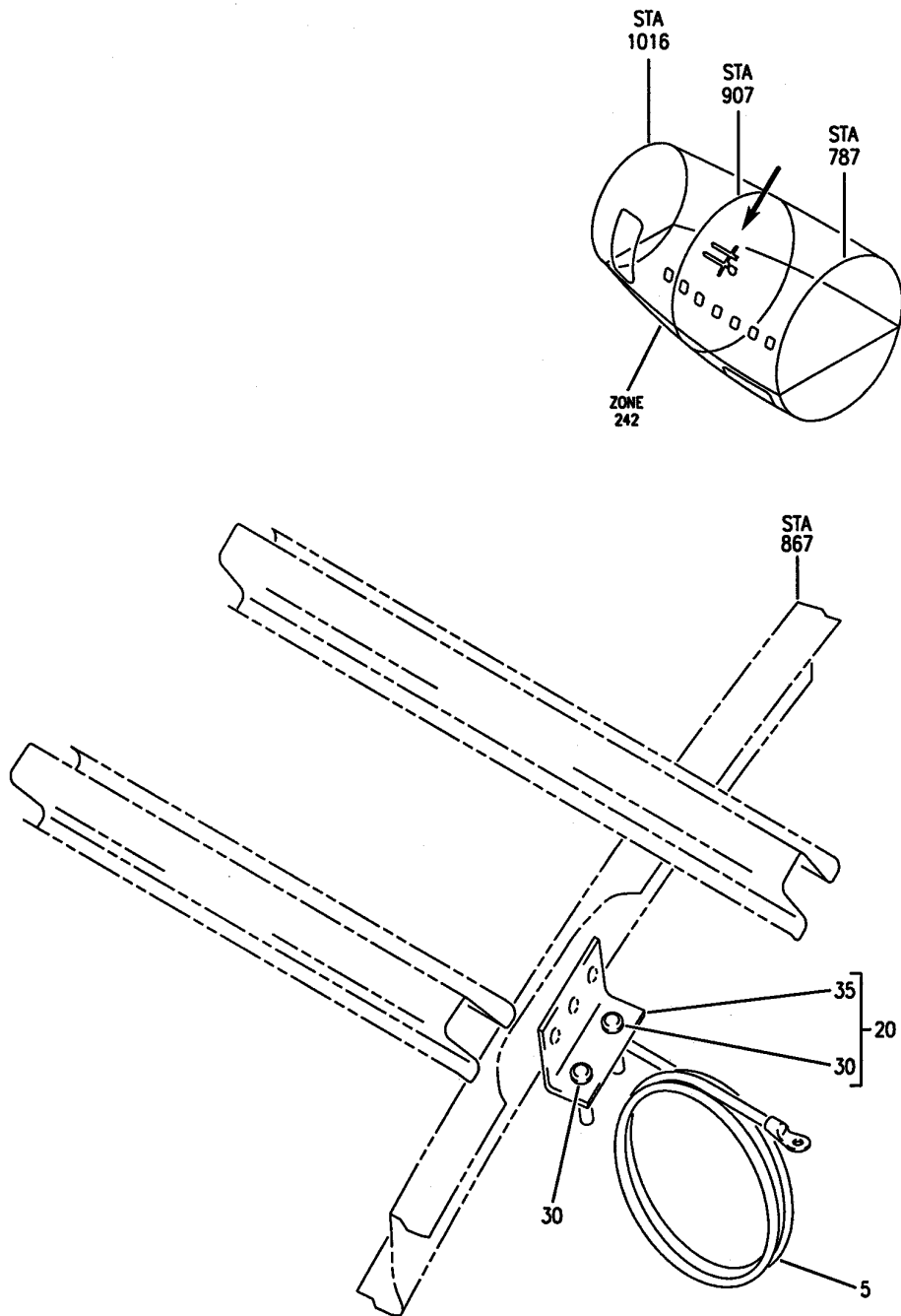
HAP

23-32-21-01

BOEING PROPRIETARY - Copyright © - Unpublished Work - See title page for details.

23-32-21
FIG. 01
PAGE 2
OCT 10/06

BOEING
737-600/700/800/900
PARTS CATALOG (MAINTENANCE)



E 23325107 REV 03B

EQUIPMENT INSTL-VIDEO GND STUD AND STRAP 737-700, 737-800
FIGURE 7

23-32-51-07

HAP
OCT 15/08

23-32-51-07
PAGE 0

BOEING
737-600/700/800/900
PARTS CATALOG (MAINTENANCE)

FIG ITEM	PART NUMBER	1 2 3 4 5 6 7	NOMENCLATURE	EFFECT FROM TO	UNITS PER ASSY
7			EQUIPMENT INSTL-VIDEO GND STUD AND STRAP 737-700, 737-800	201967	
- 1	65C31254-25		EQUIPMENT INSTL-VIDEO GND STUD AND STRAP POSITION DATA: STA 867, RH FOR NHA SEE: 23-32-00-01A	201967	RF
	5 MS25083-2BB54		.JUMPER ATTACHING PARTS	201967	1
- 10	NAS1149D0316H		.WASHER	201967	1
- 15	MS21042L3		.NUT	201967	1
	20 287N4106-23		.BRACKET ASSY ATTACHING PARTS	201967	1
- 25	BACR15FT5D		.RIVET- SIZE DETERMINED ON INSTL.	201967	3
	30 VNS1924CA1-8		..STUD SUPPLIER CODE: V5M902 SPECIFICATION NUMBER: BACS53B1EA1 OPTIONAL PART: VNS1924CA3-1-8 V92215	201967	2
	35 287N4106-22		..BRACKET	201967	1

MISSING ITEM NUMBERS NOT APPLICABLE

- ITEM NOT ILLUSTRATED

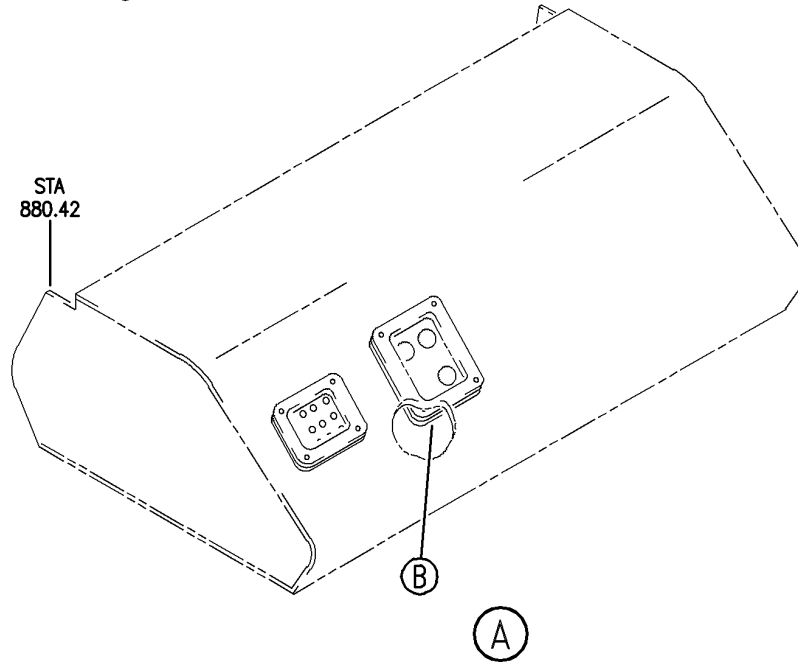
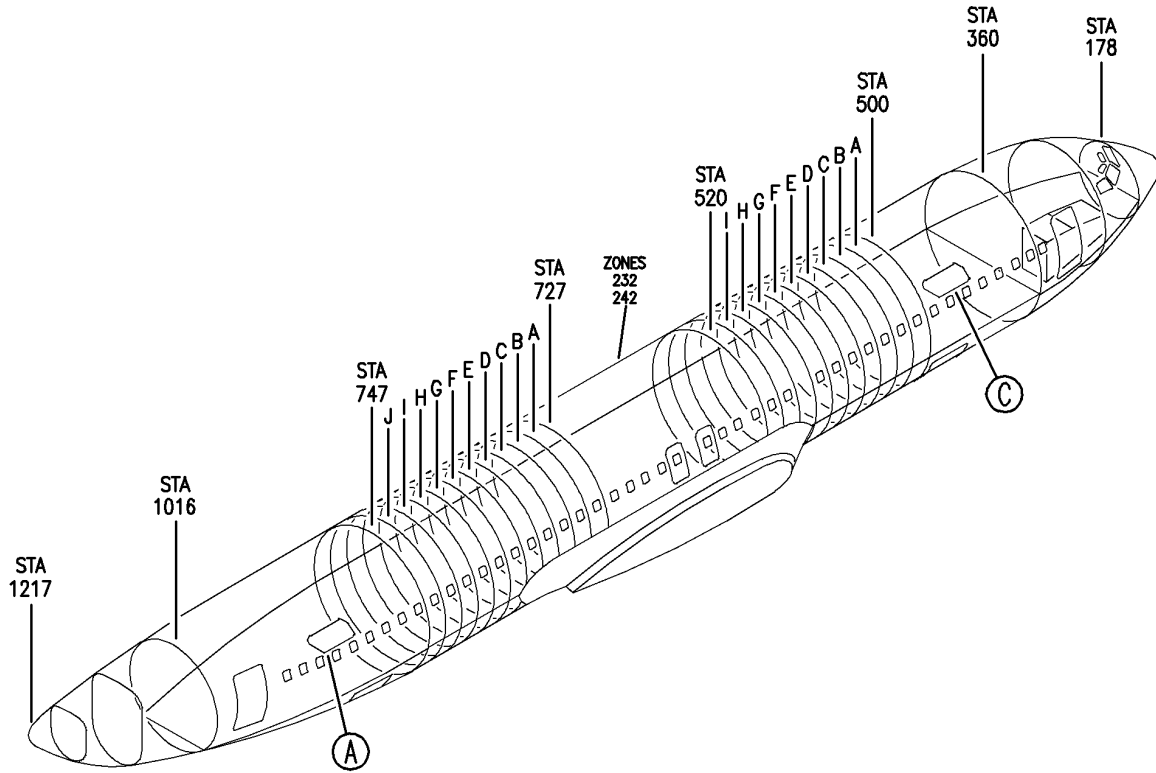
HAP

23-32-51-07

BOEING PROPRIETARY - Copyright © - Unpublished Work - See title page for details.

23-32-51
FIG. 07
PAGE 1
OCT 15/08

BOEING
 737-600/700/800/900
 PARTS CATALOG (MAINTENANCE)



E 23325111 SHT 1 REV 066

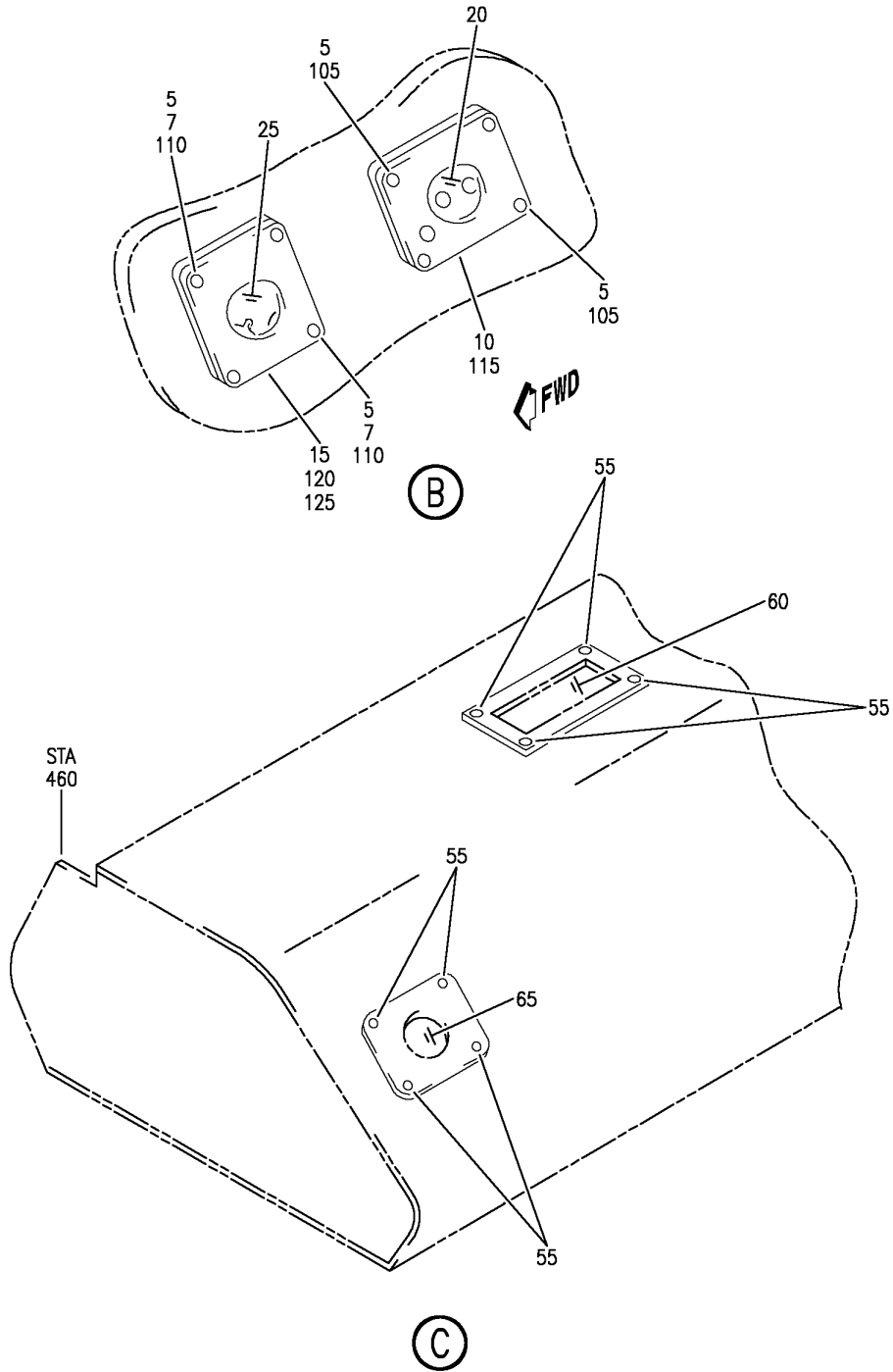
EQUIPMENT INSTL-VIDEO 737-700,737-800,737-900
 FIGURE 11 (SHEET 1)

23-32-51-11

HAP
 OCT 15/08

23-32-51-11
 PAGE 0

BOEING
737-600/700/800/900
PARTS CATALOG (MAINTENANCE)



E 23325111 SHT 2 REV 079

EQUIPMENT INSTL-VIDEO 737-700,737-800,737-900
 FIGURE 11 (SHEET 2)

23-32-51-11

HAP
 OCT 15/08

23-32-51-11
 PAGE 0A

BOEING
737-600/700/800/900
PARTS CATALOG (MAINTENANCE)

FIG ITEM	PART NUMBER	1 2 3 4 5 6 7	NOMENCLATURE	EFFECT FROM TO	UNITS PER ASSY
11			EQUIPMENT INSTL-VIDEO 737-700,737-800,737-900	201967	
- 1	417A7360-19		EQUIPMENT INSTL-VIDEO FOR NHA SEE: 23-32-00-01A	201967	RF
5	BACS12FA3K8		.SCREW	201967	8
10	439W2272-19		.PLATE-DISC. OPTIONAL PART: 417A7363-17B	201967	1
10	417A7363-17B		.BRACKET-DISC. OPTIONAL PART: 439W2272-19	201967	1
15	439W2272-20		.PLATE-DISC.	201967	1
20	439W2272-14		.BRACKET-DISC.	201967	1
25	439W2272-15		.BRACKET-DISC.	201967	1

MISSING ITEM NUMBERS NOT APPLICABLE

- ITEM NOT ILLUSTRATED

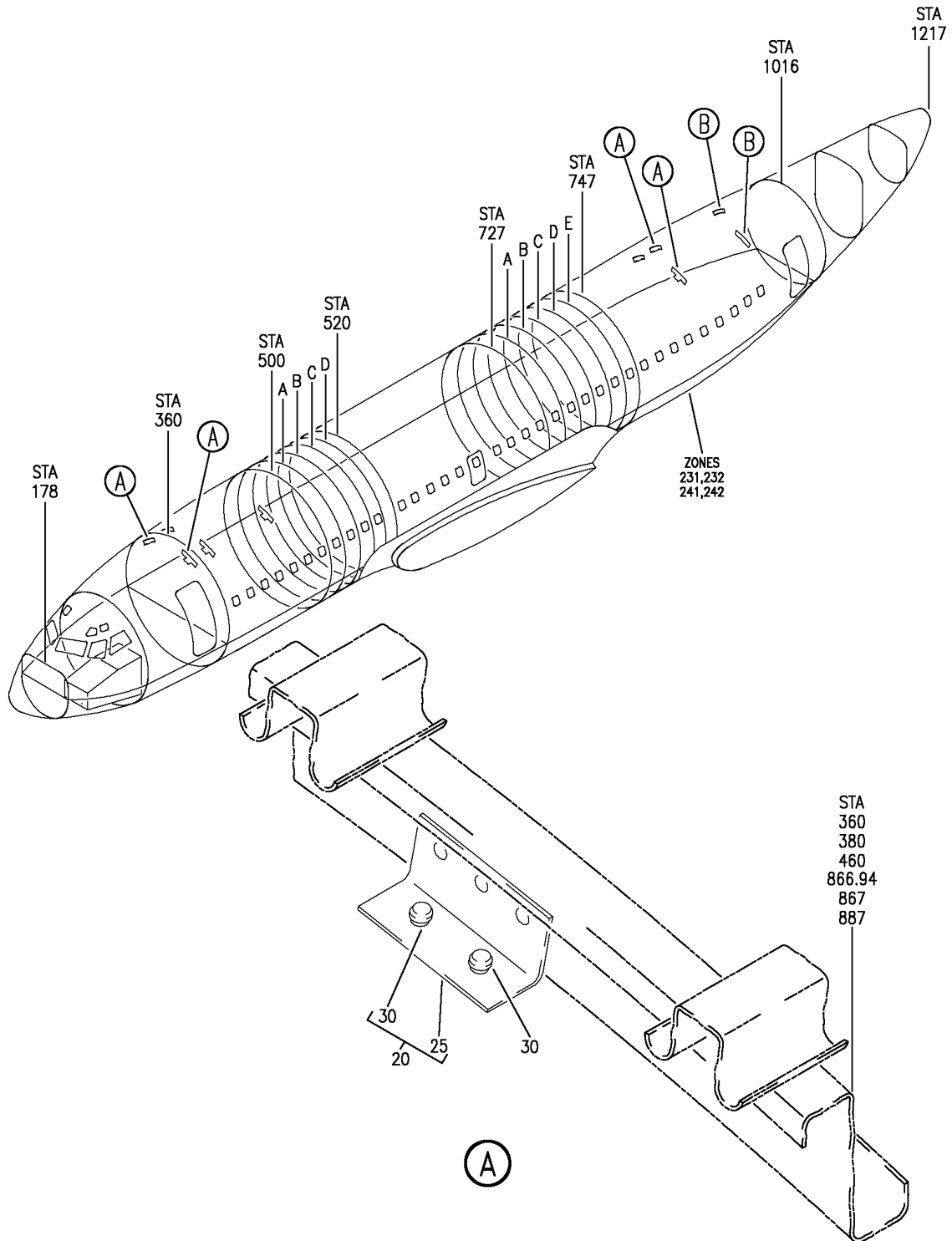
HAP

23-32-51-11

BOEING PROPRIETARY - Copyright © - Unpublished Work - See title page for details.

23-32-51
FIG. 11
PAGE 1
OCT 15/08

BOEING
 737-600/700/800/900
 PARTS CATALOG (MAINTENANCE)



E 23325115 SH1 1 REV 075

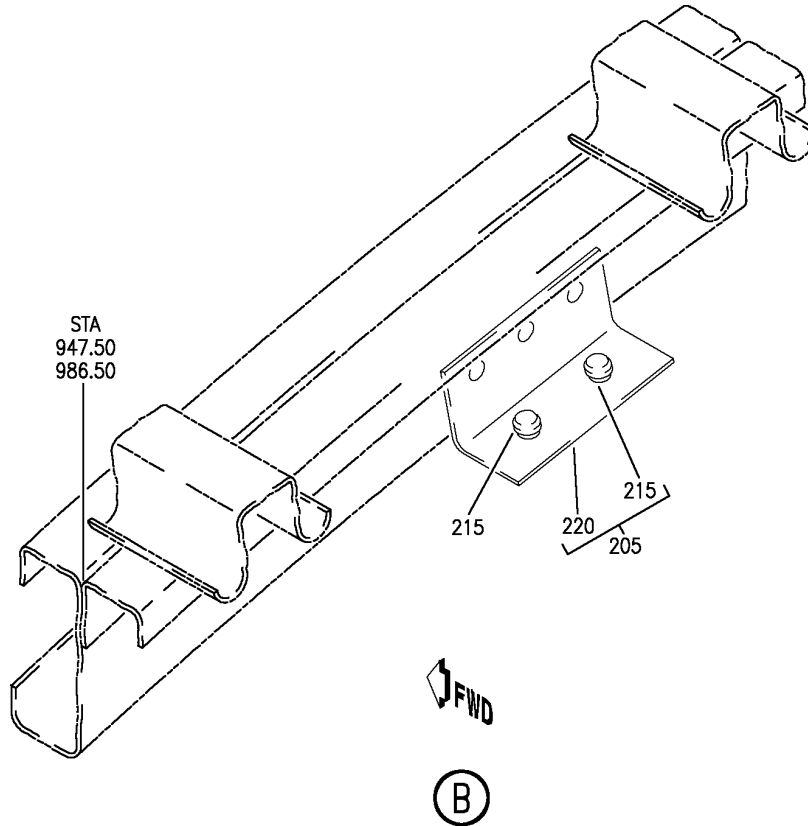
BRACKET INSTL-GND
 FIGURE 15 (SHEET 1)

23-32-51-15

HAP
 OCT 10/06

23-32-51-15
 PAGE 0

BOEING
737-600/700/800/900
PARTS CATALOG (MAINTENANCE)



E 23325115 SHT 2 REV 075

BRACKET INSTL-GND
FIGURE 15 (SHEET 2)

23-32-51-15

HAP
OCT 10/06

23-32-51-15
PAGE 0A

BOEING
737-600/700/800/900
PARTS CATALOG (MAINTENANCE)

FIG ITEM	PART NUMBER	1 2 3 4 5 6 7	NOMENCLATURE	EFFECT FROM TO	UNITS PER ASSY
15			BRACKET INSTL-GND	028030	
- 15	417A7360-130		BRACKET INSTL-GND POSITION DATA: STA 360 L SIDE FOR NHA SEE: 23-32-00-01B	028030	RF
20	287N4106-383		.BRACKET ASSY- ATTACHING PARTS	028030	1
- 25	BACR15FT5D		.RIVET- SIZE DETERMINED ON INSTL. -----*-----	028030	3
30	VNS1924CA1-8		..STUD SUPPLIER CODE: V5M902 SPECIFICATION NUMBER: BACS53B1EA1 OPTIONAL PART: VNS1924CA3-1-8 V92215	028030	2
35	287N4106-384		..BRACKET	028030	1

MISSING ITEM NUMBERS NOT APPLICABLE

- ITEM NOT ILLUSTRATED

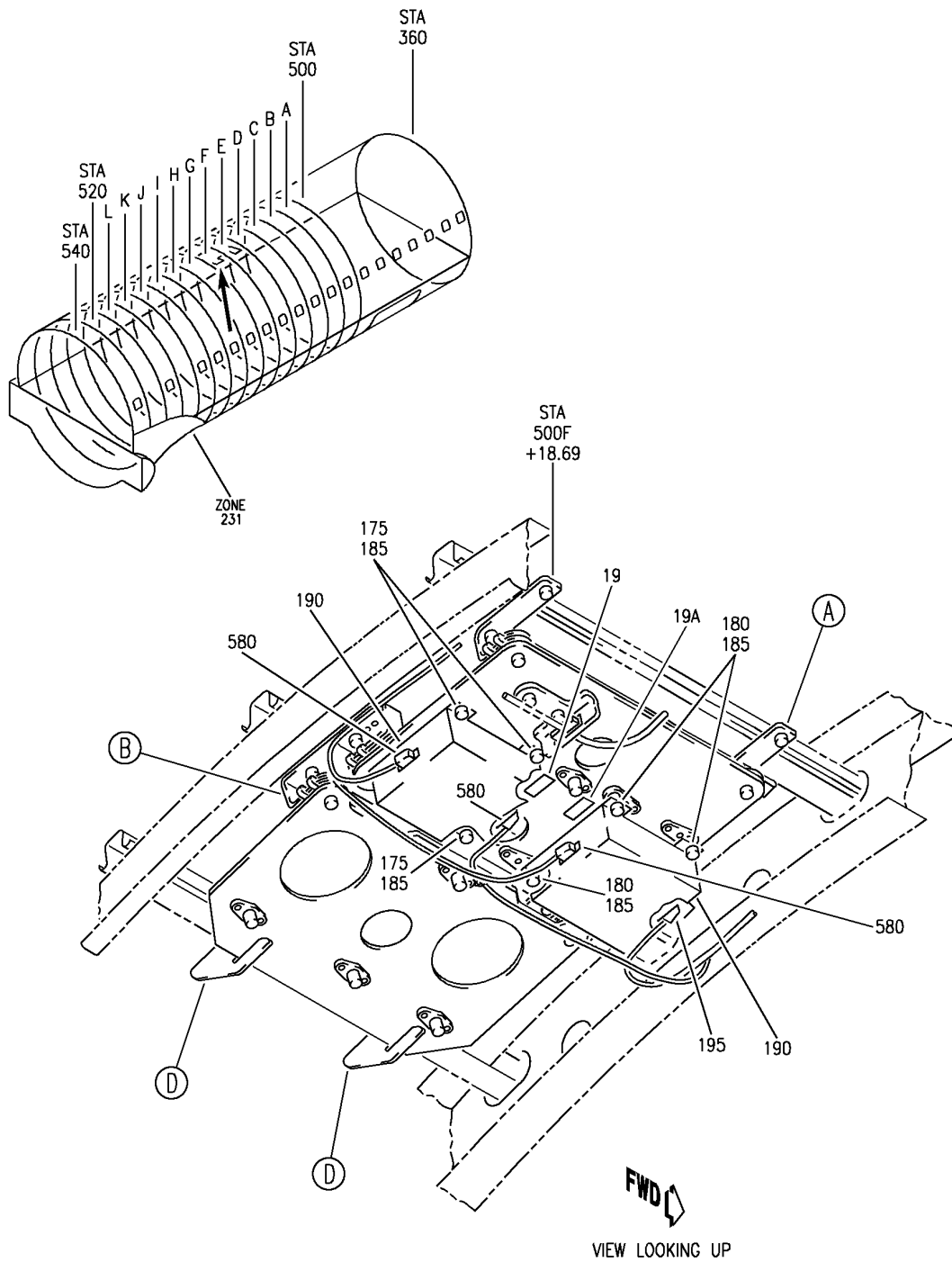
HAP

23-32-51-15

BOEING PROPRIETARY - Copyright © - Unpublished Work - See title page for details.

23-32-51
FIG. 15
PAGE 1
OCT 10/07

BOEING
 737-600/700/800/900
 PARTS CATALOG (MAINTENANCE)



E 23325116 SHT 1 REV 132

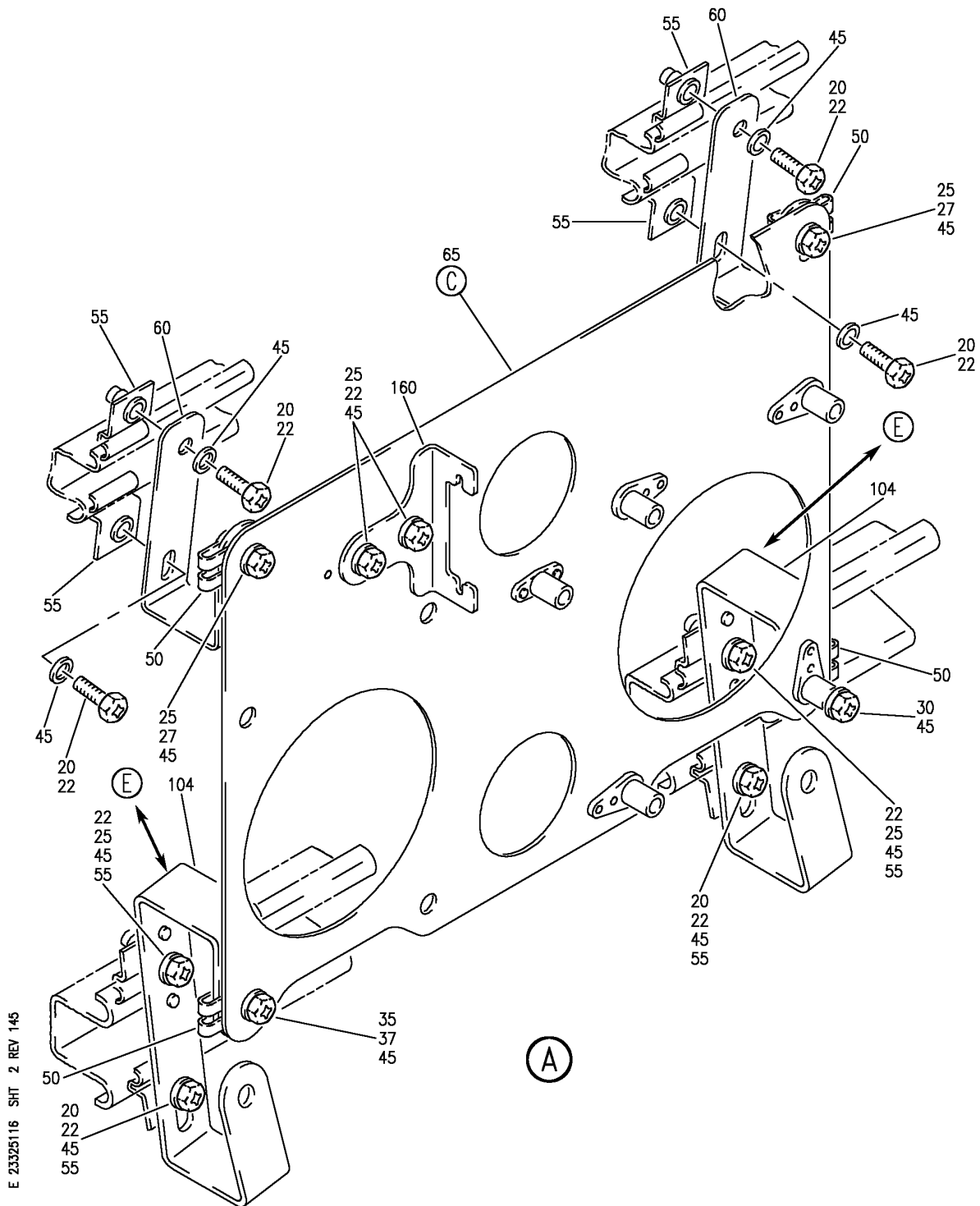
EQUIPMENT INSTL-VDU SPRT
 FIGURE 16 (SHEET 1)

23-32-51-16

HAP
 OCT 10/07

23-32-51-16
 PAGE 0

BOEING
 737-600/700/800/900
 PARTS CATALOG (MAINTENANCE)



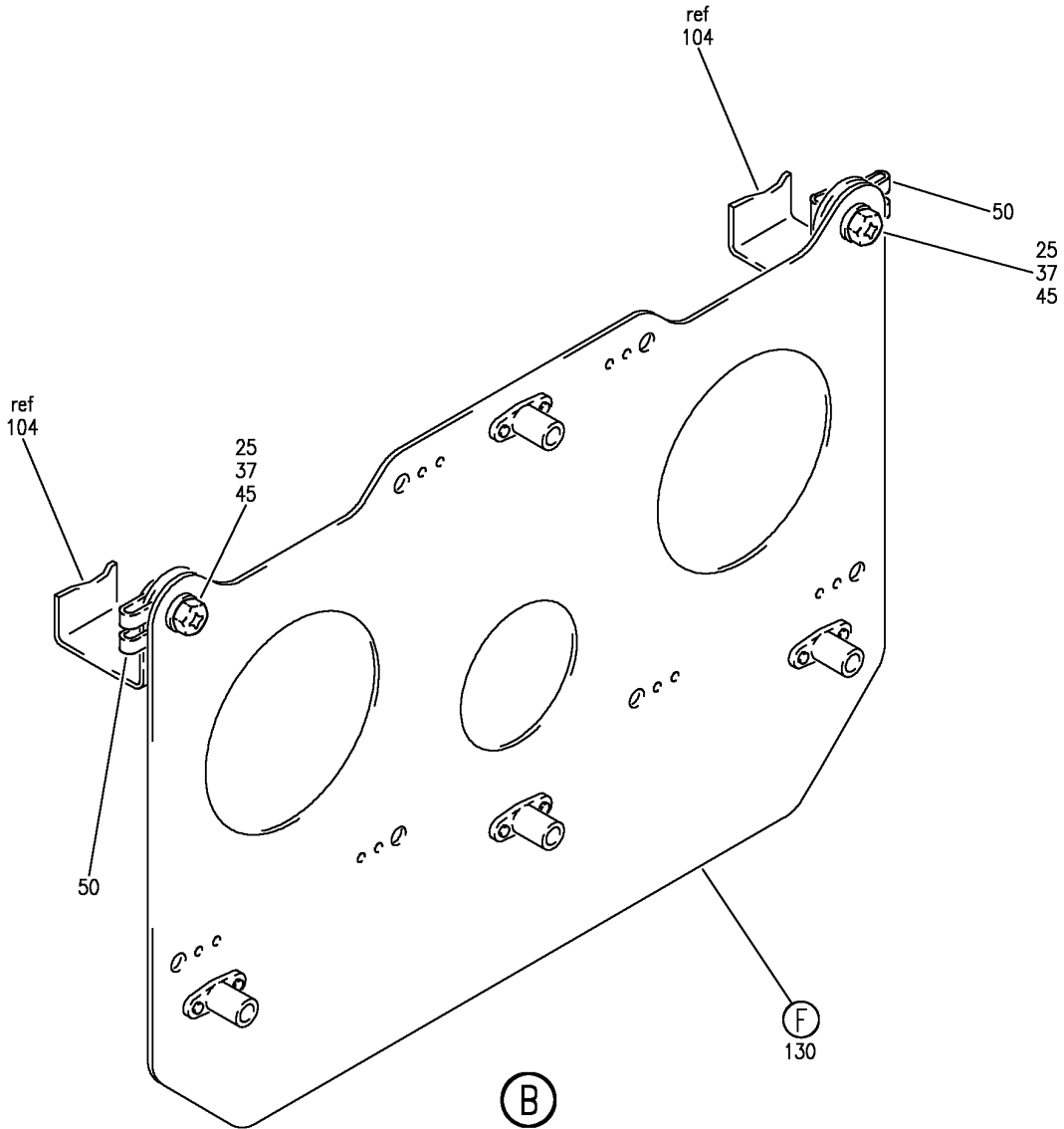
E 23325116 SHT 2 REV 145

EQUIPMENT INSTL-VDU SPRT
 FIGURE 16 (SHEET 2)

23-32-51-16

HAP
 OCT 15/08

23-32-51-16
 PAGE 0A



E 23325116 SH1 3 REV 145

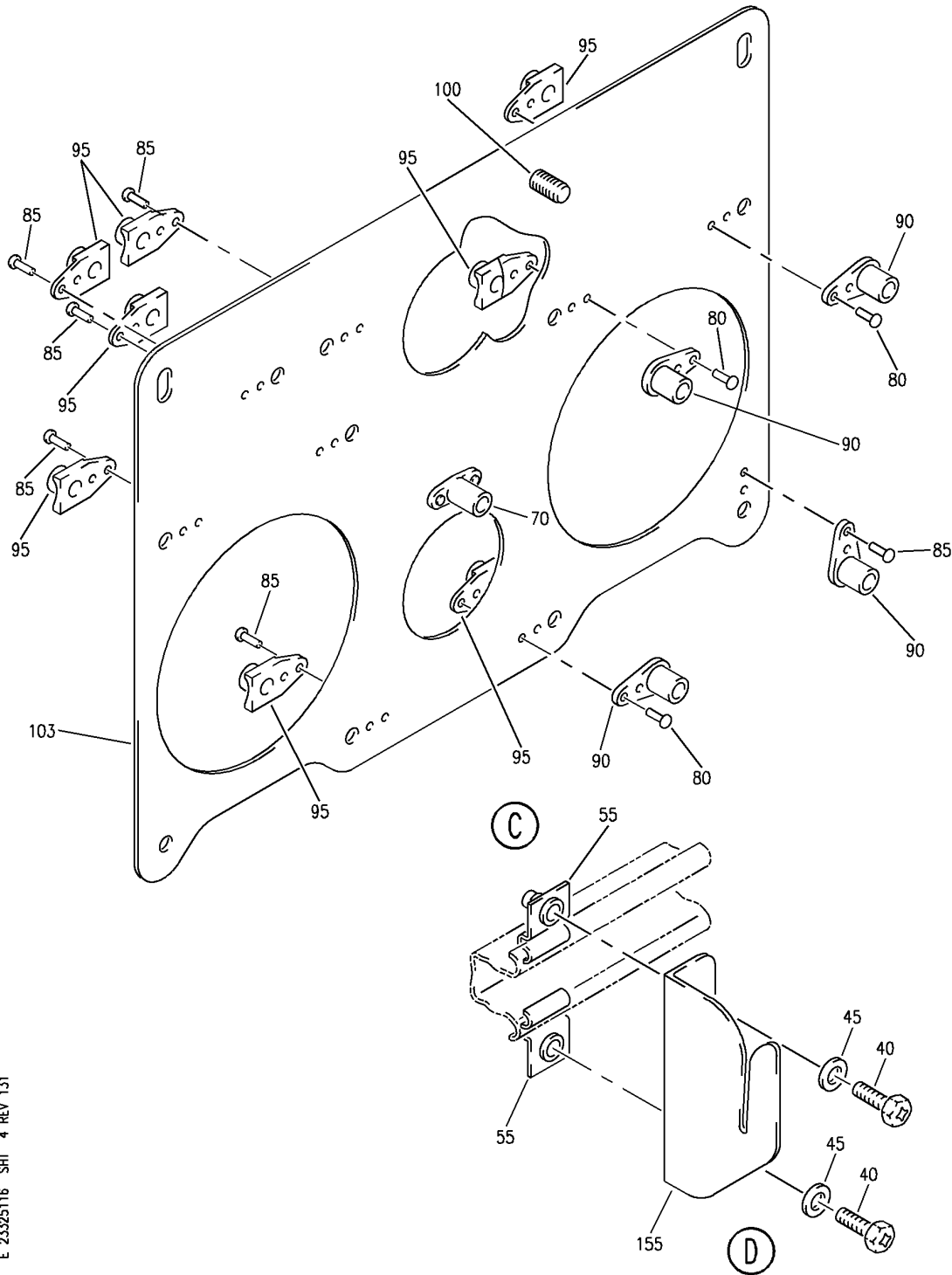
EQUIPMENT INSTL-VDU SPRT
FIGURE 16 (SHEET 3)

23-32-51-16

HAP
OCT 15/08

23-32-51-16
PAGE 0B

BOEING
 737-600/700/800/900
 PARTS CATALOG (MAINTENANCE)



E 23325116 SH4 4 REV 131

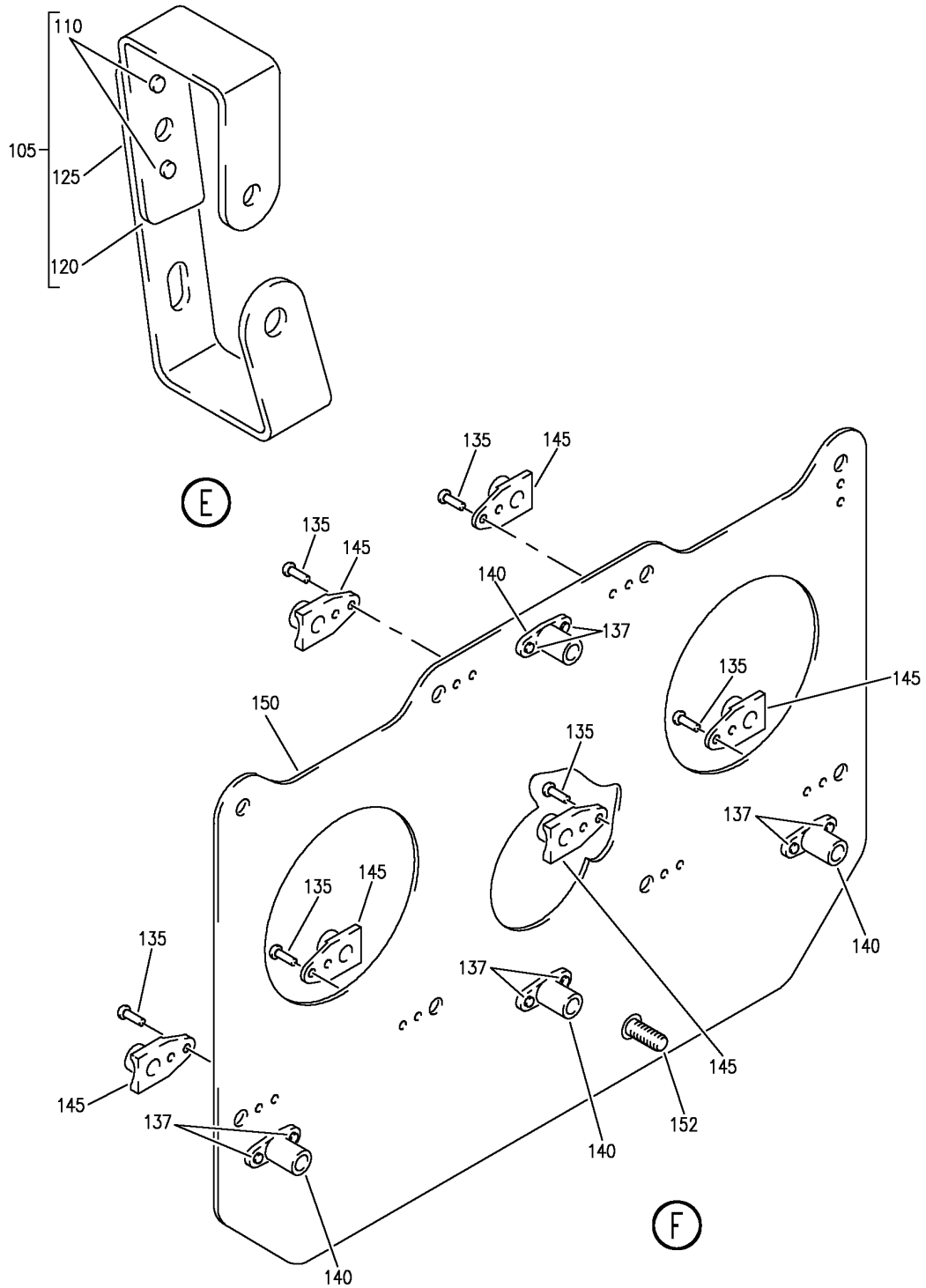
EQUIPMENT INSTL-VDU SPRT
 FIGURE 16 (SHEET 4)

23-32-51-16

HAP
 JUN 10/07

23-32-51-16
 PAGE 0C

BOEING
 737-600/700/800/900
 PARTS CATALOG (MAINTENANCE)



E 23325116 SH1 5 REV 145

EQUIPMENT INSTL-VDU SPRT
 FIGURE 16 (SHEET 5)

23-32-51-16

HAP
 OCT 15/08

23-32-51-16
 PAGE 0D

BOEING
737-600/700/800/900
PARTS CATALOG (MAINTENANCE)

FIG ITEM	PART NUMBER	1 2 3 4 5 6 7	NOMENCLATURE	EFFECT FROM TO	UNITS PER ASSY
16			EQUIPMENT INSTL-VDU SPRT	031100	
- 5	MODREF97189		EQUIPMENT INSTL-VDU SPRT	031046	1
			MODULE NUMBER: 417A7666-12 REV A	054100	
			POSITION DATA: STA 500F+18.69, LBL 26.53, WL 300.33		
- 5	MODREF386269		EQUIPMENT INSTL-VDU SPRT	047053	1
			MODULE NUMBER: 417A7666-12 REV B		
			POSITION DATA: STA 500F+18.69, LBL 26.53, WL 300.33		
20	BACS12GU3K9		.SCREW	031046	8
				054100	
22	BACS12GU3K9		.SCREW	047053	10
25	BACS12GU3K10		.SCREW	031046	6
				054100	
27	BACS12GU3K10		.SCREW	047053	2
30	BACS12GU3K18		.SCREW	031100	1
35	BACS12GU3K11		.SCREW	031046	1
				054100	
37	BACS12GU3K11		.SCREW	047053	3
40	BACS12GU3K8		.SCREW	031100	4
45	NAS1149D0332J		.WASHER	031100	20
50	BACN10VR2CG		.NUT	031100	6
55	69-37170-1		.CLIP ASSY	031100	12
60	417N7105-155		.BRACKET-SPRT	031100	2
65	417N7102-341		.BRACKET ASSY	031100	1
70	WSI4A6B		..NUTPLATE-	031100	1
			SUPPLIER CODE: V04169		
			SPECIFICATION NUMBER: BACN10TL3A6B		
			OPTIONAL PART: BACN10TL3A6		
70	WS1-4A6		..NUTPLATE-	031100	1
			SUPPLIER CODE: V04169		
			SPECIFICATION NUMBER: BACN10TL3A6		
			OPTIONAL PART: BACN10TL3A6B		
			ATTACHING PARTS		
- 75	BACR15BB3AD4C		..RIVET	031100	2
			-----*-----		
80	BACR15BB3AD3C		..RIVET	031100	6
85	BACR15BA3AD3C		..RIVET	031100	12

MISSING ITEM NUMBERS NOT APPLICABLE

- ITEM NOT ILLUSTRATED

HAP

23-32-51-16

BOEING PROPRIETARY - Copyright © - Unpublished Work - See title page for details.

23-32-51
FIG. 16
PAGE 1
FEB 15/09

BOEING
737-600/700/800/900
PARTS CATALOG (MAINTENANCE)

FIG ITEM	PART NUMBER	1 2 3 4 5 6 7	NOMENCLATURE	EFFECT FROM TO	UNITS PER ASSY
16					
90	295926-50	..	SPACER- SUPPLIER CODE: V60119 SPECIFICATION NUMBER: BACS18R50B	031100	4
95	F177-3	..	NUTPLATE SUPPLIER CODE: V72962 SPECIFICATION NUMBER: BACN10JA3 OPTIONAL PART: F2400-3 V15653 43610-02 V80539 BRF110A3 V52828 BRF170A3 V52828	031100	8
100	VNS1924CA2-8	..	STUD SUPPLIER CODE: V5M902 SPECIFICATION NUMBER: BACS53B1EA2 OPTIONAL PART: VNS1924CA3-2-8 V92215	031100	1
103	417N7102-342	..	BRACKET	031100	1
104	417N7105-248	.BRACKET-	OPTIONAL PART: 417N7105-158	031100	2
105	417N7105-158	.BRACKET ASSY-	OPTIONAL PART: 417N7105-248	031100	2
110	BACR15CE6AD6C	..	RIVET	031100	2
120	417N7105-156	..	BRACKET	031100	1
125	417N7105-157	..	BRACKET	031100	1
130	417N7102-343	.BRACKET ASSY		031100	1
135	BACR15BA3AD3C	..	RIVET	031100	12
137	BACR15BA4AD4C	..	RIVET	031100	8
140	WSI4A6B	..	NUTPLATE- SUPPLIER CODE: V04169 SPECIFICATION NUMBER: BACN10TL3A6B OPTIONAL PART: BACN10TL3A6	031100	4

MISSING ITEM NUMBERS NOT APPLICABLE

— ITEM NOT ILLUSTRATED

HAP

23-32-51-16

BOEING PROPRIETARY - Copyright © - Unpublished Work - See title page for details.

23-32-51
FIG. 16
PAGE 2
OCT 15/08

BOEING
737-600/700/800/900
PARTS CATALOG (MAINTENANCE)

FIG ITEM	PART NUMBER	1 2 3 4 5 6 7	NOMENCLATURE	EFFECT FROM TO	UNITS PER ASSY
16 140	WS1-4A6		..NUTPLATE- SUPPLIER CODE: V04169 SPECIFICATION NUMBER: BACN10TL3A6 OPTIONAL PART: BACN10TL3A6B	031100	4
145	F177-3		..NUTPLATE SUPPLIER CODE: V72962 SPECIFICATION NUMBER: BACN10JA3 OPTIONAL PART: F2400-3 V15653 43610-02 V80539 BRF110A3 V52828 BRF170A3 V52828	031100	6
150	417N7102-344		..BRACKET	031100	1
152	VNS1924CA2-8		..STUD- SUPPLIER CODE: V5M902 SPECIFICATION NUMBER: BACS53B1EA2 OPTIONAL PART: VNS1924CA3-2-8 V92215	031100	1
155	416N7105-159		.BRACKET	031100	2
160	417N7102-198		.BRACKET	031100	1

MISSING ITEM NUMBERS NOT APPLICABLE

— ITEM NOT ILLUSTRATED

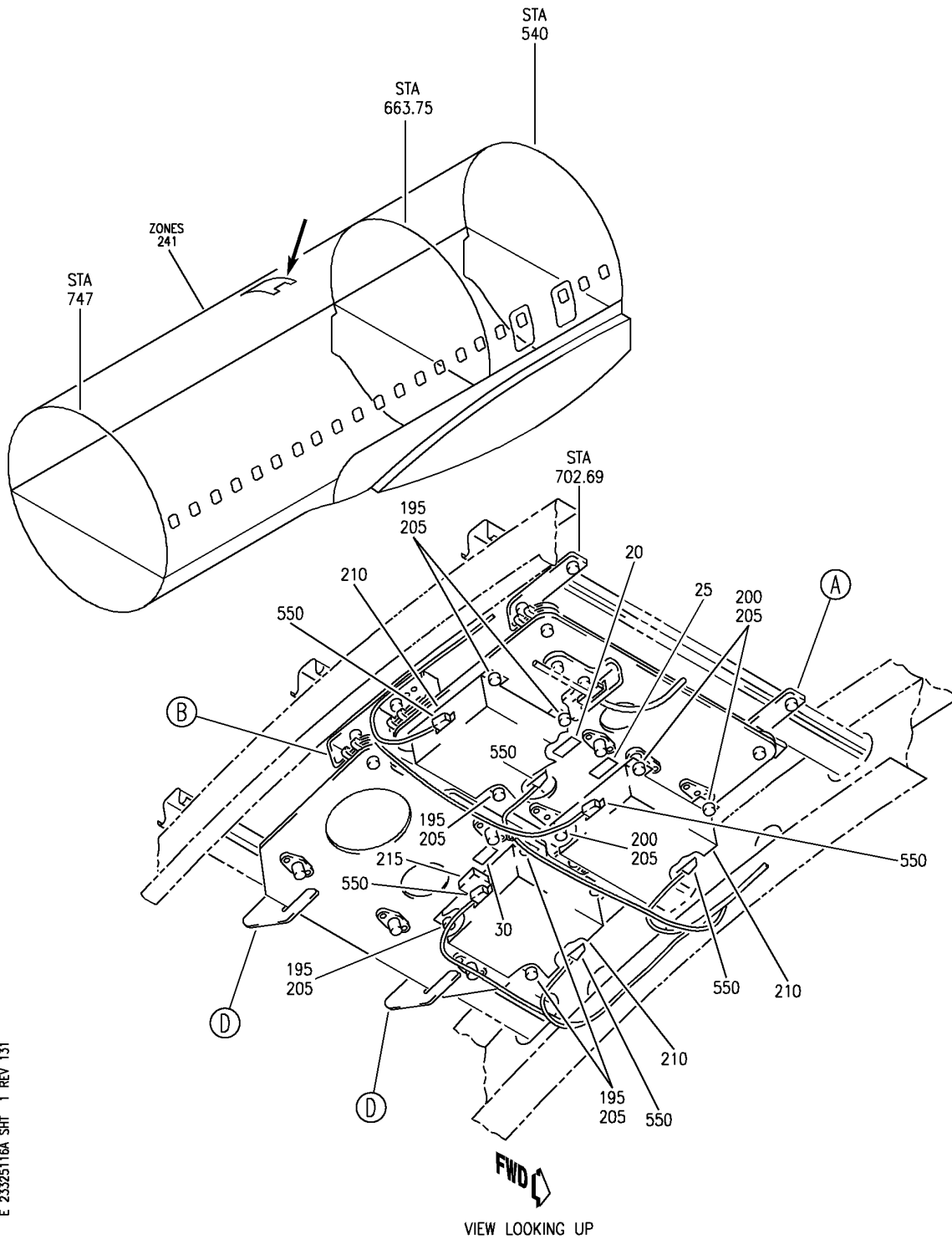
HAP

23-32-51-16

BOEING PROPRIETARY - Copyright © - Unpublished Work - See title page for details.

23-32-51
FIG. 16
PAGE 3
OCT 15/08

BOEING
 737-600/700/800/900
 PARTS CATALOG (MAINTENANCE)



E 23325116A SHT 1 REV 131

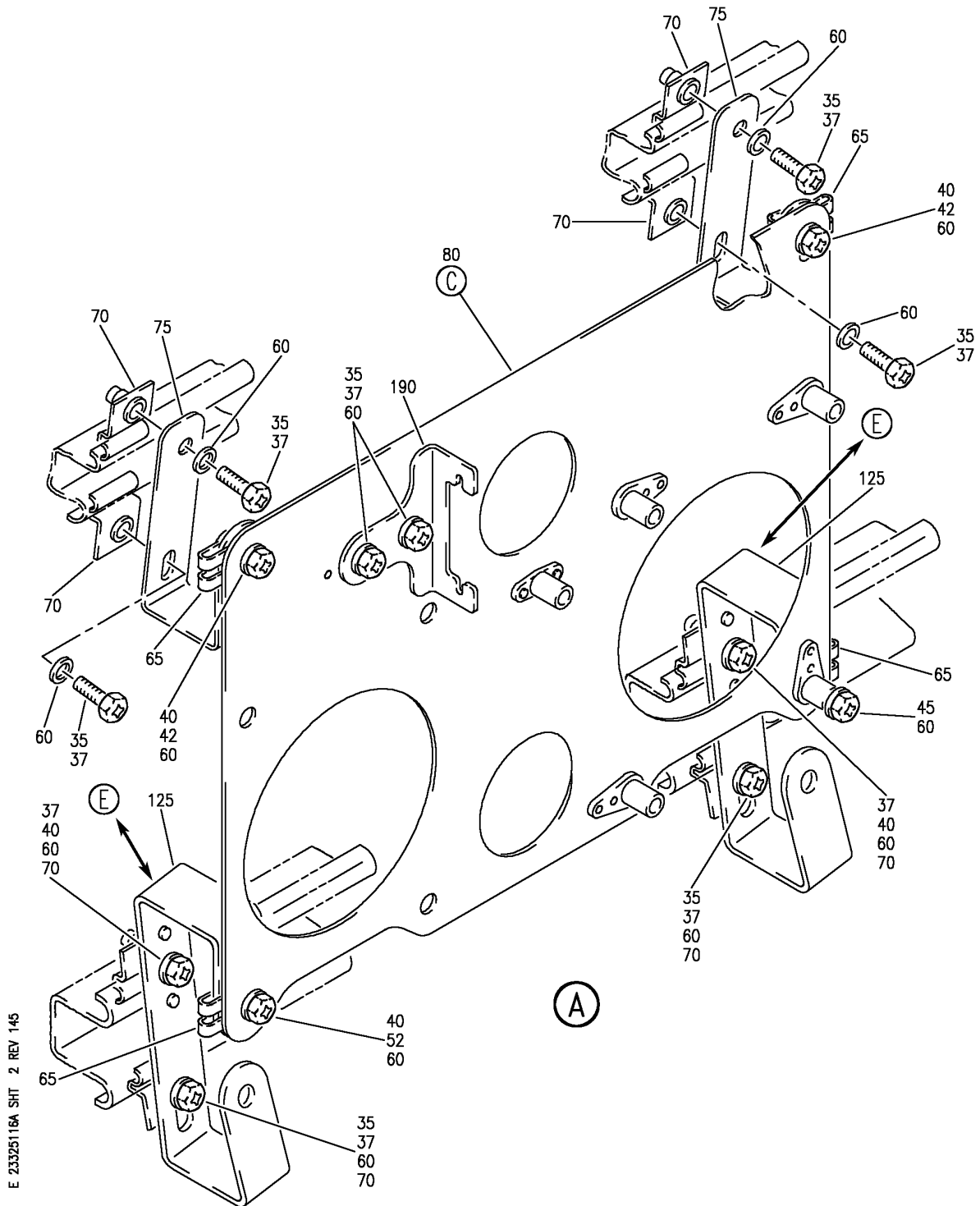
EQUIPMENT INSTL-VDU SPRT
 FIGURE 16A (SHEET 1)

23-32-51-16A

HAP
 JUN 10/07

23-32-51-16A
 PAGE 0

BOEING
 737-600/700/800/900
 PARTS CATALOG (MAINTENANCE)



E 23325116A SHT 2 REV 145

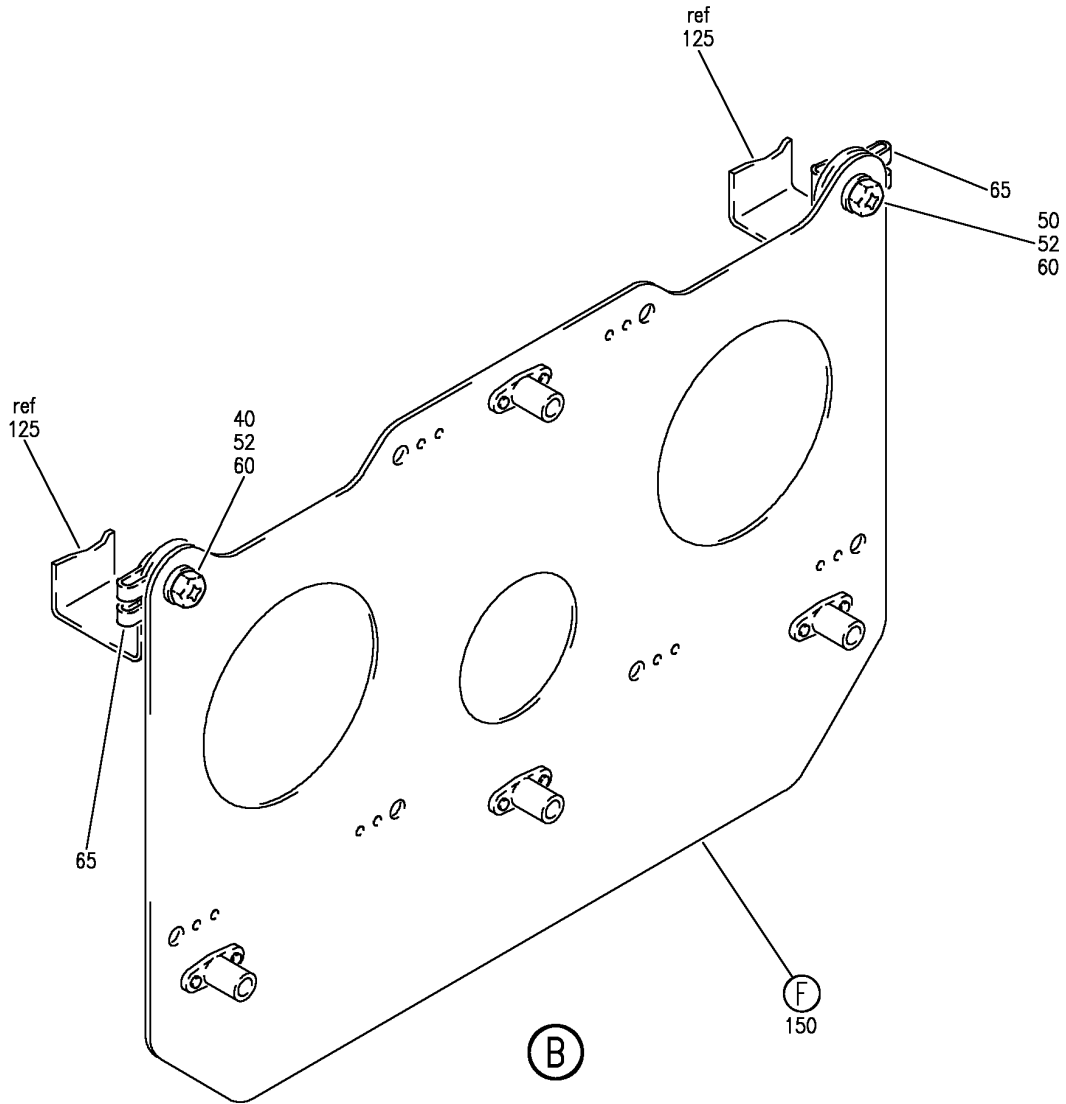
EQUIPMENT INSTL-VDU SPRT
 FIGURE 16A (SHEET 2)

23-32-51-16A

HAP
 OCT 15/08

23-32-51-16A
 PAGE 0A

BOEING
737-600/700/800/900
PARTS CATALOG (MAINTENANCE)



E 23325116A SHT 3 REV 145

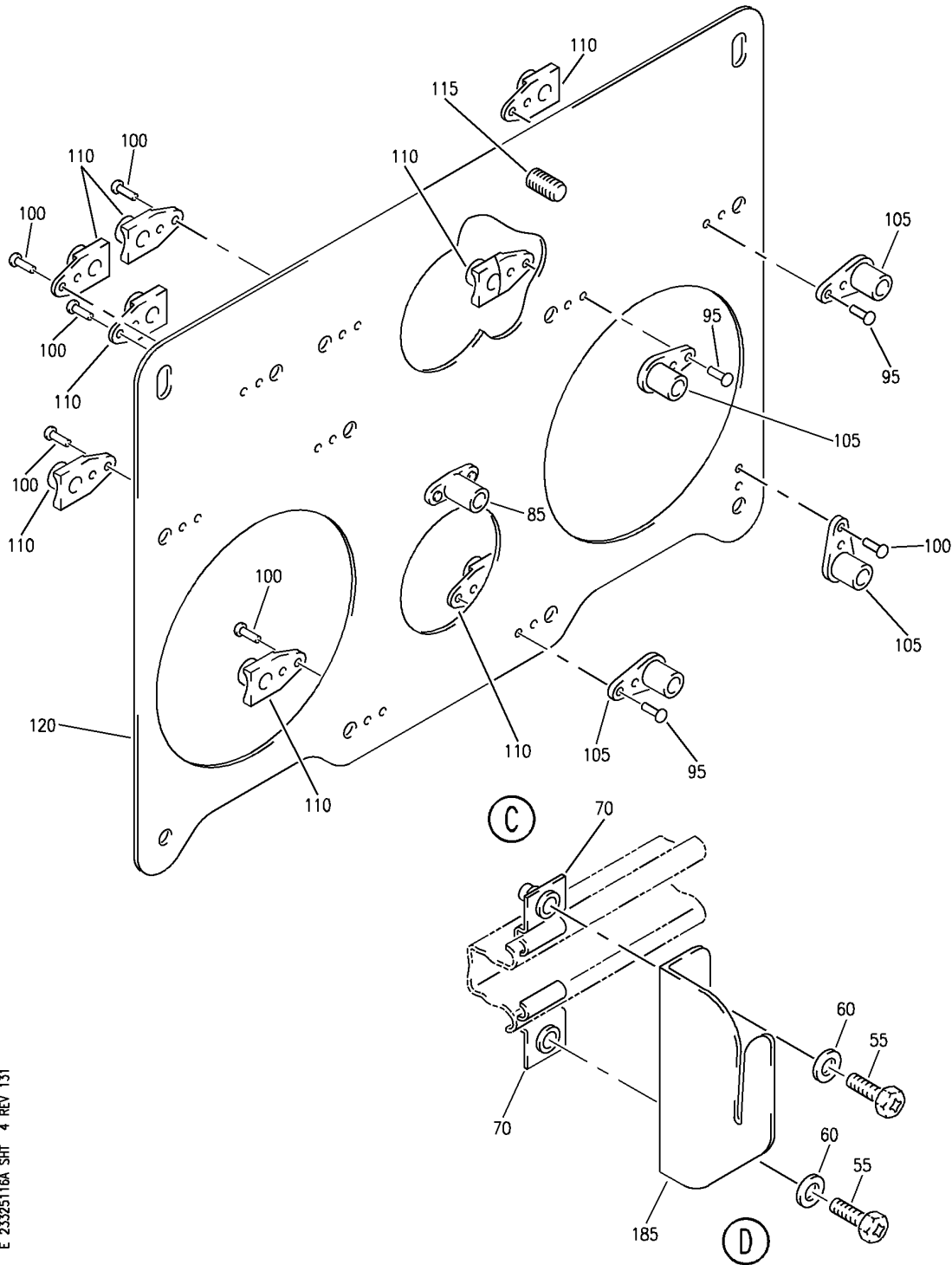
EQUIPMENT INSTL-VDU SPRT
FIGURE 16A (SHEET 3)

23-32-51-16A

HAP
OCT 15/08

23-32-51-16A
PAGE 0B

BOEING
 737-600/700/800/900
 PARTS CATALOG (MAINTENANCE)



E 23325116A SHT 4 REV 131

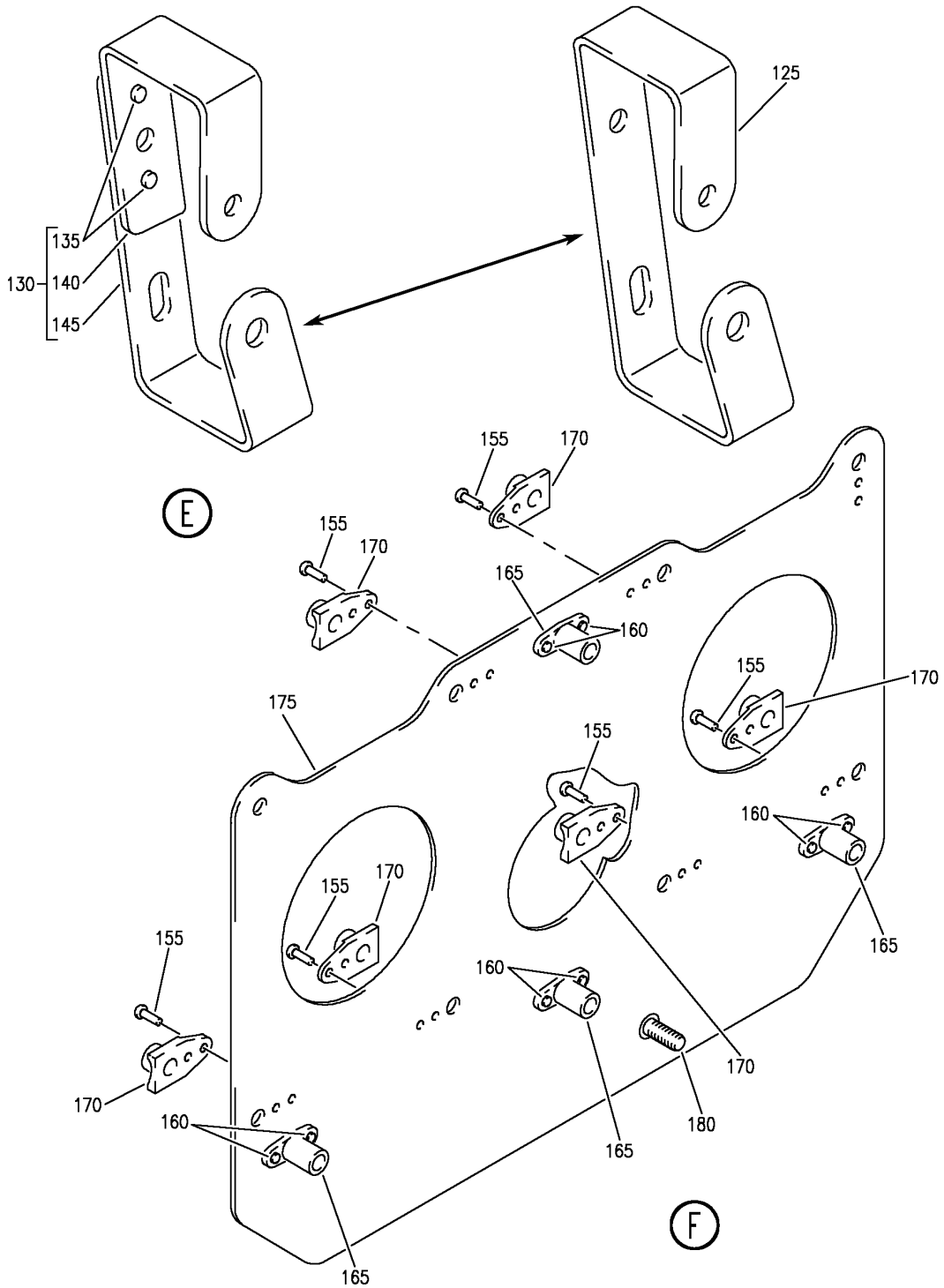
EQUIPMENT INSTL-VDU SPRT
 FIGURE 16A (SHEET 4)

23-32-51-16A

HAP
 JUN 10/07

23-32-51-16A
 PAGE 0C

BOEING
 737-600/700/800/900
 PARTS CATALOG (MAINTENANCE)



E 23325116A SHT 5 REV 131

EQUIPMENT INSTL-VDU SPRT
 FIGURE 16A (SHEET 5)

23-32-51-16A

HAP
 OCT 15/08

23-32-51-16A
 PAGE 0D

BOEING
737-600/700/800/900
PARTS CATALOG (MAINTENANCE)

FIG ITEM	PART NUMBER	1 2 3 4 5 6 7	NOMENCLATURE	EFFECT FROM TO	UNITS PER ASSY
16A					
- 1	MODREF97190		EQUIPMENT INSTL-VDU SPRT EQUIPMENT INSTL-VDU SPRT MODULE NUMBER: 417A7666-13 REV A POSITION DATA: STA 702.69, LBL 26.53, WL 300.33	031100 031046 054100	1
- 1	MODREF386267		EQUIPMENT INSTL-VDU SPRT MODULE NUMBER: 417A7666-13 REV B POSITION DATA: STA 702.69, LBL 26.53, WL 300.33	047053	1
35	BACS12GU3K9		.SCREW	031046 054100	8
37	BACS12GU3K9		.SCREW	047053	10
40	BACS12GU3K10		.SCREW	031046 054100	6
42	BACS12GU3K10		.SCREW	047053	2
45	BACS12GU3K18		.SCREW	031100	1
50	BACS12GU3K11		.SCREW	031046 054100	1
52	BACS12GU3K11		.SCREW	047053	3
55	BACS12GU3K8		.SCREW	031100	4
60	NAS1149D0332J		.WASHER	031100	20
65	BACN10VR2CG		.NUT	031100	6
70	69-37170-1		.CLIP ASSY	031100	12
75	417N7105-155		.BRACKET-SPRT	031100	2
80	417N7102-341		.BRACKET ASSY	031100	1
85	WSI4A6B		..NUTPLATE- SUPPLIER CODE: V04169 SPECIFICATION NUMBER: BACN10TL3A6B OPTIONAL PART: BACN10TL3A6	031100	1
85	WS1-4A6		..NUTPLATE- SUPPLIER CODE: V04169 SPECIFICATION NUMBER: BACN10TL3A6 OPTIONAL PART: BACN10TL3A6B ATTACHING PARTS	031100	1
- 90	BACR15BB3AD4C		..RIVET -----*-----	031100	2
95	BACR15BB3AD3C		..RIVET	031100	6
100	BACR15BA3AD3C		..RIVET	031100	12

MISSING ITEM NUMBERS NOT APPLICABLE

- ITEM NOT ILLUSTRATED

HAP

23-32-51-16A

BOEING PROPRIETARY - Copyright © - Unpublished Work - See title page for details.

23-32-51
FIG. 16A
PAGE 1
FEB 15/09

BOEING
737-600/700/800/900
PARTS CATALOG (MAINTENANCE)

FIG ITEM	PART NUMBER	1 2 3 4 5 6 7	NOMENCLATURE	EFFECT FROM TO	UNITS PER ASSY
16A 105	295926-50	..	SPACER SUPPLIER CODE: V60119 SPECIFICATION NUMBER: BACS18R50B	031100	4
110	F177-3	..	NUTPLATE SUPPLIER CODE: V72962 SPECIFICATION NUMBER: BACN10JA3 OPTIONAL PART: F2400-3 V15653 43610-02 V80539 BRF110A3 V52828 BRF170A3 V52828	031100	8
115	VNS1924CA2-8	..	STUD SUPPLIER CODE: V5M902 SPECIFICATION NUMBER: BACS53B1EA2 OPTIONAL PART: VNS1924CA3-2-8 V92215	031100	1
120	417N7102-342	..	BRACKET	031100	1
125	417N7105-248	.BRACKET-	OPTIONAL PART: 417N7105-158	031100	2
130	417N7105-158	.BRACKET ASSY-	OPTIONAL PART: 417N7105-248	031100	2
135	BACR15CE6AD6C	..	RIVET	031100	2
140	417N7105-156	..	BRACKET	031100	1
145	417N7105-157	..	BRACKET	031100	1
150	417N7102-343	.BRACKET ASSY		031100	1
155	BACR15BA3AD3C	..	RIVET	031100	12
160	BACR15BA4AD4C	..	RIVET	031100	8
165	WSI4A6B	..	NUTPLATE- SUPPLIER CODE: V04169 SPECIFICATION NUMBER: BACN10TL3A6B OPTIONAL PART: BACN10TL3A6	031100	4

MISSING ITEM NUMBERS NOT APPLICABLE

— ITEM NOT ILLUSTRATED

HAP

23-32-51-16A

BOEING PROPRIETARY - Copyright © - Unpublished Work - See title page for details.

23-32-51
FIG. 16A
PAGE 2
OCT 15/08

BOEING
737-600/700/800/900
PARTS CATALOG (MAINTENANCE)

FIG ITEM	PART NUMBER	1 2 3 4 5 6 7	NOMENCLATURE	EFFECT FROM TO	UNITS PER ASSY
16A 165	WS1-4A6		..NUTPLATE- SUPPLIER CODE: V04169 SPECIFICATION NUMBER: BACN10TL3A6 OPTIONAL PART: BACN10TL3A6B	031100	4
170	F177-3		..NUTPLATE SUPPLIER CODE: V72962 SPECIFICATION NUMBER: BACN10JA3 OPTIONAL PART: F2400-3 V15653 43610-02 V80539 BRF110A3 V52828 BRF170A3 V52828	031100	6
175	417N7102-344		..BRACKET	031100	1
180	VNS1924CA2-8		..STUD SUPPLIER CODE: V5M902 SPECIFICATION NUMBER: BACS53B1EA2 OPTIONAL PART: VNS1924CA3-2-8 V92215	031100	1
185	416N7105-159		.BRACKET	031100	2
190	417N7102-198		.BRACKET	031100	1

MISSING ITEM NUMBERS NOT APPLICABLE

— ITEM NOT ILLUSTRATED

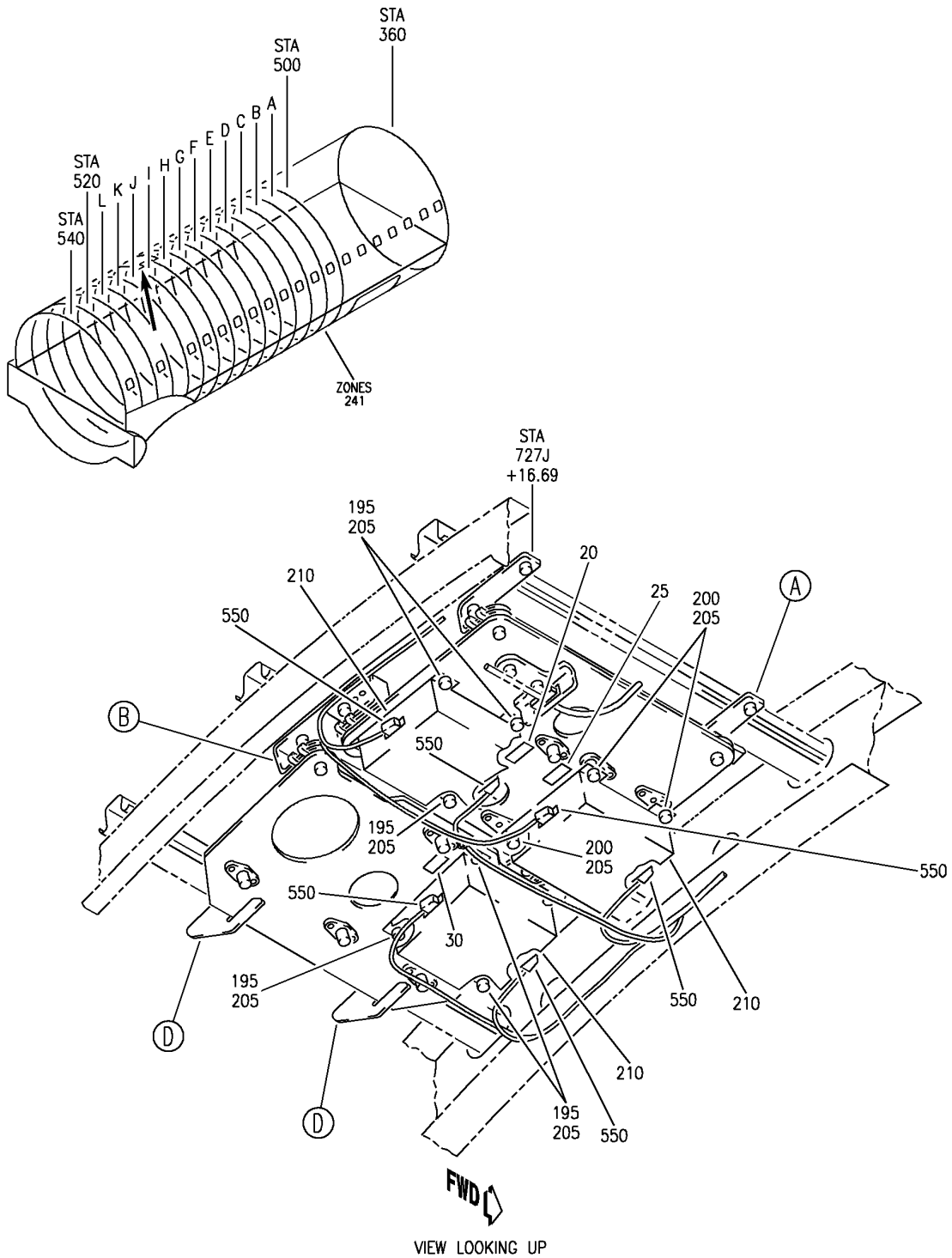
HAP

23-32-51-16A

BOEING PROPRIETARY - Copyright © - Unpublished Work - See title page for details.

23-32-51
FIG. 16A
PAGE 3
OCT 15/08

BOEING
 737-600/700/800/900
 PARTS CATALOG (MAINTENANCE)



E 23325116B SHT 1 REV 131

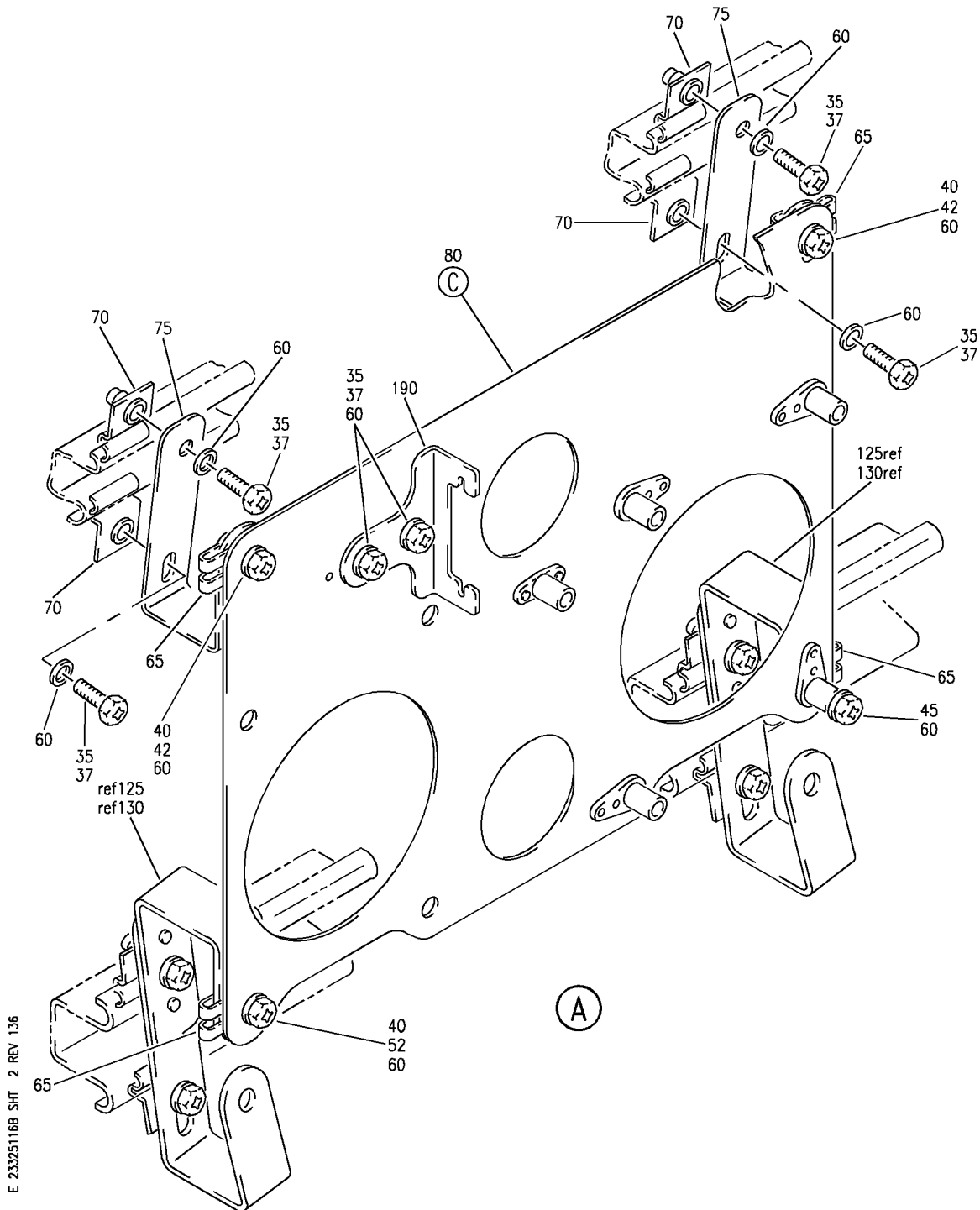
EQUIPMENT INSTL-VDU SPRT
 FIGURE 16B (SHEET 1)

23-32-51-16B

HAP
 JUN 10/07

23-32-51-16B
 PAGE 0

BOEING
737-600/700/800/900
PARTS CATALOG (MAINTENANCE)



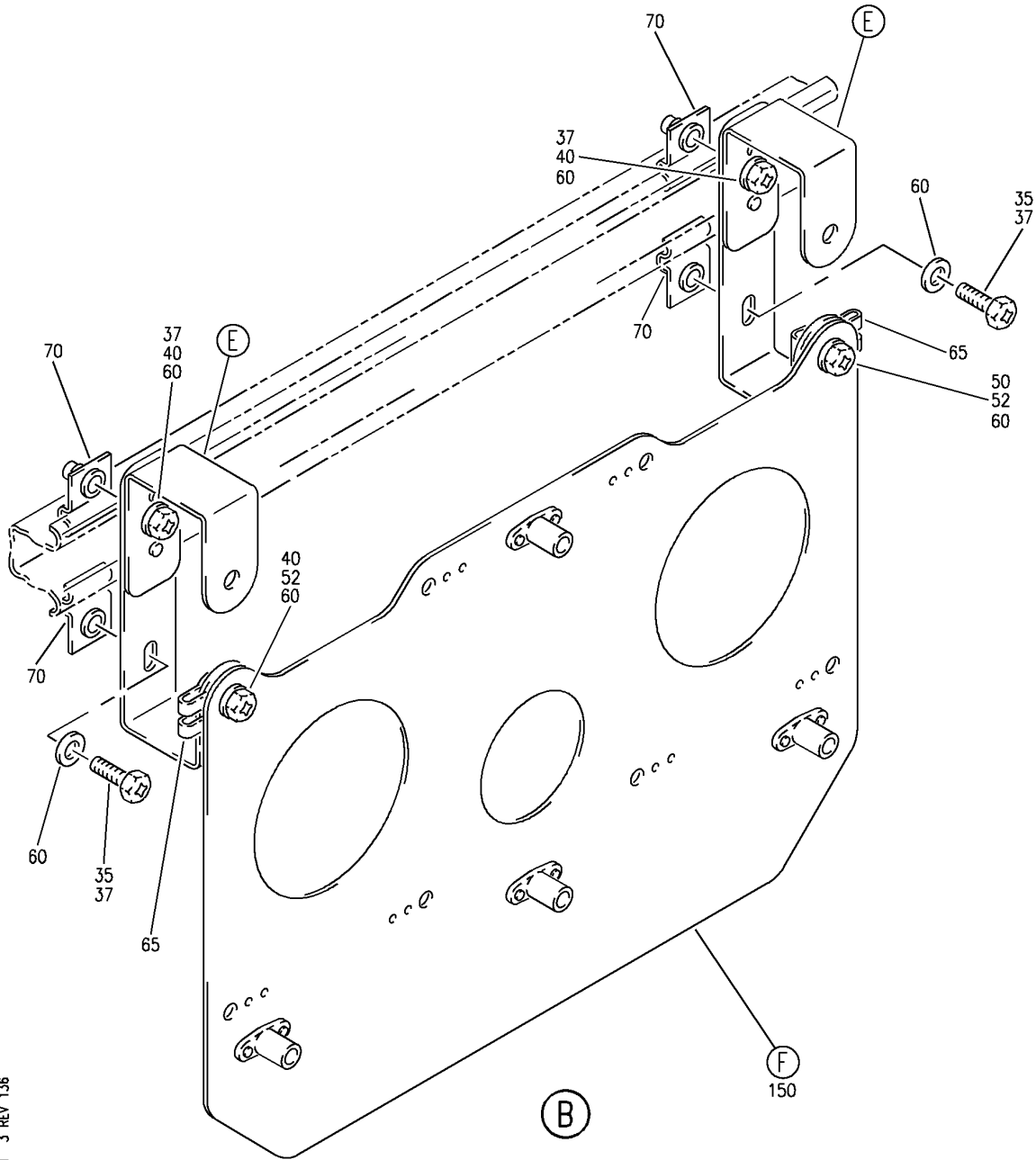
EQUIPMENT INSTL-VDU SPRT
FIGURE 16B (SHEET 2)

23-32-51-16B

HAP
FEB 15/08

23-32-51-16B
PAGE 0A

BOEING
737-600/700/800/900
PARTS CATALOG (MAINTENANCE)



E 23325116B SHT 3 REV 136

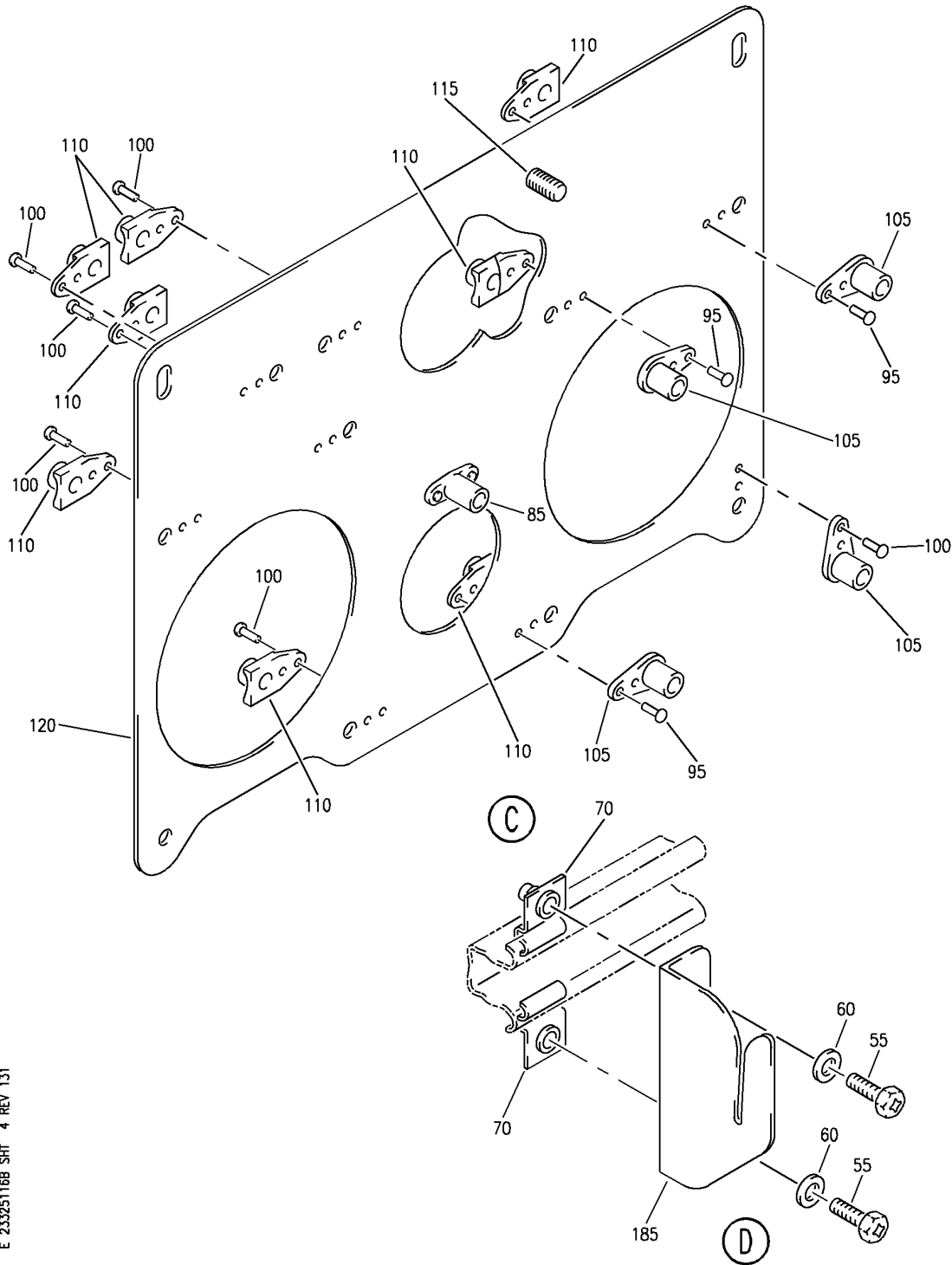
EQUIPMENT INSTL-VDU SPRT
FIGURE 16B (SHEET 3)

23-32-51-16B

HAP
FEB 15/08

23-32-51-16B
PAGE 0B

BOEING
 737-600/700/800/900
 PARTS CATALOG (MAINTENANCE)



E 23325116B SHT 4 REV 131

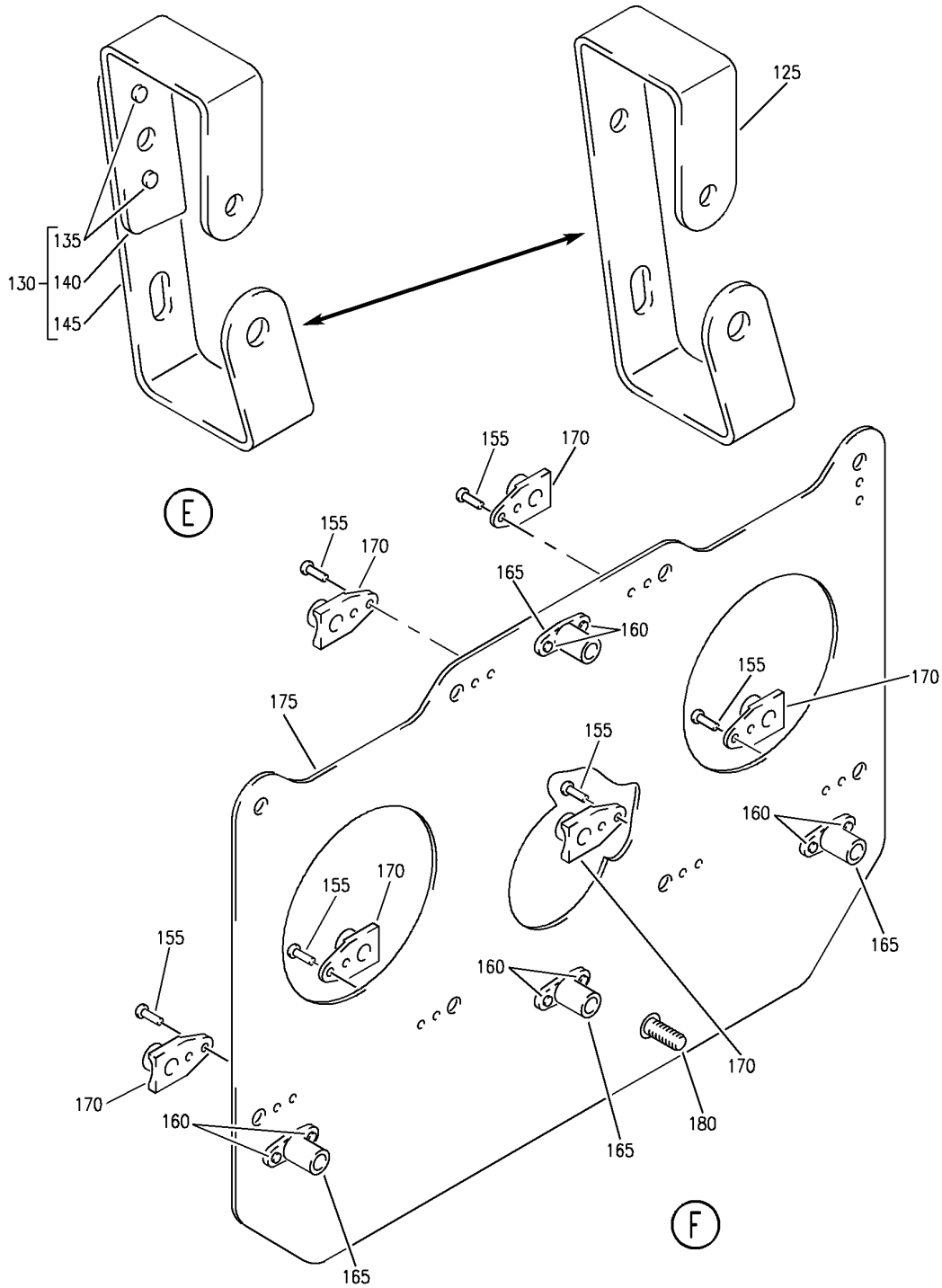
EQUIPMENT INSTL-VDU SPRT
 FIGURE 16B (SHEET 4)

23-32-51-16B

HAP
 JUN 10/07

23-32-51-16B
 PAGE 0C

BOEING
 737-600/700/800/900
 PARTS CATALOG (MAINTENANCE)



E 23325116B SHT 5 REV 131

EQUIPMENT INSTL-VDU SPRT
 FIGURE 16B (SHEET 5)

23-32-51-16B

HAP
 JUN 10/07

23-32-51-16B
 PAGE 0D

BOEING
737-600/700/800/900
PARTS CATALOG (MAINTENANCE)

FIG ITEM	PART NUMBER	1 2 3 4 5 6 7	NOMENCLATURE	EFFECT FROM TO	UNITS PER ASSY
16B					
- 1	MODREF97191		EQUIPMENT INSTL-VDU SPRT EQUIPMENT INSTL-VDU SPRT MODULE NUMBER: 417A7666-14 REV A POSITION DATA: STA 727J+16.69, LBL 26.53, WL 300.33	031100 031046 054100	1
- 1	MODREF386268		EQUIPMENT INSTL-VDU SPRT MODULE NUMBER: 417A7666-14 REV B POSITION DATA: STA 727J+16.69, LBL 26.53, WL 300.33	047053	1
35	BACS12GU3K9		.SCREW	031046 054100	8
37	BACS12GU3K9		.SCREW	047053	10
40	BACS12GU3K10		.SCREW	031046 054100	6
42	BACS12GU3K10		.SCREW	047053	2
45	BACS12GU3K18		.SCREW	031100	1
50	BACS12GU3K11		.SCREW	031046 054100	1
52	BACS12GU3K11		.SCREW	047053	3
55	BACS12GU3K8		.SCREW	031100	4
60	NAS1149D0332J		.WASHER	031100	20
65	BACN10VR2CG		.NUT	031100	6
70	69-37170-1		.CLIP ASSY	031100	12
75	417N7105-155		.BRACKET-SPRT	031100	2
80	417N7102-341		.BRACKET ASSY	031100	1
85	WSI4A6B		..NUTPLATE- SUPPLIER CODE: V04169 SPECIFICATION NUMBER: BACN10TL3A6B OPTIONAL PART: BACN10TL3A6	031100	1
85	WS1-4A6		..NUTPLATE- SUPPLIER CODE: V04169 SPECIFICATION NUMBER: BACN10TL3A6 OPTIONAL PART: BACN10TL3A6B	031100	1
- 90	BACR15BB3AD4C		ATTACHING PARTS ..RIVET -----*-----	031100	2
95	BACR15BB3AD3C		..RIVET	031100	6
100	BACR15BA3AD3C		..RIVET	031100	12

MISSING ITEM NUMBERS NOT APPLICABLE

- ITEM NOT ILLUSTRATED

HAP

23-32-51-16B

BOEING PROPRIETARY - Copyright © - Unpublished Work - See title page for details.

23-32-51
FIG. 16B
PAGE 1
FEB 15/09

BOEING
737-600/700/800/900
PARTS CATALOG (MAINTENANCE)

FIG ITEM	PART NUMBER	1 2 3 4 5 6 7	NOMENCLATURE	EFFECT FROM TO	UNITS PER ASSY
16B 105	295926-50	..	SPACER SUPPLIER CODE: V60119 SPECIFICATION NUMBER: BACS18R50B	031100	4
110	F177-3	..	NUTPLATE SUPPLIER CODE: V72962 SPECIFICATION NUMBER: BACN10JA3 OPTIONAL PART: F2400-3 V15653 43610-02 V80539 BRF110A3 V52828 BRF170A3 V52828	031100	8
115	VNS1924CA2-8	..	STUD SUPPLIER CODE: V5M902 SPECIFICATION NUMBER: BACS53B1EA2 OPTIONAL PART: VNS1924CA3-2-8 V92215	031100	1
120	417N7102-342	..	BRACKET	031100	1
125	417N7105-248	.BRACKET-	OPTIONAL PART: 417N7105-158	031100	2
130	417N7105-158	.BRACKET ASSY-	OPTIONAL PART: 417N7105-248	031100	2
135	BACR15CE6AD6C	..	RIVET	031100	2
140	417N7105-156	..	BRACKET	031100	1
145	417N7105-157	..	BRACKET	031100	1
150	417N7102-343	.BRACKET ASSY		031100	1
155	BACR15BA3AD3C	..	RIVET	031100	12
160	BACR15BA4AD4C	..	RIVET	031100	8
165	WSI4A6B	..	NUTPLATE- SUPPLIER CODE: V04169 SPECIFICATION NUMBER: BACN10TL3A6B OPTIONAL PART: BACN10TL3A6	031100	4

MISSING ITEM NUMBERS NOT APPLICABLE

— ITEM NOT ILLUSTRATED

HAP

23-32-51-16B

BOEING PROPRIETARY - Copyright © - Unpublished Work - See title page for details.

23-32-51
FIG. 16B
PAGE 2
OCT 15/08

BOEING
737-600/700/800/900
PARTS CATALOG (MAINTENANCE)

FIG ITEM	PART NUMBER	1 2 3 4 5 6 7	NOMENCLATURE	EFFECT FROM TO	UNITS PER ASSY
16B 165	WS1-4A6		..NUTPLATE- SUPPLIER CODE: V04169 SPECIFICATION NUMBER: BACN10TL3A6 OPTIONAL PART: BACN10TL3A6B	031100	4
170	F177-3		..NUTPLATE SUPPLIER CODE: V72962 SPECIFICATION NUMBER: BACN10JA3 OPTIONAL PART: F2400-3 V15653 43610-02 V80539 BRF110A3 V52828 BRF170A3 V52828	031100	6
175	417N7102-344		..BRACKET	031100	1
180	VNS1924CA2-8		..STUD SUPPLIER CODE: V5M902 SPECIFICATION NUMBER: BACS53B1EA2 OPTIONAL PART: VNS1924CA3-2-8 V92215	031100	1
185	416N7105-159		.BRACKET	031100	2
190	417N7102-198		.BRACKET	031100	1

MISSING ITEM NUMBERS NOT APPLICABLE

— ITEM NOT ILLUSTRATED

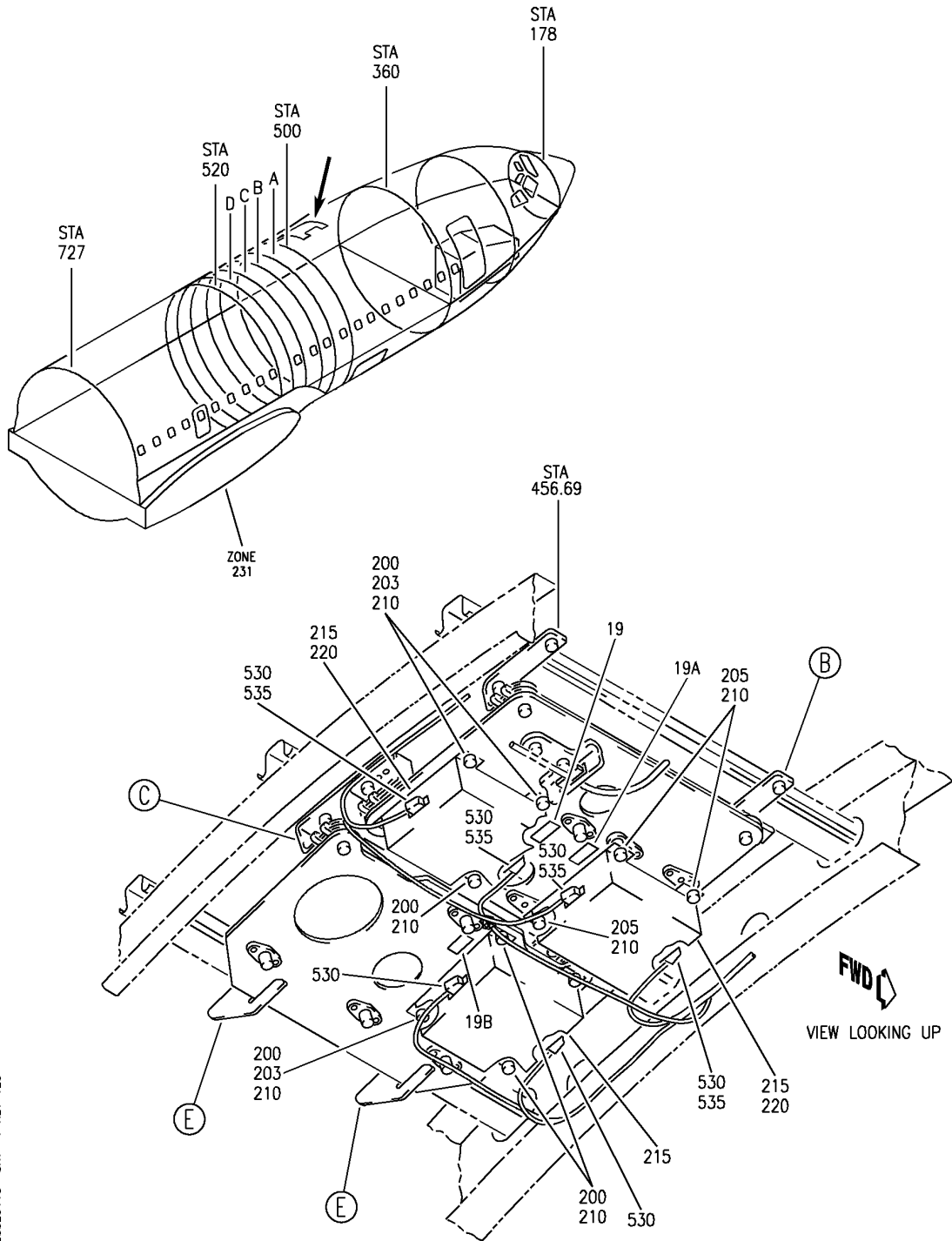
HAP

23-32-51-16B

BOEING PROPRIETARY - Copyright © - Unpublished Work - See title page for details.

23-32-51
FIG. 16B
PAGE 3
OCT 15/08

BOEING
 737-600/700/800/900
 PARTS CATALOG (MAINTENANCE)



E 23325118 SH1 1 REV 123

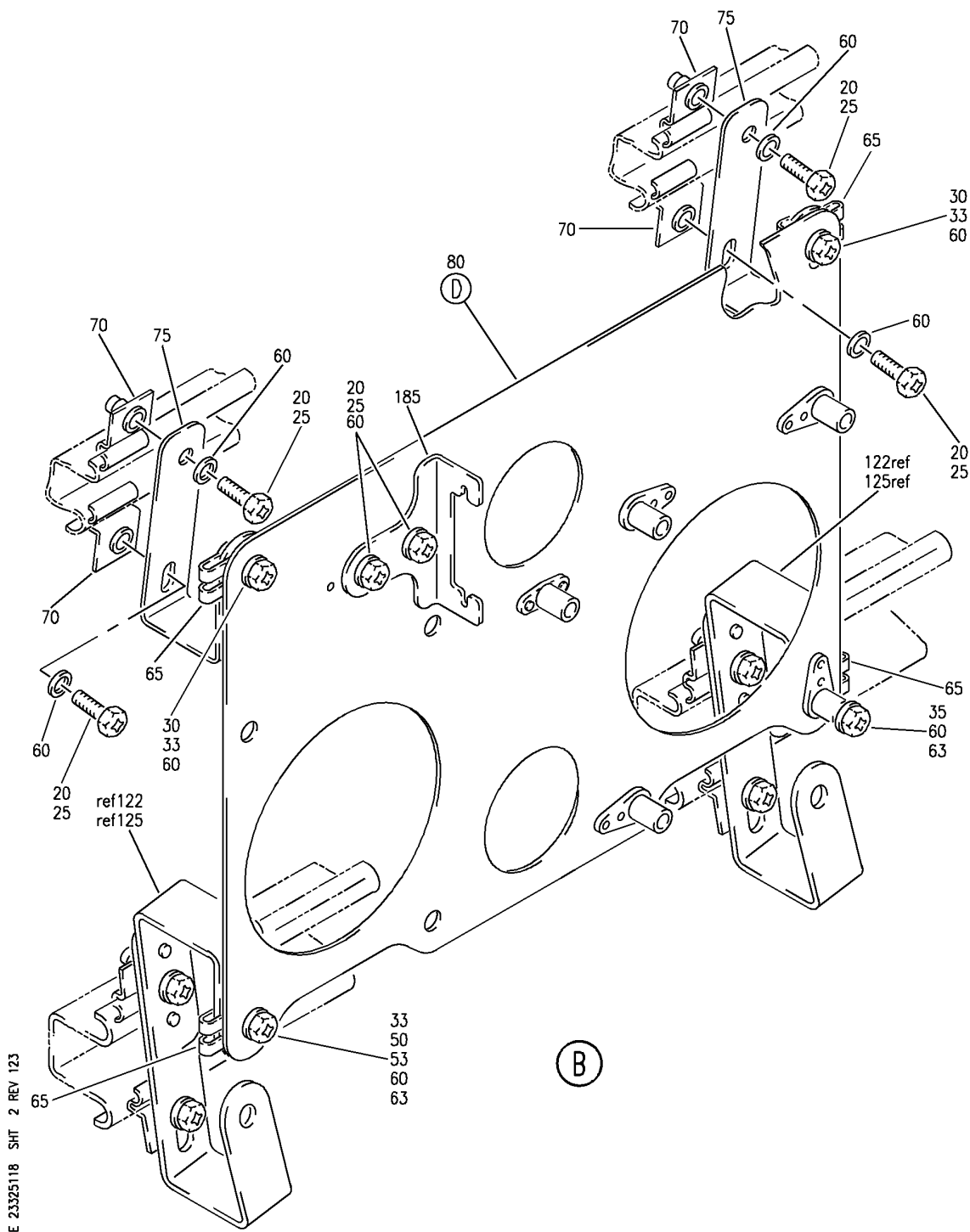
EQUIPMENT INSTL-VDU SPRT
 FIGURE 18 (SHEET 1)

23-32-51-18

HAP
 OCT 10/06

23-32-51-18
 PAGE 0

BOEING
 737-600/700/800/900
 PARTS CATALOG (MAINTENANCE)



E 23325118 SHT 2 REV 123

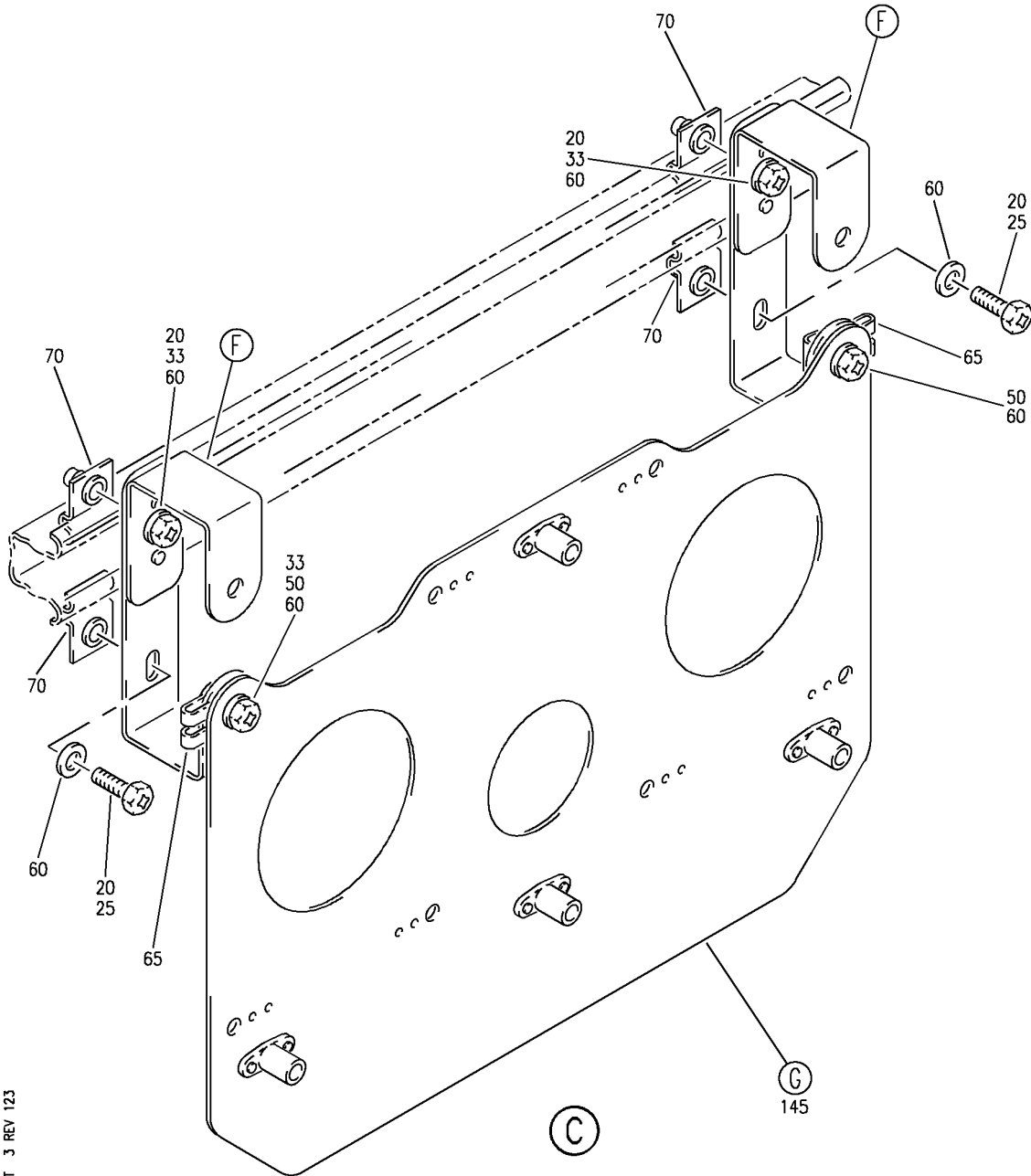
EQUIPMENT INSTL-VDU SPRT
 FIGURE 18 (SHEET 2)

23-32-51-18

HAP
 OCT 10/06

23-32-51-18
 PAGE 0A

BOEING
 737-600/700/800/900
 PARTS CATALOG (MAINTENANCE)



E 23325118 SH1 3 REV 123

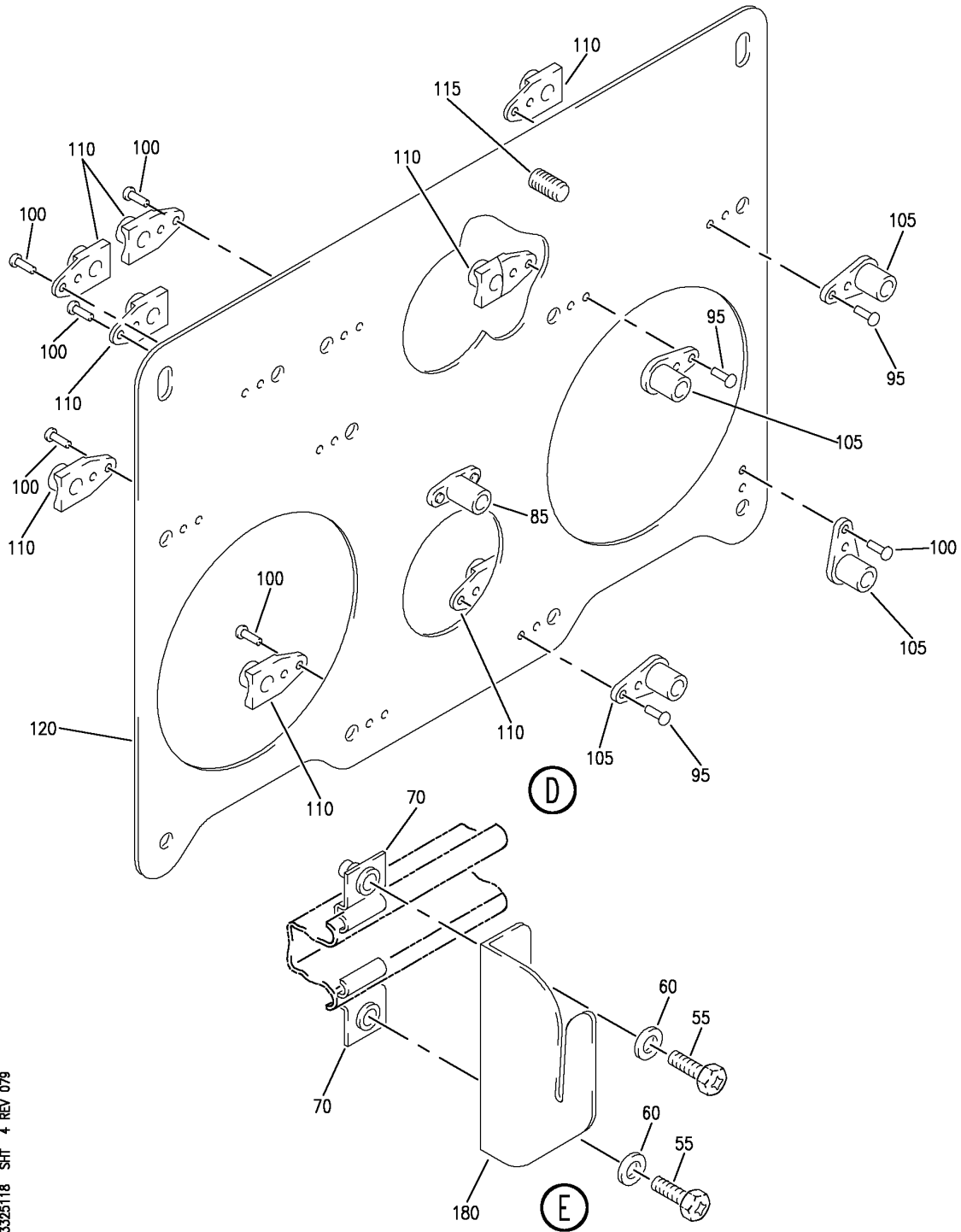
EQUIPMENT INSTL-VDU SPRT
 FIGURE 18 (SHEET 3)

23-32-51-18

HAP
 OCT 10/06

23-32-51-18
 PAGE 0B

BOEING
 737-600/700/800/900
 PARTS CATALOG (MAINTENANCE)



E 23325118 SH1 4 REV 079

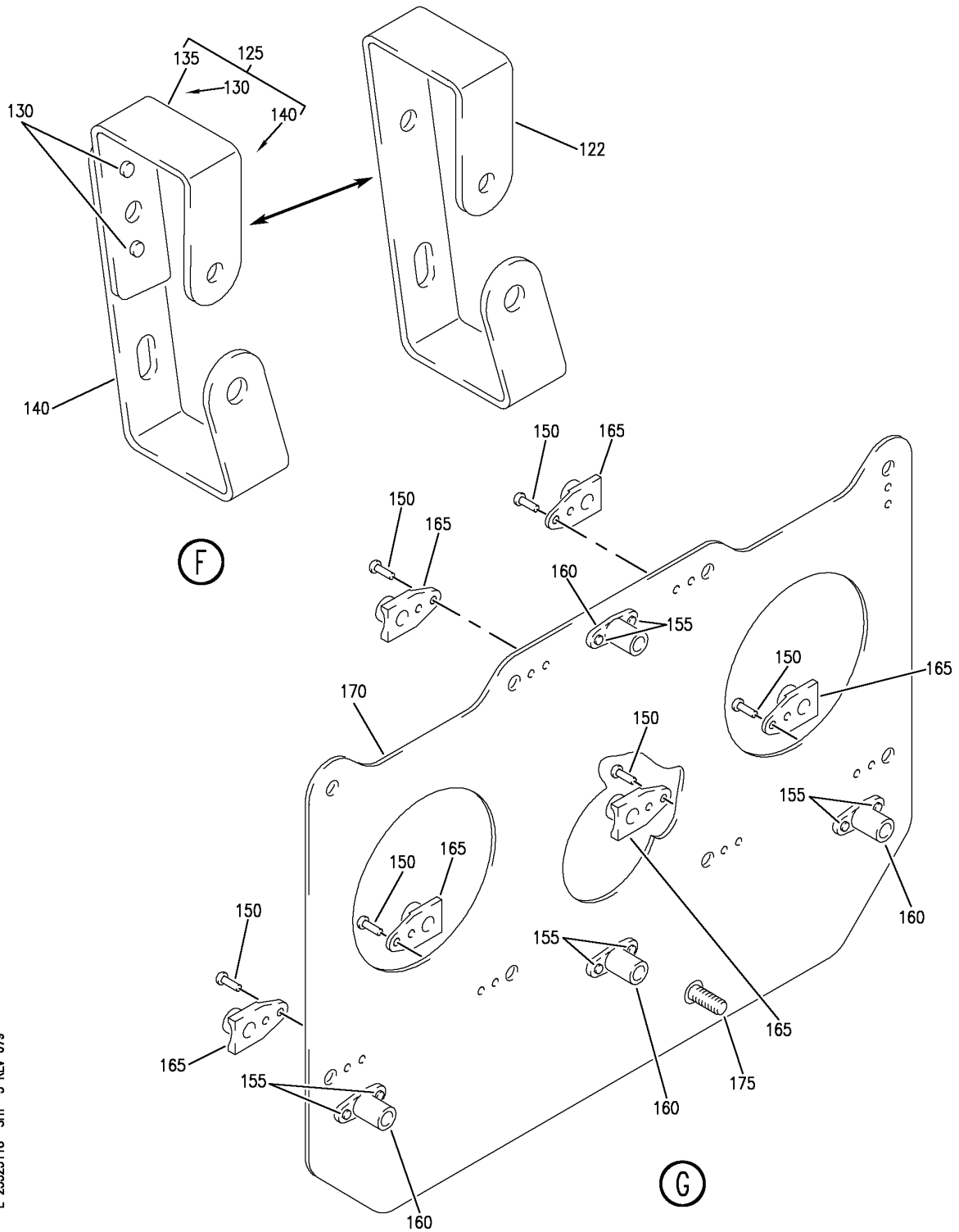
EQUIPMENT INSTL-VDU SPRT
 FIGURE 18 (SHEET 4)

23-32-51-18

HAP
 OCT 10/06

23-32-51-18
 PAGE 0C

BOEING
 737-600/700/800/900
 PARTS CATALOG (MAINTENANCE)



E 23325118 SH1 5 REV 079

EQUIPMENT INSTL-VDU SPRT
 FIGURE 18 (SHEET 5)

23-32-51-18

HAP
 OCT 10/06

23-32-51-18
 PAGE 0D

BOEING
737-600/700/800/900
PARTS CATALOG (MAINTENANCE)

FIG ITEM	PART NUMBER	1 2 3 4 5 6 7	NOMENCLATURE	EFFECT FROM TO	UNITS PER ASSY
18			EQUIPMENT INSTL-VDU SPRT	031200 968999	
- 1	MODREF97188		EQUIPMENT INSTL-VDU SPRT MODULE NUMBER: 417A7666-11 REV A POSITION DATA: STA 456.69, LBL 26.13, WL 299.62	031036	1
- 1	MODREF307388		EQUIPMENT INSTL-VDU SPRT MODULE NUMBER: 417A7666-11 REV B POSITION DATA: STA 456.69, LBL 26.13, WL 299.62	037200 968999	1
20	BACS12GU3K9		.SCREW	037200 968999	10
25	BACS12GU3K9		.SCREW	031036	8
30	BACS12GU3K10		.SCREW	037200 968999	2
33	BACS12GU3K10		.SCREW	031036	6
35	BACS12GU3K18		.SCREW-	031200 968999	1
50	BACS12GU3K11		.SCREW	031200 968999	3
55	BACS12GU3K8		.SCREW	031200 968999	4
60	NAS1149D0332J		.WASHER	031200 968999	20
65	BACN10VR2CG		.NUT	031200 968999	6
70	69-37170-1		.CLIP ASSY	031200 968999	12
75	417N7105-155		.BRACKET-SPRT	031200 968999	2
80	417N7102-341		.BRACKET ASSY	031200 968999	1
85	WSI4A6B		..NUTPLATE- SUPPLIER CODE: V04169 SPECIFICATION NUMBER: BACN10TL3A6B OPTIONAL PART: BACN10TL3A6	031200 968999	1

MISSING ITEM NUMBERS NOT APPLICABLE

- ITEM NOT ILLUSTRATED

HAP

23-32-51-18

BOEING PROPRIETARY - Copyright © - Unpublished Work - See title page for details.

23-32-51
FIG. 18
PAGE 1
OCT 15/08

BOEING
737-600/700/800/900
PARTS CATALOG (MAINTENANCE)

FIG ITEM	PART NUMBER	1 2 3 4 5 6 7	NOMENCLATURE	EFFECT FROM TO	UNITS PER ASSY
18 85	WS1-4A6		..NUTPLATE- SUPPLIER CODE: V04169 SPECIFICATION NUMBER: BACN10TL3A6 OPTIONAL PART: BACN10TL3A6B ATTACHING PARTS	031200 968999	1
- 90	BACR15BB3AD4C		..RIVET -----*-----	031200 968999	2
95	BACR15BB3AD3C		..RIVET	031200 968999	6
100	BACR15BA3AD3C		..RIVET	031200 968999	12
105	295926-50		..SPACER SUPPLIER CODE: V60119 SPECIFICATION NUMBER: BACS18R50B	031200 968999	4
110	F177-3		..NUTPLATE SUPPLIER CODE: V72962 SPECIFICATION NUMBER: BACN10JA3 OPTIONAL PART: F2400-3 V15653 43610-02 V80539 BRF110A3 V52828 BRF170A3 V52828	031200 968999	8
115	VNS1924CA2-8		..STUD SUPPLIER CODE: V5M902 SPECIFICATION NUMBER: BACS53B1EA2 OPTIONAL PART: VNS1924CA3-2-8 V92215	031200 968999	1
120	417N7102-342		..BRACKET	031200 968999	1
122	417N7105-248		.BRACKET- OPTIONAL PART: 417N7105-158	031200 968999	2

MISSING ITEM NUMBERS NOT APPLICABLE

- ITEM NOT ILLUSTRATED

HAP

23-32-51-18

BOEING PROPRIETARY - Copyright © - Unpublished Work - See title page for details.

23-32-51
FIG. 18
PAGE 2
OCT 15/08

BOEING
737-600/700/800/900
PARTS CATALOG (MAINTENANCE)

FIG ITEM	PART NUMBER	1 2 3 4 5 6 7	NOMENCLATURE	EFFECT FROM TO	UNITS PER ASSY
18					
125	417N7105-158	.BRACKET ASSY-		031200	2
		OPTIONAL PART:		968999	
		417N7105-248			
130	BACR15CE6AD6C	..RIVET		031200	2
				968999	
135	417N7105-156	..BRACKET		031200	1
				968999	
140	417N7105-157	..BRACKET		031200	1
				968999	
145	417N7102-343	.BRACKET ASSY		031200	1
				968999	
150	BACR15BA3AD3C	..RIVET		031200	12
				968999	
155	BACR15BA4AD4C	..RIVET		031200	8
				968999	
160	WSI4A6B	..NUTPLATE-		031200	4
		SUPPLIER CODE:		968999	
		V04169			
		SPECIFICATION NUMBER:			
		BACN10TL3A6B			
		OPTIONAL PART:			
		BACN10TL3A6			
160	WS1-4A6	..NUTPLATE-		031200	4
		SUPPLIER CODE:		968999	
		V04169			
		SPECIFICATION NUMBER:			
		BACN10TL3A6			
		OPTIONAL PART:			
		BACN10TL3A6B			
165	F177-3	..NUTPLATE		031200	6
		SUPPLIER CODE:		968999	
		V72962			
		SPECIFICATION NUMBER:			
		BACN10JA3			
		OPTIONAL PART:			
		F2400-3			
		V15653			
		43610-02			
		V80539			
		BRF110A3			
		V52828			
		BRF170A3			
		V52828			
170	417N7102-344	..BRACKET		031200	1
				968999	

MISSING ITEM NUMBERS NOT APPLICABLE

— ITEM NOT ILLUSTRATED

HAP

23-32-51-18

BOEING PROPRIETARY - Copyright © - Unpublished Work - See title page for details.

23-32-51
FIG. 18
PAGE 3
OCT 15/08

BOEING
737-600/700/800/900
PARTS CATALOG (MAINTENANCE)

FIG ITEM	PART NUMBER	1 2 3 4 5 6 7	NOMENCLATURE	EFFECT FROM TO	UNITS PER ASSY
18 175	VNS1924CA2-8	. .	STUD SUPPLIER CODE: V5M902 SPECIFICATION NUMBER: BACS53B1EA2 OPTIONAL PART: VNS1924CA3-2-8 V92215	031200 968999	1
180	417N7105-159	. BRACKET		031200 968999	2
185	417N7102-198	. BRACKET		031200 968999	1

MISSING ITEM NUMBERS NOT APPLICABLE

— ITEM NOT ILLUSTRATED

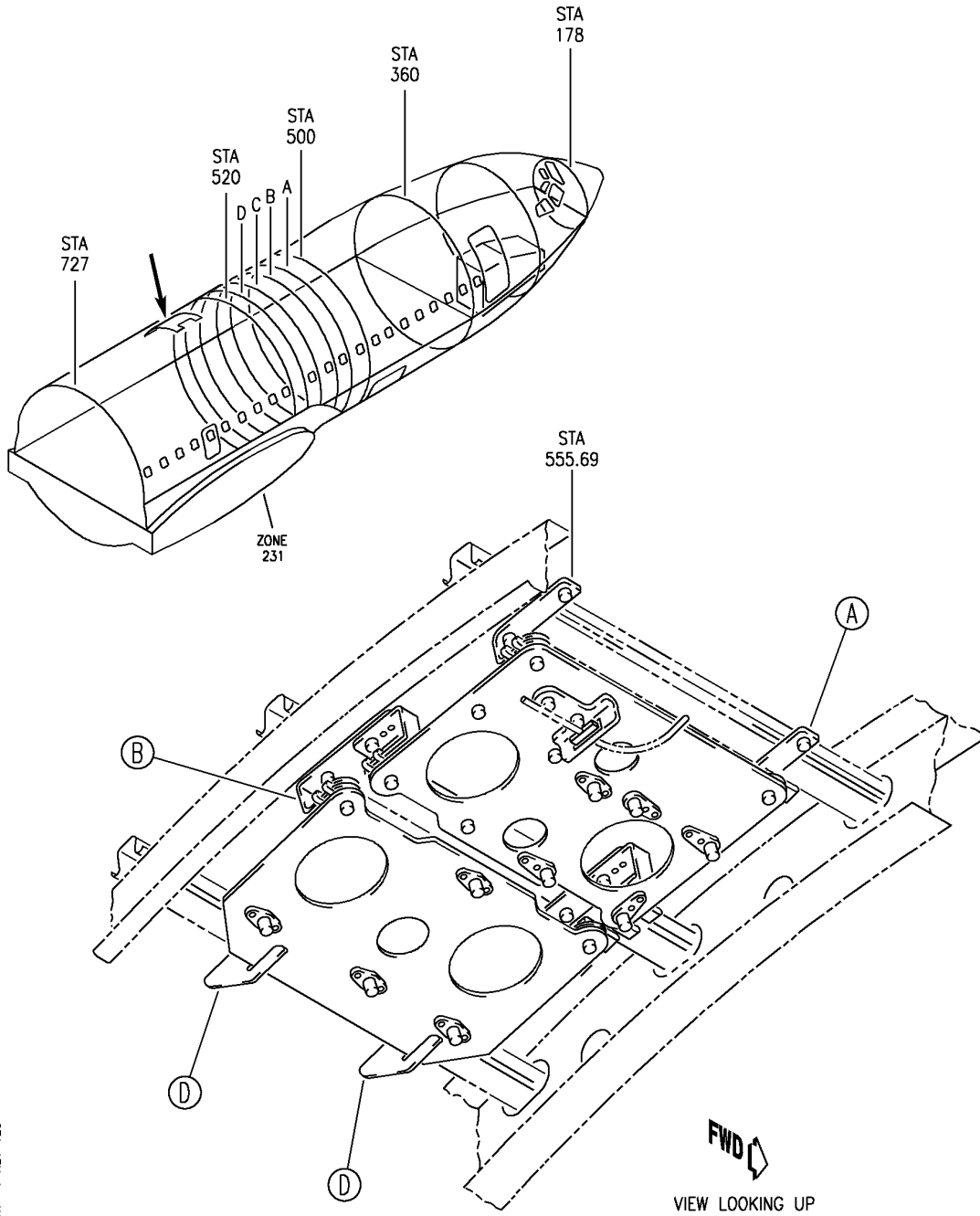
HAP

23-32-51-18

BOEING PROPRIETARY - Copyright © - Unpublished Work - See title page for details.

23-32-51
FIG. 18
PAGE 4
OCT 15/08

BOEING
 737-600/700/800/900
 PARTS CATALOG (MAINTENANCE)



E 23325118A SHT 1 REV 123

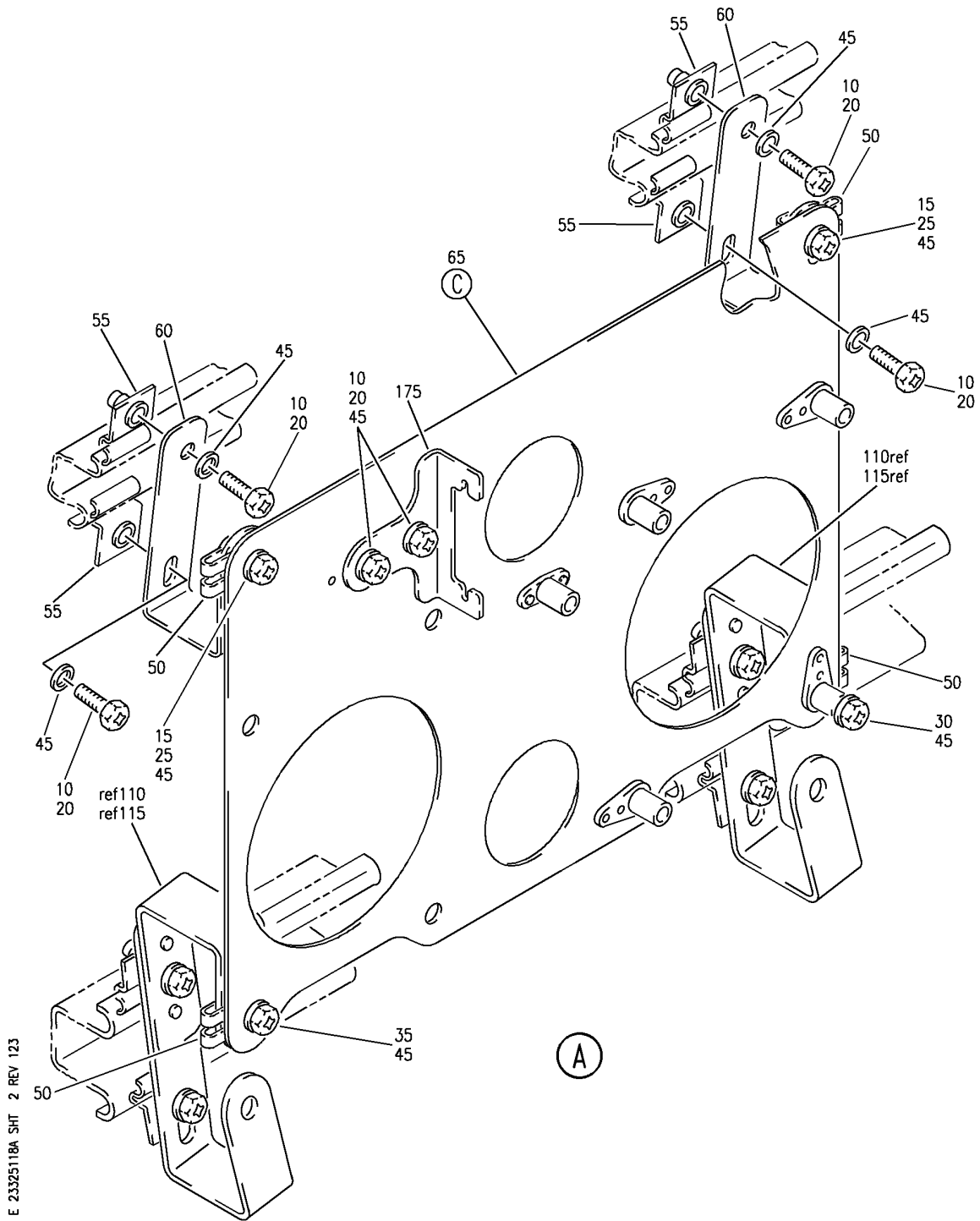
EQUIPMENT INSTL-VDU SPRT
 FIGURE 18A (SHEET 1)

23-32-51-18A

HAP
 FEB 10/07

23-32-51-18A
 PAGE 0

BOEING
 737-600/700/800/900
 PARTS CATALOG (MAINTENANCE)



E 23325118A SHT 2 REV 123

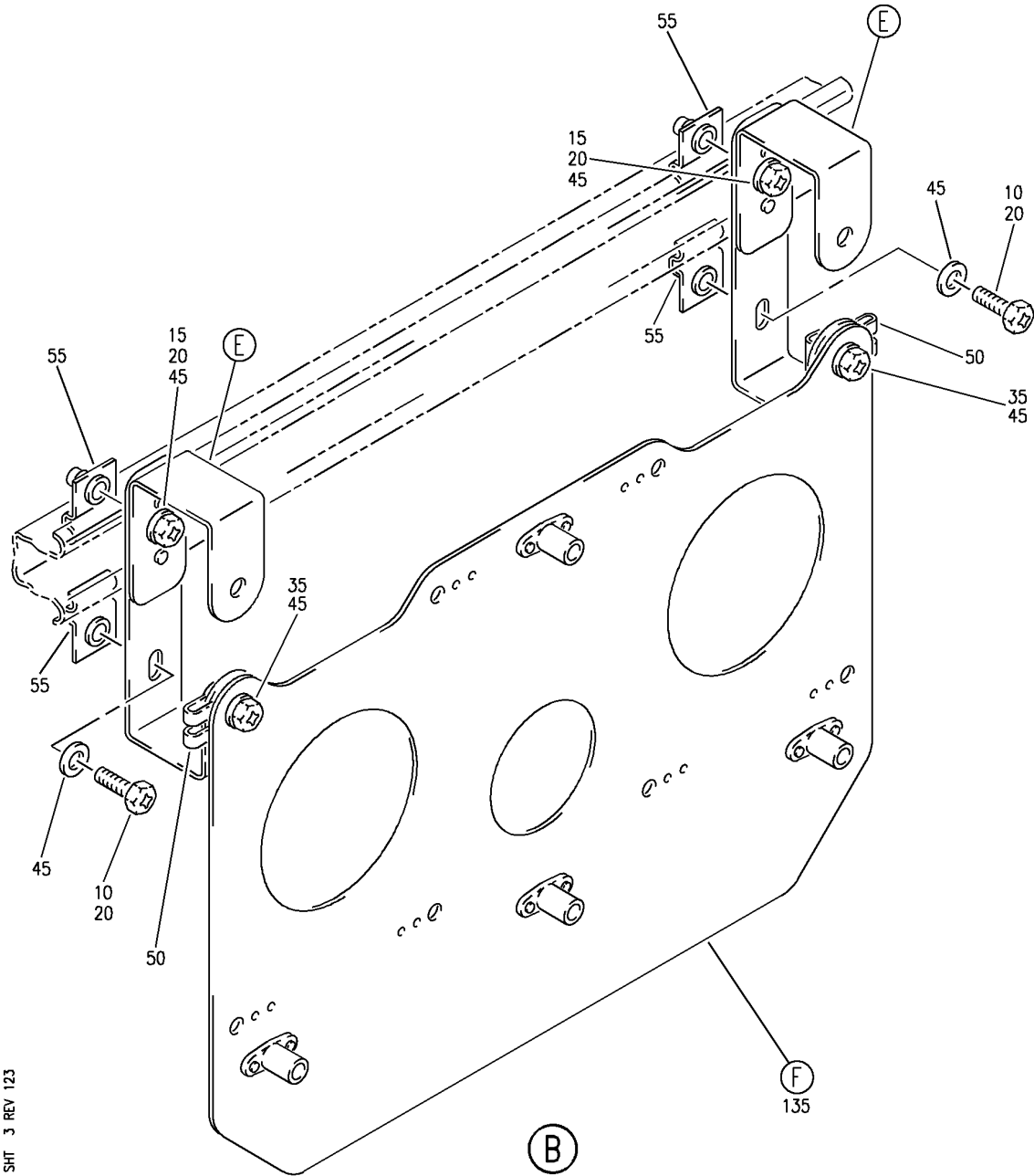
EQUIPMENT INSTL-VDU SPRT
 FIGURE 18A (SHEET 2)

23-32-51-18A

HAP
 FEB 10/07

23-32-51-18A
 PAGE 0A

BOEING
737-600/700/800/900
PARTS CATALOG (MAINTENANCE)



E 23325118A SHT 3 REV 123

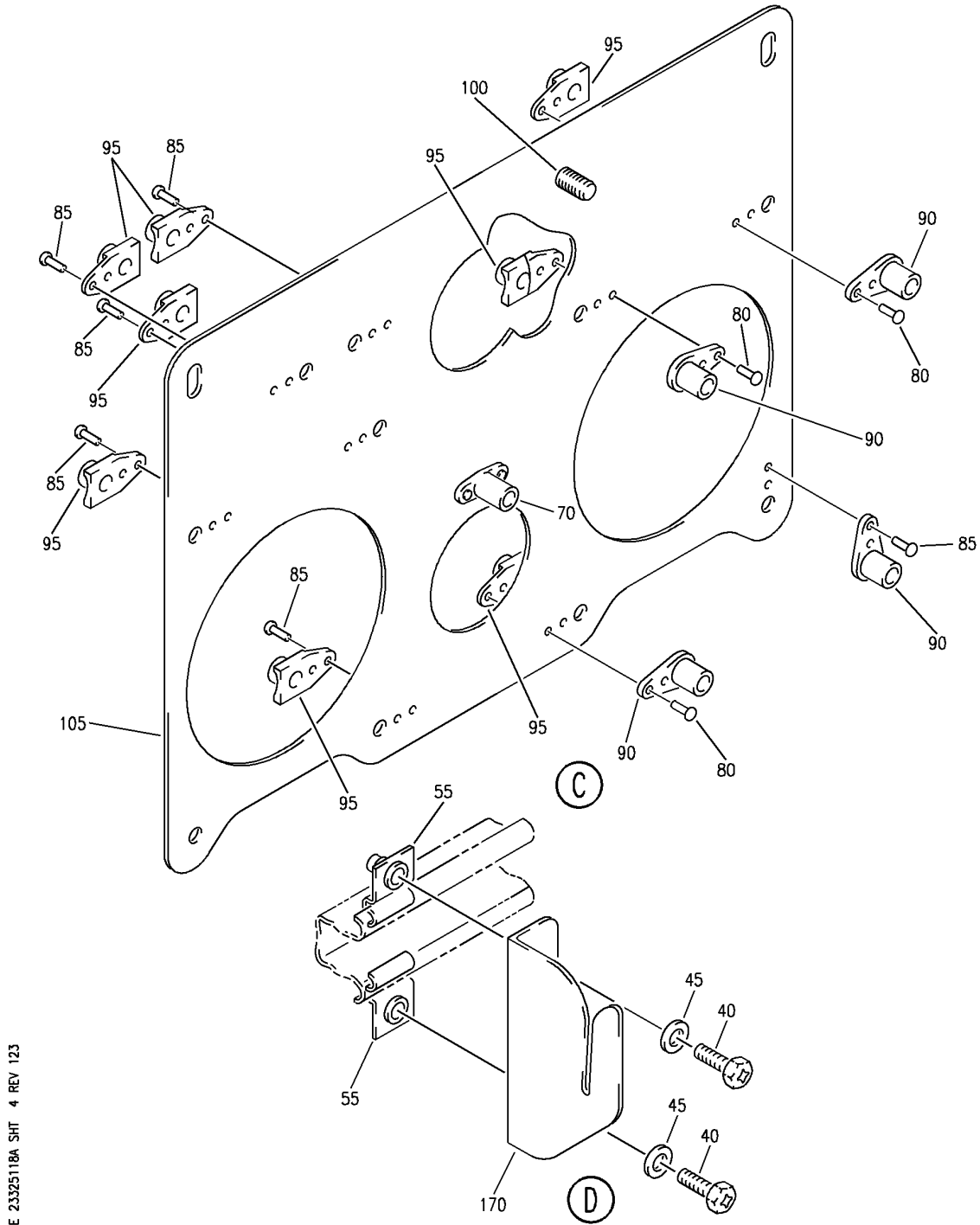
EQUIPMENT INSTL-VDU SPRT
FIGURE 18A (SHEET 3)

23-32-51-18A

HAP
FEB 10/07

23-32-51-18A
PAGE 0B

BOEING
 737-600/700/800/900
 PARTS CATALOG (MAINTENANCE)



E 23325118A SHT 4 REV 123

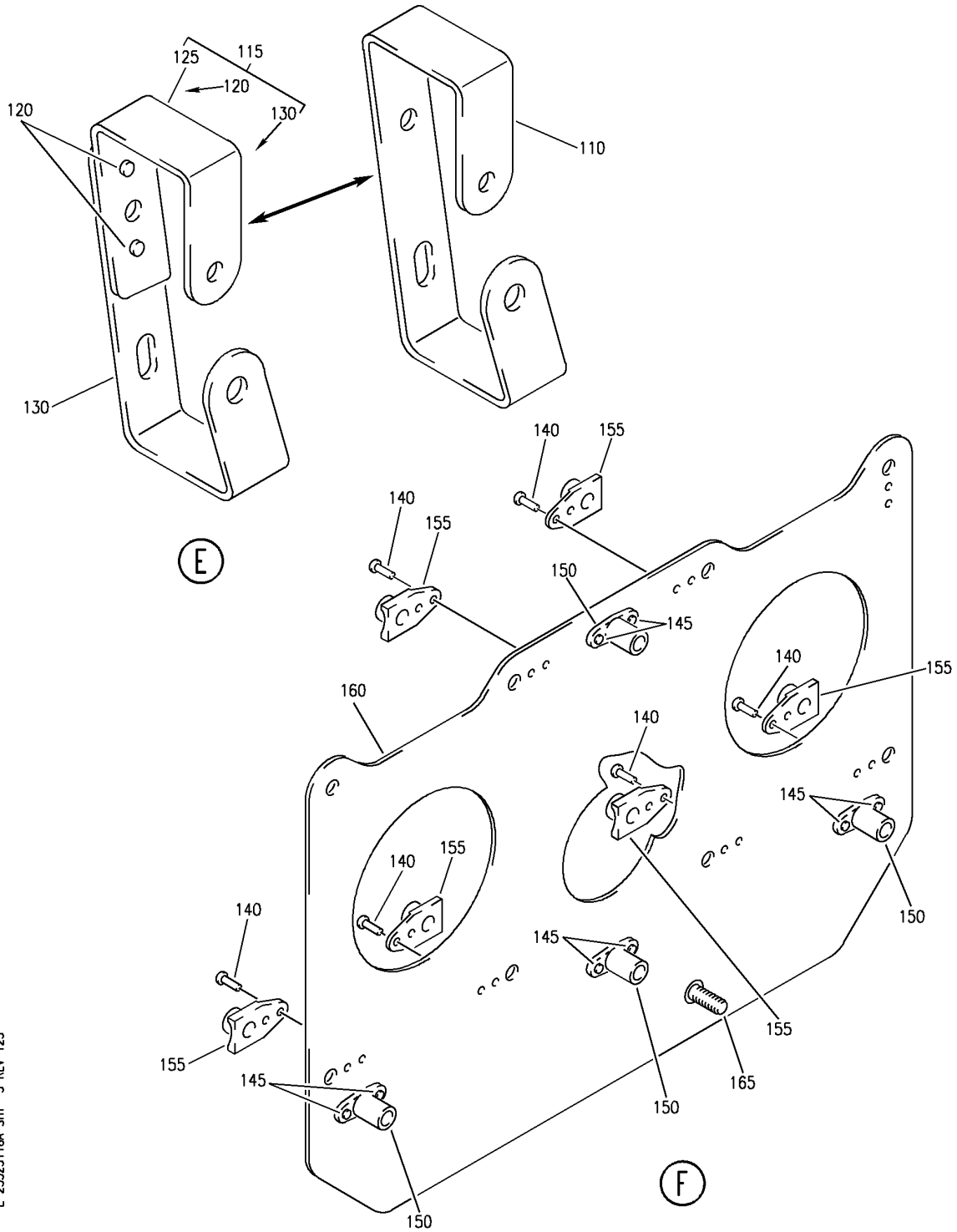
EQUIPMENT INSTL-VDU SPRT
 FIGURE 18A (SHEET 4)

23-32-51-18A

HAP
 FEB 10/07

23-32-51-18A
 PAGE 0C

BOEING
 737-600/700/800/900
 PARTS CATALOG (MAINTENANCE)



E 23325118A SHT 5 REV 123

EQUIPMENT INSTL-VDU SPRT
 FIGURE 18A (SHEET 5)

23-32-51-18A

HAP
 FEB 10/07

23-32-51-18A
 PAGE 0D

BOEING
737-600/700/800/900
PARTS CATALOG (MAINTENANCE)

FIG ITEM	PART NUMBER	1 2 3 4 5 6 7	NOMENCLATURE	EFFECT FROM TO	UNITS PER ASSY
18A			EQUIPMENT INSTL-VDU SPRT	101200	
- 1	MODREF307389		EQUIPMENT INSTL-VDU SPRT MODULE NUMBER: 417A7666-15 REV B POSITION DATA: STA 555.69, LBL 26.53, WL 300.33	968999 101200 968999	1
20	BACS12GU3K9		.SCREW	101200 968999	10
25	BACS12GU3K10		.SCREW	101200 968999	2
30	BACS12GU3K18		.SCREW	101200 968999	1
35	BACS12GU3K11		.SCREW	101200 968999	3
40	BACS12GU3K8		.SCREW	101200 968999	4
45	NAS1149D0332J		.WASHER	101200 968999	20
50	BACN10VR2CG		.NUT	101200 968999	6
55	69-37170-1		.CLIP ASSY	101200 968999	12
60	417N7105-155		.BRACKET-SPRT	101200 968999	2
65	417N7102-341		.BRACKET ASSY	101200 968999	1
70	WSI4A6B		..NUTPLATE- SUPPLIER CODE: V04169 SPECIFICATION NUMBER: BACN10TL3A6B OPTIONAL PART: BACN10TL3A6	101200 968999	1
70	WS1-4A6		..NUTPLATE- SUPPLIER CODE: V04169 SPECIFICATION NUMBER: BACN10TL3A6 OPTIONAL PART: BACN10TL3A6B ATTACHING PARTS	101200 968999	1
- 75	BACR15BB3AD4C		..RIVET	101200 968999	2
80	BACR15BB3AD3C		-----*----- ..RIVET	101200 968999	6

MISSING ITEM NUMBERS NOT APPLICABLE

- ITEM NOT ILLUSTRATED

HAP

23-32-51-18A

BOEING PROPRIETARY - Copyright © - Unpublished Work - See title page for details.

23-32-51
FIG. 18A
PAGE 1
OCT 15/08

BOEING
737-600/700/800/900
PARTS CATALOG (MAINTENANCE)

FIG ITEM	PART NUMBER	1 2 3 4 5 6 7	NOMENCLATURE	EFFECT FROM TO	UNITS PER ASSY
18A					
85	BACR15BA3AD3C	..	RIVET	101200 968999	12
90	295926-50	..	SPACER SUPPLIER CODE: V60119 SPECIFICATION NUMBER: BACS18R50B	101200 968999	4
95	F177-3	..	NUTPLATE SUPPLIER CODE: V72962 SPECIFICATION NUMBER: BACN10JA3 OPTIONAL PART: F2400-3 V15653 43610-02 V80539 BRF110A3 V52828 BRF170A3 V52828	101200 968999	8
100	VNS1924CA2-8	..	STUD SUPPLIER CODE: V5M902 SPECIFICATION NUMBER: BACS53B1EA2 OPTIONAL PART: VNS1924CA3-2-8 V92215	101200 968999	1
105	417N7102-342	..	BRACKET	101200 968999	1
110	417N7105-248	.	BRACKET- OPTIONAL PART: 417N7105-158	101200 968999	2
115	417N7105-158	.	BRACKET ASSY- OPTIONAL PART: 417N7105-248	101200 968999	2
120	BACR15CE6AD6C	..	RIVET	101200 968999	2
125	417N7105-156	..	BRACKET	101200 968999	1
130	417N7105-157	..	BRACKET	101200 968999	1
135	417N7102-343	.	BRACKET ASSY	101200 968999	1
140	BACR15BA3AD3C	..	RIVET	101200 968999	12
145	BACR15BA4AD4C	..	RIVET	101200 968999	8

MISSING ITEM NUMBERS NOT APPLICABLE

— ITEM NOT ILLUSTRATED

HAP

23-32-51-18A

BOEING PROPRIETARY - Copyright © - Unpublished Work - See title page for details.

23-32-51
FIG. 18A
PAGE 2
OCT 15/08

BOEING
737-600/700/800/900
PARTS CATALOG (MAINTENANCE)

FIG ITEM	PART NUMBER	1 2 3 4 5 6 7	NOMENCLATURE	EFFECT FROM TO	UNITS PER ASSY
18A 150	WSI4A6B	..	NUTPLATE- SUPPLIER CODE: V04169 SPECIFICATION NUMBER: BACN10TL3A6B OPTIONAL PART: BACN10TL3A6	101200 968999	4
150	WS1-4A6	..	NUTPLATE- SUPPLIER CODE: V04169 SPECIFICATION NUMBER: BACN10TL3A6 OPTIONAL PART: BACN10TL3A6	101200 968999	4
155	F177-3	..	NUTPLATE SUPPLIER CODE: V72962 SPECIFICATION NUMBER: BACN10JA3 OPTIONAL PART: F2400-3 V15653 43610-02 V80539 BRF110A3 V52828 BRF170A3 V52828	101200 968999	6
160	417N7102-344	..	BRACKET	101200 968999	1
165	VNS1924CA2-8	..	STUD SUPPLIER CODE: V5M902 SPECIFICATION NUMBER: BACS53B1EA2 OPTIONAL PART: VNS1924CA3-2-8 V92215	101200 968999	1
170	416N7105-159	.	BRACKET	101200 968999	2
175	417N7102-198	.	BRACKET	101200 968999	1

MISSING ITEM NUMBERS NOT APPLICABLE

— ITEM NOT ILLUSTRATED

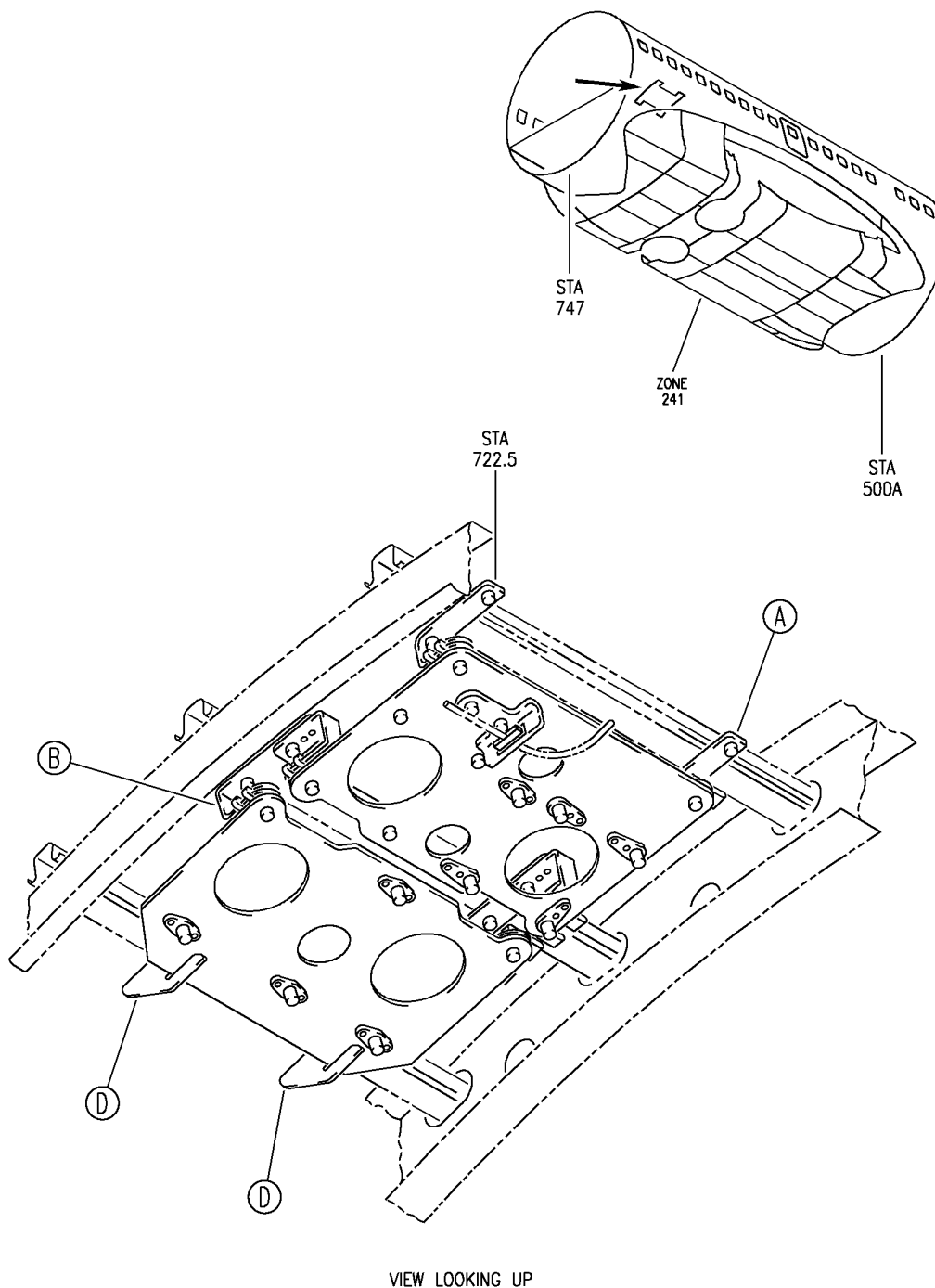
HAP

23-32-51-18A

BOEING PROPRIETARY - Copyright © - Unpublished Work - See title page for details.

23-32-51
FIG. 18A
PAGE 3
OCT 15/08

BOEING
737-600/700/800/900
PARTS CATALOG (MAINTENANCE)



E 23325118B SHT 1 REV 123

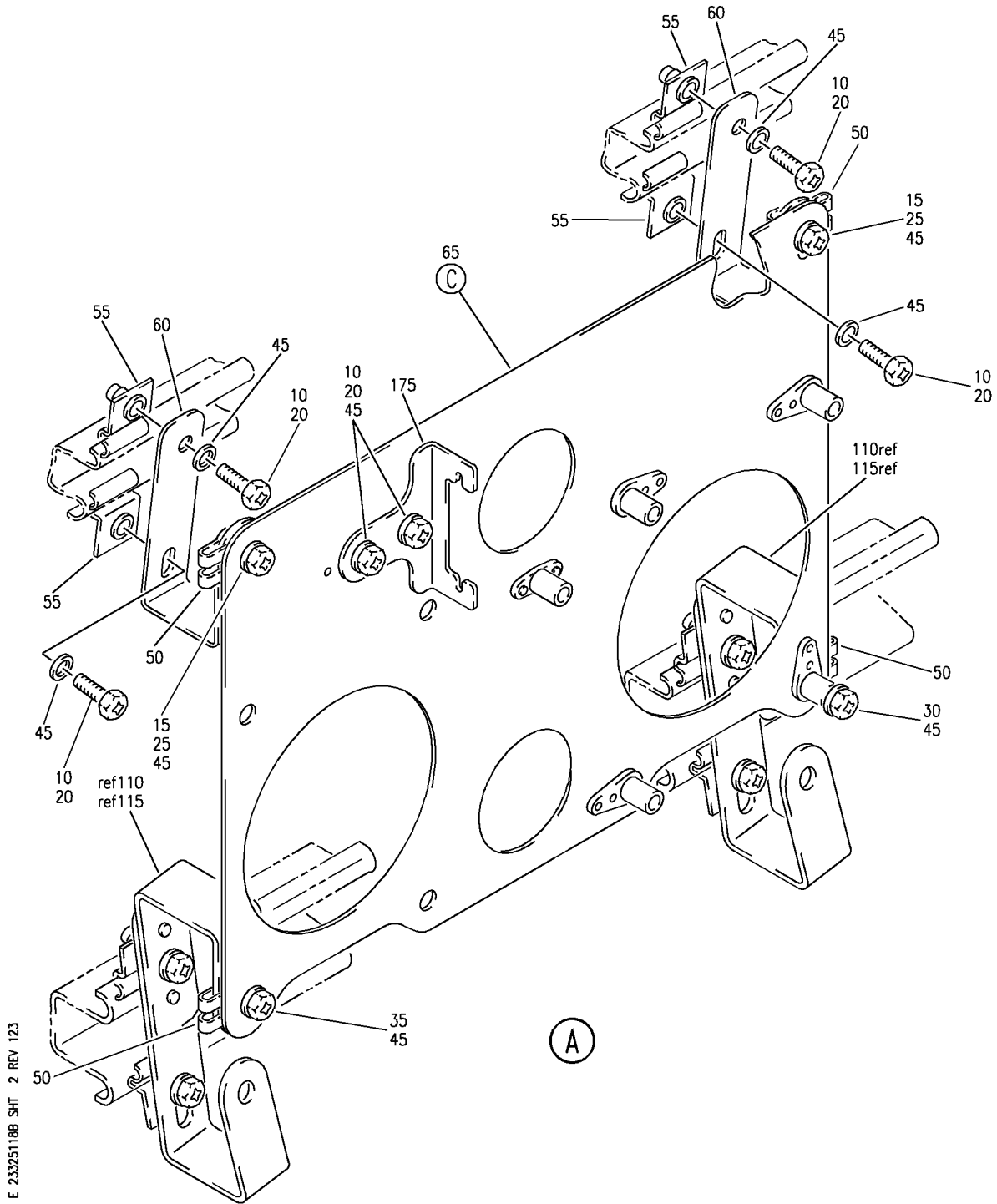
EQUIPMENT INSTL-VDU SPRT
FIGURE 18B (SHEET 1)

23-32-51-18B

HAP
FEB 10/07

23-32-51-18B
PAGE 0

BOEING
 737-600/700/800/900
 PARTS CATALOG (MAINTENANCE)



E 23325118B SHT 2 REV 123

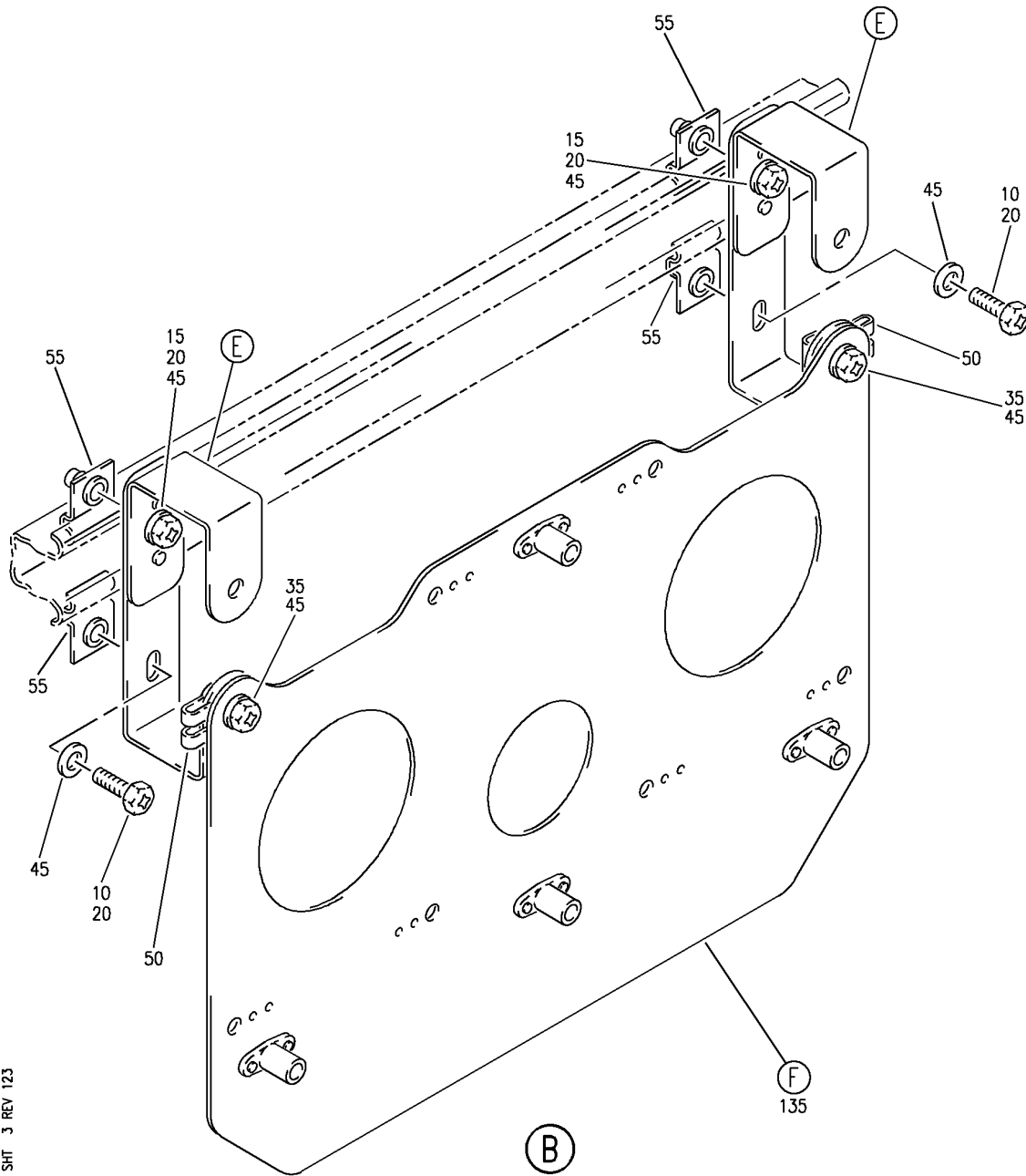
EQUIPMENT INSTL-VDU SPRT
 FIGURE 18B (SHEET 2)

23-32-51-18B

HAP
 FEB 10/07

23-32-51-18B
 PAGE 0A

BOEING
 737-600/700/800/900
 PARTS CATALOG (MAINTENANCE)



E 23325118B SHT 3 REV 123

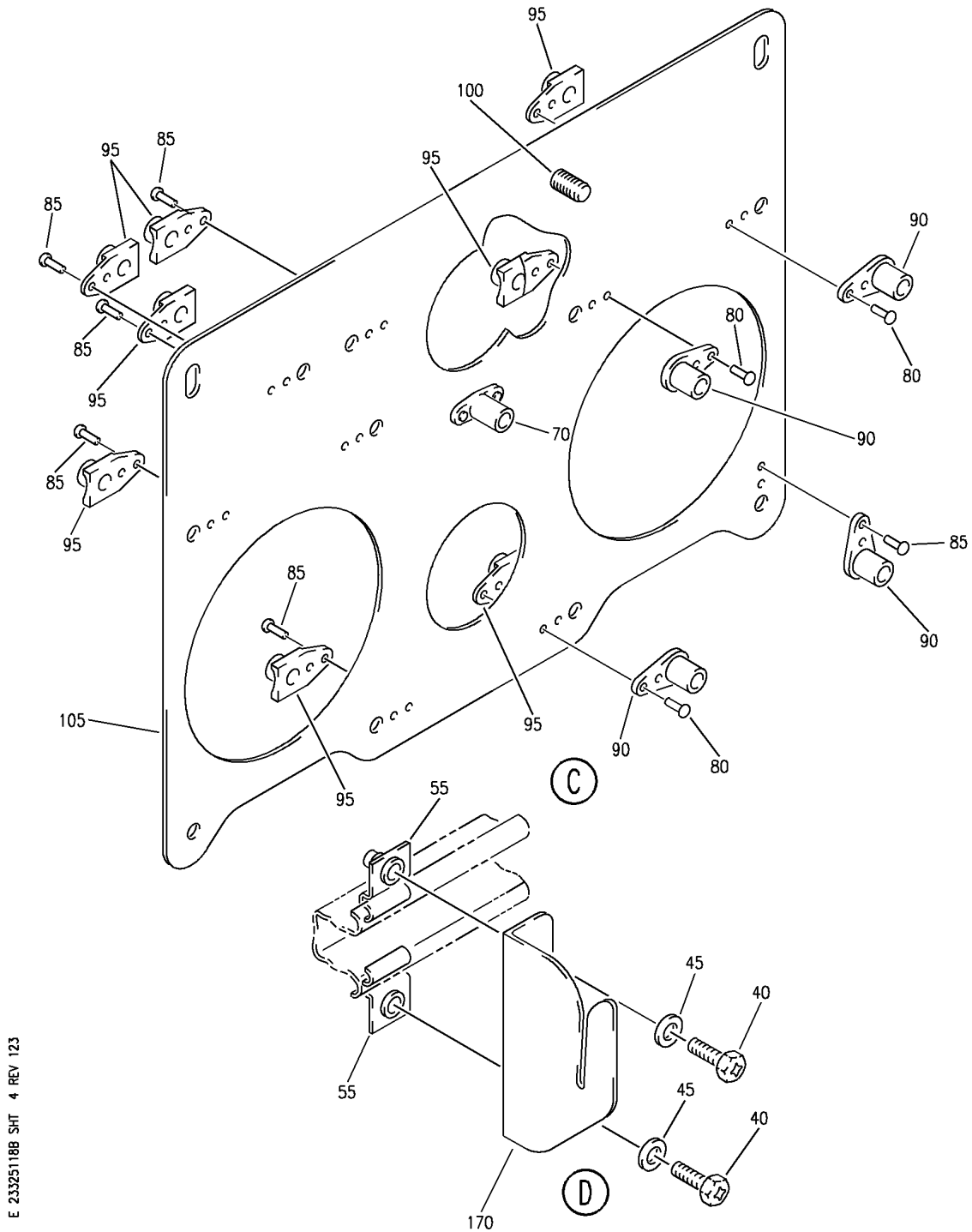
EQUIPMENT INSTL-VDU SPRT
 FIGURE 18B (SHEET 3)

23-32-51-18B

HAP
 FEB 10/07

23-32-51-18B
 PAGE 0B

BOEING
 737-600/700/800/900
 PARTS CATALOG (MAINTENANCE)



E 23325118B SHT 4 REV 123

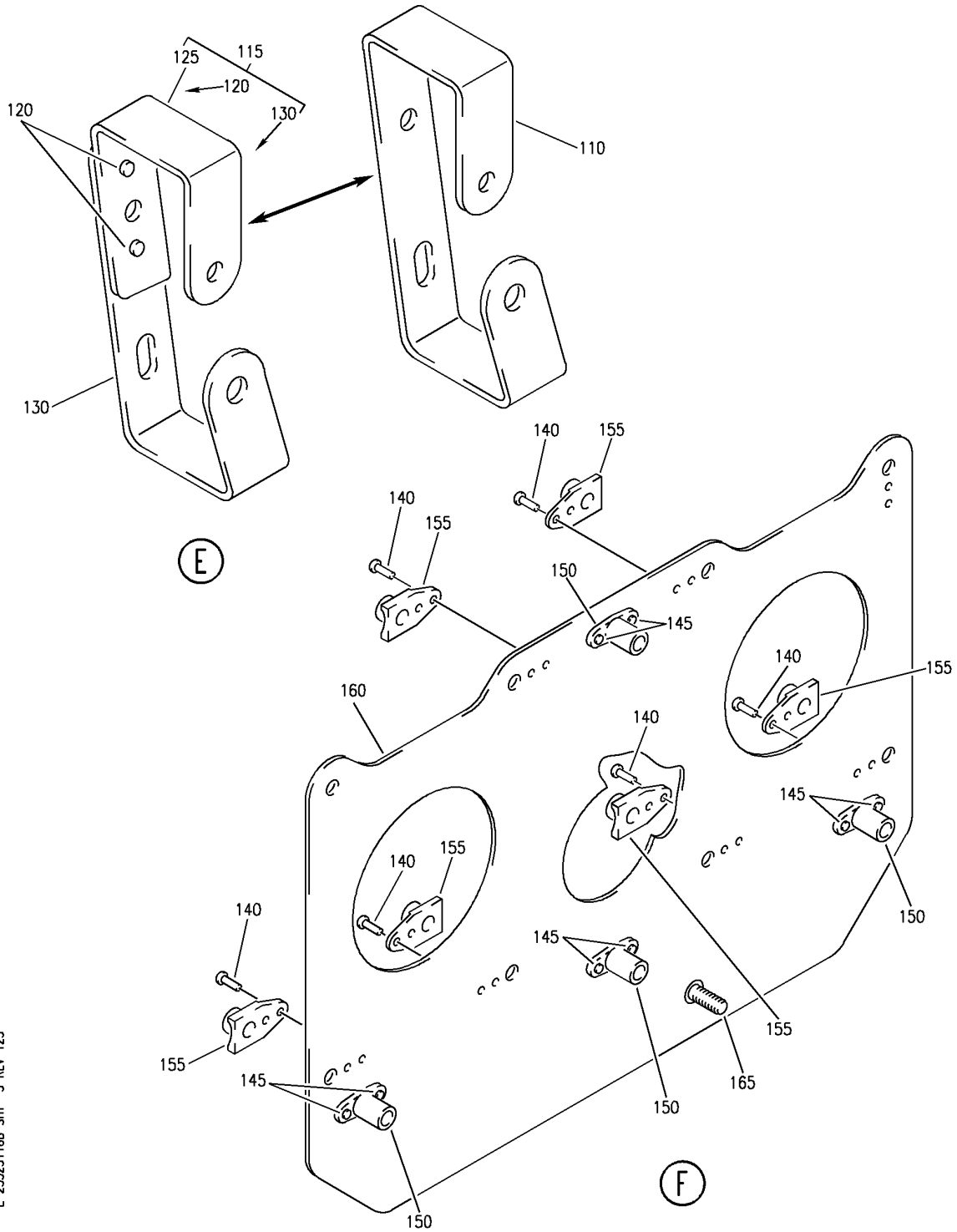
EQUIPMENT INSTL-VDU SPRT
 FIGURE 18B (SHEET 4)

23-32-51-18B

HAP
 FEB 10/07

23-32-51-18B
 PAGE 0C

BOEING
737-600/700/800/900
PARTS CATALOG (MAINTENANCE)



E 23325118B SHT 5 REV 123

EQUIPMENT INSTL-VDU SPRT
FIGURE 18B (SHEET 5)

23-32-51-18B

HAP
FEB 10/07

23-32-51-18B
PAGE 0D

BOEING
737-600/700/800/900
PARTS CATALOG (MAINTENANCE)

FIG ITEM	PART NUMBER	1 2 3 4 5 6 7	NOMENCLATURE	EFFECT FROM TO	UNITS PER ASSY
18B			EQUIPMENT INSTL-VDU SPRT	101200	
- 1	MODREF307390		EQUIPMENT INSTL-VDU SPRT MODULE NUMBER: 417A7666-16 REV B POSITION DATA: STA 722.50, LBL 26.53, WL 300.33	968999 101200 968999	1
20	BACS12GU3K9		.SCREW	101200 968999	10
25	BACS12GU3K10		.SCREW	101200 968999	2
30	BACS12GU3K18		.SCREW	101200 968999	1
35	BACS12GU3K11		.SCREW	101200 968999	3
40	BACS12GU3K8		.SCREW	101200 968999	4
45	NAS1149D0332J		.WASHER	101200 968999	20
50	BACN10VR2CG		.NUT	101200 968999	6
55	69-37170-1		.CLIP ASSY	101200 968999	12
60	417N7105-155		.BRACKET-SPRT	101200 968999	2
65	417N7102-341		.BRACKET ASSY	101200 968999	1
70	WSI4A6B		..NUTPLATE- SUPPLIER CODE: V04169 SPECIFICATION NUMBER: BACN10TL3A6B OPTIONAL PART: BACN10TL3A6	101200 968999	1
70	WS1-4A6		..NUTPLATE- SUPPLIER CODE: V04169 SPECIFICATION NUMBER: BACN10TL3A6 OPTIONAL PART: BACN10TL3A6B ATTACHING PARTS	101200 968999	1
- 75	BACR15BB3AD4C		..RIVET	101200 968999	2
80	BACR15BB3AD3C		-----*----- ..RIVET	101200 968999	6

MISSING ITEM NUMBERS NOT APPLICABLE

- ITEM NOT ILLUSTRATED

HAP

23-32-51-18B

BOEING PROPRIETARY - Copyright © - Unpublished Work - See title page for details.

23-32-51
FIG. 18B
PAGE 1
OCT 15/08

BOEING
737-600/700/800/900
PARTS CATALOG (MAINTENANCE)

FIG ITEM	PART NUMBER	1 2 3 4 5 6 7	NOMENCLATURE	EFFECT FROM TO	UNITS PER ASSY
18B					
85	BACR15BA3AD3C	..	RIVET	101200 968999	12
90	295926-50	..	SPACER SUPPLIER CODE: V60119 SPECIFICATION NUMBER: BACS18R50B	101200 968999	4
95	F177-3	..	NUTPLATE SUPPLIER CODE: V72962 SPECIFICATION NUMBER: BACN10JA3 OPTIONAL PART: F2400-3 V15653 43610-02 V80539 BRF110A3 V52828 BRF170A3 V52828	101200 968999	8
100	VNS1924CA2-8	..	STUD SUPPLIER CODE: V5M902 SPECIFICATION NUMBER: BACS53B1EA2 OPTIONAL PART: VNS1924CA3-2-8 V92215	101200 968999	1
105	417N7102-342	..	BRACKET	101200 968999	1
110	417N7105-248	.	BRACKET- OPTIONAL PART: 417N7105-158	101200 968999	2
115	417N7105-158	.	BRACKET ASSY- OPTIONAL PART: 417N7105-248	101200 968999	2
120	BACR15CE6AD6C	..	RIVET	101200 968999	2
125	417N7105-156	..	BRACKET	101200 968999	1
130	417N7105-157	..	BRACKET	101200 968999	1
135	417N7102-343	.	BRACKET ASSY	101200 968999	1
140	BACR15BA3AD3C	..	RIVET	101200 968999	12
145	BACR15BA4AD4C	..	RIVET	101200 968999	8

MISSING ITEM NUMBERS NOT APPLICABLE

— ITEM NOT ILLUSTRATED

HAP

23-32-51-18B

BOEING PROPRIETARY - Copyright © - Unpublished Work - See title page for details.

23-32-51
FIG. 18B
PAGE 2
OCT 15/08

BOEING
737-600/700/800/900
PARTS CATALOG (MAINTENANCE)

FIG ITEM	PART NUMBER	1 2 3 4 5 6 7	NOMENCLATURE	EFFECT FROM TO	UNITS PER ASSY
18B 150	WSI4A6B		..NUTPLATE- SUPPLIER CODE: V04169 SPECIFICATION NUMBER: BACN10TL3A6B OPTIONAL PART: BACN10TL3A6	101200 968999	4
150	WS1-4A6		..NUTPLATE- SUPPLIER CODE: V04169 SPECIFICATION NUMBER: BACN10TL3A6 OPTIONAL PART: BACN10TL3A6	101200 968999	4
155	F177-3		..NUTPLATE SUPPLIER CODE: V72962 SPECIFICATION NUMBER: BACN10JA3 OPTIONAL PART: F2400-3 V15653 43610-02 V80539 BRF110A3 V52828 BRF170A3 V52828	101200 968999	6
160	417N7102-344		..BRACKET	101200 968999	1
165	VNS1924CA2-8		..STUD SUPPLIER CODE: V5M902 SPECIFICATION NUMBER: BACS53B1EA2 OPTIONAL PART: VNS1924CA3-2-8 V92215	101200 968999	1
170	416N7105-159		.BRACKET	101200 968999	2
175	417N7102-198		.BRACKET	101200 968999	1

MISSING ITEM NUMBERS NOT APPLICABLE

— ITEM NOT ILLUSTRATED

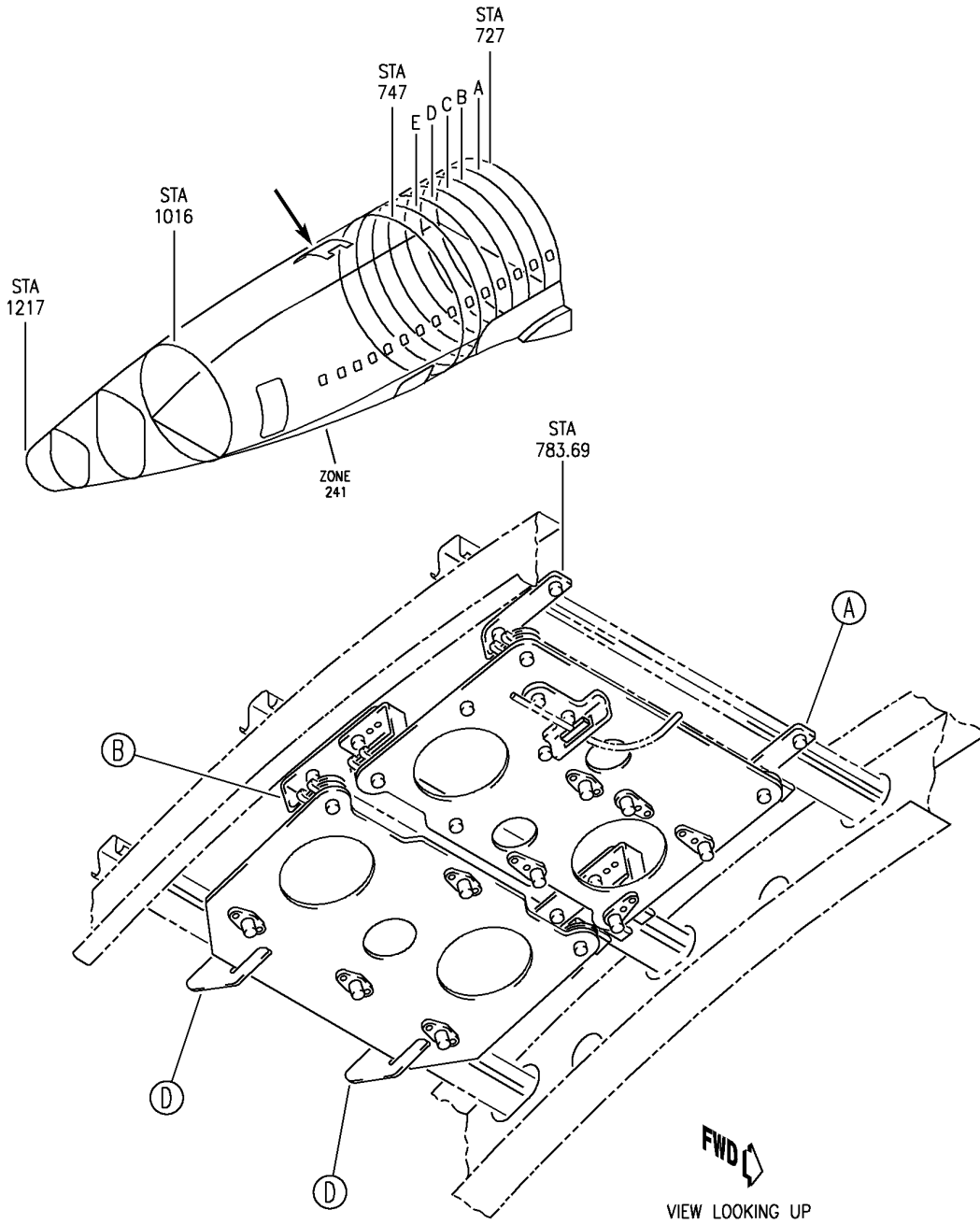
HAP

23-32-51-18B

BOEING PROPRIETARY - Copyright © - Unpublished Work - See title page for details.

23-32-51
FIG. 18B
PAGE 3
OCT 15/08

BOEING
 737-600/700/800/900
 PARTS CATALOG (MAINTENANCE)



E 23325118C SHT 1 REV 123

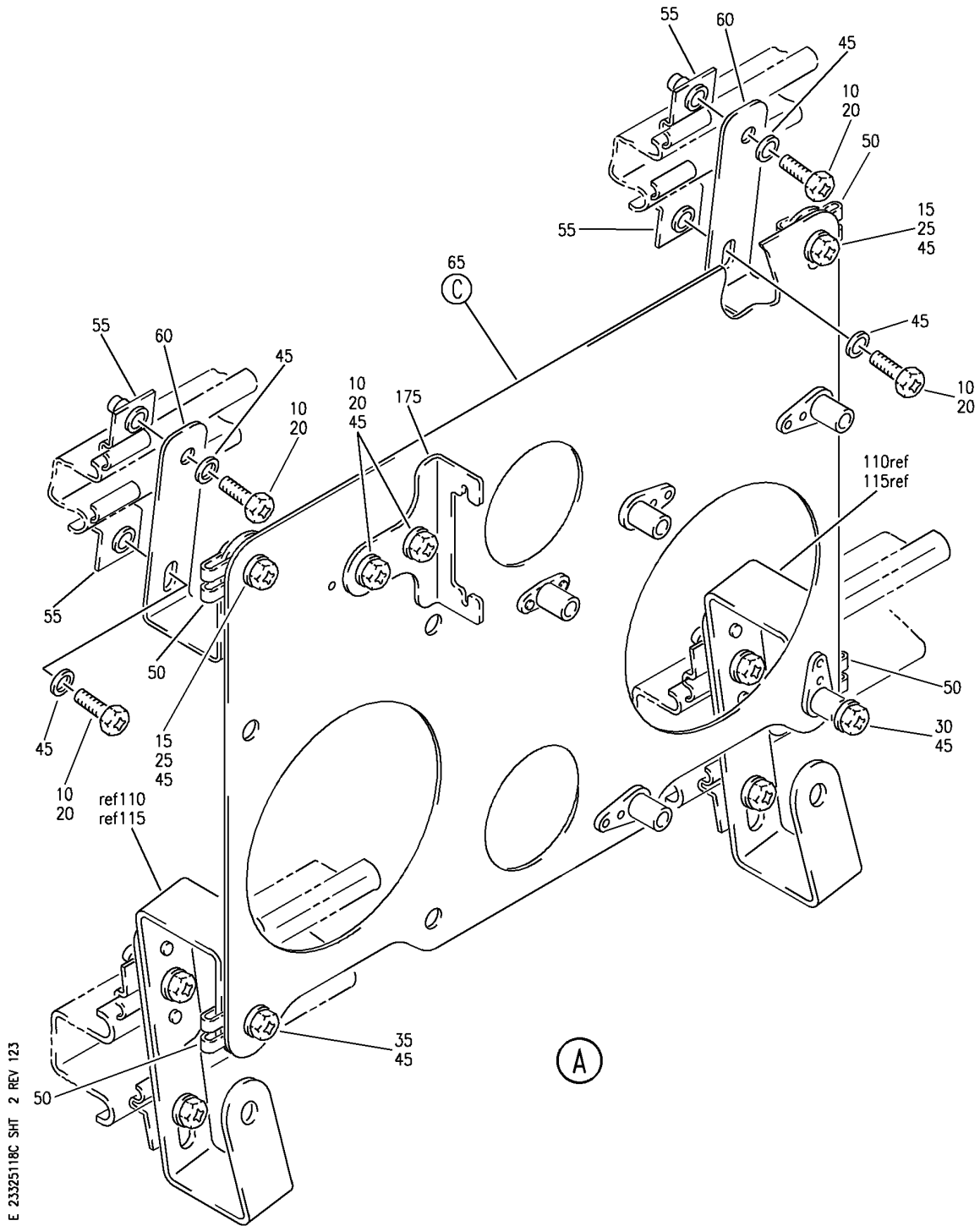
EQUIPMENT INSTL-VDU SPRT
 FIGURE 18C (SHEET 1)

23-32-51-18C

HAP
 FEB 10/07

23-32-51-18C
 PAGE 0

BOEING
 737-600/700/800/900
 PARTS CATALOG (MAINTENANCE)



E 23325118C SHT 2 REV 123

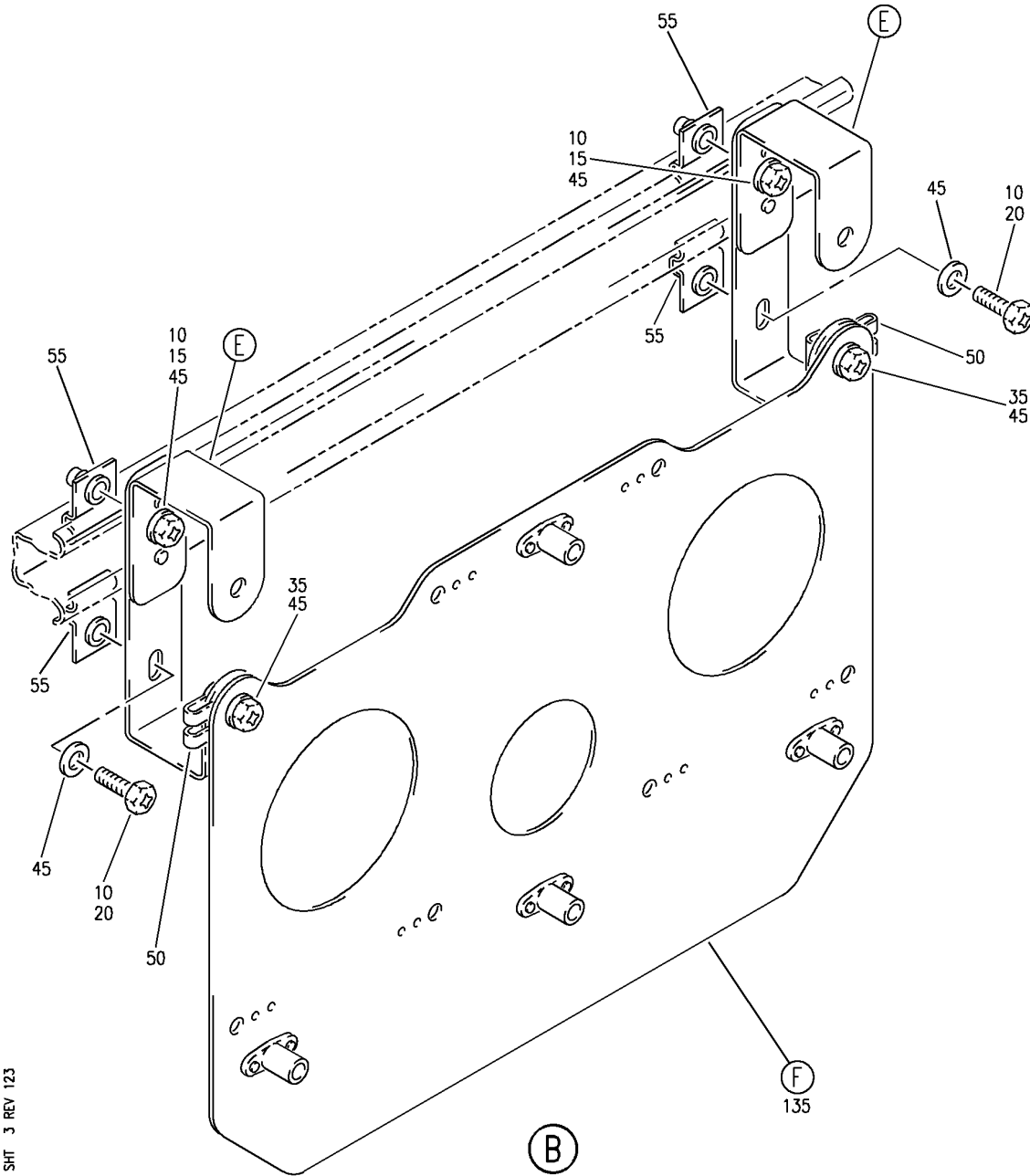
EQUIPMENT INSTL-VDU SPRT
 FIGURE 18C (SHEET 2)

23-32-51-18C

HAP
 FEB 10/07

23-32-51-18C
 PAGE 0A

BOEING
737-600/700/800/900
PARTS CATALOG (MAINTENANCE)



E 23325118C SHT 3 REV 123

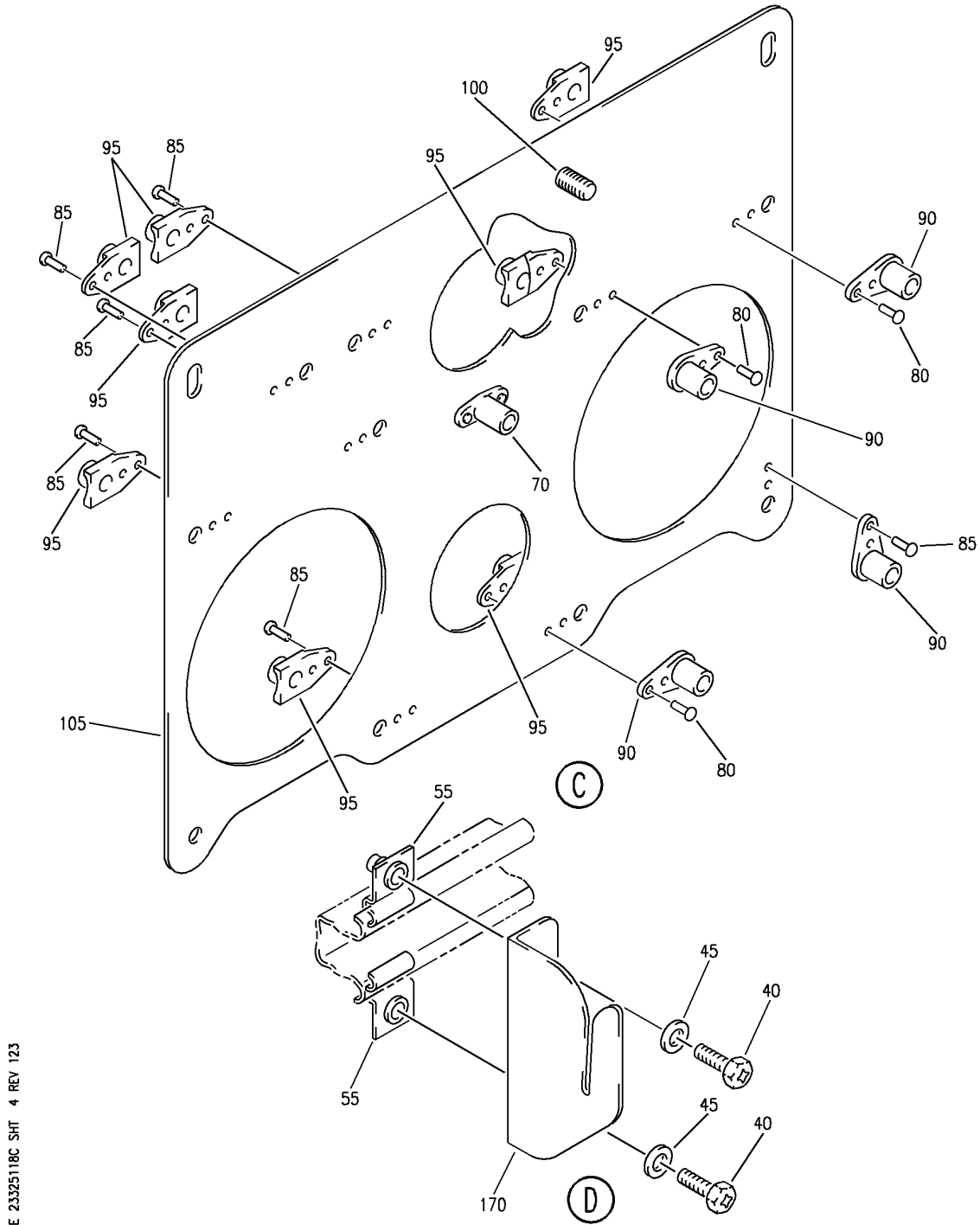
EQUIPMENT INSTL-VDU SPRT
FIGURE 18C (SHEET 3)

23-32-51-18C

HAP
FEB 10/07

23-32-51-18C
PAGE 0B

BOEING
 737-600/700/800/900
 PARTS CATALOG (MAINTENANCE)



E 23325118C SHT 4 REV 123

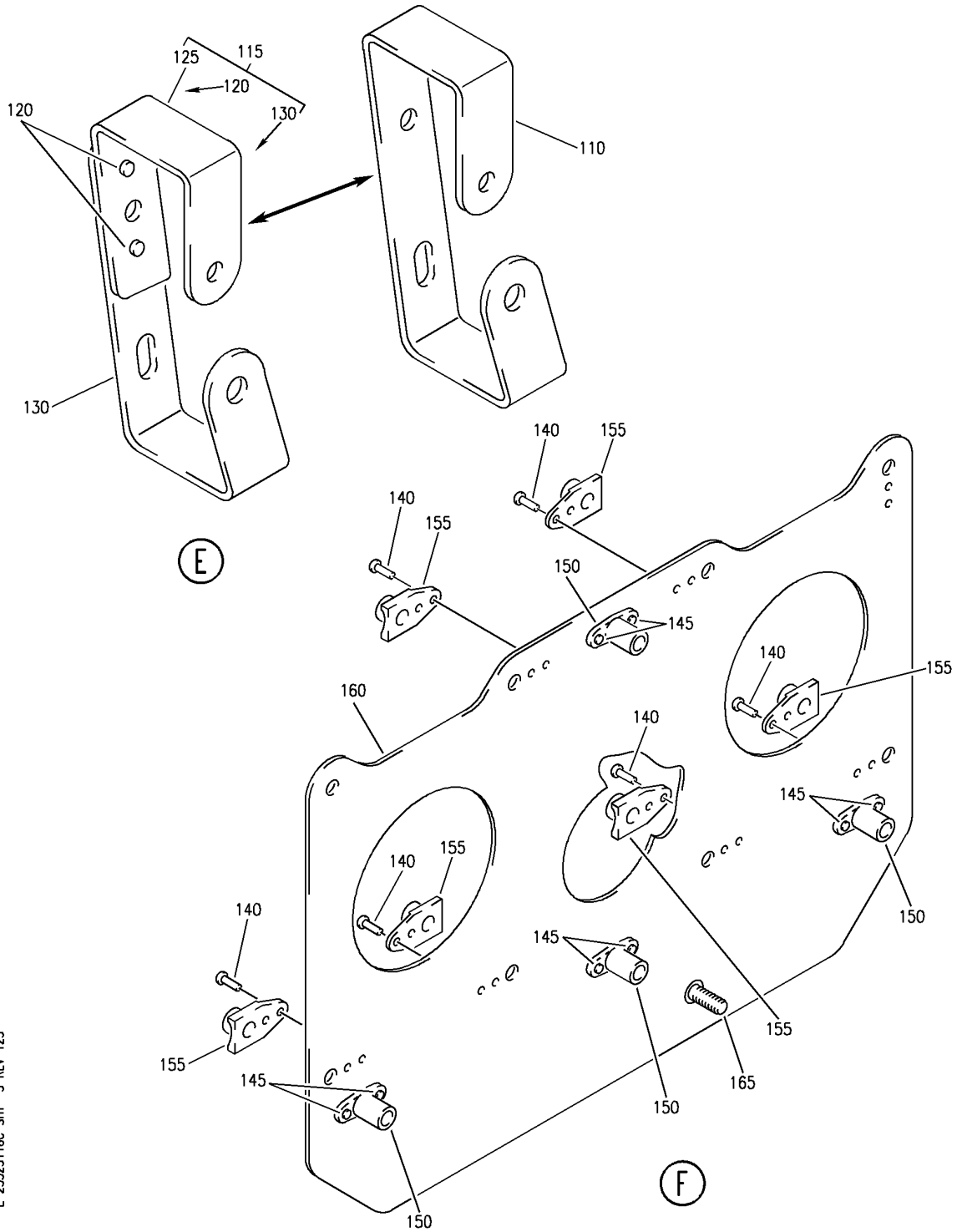
EQUIPMENT INSTL-VDU SPRT
 FIGURE 18C (SHEET 4)

23-32-51-18C

HAP
 FEB 10/07

23-32-51-18C
 PAGE 0C

BOEING
 737-600/700/800/900
 PARTS CATALOG (MAINTENANCE)



E 23325118C SHT 5 REV 123

EQUIPMENT INSTL-VDU SPRT
 FIGURE 18C (SHEET 5)

23-32-51-18C

HAP
 FEB 10/07

23-32-51-18C
 PAGE 0D

BOEING
737-600/700/800/900
PARTS CATALOG (MAINTENANCE)

FIG ITEM	PART NUMBER	1 2 3 4 5 6 7	NOMENCLATURE	EFFECT FROM TO	UNITS PER ASSY
18C			EQUIPMENT INSTL-VDU SPRT	101200 968999	
- 1	MODREF307391		EQUIPMENT INSTL-VDU SPRT MODULE NUMBER: 417A7666-17 REV B POSITION DATA: STA 783.69, LBL 26.53, WL 300.33	101200 968999	1
10	BACS12GU3K9		.SCREW	101200 968999	10
25	BACS12GU3K10		.SCREW	101200 968999	2
30	BACS12GU3K18		.SCREW	101200 968999	1
35	BACS12GU3K11		.SCREW	101200 968999	3
40	BACS12GU3K8		.SCREW	101200 968999	4
45	NAS1149D0332J		.WASHER	101200 968999	20
50	BACN10VR2CG		.NUT	101200 968999	6
55	69-37170-1		.CLIP ASSY	101200 968999	12
60	417N7105-155		.BRACKET-SPRT	101200 968999	2
65	417N7102-341		.BRACKET ASSY	101200 968999	1
70	WSI4A6B		..NUTPLATE- SUPPLIER CODE: V04169 SPECIFICATION NUMBER: BACN10TL3A6B OPTIONAL PART: BACN10TL3A6	101200 968999	1
70	WS1-4A6		..NUTPLATE- SUPPLIER CODE: V04169 SPECIFICATION NUMBER: BACN10TL3A6 OPTIONAL PART: BACN10TL3A6B ATTACHING PARTS	101200 968999	1
- 75	BACR15BB3AD4C		..RIVET	101200 968999	2
80	BACR15BB3AD3C		-----*----- ..RIVET	101200 968999	6

MISSING ITEM NUMBERS NOT APPLICABLE

- ITEM NOT ILLUSTRATED

HAP

23-32-51-18C

BOEING PROPRIETARY - Copyright © - Unpublished Work - See title page for details.

23-32-51
FIG. 18C
PAGE 1
OCT 15/08

BOEING
737-600/700/800/900
PARTS CATALOG (MAINTENANCE)

FIG ITEM	PART NUMBER	1 2 3 4 5 6 7	NOMENCLATURE	EFFECT FROM TO	UNITS PER ASSY
18C					
85	BACR15BA3AD3C	..	RIVET	101200 968999	12
90	295926-50	..	SPACER SUPPLIER CODE: V60119 SPECIFICATION NUMBER: BACS18R50B	101200 968999	4
95	F177-3	..	NUTPLATE SUPPLIER CODE: V72962 SPECIFICATION NUMBER: BACN10JA3 OPTIONAL PART: F2400-3 V15653 43610-02 V80539 BRF110A3 V52828 BRF170A3 V52828	101200 968999	8
100	VNS1924CA2-8	..	STUD SUPPLIER CODE: V5M902 SPECIFICATION NUMBER: BACS53B1EA2 OPTIONAL PART: VNS1924CA3-2-8 V92215	101200 968999	1
105	417N7102-342	..	BRACKET	101200 968999	1
110	417N7105-248	.	BRACKET- OPTIONAL PART: 417N7105-158	101200 968999	2
115	417N7105-158	.	BRACKET ASSY- OPTIONAL PART: 417N7105-248	101200 968999	2
120	BACR15CE6AD6C	..	RIVET	101200 968999	2
125	417N7105-156	..	BRACKET	101200 968999	1
130	417N7105-157	..	BRACKET	101200 968999	1
135	417N7102-343	.	BRACKET ASSY	101200 968999	1
140	BACR15BA3AD3C	..	RIVET	101200 968999	12
145	BACR15BA4AD4C	..	RIVET	101200 968999	8

MISSING ITEM NUMBERS NOT APPLICABLE

— ITEM NOT ILLUSTRATED

HAP

23-32-51-18C

BOEING PROPRIETARY - Copyright © - Unpublished Work - See title page for details.

23-32-51
FIG. 18C
PAGE 2
OCT 15/08

BOEING
737-600/700/800/900
PARTS CATALOG (MAINTENANCE)

FIG ITEM	PART NUMBER	1 2 3 4 5 6 7	NOMENCLATURE	EFFECT FROM TO	UNITS PER ASSY
18C 150	WSI4A6B		..NUTPLATE- SUPPLIER CODE: V04169 SPECIFICATION NUMBER: BACN10TL3A6B OPTIONAL PART: BACN10TL3A6	101200 968999	4
150	WS1-4A6		..NUTPLATE- SUPPLIER CODE: V04169 SPECIFICATION NUMBER: BACN10TL3A6 OPTIONAL PART: BACN10TL3A6	101200 968999	4
155	F177-3		..NUTPLATE SUPPLIER CODE: V72962 SPECIFICATION NUMBER: BACN10JA3 OPTIONAL PART: F2400-3 V15653 43610-02 V80539 BRF110A3 V52828 BRF170A3 V52828	101200 968999	6
160	417N7102-344		..BRACKET	101200 968999	1
165	VNS1924CA2-8		..STUD SUPPLIER CODE: V5M902 SPECIFICATION NUMBER: BACS53B1EA2 OPTIONAL PART: VNS1924CA3-2-8 V92215	101200 968999	1
170	416N7105-159		.BRACKET	101200 968999	2
175	417N7102-198		.BRACKET	101200 968999	1

MISSING ITEM NUMBERS NOT APPLICABLE

— ITEM NOT ILLUSTRATED

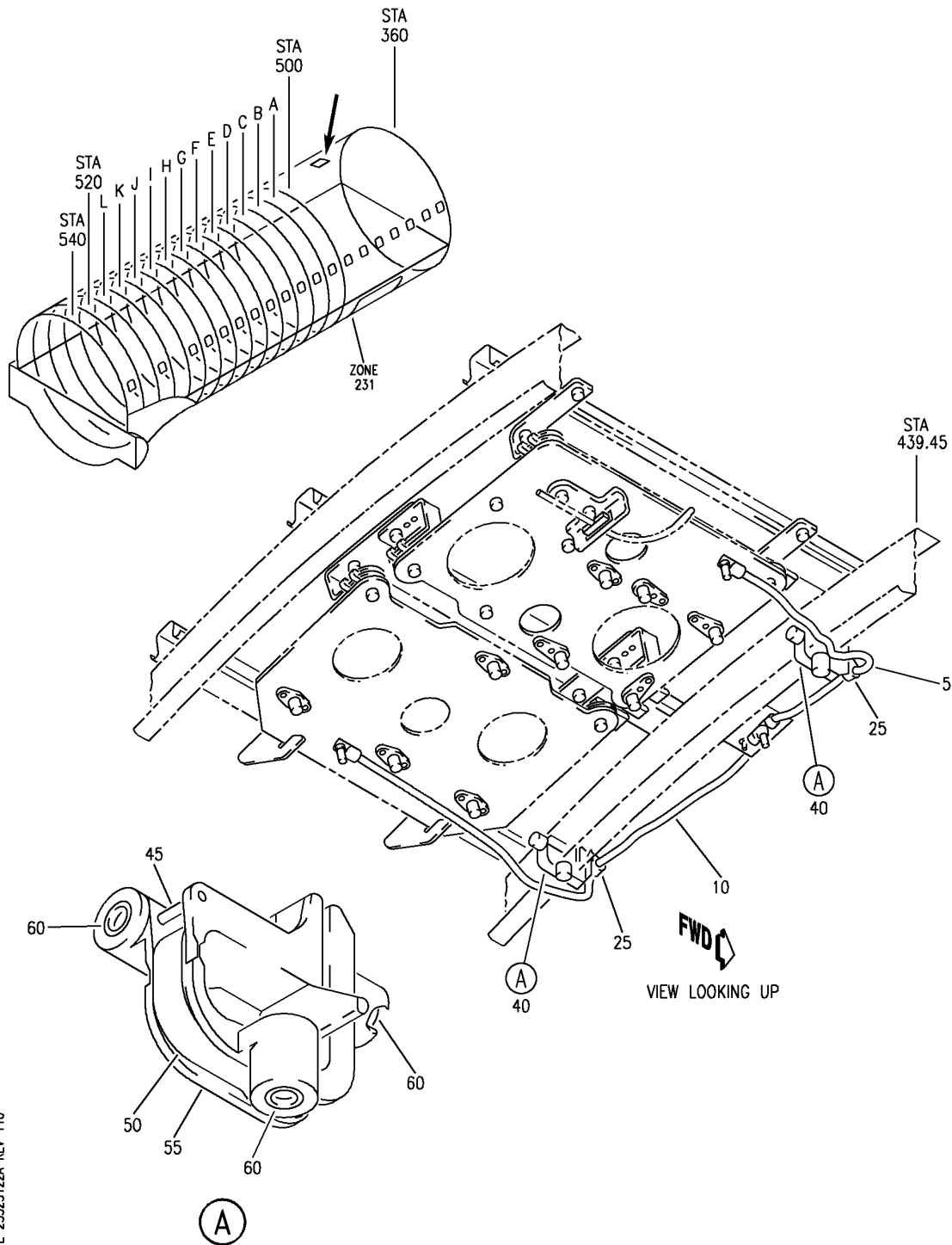
HAP

23-32-51-18C

BOEING PROPRIETARY - Copyright © - Unpublished Work - See title page for details.

23-32-51
FIG. 18C
PAGE 3
OCT 15/08

BOEING
 737-600/700/800/900
 PARTS CATALOG (MAINTENANCE)



E 23325122A REV 110

GROUNDING INSTL-GND STRAP
 FIGURE 22A

23-32-51-22A

HAP
 OCT 10/06

23-32-51-22A
 PAGE 0

BOEING
737-600/700/800/900
PARTS CATALOG (MAINTENANCE)

FIG ITEM	PART NUMBER	1 2 3 4 5 6 7	NOMENCLATURE	EFFECT FROM TO	UNITS PER ASSY
22A			GROUNDING INSTL-GND STRAP	031200 968999	
- 1	MODREF267662		GROUNDING INSTL-GND STRAP MODULE NUMBER: 417A7666-24 REV B POSITION DATA: STA 439.45 LBL 27.40 WL 295.88	031200 968999	1
5	1002BB16		. JUMPER SUPPLIER CODE: V1FF12 SPECIFICATION NUMBER: BACJ40A20-16 OPTIONAL PART: TJEJ40A20-16 V33483 740A20-16 V91812 RBEJ20-16 V1GK47	031200 968999	1
10	1002BB30		. JUMPER SUPPLIER CODE: V1FF12 SPECIFICATION NUMBER: BACJ40A20-30	031200 968999	1
- 15	NAS1149D0316H		ATTACHING PARTS . WASHER	031200 968999	4
- 20	PLH53CD		. NUT SUPPLIER CODE: VF0224 SPECIFICATION NUMBER: BACN10YR3CD OPTIONAL PART: H52732-3CD V15653	031200 968999	4
25	BACC10DK2		-----*----- . CLAMP	031200 968999	2
- 30	BACS12GU3K7		ATTACHING PARTS . SCREW	031200 968999	2
- 35	NAS1149D0332J		. WASHER	031200 968999	2
40	411A4902-7		-----*----- . CLIP ASSY-RTNR	031200 968999	AR
45	MS16562-194		.. PIN	031200 968999	1

MISSING ITEM NUMBERS NOT APPLICABLE

- ITEM NOT ILLUSTRATED

HAP

23-32-51-22A

BOEING PROPRIETARY - Copyright © - Unpublished Work - See title page for details.

23-32-51
FIG. 22A
PAGE 1
FEB 15/09

BOEING
737-600/700/800/900
PARTS CATALOG (MAINTENANCE)

FIG ITEM	PART NUMBER	1 2 3 4 5 6 7	NOMENCLATURE	EFFECT FROM TO	UNITS PER ASSY
22A					
50	411A4902-8	..	CLIP	031200 968999	1
55	411A4902-4	..	RETAINER ASSY	031200 968999	1
60	H02030-2L	...	INSERT- SUPPLIER CODE: V07EU2	031200 968999	3

MISSING ITEM NUMBERS NOT APPLICABLE

— ITEM NOT ILLUSTRATED

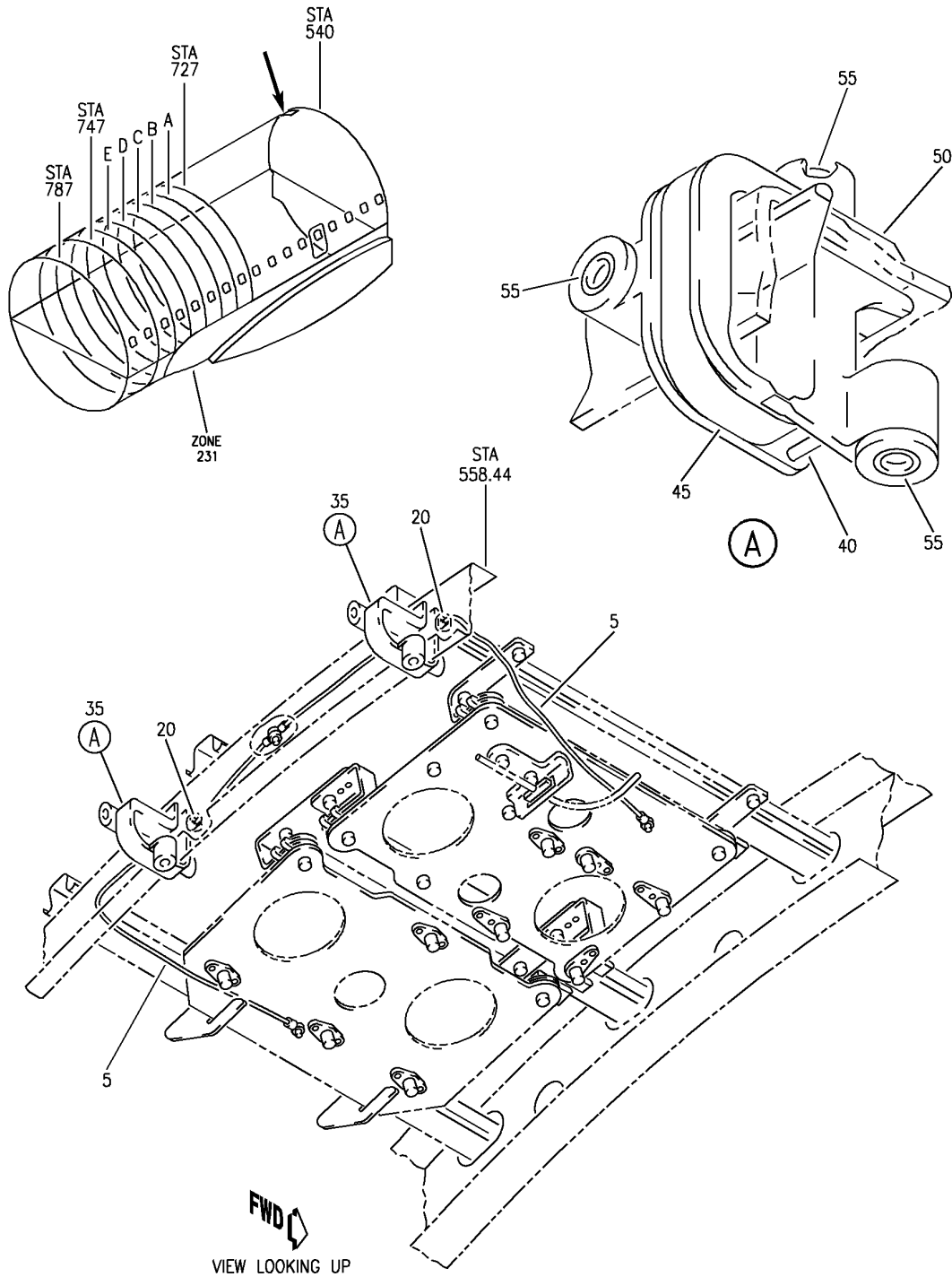
HAP

23-32-51-22A

BOEING PROPRIETARY - Copyright © - Unpublished Work - See title page for details.

23-32-51
FIG. 22A
PAGE 2
OCT 15/08

BOEING
737-600/700/800/900
PARTS CATALOG (MAINTENANCE)



E 23325123A REV 110

GROUNDING INSTL-GND STRAP
FIGURE 23A

HAP
FEB 10/07

23-32-51-23A

23-32-51-23A
PAGE 0

BOEING
737-600/700/800/900
PARTS CATALOG (MAINTENANCE)

FIG ITEM	PART NUMBER	1 2 3 4 5 6 7	NOMENCLATURE	EFFECT FROM TO	UNITS PER ASSY
23A			GROUNDING INSTL-GND STRAP	101200 968999	
- 1	MODREF267664		GROUNDING INSTL-GND STRAP MODULE NUMBER: 417A7666-26 REV B POSITION DATA: STA 558.44 LBL 28.24 WL 296.61	101200 968999	1
5	1002BB24		.JUMPER- SUPPLIER CODE: V1FF12 SPECIFICATION NUMBER: BACJ40A20-24 OPTIONAL PART: BACJ40A20-16	101200 968999	2
5	1002BB16		.JUMPER- SUPPLIER CODE: V1FF12 SPECIFICATION NUMBER: BACJ40A20-16 OPTIONAL PART: TJEJ40A20-16 V33483 740A20-16 V91812 RBEJ20-16 V1GK47 BACJ40A20-24	101200 968999	2
- 10	NAS1149D0316H		ATTACHING PARTS .WASHER	101200 968999	4
- 15	PLH53CD		.NUT SUPPLIER CODE: VF0224 SPECIFICATION NUMBER: BACN10YR3CD OPTIONAL PART: H52732-3CD V15653	101200 968999	4
20	BACC10DK2		-----*----- .CLAMP ATTACHING PARTS	101200 968999	2
- 25	BACS12GU3K7		.SCREW	101200 968999	2
- 30	NAS1149D0332J		.WASHER -----*-----	101200 968999	2

MISSING ITEM NUMBERS NOT APPLICABLE

- ITEM NOT ILLUSTRATED

HAP

23-32-51-23A

BOEING PROPRIETARY - Copyright © - Unpublished Work - See title page for details.

23-32-51
FIG. 23A
PAGE 1
FEB 15/09

BOEING
737-600/700/800/900
PARTS CATALOG (MAINTENANCE)

FIG ITEM	PART NUMBER	1 2 3 4 5 6 7	NOMENCLATURE	EFFECT FROM TO	UNITS PER ASSY
23A					
35	411A4902-7	.	CLIP ASSY-RTNR	101200 968999	AR
40	MS16562-194	..	PIN	101200 968999	1
45	411A4902-8	..	CLIP	101200 968999	1
50	411A4902-4	..	RETAINER ASSY	101200 968999	1
55	H02030-2L	...	INSERT- SUPPLIER CODE: V07EU2	101200 968999	3

MISSING ITEM NUMBERS NOT APPLICABLE

— ITEM NOT ILLUSTRATED

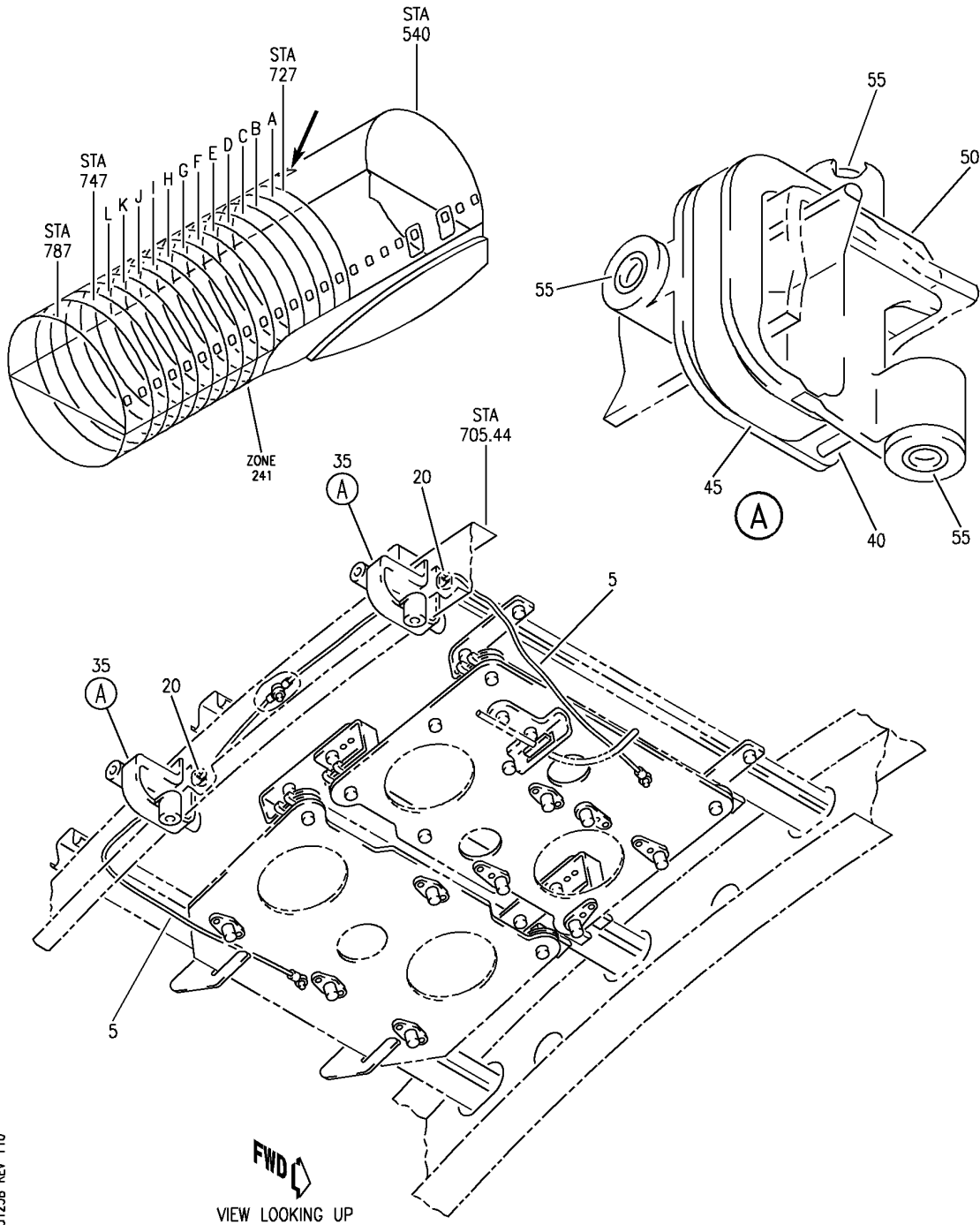
HAP

23-32-51-23A

BOEING PROPRIETARY - Copyright © - Unpublished Work - See title page for details.

23-32-51
FIG. 23A
PAGE 2
OCT 15/08

BOEING
 737-600/700/800/900
 PARTS CATALOG (MAINTENANCE)



E 23325123B REV 110

GROUNDING INSTL-GND STRAP
 FIGURE 23B

23-32-51-23B

HAP
 OCT 10/06

23-32-51-23B
 PAGE 0

BOEING
737-600/700/800/900
PARTS CATALOG (MAINTENANCE)

FIG ITEM	PART NUMBER	1 2 3 4 5 6 7	NOMENCLATURE	EFFECT FROM TO	UNITS PER ASSY
23B					
- 1	MODREF267667		GROUNDING INSTL-GND STRAP GROUNDING INSTL-GND STRAP MODULE NUMBER: 417A7666-29 REV B POSITION DATA: STA 705.44 LBL 28.24 WL 296.61	031100 031100	1
5	1002BB24		. JUMPER- SUPPLIER CODE: V1FF12 SPECIFICATION NUMBER: BACJ40A20-24 OPTIONAL PART: BACJ40A20-16	031100	2
5	1002BB16		. JUMPER- SUPPLIER CODE: V1FF12 SPECIFICATION NUMBER: BACJ40A20-16 OPTIONAL PART: TJEJ40A20-16 V33483 740A20-16 V91812 RBEJ20-16 V1GK47 BACJ40A20-24	031100	2
- 10	NAS1149D0316H		ATTACHING PARTS . WASHER	031100	4
- 15	PLH53CD		. NUT SUPPLIER CODE: VF0224 SPECIFICATION NUMBER: BACN10YR3CD OPTIONAL PART: H52732-3CD V15653	031100	4
20	BACC10DK2		-----*----- . CLAMP ATTACHING PARTS	031100	2
- 25	BACS12GU3K7		. SCREW	031100	2
- 30	NAS1149D0332J		. WASHER -----*-----	031100	2
35	411A4902-7		. CLIP ASSY-RTNR	031100	AR
40	MS16562-194		.. PIN	031100	1
45	411A4902-8		.. CLIP	031100	1
50	411A4902-4		.. RETAINER ASSY	031100	1

MISSING ITEM NUMBERS NOT APPLICABLE

- ITEM NOT ILLUSTRATED

HAP

23-32-51-23B

BOEING PROPRIETARY - Copyright © - Unpublished Work - See title page for details.

23-32-51
FIG. 23B
PAGE 1
FEB 15/09


BOEING
 737-600/700/800/900
PARTS CATALOG (MAINTENANCE)

FIG ITEM	PART NUMBER	1 2 3 4 5 6 7 NOMENCLATURE	EFFECT FROM TO	UNITS PER ASSY
23B 55	H02030-2L	...INSERT- SUPPLIER CODE: V07EU2	031100	3

MISSING ITEM NUMBERS NOT APPLICABLE

— ITEM NOT ILLUSTRATED

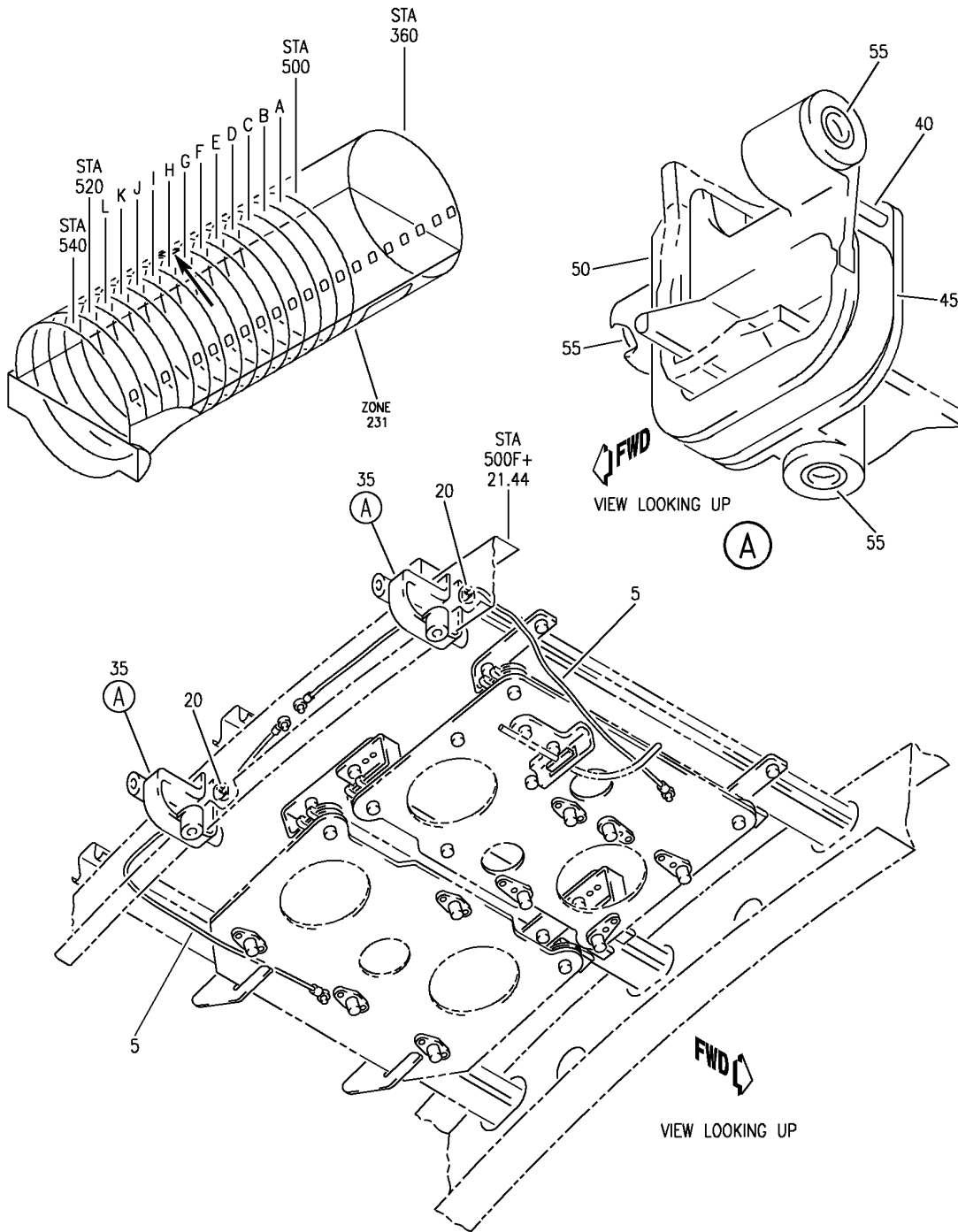
HAP

23-32-51-23B

BOEING PROPRIETARY - Copyright © - Unpublished Work - See title page for details.

23-32-51
 FIG. 23B
 PAGE 2
 FEB 10/07

BOEING
 737-600/700/800/900
 PARTS CATALOG (MAINTENANCE)



E 23325124A REV 110

GROUNDING INSTL-GND STRAP
 FIGURE 24A

23-32-51-24A

HAP
 OCT 10/06

23-32-51-24A
 PAGE 0

BOEING
737-600/700/800/900
PARTS CATALOG (MAINTENANCE)

FIG ITEM	PART NUMBER	1 2 3 4 5 6 7	NOMENCLATURE	EFFECT FROM TO	UNITS PER ASSY
24A					
- 1	MODREF267665		GROUNDING INSTL-GND STRAP GROUNDING INSTL-GND STRAP MODULE NUMBER: 417A7666-27 REV B POSITION DATA: STA 500F+21.44 LBL 28.24 WL 296.83	031100 031100	1
5	1002BB24		. JUMPER- SUPPLIER CODE: V1FF12 SPECIFICATION NUMBER: BACJ40A20-24 OPTIONAL PART: BACJ40A20-16	031100	2
5	1002BB16		. JUMPER- SUPPLIER CODE: V1FF12 SPECIFICATION NUMBER: BACJ40A20-16 OPTIONAL PART: TJEJ40A20-16 V33483 740A20-16 V91812 RBEJ20-16 V1GK47 BACJ40A20-24	031100	2
- 10	NAS1149D0316H		ATTACHING PARTS . WASHER	031100	4
- 15	PLH53CD		. NUT SUPPLIER CODE: VF0224 SPECIFICATION NUMBER: BACN10YR3CD OPTIONAL PART: H52732-3CD V15653	031100	4
20	BACC10DK2		-----*----- . CLAMP ATTACHING PARTS	031100	2
- 25	BACS12GU3K7		. SCREW	031100	2
- 30	NAS1149D0332J		. WASHER -----*-----	031100	2
35	411A4902-7		. CLIP ASSY-RTNR	031100	AR
40	MS16562-194		.. PIN	031100	1
45	411A4902-8		.. CLIP	031100	1
50	411A4902-4		.. RETAINER ASSY	031100	1

MISSING ITEM NUMBERS NOT APPLICABLE

- ITEM NOT ILLUSTRATED

HAP

23-32-51-24A

BOEING PROPRIETARY - Copyright © - Unpublished Work - See title page for details.

23-32-51
FIG. 24A
PAGE 1
FEB 15/09


BOEING
 737-600/700/800/900
PARTS CATALOG (MAINTENANCE)

FIG ITEM	PART NUMBER	1 2 3 4 5 6 7 NOMENCLATURE	EFFECT FROM TO	UNITS PER ASSY
24A 55	H02030-2L	... INSERT- SUPPLIER CODE: V07EU2	031100	3

MISSING ITEM NUMBERS NOT APPLICABLE

— ITEM NOT ILLUSTRATED

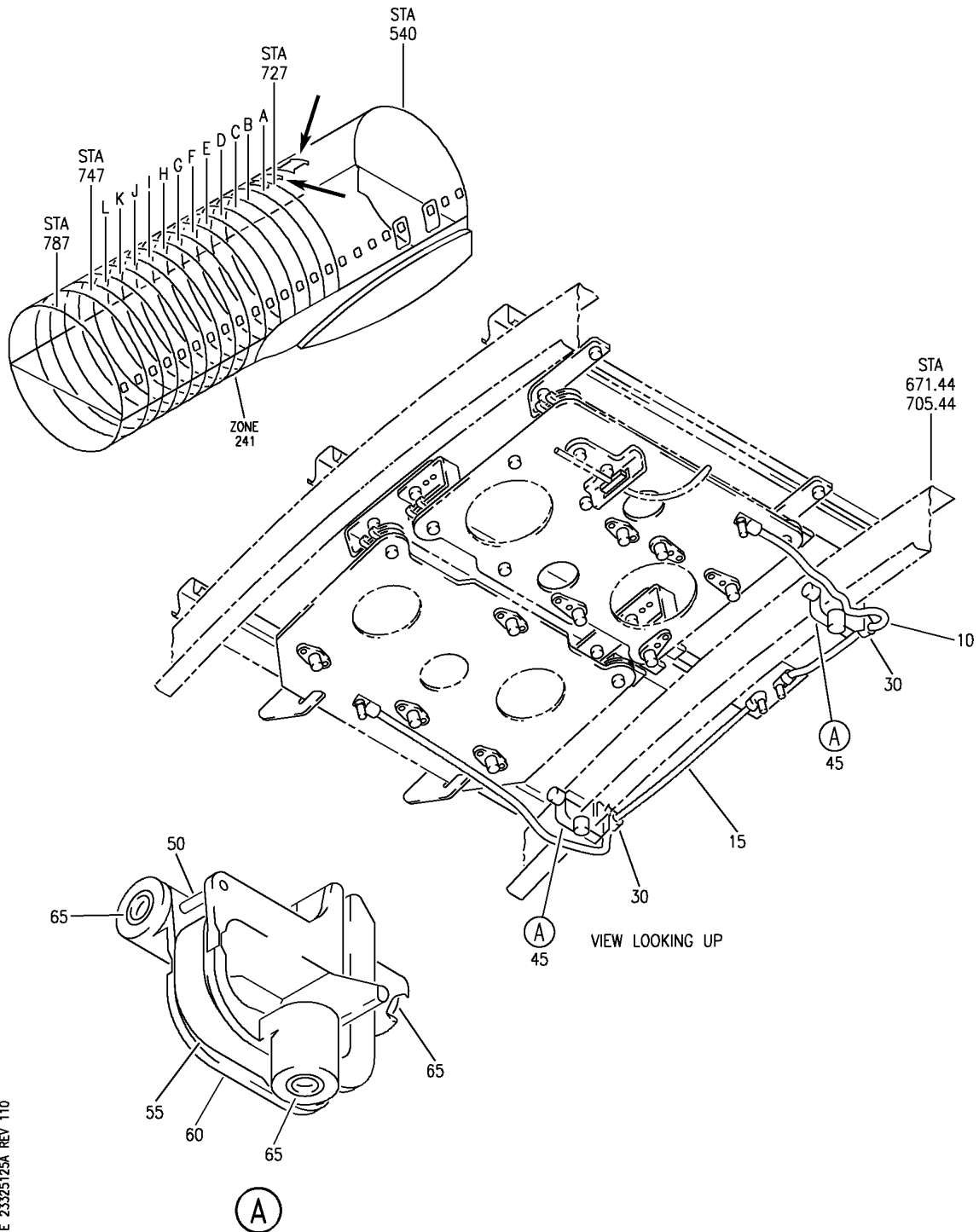
HAP

23-32-51-24A

BOEING PROPRIETARY - Copyright © - Unpublished Work - See title page for details.

23-32-51
 FIG. 24A
 PAGE 2
 FEB 10/07

BOEING
 737-600/700/800/900
 PARTS CATALOG (MAINTENANCE)



E 23325125A REV 110

GROUNDING INSTL-GND STRAP
 FIGURE 25A

23-32-51-25A

HAP
 FEB 10/07

23-32-51-25A
 PAGE 0

BOEING
737-600/700/800/900
PARTS CATALOG (MAINTENANCE)

FIG ITEM	PART NUMBER	1 2 3 4 5 6 7	NOMENCLATURE	EFFECT FROM TO	UNITS PER ASSY
25A			GROUNDING INSTL-GND STRAP	101200 968999	
- 5	MODREF267668		GROUNDING INSTL-GND STRAP MODULE NUMBER: 417A7666-30 REV B POSITION DATA: STA 705.44 LBL 28.24 WL 296.61	101200 968999	1
10	1002BB16		. JUMPER SUPPLIER CODE: V1FF12 SPECIFICATION NUMBER: BACJ40A20-16 OPTIONAL PART: TJEJ40A20-16 V33483 740A20-16 V91812 RBEJ20-16 V1GK47	101200 968999	1
15	1002BB30		. JUMPER SUPPLIER CODE: V1FF12 SPECIFICATION NUMBER: BACJ40A20-30	101200 968999	1
- 20	NAS1149D0316H		ATTACHING PARTS . WASHER	101200 968999	4
- 25	PLH53CD		. NUT SUPPLIER CODE: VF0224 SPECIFICATION NUMBER: BACN10YR3CD OPTIONAL PART: H52732-3CD V15653	101200 968999	4
30	BACC10DK2		-----*----- . CLAMP ATTACHING PARTS	101200 968999	2
- 35	BACS12GU3K7		. SCREW	101200 968999	2
- 40	NAS1149D0332J		. WASHER	101200 968999	2
45	411A4902-7		-----*----- . CLIP ASSY-RTNR	101200 968999	AR
50	MS16562-194		.. PIN	101200 968999	1

MISSING ITEM NUMBERS NOT APPLICABLE

- ITEM NOT ILLUSTRATED

HAP

23-32-51-25A

BOEING PROPRIETARY - Copyright © - Unpublished Work - See title page for details.

23-32-51
FIG. 25A
PAGE 1
FEB 15/09

BOEING
737-600/700/800/900
PARTS CATALOG (MAINTENANCE)

FIG ITEM	PART NUMBER	1 2 3 4 5 6 7	NOMENCLATURE	EFFECT FROM TO	UNITS PER ASSY
25A					
55	411A4902-8	..	CLIP	101200 968999	1
60	411A4902-4	..	RETAINER ASSY	101200 968999	1
65	H02030-2L	...	INSERT- SUPPLIER CODE: V07EU2	101200 968999	3

MISSING ITEM NUMBERS NOT APPLICABLE

— ITEM NOT ILLUSTRATED

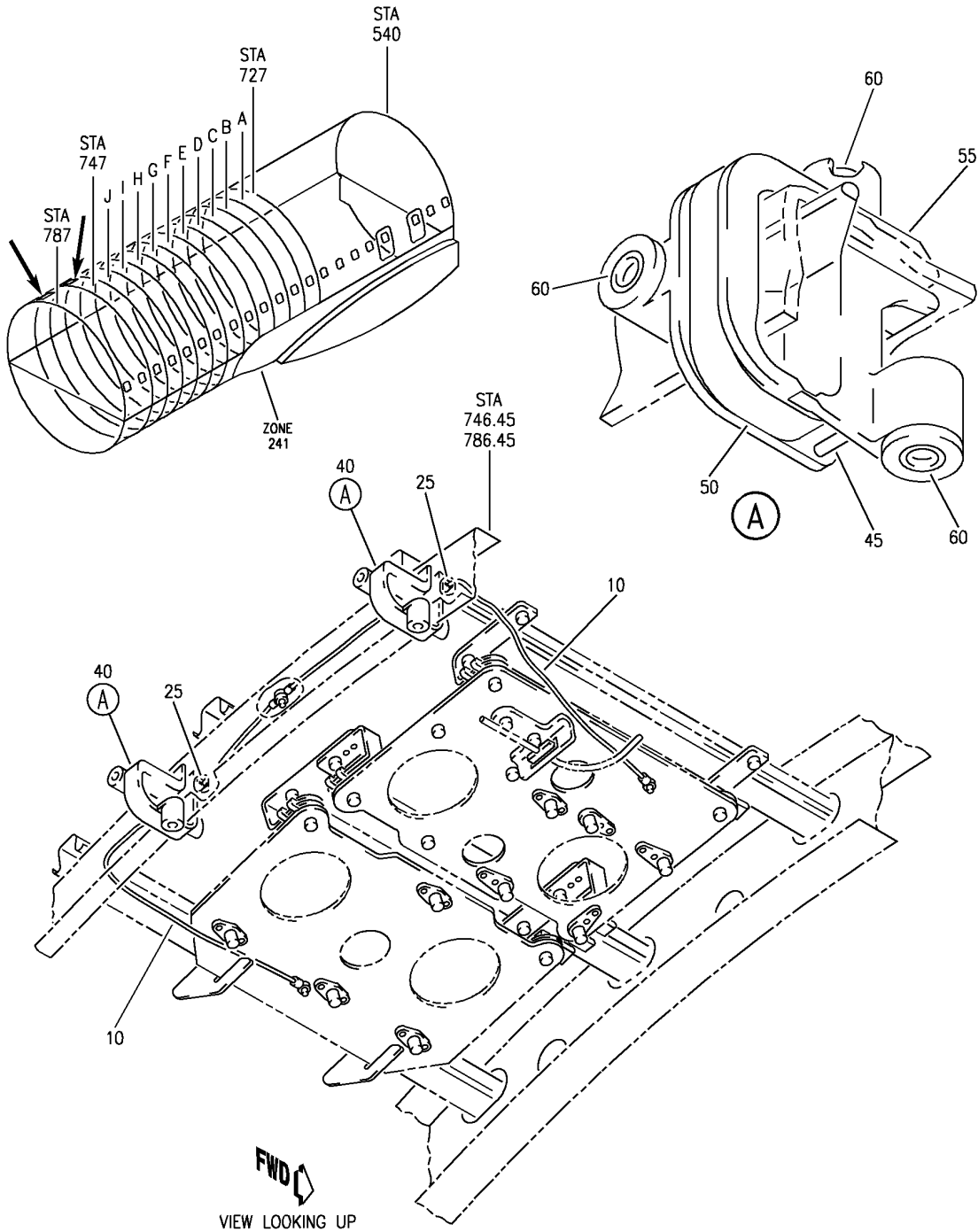
HAP

23-32-51-25A

BOEING PROPRIETARY - Copyright © - Unpublished Work - See title page for details.

23-32-51
FIG. 25A
PAGE 2
OCT 15/08

BOEING
 737-600/700/800/900
 PARTS CATALOG (MAINTENANCE)



E 23325126A REV 110

GROUNDING INSTL-GND STRAP
 FIGURE 26A

23-32-51-26A

HAP
 OCT 10/06

23-32-51-26A
 PAGE 0

BOEING
737-600/700/800/900
PARTS CATALOG (MAINTENANCE)

FIG ITEM	PART NUMBER	1 2 3 4 5 6 7	NOMENCLATURE	EFFECT FROM TO	UNITS PER ASSY
26A			GROUNDING INSTL-GND STRAP	031200 968999	
- 1	MODREF267670		GROUNDING INSTL-GND STRAP MODULE NUMBER: 417A7666-32 REV B POSITION DATA: STA 786.45 LBL 27.74 WL 296.86	101200 968999	1
- 5	MODREF267671		GROUNDING INSTL-GND STRAP MODULE NUMBER: 417A7666-33 REV B POSITION DATA: STA 746.45 LBL 29.48 WL 296.76	031036	1
- 5	MODREF305345		GROUNDING INSTL-GND STRAP MODULE NUMBER: 417A7666-33 REV C POSITION DATA: STA 746.45 LBL 29.48 WL 296.76	037100	1
10	1002BB24		. JUMPER- SUPPLIER CODE: V1FF12 SPECIFICATION NUMBER: BACJ40A20-24 OPTIONAL PART: BACJ40A20-16	031200 968999	2
10	1002BB16		. JUMPER- SUPPLIER CODE: V1FF12 SPECIFICATION NUMBER: BACJ40A20-16 OPTIONAL PART: TJEJ40A20-16 V33483 740A20-16 V91812 RBEJ20-16 V1GK47 BACJ40A20-24	031200 968999	2
- 15	NAS1149D0316H		ATTACHING PARTS . WASHER	031200 968999	4

MISSING ITEM NUMBERS NOT APPLICABLE

- ITEM NOT ILLUSTRATED

HAP

23-32-51-26A

BOEING PROPRIETARY - Copyright © - Unpublished Work - See title page for details.

23-32-51
FIG. 26A
PAGE 1
OCT 15/08

BOEING
737-600/700/800/900
PARTS CATALOG (MAINTENANCE)

FIG ITEM	PART NUMBER	1 2 3 4 5 6 7	NOMENCLATURE	EFFECT FROM TO	UNITS PER ASSY
26A - 20	PLH53CD		.NUT SUPPLIER CODE: VF0224 SPECIFICATION NUMBER: BACN10YR3CD OPTIONAL PART: H52732-3CD V15653 -----*-----	031200 968999	4
	25 BACC10DK2		.CLAMP ATTACHING PARTS	031200 968999	2
- 30	BACS12GU3K7		.SCREW	031200 968999	2
- 35	NAS1149D0332J		.WASHER -----*-----	031200 968999	2
40	411A4902-7		.CLIP ASSY-RTNR	031200 968999	AR
45	MS16562-194		..PIN	031200 968999	1
50	411A4902-8		..CLIP	031200 968999	1
55	411A4902-4		..RETAINER ASSY	031200 968999	1
60	H02030-2L		...INSERT- SUPPLIER CODE: V07EU2	031200 968999	3

MISSING ITEM NUMBERS NOT APPLICABLE

- ITEM NOT ILLUSTRATED

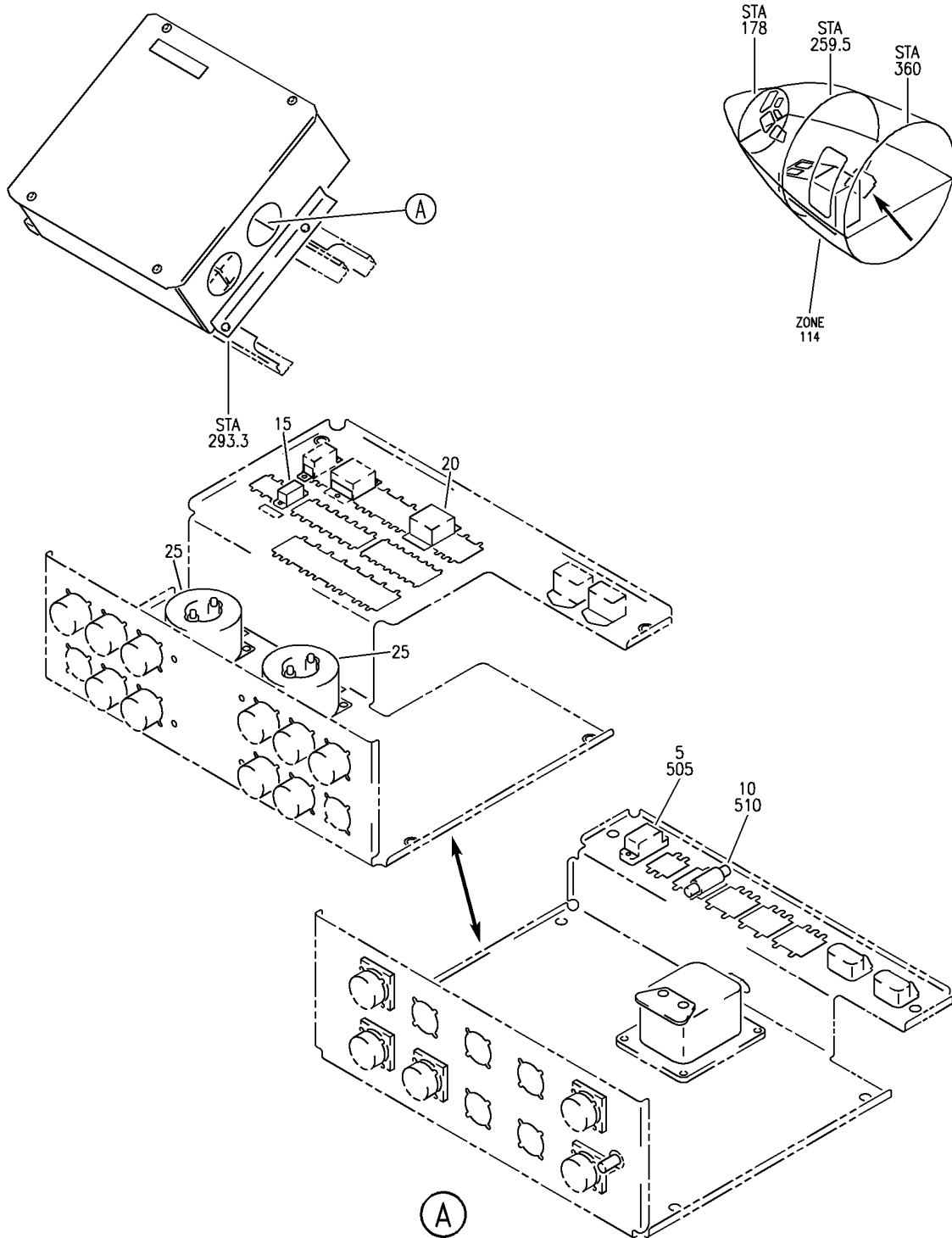
HAP

23-32-51-26A

BOEING PROPRIETARY - Copyright © - Unpublished Work - See title page for details.

23-32-51
FIG. 26A
PAGE 2
FEB 15/09

BOEING
 737-600/700/800/900
 PARTS CATALOG (MAINTENANCE)



E 23325128 REV 100

JUNCTION BOX INSTL-J4 (COMMUNICATIONS ONLY)
 FIGURE 28

23-32-51-28

HAP
 OCT 10/06

23-32-51-28
 PAGE 0

BOEING
737-600/700/800/900
PARTS CATALOG (MAINTENANCE)

FIG ITEM	PART NUMBER	1 2 3 4 5 6 7	NOMENCLATURE	EFFECT FROM TO	UNITS PER ASSY
28			JUNCTION BOX INSTL-J4 (COMMUNICATIONS ONLY)	031200 968999	
- 1	MODREF193535		JUNCTION BOX INSTL-J4 MODULE NUMBER: 284A1204-204 REV A	031200 968999	1
R	5	W260F4AM11	.RELAY- SUPPLIER CODE: VF0219 SPECIFICATION NUMBER: BACR13CD2 OPTIONAL PART: BR16S233 V09026 EE4AA005 V35344 3SAV1338A2 V01526 HFW1206K03 V58614 HFW1204K01 V71482 ELECTRICAL EQUIP NUMBER: R00924	031200 968999	1
R					
R					
R					
R					
R					
R					
R					
R					
R					
R					
R					
R					
R					
- 500	286A0094-050		WIRE BUNDLE ASSY-	031046 054105 968999	RF
	505	RSE120026	.PLUG-RELAY SUPPLIER CODE: V58982 SPECIFICATION NUMBER: BACS16AG1 OPTIONAL PART: 451120-026 V58982 ELECTRICAL EQUIP NUMBER: D11997 WIRING DIAGRAM REF: 233212 233214 442122	031046 054105 968999	1

MISSING ITEM NUMBERS NOT APPLICABLE

- ITEM NOT ILLUSTRATED

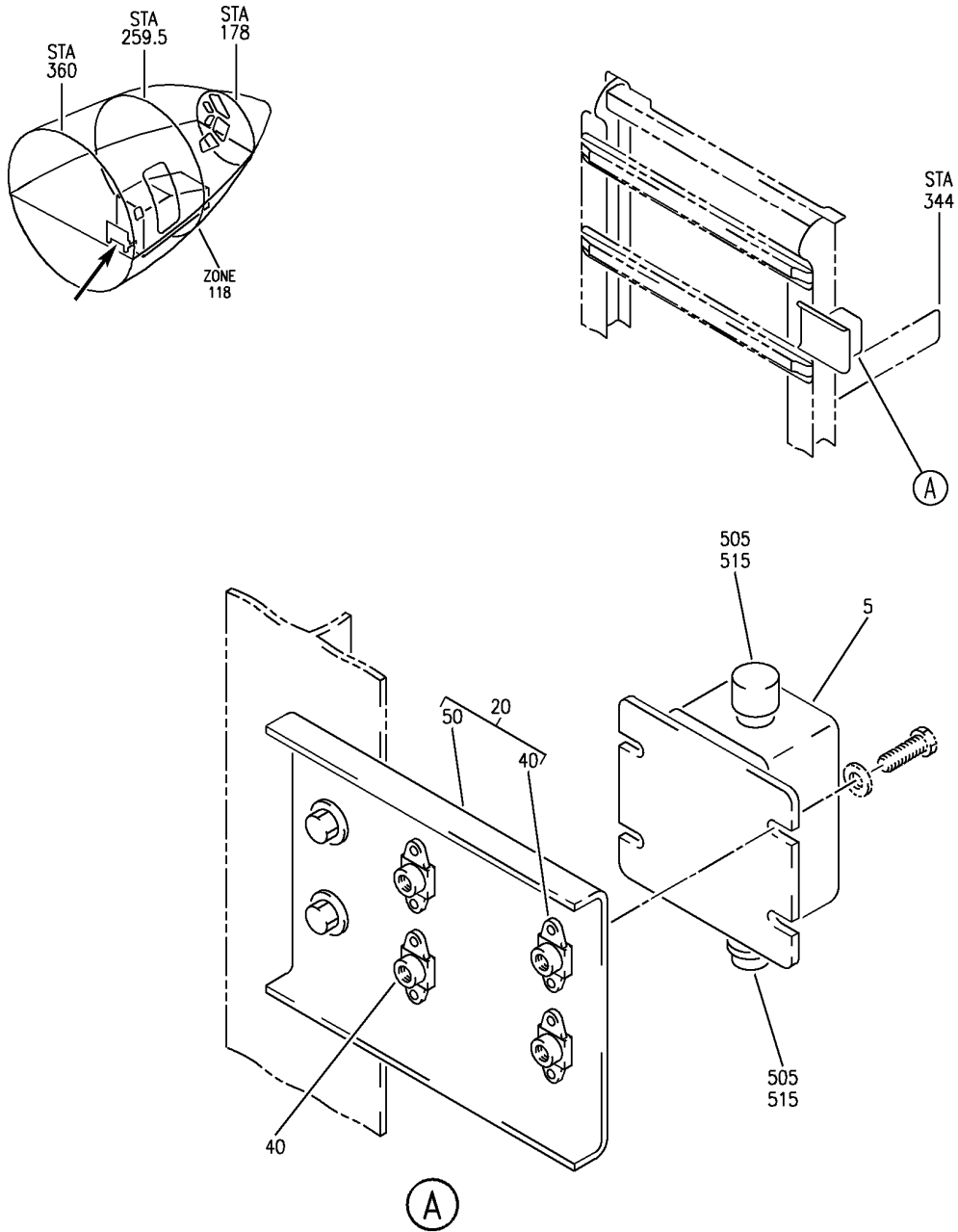
HAP

23-32-51-28

BOEING PROPRIETARY - Copyright © - Unpublished Work - See title page for details.

23-32-51
FIG. 28
PAGE 1
JUN 15/09

BOEING
 737-600/700/800/900
 PARTS CATALOG (MAINTENANCE)



E 23325159 REV 139

TRANSFORMER INSTL-AFT AIRSHOW SYS, MAIN ELECTRONICS COMPT
 FIGURE 59

HAP
 FEB 15/08

23-32-51-59

23-32-51-59
 PAGE 0

BOEING
737-600/700/800/900
PARTS CATALOG (MAINTENANCE)

FIG ITEM	PART NUMBER	1 2 3 4 5 6 7	NOMENCLATURE	EFFECT FROM TO	UNITS PER ASSY
59			TRANSFORMER INSTL-AFT AIRSHOW SYS, MAIN ELECTRONICS COMPT	047053 104200 972999	
- 1	MODREF369242		TRANSFORMER INSTL-AIRSHOW SYS, MAIN ELECTRONICS COMPT MODULE NUMBER: 284A0853-1 REV B POSITION DATA: AFT	047053 104200 972999	1
5	NH15227		.TRANSFORMER- SUPPLIER CODE: V98821 ELECTRICAL EQUIP NUMBER: T03027	047053 104200 972999	1
- 10	BACS12CK06-7		ATTACHING PARTS .SCREW	047053 104200 972999	4
- 15	NAS620A6		.WASHER	047053 104200 972999	4
20	284A3852-1		-----*----- .BRACKET ASSY	047053 104200 972999	1
- 25	BACB30NM3K2		ATTACHING PARTS .BOLT	047053 104200 972999	2
- 30	NAS1149D0332J		.WASHER	047053 104200 972999	4
- 35	PLH53CD		.NUT SUPPLIER CODE: VF0224 SPECIFICATION NUMBER: BACN10YR3CD OPTIONAL PART: H52732-3CD V15653 -----*-----	047053 104200 972999	2

MISSING ITEM NUMBERS NOT APPLICABLE

- ITEM NOT ILLUSTRATED

HAP

23-32-51-59

BOEING PROPRIETARY - Copyright © - Unpublished Work - See title page for details.

23-32-51
FIG. 59
PAGE 1
FEB 15/09

BOEING
737-600/700/800/900
PARTS CATALOG (MAINTENANCE)

FIG ITEM	PART NUMBER	1 2 3 4 5 6 7	NOMENCLATURE	EFFECT FROM TO	UNITS PER ASSY
59 40	BRF200C06DD		..NUTPLATE SUPPLIER CODE: V52828 SPECIFICATION NUMBER: BACN10JR06CFD OPTIONAL PART: K51602-06BAC V15653 NS202476-62 V80539 102F9201-62 V72962 T8092C632CD V11815 ATTACHING PARTS	047053 104200 972999	4
- 45	BACR15BA3ADC		..RIVET	047053 104200 972999	8
			-----*-----		
50	284A3852-2		..BRACKET	047053 104200 972999	1
- 510	286A5825-038		WIRE BUNDLE ASSY	104106	RF
- 510	286A5825-039		WIRE BUNDLE ASSY	972999	RF
- 510	286A5825-040		WIRE BUNDLE ASSY	047047	RF
515	125-94-9		.PLUG- SUPPLIER CODE: V98136 ELECTRICAL EQUIP NUMBER: D12767 D12769 WIRING DIAGRAM REF: 233221	047047 104106 972999	2

MISSING ITEM NUMBERS NOT APPLICABLE

- ITEM NOT ILLUSTRATED

HAP

23-32-51-59

BOEING PROPRIETARY - Copyright © - Unpublished Work - See title page for details.

23-32-51
FIG. 59
PAGE 2
FEB 15/09