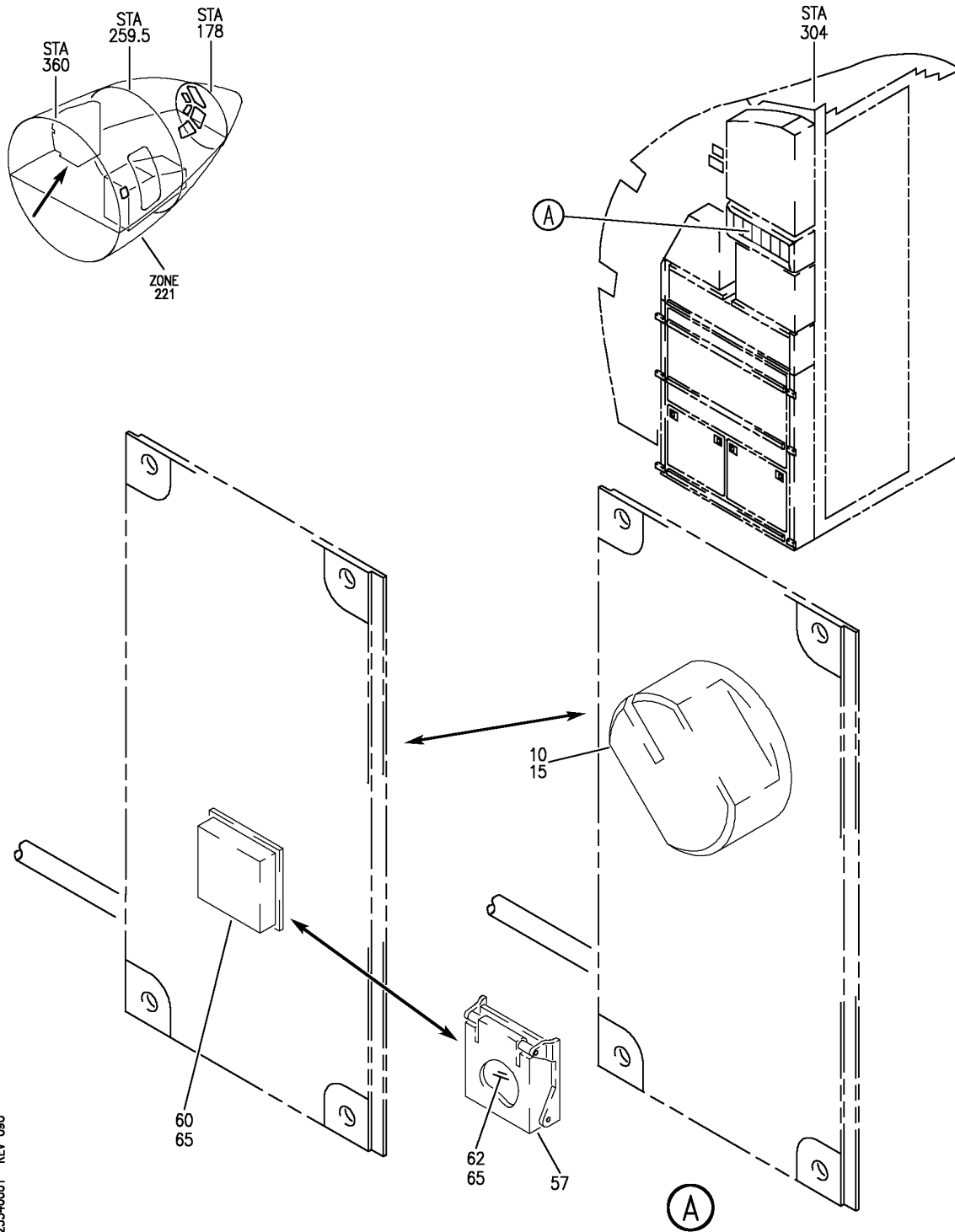


PASSENGER ENTERTAINMENT SYSTEM

HAP
OCT 10/06

23-34-00
SECTION TITLE
PAGE 1

BOEING
 737-600/700/800/900
 PARTS CATALOG (MAINTENANCE)



E 23340001 REV 090

MODULE ASSY-ATTENDANT PNL IN FLIGHT ENTERTAINMENT (COMMUNICATIONS ONLY)

FIGURE 1

23-34-00-01

HAP
 OCT 10/06

23-34-00-01
 PAGE 0

BOEING
737-600/700/800/900
PARTS CATALOG (MAINTENANCE)

FIG ITEM	PART NUMBER	1 2 3 4 5 6 7	NOMENCLATURE	EFFECT FROM TO	UNITS PER ASSY
1			MODULE ASSY-ATTENDANT PNL IN FLIGHT ENTERTAINMENT (COMMUNICATIONS ONLY)	001200 968999	
- 50	285A1760-2		MODULE ASSY-ATTENDANT PNL IN FLIGHT ENTERTAINMENT (COMMUNICATIONS ONLY) SUPPLIER CODE: V89954 ELECTRICAL EQUIP NUMBER: M01891 COMPONENT MAINT MANUAL REF: 23-31-03 FOR NHA/OTHER SYS DET SEE: 31-15-11-07	001030	RF
- 50	285A1760-6		MODULE ASSY-ATTENDANT PNL IN FLIGHT ENTERTAINMENT (COMMUNICATIONS ONLY) SUPPLIER CODE: V89954 ELECTRICAL EQUIP NUMBER: M01891 COMPONENT MAINT MANUAL REF: 23-31-03 FOR NHA/OTHER SYS DET SEE: 31-15-11-18	031200 968999	RF
60	2100-100		.LENS-WHITE SUPPLIER CODE: V91929 USED ON: 285A1760-2 285A1760-6	001200 968999	1
65	2100-3		.SWITCH ASSY-2 POLE ALT SUPPLIER CODE: V91929 FOR DETAILS SEE: 33-20-51-01	001200 968999	1

MISSING ITEM NUMBERS NOT APPLICABLE

- ITEM NOT ILLUSTRATED

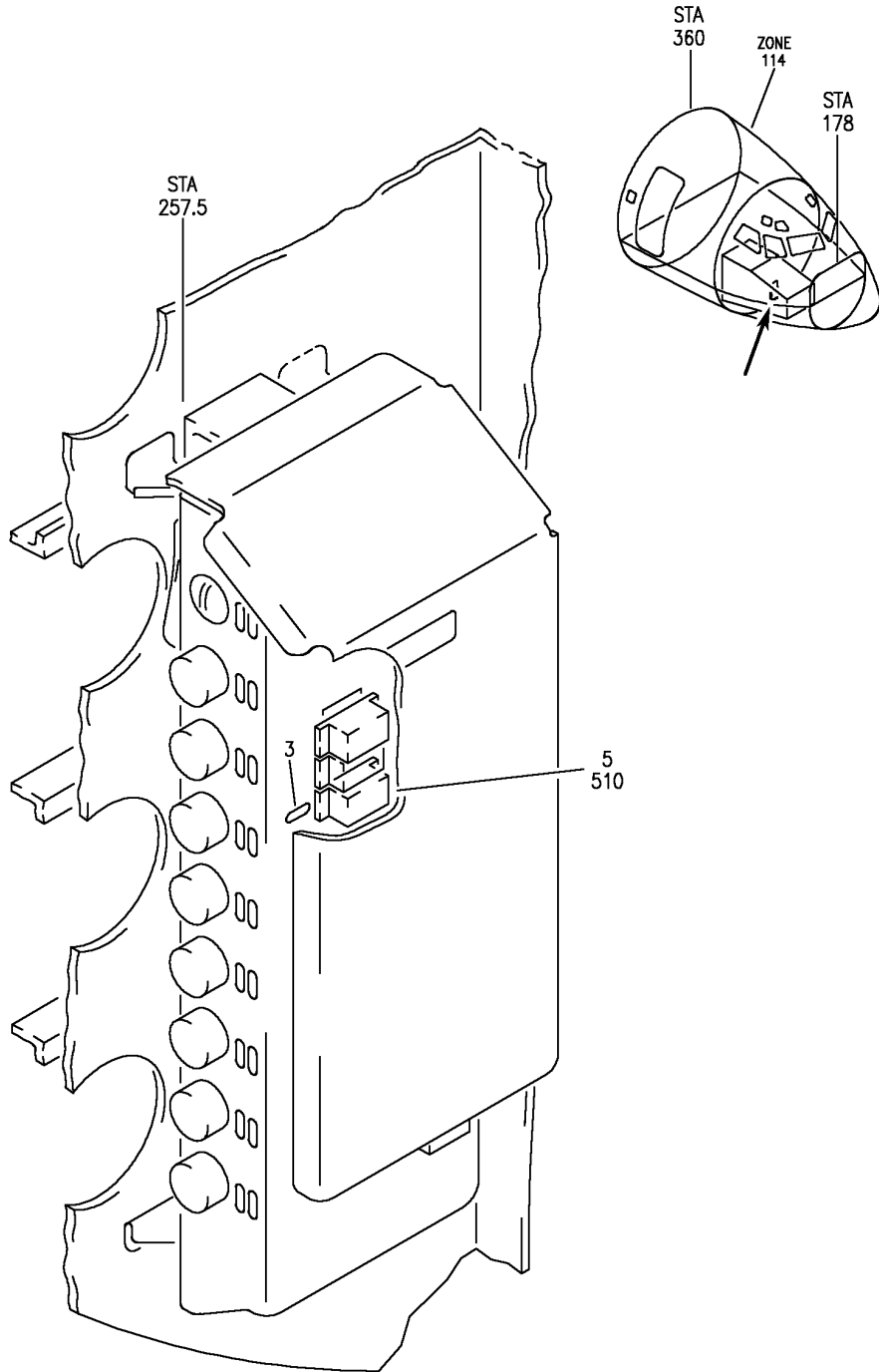
HAP

23-34-00-01

BOEING PROPRIETARY - Copyright © - Unpublished Work - See title page for details.

23-34-00
FIG. 01
PAGE 1
OCT 15/08

BOEING
737-600/700/800/900
PARTS CATALOG (MAINTENANCE)



E 23340101 REV 141

JUNCTION BOX INSTL-J24 (PASSENGER ENTERTAINMENT SYSTEM ONLY)
FIGURE 1

23-34-01-01

HAP
JUN 15/08

23-34-01-01
PAGE 0

BOEING
737-600/700/800/900
PARTS CATALOG (MAINTENANCE)

FIG ITEM	PART NUMBER	1 2 3 4 5 6 7	NOMENCLATURE	EFFECT FROM TO	UNITS PER ASSY
1			JUNCTION BOX INSTL-J24 (PASSENGER ENTERTAINMENT SYSTEM ONLY)	005005 008200 968999	
- 1	284A1224-115		JUNCTION BOX INSTL-J24 (PASSENGER ENTERTAINMENT SYSTEM ONLY)	005005 008030	RF
- 1	MODREF246769		POST SERVICE BULLETIN: 23-1107 FOR NHA/OTHER SYS DET SEE: 25-50-00-13		
1	ES210-1632		JUNCTION BOX INSTL-J24 MODULE NUMBER: 284A1224-202 REV C	031200 968999	1
5			.RELAY- SUPPLIER CODE: V99699 SPECIFICATION NUMBER: BACR13CF2AB OPTIONAL PART: JD4L018 V35344 JD4L031 V35344 BR246S0111 V56623 BR64S105 V56623 FCA210-71 V78290 61GB2319-1A320 V98927 ELECTRICAL EQUIP NUMBER: R00660 POST SERVICE BULLETIN: 23-1107	005005 008200 968999	1
- 505	286A0080-080		WIRE BUNDLE ASSY-	008030	RF
- 505	286A0080-030		WIRE BUNDLE ASSY	005005	RF

MISSING ITEM NUMBERS NOT APPLICABLE

- ITEM NOT ILLUSTRATED

HAP

23-34-01-01

BOEING PROPRIETARY - Copyright © - Unpublished Work - See title page for details.

23-34-01
FIG. 01
PAGE 1
OCT 15/08


BOEING
 737-600/700/800/900
PARTS CATALOG (MAINTENANCE)

FIG ITEM	PART NUMBER	1 2 3 4 5 6 7	NOMENCLATURE	EFFECT FROM TO	UNITS PER ASSY
1 510	RSF116200		. SOCKET-RELAY SUPPLIER CODE: V58982 SPECIFICATION NUMBER: BACS16X1A OPTIONAL PART: 102-006-1 V09922 000300-1538 V05574 ELECTRICAL EQUIP NUMBER: D10525 WIRING DIAGRAM REF: 233401 POST SERVICE BULLETIN: 23-1107	005005 008030	1

MISSING ITEM NUMBERS NOT APPLICABLE

— ITEM NOT ILLUSTRATED

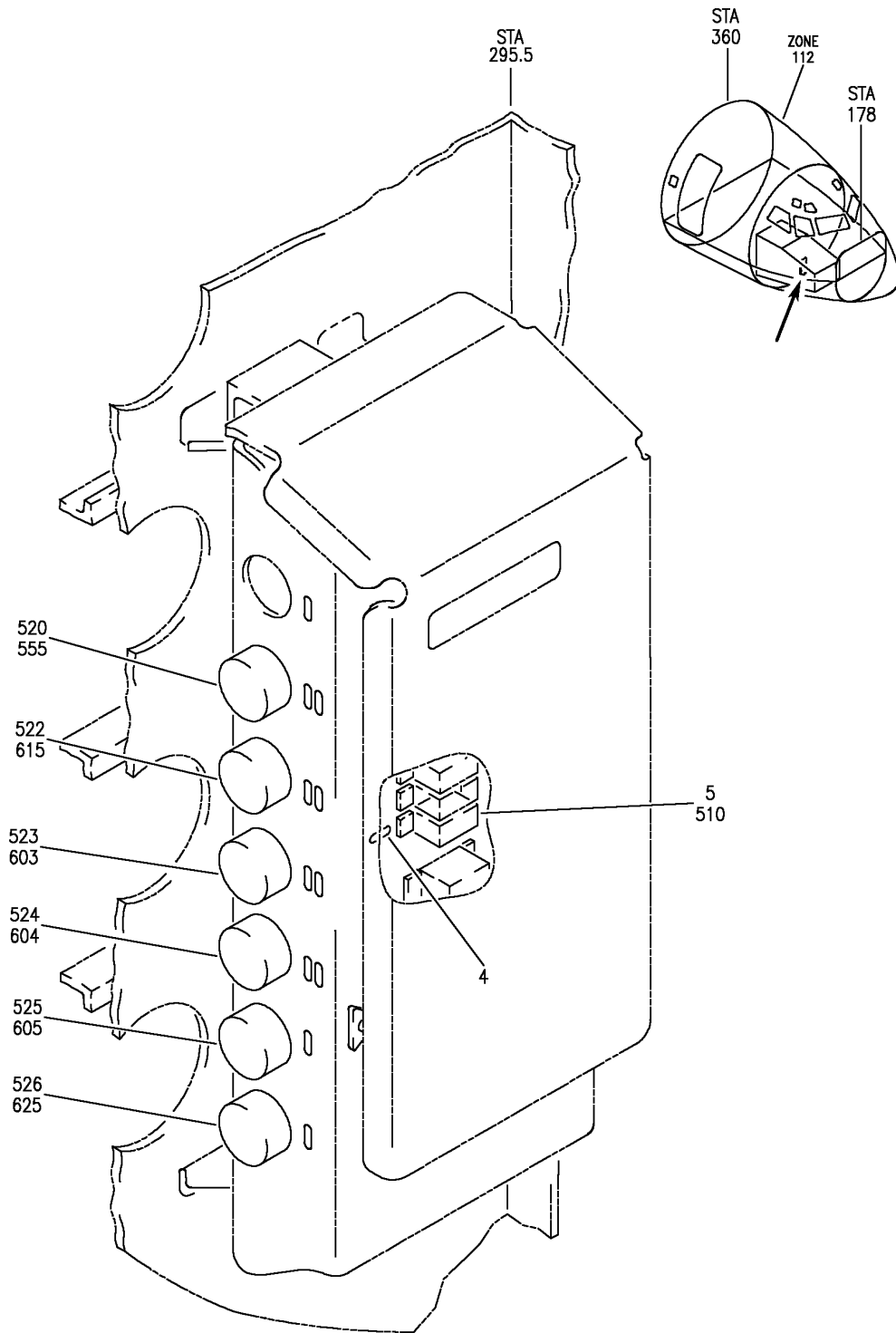
HAP

23-34-01-01

BOEING PROPRIETARY - Copyright © - Unpublished Work - See title page for details.

23-34-01
 FIG. 01
 PAGE 2
 OCT 10/06

BOEING
 737-600/700/800/900
 PARTS CATALOG (MAINTENANCE)



E 23340102 REV 142

JUNCTION BOX ASSY-J24 (ENTERTAINMENT MULTIPLEXER ONLY)
 FIGURE 2

23-34-01-02

HAP
 JUN 15/08

23-34-01-02
 PAGE 0

BOEING
737-600/700/800/900
PARTS CATALOG (MAINTENANCE)

FIG ITEM	PART NUMBER	1 2 3 4 5 6 7	NOMENCLATURE	EFFECT FROM TO	UNITS PER ASSY
2			JUNCTION BOX ASSY-J24 (ENTERTAINMENT MULTIPLEXER ONLY)	001007	
- 1	284A1224-3		JUNCTION BOX ASSY- (ENTERTAINMENT MULTIPLEXER ONLY) POSITION DATA: J24 REWORKED BY SB: 23-1107 FOR NHA/OTHER SYS DET SEE: 25-50-51-70	006007	RF
- 1	284A1224-13		JUNCTION BOX ASSY- (ENTERTAINMENT MULTIPLEXER ONLY) REWORKED BY SB: 23-1107 FOR NHA/OTHER SYS DET SEE: 25-50-51-70	001004	RF
- 1	284A1224-15		JUNCTION BOX ASSY-J24 (ENTERTAINMENT MULTIPLEXER ONLY) PRE SERVICE BULLETIN: 23-1107 FOR NHA/OTHER SYS DET SEE: 25-50-51-70	005005	RF
5	ES210-1632		.RELAY- SUPPLIER CODE: V99699 SPECIFICATION NUMBER: BACR13CF2AB OPTIONAL PART: JD4L018 V35344 JD4L031 V35344 BR246S0111 V56623 BR64S105 V56623 FCA210-71 V78290 61GB2319-1A320 V98927 ELECTRICAL EQUIP NUMBER: R00660	001007	1
- 500	286A0080-024		WIRE BUNDLE ASSY	001001	RF
- 500	286A0080-026		WIRE BUNDLE ASSY-	002004	RF
- 500	286A0080-030		WIRE BUNDLE ASSY	005005	RF

MISSING ITEM NUMBERS NOT APPLICABLE

- ITEM NOT ILLUSTRATED

HAP

23-34-01-02

BOEING PROPRIETARY - Copyright © - Unpublished Work - See title page for details.

23-34-01
FIG. 02
PAGE 1
FEB 15/08

BOEING
737-600/700/800/900
PARTS CATALOG (MAINTENANCE)

FIG ITEM	PART NUMBER	1 2 3 4 5 6 7	NOMENCLATURE	EFFECT FROM TO	UNITS PER ASSY
2					
- 500	286A0080-036		WIRE BUNDLE ASSY	006007	RF
510	RSF116200		.SOCKET-	001007	1
			SUPPLIER CODE: V58982		
			SPECIFICATION NUMBER: BACS16X1A		
			OPTIONAL PART: 102-006-1		
			V09922		
			000300-1538		
			V05574		
			ELECTRICAL EQUIP NUMBER: D10525		
			WIRING DIAGRAM REF: 233401		
			USED WITH: BACR13CF2AB		
520	BACC63CC18-31P6		.RECEPTACLE-	001007	1
			POSITION DATA: POS 02		
			ELECTRICAL EQUIP NUMBER: D40696J		
			WIRING DIAGRAM REF: 732111		
522	BACC63CC18-31P7		.RECEPTACLE-	001007	1
			ELECTRICAL EQUIP NUMBER: D40698J		
			WIRING DIAGRAM REF: 292311		
523	BACC63CC18-14P8		.RECEPTACLE-	001007	1
			ELECTRICAL EQUIP NUMBER: D40692J		
			WIRING DIAGRAM REF: 783421		
524	BACC63CC18-31P9		.RECEPTACLE-	001007	1
			ELECTRICAL EQUIP NUMBER: D40700J		
			WIRING DIAGRAM REF: 323112		
525	BACC63CC18-31PN		.RECEPTACLE-	001007	1
			POSITION DATA: POS 06		
			ELECTRICAL EQUIP NUMBER: D40702J		
			WIRING DIAGRAM REF: 324411		

MISSING ITEM NUMBERS NOT APPLICABLE

- ITEM NOT ILLUSTRATED

HAP

23-34-01-02

BOEING PROPRIETARY - Copyright © - Unpublished Work - See title page for details.

23-34-01
FIG. 02
PAGE 2
FEB 15/08

BOEING
737-600/700/800/900
PARTS CATALOG (MAINTENANCE)

FIG ITEM	PART NUMBER	1 2 3 4 5 6 7	NOMENCLATURE	EFFECT FROM TO	UNITS PER ASSY
2					
526	BACC63CC18-31P6		.RECEPTACLE- ELECTRICAL EQUIP NUMBER: D40694J WIRING DIAGRAM REF: 323112	001007	1
- 550	286A6510-009		WIRE BUNDLE ASSY	002005	RF
- 550	286A6510-013		WIRE BUNDLE ASSY	001001	RF
				006007	
555	BACC63CB18-31S6		.PLUG- POSITION DATA: POS 02 ELECTRICAL EQUIP NUMBER: D40696P WIRING DIAGRAM REF: 732111	001007	1
- 600	286A5158-010		WIRE BUNDLE ASSY	001001	RF
- 600	286A5158-023		WIRE BUNDLE ASSY	006007	RF
- 600	286A5158-024		WIRE BUNDLE ASSY	002004	RF
- 600	286A5158-025		WIRE BUNDLE ASSY	005005	RF
603	BACC63CB18-14S8		.CONNECTOR- ELECTRICAL EQUIP NUMBER: D40692P WIRING DIAGRAM REF: 783421	001007	1
604	BACC63CB18-31S9		.CONNECTOR- ELECTRICAL EQUIP NUMBER: D40700P WIRING DIAGRAM REF: 323112	001007	1
605	BACC63CB18-31SN		.PLUG- POSITION DATA: POS 06 ELECTRICAL EQUIP NUMBER: D40702P WIRING DIAGRAM REF: 324411	001007	1
- 610	286A5100-006		WIRE BUNDLE ASSY	006007	RF
- 610	286A5100-013		WIRE BUNDLE ASSY	005005	RF
- 610	286A5100-014		WIRE BUNDLE ASSY	002004	RF
- 610	286A5100-016		WIRE BUNDLE ASSY	001001	RF
615	BACC63CB18-31S7		.CONNECTOR- ELECTRICAL EQUIP NUMBER: D40698P WIRING DIAGRAM REF: 292311	001007	1
- 620	286A5160-022		WIRE BUNDLE ASSY	001001	RF
- 620	286A5160-026		WIRE BUNDLE ASSY	002004	RF
- 620	286A5160-035		WIRE BUNDLE ASSY	005005	RF
- 621	286A5160-037		WIRE BUNDLE ASSY	006007	RF

MISSING ITEM NUMBERS NOT APPLICABLE

- ITEM NOT ILLUSTRATED

HAP

23-34-01-02

23-34-01
FIG. 02
PAGE 3
FEB 15/08


BOEING
 737-600/700/800/900
PARTS CATALOG (MAINTENANCE)

FIG ITEM	PART NUMBER	1 2 3 4 5 6 7 NOMENCLATURE	EFFECT FROM TO	UNITS PER ASSY
2 625	BACC63CB18-31S6	.PLUG- ELECTRICAL EQUIP NUMBER: D40694P WIRING DIAGRAM REF: 323112	001007	1

MISSING ITEM NUMBERS NOT APPLICABLE

— ITEM NOT ILLUSTRATED

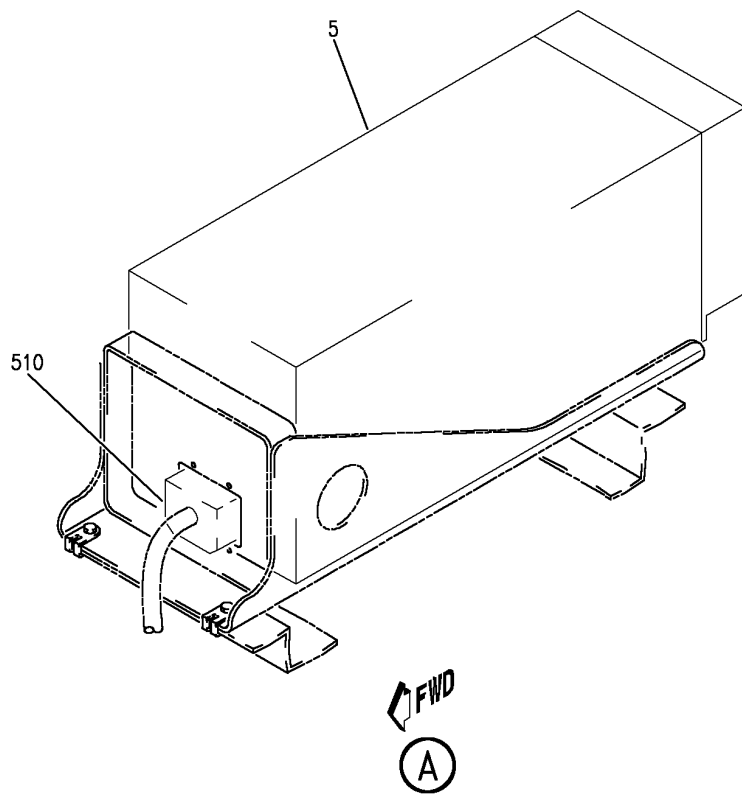
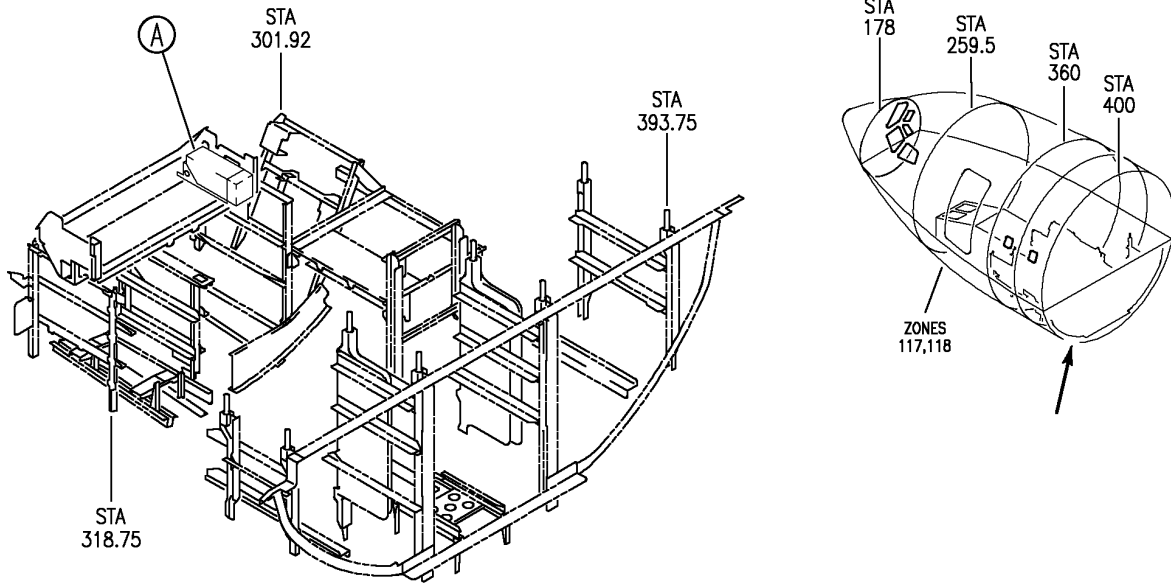
HAP

23-34-01-02

BOEING PROPRIETARY - Copyright © - Unpublished Work - See title page for details.

23-34-01
 FIG. 02
 PAGE 4
 FEB 15/08

BOEING
 737-600/700/800/900
 PARTS CATALOG (MAINTENANCE)



E 23340107 REV 069

EQUIPMENT INSTL-E8-1 SHELF E/E BAY(AUDIO ENTERTAINMENT PLAYER ONLY)
 FIGURE 7

23-34-01-07

HAP
 OCT 10/06

23-34-01-07
 PAGE 0

BOEING
737-600/700/800/900
PARTS CATALOG (MAINTENANCE)

FIG ITEM	PART NUMBER	1 2 3 4 5 6 7	NOMENCLATURE	EFFECT FROM TO	UNITS PER ASSY
7			EQUIPMENT INSTL-E8-1 SHELF E/E BAY(AUDIO ENTERTAINMENT PLAYER ONLY)	001030	
- 1	284A0480-1		EQUIPMENT INSTL-E8-1 SHELF E/E BAY(AUDIO ENTERTAINMENT PLAYER ONLY)	001007	RF
- 1	284A0480-12		FOR NHA/OTHER SYS DET SEE: 23-30-00-12 EQUIPMENT INSTL-E8-1 SHELF E/E BAY(AUDIO ENTERTAINMENT PLAYER ONLY)	008011	RF
- 1	284A0481-108		FOR NHA/OTHER SYS DET SEE: 23-30-00-12 EQUIPMENT INSTL-E8-1 SHELF E/E BAY(AUDIO ENTERTAINMENT PLAYER ONLY)	012030	RF
5	980-9900-001		.REPRODUCER-AUDIO ENTERTAINMENT PLAYER SUPPLIER CODE: V62204 FUNCTIONAL DESCRIPTION: PROVIDES A SOUND SOURCE FOR THE AUDIO ENTERTAINMENT SYSTEM BY PLAYING TAPE/COMPACT DISCS. ELECTRICAL EQUIP NUMBER: M01955 COMPONENT MAINT MANUAL REF: 23-32-71	001030	1
- 500	286A0813-001		WIRE BUNDLE ASSY	001004 006007	RF
- 500	286A0813-005		WIRE BUNDLE ASSY	005005	RF
- 500	286A0813-009		WIRE BUNDLE ASSY	008027	RF
- 500	286A0813-011		WIRE BUNDLE ASSY	028030	RF

MISSING ITEM NUMBERS NOT APPLICABLE

- ITEM NOT ILLUSTRATED

HAP

23-34-01-07

BOEING PROPRIETARY - Copyright © - Unpublished Work - See title page for details.

23-34-01
FIG. 07
PAGE 1
FEB 15/08

BOEING
737-600/700/800/900
PARTS CATALOG (MAINTENANCE)

FIG ITEM	PART NUMBER	1 2 3 4 5 6 7	NOMENCLATURE	EFFECT FROM TO	UNITS PER ASSY
7 510	BCREF0758		.PLUG- SUPPLIER CODE: V71468 OVERLENGTH PART NUMBER: DPXBMA67-33S0001 ELECTRICAL EQUIP NUMBER: D10723 WIRING DIAGRAM REF: 233401 ATTACHING PARTS	001030	1
- 515	MS35190-223		.SCREW- POSITION DATA: NEAR SIDE	001030	4
- 520	PLH504CD		.NUT- SUPPLIER CODE: VF0224 SPECIFICATION NUMBER: BACN10YR04CD OPTIONAL PART: H52732-04CD V15653 POSITION DATA: FAR SIDE -----*-----	001030	4

MISSING ITEM NUMBERS NOT APPLICABLE

- ITEM NOT ILLUSTRATED

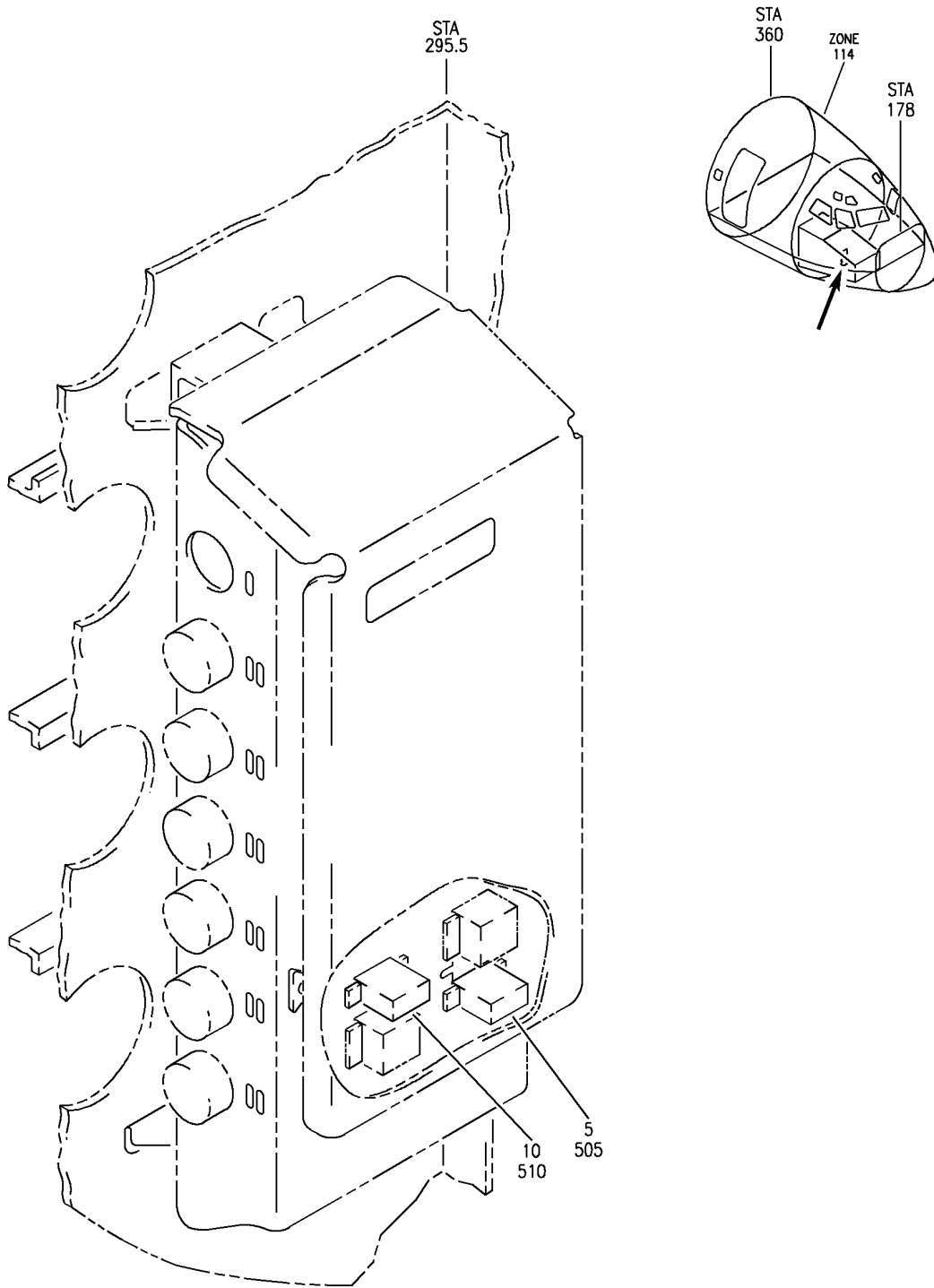
HAP

23-34-01-07

BOEING PROPRIETARY - Copyright © - Unpublished Work - See title page for details.

23-34-01
FIG. 07
PAGE 2
FEB 15/09

BOEING
737-600/700/800/900
PARTS CATALOG (MAINTENANCE)



E 23340109 REV 124

JUNCTION BOX INSTL-J24
FIGURE 9

23-34-01-09

HAP
FEB 10/07

23-34-01-09
PAGE 0

BOEING
737-600/700/800/900
PARTS CATALOG (MAINTENANCE)

FIG ITEM	PART NUMBER	1 2 3 4 5 6 7	NOMENCLATURE	EFFECT FROM TO	UNITS PER ASSY
9			JUNCTION BOX INSTL-J24	036200 968999	
- 1	MODREF280554		JUNCTION BOX INSTL-J24 MODULE NUMBER: 284A1224-208 REV A	036200 968999	1
5	ES210-1632		.RELAY- SUPPLIER CODE: V99699 SPECIFICATION NUMBER: BACR13CF2AB OPTIONAL PART: JD4L018 V35344 JD4L031 V35344 BR246S0111 V56623 BR64S105 V56623 FCA210-71 V78290 61GB2319-1A320 V98927 ELECTRICAL EQUIP NUMBER: R01001	036200 968999	1
- 500	286A0080-001		WIRE BUNDLE ASSY	101105 968999	RF
- 500	286A0080-031		WIRE BUNDLE ASSY	036046 054100	RF
505	RSF116200		.SOCKET- SUPPLIER CODE: V58982 SPECIFICATION NUMBER: BACS16X1A OPTIONAL PART: 102-006-1 V09922 000300-1538 V05574 ELECTRICAL EQUIP NUMBER: D14156 WIRING DIAGRAM REF: 473011	036046 054105 968999	1

MISSING ITEM NUMBERS NOT APPLICABLE

- ITEM NOT ILLUSTRATED

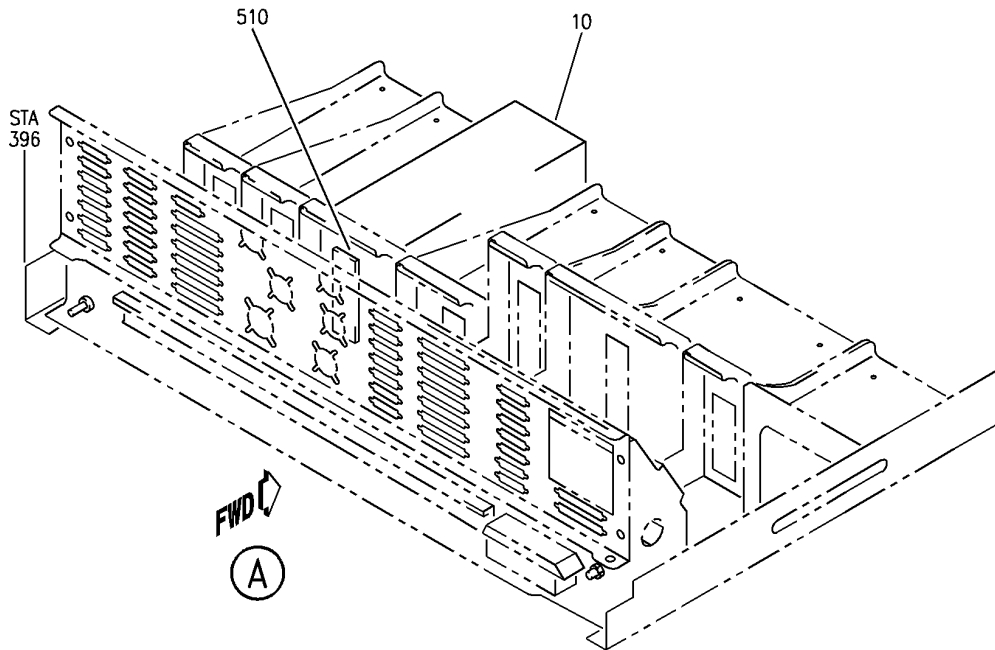
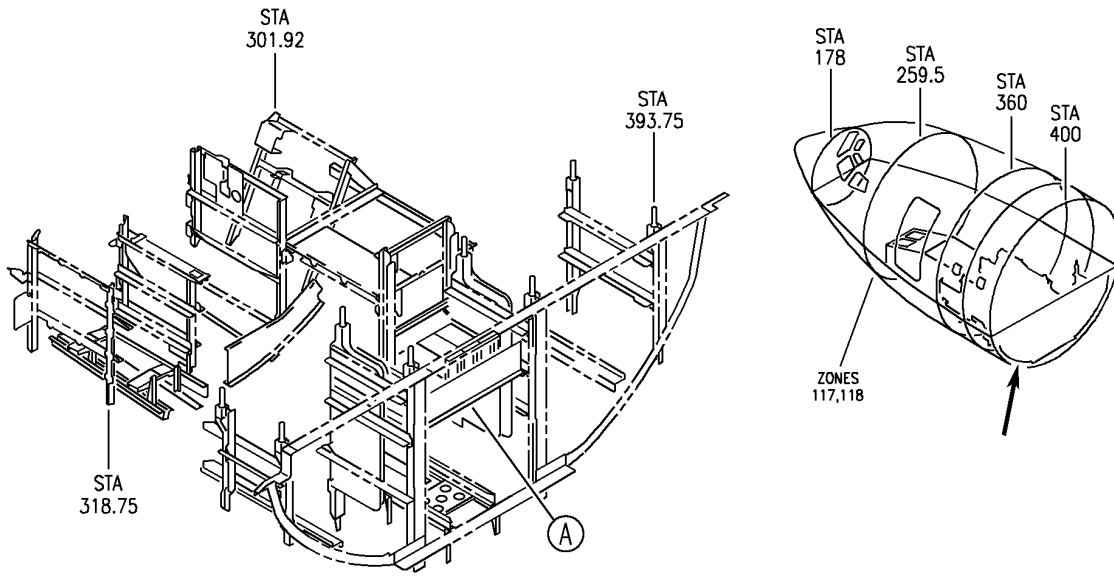
HAP

23-34-01-09

BOEING PROPRIETARY - Copyright © - Unpublished Work - See title page for details.

23-34-01
FIG. 09
PAGE 1
FEB 15/09

BOEING
 737-600/700/800/900
 PARTS CATALOG (MAINTENANCE)



E 23340110 REV 127

EQUIPMENT INSTL-E3-2 SHELF AUDIO ENTERTAINMENT PLAYER
 FIGURE 10

23-34-01-10

HAP
 FEB 10/07

23-34-01-10
 PAGE 0

 **BOEING**
737-600/700/800/900
PARTS CATALOG (MAINTENANCE)

FIG ITEM	PART NUMBER	1 2 3 4 5 6 7	NOMENCLATURE	EFFECT FROM TO	UNITS PER ASSY
10			EQUIPMENT INSTL-E3-2 SHELF AUDIO ENTERTAINMENT PLAYER	031200 968999	
- 1	MODREF276459		EQUIPMENT INSTL-E3-2 SHELF AUDIO ENTERTAINMENT PLAYER	031036	1
- 1	MODREF308295		MODULE NUMBER: 284A0431-233405 REV U EQUIPMENT INSTL-E3-2 SHELF AUDIO ENTERTAINMENT PLAYER	037038	1
- 1	MODREF319235		MODULE NUMBER: 284A0431-233405 REV AA EQUIPMENT INSTL-E3-2 SHELF AUDIO ENTERTAINMENT PLAYER	039040 042042 101101 968969	1
- 2	MODREF327428		MODULE NUMBER: 284A0431-233405 REV AB EQUIPMENT INSTL-E3-2 SHELF AUDIO ENTERTAINMENT PLAYER	041041 043043 970971	1
- 2	MODREF348069		MODULE NUMBER: 284A0431-233405 REV AE EQUIPMENT INSTL-E3-2 SHELF AUDIO ENTERTAINMENT PLAYER	054100	1
- 2	MODREF350127		MODULE NUMBER: 284A0431-233405 REV AG EQUIPMENT INSTL-E3-2 SHELF AUDIO ENTERTAINMENT PLAYER	044045 102103	1
- 2	MODREF352575		MODULE NUMBER: 284A0431-233405 REV AJ EQUIPMENT INSTL-E3-2 SHELF AUDIO ENTERTAINMENT PLAYER	046046	1
- 2	MODREF363912		MODULE NUMBER: 284A0431-233405 REV AK EQUIPMENT INSTL-E3-2 SHELF AUDIO ENTERTAINMENT PLAYER	047047 104106 972999	1
- 2	MODREF380356		MODULE NUMBER: 284A0431-233405 REV AM EQUIPMENT INSTL-E3-2 SHELF AUDIO ENTERTAINMENT PLAYER	048053 107200	1
			MODULE NUMBER: 284A0431-233405 REV AP		

MISSING ITEM NUMBERS NOT APPLICABLE

- ITEM NOT ILLUSTRATED

HAP

23-34-01-10

23-34-01
FIG. 10
PAGE 1
FEB 15/09

BOEING
737-600/700/800/900
PARTS CATALOG (MAINTENANCE)

FIG ITEM	PART NUMBER	1 2 3 4 5 6 7	NOMENCLATURE	EFFECT FROM TO	UNITS PER ASSY
10					
10	980-9900-001		.REPRODUCER-AUDIO ENTERTAINMENT PLAYER SUPPLIER CODE: V62204 FUNCTIONAL DESCRIPTION: PROVIDES A SOUND SOURCE FOR THE AUDIO ENTERTAINMENT SYSTEM BY PLAYING TAPE/COMPACT DISCS. ELECTRICAL EQUIP NUMBER: M01955 COMPONENT MAINT MANUAL REF: 23-32-71	031200 968999	1
- 500	286A0321-244		WIRE BUNDLE ASSY	031037 039041 047050 054200 968999	RF
- 500	286A0321-252		WIRE BUNDLE ASSY	038038 042046 051052	RF
510	BCREF0758		.PLUG-VTR SUPPLIER CODE: V71468 OVERLENGTH PART NUMBER: DPXBMA67-33S0001 ELECTRICAL EQUIP NUMBER: D10461 WIRING DIAGRAM REF: 233401 ATTACHING PARTS	031052 054200 968999	1
- 515	MS35190-223		.SCREW- POSITION DATA: NEAR SIDE	031052 054200 968999	4
- 520	PLH504CD		.NUT- SUPPLIER CODE: VF0224 SPECIFICATION NUMBER: BACN10YR04CD OPTIONAL PART: H52732-04CD V15653 POSITION DATA: FAR SIDE -----*-----	031052 054200 968999	4

MISSING ITEM NUMBERS NOT APPLICABLE

- ITEM NOT ILLUSTRATED

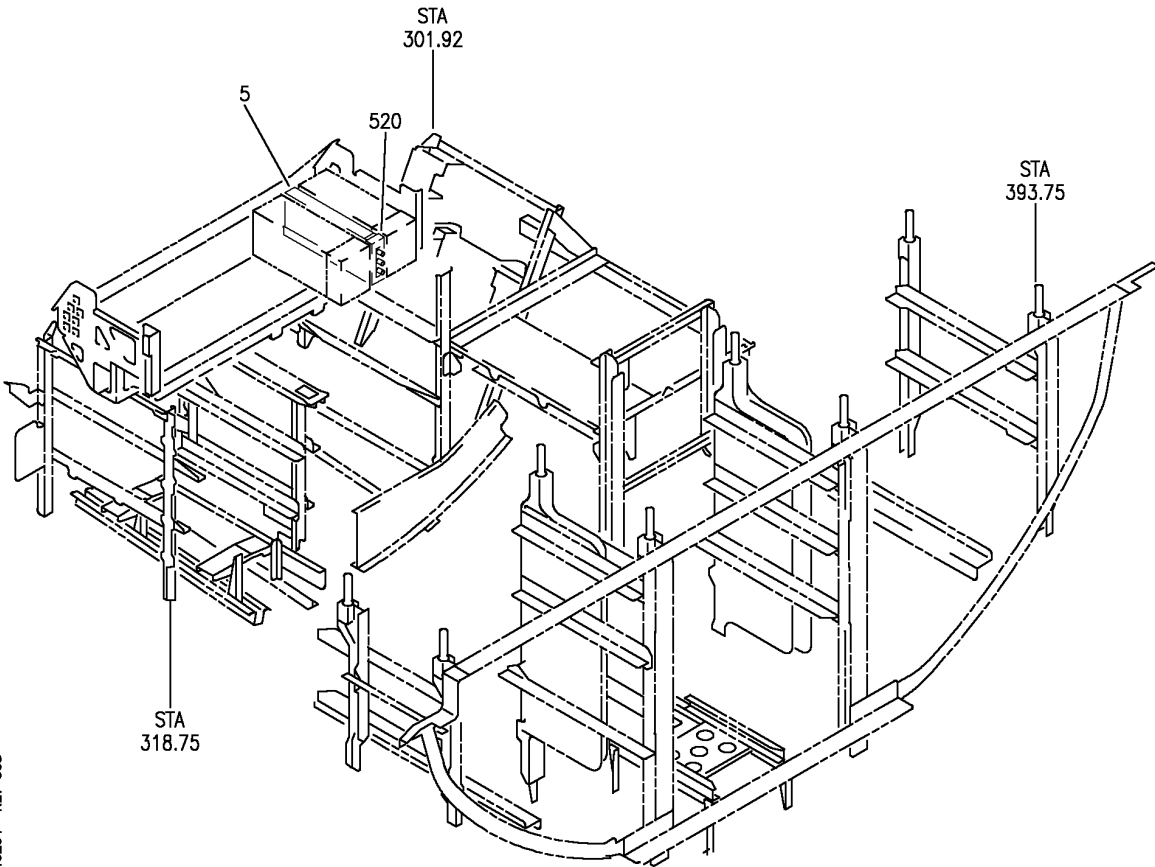
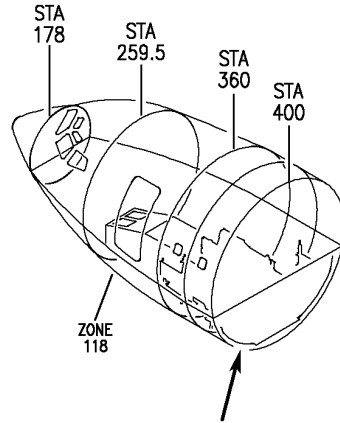
HAP

23-34-01-10

BOEING PROPRIETARY - Copyright © - Unpublished Work - See title page for details.

23-34-01
FIG. 10
PAGE 2
FEB 15/09

BOEING
 737-600/700/800/900
 PARTS CATALOG (MAINTENANCE)



E 23340204 REV 068

EQUIPMENT INSTL-E8-1 E/E BAY (AUDIO MULTIPLEXER ONLY)
 FIGURE 4

23-34-02-04

HAP
 OCT 10/06

23-34-02-04
 PAGE 0

 **BOEING**
737-600/700/800/900
PARTS CATALOG (MAINTENANCE)

FIG ITEM	PART NUMBER	1 2 3 4 5 6 7	NOMENCLATURE	EFFECT FROM TO	UNITS PER ASSY
4			EQUIPMENT INSTL-E8-1 E/E BAY (AUDIO MULTIPLEXER ONLY)	001030	
- 1	284A0480-1		EQUIPMENT INSTL-E8-1 E/E BAY (AUDIO MULTIPLEXER ONLY) FOR NHA/OTHER SYS DET SEE: 23-30-00-12	001007	RF
- 1	284A0480-12		EQUIPMENT INSTL-E8-1 E/E BAY (AUDIO MULTIPLEXER ONLY) FOR NHA/OTHER SYS DET SEE: 23-30-00-12	008011	RF
- 2	284A0481-108		EQUIPMENT INSTL-E8-1 E/E BAY (AUDIO MULTIPLEXER ONLY) FOR NHA/OTHER SYS DET SEE: 23-30-00-12	012030	RF
5	743-0288-001		.MULTIPLEXER- SUPPLIER CODE: V62204 FUNCTIONAL DESCRIPTION: CONVERTS ANALOG AUDIO INTO DIGITAL DATA. ELECTRICAL EQUIP NUMBER: M01956 COMPONENT MAINT MANUAL REF: 23-33-20 MAINTENANCE MANUAL REF: 23-34-02	001030	1
- 500	286A0813-001		WIRE BUNDLE ASSY	001004 006007	RF
- 500	286A0813-005		WIRE BUNDLE ASSY	005005	RF
- 500	286A0813-009		WIRE BUNDLE ASSY	008027	RF
- 500	286A0813-011		WIRE BUNDLE ASSY	028030	RF

MISSING ITEM NUMBERS NOT APPLICABLE

- ITEM NOT ILLUSTRATED

HAP

23-34-02-04

BOEING PROPRIETARY - Copyright © - Unpublished Work - See title page for details.

23-34-02
FIG. 04
PAGE 1
FEB 15/09

BOEING
737-600/700/800/900
PARTS CATALOG (MAINTENANCE)

FIG ITEM	PART NUMBER	1 2 3 4 5 6 7	NOMENCLATURE	EFFECT FROM TO	UNITS PER ASSY
4 505	BKA11C12AA01		.PLATE ASSY- SUPPLIER CODE: V71468 SPECIFICATION NUMBER: BCREFA2219 OPTIONAL PART: S611C12AA01 V59610 N1C66F11C12AA01 V00779 OVERLENGTH PART NUMBER: BACC66F11C12AA01 ELECTRICAL EQUIP NUMBER: D10527 WIRING DIAGRAM REF: 233401	001030	1
- 510	NAS1801-06		ATTACHING PARTS .SCREW- POSITION DATA: FAR SIDE SIZE DETERMINED ON INSTL.	001030	4
- 515	PLH506CD		.NUT- SUPPLIER CODE: VF0224 SPECIFICATION NUMBER: BACN10YR06CD OPTIONAL PART: H52732-06CD V15653 POSITION DATA: NEAR SIDE	001030	4
520	RBGP48-116N		-----*----- .BACKSHELL- SUPPLIER CODE: V09922 SPECIFICATION NUMBER: S280W601-116 ELECTRICAL EQUIP NUMBER: D10527T WIRING DIAGRAM REF: 233401	001030	1

MISSING ITEM NUMBERS NOT APPLICABLE

- ITEM NOT ILLUSTRATED

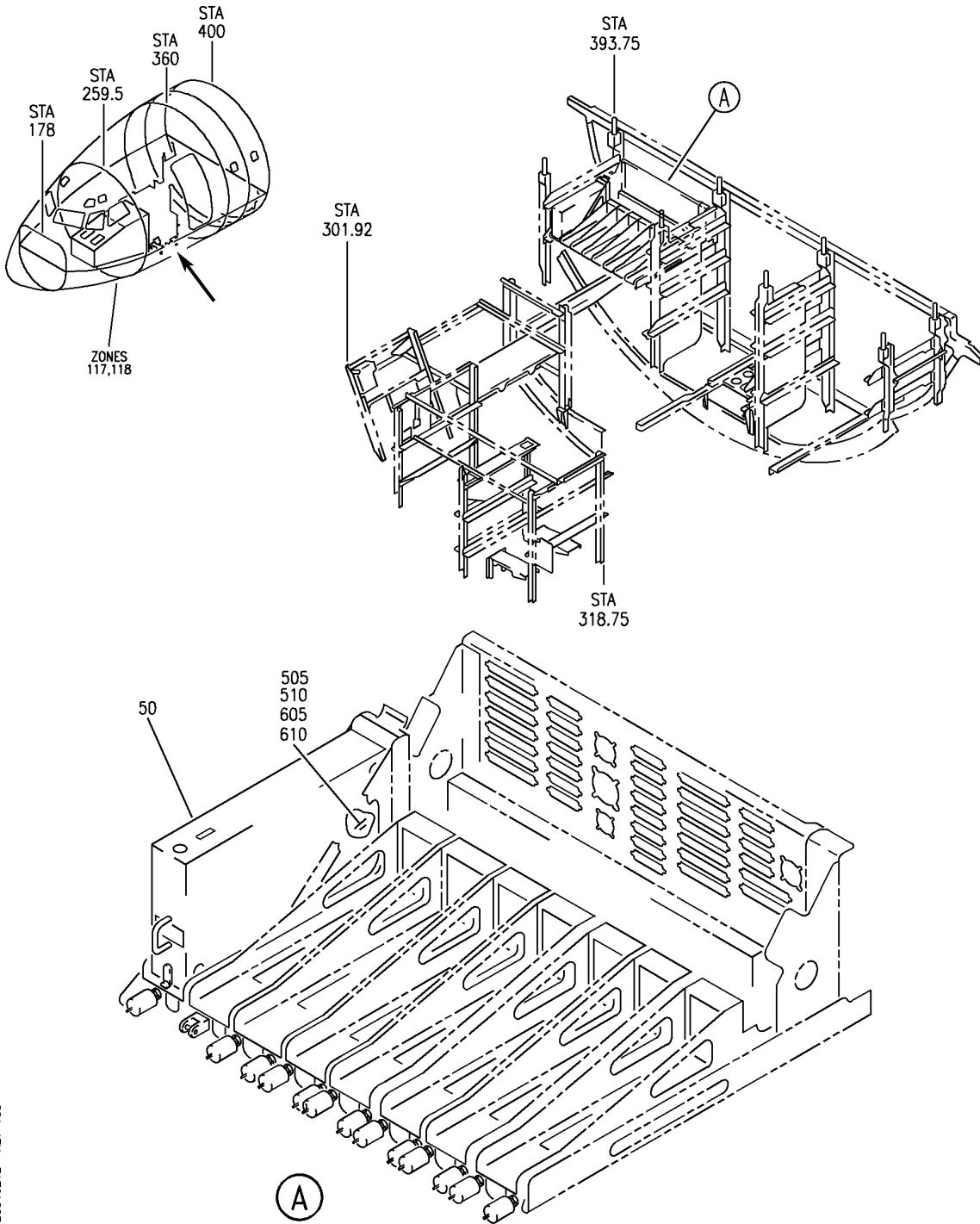
HAP

23-34-02-04

BOEING PROPRIETARY - Copyright © - Unpublished Work - See title page for details.

23-34-02
FIG. 04
PAGE 2
FEB 15/09

BOEING
 737-600/700/800/900
 PARTS CATALOG (MAINTENANCE)



E 23340212 REV 135

EQUIPMENT INSTL-E4-2 RACK AUDIO ENTERTAINMENT MUX
 FIGURE 12

23-34-02-12

HAP
 OCT 10/07

23-34-02-12
 PAGE 0

 **BOEING**
737-600/700/800/900
PARTS CATALOG (MAINTENANCE)

FIG ITEM	PART NUMBER	1 2 3 4 5 6 7	NOMENCLATURE	EFFECT FROM TO	UNITS PER ASSY
12			EQUIPMENT INSTL-E4-2 RACK AUDIO ENTERTAINMENT MUX	031200 968999	
- 1	MODREF279134		EQUIPMENT INSTL-E4-2 RACK AUDIO ENTERTAINMENT MUX MODULE NUMBER: 284A0441-233409 REV AA	031036	1
- 1	MODREF309234		EQUIPMENT INSTL-E4-2 RACK AUDIO ENTERTAINMENT MUX MODULE NUMBER: 284A0441-233409 REV AF	037038	1
- 2	MODREF323602		EQUIPMENT INSTL-E4-2 RACK AUDIO ENTERTAINMENT MUX MODULE NUMBER: 284A0441-233409 REV AH	039040 042042 101101	1
- 2	MODREF327644		EQUIPMENT INSTL-E4-2 RACK AUDIO ENTERTAINMENT MUX MODULE NUMBER: 284A0441-233409 REV AK	968969 041041 043043 970971	1
- 2	MODREF347736		EQUIPMENT INSTL-E4-2 RACK AUDIO ENTERTAINMENT MUX MODULE NUMBER: 284A0441-233409 REV AM	054100	1
- 2	MODREF350128		EQUIPMENT INSTL-E4-2 RACK AUDIO ENTERTAINMENT MUX MODULE NUMBER: 284A0441-233409 REV AN	044045 102103	1
- 2	MODREF351557		EQUIPMENT INSTL-E4-2 RACK AUDIO ENTERTAINMENT MUX MODULE NUMBER: 284A0441-233409 REV AP	046046	1
- 2	MODREF362910		EQUIPMENT INSTL-E4-2 RACK AUDIO ENTERTAINMENT MUX MODULE NUMBER: 284A0441-233409 REV AU	047047 104106 972999	1
- 2	MODREF379170		EQUIPMENT INSTL-E4-2 RACK AUDIO ENTERTAINMENT MUX MODULE NUMBER: 284A0441-233409 REV AW	048053 107200	1
50	743-0301-002		.MULTIPLEXER-AUDIO ENTERTAINMENT SUPPLIER CODE: V62204 FUNCTIONAL DESCRIPTION: CONVERTS ANALOG AUDIO INTO DIGITAL DATA. ELECTRICAL EQUIP NUMBER: M01956 MAINTENANCE MANUAL REF: 23-34-02	031200 968999	1

MISSING ITEM NUMBERS NOT APPLICABLE

- ITEM NOT ILLUSTRATED

HAP

23-34-02-12

BOEING PROPRIETARY - Copyright © - Unpublished Work - See title page for details.

23-34-02
FIG. 12
PAGE 1
FEB 15/09

BOEING
737-600/700/800/900
PARTS CATALOG (MAINTENANCE)

FIG ITEM	PART NUMBER	1 2 3 4 5 6 7	NOMENCLATURE	EFFECT FROM TO	UNITS PER ASSY
12					
- 600	286A5115-010		WIRE BUNDLE ASSY	031036	RF
- 600	286A5115-014		WIRE BUNDLE ASSY	037047	RF
				049050	
				054200	
				968999	
- 600	286A5115-015		WIRE BUNDLE ASSY	048048	RF
605	BCREF11761		.PLUG-	031050	1
			OVERLENGTH PART NUMBER:	054200	
			BACC66F11F01AA01	968999	
			ELECTRICAL EQUIP NUMBER:		
			D10527		
			WIRING DIAGRAM REF:		
			233401		

MISSING ITEM NUMBERS NOT APPLICABLE

- ITEM NOT ILLUSTRATED

HAP

23-34-02-12

BOEING PROPRIETARY - Copyright © - Unpublished Work - See title page for details.

23-34-02
FIG. 12
PAGE 2
FEB 15/09