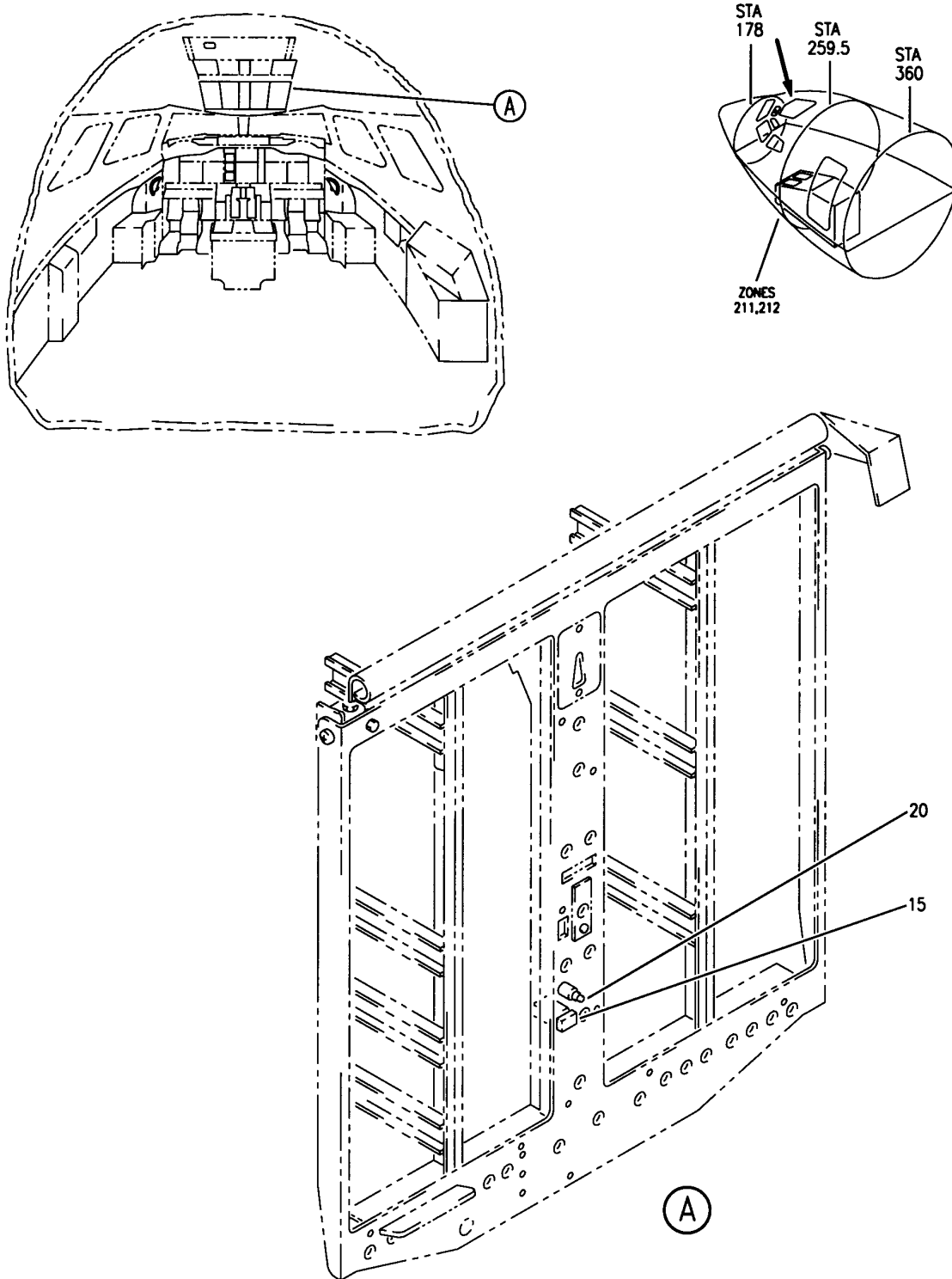


FLIGHT CREW CALL SYSTEM

HAP
OCT 10/06

23-42-00
SECTION TITLE
PAGE 1

BOEING
 737-600/700/800/900
 PARTS CATALOG (MAINTENANCE)



E 23420001 REV 019

ELECTRICAL INSTL AND ASSY-P5 FWD OVHD (CABIN INTERPHONE SYSTEM ONLY)
 FIGURE 1

23-42-00-01

HAP
 OCT 10/06

23-42-00-01
 PAGE 0

BOEING
737-600/700/800/900
PARTS CATALOG (MAINTENANCE)

FIG ITEM	PART NUMBER	1 2 3 4 5 6 7	NOMENCLATURE	EFFECT FROM TO	UNITS PER ASSY
1			ELECTRICAL INSTL AND ASSY- P5 FWD OVHD (CABIN INTERPHONE SYSTEM ONLY)	001036 201967	
- 1	233A3303-2		ELECTRICAL ASSY-P5 OVHD (CABIN INTERPHONE SYSTEM ONLY) POSITION DATA: FWD FOR NHA/OTHER SYS DET SEE: 31-11-94-03	001007	RF
- 1	233A3303-349		ELECTRICAL INSTL-P5 OVHD (CABIN INTERPHONE SYSTEM ONLY) POSITION DATA: FWD FOR NHA/OTHER SYS DET SEE: 31-11-00-01C	018018 020030	RF
- 2	233A3303-301		ELECTRICAL INSTL-P5 OVHD (CABIN INTERPHONE SYSTEM ONLY) POSITION DATA: FWD FOR NHA/OTHER SYS DET SEE: 31-11-00-01C 31-11-00-01J	008011 201967	RF
- 4	233A3303-340		ELECTRICAL INSTL-P5 OVHD (CABIN INTERPHONE SYSTEM ONLY) POSITION DATA: FWD FOR NHA/OTHER SYS DET SEE: 31-11-00-01C	012017 019019	RF

MISSING ITEM NUMBERS NOT APPLICABLE

- ITEM NOT ILLUSTRATED

HAP

23-42-00-01

BOEING PROPRIETARY - Copyright © - Unpublished Work - See title page for details.

23-42-00
FIG. 01
PAGE 1
OCT 15/08

BOEING
737-600/700/800/900
PARTS CATALOG (MAINTENANCE)

FIG ITEM	PART NUMBER	1 2 3 4 5 6 7	NOMENCLATURE	EFFECT FROM TO	UNITS PER ASSY
1 -	5 MODREF82478		ELECTRICAL INSTL-P5 OVHD (CABIN INTERPHONE SYSTEM ONLY) MODULE NUMBER: 233A3303-349 REV A POSITION DATA: FWD FOR OTHER SYS DETAILS SEE: 11-31-01-43 21-27-00-01 23-43-00-01 30-42-31-02 31-11-94-03A 33-11-00-08 33-14-00-06 33-25-52-02 33-32-00-03 33-41-00-01 33-42-00-02 33-43-00-01 33-44-00-01 33-45-00-01 33-49-00-02 33-51-00-02 49-61-00-01 74-31-52-02	031036	1
	15 BCREF4152		.LIGHT ASSY-PRESS TO TEST IND-CALL SUPPLIER CODE: V81590 OVERLENGTH PART NUMBER: 318-630-1002-017 SPECIFICATION NUMBER: 10-61803-72 ELECTRICAL EQUIP NUMBER: L00019 COMPONENT MAINT MANUAL REF: 33-10-05 FOR DETAILS SEE: 33-11-50-18	001036 201967	1
	20 D20011-01		.SWITCH-PUSH BUTTON SUPPLIER CODE: V81640 ELECTRICAL EQUIP NUMBER: S00036	001036 201967	1

MISSING ITEM NUMBERS NOT APPLICABLE

- ITEM NOT ILLUSTRATED

HAP

23-42-00-01

BOEING PROPRIETARY - Copyright © - Unpublished Work - See title page for details.

23-42-00
FIG. 01
PAGE 2
OCT 15/08

NON-ILLUSTRATED FIGURE

THE ITEMS REFLECTED IN THIS FIGURE ARE INTENTIONALLY
NON-ILLUSTRATED. THEY ARE REFERENCED TO EITHER A
NEXT HIGHER OR NEXT LOWER ASSEMBLY/INSTALLATION FIGURE.

E 23420002A REV 051

FUNCTIONAL COLLECTOR-CUSTOMER UNIQUE (CABIN INTERPHONE SYSTEM ONLY)
FIGURE 2A

23-42-00-02A

HAP
OCT 15/08

23-42-00-02A
PAGE 0

BOEING
737-600/700/800/900
PARTS CATALOG (MAINTENANCE)

FIG ITEM	PART NUMBER	1 2 3 4 5 6 7	NOMENCLATURE	EFFECT FROM TO	UNITS PER ASSY
2A			FUNCTIONAL COLLECTOR- CUSTOMER UNIQUE (CABIN INTERPHONE SYSTEM ONLY)	201967	
- 2	400A9101-2610		FUNCTIONAL COLLECTOR- CUSTOMER UNIQUE (CABIN INTERPHONE SYSTEM ONLY)	201967	RF
- 50	417A6500-100SP		FOR NHA/OTHER SYS DET SEE: 23-00-00-02 .HANDSET INSTL-LAV A POSITION DATA: STA 304.00 WL 259.35 LBL 26.63 FUNCTIONAL REFERENCE: PLACARDS AND MARKINGS FOR DETAILS SEE 11-32-03-03 COMMUNICATIONS FOR DETAILS SEE 23-42-01-02	201967	1
- 70	417A6500-300SP		.HANDSET INSTL-LAV D POSITION DATA: STA 949.00 WL 260.15 LBL 27.63 FUNCTIONAL REFERENCE: PLACARDS AND MARKINGS FOR DETAILS SEE 11-32-03-03D COMMUNICATIONS FOR DETAILS SEE 23-42-01-02	201967	1
- 75	417A6500-405SP		.HANDSET INSTL-LAV E POSITION DATA: STA 949.00 WL 260.15 RBL 26.13 FUNCTIONAL REFERENCE: PLACARDS AND MARKINGS FOR DETAILS SEE 11-32-03-03E COMMUNICATIONS FOR DETAILS SEE 23-42-01-07	201967	1

MISSING ITEM NUMBERS NOT APPLICABLE

- ITEM NOT ILLUSTRATED

HAP

23-42-00-02A

BOEING PROPRIETARY - Copyright © - Unpublished Work - See title page for details.

23-42-00
FIG. 02A
PAGE 1
OCT 15/08

NON-ILLUSTRATED FIGURE

THE ITEMS REFLECTED IN THIS FIGURE ARE INTENTIONALLY
NON-ILLUSTRATED. THEY ARE REFERENCED TO EITHER A
NEXT HIGHER OR NEXT LOWER ASSEMBLY/INSTALLATION FIGURE.

E 23420002B REV 052

FUNCTIONAL COLLECTOR CUSTOMER UNIQUE (CABIN INTERPHONE SYSTEM ONLY)
FIGURE 2B

23-42-00-02B

HAP
OCT 10/06

23-42-00-02B
PAGE 0

BOEING
737-600/700/800/900
PARTS CATALOG (MAINTENANCE)

FIG ITEM	PART NUMBER	1 2 3 4 5 6 7	NOMENCLATURE	EFFECT FROM TO	UNITS PER ASSY
2B			FUNCTIONAL COLLECTOR CUSTOMER UNIQUE (CABIN INTERPHONE SYSTEM ONLY)	001030	
- 1	400A9101-3001		FUNCTIONAL COLLECTOR- CUSTOMER UNIQUE (CABIN INTERPHONE SYSTEM ONLY) FOR NHA/OTHER SYS DET SEE: 23-00-00-03	001017 019019	RF
- 10	400A0028-3001		FUNCTIONAL COLLECTOR- CUSTOMER UNIQUE (CABIN INTERPHONE SYSTEM ONLY) FOR NHA/OTHER SYS DET SEE: 23-00-00-03	018018 020030	RF
- 50	417A6500-100SP		.HANDSET INSTL-ATTENDANT LAV A POSITION DATA: STA 304.00 LBL 26.63 WL 259.35 FUNCTIONAL REFERENCE: COMMUNICATIONS FOR DETAILS SEE 23-42-01-02 PLACARDS AND MARKINGS FOR DETAILS SEE 11-32-03-03	001030	1
- 55	417A6500-300SP		.HANDSET INSTL-ATTENDANT LAV D POSITION DATA: STA 949.00 LBL 27.63 WL 260.15 FUNCTIONAL REFERENCE: COMMUNICATIONS FOR DETAILS SEE 23-42-01-03 PLACARDS AND MARKINGS FOR DETAILS SEE 11-32-03-03D	001030	1

MISSING ITEM NUMBERS NOT APPLICABLE

- ITEM NOT ILLUSTRATED

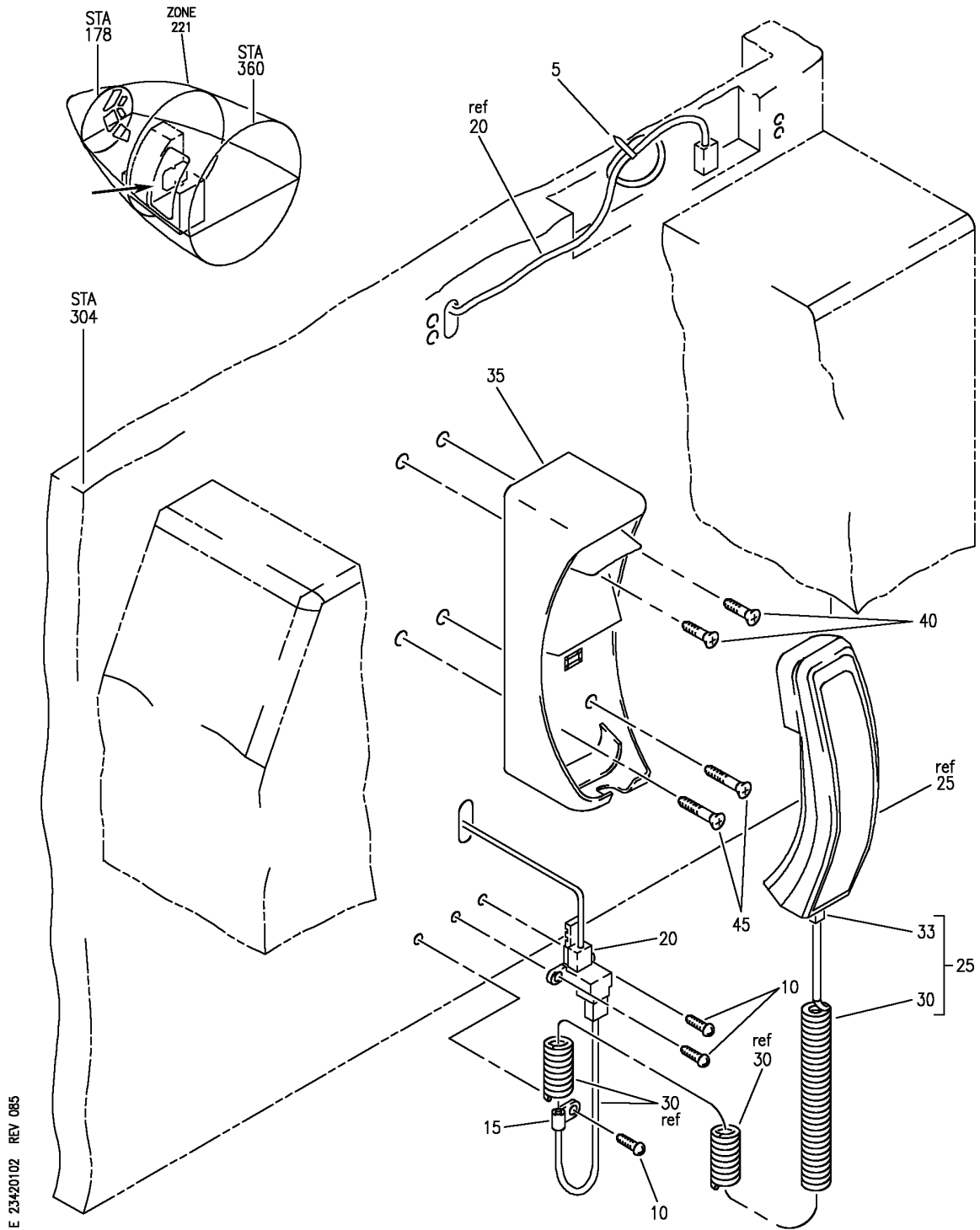
HAP

23-42-00-02B

BOEING PROPRIETARY - Copyright © - Unpublished Work - See title page for details.

23-42-00
FIG. 02B
PAGE 1
OCT 10/06

BOEING
 737-600/700/800/900
 PARTS CATALOG (MAINTENANCE)



HANDSET INSTL-ATTENDANT LAV A (COMMUNICATIONS ONLY)
 FIGURE 2

23-42-01-02

HAP
 OCT 10/06

23-42-01-02
 PAGE 0

BOEING
737-600/700/800/900
PARTS CATALOG (MAINTENANCE)

FIG ITEM	PART NUMBER	1 2 3 4 5 6 7	NOMENCLATURE	EFFECT FROM TO	UNITS PER ASSY
2			HANDSET INSTL-ATTENDANT LAV A (COMMUNICATIONS ONLY)		
- 1	417A6500-100SP		HANDSET INSTL-ATTENDANT LAV A (COMMUNICATIONS ONLY)	001030 201967	RF
- 1	MODREF96835		POSITION DATA: STA 304.00 LBL 26.63 WL 259.35 FOR NHA/OTHER SYS DET SEE: 23-42-00-02A 23-42-00-02B		
- 1	MODREF96835		HANDSET INSTL-ATTENDANT LAV A (COMMUNICATIONS ONLY)	031200 968999	1
			MODULE NUMBER: 417A6500-107 REV A		
			POSITION DATA: STA 304.00 LBL 26.63 WL 259.35 FOR OTHER SYS DETAILS SEE: 11-32-03-03		
5	PLT1MM		.STRAP-		1
			SUPPLIER CODE: V06383		
			SPECIFICATION NUMBER: BACS38K4		
			OPTIONAL PART: TOR180 V53421		
10	BACS12FA3K7		.SCREW-		3
			MAINTENANCE MANUAL REF: 23-43-01		
			OPTIONAL PART: BACS12CK3-7		
10	BACS12CK3-7		.SCREW-		3
			MAINTENANCE MANUAL REF: 23-43-01		
			OPTIONAL PART: BACS12FA3K7		
15	BACC10DK3		.CLAMP-		1
			MAINTENANCE MANUAL REF: 23-43-01		
20	HA623-257A		.CORD ASSY-		1
			SUPPLIER CODE: V71777		

MISSING ITEM NUMBERS NOT APPLICABLE

- ITEM NOT ILLUSTRATED

HAP

23-42-01-02

BOEING PROPRIETARY - Copyright © - Unpublished Work - See title page for details.

23-42-01
FIG. 02
PAGE 1
OCT 15/08

BOEING
737-600/700/800/900
PARTS CATALOG (MAINTENANCE)

FIG ITEM	PART NUMBER	1 2 3 4 5 6 7	NOMENCLATURE	EFFECT FROM TO	UNITS PER ASSY
2					
25	285W0024-1B		.MODULE ASSY- SUPPLIER CODE: V89954 FUNCTIONAL DESCRIPTION: USED FOR CABIN INTERPHONE CALLS AND PA ANNOUNCEMENTS ELECTRICAL EQUIP NUMBER: M00074 COMPONENT MAINT MANUAL REF: 23-42-15 MAINTENANCE MANUAL REF: 23-43-01 FUNCTIONAL REFERENCE: PLACARDS AND MARKINGS FOR DETAILS SEE 11-32-03-03A		1
30	020003263		..CORD- SUPPLIER CODE: V59608		1
33	90319-0005		..CONNECTOR- SUPPLIER CODE: V27264		1
33	883-6525-00		..CONNECTOR- SUPPLIER CODE: V27264		1
33	883-6272-00		..CONNECTOR- SUPPLIER CODE: V27264		1
33	BCREF16494		..CONNECTOR- SUPPLIER CODE: VOAG18 OVERLENGTH PART NUMBER: TM1RV623K66-35S150		1
35	476W2220-9N		.CRADLE ASSY- SUPPLIER CODE: V89954 COMPONENT MAINT MANUAL REF: 23-42-04 MAINTENANCE MANUAL REF: 23-43-01 OPTIONAL PART: 476W2220-2K V89954		1

MISSING ITEM NUMBERS NOT APPLICABLE

— ITEM NOT ILLUSTRATED

HAP

23-42-01-02

BOEING PROPRIETARY - Copyright © - Unpublished Work - See title page for details.

23-42-01
FIG. 02
PAGE 2
JUN 15/08


BOEING
 737-600/700/800/900
PARTS CATALOG (MAINTENANCE)

FIG ITEM	PART NUMBER	1 2 3 4 5 6 7	NOMENCLATURE	EFFECT FROM TO	UNITS PER ASSY
2					
35	476W2220-2K		.CRADLE ASSY- SUPPLIER CODE: V89954 COMPONENT MAINT MANUAL REF: 23-42-04 MAINTENANCE MANUAL REF: 23-43-01 OPTIONAL PART: 476W2220-9N V89954 ATTACHING PARTS	001030 051053 201967	1
40	BACB30NN3K5		.BOLT- MAINTENANCE MANUAL REF: 23-43-01		2
45	BACB30NN3K16		.BOLT- MAINTENANCE MANUAL REF: 23-43-01 -----*-----		2

MISSING ITEM NUMBERS NOT APPLICABLE

— ITEM NOT ILLUSTRATED

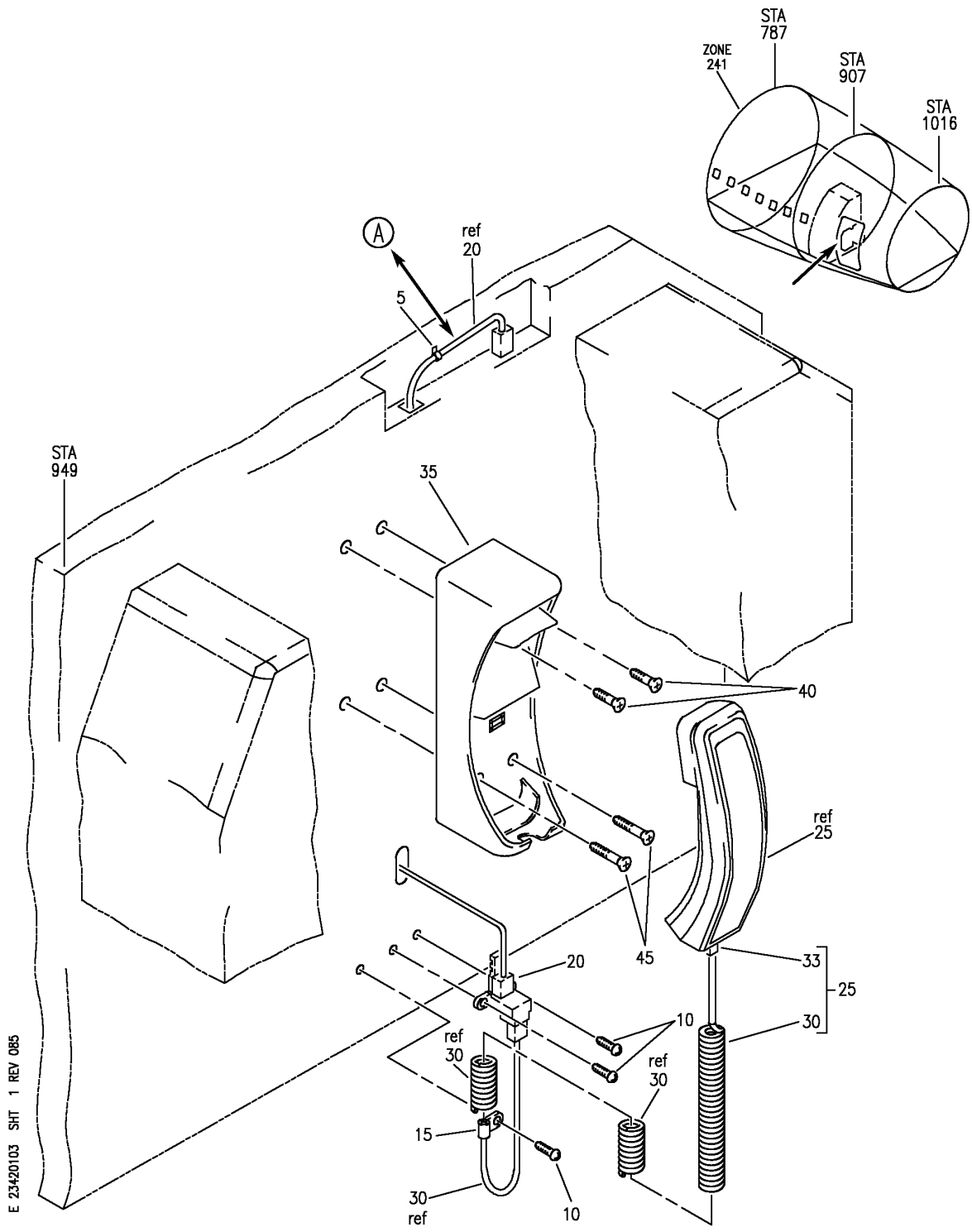
HAP

23-42-01-02

BOEING PROPRIETARY - Copyright © - Unpublished Work - See title page for details.

23-42-01
 FIG. 02
 PAGE 3
 FEB 15/09

BOEING
 737-600/700/800/900
 PARTS CATALOG (MAINTENANCE)



E 23420103 SHT 1 REV 085

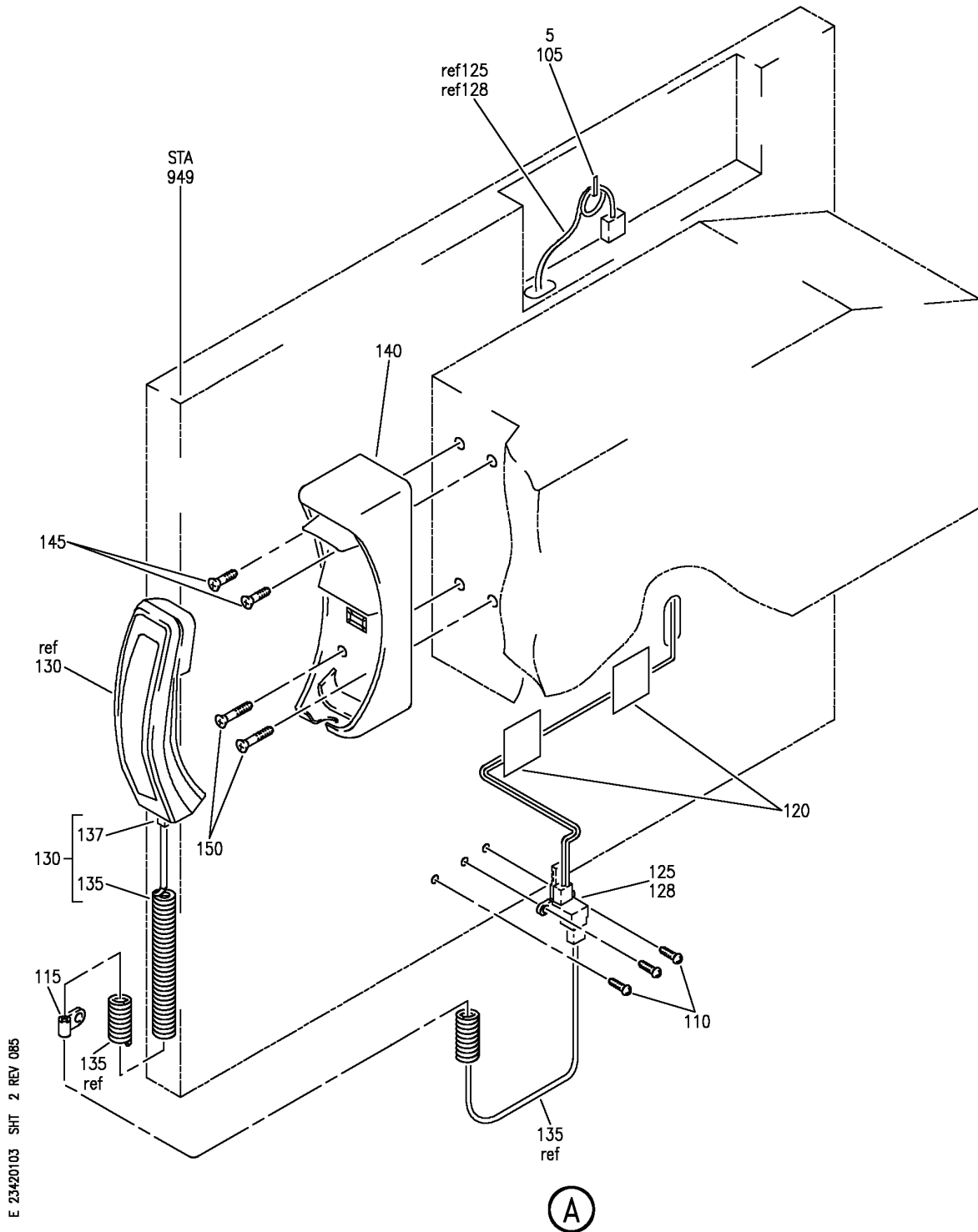
HANDSET INSTL-ATTENDANT LAVS D AND E (COMMUNICATIONS ONLY)
 FIGURE 3 (SHEET 1)

23-42-01-03

HAP
 OCT 10/06

23-42-01-03
 PAGE 0

BOEING
 737-600/700/800/900
 PARTS CATALOG (MAINTENANCE)



E 23420103 SHT 2 REV 085

HANDSET INSTL-ATTENDANT LAVS D AND E (COMMUNICATIONS ONLY)
 FIGURE 3 (SHEET 2)

23-42-01-03

HAP
 OCT 10/06

23-42-01-03
 PAGE 0A

BOEING
737-600/700/800/900
PARTS CATALOG (MAINTENANCE)

FIG ITEM	PART NUMBER	1 2 3 4 5 6 7	NOMENCLATURE	EFFECT FROM TO	UNITS PER ASSY
3			HANDSET INSTL-ATTENDANT LAVS D AND E (COMMUNICATIONS ONLY)		
- 1	417A6500-300SP		HANDSET INSTL-ATTENDANT LAV D (COMMUNICATIONS ONLY) POSITION DATA: STA 949.00 LBL 27.63 WL 260.15 FOR NHA/OTHER SYS DET SEE: 23-42-00-02A 23-42-00-02B	001030 201967	RF
- 1	MODREF96847		HANDSET INSTL-ATTENDANT LAV D (COMMUNICATIONS ONLY) MODULE NUMBER: 417A6500-308 REV A POSITION DATA: STA 949.00 LBL 27.63 WL 260.15 FOR OTHER SYS DETAILS SEE: 11-32-03-03D	031200 968999	1
5	PLT1MM		.STRAP SUPPLIER CODE: V06383 SPECIFICATION NUMBER: BACS38K4 OPTIONAL PART: TOR180 V53421	001050 054999	1
10	BACS12FA3K7		.SCREW- MAINTENANCE MANUAL REF: 23-43-01 OPTIONAL PART: BACS12CK3-7	001100 201967	3
10	BACS12CK3-7		.SCREW- MAINTENANCE MANUAL REF: 23-43-01 OPTIONAL PART: BACS12FA3K7	001100 201967	3
15	BACC10DK3		.CLAMP- MAINTENANCE MANUAL REF: 23-43-01	001100 201967	1
20	HA623-257A		.CORD ASSY- SUPPLIER CODE: V71777		1

MISSING ITEM NUMBERS NOT APPLICABLE

- ITEM NOT ILLUSTRATED

HAP

23-42-01-03

BOEING PROPRIETARY - Copyright © - Unpublished Work - See title page for details.

23-42-01
FIG. 03
PAGE 1
FEB 15/09

BOEING
737-600/700/800/900
PARTS CATALOG (MAINTENANCE)

FIG ITEM	PART NUMBER	1 2 3 4 5 6 7	NOMENCLATURE	EFFECT FROM TO	UNITS PER ASSY
3 25	285W0024-1B		.MODULE ASSY- SUPPLIER CODE: V89954 FUNCTIONAL DESCRIPTION: USED FOR CABIN INTERPHONE CALLS AND PA ANNOUNCEMENTS ELECTRICAL EQUIP NUMBER: M00075 COMPONENT MAINT MANUAL REF: 23-42-15 MAINTENANCE MANUAL REF: 23-43-01 FUNCTIONAL REFERENCE: PLACARDS AND MARKINGS FOR DETAILS SEE 11-32-03-03A	001100 201967	1
30	020003263		..CORD- SUPPLIER CODE: V59608	001100 201967	1
33	90319-0005		..CONNECTOR- SUPPLIER CODE: V27264	001100 201967	1
33	883-6525-00		..CONNECTOR- SUPPLIER CODE: V27264	001100 201967	1
33	883-6272-00		..CONNECTOR- SUPPLIER CODE: V27264	001100 201967	1
33	BCREF16494		..CONNECTOR- SUPPLIER CODE: VOAG18 OVERLENGTH PART NUMBER: TM1RV623K66-35S150	001100 201967	1
35	476W2220-9N		.CRADLE ASSY- SUPPLIER CODE: V89954 COMPONENT MAINT MANUAL REF: 23-42-04 MAINTENANCE MANUAL REF: 23-43-01 OPTIONAL PART: 476W2220-2K V89954	001030 201967	1

MISSING ITEM NUMBERS NOT APPLICABLE

— ITEM NOT ILLUSTRATED

HAP

23-42-01-03

BOEING PROPRIETARY - Copyright © - Unpublished Work - See title page for details.

23-42-01
FIG. 03
PAGE 2
FEB 15/09

BOEING
737-600/700/800/900
PARTS CATALOG (MAINTENANCE)

FIG ITEM	PART NUMBER	1 2 3 4 5 6 7	NOMENCLATURE	EFFECT FROM TO	UNITS PER ASSY
3					
35	476W2220-2K		.CRADLE ASSY- SUPPLIER CODE: V89954 COMPONENT MAINT MANUAL REF: 23-42-04 MAINTENANCE MANUAL REF: 23-43-01 OPTIONAL PART: 476W2220-9N V89954 ATTACHING PARTS	001030 201967	1
40	BACB30NN3K5		.BOLT- MAINTENANCE MANUAL REF: 23-43-01	001100 201967	2
45	BACB30NN3K16		.BOLT- MAINTENANCE MANUAL REF: 23-43-01 -----*-----	001100 201967	2

MISSING ITEM NUMBERS NOT APPLICABLE

— ITEM NOT ILLUSTRATED

HAP

23-42-01-03

BOEING PROPRIETARY - Copyright © - Unpublished Work - See title page for details.

23-42-01
FIG. 03
PAGE 3
FEB 15/09

BOEING
737-600/700/800/900
PARTS CATALOG (MAINTENANCE)

FIG ITEM	PART NUMBER	1 2 3 4 5 6 7	NOMENCLATURE	EFFECT FROM TO	UNITS PER ASSY
7			HANDSET INSTL-ATTENDANT LAV E (COMMUNICATIONS ONLY)	101999	
- 1	417A6500-405SP		HANDSET INSTL-ATTENDANT LAV E (COMMUNICATIONS ONLY)	201967	RF
- 1	MODREF172349		POSITION DATA: STA 949.0, RBL 26.13, WL 260.15 FOR NHA/OTHER SYS DET SEE: 23-42-00-02A		
			HANDSET INSTL-ATTENDANT LAV E (COMMUNICATIONS ONLY)	101200 968999	1
			MODULE NUMBER: 417A6500-425 REV A POSITION DATA: STA 950.16, RBL 25.07 WL 259.86 FOR OTHER SYS DETAILS SEE: 11-32-03-03E		
5	BACS12FA3K7		.SCREW-	101999	3
			MAINTENANCE MANUAL REF: 23-43-01 OPTIONAL PART: BACS12CK3-7		
5	BACS12CK3-7		.SCREW-	101999	3
			MAINTENANCE MANUAL REF: 23-43-01 OPTIONAL PART: BACS12FA3K7		
10	BACC10DK3		.CLAMP	101999	1
			MAINTENANCE MANUAL REF: 23-43-01		

MISSING ITEM NUMBERS NOT APPLICABLE

- ITEM NOT ILLUSTRATED

HAP

23-42-01-07

BOEING PROPRIETARY - Copyright © - Unpublished Work - See title page for details.

23-42-01
FIG. 07
PAGE 1
OCT 15/08

BOEING
737-600/700/800/900
PARTS CATALOG (MAINTENANCE)

FIG ITEM	PART NUMBER	1 2 3 4 5 6 7	NOMENCLATURE	EFFECT FROM TO	UNITS PER ASSY
7 15	285W0024-1B		.MODULE ASSY-CAH/FDH GRAY SUPPLIER CODE: V89954 FUNCTIONAL DESCRIPTION: USED FOR CABIN INTERPHONE CALLS AND PA ANNOUNCEMENTS ELECTRICAL EQUIP NUMBER: M02307 COMPONENT MAINT MANUAL REF: 23-42-15 MAINTENANCE MANUAL REF: 23-43-01 FUNCTIONAL REFERENCE: PLACARDS AND MARKINGS FOR DETAILS SEE 11-32-03-03A	101999	1
18	020003263		..CORD- SUPPLIER CODE: V59608	101999	1
19	90319-0005		..CONNECTOR- SUPPLIER CODE: V27264	101999	1
19	883-6525-00		..CONNECTOR- SUPPLIER CODE: V27264	101999	1
19	883-6272-00		..CONNECTOR- SUPPLIER CODE: V27264	101999	1
19	BCREF16494		..CONNECTOR- SUPPLIER CODE: VOAG18 OVERLENGTH PART NUMBER: TM1RV623K66-35S150	101999	1
20	476W2220-2K		.CRADLE ASSY- SUPPLIER CODE: V89954 COMPONENT MAINT MANUAL REF: 23-42-04 MAINTENANCE MANUAL REF: 23-43-01 OPTIONAL PART: 476W2220-9N V89954	201967	1

MISSING ITEM NUMBERS NOT APPLICABLE

— ITEM NOT ILLUSTRATED

HAP

23-42-01-07

BOEING PROPRIETARY - Copyright © - Unpublished Work - See title page for details.

23-42-01
FIG. 07
PAGE 2
OCT 15/08

BOEING
737-600/700/800/900
PARTS CATALOG (MAINTENANCE)

FIG ITEM	PART NUMBER	1 2 3 4 5 6 7	NOMENCLATURE	EFFECT FROM TO	UNITS PER ASSY
7 20	476W2220-9N		.CRADLE ASSY- SUPPLIER CODE: V89954 COMPONENT MAINT MANUAL REF: 23-42-04 MAINTENANCE MANUAL REF: 23-43-01 OPTIONAL PART: 476W2220-2K V89954 ATTACHING PARTS	101999	1
25	BACB30NN3K5		.BOLT MAINTENANCE MANUAL REF: 23-43-01	101999	2
30	BACB30NN3K16		.BOLT MAINTENANCE MANUAL REF: 23-43-01 -----*-----	101999	2

MISSING ITEM NUMBERS NOT APPLICABLE

— ITEM NOT ILLUSTRATED

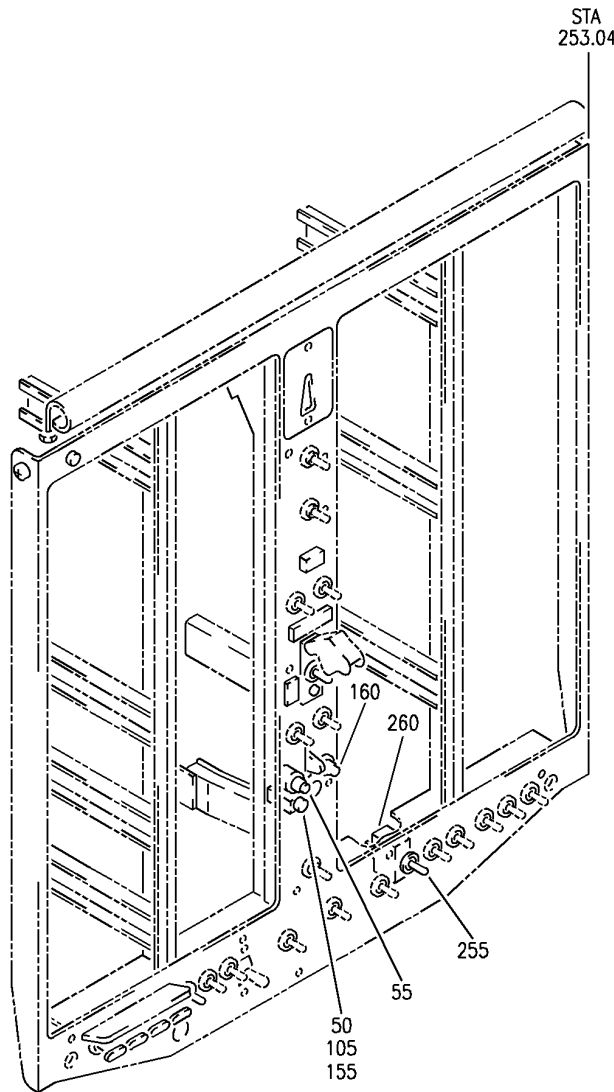
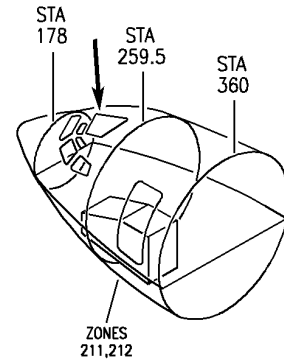
HAP

23-42-01-07

BOEING PROPRIETARY - Copyright © - Unpublished Work - See title page for details.

23-42-01
FIG. 07
PAGE 3
OCT 15/08

BOEING
 737-600/700/800/900
 PARTS CATALOG (MAINTENANCE)



E 23425201 REV 134

ELECTRICAL INSTL-P5 FWD OVHD (CABIN INTERPHONE SYSTEM ONLY)
 FIGURE 1

23-42-52-01

HAP
 OCT 10/07

23-42-52-01
 PAGE 0

BOEING
737-600/700/800/900
PARTS CATALOG (MAINTENANCE)

FIG ITEM	PART NUMBER	1 2 3 4 5 6 7	NOMENCLATURE	EFFECT FROM TO	UNITS PER ASSY
1			ELECTRICAL INSTL-P5 FWD OVHD (CABIN INTERPHONE SYSTEM ONLY)	037200 968999	
- 1	MODREF318918		ELECTRICAL INSTL-P5 OVHD (CABIN INTERPHONE SYSTEM ONLY) MODULE NUMBER: 233A3323-1 REV A2 POSITION DATA: FWD FOR OTHER SYS DETAILS SEE: 11-31-01-40 21-27-52-01 23-43-52-01 30-42-31-01 31-11-94-30 33-11-52-01 33-14-00-40 33-25-52-01 33-32-52-01 33-41-52-01 33-42-52-01 33-45-52-01 33-51-52-01 49-61-52-01 74-31-52-01	037040 042043 101101 968969	1
- 1	MODREF320450		ELECTRICAL INSTL-P5 OVHD (CABIN INTERPHONE SYSTEM ONLY) MODULE NUMBER: 233A3323-1 REV E POSITION DATA: FWD FOR OTHER SYS DETAILS SEE: 11-31-01-40 21-27-52-01 23-43-52-01 30-42-31-01 31-11-94-30 33-11-52-01 33-14-00-40 33-25-52-01 33-32-52-01 33-41-52-01 33-42-52-01 33-45-52-01 33-51-52-01 49-61-52-01 74-31-52-01	970971	1

MISSING ITEM NUMBERS NOT APPLICABLE

- ITEM NOT ILLUSTRATED

HAP

23-42-52-01

BOEING PROPRIETARY - Copyright © - Unpublished Work - See title page for details.

23-42-52
FIG. 01
PAGE 1
OCT 15/08

BOEING
737-600/700/800/900
PARTS CATALOG (MAINTENANCE)

FIG ITEM	PART NUMBER	1 2 3 4 5 6 7	NOMENCLATURE	EFFECT FROM TO	UNITS PER ASSY
1					
- 1	MODREF340186		ELECTRICAL INSTL-P5 OVHD (CABIN INTERPHONE SYSTEM ONLY) MODULE NUMBER: 233A3323-1 REV F POSITION DATA: FWD FOR OTHER SYS DETAILS SEE: 11-31-01-40 21-27-52-01 23-43-52-01 30-42-31-01 31-11-94-30 33-11-52-01 33-14-00-40 33-25-52-01 33-32-52-01 33-41-52-01 33-42-52-01 33-45-52-01 33-51-52-01 49-61-52-01 74-31-52-01	041041 044047 054100 102106 972999	1
- 1	MODREF374993		ELECTRICAL INSTL-P5 OVHD (CABIN INTERPHONE SYSTEM ONLY) MODULE NUMBER: 233A3323-1 REV G POSITION DATA: FWD FOR OTHER SYS DETAILS SEE: 11-31-01-40 21-27-52-01 23-43-52-01 30-42-31-01 31-11-94-30 33-11-52-01 33-14-00-40 33-25-52-01 33-32-52-01 33-41-52-01 33-42-52-01 33-45-52-01 33-51-52-01 49-61-52-01 74-31-52-01	048053 107200	1

MISSING ITEM NUMBERS NOT APPLICABLE

- ITEM NOT ILLUSTRATED

HAP

23-42-52-01

BOEING PROPRIETARY - Copyright © - Unpublished Work - See title page for details.

23-42-52
FIG. 01
PAGE 2
FEB 15/09


BOEING
 737-600/700/800/900
PARTS CATALOG (MAINTENANCE)

FIG ITEM	PART NUMBER	1 2 3 4 5 6 7 NOMENCLATURE	EFFECT FROM TO	UNITS PER ASSY
1 55	D20011-01	.SWITCH-PUSH BUTTON SUPPLIER CODE: V81640 ELECTRICAL EQUIP NUMBER: S00036	037200 968999	1

MISSING ITEM NUMBERS NOT APPLICABLE

— ITEM NOT ILLUSTRATED

HAP

23-42-52-01

BOEING PROPRIETARY - Copyright © - Unpublished Work - See title page for details.

23-42-52
 FIG. 01
 PAGE 3
 FEB 15/09