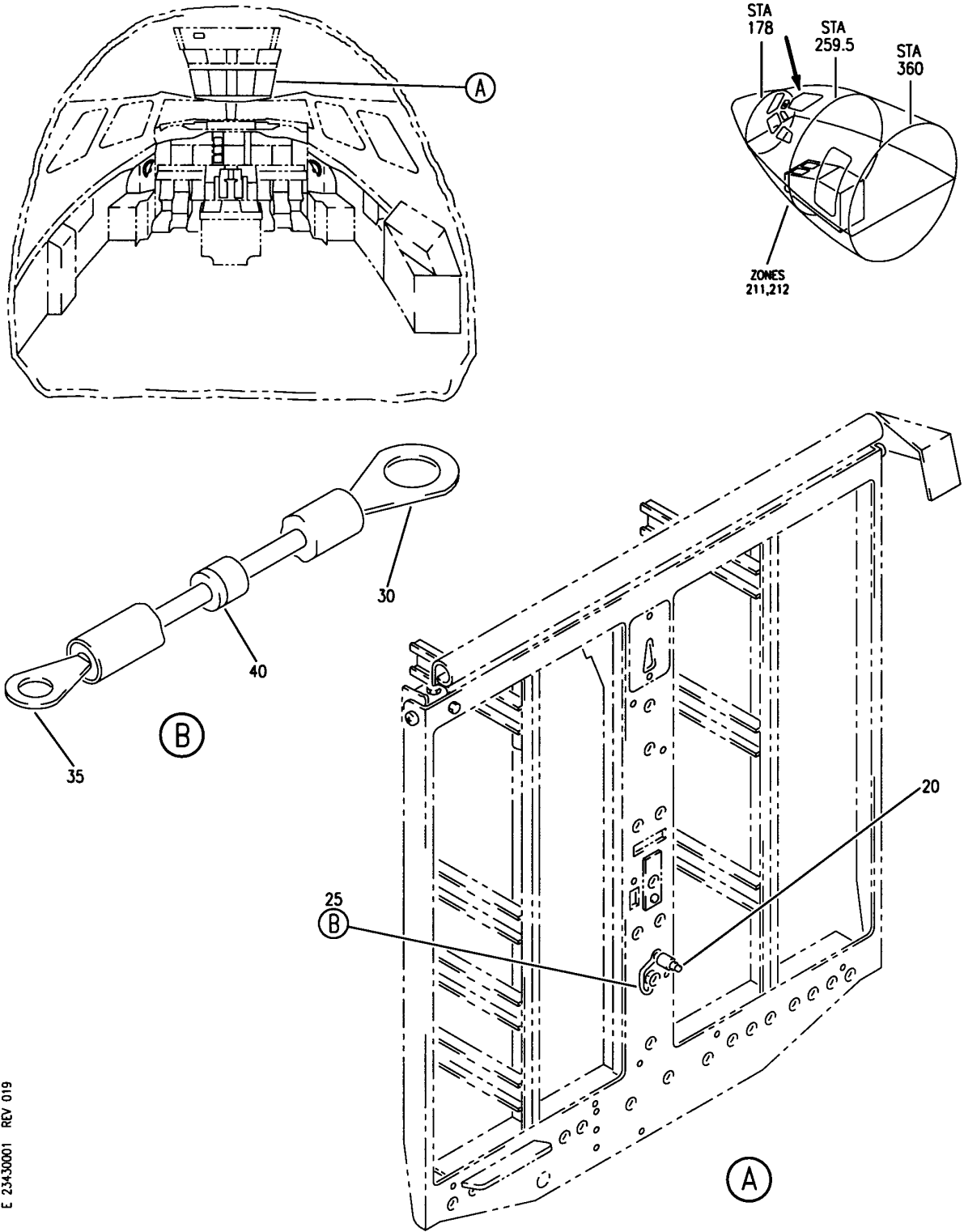


GROUND CREW CALL SYSTEM

HAP
OCT 10/06

23-43-00
SECTION TITLE
PAGE 1

BOEING
 737-600/700/800/900
 PARTS CATALOG (MAINTENANCE)



E 23-43-0001 REV 019

ELECTRICAL INSTL AND ASSY P5 FWD OVHD (GROUND CREW CALL SYSTEM ONLY)
 FIGURE 1

23-43-00-01

HAP
 OCT 10/06

23-43-00-01
 PAGE 0

 **BOEING**
737-600/700/800/900
PARTS CATALOG (MAINTENANCE)

FIG ITEM	PART NUMBER	1 2 3 4 5 6 7	NOMENCLATURE	EFFECT FROM TO	UNITS PER ASSY
1			ELECTRICAL INSTL AND ASSY P5 FWD OVHD (GROUND CREW CALL SYSTEM ONLY)	001036 201967	
- 1	233A3303-2		ELECTRICAL ASSY-P5 OVHD (GROUND CREW CALL SYSTEM ONLY) POSITION DATA: FWD FOR NHA/OTHER SYS DET SEE: 31-11-94-03	001007	RF
- 1	233A3303-349		ELECTRICAL INSTL-P5 OVHD (GROUND CREW CALL SYSTEM ONLY) POSITION DATA: FWD FOR NHA/OTHER SYS DET SEE: 31-11-00-01C	018018 020030	RF
- 2	233A3303-301		ELECTRICAL INSTL-P5 OVHD (GROUND CREW CALL SYSTEM ONLY) POSITION DATA: FWD FOR NHA/OTHER SYS DET SEE: 31-11-00-01C 31-11-00-01J	008011 201967	RF
- 4	233A3303-340		ELECTRICAL INSTL-P5 OVHD (GROUND CREW CALL SYSTEM ONLY) POSITION DATA: FWD FOR NHA/OTHER SYS DET SEE: 31-11-00-01C	012017 019019	RF

MISSING ITEM NUMBERS NOT APPLICABLE

- ITEM NOT ILLUSTRATED

HAP

23-43-00-01

BOEING PROPRIETARY - Copyright © - Unpublished Work - See title page for details.

23-43-00
FIG. 01
PAGE 1
OCT 15/08

BOEING
737-600/700/800/900
PARTS CATALOG (MAINTENANCE)

FIG ITEM	PART NUMBER	1 2 3 4 5 6 7	NOMENCLATURE	EFFECT FROM TO	UNITS PER ASSY
1 -	5 MODREF82478		ELECTRICAL INSTL-P5 OVHD (GROUND CREW CALL SYSTEM ONLY) MODULE NUMBER: 233A3303-349 REV A POSITION DATA: FWD FOR OTHER SYS DETAILS SEE: 11-31-01-43 21-27-00-01 23-42-00-01 30-42-31-02 31-11-94-03A 33-11-00-08 33-14-00-06 33-25-52-02 33-32-00-03 33-41-00-01 33-42-00-02 33-43-00-01 33-44-00-01 33-45-00-01 33-49-00-02 33-51-00-02 49-61-00-01 74-31-52-02	031036	1
	20 D20011-01		.SWITCH-PUSH BUTTON SUPPLIER CODE: V81640 ELECTRICAL EQUIP NUMBER: S00032	001036 201967	1
	25 233A3313-2		.DIODE ASSY	001036 201967	1
	30 2-320572-2		..TERMINAL SUPPLIER CODE: V00779 SPECIFICATION NUMBER: BACT12AR226	001036 201967	1
	35 51863-6		..TERMINAL SUPPLIER CODE: V00779 SPECIFICATION NUMBER: BACT12AR222	001036 201967	1
	40 1N4754A		..DIODE	001036 201967	1

MISSING ITEM NUMBERS NOT APPLICABLE

- ITEM NOT ILLUSTRATED

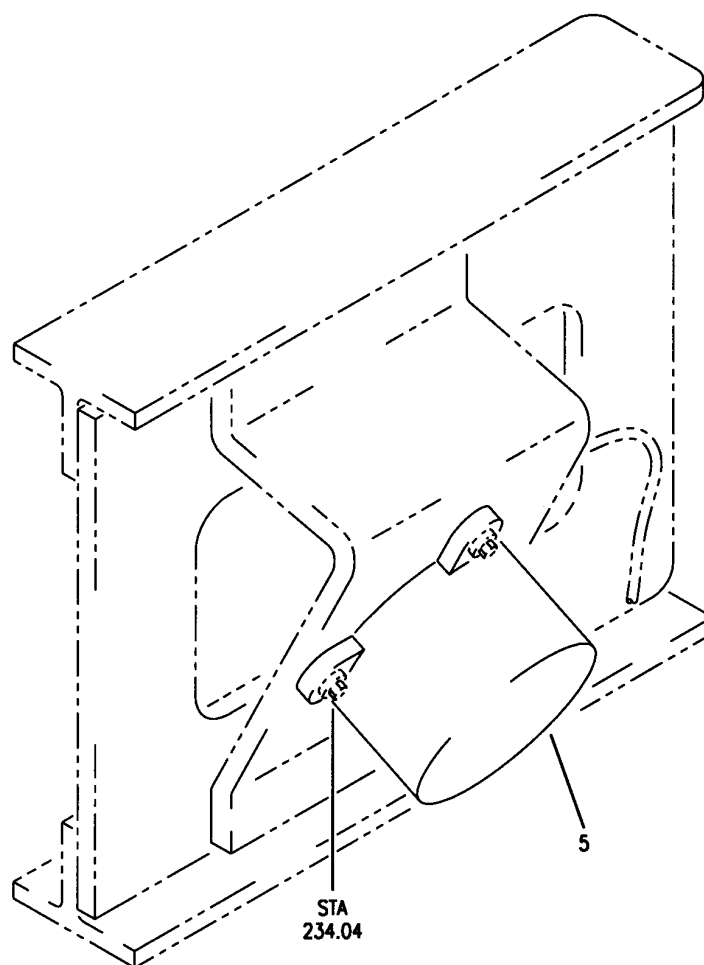
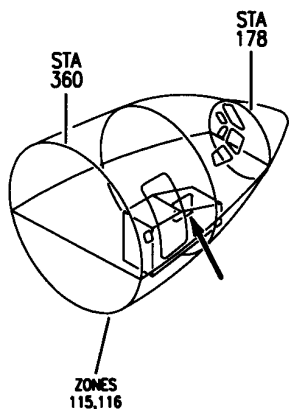
HAP

23-43-00-01

BOEING PROPRIETARY - Copyright © - Unpublished Work - See title page for details.

23-43-00
FIG. 01
PAGE 2
OCT 15/08

BOEING
737-600/700/800/900
PARTS CATALOG (MAINTENANCE)



E 234-30101 REV 002

HORN INSTL-GND CREW CALL NOSE WHEEL WELL
FIGURE 1

23-43-01-01

HAP
OCT 10/06

23-43-01-01
PAGE 0

BOEING
737-600/700/800/900
PARTS CATALOG (MAINTENANCE)

FIG ITEM	PART NUMBER	1 2 3 4 5 6 7	NOMENCLATURE	EFFECT FROM TO	UNITS PER ASSY
1			HORN INSTL-GND CREW CALL NOSE WHEEL WELL		
- 1	284A0806-1		HORN INSTL-GND CREW CALL POSITION DATA: NOSE WHL WELL FOR NHA SEE: 23-40-00-01	001030 201967	RF
- 1	MODREF86108		HORN INSTL-GND CREW CALL MODULE NUMBER: 284A0806-1 REV A POSITION DATA: NOSE WHL WELL	031200 968999	1
5	01-0770544-00		.HORN- SUPPLIER CODE: V10402 SPECIFICATION NUMBER: 10-62239-1 MAINTENANCE MANUAL REF: 23-43-02		1
- 10	NAS1802-08-8P		ATTACHING PARTS .SCREW- OPTIONAL PART: BACS12GU08K8		3
- 10	BACS12GU08K8		.SCREW- OPTIONAL PART: NAS1802-08-8P		3
- 15	NAS1149DN832J		.WASHER- -----*-----		3

MISSING ITEM NUMBERS NOT APPLICABLE

- ITEM NOT ILLUSTRATED

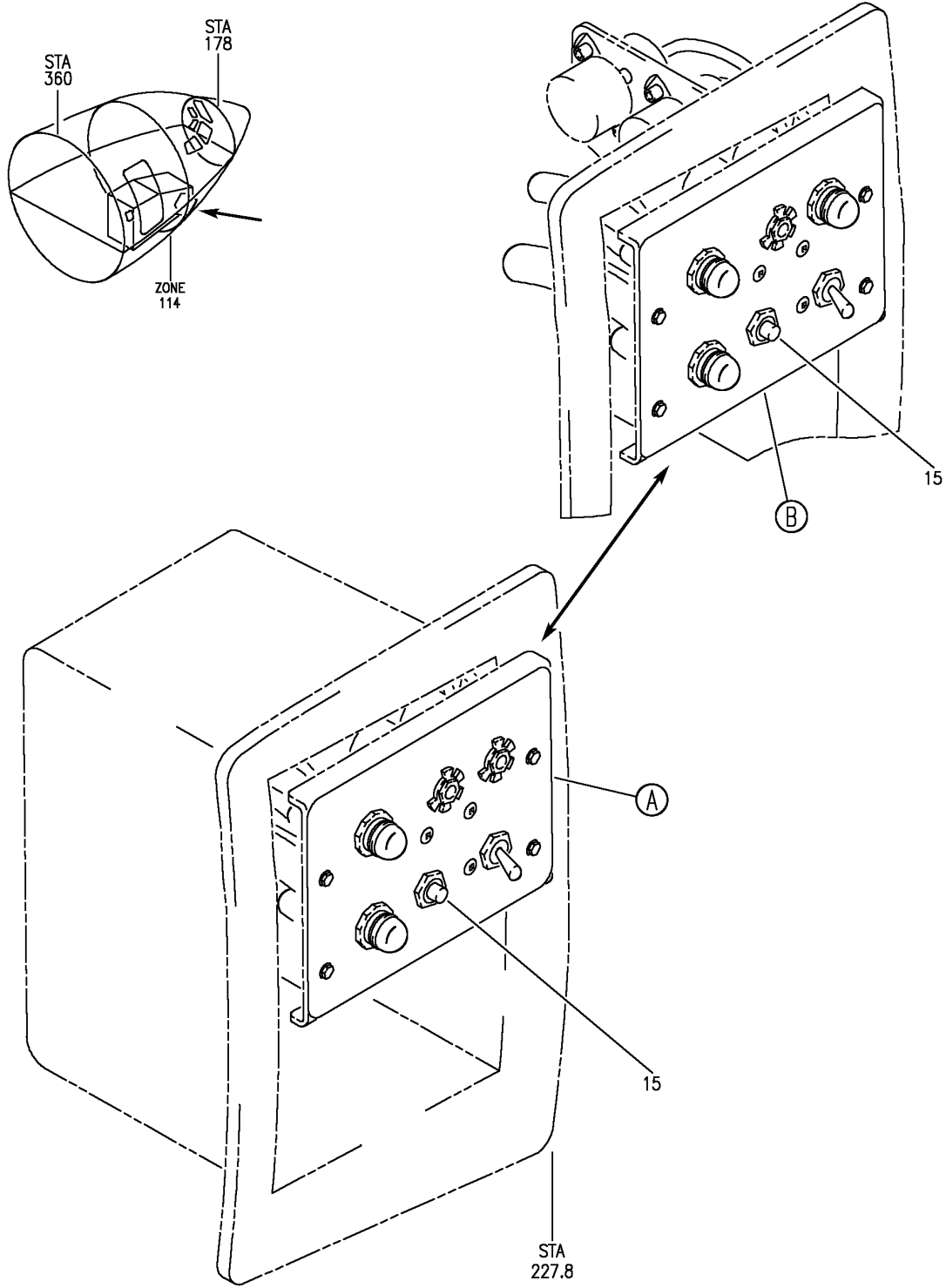
HAP

23-43-01-01

BOEING PROPRIETARY - Copyright © - Unpublished Work - See title page for details.

23-43-01
FIG. 01
PAGE 1
OCT 15/08

BOEING
737-600/700/800/900
PARTS CATALOG (MAINTENANCE)



E 23435102 SH1 1 REV 148

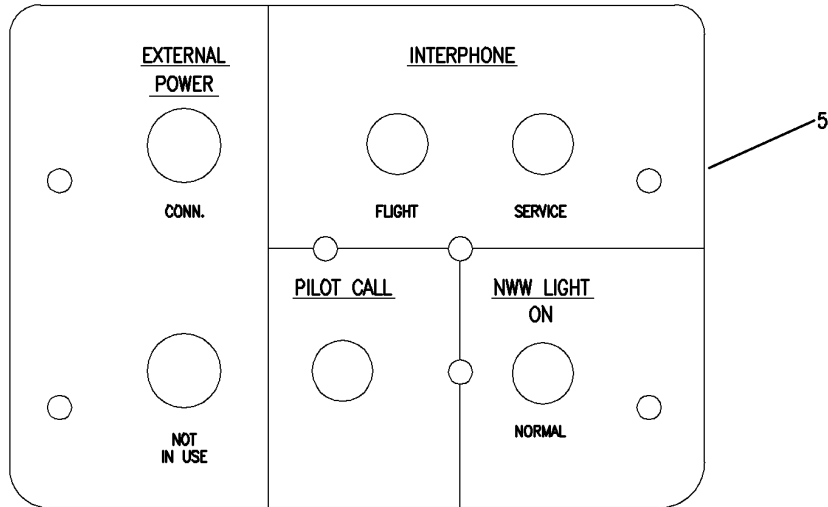
RECEPTACLE INSTL-EXT PWR (GROUND CREW CALL SYSTEM ONLY)
FIGURE 2 (SHEET 1)

23-43-51-02

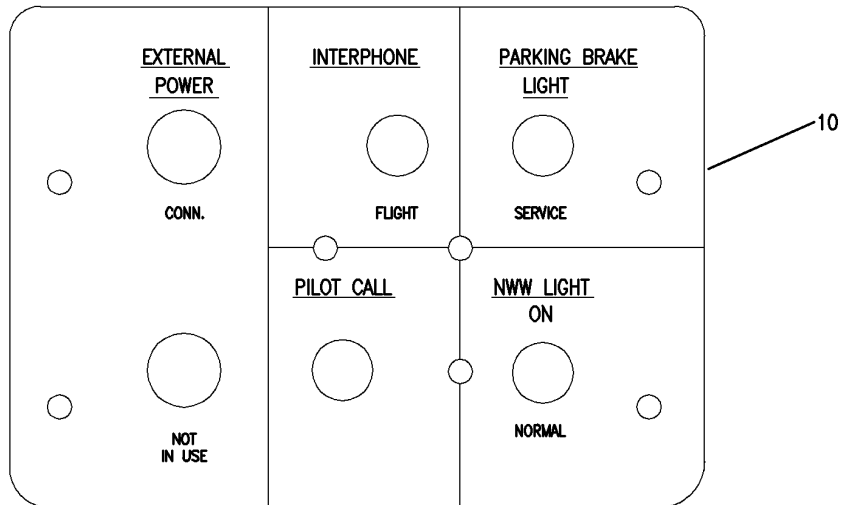
HAP
FEB 15/09

23-43-51-02
PAGE 0

BOEING
 737-600/700/800/900
 PARTS CATALOG (MAINTENANCE)



(A)



(B)

E 23435102 SH1 2 REV 051

RECEPTACLE INSTL-EXT PWR (GROUND CREW CALL SYSTEM ONLY)
 FIGURE 2 (SHEET 2)

23-43-51-02

HAP
 OCT 10/06

23-43-51-02
 PAGE 0A

BOEING
737-600/700/800/900
PARTS CATALOG (MAINTENANCE)

FIG ITEM	PART NUMBER	1 2 3 4 5 6 7	NOMENCLATURE	EFFECT FROM TO	UNITS PER ASSY
2			RECEPTACLE INSTL-EXT PWR (GROUND CREW CALL SYSTEM ONLY)	008999	
- 1	284A1807-102		RECEPTACLE INSTL-EXT PWR (GROUND CREW CALL SYSTEM ONLY) FOR NHA/OTHER SYS DET SEE: 24-40-00-01	201967	RF
- 1	284A1807-103		RECEPTACLE INSTL-EXT PWR (GROUND CREW CALL SYSTEM ONLY) FOR NHA/OTHER SYS DET SEE: 25-50-00-13	008030	RF
- 1	MODREF240185		RECEPTACLE INSTL-EXT PWR (GROUND CREW CALL SYSTEM ONLY) MODULE NUMBER: 284A1807-103 REV C FOR OTHER SYS DETAILS SEE: 23-51-51-01 24-41-11-03 33-32-51-01	031200 968999	1
5	BAC27DEX6600		.MARKER-	201967	RF
10	BAC27DEX6640		.DECAL-	008200 968999	RF
15	D204W3JA		.SWITCH- SUPPLIER CODE: V81640 ELECTRICAL EQUIP NUMBER: S00033	008999	1
15	D20011-03		.SWITCH- SUPPLIER CODE: V81640 ELECTRICAL EQUIP NUMBER: S00033 OPTIONAL PART: D204W3JA V81640	008999	1
15	D20011-03N		.SWITCH- SUPPLIER CODE: V81640 ELECTRICAL EQUIP NUMBER: S00033 OPTIONAL PART: D204W3JA V81640 D20011-03 V81640	008999	1

MISSING ITEM NUMBERS NOT APPLICABLE

- ITEM NOT ILLUSTRATED

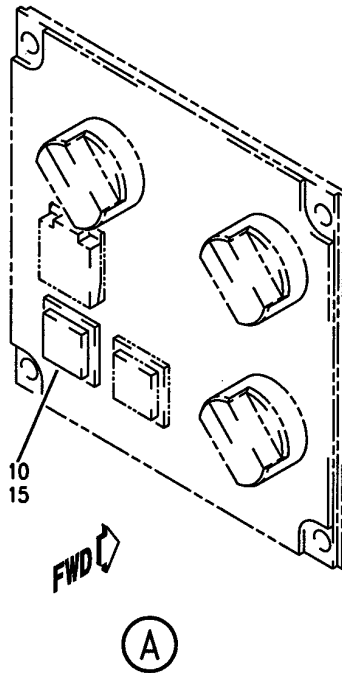
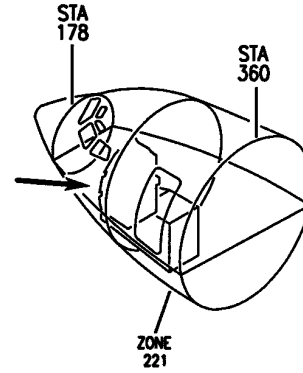
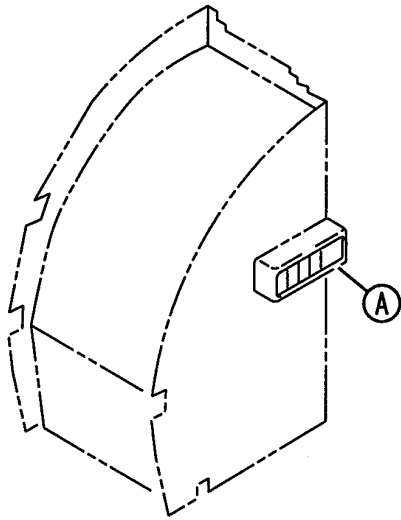
HAP

23-43-51-02

BOEING PROPRIETARY - Copyright © - Unpublished Work - See title page for details.

23-43-51
FIG. 02
PAGE 1
OCT 15/08

BOEING
737-600/700/800/900
PARTS CATALOG (MAINTENANCE)



E 23435110 REV 037

MODULE ASSY-ATTENDANT PNL GND SVCE (COMMUNICATIONS ONLY)
FIGURE 10

23-43-51-10

HAP
OCT 10/06

23-43-51-10
PAGE 0

BOEING
737-600/700/800/900
PARTS CATALOG (MAINTENANCE)

FIG ITEM	PART NUMBER	1 2 3 4 5 6 7	NOMENCLATURE	EFFECT FROM TO	UNITS PER ASSY
10			MODULE ASSY-ATTENDANT PNL GND SVCE (COMMUNICATIONS ONLY)		
- 1	285A1710-1		MODULE ASSY-ATTENDANT PNL LIGHTING (COMMUNICATIONS ONLY) SUPPLIER CODE: V89954 POSITION DATA: FWD ELECTRICAL EQUIP NUMBER: M01885 COMPONENT MAINT MANUAL REF: 33-11-05 FOR NHA/OTHER SYS DET SEE: 31-15-11-07 31-15-11-13 31-15-11-18		RF
10	2100-100		.LENS-WHITE NO LEGEND SUPPLIER CODE: V91929		1
15	2100-1		.SWITCH ASSY-2 POLE MOM. SUPPLIER CODE: V91929 ELECTRICAL EQUIP NUMBER: S00004 FOR DETAILS SEE: 33-20-51-01		1

MISSING ITEM NUMBERS NOT APPLICABLE

- ITEM NOT ILLUSTRATED

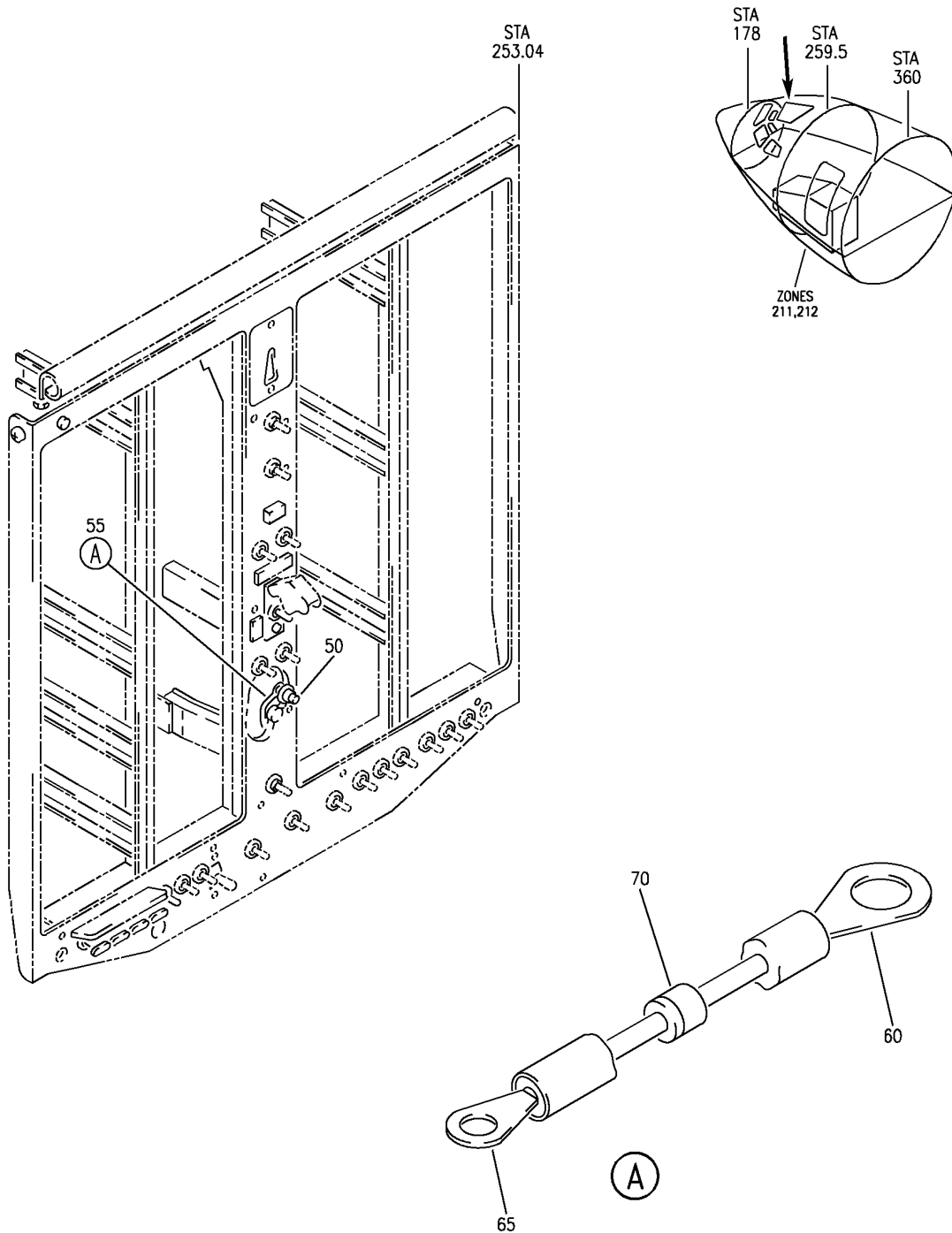
HAP

23-43-51-10

BOEING PROPRIETARY - Copyright © - Unpublished Work - See title page for details.

23-43-51
FIG. 10
PAGE 1
OCT 15/08

BOEING
737-600/700/800/900
PARTS CATALOG (MAINTENANCE)



E 23435201 REV 114

ELECTRICAL INSTL-P5 FWD OVHD (GROUND CREW CALL SYSTEM ONLY)
FIGURE 1

23-43-52-01

HAP
OCT 10/06

23-43-52-01
PAGE 0

BOEING
737-600/700/800/900
PARTS CATALOG (MAINTENANCE)

FIG ITEM	PART NUMBER	1 2 3 4 5 6 7	NOMENCLATURE	EFFECT FROM TO	UNITS PER ASSY
1			ELECTRICAL INSTL-P5 FWD OVHD (GROUND CREW CALL SYSTEM ONLY)	037200 968999	
- 1	MODREF318918		ELECTRICAL INSTL-P5 OVHD (GROUND CREW CALL SYSTEM ONLY) MODULE NUMBER: 233A3323-1 REV A2 POSITION DATA: FWD FOR OTHER SYS DETAILS SEE: 11-31-01-40 21-27-52-01 23-42-52-01 30-42-31-01 31-11-94-30 33-11-52-01 33-14-00-40 33-25-52-01 33-32-52-01 33-41-52-01 33-42-52-01 33-45-52-01 33-51-52-01 49-61-52-01 74-31-52-01	037040 042043 101101 968969	1
- 1	MODREF320450		ELECTRICAL INSTL-P5 OVHD (GROUND CREW CALL SYSTEM ONLY) MODULE NUMBER: 233A3323-1 REV E POSITION DATA: FWD FOR OTHER SYS DETAILS SEE: 11-31-01-40 21-27-52-01 23-42-52-01 30-42-31-01 31-11-94-30 33-11-52-01 33-14-00-40 33-25-52-01 33-32-52-01 33-41-52-01 33-42-52-01 33-45-52-01 33-51-52-01 49-61-52-01 74-31-52-01	970971	1

MISSING ITEM NUMBERS NOT APPLICABLE

- ITEM NOT ILLUSTRATED

HAP

23-43-52-01

BOEING PROPRIETARY - Copyright © - Unpublished Work - See title page for details.

23-43-52
FIG. 01
PAGE 1
OCT 15/08

BOEING
737-600/700/800/900
PARTS CATALOG (MAINTENANCE)

FIG ITEM	PART NUMBER	1 2 3 4 5 6 7	NOMENCLATURE	EFFECT FROM TO	UNITS PER ASSY
1					
- 1	MODREF340186		ELECTRICAL INSTL-P5 OVHD (GROUND CREW CALL SYSTEM ONLY) MODULE NUMBER: 233A3323-1 REV F POSITION DATA: FWD FOR OTHER SYS DETAILS SEE: 11-31-01-40 21-27-52-01 23-42-52-01 30-42-31-01 31-11-94-30 33-11-52-01 33-14-00-40 33-25-52-01 33-32-52-01 33-41-52-01 33-42-52-01 33-45-52-01 33-51-52-01 49-61-52-01 74-31-52-01	041041 044047 054100 102106 972999	1
- 1	MODREF374993		ELECTRICAL INSTL-P5 OVHD (GROUND CREW CALL SYSTEM ONLY) MODULE NUMBER: 233A3323-1 REV G POSITION DATA: FWD FOR OTHER SYS DETAILS SEE: 11-31-01-40 21-27-52-01 23-42-52-01 30-42-31-01 31-11-94-30 33-11-52-01 33-14-00-40 33-25-52-01 33-32-52-01 33-41-52-01 33-42-52-01 33-45-52-01 33-51-52-01 49-61-52-01 74-31-52-01	048053 107200	1

MISSING ITEM NUMBERS NOT APPLICABLE

- ITEM NOT ILLUSTRATED

HAP

23-43-52-01

BOEING PROPRIETARY - Copyright © - Unpublished Work - See title page for details.

23-43-52
FIG. 01
PAGE 2
FEB 15/09

BOEING
737-600/700/800/900
PARTS CATALOG (MAINTENANCE)

FIG ITEM	PART NUMBER	1 2 3 4 5 6 7	NOMENCLATURE	EFFECT FROM TO	UNITS PER ASSY
1	50 D20011-01		.SWITCH-PUSH BUTTON SUPPLIER CODE: V81640 ELECTRICAL EQUIP NUMBER: S00032	037200 968999	1
	55 233A3313-2		.DIODE ASSY	037200 968999	1
	60 2-320572-2		..TERMINAL SUPPLIER CODE: V00779 SPECIFICATION NUMBER: BACT12AR226	037200 968999	1
	65 51863-6		..TERMINAL SUPPLIER CODE: V00779 SPECIFICATION NUMBER: BACT12AR222	037200 968999	1
	70 1N4754A		..DIODE	037200 968999	1

MISSING ITEM NUMBERS NOT APPLICABLE

— ITEM NOT ILLUSTRATED

HAP

23-43-52-01

BOEING PROPRIETARY - Copyright © - Unpublished Work - See title page for details.

23-43-52
FIG. 01
PAGE 3
OCT 15/08