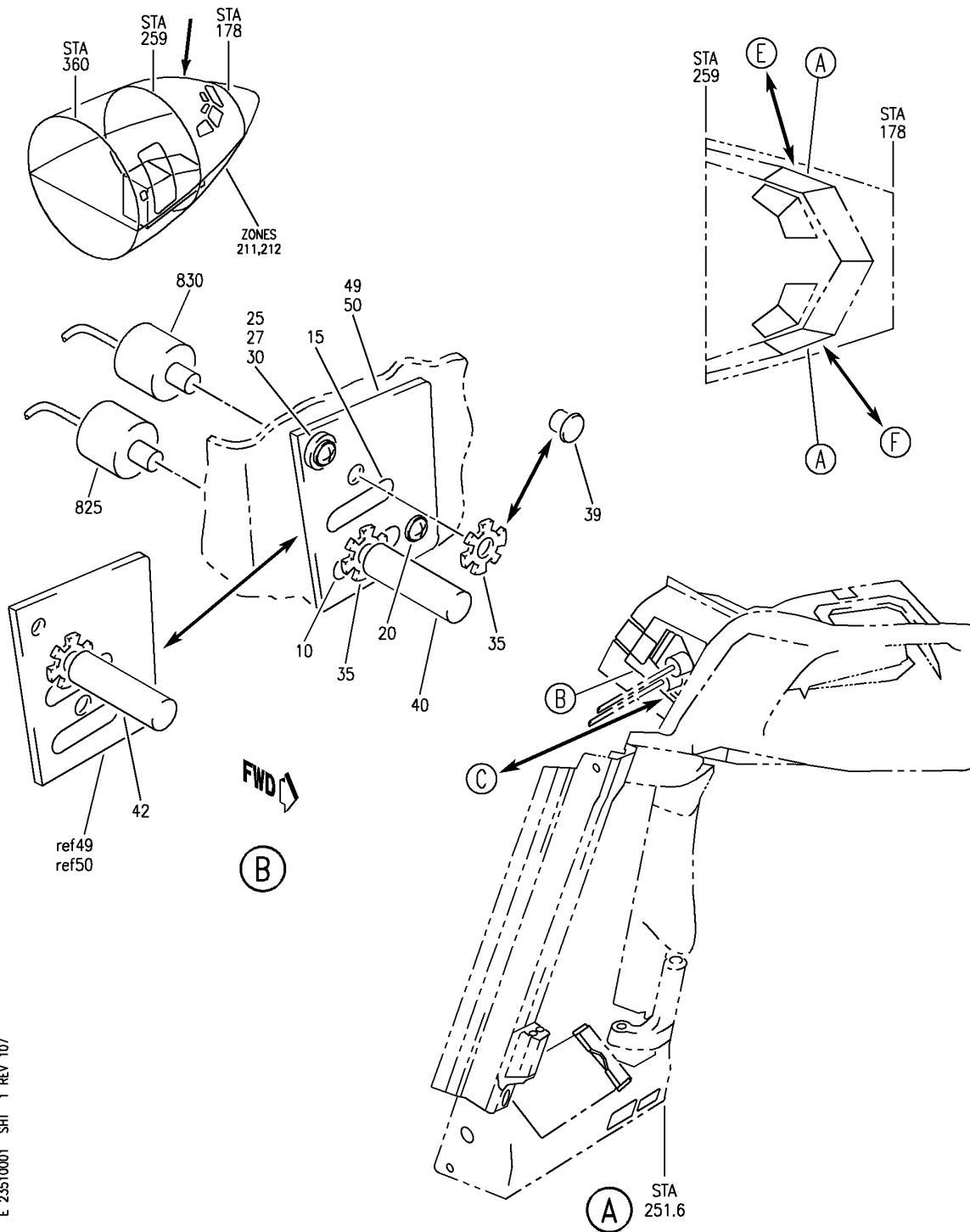


FLIGHT INTERPHONE SYSTEM

HAP
OCT 10/06

23-51-00
SECTION TITLE
PAGE 1

BOEING
 737-600/700/800/900
 PARTS CATALOG (MAINTENANCE)



E 23510001 SHT 1 REV 107

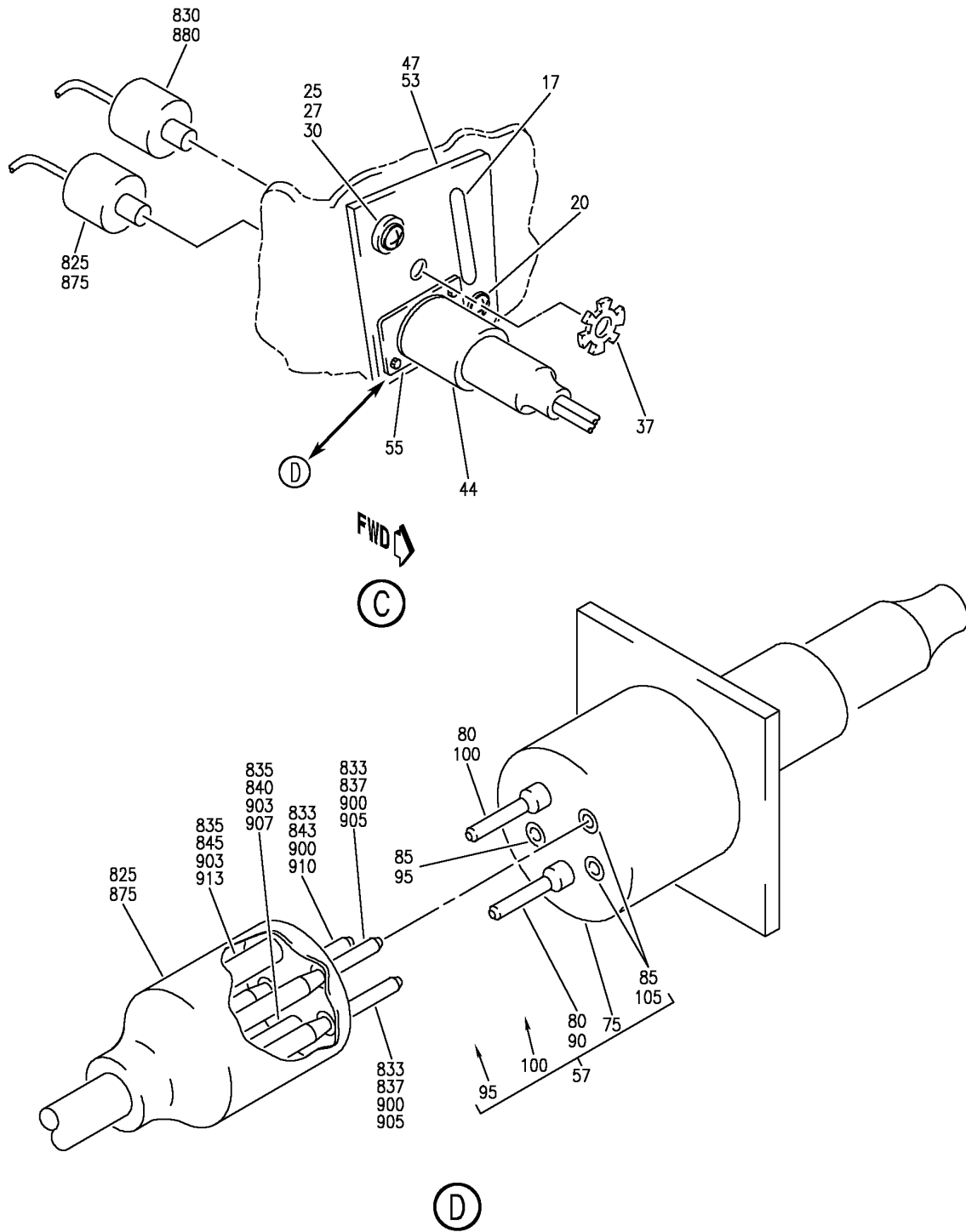
INTERPHONE AND JACK INSTL-CONT CAB. CAPT AND FIRST OFFICER HEADSET/BOOM MIC
 FIGURE 1 (SHEET 1)

HAP
 OCT 10/06

23-51-00-01

23-51-00-01
 PAGE 0


BOEING
 737-600/700/800/900
PARTS CATALOG (MAINTENANCE)



E 23510001 SH1 2 REV 090

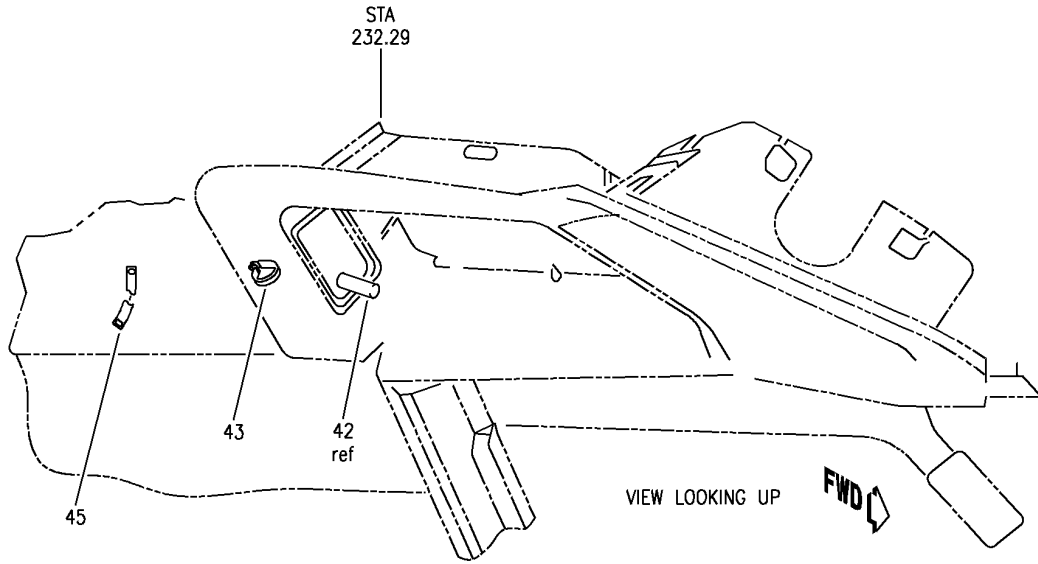
INTERPHONE AND JACK INSTL-CONT CAB. CAPT AND FIRST OFFICER HEADSET/BOOM MIC
FIGURE 1 (SHEET 2)

23-51-00-01

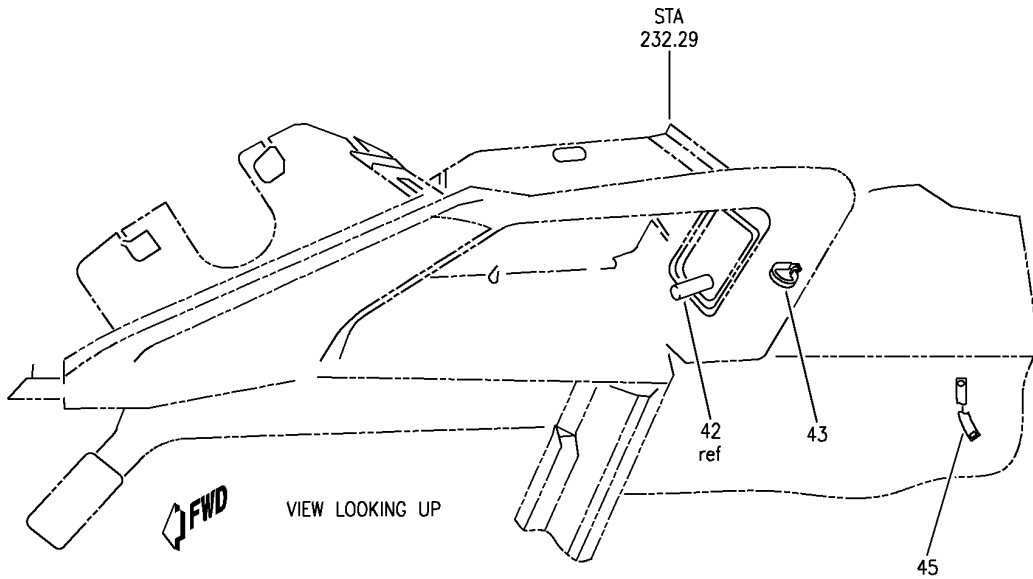
HAP
OCT 10/06

23-51-00-01
PAGE 0A

BOEING
 737-600/700/800/900
 PARTS CATALOG (MAINTENANCE)



(E)



(F)

E 23510001 SH1 3 REV 107

INTERPHONE AND JACK INSTL-CONT CAB. CAPT AND FIRST OFFICER HEADSET/BOOM MIC
 FIGURE 1 (SHEET 3)

HAP
 OCT 10/06

23-51-00-01

23-51-00-01
 PAGE 0B

 **BOEING**
737-600/700/800/900
PARTS CATALOG (MAINTENANCE)

FIG ITEM	PART NUMBER	1 2 3 4 5 6 7	NOMENCLATURE	EFFECT FROM TO	UNITS PER ASSY
1			INTERPHONE AND JACK INSTL-CONT CAB. CAPT AND FIRST OFFICER HEADSET/BOOM MIC	001030 201967	
- 1	232A4400-1		INTERPHONE INSTL-CONT CAB. CAPT-HEADSET/BOOMMIKE FOR NHA SEE: 23-50-00-01B 23-50-00-01C	001001 006007 201967	RF
- 1	232A4400-35		INTERPHONE INSTL-CONT CAB. CAPT-HEADSET/BOOM MIC FOR NHA SEE: 23-50-00-01C	002005 008009	RF
- 1	232A4400-63		INTERPHONE INSTL-CONT CAB. CAPT-HEADSET/BOOM MIC FOR NHA SEE: 23-50-00-01C	010011	RF
- 1	232A4400-202		INTERPHONE INSTL-CONT CAB. CAPT-HEADSET/BOOM MIC FOR NHA SEE: 23-50-00-01C	012019	RF
- 1	232A4400-205		INTERPHONE INSTL-CONT CAB. CAPT-HEADSET/BOOM MIC FOR NHA SEE: 23-50-00-01C	020030	RF
- 5	232A4400-2		INTERPHONE INSTL-CONT CAB. FIRST OFFICER-HEADSET/BOOMMIKE FOR NHA SEE: 23-50-00-01B 23-50-00-01C	001001 006007 201967	RF
- 5	232A4400-49		INTERPHONE INSTL-CONT CAB. FIRST OFFICER-HEADSET/BOOM MIC FOR NHA SEE: 23-50-00-01C	002005 008009	RF
- 5	232A4400-64		INTERPHONE INSTL-CONT CAB. FIRST OFFICER-HEADSET/BOOM MIC FOR NHA SEE: 23-50-00-01C	010011	RF
- 5	232A4400-252		INTERPHONE INSTL-CONT CAB. FIRST OFFICER-HEADSET BOOM MIC FOR NHA SEE: 23-50-00-01C	012030	RF
10	BAC27DCC2774		.MARKER- PLACARD CONTENT: BOOM MIKE	001001 006007 201967	1

MISSING ITEM NUMBERS NOT APPLICABLE

- ITEM NOT ILLUSTRATED

HAP

23-51-00-01

BOEING PROPRIETARY - Copyright © - Unpublished Work - See title page for details.

23-51-00
FIG. 01
PAGE 1
OCT 15/08

BOEING
737-600/700/800/900
PARTS CATALOG (MAINTENANCE)

FIG ITEM	PART NUMBER	1 2 3 4 5 6 7	NOMENCLATURE	EFFECT FROM TO	UNITS PER ASSY
1	15 BAC27DCC2775		.MARKER- PLACARD CONTENT: HEAD PHONE	001001 006007 201967	1
	17 BAC27DCC2985		.MARKER- PLACARD CONTENT: BOOM MIC HEADPHONE USED ON: 232A4400-31 232A4400-35 232A4400-63 232A4400-203 232A4400-202 232A4400-204	002005 008019	1
	17 BAC27DCC2986		.MARKER- PLACARD CONTENT: HEADPHONE BOOM MIC USED ON: 232A4400-205 232A4400-206 232A4400-207	020030	1
-	18 BAC27DCC2985		.MARKER- PLACARD CONTENT: BOOM MIC HEADPHONE USED ON: 232A4400-252 232A4400-253 232A4400-254	012030	1
-	18 BAC27DCC2986		.MARKER- PLACARD CONTENT: HEADPHONE BOOM MIC USED ON: 232A4400-45 232A4400-49 232A4400-64	002005 008011	1
	20 WHS8C7TPKL10GY		.SCREW- SUPPLIER CODE: V12324 OPTIONAL PART: BACS12FA08K7	001030 201967	1
	20 BACS12FA08K7		.SCREW- OPTIONAL PART: WHS8C7TPKL10GY V12324	001030 201967	1

MISSING ITEM NUMBERS NOT APPLICABLE

- ITEM NOT ILLUSTRATED

HAP

23-51-00-01

BOEING PROPRIETARY - Copyright © - Unpublished Work - See title page for details.

23-51-00
FIG. 01
PAGE 2
OCT 15/08

BOEING
737-600/700/800/900
PARTS CATALOG (MAINTENANCE)

FIG ITEM	PART NUMBER	1 2 3 4 5 6 7	NOMENCLATURE	EFFECT FROM TO	UNITS PER ASSY
1	25 WHS8C9TPKL10GY	. SCREW-	SUPPLIER CODE: V12324 OPTIONAL PART: BACS12FA08K10GR USED ON: 232A4400-1 232A4400-2 232A4400-61 232A4400-62	001001 006007 201967	1
	25 BACS12FA08K10GR	. SCREW-	OPTIONAL PART: WHS8C9TPKL10GY V12324 USED ON: 232A4400-1 232A4400-2 232A4400-61 232A4400-62	001001 006007 201967	1
	25 WHS8C9TPKL10GY	. SCREW-	SUPPLIER CODE: V12324 OPTIONAL PART: BACS12FA08K10GR USED ON: 232A4400-31 232A4400-35 232A4400-63 232A4400-203 232A4400-202 232A4400-204	002005 008019	1
	25 BACS12FA08K10GR	. SCREW-	OPTIONAL PART: WHS8C9TPKL10GY V12324 USED ON: 232A4400-31 232A4400-35 232A4400-63 232A4400-203 232A4400-202 232A4400-204	002005 008019	1

MISSING ITEM NUMBERS NOT APPLICABLE

— ITEM NOT ILLUSTRATED

HAP

23-51-00-01

BOEING PROPRIETARY - Copyright © - Unpublished Work - See title page for details.

23-51-00
FIG. 01
PAGE 3
OCT 15/08

BOEING
737-600/700/800/900
PARTS CATALOG (MAINTENANCE)

FIG ITEM	PART NUMBER	1 2 3 4 5 6 7	NOMENCLATURE	EFFECT FROM TO	UNITS PER ASSY
1	25	WHS8C9TPKL10GY	.SCREW- SUPPLIER CODE: V12324 OPTIONAL PART: BACS12FA08K10 USED ON: 232A4400-201 232A4400-205 232A4400-206 232A4400-207	020030	1
	25	BACS12FA08K10	.SCREW- OPTIONAL PART: WHS8C9TPKL10GY V12324 USED ON: 232A4400-201 232A4400-205 232A4400-206 232A4400-207	020030	1
	27	WHS8C9TPKL10GY	.SCREW- SUPPLIER CODE: V12324 OPTIONAL PART: BACS12FA08K10 USED ON: 232A4400-45 232A4400-49 232A4400-251 232A4400-252	012030	1
	27	BACS12FA08K10	.SCREW- OPTIONAL PART: WHS8C9TPKL10GY V12324 USED ON: 232A4400-45 232A4400-49 232A4400-251 232A4400-252	012030	1
	30	BACW10P295L	.WASHER-	001030 201967	1
	30	BACW10P295L	.WASHER- USED ON: 232A4400-202 232A4400-203 232A4400-204	012019	1

MISSING ITEM NUMBERS NOT APPLICABLE

— ITEM NOT ILLUSTRATED

HAP

23-51-00-01

BOEING PROPRIETARY - Copyright © - Unpublished Work - See title page for details.

23-51-00
FIG. 01
PAGE 4
OCT 15/08

 **BOEING**
737-600/700/800/900
PARTS CATALOG (MAINTENANCE)

FIG ITEM	PART NUMBER	1 2 3 4 5 6 7	NOMENCLATURE	EFFECT FROM TO	UNITS PER ASSY
1					
35	BACW10CR6		.WASHER- USED ON: 232A4400-1 232A4400-61 232A4400-201 232A4400-2 232A4400-62 232A4400-251	001001 006007 201967	2
37	BACW10CR6		.WASHER- USED ON: 232A4400-31 232A4400-35 232A4400-202 232A4400-205 232A4400-206 232A4400-45 232A4400-49 232A4400-252 232A4400-253	002005 008009 012030	1
39	SS48192		.PLUG SUPPLIER CODE: V83058 SPECIFICATION NUMBER: BACP20B6	010011	1
40	64000-102		.HEADSET- SUPPLIER CODE: V28856	201967	1
40	HME45KA		.HEADSET- SUPPLIER CODE: V28856	201967	1
44	045-230-325		.HEADSET- SUPPLIER CODE: VD8114	002005 008011	1
47	232A4280-14		.COVER- USED ON: 232A4400-31 232A4400-35 232A4400-63 232A4400-202 232A4400-203 232A4400-204 232A4400-205 232A4400-206	002005 008030	1
49	232A4280-1		.COVER- USED ON: 232A4400-1 232A4400-61 232A4400-201	001001 006007 201967	1

MISSING ITEM NUMBERS NOT APPLICABLE

— ITEM NOT ILLUSTRATED

HAP

23-51-00-01

BOEING PROPRIETARY - Copyright © - Unpublished Work - See title page for details.

23-51-00
FIG. 01
PAGE 5
OCT 15/08

BOEING
737-600/700/800/900
PARTS CATALOG (MAINTENANCE)

FIG ITEM	PART NUMBER	1 2 3 4 5 6 7	NOMENCLATURE	EFFECT FROM TO	UNITS PER ASSY
1					
50	232A4280-2		.COVER- USED ON: 232A4400-2 232A4400-62 232A4400-251	001001 006007 201967	1
53	232A4280-17		.COVER- USED ON: 232A4400-45 232A4400-49 232A4400-64 232A4400-252 232A4400-253 232A4400-254	002005 008030	1
57	66-16842-19		.JACK ASSY- ELECTRICAL EQUIP NUMBER: D06027 D06029 ATTACHING PARTS	002005 008030	1
- 60	NAS514P440-6		.SCREW	002005 008030	2
- 65	BACW10BP2NDP		.WASHER-	002005 008030	2
- 70	BRH10C04D		.NUT SUPPLIER CODE: V52828 SPECIFICATION NUMBER: BACN10JC04CD OPTIONAL PART: H51650-04BAC V15653 102LH9075-40W V72962 NS202486-40 V80539 T6C440JCD V11815 -----*-----	002005 008030	2
75	XLR5-31		..JACK- SUPPLIER CODE: V71468	002005 008030	1

MISSING ITEM NUMBERS NOT APPLICABLE

- ITEM NOT ILLUSTRATED

HAP

23-51-00-01

BOEING PROPRIETARY - Copyright © - Unpublished Work - See title page for details.

23-51-00
FIG. 01
PAGE 6
FEB 15/09

BOEING
737-600/700/800/900
PARTS CATALOG (MAINTENANCE)

FIG ITEM	PART NUMBER	1 2 3 4 5 6 7	NOMENCLATURE	EFFECT FROM TO	UNITS PER ASSY
1					
80	48-1825-02	..	CONTACT SUPPLIER CODE: V77820 SPECIFICATION NUMBER: BACC47CN2 OPTIONAL PART: ZZL4016-36LT V49367 48-1825-02 V02660 417-1616-902 V92069 LRM16M15F74 V09922	002005 008030	2
85	418-1616-902	..	CONTACT SUPPLIER CODE: V55104 SPECIFICATION NUMBER: BACC47CP2 OPTIONAL PART: ZZL4116-36LT V49367 248-136-1600S02 V77820 LRC16M15F74 V09922	002005 008030	3
90	48-7190	..	CONNECTOR-BLUE SUPPLIER CODE: V02660	002005 008030	1
95	48-7191	..	CONNECTOR-BLUE SUPPLIER CODE: V02660	002005 008030	1
100	48-7190-1	..	CONNECTOR-RED SUPPLIER CODE: V02660	002005 008030	1
100	AIS16P1	..	CONNECTOR-RED SUPPLIER CODE: V05574	002005 008030	1
105	48-7191-1	..	CONNECTOR-RED SUPPLIER CODE: V02660	002005 008030	2
- 801	286A3323-037		WIRE BUNDLE ASSY	008011	RF
- 803	286A3323-068		WIRE BUNDLE ASSY	001007	RF
- 803	286A3323-079		WIRE BUNDLE ASSY	201967	RF
- 805	286A3323-111		WIRE BUNDLE ASSY	012013 015027	RF
- 811	286A3323-179		WIRE BUNDLE ASSY	028030	RF
- 818	286A3323-421		WIRE BUNDLE ASSY	014014	RF

MISSING ITEM NUMBERS NOT APPLICABLE

- ITEM NOT ILLUSTRATED

HAP

23-51-00-01

BOEING PROPRIETARY - Copyright © - Unpublished Work - See title page for details.

23-51-00
FIG. 01
PAGE 7
OCT 15/08

 **BOEING**
737-600/700/800/900
PARTS CATALOG (MAINTENANCE)

FIG ITEM	PART NUMBER	1 2 3 4 5 6 7	NOMENCLATURE	EFFECT FROM TO	UNITS PER ASSY
1 825	2J1869		. JACK-BOOM MIC-CAPT SUPPLIER CODE: V82389 ELECTRICAL EQUIP NUMBER: D06027 WIRING DIAGRAM REF: 235111	201967	1
830	2J1866A		. JACK-HEADPHONE-CAPT SUPPLIER CODE: V82389 ELECTRICAL EQUIP NUMBER: D06031 WIRING DIAGRAM REF: 235111	001030 201967	1
- 853	286A3319-070		WIRE BUNDLE ASSY	201967	RF
- 853	286A3319-075		WIRE BUNDLE ASSY	008011	RF
- 854	286A3319-104		WIRE BUNDLE ASSY	001007	RF
- 855	286A3319-116		WIRE BUNDLE ASSY	012030	RF
875	2J1869		. JACK-BOOM MIC-F/O SUPPLIER CODE: V82389 ELECTRICAL EQUIP NUMBER: D06029 WIRING DIAGRAM REF: 235121	201967	1
880	2J1866A		. JACK-HEADPHONE-F/O SUPPLIER CODE: V82389 ELECTRICAL EQUIP NUMBER: D06033 WIRING DIAGRAM REF: 235121	001030 201967	1

MISSING ITEM NUMBERS NOT APPLICABLE

- ITEM NOT ILLUSTRATED

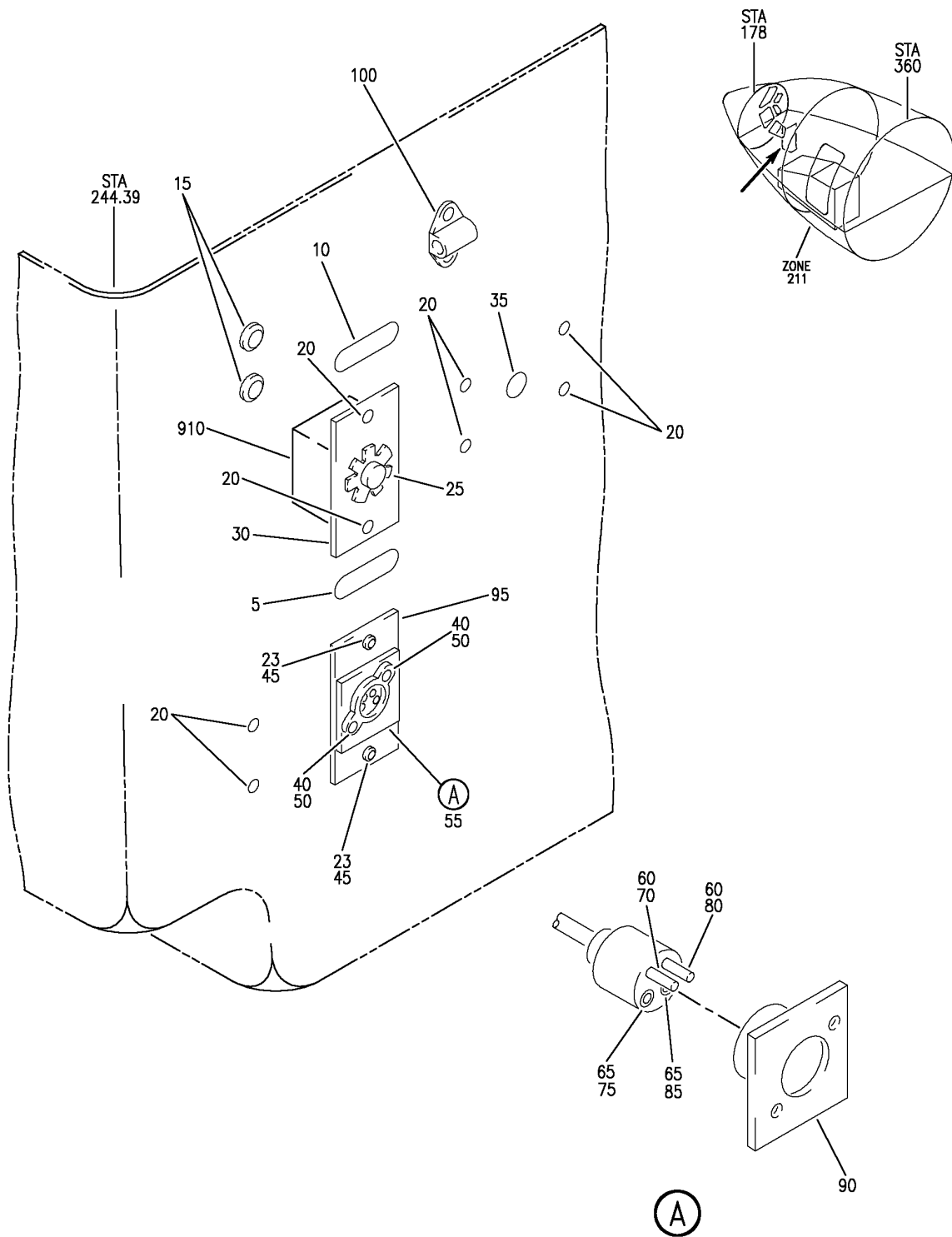
HAP

23-51-00-01

BOEING PROPRIETARY - Copyright © - Unpublished Work - See title page for details.

23-51-00
FIG. 01
PAGE 8
OCT 15/08

BOEING
 737-600/700/800/900
 PARTS CATALOG (MAINTENANCE)



E 23510004 REV 066

INTERPHONE INSTL-CONT CAB. AISLESTAND
 FIGURE 4

23-51-00-04

HAP
 OCT 10/06

23-51-00-04
 PAGE 0

BOEING
737-600/700/800/900
PARTS CATALOG (MAINTENANCE)

FIG ITEM	PART NUMBER	1 2 3 4 5 6 7	NOMENCLATURE	EFFECT FROM TO	UNITS PER ASSY
4			INTERPHONE INSTL-CONT CAB. AISLESTAND	001030 201967	
- 1	232A4400-5		INTERPHONE INSTL-CONT CAB. AISLESTAND FOR NHA SEE: 23-50-00-01B 23-50-00-01C	001030 201967	RF
5	BAC27DCC2780		.MARKER- PLACARD CONTENT: PASS ADDRESS	001030 201967	1
10	BAC27DCC2782		.MARKER- PLACARD CONTENT: INTERPHONE	001030 201967	1
15	WHS10F6TPKL16GY		.SCREW- SUPPLIER CODE: V12324 OPTIONAL PART: BACS12FA3K7	001030 201967	2
15	BACS12FA3K7		.SCREW- OPTIONAL PART: WHS10F6TPKL16GY V12324	001030 201967	2
20	S6C6TPKL16GY		.SCREW- SUPPLIER CODE: V12324	001030 201967	8
25	BACW10CR7		.WASHER	001030 201967	1
30	232A4255-18		.PLATE-JACK	001030 201967	1
35	BACP20B65B		.PLUG	001030 201967	1
40	NAS514P440-6		.SCREW	001030 201967	2
45	S6C6TPKL16GY		.SCREW- SUPPLIER CODE: V12324	001030 201967	2

MISSING ITEM NUMBERS NOT APPLICABLE

- ITEM NOT ILLUSTRATED

HAP

23-51-00-04

BOEING PROPRIETARY - Copyright © - Unpublished Work - See title page for details.

23-51-00
FIG. 04
PAGE 1
OCT 15/08

BOEING
737-600/700/800/900
PARTS CATALOG (MAINTENANCE)

FIG ITEM	PART NUMBER	1 2 3 4 5 6 7	NOMENCLATURE	EFFECT FROM TO	UNITS PER ASSY
4 50	BRH10C04D	.	NUT SUPPLIER CODE: V52828 SPECIFICATION NUMBER: BACN10JC04CD OPTIONAL PART: H51650-04BAC V15653 102LH9075-40W V72962 NS202486-40 V80539 T6C440JCD V11815	001030 201967	2
55	66-16842-15	.	JACK ASSY	001030 201967	1
60	48-1825-02	..	CONTACT SUPPLIER CODE: V77820 SPECIFICATION NUMBER: BACC47CN2 OPTIONAL PART: ZZL4016-36LT V49367 48-1825-02 V02660 417-1616-902 V92069 LRM16M15F74 V09922	001030 201967	2
65	418-1616-902	..	CONTACT-SOCKET SUPPLIER CODE: V55104 SPECIFICATION NUMBER: BACC47CP2T OPTIONAL PART: ZZL4116-36LT V49367 248-136-1600S02 V77820 LRC16M15F74 V09922	001030 201967	2
70	48-7190	..	CONNECTOR-BLUE SUPPLIER CODE: V02660	001030 201967	1
75	48-7191	..	CONNECTOR-BLUE SUPPLIER CODE: V02660	001030 201967	1

MISSING ITEM NUMBERS NOT APPLICABLE

— ITEM NOT ILLUSTRATED

HAP

23-51-00-04

BOEING PROPRIETARY - Copyright © - Unpublished Work - See title page for details.

23-51-00
FIG. 04
PAGE 2
FEB 15/09

BOEING
737-600/700/800/900
PARTS CATALOG (MAINTENANCE)

FIG ITEM	PART NUMBER	1 2 3 4 5 6 7	NOMENCLATURE	EFFECT FROM TO	UNITS PER ASSY
4					
80	48-7190-1	..	CONNECTOR-RED SUPPLIER CODE: V02660	001030 201967	1
80	AIS16P1	..	CONNECTOR-RED SUPPLIER CODE: V05574	001030 201967	1
85	48-7191-1	..	CONNECTOR-RED SUPPLIER CODE: V02660	001030 201967	1
90	XLR4-31	..	JACK- SUPPLIER CODE: V71468	001030 201967	1
90	XLR4-31A176	..	JACK- SUPPLIER CODE: V71468	001030 201967	1
95	232A4255-23	.	PLATE-JACK	001030 201967	1
- 900	286A2307-012		WIRE BUNDLE ASSY	201967	RF
- 900	286A2307-013		WIRE BUNDLE ASSY	001030	RF
910	2J1865A	.	JACK-SVCE CONT STAND SUPPLIER CODE: V82389 ELECTRICAL EQUIP NUMBER: D06019 WIRING DIAGRAM REF: 234212 OPTIONAL PART: BCREFD00032 V82389	001030 201967	1
910	2J1659	.	JACK-SVCE CONT STAND SUPPLIER CODE: V82389 ELECTRICAL EQUIP NUMBER: D06019 WIRING DIAGRAM REF: 234212	001030 201967	1

R
R
R
R
R
R
R
R
R

MISSING ITEM NUMBERS NOT APPLICABLE

- ITEM NOT ILLUSTRATED

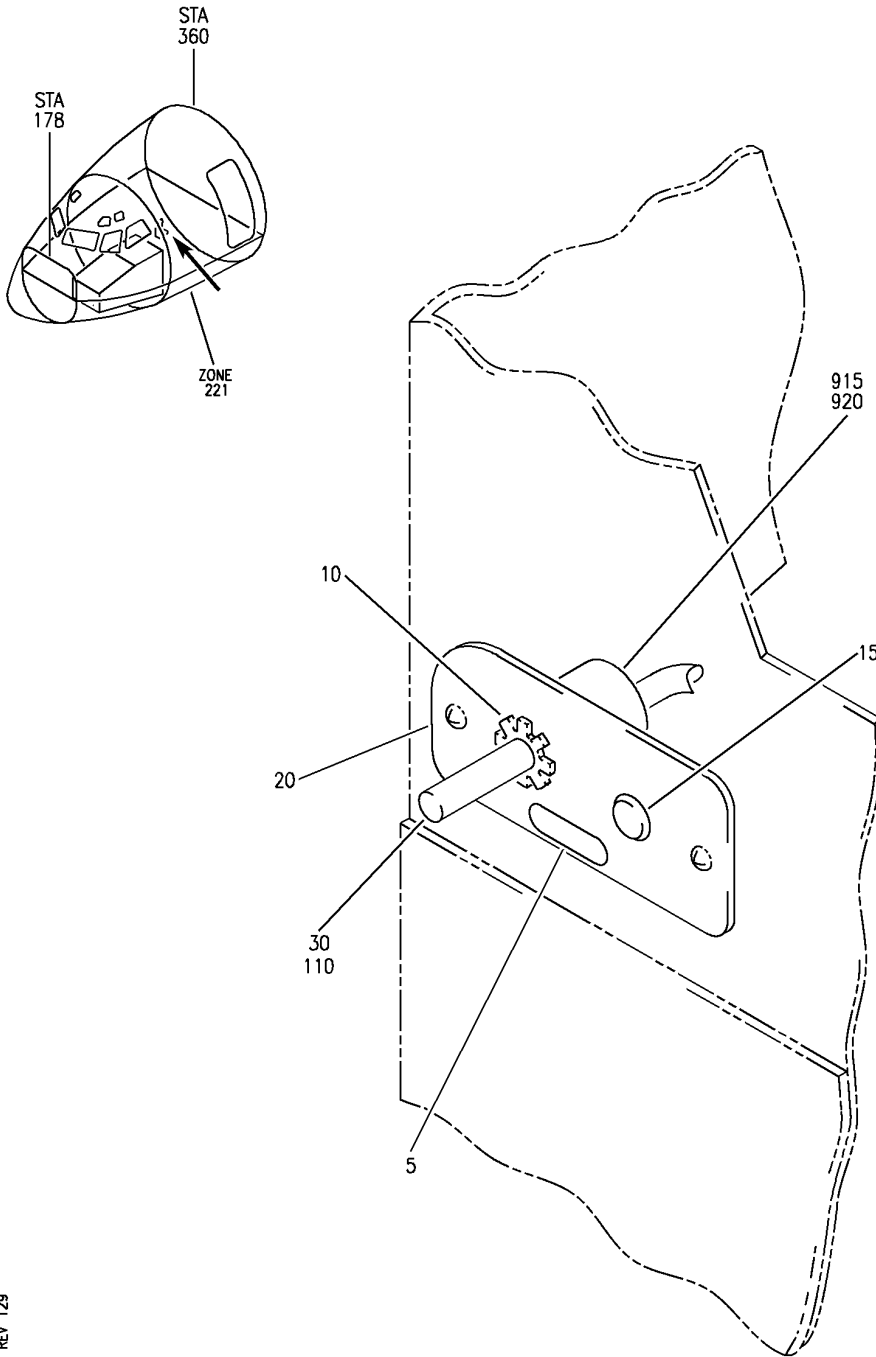
HAP

23-51-00-04

BOEING PROPRIETARY - Copyright © - Unpublished Work - See title page for details.

23-51-00
FIG. 04
PAGE 3
JUN 15/09

BOEING
737-600/700/800/900
PARTS CATALOG (MAINTENANCE)



E 23510005 REV 129

INTERPHONE, HEADPHONE, BOOMMIC HEADSET AND JACK INSTL-SECOND OBSERVER
FIGURE 5

23-51-00-05

HAP
JUN 10/07

23-51-00-05
PAGE 0

BOEING
737-600/700/800/900
PARTS CATALOG (MAINTENANCE)

FIG ITEM	PART NUMBER	1 2 3 4 5 6 7	NOMENCLATURE	EFFECT FROM TO	UNITS PER ASSY
5			INTERPHONE, HEADPHONE, BOOMMIC HEADSET AND JACK INSTL-SECOND OBSERVER	001030 041041 047047 049050 054100 201967	
- 1	232A4400-6		JACK INSTL-SECOND OBSERVER FOR NHA SEE: 23-50-00-01C 23-50-00-01E	001030 201967	RF
- 1	MODREF82021		JACK INSTL-SECOND OBSERVER MODULE NUMBER: 232A4400-6 REV A	041041 047047 049050 054100	1
5	BAC27DCC2776		.MARKER- PLACARD CONTENT: HEAD PHONE	001030 041041 047047 049050 054100 201967	1
10	BACW10CR6		.WASHER	001030 041041 047047 049050 054100 201967	1
15	BACP20B6B		.PLUG-	001030 041041 047047 049050 054100 201967	1
20	232A4280-8		.PLATE-JACK	001030 041041 047047 049050 054100 201967	1
- 25	BACS12FA08K7BK		ATTACHING PARTS .SCREW	001030 041041 047047 049050 054100 201967	2
- 900	286A3327-012		-----*----- WIRE BUNDLE ASSY-	001007	RF
- 901	286A3327-050		WIRE BUNDLE ASSY-	008011	RF
- 901	286A3327-058		WIRE BUNDLE ASSY	201967	RF

MISSING ITEM NUMBERS NOT APPLICABLE

- ITEM NOT ILLUSTRATED

HAP

23-51-00-05

BOEING PROPRIETARY - Copyright © - Unpublished Work - See title page for details.

23-51-00
FIG. 05
PAGE 1
FEB 15/09

BOEING
737-600/700/800/900
PARTS CATALOG (MAINTENANCE)

FIG ITEM	PART NUMBER	1 2 3 4 5 6 7	NOMENCLATURE	EFFECT FROM TO	UNITS PER ASSY
5					
- 903	286A3327-107		WIRE BUNDLE ASSY-	012022	RF
- 905	286A3327-155		WIRE BUNDLE ASSY-	023030	RF
- 910	286A3327-348		WIRE BUNDLE ASSY	041041	RF
				047047	
				049050	
				054100	
920	2J1866A		.JACK-SECOND OBSERVER	001030	1
			HEAD PHONE	041041	
			SUPPLIER CODE:	047047	
			V82389	049050	
			ELECTRICAL EQUIP NUMBER:	054100	
			D06037	201967	
			WIRING DIAGRAM REF:		
			235131		

MISSING ITEM NUMBERS NOT APPLICABLE

- ITEM NOT ILLUSTRATED

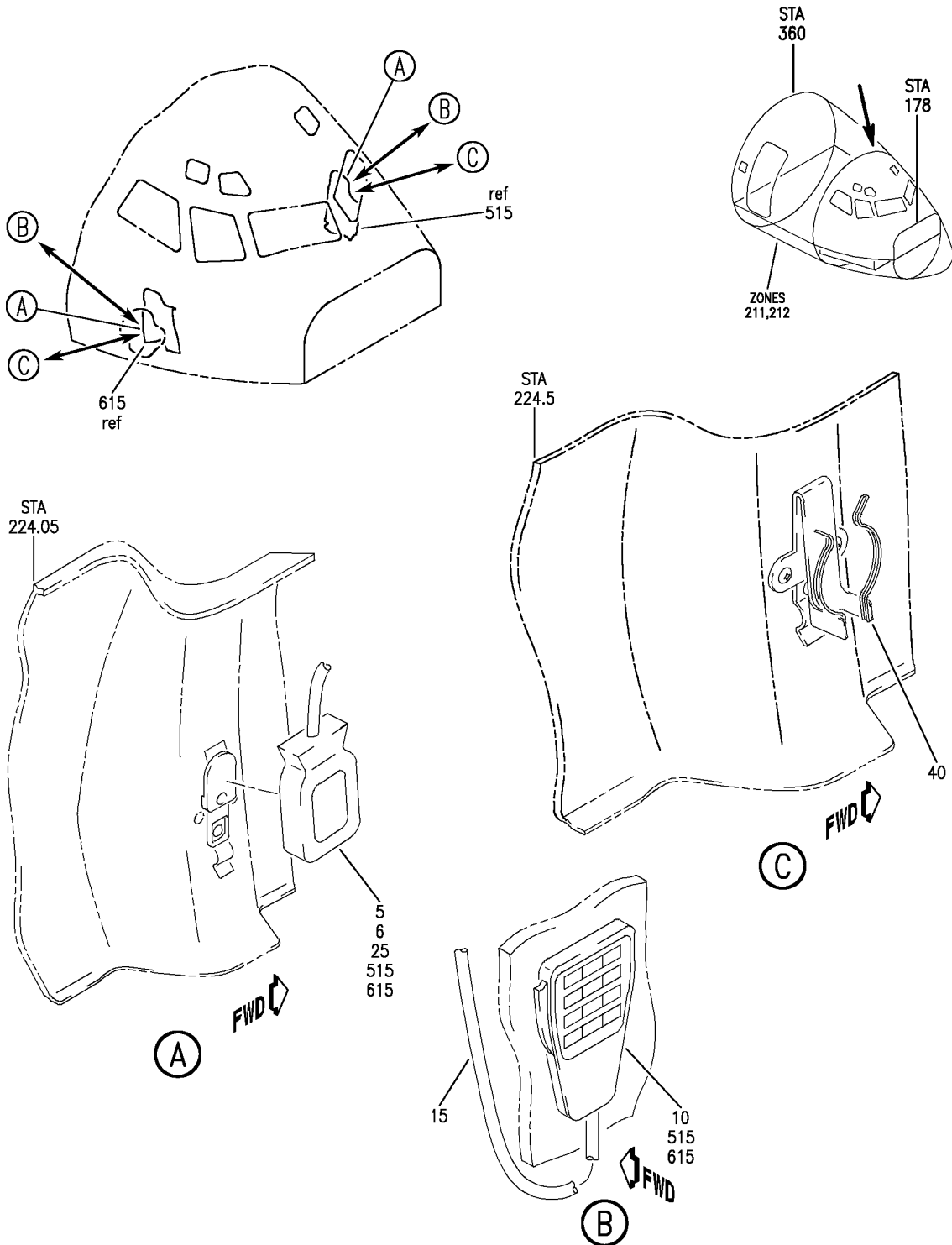
HAP

23-51-00-05

BOEING PROPRIETARY - Copyright © - Unpublished Work - See title page for details.

23-51-00
FIG. 05
PAGE 2
FEB 15/09

BOEING
 737-600/700/800/900
 PARTS CATALOG (MAINTENANCE)



E 23510009 REV 111

INTERPHONE INSTL- CAPT AND FIRST OFFICER HAND MIC CONT CAB.
 FIGURE 9

23-51-00-09

HAP
 OCT 10/07

23-51-00-09
 PAGE 0

BOEING
737-600/700/800/900
PARTS CATALOG (MAINTENANCE)

FIG ITEM	PART NUMBER	1 2 3 4 5 6 7	NOMENCLATURE	EFFECT FROM TO	UNITS PER ASSY
9			INTERPHONE INSTL- CAPT AND FIRST OFFICER HAND MIC CONT CAB.	012020 050050 053053	
- 1	232A4400-651		INTERPHONE INSTL-CONT CAB. CAPT AND FIRST OFFICER HAND MICS FOR NHA SEE: 23-50-00-01C	012020	RF
- 2	MODREF104134		INTERPHONE INSTL-CONT CAB. CAPT AND FIRST OFFICER HAND MICS MODULE NUMBER: 232A4400-655 REV B	050050 053053	1
5	85-13-06011		.MICROPHONE-HAND (CUSTOMER FURNISHED) SUPPLIER CODE: VD9240 OPTIONAL PART: 85-13-06011-01 VD9240	012020	2
5	85-13-06011-01		.MICROPHONE-HAND (CUSTOMER FURNISHED) SUPPLIER CODE: VD9240 OPTIONAL PART: 85-13-06011 VD9240	012020	2
5	602-4183		.MICROPHONE-HAND SUPPLIER CODE: V81134 QUALIFIED I/W DATA: 602TR4183 IS I/W 602-4183 SUBJECT TO CUSTOMER PREFERENCE 602-3225 I/W 602-4183 SUBJECT TO CUSTOMER PREFERENCE	050050 053053	2
5	903-1341		.MICROPHONE- SUPPLIER CODE: V81134	050050 053053	2
- 500	286A3323-111		WIRE BUNDLE ASSY	012013 015020	RF
- 508	286A3323-421		WIRE BUNDLE ASSY	014014	RF

MISSING ITEM NUMBERS NOT APPLICABLE

- ITEM NOT ILLUSTRATED

HAP

23-51-00-09

BOEING PROPRIETARY - Copyright © - Unpublished Work - See title page for details.

23-51-00
FIG. 09
PAGE 1
FEB 15/09

BOEING
737-600/700/800/900
PARTS CATALOG (MAINTENANCE)

FIG ITEM	PART NUMBER	1 2 3 4 5 6 7	NOMENCLATURE	EFFECT FROM TO	UNITS PER ASSY
9 515	2J1869		.JACK- SUPPLIER CODE: V82389 ELECTRICAL EQUIP NUMBER: D06041 WIRING DIAGRAM REF: 235111	012020	1
- 600 615	286A3319-116 2J1869		WIRE BUNDLE ASSY .JACK- SUPPLIER CODE: V82389 ELECTRICAL EQUIP NUMBER: D06043 WIRING DIAGRAM REF: 235121	012020 012020	RF 1

MISSING ITEM NUMBERS NOT APPLICABLE

- ITEM NOT ILLUSTRATED

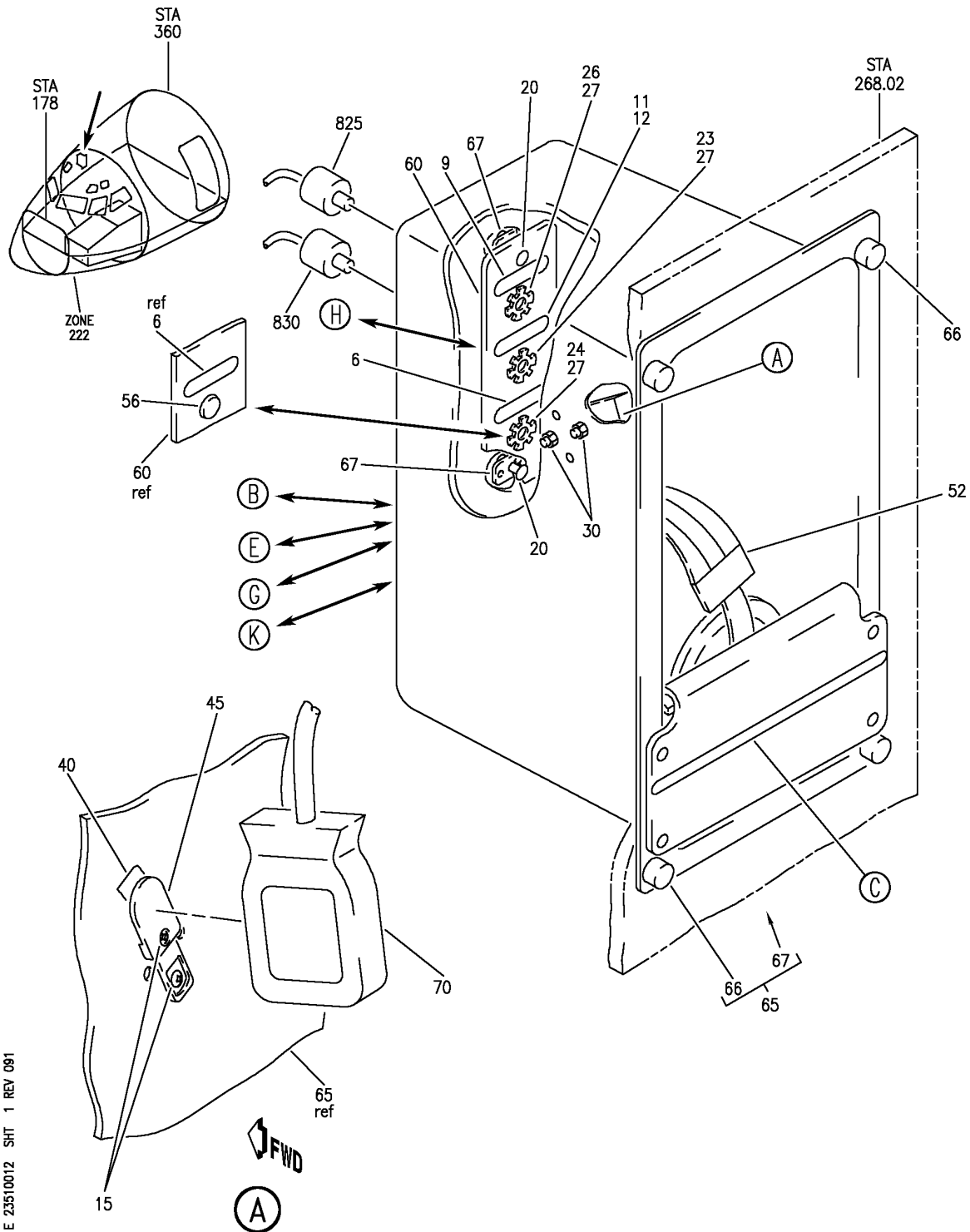
HAP

23-51-00-09

BOEING PROPRIETARY - Copyright © - Unpublished Work - See title page for details.

23-51-00
FIG. 09
PAGE 2
FEB 15/09

BOEING
 737-600/700/800/900
 PARTS CATALOG (MAINTENANCE)



E 23510012 SHT 1 REV 091

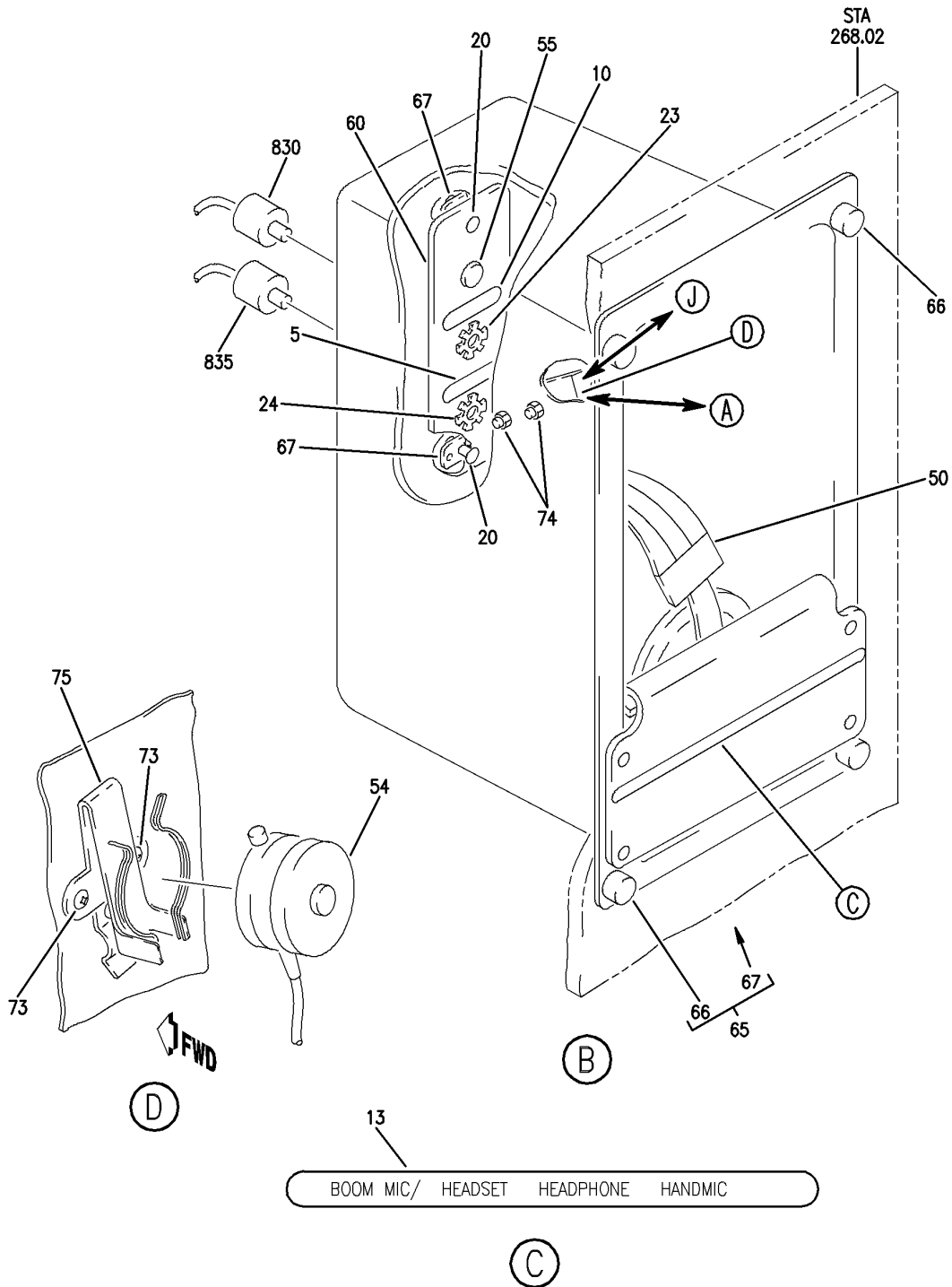
INTERPHONE, HEADSET, HEADPHONE AND MICROPHONE INSTL-CONT CAB. FIRST OBSRVER
 FIGURE 12 (SHEET 1)

HAP
 OCT 15/08

23-51-00-12

23-51-00-12
 PAGE 0

BOEING
 737-600/700/800/900
 PARTS CATALOG (MAINTENANCE)



E 23510012 SHT 2 REV 063

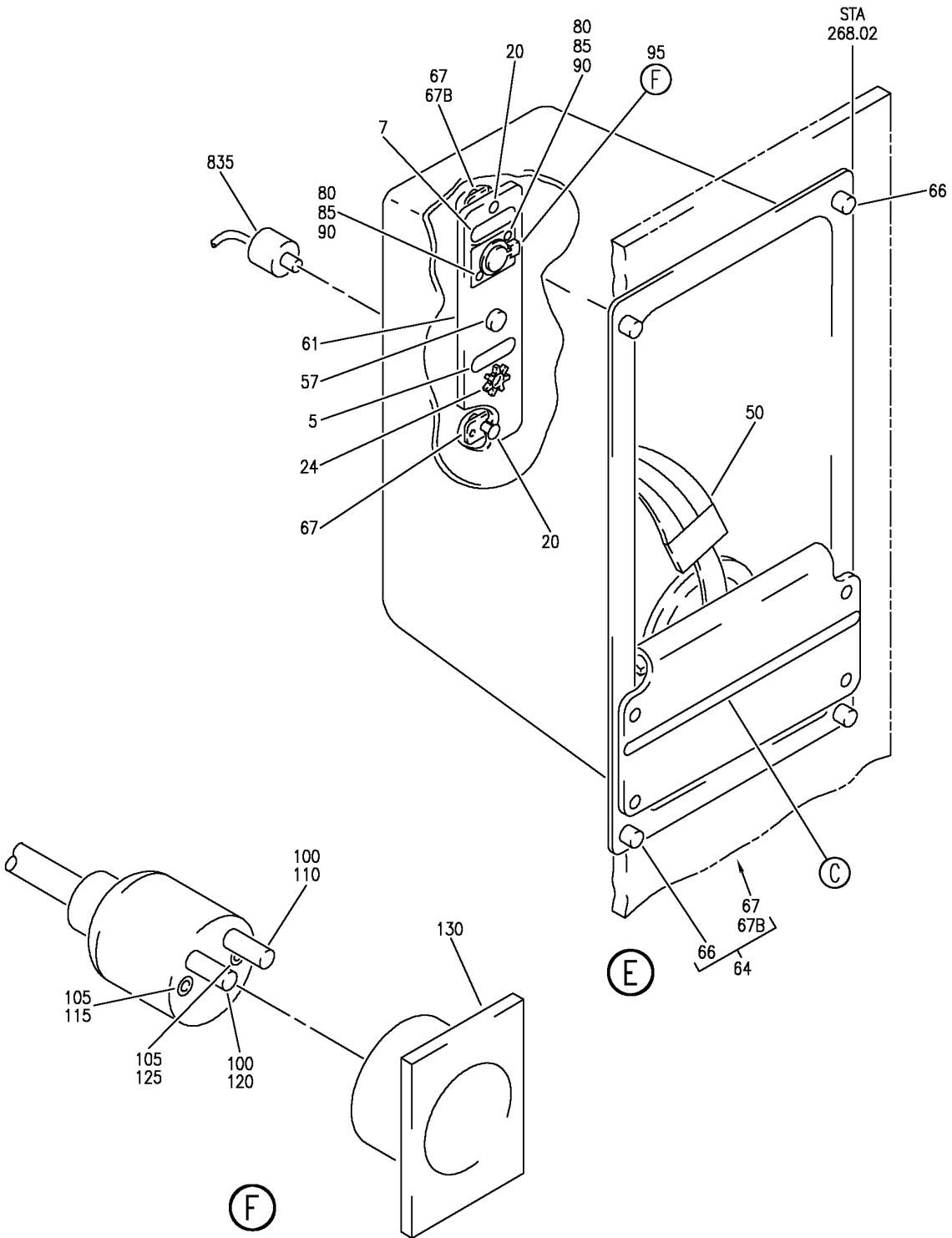
INTERPHONE, HEADSET, HEADPHONE AND MICROPHONE INSTL-CONT CAB. FIRST OBSRVER
 FIGURE 12 (SHEET 2)

23-51-00-12

HAP
 OCT 15/08

23-51-00-12
 PAGE 0A

BOEING
 737-600/700/800/900
 PARTS CATALOG (MAINTENANCE)



E 23510012 SHT 3 REV 081

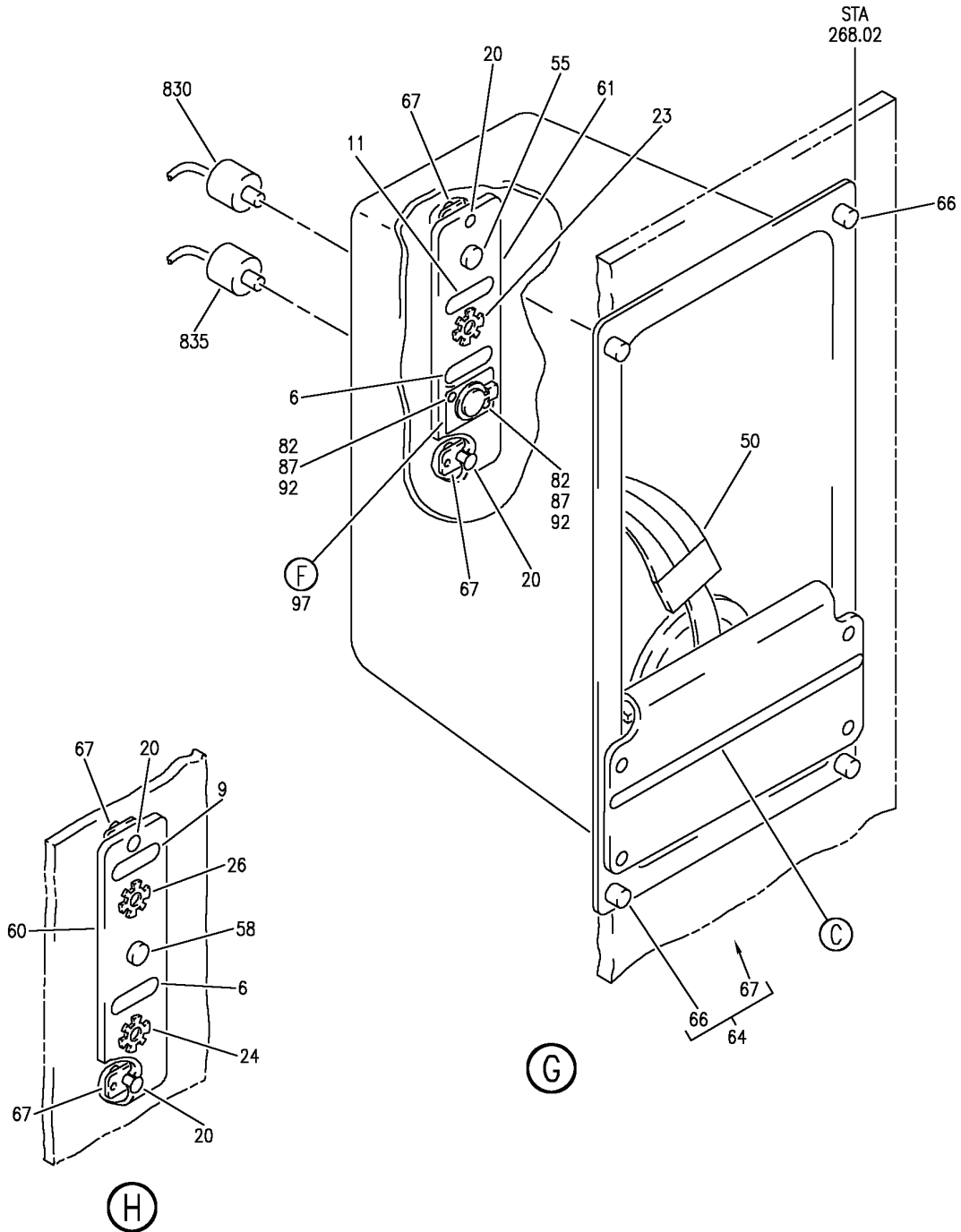
INTERPHONE, HEADSET, HEADPHONE AND MICROPHONE INSTL-CONT CAB. FIRST OBSRVER
 FIGURE 12 (SHEET 3)

HAP
 OCT 15/08

23-51-00-12

23-51-00-12
 PAGE 0B

BOEING
 737-600/700/800/900
 PARTS CATALOG (MAINTENANCE)



E 23510012 SH1 4 REV 081

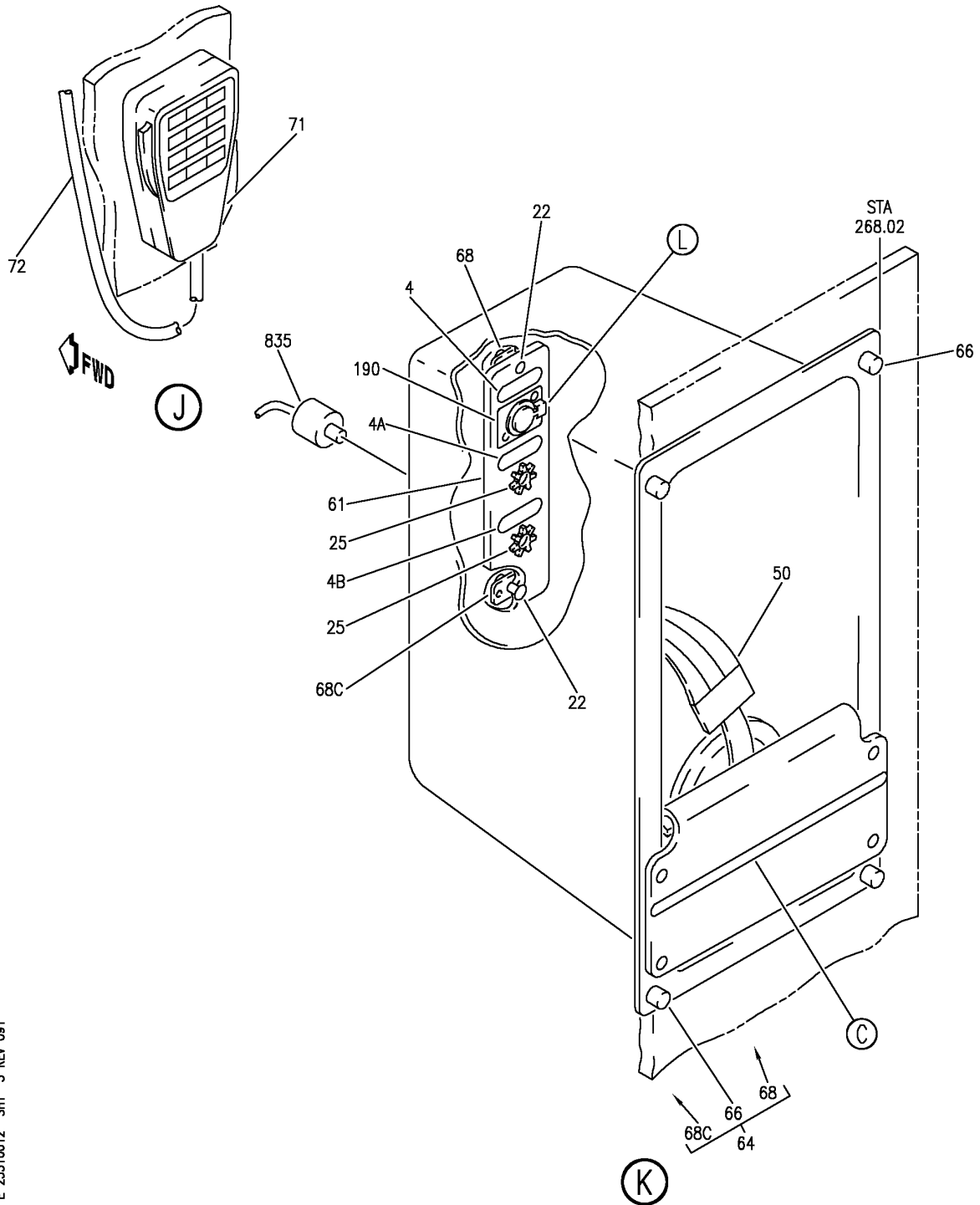
INTERPHONE, HEADSET, HEADPHONE AND MICROPHONE INSTL-CONT CAB. FIRST OBSRVER
 FIGURE 12 (SHEET 4)

HAP
 OCT 15/08

23-51-00-12

23-51-00-12
 PAGE 0C

BOEING
 737-600/700/800/900
 PARTS CATALOG (MAINTENANCE)



E 23510012 SHT 5 REV 091

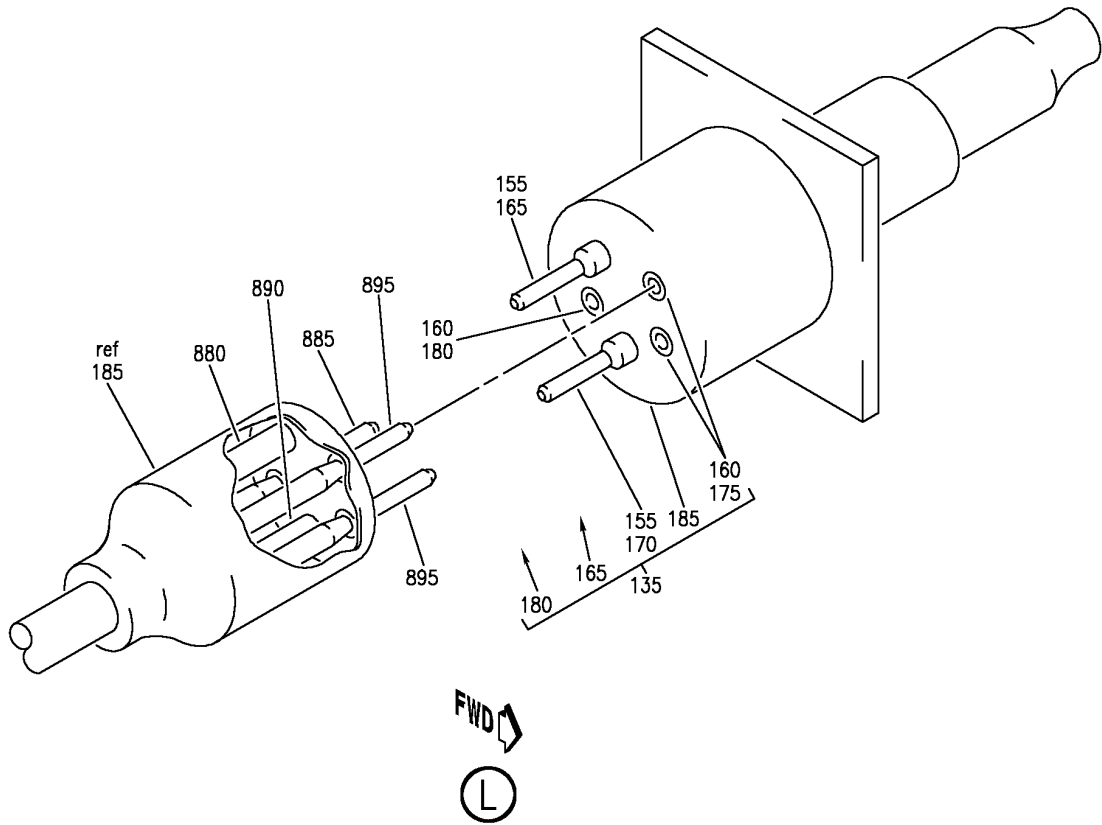
INTERPHONE, HEADSET, HEADPHONE AND MICROPHONE INSTL-CONT CAB. FIRST OBSRVER
 FIGURE 12 (SHEET 5)

HAP
 OCT 15/08

23-51-00-12

23-51-00-12
 PAGE 0D

BOEING
 737-600/700/800/900
 PARTS CATALOG (MAINTENANCE)



E 23510012 SH1 6 REV 091

INTERPHONE, HEADSET, HEADPHONE AND MICROPHONE INSTL-CONT CAB. FIRST OBSRVER
 FIGURE 12 (SHEET 6)

HAP
 OCT 15/08

23-51-00-12

23-51-00-12
 PAGE 0E

BOEING
737-600/700/800/900
PARTS CATALOG (MAINTENANCE)

FIG ITEM	PART NUMBER	1 2 3 4 5 6 7	NOMENCLATURE	EFFECT FROM TO	UNITS PER ASSY
12			INTERPHONE, HEADSET, HEADPHONE AND MICROPHONE INSTL-CONT CAB. FIRST OBSRVER	201967	
- 1	232A4400-14		INTERPHONE INSTL-CONT CAB. FIRST OBSERVER HEADSET AND HAND MIC FOR NHA SEE: 23-50-00-01B	201967	RF
5	BAC27DCC2777		.MARKER- PLACARD CONTENT: HEAD PHONE	201967	1
10	BAC27DCC2779		.MARKER- PLACARD CONTENT: HAND MIC	201967	1
13	BAC27DCC3002		.MARKER- PLACARD CONTENT: BOOM MIC/ HEADSET HEADPHONE HANDMIC OPTIONAL PART: BAC27TFDE0031	201967	1
13	BAC27TFDE0031		.MARKER- PLACARD CONTENT: BOOM MIC/ HEADSET HEADPHONE HANDMIC OPTIONAL PART: BAC27DCC3002	201967	1
15	NAS8201A7		.SCREW	201967	2
20	WHS8C7TPKL26GY		.SCREW- SUPPLIER CODE: V12324 OPTIONAL PART: BACS12FA08K7	201967	2
20	BACS12FA08K7		.SCREW- OPTIONAL PART: WHS8C7TPKL26GY V12324	201967	2
23	BACW10CR6		.WASHER-	201967	1
30	PLH506CD		.NUT SUPPLIER CODE: VF0224 SPECIFICATION NUMBER: BACN10YR06CD OPTIONAL PART: H52732-06CD V15653	201967	2
40	RCS5402-1		.SPRING- SUPPLIER CODE: V08205	201967	1

MISSING ITEM NUMBERS NOT APPLICABLE

- ITEM NOT ILLUSTRATED

HAP

23-51-00-12

BOEING PROPRIETARY - Copyright © - Unpublished Work - See title page for details.

23-51-00
FIG. 12
PAGE 1
FEB 15/09


BOEING
 737-600/700/800/900
PARTS CATALOG (MAINTENANCE)

FIG ITEM	PART NUMBER	1 2 3 4 5 6 7	NOMENCLATURE	EFFECT FROM TO	UNITS PER ASSY
12					
45	8474		.BRACKET- SUPPLIER CODE: V81134	201967	1
50	64060-001		.HEADPHONE- SUPPLIER CODE: V28856 ELECTRICAL EQUIP NUMBER: M00296	201967	1
50	20046-1		.HEADPHONE- SUPPLIER CODE: V78711 ELECTRICAL EQUIP NUMBER: M00296 COMPONENT MAINT MANUAL REF: 23-43-21	201967	1
R	50	64400-000	.HEADPHONE- SUPPLIER CODE: V28856 FUNCTIONAL DESCRIPTION: PROVIDES BACK UP LISTEN ONLY COMMUNICATIONS FOR THE FLIGHT CREW. ELECTRICAL EQUIP NUMBER: M00296	201967	1
R					
R					
R					
R					
R					
R					
R					
50	AST2110BC		.HEADPHONE- SUPPLIER CODE: VK1057 ELECTRICAL EQUIP NUMBER: M00296	201967	1
R	50	64400-200	.HEADPHONE- SUPPLIER CODE: V28856 FUNCTIONAL DESCRIPTION: PROVIDES BACK UP LISTEN ONLY COMMUNICATIONS FOR FLIGHT CREW. ELECTRICAL EQUIP NUMBER: M00296	201967	1
R					
R					
R					
R					
R					
R					
55	BACP20B6B		.PLUG-	201967	1
60	232A4255-3		.PLATE-	201967	1
65	232A4440-1		.BOX ASSY-STOWAGE	201967	1
66	PFSC35-44ASEG		..STUD SUPPLIER CODE: V72794 SPECIFICATION NUMBER: BACS21DX3G	201967	4

MISSING ITEM NUMBERS NOT APPLICABLE

— ITEM NOT ILLUSTRATED

HAP

23-51-00-12

BOEING PROPRIETARY - Copyright © - Unpublished Work - See title page for details.

23-51-00
 FIG. 12
 PAGE 2
 JUN 15/09

BOEING
737-600/700/800/900
PARTS CATALOG (MAINTENANCE)

FIG ITEM	PART NUMBER	1 2 3 4 5 6 7	NOMENCLATURE	EFFECT FROM TO	UNITS PER ASSY
12 67	MF53050-08DL		..NUTPLATE SUPPLIER CODE: V15653 SPECIFICATION NUMBER: BACN10JN08CM OPTIONAL PART: BRFM20C08M V52828 MF1001-08BAC V15653 NS103218SE82 V80539 VN252D82 V92215 109F9201M82 V72962 T8125C08C V11815 ATTACHING PARTS	201967	2
- 67A	BACR15BA3AC		..RIVET- SIZE DETERMINED ON INSTL. -----*-----	201967	4
70	903-1341		.MICROPHONE-HAND SUPPLIER CODE: V81134 ELECTRICAL EQUIP NUMBER: M00245	201967	1
70	602-4183		.MICROPHONE-HAND SUPPLIER CODE: V81134 ELECTRICAL EQUIP NUMBER: M00245 QUALIFIED I/W DATA: 602TR4183 IS I/W 602-4183 SUBJECT TO CUSTOMER PREFERENCE 602-3225 I/W 602-4183 SUBJECT TO CUSTOMER PREFERENCE	201967	1
- 801	286A0041-040		WIRE BUNDLE ASSY	202967	RF
- 802	286A0041-068		WIRE BUNDLE ASSY	201201	RF
830	2J1869		.JACK-HAND MIC FIRST OBSERVER SUPPLIER CODE: V82389 ELECTRICAL EQUIP NUMBER: D06045 WIRING DIAGRAM REF: 235131	201967	1

MISSING ITEM NUMBERS NOT APPLICABLE

- ITEM NOT ILLUSTRATED

HAP

23-51-00-12

BOEING PROPRIETARY - Copyright © - Unpublished Work - See title page for details.

23-51-00
FIG. 12
PAGE 3
OCT 15/08


BOEING
 737-600/700/800/900
PARTS CATALOG (MAINTENANCE)

FIG ITEM	PART NUMBER	1 2 3 4 5 6 7 NOMENCLATURE	EFFECT FROM TO	UNITS PER ASSY
12 835	2J1866A	. JACK-HEADPHONE FIRST OBSERVER SUPPLIER CODE: V82389 ELECTRICAL EQUIP NUMBER: D06035 WIRING DIAGRAM REF: 235131	201967	1

MISSING ITEM NUMBERS NOT APPLICABLE

— ITEM NOT ILLUSTRATED

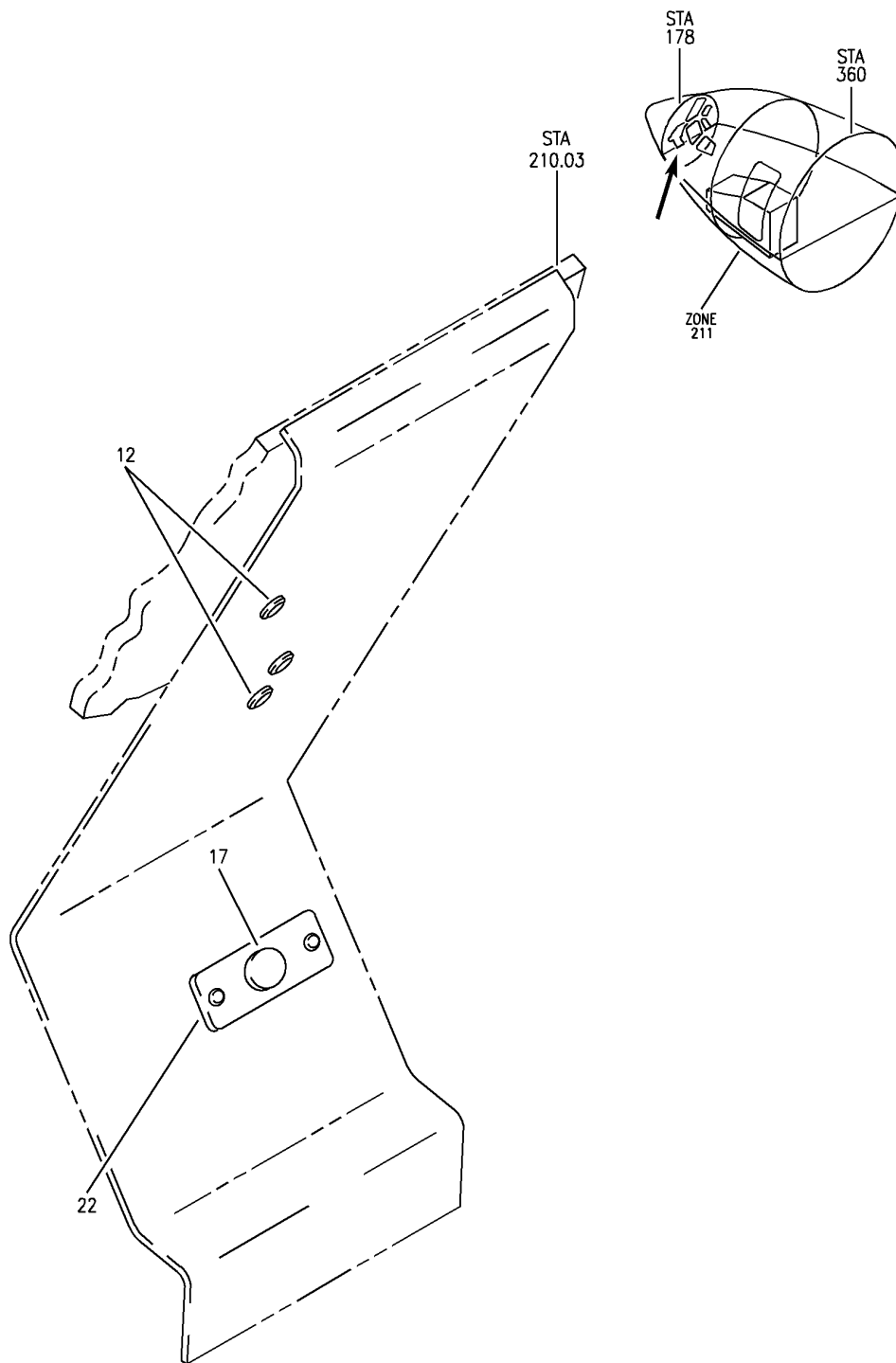
HAP

23-51-00-12

BOEING PROPRIETARY - Copyright © - Unpublished Work - See title page for details.

23-51-00
 FIG. 12
 PAGE 4
 OCT 15/08

BOEING
737-600/700/800/900
PARTS CATALOG (MAINTENANCE)



E 23510013 REV 122

INTERPHONE INSTL-CONT CAB. CAPT HANDMIKE
FIGURE 13

23-51-00-13

HAP
OCT 10/06

23-51-00-13
PAGE 0

BOEING
737-600/700/800/900
PARTS CATALOG (MAINTENANCE)

FIG ITEM	PART NUMBER	1 2 3 4 5 6 7	NOMENCLATURE	EFFECT FROM TO	UNITS PER ASSY
13			INTERPHONE INSTL-CONT CAB. CAPT HANDMIKE	031200 968999	
- 1	MODREF82003		INTERPHONE INSTL-CONT CAB. CAPT HANDMIC MODULE NUMBER: 232A4400-27 REV A	031200 968999	1
12	S6C8TPKL16GY		.SCREW- SUPPLIER CODE: V12324	031200 968999	3
17	BACP20B6B		.PLUG-	031200 968999	1
22	232A4255-28		.PLATE	031200 968999	1
- 25	WHS8C7TPKL16GY		ATTACHING PARTS .SCREW- SUPPLIER CODE: V12324 OPTIONAL PART: BACS12FA08K7	031200 968999	2
- 25	BACS12FA08K7		.SCREW- OPTIONAL PART: WHS8C7TPKL16GY V12324 -----*-----	031200 968999	2

MISSING ITEM NUMBERS NOT APPLICABLE

- ITEM NOT ILLUSTRATED

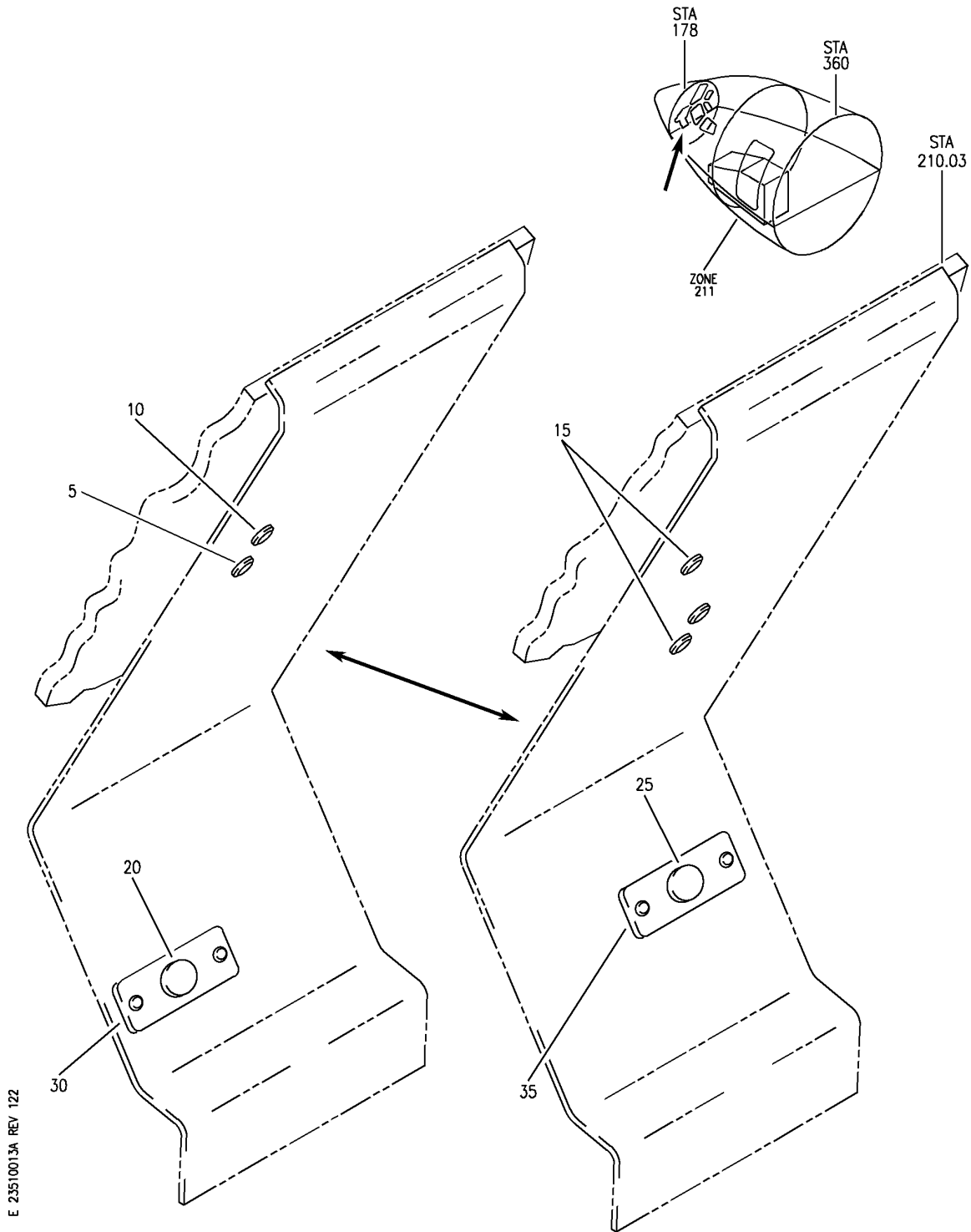
HAP

23-51-00-13

BOEING PROPRIETARY - Copyright © - Unpublished Work - See title page for details.

23-51-00
FIG. 13
PAGE 1
OCT 15/08

BOEING
737-600/700/800/900
PARTS CATALOG (MAINTENANCE)



INTERPHONE INSTL-CONT CAB. CAPT HANDMIKE
FIGURE 13A

23-51-00-13A

HAP
OCT 10/06

23-51-00-13A
PAGE 0

BOEING
737-600/700/800/900
PARTS CATALOG (MAINTENANCE)

FIG ITEM	PART NUMBER	1 2 3 4 5 6 7	NOMENCLATURE	EFFECT FROM TO	UNITS PER ASSY
13A			INTERPHONE INSTL-CONT CAB. CAPT HANDMIKE	001030 201967	
- 1	232A4400-15		INTERPHONE INSTL-CONT CAB. CAPT HANDMIKE FOR NHA SEE: 23-50-00-01C	001001 006007	RF
- 1	232A4400-27		INTERPHONE INSTL-CONT CAB. CAPT HANDMIC FOR NHA SEE: 23-50-00-01B 23-50-00-01C	002005 008030 201967	RF
5	S6C6TPKL16GY		.SCREW- SUPPLIER CODE: V12324	001001 006007	1
10	S6C8TPKL16GY		.SCREW- SUPPLIER CODE: V12324	001001 006007	1
15	S6C8TPKL16GY		.SCREW- SUPPLIER CODE: V12324	002005 008030 201967	3
20	BACP20B6B		.PLUG	001001 006007	1
25	BACP20B6B		.PLUG-	002005 008030 201967	1
30	232A4255-28		.PLATE	001001 006007	1
35	232A4255-28		.PLATE	002005 008030 201967	1
- 40	WHS8C7TPKL16GY		ATTACHING PARTS .SCREW- SUPPLIER CODE: V12324 OPTIONAL PART: BACS12FA08K7	001030 201967	2
- 40	BACS12FA08K7		.SCREW- OPTIONAL PART: WHS8C7TPKL16GY V12324 -----*-----	001030 201967	2

MISSING ITEM NUMBERS NOT APPLICABLE

- ITEM NOT ILLUSTRATED

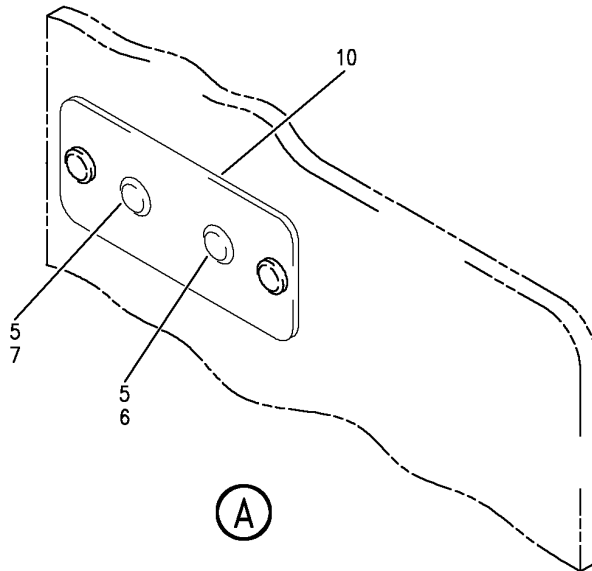
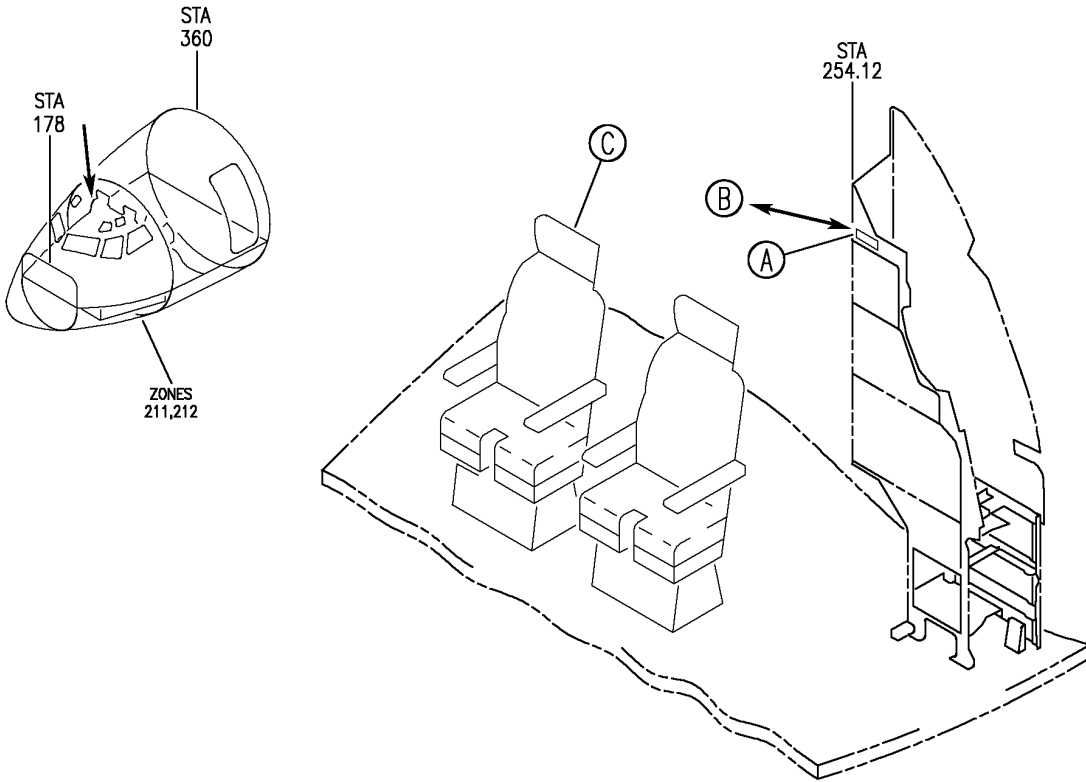
HAP

23-51-00-13A

BOEING PROPRIETARY - Copyright © - Unpublished Work - See title page for details.

23-51-00
FIG. 13A
PAGE 1
OCT 15/08

BOEING
 737-600/700/800/900
 PARTS CATALOG (MAINTENANCE)



E 23510014 SH1 1 REV 074

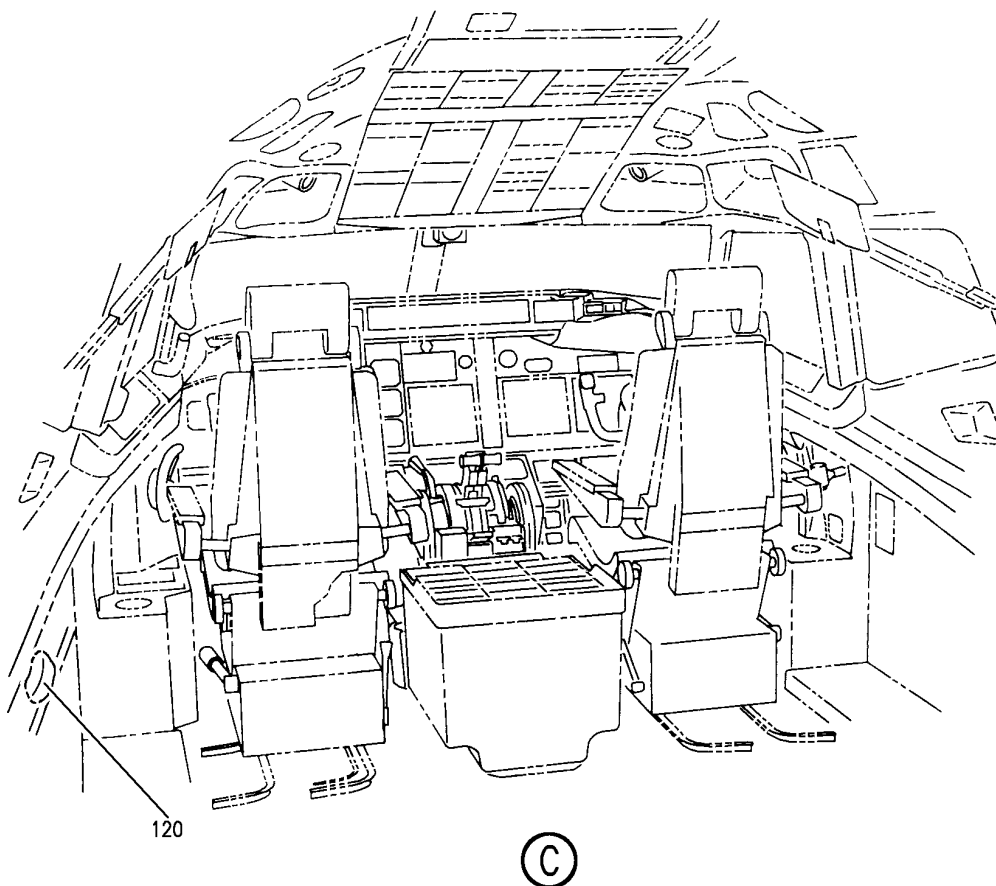
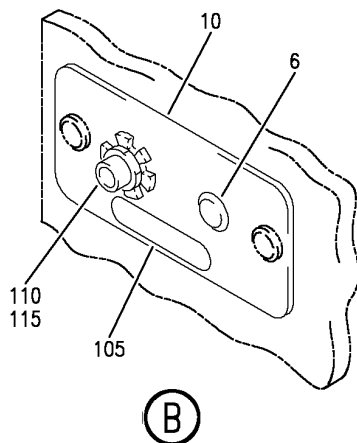
PLUG AND INTERPHONE INSTL SECOND OBSERVER
 FIGURE 14 (SHEET 1)

23-51-00-14

HAP
 OCT 10/06

23-51-00-14
 PAGE 0

BOEING
737-600/700/800/900
PARTS CATALOG (MAINTENANCE)



E 23510014 SH1 2 REV 074

PLUG AND INTERPHONE INSTL SECOND OBSERVER
FIGURE 14 (SHEET 2)

23-51-00-14

HAP
OCT 10/06

23-51-00-14
PAGE 0A

BOEING
737-600/700/800/900
PARTS CATALOG (MAINTENANCE)

FIG ITEM	PART NUMBER	1 2 3 4 5 6 7	NOMENCLATURE	EFFECT FROM TO	UNITS PER ASSY
14			PLUG AND INTERPHONE INSTL SECOND OBSERVER	031040 042046 048048 051053 101200 968999	
- 1	MODREF81979		PLUG INSTL-SECOND OBSERVER MODULE NUMBER: 232A4400-16 REV A	031040 042046 048048 051053 101200 968999	1
5	BACP20B6B		.PLUG	031040 042046 048048 051053 101200 968999	2
10	232A4280-8		.PLATE	031040 042046 048048 051053 101200 968999	1
- 15	BACS12FA08K7BK		ATTACHING PARTS .SCREW	031040 042046 048048 051053 101200 968999	2
			-----*		

MISSING ITEM NUMBERS NOT APPLICABLE

- ITEM NOT ILLUSTRATED

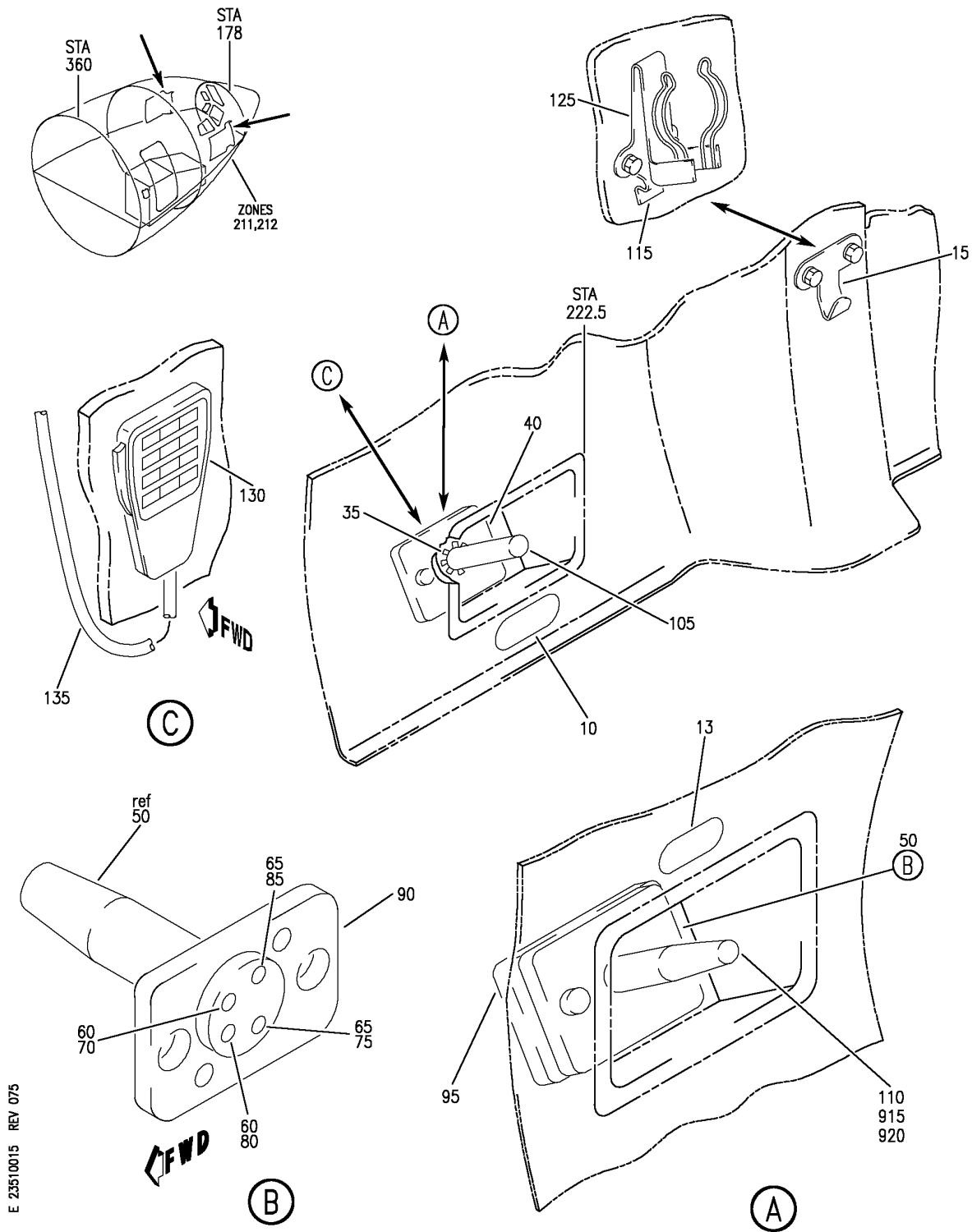
HAP

23-51-00-14

BOEING PROPRIETARY - Copyright © - Unpublished Work - See title page for details.

23-51-00
FIG. 14
PAGE 1
FEB 15/09

BOEING
 737-600/700/800/900
 PARTS CATALOG (MAINTENANCE)



E 23510015 REV 075

INTERPHONE INSTL-CONT CAB. CAPT AND FIRST OFFICER HAND MIC SIDEWALL
 FIGURE 15

23-51-00-15

HAP
 OCT 10/07

23-51-00-15
 PAGE 0

BOEING
737-600/700/800/900
PARTS CATALOG (MAINTENANCE)

FIG ITEM	PART NUMBER	1 2 3 4 5 6 7	NOMENCLATURE	EFFECT FROM TO	UNITS PER ASSY
15			INTERPHONE INSTL-CONT CAB. CAPT AND FIRST OFFICER HAND MIC SIDEWALL	001030	
- 1	232A4400-17		INTERPHONE INSTL-CONT CAB. CAPT HAND MIC SIDEWALL FOR NHA SEE: 23-50-00-01C	001011	RF
- 1	232A4400-231		INTERPHONE INSTL-CONT CAB. CAPT HAND MIC SIDEWALL FOR NHA SEE: 23-50-00-01C	012030	RF
- 5	232A4400-18		INTERPHONE INSTL-CONT CAB. FIRST OFFICER HAND MIC SIDEWALL FOR NHA SEE: 23-50-00-01C	001011	RF
- 5	232A4400-281		INTERPHONE INSTL-CONT CAB. FIRST OFFICER HAND MIC SIDEWALL FOR NHA SEE: 23-50-00-01C	012030	RF
10	BAC27DCC2778		.MARKER- PLACARD CONTENT: HAND MIC	001030	1
15	69-42178-1		.HANGER- ATTACHING PARTS	001030	1
- 20	NAS8201A8		.SCREW -----*-----	001030	2
35	BACW10CR6		.WASHER	001030	1
40	232A4255-28		.PLATE-JACK ATTACHING PARTS	001030	1
- 45	WHS8C7TPKL16GY		.SCREW- SUPPLIER CODE: V12324 OPTIONAL PART: BACS12FA08K7	001030	2
- 45	BACS12FA08K7		.SCREW- OPTIONAL PART: WHS8C7TPKL16GY 12324 -----*-----	001030	2

MISSING ITEM NUMBERS NOT APPLICABLE

- ITEM NOT ILLUSTRATED

HAP

23-51-00-15

BOEING PROPRIETARY - Copyright © - Unpublished Work - See title page for details.

23-51-00
FIG. 15
PAGE 1
OCT 10/07

 **BOEING**
737-600/700/800/900
PARTS CATALOG (MAINTENANCE)

FIG ITEM	PART NUMBER	1 2 3 4 5 6 7	NOMENCLATURE	EFFECT FROM TO	UNITS PER ASSY
15 105	85-13-06011		.HANDMIKE-(CUSTOMER FURNISHED) SUPPLIER CODE: VD9240 ELECTRICAL EQUIP NUMBER: M00243 M00244 WIRING DIAGRAM REF: 235102 OPTIONAL PART: 85-13-06011-01 VD9240	001011	1
105	85-13-06011-01		.HANDMIKE-(CUSTOMER FURNISHED) SUPPLIER CODE: VD9240 ELECTRICAL EQUIP NUMBER: M00243 M00244 WIRING DIAGRAM REF: 235102 OPTIONAL PART: 85-13-06011 VD9240	001011	1
- 900	286A3323-037		WIRE BUNDLE ASSY	008011	RF
- 900	286A3323-068		WIRE BUNDLE ASSY	001007	RF
- 900	286A3323-111		WIRE BUNDLE ASSY-	012027	RF
- 901	286A3323-179		WIRE BUNDLE ASSY-	028030	RF
- 905	286A3319-075		WIRE BUNDLE ASSY	008011	RF
- 905	286A3319-104		WIRE BUNDLE ASSY	001007	RF
- 905	286A3319-116		WIRE BUNDLE ASSY	012030	RF
915	2J1869		.JACK-HAND MIC CAPT SUPPLIER CODE: V82389 ELECTRICAL EQUIP NUMBER: D06041 WIRING DIAGRAM REF: 235111	001030	1
920	2J1869		.JACK-HAND MIC FIRST OFFICER SUPPLIER CODE: V82389 ELECTRICAL EQUIP NUMBER: D06043 WIRING DIAGRAM REF: 235121	001030	1

MISSING ITEM NUMBERS NOT APPLICABLE

- ITEM NOT ILLUSTRATED

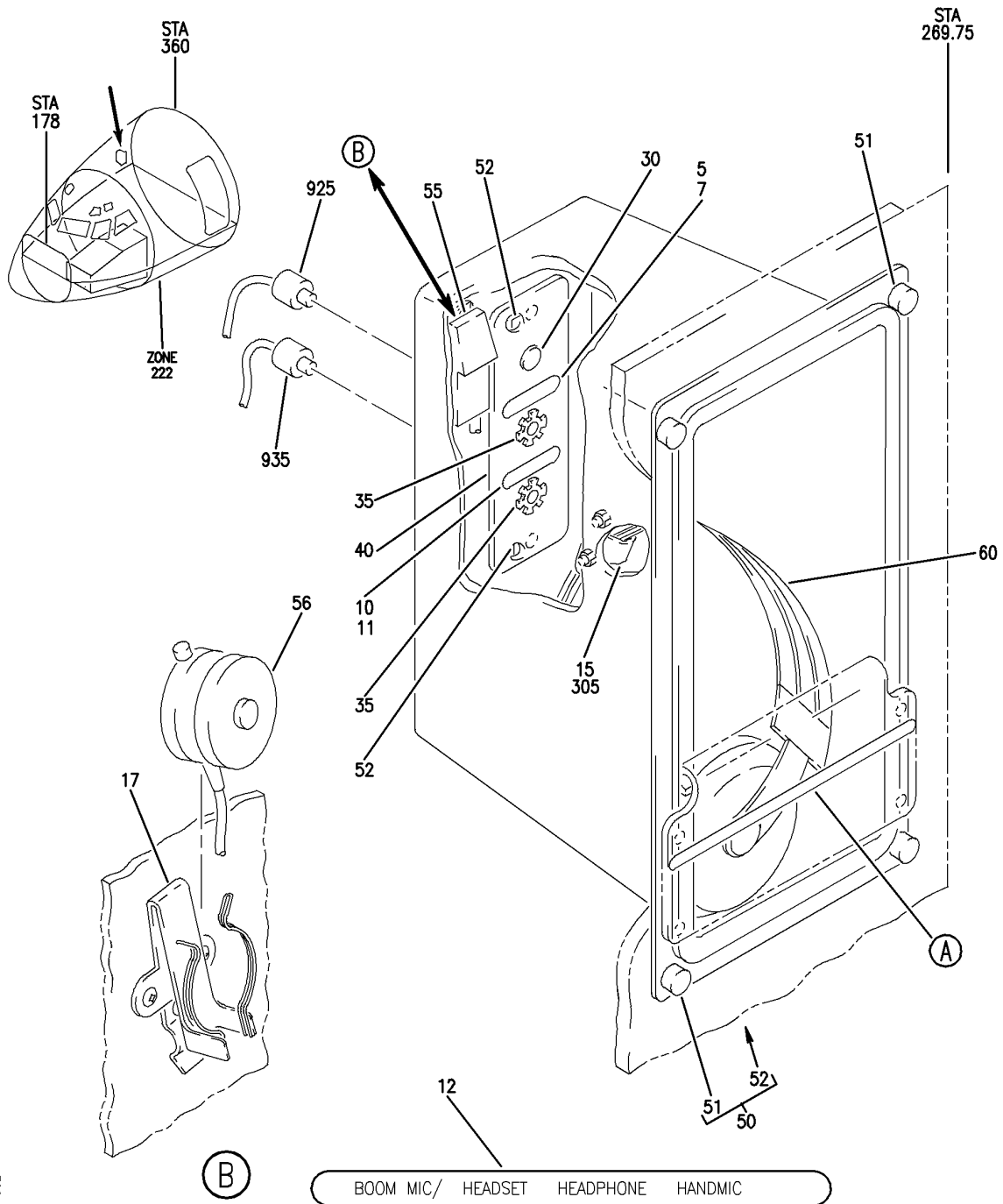
HAP

23-51-00-15

BOEING PROPRIETARY - Copyright © - Unpublished Work - See title page for details.

23-51-00
FIG. 15
PAGE 2
OCT 10/07

BOEING
 737-600/700/800/900
 PARTS CATALOG (MAINTENANCE)



E 23510016 REV 062

INTERPHONE AND HOOK INSTL-CONT CAB. FIRST OBSERVER (HEADSET AND HAND MIC)
 FIGURE 16

23-51-00-16

HAP
 OCT 10/07

23-51-00-16
 PAGE 0

BOEING
737-600/700/800/900
PARTS CATALOG (MAINTENANCE)

FIG ITEM	PART NUMBER	1 2 3 4 5 6 7	NOMENCLATURE	EFFECT FROM TO	UNITS PER ASSY
16			INTERPHONE AND HOOK INSTL-CONT CAB. FIRST OBSERVER (HEADSET AND HAND MIC)	001030	
- 1	232A4400-19		INTERPHONE INSTL-CONT CAB. FIRST OBSERVER (HEADSET AND HAND MIC) FOR NHA SEE: 23-50-00-01C	001011	RF
- 1	232A4400-108		INTERPHONE INSTL-CONT CAB. FIRST OBSERVER (HEADSET AND HAND MIC) FOR NHA SEE: 23-50-00-01C	012023	RF
- 1	232A4400-126		INTERPHONE INSTL-CONT CAB. FIRST OBSERVER (HEADSET AND HAND MIC) FOR NHA SEE: 23-50-00-01C	024027	RF
5	BAC27DCC2779		.MARKER- PLACARD CONTENT: HAND MIC	001011	1
7	BAC27DCC2777		.MARKER- PLACARD CONTENT: HEAD PHONE	012020 024027	1
10	BAC27DCC2777		.MARKER- PLACARD CONTENT: HEAD PHONE	001011	1
11	BAC27DCC2779		.MARKER- PLACARD CONTENT: HAND MIC	012020 024027	1
12	BAC27DCC3002		.MARKER- PLACARD CONTENT: BOOM MIC/ HEADSET HEADPHONE HANDMIC	001027	1
15	69-42178-1		.HANGER- ATTACHING PARTS	001027	1
- 20	NAS8201A7		.SCREW	001027	2
- 25	PLH506CD		.NUT SUPPLIER CODE: VF0224 SPECIFICATION NUMBER: BACN10YR06CD OPTIONAL PART: H52732-06CD V15653 -----*-----	001027	2
30	BACP20B6B		.PLUG	001027	1
35	BACW10CR6		.WASHER	001027	2

MISSING ITEM NUMBERS NOT APPLICABLE

- ITEM NOT ILLUSTRATED

HAP

23-51-00-16

BOEING PROPRIETARY - Copyright © - Unpublished Work - See title page for details.

23-51-00
FIG. 16
PAGE 1
FEB 15/09

BOEING
737-600/700/800/900
PARTS CATALOG (MAINTENANCE)

FIG ITEM	PART NUMBER	1 2 3 4 5 6 7	NOMENCLATURE	EFFECT FROM TO	UNITS PER ASSY
16					
40	232A4255-3		.PLATE-JACK ATTACHING PARTS	001027	1
- 45	WHS8C7TPKL26GY		.SCREW- SUPPLIER CODE: V12324 OPTIONAL PART: BACS12FA08K7	001027	2
- 45	BACS12FA08K7		.SCREW- OPTIONAL PART: WHS8C7TPKL26GY V12324 -----*-----	001027	2
50	232A4440-1		.BOX ASSY-STOWAGE	001027	1
51	PFSC35-44ASEG		..STUD SUPPLIER CODE: V72794 SPECIFICATION NUMBER: BACS21DX3G	001027	4
52	MF53050-08DL		..NUTPLATE SUPPLIER CODE: V15653 SPECIFICATION NUMBER: BACN10JN08CM OPTIONAL PART: BRFM20C08M V52828 MF1001-08BAC V15653 NS103218SE82 V80539 VN252D82 V92215 109F9201M82 V72962 T8125C08C V11815 ATTACHING PARTS	001027	2
- 53	BACR15BA3A		..RIVET- SIZE DETERMINED ON INSTL. -----*-----	001027	4

MISSING ITEM NUMBERS NOT APPLICABLE

- ITEM NOT ILLUSTRATED

HAP

23-51-00-16

BOEING PROPRIETARY - Copyright © - Unpublished Work - See title page for details.

23-51-00
FIG. 16
PAGE 2
OCT 10/06

BOEING
737-600/700/800/900
PARTS CATALOG (MAINTENANCE)

FIG ITEM	PART NUMBER	1 2 3 4 5 6 7	NOMENCLATURE	EFFECT FROM TO	UNITS PER ASSY
16 55	85-13-06011		.MICROPHONE-HAND (CUSTOMER FURNISHED) SUPPLIER CODE: VD9240 ELECTRICAL EQUIP NUMBER: M00245 WIRING DIAGRAM REF: 235103 OPTIONAL PART: 85-13-06011-01 VD9240	001020 024027	1
55	85-13-06011-01		.MICROPHONE-HAND (CUSTOMER FURNISHED) SUPPLIER CODE: VD9240 ELECTRICAL EQUIP NUMBER: M00245 WIRING DIAGRAM REF: 235103 OPTIONAL PART: 85-13-06011 VD9240	001020 024027	1
55	85-13-06011-01		.HANDMIKE-HAND SUPPLIER CODE: VD9240 ELECTRICAL EQUIP NUMBER: M00245 WIRING DIAGRAM REF: 235103 OPTIONAL PART: 85-13-06011 VD9240	012023	1
60	045-260-011		.HEADPHONE-(CUSTOMER FURNISHED) SUPPLIER CODE: VD8114	001027	1
- 300	232A4400-142		HOOK INSTL-HAND MIC FIRST OBSERVER HOLMBERG FOR NHA SEE: 23-50-00-01C	028030	RF
305	69-42178-1		.HANGER ATTACHING PARTS	028030	1
- 310	BACS12HJ06K7		.SCREW	028030	2
- 315	NAS1149DN632K		.WASHER	028030	2

MISSING ITEM NUMBERS NOT APPLICABLE

- ITEM NOT ILLUSTRATED

HAP

23-51-00-16

BOEING PROPRIETARY - Copyright © - Unpublished Work - See title page for details.

23-51-00
FIG. 16
PAGE 3
OCT 10/07

BOEING
737-600/700/800/900
PARTS CATALOG (MAINTENANCE)

FIG ITEM	PART NUMBER	1 2 3 4 5 6 7	NOMENCLATURE	EFFECT FROM TO	UNITS PER ASSY
16 - 320	PLH506CD		.NUT SUPPLIER CODE: VF0224 SPECIFICATION NUMBER: BACN10YR06CD OPTIONAL PART: H52732-06CD V15653 -----*-----	028030	2
- 900	286A0041-024		WIRE BUNDLE ASSY	001007	RF
- 900	286A0041-041		WIRE BUNDLE ASSY	008009	RF
- 900	286A0041-070		WIRE BUNDLE ASSY	010011	RF
- 900	286A0041-097		WIRE BUNDLE ASSY-	012020	RF
925	2J1869		.JACK-FIRST OBSERVER HAND MIC SUPPLIER CODE: V82389 ELECTRICAL EQUIP NUMBER: D06045 WIRING DIAGRAM REF: 235131	001011	1
925	2J1866A		.JACK-FIRST OBSERVER HEADPHONE SUPPLIER CODE: V82389 ELECTRICAL EQUIP NUMBER: D06035 WIRING DIAGRAM REF: 235131	012020 024027	1
935	2J1866A		.JACK-FIRST OBSERVER HEADPHONE SUPPLIER CODE: V82389 ELECTRICAL EQUIP NUMBER: D06035 WIRING DIAGRAM REF: 235131	001011	1
935	2J1869		.JACK-FIRST OBSERVER HAND MIC SUPPLIER CODE: V82389 ELECTRICAL EQUIP NUMBER: D06045 WIRING DIAGRAM REF: 235131	012020 024027	1

MISSING ITEM NUMBERS NOT APPLICABLE

- ITEM NOT ILLUSTRATED

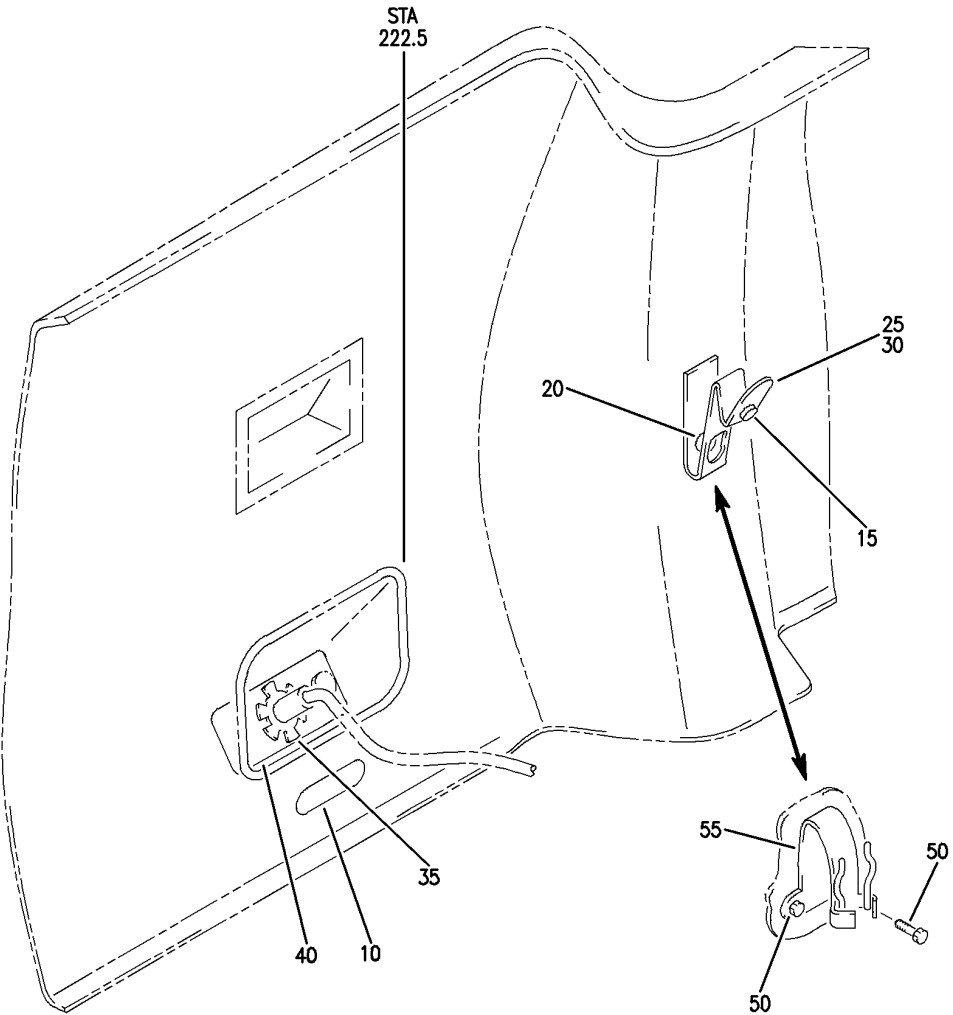
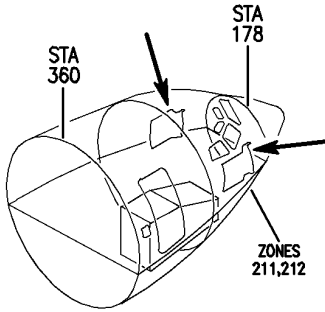
HAP

23-51-00-16

BOEING PROPRIETARY - Copyright © - Unpublished Work - See title page for details.

23-51-00
FIG. 16
PAGE 4
FEB 15/09

BOEING
 737-600/700/800/900
 PARTS CATALOG (MAINTENANCE)



E 23510017 REV 055

INTERPHONE INSTL CONT CAB. CAPT/FIRST OFFICER HAND MIC-SIDEWALL
 FIGURE 17

23-51-00-17

HAP
 OCT 15/08

23-51-00-17
 PAGE 0

BOEING
737-600/700/800/900
PARTS CATALOG (MAINTENANCE)

FIG ITEM	PART NUMBER	1 2 3 4 5 6 7	NOMENCLATURE	EFFECT FROM TO	UNITS PER ASSY
17			INTERPHONE INSTL CONT CAB. CAPT/FIRST OFFICER HAND MIC- SIDEWALL	201967	
- 1	232A4400-13		INTERPHONE INSTL-CONT CAB. CAPT HAND MIC-SIDEWALL FOR NHA SEE: 23-50-00-01B	201967	RF
- 5	232A4400-20		INTERPHONE INSTL-CONT CAB. FIRST OFFICER HAND MIC-SIDEWALL FOR NHA SEE: 23-50-00-01B	201967	RF
10	BAC27DCC2778		.MARKER- PLACARD CONTENT: HAND MIC	201967	1
15	NAS8201A10		.SCREW-	201967	1
20	NAS8201A8		.SCREW-	201967	1
25	RCS5402-1		.SPRING-HAND MIC SUPPLIER CODE: V08205	201967	1
30	8474		.BRACKET-HAND MIC SUPPLIER CODE: V81134	201967	1
35	BACW10CR6		.WASHER	201967	1
40	232A4255-28		.PLATE-JACK ATTACHING PARTS	201967	1
- 45	WHS8C7TPKL16GY		.SCREW- SUPPLIER CODE: V12324 OPTIONAL PART: BACS12FA08K7	201967	2
- 45	BACS12FA08K7		.SCREW- OPTIONAL PART: WHS8C7TPKL16GY V12324 -----*-----	201967	2

MISSING ITEM NUMBERS NOT APPLICABLE

- ITEM NOT ILLUSTRATED

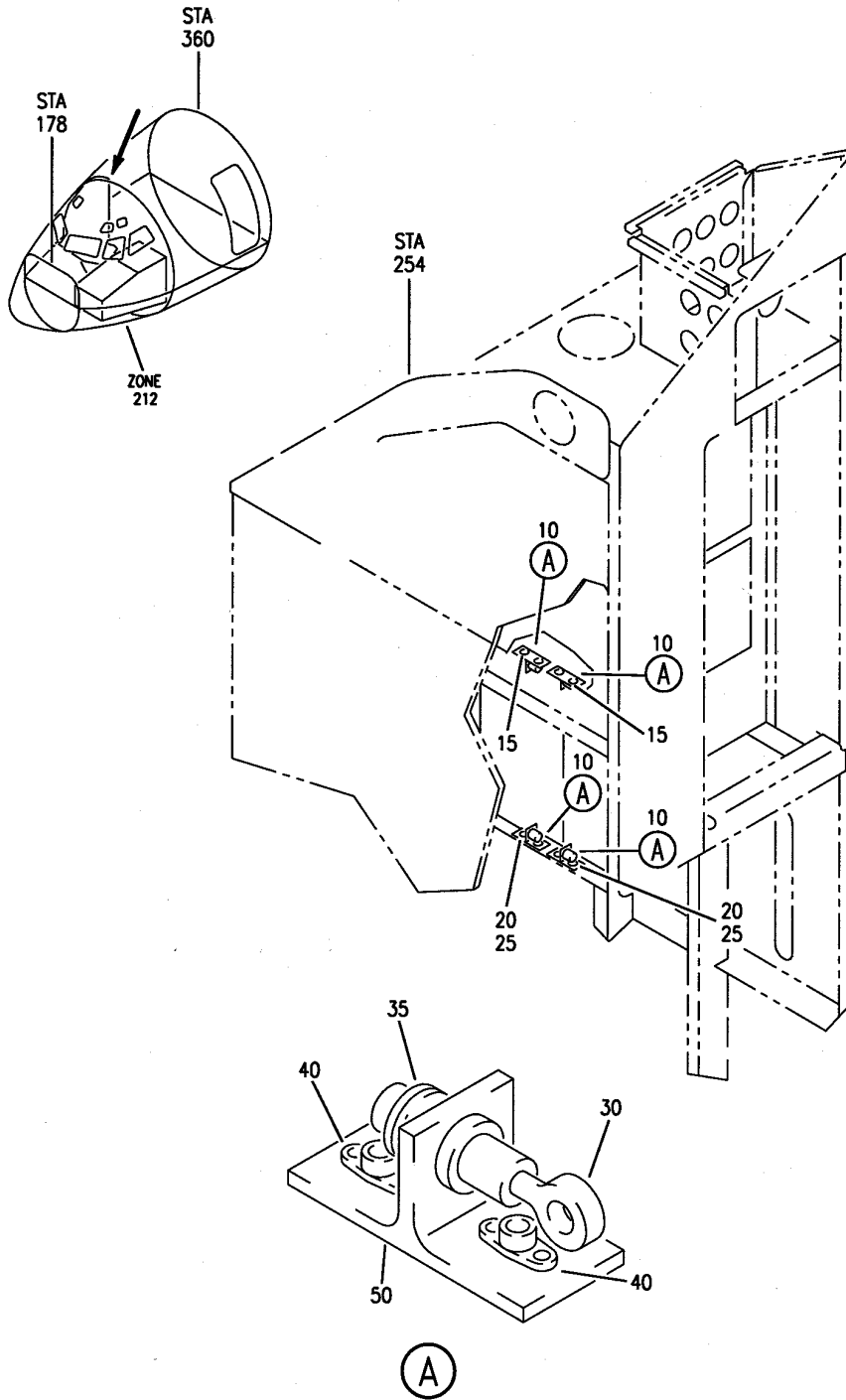
HAP

23-51-00-17

BOEING PROPRIETARY - Copyright © - Unpublished Work - See title page for details.

23-51-00
FIG. 17
PAGE 1
OCT 15/08

BOEING
 737-600/700/800/900
 PARTS CATALOG (MAINTENANCE)



E 23510025 REV 029

EQUIPMENT INSTL-P6 CB PNL (FLIGHT INTERPHONE SYSTEMS ONLY)
 FIGURE 25

23-51-00-25

HAP
 OCT 10/06

23-51-00-25
 PAGE 0

BOEING
737-600/700/800/900
PARTS CATALOG (MAINTENANCE)

FIG ITEM	PART NUMBER	1 2 3 4 5 6 7	NOMENCLATURE	EFFECT FROM TO	UNITS PER ASSY
25			EQUIPMENT INSTL-P6 CB PNL (FLIGHT INTERPHONE SYSTEMS ONLY)	001007	
- 1	233A5201-1		EQUIPMENT INSTL-P6 CB PNL (FLIGHT INTERPHONE SYSTEMS ONLY) FOR NHA/OTHER SYS DET SEE: 31-11-00-01C	001005	RF
- 1	233A5201-9		EQUIPMENT INSTL-P6 CB PNL (FLIGHT INTERPHONE SYSTEMS ONLY) FOR NHA/OTHER SYS DET SEE: 31-11-00-01C	006007	RF
10	69-76658-7		.DIODE ASSY- ELECTRICAL EQUIP NUMBER: M00542 M00543 M00544 M00545 ATTACHING PARTS	001007	4
15	NAS514P632-5		.SCREW	001007	4
20	NAS8201A6		.SCREW	001007	4
25	NAS1149DN616J		.WASHER	001007	4
			-----*-----		
30	4729		..KIT-MTG SUPPLIER CODE: V91833	001007	1
35	JANTX1N1206A		..DIODE- SUPPLIER CODE: V04713	001007	1
40	MF53049-06		..NUTPLATE SUPPLIER CODE: V15653 SPECIFICATION NUMBER: BACN10JN06 OPTIONAL PART: MF1000-06BAC V15653 NS103218-62 V80539 RMF9201M62 V72962 VN252A62L V92215 T8124S06S V11815 BRFM20A06L V52828	001007	2

MISSING ITEM NUMBERS NOT APPLICABLE

- ITEM NOT ILLUSTRATED

HAP

23-51-00-25

BOEING PROPRIETARY - Copyright © - Unpublished Work - See title page for details.

23-51-00
FIG. 25
PAGE 1
OCT 10/06

BOEING
737-600/700/800/900
PARTS CATALOG (MAINTENANCE)

FIG ITEM	PART NUMBER	1 2 3 4 5 6 7	NOMENCLATURE	EFFECT FROM TO	UNITS PER ASSY
25					
- 45	BACR15BA3D		ATTACHING PARTS ..RIVET-	001007	4
			SIZE DETERMINED ON INSTL. -----*-----		
50	69-76658-6		..TEE	001007	1

MISSING ITEM NUMBERS NOT APPLICABLE

- ITEM NOT ILLUSTRATED

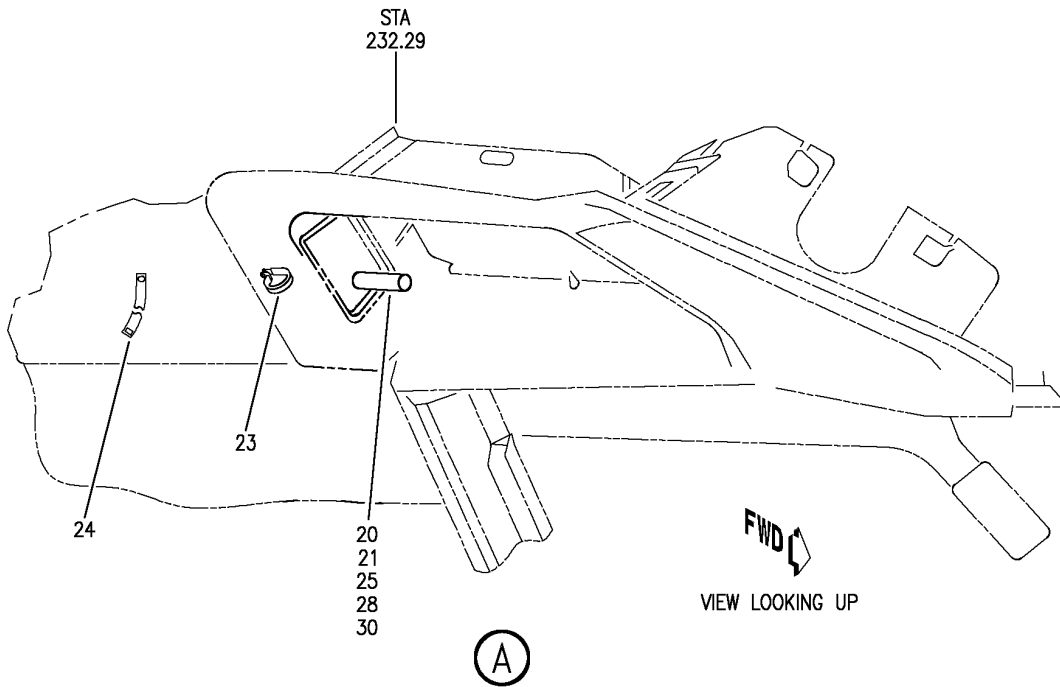
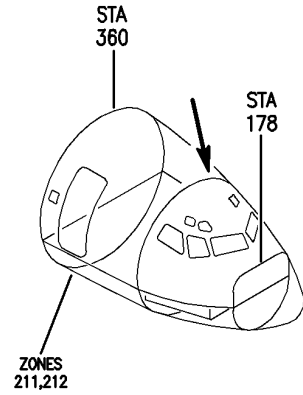
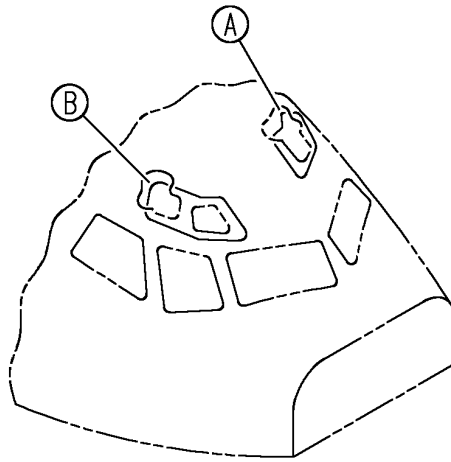
HAP

23-51-00-25

BOEING PROPRIETARY - Copyright © - Unpublished Work - See title page for details.

23-51-00
FIG. 25
PAGE 2
OCT 10/06

BOEING
 737-600/700/800/900
 PARTS CATALOG (MAINTENANCE)



E 23510026 SHT 1 REV 123

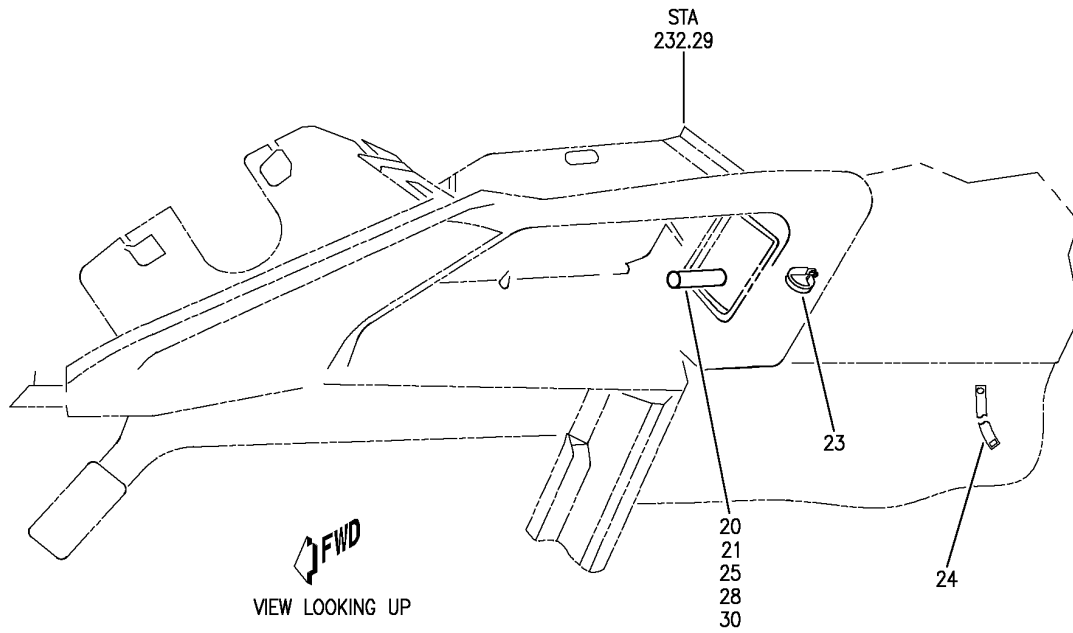
INTERPHONE, HEADPHONE, HEADSET AND BOOMMIC HEADSET INSTL
 FIGURE 26 (SHEET 1)

23-51-00-26

HAP
 OCT 10/06

23-51-00-26
 PAGE 0

BOEING
737-600/700/800/900
PARTS CATALOG (MAINTENANCE)



(B)

E 23510026 SH1 2 REV 123

INTERPHONE, HEADPHONE, HEADSET AND BOOMMIC HEADSET INSTL
FIGURE 26 (SHEET 2)

23-51-00-26

HAP
OCT 10/06

23-51-00-26
PAGE 0A

BOEING PROPRIETARY - Copyright © - Unpublished Work - See title page for details.

BOEING
737-600/700/800/900
PARTS CATALOG (MAINTENANCE)

FIG ITEM	PART NUMBER	1 2 3 4 5 6 7	NOMENCLATURE	EFFECT FROM TO	UNITS PER ASSY
26			INTERPHONE, HEADPHONE, HEADSET AND BOOMMIC HEADSET INSTL	012200 968999	
- 1	232A4400-605		INTERPHONE INSTL-CONT CAB. CAPT AND FIRST OFFICER BOOM MIC/HEADSET FOR NHA SEE: 23-50-00-01C	012030	RF
- 3	MODREF135167		INTERPHONE INSTL-CONT CAB. CAPT AND FIRST OFFICER BOOM MIC/HEADSET MODULE NUMBER: 232A4400-605 REV C	031200 968999	1
21	045-230-325		.HEADSET-BOOM MIC SUPPLIER CODE: VD8114	012200 968999	2

MISSING ITEM NUMBERS NOT APPLICABLE

- ITEM NOT ILLUSTRATED

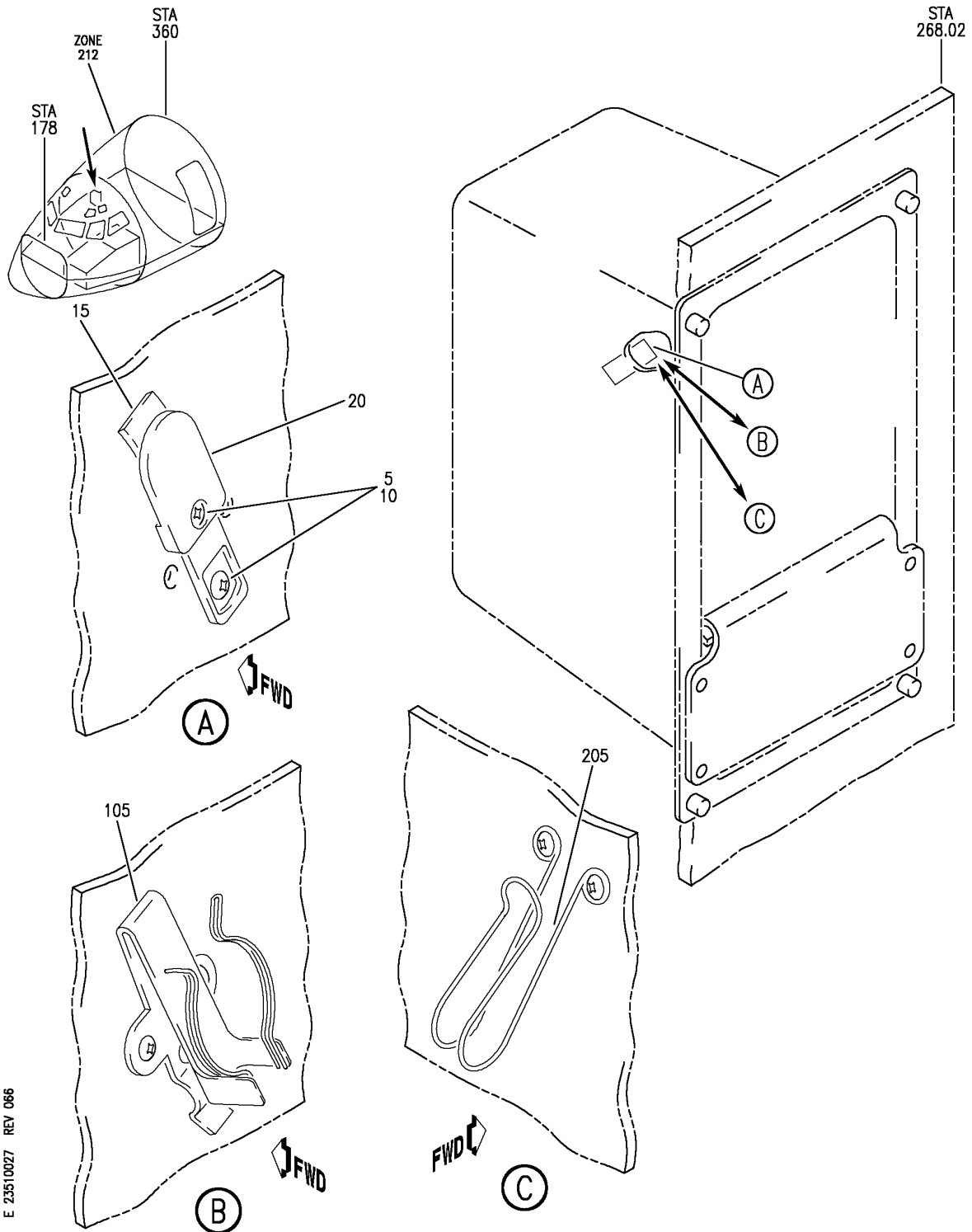
HAP

23-51-00-26

BOEING PROPRIETARY - Copyright © - Unpublished Work - See title page for details.

23-51-00
FIG. 26
PAGE 1
OCT 15/08

BOEING
 737-600/700/800/900
 PARTS CATALOG (MAINTENANCE)



E 23510027 REV 066

HOLDER INSTL-FIRST OBSERVER HANDMIC
 FIGURE 27

23-51-00-27

HAP
 OCT 15/08

23-51-00-27
 PAGE 0

BOEING
737-600/700/800/900
PARTS CATALOG (MAINTENANCE)

FIG ITEM	PART NUMBER	1 2 3 4 5 6 7	NOMENCLATURE	EFFECT FROM TO	UNITS PER ASSY
27			HOLDER INSTL-FIRST OBSERVER HANDMIC	050050 053053	
- 1	MODREF375640		HOLDER INSTL-FIRST OBSERVER HANDMIC (ELECTROVOICE) MODULE NUMBER: 232A4400-141 REV B	050050 053053	1
5	NAS8201A7		.SCREW- OPTIONAL PART: BACS12HK06-7	050050 053053	2
5	BACS12HK06-7		.SCREW- OPTIONAL PART: NAS8201A7	050050 053053	2
10	PLH506CD		.NUT SUPPLIER CODE: VF0224 SPECIFICATION NUMBER: BACN10YR06CD OPTIONAL PART: H52732-06CD V15653	050050 053053	2
15	RCS5402-1		.SPRING- SUPPLIER CODE: V08205	050050 053053	1
20	8474		.BRACKET- SUPPLIER CODE: V81134	050050 053053	1

MISSING ITEM NUMBERS NOT APPLICABLE

- ITEM NOT ILLUSTRATED

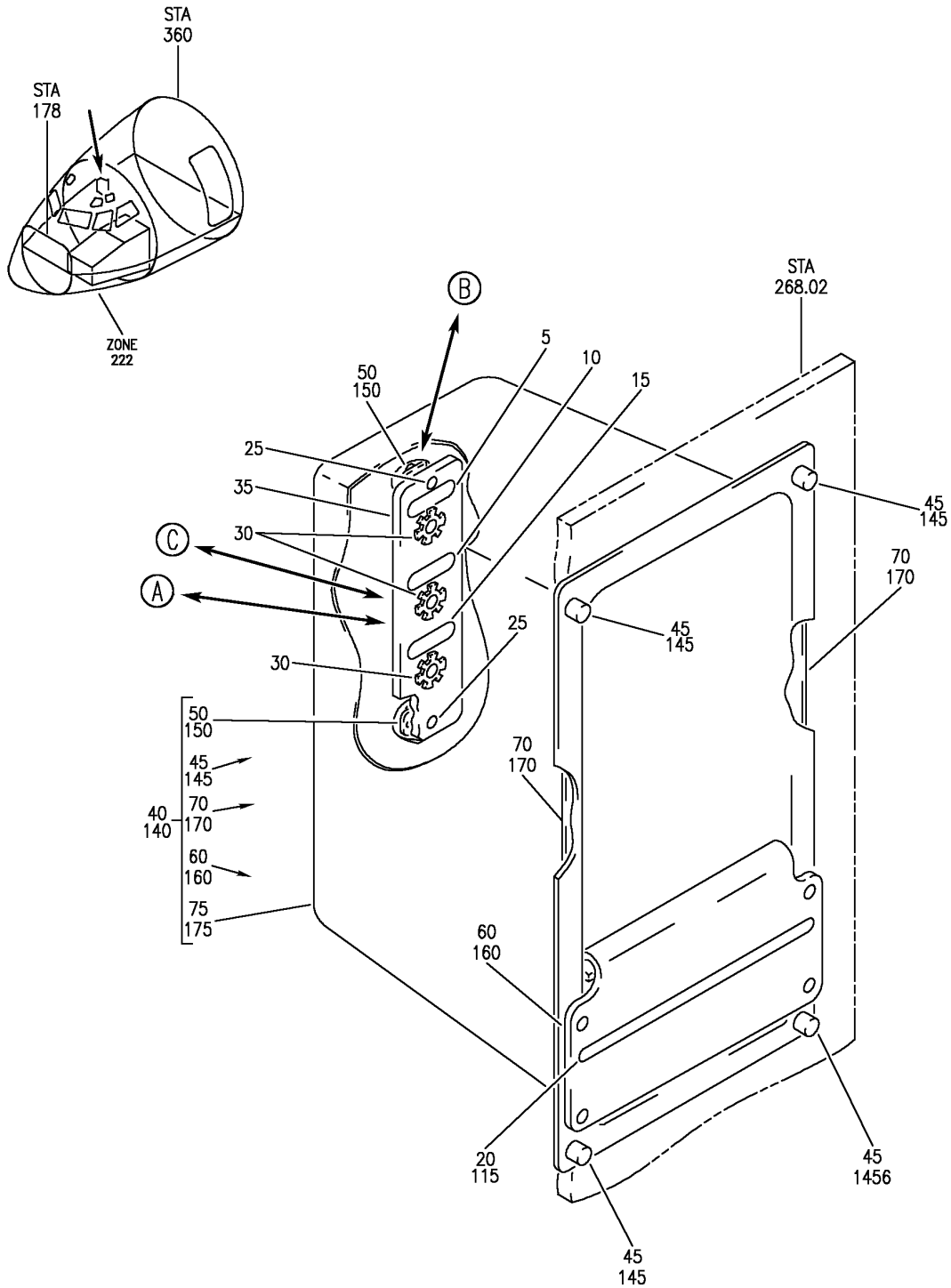
HAP

23-51-00-27

BOEING PROPRIETARY - Copyright © - Unpublished Work - See title page for details.

23-51-00
FIG. 27
PAGE 1
FEB 15/09

BOEING
 737-600/700/800/900
 PARTS CATALOG (MAINTENANCE)



E 23510028 SHT 1 REV 091

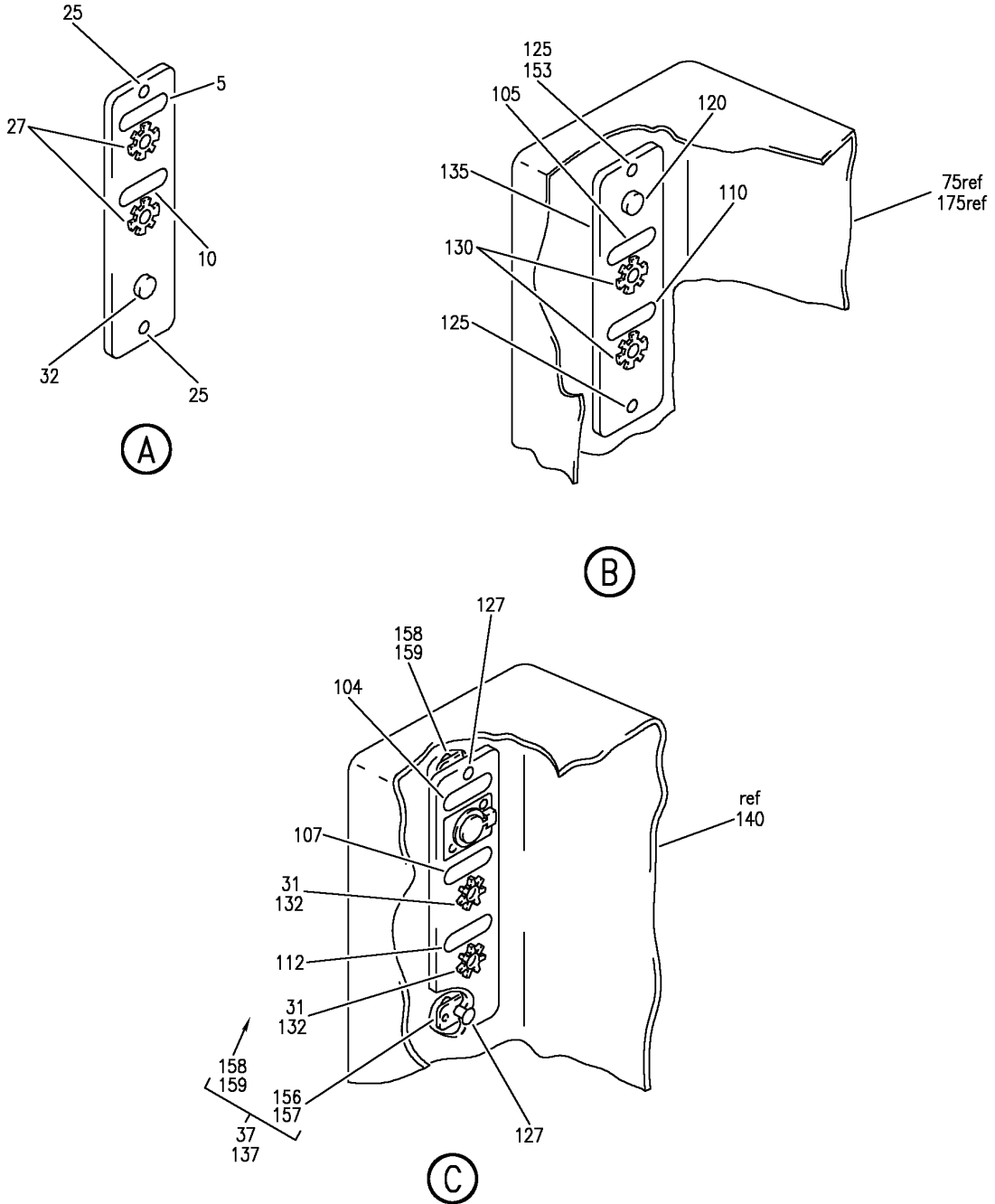
JACK INSTL-FIRST OBSERVER
 FIGURE 28 (SHEET 1)

23-51-00-28

HAP
 OCT 10/06

23-51-00-28
 PAGE 0

BOEING
 737-600/700/800/900
 PARTS CATALOG (MAINTENANCE)



E 233510028 SH1 2 REV 152

JACK INSTL-FIRST OBSERVER
 FIGURE 28 (SHEET 2)

23-51-00-28

HAP
 JUN 15/09

23-51-00-28
 PAGE 0A

BOEING
737-600/700/800/900
PARTS CATALOG (MAINTENANCE)

FIG ITEM	PART NUMBER	1 2 3 4 5 6 7	NOMENCLATURE	EFFECT FROM TO	UNITS PER ASSY
28			JACK INSTL-FIRST OBSERVER	028030	
- 100	232A4400-305		JACK INSTL-FIRST OBSERVER (P-2J-2J) FOR NHA SEE: 23-50-00-01C	028030	RF
105	BAC27DCC2777		.MARKER- PLACARD CONTENT: HEAD PHONE	028030	1
110	BAC27DCC2779		.MARKER- PLACARD CONTENT: HAND MIKE	028030	1
115	BAC27DCC3002		.MARKER- PLACARD CONTENT: BOOM MIC/HEADSET HEADPHONE HANDMIC	028030	1
120	BACP20B6B		.PLUG-	028030	1
125	WHS8C7TPKL26GY		.SCREW- SUPPLIER CODE: V12324 OPTIONAL PART: BACS12FA08K7	028030	2
125	BACS12FA08K7		.SCREW- OPTIONAL PART: WHS8C7TPKL26GY V12324	028030	2
130	BACW10CR6		.WASHER-	028030	2
135	232A4255-3		.PLATE-JACK	028030	1
140	232A4440-1		.BOX ASSY-STOWAGE	028030	1
145	PFSC35-44ASEG		. . STUD SUPPLIER CODE: V72794 SPECIFICATION NUMBER: BACS21DX3G	028030	4

MISSING ITEM NUMBERS NOT APPLICABLE

- ITEM NOT ILLUSTRATED

HAP

23-51-00-28

BOEING PROPRIETARY - Copyright © - Unpublished Work - See title page for details.

23-51-00
FIG. 28
PAGE 1
OCT 10/06

BOEING
737-600/700/800/900
PARTS CATALOG (MAINTENANCE)

FIG ITEM	PART NUMBER	1 2 3 4 5 6 7	NOMENCLATURE	EFFECT FROM TO	UNITS PER ASSY
28 150	MF53050-08DL		..NUTPLATE SUPPLIER CODE: V15653 SPECIFICATION NUMBER: BACN10JN08CM OPTIONAL PART: BRFM20C08M V52828 MF1001-08BAC V15653 NS103218SE82 V80539 VN252D82 V92215 109F9201M82 V72962 T8125C08C V11815 ATTACHING PARTS	028030	2
- 151	BACR15BA3AC		..RIVET- SIZE DETERMINED ON INSTL. -----*-----	028030	4
160	232A4255-16		..PANEL ATTACHING PARTS	028030	1
- 165	BACR15BA3AC		..RIVET- SIZE DETERMINED ON INSTL. -----*-----	028030	4
170	232A4255-2		..PLATE	028030	2
175	232A4280-4		..BOX	028030	1

MISSING ITEM NUMBERS NOT APPLICABLE

- ITEM NOT ILLUSTRATED

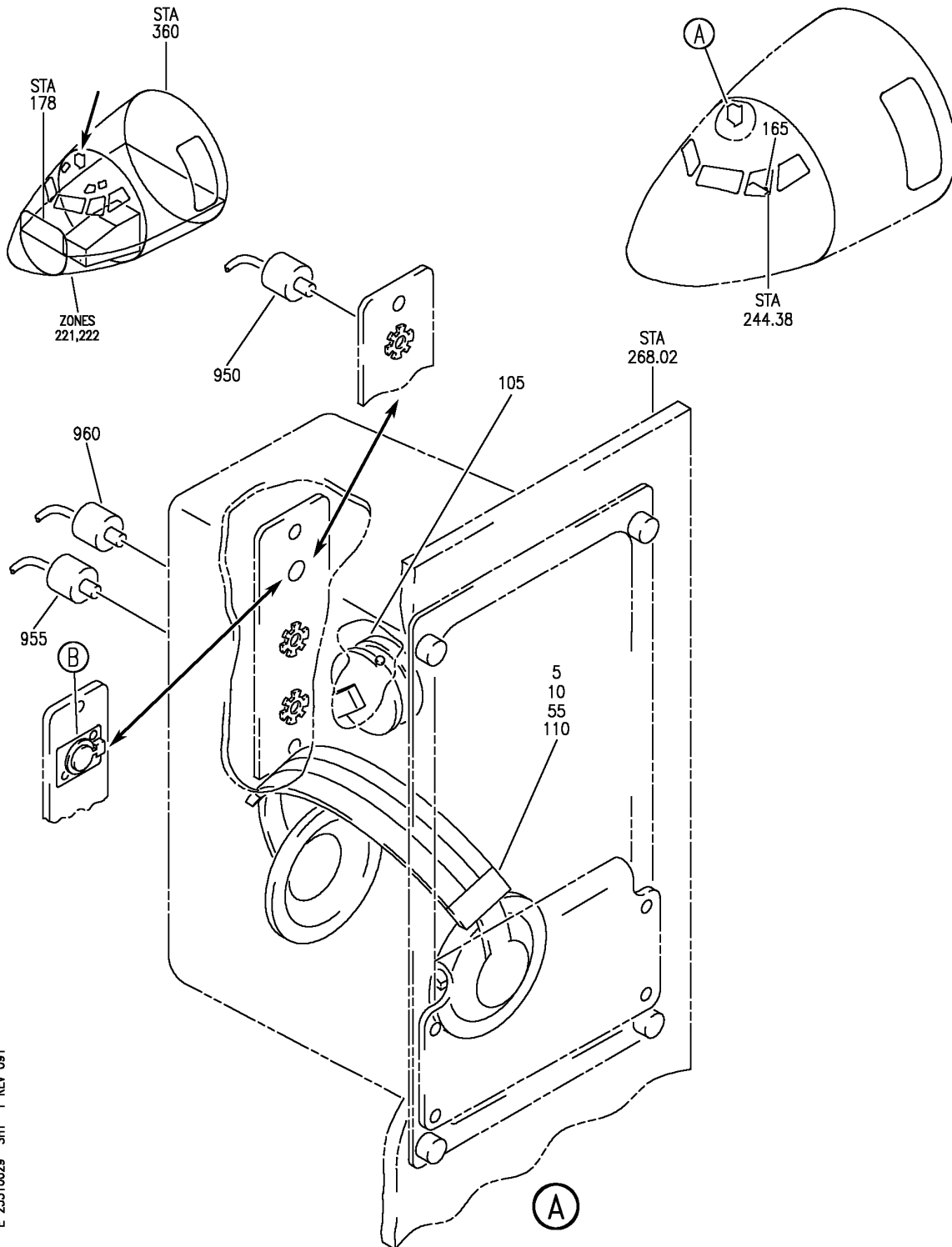
HAP

23-51-00-28

BOEING PROPRIETARY - Copyright © - Unpublished Work - See title page for details.

23-51-00
FIG. 28
PAGE 2
OCT 10/06

BOEING
 737-600/700/800/900
 PARTS CATALOG (MAINTENANCE)



E 23510029 SHT 1 REV 091

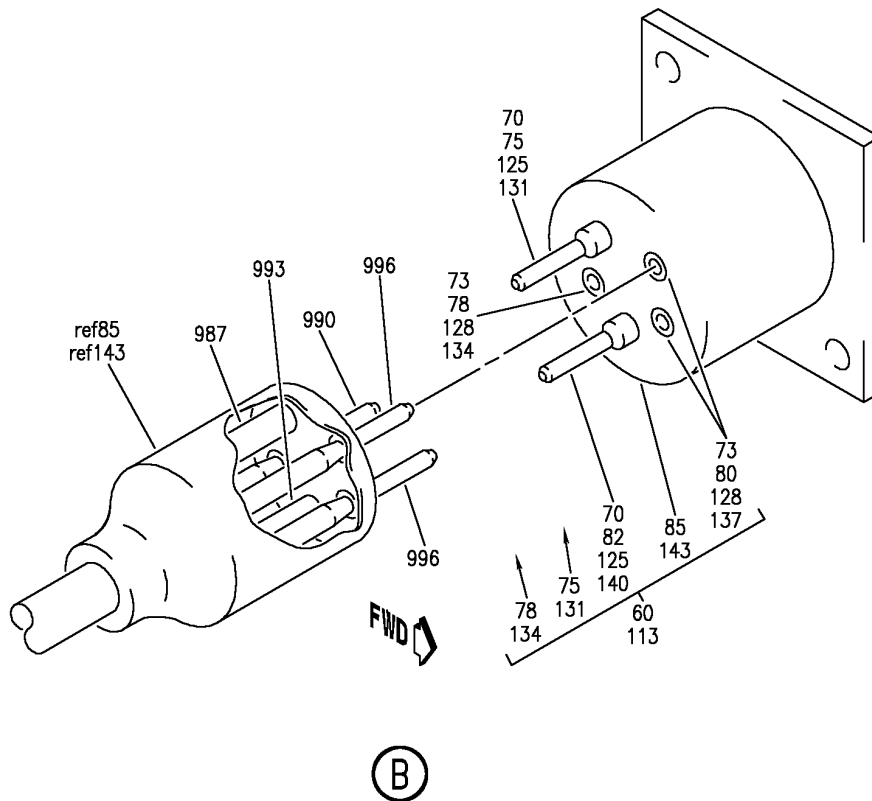
INTERPHONE, HEADPHONE BOOMMIC HEADSET AND HANDMIC INSTL- FIRST OBSERVER
 FIGURE 29 (SHEET 1)

23-51-00-29

HAP
 OCT 10/06

23-51-00-29
 PAGE 0

BOEING
 737-600/700/800/900
 PARTS CATALOG (MAINTENANCE)



E 23510029 SH1 2 REV 152

INTERPHONE, HEADPHONE BOOMMIC HEADSET AND HANDMIC INSTL- FIRST OBSERVER
 FIGURE 29 (SHEET 2)

HAP
 JUN 15/09

23-51-00-29

23-51-00-29
 PAGE 0A

BOEING
737-600/700/800/900
PARTS CATALOG (MAINTENANCE)

FIG ITEM	PART NUMBER	1 2 3 4 5 6 7	NOMENCLATURE	EFFECT FROM TO	UNITS PER ASSY
29			INTERPHONE, HEADPHONE BOOMMIC HEADSET AND HANDMIC INSTL- FIRST OBSERVER	028200 968999	
- 1	232A4400-703		HEADPHONE INSTL-FIRST OBSERVER HEADPHONE (SENNHEISER) FOR NHA SEE: 23-50-00-01C	028030	RF
5	045-260-011		.HEADPHONE- SUPPLIER CODE: VD8114 ELECTRICAL EQUIP NUMBER: M00296	028030	1
- 50	MODREF82044		BOOMMIC HEADSET INSTL-FIRST OBSERVER (SENNHEISER) MODULE NUMBER: 232A4400-705 REV A	031200 968999	1
55	045-230-325		.HEADSET-BOOM MIC SUPPLIER CODE: VD8114 ELECTRICAL EQUIP NUMBER: M00431	031200 968999	1
- 100	MODREF101494		MICROPHONE INSTL-FIRST OBSERVER HAND (ELECTROVOICE) MODULE NUMBER: 232A4400-755 REV B	050050 053053	1
105	903-1341		.MICROPHONE- SUPPLIER CODE: V81134 ELECTRICAL EQUIP NUMBER: M00245	050050	1
105	602-4183		.MICROPHONE- SUPPLIER CODE: V81134 ELECTRICAL EQUIP NUMBER: M00245	050050	1
- 901	286A0041-097		WIRE BUNDLE ASSY	028030	RF
- 902	286A0041-155		WIRE BUNDLE ASSY-	037048 051052 054106 968999	RF
- 904	286A0041-181		WIRE BUNDLE ASSY	031036	RF

MISSING ITEM NUMBERS NOT APPLICABLE

- ITEM NOT ILLUSTRATED

HAP

23-51-00-29

BOEING PROPRIETARY - Copyright © - Unpublished Work - See title page for details.

23-51-00
FIG. 29
PAGE 1
FEB 15/09

BOEING
737-600/700/800/900
PARTS CATALOG (MAINTENANCE)

FIG ITEM	PART NUMBER	1 2 3 4 5 6 7	NOMENCLATURE	EFFECT FROM TO	UNITS PER ASSY
29 955	2J1869		. JACK-HAND MIC FIRST OBSERVER SUPPLIER CODE: V82389 ELECTRICAL EQUIP NUMBER: D06045 WIRING DIAGRAM REF: 235131	028048 051052 054106 968999	1
960	2J1866A		. JACK-HEADPHONE FIRST OBSERVER SUPPLIER CODE: V82389 ELECTRICAL EQUIP NUMBER: D06035 WIRING DIAGRAM REF: 235131	028048 051052 054106 968999	1

MISSING ITEM NUMBERS NOT APPLICABLE

— ITEM NOT ILLUSTRATED

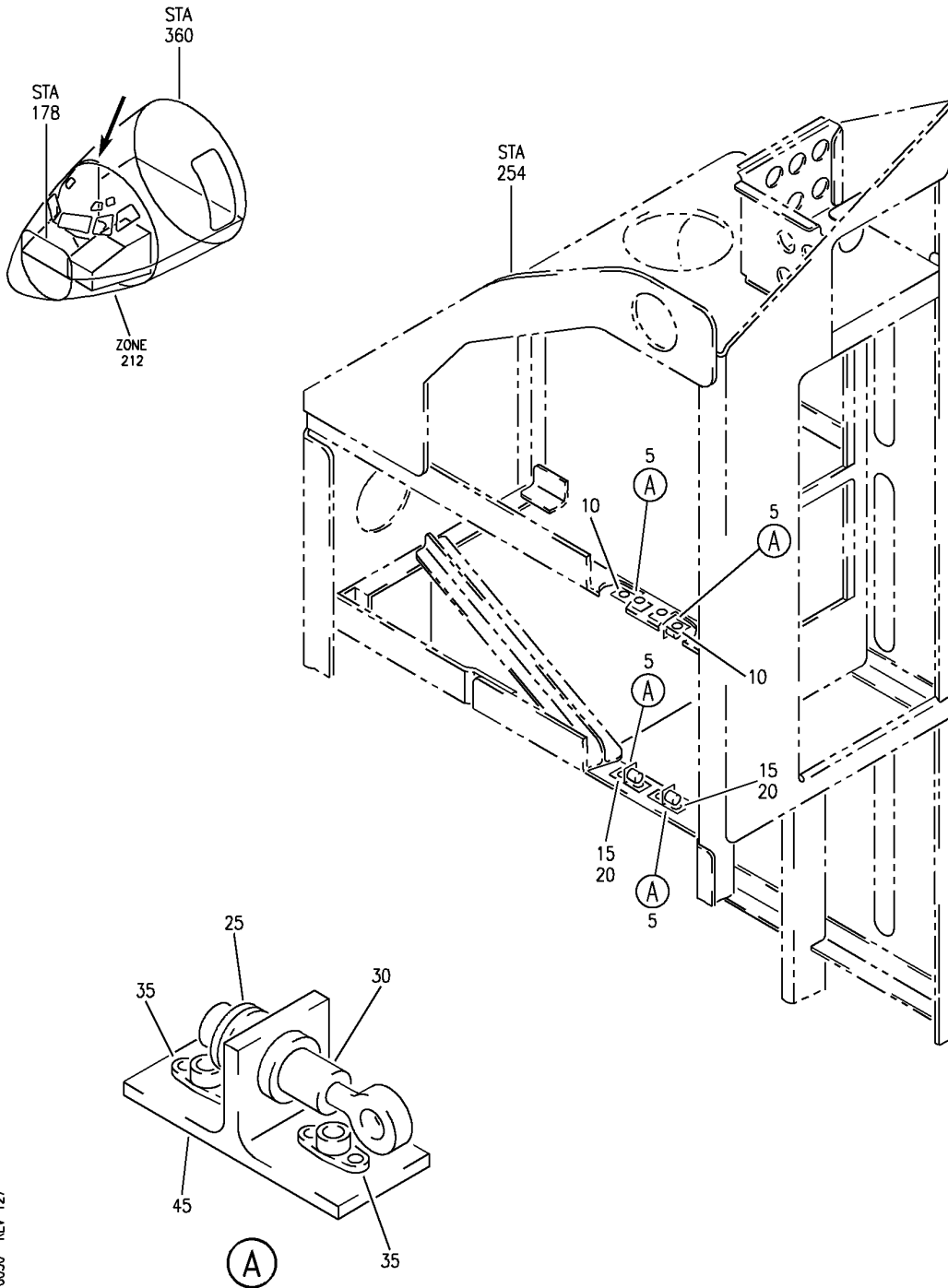
HAP

23-51-00-29

BOEING PROPRIETARY - Copyright © - Unpublished Work - See title page for details.

23-51-00
FIG. 29
PAGE 2
FEB 15/09

BOEING
 737-600/700/800/900
 PARTS CATALOG (MAINTENANCE)



E 23510030 REV 127

EQUIPMENT INSTL-P6 CB PNL (FLIGHT INTERPHONE SYSTEM ONLY)
 FIGURE 30

23-51-00-30

HAP
 FEB 10/07

23-51-00-30
 PAGE 0

BOEING
737-600/700/800/900
PARTS CATALOG (MAINTENANCE)

FIG ITEM	PART NUMBER	1 2 3 4 5 6 7	NOMENCLATURE	EFFECT FROM TO	UNITS PER ASSY
30			EQUIPMENT INSTL-P6 CB PNL (FLIGHT INTERPHONE SYSTEM ONLY)	008030 201967	
- 1	233A5220-1		EQUIPMENT INSTL-P6 CB PNL (FLIGHT INTERPHONE SYSTEM ONLY) FOR NHA/OTHER SYS DET SEE: 24-30-00-01B 24-30-00-01C	008009 202967	RF
- 1	233A5220-2		EQUIPMENT INSTL-P6 CB PNL (FLIGHT INTERPHONE SYSTEM ONLY) FOR NHA/OTHER SYS DET SEE: 24-30-00-01B 24-30-00-01C	010020 201201	RF
- 1	233A5220-5		EQUIPMENT INSTL-P6 CB PNL (FLIGHT INTERPHONE SYSTEM ONLY) FOR NHA/OTHER SYS DET SEE: 24-30-00-01C	021027	RF
- 1	233A5220-7		EQUIPMENT INSTL-P6 CB PNL (FLIGHT INTERPHONE SYSTEM ONLY) FOR NHA/OTHER SYS DET SEE: 24-30-00-01C	028029	RF
- 1	233A5220-9		EQUIPMENT INSTL-P6 CB PNL (FLIGHT INTERPHONE SYSTEM ONLY) FOR NHA/OTHER SYS DET SEE: 24-30-00-01C	030030	RF
5	69-76658-7		.DIODE ASSY- ELECTRICAL EQUIP NUMBER: M00542 M00543 M00544 M00545	008030 201967	4
10	NAS514P632-5		ATTACHING PARTS .SCREW	008030 201967	4
15	NAS8201A6		.SCREW	008030 201967	4
20	NAS1149DN616J		.WASHER	008030 201967	4
25	4729		-----*----- .KIT-MTG SUPPLIER CODE: V91833	008030 201967	1

MISSING ITEM NUMBERS NOT APPLICABLE

- ITEM NOT ILLUSTRATED

HAP

23-51-00-30

BOEING PROPRIETARY - Copyright © - Unpublished Work - See title page for details.

23-51-00
FIG. 30
PAGE 1
OCT 15/08

BOEING
737-600/700/800/900
PARTS CATALOG (MAINTENANCE)

FIG ITEM	PART NUMBER	1 2 3 4 5 6 7	NOMENCLATURE	EFFECT FROM TO	UNITS PER ASSY
30					
30	JANTX1N1206A	..	DIODE- SUPPLIER CODE: V04713	008030 201967	1
35	MF53049-06	..	NUTPLATE SUPPLIER CODE: V15653 SPECIFICATION NUMBER: BACN10JN06 OPTIONAL PART: MF1000-06BAC V15653 NS103218-62 V80539 RMF9201M62 V72962 VN252A62L V92215 T8124S06S V11815 BRFM20A06L V52828	008030 201967	2
- 40	BACR15BA3D	..	ATTACHING PARTS RIVET- SIZE DETERMINED ON INSTL. -----*-----	008030 201967	4
45	69-76658-6	..	TEE	008030 201967	1

MISSING ITEM NUMBERS NOT APPLICABLE

- ITEM NOT ILLUSTRATED

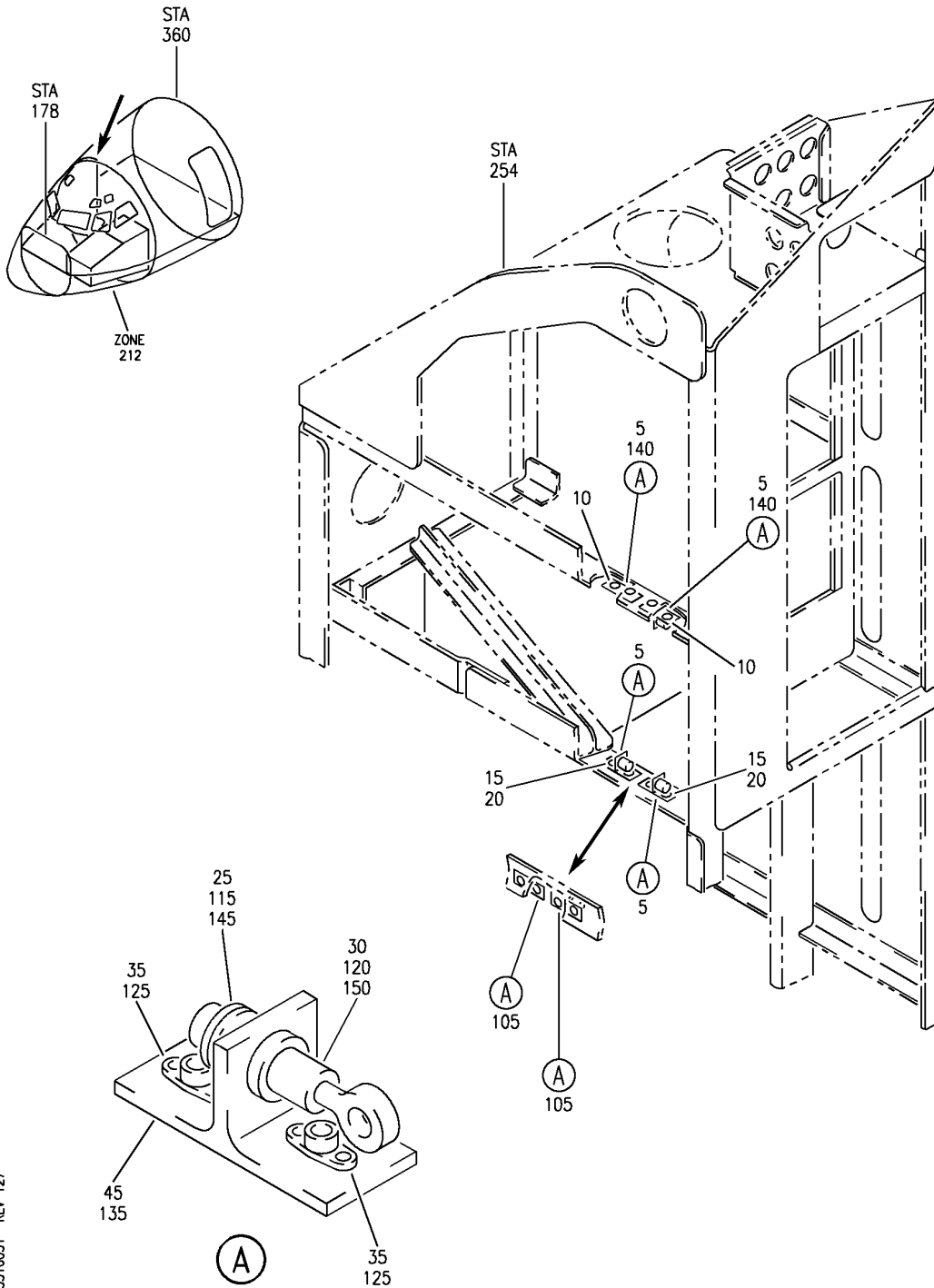
HAP

23-51-00-30

BOEING PROPRIETARY - Copyright © - Unpublished Work - See title page for details.

23-51-00
FIG. 30
PAGE 2
OCT 15/08

BOEING
 737-600/700/800/900
 PARTS CATALOG (MAINTENANCE)



E 23510031 REV 127

EQUIPMENT INSTL-P6 CB PNL (FLIGHT INTERPHONE SYSTEM ONLY)
 FIGURE 31

23-51-00-31

HAP
 FEB 10/07

23-51-00-31
 PAGE 0

BOEING
737-600/700/800/900
PARTS CATALOG (MAINTENANCE)

FIG ITEM	PART NUMBER	1 2 3 4 5 6 7	NOMENCLATURE	EFFECT FROM TO	UNITS PER ASSY
31			EQUIPMENT INSTL-P6 CB PNL (FLIGHT INTERPHONE SYSTEM ONLY)	031200 968999	
- 100	MODREF267101		EQUIPMENT INSTL-P6 CB PNL (FLIGHT INTERPHONE SYSTEM ONLY) MODULE NUMBER: 233A5220-11 REV P FOR OTHER SYS DETAILS SEE: 11-31-01-53A 21-25-02-02A 21-31-00-02 24-34-11-03 24-51-11-01A 24-52-00-02 24-61-00-03 28-21-21-01A 28-21-81-03 31-11-98-09 33-11-00-04A 33-18-00-03 33-25-00-02A 33-29-00-03A	031043 101101 968971	1
- 100	MODREF351279		EQUIPMENT INSTL-P6 CB PNL (FLIGHT INTERPHONE SYSTEM ONLY) MODULE NUMBER: 233A5220-11 REV R FOR OTHER SYS DETAILS SEE: 11-31-01-53A 21-25-02-02A 21-31-00-02 24-34-11-03 24-51-11-01A 24-52-00-02 24-61-00-03 28-21-21-01A 28-21-81-03 31-11-98-09 33-11-00-04A 33-18-00-03 33-25-00-02A 33-29-00-03A	044046 054100 102104 972972	1

MISSING ITEM NUMBERS NOT APPLICABLE

- ITEM NOT ILLUSTRATED

HAP

23-51-00-31

BOEING PROPRIETARY - Copyright © - Unpublished Work - See title page for details.

23-51-00
FIG. 31
PAGE 1
FEB 15/09

BOEING
737-600/700/800/900
PARTS CATALOG (MAINTENANCE)

FIG ITEM	PART NUMBER	1 2 3 4 5 6 7	NOMENCLATURE	EFFECT FROM TO	UNITS PER ASSY
31					
115	4729	..	KIT-MTG SUPPLIER CODE: V91833	031200 968999	1
120	JANTX1N1206A	..	DIODE- SUPPLIER CODE: V04713	031200 968999	1
125	MF53049-06	..	NUTPLATE SUPPLIER CODE: V15653 SPECIFICATION NUMBER: BACN10JN06 OPTIONAL PART: MF1000-06BAC V15653 NS103218-62 V80539 RMF9201M62 V72962 VN252A62L V92215 T8124S06S V11815 BRFM20A06L V52828	031200 968999	2
- 130	BACR15BA3D	..	ATTACHING PARTS RIVET- SIZE DETERMINED ON INSTL. -----*-----	031200 968999	4
135	69-76658-6	..	TEE	031200 968999	1
140	69-76658-9	.DIODE ASSY-	ELECTRICAL EQUIP NUMBER: M00542 M00543	031200 968999	2
150	JANTX1N1206A	..	DIODE- SUPPLIER CODE: V04713	031200 968999	1

MISSING ITEM NUMBERS NOT APPLICABLE

- ITEM NOT ILLUSTRATED

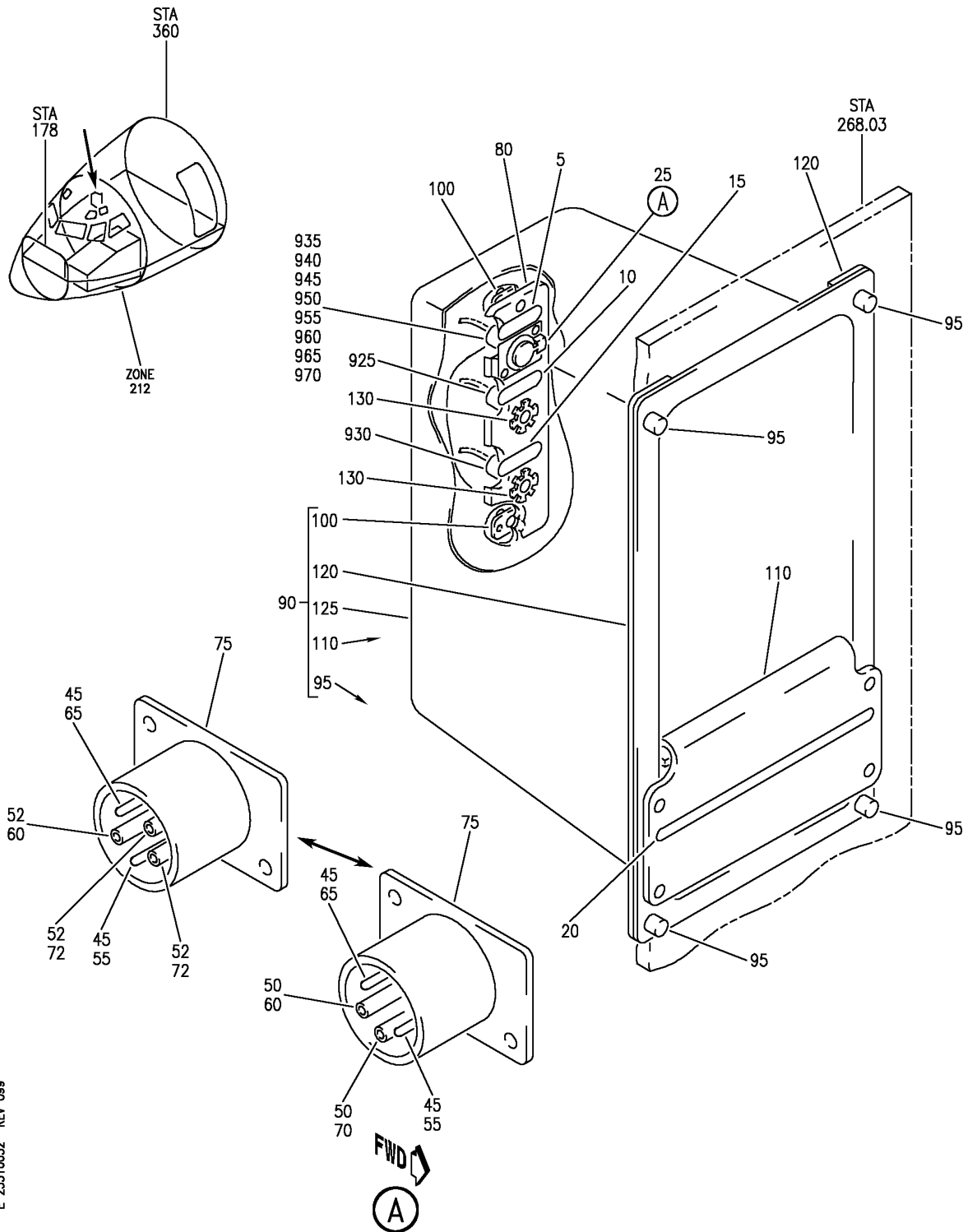
HAP

23-51-00-31

BOEING PROPRIETARY - Copyright © - Unpublished Work - See title page for details.

23-51-00
FIG. 31
PAGE 3
JUN 15/09

BOEING
 737-600/700/800/900
 PARTS CATALOG (MAINTENANCE)



E 23510032 REV 099

JACK INSTL- FIRST OBSERVER
 FIGURE 32

23-51-00-32

HAP
 OCT 10/06

23-51-00-32
 PAGE 0

BOEING
737-600/700/800/900
PARTS CATALOG (MAINTENANCE)

FIG ITEM	PART NUMBER	1 2 3 4 5 6 7	NOMENCLATURE	EFFECT FROM TO	UNITS PER ASSY
32			JACK INSTL- FIRST OBSERVER	031200 968999	
- 1	MODREF82012		JACK INSTL-FIRST OBSERVER (XLR5(5 WIRE)-2J-2J) MODULE NUMBER: 232A4400-317 REV A	031200 968999	1
5	BAC27DCC2774		.MARKER- PLACARD CONTENT: BOOM MIKE	031200 968999	1
10	BAC27DCC2777		.MARKER- PLACARD CONTENT: HEAD PHONE	031200 968999	1
15	BAC27DCC2779		.MARKER- PLACARD CONTENT: HAND MIKE	031200 968999	1
20	BAC27DCC3002		.MARKER- PLACARD CONTENT: BOOM MIC/HEADSET HEADPHONE HANDMIC	031200 968999	1
25	66-16842-19		.JACK ASSY- ELECTRICAL EQUIP NUMBER: D06069 WIRING DIAGRAM REF: 235131 ATTACHING PARTS	031200 968999	1
- 30	NAS514P440-6		.SCREW	031200 968999	2
- 35	BACW10BP2NDP		.WASHER	031200 968999	2
- 40	BRH10C04D		.NUT SUPPLIER CODE: V52828 SPECIFICATION NUMBER: BACN10JC04CD OPTIONAL PART: H51650-04BAC V15653 102LH9075-40W V72962 NS202486-40 V80539 T6C440JCD V11815 -----*-----	031200 968999	2

MISSING ITEM NUMBERS NOT APPLICABLE

- ITEM NOT ILLUSTRATED

HAP

23-51-00-32

BOEING PROPRIETARY - Copyright © - Unpublished Work - See title page for details.

23-51-00
FIG. 32
PAGE 1
FEB 15/09

BOEING
737-600/700/800/900
PARTS CATALOG (MAINTENANCE)

FIG ITEM	PART NUMBER	1 2 3 4 5 6 7	NOMENCLATURE	EFFECT FROM TO	UNITS PER ASSY
32					
45	48-1825-02	..	CONTACT SUPPLIER CODE: V77820 SPECIFICATION NUMBER: BACC47CN2 OPTIONAL PART: ZZL4016-36LT V49367 48-1825-02 V02660 417-1616-902 V92069 LRM16M15F74 V09922	031200 968999	2
52	418-1616-902	..	CONTACT SUPPLIER CODE: V55104 SPECIFICATION NUMBER: BACC47CP2 OPTIONAL PART: ZZL4116-36LT V49367 248-136-1600S02 V77820 LRC16M15F74 V09922	031200 968999	3
55	48-7190	..	CONNECTOR-BLUE SUPPLIER CODE: V02660	031200 968999	1
60	48-7191	..	CONNECTOR-BLUE SUPPLIER CODE: V02660	031200 968999	1
65	48-7190-1	..	CONNECTOR-RED SUPPLIER CODE: V02660	031200 968999	1
65	AIS16P1	..	CONNECTOR-RED SUPPLIER CODE: V05574	031200 968999	1
72	48-7191-1	..	CONNECTOR-RED SUPPLIER CODE: V02660	031200 968999	2
75	XLR4-31	..	JACK- SUPPLIER CODE: V71468	031200 968999	1
75	XLR4-31A176	..	JACK- SUPPLIER CODE: V71468	031200 968999	1
80	232A4255-30	.	PLATE-JACK	031200 968999	1

MISSING ITEM NUMBERS NOT APPLICABLE

— ITEM NOT ILLUSTRATED

HAP

23-51-00-32

23-51-00
FIG. 32
PAGE 2
FEB 15/09

BOEING
737-600/700/800/900
PARTS CATALOG (MAINTENANCE)

FIG ITEM	PART NUMBER	1 2 3 4 5 6 7	NOMENCLATURE	EFFECT FROM TO	UNITS PER ASSY
32			ATTACHING PARTS		
- 85	WHS8C7TPKL26GY	.SCREW-	SUPPLIER CODE: V12324	031200 968999	2
- 85	BACS12FA08K7	.SCREW-	OPTIONAL PART: BACS12FA08K7	031200 968999	2
90	232A4440-8	.BOX	ASSY-STOWAGE	031200 968999	1
95	PFSC35-44ASEG	..STUD	SUPPLIER CODE: V72794	031200 968999	4
100	MF53050-08DL	..NUTPLATE	SUPPLIER CODE: V15653	031200 968999	2
			SPECIFICATION NUMBER: BACS21DX3G		
			OPTIONAL PART: BRFM20C08M		
			V52828		
			MF1001-08BAC		
			V15653		
			NS103218SE82		
			V80539		
			VN252D82		
			V92215		
			109F9201M82		
			V72962		
			T8125C08C		
			V11815		
			ATTACHING PARTS		
- 105	BACR15BA3AC	..RIVET-	SIZE DETERMINED ON INSTL.	031200 968999	4
110	232A4255-16	..PANEL		031200 968999	1
- 115	BACR15BA3AC	..RIVET-	SIZE DETERMINED ON INSTL.	031200 968999	4
120	232A4255-2	..PLATE		031200 968999	2

MISSING ITEM NUMBERS NOT APPLICABLE

- ITEM NOT ILLUSTRATED

HAP

23-51-00-32

BOEING PROPRIETARY - Copyright © - Unpublished Work - See title page for details.

23-51-00
FIG. 32
PAGE 3
OCT 15/08

BOEING
737-600/700/800/900
PARTS CATALOG (MAINTENANCE)

FIG ITEM	PART NUMBER	1 2 3 4 5 6 7	NOMENCLATURE	EFFECT FROM TO	UNITS PER ASSY
32					
125	232A4280-4	. .	BOX	031200 968999	1
130	BACW10CR6	.	WASHER	031200 968999	2
- 900	286A0041-155		WIRE BUNDLE ASSY	037043 054103 968971	RF
- 900	286A0041-181		WIRE BUNDLE ASSY	031036	RF
925	2J1866A	.	JACK-HEADPHONE FIRST OBSERVER SUPPLIER CODE: V82389 ELECTRICAL EQUIP NUMBER: D06035 WIRING DIAGRAM REF: 235131	031045 054103 968971	1
930	2J1869	.	JACK-HANDMIC FIRST OBSERVER SUPPLIER CODE: V82389 ELECTRICAL EQUIP NUMBER: D06045 WIRING DIAGRAM REF: 235131	031043 101103 968971	1
955	48-7190	.	CONNECTOR- SUPPLIER CODE: V02660 ELECTRICAL EQUIP NUMBER: D07083 WIRING DIAGRAM REF: 235131	031045 054103 968971	1
960	48-7191	.	CONNECTOR- SUPPLIER CODE: V02660 ELECTRICAL EQUIP NUMBER: D07085 WIRING DIAGRAM REF: 235131	031045 054103 968971	1
965	48-7190-1	.	CONNECTOR- SUPPLIER CODE: V02660 ELECTRICAL EQUIP NUMBER: D07087 D07089 WIRING DIAGRAM REF: 235131	031045 054103 968971	2

MISSING ITEM NUMBERS NOT APPLICABLE

- ITEM NOT ILLUSTRATED

HAP

23-51-00-32

BOEING PROPRIETARY - Copyright © - Unpublished Work - See title page for details.

23-51-00
FIG. 32
PAGE 4
FEB 15/09

BOEING
737-600/700/800/900
PARTS CATALOG (MAINTENANCE)

FIG ITEM	PART NUMBER	1 2 3 4 5 6 7	NOMENCLATURE	EFFECT FROM TO	UNITS PER ASSY
32 965	AIS16P1		.CONNECTOR- SUPPLIER CODE: V05574 ELECTRICAL EQUIP NUMBER: D07087 D07089 WIRING DIAGRAM REF: 235131	031045 054103 968971	2
970	48-7191-1		.CONNECTOR- SUPPLIER CODE: V02660 ELECTRICAL EQUIP NUMBER: D07081 WIRING DIAGRAM REF: 235131	031045 054103 968971	1

MISSING ITEM NUMBERS NOT APPLICABLE

— ITEM NOT ILLUSTRATED

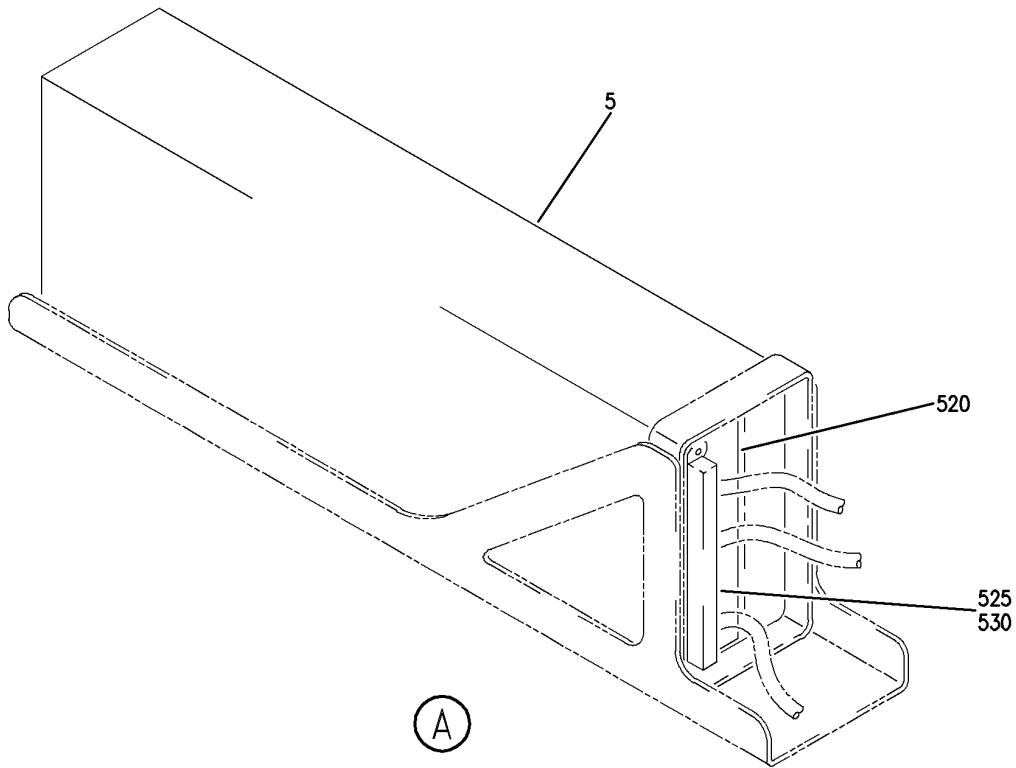
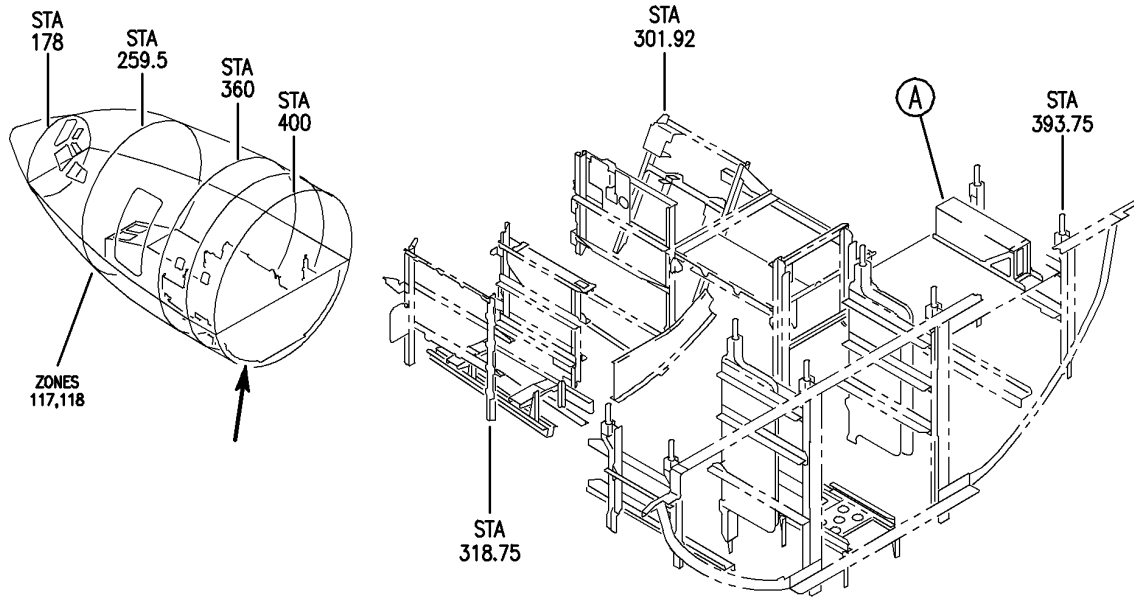
HAP

23-51-00-32

BOEING PROPRIETARY - Copyright © - Unpublished Work - See title page for details.

23-51-00
FIG. 32
PAGE 5
FEB 15/09

BOEING
 737-600/700/800/900
 PARTS CATALOG (MAINTENANCE)



E 23510101 REV 043

EQUIPMENT INST-ELEC/ELEX BAY E4 RACK
 FIGURE 1

23-51-01-01

HAP
 OCT 10/06

23-51-01-01
 PAGE 0

BOEING
737-600/700/800/900
PARTS CATALOG (MAINTENANCE)

FIG ITEM	PART NUMBER	1 2 3 4 5 6 7	NOMENCLATURE	EFFECT FROM TO	UNITS PER ASSY
1			EQUIPMENT INST-ELEC/ELEX BAY E4 RACK	001011 201967	
- 1	284A0440-104		EQUIPMENT INSTL-ELEC/ELEX BAY POSITION DATA: E4 RACK FOR NHA SEE: 23-50-00-03	001007	RF
- 2	284A0440-106		EQUIPMENT INSTL-ELEC/ELEX BAY POSITION DATA: E4 RACK FOR NHA SEE: 23-50-00-02 23-50-00-03	008011 201967	RF
5	5140-1-1		.UNIT-REMOTE ELECT. SUPPLIER CODE: V30242 FUNCTIONAL DESCRIPTION: CONTROLS MICROPHONE SELECTION AND THE ROUTING OF AUDIO SIGNALS FOR HEADPHONE OR SPEAKER MONITORING BASED ON AUDIO CONTROL PANEL SELECTIONS. SPECIFICATION NUMBER: 10-62090-12 ELECTRICAL EQUIP NUMBER: M01353 COMPONENT MAINT MANUAL REF: 23-50-14 MAINTENANCE MANUAL REF: 23-51-01 QUALIFIED I/W DATA: 5140-1-6 I/W 5140-1-1 EXCEPT FOR AIRCRAFT HAVING PREDICTIVE WINDSHEAR MODE ACTIVATED WHERE 5140-1-6 IS REQUIRED. PRE SERVICE BULLETIN: 23-1157	001007	1
5	10-62090-111		.UNIT-REMOTE ELEC. MAINTENANCE MANUAL REF: 23-51-01 POST SERVICE BULLETIN: 23-1157	001007	1

MISSING ITEM NUMBERS NOT APPLICABLE

- ITEM NOT ILLUSTRATED

HAP

23-51-01-01

BOEING PROPRIETARY - Copyright © - Unpublished Work - See title page for details.

23-51-01
FIG. 01
PAGE 1
OCT 15/08

BOEING
737-600/700/800/900
PARTS CATALOG (MAINTENANCE)

FIG ITEM	PART NUMBER	1 2 3 4 5 6 7	NOMENCLATURE	EFFECT FROM TO	UNITS PER ASSY
1 5	5140-1-6		.UNIT-REMOTE ELECT. SUPPLIER CODE: V30242 FUNCTIONAL DESCRIPTION: CONTROLS MICROPHONE SELECTION AND THE ROUTING OF AUDIO SIGNALS FOR HEADPHONE OR SPEAKER MONITORING BASED ON AUDIO CONTROL PANEL SELECTIONS. SPECIFICATION NUMBER: 10-62090-112 ELECTRICAL EQUIP NUMBER: M01353 COMPONENT MAINT MANUAL REF: 23-50-76 MAINTENANCE MANUAL REF: 23-51-01 QUALIFIED I/W DATA: 5140-1-6 I/W 5140-1-1 EXCEPT FOR AIRCRAFT HAVING PREDICTIVE WINDSHEAR MODE ACTIVATED WHERE 5140-1-6 IS REQUIRED. 5140-1-10 I/W 5140-1-6 EXCEPT AIRCRAFT HAVING A LATCHING PTT SWITCH REQUIRE 5140-1-10 REF 737-SL-23-029 SERVICE LETTER 737-SL-23-029 PRE SERVICE BULLETIN: 23-1157 POST AIRLINE MOD: E.O.737-EB34-0193 VHAP	001011	1

MISSING ITEM NUMBERS NOT APPLICABLE

— ITEM NOT ILLUSTRATED

HAP

23-51-01-01

BOEING PROPRIETARY - Copyright © - Unpublished Work - See title page for details.

23-51-01
FIG. 01
PAGE 2
JUN 15/08

BOEING
737-600/700/800/900
PARTS CATALOG (MAINTENANCE)

FIG ITEM	PART NUMBER	1 2 3 4 5 6 7	NOMENCLATURE	EFFECT FROM TO	UNITS PER ASSY
1 5	5140-1-10		.UNIT-REMOTE ELECT. SUPPLIER CODE: V30242 FUNCTIONAL DESCRIPTION: CONTROLS MICROPHONE SELECTION AND THE ROUTING OF AUDIO SIGNALS FOR HEADPHONE OR SPEAKER MONITORING BASED ON AUDIO CONTROL PANEL SELECTION. SPECIFICATION NUMBER: 10-62090-113 COMPONENT MAINT MANUAL REF: 23-50-81 MAINTENANCE MANUAL REF: 23-51-01 QUALIFIED I/W DATA: 5140-1-10 I/W 5140-1-6 EXCEPT AIRCRAFT HAVING A LATCHING PTT SWITCH REQUIRE 5140-1-10 REF 737-SL-23-029 SERVICE LETTER 737-SL-23-029 POST SERVICE BULLETIN: 23-1157	001011 201967	1
5	5340-1-1		.UNIT-REMOTE ELECT. SUPPLIER CODE: V30242 FUNCTIONAL DESCRIPTION: CONTROLS MICROPHONE SELECTION AND THE ROUTING OF AUDIO SIGNALS FOR HEADPHONE OR SPEAKER MONITORING BASED ON AUDIO CONTROL PANEL SELECTIONS. SPECIFICATION NUMBER: 10-62090-121 ELECTRICAL EQUIP NUMBER: M01353 COMPONENT MAINT MANUAL REF: 23-50-84 MAINTENANCE MANUAL REF: 23-51-01	001011 201967	1
- 508	286A0411-039		WIRE BUNDLE ASSY- POST AIRLINE MOD: 737-EB34-0192 VHAP	001002	RF

MISSING ITEM NUMBERS NOT APPLICABLE

- ITEM NOT ILLUSTRATED

HAP

23-51-01-01

BOEING PROPRIETARY - Copyright © - Unpublished Work - See title page for details.

23-51-01
FIG. 01
PAGE 3
OCT 15/08

BOEING
737-600/700/800/900
PARTS CATALOG (MAINTENANCE)

FIG ITEM	PART NUMBER	1 2 3 4 5 6 7	NOMENCLATURE	EFFECT FROM TO	UNITS PER ASSY
1					
- 509	286A0411-051		WIRE BUNDLE ASSY- POST AIRLINE MOD: 737-EB34-0192 VHAP	003007	RF
- 510	286A0411-075		WIRE BUNDLE ASSY-	008011	RF
- 510	286A0411-081		WIRE BUNDLE ASSY-	202967	RF
- 512	286A0411-130		WIRE BUNDLE ASSY-	201201	RF
520	BCREF12320		.PLATE ASSY-PLUG OVERLENGTH PART NUMBER: BACC66H21C57AA01 ELECTRICAL EQUIP NUMBER: D02501 WIRING DIAGRAM REF: 235151 POST AIRLINE MOD: 737-EB34-0192 VHAP	001011 201967	1
525	RBGP48-116N		.BACKSHELL-GROUND BLOCK ARINC 600 SUPPLIER CODE: V09922 SPECIFICATION NUMBER: S280W601-116 ELECTRICAL EQUIP NUMBER: D02501T WIRING DIAGRAM REF: 235151	001011 201967	1
530	RBGP48-116N		.BACKSHELL-GROUND BLOCK ARINC 600 SUPPLIER CODE: V09922 SPECIFICATION NUMBER: S280W601-116 ELECTRICAL EQUIP NUMBER: D02501U WIRING DIAGRAM REF: 235151	001011 201967	1

MISSING ITEM NUMBERS NOT APPLICABLE

- ITEM NOT ILLUSTRATED

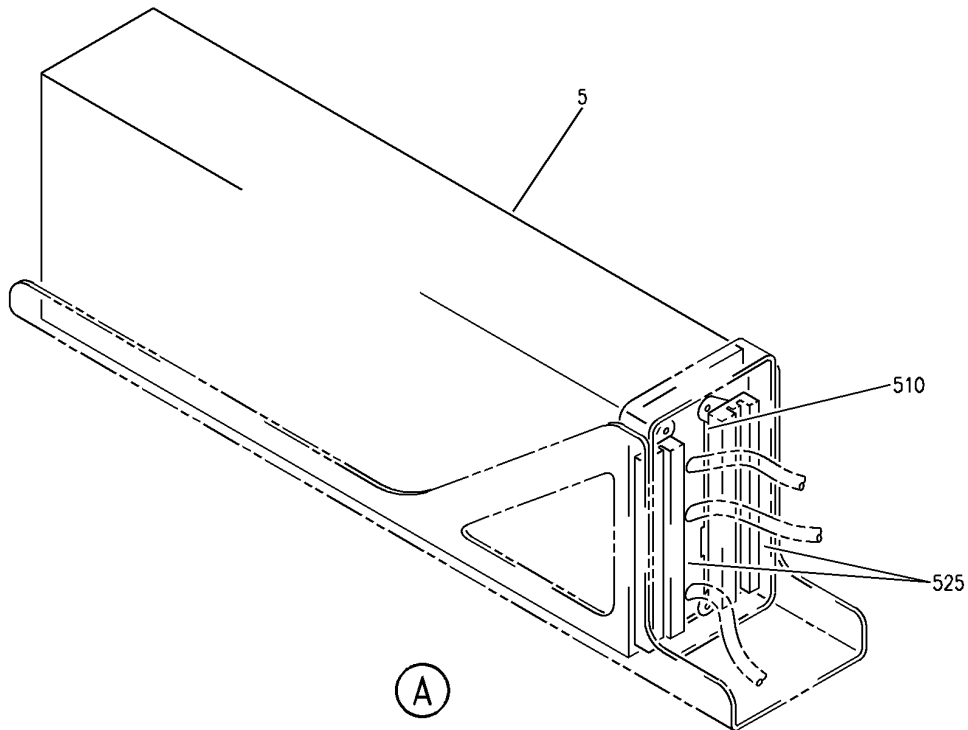
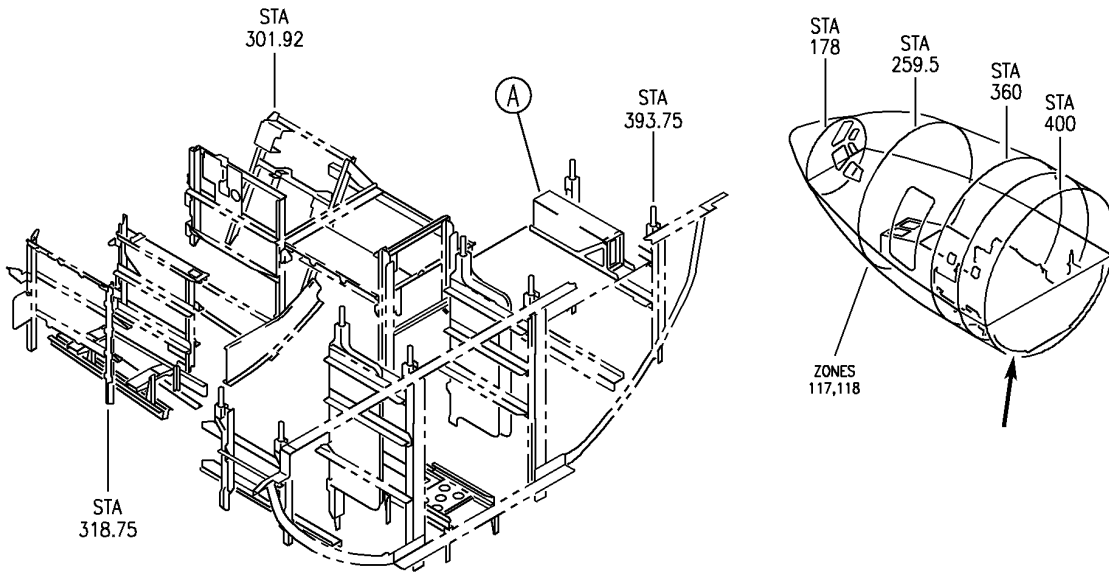
HAP

23-51-01-01

BOEING PROPRIETARY - Copyright © - Unpublished Work - See title page for details.

23-51-01
FIG. 01
PAGE 4
OCT 15/08

BOEING
 737-600/700/800/900
 PARTS CATALOG (MAINTENANCE)



E 23510102 REV 127

EQUIPMENT INSTL-E4 RACK (COMMUNICATIONS ONLY)
 FIGURE 2

23-51-01-02

HAP
 FEB 10/07

23-51-01-02
 PAGE 0

BOEING
737-600/700/800/900
PARTS CATALOG (MAINTENANCE)

FIG ITEM	PART NUMBER	1 2 3 4 5 6 7	NOMENCLATURE	EFFECT FROM TO	UNITS PER ASSY	
R R R R R R R R R R	2					
	5	5140-1-10	.UNIT-REMOTE ELECTRONIC SUPPLIER CODE: V30242 SPECIFICATION NUMBER: 10-62090-113 ELECTRICAL EQUIP NUMBER: M01353 COMPONENT MAINT MANUAL REF: 23-50-81 MAINTENANCE MANUAL REF: 23-51-01 QUALIFIED I/W DATA: 5140-1-10 I/W 5140-1-6 EXCEPT AIRCRAFT HAVING A LATCHING PTT SWITCH REQUIRE 5140-1-10 REF 737-SL-23-029 SERVICE LETTER 737-SL-23-029	023030	1	
	- 500	286A0411-075	WIRE BUNDLE ASSY	023030	RF	
	510	BCREF17571	.PLUG-PLATE ASSY OVERLENGTH PART NUMBER: BACC66H26C57AA01 ELECTRICAL EQUIP NUMBER: D02501 WIRING DIAGRAM REF: 235151	023030	1	
	- 515	NAS1801-06	ATTACHING PARTS .SCREW- POSITION DATA: FAR SIDE SIZE DETERMINED ON INSTL.	023030	4	
	- 520	PLH506CD	.NUT- SUPPLIER CODE: VF0224 SPECIFICATION NUMBER: BACN10YR06CD OPTIONAL PART: H52732-06CD V15653 POSITION DATA: NEAR SIDE -----*-----	023030	4	
	MISSING ITEM NUMBERS NOT APPLICABLE					

- ITEM NOT ILLUSTRATED

HAP

23-51-01-02

BOEING PROPRIETARY - Copyright © - Unpublished Work - See title page for details.

23-51-01
FIG. 02
PAGE 3
JUN 15/09

BOEING
737-600/700/800/900
PARTS CATALOG (MAINTENANCE)

FIG ITEM	PART NUMBER	1 2 3 4 5 6 7 NOMENCLATURE	EFFECT FROM TO	UNITS PER ASSY
2 525	RBGP48-116N	.BACKSHELL- SUPPLIER CODE: V09922 SPECIFICATION NUMBER: S280W601-116 ELECTRICAL EQUIP NUMBER: D02501T D02501U WIRING DIAGRAM REF: 235151	023030	2

MISSING ITEM NUMBERS NOT APPLICABLE

— ITEM NOT ILLUSTRATED

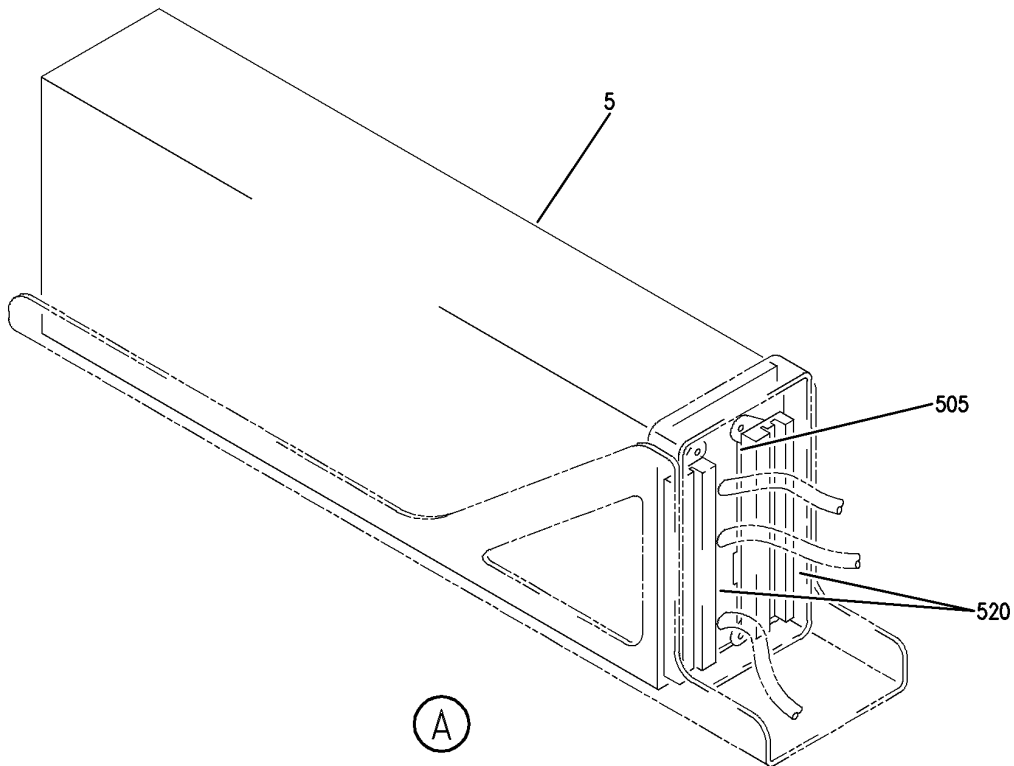
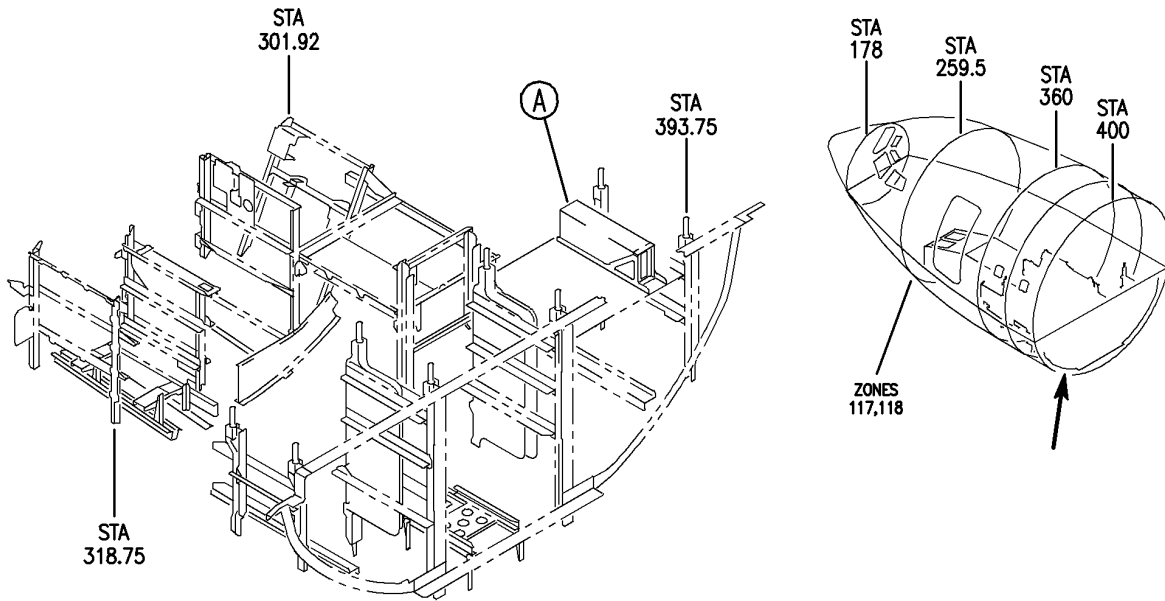
HAP

23-51-01-02

BOEING PROPRIETARY - Copyright © - Unpublished Work - See title page for details.

23-51-01
FIG. 02
PAGE 4
FEB 10/07

BOEING
 737-600/700/800/900
 PARTS CATALOG (MAINTENANCE)



E 23510103 REV 047

EQUIPMENT INSTL-E4 RACK (COMMUNICATIONS ONLY)
 FIGURE 3

23-51-01-03

HAP
 OCT 10/06

23-51-01-03
 PAGE 0

BOEING
737-600/700/800/900
PARTS CATALOG (MAINTENANCE)

FIG ITEM	PART NUMBER	1 2 3 4 5 6 7	NOMENCLATURE	EFFECT FROM TO	UNITS PER ASSY
3			EQUIPMENT INSTL-E4 RACK (COMMUNICATIONS ONLY)	031200 968999	
- 2	MODREF202977		EQUIPMENT INSTL-E4 RACK (COMMUNICATIONS ONLY) MODULE NUMBER: 284A0441-15 REV A FOR OTHER SYS DETAILS SEE: 21-51-02-02 21-61-11-01 24-21-81-03A 24-32-11-02 24-41-21-02 27-62-35-02 30-41-11-03	101200 968999	1
- 2	MODREF202978		EQUIPMENT INSTL-E4 RACK (COMMUNICATIONS ONLY) MODULE NUMBER: 284A0441-16 REV A FOR OTHER SYS DETAILS SEE: 21-51-02-02 24-21-81-03A 24-32-11-02 24-41-21-02 27-62-35-02 30-41-11-03	031100	1

MISSING ITEM NUMBERS NOT APPLICABLE

- ITEM NOT ILLUSTRATED

HAP

23-51-01-03

BOEING PROPRIETARY - Copyright © - Unpublished Work - See title page for details.

23-51-01
FIG. 03
PAGE 1
OCT 15/08

BOEING
737-600/700/800/900
PARTS CATALOG (MAINTENANCE)

FIG ITEM	PART NUMBER	1 2 3 4 5 6 7	NOMENCLATURE	EFFECT FROM TO	UNITS PER ASSY
3 5	5340-1-1		.UNIT-REMOTE ELECTRONIC SUPPLIER CODE: V30242 FUNCTIONAL DESCRIPTION: CONTROLS MICROPHONE SELECTION AND THE ROUTING OF AUDIO SIGNALS FOR HEADPHONE OR SPEAKER MONITORING BASED ON AUDIO CONTROL PANEL SELECTIONS. SPECIFICATION NUMBER: 10-62090-121 ELECTRICAL EQUIP NUMBER: M01353 COMPONENT MAINT MANUAL REF: 23-50-84 MAINTENANCE MANUAL REF: 23-51-01 QUALIFIED I/W DATA: 5340-1-1 I/W 5340-1 FOR AIRCRAFT AFTER LINE NUMBER 722 EXCEPT THE 737-700C "CONVERTIBLE" MODEL REQUIRES USE OF 5340-1. 10-62090-121/5340-1-1 WITH AURAL WARNING MUTING SWITCH SET TO THE HORIZONTAL POSITION IS INTERCHANGEABLE WITH 10-62090-117/5140-1-7 ONLY ON AIRPLANES WITH NON-LATCHING PUSH-TO-TALK YOKE BUTTONS	031200 968999	1

MISSING ITEM NUMBERS NOT APPLICABLE

— ITEM NOT ILLUSTRATED

HAP

23-51-01-03

BOEING PROPRIETARY - Copyright © - Unpublished Work - See title page for details.

23-51-01
FIG. 03
PAGE 2
OCT 15/08

BOEING
737-600/700/800/900
PARTS CATALOG (MAINTENANCE)

FIG ITEM	PART NUMBER	1 2 3 4 5 6 7	NOMENCLATURE	EFFECT FROM TO	UNITS PER ASSY
3					
5	5140-1-10		.UNIT-REMOTE ELECTRONIC SUPPLIER CODE: V30242 SPECIFICATION NUMBER: 10-62090-113 ELECTRICAL EQUIP NUMBER: M01353 COMPONENT MAINT MANUAL REF: 23-50-81 MAINTENANCE MANUAL REF: 23-51-01 QUALIFIED I/W DATA: 5140-1-10 I/W 5140-1-6 EXCEPT AIRCRAFT HAVING A LATCHING PTT SWITCH REQUIRE 5140-1-10 REF 737-SL-23-029 SERVICE LETTER 737-SL-23-029	031200 968999	1
- 500	286A0411-169		WIRE BUNDLE ASSY	031045 054100	RF
- 500	286A0411-001		WIRE BUNDLE ASSY-	101106 968999	RF
- 503	286A0411-169		WIRE BUNDLE ASSY	031047 054100	RF
505	BCREF17571		.PLUG-PLATE ASSY OVERLENGTH PART NUMBER: BACC66H26C57AA01 ELECTRICAL EQUIP NUMBER: D02501 WIRING DIAGRAM REF: 235151 ATTACHING PARTS	031047 054106 968999	1
- 510	NAS1801-06		.SCREW- POSITION DATA: FARSIDE SIZE DETERMINED ON INSTL.	031047 054106 968999	4
- 515	PLH506CD		.NUT- SUPPLIER CODE: VF0224 SPECIFICATION NUMBER: BACN10YRO6CD OPTIONAL PART: H52732-06CD V15653 POSITION DATA: NEARSIDE -----*-----	031047 054106 968999	4

MISSING ITEM NUMBERS NOT APPLICABLE

- ITEM NOT ILLUSTRATED

HAP

23-51-01-03

BOEING PROPRIETARY - Copyright © - Unpublished Work - See title page for details.

23-51-01
FIG. 03
PAGE 3
FEB 15/09


BOEING
 737-600/700/800/900
PARTS CATALOG (MAINTENANCE)

FIG ITEM	PART NUMBER	1 2 3 4 5 6 7 NOMENCLATURE	EFFECT FROM TO	UNITS PER ASSY
3 520	RBGP48-116N	.BACKSHELL- SUPPLIER CODE: V09922 SPECIFICATION NUMBER: S280W601-116 ELECTRICAL EQUIP NUMBER: D02501T D02501U WIRING DIAGRAM REF: 235151	031047 054106 968999	2

MISSING ITEM NUMBERS NOT APPLICABLE

— ITEM NOT ILLUSTRATED

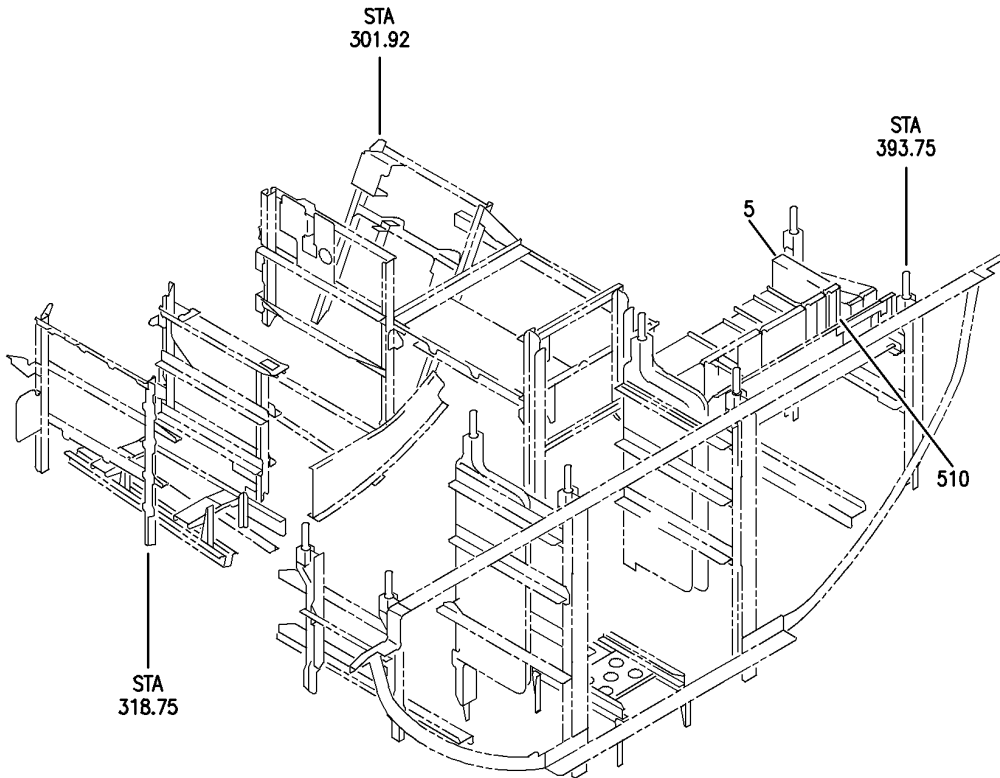
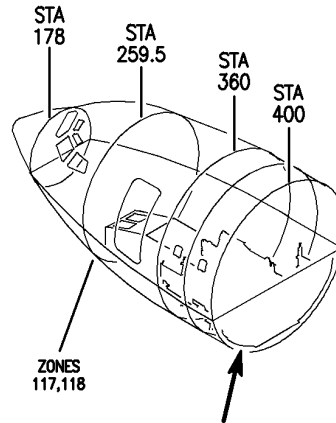
HAP

23-51-01-03

BOEING PROPRIETARY - Copyright © - Unpublished Work - See title page for details.

23-51-01
 FIG. 03
 PAGE 4
 FEB 15/09

BOEING
737-600/700/800/900
PARTS CATALOG (MAINTENANCE)



E 23510104 REV 061

EQUIPMENT INSTL-E4-1 REMOTE ELECTRONICS UNIT
FIGURE 4

23-51-01-04

HAP
OCT 10/06

23-51-01-04
PAGE 0

BOEING
737-600/700/800/900
PARTS CATALOG (MAINTENANCE)

FIG ITEM	PART NUMBER	1 2 3 4 5 6 7	NOMENCLATURE	EFFECT FROM TO	UNITS PER ASSY
4			EQUIPMENT INSTL-E4-1 REMOTE ELECTRONICS UNIT	012022	
1	284A0441-235002		EQUIPMENT INSTL-E4-1 REMOTE ELECTRONICS UNIT FOR NHA SEE: 23-50-00-03	012017 019019	RF
1	284A0441-235003		EQUIPMENT INSTL-E4-1 REMOTE ELECTRONICS UNIT FOR NHA SEE: 23-50-00-03	018018 020022	RF
5	5140-1-6		.UNIT- SUPPLIER CODE: V30242 FUNCTIONAL DESCRIPTION: CONTROLS MICROPHONE SELECTION AND THE ROUTING OF AUDIO SIGNALS FOR HEADPHONE OR SPEAKER MONITORING BASED ON AUDIO CONTROL PANEL SELECTIONS. SPECIFICATION NUMBER: 10-62090-112 ELECTRICAL EQUIP NUMBER: M01353 COMPONENT MAINT MANUAL REF: 23-50-76 MAINTENANCE MANUAL REF: 23-51-01 QUALIFIED I/W DATA: 5140-1-10 I/W 5140-1-6 EXCEPT AIRCRAFT HAVING A LATCHING PTT SWITCH REQUIRE 5140-1-10 REF 737-SL-23-029 SERVICE LETTER 737-SL-23-029 PRE SERVICE BULLETIN: 23-1157	012017 019019	1

MISSING ITEM NUMBERS NOT APPLICABLE

— ITEM NOT ILLUSTRATED

HAP

23-51-01-04

BOEING PROPRIETARY - Copyright © - Unpublished Work - See title page for details.

23-51-01
FIG. 04
PAGE 1
JUN 15/08

BOEING
737-600/700/800/900
PARTS CATALOG (MAINTENANCE)

FIG ITEM	PART NUMBER	1 2 3 4 5 6 7	NOMENCLATURE	EFFECT FROM TO	UNITS PER ASSY
4 5	5140-1-10		.UNIT- SUPPLIER CODE: V30242 FUNCTIONAL DESCRIPTION: CONTROLS MICROPHONE SELECTION AND THE ROUTING OF AUDIO SIGNALS FOR HEADPHONE OR SPEAKER MONITORING BASED ON AUDIO CONTROL PANEL SELECTIONS. SPECIFICATION NUMBER: 10-62090-113 ELECTRICAL EQUIP NUMBER: M01353 COMPONENT MAINT MANUAL REF: 23-50-81 MAINTENANCE MANUAL REF: 23-51-01 QUALIFIED I/W DATA: 5140-1-10 I/W 5140-1-6 EXCEPT AIRCRAFT HAVING A LATCHING PTT SWITCH REQUIRE 5140-1-10 REF 737-SL-23-029 SERVICE LETTER 737-SL-23-029 POST SERVICE BULLETIN: 23-1157	012022	1

MISSING ITEM NUMBERS NOT APPLICABLE

— ITEM NOT ILLUSTRATED

HAP

23-51-01-04

BOEING PROPRIETARY - Copyright © - Unpublished Work - See title page for details.

23-51-01
FIG. 04
PAGE 2
JUN 15/08

BOEING
737-600/700/800/900
PARTS CATALOG (MAINTENANCE)

FIG ITEM	PART NUMBER	1 2 3 4 5 6 7	NOMENCLATURE	EFFECT FROM TO	UNITS PER ASSY
4 5	5340-1-1		.UNIT- SUPPLIER CODE: V30242 FUNCTIONAL DESCRIPTION: CONTROLS MICROPHONE SELECTION AND THE ROUTING OF AUDIO SIGNALS FOR HEADPHONE OR SPEAKER MONITORING BASED ON AUDIO CONTROL PANEL SELECTIONS. SPECIFICATION NUMBER: 10-62090-121 ELECTRICAL EQUIP NUMBER: M01353 COMPONENT MAINT MANUAL REF: 23-50-84 MAINTENANCE MANUAL REF: 23-51-01 QUALIFIED I/W DATA: 5340-1-1 I/W 5340-1 FOR AIRCRAFT AFTER LINE NUMBER 722 EXCEPT THE 737-700C "CONVERTIBLE" MODEL REQUIRES USE OF 5340-1.	012022	1
- 503 510	286A0411-075 BCREF12320		WIRE BUNDLE ASSY .PLATE ASSY- OVERLENGTH PART NUMBER: BACC66H21C57AA01 ELECTRICAL EQUIP NUMBER: D02501 WIRING DIAGRAM REF: 235151	012022 012022	RF 1
- 515	NAS1801-06		ATTACHING PARTS .SCREW- POSITION DATA: FAR SIDE SIZE DETERMINED ON INSTL.	012022	4

MISSING ITEM NUMBERS NOT APPLICABLE

- ITEM NOT ILLUSTRATED

HAP

23-51-01-04

BOEING PROPRIETARY - Copyright © - Unpublished Work - See title page for details.

23-51-01
FIG. 04
PAGE 3
JUN 15/08


BOEING
 737-600/700/800/900
PARTS CATALOG (MAINTENANCE)

FIG ITEM	PART NUMBER	1 2 3 4 5 6 7 NOMENCLATURE	EFFECT FROM TO	UNITS PER ASSY
4 - 520	PLH506CD	.NUT- SUPPLIER CODE: VF0224 SPECIFICATION NUMBER: BACN10YR06CD OPTIONAL PART: H52732-06CD V15653 POSITION DATA: NEAR SIDE -----*-----	012022	4

MISSING ITEM NUMBERS NOT APPLICABLE

- ITEM NOT ILLUSTRATED

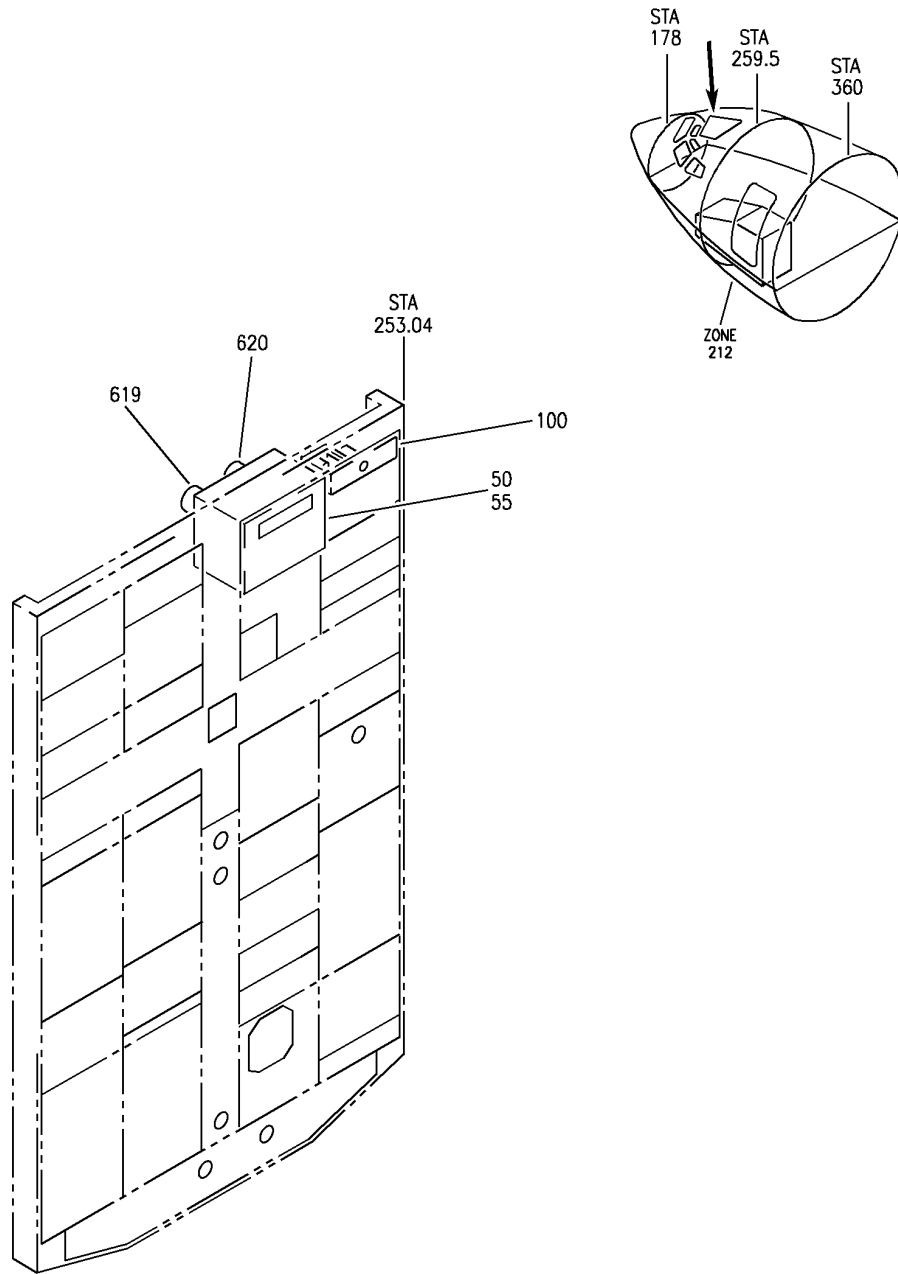
HAP

23-51-01-04

BOEING PROPRIETARY - Copyright © - Unpublished Work - See title page for details.

23-51-01
 FIG. 04
 PAGE 4
 FEB 15/09

BOEING
737-600/700/800/900
PARTS CATALOG (MAINTENANCE)



E 23510201 REV 113

MODULE INSTL-P5 OVHD (AUDIO CONTROL PANEL ONLY)
FIGURE 1

23-51-02-01

HAP
OCT 10/06

23-51-02-01
PAGE 0

BOEING
737-600/700/800/900
PARTS CATALOG (MAINTENANCE)

FIG ITEM	PART NUMBER	1 2 3 4 5 6 7	NOMENCLATURE	EFFECT FROM TO	UNITS PER ASSY
1			MODULE INSTL-P5 OVHD (AUDIO CONTROL PANEL ONLY)	001028 201967	
- 1	233A3101-4		MODULE INSTL-P5 OVHD (AUDIO CONTROL PANEL ONLY) FOR NHA/OTHER SYS DET SEE: 31-11-00-01C	001005	RF
- 3	233A3101-52		MODULE INSTL-P5 OVHD (AUDIO CONTROL PANEL ONLY) FOR NHA/OTHER SYS DET SEE: 31-11-00-01C	006007	RF
- 4	233A3101-63		MODULE INSTL-P5 OVHD (AUDIO CONTROL PANEL ONLY) FOR NHA/OTHER SYS DET SEE: 31-11-00-01C	008011	RF
- 5	233A3101-110		MODULE INSTL-P5 OVHD (AUDIO CONTROL PANEL ONLY) FOR NHA/OTHER SYS DET SEE: 31-11-00-01C	012016	RF
- 5	233A3101-74		MODULE INSTL-P5 OVHD (AUDIO CONTROL PANEL ONLY) FOR NHA/OTHER SYS DET SEE: 31-11-00-01J	201967	RF
- 13	233A3101-225		MODULE INSTL-P5 OVHD (AUDIO CONTROL PANEL ONLY) FOR NHA/OTHER SYS DET SEE: 31-11-00-01C	017019	RF
- 13	233A3101-234		MODULE INSTL-P5 OVHD (AUDIO CONTROL PANEL ONLY) FOR NHA/OTHER SYS DET SEE: 31-11-00-01C	020028	RF
R R	50	5145-1-60	.PANEL-OBSERVER AUDIO SELECTOR CONT P5-15 SUPPLIER CODE: V30242 FUNCTIONAL DESCRIPTION: ALLOWS THE FLIGHT CREW TO SELECT THE AUDIO SYSTEM (VHF, HF, ETC.) FOR TRANSMISSION AND RECEPTION SPECIFICATION NUMBER: 10-62090-60 ELECTRICAL EQUIP NUMBER: P00515 COMPONENT MAINT MANUAL REF: 23-50-15 MAINTENANCE MANUAL REF: 23-51-02	001028	1

MISSING ITEM NUMBERS NOT APPLICABLE

- ITEM NOT ILLUSTRATED

HAP

23-51-02-01

23-51-02
FIG. 01
PAGE 1
JUN 15/09

BOEING
737-600/700/800/900
PARTS CATALOG (MAINTENANCE)

FIG ITEM	PART NUMBER	1 2 3 4 5 6 7	NOMENCLATURE	EFFECT FROM TO	UNITS PER ASSY
1 50	5145-1-64		.PANEL-OBSERVER AUDIO SELECTOR CONT P5-15 SUPPLIER CODE: V30242 FUNCTIONAL DESCRIPTION: ALLOWS THE FLIGHT CREW TO SELECT THE AUDIO SYSTEM (VHF,HF,ETC.) FOR TRANSMISSION AND RECEPTION SPECIFICATION NUMBER: 10-62090-64 ELECTRICAL EQUIP NUMBER: P00515 COMPONENT MAINT MANUAL REF: 23-50-15 MAINTENANCE MANUAL REF: 23-51-02	201967	1
R R R R R R R R R R R R	- 605 286A3327-012		WIRE BUNDLE ASSY- REWORKED BY ALERT SB: 24A1141R1	001007	RF
R R R R R R R R R R R R	- 607 286A3327-050		WIRE BUNDLE ASSY- REWORKED BY ALERT SB: 24A1141R1	008011	RF
R R R R R R R R R R R R	- 607 286A3327-058		WIRE BUNDLE ASSY- REWORKED BY ALERT SB: 24A1141R1	201967	RF
R R R R R R R R R R R R	- 610 286A3327-107		WIRE BUNDLE ASSY- REWORKED BY ALERT SB: 24A1141R1	012022	RF
R R R R R R R R R R R R	- 617 280A3109-12701		.TAPE-IDENT PLACARD CONTENT: D00139 M/W P005-15 J1 AUDIO SEL OBS POST ALERT SB: 24A1141R1	001022 201967	1
R R R R R R R R R R R R	619 PT08SE14-19S		.PLUG- SUPPLIER CODE: V77820 ELECTRICAL EQUIP NUMBER: D00139 WIRING DIAGRAM REF: 235131 PRE ALERT SB: 24A1141R1	001022 201967	1

MISSING ITEM NUMBERS NOT APPLICABLE

- ITEM NOT ILLUSTRATED

HAP

23-51-02-01

BOEING PROPRIETARY - Copyright © - Unpublished Work - See title page for details.

23-51-02
FIG. 01
PAGE 2
JUN 15/09


BOEING
 737-600/700/800/900
PARTS CATALOG (MAINTENANCE)

FIG ITEM	PART NUMBER	1 2 3 4 5 6 7 NOMENCLATURE	EFFECT FROM TO	UNITS PER ASSY
1 619	PT08SE14-19SSR	.PLUG- SUPPLIER CODE: V77820 ELECTRICAL EQUIP NUMBER: D00139 WIRING DIAGRAM REF: 235131 POST ALERT SB: 24A1141R1	001022 201967	1

MISSING ITEM NUMBERS NOT APPLICABLE

— ITEM NOT ILLUSTRATED

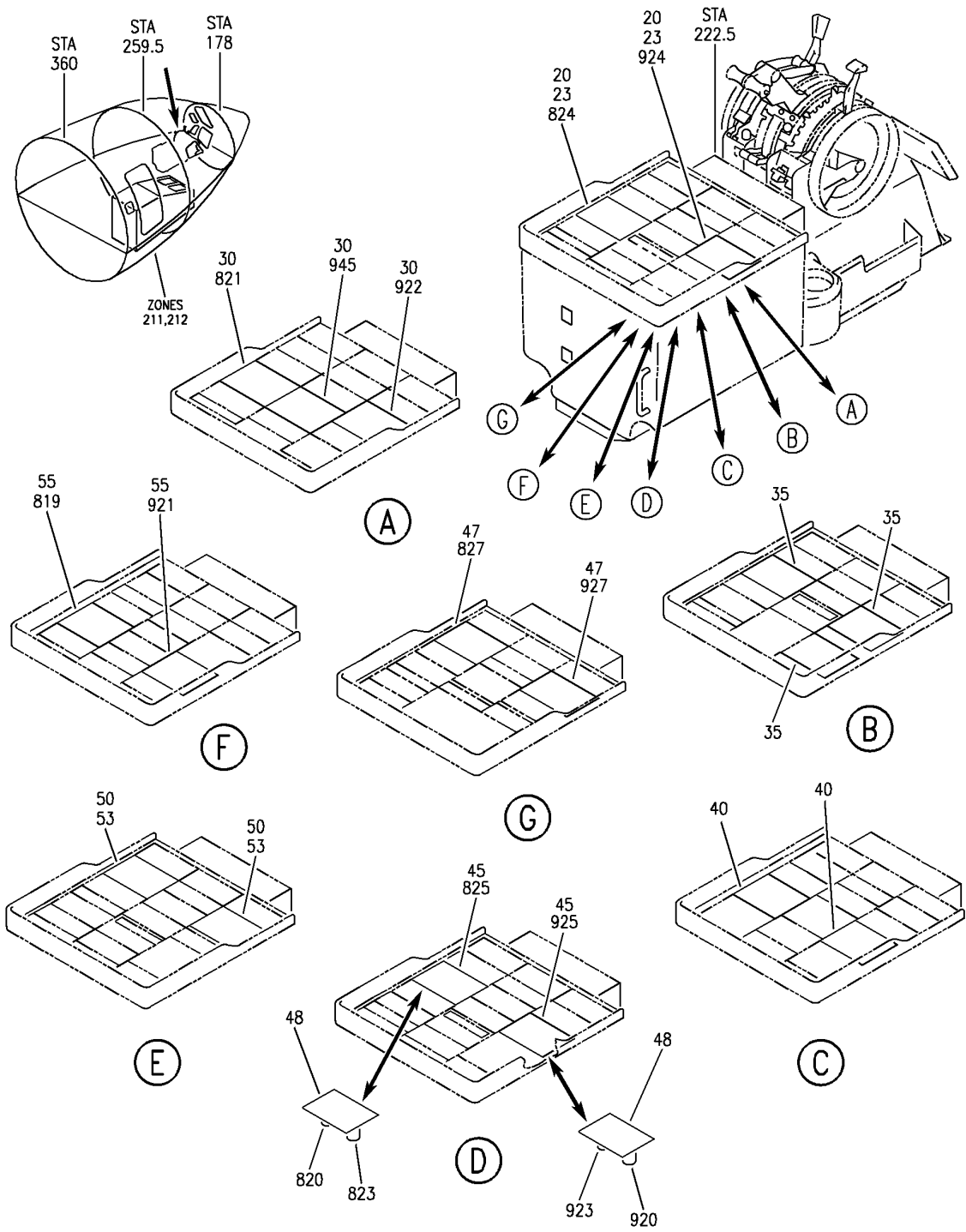
HAP

23-51-02-01

BOEING PROPRIETARY - Copyright © - Unpublished Work - See title page for details.

23-51-02
 FIG. 01
 PAGE 3
 JUN 15/09

BOEING
 737-600/700/800/900
 PARTS CATALOG (MAINTENANCE)



E 23510203 REV 122

MODULE INSTL-AFT ELECTRONICS PNL P8 (AUDIO CONTROL PANEL ONLY)
 FIGURE 3

23-51-02-03

HAP
 OCT 10/06

23-51-02-03
 PAGE 0

BOEING
737-600/700/800/900
PARTS CATALOG (MAINTENANCE)

FIG ITEM	PART NUMBER	1 2 3 4 5 6 7	NOMENCLATURE	EFFECT FROM TO	UNITS PER ASSY
3			MODULE INSTL-AFT ELECTRONICS PNL P8 (AUDIO CONTROL PANEL ONLY)	001030 201967	
- 1	233A6101-4		MODULE INSTL-ELECTRONICS PNL P8 (AUDIO CONTROL PANEL ONLY) POSITION DATA: AFT FOR NHA/OTHER SYS DET SEE: 31-11-00-01C	008011	RF
- 2	233A6101-32		MODULE INSTL-ELECTRONICS PNL P8 (AUDIO CONTROL PANEL ONLY) POSITION DATA: AFT FOR NHA/OTHER SYS DET SEE: 31-11-00-01C	001007	RF
- 3	233A6101-50		MODULE INSTL-ELECTRONICS PNL P8 (AUDIO CONTROL PANEL ONLY) POSITION DATA: AFT FOR NHA/OTHER SYS DET SEE: 31-11-00-01J	201967	RF
- 6	233A6101-93		MODULE INSTL-ELECTRONICS PNL P8 (AUDIO CONTROL PANEL ONLY) POSITION DATA: AFT FOR NHA/OTHER SYS DET SEE: 31-11-00-01C	012016	RF
- 8	233A6101-145		MODULE INSTL-ELECTRONICS PNL P8 (AUDIO CONTROL PANEL ONLY) POSITION DATA: AFT FOR NHA/OTHER SYS DET SEE: 31-11-00-01C	017030	RF

MISSING ITEM NUMBERS NOT APPLICABLE

- ITEM NOT ILLUSTRATED

HAP

23-51-02-03

BOEING PROPRIETARY - Copyright © - Unpublished Work - See title page for details.

23-51-02
FIG. 03
PAGE 1
OCT 15/08

BOEING
737-600/700/800/900
PARTS CATALOG (MAINTENANCE)

FIG ITEM	PART NUMBER	1 2 3 4 5 6 7	NOMENCLATURE	EFFECT FROM TO	UNITS PER ASSY
3					
45	5145-1-64		.PANEL-AUDIO SELECTOR CONT CAPT AND FIRST OFFICER SUPPLIER CODE: V30242 FUNCTIONAL DESCRIPTION: ALLOWS THE FLIGHT CREW TO SELECT THE AUDIO SYSTEM (VHF, HF, ETC.) FOR TRANSMISSION AND RECEPTION SPECIFICATION NUMBER: 10-62090-64 ELECTRICAL EQUIP NUMBER: P00806 P00807 COMPONENT MAINT MANUAL REF: 23-50-15	201967	2
45	5145-1-60		.PANEL-AUDIO SELECTOR CONT CAPT AND FIRST OFFICER SUPPLIER CODE: V30242 FUNCTIONAL DESCRIPTION: ALLOWS THE FLIGHT CREW TO SELECT THE AUDIO SYSTEM (VHF, HF, ETC.) FOR TRANSMISSION AND RECEPTION SPECIFICATION NUMBER: 10-62090-60 ELECTRICAL EQUIP NUMBER: P00806 P00807 COMPONENT MAINT MANUAL REF: 23-50-15	001030	2
- 803	286A3323-079		WIRE BUNDLE ASSY	201967	RF
- 806	286A3323-037		WIRE BUNDLE ASSY	008011	RF
- 806	286A3323-068		WIRE BUNDLE ASSY	001007	RF
- 806	286A3323-111		WIRE BUNDLE ASSY	012027	RF
- 807	286A3323-179		WIRE BUNDLE ASSY	028030	RF
825	MS3126F14-19S		.PLUG- ELECTRICAL EQUIP NUMBER: D00133 WIRING DIAGRAM REF: 235111	001030 201967	1
- 840	M39029-1-101		.PIN- POST SERVICE BULLETIN: 33-1133	201967	1
- 901	286A3319-070		WIRE BUNDLE ASSY	201967	RF
- 904	286A3319-075		WIRE BUNDLE ASSY	008011	RF

MISSING ITEM NUMBERS NOT APPLICABLE

- ITEM NOT ILLUSTRATED

HAP

23-51-02-03

BOEING PROPRIETARY - Copyright © - Unpublished Work - See title page for details.

23-51-02
FIG. 03
PAGE 2
OCT 15/08


BOEING
 737-600/700/800/900
PARTS CATALOG (MAINTENANCE)

FIG ITEM	PART NUMBER	1 2 3 4 5 6 7	NOMENCLATURE	EFFECT FROM TO	UNITS PER ASSY
3					
- 904	286A3319-104		WIRE BUNDLE ASSY	001007	RF
- 904	286A3319-116		WIRE BUNDLE ASSY	012030	RF
925	MS3126F14-19S		.PLUG-	001030	1
			ELECTRICAL EQUIP NUMBER: D00137	201967	
			WIRING DIAGRAM REF: 235121		
MISSING ITEM NUMBERS NOT APPLICABLE					

- ITEM NOT ILLUSTRATED

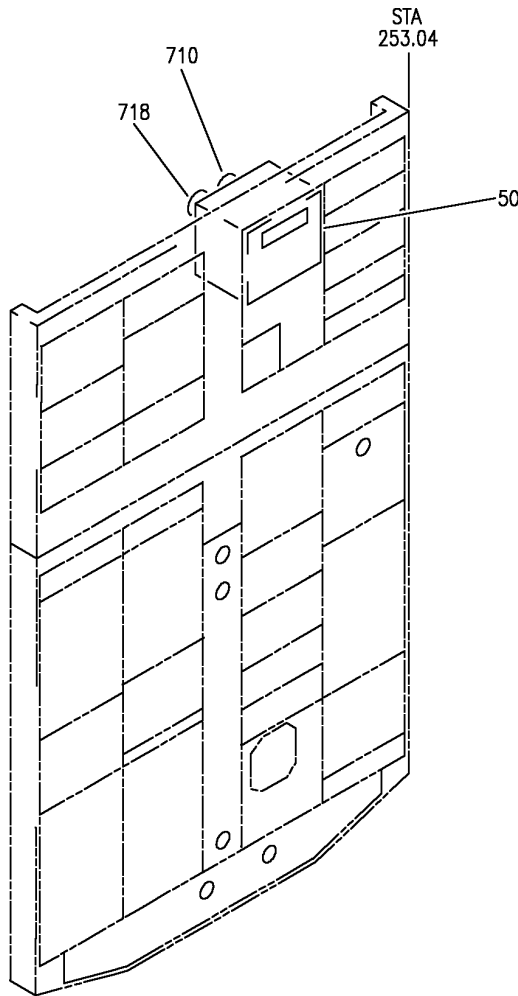
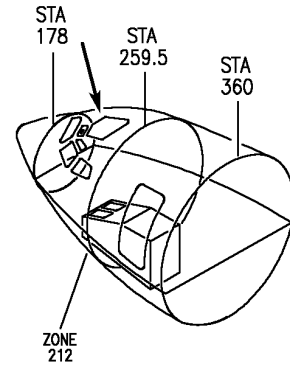
HAP

23-51-02-03

BOEING PROPRIETARY - Copyright © - Unpublished Work - See title page for details.

23-51-02
 FIG. 03
 PAGE 3
 OCT 15/08

BOEING
737-600/700/800/900
PARTS CATALOG (MAINTENANCE)



E 23510204 REV 152

MODULE INSTL-P5-15 OVHD AUDIO SELECTOR PNL (COMMUNICATIONS ONLY)
FIGURE 4

23-51-02-04

HAP
JUN 15/09

23-51-02-04
PAGE 0

BOEING
737-600/700/800/900
PARTS CATALOG (MAINTENANCE)

FIG ITEM	PART NUMBER	1 2 3 4 5 6 7	NOMENCLATURE	EFFECT FROM TO	UNITS PER ASSY
4			MODULE INSTL-P5-15 OVHD AUDIO SELECTOR PNL (COMMUNICATIONS ONLY)	029200 968999	
- 1	233A3104-235060		MODULE INSTL-P5-15 OVHD AUDIO SELECTOR PNL (COMMUNICATIONS ONLY) FOR NHA/OTHER SYS DET SEE: 31-11-00-01C	029030	RF
- 1	MODREF82415		MODULE INSTL-P5-15 OVHD AUDIO SELECTOR PNL (COMMUNICATIONS ONLY) MODULE NUMBER: 233A3104-235042 REV A FOR OTHER SYS DETAILS SEE: 31-11-95-14	038038	1
- 1	MODREF82417		MODULE INSTL-P5-15 OVHD AUDIO SELECTOR PNL (COMMUNICATIONS ONLY) MODULE NUMBER: 233A3104-235060 REV A FOR OTHER SYS DETAILS SEE: 31-11-95-14	031036	1
R R R R R R R	- 2	MODREF319445	MODULE INSTL-P5-15 OVHD AUDIO SELECTOR PNL (COMMUNICATIONS ONLY) MODULE NUMBER: 233A3104-235042 REV B FOR OTHER SYS DETAILS SEE: 31-11-95-07Q 31-11-95-32	037037 039200 968999	1
	50	5145-1-42	.PANEL-OBSERVER CONT SUPPLIER CODE: V30242 FUNCTIONAL DESCRIPTION: ALLOWS THE FLIGHT CREW TO SELECT THE AUDIO SYSTEM (VHF, HF, ETC.) FOR TRANSMISSION AND RECEPTION SPECIFICATION NUMBER: 10-62090-42 ELECTRICAL EQUIP NUMBER: P00515 COMPONENT MAINT MANUAL REF: 23-50-38	037200 968999	1

MISSING ITEM NUMBERS NOT APPLICABLE

- ITEM NOT ILLUSTRATED

HAP

23-51-02-04

BOEING PROPRIETARY - Copyright © - Unpublished Work - See title page for details.

23-51-02
FIG. 04
PAGE 1
JUN 15/09


BOEING
 737-600/700/800/900
PARTS CATALOG (MAINTENANCE)

FIG ITEM	PART NUMBER	1 2 3 4 5 6 7 NOMENCLATURE	EFFECT FROM TO	UNITS PER ASSY
4 50	5145-1-60	.PANEL-OBSERVER CONT SUPPLIER CODE: V30242 FUNCTIONAL DESCRIPTION: ALLOWS THE FLIGHT CREW TO SELECT THE AUDIO SYSTEM (VHF,HF,ETC.) FOR TRANSMISSION AND RECEPTION SPECIFICATION NUMBER: 10-62090-60 ELECTRICAL EQUIP NUMBER: P00515 COMPONENT MAINT MANUAL REF: 23-50-15	029036	1

MISSING ITEM NUMBERS NOT APPLICABLE

— ITEM NOT ILLUSTRATED

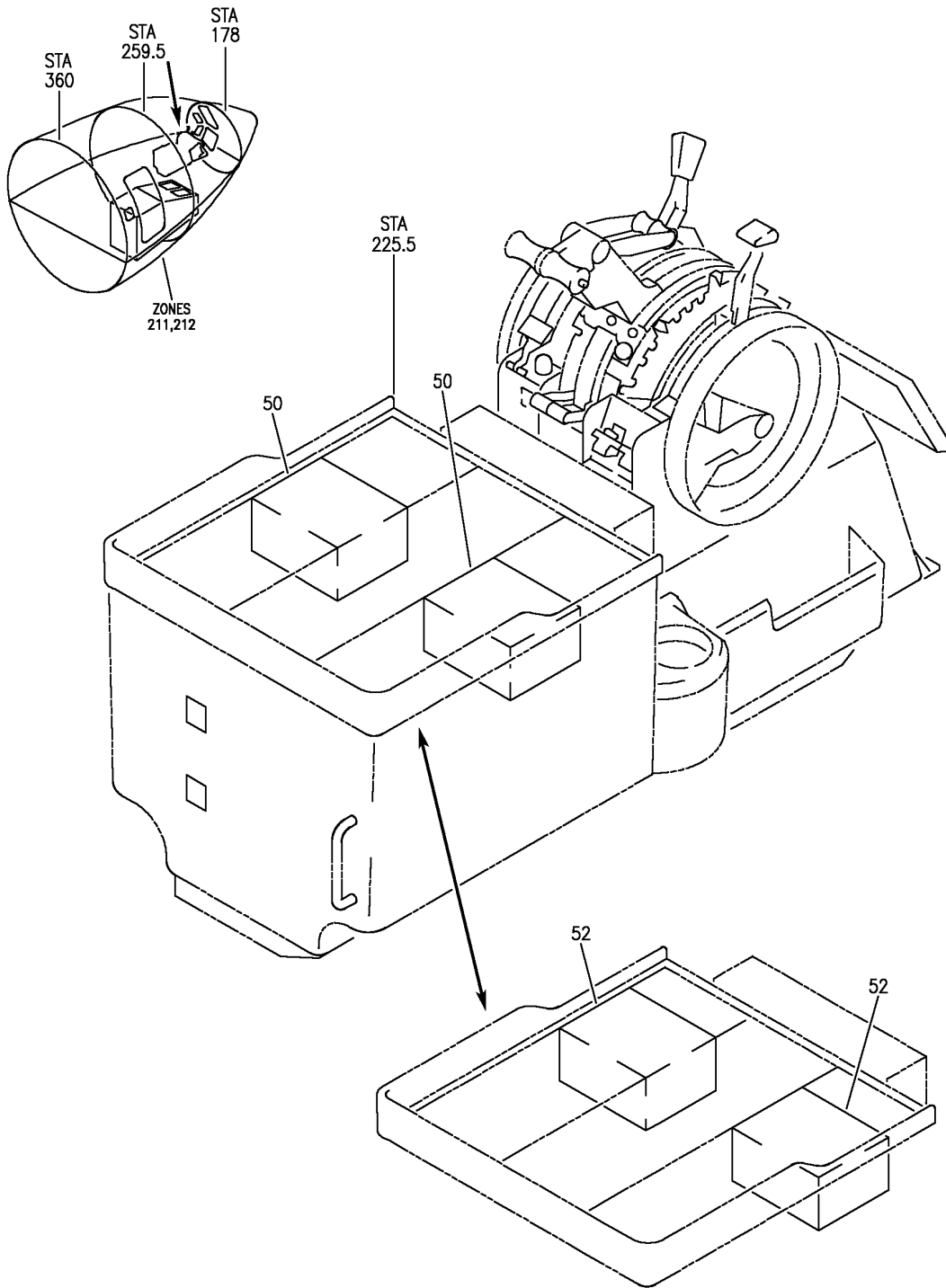
HAP

23-51-02-04

BOEING PROPRIETARY - Copyright © - Unpublished Work - See title page for details.

23-51-02
 FIG. 04
 PAGE 2
 FEB 15/09

BOEING
737-600/700/800/900
PARTS CATALOG (MAINTENANCE)



E 233510208 REV 151

MODULE INSTL-P8 AISLE STAND (COMMUNICATIONS ONLY)
FIGURE 8

23-51-02-08

HAP
FEB 15/09

23-51-02-08
PAGE 0

BOEING
737-600/700/800/900
PARTS CATALOG (MAINTENANCE)

FIG ITEM	PART NUMBER	1 2 3 4 5 6 7	NOMENCLATURE	EFFECT FROM TO	UNITS PER ASSY
8			MODULE INSTL-P8 AISLE STAND (COMMUNICATIONS ONLY)	031200 968999	
- 1	MODREF233532		MODULE INSTL-P8 AISLE STAND AUDIO SELECTOR (COMMUNICATIONS ONLY) MODULE NUMBER: 233A6104-235060 REV B FOR OTHER SYS DETAILS SEE: 31-11-91-81N	031036	1
- 1	MODREF233528		MODULE INSTL-P8 AISLE STAND AUDIO SELECTOR (COMMUNICATIONS ONLY) MODULE NUMBER: 233A6104-235042 REV B FOR OTHER SYS DETAILS SEE: 31-11-91-82S 31-11-91-83M	037200 968999	1
50	5145-1-60		.PANEL-AUDIO CONT CAPT AND FIRST OFFICER SUPPLIER CODE: V30242 FUNCTIONAL DESCRIPTION: ALLOWS THE FLIGHT CREW TO SELECT THE AUDIO SYSTEM (VHF, HF, ETC.) FOR TRANSMISSION AND RECEPTION SPECIFICATION NUMBER: 10-62090-60 ELECTRICAL EQUIP NUMBER: P00806 P00807 COMPONENT MAINT MANUAL REF: 23-50-15	031036	2
50	5145-1-42		.PANEL-AUDIO CONT CAPT AND FIRST OFFICER SUPPLIER CODE: V30242 SPECIFICATION NUMBER: 10-62090-42 ELECTRICAL EQUIP NUMBER: P00806 P00807 COMPONENT MAINT MANUAL REF: 23-50-38	037200 968999	2

MISSING ITEM NUMBERS NOT APPLICABLE

- ITEM NOT ILLUSTRATED

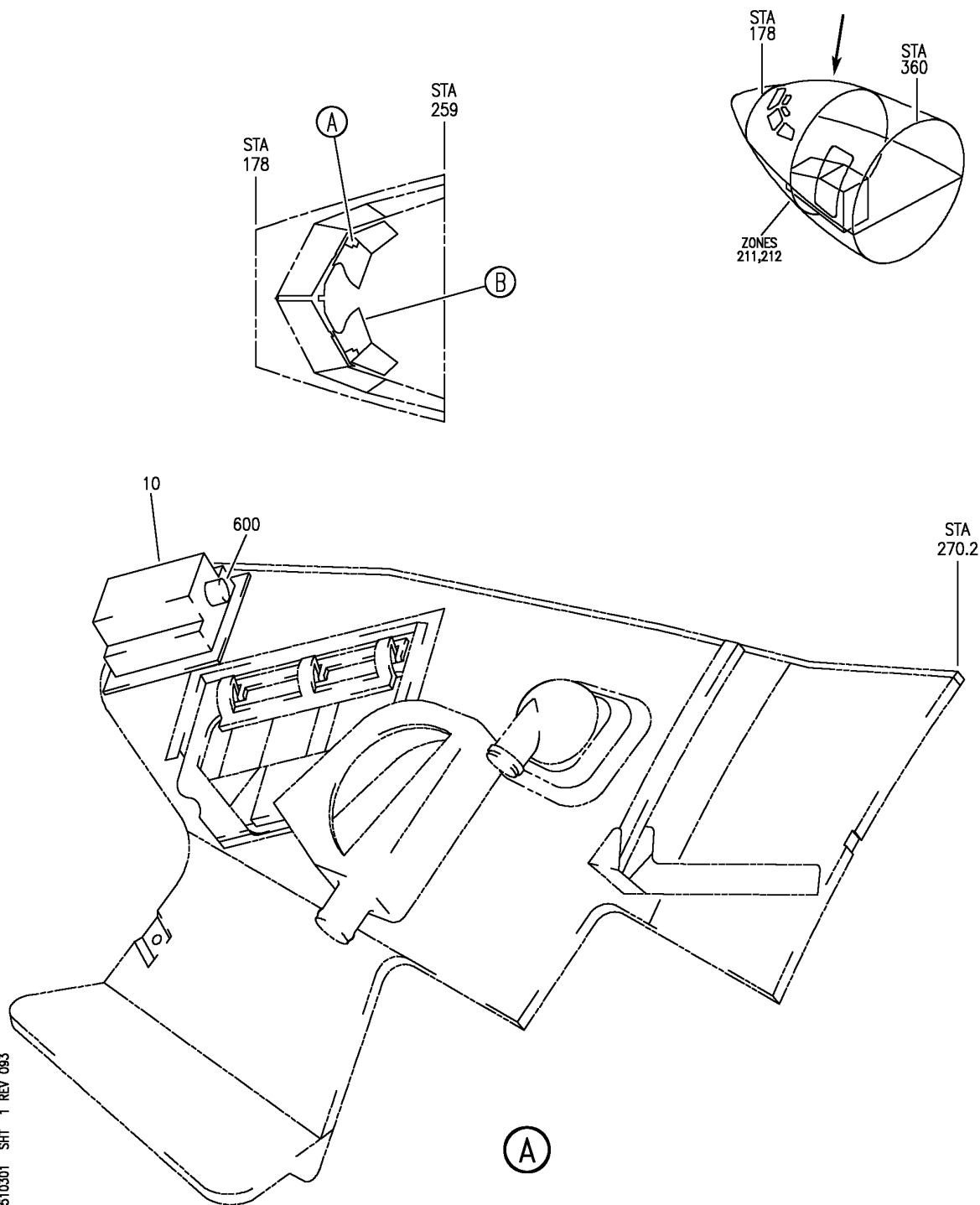
HAP

23-51-02-08

BOEING PROPRIETARY - Copyright © - Unpublished Work - See title page for details.

23-51-02
FIG. 08
PAGE 1
FEB 15/09

BOEING
 737-600/700/800/900
 PARTS CATALOG (MAINTENANCE)



E 23510301 SHT 1 REV 083

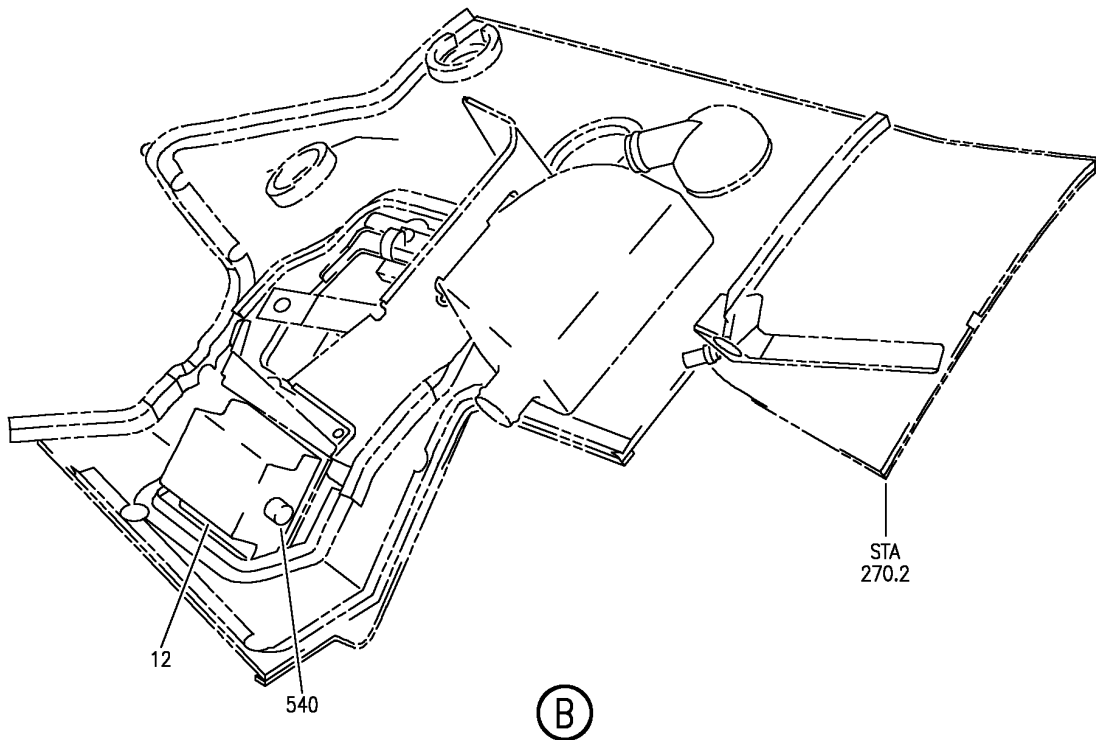
LINING ASSY-FWD CLG (COMMUNICATIONS ONLY)
 FIGURE 1 (SHEET 1)

23-51-03-01

HAP
 OCT 10/06

23-51-03-01
 PAGE 0

BOEING
737-600/700/800/900
PARTS CATALOG (MAINTENANCE)



E 233510301 SH1 2 REV 083

LINING ASSY-FWD CLG (COMMUNICATIONS ONLY)
FIGURE 1 (SHEET 2)

23-51-03-01

HAP
OCT 10/06

23-51-03-01
PAGE 0A

BOEING
737-600/700/800/900
PARTS CATALOG (MAINTENANCE)

FIG ITEM	PART NUMBER	1 2 3 4 5 6 7	NOMENCLATURE	EFFECT FROM TO	UNITS PER ASSY
1			LINING ASSY-FWD CLG (COMMUNICATIONS ONLY)	001030 201967	
- 1	232A1401-28		LINING ASSY-CLG (COMMUNICATIONS ONLY) POSITION DATA: L FWD FOR NHA/OTHER SYS DET SEE: 25-11-21-02	001027 201967	RF
- 1	232A1401-41		LINING ASSY-CLG (COMMUNICATIONS ONLY) POSITION DATA: L FWD FOR NHA/OTHER SYS DET SEE: 25-11-21-04	028030	RF
- 5	232A1401-2		LINING ASSY-CLG (COMMUNICATIONS ONLY) POSITION DATA: R FWD FOR NHA/OTHER SYS DET SEE: 25-11-21-04	001011 201967	RF
- 5	232A1401-30		LINING ASSY-CLG (COMMUNICATIONS ONLY) POSITION DATA: R FWD FOR NHA/OTHER SYS DET SEE: 25-11-21-35	012023	RF
- 5	232A1401-38		LINING ASSY-CLG (COMMUNICATIONS ONLY) POSITION DATA: R FWD FOR NHA/OTHER SYS DET SEE: 25-11-21-35	024027	RF
- 5	232A1401-48		LINING ASSY-CLG (COMMUNICATIONS ONLY) POSITION DATA: R FWD FOR NHA/OTHER SYS DET SEE: 25-11-21-35	028030	RF
10	5142-1		.SPEAKER- SUPPLIER CODE: V30242 POSITION DATA: R FWD SPECIFICATION NUMBER: 10-62090-30	001030 201967	1

MISSING ITEM NUMBERS NOT APPLICABLE

- ITEM NOT ILLUSTRATED

HAP

23-51-03-01

BOEING PROPRIETARY - Copyright © - Unpublished Work - See title page for details.

23-51-03
FIG. 01
PAGE 1
OCT 15/08

BOEING
737-600/700/800/900
PARTS CATALOG (MAINTENANCE)

FIG ITEM	PART NUMBER	1 2 3 4 5 6 7	NOMENCLATURE	EFFECT FROM TO	UNITS PER ASSY
1					
12	5142-1		.SPEAKER- SUPPLIER CODE: V30242 POSITION DATA: L FWD SPECIFICATION NUMBER: 10-62090-30 ATTACHING PARTS	001030 201967	1
- 15	NAS603-22P		.SCREW- POSITION DATA: R FWD	001030 201967	4
- 18	NAS603-22P		.SCREW- POSITION DATA: L FWD	001030 201967	4
			-----*-----		
- 502	286A3323-037		WIRE BUNDLE ASSY-CAPT AUDIO SEL PNL TO INPH	008011	RF
- 503	286A3323-068		WIRE BUNDLE ASSY-CAPT AUDIO SEL PNL TO INPH	001007	RF
- 504	286A3323-079		WIRE BUNDLE ASSY-CAPT AUDIO SEL PNL TO INPH	201967	RF
- 507	286A3323-111		WIRE BUNDLE ASSY-CAPT AUDIO SEL PNL TO INPH	012013 015027	RF
- 510	286A3323-179		WIRE BUNDLE ASSY-	028030	RF
- 520	286A3323-421		WIRE BUNDLE ASSY	014014	RF
540	BACC45FT10-5S		.CONNECTOR-CAPT SPKR ELECTRICAL EQUIP NUMBER: D00127 WIRING DIAGRAM REF: 235111	001030 201967	1
- 553	286A3319-070		WIRE BUNDLE ASSY-F/O AUDIO SEL PNL TO INPH	201967	RF
- 553	286A3319-075		WIRE BUNDLE ASSY-F/O AUDIO SEL PNL TO INPH	008011	RF
- 554	286A3319-104		WIRE BUNDLE ASSY-F/O AUDIO SEL PNL TO INPH	001007	RF
- 555	286A3319-116		WIRE BUNDLE ASSY-F/O AUDIO SEL PNL TO INPH	012030	RF
600	BACC45FT10-5S		.CONNECTOR-FO SPKR ELECTRICAL EQUIP NUMBER: D00129 WIRING DIAGRAM REF: 235121	001030 201967	1

MISSING ITEM NUMBERS NOT APPLICABLE

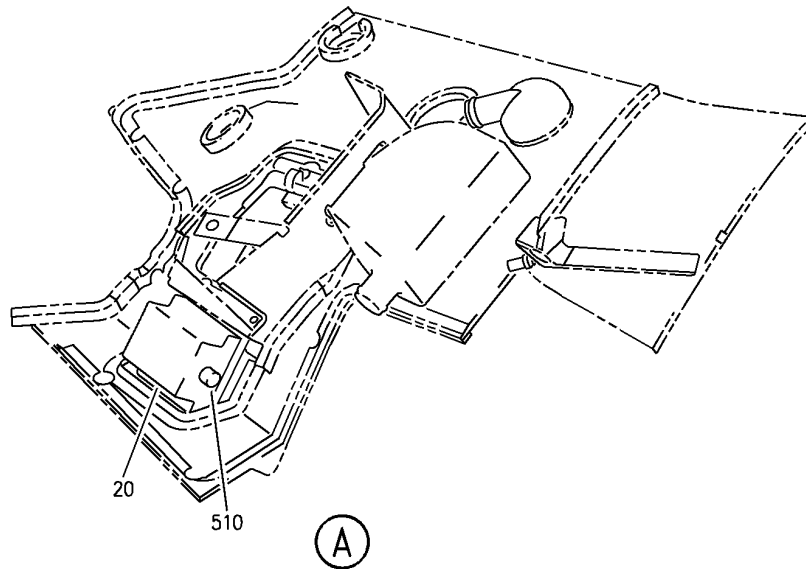
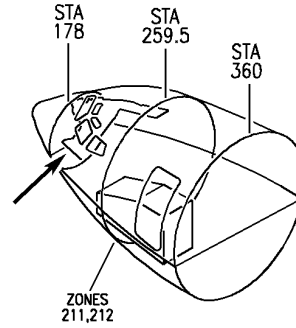
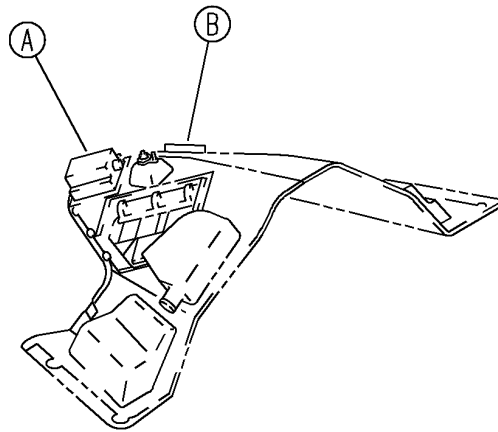
- ITEM NOT ILLUSTRATED

HAP

23-51-03-01

23-51-03
FIG. 01
PAGE 2
OCT 15/08

BOEING
737-600/700/800/900
PARTS CATALOG (MAINTENANCE)



E 23510302 SHT 1 REV 123

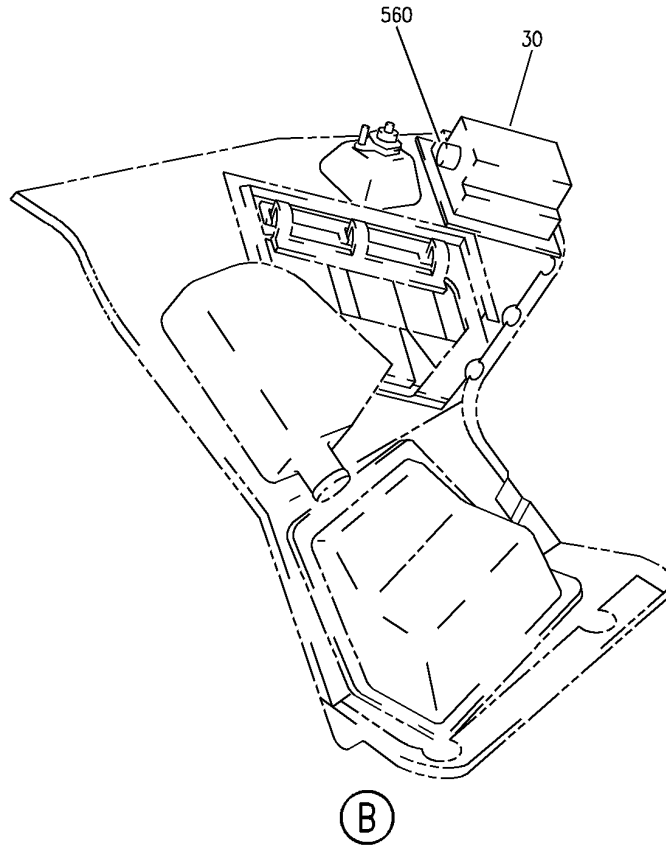
LINING ASSY-FWD CLG (COMMUNICATIONS ONLY)
FIGURE 2 (SHEET 1)

23-51-03-02

HAP
FEB 10/07

23-51-03-02
PAGE 0

BOEING
737-600/700/800/900
PARTS CATALOG (MAINTENANCE)



E 23510302 SHT 2 REV 123

LINING ASSY-FWD CLG (COMMUNICATIONS ONLY)
FIGURE 2 (SHEET 2)

23-51-03-02

HAP
FEB 10/07

23-51-03-02
PAGE 0A

BOEING
737-600/700/800/900
PARTS CATALOG (MAINTENANCE)

FIG ITEM	PART NUMBER	1 2 3 4 5 6 7	NOMENCLATURE	EFFECT FROM TO	UNITS PER ASSY
2			LINING ASSY-FWD CLG (COMMUNICATIONS ONLY)	031200 968999	
- 1	232A1401-62		LINING ASSY-CLG (COMMUNICATIONS ONLY) POSITION DATA: L FWD FOR NHA/OTHER SYS DET SEE: 25-11-21-04	031200 968999	RF
- 5	232A1401-63		LINING ASSY-CLG (COMMUNICATIONS ONLY) POSITION DATA: R FWD FOR NHA/OTHER SYS DET SEE: 25-11-21-03	031200 968999	RF
20	5142-1		.SPEAKER- SUPPLIER CODE: V30242 POSITION DATA: L SIDE FWD SPECIFICATION NUMBER: 10-62090-30 ATTACHING PARTS	031200 968999	1
- 25	BACS12CK08-22		.BOLT	031200 968999	4
30	5142-1		-----*----- .SPEAKER- SUPPLIER CODE: V30242 POSITION DATA: R SIDE FWD SPECIFICATION NUMBER: 10-62090-30 ATTACHING PARTS	031200 968999	1
- 35	BACS12CK3-22		.SCREW -----*-----	031200 968999	4

MISSING ITEM NUMBERS NOT APPLICABLE

- ITEM NOT ILLUSTRATED

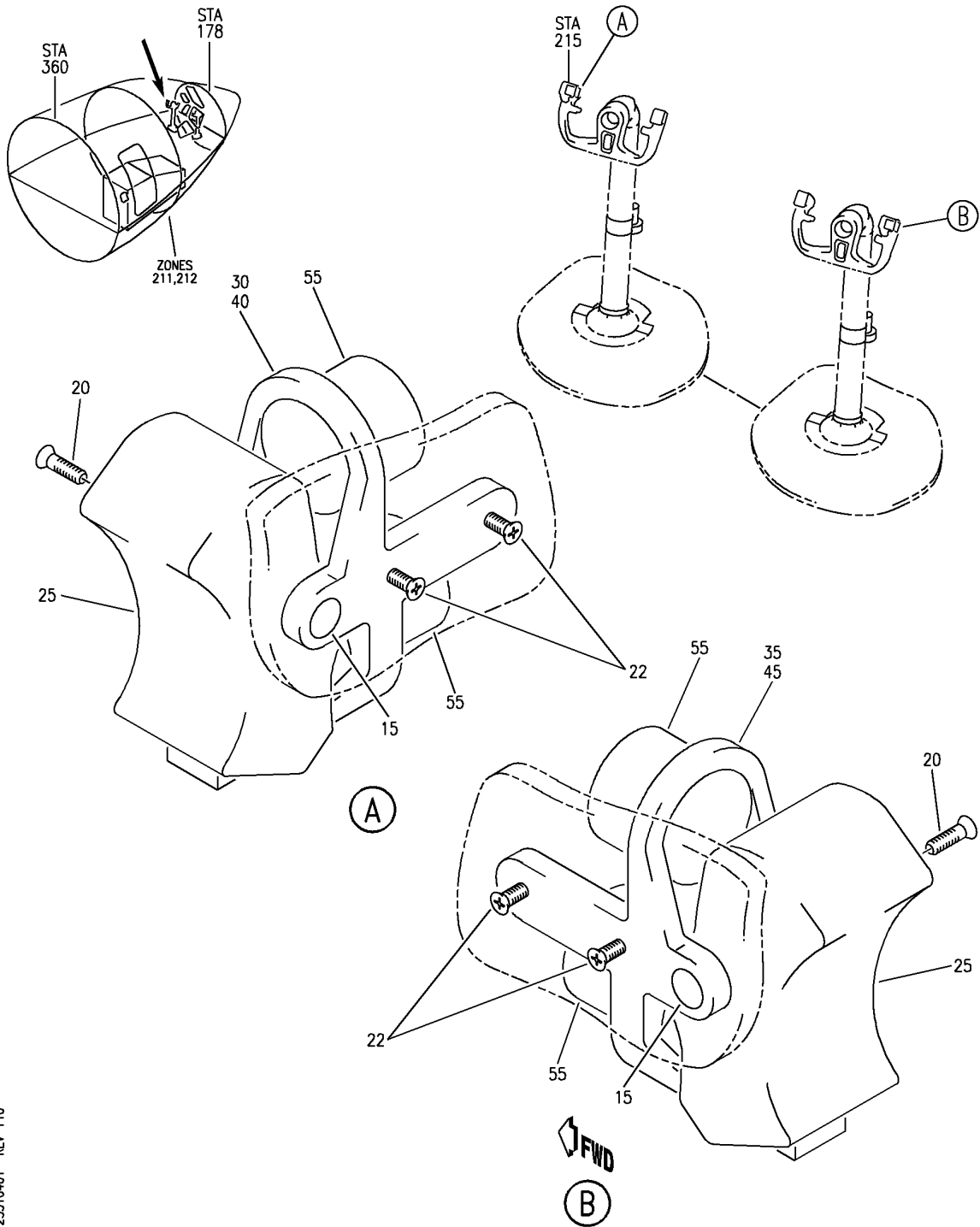
HAP

23-51-03-02

BOEING PROPRIETARY - Copyright © - Unpublished Work - See title page for details.

23-51-03
FIG. 02
PAGE 1
JUN 15/09

BOEING
 737-600/700/800/900
 PARTS CATALOG (MAINTENANCE)



E 23510401 REV 116

WHEEL ASSY-CONT COLUMN (COMMUNICATIONS ONLY)
 FIGURE 1

23-51-04-01

HAP
 OCT 10/06

23-51-04-01
 PAGE 0

BOEING
737-600/700/800/900
PARTS CATALOG (MAINTENANCE)

FIG ITEM	PART NUMBER	1 2 3 4 5 6 7	NOMENCLATURE	EFFECT FROM TO	UNITS PER ASSY
1			WHEEL ASSY-CONT COLUMN (COMMUNICATIONS ONLY)		
- 5	65-45123-75		WHEEL ASSY-CONT COLUMN (COMMUNICATIONS ONLY) POSITION DATA: CAPT SIDE FOR NHA/OTHER SYS DET SEE: 27-11-41-02	001011	RF
- 5	65-45123-77		WHEEL ASSY-CONT COLUMN (COMMUNICATIONS ONLY) POSITION DATA: CAPT SIDE FOR NHA/OTHER SYS DET SEE: 27-11-41-02	012999	RF
- 5	65-45123-67		WHEEL ASSY-CONT COLUMN (COMMUNICATIONS ONLY) POSITION DATA: CAPT SIDE FOR NHA/OTHER SYS DET SEE: 27-11-41-02	001011	RF
- 5	65-45123-69		WHEEL ASSY-CONT COLUMN (COMMUNICATIONS ONLY) POSITION DATA: CAPT SIDE FOR NHA/OTHER SYS DET SEE: 27-11-41-02	012999	RF
- 5	65-45123-71		WHEEL ASSY-CONT COLUMN (COMMUNICATIONS ONLY) POSITION DATA: CAPT SIDE QUALIFIED I/W DATA: 65-45123-59 WHICH DOES NOT CONTAIN AN ALTITUDE CLEARANCE REMINDER IS I/W -61 OR -67 OR -71 WHICH CONTAINS AN ALTITUDE CLEARANCE REMINDER ACCORDING TO CUSTOMER PREFERENCE. FOR NHA/OTHER SYS DET SEE: 27-11-41-02	001011	RF
- 5	65-45123-73		WHEEL ASSY-CONT COLUMN (COMMUNICATIONS ONLY) POSITION DATA: CAPT SIDE FOR NHA/OTHER SYS DET SEE: 27-11-41-02	012999	RF

MISSING ITEM NUMBERS NOT APPLICABLE

- ITEM NOT ILLUSTRATED

HAP

23-51-04-01

BOEING PROPRIETARY - Copyright © - Unpublished Work - See title page for details.

23-51-04
FIG. 01
PAGE 1
FEB 15/09

BOEING
737-600/700/800/900
PARTS CATALOG (MAINTENANCE)

FIG ITEM	PART NUMBER	1 2 3 4 5 6 7	NOMENCLATURE	EFFECT FROM TO	UNITS PER ASSY
1					
- 5	65-45123-63		WHEEL ASSY-CONT COLUMN (COMMUNICATIONS ONLY) POSITION DATA: CAPT SIDE FOR NHA/OTHER SYS DET SEE: 27-11-41-02	012999	RF
- 5	65-45123-61		WHEEL ASSY-CONT COLUMN (COMMUNICATIONS ONLY) POSITION DATA: CAPT SIDE FOR NHA/OTHER SYS DET SEE: 27-11-41-02	001011	RF
- 10	65-45123-70		WHEEL ASSY-CONT COLUMN (COMMUNICATIONS ONLY) POSITION DATA: FIRST OFFICERS SIDE FOR NHA/OTHER SYS DET SEE: 27-11-41-02	012999	RF
- 10	65-45123-68		WHEEL ASSY-CONT COLUMN (COMMUNICATIONS ONLY) POSITION DATA: FIRST OFFICERS SIDE FOR NHA/OTHER SYS DET SEE: 27-11-41-02	001011	RF
- 10	65-45123-72		WHEEL ASSY-CONT COLUMN (COMMUNICATIONS ONLY) POSITION DATA: FIRST OFFICERS SIDE FOR NHA/OTHER SYS DET SEE: 27-11-41-02	001011	RF
- 10	65-45123-74		WHEEL ASSY-CONT COLUMN (COMMUNICATIONS ONLY) POSITION DATA: FIRST OFFICERS SIDE FOR NHA/OTHER SYS DET SEE: 27-11-41-02	012999	RF
- 10	65-45123-76		WHEEL ASSY-CONT COLUMN (COMMUNICATIONS ONLY) POSITION DATA: FIRST OFFICERS SIDE FOR NHA/OTHER SYS DET SEE: 27-11-41-02	001011	RF
- 10	65-45123-78		WHEEL ASSY-CONT COLUMN (COMMUNICATIONS ONLY) POSITION DATA: FIRST OFFICERS SIDE FOR NHA/OTHER SYS DET SEE: 27-11-41-02	012999	RF

MISSING ITEM NUMBERS NOT APPLICABLE

- ITEM NOT ILLUSTRATED

HAP

23-51-04-01

BOEING PROPRIETARY - Copyright © - Unpublished Work - See title page for details.

23-51-04
FIG. 01
PAGE 2
FEB 15/09

BOEING
737-600/700/800/900
PARTS CATALOG (MAINTENANCE)

FIG ITEM	PART NUMBER	1 2 3 4 5 6 7	NOMENCLATURE	EFFECT FROM TO	UNITS PER ASSY
1					
- 10	65-45123-62		WHEEL ASSY-CONT COLUMN (COMMUNICATIONS ONLY) POSITION DATA: FIRST OFFICERS SIDE FOR NHA/OTHER SYS DET SEE: 27-11-41-02	001011	RF
- 10	65-45123-64		WHEEL ASSY-CONT COLUMN (COMMUNICATIONS ONLY) POSITION DATA: FIRST OFFICERS SIDE FOR NHA/OTHER SYS DET SEE: 27-11-41-02	012999	RF
15	251N1283-1		.PIN		1
20	NAS514P440-7B		.SCREW		1
22	NAS514P440-6B		.SCREW		2
25	251N1241-7		.TRIGGER-SWITCH ACTUATING PRE SERVICE BULLETIN: 23-1157	001011	1
25	251N1241-6		.TRIGGER-SWITCH ACTUATING POST SERVICE BULLETIN: 23-1157		1
25	66-9828-2		.TRIGGER-SWITCH ACTUATING		1
30	69-70179-7		.CLAMP-SWITCH MTG POSITION DATA: CAPT SIDE PRE SERVICE BULLETIN: 23-1157	001011	1
35	69-70179-8		.CLAMP-SWITCH MTG POSITION DATA: FIRST OFFICER SIDE PRE SERVICE BULLETIN: 23-1157	001011	1
40	69-63433-11		.MOUNT-SWITCH POSITION DATA: CAPT SIDE OPTIONAL PART: 69-63433-13 POST SERVICE BULLETIN: 23-1157		1
40	69-63433-13		.MOUNT-SWITCH POSITION DATA: CAPT SIDE OPTIONAL PART: 69-63433-11		1

MISSING ITEM NUMBERS NOT APPLICABLE

- ITEM NOT ILLUSTRATED

HAP

23-51-04-01

23-51-04
FIG. 01
PAGE 3
FEB 15/09

BOEING
737-600/700/800/900
PARTS CATALOG (MAINTENANCE)

FIG ITEM	PART NUMBER	1 2 3 4 5 6 7	NOMENCLATURE	EFFECT FROM TO	UNITS PER ASSY
1					
45	69-63433-12		.MOUNT-SWITCH POSITION DATA: FIRST OFFICER SIDE OPTIONAL PART: 69-63433-14 POST SERVICE BULLETIN: 23-1157		1
45	69-63433-14		.MOUNT-SWITCH POSITION DATA: FIRST OFFICER SIDE OPTIONAL PART: 69-63433-12 ATTACHING PARTS		1
- 50	NAS514P440-6B		.SCREW -----*-----		2
55	P8-4000003		.SWITCH-PUSH TO TALK SUPPLIER CODE: V21649 MISCELLANEOUS DATA: PER SERVICE LTR 747-SL-23- 37-A C2006 MAY BE REPLACED BY P8-4000003 FULLY INTER- CHANGEABLE ELECTRICAL EQUIP NUMBER: S00214 S00520 S00161 S00519		2
55	C2006		.SWITCH-PUSH TO TALK SUPPLIER CODE: V81640 MISCELLANEOUS DATA: PER SERVICE LTR 747-SL-23-37-A C2006 MAY BE REPLACED BY P8-4000003 FULLY INTERCHANGEABLE ELECTRICAL EQUIP NUMBER: S00214 S00520 S00161 S00519		2

MISSING ITEM NUMBERS NOT APPLICABLE

- ITEM NOT ILLUSTRATED

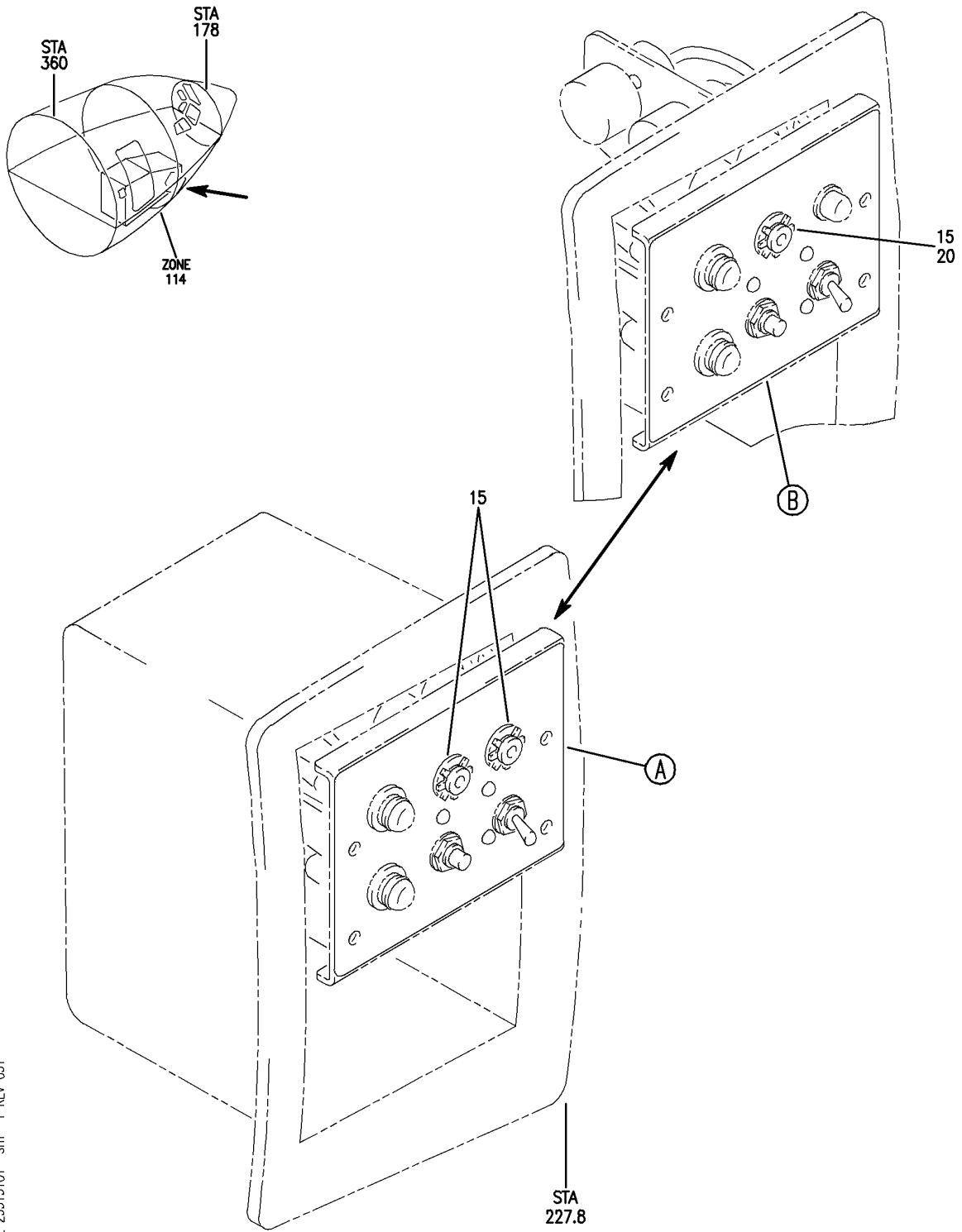
HAP

23-51-04-01

BOEING PROPRIETARY - Copyright © - Unpublished Work - See title page for details.

23-51-04
FIG. 01
PAGE 4
FEB 15/09

BOEING
737-600/700/800/900
PARTS CATALOG (MAINTENANCE)



E 23515101 SHT 1 REV 051

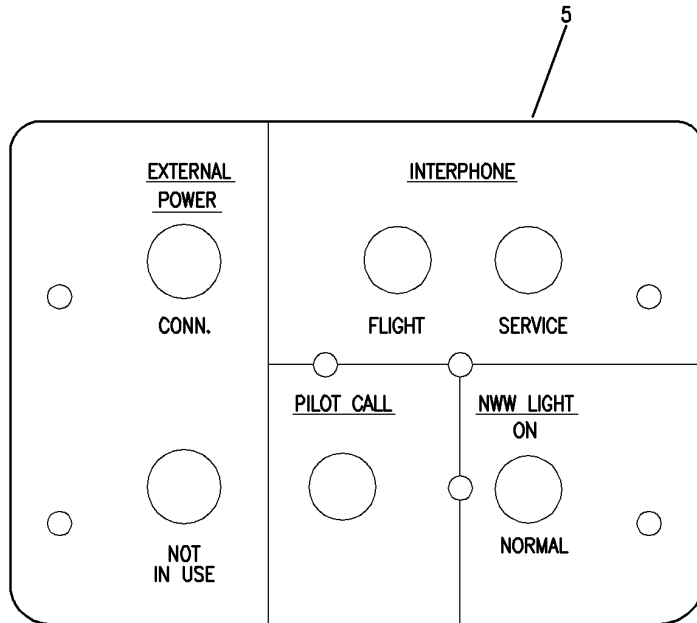
RECEPTACLE INSTL-EXT PWR (FLIGHT INTERPHONE SYSTEM ONLY)
FIGURE 1 (SHEET 1)

23-51-51-01

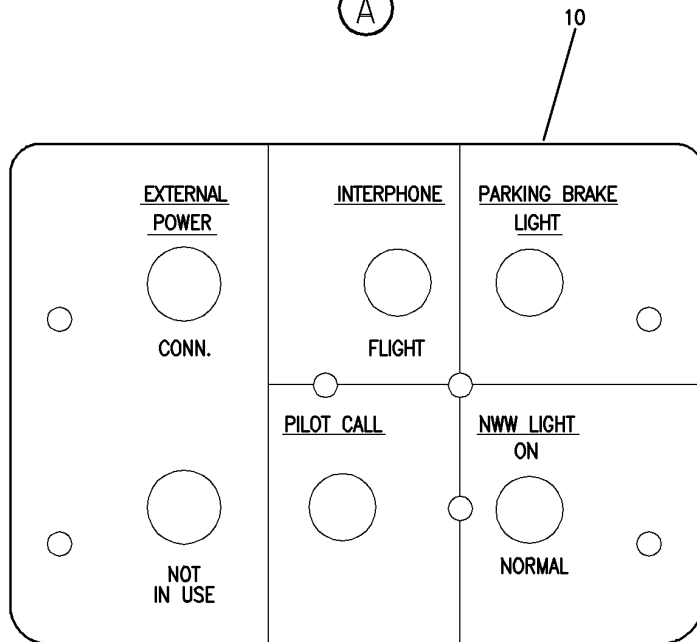
HAP
OCT 10/06

23-51-51-01
PAGE 0

BOEING
 737-600/700/800/900
 PARTS CATALOG (MAINTENANCE)



(A)



(B)

E 23515101 SH1 2 REV 051

RECEPTACLE INSTL-EXT PWR (FLIGHT INTERPHONE SYSTEM ONLY)
 FIGURE 1 (SHEET 2)

23-51-51-01

HAP
 OCT 10/06

23-51-51-01
 PAGE 0A


BOEING
 737-600/700/800/900
PARTS CATALOG (MAINTENANCE)

FIG ITEM	PART NUMBER	1 2 3 4 5 6 7	NOMENCLATURE	EFFECT FROM TO	UNITS PER ASSY
1			RECEPTACLE INSTL-EXT PWR (FLIGHT INTERPHONE SYSTEM ONLY)	008999	
- 1	284A1807-102		RECEPTACLE INSTL-EXT PWR (FLIGHT INTERPHONE SYSTEM ONLY) FOR NHA/OTHER SYS DET SEE: 24-40-00-01	201967	RF
- 1	284A1807-103		RECEPTACLE INSTL-EXT PWR (FLIGHT INTERPHONE SYSTEM ONLY) FOR NHA/OTHER SYS DET SEE: 25-50-00-13	008030	RF
- 1	MODREF240185		RECEPTACLE INSTL-EXT PWR (FLIGHT INTERPHONE SYSTEM ONLY) MODULE NUMBER: 284A1807-103 REV C FOR OTHER SYS DETAILS SEE: 23-43-51-02 24-41-11-03 33-32-51-01	031200 968999	1
	5 BAC27DEX6600		.MARKER-	031043 054103 201971	RF
	10 BAC27DEX6640		.DECAL-	008200 968999	RF
	15 BACW10CR7		.WASHER	008999	1
	20 BACW10P236L		.WASHER	008999	1
- 300	286A0048-002		WIRE BUNDLE ASSY-	008030	RF
- 300	286A0048-003		WIRE BUNDLE ASSY-	201967	RF
- 300	286A0048-008		WIRE BUNDLE ASSY-	031043 054103 968971	RF
R R R R R R R R R	310 2J1865A		.JACK-EP FLIGHT SUPPLIER CODE: V82389 ELECTRICAL EQUIP NUMBER: D06009 WIRING DIAGRAM REF: 234111 OPTIONAL PART: BCREFD00032 V82389	008043 054103 201971	1

MISSING ITEM NUMBERS NOT APPLICABLE

- ITEM NOT ILLUSTRATED

HAP

23-51-51-01

BOEING PROPRIETARY - Copyright © - Unpublished Work - See title page for details.

23-51-51
 FIG. 01
 PAGE 1
 JUN 15/09


BOEING
 737-600/700/800/900
PARTS CATALOG (MAINTENANCE)

FIG ITEM	PART NUMBER	1 2 3 4 5 6 7 NOMENCLATURE	EFFECT FROM TO	UNITS PER ASSY
1 310	2J1659	.JACK-EP FLIGHT SUPPLIER CODE: V82389 ELECTRICAL EQUIP NUMBER: D06009 WIRING DIAGRAM REF: 234111	008043 054103 201971	1

MISSING ITEM NUMBERS NOT APPLICABLE

— ITEM NOT ILLUSTRATED

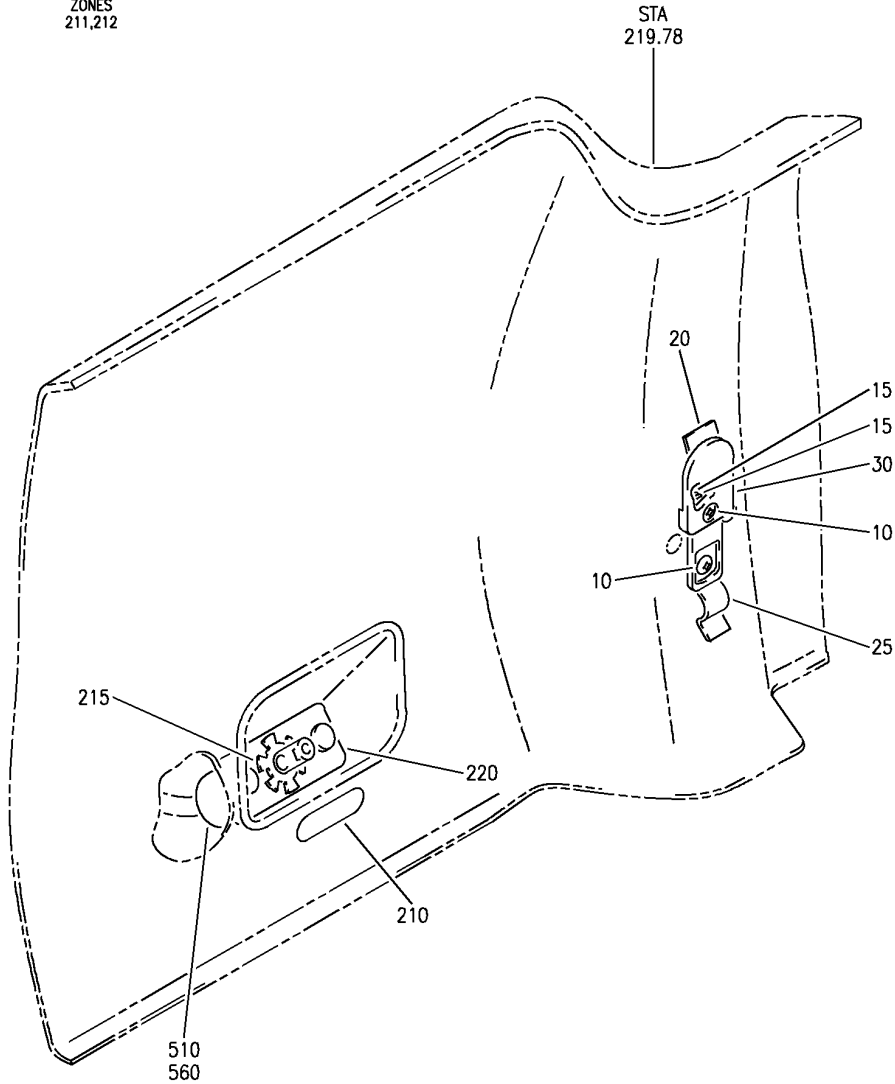
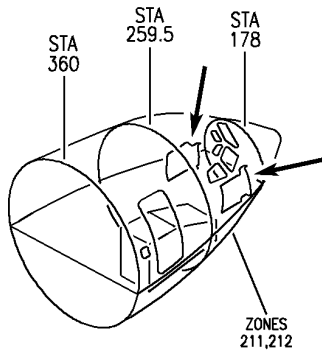
HAP

23-51-51-01

BOEING PROPRIETARY - Copyright © - Unpublished Work - See title page for details.

23-51-51
 FIG. 01
 PAGE 2
 JUN 15/09

BOEING
 737-600/700/800/900
 PARTS CATALOG (MAINTENANCE)



E 23515103 REV 106

HOLDER AND JACK INSTL-CAPT AND FIRST OFFICER HAND MIC
 FIGURE 3

23-51-51-03

HAP
 OCT 10/06

23-51-51-03
 PAGE 0

BOEING
737-600/700/800/900
PARTS CATALOG (MAINTENANCE)

FIG ITEM	PART NUMBER	1 2 3 4 5 6 7	NOMENCLATURE	EFFECT FROM TO	UNITS PER ASSY
3			HOLDER AND JACK INSTL- CAPT AND FIRST OFFICER HAND MIC	031200 968999	
- 1	MODREF82013		HOLDER INSTL-ELECTROVOICE SIDEWALL CAPT HAND MIC MODULE NUMBER: 232A4400-361 REV A	031036	1
- 1	MODREF313817		HOLDER INSTL-ELECTROVOICE SIDEWALL CAPT HAND MIC MODULE NUMBER: 232A4400-361 REV C	037200 968999	1
- 5	MODREF82014		HOLDER INSTL-ELECTROVOICE SIDEWALL FIRST OFFICER HAND MIC MODULE NUMBER: 232A4400-362 REV A	031036	1
- 5	MODREF313818		HOLDER INSTL-ELECTROVOICE SIDEWALL FIRST OFFICER HAND MIC MODULE NUMBER: 232A4400-362 REV C	037200 968999	1
10	BACS12HK06-10		.SCREW- OPTIONAL PART: NAS1101-06-10 NAS8201A10	031200 968999	2
10	NAS1101-06-10		.SCREW- OPTIONAL PART: BGAC12HK06-10	037200 968999	2
10	NAS8201A10		.SCREW- OPTIONAL PART: BACS12HK06-10	037200 968999	2
15	NAS1149DN632K		.WASHER	031200 968999	2
20	RCS5402-1		.SPRING- SUPPLIER CODE: V08205	031200 968999	1
25	22WC500312		.CLIP- SUPPLIER CODE: V13764 OPTIONAL PART: 22WC500312B V13764	031200 968999	1
25	22WC500312B		.CLIP- SUPPLIER CODE: V13764 OPTIONAL PART: 22WC500312 V13764	031200 968999	1

MISSING ITEM NUMBERS NOT APPLICABLE

- ITEM NOT ILLUSTRATED

HAP

23-51-51-03

BOEING PROPRIETARY - Copyright © - Unpublished Work - See title page for details.

23-51-51
FIG. 03
PAGE 1
FEB 15/09

BOEING
737-600/700/800/900
PARTS CATALOG (MAINTENANCE)

FIG ITEM	PART NUMBER	1 2 3 4 5 6 7	NOMENCLATURE	EFFECT FROM TO	UNITS PER ASSY
3					
30	8474		.BRACKET- SUPPLIER CODE: V81134	031200 968999	1
- 200	MODREF81997		JACK INSTL-2J SIDEWALL CAPT HAND MIC PROVISIONS MODULE NUMBER: 232A4400-261 REV A	031200 968999	1
- 205	MODREF81998		JACK INSTL-2J SIDEWALL FIRST OFFICER HAND MIC PROVISIONS MODULE NUMBER: 232A4400-262 REV A	031200 968999	1
210	BAC27DCC2778		.MARKER- PLACARD CONTENT: HAND MIKE	031200 968999	1
210	BAC27DCC2778		.MARKER- PLACARD CONTENT: HAND MIKE	048053 107200	1
215	BACW10CR6		.WASHER	031200 968999	1
215	BACW10CR6		.WASHER	048053 107200	1
220	232A4255-28		.PLATE-COVER	031200 968999	1
220	232A4255-28		.PLATE-COVER	048053 107200	1
- 225	WHS8C7TPKL16GY		ATTACHING PARTS .SCREW- SUPPLIER CODE: V12324 OPTIONAL PART: BACS12FA08K7	031200 968999	2
- 225	BACS12FA08K7		.SCREW- OPTIONAL PART: WHS8C7TPKL16GY V12324	031200 968999	2
- 225	WHS8C7TPKL16GY		.SCREW- SUPPLIER CODE: V12324 OPTIONAL PART: BACS12FA08K7	048053 107200	2
- 225	BACS12FA08K7		.SCREW- OPTIONAL PART: WHS8C7TPKL16GY V12324 -----*-----	048053 107200	2
- 505	286A3323-280		WIRE BUNDLE ASSY	031036	RF
- 508	286A3323-434		WIRE BUNDLE ASSY	037048 054100	RF

MISSING ITEM NUMBERS NOT APPLICABLE

- ITEM NOT ILLUSTRATED

HAP

23-51-51-03

BOEING PROPRIETARY - Copyright © - Unpublished Work - See title page for details.

23-51-51
FIG. 03
PAGE 2
FEB 15/09

BOEING
737-600/700/800/900
PARTS CATALOG (MAINTENANCE)

FIG ITEM	PART NUMBER	1 2 3 4 5 6 7	NOMENCLATURE	EFFECT FROM TO	UNITS PER ASSY
3					
- 508	286A3323-440		WIRE BUNDLE ASSY	101106 968999	RF
510	2J1869		.JACK-CAPT HAND MIC SUPPLIER CODE: V82389 ELECTRICAL EQUIP NUMBER: D06041 WIRING DIAGRAM REF: 235111	031048 054106 968999	1
- 555	286A3319-276		WIRE BUNDLE ASSY-	031036	RF
- 557	286A3319-287		WIRE BUNDLE ASSY	037043	RF
- 557	286A3319-314		WIRE BUNDLE ASSY	101101 968971	RF
- 558	286A3319-339		WIRE BUNDLE ASSY	044048 054100	RF
- 558	286A3319-373		WIRE BUNDLE ASSY	102106 972999	RF
560	2J1869		.JACK-FO HAND MIC SUPPLIER CODE: V82389 ELECTRICAL EQUIP NUMBER: D06043 WIRING DIAGRAM REF: 235121	031048 054106 968999	1

MISSING ITEM NUMBERS NOT APPLICABLE

- ITEM NOT ILLUSTRATED

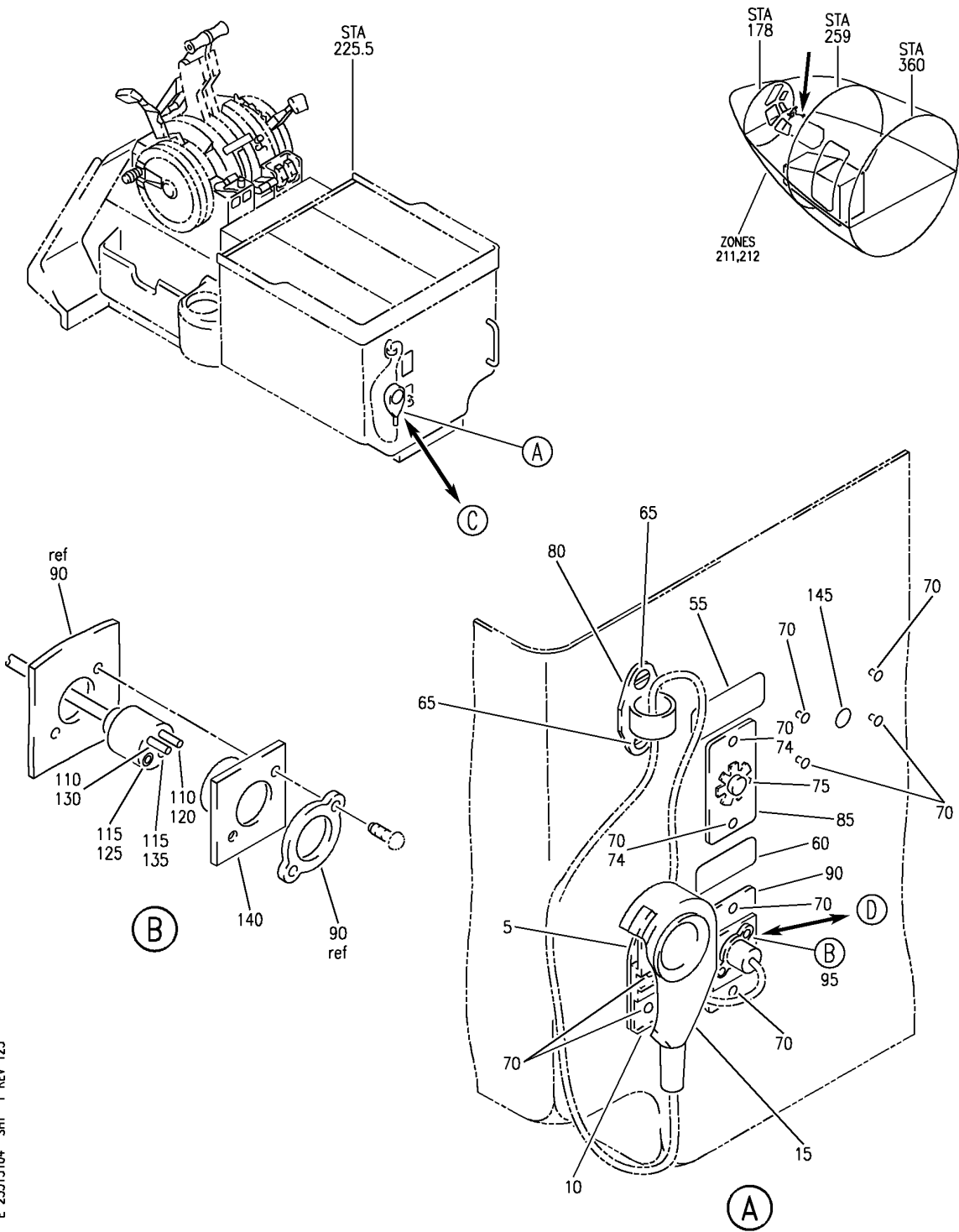
HAP

23-51-51-03

BOEING PROPRIETARY - Copyright © - Unpublished Work - See title page for details.

23-51-51
FIG. 03
PAGE 3
FEB 15/09

BOEING
 737-600/700/800/900
 PARTS CATALOG (MAINTENANCE)



E 23515104 SHT 1 REV 123

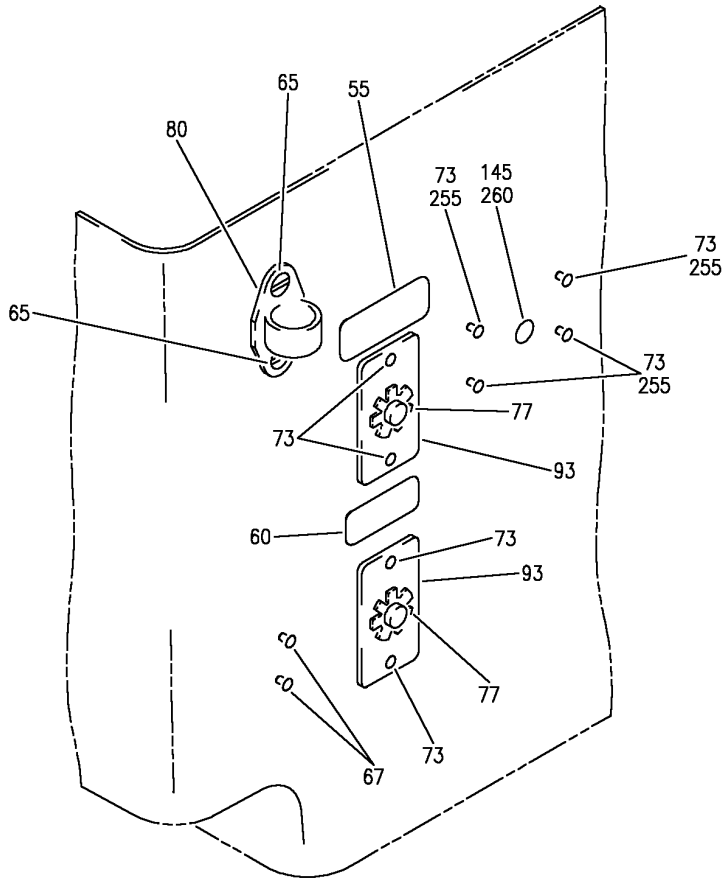
JACK AND HAND MIC INSTL-END OF AISLE STAND
 FIGURE 4 (SHEET 1)

23-51-51-04

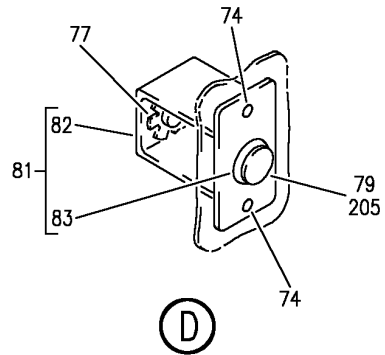
HAP
 OCT 10/06

23-51-51-04
 PAGE 0

BOEING
 737-600/700/800/900
 PARTS CATALOG (MAINTENANCE)



(C)



(D)

E 233515104 SHT 2 REV 140

JACK AND HAND MIC INSTL-END OF AISLE STAND
 FIGURE 4 (SHEET 2)

23-51-51-04

HAP
 JUN 15/08

23-51-51-04
 PAGE 0A

BOEING
737-600/700/800/900
PARTS CATALOG (MAINTENANCE)

FIG ITEM	PART NUMBER	1 2 3 4 5 6 7	NOMENCLATURE	EFFECT FROM TO	UNITS PER ASSY
4			JACK AND HAND MIC INSTL-END OF AISLE STAND	031200 968999	
- 50	MODREF279495		JACK INSTL-HAND MIC END OF AISLE STAND MODULE NUMBER: 232A4400-188 REV A POSITION DATA: AFT	031043	1
- 50	MODREF282434		JACK INSTL-HAND MIC END OF AISLE STAND MODULE NUMBER: 232A4400-187 REV B POSITION DATA: AFT	101101 968971	1
- 50	MODREF342479		JACK INSTL-HAND MIC END OF AISLE STAND MODULE NUMBER: 232A4400-188 REV B POSITION DATA: AFT	044100	1
- 50	MODREF342480		JACK INSTL-HAND MIC END OF AISLE STAND MODULE NUMBER: 232A4400-187 REV C POSITION DATA: AFT	102200 972999	1
55	BAC27DCC2782		.MARKER- PLACARD CONTENT: INTERPHONE	031200 968999	1
60	BAC27DCC2780		.MARKER- PLACARD CONTENT: PASS ADDRESS	031200 968999	1
65	NAS514P1032-8		.SCREW	031200 968999	2
67	BACS12HJ06K8		.SCREW	031200 968999	2
73	S6C6TPKL16GY		.SCREW- SUPPLIER CODE: V12324	031043 101101 968971	8
74	S6C6TPKL16GY		.SCREW- SUPPLIER CODE: V12324	044100 102200 972999	4
75	BACW10CR7		.WASHER	101200 968999	1
77	BACW10CR7		.WASHER	031100	2
80	66-18897-3		.SUPPORT-CORD	031200 968999	1
85	232A4255-18		.PLATE	101200 968999	1

MISSING ITEM NUMBERS NOT APPLICABLE

- ITEM NOT ILLUSTRATED

HAP

23-51-51-04

BOEING PROPRIETARY - Copyright © - Unpublished Work - See title page for details.

23-51-51
FIG. 04
PAGE 1
OCT 15/08

BOEING
737-600/700/800/900
PARTS CATALOG (MAINTENANCE)

FIG ITEM	PART NUMBER	1 2 3 4 5 6 7	NOMENCLATURE	EFFECT FROM TO	UNITS PER ASSY
4	90 232A4255-23	.	PLATE	101200 968999	1
	93 232A4255-18	.	PLATE	031100 107200	2
	95 66-16842-15	.	JACK ASSY- ELECTRICAL EQUIP NUMBER: D06001 WIRING DIAGRAM REF: 233101 ATTACHING PARTS	101200 968999	1
- 100	NAS514P440-6	.	SCREW	101200 968999	2
- 105	BRH10C04D	.	NUT SUPPLIER CODE: V52828 SPECIFICATION NUMBER: BACN10JC04CD OPTIONAL PART: H51650-04BAC V15653 102LH9075-40W V72962 NS202486-40 V80539 T6C440JCD V11815	101200 968999	2
110	48-1825-02	..	CONTACT -----*----- SUPPLIER CODE: V77820 SPECIFICATION NUMBER: BACC47CN2 OPTIONAL PART: ZZL4016-36LT V49367 48-1825-02 V02660 417-1616-902 V92069 LRM16M15F74 V09922	101200 968999	2

MISSING ITEM NUMBERS NOT APPLICABLE

- ITEM NOT ILLUSTRATED

HAP

23-51-51-04

BOEING PROPRIETARY - Copyright © - Unpublished Work - See title page for details.

23-51-51
FIG. 04
PAGE 2
FEB 15/09

BOEING
737-600/700/800/900
PARTS CATALOG (MAINTENANCE)

FIG ITEM	PART NUMBER	1 2 3 4 5 6 7	NOMENCLATURE	EFFECT FROM TO	UNITS PER ASSY
4 115	418-1616-902	..	CONTACT SUPPLIER CODE: V55104 SPECIFICATION NUMBER: BACC47CP2T OPTIONAL PART: ZZL4116-36LT V49367 248-136-1600S02 V77820 LRC16M15F74 V09922	101200 968999	2
120	48-7190	..	CONNECTOR-BLUE SUPPLIER CODE: V02660 ELECTRICAL EQUIP NUMBER: D07019	101200 968999	1
125	48-7191	..	CONNECTOR-BLUE SUPPLIER CODE: V02660 ELECTRICAL EQUIP NUMBER: D07021	101200 968999	1
130	48-7190-1	..	CONNECTOR-RED SUPPLIER CODE: V02660 ELECTRICAL EQUIP NUMBER: D07015	101200 968999	1
130	AIS16P1	..	CONNECTOR-RED SUPPLIER CODE: V05574 ELECTRICAL EQUIP NUMBER: D07015	101200 968999	1
135	48-7191-1	..	CONNECTOR-RED SUPPLIER CODE: V02660 ELECTRICAL EQUIP NUMBER: D07017	101200 968999	1
140	XLR4-31	..	JACK- SUPPLIER CODE: V71468	101200 968999	1
140	XLR4-31A176	..	JACK- SUPPLIER CODE: V71468	101200 968999	1
145	BACP20B65P	.	PLUG	031043 046050 054101 968971	1

MISSING ITEM NUMBERS NOT APPLICABLE

— ITEM NOT ILLUSTRATED

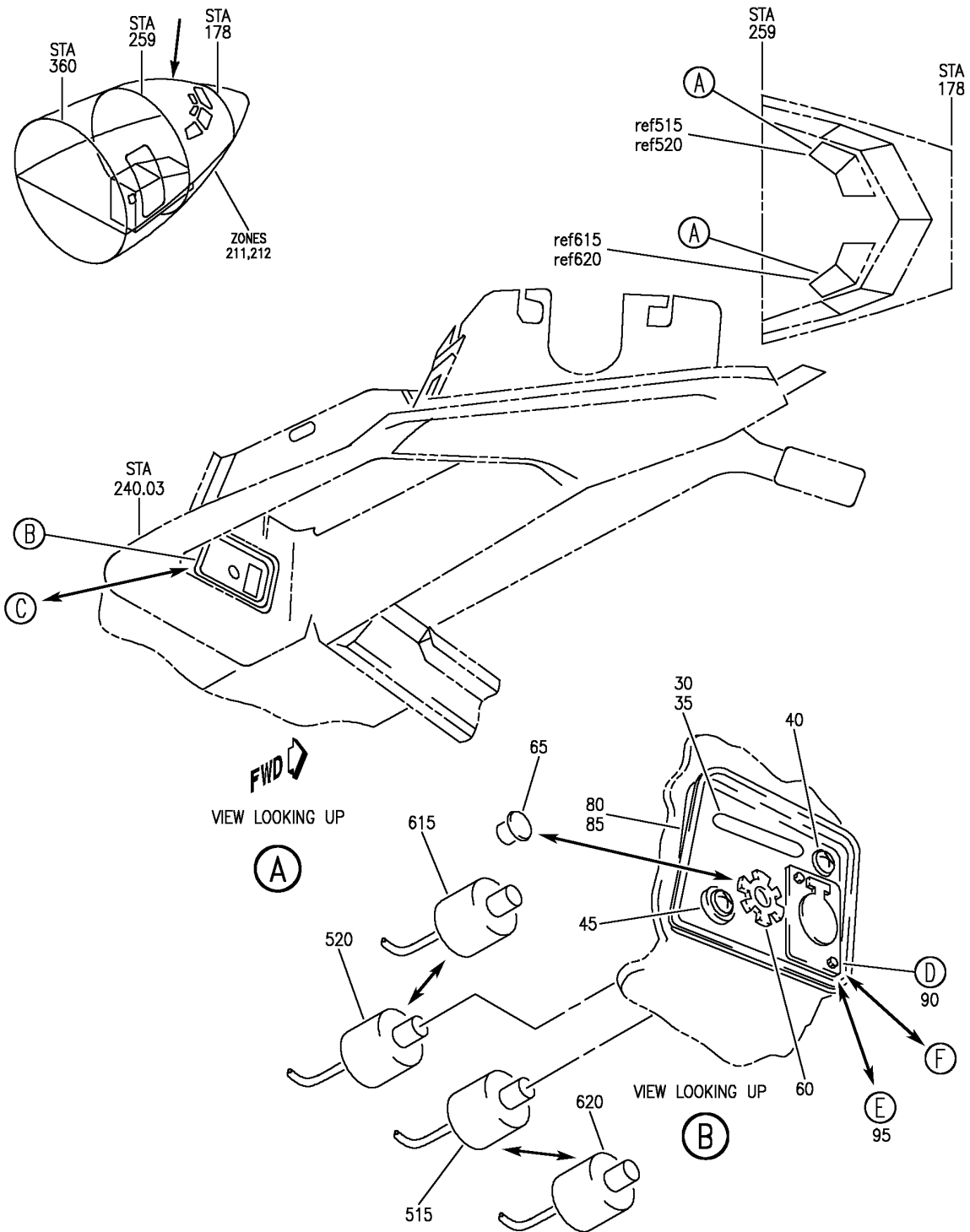
HAP

23-51-51-04

BOEING PROPRIETARY - Copyright © - Unpublished Work - See title page for details.

23-51-51
FIG. 04
PAGE 3
FEB 15/09

BOEING
 737-600/700/800/900
 PARTS CATALOG (MAINTENANCE)



E 23515107 SHT 1 REV 152

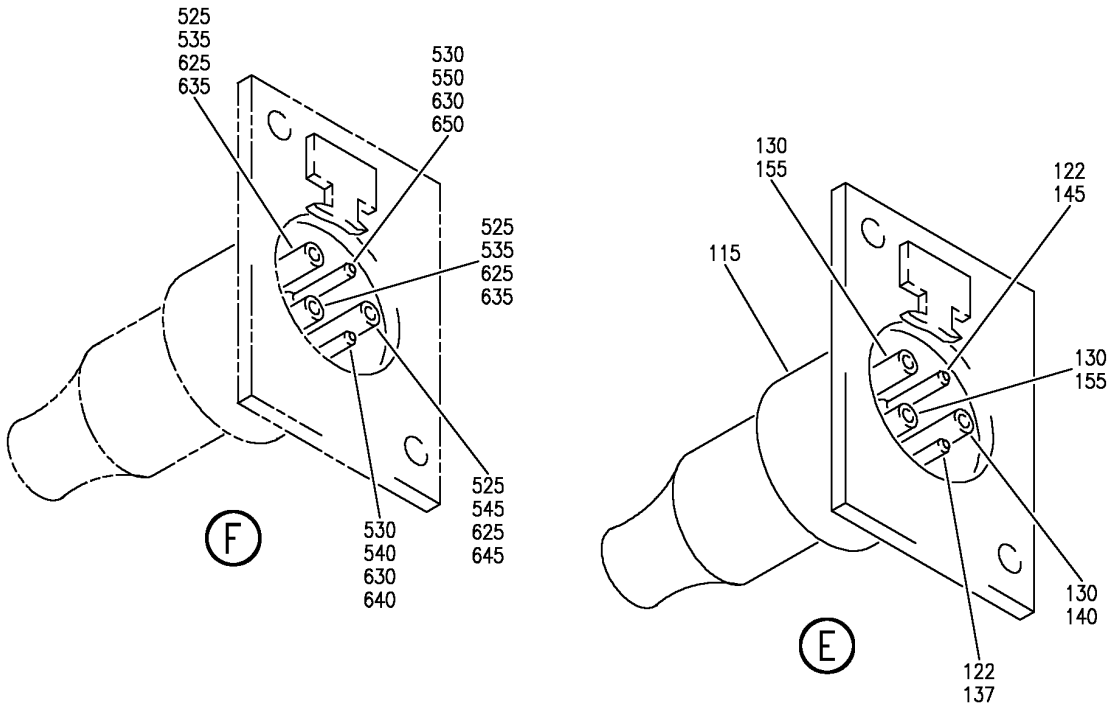
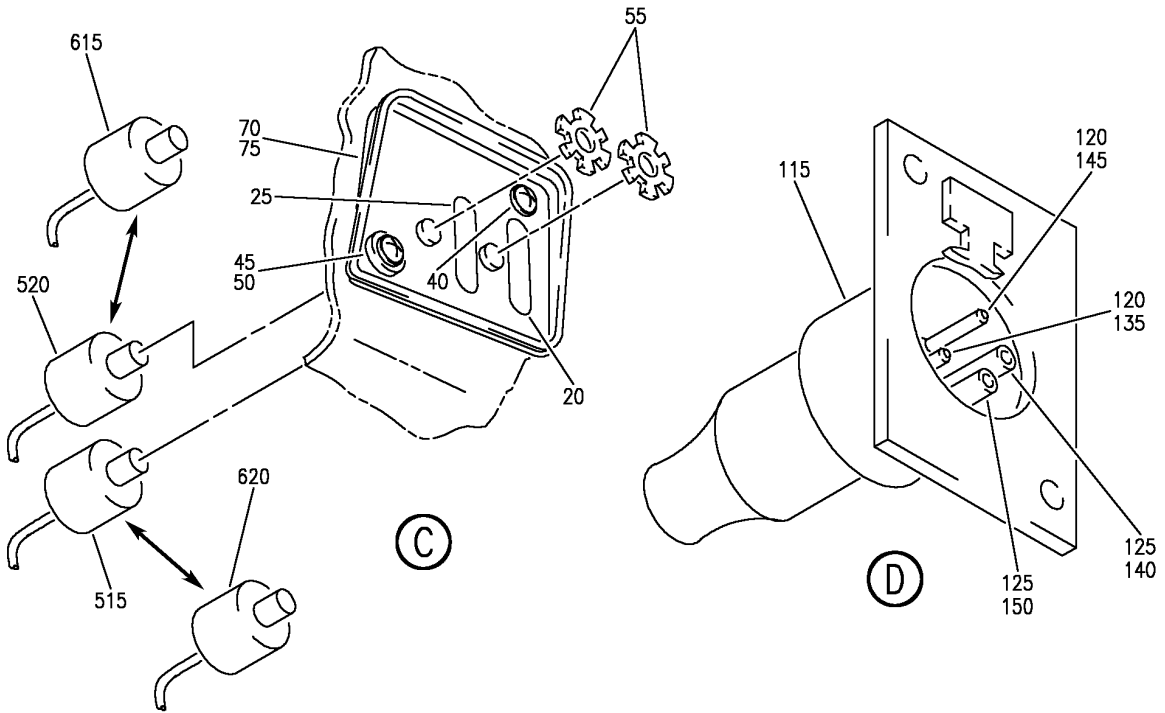
INTERPHONE AND JACK INSTL-CONT CAB. CAPT AND FIRST OFFICER HEADSET/BOOM MIC
 FIGURE 7 (SHEET 1)

23-51-51-07

HAP
 JUN 15/09

23-51-51-07
 PAGE 0

BOEING
737-600/700/800/900
PARTS CATALOG (MAINTENANCE)



E 233515107 SH1 2 REV 152

INTERPHONE AND JACK INSTL-CONT CAB. CAPT AND FIRST OFFICER HEADSET/BOOM MIC
FIGURE 7 (SHEET 2)

HAP
JUN 15/09

23-51-51-07

23-51-51-07
PAGE 0A

BOEING
737-600/700/800/900
PARTS CATALOG (MAINTENANCE)

FIG ITEM	PART NUMBER	1 2 3 4 5 6 7	NOMENCLATURE	EFFECT FROM TO	UNITS PER ASSY
7			INTERPHONE AND JACK INSTL- CONT CAB. CAPT AND FIRST OFFICER HEADSET/BOOM MIC	031200 968999	
- 1	MODREF81986		INTERPHONE INSTL-CONT CAB. CAPT-HEADSET/BOOM MIC MODULE NUMBER: 232A4400-205 REV A	031200 968999	1
- 10	MODREF81994		INTERPHONE INSTL-CONT CAB. FIRST OFFICER-HEADSET BOOM MIC MODULE NUMBER: 232A4400-252 REV A	031200 968999	1
30	BAC27DCC2986		.MARKER- PLACARD CONTENT: HEADPHONE BOOM MIC USED ON: MODREF81986 MODREF81987 MODREF81988	031200 968999	1
35	BAC27DCC2985		.MARKER- PLACARD CONTENT: BOOM MIC HEADPHONE USED ON: MODREF81994 MODREF81995 MODREF81996	031200 968999	1
40	BACS12FA08K7		.SCREW- OPTIONAL PART: WHS8C7TPKL10GY V12324	031200 968999	1
40	WHS8C7TPKL10GY		.SCREW- SUPPLIER CODE: V12324 OPTIONAL PART: BACS12FA08K7	031200 968999	1
45	BACS12FA08K10		.SCREW- OPTIONAL PART: WHS8C9TPKL10GY V12324	031200 968999	1
45	WHS8C9TPKL10GY		.SCREW- SUPPLIER CODE: V12324 OPTIONAL PART: BACS12FA08K10	031200 968999	1
60	BACW10CR6		.WASHER-	031200 968999	1

MISSING ITEM NUMBERS NOT APPLICABLE

- ITEM NOT ILLUSTRATED

HAP

23-51-51-07

BOEING PROPRIETARY - Copyright © - Unpublished Work - See title page for details.

23-51-51
FIG. 07
PAGE 1
JUN 15/09

BOEING
737-600/700/800/900
PARTS CATALOG (MAINTENANCE)

FIG ITEM	PART NUMBER	1 2 3 4 5 6 7	NOMENCLATURE	EFFECT FROM TO	UNITS PER ASSY
7					
80	232A4280-14		.COVER- USED ON: MODREF81986 MODREF81987 MODREF81988	031200 968999	1
85	232A4280-17		.COVER- USED ON: MODREF81994 MODREF81995 MODREF81996	031200 968999	1
95	66-16842-19		.JACK ASSY- ATTACHING PARTS	031200 968999	1
- 100	NAS514P440-6		.SCREW-	031200 968999	2
- 105	BACW10BP2NDP		.WASHER-	031200 968999	2
- 110	BRH10C04D		.NUT- SUPPLIER CODE: V52828 SPECIFICATION NUMBER: BACN10JC04CD OPTIONAL PART: H51650-04BAC V15653 102LH9075-40W V72962 NS202486-40 V80539 T6C440JCD V11815 -----*-----	031200 968999	2
115	XLR5-31		..JACK- SUPPLIER CODE: V71468	031200 968999	1
122	48-1825-02		..CONTACT SUPPLIER CODE: V77820 SPECIFICATION NUMBER: BACC47CN2 OPTIONAL PART: ZZL4016-36LT V49367 48-1825-02 V02660 417-1616-902 V92069 LRM16M15F74 V09922	031200 968999	2

MISSING ITEM NUMBERS NOT APPLICABLE

- ITEM NOT ILLUSTRATED

HAP

23-51-51-07

BOEING PROPRIETARY - Copyright © - Unpublished Work - See title page for details.

23-51-51
FIG. 07
PAGE 2
JUN 15/09

BOEING
737-600/700/800/900
PARTS CATALOG (MAINTENANCE)

FIG ITEM	PART NUMBER	1 2 3 4 5 6 7	NOMENCLATURE	EFFECT FROM TO	UNITS PER ASSY
7 130	418-1616-902	..	CONTACT SUPPLIER CODE: V55104 SPECIFICATION NUMBER: BACC47CP2 OPTIONAL PART: ZZL4116-36LT V49367 248-136-1600S02 V77820 LRC16M15F74 V09922	031200 968999	3
137	48-7190	..	CONNECTOR-BLUE SUPPLIER CODE: V02660	031200 968999	1
140	48-7191	..	CONNECTOR-BLUE SUPPLIER CODE: V02660	031200 968999	1
145	48-7190-1	..	CONNECTOR-RED SUPPLIER CODE: V02660	031200 968999	1
145	AIS16P1	..	CONNECTOR-RED SUPPLIER CODE: V05574	031200 968999	1
155	48-7191-1	..	CONNECTOR-RED SUPPLIER CODE: V02660	031200 968999	2
- 505	286A3323-280		WIRE BUNDLE ASSY	031036	RF
- 507	286A3323-434		WIRE BUNDLE ASSY	037048	RF
- 507	286A3323-440		WIRE BUNDLE ASSY	054100 101106	RF
515	2J1869	.	JACK-CAPT BOOM MIC SUPPLIER CODE: V82389 ELECTRICAL EQUIP NUMBER: D06027 WIRING DIAGRAM REF: 235111	968999 047048 106106	1
520	2J1866A	.	JACK-CAPT HEADPHONE SUPPLIER CODE: V82389 ELECTRICAL EQUIP NUMBER: D06031 WIRING DIAGRAM REF: 235111	031048 054106 968999	1
- 604	286A3319-276		WIRE BUNDLE ASSY-	031036	RF
- 606	286A3319-287		WIRE BUNDLE ASSY	037043	RF

MISSING ITEM NUMBERS NOT APPLICABLE

- ITEM NOT ILLUSTRATED

HAP

23-51-51-07

BOEING PROPRIETARY - Copyright © - Unpublished Work - See title page for details.

23-51-51
FIG. 07
PAGE 3
FEB 15/09

BOEING
737-600/700/800/900
PARTS CATALOG (MAINTENANCE)

FIG ITEM	PART NUMBER	1 2 3 4 5 6 7	NOMENCLATURE	EFFECT FROM TO	UNITS PER ASSY
7					
- 606	286A3319-314		WIRE BUNDLE ASSY	101101 968971	RF
- 607	286A3319-339		WIRE BUNDLE ASSY	044048 054100	RF
- 607	286A3319-373		WIRE BUNDLE ASSY	102106 972999	RF
615	2J1869		.JACK-FIRST OFFICER BOOM MIC SUPPLIER CODE: V82389 ELECTRICAL EQUIP NUMBER: D06029 WIRING DIAGRAM REF: 235121	037037 039041	1
620	2J1866A		.JACK-FIRST OFFICER HEADPHONE SUPPLIER CODE: V82389 ELECTRICAL EQUIP NUMBER: D06033 WIRING DIAGRAM REF: 235121	031048 054106 968999	1

MISSING ITEM NUMBERS NOT APPLICABLE

- ITEM NOT ILLUSTRATED

HAP

23-51-51-07

BOEING PROPRIETARY - Copyright © - Unpublished Work - See title page for details.

23-51-51
FIG. 07
PAGE 4
FEB 15/09