

AUDIO AND VIDEO MONITORING

HAP
OCT 10/06

23-70-00
SECTION TITLE
PAGE 1

NON-ILLUSTRATED FIGURE

THE ITEMS REFLECTED IN THIS FIGURE ARE INTENTIONALLY
NON-ILLUSTRATED. THEY ARE REFERENCED TO EITHER A
NEXT HIGHER OR NEXT LOWER ASSEMBLY/INSTALLATION FIGURE.

E 23700003 REV 055

FUNCTIONAL COLLECTOR-CUSTOMER UNIQUE E/E EQPT INSTL (AUDIO AND VIDEO MONITORING ONLY)

FIGURE 3

23-70-00-03

HAP
OCT 10/06

23-70-00-03
PAGE 0


BOEING
 737-600/700/800/900
PARTS CATALOG (MAINTENANCE)

FIG ITEM	PART NUMBER	1 2 3 4 5 6 7	NOMENCLATURE	EFFECT FROM TO	UNITS PER ASSY
3			FUNCTIONAL COLLECTOR- CUSTOMER UNIQUE E/E EQPT INSTL (AUDIO AND VIDEO MONITORING ONLY)	012030	
- 1	284A0012-3001		FUNCTIONAL COLLECTOR- CUSTOMER UNIQUE E/E EQPT INSTL (AUDIO AND VIDEO MONITORING ONLY)	012030	RF
- 10	284A0462-237106		FOR NHA/OTHER SYS DET SEE: 23-00-00-03 .EQUIPMENT INSTL-E6 RACK CKPT VOICE RECORDER FOR DETAILS SEE: 23-71-11-01	012030	1

MISSING ITEM NUMBERS NOT APPLICABLE

- ITEM NOT ILLUSTRATED

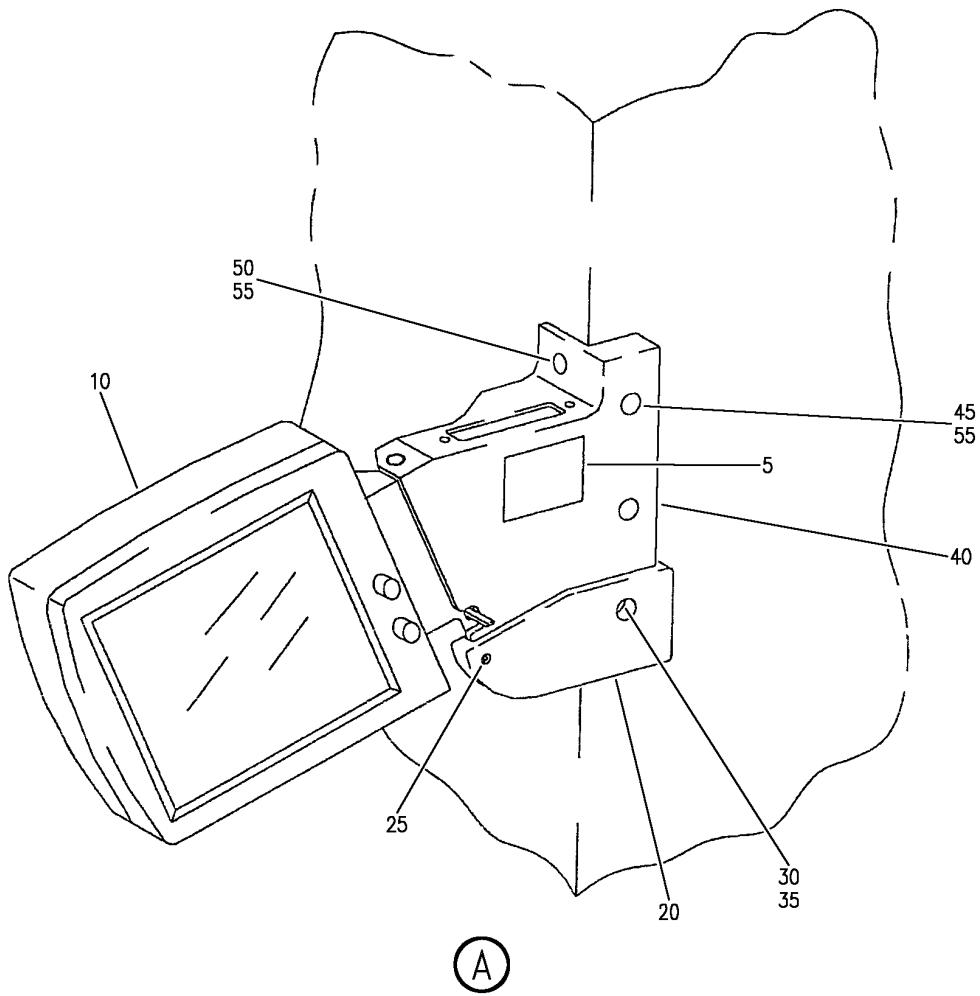
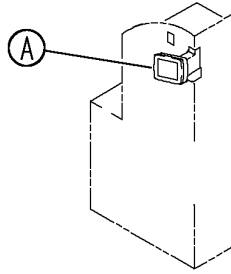
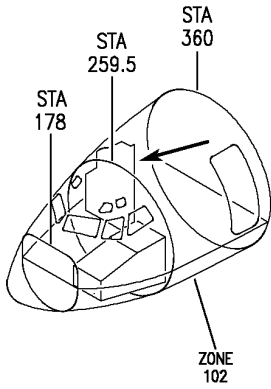
HAP

23-70-00-03

BOEING PROPRIETARY - Copyright © - Unpublished Work - See title page for details.

23-70-00
 FIG. 03
 PAGE 1
 OCT 10/06

BOEING
 737-600/700/800/900
 PARTS CATALOG (MAINTENANCE)



E 23705101 REV 111

COCKPIT DOOR SURVEILLANCE SYSTEM (LCD COMPUTER INSTALLATION ONLY)
 FIGURE 1

23-70-51-01

HAP
 JUN 15/09

23-70-51-01
 PAGE 0


BOEING
 737-600/700/800/900
PARTS CATALOG (MAINTENANCE)

FIG ITEM	PART NUMBER	1 2 3 4 5 6 7	NOMENCLATURE	EFFECT FROM TO	UNITS PER ASSY
R	1		COCKPIT DOOR SURVEILLANCE		
R			SYSTEM (LCD COMPUTER		
R			INSTALLATION ONLY)		
R	- 1	D2004-109	SURVEILLANCE SYSTEM-COCKPIT		RF
R			DOOR (LCD COMPUTER		
R			INSTALLATION ONLY)		
R			SUPPLIER CODE:		
R			V3GV42		
R			POST AIRLINE MOD:		
R			230308		
R			VD4167		
R	5	TRPLAC2602	.PLACARD-		1
R			SUPPLIER CODE:		
R			V3GV42		
R	10	8420G1-1	.COMPUTER-LCD		1
R			SUPPLIER CODE:		
R			V59885		
R			ATTACHING PARTS		
R	- 15	NAS1352-08-8P	.SCREW		2
R			-----*-----		
R	20	08450-0039-0001	.COVER-HINGE		1
R			SUPPLIER CODE:		
R			V59885		
R			ATTACHING PARTS		
R	25	MS24671-2	.SCREW		1
R	30	NAS1351N3-14	.SCREW		1
R	35	NAS620C10L	.WASHER		1
R			-----*-----		
R	40	8450B2	.HINGE ASSY-CDSS		1
R			SUPPLIER CODE:		
R			V59885		
R			ATTACHING PARTS		
R	45	NAS603-9	.SCREW		1
R	50	NAS603-8	.SCREW		3
R	55	NAS1149D0332J	.WASHER		5
			-----*-----		

MISSING ITEM NUMBERS NOT APPLICABLE

- ITEM NOT ILLUSTRATED

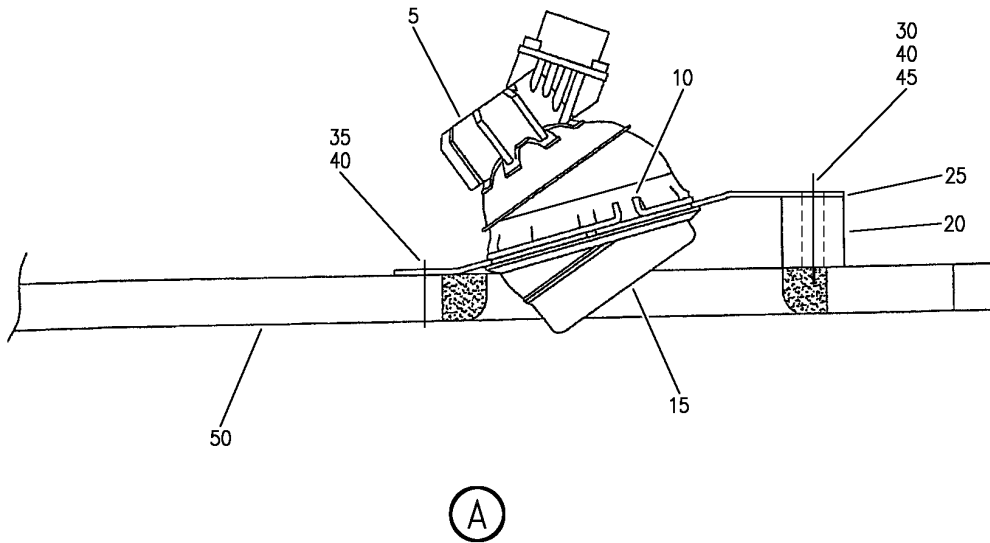
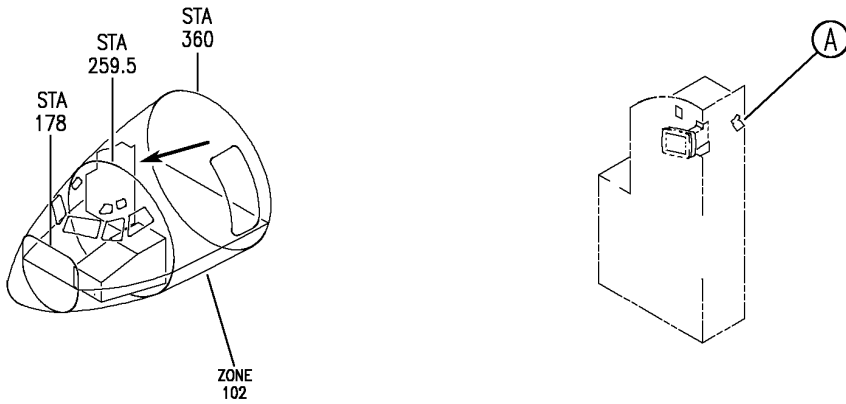
HAP

23-70-51-01

BOEING PROPRIETARY - Copyright © - Unpublished Work - See title page for details.

23-70-51
 FIG. 01
 PAGE 1
 JUN 15/09

BOEING
 737-600/700/800/900
 PARTS CATALOG (MAINTENANCE)



E 23705102 REV 111

COCKPIT DOOR SURVEILLANCE SYSTEM (RECESSED MOUNTED CAMERA INSTALLATION ONLY) (POSITION ONE)
 FIGURE 2

HAP
 JUN 15/09

23-70-51-02

23-70-51-02
 PAGE 0


BOEING
 737-600/700/800/900
 PARTS CATALOG (MAINTENANCE)

FIG ITEM	PART NUMBER	1 2 3 4 5 6 7	NOMENCLATURE	EFFECT FROM TO	UNITS PER ASSY
2			COCKPIT DOOR SURVEILLANCE SYSTEM (RECESSED MOUNTED CAMERA INSTALLATION ONLY) (POSITION ONE)		
-	1 D2004-109		SURVEILLANCE SYSTEM-COCKPIT DOOR (RECESSED MOUNTED CAMERA INSTALLATION ONLY) (POSITION ONE) SUPPLIER CODE: V3GV42 POST AIRLINE MOD: 230308 VD4167		RF
	5 8410B1-204-105		.CAMERA ASSY-COLOR GREY CLOUD SUPPLIER CODE: V59885 MAINTENANCE MANUAL REF: 23-75-02 SERVICE BULLETIN OPT DATA: 8410B1-201-105 V59885 8410B1-202-105 V59885 8410B1-203-105 V59885 8410B1-205-105 V59885		1
	5 8410B1-202-105		.CAMERA-COLOR GREY CLOUD SUPPLIER CODE: V59885 MAINTENANCE MANUAL REF: 23-75-02 SERVICE BULLETIN OPT DATA: 8410B1-201-105 V59885 8410B1-203-105 V59885 8410B1-204-105 V59885 8410B1-205-105 V59885		1

MISSING ITEM NUMBERS NOT APPLICABLE

- ITEM NOT ILLUSTRATED

HAP

23-70-51-02

BOEING PROPRIETARY - Copyright © - Unpublished Work - See title page for details.

23-70-51
 FIG. 02
 PAGE 1
 JUN 15/09

BOEING
737-600/700/800/900
PARTS CATALOG (MAINTENANCE)

FIG ITEM	PART NUMBER	1 2 3 4 5 6 7	NOMENCLATURE	EFFECT FROM TO	UNITS PER ASSY
R R	2				
	5	8410B1-201-105	.CAMERA-COLOR GREY CLOUD SUPPLIER CODE: V59885 MAINTENANCE MANUAL REF: 23-75-02 SERVICE BULLETIN OPT DATA: 8410B1-202-105 V59885 8410B1-203-105 V59885 8410B1-204-105 V59885 8410B1-205-105 V59885		1
	5	8410B1-203-105	.CAMERA-COLOR GREY CLOUD SUPPLIER CODE: V59885 MAINTENANCE MANUAL REF: 23-75-02 SERVICE BULLETIN OPT DATA: 8410B1-201-105 V59885 8410B1-202-105 V59885 8410B1-204-105 V59885 8410B1-205-105 V59885		1
	5	8410B1-205-105	.CAMERA-COLOR GREY CLOUD SUPPLIER CODE: V59885 MAINTENANCE MANUAL REF: 23-75-02 SERVICE BULLETIN OPT DATA: 8410B1-201-105 V59885 8410B1-202-105 V59885 8410B1-203-105 V59885 8410B1-204-105 V59885		1

MISSING ITEM NUMBERS NOT APPLICABLE

— ITEM NOT ILLUSTRATED

HAP

23-70-51-02

BOEING PROPRIETARY - Copyright © - Unpublished Work - See title page for details.

23-70-51
FIG. 02
PAGE 2
JUN 15/09

BOEING
737-600/700/800/900
PARTS CATALOG (MAINTENANCE)

FIG ITEM	PART NUMBER	1 2 3 4 5 6 7	NOMENCLATURE	EFFECT FROM TO	UNITS PER ASSY
R R R R R R R R R R R R R R R R	2 10	08410-0012-0001	..RETAINER-SNAP RING SUPPLIER CODE: V59885 SERVICE BULLETIN OPT DATA: 9NU402-129-00 VD8095		1
	10	9NU402-129-00	..RETAINER-SNAP RING SUPPLIER CODE: VD8095 SERVICE BULLETIN OPT DATA: 08410-0012-0001 V59885		1
	15	08410-0061-0004	..LENS ASSY-FRONT COLOR GREY CLOUD SUPPLIER CODE: V59885 SERVICE BULLETIN OPT DATA: 08410-0061-0001 V59885 08410-0061-0002 V59885 08410-0061-0003 V59885 08410-0061-0005 V59885		1
	15	08410-0061-0002	..LENS ASSY-FRONT COLOR GREY CLOUD SUPPLIER CODE: V59885 SERVICE BULLETIN OPT DATA: 08410-0061-0001 V59885 08410-0061-0003 V59885 08410-0061-0004 V59885 08410-0061-0005 V59885		1

MISSING ITEM NUMBERS NOT APPLICABLE

— ITEM NOT ILLUSTRATED

HAP

23-70-51-02

BOEING PROPRIETARY - Copyright © - Unpublished Work - See title page for details.

23-70-51
FIG. 02
PAGE 3
JUN 15/09



**737-600/700/800/900
PARTS CATALOG (MAINTENANCE)**

FIG ITEM	PART NUMBER	1 2 3 4 5 6 7	NOMENCLATURE	EFFECT FROM TO	UNITS PER ASSY
R R	2 15	08410-0061-0001	.. LENS ASSY-FRONT COLOR GREY CLOUD SUPPLIER CODE: V59885 SERVICE BULLETIN OPT DATA: 08410-0061-0002 V59885 08410-0061-0003 V59885 08410-0061-0004 V59885 08410-0061-0005 V59885		1
	15	08410-0061-0003	.. LENS ASSY-FRONT COLOR GREY CLOUD SUPPLIER CODE: V59885 SERVICE BULLETIN OPT DATA: 08410-0061-0001 V59885 08410-0061-0002 V59885 08410-0061-0004 V59885 08410-0061-0005 V59885		1
	15	08410-0061-0005	.. LENS ASSY-FRONT COLOR GREY CLOUD SUPPLIER CODE: V59885 SERVICE BULLETIN OPT DATA: 08410-0061-0001 V59885 08410-0061-0002 V59885 08410-0061-0003 V59885 08410-0061-0004 V59885		1
	20	2002-182-8	.TAPE-FOAM SUPPLIER CODE: V3GV42		1
	25	2002-182-4	.PLATE-MOUNTING SUPPLIER CODE: V3GV42 ATTACHING PARTS		1
	30	NAS603-20	.SCREW		2
	35	NAS603-5	.SCREW		2
40	NAS1149D0316J	.WASHER		4	
MISSING ITEM NUMBERS NOT APPLICABLE					

— ITEM NOT ILLUSTRATED

HAP

23-70-51-02

BOEING PROPRIETARY - Copyright © - Unpublished Work - See title page for details.

23-70-51
FIG. 02
PAGE 4
JUN 15/09

BOEING
737-600/700/800/900
PARTS CATALOG (MAINTENANCE)

FIG ITEM	PART NUMBER	1 2 3 4 5 6 7	NOMENCLATURE	EFFECT FROM TO	UNITS PER ASSY
R R R R R	2 45	NAS43DD3-60FC	. SPACER -----*-----		2
	50	411A3210-2M	. CEILING ASSY- (MODIFIED BY GOODRICH ATS-STC DRAWING 2003-076)		RF

MISSING ITEM NUMBERS NOT APPLICABLE

— ITEM NOT ILLUSTRATED

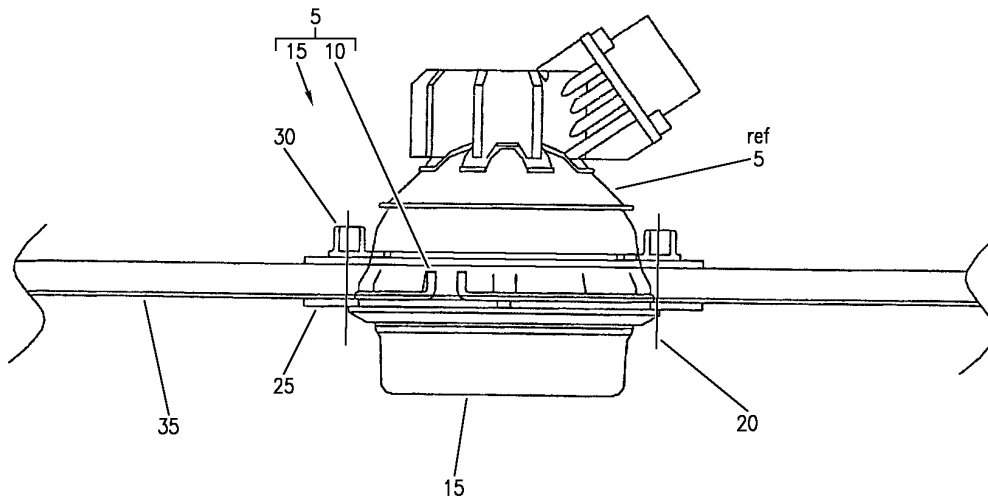
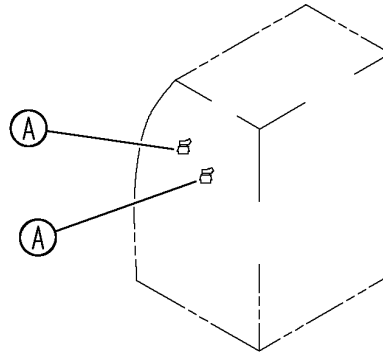
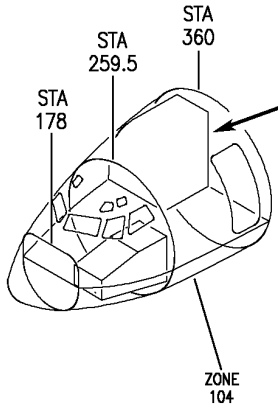
HAP

23-70-51-02

BOEING PROPRIETARY - Copyright © - Unpublished Work - See title page for details.

23-70-51
FIG. 02
PAGE 5
JUN 15/09

BOEING
 737-600/700/800/900
 PARTS CATALOG (MAINTENANCE)



(A)

E 23705103 REV 111

COCKPIT DOOR SURVEILLANCE SYSTEM (SURFACE MOUNTED CAMERA INSTALLATION ONLY) (POSITION TWO AND THREE)

FIGURE 3

23-70-51-03

HAP
 JUN 15/09

23-70-51-03
 PAGE 0

BOEING
737-600/700/800/900
PARTS CATALOG (MAINTENANCE)

FIG ITEM	PART NUMBER	1 2 3 4 5 6 7	NOMENCLATURE	EFFECT FROM TO	UNITS PER ASSY
R R R R R R R R R R R R	3		COCKPIT DOOR SURVEILLANCE SYSTEM (SURFACE MOUNTED CAMERA INSTALLATION ONLY) (POSITION TWO AND THREE)		
	- 1	D2004-109	SURVEILLANCE SYSTEM-COCKPIT DOOR (SURFACE MOUNTED CAMERA INSTALLATION ONLY) (POSITION TWO AND THREE)		RF
	5	8410B1-204-105	SUPPLIER CODE: V3GV42 POST AIRLINE MOD: 230308 VD4167 .CAMERA ASSY-COLOR GREY CLOUD		2
	5	8410B1-202-105	SUPPLIER CODE: V59885 MAINTENANCE MANUAL REF: 23-75-02 SERVICE BULLETIN OPT DATA: 8410B1-201-105 V59885 8410B1-202-105 V59885 8410B1-203-105 V59885 8410B1-205-105 V59885 .CAMERA-COLOR GREY CLOUD		2
			SUPPLIER CODE: V59885 MAINTENANCE MANUAL REF: 23-75-02 SERVICE BULLETIN OPT DATA: 8410B1-201-105 V59885 8410B1-203-105 V59885 8410B1-204-105 V59885 8410B1-205-105 V59885		

MISSING ITEM NUMBERS NOT APPLICABLE

- ITEM NOT ILLUSTRATED

HAP

23-70-51-03

BOEING PROPRIETARY - Copyright © - Unpublished Work - See title page for details.

23-70-51
FIG. 03
PAGE 1
JUN 15/09

BOEING
737-600/700/800/900
PARTS CATALOG (MAINTENANCE)

FIG ITEM	PART NUMBER	1 2 3 4 5 6 7	NOMENCLATURE	EFFECT FROM TO	UNITS PER ASSY
R R	3				
	5	8410B1-201-105	.CAMERA-COLOR GREY CLOUD SUPPLIER CODE: V59885 MAINTENANCE MANUAL REF: 23-75-02 SERVICE BULLETIN OPT DATA: 8410B1-202-105 V59885 8410B1-203-105 V59885 8410B1-204-105 V59885 8410B1-205-105 V59885		2
	5	8410B1-203-105	.CAMERA-COLOR GREY CLOUD SUPPLIER CODE: V59885 MAINTENANCE MANUAL REF: 23-75-02 SERVICE BULLETIN OPT DATA: 8410B1-201-105 V59885 8410B1-202-105 V59885 8410B1-204-105 V59885 8410B1-205-105 V59885		2
	5	8410B1-205-105	.CAMERA-COLOR GREY CLOUD SUPPLIER CODE: V59885 MAINTENANCE MANUAL REF: 23-75-02 SERVICE BULLETIN OPT DATA: 8410B1-201-105 V59885 8410B1-202-105 V59885 8410B1-203-105 V59885 8410B1-204-105 V59885		2

MISSING ITEM NUMBERS NOT APPLICABLE

— ITEM NOT ILLUSTRATED

HAP

23-70-51-03

BOEING PROPRIETARY - Copyright © - Unpublished Work - See title page for details.

23-70-51
FIG. 03
PAGE 2
JUN 15/09

BOEING
737-600/700/800/900
PARTS CATALOG (MAINTENANCE)

FIG ITEM	PART NUMBER	1 2 3 4 5 6 7	NOMENCLATURE	EFFECT FROM TO	UNITS PER ASSY	
R R R R R R R R R R R R R R R R	3					
	10	08410-0012-0001	..	RETAINER-SNAP RING SUPPLIER CODE: V59885 SERVICE BULLETIN OPT DATA: 9NU402-129-00 VD8095		1
	10	9NU402-129-00	..	RETAINER-SNAP RING SUPPLIER CODE: VD8095 SERVICE BULLETIN OPT DATA: 08410-0012-0001 V59885		1
	15	08410-0061-0004	..	LENS ASSY-FRONT COLOR GREY CLOUD SUPPLIER CODE: V59885 SERVICE BULLETIN OPT DATA: 08410-0061-0001 V59885 08410-0061-0002 V59885 08410-0061-0003 V59885 08410-0061-0005 V59885		1
	15	08410-0061-0002	..	LENS ASSY-FRONT COLOR GREY CLOUD SUPPLIER CODE: V59885 SERVICE BULLETIN OPT DATA: 08410-0061-0001 V59885 08410-0061-0003 V59885 08410-0061-0004 V59885 08410-0061-0005 V59885		1

MISSING ITEM NUMBERS NOT APPLICABLE

— ITEM NOT ILLUSTRATED

HAP

23-70-51-03

BOEING PROPRIETARY - Copyright © - Unpublished Work - See title page for details.

23-70-51
FIG. 03
PAGE 3
JUN 15/09

BOEING
737-600/700/800/900
PARTS CATALOG (MAINTENANCE)

FIG ITEM	PART NUMBER	1 2 3 4 5 6 7	NOMENCLATURE	EFFECT FROM TO	UNITS PER ASSY	
R R R R R R R R R R R R R R R	3					
	15	08410-0061-0001	..	LENS ASSY-FRONT COLOR GREY CLOUD SUPPLIER CODE: V59885 SERVICE BULLETIN OPT DATA: 08410-0061-0002 V59885 08410-0061-0003 V59885 08410-0061-0004 V59885 08410-0061-0005 V59885		1
	15	08410-0061-0003	..	LENS ASSY-FRONT COLOR GREY CLOUD SUPPLIER CODE: V59885 SERVICE BULLETIN OPT DATA: 08410-0061-0001 V59885 08410-0061-0002 V59885 08410-0061-0004 V59885 08410-0061-0005 V59885		1
	15	08410-0061-0005	..	LENS ASSY-FRONT COLOR GREY CLOUD SUPPLIER CODE: V59885 SERVICE BULLETIN OPT DATA: 08410-0061-0001 V59885 08410-0061-0002 V59885 08410-0061-0003 V59885 08410-0061-0004 V59885		1
	20	NAS514P832-14	.	SCREW		8
	25	2002-182-2	.	PLATE-MOUNTING SUPPLIER CODE: V3GV42		2
	30	2002-182-3	.	BRACKET-NUT PLATE SUPPLIER CODE: V3GV42		2

MISSING ITEM NUMBERS NOT APPLICABLE

— ITEM NOT ILLUSTRATED

HAP

23-70-51-03

BOEING PROPRIETARY - Copyright © - Unpublished Work - See title page for details.

23-70-51
FIG. 03
PAGE 4
JUN 15/09

BOEING
737-600/700/800/900
PARTS CATALOG (MAINTENANCE)

FIG ITEM	PART NUMBER	1 2 3 4 5 6 7	NOMENCLATURE	EFFECT FROM TO	UNITS PER ASSY
3 35	411A3220-6M		.CEILING ASSY- (MODIFIED BY GOODRICH ATS-STC DRAWING 2003-076)		RF

R
R
R
R

MISSING ITEM NUMBERS NOT APPLICABLE

- ITEM NOT ILLUSTRATED

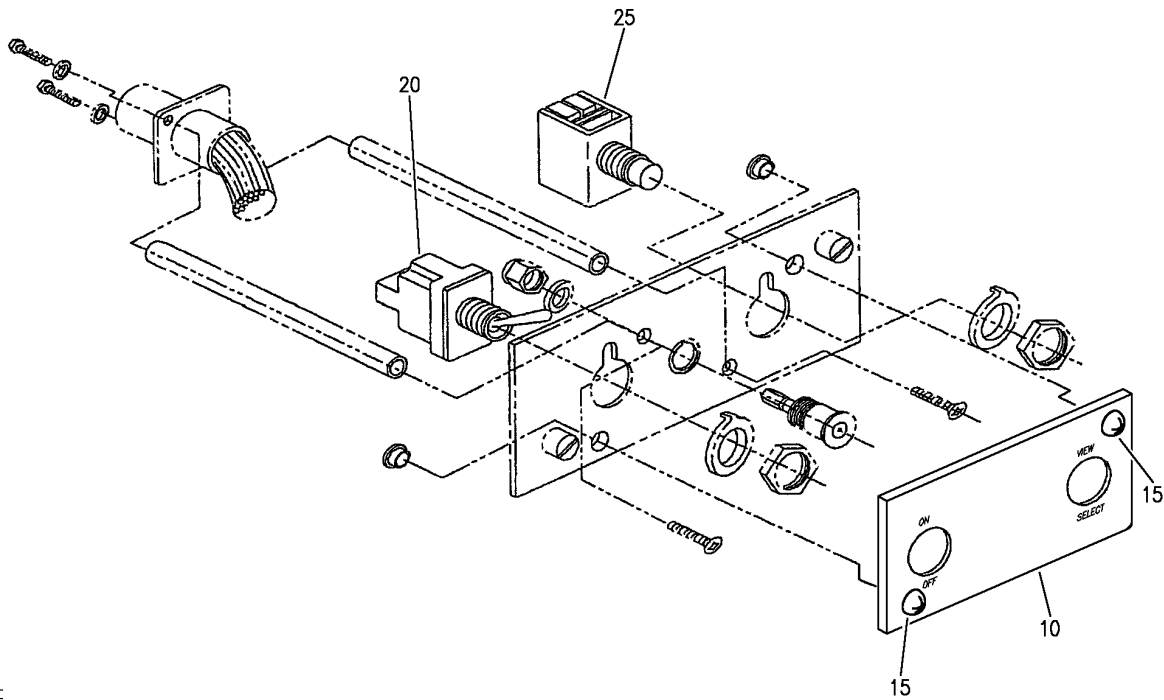
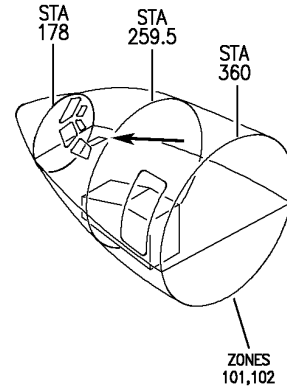
HAP

23-70-51-03

BOEING PROPRIETARY - Copyright © - Unpublished Work - See title page for details.

23-70-51
FIG. 03
PAGE 5
JUN 15/09

BOEING
 737-600/700/800/900
 PARTS CATALOG (MAINTENANCE)



E 23705104 REV 111

COCKPIT DOOR SURVEILLANCE SYSTEM (CAMERA CONTROL PANEL INSTALLATION ONLY)
 FIGURE 4

HAP
 JUN 15/09

23-70-51-04

23-70-51-04
 PAGE 0


BOEING
737-600/700/800/900
PARTS CATALOG (MAINTENANCE)

FIG ITEM	PART NUMBER	1 2 3 4 5 6 7	NOMENCLATURE	EFFECT FROM TO	UNITS PER ASSY
R R R - R R R R R R R R R R R R R R R R R R	4		COCKPIT DOOR SURVEILLANCE SYSTEM (CAMERA CONTROL PANEL INSTALLATION ONLY) SURVEILLANCE SYSTEM-COCKPIT DOOR (CAMERA CONTROL PANEL INSTALLATION ONLY) SUPPLIER CODE: V3GV42 POST AIRLINE MOD: 230308 VD4167		RF
	1	D2004-109			
	5	2003-031-1	.PANEL ASSY-CDSS CONTROL SUPPLIER CODE: V3GV42		1
	10	800-009333-1	.LIGHTPLATE ASSY- SUPPLIER CODE: V05617		1
	15	100-510101-2	ATTACHING PARTS .SCREW- SUPPLIER CODE: V05617 -----*-----		2
	20	MS24523-23	.SWITCH-(S1)		1
	25	2PB11H58	.SWITCH-(S2) SUPPLIER CODE: V91929		1

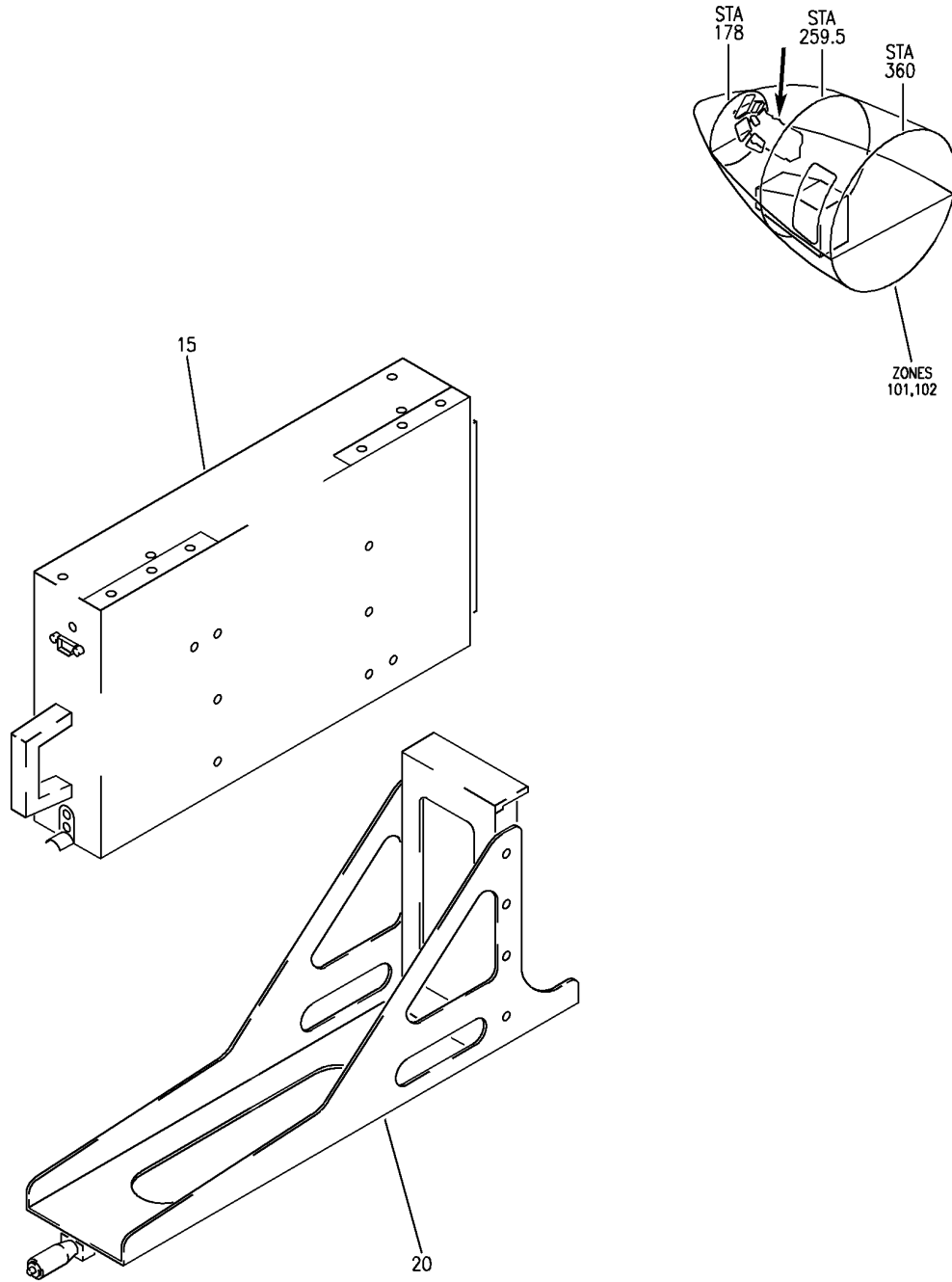
MISSING ITEM NUMBERS NOT APPLICABLE

- ITEM NOT ILLUSTRATED

HAP

23-70-51-04

BOEING
737-600/700/800/900
PARTS CATALOG (MAINTENANCE)



E 23705111 REV 118

EQUIPMENT INSTL-MAIN ELECTRONIC EQUIP. CTR
FIGURE 11

23-70-51-11

HAP
OCT 10/06

23-70-51-11
PAGE 0

BOEING
737-600/700/800/900
PARTS CATALOG (MAINTENANCE)

FIG ITEM	PART NUMBER	1 2 3 4 5 6 7	NOMENCLATURE	EFFECT FROM TO	UNITS PER ASSY
11			EQUIPMENT INSTL-MAIN	001030	
- 1	234-03-4011		ELECTRONIC EQUIP. CTR TRAY INSTL-VIDEO SWITCH SUPPLIER CODE: VORGL3 POST AIRLINE MOD: COC NO.230106 VHAP	001030	RF
- 10	234-02-8006-10		.DECAL- PLASTIC FILM SUPPLIER CODE: VORGL3 PLACARD CONTENT: M9103	001030	1
15	FV0510N50RB		.UNIT-VIDEO SWITCHING SUPPLIER CODE: VORGL3	001030	1
20	234-03-4011-03		.TRAY ASSY- SUPPLIER CODE: V1UHX1 ATTACHING PARTS	001030	1
- 25	MS35207-264		.SCREW	001030	2
- 30	MS24693S272		.SCREW	001030	2
- 35	NAS1149F0332P		.WASHER	001030	6
- 40	MS21042L3		.NUT	001030	4
			-----*-----		
- 45	234-02-8006-8		..DECAL- PLASTIC FILM SUPPLIER CODE: VORGL3 PLACARD CONTENT: D9103A	001030	1
- 50	234-02-8006-15		..DECAL- PLASTIC FILM SUPPLIER CODE: VORGL3 PLACARD CONTENT: D9103B	001030	1
- 55	4508		.SEAL-FOAM SUPPLIER CODE: VORGL3	001030	2
- 60	234-03-7001-101		.WIRE BUNDLE ASSY- SUPPLIER CODE: VORGL3	001030	RF

MISSING ITEM NUMBERS NOT APPLICABLE

- ITEM NOT ILLUSTRATED

HAP

23-70-51-11

BOEING PROPRIETARY - Copyright © - Unpublished Work - See title page for details.

23-70-51
FIG. 11
PAGE 1
OCT 10/06

BOEING
737-600/700/800/900
PARTS CATALOG (MAINTENANCE)

FIG ITEM	PART NUMBER	1 2 3 4 5 6 7	NOMENCLATURE	EFFECT FROM TO	UNITS PER ASSY
11					
- 65	BCCREF52053		..CONNECTOR- SUPPLIER CODE: VORGL3 OVERLENGTH PART NUMBER: BKAD1-125-30001F0 ELECTRICAL EQUIP NUMBER: D09103	001030	1
- 70	BACC45FN18-31S7		..CONNECTOR- ELECTRICAL EQUIP NUMBER: D9113J	001030	1
- 75	BACC45FN18-31S8		..CONNECTOR- ELECTRICAL EQUIP NUMBER: D9114J	001030	1
- 80	234-03-7001-110		.WIRE BUNDLE ASSY- SUPPLIER CODE: VORGL3	001030	RF
- 85	234-03-7001-102		.WIRE BUNDLE ASSY- SUPPLIER CODE: VORGL3	001030	RF
- 90	BACC45FT18-31P7		..CONNECTOR- ELECTRICAL EQUIP NUMBER: D9113P	001030	1
- 95	234-03-7001-103		.WIRE BUNDLE ASSY- SUPPLIER CODE: VORGL3	001030	RF
- 100	BACC45FT18-31P8		..PLUG- ELECTRICAL EQUIP NUMBER: D9114P	001030	1

MISSING ITEM NUMBERS NOT APPLICABLE

- ITEM NOT ILLUSTRATED

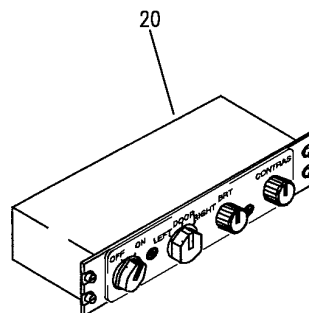
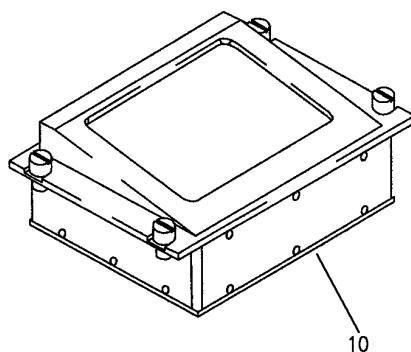
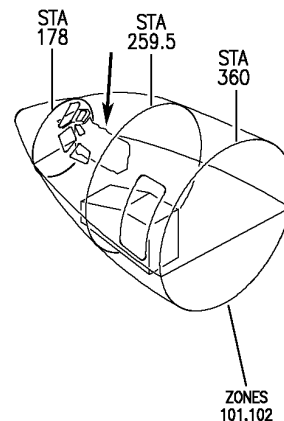
HAP

23-70-51-11

BOEING PROPRIETARY - Copyright © - Unpublished Work - See title page for details.

23-70-51
FIG. 11
PAGE 2
OCT 10/06

BOEING
737-600/700/800/900
PARTS CATALOG (MAINTENANCE)



E 23705112 REV 118

EQUIPMENT INSTL-FLIGHT DECK
FIGURE 12

23-70-51-12

HAP
OCT 10/06

23-70-51-12
PAGE 0

BOEING
737-600/700/800/900
PARTS CATALOG (MAINTENANCE)

FIG ITEM	PART NUMBER	1 2 3 4 5 6 7	NOMENCLATURE	EFFECT FROM TO	UNITS PER ASSY
12					
- 1	234-03-1012		EQUIPMENT INSTL-FLIGHT DECK EQUIPMENT INSTL-FLIGHT DECK SUPPLIER CODE: VORGL3 POST AIRLINE MOD: COC NO.230106 VHAP	001030 001030	RF
10	FV0830N1		.MONITOR-LCD SUPPLIER CODE: VORGL3	001030	1
20	FV1060-1		.PANEL-CONTROL SUPPLIER CODE: VORGL3	001030	1
- 30	234-02-8007-04		.PLATE-BLANKING SUPPLIER CODE: VORGL3	001030	1
- 40	234-02-8007-05		.PLATE-BLANKING SUPPLIER CODE: VORGL3	001030	1
- 45	234-03-7001-109		.WIRE BUNDLE ASSY- SUPPLIER CODE: VORGL3	001030	RF
- 50	MS27484T12F8SN		..CONNECTOR- ELECTRICAL EQUIP NUMBER: D09102	001030	1
- 55	620FS012M12		..BACKSHELL- SUPPLIER CODE: VORGL3	001030	1
- 60	234-03-7001-105		.WIRE BUNDLE ASSY- SUPPLIER CODE: VORGL3	001030	RF
- 65	MS27484T12F35SN		..CONNECTOR- ELECTRICAL EQUIP NUMBER: D09101	001030	1
- 70	620FS012M12		..BACKSHELL- SUPPLIER CODE: VORGL3	001030	1

MISSING ITEM NUMBERS NOT APPLICABLE

- ITEM NOT ILLUSTRATED

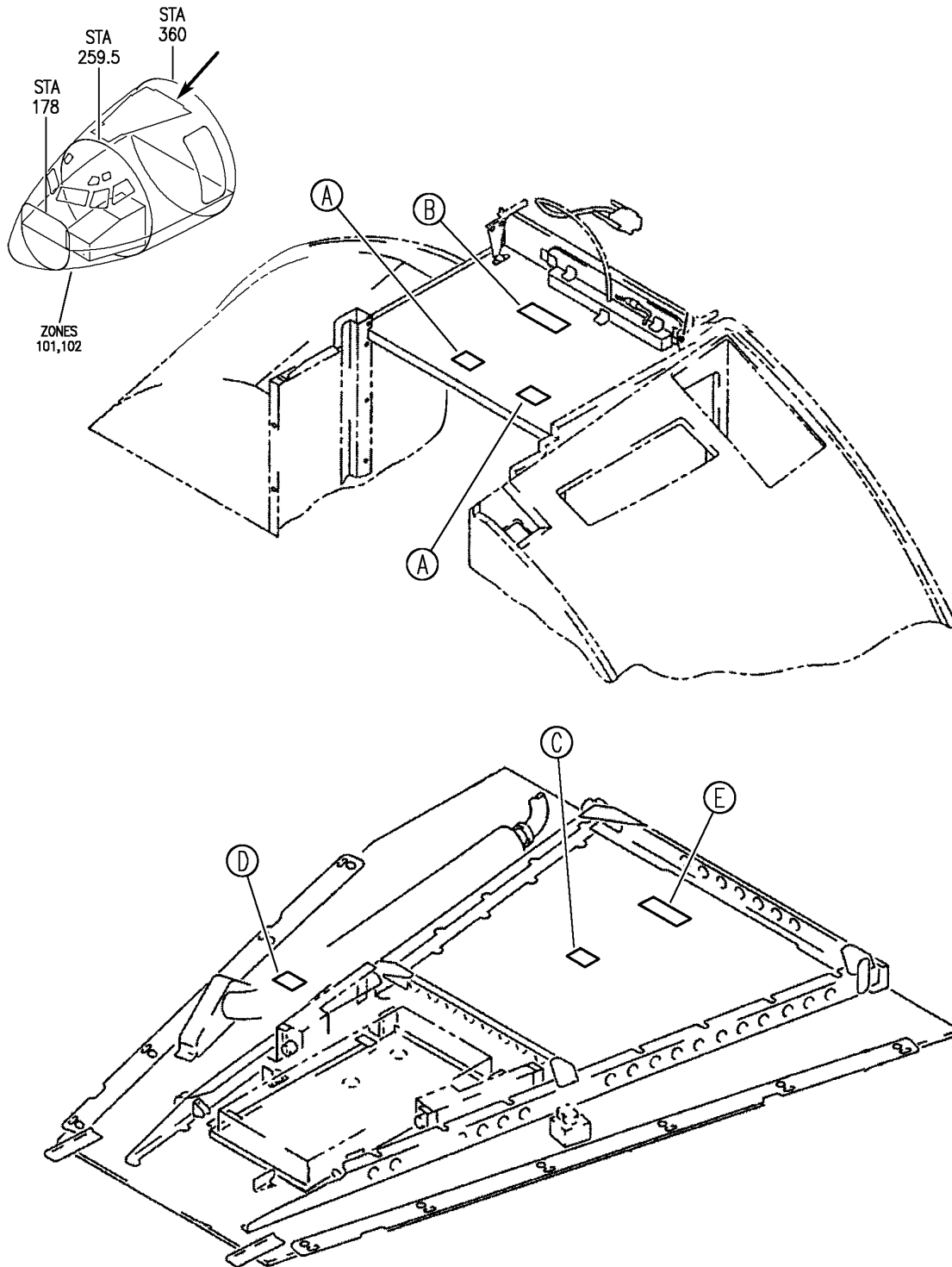
HAP

23-70-51-12

BOEING PROPRIETARY - Copyright © - Unpublished Work - See title page for details.

23-70-51
FIG. 12
PAGE 1
OCT 10/06

BOEING
737-600/700/800/900
PARTS CATALOG (MAINTENANCE)



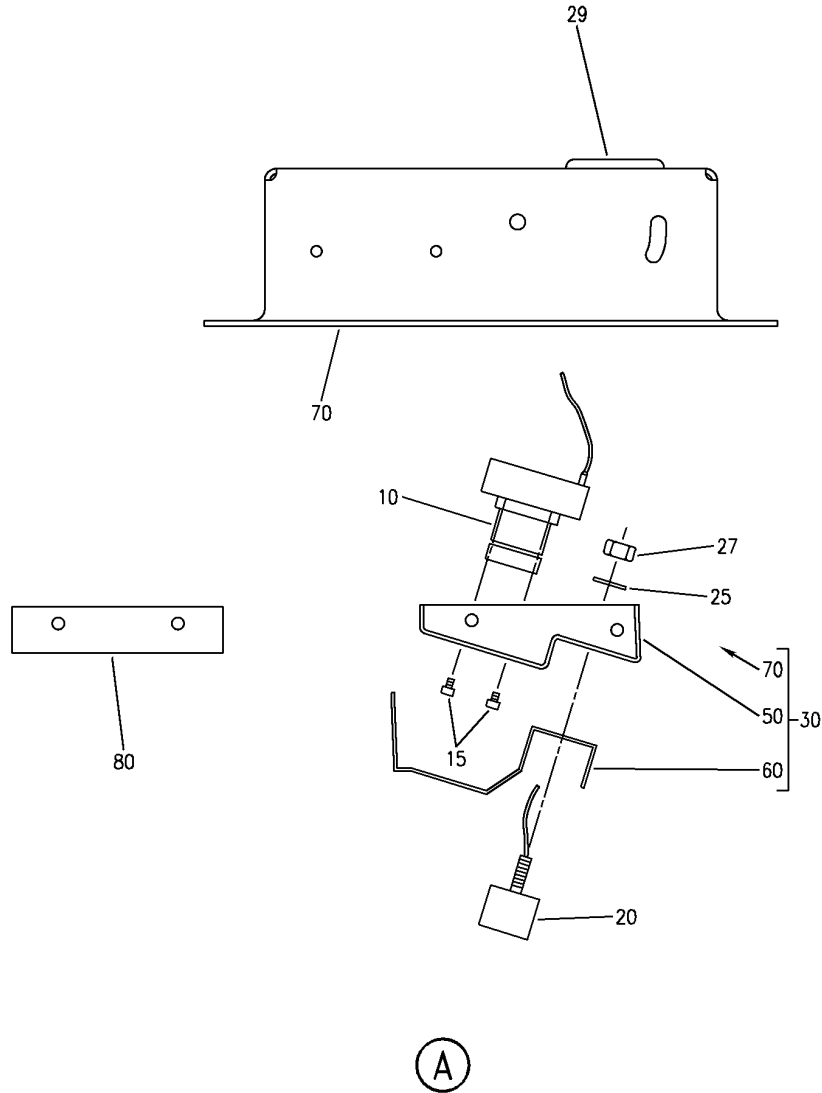
E 23705113 SHT 1 REV 118

EQUIPMENT INSTL-MAIN CABIN ENTRY
FIGURE 13 (SHEET 1)

23-70-51-13

HAP
OCT 10/06

23-70-51-13
PAGE 0



E 23705113 SHT 2 REV 118

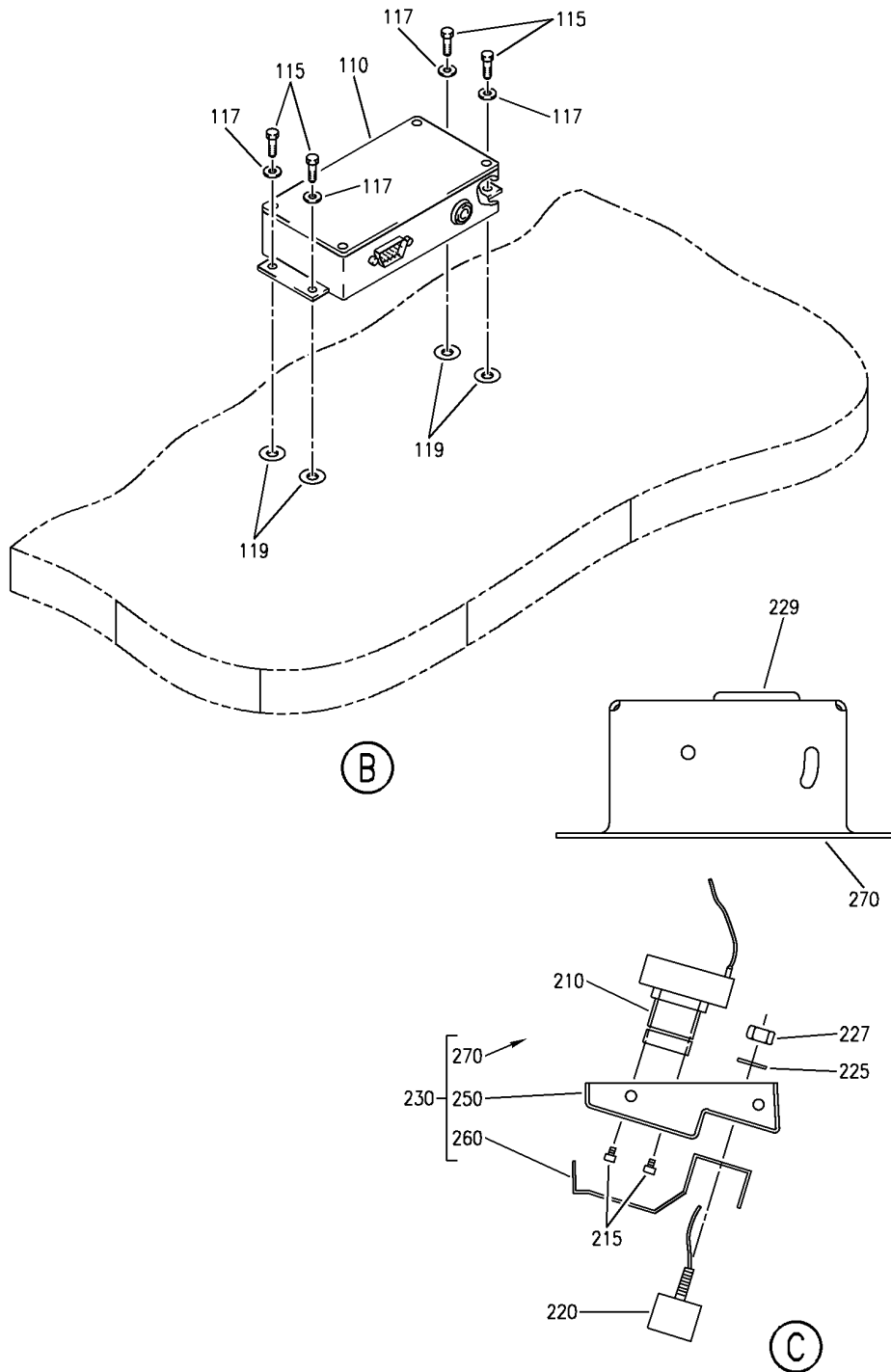
EQUIPMENT INSTL-MAIN CABIN ENTRY
FIGURE 13 (SHEET 2)

23-70-51-13

HAP
OCT 10/06

23-70-51-13
PAGE 0A

BOEING
 737-600/700/800/900
 PARTS CATALOG (MAINTENANCE)



E 23705113 SHT 3 REV 118

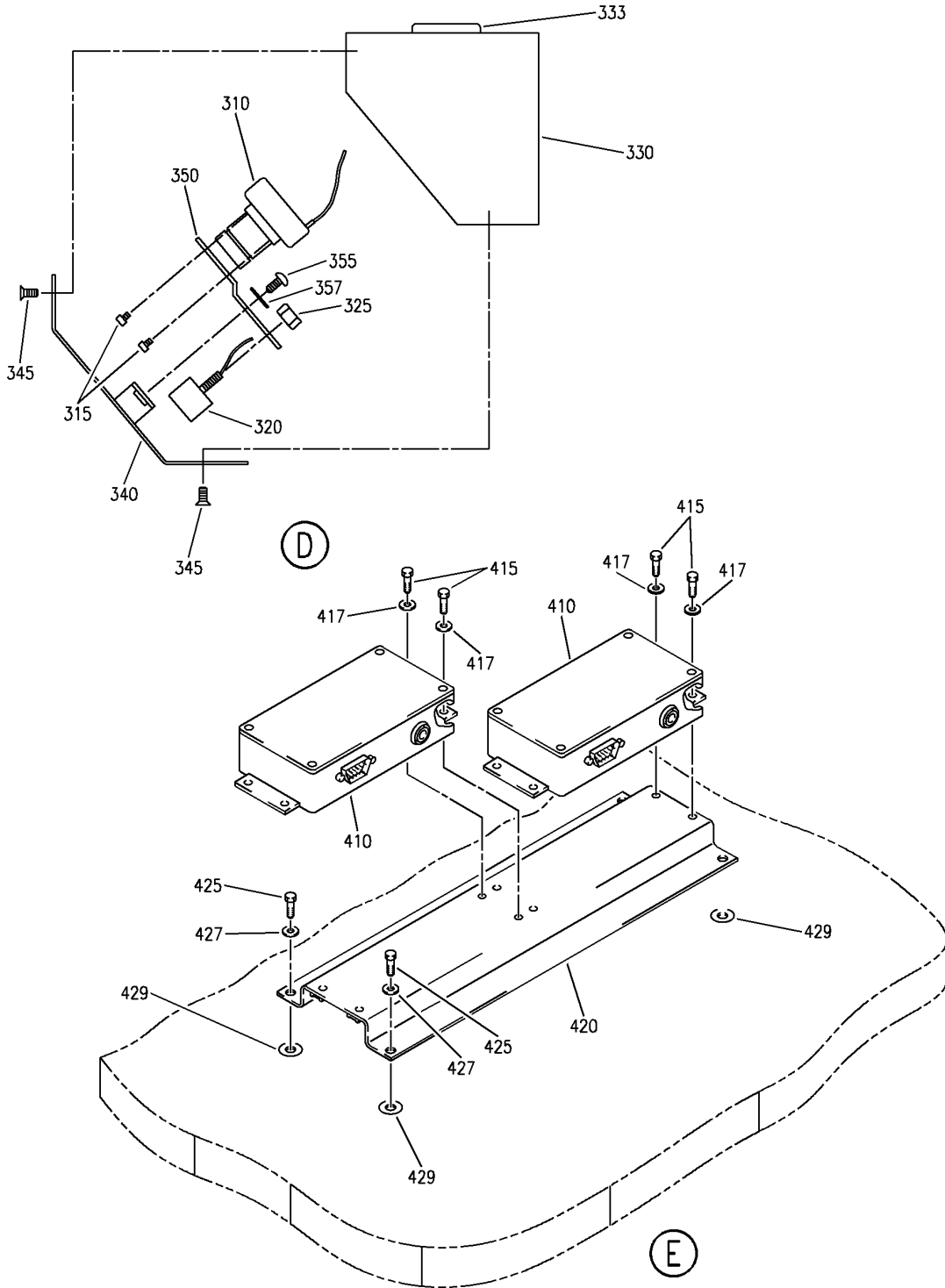
EQUIPMENT INSTL-MAIN CABIN ENTRY
 FIGURE 13 (SHEET 3)

23-70-51-13

HAP
 OCT 10/06

23-70-51-13
 PAGE 0B

BOEING
737-600/700/800/900
PARTS CATALOG (MAINTENANCE)



E 23705113 SHT 4 REV 118

EQUIPMENT INSTL-MAIN CABIN ENTRY
 FIGURE 13 (SHEET 4)

23-70-51-13

HAP
 OCT 10/06

23-70-51-13
 PAGE 0C

BOEING
737-600/700/800/900
PARTS CATALOG (MAINTENANCE)

FIG ITEM	PART NUMBER	1 2 3 4 5 6 7	NOMENCLATURE	EFFECT FROM TO	UNITS PER ASSY
13			EQUIPMENT INSTL-MAIN CABIN ENTRY	001030	
- 1	234-03-4010		CAMERA INSTL-FLIGHTVU SUPPLIER CODE: VORGL3 POST AIRLINE MOD: COC NO.230106 VHAP	001030	RF
- 5	234-03-4010-1		.CAMERA INSTL-NO.1 SUPPLIER CODE: VORGL3	001030	1
- 10	FV0405N1M9		..CAMERA-VIDEO SURVEILLANCE SUPPLIER CODE: VORGL3	001030	2
15	717-9583		ATTACHING PARTS ..SCREW- SUPPLIER CODE: VORGL3	001030	8
20	FV1038-3		-----*----- ..ILLUMINATOR-IR SUPPLIER CODE: VORGL3	001030	2
25	NAS1149FN632P		ATTACHING PARTS ..WASHER	001030	4
27	MS21083N06		..NUT-LOCK -----*-----	001030	4
29	BG2285		..GROMMET- SUPPLIER CODE: VORGL3	001030	2
30	234-03-8002-3		..HOUSING ASSY-CAMERA LONG SUPPLIER CODE: V1UHX1	001030	2
50	234-03-8002-5		...BRACKET ASSY-CAMERA LONG SUPPLIER CODE: V1UHX1	001030	1
- 55	NAS1801-06-5		ATTACHING PARTS ...SCREW	001030	4
- 57	NAS1149FN632P		...WASHER -----*-----	001030	4
60	234-03-8002-15		...COVER-CAMERA LONG SUPPLIER CODE: V1UHX1	001030	1
70	234-03-8002-9		...HOUSING-CAMERA LONG SUPPLIER CODE: V1UHX1	001030	1

MISSING ITEM NUMBERS NOT APPLICABLE

- ITEM NOT ILLUSTRATED

HAP

23-70-51-13

BOEING PROPRIETARY - Copyright © - Unpublished Work - See title page for details.

23-70-51
FIG. 13
PAGE 1
OCT 10/06

BOEING
737-600/700/800/900
PARTS CATALOG (MAINTENANCE)

FIG ITEM	PART NUMBER	1 2 3 4 5 6 7	NOMENCLATURE	EFFECT FROM TO	UNITS PER ASSY
13					
80	234-03-8002-7	..	COVER ASSY-HOUSING SUPPLIER CODE: V1UHX1 ATTACHING PARTS	001030	2
- 85	MS35206-213	..	SCREW -----*-----	001030	8
- 87	234-03-8004-3	..	PLATE ASSY-RETAINER LONG SUPPLIER CODE: VORGL3 ATTACHING PARTS	001030	2
- 89	MS24693S54	..	SCREW -----*-----	001030	8
- 90	ACFV20-2-1-0	..	CABLE-CAMERA SUPPLIER CODE: VORGL3	001030	2
- 100	234-03-4010-7	.UNIT	INSTL-CAMERA CONTROL SINGLE SUPPLIER CODE: VORGL3	001030	1
110	FV0950N950RB	..	UNIT-CAMERA CONTROL SUPPLIER CODE: VORGL3 ATTACHING PARTS	001030	1
115	NAS1801-08-5	..	SCREW	001030	4
117	NAS1149FN832P	..	WASHER	001030	4
119	SL2334-08A3	..	INSERT- SUPPLIER CODE: V97393 -----*-----	001030	4
- 120	DEMA9S	..	CONNECTOR- SUPPLIER CODE: V71468 ELECTRICAL EQUIP NUMBER: D09104	001030	1
- 125	M24308-21-1	..	BACKSHELL- SUPPLIER CODE: VORGL3	001030	1
- 127	D20419	..	CONNECTOR- SUPPLIER CODE: V71468	001030	2
- 200	234-03-4010-3	.CAMERA	INSTL-NO.2 SUPPLIER CODE: VORGL3	001030	1
210	FV0405N1M9	..	CAMERA-VIDEO SURVEILLANCE SUPPLIER CODE: VORGL3	001030	1

MISSING ITEM NUMBERS NOT APPLICABLE

- ITEM NOT ILLUSTRATED

HAP

23-70-51-13

BOEING PROPRIETARY - Copyright © - Unpublished Work - See title page for details.

23-70-51
FIG. 13
PAGE 2
OCT 10/06

BOEING
737-600/700/800/900
PARTS CATALOG (MAINTENANCE)

FIG ITEM	PART NUMBER	1 2 3 4 5 6 7	NOMENCLATURE	EFFECT FROM TO	UNITS PER ASSY
13			ATTACHING PARTS		
215	717-9583	..	SCREW- SUPPLIER CODE: VORGL3 -----*-----	001030	4
220	FV1038-3	..	ILLUMINATOR-IR SUPPLIER CODE: VORGL3 MAINTENANCE MANUAL REF: 23-75-12 ATTACHING PARTS	001030	1
225	NAS1149FN632P	..	WASHER	001030	2
227	MS21083N06	..	NUT-LOCK -----*-----	001030	2
229	BG2285	..	GROMMET- SUPPLIER CODE: VORGL3	001030	1
230	234-03-8001-3	..	HOUSING ASSY-CAMERA SHORT SUPPLIER CODE: V1UHX1	001030	1
250	234-03-8001-5	...	BRACKET ASSY-CAMERA SHORT SUPPLIER CODE: V1UHX1 ATTACHING PARTS	001030	1
- 255	NAS1801-06-5	...	SCREW	001030	4
- 257	NAS1149FN632P	...	WASHER -----*-----	001030	4
260	234-03-8001-13	...	COVER-CAMERA SHORT SUPPLIER CODE: V1UHX1	001030	1
270	234-03-8001-7	...	HOUSING-CAMERA SHORT SUPPLIER CODE: V1UHX1	001030	1
- 280	ACFV20-2-1-0	..	CABLE-CAMERA SUPPLIER CODE: VORGL3	001030	1
- 285	234-03-8004-5	..	PLATE ASSY-RETAINER SHORT SUPPLIER CODE: VORGL3 ATTACHING PARTS	001030	1
- 290	MS24693S50	..	SCREW	001030	4
- 295	MS24693S54	..	SCREW -----*-----	001030	4

MISSING ITEM NUMBERS NOT APPLICABLE

- ITEM NOT ILLUSTRATED

HAP

23-70-51-13

23-70-51
FIG. 13
PAGE 3
JUN 15/08

BOEING
737-600/700/800/900
PARTS CATALOG (MAINTENANCE)

FIG ITEM	PART NUMBER	1 2 3 4 5 6 7	NOMENCLATURE	EFFECT FROM TO	UNITS PER ASSY
13					
- 300	234-03-4010-5		.CAMERA INSTL-NO.3 SUPPLIER CODE: VORGL3	001030	1
310	FV0405N1M9		..CAMERA-VIDEO SURVEILLANCE SUPPLIER CODE: VORGL3	001030	1
315	717-9583		ATTACHING PARTS ..SCREW- SUPPLIER CODE: VORGL3	001030	4
320	FV1038-3		-----*----- ..ILLUMINATOR-IR SUPPLIER CODE: VORGL3 MAINTENANCE MANUAL REF: 23-75-12 ATTACHING PARTS	001030	1
325	MS21083N06		..NUT-LOCK -----*-----	001030	2
330	234-03-8000-3		..HOUSING ASSY-CAMERA CORNER/CEILING SUPPLIER CODE: V1UHX1	001030	1
333	BG2285		..GROMMET- SUPPLIER CODE: VORGL3 ATTACHING PARTS	001030	1
- 335	MS35206-242		..SCREW	001030	2
- 337	NAS1149FN832P		..WASHER	001030	2
- 339	SL2334-08A3		..INSERT- SUPPLIER CODE: V97393 -----*-----	001030	2
340	234-03-8000-5		..FACE ASSY-HOUSING SUPPLIER CODE: V1UHX1 ATTACHING PARTS	001030	1
345	MS24693S4		..SCREW -----*-----	001030	3
350	234-03-8000-17		..PLATE-JOGGLE SUPPLIER CODE: V1UHX1 ATTACHING PARTS	001030	1
355	MS35206-213		..SCREW	001030	2
357	NAS1149FN416P		..WASHER -----*-----	001030	4
- 360	ACFV20-2-1-0		..CABLE-CAMERA SUPPLIER CODE: VORGL3	001030	1

MISSING ITEM NUMBERS NOT APPLICABLE

- ITEM NOT ILLUSTRATED

HAP

23-70-51-13

23-70-51
FIG. 13
PAGE 4
JUN 15/08

BOEING
737-600/700/800/900
PARTS CATALOG (MAINTENANCE)

FIG ITEM	PART NUMBER	1 2 3 4 5 6 7	NOMENCLATURE	EFFECT FROM TO	UNITS PER ASSY
13					
- 400	234-03-4010-9		.UNIT INSTL-CAMERA CONTROL DUAL SUPPLIER CODE: VORGL3	001030	1
410	FV0950N9-50RB		..UNIT-CAMERA CONTROL SUPPLIER CODE: VORGL3 ATTACHING PARTS	001030	2
415	MS27039-0828		..SCREW	001030	8
417	NAS1149FN832P		..WASHER	001030	8
			-----*-----		
420	234-03-8003-3		..BRACKET ASSY-CCU SUPPLIER CODE: V1UHX1 ATTACHING PARTS	001030	1
425	NAS1801-08-5		..SCREW	001030	4
427	NAS1149FN832P		..WASHER	001030	4
429	SL2334-08A3		..INSERT- SUPPLIER CODE: V97393 -----*-----	001030	4
- 430	DEMA9S		..CONNECTOR- SUPPLIER CODE: V71468 ELECTRICAL EQUIP NUMBER: D09104	001030	2
- 435	M24308-21-1		..BACKSHELL- SUPPLIER CODE: VORGL3	001030	2
- 437	D110550		..SCREWLOCK- SUPPLIER CODE: V71468	001030	4

MISSING ITEM NUMBERS NOT APPLICABLE

- ITEM NOT ILLUSTRATED

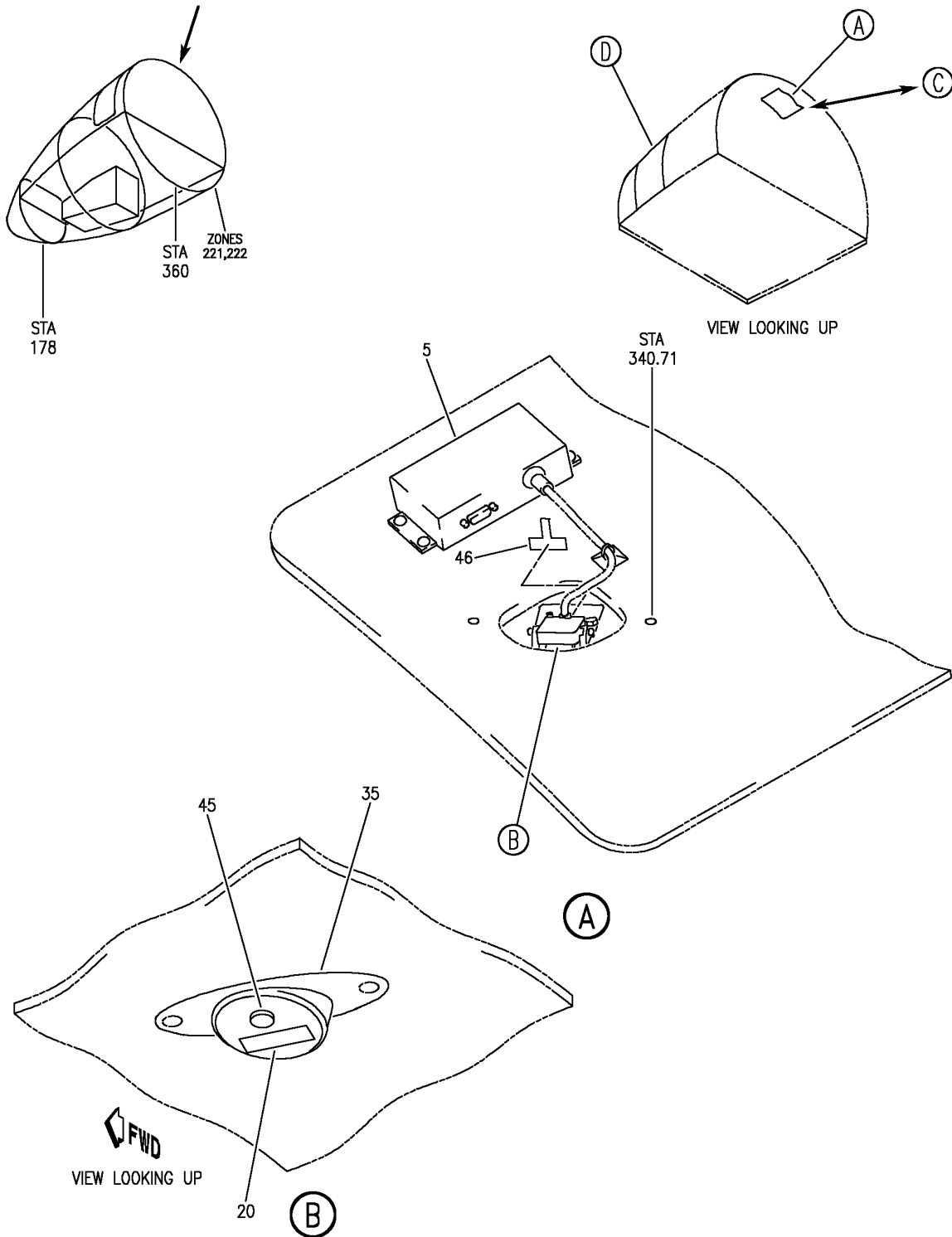
HAP

23-70-51-13

BOEING PROPRIETARY - Copyright © - Unpublished Work - See title page for details.

23-70-51
FIG. 13
PAGE 5
JUN 15/08

BOEING
 737-600/700/800/900
 PARTS CATALOG (MAINTENANCE)



E 23705115 SHT 1 REV 155

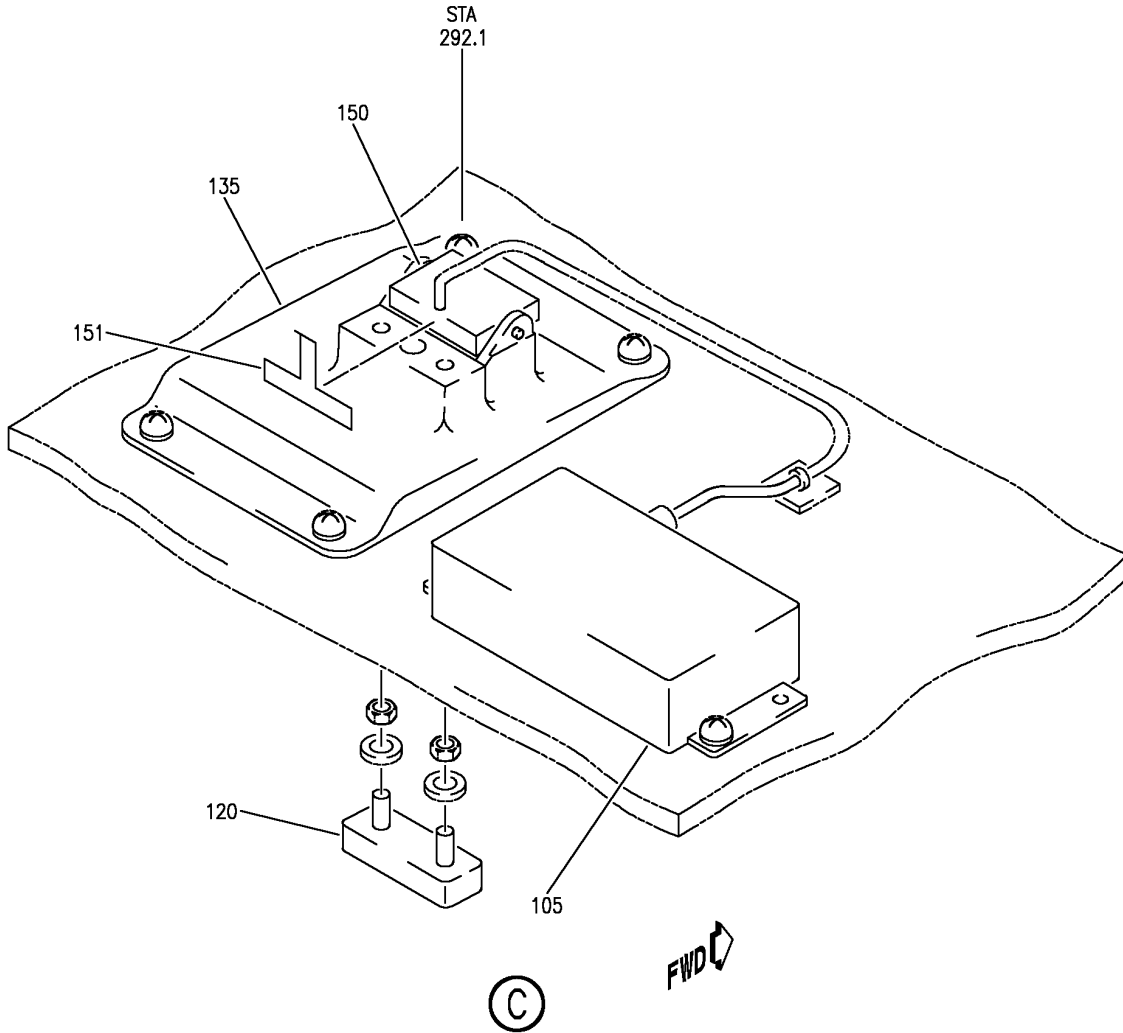
VIDEO SURVEILLANCE INSTL-FLIGHT DECK CAMERA 1, 2 AND 3
 FIGURE 15

23-70-51-15

HAP
 JUN 15/09

23-70-51-15
 PAGE 0

BOEING
737-600/700/800/900
PARTS CATALOG (MAINTENANCE)



E 23705115 SHT 2 REV 155

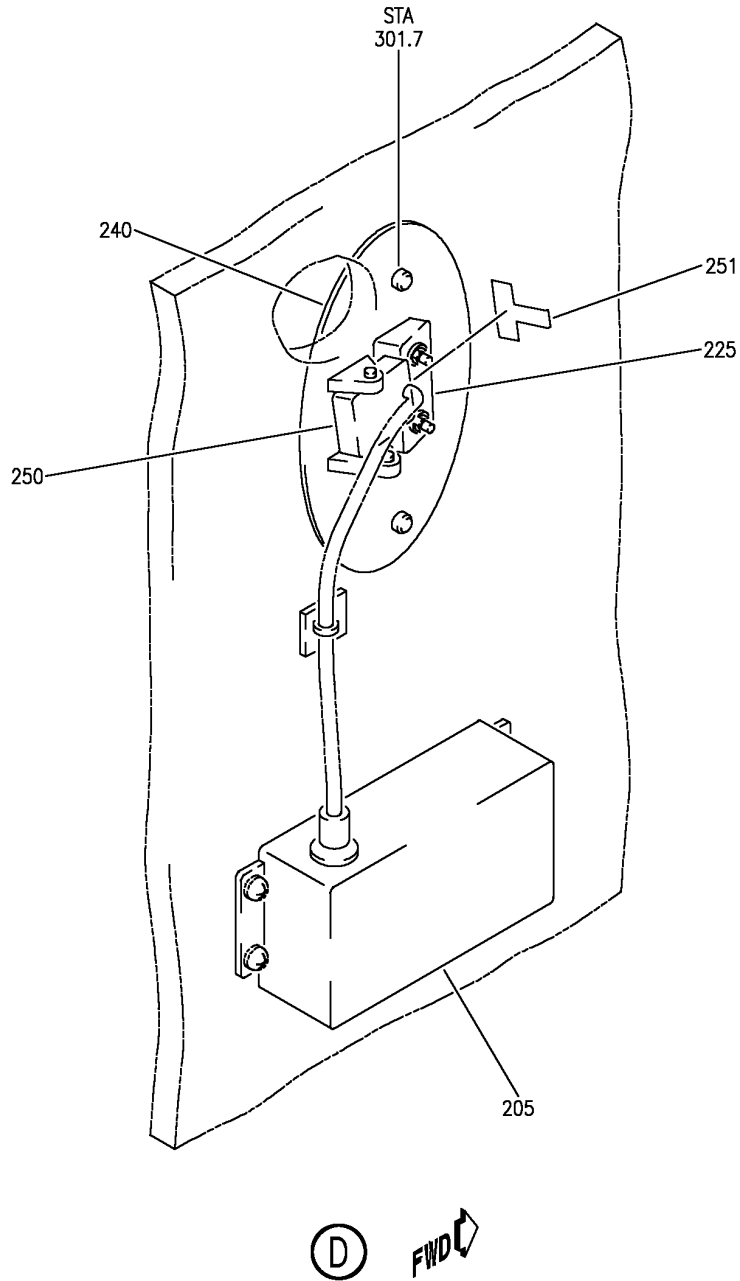
VIDEO SURVEILLANCE INSTL-FLIGHT DECK CAMERA 1, 2 AND 3
FIGURE 15

23-70-51-15

HAP
JUN 15/09

23-70-51-15
PAGE 0A

BOEING
737-600/700/800/900
PARTS CATALOG (MAINTENANCE)



E 23705115 SH1 3 REV 155

VIDEO SURVEILLANCE INSTL-FLIGHT DECK CAMERA 1, 2 AND 3
FIGURE 15

23-70-51-15

HAP
JUN 15/09

23-70-51-15
PAGE 0B

BOEING
737-600/700/800/900
PARTS CATALOG (MAINTENANCE)

FIG ITEM	PART NUMBER	1 2 3 4 5 6 7	NOMENCLATURE	EFFECT FROM TO	UNITS PER ASSY
15			VIDEO SURVEILLANCE INSTL- FLIGHT DECK CAMERA 1, 2 AND 3	037200 968999	
- 1	MODREF323452		VIDEO SURVEILLANCE INSTL- FLIGHT DECK CAMERA 2 MODULE NUMBER: 417A6400-9B REV A POSITION DATA: STA 340.71, LBL 1.78, WL 288.53	037040 042042 101101 968969	1
- 1	MODREF341585		VIDEO SURVEILLANCE INSTL- FLIGHT DECK CAMERA 2 MODULE NUMBER: 417A6400-9B REV D POSITION DATA: STA 340.71, LBL 1.78, WL 288.53	044100 102200 972999	1
- 1	MODREF341057		VIDEO SURVEILLANCE INSTL- FLIGHT DECK CAMERA 2 MODULE NUMBER: 417A6400-9B REV C POSITION DATA: STA 340.71, LBL 1.78, WL 288.53	041041 043043 970971	1
5	FV0950N910RB		.UNIT-CAMERA CONTROL SUPPLIER CODE: VKD369 FUNCTIONAL DESCRIPTION: ALLOWS THE FLIGHT CREW TO SELECT WHICH CAMERA VIDEO SIGNAL WILL BE DISPLAYED AMONG MULTIPLE CAMERAS ELECTRICAL EQUIP NUMBER: M03003	037200 968999	1
- 10	BACS12CK3U6		ATTACHING PARTS .SCREW	037200 968999	2
- 15	NAS1149D0332J		.WASHER -----*-----	037200 968999	2

MISSING ITEM NUMBERS NOT APPLICABLE

- ITEM NOT ILLUSTRATED

HAP

23-70-51-15

BOEING PROPRIETARY - Copyright © - Unpublished Work - See title page for details.

23-70-51
FIG. 15
PAGE 1
OCT 15/08


BOEING
 737-600/700/800/900
PARTS CATALOG (MAINTENANCE)

FIG ITEM	PART NUMBER	1 2 3 4 5 6 7	NOMENCLATURE	EFFECT FROM TO	UNITS PER ASSY
15			.ILLUMINATOR-		
20	FV1038-5		SUPPLIER CODE: VKD369 FUNCTIONAL DESCRIPTION: PROVIDES INFRA-RED ILLUMINATION FOR THE FLIGHT DECK DOOR VIDEO SURVEILLANCE SYSTEM (FDDVS) ELECTRICAL EQUIP NUMBER: M03003 ATTACHING PARTS	037200 968999	1
- 25	NAS1149D0332J		.WASHER	037200 968999	2
- 30	MS35649-262		.NUT	037200 968999	2
			-----*-----		
R R R	35 477W9001-7B		.SHROUD MAINTENANCE MANUAL REF: 23-75-02	037043 101101 968971	1
	35 477W9001-10B		.SHROUD MAINTENANCE MANUAL REF: 23-75-02 ATTACHING PARTS	044100 102200 972999	1
-	40 BACS12ER3K6WT		.SCREW	037200 968999	2
			-----*-----		
R R R R R R R R R R	45 FV0406N1M9-12		.CAMERA-MONOCROME VIDEO SUPPLIER CODE: VKD369 FUNCTIONAL DESCRIPTION: ALLOWS THE FLIGHT CREW TO VISUALLY MONITOR THE ENTRY AREA TO THE FLIGHT DECK ELECTRICAL EQUIP NUMBER: M03003 MAINTENANCE MANUAL REF: 23-75-02	037200 968999	1
-	100 MODREF323451		VIDEO SURVEILLANCE INSTL- FLIGHT DECK CAMERA 1 MODULE NUMBER: 417A6400-8B REV A POSITION DATA: STA 292.15, RBL 1.63, WL 288.39	037043 101101 968971	1

MISSING ITEM NUMBERS NOT APPLICABLE

- ITEM NOT ILLUSTRATED

HAP

23-70-51-15

BOEING PROPRIETARY - Copyright © - Unpublished Work - See title page for details.

23-70-51
 FIG. 15
 PAGE 2
 JUN 15/09

BOEING
737-600/700/800/900
PARTS CATALOG (MAINTENANCE)

FIG ITEM	PART NUMBER	1 2 3 4 5 6 7	NOMENCLATURE	EFFECT FROM TO	UNITS PER ASSY
15					
- 100	MODREF339115		VIDEO SURVEILLANCE INSTL- FLIGHT DECK CAMERA 1 MODULE NUMBER: 417A6400-8B REV B POSITION DATA: STA 292.15, RBL 1.63, WL 288.39	044100 102200 972999	1
105	FV0950N910RB		.UNIT-CAMERA CONTROL SUPPLIER CODE: VKD369 FUNCTIONAL DESCRIPTION: ALLOWS THE FLIGHT CREW TO SELECT WHICH CAMERA VIDEO SIGNAL WILL BE DISPLAYED AMONG MULTIPLE CAMERAS ELECTRICAL EQUIP NUMBER: M03002	037200 968999	1
- 110	BACS12CK3U6		ATTACHING PARTS .SCREW	037200 968999	2
- 115	NAS1149D0332J		.WASHER	037200 968999	2
120	FV1038-5		-----*----- .ILLUMINATOR- SUPPLIER CODE: VKD369 FUNCTIONAL DESCRIPTION: PROVIDES INFRA-RED ILLUMINATION FOR THE FLIGHT DECK DOOR VIDEO SURVEILLANCE SYSTEM (FDDVS) ELECTRICAL EQUIP NUMBER: M03002	037200 968999	1
- 125	NAS1149D0332J		ATTACHING PARTS .WASHER	037200 968999	2
- 130	MS35649-262		.NUT	037200 968999	2
135	477W9001-6B		-----*----- .SHROUD	037043 101101 968971	1
135	477W9001-9B		.SHROUD MAINTENANCE MANUAL REF: 23-75-02	044100 102200 972999	1

MISSING ITEM NUMBERS NOT APPLICABLE

- ITEM NOT ILLUSTRATED

HAP

23-70-51-15

BOEING PROPRIETARY - Copyright © - Unpublished Work - See title page for details.

23-70-51
FIG. 15
PAGE 3
OCT 15/08

BOEING
737-600/700/800/900
PARTS CATALOG (MAINTENANCE)

FIG ITEM	PART NUMBER	1 2 3 4 5 6 7	NOMENCLATURE	EFFECT FROM TO	UNITS PER ASSY
15			ATTACHING PARTS		
- 140	BACS12CK3U6		.SCREW	037200 968999	4
- 145	NAS1149D0332J		.WASHER	037200 968999	4
			-----*-----		
150	FV0406N1M9-12		.CAMERA-MONOCROME VIDEO SUPPLIER CODE: VKD369 FUNCTIONAL DESCRIPTION: ALLOWS THE FLIGHT CREW TO VISUALLY MONITOR THE ENTRY AREA TO THE FLIGHT DECK ELECTRICAL EQUIP NUMBER: M03002 MAINTENANCE MANUAL REF: 23-75-02	037200 968999	1
- 200	MODREF323450		VIDEO SURVEILLANCE INSTL- FLIGHT DECK CAMERA 3 MODULE NUMBER: 417A6400-10B REV A POSITION DATA: STA 301.78, RBL 21.24, WL 286.14	037037 039040 042042 101101 968969	1
- 200	MODREF329232		VIDEO SURVEILLANCE INSTL- FLIGHT DECK CAMERA 3 MODULE NUMBER: 417A6400-10B REV B POSITION DATA: STA 301.78, RBL 21.24, WL 286.14	038038 041041 043043 970971	1
- 200	MODREF339114		VIDEO SURVEILLANCE INSTL- FLIGHT DECK CAMERA 3 MODULE NUMBER: 417A6400-10B REV C POSITION DATA: STA 301.78, RBL 21.24, WL 286.14	044047 054100 102106 972999	1
- 200	MODREF391101		VIDEO SURVEILLANCE INSTL- FLIGHT DECK CAMERA 3 MODULE NUMBER: 417A6400-10B REV D POSITION DATA: STA 301.78, RBL 21.24, WL 286.14	048053 107200	1

MISSING ITEM NUMBERS NOT APPLICABLE

- ITEM NOT ILLUSTRATED

HAP

23-70-51-15

23-70-51
FIG. 15
PAGE 4
FEB 15/09

BOEING
737-600/700/800/900
PARTS CATALOG (MAINTENANCE)

FIG ITEM	PART NUMBER	1 2 3 4 5 6 7	NOMENCLATURE	EFFECT FROM TO	UNITS PER ASSY
15 205	FV0950N910RB		.UNIT-CAMERA CONTROL SUPPLIER CODE: VKD369 FUNCTIONAL DESCRIPTION: ALLOWS THE FLIGHT CREW TO SELECT WHICH CAMERA VIDEO SIGNAL WILL BE DISPLAYED AMONG MULTIPLE CAMERAS ELECTRICAL EQUIP NUMBER: M03004 ATTACHING PARTS	037200 968999	1
- 210	BACS12CK3U10		.SCREW	037200 968999	4
- 215	NAS1057T3-025		.SPACER	037200 968999	4
- 220	NAS1149D0332J		.WASHER	037200 968999	4
			-----*-----		
225	FV1038-5		.ILLUMINATOR- SUPPLIER CODE: VKD369 FUNCTIONAL DESCRIPTION: PROVIDES INFRA-RED ILLUMINATION FOR THE FLIGHT DECK DOOR VIDEO SURVEILLANCE SYSTEM (FDDVS) ELECTRICAL EQUIP NUMBER: M03004 ATTACHING PARTS	037200 968999	1
- 230	NAS1149D0332J		.WASHER	037200 968999	2
- 235	MS35649-262		.NUT	037200 968999	2
			-----*-----		
240	477W9001-8B		.SHROUD	037043 101101 968971	1
240	477W9001-14B		.SHROUD MAINTENANCE MANUAL REF: 23-75-02 ATTACHING PARTS	044100 102200 972999	1
- 245	BACS12ER3K6WT		.SCREW	037200 968999	2
			-----*-----		

MISSING ITEM NUMBERS NOT APPLICABLE

- ITEM NOT ILLUSTRATED

HAP

23-70-51-15

BOEING PROPRIETARY - Copyright © - Unpublished Work - See title page for details.

23-70-51
FIG. 15
PAGE 5
OCT 15/08

BOEING
737-600/700/800/900
PARTS CATALOG (MAINTENANCE)

FIG ITEM	PART NUMBER	1 2 3 4 5 6 7 NOMENCLATURE	EFFECT FROM TO	UNITS PER ASSY
15 250	FV0406N1M9-12	.CAMERA-MONOCHROME VIDEO SUPPLIER CODE: VKD369 FUNCTIONAL DESCRIPTION: ALLOWS THE FLIGHT CREW TO VISUALLY MONITOR THE ENTRY AREA TO THE FLIGHT DECK ELECTRICAL EQUIP NUMBER: M03004 MAINTENANCE MANUAL REF: 23-75-02	037200 968999	1

MISSING ITEM NUMBERS NOT APPLICABLE

— ITEM NOT ILLUSTRATED

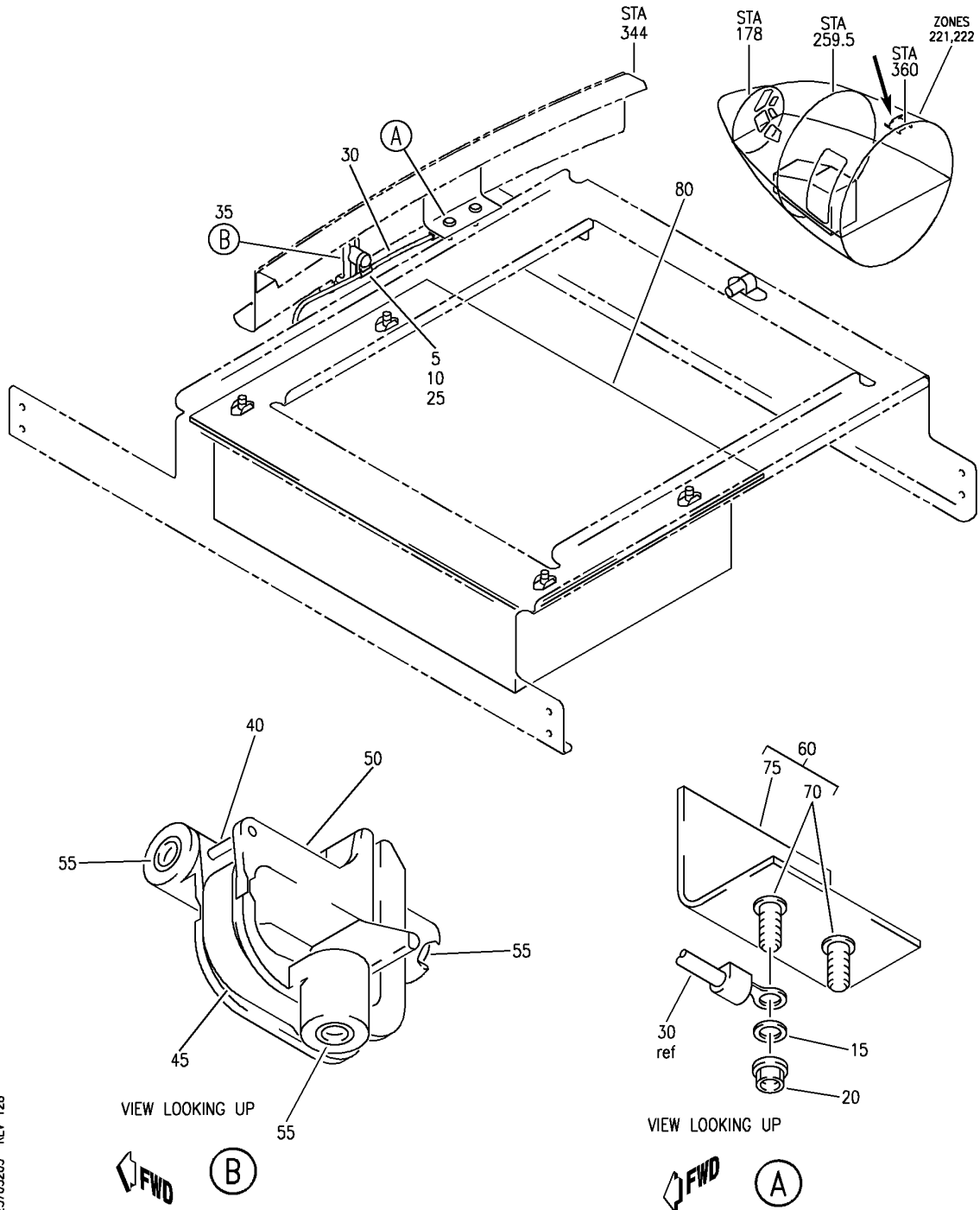
HAP

23-70-51-15

BOEING PROPRIETARY - Copyright © - Unpublished Work - See title page for details.

23-70-51
FIG. 15
PAGE 6
OCT 15/08

BOEING
 737-600/700/800/900
 PARTS CATALOG (MAINTENANCE)



E 23705205 REV 128

VIDEO SURVEILLANCE INSTL-FLIGHT DECK
 FIGURE 5

23-70-52-05

HAP
 JUN 10/07

23-70-52-05
 PAGE 0

BOEING
737-600/700/800/900
PARTS CATALOG (MAINTENANCE)

FIG ITEM	PART NUMBER	1 2 3 4 5 6 7	NOMENCLATURE	EFFECT FROM TO	UNITS PER ASSY
5			VIDEO SURVEILLANCE INSTL- FLIGHT DECK	037200 968999	
- 1	MODREF324064		VIDEO SURVEILLANCE INSTL- FLIGHT DECK MODULE NUMBER: 417A6400-407 REV A POSITION DATA: STA 344, RBL 3.58, WL 297.19	037200 968999	1
5	BACS12GU3K7		.SCREW	037200 968999	1
10	NAS1149D0332J		.WASHER	037200 968999	1
15	NAS1149D0316H		.WASHER	037200 968999	1
20	PLH53CD		.NUT SUPPLIER CODE: VF0224 SPECIFICATION NUMBER: BACN10YR3CD OPTIONAL PART: H52732-3CD V15653	037200 968999	1
25	BACC10DK2		.CLAMP	037200 968999	1
30	BACJ40A21-9		.JUMPER	037200 968999	1
35	411A4902-7		.CLIP ASSY-RTNR	037200 968999	1
40	MS16562-194		..PIN	037200 968999	1
45	411A4902-8		..CLIP	037200 968999	1
50	411A4902-4		..RETAINER ASSY	037200 968999	1
55	H02030-2L		...INSERT- SUPPLIER CODE: V07EU2	037200 968999	3
60	287N4106-383		.BRACKET ASSY	037200 968999	1
- 65	BACR15FT5D		ATTACHING PARTS .RIVET- SIZE DETERMINED ON INSTL. -----*-----	037200 968999	3

MISSING ITEM NUMBERS NOT APPLICABLE

- ITEM NOT ILLUSTRATED

HAP

23-70-52-05

BOEING PROPRIETARY - Copyright © - Unpublished Work - See title page for details.

23-70-52
FIG. 05
PAGE 1
FEB 15/09

BOEING
737-600/700/800/900
PARTS CATALOG (MAINTENANCE)

FIG ITEM	PART NUMBER	1 2 3 4 5 6 7	NOMENCLATURE	EFFECT FROM TO	UNITS PER ASSY
5					
70	VNS1924CA1-8	..	STUD SUPPLIER CODE: V5M902 SPECIFICATION NUMBER: BACS53B1EA1 OPTIONAL PART: VNS1924CA3-1-8 V92215	037200 968999	2
75	287N4106-384	..	BRACKET	037200 968999	1
80	FV053010B10B	.S	SWITCH-VIDEO SUPPLIER CODE: VKD369 ELECTRICAL EQUIP NUMBER: M03001	037200 968999	1

MISSING ITEM NUMBERS NOT APPLICABLE

— ITEM NOT ILLUSTRATED

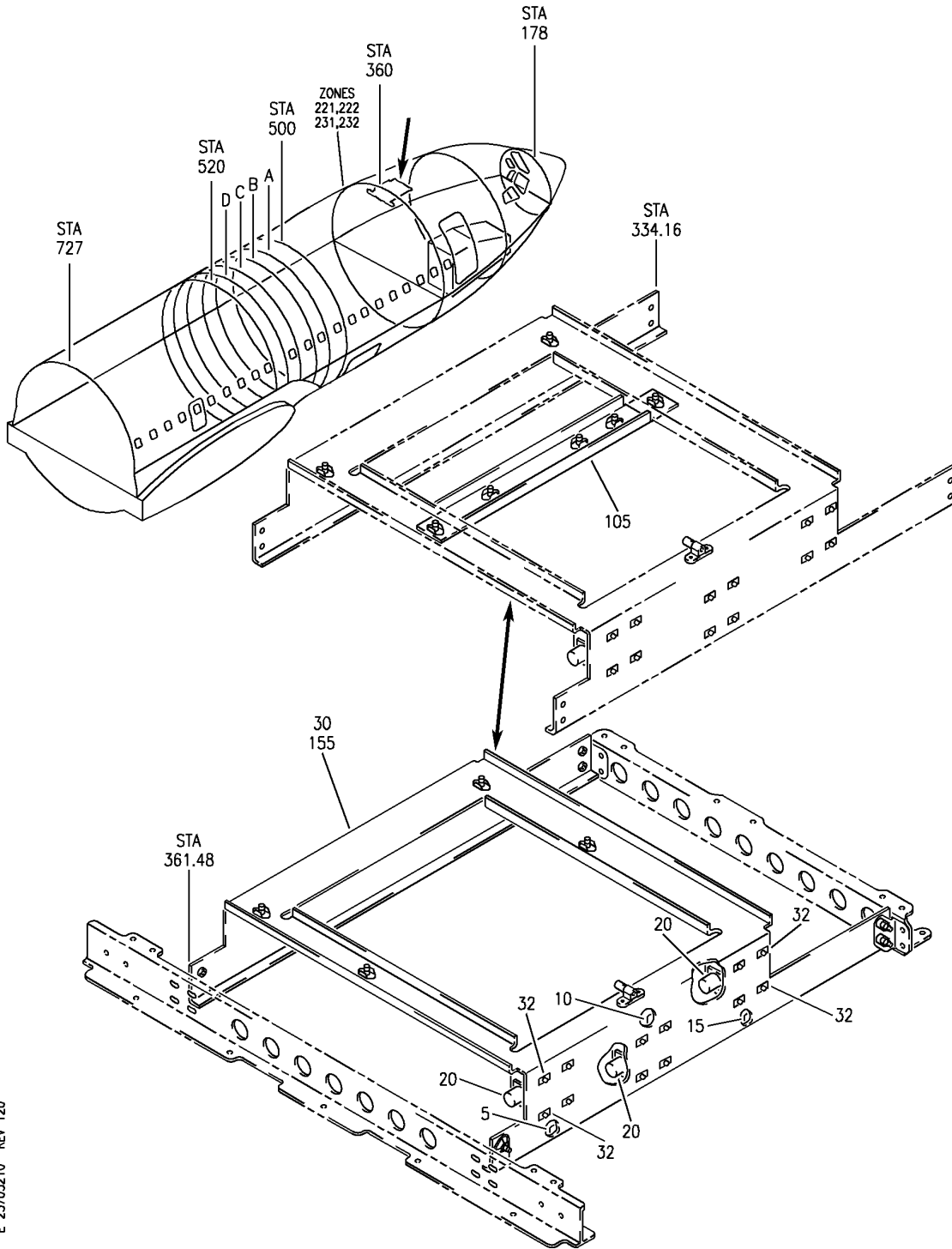
HAP

23-70-52-05

BOEING PROPRIETARY - Copyright © - Unpublished Work - See title page for details.

23-70-52
FIG. 05
PAGE 2
OCT 15/08

BOEING
 737-600/700/800/900
 PARTS CATALOG (MAINTENANCE)



E 23705210 REV 120

VIDEO SURVEILLANCE INSTL FLIGHT DECK
 FIGURE 10

23-70-52-10

HAP
 FEB 10/07

23-70-52-10
 PAGE 0

BOEING
737-600/700/800/900
PARTS CATALOG (MAINTENANCE)

FIG ITEM	PART NUMBER	1 2 3 4 5 6 7	NOMENCLATURE	EFFECT FROM TO	UNITS PER ASSY
10			VIDEO SURVEILLANCE INSTL FLIGHT DECK	037200 968999	
- 1	MODREF290296		VIDEO SURVEILLANCE INSTL- FLIGHT DECK MODULE NUMBER: 417A6400-403 REV A POSITION DATA: STA 336.47, LBL 9.6, WL 290.05	037200 968999	1
5	BAC27DEX7200		.DECAL- PLACARD CONTENT: T3021	037200 968999	1
10	BAC27DEX7201		.DECAL- PLACARD CONTENT: T3022	037200 968999	1
15	BAC27DEX7202		.DECAL- PLACARD CONTENT: T3023	037200 968999	1
20	NH16031		.TRANSFORMER- SUPPLIER CODE: V98821 ATTACHING PARTS	037200 968999	3
R - 25	BACS12HN06-5		.SCREW- -----*-----	037200 968999	12
R 30	417A6410-10		.SUPPORT-	037200 968999	1
R 32	MF53050-06CD		..NUTPLATE SUPPLIER CODE: V15653 SPECIFICATION NUMBER: BACN10JN06CD OPTIONAL PART: T8301C632CD V11815 102F9201M62 V72962 NS202487-62 V80539 MF51637-06 V15653 BRFM20C06LD V52828 ATTACHING PARTS	037200 968999	12
- 33	BACR15BA3ADC		..RIVET	037200 968999	24
- 35	BACB30NM3K6		.BOLT	037200 968999	8

MISSING ITEM NUMBERS NOT APPLICABLE

- ITEM NOT ILLUSTRATED

HAP

23-70-52-10

BOEING PROPRIETARY - Copyright © - Unpublished Work - See title page for details.

23-70-52
FIG. 10
PAGE 1
JUN 15/09


BOEING
 737-600/700/800/900
PARTS CATALOG (MAINTENANCE)

FIG ITEM	PART NUMBER	1 2 3 4 5 6 7 NOMENCLATURE	EFFECT FROM TO	UNITS PER ASSY
10 - 40	NAS1149D0332J	. WASHER -----*-----	037200 968999	8

MISSING ITEM NUMBERS NOT APPLICABLE

- ITEM NOT ILLUSTRATED

HAP

23-70-52-10

BOEING PROPRIETARY - Copyright © - Unpublished Work - See title page for details.

23-70-52
 FIG. 10
 PAGE 2
 OCT 15/08