

## ELECTRICAL POWER (GENERAL)

HAP  
OCT 10/06

24-00-00  
SECTION TITLE  
PAGE 1

NON-ILLUSTRATED FIGURE

THE ITEMS REFLECTED IN THIS FIGURE ARE INTENTIONALLY  
NON-ILLUSTRATED. THEY ARE REFERENCED TO EITHER A  
NEXT HIGHER OR NEXT LOWER ASSEMBLY/INSTALLATION FIGURE.

E 24000004 REV 054

PRODUCT COLLECTOR-CUSTOMER UNIQUE (ELECTRICAL POWER ONLY)

FIGURE 4

**24-00-00-04**

HAP  
OCT 15/08

24-00-00-04  
PAGE 0

**BOEING**  
737-600/700/800/900  
PARTS CATALOG (MAINTENANCE)

FIG ITEM	PART NUMBER	1 2 3 4 5 6 7	NOMENCLATURE	EFFECT FROM TO	UNITS PER ASSY
4			PRODUCT COLLECTOR-CUSTOMER UNIQUE (ELECTRICAL POWER ONLY)	201967	
- 3	001A0101-2610		PRODUCT COLLECTOR-CUSTOMER UNIQUE (ELECTRICAL POWER ONLY) FOR OTHER SYS DETAILS SEE: 11-00-00-01A 21-00-00-42 23-00-00-02 25-00-00-02B 26-00-00-08 30-00-00-04 31-00-00-01A 33-00-00-10A 34-00-00-08 35-00-00-10 38-00-00-01A 52-00-00-03 53-00-00-01B 71-00-00-03 77-00-00-01	201967	RF
- 22	284A0012-2610		.FUNCTIONAL COLLECTOR- FOR DETAILS SEE: 24-20-00-02 24-30-00-02	201967	RF
- 62	230A0020-2610		.FUNCTIONAL COLLECTOR- FOR DETAILS SEE: 24-30-00-01B 24-50-00-03B 24-50-00-04B 24-50-00-05B 24-50-00-06B 24-50-00-07B 24-50-00-08B	201967	1
- 152	230A0050-2610		.FUNCTIONAL COLLECTOR- FOR DETAILS SEE: 24-30-00-02B 24-50-00-11B 24-50-00-12B 24-50-00-13B	201967	1

MISSING ITEM NUMBERS NOT APPLICABLE

- ITEM NOT ILLUSTRATED

HAP

# 24-00-00-04

BOEING PROPRIETARY - Copyright © - Unpublished Work - See title page for details.

24-00-00  
FIG. 04  
PAGE 1  
OCT 15/08

NON-ILLUSTRATED FIGURE

THE ITEMS REFLECTED IN THIS FIGURE ARE INTENTIONALLY  
NON-ILLUSTRATED. THEY ARE REFERENCED TO EITHER A  
NEXT HIGHER OR NEXT LOWER ASSEMBLY/INSTALLATION FIGURE.

E 24000005 REV 054

PRODUCT COLLECTOR-MAJOR MODEL BASIC AND STABLE (ELECTRICAL POWER ONLY)  
FIGURE 5

**24-00-00-05**

HAP  
OCT 10/06

24-00-00-05  
PAGE 0

**BOEING**  
737-600/700/800/900  
PARTS CATALOG (MAINTENANCE)

FIG ITEM	PART NUMBER	1 2 3 4 5 6 7	NOMENCLATURE	EFFECT FROM TO	UNITS PER ASSY
5			PRODUCT COLLECTOR-MAJOR MODEL BASIC AND STABLE (ELECTRICAL POWER ONLY)	001030 201967	
- 1	001A0101-678		PRODUCT COLLECTOR-MAJOR MODEL BASIC AND STABLE (ELECTRICAL POWER ONLY) FOR OTHER SYS DETAILS SEE: 11-00-00-11 21-00-00-33 23-00-00-07 25-00-00-01 26-00-00-10 27-00-00-17 28-00-00-01A 29-00-00-11 30-00-00-01A 31-00-00-03 32-00-00-17 33-00-00-10C 34-00-00-11 35-00-00-06 36-00-00-02 38-00-00-01C 49-00-00-01A 51-00-00-08 52-00-00-01 53-00-00-14 54-00-00-01 55-00-00-06 56-00-00-05C 57-00-00-17 78-00-00-03	001030 201967	RF
- 10	284A0012-678		.FUNCTIONAL COLLECTOR- FOR DETAILS SEE: 24-20-00-05 24-40-00-01	001030 201967	RF

MISSING ITEM NUMBERS NOT APPLICABLE

- ITEM NOT ILLUSTRATED

HAP

# 24-00-00-05

BOEING PROPRIETARY - Copyright © - Unpublished Work - See title page for details.

24-00-00  
FIG. 05  
PAGE 1  
OCT 15/08

NON-ILLUSTRATED FIGURE

THE ITEMS REFLECTED IN THIS FIGURE ARE INTENTIONALLY  
NON-ILLUSTRATED. THEY ARE REFERENCED TO EITHER A  
NEXT HIGHER OR NEXT LOWER ASSEMBLY/INSTALLATION FIGURE.

E 2400007 REV 054

PRODUCT COLLECTOR-ENG (ELECTRICAL POWER ONLY)  
FIGURE 7

**24-00-00-07**

HAP  
OCT 10/06

24-00-00-07  
PAGE 0

**BOEING**  
737-600/700/800/900  
PARTS CATALOG (MAINTENANCE)

FIG ITEM	PART NUMBER	1 2 3 4 5 6 7	NOMENCLATURE	EFFECT FROM TO	UNITS PER ASSY
7			PRODUCT COLLECTOR-ENG (ELECTRICAL POWER ONLY)	001030 201967	
- 1	001A0101-300		PRODUCT COLLECTOR-ENG (ELECTRICAL POWER ONLY)	001030 201967	1
			FOR OTHER SYS DETAILS SEE: 11-00-00-12 26-00-00-07 28-00-00-01 29-00-00-03 30-00-00-02 36-00-00-01 54-00-00-10A 71-00-00-01A 78-00-00-04		
- 5	300A2020-300		.MANAGEMENT COLLECTOR- CFM56-7 EBU END ITEM PROPULSION SYS BASIC FOR DETAILS SEE: 24-10-00-01	001030 201967	1

MISSING ITEM NUMBERS NOT APPLICABLE

- ITEM NOT ILLUSTRATED

HAP

# 24-00-00-07

BOEING PROPRIETARY - Copyright © - Unpublished Work - See title page for details.

24-00-00  
FIG. 07  
PAGE 1  
OCT 15/08

NON-ILLUSTRATED FIGURE

THE ITEMS REFLECTED IN THIS FIGURE ARE INTENTIONALLY  
NON-ILLUSTRATED. THEY ARE REFERENCED TO EITHER A  
NEXT HIGHER OR NEXT LOWER ASSEMBLY/INSTALLATION FIGURE.

E 24000008 REV 054

PRODUCT COLLECTOR-CUSTOMER UNIQUE (ELECTRICAL POWER ONLY)  
FIGURE 8

**24-00-00-08**

HAP  
OCT 10/06

24-00-00-08  
PAGE 0



**BOEING**  
737-600/700/800/900  
PARTS CATALOG (MAINTENANCE)

FIG ITEM	PART NUMBER	1 2 3 4 5 6 7	NOMENCLATURE	EFFECT FROM TO	UNITS PER ASSY
8			PRODUCT COLLECTOR-CUSTOMER UNIQUE (ELECTRICAL POWER ONLY)	001030	
- 1	001A0101-3001		PRODUCT COLLECTOR-CUSTOMER UNIQUE (ELECTRICAL POWER ONLY) FOR OTHER SYS DETAILS SEE: 11-00-00-01B 21-00-00-43 23-00-00-03 25-00-00-02C 26-00-00-09 27-00-00-03A 30-00-00-05 31-00-00-01C 33-00-00-10B 34-00-00-09 35-00-00-15 38-00-00-01B 52-00-00-03A 53-00-00-01C 71-00-00-05 77-00-00-02	001030	RF
- 50	230A0001-3001		.FUNCTIONAL COLLECTOR- FOR DETAILS SEE: 24-50-00-01C	001007	RF
- 60	284A0012-3001		.FUNCTIONAL COLLECTOR- FOR DETAILS SEE: 24-20-00-03 24-30-00-03 24-40-00-12	001030	RF
- 100	230A0020-3001		.FUNCTIONAL COLLECTOR- FOR DETAILS SEE: 24-30-00-01C 24-50-00-03C 24-50-00-04C 24-50-00-05C 24-50-00-06C 24-50-00-07C 24-50-00-08C	008030	1
- 150	230A0050-3001		.FUNCTIONAL COLLECTOR- FOR DETAILS SEE: 24-30-00-02C 24-50-00-11C 24-50-00-12C 24-50-00-13C	001030	1

MISSING ITEM NUMBERS NOT APPLICABLE

- ITEM NOT ILLUSTRATED

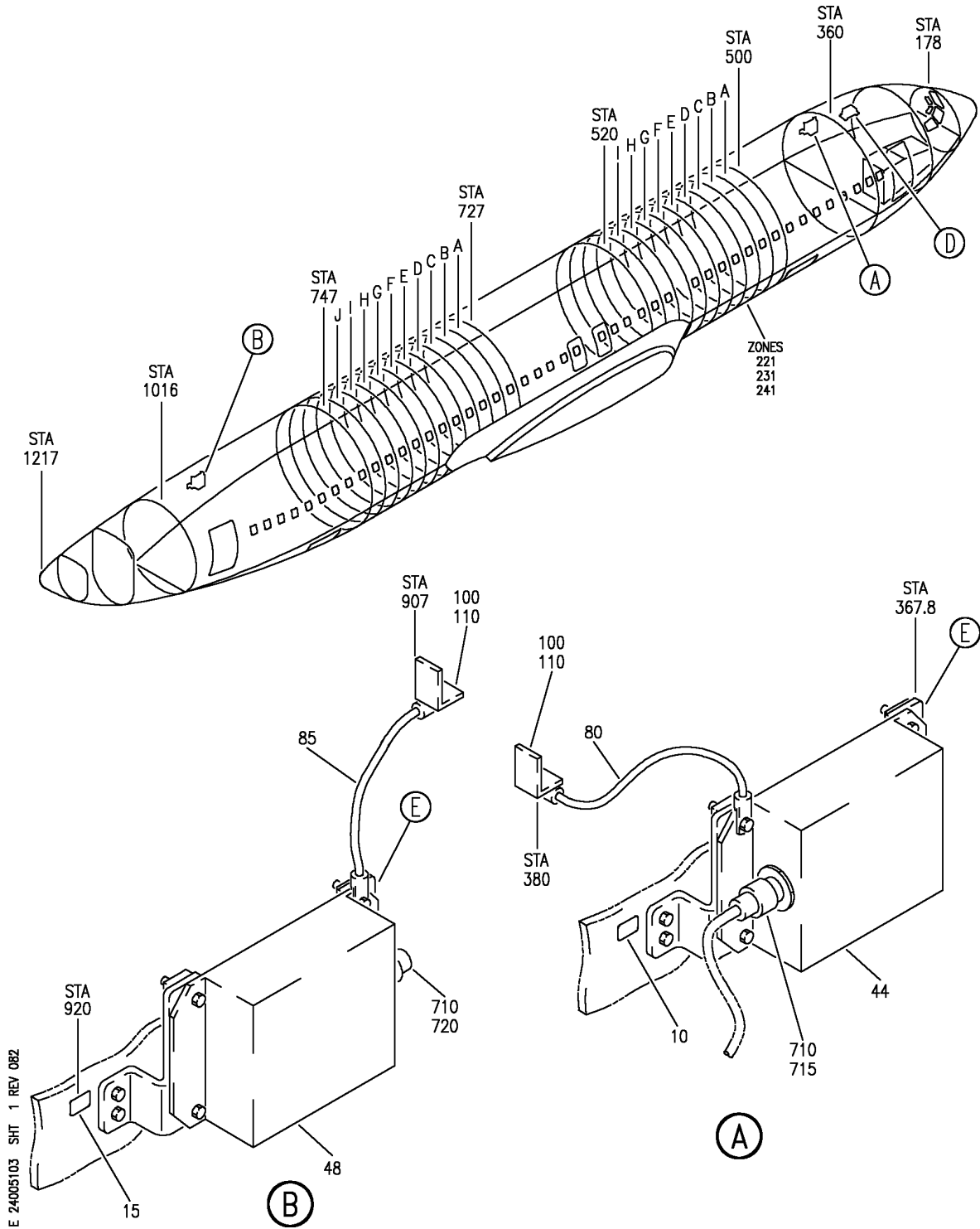
HAP

# 24-00-00-08

BOEING PROPRIETARY - Copyright © - Unpublished Work - See title page for details.

24-00-00  
FIG. 08  
PAGE 1  
OCT 15/08

**BOEING**  
 737-600/700/800/900  
 PARTS CATALOG (MAINTENANCE)



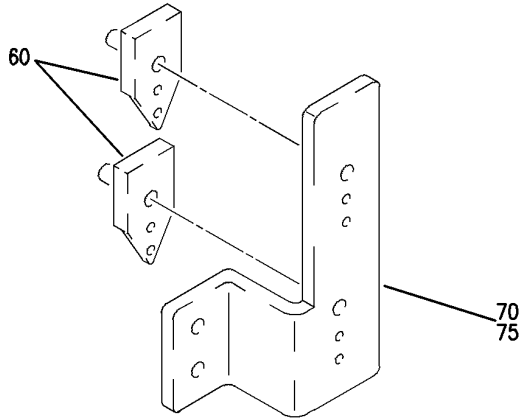
SUPPLY INSTL-FWD AND AFT LOWERED CLG SHAVER PWR  
 FIGURE 3 (SHEET 1)

**24-00-51-03**

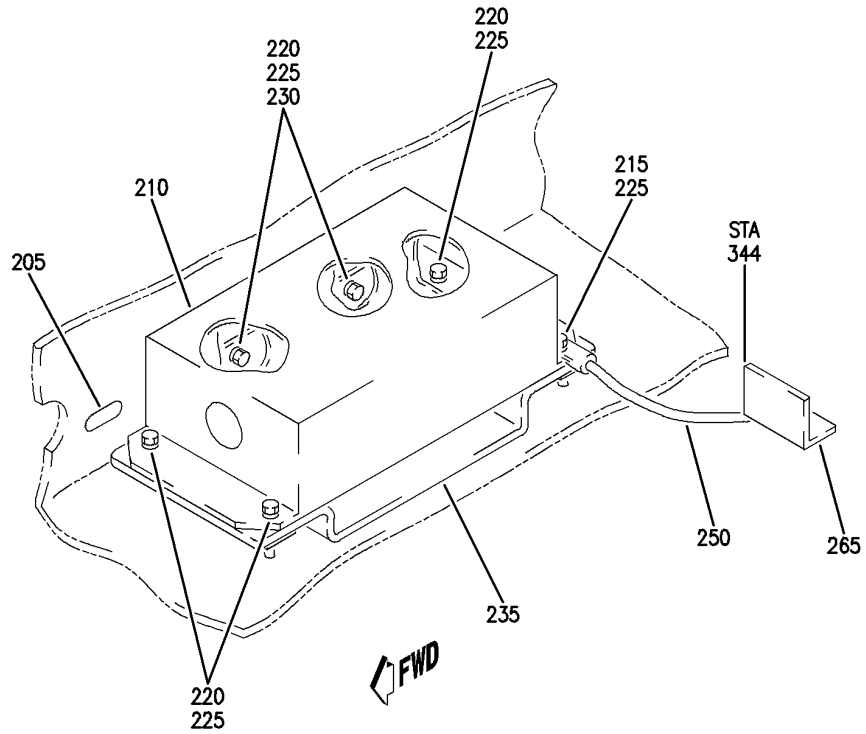
HAP  
 OCT 15/08

24-00-51-03  
 PAGE 0

**BOEING**  
 737-600/700/800/900  
 PARTS CATALOG (MAINTENANCE)



(C)



(D)

E 24005103 SHT 2 REV 043

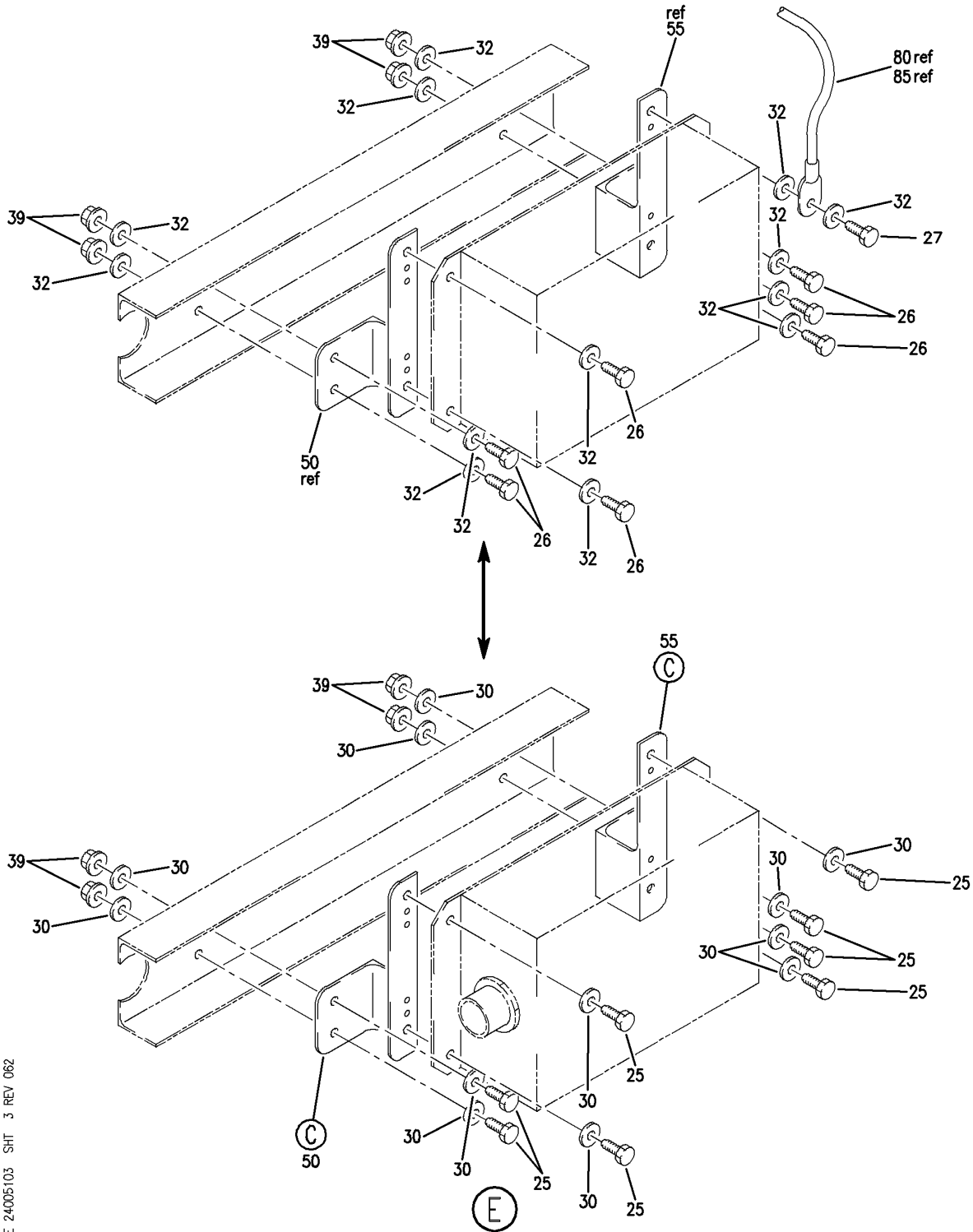
SUPPLY INSTL-FWD AND AFT LOWERED CLG SHAVER PWR  
 FIGURE 3 (SHEET 2)

**24-00-51-03**

HAP  
 OCT 15/08

24-00-51-03  
 PAGE 0A

**BOEING**  
 737-600/700/800/900  
 PARTS CATALOG (MAINTENANCE)



E 24005103 SHT 3 REV 062

SUPPLY INSTL-FWD AND AFT LOWERED CLG SHAVER PWR  
 FIGURE 3 (SHEET 3)

**24-00-51-03**

HAP  
 OCT 15/08

24-00-51-03  
 PAGE 0B

**BOEING**  
737-600/700/800/900  
PARTS CATALOG (MAINTENANCE)

FIG ITEM	PART NUMBER	1 2 3 4 5 6 7	NOMENCLATURE	EFFECT FROM TO	UNITS PER ASSY
3			SUPPLY INSTL-FWD AND AFT LOWERED CLG SHAVER PWR	201967	
- 1	284A0832-1		SUPPLY INSTL-SHAVER PWR POSITION DATA: FWD LOWERED CLG FOR NHA SEE: 25-40-00-11	201967	RF
- 5	284A0833-1		SUPPLY INSTL-SHAVER PWR POSITION DATA: AFT LOWERED CLG FOR NHA SEE: 25-40-00-11	201967	RF
10	BAC27DEX5857		.DECAL- POSITION DATA: FWD PLACARD CONTENT: M3027	201967	1
15	BAC27DEX5858		.DECAL- POSITION DATA: AFT PLACARD CONTENT: M3028	201967	1
25	NAS1801-3-8		.SCREW	201967	8
30	NAS1149D0332H		.WASHER	201967	12
39	PLH53CD		.NUT	201967	4
			SUPPLIER CODE: VF0224 SPECIFICATION NUMBER: BACN10YR3CD OPTIONAL PART: H52732-3CD V15653		
44	23201		.SUPPLY-PWR SUPPLIER CODE: V21562 POSITION DATA: FWD ELECTRICAL EQUIP NUMBER: M03027 COMPONENT MAINT MANUAL REF: 24-09-04	201967	1

MISSING ITEM NUMBERS NOT APPLICABLE

- ITEM NOT ILLUSTRATED

HAP

# 24-00-51-03

BOEING PROPRIETARY - Copyright © - Unpublished Work - See title page for details.

24-00-51  
FIG. 03  
PAGE 1  
FEB 15/09

**BOEING**  
737-600/700/800/900  
PARTS CATALOG (MAINTENANCE)

FIG ITEM	PART NUMBER	1 2 3 4 5 6 7	NOMENCLATURE	EFFECT FROM TO	UNITS PER ASSY
3					
48	23201		.SUPPLY-PWR SUPPLIER CODE: V21562 POSITION DATA: AFT ELECTRICAL EQUIP NUMBER: M03028 COMPONENT MAINT MANUAL REF: 24-09-04	201967	1
50	284A3833-1		.BRACKET ASSY	201967	1
55	284A3833-2		.BRACKET ASSY	201967	1
60	BRF100C3D		..NUTPLATE SUPPLIER CODE: V52828 SPECIFICATION NUMBER: BACN10KB3CFD OPTIONAL PART: NS202478-02 V80539 102F9207P3 V72962 F51604-3 V15653 ATTACHING PARTS	201967	2
- 65	BACR15BA3AD		..RIVET- SIZE DETERMINED ON INSTL. -----*-----	201967	4
70	284A3833-3		..BRACKET- USED ON: 284A3833-1	201967	1
75	284A3833-4		..BRACKET- USED ON: 284A3833-2	201967	1
- 700	286A3144-010		WIRE BUNDLE ASSY	201967	RF
710	L10TF6S6NA		.PLUG- SUPPLIER CODE: V09922 ELECTRICAL EQUIP NUMBER: D03512 D03514 WIRING DIAGRAM REF: 254311	201967	2

MISSING ITEM NUMBERS NOT APPLICABLE

- ITEM NOT ILLUSTRATED

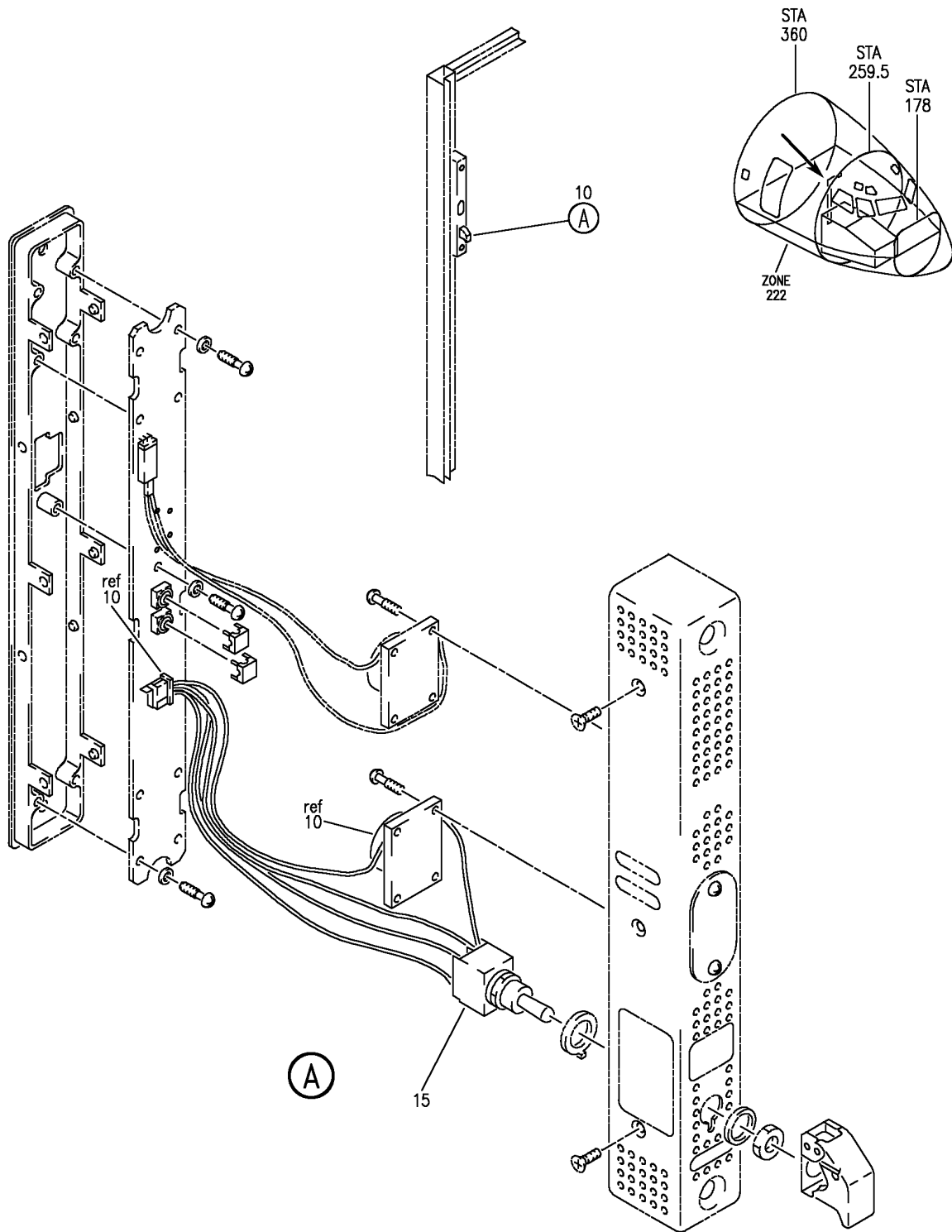
HAP

# 24-00-51-03

BOEING PROPRIETARY - Copyright © - Unpublished Work - See title page for details.

24-00-51  
FIG. 03  
PAGE 2  
OCT 15/08

**BOEING**  
 737-600/700/800/900  
 PARTS CATALOG (MAINTENANCE)



E 24005104 REV 084

MODULE ASSY-DOOR ACCESS CHIME, FDAS (ELECTRICAL POWER ONLY)  
 FIGURE 4

**24-00-51-04**

HAP  
 OCT 10/06

24-00-51-04  
 PAGE 0

 **BOEING**  
737-600/700/800/900  
**PARTS CATALOG (MAINTENANCE)**

FIG ITEM	PART NUMBER	1 2 3 4 5 6 7	NOMENCLATURE	EFFECT FROM TO	UNITS PER ASSY
4			MODULE ASSY-DOOR ACCESS CHIME, FDAS (ELECTRICAL POWER ONLY)	001030	
R R	- 1 285T0855-1		MODULE ASSY-DOOR ACCESS CHIME, FDAS (ELECTRICAL POWER ONLY) SUPPLIER CODE: V89954 OPTIONAL PART: 285T0855-5 V89954 POST SERVICE BULLETIN: 25-1496 POST SERVICE BULLETIN: STC1335LA V56135 FOR NHA/OTHER SYS DET SEE: 52-51-51-15	001030	RF
	- 1 285T0855-5		MODULE ASSY-DOOR ACCESS CHIME, FDAS (ELECTRICAL POWER ONLY) SUPPLIER CODE: V89954 OPTIONAL PART: 285T0855-1 V89954 POST SERVICE BULLETIN: 25-1496R1 POST SERVICE BULLETIN: STC1335LA V56135 FOR NHA/OTHER SYS DET SEE: 52-51-51-15	001030	RF
	10 285T0855-4		.CABLE ASSY-CONTROLLER SUPPLIER CODE: V89954	001030	RF
	15 6AT29		..SWITCH-TG SUPPLIER CODE: V91929	001030	1

MISSING ITEM NUMBERS NOT APPLICABLE

- ITEM NOT ILLUSTRATED

HAP

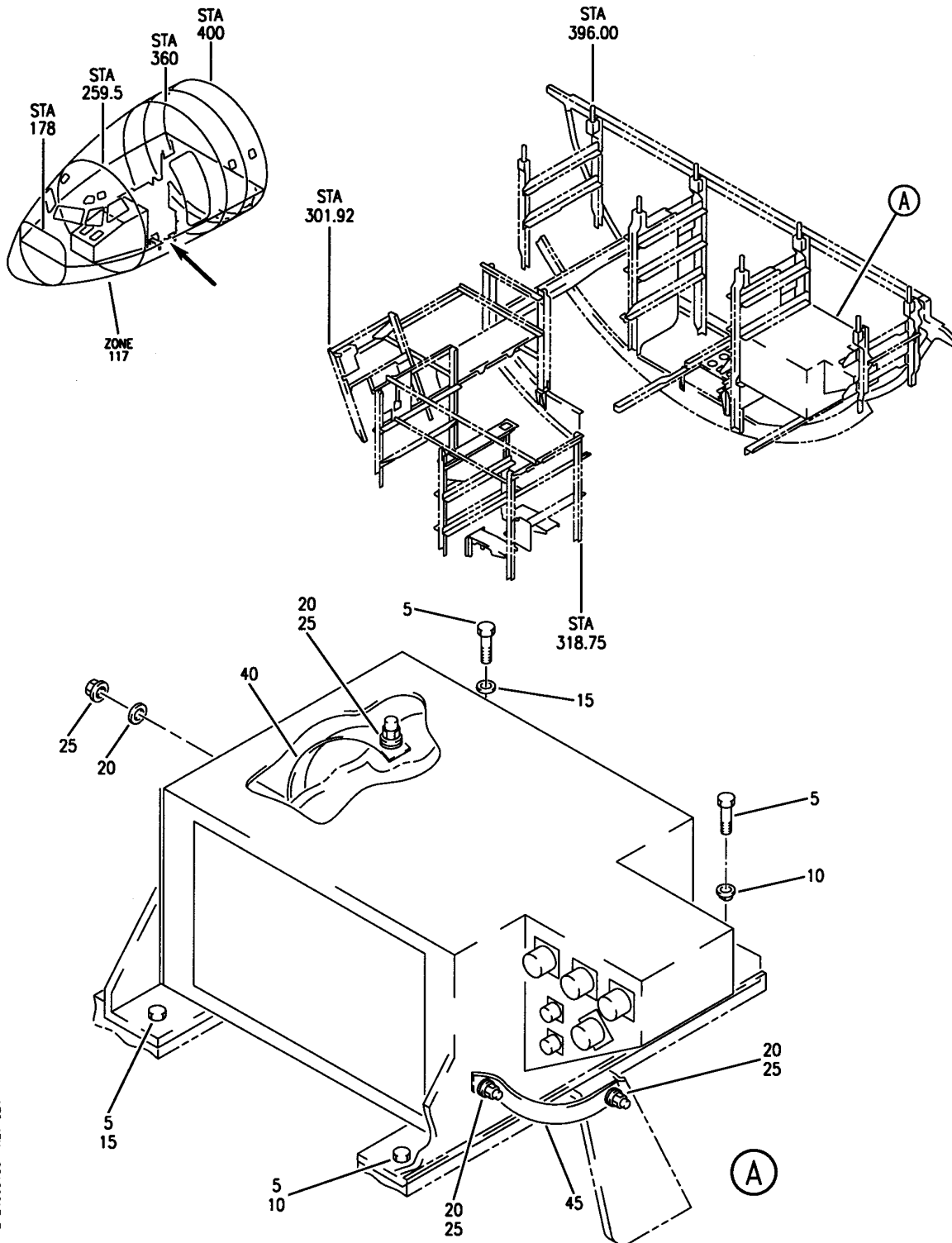
# 24-00-51-04

BOEING PROPRIETARY - Copyright © - Unpublished Work - See title page for details.

24-00-51  
FIG. 04  
PAGE 1  
JUN 15/09



**BOEING**  
 737-600/700/800/900  
 PARTS CATALOG (MAINTENANCE)



E 24005106 REV 024

SUPPORT INSTL-P91  
 FIGURE 6

**24-00-51-06**

HAP  
 OCT 10/06

24-00-51-06  
 PAGE 0

**BOEING**  
737-600/700/800/900  
PARTS CATALOG (MAINTENANCE)

FIG ITEM	PART NUMBER	1 2 3 4 5 6 7	NOMENCLATURE	EFFECT FROM TO	UNITS PER ASSY
6			SUPPORT INSTL-P91	008999	
- 1	284A0206-101		SUPPORT INSTL-P91 FOR NHA SEE: 24-20-00-05	008030 201967	RF
- 1	MODREF85494		SUPPORT INSTL-P91 MODULE NUMBER: 284A0206-101 REV A	031200 968999	1
5	NAS6704-4		.BOLT	008999	4
10	284W2091-3		.WASHER	008999	2
15	NAS1149D0432J		.WASHER	008999	2
20	NAS1149D0616H		.WASHER	008999	4
25	PLH56CD		.NUT	008999	4
			SUPPLIER CODE: VF0224		
			SPECIFICATION NUMBER: BACN10YR6CD		
			OPTIONAL PART: H52732-6CD V15653		
40	RBEJ40E40-24		.JUMPER ASSY SUPPLIER CODE: V1GK47	008999	1
			SPECIFICATION NUMBER: BACJ40E40-24		
			OPTIONAL PART: 740E40-24 V91812		
45	RBEJ40E40-28		.JUMPER ASSY SUPPLIER CODE: V1GK47	008999	1
			SPECIFICATION NUMBER: BACJ40E40-28		
			OPTIONAL PART: 740E40-28 V91812		

MISSING ITEM NUMBERS NOT APPLICABLE

- ITEM NOT ILLUSTRATED

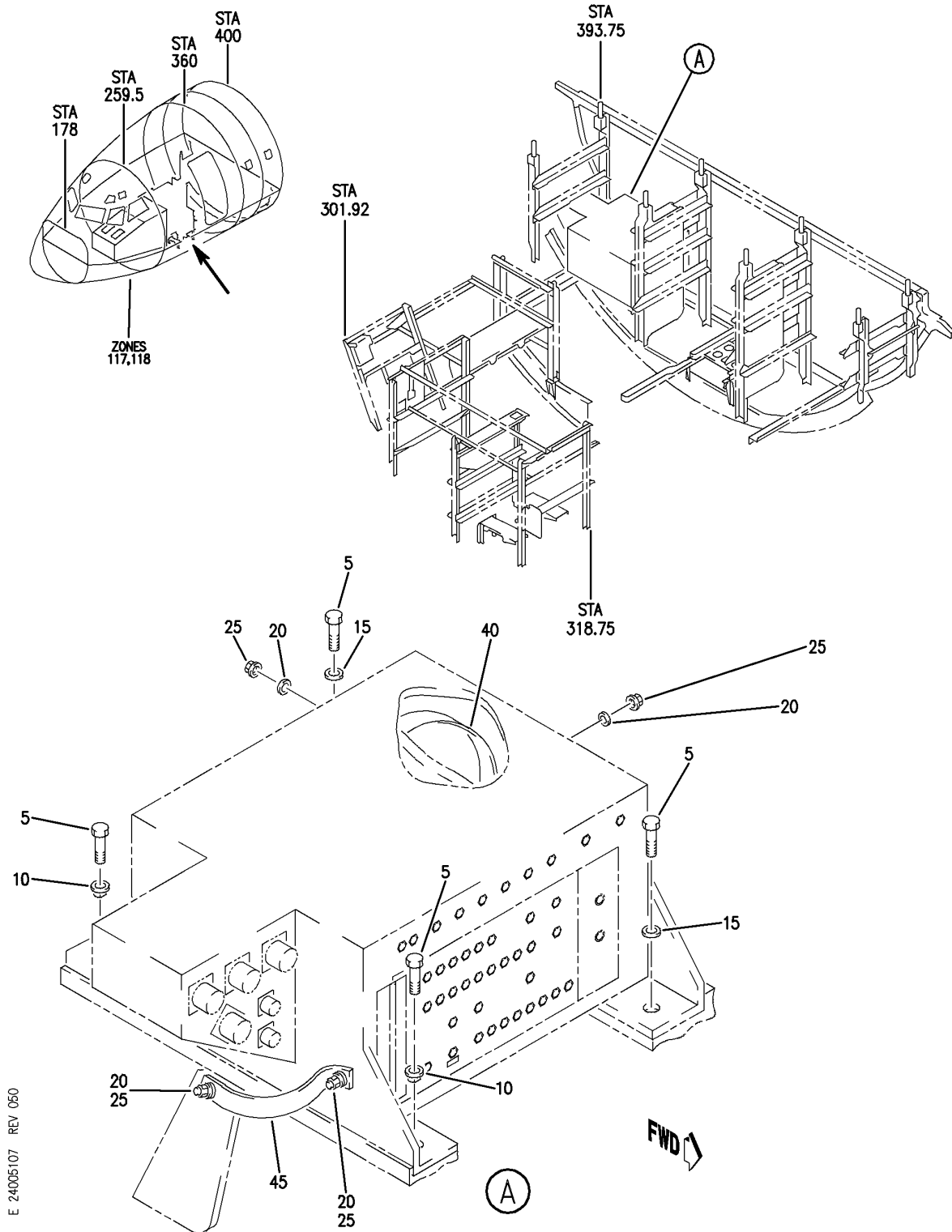
HAP

# 24-00-51-06

BOEING PROPRIETARY - Copyright © - Unpublished Work - See title page for details.

24-00-51  
FIG. 06  
PAGE 1  
FEB 15/09

**BOEING**  
 737-600/700/800/900  
 PARTS CATALOG (MAINTENANCE)



E 24005107 REV 050

SUPPORT INSTL-P92  
 FIGURE 7

**24-00-51-07**

HAP  
 OCT 10/06

24-00-51-07  
 PAGE 0

**BOEING**  
737-600/700/800/900  
PARTS CATALOG (MAINTENANCE)

FIG ITEM	PART NUMBER	1 2 3 4 5 6 7	NOMENCLATURE	EFFECT FROM TO	UNITS PER ASSY
7			SUPPORT INSTL-P92	008999	
- 1	284A0206-102		SUPPORT INSTL-P92 FOR NHA SEE: 24-20-00-05	008030 201967	RF
- 1	MODREF85495		SUPPORT INSTL-P92 MODULE NUMBER: 284A0206-102 REV A	031200 968999	1
5	NAS6704-4		.BOLT	008999	4
10	284W2091-3		.WASHER	008999	2
15	NAS1149D0432J		.WASHER	008999	2
20	NAS1149D0616H		.WASHER	008999	4
25	PLH56CD		.NUT	008999	4
			SUPPLIER CODE: VF0224		
			SPECIFICATION NUMBER: BACN10YR6CD		
			OPTIONAL PART: H52732-6CD V15653		
40	RBEJ40E40-24		.JUMPER ASSY SUPPLIER CODE: V1GK47	008999	1
			SPECIFICATION NUMBER: BACJ40E40-24		
			OPTIONAL PART: 740E40-24 V91812		
45	RBEJ40E40-28		.JUMPER ASSY SUPPLIER CODE: V1GK47	008999	1
			SPECIFICATION NUMBER: BACJ40E40-28		
			OPTIONAL PART: 740E40-28 V91812		

MISSING ITEM NUMBERS NOT APPLICABLE

- ITEM NOT ILLUSTRATED

HAP

# 24-00-51-07

BOEING PROPRIETARY - Copyright © - Unpublished Work - See title page for details.

24-00-51  
FIG. 07  
PAGE 1  
FEB 15/09