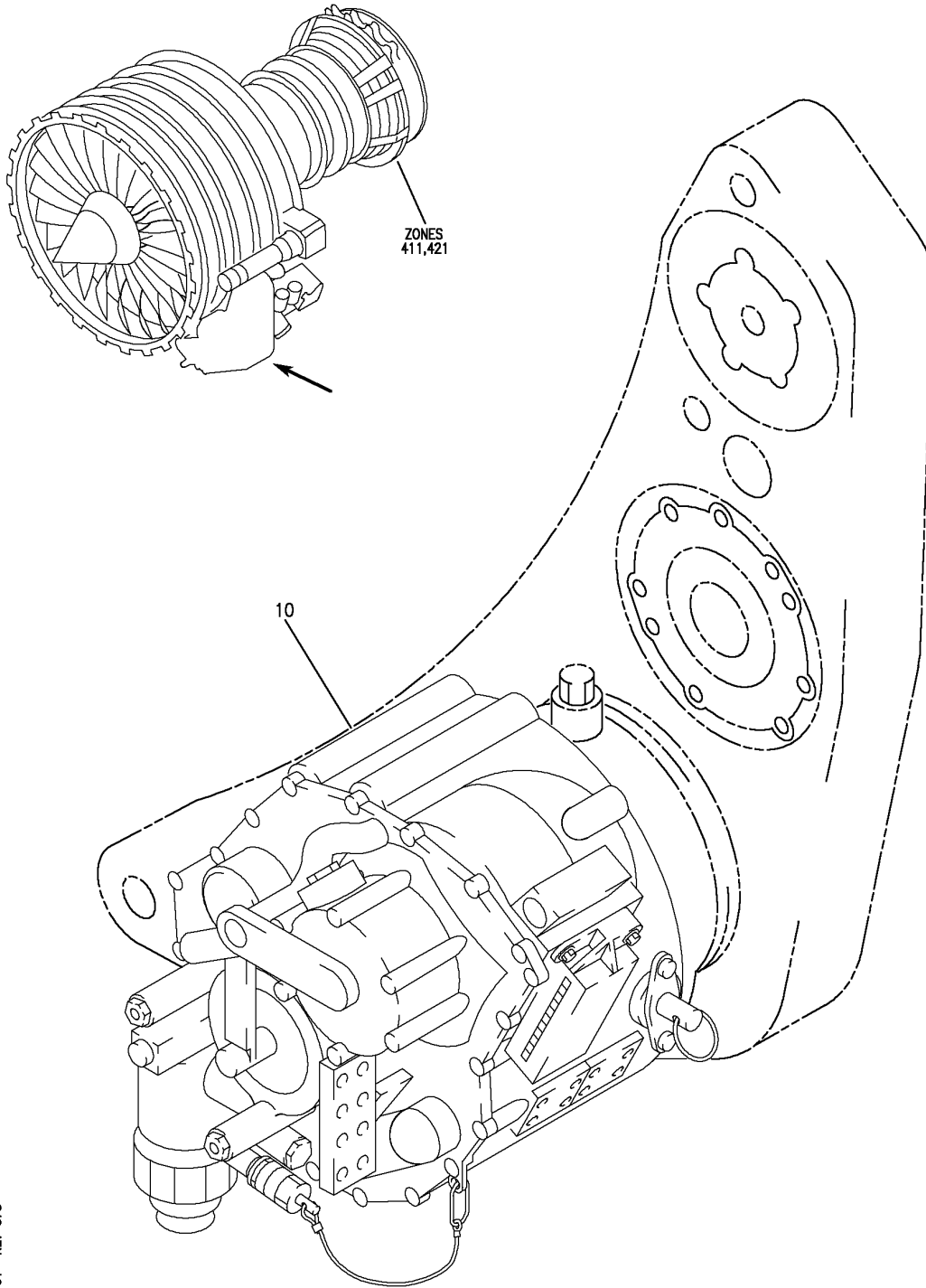


## AC GENERATOR DRIVE SYSTEM

HAP  
OCT 10/06

24-11-00  
SECTION TITLE  
PAGE 1

**BOEING**  
737-600/700/800/900  
PARTS CATALOG (MAINTENANCE)



E 24111101 REV 073

GENERATOR INSTL-AIR/OIL COOLER AND INTEGRATED DRIVE (GENERATOR ONLY)  
FIGURE 1

**24-11-11-01**

HAP  
OCT 10/06

24-11-11-01  
PAGE 0

**BOEING**  
737-600/700/800/900  
PARTS CATALOG (MAINTENANCE)

FIG ITEM	PART NUMBER	1 2 3 4 5 6 7	NOMENCLATURE	EFFECT FROM TO	UNITS PER ASSY
1			GENERATOR INSTL-AIR/OIL COOLER AND INTEGRATED DRIVE (GENERATOR ONLY)	001007	
- 5	332A2600-7		GENERATOR INSTL-AIR/OIL COOLER AND INTEGRATED DRIVE (GENERATOR ONLY) FOR NHA/ADDITIONAL DET SEE: 24-10-00-01	001001 006007	RF
- 5	332A2600-9		GENERATOR INSTL-AIR/OIL COOLER AND INTEGRATED DRIVE (GENERATOR ONLY) FOR NHA/ADDITIONAL DET SEE: 24-10-00-01	002005	RF

MISSING ITEM NUMBERS NOT APPLICABLE

- ITEM NOT ILLUSTRATED

HAP

# 24-11-11-01

BOEING PROPRIETARY - Copyright © - Unpublished Work - See title page for details.

24-11-11  
FIG. 01  
PAGE 1  
OCT 10/06

**BOEING**  
737-600/700/800/900  
PARTS CATALOG (MAINTENANCE)

FIG ITEM	PART NUMBER	1 2 3 4 5 6 7	NOMENCLATURE	EFFECT FROM TO	UNITS PER ASSY
1 10	761574B		.GENERATOR ASSY-INTEGRATED DRIVE SUPPLIER CODE: V99167 FUNCTIONAL DESCRIPTION: PROVIDES PRIMARY AIRCRAFT ELECTRICAL POWER BY CONVERTING VARIABLE ENG INPUT SPEED TO A CONSTANT OUTPUT SPEED, ENABLING THE GENERATOR PORTION OF THE IDG TO PRODUCE AC POWER SPECIFICATION NUMBER: S281A001-101 NOT APPROVED FOR ETOPS WITHOUT INCORP OF SB: SB90EGS02I2401REV1 SB90EGS02I242 SB90EGS02I243 MISCELLANEOUS DATA: NOT APPROVED FOR 180 MINUTE ETOPS WITHOUT INCORP OF SB: S/B 90EGS021241 WAS INCORPORATED DURING PRODUCTION ON S/N XXX AND ABOVE. NOT APPROVED FOR 120 OR 180 MINUTE ETOPS WITHOUT INCORP OF S/B 90EGS021242 WAS INCORPORATED DURING PRODUCTION ON S/N YYY AND ABOVE. NOT APPROVED FOR 180 MINUTE ETOPS WITHOUT INCORP OF SB: S/B 90EGS021243 WAS INCORPORATED DURING PRODUCTION ON S/N ZZZ AND ABOVE. UNIT ABOVE S/N 750 ARE APPROVED FOR ETOPS. COMPONENT MAINT MANUAL REF: 24-11-85 FOR DETAILS SEE: 24-11-11-50	001007	1

MISSING ITEM NUMBERS NOT APPLICABLE

— ITEM NOT ILLUSTRATED

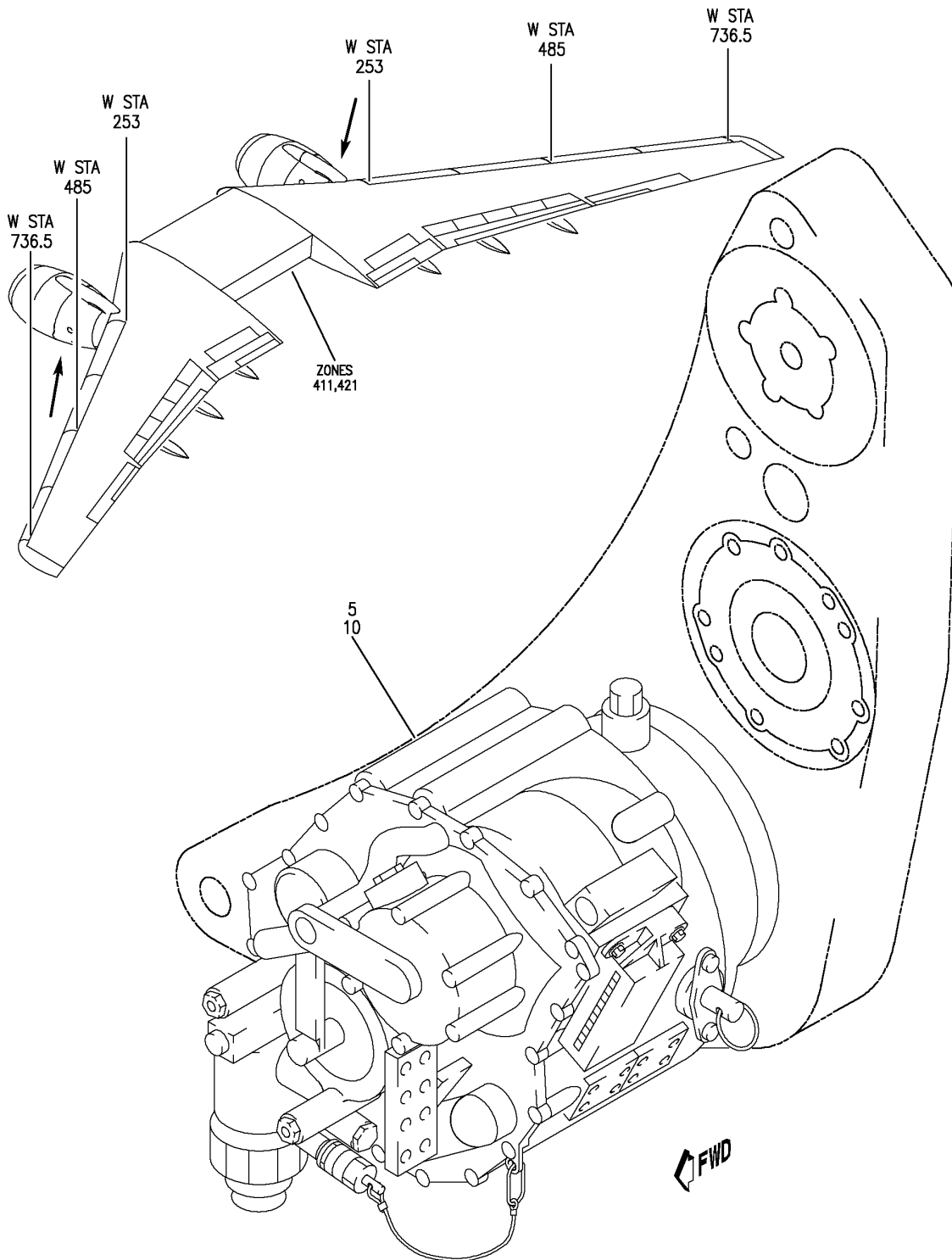
HAP

# 24-11-11-01

BOEING PROPRIETARY - Copyright © - Unpublished Work - See title page for details.

24-11-11  
FIG. 01  
PAGE 2  
JUN 15/08

**BOEING**  
 737-600/700/800/900  
 PARTS CATALOG (MAINTENANCE)



E 2411101A REV 079

GENERATOR INSTL-AIR/OIL COOLER AND INTEGRATED DRIVE (INTEGRATED DRIVE GENERATOR (IDG) ONLY)  
 FIGURE 1A

HAP  
 OCT 10/06

**24-11-11-01A**

24-11-11-01A  
 PAGE 0


**BOEING**  
 737-600/700/800/900  
**PARTS CATALOG (MAINTENANCE)**

FIG ITEM	PART NUMBER	1 2 3 4 5 6 7	NOMENCLATURE	EFFECT FROM TO	UNITS PER ASSY
1 A			GENERATOR INSTL-AIR/OIL COOLER AND INTEGRATED DRIVE (INTEGRATED DRIVE GENERATOR (IDG) ONLY)	008999	
- 1	332A2600-8		GENERATOR INSTL-AIR/OIL COOLER AND INTEGRATED DRIVE FOR NHA/ADDITIONAL DET SEE: 24-10-00-01	008030 201967	RF
- 1	MODREF225819		GENERATOR INSTL-AIR/OIL COOLER AND INTEGRATED DRIVE (INTEGRATED DRIVE GENERATOR (IDG) ONLY) MODULE NUMBER: 332A2600-12 REV B FOR ADDITIONAL DETAILS SEE: 24-11-21-01A 24-11-61-01A	031040 042043 101101 968971	1
R R R R R R R R R R R R R	- 1	MODREF344121	GENERATOR INSTL-AIR/OIL COOLER AND INTEGRATED DRIVE (INTEGRATED DRIVE GENERATOR (IDG) ONLY) MODULE NUMBER: 332A2600-12 REV C FOR ADDITIONAL DETAILS SEE: 24-11-21-01A 24-11-61-01A	041041 044051 054100 102200 972999	1
R R R R R R R R R R R	- 1	MODREF416153	GENERATOR INSTL-AIR/OIL COOLER AND INTEGRATED DRIVE (INTEGRATED DRIVE GENERATOR (IDG) ONLY) MODULE NUMBER: 332A2600-12 REV D FOR ADDITIONAL DETAILS SEE: 24-11-21-01A 24-11-61-01A	052053	1

MISSING ITEM NUMBERS NOT APPLICABLE

- ITEM NOT ILLUSTRATED

HAP

# 24-11-11-01A

BOEING PROPRIETARY - Copyright © - Unpublished Work - See title page for details.

24-11-11  
 FIG. 01A  
 PAGE 1  
 JUN 15/09

 **BOEING**  
737-600/700/800/900  
PARTS CATALOG (MAINTENANCE)

FIG ITEM	PART NUMBER	1 2 3 4 5 6 7 NOMENCLATURE	EFFECT FROM TO	UNITS PER ASSY
1 A 5	761574B	<p>.GENERATOR ASSY-INTEGRATED DRIVE SUPPLIER CODE: V99167 FUNCTIONAL DESCRIPTION: PROVIDES PRIMARY AIRCRAFT ELECTRICAL POWER BY CONVERTING VARIABLE ENG INPUT SPEED TO A CONSTANT OUTPUT SPEED, ENABLING THE GENERATOR PORTION OF THE IDG TO PRODUCE AC POWER SPECIFICATION NUMBER: S281A001-101 NOT APPROVED FOR ETOPS WITHOUT INCORP OF SB: SB90EGS02I2401REV1 SB90EGS02I242 SB90EGS02I243 MISCELLANEOUS DATA: NOT APPROVED FOR 180 MINUTE ETOPS WITHOUT INCORP OF SB: S/B 90EGS021241 WAS INCORPORATED DURING PRODUCTION ON S/N XXX AND ABOVE. NOT APPROVED FOR 120 OR 180 MINUTE ETOPS WITHOUT INCORP OF S/B 90EGS021242 WAS INCORPORATED DURING PRODUCTION ON S/N YYY AND ABOVE. NOT APPROVED FOR 180 MINUTE ETOPS WITHOUT INCORP OF SB: S/B 90EGS021243 WAS INCORPORATED DURING PRODUCTION ON S/N ZZZ AND ABOVE. UNIT ABOVE S/N 750 ARE APPROVED FOR ETOPS. ELECTRICAL EQUIP NUMBER: G00009 COMPONENT MAINT MANUAL REF: 24-11-85 FOR DETAILS SEE: 24-11-11-50</p>	008999	2

MISSING ITEM NUMBERS NOT APPLICABLE

— ITEM NOT ILLUSTRATED

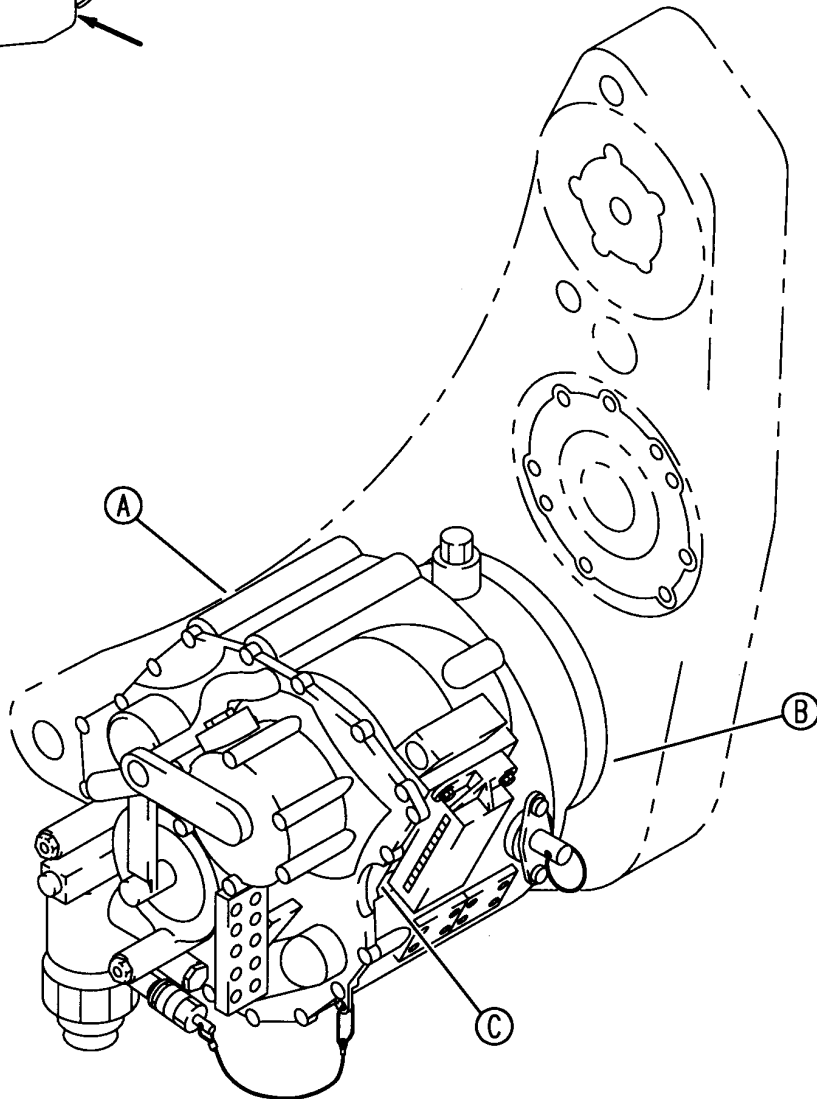
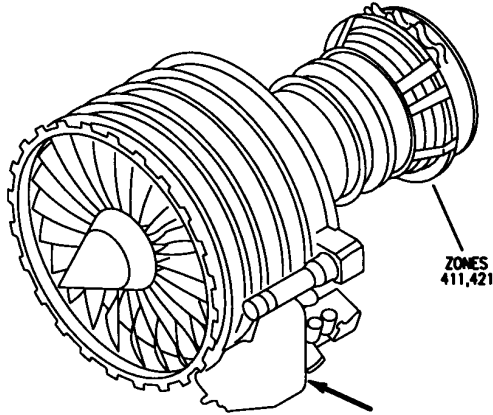
HAP

# 24-11-11-01A

BOEING PROPRIETARY - Copyright © - Unpublished Work - See title page for details.

24-11-11  
FIG. 01A  
PAGE 2  
FEB 15/09

**BOEING**  
737-600/700/800/900  
PARTS CATALOG (MAINTENANCE)



E 24111150 SH1 1 REV 011

GENERATOR ASSY-INTEGRATED DRIVE  
FIGURE 50 (SHEET 1)

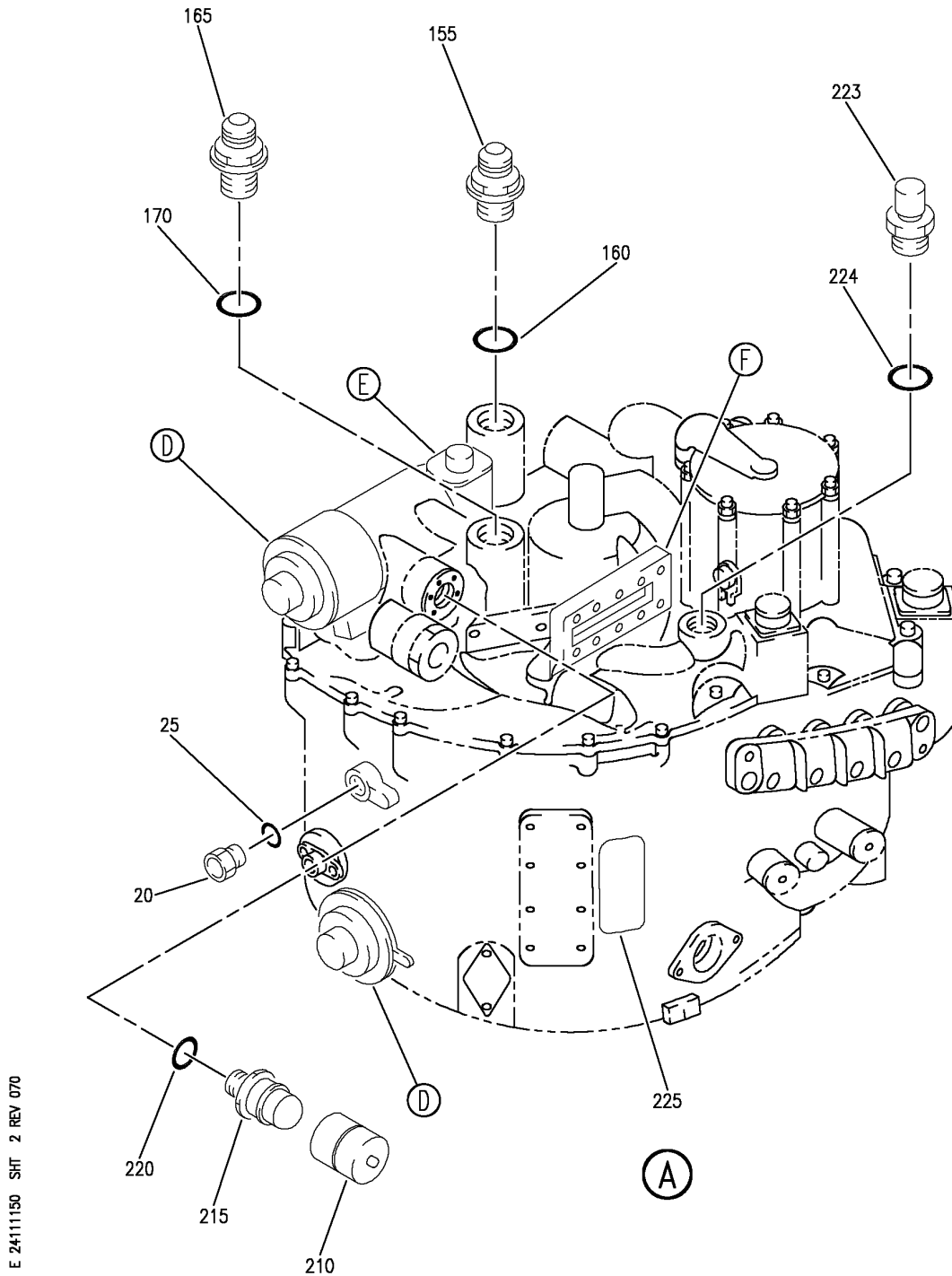
**24-11-11-50**

HAP  
OCT 10/06

24-11-11-50  
PAGE 0



**BOEING**  
 737-600/700/800/900  
 PARTS CATALOG (MAINTENANCE)



E 2411150 SH1 2 REV 070

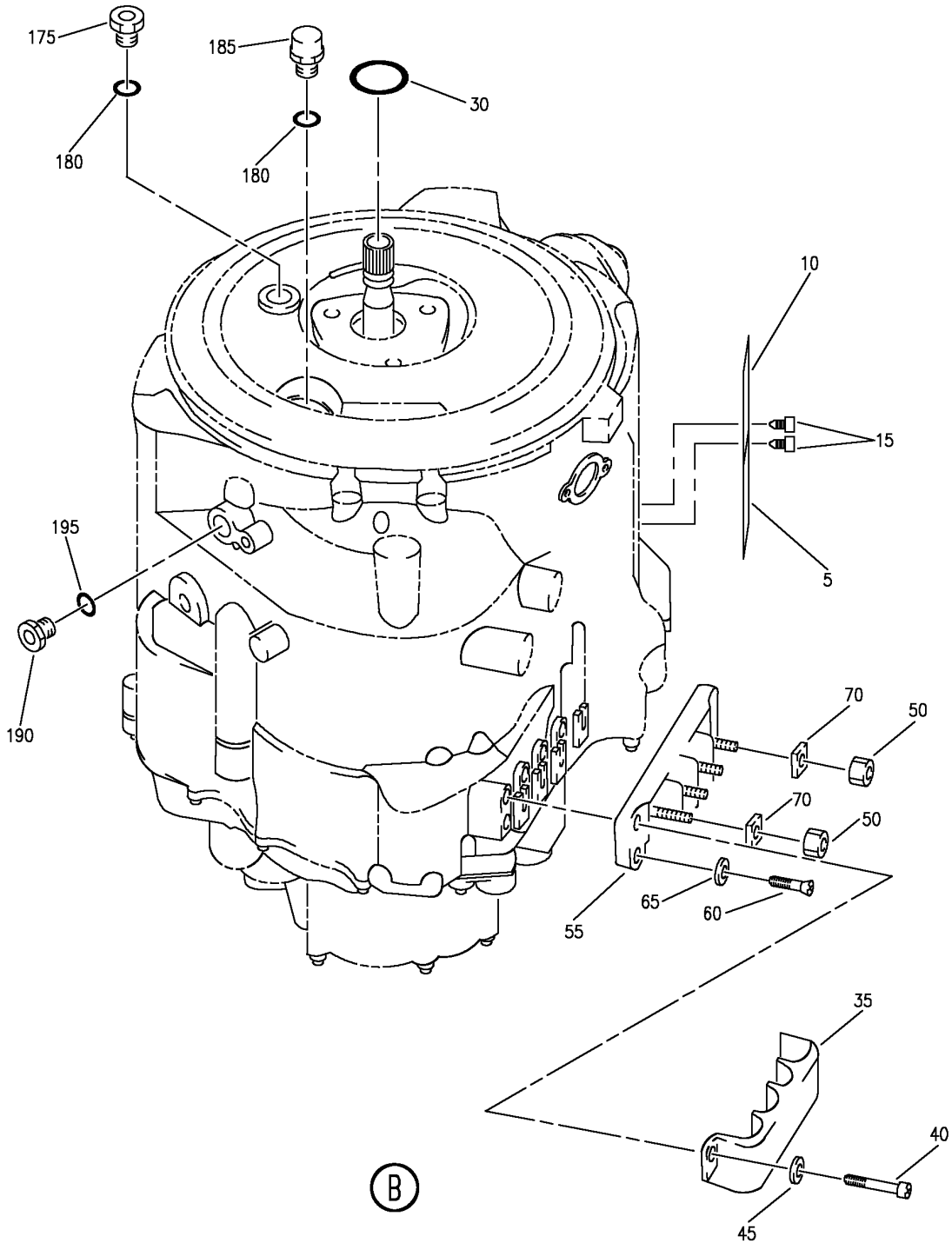
GENERATOR ASSY-INTEGRATED DRIVE  
 FIGURE 50 (SHEET 2)

**24-11-11-50**

HAP  
 OCT 10/06

24-11-11-50  
 PAGE 0A

**BOEING**  
 737-600/700/800/900  
 PARTS CATALOG (MAINTENANCE)



E 2411150 SHT 3 REV 081

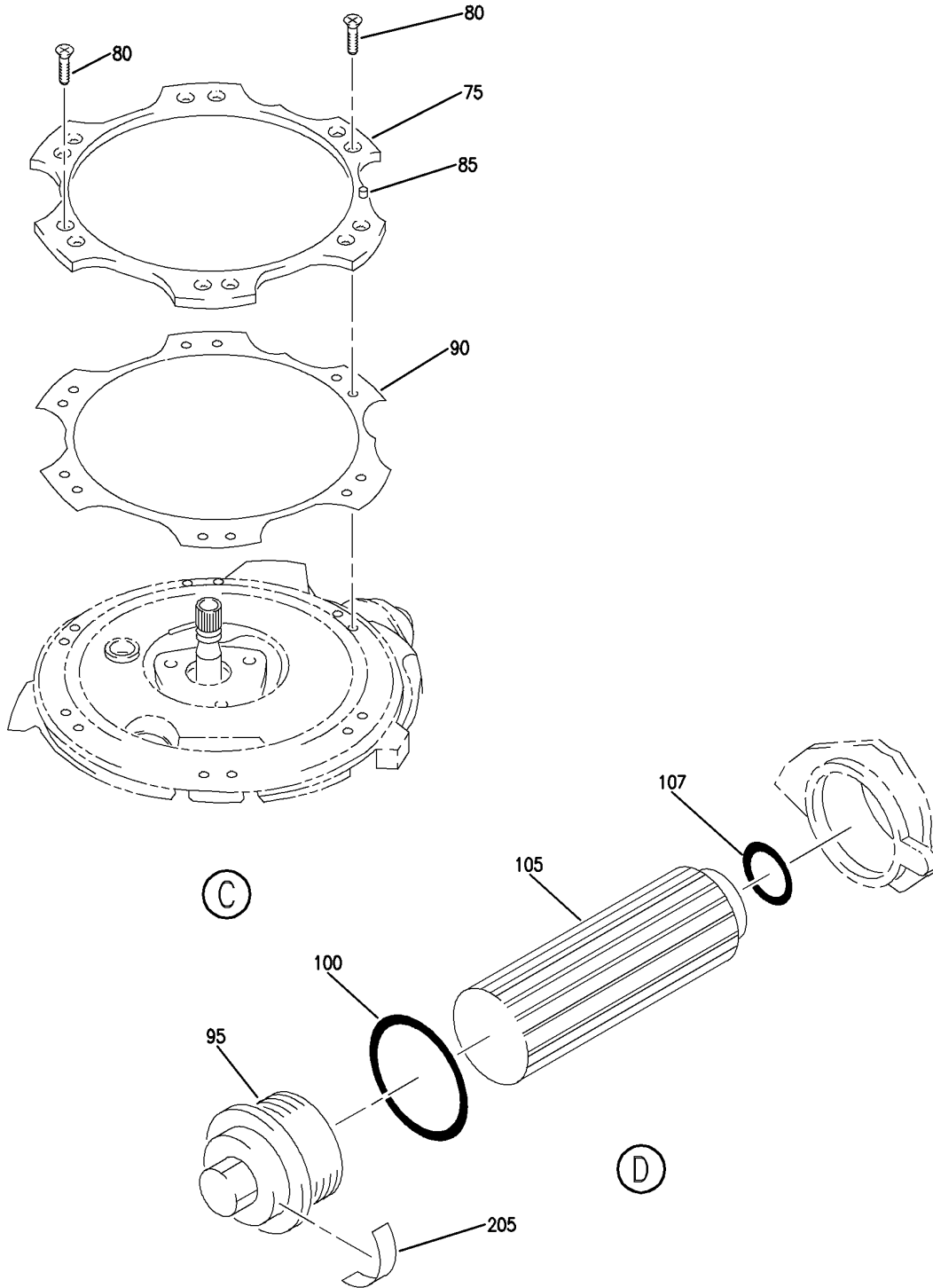
GENERATOR ASSY-INTEGRATED DRIVE  
 FIGURE 50 (SHEET 3)

**24-11-11-50**

HAP  
 OCT 10/06

24-11-11-50  
 PAGE 08

**BOEING**  
737-600/700/800/900  
PARTS CATALOG (MAINTENANCE)



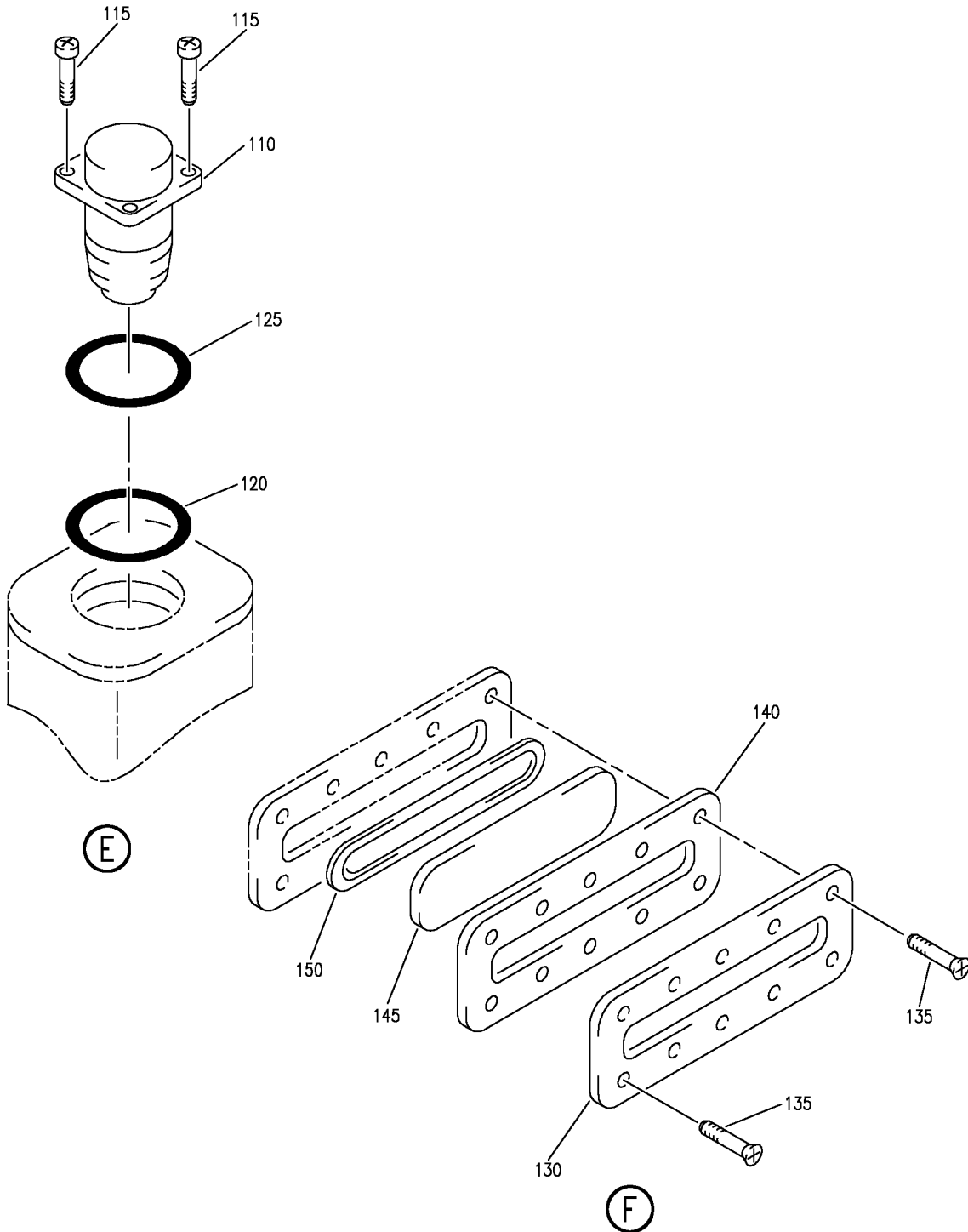
E 24111150 SHT 4 REV 054

GENERATOR ASSY-INTEGRATED DRIVE  
FIGURE 50 (SHEET 4)

**24-11-11-50**

HAP  
OCT 10/06

24-11-11-50  
PAGE 0C



E 2411150 SHT 5 REV 091

GENERATOR ASSY-INTEGRATED DRIVE  
 FIGURE 50 (SHEET 5)

**24-11-11-50**

HAP  
 OCT 10/06

24-11-11-50  
 PAGE 0D


**BOEING**  
 737-600/700/800/900  
**PARTS CATALOG (MAINTENANCE)**

FIG ITEM	PART NUMBER	1 2 3 4 5 6 7	NOMENCLATURE	EFFECT FROM TO	UNITS PER ASSY
50					
R			GENERATOR ASSY-INTEGRATED	001051	
R			DRIVE	054999	
R	- 1	761574B	GENERATOR ASSY-INTEGRATED	001051	RF
R			DRIVE	054999	
R			SUPPLIER CODE:		
R			V99167		
R			FUNCTIONAL DESCRIPTION:		
R			PROVIDES PRIMARY		
R			AIRCRAFT ELECTRICAL		
R			POWER BY CONVERTING		
R			VARIABLE ENG INPUT SPEED		
R			TO A CONSTANT OUTPUT		
R			SPEED, ENABLING THE		
R			GENERATOR PORTION OF THE		
R			IDG TO PRODUCE AC POWER		
R			SPECIFICATION NUMBER:		
R			S281A001-101		
R			NOT APPROVED FOR ETOPS		
R			WITHOUT INCORP OF SB:		
R			SB90EGS02I2401REV1		
R			SB90EGS02I242		
R			SB90EGS02I243		
R			MISCELLANEOUS DATA:		
R			NOT APPROVED FOR 180		
R			MINUTE ETOPS WITHOUT		
R			INCORP OF SB:		
R			S/B 90EGS021241 WAS		
R			INCORPORATED DURING		
R			PRODUCTION ON S/N XXX		
R			AND ABOVE. NOT APPROVED		
R			FOR 120 OR 180 MINUTE		
R			ETOPS WITHOUT INCORP OF		
R			S/B 90EGS021242 WAS		
R			INCORPORATED DURING		
R			PRODUCTION ON S/N YYY		
R			AND ABOVE. NOT APPROVED		
R			FOR 180 MINUTE ETOPS		
R			WITHOUT INCORP OF SB:		
R			S/B 90EGS021243 WAS		
R			INCORPORATED DURING		
R			PRODUCTION ON S/N ZZZ		
R			AND ABOVE. UNIT ABOVE		
R			S/N 750 ARE APPROVED FOR		
R			ETOPS.		
R			FOR ELEMENT MAINTENANCE USE		
R			FILTER MAINT KIT DEFINED IN		
R			FILTER MAINT KIT LIST.		
R			FILTER MAINTENANCE KIT REF:		
R			65-90305-68		

MISSING ITEM NUMBERS NOT APPLICABLE

- ITEM NOT ILLUSTRATED

HAP

# 24-11-11-50

BOEING PROPRIETARY - Copyright © - Unpublished Work - See title page for details.

24-11-11  
 FIG. 50  
 PAGE 1  
 JUN 15/09

**BOEING**  
737-600/700/800/900  
PARTS CATALOG (MAINTENANCE)

FIG ITEM	PART NUMBER	1 2 3 4 5 6 7	NOMENCLATURE	EFFECT FROM TO	UNITS PER ASSY	
R R R R R R R R R R R R	50		ELECTRICAL EQUIP NUMBER: G00009 COMPONENT MAINT MANUAL REF: 24-11-85 FOR NHA SEE: 24-11-11-01 24-11-11-01A			
	5	762097	.PLATE-IDENT SUPPLIER CODE: V99167 OPTIONAL PART: 1703659-1 V99167	001051 054999	1	
	5	1703659-1	.PLATE-IDENT SUPPLIER CODE: V99167 OPTIONAL PART: 762097 V99167	001051 054999	1	
	10	757188	.PLATE-MODIFICATION SUPPLIER CODE: V99167	001051 054999	1	
	15	NAS1352-04-4P	ATTACHING PARTS .SCREW	001051 054999	8	
	20	MS9954-05	-----*----- .PLUG	001051 054999	1	
	25	M83248-1-905	.PACKING- MAINTENANCE MANUAL REF: 24-11-21	001051 054999	1	
	25	M83485-1-905	.PACKING- MAINTENANCE MANUAL REF: 12-13-21 24-11-21 SERVICE BULLETIN OPT DATA: M83248-1-905	041041 044051 054100 102200 972999	1	
	MISSING ITEM NUMBERS NOT APPLICABLE					

— ITEM NOT ILLUSTRATED

HAP

# 24-11-11-50

BOEING PROPRIETARY - Copyright © - Unpublished Work - See title page for details.

24-11-11  
FIG. 50  
PAGE 2  
JUN 15/09

**BOEING**  
737-600/700/800/900  
PARTS CATALOG (MAINTENANCE)

FIG ITEM	PART NUMBER	1 2 3 4 5 6 7	NOMENCLATURE	EFFECT FROM TO	UNITS PER ASSY
50					
R	30	M83248-1-216	.PACKING- CONFIG CHG DATA FROM A CMM: REPLD BY B9216-797 MAINTENANCE MANUAL REF: 24-11-11 FOR SPARES PROCURE: 9216-787 V72902 9216-797 V72902 216-20018 V25184 2-216V1041-85 V02697	001051 054999	1
R	30	9216-797	.PACKING- SUPPLIER CODE: V5F573 CONFIG CHG DATA FROM A CMM: REPLS M83248-1-216 MAINTENANCE MANUAL REF: 24-11-11 OPTIONAL PART: 2-216V1041-85 V02697 216-20018 V25184 FOR SPARES PROCURE: 8021627 V92003	001051 054999	1
R	30	2-216V1041-85	.PACKING- SUPPLIER CODE: V02697 MAINTENANCE MANUAL REF: 24-11-11 OPTIONAL PART: 9216-797 V5F576	001051 054999	1
R	30	216-20018	.PACKING- SUPPLIER CODE: V25184 MAINTENANCE MANUAL REF: 24-11-11 OPTIONAL PART: 9216-797 V5F576	001051 054999	1

MISSING ITEM NUMBERS NOT APPLICABLE

— ITEM NOT ILLUSTRATED

HAP

# 24-11-11-50

BOEING PROPRIETARY - Copyright © - Unpublished Work - See title page for details.

24-11-11  
FIG. 50  
PAGE 3  
JUN 15/09

**BOEING**  
737-600/700/800/900  
PARTS CATALOG (MAINTENANCE)

FIG ITEM	PART NUMBER	1 2 3 4 5 6 7	NOMENCLATURE	EFFECT FROM TO	UNITS PER ASSY
50					
R	30	M83485-1-216	.PACKING-	041041	1
R			SERVICE BULLETIN OPT DATA:	044051	
R			M83248-1-216	054100	
R				102200	
R				972999	
R	35	762096	.COVER-TERM. BLOCK	001051	1
R			SUPPLIER CODE:	054999	
R			V99167		
R			ATTACHING PARTS		
R	40	5910018-9	.SCREW-	001051	2
R			SUPPLIER CODE:	054999	
R			V99167		
R	45	NAS1149E0363R	.WASHER	001051	2
R				054999	
R			-----*-----		
R	50	5911584-5	.NUT-	001051	4
R			SUPPLIER CODE:	054999	
R			V99167		
R	55	762070	.TERMINAL BLOCK-	001051	1
R			SUPPLIER CODE:	054999	
R			V99167		
R			CONFIG CHG DATA FROM A CMM:		
R			REPLD BY 769631		
R	55	769631	.TERMINAL BLOCK-	001051	1
R			SUPPLIER CODE:	054999	
R			V99167		
R			CONFIG CHG DATA FROM A CMM:		
R			REPLS 762070		
R			ATTACHING PARTS		
R	60	NAS1352-3-14P	.SCREW	001051	2
R				054999	
R	65	NAS1149E0363R	.WASHER	001051	2
R				054999	
R			-----*-----		
R	70	730807	.WASHER-SQUARE	001051	4
R			SUPPLIER CODE:	054999	
R			V99167		
R			USED WITH:		
R			762070		
R	70	768838	.WASHER-SQUARE	001051	4
R			SUPPLIER CODE:	054999	
R			V99167		
R			USED WITH:		
R			769631		
R	75	730665	.FLANGE ASSY-MTG	001051	1
R			SUPPLIER CODE:	054999	
R			V99167		

MISSING ITEM NUMBERS NOT APPLICABLE

— ITEM NOT ILLUSTRATED

HAP

# 24-11-11-50

24-11-11  
FIG. 50  
PAGE 4  
JUN 15/09



**BOEING**  
737-600/700/800/900  
PARTS CATALOG (MAINTENANCE)

FIG ITEM	PART NUMBER	1 2 3 4 5 6 7	NOMENCLATURE	EFFECT FROM TO	UNITS PER ASSY
50			ATTACHING PARTS		
R	80	06466624-16	.SCREW-	001051	12
R			SUPPLIER CODE:	054999	
R			V99167		
			-----*-----		
R	85	728864	.PIN-SHOULDERED	001051	1
R			SUPPLIER CODE:	054999	
R			V99167		
R	90	728865	.GASKET-	001051	1
R			SUPPLIER CODE:	054999	
R			V99167		
R	95	728747	.COVER-FILTER	001051	2
R			SUPPLIER CODE:	054999	
R			V99167		
R	100	M83248-1-226	.PACKING-	001051	2
R			MAINTENANCE MANUAL REF:	054999	
R			24-11-41		
R	100	M83485-1-226	.PACKING-	041041	2
R			SERVICE BULLETIN OPT DATA:	044051	
R			M83248-1-226	054100	
R				102200	
R				972999	
R	105	7588429-101	.ELEMENT-FILTER	001051	2
R			SUPPLIER CODE:	054999	
R			V05228		
R			FOR ELEMENT MAINTENANCE USE		
R			FILTER MAINT KIT DEFINED IN		
R			FILTER MAINT KIT LIST.		
R			FILTER MAINTENANCE KIT REF:		
R			65-90305-68		
R			OPTIONAL PART:		
R			AC9780F15Y1		
R			V18350		
R			AC9780F15Y11		
R			V18350		
R			5906067		
R			V99167		

MISSING ITEM NUMBERS NOT APPLICABLE

— ITEM NOT ILLUSTRATED

HAP

# 24-11-11-50

BOEING PROPRIETARY - Copyright © - Unpublished Work - See title page for details.

24-11-11  
FIG. 50  
PAGE 5  
JUN 15/09



**BOEING**  
737-600/700/800/900  
PARTS CATALOG (MAINTENANCE)

FIG ITEM	PART NUMBER	1 2 3 4 5 6 7	NOMENCLATURE	EFFECT FROM TO	UNITS PER ASSY
50					
R	107	M83485-1-214	.PACKING-	041041	2
R			SERVICE BULLETIN OPT DATA:	044051	
R			M83248-1-214	054100	
R				102200	
R				972999	
R	110	59880	.INDICATOR-PRESSURE DIFF	001051	1
R			SUPPLIER CODE:	054999	
R			V99167		
R			COMPONENT MAINT MANUAL REF:		
R			24-16-05		
R			ATTACHING PARTS		
R	115	NAS1352-06-8P	.SCREW	001051	4
R				054999	
R			-----*-----		
R	120	M83248-1-014	.PACKING-	001051	1
R				054999	
R	120	M83485-1-014	.PACKING-	041041	1
R			SERVICE BULLETIN OPT DATA:	044051	
R			M83248-1-014	054100	
R				102200	
R				972999	
R	125	M83248-1-015	.PACKING-	001051	1
R				054999	
R	125	M83485-1-015	.PACKING-	041041	1
R			SERVICE BULLETIN OPT DATA:	044051	
R			M83248-1-015	054100	
R				102200	
R				972999	
R	130	768099	.PLATE-FLUID LEVEL IND	001051	1
R			SUPPLIER CODE:	054999	
R			V99167		
R			ATTACHING PARTS		
R	135	NAS1352C06-6P	.SCREW	001051	10
R				054999	
R			-----*-----		
R	140	745001	.GASKET-SIGHT GLASS	001051	1
R			SUPPLIER CODE:	054999	
R			V99167		
R	145	753313	.GLASS-SIGHT	001051	1
R			SUPPLIER CODE:	054999	
R			V99167		
R	150	753312	.GASKET-SIGHT GLASS	001051	1
R			SUPPLIER CODE:	054999	
R			V99167		
R	155	5910310	.FITTING-	001051	1
R			SUPPLIER CODE:	054999	
R			V99167		
R	160	M83248-1-908	.PACKING-	001051	1
R				054999	

MISSING ITEM NUMBERS NOT APPLICABLE

— ITEM NOT ILLUSTRATED

HAP

# 24-11-11-50

24-11-11  
FIG. 50  
PAGE 7  
JUN 15/09

**BOEING**  
737-600/700/800/900  
PARTS CATALOG (MAINTENANCE)

FIG ITEM	PART NUMBER	1 2 3 4 5 6 7	NOMENCLATURE	EFFECT FROM TO	UNITS PER ASSY
50					
R	160	M83485-1-908	.PACKING-	041041	1
R			SERVICE BULLETIN OPT DATA:	044051	
R			M83248-1-908	054100	
R				102200	
R				972999	
R	165	5910311	.FITTING-	001051	1
R			SUPPLIER CODE:	054999	
R			V99167		
R	170	M83248-1-910	.PACKING-	001051	1
R				054999	
R	170	M83485-1-910	.PACKING-	041041	1
R			SERVICE BULLETIN OPT DATA:	044051	
R			M83248-1-910	054100	
R				102200	
R				972999	
R	175	MS9954-06	.PLUG	001051	1
R				054999	
R	180	M83248-1-906	.PACKING-	001051	2
R				054999	
R	180	M83485-1-906	.PACKING-	041041	2
R			SERVICE BULLETIN OPT DATA:	044051	
R			M83248-1-906	054100	
R				102200	
R				972999	
R	185	5906683	.VALVE-CASE DUMP	001051	1
R			SUPPLIER CODE:	054999	
R			V99167		
R	190	MS9954-04	.PLUG	001051	1
R				054999	
R	195	M83248-1-904	.PACKING-	001051	1
R				054999	
R	195	M83485-1-904	.PACKING-	041041	1
R			SERVICE BULLETIN OPT DATA:	044051	
R			M83248-1-904	054100	
R				102200	
R				972999	
R	205	764428	.DECAL-	001051	2
R			SUPPLIER CODE:	054999	
R			V99167		
R	210	5909051	.COVER-PRESSURE FILL	001051	1
R			SUPPLIER CODE:	054999	
R			V99167		
R			OPTIONAL PART:		
R			OMP2506-6		
R			V33068		

MISSING ITEM NUMBERS NOT APPLICABLE

— ITEM NOT ILLUSTRATED

HAP

# 24-11-11-50

24-11-11  
FIG. 50  
PAGE 8  
JUN 15/09

**BOEING**  
737-600/700/800/900  
PARTS CATALOG (MAINTENANCE)

FIG ITEM	PART NUMBER	1 2 3 4 5 6 7	NOMENCLATURE	EFFECT FROM TO	UNITS PER ASSY
R R R R R R R R R R R R R R R R	50 210	OMP2506-6	.COVER-PRESSURE FILL SUPPLIER CODE: VK0667 OPTIONAL PART: 5909051 V99167	001051 054999	1
	215	5910292	.COUPLING-HALF BHD SUPPLIER CODE: V99167 OPTIONAL PART: OMP2506-9 V33068 86-4252-1 V99321	001051 054999	1
	215	OMP2506-9	.COUPLING-HALF BHD SUPPLIER CODE: VK0667 OPTIONAL PART: 5910292 V99167 86-4252-1 V99321	001051 054999	1
	215	86-4252-1	.COUPLING-HALF BHD SUPPLIER CODE: V99321 OPTIONAL PART: 5910292 V99167 OMP2506-9 V33068	001051 054999	1
	220	M83248-1-906	.PACKING-	001051 054999	1
	220	M83485-1-906	.PACKING- SERVICE BULLETIN OPT DATA: M83248-1-906	041041 044051 054100 102200 972999	1
	223	5911232	.VALVE-VENT SUPPLIER CODE: V99167	001051 054999	1
	224	M83248-1-908	.PACKING-	001051 054999	1
	224	M83485-1-908	.PACKING- SERVICE BULLETIN OPT DATA: M83248-1-908	041041 044051 054100 102200 972999	1

MISSING ITEM NUMBERS NOT APPLICABLE

— ITEM NOT ILLUSTRATED

HAP

# 24-11-11-50

BOEING PROPRIETARY - Copyright © - Unpublished Work - See title page for details.

24-11-11  
FIG. 50  
PAGE 9  
JUN 15/09

**BOEING**  
737-600/700/800/900  
PARTS CATALOG (MAINTENANCE)

FIG ITEM	PART NUMBER	1 2 3 4 5 6 7	NOMENCLATURE	EFFECT FROM TO	UNITS PER ASSY
R R R R R R	50 225	766563	.DECAL- SUPPLIER CODE: V99167	001051 054999	1
	- 230	766564	.DECAL- SUPPLIER CODE: V99167	001051 054999	1
MISSING ITEM NUMBERS NOT APPLICABLE					

- ITEM NOT ILLUSTRATED

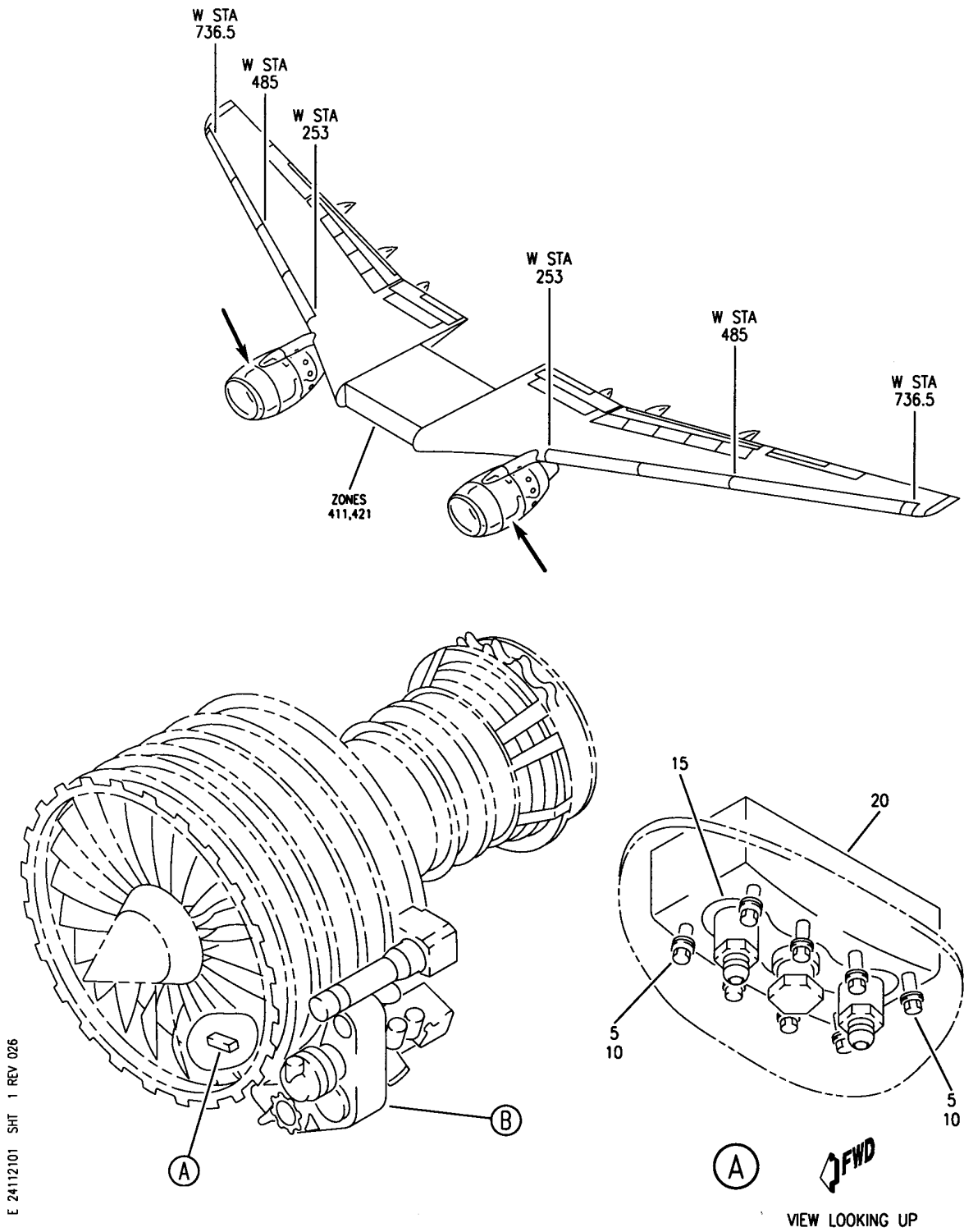
HAP

# 24-11-11-50

BOEING PROPRIETARY - Copyright © - Unpublished Work - See title page for details.

24-11-11  
FIG. 50  
PAGE 10  
JUN 15/09

**BOEING**  
 737-600/700/800/900  
 PARTS CATALOG (MAINTENANCE)



E 24112101 SH1 1 REV 026

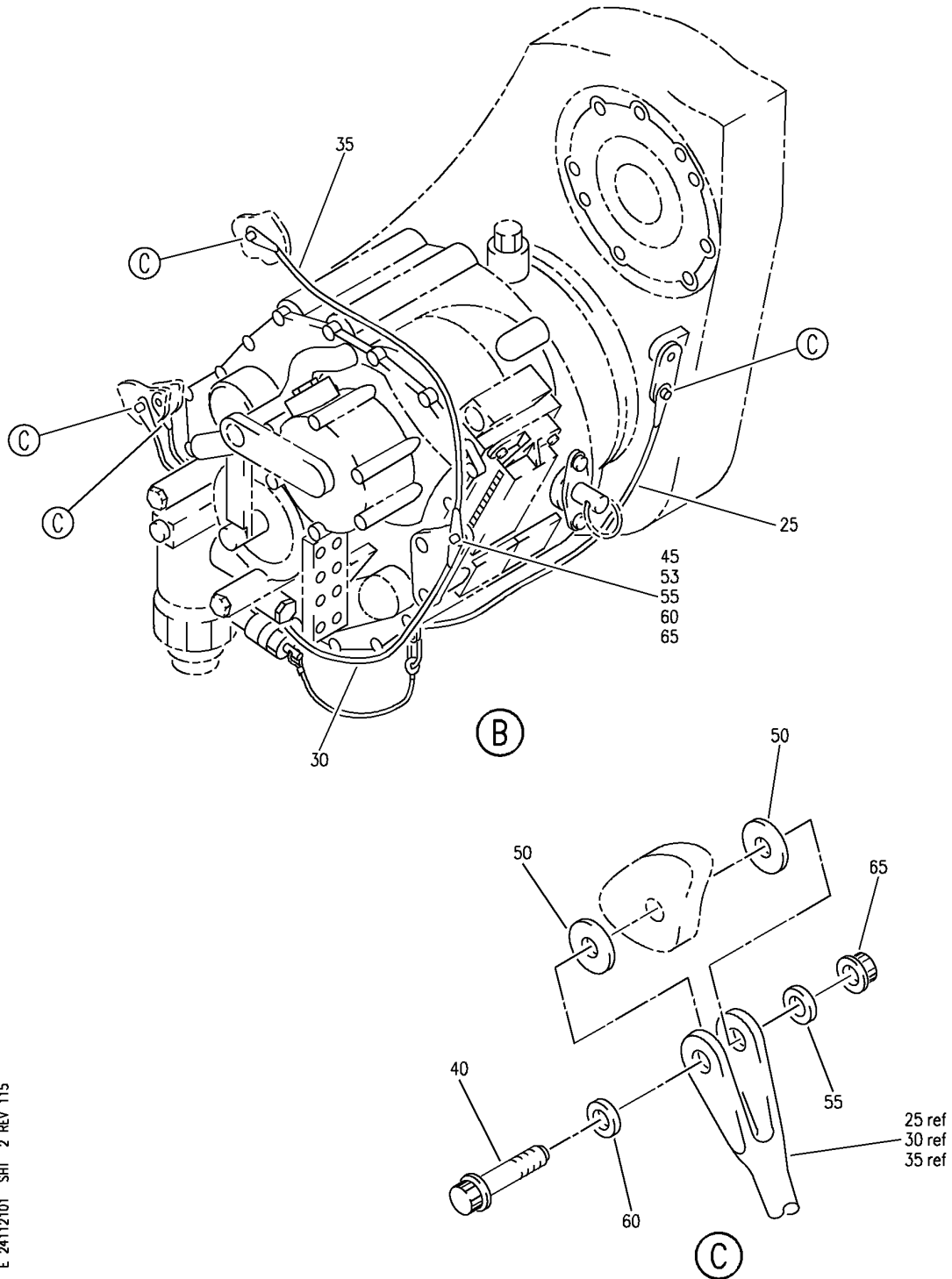
GENERATOR INSTL-AIR/OIL COOLER AND INTEGRATED DRIVE (COOLER ONLY)  
 FIGURE 1 (SHEET 1)

**24-11-21-01**

HAP  
 OCT 10/06

24-11-21-01  
 PAGE 0

**BOEING**  
 737-600/700/800/900  
 PARTS CATALOG (MAINTENANCE)



E 24112101 SHT 2 REV 115

GENERATOR INSTL-AIR/OIL COOLER AND INTEGRATED DRIVE (COOLER ONLY)  
 FIGURE 1 (SHEET 2)

**24-11-21-01**

HAP  
 OCT 10/06

24-11-21-01  
 PAGE 0A



**BOEING**  
737-600/700/800/900  
PARTS CATALOG (MAINTENANCE)

FIG ITEM	PART NUMBER	1 2 3 4 5 6 7	NOMENCLATURE	EFFECT FROM TO	UNITS PER ASSY
1			GENERATOR INSTL-AIR/OIL COOLER AND INTEGRATED DRIVE (COOLER ONLY)	001007	
- 1	332A2600-7		GENERATOR INSTL-AIR/OIL COOLER AND INTEGRATED DRIVE (COOLER ONLY) FOR NHA/ADDITIONAL DET SEE: 24-10-00-01	001001 006007	RF
- 1	332A2600-9		GENERATOR INSTL-AIR/OIL COOLER AND INTEGRATED DRIVE (COOLER ONLY) FOR NHA/ADDITIONAL DET SEE: 24-10-00-01	002005	RF
5	AS3237-10		.BOLT	001007	8
10	NAS1149C0463R		.WASHER	001007	8
15	U542648		.GASKET- SUPPLIER CODE: V78943 SPECIFICATION NUMBER: S332A260-4 MAINTENANCE MANUAL REF: 24-11-21	001007	1
20	UA538551-3		.COOLER-INTEGRATED DRIVE GENERATOR SUPPLIER CODE: V78943 FUNCTIONAL DESCRIPTION: FAN AIR PASSES THROUGH OIL COOLER TO COOL IDG OIL SPECIFICATION NUMBER: S332A260-1 COMPONENT MAINT MANUAL REF: 24-11-02 MAINTENANCE MANUAL REF: 24-11-21	001007	1
25	332A2600-4		.LANYARD ASSY	001007	1
30	332A2600-5		.LANYARD ASSY	001007	1
35	332A2600-6		.LANYARD ASSY ATTACHING PARTS	001007	1
40	BACB30LE5K7		.BOLT-	001001 006007	4
40	BACB30LE5K8		.BOLT-	002005	4
45	BACB30LE5K11		.BOLT-	001001 006007	1
45	BACB30LE5K12		.BOLT-	002005	1
50	NAS1149E0532P		.WASHER	002005	8

MISSING ITEM NUMBERS NOT APPLICABLE

- ITEM NOT ILLUSTRATED

HAP

# 24-11-21-01

24-11-21  
FIG. 01  
PAGE 1  
OCT 10/06

**BOEING**  
737-600/700/800/900  
PARTS CATALOG (MAINTENANCE)

FIG ITEM	PART NUMBER	1 2 3 4 5 6 7	NOMENCLATURE	EFFECT FROM TO	UNITS PER ASSY
1					
55	NAS1149E0563R		.WASHER- POSITION DATA: UNDER NUT	002005	5
60	BACW10BP5CD		.WASHER ATTACHING PARTS	001007	5
65	AS3485-11		.NUT -----*-----	001007	5
MISSING ITEM NUMBERS NOT APPLICABLE					

— ITEM NOT ILLUSTRATED

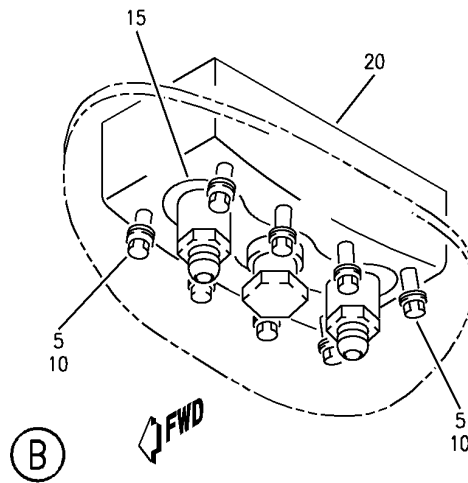
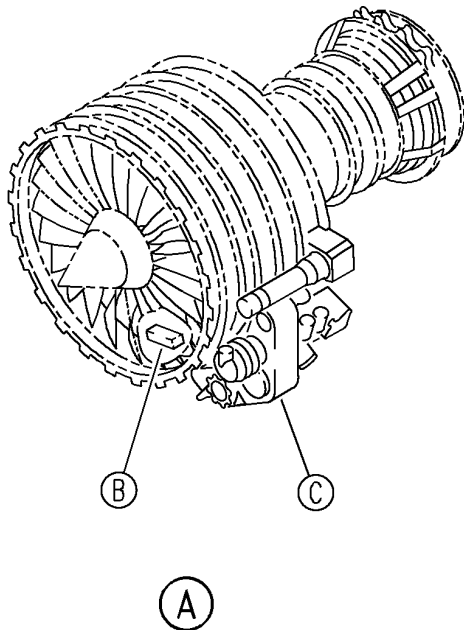
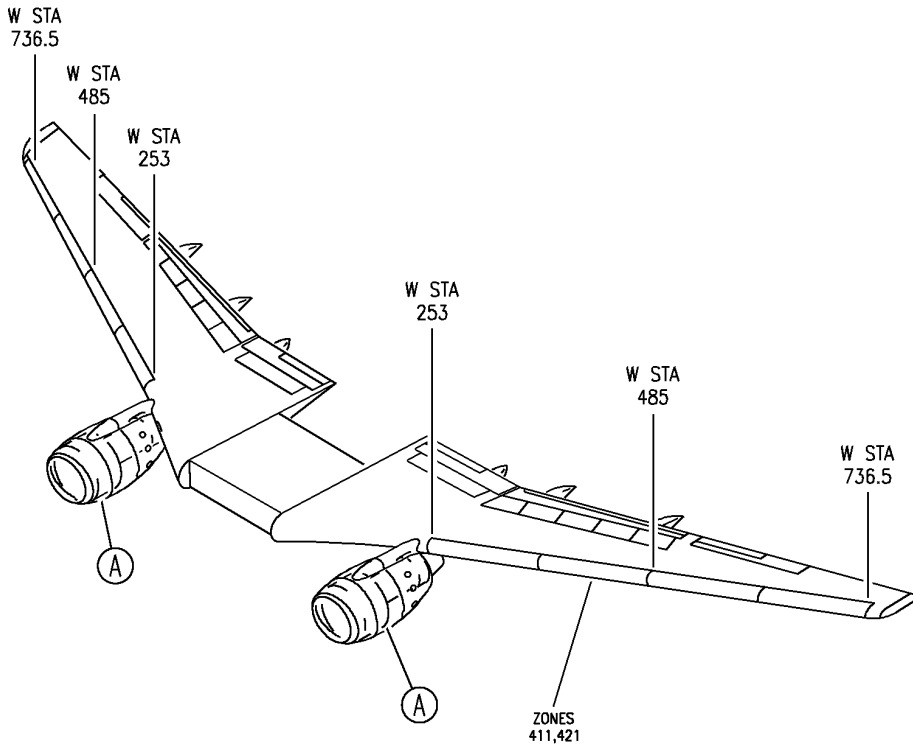
HAP

# 24-11-21-01

BOEING PROPRIETARY - Copyright © - Unpublished Work - See title page for details.

24-11-21  
FIG. 01  
PAGE 2  
OCT 10/06

**BOEING**  
 737-600/700/800/900  
 PARTS CATALOG (MAINTENANCE)



E 24112101A SHT 1 REV 133

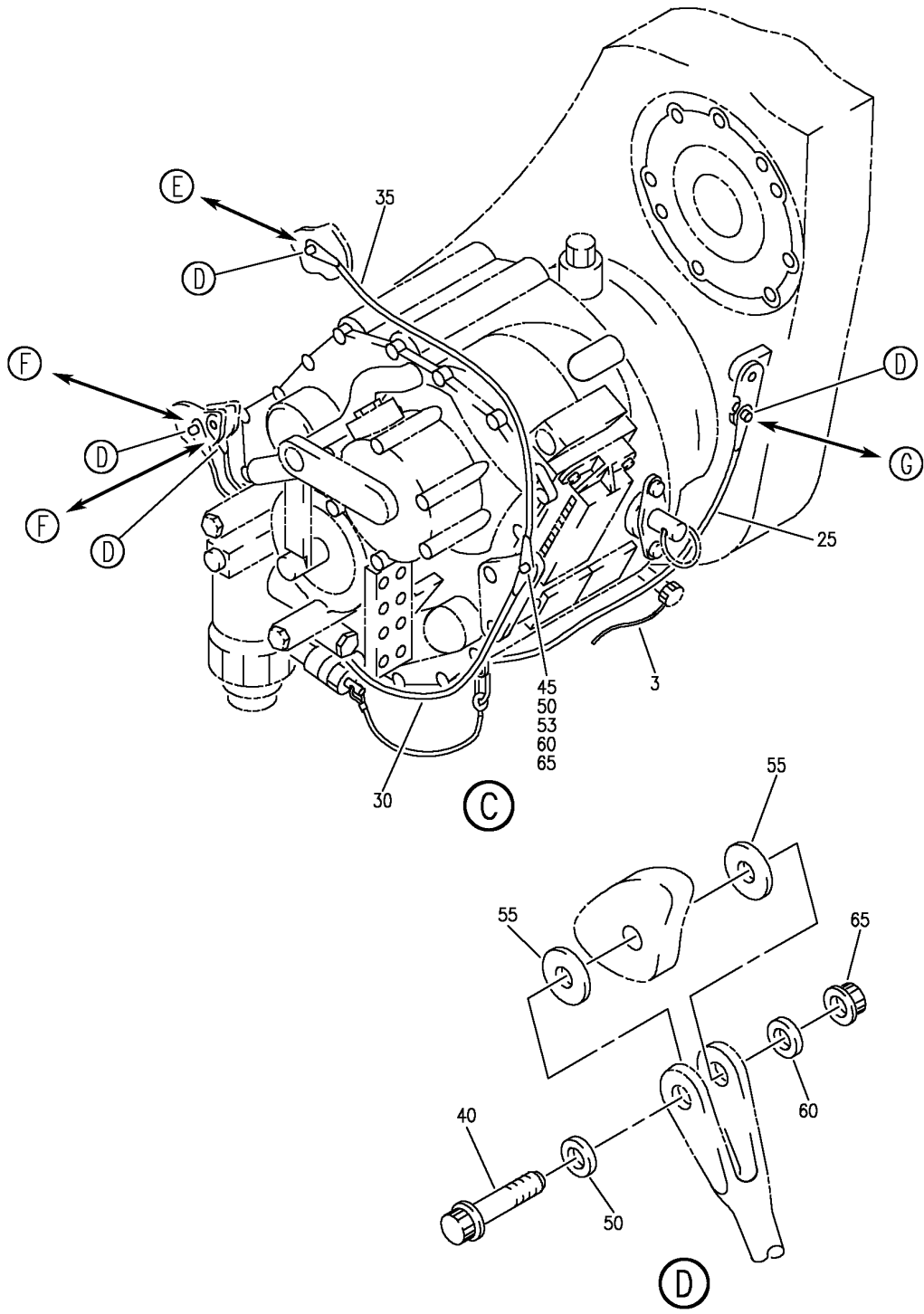
GENERATOR INSTL-AIR/OIL COOLER AND INTEGRATED DRIVE (IDG AIR/OIL COOLER ONLY)  
 FIGURE 1A (SHEET 1)

HAP  
 OCT 10/07

**24-11-21-01A**

24-11-21-01A  
 PAGE 0

**BOEING**  
 737-600/700/800/900  
 PARTS CATALOG (MAINTENANCE)



E 24112101A SHT 2 REV 153

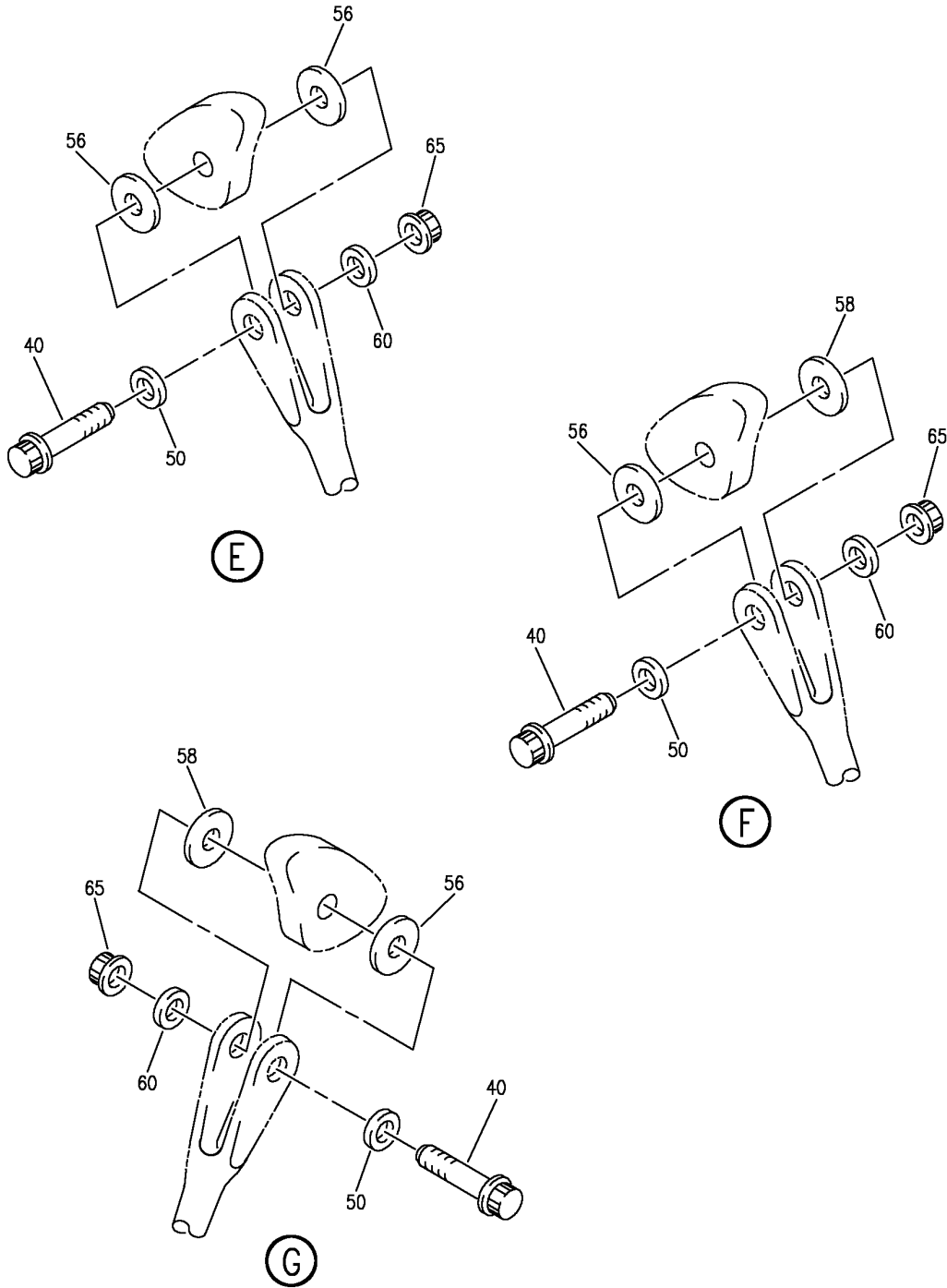
GENERATOR INSTL-AIR/OIL COOLER AND INTEGRATED DRIVE (IDG AIR/OIL COOLER ONLY)  
 FIGURE 1A (SHEET 2)

HAP  
 JUN 15/09

**24-11-21-01A**

24-11-21-01A  
 PAGE 0A

**BOEING**  
737-600/700/800/900  
PARTS CATALOG (MAINTENANCE)



E 24112101A SHT 3 REV 140

GENERATOR INSTL-AIR/OIL COOLER AND INTEGRATED DRIVE (IDG AIR/OIL COOLER ONLY)  
FIGURE 1A (SHEET 3)

HAP  
JUN 15/08

**24-11-21-01A**

24-11-21-01A  
PAGE 0B

**BOEING**  
737-600/700/800/900  
PARTS CATALOG (MAINTENANCE)

FIG ITEM	PART NUMBER	1 2 3 4 5 6 7	NOMENCLATURE	EFFECT FROM TO	UNITS PER ASSY
1 A			GENERATOR INSTL-AIR/OIL COOLER AND INTEGRATED DRIVE (IDG AIR/OIL COOLER ONLY)	008999	
- 1	332A2600-8		GENERATOR INSTL-AIR/OIL COOLER AND INTEGRATED DRIVE FOR NHA/ADDITIONAL DET SEE: 24-10-00-01	008030 201967	RF
- 1	MODREF225819		GENERATOR INSTL-AIR/OIL COOLER AND INTEGRATED DRIVE (IDG AIR/OIL COOLER ONLY) MODULE NUMBER: 332A2600-12 REV B FOR ADDITIONAL DETAILS SEE: 24-11-11-01A 24-11-61-01A	031040 042043 101101 968971	1
R R	- 1	MODREF344121	GENERATOR INSTL-AIR/OIL COOLER AND INTEGRATED DRIVE (IDG AIR/OIL COOLER ONLY) MODULE NUMBER: 332A2600-12 REV C FOR ADDITIONAL DETAILS SEE: 24-11-11-01A 24-11-61-01A	041041 044051 054100 102200 972999	1
- 1	MODREF416153		GENERATOR INSTL-AIR/OIL COOLER AND INTEGRATED DRIVE (IDG AIR/OIL COOLER ONLY) MODULE NUMBER: 332A2600-12 REV D FOR ADDITIONAL DETAILS SEE: 24-11-11-01A 24-11-61-01A	052053	1
3	AS3510-0218K		.CABLE-SAFETY OPTIONAL PART: MS20995NC32	031200 968999	2
5	AS3237-10		.BOLT-	008030 201967	16
5	BACB30ZF4-10		.BOLT-	031200 968999	16
10	NAS1149C0463R		.WASHER	008999	16

MISSING ITEM NUMBERS NOT APPLICABLE

- ITEM NOT ILLUSTRATED

HAP

# 24-11-21-01A

24-11-21  
FIG. 01A  
PAGE 1  
JUN 15/09

**BOEING**  
737-600/700/800/900  
PARTS CATALOG (MAINTENANCE)

FIG ITEM	PART NUMBER	1 2 3 4 5 6 7	NOMENCLATURE	EFFECT FROM TO	UNITS PER ASSY
R R R R R R R	1A				
	15	U542648	.GASKET- SUPPLIER CODE: V78943 SPECIFICATION NUMBER: S332A260-4 MAINTENANCE MANUAL REF: 24-11-21	008051 054999	2
	20	UA538551-3	.COOLER-INTEGRATED DRIVE GENERATOR SUPPLIER CODE: V78943 FUNCTIONAL DESCRIPTION: FAN AIR PASSES THROUGH OIL COOLER TO COOL IDG OIL SPECIFICATION NUMBER: S332A260-1 COMPONENT MAINT MANUAL REF: 24-11-02 MAINTENANCE MANUAL REF: 24-11-21	008999	2
	25	332A2600-4	.LANYARD ASSY	008999	2
	30	332A2600-5	.LANYARD ASSY	008999	2
	35	332A2600-6	.LANYARD ASSY ATTACHING PARTS	008999	2
	40	BACB30LE5K8	.BOLT-	008999	8
	45	BACB30LE5K12	.BOLT-	008030 201967	2
	45	BACB30LE5K14	.BOLT-	031200 968999	2
	50	BACW10BP5CD	.WASHER- OPTIONAL PART: BACW10BP5ACU	008999	10
	50	BACW10BP5ACU	.WASHER- OPTIONAL PART: BACW10BP5CD	008999	10
	53	BACW10BP5APU	.WASHER-	031200 968999	2
	55	NAS1149E0532P	.WASHER	008040 042043 101101 201971	16
	56	NAS1149E0532P	.WASHER	041041 044100 102200 972999	10

MISSING ITEM NUMBERS NOT APPLICABLE

- ITEM NOT ILLUSTRATED

HAP

# 24-11-21-01A

BOEING PROPRIETARY - Copyright © - Unpublished Work - See title page for details.

24-11-21  
FIG. 01A  
PAGE 2  
JUN 15/09

**BOEING**  
737-600/700/800/900  
PARTS CATALOG (MAINTENANCE)

FIG ITEM	PART NUMBER	1 2 3 4 5 6 7	NOMENCLATURE	EFFECT FROM TO	UNITS PER ASSY
1 A					
58	NAS1149E0516P	.	WASHER	041041 044100 102200 972999	6
60	NAS1149E0563R	.	WASHER- POSITION DATA: UNDER NUT	008999	10
65	AS3485-11	.	NUT- OPTIONAL PART: BACN10HR5CS	008999	10
65	BH003035	.	NUT- SUPPLIER CODE: V27238 SPECIFICATION NUMBER: BACN10HR5CS OPTIONAL PART: H39953-5 V15653 109LH9031-5 V72962 67832AS524 V56878 BH00303-5 V27238 SL7059C524 V11815 BMN5024CPD35 V97928 CR59085 V62554 SL705095 V11815 109LH90315 V72962 67832AS5 V56878 BMN10HRRCPD3-5 V97928 AS3485-11 -----*-----	041041 044100 102200 972999	10

MISSING ITEM NUMBERS NOT APPLICABLE

— ITEM NOT ILLUSTRATED

HAP

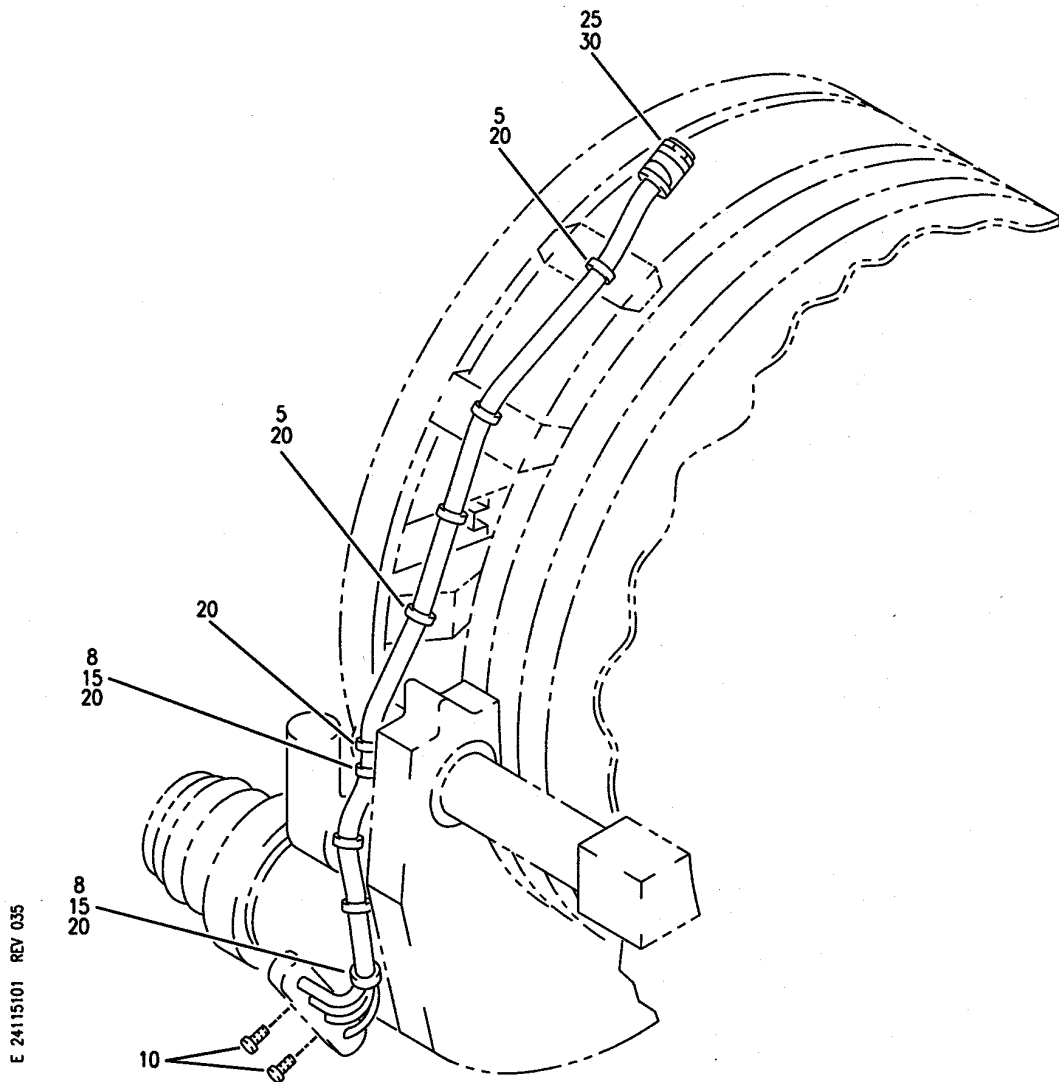
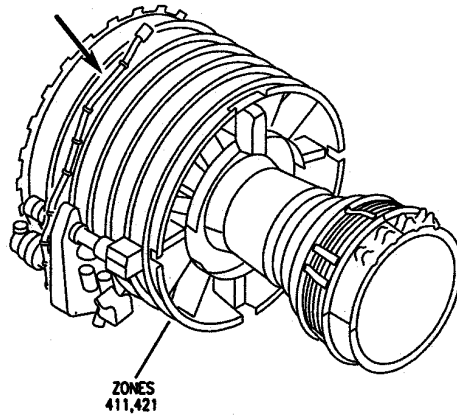
# 24-11-21-01A

BOEING PROPRIETARY - Copyright © - Unpublished Work - See title page for details.

24-11-21  
FIG. 01A  
PAGE 3  
JUN 15/09



**BOEING**  
737-600/700/800/900  
PARTS CATALOG (MAINTENANCE)



E 24115101 REV 035

ELECTRICAL INSTL-EBU  
FIGURE 1

**24-11-51-01**

HAP  
OCT 10/06

24-11-51-01  
PAGE 0

**BOEING**  
737-600/700/800/900  
PARTS CATALOG (MAINTENANCE)

FIG ITEM	PART NUMBER	1 2 3 4 5 6 7	NOMENCLATURE	EFFECT FROM TO	UNITS PER ASSY
1			ELECTRICAL INSTL-EBU	001007	
- 1	332A2200-2		ELECTRICAL INSTL-EBU FOR NHA SEE: 24-10-00-01	001007	RF
5	AS3237-06		.BOLT	001007	4
8	AS3237-08		.BOLT	001007	4
10	AS3237-24		.BOLT	001007	2
15	AS3485-10		.NUT	001007	4
20	TA025189-15		.CLAMP- SUPPLIER CODE: V84971	001007	9
20	TA025146-15		.CLAMP- SUPPLIER CODE: V84971	001007	9
25	286A1062-002		.WIRE BUNDLE ASSY- QUALIFIED I/W DATA: 286A1062-002 T/W 9 EA TA025146-15 CLAMP REPLACES 286A1062-001 T/W 9 EA TA025189-15 CLAMP TWO-WAY INTERCHANGEABLE	001007	1
30	CA66287-50		.. PLUG- SUPPLIER CODE: V71468 ELECTRICAL EQUIP NUMBER: D30038 WIRING DIAGRAM REF: 242111	001007	1
35	TA30700100		.. CLAMP- SUPPLIER CODE: V84971 ELECTRICAL EQUIP NUMBER: D30038 WIRING DIAGRAM REF: 242111	001007	1

MISSING ITEM NUMBERS NOT APPLICABLE

- ITEM NOT ILLUSTRATED

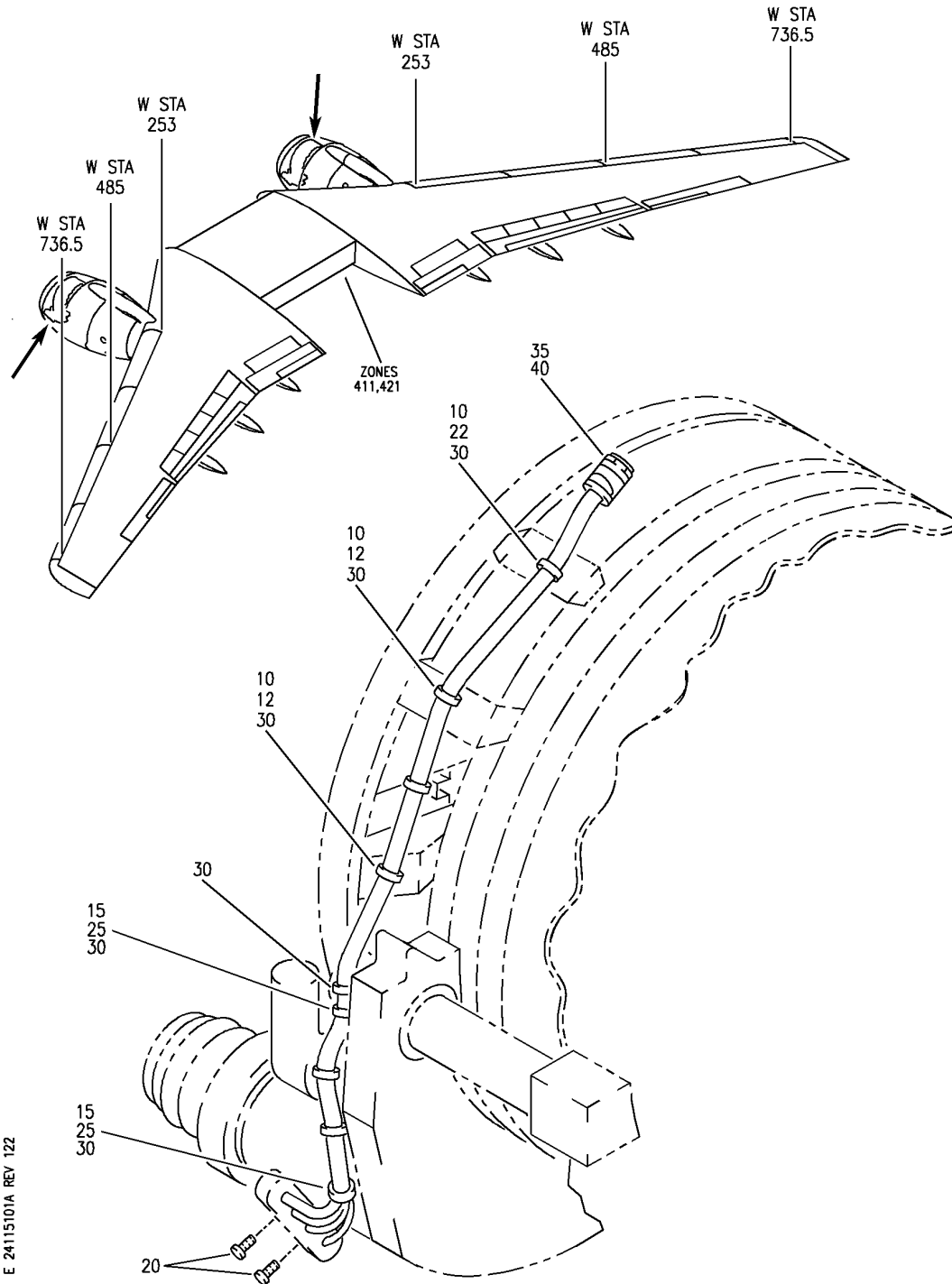
HAP

# 24-11-51-01

BOEING PROPRIETARY - Copyright © - Unpublished Work - See title page for details.

24-11-51  
FIG. 01  
PAGE 1  
OCT 10/06

**BOEING**  
 737-600/700/800/900  
 PARTS CATALOG (MAINTENANCE)



E 24115101A REV 122

ELECTRICAL INSTL-EBU  
 FIGURE 1A

**24-11-51-01A**

HAP  
 OCT 10/06

24-11-51-01A  
 PAGE 0

**BOEING**  
737-600/700/800/900  
PARTS CATALOG (MAINTENANCE)

FIG ITEM	PART NUMBER	1 2 3 4 5 6 7	NOMENCLATURE	EFFECT FROM TO	UNITS PER ASSY
1 A					
- 5	332A2200-4		ELECTRICAL INSTL-EBU ELECTRICAL INSTL-EBU FOR NHA SEE: 24-10-00-01	008999 008027 201967	RF
- 5	332A2200-5		ELECTRICAL INSTL-EBU FOR NHA SEE: 24-10-00-01	028030	RF
- 5	MODREF89268		ELECTRICAL INSTL-EBU MODULE NUMBER: 332A2200-6 REV A	031036	1
- 5	MODREF304450		ELECTRICAL INSTL-EBU MODULE NUMBER: 332A2200-6 REV B	037043 054102 968971	1
- 5	MODREF359246		ELECTRICAL INSTL-EBU MODULE NUMBER: 332A2200-6 REV C	044053 103200 972999	1
10	AS3237-06		.BOLT- OPTIONAL PART: BACB30ZF4-06	028030	8
10	BACB30ZF4-06		.BOLT- OPTIONAL PART: AS3237-06	028030	8
10	BACB30ZF4-06		.BOLT	031036	8
10	AS3237-06		.BOLT	008027 201967	8
12	BACB30ZF4-06		.BOLT	037200 968999	6
15	AS3237-08		.BOLT- OPTIONAL PART: BACB30ZF4-08	028030	8
15	BACB30ZF4-08		.BOLT- OPTIONAL PART: AS3237-08	028030	8
15	BACB30ZF4-08		.BOLT	031200 968999	8
15	AS3237-08		.BOLT	008027 201967	8
20	AS3237-24		.BOLT- OPTIONAL PART: BACB30ZF4-24	028030	4
20	BACB30ZF4-24		.BOLT- OPTIONAL PART: AS3237-24	028030	4
20	BACB30ZF4-24		.BOLT	031200 968999	4
20	AS3237-24		.BOLT	008027 201967	4
22	BACB30ZF4-07		.BOLT	037200 968999	2

MISSING ITEM NUMBERS NOT APPLICABLE

- ITEM NOT ILLUSTRATED

HAP

# 24-11-51-01A

BOEING PROPRIETARY - Copyright © - Unpublished Work - See title page for details.

24-11-51  
FIG. 01A  
PAGE 1  
FEB 15/09

**BOEING**  
737-600/700/800/900  
PARTS CATALOG (MAINTENANCE)

FIG ITEM	PART NUMBER	1 2 3 4 5 6 7	NOMENCLATURE	EFFECT FROM TO	UNITS PER ASSY
1 A					
25	AS3485-10	.	NUT	008999	8
30	TA025146-15	.	CLAMP-	008999	18
			SUPPLIER CODE: V84971		
35	286A1062-002	.	WIRE BUNDLE ASSY	008999	2
40	CA66287-50	..	PLUG-	008999	1
			SUPPLIER CODE: V71468 ELECTRICAL EQUIP NUMBER: D30038 WIRING DIAGRAM REF: 242111		

MISSING ITEM NUMBERS NOT APPLICABLE

— ITEM NOT ILLUSTRATED

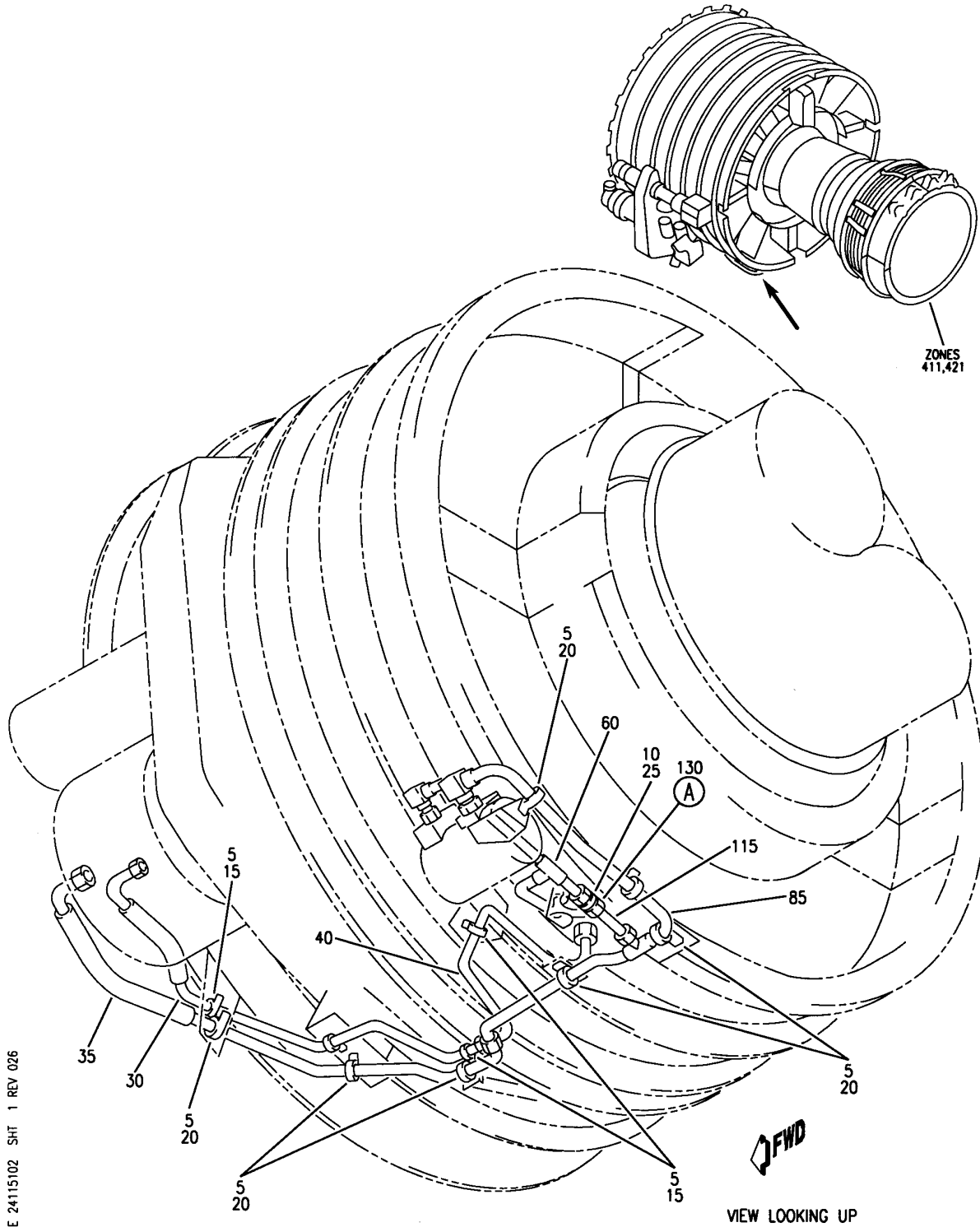
HAP

# 24-11-51-01A

BOEING PROPRIETARY - Copyright © - Unpublished Work - See title page for details.

24-11-51  
FIG. 01A  
PAGE 2  
OCT 15/08

**BOEING**  
 737-600/700/800/900  
 PARTS CATALOG (MAINTENANCE)



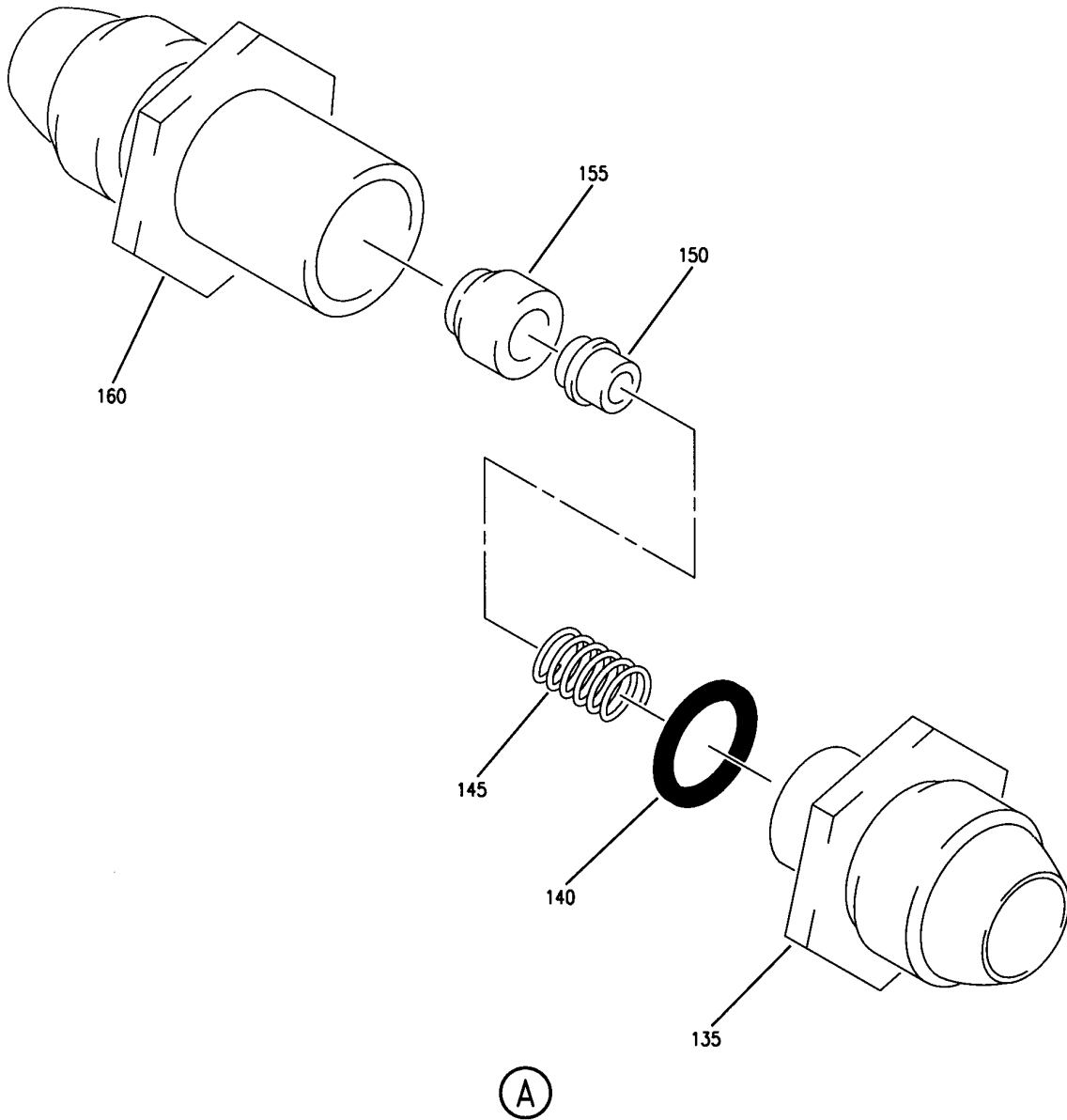
E 24115102 SH1 1 REV 026

PLUMBING INSTL-EBU, IDG  
 FIGURE 2 (SHEET 1)

**24-11-51-02**

HAP  
 OCT 10/06

24-11-51-02  
 PAGE 0



E 24115102 SH1 2 REV 026

PLUMBING INSTL-EBU, IDG  
FIGURE 2 (SHEET 2)

**24-11-51-02**

HAP  
OCT 10/06

24-11-51-02  
PAGE 0A

**BOEING**  
737-600/700/800/900  
PARTS CATALOG (MAINTENANCE)

FIG ITEM	PART NUMBER	1 2 3 4 5 6 7	NOMENCLATURE	EFFECT FROM TO	UNITS PER ASSY
2					
- 1	332A2100-5		PLUMBING INSTL-EBU, IDG PLUMBING INSTL-EBU, IDG FOR NHA SEE: 24-10-00-01	001007 001007	RF
5	AS3237-06		.BOLT	001007	11
10	AS3237-08		.BOLT	001007	1
15	J1221G10		.CLAMP- SUPPLIER CODE: V07482	001007	4
20	J1221G12		.CLAMP- SUPPLIER CODE: V07482	001007	7
25	J1221G15		.CLAMP- SUPPLIER CODE: V07482	001007	1
30	115096-4		.TUBE ASSY-HOSE IDG SUPPLIER CODE: V78570 SPECIFICATION NUMBER: S332A240-4	001007	1
30	115096-3		.TUBE ASSY-HOSE IDG SUPPLIER CODE: V78570 SPECIFICATION NUMBER: S332A240-3	001007	1
35	115096-2		.TUBE ASSY-HOSE IDG SUPPLIER CODE: V78570 SPECIFICATION NUMBER: S332A240-2	001007	1
40	332A2240-1		.TUBE ASSY-IDG TUBING MATERIAL: .625 IN. OD X .028 IN. WALL X 25.4 IN. LG NICKEL ALLOY 625 TUBING PER AMS 5581	001007	1
- 45	J1016P10B		..CONNECTOR-TUBING SUPPLIER CODE: V96941	001007	1
- 50	J1322P10B		..NUT- SUPPLIER CODE: V96941	001007	1
- 55	J1154P10		..FERRULE- SUPPLIER CODE: V96941	001007	1

MISSING ITEM NUMBERS NOT APPLICABLE

- ITEM NOT ILLUSTRATED

HAP

# 24-11-51-02

BOEING PROPRIETARY - Copyright © - Unpublished Work - See title page for details.

24-11-51  
FIG. 02  
PAGE 1  
OCT 10/06



 **BOEING**  
737-600/700/800/900  
**PARTS CATALOG (MAINTENANCE)**

FIG ITEM	PART NUMBER	1 2 3 4 5 6 7	NOMENCLATURE	EFFECT FROM TO	UNITS PER ASSY
2 60	332A2240-2		.TUBE ASSY-IDG TUBING MATERIAL: .625 IN. OD X .028 IN. WALL X 21.2 IN. LG NICKEL ALLOY 625 TUBING PER AMS 5581 QUALIFIED I/W DATA: 332A2240-10 TOGETHER WITH 332A2240-11 AND REQUIRED SPACERS AND CLAMPS CAN REPLACE OR BE REPLACED BY 332A2240-2 TOGETHER WITH 332A2240-13 TOGETHER WITH 2R3680-1 (OR 2R3680) VALVE TOGETHER WITH VALVE INSTL COMPONENTS AND REQUIRED SPACERS AND CLAMPS.	001007	1
- 65	J1322P10B		..NUT- SUPPLIER CODE: V96941	001007	3
- 70	J1154P10		..FERRULE- SUPPLIER CODE: V96941	001007	3
- 75	1508M32P110		..ELBOW- SUPPLIER CODE: V96941	001007	2
- 80	J1001P07		..TEE- SUPPLIER CODE: V96941	001007	1
85	332A2240-3		.TUBE ASSY-IDG TUBING MATERIAL: .75 IN. OD X .028 IN. WALL X 44.1 IN. LG NICKEL ALLOY 625 TUBING PER AMS 5581 QUALIFIED I/W DATA: 332A2240-3 TOGETHER WITH 332A2240-4 ARE FULLY INTERCHANGEABLE WITH 332A2240-5. 332A2240-13 CAN REPLACE OR BE REPLACED BY 332A2240-3 TOGETHER WITH 332A2240-4.	001007	1
- 90	J1016P12B		..COUPLING- SUPPLIER CODE: V96941	001007	1

MISSING ITEM NUMBERS NOT APPLICABLE

- ITEM NOT ILLUSTRATED

HAP

# 24-11-51-02

BOEING PROPRIETARY - Copyright © - Unpublished Work - See title page for details.

24-11-51  
FIG. 02  
PAGE 2  
OCT 10/06

**BOEING**  
737-600/700/800/900  
PARTS CATALOG (MAINTENANCE)

FIG ITEM	PART NUMBER	1 2 3 4 5 6 7	NOMENCLATURE	EFFECT FROM TO	UNITS PER ASSY
2					
- 95	J1322P12B	..	NUT- SUPPLIER CODE: V96941	001007	1
- 100	J1154P12	..	FERRULE- SUPPLIER CODE: V96941	001007	1
- 105	1508M32P112	..	ELBOW- SUPPLIER CODE: V96941	001007	1
- 110	J651P09	..	TEE- SUPPLIER CODE: V96941	001007	1
115	332A2240-4	.	TUBE ASSY-IDG TUBING MATERIAL: .75 IN. OD X .028 IN. WALL X 2.0 IN. LG NICKEL ALLOY 625 TUBING PER AMS 5581 QUALIFIED I/W DATA: 332A2240-3 TOGETHER WITH 332A2240-4 ARE FULLY INTERCHANGEABLE WITH 332A2240-5. 332A2240-13 CAN REPLACE OR BE REPLACED BY 332A2240-3 TOGETHER WITH 332A2240-4.	001007	1
- 120	J1322P12	..	NUT- SUPPLIER CODE: V96941	001007	2
- 125	J1154P12	..	FERRULE- SUPPLIER CODE: V96941	001007	2
130	2R3680	.	VALVE ASSY-RELIEF SUPPLIER CODE: V99240 QUALIFIED I/W DATA: 332A2240-10 TOGETHER WITH 332A2240-11 AND REQUIRED SPACERS AND CLAMPS CAN REPLACE OR BE REPLACED BY 332A2240-2 TOGETHER WITH 332A2240-13 TOGETHER WITH 2R3680-1 (OR 2R3680) VALVE TOGETHER WITH VALVE INSTL COMPONENTS AND REQUIRED SPACERS AND CLAMPS.	001007	1

MISSING ITEM NUMBERS NOT APPLICABLE

- ITEM NOT ILLUSTRATED

HAP

# 24-11-51-02

BOEING PROPRIETARY - Copyright © - Unpublished Work - See title page for details.

24-11-51  
FIG. 02  
PAGE 3  
OCT 10/06


**BOEING**  
 737-600/700/800/900  
**PARTS CATALOG (MAINTENANCE)**

FIG ITEM	PART NUMBER	1 2 3 4 5 6 7	NOMENCLATURE	EFFECT FROM TO	UNITS PER ASSY
2					
135	2R3681-3		..CAP- SUPPLIER CODE: V99240	001007	1
140	MS28778-8		..PACKING	001007	1
145	2R3681-5		..SPRING- SUPPLIER CODE: V99240	001007	1
150	2R2553-6		..STOP- SUPPLIER CODE: V99240	001007	1
155	2R2337-4		..POPPET- SUPPLIER CODE: V99240	001007	1
160	2R3681-2		..BODY- SUPPLIER CODE: V99240	001007	1

MISSING ITEM NUMBERS NOT APPLICABLE

— ITEM NOT ILLUSTRATED

HAP

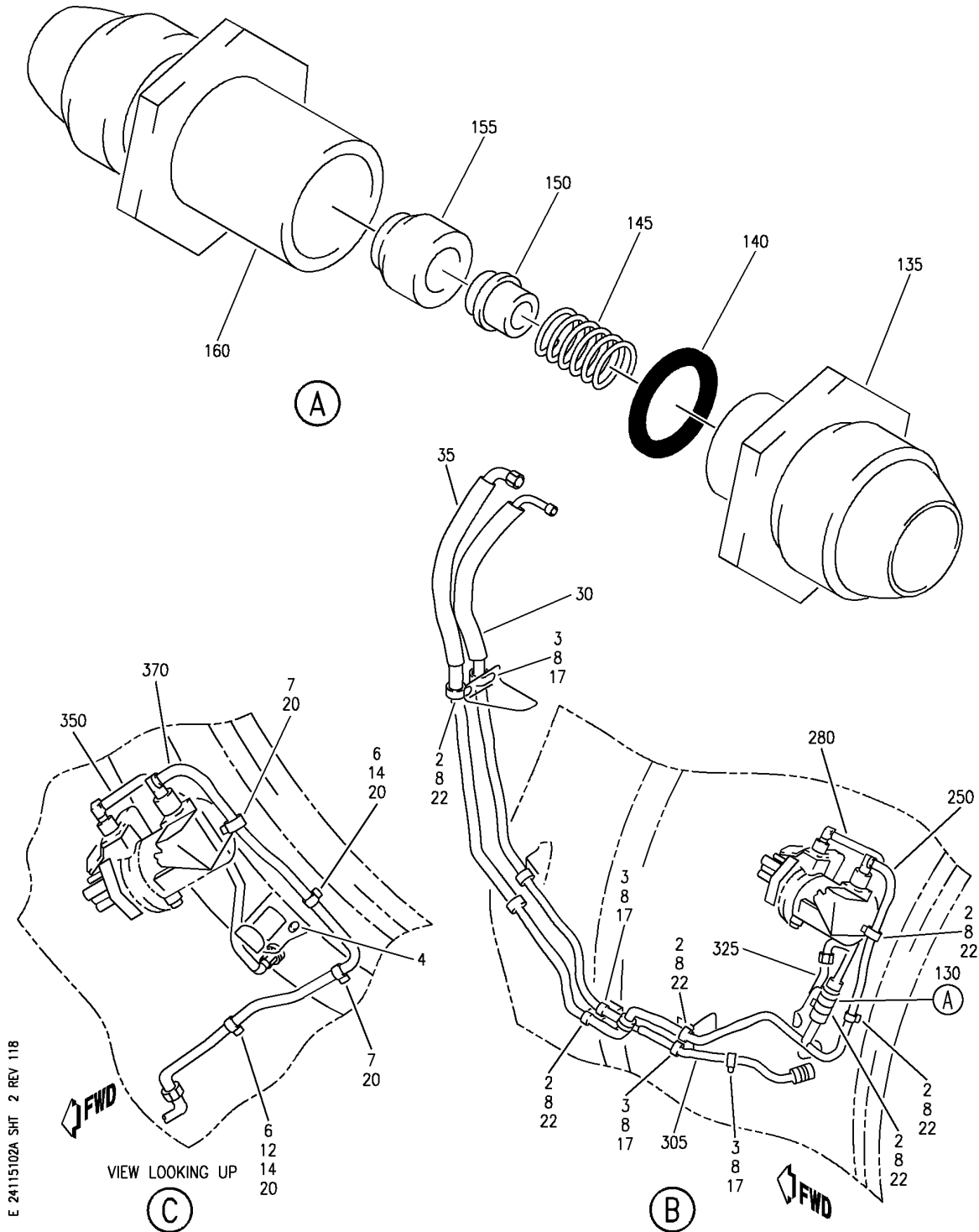
# 24-11-51-02

BOEING PROPRIETARY - Copyright © - Unpublished Work - See title page for details.

24-11-51  
 FIG. 02  
 PAGE 4  
 OCT 10/06



**BOEING**  
 737-600/700/800/900  
 PARTS CATALOG (MAINTENANCE)



E 24115102A SHT 2 REV 118

PLUMBING INSTL-EBU, IDG  
 FIGURE 2A (SHEET 2)

**24-11-51-02A**

HAP  
 OCT 10/06

24-11-51-02A  
 PAGE 0A



**BOEING**  
737-600/700/800/900  
PARTS CATALOG (MAINTENANCE)

FIG ITEM	PART NUMBER	1 2 3 4 5 6 7	NOMENCLATURE	EFFECT FROM TO	UNITS PER ASSY
2A					
35	115096-2		.TUBE ASSY-HOSE IDG SUPPLIER CODE: V78570 SPECIFICATION NUMBER: S332A240-2	008999	2
40	332A2240-1		.TUBE ASSY-IDG TUBING MATERIAL: .625 IN. OD X .028 IN. WALL X 25.4 IN. LG NICKEL ALLOY 625 TUBING PER AMS 5581	008999	2
- 45	J1016P10B		..CONNECTOR-TUBING SUPPLIER CODE: V96941	008999	1
- 50	J1322P10B		..NUT- SUPPLIER CODE: V96941	008999	1
- 55	J1154P10		..FERRULE- SUPPLIER CODE: V96941	008999	1
60	332A2240-2		.TUBE ASSY-IDG TUBING MATERIAL: .625 IN. OD X .028 IN. WALL X 21.2 IN. LG NICKEL ALLOY 625 TUBING PER AMS 5581 QUALIFIED I/W DATA: 332A2240-10 TOGETHER WITH 332A2240-11 AND REQUIRED SPACERS AND CLAMPS CAN REPLACE OR BE REPLACED BY 332A2240-2 TOGETHER WITH 332A2240-13 TOGETHER WITH 2R3680-1 (OR 2R3680) VALVE TOGETHER WITH VALVE INSTL COMPONENTS AND REQUIRED SPACERS AND CLAMPS.	008030 201967	2
- 65	J1322P10B		..NUT- SUPPLIER CODE: V96941	008030 201967	3
- 70	J1154P10		..FERRULE- SUPPLIER CODE: V96941	008030 201967	3
- 75	1508M32P110		..ELBOW- SUPPLIER CODE: V96941	008030 201967	2

MISSING ITEM NUMBERS NOT APPLICABLE

- ITEM NOT ILLUSTRATED

HAP

# 24-11-51-02A

BOEING PROPRIETARY - Copyright © - Unpublished Work - See title page for details.

24-11-51  
FIG. 02A  
PAGE 2  
OCT 15/08

**BOEING**  
737-600/700/800/900  
PARTS CATALOG (MAINTENANCE)

FIG ITEM	PART NUMBER	1 2 3 4 5 6 7	NOMENCLATURE	EFFECT FROM TO	UNITS PER ASSY
2A					
- 80	J1001P07	..	TEE- SUPPLIER CODE: V96941	008030 201967	1
85	332A2240-3	.TUBE ASSY-IDG	TUBING MATERIAL: .75 IN. OD X .028 IN. WALL X 44.1 IN. LG NICKEL ALLOY 625 TUBING PER AMS 5581 QUALIFIED I/W DATA: 332A2240-3 TOGETHER WITH 332A2240-4 ARE FULLY INTERCHANGEABLE WITH 332A2240-5. 332A2240-13 CAN REPLACE OR BE REPLACED BY 332A2240-3 TOGETHER WITH 332A2240-4.	008014 201967	2
- 90	J1016P12B	..	COUPLING- SUPPLIER CODE: V96941	008014 201967	1
- 95	J1322P12B	..	NUT- SUPPLIER CODE: V96941	008014 201967	1
- 100	J1154P12	..	FERRULE- SUPPLIER CODE: V96941	008014 201967	1
- 105	1508M32P112	..	ELBOW- SUPPLIER CODE: V96941	008014 201967	1
- 110	J651P09	..	TEE- SUPPLIER CODE: V96941	008014 201967	1
115	332A2240-4	.TUBE ASSY-IDG	TUBING MATERIAL: .75 IN. OD X .028 IN. WALL X 44.1 IN. LG NICKEL ALLOY 625 TUBING PER AMS 5581 QUALIFIED I/W DATA: 332A2240-3 TOGETHER WITH 332A2240-4 ARE FULLY INTERCHANGEABLE WITH 332A2240-5. 332A2240-13 CAN REPLACE OR BE REPLACED BY 332A2240-3 TOGETHER WITH 332A2240-4.	008014 201967	2

MISSING ITEM NUMBERS NOT APPLICABLE

- ITEM NOT ILLUSTRATED

HAP

# 24-11-51-02A

BOEING PROPRIETARY - Copyright © - Unpublished Work - See title page for details.

24-11-51  
FIG. 02A  
PAGE 3  
OCT 15/08



**BOEING**  
737-600/700/800/900  
PARTS CATALOG (MAINTENANCE)

FIG ITEM	PART NUMBER	1 2 3 4 5 6 7	NOMENCLATURE	EFFECT FROM TO	UNITS PER ASSY
2A - 120	J1322P12	..	NUT- SUPPLIER CODE: V96941	008014 201967	2
- 125	J1154P12	..	FERRULE- SUPPLIER CODE: V96941	008014 201967	2
130	2R3680	. VALVE ASSY-RELIEF SUPPLIER CODE: V99240	QUALIFIED I/W DATA: 332A2240-10 TOGETHER WITH 332A2240-11 AND REQUIRED SPACERS AND CLAMPS CAN REPLACE OR BE REPLACED BY 332A2240-2 TOGETHER WITH 332A2240-13 TOGETHER WITH 2R3680-1 (OR 2R3680) VALVE TOGETHER WITH VALVE INSTL COMPONENTS AND REQUIRED SPACERS AND CLAMPS. OPTIONAL PART: 2R3680-1 V99240	008030 201967	2
130	2R3680-1	. VALVE ASSY-RELIEF SUPPLIER CODE: V99240	QUALIFIED I/W DATA: 332A2240-10 TOGETHER WITH 332A2240-11 AND REQUIRED SPACERS AND CLAMPS CAN REPLACE OR BE REPLACED BY 332A2240-2 TOGETHER WITH 332A2240-13 TOGETHER WITH 2R3680-1 (OR 2R3680) VALVE TOGETHER WITH VALVE INSTL COMPONENTS AND REQUIRED SPACERS AND CLAMPS. OPTIONAL PART: 2R3680 V99240	015030	2
135	2R3681-3	..	CAP- SUPPLIER CODE: V99240	008030 201967	1
140	MS28778-8	..	PACKING	008030 201967	1

MISSING ITEM NUMBERS NOT APPLICABLE

- ITEM NOT ILLUSTRATED

HAP

# 24-11-51-02A

BOEING PROPRIETARY - Copyright © - Unpublished Work - See title page for details.

24-11-51  
FIG. 02A  
PAGE 4  
OCT 15/08

**BOEING**  
737-600/700/800/900  
PARTS CATALOG (MAINTENANCE)

FIG ITEM	PART NUMBER	1 2 3 4 5 6 7	NOMENCLATURE	EFFECT FROM TO	UNITS PER ASSY
2A 145	2R3681-5		.. SPRING- SUPPLIER CODE: V99240	008030 201967	1
150	2R2553-6		.. STOP- SUPPLIER CODE: V99240	008030 201967	1
155	2R2337-4		.. POPPET- SUPPLIER CODE: V99240	008030 201967	1
160	2R3681-2		.. BODY- SUPPLIER CODE: V99240	008030 201967	1
165	332A2240-5		. TUBE ASSY- TUBING MATERIAL: .75 IN. OD X .028 IN. WALL X 47.5 IN. LG NICKEL ALLOY 625 ANNEALED TUBING PER AMS 5581 QUALIFIED I/W DATA: 332A2240-3 TOGETHER WITH 332A2240-4 ARE FULLY INTERCHANGEABLE WITH 332A2240-5. OPTIONAL PART: 332A2100-16	015029	2

MISSING ITEM NUMBERS NOT APPLICABLE

— ITEM NOT ILLUSTRATED

HAP

# 24-11-51-02A

BOEING PROPRIETARY - Copyright © - Unpublished Work - See title page for details.

24-11-51  
FIG. 02A  
PAGE 5  
OCT 15/08

**BOEING**  
737-600/700/800/900  
PARTS CATALOG (MAINTENANCE)

FIG ITEM	PART NUMBER	1 2 3 4 5 6 7	NOMENCLATURE	EFFECT FROM TO	UNITS PER ASSY
2A 165	332A2240-13		.TUBE ASSY- TUBING MATERIAL: .75 IN. OD X .028 IN. WALL X 47.5 IN. LG NICKEL ALLOY 625 ANNEALED TUBING PER AMS 5581 QUALIFIED I/W DATA: 332A2240-13 CAN REPLACE OR BE REPLACED BY 332A2240-3 TOGETHER WITH 332A2240-4. 332A2240-10 TOGETHER WITH 332A2240-11 AND REQUIRED SPACERS AND CLAMPS CAN REPLACE OR BE REPLACED BY 332A2240-2 TOGETHER WITH 332A2240-13 TOGETHER WITH 2R3680-1 (OR 2R3680) VALVE TOGETHER WITH VALVE INSTL COMPONENTS AND REQUIRED SPACERS AND CLAMPS. OPTIONAL PART: 332A2100-16	015030	2
- 170	J1016P12B		..COUPLING- SUPPLIER CODE: V96941	015030	1
- 175	J1322P12B		..NUT- SUPPLIER CODE: V96941	015030	2
- 180	J1154P12		..FERRULE- SUPPLIER CODE: V96941	015030	2
- 185	1508M32P112		..ELBOW- SUPPLIER CODE: V96941	015030	1
- 190	J1116P23		..TEE- SUPPLIER CODE: V96941	015030	1
- 195	332A2100-16		.SUBKIT ASSY-IDG OIL TUBE OPTIONAL PART: 332A2240-5 332A2240-13	015030	2

MISSING ITEM NUMBERS NOT APPLICABLE

- ITEM NOT ILLUSTRATED

HAP

# 24-11-51-02A

BOEING PROPRIETARY - Copyright © - Unpublished Work - See title page for details.

24-11-51  
FIG. 02A  
PAGE 6  
OCT 15/08

**BOEING**  
737-600/700/800/900  
PARTS CATALOG (MAINTENANCE)

FIG ITEM	PART NUMBER	1 2 3 4 5 6 7	NOMENCLATURE	EFFECT FROM TO	UNITS PER ASSY
2A - 200	332A2240-3		..TUBE ASSY-IDG TUBING MATERIAL: .75 IN. OD X .028 IN. WALL X 44.1 IN. LG NICKEL ALLOY 625 TUBING PER AMS 5581 QUALIFIED I/W DATA: 332A2240-3 TOGETHER WITH 332A2240-4 ARE FULLY INTERCHANGEABLE WITH 332A2240-5. 332A2240-13 CAN REPLACE OR BE REPLACED BY 332A2240-3 TOGETHER WITH 332A2240-4.	015030	1
- 205	J1016P12B		...COUPLING- SUPPLIER CODE: V96941	015030	1
- 210	J1322P12B		...NUT- SUPPLIER CODE: V96941	015030	1
- 215	J1154P12		...FERRULE- SUPPLIER CODE: V96941	015030	1
- 220	1508M32P112		...ELBOW- SUPPLIER CODE: V96941	015030	1
- 225	J651P09		...TEE- SUPPLIER CODE: V96941	015030	1
- 230	332A2240-4		..TUBE ASSY-IDG TUBING MATERIAL: .75 IN. OD X .028 IN. WALL X 2.0 IN. LG NICKEL ALLOY 625 TUBING PER AMS 5581 QUALIFIED I/W DATA: 332A2240-3 TOGETHER WITH 332A2240-4 ARE FULLY INTERCHANGEABLE WITH 332A2240-5. 332A2240-13 CAN REPLACE OR BE REPLACED BY 332A2240-3 TOGETHER WITH 332A2240-4.	015030	1
- 235	J1322P12		...NUT- SUPPLIER CODE: V96941	015030	2

MISSING ITEM NUMBERS NOT APPLICABLE

- ITEM NOT ILLUSTRATED

HAP

# 24-11-51-02A

BOEING PROPRIETARY - Copyright © - Unpublished Work - See title page for details.

24-11-51  
FIG. 02A  
PAGE 7  
OCT 15/08

**BOEING**  
737-600/700/800/900  
PARTS CATALOG (MAINTENANCE)

FIG ITEM	PART NUMBER	1 2 3 4 5 6 7	NOMENCLATURE	EFFECT FROM TO	UNITS PER ASSY
2A - 240	J1154P12		... FERRULE- SUPPLIER CODE: V96941	015030	2
350	332A2240-10		. TUBE ASSY-IDG TUBING MATERIAL: .625 IN. OD X .028 IN. WALL X 21.0 IN. LG NICKEL ALLOY 625 ANNEALED TUBING PER AMS 5581 QUALIFIED I/W DATA: 332A2240-10 TOGETHER WITH 332A2240-11 AND REQUIRED SPACERS AND CLAMPS CAN REPLACE OR BE REPLACED BY 332A2240-2 TOGETHER WITH 332A2240-13 TOGETHER WITH 2R3680-1 (OR 2R3680) VALVE TOGETHER WITH VALVE INSTL COMPONENTS AND REQUIRED SPACERS AND CLAMPS.	031200 968999	2
- 355	J1322P10B		.. NUT- SUPPLIER CODE: V96941	031200 968999	2
- 360	J1154P10		.. FERRULE- SUPPLIER CODE: V96941	031200 968999	2
- 365	1508M32P110		.. ELBOW- SUPPLIER CODE: V96941	031200 968999	2

MISSING ITEM NUMBERS NOT APPLICABLE

- ITEM NOT ILLUSTRATED

HAP

# 24-11-51-02A

BOEING PROPRIETARY - Copyright © - Unpublished Work - See title page for details.

24-11-51  
FIG. 02A  
PAGE 8  
OCT 15/08

**BOEING**  
737-600/700/800/900  
PARTS CATALOG (MAINTENANCE)

FIG ITEM	PART NUMBER	1 2 3 4 5 6 7	NOMENCLATURE	EFFECT FROM TO	UNITS PER ASSY
2A 370	332A2240-11		.TUBE ASSY- TUBING MATERIAL: .75 IN. OD X .028 IN. WALL X 47.0 IN. LG NICKEL ALLOY 625 ANNEALED TUBING PER AMS 5581 QUALIFIED I/W DATA: 332A2240-10 TOGETHER WITH 332A2240-11 AND REQUIRED SPACERS AND CLAMPS CAN REPLACE OR BE REPLACED BY 332A2240-2 TOGETHER WITH 332A2240-13 TOGETHER WITH 2R3680-1 (OR 2R3680) VALVE TOGETHER WITH VALVE INSTL COMPONENTS AND REQUIRED SPACERS AND CLAMPS.	031200 968999	2
- 375	J1016P12B		..COUPLING- SUPPLIER CODE: V96941	031200 968999	1
- 380	J1322P12B		..NUT- SUPPLIER CODE: V96941	031200 968999	1
- 385	J1154P12		..FERRULE- SUPPLIER CODE: V96941	031200 968999	1
- 390	1508M32P112		..ELBOW- SUPPLIER CODE: V96941	031200 968999	1

MISSING ITEM NUMBERS NOT APPLICABLE

- ITEM NOT ILLUSTRATED

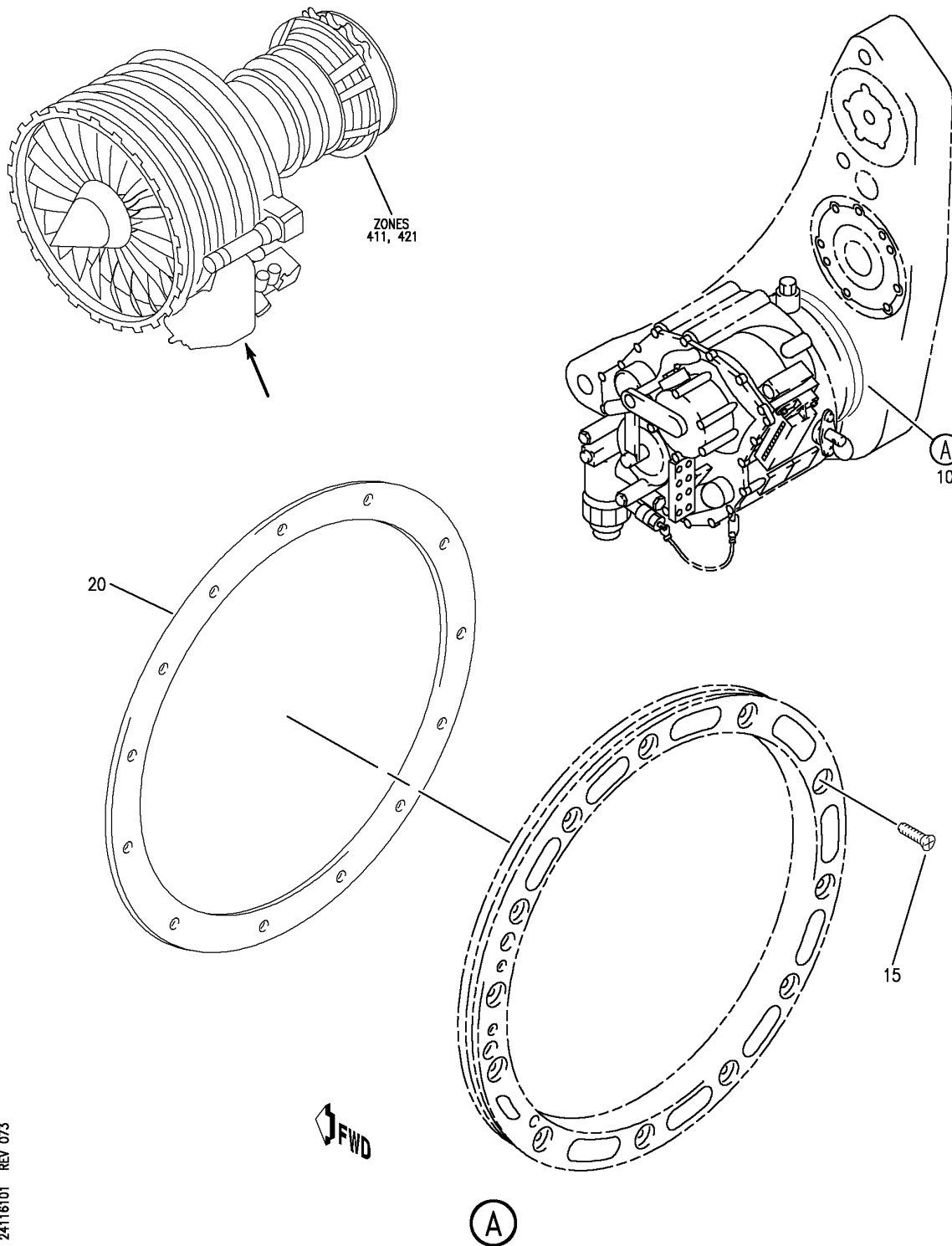
HAP

# 24-11-51-02A

BOEING PROPRIETARY - Copyright © - Unpublished Work - See title page for details.

24-11-51  
FIG. 02A  
PAGE 9  
OCT 15/08

**BOEING**  
 737-600/700/800/900  
 PARTS CATALOG (MAINTENANCE)



E 24116101 REV 073

GENERATOR INSTL-AIR/OIL COOLER AND INTEGRATED DRIVE (QUICK ATTACH DETACH RING ONLY)  
 FIGURE 1

HAP  
 OCT 10/06

**24-11-61-01**

24-11-61-01  
 PAGE 0

**BOEING**  
737-600/700/800/900  
PARTS CATALOG (MAINTENANCE)

FIG ITEM	PART NUMBER	1 2 3 4 5 6 7	NOMENCLATURE	EFFECT FROM TO	UNITS PER ASSY
1			GENERATOR INSTL-AIR/OIL COOLER AND INTEGRATED DRIVE (QUICK ATTACH DETACH RING ONLY)	001007	
- 5	332A2600-7		GENERATOR INSTL-AIR/OIL COOLER AND INTEGRATED DRIVE (QUICK ATTACH DETACH RING ONLY) FOR NHA/ADDITIONAL DET SEE: 24-10-00-01	001001 006007	RF
- 5	332A2600-9		GENERATOR INSTL-AIR/OIL COOLER AND INTEGRATED DRIVE (QUICK ATTACH DETACH RING ONLY) FOR NHA/ADDITIONAL DET SEE: 24-10-00-01	002005	RF
10	762246		. ADAPTER ASSY-QUICK ATTACH DETACH SUPPLIER CODE: V99167 FUNCTIONAL DESCRIPTION: ALLOWS RAPID INSTALLATION AND REMOVAL OF THE IDG TO AND FROM THE ENGINE ACCESSORY DRIVE GEARBOX SPECIFICATION NUMBER: S281A001-501 COMPONENT MAINT MANUAL REF: 24-19-15	001007	1
15	0646C624-18		.. SCREW-CAP, SOCKET HEAD, FLAT SUPPLIER CODE: V99167	001007	1
20	731476		.. GASKET- SUPPLIER CODE: V99167	001007	1

MISSING ITEM NUMBERS NOT APPLICABLE

- ITEM NOT ILLUSTRATED

HAP

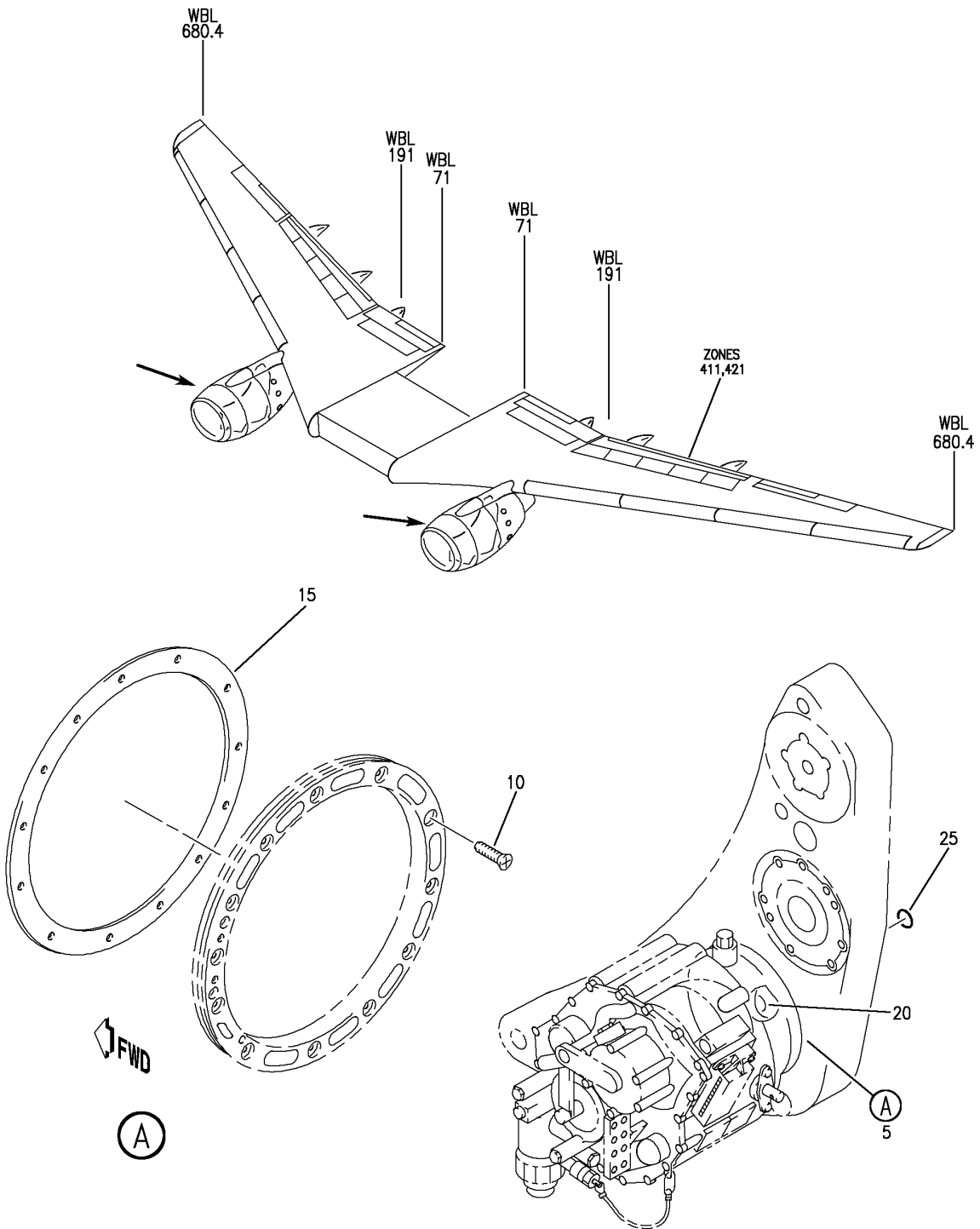
# 24-11-61-01

BOEING PROPRIETARY - Copyright © - Unpublished Work - See title page for details.

24-11-61  
FIG. 01  
PAGE 1  
JUN 15/08



**BOEING**  
 737-600/700/800/900  
 PARTS CATALOG (MAINTENANCE)



E 24116101A REV 101

GENERATOR INSTL-AIR/OIL COOLER AND INTEGRATED DRIVE (QUICK ATTACH/ DETACH (QAD) COUPLING ONLY)  
 FIGURE 1A

HAP  
 OCT 10/06

**24-11-61-01A**

24-11-61-01A  
 PAGE 0


**BOEING**  
 737-600/700/800/900  
**PARTS CATALOG (MAINTENANCE)**

FIG ITEM	PART NUMBER	1 2 3 4 5 6 7	NOMENCLATURE	EFFECT FROM TO	UNITS PER ASSY
1 A			GENERATOR INSTL-AIR/OIL COOLER AND INTEGRATED DRIVE (QUICK ATTACH/ DETACH (QAD) COUPLING ONLY)	008999	
- 1	332A2600-8		GENERATOR INSTL-AIR/OIL COOLER AND INTEGRATED DRIVE FOR NHA/ADDITIONAL DET SEE: 24-10-00-01	008030 201967	RF
- 1	MODREF225819		GENERATOR INSTL-AIR/OIL COOLER AND INTEGRATED DRIVE (QUICK ATTACH/ DETACH (QAD) COUPLING ONLY) MODULE NUMBER: 332A2600-12 REV B FOR ADDITIONAL DETAILS SEE: 24-11-11-01A 24-11-21-01A	031040 042043 101101 968971	1
R R R R R R R R R R R R R R	- 1	MODREF344121	GENERATOR INSTL-AIR/OIL COOLER AND INTEGRATED DRIVE (QUICK ATTACH/ DETACH (QAD) COUPLING ONLY) MODULE NUMBER: 332A2600-12 REV C FOR ADDITIONAL DETAILS SEE: 24-11-11-01A 24-11-21-01A	041041 044051 054100 102200 972999	1
R R R R R R R R R R R R R	- 1	MODREF416153	GENERATOR INSTL-AIR/OIL COOLER AND INTEGRATED DRIVE (QUICK ATTACH/ DETACH (QAD) COUPLING ONLY) MODULE NUMBER: 332A2600-12 REV D FOR ADDITIONAL DETAILS SEE: 24-11-11-01A 24-11-21-01A	052053	1

MISSING ITEM NUMBERS NOT APPLICABLE

- ITEM NOT ILLUSTRATED

HAP

# 24-11-61-01A

BOEING PROPRIETARY - Copyright © - Unpublished Work - See title page for details.

24-11-61  
 FIG. 01A  
 PAGE 1  
 JUN 15/09

**BOEING**  
737-600/700/800/900  
PARTS CATALOG (MAINTENANCE)

FIG ITEM	PART NUMBER	1 2 3 4 5 6 7	NOMENCLATURE	EFFECT FROM TO	UNITS PER ASSY
1 A					
5	762246		.ADAPTER ASSY-QUICK ATTACH DETACH SUPPLIER CODE: V99167 FUNCTIONAL DESCRIPTION: ALLOWS RAPID INSTALLATION AND REMOVAL OF THE IDG TO AND FROM THE ENGINE ACCESSORY DRIVE GEARBOX SPECIFICATION NUMBER: S281A001-501 COMPONENT MAINT MANUAL REF: 24-19-15	008999	2
10	0646C624-18		..SCREW-CAP, SOCKET HEAD, FLAT SUPPLIER CODE: V99167	008999	12
15	731476		..GASKET- SUPPLIER CODE: V99167	008999	1
- 30	AS3209-216		.PACKING- OPTIONAL PART: M83248-1-216	031200 968999	AR
- 30	M83248-1-216		.PACKING- OPTIONAL PART: AS3209-216	031200 968999	AR

MISSING ITEM NUMBERS NOT APPLICABLE

- ITEM NOT ILLUSTRATED

HAP

# 24-11-61-01A

BOEING PROPRIETARY - Copyright © - Unpublished Work - See title page for details.

24-11-61  
FIG. 01A  
PAGE 2  
JUN 15/09