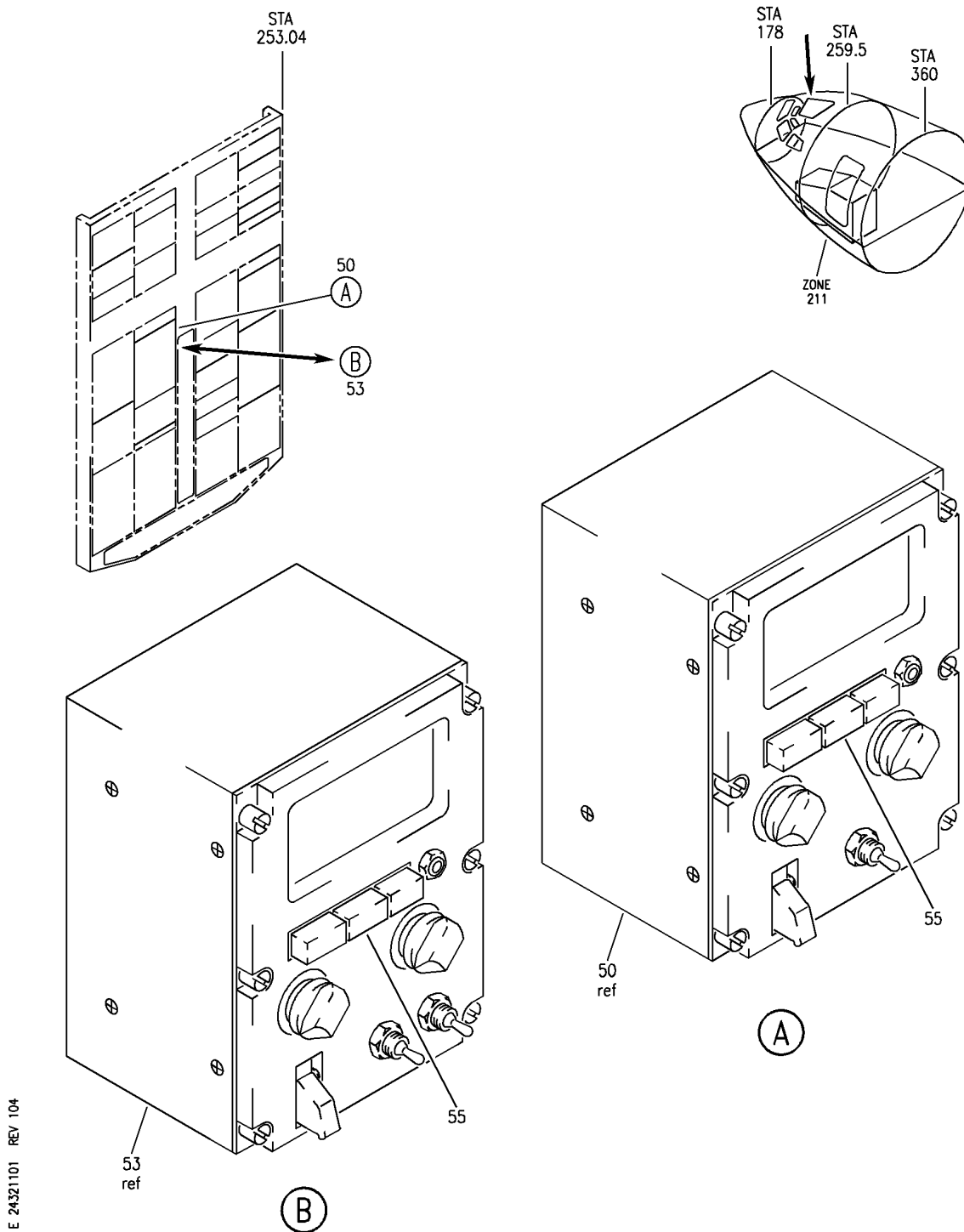


TRANSFORMER-RECTIFIER UNIT

HAP
OCT 10/06

24-32-00
SECTION TITLE
PAGE 1

BOEING
 737-600/700/800/900
 PARTS CATALOG (MAINTENANCE)



E 24321101 REV 104

MODULE INSTL-P5 OVHD (TRANSFORMER RECTIFIER UNIT ONLY)
 FIGURE 1

24-32-11-01

HAP
 OCT 10/06

24-32-11-01
 PAGE 0

BOEING
737-600/700/800/900
PARTS CATALOG (MAINTENANCE)

FIG ITEM	PART NUMBER	1 2 3 4 5 6 7	NOMENCLATURE	EFFECT FROM TO	UNITS PER ASSY
1			MODULE INSTL-P5 OVHD (TRANSFORMER RECTIFIER UNIT ONLY)	001028 201967	
- 1	233A3101-4		MODULE INSTL-P5 OVHD (TRANSFORMER RECTIFIER UNIT ONLY) FOR NHA/OTHER SYS DET SEE: 31-11-00-01C	001005	RF
- 4	233A3101-52		MODULE INSTL-P5 OVHD (TRANSFORMER RECTIFIER UNIT ONLY) FOR NHA/OTHER SYS DET SEE: 31-11-00-01C	006007	RF
- 4	233A3101-63		MODULE INSTL-P5 OVHD (TRANSFORMER RECTIFIER UNIT ONLY) FOR NHA/OTHER SYS DET SEE: 31-11-00-01C	008011	RF
- 5	233A3101-74		MODULE INSTL-P5 OVHD (TRANSFORMER RECTIFIER UNIT ONLY) FOR NHA/OTHER SYS DET SEE: 31-11-00-01J	201967	RF
- 7	233A3101-110		MODULE INSTL-P5 OVHD (TRANSFORMER RECTIFIER UNIT ONLY) FOR NHA/OTHER SYS DET SEE: 31-11-00-01C	012016	RF
- 14	233A3101-225		MODULE INSTL-P5 OVHD (TRANSFORMER RECTIFIER UNIT ONLY) FOR NHA/OTHER SYS DET SEE: 31-11-00-01C	017019	RF
- 14	233A3101-234		MODULE INSTL-P5 OVHD (TRANSFORMER RECTIFIER UNIT ONLY) FOR NHA/OTHER SYS DET SEE: 31-11-00-01C	020028	RF
50	285A1840-2		.MODULE ASSY-E/E METERS BATTERY AND GALLEY PWR PNL P5-13 SUPPLIER CODE: V89954 ELECTRICAL EQUIP NUMBER: P00513 COMPONENT MAINT MANUAL REF: 24-00-06	001005	RF

MISSING ITEM NUMBERS NOT APPLICABLE

- ITEM NOT ILLUSTRATED

HAP

24-32-11-01

BOEING PROPRIETARY - Copyright © - Unpublished Work - See title page for details.

24-32-11
FIG. 01
PAGE 1
OCT 15/08


BOEING
 737-600/700/800/900
PARTS CATALOG (MAINTENANCE)

FIG ITEM	PART NUMBER	1 2 3 4 5 6 7	NOMENCLATURE	EFFECT FROM TO	UNITS PER ASSY
1 50	285A1840-4	.	MODULE ASSY-E/E METERS BATTERY AND GALLEY PWR PNL P5-13 SUPPLIER CODE: V89954 ELECTRICAL EQUIP NUMBER: P00513 COMPONENT MAINT MANUAL REF: 24-00-06	001028 201967	RF
55	19192-003	..	LIGHT ASSY-TRU UNIT IND SUPPLIER CODE: V81590 ELECTRICAL EQUIP NUMBER: P00513S2	001028 201967	1

MISSING ITEM NUMBERS NOT APPLICABLE

— ITEM NOT ILLUSTRATED

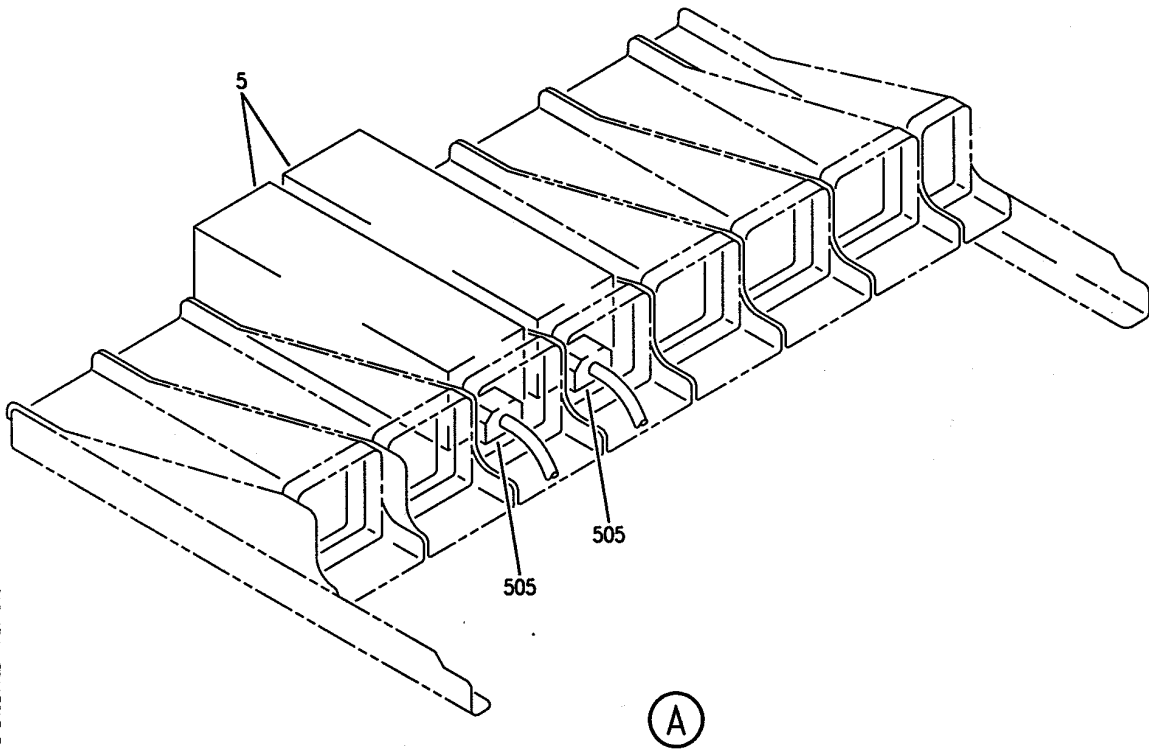
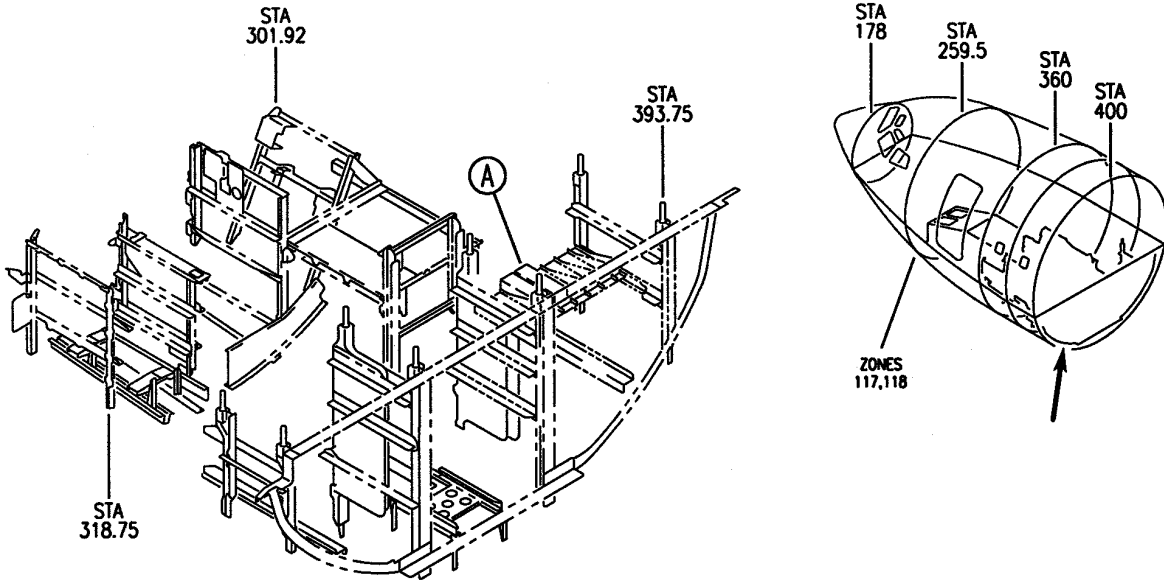
HAP

24-32-11-01

BOEING PROPRIETARY - Copyright © - Unpublished Work - See title page for details.

24-32-11
 FIG. 01
 PAGE 2
 OCT 15/08

BOEING
 737-600/700/800/900
 PARTS CATALOG (MAINTENANCE)



E 24321102 REV 040

EQUIPMENT INSTL-E4 RACK (TRANSFORMER RECTIFIER ONLY)
 FIGURE 2

24-32-11-02

HAP
 OCT 10/06

24-32-11-02
 PAGE 0

BOEING
737-600/700/800/900
PARTS CATALOG (MAINTENANCE)

FIG ITEM	PART NUMBER	1 2 3 4 5 6 7	NOMENCLATURE	EFFECT FROM TO	UNITS PER ASSY
2			EQUIPMENT INSTL-E4 RACK (TRANSFORMER RECTIFIER ONLY)	031200 968999	
- 2	MODREF202977		EQUIPMENT INSTL-E4-RACK (TRANSFORMER RECTIFIER ONLY) MODULE NUMBER: 284A0441-15 REV A FOR OTHER SYS DETAILS SEE: 21-51-02-02 21-61-11-01 23-51-01-03 24-21-81-03A 24-41-21-02 27-62-35-02 30-41-11-03	101200 968999	1
- 2	MODREF202978		EQUIPMENT INSTL-E4-RACK (TRANSFORMER RECTIFIER ONLY) MODULE NUMBER: 284A0441-16 REV A FOR OTHER SYS DETAILS SEE: 21-51-02-02 23-51-01-03 24-21-81-03A 24-41-21-02 27-62-35-02 30-41-11-03	031100	1
5	080-20705-01		.UNIT-XFMR RECTIFIER SUPPLIER CODE: V95266 POSITION DATA: E4-2 SHELF FUNCTIONAL DESCRIPTION: CONVERTS 3-PHASE 115 VOLTS AC INPUT POWER INTO UNREGULATED 28 VOLTS DC OUTPUT POWER FOR THE AIRPLANE DC LOADS. SPECIFICATION NUMBER: 10-3257-6 ELECTRICAL EQUIP NUMBER: T00012 T00013 COMPONENT MAINT MANUAL REF: 24-32-01 MAINTENANCE MANUAL REF: 24-32-11	031200 968999	2

MISSING ITEM NUMBERS NOT APPLICABLE

- ITEM NOT ILLUSTRATED

HAP

24-32-11-02

24-32-11
FIG. 02
PAGE 1
OCT 15/08

BOEING
737-600/700/800/900
PARTS CATALOG (MAINTENANCE)

FIG ITEM	PART NUMBER	1 2 3 4 5 6 7	NOMENCLATURE	EFFECT FROM TO	UNITS PER ASSY
2					
- 500	286A0422-025		WIRE BUNDLE ASSY-E4-2 SHELF	031047 054106 968999	RF
505	DPXAMAA10-33S		.PLUG-T/R UNIT SUPPLIER CODE: V71468 ELECTRICAL EQUIP NUMBER: D00104 D00106 WIRING DIAGRAM REF: 243211 ATTACHING PARTS	031047 054106 968999	2
- 510	NAS1801-04-6		.SCREW	031047 054106 968999	8
- 515	PLH504CD		.NUT SUPPLIER CODE: VF0224 SPECIFICATION NUMBER: BACN10YRO4CD OPTIONAL PART: H52732-04CD V15653	031047 054106 968999	8
- 520	63-9273-2		-----*----- .SPACER- ELECTRICAL EQUIP NUMBER: D00104T D00106T WIRING DIAGRAM REF: 243211	031047 054106 968999	2

MISSING ITEM NUMBERS NOT APPLICABLE

- ITEM NOT ILLUSTRATED

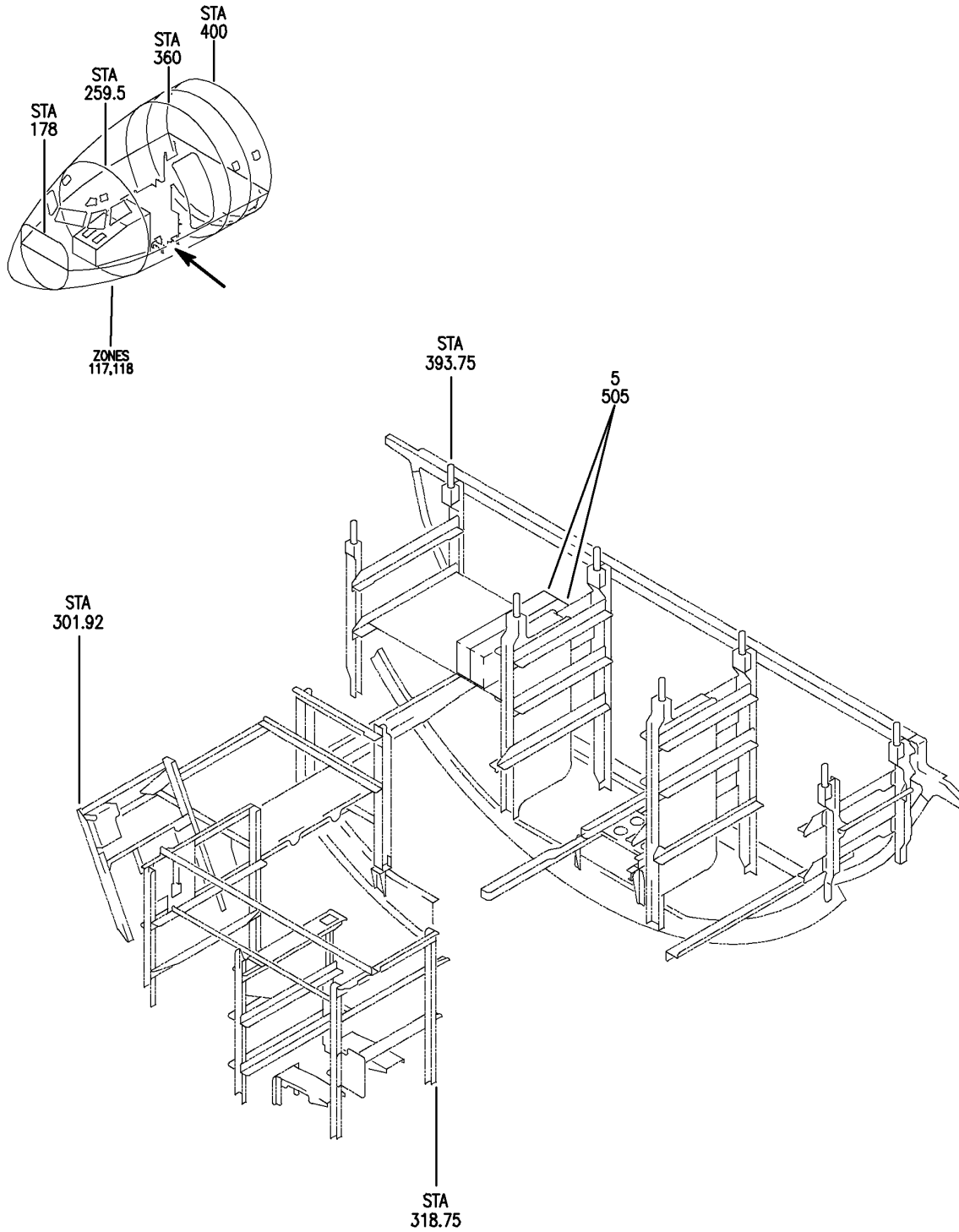
HAP

24-32-11-02

BOEING PROPRIETARY - Copyright © - Unpublished Work - See title page for details.

24-32-11
FIG. 02
PAGE 2
FEB 15/09

BOEING
737-600/700/800/900
PARTS CATALOG (MAINTENANCE)



E 24321103 REV 051

EQUIPMENT INSTL-ELEC/ELEX BAY E4 RACK (TRANSFORMER RECTIFIER ONLY)
FIGURE 3

24-32-11-03

HAP
OCT 10/06

24-32-11-03
PAGE 0

BOEING
737-600/700/800/900
PARTS CATALOG (MAINTENANCE)

FIG ITEM	PART NUMBER	1 2 3 4 5 6 7	NOMENCLATURE	EFFECT FROM TO	UNITS PER ASSY
3			EQUIPMENT INSTL-ELEC/ELEX BAY E4 RACK (TRANSFORMER RECTIFIER ONLY)	001011 201967	
- 1	284A0440-670		EQUIPMENT INSTL-ELEC/ELEX BAY (TRANSFORMER RECTIFIER ONLY) POSITION DATA: E4 RACK FOR NHA/OTHER SYS DET SEE: 25-50-00-12A	201967	RF
- 1	284A0440-800		EQUIPMENT INSTL-ELEC/ELEX BAY (TRANSFORMER RECTIFIER ONLY) POSITION DATA: E4 RACK FOR NHA/OTHER SYS DET SEE: 25-50-00-13A	001011	RF
5	080-20705-01		.UNIT-XFMR RECTIFIER SUPPLIER CODE: V95266 FUNCTIONAL DESCRIPTION: CONVERTS 3-PHASE 115 VOLTS AC INPUT POWER INTO UNREGULATED 28 VOLTS DC OUTPUT POWER FOR THE AIRPLANE DC LOADS. SPECIFICATION NUMBER: 10-3257-6 ELECTRICAL EQUIP NUMBER: T00012 T00013 COMPONENT MAINT MANUAL REF: 24-32-01	001011 201967	2
- 500	286A0422-006		WIRE BUNDLE ASSY	002005	RF
- 500	286A0422-013		WIRE BUNDLE ASSY	001001 006007	RF
- 501	286A0422-022		WIRE BUNDLE ASSY	010011	RF
- 501	286A0422-035		WIRE BUNDLE ASSY	008009	RF
- 501	286A0422-036		WIRE BUNDLE ASSY	201967	RF

MISSING ITEM NUMBERS NOT APPLICABLE

- ITEM NOT ILLUSTRATED

HAP

24-32-11-03

BOEING PROPRIETARY - Copyright © - Unpublished Work - See title page for details.

24-32-11
FIG. 03
PAGE 1
OCT 15/08


BOEING
 737-600/700/800/900
PARTS CATALOG (MAINTENANCE)

FIG ITEM	PART NUMBER	1 2 3 4 5 6 7 NOMENCLATURE	EFFECT FROM TO	UNITS PER ASSY
3 505	DPXAMAA10-33S	.PLUG-T/R UNIT SUPPLIER CODE: V71468 ELECTRICAL EQUIP NUMBER: D00104 D00106 WIRING DIAGRAM REF: 243211	001011 201967	2

MISSING ITEM NUMBERS NOT APPLICABLE

— ITEM NOT ILLUSTRATED

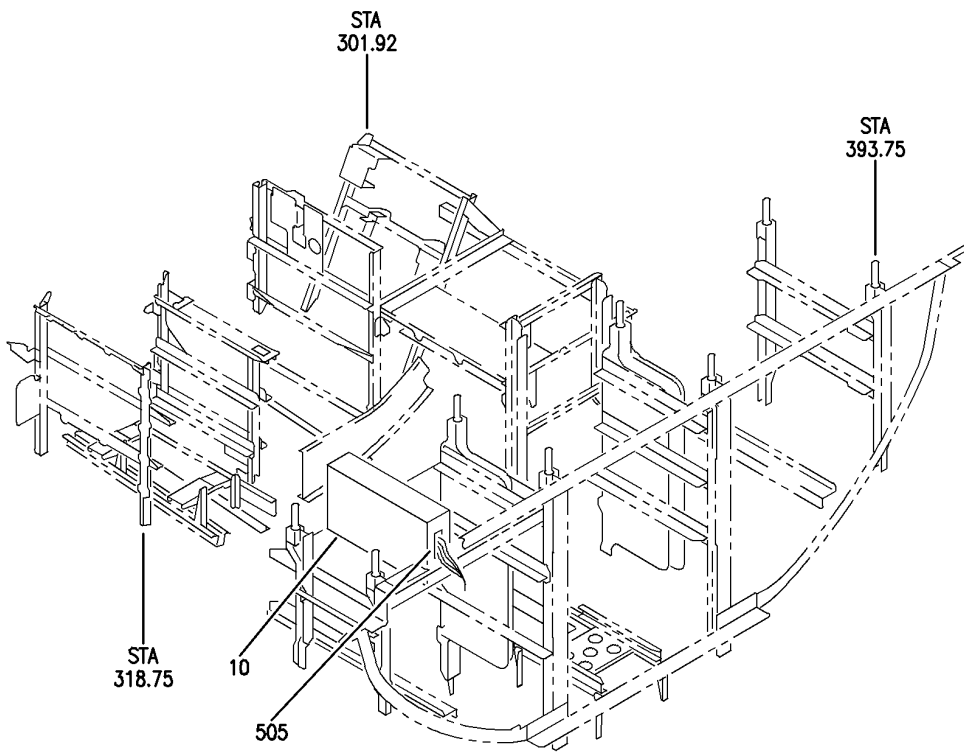
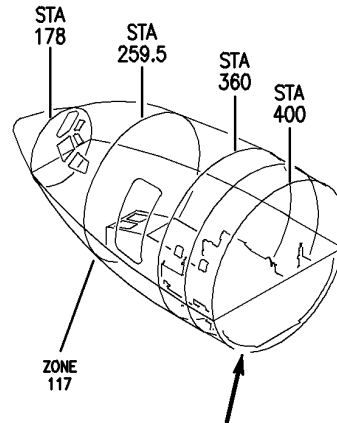
HAP

24-32-11-03

BOEING PROPRIETARY - Copyright © - Unpublished Work - See title page for details.

24-32-11
 FIG. 03
 PAGE 2
 OCT 15/08

BOEING
737-600/700/800/900
PARTS CATALOG (MAINTENANCE)



E 24-32-11-04 REV 051

EQUIPMENT INSTL-E/E BAY E2 RACK (TRANSFORMER RECTIFIER UNIT ONLY)
FIGURE 4

HAP
OCT 10/06

24-32-11-04

24-32-11-04
PAGE 0

 **BOEING**
737-600/700/800/900
PARTS CATALOG (MAINTENANCE)

FIG ITEM	PART NUMBER	1 2 3 4 5 6 7	NOMENCLATURE	EFFECT FROM TO	UNITS PER ASSY
4			EQUIPMENT INSTL-E/E BAY E2 RACK (TRANSFORMER RECTIFIER UNIT ONLY)		
- 1	284A0420-1		EQUIPMENT INSTL-E/E BAY E2 RACK (TRANSFORMER RECTIFIER UNIT ONLY) FOR NHA/OTHER SYS DET SEE: 25-50-00-08	001002 006007	RF
- 1	284A0420-10		EQUIPMENT INSTL-E/E BAY E2 RACK (TRANSFORMER RECTIFIER UNIT ONLY) FOR NHA/OTHER SYS DET SEE: 25-50-00-08	003005 008011 201967	RF
- 1	MODREF252146		EQUIPMENT INSTL-E/E BAY E2 RACK (TRANSFORMER RECTIFIER UNIT ONLY) MODULE NUMBER: 284A0421-6 REV B FOR OTHER SYS DETAILS SEE: 24-21-81-02A 26-10-01-01 30-41-11-02 49-41-61-01 49-41-71-01	031200 968999	1
- 2	284A0421-2		EQUIPMENT INSTL-E/E BAY E2 RACK (TRANSFORMER RECTIFIER UNIT ONLY) FOR NHA/OTHER SYS DET SEE: 25-50-00-08	012023	RF
- 2	284A0421-3		EQUIPMENT INSTL-E/E BAY E2 RACK (TRANSFORMER RECTIFIER UNIT ONLY) FOR NHA/OTHER SYS DET SEE: 25-50-00-08	024027	RF
- 2	284A0421-4		EQUIPMENT INSTL-E/E BAY E2 RACK (TRANSFORMER RECTIFIER UNIT ONLY) FOR NHA/OTHER SYS DET SEE: 25-50-00-08	028030	RF

MISSING ITEM NUMBERS NOT APPLICABLE

- ITEM NOT ILLUSTRATED

HAP

24-32-11-04

24-32-11
FIG. 04
PAGE 1
OCT 15/08

BOEING
737-600/700/800/900
PARTS CATALOG (MAINTENANCE)

FIG ITEM	PART NUMBER	1 2 3 4 5 6 7	NOMENCLATURE	EFFECT FROM TO	UNITS PER ASSY
4 10	080-20705-01		.UNIT- SUPPLIER CODE: V95266 FUNCTIONAL DESCRIPTION: CONVERTS 3-PHASE 115 VOLTS AC INPUT POWER INTO UNREGULATED 28 VOLTS DC OUTPUT POWER FOR THE AIRPLANE DC LOADS. SPECIFICATION NUMBER: 10-3257-6 ELECTRICAL EQUIP NUMBER: T00011 COMPONENT MAINT MANUAL REF: 24-32-01 MAINTENANCE MANUAL REF: 24-32-11		1
- 500	286A0212-018		WIRE BUNDLE ASSY-	201967	RF
- 501	286A0212-027		WIRE BUNDLE ASSY-	001030	RF
- 502	286A0212-058		WIRE BUNDLE ASSY-	031036	RF
- 503	286A0212-075		WIRE BUNDLE ASSY	037046	RF
				054105	
				968999	
505	DPXAMAA10-33S		.PLUG-T/R UNIT SUPPLIER CODE: V71468 ELECTRICAL EQUIP NUMBER: D00102 WIRING DIAGRAM REF: 243211 ATTACHING PARTS	001046 054105 201999	1
- 510	NAS1801-04-6		.SCREW	001046 054105 201999	4
- 515	PLH504CD		.NUT SUPPLIER CODE: VF0224 SPECIFICATION NUMBER: BACN10YR04CD OPTIONAL PART: H52732-04CD V15653 -----*-----	001046 054105 201999	4

MISSING ITEM NUMBERS NOT APPLICABLE

- ITEM NOT ILLUSTRATED

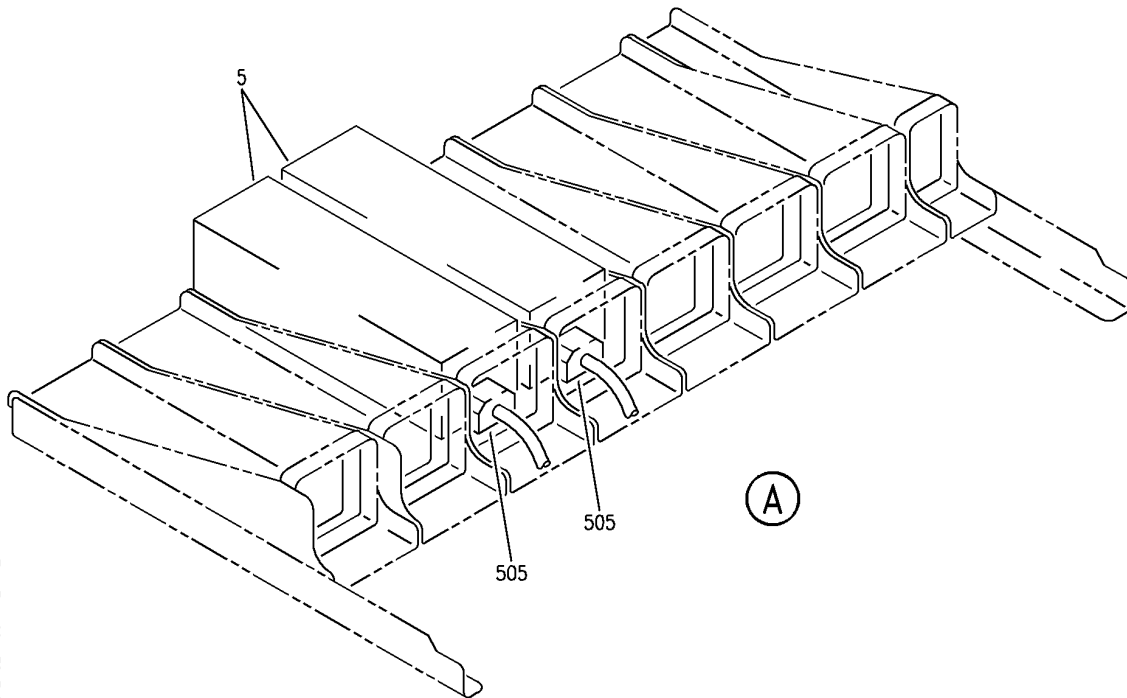
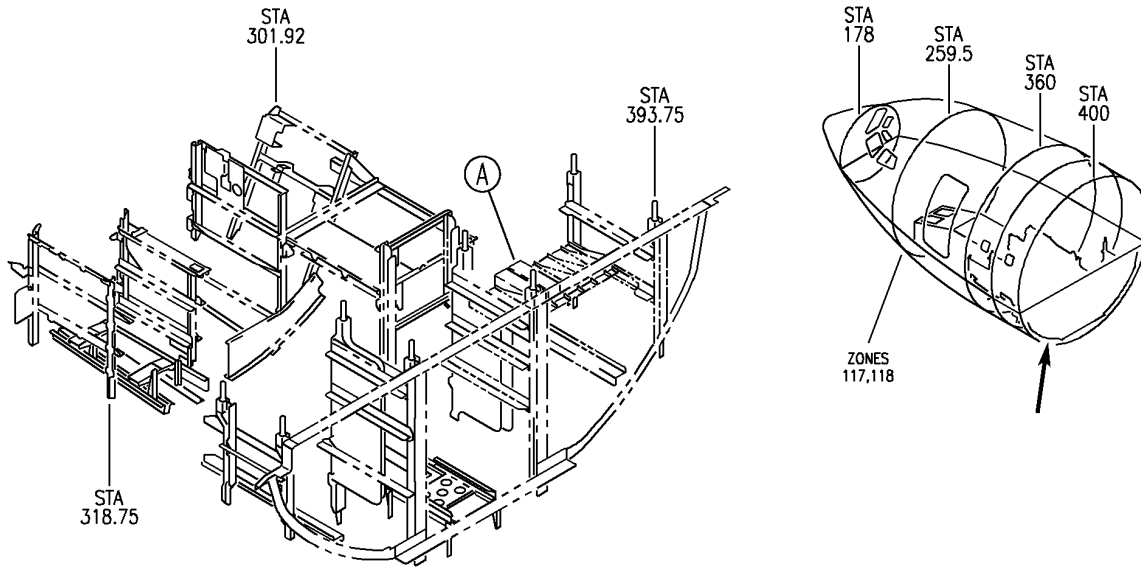
HAP

24-32-11-04

BOEING PROPRIETARY - Copyright © - Unpublished Work - See title page for details.

24-32-11
FIG. 04
PAGE 2
FEB 15/09

BOEING
 737-600/700/800/900
 PARTS CATALOG (MAINTENANCE)



E 24-32-1106 REV 127

EQUIPMENT INSTL-E4 RACK (TRANSFORMER RECTIFIER ONLY)
 FIGURE 6

24-32-11-06

HAP
 FEB 10/07

24-32-11-06
 PAGE 0

 **BOEING**
737-600/700/800/900
PARTS CATALOG (MAINTENANCE)

FIG ITEM	PART NUMBER	1 2 3 4 5 6 7	NOMENCLATURE	EFFECT FROM TO	UNITS PER ASSY
6			EQUIPMENT INSTL-E4 RACK (TRANSFORMER RECTIFIER ONLY)	012030	
- 1	284A0441-6		EQUIPMENT INSTL-E4-RACK (TRANSFORMER RECTIFIER ONLY) PRE SERVICE BULLETIN: 21-1133 FOR NHA/OTHER SYS DET SEE: 25-50-00-13A	012022	RF
- 1	284A0441-8		EQUIPMENT INSTL-E4-RACK (TRANSFORMER RECTIFIER ONLY) FOR NHA/OTHER SYS DET SEE: 25-50-00-13A	023027	RF
- 1	284A0441-9		EQUIPMENT INSTL-E4-RACK (TRANSFORMER RECTIFIER ONLY) POST SERVICE BULLETIN: 21-1133 FOR NHA/OTHER SYS DET SEE: 25-50-00-13A	012022	RF
- 2	284A0441-13		EQUIPMENT INSTL-E4-RACK (TRANSFORMER RECTIFIER ONLY) FOR NHA/OTHER SYS DET SEE: 25-50-00-13A	028030	RF
5	080-20705-01		.UNIT-XFMR RECTIFIER SUPPLIER CODE: V95266 POSITION DATA: E4-2 SHELF FUNCTIONAL DESCRIPTION: CONVERTS 3-PHASE 115 VOLTS AC INPUT POWER INTO UNREGULATED 28 VOLTS DC OUTPUT POWER FOR THE AIRPLANE DC LOADS. SPECIFICATION NUMBER: 10-3257-6 ELECTRICAL EQUIP NUMBER: T00012 T00013 COMPONENT MAINT MANUAL REF: 24-32-01	012030	2
- 500	286A0422-022		WIRE BUNDLE ASSY-E4-2 SHELF	012030	RF

MISSING ITEM NUMBERS NOT APPLICABLE

- ITEM NOT ILLUSTRATED

HAP

24-32-11-06

BOEING PROPRIETARY - Copyright © - Unpublished Work - See title page for details.

24-32-11
FIG. 06
PAGE 1
FEB 10/07

BOEING
737-600/700/800/900
PARTS CATALOG (MAINTENANCE)

FIG ITEM	PART NUMBER	1 2 3 4 5 6 7	NOMENCLATURE	EFFECT FROM TO	UNITS PER ASSY
6 505	DPXAMAA10-33S		.PLUG-T/R UNIT SUPPLIER CODE: V71468 ELECTRICAL EQUIP NUMBER: D00104 D00106 WIRING DIAGRAM REF: 243211 ATTACHING PARTS	012030	2
- 510	NAS1801-04-6		.SCREW	012030	8
- 515	PLH504CD		.NUT SUPPLIER CODE: VF0224 SPECIFICATION NUMBER: BACN10YRO4CD OPTIONAL PART: H52732-04CD V15653 -----*-----	012030	8
- 520	63-9273-2		.SPACER- ELECTRICAL EQUIP NUMBER: D00104T D00106T WIRING DIAGRAM REF: 243211	012030	2

MISSING ITEM NUMBERS NOT APPLICABLE

- ITEM NOT ILLUSTRATED

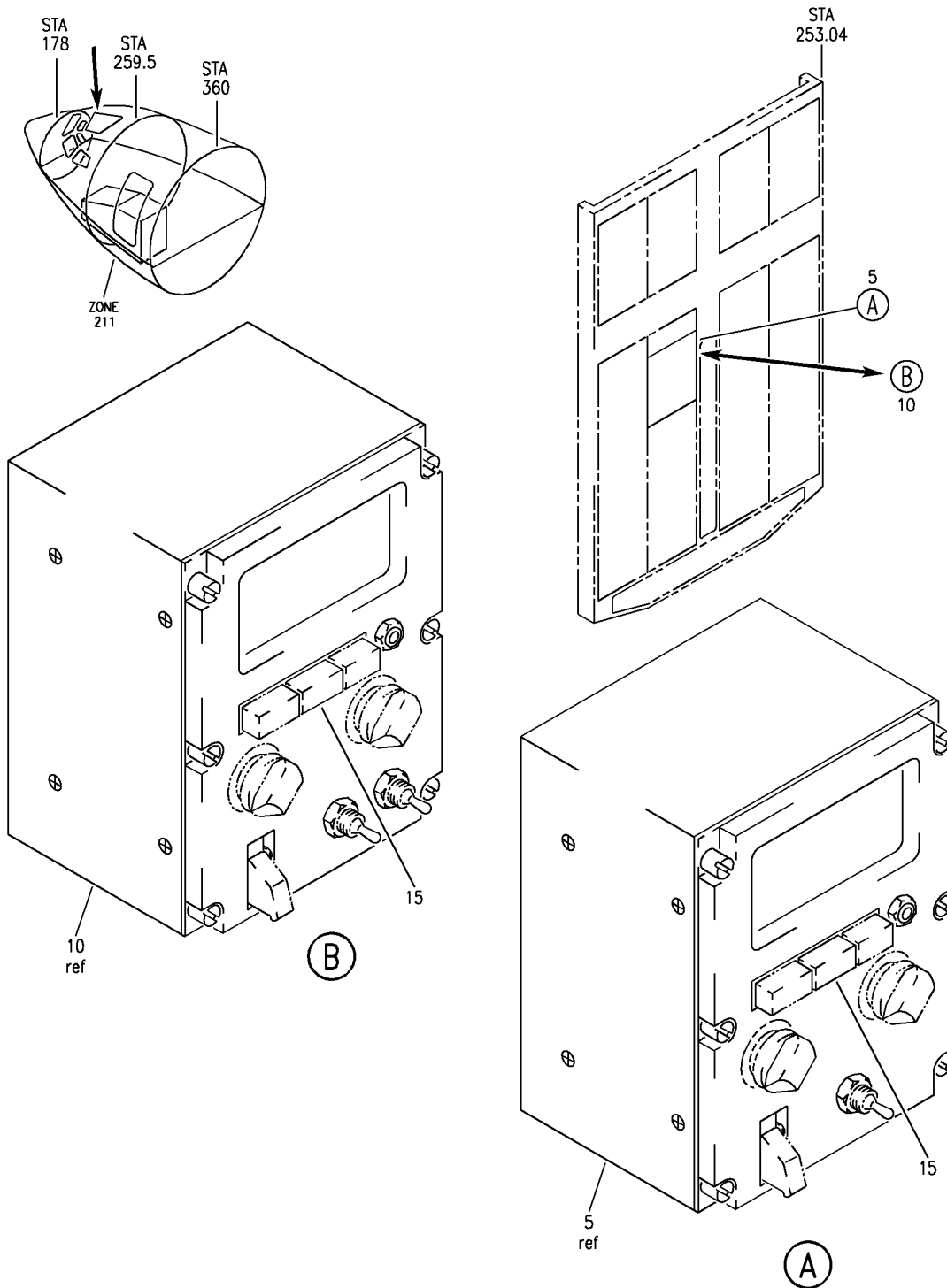
HAP

24-32-11-06

BOEING PROPRIETARY - Copyright © - Unpublished Work - See title page for details.

24-32-11
FIG. 06
PAGE 2
FEB 15/09

BOEING
 737-600/700/800/900
 PARTS CATALOG (MAINTENANCE)



E 24-325101 REV 118

MODULE INSTL-ELEC METER BATTERY AND GALLEY PWR 30 MIN STBY (TRANSFORMER RECTIFIER UNIT ONLY)

FIGURE 1

24-32-51-01

HAP
 OCT 10/06

24-32-51-01
 PAGE 0

BOEING
737-600/700/800/900
PARTS CATALOG (MAINTENANCE)

FIG ITEM	PART NUMBER	1 2 3 4 5 6 7	NOMENCLATURE	EFFECT FROM TO	UNITS PER ASSY
1	10 285A1840-8		.MODULE ASSY- SUPPLIER CODE: V89954 ELECTRICAL EQUIP NUMBER: P00513 COMPONENT MAINT MANUAL REF: 24-00-06	031200 968999	RF
	15 19192-003		..LIGHT ASSY-PRESS TO TEST IND-TR UNIT SUPPLIER CODE: V81590 ELECTRICAL EQUIP NUMBER: P00513S2	029200 968999	1

MISSING ITEM NUMBERS NOT APPLICABLE

— ITEM NOT ILLUSTRATED

HAP

24-32-51-01

BOEING PROPRIETARY - Copyright © - Unpublished Work - See title page for details.

24-32-51
FIG. 01
PAGE 2
JUN 15/09